

Power-PRO™ TL Cot Fastener System

Operations Manual

REF 6385

REF 6386

REF 6387

REF 6388

REF 6389



Symbols















	Consult instructions for use
	General warning
	Caution
	CE mark
	UK Conformity Assessment mark
	Importer
	Unique device identifier
	Authorized representative in the European Community
	Authorized representative in Switzerland
	European medical device
	Catalogue number
	For US Patents see www.stryker.com/patents
	Manufacturer
	Date of manufacture

Table of Contents

Warning/Caution/Note Definition	2
Summary of safety precautions	2
Introduction	3
Product description	3
Indications for use	3
Clinical benefits	3
Contraindications	4
Expected service life	4
Disposal/recycle	4
Specifications	4
Product illustration	5
Contact information	5
Serial number location	6
Date of manufacture	6
Setup	7
Installation	8
Installing the floor plate	8
Installing the head end and foot end fastener (Model 6385)	9
Installing the head end and foot end fastener (Model 6386 and 6387)	10
Installing the head end and foot end fastener (Model 6388 and 6389)	12
Installing the 255 MM floor track (Model 6386 and 6388)	13
Installing the 300 MM floor track (Model 6387 and 6389)	13
Installation checklist	15
Operation	16
Loading a cot into the fastener	16
Unloading the cot from the fastener	16
Cleaning	18
Suggested cleaners	18
Removing iodine compounds	18
Preventive maintenance	19

Warning/Caution/Note Definition

The words **WARNING**, **CAUTION**, and **NOTE** carry special meanings and should be carefully reviewed.

WARNING

Alerts the reader about a situation which, if not avoided, could result in death or serious injury. It may also describe potential serious adverse reactions and safety hazards.

CAUTION

Alerts the reader of a potentially hazardous situation which, if not avoided, may result in minor or moderate injury to the user or patient or damage to the product or other property. This includes special care necessary for the safe and effective use of the device and the care necessary to avoid damage to a device that may occur as a result of use or misuse.

Note - Provides special information to make maintenance easier or important instructions clearer.

Summary of safety precautions

Always read and strictly follow the warnings and cautions listed on this page. Service only by qualified personnel.

WARNING

- Always install the cot fastener by qualified personnel only. Improper installation could result in injury to the patient or operator.
 - Always make sure that all cots meet the installation specifications for the **Power-PRO** TL Cot Fastener System. Injury may result if a non-compatible cot is used with the **Power-PRO** TL Cot Fastener System.
 - Always replace the cot fastener system if it has been involved in an accident to avoid the risk of injury due to product damage.
 - Always install the floor plate by qualified personnel only. Improper installation could result in injury to the patient or operator.
 - Do not use screws smaller than the 3/8" diameter specified to anchor the floor plates.
 - Do not use hand or fingers to press down on the release lever when the hooks are open. The fastener closes with a strong spring action.
-

CAUTION

- Improper usage of the product can cause injury to the patient or operator. Operate the product only as described in this manual.
 - Do not modify the product or any components of the product. Modifying the product can cause unpredictable operation resulting in injury to patient or operator. Modifying the product also voids its warranty.
 - Always make sure that the cot is in the lowest height position before you load the cot into the fastener. Press the retract (-) button until the cot stops moving down to make sure that the cot locks into the fastener.
 - Do not press the extend (+) button while the cot is secured into the fastener to avoid injury and product damage.
-

Introduction

This manual assists you with the operation or maintenance of your Stryker product. Read this manual before operating or maintaining this product. Set methods and procedures to educate and train your staff on the safe operation or maintenance of this product.

CAUTION

- Improper usage of the product can cause injury to the patient or operator. Operate the product only as described in this manual.
 - Do not modify the product or any components of the product. Modifying the product can cause unpredictable operation resulting in injury to patient or operator. Modifying the product also voids its warranty.
-

Note

- This manual is a permanent part of the product and should remain with the product even if the product is sold.
- Stryker continually seeks advancements in product design and quality. This manual contains the most current product information available at the time of printing. There may be minor discrepancies between your product and this manual. If you have any questions, contact Stryker Customer Service or Technical Support at 1-800-327-0770.

Product description

The Stryker Model 6385, 6386, 6387, 6388, and 6389 **Power-PRO™** TL Cot Fastener System is designed to hold a compatible ambulance cot in an emergency vehicle for patient transport purposes. The cot fastener performs this function after the user manually loads the compatible cot into the emergency vehicle and guides it into the fastener.

Indications for use

The **Power-PRO** TL Cot Fastener System is intended to restrict movement of an ambulance cot being transported in the patient compartment of an ambulance under normal conditions.

Usage of this product in any other way becomes the complete responsibility of the owner/user. Use caution at all times during placement of the cot into the ambulance. The Model 6550 **Power-PRO** TL Cot in combination with a **Power-PRO** TL Cot Fastener System is designed in accordance to BS EN 1789, Medical Vehicles and their Equipment - Road Ambulances.

Clinical benefits

Cot: patient transport

Fastener: support cot for transport

Cot and fastener system: support and transport patients

Contraindications

None known.

Expected service life

Cot fasteners have a seven year expected service life under normal use conditions and with appropriate periodic maintenance.

Disposal/recycle

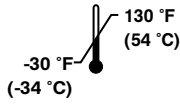
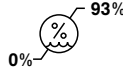
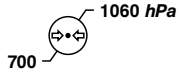
Always follow the current local recommendations and/or regulations governing environmental protection and the risks associated with recycling or disposing of the equipment at the end of its useful life.

Specifications

Model	6385 - cot fastener floor plate mounting (6385-000-000)
	6386 - cot fastener 255mm floor track mounting (6386-000-000)
	6387 - cot fastener 300mm floor track mounting (6387-000-000)
	6388 - cot fastener 255mm floor track mounting (6388-000-000)
	6389 - cot fastener 300mm floor track mounting (6389-000-000)
Cot compatibility	Model 6550 Power-PRO TL Cot
Certifications	BS EN: 1789

Note

- Stryker has crash-tested the **Power-PRO** TL Cot Fastener System with the Model 6550 **Power-PRO** TL Cot to the BS EN: 1789 standard.
- Use of this product with another manufacturer's product is at the user's discretion.

Environmental conditions	Operation
Temperature	
Relative humidity	
Atmospheric pressure	

Product illustration

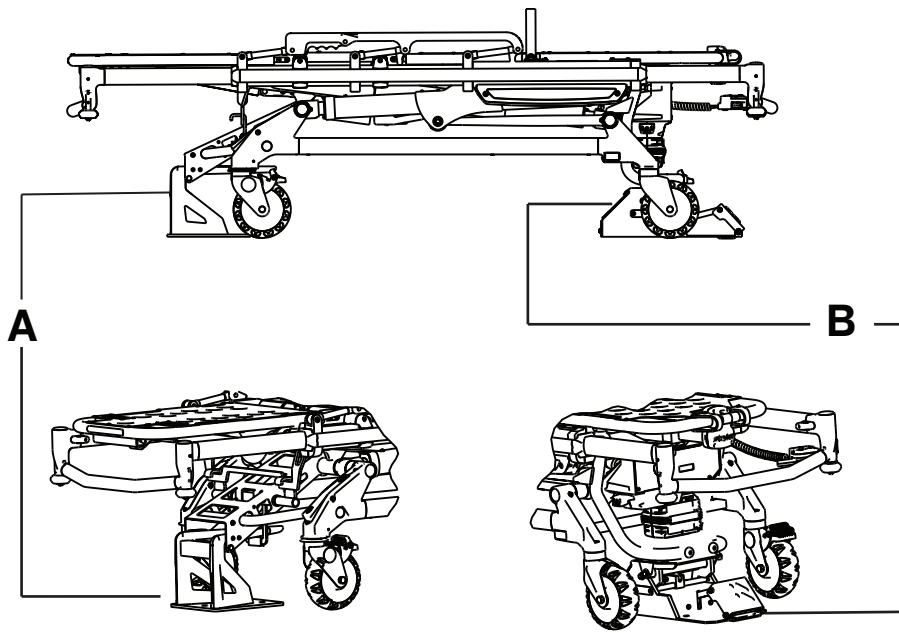


Figure 1 – Power-PRO TL Cot Fastener System

Note - The Power-PRO TL Cot Fastener System consists of a head end and foot end fastener.

A	Head end fastener
B	Foot end fastener

Contact information

Contact Stryker Customer Service or Technical Support at: 1-800-327-0770.

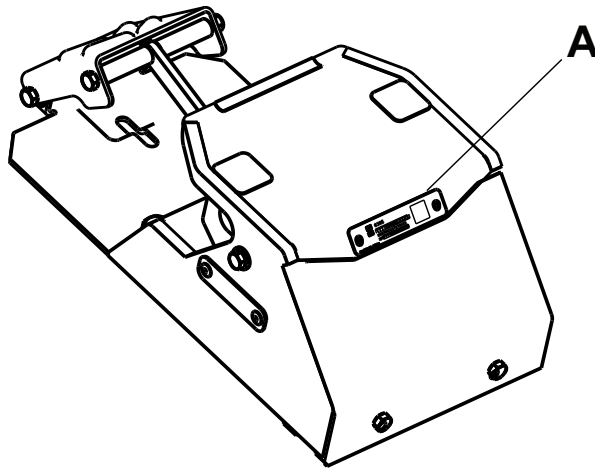
Stryker Medical
3800 E. Centre Avenue
Portage, MI 49002
USA

Note - The user and/or the patient should report any serious product-related incident to both the manufacturer and the Competent authority of the European Member State where the user and/or patient is established.

To view your operations or maintenance manual online, see <https://techweb.stryker.com/>.

Have the serial number (A) of your Stryker product available when calling Stryker Customer Service or Technical Support. Include the serial number in all written communication.

Serial number location



Date of manufacture

The year of manufacture is the first 2 digits of the serial number.

Setup

WARNING

- Always install the cot fastener by qualified personnel only. Improper installation could result in injury to the patient or operator.
 - Always make sure that all cots meet the installation specifications for the **Power-PRO** TL Cot Fastener System. Injury may result if a non-compatible cot is used with the **Power-PRO** TL Cot Fastener System.
 - Always replace the cot fastener system if it has been involved in an accident to avoid the risk of injury due to product damage.
-

The condition of the cot fastener system is the responsibility of the user. Have a qualified service person use the following list and operation instructions to check functionality.

- _____ Floor plates are included and intact (Model 6385 only). See *Installing the floor plate* (page 8).
- _____ Foot end fastener and head end fastener are included and intact. See *Installing the head end and foot end fastener (Model 6385)* (page 9), *Installing the head end and foot end fastener (Model 6386 and 6387)* (page 10), and *Installing the head end and foot end fastener (Model 6388 and 6389)* (page 12).
- _____ Foot end fastener locks and unlocks. See *Installing the head end and foot end fastener (Model 6385)* (page 9), *Installing the head end and foot end fastener (Model 6386 and 6387)* (page 10), and *Installing the head end and foot end fastener (Model 6388 and 6389)* (page 12).

Installation

Installing the floor plate

The **Power-PRO** TL Cot Fastener System for the floor plate mounting model is compatible only with cots that conform to the floor plate mounting installation specifications listed below.

WARNING

- Always install the floor plate by qualified personnel only. Improper installation could result in injury to the patient or operator.
- Always make sure that all cots meet the installation specifications for the **Power-PRO** TL Cot Fastener System. Injury may result if a non-compatible cot is used with the **Power-PRO** TL Cot Fastener System.
- Do not use screws smaller than the 3/8" diameter specified to anchor the floor plates.

1. Determine the desired position of the cot inside the vehicle to allow for proper clearance around the cot.

Note - Federal ambulance specifications regarding aisle width and attendant seating may affect mounting bracket positioning. If specifications do not apply, the installer should make sure that there is adequate clearance for proper patient access, traction splint projection, and rear door closure.

2. Using the dimensions shown in Figure 2, locate and drill the points where the floor plates will attach.

Note

- Make sure that the centerline of the cot is parallel to the vehicle wall.
- Make sure that you space the floor plates evenly around the centerline of the cot.
- Stryker recommends 370 mm from the centerline of the cot to the vehicle side wall to allow for wheel rotation.

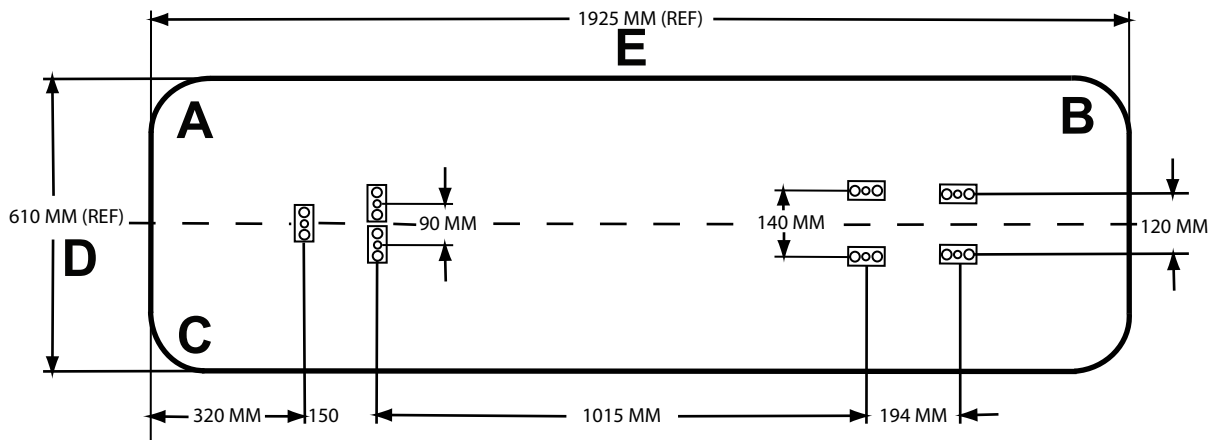


Figure 2 – Floor plate installation locations

A	Head end	D	Cot width
B	Foot end	E	Cot length
C	Front of vehicle		

3. Cut 1" x 2-1/2" x 9/16" deep recessed openings (F) into the floor centered over the locating holes (Figure 3).
4. Using two 3/8" diameter (grade 8) socket head cap screws (G), anchor each floor plate (H) into the recessed openings with the counter-bored holes facing up (Figure 4).

Note

- Steel backing plates (or equivalent) (I) (not supplied) are required for added support (Figure 4).
- For the foot end, use four steel backing plates with dimensions 4" x 6" x 3/8". For the head end, use one steel backing plate with dimensions 9.25" x 10" x 3/8".

- If the steel backing plate is not threaded, use a washer and 3/8"-16 locking nut when you install the steel backing plate.

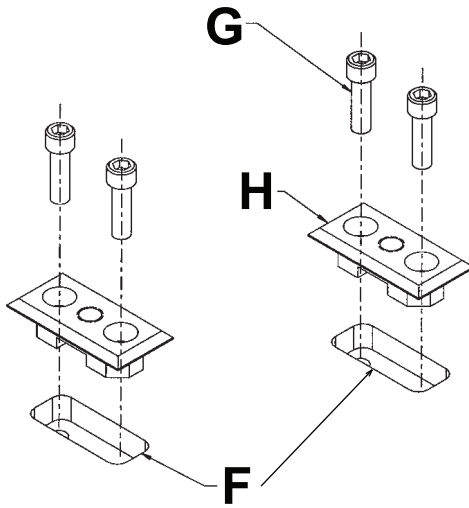


Figure 3 – Cut recessed openings over locating holes

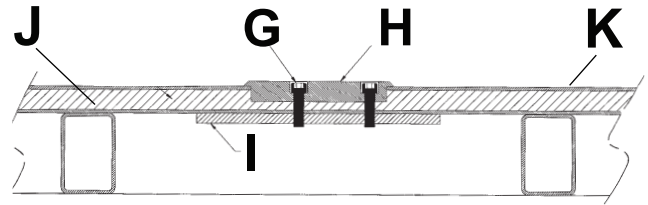


Figure 4 – Anchor floor plate into recessed openings

F	Recessed opening
G	Socket head cap screw
H	Floor plate

I	Steel backing plate
J	Plywood
K	Flooring

Installing the head end and foot end fastener (Model 6385)

1. Remove the back cover (K) from the foot end fastener (J) (Figure 5).
2. Mount the foot end fastener on the four floor plates and secure with 1/2"-13 hex head cap screws and lock washers.
3. Secure the back cover onto the foot end fastener.
4. Mount the head end fastener (L) on the three floor plates and secure with three 1/2"-13 hex head cap screws and lock washers.
5. Make sure that you space the head end fastener and foot end fastener 948 mm apart (Figure 6).

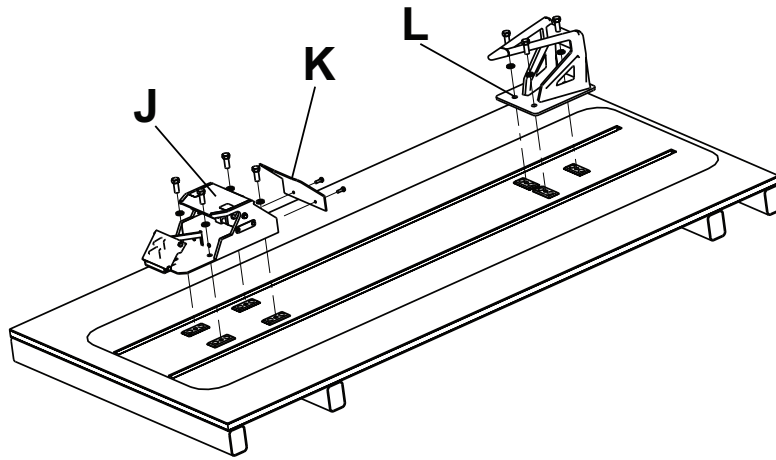


Figure 5 – Head end and foot end fastener - floor plate installation

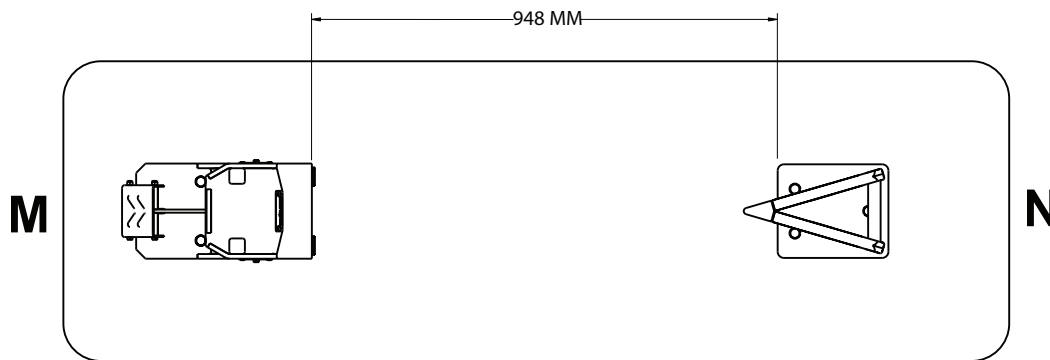


Figure 6 – Fastener spacing

M	Foot end
N	Head end

Installing the head end and foot end fastener (Model 6386 and 6387)

To assemble both cot fasteners:

1. Position the eight washers (P) between the eight screws (O) (four on each side) and the foot end fastener lock down base plate (Q) (Figure 7).

Note - Position the track mounted fastener (**Unwin** adaptor) (R) under the foot end fastener lock down base plate (Q). Make sure that the black arrow on the **Unwin** adaptor points toward the front of the ambulance.

2. Loosely tighten the screws (O) to attach the **Unwin** adaptor (R) to the foot end fastener lock down base plate (Q).
3. Repeat steps 1-2 to attach the **Unwin** adaptor to the head end fastener lock down base plate.

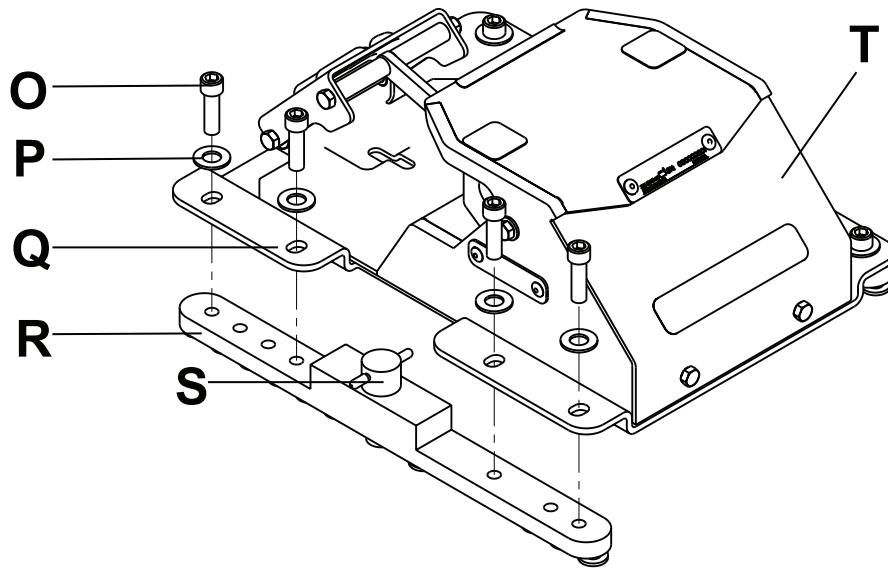


Figure 7 – Assemble the foot end fastener

To assemble both cot fasteners:

4. Identify the location for the foot end fastener and head end fastener from Figure 10 for Model 6386 and Figure 11 for Model 6387.

Note - Make sure that the black arrow on the **Unwin** adaptor points toward the front of the ambulance.

5. Turn the plunger key counter-clockwise to unlock the plunger on the **Unwin** adaptor (R) of the foot end fastener (T) (Figure 7).
6. Lift and turn the plunger key one half of a turn to disengage the plunger (S).
7. Align the foot end fastener on the floor track.
8. Turn the plunger key clockwise to engage the plunger and lock the **Unwin** adaptor (R) to the floor track.
9. Repeat steps 5-8 to install the head end fastener to the floor track (Figure 8).

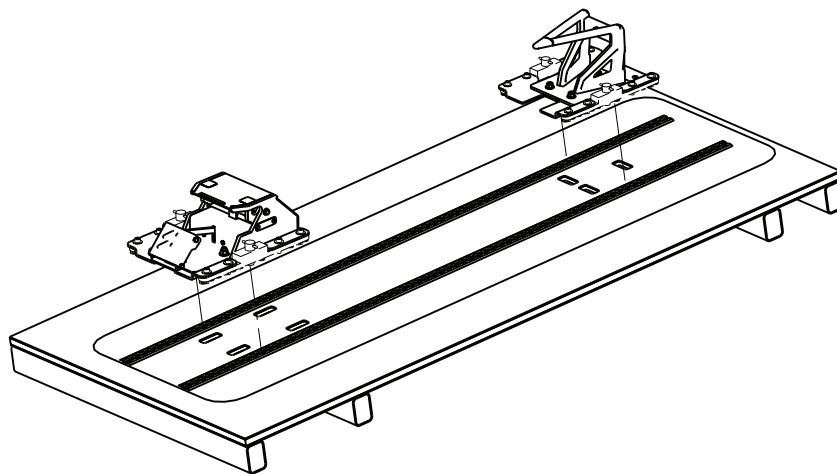


Figure 8 – Head end and foot end fastener - floor track installation

10. Make sure that you space the head end fastener and foot end fastener 948 mm apart (Figure 6).
11. Loosen the four screws on both sides of the fastener that attach the locks into the lock down base plate.

Note - Adjust the **Unwin** adaptors as needed to fit into the tracks.

12. Align the locks with the floor tracks and tighten the screws (loosened in step 11).

Note - The **Unwin** adaptors are supplied by **Unwin Safety Systems**.

Installing the head end and foot end fastener (Model 6388 and 6389)

To assemble both cot fasteners:

1. Position the four supplied lock down washers (6388-001-080) (W) between the track mounted fastener (**NMI** adaptor) (V) and the foot end fastener lock down base plate (X) (Figure 9).
2. Loosely tighten the wing nuts (U) to attach the **NMI** adaptor (V) to the foot end fastener lock down base plate (X) (Figure 9).
3. Repeat steps 1-2 to attach the **NMI** adaptor to the head end fastener lock down base plate.

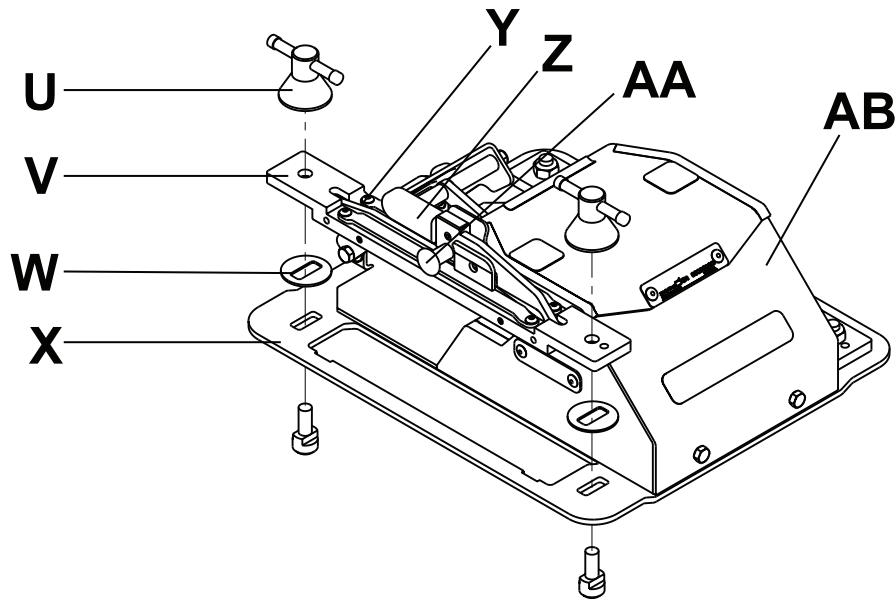


Figure 9 – Assemble the foot end fastener

To assemble both cot fasteners:

4. Identify the location for the foot end fastener and head end fastener from Figure 10 for Model 6388 and Figure 11 for Model 6389.
5. Pull the pin (AA) to unlock the **NMI** adaptor (V) of the foot end fastener (AB) (Figure 9).
6. Pull the handle (Z) and then the wedge (Y) up to open.
7. Align the foot end fastener (AB) on the floor track.
8. Fold the wedge (Y) and then the handle (Z) down to lock the **NMI** adaptor (V) to the floor track.
9. Tighten the wing nuts to attach the **NMI** adaptor (V) to the foot end fastener lock down base plate (X).
10. Repeat steps 5-7 to install the head end fastener on the floor track (Figure 5).
11. Make sure that you space the head end fastener and foot end fastener 948 mm apart (Figure 6).
12. Loosen the two wing nuts on both sides of the fastener that attach the locks to the lock down base plate.

Note

- Adjust the **NMI** adaptors as needed to fit into the tracks.
- The **NMI** Adaptors are supplied by **NMI Safety Systems**.

Installing the 255 MM floor track (Model 6386 and 6388)

The **Power-PRO TL Cot Fastener System** for the floor track mounting Model 6386 and 6388 is compatible only with cots that conform to the floor track mounting installation specifications listed below.

1. Determine the desired position of the cot inside the vehicle to allow for proper clearance around the cot.

Note - Federal ambulance specifications regarding aisle width and attendant seating may affect positioning of the mounting brackets. If specifications do not apply, the installer should be certain that there is adequate clearance for proper patient access, traction splint projection, and rear door closure.

2. Using the dimensions shown in Figure 10, identify where the floor tracks will attach.
3. Attach the floor tracks as specified by the track manufacturer.

Note

- Make sure that the centerline of the cot is parallel to the vehicle wall.
- Make sure that the tracks extend at least 200 mm beyond each locking position in both directions.

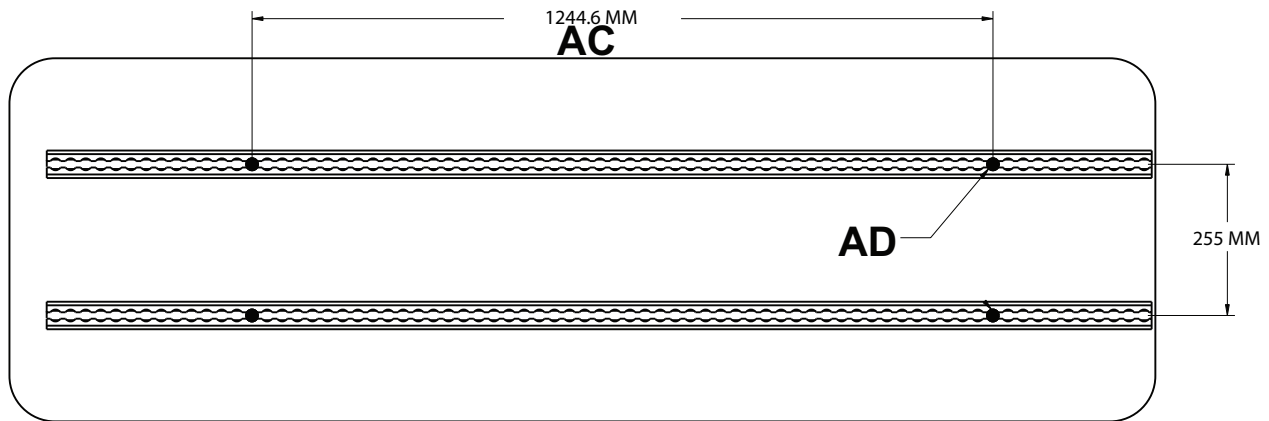


Figure 10 – Floor track installation locations

AC	49 positions
AD	Locks use indicated track positions

Installing the 300 MM floor track (Model 6387 and 6389)

The **Power-PRO TL Cot Fastener System** for the floor track mounting Model 6387 and 6389 is compatible only with cots that conform to the floor track mounting installation specifications listed below.

1. Determine the desired position of the cot inside the vehicle to allow for proper clearance around the cot.

Note - Federal ambulance specifications regarding aisle width and attendant seating may affect positioning of the mounting brackets. If specifications do not apply, the installer should be certain that there is adequate clearance for proper patient access, traction splint projection, and rear door closure.

2. Using the dimensions shown in Figure 11, identify where the floor tracks will attach.
3. Attach the floor tracks as specified by the track manufacturer.

Note

- Make sure that the centerline of the cot is parallel to the vehicle wall.
- Make sure that the tracks extend at least 200 mm beyond each locking position in both directions.

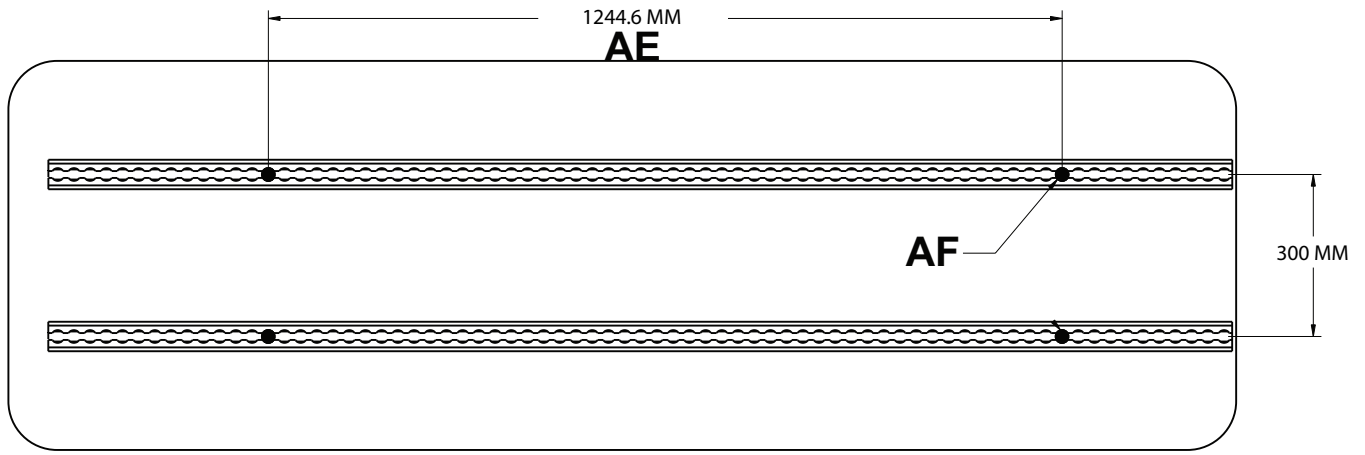


Figure 11 – Floor track installation locations

AE	49 positions
AF	Locks use indicated track positions

Installation checklist

Follow this checklist with a Model 6385, 6386, 6387, 6388, and 6389 **Power-PRO** TL Cot Fastener System compatible cot.

- _____ Make sure that you do not have any unused components after installation. Your product does not ship with any extra components. If you have any unused components after installation, call Stryker service.
- _____ Check that all bolts and screws are tightened with no signs of protruding or missing fasteners.
- _____ Load the compatible cot into the cot fastener. See *Specifications* (page 4) for cot compatibility.
- _____ Make sure that the cot is locked into the cot fastener by pulling in and out and side to side on the foot end of the cot.
- _____ Push the release lever, then pull to remove the cot from the vehicle patient compartment.
- _____ Test the cot for proper operation. See the Model 6550 **Power-PRO** TL Cot Operations Manual.

Product serial number:			
Installed by:		Date:	
Inspected by:		Date:	

Note - Maintain a copy of this record for at least seven years.

Operation

Loading a cot into the fastener

WARNING - Do not use hand or fingers to press down on the release lever when the hooks are open. The fastener closes with a strong spring action.

CAUTION

- Always make sure that the cot is in the lowest height position before you load the cot into the fastener. Press the retract (-) button until the cot stops moving down to make sure that the cot locks into the fastener.
 - Do not press the extend (+) button while the cot is secured into the fastener to avoid injury and product damage.
-
1. Press the pedal down and make sure that the cot is in the lowest height position before you load the cot into the fastener (Figure 12).
Note - To make sure that the cot is in the lowest height position, press the retract (-) button until the cot stops moving downward.
 2. Guide the cot into the head end and foot end fasteners until the locking mechanism is secure (Figure 13).

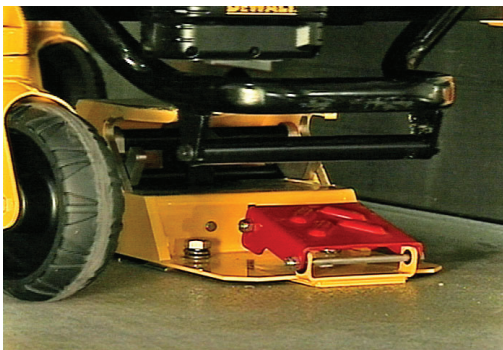


Figure 12 – Pedal fully depressed



Figure 13 – Cot in fastener (foot end)

3. Make sure that the cot is secured into both fasteners before you release your grip on the cot (Figure 14).

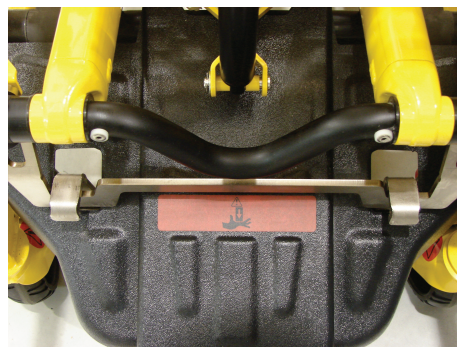


Figure 14 – Cot in fastener (head end)

Unloading the cot from the fastener

WARNING - Do not use hand or fingers to press down on the release lever when the hooks are open. The fastener closes with a strong spring action.

1. Press down on the foot pedal until the locking mechanism releases the cot (Figure 15).

2. Remove the cot from the fastener and roll the cot out of the vehicle patient compartment (Figure 16).

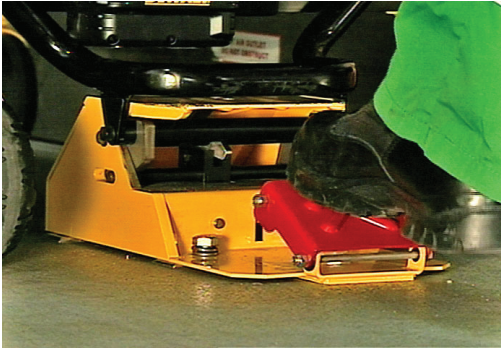


Figure 15 – Press down on the foot pedal

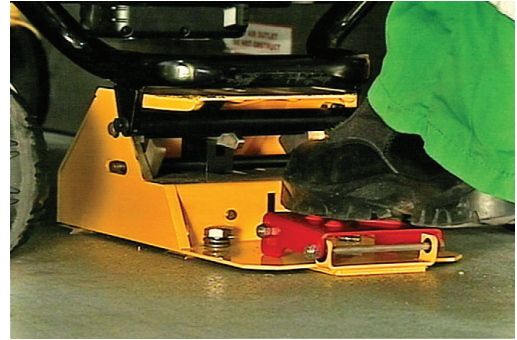


Figure 16 – Remove the cot from the vehicle

Cleaning

Suggested cleaners

In general, when used in concentrations recommended by the manufacturer, either phenolic type or quaternary (excluding **Virex® TB**) type disinfectants can be used. Iodophor type disinfectants are not recommended for use because staining may occur.

Suggested cleaners include:

- Quaternary cleaners (active ingredient - ammonium chloride)
- Phenolic cleaners (active ingredient - o-phenylphenol)
- Chlorinated bleach solution (5.25% - less than 1 part bleach to 100 parts water)

Avoid over saturation. Do not allow the product to stay wet longer than the chemical manufacturer's guidelines for proper disinfecting.

Note

- Failure to follow the above directions when using these types of cleaners may void this product's warranty.
- Always wipe the product with clean water and dry after cleaning. Some cleaning products are corrosive in nature and may cause damage to the product. Failure to properly rinse and dry the product leaves a corrosive residue on the surface of the product and may cause premature corrosion of critical components.

Removing iodine compounds

1. Make a solution of 1/2 tablespoon of sodium thiosulfate in a pint of warm water. Use the solution to wipe down the stained area.
2. Clean the stain as soon as possible after the stain occurs.
3. If stains are not immediately removed, allow solution to soak or stand on the surface before you wipe.
4. Rinse the exposed surfaces with the solution and with clear water before you return the product to service.

Preventive maintenance

Fastener lubrication

Note

- You can use **Tri-Flow™** with **Teflon®** lubricant to reduce the force required to secure and release the cot, minimize wear, or if the pedal does not stay down with the cot removed.
- Do not use silicone, **WD-40®**, or lithium grease to avoid harm to the moving parts of the cot fastener system.

To lubricate the fastener:

1. Remove the back fastener cover.
2. Spray **Tri-Flow™** with **Teflon®** lubricant (6082-199-012) onto the area indicated below (A) (Figure 17).

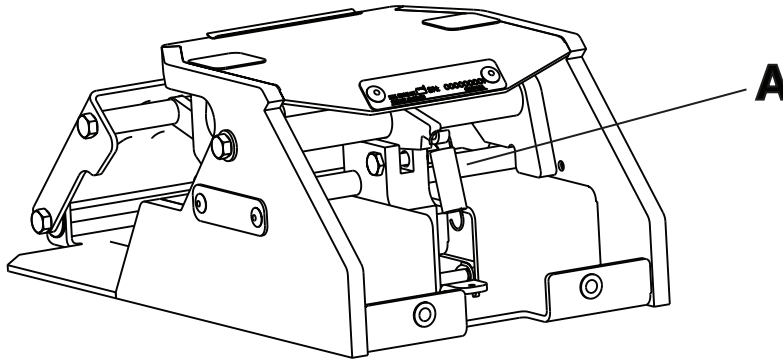


Figure 17 – Fastener lubrication

Regular inspection and adjustments

The following schedule is a general guide to maintenance. Factors such as weather, terrain, geographical location, and individual usage will alter the required maintenance schedule. If you are unsure how to perform these checks or what maintenance intervals to follow for your product, contact your Stryker Service Technician. Check each routine and replace worn parts if necessary.

Routine	Every			
	1 month	3 months	6 months	12 months
Cot and cot fastener fit and function				X
All fasteners are secure		X		
Lubricate the lock (see <i>Fastener lubrication</i> above)	As needed			

stryker



Stryker Medical
3800 E. Centre Avenue
Portage, MI 49002
USA