

**Power-LOAD™  
Cot Fastener System**

**REF 6390**

# stryker®

## **Parts Manual**



**CE**



# International Addresses



## EUROPE HEADQUARTERS

**Stryker SA**  
Cite-Centre, Grand-Rue 90  
P.O. Box 1568  
1820 Montreux, Switzerland  
Phone: 41-21-966-12-01  
Fax: 41-21-966-12-00

## EASTERN EUROPE

**Stryker SA - Export Business**  
Grand-Rue 90  
P.O. Box 1567  
1820 Montreux, Switzerland  
Phone: 41-21-966-14-00  
Fax: 41-21-966-14-01

## AUSTRALIA

**Stryker Australia**  
8 Herbert Street  
St Leonards NSW 2065  
Australia  
Phone: 61-2-9467-1000  
Fax: 61-2-9467-1010

## AUSTRIA

**Stryker GmbH**  
Euro Plaza, Gebäude G  
Am Euro Platz 2  
1120 Wien  
Austria  
Phone: 43-1-8132000  
Fax: 43-1-8131616

## BELGIUM

**NV Stryker SA**  
Ikaros Business Park- Fase III  
Ikaroslaan 12  
1930 Zaventem, Brussels  
Belgium  
Phone: 32-2-717-9210  
Fax: 32-2-717-9249

## DENMARK

**Stryker Denmark**  
Filial of Stryker AB  
Postbox 772  
1532 Copenhagen  
Denmark  
Phone: 45-33-93-6099  
Fax: 45-33-93-2069

## UK/IRELAND

**Stryker UK Limited**  
Stryker House  
Hambridge Road  
Newbury, Berkshire  
RG14 5EG, England  
Phone: 44-1635-556-500  
Phone: 44-1635-262-400  
Fax: 44-1635-580-300

## FINLAND

**Stryker AB, Finland**  
PO 80 Makelankatu 2  
00501 Helsinki  
Finland  
Phone: 35-89-774-4680  
Fax: 35-89-774-46820

## FRANCE

**Stryker France S.A.S.**  
ZAC - Avenue de Satolas Green  
69330 Pusignan  
France  
Phone: 33-472-45-36-00  
Fax: 33-472-45-36-99

## GERMANY

**Stryker Howmedica GmbH**  
Dr. Homer Stryker Platz 1  
47228 Duisburg  
Germany  
Phone: 49-2065-837-0  
Fax: 49-2065-837-837

## GREECE

**Stryker Hellas EPE**  
455 Messogion Ave  
153 43 Agia Paraskevi  
Athens, Greece  
Phone: 30-2-10-600-32-22  
Fax: 30-2-10-600-48-12

## ITALY

**Stryker Italia Srl**  
Via Ghisalba 15B  
00188 Roma  
Italy  
Phone: 39-06-33-05-41  
Fax: 39-06-33-614-067

## MIDDLE EAST / NORTH AFRICA

**Stryker Osteonics SA**  
Twin Towers  
11th Floor, Suite 1101 & 1102  
P.O. Box 41446  
Baniyas Road  
Dubai, Deira, UAE  
Phone: 97-14-222-2842  
Fax: 97-14-224-7381

## NETHERLANDS

**Stryker Nederlands BV**  
(P.O. Box 13, 4180 BA Waardenburg)  
4181 CD Waardenburg  
The Netherlands  
Phone: 31-418-569-700  
Fax: 31-418-569-777

## NORWAY

**Stryker Norway**  
Norsk Filial  
Nedre Vollgate 3  
0158 Oslo  
Norway  
Phone: 47-22-42-22-44  
Fax: 47-22-42-22-54

## POLAND

**Stryker Polska Sp. ZO.O**  
Kolejowa 5/7  
01-217 Warszawa  
Poland  
Phone: 48-22-434-88-50  
Fax: 48-22-434-88-60

## PORTUGAL

**Stryker Portugal Produtos Medicos, LTDA.**  
Avenida Marechal Gomes da Costa, 35  
1800-255 Lisboa  
Portugal  
Phone: 35-1-21-839-49-10  
Fax: 35-1-21-839-49-19

## ROMANIA

**Stryker Osteonics Romania S.R.L.**  
19, Leonida Str.  
District 2  
7000 Bucharest  
Romania  
Phone: 40-2-12-12-11-22  
Fax: 40-2-12-12-11-33

## SOUTH AFRICA

**Stryker Osteonics PTY. LTD.**  
3 Susan Street  
Strydom Park  
Johannesburg, 2194 - South Africa  
Mailing Address:  
P.O. Box 48039  
2129 Roosevelt Park  
Johannesburg, South Africa  
Phone: 27-11-791-4644  
Fax: 27-11-791-4696

## SPAIN

**Stryker Iberia SL**  
c/Sepulveda n17  
28108 Alcobendas  
Madrid  
Spain  
Phone: 34-91-728-35-00  
Phone: 34-91-358-20-44  
Fax: 34-91-358-07-48

## SWEDEN

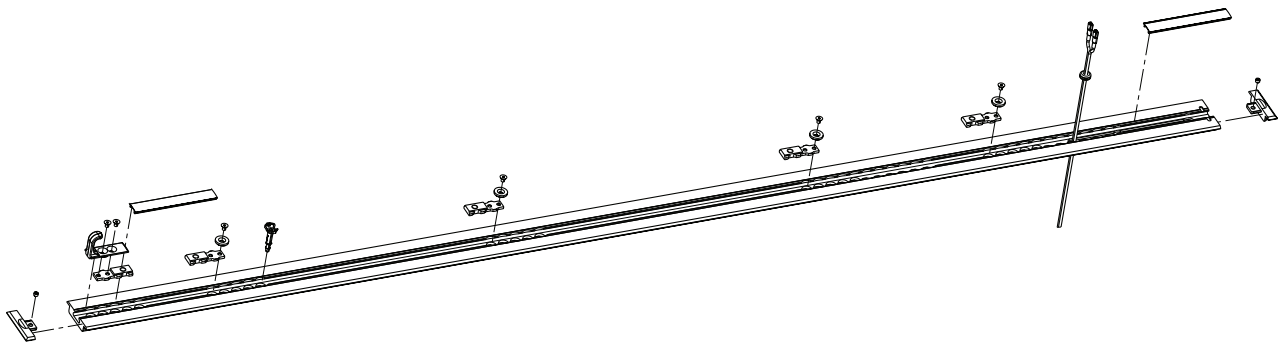
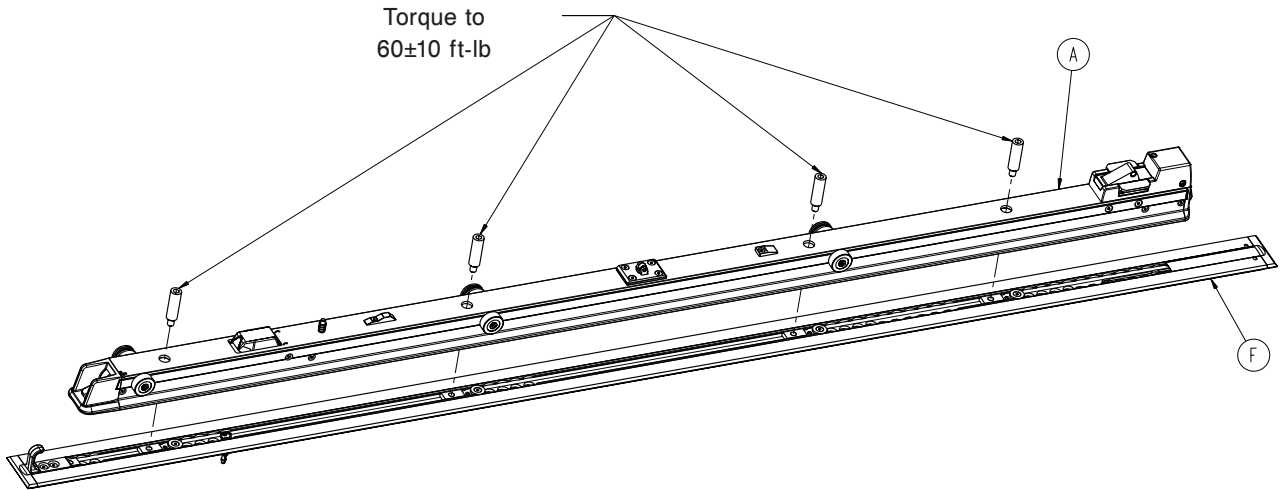
**Stryker AB/Scandinavia**  
Box 50425  
SE-204 14 Malmo  
Sweden  
Phone: 46-40-691-81-00  
Fax: 46-40-691-81-91

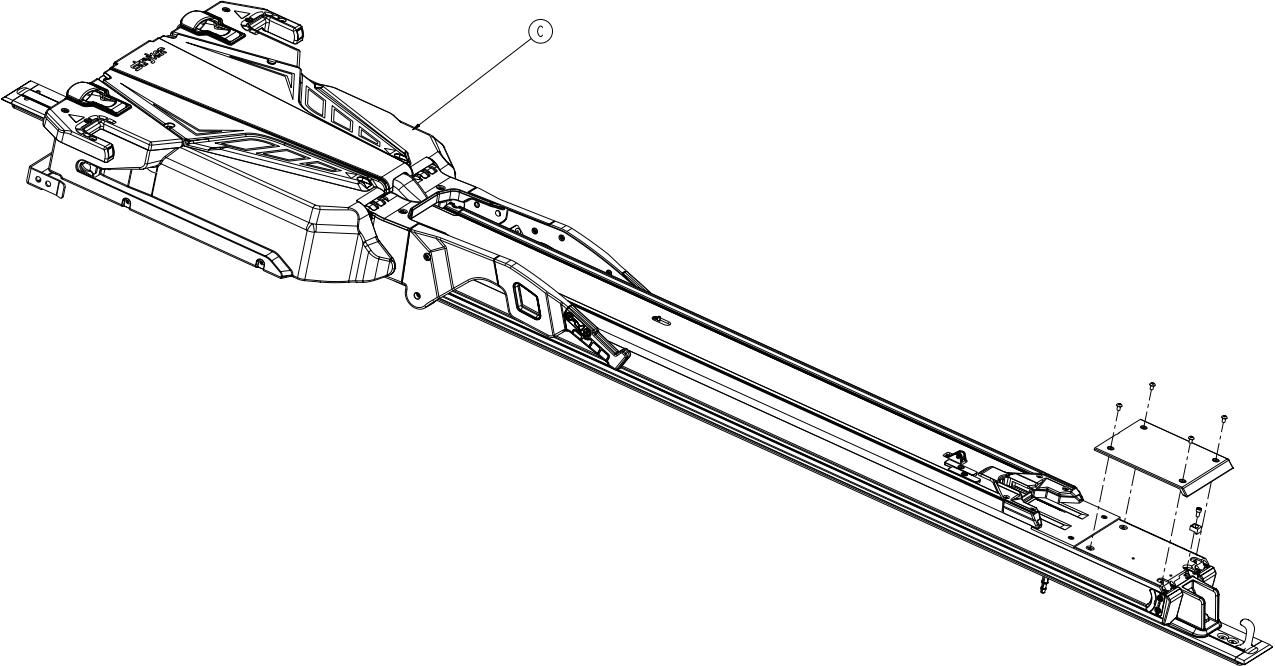
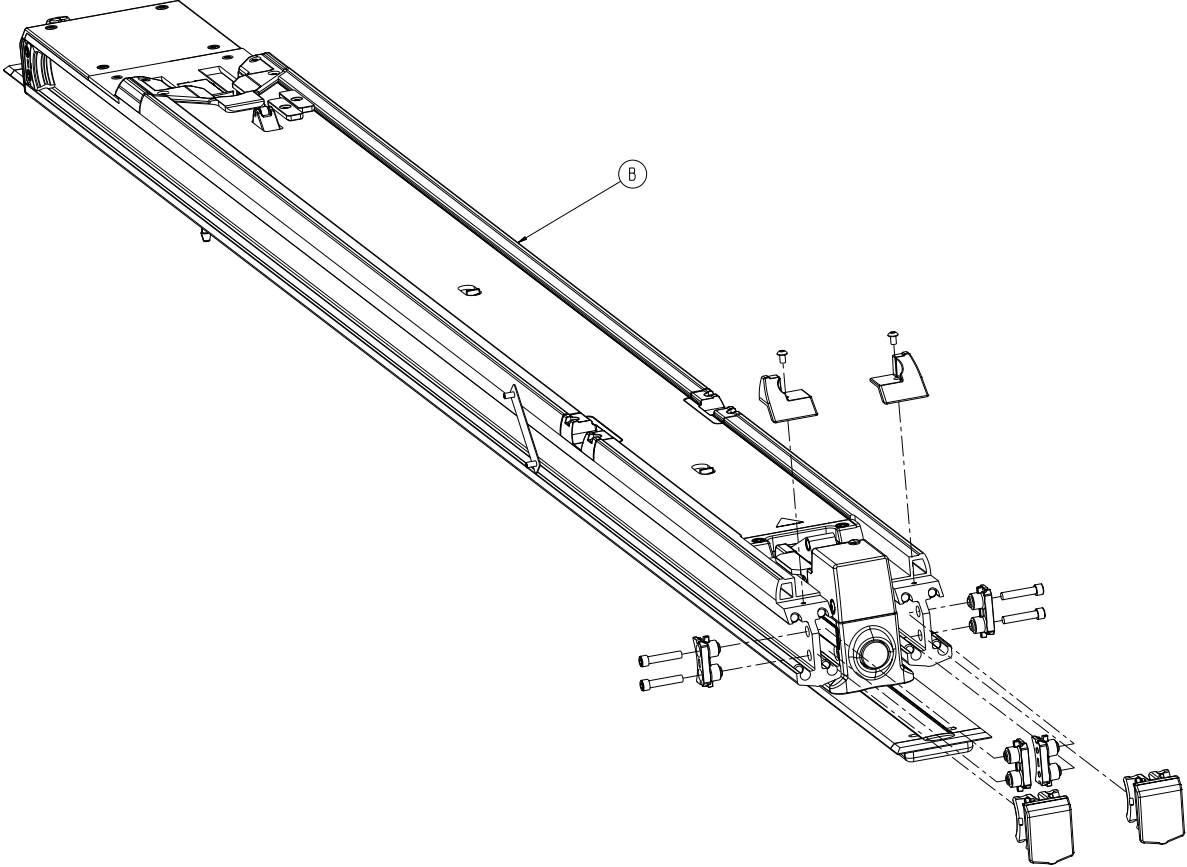


# Table of Contents

---

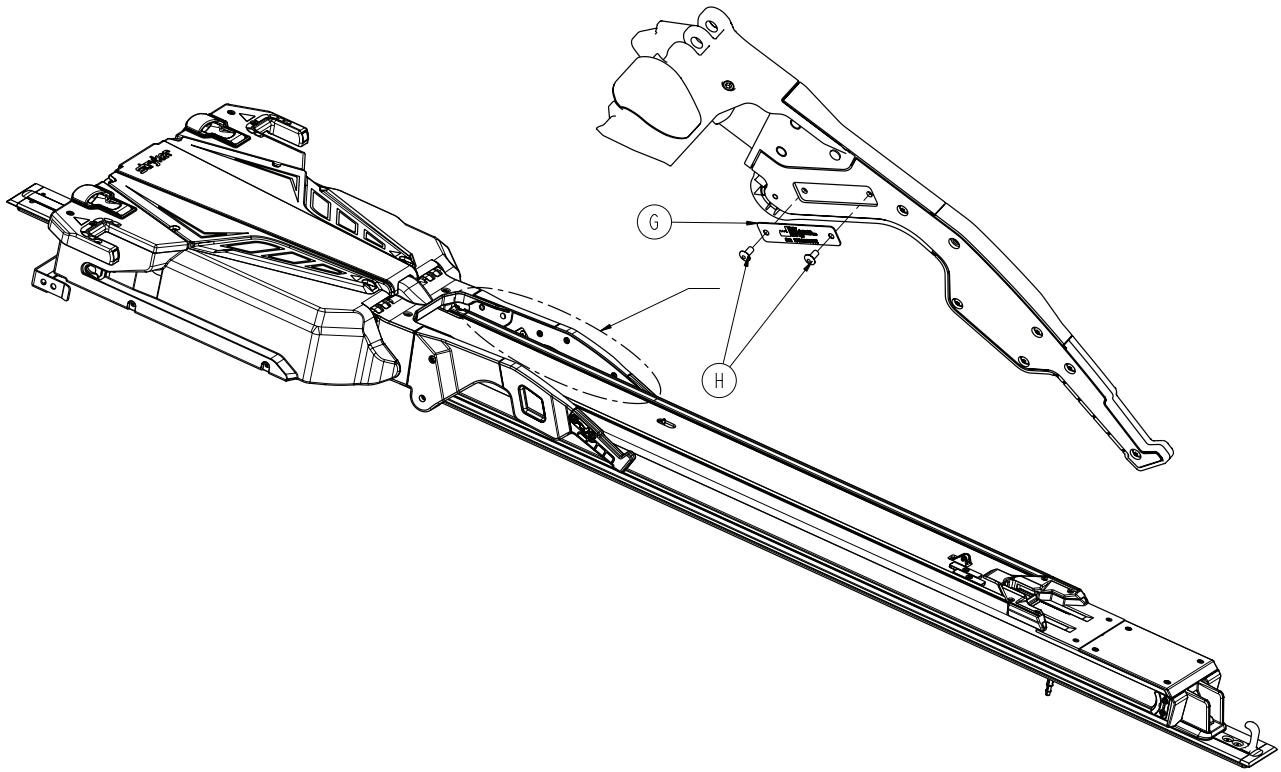
6390-001-010	6
6390-001-055	9
6390-001-054	10
6390-001-011	11
6390-001-024	13
6390-001-023	16
6390-101-012	17
6390-001-018	22
6390-001-072	23
6390-001-021	24
6390-001-013	25
6390-001-015	30
6390-001-043	45
6390-001-035	46
6390-001-039	47
6390-101-038	48
6390-001-046	49
6390-001-016	50
6390-001-037	51
6390-001-036	52
6390-001-028	53
6390-027-000	54
6390-001-017	55
6390-001-023	56
6390-001-024	57
6390-001-066	58
6390-001-013	59
6390-001-015	60
6390-001-015	61
6390-001-043	62
6390-001-035	63
6390-001-015	64





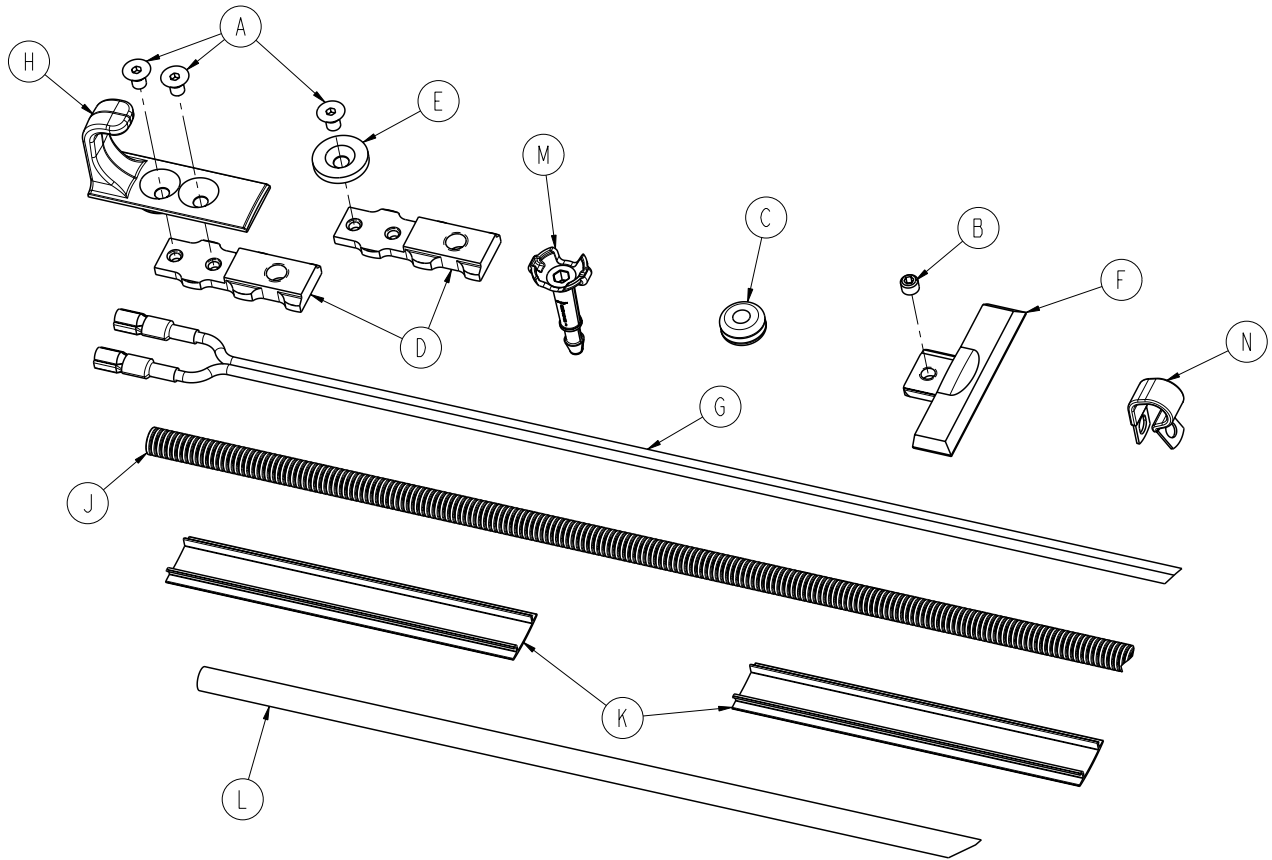
# 6390-001-010

---

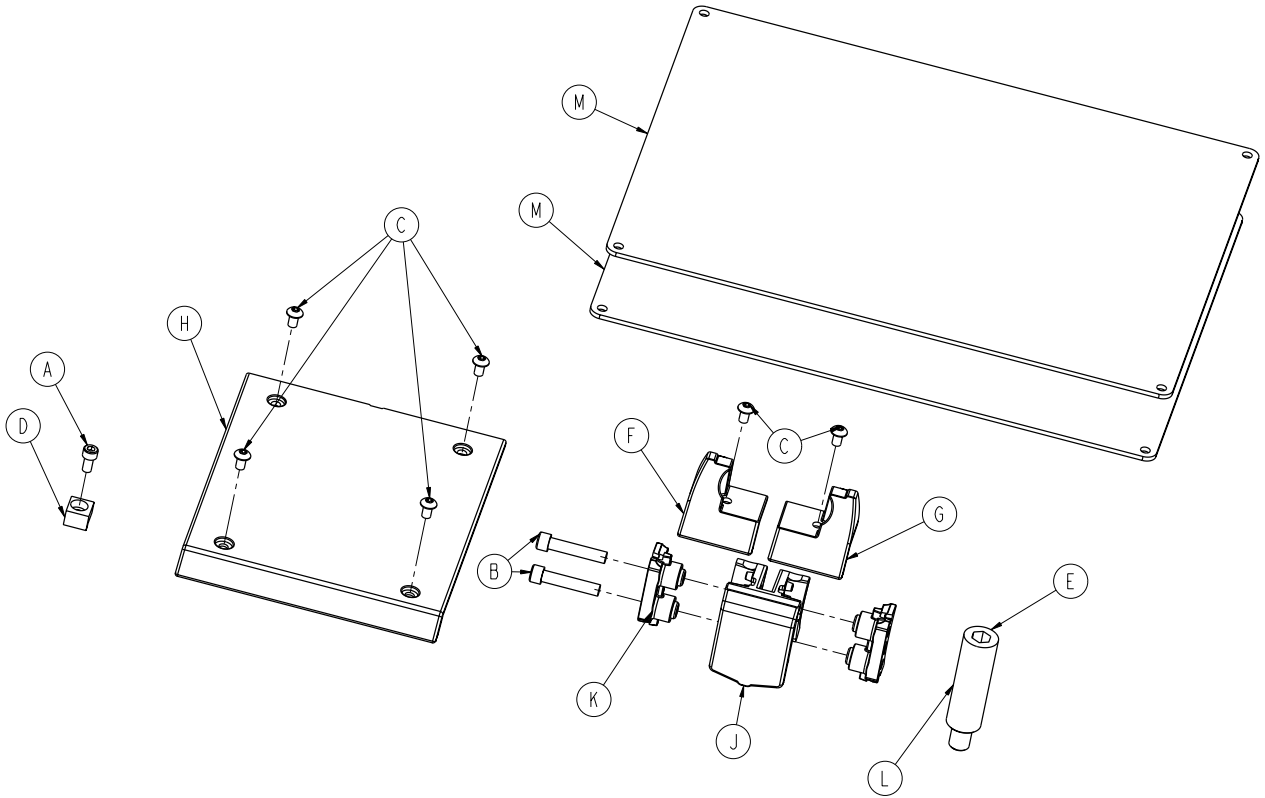


A	6390-001-011	1
B	6390-101-012	1
C	6390-001-013	1
D	6390-001-054	1
E	6390-001-055	1
F	6390-001-107	1
G	6060-090-002	1
H	0025-079-000	2

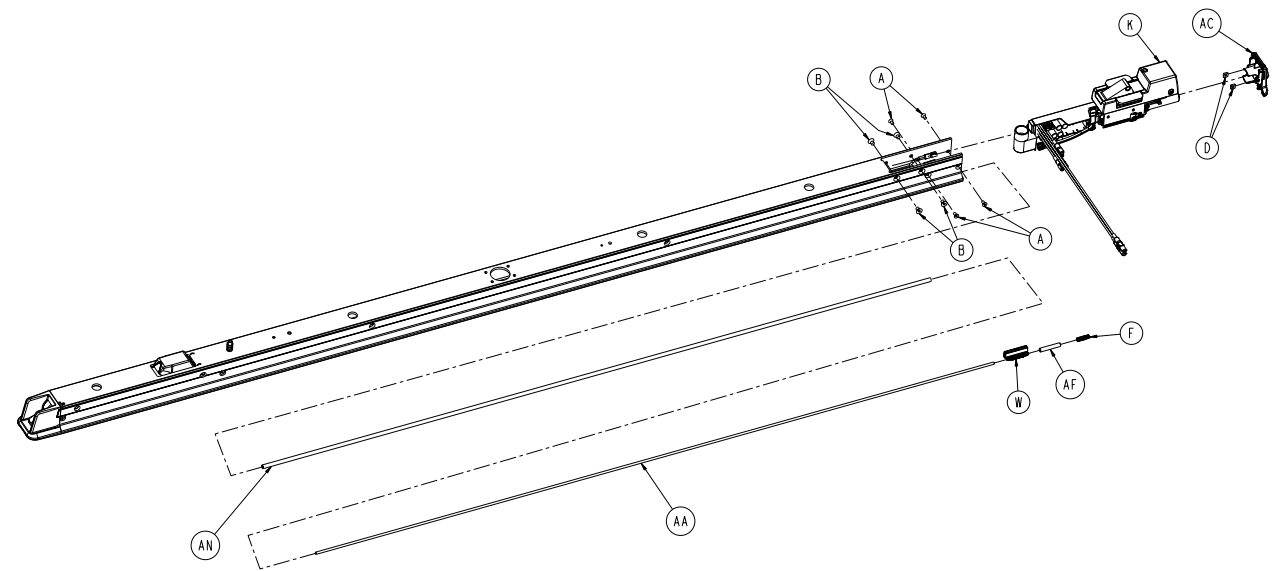
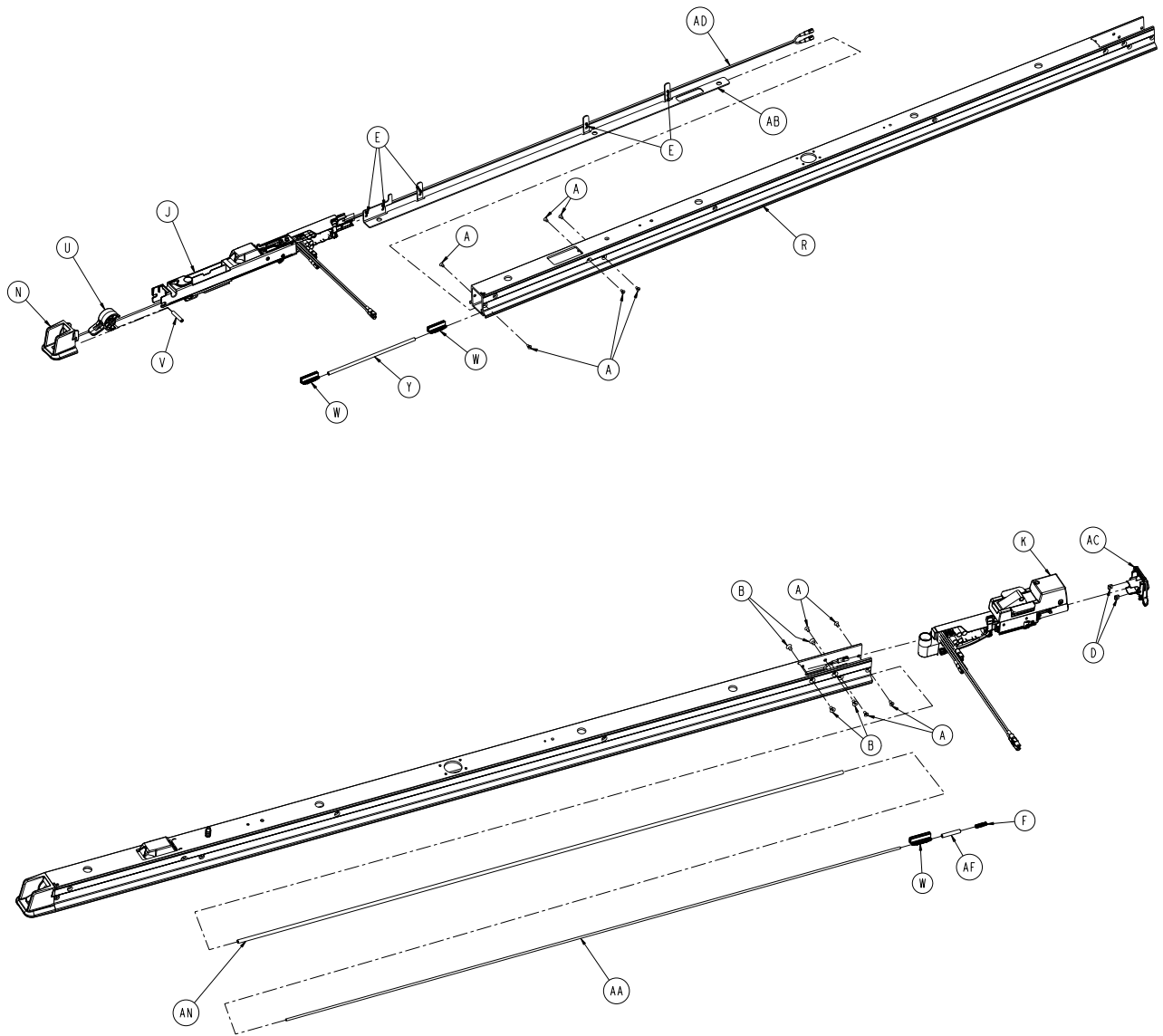




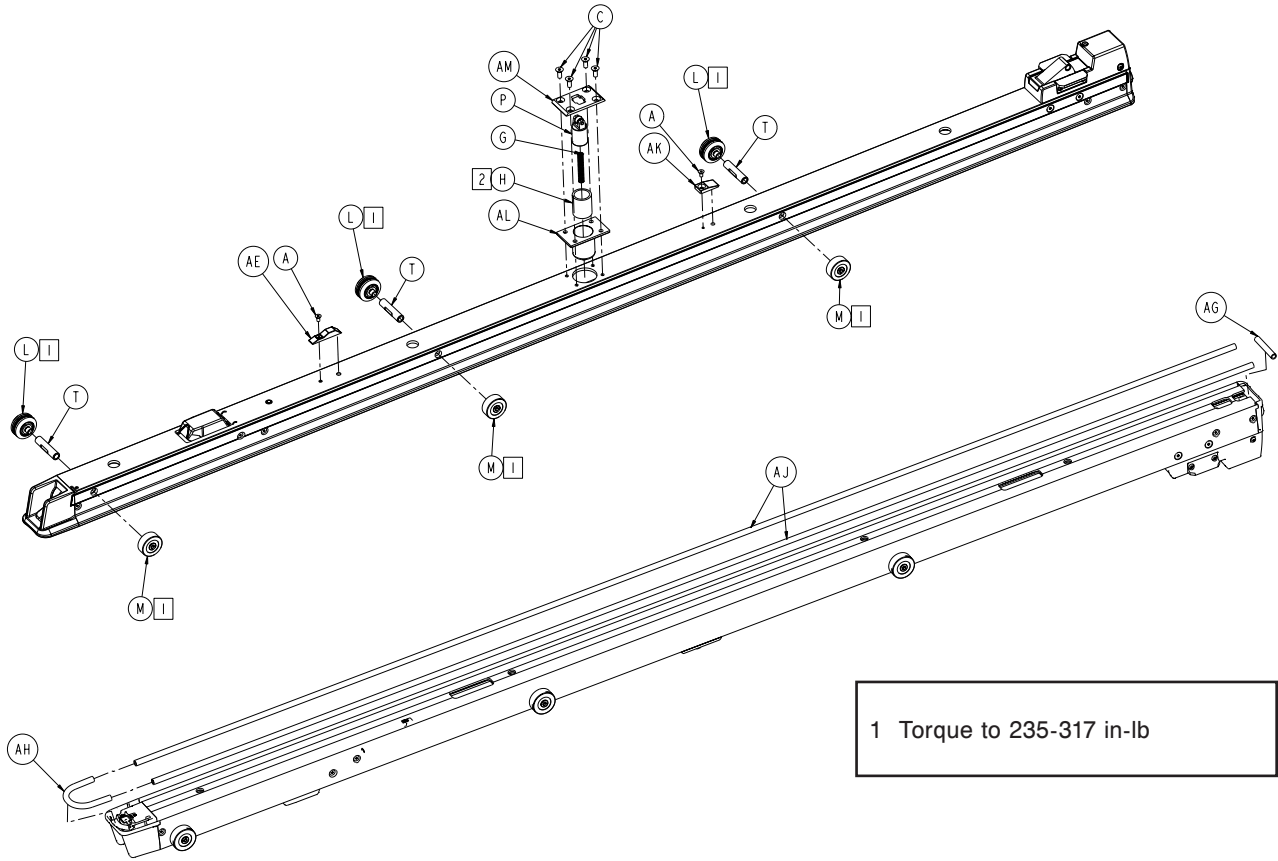
A	0001-194-000	6
B	0021-197-000	2
C	0037-247-000	1
D	6390-001-108	5
E	6390-001-110	4
F	6390-001-111	2
G	6390-001-135	1
H	6390-001-148	1
J	6390-001-153	1
K	6390-001-166	2
L	6390-001-170	1
M	6390-001-183	1
N	6390-001-202	6



A	0004-658-000	1
B	0004-662-000	4
C	0004-665-000	6
D	6390-001-106	1
E	6390-001-150	4
F	6390-001-210	1
G	6390-001-211	1
H	6390-001-225	1
J	6390-001-243	2
K	6390-001-244	2
L	6390-001-246	2
M	6390-001-467	2

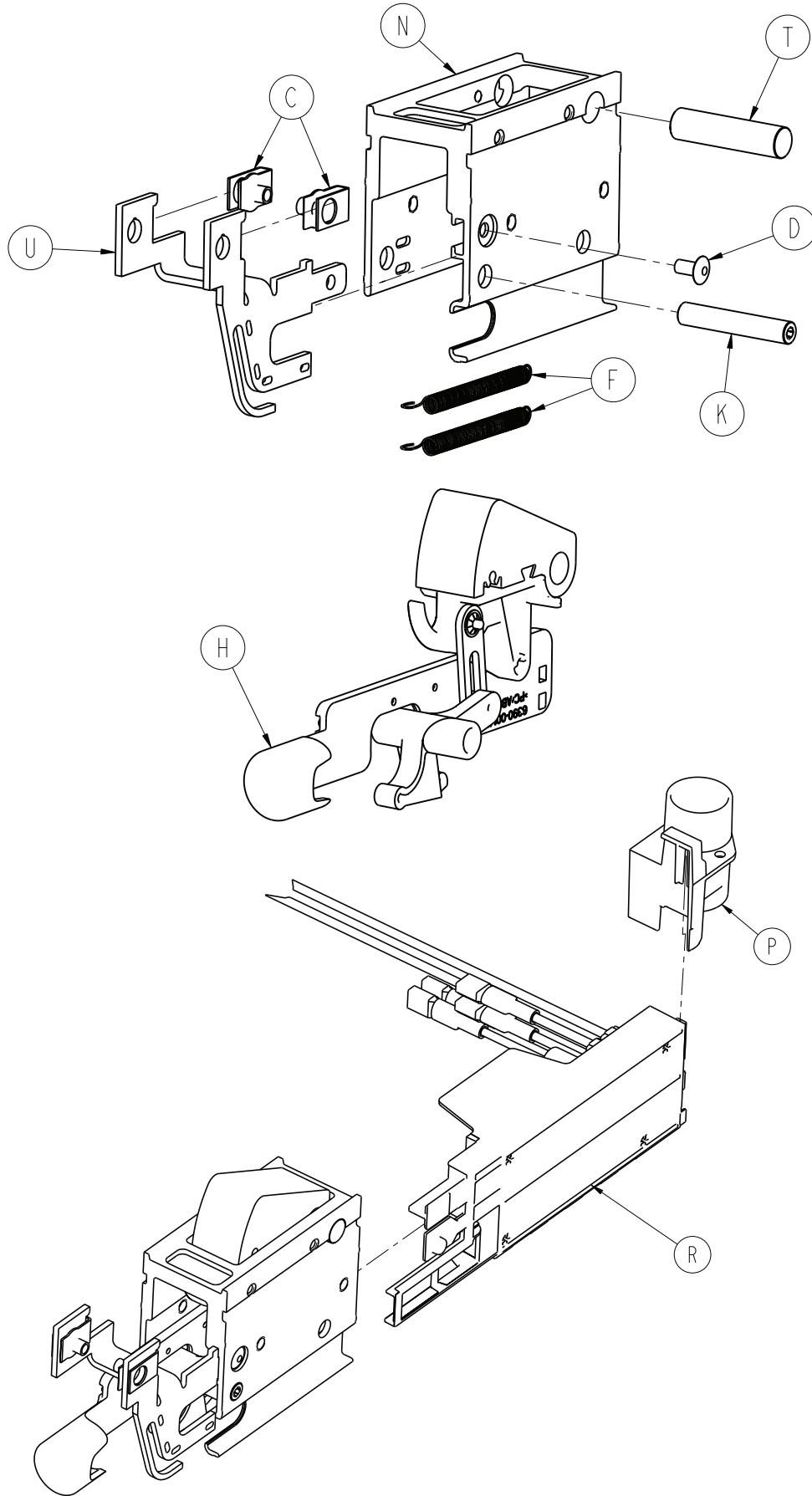


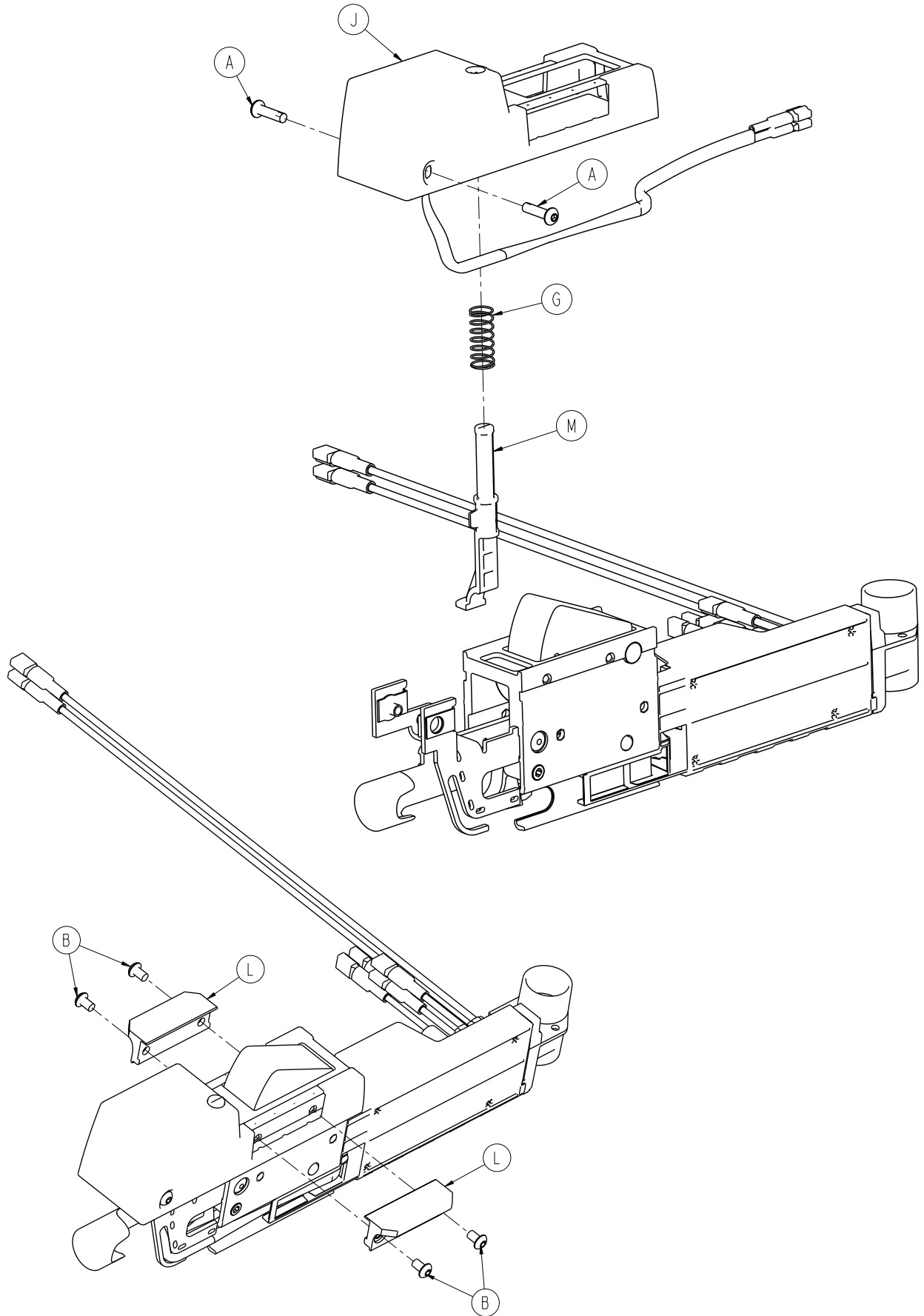
# 6390-001-011



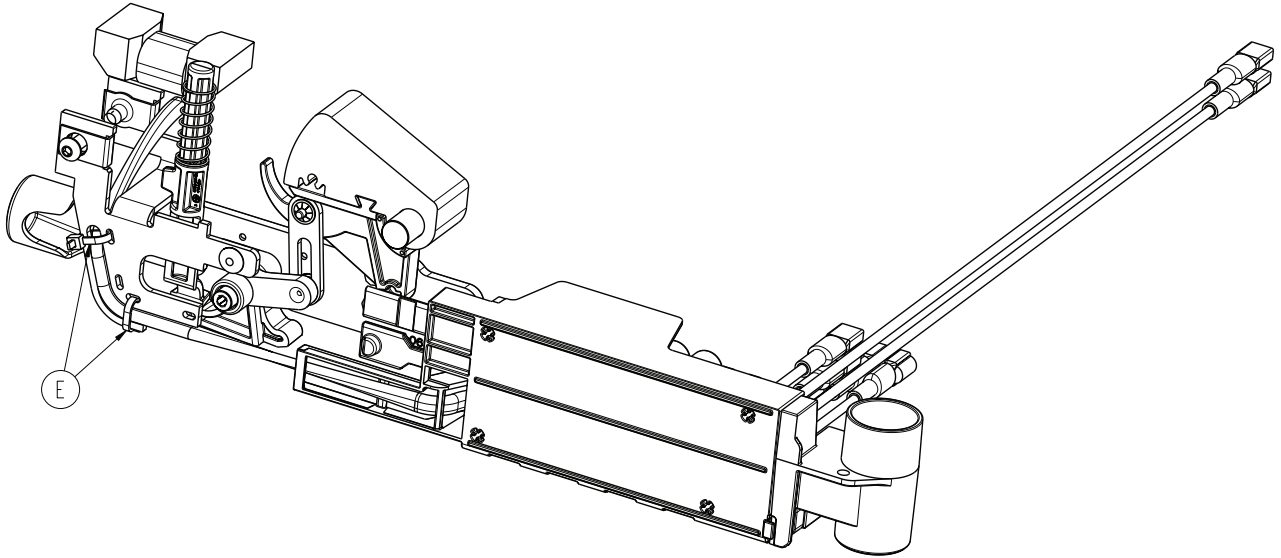
1 Torque to 235-317 in-lb

A	0001-193-000	12	V	6390-001-112	1
B	0001-194-000	4	W	6390-001-113	3
C	0001-195-000	4	Y	6390-001-114	1
D	0015-087-000	2	AA	6390-001-186	1
E	0038-111-000	5	AB	6390-001-120	1
F	0038-887-000	1	AC	6390-001-136	1
G	0038-606-000	1	AD	6390-001-139	1
H	0081-439-000	1	AE	6390-001-144	1
J	6390-001-023	1	AF	6390-001-152	1
K	6390-001-024	1	AG	6390-001-179	1
L	6390-001-025	3	AH	6390-001-180	1
M	6390-001-027	3	AJ	6390-001-181	2
N	6390-001-067	1	AK	6390-001-193	1
P	6390-001-074	1	AL	6390-001-195	1
R	6390-001-100	1	AM	6390-001-196	1
T	6390-001-103	3	AN	6390-001-190	1
U	6390-001-104	1			

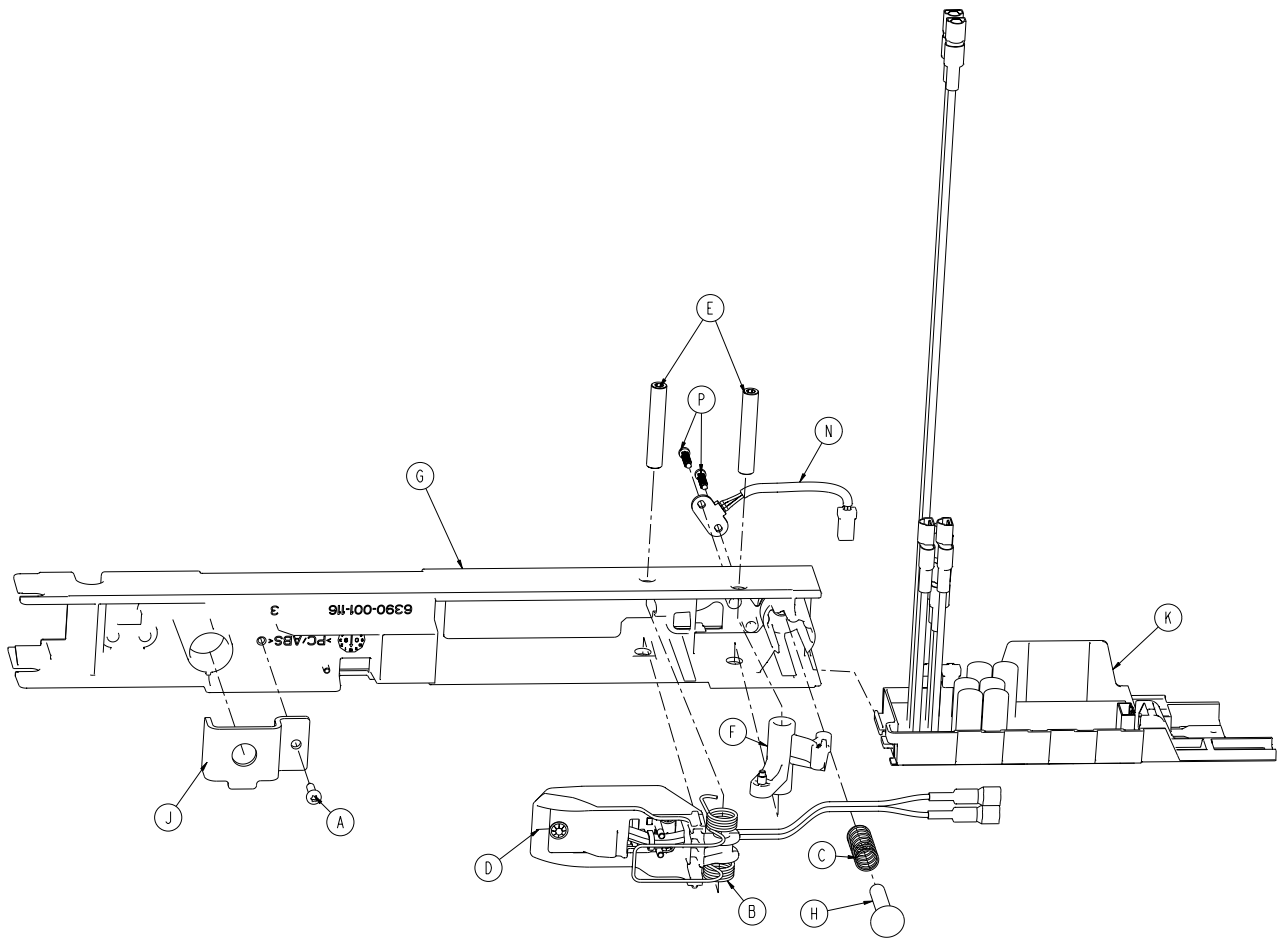




# 6390-001-024

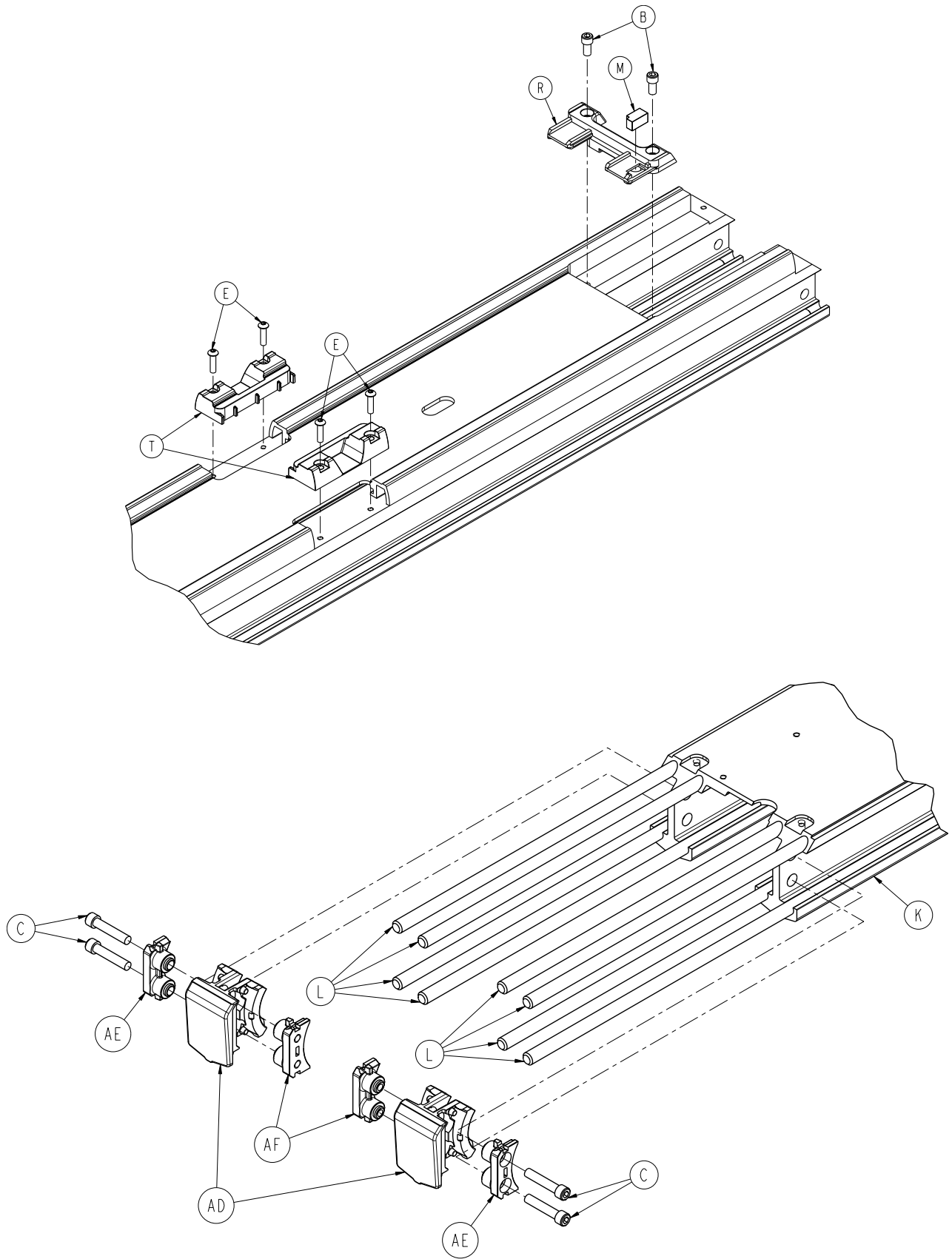


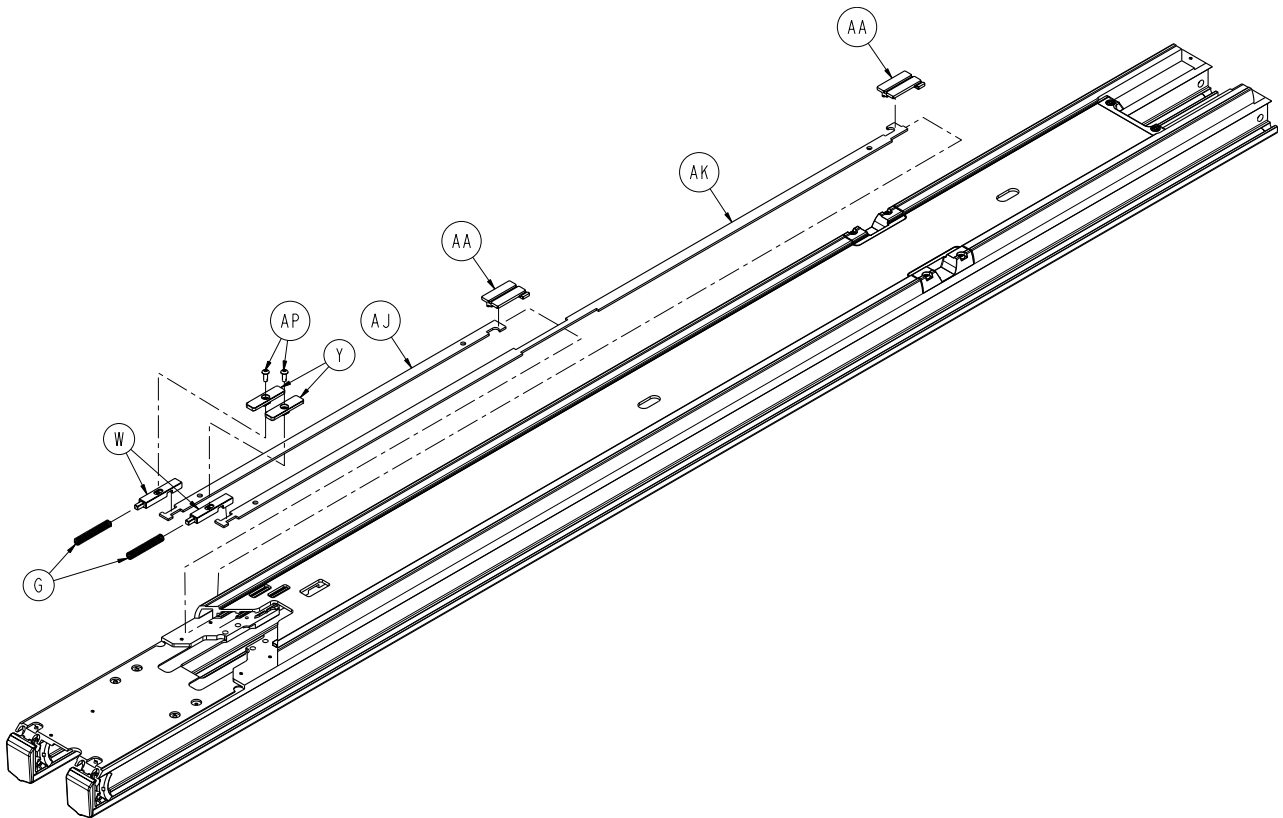
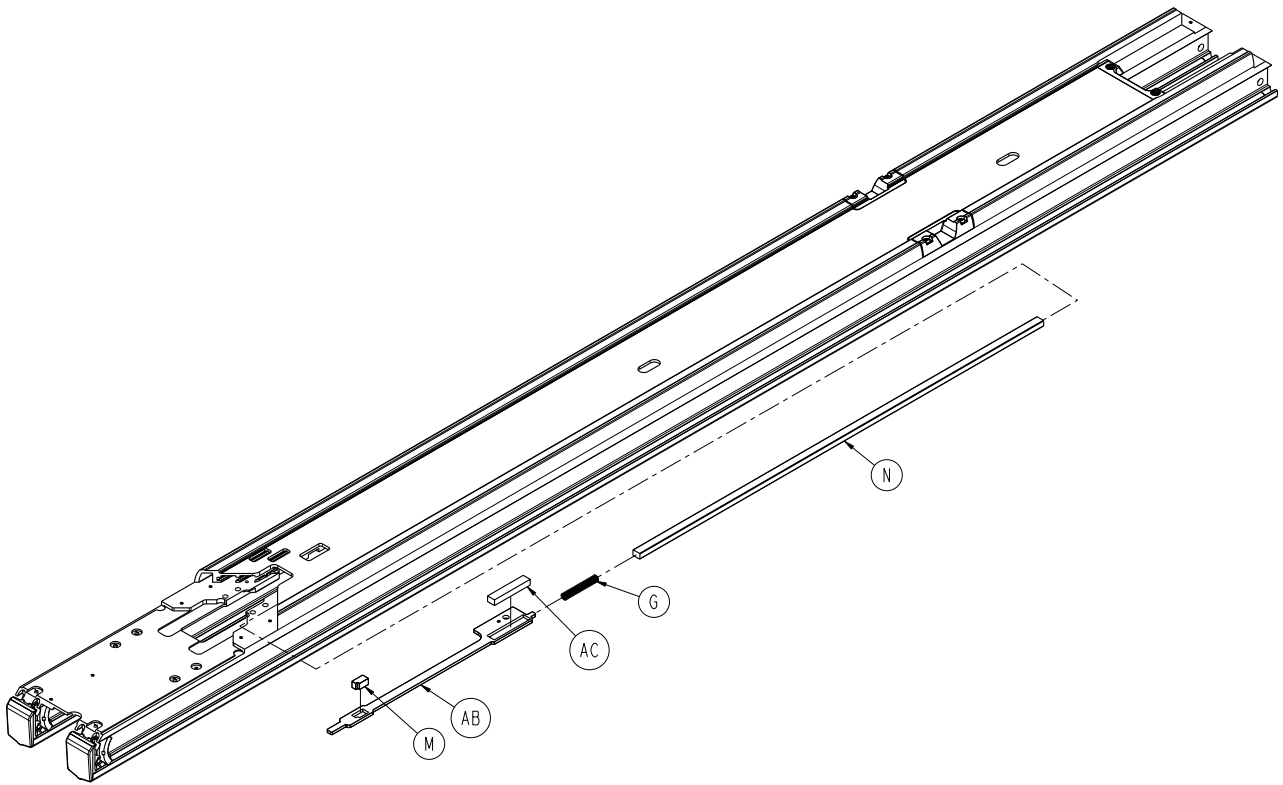
A	0004-396-000	2
B	0004-665-000	4
C	0018-009-000	2
D	0025-079-000	1
E	0038-111-000	2
F	0038-885-000	2
G	0038-888-000	1
H	6390-001-070	1
J	6390-001-071	1
K	6390-001-112	1
L	6390-001-123	2
M	6390-001-124	1
N	6390-001-125	1
P	6390-001-137	1
R	6390-001-147	1
T	6390-001-149	1
U	6390-001-164	1

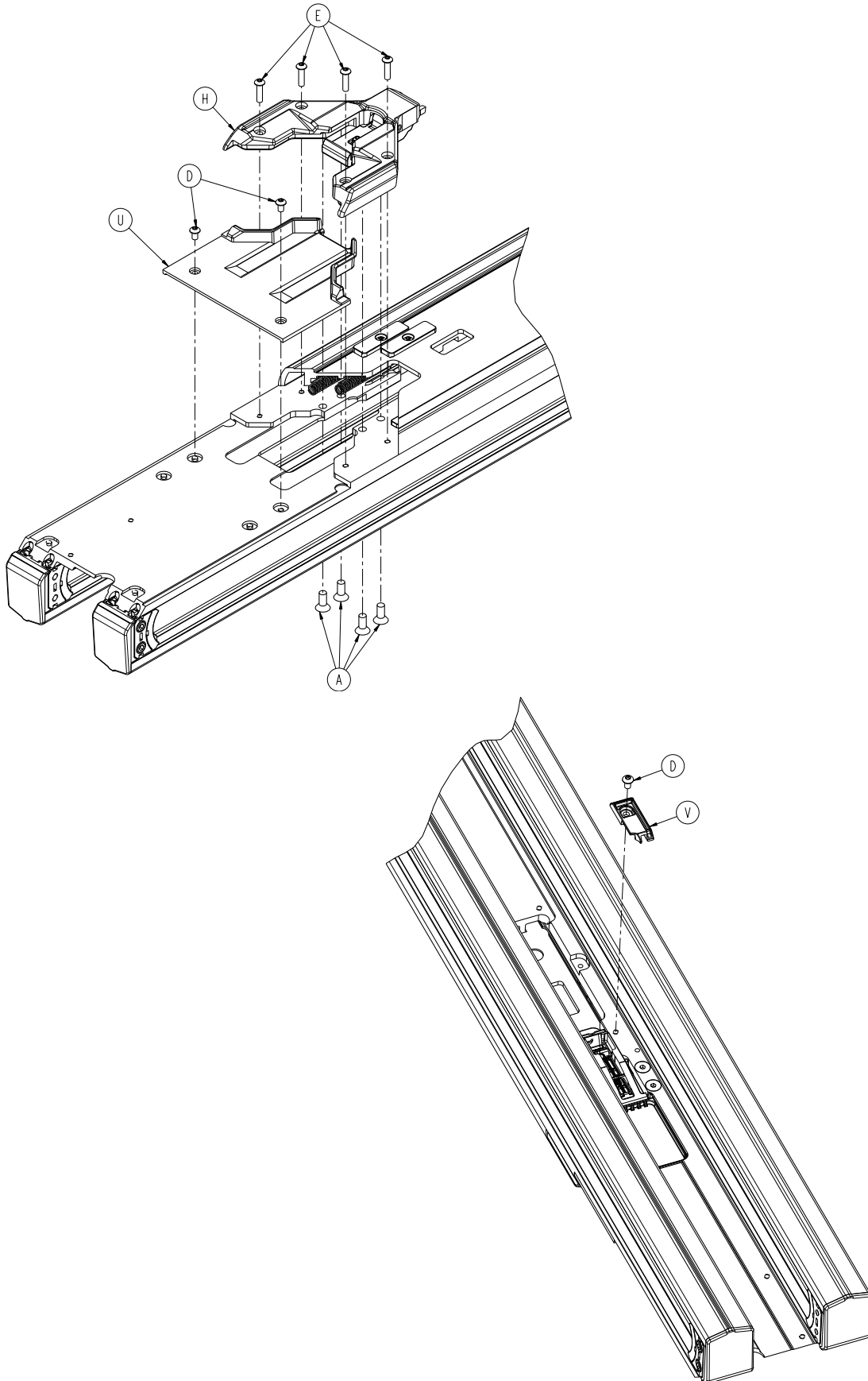


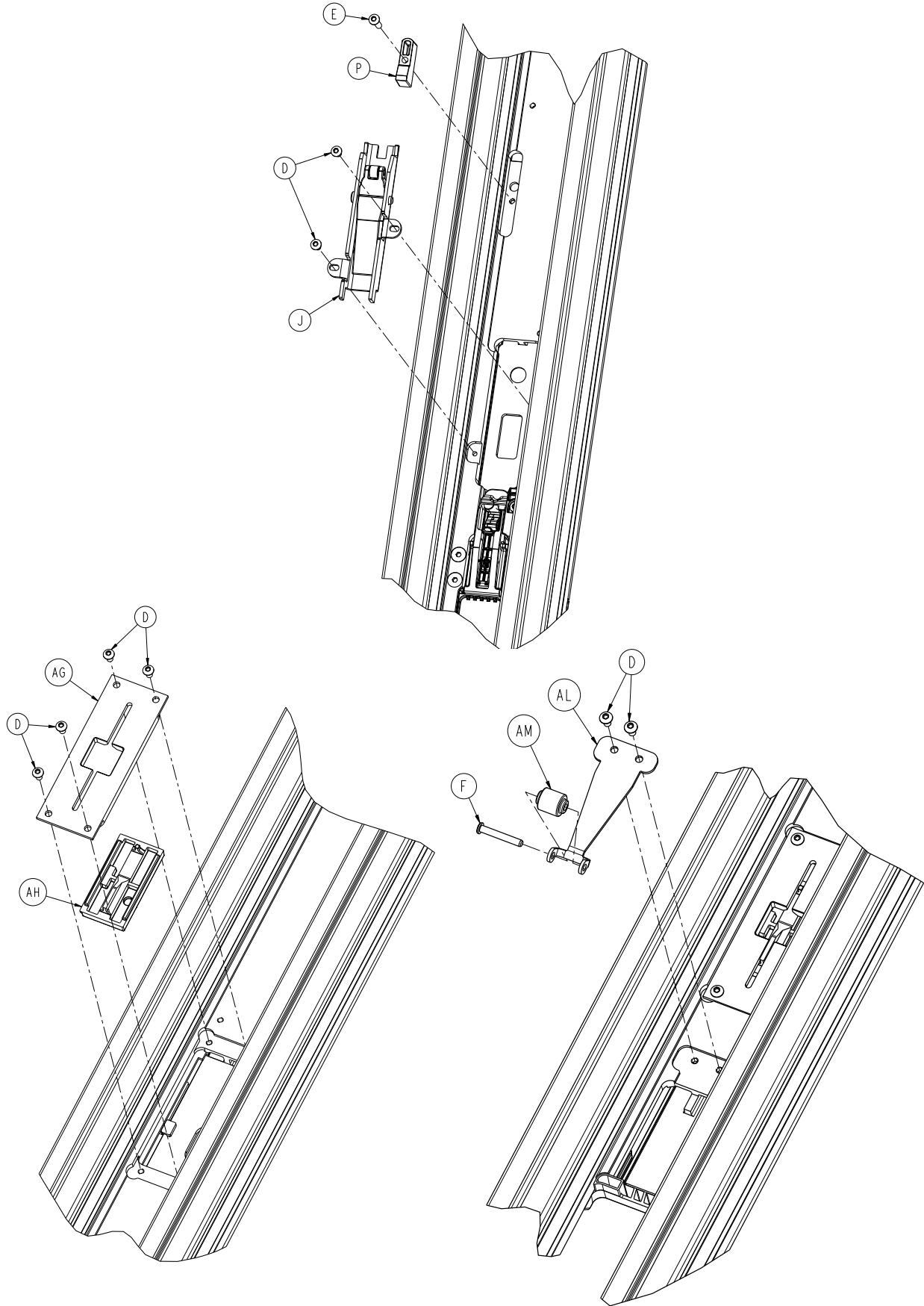
A	0023-163-000	1
B	0038-886-000	1
C	0038-888-000	1
D	6390-001-030	1
E	6390-001-112	2
F	6390-001-115	1
G	6390-001-116	1
H	6390-001-117	1
J	6390-001-127	1
K	6390-001-147	1
N	6390-001-189	1
P	6500-101-128	2



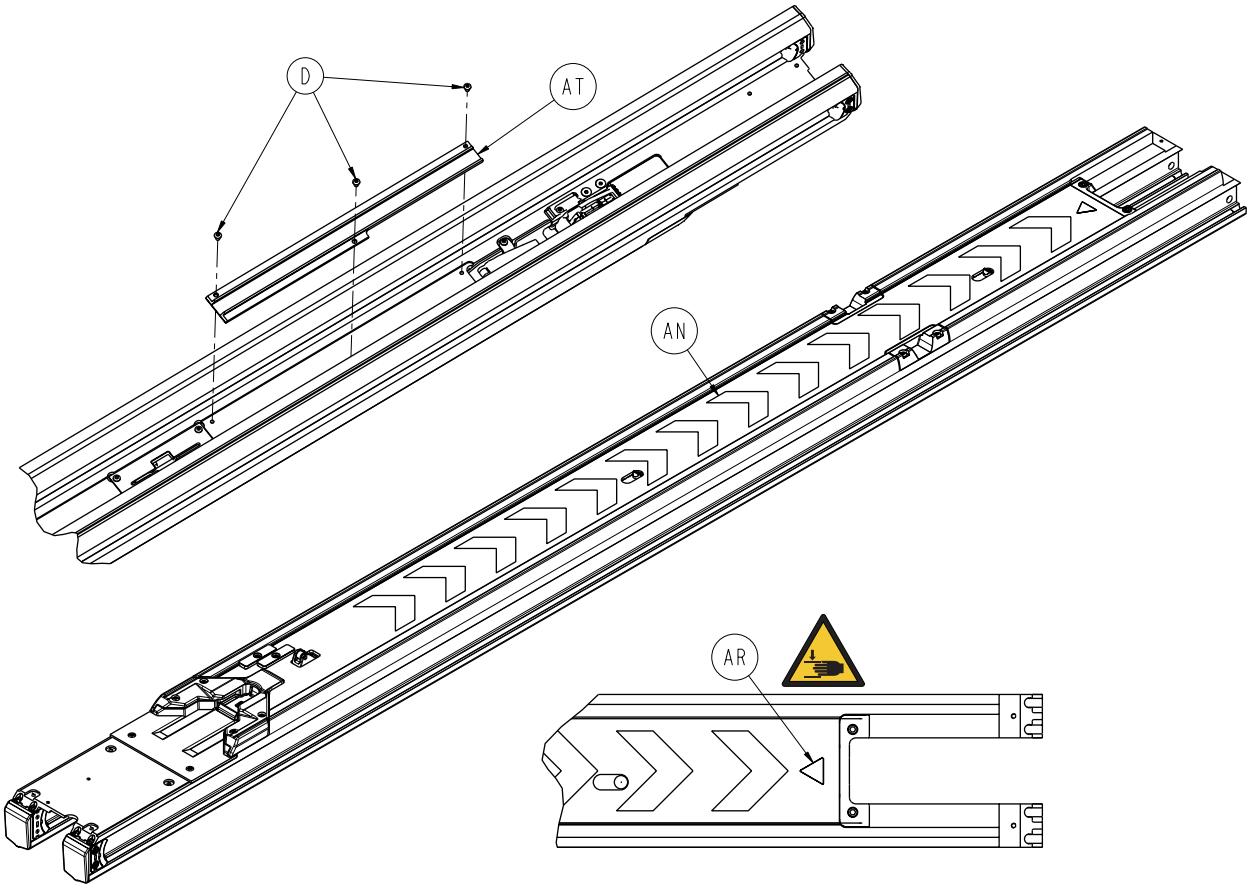




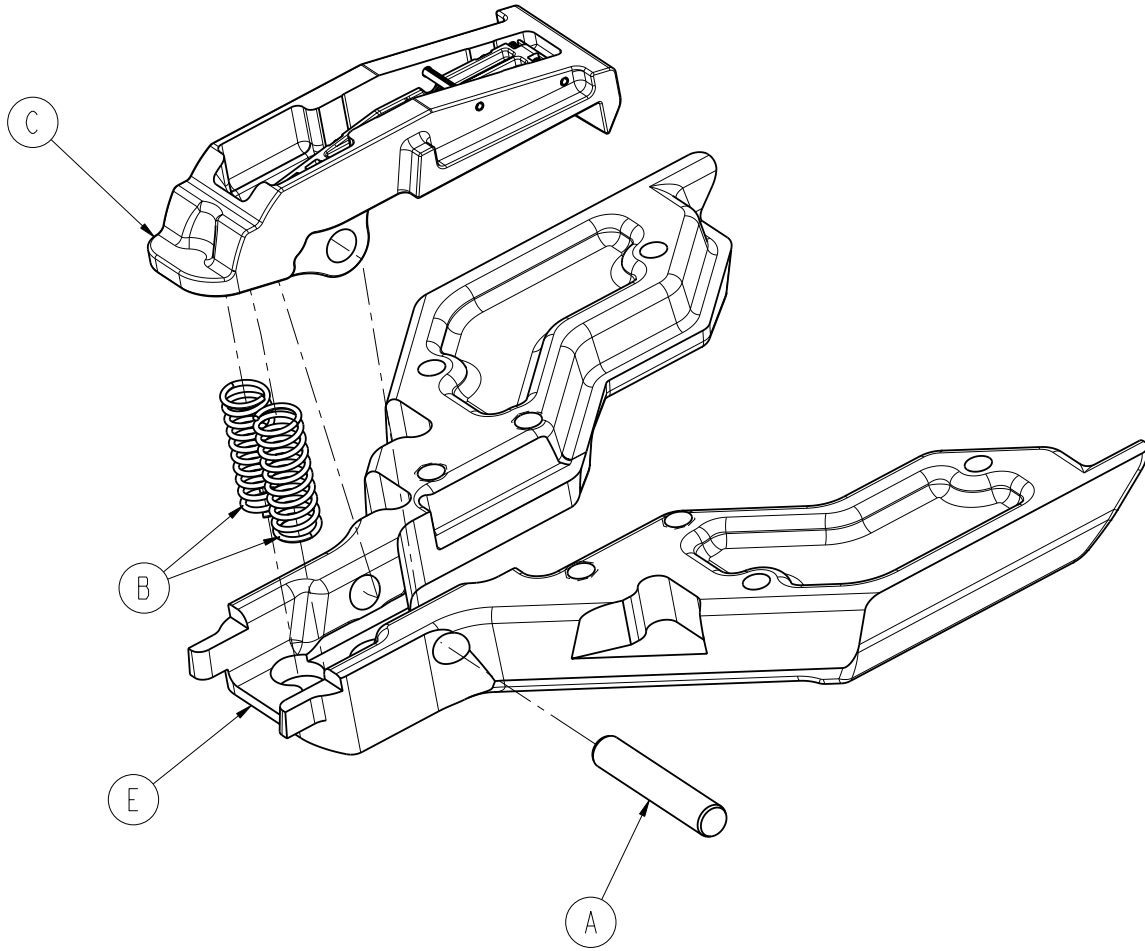




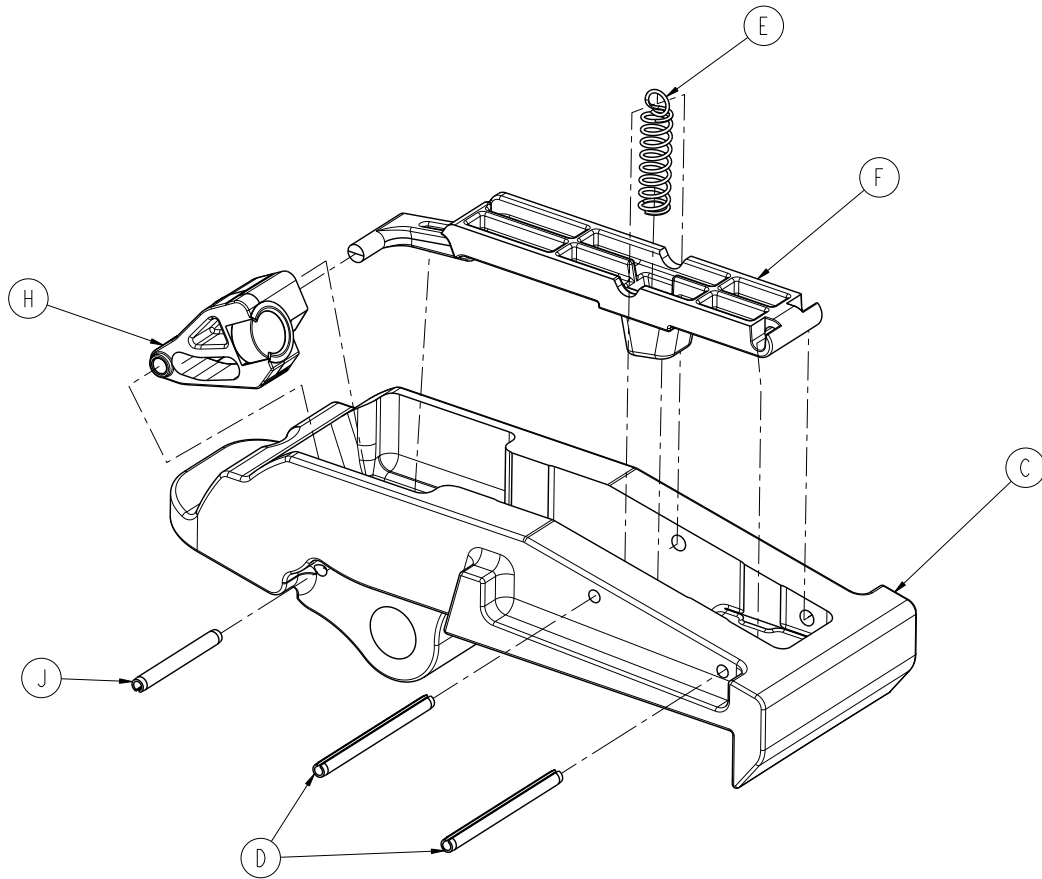
# 6390-101-012



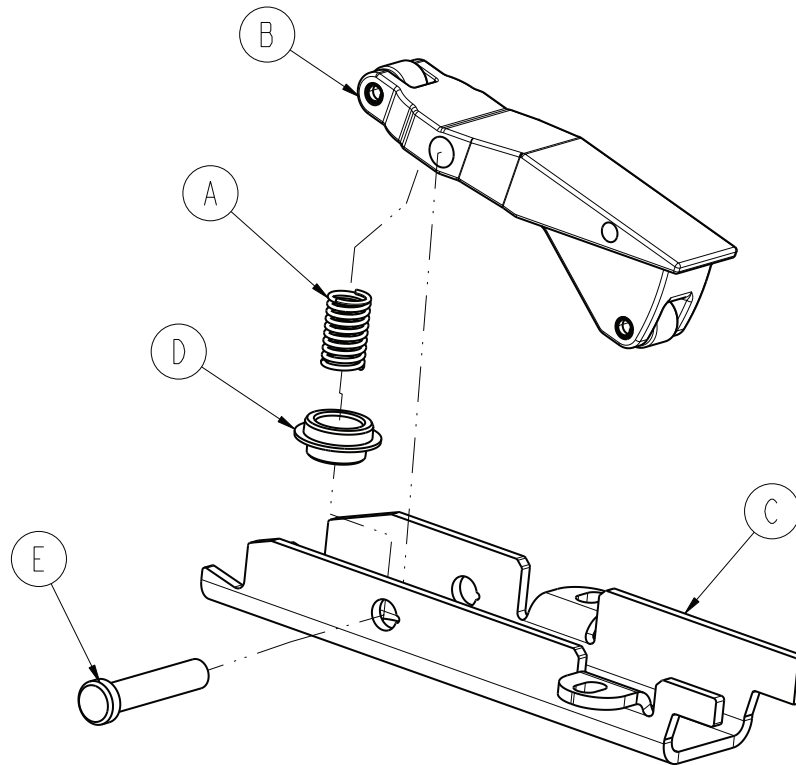
A	0001-195-000	4	W	6390-001-230	2
B	0004-660-000	2	Y	6390-001-231	2
C	0004-662-000	4	AA	6390-001-233	2
D	0004-665-000	18	AB	6390-001-240	1
E	0004-666-000	9	AC	6390-001-242	1
F	0027-778-000	1	AD	6390-001-243	2
G	0038-606-000	3	AE	6390-001-244	2
H	6390-001-018	1	AF	6390-001-246	2
J	6390-001-021	1	AG	6390-001-260	2
K	6390-001-200	1	AH	6390-001-261	2
L	6390-001-201	8	AJ	6390-001-266	1
M	6390-001-203	2	AK	6390-001-267	1
N	6390-001-204	1	AL	6390-001-269	1
P	6390-001-205	1	AM	6390-001-270	1
R	6390-001-207	1	AN	6390-001-299	1
T	6390-001-208	2	AP	0004-585-000	2
U	6390-001-213	1	AR	6506-001-114	1
V	6390-001-217	1	AT	6390-001-276	1



A	0026-556-000	1
B	0038-890-000	2
C	6390-001-072	1
E	6390-001-220	1

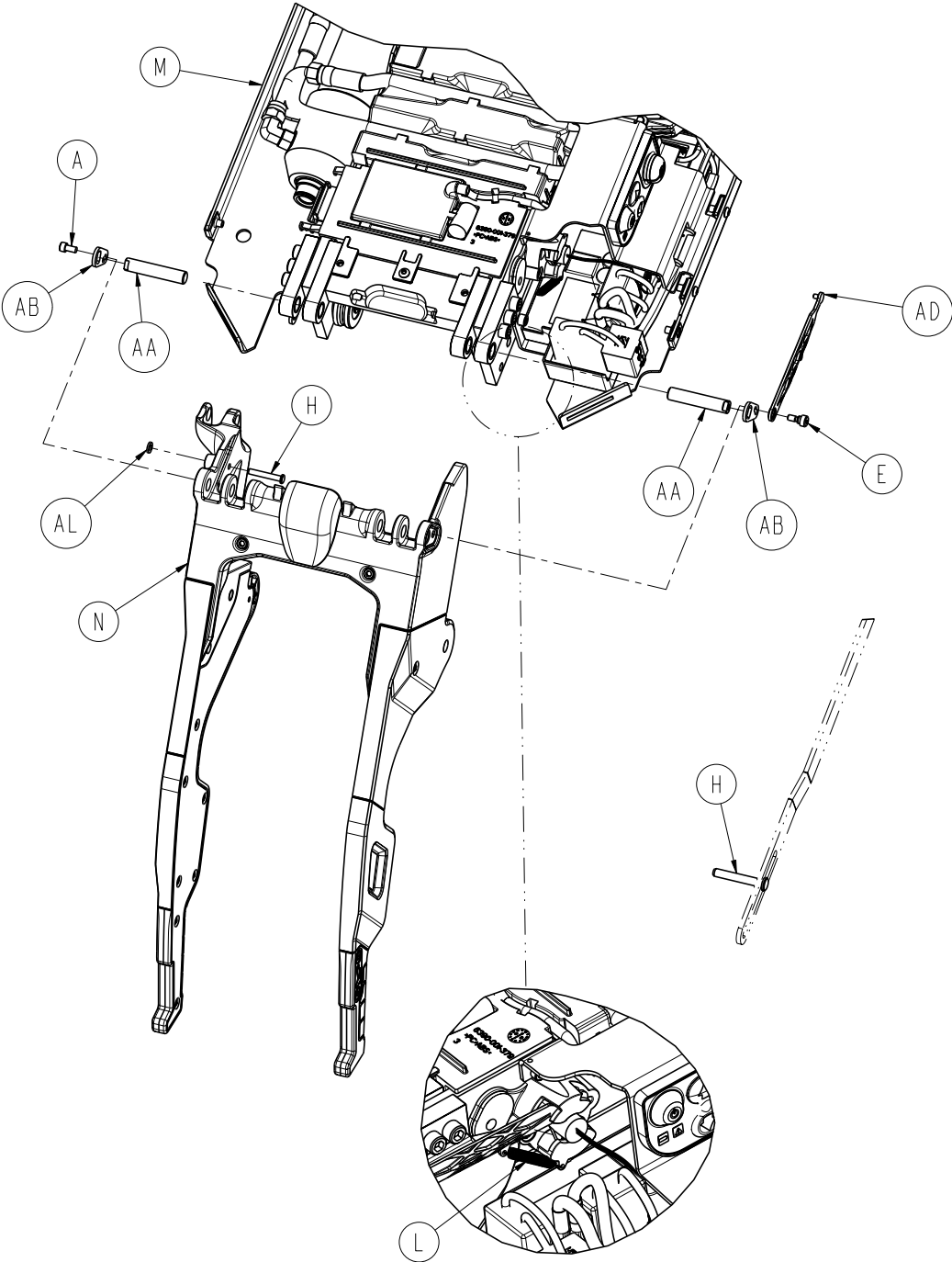


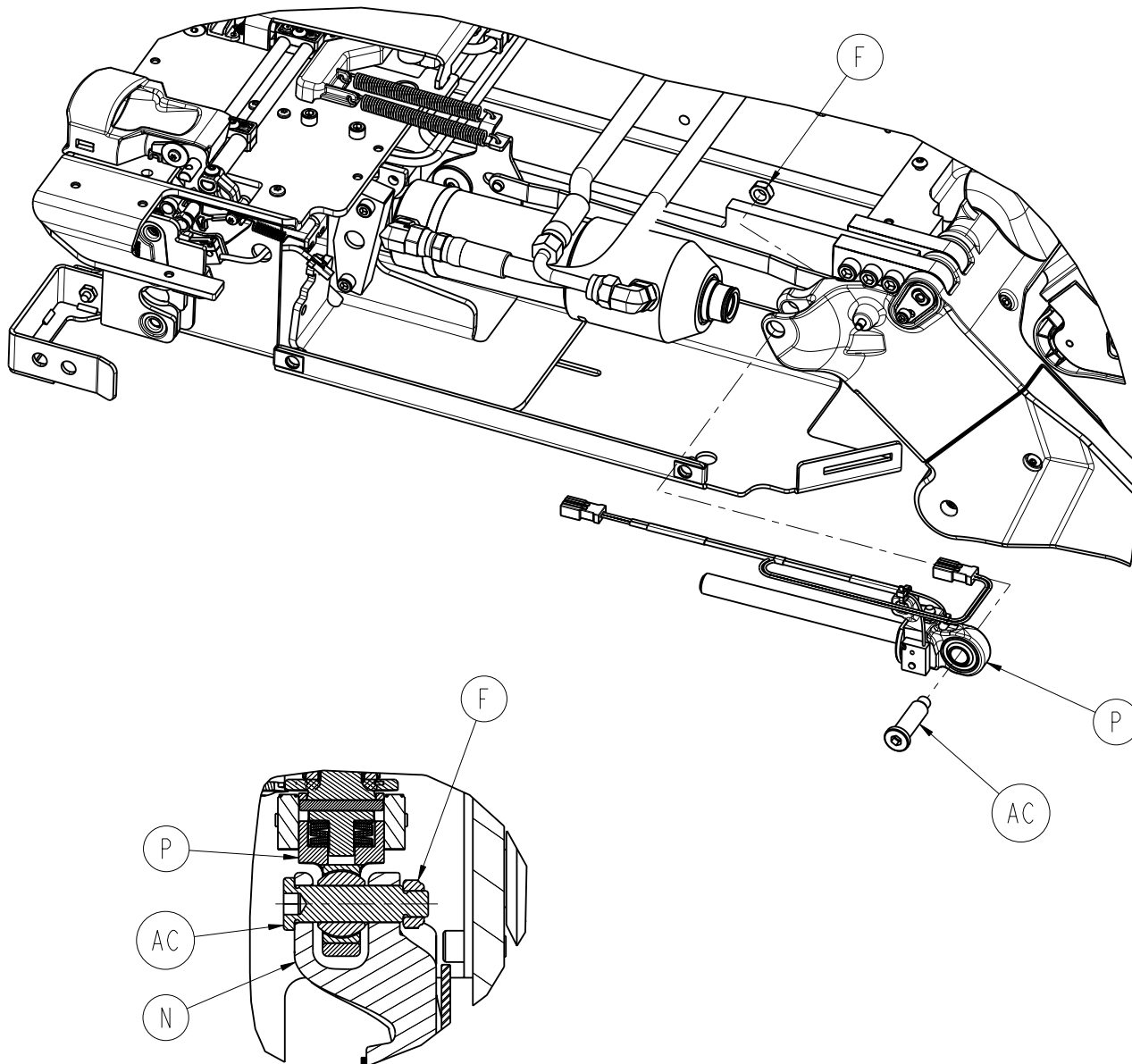
C	6390-001-224	1
D	0026-402-000	2
E	0038-902-000	1
F	6390-001-291	1
H	6390-001-290	1
J	0026-559-000	1

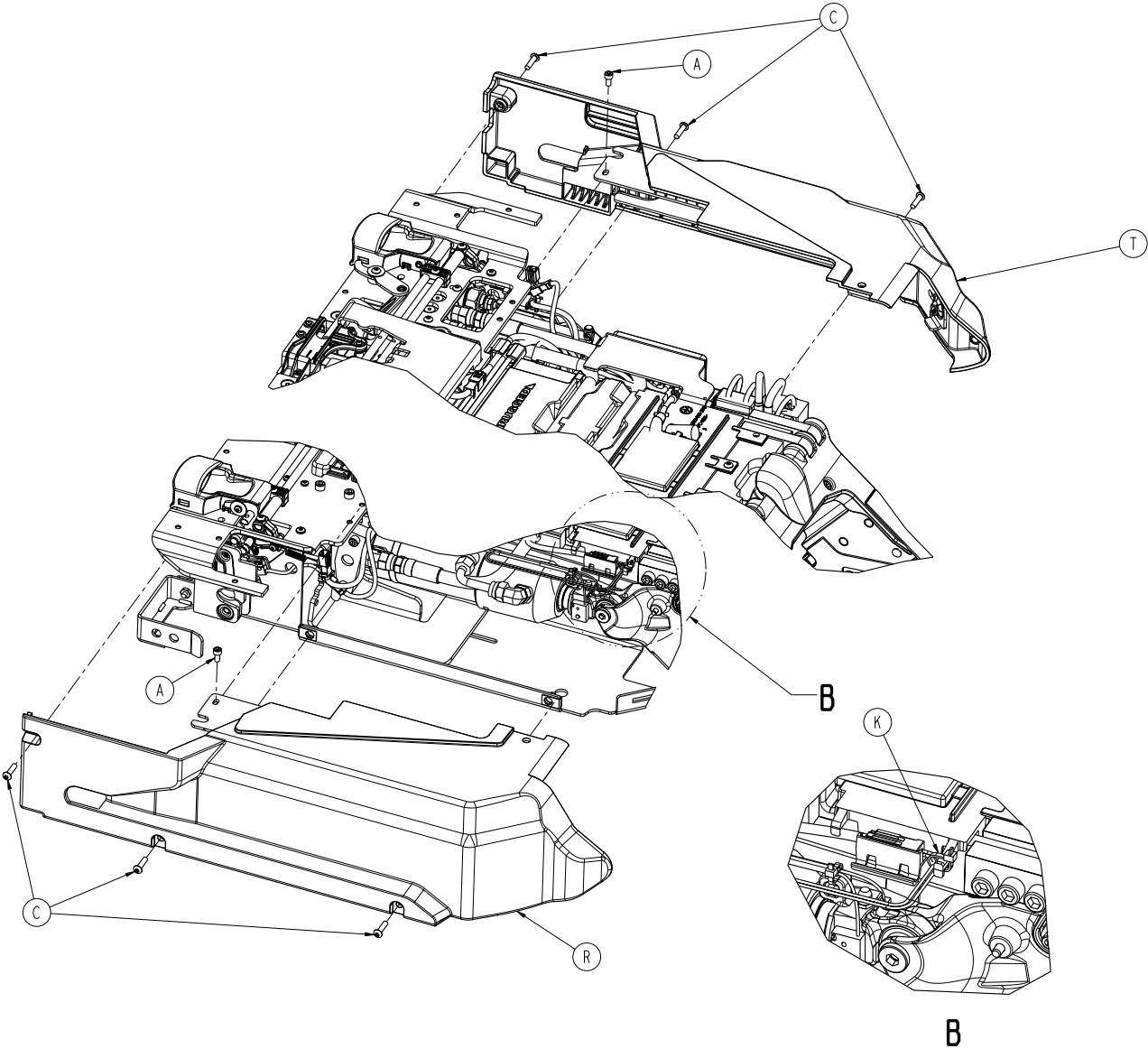


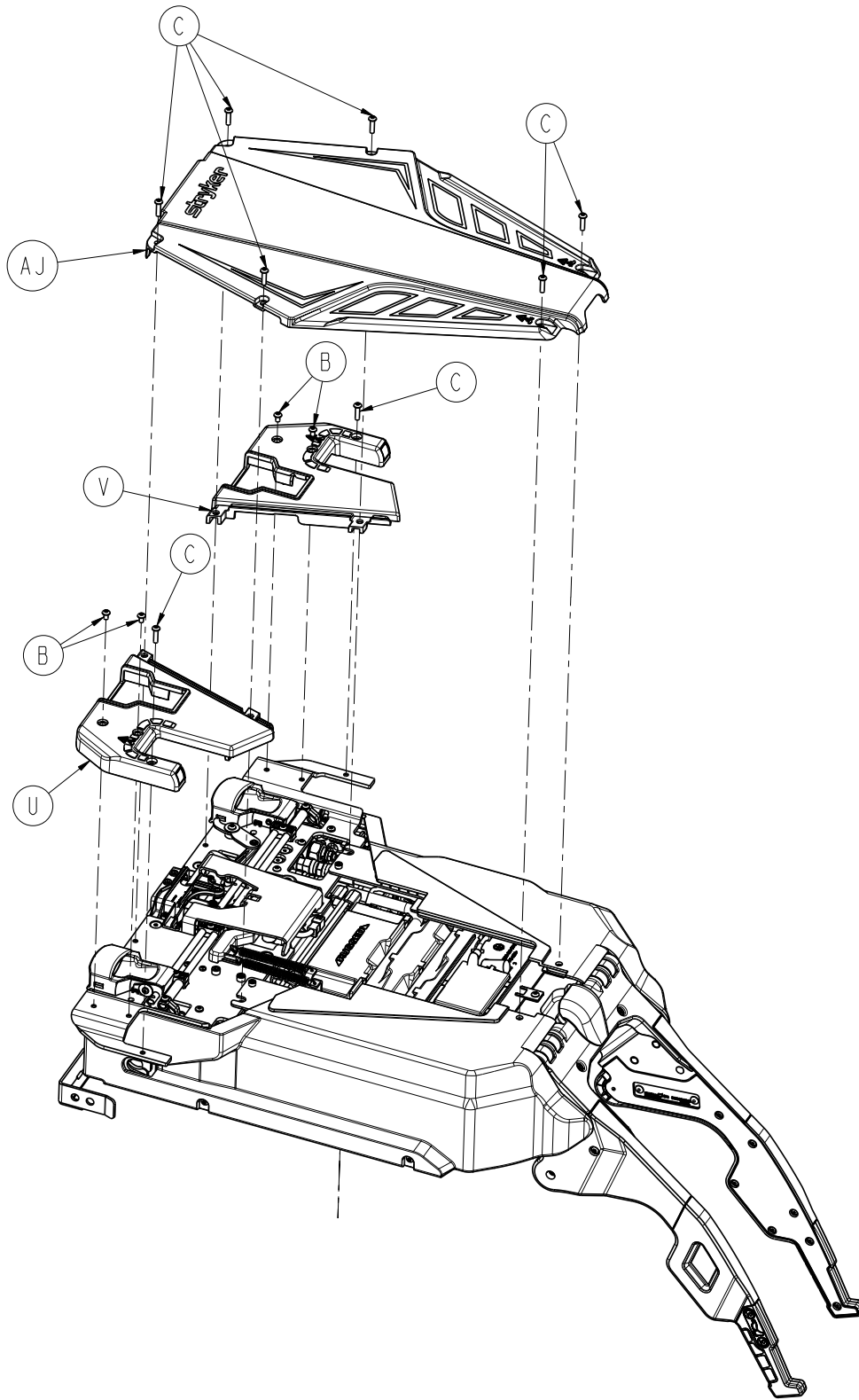
A	0038-890-000	1
B	6390-001-073	1
C	6390-001-250	1
D	6390-001-252	1
E	6390-001-259	1



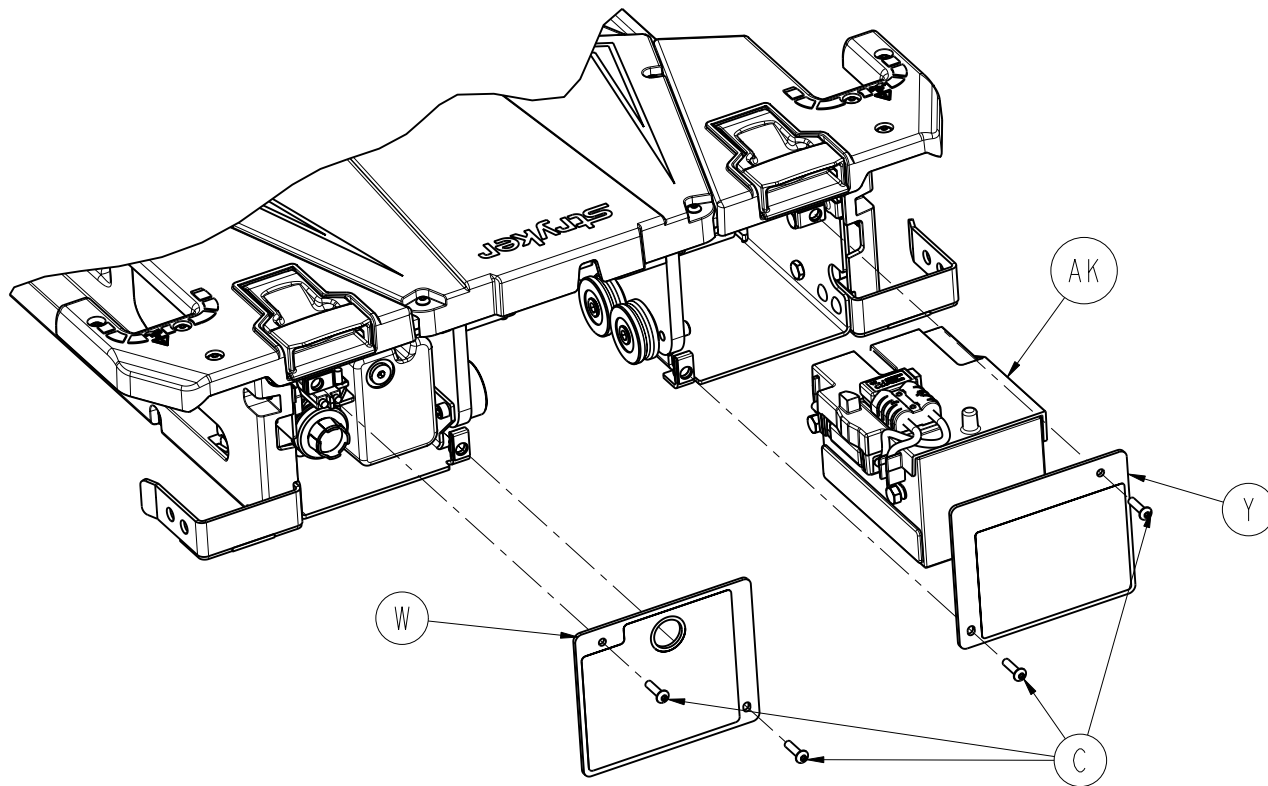






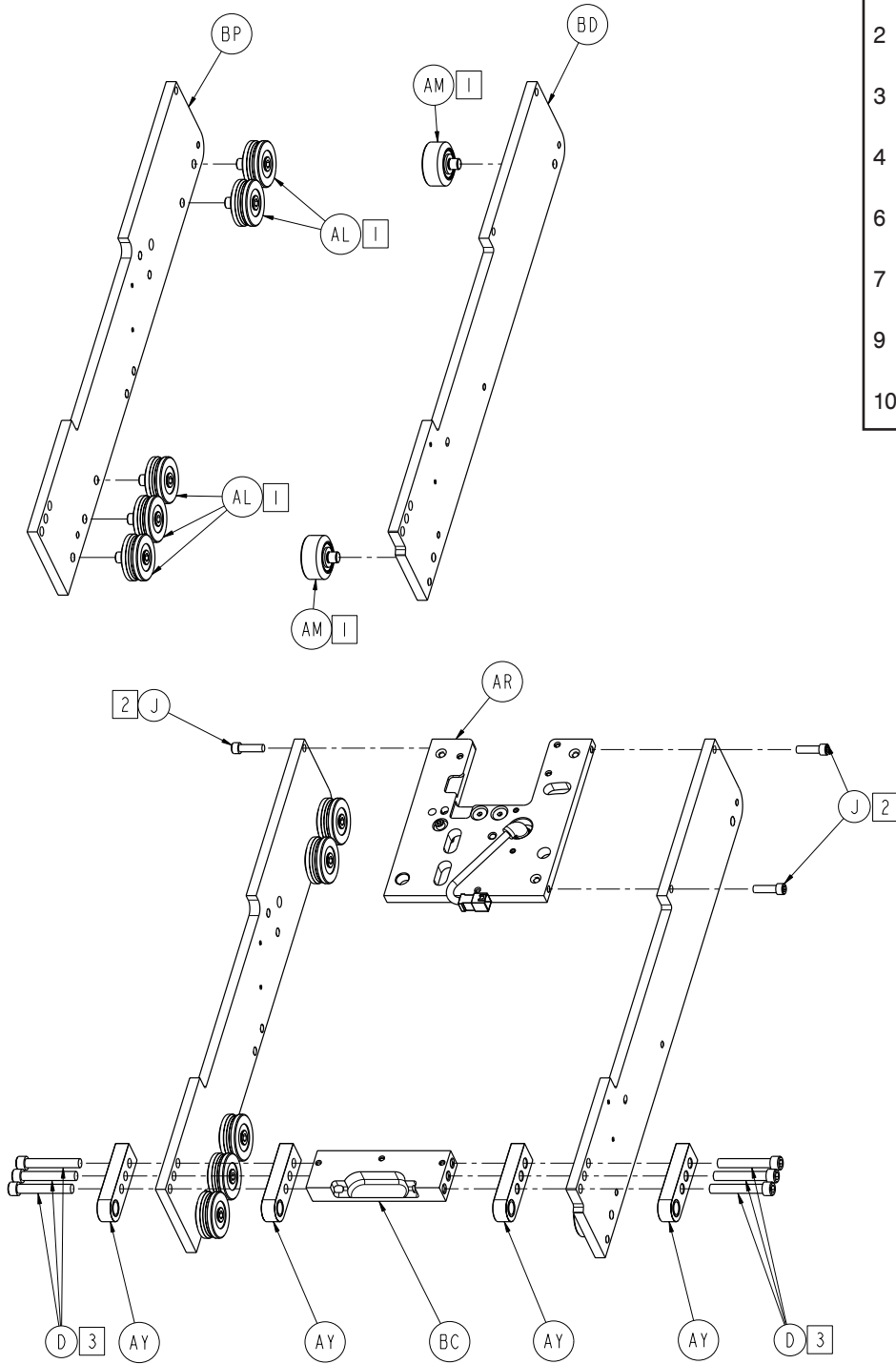


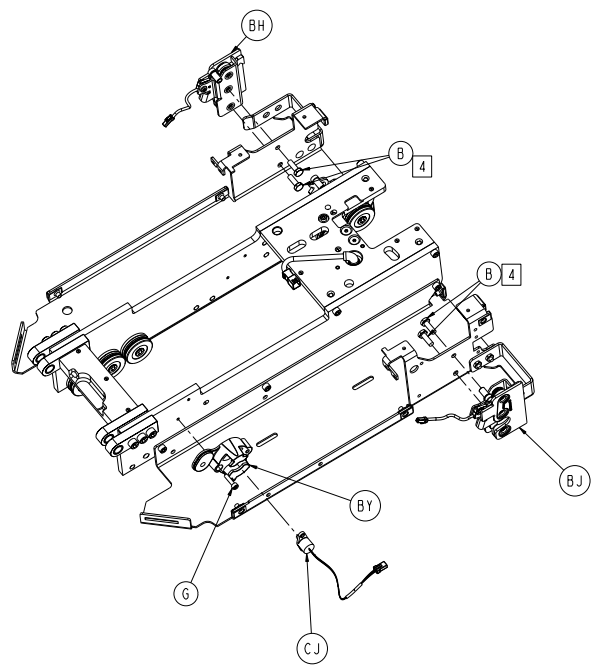
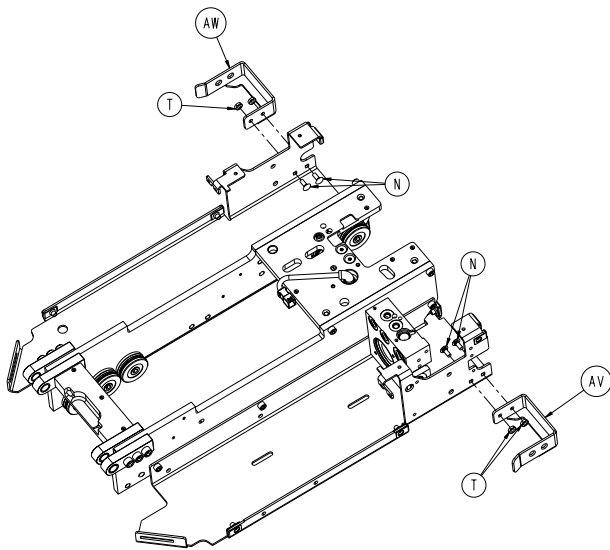
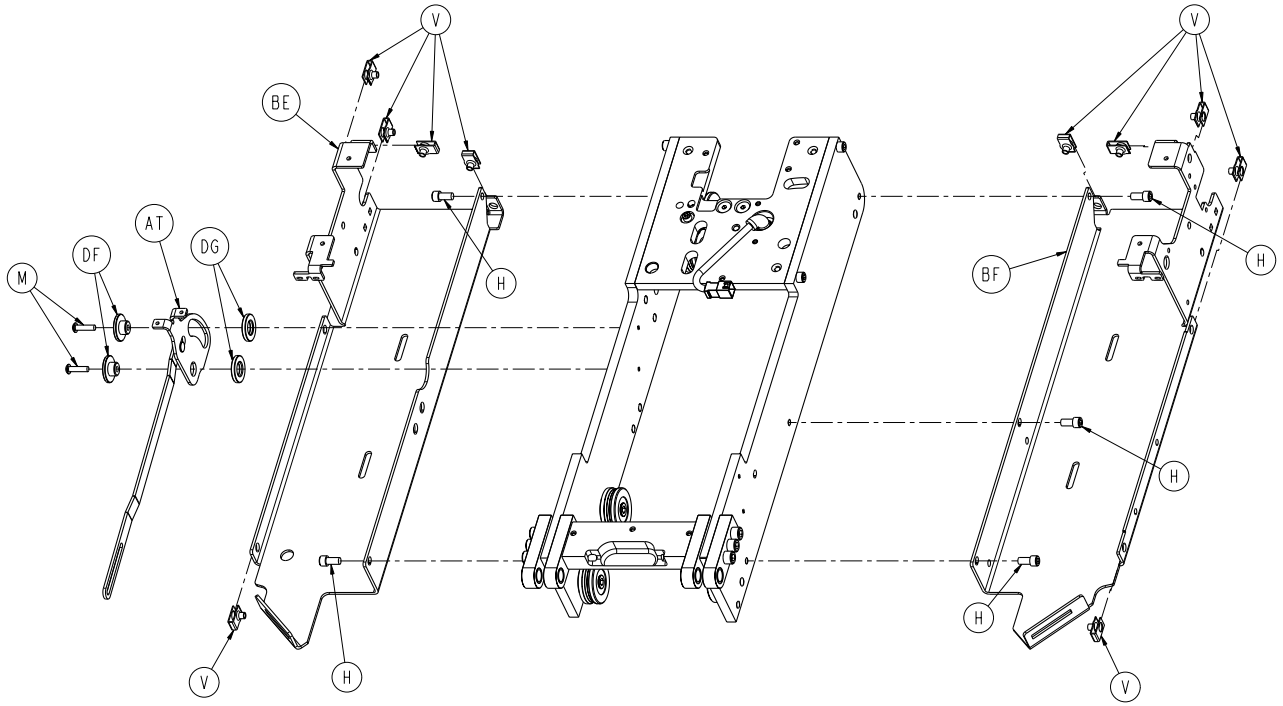
# 6390-001-013

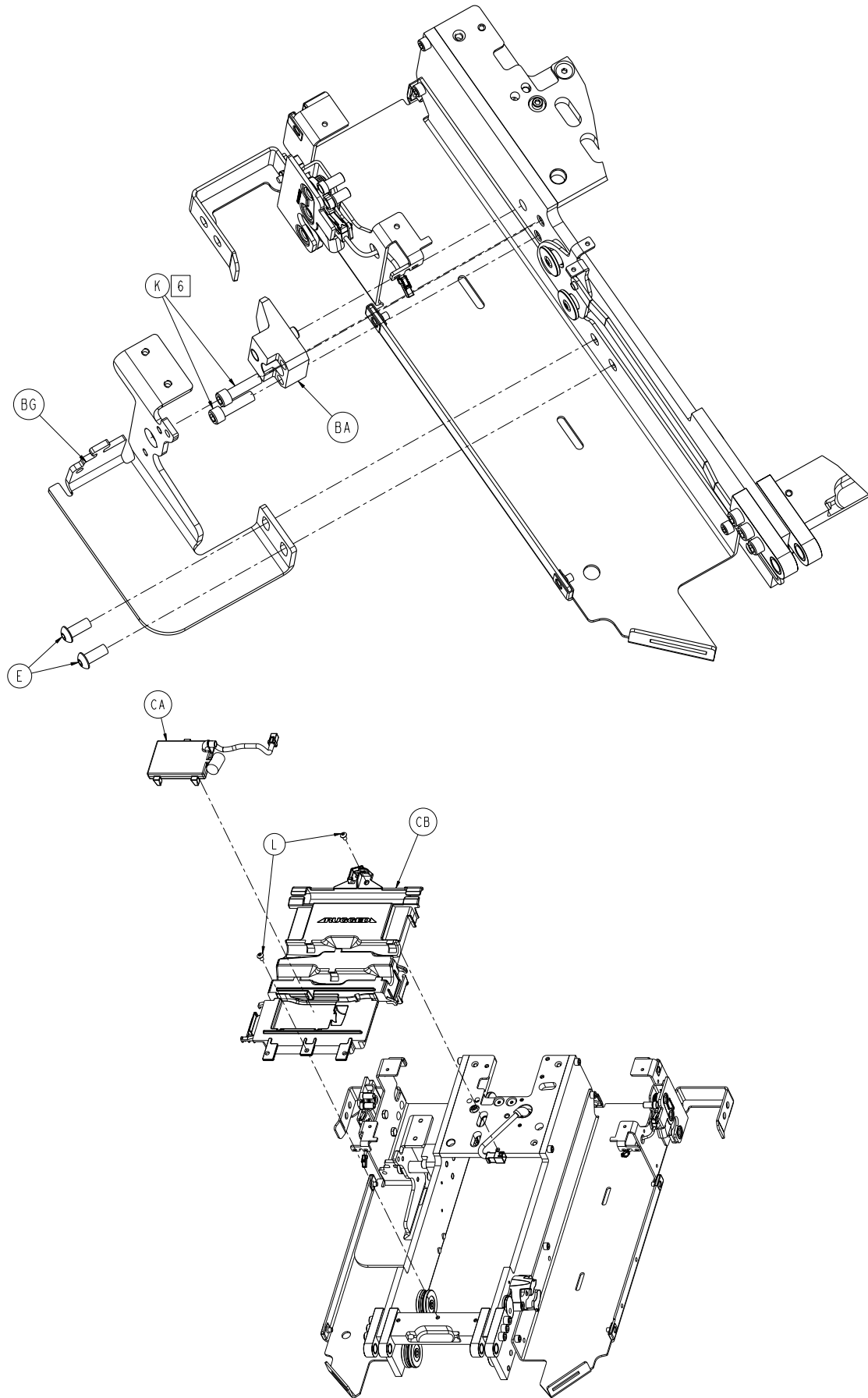


A	0004-658-000	3
B	0004-665-000	4
C	0004-666-000	18
E	0008-082-000	1
F	0016-132-000	1
H	0027-778-000	1
K	0038-111-000	1
L	0038-896-000	1
M	6390-001-015	1
N	6390-001-016	1
P	6390-001-040	1
R	6390-001-041	1
T	6390-001-042	1
U	6390-101-047	1
V	6390-101-048	1
W	6390-101-062	1
Y	6390-101-063	1
AA	6390-001-309	2
AB	6390-001-311	2
AC	6390-001-313	1
AD	6390-001-377	1
AJ	6390-101-420	1
AK	6390-001-026	1
AL	0011-454-000	1

- |    |                         |
|----|-------------------------|
| 1  | Torque to 235-317 in-lb |
| 2  | Torque to 13-19 ft-lb   |
| 3  | Torque to 219-297 in-lb |
| 4  | Torque to 68-92 in-lb   |
| 6  | Torque to 20-28 ft-lb   |
| 7  | Torque to 12-18 in-lb   |
| 9  | Torque to 45 max in-ozs |
| 10 | Torque to 480-600 in-lb |

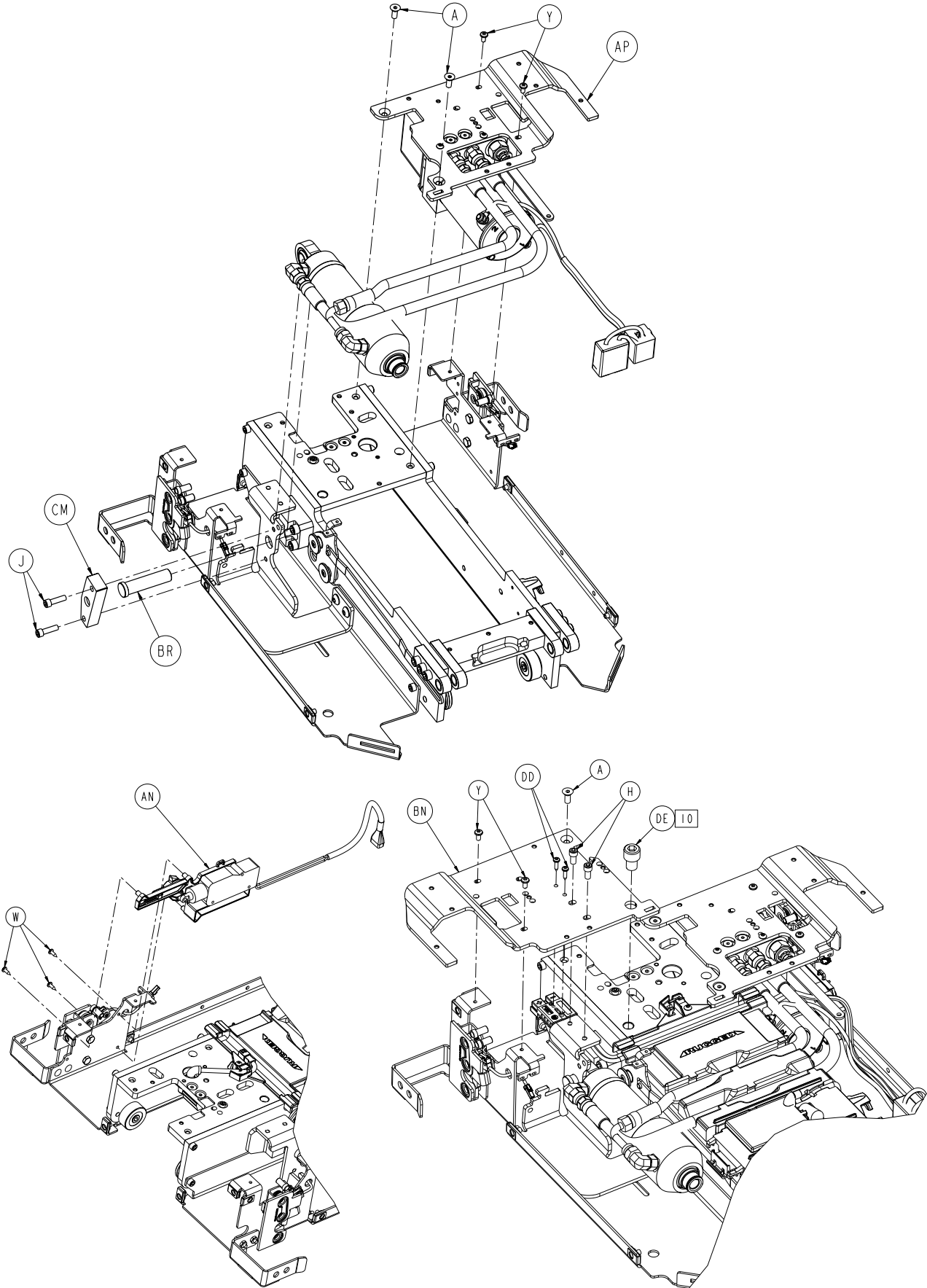


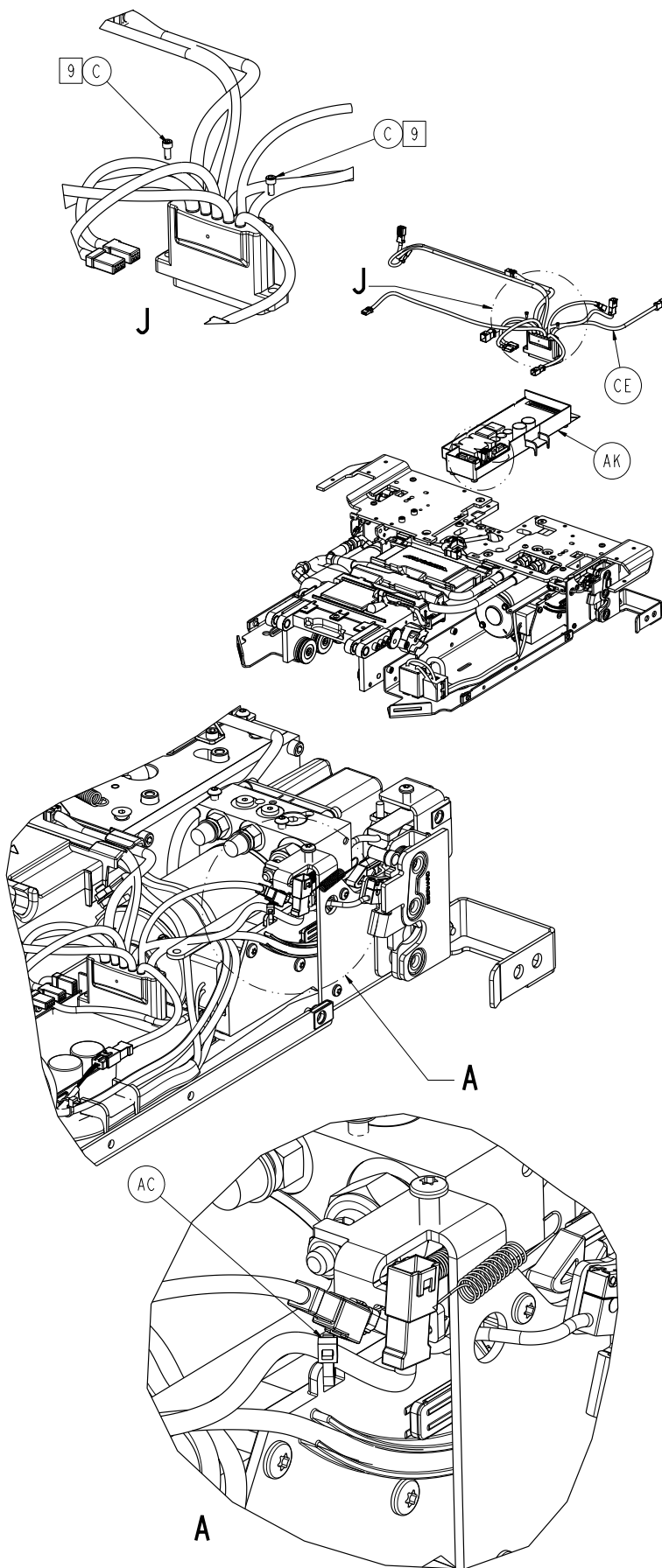


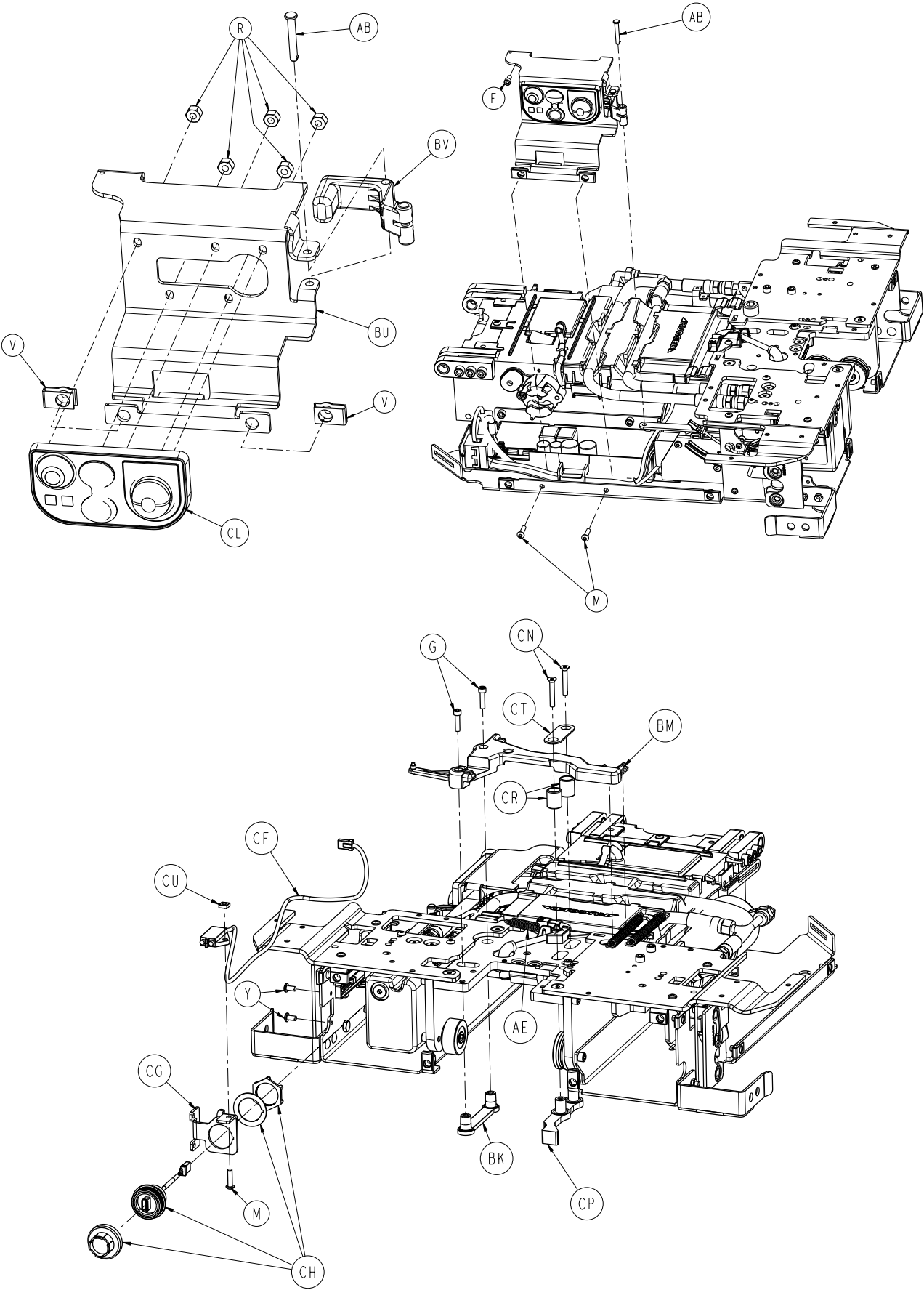


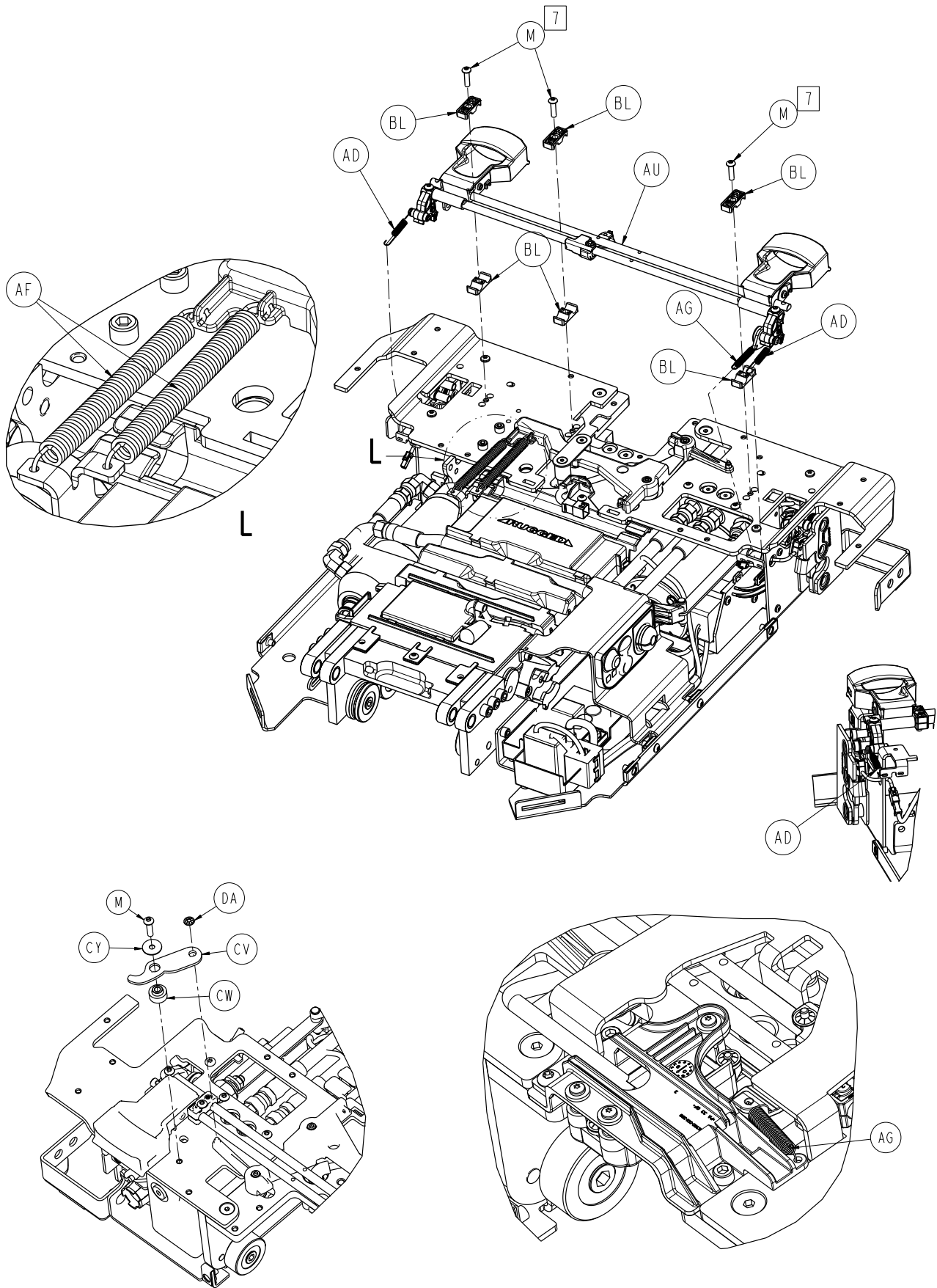


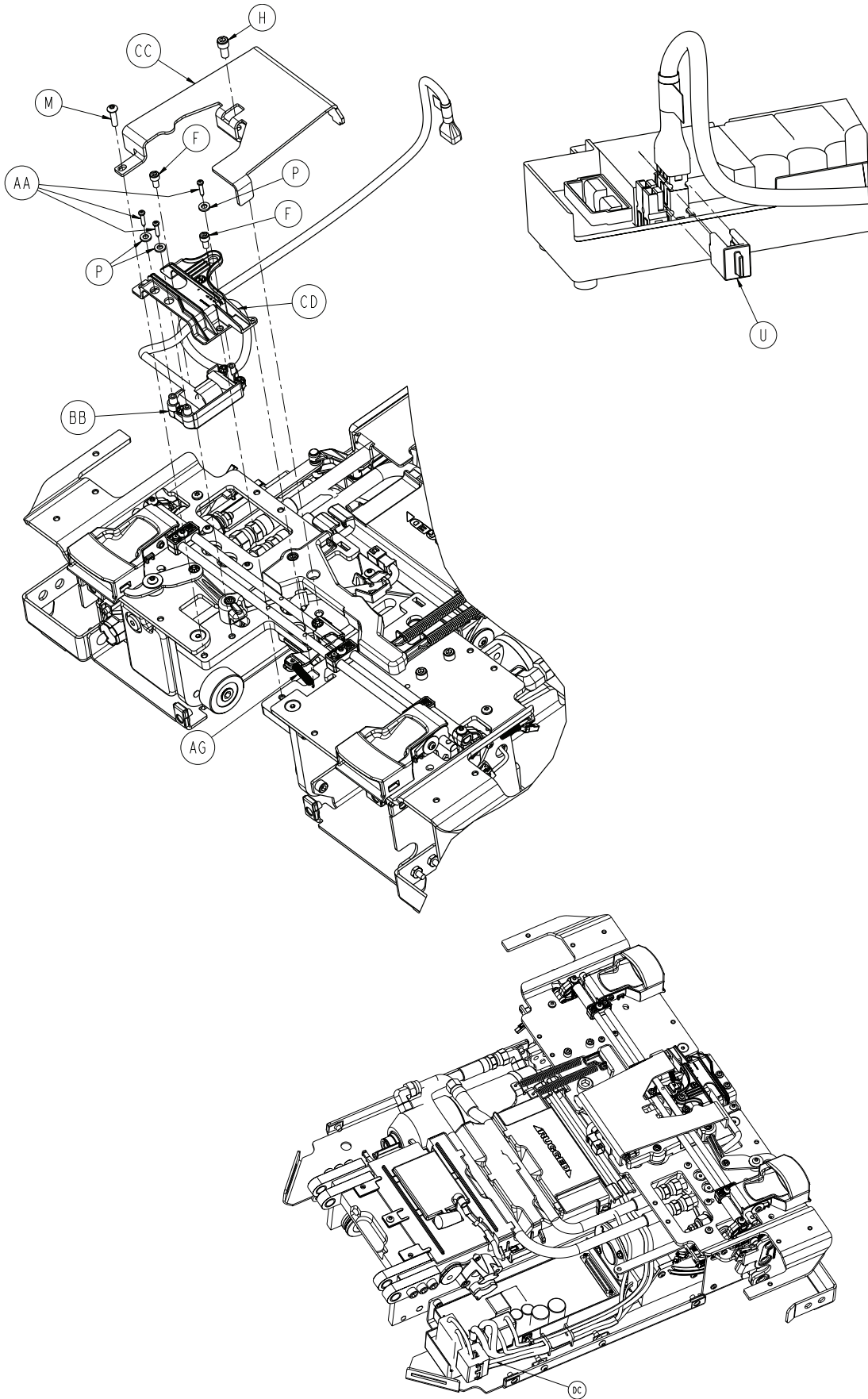
6390-001-015

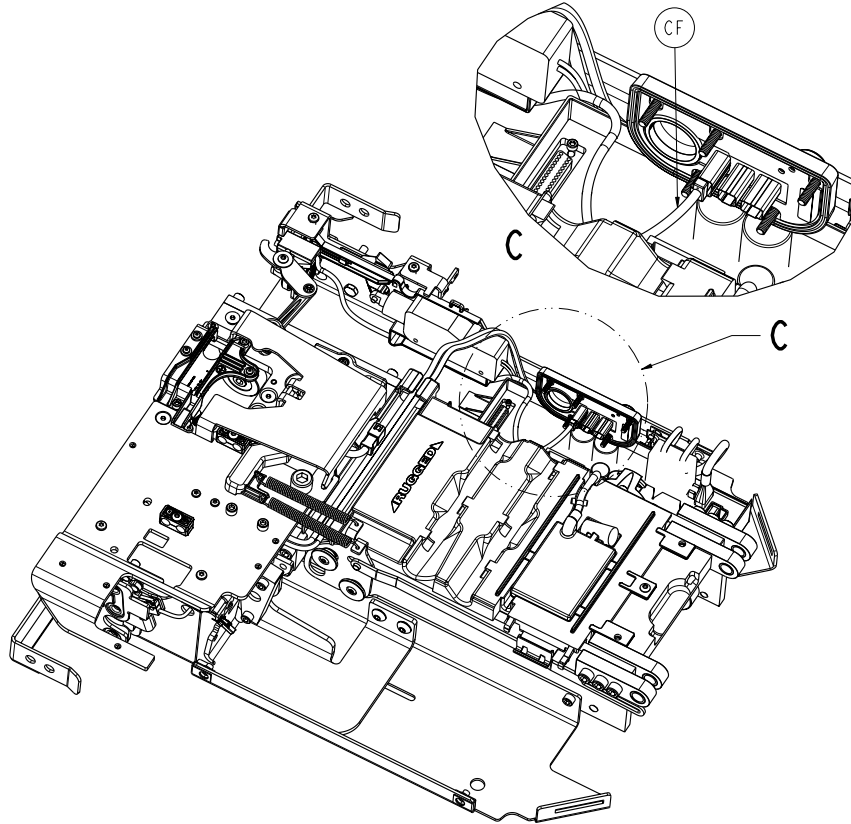




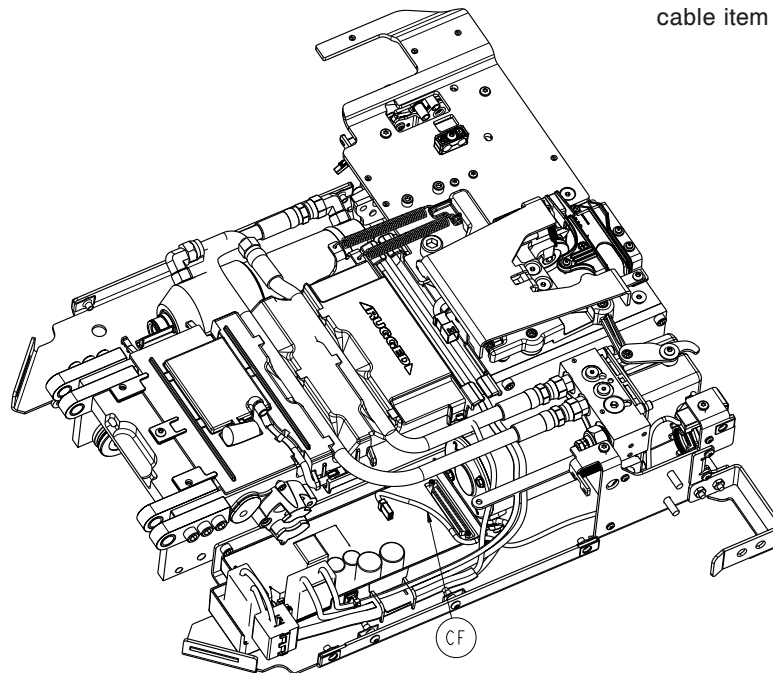


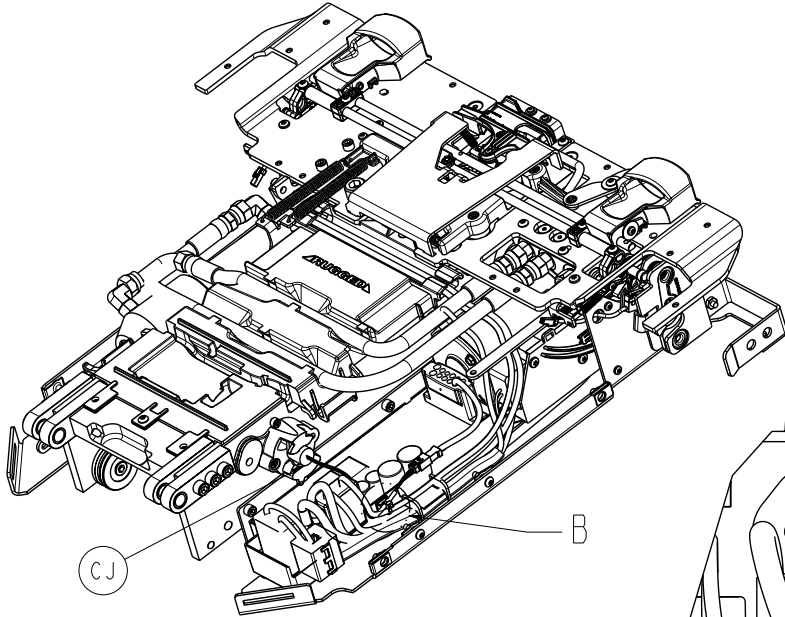




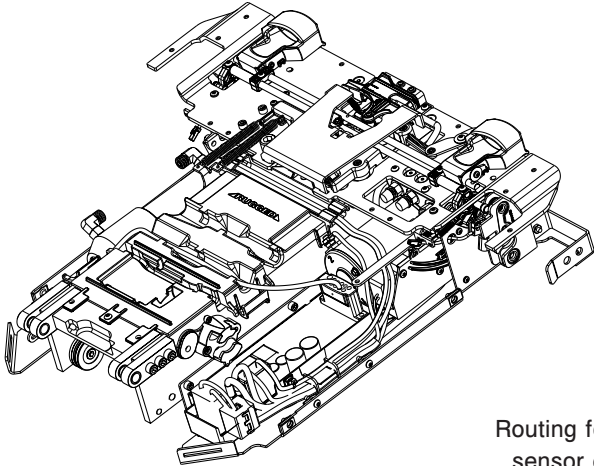
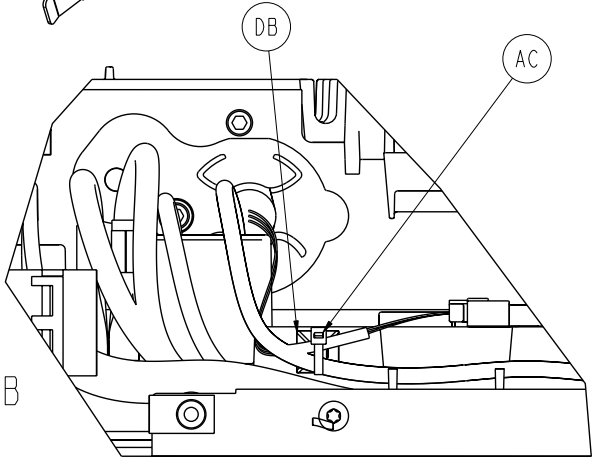


Routing for rear LED  
cable item "CF"

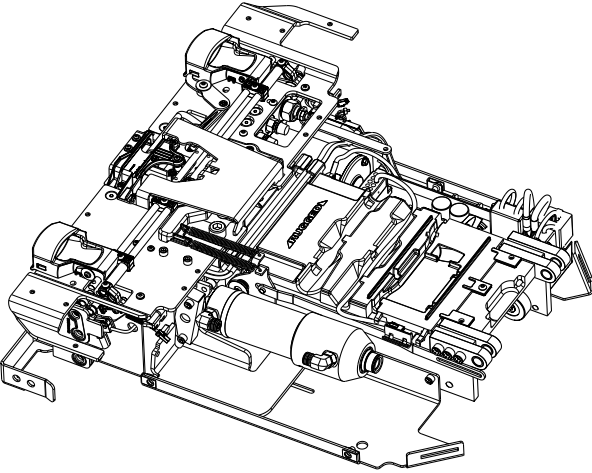


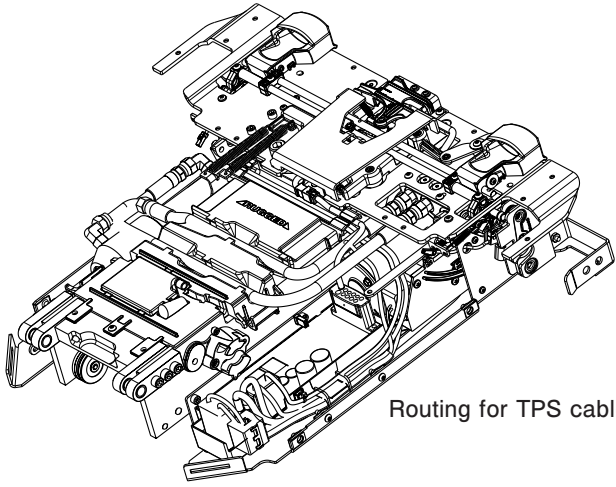


Routing for angle sensor cable item "CJ"

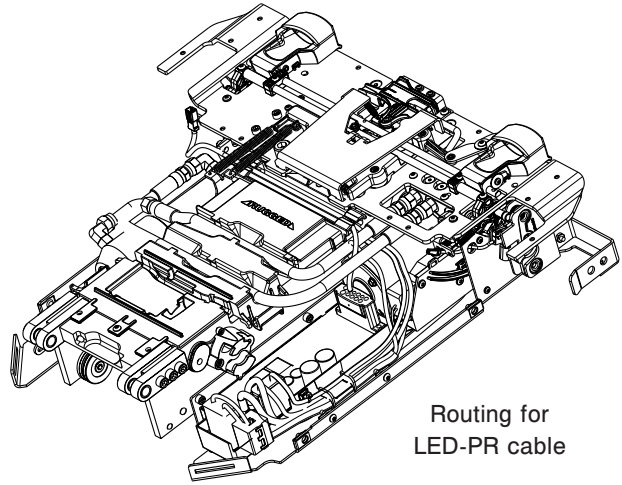


Routing for load sensor cable

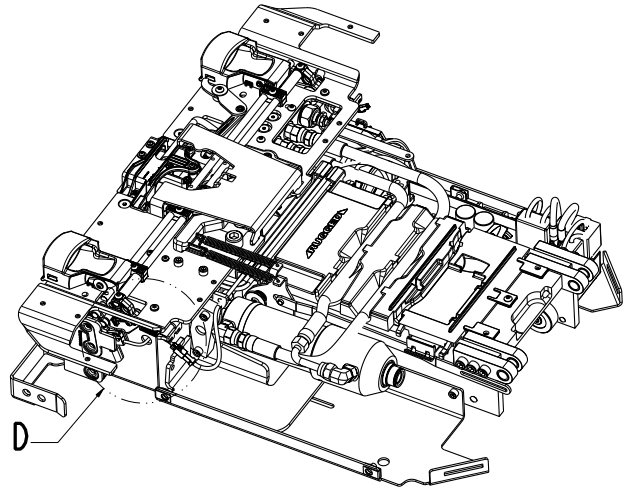
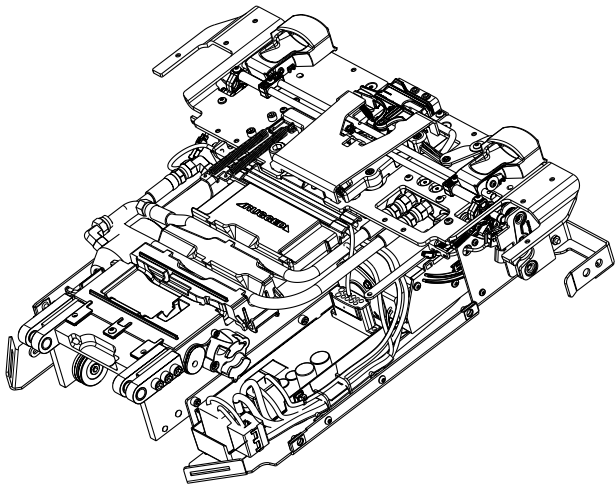




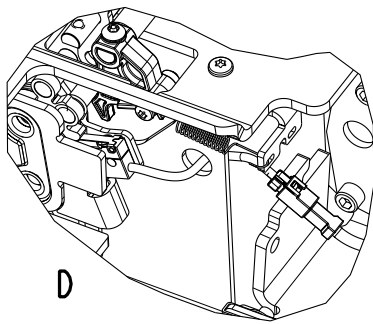
Routing for TPS cable



Routing for LED-PR cable



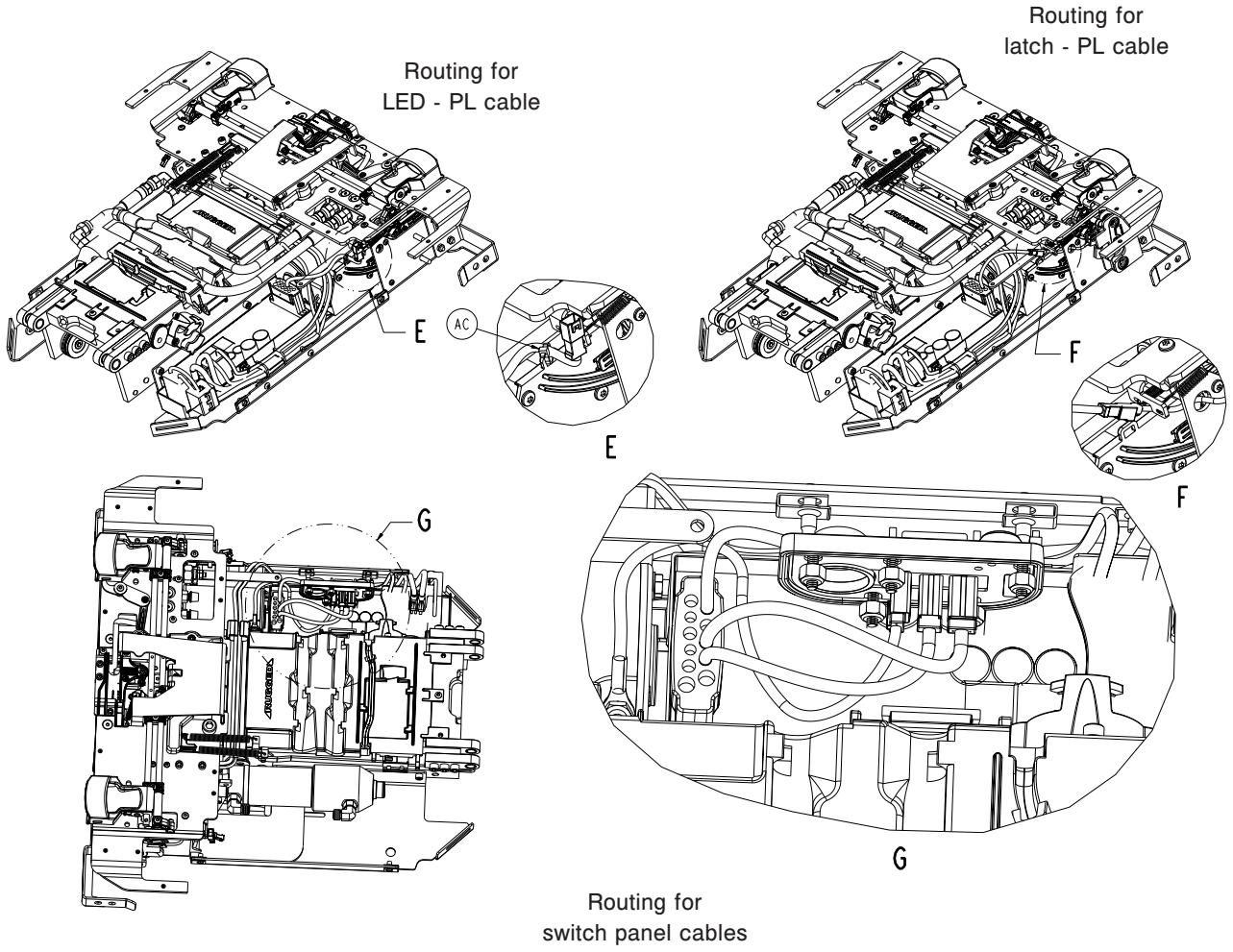
D

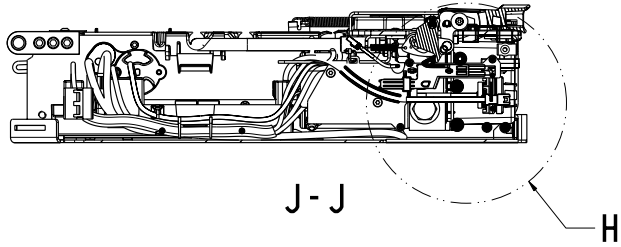
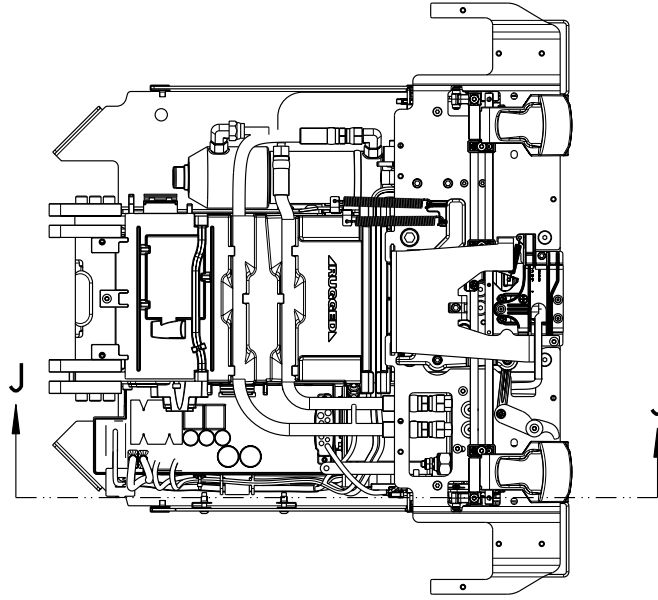


Routing for latch - PR cable

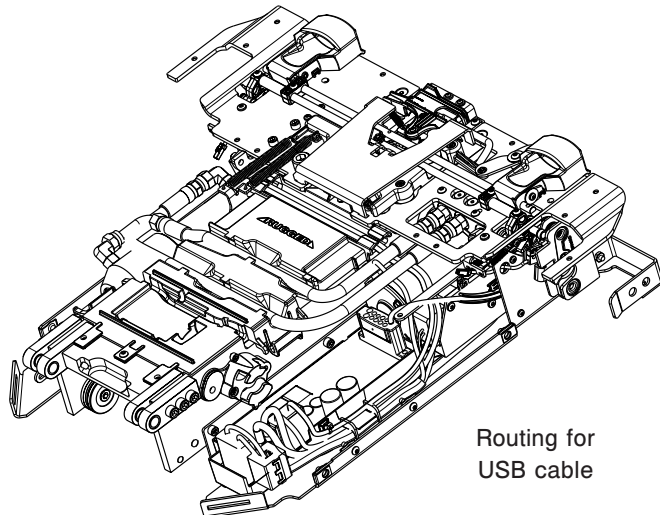
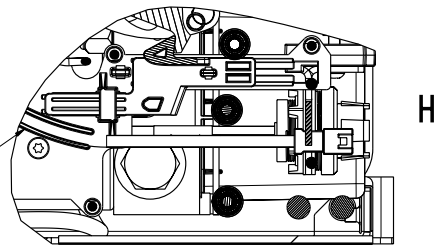
D







Press cable firmly  
into trough



# 6390-001-015

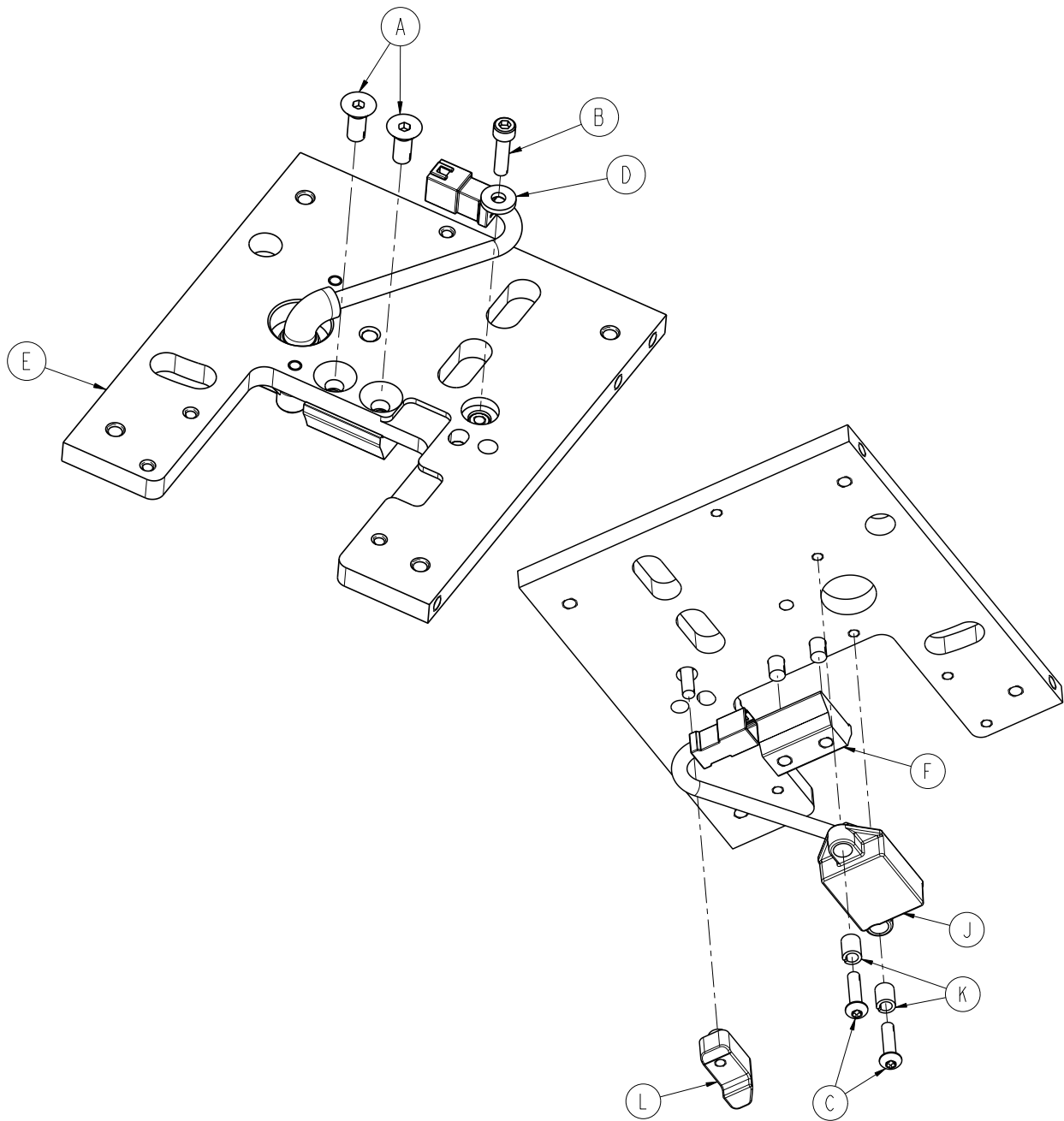
---

A	0001-195-000	3
B	0003-148-000	4
C	0004-874-000	2
D	0004-352-000	6
E	0004-652-000	2
F	0004-658-000	3
G	0004-659-000	3
H	0004-660-000	8
J	0004-661-000	5
K	0004-397-000	2
L	0004-665-000	2
M	0004-666-000	10
N	0005-047-000	4
P	0011-436-000	3
R	0016-014-000	5
T	0015-003-000	4
U	6390-001-588	1
V	0018-009-000	12
W	0023-167-000	3
Y	0023-296-000	6
AA	0023-321-000	3
AB	0027-778-000	2
AC	0038-111-000	2
AD	0038-376-000	2
AE	0038-894-000	1
AF	0038-895-000	2
AG	0038-896-000	2
AK	6390-101-014	1
AL	6390-001-025	5
AM	6390-001-027	2
AN	6390-001-028	1
AP	6390-001-035	1
AR	6390-001-043	1
AT	6390-001-045	1
AU	6390-001-046	1
AV	6390-001-052	1
AW	6390-001-053	1
AY	6390-001-064	4
BA	6390-001-065	1
BB	6390-001-066	1
BC	6390-001-301	1
BD	6390-001-304	1
BE	6390-001-314	1
BF	6390-001-315	1
BG	6390-001-316	1
BH	6390-001-318	1
BJ	6390-001-319	1
BK	6390-001-320	1
BL	6390-001-333	6
BM	6390-001-334	1
BN	6390-001-340	1
BP	6390-001-344	1
BR	6390-001-360	1
BU	6390-001-365	1
BV	6390-001-366	1

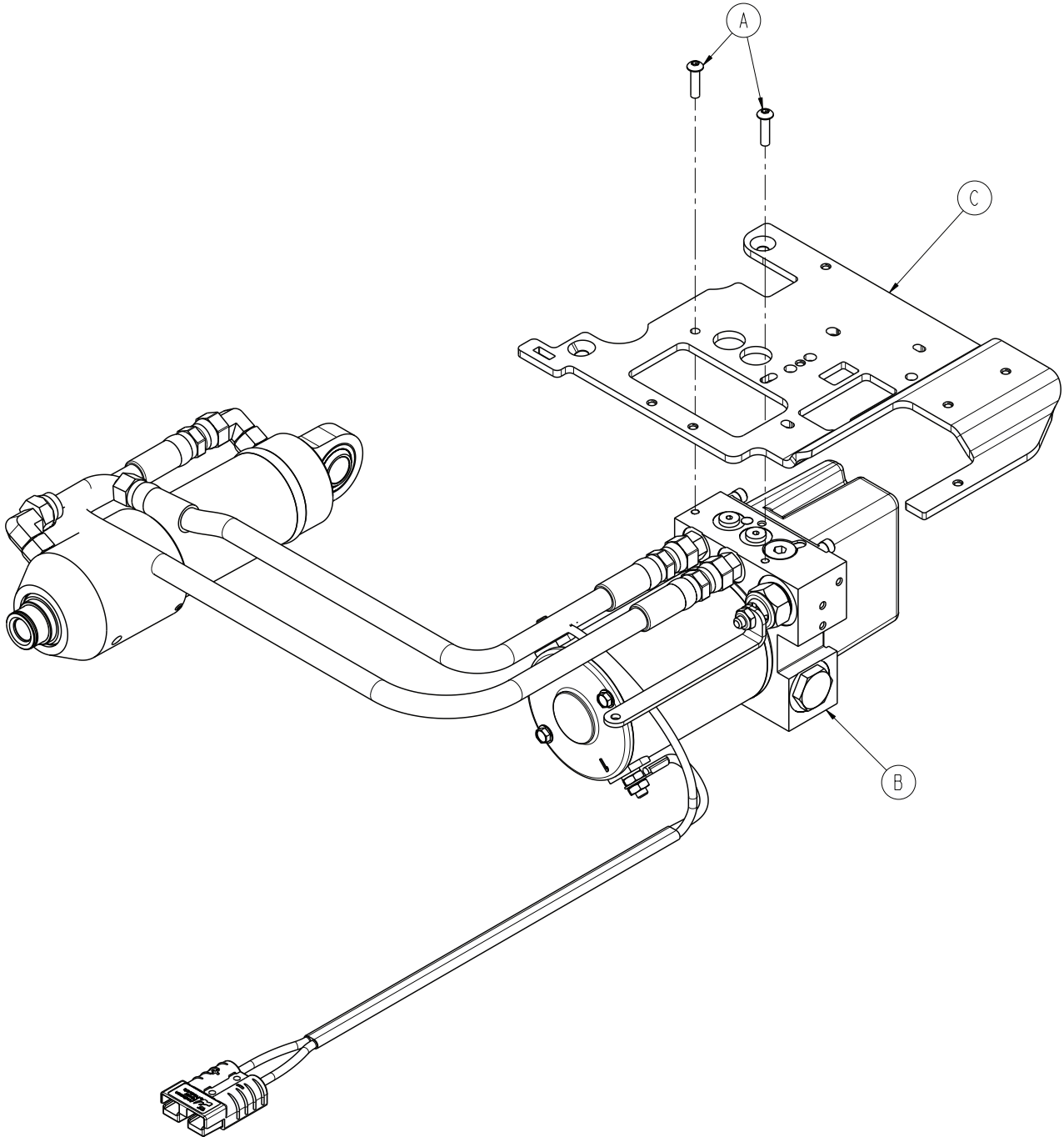
# 6390-001-015

---

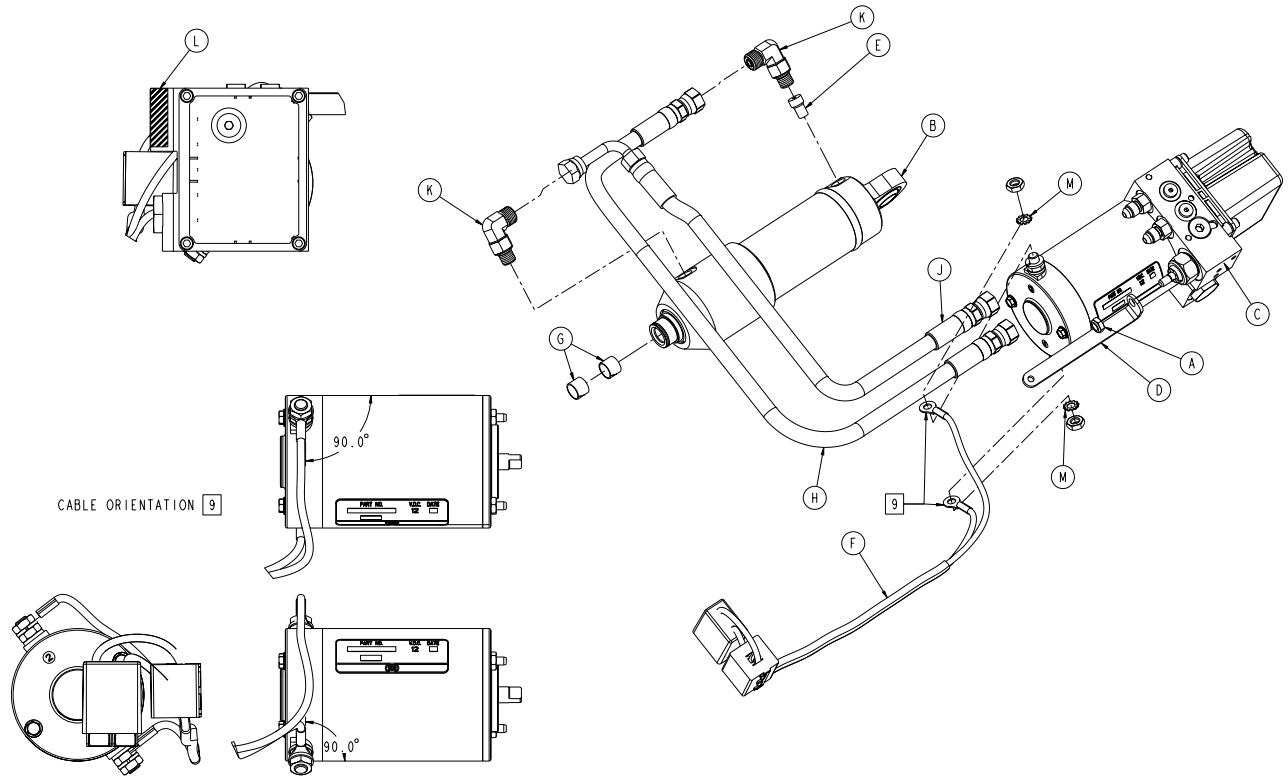
BY	6390-001-375	1
CA	6390-001-378	1
CB	6390-001-379	1
CC	6390-001-385	1
CD	6390-001-388	1
CE	6390-001-391	1
CF	6390-001-392	1
CG	6390-001-393	1
CH	6390-001-395	1
CJ	6390-001-397	1
CL	6390-001-450	1
CM	6390-001-352	1
CN	0001-196-000	2
CP	6390-001-351	1
CR	6390-001-343	2
CT	6390-001-336	1
CU	0015-087-000	1
CV	6390-001-412	1
CW	6390-001-413	1
CY	0011-518-000	1
DA	0028-217-000	1
DB	0058-143-000	1
DC	6390-001-545	1
DD	0023-162-000	2
DE	0004-404-000	1
DF	6390-001-574	2
DG	6390-001-573	2



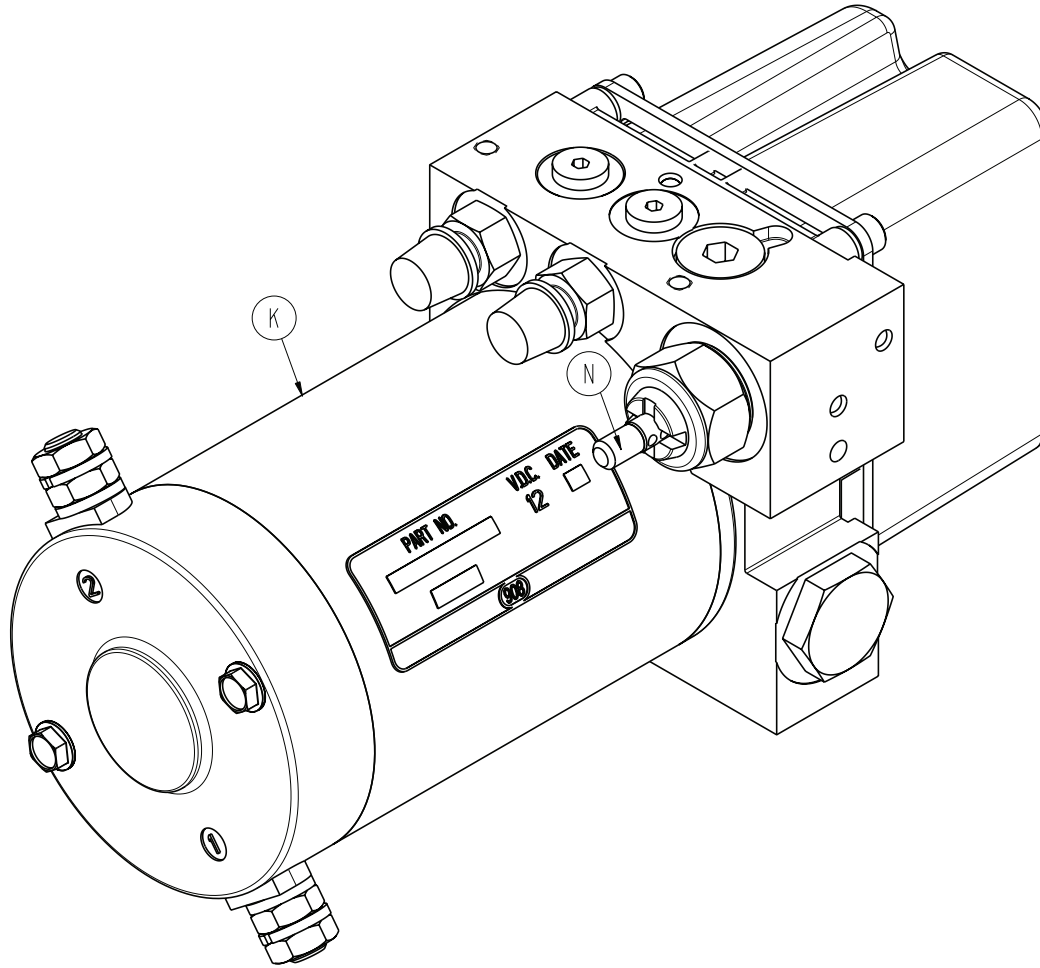
A	0001-195-000	2
B	0004-659-000	1
C	0004-666-000	2
D	0011-517-000	1
E	6390-001-303	1
F	6390-001-325	1
J	6390-001-361	1
K	6390-001-362	2
L	6390-001-404	1



A	0004-666-000	2
B	6390-001-039	1
C	6390-001-339	1

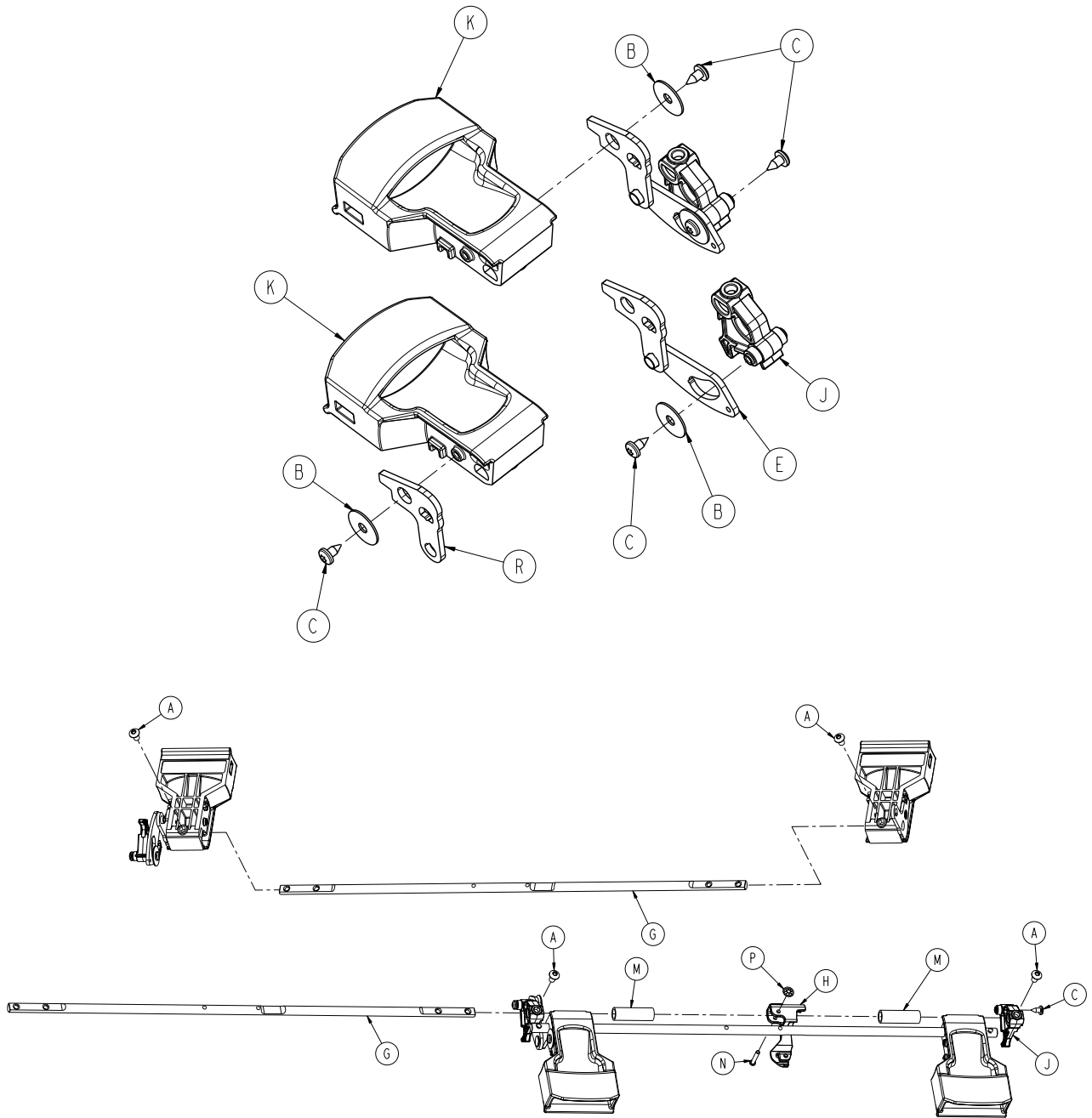


A	0016-102-000	1
B	6390-001-029	1
C	6390-101-038	1
D	6390-001-167	1
E	6390-001-381	1
F	6390-101-431	1
G	6390-001-433	2
H	6390-001-436	1
J	6390-001-437	1
K	6500-001-297	2
L	NA	1
M	0013-038-000	2

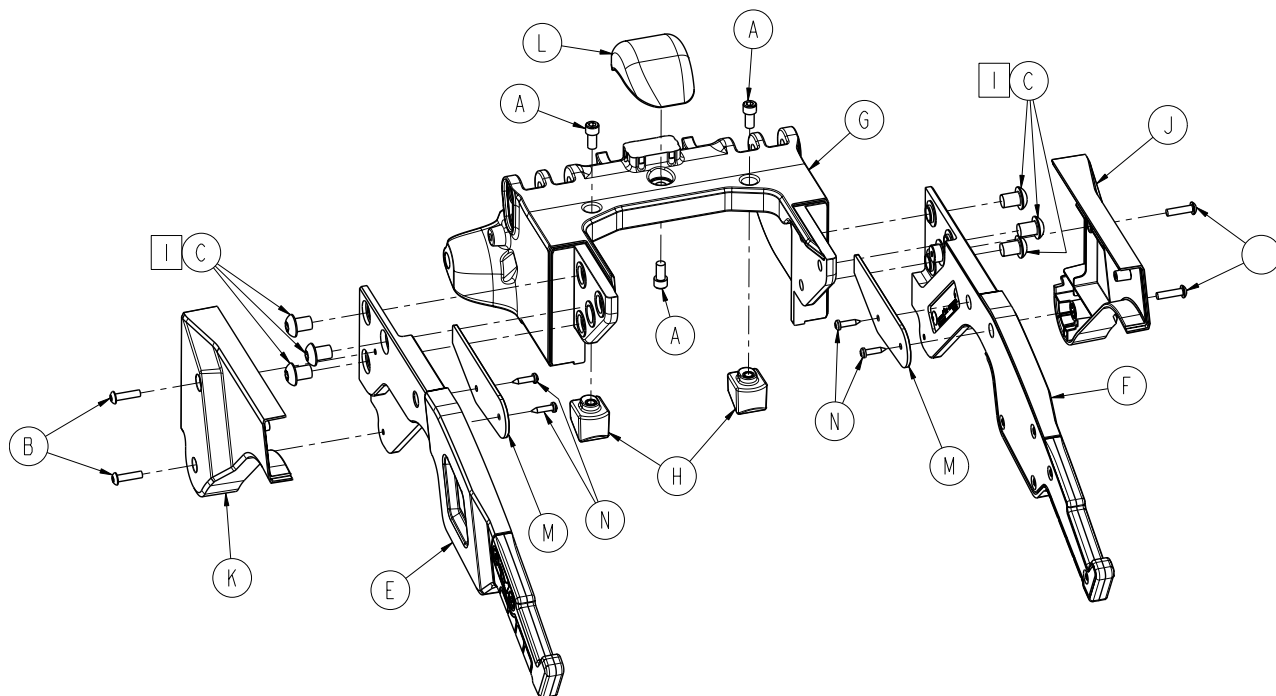


K	6390-101-132	1
N	6500-001-289	1



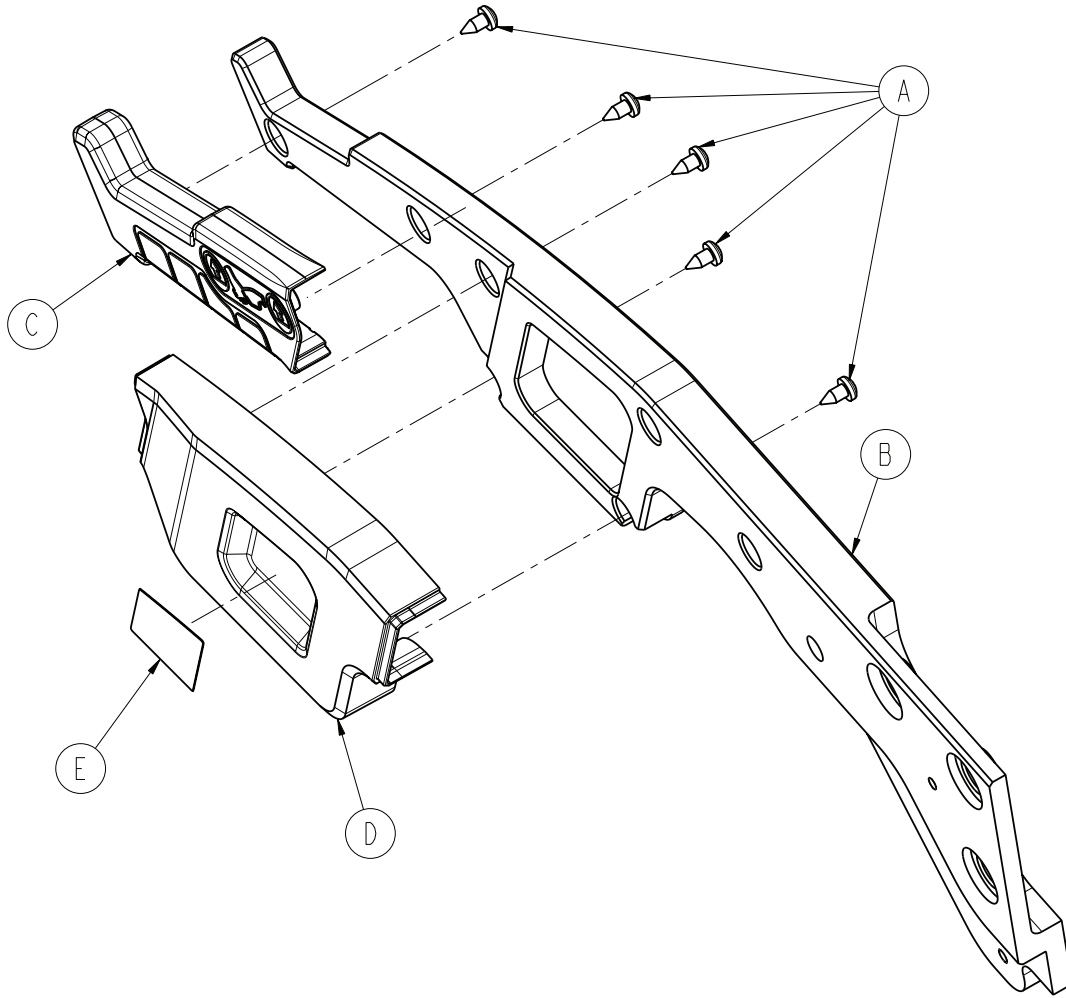


A	0004-665-000	4
B	0011-518-000	3
C	0023-163-000	5
E	6390-001-060	1
G	6390-001-326	2
H	6390-001-328	1
J	6390-001-329	2
K	6390-001-332	2
M	6390-001-387	2
N	6390-001-323	1
P	0028-217-000	1
R	6390-001-382	1

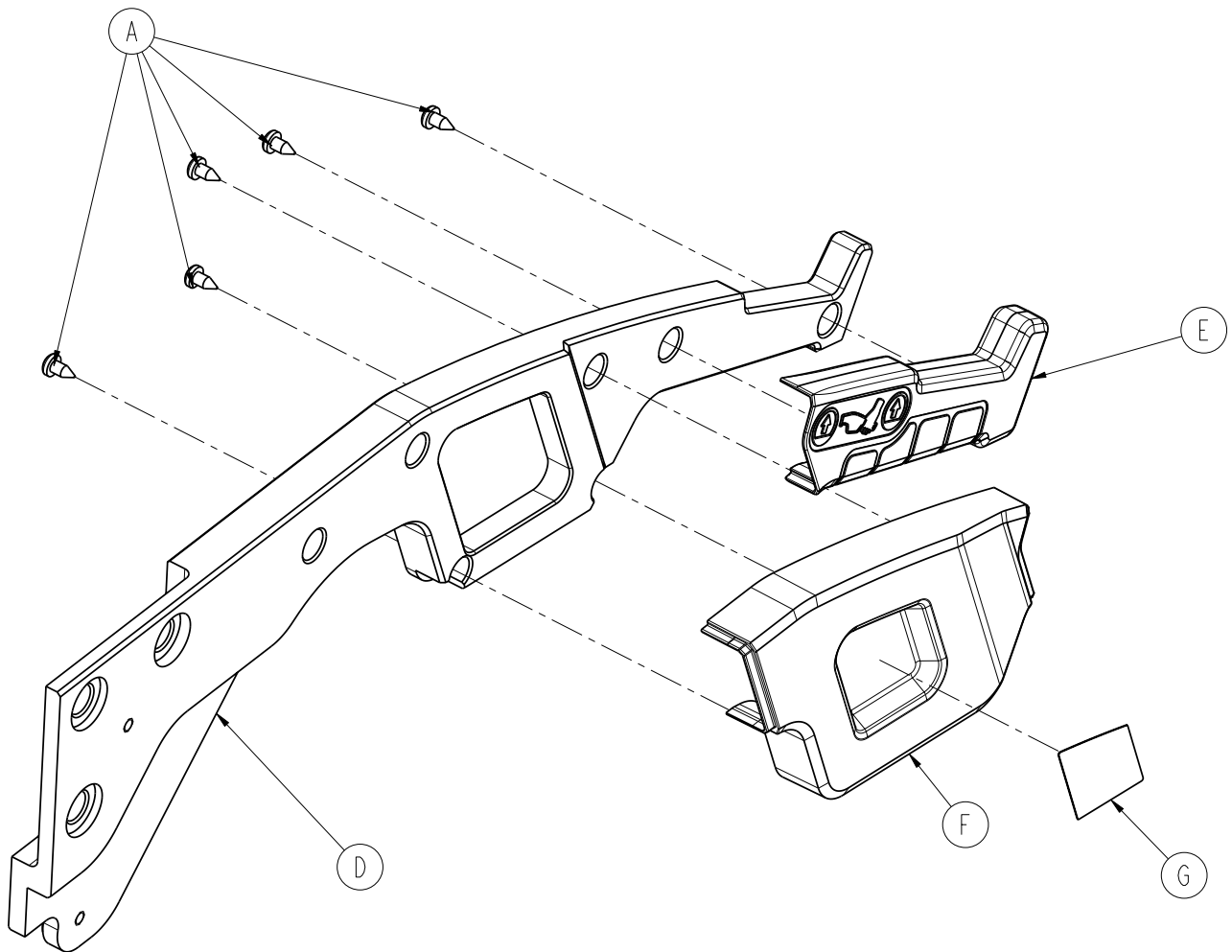


1 Torque to 47±7 ft-lb

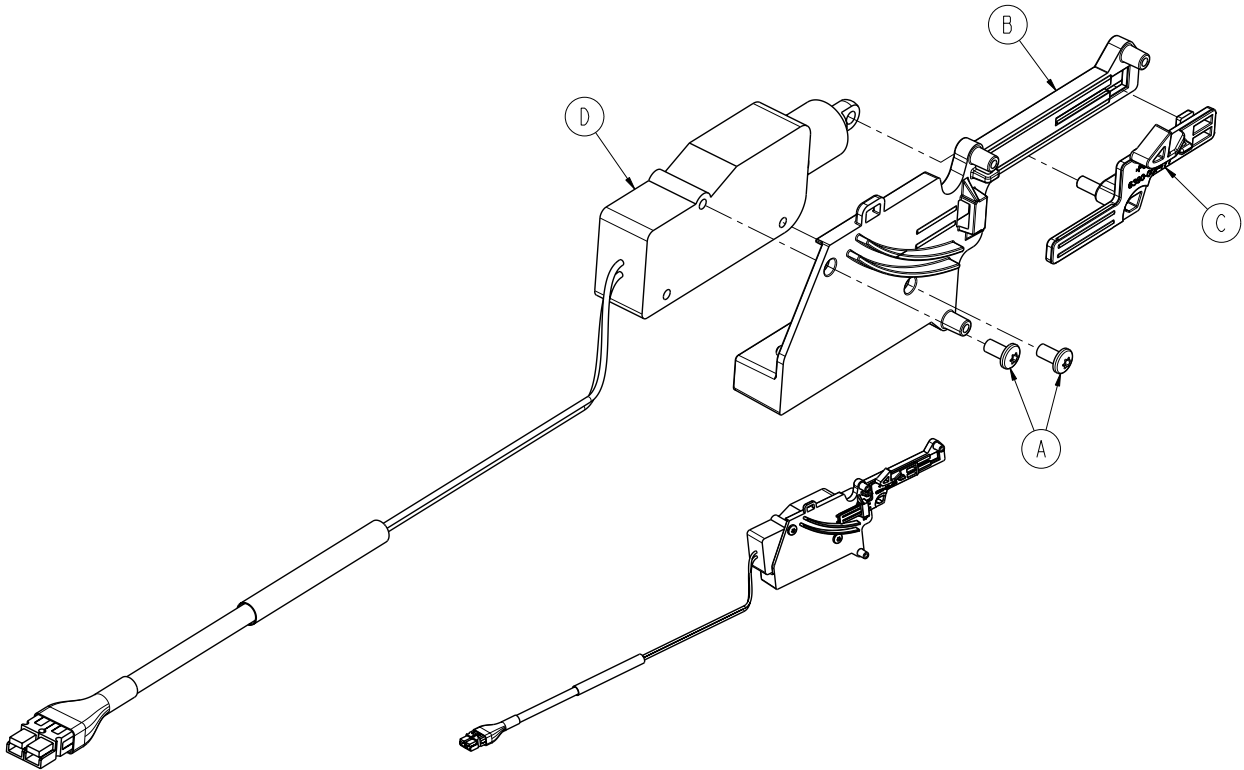
A	0004-660-000	3
B	0004-666-000	4
C	0004-668-000	6
E	6390-001-036	1
F	6390-001-037	1
G	6390-001-305	1
H	6390-001-322	2
J	6390-001-372	1
K	6390-001-371	1
L	6390-001-440	1
M	6390-001-486	2
N	0023-162-000	4



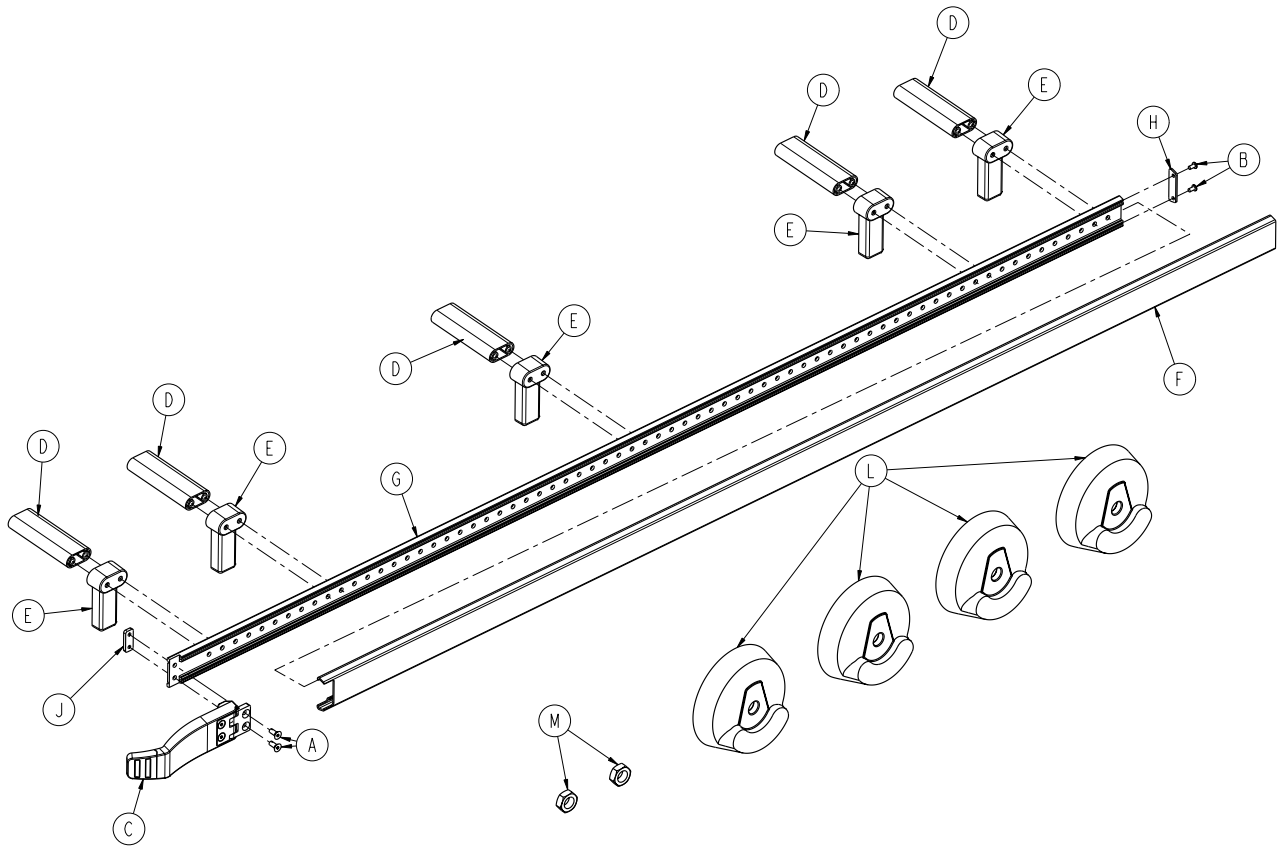
A	0023-163-000	5
B	6390-001-417	1
C	6390-001-341	1
D	6390-001-370	1
E	6390-001-410	1



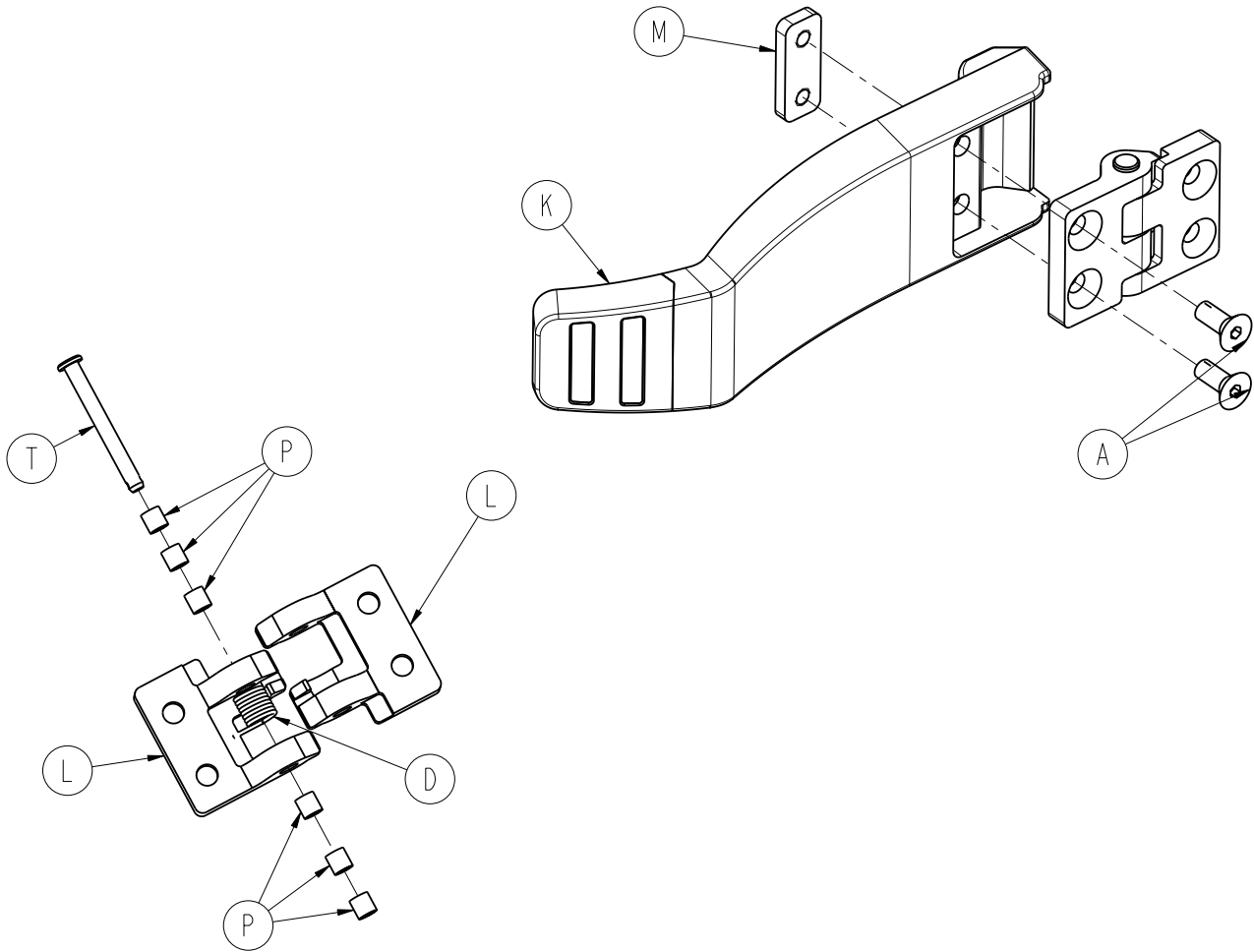
A	0023-163-000	5
D	6390-001-418	1
E	6390-001-368	1
F	6390-001-369	1
G	6390-001-411	1



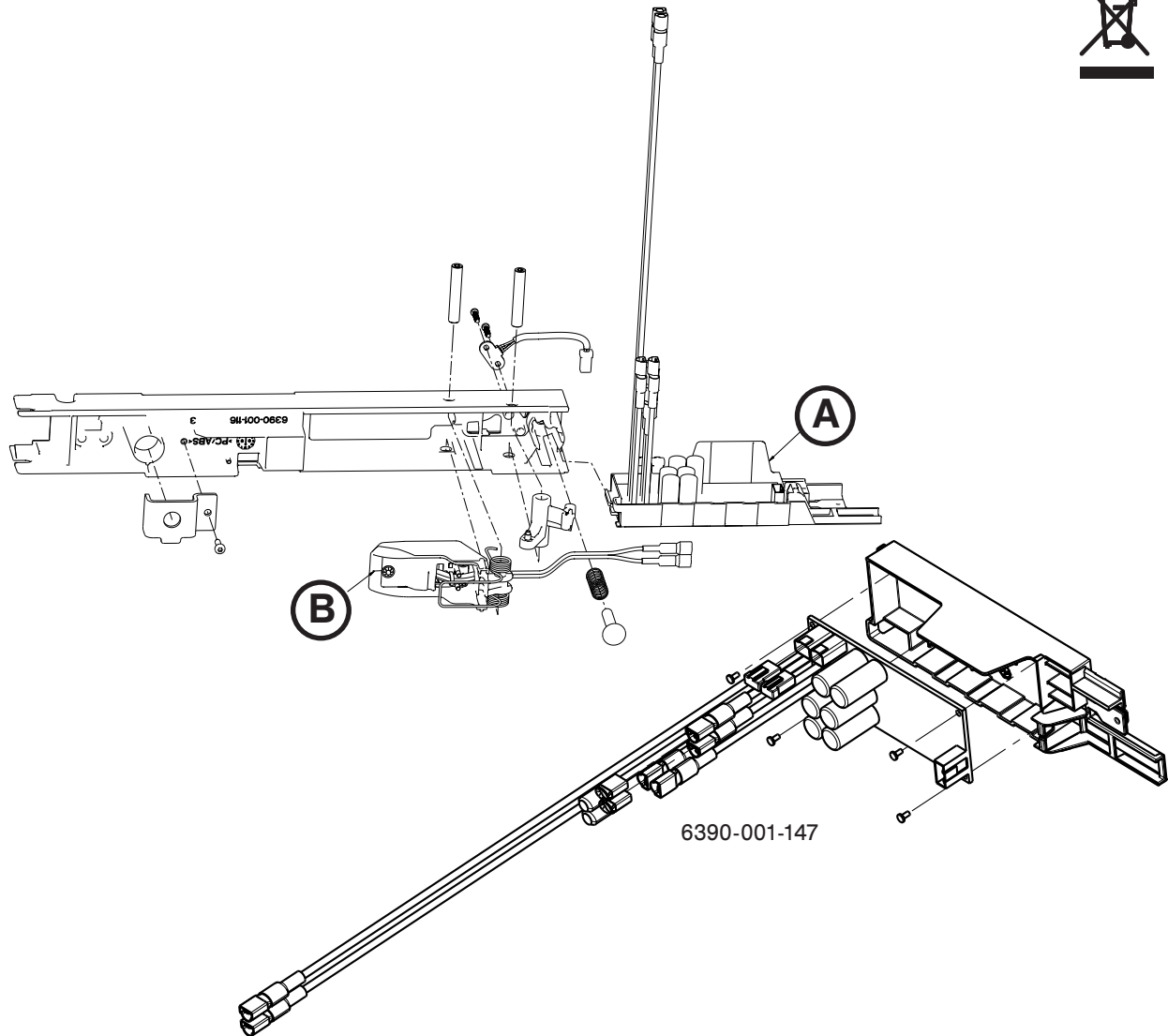
A	0023-296-000	2
B	6390-001-476	1
C	6390-001-477	1
D	6390-001-478	1



A	0001-195-000	2
B	0023-296-000	2
C	6390-001-017	1
D	6390-001-173	5
E	6390-001-174	5
F	6390-001-175	1
G	6390-001-176	1
H	6390-001-178	1
J	6390-001-191	1
L	6390-001-206	4
M	0016-060-000	2

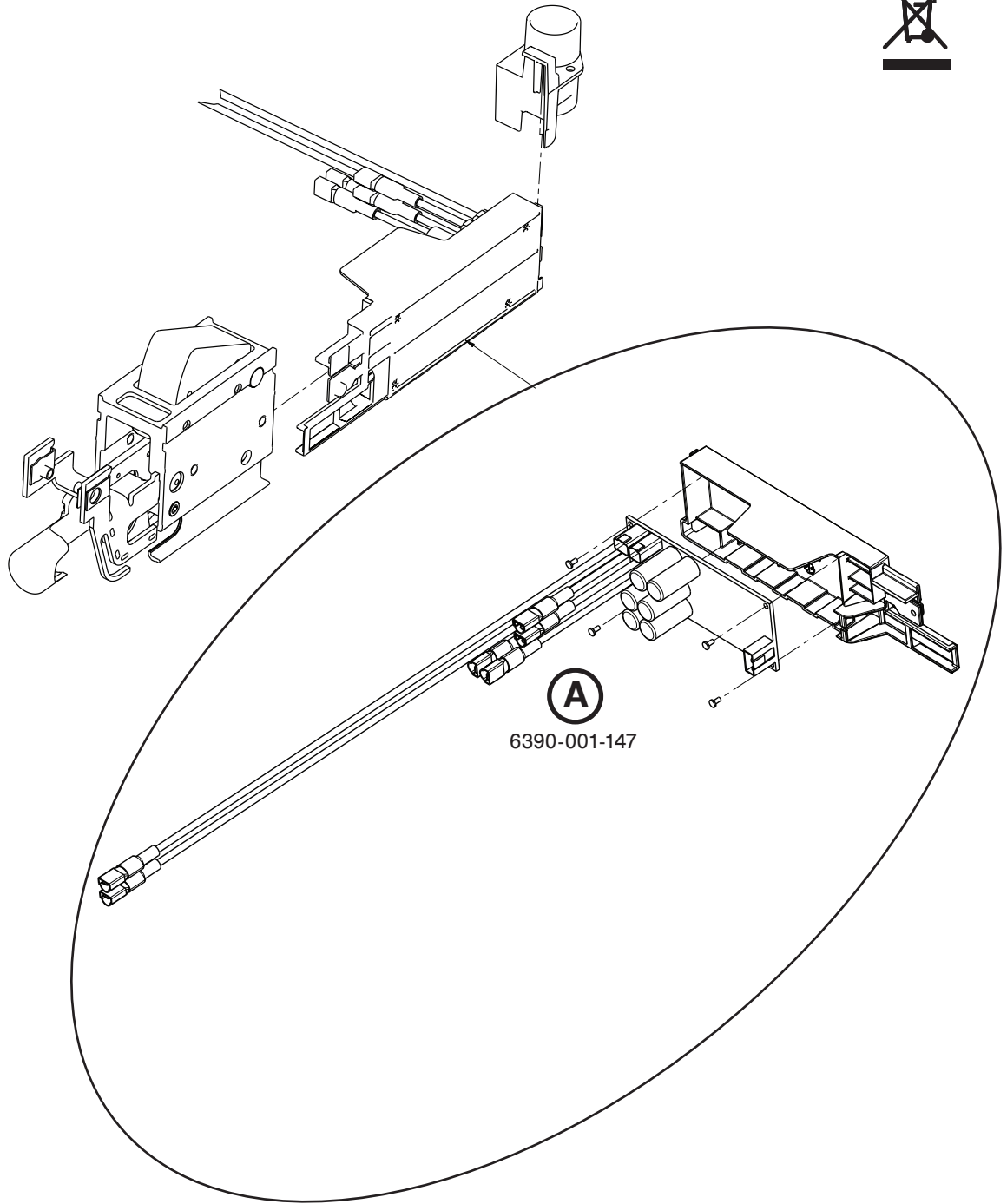


A	0001-195-000	2
D	0038-377-000	1
K	6390-001-185	1
L	6390-001-188	2
M	6390-001-191	1
P	0081-500-000	6
T	0026-403-000	1

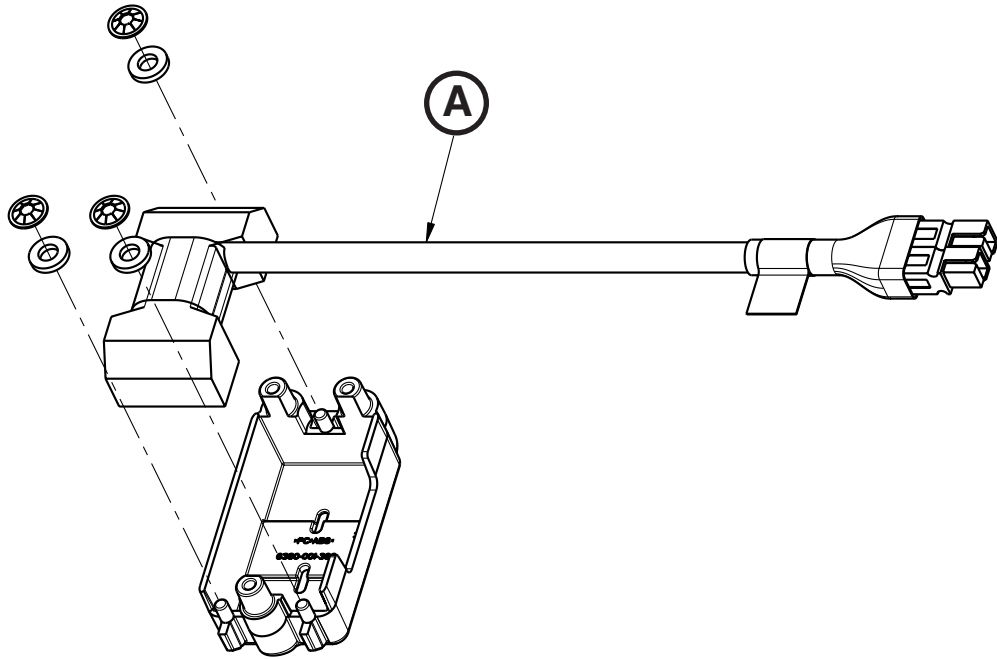


A	6390-001-147	1
B	6390-001-030	1

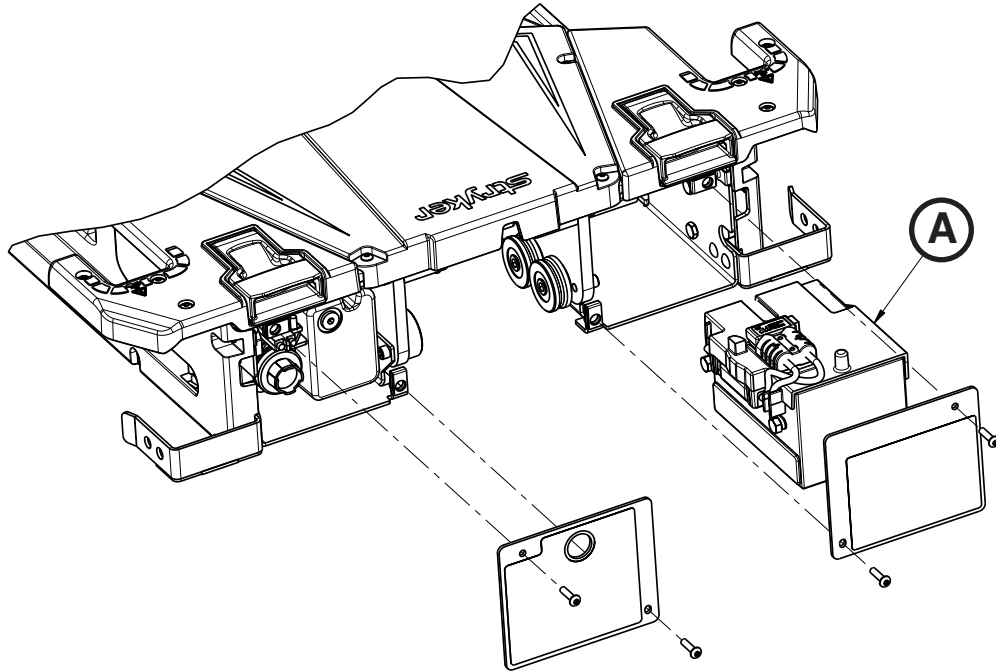




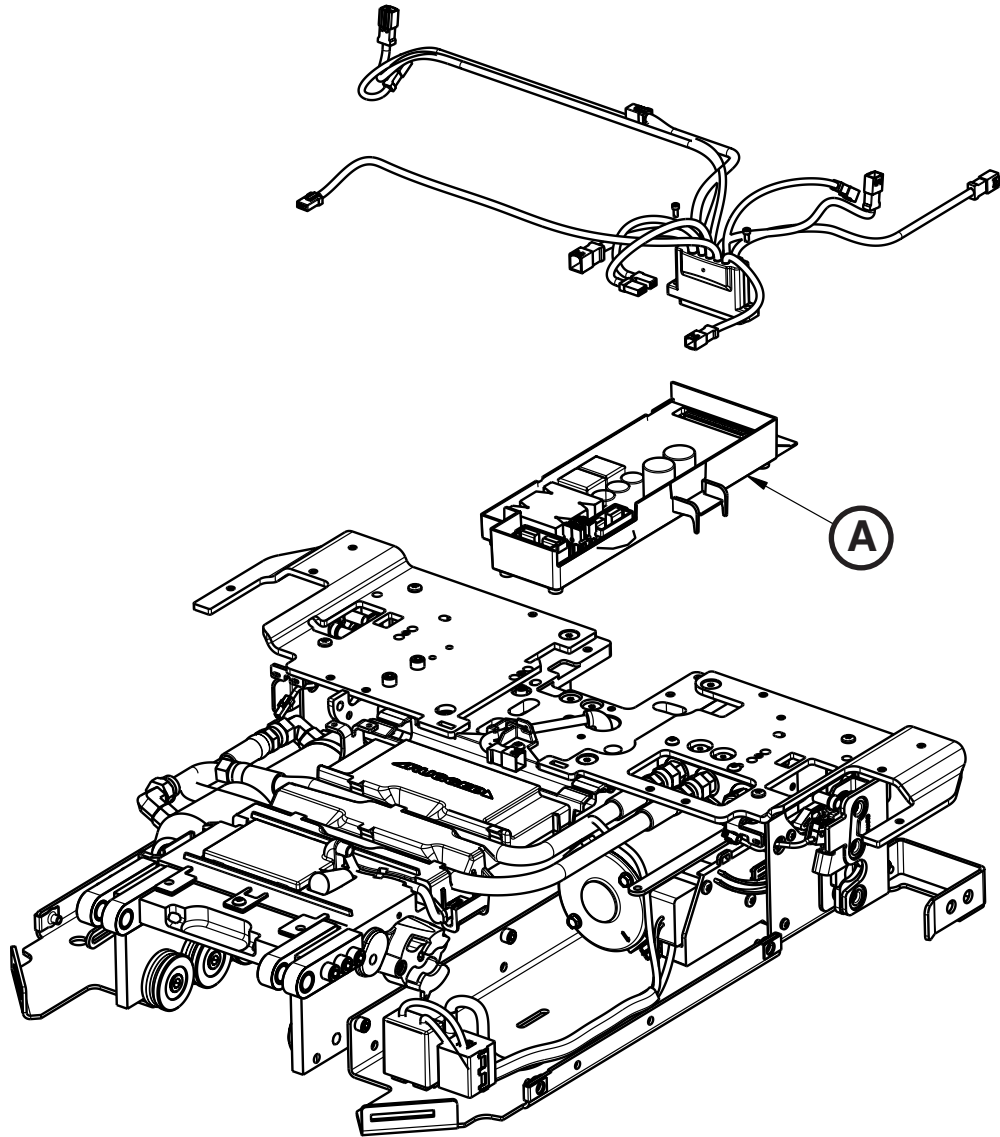
A	6390-001-147	1
---	--------------	---



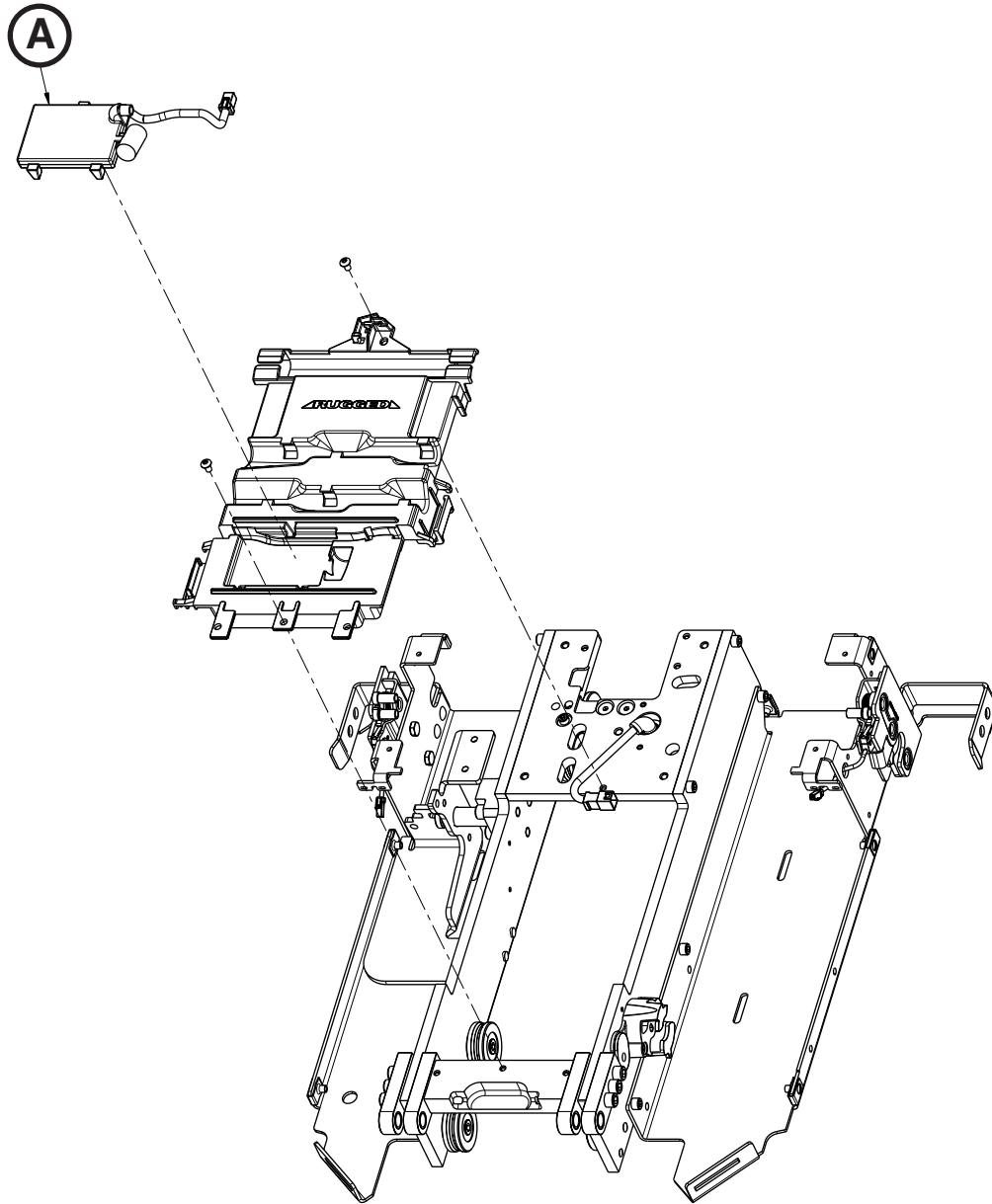
A	6390-001-337	1
---	--------------	---



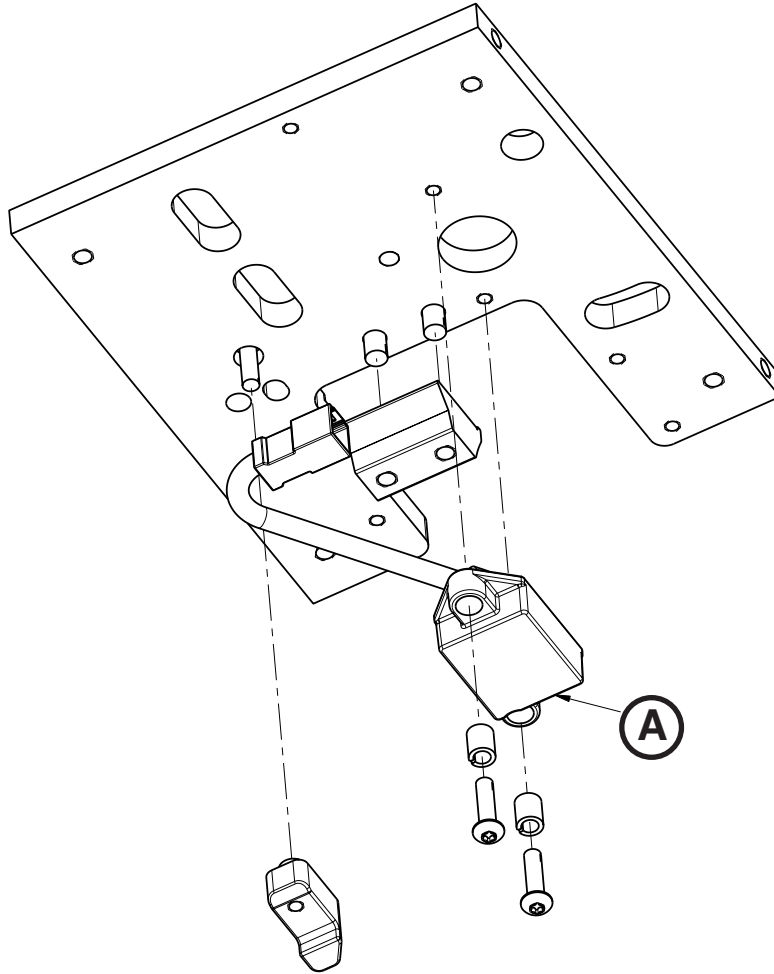
A	6390-001-026	1
---	--------------	---



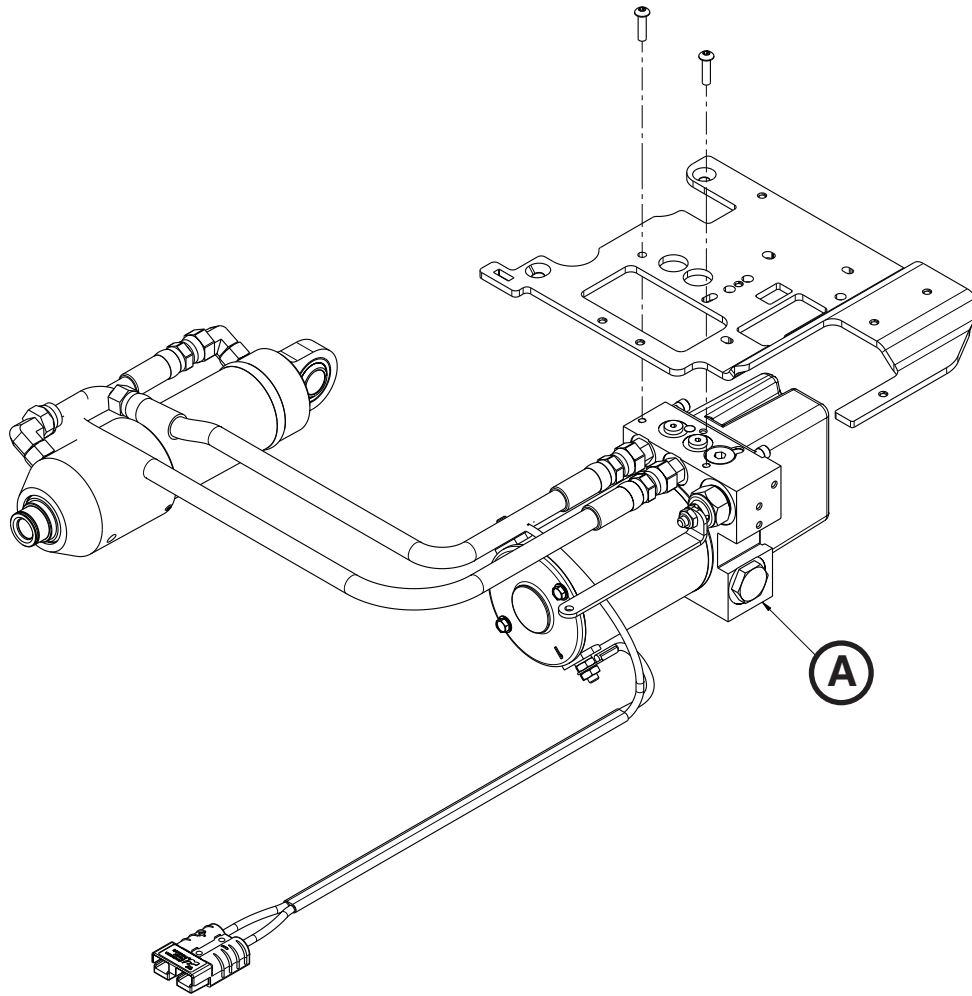
A	6390-101-014	1
---	--------------	---



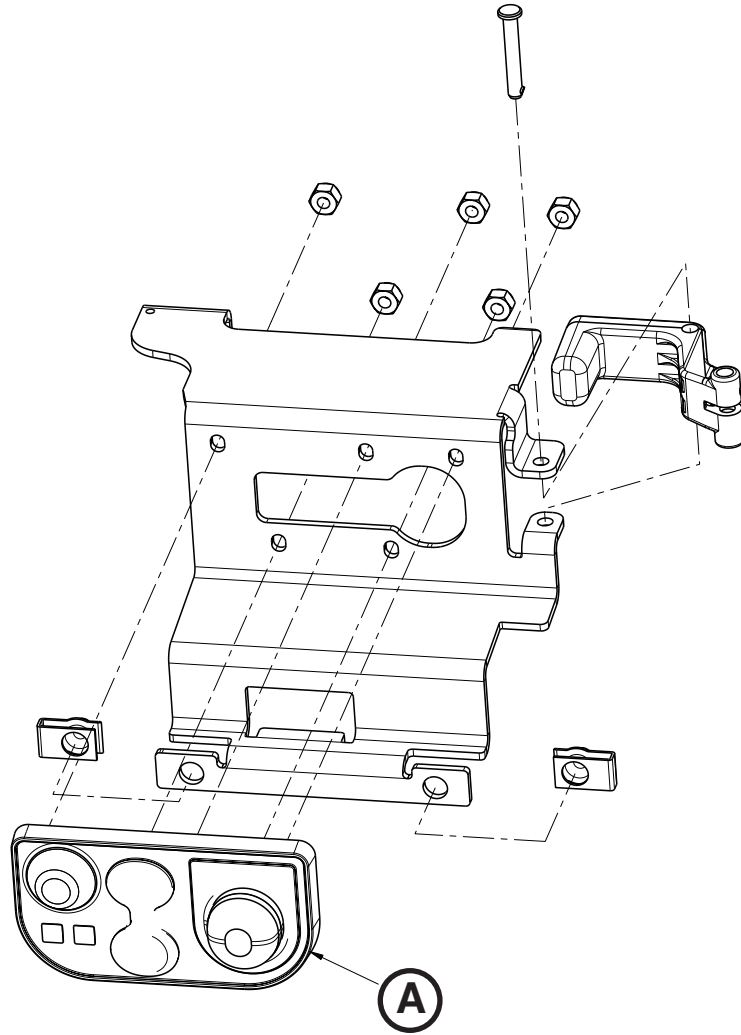
A	6390-001-378	1
---	--------------	---



A	6390-001-361	1
---	--------------	---



A	6390-001-039	1
---	--------------	---



A	6390-001-450	1
---	--------------	---





English Equivalence Part Number: 6390-209-001 REV A



Stryker Medical  
3800 E. Centre Ave.  
Portage, Michigan 49002  
USA



Stryker EMEA RA/QA Director  
ZAC – Avenue de Satolas Green  
69881 MEYZIEU Cedex  
France



**stryker**<sup>®</sup>