




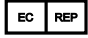
















Power-LOAD® Cot Fastener System









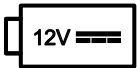
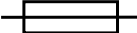
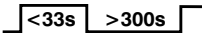



Maintenance Manual

REF 6390



Symbols

	Refer to instruction manual/booklet
	Operating instructions/Consult instructions for use
	CE mark
	Authorized representative in the European Community
	European medical device
	General warning
	Caution
	Warning; crushing of hands
	Warning; non-ionizing radiation
	Catalogue number
	Lot (batch) code
	Serial number
	For US Patents see www.stryker.com/patents
	Manufacturer
	Date of manufacture
	Safe working load
	Dangerous voltage
	Medical Equipment Recognized by Underwriters Laboratories LLC With Respect to Electric Shock, Fire, and Mechanical Hazards only in accordance with ANSI/AAMI ES60601-1:2012 and CAN/CSA-C22.2 No. 60601-1:14.
	Direct current
	Class II electrical equipment: equipment in which protection against electric shock does not rely on basic insulation only, but in which additional safety precautions such as double insulation or reinforced insulation are provided, there being no provision for protective earthing or reliance upon installation conditions

	<p>In accordance with European Directive 2012/19/EU on Waste Electrical and Electronic Equipment (WEEE) as amended, this symbol indicates that the product should be collected separately for recycling. Do not dispose of as unsorted municipal waste. Contact local distributor for disposal information. Ensure infected equipment is decontaminated prior to recycling.</p>
	<p>The Rechargeable Battery Recycling Corporation (RBRC) is a non-profit, public service organization that promotes the recycling of portable rechargeable batteries. Batteries must be delivered to a battery collection site. Visit the RBRC website (www.rbrc.org) to find a nearby collection site or call the phone number shown on the recycling symbol.</p>
<p>IPX6</p>	<p>Protection from powerful water jets</p>
	<p>This device complies with Part 18 of the FCC Rules</p>
	<p>Two person lift</p>
	<p>This way up</p>
	<p>Fragile, handle with care</p>
	<p>Keep dry</p>
	<p>Stacking limit by number</p>
	<p>12 VDC battery powered</p>
	<p>Fuse</p>
	<p>Battery duty cycle (loading): 10.0% (less than 33 seconds on, more than 300 seconds off)</p>
	<p>Battery duty cycle (charging): 100%</p>
<p>U.S.A.</p>	<p>English text below this symbol is intended for USA audiences only.</p>
<p>TRA Registered No: ER35122/14 Dealer No: DA35173/14</p>	<p>Registered in United Arab Emirates by the Telecommunications Regulatory Authority</p>
	<p>Product complies with applicable EMC standards in Australia/New Zealand</p>
	<p>Approved by independent communications authority of South Africa</p>



	<p>Box manufacturer's certificate - this packaging box has minimum edge crush test value of 82 lb/in.</p>
	<p>Box manufacturer's certificate - this packaging box has minimum edge crush test value of 51 lb/in.</p>

Table of Contents

Warning/Caution/Note Definition	4
Summary of safety precautions	4
Pinch points	5
Introduction	6
Product description	6
Indications for use	6
Expected service life	6
Disposal/recycle	6
Contraindications	7
Specifications	7
Standards with required options	9
Product illustration	9
Contact information	10
Serial number location	10
Date of manufacture	10
Preventive maintenance	11
Regular inspection and adjustments	11
Every month	11
Every three months	11
Every twelve months	12
Flat roller and V-guide part replacement schedule	12
Transfer lock bearing part replacement schedule	13
Maintenance record	13
Training record	14
Troubleshooting	15
Transfer/cot does not move out of the transport position	15
Trolley does not roll smoothly	15
Trolley rolls part of the way and stops	16
Trolley makes noise while rolling	16
Trolley LEDs	16
Cot release button does not unlock the cot from the trolley	17
Trolley release handles	17
Trolley does not lock in the loading position	18
Trolley will not unlock from the transfer position	18
Trolley pump runs for an extended time after cot jog up	18
Cot does not lock into the trolley and LEDs flash amber	18
Cot locks into the trolley at the loading position but LEDs are not on	19
Cot will not jog up when released from the transport position	19
Cot will not jog up high enough when released from the transport position	20
Cot takes a long time to jog up	20
Lifting arms do not lower, but the cot legs extend when you press the extend (+) button	20
Lifting arms lower, but the cot legs do not extend when you press the extend (+) button	21
Lifting arms lower cot too quickly when you press the extend (+) button	21
Lifting arms lower the cot too slowly when you press the extend (+) button	21
Trolley does not lower smoothly when you press the extend (+) button	21
Trolley hydraulic motor is noisy when you press the extend (+) or retract (-) button	22
Lifting arms do not lower cot low enough when you press the extend (+) button	22
Cot drifts down or goes into high speed retract when you press the retract (-) button	22
Cot legs are retracted, but the cot is not lifted by the lifting arms when you press the retract (-) button	23
Cot is lifted by the lifting arms but the cot legs do not retract when you press the retract (-) button	23
Trolley lifts the cot too slowly when you press the retract (-) button	23
Lifting arms lift the cot too quickly when you press the retract (-) button	23
Trolley does not lift smoothly when you press the retract (-) button	24
Cot does not lift high enough	24
Cot does not jog down once in the transport position	24

Trolley manual release button does not lower the lifting arms	25
Trolley manual release button lowers the lifting arms, but not smoothly	25
Trolley error LED indicates an error (solid amber)	25
Trolley control panel does not move the lifting arms	25
Trolley stops part way while rolling to the transport position	25
Trolley makes noises while rolling	26
Trolley is in the transport position with a cot and the trolley LEDs are not illuminated green.....	26
Trolley is in the transport position and the cot is not locked in at the foot end.....	26
Transfer does not lock into the anchor	26
Service	28
Transfer removal.....	28
Trolley removal	28
Cover removal and replacement.....	30
Manual release button assembly removal and replacement.....	32
Control board assembly removal and replacement	34
Master on/off switch replacement	34
Trolley actuator assembly replacement.....	35
Hydraulics assembly removal and replacement	36
Hydraulic cylinder rod end replacement	39
Communication board replacement	40
Inductive coil replacement	41
Trolley position sensor (TPS) replacement	43
Flat roller and V-guide roller replacement	45
Hydraulic cylinder removal and replacement	45
Velocity fuse removal and replacement.....	47
Non-locking manual valve removal and replacement	48
Hose removal and replacement.....	49
Pump/motor assembly replacement	50
Motor cable removal and replacement	51
Motor replacement	52
Pressure compensated flow control valve replacement	53
Battery replacement	54
Filling the reservoir.....	55
Primary coil replacement, foot end	55
Primary coil replacement, head end.....	58
Transfer lock bearing removal and replacement	61
Power-LOAD assembly	63
Assembly kit, Power-LOAD - 6390-001-054	66
Anchor assembly	67
Anchor pawl assembly, head end.....	70
Anchor plunger assembly, middle	75
Transfer assembly	76
Foot end fastener assembly	80
Transfer trolley lock assembly	81
Trolley assembly	82
Trolley main frame	86
Trolley/transfer interface mechanism	99
Wing assembly, left.....	100
Hydraulics assembly.....	101
Manifold assembly	102
Trolley manual release assembly	104
Trolley arm assembly.....	106
Arm, left.....	107

Arm, right 108

Trolley actuator assembly - 6390-001-028 109

Floor plate, install components 110

Wheel guide, optional 111

Wheel guide assembly, optional - 6390-001-017 112

Transfer lock pin assembly 113

Power-LOAD assembly, MTS - 639000550010 114

Power-LOAD assembly without floor plate, MTS - 639000550011 115

EMC information 116

Recycling passport 120

 6390-101-023 120

6390-001-024 121

6390-001-013 122

6390-001-015 123

6390-001-015 124

6390-001-015 125

6390-001-035 126

6390-001-043 127

6390-001-066 128

Warning/Caution/Note Definition

The words **WARNING**, **CAUTION**, and **NOTE** carry special meanings and should be carefully reviewed.

WARNING

Alerts the reader about a situation which, if not avoided, could result in death or serious injury. It may also describe potential serious adverse reactions and safety hazards.

CAUTION

Alerts the reader of a potentially hazardous situation which, if not avoided, may result in minor or moderate injury to the user or patient or damage to the product or other property. This includes special care necessary for the safe and effective use of the device and the care necessary to avoid damage to a device that may occur as a result of use or misuse.

Note - Provides special information to make maintenance easier or important instructions clearer.

Summary of safety precautions

Always read and strictly follow the warnings and cautions listed on this page. Service only by qualified personnel.

WARNING

- Do not operate **Power-LOAD** with a voltage that is inconsistent with the rating on the product.
- Do not operate **Power-LOAD** above its duty cycle to avoid the risk of equipment damage or smoke hazard.
- Do not connect **Power-LOAD** to a 24 VDC vehicle circuit. Always connect **Power-LOAD** to a 12.8 VDC-15.6 VDC vehicle circuit that is on a 15A fuse/breaker to prevent power hazards.
- **Power-LOAD** operates at 13.56 MHz when you use **Power-LOAD** controls with a powered cot (**Power-PRO XT** or **Power-PRO IT**) that could interfere with other equipment that operate at this frequency band.
- The use of accessories, transducers, and cables, other than those specified, with the exception of transducers and cables that are sold by Stryker as replacement parts for internal components, may result in increased emissions or decreased immunity of the **Power-LOAD** system.
- Do not use the **Power-LOAD** system and the **Power-PRO** cot adjacent to or stacked with other equipment. If adjacent or stacked use is necessary, observe the **Power-LOAD** system to confirm normal operation in the configuration where it will be used.
- **Power-LOAD** operates primarily at these frequencies: 70 - 85 kHz for inductive charging and 13.56 MHz \pm 7 kHz, Amplitude Modulated (OOK), ERP: -82.37 dBm. The inductive charging can operate between these frequencies: 70 - 125 kHz. Other equipment may interfere with the **Power-LOAD** system, even if that other equipment complies with CISPR emission requirements.
- Always have two installers lift and position the trolley assembly.
- Do not pinch the cables while you service or install the covers.
- Always take ESD precautions when you handle the control board. For more information about ESD protection, contact Stryker Technical Support at (800) 327-0770.
- Use only Mobil Mercon® V Blend ATF Oil (6500-001-293) in the specified quantity. Do not overfill the reservoir with oil. See the Mobil Mercon® V Blend ATF Oil material safety data sheet (MSDS) issued by the manufacturer for safety information (Exxon Mobil Corporation, 1-(800) 947-9147, <http://www.exxon.com>, <http://www.mobil.com>, product code: 20103020B010, 525147-00, 97X826).

CAUTION

- Improper usage of the product can cause injury to the patient or operator. Operate the product only as described in this manual.
- Do not modify the product or any components of the product. Modifying the product can cause unpredictable operation resulting in injury to patient or operator. Modifying the product also voids its warranty.

- This equipment has been tested and found to comply with the limits for a Class A digital device, pursuant to part 15 of the FCC Rules. These limits are designed to provide reasonable protection against harmful interference when the equipment is operated in a commercial environment. This equipment generates, uses, and can radiate radio frequency energy and, if not installed and used in accordance with the instruction manual, may cause harmful interference to radio communications. Operation of this equipment in a residential area is likely to cause harmful interference in which case the user will be required to correct the interference at their expense. In the event of interference, please relocate or reorient the **Power-LOAD** system or interfering product.
- Always relocate or reorient the **Power-LOAD** system or interfering product in the event of interference. This device complies with Part 18 of the FCC Rules.
- Do not use portable RF communications equipment (including peripherals such as antenna cables and external antennas) no closer than 30 cm (12 in.) to any part of the **Power-LOAD** system, including cables specified by the manufacturer. Otherwise, degradation of the performance of this equipment may result.
- The emissions characteristics of this equipment make it suitable for use in industrial areas and hospitals (CISPR 11 class A). This equipment generates, uses, and can radiate radio frequency energy and, if not installed and used in accordance with the instruction manual, may cause harmful interference to radio communications. Operation of this equipment in a residential area (for which CISPR 11 class B is normally required) is likely to cause harmful interference, in which case the user will be required to correct the interference at their expense. In the event of interference, please relocate or reorient the **Power-LOAD** system or interfering product.
- Damage may occur if motor armature or stator are bumped around when you replace the motor.
- Do not touch the negative and positive battery terminals together on any metal surface when you replace the battery.

Pinch points

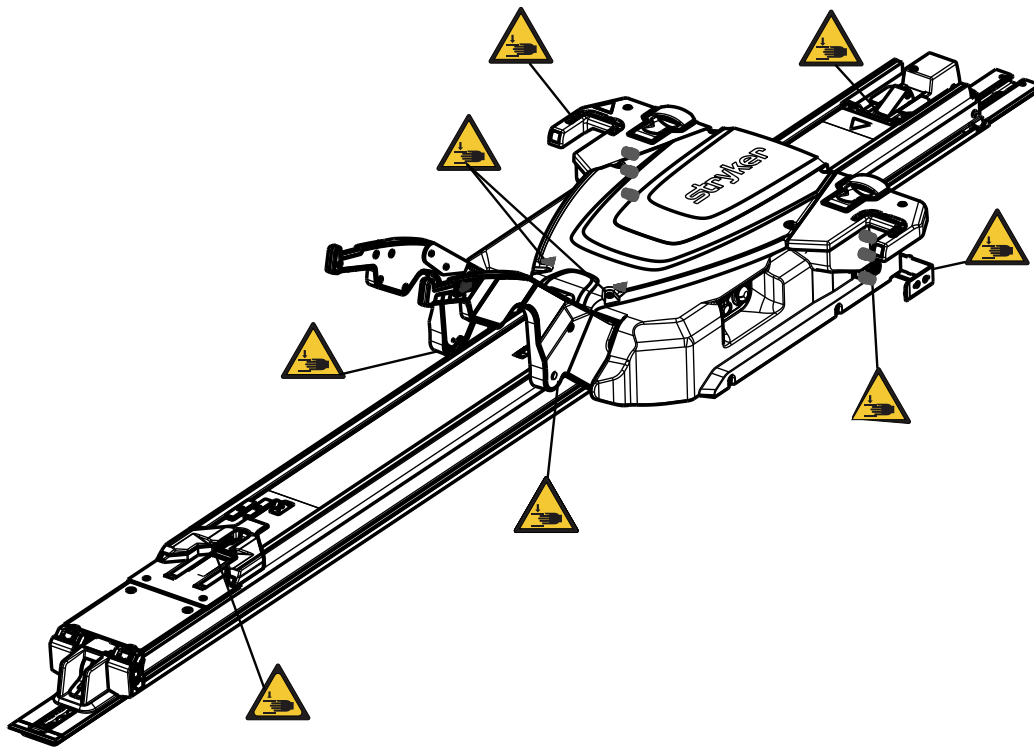


Figure 1 – Pinch points

Introduction

This manual assists you with the operation or maintenance of your Stryker product. Read this manual before operating or maintaining this product. Set methods and procedures to educate and train your staff on the safe operation or maintenance of this product.

CAUTION

- Improper usage of the product can cause injury to the patient or operator. Operate the product only as described in this manual.
 - Do not modify the product or any components of the product. Modifying the product can cause unpredictable operation resulting in injury to patient or operator. Modifying the product also voids its warranty.
-

Note

- This manual is a permanent part of the product and should remain with the product even if the product is sold.
- Stryker continually seeks advancements in product design and quality. This manual contains the most current product information available at the time of printing. There may be minor discrepancies between your product and this manual. If you have any questions, contact Stryker Customer Service or Technical Support at 1-800-327-0770.

Product description

The Stryker Model 6390 **Power-LOAD**® power-loading cot fastener system is designed to lift, lower, or steer compatible ambulance cots into and out of an emergency ground transport vehicle. When the cot is securely attached to the system, a battery powered hydraulic system assists the operators in loading and unloading a cot. The system also secures the compatible ambulance cot within the vehicle for patient transportation purposes. When the cot is secured in the transport position, **Power-LOAD** inductively charges compatible Model 6506 **Power-PRO**™ XT and 6516 **Power-PRO**™ IT ambulance cots. In the event of power loss, the system remains functional for securing the cot within the vehicle.

Indications for use

Power-LOAD is intended to assist with loading and unloading of a compatible wheeled stretcher (ambulance cot) to and from a transport vehicle and to secure the ambulance cot during transport. The device has a maximum safe working load of 870 lb (395 kg), which includes the weight of the ambulance cot, patient, and equipment attached to the cot (such as oxygen bottles, monitors, and pumps). The intended users of the device are trained professionals, including emergency medical service and medical care center personnel, as well as medical first responders, service technicians and installers.

Expected service life

Power-LOAD has a seven year expected service life under normal use conditions and with appropriate periodic maintenance.


Disposal/recycle

Always follow the current local recommendations and/or regulations governing environmental protection and the risks associated with recycling or disposing of the equipment at the end of its useful life.

Contraindications

None known.

Specifications

	Safe working load	870 lb	395 kg
	Note - Safe working load indicates the sum of the cot, patient, mattress, and accessory weight.		
Maximum lift capacity (patient and accessories)		700 lb	318 kg
Overall length		95 in.	241 cm
Minimum length		89.5 in.	228 cm
Width		24.5 in.	62 cm
Weight			
	Floor plate assembly	16.5 lb	7.5 kg
	Anchor assembly	23 lb	10.5 kg
	Transfer assembly	67 lb	30.5 kg
	Trolley assembly	105 lb	48 kg
Minimum operators required for loading/unloading an occupied cot		2	
Minimum operators required for loading/unloading an unoccupied cot		1	
Recommended loading height		22 in. to 36 in.	56 cm to 91 cm
Hydraulic oil		Mobil Mercon ® V Blend ATF Oil (6500-001-293) See the Mobil Mercon ® V Blend ATF oil material safety data sheet (MSDS) for safety information.	
Electrical requirements		12.8 VDC-15.6 VDC, 15A fuse/breaker, 2 conductor 10 AWG cable	
Battery duty cycle, charging		100%	
Battery duty cycle, loading		10% (33 sec on/5 min off)	
Battery		12 VDC, 5 Ah lead acid battery (6390-001-468)	
Fuse		LITTELFUSE 0496060.ZXD-UL	
Standards		ANSI/AAMI ES60601-1:2012, CAN/CSA-C22.2 No. 60601-1:14, KKK-A-1822F, IEC 60601-1-12:2014 For standards that require specific options, see <i>Standards with required options</i> (page 9).	

Stryker reserves the right to change specifications without notice.

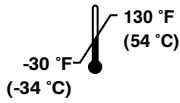
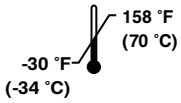
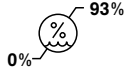
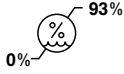
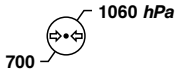
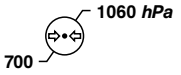
The yellow and black color scheme is a proprietary trademark of Stryker Corporation.

Hereby, Stryker declares that the radio equipment type short range device is in compliance with Directive 2014/53/EU. The full text of the EU declaration of conformity is available at the following internet address: <http://techweb.med.strykercorp.com/EMS/EU%20Declaration%20of%20Conformity/index.html>.

Labels may be unreadable from a viewing distance greater than 12 inches.

WARNING

- Do not operate **Power-LOAD** with a voltage that is inconsistent with the rating on the product.
- Do not operate **Power-LOAD** above its duty cycle to avoid the risk of equipment damage or smoke hazard.
- Do not connect **Power-LOAD** to a 24 VDC vehicle circuit. Always connect **Power-LOAD** to a 12.8 VDC-15.6 VDC vehicle circuit that is on a 15A fuse/breaker to prevent power hazards.
- **Power-LOAD** operates at 13.56 MHz when you use **Power-LOAD** controls with a powered cot (**Power-PRO XT** or **Power-PRO IT**) that could interfere with other equipment that operate at this frequency band.
- The use of accessories, transducers, and cables, other than those specified, with the exception of transducers and cables that are sold by Stryker as replacement parts for internal components, may result in increased emissions or decreased immunity of the **Power-LOAD** system.
- Do not use the **Power-LOAD** system and the **Power-PRO** cot adjacent to or stacked with other equipment. If adjacent or stacked use is necessary, observe the **Power-LOAD** system to confirm normal operation in the configuration where it will be used.
- **Power-LOAD** operates primarily at these frequencies: 70 - 85 kHz for inductive charging and 13.56 MHz±7 kHz, Amplitude Modulated (OOK), ERP: -82.37 dBm. The inductive charging can operate between these frequencies: 70 - 125 kHz. Other equipment may interfere with the **Power-LOAD** system, even if that other equipment complies with CISPR emission requirements.

Environmental conditions	Operation	Storage and transportation
Temperature		
Relative humidity		
Atmospheric pressure		

CAUTION

- This equipment has been tested and found to comply with the limits for a Class A digital device, pursuant to part 15 of the FCC Rules. These limits are designed to provide reasonable protection against harmful interference when the equipment is operated in a commercial environment. This equipment generates, uses, and can radiate radio frequency energy and, if not installed and used in accordance with the instruction manual, may cause harmful interference to radio communications. Operation of this equipment in a residential area is likely to cause harmful interference in which case the user will be required to correct the interference at their expense. In the event of interference, please relocate or reorient the **Power-LOAD** system or interfering product.
- Always relocate or reorient the **Power-LOAD** system or interfering product in the event of interference. This device complies with Part 18 of the FCC Rules.
- Do not use portable RF communications equipment (including peripherals such as antenna cables and external antennas) no closer than 30 cm (12 in.) to any part of the **Power-LOAD** system, including cables specified by the manufacturer. Otherwise, degradation of the performance of this equipment may result.
- The emissions characteristics of this equipment make it suitable for use in industrial areas and hospitals (CISPR 11 class A). This equipment generates, uses, and can radiate radio frequency energy and, if not installed and used in accordance with the instruction manual, may cause harmful interference to radio communications. Operation of this equipment in a residential area (for which CISPR 11 class B is normally required) is likely to cause harmful interference, in which case the user will be required to correct the interference at their expense. In the event of interference, please relocate or reorient the **Power-LOAD** system or interfering product.

Description	Number	Substance of very high concern (SVHC) chemical name
Power-LOAD	6390-000-000	Lead
Battery, 12V	6390-001-468	Lead
Control board assembly	6390-101-014	Lead

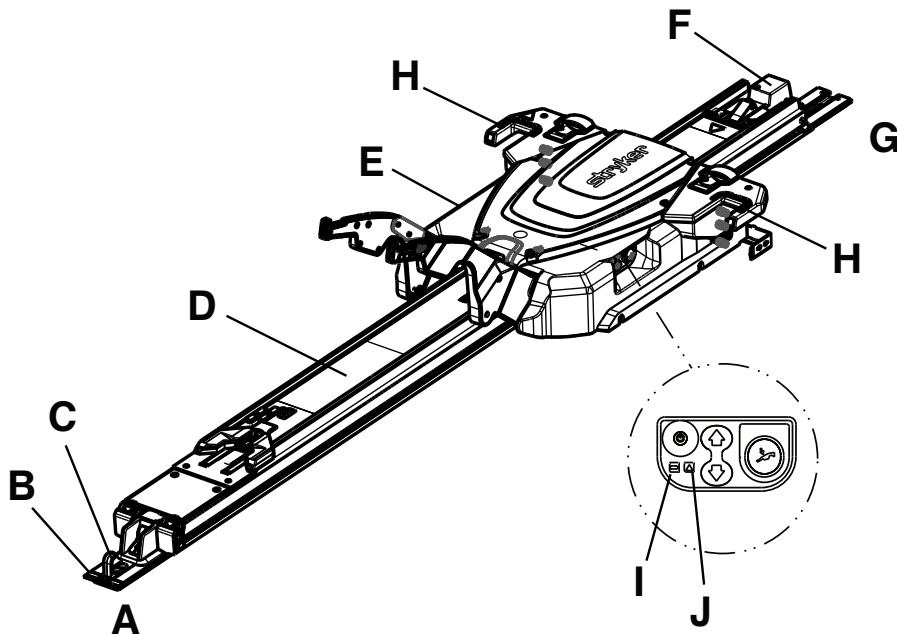
Standards with required options

To be compliant with the standards, you must use **Power-LOAD** with the following compatible cots. See the Operations Manual for your cot model for more information.

Note - Compatible cot is loaded into **Power-LOAD** in powered mode for crash testing.

Standard	Power-LOAD compatible cot model
SAE J3027 and AS/NZS-4535	6500, 6506
BS EN 1789	6500, 6506, 6085, 6086

Product illustration



A	Foot end
B	Floor plate
C	Safety hook
D	Transfer assembly
E	Trolley assembly

F	Anchor assembly
G	Head end
H	LED indicator, head end
I	Battery LED
J	Error LED

Contact information

Contact Stryker Customer Service or Technical Support at: 1-800-327-0770.

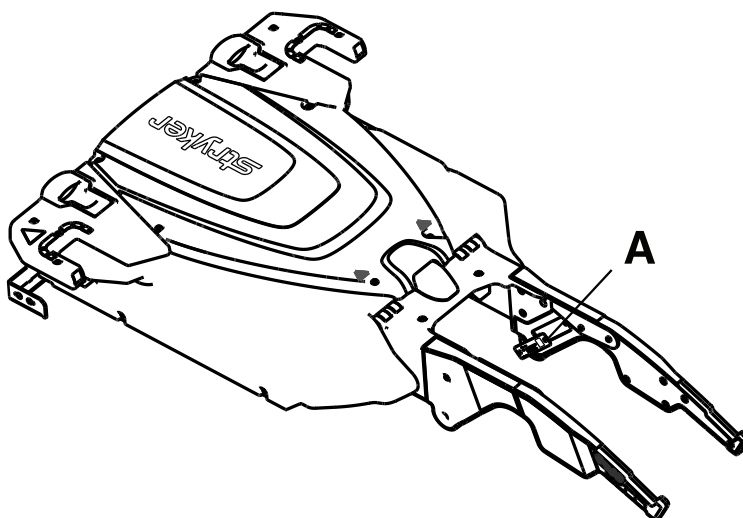
Stryker Medical
3800 E. Centre Avenue
Portage, MI 49002
USA

Note - The user and/or the patient should report any serious product-related incident to both the manufacturer and the Competent authority of the European Member State where the user and/or patient is established.

To view your operations or maintenance manual online, see <https://techweb.stryker.com/>.

Have the serial number (A) of your Stryker product available when calling Stryker Customer Service or Technical Support. Include the serial number in all written communication.

Serial number location



Date of manufacture

The year of manufacture is the first 2 digits of the serial number.

Preventive maintenance

Regular inspection and adjustments

Maintenance intervals

This schedule is a general guide to maintenance. The required maintenance schedule may vary based on:

- Call volume
- Weather
- Terrain
- Geographical location
- Individual usage

If you are not sure how or when to perform these checks, contact your Stryker Service Technician.

When you perform **Power-LOAD** preventive maintenance checks, you must perform a preventive maintenance check on its corresponding **Power-LOAD** compatible cot and the optional wheel guide assembly (if applicable) to confirm operability of the entire system.

Power-LOAD compatible cot maintenance

Wear items that may require replacement on the **Power-LOAD** compatible cot include the cot arm spacer (6500-002-123), base dead stop (6085-001-094), and load wheel pin (6500-002-104).

Optional wheel guide assembly maintenance (if applicable)

To preserve **Power-LOAD** fastener functionality, make sure that the wheel guide is functional and its structure has not been compromised. The wheel guide rail system assists the **Power-LOAD** system in loading the cot. If the wheel guide has been compromised, replace it immediately.

Note - The **Power-LOAD** maintenance schedule is based on 10 calls per day. Adjust the routine maintenance schedule to your actual service usage.

Every month

Check	Routine
Lock location	Clean debris from the foot end lock location on the transfer

Every three months

Check	Routine
Loose fasteners	Replace if loose
Battery terminal screws	Tighten loose screws (torque to 9 in-lb)
Transfer assembly and anchor assembly	Clean debris from the top of the transfer assembly and anchor assembly
Transfer roller channels	Clean transfer roller channels to prevent debris accumulation
Trolley stop ramp	Tighten loose screws

Every twelve months

Check	Routine
Battery	Replace if lifting is sluggish
All parts	<p>Check and replace any worn parts, including arm covers, arm wear pads, trolley top and side covers, cot release handle springs, anchor lever cover, anchor inductive primary cover, transfer lock plate, transfer lock pin, or cot guides, if necessary</p> <p>Note - The transfer lock plate (639000010260) is only compatible with Power-LOAD units manufactured after July 31, 2017 or units that have been previously serviced with the 639007000021 kit. Check the product serial number tag to confirm date of manufacture.</p>
Dead stop bumpers	Replace if the corner is damaged
Motor	Replace when no motor motion exists
Cylinder rod end	Replace if Power-LOAD functions in manual mode and the error LED is illuminated
Full functionality	See <i>Installation checklist</i> in the Operations Manual
Hydraulic	Check for hydraulic leaks
Transfer lock bearing	<p>Replace once per year</p> <p>Note - During bearing replacement, make sure that the surrounding area is clean (anchor) and apply molybdenum disulfide grease to the transfer lock pin.</p>
V-guide rollers	If the product is difficult to roll or wear is noticeable in the transfer roller channel beyond the inner rod, replace the V-guide rollers on the trolley and switch the patient right, outside, bottom transfer rod with the patient right, outside top transfer rod. Check all remaining rollers for damage or excessive wear. Replace, if necessary.
Lift arm springs	Replace the lift arm springs (0038-895-000) that are located under the trolley top cover

Flat roller and V-guide part replacement schedule

You must replace the flat roller and V-guide parts every 14,110 calls. This is to make sure that the **Power-LOAD** remains functional. Follow this call volume time table to remain compliant with this requirement. The time table will also help plan appropriate service intervals.

Calls per day	Months
6	80
7-8	60
9-10	48
11-12	40
13	36
14-15	30

Troubleshooting

Transfer/cot does not move out of the transport position

Transfer/cot does not move out of the transport position when you press the release lever at the foot end of the anchor.

If the lifting arms are over the base tube (powered mode)

1. With the help of another person, simultaneously press the transfer release lever at the foot end of the anchor and the trolley release button at the head end of the anchor.
2. If the cot is free, then inspect the head end anchor mechanism.
3. If the cot still will not move, then repeat step 1 while simultaneously pulling on the patient right transfer lock trigger at the foot end of the transfer.

Note - This should allow the cot to be pulled out while it is still locked into the trolley and transfer.

4. With the cot pulled out, look at the underside of the transfer. About 15 in. from the foot end, you will see the metal hook with a semi-circle cutout at its head end.
 - a. Push up on the semi-circle and the cot should be free to move.
 - b. With assistance from another person, pull the cot out.
5. With the cot free, check the foot end anchor mechanism.
 - a. Remove the transfer to inspect the foot end anchor pin.
 - b. Remove the anchor mechanism from the foot end anchor.

If the lifting arms are under the base tube

1. With the help of another person, press the transfer release lever and lift up on one of the cot release handles on the trolley at the same time.
2. If the cot is free, remove the cot and determine whether the black pin will extend up from the anchor head end cover.

Note - The trolley must be in the mid position and the release lever pressed to elevate the pin.

- a. If the pin extends out without signs of damage, check the casting in the trolley release handle mechanism (6390-001-328) or the plastic lever in the trolley middle mechanism.
- b. If the pin does not extend out, check the head end anchor mechanism for damage.

If the cot still will not move

1. Insert a screwdriver into each notch at the head end of the trolley side covers to release the cot head section latches.
2. After the latches are unlocked, use the release lever at the foot end to release the cot.
3. After the cot is removed, inspect the release handle mechanism in the trolley.

Trolley does not roll smoothly

If rolling is difficult while the trolley is rolling on the transfer

1. Check the rods in the channels on the outside of the transfer extrusion for debris or foreign material and remove, if necessary.
2. If rolling is still difficult, check to see if the transfer extrusion is worn around the channels. If so, replace the V-guide rollers on the trolley.

If rolling is difficult while the transfer is rolling on the anchor

1. Check the metal dead stops (639000010246) at the head end of the transfer to make sure that they are fully seated and that they are not rubbing on the anchor extrusion.
2. Check the rods in the channels on the inside of the transfer extrusion. Remove any debris or foreign material.

3. If rolling is still difficult, check to see if the transfer extrusion is worn around the channels. If so, replace the V-guide rollers on the anchor.

Trolley rolls part of the way and stops

1. Check the transfer lock bearing in the anchor.
 - a. Clean the transfer lock pin.
 - b. Replace the bearing.
 - c. Apply molybdenum disulfide lubricant (6390-001-263) to the inside of the new bearing.
2. Check the transfer lock override slides (6390-001-261) for excessive wear.

Trolley makes noise while rolling

If the noise occurs when the trolley is rolling on the transfer

When rolling the system out of the transport position, does the trolley get to the foot end of the transfer before the transfer moves?

1. If no, the transfer lock pin in the anchor, or its return spring, is most likely the problem. The pin should return to the full up position after it is pressed.
 - a. Check the transfer lock pin.
 - b. Clean or replace the spring or bearing as needed.
2. If yes:
 - a. Remove any debris or foreign objects from the transfer and vehicle floor.
 - b. Inspect the transfer extrusion for wear.
 - c. Remove the trolley from the transfer.
 - d. Make sure that the trolley rollers are free of debris.
3. If this does not solve the problem, or if the transfer extrusions worn around the rods, replace the V-guide rollers on the trolley.

If the noise occurs when the transfer is rolling on the anchor

1. If the noise is a high-pitched squeak, check the detent roller. If the noise is a grinding sound, check the transfer lock pin.

Trolley LEDs

Trolley LEDs stay off when the trolley reaches the loading position.

1. Confirm that the trolley is powered on and the battery is charged.
2. Make sure that the magnet activator (6390-001-106) is present and that it is fastened at the foot end of the anchor.
3. With the lifting arms down, push on the trolley. Make sure that the system does not roll away from the loading position and is locked in this position.
4. Remove the transfer. Make sure that the magnet mover trigger (6390-001-205) is intact and undamaged.
5. Remove the magnet mover trigger (6390-001-205).
6. Remove the foot end latch assembly from the transfer and pull out the link in the channel on the patient left side.
 - a. Check that the magnet nested into that link is present and intact.
 - b. Check that the return spring on the link is in good condition.

7. Remove the trolley covers. Check the connection of the trolley position sensor (TPS) cable (6390-001-361). If necessary, replace the trolley position sensor (TPS) (6390-001-361).
8. Check the connection of the trolley main cable (6390-001-391) to the control board assembly (6390-101-014). If necessary, replace the control board assembly (6390-101-014).
9. Check the connection of the trolley LED cables (6390-001-396). If necessary, replace each of the trolley LEDs (6390-001-396).
10. Replace the trolley main cable (6390-001-391).

Cot release button does not unlock the cot from the trolley

1. Confirm that both the cot and the trolley have power, that there are no errors, and that both are operational independently.
2. Make sure that the cot release handles on the trolley are able to release the cot from Power-LOAD.
3. Confirm that communication exists between the cot and **Power-LOAD** by lifting the cot using the cot controls.
4. Press the release button on the second switch. If this works, the issue is with the first switch or there is a bad connection in the cot.
5. In a quiet area, press the release button and listen for a clicking sound at the head end patient left side of the trolley. You may need to push the button twice if the cot is asleep.
6. If there is a sound, the problem is likely a broken part in the actuator assembly or an improperly installed actuator assembly (6390-001-478).
7. If there is no sound, remove the trolley top and the patient left side covers.
 - a. Confirm that the connection of the actuator (6390-001-478) to the circuit board is good and the contacts appear to be in good condition.
 - b. Confirm that the connection of the trolley main cable (6390-001-391) to the control board assembly (6390-101-014) is good, the connector screws are tight, and the contacts appear to be in good condition.
 - c. Test **Power-LOAD** with a new actuator (6390-001-478).
 - d. Test **Power-LOAD** with a control board assembly (6390-101-014).

Trolley release handles

Trolley release handles do not release the cot from the trolley.

1. Confirm that the system is in the loading position with the cot wheels on the ground and the head section locked into the trolley.
2. Confirm that the lifting arms are in the full down position.
3. Are the release handles on the trolley free to rotate (they should rotate about 20 degrees)?
4. If yes:
 - a. Inspect the release handle mechanism. Pay particular attention to the activation cams (6390-001-329).
 - b. Inspect the trolley latches (6390-001-318 and 6390-001-319).
5. If no:
 - a. Remove the trolley covers.
 - b. In the mechanism in the center of the trolley at the head end, check the trolley arm (6390-001-334) or its return spring. Check to see if the spring is broken or jammed by debris.
 - c. Make sure that the trolley arm mechanism (6390-001-045) in the trolley is not jammed.
 - d. Make sure that the trolley latches (6390-001-318 and 6390-001-319) are not stuck or broken.

Trolley does not lock in the loading position

If the trolley is unlocking from the transfer

1. Remove the cot.
2. Put the trolley in the middle of the transfer.
3. On the extended transfer (located just to the head end of the foot end fastener), the transfer trolley pawl (6390-001-073) should be sticking out of the transfer about 1/2". If the pawl is not sticking up or does not return when pressed, check its return spring. Make sure that there is no debris jamming the return spring.
4. Make sure that the pin of the roller in the pawl is not sticking out on either side.
5. Remove the transfer head end dead stops.
6. Remove the transfer from the anchor.
7. Clear any debris or foreign material from the top of the anchor and the channels in the transfer.

Note - Foreign objects that do not allow the trolley to reach the full out position could cause the mechanism to not operate properly.

8. Inspect the trolley stop ramp (6390-001-325) on the underside of the trolley middle mechanism to make sure that it is present and secure.

If the transfer is unlocking from the anchor

1. Remove the cot.
2. Move the trolley to the mid position.
3. Check for debris around the transfer lock trigger (6390-001-231).
4. Push the transfer all the way to the transport position.
5. Pull on the transfer to make sure it is locked.
6. If the transfer is not locked, the problem is likely that the transfer lock pin in the anchor is stuck or broken.
7. Check the return spring and look for burrs or debris.

Trolley will not unlock from the transfer position

1. Remove the cot.
2. Using the head end transfer lock override slide (6390-001-261), move the transfer in and put the trolley in the mid position.

Trolley pump runs for an extended time after cot jog up

1. Check the angle position sensor (APS) (6390-001-397) calibration set point. Call Stryker Service.
2. Remove the patient right side cover. Make sure that the hydraulic cylinder is not "over-stroking."

Note - Over-stroke condition is evidenced by a ~1/8" back settle in the rod of the hydraulic cylinder at full extension.

3. Check for damage of components in the chain of load bearing parts from the lifting arms to the patient right side plate (6390-001-344).

Cot does not lock into the trolley and LEDs flash amber

1. Remove the cot from **Power-LOAD**.
2. Make sure that the cot is a **Power-LOAD** compatible cot and that the load wheel horns and pins (6500-002-104) are present, properly tightened, and in good condition.

3. Make sure that the handle release mechanism (6390-001-046) moves freely and the release handles return to the full down position. Make sure that there is no debris under the release handles.
4. Remove the trolley covers. Check the connection of the trolley latch switch cables (6390-001-318 and 6390-001-319).
5. Check the connection of the trolley main cable (6390-001-391) to the control board assembly (6390-101-014). If necessary, replace the trolley main cable (6390-001-391) and the control board assembly (6390-101-014).
6. Remove and inspect the actuator assembly (6390-001-028) from the trolley.
7. Check the return springs connecting the release cams (6390-001-329) to the trolley bottom pans.
8. Examine the trolley latches (6390-001-318 and 6390-001-319). Make sure that the electronic switch is being compressed when the latch is locked. Make sure that there are no cables obstructing the pin on the top of the latch and that there is not a broken spring internal to the latch.
9. Replace each latch, if necessary.

Cot locks into the trolley at the loading position but LEDs are not on

1. Confirm that the trolley is on and the battery is charged.
2. Make sure that the magnet activator (6390-001-106) is present and that it is properly fastened at the foot end of the anchor.
3. With the lifting arms down, push on the trolley. Make sure that the system does not roll away from the loading position.
4. Remove the transfer. Make sure that the magnet mover trigger (6390-001-205) is not damaged.
5. Remove the magnet mover trigger (6390-001-205).
6. Remove the foot end latch assembly from the transfer.
7. Pull out the link in the channel on the patient right side.
8. Make sure that the magnet nested into that link is present and intact.
9. Make sure that the return spring on the link is in good condition.
10. Remove the trolley covers.
11. Check the connection of the trolley position sensor (TPS) cable (6390-001-361). If necessary, replace the trolley position sensor (TPS) (6390-001-361).
12. Check the connection of the trolley main cable to the control board assembly (6390-101-014). If necessary, replace the trolley main cable (6390-001-391) and the control board assembly (6390-101-014).
13. Check the connection of the trolley LED cables (6390-001-396). If necessary, replace one of the trolley LEDs (6390-001-396).

Cot will not jog up when released from the transport position

Check the trolley control panel LEDs. They should be solid green without any solid amber error indication.

If there are no trolley control panel LEDs illuminated

1. Press the main power button to turn the product on. You may need to turn the product on and then off to make sure that **Power-LOAD** is not in sleep mode.

If the trolley control panel LEDs are illuminated

1. Flashing amber means that the battery is low. Return the trolley to the transport position.
2. Make sure that the product begins to charge as indicated by a flashing green battery LED.

Note - The low battery indication (flashing amber) may continue as the battery recharges.

3. Solid green battery LED and solid amber LED means that there is a system error. Call Stryker Service for advanced troubleshooting. The following may be attempted:

Note - If you hear the motor run as you pull the product from the transport toward the loading position, the problem is most likely with the hydraulic unit.

- a. Replace the hydraulics assembly (6390-001-039).
- b. Replace the motor cable (6390-001-431).
- c. Replace the angle position sensor (APS) (6390-001-397).
- d. Replace the trolley position sensor (TPS) (6390-001-361).
- e. Replace the control board assembly (6390-101-014).

Cot will not jog up high enough when released from the transport position

1. Check the angle position sensor (APS) (6390-001-397) calibration set point. Call Stryker Service.
2. Remove the patient right side cover and make sure that the hydraulic cylinder is not “over-stroking.”

Note - Over-stroke condition is evidenced by a ~1/8" back settle in the rod of the hydraulic cylinder at full extension.

3. Check for damage of components in the chain of load bearing parts from the lifting arms to the patient right side plate (6390-001-344).

Cot takes a long time to jog up

1. Check that the battery voltage is 12.2 VDC.
2. Check the battery cable connections for damage.
3. Check the cable connections to the control board.
4. Replace the hydraulics assembly (6390-001-039).
5. Replace the control board assembly (6390-101-014).

Lifting arms do not lower, but the cot legs extend when you press the extend (+) button

Make sure that the trolley is powered on.

Make sure that the head end LED indicators are green to confirm that **Power-LOAD** recognizes the loading position.

If the head end LED indicators are not on

1. Check the trolley control panel LEDs to make sure that the product is on.

Note - The LEDs should appear as a solid green battery symbol with no illumination of error indication.

2. If the trolley control panel LED illuminates solid green only, then the trolley may not see what position it is in.
 - a. Make sure that the magnet activator (6390-001-106) is present.
 - b. Make sure that the magnet activator (6390-001-106) is fastened and secure at the foot end of the anchor.

If the head end LED indicators are on

Make sure that the trolley motor is running when you press the cot switch.

1. If the trolley motor is audible, then the problem is with the low pressure relief valve in the trolley hydraulics assembly.
 - a. Extend the cot legs.
 - b. Use the trolley manual release to drop the lifting arms until they are no longer supporting the cot.
 - c. Press the down button on the trolley side panel to finish lowering the arms.
 - d. If the arm moves, replace the hydraulics assembly (6390-001-039).

2. If the trolley motor is not audible:
 - a. Check the motor and voltage to the motor. If voltage is present, replace the motor (6390-101-132).
 - b. Check the motor and voltage to the motor. If voltage is not present, replace the motor cable (6390-101-431) or the control board assembly (6390-101-014).
 - c. Run the lifting arms down using the trolley control panel. If the product lowers, the problem is likely with communication. Check both sides of the communication link. Replace the communication boards (6390-001-378 or 6500-002-100) as necessary.
3. If the trolley control panel LED error indication is illuminated, call Stryker Service for advanced troubleshooting.

Lifting arms lower, but the cot legs do not extend when you press the extend (+) button

1. Make sure that the cot battery has sufficient power to drive the cot (no amber battery indicator).
2. Check to see if the cot pump motor is audible.
 - a. If yes, the problem is with the cot hydraulic unit.
 - b. If no, check for error codes on the cot LCD.
 - c. Check all cable connections at the control board and hydraulic unit.
 - d. Replace the cot control board (6390-101-014).
 - e. Replace the cot hydraulics assembly (6500-001-030).
 - f. Replace the cot main cable (6500-002-159).

Lifting arms lower cot too quickly when you press the extend (+) button

1. Check for proper operation of the support sensor (6390-001-452). Make sure that both switches have continuity when weight < 100 lb is applied to the lifting arms.
 - a. If there is no continuity, replace the rod end assembly (6390-001-040).
2. Check for loose cable connections from the support sensors (6390-001-452) to the control board (6390-101-014).

Lifting arms lower the cot too slowly when you press the extend (+) button

1. Check the trolley control panel LEDs for low battery indication.
2. Check for false closure of the velocity fuse.
3. Raise the cot using the trolley control panel. Determine if the cot lowers at the correct rate.
 - a. If the cot does not raise, check for loose or bad trolley pump motor connection.
4. Lower the cot using the trolley control panel.
 - a. If yes, replace the hydraulic velocity fuse (6390-001-381).
 - b. If no, replace the motor (6390-101-132).

Trolley does not lower smoothly when you press the extend (+) button

1. Make sure that the trolley hydraulics have sufficient oil in the reservoir when lifting arms are all the way down. Look for any leaks and repair, if necessary.

Note - The oil level should be just below the fill port.

2. Close the docked/locked latch and use the trolley control panel to cycle the lifting arms up and down a few times without a cot.
3. Check for proper operation of the support sensor (6390-001-452). Make sure that both switches have continuity when weight of < 100 lb is applied.
 - a. If no continuity, replace the rod end assembly (6390-001-040).
4. Check for loose cable connections from the support sensors (6390-001-452) to the control board (6390-101-014).

Trolley hydraulic motor is noisy when you press the extend (+) or retract (-) button

1. Make sure that the trolley hydraulics have sufficient oil in the reservoir when the lifting arms are all the way down. Look for any leaks and repair, if necessary.

Note - The oil level should be just below the fill port.
2. Close the docked/locked latch and use the trolley control panel to cycle the lifting arms up and down a few times without a cot.
3. Cycle the product up and down three to five times, especially if this problem occurs happens right after a repair.
4. Replace the motor (6390-101-132) on the hydraulic unit.
5. Replace the hydraulics assembly (6390-001-039).

Lifting arms do not lower cot low enough when you press the extend (+) button

Check the trolley control panel for errors.

If an error occurs when the lifting arms are loaded

1. The safety limit for loaded operation of the arms has been reached. This can happen at high load heights (> 34 in.) with heavy loads (> 400 lb).
 - a. Check the support sensor (6390-001-452) or angle position sensor (APS) (6390-001-397) for damage.

If an error occurs when the lifting arms are unloaded or become unloaded

1. Make sure that the arms are not being held up on or by the cot legs.
2. Check for a broken angle position sensor (APS) (6390-001-397) or angle position sensor (APS) attachment hardware.
3. Check for loose cable connections from the angle position sensor (APS) to the control board.
4. Replace the control board (6390-101-014).

Cot drifts down or goes into high speed retract when you press the retract (-) button

1. Make sure that the trolley is on and functions without errors.
2. Make sure that the cot and trolley communication modules are connected, undamaged, and working properly.
 - a. Try the cot with a known good **Power-LOAD**.
 - b. Try the trolley with a known good cot.
3. Check all cable connections associated with communication leading back to the control board.
4. Replace the communication board (6390-001-378 or 6500-002-100).
5. Replace the control board assembly (6390-101-014 or 6500-002-014).

Cot legs are retracted, but the cot is not lifted by the lifting arms when you press the retract (-) button

1. Make sure that the trolley is on and functions without errors.
2. Make sure that the cot and trolley communication modules are connected, undamaged, and working properly.
 - a. Try the cot with a known good **Power-LOAD**.
 - b. Try the trolley with a known good cot.
3. Check all cable connections associated with communication leading back to the control board.
4. Replace the communication board (6390-001-378 or 6500-002-100).
5. Replace the control board assembly (6390-001-014 or 6500-002-014).

Cot is lifted by the lifting arms but the cot legs do not retract when you press the retract (-) button

1. Check the support sensor (6390-001-397) on the trolley.
2. Check the cable and connections to the control board.
3. Check for an error on the trolley control panel. If there is an error, call Stryker Service.
4. Check the cot by itself for proper functionality.
5. Make sure that the cot indicates a good battery and no errors are present on the cot LCD. If you have an error, replace the battery.
6. Press the retract (-) button on the cot.
 - a. If you hear the cot pump motor run, the issue is a stuck rod-side manual valve (patient left manual valve) on the cot.
7. Check for a faulty pressure switch by removing the pressure switch connection from the cot main cable at the end closest to the hydraulics.
 - a. Jumper the cable to simulate a closed switch and press the retract (-) button.
 - b. If you do not hear the motor, the issue is either with cable connections or a bad pump motor.
 - c. Fix the connection or replace the pump motor.
8. Check the cot control board (6390-101-014) and replace, if necessary.

Trolley lifts the cot too slowly when you press the retract (-) button

1. Make sure that the trolley battery voltage is > 12.2V DC.
 - a. If the battery is charged and the voltage is < 10.0V DC when you press the retract (-) button, replace the trolley battery.
2. Check for an error on the trolley control panel LEDs while moving the lifting arms with the trolley control panel.
 - a. If an error is active only when using the lifting arms, replace the support sensor (6390-001-452).
3. Replace the hydraulics assembly (6390-001-039).
4. Replace the control board assembly (6390-101-014).

Lifting arms lift the cot too quickly when you press the retract (-) button

1. Check for a faulty or broken support sensor cable (6390-001-452).
2. Check for a faulty cabling connection to the control board.

Trolley does not lift smoothly when you press the retract (-) button

1. Make sure that the trolley hydraulics have sufficient oil in the reservoir when the lifting arms are all the way down. Look for any leaks and repair, if necessary.
Note - The oil level should be just below the fill port.
2. Close the docked/locked latch and use the trolley control panel to cycle the lifting arms up and down a few times without a cot.
3. Check for proper operation of the support sensor (6390-001-452). Make sure that both switches have continuity when weight < 100 lb is on the lifting arms.
 - a. If no continuity, replace the rod end assembly (6390-001-040).
4. Check for loose cable connections from support sensors to the control board.
5. Replace the hydraulics assembly (6390-001-039).

Cot does not lift high enough

1. Check the angle position sensor (APS) (6390-001-397) calibration set point. Call Stryker Service.
2. Remove the patient right side cover and make sure that the hydraulic cylinder is not “over-stroking.”
Note - Over-stroke condition is evidenced by a ~1/8 in. back settle in the rod of the hydraulic cylinder at full extension.
3. Check for damage of components in the chain of load bearing parts from the lifting arms to the patient right side plate (6390-001-344).

Cot does not jog down once in the transport position

Check the trolley control panel LEDs.

Note - The LEDs should be solid green without any solid amber error indication.

1. If no trolley control panel LEDs are illuminated, press the main power button to turn the product on.
Note - You may need to turn the product on and then off to make sure that the **Power-LOAD** is not in sleep mode.
2. If trolley control panel LEDs are illuminated:
 - a. Flashing amber means the battery is low.
 - b. Return the trolley to the transport position.
 - c. Make sure that the product begins to charge as indicated by a flashing green battery LED.
Note - Low battery indication (flashing amber) may continue while the battery recharges.
 - d. Solid green battery LED and solid amber LED means system error. Call Stryker Service for advanced troubleshooting.
3. Check the following items:
 - a. Hydraulics assembly (6390-001-039)
 - b. Motor cable (6390-101-431)
 - c. Angle position sensor (APS) (6390-001-037)
 - d. Control board assembly (6390-101-014)
4. Pull the trolley from the transport position. If you hear the motor running as you pull the product from the transport position toward the loading position, the problem is with the hydraulic unit.
5. Check the magnet in the anchor pawl at the head end that initiates jog down. Make sure that the pawl is securely connecting with the catch on the trolley when the trolley is in the transport position and that the trolley is not stuck.

Note - This can be done by visual inspection, but a good indicator of a secure connection is that the release lever at the foot end of the anchor is fully up and not pushed part way in.

Trolley manual release button does not lower the lifting arms

1. Remove the patient right side cover. Make sure that the linkages of the manual release that attaches to the side controls are connected and actuating the manual release valve on the hydraulic pump.
 - a. If the manual release valve is actuating, then the problem is a faulty velocity fuse. The velocity fuse (6390-001-381) is located in the cap end cylinder port under the elbow fitting. Remove and replace the velocity fuse.
 - b. If replacing the velocity fuse does not solve the problem, replace the pressure compensated flow control (6390-001-151).
 - c. Replace the hydraulics assembly (6390-001-039).

Trolley manual release button lowers the lifting arms, but not smoothly

1. Remove and replace the velocity fuse (6390-001-381).

Note - The velocity fuse is located in the cap end cylinder port under the elbow fitting.
2. If this does not fix the issue, replace the pressure compensated flow control (6390-001-151).
3. Replace the hydraulics assembly (6390-001-039).

Trolley error LED indicates an error (solid amber)

Call Stryker Service

Trolley control panel does not move the lifting arms

1. Make sure that the power is on (solid green LED on the trolley control panel).
2. Make sure that the trolley is in the loading position and the latches are engaged.

Note - The trolley control panel will only work if the trolley is in the loading position and the latches are connected. When the lifting arms are supporting weight, they only lower to a certain angle. These are safety features.
3. Check the head end indicators (solid green LED) to make sure that the product is in the loading position and that both latches are engaged.
 - a. If there is no head end indicator LED activity, then the product is not in the loading position.
 - b. If the head end indicator LEDs are flashing amber, one or both of the latches are not closed. Check the status of the latches.
 - c. If the problem persists, check the switches and connectivity back to the control board.
4. Check connectivity from the trolley control panel back to the control board.
5. Replace the trolley control panel board (6390-001-450).

Trolley stops part way while rolling to the transport position

1. Remove the transfer from the anchor.
 - a. Check for and remove any debris from the anchor and the channels on the inside of the transfer.
 - b. Examine the trolley to transfer lock release ramp (6390-001-144) to make sure that it is intact, tightly fastened, and not excessively worn.

Note - The transfer lock release ramp is located about 24 in. from the foot end of the anchor.

- c. Examine the trolley to transfer lock pawl assembly (6390-001-144). Make sure that the pawl is allowed to rotate freely and, when pressed, it can rotate fully below the surface of the transfer.
- d. Examine the V-guide rollers and the flat rollers on the trolley and anchor. Replace any rollers that do not roll smoothly or are excessively worn.

Trolley makes noises while rolling

1. Check for and remove any debris or foreign objects found inside transfer channels.
2. Check the transfer for wear around the channels. Replace if needed.
3. Remove the trolley from the transfer and make sure that the trolley rollers are free of debris.
4. Replace the V-guide rollers on the trolley (6390-001-025).

Trolley is in the transport position with a cot and the trolley LEDs are not illuminated green

1. Pull the trolley out of transport position.
2. Inspect the trolley head end pawl. It should return firmly when pressed down. If it does not, check the following:
 - a. Make sure that the pawl is free of debris or foreign objects that may stop it from returning.
 - b. Make sure that the head end anchor release button is free from debris inhibiting motion.
 - c. Check the return springs on the pawl (0038-885-000).
3. Check the trolley stop ramp (6390-001-325) on the underside of the trolley middle mechanism.
4. Remove the transfer from the anchor. Make sure that the channels where the trolley and anchor rollers travel are free from debris or foreign objects that could limit the range of motion.

Trolley is in the transport position and the cot is not locked in at the foot end

Make sure that the cot foot end casters are on the vehicle floor.

1. If yes, pull the cot manual release and push down on the foot end of the cot.
 - a. If the cot still does not drop into the lock, pull the cot all the way out and push the cot retract (-) button to full retract the cot base.
 - b. Load the cot again without using the manual release lever.
 - c. If the cot is still held up by the foot end casters, then the problem is in the cot hydraulic system.
2. If no, did **Power-LOAD** run the motor to jog the cot down when the cot reached the transport position at the head end?
 - a. If no, see *Cot does not jog down once in the transport position* (page 24).
 - b. If yes, make sure that the cot foot end guide (6500-002-111) is aligned with the transfer foot end guide (6390-001-220).
 - c. To ensure alignment, firmly move the cot foot end back and forth and the cot should drop in place.
 - d. Remove the cot and look for debris in the transfer guide that may be preventing the cot from locking.

Transfer does not lock into the anchor

Push the transfer in by hand to make sure that the transfer goes all the way in against the bumper stops.

1. If yes, then the problem is likely the transfer lock bearing in the anchor.
 - a. Clean the transfer lock pin

- b. Replace the bearing
 - c. Apply molybdenum disulfide lubricant (6390-001-263) to the inside of the new bearing.
 - d. Inspect the transfer lock override slides (6390-001-261) for excessive wear.
2. If no, remove the transfer head end dead stops.
- a. Remove the transfer from the anchor.
 - b. Clear any debris from the top of the anchor and the channels in the transfer.

Note - Foreign objects that do not allow the trolley to reach the full out position could cause this mechanism to not operate properly.

Service

Transfer removal

Tools required:

- T25 Torx driver
- 5/32" hex wrench

Procedure:

1. Remove the trolley. See *Trolley removal* (page 28).
2. Put the transfer into the transport position all the way into the vehicle compartment.
3. Using a T25 Torx driver, remove the four screws (A) that secure the foot end transfer wear pad (B) to the transfer extrusion (Figure 2).
4. Using a 5/32" hex wrench, remove the screw (C) that secures the trolley magnet activator (D) to the anchor extrusion to remove the trolley magnet activator (Figure 2).
5. Slide both transfer lock triggers (E) to extend and pull the transfer off of the anchor completely (Figure 2).

Note - The transfer assembly is heavy and may require assistance to remove.

6. Reverse steps to reinstall.
7. Verify proper operation before you return the product to service.

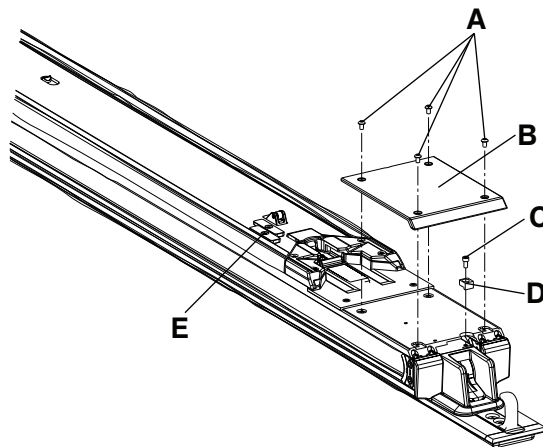


Figure 2 – Foot end transfer components

Trolley removal

Tools required:

- T25 Torx driver
- 3/16" hex wrench

Procedure:

WARNING - Always have two installers lift and position the trolley assembly.

1. Raise the lifting arms (A) (Figure 3).
2. Press the trolley release button at the head end of the anchor (B) (Figure 3).
3. Pull the trolley toward the foot end to the middle of the transfer assembly.
4. Slide the patient right transfer lock trigger (C) to extend (Figure 3).

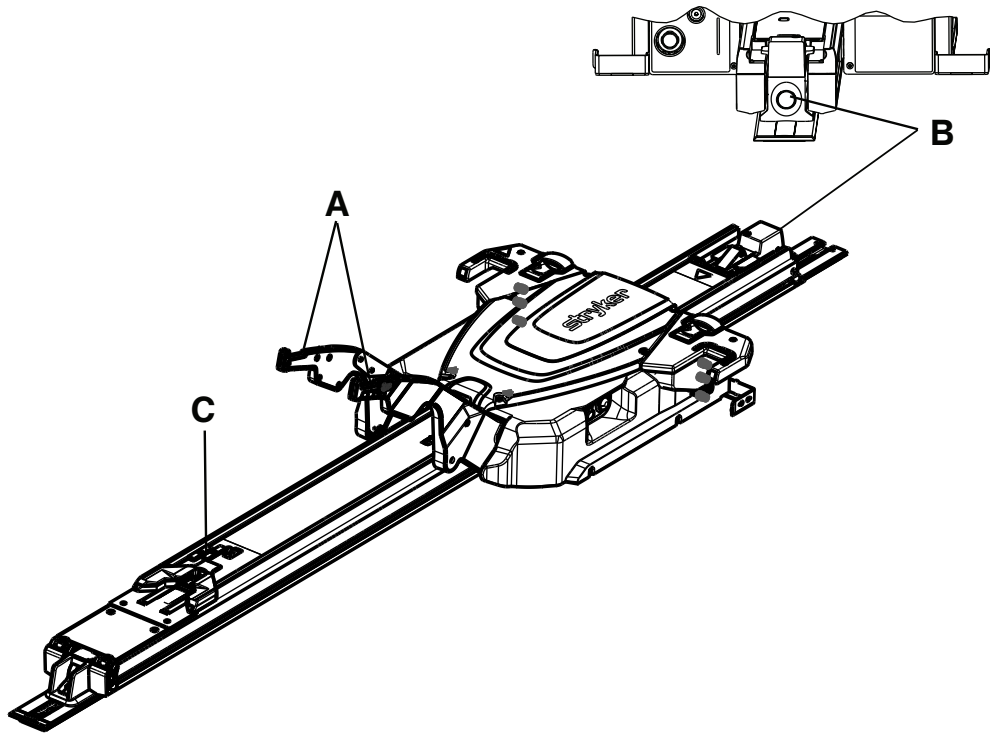


Figure 3 – Trolley mid transfer position

5. Pull the transfer toward the foot end until the transfer stops in the first lock position.
6. Using a T25 Torx driver, remove the two screws that secure the transfer trim (E) (Figure 4).

Note - The trolley will drop down slightly as you remove it from the transfer. Do not tip the trolley upside down, forward, or onto its side.

7. Using a 3/16" hex wrench, loosen (do not remove) the four socket head cap screws (two on each side) (D) that secure the dead stops to the transfer assembly (Figure 4).

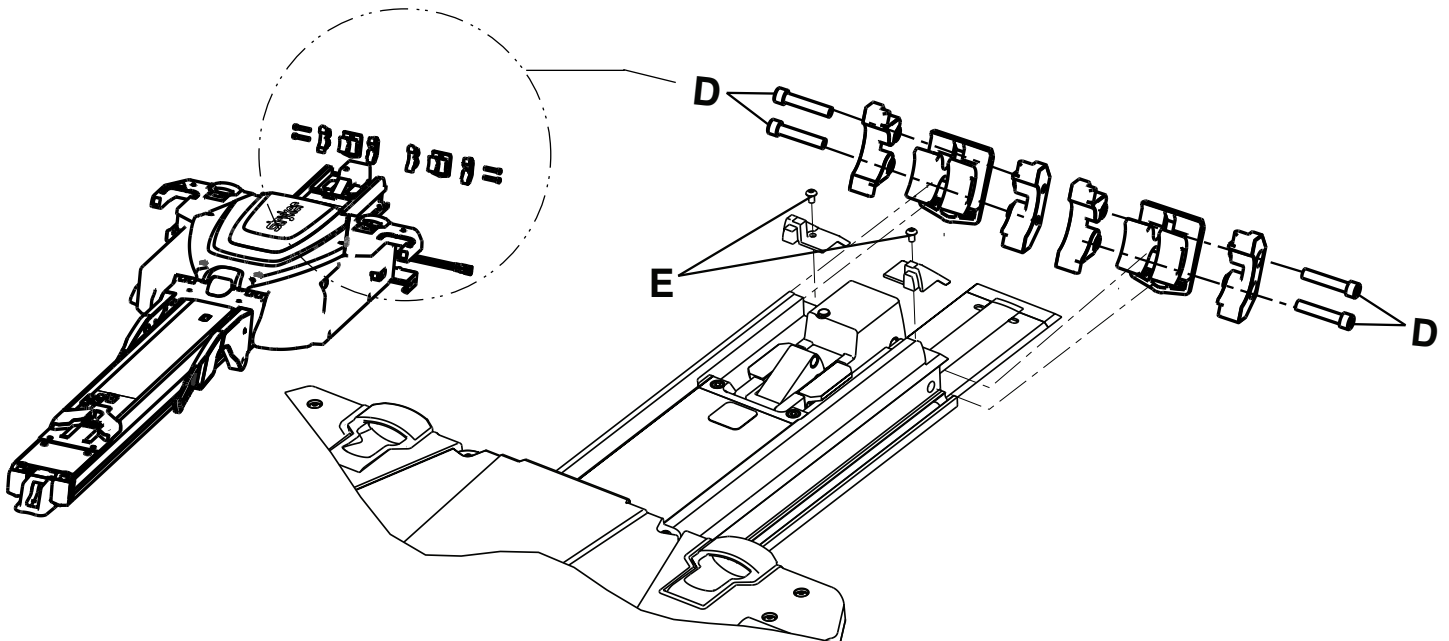


Figure 4 – Trolley screws

8. Push on the screws (loosened in step 7) to loosen the dead stops from the transfer.

9. Remove the dead stop bumpers. Save the bumpers for reinstallation.
10. Lift the trolley assembly by its arm and wing.
 - a. Do not lift the trolley by the manual cot release handles.
 - b. Lift only where indicated.
 - c. Installer 1, position hands at A1 and A2 (Figure 5).
 - d. Installer 2, position hands at B1 and B2 (Figure 5).
 - e. Move the trolley toward the head end until it is off of the transfer.
 - f. Remove the trolley from the anchor.
 - g. Place the trolley in a suitable work area.

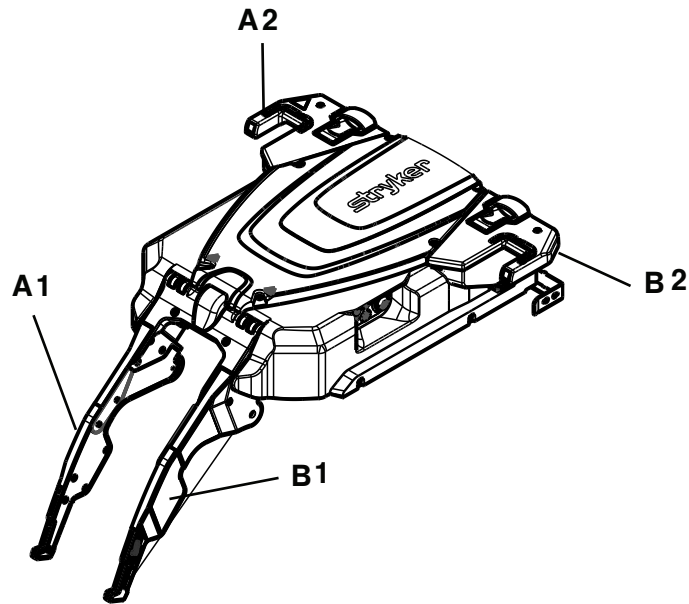


Figure 5 – Trolley hand positions

11. Reverse steps to reinstall.
12. Verify proper operation before you return the product to service.

Cover removal and replacement

Tools required:

- T25 Torx driver
- 5/32" hex wrench

Procedure:

WARNING - Do not pinch the cables while you service or install the covers.

1. Using a T25 Torx driver, remove the six screws (A) that secure the trolley top cover (B) (Figure 6).

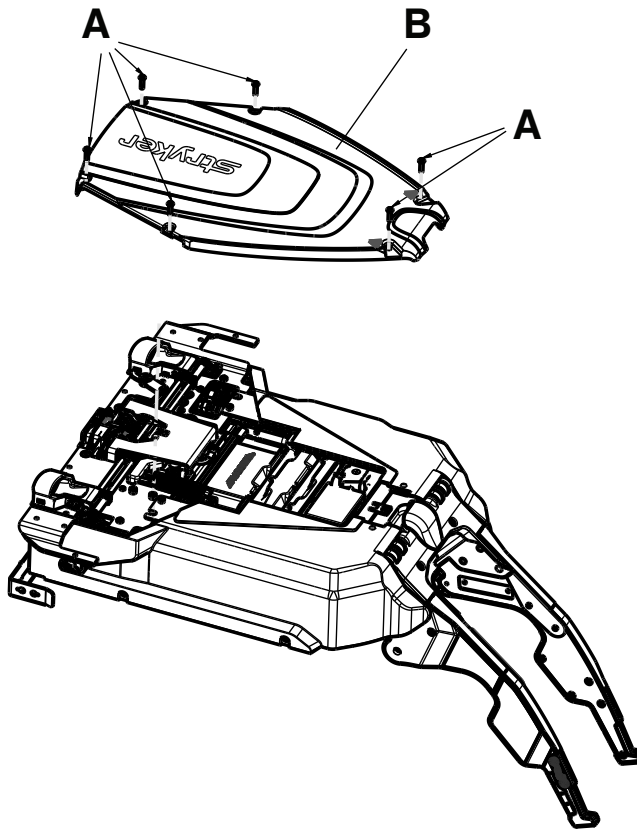


Figure 6 – Trolley top cover

2. Using a T25 Torx driver, remove the three screws (C) left side cover (D) (Figure 7).
3. Using a 5/32" hex wrench, remove one hex head screw (E) from the top of the left side cover (D) (Figure 7).
4. Remove the cover. Save the side cover, left and all screws for reinstallation.
5. Repeat steps 2-4 to remove the side cover, right (F) (Figure 7).

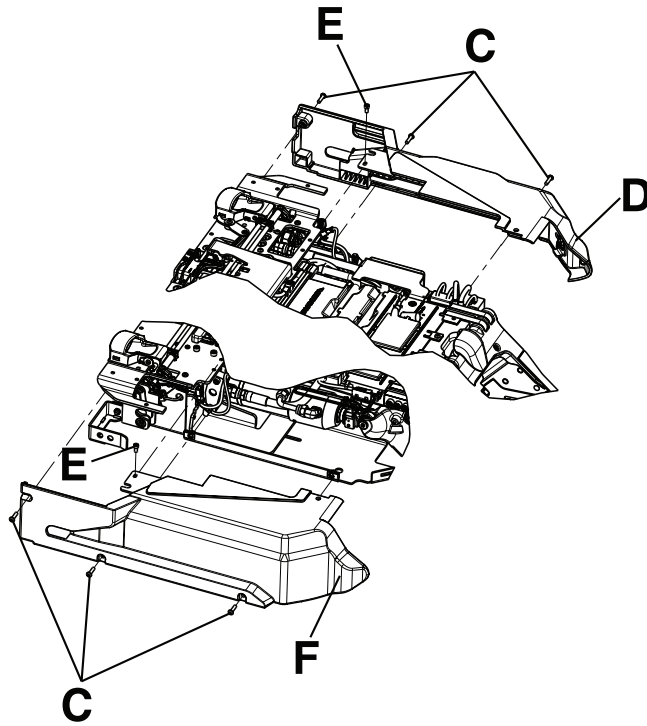


Figure 7 – Trolley side covers

6. Reverse steps to reinstall.
7. Verify proper operation before you return the product to service.

Manual release button assembly removal and replacement

Tools required:

- T25 Torx drive
- 5/32" hex wrench

Procedure:

1. Pull the trolley assembly out of the patient compartment until it locks into the loading position.
2. Remove the trolley covers. See *Cover removal and replacement* (page 30).
3. Press the main power button to turn the product off.
4. Remove the slic pin (A) from the switch/bracket assembly (Figure 8).
5. Using a T25 Torx driver, remove the two button head cap screws (B) that secure the manual release button bracket to the trolley frame (Figure 8).
6. Using a 5/32" hex wrench, loosen (do not remove) the socket head cap screw (C) that secures the manual release button bracket to the trolley frame (Figure 8).

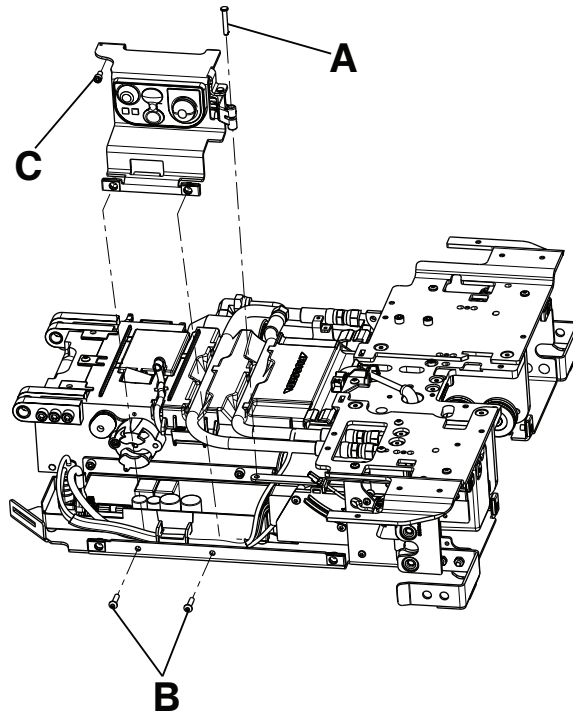


Figure 8 – Manual release button assembly

7. Unplug the cables from the master On/Off switch (D) and remove the manual release button assembly (Figure 9).

Note - Make note of the cable connection locations, so they do not get mixed up.

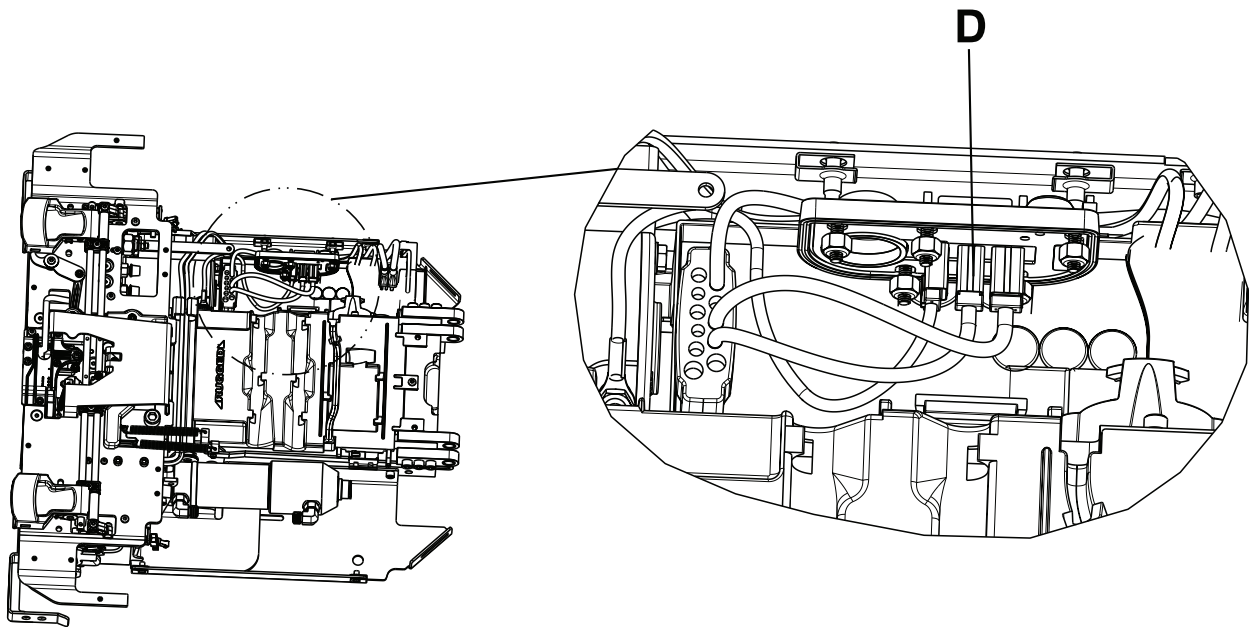


Figure 9 – On/Off switch cable locations

8. Reverse steps to reinstall.
9. Verify proper operation before you return the product to service.

Control board assembly removal and replacement

Tools required:

- 3/32" hex wrench
- ESD

WARNING - Always take ESD precautions when you handle the control board. For more information about ESD protection, contact Stryker Technical Support at (800) 327-0770.

Procedure:

1. Remove the manual release button assembly. See *Manual release button assembly removal and replacement* (page 32).
2. Using a 3/32" hex wrench, loosen (do not remove) the two screws (A) that secure the main cable assembly (B) to the control board assembly (Figure 10).
3. Unplug all of the other cables from the control board assembly (C) and then remove the control board assembly (Figure 10). Discard the control board assembly.

Note - Do not dispose of as unsorted municipal waste. Refer to your local distributor for return or collection systems available in your country.

4. Align the control board assembly tabs with the holes in bottom pan, left to install the new control board assembly. Make sure that all of the cables are routed correctly.
5. Reverse steps to reinstall.
6. Verify proper operation before you return the product to service.

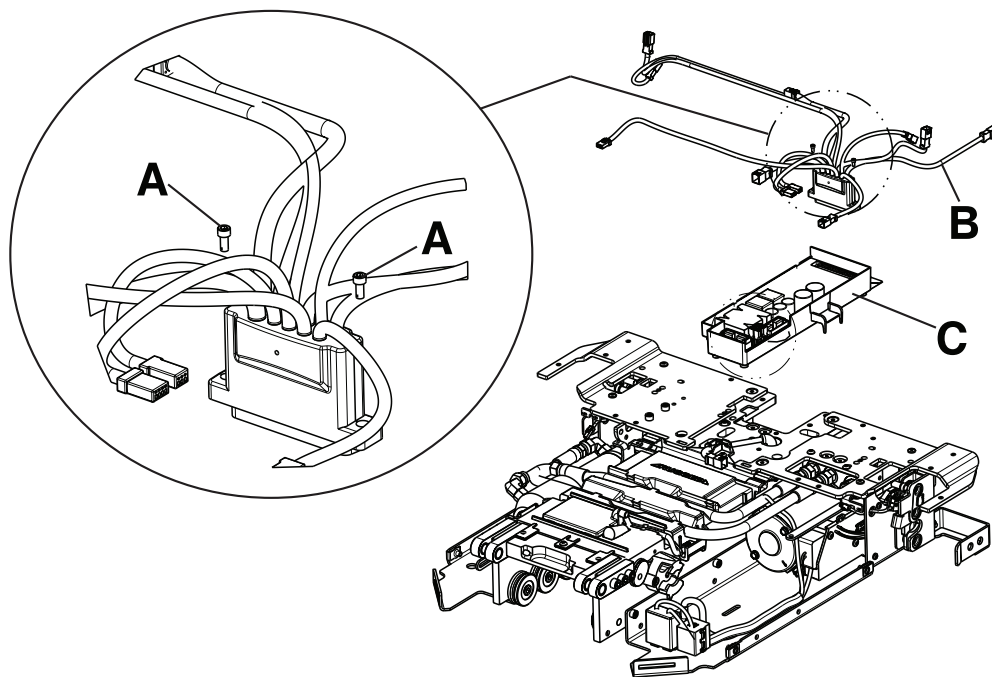


Figure 10 – Control board assembly

Master on/off switch replacement

Tools required:

- 1/32" nut driver

Procedure:

1. Remove the manual release button assembly. See *Manual release button assembly removal and replacement* (page 32).
2. Using an 11/32" nut driver, remove the five Fiberlock hex nuts (A) that secure the master On/Off switch (B) to the manual release button bracket (C). Discard the master On/Off switch (Figure 11).

Note - Do not dispose of as unsorted municipal waste. Refer to your local distributor for return or collection systems available in your country.

3. Reverse steps to reinstall.

Note - Do not overtighten the nuts.

4. Verify proper operation before you return the product to service.

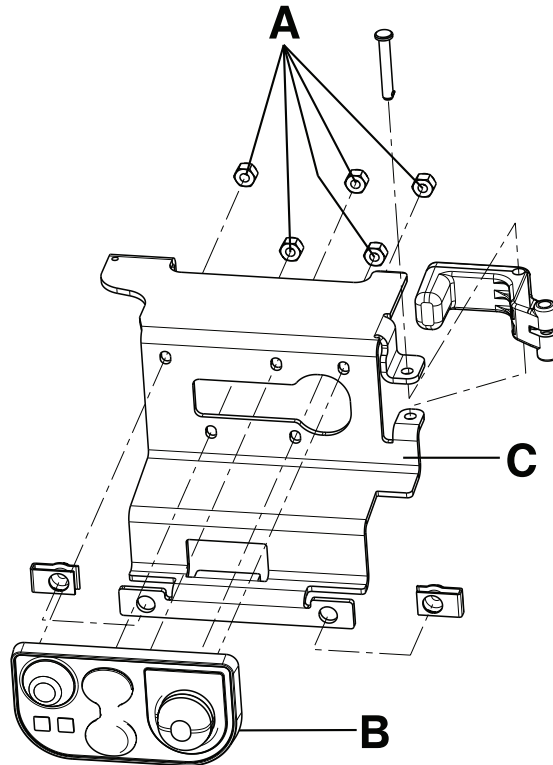


Figure 11 – Master On/Off switch and manual release button bracket assembly

Trolley actuator assembly replacement

Tools required:

- T20 Torx driver

Procedure:

1. Remove the manual release button assembly. See *Manual release button assembly removal and replacement* (page 32).
2. Using a T20 Torx driver, remove the three delta screws (A) that secure the trolley actuator (B) to the trolley frame (Figure 12).

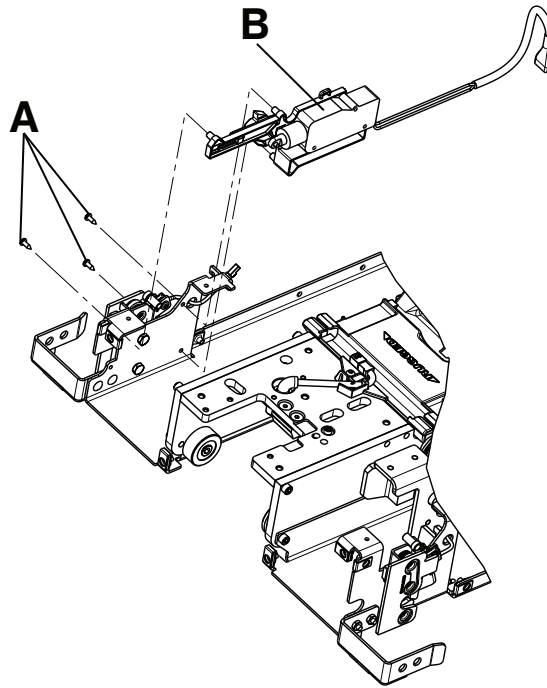


Figure 12 – Trolley actuator assembly

3. Unplug the cable (C) from the trolley actuator to the main cable assembly (Figure 13).
4. Pull the actuator out and up towards the trolley control board to remove.
5. Reverse steps to reinstall.

Note - Make sure that the cables are seated and routed correctly.

6. Verify proper operation before you return the product to service.

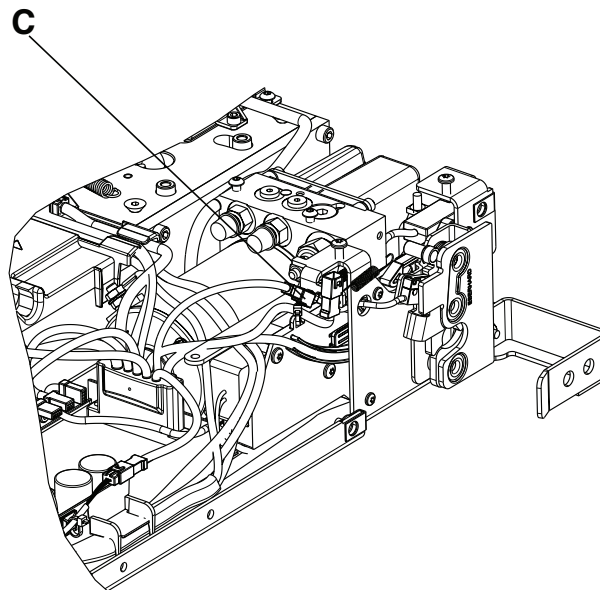


Figure 13 – Main cable assembly

Hydraulics assembly removal and replacement

Tools required:

- T20 Torx driver

- T25 Torx drive
- 1/4" hex wrench
- 3/16" hex wrench
- 1/2" combination wrench
- Diagonal pliers

Procedure:

1. Remove the control board assembly. See *Control board assembly removal and replacement* (page 34).
2. Remove the trolley actuator assembly. See *Trolley actuator assembly replacement* (page 35).
3. Unclip the cables from the trolley routing tray and the hydraulic hoses.
4. Unplug the USB quick connect and the D+L-L lock switch cable from the main cable.
5. Position the main cable assembly toward the center of the trolley to allow clearance.
6. Using a T25 Torx driver, remove the two screws (A) that secure the hydraulics assembly (B) to the wing plate, left (C) (Figure 14).

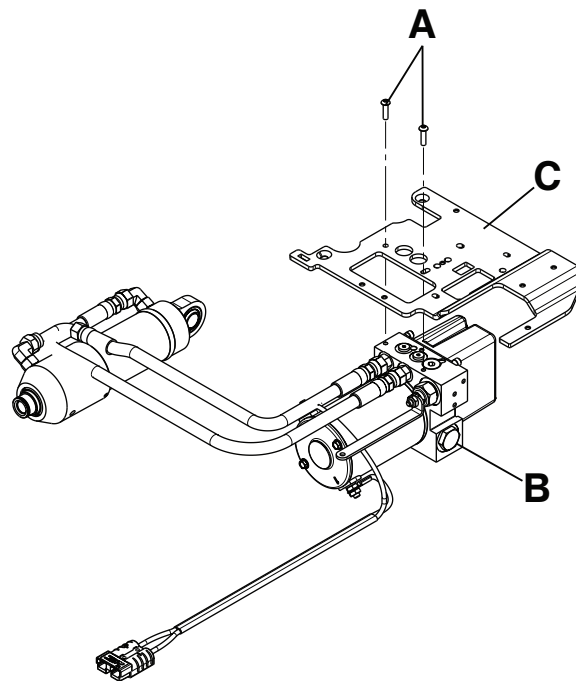


Figure 14 – Hydraulics assembly

7. Pull outward to remove the pump assembly and set the pump assembly on top of the wing plate, left.
8. Using a 1/4" hex wrench and a 1/2" combination wrench, remove the end cap cylinder pin (D) and nut (E) (Figure 15).

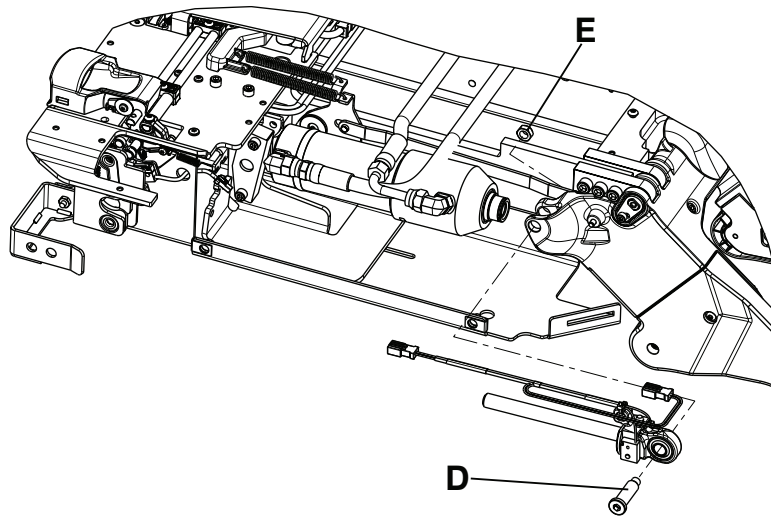


Figure 15 – End cap cylinder pin and nut locations

9. Using diagonal pliers, cut the cable ties (F) that secure the hydraulic cylinder rod end assembly cable to the plastic cover (Figure 16).

Note - Pay attention to the location of all cable ties for reinstallation.

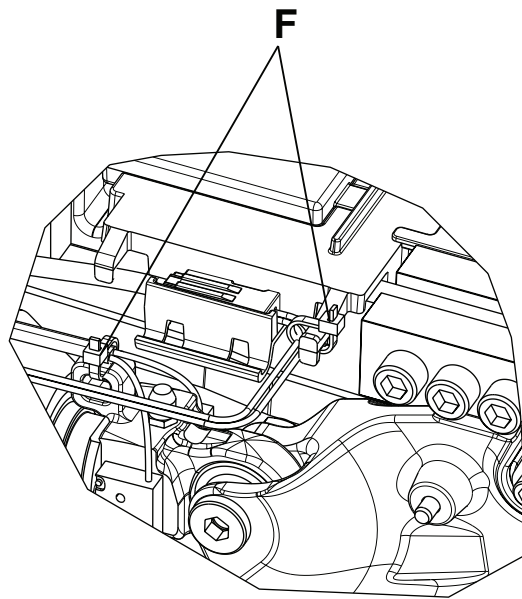


Figure 16 – Cable ties location

10. While lifting up on the cylinder, pull the hydraulic cylinder rod end assembly out. Save the hydraulic cylinder rod end assembly for reinstallation.
11. Using a 3/16" hex wrench, remove the two screws (G) that secure the pin bracket (H) to the trolley (Figure 17).
12. Remove the pin (I) and lift the hydraulic cylinder out (Figure 17).

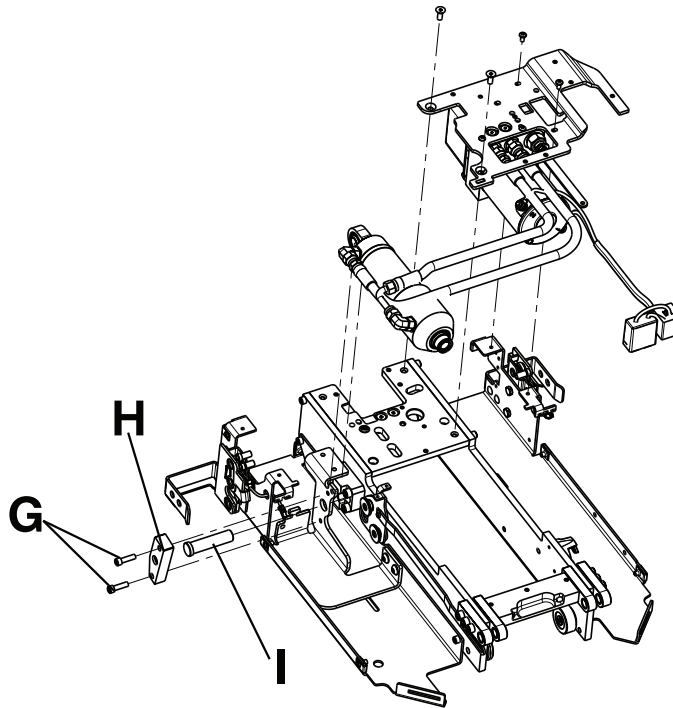


Figure 17 – Pin and hydraulic cylinder removal

13. Remove the hydraulics assembly and properly discard.

Note - Do not dispose of as unsorted municipal waste. Refer to your local distributor for return or collection systems available in your country.

14. Reverse steps to reinstall.

15. Verify proper operation before you return the product to service.

Hydraulic cylinder rod end replacement

Tools required:

- 1/4" hex wrench
- 1/2" combination wrench
- Diagonal pliers

Procedure:

1. Pull the trolley assembly out of the patient compartment until it locks into the loading position.
2. Remove the trolley covers. See *Cover removal and replacement* (page 30).
3. Press the main power button to turn the product off.
4. Using a 1/4" hex wrench and a 1/2" combination wrench, remove the end cap cylinder pin (A) and nut (B) (Figure 18).

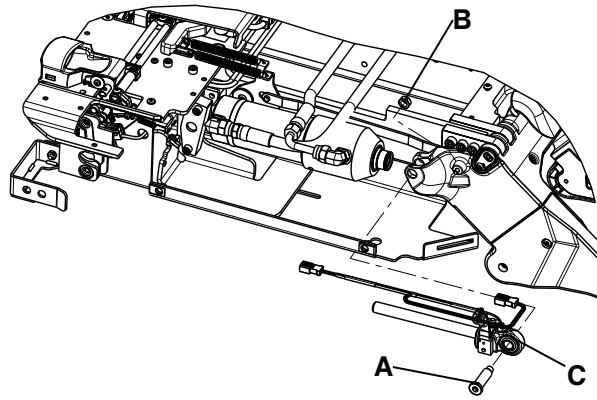


Figure 18 – Hydraulic cylinder rod end assembly

- Using diagonal pliers, cut the cable ties (D) that secure the hydraulic cylinder rod end assembly cable to the plastic cover (Figure 19).

Note - Pay attention to the location of all cable ties for reinstallation.

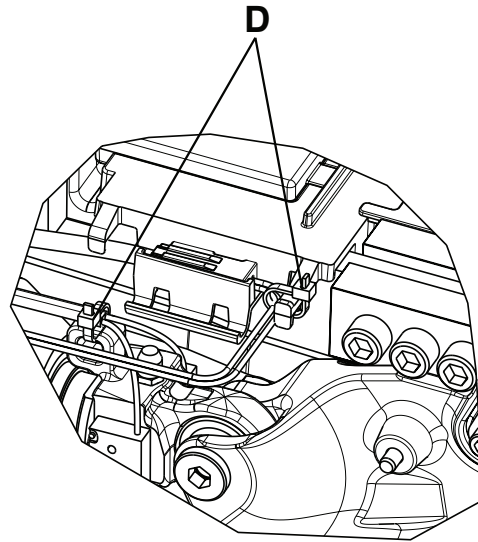


Figure 19 – Cable ties location

- While lifting up on the cylinder, pull the hydraulic cylinder rod end assembly (C) out and discard (Figure 18).
- Reverse steps to reinstall.
- Verify proper operation before you return the product to service.

Communication board replacement

Tools required:

- Diagonal pliers

Procedure:

- Pull the trolley assembly out of the patient compartment until it locks into the loading position.
- Remove the trolley covers. See *Cover removal and replacement* (page 30).
- Using diagonal pliers, cut the cable tie that secures the hydraulic cylinder rod end assembly cable to the plastic cover.

Note - Pay attention to the location of all cable ties for reinstallation.

4. Lift up on the trolley communication board (A) to remove (Figure 20). Discard the communication board.

Note - Do not dispose of as unsorted municipal waste. Refer to your local distributor for return and/or collection systems available in your country.

5. Reverse steps to reinstall.
6. Verify proper operation before you return the product to service.

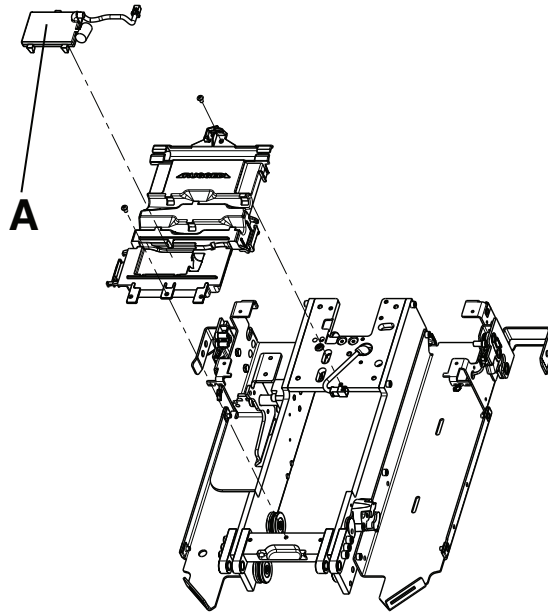


Figure 20 – Communication board assembly

Inductive coil replacement

Tools required:

- 5/32" hex wrench
- 3/16" hex wrench
- T25 Torx driver

Procedure:

1. Remove the manual release button assembly, see *Manual release button assembly removal and replacement* (page 32).
2. Using a 5/32" hex wrench, remove the screw (A) that secures the inductive coil assembly to the frame (Figure 21).
3. Using a 3/16" hex wrench, remove the screw (B) that secures the inductive coil assembly to the frame (Figure 21).
4. Remove the cover (C) (Figure 21). Save for reinstallation.

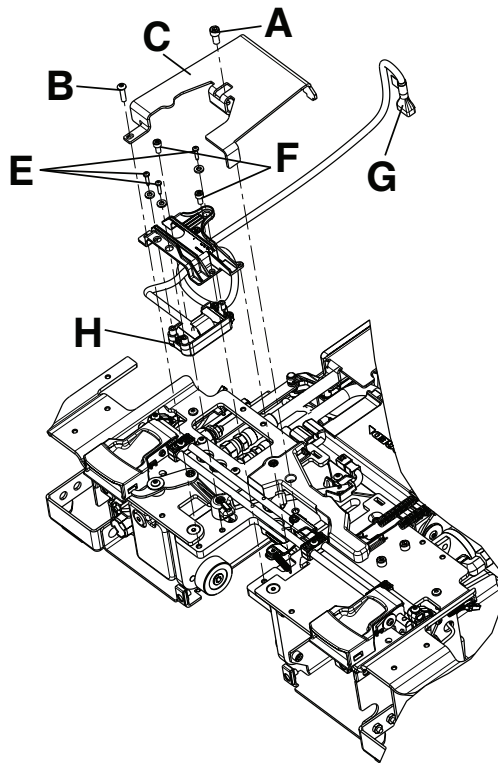


Figure 21 – Inductive coil assembly

5. Remove the return spring (D) (Figure 22). Save for reinstallation.

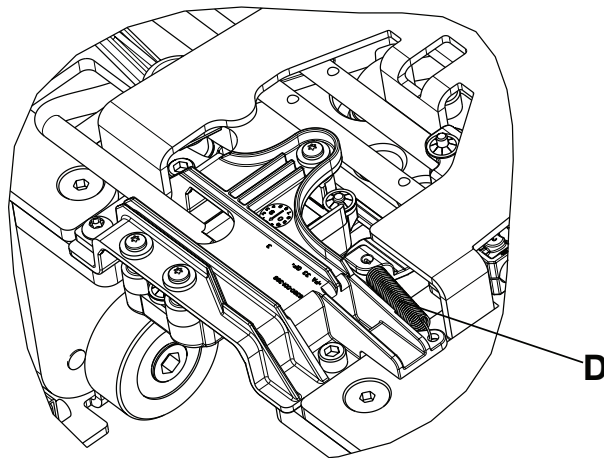


Figure 22 – Return spring location

6. Using a T25 Torx driver, remove the screws (E) that secure the charge bracket (Figure 21).
7. Using a 5/32" hex wrench, remove the screw (F) that secures the charge bracket (Figure 21).
8. Using a T25 Torx driver, remove the two screws that secure the back left wing cover.
9. Unplug the cable (G) from the trolley control board, and remove the inductive coil (H) (Figure 21). Discard the inductive coil.

Note

- Lift up on the trolley control board to pull the cable through.
- Pay attention to the cable routing for reinstallation.
- Do not dispose of as unsorted municipal waste. Refer to your local distributor for return or collection systems available in your country.

10. Reverse steps to reinstall.

11. Verify proper operation before you return the product to service.

Trolley position sensor (TPS) replacement

Tools required:

- T25 Torx driver
- 1/8" hex wrench
- 5/32" hex wrench
- 1/4" ratchet

Procedure:

1. Remove the trolley. See *Trolley removal* (page 28).
2. Remove the trolley covers. See *Cover removal and replacement* (page 30).
3. Unplug the TPS cable (A) from the main cable assembly (Figure 23).

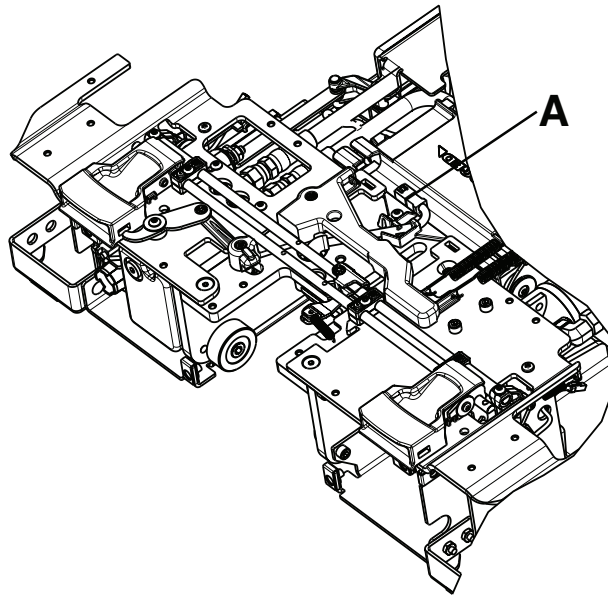


Figure 23 – Main cable assembly

4. Using a 5/32" hex wrench, loosen (do not remove) the socket head cap screw (B) that secures the trolley mechanism arm (Figure 24).
5. Using 1/8" hex wrench, remove the flat head cap screw (C) that secures the link to the trolley mechanism arm and remove the trolley mechanism pivot pillar (D) (Figure 24).
6. Using a 1/8" hex wrench, loosen (do not remove) the flat head cap screw (E) that secures the front link (F) to the trolley mechanism arm and swing it out of the way (Figure 24).

Note - Rotate the link to remove the pivot pillar. During removal, pay attention to the orientation of the pivot pillar.

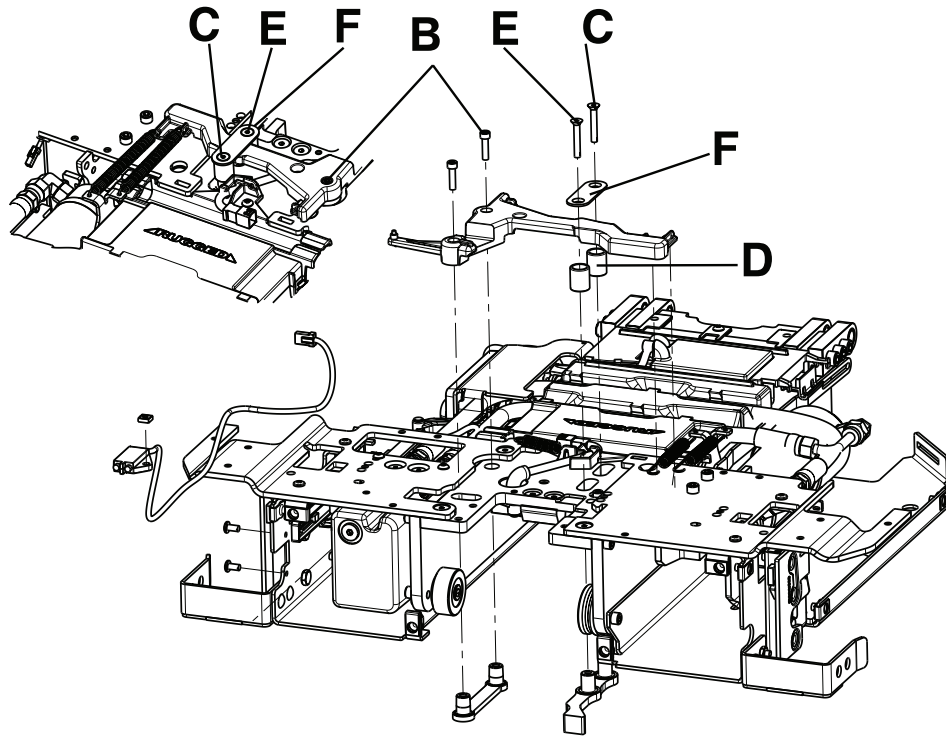


Figure 24 – TPS assembly

7. Using a 1/4" ratchet and a T25 Torx driver, remove the two button head cap screws (G) that secure the TPS assembly (H) (Figure 25).

Note

- Slightly lift up on the trolley mechanism arm to pull the cable through to remove the TPS. Discard the TPS.
- Do not dispose of as unsorted municipal waste. Refer to your local distributor for return and/or collection systems available in your country.

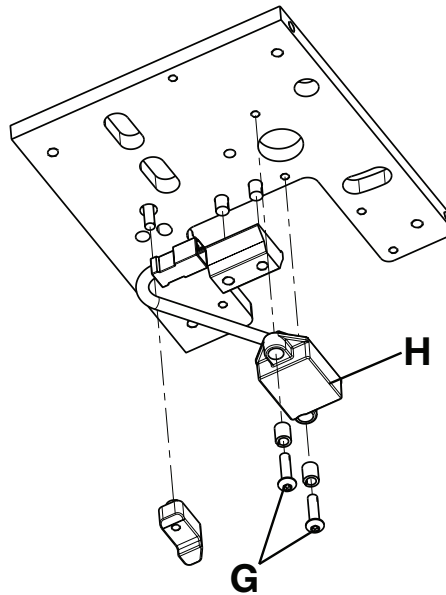


Figure 25 – TPS assembly bottom view

8. Reverse steps to reinstall.
9. Verify proper operation before you return the product to service.

Flat roller and V-guide roller replacement

Tools required:

- 3/8" drive ratchet
- 1/4" socket
- Torque wrench (in-lb) > 317 in-lb

Procedure:

1. Remove the trolley. See *Trolley removal* (page 28).
2. Carefully set the trolley upright on its head end (Figure 26).

Note - Do not tip the trolley upside down, forward or onto its side.

3. Using a 1/4" socket with a 3/8" drive ratchet, loosen (do not remove) the pivot bolt that secures the bad roller to the trolley.

Note - The V-guide rollers are on the patient right side (five rollers) (A) and the flat rollers are on the patient left side (two rollers) (B) (Figure 26).

4. Reverse steps to reinstall. Make sure that you torque all bolts to 235 - 317 in-lb.
5. Verify proper operation before you return the product to service.

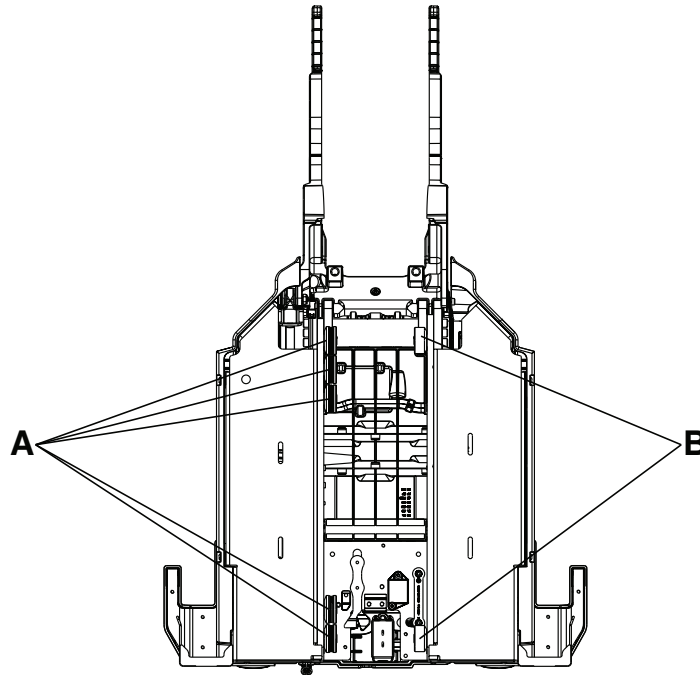


Figure 26 – Trolley bottom view of the V-guide rollers

Hydraulic cylinder removal and replacement

Tools required:

- 1/4" hex wrench
- 1/8" hex wrench
- 1/2" combination wrench
- Diagonal pliers
- 5/8" combination wrench
- 3/16" hex wrench

- 11/16" combination wrench

Procedure:

1. Pull the trolley assembly out of the patient compartment until it locks into the loading position.

Note - This makes working on the product easier, but is not required.

2. Press the manual release button on the **Power-LOAD** control panel until the lifting arms are in the lowest position.
3. Remove the trolley covers. See *Cover removal and replacement* (page 30).
4. Using a 1/4" hex wrench and a 1/2" combination wrench, remove the end cap cylinder pin (A) and nut (B) (Figure 27).

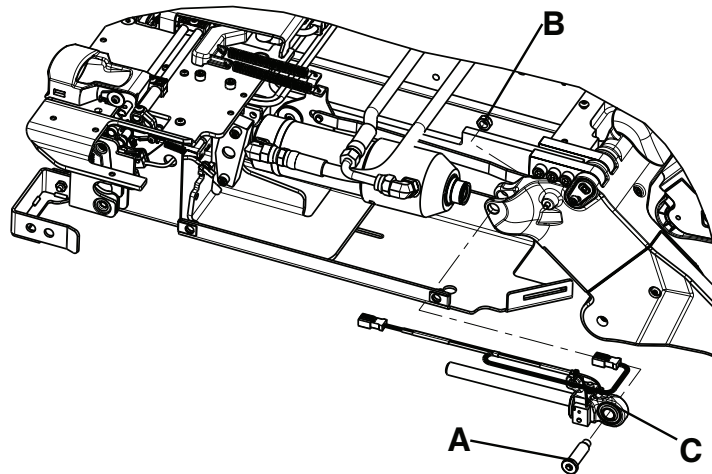


Figure 27 – Hydraulic cylinder assembly

5. Using diagonal pliers, cut the cable ties (D) (Figure 28) that secure the hydraulic cylinder rod end assembly (C) cable to the plastic cover (Figure 27).

Note - Pay attention to the location of all the cable ties for reinstallation.

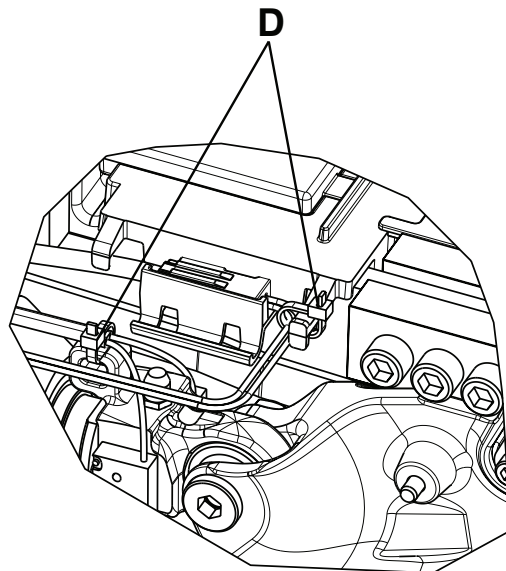


Figure 28 – Cable ties locations

6. While lifting up on the cylinder, remove the hydraulic cylinder rod end assembly (C) (Figure 27). Save the hydraulic cylinder rod end assembly for reinstallation.
7. Using an 11/16" combination wrench, disconnect both hoses from the cylinder. See *Velocity fuse removal and replacement* (page 47).

Note - Hydraulic fluid will leak from the cylinder and hoses. Lay down towels to catch fluid.

- Using a 5/8" combination wrench, loosen (do not remove) the jam nuts on both of the cylinder hose fittings, and unthread the fitting from the hydraulic cylinder. Save all parts for reinstallation.

Note - Pay attention to the hose routing and location for reinstallation.

- Using a 1/8" hex wrench, remove the velocity fuse from the hydraulic cylinder. Save the fuse for reinstallation.
- Using a 3/16" hex wrench, remove the two screws (E) that secure the cylinder bracket (F) to the trolley and remove the end cap cylinder pin (G) (Figure 29).

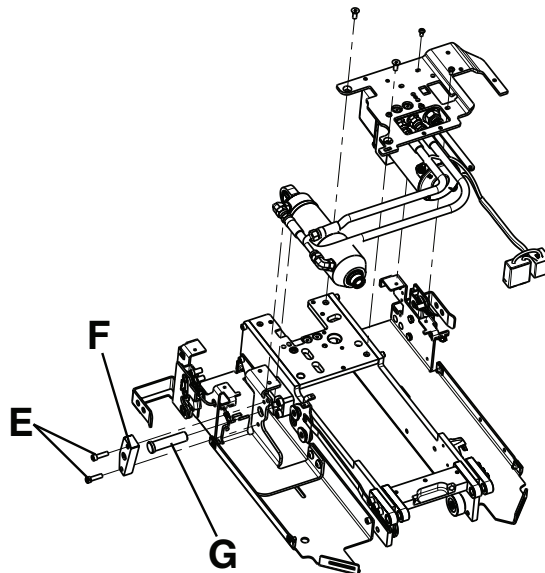


Figure 29 – Hydraulic cylinder pin location

- Remove the hydraulics assembly and discard.
- Using a 1/8" hex wrench, install the velocity fuse into the cylinder.
- Reverse steps to reinstall.
- Check the fluid level before you return the product to service. See *Filling the reservoir* (page 55).
- Verify proper operation before you return the product to service.

Velocity fuse removal and replacement

Tools required:

- 1/8" hex wrench
- 11/16" combination wrench
- 5/8" combination wrench
- Torque wrench (in-lb)

Procedure:

- Pull the trolley assembly out of the patient compartment until it locks into the loading position.

Note - This makes working on the product easier, but is not required.

- Remove the trolley covers. See *Cover removal and replacement* (page 30).
- Using an 11/16" combination wrench, disconnect the hydraulic hose (A) closest to the mounting bracket at the head end of the trolley (Figure 30).

Note - Hydraulic fluid will leak from the cylinder and hoses. Lay down towels to catch fluid.

4. Using a 5/8" combination wrench, loosen (do not remove) the jam nut on the cylinder hose fitting (B) and unthread the fitting from the hydraulic cylinder (C) (Figure 30). Save all parts for reinstallation.
5. Using a 1/8" hex wrench, remove the velocity fuse (D) from the hydraulic cylinder (C) (Figure 30). Discard the fuse.
6. Reverse steps to reinstall.

Note - When you reinstall the cylinder hose fitting (B), lubricate the O-ring with ATF and only thread the fitting in until you feel resistance. When you align the fitting for proper position, do not back out more than 340 degrees from where you felt resistance. Use a torque wrench to torque the jam nut of the fitting to 190±10 in-lb.

7. Check the fluid level before you return the product to service. See *Filling the reservoir* (page 55).
8. Verify proper operation before you return the product to service.

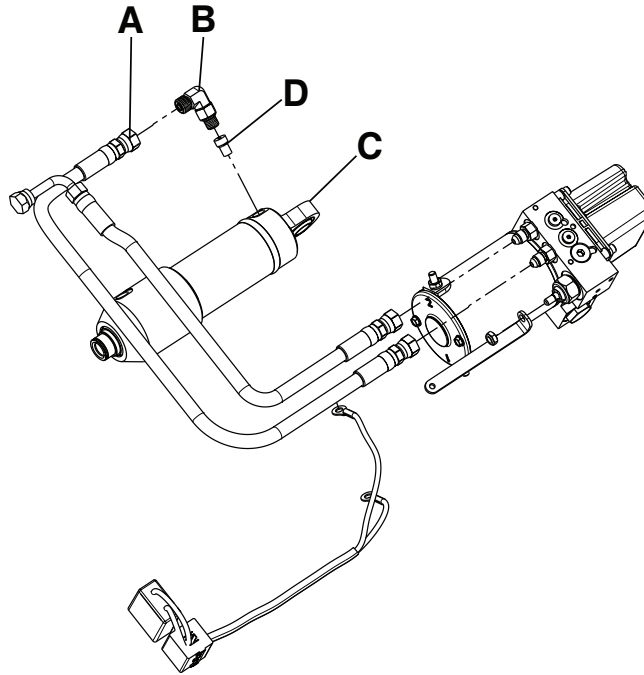


Figure 30 – Velocity fuse components

Non-locking manual valve removal and replacement

Tools required:

- 7/16" deep well socket
- 7/8" deep well socket
- 3/8" drive ratchet
- 1/16" hex wrench

Procedure:

1. Pull the trolley assembly out of the patient compartment until it locks into the loading position.

Note - This makes working on the product easier, but is not required.

2. Lower the lifting arms down.
3. Remove the trolley covers. See *Cover removal and replacement* (page 30).
4. Remove the manual release button assembly. See *Manual release button assembly removal and replacement* (page 32).
5. Using a 7/16" deep well socket and 3/8" drive ratchet, remove the Nylock hex nut (A) that secures the non-locking manual valve (B) to the manual release link (C) (Figure 31).

Note - Place a 1/16" hex wrench through the slot on the non-locking manual valve (B) to keep it from turning (Figure 31).

- Using a 7/8" deep well socket and 3/8" drive ratchet, remove the non-locking manual valve (B) (Figure 31). Discard the valve.

Note - Hydraulic fluid will leak from the cylinder and hoses. Lay down towels to catch fluid.

- Reverse steps to reinstall.
- Check the fluid level before you return the product to service. See *Filling the reservoir* (page 55).
- Verify proper operation before you return the product to service.

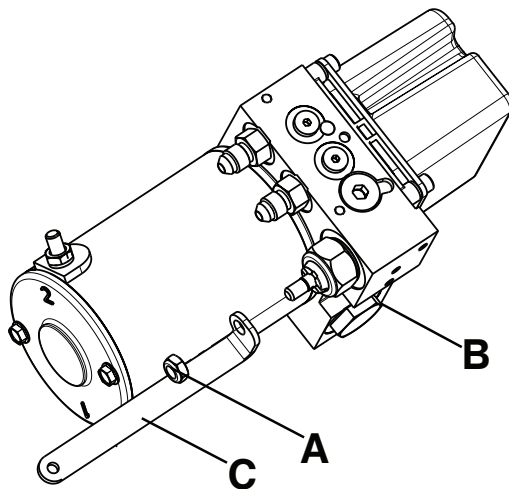


Figure 31 – Non-locking manual valve

Hose removal and replacement

Tools required:

- 11/16" combination wrench
- (2) 9/16" combination wrench
- T25 Torx driver

Procedure:

- Pull the trolley assembly out of the patient compartment until it locks into the loading position.

Note - This makes working on the product easier, but is not required.

- Remove the trolley covers. See *Cover removal and replacement* (page 30).
- Using an 11/16" combination wrench, disconnect the hydraulic hose (A) closest to the mounting bracket at the head end of the trolley (Figure 32 and Figure 33).

Note - Hydraulic fluid will leak from the cylinder and hoses. Lay down towels to catch fluid.

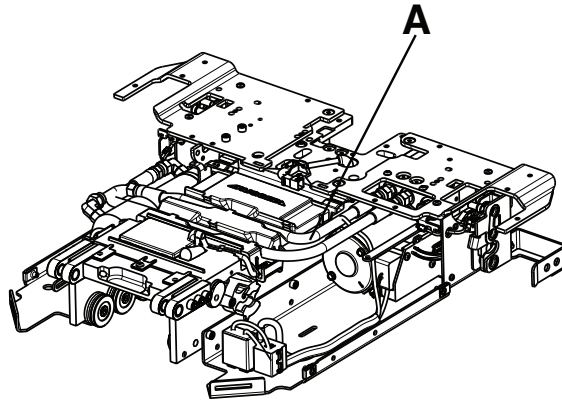


Figure 32 – Hydraulic hose location

4. Using a T25 Torx driver, loosen (do not remove) the two screws (B) that secure the manifold fitting to the left wing plate (Figure 33).

Note - Do not remove the manifold fitting, just loosen the screws to gain better access to the nuts.

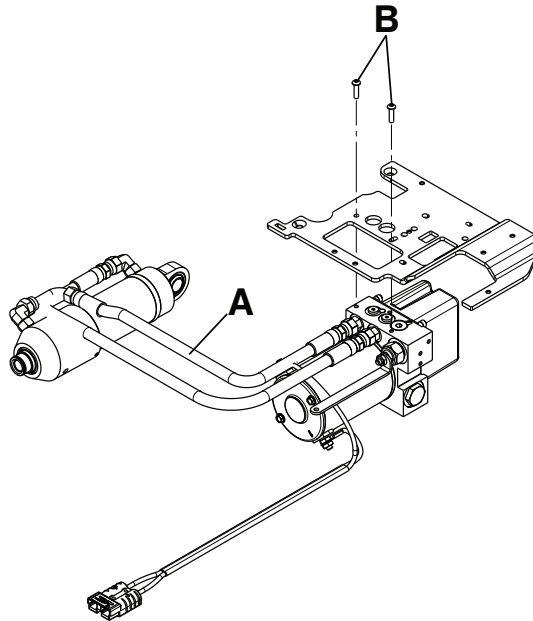


Figure 33 – Manifold fitting screws location

5. Using two 9/16" combination wrenches, disconnect the bad hose from the manifold fitting. Discard the hose.

Note - Hydraulic fluid will leak from the cylinder and hoses. Lay down towels to catch fluid.

6. Reverse steps to reinstall.
7. Check the fluid level before you return the product to service. See *Filling the reservoir* (page 55).
8. Verify proper operation before you return the product to service.

Pump/motor assembly replacement

Tools required:

- (2) 9/16" combination wrench

Procedure:

1. Pull the trolley assembly out of the patient compartment until it locks into the loading position.

Note - This makes working on the product easier, but is not required.

2. Remove the hydraulics assembly. See *Hydraulics assembly removal and replacement* (page 36).
3. Using two 9/16" combination wrenches, loosen (do not remove) the hose end connectors (A) from the manifold to remove both hoses (Figure 34).

Note - Hydraulic fluid will leak from the cylinder and hoses. Lay down towels to catch fluid.

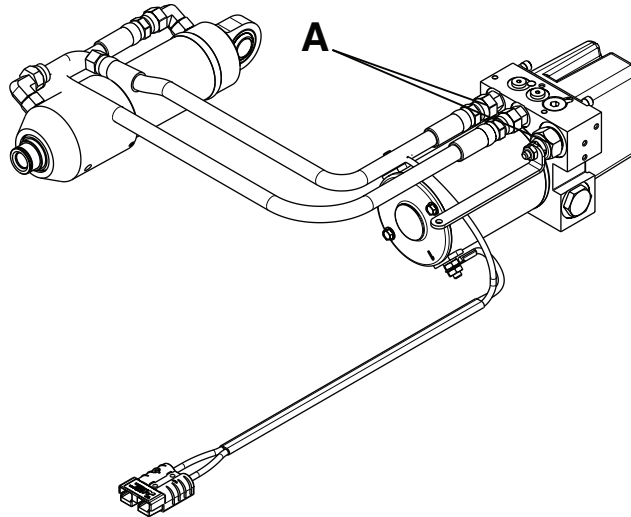


Figure 34 – Hydraulics assembly hose end connectors

4. Reverse steps to reinstall.
5. Verify proper operation before you return the product to service.

Motor cable removal and replacement

Tools required:

- 7/16" combination wrench

Procedure:

1. Pull the trolley assembly out of the patient compartment until it locks into the loading position.

Note - This makes working on the product easier, but is not required.

2. Remove the trolley covers. See *Cover removal and replacement* (page 30).
3. Remove the hydraulics assembly. See *Hydraulics assembly removal and replacement* (page 36).
4. Using a 7/16" combination wrench, remove the two nuts (A) and star washers (B) that secure the motor cable (C) to the motor assembly (Figure 35).

Note - Pay attention to the cable routing and terminal orientation for reinstallation.

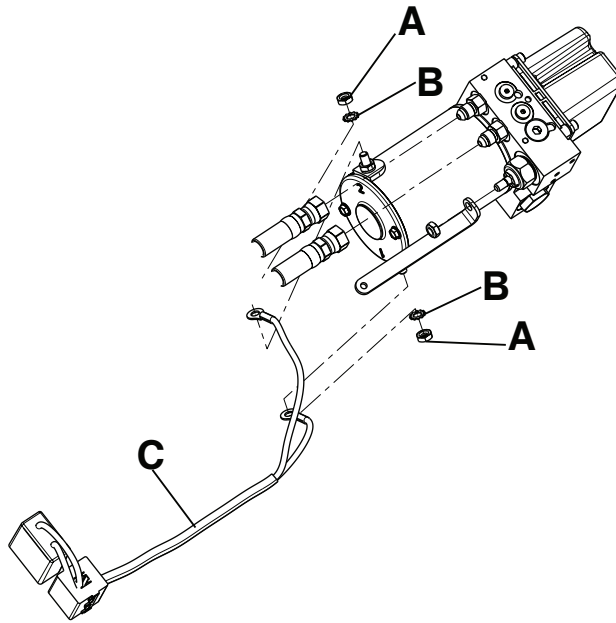


Figure 35 – Motor assembly

5. Reverse steps to reinstall.
6. Verify proper operation before you return the product to service.

Motor replacement

Tools required:

- 9/32" socket
- 1/4" drive ratchet

Procedure:

CAUTION - Damage may occur if motor armature or stator are bumped around when you replace the motor.

1. Pull the trolley assembly out of the patient compartment until it locks into the loading position.
Note - This makes working on the product easier, but is not required.
2. Remove the trolley covers. See *Cover removal and replacement* (page 30).
3. Remove the motor cable. See *Motor cable removal and replacement* (page 51).
4. Using a 9/32" socket and 1/4" drive ratchet, remove the two bolts (A) that secure the motor (B) to the hydraulic manifold assembly (C) (Figure 36).

Note - Do not overtighten the bolts during reinstallation.

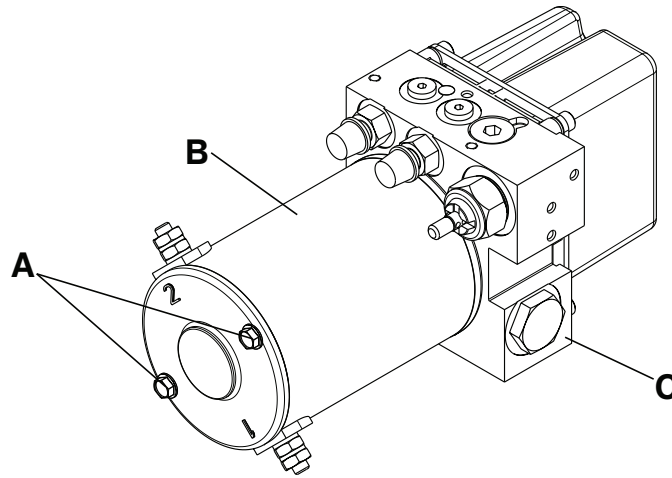


Figure 36 – Motor replacement parts

5. Reverse steps to reinstall.
6. Verify proper operation before you return the product to service.

Pressure compensated flow control valve replacement

Tools required:

- 1/4" hex wrench
- Needle nose pliers

Procedure:

1. Pull the trolley assembly out of the patient compartment until it locks into the loading position.
Note - This makes working on the product easier, but is not required.
2. Remove the trolley covers. See *Cover removal and replacement* (page 30).
3. Remove the hydraulics assembly. See *Hydraulics assembly removal and replacement* (page 36).
4. Using a 1/4" hex wrench, remove the hex plug (A) from the top of the hydraulic manifold assembly (Figure 37).
Note - Pay attention to the orientation of the valve for reinstallation.

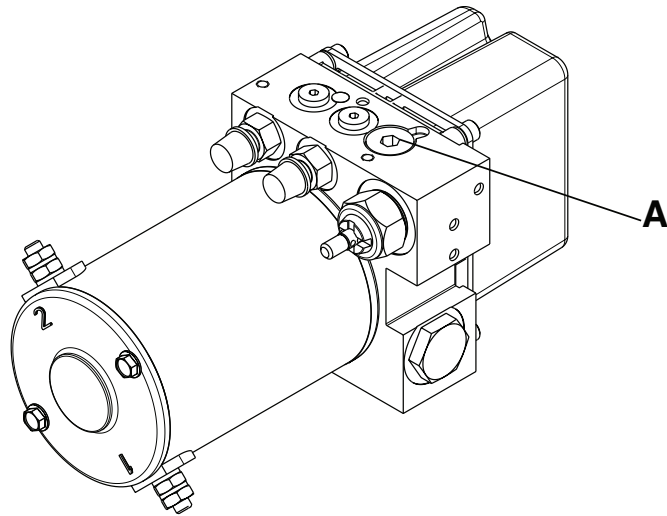


Figure 37 – Hex plug location

5. Using the needle nose pliers, remove and discard the pressure compensated flow control valve.
6. Install the replacement pressure compensated flow control valve.

Note - Install the O-ring side of the valve down into the port.
7. Reverse steps to reinstall.
8. Check the fluid level before you return the product to service. See *Filling the reservoir* (page 55).
9. Verify proper operation before you return the product to service.

Battery replacement

Tools required:

- T25 Torx driver

Procedure:

CAUTION - Do not touch the negative and positive battery terminals together on any metal surface when you replace the battery.

1. Press the main power button to turn the product off.
2. Using a T25 Torx driver, remove the two button head cap screws (A) that secure the rear trolley plate cover (B) to the trolley frame (Figure 38). Remove the cover.
3. Pull to remove the battery housing assembly (C) (Figure 38).

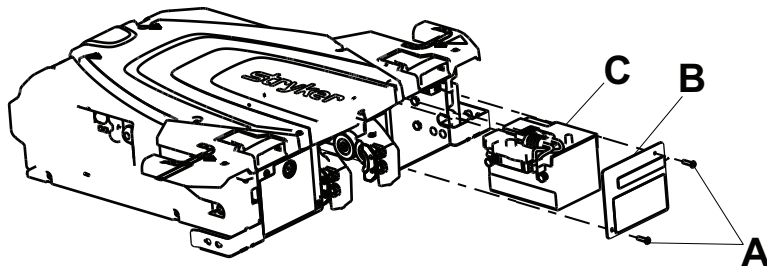


Figure 38 – Battery housing components

4. Remove and discard the battery.

Note - Do not dispose of as unsorted municipal waste. Refer to your local distributor for return and/or collection systems available in your country.

5. Install the replacement pressure compensated flow control valve.
6. Reverse steps to reinstall.
7. Verify proper operation before you return the product to service.

Filling the reservoir

Tools required:

- 3/16" hex wrench

Procedure:

WARNING - Use only Mobil Mercon® V Blend ATF Oil (6500-001-293) in the specified quantity. Do not overfill the reservoir with oil. See the Mobil Mercon® V Blend ATF Oil material safety data sheet (MSDS) issued by the manufacturer for safety information (Exxon Mobil Corporation, 1-(800) 947-9147, <http://www.exxon.com>, <http://www.mobil.com>, product code: 20103020B010, 525147-00, 97X826).

1. Pull the trolley assembly out of the patient compartment until it locks into the loading position.
2. Make sure that the lifting arms are in the down position before you fill the reservoir.
3. Using a 3/16" hex wrench, remove the fill plug (D) (Figure 38). See *Battery replacement* (page 54).
4. Fill the reservoir up to the bottom of the fill port with Mobil Mercon® V Blend ATF Oil (6500-001-293).
5. Reinstall the plug.

Primary coil replacement, foot end

Tools required:

- (2) 1/8" hex wrench
- 1/4" hex wrench
- 3/8" hex driver
- Torque wrench (ft-lb) > 60 ft-lb

Procedure:

1. Remove the trolley. See *Trolley removal* (page 28).
2. Remove the transfer. See *Transfer removal* (page 28).
3. Using a 3/8" hex driver, remove the four anchor mounting posts (A) that secure the anchor to the floor plate (Figure 39).

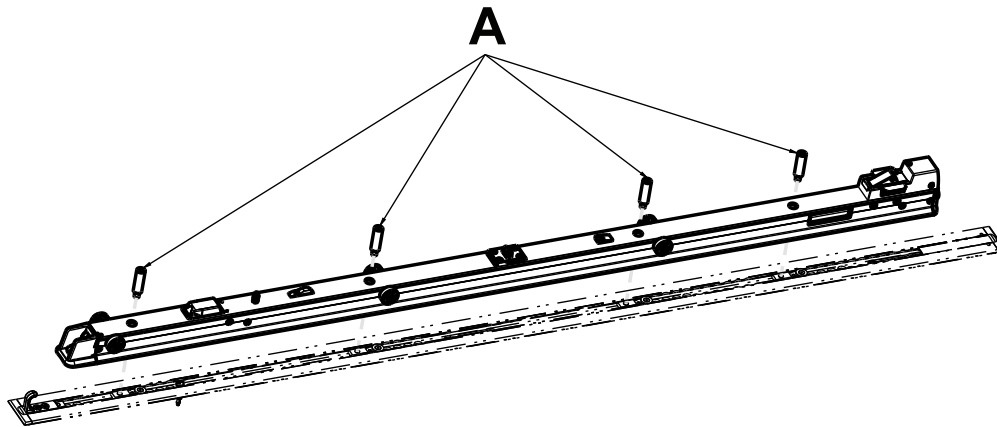


Figure 39 – Remove the anchor mounting posts

4. Flip the anchor on its side and unplug the anchor plunger assembly cables from the patient compartment main power cable at the head end.
5. Using a 1/8" hex wrench, remove one of the two flat head cap screws (B) that secure the release lever housing (F) to the anchor (Figure 40).

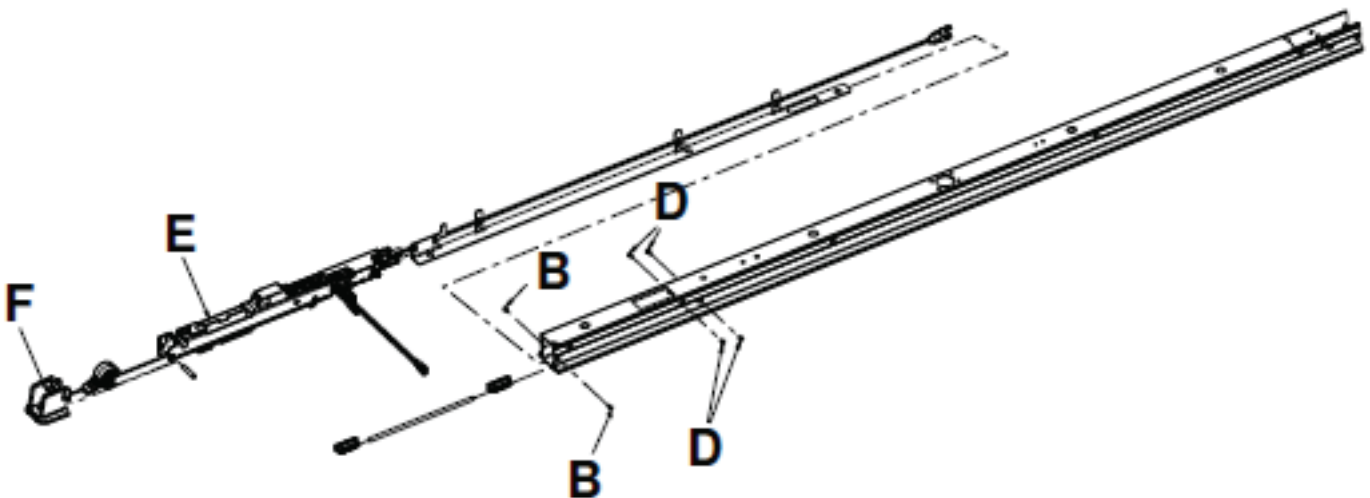


Figure 40 – Remove the anchor plunger assembly

6. Using the second 1/8" hex wrench, insert the wrench into the anchor pivot pin to remove the other screw and remove the release lever housing.
- Note** - The LED cable will still be attached. Do not pull the parts to prevent damage.
7. Using a 1/4" hex wrench, remove the two screws (C) that secure the flat roller assembly and the V-guide roller assembly on the foot end of the anchor assembly (Figure 41). Save all parts.

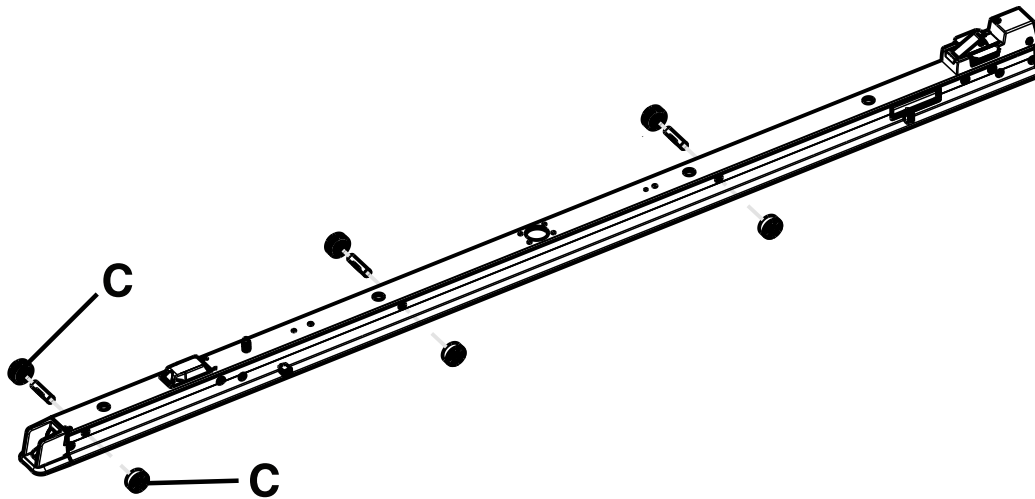


Figure 41 – Remove the flat roller assembly and V-guide roller assembly

8. Using a 1/8" hex wrench, remove two of the four flat head cap screws (D) from one side of the anchor plunger assembly, mid (Figure 40). Save the screws.
9. Using the second 1/8" hex wrench, insert the wrench into the anchor pivot pin to remove the other two of the four flat head cap screws (D) (Figure 40). Save the screws.
10. Unplug the power cables from the extension cable from the underside of the anchor.
11. Remove the anchor plunger assembly, mid (E) from the anchor (Figure 40).
12. Remove the anchor pivot pin (G) that holds the anchor coil assembly (H) to the anchor housing (J) (Figure 42).
13. Unplug the coil wires from the inductive primary board (I) (Figure 42). Discard the anchor coil assembly.

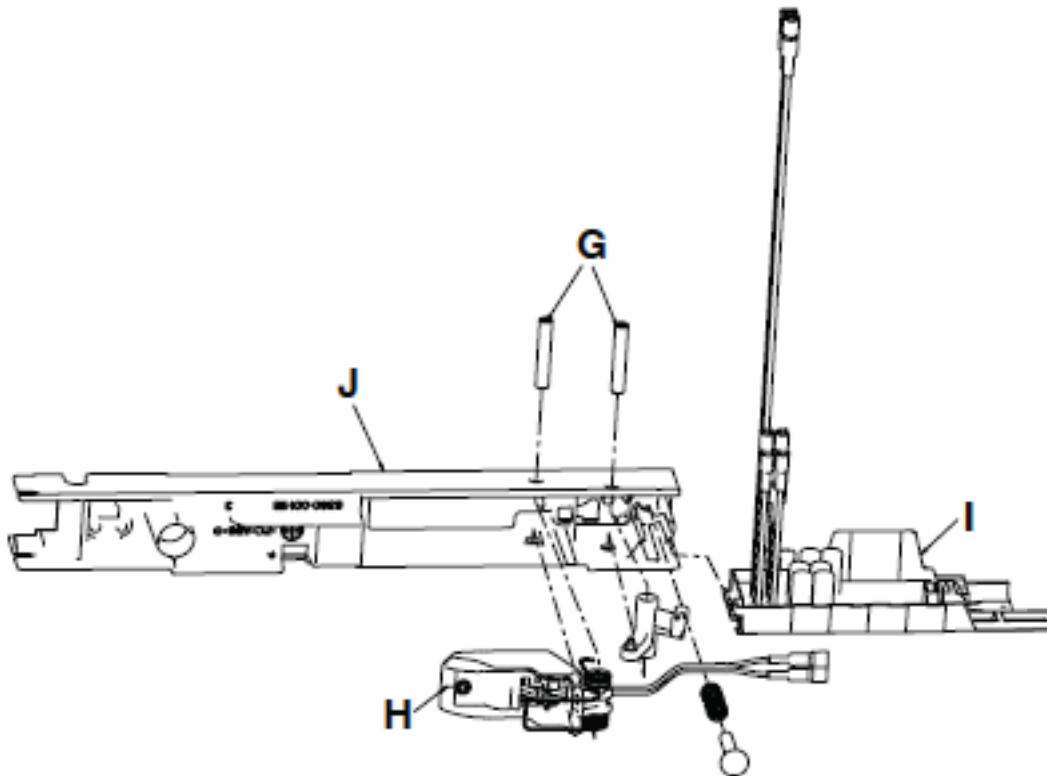


Figure 42 – Unplug coil wires from the inductive primary board

14. Reverse steps to reinstall. Torque the V-guide roller assembly and flat roller assembly to 235-317 in-lb. Torque the anchor mounting posts to 60±10 ft-lb.
15. Verify proper operation before you return the product to service.

Primary coil replacement, head end

Tools required:

- 5/32" hex wrench
- (2) 1/8" hex wrench
- 3/8" hex driver
- T25 Torx driver
- Diagonal pliers
- Torque wrench (ft-lb) > 60 ft-lb

Procedure:

1. Remove the trolley. See *Trolley removal* (page 28).
2. Remove the transfer. See *Transfer removal* (page 28).
3. Using a 3/8" hex driver, remove the four anchor mounting bolts that secure the anchor to the floor plate.
4. Unplug the main power cable from the patient compartment to the anchor assembly at the head end.
5. Using a 5/32" hex wrench, remove the four screws (A) (Figure 43).
6. Using two 1/8" hex wrenches, remove the four flat head cap screws (B) that secure the anchor pawl assembly to the anchor (Figure 43).

7. Pull the anchor pawl assembly toward the head end of the anchor to remove the anchor pawl assembly.

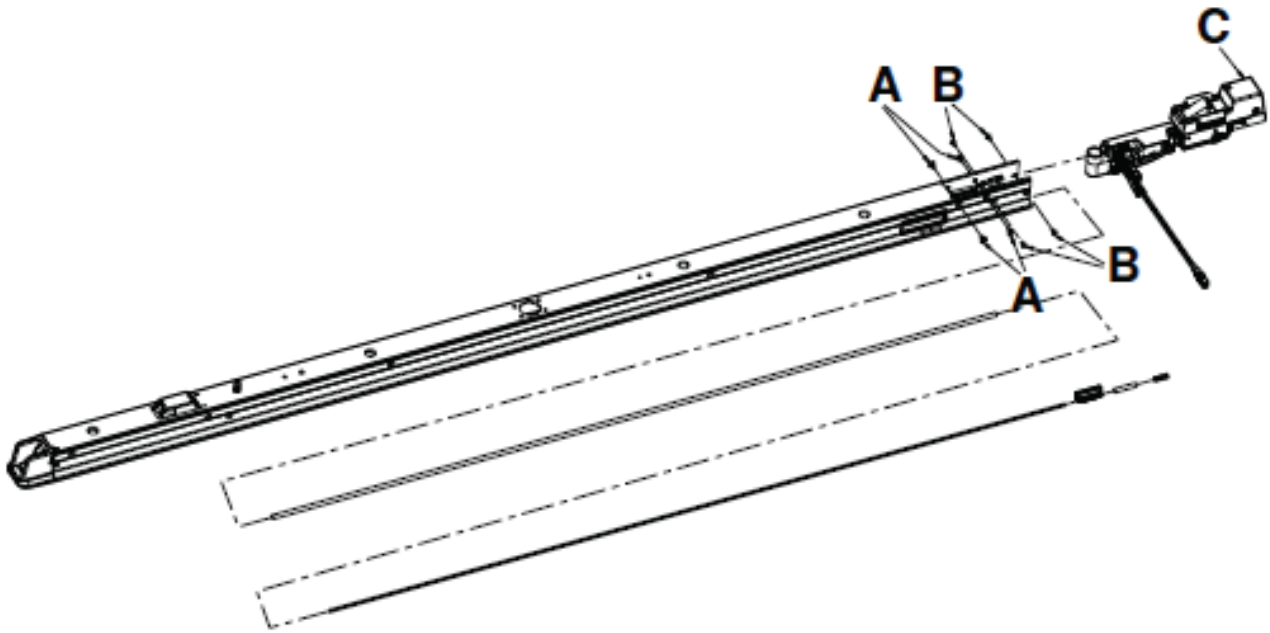


Figure 43 – Remove the anchor pawl assembly from the anchor

8. Unplug the power cables from the extension cable from the anchor.
9. Unplug the two coil wires from the inductive primary board.
10. Using diagonal pliers, cut the cable ties (D) that secure the coil wires to the wire management strap (Figure 44).

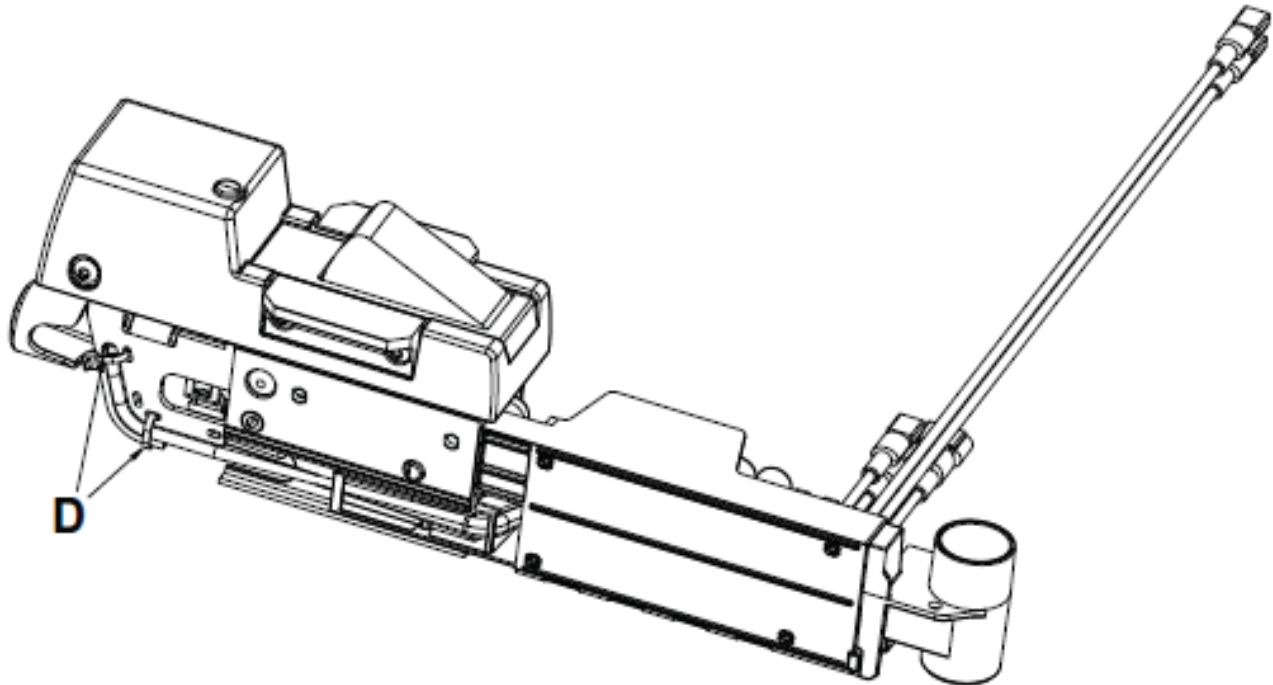


Figure 44 – Remove cable ties

11. Using a T25 Torx driver, remove the four button head cap screws (E) that secure the two retainer wings and remove the retainer wings (Figure 45). Save all parts.

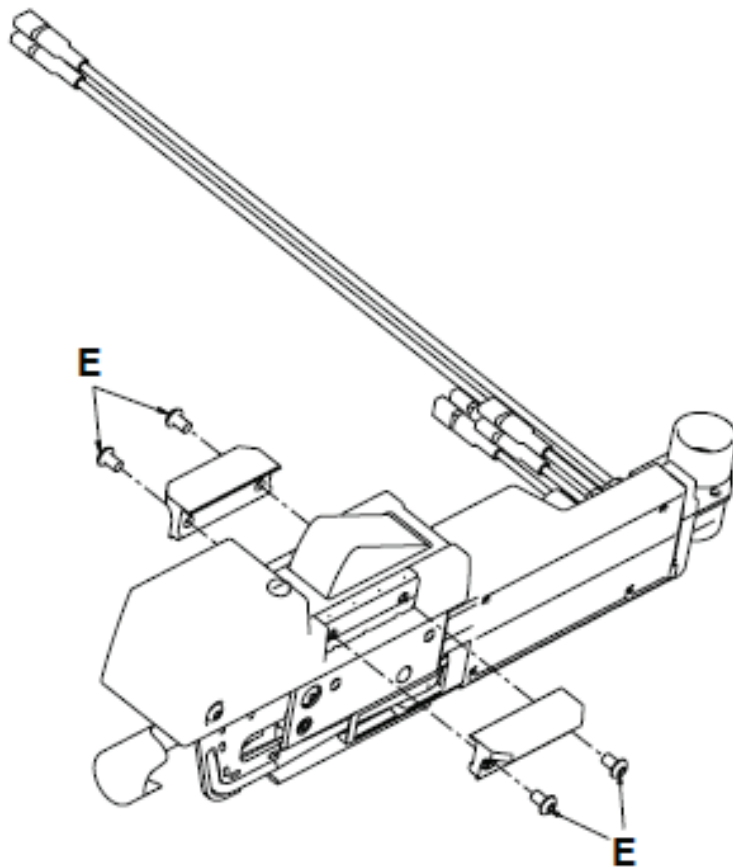


Figure 45 – Remove the retainer wings

12. Using a 1/8" hex wrench, remove the two button head cap screws (F) that secure the anchor housing assembly head end to the anchor pawl assembly. Remove the anchor housing assembly (G) (Figure 46).

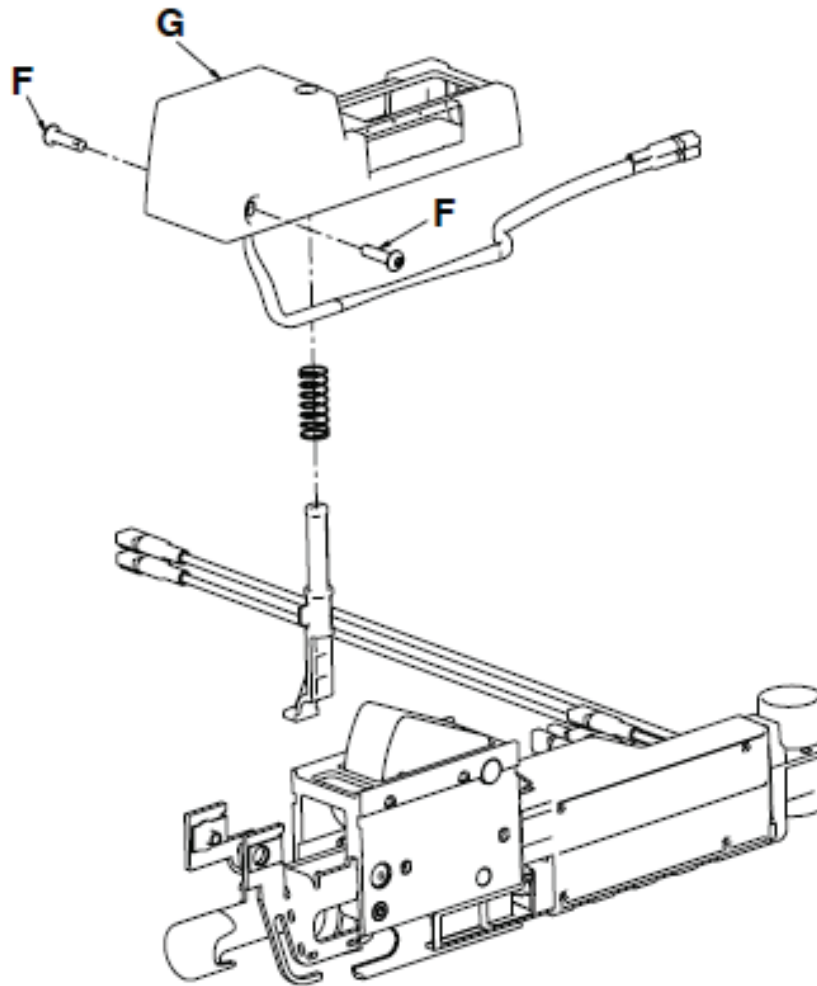


Figure 46 – Remove the anchor housing assembly

13. Remove and discard the anchor housing.

Note - Do not dispose of as unsorted municipal waste. Refer to your local distributor for return, and or collection systems available in your country.

14. Reverse steps to reinstall. Use a torque wrench to tighten each anchor mounting post to 60 ± 10 ft-lb.

15. Verify proper operation before you return the product to service.

Transfer lock bearing removal and replacement

Tools required:

- 5/32" hex wrench

Procedure:

1. Remove the trolley. See *Trolley removal* (page 28).
2. Remove the transfer. See *Transfer removal* (page 28).
3. Using a 5/32" hex wrench, remove the four flat head cap screws (A) that secure the transfer lock cap (B) to the anchor extrusion (Figure 47).
4. Remove the transfer lock cap (B) (Figure 47).

5. Remove the transfer lock pin assembly (C), compression spring (D), and bronze bearing (E) from the anchor extrusion (Figure 47). Discard the bronze bearing.
6. Clean the transfer lock pin assembly (C) and compression spring (D) thoroughly (Figure 47).
7. Install the supplied bronze bearing (D), compression spring (D), and transfer lock pin assembly (C) into the anchor extrusion (Figure 47).

Note - Before you reinstall, grease the transfer lock pin assembly with molybdenum disulfide lubricant (6390-001-263).

8. Using a 5/32" hex wrench, reinstall the four flat head cap screws that secure that transfer lock cap (B) to the anchor extrusion. Start each screw first and then tighten all four screws.
9. Reinstall the transfer. See *Transfer removal* (page 28).
10. Reinstall the trolley. See *Trolley removal* (page 28).
11. Verify proper operation before you return the product to service.

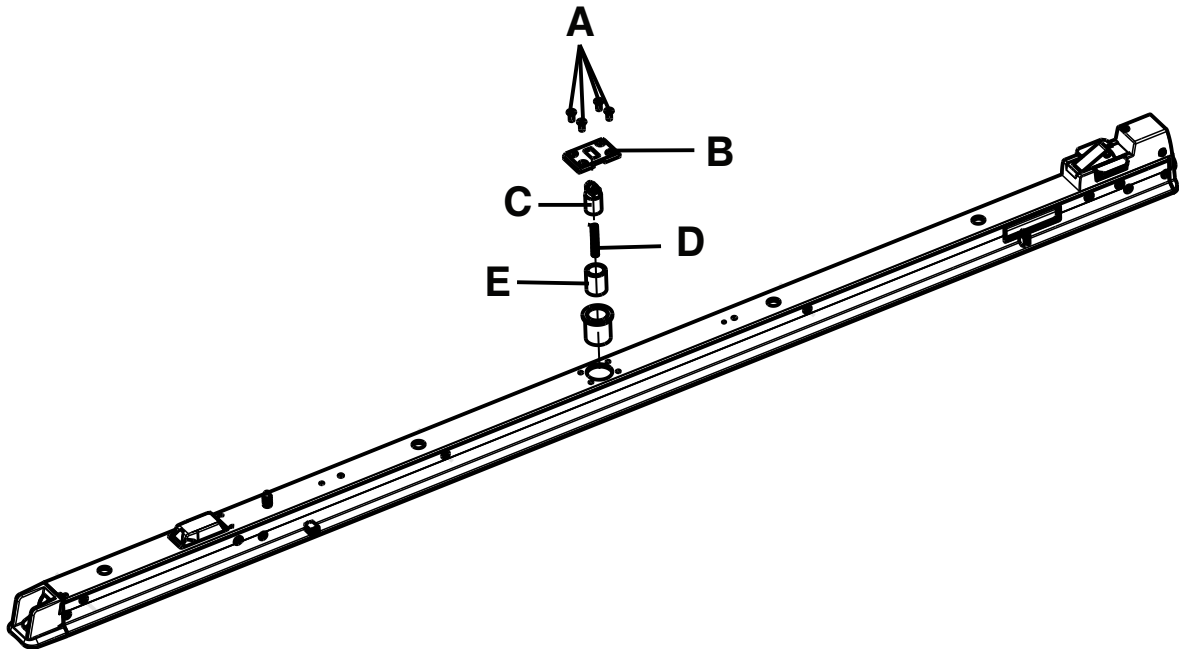
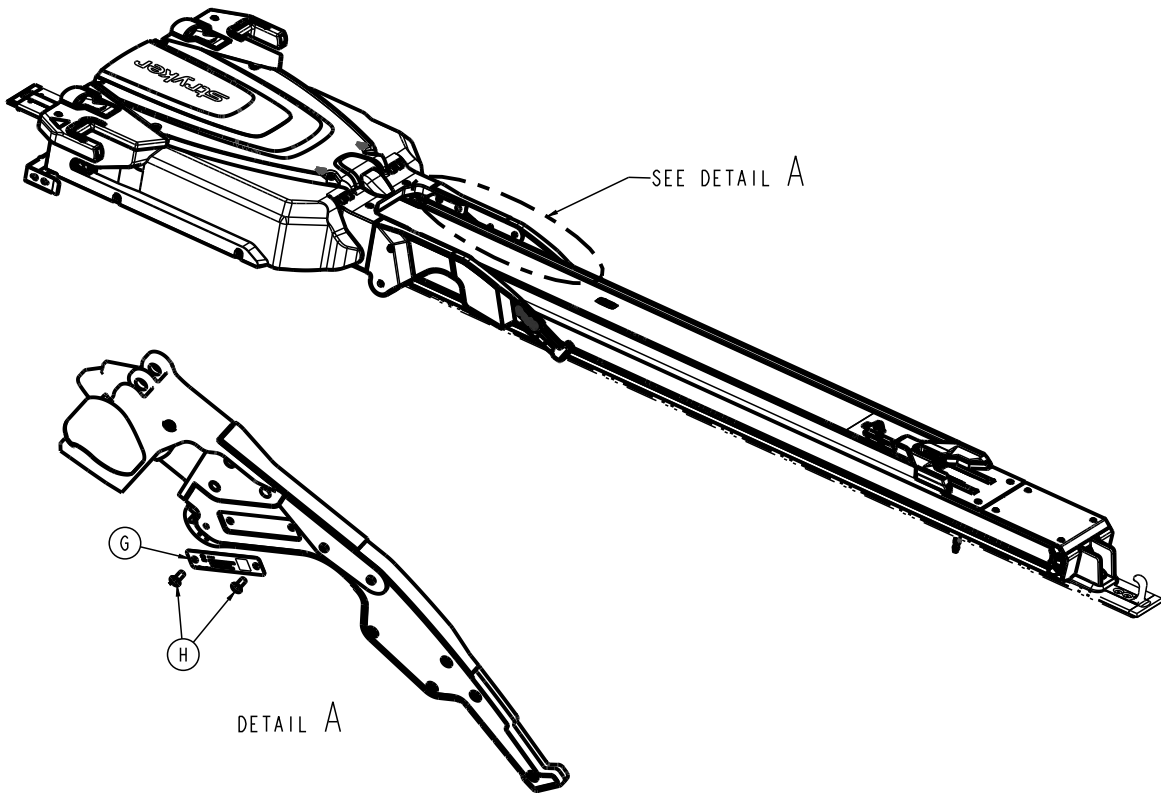


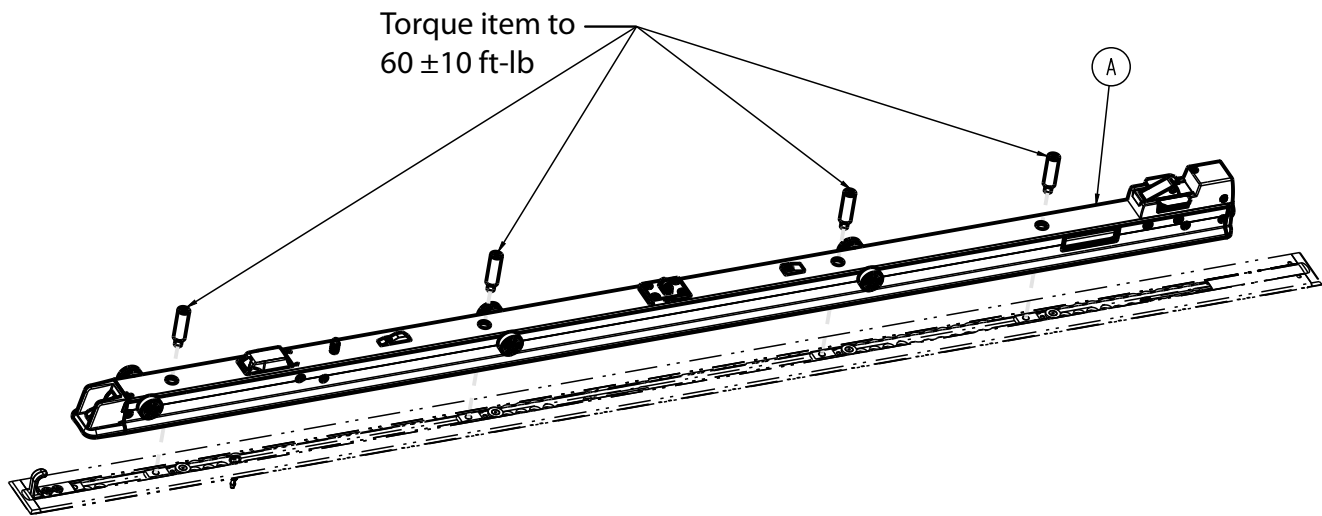
Figure 47 – Transfer lock bearing removal and replacement

Power-LOAD assembly

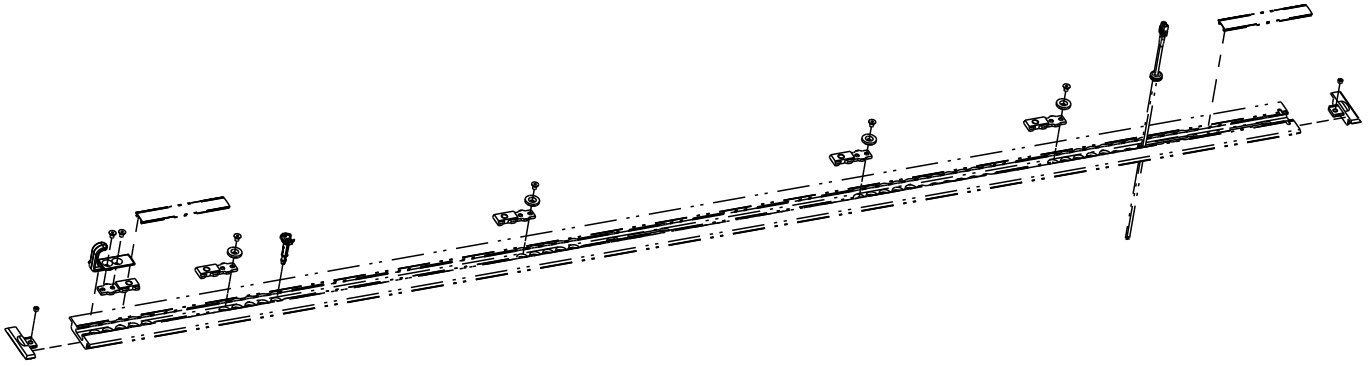
6390-001-010 Rev AE (Reference only)



Note - Make sure that you reinstall the serial number tag (item G) any time you service the lifting arm(s).

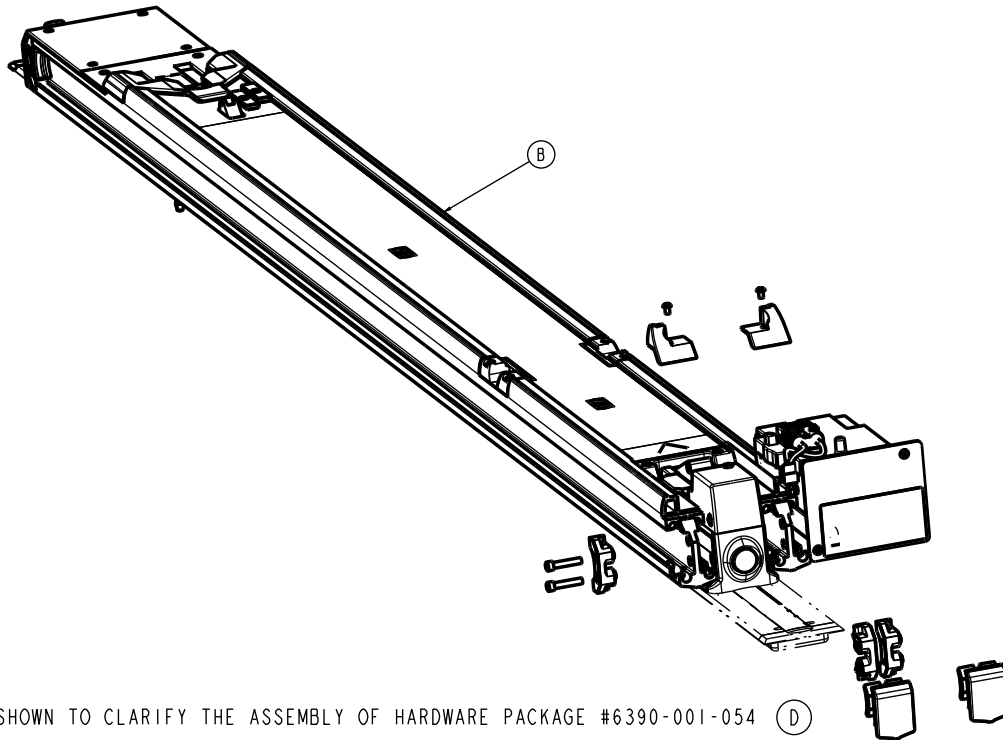


VIEW SHOWN TO CLARIFY THE ASSEMBLY OF MOUNTING POSTS WHICH ARE INCLUDED IN HARDWARE PACKAGE # 6390-001-054 (D)

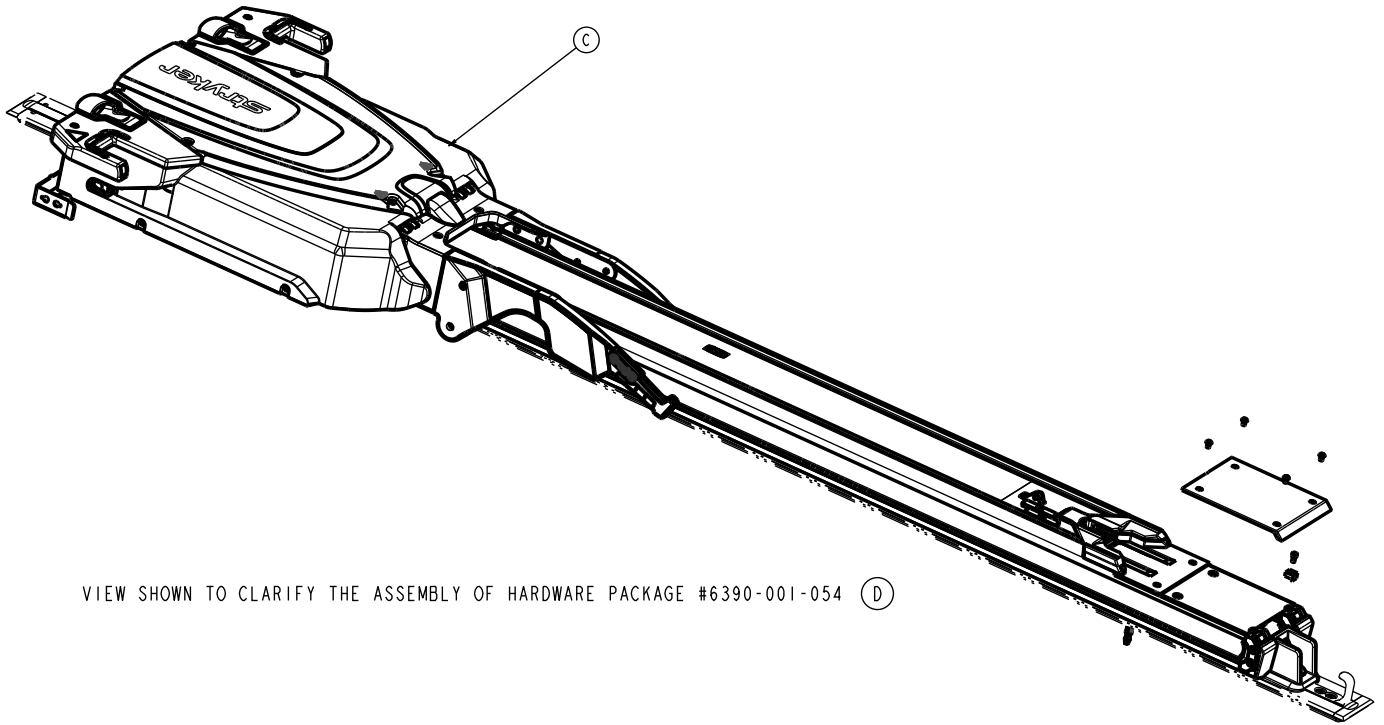


VIEW SHOWN TO CLARIFY THE ASSEMBLY OF THE UNIVERSAL FLOOR PLATE OPTION 6390-028-000.

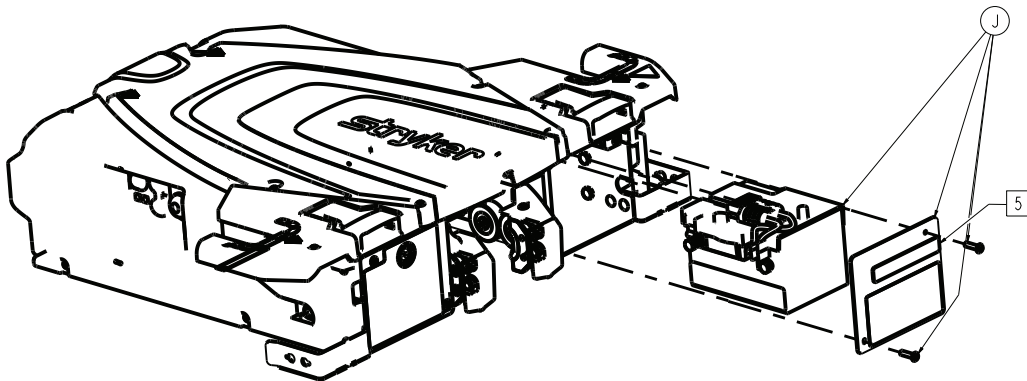
1. Cut pieces to desired length to cover void at either end, as needed.
2. Drill .400/.450 diameter hole through 6390-001-107, floor plate, for assembly. Hole to be drilled at pre-machined counter-sunk locations only.
3. Torque to 60 ± 10 ft-lb.
4. Drill .600/.656 diameter hole through 6390-001-107, floor plate, for assembly. Hole to be drilled at one of the pre-machined pocket locations only.
5. Wireless label options shown for assembly reference only. Refer to 6390-000-000 **Power-LOAD** for part number.



VIEW SHOWN TO CLARIFY THE ASSEMBLY OF HARDWARE PACKAGE #6390-001-054 (D)



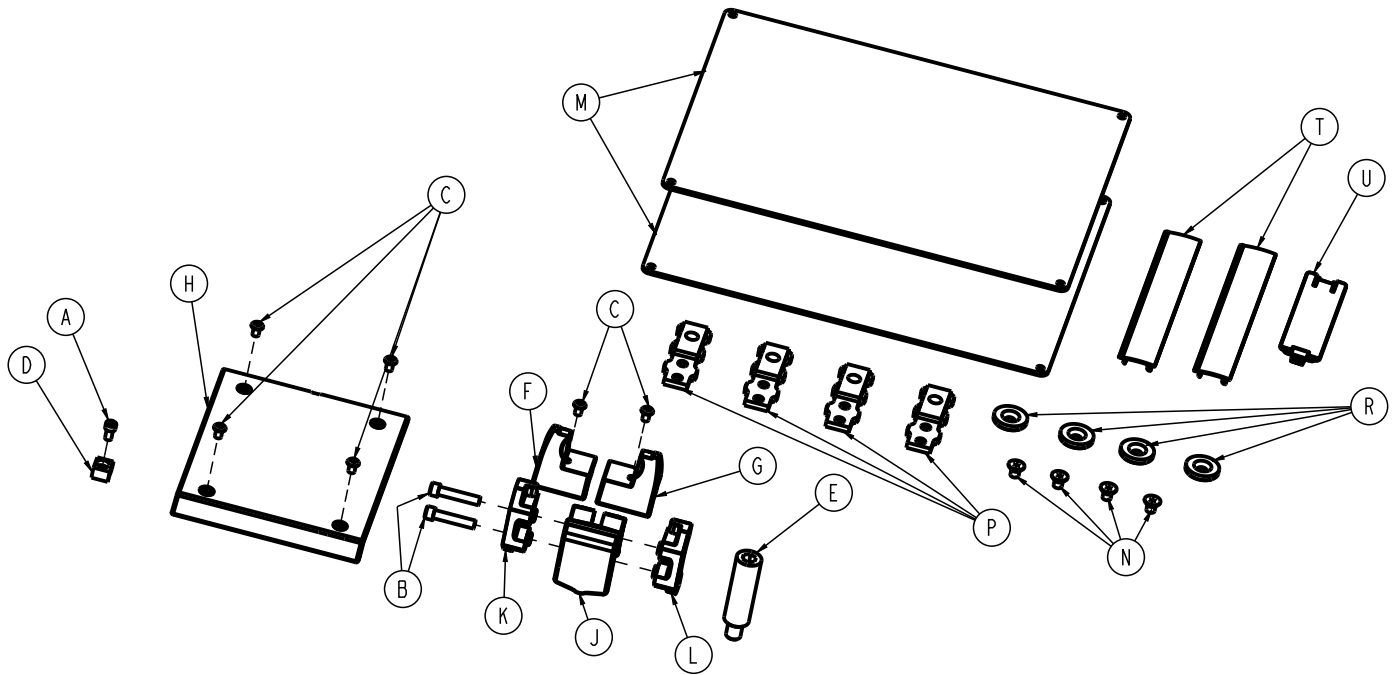
VIEW SHOWN TO CLARIFY THE ASSEMBLY OF HARDWARE PACKAGE #6390-001-054 (D)



Item	Number	Name	Quantity
A	6390-001-011	Anchor assembly (page 67)	1
B	6390-101-012	Transfer assembly (page 76)	1
C	6390-001-013	Trolley assembly (page 82)	1
D	6390-001-054	Assembly kit, Power-LOAD - 6390-001-054 (page 66)	1
G	6390-001-926	6390 tag, serial number	1
H	0025-079-000	Dome head rivet	2
J	639001010026	Battery installation assembly	1

Assembly kit, Power-LOAD - 6390-001-054

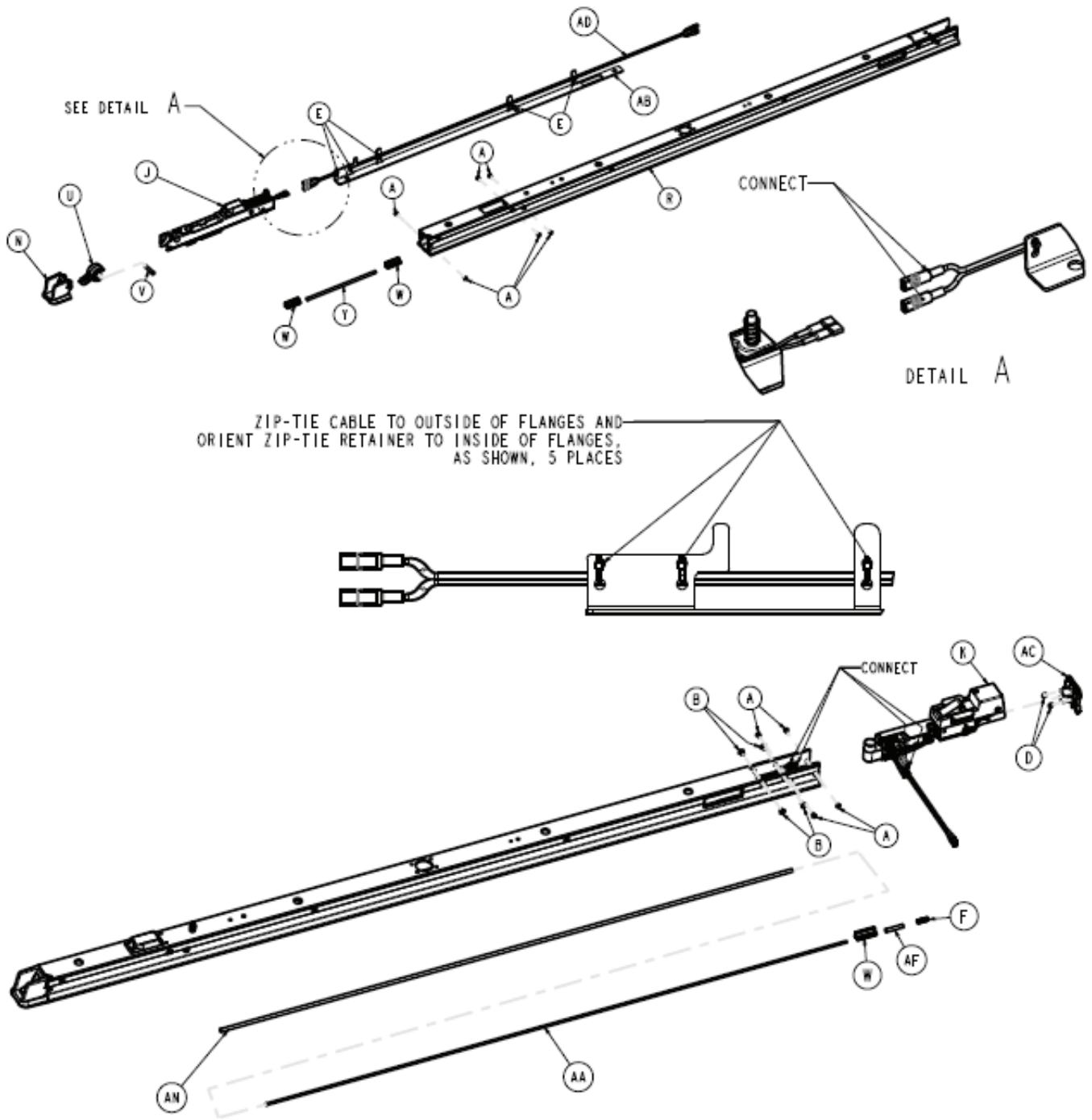
Rev AB (Reference only)

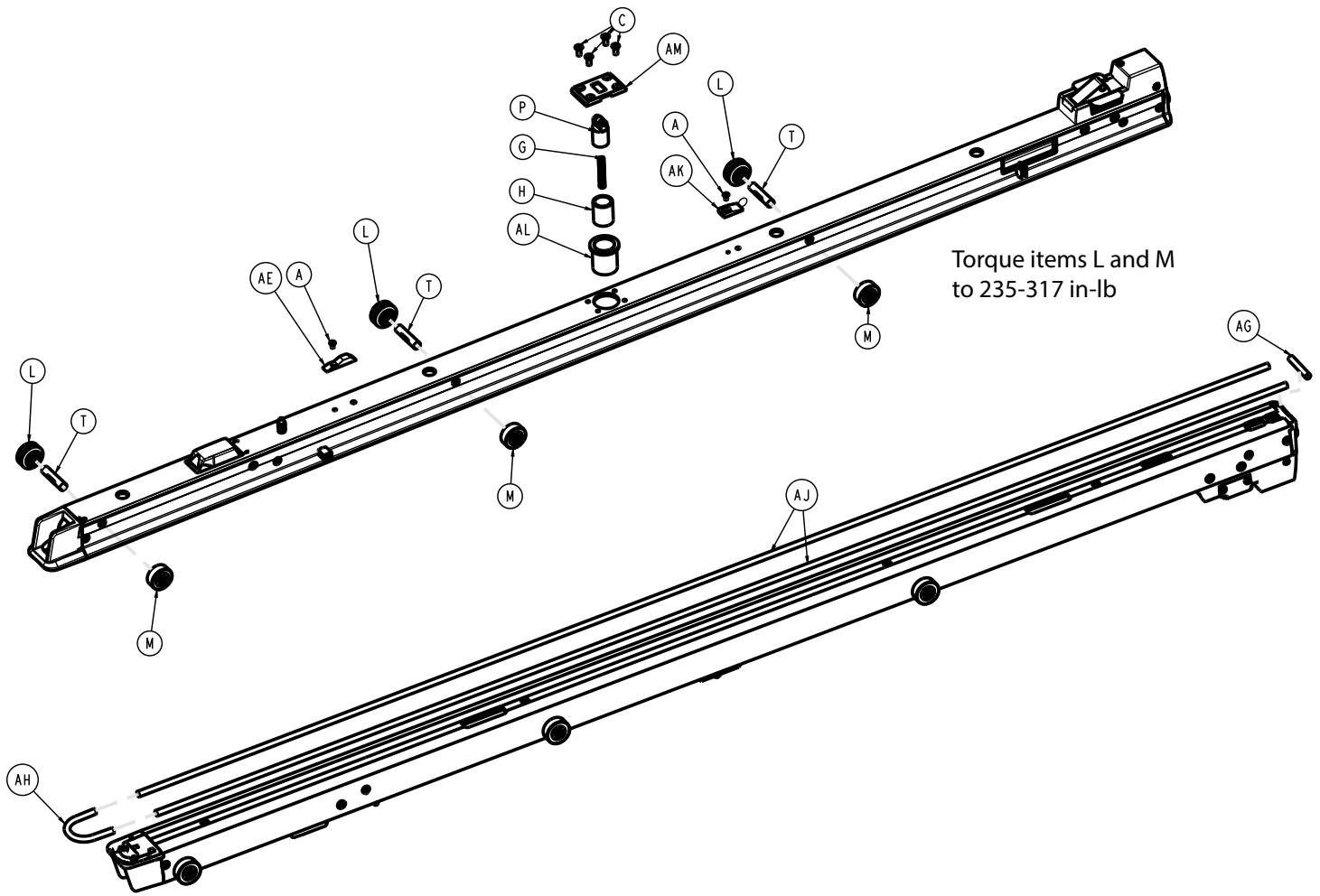


Item	Number	Name	Quantity
A	0004-658-000	Socket head cap screw	1
B	0004-662-000	Socket head cap screw	4
C	0004-665-000	Button head cap screw	6
D	6390-001-106	Trolley magnet activator	1
E	6390-001-150	Anchor mounting post	4
F	639000010210	Transfer trim, head end, left	1
G	639000010211	Transfer trim, head end, right	1
H	6390-001-225	Transfer wear pad, foot end	1
J	639000010243	Dead stop bumper	2
K	639000010244	Dead stop block, thru hole	2
L	639000010246	Dead stop block, threaded	2
M	6390-001-467	Plate, IFU label	2
N	0001-194-000	Flat head cap screw, 1/4-20" x 3/8" hex wrench with patch	4
P	6390-101-108	Floor plate attachment bracket	4
R	6390-001-110	Retainer, attachment bracket, sub anchor	4
T	6390-001-166	Floor plate cover, short	2
U	639000010101	Inductive primary anchor cover	1

Anchor assembly

6390-001-011 Rev AA (Reference only)



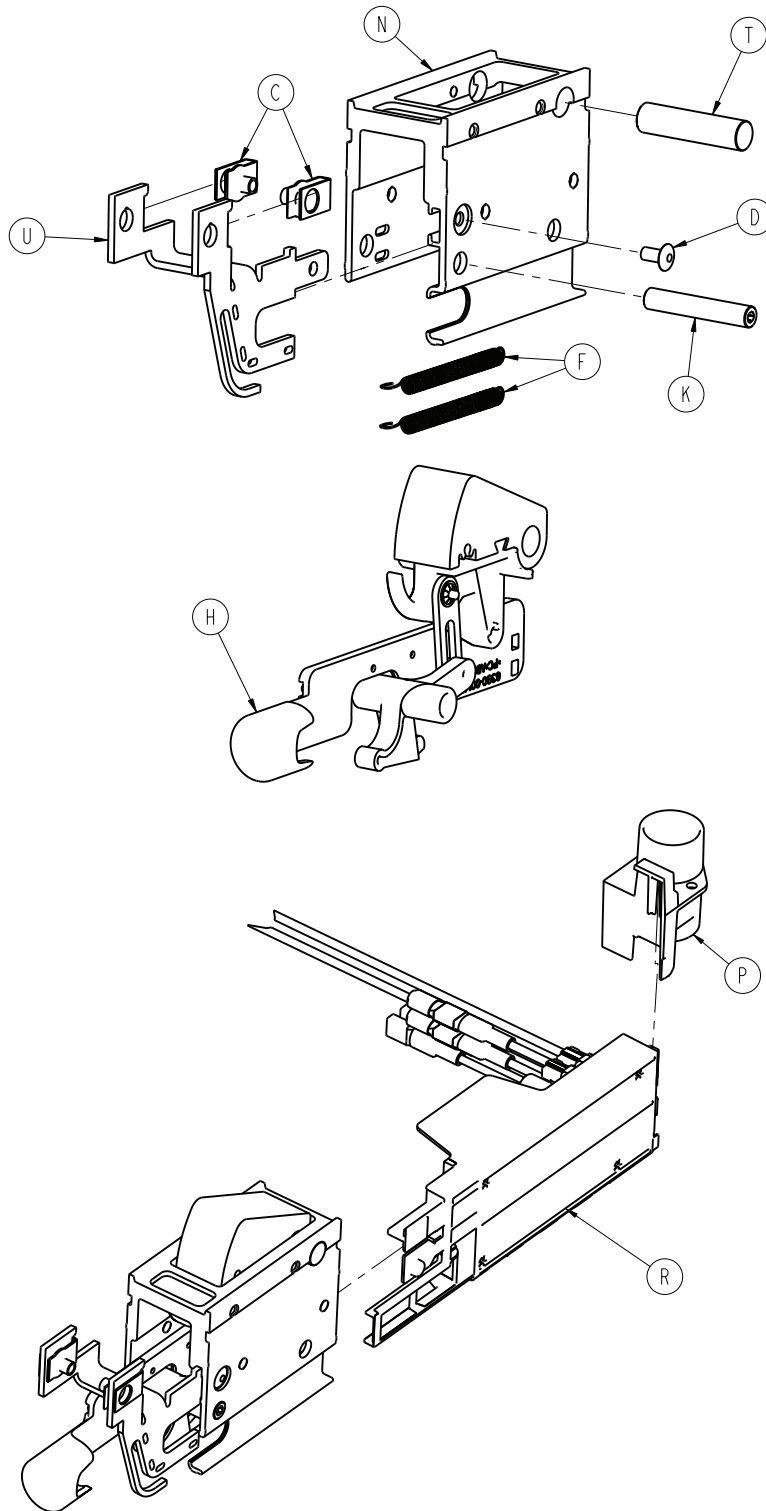


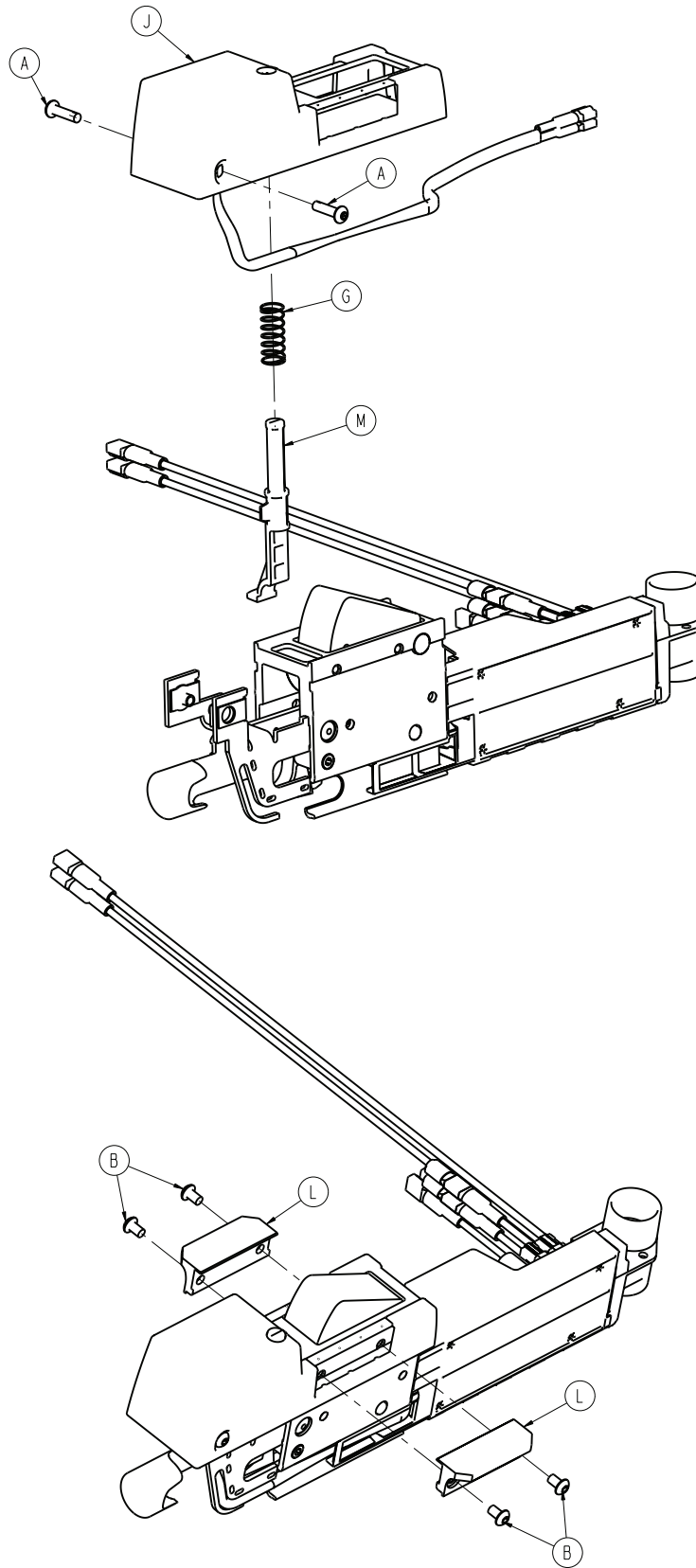
Item	Number	Name	Quantity
A	0001-193-000	Flat head cap screw	12
B	0001-194-000	Flat head cap screw	4
C	0001-195-000	Flat head cap screw	4
D	0015-087-000	Square nut	2
E	0038-111-000	Cable tie	5
F	0038-887-000	Compression wire	1
G	0038-606-000	Compression wire	1
H	0081-439-000	Bronze bearing	1
J	6390-101-023	Anchor plunger assembly, middle (page 1 75)	
K	6390-001-024	Anchor pawl assembly, head end (page 1 70)	
L	6390-001-025	V-guide roller assembly	3
M	6390-001-027	Flat roller assembly	3
N	6390-101-105	Anchor trigger housing, foot end	1
P	639001010074	Transfer lock pin assembly (page 113)	1
R	639000010100	Machined anchor extrusion	1
T	6390-001-103	Anchor roller axle	3
U	6390-001-104	Anchor trigger	1
V	6390-001-112	Anchor pivot pin, threaded	1
W	6390-001-113	Anchor drive block	3
Y	6390-001-114	Anchor drive rod, medium	1

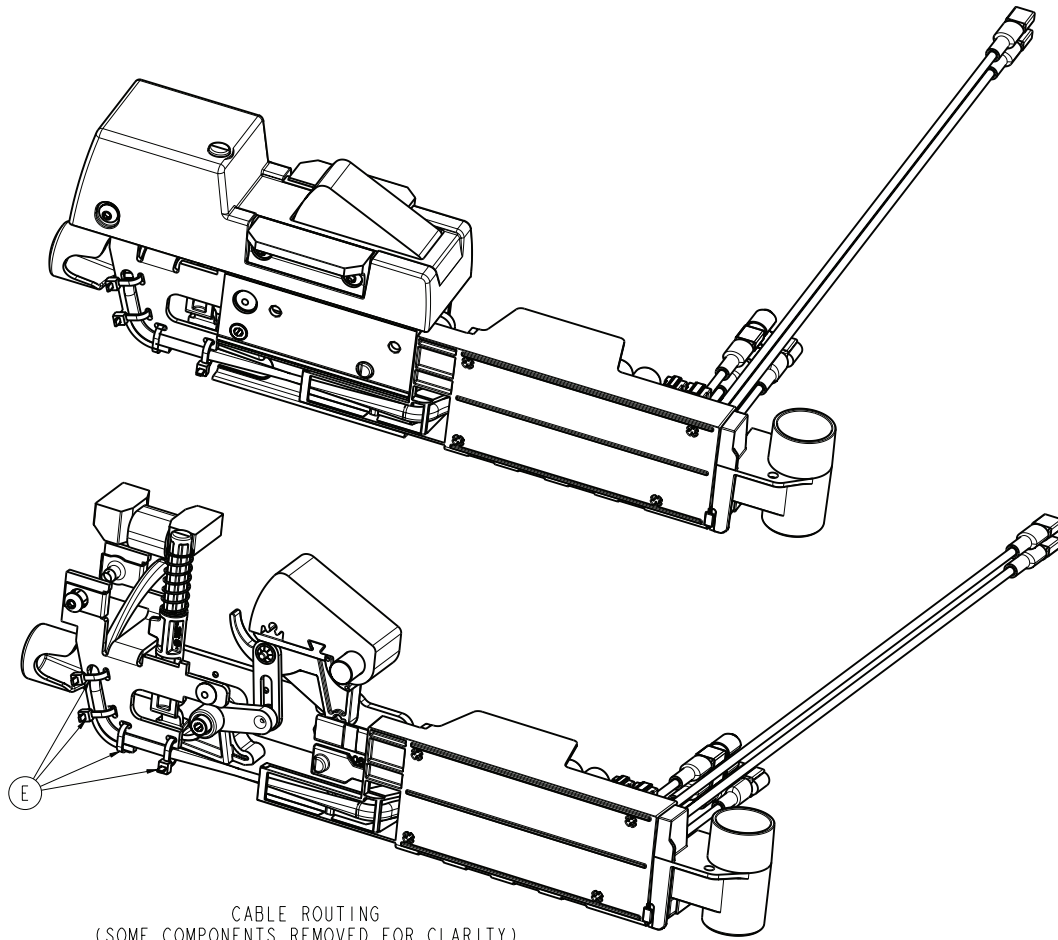
Item	Number	Name	Quantity
AA	6390-001-186	Anchor drive rod, long	1
AB	6390-001-120	Wire routing and washer bracket	1
AC	6390-001-136	Anchor end cap, rear	1
AD	6390-001-139	Cot charging cable	1
AE	6390-001-144	Trolley to transfer lock ramp	1
AF	6390-001-152	Anchor rod drive, rear	1
AG	6390-001-179	Anchor seal, head end	1
AH	6390-001-180	Anchor seal, foot end	1
AJ	6390-001-181	Anchor seal, side	2
AK	6390-001-193	Detent spring ramp	1
AL	6390-101-195	Transfer lock housing	1
AM	6390-101-196	Transfer lock cap	1
AN	6390-001-190	Anchor drive rod, bearing sleeve, long	1

Anchor pawl assembly, head end

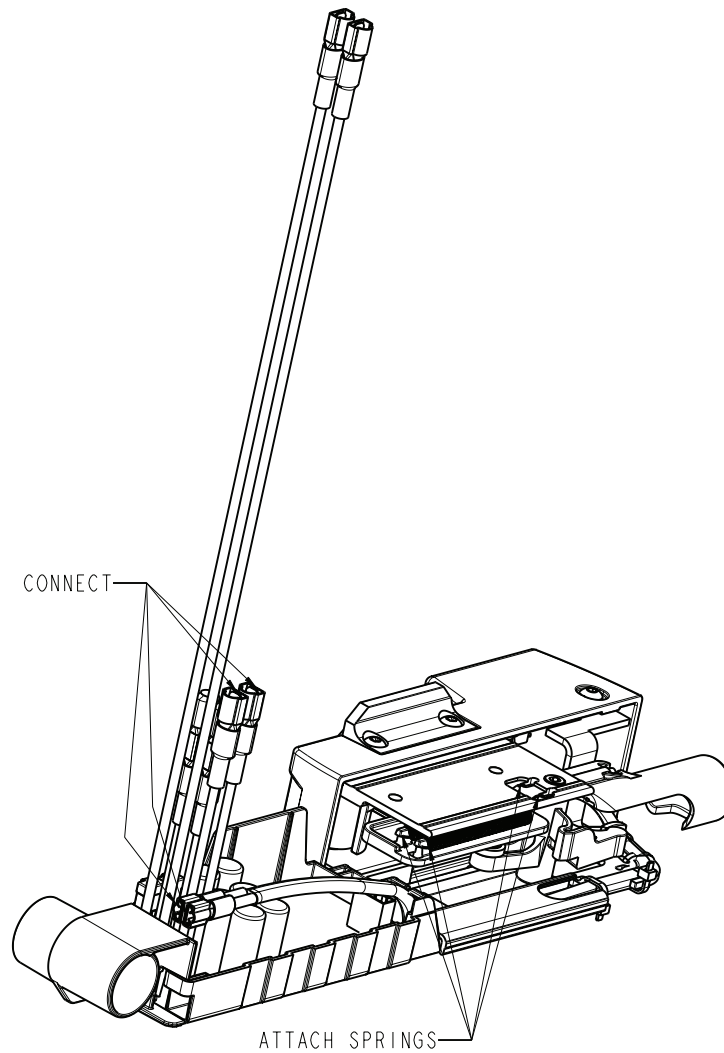
6390-001-024 Rev C (Reference only)







CABLE ROUTING
(SOME COMPONENTS REMOVED FOR CLARITY)



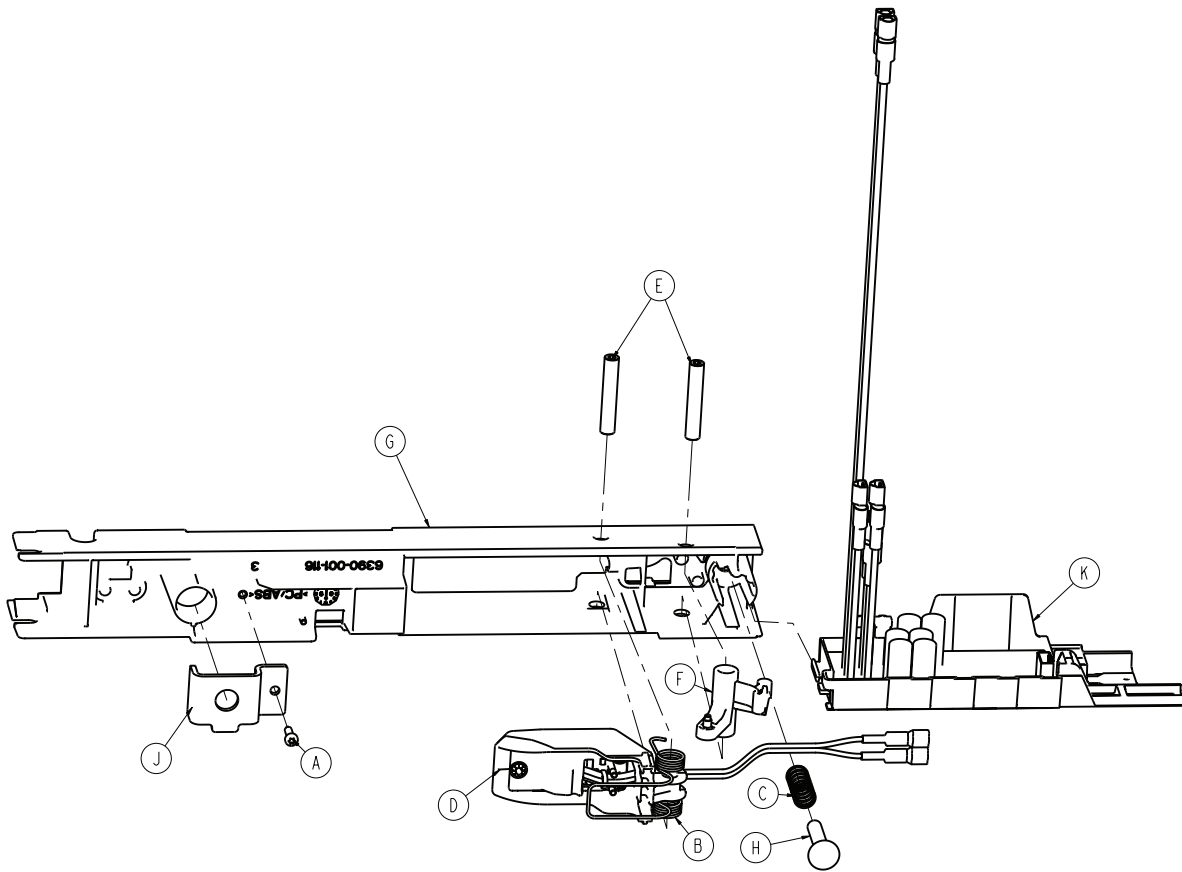
SPRING ATTACHMENT
(SOME COMPONENTS REMOVED FOR CLARITY)

Item	Number	Name	Quantity
A	0004-396-000	Button head cap screw	2
B	0004-665-000	Button head cap screw	4
C	0018-009-000	Extruded "U" nut	2
D	0025-079-000	Dome head rivet	1
E	0038-111-000	Cable tie	4
F	0038-885-000	Pawl return spring	2
G	0038-888-000	Compression, wire	1
H	6390-001-070	Manual release mechanism	1
J	6390-001-071	Anchor housing assembly, head end	1
K	6390-001-112	Anchor pivot pin, threaded	1
L	6390-001-123	Retainer wing	2
M	6390-001-124	Anchor actuator pin, head end	1
N	6390-001-125	Anchor housing, head end	1
P	6390-001-137	Wire protector	1
R	6390-001-147	Inductive primary board	1
T	6390-001-149	Pawl pivot pin	1

Item	Number	Name	Quantity
U	6390-001-164	Wire management strap, head end	1
V	0058-143-000	Adhesive backed mounting tab	1

Anchor plunger assembly, middle

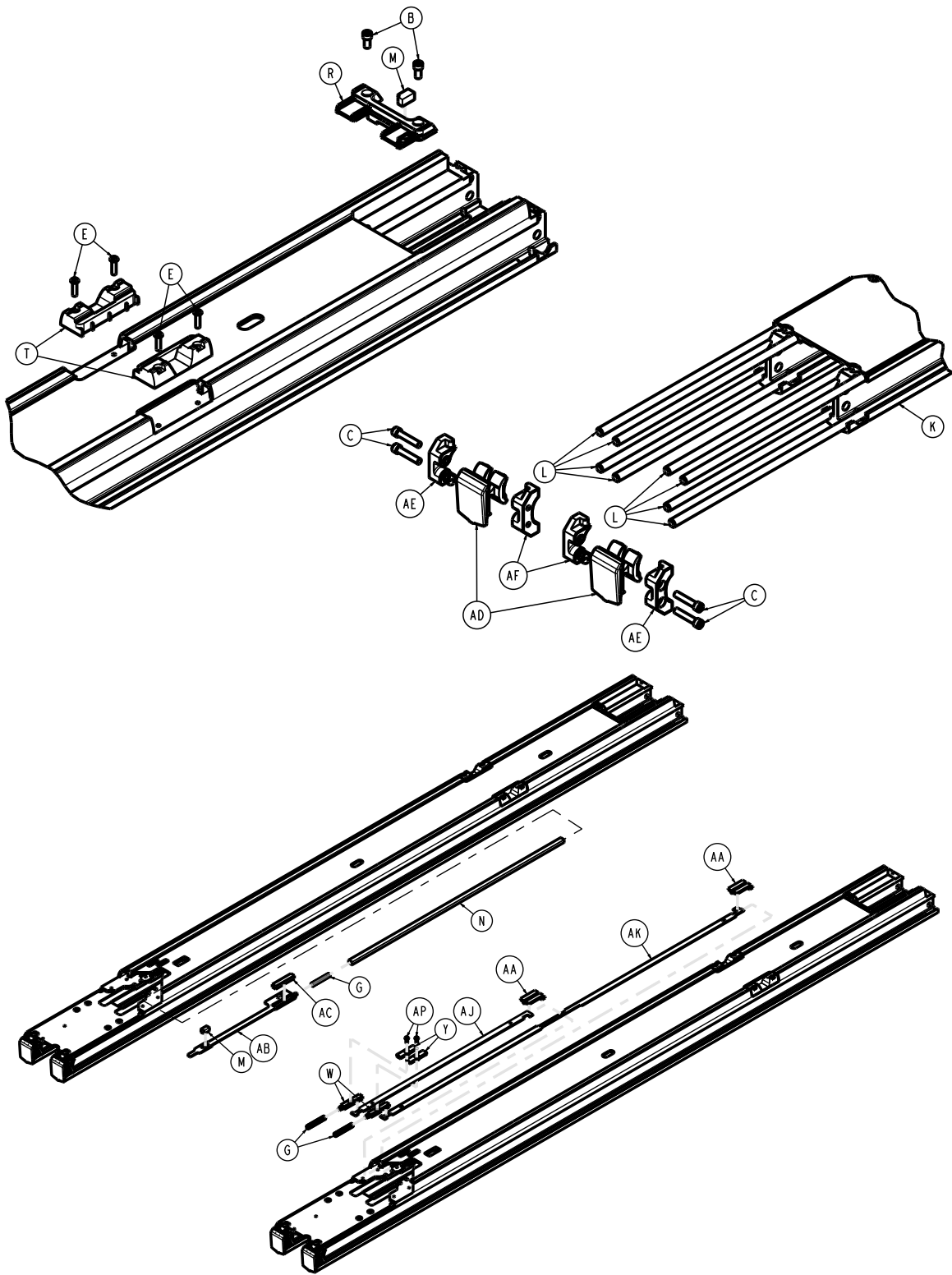
6390-101-023 Rev A (Reference only)

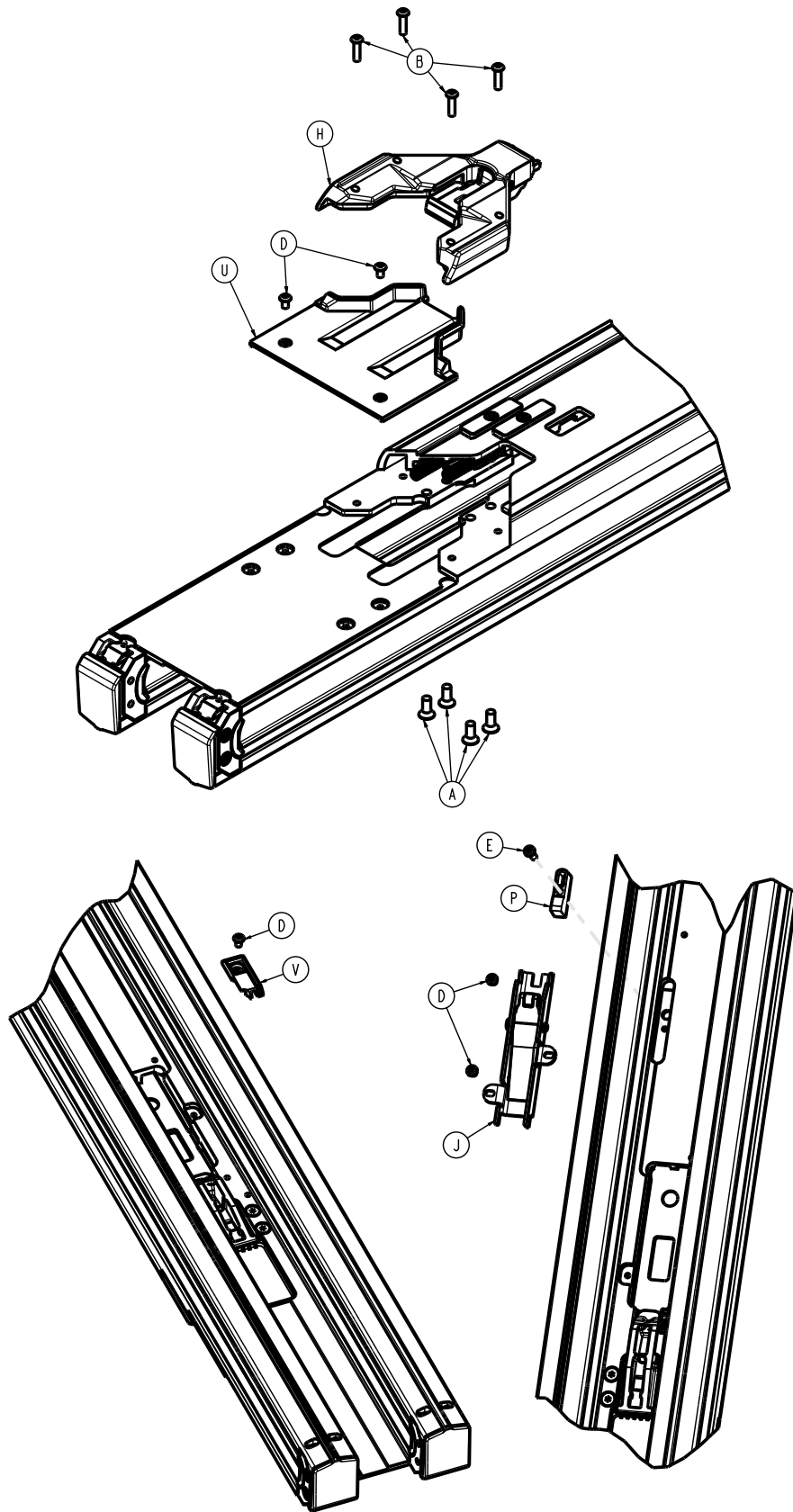


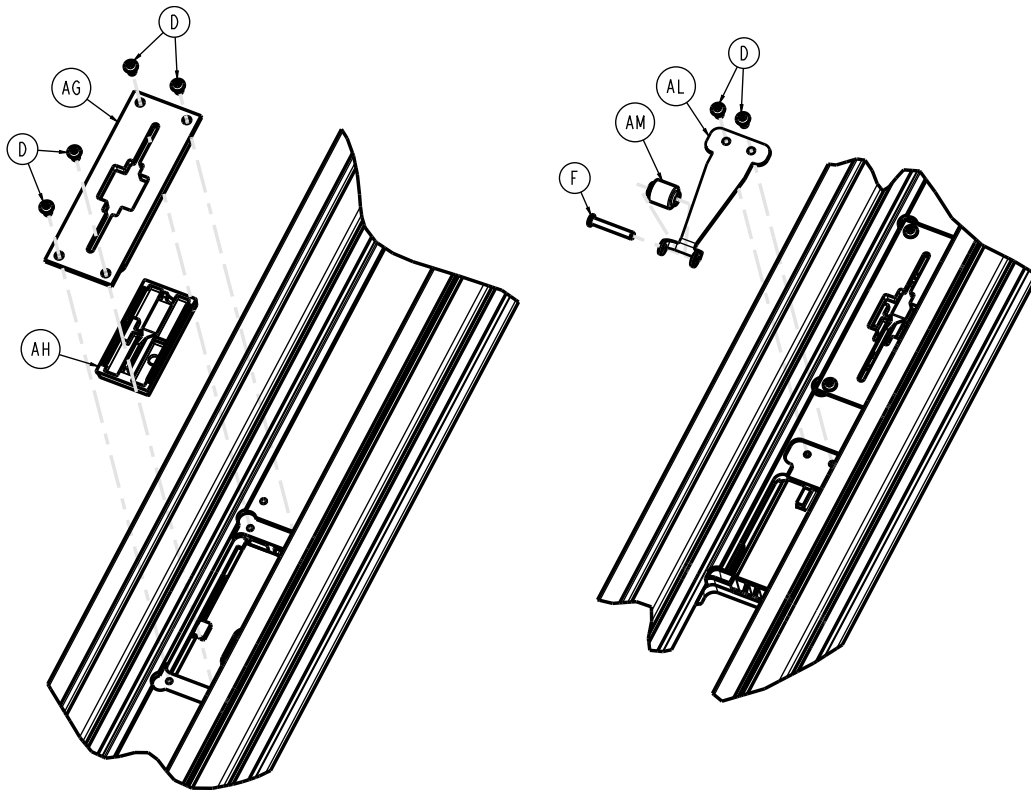
Item	Number	Name	Quantity
A	0023-163-000	Delta screw	1
B	0038-886-000	Torsion spring - anchor coil housing	1
C	0038-888-000	Compression, wire	1
D	6390-001-030	Anchor coil assembly, mid	1
E	6390-001-112	Anchor pivot pin, threaded	2
F	6390-001-115	Pivot actuator	1
G	6390-001-116	Anchor housing, middle	1
H	6390-001-117	Anchor actuator pin, middle	1
J	6390-001-127	Anchor bolster plate, foot end	1
K	6390-001-147	Inductive primary board	1

Transfer assembly

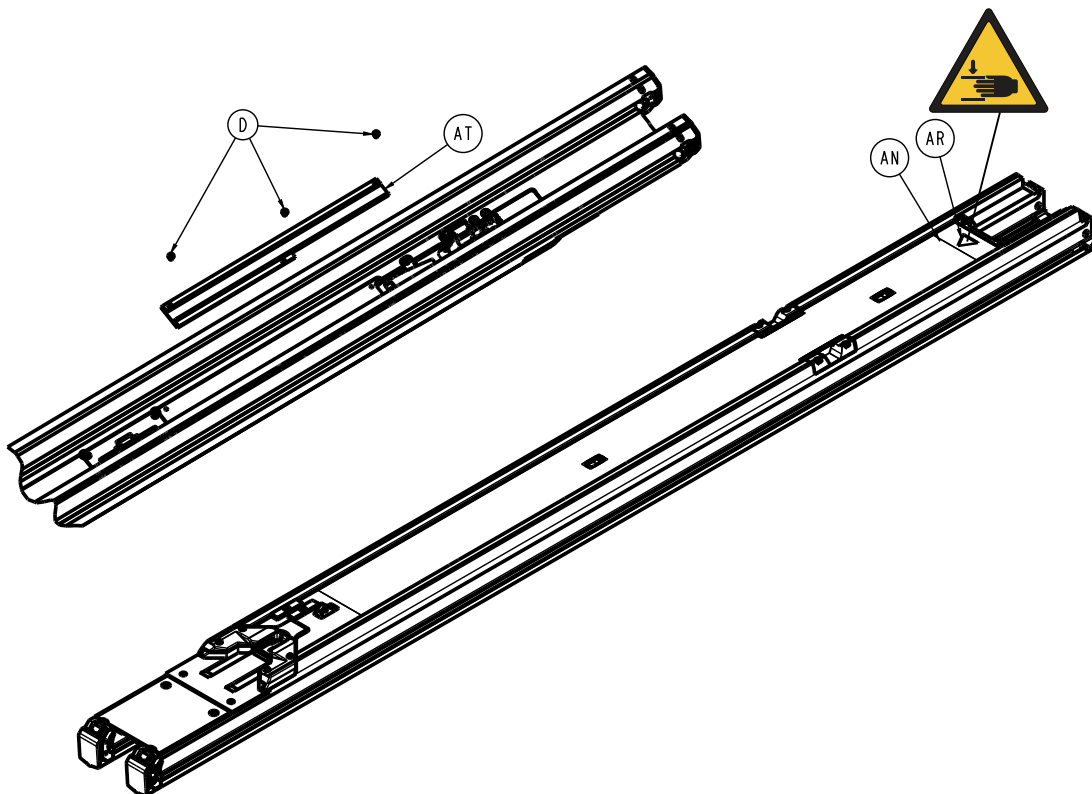
6390-101-012 Rev AC (Reference only)







Note - The transfer lock plate (639000010260) is only compatible with **Power-LOAD** units manufactured after July 31, 2017 or units that have been previously serviced with the 639007000021 kit. Check the product serial number tag to confirm date of manufacture.

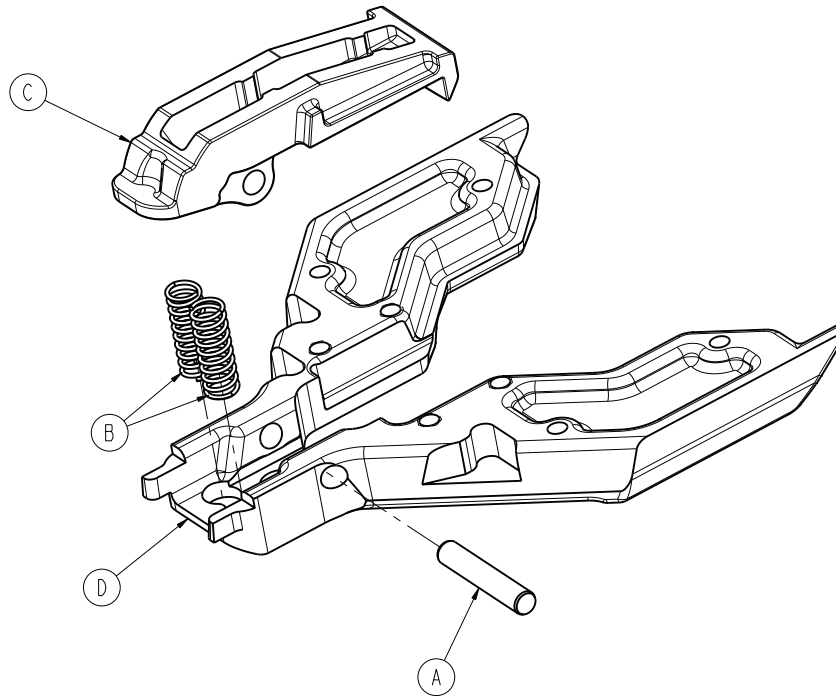


Item	Number	Name	Quantity
A	0001-195-000	Flat head cap screw	4
B	0004-660-000	Socket head cap screw	2

Item	Number	Name	Quantity
C	0004-662-000	Socket head cap screw	4
D	0004-665-000	Button head cap screw	18
E	0004-666-000	Button head cap screw	9
F	0027-778-000	Slic pin	1
G	0038-606-000	Compression wire	3
H	6390-101-018	<i>Foot end fastener assembly (page 80)</i>	1
J	6390-001-021	<i>Transfer trolley lock assembly (page 81)</i>	1
K	639000010200	Transfer extrusion	1
L	639000010201	Roller rail rod	8
M	6390-001-203	Transfer magnet	2
N	6390-001-204	Transfer magnet spacer	1
P	6390-001-205	Magnet mover trigger	1
R	6390-001-207	Transfer back cover	1
T	6390-001-208	Mid position head end cutout cap	2
U	6390-001-213	Inductive charger cover plate	1
V	6390-001-217	Lock latch indicator slide block	1
W	6390-001-230	Transfer lock trigger base	2
Y	6390-001-231	Transfer lock trigger	2
AA	6390-001-233	Transfer lock slide	2
AB	6390-001-240	Magnet mover	1
AC	6390-001-242	Magnet mover glide	1
AD	639000010243	Dead stop bumper	2
AE	639000010244	Dead stop block, thru hole	2
AF	639000010246	Dead stop block, threaded	2
AG	639000010260	Transfer lock plate	2
AH	6390-001-261	Transfer lock override slide	2
AJ	6390-001-266	Transfer lock link, short	1
AK	6390-001-267	Transfer lock link, long	1
AL	6390-001-269	Detent spring	1
AM	6390-001-270	Detent roller	1
AN	639000010299	Label, transfer	1
AP	0004-585-000	Button head cap screw	2
AR	6506-001-905	Label, warning, crushing of hands	1
AT	6390-001-276	Transfer wear pad	1

Foot end fastener assembly

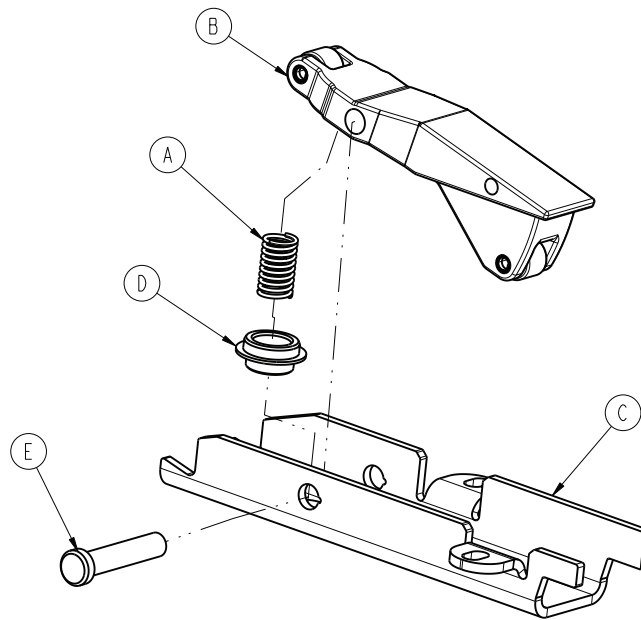
6390-101-018 Rev A (Reference only)



Item	Number	Name	Quantity
A	0026-556-000	Dowel pin	1
B	0038-890-000	Compression spring	2
C	6390-001-279	Foot end fastener hook, cast	1
D	6390-001-220	Foot end fastener guide	1

Transfer trolley lock assembly

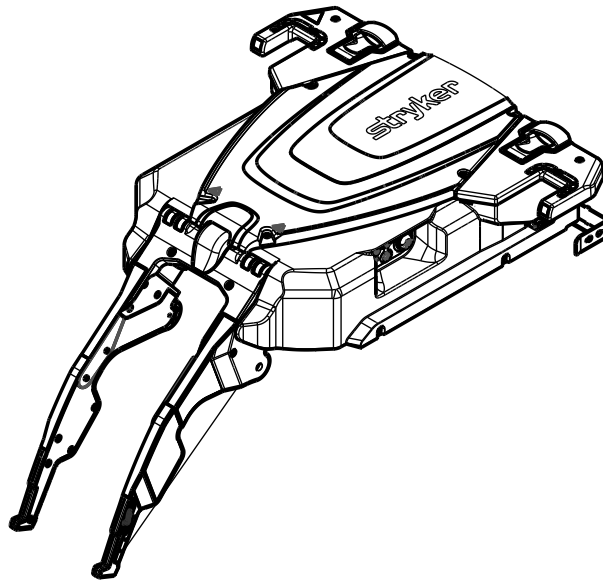
6390-001-021 Rev A (Reference only)



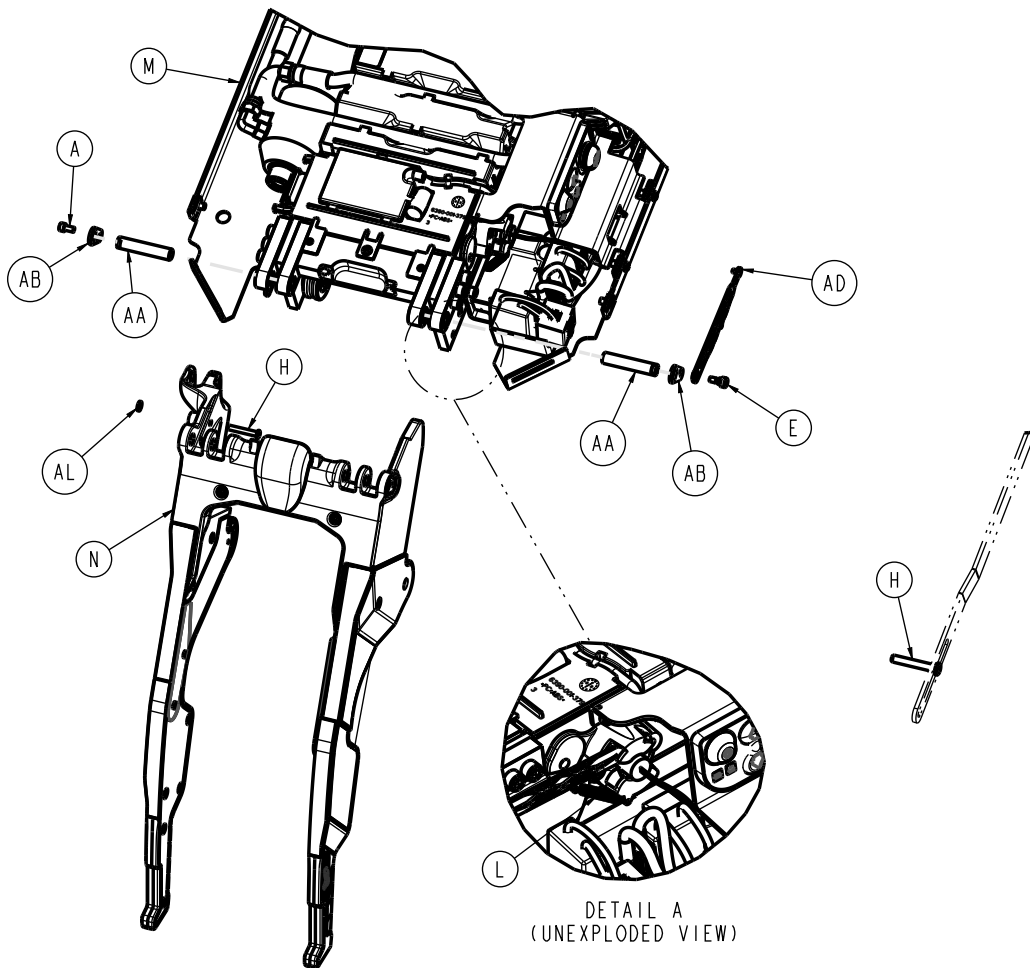
Item	Number	Name	Quantity
A	0038-890-000	Compression, spring	1
B	6390-001-073	Transfer trolley lock assembly	1
C	6390-001-250	Transfer trolley bracket	1
D	6390-001-252	Transfer trolley lock spring cap	1
E	6390-001-259	Trolley lock pivot pin	1

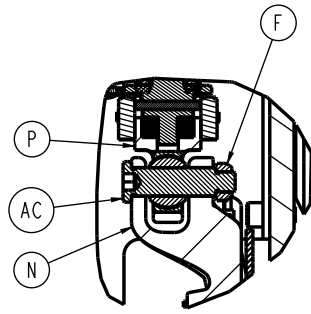
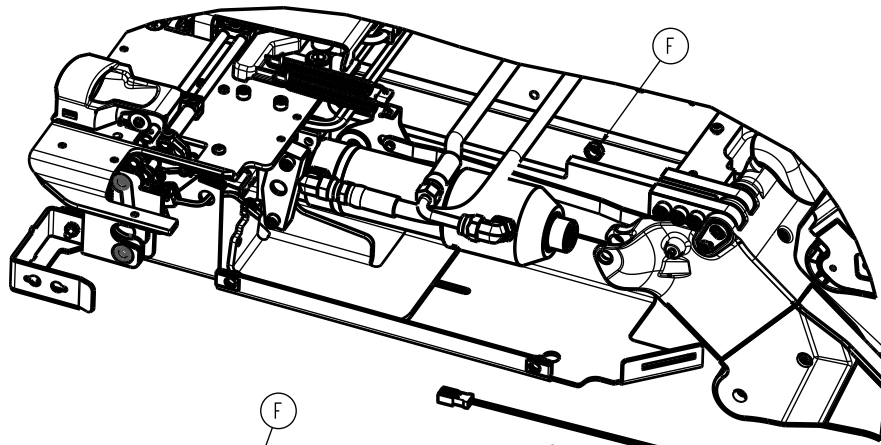
Trolley assembly

6390-001-013 Rev AA (Reference only)

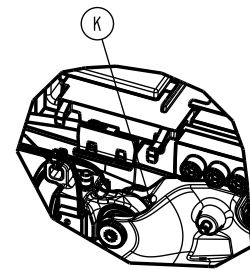
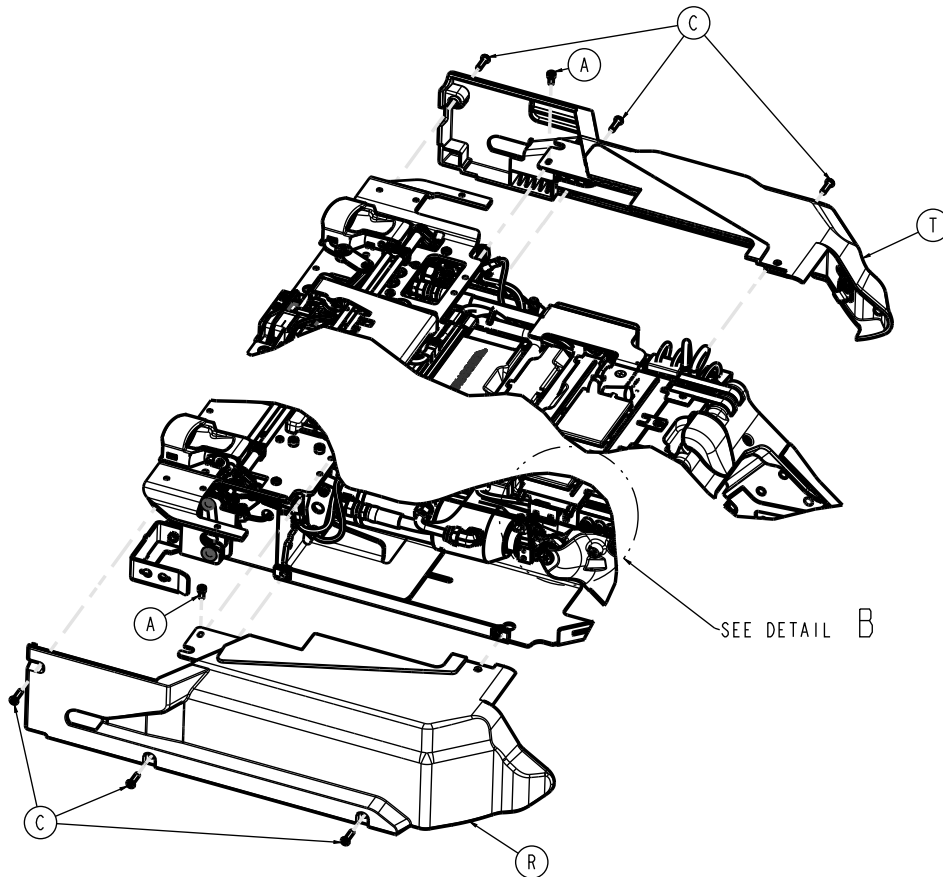
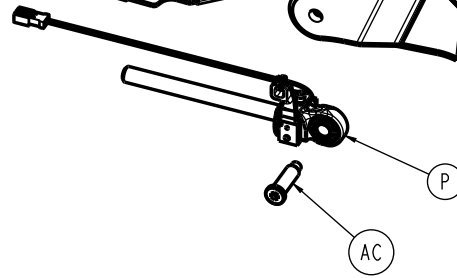


1. Angle sensor to be connected to Item AD with indicating dot oriented to top.
2. Item H orientation.

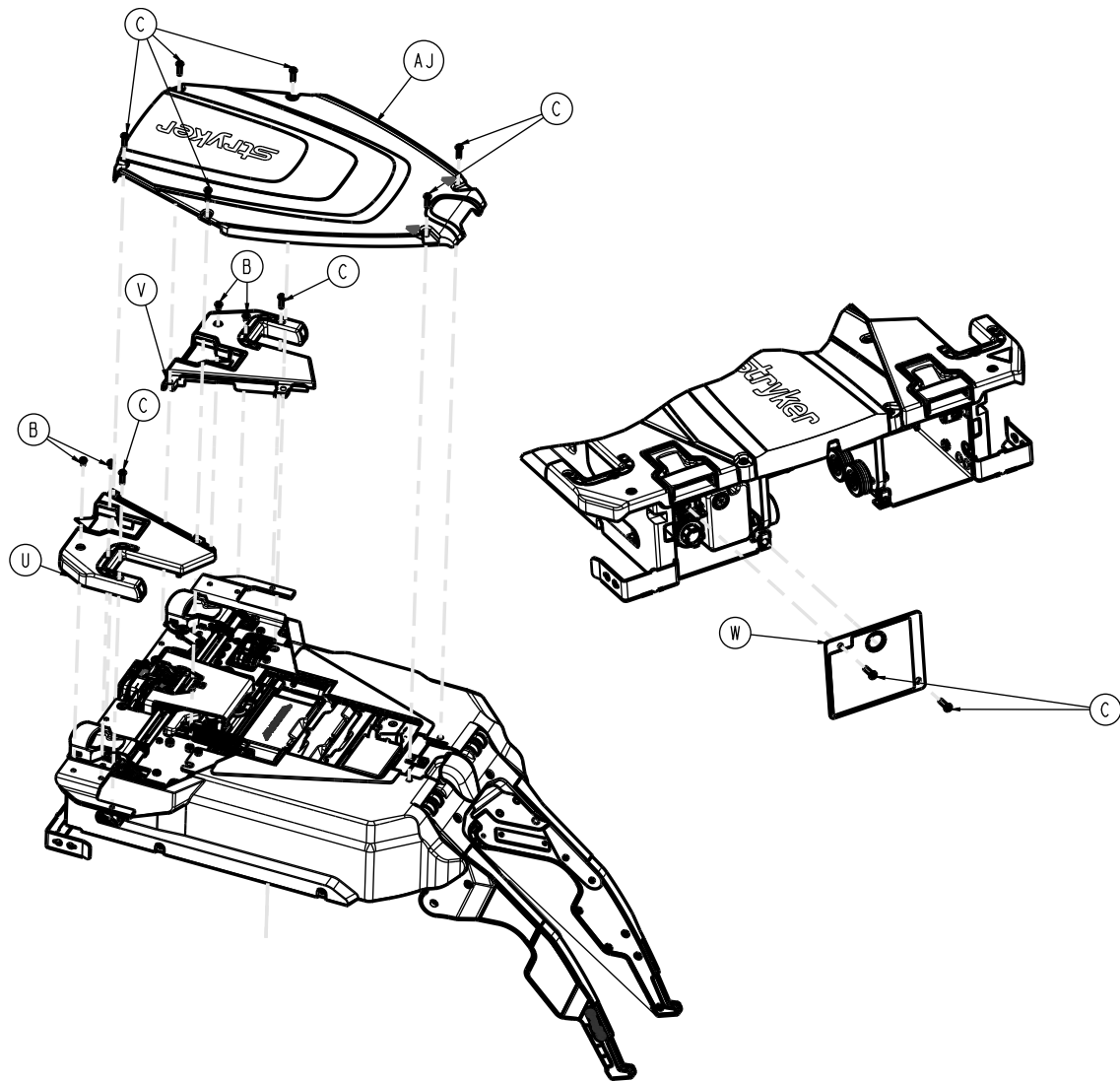




TOP VIEW SECTION
(THRU ITEM "AC")



DETAIL B

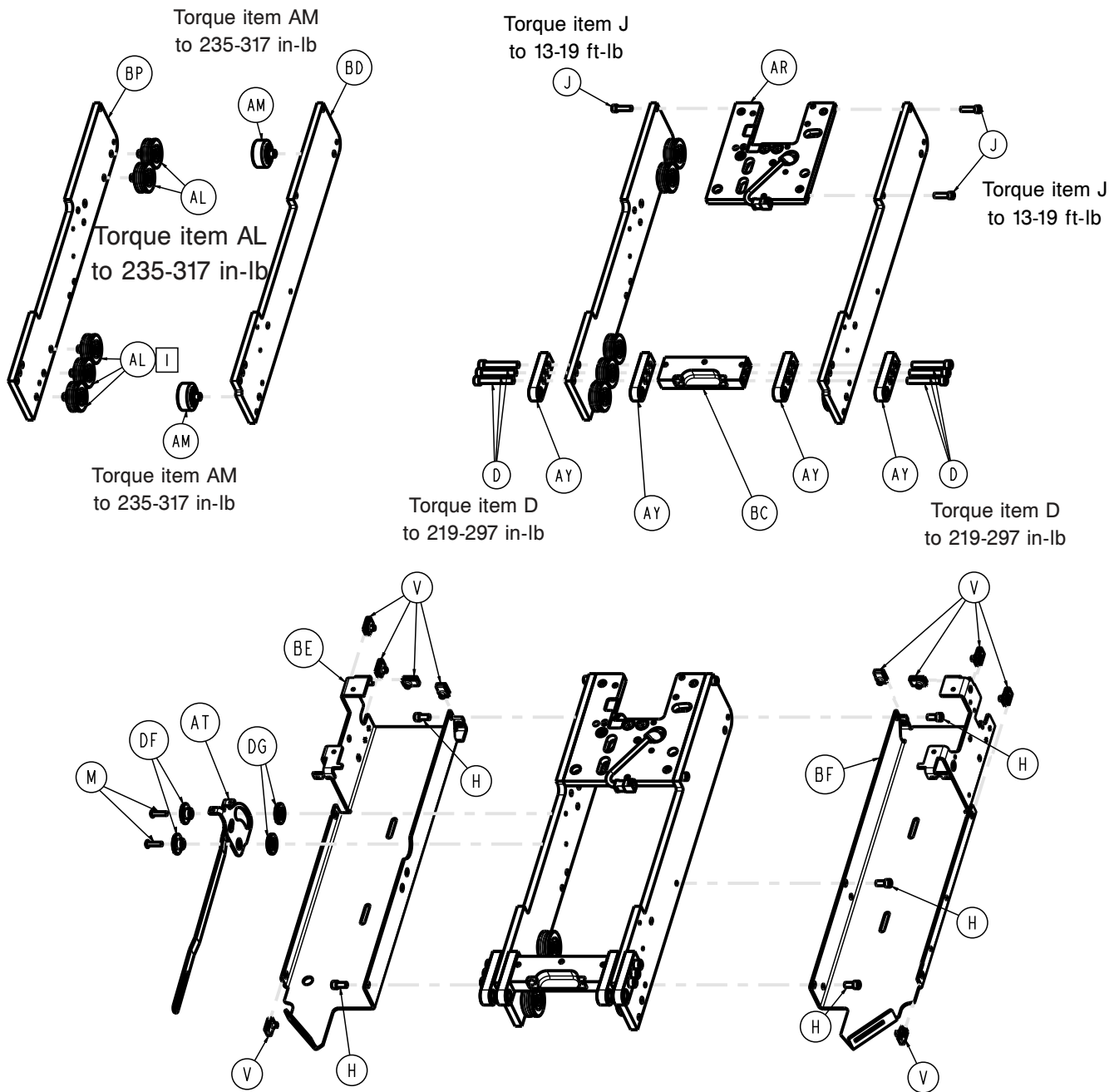


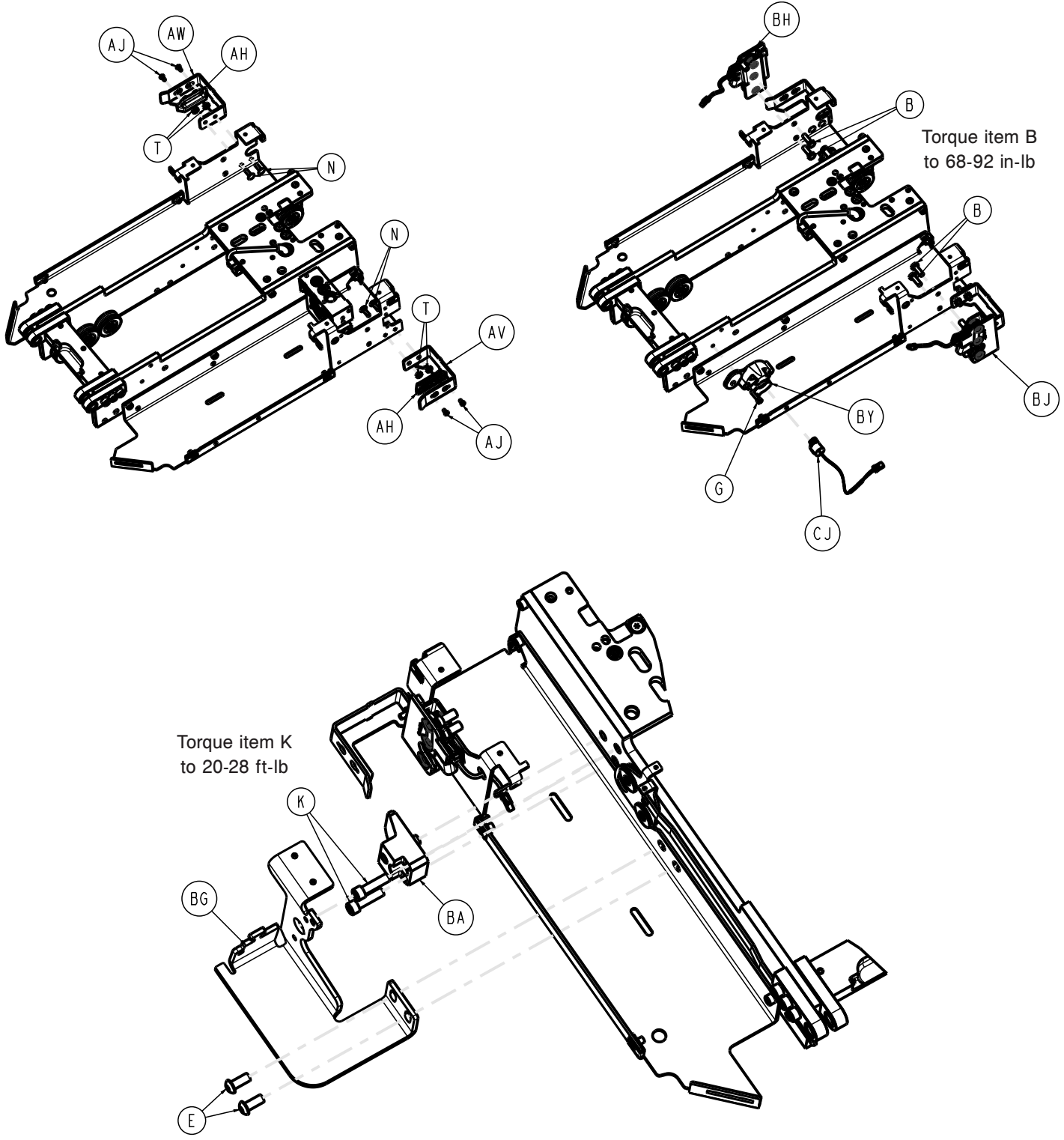
Item	Number	Name	Quantity
A	0004-658-000	Socket head cap screw	3
B	0004-665-000	Button head cap screw	4
C	0004-666-000	Button head cap screw	16
E	0008-082-000	Socket head set screw	1
F	0016-132-000	Nylock hex nut	1
H	0027-778-000	Slic pin	1
K	0038-111-000	Cable tie	1
L	0038-896-000	Extension spring	1
M	6390-001-015	Trolley main frame (page 86)	1
N	6390-001-016	Trolley arm assembly (page 106)	1
P	6390-001-040	Hydraulic cylinder rod end assembly	1
R	6390-001-041	Side cover, right	1
T	6390-001-042	Side cover, left	1
U	6390-101-047	Wing cover, right	1
V	6390-101-048	Wing cover, left	1
W	6390-101-062	Trolley rear cover plate, left	1
AA	6390-001-309	Arm hinge pin	2
AB	6390-001-311	Hinge cover plate	2

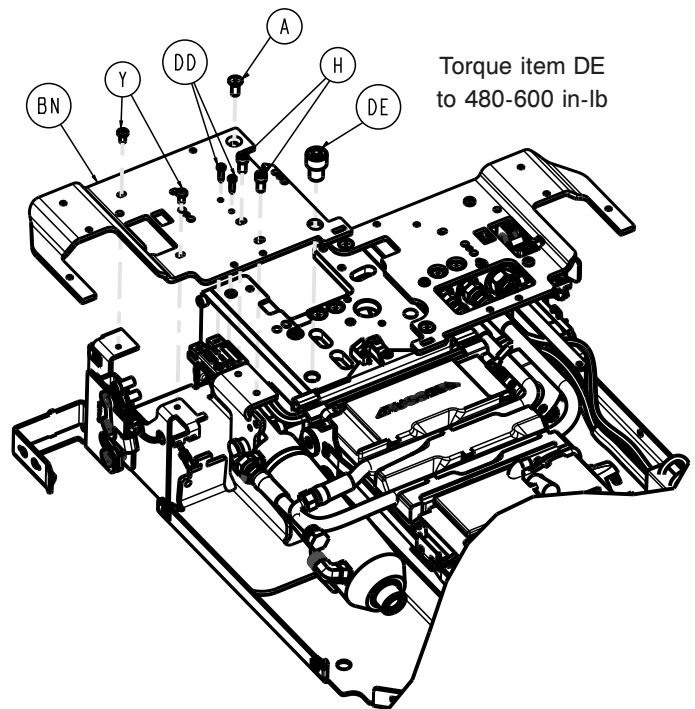
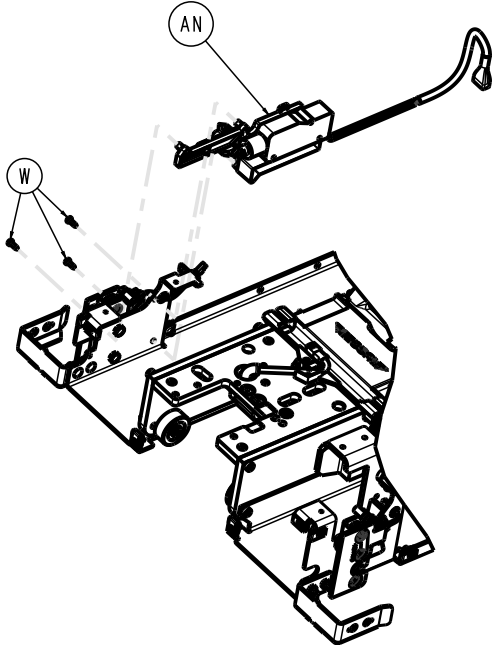
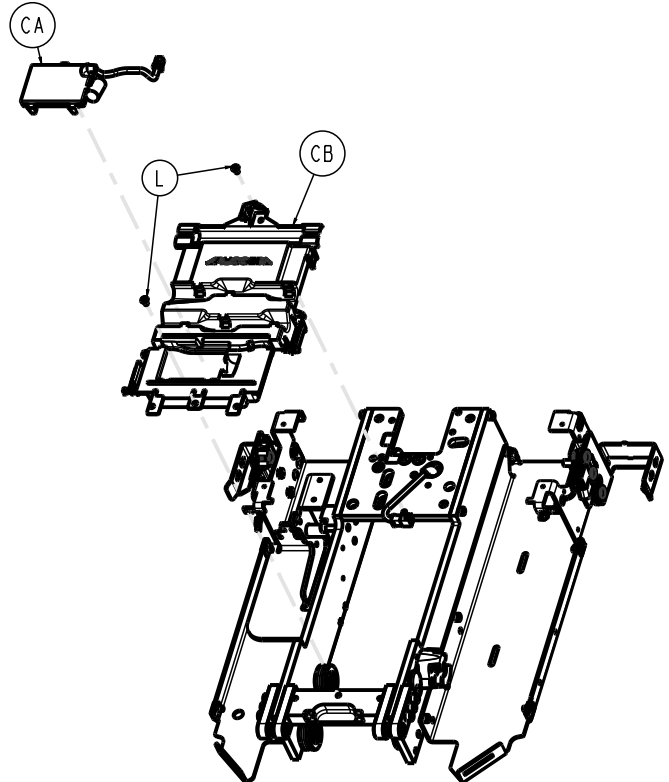
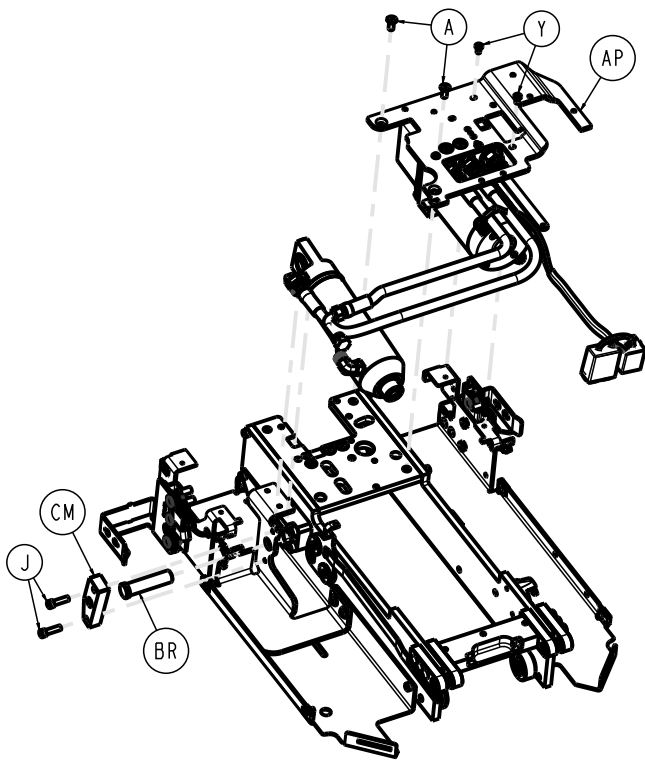
Item	Number	Name	Quantity
AC	6390-001-313	Cylinder clevis pin	1
AD	6390-001-377	Angle sensor link	1
AJ	639001010420	Trolley top cover	1
AL	0011-454-000	Plain washer	1

Trolley main frame

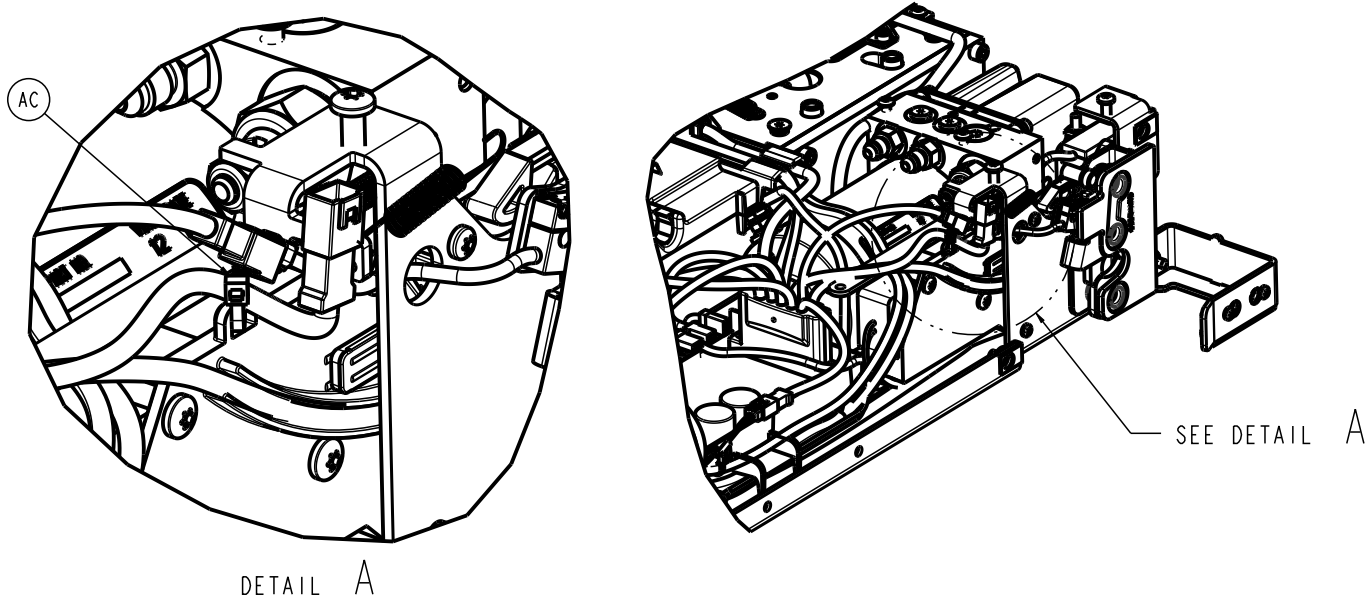
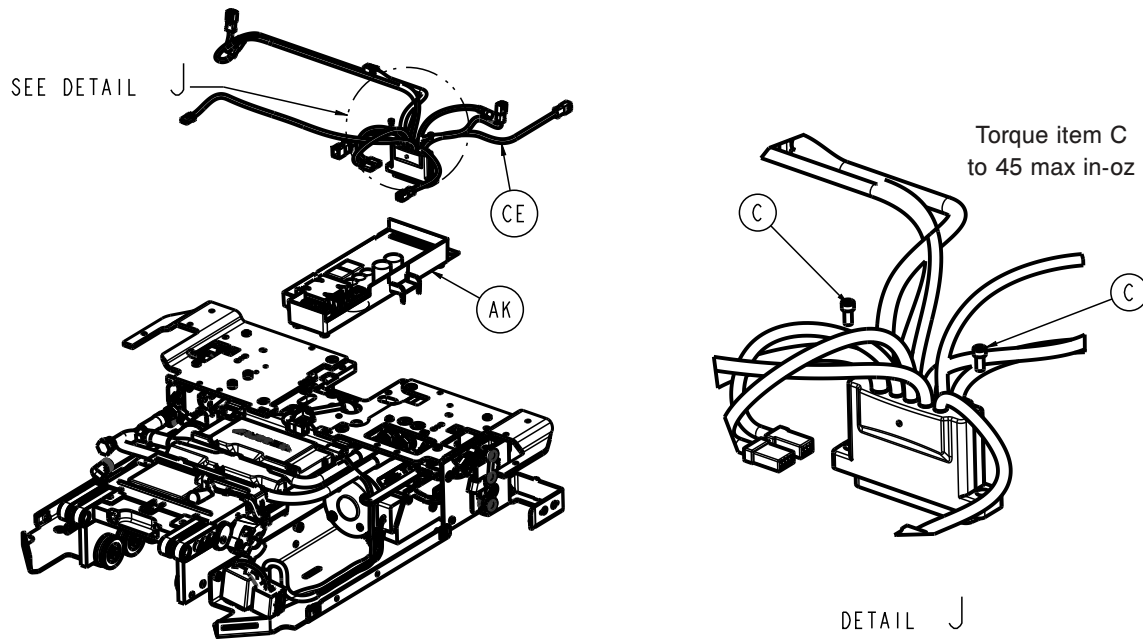
6390-001-015 Rev AB (Reference only)

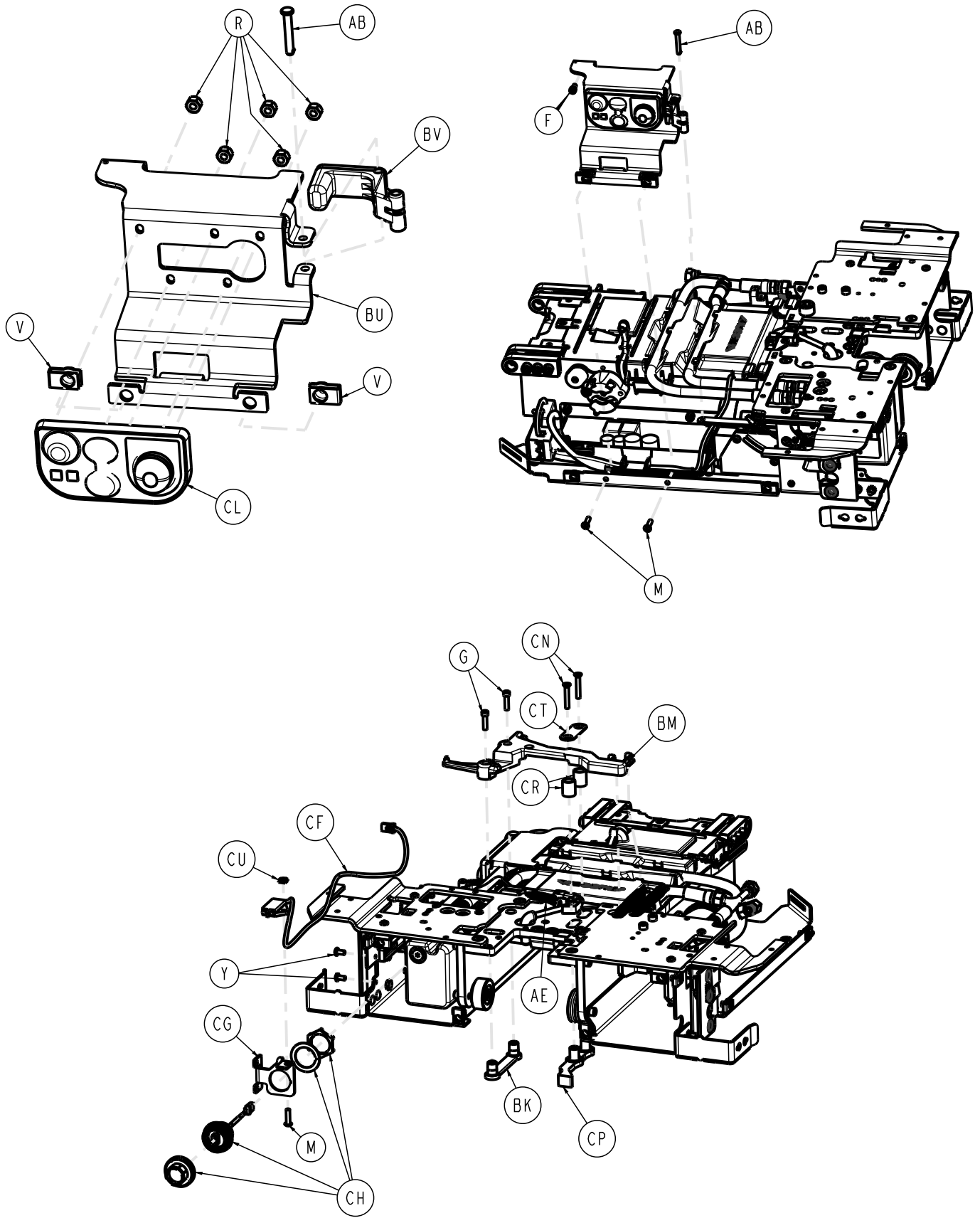


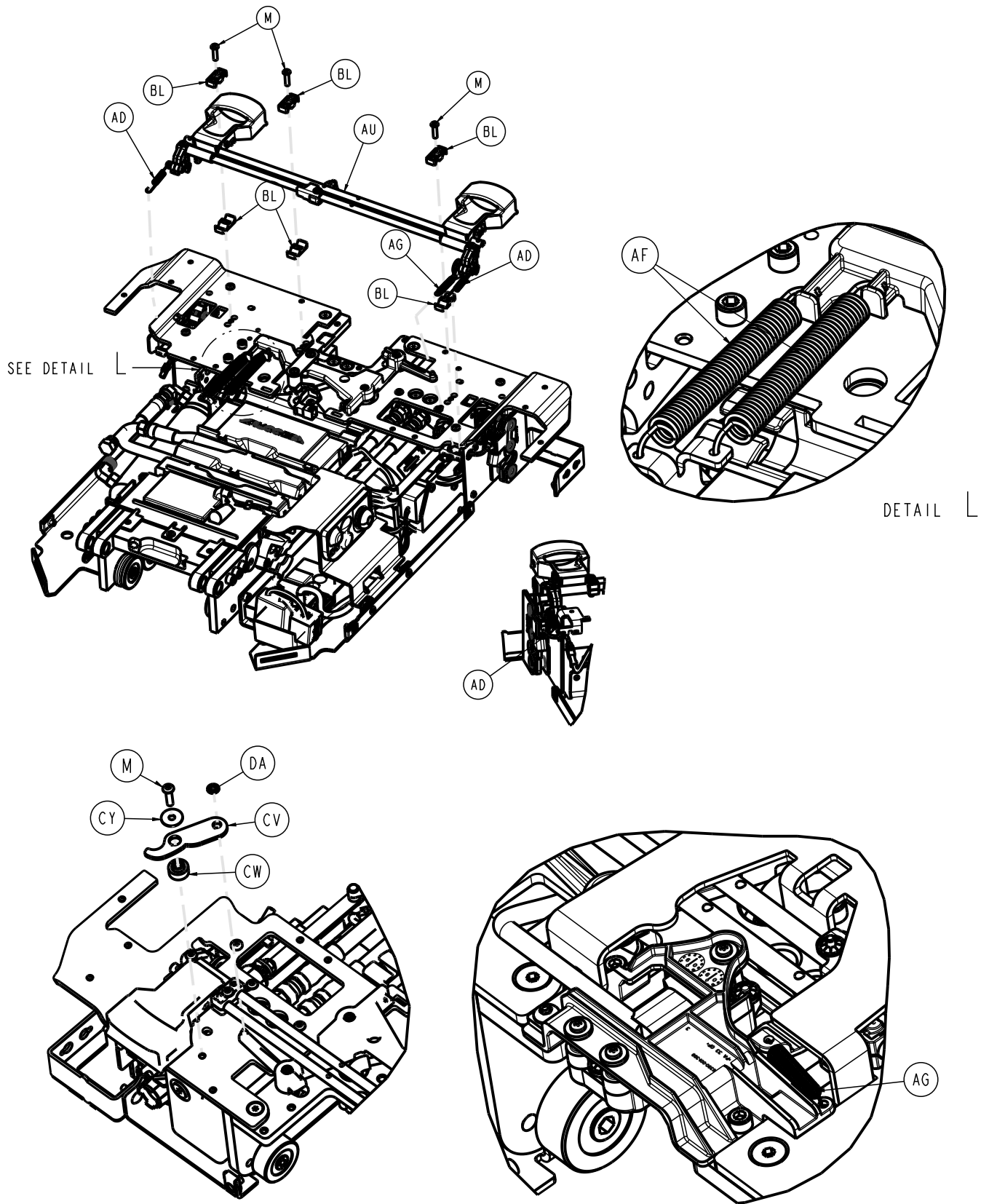


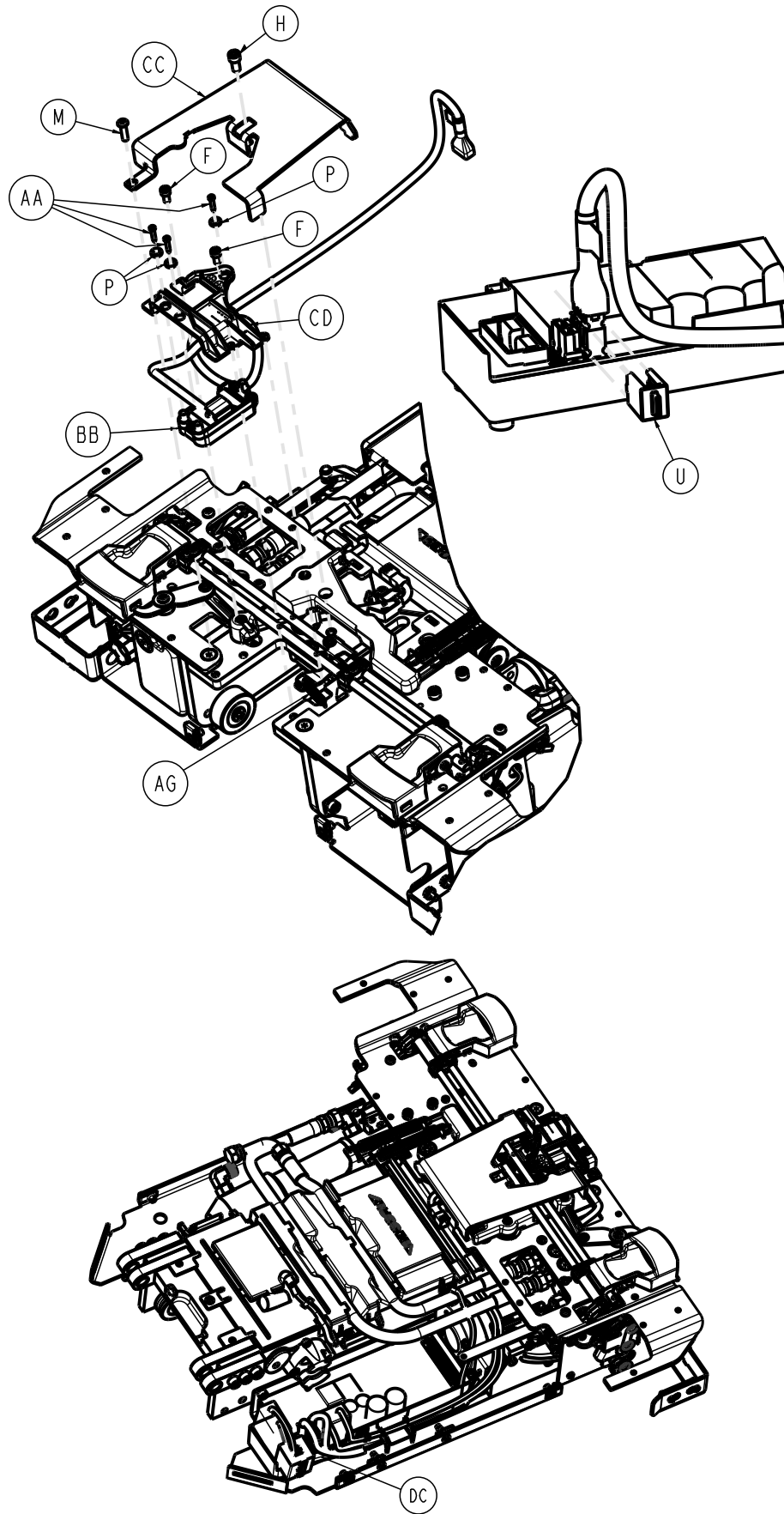


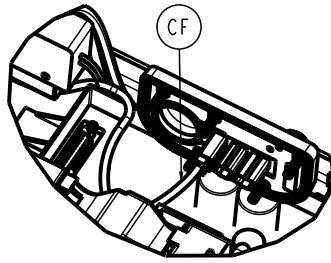
Torque item DE to 480-600 in-lb



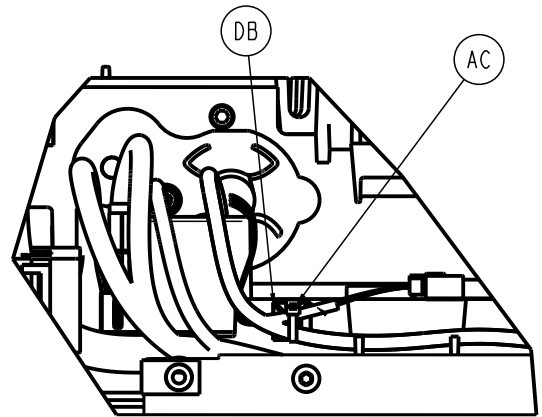
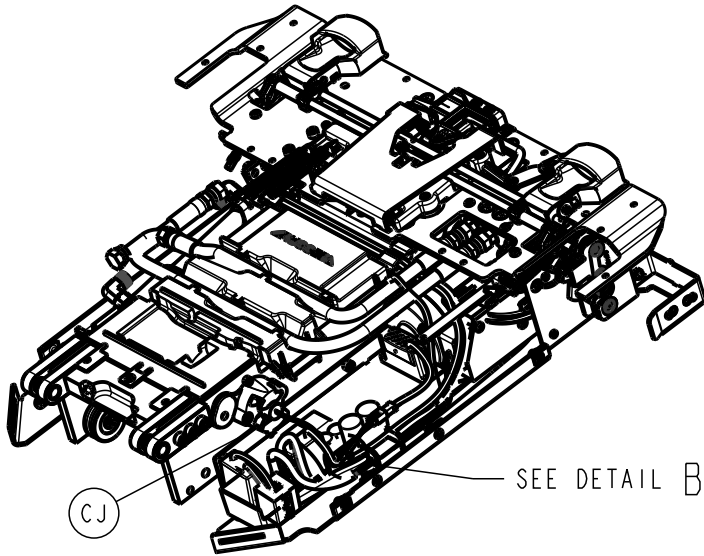
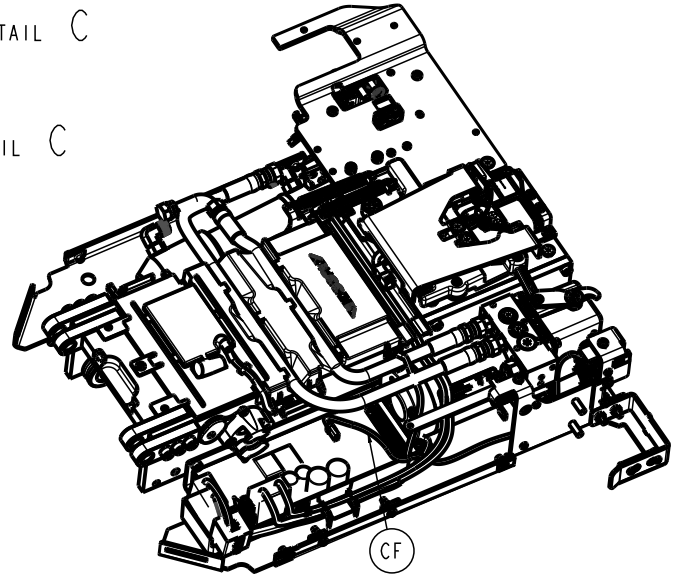
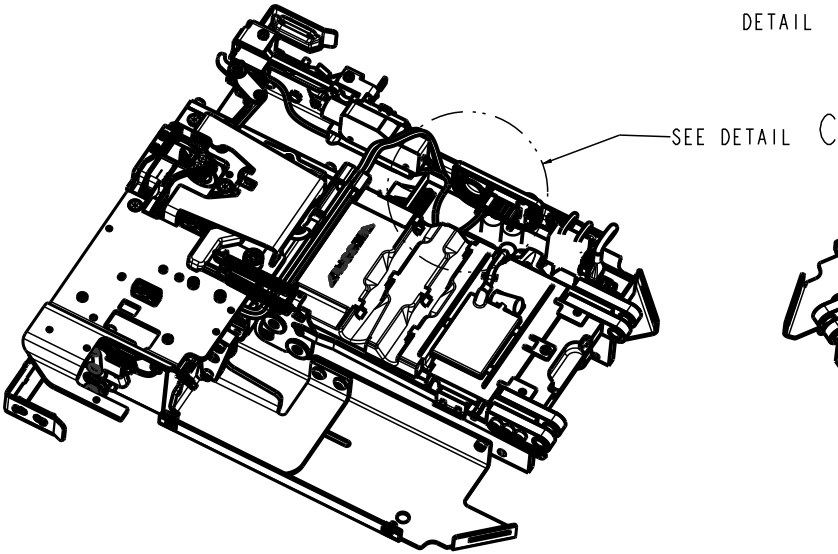




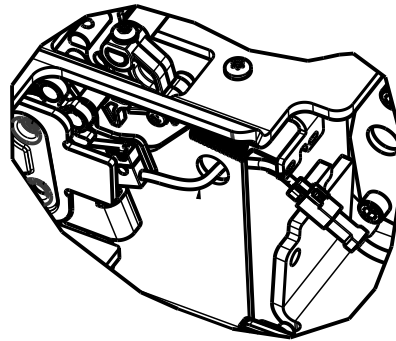
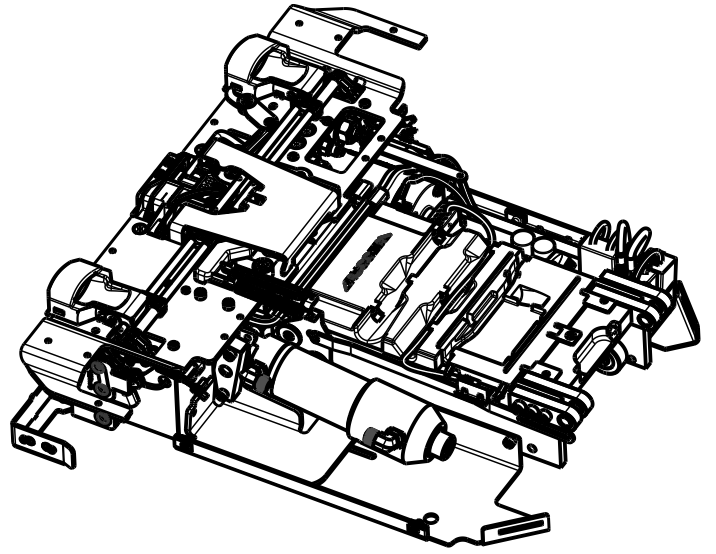
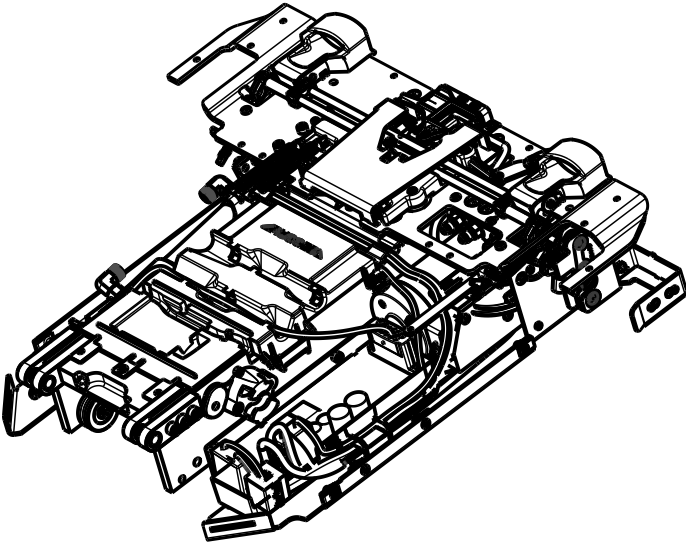




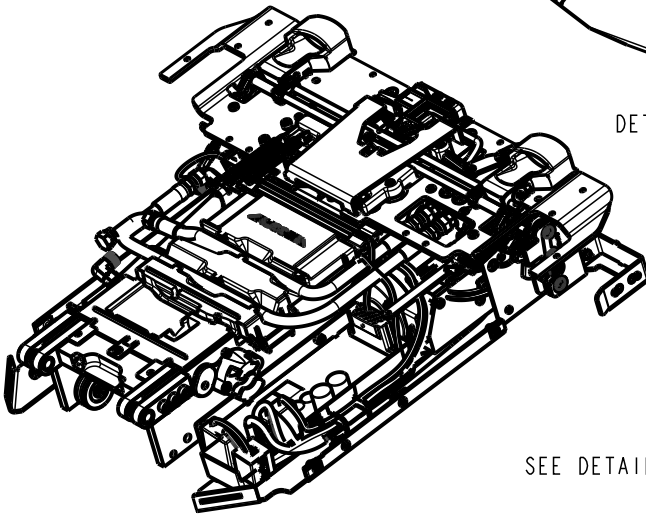
DETAIL C



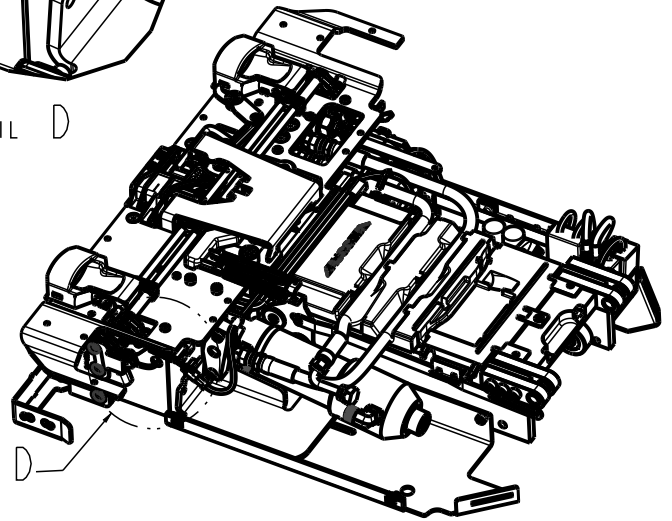
DETAIL B

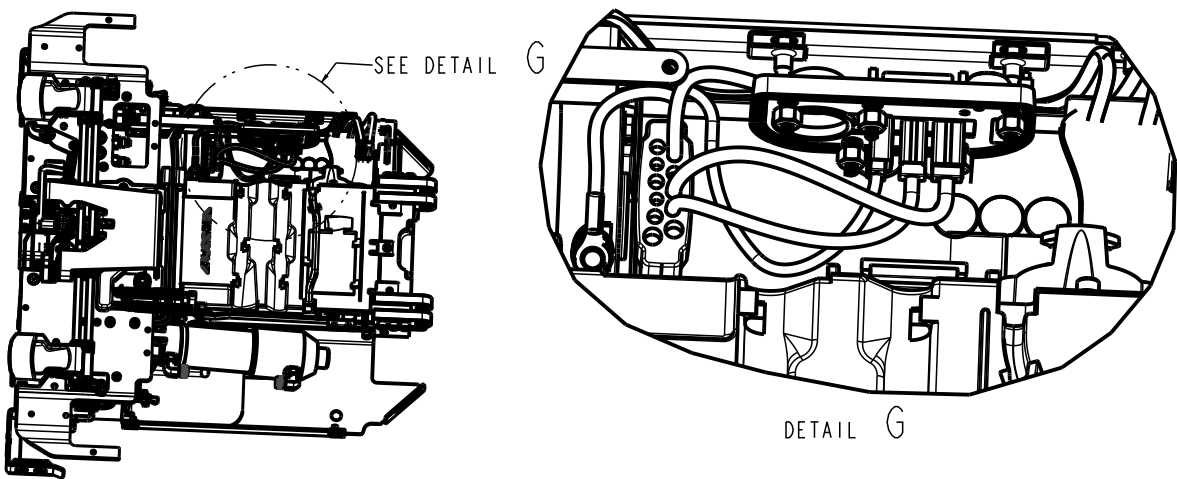
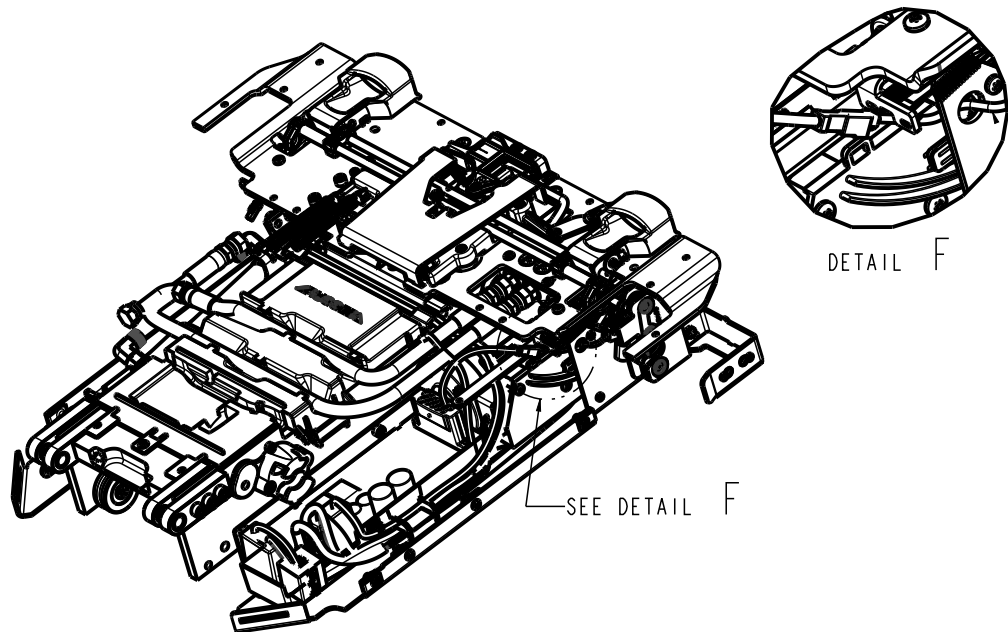
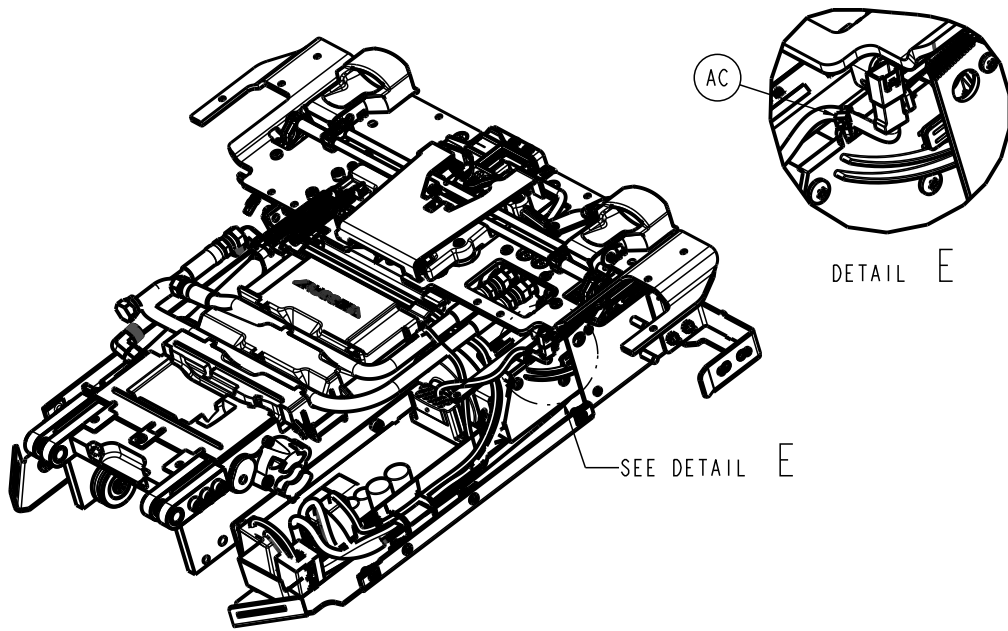


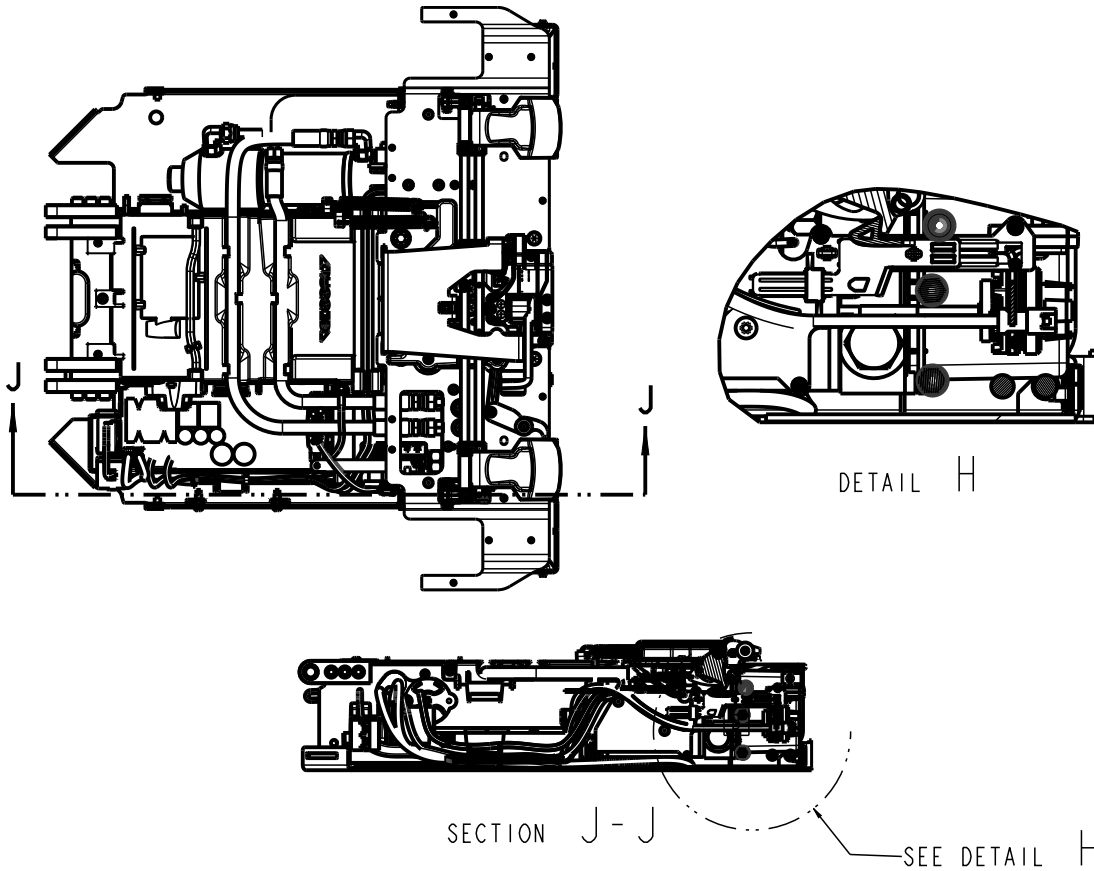
DETAIL D



SEE DETAIL D







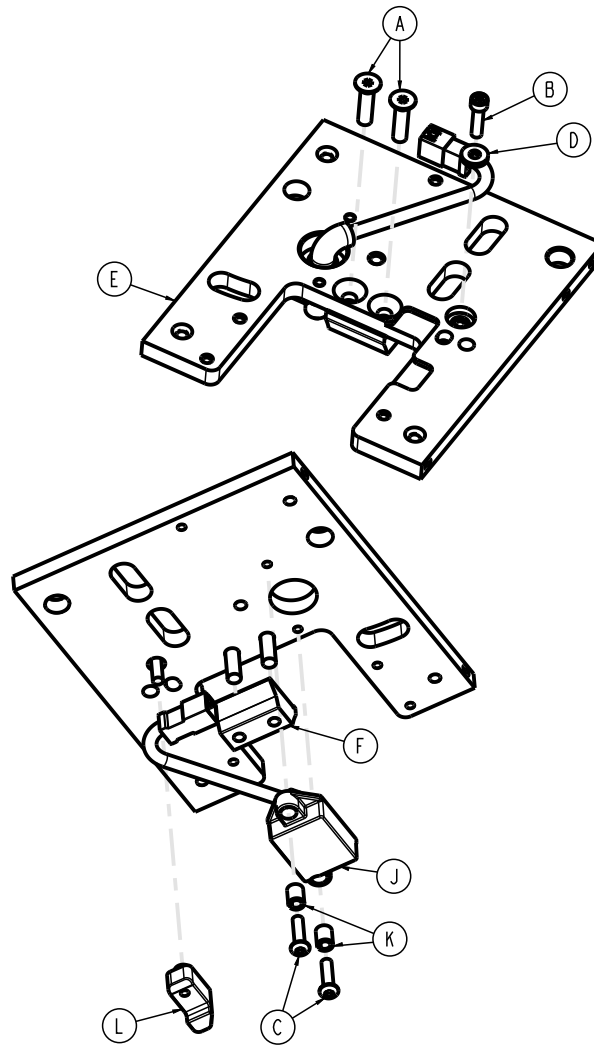
Item	Number	Name	Quantity
A	0001-195-000	Flat head cap screw	3
B	0003-148-000	Hex head cap screw	4
C	0004-874-000	Socket head cap screw	2
D	0004-352-000	Socket head cap screw	6
E	0004-652-000	Button head cap screw	2
F	0004-658-000	Socket head cap screw	3
G	0004-659-000	Socket head cap screw	3
H	0004-660-000	Socket head cap screw	8
J	0004-661-000	Socket head cap screw	5
K	0004-397-000	Socket head cap screw	2
L	0004-665-000	Button head cap screw	2
M	0004-666-000	Button head cap screw	10
N	0005-047-000	Carriage bolt	4
P	0011-436-000	Washer	3
R	0016-014-000	Fiberlock hex nut	5
T	0015-003-000	Hex nut	4
U	6390-001-588	Secondary coil lock	1
V	0018-009-000	Extruded "U" nut	12
W	0023-167-000	Delta screw	3
Y	0023-296-000	Pan head machine screw	6
AA	0023-321-000	Delta screw	3
AB	0027-778-000	Slic pin	2
AC	0038-111-000	Cable tie	2
AD	0038-376-000	Extension spring	2
AE	0038-894-000	Extension spring	1

Item	Number	Name	Quantity
AF	0038-895-000	Extension spring	2
AG	0038-896-000	Extension spring	2
AH	6390-001-294	Guide block, horn, load wheel	2
AJ	0023-163-000	Delta screw	4
AK	6390-101-014	Control board assembly	1
AL	6390-001-025	V-guide roller assembly	5
AM	6390-001-027	Flat roller assembly	2
AN	6390-001-028	<i>Trolley actuator assembly - 6390-001-028 (page 109)</i>	1
AP	6390-001-035	<i>Wing assembly, left (page 100)</i>	1
AR	6390-001-043	<i>Trolley/transfer interface mechanism (page 99)</i>	1
AT	6390-001-045	Trolley arm mechanism	1
AU	6390-001-046	<i>Trolley manual release assembly (page 104)</i>	1
AV	6390-001-052	Load wheel horn guide weldment, left	1
AW	6390-001-053	Load wheel horn guide weldment, right	1
AY	6390-001-064	Hinge plate assembly	4
BA	6390-001-065	Cylinder support block assembly	1
BB	6390-001-066	Coil housing assembly	1
BC	6390-001-301	Trolley main frame front block	1
BD	6390-001-304	Trolley main frame side block, left	1
BE	6390-001-314	Bottom pan, right	1
BF	6390-001-315	Bottom pan, left	1
BG	6390-001-316	Cylinder support bracket	1
BH	6390-001-318	Custom Eberhard latch, right	1
BJ	6390-001-319	Custom Eberhard latch, left	1
BK	6390-001-320	Bottom release arm	1
BL	6390-001-333	Release rod support block	6
BM	6390-001-334	Trolley mechanism arm	1
BN	6390-001-340	Wing plate, right	1
BP	6390-001-344	Trolley main frame side plate, right	1
BR	6390-001-360	End cap cylinder pin	1
BU	6390-001-365	Manual release button bracket	1
BV	6390-001-366	Manual release button - pump	1
BY	6390-001-375	Angle sensor housing	1
CA	6390-001-378	Trolley communication board	1
CB	6390-001-379	Trolley routing tray	1
CC	6390-001-385	Center metal cover	1
CD	6390-001-388	Trolley inductive charge bracket	1
CE	6390-001-391	Main cable assembly	1
CF	6390-001-392	Trolley rear LED assembly	1
CG	6390-001-393	USB mounting bracket	1
CH	6390-001-395	USB connector	1
CJ	6390-001-397	Angle position sensor	1
CL	6390-001-450	Master on/off switch	1
CM	6390-001-352	Cylinder bracket	1
CN	0001-196-000	Flat head cap screw	2
CP	6390-001-351	Trolley release actuator	1

Item	Number	Name	Quantity
CR	6390-001-343	Trolley mechanism pivot pillar	2
CT	6390-001-336	Link	1
CU	0015-087-000	Square nut	1
CV	6390-001-412	Handle lock pawl	1
CW	6390-001-413	Handle lock pivot base	1
CY	0011-518-000	Washer	1
DA	0028-217-000	Push nut	1
DB	0058-143-000	Adhesive backed mounting tab	1
DC	6390-001-545	Battery fuse extension cable	1
DD	0023-162-000	Delta screw	2
DE	0004-404-000	Socket head cap screw	1
DF	6390-001-574	Trolley lock mechanism actuator bushing	2
DG	6390-001-573	Actuator thrust washer	2

Trolley/transfer interface mechanism

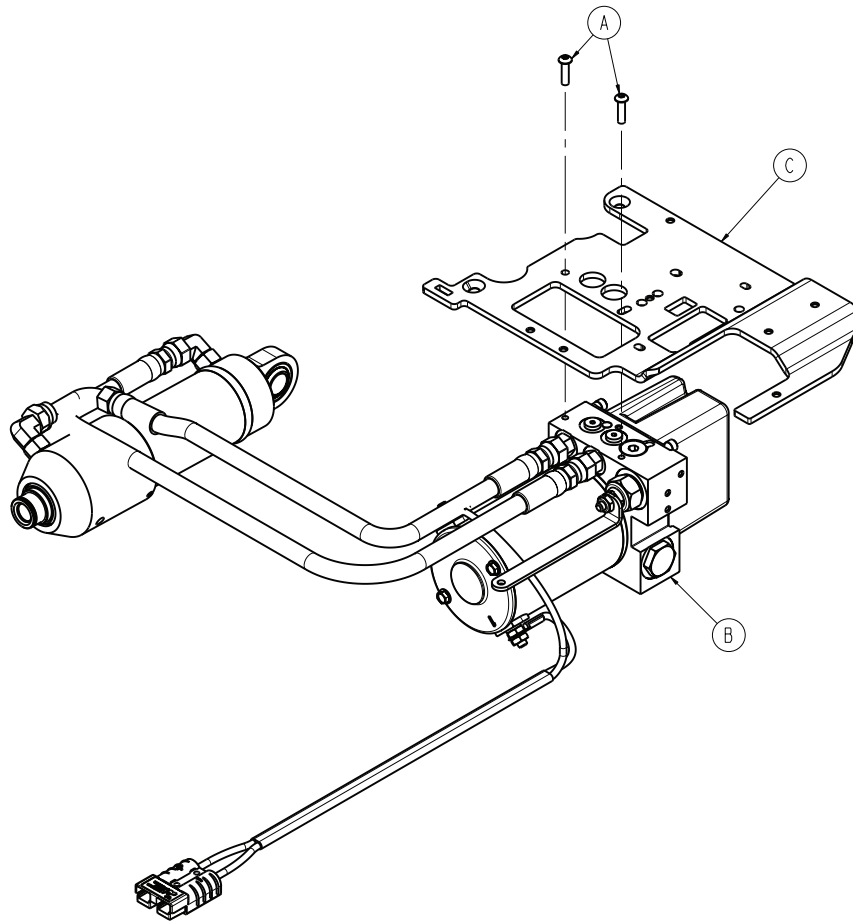
6390-001-043 Rev AA (Reference only)



Item	Number	Name	Quantity
A	0001-004-011	Flat head cap screw	2
B	0004-659-000	Socket head cap screw	1
C	0004-666-000	Button head cap screw	2
D	0011-517-000	Washer	1
E	6390-001-303	Trolley main frame top plate	1
F	6390-001-325	Trolley stop ramp	1
J	6390-001-361	TPS sensor assembly	1
K	6390-001-362	TPS compression limiter	2
L	6390-001-404	Transfer to anchor release plug	1

Wing assembly, left

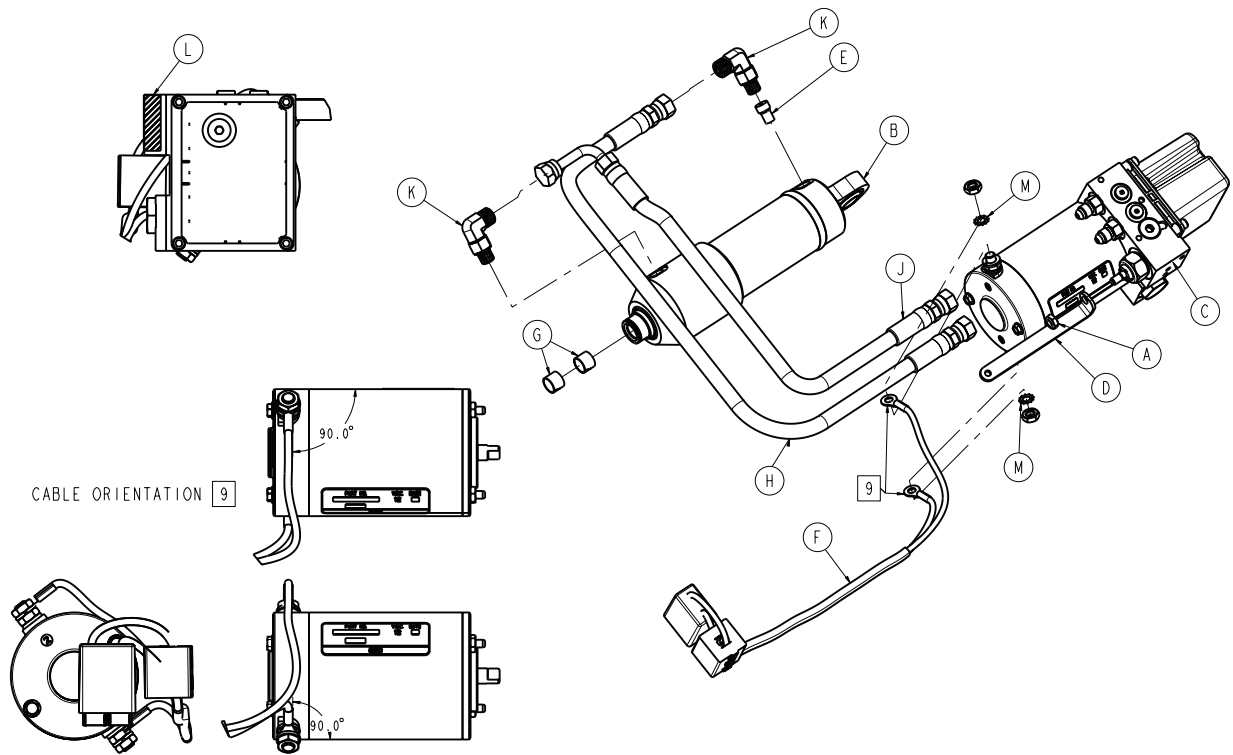
6390-001-035 Rev A (Reference only)



Item	Number	Name	Quantity
A	0004-666-000	Button head cap screw	2
B	6390-001-039	Hydraulics assembly (page 101)	1
C	6390-001-339	Wing plate, left	1

Hydraulics assembly

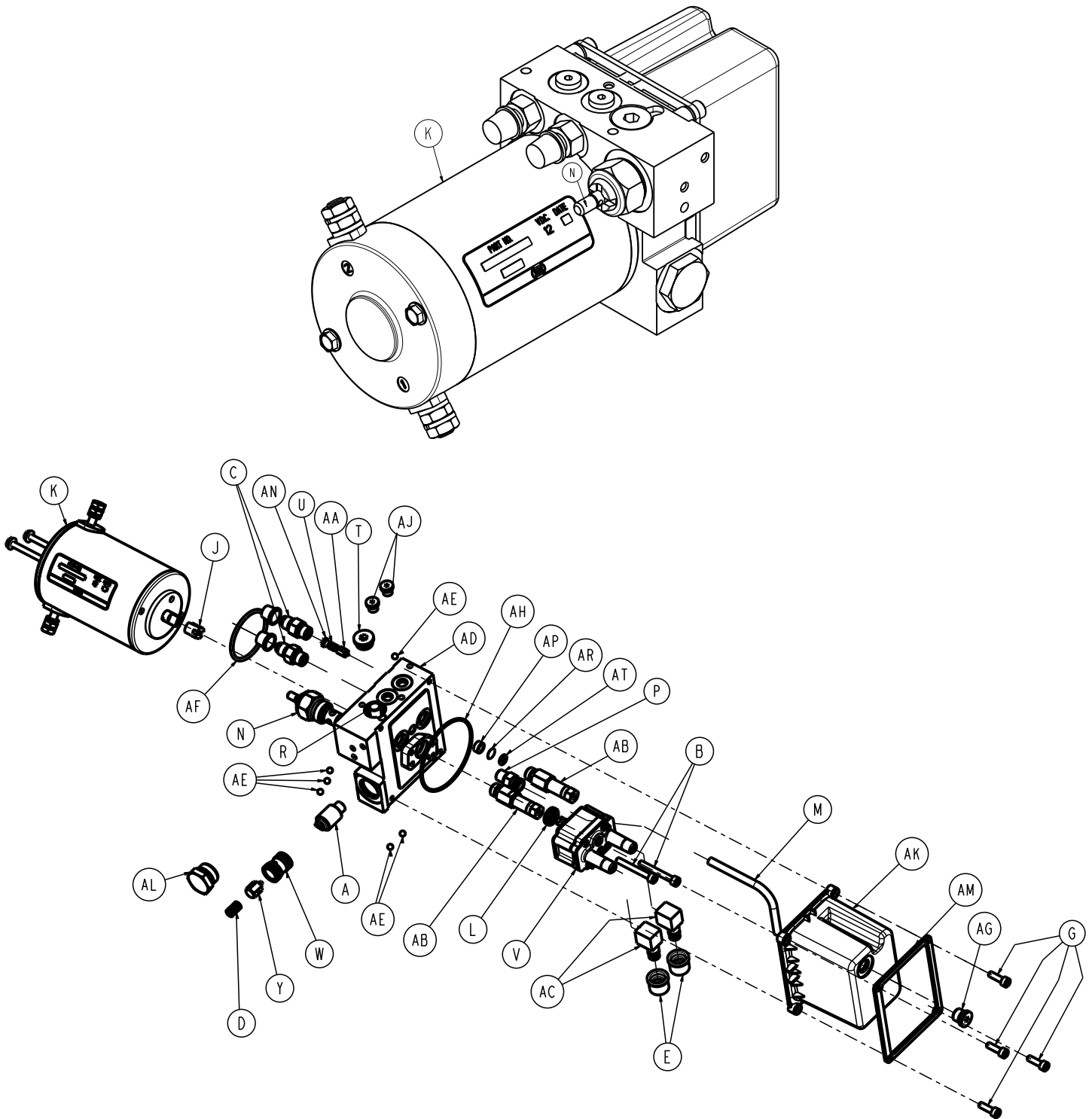
6390-001-039 Rev U (Reference only)



Item	Number	Name	Quantity
A	0016-102-000	Nylock hex nut	1
B	6390-001-029	Hydraulic cylinder	1
C	6390-101-038	Manifold assembly (page 102)	1
D	6390-001-167	Manual release link	1
E	6390-001-381	Velocity fuse	1
F	6390-101-431	Motor cable	1
G	6390-001-433	Inner rod bearing	2
H	6390-001-436	Hydraulic hose, cap end	1
J	6390-001-437	Hydraulic hose, rod end	1
K	6500-001-297	Cylinder rod side hose fitting	2
L	NA	Label	1
M	0013-038-000	External tooth lock washer	2

Manifold assembly

6390-101-038 Rev B (Reference only)

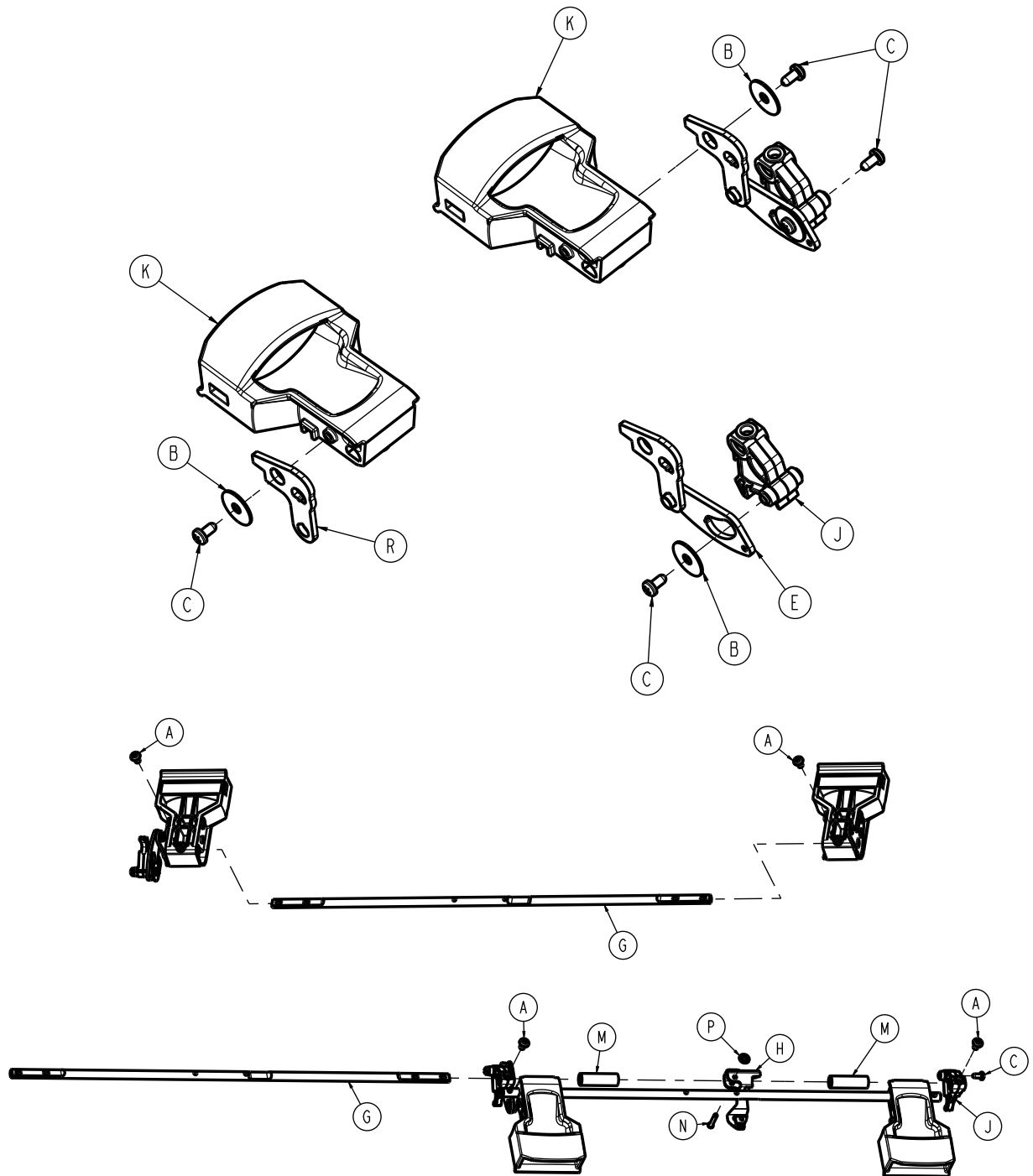


Item	Number	Name	Quantity
A	6390-001-438	Shuttle spool	1
B	406187	Socket head cap screw	2
C	6390-001-146	Fitting STR SAE4 J1C4	2
D	410462	Compression spring	1

Item	Number	Name	Quantity
E	410521	Filter	2
F			
G	416242	Socket head cap screw	4
H			
J	413528	Coupling	1
K	6390-101-132	Motor 12DC 108/165AY	1
L	413675	Seal shaft	1
M	414885	Return tube	1
N	6500-001-289	Non-locking manual valve	1
P	414644	Fitting STR 1/8" NPTF 1/4" TB	1
R	6390-001-151	Valve PC flow control	1
T	415866	Plug SAE6 HOL hex	1
U	415867	Compression spring	1
V	646679	Pump	1
W	773763	Check seat assembly	1
Y	773776	Poppet assembly	1
AA	774585	Poppet assembly	1
AB	775905	Relief valve assembly	2
AC	775942	Filter assembly suction filter	2
AD	6390-101-129	Adapter block	1
AE	401072	Ball steel	6
AF	405673	O-ring	1
AG	409278	Plug SAE2 HOL hex	1
AH	410566	O-ring	1
AJ	413577	Plug SAE2 HOL hex	2
AK	6390-001-128	Reservoir loader	1
AL	776573	Hex plug retainer assembly	1
AM	6390-001-209	Flange RSVR loader	1
AN	414669	RV spring retainer	1
AP	364094	AL spacer	1
AR	411888	Filter screen	1
AT	401273	O-ring	1

Trolley manual release assembly

6390-001-046 Rev C (Reference only)

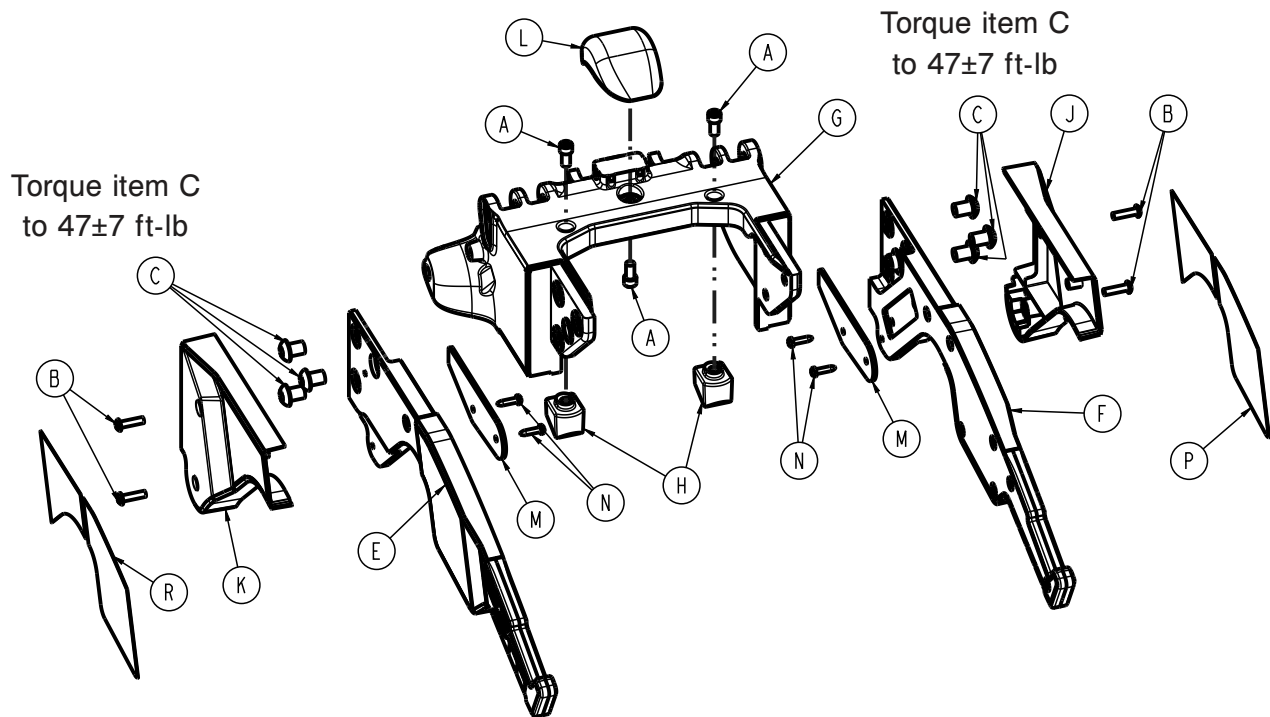


Item	Number	Name	Quantity
A	0004-665-000	Button head cap screw	4
B	0011-518-000	Washer	3
C	0023-163-000	Delta screw	5
E	6390-001-060	Manual release linkage assembly, left	1
G	6390-001-326	Actuation rod	2
H	6390-001-328	Manual cot release slider block	1
J	6390-001-329	Actuation cam	2

Item	Number	Name	Quantity
K	6390-001-332	Trolley release handle	2
M	6390-001-387	Release handle retainer	2
N	6390-001-323	Cot manual release pin	1
P	0028-217-000	Push nut	1
R	6390-001-382	Trolley release handle link arm	1

Trolley arm assembly

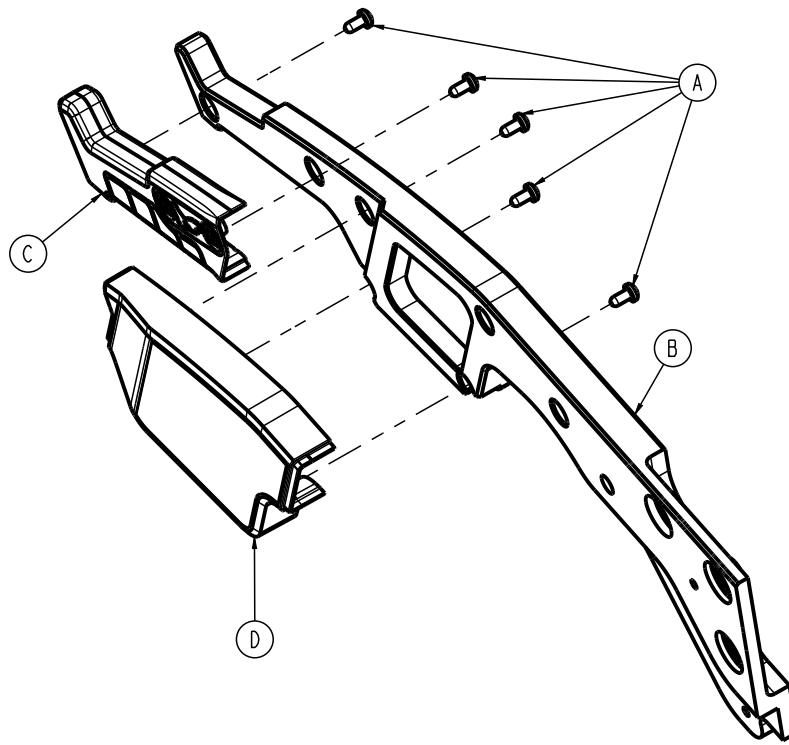
6390-001-016 Rev AB (Reference only)



Item	Number	Name	Quantity
A	0004-660-000	Socket head cap screw	3
B	0004-666-000	Button head cap screw	4
C	0004-668-000	Button head cap screw	6
E	6390-001-036	Arm, right (page 108)	1
F	6390-001-037	Arm, left (page 107)	1
G	6390-001-305	Middle arm	1
H	6390-001-322	Mid position bumper lock block	2
J	639000011372	Arm cover, head end, left	1
K	639000011371	Arm cover, head end, right	1
L	6390-001-440	Trolley cot ramp	1
M	6390-001-486	Arm cover guard, head end	2
N	0023-162-000	Delta screw	4
P	639000010410	Label, arm cover, left	1
R	639000010411	Label, arm cover, right	1

Arm, left

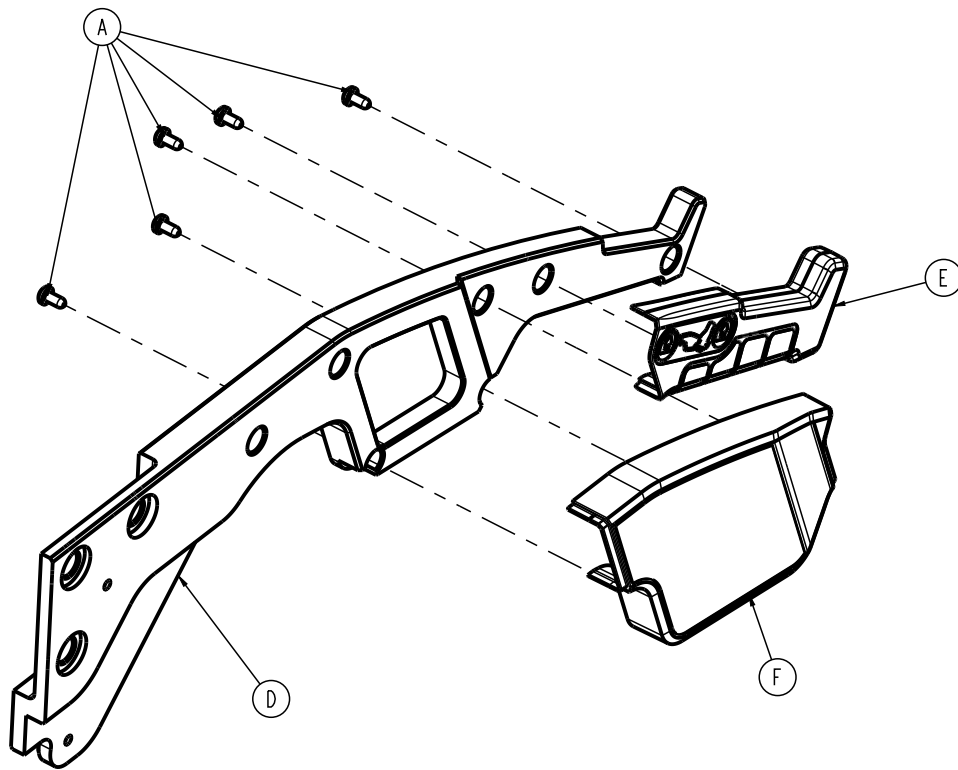
6390-001-037 Rev AB (Reference only)



Item	Number	Name	Quantity
A	0023-163-000	Delta screw	5
B	639000010417	Arm, left	1
C	6390-001-341	Arm grip, left	1
D	639000010370	Arm cover, foot end, left	1

Arm, right

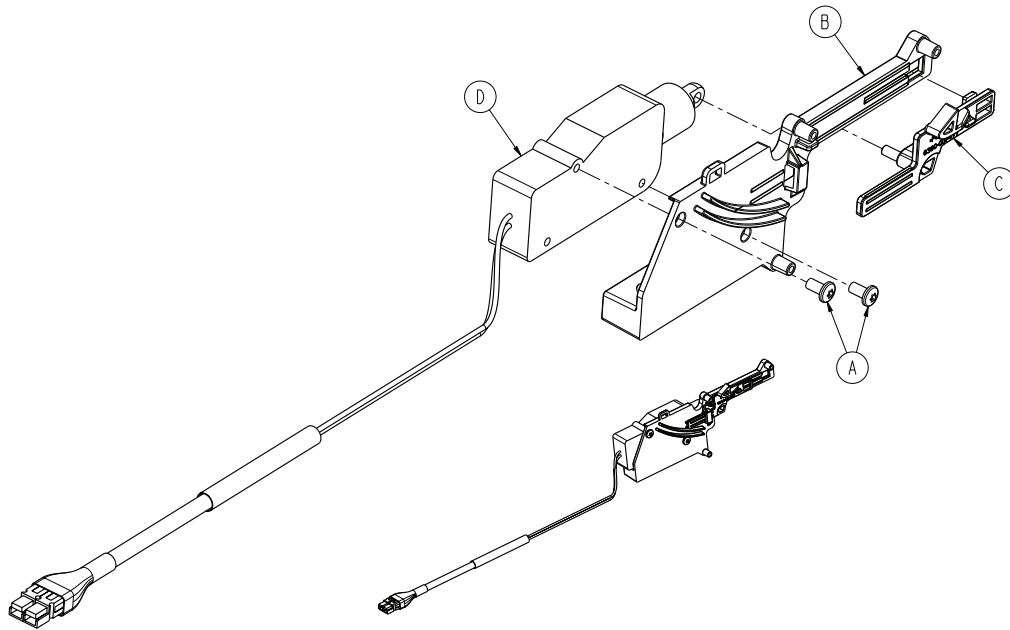
6390-001-036 Rev AB (Reference only)



Item	Number	Name	Quantity
A	0023-163-000	Delta screw	5
D	639000010418	Arm, right	1
E	6390-001-368	Arm grip, right	1
F	639000010369	Arm cover, foot end, right	1

Trolley actuator assembly - 6390-001-028

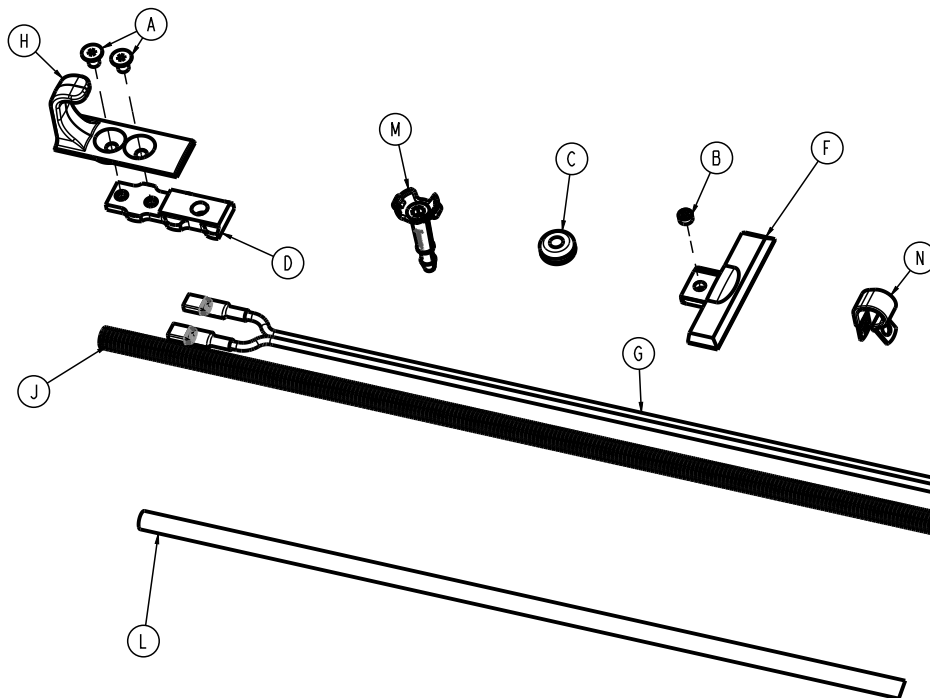
Rev A (Reference only)



Item	Number	Name	Quantity
A	0023-296-000	Pan head machine screw	2
B	6390-001-476	Lock release actuator housing	1
C	6390-001-477	Lock release actuator slide	1
D	6390-001-478	Actuator	1

Floor plate, install components

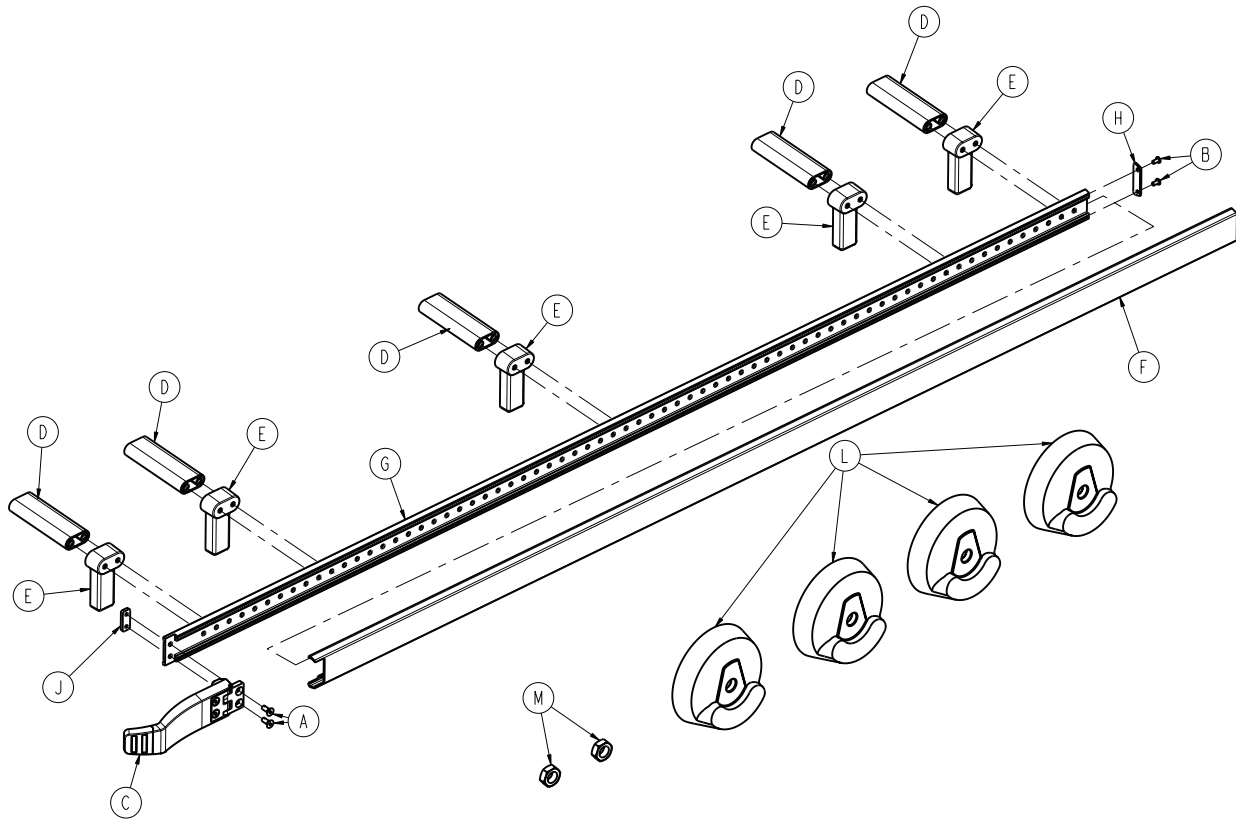
6390-001-055 Rev AA (Reference only)



Item	Number	Name	Quantity
A	0001-194-000	Flat head cap screw	2
B	0021-197-000	Set screw	2
C	0037-247-000	Rubber grommet	1
D	6390-101-108	Floor plate attachment bracket	1
F	639000010111	End cap, floor plate, machined	2
G	6390-001-135	Cable, anchor to vehicle	1
H	639000010148	Safety hook, Power-LOAD	1
J	6390-001-153	Loom, wire protection, under ambulance	1
L	6390-001-170	Drain tube	1
M	6390-001-183	Drain tube, floor plate	1
N	6390-001-202	Rubber coated clamp, P style	6

Wheel guide, optional

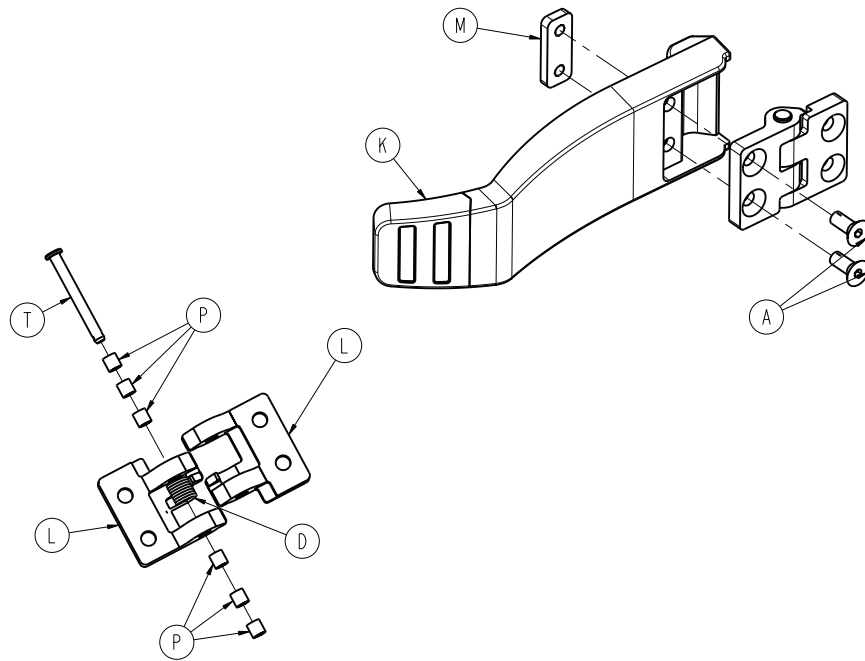
6390-027-000 Rev D (Reference only)



Item	Number	Name	Quantity
A	0001-195-000	Flat head cap screw	2
B	0023-296-000	Pan head machine screw	2
C	6390-001-017	Wheel guide assembly, optional - 6390-001-017 (page 112)	1
D	6390-001-173	Spacer	5
E	6390-001-174	Wheel guide support	5
F	6390-001-175	Wheel guide rail bumper	1
G	6390-001-176	Wheel guide rail	1
H	6390-001-178	Wheel guide cap	1
J	6390-001-191	Wheel guide nut	1
L	6390-001-206	Wheel cover	4
M	0016-060-000	Toplock locknut	2

Wheel guide assembly, optional - 6390-001-017

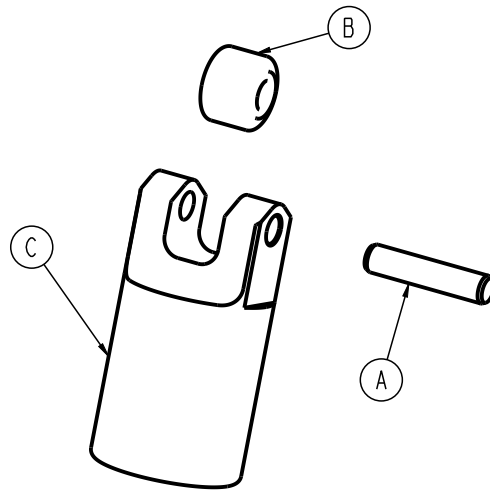
Rev C (Reference only)



Item	Number	Name	Quantity
A	0001-195-000	Flat head cap screw	2
D	0038-377-000	Torsion spring	1
K	6390-001-185	Wheel guide	1
L	6390-001-188	Wheel guide hinge	2
M	6390-001-191	Wheel guide nut	1
P	0081-500-000	Bearing	6
T	0026-403-000	Clevis pin	1

Transfer lock pin assembly

639001010074 Rev AA (Reference only)



Item	Number	Name	Quantity
A	0026-684-000	Dowel pin	1
B	6390-001-199	Transfer lock roller	1
C	639000010197	Transfer lock pin	1

Power-LOAD assembly, MTS - 639000550010

Rev AB (Reference only)

Note - See drawing *Power-LOAD assembly* (page 63) for assembly view and drawing notes.

Item	Number	Name	Quantity
A	6390-001-011	<i>Anchor assembly</i> (page 67)	1
B	6390-101-012	<i>Transfer assembly</i> (page 76)	1
C	6390-001-013	<i>Trolley assembly</i> (page 82)	1
D	6390-001-054	<i>Assembly kit, Power-LOAD - 6390-001-054</i> (page 66)	1
G	639000010900	Tag, serial number	1
H	0025-079-000	Dome head rivet	2
J	639001010026	Battery installation assembly	1

Power-LOAD assembly without floor plate, MTS - 639000550011

Rev AA (Reference only)

Note - See drawing *Power-LOAD assembly* (page 63) for assembly view and drawing notes.

Item	Number	Name	Quantity
A	6390-001-011	<i>Anchor assembly</i> (page 67)	1
B	6390-101-012	<i>Transfer assembly</i> (page 76)	1
C	6390-001-013	<i>Trolley assembly</i> (page 82)	1
D	6390-001-054	<i>Assembly kit, Power-LOAD - 6390-001-054</i> (page 66)	1
E	639000010903	Tag, serial number	1
F	0025-079-000	Dome head pop rivet	2
G	639001010026	Battery installation assembly	1

EMC information

Guidance and manufacturer's declaration - electromagnetic emissions		
<p>Power-LOAD is intended for use in the electromagnetic environment specified below. The customer or the user of Power-LOAD should assure that it is used in such an environment.</p>		
Emissions test	Compliance	Electromagnetic environment
RF Emissions CISPR 11	Group 1	The Power-LOAD system uses RF energy only for its internal function. Therefore, its RF emissions are very low and are not likely to cause any interference in nearby electronic equipment.
RF Emissions CISPR 11	Group 2	The Power-LOAD system must emit electromagnetic energy in order to perform its intended function. Nearby electronic equipment may be affected.
RF Emissions CISPR 11	Class A	The Power-LOAD system is suitable for use in all establishments other than domestic and those directly connected to the public low-voltage power supply network that supplies buildings used for domestic purposes.


Recommended separations distances between portable and mobile RF communications equipment and Power-LOAD			
<p>Power-LOAD is intended for use in an electromagnetic environment in which radiated RF disturbances are controlled. The customer or the user of Power-LOAD can help prevent electromagnetic interferences by maintaining a minimum distance between portable and mobile RF communications equipment (transmitters) and Power-LOAD as recommended below, according to the maximum output power of the communications equipment.</p>			
Rated maximum output power of transmitter W	Separation distance according to frequency of transmitter m		
	150 kHz to 80 MHz $d=(1.2) (\sqrt{P})$	80 MHz to 800 MHz $d=(0.35) (\sqrt{P})$	800 MHz to 2.7 GHz $d=(0.70) (\sqrt{P})$
0.01	0.12	0.04	0.07
0.1	0.38	0.11	0.22
1	1.20	0.35	0.70
10	3.79	1.11	2.21
100	12	3.5	7
<p>For transmitters rated at a maximum output power not listed above, the recommended separation distance d in meters (m) can be estimated using the equation applicable to the frequency of the transmitter, where P is the maximum output power rating of the transmitter in watts (W) according to the transmitter manufacturer. Note 1: At 80 MHz and 800 MHz, the separation distance for the higher frequency range applies. Note 2: These guidelines may not apply in all situations. Electromagnetic propagation is affected by absorption and reflection from structures, objects, and people.</p>			

Guidance and manufacturer's declaration - electromagnetic immunity

Power-LOAD is suitable for use in the electromagnetic environment specified below. The customer or the user of **Power-LOAD** should assure that it is used in such an environment.

Immunity test	EN/IEC 60601 test level	Compliance level	Electromagnetic environment-guidance
Electrostatic discharge (ESD) IEC 61000-4-2	± 8 kV contact ± 15 kV air	± 8 kV contact ± 15 kV air	Floors should be wood, concrete, or ceramic tile. If floors are covered with synthetic material, the relative humidity should be at least 30%.
Surge IEC 61000-4-5	± 1 kV line(s) to line(s) ± 2 kV line(s) to ground	± 1 kV line(s) to line(s) ± 2 kV line(s) to ground	Mains power quality should be that of a typical commercial or hospital environment.
Power frequency (50/60 Hz) magnetic field IEC 61000-4-8	30 A/m	30 A/m	Power frequency magnetic fields should be at levels characteristic of a typical location in a typical commercial or hospital environment.
Electrical transient conduction along supply ISO 7637-2	per ISO 7637-2	per ISO 7637-3	N/A

Guidance and manufacturer's declaration - electromagnetic immunity

<p>Conducted RF IEC 61000-4-6</p> <p>Radiated RF IEC 61000-4-3</p>	<p>3 Vrms</p> <p>6 Vrms in ISM and amateur radio bands</p> <p>150 kHz to 80 MHz</p> <p>10 V/m</p> <p>80 MHz to 2.7 GHz</p>	<p>3 V</p> <p>6 Vrms in ISM and amateur radio bands</p> <p>10 V/m</p>	<p>Portable and mobile RF communications equipment should be used no closer to any part of Power-LOAD, including cables, than the recommended separation distance calculated from the equation appropriate for the frequency of the transmitter.</p> <p>Recommended separation distance</p> <p>$D=(1.2) (\sqrt{P})$</p> <p>$D=(.35) (\sqrt{P})$</p> <p>80 MHz to 800 MHz</p> <p>$D=(0.70) (\sqrt{P})$</p> <p>800 MHz to 2.7 GHz</p> <p>where <i>P</i> is the maximum output power rating of the transmitter in watts (W) according to the transmitter manufacturer and <i>d</i> is the recommended separation distance in meters (m).</p> <p>Field strengths from fixed RF transmitters, as determined by an electromagnetic site ^a should be less than the compliance level in each frequency range.^b</p> <p>Interference may occur in the vicinity of equipment marked with the following symbol:</p> 
--	--	---	---

Guidance and manufacturer's declaration - electromagnetic immunity

Note 1: At 80 MHz and 800 MHz, the higher frequency range applies.

Note 2: These guidelines may not apply in all situations. Electromagnetic propagation is affected by absorption and reflection from structures, objects, and people.

Note 3: The ISM (industrial, scientific and medical) bands between 0.15 MHz and 80 MHz are 6.765 MHz to 6.795 MHz; 13.553 MHz to 13.567 MHz; 26.957 MHz to 27.283 MHz; and 40.66 MHz to 40.70 MHz. The amateur radio bands between 0.15 MHz and 80 MHz are 1.8 MHz to 2.0 MHz, 3.5 MHz to 4.0 MHz, 5.3 MHz to 5.4 MHz, 7 MHz to 7.3 MHz, 10.1 MHz to 10.15 MHz, 14 MHz to 14.2 MHz, 18.07 MHz to 18.17 MHz, 21.0 MHz to 21.4 MHz, 24.89 MHz to 24.99 MHz, 28.0 MHz to 29.7 MHz and 50.0 MHz to 54.0 MHz.

Note 4: Evaluated for immunity to proximity fields from RF wireless communication equipment per IEC 60601-1-2: 2014 Table 9.

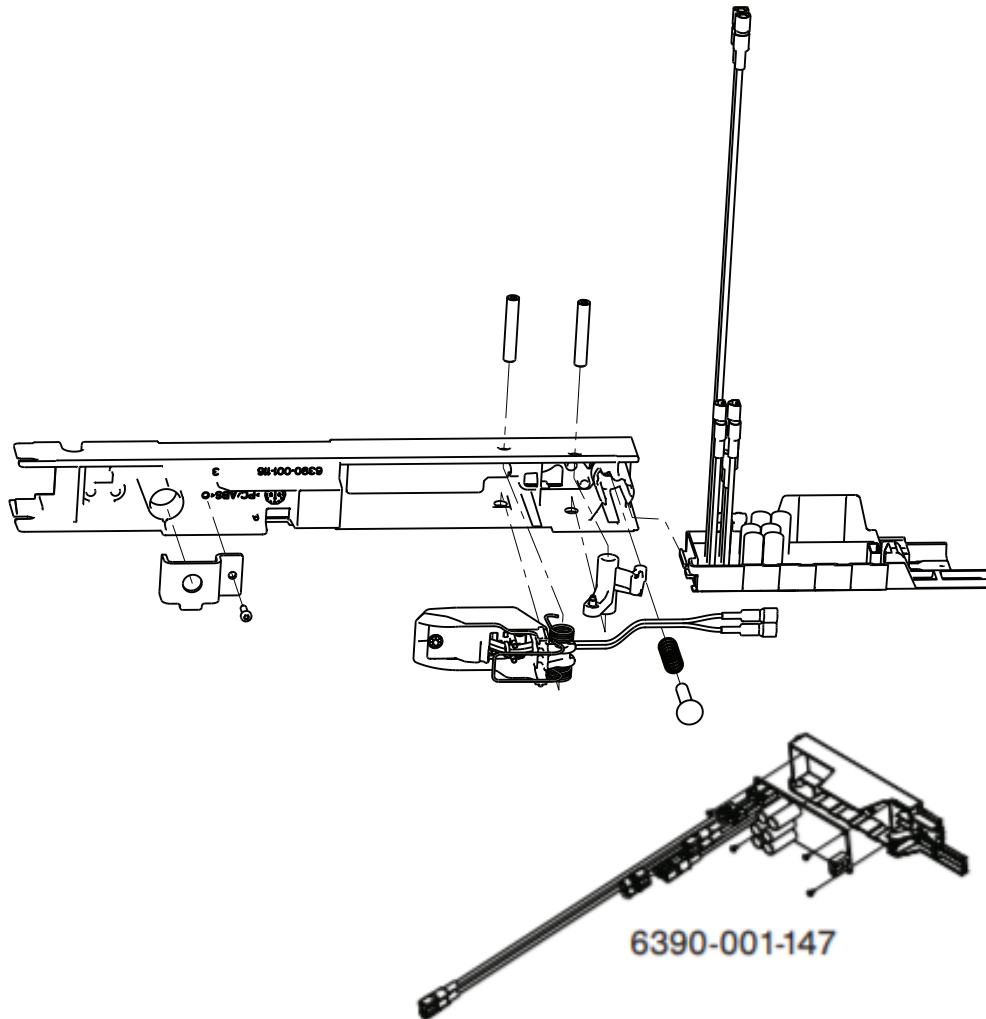
^a Field strengths from fixed transmitters, such as base stations for radio (cellular/cordless) telephones and land mobile radios, amateur radio, AM and FM radio broadcast, and TV broadcast cannot be predicted theoretically with accuracy. To assess the electromagnetic environment due to fixed RF transmitters, an electromagnetic site survey should be considered. If the measured field strength in the location in which **Power-LOAD** is used exceeds the applicable RF compliance level above, the **Power-LOAD** system should be observed to verify normal operation. If abnormal performance is observed, additional measures may be necessary, such as reorienting or relocating **Power-LOAD**.

^b Over the frequency range 150 kHz to 80 MHz, field strengths should be less than 20 V/m.

Recycling passport

6390-101-023

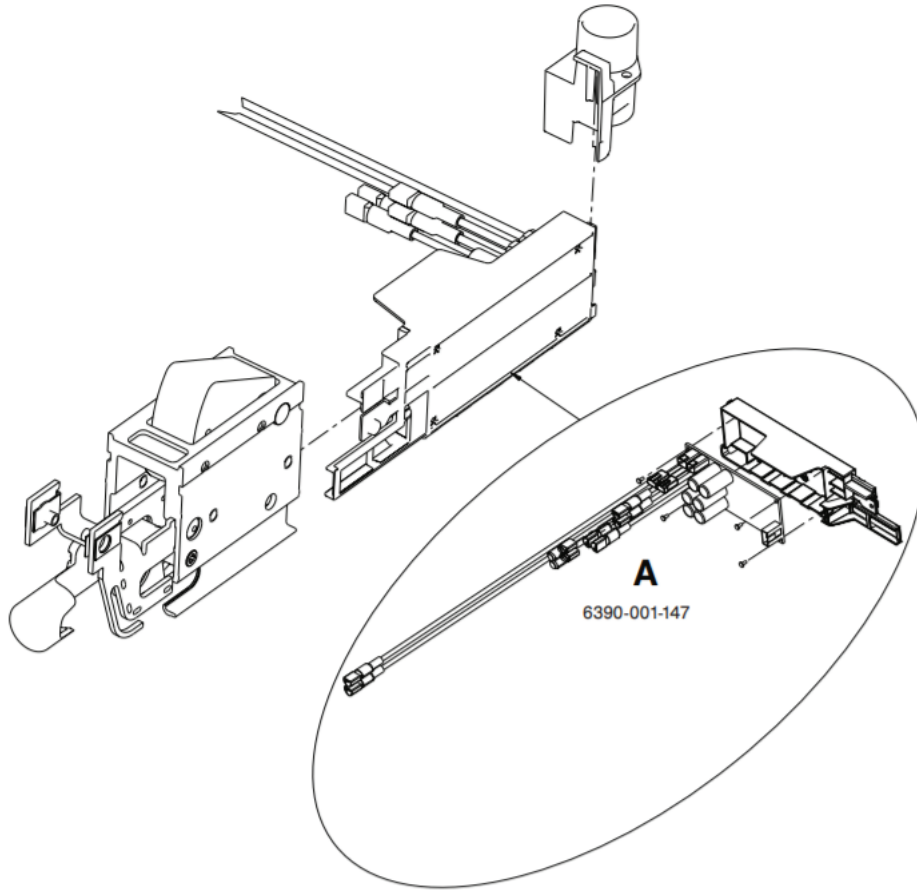
Rev A



Item	Recyclable part number	Material code	Important information	Quantity
A	6390-001-147	Inductive primary board		1
B	6390-001-030	Anchor coil assembly, middle		1

6390-001-024

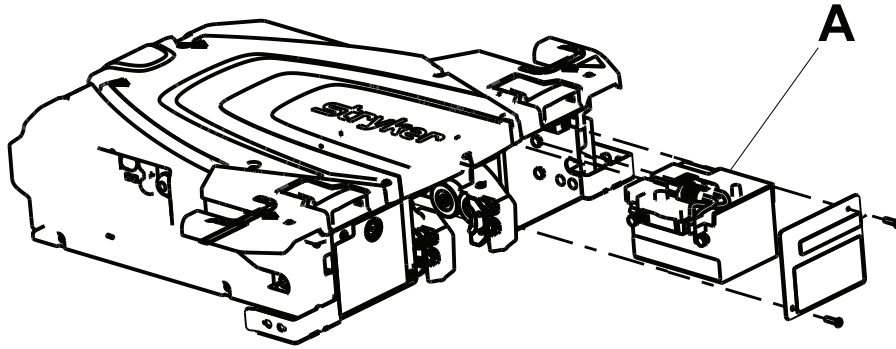
Rev C



Item	Recyclable part number	Material code	Important information	Quantity
A	6390-001-147	Inductive primary board		1

6390-001-013

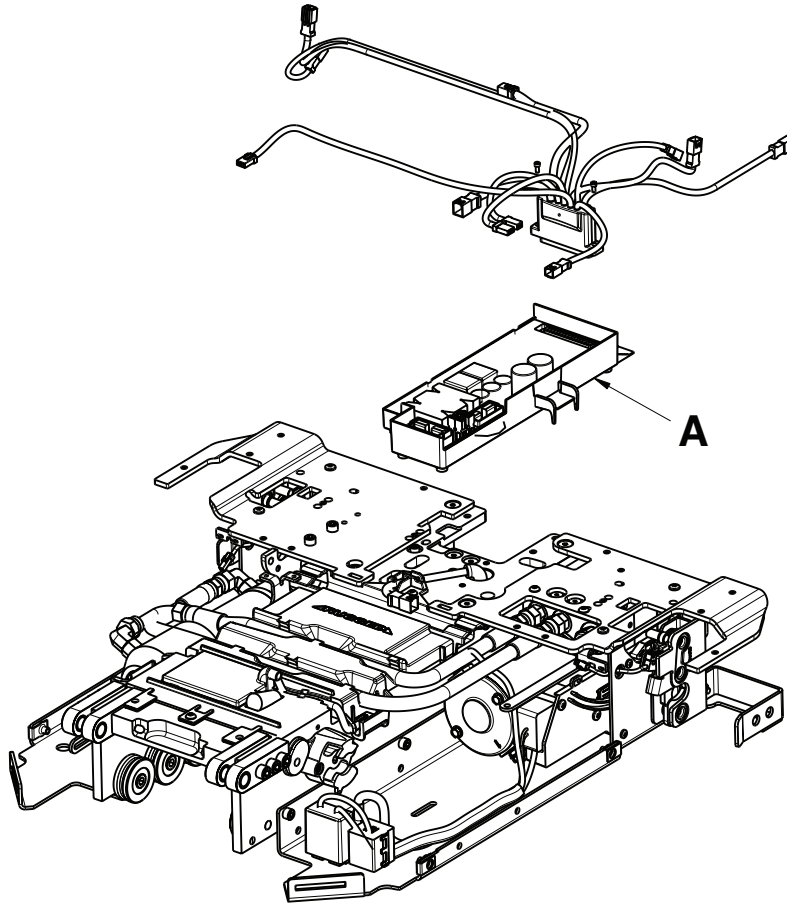
Rev AA



Item	Recyclable part number	Material code	Important information	Quantity
A	6390-001-026	12V, 5 Ah lead acid battery		1

6390-001-015

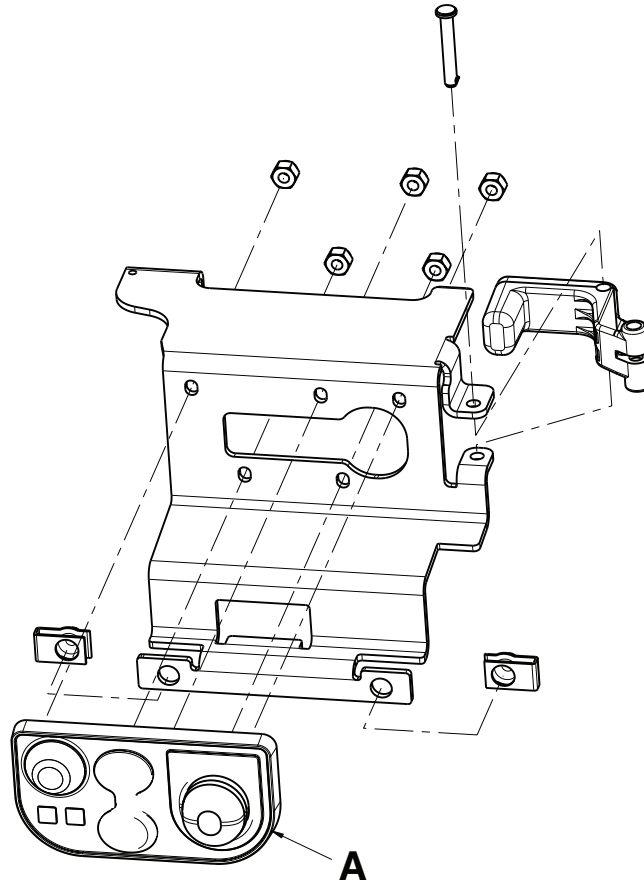
Rev AB



Item	Recyclable part number	Material code	Important information	Quantity
A	6390-101-014	Control board assembly		1

6390-001-015

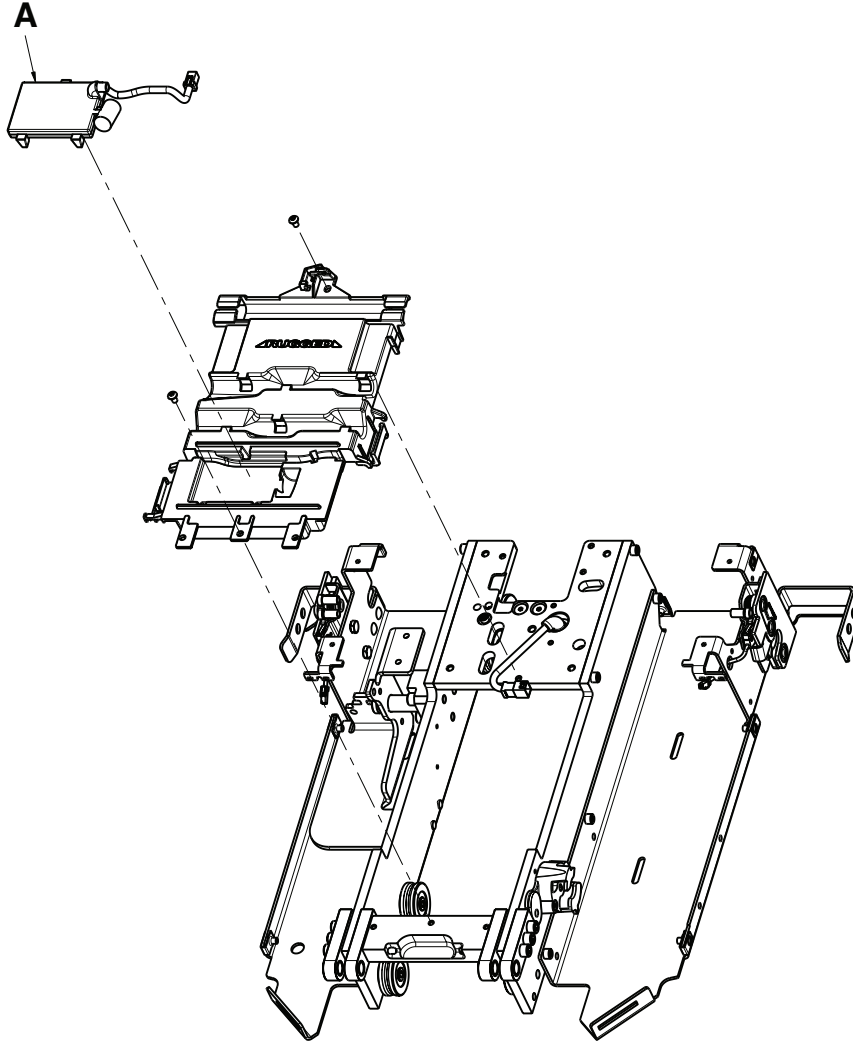
Rev AB



Item	Recyclable part number	Material code	Important information	Quantity
A	6390-001-450	Master On/Off switch		1

6390-001-015

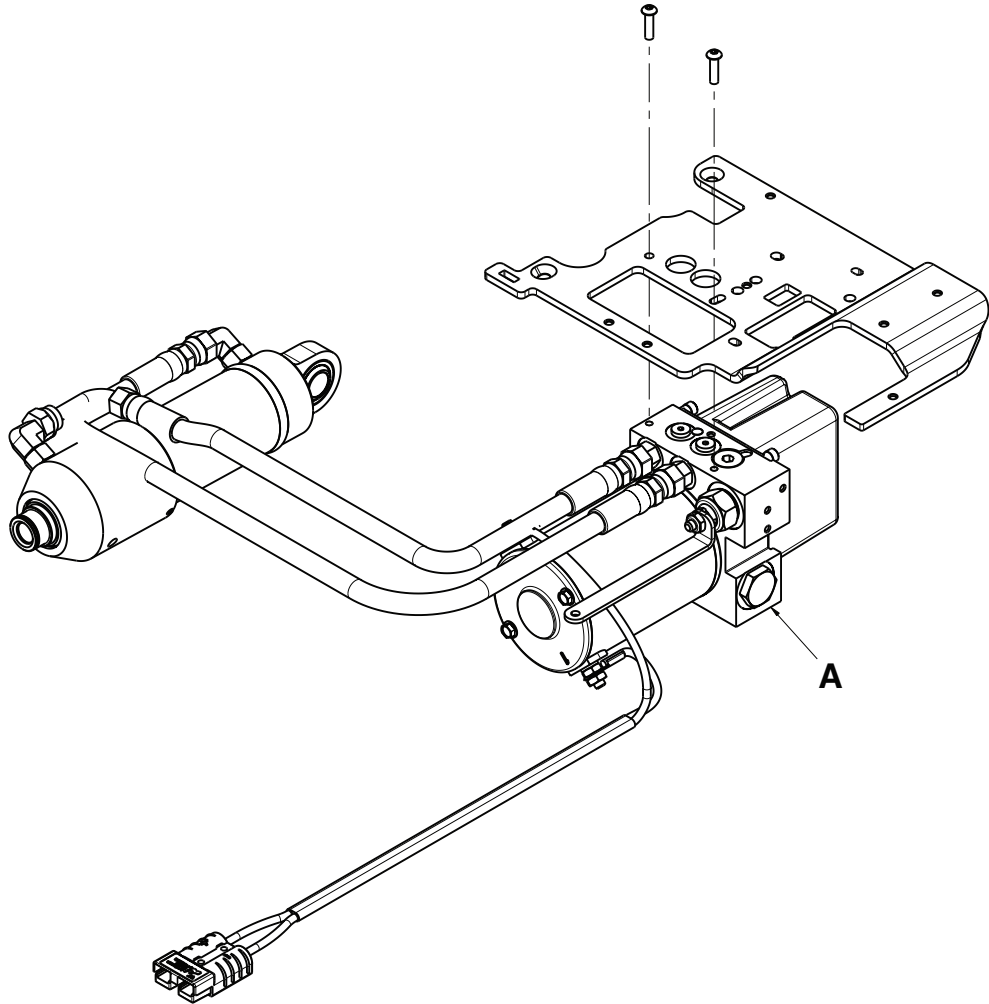
Rev AB



Item	Recyclable part number	Material code	Important information	Quantity
A	6390-001-378	Trolley comm board		1

6390-001-035

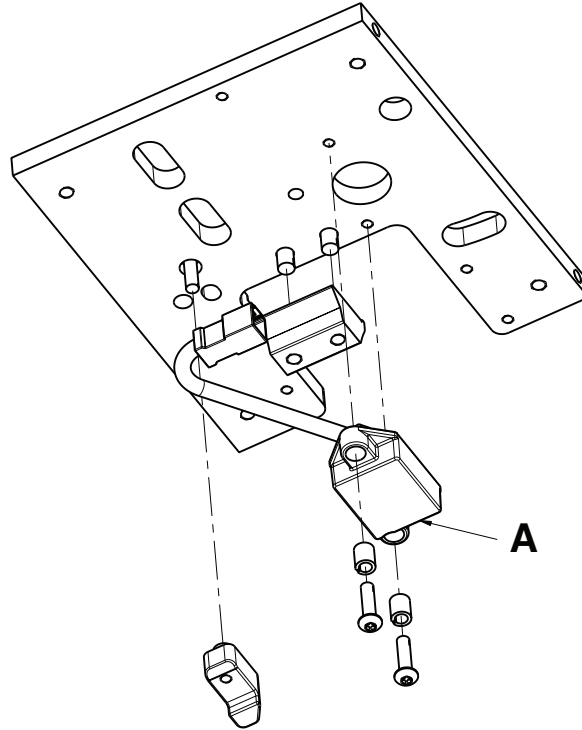
Rev A



Item	Recyclable part number	Material code	Important information	Quantity
A	6390-001-039	Hydraulics assembly		1

6390-001-043

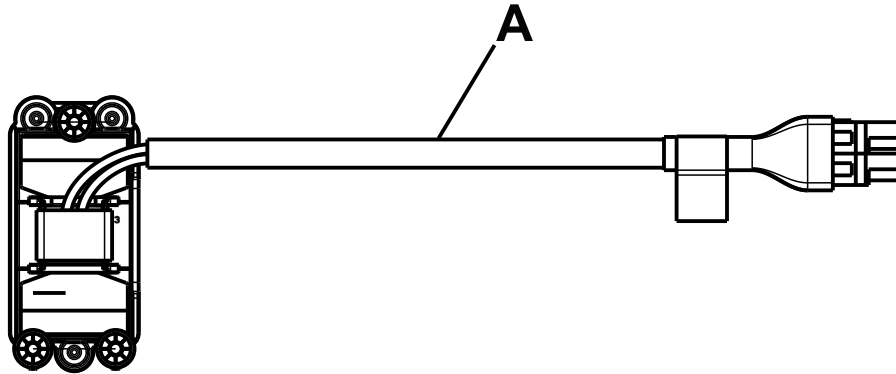
Rev AA



Item	Recyclable part number	Material code	Important information	Quantity
A	6390-001-361	TPS sensor assembly		1

6390-001-066

Rev AA



Item	Recyclable part number	Material code	Important information	Quantity
A	6390-001-337	Trolley secondary coil		1

stryker



Stryker Medical
3800 E. Centre Avenue
Portage, MI 49002
USA