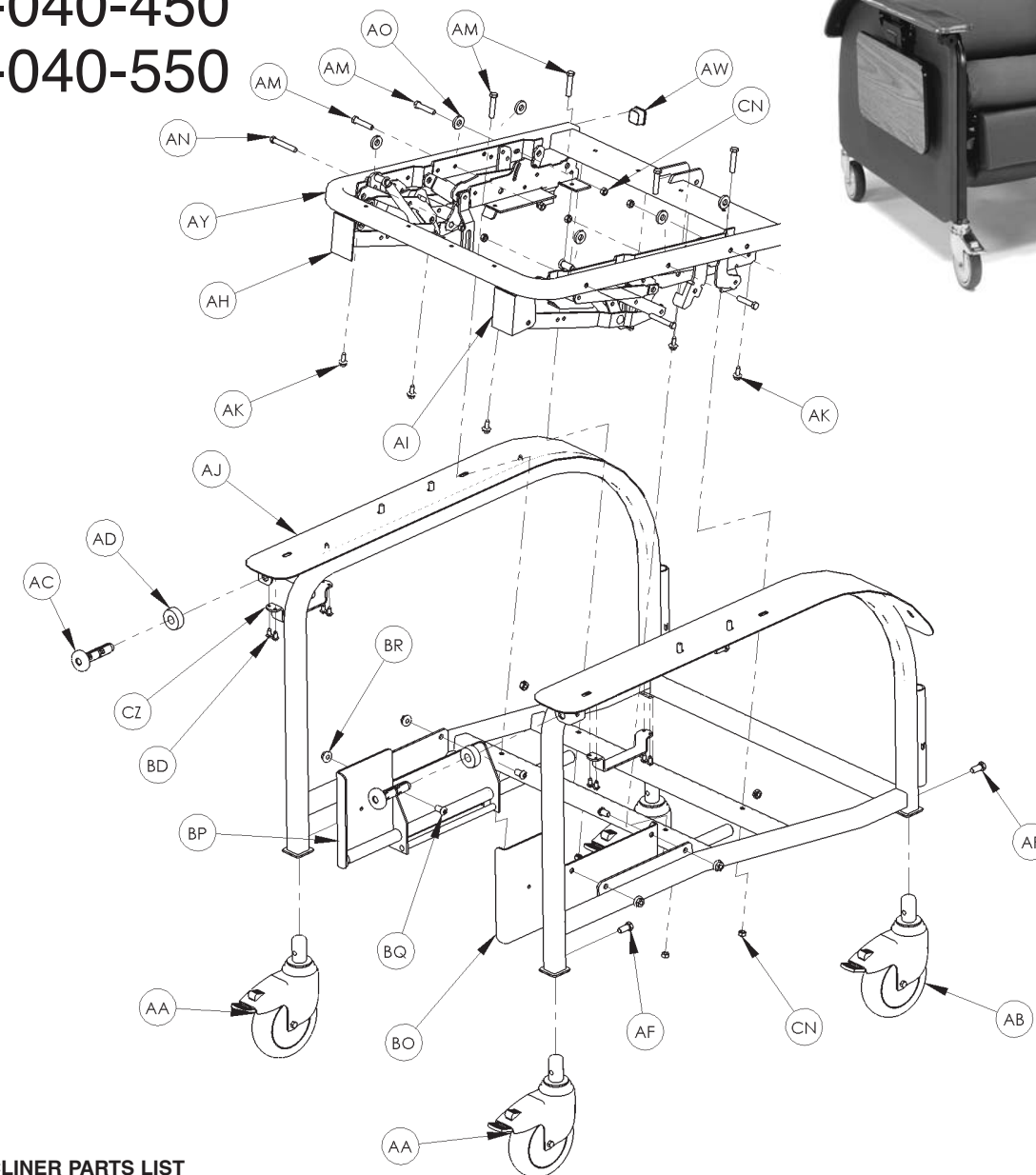


stryker®

3110-040-450

3110-040-550



HOSPITAL RECLINER PARTS LIST

Item #	Stryker Part #	Description
AA	3110-242-702	NON-SWIVEL CASTER W/LOCK
AB	3110-240-908	SWIVEL CASTER
AH	3110-239-706	RECLINER MECHANISM, PATIENT LEFT
AI	3110-239-707	RECLINER MECHANISM, PATIENT RIGHT

Note: Parts shown in the parts list are available for order. All other parts are obsolete.

#/a #	Stryker Part #	Description
BC	3110-240-509	CABLE / HANDLE ASSEMBLY
BN	3110-240-507	GAS CYLINDER
CI	3110-040-481	ARM CAP, RECLINER, SET OF 2 (BLACK ONLY)
CM	3110-242-703	SWIVEL CASTER W/LOCK
CS	3110-248-803	EXTENSION SPRING

Note: Parts shown in the parts list are available for order.
All other parts are obsolete.

