

stryker[®]
Medical

LY1106/3300-000-106

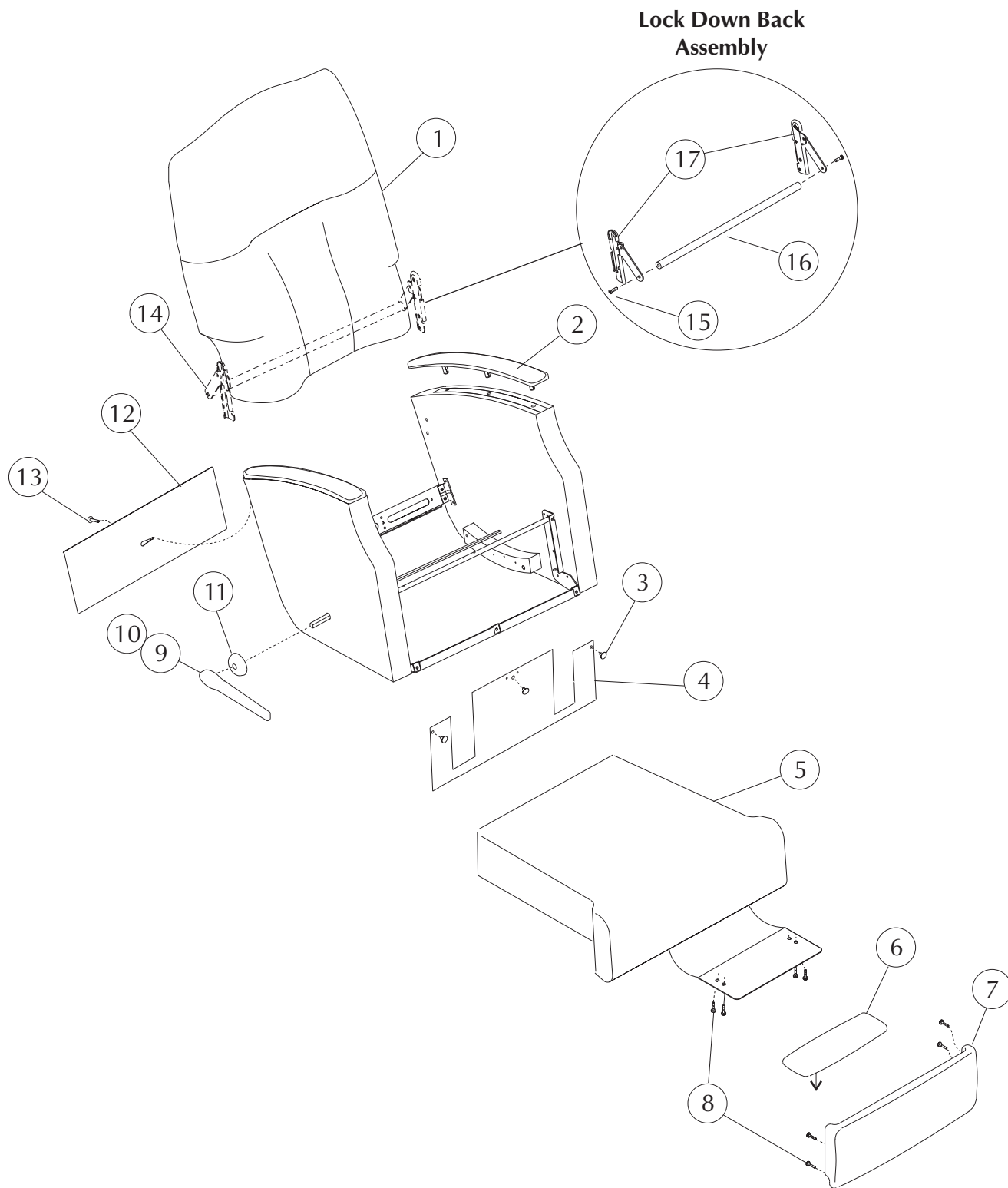
Operations/Maintenance Manual

For Parts or Technical Assistance
800-327-0770

LY1106/3300-000-106

Table of Contents

Style LY1106/ 3300-000-106	2-3
Drive Rod Assembly (before 1/05/04)	4-5
Drive Rod Assembly (after 1/05/04)	6-7
Support Shaft Assembly	8-9
Support Shaft/Drive Rod Assembly(before 1/05/04)	10-11
Support Shaft/Drive Rod Assembly(after 1/05/04)	12-13
Seat Mechanism	14-15
Mechanism Assembly	16-17
Specifications	18
General Information	19
Lock Down Back Assembly Instructions	



STYLE LY1106/3300-000-106 = RECLINA-WAY RECLINER

STRYKER MEDICAL HEALTHCARE SERIES

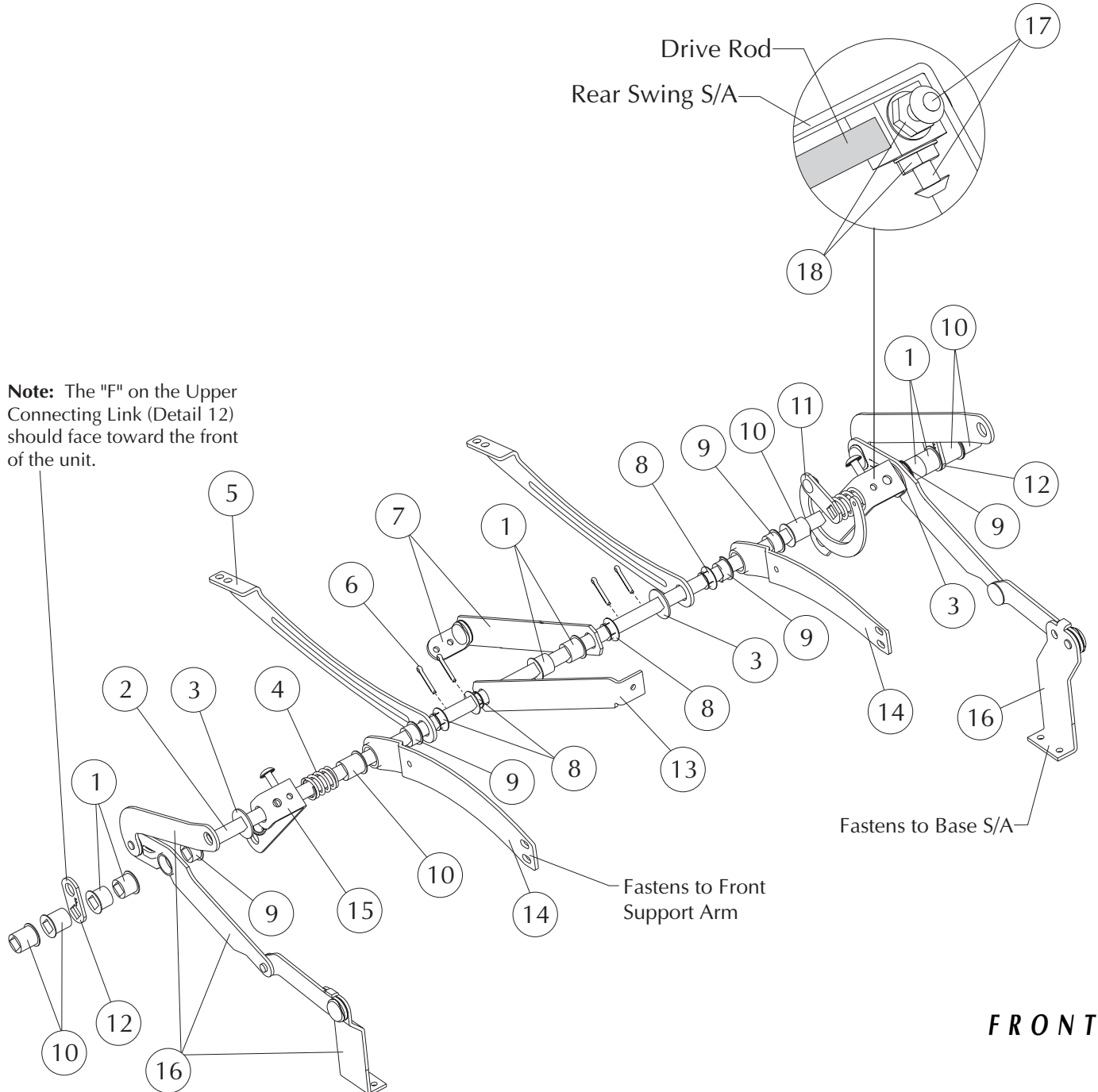
Note: When replacing parts, specify style and acknowledgment numbers.

DETAIL#	SYK PN	LZB PN	DESCRIPTION	QUANTITY
1	3309-042-404	11990424-04**	Back Upholstered plus 2 yd cover required	1
2	3309-774-201	11990742-01L*	Top Arm Finished (standard)	1
	3309-974-201	11990742-01R*	Top Arm Finished (standard)	1
	3309-774-301	11990743-01L**	Top Arm Upholstered plus 1 yd cover required (Option)	1
	3309-974-301	11990743-01R**	Top Arm Upholstered plus 1 yd cover required (Option)	1
	3	3300-028-701	95000287-01	X-Mas Tree Fastener, black
4	3308-002-316	10980023-16**	Front Skirt Sewn	1
5	3309-137-804	11991378-04**	Seat Upholstered plus 2 yd cover required	1
6	3309-000-601	94990006-01**	Mid Ottoman upholstered	1
7	3309-042-901	11990429-01**	Legrest Upholstered plus 1 yd cover required	1
8	3300-001-702	96000017-02	10-24 x 3/4" Torx Pan Head Screw	8
9	3309-000-103	95990001-03*	Handle Finished, right (standard)	1
	3309-000-104	95990001-04*	Handle Finished, left (only w/dual comfort selector option)	1
	3309-700-102	95990001-02L*	Long Handle Finished, left (only w/dual comfort selector option)	1
	3309-900-102	95990001-02R*	Long Handle Finished, right (option)	1
10	3300-036-200	96000362-00	3/8-16 x 1/2" Set Screw (standard)	1
	3300-036-200	96000362-00	3/8-16 x 1/2" Set Screw (only w/dual comfort selector option)	2
11	3309-001-600	95990016-00*	Escutcheon Finished (standard)	1
	3309-001-600	95990016-00*	Escutcheon Finished (only w/dual comfort selector option)	2
12	3308-000-328	10980003-28**	Tailgate Sewn	1
13	3300-040-900	95000409-00	X-Mas Tree Fastener, black	1
14	3307-001-303	KIT70013-03	Lock Down Back Assembly Kit, Standard	1
15	3300-001-301	96000013-01	1/4-20 x 3/4" Torx Flat head screw (pt. of det. #14)	2
16	3300-048-800	62000488-00	Lock Bar, Standard, (pt. of det. #14)	1
17	3307-907-900	92970079-00R	Back Lock Subassembly, Standard, (pt. of det. #14)	1
	3307-707-900	92970079-00L	Back Lock Subassembly, Standard, (pt. of det. #14)	1
	3303-000-501	94000005-01	Black Elastic Straps (not shown) (pt. of det. #14)	2

* Indicate finish or color when ordering
 ** Indicate fabric cover number when ordering

DRIVE ROD ASSEMBLY

FOR STYLES PRODUCED BEFORE 1/05/04



Note: The "F" on the Upper Connecting Link (Detail 12) should face toward the front of the unit.

FRONT

STYLE LY1106/3300-000-106 = RECLINA-WAY RECLINER

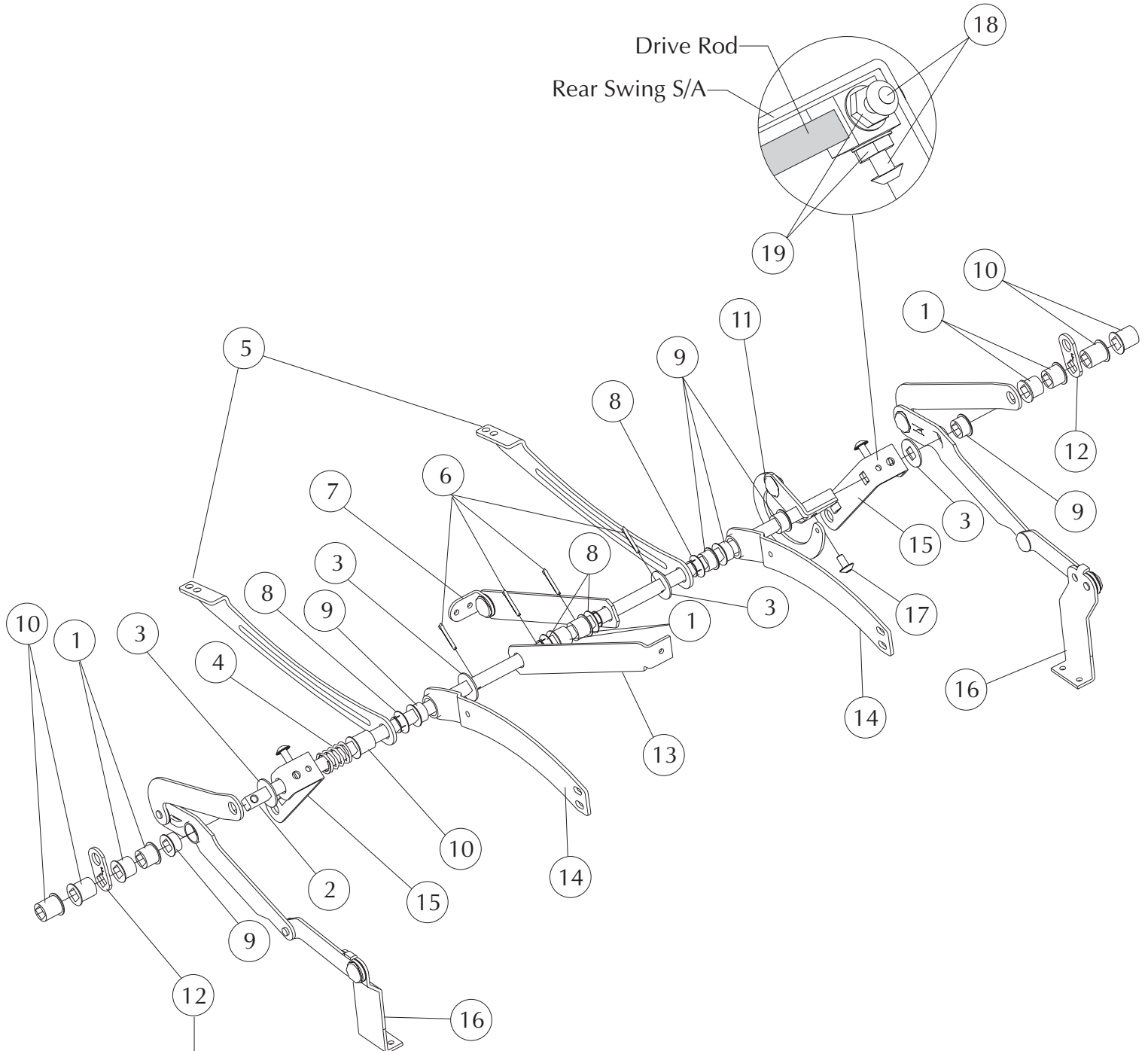
**STRYKER MEDICAL HEALTHCARE SERIES
DRIVE ROD ASSEMBLY**

Note: When replacing parts, specify style and acknowledgment numbers.

DETAIL#	SYK PN	LZB PN	DESCRIPTION	QUANTITY
1	3300-012-301	95000123-01	Bearing, medium	6
2	3300-022-401	12000224-01	Drive Rod (standard)	1
	3300-022-403	12000224-03	Drive Rod (dual handle option)	1
3	3300-012-500	95000125-00	Washer - drive rod	3
4	3300-016-500	92000165-00	Spring - drive rod	2
5	3300-027-800	72000278-00	Drive Shaft Support Rear	2
6	3300-004-102	96000041-02	Cotter Pin	4
7	3307-031-300	62970313-00	Pull link Subassembly	1
8	3300-105-800	15001058-00	Nylon Bearing	4
9	3300-000-200	35000002-00	Bearing, small	5
10	3300-012-300	95000123-00	Bearing, large	6
11	3307-004-600	42970046-00	Toggle Subassembly	1
12	3300-005-600	42000056-00	Upper Connecting Link	2
13	3300-914-700	12000147-00R	Spacing Link	1
14	3300-026-900	72000269-00	Drive Shaft Support Front	2
15	3307-012-800	42970128-00	Rear Swing Subassembly	2
16	3307-712-700	42970127-00L	Push Link Subassembly	1
	3307-912-700	42970127-00R	Push Link Subassembly	1
17	3300-007-607	96000076-07	1/4-20 x 3/4" Serrated Truss Head Screw	4
18	3300-031-900	96000319-00	1/4-20 Flange Nut	4

DRIVE ROD ASSEMBLY

FOR STYLES PRODUCED AFTER 1/05/04



Note: The "F" on the Upper Connecting Link should face toward the front of the unit.

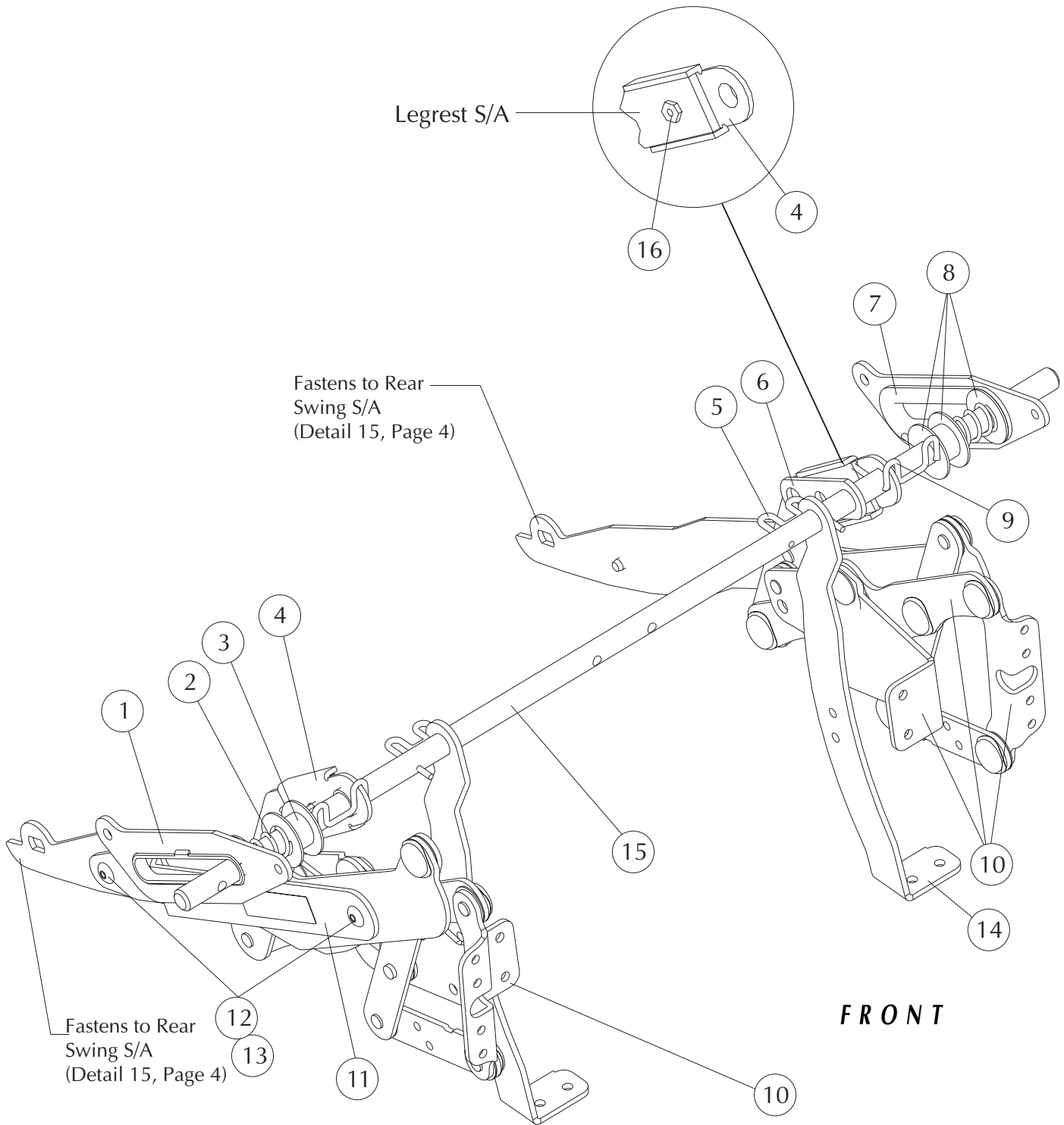
STYLE LY1106/3300-000-106 = RECLINA-WAY RECLINER

STRYKER MEDICAL HEALTHCARE SERIES

Note: When replacing parts, specify style and acknowledgment numbers.

DETAIL#	SYK PN	LZB PN	DESCRIPTION	QUANTITY
1	3300-012-301	95000123-01	Bearing, medium	6
2	3300-064-401	62000644-01	Drive Rod (standard)	1
	3300-064-403	62000644-03	Drive Rod (dual handle option)	1
3	3300-012-500	95000125-00	Washer - drive rod	4
4	3300-016-500	92000165-00	Spring - drive rod	1
5	3300-027-800	72000278-00	Drive Shaft Support Rear	2
6	3300-004-102	96000041-02	Cotter Pin	4
7	3307-031-300	62970313-00	Pull link Subassembly	1
8	3300-105-800	15001058-00	Nylon Bearing	4
9	3300-000-200	35000002-00	Bearing, small	6
10	3300-012-300	95000123-00	Bearing, large	5
11	3307-737-400	12970374-00L	Toggle Link Subassembly	1
12	3300-005-600	42000056-00	Upper Connecting Link	2
13	3300-914-700	12000147-00R	Spacing Link	1
14	3300-026-900	72000269-00	Drive Shaft Support Front	2
15	3307-012-800	42970128-00	Rear Swing Subassembly	2
16	3307-712-700	42970127-00L	Push Link Subassembly	1
	3307-912-700	42970127-00R	Push Link Subassembly	1
17	3300-007-606	96000076-06	1/4-20 x 1/2" Serrated Truss Head Screw	1
18	3300-007-607	96000076-07	1/4-20 x 3/4" Serrated Truss Head Screw	4
19	3300-031-900	96000319-00	1/4-20 Flange Nut	4

SUPPORT SHAFT ASSEMBLY



STYLE LY1106/3300-000-106 = RECLINA-WAY RECLINER

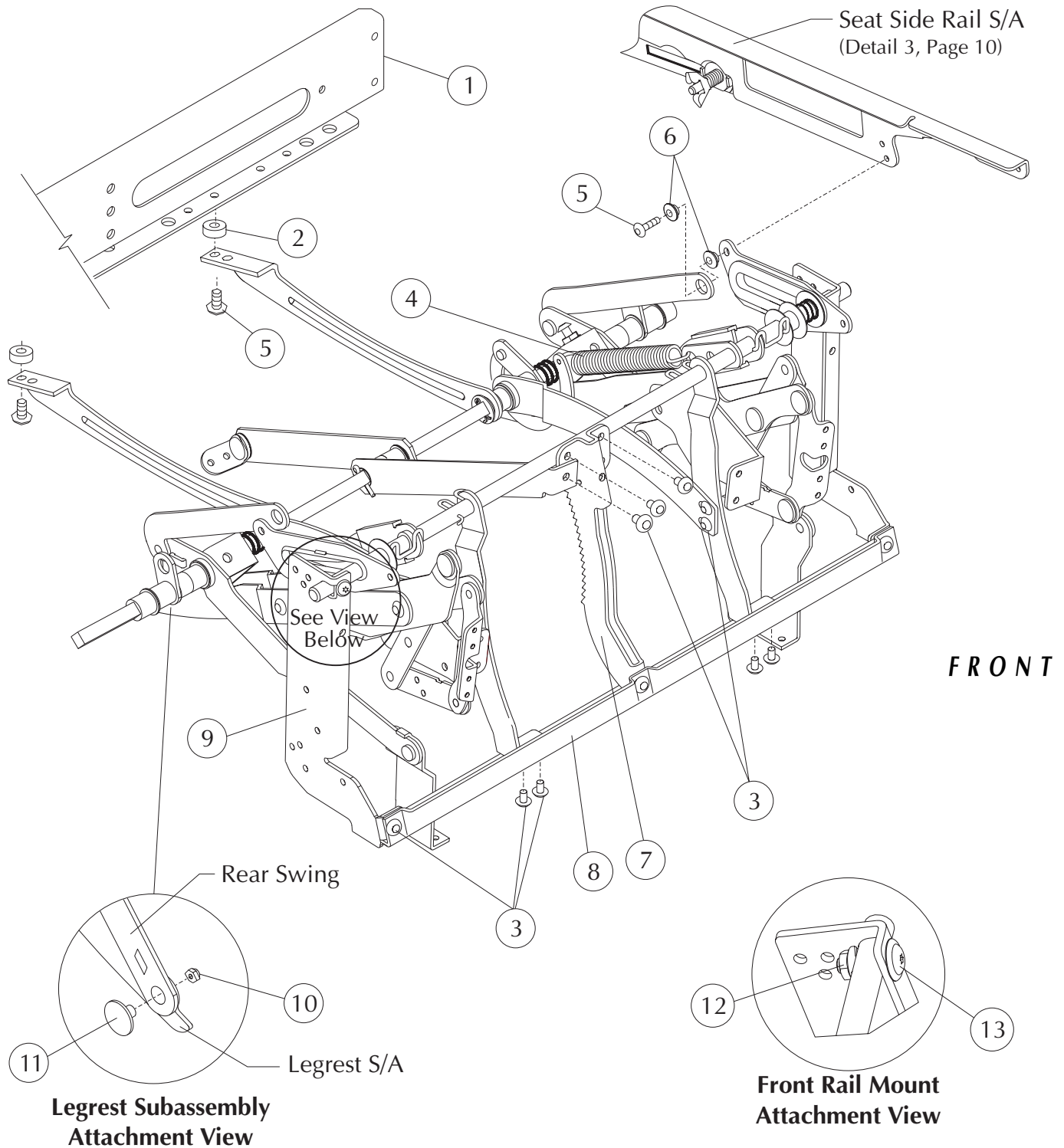
**STRYKER MEDICAL HEALTHCARE SERIES
SUPPORT SHAFT ASSEMBLY**

Note: When replacing parts, specify style and acknowledgment numbers.

DETAIL#	SYK PN	LZB PN	DESCRIPTION	QUANTITY
1	3300-020-700	12000207-00	Slide Insert Attachment	2
2	3300-018-600	92000186-00	Spring	2
3	3300-004-000	15000040-00	Spacer - round rod	2
4	3300-023-001	12000230-01	Legrest Swing Bracket	2
5	3300-004-700	42000047-00	Retaining Spacer	2
6	3300-013-400	42000134-00	Spring Connection Link (end date 12/3/03)	1
7	3300-003-100	15000031-00	Slide Insert Attachment	2
8	3300-035-001	96000350-01	Friction Washer	6
9	3300-015-800	12000158-00	Spacing Clip	2
10	3307-730-100	62970301-00L	Legrest Subassembly	1
	3307-930-100	62970301-00R	Legrest Subassembly	1
11	3300-020-500	12000205-00	L.R. Lever Reinforcement	2
12	3300-006-004	96000060-04	Washer 9/32	6
13	3300-026-100	96000261-00	1/4-20 x 3/8" Torx Truss Head Screw	6
14	3300-027-000	72000270-00	Front Support Arm	2
15	3300-016-501	12000165-01	Support Shaft	1
16	3300-048-900	96000489-00	1/4-20 x 1/2" Serrated Hex Head Screw	2

SUPPORT SHAFT AND DRIVE ROD ASSEMBLY

FOR STYLES PRODUCED BEFORE 1/05/04



STYLE LY1106/3300-000-106 = RECLINA-WAY RECLINER

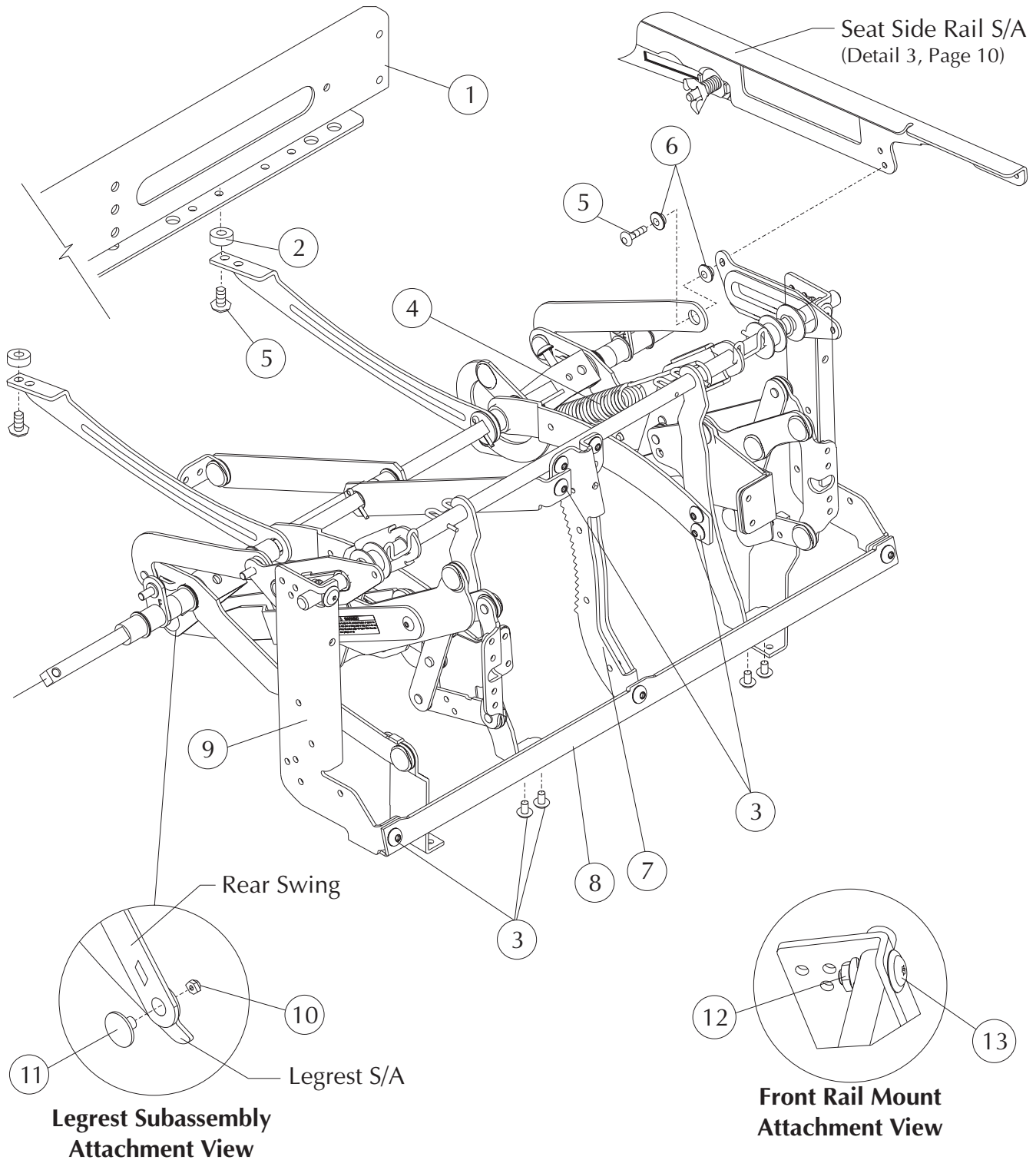
**STRYKER MEDICAL HEALTHCARE SERIES
SUPPORT SHAFT AND DRIVE ROD ASSEMBLY**

Note: When replacing parts, specify style and acknowledgment numbers.

DETAIL#	SYK PN	LZB PN	DESCRIPTION	QUANTITY
1	3307-034-401	12970344-01	Metal Rear Rail Subassembly	1
2	3300-046-803	96000468-03	Spacer	2
3	3300-007-606	96000076-06	1/4-20 x 1/2" Serrated Truss Head Screw	14
4	3300-068-700	92000687-00	Extension Spring (blue)	1
5	3300-007-604	96000076-04	1/4-20 x 1" Serrated Truss Head Screw	4
6	3300-018-200	92000182-00	Shoulder Bushing	4
7	3300-022-600	12000226-00	Pawl Rack - Modified	1
8	3308-000-101	12180001-01	Front Rail	1
9	3307-700-200	12170002-00L	Front Rail Mounting Bracket	1
	3307-900-200	12170002-00R	Front Rail Mounting Bracket	1
10	3300-028-000	96000280-00	5/16-24 Lock Nut	2
11	3300-005-401	16000054-01	5/16-24 x 5/8" Shoulder Bolt	2
12	3300-031-900	96000319-00	1/4-20 Flange Nut	2
13	3300-039-800	96000398-00*	1/4-20 x 15/16" Torx Truss Head Screw (washer head)	2

SUPPORT SHAFT AND DRIVE ROD ASSEMBLY

FOR STYLES PRODUCED AFTER 1/05/04



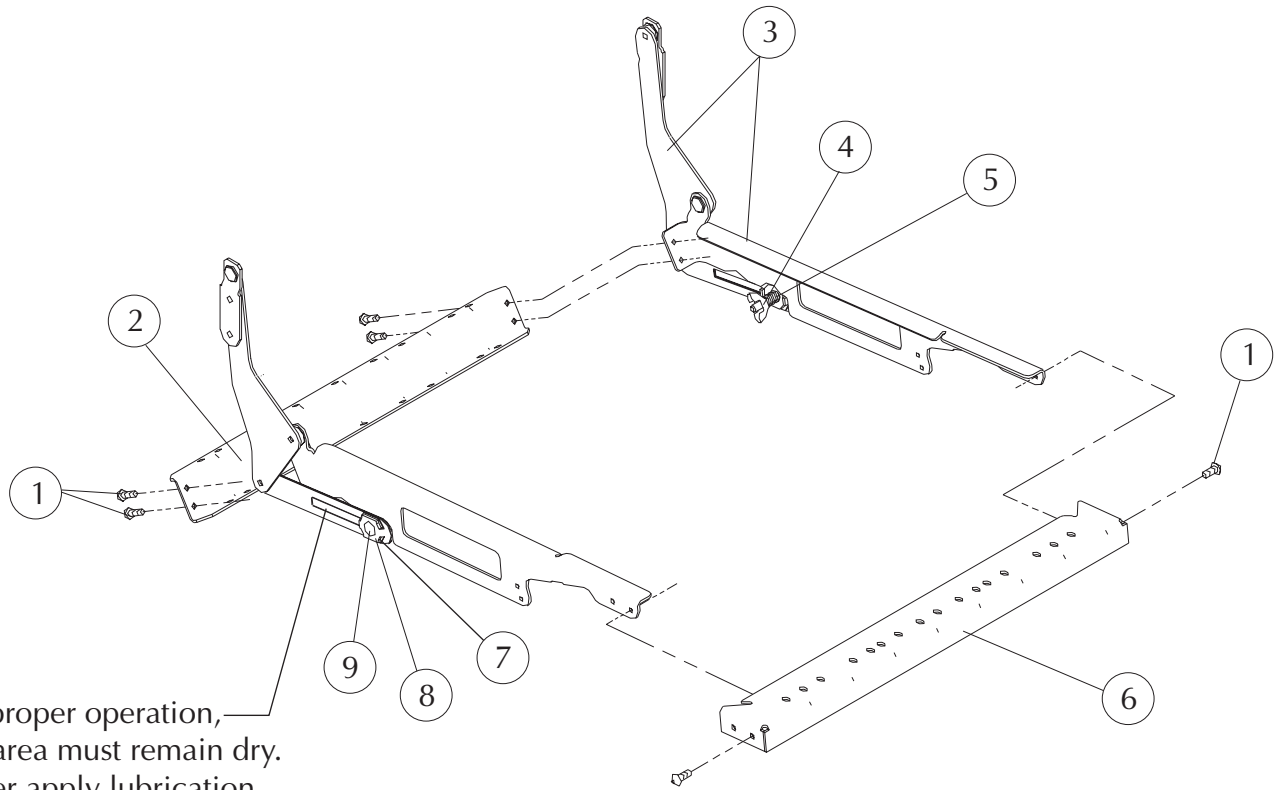
STYLE LY1106/3300-000-106 = RECLINA-WAY RECLINER

STRYKER MEDICAL HEALTHCARE SERIES

Note: When replacing parts, specify style and acknowledgment numbers.

DETAIL#	SYK PN	LZB PN	DESCRIPTION	QUANTITY
1	3307-034-401	12970344-01	Metal Rear Rail Subassembly	1
2	3300-046-803	96000468-03	Spacer	2
3	3300-007-606	96000076-06	1/4-20 x 1/2" Serrated Truss Head Screw	14
4	3300-069-100	92000691-00	Extension Spring	1
5	3300-007-604	96000076-04	1/4-20 x 1" Serrated Truss Head Screw	4
6	3300-018-200	92000182-00	Shoulder Bushing	4
7	3300-022-600	12000226-00	Pawl Rack - Modified	1
8	3308-000-101	12180001-01	Front Rail	1
9	3307-700-200	12170002-00L	Front Rail Mounting Bracket	1
	3307-900-200	12170002-00R	Front Rail Mounting Bracket	1
10	3300-028-000	96000280-00	5/16-24 Lock Nut	2
11	3300-005-401	16000054-01	5/16-24 x 5/8" Shoulder Bolt	2
12	3300-031-900	96000319-00	1/4-20 Flange Nut	2
13	3300-039-800	96000398-00*	1/4-20 x 15/16" Torx Truss Head Screw (washer head)	2

SEAT MECHANISM



For proper operation,
this area must remain dry.
Never apply lubrication
to this area.

FRONT

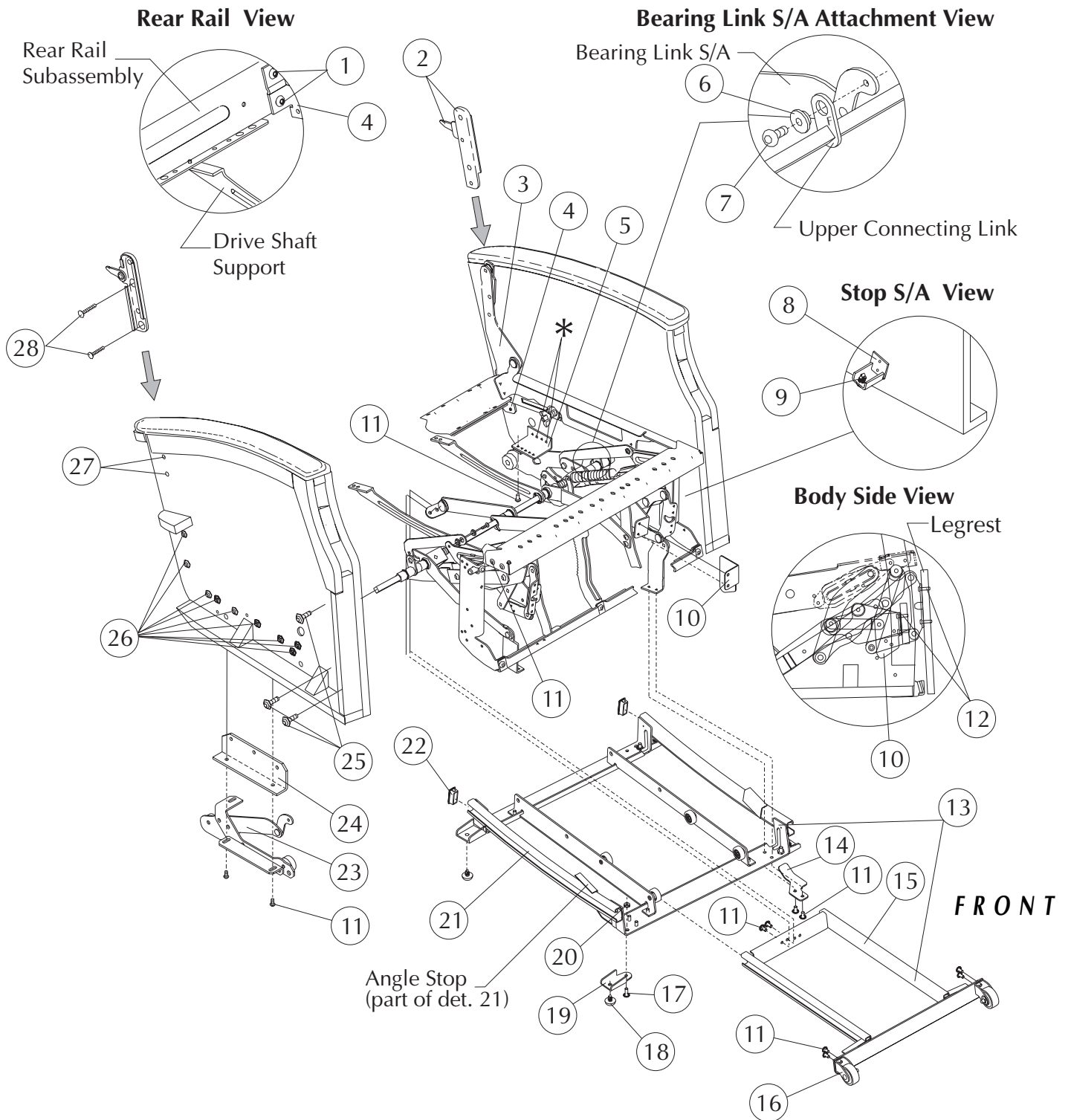
STYLE LY1106/3300-000-106 = RECLINA-WAY RECLINER

**STRYKER MEDICAL HEALTHCARE SERIES
SEAT MECHANISM**

Note: When replacing parts, specify style and acknowledgment numbers.

DETAIL#	SYK PN	LZB PN	DESCRIPTION	QUANTITY
1	3300-007-606	96000076-06	1/4-20 x 1/2" Serrated Truss Head Screw	6
2	3302-000-100	12320001-00	Seat Rear Rail	1
3	3307-728-900	12970289-00L	Seat Side Rail Subassembly	1
	3307-928-900	12970289-00R	Seat Side Rail Subassembly	1
4	3300-039-000	96000390-00	Wing Nut (part of detail #3)	2
5	3300-065-400	92000654-00	Compression Spring (part of detail #3)	2
6	3303-000-100	12330001-00	Seat Front Rail	1
7	3300-003-500	16000035-00	Friction Washer (part of detail #3)	6
8	3300-009-600	12000096-00	Spur Washer (part of detail #3)	2
9	3300-001-400	96000014-00	Carriage Bolt (part of detail #3)	2

MECHANISM ASSEMBLY



STYLE LY1106/3300-000-106 = RECLINA-WAY RECLINER

**STRYKER MEDICAL HEALTHCARE SERIES
MECHANISM ASSEMBLY**

Note: When replacing parts, specify style and acknowledgment numbers.

DETAIL#	SYK PN	LZB PN	DESCRIPTION	QUANTITY
1	3300-048-901	96000489-01	1/4-20 x 13/16" Hex Head Screw	4
2	3307-707-000	92970070-00L	Back Bracket Subassembly (end date 10/30/04)	1
	3307-907-000	92970070-00R	Back bracket Subassembly (end date 10/30/04)	1
3	3308-001-600	12980016-00	Seat Mechanism Assembly	1
4	3300-027-301	12000273-01	Rear Rail Bracket	2
5	3300-012-800	42000128-00	Side Bracket	2
6	3300-018-200	92000182-00	Shoulder Bushing	2
7	3300-007-607	96000076-07	1/4-20 x 3/4" Serrated Truss Head Screw	2
8	3307-015-701	42970157-01	Stop Subassembly	2
9	3300-038-902	95000389-02	X-mas Tree Stop Pad (part of det. 8)	2
10	3300-723-800	12000238-00L	Mid Ottoman Guard	1
	3300-923-800	12000238-00R	Mid Ottoman Guard	1
11	3300-007-606	96000076-06	1/4-20 x 1/2" Serrated Truss Head Screw	18
12	3300-001-702	96000017-02	10-24 x 3/4" Torx Pan Head Screw	8
13	3308-009-901	62980099-01*	Base Assembly	1
14	3300-714-800	42000148-00L	Swing Guard	1
	3300-914-800	42000148-00R	Swing Guard	1
15	3307-031-000	62970310-00	Base Track Subassembly (part of det. 13)	1
16	3307-732-000	62970320-00L	Wheel Bracket Subassembly, short (part of det. 15)	1
	3307-932-000	62970320-00R	Wheel Bracket Subassembly, short (part of det. 15)	1
17	3300-007-609	96000076-09	1/4-20 x 3/4" Serrated Truss Head Screw	4
18	3300-039-400	95000394-00	X-mas Tree Glide	4
19	3300-015-600	42000156-00	Extended Foot	4
20	3300-031-900	96000319-00	1/4-20 Flange Nut	4
21	3307-031-800	62970318-00	Replacement Stabilizer Base (part of det. 13)	1
22	3300-001-200	45000012-00	Base track Plug	2
23	3307-706-900	42970069-00L	Bearing Link Subassembly	1
	3307-906-900	42970069-00R	Bearing Link Subassembly	1
24	3300-109-000	12001090-00	Bearing Angle Mount Bracket	2
25	3300-039-800	96000398-00	1/4-20 x 15/16" Truss Head Screw (washer head)	6
26	3300-039-801	96000398-01	1/4-20 x 11/16" Truss Head Screw (washer head)	18
27	3300-001-302	96000013-02	1/4-20 x 1" Torx Flat Head Screw	4
28	3300-001-303	96000013-03	1/4-20 x 1 1/4" Torx Flat Head Screw (end date 10/30/04)	4

Style LY1106/3300-000-106 Reclina-Way® Recliner

Dimensions:	Back Height from Floor	43.50"																												
	Back Height from Seat	30.00"																												
	Seat Width	22.00"																												
	Seat Height	17.13"																												
	Seat Depth	19.75"																												
	Arm Height from Floor	24.50"																												
	Overall Width	29.00"																												
	Overall Depth	33.75"																												
	Reclined Depth	54.00"																												
	Reclined Depth, legrest extended	68.50"																												
	Maximum Recline Angle	180° (parallel to floor)																												
	Weight	99 lbs.																												
Finish:	Type of Finish	High Solids Catalyzed Lacquer																												
	Available Colors	<table border="0"> <tr> <td>150</td> <td>Hard Rock Maple</td> <td>051</td> <td>Natural</td> </tr> <tr> <td>154</td> <td>Fine Oak</td> <td>431</td> <td>Dark Cherry</td> </tr> <tr> <td>151</td> <td>Port Maple</td> <td>143</td> <td>White Blush</td> </tr> <tr> <td>152</td> <td>Wild Cherry</td> <td>435</td> <td>Classic Cherry</td> </tr> <tr> <td>447</td> <td>Cayenne Maple</td> <td></td> <td></td> </tr> <tr> <td>448</td> <td>Honey Maple</td> <td></td> <td></td> </tr> <tr> <td>449</td> <td>Select Cherry</td> <td></td> <td></td> </tr> </table>	150	Hard Rock Maple	051	Natural	154	Fine Oak	431	Dark Cherry	151	Port Maple	143	White Blush	152	Wild Cherry	435	Classic Cherry	447	Cayenne Maple			448	Honey Maple			449	Select Cherry		
150	Hard Rock Maple	051	Natural																											
154	Fine Oak	431	Dark Cherry																											
151	Port Maple	143	White Blush																											
152	Wild Cherry	435	Classic Cherry																											
447	Cayenne Maple																													
448	Honey Maple																													
449	Select Cherry																													
Frame Construction:	Frame Material	Furniture grade plywood																												
	Frame Construction	Steel channel cross members																												
	Arm Cap[Attachment	Arm cap attached to body with spring steel compressions dowels																												
Seat Construction:	Frame Material	Steel channel frame																												
	Suspension	Sinuuous wire springs, crossbrace wire and composition pad																												
	Foam Type	High resilient (HR) polyurethane foam MFG-8-33, 33 lb ILD, 2.50-2.70 density																												
Back Construction:	Frame Material	Hardwood																												
	Frame Construction	Double doweled and glued																												
	Back Foam	High resilient (HR) polyurethane foam MFG-8-20, 20 lb ILD, 2.25-2.45 density																												
Upholstery Details:	Patterns Available	Fabric, vinyl, C.O.M.																												
Test Data:	Fabric Tests	Consult specific fabric card																												
	BIFMA Tests	Meets ANSI/BIFMA X5.4 - 1990 American National Standard for Office Furnishings -Lounge Seating.																												
	Flammability Tests	<p>Tests conducted in La-Z-Boy's accredited test facility.</p> <p>Meets BIFMA First Generation Voluntary Upholstered Furniture Flammability Standard for Business and Institutional Markets, F1-1978-revised 1980. California Bureau of Home Furnishings - Technical Bulletin 117.</p> <p>Meets Flammability Requirements of California Bureau of Home Furnishings Technical Bulletin 133 when ordered with La-Z-Boy Code Red Fabrics and Vinyl's. Consult a Stryker Customer Service Representative at 1-800-STRYKER for further information. Upholstered Furniture Action Council Class 1.</p>																												

GENERAL INFORMATION

Three Piece Rear Rail:

Four Hex Head Screws are used to attach the Metal Rear Rail to the Rear Rail Brackets. The screws are installed in a counterclockwise direction starting with the upper slot in the left (when sitting). Do not tighten this screw completely until the other three screws are installed and fastened firmly. The upper right, lower right and lower left screws are tightened when they are installed.

Legrest Subassembly:

When a complete Legrest Subassembly is being replaced it is necessary to order:

- Legrest S/A (62970301-00L/R)
- L.R. Lever Reinforcement (12000205-00)
- Washer (96000060-04)
- 1/4-20 Truss Head Screws (96000261-00)

Refer to page 7 for quantities needed.

Lock Down Back Service Kit

KIT70013-03/3307-001-303 includes:

<u>QTY</u>	<u>SYK PN</u>	<u>LZB PN</u>	<u>DESCRIPTION</u>
(1)	3307-707-900	92970079-00L	Back Latch Bracket Assembly
(1)	3307-907-900	92970079-00R	Back Latch Bracket Assembly
(1)	3300-048-800	62000488-00	Lock Bar
(4)	3300-001-301	96000013-01	1/4-20 x 3/4" Torx Flat Head Screws
(2)	3300-000-501	94000005-01	Black Strap
(1)	3300-061-501	63000615-01	Assembly Instructions