

stryker[®]
Medical

LY1200/3300-000-200 Series

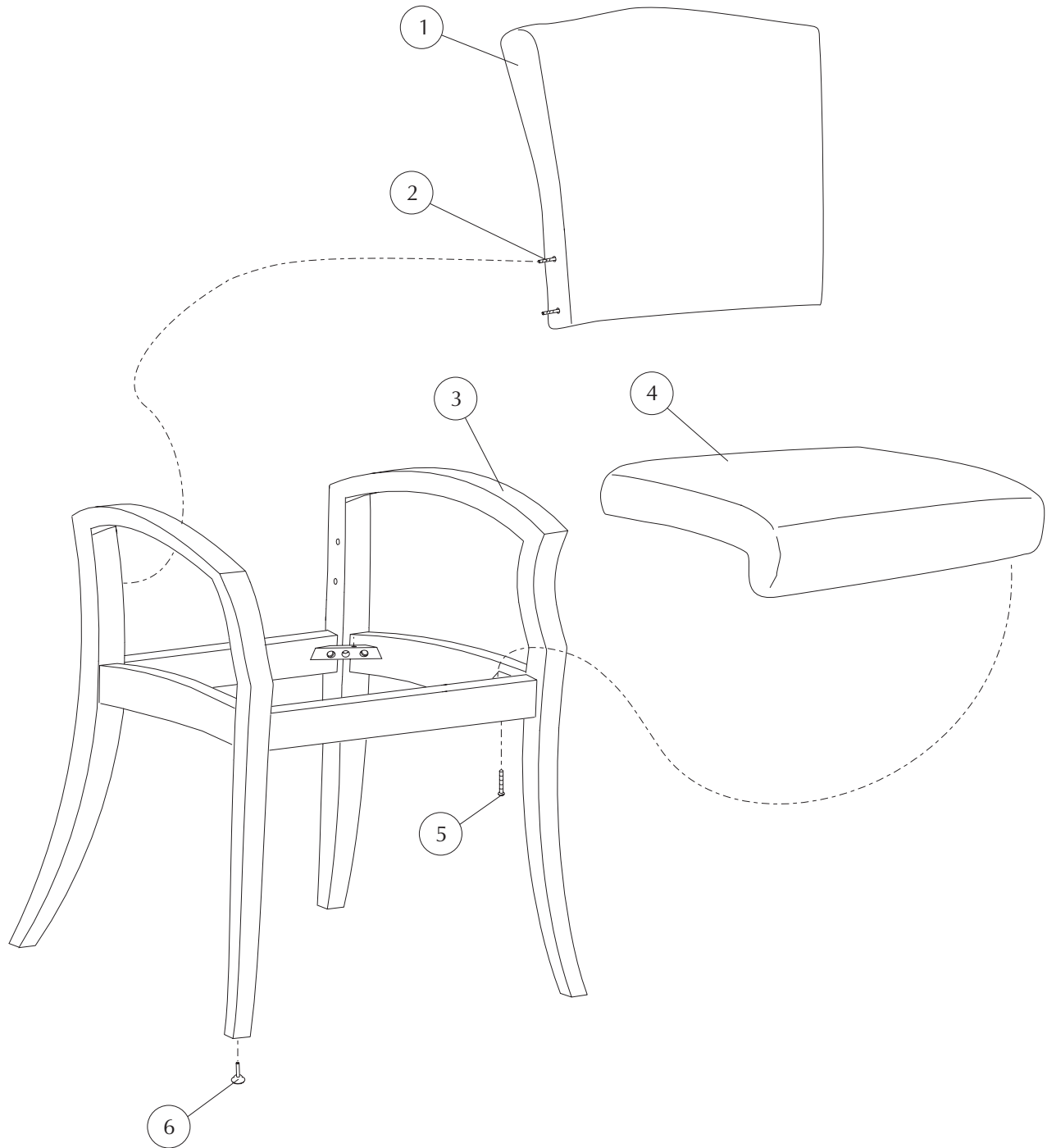
Operations/Maintenance Manual

For Parts or Technical Assistance
800-327-0770

LY1200/3300-000-200 Series

Table of Contents

| | |
|---|-------|
| Style LY1201/3300-000-201 LY1202/3300-000-202 LY1203/3300-000-203 LY1202S/3300-000-212 | 2-3 |
| Style LY1204/3300-000-204, LY1304/3300-000-304 | 4-5 |
| Style LY1205/3300-000-205 | 6-7 |
| Style LY1209/3300-000-209 | 8-9 |
| Style LY1208/3300-000-208 | 10-11 |
| Assembly Instructions (Seat & Back Replacement) | 12 |
| Assembly Instructions Style LY1209/3300-000-209 | 13 |
| Assembly Instructions Style LY1208/3300-000-208 | 14-15 |
| Specification LY1201/3300-000-201 | 16 |
| Specification LY1202/3300-000-202 | 17 |
| Specification LY1203/3300-000-203 | 18 |
| Specification LY1202S/3300-000-212 | 19 |
| Specification LY1204/3300-000-204 | 20 |
| Specification LY1205/3300-000-205 | 21 |
| Specification LY1209/3300-000-209 | 22 |
| Specification LY1208/3300-000-208 | 23 |
| Specification LY1304/3300-000-304 | 24 |
| Troubleshooting Guide/Tips | 25 |



STYLE LY1201/3300-000-201 = SINGLE MODULAR LOUNGE CHAIR (FEATURED)
STYLE LY1202/3300-000-202 = DOUBLE MODULAR LOUNGE CHAIR
STYLE LY1203/3300-000-203 = TRIPLE MODULAR LOUNGE CHAIR
STYLE LY1202S/3300-000-212= SETTEE MODULAR LOUNGE CHAIR

STRYKER MEDICAL HEALTHCARE SERIES

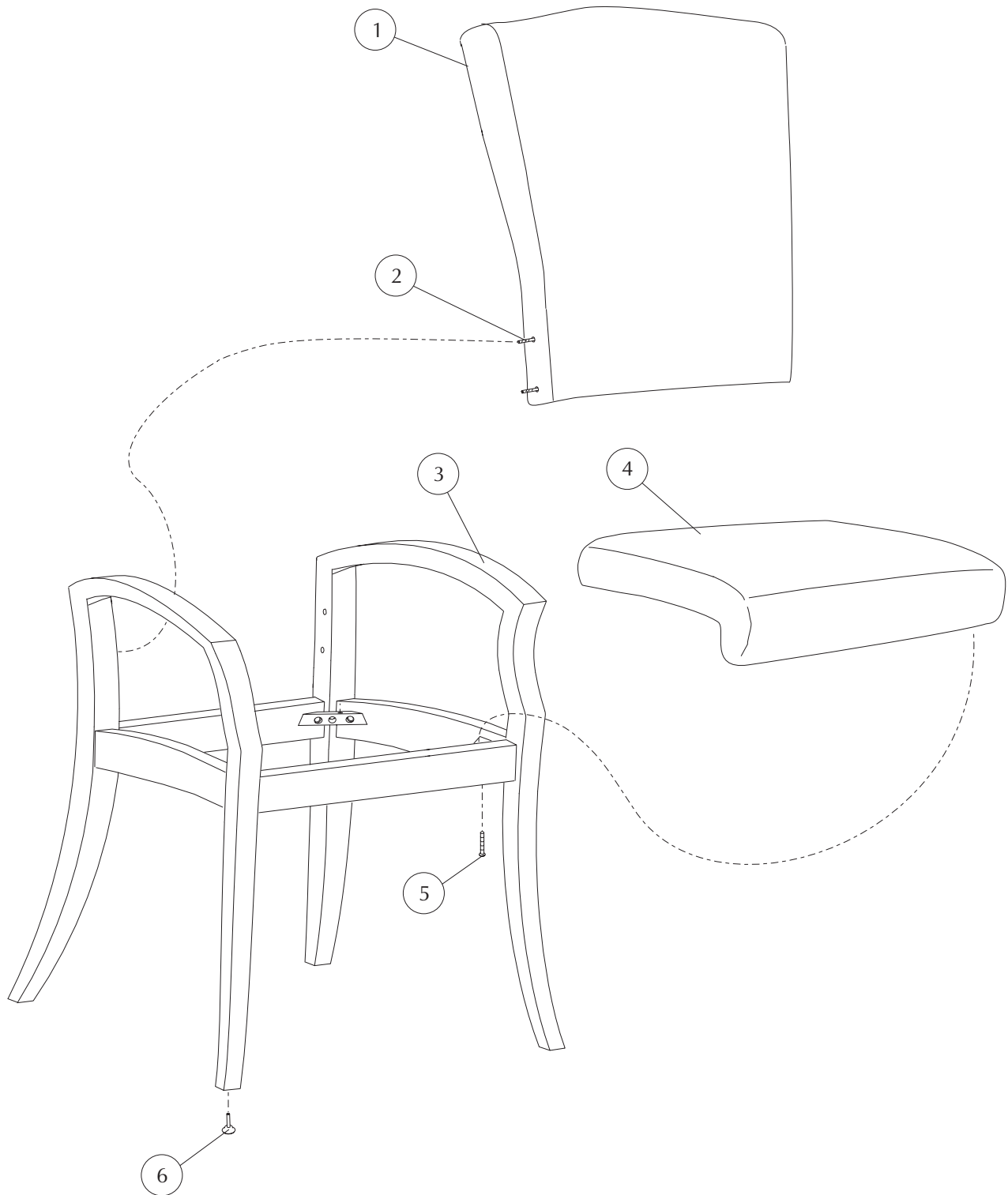
Note: When replacing parts, specify style and acknowledgment numbers.

| DETAIL# | SYK PN | LZB PN | DESCRIPTION | QUANTITY |
|--|---------------|---------------|--|-----------------|
| Single Modular Lounge Chair (LY1201/3300-000-201): | | | | |
| 1 | 3302-000-601 | KIT20006-01** | Back Upholstered plus 1 yd cover required◆ | 1 |
| 2 | 3300-039-807 | 96000398-07 | 1/4-20 x 2 1/4" Torx Truss Head Screw | 4 |
| 3 | 3309-052-001 | 61990520-01* | Chair Frame Finished◆ | 1 |
| 4 | 3309-063-001 | 64990630-01** | Seat Upholstered plus 1 yd cover required | 1 |
| 5 | 3300-081-500 | 96000815-00 | #10-16 x 2 1/2" Phillips Pan Head Screw | 4 |
| 6 | 3300-011-400 | 96000114-00 | 7/8" dia. Plastic NailGlide | 4 |
| Double Modular Lounge Chair (LY1202/3300-000-202): | | | | |
| 1 | 3302-000-601 | KIT20006-01** | Back Upholstered plus 1 yd cover required◆ | 2 |
| 2 | 3300-039-807 | 96000398-07 | 1/4-20 x 2 1/4" Torx Truss Head Screw | 8 |
| 3 | 3309-052-002 | 61990520-02* | Chair Frame Finished◆ | 1 |
| 4 | 3309-063-001 | 64990630-01** | Seat Upholstered plus 1 yd cover required | 2 |
| 5 | 3300-081-500 | 96000815-00 | #10-16 x 2 1/2" Phillips Pan Head Screw | 8 |
| 6 | 3300-011-400 | 96000114-00 | 7/8" dia. Plastic Nail Glide | 6 |
| Triple Modular Lounge Chair (LY1203/3300-000-203): | | | | |
| 1 | 3302-000-601 | KIT20006-01** | Back Upholstered plus 1 yd cover required◆ | 3 |
| 2 | 3300-039-807 | 96000398-07 | 1/4-20 x 2 1/4" Torx Truss Head Screw | 12 |
| 3 | 3309-052-003 | 61990520-03* | Chair Frame Finished◆ | 1 |
| 4 | 3309-063-001 | 64990630-01** | Seat Upholstered plus 1 yd cover required | 3 |
| 5 | 3300-081-500 | 96000815-00 | #10-16 x 2 1/2" Phillips Pan Head Screw | 12 |
| 6 | 3300-011-400 | 96000114-00 | 7/8" dia. Plastic Nail Glide | 8 |
| Settee Modular Lounge Chair (LY1202S/3300-000-212): | | | | |
| 1 | 3302-000-701 | KIT20007-01** | Back Upholstered plus 1.5 yd cover required◆ | 1 |
| 2 | 3300-039-807 | 96000398-07 | 1/4-20 x 2 1/4" Torx Truss Head Screw | 4 |
| 3 | 3309-052-100 | 61990521-00* | Chair Frame Finished◆ | 1 |
| 4 | 3309-063-101 | 64990631-01** | Seat Upholstered plus 1.5 yd cover required | 1 |
| 5 | 3300-081-500 | 96000815-00 | #10-16 x 2 1/2" Phillips Pan Head Screw | 4 |
| 6 | 3300-011-400 | 96000114-00 | 7/8" dia. Plastic Nail Glide | 4 |

- ◆ For replacement of the back or frame, the chair must be sent back to the factory , if under warranty, or repaired by an experienced upholsterer.

* Indicate finish or color when ordering

** Indicate fabric cover number when ordering



STYLE LY1204/3300-000-204 = MID-BACK PATIENT ROOM CHAIR
STYLE LY1304/3300-000-304 = MID-BACK PATIENT ROOM CHAIR

STRYKER MEDICAL HEALTHCARE SERIES

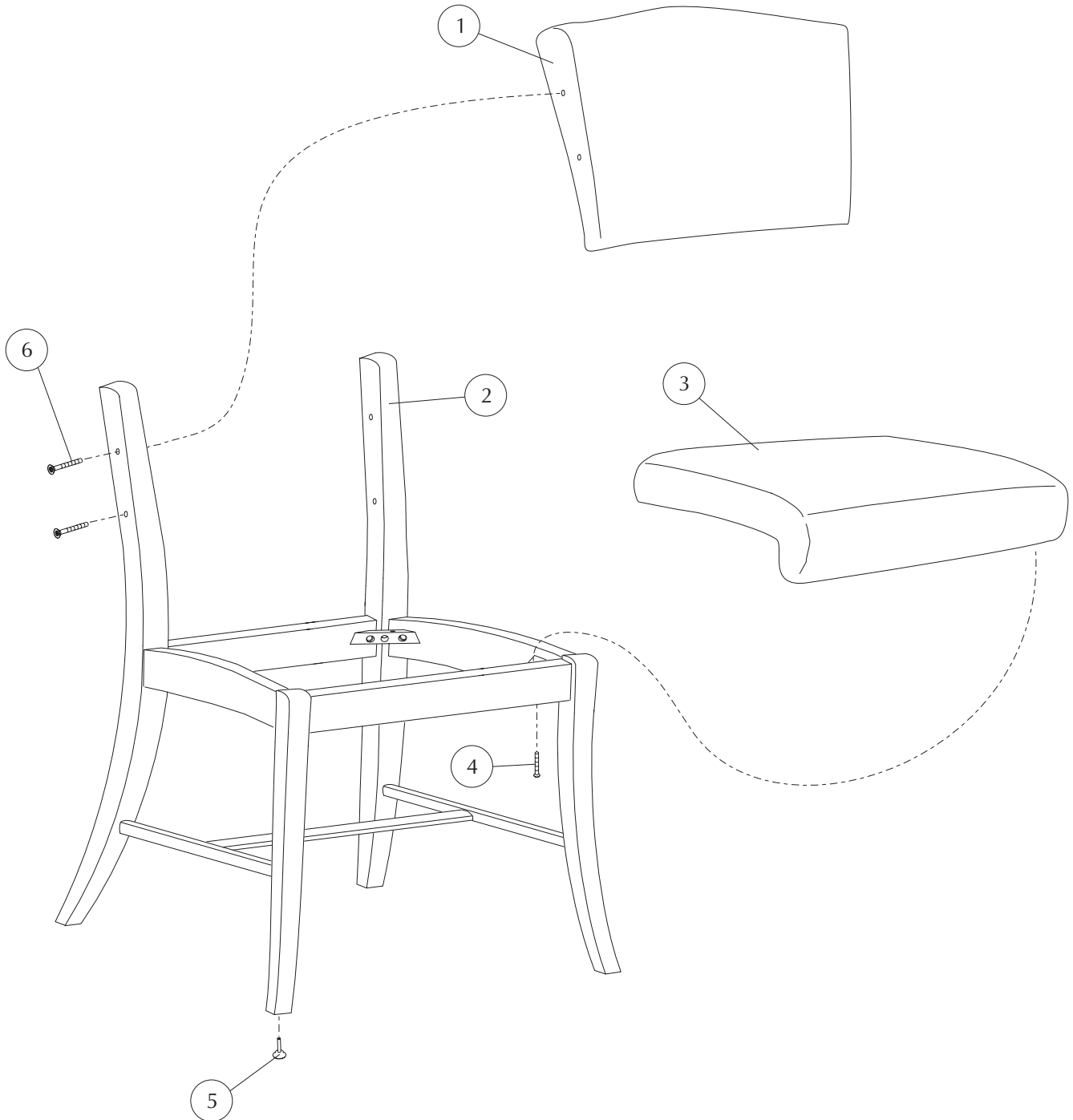
Note: When replacing parts, specify style and acknowledgment numbers.

| DETAIL# | SYK PN | LZB PN | DESCRIPTION | QUANTITY |
|---|---------------|---------------|--|-----------------|
| Mid-Back Patient Room Chair (LY1204/3300-000-204): | | | | |
| 1 | 3302-000-501 | KIT20005-01** | Back Upholstered plus 2 yd cover required◆ | 1 |
| 2 | 3300-039-807 | 96000398-07 | 1/4-20 x 2 1/4" Torx Truss Head Screw | 4 |
| 3 | 3309-052-001 | 61990520-01* | Chair Frame Finished◆ | 1 |
| 4 | 3309-063-000 | 64990630-00** | Seat Upholstered plus 1 yd cover required | 1 |
| 5 | 3300-081-500 | 96000815-00 | #10-16 x 2 1/2" Phillips Pan Head Screw | 4 |
| 6 | 3300-011-400 | 96000114-00 | 7/8" dia. Plastic Nail Glide | 4 |

| | | | | |
|---|--------------|---------------|--|---|
| Mid-Back Patient Room Chair (LY1304/3300-000-304): | | | | |
| 1 | 3302-000-501 | KIT20005-01** | Back Upholstered plus 2 yd cover required◆ | 1 |
| 2 | 3300-039-807 | 96000398-07 | 1/4-20 x 2 1/4" Torx Truss Head Screw | 4 |
| 3 | 3309-052-004 | 61990520-04* | Chair Frame Finished◆ | 1 |
| 4 | 3309-063-000 | 64990630-00** | Seat Upholstered plus 1 yd cover required | 1 |
| 5 | 3300-081-500 | 96000815-00 | #10-16 x 2 1/2" Phillips Pan Head Screw | 4 |
| 6 | 3300-011-400 | 96000114-00 | 7/8" dia. Plastic Nail Glide | 4 |

- ◆ For replacement of the back or frame, the chair must be sent back to the factory , if under warranty, or repaired by an experienced upholsterer.

* Indicate finish or color when ordering
 ** Indicate fabric cover number when ordering



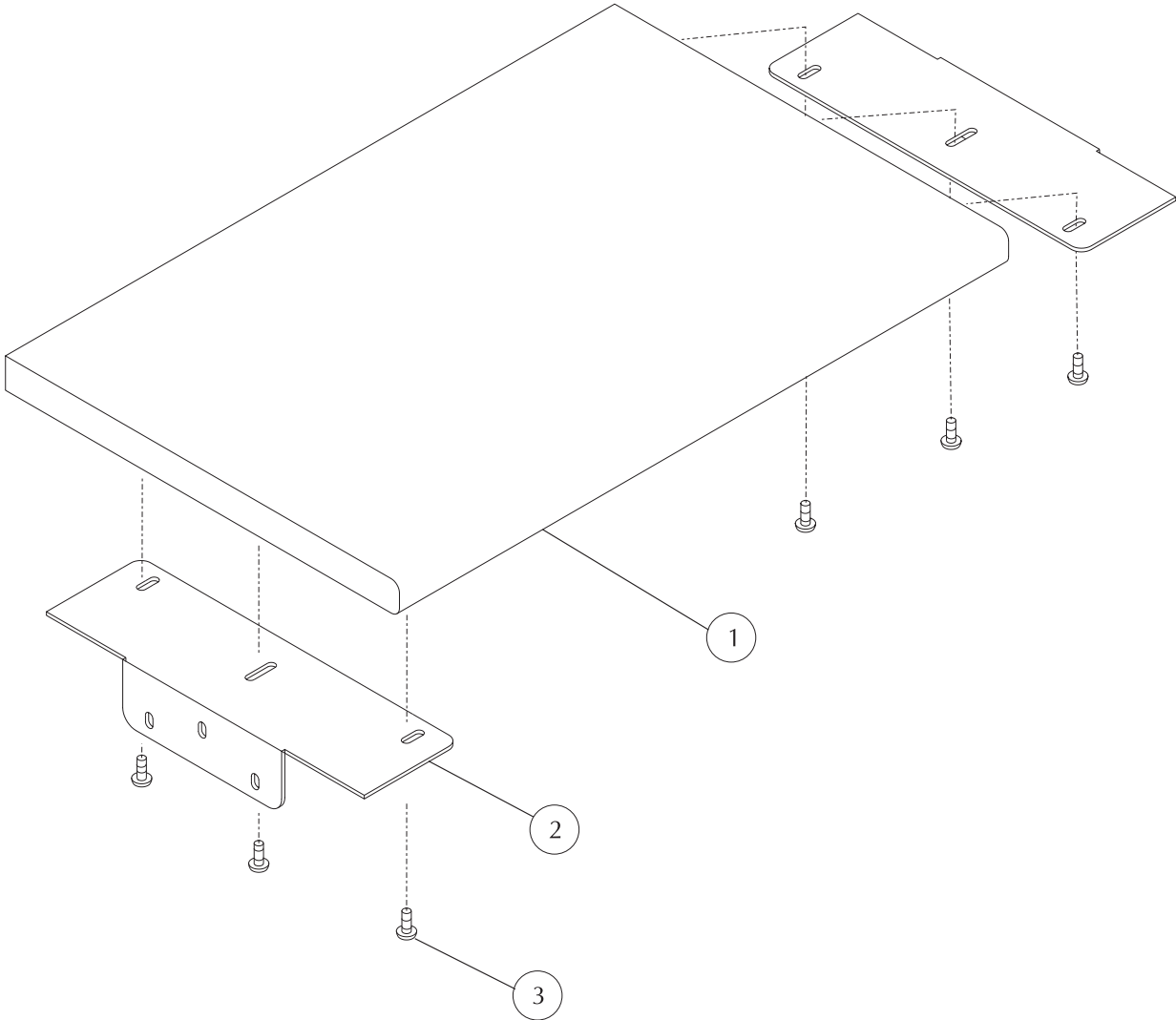
STYLE LY1205/3300-000-205 = ARMLESS PATIENT ROOM CHAIR

STRYKER MEDICAL HEALTHCARE SERIES

Note: When replacing parts, specify style and acknowledgment numbers.

| DETAIL# | SYK PN | LZB PN | DESCRIPTION | QUANTITY |
|---------|--------------|---------------|---|----------|
| 1 | 3309-064-501 | 64990645-01** | Back upholstered plus 0.5 yd cover required | 1 |
| 2 | 3309-032-900 | 61990329-00* | Chair frame finished | 1 |
| 3 | 3309-042-201 | 64990422-01** | Seat upholstered plus 1 yd cover required | 1 |
| 4 | 3300-003-305 | 96000033-05 | #10-16 x 1 3/4" torx truss head screw | 4 |
| 5 | 3300-011-400 | 96000114-00 | 7/8" dia. Plastic nail glide | 4 |
| 6 | 3300-016-808 | 96000168-08 | 1/4-20 connector bolt | 4 |

* Indicate finish or color when ordering
** Indicate fabric cover number when ordering



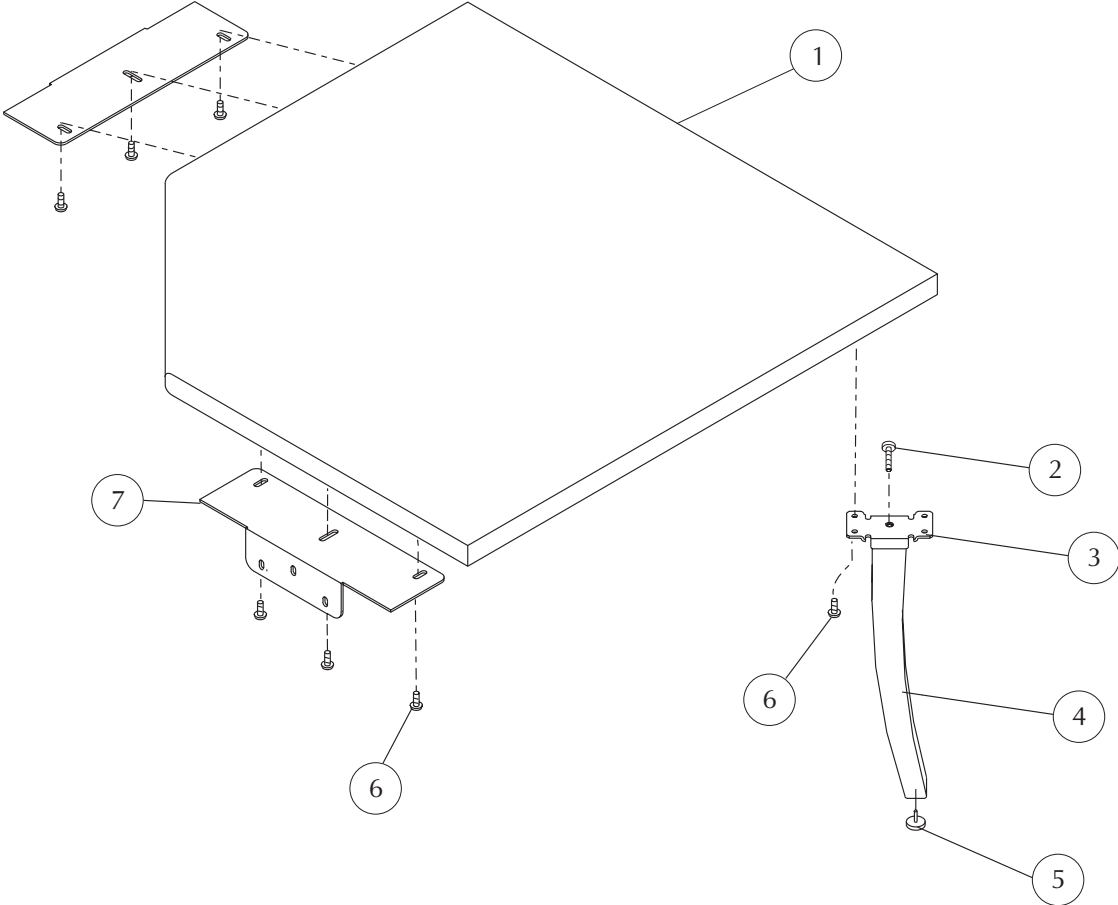
STYLE LY1209/3300-000-209 = GANGING TABLE

STRYKER MEDICAL HEALTHCARE SERIES

Note: When replacing parts, specify style and acknowledgment numbers.

| DETAIL# | SYK PN | LZB PN | DESCRIPTION | QUANTITY |
|---------|--------------|--------------|--------------------------------|----------|
| 1 | 3301-103-400 | 01011034-00* | Ganging Table Top | 1 |
| 2 | 3300-054-800 | 62000548-00 | Ganging Bracket | 2 |
| 3 | 3300-002-401 | 96000024-01 | 1/4-20 x 3/4" Truss Head Screw | 10 |

* Indicate finish or color when ordering



STYLE LY1208/3300-000-208 = CORNER TABLE

STRYKER MEDICAL HEALTHCARE SERIES

Note: When replacing parts, specify style and acknowledgment numbers.

| DETAIL# | SYK PN | LZB PN | DESCRIPTION | QUANTITY |
|----------------|---------------|---------------|---------------------------------------|-----------------|
| 1 | 3301-103-300 | 01011033-00* | Corner Table Top | 1 |
| 2 | 3300-023-501 | 96000235-01 | #10-12 x 7/8" Phillips Pan Head Screw | 1 |
| 3 | 3300-054-700 | 62000547-00 | Mounting Bracket | 1 |
| 4 | 3303-010-200 | 61030102-00* | Leg | 1 |
| 5 | 3300-011-400 | 96000114-00 | 7/8" dia. Plastic Nail Glide | 1 |
| 6 | 3300-002-401 | 96000024-01 | 1/4-20 x 3/4" Truss Head Screw | 14 |
| 7 | 3300-054-800 | 62000548-00 | Ganging Bracket | 2 |

* Indicate finish or color when ordering

TOOLS REQUIRED:
T-25 torx driver
T-30 torx driver
staple remover

**Styles LY1201/3300-000-201, LY1202/3300-000-202,
LY1203/3300-000-203, LY1204/3300-000-204,
LY1202S/3300-000-212**

HOW TO REPLACE THE SEAT

To remove:

1. Place the chair upside down on a protected surface.
2. Use a #25 torx driver to remove the four (4) #10-16 x 2¼" truss head screws located in the corner blocks.
3. Remove the seat by sliding it toward the front of the finished frame.

To replace:

1. Insert the replacement seat into the finished frame and secure with the same (4) four #10-16 x 2¼" truss head screws.

HOW TO REPLACE THE BACK

To remove:

1. Place the chair upside down on a protected surface.
2. Remove the staples at the bottom of the outside back.
3. Remove the tackstrips from the foam and fabric. Discard.
4. Pull the fabric and outside back foam up to access the outside back panelboard.
5. Remove the staples from the outside back panelboard. Discard.
6. Use a #30 torx driver to remove the (4) ¼-20 x 2¼" truss head screws attaching the back to the frame.

To replace:

1. Insert the replacement back into the finished frame and secure with the same (4) four ¼-20 x 2¼" truss head screws.
2. Align the bottom edge of the sub-upholstered panelboard with the bottom edge of the top rail and center from side to side.
3. Staple the top edge of the panelboard using ½" staples.
4. Pull the bottom edge of the outer back poly and fabric snugly to the bottom of the back. Fold the excess material under, and staple it neatly to the bottom of the back.
5. Close the sides of the outer back with the 13½" tackstrips.
6. Finish stapling the bottom of the fabric neatly in the corners.

STYLE LY1209/3300-000-209
GANGING TABLE

HARDWARE (INCLUDED)

- (1) Ganging Table Top
- (2) Ganging Brackets
- (1) Parts Kit:
 - (1) Torx Wrench
 - (10) 1/4-20 x 3/4" Truss Head Screws

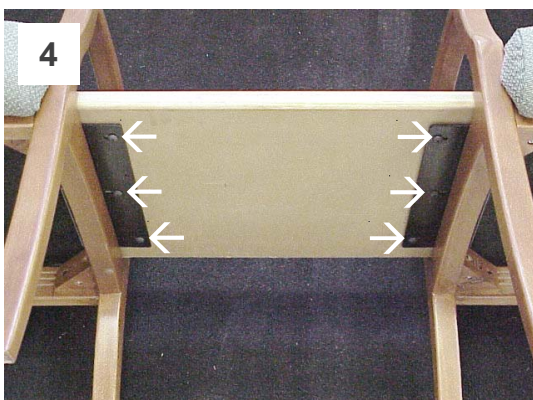


Insert the smaller side of one ganging bracket between the top of the chair side rail and the seat cushion.

Repeat this procedure on the opposite side of the mating chair.



Align the ganging bracket with the two threaded inserts on the inside of the side rail. Attach the bracket with two 1/4-20 x 3/4" screws provided. Tighten the screws securely. Retighten the seat mounting screws.



Position the Ganging Table Top over the ganging brackets with the rounded edge to the front. Align the threaded inserts with the holes in the ganging brackets and attach the table top with six (6) 1/4-20 x 3/4" screws provided.



After the unit is assembled, adjustments can be made to the table by loosening the assembly screws and moving the table top as needed. Retighten the screws.

Important: Be certain that all screws are securely tightened!

UNIT MAY NOT BE EXACTLY AS ILLUSTRATED.

63000456-00

STYLE LY1208/3300-000-208

HARDWARE (INCLUDED)

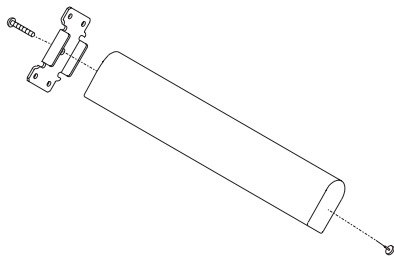
- (1) **Corner Table Top**
- (2) **Ganging Bracket**
- (1) **Leg**
- (1) **Mounting Bracket**
- (1) **#10-12 x 7/8" Phillips Pan Head Screw**
- (1) **Plastic Glide**
- (1) **Parts Kit:**
 - (1) **Torx Wrench**
 - (14) **1/4-20 x 3/4" Truss Head Screws**

TOOLS REQUIRED:

- Rubber mallet or hammer and a soft cloth.
- Phillips Head Screwdriver

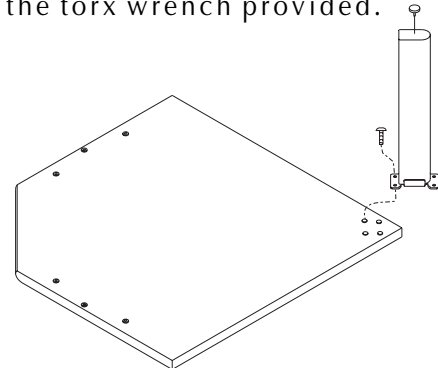
1 ASSEMBLING THE LEG

Begin by lining up the center hole of the Mounting Bracket with the pilot hole on the Leg. Adjust the Leg to fit between the bent sides of the bracket. Now attach the bracket to the leg using the #10-12 x 7/8" phillips pan head screw. Center the Plastic Glide on the bottom of the leg and tap in place.



2 ASSEMBLING THE CORNER TABLE

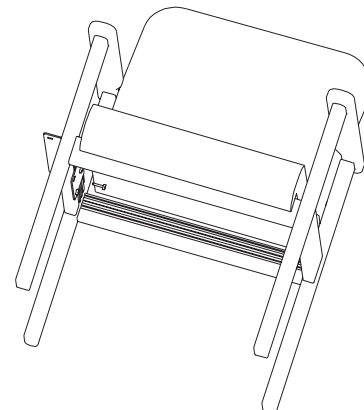
Place the Corner Table Top upside down on a flat, non-marring surface. Line up the four holes in the leg assembly mounting bracket with the four inserts in the table top. Attach the Leg to the table top using four (4) 1/4-20 x 3/4" truss head screws. Tighten with the torx wrench provided.



3 ATTACHING THE GANGING BRACKETS

Place one (1) Ganging Bracket between the chair side rail and the seat cushion, lining it up with the two (2) inserts located on the side rail. Attach the bracket with two (2) 1/4-20 x 3/4" truss head screws.

Repeat this procedure on the opposite side for the other chair.



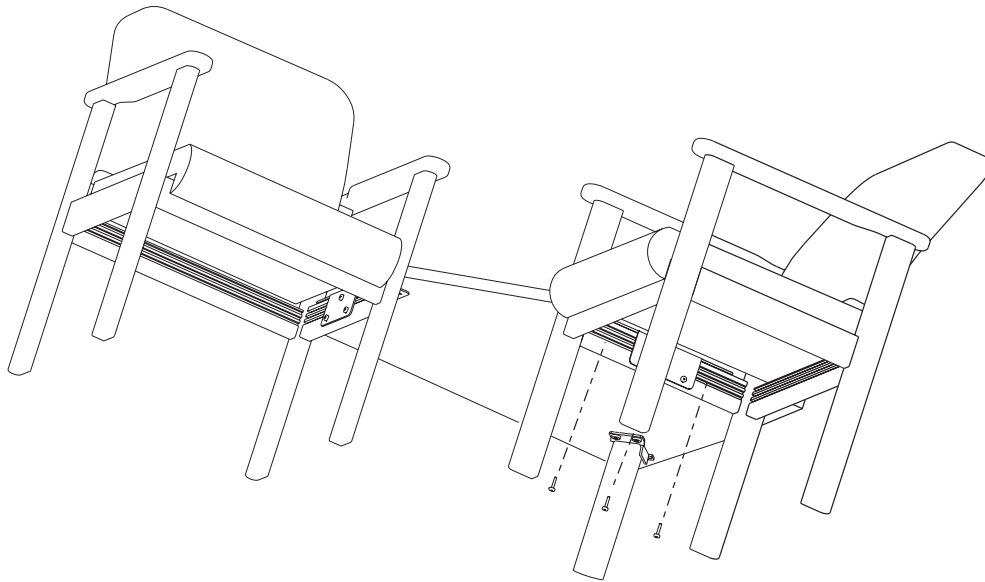
**UNIT MAY NOT
BE EXACTLY AS
ILLUSTRATED.**

63000457-00

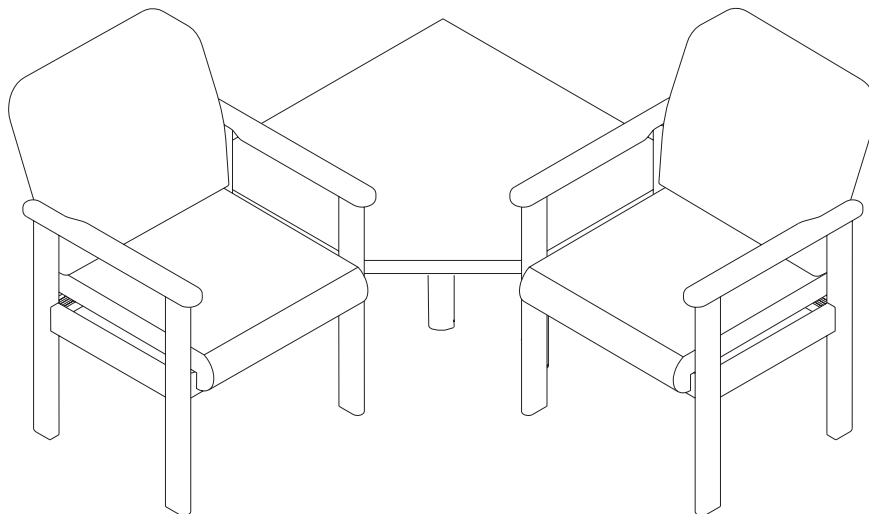
STYLE LY1208/3300-000-208

4 ATTACHING THE CORNER TABLE

Line up the three (3) threaded inserts in the table with the three (3) holes in the Ganging Bracket on the chair. Attach with three (3) ¼-20 x ¾" truss head screws provided. **Repeat this procedure for the other chair.**



5 FINAL ASSEMBLY AND ADJUSTMENTS



After the unit is assembled, adjustments can be made to the table by loosening the six (6) screws in the table and moving the table front to back or side to side, as needed. Retighten the screws.

Important: Be certain that all screws are tightly secured!

Style LY1201/3300-000-201 Single Modular Lounge Chair

| | | | | |
|----------------------------|------------------------|---|-----------------|-----|
| Dimensions: | Back Height from Floor | 34.50" | | |
| | Back Height from Seat | 18.50" | | |
| | Seat Height from Floor | 18.00" | | |
| | Seat Width | 20.00" | | |
| | Seat Depth | 17.75" | | |
| | Arm Height from Floor | 25.00" | | |
| | Arm Height from Seat | 7.75" | | |
| | Distance between Arms | 20.00" | | |
| | Overall Width | 23.00" | | |
| | Overall Depth | 26.00" | | |
| | Weight | 23 lbs. | | |
| Finish: | Type of Finish | High Solids Catalyzed Lacquer | | |
| | Available Colors | 150 | Hard Rock Maple | 051 |
| | | 154 | Fine Oak | 431 |
| | | 151 | Port Maple | 143 |
| | | 152 | Wild Cherry | 435 |
| | | 447 | Cayenne Maple | |
| | | 448 | Honey Maple | |
| | | 449 | Select Cherry | |
| Frame Construction: | Frame Material | Solid Maple hardwood | | |
| | Frame Construction | Double doweled and glued, cross rails are reinforced with tongue and groove corner blocks which are glued and wood screwed | | |
| Seat Construction: | Frame Material | Furniture grade plywood | | |
| | Suspension | Sinuous wire springs, crossbrace wire and composition pad | | |
| | Foam Type | High resilient (HR) polyurethane foam MFG-8-45, 45 lb ILD, 2.75-2.95 density | | |
| Back Construction: | Frame Material | Hardwood | | |
| | Frame Construction | Double doweled and glued | | |
| | Back Foam Core | High resilient (HR) polyurethane foam MFG-8-20, 20 lb ILD, 2.25-2.45 density | | |
| Upholstery Details: | Patterns Available | Fabric, vinyl, C.O.M. | | |
| Test Data: | Fabric Tests | Consult specific fabric card | | |
| | BIFMA Tests | Meets ANSI/BIFMA X5.4 - 1990 American National Standard for Office Furnishings - Lounge Seating. Tests conducted in La-Z-Boy's accredited test facility. | | |
| | Flammability Tests | Meets BIFMA First Generation Voluntary Upholstered Furniture Flammability Standard for Business and Institutional Markets, F1-1978-revised 1980. California Bureau of Home Furnishings - Technical Bulletin 117. Meets Flammability Requirements of California Bureau of Home Furnishings Technical Bulletin 133 when ordered with La-Z-Boy Code Red Fabrics and Vinyl's. Consult a Stryker Customer Service Representative at 1-800-STRYKER for further information. Upholstered Furniture Action Council Class 1. | | |

Style LY1202/3300-000-202 Double Modular Lounge Chair

| | | | | |
|----------------------------|------------------------|---|-----------------|--------------------|
| Dimensions: | Back Height from Floor | 34.50" | | |
| | Back Height from Seat | 18.50" | | |
| | Seat Height from Floor | 18.00" | | |
| | Seat Width | 20.00" | | |
| | Seat Depth | 17.75" | | |
| | Arm Height from Floor | 25.00" | | |
| | Arm Height from Seat | 7.75" | | |
| | Distance between Arms | 20.00" | | |
| | Overall Width | 44.50" | | |
| | Overall Depth | 26.00" | | |
| | Weight | 43 lbs. | | |
| Finish: | Type of Finish | High Solids Catalyzed Lacquer | | |
| | Available Colors | 150 | Hard Rock Maple | 051 Natural |
| | | 154 | Fine Oak | 431 Dark Cherry |
| | | 151 | Port Maple | 143 White Blush |
| | | 152 | Wild Cherry | 435 Classic Cherry |
| | | 447 | Cayenne Maple | |
| | | 448 | Honey Maple | |
| | | 449 | Select Cherry | |
| Frame Construction: | Frame Material | Solid Maple hardwood | | |
| | Frame Construction | Double doweled and glued, cross rails are reinforced with tongue and groove corner blocks which are glued and wood screwed | | |
| Seat Construction: | Frame Material | Furniture grade plywood | | |
| | Suspension | Sinuous wire springs, crossbrace wire and composition pad | | |
| | Foam Type | High resilient (HR) polyurethane foam MFG-8-45, 45 lb ILD, 2.75-2.95 density | | |
| Back Construction: | Frame Material | Hardwood | | |
| | Frame Construction | Double doweled and glued | | |
| | Back Foam Core | High resilient (HR) polyurethane foam MFG-8-20, 20 lb ILD, 2.25-2.45 density | | |
| Upholstery Details: | Patterns Available | Fabric, vinyl, C.O.M. | | |
| Test Data: | Fabric Tests | Consult specific fabric card | | |
| | BIFMA Tests | Meets ANSI/BIFMA X5.4 - 1990 American National Standard for Office Furnishings - Lounge Seating. Tests conducted in La-Z-Boy's accredited test facility. | | |
| | Flammability Tests | Meets BIFMA First Generation Voluntary Upholstered Furniture Flammability Standard for Business and Institutional Markets, F1-1978-revised 1980. California Bureau of Home Furnishings - Technical Bulletin 117. Meets Flammability Requirements of California Bureau of Home Furnishings Technical Bulletin 133 when ordered with La-Z-Boy Code Red Fabrics and Vinyl's. Consult a Stryker Customer Service Representative at 1-800-STRYKER for further information. Upholstered Furniture Action Council Class 1. | | |

Style LY1203/3300-000-203 Triple Modular Lounge Chair

| | | | | |
|----------------------------|----------------------------|--|-----------------|--------------------|
| Dimensions: | Back Height from Floor | 34.50" | | |
| | Back Height from Seat | 18.50" | | |
| | Seat Height from Floor | 18.00" | | |
| | Seat Width | 20.00" | | |
| | Seat Depth | 17.75" | | |
| | Arm Height from Floor | 25.00" | | |
| | Arm Height from Seat | 7.75" | | |
| | Distance between Arms | 20.00" | | |
| | Overall Width | 66.00" | | |
| | Overall Depth | 26.00" | | |
| | Weight | 63 lbs. | | |
| Finish: | Type of Finish | High Solids Catalyzed Lacquer | | |
| | Available Colors | 150 | Hard Rock Maple | 051 Natural |
| | | 154 | Fine Oak | 431 Dark Cherry |
| | | 151 | Port Maple | 143 White Blush |
| | | 152 | Wild Cherry | 435 Classic Cherry |
| | | 447 | Cayenne Maple | |
| | | 448 | Honey Maple | |
| | | 449 | Select Cherry | |
| | Frame Construction: | | | |
| | Frame Material | Solid Maple hardwood | | |
| | Frame Construction | Double doweled and glued, cross rails are reinforced with tongue and groove corner blocks which are glued and wood screwed | | |
| Seat Construction: | | | | |
| | Frame Material | Furniture grade plywood | | |
| | Suspension | Sinuous wire springs, crossbrace wire and composition pad | | |
| | Foam Type | High resilient (HR) polyurethane foam MFG-8-45, 45 lb ILD, 2.75-2.95 density | | |
| Back Construction: | | | | |
| | Frame Material | Hardwood | | |
| | Frame Construction | Double doweled and glued | | |
| | Back Foam Core | High resilient (HR) polyurethane foam MFG-8-20, 20 lb ILD, 2.25-2.45 density | | |
| Upholstery Details: | | | | |
| | Patterns Available | Fabric, vinyl, C.O.M. | | |
| Test Data: | Fabric Tests | Consult specific fabric card | | |
| | BIFMA Tests | Meets ANSI/BIFMA X5.4 - 1990 American National Standard for Office Furnishings - Lounge Seating. Tests conducted in La-Z-Boy's accredited test facility. | | |
| | Flammability Tests | Meets BIFMA First Generation Voluntary Upholstered Furniture Flammability Standard for Business and Institutional Markets, F1-1978-revised 1980. California Bureau of Home Furnishings - Technical Bulletin 117. Meets Flammability Requirements of California Bureau of Home Furnishings Technical Bulletin 133 when ordered with La-Z-Boy Code Red Fabrics and Vinyl's. Consult a Stryker Customer Service Representative at 1-800-STRYKER for further information. Upholstered Furniture Action Council Class 1. | | |

Style LY1202S/3300-000-212 Settee Modular Lounge Chair

| | | | | |
|----------------------------|------------------------|--|-----------------|--------------------|
| Dimensions: | Back Height from Floor | 34.50" | | |
| | Back Height from Seat | 18.50" | | |
| | Seat Height from Floor | 18.00" | | |
| | Seat Width | 41.50" | | |
| | Seat Depth | 17.75" | | |
| | Arm Height from Floor | 25.00" | | |
| | Arm Height from Seat | 7.75" | | |
| | Distance between Arms | 41.50" | | |
| | Overall Width | 44.50" | | |
| | Overall Depth | 26.00" | | |
| | Weight | 40 lbs. | | |
| Finish: | Type of Finish | High Solids Catalyzed Lacquer | | |
| | Available Colors | 150 | Hard Rock Maple | 051 Natural |
| | | 154 | Fine Oak | 431 Dark Cherry |
| | | 151 | Port Maple | 143 White Blush |
| | | 152 | Wild Cherry | 435 Classic Cherry |
| | | 447 | Cayenne Maple | |
| | | 448 | Honey Maple | |
| | | 449 | Select Cherry | |
| Frame Construction: | Frame Material | Solid Maple hardwood | | |
| | Frame Construction | Double doweled and glued, cross rails are reinforced with tongue and groove corner blocks which are glued and wood screwed | | |
| Seat Construction: | Frame Material | Furniture grade plywood | | |
| | Suspension | Sinuous wire springs, crossbrace wire and composition pad | | |
| | Foam Type | High resilient (HR) polyurethane foam MFG-8-45, 45 lb ILD, 2.75-2.95 density | | |
| Back Construction: | Frame Material | Hardwood | | |
| | Frame Construction | Double doweled and glued | | |
| | Back Foam Core | High resilient (HR) polyurethane foam MFG-8-20, 20 lb ILD, 2.25-2.45 density | | |
| Upholstery Details: | Patterns Available | Fabric, vinyl, C.O.M. | | |
| Test Data: | Fabric Tests | Consult specific fabric card | | |
| | BIFMA Tests | Meets ANSI/BIFMA X5.4 - 1990 American National Standard for Office Furnishings - Lounge Seating. Tests conducted in La-Z-Boy's accredited test facility. | | |
| | Flammability Tests | Meets BIFMA First Generation Voluntary Upholstered Furniture Flammability Standard for Business and Institutional Markets, F1-1978-revised 1980. California Bureau of Home Furnishings - Technical Bulletin 117. Meets Flammability Requirements of California Bureau of Home Furnishings Technical Bulletin 133 when ordered with La-Z-Boy Code Red Fabrics and Vinyl's. Consult a Stryker Customer Service Representative at 1-800-STRYKER for further information. Upholstered Furniture Action Council Class 1. | | |

Style LY1204/3300-000-204 Mid-Back Patient Room Chair

| | | | | |
|----------------------------|------------------------|---|-----------------|--------------------|
| Dimensions: | Back Height from Floor | 42.50" | | |
| | Back Height from Seat | 18.50" | | |
| | Seat Height from Floor | 18.00" | | |
| | Seat Width | 20.00" | | |
| | Seat Depth | 17.75" | | |
| | Arm Height from Floor | 25.00" | | |
| | Arm Height from Seat | 7.75" | | |
| | Distance between Arms | 20.00" | | |
| | Overall Width | 23.00" | | |
| | Overall Depth | 26.00" | | |
| | Weight | 24 lbs. | | |
| Finish: | Type of Finish | High Solids Catalyzed Lacquer | | |
| | Available Colors | 150 | Hard Rock Maple | 051 Natural |
| | | 154 | Fine Oak | 431 Dark Cherry |
| | | 151 | Port Maple | 143 White Blush |
| | | 152 | Wild Cherry | 435 Classic Cherry |
| | | 447 | Cayenne Maple | |
| | | 448 | Honey Maple | |
| | | 449 | Select Cherry | |
| Frame Construction: | Frame Material | Solid Maple hardwood | | |
| | Frame Construction | Double doweled and glued, cross rails are reinforced with tongue and groove corner blocks which are glued and wood screwed | | |
| Seat Construction: | Frame Material | Furniture grade plywood | | |
| | Suspension | Sinuous wire springs, crossbrace wire and composition pad | | |
| | Foam Type | High resilient (HR) polyurethane foam MFG-8-45, 45 lb ILD, 2.75-2.95 density | | |
| Back Construction: | Frame Material | Hardwood | | |
| | Frame Construction | Double doweled and glued | | |
| | Back Foam Core | High resilient (HR) polyurethane foam MFG-8-20, 20 lb ILD, 2.25-2.45 density | | |
| Upholstery Details: | Patterns Available | Fabric, vinyl, C.O.M. | | |
| Test Data: | Fabric Tests | Consult specific fabric card | | |
| | BIFMA Tests | Meets ANSI/BIFMA X5.4 - 1990 American National Standard for Office Furnishings - Lounge Seating. Tests conducted in La-Z-Boy's accredited test facility. | | |
| | Flammability Tests | Meets BIFMA First Generation Voluntary Upholstered Furniture Flammability Standard for Business and Institutional Markets, F1-1978-revised 1980. California Bureau of Home Furnishings - Technical Bulletin 117. Meets Flammability Requirements of California Bureau of Home Furnishings Technical Bulletin 133 when ordered with La-Z-Boy Code Red Fabrics and Vinyl's. Consult a Stryker Customer Service Representative at 1-800-STRYKER for further information. | | |
| | | Upholstered Furniture Action Council Class 1. | | |

Style LY1205/3300-000-205 Armless Patient Room Chair

| | | | | | |
|----------------------------|------------------------|---|-----------------|-----|----------------|
| Dimensions: | Back Height from Floor | 33.00" | | | |
| | Back Height from Seat | 15.75" | | | |
| | Seat Height from Floor | 18.50" | | | |
| | Seat Width | 16.00" | | | |
| | Seat Depth | 16.50" | | | |
| | Overall Width | 18.00" | | | |
| | Overall Depth | 22.50" | | | |
| | Weight | 15 lbs | | | |
| Finish: | Type of Finish | High Solids Catalyzed Lacquer | | | |
| | Available Colors | 150 | Hard Rock Maple | 051 | Natural |
| | | 154 | Fine Oak | 431 | Dark Cherry |
| | | 151 | Port Maple | 143 | White Blush |
| | | 152 | Wild Cherry | 435 | Classic Cherry |
| | | 447 | Cayenne Maple | | |
| | | 448 | Honey Maple | | |
| | | 449 | Select Cherry | | |
| Frame Construction: | Frame Material | Solid Maple hardwood | | | |
| | Frame Construction | Double doweled and glued, cross rails are reinforced with corner blocks which are glued and wood screwed | | | |
| Seat Construction: | Frame Material | Furniture grade plywood | | | |
| | Foam Type | Polyurethane foam MFG-7-55, 55 lb ILD, 1.00-1.25 density | | | |
| Back Construction: | Frame Material | Hardwood | | | |
| | Frame Construction | Double doweled and glued | | | |
| | Back Foam Core | High resilient (HR) polyurethane foam MFG-8-33, 33 lb ILD, 2.50-2.70 density | | | |
| Upholstery Details: | Patterns Available | Fabric, vinyl, C.O.M. | | | |
| Test Data: | Fabric Tests | Consult specific fabric card | | | |
| | BIFMA Tests | Meets ANSI/BIFMA X5.4 - 1990 American National Standard for Office Furnishings - Lounge Seating. Tests conducted in La-Z-Boy's accredited test facility. | | | |
| | Flammability Tests | Meets BIFMA First Generation Voluntary Upholstered Furniture Flammability Standard for Business and Institutional Markets, F1-1978-revised 1980. California Bureau of Home Furnishings - Technical Bulletin 117. Meets Flammability Requirements of California Bureau of Home Furnishings Technical Bulletin 133 when ordered with La-Z-Boy Code Red Fabrics and Vinyl's. Consult a Stryker Customer Service Representative at 1-800-STRYKER for further information. Upholstered Furniture Action Council Class 1. | | | |

Style LY1209 Ganging Table/3300-000-209

| | | |
|--------------------|-------------------|--------|
| Dimensions: | Height from Floor | 16.38" |
| | Overall Length | 23.00" |
| | Overall Width | 14.88" |
| | Overall Thickness | 1.19" |
| | Product Weight | 15 lb |

| | | | | | |
|----------------|------------------|-------------------------------|-----------------|-----|----------------|
| Finish: | Type of Finish | High Solids Catalyzed Lacquer | | | |
| | Available Colors | 150 | Hard Rock Maple | 051 | Natural |
| | | 154 | Fine Oak | 431 | Dark Cherry |
| | | 151 | Port Maple | 143 | White Blush |
| | | 152 | Wild Cherry | 435 | Classic Cherry |
| | | 447 | Cayenne Maple | | |
| | | 448 | Honey Maple | | |
| | | 449 | Select Cherry | | |

| | | |
|----------------------|-------------------|--------------|
| Construction: | Top Face Material | Maple veneer |
| | Top Edge Material | Hard Maple |
| | Leg Material | Hard Maple |

| | | |
|-------------------|-------------|--|
| Test Data: | BIFMA Tests | Meets ANSI/BIFMA X5.5 - 1989 American National Standard for Office Furnishings - Desk Products. Tests conducted in La-Z-Boy's accredited test facility. |
|-------------------|-------------|--|

Style LY1208/3300-000-208 Corner Table

| | | |
|--------------------|-------------------|--------|
| Dimensions: | Height from Floor | 16.25" |
| | Overall Length | 29.5" |
| | Overall Width | 29.5" |
| | Overall Thickness | 1.125" |
| | Product Weight | 27 lb |

| | | | | | |
|----------------|------------------|-------------------------------|-----------------|-----|----------------|
| Finish: | Type of Finish | High Solids Catalyzed Lacquer | | | |
| | Available Colors | 150 | Hard Rock Maple | 051 | Natural |
| | | 154 | Fine Oak | 431 | Dark Cherry |
| | | 151 | Port Maple | 143 | White Blush |
| | | 152 | Wild Cherry | 435 | Classic Cherry |
| | | 447 | Cayenne Maple | | |
| | | 448 | Honey Maple | | |
| | | 449 | Select Cherry | | |

| | | |
|----------------------|-------------------|--------------|
| Construction: | Top Face Material | Maple veneer |
| | Top Edge Material | Hard Maple |
| | Leg Material | Hard Maple |

| | | |
|-------------------|-------------|--|
| Test Data: | BIFMA Tests | Meets ANSI/BIFMA X5.5 - 1989 American National Standard for Office Furnishings - Desk Products. Tests conducted in La-Z-Boy's accredited test facility. |
|-------------------|-------------|--|

Style LY1304/3300-000-304 Mid-Back Patient Room Chair

| | | |
|----------------------------|------------------------|---|
| Dimensions: | Back Height from Floor | 45.50" |
| | Back Height from Seat | 18.50" |
| | Seat Height from Floor | 21.00" |
| | Seat Width | 20.00" |
| | Seat Depth | 17.75" |
| | Arm Height from Floor | 28.00" |
| | Arm Height from Seat | 7.75" |
| | Distance between Arms | 20.00" |
| | Overall Width | 23.00" |
| | Overall Depth | 26.00" |
| | Weight | 25 lbs. |
| Finish: | Type of Finish | High Solids Catalyzed Lacquer |
| | Available Colors | 150 Hard Rock Maple 051 Natural 154 Fine Oak 431 Dark Cherry 151 Port Maple 143 White Blush 152 Wild Cherry 435 Classic Cherry 447 Cayenne Maple 448 Honey Maple 449 Select Cherry |
| Frame Construction: | Frame Material | Solid Maple hardwood |
| | Frame Construction | Double doweled and glued, cross rails are reinforced with tongue and groove corner blocks which are glued and wood screwed |
| Seat Construction: | Frame Material | Furniture grade plywood |
| | Suspension | Sinuuous wire springs, crossbrace wire and composition pad |
| | Foam Type | High resilient (HR) polyurethane foam MFG-8-45, 45 lb ILD, 2.75-2.95 density |
| Back Construction: | Frame Material | Hardwood |
| | Frame Construction | Double doweled and glued |
| | Back Foam Core | High resilient (HR) polyurethane foam MFG-8-20, 20 lb ILD, 2.25-2.45 density |
| Upholstery Details: | Patterns Available | Fabric, vinyl, C.O.M. |
| Test Data: | Fabric Tests | Consult specific fabric card |
| | BIFMA Tests | Meets ANSI/BIFMA X5.4 - 1990 American National Standard for Office Furnishings - Lounge Seating. Tests conducted in La-Z-Boy's accredited test facility. |
| | Flammability Tests | Meets BIFMA First Generation Voluntary Upholstered Furniture Flammability Standard for Business and Institutional Markets, F1-1978-revised 1980. California Bureau of Home Furnishings - Technical Bulletin 117. Meets Flammability Requirements of California Bureau of Home Furnishings Technical Bulletin 133 when ordered with La-Z-Boy Code Red Fabrics and Vinyl's. Consult a Stryker Customer Service Representative at 1-800-STRYKER for further information. Upholstered Furniture Action Council Class 1. |

Troubleshooting Guide

| PROBLEM | SOLUTION |
|---------|---|
| wobble | See if the floor leveling glides are missing. Replace glides. |

Tips

Styles: LY1201/33000-000-201, LY1202/33000-000-201, LY1203/33000-000-203, LY1202S/33000-000-212

For replacement of the back or frame, the chair must be sent back to the factory , if under warranty, or repaired by an experienced upholsterer.