

**stryker<sup>®</sup>**  
**Medical**

---

---

*LY1500/3300-000-700 Series*

---

*Operations/Maintenance Manual*

*For Parts or Technical Assistance*  
*800-327-0770*

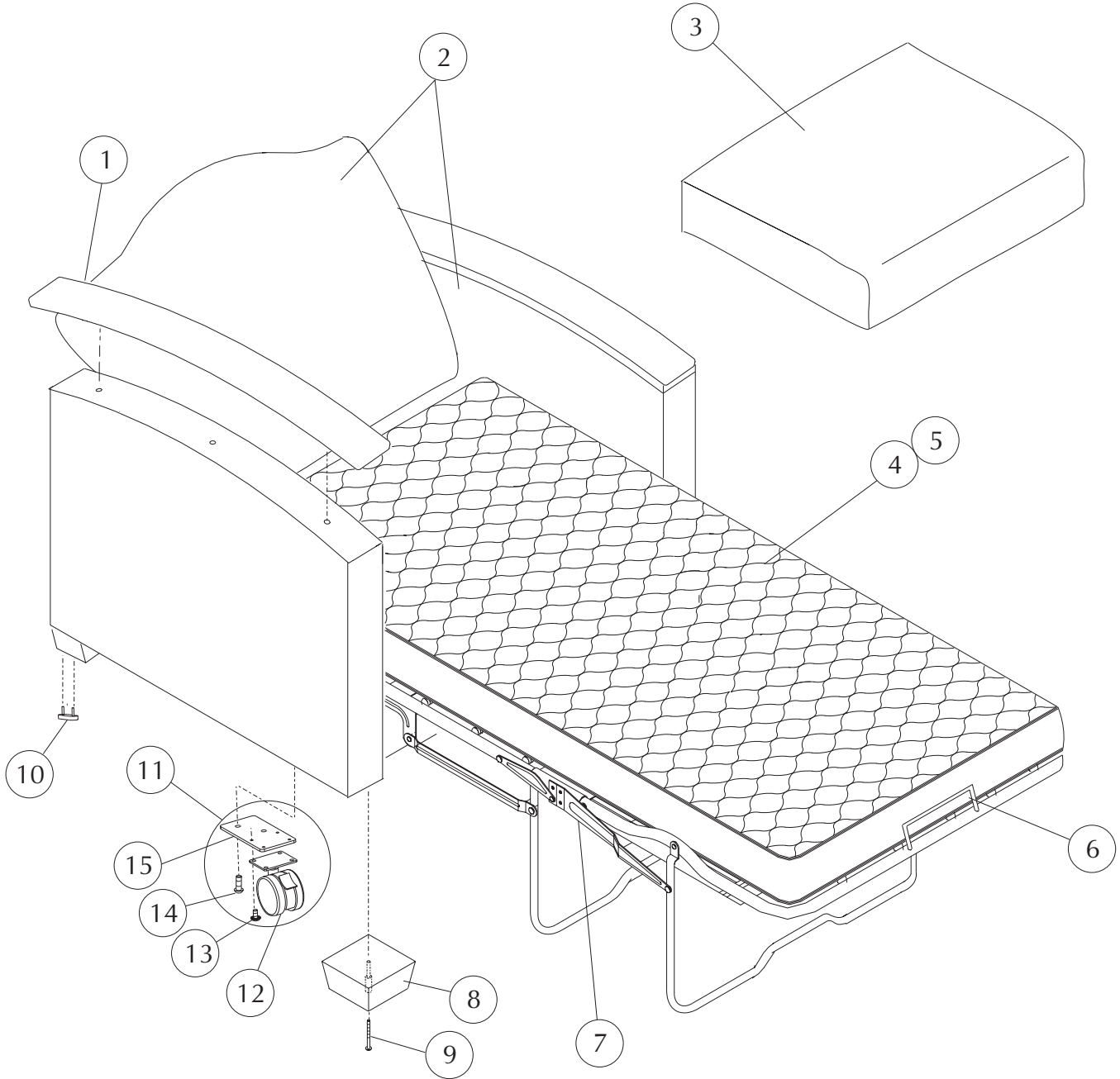
---

# *LY1500/3300-000-700 Series*

---

## **Table of Contents**

Style LY1500/ <b>3300-000-700</b>	2-3
Style LY1501/ <b>3300-000-750</b>	4-5
Style LHM12/ <b>3300-000-800</b>	6-7
Specification LY1500/ <b>3300-000-700</b>	8
Specification LY1501/ <b>3300-000-750</b>	9
Specification LHM12/ <b>3300-000-800</b>	10
General Information	11



STYLE LY1500/3300-000-700 = NITECARE CHAIR WITH SLEEPER

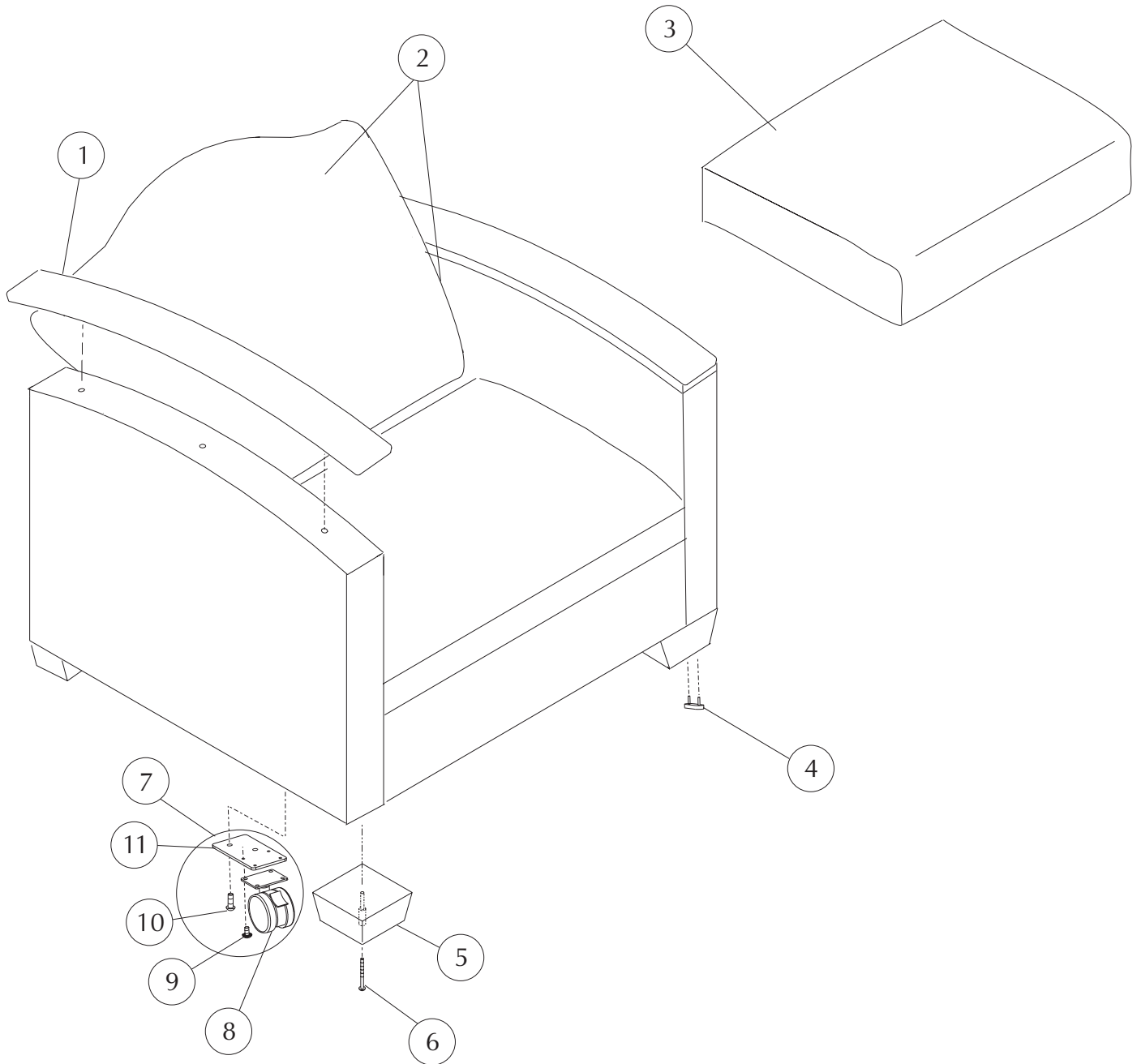
STRYKER MEDICAL HEALTHCARE SERIES

Note: When replacing parts, specify style and acknowledgment numbers.

DETAIL#	SYK PN	LZB PN	DESCRIPTION	QUANTITY
1	3309-014-000	51990140-00*	Top Arm Finished (standard) (part of det. #2)	2
	3309-064-100	54990641-00**	Top Arm Upholstered plus 1.5 yd cover required (Option)	2
2	3309-067-500	51990675-00**	Body Uph. plus 5.5 yd cover required Discontinued ▲	1
3	3309-028-404	54990284-04**	Seat Upholstered plus 1.5 yd cover required	1
4	3308-000-707	5980017-07	Supreme Comfort Mattress Assembly	1
	3308-000-900	55980009-00	Supreme Comfort Mattress Assembly (fire retardant option)	1
5	3308-004-601	50980046-01	Mattress Moisture Barrier (plastic, not shown)	1
6	3300-007-900	52000079-00	Mattress Retainer	1
7	3308-004-804	52980048-04	Supreme Comfort Sleeper Mechanism Assembly	1
8	3309-030-700	81990307-00*	Show Wood Leg, finished (standard)	4
9	3300-016-601	96000166-01	5/16"-18 x 2 1/2" Truss Head Bolt	4
10	3300-047-500	96000475-00	Glide	4
11	3307-001-404	KIT70014-04	Swivel Locking Caster Kit, Option <a href="#">See General Information</a>	1
12	3300-021-600	65000216-00	Dual Caster Total Lock, option (Pt.of det. #11) end date 4/24/05	4
	3300-029-800	65000298-00	Dual Swivel Caster (Lock), option (Pt.of det. #11) (4/24/05-present)	4
13	3300-007-606	96000076-06	1/4-20 x 1/2" Ser. Truss Head Screw, option (Pt.of det. #11)	16
14	3300-051-002	96000510-02	5/16-18 x 7/8" Button Head Cap Screw, option (Pt.of det. #11)	8
15	3300-059-300	62000593-00	Caster Mounting Plate, option(Pt.of det. #11)	4

▲ This type of service request needs to be entered as a replacement order.

\* Indicate finish or color when ordering  
 \*\* Indicate fabric cover number when ordering



STYLE LY1501/3300-000-750 = NITECARE CHAIR

STRYKER MEDICAL HEALTHCARE SERIES

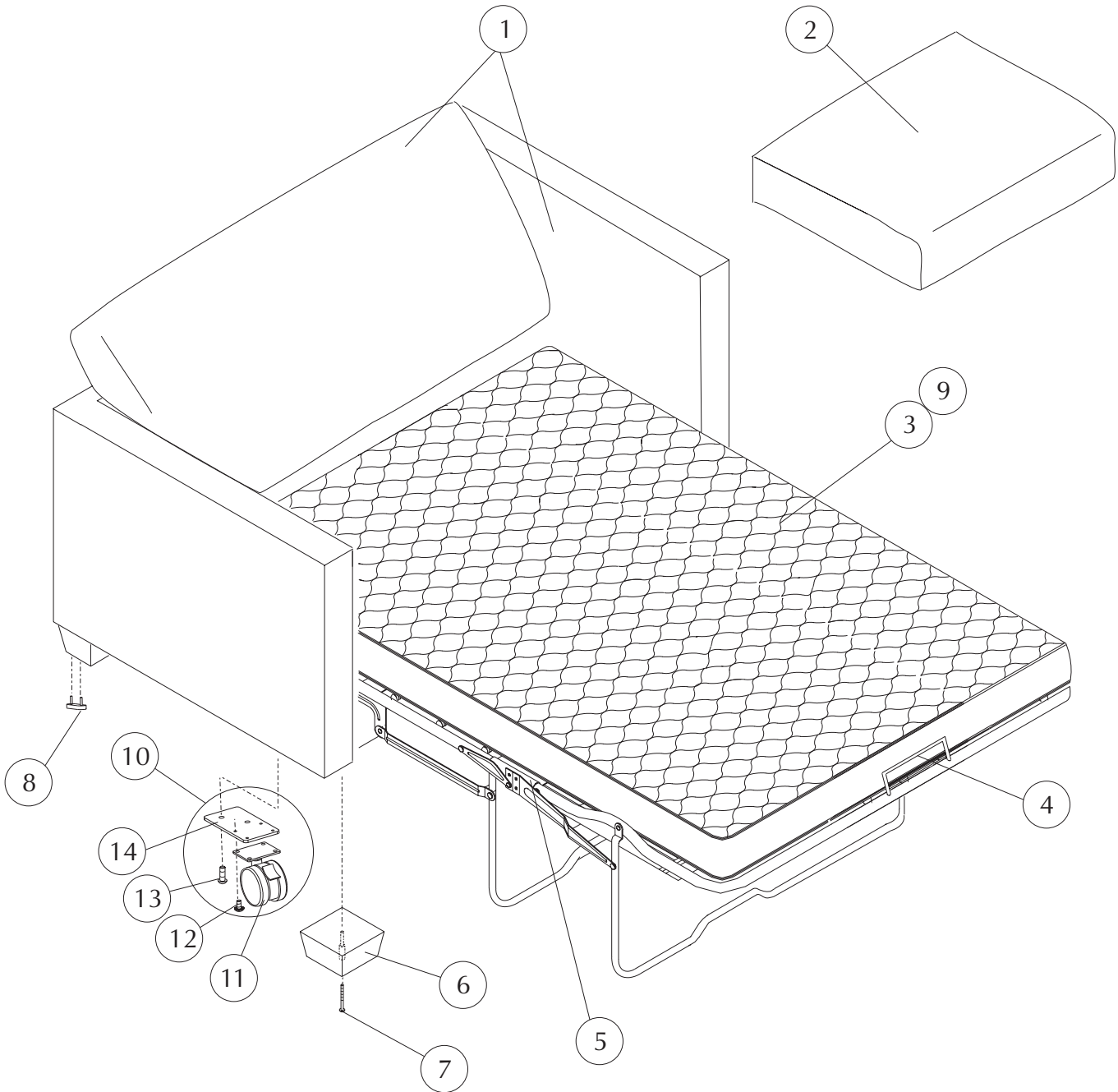
Note: When replacing parts, specify style and acknowledgment numbers.

DETAIL#	SYK PN	LZB PN	DESCRIPTION	QUANTITY
1	3309-014-000	51990140-00*	Top Arm Finished (standard) (part of det. #2)	2
	3309-064-100	54990641-00**	Top Arm Upholstered plus 1.5 yd cover required (Option)	2
2	3309-067-600	51990676-00**	Body Uph. plus 5.5 yd cover required Discontinued ▲	1
3	3309-028-404	54990284-04**	Seat Upholstered plus 1.5 yd cover required	1
4	3300-047-500	96000475-00	Glide	4
5	3309-030-700	81990307-00*	Show Wood Leg, finished (standard)	4
6	3300-016-601	96000166-01	5/16"-18 x 2 1/2" Truss Head Bolt	4
7	3307-001-404	KIT70014-04	Swivel Locking Caster Kit, Option <a href="#">See General Information</a>	1
8	3300-021-600	65000216-00	Dual Caster Total Lock, option (Pt.of det. #7) end date 4/24/05	4
	3300-029-800	65000298-00	Dual Swivel Caster (Lock), option (Pt.of det. #7) (4/24/05-present)	4
9	3300-007-606	96000076-06	1/4-20 x 1/2" Serrated Truss Head Screw, option(Pt.of det. #7)	16
10	3300-051-002	96000510-02	5/16-18 x 7/8" Button Head Cap Screw, option(Pt.of det. #7)	8
11	3300-059-300	62000593-00	Caster Mounting Plate, option (Pt.of det. #7)	4

▲ This type of service request needs to be entered as a replacement order.

\* Indicate finish or color when ordering

\*\* Indicate fabric cover number when ordering



STYLE LHM12/3300-000-800 = LOVESEAT SLEEP SOFA

STRYKER MEDICAL HEALTHCARE SERIES

Note: When replacing parts, specify style and acknowledgment numbers.

DETAIL#	SYK PN	LZB PN	DESCRIPTION	QUANTITY
<b>Loveseat Sleep Sofa (LHM12):</b>				
1	3309-044-806	51990448-06**	Body Uph. plus 5.5 yd cover required Discontinued ▲	1
2	3309-028-401	54990284-01**	Seat Upholstered plus 2 yd cover required	2
3	3308-000-703	55980017-03	Supreme Comfort Mattress Assembly	1
4	3300-040-500	62000405-00	Mattress Retainer	2
5	3308-007-803	62980078-03	Supreme Comfort Mechanism Assembly	1
6	3309-030-700	81990307-00*	Show Wood Leg, Finished (Standard)	4
7	3300-016-601	96000166-01	5/16 - 18 x 2 1/2" Truss Head Bolt	4
8	3300-047-500	96000475-00	Glide	4
9	3308-004-685	50980046-85	Mattress Moisture Barrier (plastic, not shown)	1
10	3307-001-404	KIT70014-04	Swivel Locking Caster Kit, Option <a href="#">See General Information</a>	1
11	3300-021-600	65000216-00	Dual Caster Total Lock, option (Pt.of det. #10) end date 4/24/05	4
	3300-029-800	65000298-00	Dual Swivel Caster (Lock), option (Pt.of det. #10) (4/24/05-present)	4
12	3300-007-606	96000076-06	1/4-20 x 1/2" Ser. Truss Head Screw, option (Pt.of det. #10)	16
13	3300-051-002	96000510-02	5/16-18 x 7/8" Button Head Cap Screw, option (Pt.of det. #10)	8
14	3300-059-300	62000593-00	Caster Mounting Plate, option(Pt.of det. #10)	4

▲ This type of service request needs to be entered as a replacement order.

\* Indicate finish or color when ordering  
 \*\* Indicate fabric cover number when ordering



**Style LY1500/3300-000-700 NiteCare Chair with Sleeper**

<b>Dimensions:</b>	Back Height from Floor	31.50"		
	Back Height from Seat	14.00"		
	Seat Width	30.00"		
	Seat Height	19.00"		
	Seat Depth	19.00"		
	Arm Height from Floor	26.50"		
	Overall Width	39.50"		
	Overall Depth	35.50"		
	Depth with Bed Extended	87.00"		
	Occupant Maximum Load Rating	275 lbs.		
	Weight	87 lbs.		
<b>Finish:</b>	Type of Finish	High Solids Catalyzed Lacquer		
	Available Colors	150	Hard Rock Maple	051 Natural
		154	Fine Oak	431 Dark Cherry
		151	Port Maple	143 White Blush
		152	Wild Cherry	435 Classic Cherry
		447	Cayenne Maple	
		448	Honey Maple	
		449	Select Cherry	
<b>Frame Construction:</b>	Frame Material	23/32" 6-ply furniture grade plywood		
	Frame Construction	lap-jointed, corner blocks		
	Arm Cap Attachment	arm cap attached to body with three spring steel compression dowels		
<b>Seat Construction:</b>	Seat Foam Core	4½" thick 2.3 lb density 20 IFD		
	Foam Type	high resilient (HR) polyurethane foam		
<b>Back Construction:</b>	Back Foam Core	1.4 lb density 44 IFD		
	Back Foam Wrap	2.3 lb density 22 IFD		
	Foam Type	virgin polyurethane foam		
<b>Mattress:</b>	Size	25.5" x 70.0" x 5.5"		
	Pads	quilted top pad over insulator pad		
	Inner Springs	(115) 13½-gauge Bonnell coil springs; 1⅜" diameter		
	Cover	moisture barrier		
<b>Upholstery Details:</b>	Patterns Available	fabric, vinyl, C.O.M.		
	Sewing	double stitch with #8 multifilament monocord		
<b>Test Data:</b>	Fabric Tests	Consult specific fabric card		
	Flammability Tests	Meets BIFMA First Generation Voluntary Upholstered Furniture Flammability Standard for Business and Institutional Markets, F1-1978 — revised 1980. California Bureau of Home Furnishings - Technical Bulletin 117.		
		Meets Flammability Requirements of California Bureau of Home Furnishings Technical Bulletin 133 when ordered with La-Z-Boy Code Red Fabrics and Vinyl's. Consult a Stryker Customer Service Representative at 1-800-STRYKER for Further Information.		
		Upholstered Furniture Action Council Class 1.		

**Style LY1501/3300-000-750 NiteCare Chair**

<b>Dimensions:</b>	Back Height from Floor	31.50"		
	Back Height from Seat	14.00"		
	Seat Width	30.00"		
	Seat Height	19.00"		
	Seat Depth	19.00"		
	Arm Height from Floor	26.50"		
	Overall Width	39.50"		
	Overall Depth	35.50"		
	Occupant Maximum Load Rating	275 lbs.		
	Weight	75 lbs.		
<b>Finish:</b>	Type of Finish	High Solids Catalyzed Lacquer		
	Available Colors	150	Hard Rock Maple	051 Natural
		154	Fine Oak	431 Dark Cherry
		151	Port Maple	143 White Blush
		152	Wild Cherry	435 Classic Cherry
		447	Cayenne Maple	
		448	Honey Maple	
		449	Select Cherry	
<b>Frame Construction:</b>	Frame Material	23/32" 6-ply furniture grade plywood		
	Frame Construction	lap-jointed, corner blocks		
	Arm Cap Attachment	arm cap attached to body with three spring steel compression dowels		
<b>Seat Construction:</b>	Seat Foam Core	4½" thick 2.3 lb density 20 IFD		
	Foam Type	high resilient (HR) polyurethane foam		
<b>Back Construction:</b>	Back Foam Core	1.4 lb density 44 IFD		
	Back Foam Wrap	2.3 lb density 22 IFD		
	Foam Type	virgin polyurethane foam		
<b>Upholstery Details:</b>	Patterns Available	fabric, vinyl, C.O.M.		
	Sewing	double stitch with #8 multifilament monocord		
<b>Test Data:</b>	Fabric Tests	Consult specific fabric card		
	Flammability Tests	Meets BIFMA First Generation Voluntary Upholstered Furniture Flammability Standard for Business and Institutional Markets, F1-1978 — revised 1980. California Bureau of Home Furnishings - Technical Bulletin 117.		
		Meets Flammability Requirements of California Bureau of Home Furnishings Technical Bulletin 133 when ordered with La-Z-Boy Code Red Fabrics and Vinyl's. Consult a Stryker Customer Service Representative at 1-800-STRYKER for Further Information.		
		Upholstered Furniture Action Council Class 1.		

**Style LHM12 Loveseat Sleep Sofa/3300-000-800**

<b>Dimensions:</b>	Back Height from Floor	30.50"		
	Back Height from Seat	15.50"		
	Seat Width	47.50"		
	Seat Height	19.00"		
	Seat Depth	20.00"		
	Arm Height from Floor	26.00"		
	Overall Width	57.00"		
	Overall Depth	34.50"		
	Depth with Bed Extended	86.50"		
	Occupant Maximum Load Rating	275 lbs.		
	Weight	172 lbs.		
<b>Finish:</b>	Type of Finish	High Solids Catalyzed Lacquer		
	Available Colors	150	Hard Rock Maple	051
		154	Fine Oak	431
		151	Port Maple	143
		152	Wild Cherry	435
		447	Cayenne Maple	
		448	Honey Maple	
		449	Select Cherry	
<b>Frame Construction:</b>	Frame Material	Hardwood and plywood		
	Frame Construction	lap-jointed, corner blocks		
<b>Seat Construction:</b>	Foam Type	high resilient (HR) polyurethane foam MFG-8-20, 20 lb ILD, 2.25-2.45 density		
<b>Back Construction:</b>	Foam Type	high resilient (HR) polyurethane foam MFG-8-20, 20 lb ILD, 2.25-2.45 density		
<b>Mattress:</b>	Size	40.0" x 72.0" x 5.5"		
	Pads	quilted top pad over insulator pad		
	Inner Springs	1 3/8"-gauge Bonnell coil springs; 1 3/8" diameter		
<b>Upholstery Details:</b>	Patterns Available	fabric, vinyl, C.O.M.		
	Sewing	double stitch with #8 multifilament monocord		
<b>Test Data:</b>	Fabric Tests	Consult specific fabric card		
	Flammability Tests	Meets BIFMA First Generation Voluntary Upholstered Furniture Flammability Standard for Business and Institutional Markets, F1-1978 — revised 1980. California Bureau of Home Furnishings - Technical Bulletin 117.		
		Meets Flammability Requirements of California Bureau of Home Furnishings Technical Bulletin 133 when ordered with La-Z-Boy Code Red Fabrics and Vinyl's. Consult a Stryker Customer Service Representative at 1-800-STRYKER for Further Information.		
		Upholstered Furniture Action Council Class 1.		

STRYKER MEDICAL  
HEALTHCARE SERIES  
GENERAL INFORMATION

---



**Swivel Locking Caster Option**

**KIT70014-04/3307-001-404 includes:**

(4) Swivel Locking Casters	3300-029-800	65000298-00
(16) 1/4-20 x 1/2" Ser. Truss Head Screws	3300-007-606	96000076-06
(8) 5/16-18 x 7/8" Button Head Cap Screw	3300-051-002	96000510-02
(4) Caster Mounting Plate	3300-059-300	62000593-00
(1) Bag	3300-018-202	95000182-02