

stryker[®]

LY5005/3300-000-010

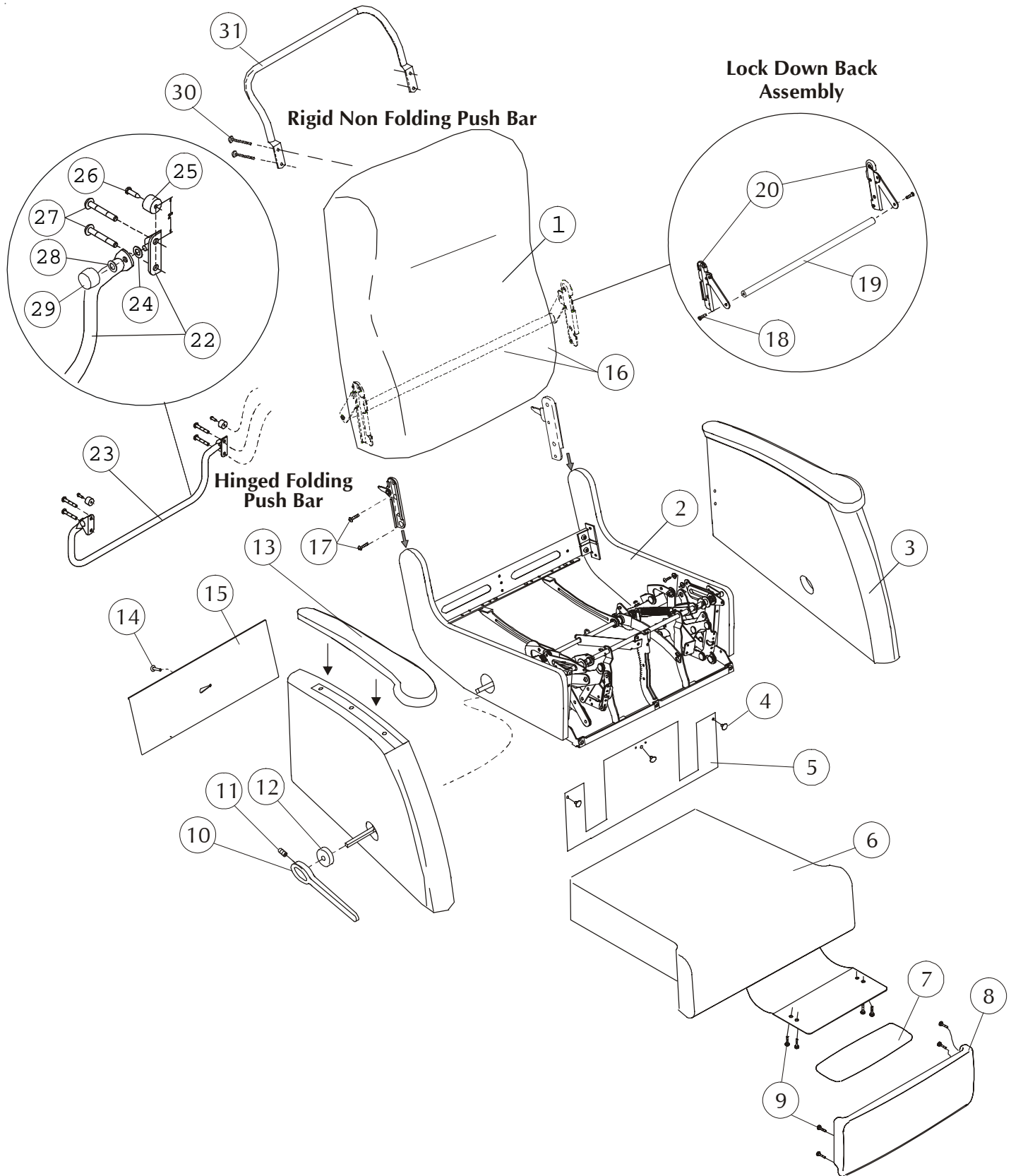
LY5007/3300-000-020

Operation/Maintenance Manual

*For Parts or Technical Assistance
800-327-0770*

Table of Contents

Style LY5005 & LY5007/3300-000-010 & 3300-00-020	2-3
Drive Rod Assembly	4-5
Support Shaft Assembly	6-7
Support Shaft/Drive Rod Assembly	8-9
Seat Mechanism	10-11
Base Assembly	12-13
Mechanism Assembly	14-15
Assembly Instructions (Replacing Mobile Base)	16-19
Specifications LY5005/3300-000-010	20
Specifications LY5007/3300-000-020	21
General Information	22
Rear IV Pole Mounting Kit Instructions	
Lock Down Back Assembly Instructions	
Push Bar Assembly Instructions	
Side Tray Assembly Instructions	



STYLE LY5005/3300-000-010 = STATIONARY TREATMENT RECLINER
 LY5007/3300-000-020 = MOBILE TREATMENT RECLINER

Note: When replacing parts, specify style and acknowledgment numbers.

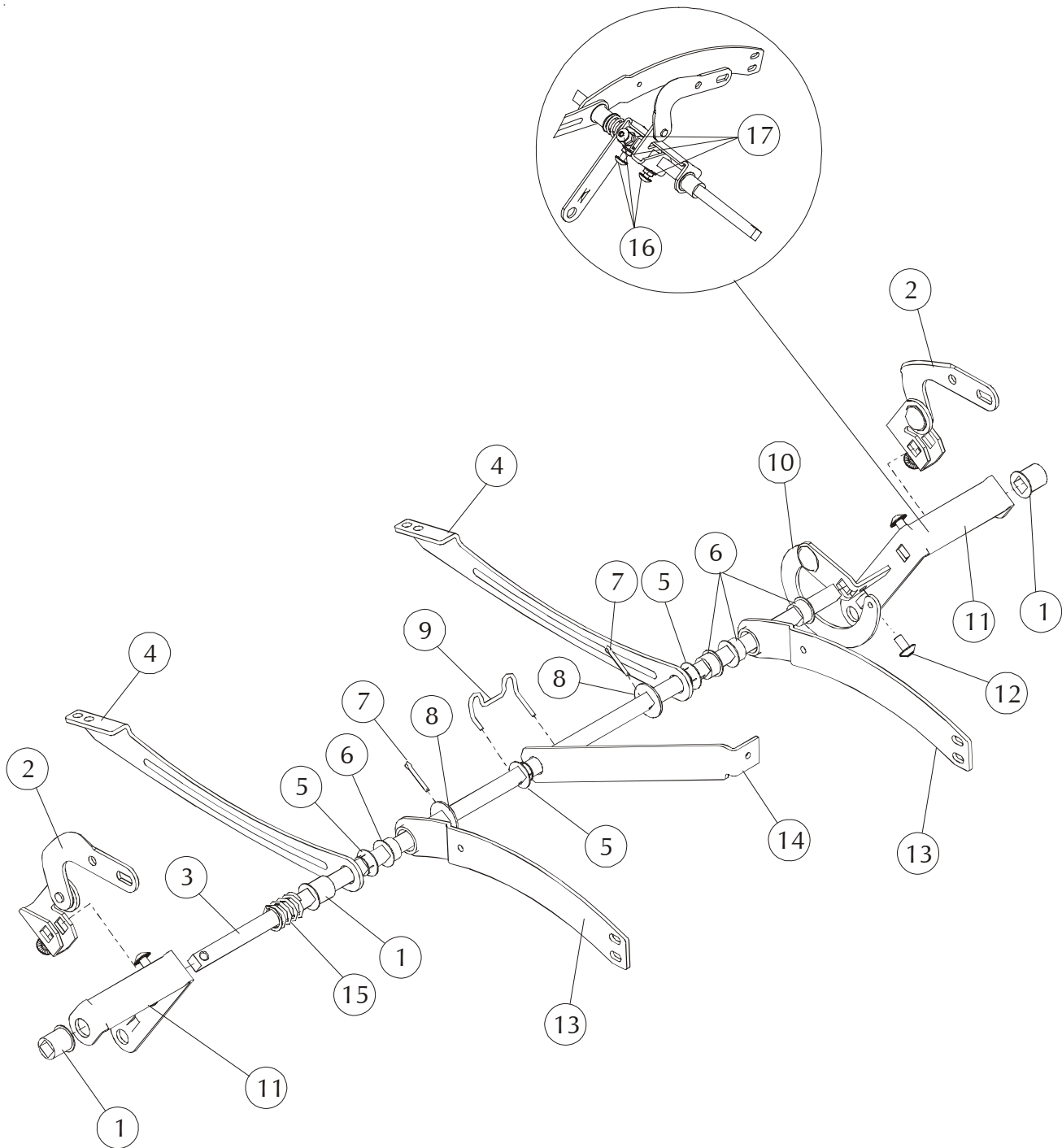
DETAIL	SYK P/N	LELAND P/N	DESCRIPTION	QTY.
1	3309-010-004	64990100-04**	Back Upholstered plus 2.0 yd cover required (LY5005)	1
	3309-010-011	64990100-11**	Back Upholstered plus 2.0 yd cover required (LY5007)	1
2	3309-078-300	11990783-00**	Inner Body Upholstered plus 2 yd cover required	1
3	3309-709-002	64990090-02L	Outer Arm Upholstered plus 1.5 yd cover required	1
	3309-909-002	64990090-02R	Outer Arm Upholstered plus 1.5 yd cover required	1
4	3300-028-701	95000287-01	X-mas Tree Fastener, Black	3
5	3308-002-316	10980023-16**	Front Skirt Sewn (pt. of det. #2)	1
6	3309-137-805	11991378-05**	Seat Upholstered plus 2 yd cover required	1
7	3309-000-601	94990006-01**	Mid Ottoman Upholstered	1
8	3309-043-600	11990436-00**	Legrest Upholstered plus 1 yd cover required	1
9	3300-001-702	96000017-02	10-24 x 3/4" Torx Pan Head Screw	8
10	3309-900-102	95990001-02R*	Handle Finished, Right	1
11	3300-036-200	96000362-00	3/8-16 x 1/2" Set Screw	1
12	3309-000-701	94990007-01	Escutcheon, Finished	1
13	3309-709-500	65050095-00L/R	Top Arm, Polyurethane Black; Standard	1 ea
	3309-909-500			
14	3300-040-900	95000409-00	X-mas Tree Fastener, Black	1
15	3308-000-338	10980003-38**	Tailgate Sewn	1
16	3309-042-201	62970422-01	Lock Down Back Assembly Kit, Standard	1
17	3300-001-303	96000013-03	1/4-20 x 1 1/4" Torx Flat Head Screw	4
18	3300-001-301	96000013-01	1/4-20 x 3/4" Torx Flat head screw (pt. of det. 16)	2
19	3300-048-800	62000488-00	Lock Bar, Standard, (pt. of det. 16)	1
20	3307-907-900	92970079-00R	Back Lock Subassembly, Standard, (pt. of det. 16)	1
	3307-707-900	92970079-00L	Back Lock Subassembly, Standard, (pt. of det. 16)	1
21	3300-000-501	94000005-01	Black Elastic Straps (not shown) (pt. of det. 16)	2
WBI	3307-001-604		Folding Push Bar Assembly, Standard	
22	3309-040-203	62980402-03	Folding Push Bar Assembly (LY5007 only)	1
23	3307-050-403	62970504-03	Push Bar/Hinge Subassembly Standard (pt. of det. 22)	1
24	3300-007-100	96000071-00	Nylon Washer, Standard (pt. of det. 22)	2
25	3300-027-300	65000273-00	Recessed Bumper, Standard (pt. of det. 22)	2
26	3300-020-001	96000200-01	#10-18 x 3/4" Phillips Head Screw (pt. of det. 22)	2
27	3300-002-413	96000024-13	1/4-20 x 2" Torx Head Screw, Standard (pt. of det. 22)	4
28	3300-029-200	65000292-00	Rubber Washer, Standard (pt. of det. 22)	2
29	3300-029-000	65000290-00	Decorative Cap Nut, Standard (pt. of det. 22)	2

Options:

WA1			Top Arm Assembly Finished	
	3309-719-400	61050194-00L/R*	Top Arm Finished (pt. of det. 13)	1 ea
	3309-919-400			
FB1			Fixed Pushbar Assembly	
30	3300-018-201	96000024-13	1/4-20 x 2" Torx Truss Head Screw, Option	4
31	3300-018-201	62000182-01	Rigid Non Folding Push Bar, Option (LY5007 only)	1

- * Indicate finish or color when ordering
- ** Indicate fabric cover number when ordering
- *** Add charge for yardage to cost of kit

DRIVE ROD ASSEMBLY

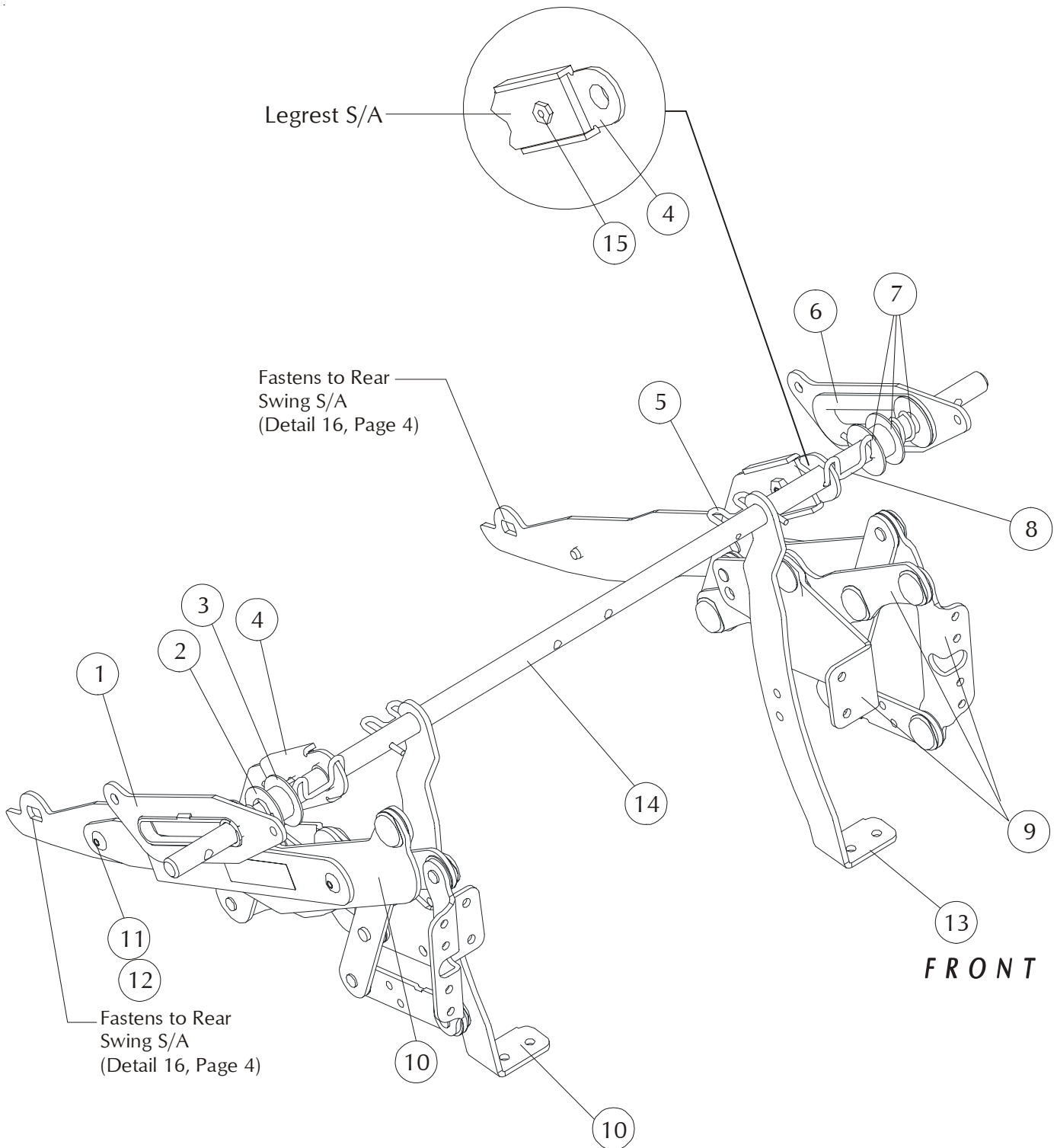


STYLE LY5005/3300-000-010 = STATIONARY TREATMENT RECLINER
LY5007/3300-000-020 = MOBILE TREATMENT RECLINER

Note: When replacing parts, specify style and acknowledgment numbers.

DETAIL	SYK P/N	LELAND P/N	DESCRIPTION	QTY.
1	3300-012-300	95000123-00	²⁵ / ₃₂ " Bearing, Large	3
2	3307-724-400	12970244-00L	Tilt Toggle Subassembly	1
	3307-924-400	12970244-00R	Tilt Toggle Subassembly	1
3	3309-069-002	62000690-02	Drive Rod	1
4	3300-027-800	72000278-00	Drive Shaft Support Rear	2
5	3300-105-800	15001058-00	Nylon Bushing	3
6	3300-000-200	35000002-00	Bearing, Small	4
7	3300-004-102	96000041-02	Cotter Pin	2
8	3300-012-500	95000125-00	Washer - Drive Rod	2
9	3300-012-600	12000126-00	Retaining Ring Spacer	1
10	3309-041-600	12970416-00L	Toggle Link Subassembly	1
11	3307-029-100	12970291-00	Rear Swing Subassembly	2
12	3300-007-606	96000076-06	¹ / ₄ -20 x ¹ / ₂ " Serrated Truss Head Screw	1
13	3300-026-900	72000269-00	Drive Shaft Support Front2	1
14	3300-914-700	12000147-00R	Spacing Link	1
15	3300-016-500	92000165-00	Spring - Drive Rod	1
16	3300-007-607	96000076-07	¹ / ₄ -20 x ³ / ₄ " Serrated Truss Head Screw	6
17	3300-031-900	96000319-00	¹ / ₄ -20 Flange Nut	6

SUPPORT SHAFT ASSEMBLY

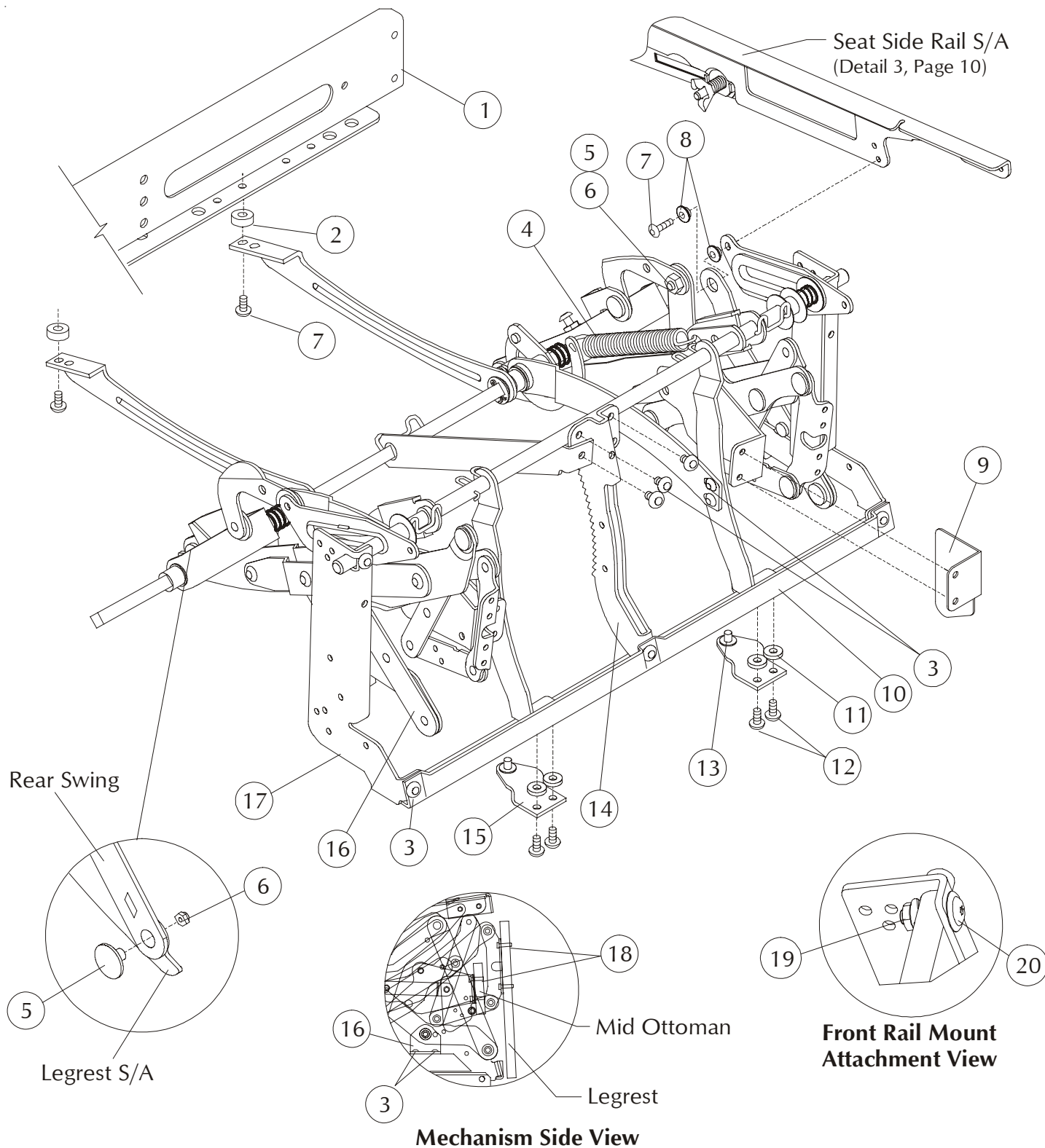


STYLE LY5005/3300-000-010 = STATIONARY TREATMENT RECLINER
 LY5007/3300-000-020 = MOBILE TREATMENT RECLINER

Note: When replacing parts, specify style and acknowledgment numbers.

DETAIL	SYK P/N	LELAND P/N	DESCRIPTION	QTY.
1	3300-020-700	12000207-00	Slide Insert Attachment	2
2	3300-018-600	92000186-00	Spring	2
3	3300-004-000	15000040-00	Spacer - Round Rod	2
4	3300-023-001	712000230-01	Legrest Swing Bracket	2
5	3300-004-700	42000047-00	Retaining Spacer	2
6	3300-003-100	15000031-00	Slide Insert	2
7	3300-035-100	96000350-01	Friction Washer	6
8	3300-015-800	12000158-00	Spacing Clip	2
9	3307-730-100	62970301-00L	Legrest Subassembly Click for General Information	1
	3307-930-100	62970301-00R	Legrest Subassembly	1
10	3300-020-500	12000205-00	L.R. Lever Reinforcement	2
11	3300-006-004	96000060-04	Washer ⁹ / ₃₂ "	6
12	3300-026-100	96000261-00	¼ -20 x ³ / ₈ " Torx Truss Head Screw	6
13	3300-027-000	72000270-00	Front Support Arm	2
14	3300-016-501	12000165-01	Support Shaft	1
15	3300-048-900	96000489-00	¼ -20 x ½ " Serrated Hex Head Screw	2

SUPPORT SHAFT/DRIVE ROD ASSEMBLY

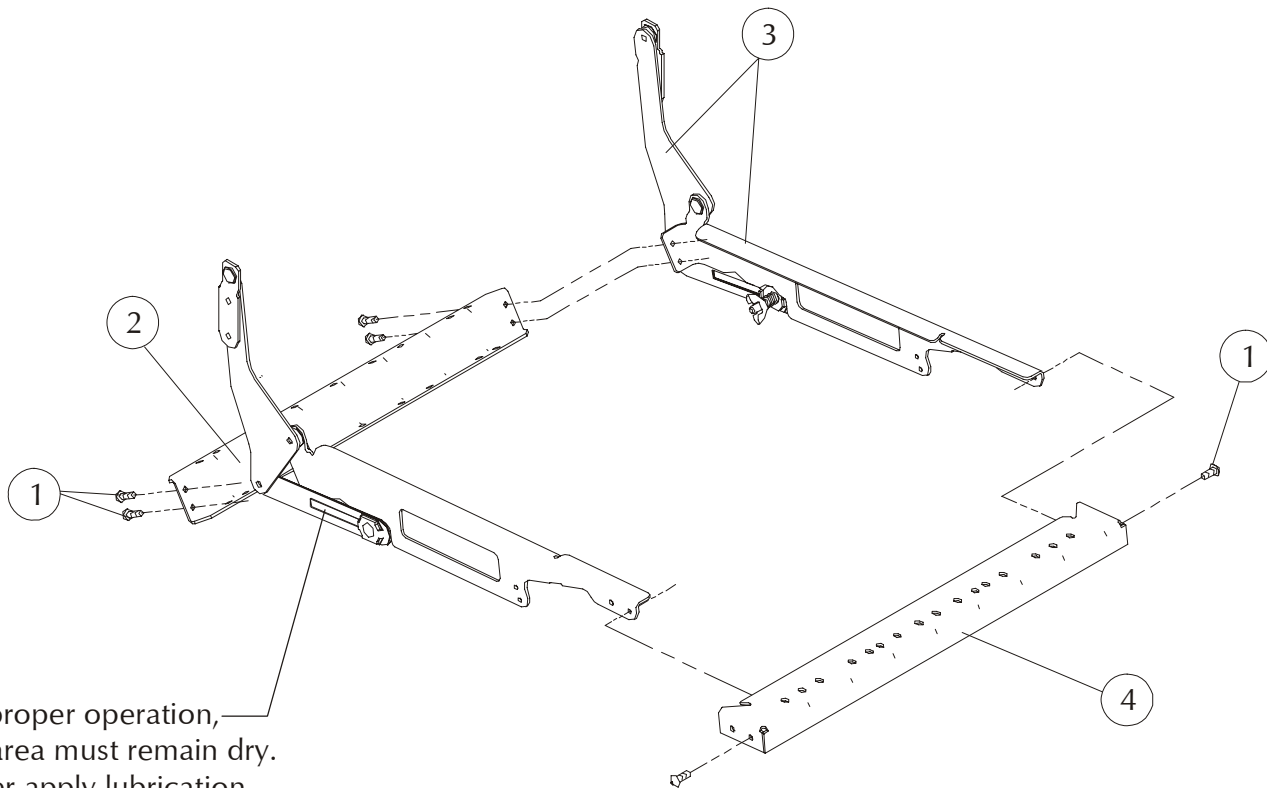


STYLE LY5005/3300-000-010 = STATIONARY TREATMENT RECLINER
 LY5007/3300-000-020 = MOBILE TREATMENT RECLINER

Note: When replacing parts, specify style and acknowledgment numbers.

DETAIL	SYK P/N	LELAND P/N	DESCRIPTION	QTY.
1	3307-034-401	12970344-01	Metal Rear Rail Subassembly	1
2	3300-046-803	96000468-03	Spacer	2
3	3300-007-606	96000076-06	1/4 -20 x 1/2 " Serrated Truss Head Screw	14
4	3300-069-100	92000691-00	Extension Spring	1
5	3300-005-401	16000054-01	5/16-24 x 5/8" Shoulder Bolt	4
6	3300-028-000	96000280-00	5/16-24 Lock Nut	4
7	3300-007-604	96000076-04	1/4 -20 x 1" Serrated Truss Head Screw	4
8	3300-018-200	92000182-00	Shoulder Bushing	4
9	3300-723-800	12000238-00L	Mid Ottoman Guard	1
	3300-923-800	12000238-00R	Mid Ottoman Guard	1
10	3308-000-101	12180001-01	Front Rail	1
11	3300-002-200	96000022-00	Washer	4
12	3300-007-607	96000076-07	1/4 -20 x 3/4 " Serrated Truss Head Screw	4
13	3300-038-902	95000389-02	Plastic Bumper (Stop Pad)	2
14	3300-022-600	12000226-00	Pawl Rack - Modified	1
15	3300-026-700	72000267-00	Glide Bracket	2
16	3307-709-300	72970093-00L	Slide Lift Global Subassembly	1
	3307-909-300	72970093-00R	Slide Lift Global Subassembly	1
17	3307-700-200	12170002-00L	Front Rail Mounting Bracket - Modified	1
	3307-900-200	12170002-00R	Front Rail Mounting Bracket - Modified	1
18	3300-001-702	96000017-02	10-24 x 3/4 " Torx Pan Head Screw	8
19	3300-031-900	96000319-00	1/4 -20 Flange Nut	2
20	3300-039-800	96000398-00	1/4 -20 x 15/16" Torx Truss Head Screw (Washer Head)	2

SEAT MECHANISM



For proper operation,
this area must remain dry.
Never apply lubrication
to this area.

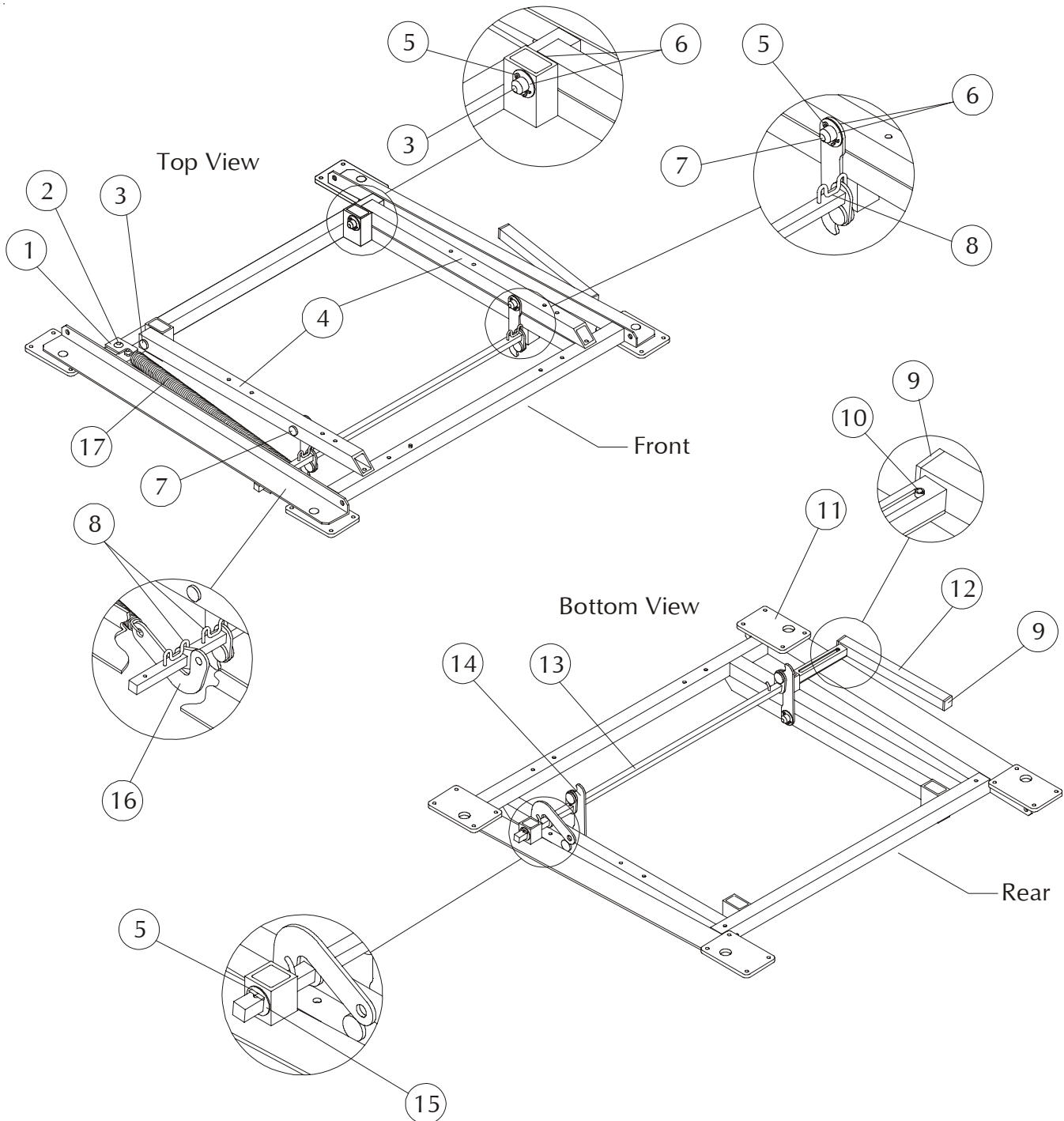
FRONT

STYLE LY5005/3300-000-010 = STATIONARY TREATMENT RECLINER
LY5007/3300-000-020 = MOBILE TREATMENT RECLINER

Note: When replacing parts, specify style and acknowledgment numbers.

DETAIL	SYK P/N	LELAND P/N	DESCRIPTION	QTY.
1	3300-007-606	96000076-06	1/4 -20 x 1/2 " Serrated Truss Head Screw	6
2	3302-000-100	12320001-00	Seat Rear Rail	1
3	3307-728-900	12970289-00L	Seat Side Rail Subassembly	1
	3307-928-900	12970289-00R	Seat Side Rail Subassembly	1
4	3303-000-100	12330001-00	Seat Front Rail	1

BASE ASSEMBLY PART #62980095-01



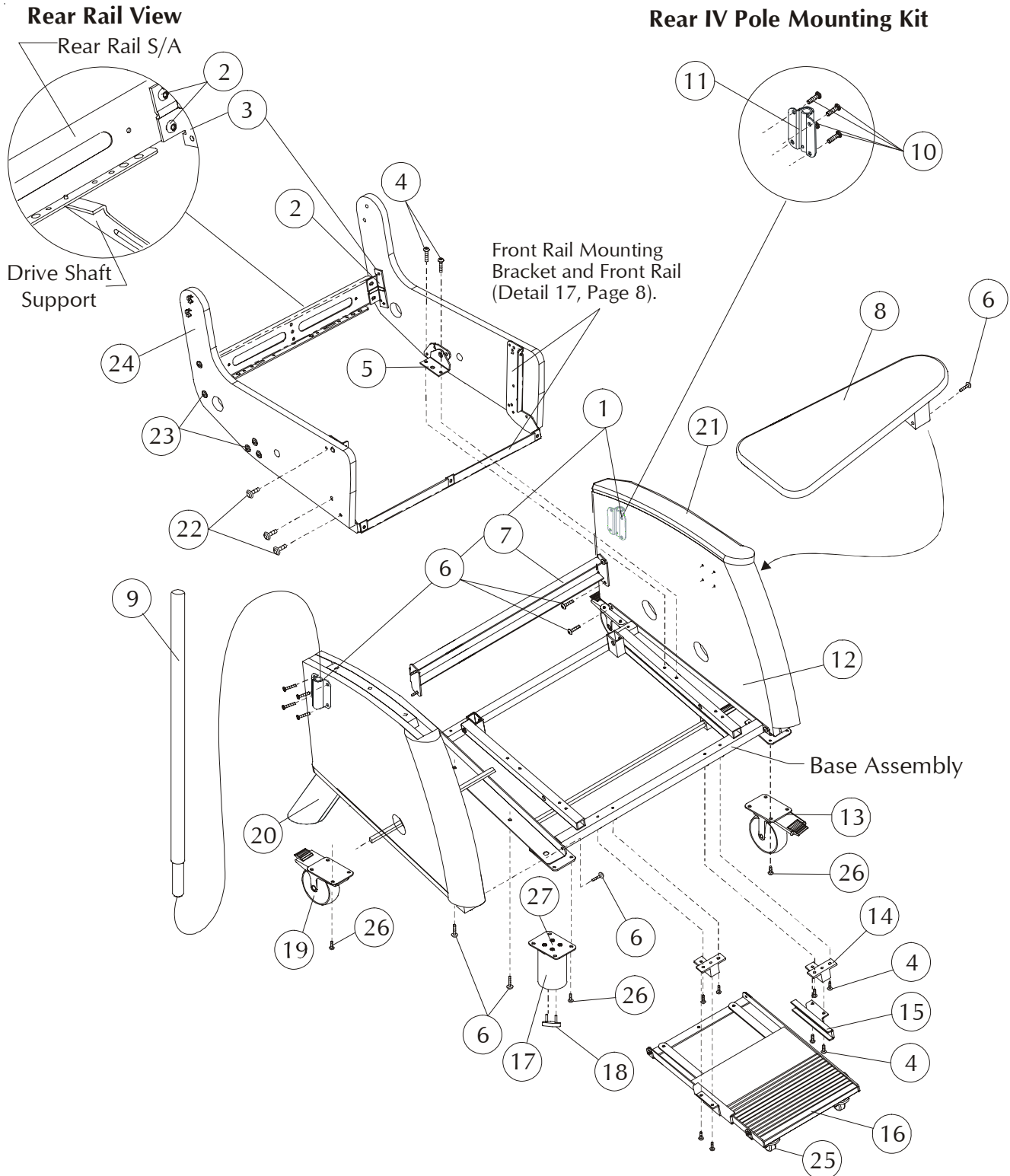
STYLE LY5005/3300-000-010 = STATIONARY TREATMENT RECLINER
 LY5007/3300-000-020 = MOBILE TREATMENT RECLINER

**STRYKER MEDICAL SYMMETRY 2 SERIES
BASE ASSEMBLY**

Note: When replacing parts, specify style and acknowledgment numbers.

DETAIL	SYK P/N	LELAND P/N	DESCRIPTION	QTY.
1	3300-004-800	42000048-00	Spring Attachment Bracket	1
2	3300-007-606	96000076-06	¼ -20 x ½ " Serrated Truss Head Screw	1
3	3300-022-501	12000225-01	Pivot Pin - Long	2
4	3300-022-100	12000221-00	Pivot Arm Support	2
5	3300-004-102	96000041-02	Cotter Pin	6
6	3304-002-200	75000022-00	Nylon Washer	8
7	3300-022-502	12000225-02	Pivot Pin - Short	2
8	3300-004-700	42000047-00	Retaining Spacer	3
9	3300-004-100	15000041-00	End Cap	2
10	3300-004-001	96000040-01	³ / ₁₆ x ⁵ / ₈ " Roll Pin	1
11	3309-010-401	12970104-01	Base Subassembly	1
12	3309-026-000	62970260-00	Flat-Bed Handle Subassembly	1
13	3300-046-800	62000468-00	Drive Rod	1
14	3307-725-900	62970259-00	Over Center Stop Subassembly	2
15	3300-105-800	15001058-00	Nylon Bearing	4
16	3307-725-800	62970258-00	Over Center Toggle Subassembly	1
17	3300-017-500	92000175-00	Power Spring - Large	1

MECHANISM ASSEMBLY



STYLE LY5005/3300-000-010 = STATIONARY TREATMENT RECLINER
 LY5007/3300-000-020 = MOBILE TREATMENT RECLINER

Note: When replacing parts, specify style and acknowledgment numbers.

DETAIL	SYK P/N	LELAND P/N	DESCRIPTION	QTY.
1	3307-001-201	IV2	IV Pole Kit (See Option IV2 for details)	1
2	3300-048-901	96000489-01	¼ -20 x 1 ³ / ₁₆ " Hex Head Screw Click for General Information	4
3	3300-027-301	12000273-01	Rear Rail Bracket Refer to Rear Rail on Page 10-13	2
4	3300-007-606	96000076-06	¼ -20 x ½ " Serrated Truss Head Screw (LY5005 only)	8
	3300-007-606	96000076-06	¼ -20 x ½ " Serrated Truss Head Screw (LY5007 only)	16
5	3307-008-300	72970083-00	Pivot Subassembly	2
6	3300-002-402	96000024-02	¼ -20 x 1" Truss Head Screw	16
7	3302-000-102	12020001-02	Rear Rail	1
8	3307-009-000	65970090-00	Side Tray Sub-Assembly	1
9	3300-042-501	62000425-01	Rear IV Pole	1
10	3300-002-402	96000024-02	¼ -20 x 1" Truss Head Screw (pt. of det. 1)	4
11	3300-067-400	62000674-00	IV Pole Bracket (pt. of det. 1)	1
12	3307-774-100	11970741-00L	Outer Body Side Subassembly	1
	3307-974-100	11970741-00R	Outer Body Side Subassembly	1
13	3300-020-600	65000206-00	Rigid Locking Caster (LY5007 only)	2
14	3300-024-200	12000242-00	Mounting Bracket (LY5007 only)	2
15	3307-712-400	62970124-00L	Foot Board Support Bracket S/A (LY5007 only)	1
	3307-912-400	62970124-00R	Foot Board Support Bracket S/A (LY5007 only)	1
16	3307-025-300	62970253-00	Foot Tray Subassembly (LY5007 only)	1
17	3309-012-200	61040122-00	Front Foot Finished (LY5005 only)	2
18	3300-047-500	96000475-00	Glide (LY5005 only)	4
19	3300-016-900	65000169-00	Swivel Locking Caster (LY5007 only)	2
20	3309-112-200	61030122-00	Rear Foot Finished (LY5005 only)	2
21	3309-709-500	65050095-00L/R	Top Arm, Polyurethane Black; Standard	1 ea
	3309-909-500			
22	3300-039-800	96000398-00	¼ -20 x1" Truss Head Screw	6
23	3300-039-801	96000398-01	¼ -20 x ¾" Truss Head Screw	10
24	3307-088-000	41970880-00	Inner Body Side T-Nut Subassembly	2
25	3300-042-700	62000427-00	Foot Tray Caster (LY5007 only)	2
26	3300-048-900	96000489-00	1/4-20 x 1/2" Hex Head Screw	16
27	3307-024-500	12000245-00	Leg Mount Plate (LY5005 only) (pt. of det. 17)	2
Options:				
IV2:			Rear IV Pole Kit	
	3300-042-501	62000425-01	Rear IV Pole	1
	3300-067-400	62000674-00	IV Pole Bracket	1
	3300-002-402	96000024-02	1/4-20 x 1 3/4" Truss Head Screw	4
WA1			Top Arm Assembly Finished	
	3309-719-400	61050194-00L/R*	Top Arm Finished	1 ea
	3309-919-400			
TSL			Side Tray Assembly Kit (LT) See General Information	
	3307-009-000	65970090-00	Side Tray Sub-Assembly	1
	3300-002-402	96000024-02	¼ -20 x 1" Truss Head Screw	4
TSR			Side Tray Assembly Kit (RT) See General Information	
	3307-009-000	65970090-00	Side Tray Sub-Assembly	1
	3300-002-402	96000024-02	¼ -20 x 1" Truss Head Screw	4
TD2			Dual Side Tray Assembly Kit See General Information	
	3307-009-000	65970090-00	Side Tray Dual Sub-Assembly	2
	3300-002-402	96000024-02	¼ -20 x 1" Truss Head Screw	8
4S2			4S Swivwl Locking Casters	
	3300-016-900	65000169-00	Swivel Lock Caster; Option (LY5007 only)	4

* Indicate finish or color when ordering

** Indicate fabric cover number when ordering

PARTS LIST:

62980095-00	(1)	Replacement Base
96000462-00	(4)	¼-10 x 1¼" Wood Screws
65000168-00	(2)	Nonlocking Stationary Casters
65000169-00	(2)	Locking Swivel Casters
96000076-06	(16)	¼-20 x ½" T.H. Screws (Casters)
62970124-00L	(1)	Footboard Brackets
62970124-00R	(1)	Footboard Brackets
12000242-00	(2)	Mounting Brackets

TOOLS REQUIRED:

#30 Torx Driver
3/16" Drill Bit
Power Drill

1. Remove the back from the chair body by unlocking the back brackets and lifting the back out.

2. Turn the chair body upside down placing it on its arms. Be sure to place a protective covering underneath the arms.

3. Next, remove the footboard. Use a T-30 torx driver to remove the screws that attach the footboard brackets to the mounting brackets. **See illustration #1.**

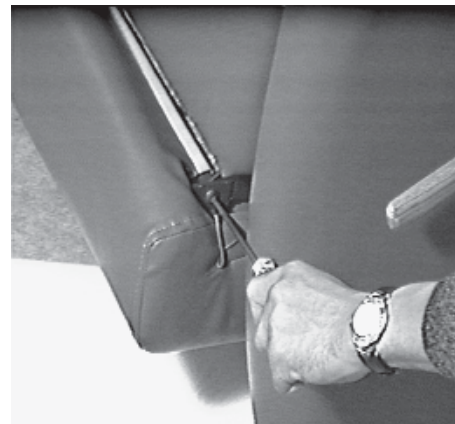


Illustration #2

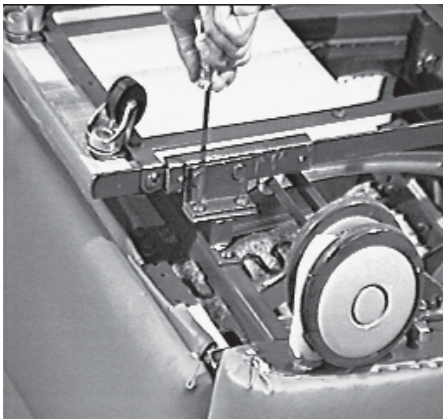


Illustration #1

4. Slide the seat forward.

5. Remove the two (2) **front** seat slide screws using T-30 torx driver. **See illustration 2.**

6. Remove two (2) **rear** seat slide screws. **See illustration 3.**

Note: Be sure to observe the orientation of the washers at the rear of seat slide for accurate replacement.

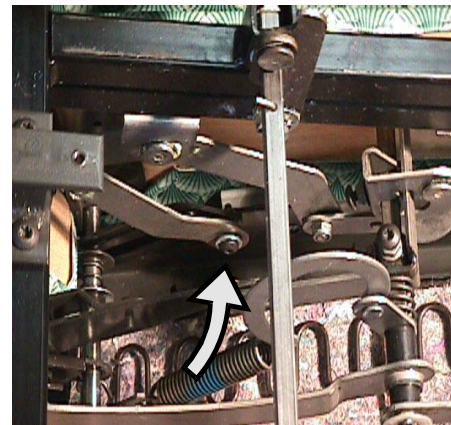


Illustration #3

PART # 63000529-00

STRYKER MEDICAL
SYMMETRY 2 SERIES
ASSEMBLY INSTRUCTIONS
REPLACING THE MOBILE BASE

7. Return the chair body to its upright position.

8. Place your hand underneath the front of the seat and flip the seat back so it is outside the chair body. **See illustration 4.**

Note: The rear of seat should still be attached.



Illustration #4

10. Return the seat to its original position inside the chair.

11. Turn the chair upside down again.

12. Using a T-30 torx driver remove the four (4) screws attaching the caster plate to the body side. **See illustration 6.**



Illustration #6

9. With the seat out of the way, remove the four (4) pivot mount screws and four (4) tilt control screws using a T-30 torx driver. **See illustration 5.**

13. Remove the four (4) screws attaching the base to the side arms. **See illustration 7.**

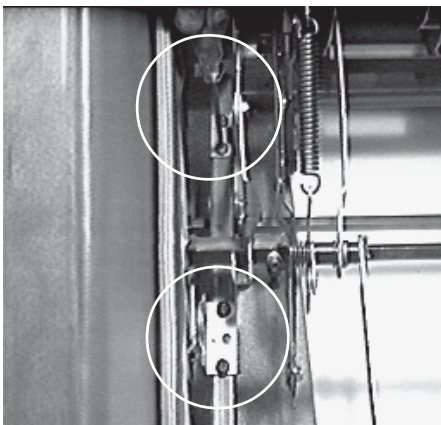


Illustration #5



Illustration #7

REPLACING THE MOBILE BASE

LY5007

14. Remove the base.

15. Attach the new base to the side arms with the four (4) screws that you removed in Step 13.

Note: Make sure these four (4) screws are tightened completely.

16. Drill $\frac{3}{16}$ " pilot hole through the bottom of chair arm using a power drill. **See illustration 8.**



Illustration #8

17. Insert four (4) #14-10 x $1\frac{1}{4}$ " wood screws into the chair arm. **See illustration #9.**



Illustration #9

18. Attach the casters to the base using the sixteen (16) $\frac{1}{4}$ -20 x $\frac{1}{2}$ " truss head screws provided.

Note: The stationary casters should be attached to the front of the chair body and the swivel casters to the back.

19. After attaching the casters, return the chair body to its upright position.

20. Repeat Step 8.

21. Reinsert the four (4) pivot mount screws and four (4) tilt control screws that were removed in Step 9.

22. Placing your hand underneath the front of the seat, return the seat to its upright position inside the chair body.

23. Turn the chair body upside down and place the chair on its arms.

24. Reattach front and rear seat slide screws. **See illustration 10.**

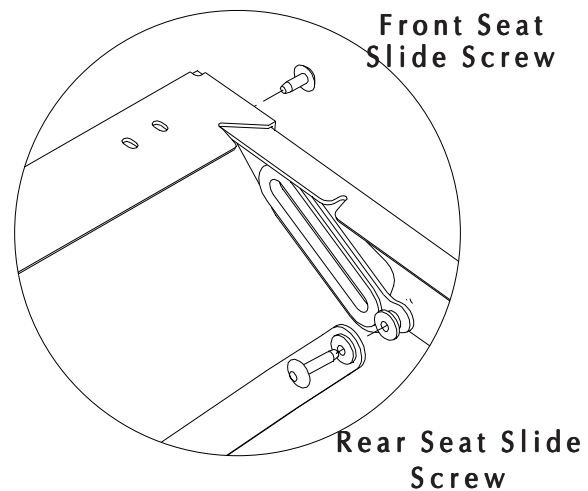


Illustration #10

STRYKER MEDICAL
SYMMETRY 2 SERIES
ASSEMBLY INSTRUCTIONS
REPLACING THE MOBILE BASE

25. To reattach the footboard, begin by fastening the new footboard mounting brackets to the chair base using $\frac{1}{4}$ -20 x $\frac{1}{2}$ truss head screws. See illustration 11.

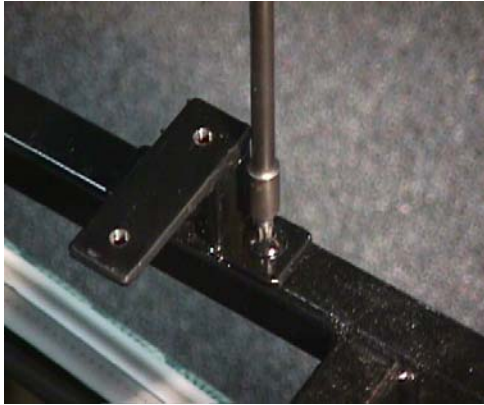


Illustration #11

26. Place the new footboard brackets to one side, fasten securely. Position the footboard on the bracket and attach the opposite bracket while simultaneously holding the footboard. See illustration 12.

Note: The shorter end of footboard brackets should be toward the front of the chair.



Illustration 12

27. Turn the chair right side up.

Style LY5005/3300-000-010 Stationary Medical Recliner

Dimensions:	Back Height from Floor	46.00"	
	Back Height from Seat	29.50"	
	Seat Width	27.75"	
	Seat Height	20.88"	
	Seat Depth	19.75"	
	Arm Height from Floor	27.50"	
	Overall Width	35.00"	
	Overall Depth	37.75"	
	Reclined Depth	53.00"	
	Reclined Depth w/ legrest extended	70.00"	
	Maximum Recline Angle	165° (parallel to floor)	
	Weight	165 lbs.	
Finish:	Type of Finish	High Solids Catalyzed Lacquer	
	Available Colors	150 Hard Rock Maple	051 Natural
		154 Fine Oak	431 Dark Cherry
		151 Port Maple	143 White Blush
		152 Wild Cherry	435 Classic Cherry
		447 Cayenne Maple	
		448 Honey Maple	
		449 Select Cherry	
Frame Construction:	Frame Material	Furniture grade plywood	
	Frame Construction	Steel channel cross members	
	Arm Cap Attachment	Arm cap attaches to body with spring steel compression dowels	
	Feet	Hard maple	
Seat Construction:	Frame Material	Steel channel frame	
	Suspension	Sinuous wire springs, crossbrace wire and composition pad	
	Foam Type	High resilient (HR) polyurethane foam	
Back Construction:	Frame Material	Hardwood	
	Frame Construction	Double doweled and glued	
	Suspension	Sinuous wire springs	
	Back Foam Core	High resilient (HR) polyurethane foam	
Upholstery Details:	Patterns Available	Fabric, vinyl, C.O.M.	
Test Data:	Fabric Tests	Consult specific fabric card	
	BIFMA Tests	Meets ANSI/BIFMA X5.4 - American National Standard for Office Furnishings - Lounge Seating. Tests conducted in CERTIFIED test facility.	
	Flammability Tests	Meets BIFMA First Generation Voluntary Upholstered Furniture Flammability Standard for Business and Institutional Markets, F1-1978-revised 1980. California Bureau of Home Furnishings - Technical Bulletin 117. Meets Flammability Requirements of California Bureau of Home Furnishings Technical Bulletin 133 when ordered with La-Z-Boy Code Red Fabrics and Vinyl's. Consult a La-Z-Boy Customer Service Representative for further information. Upholstered Furniture Action Council Class 1.	

Style LY5007/3300-000-020 Mobile Medical Recliner

Dimensions:	Back Height from Floor	46.00"		
	Back Height from Seat	29.50"		
	Seat Width	27.75"		
	Seat Height	20.88"		
	Seat Depth	19.75"		
	Arm Height from Floor	27.50"		
	Overall Width	35.00"		
	Overall Depth	37.75"		
	Reclined Depth	53.00"		
	Reclined Depth w/ legrest extended	70.00"		
	Maximum Recline Angle	165° (parallel to floor)		
	Weight	165 lbs.		
Finish:	Type of Finish	High Solids Catalyzed Lacquer		
	Available Colors	150	Hard Rock Maple	051 Natural
		154	Fine Oak	431 Dark Cherry
		151	Port Maple	143 White Blush
		152	Wild Cherry	435 Classic Cherry
		447	Cayenne Maple	
		448	Honey Maple	
		449	Select Cherry	
Frame Construction:	Frame Material	Furniture grade plywood		
	Frame Construction	Steel channel cross members		
	Arm Cap Attachment	Arm cap attaches to body with spring steel compression dowels		
	Casters	Dual wheel locking - polyurethane treads,braking mechanism in rear casters locks both movement and swivel, soft gray		
	Foot tray	Furniture grade plywood with non-slip rubber surface, helper casters for added stability		
Seat Construction:	Frame Material	Steel channel frame		
	Suspension	Sinuous wire springs, crossbrace wire and composition pad		
	Foam Type	High resilient (HR) polyurethane foam		
Back Construction:	Frame Material	Hardwood		
	Frame Construction	Double doweled and glued		
	Suspension	Sinuous wire springs		
	Back Foam Core	High resilient (HR) polyurethane foam		
Upholstery Details:	Patterns Available	Fabric, vinyl, C.O.M.		
Test Data:	Fabric Tests	Consult specific fabric card		
	BIFMA Tests	Meets ANSI/BIFMA X5.4 - American National Standard for Office Furnishings - Lounge Seating. Tests conducted in CERTIFIED test facility.		
	Flammability Tests	Meets BIFMA First Generation Voluntary Upholstered Furniture Flammability Standard for Business and Institutional Markets, F1-1978- revised 1980. Bureau of Home Furnishings - Technical Bulletin		
California 117.		Meets Flammability Requirements of California Bureau Home Furnishings Technical Bulletin 133 when with La-Z-Boy Code Red Fabrics and Vinyl's. La-Z-Boy Customer Service Representative information.		
of ordered Consult a for further		Upholstered Furniture Action Council Class 1.		

Three Piece Rear Rail

Four Hex Head Screws are used to attach the Metal Rear Rail to the Rear Rail Brackets. The screws are installed in a counterclockwise direction starting with the upper slot in the left (when sitting). Do not tighten this screw completely until the other three screws are installed and fastened firmly. The upper right, lower right and lower left screws are tightened when they are installed.

Side Tray Assembly Kit, Option

TSL (LT) / TSR (RT) includes:

- (1) Side Tray Subassembly 65970090-00
- (4) 1/4-20 x 1" Truss Head Screw 96000024-02

The Side Tray can be mounted on either side of the chair.

LT - side tray will be mounted on left side of chair

RT - side tray will be mounted on right side of chair

TD2 (Dual Trays) includes:

- (2) Side Tray Subassembly 65970090-00
- (8) 1/4-20 x 1" Truss Head Screw 96000024-02

Hinged Folding Push Bar Service Kit

WB1 includes:

- (1) Push Bar/Hinge S/A 62970504-03
- (2) Nylon Washer 96000071-00
- (2) Recessed Bumper 65000273-00
- (2) #10-18 x 3/4" Phillips Head Screws 96000200-01
- (4) 1/4-20 x 2" Torx Head Screws 96000024-13
- (2) Decorative Cap Nut 65000290-00
- (2) Rubber Washer 65000292-00

Rear IV Pole, Option

IV2 includes:

- (1) Mounting Bracket 62000583-00
- (1) IV Tube Bracket 62000674-00
- (1) IV Pole 62000425-01
- (4) 1/4-20 x 1/2" Ser. Truss Head Screws 96000076-06
- (1) 1/4-20 x 1 3/4" Truss Head Screws 96000024-03

Lock Down Back Service Kit

62970422-00 includes:

- (1) Back Bracket Assembly 92970079-00L
- (1) Back Bracket Assembly 92970079-00R
- (1) Lock Bar 62000488-00
- (2) 1/4-20 x 3/4" Torx Flat Head Screws 96000013-01
- (4) 1/4-20 x 1 1/4" Torx Flat Head Screws 96000013-03
- (2) Black Elastic Straps 94000005-01

Legrest Subassembly:

When a complete Legrest S/A is being replaced, it is necessary to order:

- Legrest S/A 62970301-00L
- 62970301-00R
- L.R. Lever Reinforcement 12000205-00
- Washer 96000060-04
- 1/4 -20 Truss Head Screws 96000261-00

Refer to page 9 for quantities needed.