

stryker[®] **Medical**

LY95/96/97 335/3300-000-600 Series

Operations/Maintenance Manual

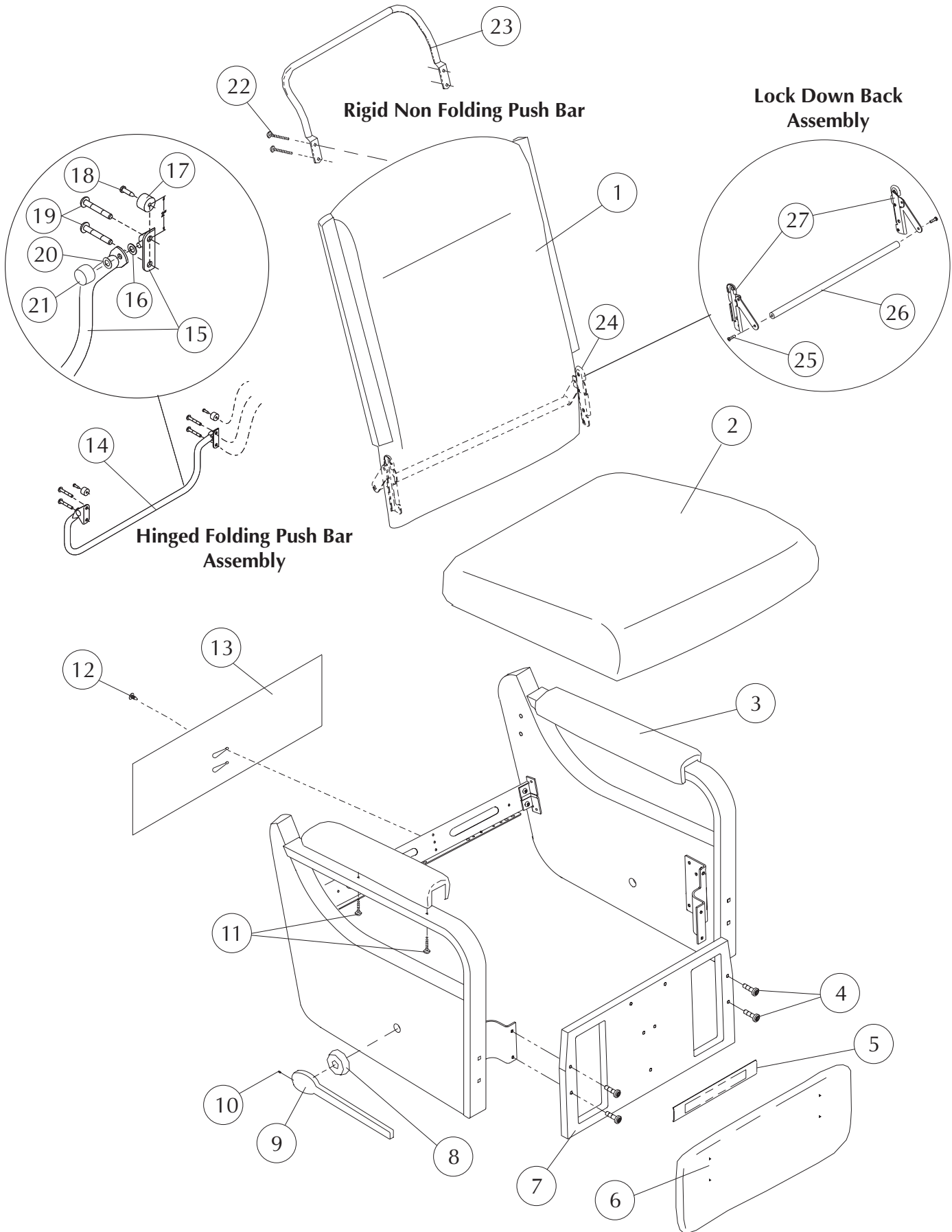
For Parts or Technical Assistance
800-327-0770

To LY95 335 Table of Contents
To LY96 335 Table of Contents
To LY97 335 Table of Contents

LY95/96/97 335/3300-000-600 Series

Table of Contents

Style LY97335/ 3300-000-603	2-3
LY97335/ 3300-000-603 Drive Rod Assembly (before 1/5/04)	4-5
LY97335/ 3300-000-603 Drive Rod Assembly (after 1/5/04)	6-7
LY97335/ 3300-000-603 Support Shaft/Drive Rod Assembly (before 1/5/04)	8-9
LY97335/ 3300-000-603 Support Shaft/Drive Rod Assembly (after 1/5/04)	10-11
LY97335/ 3300-000-603 Body Assembly	12-13
Specification LY97335/ 3300-000-603	14
General Information	15
Repair Instructions - 63000585-01	
63000655-01	
Lock Down Back Assembly Instructions	
Push Bar Assembly Instructions	



LY97335

STRYKER MEDICAL HEALTHCARE SERIES

Note: When replacing parts, specify style and acknowledgment numbers.

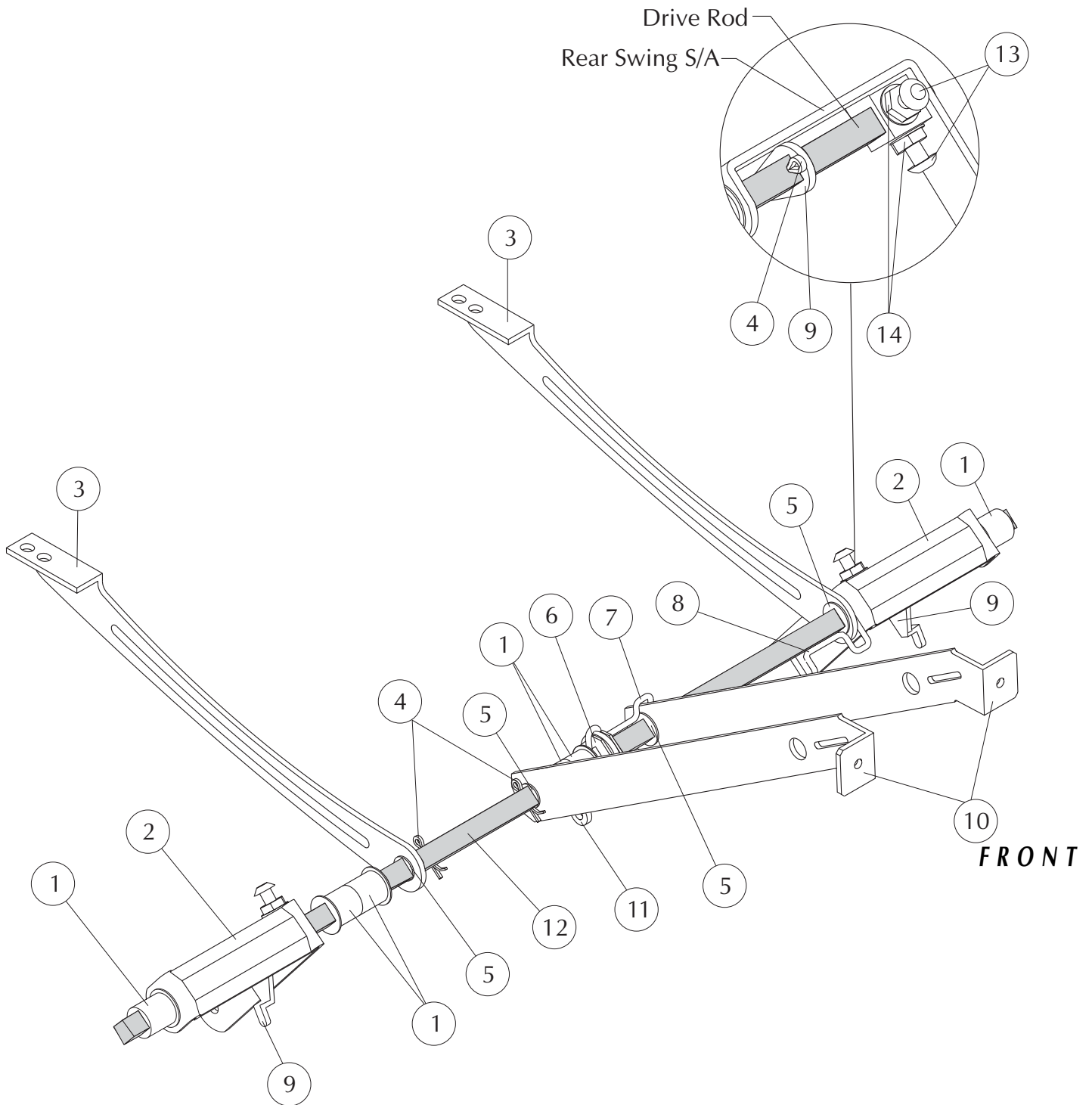
DETAIL#	SYK PN	LZB PN	DESCRIPTION	QUANTITY
1	3309-015-010	11990150-10**	Back Upholstered plus 2.5 yd cover required (LY97335)	1
2	3309-138-917	11991389-17**	Seat Upholstered plus 1.0 yd cover required	1
3	3309-001-502	14990015-02**	Top Arm Pad upholstered plus 1.0 yd cover required	2
4	3300-035-702	96000357-02	1/4-20 x 1" Modified Flat Head Screw	4
5	3309-000-101	94990001-01**	Mid Ottoman Upholstered plus 0.5 yd cover required	1
6	3309-056-801	11990568-01**	Legrest Upholstered plus 1.0 yd cover required	1
7	3309-060-501	11990605-01**	Front rail Upholstered plus 1.0 yd cover required	1
	3309-056-602	11990566-02**	Front rail Upholstered plus 1.0 yd cover required	1
	3309-042-900	61990429-00**	Front rail Upholstered plus 1.0 yd cover required	1
8	3309-001-600	95990016-00*	Escutcheon Finished	1
9	3309-900-102	95990001-02R*	Long handle Finished, right (standard)	1
	3309-700-102	95990001-02L*	Long handle Finished, left (option)	1
10	3300-036-200	96000362-00	3/8-16 x 1/2" Set Screw	1
11	3300-002-502	96000025-02	1/4-20 x 1 1/4" Torx Truss Head Screw	4
12	3300-040-900	95000409-00	Christmas Tree Fastener	1
13	3308-000-328	10980003-28**	Tailgate Sewn plus 0.5 yd cover required	1
14	3307-001-604	KIT70016-04	Hinged Folding Push Bar Assembly, (Standard)	1
15	3307-050-403	62970504-03	Push Bar/Hinge Subassembly (pt. of det. #14)	1
16	3300-007-100	96000071-00	Nylon Washer (pt. of det. #14)	2
17	3300-027-300	65000273-00	Recessed Bumper (pt. of det. #14)	2
18	3300-020-001	96000200-01	#10-18 x 3/4" Phillips Head Screw (pt. of det. #14)	2
19	3300-002-413	96000024-13	1/4-20 x 2" Torx Head Screw (pt. of det. #14)	4
20	3300-029-200	65000292-00	Rubber Washer (pt. of det. #14)	2
21	3300-029-000	65000290-00	Decorative Cap Nut (pt. of det. #14)	2
22	3300-002-413	96000024-13	1/4-20 x 1 3/4" Torx Truss Head Screw, Option	4
23	3300-018-201	62000182-01	Rigid Non Folding Push Bar, Option	1
24	3307-001-303	KIT70013-03	Lock Down Back Assembly Kit, Standard	1
25	3300-001-301	96000013-01	1/4-20 x 3/4" Torx Flat Head Screw, (part of det. 24)	2
26	3300-048-800	62000488-00	Lock Bar, Standard, (part of det. #24)	1
27	3307-907-900	92970079-00R	Lock Down Back Assembly, Standard, (part of det. #24)	1
	3307-707-900	92970079-00L	Lock Down Back Assembly, Standard, (part of det. #24)	1
	3303-000-501	94000005-01	Black Elastic Straps (not shown) (pt of det. 24)	2

* Indicate finish or color when ordering
 ** Indicate fabric cover number when ordering
 *** Add charge for yardage to cost of kit - - - -

LY97335 / 3300-000-603

DRIVE ROD ASSEMBLY

FOR STYLES PRODUCED BEFORE 1/05/04



LY97335
**STRYKER MEDICAL HEALTHCARE SERIES
DRIVE ROD ASSEMBLY**

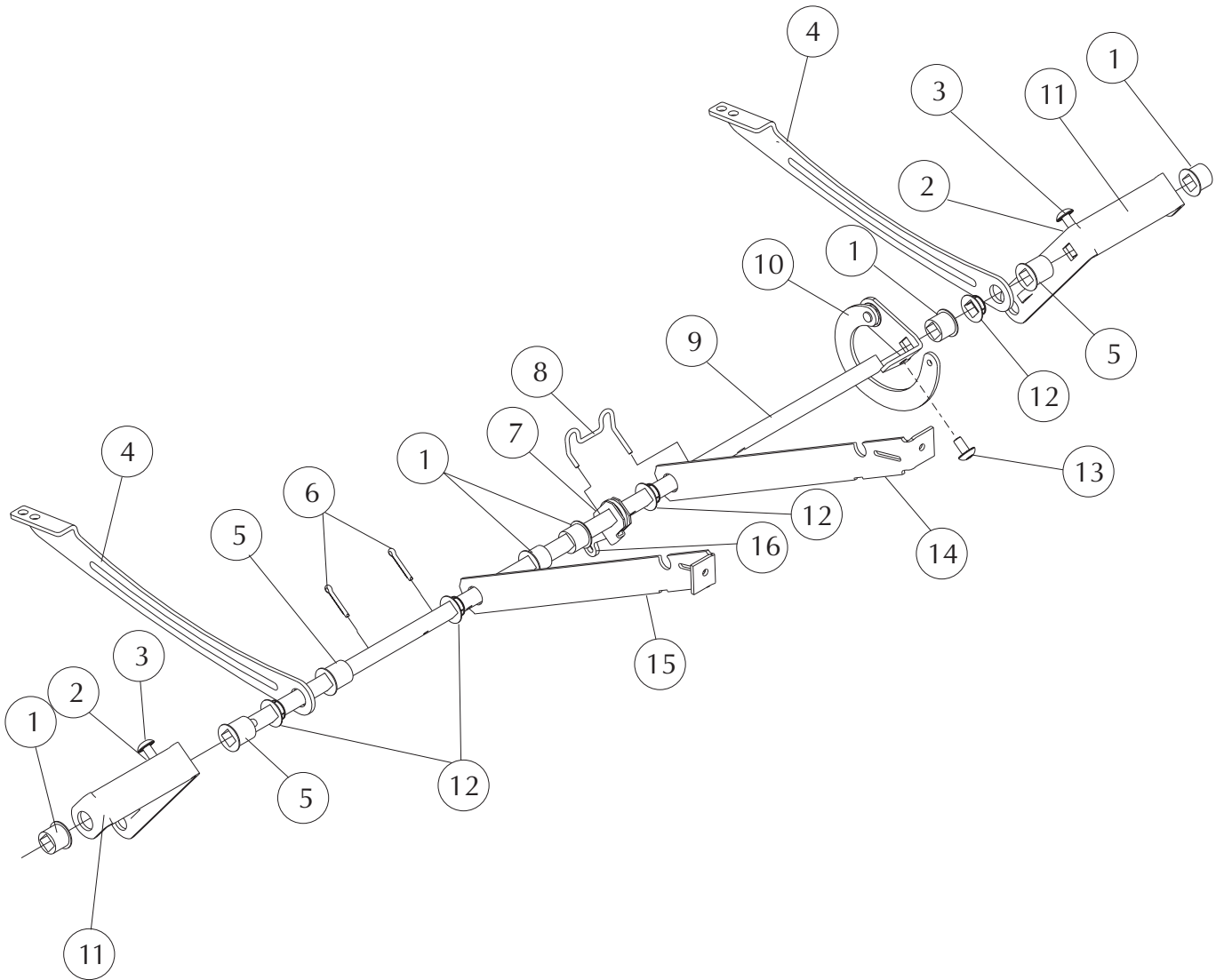
Note: When replacing parts, specify style and acknowledgment numbers.

DETAIL#	SYK PN	LZB PN	DESCRIPTION	QUANTITY
1	3300-012-301	95000123-01	Bearing, medium	6
2	3307-029-100	12970291-00	Rear Swing Subassembly	2
3	3300-027-800	72000278-00	Drive Shaft Support, rear	2
4	3300-004-102	96000041-02	Cotter Pin	4
5	3300-105-800	15001058-00	Nylon Bearing	4
6	3300-014-400	12000144-00	Trip Lever	1
7	3300-716-700	12000167-00L	Retaining Ring Spacer	1
8	3300-012-600	12000126-00	Retaining Spacer	1
9	3300-104-800	12001048-00	Toggle Lever	2
10	3300-712-500	12000125-00L	Spacing Link	1
	3300-912-500	12000125-00R	Spacing Link	1
11	3300-015-500	12000155-00	Swivel Lever	1
12	3304-016-601	12000166-01	Drive Rod	1
13	3300-007-607	96000076-07	1/4-20 x 3/4" Serrated Truss Head Screw	4
14	3300-031-900	96000319-00	Flange Nut	4

LY97335 / 3300-000-603

DRIVE ROD ASSEMBLY

FOR STYLES PRODUCED AFTER 1/05/04



**STRYKER MEDICAL HEALTHCARE SERIES
DRIVE ROD ASSEMBLY**

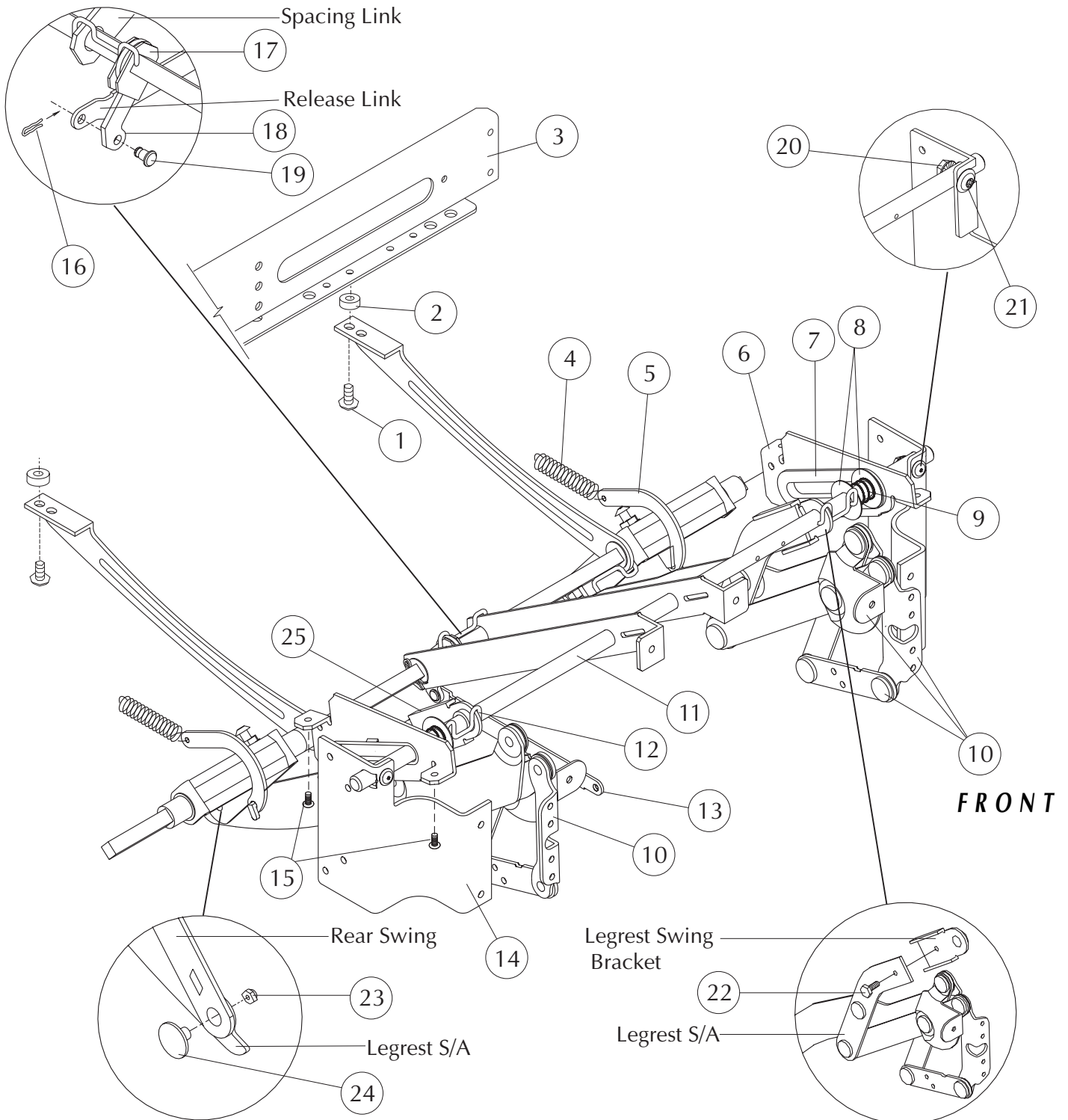
Note: When replacing parts, specify style and acknowledgment numbers.

DETAIL#	SYK PN	LZB PN	DESCRIPTION	QUANTITY
1	3300-012-301	95000123-01	Bearing, medium	5
2	3300-031-900	96000319-00	Flange Nut	4
3	3300-007-607	96000076-07	1/4-20 x 3/4" Serrated Truss Head Screw	4
4	3300-027-800	72000278-00	Drive Shaft Support, rear	2
5	3300-012-300	95000123-00	Bearing, Large	3
6	3300-004-102	96000041-02	Cotter Pin	4
7	3300-014-400	12000144-00	Trip Lever	1
8	3300-716-700	12000167-00L	Retaining Ring Spacer	1
9	3300-071-501	12000715-01	Drive Rod	1
10	3307-937-400	12970374-00R	Toggle Link Subassembly	1
11	3307-029-100	12970291-00	Rear Swing Subassembly	2
12	3300-105-800	15001058-00	Nylon Bearing	4
13	3300-007-606	96000076-06	1/4-20 x 1/2" Serrated Truss Head Screw	1
14	3300-727-900	12000279-00L	Spacing Link	1
15	3300-927-900	12000279-00R	Spacing Link	1
16	3300-015-500	12000155-00	Swivel Lever	1

LY97335/3300-000-603

SUPPORT SHAFT/DRIVE ROD ASSEMBLY

FOR STYLES PRODUCED BEFORE 1/05/04



LY97335

STRYKER MEDICAL HEALTHCARE SERIES

SUPPORT SHAFT/DRIVE ROD ASSEMBLY

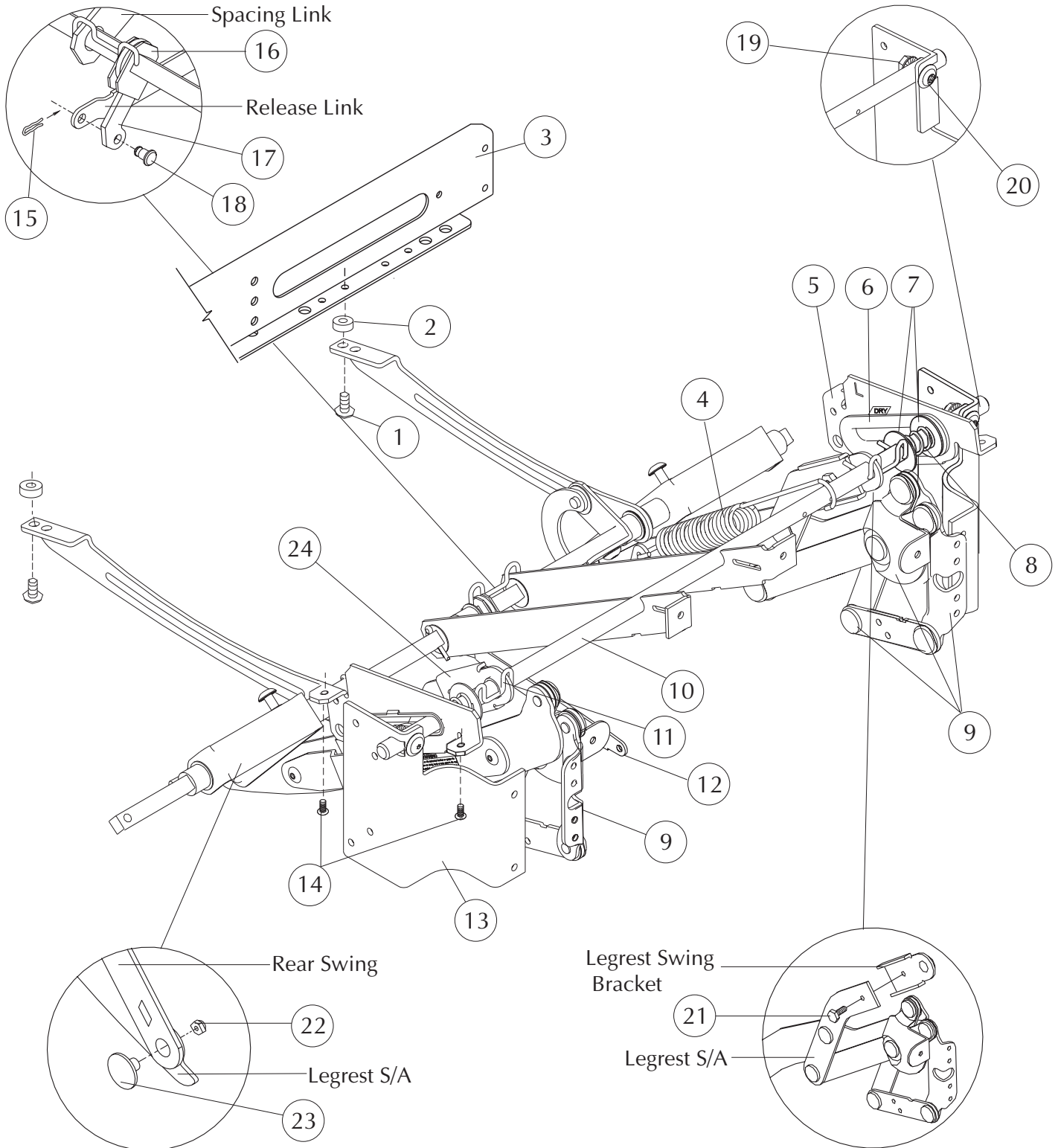
Note: When replacing parts, specify style and acknowledgment numbers.

DETAIL#	SYK PN	LZB PN	DESCRIPTION	QUANTITY
1	3300-007-604	96000076-04	1/4-20 x 1" Serrated Truss Head Screw	2
2	3300-046-803	96000468-03	Spacer (01/01-present)	2
3	3307-034-401	12970344-01	Metal Rear Rail Subassembly	1
4	3300-105-901	92001059-01	Extension Spring	2
5	3300-104-900	12001049-00	Toggle Link	2
6	3300-713-001	12000130-01L	Front Seat Slide	1
	3300-913-001	12000130-01R	Front Seat Slide	1
7	3300-003-100	15000031-00	Slide Insert	2
8	3300-035-001	96000350-01	Friction Washer	4
9	3300-018-600	92000186-00	Spring	2
10	3307-726-301	62970263-01L	Legrest Subassembly, Reinforced	1
	3307-926-301	62970263-01R	Legrest Subassembly, Reinforced	1
11	3304-016-500	12000165-00	Support Shaft	1
12	3300-015-800	12000158-00	Spacing Clip	2
13	3300-022-800	12000228-00	Release Link	1
14	3300-723-400	12000234-00L	Offset Front Rail Mount	1
	3300-923-400	12000234-00R	Offset Front Rail Mount	1
15	3300-000-803	96000008-03	#10-12 x 1 1/4" Pan Head Screw	4
16	3300-015-900	22000159-00	Hair Pin Clip	1
17	3300-014-400	12000144-00	Trip Lever	1
18	3300-015-500	12000155-00	Swivel Lever	1
19	3300-016-100	12000161-00	Connecting Rivet	1
20	3300-031-900	96000319-00	Flange Nut	2
21	3300-039-800	96000398-00	1/4-20 x 15/16" Torx Truss Head Screw (washer head)	2
22	3300-048-900	96000489-00	1/4-20 x 1/2" Serrated Hex Head Screw	2
23	3300-028-000	96000280-00	5/16 - 24 Locknut	2
24	3300-005-401	16000054-01	Shoulder Bolt	2
25	3300-023-001	12000230-01	Legrest Swing Bracket	2

LY97335/3300-000-603

SUPPORT SHAFT/DRIVE ROD ASSEMBLY

FOR STYLES PRODUCED AFTER 1/05/04



STRYKER MEDICAL HEALTHCARE SERIES

Note: When replacing parts, specify style and acknowledgment numbers.

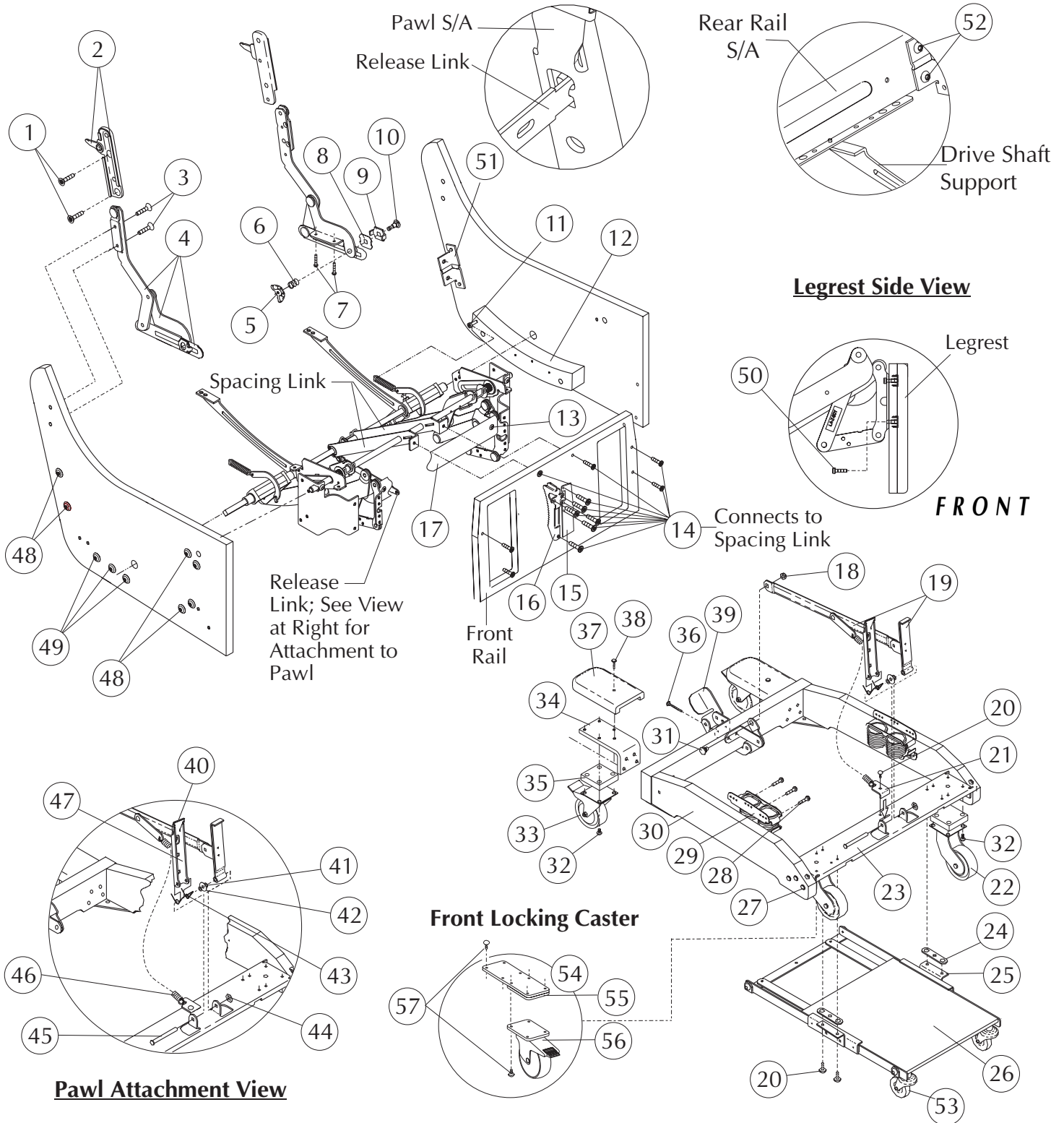
DETAIL#	SYK PN	LZB PN	DESCRIPTION	QUANTITY
1	3300-007-604	96000076-04	1/4-20 x 1" Serrated Truss Head Screw	2
2	3300-046-803	96000468-03	Spacer (01/01-present)	2
3	3307-034-401	12970344-01	Metal Rear Rail Subassembly	1
4	3300-069-100	92000691-00	Extension Spring	1
5	3300-713-001	12000130-01L	Front Seat Slide	1
	3300-913-001	12000130-01R	Front Seat Slide	1
6	3300-003-100	15000031-00	Slide Insert	2
7	3300-035-001	96000350-01	Friction Washer	4
8	3300-018-600	92000186-00	Spring	2
9	3307-726-301	62970263-01L	Legrest Subassembly, Reinforced	1
	3307-926-301	62970263-01R	Legrest Subassembly, Reinforced	1
10	3304-016-500	12000165-00	Support Shaft	1
11	3300-015-800	12000158-00	Spacing Clip	2
12	3300-022-800	12000228-00	Release Link	1
13	3300-723-400	12000234-00L	Offset Front Rail Mount	1
	3300-923-400	12000234-00R	Offset Front Rail Mount	1
14	3300-000-803	96000008-03	#10-12 x 1 1/4" Pan Head Screw	4
15	3300-015-900	22000159-00	Hair Pin Clip	1
16	3300-014-400	12000144-00	Trip Lever	1
17	3300-015-500	12000155-00	Swivel Lever	1
18	3300-016-100	12000161-00	Connecting Rivet	1
19	3300-031-900	96000319-00	Flange Nut	2
20	3300-039-800	96000398-00	1/4-20 x 15/16" Torx Truss Head Screw (washer head)	2
21	3300-048-900	96000489-00	1/4-20 x 1/2" Serrated Hex Head Screw	2
22	3300-028-000	96000280-00	5/16 - 24 Locknut	2
23	3300-005-401	16000054-01	Shoulder Bolt	2
24	3300-023-001	12000230-01	Legrest Swing Bracket	2

LY97335 / 3300-000-603

BODY ASSEMBLY

Release Link Attachment View

Rear Rail View



LY97335

STRYKER MEDICAL HEALTHCARE SERIES

BODY ASSEMBLY

Note: When replacing parts, specify style and acknowledgment numbers.

DETAIL#	SYK PN	LZB PN	DESCRIPTION	QUANTITY
1	3300-001-303	96000013-03	1/4-20 x 1 1/4" torx flat head screw (end date 10/30/04)	4
2	3307-007-000	92970070-00L	Back Bracket Subassembly (end date 10/30/04)	1
	3307-907-000	92970070-00R	Back Bracket Subassembly (end date 10/30/04)	1
3	3300-001-302	96000013-02	1/4-20 x 1" Torx Flat Head Screw	4
4	3307-009-002	12970090-02L	Seat Swing Subassembly	1
	3307-909-002	12970090-02R	Seat Swing Subassembly	1
5	3300-039-000	96000390-00	Wing Nut (part of det. #4)	2
6	3300-065-400	92000654-00	Compression Spring (part of det. #4)	2
7	3300-000-803	96000008-03	#10-12 x 1 1/4" Torx Pan Head Screw	4
8	3300-003-500	16000035-00	Friction Washer (part of det. #4)	6
9	3300-009-600	12000096-00	Spur Washer (part of det. #4)	2
10	3300-001-400	96000014-00	5/16 - 18 x 1 1/2" Carriage Bolt (part of det. #4)	2
11	3300-048-900	96000489-00	1/4-20 x 1/2" Serrated Hex Head Screw (Option)(part of det #56)	16
12	3309-000-100	11090001-00L	Rocker Block; applied w/2" dowels, #91000030-04	1
	3309-900-100	11090001-00R	Rocker Block; applied w/2" dowels, #91000030-04	1
13	3300-026-100	96000261-00	1/4-20 x 3/8" Torx Truss Head Screw	2
14	3300-035-702	96000357-02	1/4-20 x 1" Modified Torx Flat Head Screw	12
15	3300-021-200	62000212-00	Locking Bracket	1
16	3300-102-600	12001026-00	Pawl Rack	1
17	3300-010-601	12000106-01	Center Ottoman	1
18	3300-028-000	96000280-00	Lock Nut	1
19	3307-012-200	62970122-00	Upper Connecting Link Subassembly	1
20	3300-007-606	96000076-06	1/4-20 x 1/2" Serrated Truss Head Screw	5
21	3300-004-800	42000048-00	Spring Attaching Bracket	1
22	3307-028-800	62970288-00	Caster Subassembly (Discontinued 4/24/05)	2
	3307-051-300	62970513-00	3" Wheel w/Bracket Assembly (4/24/05-present)	2
23	3300-021-500	62000215-00	Base Front Rail	1
24	3300-013-400	42000134-00	Spring Connection Link	2
25	3307-012-400	62970124-00L	Footboard Support Bracket Subassembly	1
	3307-912-400	62970124-00R	Footboard Support Bracket Subassembly	1
26	3307-025-300	62970253-00	Foot tray Subassembly	1
27	3300-039-802	96000398-02	1/4-20 x 1 1/4" Truss Head Screw (washer head)	6
28	3300-000-802	96000008-02	#10-12 x 7/8" Torx Pan Head Screw	12
29	3300-020-800	92000208-00	Rocker Spring; dual restricted	2
30	3309-029-701	61990297-01*	Mobile Base Frame, finished	1
31	3300-005-401	16000054-01	Shoulder Bolt	1
32	3300-007-607	96000076-07	1/4-20 x 1" Truss Head Screw (washer head)	16
33	3300-018-401	62000184-01	Lock-Type Swivel Caster	2
34	3300-022-300	62000223-00	Rear Caster Attachment Bracket	2
35	3300-039-000	91000390-00	Wood Spacer Block	1
36	3300-002-408	96000024-08	1/4-20 x 1 3/4" Torx Ser Truss Head Screw	10
37	3309-029-301	61990293-01*	Base Caster Trim, finished	2
38	3300-016-803	96000168-03	1/4-20 Joint Connection Bolt	2
39	3307-012-300	62970123-00	Foot Latch Subassembly	1
40	3300-007-700	12000077-00	Pawl Cap	1
41	3300-007-100	96000071-00	Nylon Washer	2
42	3300-000-700	96000007-00	Spacer Washer	1
43	3300-014-100	12000141-00	Dual Torsion Spring	1
44	3300-027-101	96000271-01	Speed Nut	1
45	3300-004-103	16000041-03	3 1/8" Clevis Pin	1
46	3300-105-901	92001059-01	3 11/16" Extension Spring-black	1
47	3304-027-100	12000271-00	Pawl	1
48	3300-039-801	96000398-01	1/4-20 x 11/16" Torx Truss Head Screw (97332 & 97335)	12
	3300-039-801	96000398-01	1/4-20 x 11/16" Torx Truss Head Screw (97806 & 97807)	10
49	3300-003-306	96000033-06	#10-12 x 1 1/4" Torx Truss Head Screw	6
50	3300-001-702	96000017-02	#10-24 x 3/4" Torx Pan Head Screw	4
51	3300-027-301	12000273-01	Rear Rail Bracket	2
52	3300-048-901	96000489-01	1/4-20 x 13/16" Serrated Hex Head Screw	4
53	3300-042-700	62000427-00	Foot Tray Caster	2
54	3307-001-402	KIT70014-02	Front Locking Caster Kit (Option) See General Information	1
55	3300-064-300	62000643-00	Caster Mounting Plate (Option) (part of det #56)	2
56	3300-064-100	62000641-00	Rigid Locking Caster (Option) (part of det #56)	2
57	3300-039-800	96000489-00	1/4-20 x 1/2" Serrated Hex Head Screw (Option)(part of det #56)	16

* Indicate finish or color when ordering.

Style LY97335/3300-000-603

Dimensions:		Back Height from Floor	42.50"
		Back Height from Seat	29.00"
		Seat Width	21.00"
		Seat Height	20.50"
		Seat Depth	20.50"
		Arm Height from Floor	23.50"
		Overall Width	28.50"
		Overall Depth	35.50"
		Reclined Depth	48.00"
		Reclined Depth, legrest extended	61.50"
		Weight	101 lbs.
Finish:		Type of Finish	High Solids Catalyzed Lacquer
		Available Colors	150 Hard Rock Maple 051 Natural
			154 Fine Oak 431 Dark Cherry
			151 Port Maple 143 White Blush
			152 Wild Cherry 435 Classic Cherry
			447 Cayenne Maple
			448 Honey Maple
			449 Select Cherry
Frame Construction:		Frame Material	Furniture grade plywood and hardwood
		Frame Construction	Double doweled and glued
		Arm Material	Molded Maple innerplies with Northern Red Oak face and back
Seat Construction:		Frame Material	Hardwood
		Frame Construction	Double doweled and glued
		Suspension	Sinuous wire springs, crossbrace wire and composition pad
		Seat Foam	Polyurethane foam MFG-30-24-1.80, 24 lb ILD, 1.80-1.90 density
Back Construction:		Frame Material	Hardwood
		Frame Construction	Double doweled and glued
		Suspension	Sinuous wire springs, crossbrace wire and composition pad
		Foam Type	Polyurethane foam MFG-7-20, 20 lb ILD, 1.0-1.25 density
Upholstery Details:		Patterns Available	Fabric, vinyl, C.O.M.
Test Data:		Fabric Tests	Consult specific fabric card
		BIFMA Tests	Meets ANSI/BIFMA X5.4 - 1990 American National Standard for Office Furnishings -Lounge Seating. Tests conducted in La-Z-Boy's accredited test facility.
		Flammability Tests	Meets BIFMA First Generation Voluntary Upholstered Furniture Flammability Standard for Business and Institutional Markets, F1-1978-revised 1980. California Bureau of Home Furnishings - Technical Bulletin 117. Meets Flammability Requirements of California Bureau of Home Furnishings Technical Bulletin 133 when ordered with La-Z-Boy Code Red Fabrics and Vinyl's. Consult a La-Z-Boy Customer Service Representative for further information.Upholstered Furniture Action Council Class 1.

Three Piece Rear Rail:

Applies to units produced after 01/2001.

Four Hex Head Screws are used to attach the Metal Rear Rail to the Rear Rail Brackets. The screws are installed in a counterclockwise direction starting with the upper slot in the left (when sitting). Do not tighten this screw completely until the other three screws are installed and fastened firmly. The upper right, lower right and lower left screws are tightened when they are installed.

KIT60005-02

If the dealer complains that the unit is making a loud "squeaking" noise when the chair rocks, order KIT60005-02.

Refer to Repair Instructions, part #63000585-01, linked to page one of this document.

Front Locking Caster Option

KIT70014-2 includes:

- (2) Rigid Locking Caster 62000641-00
- (2) Caster Mounting Plate 62000643-00
- (16) 1/420 x 1/2" Hex Head Screws 96000489-00
- (1) Assembly Instructions 63000655-01

Lock Down Back Service Kit

KIT70013-03/3307-001-303 includes:

<u>QTY</u>	<u>SYK PN</u>	<u>LZB PN</u>	<u>DESCRIPTION</u>
(1)	3307-707-900	92970079-00L	Back Latch Bracket Assembly
(1)	3307-907-900	92970079-00R	Back Latch Bracket Assembly
(1)	3300-048-800	62000488-00	Lock Bar
(4)	3300-001-301	96000013-01	1/4-20 x 3/4" Torx Flat Head Screws
(2)	3300-000-501	94000005-01	Black Strap
(1)	3300-061-501	63000615-01	Assembly Instructions

Hinged Folding Push Bar Service Kit

KIT70016-04/3307-001-604 includes:

<u>QTY</u>	<u>SYK PN</u>	<u>LZB PN</u>	<u>DESCRIPTION</u>
(1)	3307-050-403	62970504-03	Push Bar/Hinge S/A
(2)	3300-007-100	96000071-00	Nylon Washer
(2)	3300-027-300	65000273-00	Recessed Bumper
(2)	3300-020-001	96000200-01	#10-18 x 3/4" Phillips Head Screws
(4)	3300-002-413	96000024-13	1/4-20 x 2" Torx Head Screw
(2)	3300-029-000	65000290-00	Decorative Cap Nuts
(2)	3300-029-200	65000292-00	Rubber Washer
(1)	3300-067-301	63000673-01	Assembly Instructions