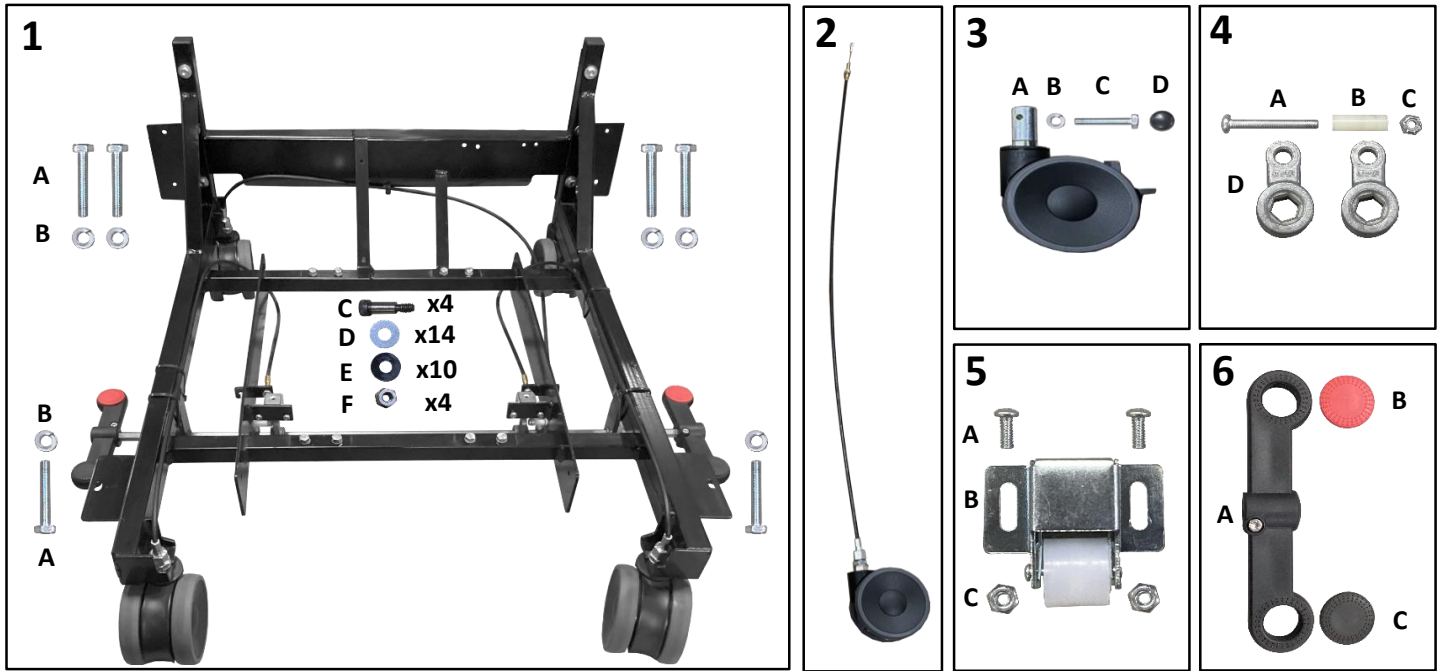


Parts List - Base and Casters - No Central Locking Casters

Image Number	Note	Part Number	Description	QTY per Product
1		201629K (QQ-30030) 201630K (QQ-30031)	Unity 300/310 (STD) - Base - No Casters Unity 31X (XL) - Base - No Casters	1
1A		BL-14C112HTC5Z	BLT-1/4-1 1/2" HEX TAP GR 5 ZN	6
1B		WA-14SL	WA-1/4 MED LOCK ZN	6
1C		001616	SCR-1/4-20, 5/16x5/8 SHLD, BO	4
1D		WA-14F	WA-1/4 USS FLAT Z	14
1E		WA-BLK	WASHER BLACK THIN PLASTIC	10
1F		NU-14L	1/4 HEX REV LK NUT ZINC	4
2A,4	A	201603K (QQ-01009)	Caster - 4" Hex HDW Dual Black Total Lock (001617)	2
2A		001617	CSTR BLK - 5927 UAP, 4" TTL GRY TAB	1
2B,4	B	201601K (QQ-01007)	Caster - 4" Hex HDW Dual Black Directional Lock (001618)	1
2B		001618	CSTR BLK - 5921 UAP, 4" DL BLK TAB	1
2C,4	C	201602K (QQ-01008)	Caster - 4" Hex HDW Dual Black Swivel (001619)	1
2C		001619	CSTR - 5920 UAP, 4" SWVL BLK	1
3A,4	A	201606K (QQ-01017)	Caster - 4" Single Black Total Lock (001915)	2
3A		001915	CSTR-4" SNGL,LK,BLK	1
3B,4	B	201604K (QQ-01015)	Caster - 4" Single Black Directional Lock (001916)	1
3B		001916	CSTR-4" SNGL,DL,BLK	1
3C,4	C	201605K (QQ-01016)	Caster - 4" Single Black Swivel (001917)	1
3C		001917	CSTR-4" SNGL,SWL,BLK	1
4A	D	WA-14SL	WA-1/4 MED LOCK ZN	4
4B	D	BL-14C112HTC5Z	BLT-1/4-1 1/2" HEX TAP GR 5 ZN	4
4C	D	SNAP-HEX	SNAP HEXCAP 7/16-180	4

Notes

Note	Description
A	Replacement for front casters
B	Replacement for rear-left casters
C	Replacement for rear-right casters
D	Hardware is included with all caster kits listed above

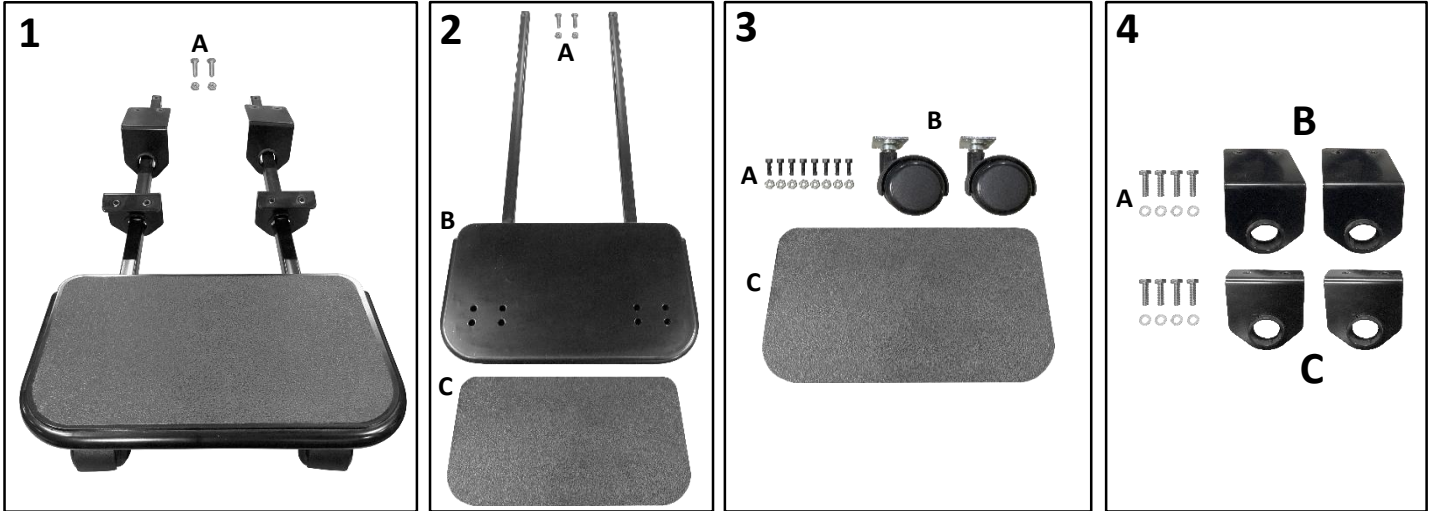


Parts List - Base and Casters - With Central Locking Casters (CLC)

Image Number	Note	Part Number	Description	QTY per Product
1		201631K (QQ-30032) 201632K (QQ-30033)	Unity 300/310 (STD) - CLC Base With Casters Unity 31X (XL) - CLC Base - With Casters	1
- 1A		BL-14C112HTC5Z	BLT-1/4-1 1/2" HEX TAP GR 5 ZN	6
- 1B		WA-14SL	WA-1/4 MED LOCK ZN	6
- 1C		001616	SCR-1/4-20, 5/16x5/8 SHLD, BO	4
- 1D		WA-14F	WA-1/4 USS FLAT Z	14
- 1E		WA-BLK	WASHER BLACK THIN PLASTIC	10
- 1F		NU-14L	1/4 HEX REV LK NUT ZINC	4
2		201600K (QQ-01006)	Caster - 4" Dual Black Central Lock (001621)	3
- 2		001621	CABLE CLC	1
3		201601K (QQ-01007)	Caster - 4" Hex HDW Dual Black Directional Lock (001618)	1
- 3A		001618	CSTR BLK - 5921 UAP, 4" DL BLK TAB	1
- 3B		WA-14SL	WA-1/4 MED LOCK ZN	1
- 3C		BL-14C112HTC5Z	BLT-1/4-1 1/2" HEX TAP GR 5 ZN	1
- 3D		SNAP-HEX	SNAP HEXCAP 7/16-180	1
4		201634K (QQ-30051)	Unity 300/310/31X - CLC Brake Shaft Hardware (Single)	2
- 4A		001682	SC-10-32x1.625, PAN PHIL, ZN	1
- 4B		001683	SP-.194 IDx5/16 ODx1 LG,NY	1
- 4C		NU-1032	NYLON NUT 10-32 ZINC	1
- 4D		001684	LVR - 28MM CHANGE CLC	2
5		201635K (QQ-30052)	Unity 300/310/31X - CLC Roller Latch (Single)	2
- 5A		001667	SCR-6-32x.375,PAN PHL ZN	2
- 5B		001394	LATCH-SURFACE MNT ROLLER	1
- 5C		NU-632	NUT 6X32	2
6	A	201633K (QQ-30050)	Unity 300/310/31X - CLC Brake Pedal (Single)	2
- 6A		001476	LVR-DBL 30 HEX 6PT-11 GR	1
- 6B		001477	PLUG-RUBBER D-LVR RED	1
- 6C		001950	PLUG-RUBBER D-LVR BLK	1

Notes

Note	Description
A	Plugs may be inserted depending on if the pedal is for the left or right side of the chair

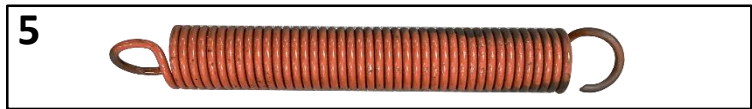
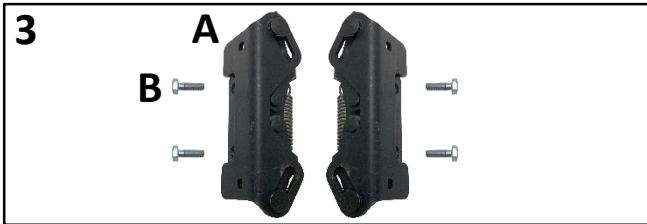
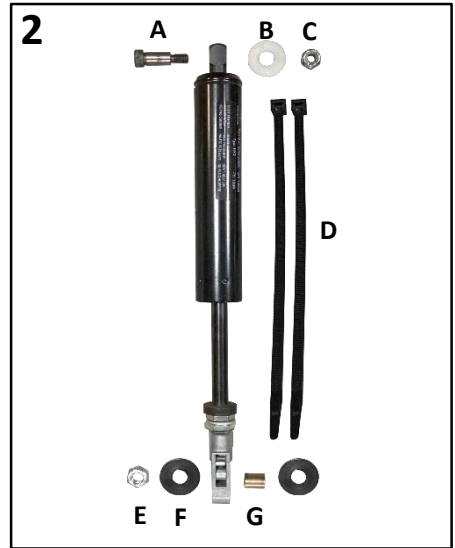
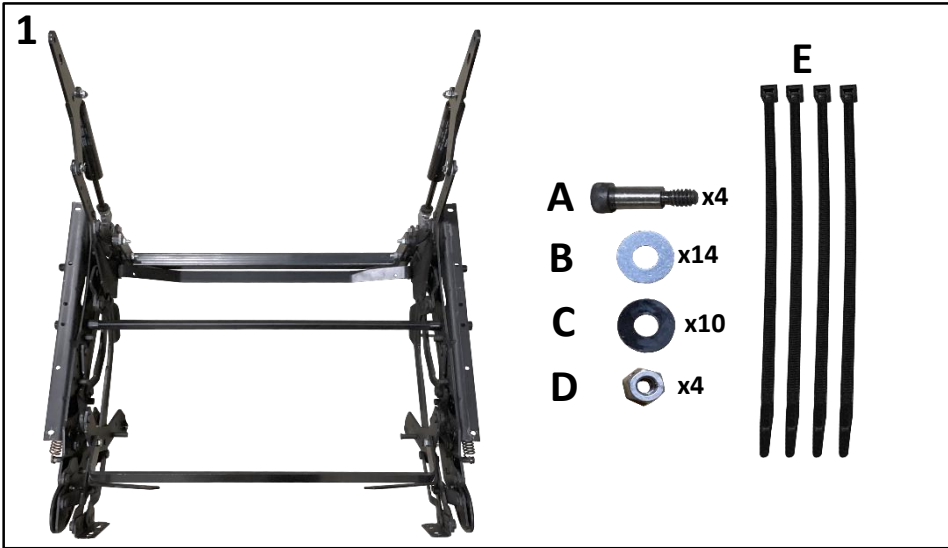


Parts List - Foot Tray

Image Number	Note	Part Number	Description	QTY per Product
1		201625K (QQ-30026) 201619K (QQ-30020) 201620K (QQ-30021)	Unity 300/310 (STD) - Foot Tray Retro Kit - Single Caster Unity 300/310 (STD) - Foot Tray Retro Kit - Dual Caster Unity 31X (XL) - Foot Tray Retro Kit - Dual Caster	1
- 1A		BL-14X1H	BLT-1/4-20X1 HEX CAP GR5 Z	2
- 1A		NU-14L	1/4 HEX REV LK NUT ZINC	2
2		201623K (QQ-30024) 201624K (QQ-30025)	Unity 300/310 (STD) - Foot Tray Unity 31X (XL) - Foot Tray	1
- 2A		BL-14X1H	BLT-1/4-20X1 HEX CAP GR5 Z	2
- 2A		NU-14L	1/4 HEX REV LK NUT ZINC	2
- 2B	A	001911	ASSY-FT TRAY BLK	1
- 2B	B	002105	ASSY-FT TRAY XL BLK	1
- 2C	A	002114	TREAD - STD 13.25"	1
- 2C	B	002045	TREAD - XL 17.25"	1
3		201622K (QQ-30023) 201628K (QQ-30029)	Unity 300/310 (STD) - Foot Tray Caster Pair Kit Unity 31X (XL) - Foot Tray Caster Pair Kit	1
- 3A		002067	SC-#10-32x9/16, SHCS BO	8
- 3A		NU-1032	NYLON NUT 10-32 ZINC	8
- 3B		002118	CA-CASTER FT STK	2
- 3C	A	002114	TREAD - STD 13.25"	1
- 3C	B	002045	TREAD - XL 17.25"	1
4		201621K (QQ-30022)	Unity 300/310/31X - Foot Tray Base Mounts - Dual Caster	1
- 4A		BL-14X1H	BLT-1/4-20X1 HEX CAP GR5 Z	8
- 4A		WA-14SL	WA-1/4 MED LOCK ZN	8
- 4B		002005	BRK-FT TRAY MNT LONG BLK	2
- 4C		001913	BRK-FT TRAY MNT BLK	2
- 4B,4C		002072	GRMT-1.375 OD x 1.0 OD, LCK BLK	4
4		201627K (QQ-30028)	Unity 300/310/31X - Foot Tray Base Mounts - Single Caster	1
- 4A		BL-14X1H	BLT-1/4-20X1 HEX CAP GR5 Z	8
- 4A		WA-14SL	WA-1/4 MED LOCK ZN	8
- 4B		002212	BRKT-FT MNT REAR 3.25"	2
- 4C		002209	BRKT-FT MNT 3.25"	2
- 4B,4C		002072	GRMT-1.375 OD x 1.0 OD, LCK BLK	4

Notes

Note	Description
A	Included in Standard width kit only (300, 310)
B	Included in XL width kit only (31X)

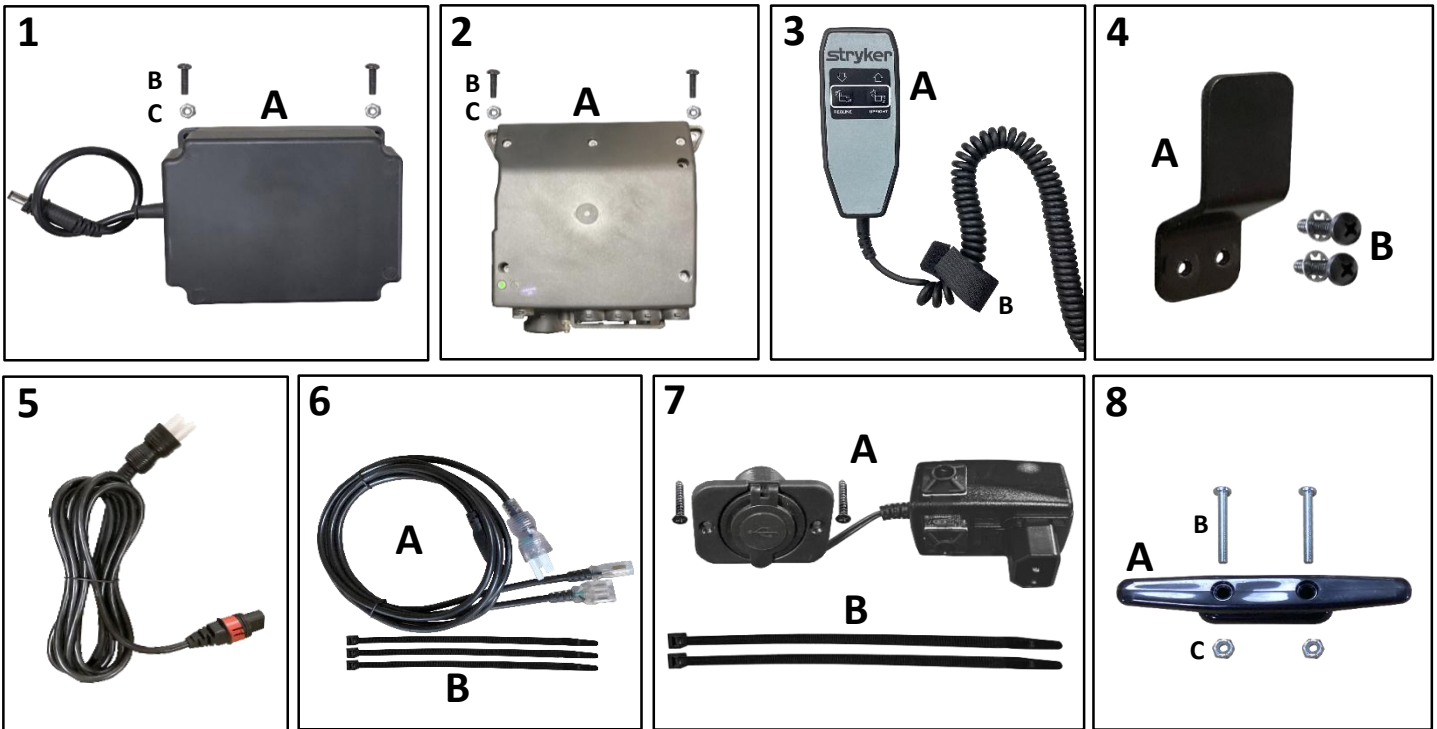


Parts List - Mechanism

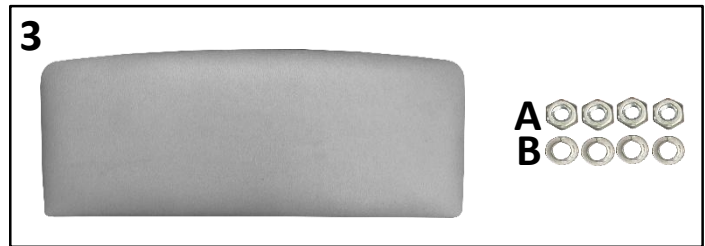
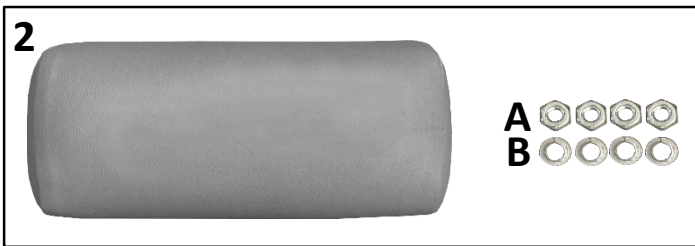
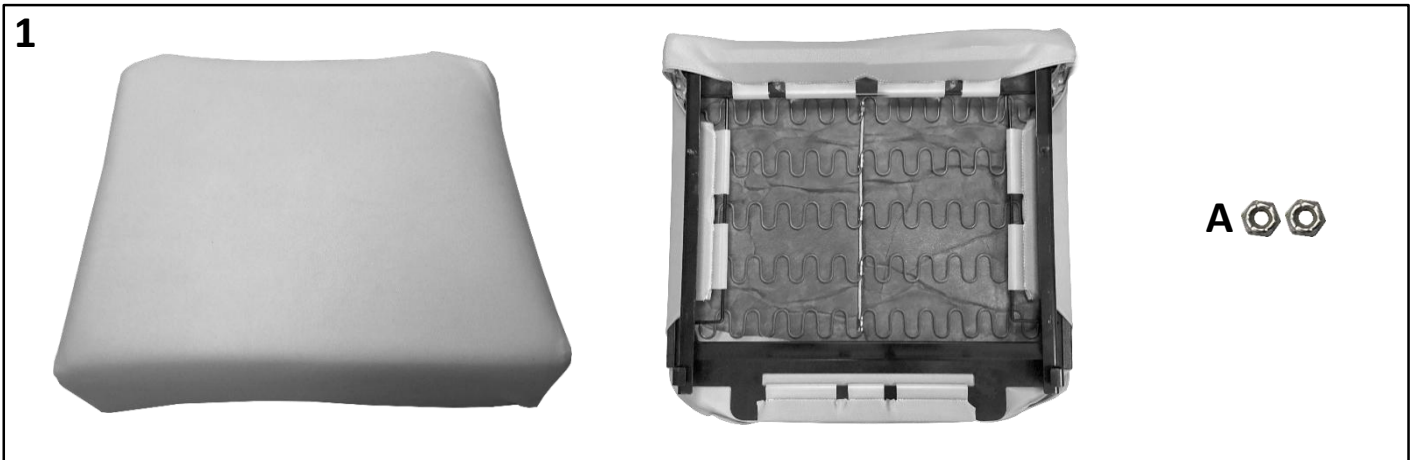
Image Number	Note	Part Number	Description	QTY per Product
1	A	201608K (QQ-30000) 201609K (QQ-30001) 201847K 201848K	Unity 300/310 (Manual STD) - Mechanism Unity 31X (Manual XL) - Mechanism Unity 300/310 (Power STD) - Mechanism Unity 31X (Power XL) - Mechanism	1
1A		001616	SCR-1/4-20, 5/16x5/8 SHLD, BO	4
1B		WA-14F	WA-1/4 USS FLAT Z	14
1C		WA-BLK	WASHER BLACK THIN PLASTIC	10
1D		NU-14L	1/4 HEX REV LK NUT ZINC	4
1E		TI-CA	CABLE TIES 8"	4
2		201611K (QQ-30005)	Unity 300/310/31X - Gas Cylinder Kit - Single	2
2A		001616	SCR-1/4-20, 5/16x5/8 SHLD, BO	1
2B		002219	WA-0.875 OD x 0.344 ID x 0.074	1
2C		NU-HEXN	1/4-20 HEX NYLON LOCK NUT ZINC	1
2D		TI-CA	CABLE TIES 8"	2
2E		NU-516RL	5/16-18 HEX REV LOCK NUT ZINC	1
2F		WA-1NAT	1" NAT SILICONE WASHER	2
2G		002216	BUSH-5/16 ID x 3/8 OD x 1/2	1
3		201855K	Unity 300/310/31X (Power) - Ottoman Safety Bracket (Pair)	1
3A		MECH-POTTO	OTTOMAN SAFETY DEVICE (POWER CHAIR)	2
3B		BL-1/4X3/4H	1/4-20X3/4 HEX CAP GR5 ZINC	4
4		201610K (QQ-30004)	Unity 300/310/31X - Mech Spring Set	1
4		SPRING-WHITE	WHITE SPRING	2
5		201851K	Unity 300/310/31X - Ortho Spring	1
5		405605	SPRING - 9.79LA/IN, SYK (ORTHO)	2

Notes

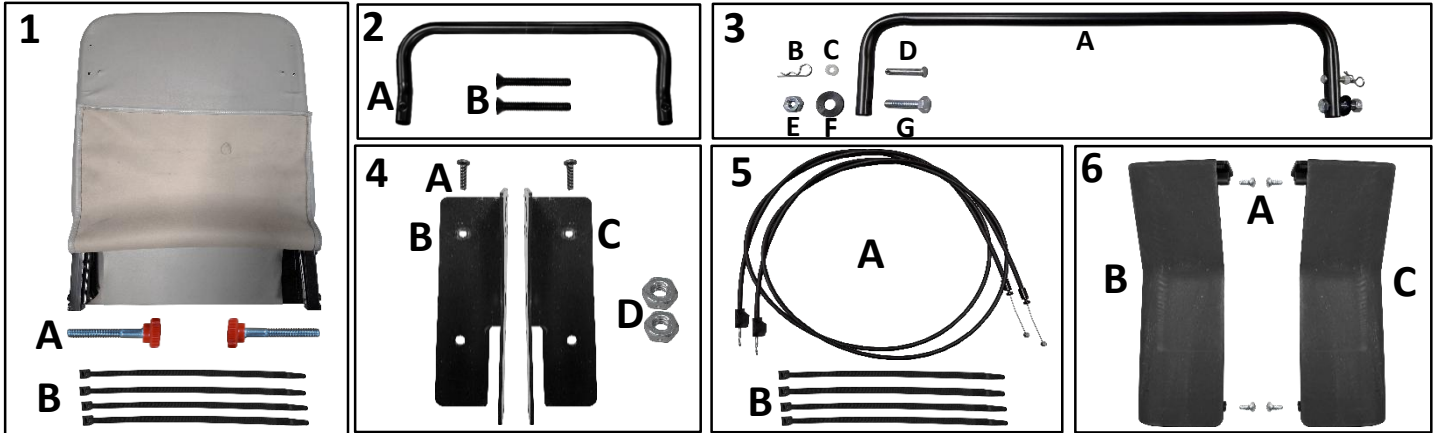
Note	Description
A	Mechanism kits are assembled using SPRING-WHITE Mechanism kits include two preinstalled Gas Springs



Parts List - Power Components				
Image Number	Note	Part Number	Description	QTY per Product
1		201850K	Unity 300/310/31X (Power) - Back Up Battery	1
- 1A		PWR-BATTPK	POWER BATTERY PACK	1
- 1B		001631	SCR-10-32x3/4, PHIL PAN BO	2
- 1C		NU-1032	NYLON NUT 10-32 ZINC	2
2		201852K	Unity 300/310/31X (Power) - Power Control Box	1
- 2A		PWR-CONTBXUS	CONTROL BOX (US)	1
- 2B		001631	SCR-10-32x3/4, PHIL PAN BO	2
- 2C		NU-1032	NYLON NUT 10-32 ZINC	2
3		201849K	Unity 300/310/31X (Power) - Power Pendant	1
- 3A		PWR-HANDSET	POWER CHAIR HANDSET	1
- 3B		TI-HK1X7	CABLE TIE HOOK & LOOP 1"X7"	1
4		201856K	Unity 300/310/31X (Power) - Pendant Holder	2
- 4A		490425	BRK-PENDANT HOLDER, SYK	1
- 4B		002048	WA-#10 INT TOOTH ZN	2
- 4B		001631	SCR-10-32x3/4, PHIL PAN BO	2
5		201710K (QQ-57P008)	Power - Power Cord - USA	1
- 5		PWR-CABLE	POWER CABLE (US ONLY)(P)	1
6		201853K	Unity 300/310/31X (Power) - Split Power Cord	1
- 6A		PHM-PWRCABLE2	SPLIT CORDSET N.AMER DETACHABLE - 8'	1
- 6B		TI-CA	CABLE TIES 8"	3
7		201854K	Unity 300/310/31X (Power) - USB Port	1
- 7A		USB-SAPORT	USB STAND ALONE PORT	1
- 7A		PL-USBCBLMNT	USB CABLE MNT	2
- 7B		TI-CA10	CABLE TIE 10"	2
8		201857K	Unity 300/310/31X (Power) - Rope Cleat - Single	2
- 8A		ROPE-CLEAT	BLACK NYLON ROPE CLEAT	1
- 8B		001630	SCR-10-32x1.5FH PHIL ZC	2
- 8C		NU-1032	NYLON NUT 10-32 ZINC	2



Parts List - Seat, Centerboard, & Footrest				
Image Number	Note	Part Number	Description	QTY per Product
1	A	U0355XXX (QQ-30200) U0356XXX (QQ-30201) U0357XXX (QQ-30202)	Unity 300 (STD) - Seat Complete - Value Unity 310 (STD) - Seat Complete - Premium Unity 31X (XL) - Seat Complete - Premium	1
- 1A		NU-HEXN	1/4-20 HEX NYLON LOCK NUT ZINC	2
1A		QQ-30210	Unity 300/310/31X - Seat Installation Hardware	1
- 1A		NU-HEXN	1/4-20 HEX NYLON LOCK NUT ZINC	2
2	A	U1207XXX (QQ-61200R) U1206XXX U1305XXX (QQ-62200R) U1304XXX	Unity 300/310, AloRec (Manual STD) - Centerboard Complete Unity 300/310 (Power STD) - Centerboard Complete Unity 31X, AloRec (Manual XL) - Centerboard Complete Unity 31X (Power XL) - Centerboard Complete	1
- 2A		NU-1/4	1/4-20 HEX NUT ZINC	4
- 2B		WA-14SL	WA-1/4 MED LOCK ZN	4
3	A	U1111XXX (QQ-30100) U1109XXX U1112XXX (QQ-30101) U1110XXX	Unity 300/310 (STD) - Footrest Complete Unity 300/310 (Power STD) - Footrest Complete Unity 31X (XL) - Footrest Complete Unity 31X (Power XL) - Footrest Complete	1
- 2A		NU-1/4	1/4-20 HEX NUT ZINC	4
- 2B		WA-14SL	WA-1/4 MED LOCK ZN	4
2A,2B,3A,3B		201636K (QQ-30110)	Hardware - Centerboard Or Footrest Installation Hardware	1
- 2A,3A		NU-1/4	1/4-20 HEX NUT ZINC	4
- 2B,3B		WA-14SL	WA-1/4 MED LOCK ZN	4
Notes				
Note	Description			
A	XXX - Use color code for specific part number (i.e. 002 = Royal Blue)			



Parts List - Back

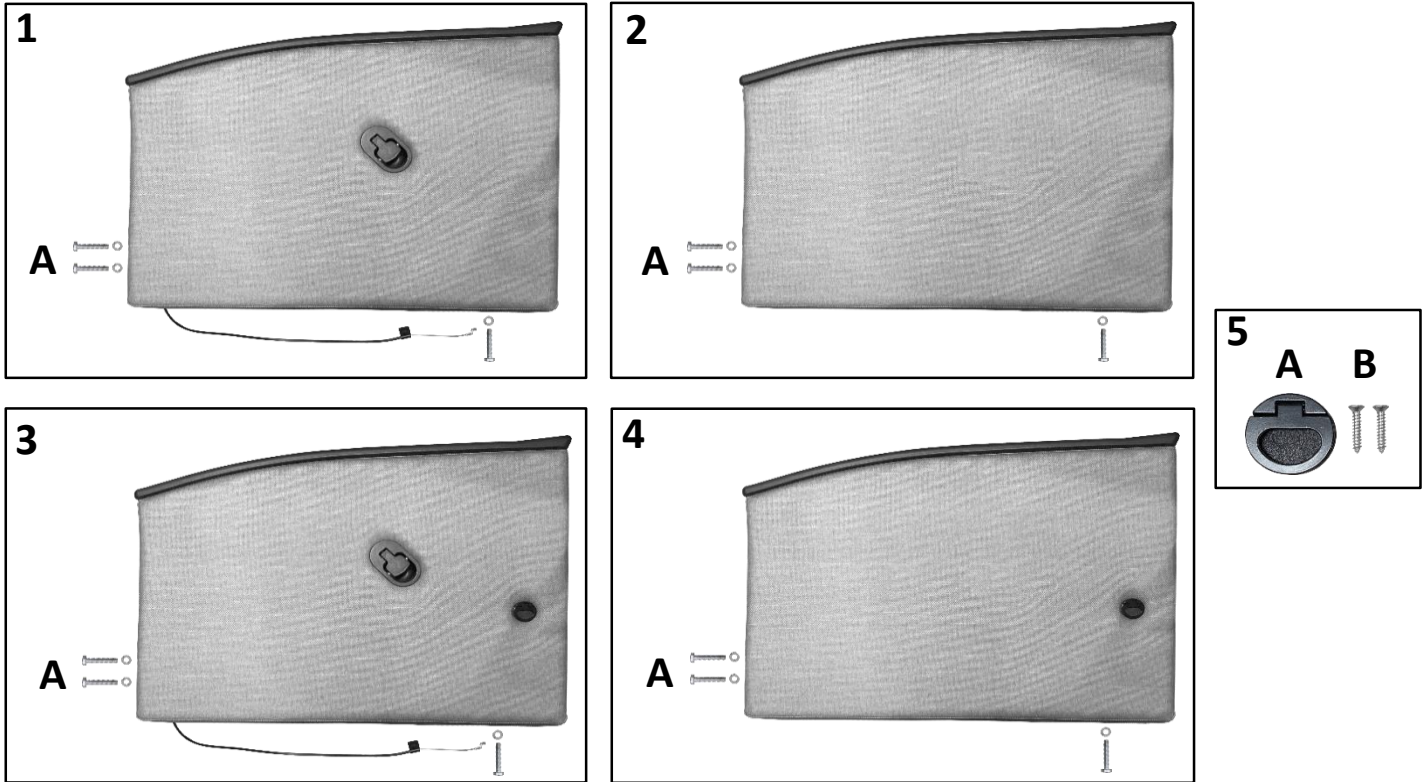
Image Number	Note	Part Number	Description	QTY per Product
1	A	U0258XXX (QQ-30300] U0259XXX (QQ-30301)	Unity 300/310 (STD) - Back Pillow With Frame Unity 31X (XL) - Back Pillow With Frame	1
- 1B		TI-CA	CABLE TIES 8"	4
1A		201637K (QQ-30302)	Unity 300/310/31X - Back Installation Thumb Screws	1
- 1A		001674	SCR-1/4-20x1.5,THB PRT THR RED	2
2		201617K (QQ-30015) 201618K (QQ-30016)	Unity 300/310 (STD) - Push Handle Unity 31X (XL) - Push Handle	1
- 2A	B	255700B	PUSH HANDLE, CHAMP 001663, 19IN, BLACK	1
2A	C	255702B	PUSH HANDLE, CHAMP 001705, 23IN, BLACK	1
2B		SC-14134B	SCRW - 1/4-20x1-3/4 FPHMS BLK	2
3		201615K (QQ-30013) 201616K (QQ-30014)	Unity 300/310 (STD) - Trend Handle Unity 31X (XL) - Trend Handle	1
- 3A	B	255071B	HNDLE - TREND RELEASE, STD, BLACK, CHAMP 002071	1
3A	C	255070B	HNDL - TREND RELEASE, XL, BLACK, CHAMP 002070	1
3B		PIN	HAIRPIN COTTER FOR CLEVIS PIN	2
3C		002130	SPACER-TREND	2
3D		002125	PIN-CLEVIS, TREND	2
3E		NU-14L	1/4 HEX REV LK NUT ZINC	2
3F		WA-BLK	WASHER BLACK THIN PLASTIC	2
3G		BL-14X1H	BLT-1/4-20X1 HEX CAP GR5 Z	2
4		201612K (QQ-30010)	Unity 300/310/31X - Trend Brackets	1
- 4A		001631	SCR-10-32x3/4, PHIL PAN BO	2
4B		002068	BRK-TR BAIL MNT - LH	1
4C		002069	BRK-TR BAIL MNT - RH	1
4D		NU-14L	1/4 HEX REV LK NUT ZINC	2
5		201613K (QQ-30011)	Unity 300/310/31X - Trend Cables	1
- 5A		002126	CABLE-TREND	2
5B		TI-CA	CABLE TIES 8"	4
6		201614K (QQ-30012)	Unity 300/310/31X - Trend Covers	1
- 6A		SC-619516PPHZ	SC-#6-19x5/16" PPHZ	4
6B		002121	CVR-TR RELEASE - LH	1
6C		002122	CVR-TR RELEASE - RH	1

Notes

Note	Description
A	XXX - Use color code for specific part number (i.e. 002 = Royal Blue)
B	Included in Standard width kit only (300, 310)
C	Included in XL width kit only (31X)

Left and right is determined as if sitting in the chair

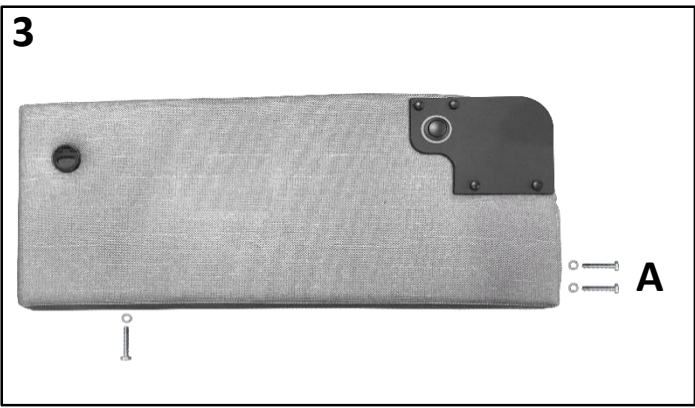
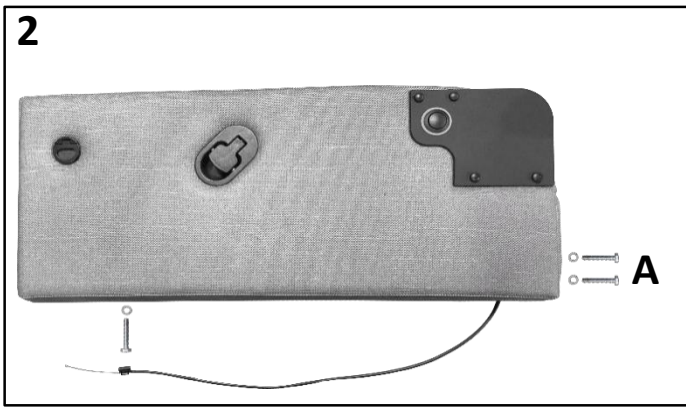
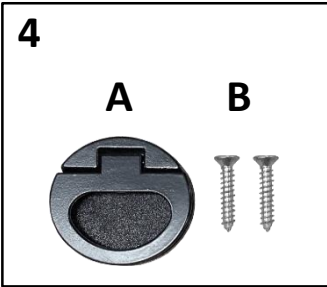
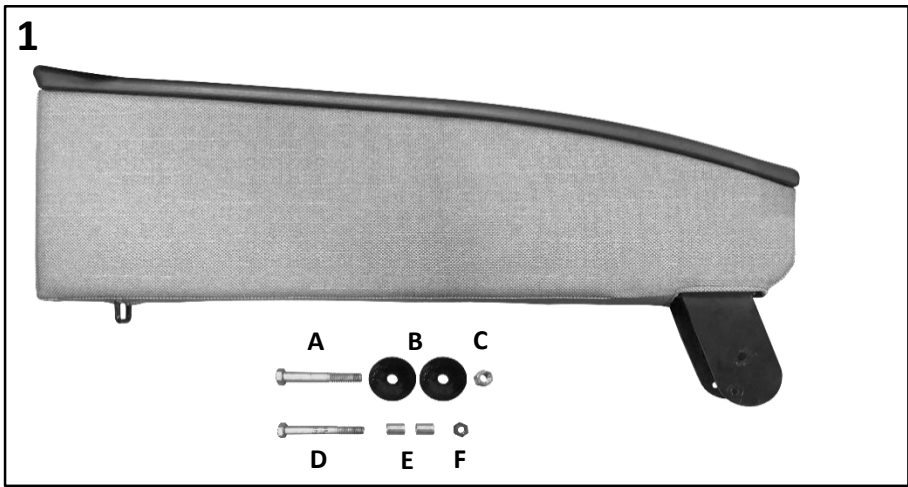
Printed copies are uncontrolled – Before using this document, check shared drive for current revision



Parts List - Fixed Arms				
Image Number	Note	Part Number	Description	QTY per Product
1	A	U0433XXX (QQ-30411) U0533XXX (QQ-30412)	Unity 300 (Manual) - Left Fixed Arm - Value Unity 300 (Manual) - Right Fixed Arm - Value	1
- 1A		WA-14SL	WA-1/4 MED LOCK ZN	3
- 1A		BL-14C112HTC5Z	BLT-1/4-1 1/2" HEX TAP GR 5 ZN	3
2	A	U0435XXX U0535XXX	Unity 300 (Power) - Left Fixed Arm - Value Unity 300 (Power) - Right Fixed Arm - Value	1
- 2A		WA-14SL	WA-1/4 MED LOCK ZN	3
- 2A		BL-14C112HTC5Z	BLT-1/4-1 1/2" HEX TAP GR 5 ZN	3
3	A,B	U0434XXX (QQ-30400) U0534XXX (QQ-30403)	Unity 310/31X (Manual) - Left Fixed Arm - Premium Unity 310/31X (Manual) - Right Fixed Arm - Premium	1
- 3A		WA-14SL	WA-1/4 MED LOCK ZN	3
- 3A		BL-14C112HTC5Z	BLT-1/4-1 1/2" HEX TAP GR 5 ZN	3
4	A,B	U0437XXX U0537XXX	Unity 310/31X (Power) - Left Fixed Arm - Premium Unity 310/31X (Power) - Right Fixed Arm - Premium	1
- 4A		WA-14SL	WA-1/4 MED LOCK ZN	3
- 4A		BL-14C112HTC5Z	BLT-1/4-1 1/2" HEX TAP GR 5 ZN	3
5		201646K (QQ-30509)	Unity 310/31X - Accessory - Foley Hook	1 or 2
- 5A		002117	ASSY-FOLEY HOOK	1
- 5B		SC-81WD	8 X 1 WOOD SCREW	2

Notes

Note	Description
A	XXX - Use color code for specific part number (i.e. 002 = Royal Blue) See page 10 for additional components
B	Arm includes preinstalled Foley Hook



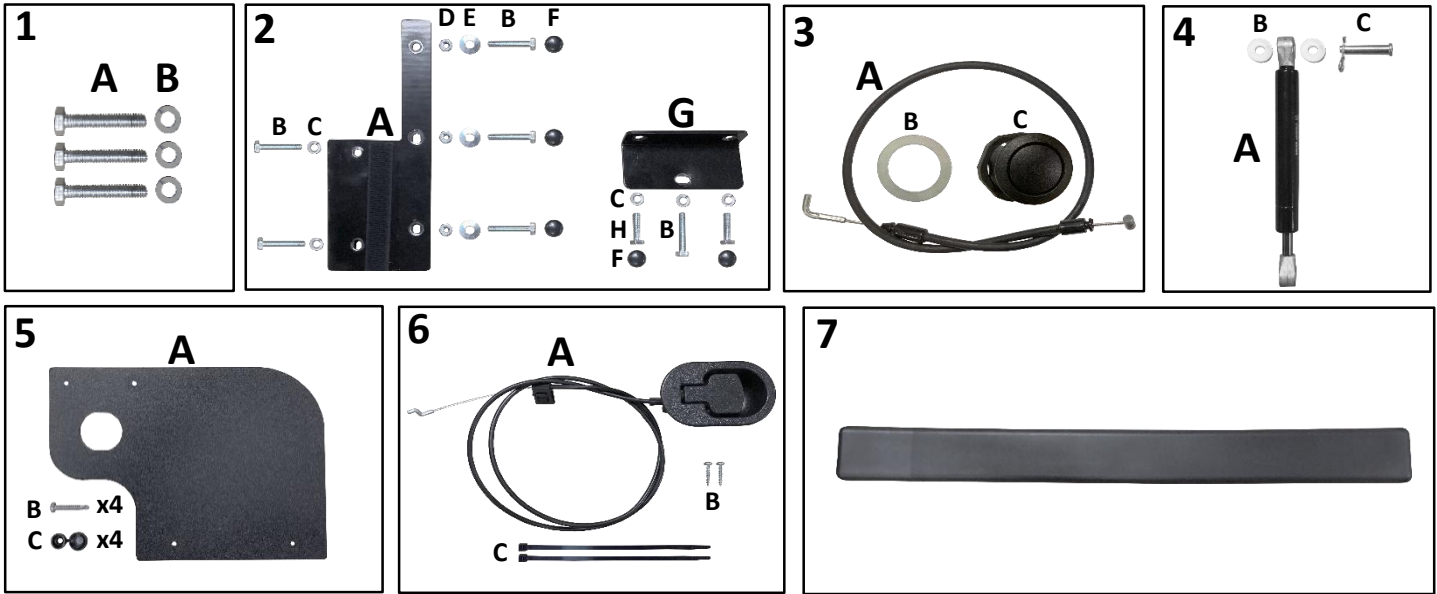
Parts List - Transfer "Flip" Arms

Image Number	Note	Part Number	Description	QTY per Product
1	A	U0111XXX (QQ-30401)	Unity 310/31X - Left/Right Transfer Arm - Top	1 or 2
1A		001583	BL-3/8-16x2.75, HEX GR8 ZN	1
1B		001571	SP-ARM HINGE .125" BLK	2
1C		NU-38REVLK	3/8-16 REV LOCKNUT	1
1D		002047	BL-5/16-18x2.75 HEX GR8 ZN-AL	1
1E		002073	SPCR-5/16x.625, UNTHRD	2
1F		NU-516	5/16-18 C-VEX LOCKNUT	1
2	A,B	U0438XXX (QQ-30402) U0538XXX (QQ-30405)	Unity 310/31X (Manual) - Left Transfer Arm - Bottom Unity 310/31X (Manual) - Right Transfer Arm - Bottom	1
2A		WA-14SL	WA-1/4 MED LOCK ZN	3
2A		BL-14C112HTC5Z	BLT-1/4-1 1/2" HEX TAP GR 5 ZN	3
3	A,B	U0436XXX U0536XXX	Unity 310/31X (Power) - Left Transfer Arm - Bottom Unity 310/31X (Power) - Right Transfer Arm - Bottom	1
3A		WA-14SL	WA-1/4 MED LOCK ZN	3
3A		BL-14C112HTC5Z	BLT-1/4-1 1/2" HEX TAP GR 5 ZN	3
4		201646K (QQ-30509)	Unity 310/31X - Accessory - Foley Hook	1 or 2
4A		002117	ASSY-FOLEY HOOK	1
4B		SC-81WD	8 X 1 WOOD SCREW	2

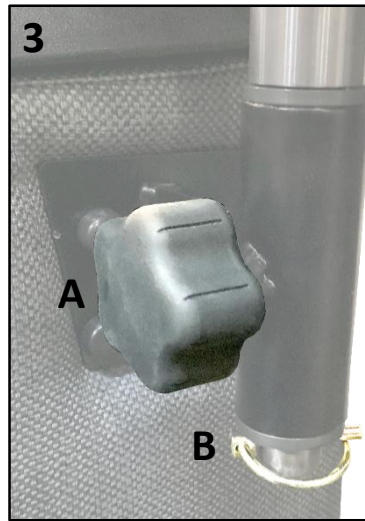
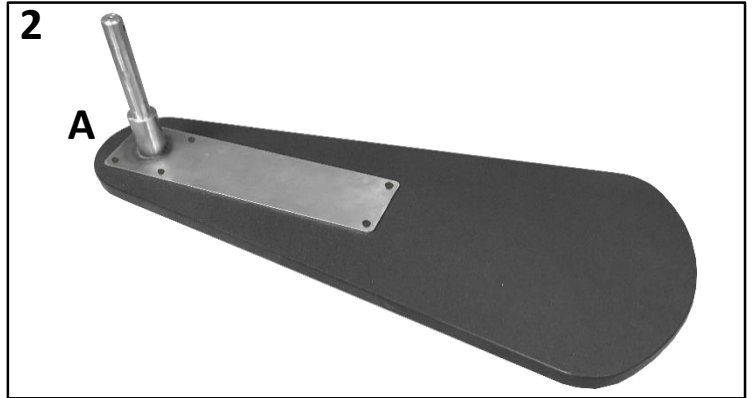
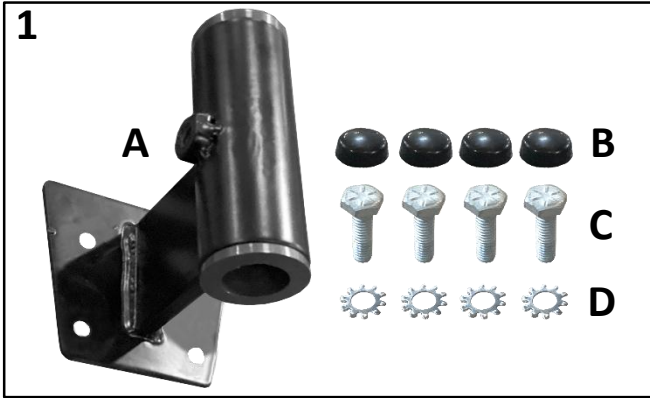
Notes

Note	Description
A	XXX - Use color code for specific part number (i.e. 002 = Royal Blue) See page 10 for additional components
B	Arm includes preinstalled Foley Hook

*Left and right is determined as if sitting in the chair
 Printed copies are uncontrolled – Before using this document, check shared drive for current revision*

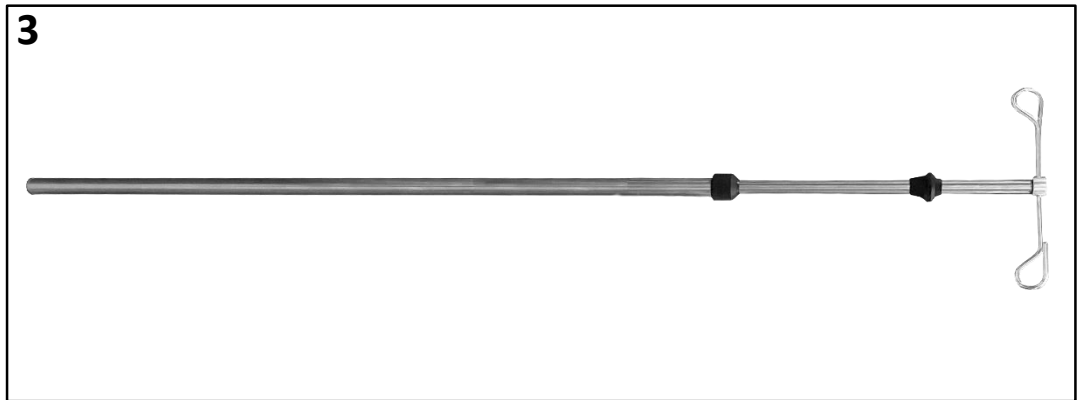
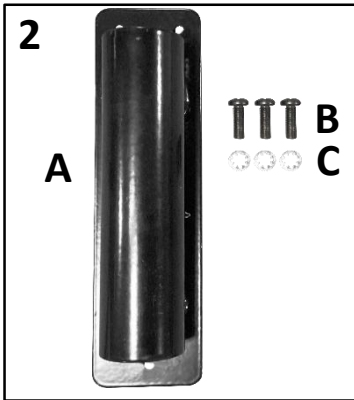


Parts List - Additional Arm Components					
Image Number	Note	Part Number	Description	QTY per Product	
1		201640K (QQ-30408)	Unity 300/310/31X - Arm Mounting Hardware (Single)	2	
-		1A	BL-14C112HTC5Z	BLT-1/4-1 1/2" HEX TAP GR 5 ZN	3
-		1B	WA-14SL	WA-1/4 MED LOCK ZN	3
2		201642K (QQ-30410)	Unity 300/310/31X - Arm Brackets Kit (Single)	2	
-		2A	001573	PLT-ARM MNT REAR	1
-		2B	BL-14C112HTC5Z	BLT-1/4-1 1/2" HEX TAP GR 5 ZN	6
-		2C	WA-14SL	WA-1/4 MED LOCK ZN	5
-		2D	NU-14L	1/4 HEX REV LK NUT ZINC	3
-		2E	WA-14F	WA-1/4 USS FLAT Z	3
-		2F	SNAP-HEX	SNAP HEXCAP 7/16-180	5
-		2G	001592	BRKT-ARM BTM SPT	1
-		2H	BL-14X1H	BLT-1/4-20X1 HEX CAP GR5 Z	2
3		201638K (QQ-30406)	Unity 310/31X - Transfer Arm - Button	1	
-		3A	002049	CABLE-BUTTON/ROT REI.	1
-		3B	002024	WA-GRAY RING SHIM	1
-		3C	002002	BUTTON-ACT. TRANSF ARM	1
4		201639K (QQ-30407)	Unity 310/31X - Transfer Arm - Damper	1 or 2	
-		4A	001976	ASSY-DAMPER 16-2-138-100-A221-B221	1
-		4B	001672	SPCR-.312 ID x .75 OD .25 THK, NYL	2
-		4C	002008	PIN-5/16x1.25 CLEVIS w/COTTER	1
5		201641K (QQ-30409)	Unity 310/31X - Transfer Arm - Hinge Cover	1 or 2	
-		5A	001953	PL-HINGE CVR	1
-		5B	SC-81J	8X1 PAN QUAD TK-2 SDS ZINC-JAPAN	4
-		5C	201647K (QQ-SNAP-CAP)	Hardware - Snap Cap #180 Black With Washer (5M)	4
6		201607K (QQ-01100R)	Unity 300/310/31X, AloRec - Arm Mech Actuator (Single)	2	
-		6A	001556	LEVER ACT ASSY 48	1
-		6B	SC-81W	8 x 1 RD WASHER QUAD FAST ZINC	2
-		6C	TI-CA	CABLE TIES 8"	2
7		201643K (QQ-30413)	Unity 300/310/31X - Arm Cap Replacement Kit (Single)	2	
-		7	001796	ARM CAP - STRK	1



Parts List - Pivot Table				
Image Number	Note	Part Number	Description	QTY per Product
1,2,3		201648K (QQ-30503) 201649K (QQ-30502)	Unity 300/310/31X - Retro Left Pivot Table Kit Unity 300/310/31X - Retro Right Pivot Table Kit	1
1		201650K 201651K	Unity 300/310/31X - Pivot Table - Left Bracket Unity 300/310/31X - Pivot Table - Right Bracket	1
1A	A	002184	TABLE PIVOT MOUNT, LEFT - ASSY	1
1A	B	002182	TABLE PIVOT MOUNT, RIGHT - ASSY	1
1A		700910	BUSH - FLANGE SLEEVE, 1" OD X .75 ID 1.5" / Nylon Bushing I	2
1B		Snap-Hex	SNAP HEXCAP 7/16-180	4
1C		001299	BLT - 1/4-20 X 1", HEX G	4
1D		566130	WASHER - 1/4" LOCK, EXT TOOTH	4
2		201652K	Unity 300/310/31X - Pivot Table - Pivot Table	1
2A		002179	TAB - TABLE TOP, 10" x 24", BLK	1
2A		001999	ASSY - PIVOT MNT, TABLE SIDE	1
2A		SC-1058PPDTBO	10X58 PP DT BLK OXIDE	6
3		201654K	Unity 300/310/31X - Pivot Table - Knob	1
3A		207007	KNOB FOR PIVOT TABLE	1
3		201653K	Unity 300/310/31X - Pivot Table - Lynch Pin	1
3B		506100	PIN - LYNCH, 3/16", DIA X 1.25" / Lynch Pin	1

Notes	
Note	Description
A	Included in left side kit only
B	Included in right side kit only



Parts List - Accessories				
Image Number	Note	Part Number	Description	QTY per Product
1A	A	U3502XXX (QQ-30504) U3602XXX (QQ-30505)	Unity 300/310 (STD) - Accessory - Head Pillow (HP300) Unity 31X (XL) - Accessory - Head Pillow (HP31X)	1
1B	A	U3501XXX (QQ-30507) U3601XXX (QQ-30508)	Unity 300/310 (STD) - Accessory - Head Protector (HDPRO300) Unity 31X (XL) - Accessory - Head Protector (HDPRO31X)	1
1C	A	U3503XXX (QQ-30506)	Unity 300/310/31X - Accessory - Cushion Wedge (CW)	1
2		201645K (QQ-30501)	Unity 310/31X - Accessory - IV Pole Bracket - Left/Right	1 or 2
- 2A		002003	BRK-IV POLE	1
- 2B		001631	SCR-10-32x3/4, PHIL PAN BO	3
- 2C		002048	WA-#10 INT TOOTH ZN	3
3		201644K (QQ-30500)	Unity 300/310/31X - Accessory - IVPOLE1 - IV Pole, 2 Prong	1
- 3		IVPOLE1	STATIONARY CHAIR IV POLE 2 PRONG	1
Notes				
Note	Description			
A	XXX - Use color code for specific part number (i.e. 002 = Royal Blue)			

Reference Documents:

JA-ENG-001 Vinyl Color Codes & Part Number Reference, JA-ENG-002 Stryker Unity Model Numbering System, JA-ENG-009 How to Read Parts Lists, JA-ENG-008 Upholstery Service Part Numbering System

Revision History

REV	Effective Date	DCC/ECN Number	Description of Changes
1	05/22/26	DCC 26-030	Original issue

*Left and right is determined as if sitting in the chair
 Printed copies are uncontrolled – Before using this document, check shared drive for current revision*