

stryker®

Operations/Maintenance Manual



[3500-000-110](#)



[3500-000-150](#)



[3500-000-320](#)



[3500-000-220](#)



[3500-000-520](#)



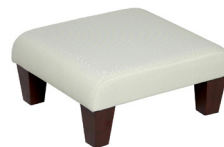
[3500-000-130](#)



[3500-000-170](#)



[3500-000-340](#)



[3500-000-190](#)





[3500-000-420](#)

Table of Contents

Symbols and Definitions	4
Symbols	4
Warning/Caution/Note Definition	4
Summary of Safety Precautions	4
3500-000-110 Highback Chair (18" Seat Height)	5
Reference P/N: STR3840	5
Specifications	6
3500-000-130 Highback Chair (21" Seat Height)	7
Reference P/N: STR3840-21	7
Specifications	8
3500-000-150 Lowback Chair with Arms (18")	9
Reference P/N: STR3841	9
Specifications	10
3500-000-170 Lowback Chair with Arms (21")	11
Reference P/N: STR3841-21	11
Specifications	12
3500-000-220 Lowback Chair witho Arms (18" only)	13
Reference P/N: STR3842	13
Specifications	14
3500-000-320 Highback Flexback Chair (18")	15
Reference P/N: STR3843	15
Specifications	16
3500-000-340 Highback Flexback Chair (21")	17
Reference P/N: STR3843-21	17
Specifications	18
3500-000-520 Steel Chair	19
Reference P/N: STR2183	19
Specifications	20
3500-000-420 Bariatric Chair	21
Reference P/N: STR4125W	21
Specifications	22
3500-000-190 Ottoman	23
Reference P/N: STR3844	23
Warranty	24
Limited Lifetime Warranty	24
One Year Warranty	24
To Obtain Parts and Service	25
Return Authorization	25
Damaged Merchandise	25
International Warranty Clause	25

Symbols and Definitions

SYMBOLS

	Warning/Caution: Consult accompanying documentation
	Manufacturer

WARNING/CAUTION/NOTE DEFINITION

The words **WARNING**, **CAUTION** and **NOTE** carry special meanings and should be carefully reviewed.

WARNING

Alerts the reader about a situation which, if not avoided, could result in death or serious injury. It may also describe potential serious adverse reactions and safety hazards.

CAUTION

Alerts the reader of a potentially hazardous situation which, if not avoided, may result in minor or moderate injury to the user or patient or damage to the equipment or other property. This includes special care necessary for the safe and effective use of the device and the care necessary to avoid damage to a device that may occur as a result of use or misuse.

NOTE

Provides special information to make maintenance easier or important instructions clearer.

Summary of Safety Precautions

WARNING

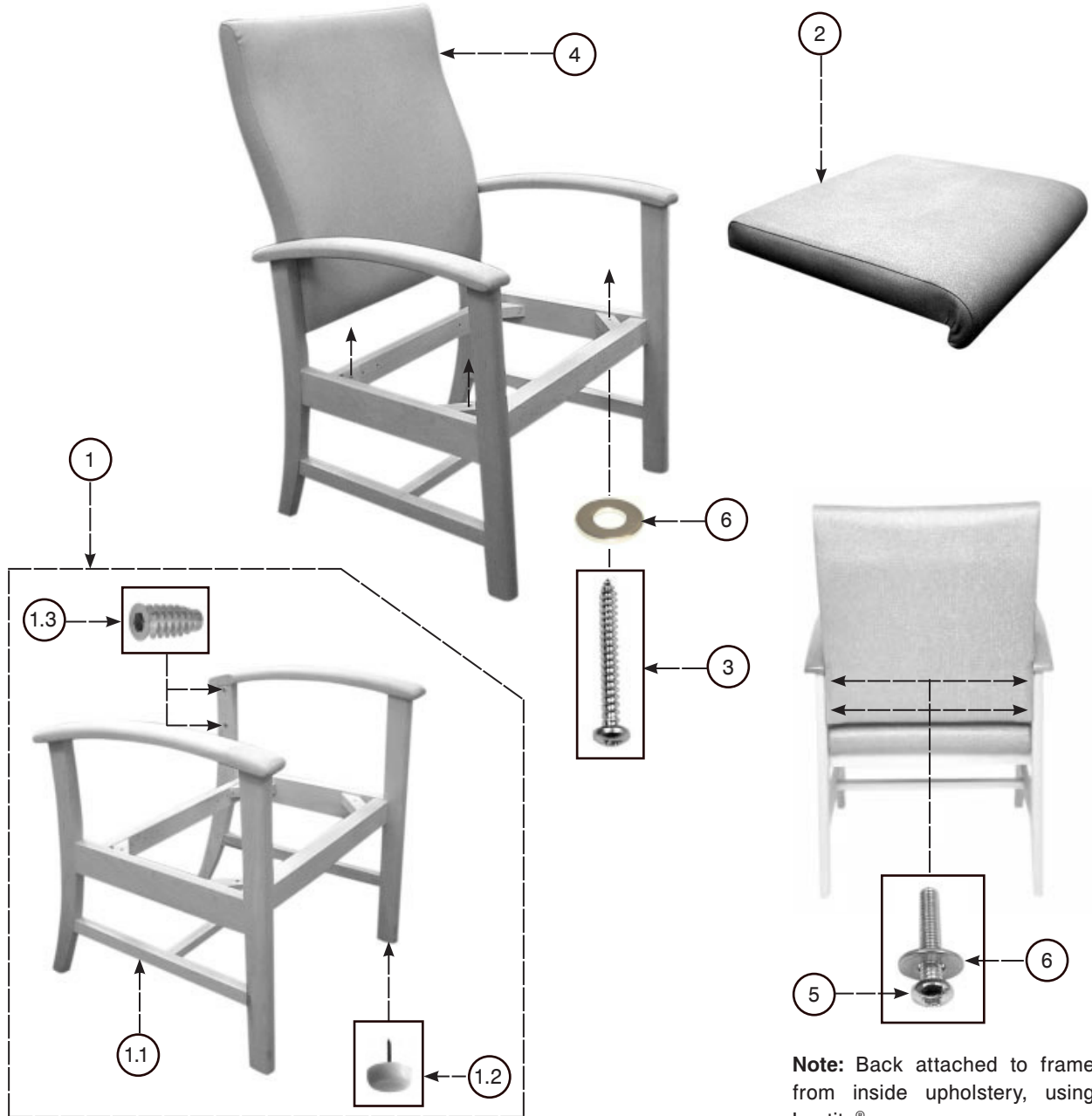
- To avoid the risk of serious injury or product damage, do not stand on chair seat or ottoman.
- To avoid the risk of serious injury or product damage, do not sit on chair arms.
- To avoid the risk of serious injury or product damage, while standing behind the chair, do not lean on chair backrest or chair arms.
- To avoid the risk of serious injury or product damage, keep all four chair legs on the ground when seated.
- To avoid the risk of serious injury or product damage, do not lay infants or infant carriers in the chair or on the ottoman.
- Stow the ottoman under the chair when not in use to avoid a tripping hazard.
- Failure to properly clean a contaminated surface will increase the risk of exposure to bloodborne pathogens.

CAUTION

- To avoid the risk of product or floor damage, do not use chairs and/or ottoman if all glides are not present.
- Cleaning products may be harmful to your skin and/or eyes. Use protective gloves and eye protection. Protect the surrounding area and clothing from exposure to cleaners. Do not inhale or swallow any cleaning agents. Follow all cleaning product manufacturer's warnings.
- The use of certain agents can be harmful to the surface appearance and lifespan of fabrics. Check compatibility of any cleaning product with other surfaces on the furniture, such as painted surfaces or varnish.
- Clean all stains immediately as some stains may become permanent if not removed quickly.

3500-000-110 Highback Chair (18" Seat Height)

Reference P/N: STR3840



Note: Back attached to frame from inside upholstery, using Loctite® on screw.

Item	Stryker P/N	Reference P/N	Part Description	Qty.
1	(not serviceable)	17006STR3840	Chair Frame with Glides and Inserts	1
1.1	(not serviceable)	00206STR3840	Chair Frame	1
1.2	3500-100-001	004350019	3/4" Tack Glide, White	4
1.3	(not serviceable)	0043500512	1/4"-20 x 20mm Type D Inst. Nut	4
2	3500-100-002	16071STR3840	UPH Seat Only	1
3	3500-100-003	004310164	#12 x 2" Pan Quad TS Zinc	4
4	(not serviceable)	16032STR3840	UPH Back Only	1
5	(not serviceable)	004310287BLK	1/4"-20 x 1-1/2" Pan Quad M	4
6	(not serviceable)	004310612	5/16" ID x 3/4" OD x 1/16" Washer	8

[Return To Table of Contents](#)

3500-000-110 Highback Chair (18" Seat Height)

Reference P/N: STR3840

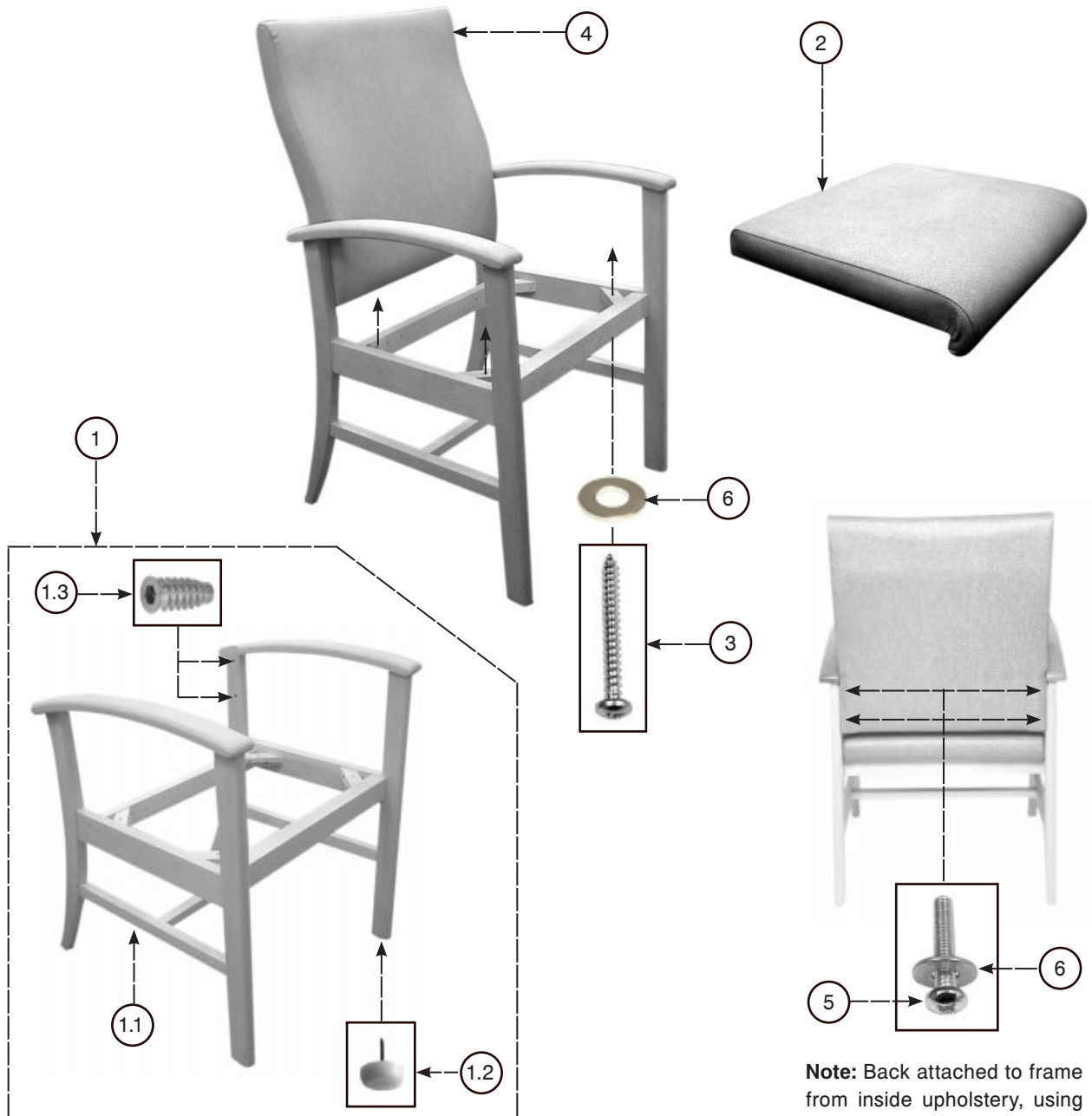
SPECIFICATIONS



DESCRIPTION	SPECIFICATIONS	
	INCHES	(MM)
Weight Capacity	300 lbs	
CHAIR DIMENSIONS		
Length	26	(660)
Width	24	(610)
Height (Controls at mid-point or nominal design position)	40.5	(1029)
SEAT		
Seat (Type)	Plywood & Web	
Seat Foam (Type)	Ultracell/Slab	
Seat Foam Thickness	2.0	(51)
Seat Depth (Min.)	18	(445)
Seat Depth (Max.)	---	(0)
Seat Width	21	(553)
Seat Height (Min.)	18	(445)
Seat Height (Max.)	---	(0)
BACK		
Back Pan (Type)	Frame & Web	
Back Foam (Type)	Regular Slab Foam Only	
Back Foam Thickness	1.5	(38)
Back Width	20.5	(521)
Back Height (Min.)	22-1/2	(584)
ARMRESTS		
Armrest (Type)	Wooden	
Armrest Clearance	19	(483)
Arm Height from Seat (Min.)	8.0	(203)
Arm Height from Floor (Min.)	25.5	(648)

3500-000-130 Highback Chair (21" Seat Height)

Reference P/N: STR3840-21



Note: Back attached to frame from inside upholstery, using Loctite® on screw.

Item	Stryker P/N	Reference P/N	Part Description	Qty.
1	(not serviceable)	17006STR3840-21	Chair Frame with Glides and Inserts	1
1.1	(not serviceable)	00206STR3840-21	Chair Frame 21" ST HT	1
1.2	3500-100-001	004350019	3/4" Tack Glide, White	4
1.3	(not serviceable)	0043500512	1/4"-20 x 20mm Type D Inst. Nut	4
2	3500-100-002	16071STR3840	UPH Seat Only	1
3	3500-100-003	004310164	#12 x 2" Pan Quad TS Zinc	4
4	(not serviceable)	16032STR3840	UPH Back Only	1
5	(not serviceable)	004310287BLK	1/4"-20 x 1-1/2" Pan Quad M	4
6	(not serviceable)	004310612	5/16" ID x 3/4" OD x 1/16" Washer	8

[Return To Table of Contents](#)

3500-000-130 Highback Chair (21" Seat Height)

Reference P/N: STR3840-21

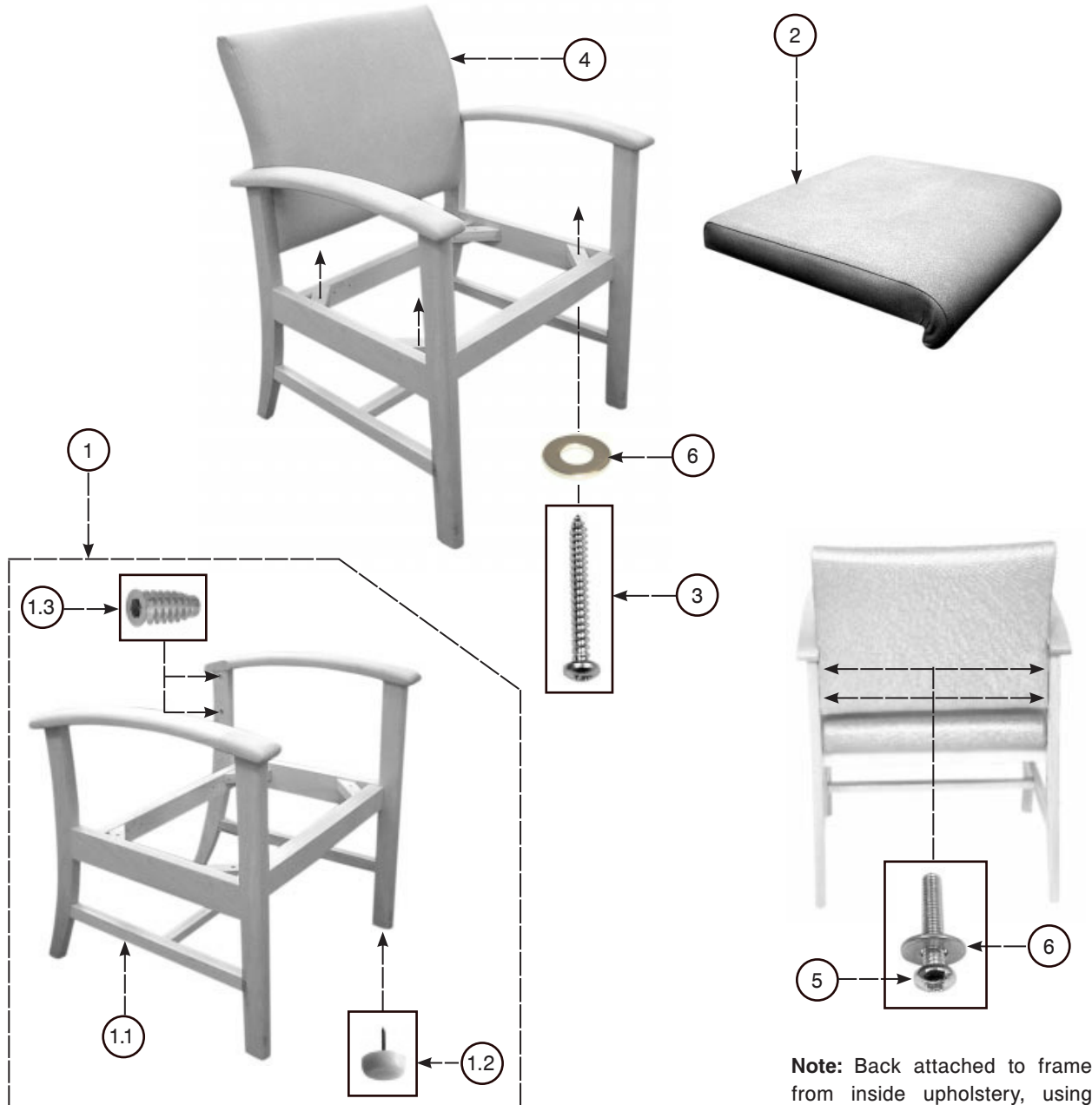
SPECIFICATIONS



DESCRIPTION	SPECIFICATIONS	
	INCHES	(MM)
Weight Capacity	300 lbs	
CHAIR DIMENSIONS		
Length	27	(660)
Width	24	(610)
Height (Controls at mid-point or nominal design position)	43.5	(1105)
SEAT		
Seat (Type)	Plywood & Web	
Seat Foam (Type)	Ultracell/Slab	
Seat Foam Thickness	2.0	(51)
Seat Depth (Min.)	18	(457)
Seat Depth (Max.)	---	(0)
Seat Width	21	(553)
Seat Height (Min.)	21	(553)
Seat Height (Max.)	---	(0)
BACK		
Back Pan (Type)	Frame & Web	
Back Foam (Type)	Regular Slab Foam Only	
Back Foam Thickness	1.5	(38)
Back Width	20.5	(521)
Back Height (Min.)	22.5	(572)
ARMRESTS		
Armrest (Type)	Wooden	
Armrest Clearance	19	(483)
Arm Height from Seat (Min.)	8.0	(203)
Arm Height from Floor (Min.)	29	(737)

3500-000-150 Lowback Chair with Arms (18")

Reference P/N: STR3841



Note: Back attached to frame from inside upholstery, using Loctite® on screw.

Item	Stryker P/N	Reference P/N	Part Description	Qty.
1	(not serviceable)	17006STR3840	Chair Frame with Glides and Inserts	1
1.1	(not serviceable)	00206STR3840	Chair Frame	1
1.2	3500-100-001	004350019	3/4" Tack Glide, White	4
1.3	(not serviceable)	0043500512	1/4"-20 x 20mm Type D Inst. Nut	4
2	3500-100-002	16071STR3840	UPH Seat Only	1
3	3500-100-003	004310164	#12 x 2" Pan Quad TS Zinc	4
4	(not serviceable)	16032STR3841	UPH Back Only	1
5	(not serviceable)	004310287BLK	1/4"-20 x 1-1/2" Pan Quad M	4
6	(not serviceable)	004310612	5/16" ID x 3/4" OD x 1/16" Washer	8

[Return To Table of Contents](#)

3500-000-150 Lowback Chair with Arms (18")

Reference P/N: STR3841

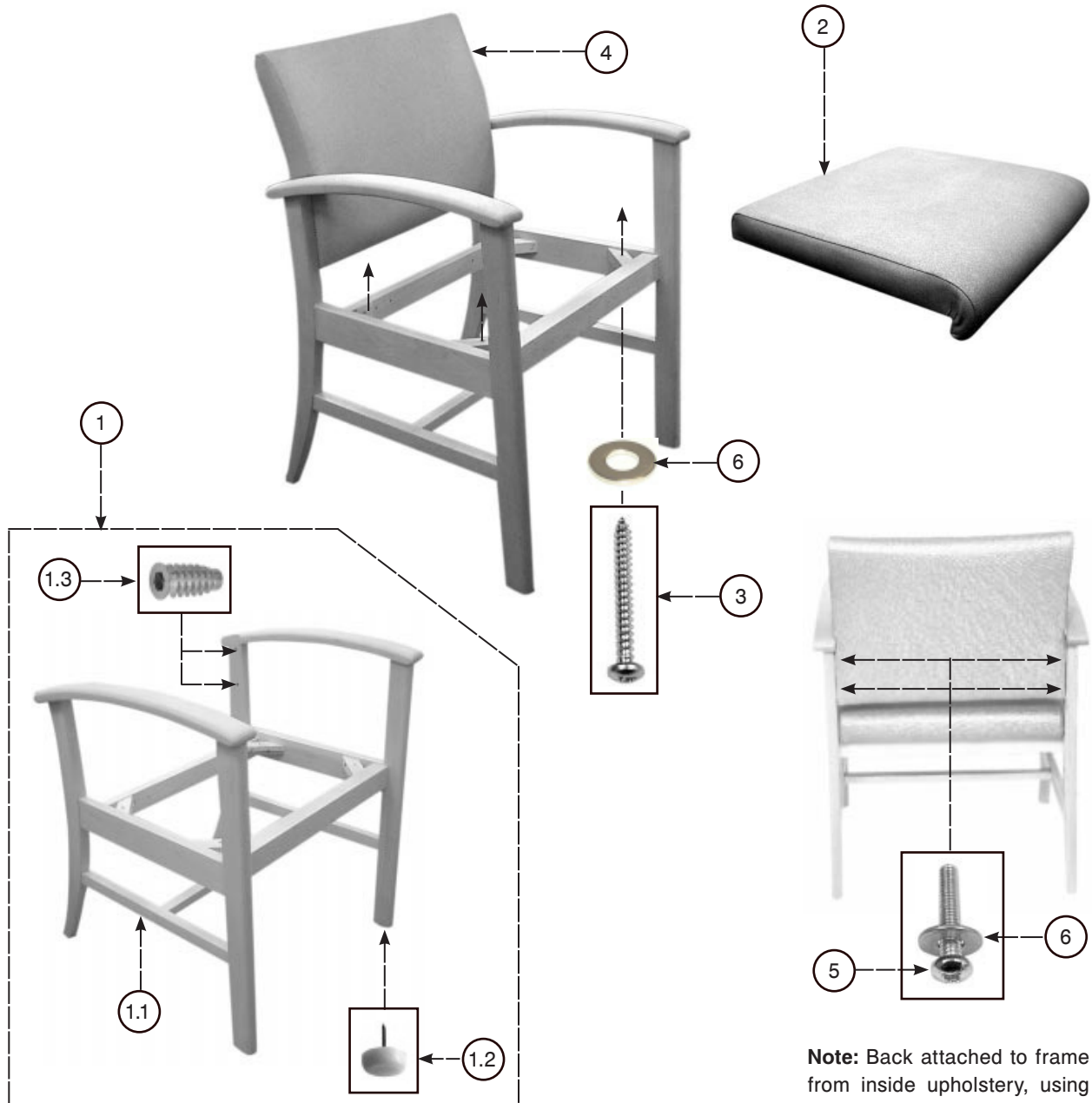
SPECIFICATIONS



DESCRIPTION	SPECIFICATIONS	
	INCHES	(MM)
Weight Capacity	300 lbs	
CHAIR DIMENSIONS		
Length	26	(660)
Width	24	(610)
Height (Controls at mid-point or nominal design position)	34.5	(876)
SEAT		
Seat (Type)	Plywood & Web	
Seat Foam (Type)	Ultracell/Slab	
Seat Foam Thickness	2.0	(51)
Seat Depth (Min.)	18	(457)
Seat Depth (Max.)	---	(0)
Seat Width	21	(553)
Seat Height (Min.)	18	(445)
Seat Height (Max.)	---	(0)
BACK		
Back Pan (Type)	Frame & Web	
Back Foam (Type)	Regular Slab Foam Only	
Back Foam Thickness	1.5	(38)
Back Width	20.5	(521)
Back Height (Min.)	16-1/2	(432)
ARMRESTS		
Armrest (Type)	Wooden	
Armrest Clearance	19	(483)
Arm Height from Seat (Min.)	8.0	(203)
Arm Height from Floor (Min.)	26	(648)

3500-000-170 Lowback Chair with Arms (21")

Reference P/N: STR3841-21



Note: Back attached to frame from inside upholstery, using Loctite® on screw.

Item	Stryker P/N	Reference P/N	Part Description	Qty.
1	(not serviceable)	17006STR3840-21	Chair Frame with Glides and Inserts	1
1.1	(not serviceable)	00206STR3840-21	Chair Frame	1
1.2	3500-100-001	004350019	3/4" Tack Glide, White	4
1.3	(not serviceable)	0043500512	1/4"-20 x 20mm Type D Inst. Nut	4
2	3500-100-002	16071STR3840	UPH Seat Only	1
3	3500-100-003	004310164	#12 x 2" Pan Quad TS Zinc	4
4	(not serviceable)	16032STR3841	UPH Back Only	1
5	(not serviceable)	004310287BLK	1/4"-20 x 1-1/2" Pan Quad M	4
6	(not serviceable)	004310612	5/16" ID x 3/4" OD x 1/16" Washer	8

[Return To Table of Contents](#)

3500-000-170 Lowback Chair with Arms (21")

Reference P/N: STR3841-21

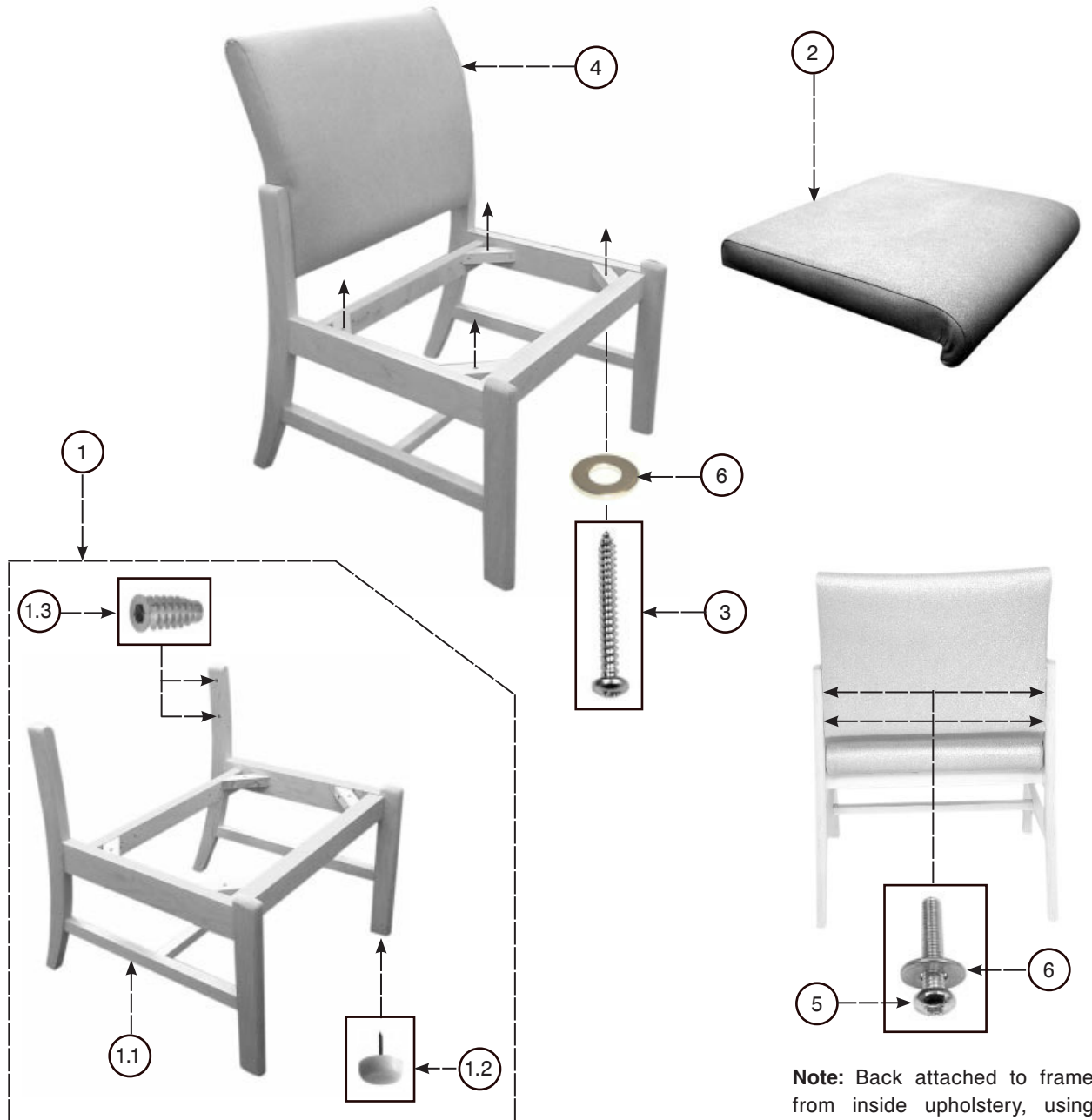
SPECIFICATIONS



DESCRIPTION	SPECIFICATIONS	
	INCHES	(MM)
Weight Capacity	300 lbs	
CHAIR DIMENSIONS		
Length	26	(660)
Width	24	(610)
Height (Controls at mid-point or nominal design position)	37.5	(953)
SEAT		
Seat (Type)	Plywood & Web	
Seat Foam (Type)	Ultracell/Slab	
Seat Foam Thickness	2.0	(51)
Seat Depth (Min.)	18	(457)
Seat Depth (Max.)	---	(0)
Seat Width	21	(553)
Seat Height (Min.)	21	(533)
Seat Height (Max.)	---	(0)
BACK		
Back Pan (Type)	Frame & Web	
Back Foam (Type)	Regular Slab Foam Only	
Back Foam Thickness	1.5	(38)
Back Width	20.5	(521)
Back Height (Min.)	16-1/2	(432)
ARMRESTS		
Armrest (Type)	Wooden	
Armrest Clearance	19	(483)
Arm Height from Seat (Min.)	8.0	(203)
Arm Height from Floor (Min.)	29	(737)

3500-000-220 Lowback Chair with Arms (18" only)

Reference P/N: STR3842



Note: Back attached to frame from inside upholstery, using Loctite® on screw.

Item	Stryker P/N	Reference P/N	Part Description	Qty.
1	(not serviceable)	17006STR3842	Chair Frame with Glides and Inserts	1
1.1	(not serviceable)	00206STR3842	Chair Frame	1
1.2	3500-100-001	004350019	3/4" Tack Glide, White	4
1.3	(not serviceable)	0043500512	1/4"-20 x 20mm Type D Inst. Nut	4
2	3500-100-002	16071STR3840	UPH Seat Only	1
3	3500-100-003	004310164	#12 x 2" Pan Quad TS Zinc	4
4	(not serviceable)	16032STR3841	UPH Back Only	1
5	(not serviceable)	004310287BLK	1/4"-20 x 1-1/2" Pan Quad M	4
6	(not serviceable)	004310612	5/16" ID x 3/4" OD x 1/16" Washer	8

[Return To Table of Contents](#)

3500-000-220 Lowback Chair with Arms (18" only)

Reference P/N: STR3842

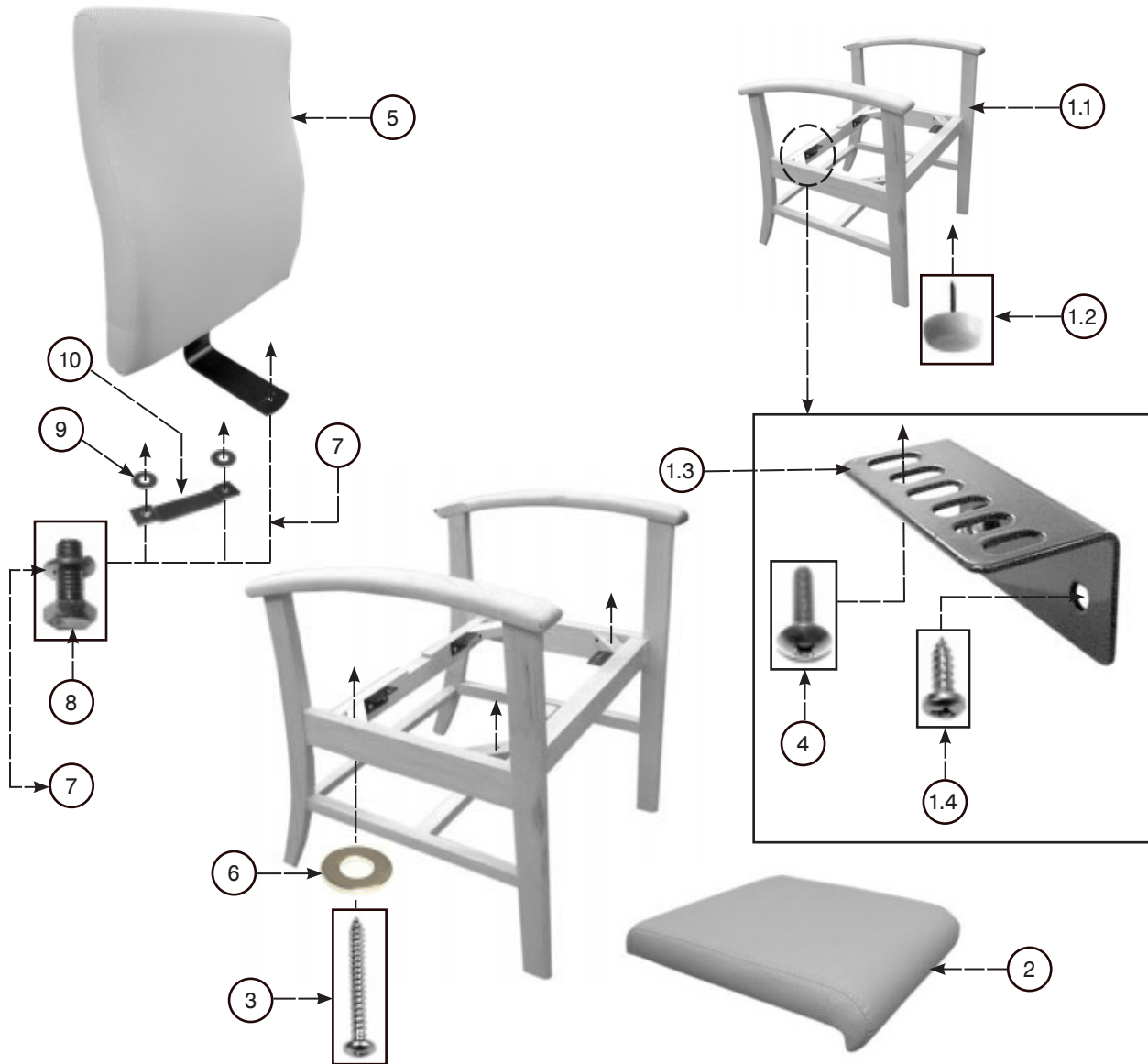
SPECIFICATIONS



DESCRIPTION	SPECIFICATIONS	
	INCHES	(MM)
Weight Capacity	300 lbs	
CHAIR DIMENSIONS		
Length	26	(660)
Width	22.5	(572)
Height (Controls at mid-point or nominal design position)	34.5	(876)
SEAT		
Seat (Type)	Plywood & Web	
Seat Foam (Type)	Ultracell/Slab	
Seat Foam Thickness	2.0	(51)
Seat Depth (Min.)	18	(457)
Seat Depth (Max.)	---	(0)
Seat Width	21	(553)
Seat Height (Min.)	18	(445)
Seat Height (Max.)	---	(0)
BACK		
Back Pan (Type)	Frame & Web	
Back Foam (Type)	Regular Slab Foam Only	
Back Foam Thickness	1.5	(38)
Back Width	20.5	(521)
Back Height (Min.)	17	(432)

3500-000-320 Highback Flexback Chair (18")

Reference P/N: STR3843



Item	Stryker P/N	Reference P/N	Part Description	Qty.
1	3500-100-038	17006STR3843	Chair Frame with Glide and Brackets	1
1.1	3500-100-039	00206STR3843	Chair Frame	1
1.2	3500-100-001	004350019	3/4" Tack Glide, White	4
1.3	3500-100-040	00437C70032	281 Seat Bracket 90 Degree	4
1.4	3500-100-041	004310147	#12 x 3/4" Pan Quad Screw	8
2	3500-100-050	16071STR3843	UPH Seat Only	1
3	3500-100-003	04310164	#12 x 2" Pan Quad TS Zinc	4
4	3500-100-042	004310266BLK	1/4"-20 x 7/8" Truss Quadrex ZCBLK	4
5	3500-100-043	16032STR3843	UPH Back withBU	1
6	(not serviceable)	004310612	5/16" ID x 3/4" OD x 1/16" Washer	4
7	3500-100-045	004320007BLK	5/16" Split Lock Washer BLK	3
8	3500-100-046	004310334	5/16"-18 x 1" Hex Bolt BLK Z GR2	3
9	3500-100-047	004310612BLK	5/16" ID x 3/4" OD x 1/16" Washer BLK	2
10	3500-100-044	004378944	8944 3" Omega Bracket BLK	1

[Return To Table of Contents](#)

3500-000-320 Highback Flexback Chair (18")

Reference P/N: STR3843

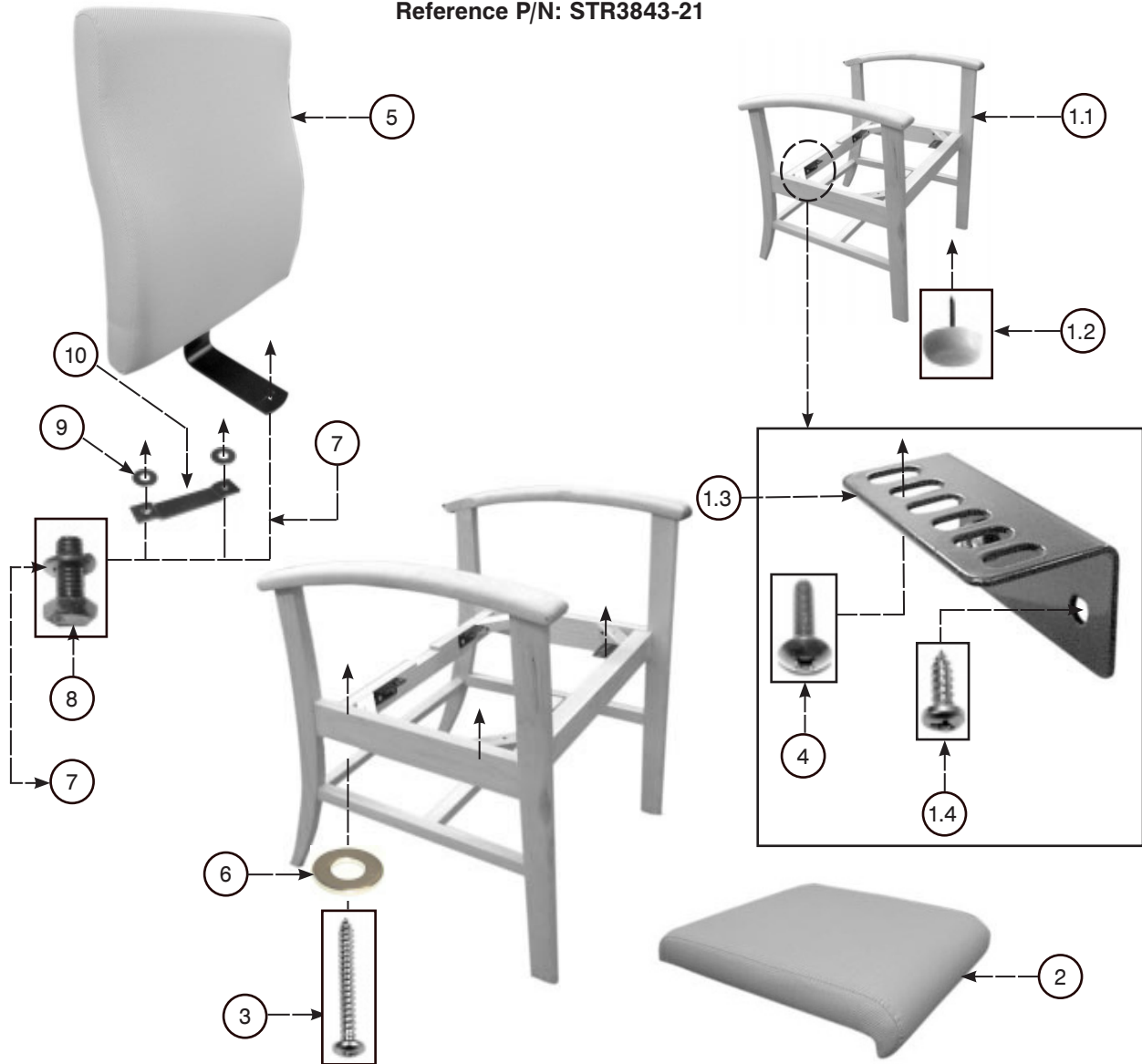
SPECIFICATIONS



DESCRIPTION	SPECIFICATIONS	
	INCHES	(MM)
Weight Capacity	300 lbs	
CHAIR DIMENSIONS		
Length	26	(660)
Width	24	(610)
Height (Controls at mid-point or nominal design position)	40.5	(1029)
SEAT		
Seat (Type)	Plywood & Web	
Seat Foam (Type)	Ultracell/Slab	
Seat Foam Thickness	2.0	(51)
Seat Depth (Min.)	18	(457)
Seat Depth (Max.)	---	(0)
Seat Width	21	(553)
Seat Height (Min.)	18	(445)
Seat Height (Max.)	---	(0)
BACK		
Back Pan (Type)	Frame & Web	
Back Foam (Type)	Regular Slab Foam Only	
Back Foam Thickness	1.5	(38)
Back Width	20.5	(521)
Back Height (Min.)	22-1/2	(584)
ARMRESTS		
Armrest (Type)	Wooden	
Armrest Clearance	19	(483)
Arm Height from Seat (Min.)	8.0	(203)
Arm Height from Floor (Min.)	26	(648)
FRAME		
Frame (Type)	Wood	
MISCELLANEOUS		
Unit Weight (lbs (kgs))	22	(10.0)
Carton Count	1-PER	

3500-000-340 Highback Flexback Chair (21")

Reference P/N: STR3843-21



Item	Stryker P/N	Reference P/N	Part Description	Qty.
1	3500-100-048	17006STR3843-21	Chair Frame with Glide and Brackets	1
1.1	3500-100-049	00206STR3843-21	Chair Frame	1
1.2	3500-100-001	004350019	3/4" Tack Glide, White	4
1.3	3500-100-040	00437C70032	281 Seat Bracket 90 Degree	4
1.4	3500-100-041	004310147	#12 x 3/4" Pan Quad Screw	8
2	3500-100-050	16071STR3843	UPH Seat Only	1
3	3500-100-003	04310164	#12 x 2" Pan Quad TS Zinc	4
4	3500-100-042	004310266BLK	1/4"-20 x 7/8" Truss Quadrex ZCBLK	4
5	3500-100-043	16032STR3843	UPH Back withBU	1
6	(not serviceable)	004310612	5/16" ID x 3/4" OD x 1/16" Washer	4
7	3500-100-045	004320007BLK	5/16" Split Lock Washer BLK	3
8	3500-100-046	004310334	5/16"-18 x 1" Hex Bolt BLK Z GR2	3
9	3500-100-047	004310612BLK	5/16" ID x 3/4" OD x 1/16" Washer BLK	2
10	3500-100-044	004378944	8944 3" Omega Bracket BLK	1

[Return To Table of Contents](#)

3500-000-340 Highback Flexback Chair (21")

Reference P/N: STR3843-21

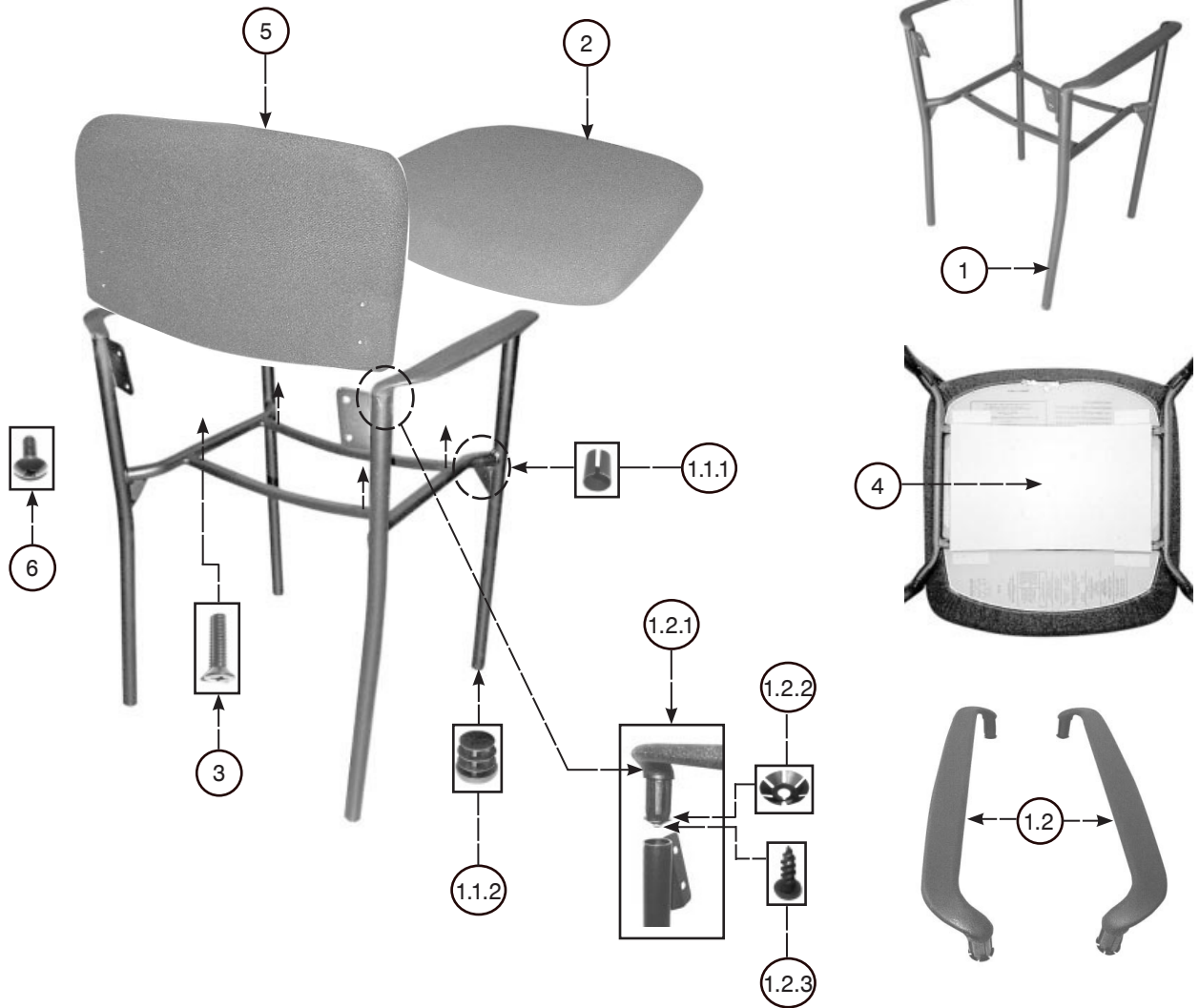
SPECIFICATIONS



DESCRIPTION	SPECIFICATIONS	
	INCHES	(MM)
Weight Capacity	300 lbs	
CHAIR DIMENSIONS		
Length	27	(660)
Width	24	(610)
Height (Controls at mid-point or nominal design position)	43.5	(1105)
SEAT		
Seat (Type)	Plywood & Web	
Seat Foam (Type)	Ultracell/Slab	
Seat Foam Thickness	2.0	(51)
Seat Depth (Min.)	18	(457)
Seat Depth (Max.)	---	(0)
Seat Width	21	(553)
Seat Height (Min.)	21	(553)
Seat Height (Max.)	---	(0)
BACK		
Back Pan (Type)	Frame & Web	
Back Foam (Type)	Regular Slab Foam Only	
Back Foam Thickness	1.5	(38)
Back Width	20.5	(521)
Back Height (Min.)	23	(584)
ARMRESTS		
Armrest (Type)	Wooden	
Armrest Clearance	19	(483)
Arm Height from Seat (Min.)	8.0	(203)
Arm Height from Floor (Min.)	29	(737)
FRAME		
Frame (Type)	Wood	
MISCELLANEOUS		
Unit Weight (lbs (kgs))	22	(10.0)
Carton Count	1-PER	

3500-000-520 Steel Chair

Reference P/N: STR2183



Item	Stryker P/N	Reference P/N	Part Description	Qty.
1	3500-100-024	182352183	Arm and Frame Assembled	1
1.1	(not serviceable)	004062183BLK	4 Leg Metal Frame 1" Round Tube	1
1.1.1	3500-100-026	0100022171	Split Plastic Sleeve	4
1.1.2	3500-100-027	010050027	1" OD Round CLSR/GLD 14/18G	4
1.2	(not serviceable)	170032171	2171 Arm Assembly Only BLK	PR
1.2.1	(not serviceable)	010032171	2171 Plastic Arms BLK	PR
1.2.2	(not serviceable)	004310610	1/4"-20 16 GA Tube Connector	4
1.2.3	(not serviceable)	004310097Q	#8 x 5/8" Pan QD L.RT WS BLK	4
2	3500-100-033	16071STR2183	2171 UPH Seat with UC Foam	1
3	3500-100-034	004310282BLK	1/4"-20 x 1-1/4" FLT QD BLK	4
4	3500-100-035	008062171T-A	2171 Seat Bottom Tray ECN	1
5	3500-100-036	16032STR2183	Upholstery Back Only	1
6	3500-100-037	004310276	1/4"-20 x 5/8" TRS QD MS SR B	4

[Return To Table of Contents](#)

3500-000-520 Steel Chair

REFERENCE P/N: STR2183

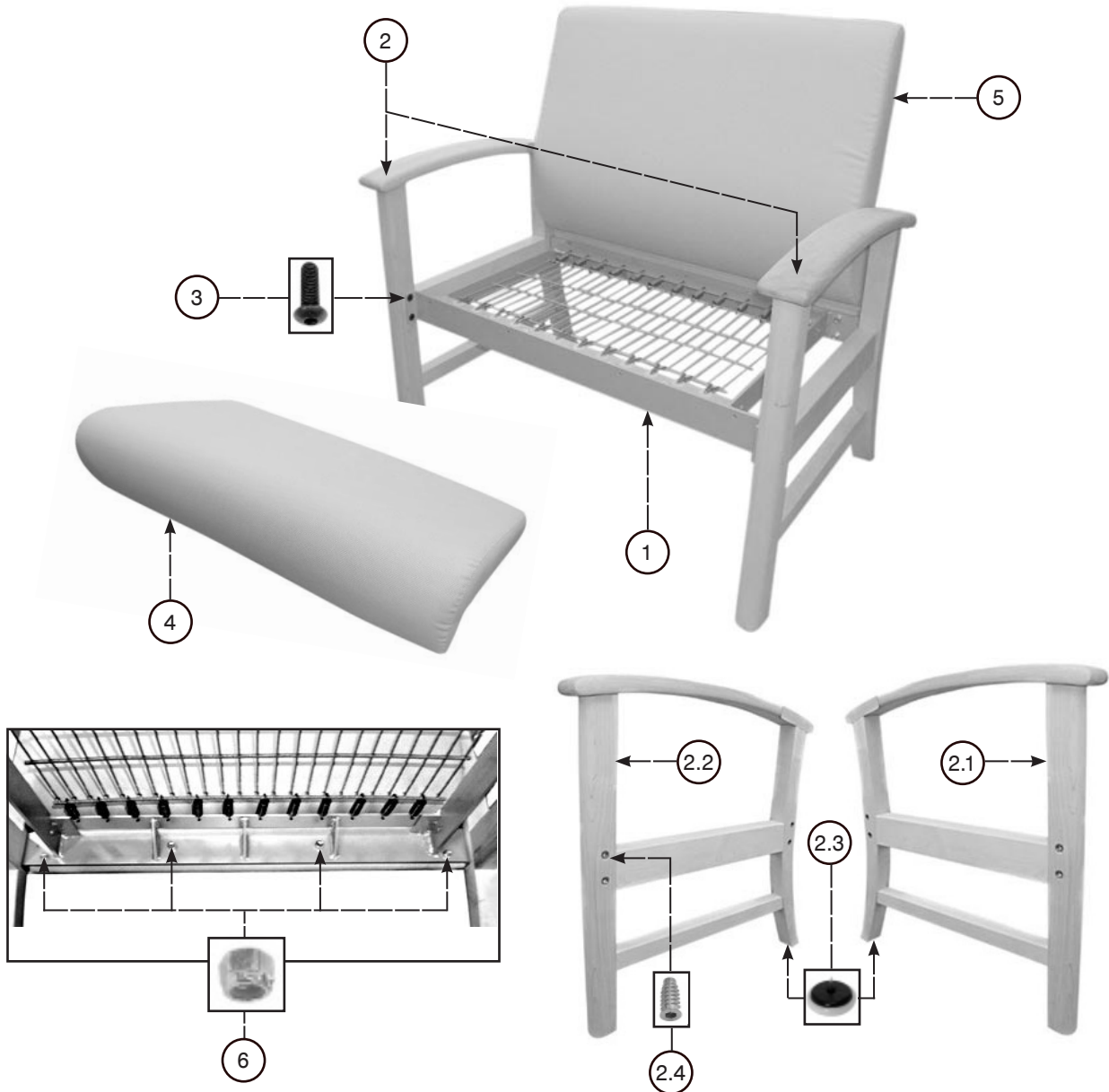
SPECIFICATIONS



DESCRIPTION	SPECIFICATIONS	
	INCHES	(MM)
Weight Capacity	300 lbs	
CHAIR DIMENSIONS		
Length	20	(508)
Width	23	(584)
Height (Controls at mid-point or nominal design position)	32	(813)
SEAT		
Seat (Type)	Plywood	
Seat Foam (Type)	Ultracell	
Seat Foam Thickness	2.0	(51)
Seat Depth (Min.)	17.5	(445)
Seat Depth (Max.)	---	(0)
Seat Width	18	(457)
Seat Height (Min.)	18	(457)
Seat Height (Max.)	---	(0)
BACK		
Back Pan (Type)	Plywood	
Back Foam (Type)	Slab	
Back Foam Thickness	1.25	(32)
Back Width	17.5	(445)
Back Height (Min.)	14	(356)
ARMRESTS		
Armrest (Type)	Plastic	
Armrest Clearance	19.5	(495)
Arm Height from Seat (Min.)	8.0	(203)
Arm Height from Floor (Min.)	26	(660)
FRAME		
Frame (Type)	1" Round Tubing	
Thickness/Guage	16 Guage	
MISCELLANEOUS		
Unit Weight (lbs (kgs))	14	(6.4)
Com Yardage (yds (m))	1.0	(0.9)
Carton Count	2-PER	
Cubage	13.25.	(0.35)
Shipment Weight (lbs (kgs))	46	(20.9)

3500-000-420 Bariatric Chair

Reference P/N: STR4125W



Item	Stryker P/N	Reference P/N	Part Description	Qty.
1	3500-100-006	14001GC4125TUN	Seat Frame with Mesh	1
2	3500-100-007	17003STR4125W	Lt. & Rt. Arm Frame with Glides and Inserts	PR
2.1	3500-100-008	00206STR4125WL	Left Arm Wood Frame	1
2.2	3500-100-009	00206STR4125WR	Right Arm Wood Frame	1
2.3	3500-100-010	0435GC3751	1-1/2" Dia. N/Marking Nail Glide	4
2.4	(not serviceable)	004350049	5/16"-18 x 25mm Type D Insert	8
3	3500-100-012	004310410	5/16"-18 x 1" Button Head Screw BLK	8
4	3500-100-013	16031GC4125	UPH Seat Cushion	1
5	3500-100-014	16032STR4125	Upholstered Back Only	1
6	3500-100-015	004310705	5/16"-18 Heavy Nylon Insert Locknut	6

[Return To Table of Contents](#)

3500-000-420 Bariatric Chair

Reference P/N: STR4125W

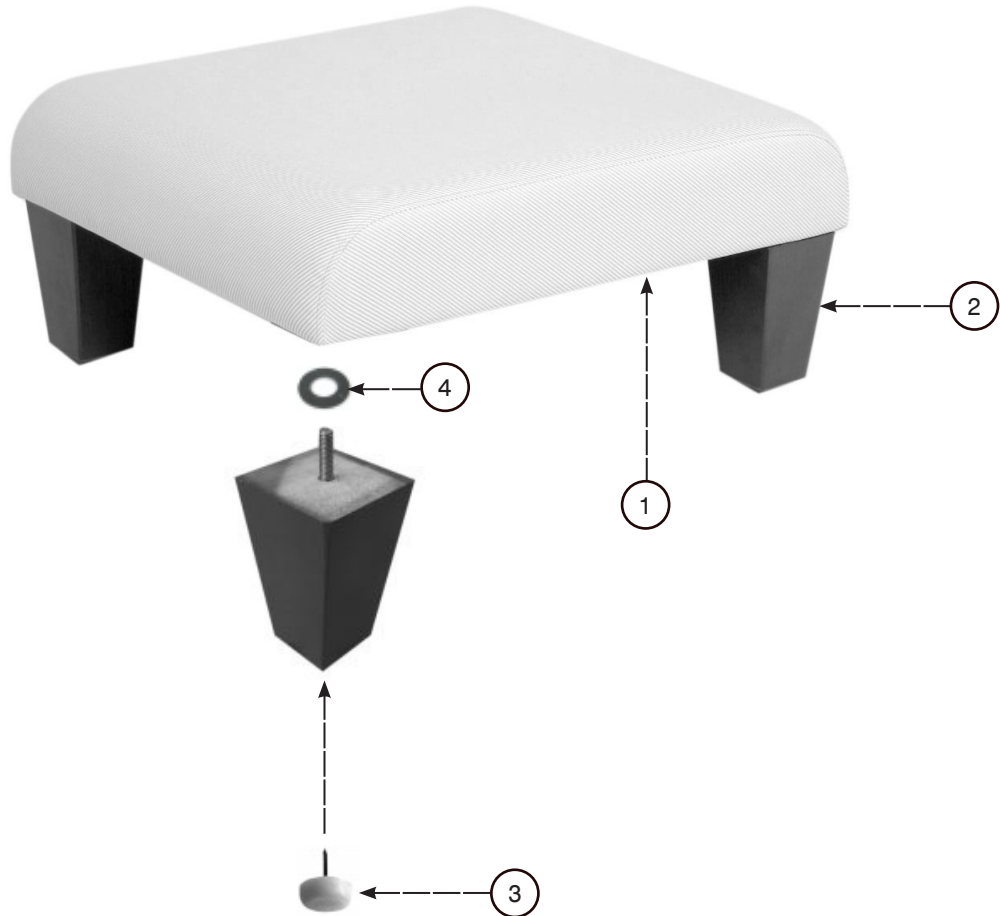
SPECIFICATIONS



DESCRIPTION	SPECIFICATIONS	
	INCHES	(MM)
Weight Capacity	750 lbs	
CHAIR DIMENSIONS		
Length	27	(635)
Width	36	(889)
Height (Controls at mid-point or nominal design position)	37	(940)
SEAT		
Seat (Type)	Steel/Perma Mesh	
Seat Foam (Type)	Ultracell	
Seat Foam Thickness	2.5	(64)
Seat Depth (Min.)	18	(457)
Seat Depth (Max.)	---	(0)
Seat Width	31.5	(800)
Seat Height (Min.)	18	(470)
Seat Height (Max.)	---	(0)
BACK		
Back Pan (Type)	Plywood	
Back Foam (Type)	Slab	
Back Foam Thickness	2.25	(57)
Back Width	30	(762)
Back Height (Min.)	18.5	(470)
ARMRESTS		
Armrest (Type)	Wooden	
Armrest Clearance	30	(762)
Arm Height from Seat (Min.)	8.0	(203)
Arm Height from Floor (Min.)	26	(673)
MISCELLANEOUS		
Unit Weight (lbs (kgs))	70	(31.8)
Carton Count	1-PER	

3500-000-190 Ottoman

Reference P/N: STR3844



Item	Stryker P/N	Reference P/N	Part Description	Qty.
1	3500-100-001	17006STR3844	Cushion	1
2	3500-100-004	17224STR3844	Leg Assembly	4
3	3500-100-005	004350019	3/4" Tack Glide, White	4
4	(not serviceable)	004318928-1	5/16" B.S x 1-1/8" OD x 1-3/32" Plastic Washer	8

[Return To Table of Contents](#)

Warranty

Stryker Medical stands behind the craftsmanship of our products. Providing our customers quality products is our mission, and we pledge to do everything we can to quickly resolve any problems encountered within the terms of the warranties listed below. These warranties apply only to products manufactured after January 1, 2008.

LIMITED LIFETIME WARRANTY

Stryker Medical warrants our Symmetry® II and Symmetry® PLUS seating line for the lifetime of the product, classified as 10 years, under normal use and proper care. Subject to the limitations set below, Stryker will repair or, at our option, replace defective merchandise free of charge.

Symmetry® PLUS Recliners

- 10 years on casters, metal arms, metal bases, metal frames, glass-reinforced nylon bases and plastic-engineered components.
- 10 years on metal reclining mechanism (first 5 years—parts, labor and shipping; after 5 years to 10 years—parts only).
- 5 years on seat springs, wood frame components, wood arms and wood bases.
- 3 years on Stryker Medical textiles and foam.

Symmetry® II Patient & Guest Seating

- 10 years on wood.
- 5 years on steel components.
- 3 years on Stryker Medical textiles.
- 1 year on foam.

Symmetry® II Sleepers

- 10 years on wood.
- 5 years on mechanism.
- 3 years on casters, seat springs, mattress and Stryker Medical textiles.
- 1 year on foam.

ONE YEAR WARRANTY

Stryker warrants the following products for one year under normal use and proper care. For one year from date of shipment, Stryker will repair or, at our option, replace defective merchandise free of charge (parts, labor and shipping included).

- Tru-Fit® Overbed Tables.
- Bedside Stands (*Note: LIFETIME WARRANTY on metal drawer frames and glides).
- Maternity Furniture.
- Flexsteel Hospital Recliner.

The Limited Lifetime and One Year warranties listed above are void in cases of modifications, misuse, improper assembly or maintenance, accidents, damage caused by a carrier other than Stryker Medical, and the use of customer's own material.

Stryker makes no other warranty or representation, either expressed or implied, except as set forth herein. There is no warranty of merchantability and there are no warranties of fitness for any particular purpose. In no event shall Stryker be liable hereunder for incidental or consequential damages arising from or in any manner related to sales or use of any such equipment.

Warranty

TO OBTAIN PARTS AND SERVICE

Stryker products are supported by a nationwide network of dedicated Stryker Field Service Representatives. These representatives are factory trained, available locally, and carry a substantial spare parts inventory to minimize repair time. Simply call your local representative, or call Stryker Customer Service USA at 1-800-327-0770.

RETURN AUTHORIZATION

Merchandise cannot be returned without approval from the Stryker Customer Service Department. An authorization number will be provided which must be printed on the returned merchandise. Stryker reserves the right to charge shipping and restocking fees on returned items. **Special, modified, or discontinued, items not subject to return.**

DAMAGED MERCHANDISE

ICC Regulations require that claims for damaged merchandise must be made with the carrier within fifteen (15) days of receipt of merchandise. **Do not accept damaged shipments unless such damage is noted on the delivery receipt at the time of receipt.** Upon prompt notification, Stryker will file a freight claim with the appropriate carrier for damages incurred. Claim will be limited in amount to the actual replacement cost. In the event that this information is not received by Stryker within the fifteen (15) day period following the delivery of the merchandise, or the damage was not noted on the delivery receipt at the time of receipt, the customer will be responsible for payment of the original invoice in full. Claims for any short shipment must be made within thirty (30) days of invoice.

INTERNATIONAL WARRANTY CLAUSE

This warranty reflects U.S. domestic policy. Warranty outside the U.S. may vary by country. Please contact your local Stryker Medical representative for additional information.



Manufactured for
Stryker Medical
3800 E. Centre Ave.
Portage, Michigan 49002
USA

stryker[®]