

Medi-Temp III REF FW600 Series Blood/Fluid Warmer

[ENGLISH]

Réchauffeur de sang/liquide Medi-Temp III série REF FW600

[FRANÇAIS]

Riscaldatore per sangue/fluidi Medi-Temp III serie REF FW600

[ITALIANO]

Recalentador de sangre y fluidos Serie REF FW600 Medi-Temp III

[ESPAÑOL]

Aquecedor de Sangue/Líquidos Medi-temp III Série REF FW600

[PORTUGUÊS]

Medi-Temp III REF FW600-Serie Blut-/Flüssigkeitswärmer

[DEUTSCH]

Medi-Temp III REF FW600 Series bloed-/vloeistofverwarmer

[NEDERLANDS]

Medi-Temp III serie REF FW600 varmeaggregat til blod/væske

[DANSK]

Medi-Temp III värmeaggregat för blod/vätska serie REF FW600

[SVENSKA]

Medi-Temp III REF FW600 -sarjan veren/nesteenlämmitin

[SUOMI]

Medi-Temp III REF FW600-serie blod-/væskeoppvarmer

[NORSK]

Σύστημα Θέρμανσης Αίματος/Υγρών Medi-Temp III της Σειράς REF FW600

[ΕΛΛΗΝΙΚΑ]

Operator's Manual/Service Manual

Manuel d'utilisation/Manuel d'entretien

Manuale per l'operatore/Manuale di manutenzione

Manual del operador/Manual de servicio

Manual do Utilizador/Manual de Serviço

Bedienungs-/Wartungshandbuch

Bedieningshandboek/Onderhoudshandboek

Operatørhåndbog/Service manual

Instruktionsbok/Servicehandbok

Käyttäjän käsikirja/huoltokäsikirja

Brukerhåndbok/servicehåndbok

Εγχειρίδιο Χρήσης/Εγχειρίδιο Συντήρησης



Table of Contents

Sec	Topic	Page
1.0	Indications for Use	1
2.0	Product Description	2
3.0	Instructions for Use	4
4.0	Safety Systems	7
5.0	Cleaning	7
6.0	Functional Check/Safety Inspection	8
7.0	Troubleshooting	10
8.0	Technical Specifications	11

Before you begin . . .



Important

Before using the Medi-Temp III FW600 Series Blood/Fluid Warmer, please read and understand this *Operator's Manual* and the *SAFETY PRECAUTIONS* prior to use.

If you have any questions, please contact your local dealer for assistance.

Warranty

The Medi-Temp III FW600 Series Blood/Fluid Warmer is warranted free of defects in material and workmanship for a period of one (1) year.

The Disposable Warming Sets are warranted free of defects in material and workmanship for a single application.

A copy of the warranty is available upon request. Gaymar disclaims all implied warranties including, but not limited to, the implied warranties of merchantability and of fitness for a particular purpose.

1.0 Indications for Use

This device is intended to aid in the prevention of inadvertent hypothermia during administration of blood, blood products, and other fluids.



1.1 Safety Precautions

⚠ DANGER



Risk of electric shock.
No user serviceable parts inside.

⚠ WARNING

- All air must be removed from the fluid lines prior to connection to the patient.
- Monitor the fluid lines to insure they are air free. Never administer fluids if there are air bubbles in the line between the bubble trap and the patient connector.
- Monitor the fluid level in the bubble trap frequently. Bubbles released during heating are captured in the trap. To refill the trap, insert a sterile syringe into the valve and draw air out until the trap is (2/3) full. Do not allow the bubble trap to go below one-quarter (1/4) full.
- The bubble trap must be kept mounted and in the vertical position at all times.

Failure to follow the above warnings could result in the introduction of air to the patient. Introduction of air to the patient could result in death or serious injury.

⚠ CAUTION

- US Federal law restricts this device to sale by or on the order of a physician.
- Do not immerse in cleaning and/or sterilization solution. Do not submerge or soak unit; it is fluid resistant, not fluid proof.
- For grounding reliability of the Blood/Fluid warmer, plug only into a properly grounded outlet.
- The RUN/STANDBY switch does not provide isolation from the mains. Isolation from the mains (IEC 601-1) can only be achieved by disconnecting the cord from the mains.

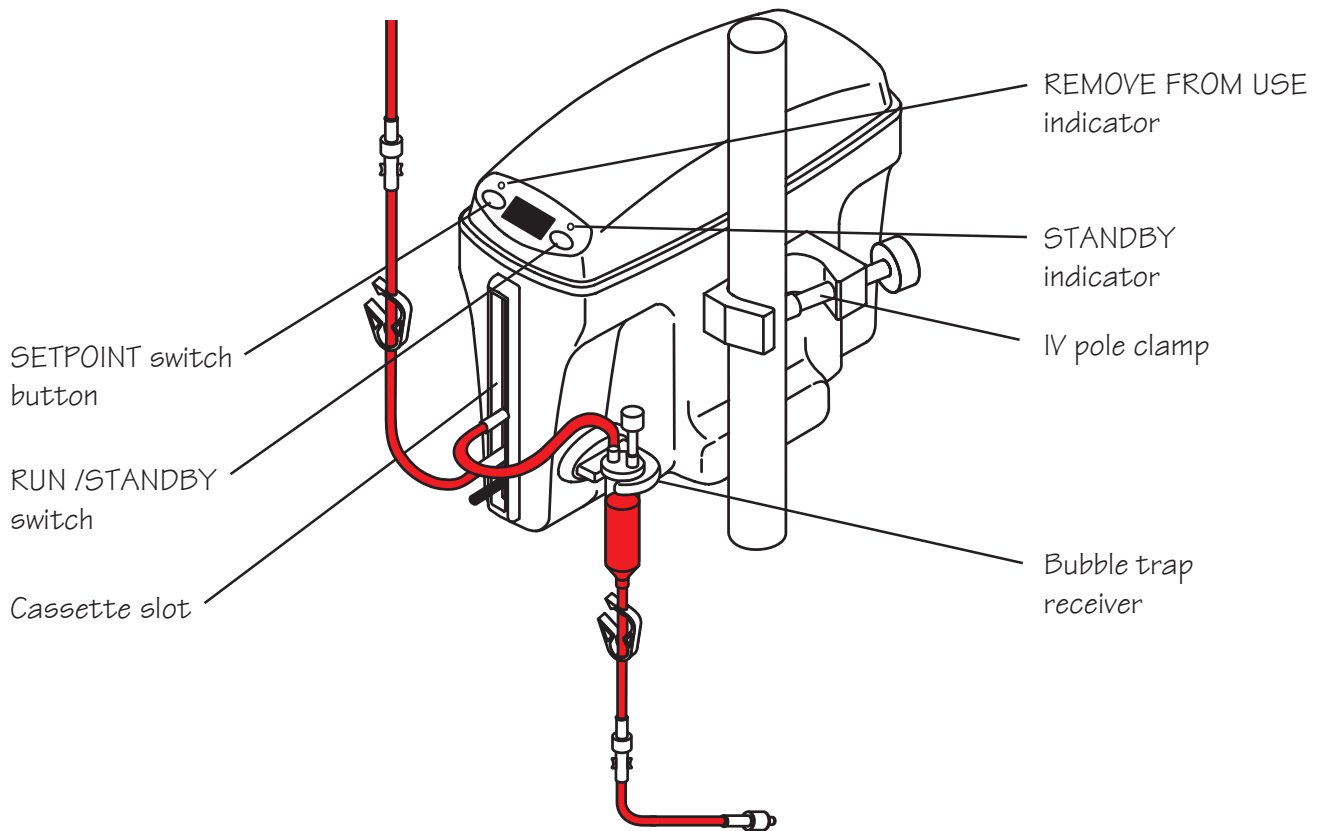


Figure 1—FW600 series Blood/Fluid Warmer

2.0 Product Description

The Medi-Temp III FW600 Series Blood/Fluid Warmer is a dry-heat device designed for safe and rapid warming of blood, blood products and other fluids through the utilization of disposable blood/fluid warming sets. The warmer does not provide fluid flow rate control. Blood, blood products and other fluids normally refrigerated, can be rapidly warmed to user selectable temperatures of between 38.0°C–43.0°C at flow rates up to 300 ml/min. Room temperature fluids can be warmed at flow rates up to 500 ml/min. The disposable Blood/Fluid warming sets are available in Standard, Standard with Extensions, Pediatric, and High Flow models.

2.1 Warmer

The warming unit is designed to be IV pole mounted. The device has no on/off switch. Connection to the AC supply is indicated by a green *STANDBY* mode indicator, located on the front panel. In *STANDBY* mode, no power can be applied to the heater. To begin normal operation, the *RUN/STANDBY* button must be pressed.

When this occurs, an LED temperature display located on the front panel will display the actual fluid temperature or the setpoint temperature in °C. The setpoint is user selectable from 38.0°C–43.0°C in 1.0°C increments, by use of the *SETPOINT* switch on the front panel. Also located on the front of the unit is a slot for insertion of the disposable warming set. On the right side of the unit, just below the IV pole clamp, is a receiver for the disposable warming set's bubble trap.

2.2 Disposable sets

The Medi-Temp III FW600 Series Blood/Fluid warming unit is designed to be used only with Gaymar D25000 series disposable warming sets. The following warming sets (figure 2) are designed for use up to 300 mm Hg pressure. Contact your local dealer for more information.

ENGLISH

Description	Catalog Number	Application	Priming Volume
Standard	D25340CE	KVO—150 ml/min	39 ml
Standard with 48" extension	D25310CE	KVO—150 ml/min	48 ml
Standard with 60" extension	D25315CE	KVO—150 ml/min	50 ml
Pediatric with 30" extension	D25320CE	KVO—100 ml/min	30 ml
High Flow with 48" extension	D25330CE	100—500 ml/min	79 ml

KVO = minimum flow required to keep veins open

Figure 2—D25000 series warming sets

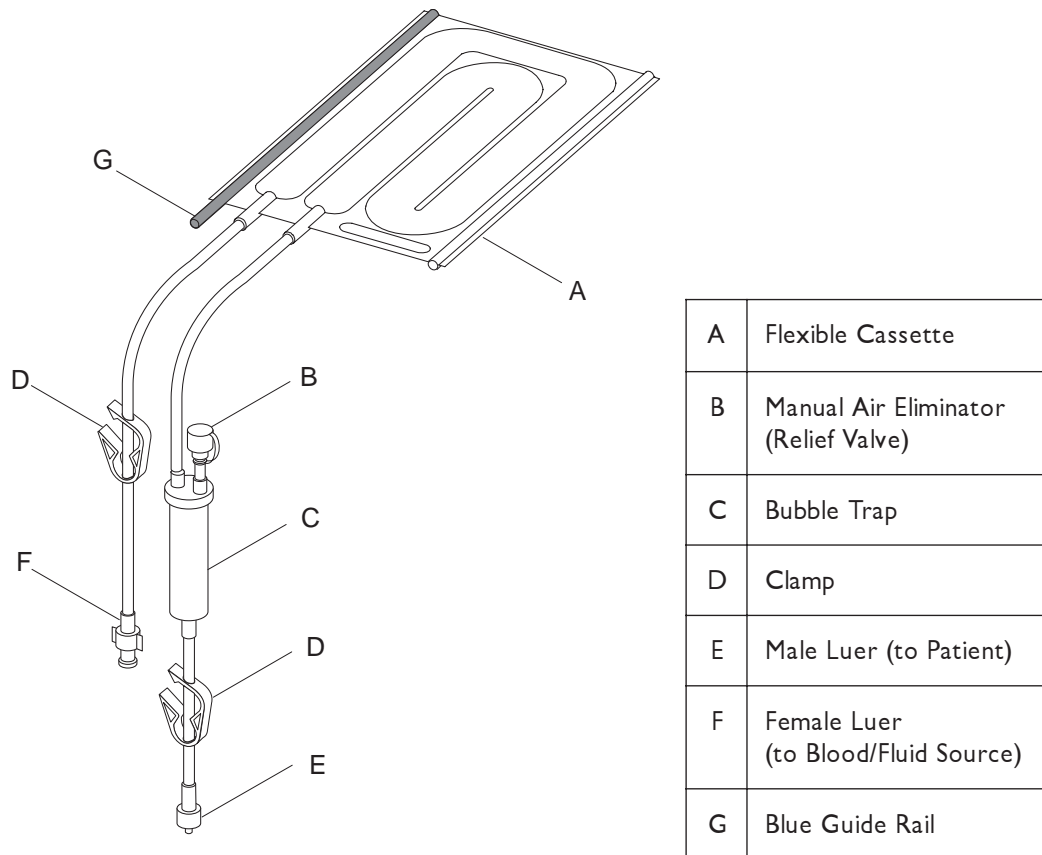


Figure 3—Warming set and bubble trap

3.0 Instructions for Use (see figures 3—5)

- Attach warming unit to IV pole and secure with clamp on side of unit.
- Plug the power cord into a properly grounded outlet.
- Remove the warming set from its sterile packaging

NOTE: The flexible warming set is designed so it can be inserted into the warmer in only one orientation. Orient the cassette so that the blue guide rail is inserted into the bottom of the warming rail unit.

- 1 Grasp each rail (see figure 4). Stretch the flexible cassette slightly and insert the front end of the cassette into the front of the warming unit, with the blue guide rail facing down. Align the rails to each of the slotted openings.

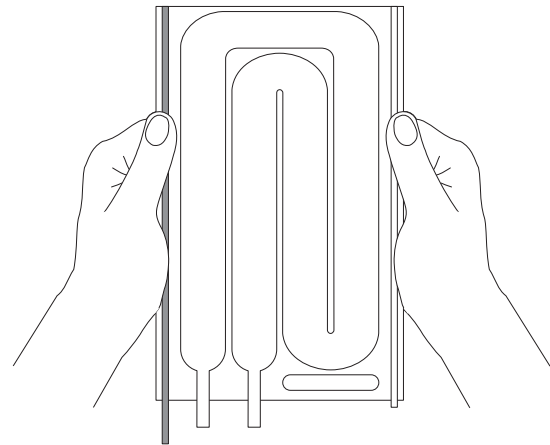


Figure 4—Inserting the cassette

Move hands to the rail protrusions and continue to insert the cassette until the clear guide rail is **almost** flush with the front of the unit. (The blue guide rail will protrude slightly for easy removal.)

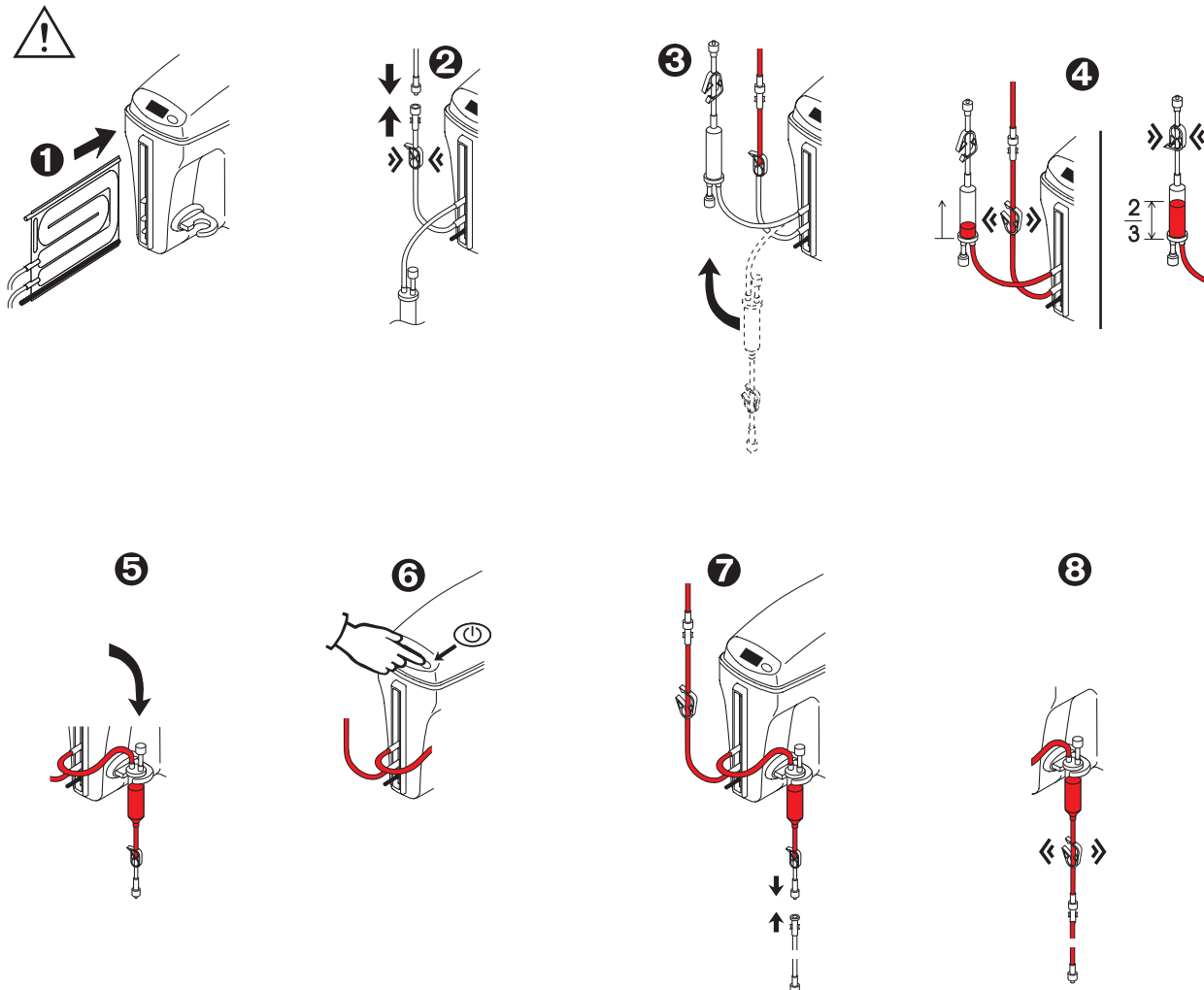


Figure 5—Setup instructions

⚠ CAUTION

When fully inserted, the clear guide rail should protrude no more than 0.5 cm from the front of the warming unit. **Failure to fully insert the cassette may result in damage to the cassette.**

- 2 Close warming set input clamp. Remove the protector from the female luer of the warming set and connect it to the male luer on the IV administration set. Remove the protector from the male luer of the warming set. To minimize temperature drop and priming volume, remove unnecessary lead extensions at this time.
- 3 Invert the bubble trap.
- 4 Open warming set input clamp. Allow fluid to prime the set. When the bubble trap fills to approximately (2/3) full, close the output clamp.
- 5 Re-invert the bubble trap and place it into the bubble trap receiver on the side of the warming unit.

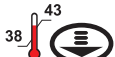
⚠ WARNING

The bubble trap must be mounted and kept in a vertical position at all times. **Failure to do so could result in the introduction of air to the patient, resulting in death or serious injury.**

- 6 Press the RUN/STANDBY switch  on the front of the unit.

Upon successful completion of self-diagnostics, the display will flash the setpoint for approximately 3 seconds, then begin warming the fluid to the selected temperature.

The setpoint most recently used is retained in memory, even after power is removed. To select an alternate setpoint, first press the

SETPOINT switch  momentarily.

This will cause the setpoint to be displayed and flash for approximately 3 seconds. While the display is flashing the setpoint, the user may select any setpoint between 38.0°C and 43.0°C in 1.0°C increments by repeatedly pressing the SETPOINT switch.

NOTE: holding down the SETPOINT switch indefinitely will not increment the setpoint.

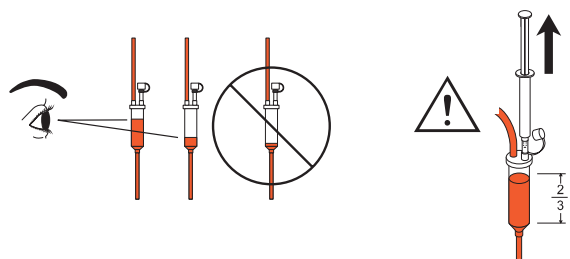
After the selection has been made, the display will continue to flash this setpoint for approximately 3 seconds, then revert to displaying the actual fluid temperature. The setpoint can be checked at any time during the procedure by momentarily pressing the SETPOINT switch.

- 7 If required, connect an extension for patient connection.
- 8 Purge air from remaining length of tubing by opening output clamp and allowing fluid to flow.

⚠ WARNING

- All air must be removed from the fluid lines prior to connecting to the patient.
- Monitor the fluid lines to ensure they are air free. Never administer fluids if there are air bubbles in the line between the bubble trap and the patient connector.

Failure to do so could result in the introduction of air to the patient, resulting in death or serious injury.

⚠ WARNING

Monitor the fluid level in the bubble trap frequently. Bubbles released during heating are captured in the trap. To refill the trap, insert a sterile syringe into the valve and draw air out until the trap is two-thirds (2/3) full. Do not allow the bubble trap to go below one-quarter (1/4) full.

Failure to monitor the fluid level in the bubble trap could result in the introduction of air to the patient, resulting in death or serious injury.

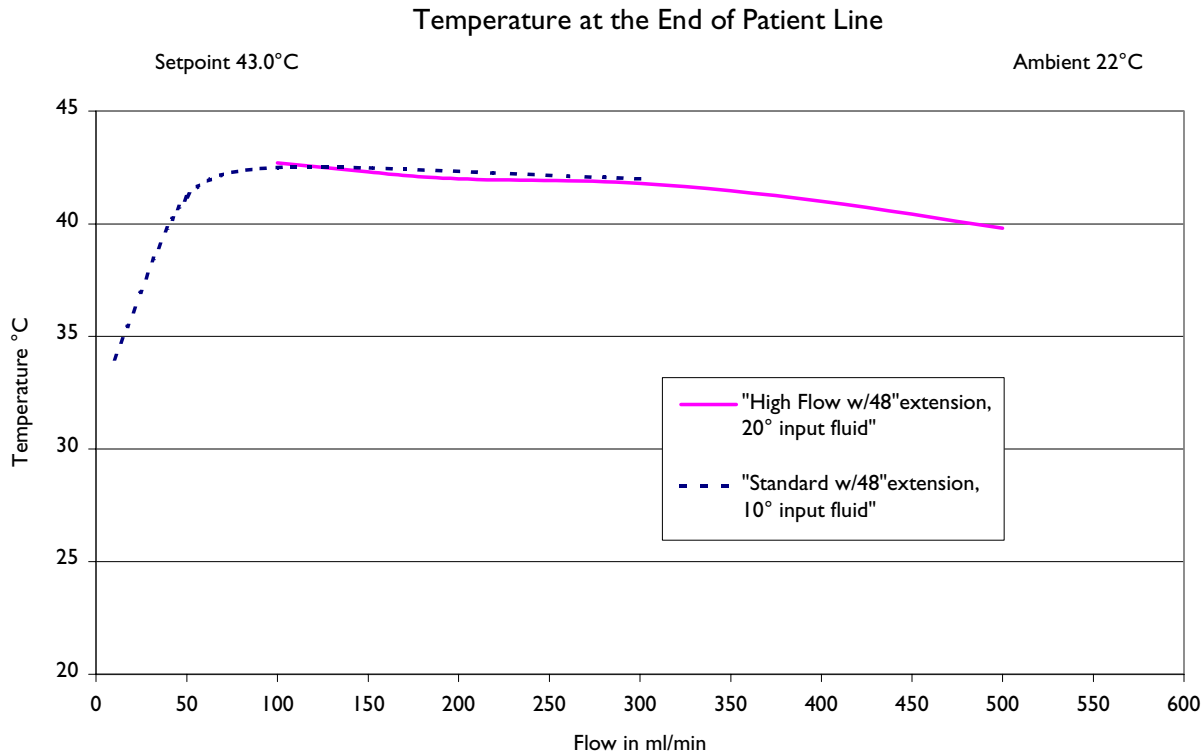


Figure 6—Typical fluid temperature vs. flow rate

3.1 Effect of Flow Rate on Fluid Temperature

Fluid temperatures exiting the patient line are affected by flow rate. The following flow vs. output fluid temperature curve is typical for the FW600 series warming unit. See figure 6 above.

NOTE: Output fluid temperature for this curve is measured at the end of the patient line.

3.2 Warming Set Removal

The cassette cannot be removed from the warming unit while under pressure. To remove the cassette:

1. Close the warming set input clamp first, while leaving the output clamp open.
2. Close the warming set output clamp.
3. Following steps 1 and 2 will allow fluid to drain from the cassette. Gently pull on blue guide rail to remove cassette from warming unit.
4. Dispose of warming set per facility protocol.

⚠ CAUTION

Failure to drain cassette will make it difficult to remove. **Forcing the cassette out may cause it to rupture.**



4.0 Safety Systems

4.1 Over Temperature Protection

A backup system within the warmer is independent of the main controller and monitors fluid temperature continuously. If the output fluid temperature exceeds 45.0°C, the backup system will immediately interrupt power to the heaters. If the over-temperature condition is a temporary occurrence as a result of a sudden change in flow rate, the display will alternately flash *HI* and the fluid temperature. When the fluid temperature returns to acceptable temperature levels, normal operation will resume. If, however, the backup system detects that the over-temperature condition is a result of a failure of the main controller, an audible alarm will sound, the RFU (*REMOVE FROM USE*) indicator will light, and the device will shut down. If this occurs, immediately stop the fluid flow, discard the warming set, and contact your dealer for service.

4.2 Self-diagnostics

Each time the warming unit is switched from *STANDBY* mode to *RUN* mode, a self-test is initiated. If the backup system is not functioning properly, an error message will be displayed and the unit will shut down. In addition, self-tests are routinely performed during *RUN* mode to ensure continued safe operation of the warming unit.

4.3 Control Alarm *LO*

If the warming unit senses a fluid temperature less than 34.0°C, the audible alarm will chime and the display will alternately indicate the symbol *LO*, and the actual fluid temperature.

Exception: The unit will not alarm until the fluid temperature has initially surpassed the 34.0°C threshold.

5.0 Cleaning

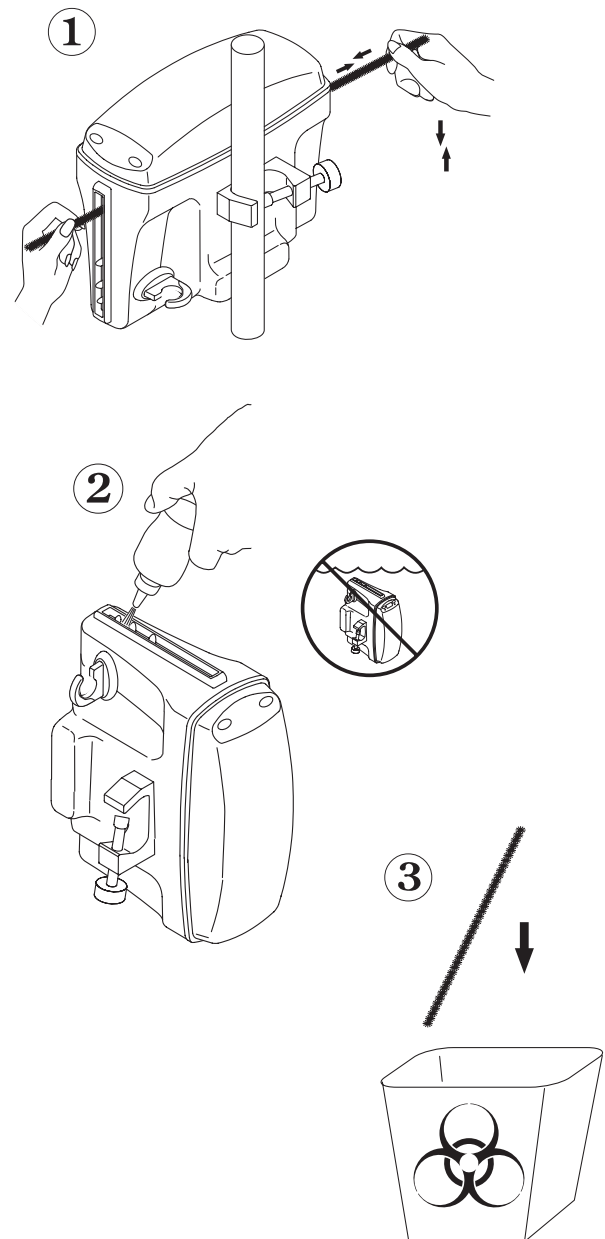
⚠ CAUTION

Do not immerse the warmer in cleaning or disinfectant solutions. Do not submerge it in liquids; it is fluid-resistant, not fluid-proof.

Immersion could result in malfunction or equipment damage.

Perform the following care and cleaning between patient use or per facility protocol.

- Unplug unit prior to cleaning
- To clean the external surfaces of the warmer, use a non-abrasive cleaning solution (such as warm soap water) and a clean cloth.



- Clean inside of cassette slot with disposable brush. Carefully flush using squeeze bottle with water. Replacement cleaning kit P/N 78350-000.
- Apply a disinfectant such as 10% chlorinated bleach solution (chlorinated bleach with 5.25% sodium hypochlorite) to both the outside of the unit and the cassette slot and allow to dry.

⚠ CAUTION

The warming unit should be cleaned if any fluid or foreign substance has entered the cassette slot. **Failure to keep the cassette slot clean could impede cassette insertion.**

6.0 Functional Check and Safety Inspection

To assure optimum performance, dependability, and safety, the following should be performed every twelve months or as specified in the facility's preventive maintenance program.

Equipment or tools required

- Any Gaymar D25340 series Blood/Fluid Warming Set
- Temperature measurement device:
 - Gaymar D25340 Blood/Fluid Warming Set; and
 - Temperature sensor (Gaymar catalog FWT1) and an ohmmeter (accuracy, 1.5% of reading; maximum excitation current of 100uA) and the resistance temperature chart. See figure 10 (p. 12).

or

- Any Gaymar D25000 series Blood/Fluid Warming Set; and
- Waterproof temperature sensor/meter with an accuracy of $\pm 0.3\%$ across the range of 30°C to 60°C and a thermal time constant of 2 seconds or faster.
- Flow measurement device (Gaymar catalog FWT2 flowmeter):
 - Fluid source with calibrated flow meter and a minimum accuracy of ± 12 ml/minute
- or**
- Fluid source with adjustable flow control, Use a stop watch and graduated cylinder to adjust flow rate.
- Current Leakage/Ground resistance tester
- AC multimeter

6.1 Physical Inspection

Check that the following items are in good condition and secure.

- Labels, if peeling or missing
- Screws in cover
- Bubble trap receiver
- Power cord
- IV pole clamp

6.2 Output Fluid Temperature Verification

The FW600 Series Blood/Fluid Warmer is factory calibrated at a flow rate of 100 ml/min with a set point of 43.0°C .

To verify the output fluid temperature is correct:

1. The ambient room temperature must be between 20°C to 24°C .
2. Connect the test setup (see figure 7). Attach the Gaymar FWT1 temperature sensor to the output of the bubble trap.

Alternate method: Put a hole in the top of the bubble trap and insert a temperature measurement device through this hole. Make certain sensor is completely submerged in fluid then seal the hole in the bubble trap.

3. Connect the FWT2 flowmeter or flow measurement/control device to the output of the FWT1 temperature sensor.

Alternate method: If using the sensor in the bubble trap method, connect the FWT2 flowmeter or flow measurement/control device directly to the output of the bubble trap.

4. Flow room temperature water through the warmer at 100 ml/min (cc/min). Verify that the bubble trap is maintained 1/2 to 2/3 full.
5. Turn the warmer on. Adjust the *SETPOINT* to 43.0°C . Allow it to run for 10 minutes.
6. Verify that the output water temperature is $43.0^{\circ}\text{C} \pm 1.1^{\circ}\text{C}$. If using the FWT1 temperature sensor and an ohmmeter, verify that the resistance is within 1019—1112 ohms.

If temperature or resistance values are not met, check setup and repeat test. If still not within range, contact your dealer for service.

This device is factory calibrated and cannot be field adjusted.

6.3 Overtemp Protection Verification

Proper operation of the overtemp protection system is verified each time the unit is switched from *STANDBY* to *RUN* mode. Therefore, periodic testing of this system is not necessary. However, the following procedure may be used to force an *OVERTEMP* condition in order to observe that the overtemp protection system works:

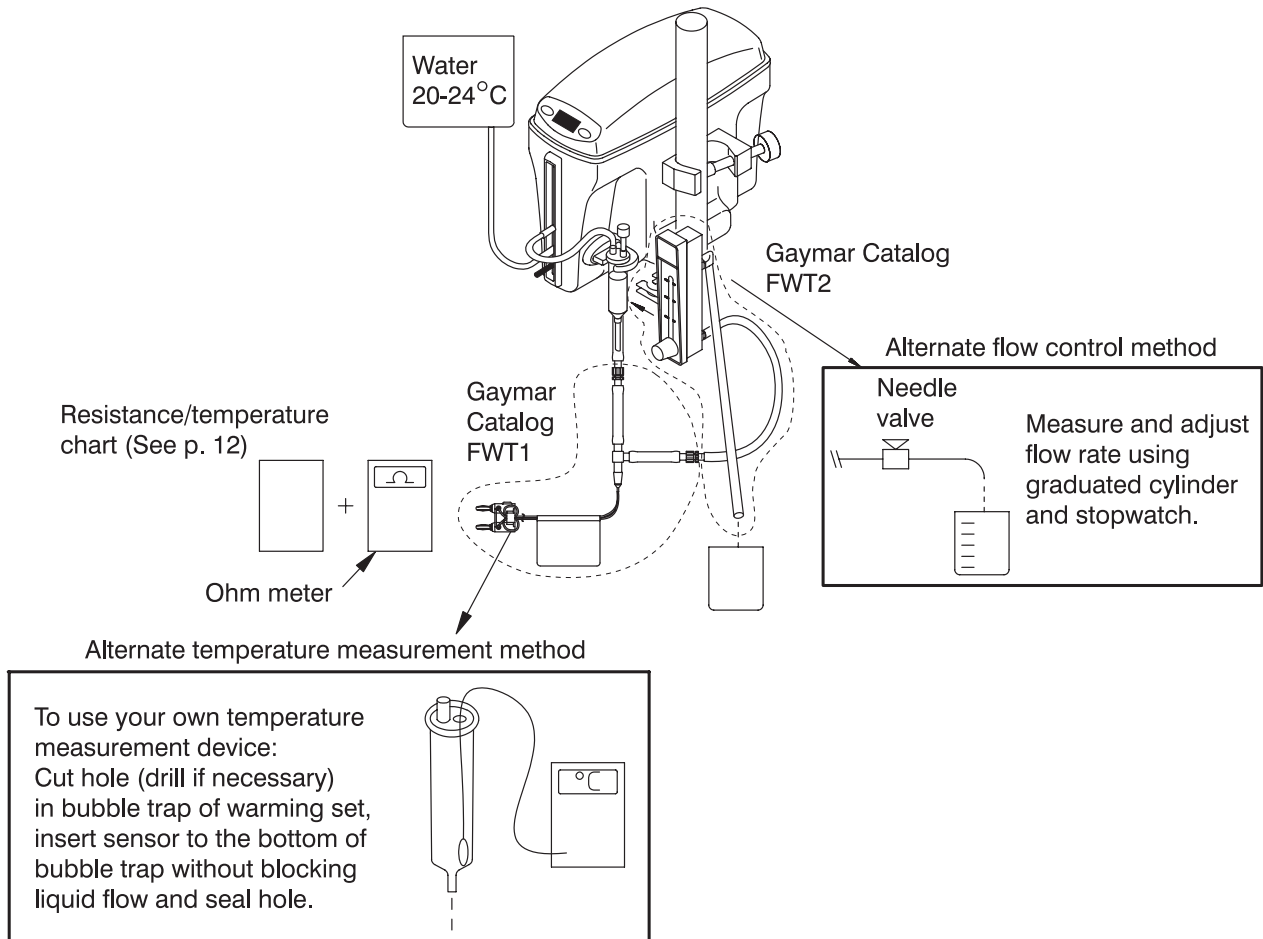


Figure 7—Test setup

1. Insert any D25000 series Warming cassette into the warming unit. Using hot tap water (46°C–50°C), flow hot water through the cassette for approximately 1-3 minutes.
2. Connect AC power to the warming unit. The device should immediately sound the audible alarm and light the RFU light.

6.4 Ground Resistance Check

Use a current leakage/ground resistance tester to measure the resistance between the ground pin on the power plug and the mounting screw on the IV pole clamp.

The resistance value should not exceed 0.50 ohms.

6.5 Current Leakage Test

Measure the maximum earth leakage current (ground open). Measure all combinations of line polarity with neutral open and closed. Values should not exceed the following:

- FW600 neutral closed 150µA
- FW600 neutral open 200µA
- FW603 neutral closed 250µA
- FW603 neutral open 300µA

7.0 Troubleshooting

Symptom	Probable causes	Required action
Display alternately flashes LO and the fluid temperature	Output fluid temperature has not yet reached 34°C.	Allow unit to run for 2 minutes. If temperature does not increase, remove from use and request service.
Display alternately flashes HI and the fluid temperature	A transient disturbance, such as a sudden change in flow rate, has caused the fluid temperature to rise above 43°C.	NONE—unit will resume normal operation when temperature drops below 43°C.
Audible alarm sounds and display flashes LO and the fluid temperature	Output fluid temperature has dropped below 34°C.	Allow unit to run for 2 minutes. If temperature does not increase, remove from use and request service.
Audible alarm sounds and display indicates FA_	The electronic diagnostics have detected an internal problem.	Remove from use and request service.
Audible alarm sounds continuously and yellow RFU light is lit	Internal fluid temperatures have exceeded 45°C and backup system has been activated.	Stop fluid flow, discard cassette, and request service.
Cassette is difficult to insert into warming unit	Cassette primed prior to insertion.	Drain cassette and reinsert.
	Inside slot of warming unit may have contamination on the heater plates.	Clean inside of unit by following cleaning procedure (section 5.0)
Cassette is difficult to remove from warming unit	Cassette is still pressurized.	Close input clamp and open output clamp. Allow fluid to drain.

Figure 8—Troubleshooting chart

8.0 Technical Specifications


Technical Specifications		
Item	FW600	FW603
Setpoint range / resolution	38.0°C to 43.0°C in 1.0°C increments	
Fluid temperature resolution	0.1°C	
Controller accuracy at 100 ml/min	±0.5 °C	
Voltage	120 VAC	220-240 VAC.
Current	9A	4.5 A
Fuse	(2) 15A time delay 250V	(2) T, 6.3 A, 250 V, L 5mm x 20mm
Frequency	60 Hz	50/60 Hz
Ambient temperature range	15°C to 29°C	
Power cord	15 ft long, UL listed type SJT, 16 AWG 3-conductor cord with molded-on grounding-type hospital grade plug	4,6 meters long. Use only an international (harmonized) 3-conductor cord using cordage approved to HD-21 conductor size 1.5mm ² (HO5VVf3G 1.5)
Classification  IPX4	Class I grounded, type BF, splashproof equipment, not suitable for use in the presence of a flammable anaesthetic mixture with air or with oxygen or nitrous oxide. Suitable for continuous duty.	
Regulatory	Classified with respect to electric shock, fire, and mechanical hazards only, in accordance with UL 2601-1, CAN/CSA C22.2 NO. 601.1	EN60601-1
Electromagnetic compatibility	Meets EN60601-1-2: 1993 (CISPR 11 Classified as Class B, Group 1 ISM equipment)	
Weight	2.7 kg	
Size	22 cm x 28.5 cm x 12 cm	

Figure 9—Specifications

ENGLISH

Temp.	Resis.	Temp.	Resis.	Temp.	Resis.	Temp.	Resis.	Temp.	Resis.	Temp.	Resis.	Temp.	Resis.	Temp.	Resis.	Temp.	Resis.
(°C)	(ohms)	(°C)	(ohms)	(°C)	(ohms)	(°C)	(ohms)	(°C)	(ohms)	(°C)	(ohms)	(°C)	(ohms)	(°C)	(ohms)	(°C)	(ohms)
35	1471	38	1300	41	1152	44	1023	47	910	50	811	53	725	56	648	59	581
35.1	1465	38.1	1295	41.1	1148	44.1	1019	47.1	907	50.1	808	53.1	722	56.1	646	59.1	579
35.2	1459	38.2	1290	41.2	1143	44.2	1015	47.2	903	50.2	805	53.2	718	56.2	644	59.2	577
35.3	1453	38.3	1285	41.3	1139	44.3	1011	47.3	900	50.3	802	53.3	716	56.3	641	59.3	575
35.4	1447	38.4	1279	41.4	1134	44.4	1007	47.4	896	50.4	799	53.4	714	56.4	639	59.4	573
35.5	1441	38.5	1274	41.5	1129	44.5	1003	47.5	893	50.5	796	53.5	711	56.5	637	59.5	571
35.6	1435	38.6	1269	41.6	1125	44.6	999	47.6	889	50.6	793	53.6	709	56.6	634	59.6	569
35.7	1429	38.7	1264	41.7	1120	44.7	995	47.7	886	50.7	790	53.7	706	56.7	632	59.7	567
35.8	1423	38.8	1259	41.8	1116	44.8	991	47.8	882	50.8	787	53.8	703	56.8	630	59.8	565
35.9	1417	38.9	1254	41.9	1112	44.9	988	47.9	879	50.9	784	53.9	701	56.9	627	59.9	563
36	1411	39	1249	42	1107	45	984	48	876	51	781	54	698	57	625	60	561
36.1	1405	39.1	1244	42.1	1103	45.1	980	48.1	872	51.1	778	54.1	695	57.1	623		
36.2	1400	39.2	1239	42.2	1098	45.2	976	48.2	869	51.2	775	54.2	693	57.2	620		
36.3	1394	39.3	1234	42.3	1094	45.3	972	48.3	866	51.3	772	54.3	690	57.3	618		
36.4	1388	39.4	1229	42.4	1090	45.4	968	48.4	862	51.4	769	54.4	688	57.4	616		
36.5	1383	39.5	1224	42.5	1085	45.5	965	48.5	859	51.5	767	54.5	685	57.5	614		
36.6	1377	39.6	1219	42.6	1081	45.6	961	48.6	856	51.6	764	54.6	683	57.6	611		
36.7	1371	39.7	1214	42.7	1077	45.7	957	48.7	853	51.7	761	54.7	680	57.7	609		
36.8	1366	39.8	1209	42.8	1073	45.8	954	48.8	849	51.8	758	54.8	678	57.8	607		
36.9	1360	39.9	1204	42.9	1068	45.9	950	48.9	846	51.9	755	54.9	675	57.9	605		
37	1355	40	1199	43	1064	46	946	49	843	52	752	55	673	58	603		
37.1	1349	40.1	1195	43.1	1060	46.1	942	49.1	840	52.1	748	55.1	670	58.1	600		
37.2	1344	40.2	1190	43.2	1056	46.2	939	49.2	836	52.2	747	55.2	668	58.2	598		
37.3	1338	40.3	1185	43.3	1052	46.3	935	49.3	833	52.3	744	55.3	665	58.3	596		
37.4	1333	40.4	1180	43.4	1047	46.4	932	49.4	830	52.4	741	55.4	663	58.4	594		
37.5	1327	40.5	1176	43.5	1043	46.5	928	49.5	827	52.5	738	55.5	660	58.5	592		
37.6	1322	40.6	1171	43.6	1039	46.6	924	49.6	824	52.6	735	55.6	658	58.6	590		
37.7	1316	40.7	1166	43.7	1035	46.7	921	49.7	821	52.7	733	55.7	655	58.7	587		
37.8	1311	40.8	1161	43.8	1031	46.8	917	49.8	817	52.8	730	55.8	653	58.8	585		
37.9	1306	40.9	1157	43.9	1027	46.9	914	49.9	814	52.9	727	55.9	651	58.9	583		

Figure 10—Resistance temperature chart
(Gaymar FWTI Temperature Sensor)

Table des matières

<u>Sec</u>	<u>Rubrique</u>	<u>Page</u>
1.0	Indications	1
2.0	Description	2
3.0	Mode d'emploi	4
4.0	Systèmes de sécurité	6
5.0	Nettoyage	7
6.0	Vérification fonctionnelle/Inspection de sécurité	8
7.0	Dépannage	10
8.0	Fiche techniques	11

Avant de commencer . . .



Important

Avant d'utiliser le Réchauffeur de sang/liquide Medi-Temp III série FW600, lire attentivement le présent *Manuel d'utilisation* et les *MESURES DE SÉCURITÉ* avant chaque usage.

Pour de plus amples renseignements, contacter le distributeur le plus proche.

Garantie

Le Réchauffeur de sang/liquide Medi-Temp III série FW600 est garanti exempt de tout vice de matériau ou de fabrication pendant une période d'un (1) an.

Les ensembles de chauffage jetables sont garantis exempts de tout vice de matériau ou de fabrication pour une seule application.

Une copie de la garantie est disponible sur demande. Gaymar décline toutes les garanties tacites, y compris, sans pour autant s'y limiter, les garanties tacites relatives à la commercialisation ou au caractère approprié du produit pour un usage particulier.

1.0 Indications

Ce dispositif est destiné à prévenir une hypothermie involontaire pendant l'administration de sang, produits sanguins et autres liquides.



1.1 Mesures de sécurité

DANGER



Risque de choc électrique.
Aucune pièce réparable par l'utilisateur à l'intérieur.

AVERTISSEMENT

- Purger tout l'air des tubulures avant le raccordement au patient.
- Contrôler les tubulures pour s'assurer qu'elles ne contiennent pas d'air. Ne jamais administrer de liquide si des bulles d'air se trouvent dans la tubulure située entre le piège à bulles et le raccord patient.
- Contrôler fréquemment le niveau de liquide dans le piège à bulles. Les bulles formées au cours du chauffage sont capturées dans le piège. Pour remplir le piège, introduire une seringue stérile dans la valve, puis retirer l'air jusqu'à ce que le piège soit plein aux deux tiers (2/3). Ne pas laisser le niveau du piège à bulles tomber en dessous d'un quart (1/4).
- Le piège à bulles doit être monté et maintenu en position verticale en toutes circonstances.

La non-observation des avertissements ci-dessus peut entraîner l'injection d'air au patient. Cette injection peut provoquer le décès du patient ou des lésions graves.

MISE EN GARDE

- Aux États-Unis, selon la loi fédérale, ce produit est exclusivement vendu sur prescription médicale.
- Ne pas immerger dans une solution de nettoyage et/ou de stérilisation. Ne pas immerger ni tremper l'unité ; elle est résistante aux liquides mais non étanche.
- Pour assurer une bonne fiabilité de la mise à la terre, veiller à ne brancher le réchauffeur de sang/liquide que sur une prise de courant avec contact de mise à la terre correctement installée.
- Le commutateur *MARCHE/ATTENTE* n'assure pas d'isolation du courant secteur. Une isolation du courant secteur (IEC 601-1) peut uniquement être réalisée en débranchant le cordon de la prise secteur.

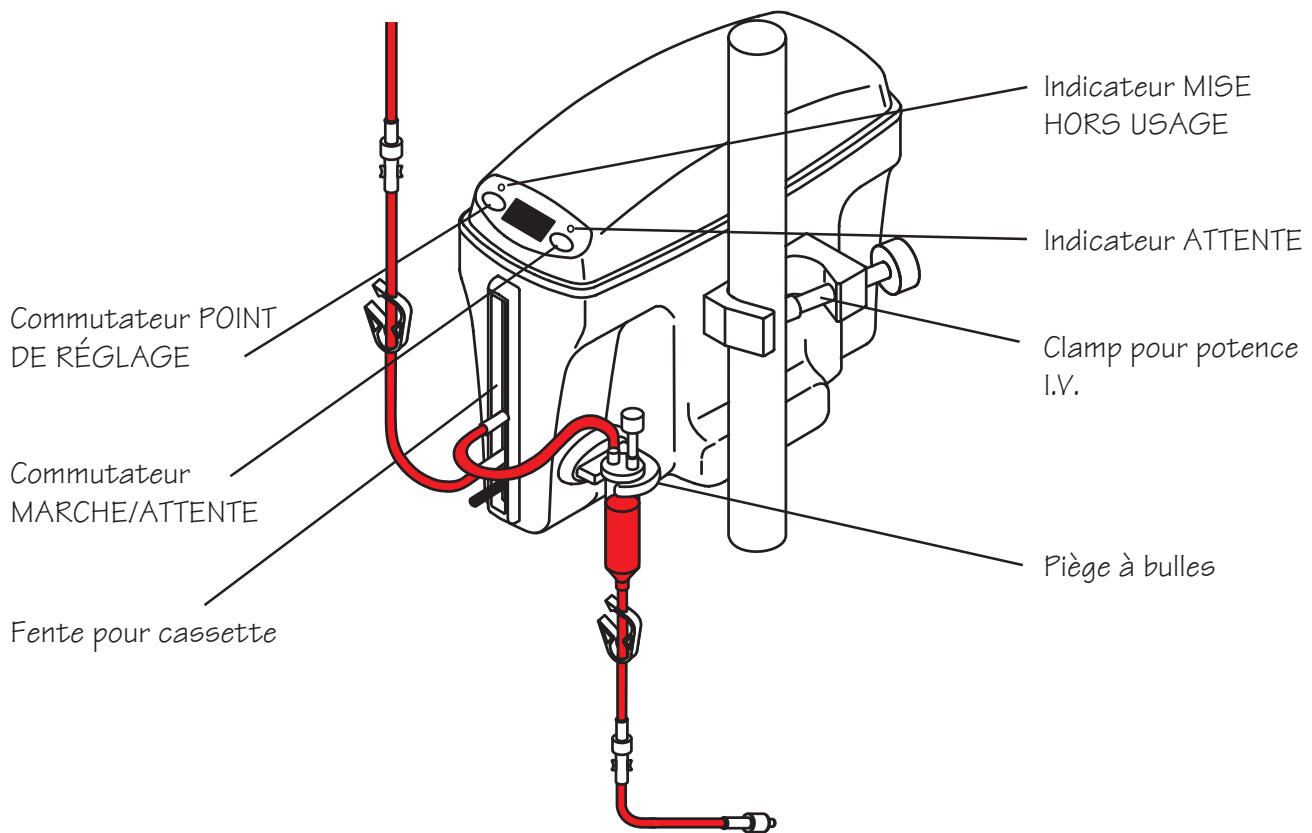


Figure 1—Réchauffeur de sang/liquide série FW600

2.0 Description

Le Réchauffeur de sang/liquide Medi-Temp III série FW600 est un dispositif à chaleur sèche conçu pour un chauffage sûr et rapide du sang, de produits sanguins et d'autres liquides grâce à l'utilisation d'ensembles de chauffage de sang/liquide jetables. Le réchauffeur ne commande pas le débit des liquides. Le sang, les produits sanguins et les autres liquides, normalement réfrigérés, peuvent être réchauffés rapidement à des températures sélectionnables par l'utilisateur entre 38,0°C et 43,0°C, à des débits jusqu'à 300 ml/min. Les liquides à température ambiante peuvent être réchauffés à des débits pouvant atteindre 500 ml/min. Les ensembles de chauffage de sang/liquide sont disponibles en plusieurs modèles : standard, standard avec rallonges, pédiatrique et à débit élevé.

2.1 Réchauffeur

L'unité de réchauffage est conçue pour être montée sur une potence I.V. L'appareil ne possède pas d'interrupteur de marche/arrêt. La connexion à une source d'alimentation en courant alternatif est indiquée par un indicateur de mode *ATTENTE* vert, situé sur le panneau avant. En mode *ATTENTE*, aucune alimentation

électrique ne peut être appliquée au réchauffeur. Pour commencer en fonctionnement normal, le bouton *MARCHE/ATTENTE* doit être enfoncé.

Lorsque c'est le cas, un voyant de température à DEL, situé sur la face avant, affiche la température réelle du liquide ou la température du point de réglage en °C. Le point de réglage est sélectionnable par l'utilisateur entre 38,0°C et 43,0°C par incréments de 1,0°C, en utilisant le commutateur *POINT DE RÉGLAGE* du panneau avant. Une fente pour l'introduction de l'ensemble de chauffage jetable se trouve également à l'avant de l'unité. Du côté droit de l'unité, juste sous le clamp de la potence I.V., se trouve un support pour le piège à bulles de l'ensemble de chauffage jetable.

2.2 Ensembles jetables

L'unité de réchauffage de sang/liquide Medi-Temp III série FW600 est conçue pour être utilisée uniquement avec les ensembles de chauffage jetables Gaymar de la série D25000. Les ensembles de chauffages suivants (figure 2) sont conçus pour une utilisation jusqu'à 300 mm Hg de pression. Pour plus d'informations, consulter le distributeur local.

FRANÇAIS

Description	Référence	Application	Volume d'amorçage
Standard	D25340CE	CVO—150 ml/min	39 ml
Standard avec rallonge de 122 cm (48")	D25310CE	CVO—150 ml/min	48 ml
Standard avec rallonge de 152 cm (60")	D25315CE	CVO—150 ml/min	50 ml
Pédiatrique avec rallonge de 76 cm (30")	D25320CE	CVO—100 ml/min	30 ml
Débit élevé avec rallonge de 122 cm (48")	D25330CE	100—500 ml/min	79 ml

CVO = débit minimal requis pour conserver les veines ouvertes

Figure 2—Ensembles de chauffage série D25000

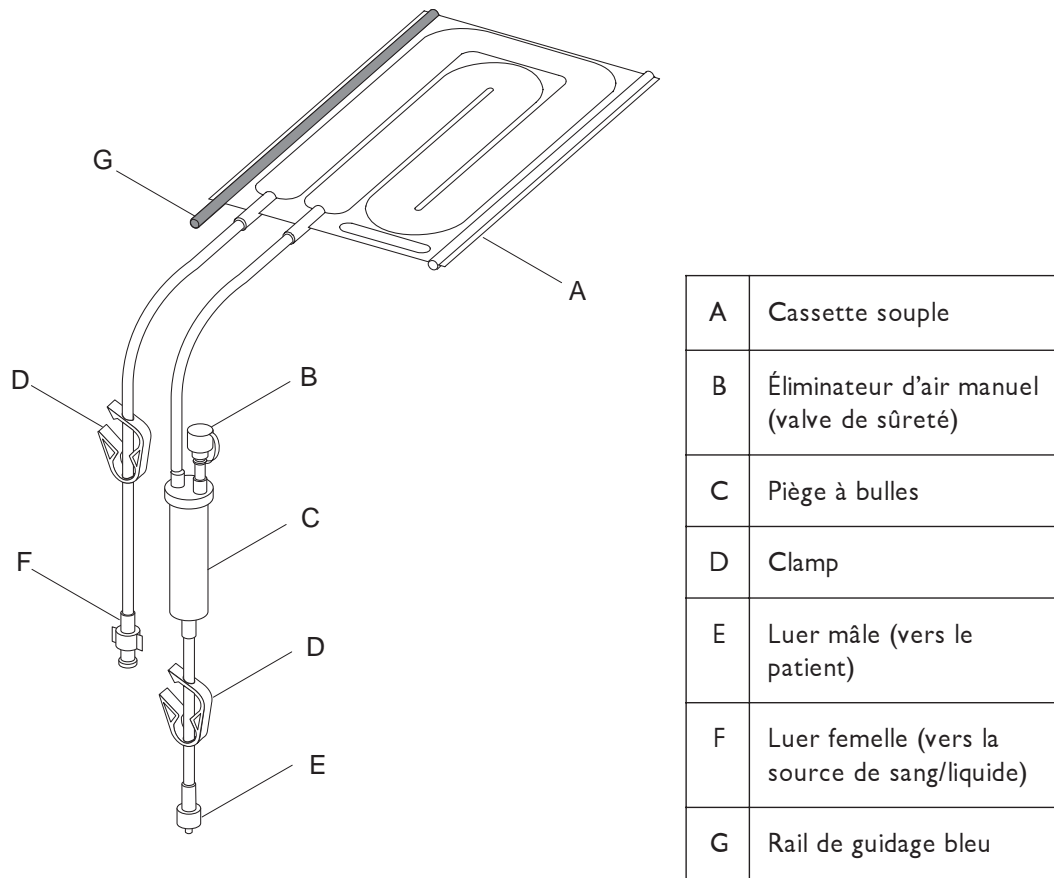


Figure 3—Ensemble de chauffage et piège à bulles

3.0 Mode d'emploi (voir figures 3—5)

- Attacher l'unité de réchauffage à une potence d'administration I.V. et la fixer avec le clamp sur le côté de l'unité.
- Brancher le cordon d'alimentation sur une prise de courant avec contact de mise à la terre.
- Retirer l'ensemble de chauffage de son conditionnement stérile.

REMARQUE : L'ensemble de chauffage souple est conçu pour ne pouvoir être introduit que dans un sens dans le réchauffeur. Orienter la cassette de telle sorte que le rail de guidage bleu soit inséré dans le bas de l'unité de réchauffage.

- 1 Saisir chaque rail (voir figure 4). Étirer légèrement la cassette souple et introduire l'extrémité avant de la cassette à l'avant de l'unité de réchauffage, avec le rail de guidage bleu dirigé vers le bas. Aligner les rails sur chacune des ouvertures.

Déplacer les mains jusqu'aux saillies des rails et continuer à introduire la cassette jusqu'à ce que le rail de guidage transparent se trouve **presque** au niveau de l'avant de l'unité. (Le rail de guidage bleu dépasse légèrement pour en faciliter le retrait.)

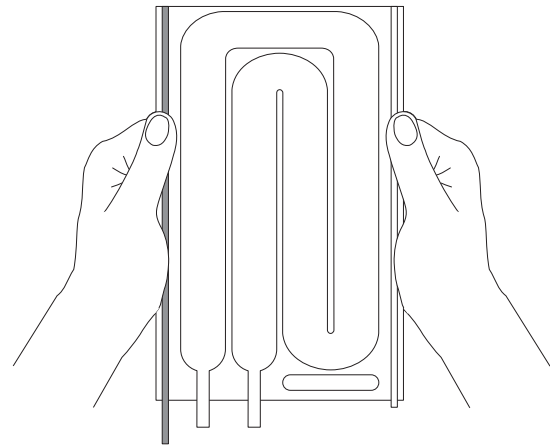


Figure 4—Introduction de la cassette

MISE EN GARDE

Une fois introduit à fond, le rail de guidage transparent ne doit pas dépasser de plus de 0,5 cm de l'avant de l'unité de réchauffage. **La non-introduction à fond de la cassette peut entraîner son endommagement.**

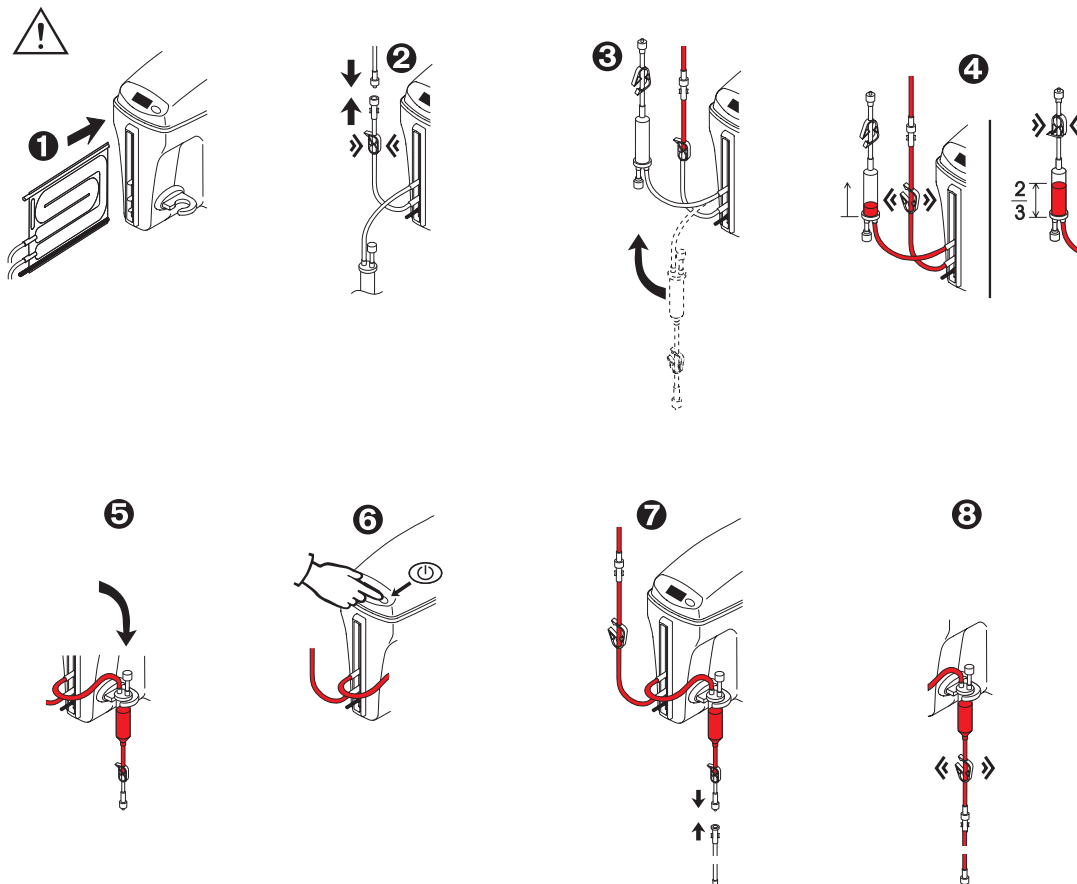



Figure 5—Instructions d'installation

- 2 Fermer le clamp d'entrée de l'ensemble de chauffage. Retirer la protection du raccord luer femelle de l'ensemble de chauffage et le raccorder au raccord luer mâle sur l'ensemble d'administration I.V. Retirer la protection du raccord luer mâle de l'ensemble de chauffage. Pour minimiser la chute de température et le volume d'amorçage, retirer dès à présent les rallonges inutiles.
- 3 Renverser le piège à bulles.
- 4 Ouvrir le clamp d'entrée de l'ensemble de chauffage. Laisser le liquide pénétrer dans l'ensemble. Lorsque le piège à bulles est rempli aux deux tiers (2/3) environ, fermer le clamp de sortie.
- 5 Renverser à nouveau le piège à bulles et le monter dans le support pour piège à bulles, situé sur le côté de l'unité de réchauffage.

AVERTISSEMENT



Le piège à bulles doit être monté et maintenu en position verticale en toutes circonstances.

La non-observation de cet avertissement peut entraîner l'injection d'air au patient, susceptible de provoquer son décès ou des lésions graves.

- 6 Appuyer sur le commutateur *MARCHE/ATTENTE*  situé à l'avant de l'unité.

Après achèvement réussi des auto-diagnostics, le voyant fait clignoter le point de réglage pendant environ 3 secondes, avant de commencer à chauffer le liquide à la température sélectionnée.

Le point de réglage utilisé le plus récemment est retenu en mémoire, même après la coupure du courant. Pour sélectionner un autre point de réglage, commencer d'abord par appuyer momentanément sur le commutateur *POINT DE*

RÉGLAGE  . Ceci entraîne l'affichage et

le clignotement du point de réglage pendant environ 3 secondes. Pendant que le point de réglage clignote sur le voyant lumineux, l'utilisateur peut sélectionner n'importe quel point de réglage compris entre 38,0°C et 43,0°C, par incréments de 1,0°C, en appuyant à plusieurs reprises sur le commutateur *POINT DE RÉGLAGE*.

REMARQUE : le fait de maintenir le commutateur *POINT DE RÉGLAGE* enfoncé de manière indéfinie,

n'a pas pour effet d'incrémenter le point de réglage.

Une fois la sélection faite, le voyant continue à faire clignoter ce point de réglage pendant environ 3 secondes, avant de revenir à l'affichage de la température réelle du liquide. Le point de réglage peut être vérifié à tout moment pendant la procédure en appuyant momentanément sur le commutateur *POINT DE RÉGLAGE*.

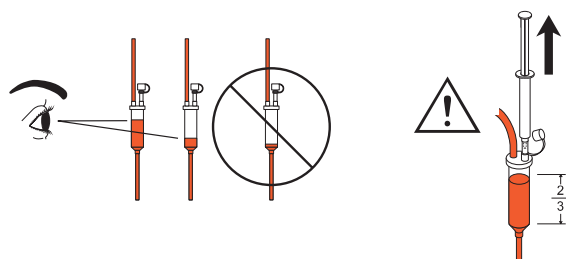
- 7 Si nécessaire, utiliser une rallonge pour le raccord patient.
- 8 Purger l'air de la longueur restante de la tubulure en ouvrant le clamp de sortie et en laissant le liquide s'écouler.

AVERTISSEMENT

- Tout l'air doit être purgé des tubulures avant leur raccordement au patient.
- Contrôler les tubulures pour s'assurer qu'elles ne contiennent pas d'air. Ne jamais administrer de liquide si des bulles d'air se trouvent dans la tubulure située entre le piège à bulles et le raccord patient.

La non-observation de cet avertissement peut entraîner l'injection d'air au patient, susceptible de provoquer son décès ou des lésions graves.

AVERTISSEMENT



Contrôler fréquemment le niveau de liquide dans le piège à bulles. Les bulles formées au cours du chauffage sont capturées dans le piège. Pour remplir à nouveau le piège, introduire une seringue stérile dans la valve, puis retirer l'air jusqu'à ce que le piège soit plein aux deux tiers (2/3). Ne pas laisser le niveau du piège à bulles tomber en dessous d'un quart (1/4).

La non-observation du contrôle du niveau de liquide dans le piège à bulles peut entraîner l'injection d'air au patient, susceptible de provoquer son décès ou des lésions graves.

Température au bout de la tubulure du patient

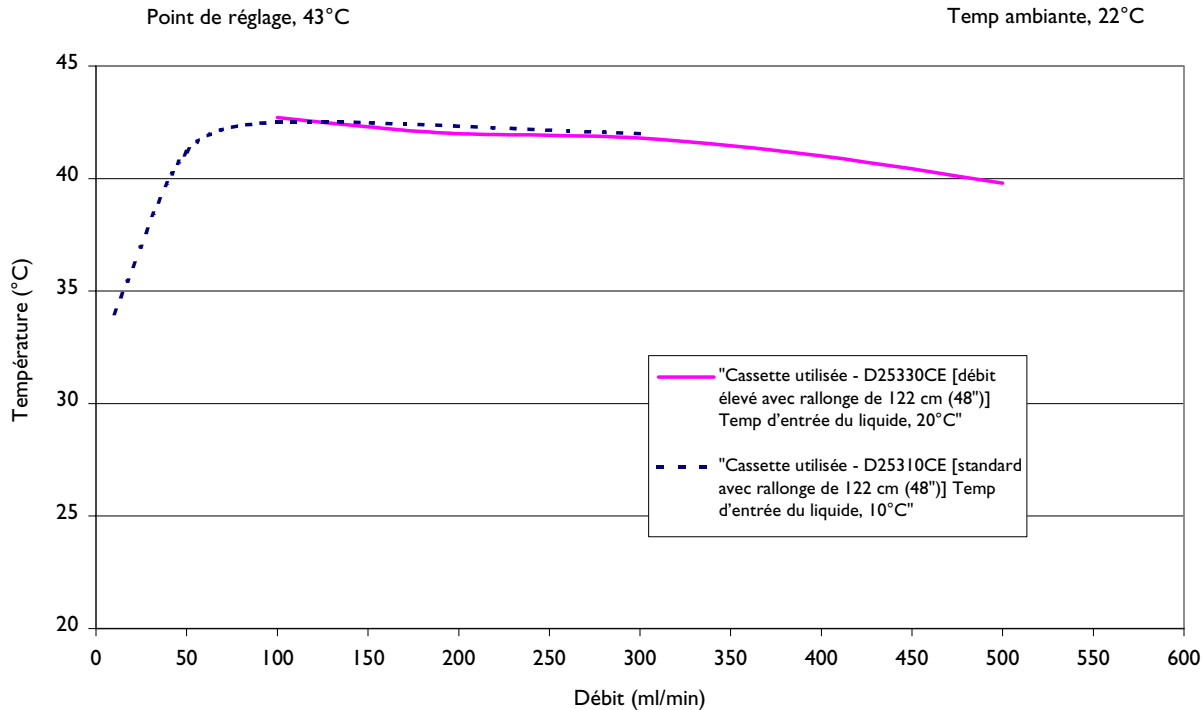


Figure 6—Température type de liquide en fonction du débit

3.1 Effet du débit sur la température du liquide

Les températures du liquide sortant de la tubulure du patient sont affectées par le débit. La courbe précédente de température du liquide de sortie en fonction du débit est typique pour l'unité de réchauffage de la série FW600. Voir figure 6 ci-dessus.

REMARQUE : Pour cette courbe, la température de liquide de sortie est mesurée au bout de la tubulure du patient.

3.2 Retrait de l'ensemble de chauffage

La cassette ne peut pas être retirée de l'unité de réchauffage lorsqu'elle est sous pression. Pour retirer la cassette :

1. Commencer par fermer le clamp d'entrée de l'ensemble de chauffage, tout en laissant le clamp de sortie ouvert.
2. Fermer le clamp de sortie de l'ensemble de chauffage.
3. L'observation des étapes 1 et 2 permet au liquide de s'écouler de la cassette. Tirer délicatement sur le rail de guidage bleu pour retirer la cassette de l'unité de réchauffage.
4. Mettre l'ensemble de chauffage au rebut conformément au protocole de l'établissement.

MISE EN GARDE

L'absence de vidange de la cassette en rendra son retrait difficile. **Tout forçage de sortie de la cassette peut entraîner sa rupture.**



4.0 Systèmes de sécurité

4.1 Protection contre les surtempératures

Un système de secours à l'intérieur du réchauffeur est indépendant de la commande principale et contrôle en permanence la température du liquide. Si la température de sortie du liquide dépasse les 45,0°C, le système de secours interrompt immédiatement l'alimentation électrique des appareils de chauffage. Si la condition de surtempérature est une occurrence temporaire, suite à un changement soudain du débit, le voyant fait clignoter alternativement HI (élevée) et la température du liquide. Lorsque la température du liquide revient à des niveaux acceptables, le fonctionnement normal peut reprendre. Toutefois, si le système de secours détecte que la condition de surtempérature provient d'une défaillance de la commande principale, une alarme sonore retentit, l'indicateur ARU (A RETIRER D'USAGE) s'illumine et

l'appareil est mis hors tension. Si c'est le cas, arrêter immédiatement la circulation du liquide, mettre l'ensemble de chauffage au rebut et contacter le distributeur local pour assistance.

4.2 Auto-diagnostics

Chaque fois qu'on fait passer une unité de réchauffage du mode *ATTENTE* au mode *MARCHE*, un autotest est lancé. Si le système de secours ne fonctionne pas correctement, un message d'erreur s'affiche et l'unité est mise hors tension. De plus, des autotests sont régulièrement effectués en cours de mode *MARCHE* pour assurer un fonctionnement sûr continu de l'unité de réchauffage.

4.3 Alarme de contrôle LO

Si l'unité de réchauffage détecte une température de liquide inférieure à 34,0°C, l'alarme sonore retentit et le voyant indique alternativement le symbole *LO* (basse) et la température réelle du liquide.

Exception : L'unité ne se met pas en état d'alarme avant que la température du liquide n'ait initialement dépassé le seuil des 34,0°C.

5.0 Nettoyage

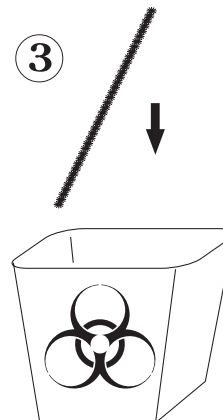
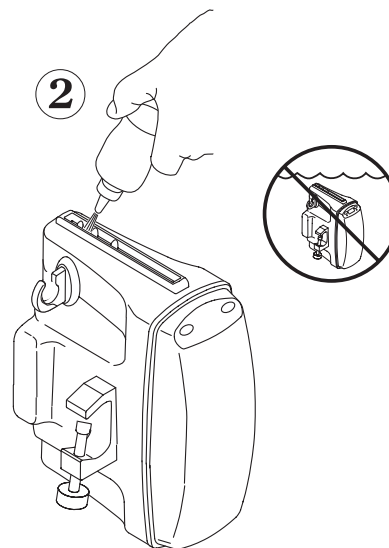
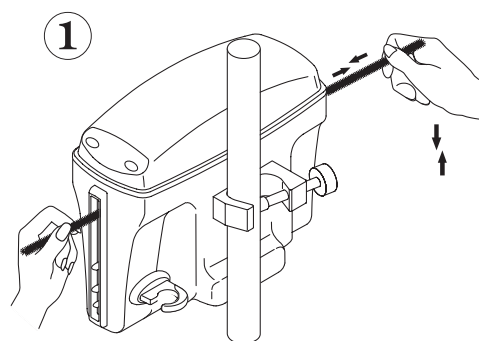
MISE EN GARDE

Ne pas immerger le réchauffeur dans une solution de nettoyage ou de désinfection. Ne pas l'immerger dans des liquides ; elle est résistante aux liquides, mais non étanche.

Une immersion pourrait entraîner un mauvais fonctionnement ou un endommagement de l'équipement.

Appliquer les procédures suivantes d'entretien et de nettoyage entre chaque patient ou conformément au protocole de l'établissement.

- Débrancher l'unité avant de procéder au nettoyage.
- Pour nettoyer les surfaces externes du réchauffeur, utiliser une solution de nettoyage non abrasive (telle que de l'eau chaude savonneuse) et un chiffon propre.
- Nettoyer l'intérieur de la fente de la cassette avec une brosse jetable. Rincer soigneusement à l'aide d'un flacon en plastique souple rempli d'eau. Kit de nettoyage de rechange n° de réf. 78350-000.
- Appliquer un désinfectant, tel qu'une solution contenant 10 % d'agent de blanchiment chloré



(agent chloré avec 5,25 % d'hypochlorite de sodium), à la fois à l'extérieur de l'unité et dans la fente pour cassette, puis laisser sécher.

MISE EN GARDE

L'unité de réchauffage doit être nettoyée en cas d'entrée de liquide ou de substance étrangère dans la fente pour cassette. **La non-conservation en état de propreté de la fente pour cassette peut entraver l'introduction de cette dernière.**

6.0 Vérification fonctionnelle et inspection de sécurité

Pour assurer une performance, une fiabilité et une sécurité optimales, il est bon de vérifier les éléments suivants tous les douze mois ou selon les spécifications du programme d'entretien préventif de l'établissement.

Équipement ou outils requis

- Tout ensemble de chauffage de sang/liquide Gaymar série D25340
- Dispositif de mesure de la température :
 - Ensemble de chauffage de sang/liquide Gaymar D25340 ; et
 - Sonde de température (Gaymar référence FWT1) et un ohmmètre (précision, 1,5 % de la lecture ; courant d'excitation maximal de 100 μ A) ainsi que le tableau de température des résistances. Voir figure 10 (page 12).
- ou**
- Tout ensemble de chauffage de sang/liquide Gaymar série D25000 ; et
- Thermomètre/sonde de température étanche avec une précision de $\pm 0,3$ % sur la plage de 30°C à 60°C et une constante de temps thermique de 2 secondes ou plus rapide.
- Dispositif de mesure du débit (Débitmètre Gaymar référence FWT2) :
 - Source de liquide avec débitmètre calibré et une précision minimale de ± 12 ml/minute
- ou**
- Source de liquide avec contrôle réglable du débit. Utiliser un chronomètre et un cylindre gradué pour régler le débit.
- Testeur de fuite de courant et de résistance de prise de terre
- Multimètre CA

6.1 Inspection physique

Vérifier que les éléments suivants sont en bon état et solides.

- Étiquettes, en cas de pelage ou d'absence
- Vis du couvercle
- Support de piège à bulles
- Cordon électrique
- Clamp pour potence I.V.

6.2 Vérification de la température de sortie du liquide

Le Réchauffeur de sang/liquide de la série FW600 est calibré en usine à un débit de 100 ml/min avec un point de réglage à 43,0°C.

Pour vérifier que la température de sortie du liquide est correcte :

1. La température ambiante de la pièce doit se situer entre 20°C et 24°C.
2. Raccorder l'installation de test (voir figure 7). Raccorder la sonde de température Gaymar FWT1 à la sortie du piège à bulles.

Méthode alternative : Faire un trou en haut du piège à bulles et y introduire un dispositif de mesure de la température. S'assurer que la sonde est totalement immergée dans le liquide avant de sceller le trou du piège à bulle.

3. Raccorder le débitmètre FWT2 ou dispositif de mesure/contrôle du débit à la sortie de la sonde de température FWT1.

Méthode alternative : En cas d'utilisation de la méthode de sonde dans le piège à bulles, raccorder le débitmètre FWT2 ou dispositif de mesure/contrôle du débit directement à la sortie du piège à bulles.

4. Faire circuler de l'eau à température ambiante à travers le réchauffeur à 100 ml/min (cc/min). S'assurer que le piège à bulles reste bien plein entre la moitié et les deux tiers.
5. Mettre le réchauffeur en marche. Régler le **POINT DE RÉGLAGE** à 43,0°C. Le laisser fonctionner pendant 10 minutes.
6. Vérifier que la température de sortie de l'eau est à 43,0°C \pm 1,1°C. En cas d'utilisation de sonde de température FWT1 et d'un ohmmètre, s'assurer que la résistance se situe entre 1019 et 1112 ohms.

Si les valeurs de température ou de résistance ne sont pas conformes, vérifier l'installation et recommencer le test. Si elles ne sont toujours pas à l'intérieur des plages nécessaires, contacter le distributeur le plus proche pour assistance.

Cet appareil est calibré en usine et ne peut pas être ajusté sur le terrain.

6.3 Vérification de protection de surtempérature

Le bon fonctionnement du système de protection de surtempérature est vérifié chaque fois que l'on fait passer l'unité du mode **ATTENTE** à **MARCHE**. Par

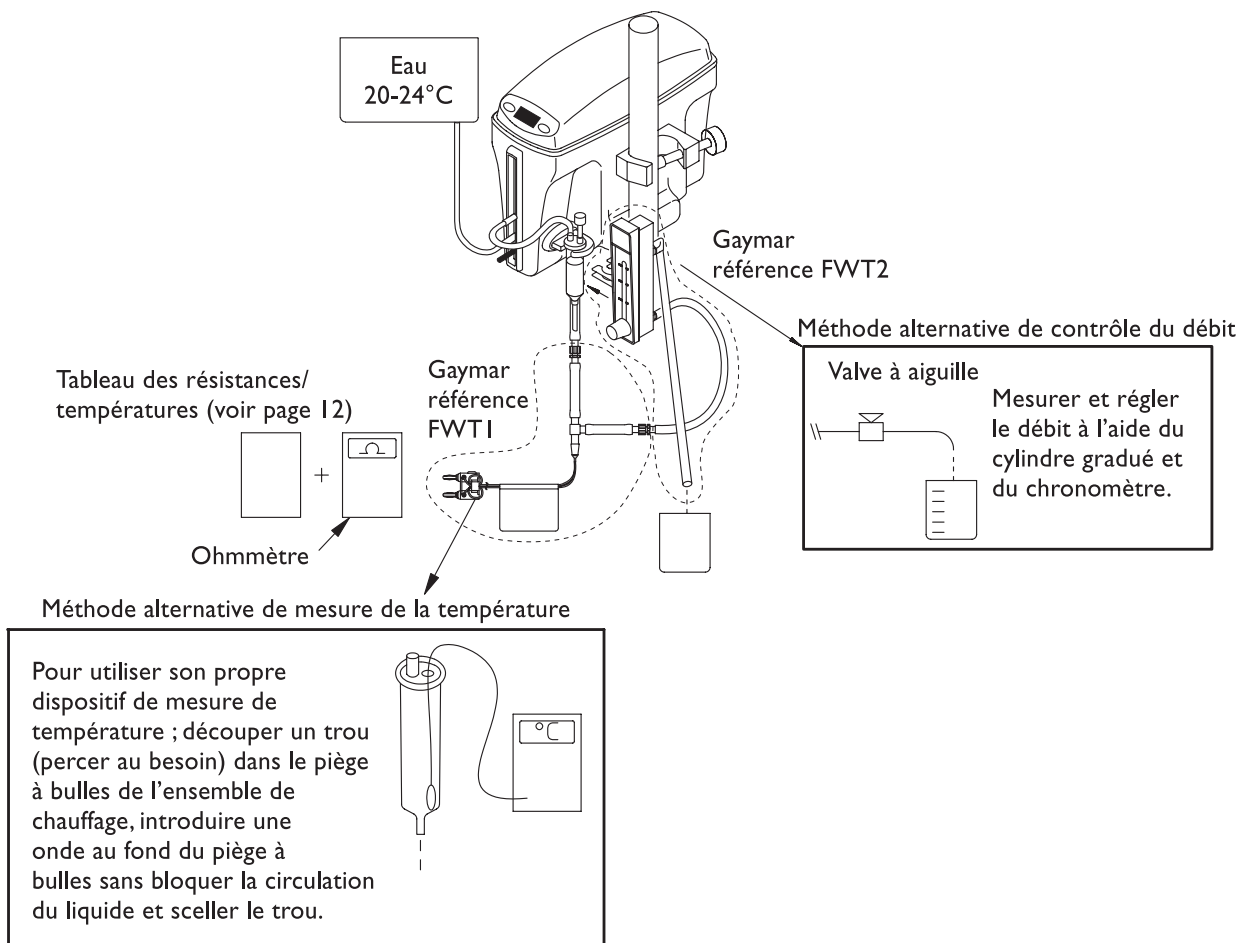


Figure 7—Installation de test

conséquent, des tests périodiques de ce système sont inutiles. Toutefois, la procédure suivante peut être utilisée pour forcer une condition de **SURTEMPÉRATURE** afin de vérifier le bon fonctionnement du système de protection contre les surtempératures :

1. Introduire une cassette de réchauffage de la série D25000 dans l'unité de réchauffage. En utilisant de l'eau chaude du robinet (46 °C à 50 °C), faire couler l'eau chaude à travers la cassette pendant environ 1 à 3 minutes.
2. Brancher l'unité de réchauffage sur le courant secteur. L'appareil doit immédiatement faire retentir l'alarme sonore et allumer le témoin ARU.

6.4 Vérification de résistance de prise de terre

Utiliser un testeur de fuite de courant/résistance de prise de terre pour mesurer la résistance entre la broche de terre de la prise de courant et la vis de montage du clamp de la potence I.V.

La valeur de la résistance ne doit pas dépasser 0,50 ohms.

6.5 Test de fuite de courant

Mesurer le courant maximal de fuite à la terre (masse ouverte). Mesurer toutes les combinaisons de polarité de ligne avec le conducteur neutre ouvert et fermé. Les valeurs ne doivent pas dépasser ce qui suit :

FW600 neutre fermé 150 µA

FW600 neutre ouvert 200 µA

FW603 neutre fermé 250 µA

FW603 neutre ouvert 300 µA

7.0 Dépannage

Symptôme	Causes probables	Action requise
Le voyant fait clignoter alternativement LO (BASSE) et la température du liquide	La température de sortie du liquide n'a pas encore atteint les 34°C.	Laisser l'unité fonctionner pendant 2 minutes. Si la température n'augmente pas, la mettre hors service et demander un dépannage..
Le voyant fait clignoter alternativement HI (ÉLEVÉE) et a température du liquide	Une perturbation transitoire, du type changement soudain de débit, a entraîné l'augmentation de la température au-delà de 43°C.	AUCUNE—l'unité reprend son fonctionnement normal dès que la température tombe en dessous de 43°C.
Une alarme sonore retentit et le voyant fait clignoter LO (BASSE) et la température du liquide	La température de sortie du liquide est tombée en dessous de 34°C.	Laisser l'unité fonctionner pendant 2 minutes. Si la température n'augmente pas, la mettre hors service et demander un dépannage.
Une alarme sonore retentit et le voyant indique FA_ (Défaillance)	Les diagnostics électroniques ont détecté un problème interne.	A mettre hors service et demander un dépannage.
Une alarme sonore retentit en permanence et le témoin ARU jaune est illuminé	Les températures internes du liquide ont dépassé les 45°C et le système de secours a été activé.	Arrêter la circulation du liquide, mettre la cassette au rebut et demander un dépannage.
Cassette difficile à insérer dans l'unité de réchauffage	Cassette amorcée avant introduction.	Purger la cassette et la réintroduire.
	Les plaques du réchauffeur, à l'intérieur de la fente de l'unité de réchauffage, peuvent avoir été contaminées.	Nettoyer l'intérieur de l'unité en suivant la procédure de nettoyage (section 5.0)
Cassette difficile à sortir de l'unité de réchauffage	La cassette est encore pressurisée.	Fermer le clamp d'entrée et ouvrir le clamp de sortie. Laisser le liquide s'écouler.

Figure 8—Tableau de dépannage

8.0 Fiche technique


Fiche technique		
Élément	FW600	FW603
Plage / résolution du point de réglage	38,0°C à 43,0°C par incréments de 1,0°C	
Résolution de la température du liquide	0,1°C	
Précision du contrôleur à 100 ml/min	±0,5°C	
Tension	120 V ca	220-240 V ca
Courant	9 A	4,5 A
Fusible	(2) 15 A à retardement 250 V	(2) T, 6,3 A, 250 V, L 5 mm x 20 mm
Fréquence	60 Hz	50/60 Hz
Plage de température ambiante	15°C à 29°C	
Cordon d'alimentation	4,6 mètres de long, homologué UL de type SJT, 16 AWG 3-fils, équipé d'une fiche moulée de type hospitalier avec connexion à la terre	4,6 mètres de long. Utiliser uniquement un cordon à trois fils international (harmonisé) dont les conducteurs homologués HD-21 ont une section de 1,5 mm ² (HO5VVF3G 1.5)
Classification  IPX4	Matériel de Classe I relié à la terre, de type BF, anti-éclaboussures, à ne pas utiliser en présence d'un mélange anesthésique inflammable avec de l'air, de l'oxygène ou du protoxyde d'azote. Convient pour un fonctionnement continu.	
Réglementation	Classé conformément aux normes UL 2601-I, CAN/CSA C22.2 NO.601.1, en matière de choc électrique, d'incendie et de dangers mécaniques uniquement.	EN60601-1
Compatibilité électromagnétique	Conforme à la norme EN60601-1-2:1993 (CISPR 11, classé comme matériel ISM de Classe B, groupe I)	
Poids	2,7 kg	
Taille	22 cm x 28,5 cm x 12 cm	

Figure 9—Fiche technique

FRANÇAIS

Temp.	Résis.	Temp.	Résis.	Temp.	Résis.	Temp.	Résis.	Temp.	Résis.	Temp.	Résis.	Temp.	Résis.	Temp.	Résis.	Temp.	Résis.
(°C)	(ohm)	(°C)	(ohm)	(°C)	(ohm)	(°C)	(ohms)	(°C)	(ohm)	(°C)	(ohm)	(°C)	(ohm)	(°C)	(ohm)	(°C)	(ohm)
35	1471	38	1300	41	1152	44	1023	47	910	50	811	53	725	56	648	59	581
35,1	1465	38,1	1295	41,1	1148	44,1	1019	47,1	907	50,1	808	53,1	722	56,1	646	59,1	579
35,2	1459	38,2	1290	41,2	1143	44,2	1015	47,2	903	50,2	805	53,2	718	56,2	644	59,2	577
35,3	1453	38,3	1285	41,3	1139	44,3	1011	47,3	900	50,3	802	53,3	716	56,3	641	59,3	575
35,4	1447	38,4	1279	41,4	1134	44,4	1007	47,4	896	50,4	799	53,4	714	56,4	639	59,4	573
35,5	1441	38,5	1274	41,5	1129	44,5	1003	47,5	893	50,5	796	53,5	711	56,5	637	59,5	571
35,6	1435	38,6	1269	41,6	1125	44,6	999	47,6	889	50,6	793	53,6	709	56,6	634	59,6	569
35,7	1429	38,7	1264	41,7	1120	44,7	995	47,7	886	50,7	790	53,7	706	56,7	632	59,7	567
35,8	1423	38,8	1259	41,8	1116	44,8	991	47,8	882	50,8	787	53,8	703	56,8	630	59,8	565
35,9	1417	38,9	1254	41,9	1112	44,9	988	47,9	879	50,9	784	53,9	701	56,9	627	59,9	563
36	1411	39	1249	42	1107	45	984	48	876	51	781	54	698	57	625	60	561
36,1	1405	39,1	1244	42,1	1103	45,1	980	48,1	872	51,1	778	54,1	695	57,1	623		
36,2	1400	39,2	1239	42,2	1098	45,2	976	48,2	869	51,2	775	54,2	693	57,2	620		
36,3	1394	39,3	1234	42,3	1094	45,3	972	48,3	866	51,3	772	54,3	690	57,3	618		
36,4	1388	39,4	1229	42,4	1090	45,4	968	48,4	862	51,4	769	54,4	688	57,4	616		
36,5	1383	39,5	1224	42,5	1085	45,5	965	48,5	859	51,5	767	54,5	685	57,5	614		
36,6	1377	39,6	1219	42,6	1081	45,6	961	48,6	856	51,6	764	54,6	683	57,6	611		
36,7	1371	39,7	1214	42,7	1077	45,7	957	48,7	853	51,7	761	54,7	680	57,7	609		
36,8	1366	39,8	1209	42,8	1073	45,8	954	48,8	849	51,8	758	54,8	678	57,8	607		
36,9	1360	39,9	1204	42,9	1068	45,9	950	48,9	846	51,9	755	54,9	675	57,9	605		
37	1355	40	1199	43	1064	46	946	49	843	52	752	55	673	58	603		
37,1	1349	40,1	1195	43,1	1060	46,1	942	49,1	840	52,1	748	55,1	670	58,1	600		
37,2	1344	40,2	1190	43,2	1056	46,2	939	49,2	836	52,2	747	55,2	668	58,2	598		
37,3	1338	40,3	1185	43,3	1052	46,3	935	49,3	833	52,3	744	55,3	665	58,3	596		
37,4	1333	40,4	1180	43,4	1047	46,4	932	49,4	830	52,4	741	55,4	663	58,4	594		
37,5	1327	40,5	1176	43,5	1043	46,5	928	49,5	827	52,5	738	55,5	660	58,5	592		
37,6	1322	40,6	1171	43,6	1039	46,6	924	49,6	824	52,6	735	55,6	658	58,6	590		
37,7	1316	40,7	1166	43,7	1035	46,7	921	49,7	821	52,7	733	55,7	655	58,7	587		
37,8	1311	40,8	1161	43,8	1031	46,8	917	49,8	817	52,8	730	55,8	653	58,8	585		
37,9	1306	40,9	1157	43,9	1027	46,9	914	49,9	814	52,9	727	55,9	651	58,9	583		

Figure 10—Tableau de température des résistances
(Sonde de température Gaymar FWT I)

Indice

<u>Sezione</u>	<u>Descrizione</u>	<u>Pagina</u>
1.0	Indicazioni per l'uso	1
2.0	Descrizione del prodotto	2
3.0	Istruzioni per l'uso	4
4.0	Sistemi di sicurezza	6
5.0	Pulizia	7
6.0	Verifica funzionale/Ispezione di sicurezza	8
7.0	Guida alla soluzione dei problemi	10
8.0	Dati tecnici	11

Prima di iniziare . . .**Importante**

Prima di usare il riscaldatore per sangue/fluidi Medi-Temp III serie FW600, leggere attentamente il presente *Manuale per l'operatore* e la sezione **PRECAUZIONI**.

Per ulteriori informazioni, rivolgersi al distributore locale.

Garanzia

Si garantisce che il riscaldatore per sangue/fluidi Medi-Temp III serie FW600 sarà esente da difetti di materiali e fabbricazione per un periodo di un anno.

Si garantisce che i set per riscaldamento monouso saranno esenti da difetti di materiali e fabbricazione per un'unica applicazione.

Una copia della garanzia è disponibile a richiesta. La Gaymar rifiuta tutte le garanzie implicite, comprese, ma non a titolo esclusivo, le garanzie implicite di commerciabilità e idoneità a scopi specifici.

1.0 Indicazioni per l'uso

Questo dispositivo è indicato per la prevenzione di ipotermia non intenzionale durante la somministrazione di sangue, emoderivati e altri fluidi.



1.1 Precauzioni

PERICOLO



Rischio di scossa elettrica.

Il dispositivo non contiene parti riparabili dall'utente.

AVVERTENZA

- Prima di collegare le tubazioni per i fluidi al paziente, eliminare tutta l'aria in esse presente.
- Verificare che tubazioni per i fluidi siano prive di aria. Non somministrare mai fluidi se vi sono bolle d'aria nel tubo che va dal fermabolle al raccordo sul paziente.
- Controllare spesso il livello del fluido nel fermabolle, la cui funzione è intrappolare le bolle generate durante il riscaldamento. Per consentire il riempimento del fermabolle, inserire una siringa sterile nella valvola e aspirare l'aria finché il fermabolle è pieno per due terzi. Non lasciare che il livello di riempimento del fermabolle scenda sotto un quarto della sua capacità.
- Il fermabolle deve essere sempre installato e mantenuto in posizione verticale.

La mancata osservanza delle avvertenze precedenti può causare l'introduzione di aria nel paziente, provocando lesioni serie e anche il decesso del paziente stesso.

ATTENZIONE

- La legge federale USA consente la vendita di questo dispositivo solo dietro richiesta medica.
- Non immergere il dispositivo in soluzioni detergenti e/o sterilizzanti. Non immergerlo in liquidi, in quanto è resistente ai fluidi ma non è impermeabile.
- Per assicurare l'adeguatezza del collegamento del riscaldatore per sangue/fluidi alla terra, collegarlo solo a una presa di corrente dotata di conduttore di protezione.
- Il pulsante di *FUNZIONAMENTO/STANDBY* non isola il dispositivo dall'impianto di alimentazione. Per isolare il dispositivo dall'impianto di alimentazione (IEC 601-1) è necessario scollegare da quest'ultimo il cavo di alimentazione.

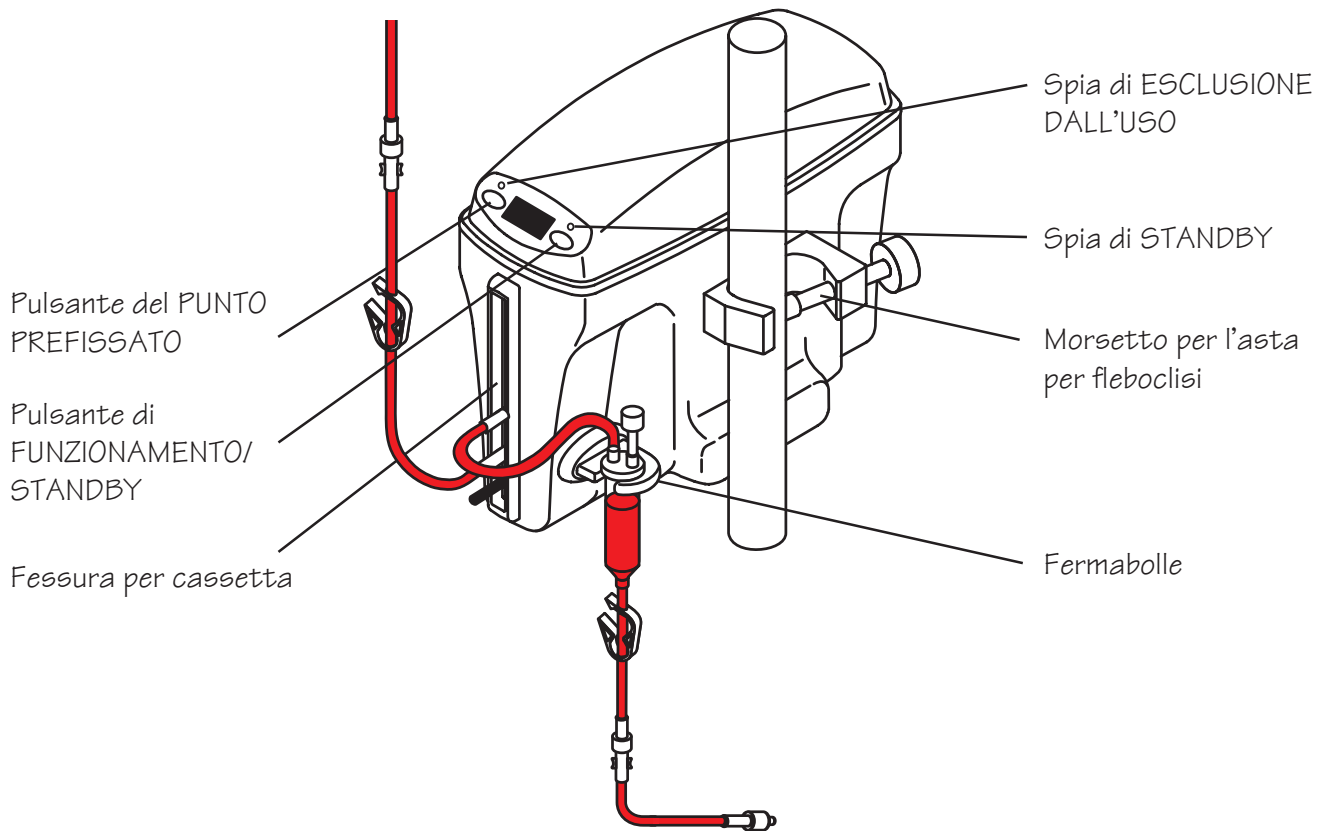


Figura 1—Riscaldatore per sangue/fluidi serie FW600

2.0 Descrizione del prodotto

Il riscaldatore per sangue/fluidi Medi-Temp III serie FW600 è un dispositivo di riscaldamento a secco concepito per il riscaldamento veloce e sicuro di sangue, emoderivati e altri fluidi mediante set di riscaldamento appositi monouso. Il riscaldatore non consente di regolare la portata del fluido. Il sangue, gli emoderivati e altri fluidi normalmente refrigerati possono essere riscaldati rapidamente a temperature selezionabili fra 38,0 °C e 43,0 °C, a una portata massima di 300 ml/min. Se i fluidi da riscaldare sono a temperatura ambiente, la portata massima è di 500 ml/min. I set di riscaldamento per sangue/fluidi monouso sono disponibili nei modelli standard, standard con prolunga, pediatrico e per portata elevata.

2.1 Riscaldatore

Va fissato a un'asta per fleboclisi. Il dispositivo non ha un pulsante che consenta di accenderlo o spegnerlo. Il collegamento a un impianto di alimentazione in corrente alternata è indicato dalla spia verde di STANDBY situata sul pannello anteriore. Nella modalità di STANDBY non si può applicare corrente al

riscaldatore. Per avviare il funzionamento normale occorre premere il pulsante di FUNZIONAMENTO/STANDBY.

Una volta acceso il riscaldatore, un display a LED situato sul pannello anteriore indica la temperatura effettiva del fluido o il punto prefissato per la temperatura, in gradi centigradi. Il PUNTO PREFISSATO è selezionabile fra 38,0 °C e 43,0 °C, in incrementi di 1,0 °C, mediante l'apposito pulsante sul pannello anteriore. Sulla parte anteriore del dispositivo è presente anche una fessura per l'inserimento del set di riscaldamento monouso. Sul lato destro del dispositivo, sotto il morsetto per l'asta per fleboclisi, c'è un dispositivo a cui fissare il fermabolle.

2.2 Set monouso

Il riscaldatore per sangue/fluidi Medi-Temp III serie FW600 va adoperato solo con i set di riscaldamento monouso Gaymar serie D25000. I seguenti set di riscaldamento (Figura 2) sono utilizzabili a pressioni sino a 300 mmHg. Per ulteriori informazioni rivolgersi al distributore locale.

Descrizione	Codice	Applicazione	Volume di adescamento
Standard	D25340CE	MVA—150 ml/min	39 ml
Standard con prolunga da 122 cm (48")	D25310CE	MVA—150 ml/min	48 ml
Standard con prolunga da 152 cm (60")	D25315CE	MVA—150 ml/min	50 ml
Pediatrico con prolunga da 76 cm (30")	D25320CE	MVA—100 ml/min	30 ml
Per portata elevata con prolunga da 122 cm (48")	D25330CE	100—500 ml/min	79 ml

MVA = portata minima necessaria per mantenere le vene aperte

Figura 2—Set di riscaldamento serie D25000

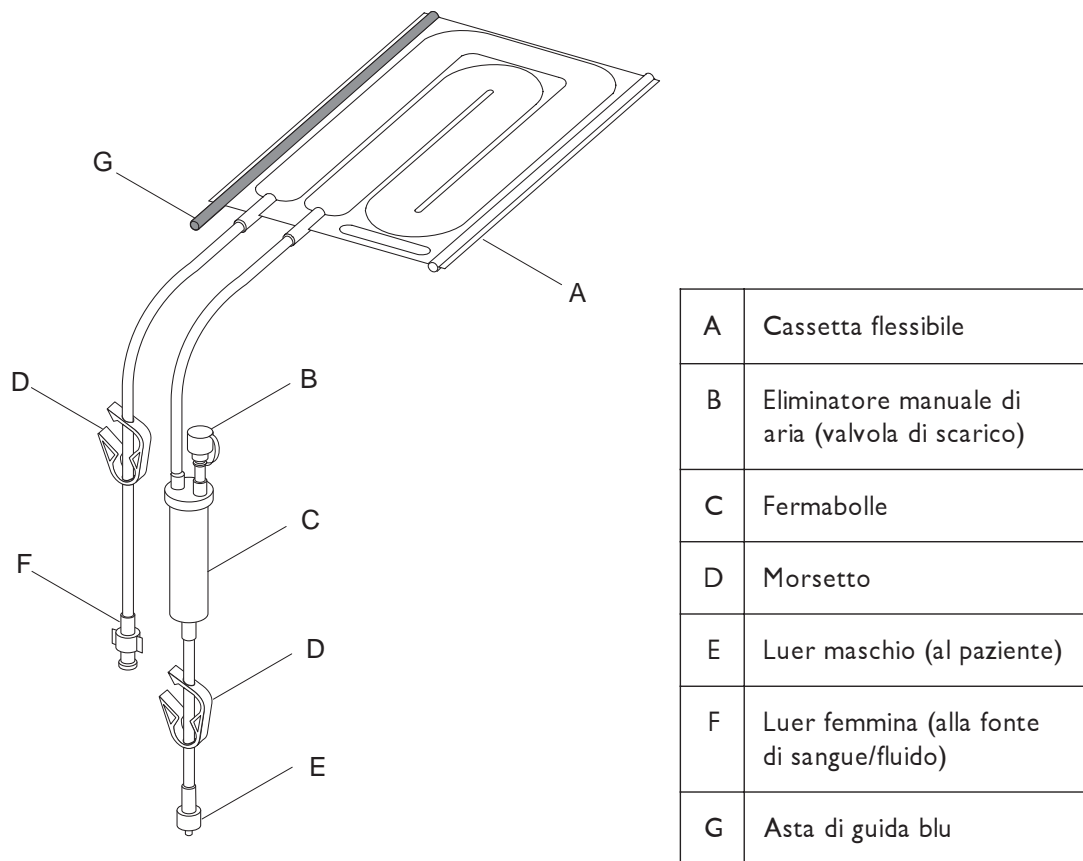


Figura 3—Set di riscaldamento e fermabolle

3.0 Istruzioni per l'uso (vedi figure 3 – 5)

- Fissare il riscaldatore all'asta per fleboclisi mediante il morsetto situato sul lato del riscaldatore stesso.
- Collegare il cavo di alimentazione a una presa di corrente adeguatamente collegata alla terra.
- Estrarre il set di riscaldamento dalla confezione sterile.

NOTA: il set di riscaldamento flessibile, è costruito in modo da poter essere inserito nel riscaldatore in un solo modo. Orientare la cassetta in modo che l'asta di guida blu si inserisca nella parte inferiore del riscaldatore.

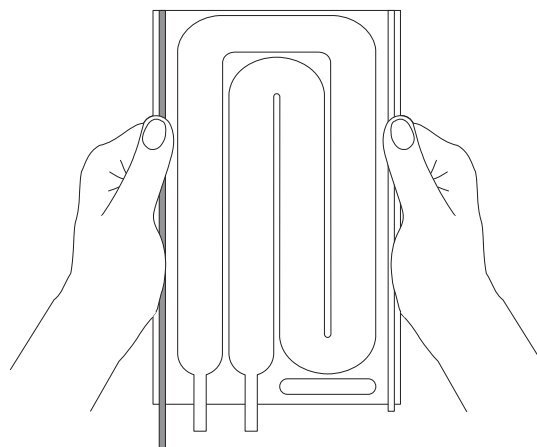


Figura 4—Inserimento della cassetta

- 1 Afferrare le due aste di guida (vedi Figura 4) della cassetta flessibile, tendere quest'ultima leggermente e introdurre l'estremità anteriore nella parte anteriore del riscaldatore, con l'asta di guida blu rivolta verso il basso. Allineare ciascuna asta di guida all'apertura corrispondente.

Spostare le mani sulle parti sporgenti delle aste di guida e continuare a introdurre la cassetta finché l'asta di guida chiara è quasi a filo con la parte anteriore del riscaldatore (l'asta di guida blu spingerà leggermente, per facilitare l'estrazione della cassetta).

ATTENZIONE

Quando è completamente inserita, l'asta di guida chiara deve sporgere di non oltre 0,5 cm dalla parte anteriore del riscaldatore. **Se non si inserisce completamente la cassetta, la si può danneggiare.**

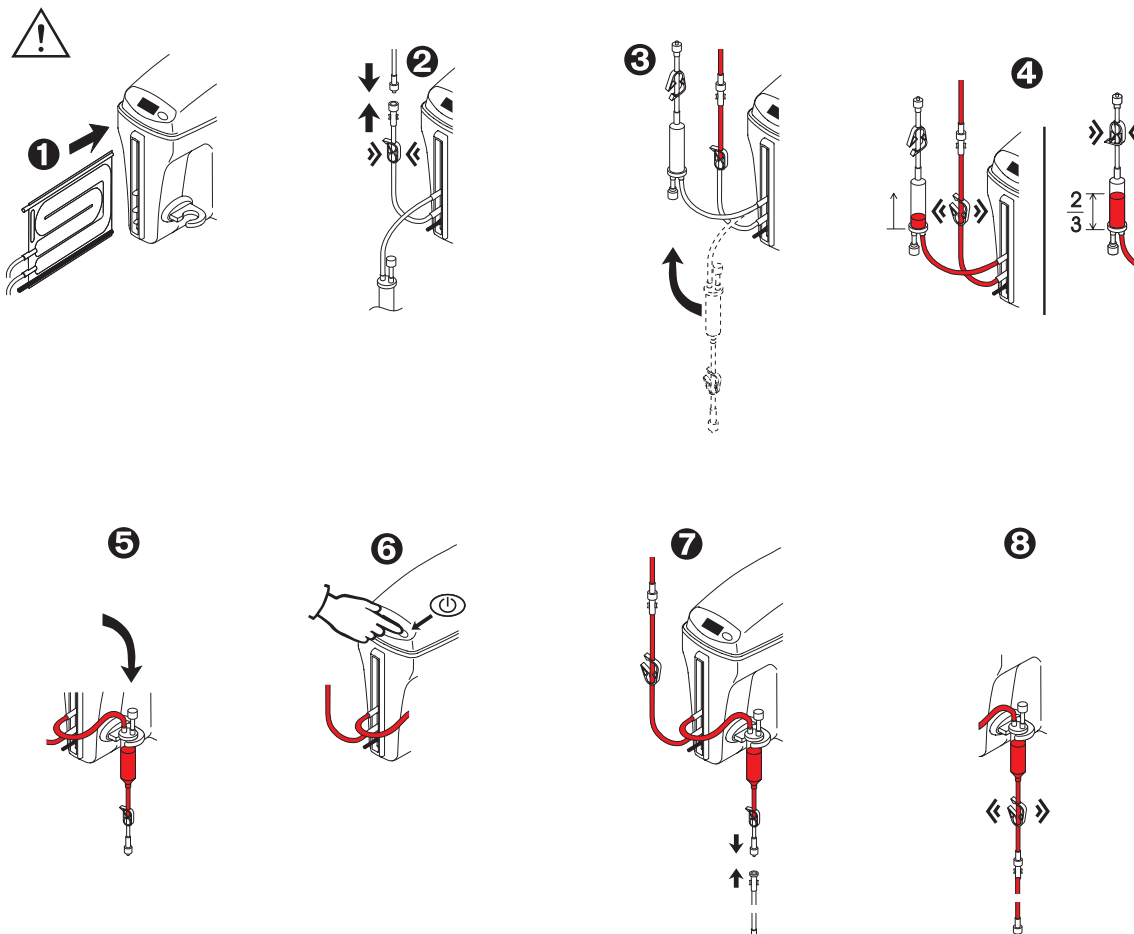



Figure 5—Istruzioni per l'installazione



- 2 Chiudere il morsetto d'ingresso del set di riscaldamento. Togliere la protezione dal luer femmina del set di riscaldamento e collegarlo al luer maschio sul set per fleboclisi. Togliere la protezione dal luer maschio del set di riscaldamento. Per ridurre al minimo la diminuzione di temperatura e il volume di adescamento, a questo punto togliere le prolunghie non necessarie.
- 3 Capovolgere il fermabolle.
- 4 Aprire il morsetto d'ingresso del set di riscaldamento e attendere che il fluido riempi quest'ultimo. Quando il fermabolle è pieno per circa due terzi, chiudere il morsetto di uscita.
- 5 Capovolgere il fermabolle e fissarlo all'apposito dispositivo sul lato del riscaldatore.

AVVERTENZA

Il fermabolle deve essere sempre installato e mantenuto in posizione verticale. **La mancata osservanza di questa precauzione può causare l'introduzione di aria nel paziente, provocando lesioni serie e anche il decesso del paziente stesso.**

- 6 Premere il pulsante di *FUNZIONAMENTO/STANDBY*  situato sul pannello anteriore del riscaldatore.

Una volta completata senza errori la fase di autodiagnostica, sul display lampeggia per circa 3 secondi il punto prefissato, dopodiché comincia il riscaldamento per portare il fluido alla temperatura selezionata.

Il punto prefissato utilizzato per ultimo rimane memorizzato anche dopo che si è scollegato l'impianto di alimentazione. Per selezionare un altro PUNTO PREFISSATO, anzitutto premere momentaneamente l'apposito pulsante  .

Il punto prefissato si visualizza e lampeggia per circa 3 secondi. Durante questo intervallo si può selezionare qualsiasi valore compreso fra 38,0°C e 43,0°C, in incrementi di 1,0°C, premendo ripetutamente il pulsante precedente.

NOTA: mantenendo premuto il pulsante di selezione del PUNTO PREFISSATO senza rilasciarlo, in valore non si incrementa.

Una volta selezionato il punto prefissato, questo continua a lampeggiare per circa 3 secondi,

dopodiché il display torna a visualizzare la temperatura effettiva del fluido. Durante la procedura è possibile controllare in qualsiasi momento il PUNTO PREFISSATO premendone momentaneamente il pulsante di selezione.

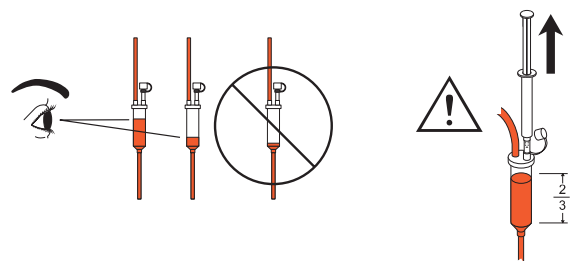
- 7 Se necessario, collegare una prolunga per il raccordo sul paziente.
- 8 Eliminare tutta l'aria presente nel tratto rimanente della tubazione aprendo il morsetto di uscita e lasciando scorrere il fluido.

AVVERTENZA

- Prima di collegare le tubazioni per i fluidi al paziente, eliminare tutta l'aria in esse presente.
- Verificare che tubazioni per i fluidi siano prive di aria. Non somministrare mai fluidi se vi sono bolle d'aria nel tubo che va dal fermabolle al raccordo sul paziente.

La mancata osservanza di questa precauzione può causare l'introduzione di aria nel paziente, provocando lesioni serie e anche il decesso del paziente stesso.

AVVERTENZA



Controllare spesso il livello del fluido nel fermabolle, la cui funzione è intrappolare le bolle generate durante il riscaldamento. Per consentire il riempimento del fermabolle, inserire una siringa sterile nella valvola e aspirare l'aria finché il fermabolle è pieno per due terzi. Non lasciare che il livello di riempimento del fermabolle scenda sotto un quarto della sua capacità.

Il mancato controllo del livello del fluido nel fermabolle può causare l'introduzione di aria nel paziente, provocando lesioni serie e anche il decesso del paziente stesso.

Temperatura all'estremità della tubazione sul paziente

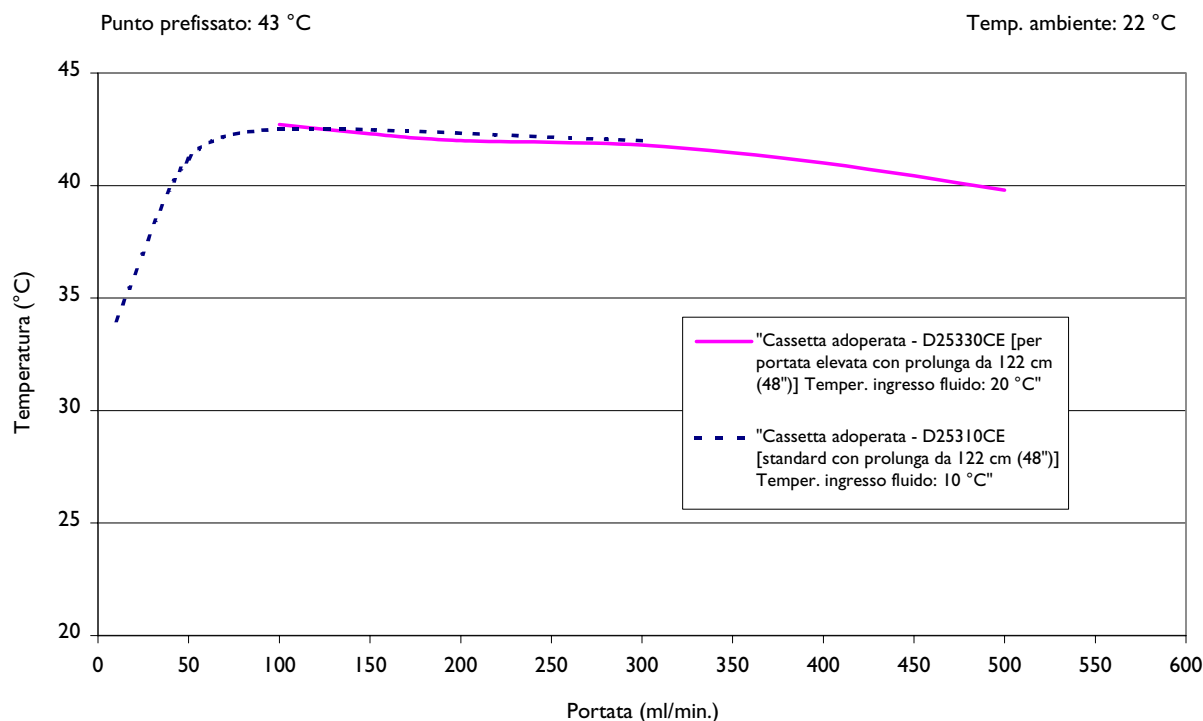


Figura 6—Temperatura tipica del fluido in funzione della portata

3.1 Effetto della portata sulla temperatura del fluido

La temperatura all'uscita della tubazione sul paziente dipende dalla portata. Il diagramma riportato nella figura 6 mostra l'andamento tipico della temperatura del fluido in uscita in funzione della portata, per il riscaldatore serie FW600.

NOTA: la temperatura del fluido in uscita indicata da questo diagramma è stata misurata all'estremità della tubazione sul paziente.

3.2 Rimozione del set di riscaldamento

Non è possibile estrarre la cassetta dal riscaldatore mentre è sottoposta a pressione. Per estrarla, procedere come segue.

1. Chiudere il morsetto d'ingresso del set di riscaldamento, lasciando aperto il morsetto di uscita.
2. Chiudere il morsetto di uscita del set di riscaldamento.
3. Eseguendo le operazioni ai punti 1 e 2 si fa scaricare il fluido dalla cassetta. Estrarre poi questa dal riscaldatore tirando con cautela l'asta di guida blu.

4. Eliminare il set di riscaldamento in conformità al protocollo locale.

ATTENZIONE

Una cassetta non scarica è difficile da estrarre.
Se la si forza per estrarla, si corre il rischio di spezzarla.



4.0 Sistemi di sicurezza

4.1 Protezione da sovratemperatura

Il riscaldatore è dotato di un sistema di protezione, indipendente dal sistema di regolazione principale, che controlla continuamente la temperatura del fluido in uscita e spegne immediatamente gli elementi riscaldanti se questa supera i 45,0 °C. Se la condizione di sovratemperatura è temporanea, a causa di una variazione improvvisa della portata, sul display lampeggiano alternatamente la scritta **HI** (ALTA) e la temperatura del fluido. Quando quest'ultima ritorna a un livello accettabile, riprende il normale funzionamento. Se tuttavia il sistema di protezione rileva che la condizione di sovratemperatura è causata

da un guasto del sistema di regolazione principale, scatta un allarme acustico, si accende la spia di **ESCLUSIONE DALL'USO** e il dispositivo si spegne. In tal caso, arrestare immediatamente il flusso del fluido, gettare via il set di riscaldamento e rivolgersi al distributore per fare riparare il riscaldatore.

4.2 Autodiagnostica

Ogni volta che si porta il riscaldatore dalla modalità di **STANDBY** a quella di **FUNZIONAMENTO**, si avvia un'autoverifica. Se il sistema di protezione non funziona correttamente, si visualizza un messaggio di errore e il riscaldatore si spegne. Inoltre, durante la modalità di **FUNZIONAMENTO** vengono eseguite regolarmente delle autoverifiche per garantire che il riscaldatore funzioni ininterrottamente in modo sicuro.

4.3 Allarme LO

Se il riscaldatore rileva che la temperatura del fluido è minore di 34,0°C., scatta l'allarme acustico e sul display si visualizzano alternatamente la scritta **LO (BASSA)** e la temperatura effettiva del fluido.

Eccezione: l'allarme non scatta finché la temperatura del fluido non supera inizialmente la soglia di 34,0 °C.

5.0 Pulizia

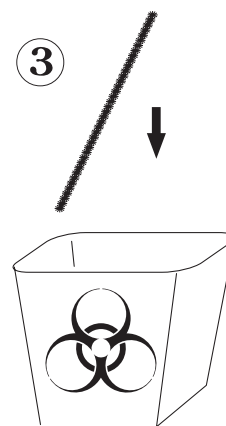
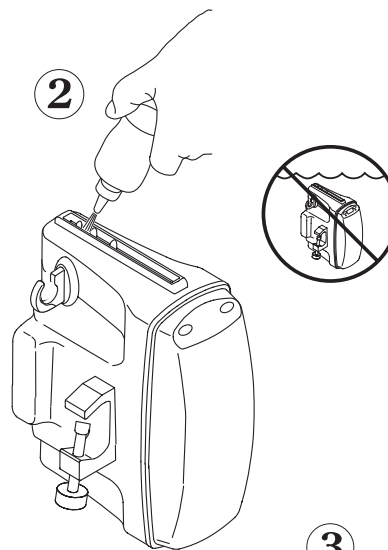
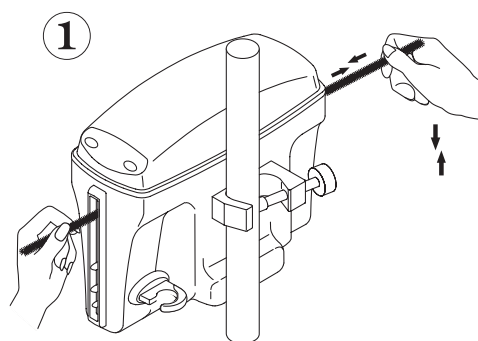
ATTENZIONE

Non immergere il riscaldatore in soluzioni detergenti o sterilizzanti oppure in liquidi, in quanto è resistente ai fluidi ma non è impermeabile.

Un'eventuale immersione può causare malfunzionamenti o un guasto del dispositivo.

Svolgere le seguenti operazioni di manutenzione e pulizia tra un uso e l'altro o in conformità al protocollo locale.

- Prima di pulire il riscaldatore, scollegarlo dalla presa di corrente.
- Pulire le superfici esterne del riscaldatore con una soluzione detergente non abrasiva (come acqua tiepida e sapone) e un panno pulito.
- Pulire l'interno della fessura per cassetta con una spazzola usa e getta. Lavare con cautela usando il flacone a spruzzo con acqua. Kit di ricambio per pulizia Codice 78350-000.
- Applicare un disinfettante, come una soluzione di candeggina al 10% (candeggina con il 5,25% di



ipoclorito di sodio) sia all'esterno che alla fessura per la cassetta del riscaldatore, e lasciare asciugare.

ATTENZIONE

Pulire il riscaldatore se nella fessura per la cassetta entrano un fluido qualunque o sostanze estranee.

Se non si mantiene pulita la fessura per la cassetta, potrebbe risultare impossibile inserire quest'ultima.

6.0 Verifica funzionale e ispezione di sicurezza

Per assicurare prestazioni, affidabilità e sicurezza ottimali, condurre le seguenti verifiche ogni 12 mesi o agli intervalli specificati dal programma di manutenzione preventiva in vigore presso la struttura sanitaria di appartenenza.

Strumenti necessari

- Un qualsiasi set di riscaldamento per sangue/fluidi Gaymar serie D25340
- Apparecchio per misurazioni di temperatura:
 - Set di riscaldamento per sangue/fluidi Gaymar serie D25340, e
 - Sensore di temperatura (codice Gaymar FWT1) e un ohmmetro (precisione: 1,5% della lettura; corrente di eccitazione massima: 100 μ A) e il diagramma della relazione funzionale tra temperatura e resistenza. Vedi Figura 10 (pagina 12).
- oppure**
 - Un qualsiasi set di riscaldamento per sangue/fluidi Gaymar serie D25000, e
 - Un sensore/misuratore di temperatura, impermeabile, con precisione di $\pm 0,3\%$ nell'intervallo 30 °C - 60 °C e una costante di tempo termica uguale o minore di 2 secondi.
- Flussometro (codice Gaymar FWT2):
 - Sorgente di fluido con flussometro tarato e precisione minima di ± 12 ml/min.
- oppure**
 - Sorgente di fluido con regolatore della portata. Per regolare la portata, utilizzare un cronometro e un cilindro graduato.
- Tester per la misurazione della resistenza verso terra / della dispersione di corrente
- Multimetro per correnti alternate

6.1 Ispezione fisica

Verificare che i seguenti elementi siano in buone condizioni e ben fissati.

- Etichette (controllare se si stanno staccando o se mancano)
- Viti del coperchio
- Dispositivo di fissaggio del fermabolle
- Cavo di alimentazione
- Morsetto per l'asta per fleboclisi

6.2 Verifica della temperatura del fluido in uscita

Il riscaldatore per sangue/fluidi serie FW600 è stato tarato in fabbrica a una portata di 100 ml/min, con un punto prefissato di 43,0 °C.

Verificare la temperatura del fluido in uscita come segue.

1. La temperatura della sala deve essere compresa tra 20 °C e 24 °C.
2. Collegare la strumentazione di prova (vedi Figura 7). Collegare il sensore di temperatura Gaymar FWT1 all'uscita del fermabolle.

Metodo alternativo: praticare un foro sulla parte superiore del fermabolle e inserirvi un apparecchio per misure di temperatura. Accertarsi che il sensore sia completamente sommerso dal fluido e sigillare il foro.
3. Collegare il flussometro FWT2 o la sorgente di fluido con regolatore della portata all'uscita del sensore di temperatura FWT1.

Metodo alternativo: se si adopera il sensore con il metodo del foro nel fermabolle, collegare il flussometro FWT2 o la sorgente di fluido con regolatore della portata direttamente all'uscita del fermabolle.
4. Fare circolare l'acqua, a temperatura ambiente, attraverso il riscaldatore alla portata di 100 ml/min. (cc/min.). Accertarsi che il fermabolle rimanga pieno per metà - due terzi della sua capacità.
5. Accendere il riscaldatore, regolare il PUNTO PREFISSATO a 43,0 °C e fare funzionare il riscaldatore per 10 minuti.
6. Verificare che la temperatura dell'acqua in uscita sia uguale a 43,0 °C $\pm 1,1$ °C. Se si usa il sensore di temperatura FWT1 e un ohmmetro, verificare che la resistenza sia compresa tra 1019 e 1112 ohm.

Se la temperatura o la resistenza non corrispondono ai valori specificati, controllare la configurazione del sistema di verifica e ripetere la prova. Se i valori sono ancora fuori specifica, rivolgersi al distributore.

Il dispositivo è stato tarato in fabbrica e non può essere riparato dall'utente.

6.3 Verifica del sistema di protezione da sovratemperatura

Il funzionamento del sistema di protezione da sovratemperatura viene verificato ogni volta che si porta il riscaldatore dalla modalità di *STANDBY* a quella di *FUNZIONAMENTO*, cosicché non occorre verificare periodicamente questo sistema. Tuttavia, si può svolgere la procedura seguente per generare una condizione di *SOVRATEMPERATURA* allo scopo di verificare il funzionamento del sistema di protezione.

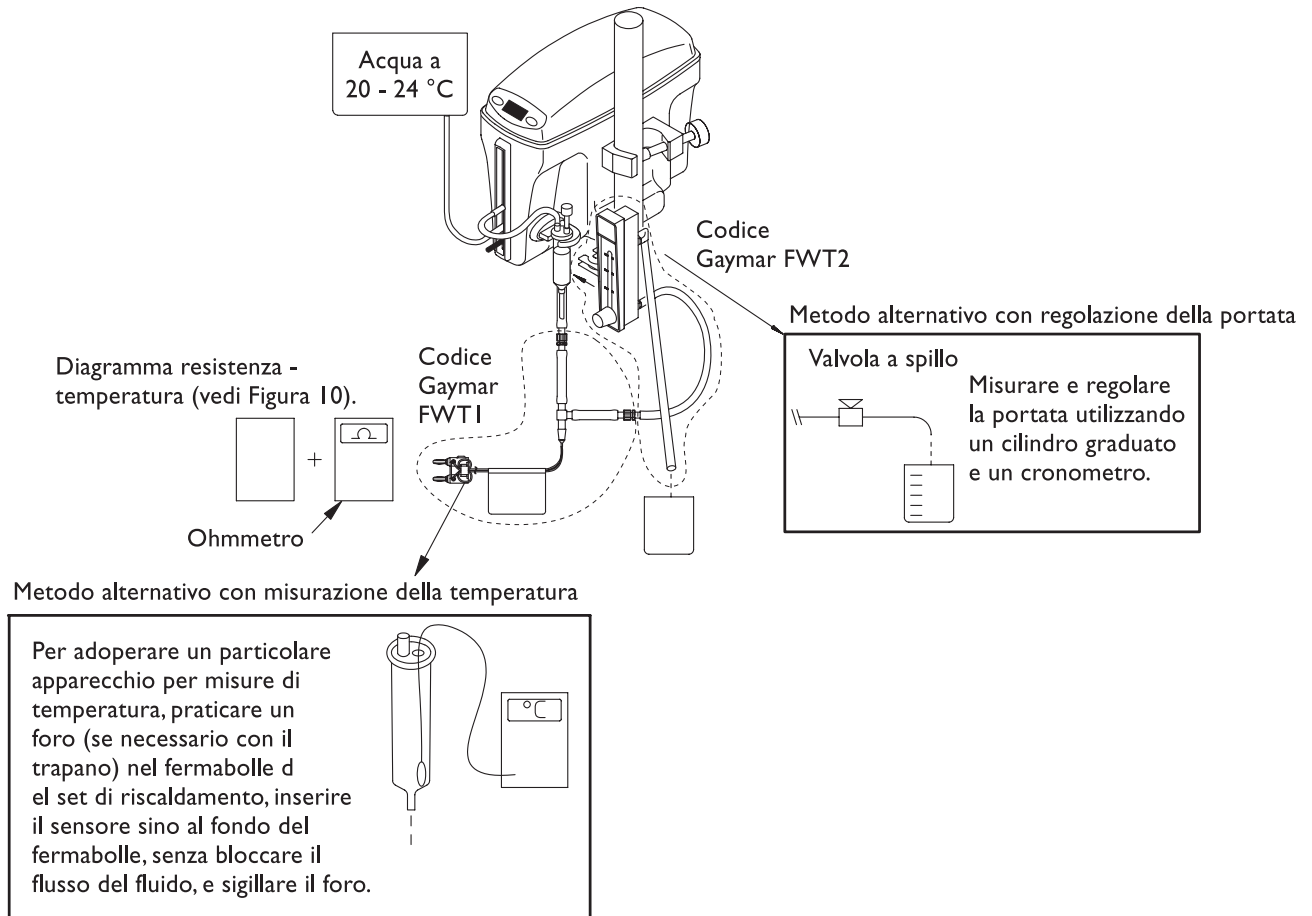


Figure 7—Configurazione del sistema di verifica

1. Inserire nel riscaldatore una qualsiasi cassetta di riscaldamento serie D25000. Fare fluire acqua di rubinetto calda (46 - 50 °C) attraverso la cassetta per circa 1 - 3 minuti.
2. Collegare il riscaldatore a una presa di corrente. Deve scattare immediatamente l'allarme acustico e si deve accendere la spia di **ESCLUSIONE DALL'USO**.

6.4 Verifica della resistenza verso terra

Usare un tester per la misurazione della resistenza verso terra / della dispersione di corrente per misurare la resistenza tra lo spinotto di terra della spina di alimentazione e la vite di fissaggio sull'asta per fleboclisi.

La resistenza non deve essere maggiore di 0,50 ohm.

6.5 Verifica della dispersione di corrente

Misurare la corrente massima di dispersione verso terra (massa aperta). Eseguire la misura per tutte le combinazioni di polarità della linea con il neutro aperto e chiuso. I valori non devono superare i seguenti:

FW600, neutro chiuso 150 μ A

FW600, neutro aperto 200 μ A

FW603, neutro chiuso 250 μ A

FW603, neutro aperto 300 μ A

7.0 Guida alla soluzione dei problemi

Sintomo	Cause probabili	Azione richiesta
Si visualizzano alternatamente la scritta LO (BASSA) e la temperatura del fluido.	La temperatura del fluido in uscita non ha ancora raggiunto i 34 °C.	Fare funzionare il riscaldatore per 2 minuti. Se la temperatura non aumenta, non usarlo e richiedere assistenza tecnica...
Si visualizzano alternatamente la scritta HI (ALTA) e la temperatura del fluido.	Un disturbo transitorio, per esempio una variazione improvvisa della portata, ha fatto aumentare la temperatura del fluido oltre i 43 °C.	NESSUNA – Il riscaldatore riprenderà il normale funzionamento quando la temperatura sarà scesa sotto i 43 °C.
Scatta l'allarme acustico e si visualizzano la scritta LO (BASSA) e la temperatura del fluido.	La temperatura del fluido in uscita è scesa sotto i 34 °C.	Fare funzionare il riscaldatore per 2 minuti. Se la temperatura non aumenta, non usarlo e richiedere assistenza tecnica.
Scatta l'allarme acustico e si visualizza FA_ (GUASTO).	I circuiti elettronici di diagnostica hanno rilevato un problema interno.	Non usare il riscaldatore e richiedere assistenza tecnica.
L'allarme acustico viene emesso ininterrottamente e si accende la spia gialla di ESCLUSIONE DALL'USO.	La temperatura del fluido all'interno ha superato i 45 °C ed è intervenuto il sistema di protezione.	Arrestare il flusso del fluido, gettare via la cassetta e richiedere assistenza tecnica.
Risulta difficile inserire la cassetta nel riscaldatore.	La cassetta è stata riempita di fluido prima di essere inserita.	Svuotare la cassetta e reinserirla.
	Le piastre riscaldanti all'interno della fessura per la cassetta possono essere contaminate.	Pulire l'interno del riscaldatore svolgendo la procedura apposita (sezione 5.0).
Risulta difficile estrarre la cassetta dal riscaldatore.	La cassetta è ancora pressurizzata.	Chiudere il morsetto d'ingresso e aprire quello di uscita. Lasciare defluire il fluido.

Figura 8—Tabella per la soluzione dei problemi

8.0 Dati tecnici

Dati tecnici		
Elemento	FW600	FW603
Intervallo / risoluzione relativi al punto prefissato	Da 38,0 °C a 43,0 °C in incrementi di 1,0 °C	
Risoluzione relativa alla temperatura del fluido	0,1 °C	
Precisione del sistema di regolazione a 100 ml/min	±0,5 °C	
Tensione	120 V c.a.	220 - 240 V c.a.
Corrente	9 A	4,5 A
Fusibile	(2) 15 A, a intervento ritardato, 250 V	(2) 6,3 A, a intervento ritardato, 250 V, 5 mm x 20 mm
Frequenza	60 Hz	50/60 Hz
Intervallo della temperatura ambiente	Da 15 °C a 29 °C	
Cavo di alimentazione	Lunghezza: 4,6 m. Omologazione UL tipo SJT, a tre conduttori di sezione 1,31 mm ² (16 AWG), con spina di tipo ospedaliero, dotata di spinotto di protezione e con involucro costruito a stampaggio.	Lunghezza: 4,6 m. Usare solo un cavo internazionale (armonizzato) a tre conduttori di sezione 1,5 mm ² a norma HD-21 (HO5VVF3G1.5)
Classificazione  IPX4	Apparecchio di Classe I con terminale di messa a terra, di tipo BF, resistente agli spruzzi, non adatto in presenza di una miscela anestetica infiammabile contenente aria, ossigeno o ossido di azoto. Adatto per il servizio continuato.	
Norme	Classificato solo in relazione ai pericoli di scosse elettriche, incendio e di natura meccanica, a norma UL 2601-1, CAN/CSA C22.2 NO.601.1	EN60601-1
Compatibilità elettromagnetica	A norma EN60601-1-2: 1993 (CISPR 11, classificato come apparecchio ISM di Classe B, Gruppo 1)	
Peso	2,7 kg	
Dimensioni	22 cm x 28,5 cm x 12 cm	

Figura 9—Dati tecnici

ITALIANO

Temp.	Resis.	Temp.	Resis.	Temp.	Resis.	Temp.	Resis.	Temp.	Resis.	Temp.	Resis.	Temp.	Resis.	Temp.	Resis.	Temp.	Resis.
(°C)	(ohm)	(°C)	(ohm)	(°C)	(ohm)	(°C)	(ohms)	(°C)	(ohm)	(°C)	(ohm)	(°C)	(ohm)	(°C)	(ohm)	(°C)	(ohm)
35	1471	38	1300	41	1152	44	1023	47	910	50	811	53	725	56	648	59	581
35,1	1465	38,1	1295	41,1	1148	44,1	1019	47,1	907	50,1	808	53,1	722	56,1	646	59,1	579
35,2	1459	38,2	1290	41,2	1143	44,2	1015	47,2	903	50,2	805	53,2	718	56,2	644	59,2	577
35,3	1453	38,3	1285	41,3	1139	44,3	1011	47,3	900	50,3	802	53,3	716	56,3	641	59,3	575
35,4	1447	38,4	1279	41,4	1134	44,4	1007	47,4	896	50,4	799	53,4	714	56,4	639	59,4	573
35,5	1441	38,5	1274	41,5	1129	44,5	1003	47,5	893	50,5	796	53,5	711	56,5	637	59,5	571
35,6	1435	38,6	1269	41,6	1125	44,6	999	47,6	889	50,6	793	53,6	709	56,6	634	59,6	569
35,7	1429	38,7	1264	41,7	1120	44,7	995	47,7	886	50,7	790	53,7	706	56,7	632	59,7	567
35,8	1423	38,8	1259	41,8	1116	44,8	991	47,8	882	50,8	787	53,8	703	56,8	630	59,8	565
35,9	1417	38,9	1254	41,9	1112	44,9	988	47,9	879	50,9	784	53,9	701	56,9	627	59,9	563
36	1411	39	1249	42	1107	45	984	48	876	51	781	54	698	57	625	60	561
36,1	1405	39,1	1244	42,1	1103	45,1	980	48,1	872	51,1	778	54,1	695	57,1	623		
36,2	1400	39,2	1239	42,2	1098	45,2	976	48,2	869	51,2	775	54,2	693	57,2	620		
36,3	1394	39,3	1234	42,3	1094	45,3	972	48,3	866	51,3	772	54,3	690	57,3	618		
36,4	1388	39,4	1229	42,4	1090	45,4	968	48,4	862	51,4	769	54,4	688	57,4	616		
36,5	1383	39,5	1224	42,5	1085	45,5	965	48,5	859	51,5	767	54,5	685	57,5	614		
36,6	1377	39,6	1219	42,6	1081	45,6	961	48,6	856	51,6	764	54,6	683	57,6	611		
36,7	1371	39,7	1214	42,7	1077	45,7	957	48,7	853	51,7	761	54,7	680	57,7	609		
36,8	1366	39,8	1209	42,8	1073	45,8	954	48,8	849	51,8	758	54,8	678	57,8	607		
36,9	1360	39,9	1204	42,9	1068	45,9	950	48,9	846	51,9	755	54,9	675	57,9	605		
37	1355	40	1199	43	1064	46	946	49	843	52	752	55	673	58	603		
37,1	1349	40,1	1195	43,1	1060	46,1	942	49,1	840	52,1	748	55,1	670	58,1	600		
37,2	1344	40,2	1190	43,2	1056	46,2	939	49,2	836	52,2	747	55,2	668	58,2	598		
37,3	1338	40,3	1185	43,3	1052	46,3	935	49,3	833	52,3	744	55,3	665	58,3	596		
37,4	1333	40,4	1180	43,4	1047	46,4	932	49,4	830	52,4	741	55,4	663	58,4	594		
37,5	1327	40,5	1176	43,5	1043	46,5	928	49,5	827	52,5	738	55,5	660	58,5	592		
37,6	1322	40,6	1171	43,6	1039	46,6	924	49,6	824	52,6	735	55,6	658	58,6	590		
37,7	1316	40,7	1166	43,7	1035	46,7	921	49,7	821	52,7	733	55,7	655	58,7	587		
37,8	1311	40,8	1161	43,8	1031	46,8	917	49,8	817	52,8	730	55,8	653	58,8	585		
37,9	1306	40,9	1157	43,9	1027	46,9	914	49,9	814	52,9	727	55,9	651	58,9	583		

*Figura 10—Diagramma resistenza - temperatura
(sensore di temperatura Gaymar FWT1)*

Indice		
Sección	Descripción	Página
1.0	Indicaciones	1
2.0	Descripción del producto	2
3.0	Instrucciones de uso	4
4.0	Sistemas de seguridad	6
5.0	Limpieza	7
6.0	Prueba de funcionamiento/Inspección de seguridad	8
7.0	Solución de fallos	10
8.0	Especificaciones técnicas	11

Antes de empezar . . .



Importante

Antes de utilizar el recalentador de sangre y fluidos Serie FW600 Medi-Temp III, lea detenidamente el contenido de este *Manual del operador* y las **PRECAUCIONES**.

Si desea efectuar alguna consulta, diríjase a su distribuidor local.

Garantía

El recalentador de sangre y fluidos Serie FW600 Medi-Temp III está garantizado contra defectos de material y fabricación por un (1) año.

Los juegos de recalentamiento desechables están garantizados contra defectos de material y fabricación por una sola aplicación.

Si lo desea, puede solicitar una copia de la garantía. Gaymar no reconoce ninguna garantía implícita, incluidas, pero no limitadas a, aquellas relativas a la calidad comercial y conveniencia para un determinado fin.

1.0 Indicaciones

Este dispositivo está indicado para la prevención de casos inadvertidos de hipotermia durante la administración de sangre, productos sanguíneos y otros fluidos.



1.1 Precauciones

PELIGRO



Peligro de electrocución.

No contiene ninguna pieza reparable por el usuario.

ADVERTENCIA

- Elimine todo el aire presente en los tubos de fluido antes de conectarlos al paciente.
- Controle los tubos de fluido en forma constante para asegurarse que no contengan aire. Jamás administre fluidos en el caso de que haya presentes burbujas de aire en el interior del tubo entre la trampa de burbujas y el conector del paciente.
- Observe el nivel de fluido en la trampa de burbujas a intervalos cortos. Las burbujas liberadas durante el calentamiento quedan retenidas en la trampa. Para volver a llenar la trampa, introduzca una jeringa estéril en la válvula y extraiga el aire hasta que la trampa quede llena en dos tercios (2/3). No permita que el nivel de la trampa de burbujas disminuya por debajo de un cuarto (1/4) de su capacidad.
- La trampa de burbujas debe instalarse y mantenerse en posición vertical en todo momento.

El incumplimiento de las advertencias anteriores puede traer como consecuencia la penetración de aire en el paciente. La penetración de aire en el paciente puede ocasionar una lesión grave o la muerte.

PRECAUCIÓN

- La ley federal de los EE.UU. impone que este producto sólo puede ser vendido por un médico o bajo prescripción médica.
- No sumerja el dispositivo en soluciones de limpieza y/o esterilización. No sumerja ni humedezca la unidad, ya que posee características de resistencia a los fluidos y no a prueba de ellos.
- Para garantizar la conexión a tierra, conecte el recalentador de sangre y fluidos a un tomacorriente con una conexión a tierra adecuada.
- El botón de *MARCHA/ESPERA* no proporciona aislamiento del suministro principal. Dicho aislamiento (IEC 601-1) sólo puede lograrse desconectando el cordón de alimentación de la fuente de suministro principal.

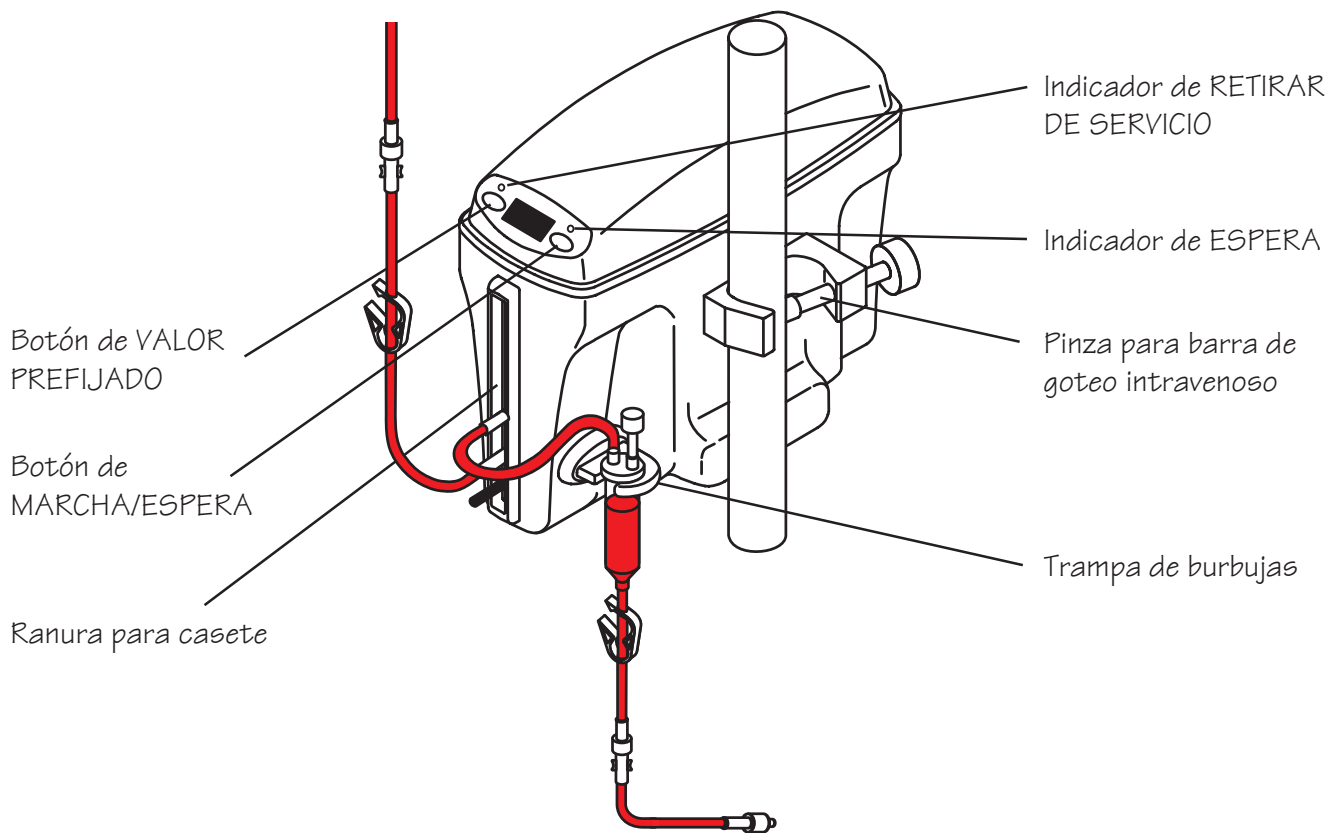


Figura 1—Recalentador de sangre y fluidos Serie FW600

2.0 Descripción del producto

El recalentador de sangre y fluidos Serie FW600 Medi-Temp III es un dispositivo de calor seco diseñado para proporcionar el recalentamiento seguro y rápido de la sangre, productos sanguíneos y otros fluidos mediante la utilización de juegos de recalentamiento de sangre y fluidos desechables. El recalentador no permite controlar la velocidad de flujo de los fluidos. La sangre, los productos sanguíneos y otros fluidos que se encuentran normalmente refrigerados se recalentarán rápidamente a temperaturas seleccionadas por el usuario entre 38,0°C–43,0°C a velocidades de flujo de 300 ml/min. Los fluidos que se encuentran a temperatura ambiente pueden recalentarse a velocidades de flujo de hasta 500 ml/min. Los juegos de recalentamiento de sangre y fluidos desechables se ofrecen en modelos estándar, estándar con extensiones, pediátrico y de flujo elevado.

2.1 Recalentador

La unidad de recalentamiento está diseñada para instalarse en una barra de goteo intravenoso. El dispositivo no tiene control de encendido/apagado. La conexión al suministro de CA es indicada por un indicador verde de modo de *ESPERA*, situado en el

panel frontal. Mientras se encuentra en el modo de *ESPERA*, no se puede aplicar energía eléctrica al calentador. Para iniciar el funcionamiento normal, oprima el botón de *MARCHA/ESPERA*.

Al hacerlo, en una pantalla LED situada en el panel frontal aparecerá indicada la temperatura real del fluido o el valor prefijado de temperatura en °C. El valor prefijado es seleccionado por el usuario entre 38,0°C–43,0°C en incrementos de 1,0°C, mediante la utilización del botón de *VALOR PREFIJADO* en el panel frontal. También sobre la parte frontal, la unidad cuenta con una ranura para la introducción del juego de recalentamiento desechable. En el lado derecho de la unidad, justo debajo de la pinza para barra de goteo intravenoso, se encuentra el soporte para la trampa de burbujas del juego de recalentamiento desechable.

2.2 Juegos desechables

El recalentador de sangre y fluidos Serie FW600 Medi-Temp III está diseñado para ser utilizado únicamente con los juegos de recalentamiento desechables Serie D25000 Gaymar. Los juegos de recalentamiento siguientes (Figura 2) están diseñados para ser utilizados a presiones inferiores a los 300 mm Hg. Solicite más detalles a su distribuidor local.

Descripción	N° de catálogo	Aplicación	Volumen de cebado
Estándar	D25340CE	MVA—150 ml/min	39 ml
Estándar con extensión de 122 cm (48")	D25310CE	MVA—150 ml/min	48 ml
Estándar con extensión de 152 cm (60")	D25315CE	MVA—150 ml/min	50 ml
Pediátrico con extensión de 76 cm (30")	D25320CE	MVA—100 ml/min	30 ml
Flujo elevado con extensión de 122 cm (48")	D25330CE	100—500 ml/min	79 ml

MVA = flujo mínimo necesario para mantener las venas abiertas

Figura 2—Juegos de recalentamiento Serie D25000

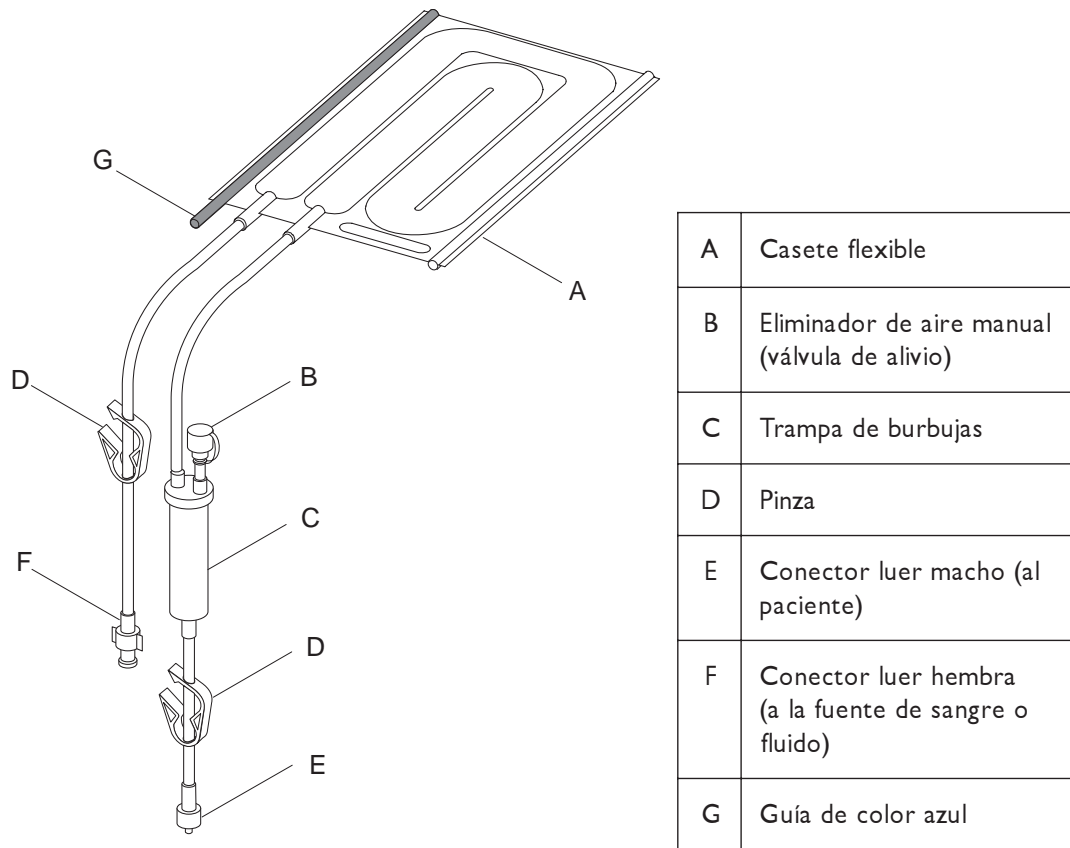


Figura 3—Juego de recalentamiento y trampa de burbujas

3.0 Instrucciones de uso (refiérase a las Figuras 3—5)

- Coloque el calentador en una barra de goteo intravenoso y fíjelo con la pinza que se encuentra en la parte lateral de la unidad.
- Enchufe el cordón de alimentación a un tomacorriente que cuente con una conexión a tierra adecuada.
- Retire el juego de calentamiento de su envase estéril.

NOTA: El juego de calentamiento flexible está diseñado de modo tal que se pueda introducir en el calentador en una sola posición. Oriente el casete de modo tal que la guía azul se introduzca en la parte inferior del calentador.

- 1 Sujete cada guía (refiérase a la Figura 4). Estire el casete flexible ligeramente e introduzca el extremo frontal en la parte frontal del calentador, con la guía azul hacia abajo. Alinee las guías con cada una de las aberturas ranuradas.

Lleve las manos hasta los extremos salientes de las guías y continúe introduciendo el casete hasta que la guía transparente quede **casi** a ras con la parte frontal de la unidad. (La guía de color azul sobresaldrá ligeramente para facilitar su extracción.)

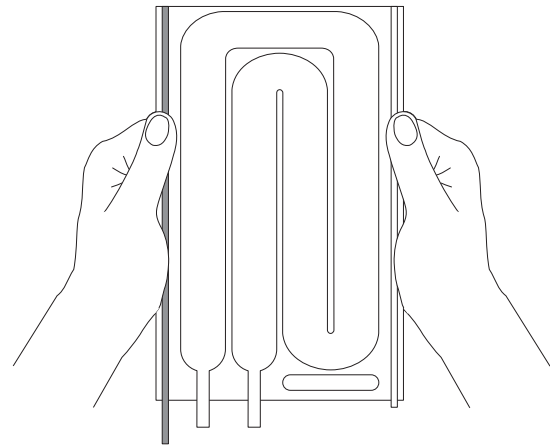


Figura 4—Introducción del casete

PRECAUCIÓN

Una vez que la guía transparente esté totalmente introducida no deberá sobresalir más 0,5 cm de la parte frontal del calentador. **Si no se inserta totalmente el casete se puede causar el daño del mismo.**

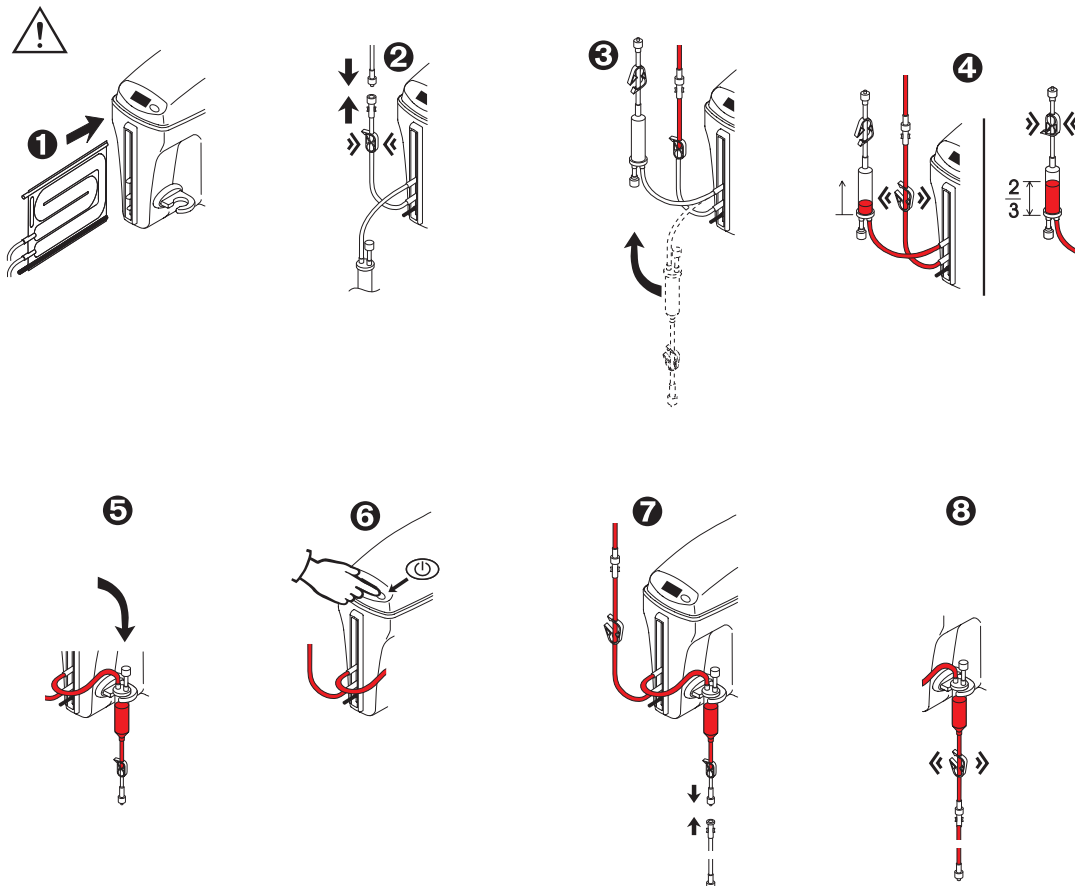



Figura 5—Configuración

- 2 Cierre la pinza de entrada del juego de recalentamiento. Retire el protector del conector luer hembra del juego de recalentamiento y conéctelo al conector luer macho en el juego de administración intravenosa. Retire el protector del conector luer macho del juego de recalentamiento. Para reducir al mínimo la caída de temperatura y el volumen de cebado, retire las extensiones del cable que no se utilizan en este momento.
- 3 Invierta la posición de la trampa de burbujas.
- 4 Abra la pinza de entrada del juego de recalentamiento. Permita que el fluido cebe el juego. Cuando la trampa de burbujas se llene a aproximadamente dos tercios (2/3), cierre la pinza de salida.
- 5 Vuelva a invertir la posición de la trampa de burbujas y colóquela en el soporte provisto en la parte lateral del recalentador.

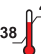

ADVERTENCIA

La trampa de burbujas debe instalarse y mantenerse en posición vertical en todo momento. **La falta de cumplimiento de las indicaciones anteriores puede traer como consecuencia la penetración de aire en el paciente y producirle una lesión grave o la muerte.**

- 6 Oprima el botón de *MARCHA/ESPERA*  en la parte frontal de la unidad.

Una vez terminada la autoevaluación exitosa, en la pantalla aparece destellando el valor prefijado durante 3 segundos aproximadamente, y luego se inicia el calentamiento del fluido a la temperatura seleccionada.

El último valor prefijado utilizado queda registrado en la memoria, incluso después de cortar la energía eléctrica. Para elegir un valor prefijado alternativo, primero oprima momentáneamente el

botón de *VALOR PREFIJADO*  . Esto hará que el valor prefijado destelle en la pantalla por aproximadamente 3 segundos. Mientras está destellando, el usuario puede elegir cualquier valor prefijado entre 38,0°C y 43,0°C en incrementos de 1,0°C, pulsando repetidamente el botón de *VALOR PREFIJADO*.

NOTA: Si mantiene oprimido el botón de *VALOR PREFIJADO* indefinidamente no aumentará el valor prefijado.

Después de efectuada la selección, el valor continuará destellando en la pantalla por aproximadamente 3 segundos y luego volverá a aparecer la temperatura real del fluido. Se puede verificar el valor prefijado en cualquier momento durante el procedimiento oprimiendo momentáneamente el botón de *VALOR PREFIJADO*.

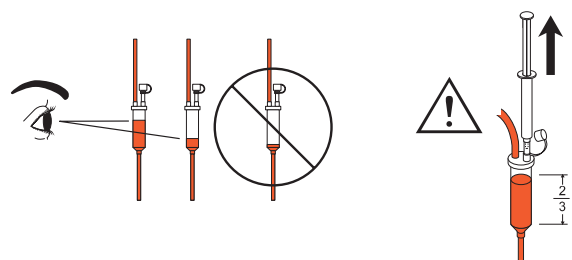
- 7 En caso de ser necesario, conecte una extensión para la conexión al paciente.
- 8 Elimine el aire del tramo de tubo restante abriendo la pinza de salida y permitiendo la circulación del fluido.

ADVERTENCIA

- Elimine todo el aire presente en los tubos de fluido antes de conectarlos al paciente.
- Controle los tubos de fluido en forma constante para asegurarse que no contengan aire. Jamás administre fluidos en el caso de que haya presentes burbujas de aire en el interior del tubo entre la trampa de burbujas y el conector del paciente.

La falta de cumplimiento de las indicaciones anteriores puede traer como consecuencia la penetración de aire en el paciente y producirle una lesión grave o la muerte.

ADVERTENCIA



Observe el nivel de fluido en la trampa de burbujas a intervalos cortos. Las burbujas liberadas durante el calentamiento quedan retenidas en la trampa. Para volver a llenar la trampa, introduzca una jeringa estéril en la válvula y extraiga el aire hasta que la trampa quede llena en dos tercios (2/3). No permita que el nivel de la trampa de burbujas disminuya por debajo de un cuarto (1/4) de su capacidad.

El no controlar el nivel de fluido en la trampa de burbujas puede traer como consecuencia la penetración de aire en el paciente y producirle una lesión grave o la muerte.

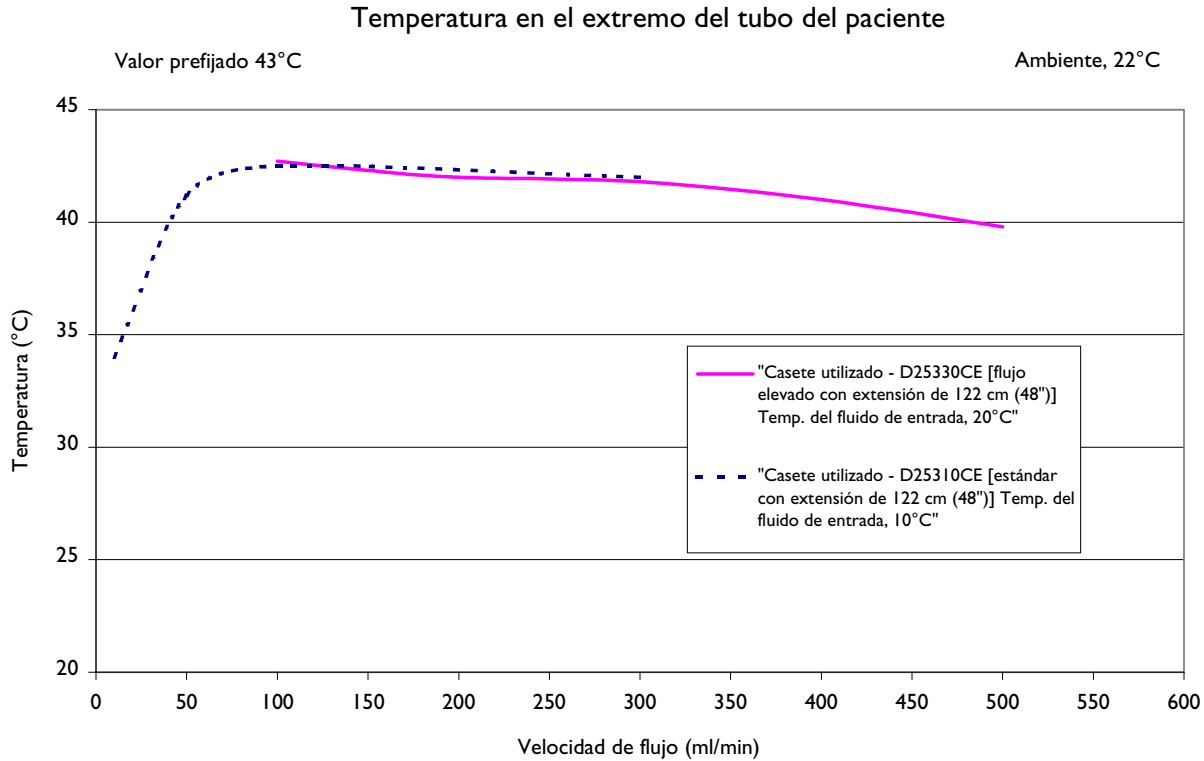


Figura 6—Temperatura típica de fluido versus velocidad de flujo

3.1 Efecto de la velocidad de flujo sobre la temperatura del fluido

Las temperaturas del fluido que sale por el tubo del paciente son afectadas por la velocidad de flujo. La siguiente curva de flujo versus la temperatura de salida de fluido es típica del recalentador Serie FW600. Refiérase a la Figura 6 anterior.

NOTA: La temperatura del fluido de salida para esta curva es medida en el extremo del tubo del paciente.

3.2 Retiro del juego de recalentamiento

El casete no puede ser extraído del recalentador mientras está presurizado. Para extraer el casete:

1. Primero cierre la pinza de entrada del juego de recalentamiento, dejando abierta la pinza de salida.
2. Cierre la pinza de salida del juego de recalentamiento.
3. Los pasos 1 y 2 permitirán vaciar el fluido del casete. Tire suavemente de la guía azul para extraer el casete del recalentador.
4. Deseche el juego de recalentamiento de acuerdo con la práctica habitual del establecimiento.

PRECAUCIÓN

Si no se vacía el casete se dificultará su extracción. **Si se fuerza el casete para extraerlo se puede romper.**



4.0 Sistemas de seguridad

4.1 Protección contra sobretemperatura

Un sistema de respaldo dentro del recalentador es independiente de la unidad de control principal y su función es supervisar continuamente la temperatura del fluido. En el caso de que la temperatura del fluido que sale sobrepase de 45,0°C, el sistema de respaldo interrumpe inmediatamente la alimentación a los calentadores. Si la condición de sobretemperatura es una ocurrencia temporal como resultado de un cambio repentino en la velocidad de flujo, la pantalla indicará en forma alternada la palabra *HI (alta)* y la temperatura del fluido. Cuando la temperatura del fluido regresa a los niveles aceptables, se reanuda el funcionamiento normal de la unidad. Sin embargo, si el sistema de respaldo detecta que la condición de sobretemperatura es el resultado de un fallo en la

unidad de control principal, se activa una alarma audible, el indicador RDS (RETIRAR DE SERVICIO) se ilumina y el dispositivo se desactiva. Si esto llegara a ocurrir, interrumpa inmediatamente la circulación de fluido, deseche el juego de recalentamiento y póngase en contacto con su distribuidor local.

4.2 Autoevaluación

Cada vez que el recalentador cambie de modo de *ESPERA* a modo de *MARCHA*, se inicia una autoevaluación. Si el sistema de respaldo no está funcionando debidamente, en la pantalla aparece un mensaje de error y el dispositivo se desactiva. Además, la autoevaluación se efectúa en forma periódica durante el modo de *MARCHA* para asegurar el funcionamiento seguro del recalentador.

4.3 Alarma de control LO

En el caso de detectarse una temperatura del fluido inferior a 34,0°C, se activará una alarma audible y en la pantalla aparecerá alternadamente la palabra *LO* (baja) y la temperatura real del fluido.

Excepción: El recalentador no activará la alarma hasta que la temperatura del fluido sobrepase inicialmente el umbral de 34,0°C.

5.0 Limpieza

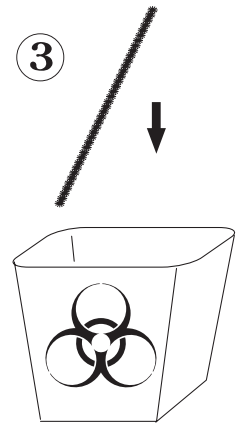
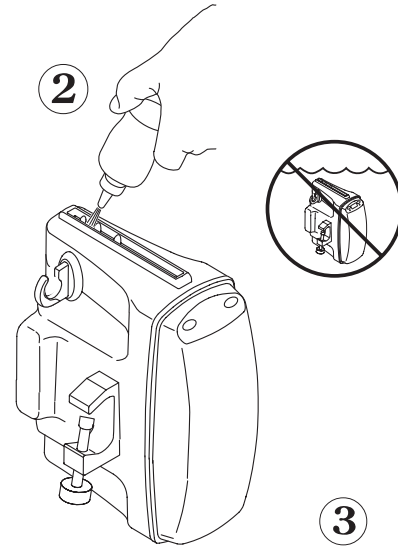
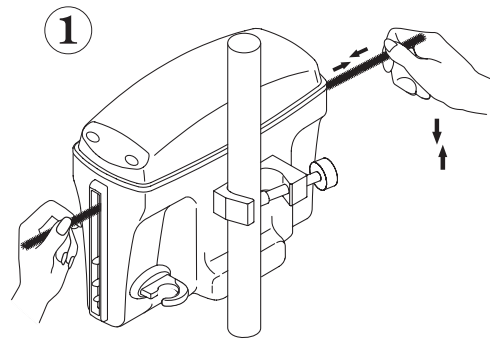
PRECAUCIÓN

No sumerja el recalentador en ninguna solución de limpieza o desinfectante. No sumerja ni humedezca la unidad, ya que posee características de resistencia a los fluidos y no a prueba de ellos.

La inmersión puede causar como consecuencia el fallo o daño del equipo.

Después de cada uso o de acuerdo con la práctica habitual del establecimiento, proceda al cuidado y limpieza de la unidad como se indica a continuación.

- Desenchufe la unidad antes de proceder a su limpieza
- Para limpiar las superficies externas del recalentador, utilice una solución de limpieza no abrasiva (como por ejemplo agua tibia con jabón) y un trapo limpio.
- Limpie el interior de la ranura del casete con un cepillo desechable. Lave cuidadosamente utilizando una botella comprimible con agua. Juego de limpieza de repuesto N/P 78350-000.



- Aplique un desinfectante como por ejemplo una solución de lejía con cloro al 10% (lejía clorinada con hipoclorito de sodio al 5,25%) a la parte exterior del recalentador y la ranura del casete y deje secar.

PRECAUCIÓN

Si llegara a entrar fluido o alguna sustancia extraña en la ranura del casete, se deberá limpiar el recalentador. **Si no se mantiene limpia la ranura del casete se puede impedir la introducción del mismo.**

6.0 Prueba de funcionamiento e inspección de seguridad

Cada doce meses de funcionamiento o de acuerdo con lo especificado en el programa de mantenimiento preventivo del establecimiento, realice la prueba siguiente para asegurar óptimo funcionamiento, fiabilidad y seguridad.

Equipo o herramientas necesarios

- Cualquier juego de recalentamiento de sangre y fluidos Serie D25340 Gaymar
- Aparato para medir la temperatura:
 - Juego de recalentamiento de sangre y fluidos D25340 Gaymar y
 - Sensor de temperatura (FWTI en catálogo Gaymar) y un ohmímetro (precisión, 1,5% del valor indicado; corriente máxima de excitación de 100 μ A) y la tabla de temperatura y resistencia. Refiérase a la Figura 10 (en la página 12).
 -
 - Cualquier juego de recalentamiento de sangre y fluidos Serie D25000 Gaymar y
 - Sensor de temperatura/termómetro impermeable con una precisión de $\pm 0,3\%$ en toda la escala de 30°C a 60°C y una constante de tiempo de calentamiento de 2 segundos o más rápido.
- Aparato para medir el flujo (flujómetro FWT2 en el catálogo Gaymar):
 - Una fuente de fluido con un flujómetro calibrado y una precisión mínima de ± 12 ml/minuto
 -
 - Una fuente de fluido con control de flujo ajustable. Utilice un cronómetro y un cilindro graduado para ajustar la velocidad de flujo.
- Probador de fuga de corriente/resistencia de tierra
- Multímetro CA

6.1 Inspección física

Revise para ver si los artículos siguientes están en buenas condiciones y bien sujetos.

- Etiquetas, si se han despegado o perdido
- Tornillos en la cubierta
- Soporte de la trampa de burbujas
- Cordón de alimentación
- Pinza para barra de goteo intravenoso

6.2 Verificación de la temperatura de salida de fluido

El recalentador de sangre y fluidos Serie FW600 es calibrado en fábrica a una velocidad de flujo de 100 ml/min con un valor prefijado de 43,0°C.

Para verificar si la temperatura de salida de fluido es la correcta:

1. La temperatura ambiente debe ser entre 20°C y 24°C.
2. Conecte el equipo de prueba (refiérase a la Figura 7). Conecte el sensor de temperatura FWTI Gaymar a la salida de la trampa de burbujas.

Método alternativo: Perfore un agujero en la parte superior de la trampa de burbujas e introduzca el termómetro en este agujero. Cerciórese que el sensor esté sumergido completamente en el fluido y luego cierre el agujero en la trampa de burbujas.
3. Conecte el flujómetro FWT2 ó el aparato para medir/controlar el flujo a la salida del sensor de temperatura FWTI.

Método alternativo: En el caso de emplear el método de la trampa de burbujas, conecte el flujómetro FWT2 ó el aparato para medir/controlar el flujo directamente a la salida de la trampa de burbujas.
4. Haga circular agua a temperatura ambiente por el recalentador a 100 ml/min (cc/min). Verifique que la trampa de burbujas se mantenga entre 1/2 y 2/3 llena.
5. Encienda el recalentador. Ajuste el VALOR PREFIJADO a 43,0°C. Déjelo funcionar por 10 minutos.
6. Verifique que la temperatura de salida del agua sea 43,0°C $\pm 1,1$ °C. Si está utilizando el sensor de temperatura FWTI y un ohmímetro, verifique que la resistencia se mantenga entre 1019 y 1112 ohmios.

Si los valores de temperatura o resistencia no son los indicados, revise la configuración del equipo y repita la prueba. Si todavía no está dentro de los límites indicados, solicite los servicios de reparación de su concesionario local.

Este dispositivo es calibrado en fábrica y no puede ajustarse *in situ*.

6.3 Verificación de la protección contra sobretemperatura

El funcionamiento correcto del sistema de protección contra sobretemperatura es verificado cada vez que la unidad cambie del modo de ESPERA al de MARCHA. Por

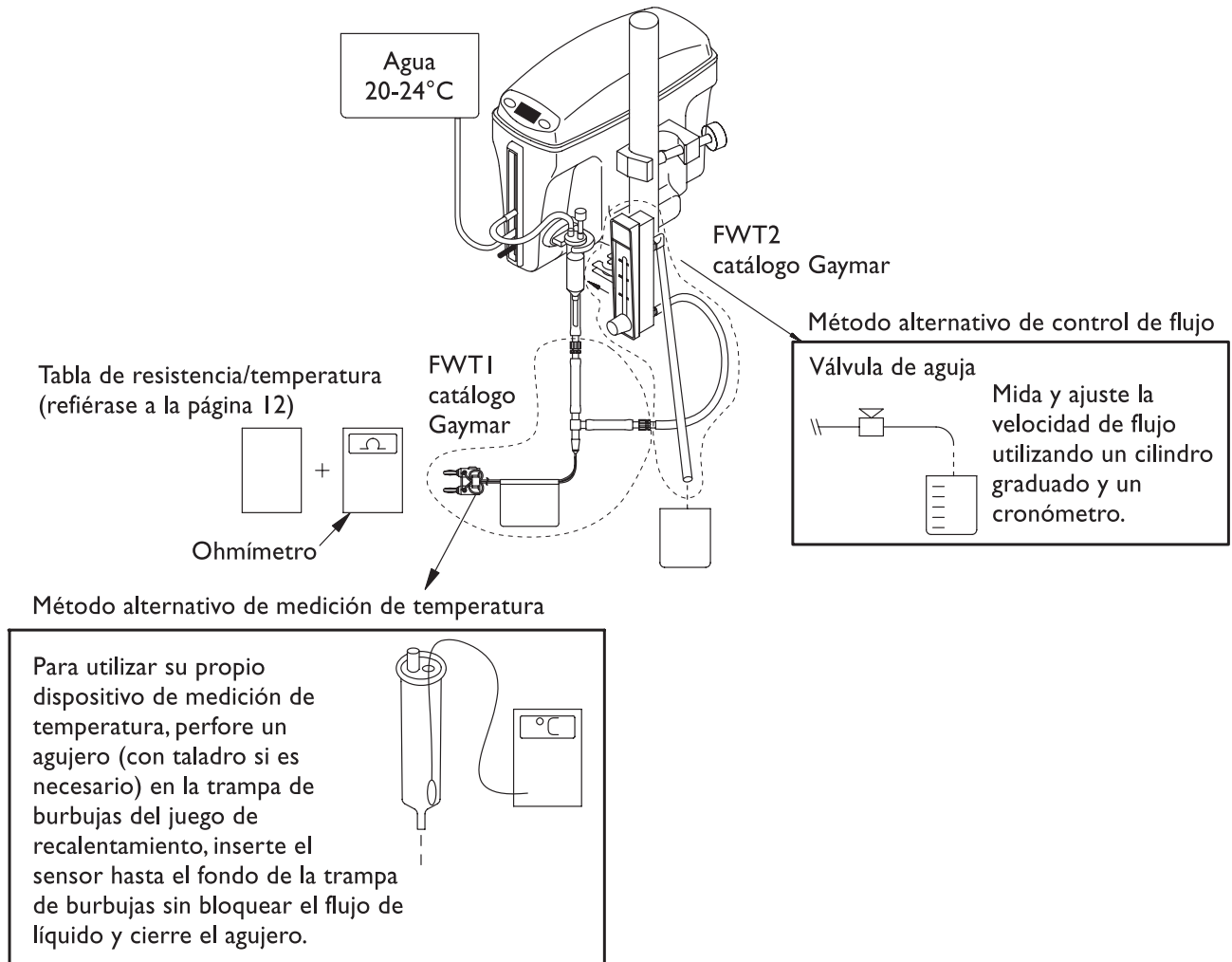


Figura 7—Configuración del equipo de prueba

esa razón no es necesario probar periódicamente este sistema. Sin embargo, se puede utilizar el procedimiento siguiente para forzar una condición de **SOBRETENPERATURA** con el fin de observar el funcionamiento del sistema de protección contra sobretemperatura:

1. Inserte un casete de recalentamiento Serie D25000 en el recalentador. Haga circular agua caliente de la llave (46°C–50°C) por el casete durante aproximadamente 1 a 3 minutos.
2. Conecte la energía CA al recalentador. El dispositivo deberá activar inmediatamente la alarma audible e iluminar la luz de RDS.

6.4 Prueba de la resistencia de tierra

Utilice un probador de fuga de corriente/resistencia de tierra para medir la resistencia entre la clavija de

puesta a tierra en el enchufe de alimentación y el tornillo de montaje en la pinza de la barra de goteo intravenoso.

El valor de resistencia no debe sobrepasar de 0,50 ohmio.

6.5 Prueba de fuga de corriente

Mida la corriente de fuga a tierra máxima (abierto a tierra). Mida todas las combinaciones de polaridad de la línea con el neutro abierto y cerrado. Los valores no deberán sobrepasar de los siguientes:

FW600 neutro cerrado	150 μ A
FW600 neutro abierto	200 μ A
FW603 neutro cerrado	250 μ A
FW603 neutro abierto	300 μ A

7.0 Solución de fallos

Síntoma	Causas probables	Solución
En la pantalla destella alternadamente la palabra LO (baja) y la temperatura del fluido	La temperatura de salida del fluido no ha alcanzado los 34°C.	Deje que la unidad funcione por 2 minutos. Si la temperatura no aumenta, retire la unidad de servicio y pida que la reparen.
En la pantalla destella alternadamente la palabra HI (alta) y la temperatura del fluido	Debido a un desperfecto transitorio, como por ejemplo un cambio repentino en la velocidad de flujo, la temperatura del fluido sobrepasó los 43°C.	NINGUNA—Cuando la temperatura del fluido baje por debajo de 43°C, la unidad reanudará su funcionamiento normal.
Se activa la alarma audible y en la pantalla parpadea la palabra LO (baja) y la temperatura del fluido	La temperatura de salida del fluido ha disminuido por debajo de 34°C.	Deje que la unidad funcione por 2 minutos. Si la temperatura no aumenta, retire la unidad de servicio y pida que la reparen.
Se activa la alarma audible y en la pantalla aparece FA_ (falla)	La autoevaluación electrónica ha detectado un problema interno.	Retire la unidad de servicio y pida que la reparen.
La alarma audible suena en forma continua y la luz amarilla de RDS se ilumina	Las temperaturas internas del fluido sobrepasaron de 45°C y el sistema de respaldo se activó.	Interrumpa el flujo de fluido, deseche el casete y solicite servicio técnico.
El casete no se introduce fácilmente en el recalentador	Se cebó el casete antes de introducirlo.	Vacíe el casete e introdúzcalo nuevamente.
	El interior de la ranura del recalentador puede tener impurezas en las placas calentadoras.	Limpie el interior del recalentador siguiendo el procedimiento de limpieza (sección 5.0)
El casete no se extrae fácilmente del recalentador	El casete está presurizado.	Cierre la pinza de entrada y abra la de salida. Deje que el fluido se vacíe.

Figura 8—Tabla de solución de fallos

8.0 Especificaciones técnicas


Especificaciones técnicas		
Item	FW600	FW603
Gama de valor prefijado / resolución	38,0°C a 43,0°C en incrementos de 1,0°C	
Resolución de temperatura del fluido	0,1°C	
Precisión de la unidad de control a 100 ml/min	±0,5°C	
Tensión	120 VCA	220-240 VCA
Corriente	9 A	4,5 A
Fusible	(2) 15 A, con retardo, 250 V	(2) T; 6,3 A; 250 V; L 5 mm x 20 mm
Frecuencia	60 Hz	50/60 Hz
Gama de temperatura ambiente	15°C a 29°C	
Cordón de alimentación	Cordón de 4,6 m de largo, de 3 conductores tipo SJT de 16 AWG, homologado por UL con enchufe moldeado con conexión a tierra para uso en hospitales	4,6 m de largo. Utilice únicamente un cordón de 3 conductores internacional (armonizado) con cordelaje aprobado para conductores HD-21 de 1,5 mm ² (HO5VVF3G1.5)
Clasificación  IPX4	Equipo con conexión a tierra Clase I, tipo BF, protegido contra goteo, no apropiado para utilizar en presencia de mezclas anestésicas inflamables con aire o con oxígeno u óxido nitroso. Adecuado para servicio continuo.	
Regulatorio	Clasificado únicamente con respecto a los riesgos de electrocución, incendio y mecánicos, de conformidad con las normas UL 2601-1, CAN/CSA C22.2 NO.601.1	EN60601-1
Compatibilidad electromagnética	Cumple con la especificación EN60601-1-2: 1993 (clasificado como equipo ISM clase B, grupo I según CISPR 11)	
Peso	2,7 kg	
Dimensiones	22 cm x 28,5 cm x 12 cm	

Figura 9—Especificaciones

ESPAÑOL

Temp.	Resis.	Temp.	Resis.	Temp.	Resis.	Temp.	Resis.	Temp.	Resis.	Temp.	Resis.	Temp.	Resis.	Temp.	Resis.	Temp.	Resis.
(°C)	(ohmios)	(°C)	(ohmios)	(°C)	(ohmios)	(°C)	(ohmios)	(°C)	(ohmios)	(°C)	(ohmios)	(°C)	(ohmios)	(°C)	(ohmios)	(°C)	(ohmios)
35	1471	38	1300	41	1152	44	1023	47	910	50	811	53	725	56	648	59	581
35,1	1465	38,1	1295	41,1	1148	44,1	1019	47,1	907	50,1	808	53,1	722	56,1	646	59,1	579
35,2	1459	38,2	1290	41,2	1143	44,2	1015	47,2	903	50,2	805	53,2	718	56,2	644	59,2	577
35,3	1453	38,3	1285	41,3	1139	44,3	1011	47,3	900	50,3	802	53,3	716	56,3	641	59,3	575
35,4	1447	38,4	1279	41,4	1134	44,4	1007	47,4	896	50,4	799	53,4	714	56,4	639	59,4	573
35,5	1441	38,5	1274	41,5	1129	44,5	1003	47,5	893	50,5	796	53,5	711	56,5	637	59,5	571
35,6	1435	38,6	1269	41,6	1125	44,6	999	47,6	889	50,6	793	53,6	709	56,6	634	59,6	569
35,7	1429	38,7	1264	41,7	1120	44,7	995	47,7	886	50,7	790	53,7	706	56,7	632	59,7	567
35,8	1423	38,8	1259	41,8	1116	44,8	991	47,8	882	50,8	787	53,8	703	56,8	630	59,8	565
35,9	1417	38,9	1254	41,9	1112	44,9	988	47,9	879	50,9	784	53,9	701	56,9	627	59,9	563
36	1411	39	1249	42	1107	45	984	48	876	51	781	54	698	57	625	60	561
36,1	1405	39,1	1244	42,1	1103	45,1	980	48,1	872	51,1	778	54,1	695	57,1	623		
36,2	1400	39,2	1239	42,2	1098	45,2	976	48,2	869	51,2	775	54,2	693	57,2	620		
36,3	1394	39,3	1234	42,3	1094	45,3	972	48,3	866	51,3	772	54,3	690	57,3	618		
36,4	1388	39,4	1229	42,4	1090	45,4	968	48,4	862	51,4	769	54,4	688	57,4	616		
36,5	1383	39,5	1224	42,5	1085	45,5	965	48,5	859	51,5	767	54,5	685	57,5	614		
36,6	1377	39,6	1219	42,6	1081	45,6	961	48,6	856	51,6	764	54,6	683	57,6	611		
36,7	1371	39,7	1214	42,7	1077	45,7	957	48,7	853	51,7	761	54,7	680	57,7	609		
36,8	1366	39,8	1209	42,8	1073	45,8	954	48,8	849	51,8	758	54,8	678	57,8	607		
36,9	1360	39,9	1204	42,9	1068	45,9	950	48,9	846	51,9	755	54,9	675	57,9	605		
37	1355	40	1199	43	1064	46	946	49	843	52	752	55	673	58	603		
37,1	1349	40,1	1195	43,1	1060	46,1	942	49,1	840	52,1	748	55,1	670	58,1	600		
37,2	1344	40,2	1190	43,2	1056	46,2	939	49,2	836	52,2	747	55,2	668	58,2	598		
37,3	1338	40,3	1185	43,3	1052	46,3	935	49,3	833	52,3	744	55,3	665	58,3	596		
37,4	1333	40,4	1180	43,4	1047	46,4	932	49,4	830	52,4	741	55,4	663	58,4	594		
37,5	1327	40,5	1176	43,5	1043	46,5	928	49,5	827	52,5	738	55,5	660	58,5	592		
37,6	1322	40,6	1171	43,6	1039	46,6	924	49,6	824	52,6	735	55,6	658	58,6	590		
37,7	1316	40,7	1166	43,7	1035	46,7	921	49,7	821	52,7	733	55,7	655	58,7	587		
37,8	1311	40,8	1161	43,8	1031	46,8	917	49,8	817	52,8	730	55,8	653	58,8	585		
37,9	1306	40,9	1157	43,9	1027	46,9	914	49,9	814	52,9	727	55,9	651	58,9	583		

Figura 10—Tabla de temperatura y resistencia
(Sensor de temperatura FWTI Gaymar)

Índice

<u>Secção</u>	<u>Assunto</u>	<u>Página</u>
1.0	Indicações de Utilização	1
2.0	Descrição do Produto	2
3.0	Instruções de Utilização	4
4.0	Sistemas de Segurança	6
5.0	Limpeza	7
6.0	Verificações e Testes Funcionais/Inspeção de Segurança	8
7.0	Resolução de avarias	10
8.0	Especificações Técnicas	11

Antes de começar . . .



Importante

Antes de usar o Aquecedor de Sangue/Líquidos Medi-Temp III Série FW600, leia e compreenda este *Manual do Utilizador* e estude as **PRECAUÇÕES DE SEGURANÇA** antes de cada aplicação.

Se tiver quaisquer dúvidas, faça favor de contactar o seu representante local para obter assistência.

Garantia

O Aquecedor de Sangue/Líquidos Medi-Temp III da Série FW600 está garantido como isento de defeitos tanto de material como de mão de obra, pelo período de um (1) ano.

Os Conjuntos de Aquecimento Descartáveis estão garantidos como isentos de defeitos, tanto de material como de mão de obra, para uma única aplicação.

Uma cópia da garantia pode ser fornecida a pedido. A Gaymar não se responsabiliza por quaisquer outras garantias implícitas, incluindo, entre outras, todas as garantias implícitas de comercialização e de adequação a um objectivo específico.

1.0 Indicações de Utilização

Este dispositivo destina-se a ajudar a prevenir a hipotermia inadvertida durante a administração de sangue, produtos sanguíneos e outros líquidos.



1.1 Precauções de Segurança

PERIGO



Risco de choque eléctrico.

Não há nenhuma peça dentro cuja manutenção possa ser feita pelo utilizador.

AVISO

- Retire completamente todo o ar das linhas de fluidos antes da ligação ao paciente.
- Verifique se as linhas de fluidos estão isentas de ar. Nunca administre líquidos se existirem bolhas de ar na linha entre o separador de bolhas e o conector do paciente.
- Observe frequentemente o nível do líquido no separador de bolhas. As bolhas libertadas durante o aquecimento são recolhidas no separador. Para voltar a encher o separador, introduza uma seringa esterilizada na válvula e retire ar até o separador se encher até dois terços (2/3). Nunca se deve permitir que o separador desça abaixo do nível de um quarto (1/4) da sua capacidade.
- O separador de bolhas deve manter-se sempre montado e na posição vertical.

A não observância das advertências acima descritas pode provocar a introdução de ar no paciente. A introdução de ar no paciente poderá resultar em morte ou lesões graves.

CUIDADO

- A legislação federal dos EUA só permite a venda deste dispositivo a médicos ou sob receita médica.
- Não mergulhe a unidade em solução de limpeza e/ou de esterilização. Esta unidade não pode ser submergida ou encharcada em líquidos; ela é resistente aos fluidos mas não é impermeável.
- Para a fiabilidade da ligação à terra, o Aquecedor de Sangue/Líquidos só deve ser ligado a uma tomada que tenha uma ligação à terra adequada.
- O interruptor *FUNCIONAMENTO/STANDBY* não fornece isolamento da alimentação de corrente. O isolamento da alimentação de corrente da rede (IEC 601-1) só se consegue desligando o cabo de corrente da tomada de alimentação da rede.

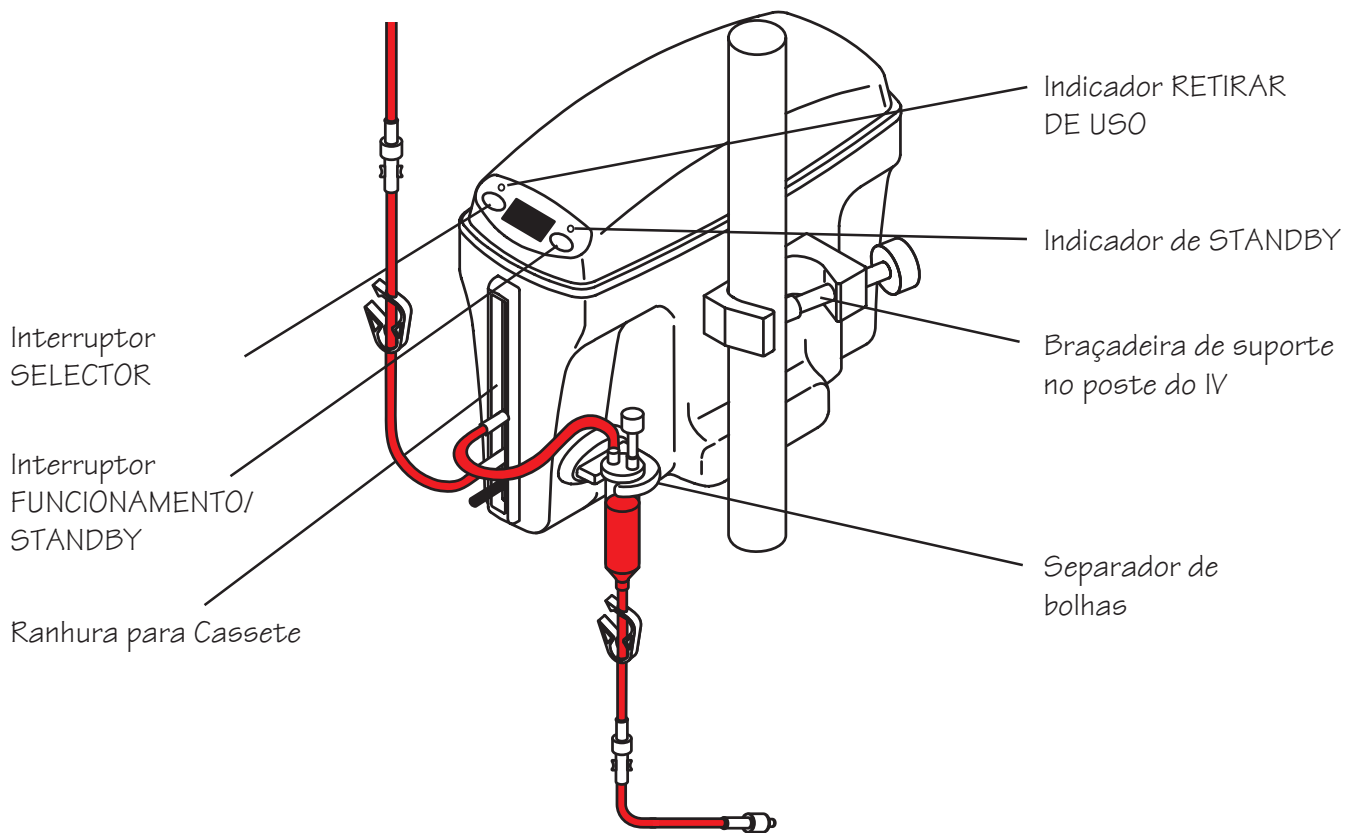


Figura 1—Aquecedor de Sangue/Líquidos da série FW600

2.0 Descrição do Produto

O Aquecedor de Sangue/Líquidos Medi-Temp III da Série FW600 é um dispositivo de calor seco destinado ao aquecimento seguro e rápido de sangue, produtos sanguíneos e outros líquidos, por meio da utilização de conjuntos descartáveis de aquecimento de sangue/líquidos. O aquecedor não fornece um controlo do caudal dos fluidos. O sangue, produtos sanguíneos e outros líquidos que normalmente são refrigerados podem ser rapidamente aquecidos até às temperaturas seleccionadas pelos utilizadores, entre 38,0°C–43,0°C, e a caudais até 300 ml/min. Fluidos à temperatura ambiente podem ser aquecidos a caudais até 500 ml/min. Os conjuntos descartáveis de aquecimento de sangue-líquidos podem ser adquiridos nos modelos Standard, Standard com Extensões, Pediátrico e de Elevado Caudal.

2.1 Aquecedor

A unidade aquecedora foi projectada para ser montada no poste do IV. Este dispositivo não tem interruptor de ligar/desligar. A ligação à alimentação de corrente alterna é indicada por um indicador verde do modo de STANDBY, localizado no painel da frente. No modo de STANDBY, não se pode aplicar corrente ao aquecedor.

Para começar o funcionamento normal, o botão FUNCIONAMENTO/STANDBY tem de ser premido.

Quando isto acontece, um indicador de temperatura LED localizado no painel da frente indicará a temperatura real do fluido ou a temperatura pre-seleccionada em °C. A pré-selecção da temperatura pode ser determinada pelo usuário, desde 38,0°C–43,0°C, em incrementos de 1,0°C, por meio do interruptor SELECTOR no painel da frente. Está também localizada na frente da unidade uma ranhura para inserir o conjunto descartável de aquecimento. Do lado direito da unidade, logo abaixo da braçadeira que agarra o poste do IV, está um suporte para receber o separador de bolhas do conjunto descartável de aquecimento.

2.2 Conjuntos descartáveis

A unidade aquecedora de sangue/líquidos Medi-Temp III da Série FW600 destina-se a ser usada exclusivamente com os conjuntos descartáveis de aquecimento Gaymar da série D25000. Os seguintes conjuntos de aquecimento (figure 2) foram concebidos para usar com uma pressão de até 300 mm Hg. Contacte o seu representante local para obter mais pormenores.

PORTUGUÊS

Descrição	Número de Catálogo	Aplicação	Volume interno (ao ferrar)
Standard	D25340CE	CMVA—150 ml/min	39 ml
Standard com extensão de 122 cm (48")	D25310CE	CMVA—150 ml/min	48 ml
Standard com extensão de 152 cm (60")	D25315CE	CMVA—150 ml/min	50 ml
Pediátrico com extensão de 76 cm (30")	D25320CE	CMVA—100 ml/min	30 ml
De Elevado Caudal com extensão de 122 cm (48")	D25330CE	100—500 ml/min	79 ml

CMVA = caudal mínimo necessário para manter as veias abertas

Figura 2—Conjuntos de aquecimento da série D25000

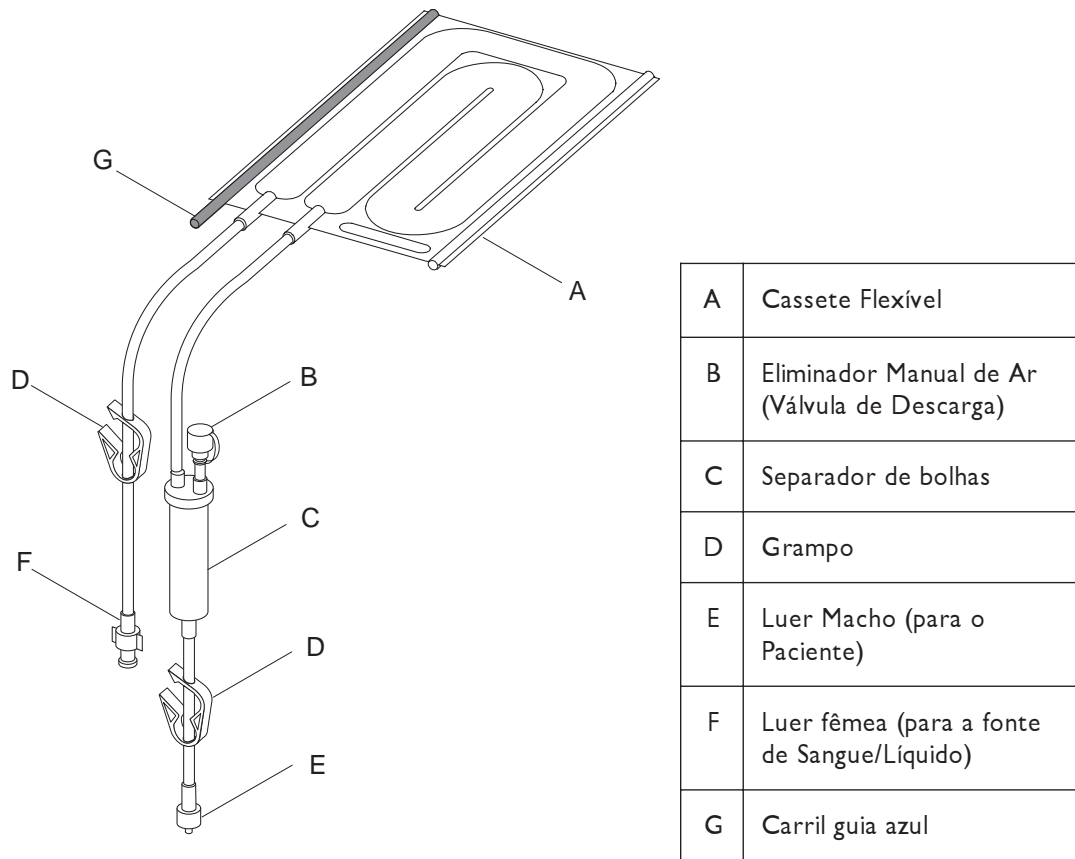


Figure 3—Conjunto de aquecimento e separador de bolhas

3.0 Instruções de Utilização (ver figuras 3-5)

- Prenda a unidade aquecedora ao poste do IV e fixe-a com a braçadeira que se encontra no lado da unidade.
- Introduza o cabo de alimentação de corrente numa tomada de corrente devidamente ligada à terra.
- Retire o conjunto de aquecimento da sua embalagem estéril.

NOTA: O conjunto flexível de aquecimento foi concebido de maneira que só pode ser inserido no aquecedor orientado numa única posição. Oriente a cassette de modo que o carril guia azul seja inserido na parte de baixo da unidade aquecedora.

- 1 Agarre cada um dos carris (ver figura 4). Estique ligeiramente a cassette flexível e introduza a parte da frente da cassette na parte da frente da unidade aquecedora, com o carril guia azul virado para baixo. Alinhe os carris com as calhas de cada lado da ranhura.

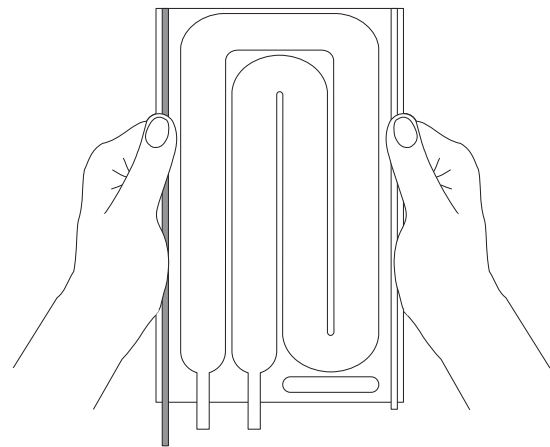


Figure 4—Introdução da cassette

Ponha as mãos sobre as saliências dos carris e continue a inserir a cassette até que o carril guia transparente fique **quase** alinhado com a frente da unidade. (O carril guia azul ficará ligeiramente saliente para facilitar a remoção.)

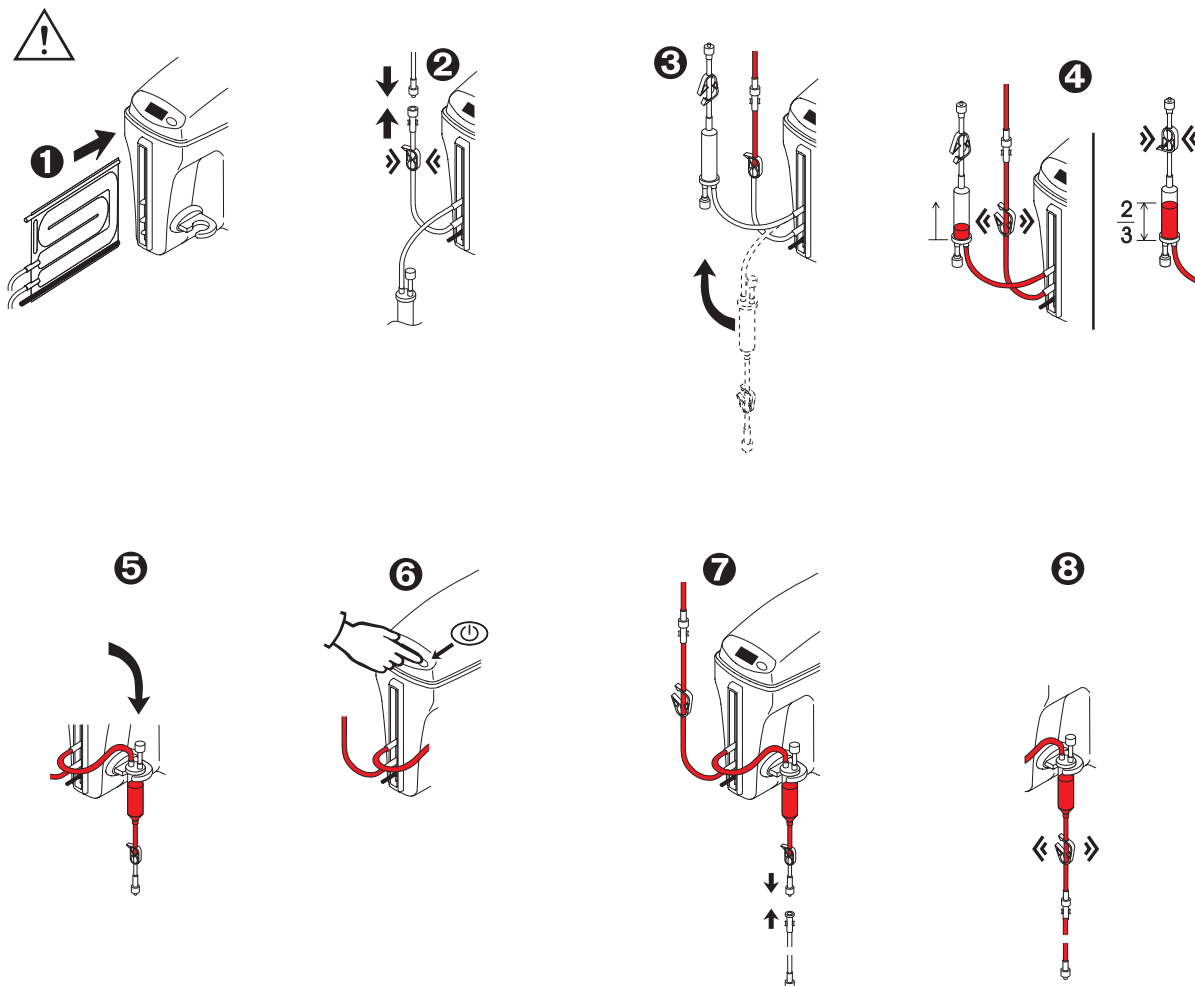


Figura 5—Instruções para a Configuração

CUIDADO


Quando completamente inserido, o carril guia transparente não deverá projectar-se mais do que 0,5 cm da frente da unidade aquecedora.

Se a cassette não for completamente inserida, poderão resultar danos na cassette.

- 2 Feche o grampo da entrada do conjunto de aquecimento. Retire o protector do luer fêmea do conjunto de aquecimento e ligue-o ao luer macho do conjunto de administração IV. Retire o protector do luer macho do conjunto de aquecimento. Para minimizar a queda de temperatura e o volume de enchimento (ao ferrar), retire as extensões de tubos que não sejam necessárias neste momento.
- 3 Inverta o separador de bolhas.
- 4 Abra o grampo da entrada do conjunto de aquecimento. Deixe que o líquido encha (ferre) o conjunto. Quando o separador de bolhas encher até cerca de dois terços (2/3) do seu volume total, feche o grampo de saída.
- 5 Inverta novamente o separador de bolhas e coloque-o no suporte que existe de lado na unidade aquecedora para encaixar o separador de bolhas.

AVISO

O separador de bolhas deve manter-se sempre montado e na posição vertical. **Se não o fizer, poderá provocar a introdução de ar no paciente, e daí pode resultar a morte ou lesões graves.**

- 6 Carregue no interruptor *FUNCIONAMENTO/STANDBY*  na parte da frente da unidade.

Após completar com sucesso os auto-diagnósticos, o visor indicará o valor seleccionado, piscando durante aproximadamente 3 segundos, e depois começará o aquecimento do líquido até à temperatura seleccionada.

O valor seleccionado de uso mais recente é retido em memória, mesmo depois de se ter desligado a corrente. Para seleccionar um outro valor, primeiro

carregue no interruptor *SELECTOR*  

brevemente. Isto fará com que o valor seleccionado seja mostrado no visor, piscando durante aproximadamente 3 segundos. Enquanto o visor estiver a piscar o valor seleccionado, o utilizador poderá seleccionar qualquer valor entre

38,0°C e 43,0°C em incrementos de 1,0°C, carregando repetidamente no interruptor *SELECTOR*.

NOTA: manter o interruptor *SELECTOR* oprimido indefinidamente, não faz aumentar o valor que se está a seleccionar.

Após ter sido feita a selecção, o visor continuará a mostrar este valor seleccionado durante aproximadamente 3 segundos, e depois voltará a indicar a temperatura real do fluido. O valor seleccionado pode ser verificado em qualquer altura durante o procedimento, carregando brevemente no interruptor *SELECTOR*.

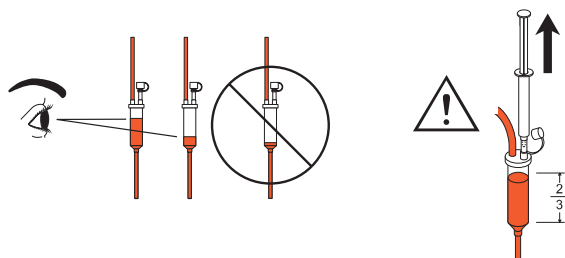
- 7 Se for necessário, pode acrescentar uma extensão para a ligação ao paciente.
- 8 Tem que purgar o ar da restante extensão de tubo, abrindo o grampo de saída e permitindo que o fluido esorra.

AVISO

- Retire completamente todo o ar das linhas de fluidos antes de ligar ao paciente.
- Verifique se as linhas de fluidos estão isentas de ar. Nunca administre líquidos se existirem bolhas de ar na linha entre o separador de bolhas e o conector do paciente.

Se não o fizer, poderá provocar a introdução de ar no paciente, e daí pode resultar a morte ou lesões graves.

AVISO



Observe frequentemente o nível do líquido no separador de bolhas. As bolhas libertadas durante o aquecimento são recolhidas no separador. Para voltar a encher o separador, introduza uma seringa esterilizada na válvula e retire ar até o separador se encher até dois terços (2/3). Nunca se deve permitir que o separador desça abaixo do nível de um quarto (1/4) da sua capacidade.

Se não verificar o nível de fluido no separador **de bolhas, poderá provocar a introdução de ar no paciente, e daí pode resultar a morte ou lesões graves.**

Temperatura no Final da Linha do Paciente

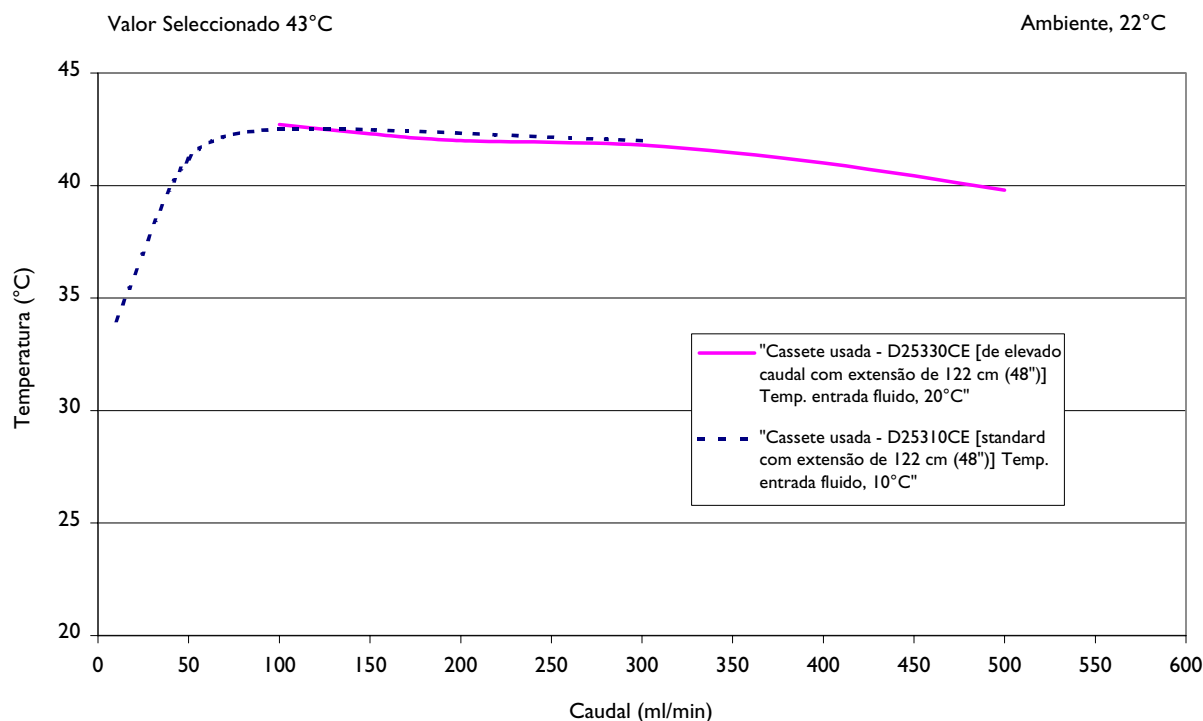


Figura 6—Temperatura do fluido em relação ao caudal

3.1 Efeito do Caudal na Temperatura do Fluido

As temperaturas do fluido à saída da linha do paciente são afectadas pelo caudal. A curva que se mostra do caudal em relação à temperatura de saída do fluido é típica para uma unidade aquecedora da série FW600. Veja a figura 6 acima.

NOTA: A temperatura de saída do fluido para esta curva é medida no final da linha do paciente.

3.2 Remoção do Conjunto de Aquecimento

A cassete não pode ser removida da unidade aquecedora enquanto estiver sob pressão. Para remover a cassete:

1. Primeiro feche o grampo de entrada do conjunto de aquecimento, enquanto deixa ficar aberto o grampo de saída.
2. Feche o grampo da saída do conjunto de aquecimento.
3. Seguindo os passos 1 e 2 permitirá que o líquido drene para fora da cassete. Puxar suavemente o carril guia azul para retirar a cassete da unidade aquecedora.

4. Descarte o conjunto de aquecimento conforme especificar o protocolo da sua organização.

CUIDADO

Se não tiver drenado a cassete, será difícil retirá-la. **Forçar a saída da cassete pode fazer com que se rompa.**



4.0 Sistemas de Segurança

4.1 Protecção contra Temperatura Excessiva

Há um sistema de reserva dentro do aquecedor que é independente do controlador principal e que verifica continuamente a temperatura do fluido. Se a temperatura de saída do fluido exceder 45,0°C, o sistema de reserva imediatamente interromperá a corrente eléctrica aos aquecedores. Se a anomalia de temperatura excessiva for uma ocorrência temporária resultante de uma súbita variação do caudal, o visor piscará alternadamente *HI* (alta) e a temperatura do fluido. Quando a temperatura do fluido regressar a níveis aceitáveis de temperatura, o funcionamento voltará ao normal. No entanto, se o sistema de reserva detectar que a temperatura excessiva resulta de uma

avaria do controlador principal, tocará um alarme sonoro, acender-se-á a luz indicadora de **RETIRE DE SERVIÇO (RDS)**, e o dispositivo apagar-se-á. Se isto acontecer, pare imediatamente o caudal do líquido, descarte o conjunto de aquecimento e contacte o seu representante local para obter assistência.

4.2 Auto-diagnósticos

Cada vez que a unidade aquecedora é passada do modo *STANDBY* para o modo *FUNCIONAMENTO*, inicia-se um auto-teste. Se o sistema de reserva não estiver a funcionar correctamente, aparecerá uma mensagem de erro no visor e a unidade desligar-se-á. Além disso, executam-se auto-testes de rotina durante o modo *FUNCIONAMENTO* para garantir o funcionamento contínuo e seguro da unidade aquecedora.

4.3 Alarme de Controlo LO

Se a unidade aquecedora detecta uma temperatura de fluido inferior a 34,0°C, tocará o alarme sonoro e o visor indicará alternadamente o símbolo **LO** (baixa) e a temperatura real do fluido.

Excepção: A unidade não soará o alarme se a temperatura do fluido tiver inicialmente ultrapassado o limiar de 34,0°C.

5.0 Limpeza

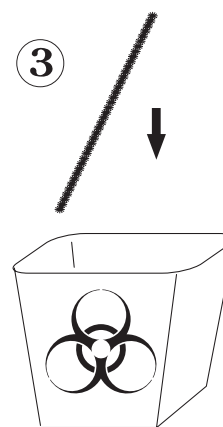
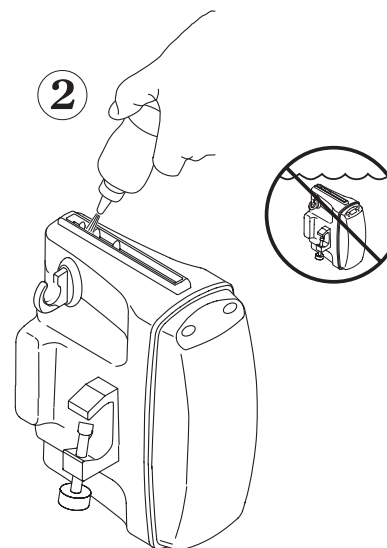
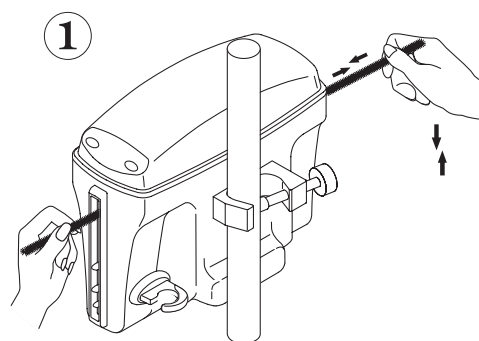
CUIDADO

Não mergulhe o aquecedor em soluções de limpeza ou de desinfecção. Esta unidade não pode ser submergida em líquidos; ela é resistente aos fluidos mas não é impermeável.

A imersão poderá causar avaria ou danos ao equipamento.

Execute a seguinte manutenção e limpeza entre as utilizações pelos pacientes ou conforme especificado pelo protocolo da sua organização.

- Desligue a unidade da corrente antes da limpeza
- Para limpar as superfícies externas do aquecedor, use uma solução de limpeza não abrasiva (tal como água morna com sabão) e um pano limpo.
- Limpe a parte de dentro da ranhura da cassette com a escova descartável. Enxágue cuidadosamente com água usando um frasco flexível com ponta de borrifar. Kit de limpeza sobressalente P/N 78350-000.
- Aplique um desinfectante tal como solução de lixívia clorada a 10% (lixívia clorada com 5,25% de



hipoclorito de sódio) tanto na parte exterior da unidade como na ranhura da cassette e deixe secar.

CUIDADO

A unidade aquecedora deve ser limpa se qualquer fluido ou substância estranha tiver entrado na ranhura da cassette. **Se a ranhura para a cassette não estiver limpa, poderá ser impossível inserir a cassette.**

6.0 Verificações/Testes Funcionais e Inspeção de Segurança

Para assegurar óptima performance, fiabilidade e segurança, as seguintes actividades deverão ser executadas cada doze meses ou conforme especificado no programa de manutenção preventiva da sua organização.

Equipamento ou ferramentas necessários

- Qualquer Conjunto de Aquecimento de Sangue/Fluido Gaymar de série D25340
- Dispositivo de medição da temperatura:
 - Conjunto de Aquecimento de Sangue/Fluido Gaymar D25340; e
 - Sensor de temperatura (catálogo Gaymar FWTI) e um ohmímetro (precisão, 1,5% da leitura; corrente de excitação máxima de 100µA) e o gráfico resistência-temperatura. Ver figura 10 (página 12).
- ou**
- Qualquer Conjunto de Aquecimento de Sangue/Fluido Gaymar de série D25000; e
- Sensor/medidor de temperatura à prova de água com uma precisão de $\pm 0,3\%$ em toda a gama de 30°C a 60°C e uma constante de tempo térmica de 2 segundos ou mais rápida.
- Dispositivo medidor de caudal (catálogo Gaymar FWT2 medidor de caudal):
 - Fonte de fluido com medidor de caudal calibrado e uma precisão mínima de ± 12 ml/minuto
- ou**
- Fonte de fluido com controlo de caudal ajustável; Use um cronómetro e um cilindro graduado para ajustar o caudal.
- Aparelho de teste de Fugas de Corrente/ Resistência à Terra
- Multímetro para corrente alterna

6.1 Inspeção Física

Verifique se os seguintes artigos estão em boas condições e seguros.

- Etiquetas, se se estiverem a descolar ou faltarem
- Parafusos na tampa
- Suporte do separador de bolhas
- Cabo de ligação à corrente da rede
- Braçadeira de suporte no poste do IV

6.2 Verificação da Temperatura de Saída do Fluido

O Aquecedor de Sangue/Fluido da Série FW600 é calibrado na fábrica a um caudal de 100 ml/min com um valor seleccionado de 43,0°C.

Para verificar se a temperatura de saída do fluido é correcta:

1. A temperatura ambiente deve ser entre 20°C e 24°C.
2. Ligue a configuração de teste (ver figura 7). Prender o sensor de temperatura Gaymar FWTI à saída do separador de bolhas.

Método alternativo: Faça um furo na parte de cima do separador de bolhas e introduza um dispositivo de medição de temperatura através deste furo. Certifique-se de que o sensor está completamente submerso no fluido, e então vede o furo no separador de bolhas.
3. Ligue o medidor de caudal FWT2 ou o dispositivo de medida/controlo do caudal à saída do sensor de temperatura FWTI.

Método alternativo: Se usar o sensor no método do separador de bolhas, ligue o medidor de caudal FWT2 ou o dispositivo de medição/controlo do caudal directamente à saída do separador de bolhas.
4. Faça correr água à temperatura ambiente através do aquecedor a 100 ml/min (cm³/min). Certifique-se de que o separador de bolhas se mantém 1/2 ou 2/3 cheio.
5. Ponha o aquecedor a funcionar. Ajuste o VALOR SELECCIONADO para 43,0°C. Deixe que funcione durante 10 minutos.
6. Certifique-se de que a temperatura da água de saída é de 43,0°C $\pm 1,1$ °C. Se estiver a usar o sensor de temperatura FWTI e um ohmímetro, verifique se a resistência está entre 1019—1112 ohms.

Se os valores de temperatura e de resistência não são atingidos, verifique a configuração e repita o teste. Se ainda não estiver dentro da gama, contacte o seu representante local para obter assistência.

Este dispositivo é calibrado na fábrica e não pode ser ajustado no campo.

6.3 Verificação da Protecção contra Excesso de Temperatura

O funcionamento correcto do sistema de protecção contra temperatura excessiva é verificado cada vez que

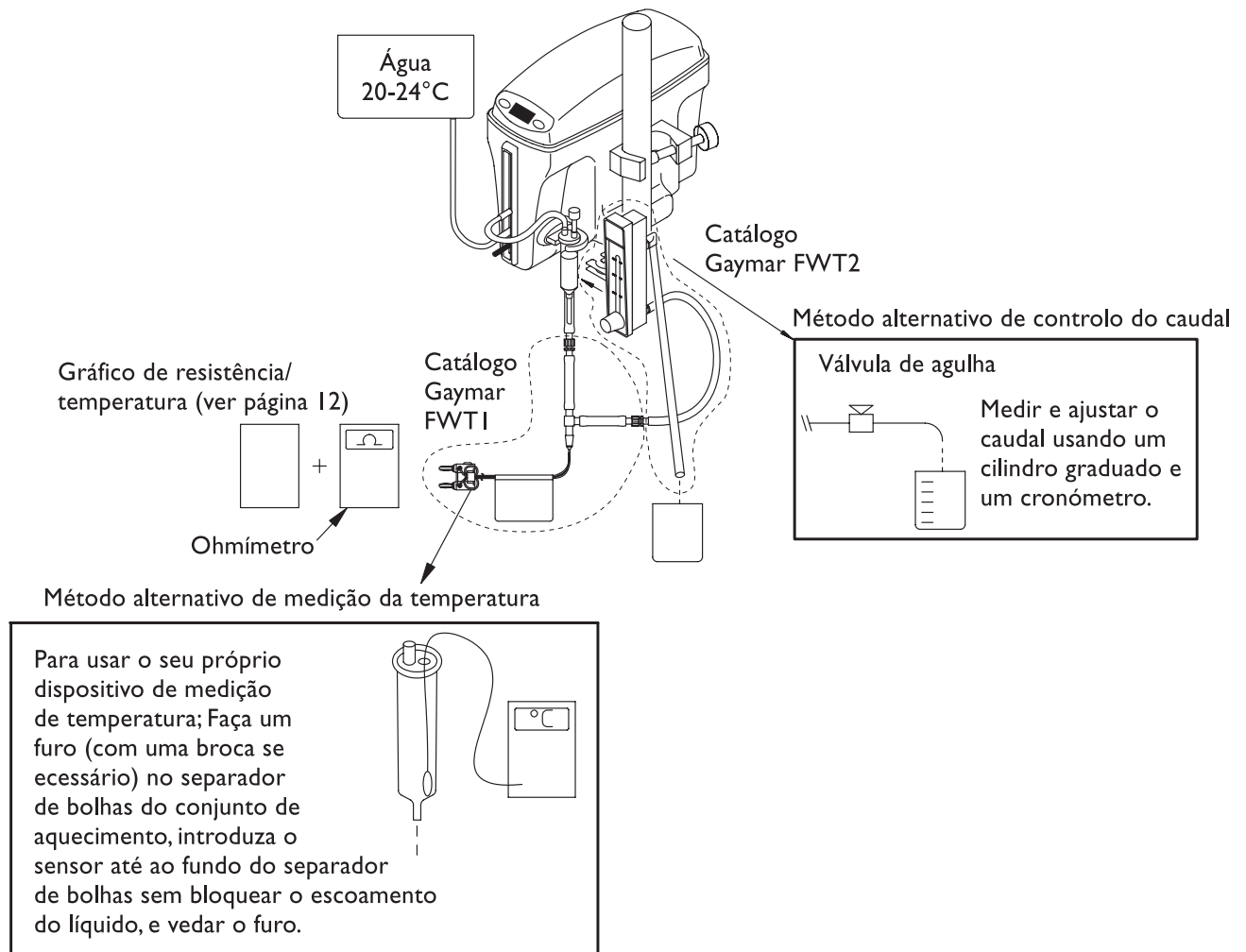


Figura 7—Configuração do teste

a unidade é mudada do modo *STANDBY* para o modo *FUNCIONAMENTO*. Portanto não é necessário fazer testes periodicamente a este sistema. Porém o seguinte procedimento pode ser usado para forçar um caso de *TEMPERATURA EXCESSIVA*, a fim de observar que o sistema de protecção contra temperatura excessiva funciona:

1. Introduzir qualquer cassete de aquecimento da série D25000 na unidade aquecedora. Usando água quente da torneira, (46°C-50°C), passe água quente através da cassete durante aproximadamente 1 a 3 minutos.
2. Ligue a unidade aquecedora à corrente alterna da rede. O dispositivo deverá imediatamente tocar o alarme sonoro e acender a luz RDS.

6.4 Verificação da Resistência à Terra

Use um aparelho de teste de fugas de corrente/ resistência à terra para medir a resistência entre o borne de terra da fixa de corrente e o parafuso de montagem da braçadeira que agarra ao poste do IV.

O valor da resistência não deve exceder 0,50 ohms.

6.5 Teste de Fugas de Corrente

Meça a corrente máxima de fuga à terra (terra aberta). Meça todas as combinações de polaridade em linha com o neutro aberto e fechado. Os valores não devem exceder os seguintes:

FW600 neutro fechado	150µA
FW600 neutro aberto	200µA
FW603 neutro fechado	250µA
FW603 neutro aberto	300µA

7.0 Resolução de avarias

Sintoma	Causas prováveis	Acção necessária
O visor pisca mostrando alternadamente LO (BAIXA) e a temperatura do fluido	A temperatura de saída do fluido ainda não alcançou 34°C.	Deixe que a unidade funcione durante 2 minutos. Se a temperatura não aumentar, retire de serviço e solicite assistência.
O visor pisca mostrando alternadamente HI (ALTA) e a temperatura do fluido	Uma perturbação transitória, tal como uma variação súbita do caudal, fez com que a temperatura do fluido subisse acima de 43°C.	NENHUMA—a unidade regressará à operação normal quando a temperatura descer abaixo de 43°C.
Toca o alarme sonoro e o visor pisca LO (BAIXA) e a temperatura do fluido	A temperatura de saída do fluido desceu abaixo de 34°C.	Deixe que a unidade funcione durante 2 minutos. Se a temperatura não aumentar, retire de serviço e solicite assistência.
Toca o alarme sonoro e o visor mostra FA_ (FALHA)	Os diagnósticos electrónicos detectaram um problema interno.	Retire de serviço e solicite assistência.
O alarme sonoro toca continuamente e a luz amarela RDS está acesa	As temperaturas internas do fluido excederam 45°C e o sistema de reserva foi activado	Faça parar o escoamento do fluido, descarte a cassette e solicite assistência.
A cassette é difícil de inserir na unidade aquecedora	A cassette foi cheia (ferrada) antes de ser inserida.	Drene a cassette e volte a inserir.
	A parte de dentro da ranhura da unidade aquecedora poderá ter contaminação nas placas aquecedoras.	Limpar a parte de dentro da unidade seguindo os procedimentos de limpeza (secção 5.0)
A cassette é difícil de inserir na unidade aquecedora	A cassette ainda está sob pressão.	Feche o grampo de entrada e abra o grampo de saída. Deixe que o fluido drene.

Figure 8—Quadro de resolução de avarias

8.0 Especificações Técnicas


Especificações Técnicas		
Artigo	FW600	FW603
Gama de selecção de valores / resolução	38,0°C a 43,0°C em incrementos de 1,0°C	
Resolução da temperatura do fluido	0,1°C	
Precisão do controlador a 100 ml/min	±0,5°C	
Voltagem	120 V CA	220-240 V CA.
Corrente	9 A	4,5 A
Fusível	(2) 15A com atraso, 250V	(2) T, 6,3 A, 250 V, L 5 mm x 20 mm
Frequência	60 Hz	50/60 Hz
Limites da temperatura ambiente	15°C a 29°C	
Cabo de ligação à corrente da rede	4,6 metros de comprimento, Norma UL tipo SJT, 16 AWG com 3 condutores, cabo com fixa moldada com terra de tipo hospitalar	4,6 metros de comprimento. Use só um cabo de 3 condutores internacional (harmonizado), com isolamento aprovado, conforme HD-21, condutor de tamanho 1,5mm ² (HO5VVF3G1.5)
Classificação  IPX4	Classe I com terra, tipo BF, equipamento protegido da água, não serve para uso na presença de uma mistura inflamável e anestésica com ar ou com oxigénio ou com oxido nitroso. Adequado para trabalho contínuo.	
Regulamentação	Classificado apenas quanto a choques eléctricos, fogo e perigos mecânicos, em conformidade com UL 2601-1, CAN/CSA C22.2 NO.601.1	EN60601-1
Compatibilidade electromagnética	Cumprir com EN60601-1-2: 1993 (CISPR 11 Classificado como Classe B, Grupo I equipamento ISM)	
Peso	2,7 kg	
Medidas	22 cm x 28,5 cm x 12 cm	

Figura 9—Especificações

PORTUGUÊS

Temp.	Resis.	Temp.	Resis.	Temp.	Resis.	Temp.	Resis.	Temp.	Resis.	Temp.	Resis.	Temp.	Resis.	Temp.	Resis.	Temp.	Resis.
(°C)	(ohms)	(°C)	(ohms)	(°C)	(ohms)	(°C)	(ohms)	(°C)	(ohms)	(°C)	(ohms)	(°C)	(ohms)	(°C)	(ohms)	(°C)	(ohms)
35	1471	38	1300	41	1152	44	1023	47	910	50	811	53	725	56	648	59	581
35.1	1465	38.1	1295	41.1	1148	44.1	1019	47.1	907	50.1	808	53.1	722	56.1	646	59.1	579
35.2	1459	38.2	1290	41.2	1143	44.2	1015	47.2	903	50.2	805	53.2	718	56.2	644	59.2	577
35.3	1453	38.3	1285	41.3	1139	44.3	1011	47.3	900	50.3	802	53.3	716	56.3	641	59.3	575
35.4	1447	38.4	1279	41.4	1134	44.4	1007	47.4	896	50.4	799	53.4	714	56.4	639	59.4	573
35.5	1441	38.5	1274	41.5	1129	44.5	1003	47.5	893	50.5	796	53.5	711	56.5	637	59.5	571
35.6	1435	38.6	1269	41.6	1125	44.6	999	47.6	889	50.6	793	53.6	709	56.6	634	59.6	569
35.7	1429	38.7	1264	41.7	1120	44.7	995	47.7	886	50.7	790	53.7	706	56.7	632	59.7	567
35.8	1423	38.8	1259	41.8	1116	44.8	991	47.8	882	50.8	787	53.8	703	56.8	630	59.8	565
35.9	1417	38.9	1254	41.9	1112	44.9	988	47.9	879	50.9	784	53.9	701	56.9	627	59.9	563
36	1411	39	1249	42	1107	45	984	48	876	51	781	54	698	57	625	60	561
36.1	1405	39.1	1244	42.1	1103	45.1	980	48.1	872	51.1	778	54.1	695	57.1	623		
36.2	1400	39.2	1239	42.2	1098	45.2	976	48.2	869	51.2	775	54.2	693	57.2	620		
36.3	1394	39.3	1234	42.3	1094	45.3	972	48.3	866	51.3	772	54.3	690	57.3	618		
36.4	1388	39.4	1229	42.4	1090	45.4	968	48.4	862	51.4	769	54.4	688	57.4	616		
36.5	1383	39.5	1224	42.5	1085	45.5	965	48.5	859	51.5	767	54.5	685	57.5	614		
36.6	1377	39.6	1219	42.6	1081	45.6	961	48.6	856	51.6	764	54.6	683	57.6	611		
36.7	1371	39.7	1214	42.7	1077	45.7	957	48.7	853	51.7	761	54.7	680	57.7	609		
36.8	1366	39.8	1209	42.8	1073	45.8	954	48.8	849	51.8	758	54.8	678	57.8	607		
36.9	1360	39.9	1204	42.9	1068	45.9	950	48.9	846	51.9	755	54.9	675	57.9	605		
37	1355	40	1199	43	1064	46	946	49	843	52	752	55	673	58	603		
37.1	1349	40.1	1195	43.1	1060	46.1	942	49.1	840	52.1	748	55.1	670	58.1	600		
37.2	1344	40.2	1190	43.2	1056	46.2	939	49.2	836	52.2	747	55.2	668	58.2	598		
37.3	1338	40.3	1185	43.3	1052	46.3	935	49.3	833	52.3	744	55.3	665	58.3	596		
37.4	1333	40.4	1180	43.4	1047	46.4	932	49.4	830	52.4	741	55.4	663	58.4	594		
37.5	1327	40.5	1176	43.5	1043	46.5	928	49.5	827	52.5	738	55.5	660	58.5	592		
37.6	1322	40.6	1171	43.6	1039	46.6	924	49.6	824	52.6	735	55.6	658	58.6	590		
37.7	1316	40.7	1166	43.7	1035	46.7	921	49.7	821	52.7	733	55.7	655	58.7	587		
37.8	1311	40.8	1161	43.8	1031	46.8	917	49.8	817	52.8	730	55.8	653	58.8	585		
37.9	1306	40.9	1157	43.9	1027	46.9	914	49.9	814	52.9	727	55.9	651	58.9	583		

Figura 10—Quadro resistência-temperatura
(Sensor de temperatura Gaymar FWT1)

Inhalt

<u>Abschnitt</u>	<u>Beschreibung</u>	<u>Seite</u>
1.0	Indikationen	1
2.0	Produktbeschreibung	2
3.0	Gebrauchsanweisung.....	4
4.0	Sicherheitssysteme	6
5.0	Reinigung	7
6.0	Funktions-/Sicherheitsprüfung	8
7.0	Störungssuche	10
8.0	Technische Daten	11

Vor dem Betrieb . . .



Wichtig

Lesen Sie vor Inbetriebnahme des Medi-Temp III Serie FW600-Serie Blut-/Flüssigkeitswärmers bitte das gesamte *Bedienungshandbuch* und vor jeder Anwendung die **SICHERHEITSVORKEHRUNGEN**.

Falls Sie Fragen haben, wenden Sie sich bitte an Ihren Fachhändler.

Garantie

Gaymar gewährleistet, daß der Medi-Temp III FW600-Serie Blut-/Flüssigkeitswärmer frei von Material- und Herstellungsmängeln ist. Diese Garantie gilt für ein (1) Jahr.

Gaymar gewährleistet, daß die Einweg-Wärmesets bei einmaliger Verwendung frei von Material- und Herstellungsmängeln sind.

Eine schriftliche Kopie der Garantiebestimmungen ist auf Anfrage erhältlich. Gaymar übernimmt keinerlei stillschweigende Garantien, einschließlich, aber nicht ausschließlich derer, daß die Waren von durchschnittlicher Qualität und für den normalen oder besonderen Gebrauch geeignet sind.

1.0 Indikationen

Dieses Gerät ist zur Vermeidung von Hypothermie während der Zufuhr von Blut, Blutprodukten und anderen Flüssigkeiten bestimmt.



1.1 Sicherheitsvorkehrungen

GEFAHR



Stromschlaggefahr.

Im Inneren befinden sich keine vom Benutzer zu wartenden Teile.

WARNUNG

- Vor dem Anschluß an den Patienten muß sämtliche Luft aus den Schläuchen entfernt werden.
- Die Schläuche auf Luftblasen überprüfen. Niemals Flüssigkeit einfüllen, wenn Luftblasen zwischen Blasenventil und Patientenanschluß auftreten.
- Den Flüssigkeitsstand im Blasenventil häufig überprüfen. Durch Erhitzen auftretende Luftblasen werden im Blasenventil zurückgehalten. Zum Nachfüllen des Blasenventils eine sterile Spritze in das Ventil einführen und die Luft abziehen, bis das Blasenventil zu zwei Dritteln (2/3) mit Flüssigkeit gefüllt ist. Der Flüssigkeitsstand im Blasenventil sollte niemals unter ein Viertel (1/4) sinken.
- Das Blasenventil muß in hängender Position und stets vertikal gehalten werden.

Bei Nichtbeachtung der obigen Warnhinweise besteht die Gefahr, daß Luft in den Patienten eindringt. Dies kann zu schweren Verletzungen oder zum Tod des Patienten führen.

ACHTUNG

- Laut Gesetz ist der Verkauf dieses Produkts in den USA nur auf ärztliche Anordnung gestattet.
- Nicht in Reinigungs- oder Sterilisationslösung tauchen. Das Gerät ist zwar flüssigkeitsabweisend, es besteht jedoch kein absoluter Schutz gegen eindringende Flüssigkeiten.
- Zur Stromversorgung den Blut-/ Flüssigkeitswärmer nur an eine korrekt geerdete Steckdose anschließen.
- Durch den Schalter *BETRIEB-/BEREITSCHAFT* wird das Gerät nicht vom Stromversorgungsnetz getrennt. Eine Trennung vom Stromversorgungsnetz (IEC 601-1) ist nur durch Abziehen des Netzkabels möglich.

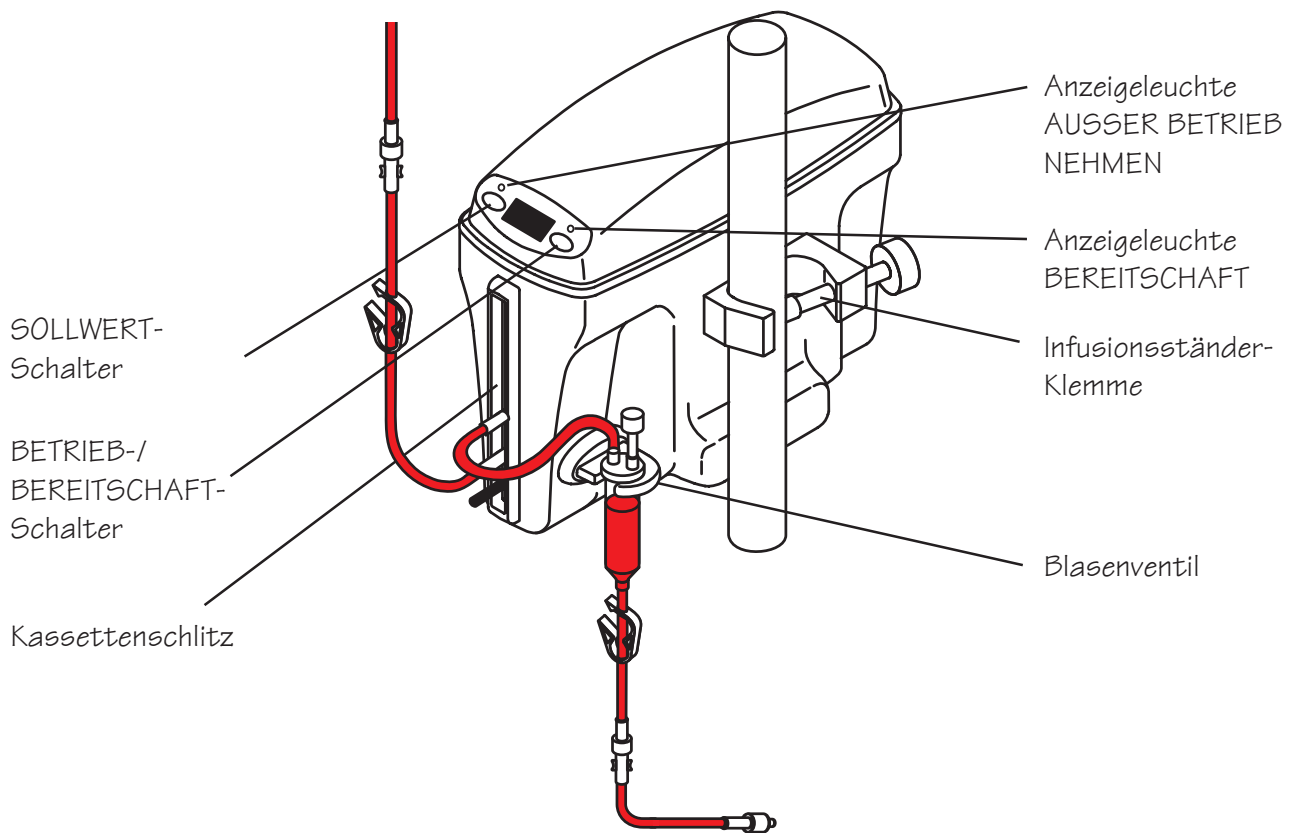


Abbildung 1 – Blut-/Flüssigkeitswärmer der Serie FW600

2.0 Produktbeschreibung

Der Medi-Temp III FW600-Serie Blut-/Flüssigkeitswärmer ist ein Gerät zur trockenen Wärmeerzeugung, das für die sichere, schnelle Erwärmung von Blut, Blutprodukten und anderen Flüssigkeiten durch Verwendung der Einweg-Blut-/Flüssigkeitswärmesets vorgesehen ist. Der Wärmer bietet keine Kontrolle über die Flußrate. Blut, Blutprodukte und andere normalerweise kühl gelagerte Flüssigkeiten lassen sich bei Flußraten bis 300 ml/min auf wählbare Temperaturen zwischen 38,0 °C und 43,0 °C erwärmen. Flüssigkeiten mit Zimmertemperatur können bei Durchflußraten bis zu 500 ml/min erwärmt werden. Die Einweg-Blut-/Flüssigkeitswärmesets sind als Standardmodell, Standardmodell mit Verlängerungen, Kindermodell und als Modell für hohe Flußraten erhältlich.

2.1 Wärmer

Der Blut-/Flüssigkeitswärmer ist für die Befestigung am Infusionsständer konzipiert. Das Gerät ist nicht mit einem Ein-/Aus-Schalter ausgestattet. Der Anschluß an das Wechselstrom-Versorgungsnetz wird durch eine grüne *BEREITSCHAFT*-Anzeigeleuchte an der Vorderseite des Geräts angezeigt. Im *Bereitschaftsmodus*

erfolgt keine Stromzufuhr zum Wärmer. Um den normalen Betrieb aufzunehmen, muß die Taste *BETRIEB/BEREITSCHAFT* gedrückt werden.

In diesem Fall zeigt eine LED-Temperaturanzeige an der Vorderseite des Geräts die tatsächliche Temperatur der Flüssigkeit bzw. den Temperatur-Sollwert in °C an. Der Sollwert kann vom Benutzer mit Hilfe des *SOLLWERT*-Schalters auf der Vorderseite in 1,0°C-Schritten auf einen Wert zwischen 38,0 °C und 43,0 °C eingestellt werden. An der Vorderseite des Geräts befindet sich außerdem ein Schlitz zum Einschoben des Einweg-Wärmesets. An der rechten Seite des Geräts direkt unterhalb der Infusionsständer-Klemme befindet sich eine Halterung für das Blasenventil des Einweg-Wärmesets.

2.2 Einweg-Wärmesets

Der Medi-Temp III FW600-Serie Blut-/Flüssigkeitswärmer ist ausschließlich für den Einsatz mit Gaymar Einweg-Wärmesets der Serie D25000 bestimmt. Die folgenden Wärmesets (Abbildung 2) sind für den Einsatz bei Druckstärken von maximal 300 mm Quecksilbersäule konzipiert. Weitere Informationen erhalten Sie von Ihrem Fachhändler.

DEUTSCH

Beschreibung	Katalog-Nr.	Anwendung	Füllmenge
Standardmodell	D25340CE	MDOV—150 ml/min	39 ml
Standardmodell mit 122 cm (48") Verlängerung	D25310CE	MDOV—150 ml/min	48 ml
Standardmodell mit 152 cm (60") Verlängerung	D25315CE	MDOV—150 ml/min	50 ml
Kindermodell mit 76 cm (30") Verlängerung	D25320CE	MDOV—100 ml/min	30 ml
Modell für hohen Durchfluß mit 122 cm (48") Verlängerung	D25330CE	100—500 ml/min	79 ml

MDOV = Minimaler Durchfluß zur Offenhaltung der Venen

Abbildung 2 – Wärmesets der Serie D25000

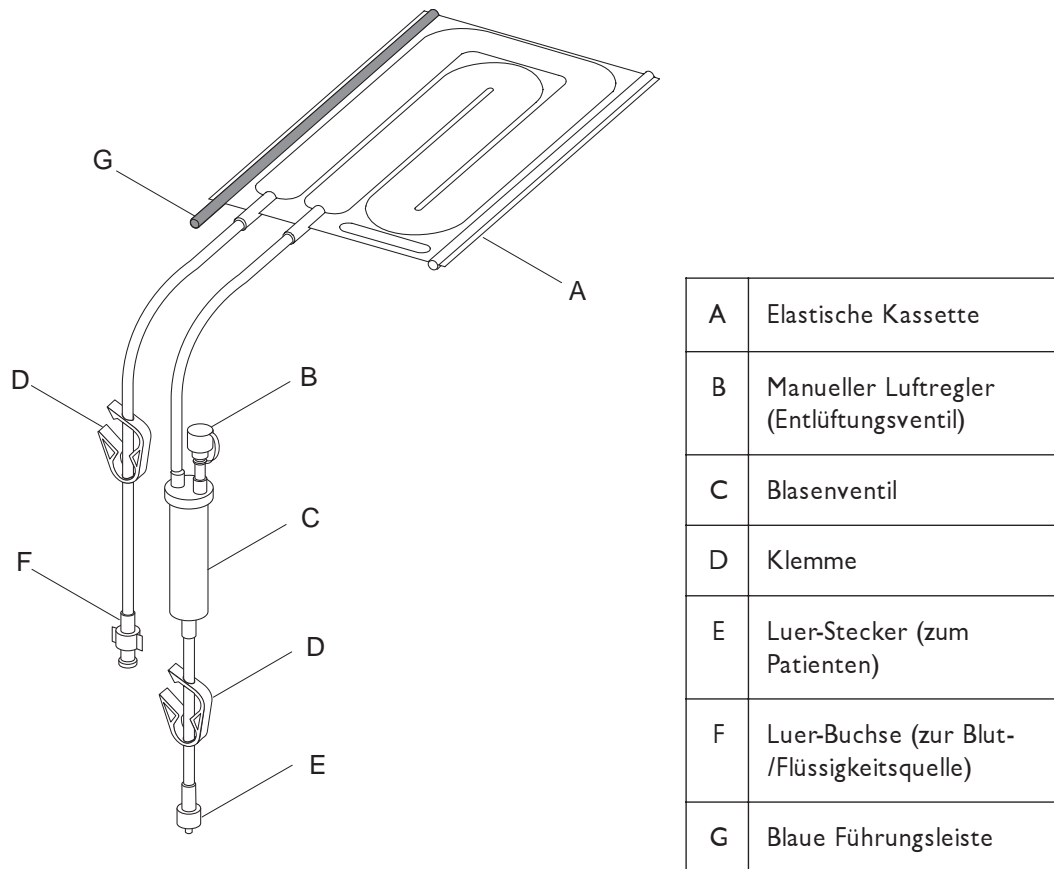


Abbildung 3 – Wärmeset und Blasenventil

3.0 Gebrauchsanweisung (siehe Abbildungen 3-5)

- Den Wärmer am Infusionsständer anbringen und mit der Klemme an der Seite des Geräts befestigen.
- Das Netzkabel an eine ordnungsgemäß geerdete Steckdose anschließen.
- Das Wärmeset aus der sterilen Verpackung nehmen.

HINWEIS: Das elastische Wärmeset ist so konzipiert, daß es nur in einer Richtung in den Wärmer eingeschoben werden kann. Die Kassette so ausrichten, daß die blaue Führungsleiste in die Unterseite des Wärmers eingeschoben wird.

- 1 Die Kassette an den beiden seitlichen Führungsleisten halten (siehe Abbildung 4). Die elastische Kassette leicht auseinanderziehen und mit der Vorderseite zuerst in die Öffnung des Wärmers einschieben, wobei die blaue Führungsleiste nach unten weist. Die

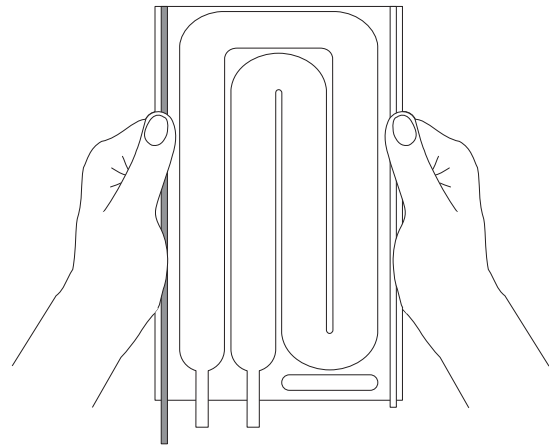


Abbildung 4 – Einsetzen der Kassette

Führungsleisten jeweils an den seitlichen Öffnungen ausrichten.

Die Kassette an den vorstehenden Führungsenden halten und weiter einschieben, bis die transparente Führungsleiste **fast** mit der Vorderseite des Wärmers bündig ist. (Zum leichteren Herausnehmen steht die blaue Führungsleiste etwas über.)

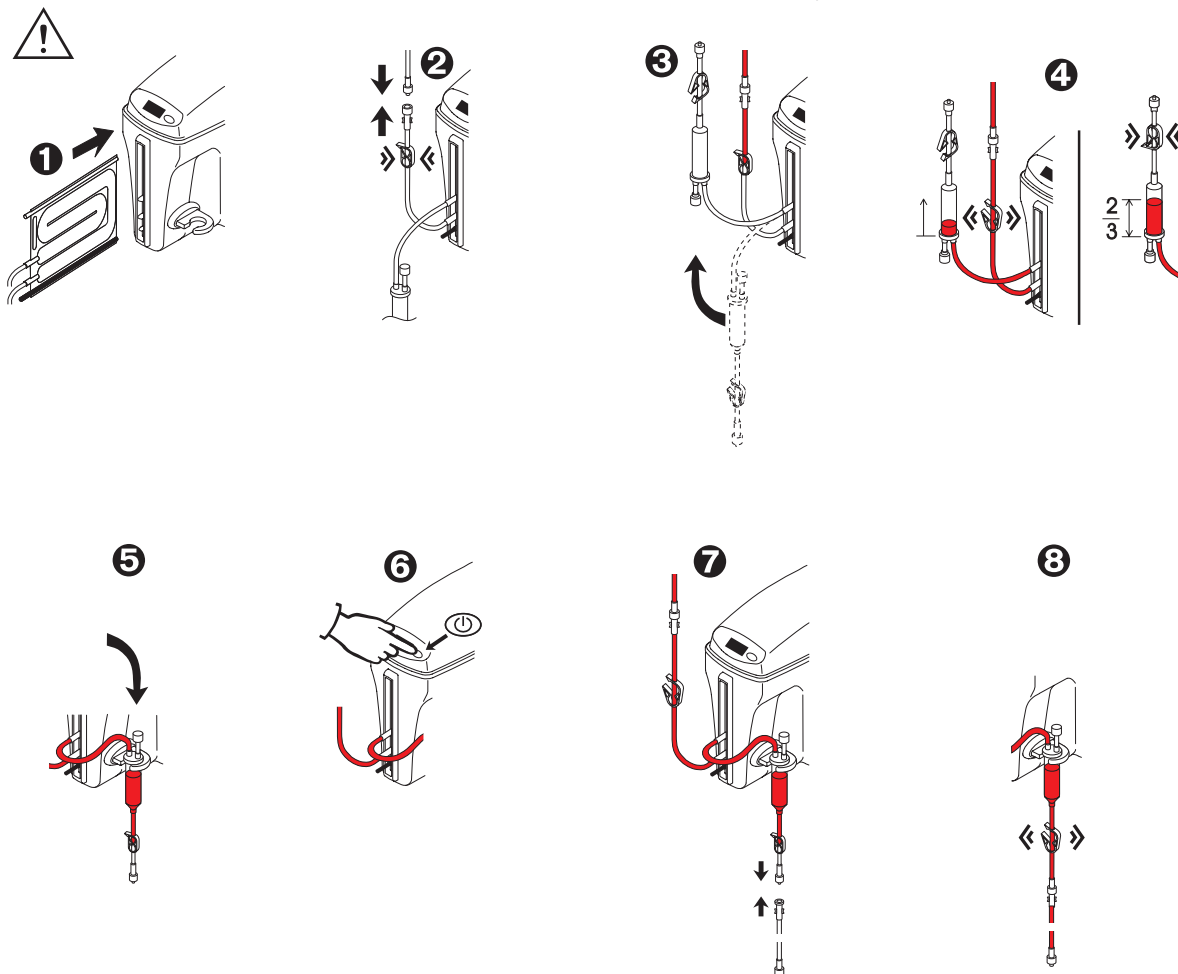


Abbildung 5 – Einrichtungsanweisungen


ACHTUNG

Nach vollständiger Einführung sollte die transparente Führungsleiste nicht mehr als 0,5 cm über die Vorderseite des Wärmers herausragen. **Unvollständiges Einführen der Kassette kann zur Beschädigung der Kassette führen.**

- 2 Die Zuflußklemme des Wärmesets schließen. Die Schutzkappe der Luer-Buchse am Wärmeset abnehmen und mit dem Luer-Stecker an der Infusionsvorrichtung verbinden. Die Schutzkappe des Luer-Steckers am Wärmeset entfernen. Um Temperaturabfall und Füllmenge möglichst gering zu halten, unnötige Schlauchverlängerungen entfernen.
- 3 Das Blasenventil nach oben über das Gerät halten.
- 4 Die Zuflußklemme des Wärmesets öffnen. Flüssigkeit einfließen lassen. Wenn das Blasenventil zu etwa zwei Dritteln (2/3) gefüllt ist, die Abflußklemme schließen.
- 5 Das Blasenventil wieder nach unten drehen und an der dafür vorgesehenen Halterung an der Seite des Wärmers befestigen.


WARNUNG

Das Blasenventil muß stets in vertikaler Position angebracht und gehalten werden. **Andernfalls besteht die Gefahr, daß Luft in den Patienten eindringt. Dies kann zu schweren Verletzungen oder zum Tod des Patienten führen.**

- 6 Den Schalter **BETRIEB/BEREITSCHAFT**  an der Vorderseite des Geräts drücken.

Nach erfolgreicher Selbstdiagnose blinkt der Sollwert auf der Anzeige ca. 3 Sekunden lang auf. Anschließend beginnt das Erwärmen der Flüssigkeit auf die gewählte Temperatur.

Der zuletzt verwendete Sollwert verbleibt im Speicher, auch nachdem die Stromzufuhr unterbrochen wird. Zur Auswahl eines anderen Sollwerts zuerst kurz den **SOLLWERT**-Schalter

 drücken. Der Sollwert wird daraufhin angezeigt und blinkt ungefähr 3 Sekunden lang auf. Während auf der Anzeige der Sollwert blinkt, kann der Benutzer einen beliebigen Sollwert zwischen 38,0 °C und 43,0 °C in 1,0°C-Schritten wählen, indem der **SOLLWERT**-Schalter wiederholt gedrückt wird.

HINWEIS: Durch längeres Drücken und Festhalten des **SOLLWERT**-Schalters wird der Sollwert nicht schrittweise geändert.

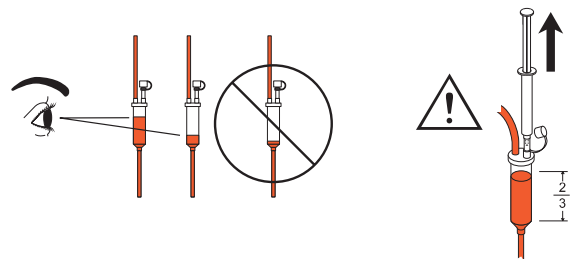
Nachdem die Auswahl vorgenommen wurde, blinkt dieser Sollwert auf der Anzeige ca. 3 Sekunden lang auf. Anschließend wird dann wieder die tatsächliche Temperatur der Flüssigkeit angezeigt. Der Sollwert kann während des Verfahrens jederzeit durch kurzes Drücken auf den **SOLLWERT**-Schalter überprüft werden.

- 7 Falls nötig, eine Verlängerung zum Patienten anbringen.
- 8 Die Luft aus den übrigen Schlauchteilen entweichen lassen, indem die Abflußklemme geöffnet wird und Flüssigkeit ausfließen kann.

WARNUNG

- Vor dem Anschluß an den Patienten muß sämtliche Luft aus den Schläuchen entfernt werden.
- Die Schläuche auf Luftblasen überprüfen. Niemals Flüssigkeit einfüllen, wenn Luftblasen zwischen Blasenventil und Patientenanschluß auftreten.

Andernfalls besteht die Gefahr, daß Luft in den Patienten eindringt. Dies kann zu schweren Verletzungen oder zum Tod des Patienten führen.

WARNUNG

Den Flüssigkeitsstand im Blasenventil häufig überprüfen. Durch Erhitzen auftretende Luftblasen werden im Blasenventil zurückgehalten. Zum Nachfüllen des Blasenventils eine sterile Spritze in das Ventil einführen und die Luft abziehen, bis das Blasenventil zu zwei Dritteln (2/3) mit Flüssigkeit gefüllt ist. Der Flüssigkeitsstand im Blasenventil sollte niemals unter ein Viertel (1/4) sinken.

Wird der Flüssigkeitsstand im Blasenventil nicht überwacht, besteht die Gefahr, daß Luft in den Patienten eindringt. Dies kann zu schweren Verletzungen oder zum Tod des Patienten führen.

Temperatur am Ende des Patientenschlauchs

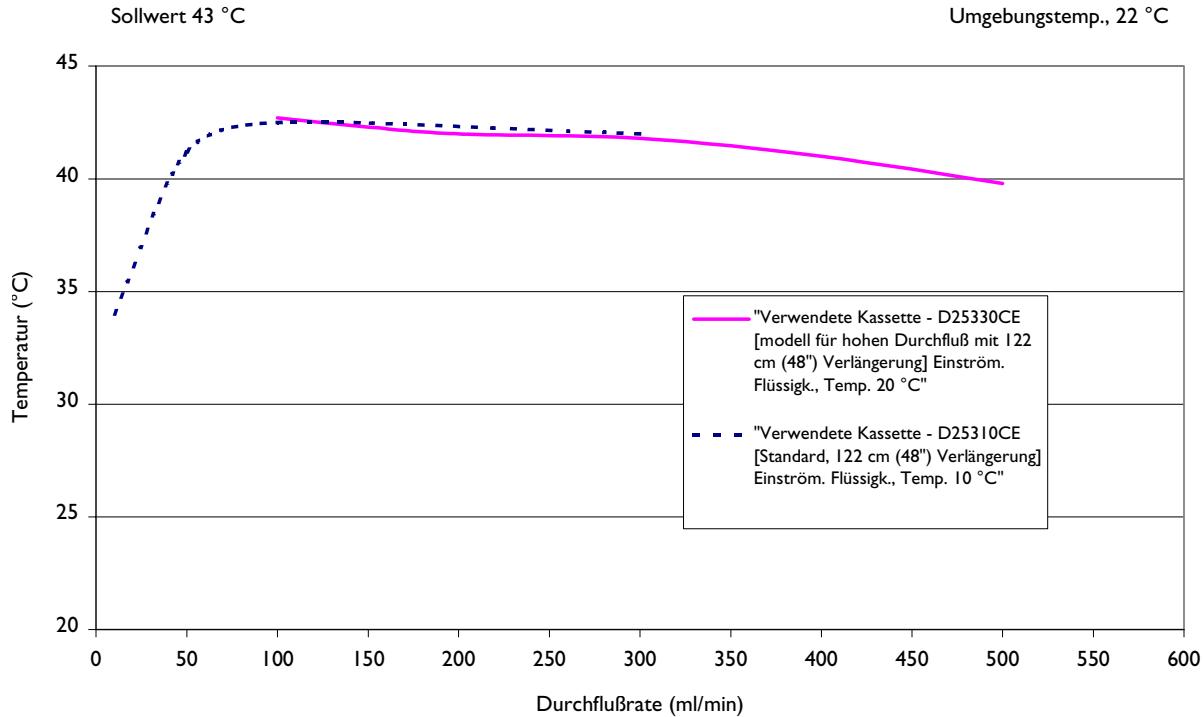


Abbildung 6 – Typische Flüssigkeitstemperatur im Verhältnis zur Durchflußrate

3.1 Auswirkung der Durchflußrate auf die Flüssigkeitstemperatur

Die Temperaturen der aus dem Patientenschlauch abfließenden Flüssigkeiten sind von der Durchflußrate abhängig. Die folgende Kurve ist ein für einen Wärmer der Serie FW600 typisches Beispiel zur Veranschaulichung der Abhängigkeit von Durchflußrate und Temperatur der abfließenden Flüssigkeit. Siehe Abbildung 6 oben.

HINWEIS: Die Temperatur der abfließenden Flüssigkeit wird für diese Kurve am Ende des Patientenschlauchs gemessen.

3.2 Entfernen des Wärmesets

Die Kassette kann nicht aus dem Wärmer genommen werden, solange sie unter Druck steht. Zum Entfernen der Kassette:

1. Zuerst die Zuflußklemme des Wärmesets schließen, während die Abflußklemme offen bleibt.
2. Die Abflußklemme des Wärmesets schließen.
3. Durch Ausführen der Schritte 1 und 2 wird das Abfließen von Flüssigkeit aus der Kassette ermöglicht. Sachte an der blauen Führungsleiste ziehen, um die Kassette aus dem Wärmer zu nehmen.

4. Das Wärmeset gemäß den üblichen Krankenhausbestimmungen entsorgen.

ACHTUNG

Wird die Flüssigkeit nicht aus der Kassette abgelassen, läßt sich letztere nur schwer entfernen. **Kraftanwendung beim Herausnehmen der Kassette kann zum Bruch führen.**



4.0 Sicherheitssysteme

4.1 Überhitzungsschutz

Innerhalb des Wärmers befindet sich ein vom Hauptsteuergerät unabhängiges Sicherungssystem, das die Flüssigkeitstemperatur ständig überwacht. Wenn die Temperatur der abfließenden Flüssigkeit 45,0 °C übersteigt, unterbricht das Sicherungssystem sofort die Stromzufuhr zu den Heizelementen. Wenn der Überhitzungszustand nur vorübergehend als Folge einer plötzlichen Änderung der Durchflußrate auftritt, blinkt auf der Anzeige abwechselnd die Meldung *HI (TEMPERATUR ZU HOCH)* und die Temperatur der Flüssigkeit. Wenn die Flüssigkeitstemperatur wieder einen akzeptablen Wertebereich erreicht, wird der Normalbetrieb wieder aufgenommen. Wird vom Sicherungssystem jedoch ein Überhitzungszustand

entdeckt, der durch einen Ausfall des Hauptsteuergeräts verursacht wurde, so wird ein Alarmton ausgelöst, die Betriebsabschaltungsleuchte leuchtet und das Gerät wird abgeschaltet. Falls dies eintritt, den Flüssigkeitsfluß sofort stoppen, das Wärmeset wegwerfen und den Händler zwecks Wartung aufsuchen.

4.2 Selbstdiagnose

Nach jedem Umschalten des Wärmers von *BEREITSCHAFT* auf *BETRIEB* wird ein Selbsttest eingeleitet. Falls das Sicherungssystem nicht ordnungsgemäß funktioniert, wird eine Fehlermeldung angezeigt und das Gerät wird abgeschaltet. Außerdem werden Selbsttests routinemäßig während des *BETRIEBS*-Modus durchgeführt, um den fortgesetzten sicheren Betrieb des Wärmers sicherzustellen.

4.3 Alarmton – Temperatur zu niedrig (LO)

Wenn der Wärmer eine Flüssigkeitstemperatur unter 34,0 °C feststellt, wird ein Alarmton ausgelöst, und auf der Anzeige erscheint abwechselnd die Meldung *LO* (*TEMPERATUR ZU NIEDRIG*) und die tatsächliche Temperatur der Flüssigkeit.

Ausnahme: Das Gerät gibt keinen Alarmton aus, bis die Flüssigkeitstemperatur die 34,0 °C-Schwelle zum ersten Mal unterschritten hat.

5.0 Reinigung

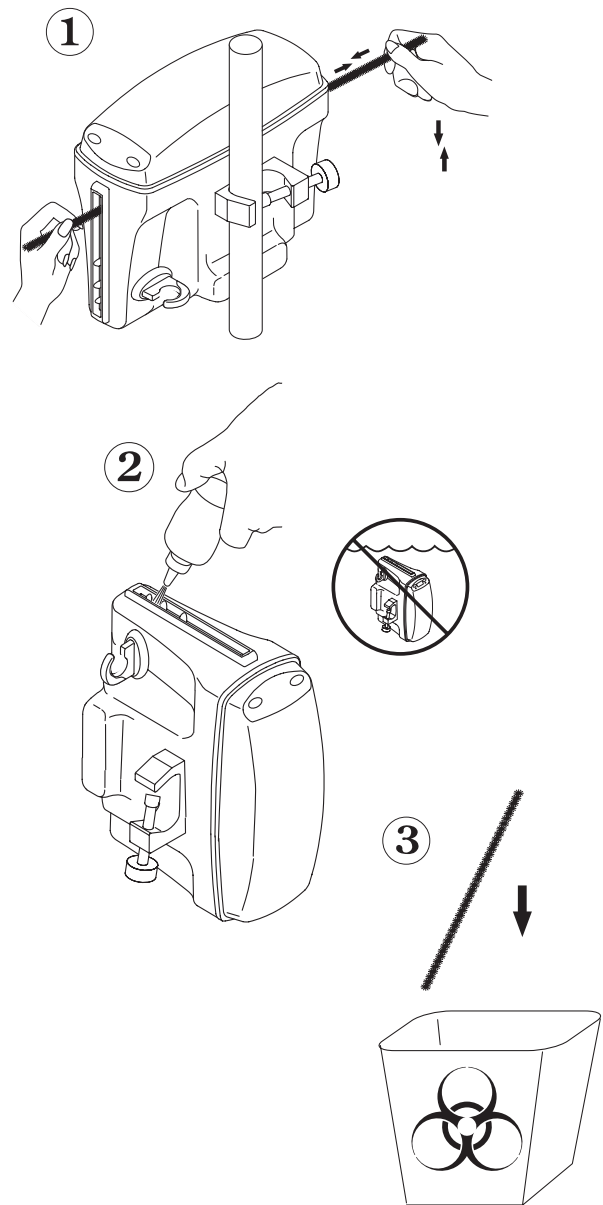
ACHTUNG

Den Wärmer nicht in Reinigungs- oder Desinfektionsmittel eintauchen. Das Gerät ist zwar flüssigkeitsabweisend, es besteht jedoch kein absoluter Schutz gegen eindringende Flüssigkeiten.

Ein Eintauchen kann zur Fehlfunktion oder Beschädigung des Geräts führen.

Zur Reinigung und Pflege des Geräts ist nach jedem Patientenwechsel oder gemäß der üblichen Krankenhausbestimmungen folgendermaßen vorzugehen:

- Den Gerätestecker vor der Reinigung abziehen.
- Die äußeren Oberflächen des Wärmers mit einem milden Reinigungsmittel (z.B. warmes Seifenwasser) und einem sauberen Tuch reinigen.
- Den Kassettenschlitz innen mit einer Einwegbürste reinigen. Mit Hilfe einer mit Wasser gefüllten



Spritzflasche sorgfältig spülen. Ersatz-Reinigungsset, Teilnr. 78350-000.

- Die Außenseite des Wärmers und den Kassettenschlitz mit einem Desinfektionsmittel (z.B. 10 % Chlorlösung, bzw. Chlorlösung plus 5,25 % Natriumhypochlorid) behandeln und trocknen lassen.

ACHTUNG

Der Wärmer sollte gereinigt werden, wenn irgendeine Flüssigkeit oder ein Fremdkörper in den Kassettenschlitz eingedrungen ist. **Wird der Kassettenschlitz nicht sauber gehalten, kann dadurch das Einsetzen der Kassette behindert werden.**

6.0 Funktions- und Sicherheitsprüfung

Um optimale Leistung, Zuverlässigkeit und Sicherheit zu gewährleisten, sollte folgende Funktionsprüfung alle zwölf Monate bzw. nach den jeweiligen Krankenhausbestimmungen für das Vorsorge-Wartungsprogramm durchgeführt werden.

Erforderliche Geräte oder Werkzeuge

- Beliebige Gaymar Blut-/ Flüssigkeitswärmeset der Serie D25340
- Temperaturmeßgerät:
 - Gaymar D25340 Blut-/ Flüssigkeitswärmeset und
 - Temperatursensor (Gaymar-Katalog FWT1) und ein Ohmmeter (Genauigkeit: 1,5 % des abgelesenen Wertes; maximaler Erregerstrom von 100 μ A) und die Widerstand/ Temperatur-Tabelle. Siehe Abbildung 10 (Seite 12).
- oder**
- Beliebige Gaymar Blut-/ Flüssigkeitswärmeset der Serie D25000 und
- Wasserfester Temperatursensor/-messer mit einer Genauigkeit von $\pm 0,3$ % über einen Bereich von 30 °C bis 60 °C und eine thermale Zeitkonstante von 2 Sekunden oder schneller.
- Durchflußmeßgerät (FWT2-Durchflußmesser, Gaymar-Katalog):
 - Flüssigkeitsquelle mit kalibriertem Durchflußmesser und einer Mindestgenauigkeit von ± 12 ml/Minute
- oder**
- Flüssigkeitsquelle mit einstellbarer Durchflußregelung. Zur Einstellung der Durchflußrate eine Stoppuhr und einen Meßzylinder verwenden.
- Erdschlußstrom-/Massewiderstand-Prüfgerät
- Wechselstrom-Multimeter

6.1 Äußere Überprüfung

Prüfen, ob die folgenden Komponenten in gutem Zustand und sicher sind.

- Etiketten, falls sich diese ablösen oder fehlen
- Schrauben in Abdeckung
- Halterung des Blasenventils
- Netzkabel
- Infusionsständer-Klemme

6.2 Prüfung der Temperatur der abfließenden Flüssigkeit

Der Blut-/Flüssigkeitswärmer der Serie FW600 ist werksseitig auf eine Durchflußrate von 100 ml/min mit einem Sollwert von 43,0 °C kalibriert. Um sicherzustellen, daß die Temperatur der abfließenden Flüssigkeit korrekt ist:

1. Die Zimmertemperatur muß zwischen 20 °C und 24 °C liegen.
2. Anschlüsse der Testkonfiguration vornehmen (siehe Abbildung 7). Den Gaymar FWT1-Temperatursensor an den Ausgang des Blasenventils anschließen.

Alternative Methode: Ein Loch in die Oberseite des Blasenventils schneiden und ein Temperaturmeßgerät durch dieses Loch einführen. Sicherstellen, daß der Sensor vollständig in die Flüssigkeit eingetaucht ist und dann das Loch im Blasenventil abdichten.
3. Der FWT2-Durchflußmesser bzw. das Durchflußmeß-/Steuergerät an den Ausgang des FWT1-Temperatursensors anschließen.

Alternative Methode: Bei Verwendung des Sensors mit der Blasenventilmethode den FWT2-Durchflußmesser bzw. das Durchflußmeß-/Steuergerät direkt an den Ausgang des Blasenventils anschließen.
4. Wasser mit Zimmertemperatur bei einer Geschwindigkeit von 100 ml/min (cc/min) durch den Wärmer fließen lassen. Sicherstellen, daß das Blasenventil zwischen 1/2 und 2/3 gefüllt bleibt.
5. Den Wärmer einschalten. Den SOLLWERT auf 43,0 °C einstellen. Den Wärmer 10 Minuten lang laufen lassen.
6. Sicherstellen, daß die Temperatur der abfließenden Flüssigkeit $43,0 \text{ °C} \pm 1,1 \text{ °C}$ beträgt. Bei Verwendung des FWT1-Temperatursensors und eines Ohmmeters sicherstellen, daß der Widerstand zwischen 1019 und 1112 Ohm liegt.

Falls die Temperatur- oder Widerstandswerte nicht im zulässigen Bereich liegen, die Konfiguration überprüfen und die Prüfung wiederholen. Werden daraufhin immer noch keine gültigen Werte erreicht, den Händler zwecks Wartung aufsuchen.

Das Gerät ist werksseitig kalibriert und kann nicht vor Ort eingestellt werden.

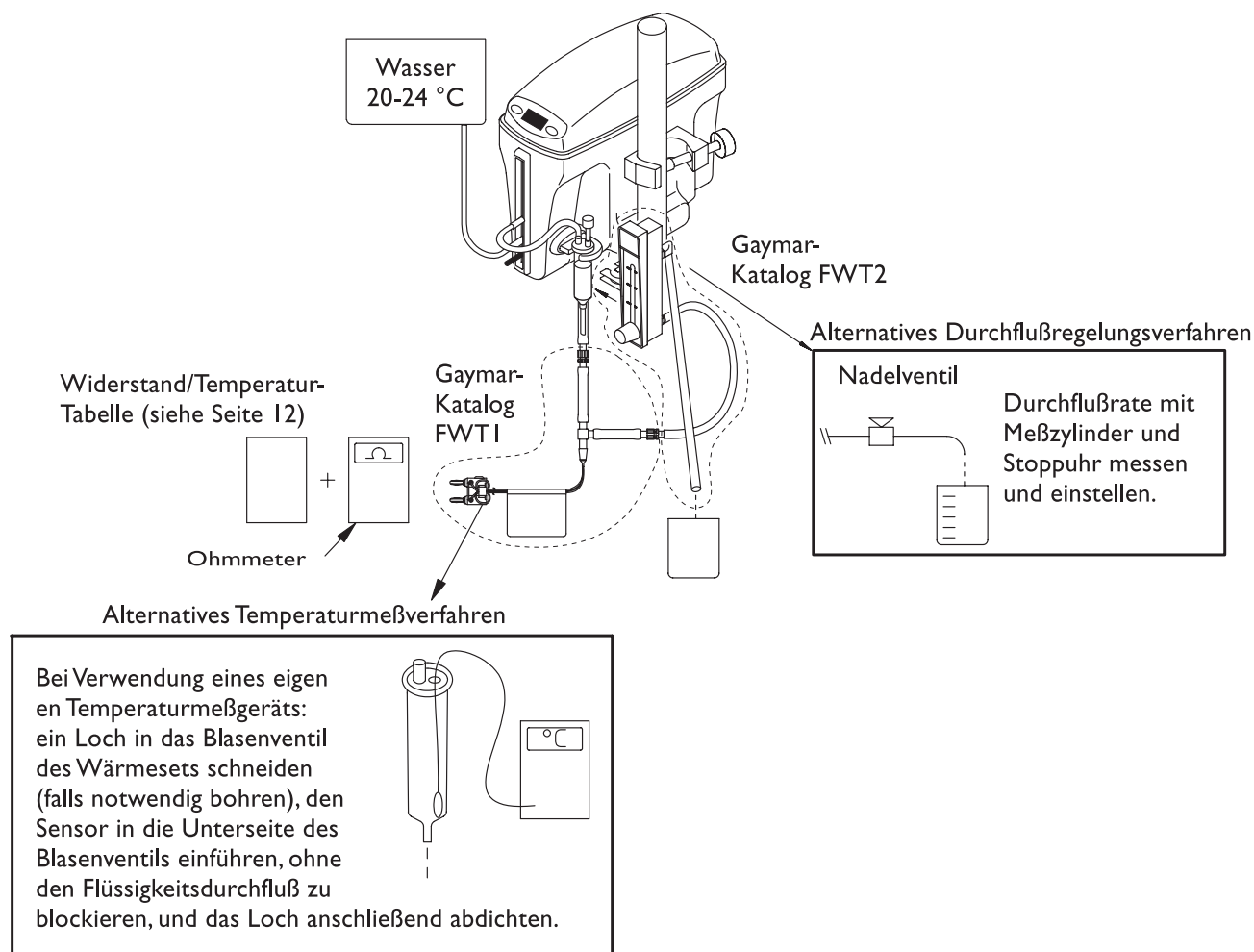


Abbildung 7 – Testkonfiguration

6.3 Prüfung des Überhitzungsschutzes

Die ordnungsgemäße Funktion des Überhitzungsschutzsystems wird jedesmal überprüft, wenn das Gerät vom *BEREITSCHAFTS*- in den *BETRIEBS*-Modus geschaltet wird. Eine periodische Überprüfung dieses Systems ist daher nicht notwendig. Anhand des folgenden Verfahrens kann jedoch ein *ÜBERHITZUNGSZUSTAND* herbeigeführt werden, um festzustellen, ob das Überhitzungsschutzsystem funktioniert:

1. Eine beliebige Wärmekassette der Serie D25000 in den Wärmer einschieben. Ungefähr 1 bis 3 Minuten lang heißes Leitungswasser (46 °C-50 °C) durch die Kassette fließen lassen.
2. Den Wärmer an die Wechselstromquelle anschließen. Das Gerät sollte daraufhin sofort einen Alarmton ausgeben, und die Betriebsabschaltungsleuchte müßte aufleuchten.

6.4 Prüfung des Massewiderstands

Ein Erdschlußstrom-/Massewiderstand-Prüfgerät verwenden, um den Widerstand zwischen dem Erdungsstift am Stromstecker und der Befestigungsschraube an der Infusionsständer-Klemme zu messen. Der gemessene Widerstand darf 0,50 Ohm nicht überschreiten.

6.5 Erdschlußstromprüfung

Den maximalen Erdschlußstrom messen (Unterbrechung im Massekreis). Alle Kombinationen von Leitungspolarität messen: Neutral, geöffnet und geschlossen. Die Werte sollten folgende Angaben nicht überschreiten;

FW600 Neutral, geschlossen	150 µA
FW600 Neutral, geöffnet	200 µA
FW603 Neutral, geschlossen	250 µA
FW603 Neutral, geöffnet	300 µA

7.0 Störungssuche

Symptom	Mögliche Ursachen	Erforderliche Abhilfemaßnahme
Auf der Anzeige blinkt abwechselnd die Meldung LO (Temperatur zu niedrig) und die Temperatur der Flüssigkeit	Temperatur der abfließenden Flüssigkeit hat den Wert 34 °C noch nicht erreicht.	Gerät 2 Minuten lang laufen lassen. Falls sich die Temperatur nicht erhöht, das Gerät außer Betrieb nehmen und Wartung anfordern.
Auf der Anzeige blinkt abwechselnd die Meldung HI (Temperatur zu hoch) und die Temperatur der Flüssigkeit	Eine vorübergehende Störung, wie z.B. eine plötzliche Änderung der Durchflußrate, haben einen Anstieg der Flüssigkeitstemperatur über 43 °C verursacht.	KEINE – Gerät nimmt seinen normalen Betrieb wieder auf, sobald die Temperatur unter 43 °C abfällt.
Alarmton wird ausgelöst und auf der Anzeige erscheint die Meldung LO (Temperatur zu niedrig) und die Temperatur der Flüssigkeit	Temperatur der abfließenden Flüssigkeit ist unter 34 °C abgefallen.	Gerät 2 Minuten lang laufen lassen. Falls sich die Temperatur nicht erhöht, das Gerät außer Betrieb nehmen und Wartung anfordern.
Alarmton wird ausgelöst und auf der Anzeige erscheint die Meldung FA_ (Fehler).	Bei der elektronischen Diagnose wurde ein internes Problem festgestellt.	Gerät außer Betrieb nehmen und Wartung anfordern.
Alarmton ist anhaltend und Betriebsabschaltungsleuchte leuchtet gelb.	Interne Flüssigkeitstemperatur hat 45 °C überschritten und Sicherungssystem wurde aktiviert.	Flüssigkeitsdurchfluß anhalten, Kassette entsorgen und Wartung anfordern.
Kassette läßt sich nur mit Mühe in Wärmer einschieben.	Kassette wurde vor dem Einschieben gefüllt.	Kassette entleeren und erneut einsetzen.
	Die Heizplatten im Inneren des Schlitzes sind möglicherweise verschmutzt.	Geräteinnenseite gemäß Reinigungsverfahren säubern (Abschnitt 5.0)
Kassette läßt sich nur mit Mühe aus dem Wärmer entfernen.	Kassette steht noch unter Druck.	Zuflußklemme schließen und Abflußklemme öffnen. Flüssigkeit abfließen lassen.

Abbildung 8 – Tabelle für die Störungssuche

8.0 Technische Daten


Technische Daten		
Komponente/Parameter	FW600	FW603
Sollwertbereich / Auflösung	38,0 °C bis 43,0 °C in 1,0°C-Schritten	
Flüssigkeitstemperaturauflösung	0,1 °C	
Genauigkeit des Steuergeräts bei 100 ml/min	±0,5 °C	
Spannung	120 V Wechselstrom	220-240 V Wechselstrom
Stromstärke	9 A	4,5 A
Sicherung	(2) 15 A Zeitverzögerung 250 V	(2) T, 6,3 A, 250 V, L 5 mm x 20 mm
Frequenz	60 Hz	50/60 Hz
Umgebungstemperaturbereich	15 °C bis 29 °C	
Netzkabel	Länge 4,6 m. Nur dreidriges UL-Kabel, Typ SJT, 16 AWG 3 mit befestigtem geerdeten Schutzstecker verwenden.	Länge 4,6 m. Nur dreidriges Kabel mit 1,5 mm ² Kabelstärke nach HD-21 (HO5VVF3G1.5) verwenden.
Klassifikation  IPX4	Klasse I geerdet, Typ BF, wasserabweisend, nicht geeignet zur Verwendung mit brennbaren Anästhesiemischungen mit Luft, Sauerstoff oder Stickstoffoxid. Für Dauerbetrieb geeignet.	
Sicherheitsbehördliche Vorschriften	Klassifikation gemäß UL 2601-1, CAN/CSA C22.2 NO.601.1 nur in Bezug auf Elektroschock, Feuer und mechanische Gefahren.	EN60601-1
Elektromagnetische Verträglichkeit	Entspricht EN60601-1-2:1993 (CISPR 11, Klassifikation: ISM-Gerät, Klasse B, Gruppe I ISM)	
Gewicht	2,7 kg	
Abmessungen	22 cm x 28,5 cm x 12 cm	

Abbildung 9 – Technische Daten

DEUTSCH

Temp.	Widerstand	Temp.	Widerstand	Temp.	Widerstand	Temp.	Widerstand	Temp.	Widerstand	Temp.	Widerstand	Temp.	Widerstand	Temp.	Widerstand	Temp.	Widerstand
(°C)	(Ohm)	(°C)	(Ohm)	(°C)	(Ohm)	(°C)	(Ohm)	(°C)	(Ohm)	(°C)	(Ohm)	(°C)	(Ohm)	(°C)	(Ohm)	(°C)	(Ohm)
35	1471	38	1300	41	1152	44	1023	47	910	50	811	53	725	56	648	59	581
35,1	1465	38,1	1295	41,1	1148	44,1	1019	47,1	907	50,1	808	53,1	722	56,1	646	59,1	579
35,2	1459	38,2	1290	41,2	1143	44,2	1015	47,2	903	50,2	805	53,2	718	56,2	644	59,2	577
35,3	1453	38,3	1285	41,3	1139	44,3	1011	47,3	900	50,3	802	53,3	716	56,3	641	59,3	575
35,4	1447	38,4	1279	41,4	1134	44,4	1007	47,4	896	50,4	799	53,4	714	56,4	639	59,4	573
35,5	1441	38,5	1274	41,5	1129	44,5	1003	47,5	893	50,5	796	53,5	711	56,5	637	59,5	571
35,6	1435	38,6	1269	41,6	1125	44,6	999	47,6	889	50,6	793	53,6	709	56,6	634	59,6	569
35,7	1429	38,7	1264	41,7	1120	44,7	995	47,7	886	50,7	790	53,7	706	56,7	632	59,7	567
35,8	1423	38,8	1259	41,8	1116	44,8	991	47,8	882	50,8	787	53,8	703	56,8	630	59,8	565
35,9	1417	38,9	1254	41,9	1112	44,9	988	47,9	879	50,9	784	53,9	701	56,9	627	59,9	563
36	1411	39	1249	42	1107	45	984	48	876	51	781	54	698	57	625	60	561
36,1	1405	39,1	1244	42,1	1103	45,1	980	48,1	872	51,1	778	54,1	695	57,1	623		
36,2	1400	39,2	1239	42,2	1098	45,2	976	48,2	869	51,2	775	54,2	693	57,2	620		
36,3	1394	39,3	1234	42,3	1094	45,3	972	48,3	866	51,3	772	54,3	690	57,3	618		
36,4	1388	39,4	1229	42,4	1090	45,4	968	48,4	862	51,4	769	54,4	688	57,4	616		
36,5	1383	39,5	1224	42,5	1085	45,5	965	48,5	859	51,5	767	54,5	685	57,5	614		
36,6	1377	39,6	1219	42,6	1081	45,6	961	48,6	856	51,6	764	54,6	683	57,6	611		
36,7	1371	39,7	1214	42,7	1077	45,7	957	48,7	853	51,7	761	54,7	680	57,7	609		
36,8	1366	39,8	1209	42,8	1073	45,8	954	48,8	849	51,8	758	54,8	678	57,8	607		
36,9	1360	39,9	1204	42,9	1068	45,9	950	48,9	846	51,9	755	54,9	675	57,9	605		
37	1355	40	1199	43	1064	46	946	49	843	52	752	55	673	58	603		
37,1	1349	40,1	1195	43,1	1060	46,1	942	49,1	840	52,1	748	55,1	670	58,1	600		
37,2	1344	40,2	1190	43,2	1056	46,2	939	49,2	836	52,2	747	55,2	668	58,2	598		
37,3	1338	40,3	1185	43,3	1052	46,3	935	49,3	833	52,3	744	55,3	665	58,3	596		
37,4	1333	40,4	1180	43,4	1047	46,4	932	49,4	830	52,4	741	55,4	663	58,4	594		
37,5	1327	40,5	1176	43,5	1043	46,5	928	49,5	827	52,5	738	55,5	660	58,5	592		
37,6	1322	40,6	1171	43,6	1039	46,6	924	49,6	824	52,6	735	55,6	658	58,6	590		
37,7	1316	40,7	1166	43,7	1035	46,7	921	49,7	821	52,7	733	55,7	655	58,7	587		
37,8	1311	40,8	1161	43,8	1031	46,8	917	49,8	817	52,8	730	55,8	653	58,8	585		
37,9	1306	40,9	1157	43,9	1027	46,9	914	49,9	814	52,9	727	55,9	651	58,9	583		

Abbildung 10 – Widerstand/Temperatur-Tabelle
(Gaymar FWTI-Temperatursensor)

Inhoud		
<u>Hoofdstuk</u>	<u>Onderwerp</u>	<u>Pagina</u>
1.0	Indicaties voor gebruik	1
2.0	Productbeschrijving	2
3.0	Gebruiksaanwijzing	4
4.0	Veiligheidssystemen	6
5.0	Reiniging	7
6.0	Functiecontrole/Veiligheidsinspectie	8
7.0	Probleemoplossing	10
8.0	Technische specificaties	11

Voordat u begint . . .



Belangrijk

Lees voordat u de Medi-Temp III FW600 Series bloed-/vloeistofverwarmer gebruikt, dit *Bedieningshandboek* grondig door en lees voor elke toepassing de *VOORZORGSMAATREGELEN* goed door.

Indien u vragen hebt, kunt u contact opnemen met uw plaatselijke dealer.

Garantie

De Medi-Temp III FW600 Series bloed-/vloeistofverwarmer is gegarandeerd vrij van gebreken in materiaal en vakmanschap voor een periode van één (1) jaar.

De disposable verwarmingssets zijn gegarandeerd vrij van gebreken in materiaal en vakmanschap gedurende één toepassing.

Een kopie van de garantie is op verzoek verkrijgbaar. Gaymar wijst elke stilzwijgende garantie, waaronder, maar niet beperkt tot, de stilzwijgende garantie van verkoopbaarheid en geschiktheid voor een specifiek doel van de hand.

1.0 Indicaties voor gebruik

Dit apparaat is bestemd voor ondersteuning bij de preventie van onbedoelde hypothermie tijdens de toediening van bloed, bloedproducten en andere vloeistoffen.



1.1 Voorzorgsmaatregelen

GEVAAR



Risico van elektrische schok.

De gebruiker kan geen onderhoud aan de interne onderdelen uitvoeren.

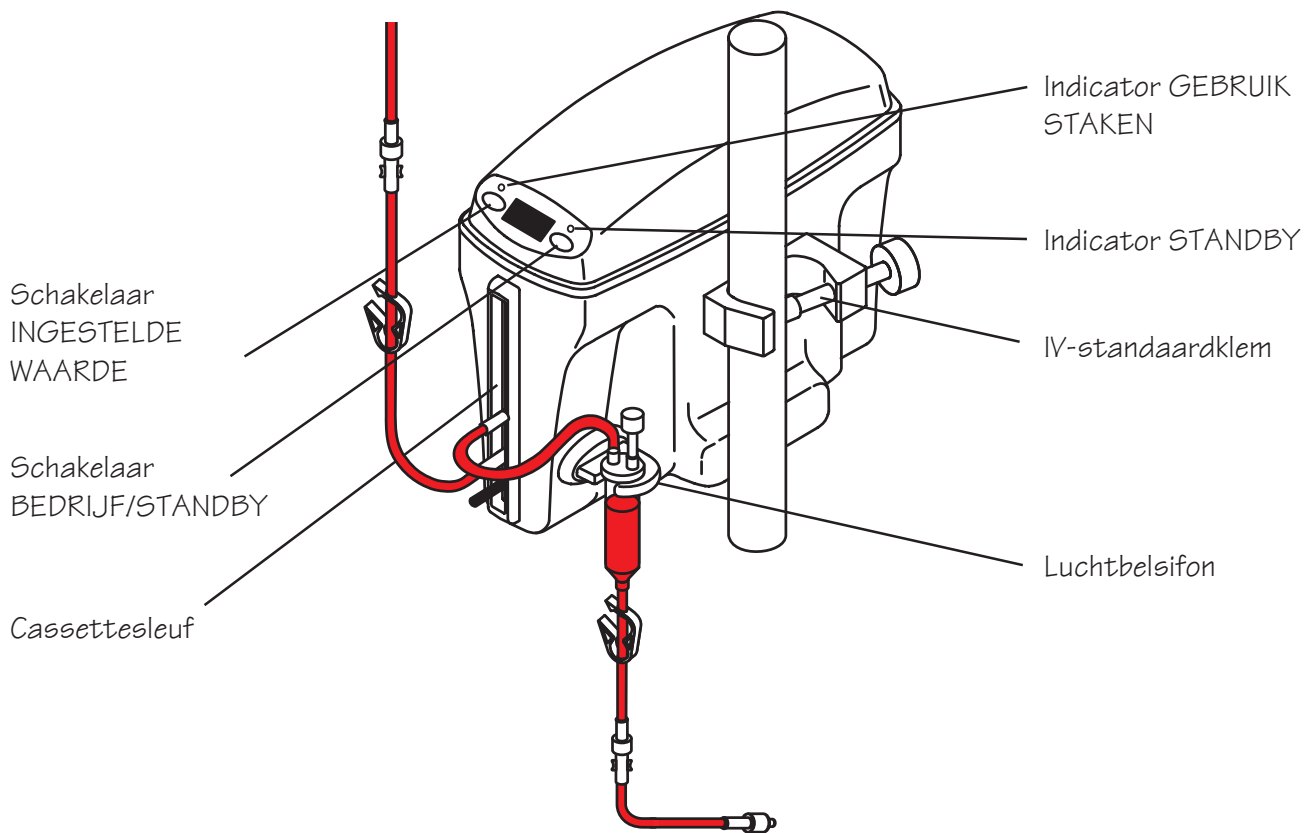
WAARSCHUWING

- Alle lucht moet uit vloeistoflijnen worden verwijderd vóór aansluiting op de patiënt.
- Controleer de vloeistoflijnen om er zeker van te zijn dat ze geen lucht bevatten. Dien nooit vloeistoffen toe als de lijn tussen de luchtbelsifon en de aansluiting naar de patiënt luchtbellen bevat.
- Controleer het vloeistofniveau in de luchtbelsifon regelmatig. Luchtbellen die tijdens het verwarmen worden afgegeven, komen in de luchtbelsifon terecht. Om de luchtbelsifon opnieuw te vullen, brengt u een steriele spuit in de klep en zuigt u lucht tot de sifon voor twee derde (2/3) gevuld is. Zorg dat de luchtbelsifon niet voor minder dan een vierde (1/4) gevuld is.
- De luchtbelsifon moet te allen tijde verticaal gemonteerd en in een verticale positie gehouden worden.

Als u zich niet aan de bovenstaande waarschuwingen houdt, kan er lucht in de patiënt komen. Als er lucht in de patiënt komt, kan dit overlijden of ernstig letsel tot gevolg hebben.

VOORZICHTIG

- In de Verenigde Staten mag dit product uitsluitend door of in opdracht van een arts worden verkocht.
- Niet onderdompelen in een reinigings- en/of sterilisatieoplossing. De unit niet onderdompelen en niet laten weken; de unit is vloeistofbestendig maar niet vloeistofdicht.
- Gebruik voor een betrouwbare aarding van de bloed-/vloeistofverwarmer uitsluitend een op de juiste wijze geaard stopcontact.
- De schakelaar *BEDRIJF/STANDBY* zorgt niet voor isolatie van de netstroom. Isolatie van de netstroom (IEC 601-1) wordt uitsluitend verkregen door het snoer van de netstroom los te koppelen.



Figuur 1—FW600 Series bloed-/vloeistofverwarmer

2.0 Productbeschrijving

De Medi-Temp III FW600 Series bloed-/vloeistofverwarmer is een apparaat dat droge warmte afgeeft en bestemd is voor de veilige en snelle verwarming van bloed, bloedproducten en andere vloeistoffen met behulp van disposable bloed-/vloeistofverwarmingssets. De verwarmer is niet voorzien van een regeling voor de doorstroomsnelheid van de vloeistof. Op normale wijze gekoeld bloed, bloedproducten en overige vloeistoffen kunnen snel worden verwarmd tot een temperatuur tussen 38,0°C en 43,0°C, die door de gebruiker wordt gekozen, bij doorstroomsnelheden van maximaal 300 ml/min. Vloeistoffen op kamertemperatuur kunnen worden verwarmd met doorstroomsnelheden van maximaal 500 ml/min. De disposable bloed-/vloeistofverwarmingssets zijn leverbaar in de volgende modellen: Standaard, Standaard met verlengingen, voor kinderen en High Flow.

2.1 De verwarmer

De verwarmingsunit is bestemd om op een IV-standaard gemonteerd te worden. Het apparaat heeft geen aan/uit-schakelaar. De aansluiting op de wisselstroomvoeding wordt aangegeven door een

groene *STANDBY*-modusindicator op het voorpaneel. In de modus *STANDBY* wordt geen voeding aan de verwarmer toegevoerd. Om de normale werking te beginnen, drukt u op de knop *BEDRIJF/STANDBY*.

Na het indrukken geeft een LED-temperatuurdisplay op het voorpaneel de werkelijke vloeistof temperatuur of de temperatuur van de ingestelde waarde in °C weer. De ingestelde waarde wordt door de gebruiker gekozen tussen 38,0°C en 43,0°C in stappen van 1,0°C, met behulp van de schakelaar *INGESTELDE WAARDE* op het voorpaneel. Eveneens op de voorzijde van de unit bevindt zich een sleuf voor de disposable verwarmingsset. Aan de rechterkant van de unit, net onder de IV-standaardklem, bevindt zich een houder voor de luchtbelsifon van de disposable verwarmingsset.

2.2 Disposable sets

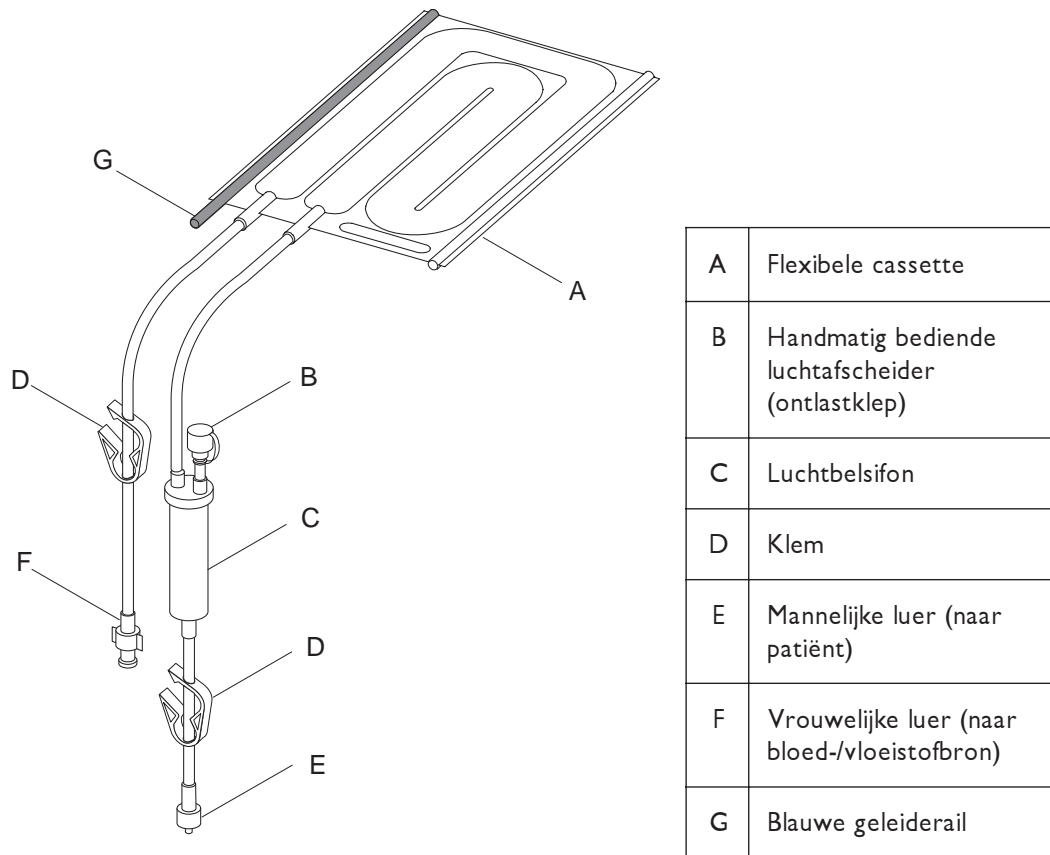
De Medi-Temp III FW600 Series bloed-/vloeistofverwarmer is uitsluitend bestemd voor gebruik met Gaymar D25000 Series disposable verwarmingssets. De volgende verwarmingssets (figuur 2) zijn bestemd voor gebruik bij een druk van maximaal 300 mm Hg. Neem contact op met uw plaatselijke dealer voor meer informatie.

NEDERLANDS

Beschrijving	Catalogusnummer	Toepassing	Vulvolume
Standard	D25340CE	VOH—150 ml/min	39 ml
Standaard met 122 cm (48") verlenging	D25310CE	VOH—150 ml/min	48 ml
Standaard met 152 cm (60") verlenging	D25315CE	VOH—150 ml/min	50 ml
Voor kinderen met 76 cm (30") verlenging	D25320CE	VOH—100 ml/min	30 ml
High Flow met 122 cm (48") verlenging	D25330CE	100—500 ml/min	79 ml

VOH= minimaal vereiste stroming om de venen open te houdenn

Figuur 2—D25000 Series verwarmingssets



Figuur 3—Verwarmingsset en luchtbelsifon

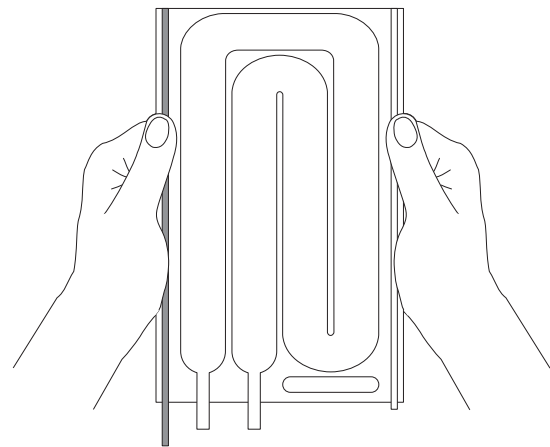
3.0 Gebruiksaanwijzing (zie figuur 3—5)

- Bevestig de verwarmingsunit aan de IV-standaard met behulp van de klem aan de zijkant van de unit.
- Steek de stekker van het snoer in een op de juiste wijze geaard stopcontact.
- Verwijder de verwarmingsset uit de steriele verpakking.

N.B. De flexibele verwarmingsset is zodanig ontworpen dat deze slechts in één richting in de warmer kan worden geplaatst. Richt de cassette zodanig dat de blauwe geleiderail in de onderkant van de verwarmingsunit terecht komt.

- 1 Pak elke rail vast (zie figuur 4). Trek de flexibele cassette iets uit en plaats het voorste uiteinde in de voorzijde van de verwarmingsunit, met de blauwe geleiderail omlaag gericht. Lijn de rails uit met elk van de sleufvormige openingen.

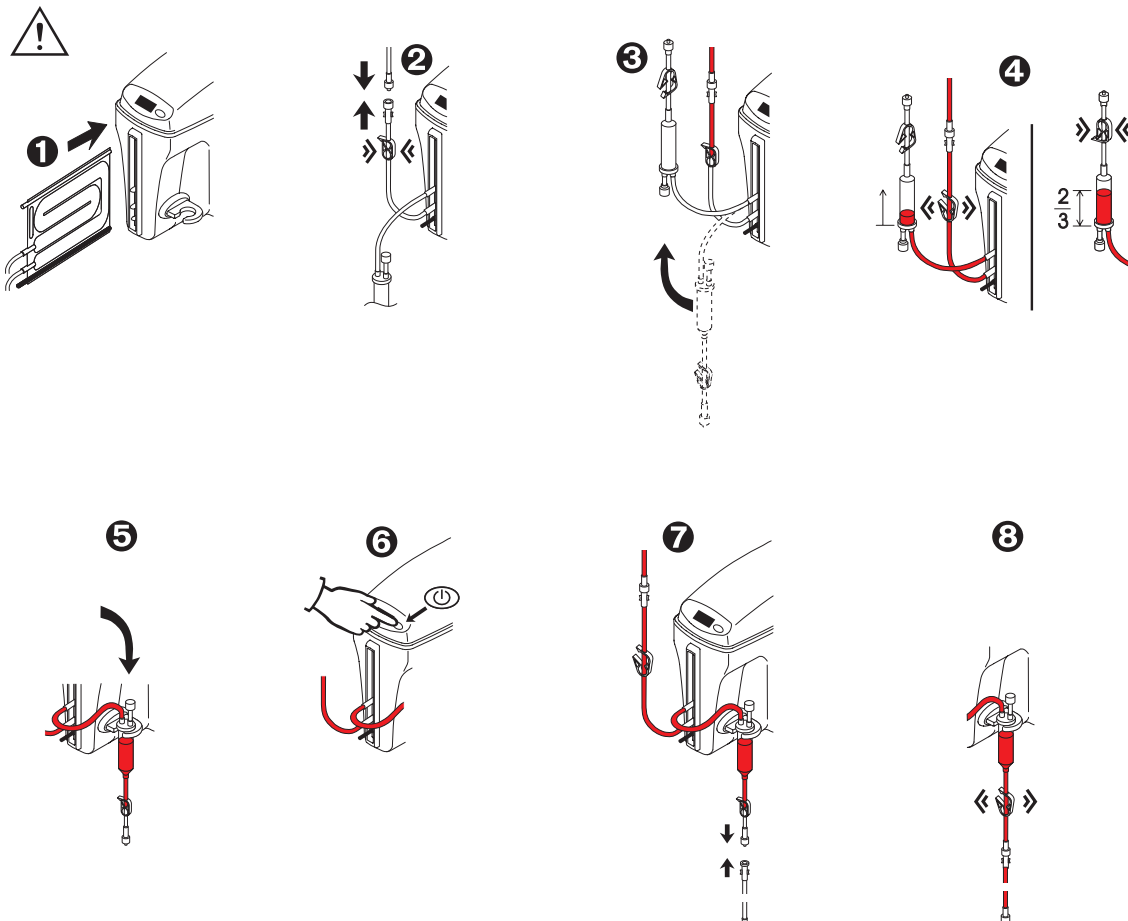
Verplaats uw handen naar de uitstekende gedeelten van de rails en ga verder met het inbrengen van de cassette tot de geleiderail **bijna** gelijk ligt met de voorkant van de unit. (De blauwe geleiderail steekt iets naar buiten, waardoor hij gemakkelijker te verwijderen is.)



Figuur 4—De cassette plaatsen

VOORZICHTIG

Wanneer de cassette volledig is aangebracht, mag de doorzichtige geleiderail niet meer dan 0,5 cm uit de voorkant van de verwarmingsunit steken. **Als de cassette niet volledig wordt ingestoken, kan hij schade oplopen.**




Figuur 5—Instructies voor de opstelling

- 2 Sluit de invoerklem van de verwarmingsset. Sluit na het verwijderen van de beschermer de vrouwelijke luer van de verwarmingsset aan op de mannelijke luer van de IV-toedieningsset. Verwijder de beschermer van de mannelijke luer van de verwarmingsset. Verwijder op dit moment onnodige lijnverlengingen om temperatuurdaling en vermindering van de hoeveelheid vloeistof zoveel mogelijk te voorkomen.
- 3 Draai de luchtbelsifon om.
- 4 Open de invoerklem van de verwarmingsset. Laat de set met vloeistof vullen. Sluit de uitvoerklem wanneer de luchtbelsifon voor ongeveer twee derde (2/3) met water is gevuld.
- 5 Draai de luchtbelsifon weer om en plaats hem in de luchtbelsifonhouder aan de zijkant van de verwarmingsunit.

WAARSCHUWING

De luchtbelsifon moet te allen tijde verticaal gemonteerd en in een verticale positie gehouden worden. **Als u dat niet doet kan er lucht in de patiënt komen, wat overlijden of ernstig letsel tot gevolg heeft.**

- 6 Druk op de schakelaar *BEDRIJF/STANDBY*  op de voorkant van de unit.

Na een geslaagde zelfdiagnose geeft de display de ingestelde waarde ca. 3 seconden knipperend weer; daarna begint het verwarmen van de vloeistof tot de gekozen temperatuur.

De ingestelde waarde die het laatst is gebruikt, blijft in het geheugen bewaard, zelfs als de voeding onderbroken wordt. Om een andere ingestelde waarde te kiezen, drukt u eerst de schakelaar

INGESTELDE WAARDE   kortstondig in. De ingestelde waarde wordt weergegeven en knippert gedurende ca. 3 seconden. Wanneer de display de ingestelde waarde knipperend weergeeft, kan de gebruiker een waarde kiezen tussen 38,0°C en 43,0°C in stappen van 1,0°C, door de schakelaar *INGESTELDE WAARDE* herhaaldelijk in te drukken.

N.B. Deze waarde neemt niet toe als de schakelaar *INGESTELDE WAARDE* onafgebroken ingedrukt wordt gehouden.

Nadat de keuze gemaakt is, blijft de display deze ingestelde waarde gedurende ca. 3 seconden knipperend weergeven en keert dan naar de werkelijke vloeistoftemperatuur terug. De ingestelde waarde kan tijdens de procedure op elk tijdstip worden gecontroleerd door de schakelaar *INGESTELDE WAARDE* kortstondig in te drukken.

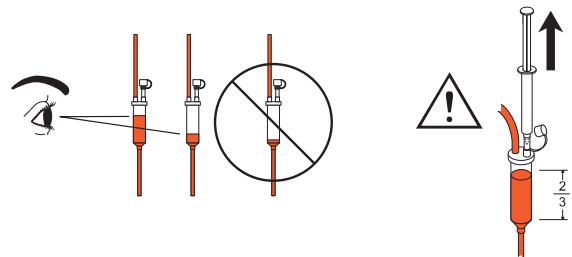
- 7 Sluit zo nodig een verlenging op de patiëntverbinding aan.
- 8 Laat lucht uit het resterende deel van de slang ontsnappen door de uitvoerklem te openen en vloeistof binnen te laten stromen.

WAARSCHUWING

- Vóór aansluiting op de patiënt moet alle lucht uit de vloeistoflijnen worden verwijderd.
- Controleer de vloeistoflijnen om er zeker van te zijn dat ze geen lucht bevatten. Dien nooit vloeistoffen toe als de lijn tussen de luchtbelsifon en de aansluiting naar de patiënt luchtbellen bevat.

Als u dat niet doet kan er lucht in de patiënt komen, wat overlijden of ernstig letsel tot gevolg heeft.

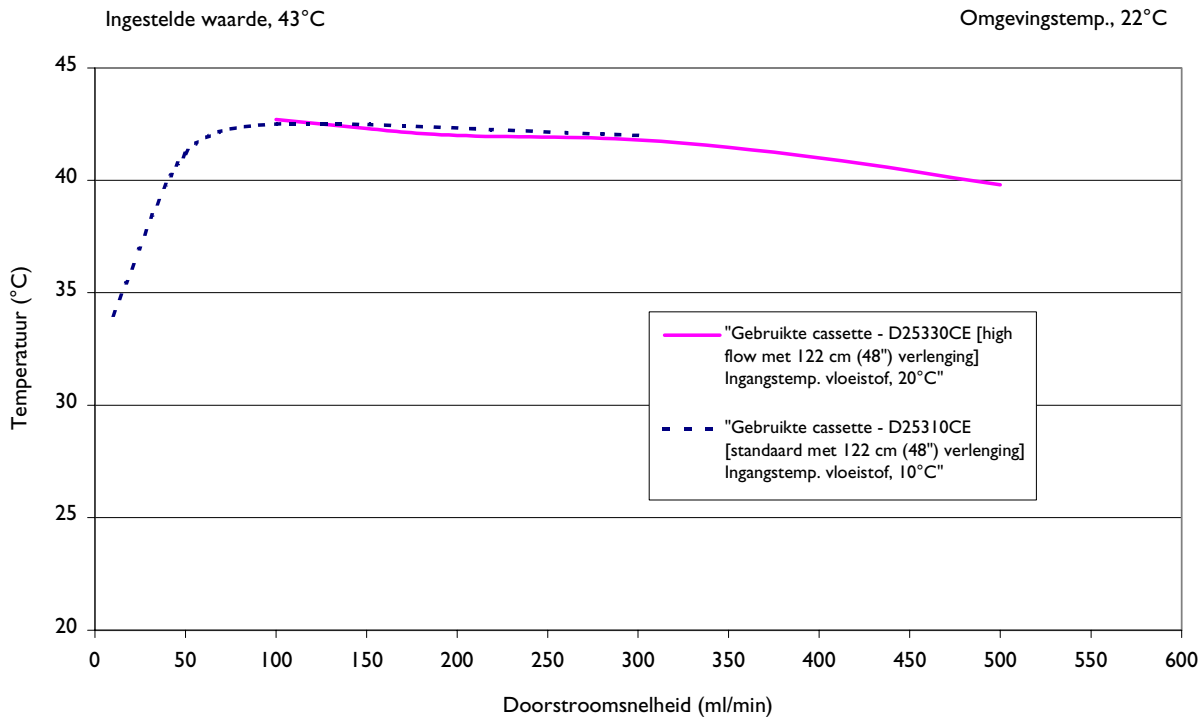
WAARSCHUWING



Controleer het vloeistofniveau in de luchtbelsifon regelmatig. Luchtbellen die tijdens het verwarmen worden afgegeven, komen in de luchtbelsifon terecht. Om de luchtbelsifon opnieuw te vullen, brengt u een steriele spuit in de klep en zuigt u lucht tot de sifon voor twee derde (2/3) gevuld is. Zorg dat de luchtbelsifon niet voor minder dan een vierde (1/4) gevuld is.

Als u het vloeistofpeil in de luchtbelsifon niet controleert, kan er lucht in de patiënt komen, wat overlijden of ernstig letsel tot gevolg heeft.

Temperatuur aan het einde van de patiëntlijn



Figuur 6—Typerende vloeistoftemperatuur versus doorstroomwaarden

3.1 Effect van doorstroomsnelheid op vloeistoftemperatuur

De temperatuur van de vloeistof die uit de patiëntlijn komt, wordt beïnvloed door de doorstroomsnelheid. De volgende temperatuurkromme van de doorstroomsnelheid versus de uitgaande vloeistof is typerend voor de FW600 Series verwarmingsunit. Zie figuur 6 hierboven.

N.B. De temperatuur van de uitgaande vloeistof wordt voor deze kromme aan het uiteinde van de patiëntlijn gemeten.

3.2 De verwarmingsset verwijderen

De cassette kan niet uit de verwarmingsunit worden verwijderd als hij onder druk staat. De cassette verwijderen:

1. Sluit eerst de invoerklem van de verwarmingsset en laat de uitvoerklem open.
2. Sluit de uitvoerklem van de verwarmingsset.
3. Door stap 1 en 2 te volgen kan de vloeistof uit de cassette lopen. Trek voorzichtig aan de blauwe geleiderail om de cassette uit de verwarmingsunit te verwijderen.

4. Gooi de verwarmingsset weg in overeenstemming met het ziekenhuisprotocol.

VOORZICHTIG

De cassette is moeilijker te verwijderen als hij niet leeg is. **Als de cassette met kracht wordt verwijderd, kan hij breken.**



4.0 Veiligheidssystemen

4.1 Bescherming tegen overtemperatuur

Een backupsysteem in de verwarmers werkt onafhankelijk van de hoofdregelaar en controleert de vloeistoftemperatuur continu. Als de temperatuur van de uitgaande vloeistof hoger is dan 45,0°C, stopt het backupsysteem de voeding naar de verwarmingsplaten onmiddellijk. Als de overtemperatuur van tijdelijke aard is tengevolge van een plotselinge verandering in de doorstroomsnelheid, geeft de display afwisselend *HI* (hoog) en de vloeistoftemperatuur knipperend weer. Wanneer de vloeistoftemperatuur tot een aanvaardbaar peil is gedaald, wordt het normale bedrijf hervat. Als het backupsysteem echter detecteert dat

de overtemperatuur het gevolg is van een storing van de hoofdregelaar, weerklinkt een akoestisch alarm, gaat het GS-lampje (*GEBRUIK STAKEN*) te branden en wordt het apparaat uitgeschakeld. In dit geval moet u onmiddellijk de vloeistofstroom stoppen, de verwarmingsset weggooien en contact opnemen met uw dealer voor service.

4.2 Zelfdiagnose

Telkens wanneer de verwarmingsunit van de modus *STANDBY* naar *BEDRIJF* wordt geschakeld, begint een zelftest. Als het backupsysteem niet naar behoren werkt, wordt een foutbericht weergegeven en wordt de unit uitgeschakeld. Verder worden in de modus *BEDRIJF* regelmatig zelftests uitgevoerd om de veilige werking van de verwarmingsunit continu te garanderen.

4.3 Controle-alarm LO

Als de verwarmingsunit een vloeistoftemperatuur onder 34,0°C waarneemt, weerklinkt het akoestische alarm en wisselt de display af tussen het symbool *LO* (laag) en de werkelijke vloeistoftemperatuur.

Uitzondering: De unit laat pas een alarm horen als de vloeistoftemperatuur de drempelwaarde van 34,0°C heeft overschreden.

5.0 Reiniging

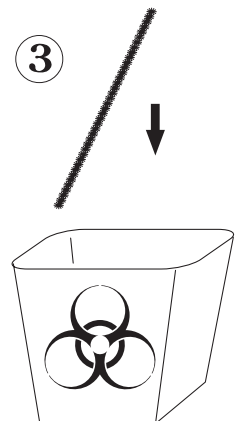
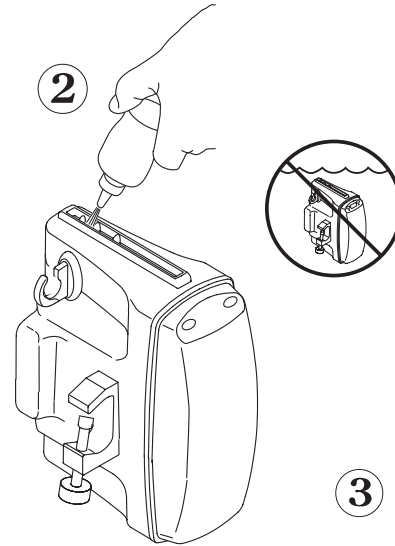
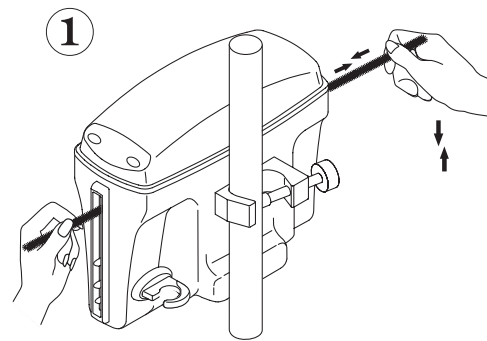
VOORZICHTIG

Dompel de verwarmingsunit niet onder in reinigings- en/of desinfectansoplossingen. Dompel de unit niet onder in vloeistoffen; hij is vloeistofbestendig maar niet vloeistofdicht.

Onderdompeling kan tot storing en beschadiging van de apparatuur leiden.

Voer de volgende verzorgings- en reinigingsprocedures uit voordat de volgende patiënt wordt behandeld, of volg het ziekenhuisprotocol.

- Haal de stekker uit het stopcontact voordat u met reinigen begint.
- Gebruik voor het reinigen van de buitenkant van de verwarmingsunit een niet-schurende reinigingsoplossing (zoals warm zeepwater) en een schone doek.
- Binnenkant van cassettesleuf reinigen met wegwerpborstel. Zorgvuldig met water uit knijpfles doorspoelen. Nabestelnummer reinigingsset O/N 78350-000.



- Gebruik een desinfecterend middel zoals een 10% chloorhoudend bleekmiddel (chloorhoudend bleekmiddel met 5,25% natrium hypochloriet) voor de buitenkant van de unit en de cassettesleuf en laat deze daarna drogen.

VOORZICHTIG

De verwarmingsunit dient gereinigd te worden als vloeistof of een vreemde stof in de cassettesleuf is gedrongen. **Het niet schoonhouden van de cassettesleuf kan het inbrengen van de cassette belemmeren.**

6.0 Functiecontrole en veiligheidsinspectie

Met het oog op optimale prestaties, bedrijfszekerheid en veiligheid moeten de volgende procedures om de twaalf maanden of volgens het onderhoudsschema van het ziekenhuis worden uitgevoerd.

Vereiste apparatuur of gereedschap

- Een Gaymar D25340 Series bloed-/vloeistofverwarmingsset van om het even welk type
- Temperatuurmeter:
 - Gaymar D25340 bloed-/vloeistofverwarmingsset en
 - Temperatuursensor (Gaymar catalogus FWT1), een ohmmeter (aflezingsnauwkeurigheid 1,5%; maximale bekrachtigingsstroom 100 μ A) en de weerstandstemperatuurtable. Zie figuur 10 (pagina 12).

of

- Een Gaymar D25340 Series bloed-/vloeistofverwarmingsset van om het even welk type en
- Waterdichte temperatuursensor/meter met een nauwkeurigheid van $\pm 0,3\%$ over het bereik van 30°C tot 60°C en een thermische tijdconstante van 2 seconden of sneller.
- Stroommeetapparaat (Gaymar catalogus FWT2 stroommeter):
 - Vloeistofbron met geijkte stroommeter en een minimale nauwkeurigheid van ± 12 ml/minuut
- of
 - Vloeistofbron met instelbare stromingregeling; gebruik een stopwatch en een gegradeerde cilinder om de doorstroomsnelheid af te stellen.
- Stroomlek-/aardingsweerstandstestapparaat
- Wisselstroom multimeter

6.1 Fysieke inspectie

Controleer of de volgende items in goede staat verkeren en vastzitten.

- Etiketten, los of ontbreken
- Schroeven in deksel
- Luchtbelsifonhouder
- Snoer
- IV-standaardklem

6.2 Verificatie van temperatuur van uitgaande vloeistof

De FW600 Series bloed-/vloeistofverwarmer is in de fabriek geijkt bij een doorstroomsnelheid van 100 ml/min en een ingestelde waarde van $43,0^{\circ}\text{C}$.

Verifiëren of de temperatuur van de uitgaande vloeistof juist is:

1. De omgevingstemperatuur moet tussen 20°C en 24°C liggen.
2. Sluit de testopstelling aan (zie figuur 7). Bevestig de Gaymar FWT1 temperatuursensor aan de uitvoer van de luchtbelsifon.

Alternatieve methode: Maak een gat in de luchtbelsifon en steek er een temperatuurmeter in. Controleer of de sensor volledig in de vloeistof is ondergedompeld en maak dan het gat in de luchtbelsifon dicht.

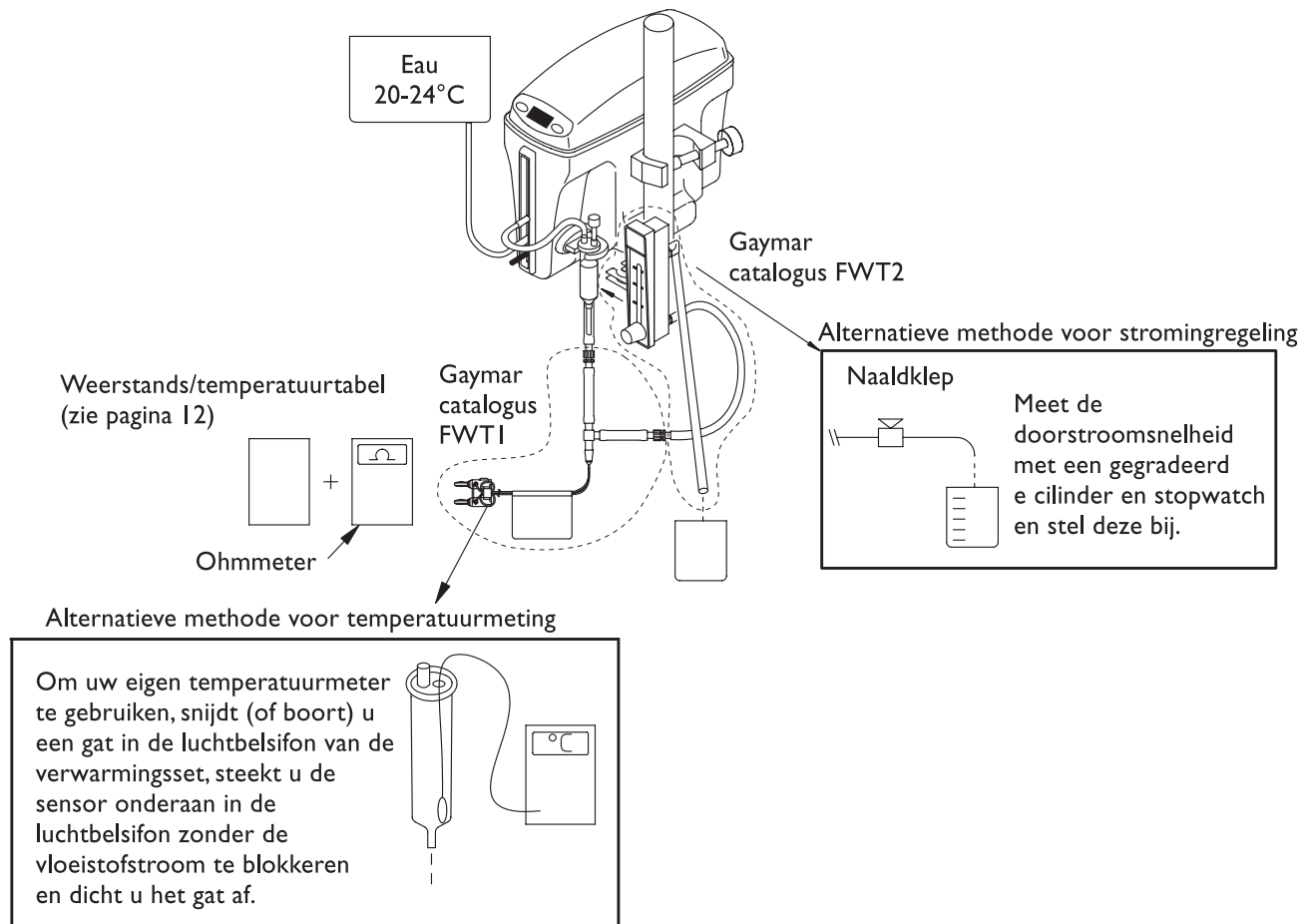
3. Sluit de FWT2 stroommeter of het stroommeet-/controleapparaat op de uitvoer van de FWT1 temperatuursensor aan.

Alternatieve methode: Als u de methode met de sensor in de luchtbelsifon gebruikt, sluit u de FWT2 stroommeter of het stroommeet-/controleapparaat rechtstreeks op de uitvoer van de luchtbelsifon aan.

4. Laat water op kamertemperatuur door de verwarmer stromen met 100 ml/min (cc/min). Controleer of de luchtbelsifon 1/2 tot 2/3 vol wordt gehouden.
5. Schakel de verwarmer in. Stel de **INGESTELDE WAARDE** in op $43,0^{\circ}\text{C}$. Laat de verwarmer 10 minuten lopen.
6. Controleer of de temperatuur van het uitgaande water $43,0^{\circ}\text{C} \pm 1,1^{\circ}\text{C}$ is. Als u de FWT1 temperatuursensor en een ohmmeter gebruikt, controleer dan of de weerstand binnen 1019—1112 ohm valt.

Als de gewenste temperatuur- of weerstandswaarden niet worden verkregen, controleer de opstelling dan en herhaal de test. Als de waarden nog steeds niet binnen het bereik vallen, neem dan contact op met uw dealer voor service.

Dit apparaat is in de fabriek geijkt en kan nergens anders worden afgesteld.



Figuur 7—Opstelling van test

6.3 Verificatie van bescherming tegen overtemperaturen

De juiste werking van het systeem ter bescherming tegen overtemperatuur wordt telkens gecontroleerd wanneer van de modus *STANDBY* naar *BEDRIJF* wordt geschakeld. Regelmatige tests van dit systeem zijn dus niet nodig. De volgende procedure kan echter worden gebruikt om een *OVERTEMP* conditie te forceren om te zien of het systeem ter bescherming tegen overtemperatuur werkt:

1. Steek een D25000 Series verwarmingscassette in de verwarmingsunit. Gebruik heet kraanwater (46°C–50°C) en laat het hete water ongeveer 1 à 3 minuten door de cassette stromen.
2. Sluit de verwarmingsunit aan op wisselstroomvoeding. Het apparaat dient onmiddellijk het akoestische alarm te laten weerklinken en het GS-lampje te doen oplichten.

6.4 Controle van aardingsweerstand

Meet de weerstand tussen de aardingspen van de stekker en de montageschroef op de IV-standaardklem met een stroomlek-/aardingsweerstandtestapparaat.

De weerstand mag niet hoger zijn dan 0,50 ohm.

6.5 Stroomlekttest

Meet de maximale aardlekstroom (open aarde). Meet alle combinaties van de lijnpolariteit met de neutraalgeleider open en gesloten. De waarden mogen niet hoger zijn dan de volgende waarden:

- FW600 neutraalgeleider gesloten 150 µA
- FW600 neutraalgeleider open 200 µA
- FW603 neutraalgeleider gesloten 250 µA
- FW603 neutraalgeleider open 300 µA

7.0 Probleemoplossing

Toestand	Mogelijke oorzaken	Vereiste maatregel
De display geeft afwisselend LO (laag) en de vloeistoftemperatuur knipperend weer	De temperatuur van de uitgaande vloeistof heeft 34°C nog niet bereikt.	De unit 2 minuten laten lopen. Als de temperatuur niet stijgt, het gebruik staken en service aanvragen.
De display geeft afwisselend HI (hoog) en de vloeistoftemperatuur knipperend weer	Een storing van voorbijgaande aard, bijv. een plotselinge verandering in de doorstroomsnelheid, heeft de vloeistoftemperatuur tot boven 34°C doen stijgen.	GEEN—unit hervat normaal bedrijf wanneer de temperatuur onder 43°C daalt.
Akoestisch alarm weerklinkt en display geeft LO (laag) en de vloeistoftemperatuur knipperend weer	De temperatuur van de uitgaande vloeistof is onder 34°C gedaald.	De unit 2 minuten laten lopen. Als de temperatuur niet stijgt, het gebruik staken en service aanvragen..
Akoestisch alarm weerklinkt en de display toont FA_ (storing)	De elektronische diagnostiek heeft een intern probleem waargenomen.	Het gebruik staken en service aanvragen.
Het akoestische alarm weerklinkt continu en het gele GS-lampje brandt	Interne vloeistoftemperaturen zijn hoger dan 45°C en het backupstelsel is geactiveerd.	De vloeistofstroom stoppen, de cassette weggooien en service aanvragen.
De cassette kan slechts met moeite in de verwarmingsunit worden gestoken	De cassette is vóór het aanbrengen gevuld.	De cassette laten leeglopen en opnieuw aanbrengen.
	De verwarmingsplaten in de sleuf van de verwarmingsunit zijn mogelijk verontreinigd.	De binnenkant van de unit reinigen aan de hand van de reinigingsprocedure (hoofdstuk 5.0)
De cassette is moeilijk uit de verwarmingsunit te verwijderen	De cassette staat nog onder druk.	De invoerklem sluiten en de uitvoerklem openen. De vloeistof laten weglopen.

Figuur 8—Tabel probleemoplossing

8.0 Technische specificaties

Technische specificaties		
Item	FW600	FW603
Bereik ingestelde waarde / resolutie	38,0°C tot 43,0°C in stappen van 1,0°C	
Resolutie van vloeistoftemperatuur	0,1°C	
Nauwkeurigheid van regelaar bij 100 ml/min	±0,5°C	
Spanning	120 V wisselstroom	220-240 V wisselstroom
Stroomgebruik	9 A	4,5 A
Zekering	(2) 15 A vertraging 250 V	(2) T, 6,3 A, 250 V, L 5 mm x 20 mm
Frequentie	60 Hz	50/60 Hz
Omgevingstemperatuurbereik	15°C tot 29°C	
Snoer	4,6 meter lang, UL-listed type SJT, 16 AWG 3-draadskabel met geaarde, gegoten stekker van ziekenhuiskwaliteit	4,6 meter lang. Gebruik uitsluitend een internationaal (geharmoniseerd) 3-draadssnoer goedgekeurd voor HD-21 geleider maat 1,5 mm ² (HO5VVF3G1.5)
Classificatie  IPX4	Apparatuur van klasse I, geaard, type BF, spatbestendig, niet geschikt voor gebruik in de aanwezigheid van een anesthesiemengsel dat ontvlambaar is met lucht, zuurstof of lachgas. Geschikt voor continu bedrijf.	
Regelgeving	Geclassificeerd, uitsluitend met betrekking tot elektrische schok, brand en mechanische gevaren, volgens UL 2601-1, CAN/CSA C22.2 NO.601.1	EN60601-1
Elektromagnetische compatibiliteit	Voldoet aan EN60601-1-2: 1993 (CISPR 11 Geclassificeerd als Klasse B, Groep I ISM apparatuur)	
Gewicht	2,7 kg	
Afmetingen	22 cm x 28,5 cm x 12 cm	

Figuur 9—Specificaties

NEDERLANDS

Temp.	Resis.	Temp.	Resis.	Temp.	Resis.	Temp.	Resis.	Temp.	Resis.	Temp.	Resis.	Temp.	Resis.	Temp.	Resis.	Temp.	Resis.
(°C)	(ohms)	(°C)	(ohms)	(°C)	(ohms)	(°C)	(ohms)	(°C)	(ohms)	(°C)	(ohms)	(°C)	(ohms)	(°C)	(ohms)	(°C)	(ohms)
35	1471	38	1300	41	1152	44	1023	47	910	50	811	53	725	56	648	59	581
35.1	1465	38.1	1295	41.1	1148	44.1	1019	47.1	907	50.1	808	53.1	722	56.1	646	59.1	579
35.2	1459	38.2	1290	41.2	1143	44.2	1015	47.2	903	50.2	805	53.2	718	56.2	644	59.2	577
35.3	1453	38.3	1285	41.3	1139	44.3	1011	47.3	900	50.3	802	53.3	716	56.3	641	59.3	575
35.4	1447	38.4	1279	41.4	1134	44.4	1007	47.4	896	50.4	799	53.4	714	56.4	639	59.4	573
35.5	1441	38.5	1274	41.5	1129	44.5	1003	47.5	893	50.5	796	53.5	711	56.5	637	59.5	571
35.6	1435	38.6	1269	41.6	1125	44.6	999	47.6	889	50.6	793	53.6	709	56.6	634	59.6	569
35.7	1429	38.7	1264	41.7	1120	44.7	995	47.7	886	50.7	790	53.7	706	56.7	632	59.7	567
35.8	1423	38.8	1259	41.8	1116	44.8	991	47.8	882	50.8	787	53.8	703	56.8	630	59.8	565
35.9	1417	38.9	1254	41.9	1112	44.9	988	47.9	879	50.9	784	53.9	701	56.9	627	59.9	563
36	1411	39	1249	42	1107	45	984	48	876	51	781	54	698	57	625	60	561
36.1	1405	39.1	1244	42.1	1103	45.1	980	48.1	872	51.1	778	54.1	695	57.1	623		
36.2	1400	39.2	1239	42.2	1098	45.2	976	48.2	869	51.2	775	54.2	693	57.2	620		
36.3	1394	39.3	1234	42.3	1094	45.3	972	48.3	866	51.3	772	54.3	690	57.3	618		
36.4	1388	39.4	1229	42.4	1090	45.4	968	48.4	862	51.4	769	54.4	688	57.4	616		
36.5	1383	39.5	1224	42.5	1085	45.5	965	48.5	859	51.5	767	54.5	685	57.5	614		
36.6	1377	39.6	1219	42.6	1081	45.6	961	48.6	856	51.6	764	54.6	683	57.6	611		
36.7	1371	39.7	1214	42.7	1077	45.7	957	48.7	853	51.7	761	54.7	680	57.7	609		
36.8	1366	39.8	1209	42.8	1073	45.8	954	48.8	849	51.8	758	54.8	678	57.8	607		
36.9	1360	39.9	1204	42.9	1068	45.9	950	48.9	846	51.9	755	54.9	675	57.9	605		
37	1355	40	1199	43	1064	46	946	49	843	52	752	55	673	58	603		
37.1	1349	40.1	1195	43.1	1060	46.1	942	49.1	840	52.1	748	55.1	670	58.1	600		
37.2	1344	40.2	1190	43.2	1056	46.2	939	49.2	836	52.2	747	55.2	668	58.2	598		
37.3	1338	40.3	1185	43.3	1052	46.3	935	49.3	833	52.3	744	55.3	665	58.3	596		
37.4	1333	40.4	1180	43.4	1047	46.4	932	49.4	830	52.4	741	55.4	663	58.4	594		
37.5	1327	40.5	1176	43.5	1043	46.5	928	49.5	827	52.5	738	55.5	660	58.5	592		
37.6	1322	40.6	1171	43.6	1039	46.6	924	49.6	824	52.6	735	55.6	658	58.6	590		
37.7	1316	40.7	1166	43.7	1035	46.7	921	49.7	821	52.7	733	55.7	655	58.7	587		
37.8	1311	40.8	1161	43.8	1031	46.8	917	49.8	817	52.8	730	55.8	653	58.8	585		
37.9	1306	40.9	1157	43.9	1027	46.9	914	49.9	814	52.9	727	55.9	651	58.9	583		

Figuur 10—Weerstandstemperatuurtabel
(Gaymar FWTI Temperatuursensor)

Indholdsfortegnelse

<u>Afsnit</u>	<u>Beskrivelse</u>	<u>Side</u>
1.0	Indikationer for brug	1
2.0	Produktbeskrivelse	2
3.0	Brugsvejledning	4
4.0	Sikkerhedssystemer	6
5.0	Rengøring	7
6.0	Funktionscheck/sikkerhedseftersyn	8
7.0	Fejlfinding	10
8.0	Tekniske specifikationer	11

Inden ibrugtagning . . .



Vigtigt

Inden Medi-Temp III Serie FW600 varmeaggregat til blod/væske tages i anvendelse, skal man gennemlæse og forstå denne *Operatørhåndbog* og **SIKKERHEDSFORANSTALTNINGERNE**.

Kontakt venligst den lokale forhandler vedrørende eventuelle spørgsmål.

Garanti

Medi-Temp III Serie FW600 varmeaggregat til blod/væske er garanteret fri for defekter i både materiale og udførelse i en periode på et (1) år.

Opvarmningssættene til engangsbrug er garanteret fri for defekter i både materiale og udførelse ved en enkelt anvendelse.

En kopi af garantien kan fås efter anmodning. Gaymar påtager sig intet ansvar for nogen underforståede garantier, herunder, men ikke begrænset til, underforståede garantier for salgbarhed og egnethed til et bestemt formål.

1.0 Indikationer for brug

Dette apparat er beregnet til at forebygge pludselig hypotermi under tilførsel af blod, blodprodukter og andre væsker.



1.1 Sikkerhedsforanstaltninger

FARE



Risiko for elektrisk stød.

Indeholder ingen indvendige dele der kan serviceres.

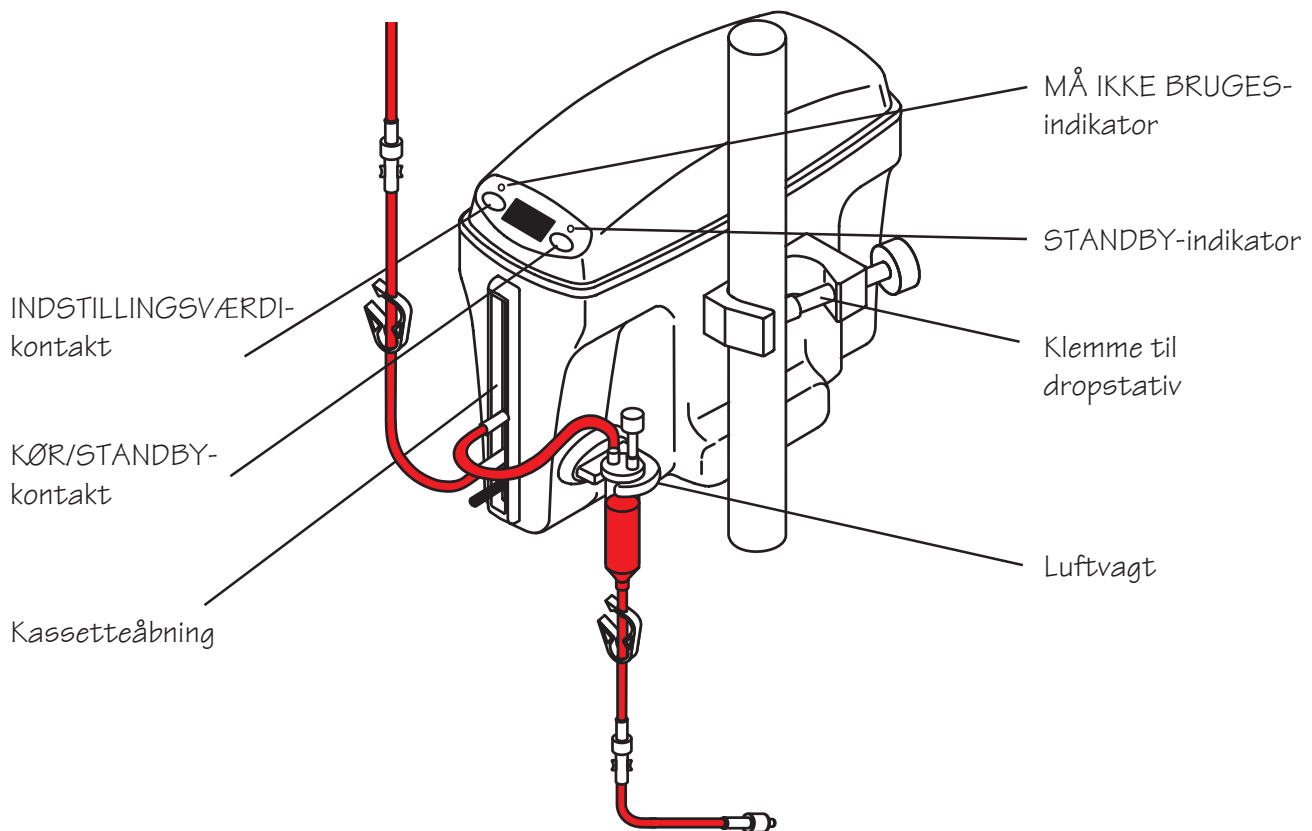
ADVARSEL

- Alt luft skal fjernes fra væskeslangerne, før de sluttes til patienten.
- Overvåg væskeslangerne for at sikre, at de er luftfrie. Der må aldrig tilføres væske, hvis der er luftbobler i slangen mellem luftvagt og patienttilslutning.
- Væskestanden i luftvagten skal kontrolleres hyppigt. Bobler, der frigøres under opvarmningen, opfanges af luftvagten. Luftvagten fyldes op ved at sætte en steril sprøjte ind i ventilen og trække luft ud, indtil luftvagten er to tredjedele (2/3) fuld. Luftvagten må ikke være under kvart (1/4) fuld.
- Luftvagten skal til enhver tid være monteret og i lodret stilling.

Hvis ovenstående advarsler ikke overholdes, kan det resultere i indførelse af luft i patienten. Dette kan medføre dødsfald eller alvorlige skader.

FORSIGTIG

- Ifølge amerikansk lov må dette apparat kun sælges af læger eller efter lægeordination.
- Må ikke sænkes ned i rense- og/eller steriliseringsopløsninger. Apparatet må ikke nedsænkes eller gennemblødes—det er væskerestistent, ikke væsketæt.
- Varmeaggregatet må kun tilsluttes en korrekt jordet stikkontakt.
- Kontakten KØR/STANDBY yder ingen isolation fra strømtilførslen. Isolation fra strømtilførslen (IEC 601-1) kan kun opnås ved at afbryde ledningen fra strømtilførslen.



Figur 1—Serie FW600 varmeaggregat til blod/væske

2.0 Produktbeskrivelse

Medi-Temp III Serie FW600 varmeaggregat til blod/væske er en varmer med tørt varmeelement beregnet til sikker brug og hurtig opvarmning af blod, blodprodukter og andre væsker ved hjælp af opvarmningssæt for blod/væske til engangsbrug. Varmeaggregatet kontrollerer ikke strømningshastigheden. Blod, blodprodukter og andre væsker, der normalt opbevares køligt, kan opvarmes hurtigt til brugerbestemte temperaturer mellem 38,0° C og 43,0° C ved strømningshastigheder på op til 300 ml/min. Væsker med stuetemperatur kan opvarmes ved strømningshastigheder på op til 500 ml/min. Opvarmningssættene til blod/væske til engangsbrug kan fås i følgende modeller: Standard, Forlænget standard, Pædiatrisk og Høj strømningshastighed.

2.1 Varmeaggregat

Varmeaggregatet er designet til montering på et dropstativ. Apparatet har ingen afbryder. Tilslutning til vekselstrømsforsyning er indikeret med et grønt STANDBY-indikatorlys, som findes på frontpanelet. I

STANDBY-indstillingen kan der ikke leveres strøm til varmeaggregatet. For at begynde normal funktion skal der trykkes på kontakten KØR/STANDBY.

Når dette sker, vil et LED-temperaturdisplay på frontpanelet angive den faktiske væsketemperatur eller indstillingsværditemperaturen i grader Celcius. Indstillingsværdien er brugerbestemt fra 38,0° C til 43,0° C i stigninger på 1,0° C ved hjælp af INDSTILLINGSVÆRDI-kontakten på frontpanelet. Foran på apparatet findes også en åbning til isætning af varmesættet til engangsbrug. På højre side af apparatet, lige under klemmen til dropstativet, sidder en holder til engangs-varmesættets luftvagt.

2.2 Sæt til engangsbrug

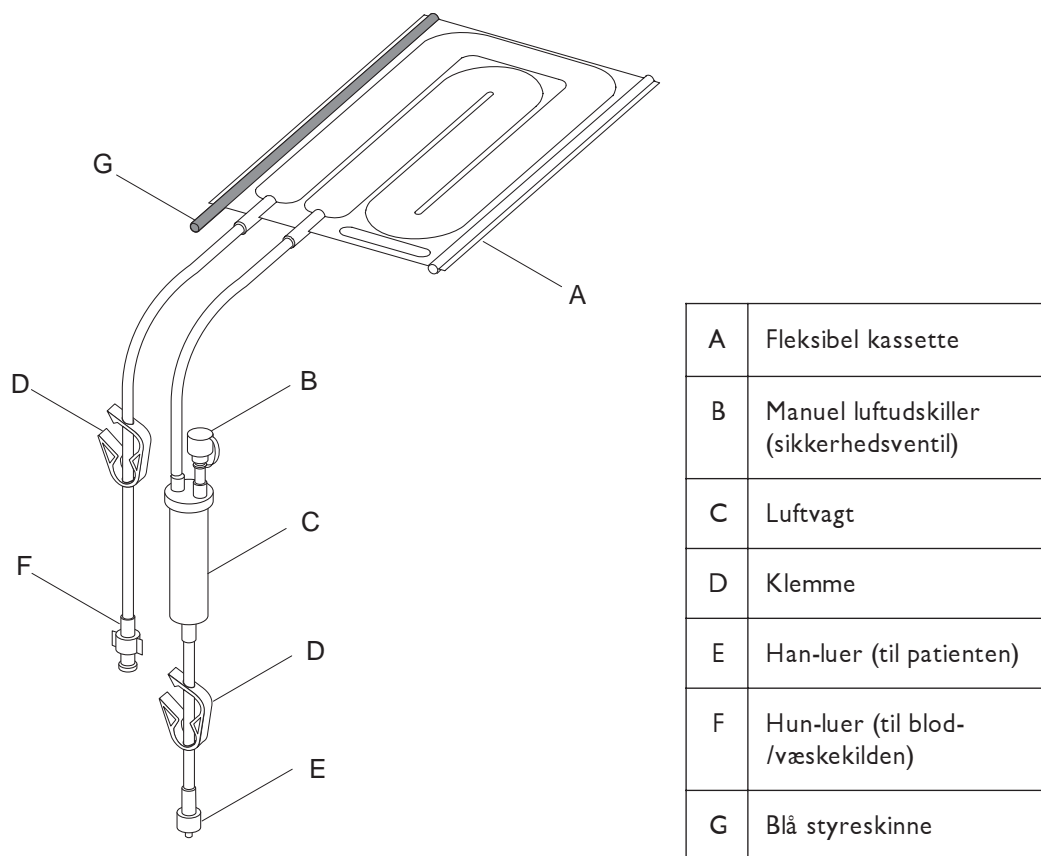
Medi-Temp III Serie FW600 varmeaggregat til blod/væske er kun beregnet til brug sammen med Gaymar Serie D25000 opvarmningssæt til engangsbrug. Nedenstående opvarmningssæt (figur 2) er udformet til brug under tryk op til 300 mm Hg. Ret henvendelse til den lokale forhandler for yderligere oplysninger.

DANSK

Beskrivelse	Katalognummer	Anvendelse	Spædemængde
Standard	D25340CE	HVÅ—150 ml/min	39 ml
Standard med 122 cm (48") forlængelse	D25310CE	HVÅ—150 ml/min	48 ml
Standard med 152 cm (60") forlængelse	D25315CE	HVÅ—150 ml/min	50 ml
Pædiatrisk med 76 cm (30") forlængelse	D25320CE	HVÅ—100 ml/min	30 ml
Høj strømningshastighed med 122 cm (48") forlængelse	D25330CE	100—500 ml/min	79 ml

HVÅ = mindste strømningshastighed nødvendig til at holde vener åbne

Figur 2—Serie D25000 opvarmingsæt



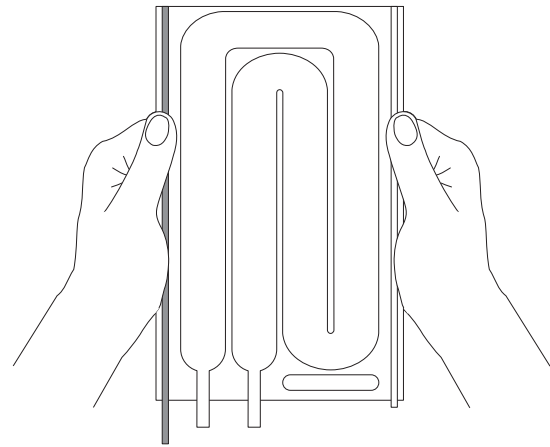
Figur 3—Opvarmningssæt og luftvagt

3.0 Brugsvejledning (se figur 3 til 5)

- Montér varmeaggregatet til dropstativet og fastgør det med klemmen på siden af apparatet.
- Sæt elledningen i en korrekt jordet stikkontakt.
- Tag opvarmningssættet ud af den sterile emballage.

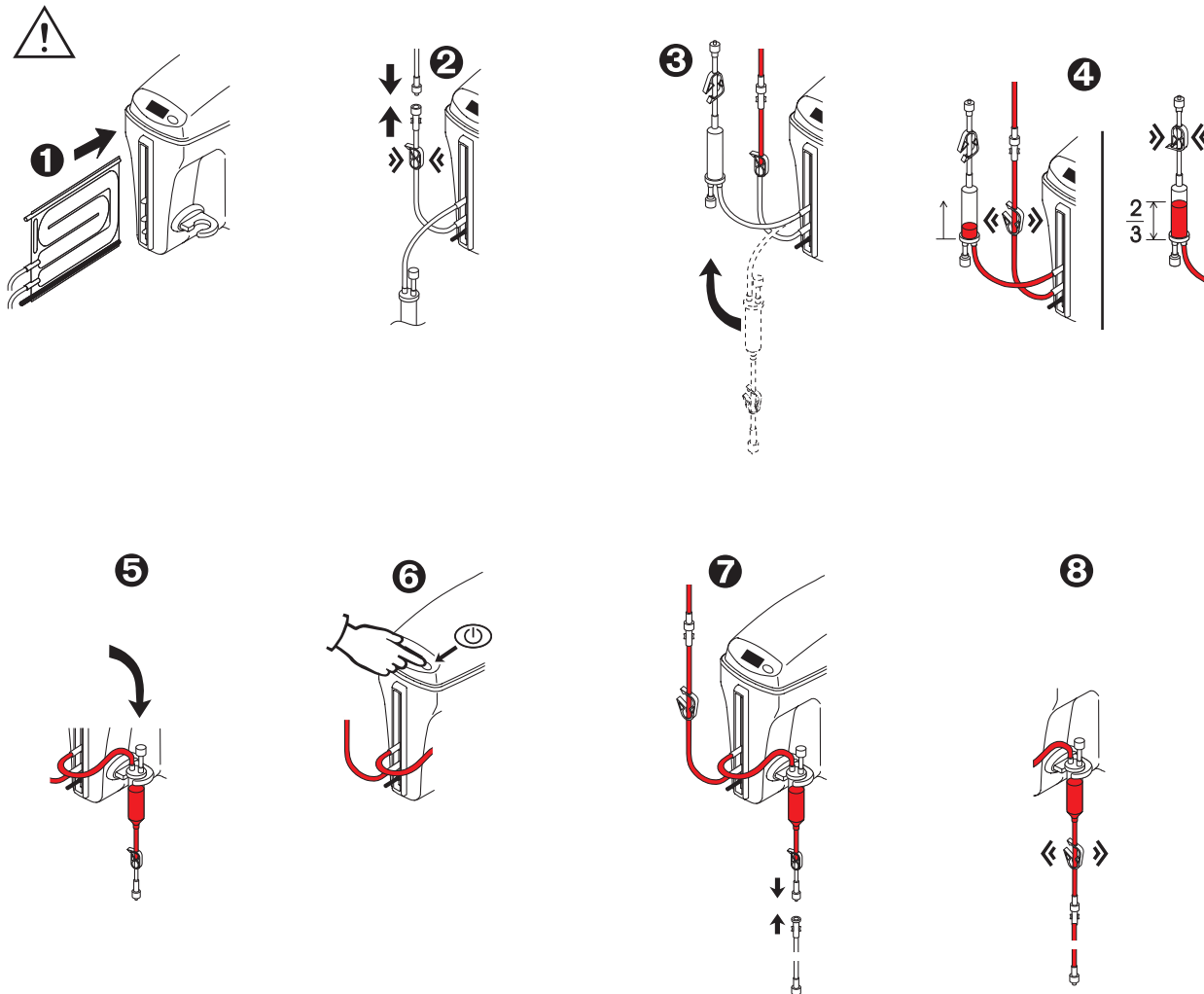
BEMÆRK: Det fleksible opvarmningssæt er udformet, så det kun kan sættes i varmeaggregatet på én måde. Hold kassetten således, at den blå styreskinne indsættes nederst i varmeaggregatet.

- 1** Tag fat i hver styreskinne (se figur 4). Stræk den fleksible kassette en smule og sæt kassettsens forkant ind foran på varmeaggregatet med den blå styreskinne nedad. Tilpas skinnerne til hver af åbningens riller.



Figur 4—Isætning af kassette

Flyt hænderne til skinnernes fremspring og sæt kassetten længere ind indtil den lyse styreskinne er **næsten** på linje med enhedens forkant. (Den blå styreskinne stikker en smule ud, så kassetten nemt kan fjernes.)



Figur 5—Instruktioner for opstilling

FORSIGTIG

Når kassetten er sat helt ind, må den lyse styreskinne ikke stikke mere end 0,5 cm frem foran varmeaggregatet. **Sættes kassetten ikke helt ind, kan det medføre beskadigelse af kassetten.**

- 2 Luk opvarmingssettets indgangsklemme. Fjern beskytteren fra hun-lueren på opvarmingssettet og tilslut den til han-lueren på IV-sættet. Fjern beskytteren fra opvarmingssettets han-luer. For at mindske temperaturfald og spædemængde fjernes unødige ekstraslanger på dette tidspunkt.
- 3 Vend bunden i vejret på luftvagten.
- 4 Åbn opvarmingssettets indgangsklemme. Lad væsken strømme ind i sættet. Når luftvagten er ca. to tredjedele (2/3) fuld, lukkes udgangsklemmen.
- 5 Vend luftvagten igen og monter den i holderen på siden af opvarmingssettet.

ADVARSEL

Luftvagten skal til enhver tid være monteret og holdt i lodret stilling. **I modsat fald kan det medføre indførelse af luft i patienten, hvilket kan forårsage dødsfald eller alvorlig skade.**

- 6 Tryk på **KØR/STANDBY**-kontakten  foran på apparatet.

Efter vellykket udførelse af selvtest vil displayet blinke og vise indstillingsværdien i ca. 3 sekunder, hvorefter opvarmning af væsken til den valgte temperatur begynder.

Den sidst anvendte indstillingsværdi gemmes i hukommelsen, også efter at strømmen er afbrudt. For at vælge en anden indstillingsværdi skal der

først trykkes et øjeblik på  

INDSTILLINGSVÆRDI-kontakten. Derved vil indstillingsværdien blive vist og blinke i ca. 3 sekunder. Mens displayet viser indstillingsværdien, kan brugeren vælge en indstillingsværdi mellem 38,0° C og 43,0° C i stigninger på 1,0° C ved at trykke gentagne gange på **INDSTILLINGSVÆRDI**-kontakten.

BEMÆRK: Hvis **INDSTILLINGSVÆRDI**-kontakten holdes nede hele tiden, sker der ingen stigninger i indstillingsværdien.

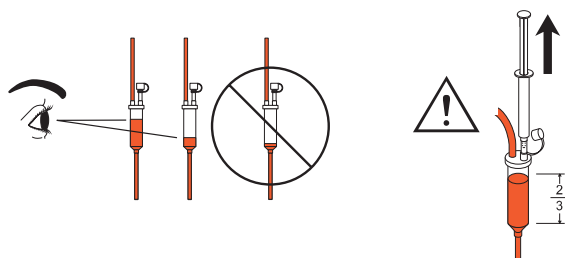
Når valget er foretaget, vil displayet fortsat vise indstillingsværdien i ca. 3 sekunder og derefter gå tilbage til at vise den aktuelle væsketemperatur. Indstillingsværdien kan kontrolleres når som helst under proceduren ved at trykke et øjeblik på **INDSTILLINGSVÆRDI**-kontakten.

- 7 Tilslut om nødvendigt en forlængelse til patienttilslutningen.
- 8 Tøm luften ud af de resterende slanger ved at åbne udgangsklemmen og lade væsken strømme igennem.

ADVARSEL

- Alt luft skal fjernes fra væskeslangerne, før de tilsluttes til patienten.
- Overvåg væskeslangerne for at sikre, at de er luftfrie. Der må aldrig tilføres væske, hvis der er luftbobler i slangen mellem luftvagt og patienttilslutning.

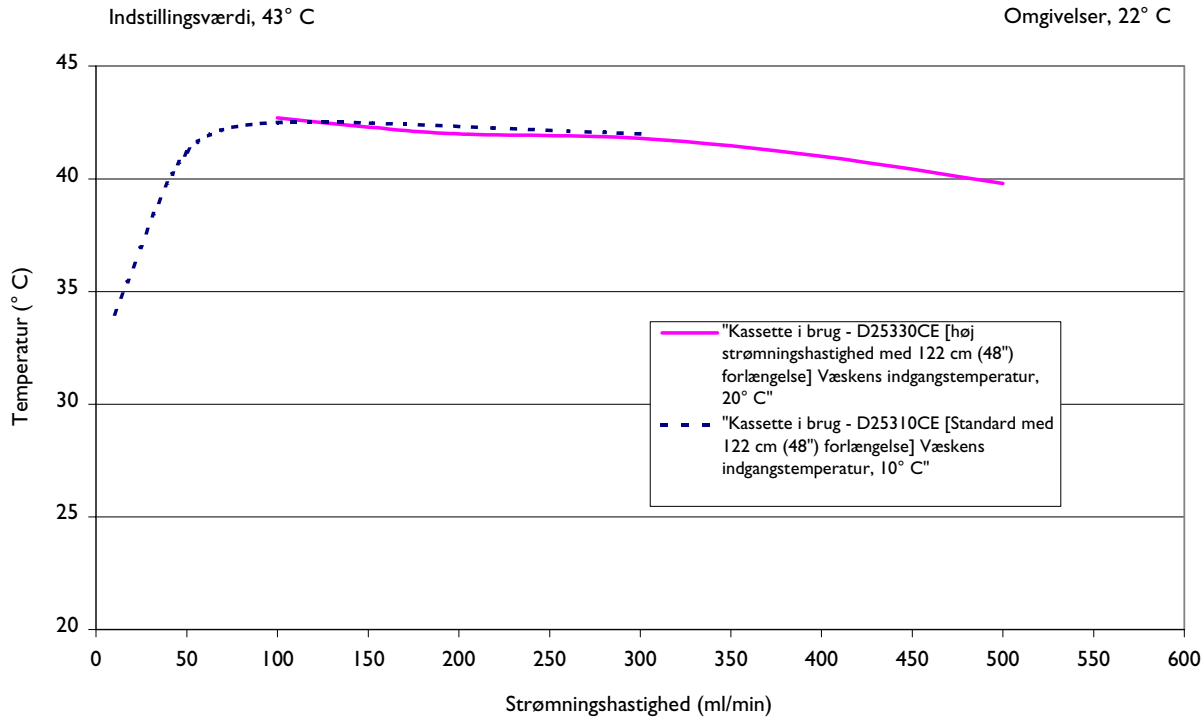
I modsat fald kan det medføre indførelse af luft i patienten, hvilket kan forårsage dødsfald eller alvorlig skade.

ADVARSEL

Væskestanden i luftvagten skal kontrolleres hyppigt. Bobler, der frigøres under opvarmningen, opfanges af luftvagten. Luftvagten fyldes op ved at sætte en steril sprøjte ind i ventilen og trække luft ud, indtil luftvagten er to tredjedele (2/3) fuld. Luftvagten må ikke være under kvart (1/4) fuld.

Overvåges væskenniveauet i luftvagten ikke, kan det medføre indførelse af luft i patienten, hvilket kan forårsage dødsfald eller alvorlig skade.

Line Temperaturen for enden af patientslangen



Figur 6—Typisk væsketemperatur vs. strømningshastighed

3.1 Strømningshastighedens indvirkning på væsketemperaturen

Den udgående væsketemperatur fra patientslangen er påvirket af strømningshastigheden. Følgende kurve, der viser strømningshastighed vs. udgående væsketemperatur, er typisk for Serie FW600 varmeaggregat. Se figur 6 ovenfor.

BEMÆRK: Den udgående væsketemperatur for denne kurve er målt ved patientslangens ende.

3.2 Aftagning af opvarmings sæt

Kassetten kan ikke tages ud af varmeaggregatet, mens det er under tryk. Således tages kassetten ud:

1. Luk først opvarmings sættets indgangsklemme, men lad udgangsklemmen forblive åben.
2. Luk opvarmings sættets udgangsklemme.
3. Ved at følge trin 1 og 2 vil al væske blive aftappet fra kassetten. Træk let i den blå styreskinne for at tage kassetten ud af varmeaggregatet.
4. Opvarmings sættet bortskaffes i henhold til klinikkens regler.

FORSIGTIG

Hvis kassetten ikke aftappes, kan den være svær at tage ud. **Bliver kassetten forceret ud, kan den gå i stykker.**



4.0 Sikkerhedssystemer

4.1 Overtemperaturbekyttelse

Et reservesystem inden i opvarmings sættet er uafhængigt af hovedstyringen og overvåger væsketemperaturen konstant. Hvis den udgående væsketemperatur overstiger 45,0° C, vil reservesystemet omgående afbryde strømmen til varmelegemerne. Hvis overtemperaturtilstanden er en midlertidig hændelse på grund af en pludselig ændring i strømningshastigheden, vil displayet blinke skiftevis med HI (høj) og væsketemperaturen. Når væsketemperaturen vender tilbage til acceptable temperaturniveauer, vil den normale funktion fortsætte. Hvis reservesystemet imidlertid opdager, at overtemperaturtilstanden stammer fra en fejl i hovedstyringen, vil en lydalarm blive aktiveret, **MÅ IKKE**

BRUGES-indikatoren vil lyse og apparatet blive afbrudt. Sker dette, skal væskestrømningen standses med det samme og opvarmingssettet kasseres. Ret henvendelse til forhandleren angående service.

4.2 Selvtest

Hver gang opvarmingssettet skiftes fra *STANDBY* til *KØR*, begynder det en selvtest. Hvis reservesystemet ikke fungerer som det skal, vises en fejlbesked på displayet, og enheden afbrydes. Desuden foretages der jævnligt selvtester i *KØR*-indstillingen for at sikre, at opvarmingssettet fungerer på sikker vis.

4.3 Kontrolalarm LO

Hvis opvarmingssettet registrerer en væsketemperatur lavere end 34,0° C, aktiveres lydalarmer, og displayet vil skiftevis vise symbolet *LO* (lav) og den aktuelle væsketemperatur.

Undtagelse: Alarmen vil ikke lyde, før væsketemperaturen har passeret grænsen på 34,0° C.

5.0 Rengøring

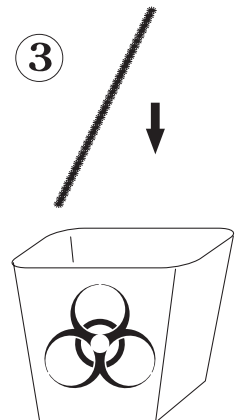
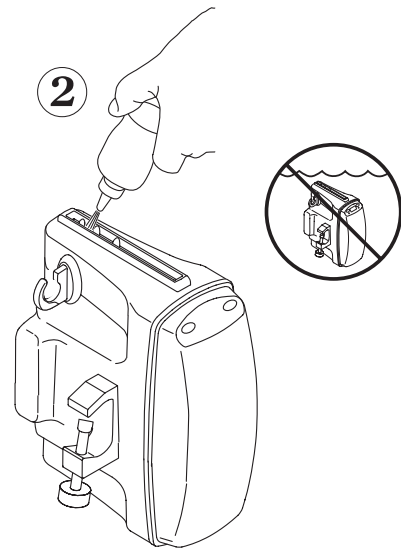
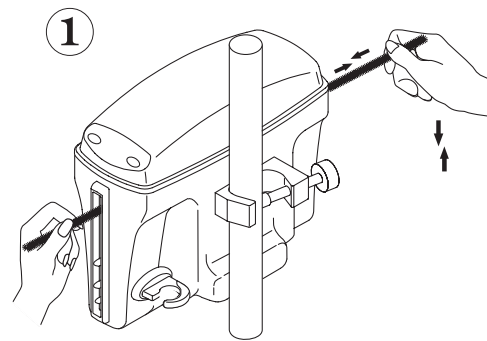
FORSIGTIG

Varmeaggregatet må ikke sænkes ned i rens- eller desinfektionsmidler. Enheden må ikke nedsænkes i væsker - den er væskerestistent, ikke væsketæt.

Nedsænkning i væsker kan medføre fejlfunktion eller beskadigelse af udstyret.

Følgende vedligeholdelse og rengøring skal udføres efter hver patient eller i henhold til klinikkens regler.

- Tag stikket ud af stikkontakten før rengøring.
- Varmeaggregatet rengøres udvendigt med et ikke-skurende rengøringsmiddel (f.eks. varmt sæbevand) og en ren klud.
- Rens kassetteåbningen indvendig med en engangsbørste. Skyl omhyggeligt efter med vand i en plastikflaske. Rengøringsset, partsnr. 78350-000.
- Brug et desinfektionsmiddel, såsom 10% klorret blegemiddel (klorin tilsat 5,25% natriumhypoklorit) til både ydersiden og kassetteåbningen og lad det tørre.



FORSIGTIG

Varmeaggregatet skal gøres rent, hvis der er kommet væske eller fremmedlegemer ind i kassetteåbningen. **Såfremt kassetteåbningen ikke holdes ren, kan det forhindre isætning af kassetten.**

6.0 Funktions- og sikkerhedsinspektion

Nedenstående skal udføres årligt eller som specificeret i klinikkens regler om vedligeholdelse for at sikre optimal ydelse, samt pålidelig og sikker drift.

Nødvendigt udstyr eller værktøj

- Et Gaymar Serie D25340 opvarmningssæt til blod/væske
- Temperaturmåler:
 - Gaymar D25340 opvarmningssæt til blod/væske; og
 - Temperaturføler (Gaymar katalog FWT1) og et ohmmeter (præcision 1,5% af aflæsning; maksimal magnetiseringsstrøm på 100µA) og modstandstemperaturskema. Se figur 10 (side 12).

eller

- Et Gaymar Serie D25000 opvarmningssæt til blod/væske, og
- Vandtæt temperaturføler/-meter med en præcision på $\pm 0,3\%$ over området 30° C til 60° C og en konstant termisk tid på 2 sekunder eller hurtigere.
- Anordning til måling af gennemstrømning (Gaymar katalog FWT2 flowmeter):
 - Væskekilde med kalibreret flowmeter og en minimumspræcision på ± 12 ml/min,

eller

- Væskekilde med justérbar gennemstrømningskontrol. Brug et stopur og måleglas til at justere gennemstrømningshastigheden.
- Kontrolinstrument for strømtab/jordmodstand
- Vekselstrøms-multimeter

6.1 Inspektion

Kontrollér, at de følgende dele er i god stand og er sikre.

- Mærkater, hvis de er løse eller mangler
- Dækslets skruer
- Luftvagtens holder
- Elledning
- Klemme til dropstativ

6.2 Verificering af udgående væsketemperatur

Serie FW600 varmeaggregat til blod/væske er kalibreret fra fabrikken til en gennemstrømningshastighed på 100 ml/min med en indstillingsværdi på 43,0° C.

For at verificere at den udgående væsketemperatur er korrekt:

1. Den omgivende temperatur skal være mellem 20° C og 24° C.
2. Tilslut kontrolopsætningen (se figur 7). Tilslut Gaymar FWT 1 temperaturføleren til luftvagtens udgang.

En alternativ metode: Lav et hul øverst i luftvagten og stik temperaturmåleren gennem dette hul. Sørg for at føleren er helt nedsænket i væsken og tæt derefter hullet i luftvagten.

3. Tilslut FWT2 flowmeter eller gennemstrømningsmåler/kontrolanordning til udgangen på FWT1 temperaturføleren.

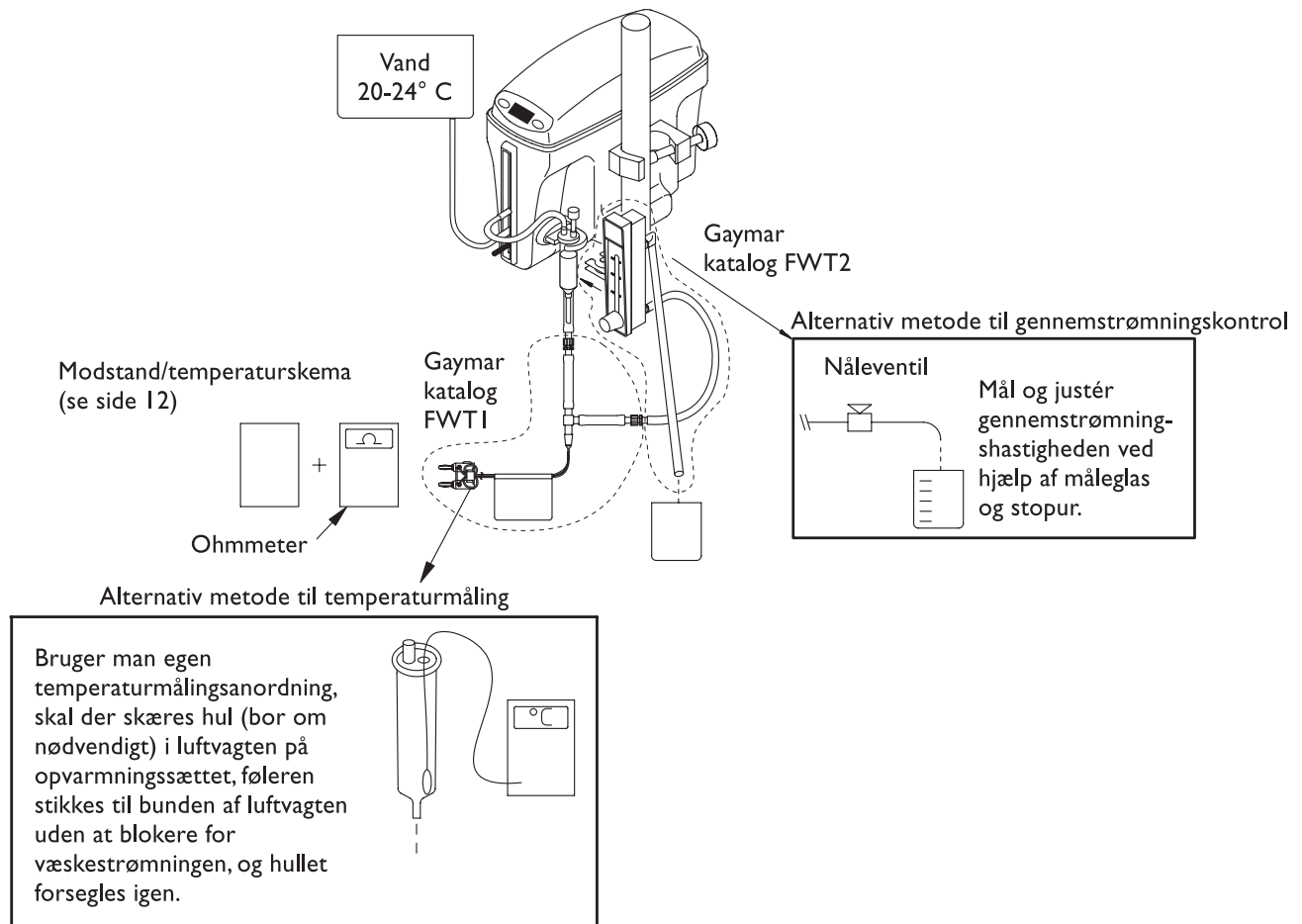
En alternativ metode: Hvis metoden med føleren i luftvagten anvendes, skal FWT2 flowmeter eller gennemstrømningsmåler/kontrolanordning tilsluttes direkte til udgangen på luftvagten.
4. Lad vand med stuetemperatur strømme gennem varmeaggregatet ved 100 ml/min (cc/min). Bekræft at luftvagten opretholdes 1/2 til 2/3 fuld.
5. Tænd varmeaggregatet. Justér *INDSTILLINGSVÆRDIEN* til 43,0° C. Lad det køre i 10 minutter.
6. Bekræft at den udgående vandtemperatur er 43,0° C $\pm 1,1$ ° C. Bekræft at modstanden er indenfor 1019—1112 ohm, hvis der bruges FWT1 temperaturføler og ohmmeter.

Hvis værdierne for temperatur og modstand ikke nås, skal opsætningen efterses og testen gentages. Er værdierne stadigvæk ikke indenfor de bestemte områder, skal der rettes henvendelse til forhandleren.

Dette apparat er kalibreret fra fabrikken og kan ikke justeres andre steder.

6.3 Verificering af overtemperaturbeskyttelse

Den korrekte funktion af overtemperaturbeskyttelsen er verificeret hver gang enheden skiftes fra *STANDBY* til *KØR*. Af samme grund er en periodevis afprøvning af dette system ikke nødvendig. Følgende procedure kan imidlertid udføres til at forcere en *OVERTEMP*-tilstand



Figur 7—Kontrolopsætning

således, at man kan se om overtemperatur-
beskyttelsessystemet virker:

1. Stik en Serie D25000 opvarmingskassette ind i varmeaggregatet. Brug varmt vand fra vandhanen (46° C - 50° C) og lad det varme vand strømme gennem kassetten fra 1 til 3 minutter.
2. Tilslut vekselsstrøm til varmeaggregatet. Anordningen bør omgående sende en lydalarm og blinke med indikatorlyset **MÅ IKKE BRUGES**.

6.4 Kontrollér jordmodstand

Brug et kontrolinstrument for strømtab/jordmodstand til at måle modstanden mellem jordbenet på strømstikket og monteringskraven på klemmen til dropstativet.

Modstandsværdien bør ikke overstige 0,50 ohm.

6.5 Kontrollér strømtab

Mål maksimalt jordet strømtab (jord åben). Mål alle kombinationer af ledningspolaritet med neutral åben og lukket. Værdierne bør ikke overstige følgende:

FW600 neutral lukket 150µA

FW600 neutral åben 200µA

FW603 neutral lukket 250µA

FW603 neutral åben 300µA

7.0 Fejlfinding

Symptom	Mulige årsager	Nødvendig handling
Display blinker skiftevis med LO (lav) og væsketemperatur	Den udgående væsketemperatur er endnu ikke oppe på 34° C.	Lad apparatet køre i 2 minutter. Hvis temperaturen ikke øges, skal det tages ud af brug og efterses.
Display blinker skiftevis med HI (høj) og væsketemperatur	En forbigående forstyrrelse, såsom en pludselig ændring i gennemstrømningshastigheden, har fået temperaturen op over 43° C.	INGEN—apparatet vil fortsætte normal drift, når temperaturen falder under 43° C.
Lydalarmen høres, og displayet blinker med LO (lav) og væsketemperatur	Den udgående væsketemperatur er faldet under 34° C.	Lad apparatet køre i 2 minutter. Hvis temperaturen ikke øges, skal det tages ud af brug og efterses..
Lydalarmen høres, og displayet indikerer FA_ (fejl)	Den elektroniske test har fundet et internt problem.	Tag apparatet ud af brug og få det efterset.
Lydalarmen høres konstant og det gule lys MÅ IKKE BRUGES er tændt	Interne væsketemperaturer er oppe over 45° C og reservesystemet er blevet aktiveret.	Stop væskestrømningen, kassér kassetten og få enheden efterset.
Kassetten er svær at sætte ind i varmeaggregatet	Kassetten er spædet inden isætning.	Aftap kassetten og sæt den i igen.
	Åbningen i varmeaggregatet kan have urenheder på varmelegemerne.	Rens enheden indvendig ved at følge rengøringsproceduren (afsnit 5.0)
Kassetten er svær at tage ud af varmeaggregatet	Kassetten er stadig under tryk.	Luk indgangsklemmen og åbn udgangsklemmen. Lad væsken løbe ud.

Figur 8—Fejlfindingsskema

8.0 Tekniske specifikationer

Tekniske specifikationer		
Del	FW600	FW603
Indstillingsværdiområde / følsomhed	38,0° C til 43,0° C i stigninger på 1,0° C	
Væsketemperaturfølsomhed	0,1° C	
Kontrolenheds præcision ved 100 ml/min	± 0,5° C	
Spænding	120 V vekselstrøm	220-240 V vekselstrøm
Current	9 A	4,5 A
Sikring	(2) 15 A tidsforsinkelse 250 V	(2) T, 6,3 A, 250 V, L 5 mm x 20 mm
Frekvens	60 Hz	50/60 Hz
Omgivelsers temperaturområde	15 °C til 29° C	
Elledning	4,6 meter lang, type SJT med UL-specifikationer, 16 AWG 3-leders ledning med støbt, jordet stik af hospitalsklasse	4,6 meter lang. Brug kun en international (harmoniseret) 3-leders ledning godkendt til HD-21, lederstørrelse 1,5 mm ² (HO5VVF3G1.5)
Klassifikation  IPX4	Stænkæt udstyr af klasse I med jordafledning, type BF, ikke egnet til brug i nærheden af brændbare narkoseblandinger med luft eller med oxygen eller dinitrogenoxid. Egnet til kontinuerligt arbejde.	
Myndigheder	Kun klassificeret med hensyn til elektrisk stød, brand og mekaniske farer, i overensstemmelse med UL 2601-1, CAN/CSA C22.2 NO.601.1	EN60601-1
Elektromagnetisk kompatibilitet	Overholder EN60601-1-2: 1993 (CISPR 11 klassificeret som klasse B, gruppe I ISM udstyr)	
Vægt	2,7 kg	
Størrelse	22 cm x 28,5 cm x 12 cm	

Figur 9—Specifikationer

DANSK

Temp.	Modstand	Temp.	Modstand	Temp.	Modstand	Temp.	Modstand	Temp.	Modstand	Temp.	Modstand	Temp.	Modstand	Temp.	Modstand	Temp.	Modstand
(°C)	(ohm)	(°C)	(ohm)	(°C)	(ohm)	(°C)	(ohms)	(°C)	(ohm)	(°C)	(ohm)	(°C)	(ohm)	(°C)	(ohm)	(°C)	(ohm)
35	1471	38	1300	41	1152	44	1023	47	910	50	811	53	725	56	648	59	581
35,1	1465	38,1	1295	41,1	1148	44,1	1019	47,1	907	50,1	808	53,1	722	56,1	646	59,1	579
35,2	1459	38,2	1290	41,2	1143	44,2	1015	47,2	903	50,2	805	53,2	718	56,2	644	59,2	577
35,3	1453	38,3	1285	41,3	1139	44,3	1011	47,3	900	50,3	802	53,3	716	56,3	641	59,3	575
35,4	1447	38,4	1279	41,4	1134	44,4	1007	47,4	896	50,4	799	53,4	714	56,4	639	59,4	573
35,5	1441	38,5	1274	41,5	1129	44,5	1003	47,5	893	50,5	796	53,5	711	56,5	637	59,5	571
35,6	1435	38,6	1269	41,6	1125	44,6	999	47,6	889	50,6	793	53,6	709	56,6	634	59,6	569
35,7	1429	38,7	1264	41,7	1120	44,7	995	47,7	886	50,7	790	53,7	706	56,7	632	59,7	567
35,8	1423	38,8	1259	41,8	1116	44,8	991	47,8	882	50,8	787	53,8	703	56,8	630	59,8	565
35,9	1417	38,9	1254	41,9	1112	44,9	988	47,9	879	50,9	784	53,9	701	56,9	627	59,9	563
36	1411	39	1249	42	1107	45	984	48	876	51	781	54	698	57	625	60	561
36,1	1405	39,1	1244	42,1	1103	45,1	980	48,1	872	51,1	778	54,1	695	57,1	623		
36,2	1400	39,2	1239	42,2	1098	45,2	976	48,2	869	51,2	775	54,2	693	57,2	620		
36,3	1394	39,3	1234	42,3	1094	45,3	972	48,3	866	51,3	772	54,3	690	57,3	618		
36,4	1388	39,4	1229	42,4	1090	45,4	968	48,4	862	51,4	769	54,4	688	57,4	616		
36,5	1383	39,5	1224	42,5	1085	45,5	965	48,5	859	51,5	767	54,5	685	57,5	614		
36,6	1377	39,6	1219	42,6	1081	45,6	961	48,6	856	51,6	764	54,6	683	57,6	611		
36,7	1371	39,7	1214	42,7	1077	45,7	957	48,7	853	51,7	761	54,7	680	57,7	609		
36,8	1366	39,8	1209	42,8	1073	45,8	954	48,8	849	51,8	758	54,8	678	57,8	607		
36,9	1360	39,9	1204	42,9	1068	45,9	950	48,9	846	51,9	755	54,9	675	57,9	605		
37	1355	40	1199	43	1064	46	946	49	843	52	752	55	673	58	603		
37,1	1349	40,1	1195	43,1	1060	46,1	942	49,1	840	52,1	748	55,1	670	58,1	600		
37,2	1344	40,2	1190	43,2	1056	46,2	939	49,2	836	52,2	747	55,2	668	58,2	598		
37,3	1338	40,3	1185	43,3	1052	46,3	935	49,3	833	52,3	744	55,3	665	58,3	596		
37,4	1333	40,4	1180	43,4	1047	46,4	932	49,4	830	52,4	741	55,4	663	58,4	594		
37,5	1327	40,5	1176	43,5	1043	46,5	928	49,5	827	52,5	738	55,5	660	58,5	592		
37,6	1322	40,6	1171	43,6	1039	46,6	924	49,6	824	52,6	735	55,6	658	58,6	590		
37,7	1316	40,7	1166	43,7	1035	46,7	921	49,7	821	52,7	733	55,7	655	58,7	587		
37,8	1311	40,8	1161	43,8	1031	46,8	917	49,8	817	52,8	730	55,8	653	58,8	585		
37,9	1306	40,9	1157	43,9	1027	46,9	914	49,9	814	52,9	727	55,9	651	58,9	583		

Figur 10—Modstandstemperaturskema
(Gaymar FWT I temperaturføler)

Innehållsförteckning

<u>Avsnitt</u>	<u>Beskrivning</u>	<u>Sida</u>
1.0	Indikationer	1
2.0	Produktbeskrivning	2
3.0	Bruksanvisning	4
4.0	Säkerhetssystem	6
5.0	Rengöring	7
6.0	Funktions- och säkerhetskontroll	8
7.0	Felsökning	10
8.0	Tekniska specifikationer	11

Innan du börjar . . .



Viktigt!

Läs noggrant igenom och förstå innehållet i denna *Instruktionsbok* samt *SÄKERHETSFÖRESKRIFTERNA* innan Medi-Temp III värmeaggregat för blod/vätska serie FW600 tas i bruk.

Kontakta din lokala återförsäljare med ev. frågor.

Garanti

Medi-Temp III värmeaggregat för blod/vätska serie FW600 garanteras vara fri från defekter vad beträffar material och utförande under en tidsperiod av ett (1) år.

Uppvärmningssatserna för engångsbruk garanteras vara fria från defekter vad beträffar material och utförande för en användning.

En kopia av garantin kan erhållas på begäran. Gaymar fransäger sig ansvaret för samtliga underförstådda garantier inklusive, men inte begränsade till, underförstådda garantier avseende säljbarhet eller lämplighet för särskilt ändamål.

The Disposable Warming Sets are warranted free of defects in material and workmanship for a single application.

1.0 Indikationer

Utrustningen är avsedd att användas till förebyggande av oavsiktlig hypotermi vid administrering av blod, blodprodukter eller andra infusionsvätskor.



1.1 Säkerhetsföreskrifter

FARA



Risk för livsfarlig elektrisk stöt.

Användaren kan inte utföra service på några invändiga delar.

VARNING

- All luft måste avlägsnas från vätskeslangarna innan de ansluts till patienten.
- Kontrollera att vätskeslangarna är fria från luft. Ge aldrig infusioner/transfusioner om det finns luftbubblor i slangen mellan luftvakten och patientanslutningen.
- Kontrollera vätskenivån i luftvakten ofta. Luftbubblor som frigörs vid uppvärmningen fastnar i luftvakten. För att fylla luftvakten förs en steril spruta in i ventilen och luft dras ut tills luftvakten är fylld till 2/3. Låt inte nivån i luftvakten sjunka under en fjärdedel (1/4).
- Luftvakten måste alltid sitta fast och hela tiden hållas i vertikalt läge.

Underlåtenhet att iaktta ovanstående varningar kan leda till att luft leds in i patienten. Om luft leds in i patienten kan resultatet bli dödsfall eller allvarliga skador.

OBS

- Enligt amerikansk federal lagstiftning får denna anordning endast säljas av eller på order av läkare.
- Får ej sänkas ner i rengörings- och/eller steriliseringslösning. Apparaten får ej sänkas ner i vätska eller blötläggas. Den är vätskesäker, men inte vätsketät.
- Värmeaggregatet får endast anslutas till ett uttag som är jordat på rätt sätt.
- *KÖR/VILA*-knappen ger inte isolering från kraftnätet. Isolering från kraftnätet (IEC 601-1) kan endast uppnås genom att sladden tas ut ur eluttaget.

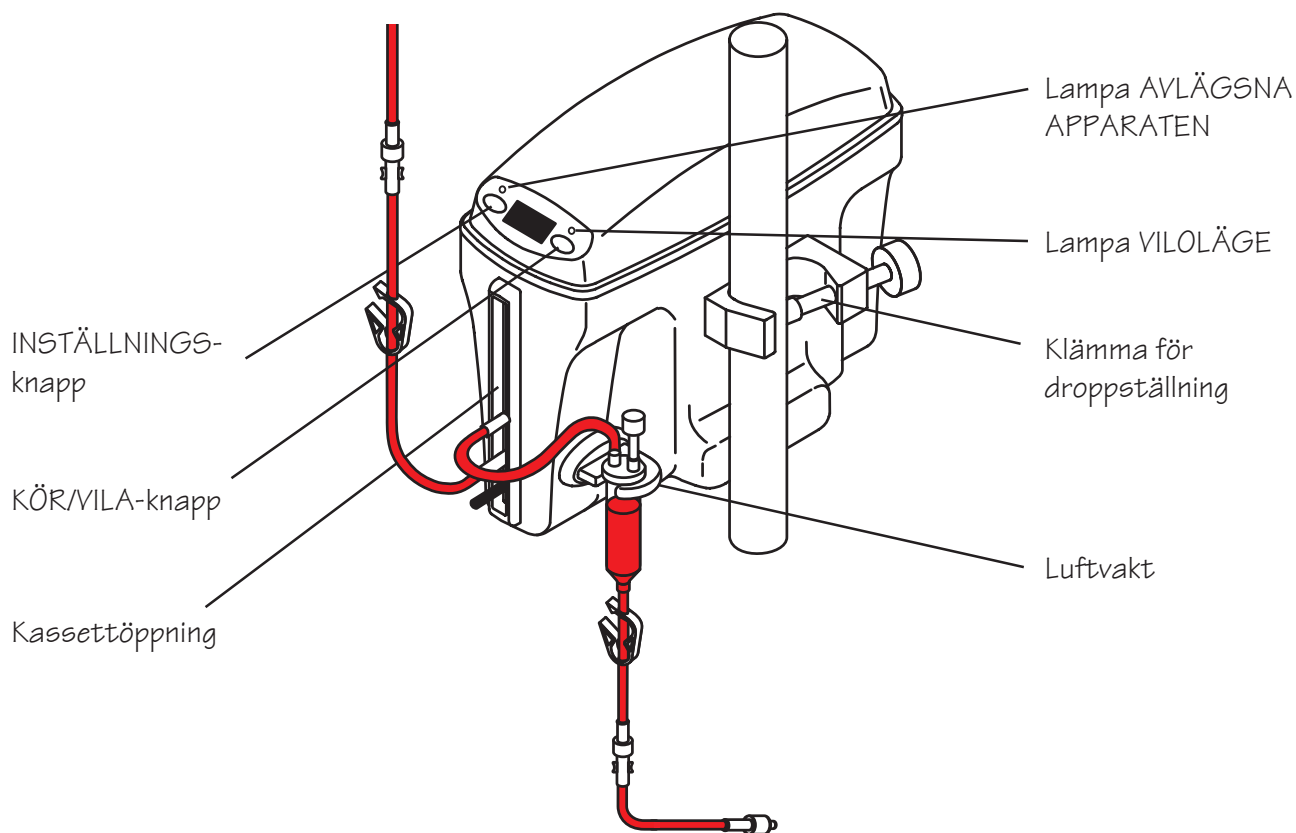


Fig. 1 – Värmeaggregat för blod/vätska serie FW600

2.0 Produktbeskrivning

Medi-Temp III värmeaggregat för blod/vätska serie FW600 är en apparat med torr värme, som använder uppvärmningssatser för engångsbruk för säker och snabb uppvärmning av blod, blodprodukter och andra infusionsvätskor. Värmeaggregatet styr inte vätskeflödes hastigheten. Blod, blodprodukter och andra infusionsvätskor, som normalt förvaras i kylskåp, kan snabbt värmas upp till användarinställda temperaturer mellan 38 och 43°C vid flödes hastigheter på upp till 300 ml/min. Rumstempererade vätskor kan värmas vid flödes hastigheter på upp till 500 ml/min. Blod-/vätskeuppvärmningssatser för engångsbruk kan erhållas i standard-, förlängd standard-, pediatrika och högflödesmodeller.

2.1 Värmeaggregat

Värmeaggregatet är avsett att monteras på en droppställning. Apparaten har ingen PÅ/AV-knapp. Anslutning till växelströmsnätet anges av en grön VILOLÄGES-lampa som sitter på framsidan. I VILOLÄGET är värmeaggregatet inte strömförsörjt. För att normal drift ska kunna påbörjas måste KÖR/VILA-knappen tryckas in.

När knappen trycks in visas antingen den verkliga vätsketemperaturen eller den inställda temperaturen i celsiusgrader i ett LED-fönster på apparatens framsida. Användaren kan ställa in temperaturen mellan 38 och 43°C i steg om 1°C med hjälp av INSTÄLLNINGSKnappen på apparatens framsida. Det finns även en öppning på apparatens framsida för insättning av uppvärmningssatsen för engångsbruk. Det finns ett uttag för uppvärmningssatsens luftvakt på apparatens högra sida, strax under droppställningsklämman.

2.2 Engångssatser

Medi-Temp III värmeaggregat för blod/vätska serie FW600 är endast avsett att användas tillsammans med Gaymar uppvärmningssatser för engångsbruk serie D25000. Följande uppvärmningssatser (fig. 2) är avsedda att användas vid tryck på upp till 300 mm Hg. Kontakta din lokala återförsäljare för ytterligare information.

SVENSKA

Beskrivning	Katalognr.	Användningsområde	Flödningsvolym
Standard	D25340CE	HVÖ—150 ml/min	39 ml
Standard med förlängning på 122 cm (48")	D25310CE	HVÖ—150 ml/min	48 ml
Standard med förlängning på 152 cm (60")	D25315CE	HVÖ—150 ml/min	50 ml
Pediatrisk med förlängning på 76 cm (30")	D25320CE	HVÖ—100 ml/min	30 ml
Högflödessats med förlängning på 122 cm (48")	D25330CE	100—500 ml/min	79 ml

HVÖ = minsta flöde som krävs för att hålla venen öppen

Fig. 2—Uppvärmningssatser serie D25000

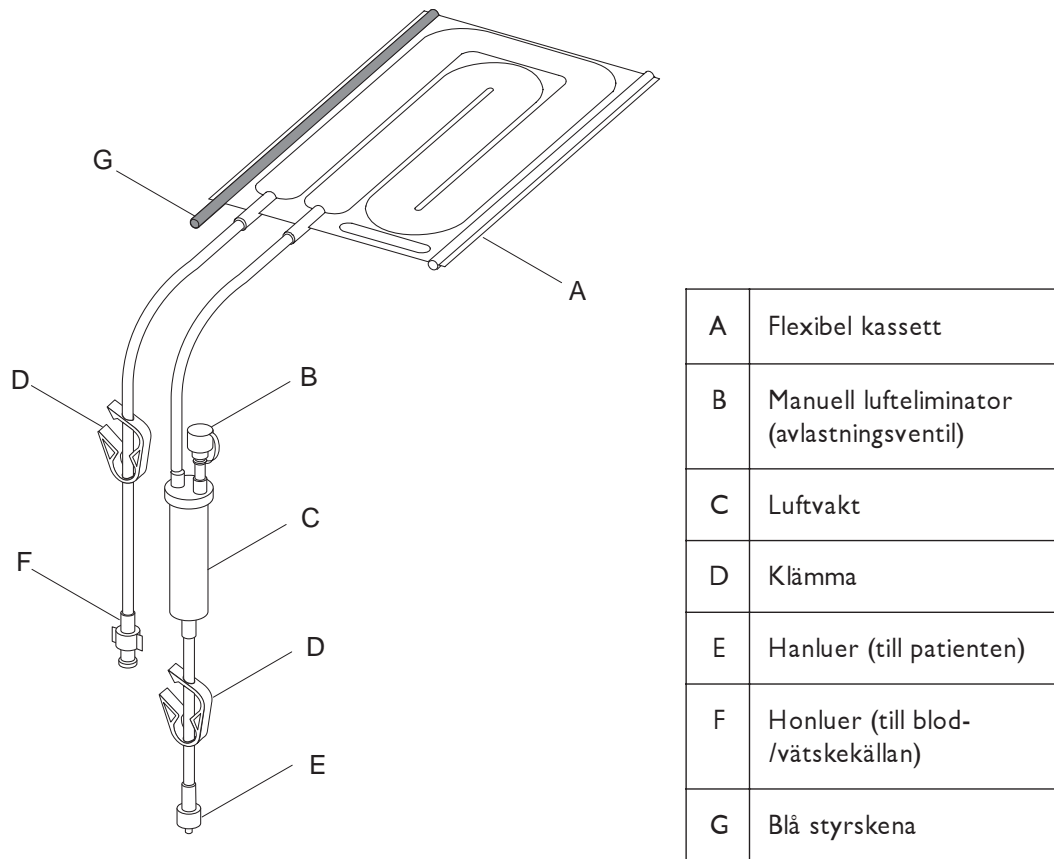


Fig. 3—Uppvärmningssats och luftvakt

3.0 Bruksanvisning (se fig. 3 t.o.m. 5)

- Sätt fast värmeaggregatet på droppställningen och säkra den med klämman på apparatens sida.
- Anslut sladden till ett uttag som är jordat på rätt sätt.
- Ta ut uppvärmningssatsen ur den sterila förpackningen.

OBS! Den flexibla uppvärmningssatsen är utformad så att den endast går att sätta in i värmeaggregatet i en riktning. Håll kassetten så att den blåa styrskenan förs in nedtill i värmeaggregatet.

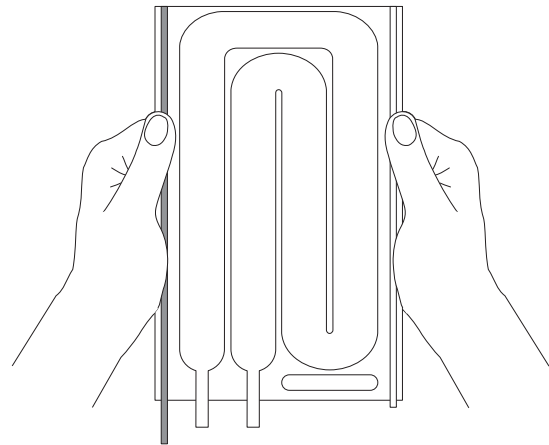


Fig. 4—Insättning av kassetten

- 1 Ta tag i båda styrskenorna (se fig. 4). Sträck den flexibla kassetten något och för in kassetten framre del i värmeaggregatets framsida med den blåa styrskenan nedåt. Rikta in skenorna mot skårorna i öppningen.

Flytta händerna till utskjutningen på skenorna och fortsätt att föra in kassetten tills den genomskinliga styrskenan är **nästan** kant i kant med apparatens framsida. (Den blåa styrskenan kommer att sticka ut något för att underlätta uttagandet av kassetten.)

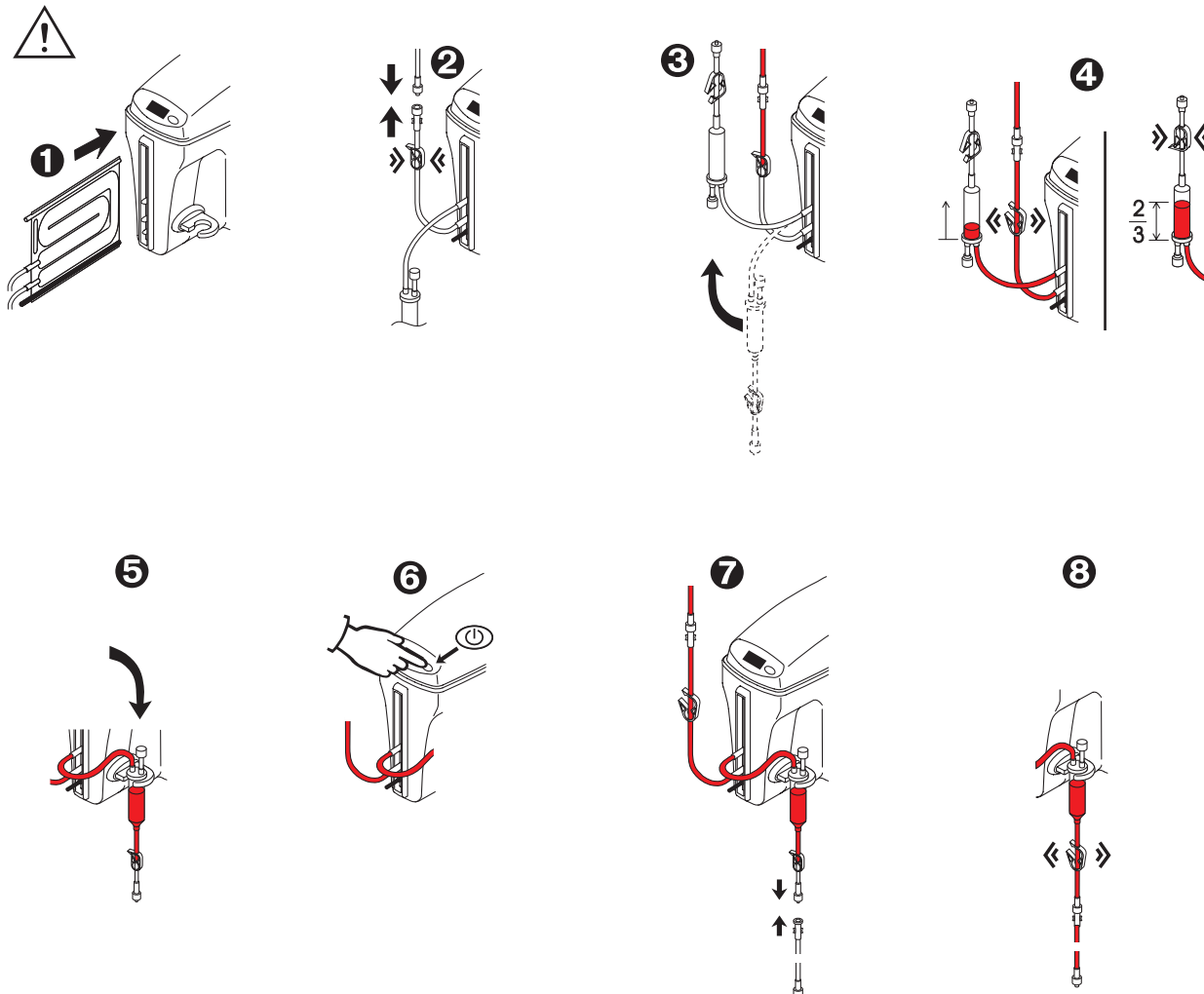


Fig. 5—Monteringsinstruktioner


OBS

När kassetten är helt inskjuten ska den genomskinliga styrskenan inte sticka ut mer än 0,5 cm från apparatens framsida. **Om kassetten inte skjuts in helt kan den skadas.**

- 2 Stäng uppvärmningssatsens inloppsklämma. Avlägsna skyddshylsan från honluerkopplingen på uppvärmningssatsen och koppla honluern till hanluern på infusions-satsen. Avlägsna skyddshylsan från uppvärmningssatsens hanluerkoppling. Avlägsna onödiga extraledningar vid detta tillfälle för att minimera temperatursänkning och flödningsvolym.
- 3 Vänd upp och ned på luftvakten.
- 4 Öppna uppvärmningssatsens inloppsklämma. Flöda satsen med vätska. När luftvakten har fyllts till ca 2/3 ska utloppsklämman stängas.
- 5 Vänd luftvakten rätt igen och sätt fast den i hållaren på sidan av värmeaggregatet.

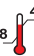

VARNING

Luftvakten måste alltid sitta fast och hela tiden hållas i vertikalt läge. **Om detta inte respekteras kan följden bli att luft leds in i patienten, vilket resulterar i dödsfall eller allvarliga skador.**

- 6 Tryck på *KÖR/VILA*-knappen  på apparatens framsida.

När apparatens självprov har genomförts blinkar det inställda värdet i fönstret i ca 3 sekunder och apparaten börjar därefter värma upp vätskan till den inställda temperaturen.

Det inställda värde som senast användes lagras i minnet, även när strömmen slagits av. Om en annan temperaturinställning önskas ska

INSTÄLLNING-knappen först tryckas in  

kortvarigt. Detta gör att den inställda temperaturen visas och blinkar i ca 3 sekunder. Medan nuvarande inställda temperatur visas kan användaren ställa in en annan temperatur mellan 38 och 43°C i steg om 1°C genom att upprepade gånger trycka på *INSTÄLLNING*-knappen.

OBS! Om *INSTÄLLNING*-knappen hålls kvar i intryckt läge inträffar ingen stegvis ändring av temperaturinställningen.

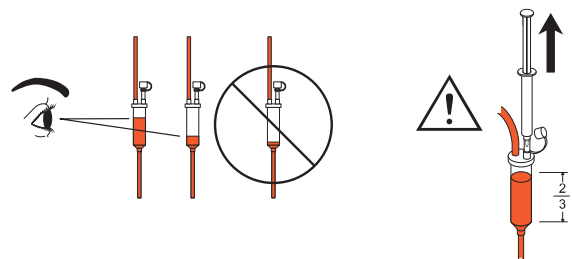
När temperaturen ställts in, blinkar den nya temperaturinställningen i ca 3 sekunder och fönstret återgår därefter till att visa den verkliga vätsketemperaturen. Den inställda temperaturen kan kontrolleras när som helst under användningen genom att *INSTÄLLNING*-knappen trycks in kortvarigt.

- 7 Om så behövs kan en förlängningsslang kopplas in för anslutning till patienten.
- 8 Avlägsna luft från resten av slangarna genom att öppna utloppsklämman och låta vätskan rinna igenom.

VARNING

- All luft måste avlägsnas från vätskeslangarna innan de ansluts till patienten.
- Kontrollera att vätskeslangarna är fria från luft. Ge aldrig infusioner/transfusioner om det finns luftbubblor i slangen mellan luftvakten och patientanslutningen.

Om detta inte respekteras kan följden bli att luft leds in i patienten, vilket resulterar i dödsfall eller allvarliga skador.

VARNING

Kontrollera vätskenivån i luftvakten ofta. Luftbubblor som frigörs vid uppvärmningen fastnar i luftvakten. För att fylla luftvakten förs en steril spruta in i ventilen och luft dras ut tills luftvakten är fylld till 2/3. Låt inte nivån i luftvakten sjunka under en fjärdedel (1/4).

Underlåtenhet att kontrollera vätskenivån i luftvakten kan resultera i att luft leds in i patienten, vilket resulterar i dödsfall eller allvarliga skador.

Temperatur vid patientslangens ände

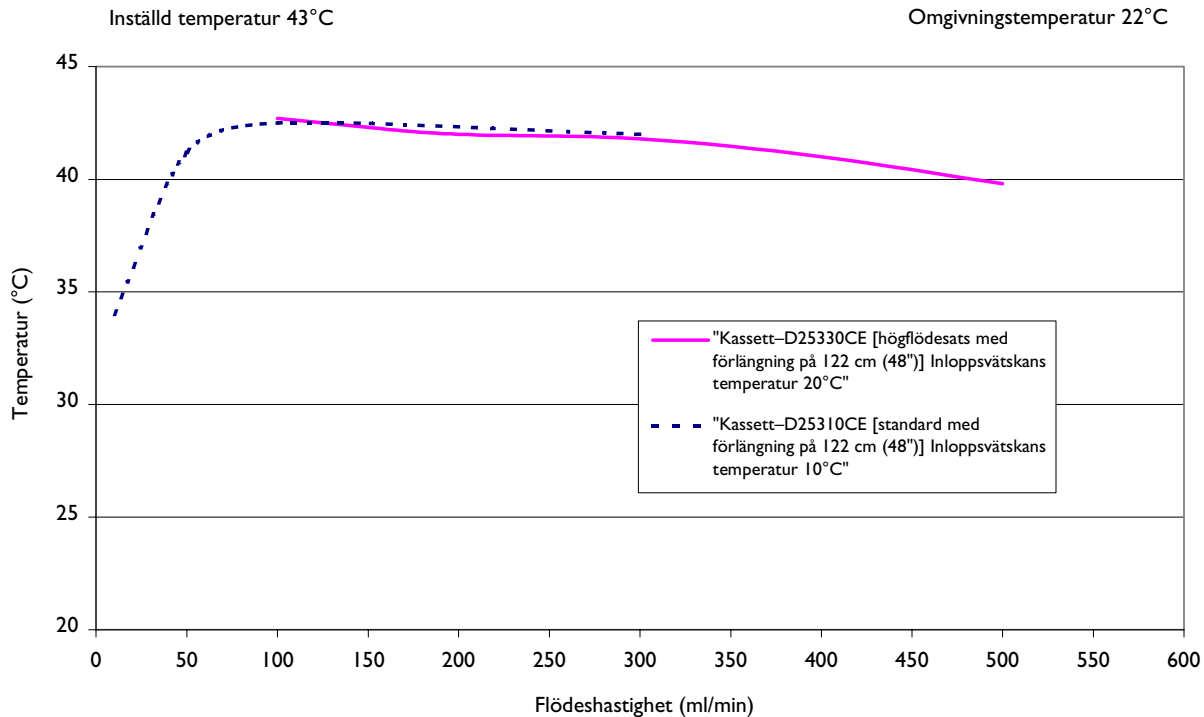


Fig. 6—Typexempel, vätsketemperatur/flödes hastighet

3.1 Flödes hastighetens effekt på vätsketemperaturen

Temperaturen i den utgående vätskan i patientslangen påverkas av flödes hastigheten. Följande kurva för flöde/utloppsvätsketemperatur är typisk för värmeaggregat i FW600-serien. Se fig. 6 ovan.

OBS! Utloppsvätsketemperaturerna för denna kurva uppmättes vid patientslangens ände.

3.2 Borttagning av uppvärmningsats

Kassetten kan inte tas ut ur värmeaggregatet så länge den står under tryck. Ta ut kassetten så här:

1. Stäng inloppsklämman på uppvärmningsatsen först, men lämna utloppsklämman öppen.
2. Stäng sedan utloppsklämman.
3. Åtgärderna i punkt 1 och 2 gör att kassetten töms på vätska. Dra försiktigt i den blåa styrskenan för att ta ut kassetten ur värmeaggregatet.

4. Bortskaffa uppvärmningsatsen enligt gällande föreskrifter på arbetsplatsen.

OBS

Om kassetten inte har tömts på vätska kommer den att vara svår att ta ut. **Om kassetten tvingas ut kan den spricka.**



4.0 Säkerhetssystem

4.1 Överhettningsskydd

Ett kontrollsystem i värmeaggregatet, som är oberoende av huvudstyrenheten, övervakar vätsketemperaturen kontinuerligt. Om utloppsvätskans temperatur överstiger 45°C bryter kontrollsystemet omedelbart strömmen till värmeaggregatet. Om

överhettningen är tillfällig och orsakad av en plötslig förändring i flödes hastigheten visas växelvis "HI" (HÖG) och vätsketemperaturen i fönstret. När vätsketemperaturen återgår till acceptabla nivåer återupptas normal drift. Om kontrollsystemet däremot känner av att överhettningen har orsakats av ett fel i huvudstyrenheten avges ett ljudlarm, lampan **STÄNG AV APPARATEN** tänds och apparaten stängs av. Om detta inträffar, avbryt vätskeflödet omedelbart, släng uppvärmningssatsen och kontakta återförsäljaren för service.

4.2 Självdiagnostik

Varje gång värmeaggregatet ställs om från VILA-läget till KÖR-läget utförs ett självprov. Om kontrollsystemet inte fungerar som det ska, visas ett felmeddelande och apparaten stängs av. Dessutom utförs självprov regelbundet i KÖR-läget för att säkerställa fortsatt säker drift av värmeaggregatet.

4.3 Kontrollarm-”LO”

Om värmeaggregatet känner av en vätsketemperatur som är lägre än 34°C avges ett ljudlarm och bokstäverna "LO" (LÅG) och den verkliga vätsketemperaturen visas i fönstret.

Undantag: Apparaten avger inget larm förrän vätsketemperaturen först överstigit 34°C en gång.

5.0 Rengöring

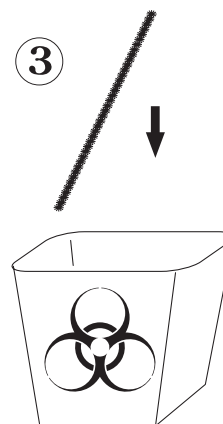
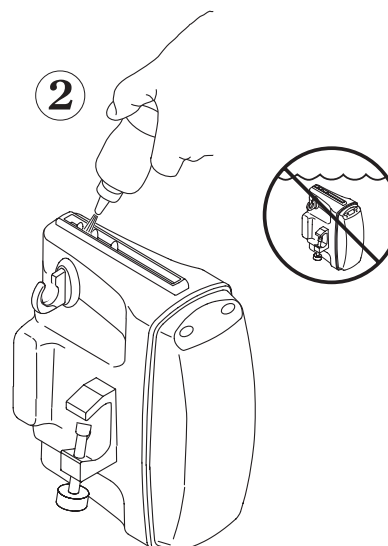
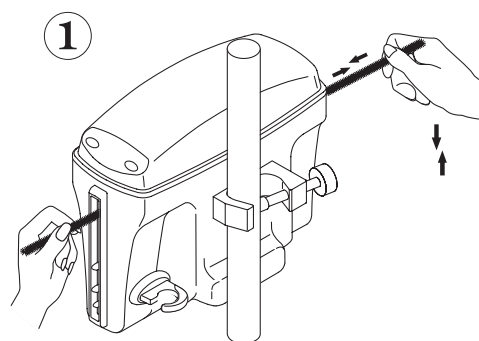
OBS

Sänk inte ner värmeaggregatet i rengörings- eller desinfektionslösningar. Apparaten får ej sänkas ner i vätskor. Den är vätskesäker, men inte vätsketät.

Nersänkning i vätskor kan orsaka fel eller skador på utrustningen.

Rengör och underhåll apparaten mellan varje användning på följande sätt eller enligt de föreskrifter som gäller på arbetsplatsen.

- Dra ut kontakten före rengöringen.
- Använd ett mildt rengöringsmedel (t.ex. varmt tvålatten) och en ren trasa för rengöring av värmeaggregatets utsida.
- Rengör insidan av kassetttöppningen med en engångsborste. Skölj försiktigt med en plastflaska fylld med vatten. Reservrengöringssats, Art.nr. 78350-000.



- Tillsätt ett desinfektionsmedel, t.ex. 10 %-ig klorblekmedelslösning (klorblekmedel med 5,25 % natriumhypoklorit) på både apparatens utsida och i kassetttöppningen och låt torka.

OBS

Värmeaggregatet ska rengöras om vätska eller främmande material har trängt in i kassetttöppningen. **Om kassetttöppningen inte hålls ren kan det hindra kassettsättningen.**

6.0 Funktions- och säkerhetskontroll

Följande rutin ska utföras en gång om året eller enligt de föreskrifter som gäller på arbetsplatsen för att säkerställa optimala prestanda, tillförlitlighet och säkerhet.

Utrustning och verktyg som krävs

- En Gaymar uppvärmningssats för blod/vätska serie D25340
- Ett mätinstrument för temperatur
 - En Gaymar uppvärmningssats för blod/vätska serie D25340
 - En temperatursensor (Gaymar, katalognr. FWT1) och en ohmmätare (noggrannhet 1,5 % av avläst värde, maximal excitationström 100 μ A) och motstånd-/temperaturtabellen. Se fig. 10 (sid. 12).

eller

- En Gaymar uppvärmningssats för blod/vätska serie D25340
- En vattentät temperatursensor/mätare med en noggrannhet på $\pm 0,3$ % i området 30 till 60°C och en termisk tidkonstant på 2 sekunder eller snabbare
- En flödesmätare (Gaymar, katalognr. FWT2 flödesmätare)
 - En vätskekälla med kalibrerad flödesmätare och minsta noggrannhet på ± 12 ml/minuten

eller

- En vätskekälla med reglerbar flödeskontroll. Använd ett stoppur och en mätcylinder till att reglera flödes hastigheten.
- En motståndsmätare för läckström/jord
- En multimeter för växelström

6.1 Fysisk inspektion

Kontrollera att följande delar är i gott skick och sitter fast.

- Etiketter som flagnat eller fattas
- Skruvar i höljet
- Hållare till luftvakt
- Sladd
- Klämma för droppställning

6.2 Kontroll av utloppsvätskans temperatur

Värmeaggregat för blod/vätska i FW600-serien är fabriksinställda på en flödes hastighet på 100 ml/min och en temperatur på 43°C.

Kontrollera att utloppsvätskans temperatur är riktig på följande sätt:

1. Omgivningstemperaturen måste vara mellan 20 och 24°C.
2. Koppla ihop provanordningen (se fig. 7). Anslut Gaymar temperatursensor FWT1 till luftvaktens utlopp.

Alternativ metod: Gör ett hål längst upp på luftvakten och för in en temperaturmätare i hålet. Se till att temperatursensorn är helt nedsänkt i vätskan och förseglå hålet i luftvakten.
3. Anslut flödesmätare FWT2 eller en annan flödesmätaranordning till FWT1-temperatursensorns utgång.

Alternativ metod: Om temperatursensorn används med luftvaktmetoden ska flödesmätare FWT2 eller en annan flödesmätaranordning anslutas direkt till luftvaktens utgång.
4. Spola vatten med rumstemperatur genom uppvärmningssatsen med en flödes hastighet på 100 ml/min. Kontrollera att luftvakten hålls fylld till mellan hälften och två tredjedelar.
5. Slå på värmeaggregatet. Ställ in temperaturen på 43°C. Låt apparaten gå i 10 minuter.
6. Kontrollera att vattnets utloppstemperatur är 43°C $\pm 1,1$ °C. Om temperatursensor FWT1 och en ohmmätare används ska motståndet vara 1019-1112 ohm.

Om dessa värden för temperatur eller motstånd inte uppnås, ska provanordningen kontrolleras och provet göras om. Om värdena fortfarande inte ligger inom ovan angivet område, ska återförsäljaren kontaktas för service på utrustningen.

Denna apparat är fabriksinställd och kan inte justeras på platsen.

6.3 Kontroll av överhettningsskydd

Varje gång apparaten ställs om från VILA-läget till KÖR-läget kontrolleras att överhettningsskyddssystemet fungerar. Regelbundna prov på detta system behöver därför inte utföras. Följande procedur kan dock utföras för att tvinga fram ett ÖVERTEMP-tillstånd för kontroll av att överhettningssystemet fungerar:

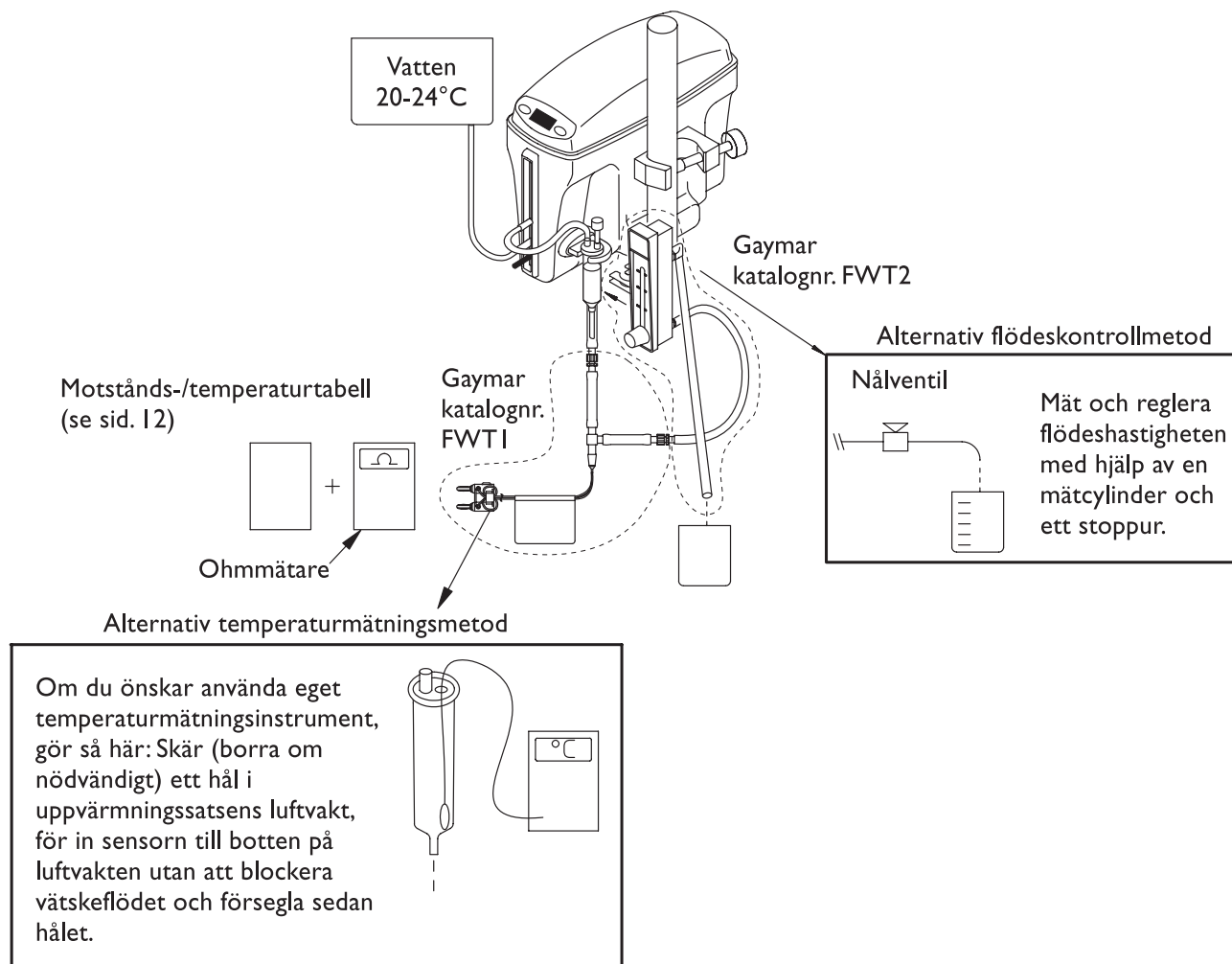


Fig. 7—Provanordning

1. Sätt in valfri uppvärmningskassetten serie D25000 i värmeaggregatet. Använd hett ledningsvatten (46-50 °C) och spola igenom kassetten i ca 1-3 minuter.
2. Anslut apparaten till nätströmmen. Apparaten ska omedelbart avge ett ljudlarm och lampan STÄNG AV APPARATEN ska tändas.

6.4 Kontroll av jordmotstånd

Använd en motståndsmätare för läckström/jord till att mäta motståndet mellan jordstiftet i sladdens kontakt och monteringskruven på droppställningsklämman.

Motståndsvärdet får inte överskrida 0,5 ohm.

6.5 Kontroll av läckström

Mät den maximala läckströmmen till jord (jordledningen öppen) Mät alla kombinationer av ledningspolaritet med nolledaren öppen och slutet. Värdena får inte överstiga följande:

FW600 nolledare slutet 150 µA

FW600 nolledare öppen 200 µA

FW603 nolledare slutet 250 µA

FW603 nolledare öppen 300 µA

7.0 Felsökning

Problem	Möjliga orsaker	Åtgärd
Bokstäverna "LO" (LÅG) och vätsketemperaturen blinkar växelvis i fönstret.	Utloppsvätskans temperatur har ännu inte nått 34°C.	Låt apparaten vara på i 2 minuter. Om temperaturen inte stiger ska apparaten stängas av och service begäras.
Bokstäverna "HI" (HÖG) och vätsketemperaturen blinkar växelvis i fönstret.	En övergående störning, t.ex. en plötslig förändring av flödes hastigheten, har resulterat i att temperaturen stigit till över 43°C.	INGEN ÅTGÄRD—apparaten återgår till normal drift när temperaturen sjunker under 43°C.
Ljudlarmet avges och bokstäverna "LO" (LÅG) och vätsketemperaturen blinkar i fönstret.	Utloppsvätskans temperatur har sjunkit under 34°C.	Låt apparaten vara på i 2 minuter. Om temperaturen inte stiger ska apparaten stängas av och service begäras.
Ljudlarmet avges och "FA_" (FEL) visas i fönstret.	Det elektroniska diagnosystemet har upptäckt ett internt problem.	Stäng av apparaten och begär service.
Larmet ljuder oavbrutet och den gula lampan STÄNG AV APPARATEN lyser.	Den interna vätsketemperaturer har överstigit 45°C och kontrollsystemet har aktiverats.	Avbryt vätskeflödet, släng kassetten och begär service.
Kassetten är svår att sätta in i värmeaggregatet.	Kassetten flödades innan den sattes in.	Töm kassetten och sätt in den igen.
	Insidan av värmeaggregatets kassettutrymme kan ha föroreningar på värmeplattorna.	Rengör apparatens insida enligt anvisningarna (avsnitt 5.0).
Kassetten är svår att ta ut ur värmeaggregatet.	Kassetten är fortfarande under tryck.	Stäng inloppsklämman och öppna utloppsklämman. Låt vätskan rinna ut..

Fig. 8–Felsökningstabell

8.0 Tekniska specifikationer


Tekniska specifikationer		
Punkt	FW600	FW603
Temperaturinställningsområde/steg	38–43°C i steg om 1°C	
Vätsketemperaturintervall	0,1°C	
Styrenhetens noggrannhet vid 100 ml/min	±0,5°C	
Spänning	120 V, växelström	220-240 V, växelström
Strömstyrka	9 A	4,5 A
Säkring	(2) 15 A tidsfördröjning 250 V	(2) T, 6,3 A, 250 V, L 5 mm x 20 mm
Frekvens	60 Hz	50/60 Hz
Omgivningstemperatur	15–29°C	
Sladd	4,6 m, UL, typ SJT, 16 AWG 3-ledarkabel med formgjuten jordningskontakt för sjukhusbruk	4,6 m lång. Använd endast internationell (harmoniserad) 3-ledarkabel med ledningar godkända för HD-21 ledarstorlek 1,5 mm ² (H05VVF3G1.5)
Klassifikation  IPX4	Klass I, jordad, typ BF, stänksäker utrustning, olämplig för användning i närvaro av lättantändliga blandningar av anestetika och luft, syrgas eller lustgas. Lämplig för kontinuerlig drift.	
Uppfyllande av standarder	Endast klassificerad med avseende på risk för elektrisk stöt, brand och mekaniska faror enligt UL 2601-1, CAN/CSA C22.2 NO.601.1	EN60601-1
Elektromagnetisk kompatibilitet	Uppfyller EN60601-1-2:1993 (CISPR 11 Klassificerad som Klass B, Grupp I ISM-utrustning)	
Vikt	2,7 kg	
Dimensioner	22 cm x 28,5 cm x 12 cm	

Fig. 9–Specifikationer

SVENSKA

Temp.	Motstånd	Temp.	Motstånd	Temp.	Motstånd	Temp.	Motstånd	Temp.	Motstånd	Temp.	Motstånd	Temp.	Motstånd	Temp.	Motstånd	Temp.	Motstånd
(°C)	(ohm)	(°C)	(ohm)	(°C)	(ohm)	(°C)	(ohms)	(°C)	(ohm)	(°C)	(ohm)	(°C)	(ohm)	(°C)	(ohm)	(°C)	(ohm)
35	1471	38	1300	41	1152	44	1023	47	910	50	811	53	725	56	648	59	581
35,1	1465	38,1	1295	41,1	1148	44,1	1019	47,1	907	50,1	808	53,1	722	56,1	646	59,1	579
35,2	1459	38,2	1290	41,2	1143	44,2	1015	47,2	903	50,2	805	53,2	718	56,2	644	59,2	577
35,3	1453	38,3	1285	41,3	1139	44,3	1011	47,3	900	50,3	802	53,3	716	56,3	641	59,3	575
35,4	1447	38,4	1279	41,4	1134	44,4	1007	47,4	896	50,4	799	53,4	714	56,4	639	59,4	573
35,5	1441	38,5	1274	41,5	1129	44,5	1003	47,5	893	50,5	796	53,5	711	56,5	637	59,5	571
35,6	1435	38,6	1269	41,6	1125	44,6	999	47,6	889	50,6	793	53,6	709	56,6	634	59,6	569
35,7	1429	38,7	1264	41,7	1120	44,7	995	47,7	886	50,7	790	53,7	706	56,7	632	59,7	567
35,8	1423	38,8	1259	41,8	1116	44,8	991	47,8	882	50,8	787	53,8	703	56,8	630	59,8	565
35,9	1417	38,9	1254	41,9	1112	44,9	988	47,9	879	50,9	784	53,9	701	56,9	627	59,9	563
36	1411	39	1249	42	1107	45	984	48	876	51	781	54	698	57	625	60	561
36,1	1405	39,1	1244	42,1	1103	45,1	980	48,1	872	51,1	778	54,1	695	57,1	623		
36,2	1400	39,2	1239	42,2	1098	45,2	976	48,2	869	51,2	775	54,2	693	57,2	620		
36,3	1394	39,3	1234	42,3	1094	45,3	972	48,3	866	51,3	772	54,3	690	57,3	618		
36,4	1388	39,4	1229	42,4	1090	45,4	968	48,4	862	51,4	769	54,4	688	57,4	616		
36,5	1383	39,5	1224	42,5	1085	45,5	965	48,5	859	51,5	767	54,5	685	57,5	614		
36,6	1377	39,6	1219	42,6	1081	45,6	961	48,6	856	51,6	764	54,6	683	57,6	611		
36,7	1371	39,7	1214	42,7	1077	45,7	957	48,7	853	51,7	761	54,7	680	57,7	609		
36,8	1366	39,8	1209	42,8	1073	45,8	954	48,8	849	51,8	758	54,8	678	57,8	607		
36,9	1360	39,9	1204	42,9	1068	45,9	950	48,9	846	51,9	755	54,9	675	57,9	605		
37	1355	40	1199	43	1064	46	946	49	843	52	752	55	673	58	603		
37,1	1349	40,1	1195	43,1	1060	46,1	942	49,1	840	52,1	748	55,1	670	58,1	600		
37,2	1344	40,2	1190	43,2	1056	46,2	939	49,2	836	52,2	747	55,2	668	58,2	598		
37,3	1338	40,3	1185	43,3	1052	46,3	935	49,3	833	52,3	744	55,3	665	58,3	596		
37,4	1333	40,4	1180	43,4	1047	46,4	932	49,4	830	52,4	741	55,4	663	58,4	594		
37,5	1327	40,5	1176	43,5	1043	46,5	928	49,5	827	52,5	738	55,5	660	58,5	592		
37,6	1322	40,6	1171	43,6	1039	46,6	924	49,6	824	52,6	735	55,6	658	58,6	590		
37,7	1316	40,7	1166	43,7	1035	46,7	921	49,7	821	52,7	733	55,7	655	58,7	587		
37,8	1311	40,8	1161	43,8	1031	46,8	917	49,8	817	52,8	730	55,8	653	58,8	585		
37,9	1306	40,9	1157	43,9	1027	46,9	914	49,9	814	52,9	727	55,9	651	58,9	583		

Fig. 10–Motstånd-/temperatortabell
(Gaymar temperatursensor FWT I)

Sisällysluettelo

<u>Osa</u>	<u>Kuvaus</u>	<u>Sivu</u>
1.0	Indikaatiot	1
2.0	Tuotteen kuvaus	2
3.0	Käyttöohjeet	4
4.0	Turvajärjestelmät	6
5.0	Puhdistus	7
6.0	Toimintatesti/turvataarkastus	8
7.0	Vianetsintä	10
8.0	Tekniset tiedot	11

Ennen käyttöä . . .



Tärkeää

Perehdy *Käyttäjän käsikirjaan* ja lue *TURVATOIMET* ennen kuin ryhdyt käyttämään Medi-Temp III FW600 -sarjan veren/nesteenlämmittintä.

Paikallinen jälleenmyyjä vastaa tarvittaessa kysymyksiisi.

Takuu

Medi-Temp III FW600 -sarjan veren/nesteenlämmittimelle annetaan materiaali- ja valmistusvirheitä koskeva yhden (1) vuoden takuu.

Kertakäyttöisille lämmityspakkauksille annetaan materiaali- ja valmistusvirheitä koskeva takuu yhden käyttökerran ajaksi.

Takuutodistus on saatavissa pyydettyessä. Gaymar ei myönnä oletettuja takuita, kaupattavuutta tai tiettyyn tarkoitukseen sopivuutta koskevat takuut mukaan lukien, mutta ei niihin rajoittuen.

1.0 Indikaatiot

Tämä tuote on tarkoitettu käytettäväksi tahattoman hypotermian ennaltaehkäisyyn veren, verituotteiden ja muiden nesteiden annostelun aikana.



1.1 Turvatoimet

VAARA



Sähköiskun vaara. Laitteen sisällä ei ole käyttäjän huollettavia osia.

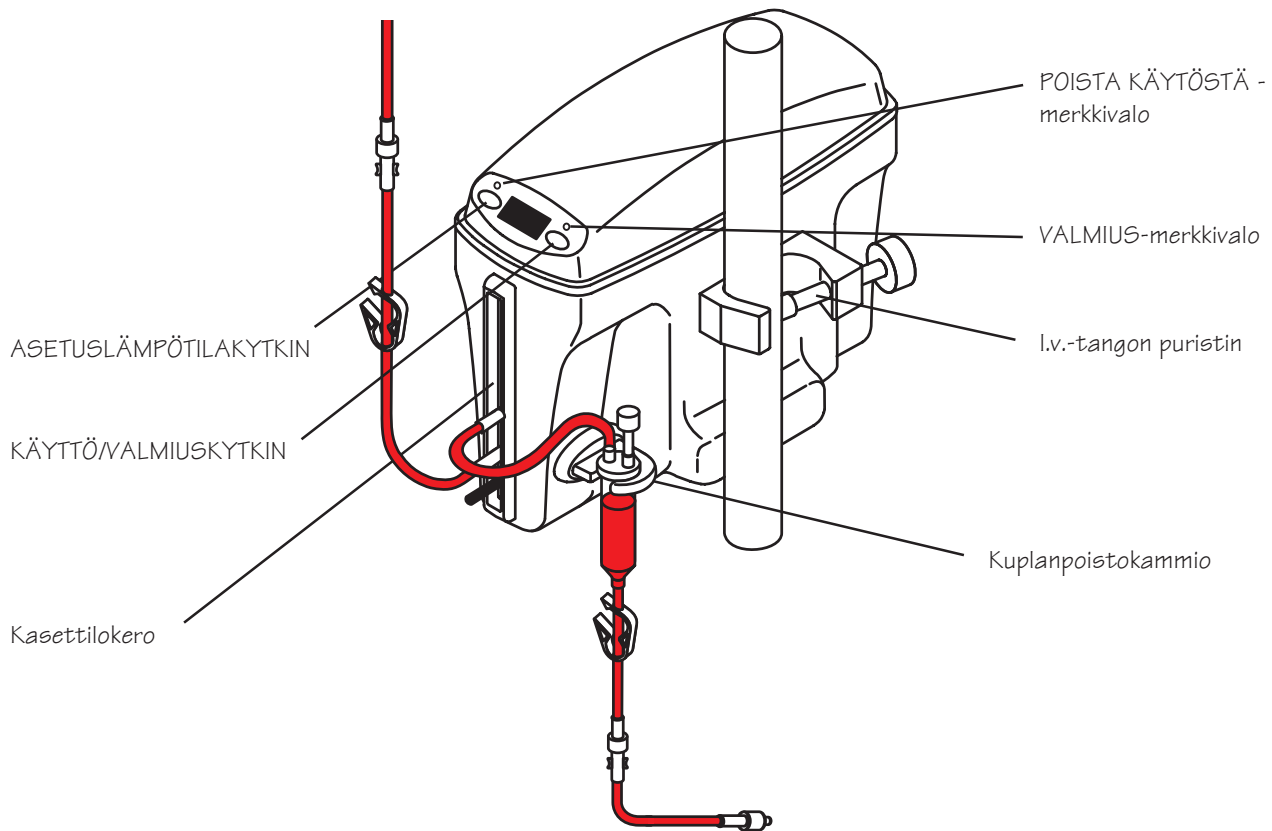
VAROITUS

- Nesteletkuista on poistettava kaikki ilma ennen niiden kiinnittämistä potilaaseen.
- Tarkkaile, ettei nesteletkuissa ole ilmaa. Nestettä ei saa antaa potilaalle, jos letkuissa on ilmakuplia kuplanpoistokammion ja potilasliittimen välillä.
- Tarkista kuplanpoistokammion nestetaso usein. Lämmittämisen aikaansaamat kuplat jäävät kuplanpoistokammioon. Täytä kuplanpoistokammio asettamalla steriili ruisku venttiiliin ja aspiroimalla ilmaa, kunnes kuplanpoistokammio on 2/3 täynnä. Kuplanpoistokammion on oltava vähintään 1/4 täynnä.
- Kuplanpoistokammion on oltava aina kiinnitettyä ja pystyasennossa.

Yllä olevien varoitusten laiminlyöminen voi johtaa siihen, että ilmaa kulkeutuu potilaaseen. Tämä voi aiheuttaa hengenvaaran tai vakavan tapaturman.

VARO

- Yhdysvaltain liittovaltion lain mukaan tätä laitetta saa myydä ainoastaan lääkäri tai lääkärin määräyksestä.
- Laitetta ei saa upottaa puhdistus- ja/tai sterilointiliuokseen. Laitetta ei saa upottaa nesteeseen tai liottaa. Se on nestekestävä, mutta ei täysin nestetiivis.
- Maadoituksen varmistamiseksi veren/ nesteenlämmitin on kytkettävä ainostaan maadoitettuun pistorasiaan.
- **KÄYTTÖ/VALMIUSKYTKIN** ei eristä verkkovirrasta. Eristys verkkovirrasta (IEC 601-1) aikaansaadaan ainoastaan irrottamalla virtajohto pistorasiasta.



Kuva 1—FW600-sarjan veren/nesteenlämmitin

2.0 Tuotteen kuvaus

Medi-Temp III FW600 -sarjan veren/nesteenlämmitin on kuivalämmityslaite, joka on tarkoitettu veren, verituotteiden ja muiden nesteiden turvalliseen ja nopeaan lämmitykseen kertakäyttöisten veren/nesteenlämmityspakkausten avulla. Lämmittimellä ei voida säätää nesteen virtausnopeutta. Normaalisti kylmässä säilytettävät veri, verituotteet ja muut nesteet voidaan lämmittää käyttäjän valitsemaan lämpötilaan 38,0–43,0 °C välillä enintään 300 ml/min. virtausnopeudella. Huoneenlämpöiset nesteet voidaan lämmittää enintään 500 ml/min. virtausnopeudella. Kertakäyttöisistä veren/nesteenlämmityspakkauksista on saatavana seuraavat mallit: vakio, jatkettu vakio, lasten malli ja nopea virtaus.

2.1 Lämmitin

Lämmitin on tarkoitettu kiinnitettäväksi i.v.-tankoon. Laitteessa ei ole virtakytkintä. Kun laite on kytketty verkkovirtaan, etupaneelin VALMIUSTILAN merkkivalo palaa vihreänä. VALMIUSTILASSA lämmitin ei saa virtaa. Normaali käyttö aloitetaan painamalla KÄYTTÖ/VALMIUSPAINIKETTA.

Kun painiketta painetaan, etupaneelissa olevaan lämpötilan nestekidenäyttöön tulee joko nesteen senhetkinen lämpötila tai asetuslämpötila Celsius-asteissa. Käyttäjä voi valita asetuslämpötilan 38,0–43,0 °C väliltä 1,0 °C välein etupaneelissa sijaitsevasta ASETUSLÄMPÖTILAKYTKIMESTÄ. Laitteen etuosassa on myös lokero kertakäyttöistä nesteenlämmityspakkausta varten. Laitteen oikealla puolella i.v.-tankopuristimen alapuolella on teline kertakäyttöistä kuplanpoistokammioita varten.

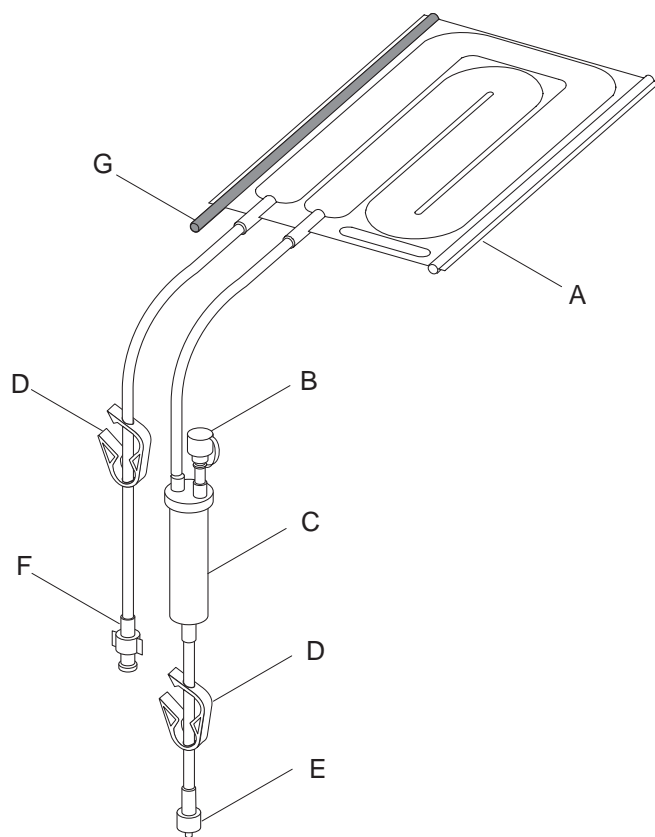
2.2 Kertakäyttöiset nesteenlämmityspakkaukset

Medi-Temp III FW600 -sarjan veren/nesteenlämmityssarja on tarkoitettu käytettäväksi ainoastaan Gaymar D25000 -sarjan veren/nesteenlämmityspakkausten kanssa. Seuraavat nesteenlämmityssarjat (kuva 2) on tarkoitettu käytettäväksi enintään 300 mm Hg paineen alaisina. Lisätietoja saa paikalliselta jälleenmyyjältä.

Kuvaus	Tuotenro	Käyttö	Esitäyttömäärä
Vakio	D25340CE	AVV—150 ml/min	39 ml
Vakio ja 122 cm (48") jatke	D25310CE	AVV—150 ml/min	48 ml
Vakio ja 152 cm (60") jatke	D25315CE	AVV—150 ml/min	50 ml
Lasten malli ja 76cm (30") jatke	D25320CE	AVV—100 ml/min	30 ml
Nopea virtaus ja 122 cm (48") jatke	D25330CE	100—500 ml/min	79 ml

AVV = alhaisin vaadittava virtausnopeus verisuonien avoimena pitämiseen

Kuva 2—D2500-sarjan nesteenlämmityspakkaukset



A	Joustava kasetti
B	Käsi­käyt­to­inen ilmanpoistaja (poistoventtiili)
C	Kuplanpoistokammio
D	Puristin
E	Ulkokierteinen luer-liitin (potilaaseen)
F	Sisäkierteinen luer-liitin (veri/nestelähteeseen)
G	Sininen ohjauskisko

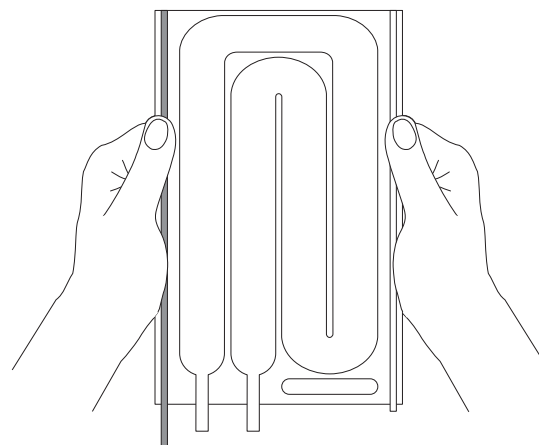
Kuva 3—Neste­en­läm­mi­ty­spak­kaus ja kuplanpoistokammio

3.0 Käyttöohjeet (kuvat 3—5)

- Kiinnitä lämmitin i.v.-tankoon ja purista kiinni laitteen sivussa olevalla puristimella.
- Kytke virtajohto asianmukaisesti maadoitettuun pistorasiaan.
- Ota nesteenlämmityspakkaus steriilistä pakkauksesta.

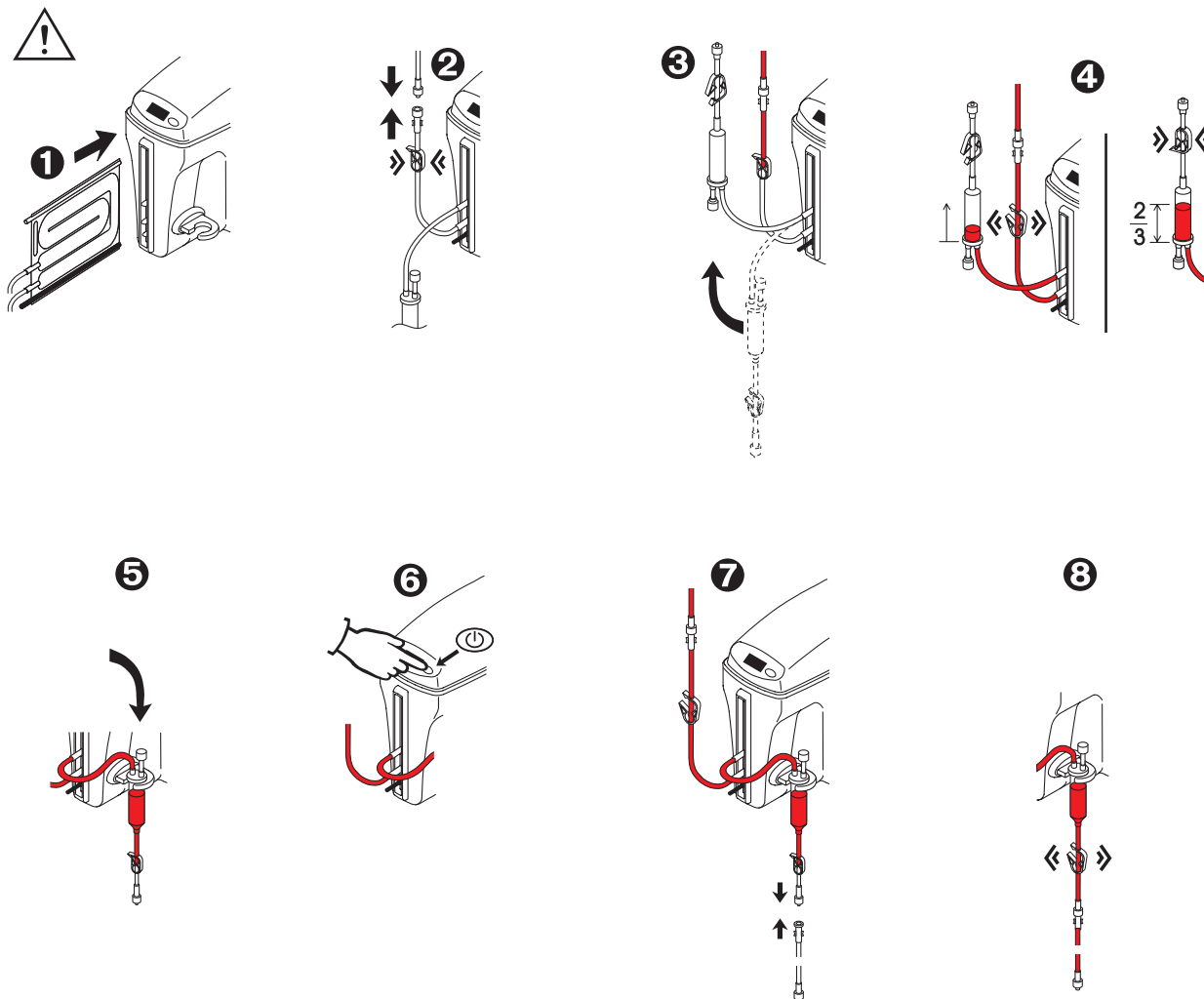
HUOM: Joustava lämmityspakkaus on suunniteltu niin, että se voidaan sijoittaa lämmittimeen ainoastaan yhdellä tavalla. Kasetin sininen ohjaukisko asetetaan lämmittimen alapuolelle.

- 1 Tartu kumpaankin kiskoon (kuva 4). Venytä joustavaa kasettia jonkin verran ja aseta kasetin etuosa lämmittimen eteen sininen ohjaukisko alaspäin. Kohdistista kiskot aukkojen kanssa. Siirrä kätesi kiskoille ja työnnä kasettia sisään, kunnes väritön ohjaukisko on **melkein** samassa



Kuva 4—Kasetin työntäminen sisään

tasossa laitteen etuosan kanssa. (Sininen ohjaukisko tulee jonkin verran ulos laitteesta poistamisen helpottamiseksi.)



Kuva 5—Asennusohjeet

VARO

Kun kasetti on työnnetty kokonaan sisään, väritön ohjauskisko tulee ulos lämmittimen etuosasta enintään 0,5 cm verran. **Kasetti on työnnettävä kokonaan sisään, muussa tapauksessa se voi vaurioitua.**

- 2 Sulje lämmityspakkauksen tulopuristin. Poista lämmityspakkauksen sisäkierteisen luer-liittimen suojus ja liitä se i.v.-telineen ulkokierteiseen luer-liittimeen. Poista lämmitinpakkauksen ulkokierteisen luer-liittimen suojus. Poista tarpeettomat letkunjatkeet tässä vaiheessa lämpötilan ja esitäyttötilavuuden alenemisen minimoimiseksi.
- 3 Käännä kuplanpoistokammio ylösalaisin.
- 4 Avaa lämmityspakkauksen tulopuristin. Anna nesteen virrata pakkaukseen. Kun kuplanpoistokammio on noin 2/3 täynnä, sulje poistopuristin.
- 5 Käännä kuplanpoistokammio uudelleen ja aseta se lämmittimen sivussa olevaan kuplanpoistokammion telineeseen.

VAROITUS

Kuplanpoistokammion on oltava aina kiinni ja pystyasennossa. **Tämän varoituksen laiminlyöminen voi aiheuttaa ilman kulkeutumisen potilaaseen, mikä voi aiheuttaa hengenvaaran tai vakavan tapaturman.**

- 6 Paina KÄYTTÖ/VALMIUSKYTKINTÄ,  joka sijaitsee laitteen etuosassa.

Kun laite on suorittanut itsetestauksen, näytössä vilkkuu asetuslämpötila noin 3 sekunnin ajan, minkä jälkeen laite aloittaa nesteen lämmittämisen asetettuun lämpötilaan.

Viimeksi käytetty asetuslämpötila pysyy muistissa, vaikka lämmitin sammutetaan. Asetuslämpötilaa muutetaan painamalla

ASETUSLÄMPÖTILAKYTKINTÄ ensin  

hetken ajan. Asetuslämpötila tulee näyttöön ja vilkkuu noin 3 sekunnin ajan. Kun asetuslämpötila vilkkuu näytössä, käyttäjä voi valita minkä tahansa arvon 38,0–43,0 °C väliltä 1,0 °C välein painamalla ASETUSLÄMPÖTILAKYTKINTÄ toistuvasti.

HUOM: Jos ASETUSLÄMPÖTILAKYTKINTÄ pidetään alaspainettuna koko ajan, ei lämpötila-arvo lisääny.

Kun lämpötila on valittu, se vilkkuu näytössä noin 3 sekunnin ajan, minkä jälkeen näyttöön tulee nesteen senhetkinen lämpötila. Asetuslämpötila voidaan tarkistaa missä tahansa toimenpiteen vaiheessa painamalla ASETUSLÄMPÖTILAKYTKINTÄ hetken ajan.

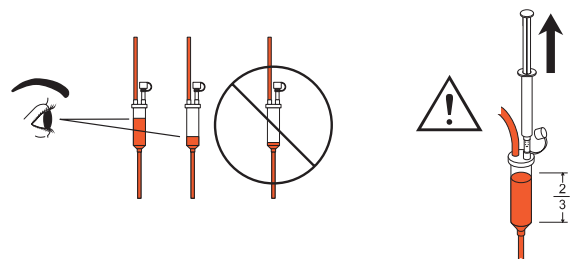
- 7 Liitä potilasletkun jatke tarvittaessa paikoilleen.
- 8 Poista ilma letkusta avaamalla tulopuristin ja antamalla nesteen virrata.

VAROITUS

- Ilma on poistettava nesteletkuista ennen kuin ne kiinnitetään potilaaseen.
- Tarkkaile nesteletkuja ja varmista, ettei niissä ole ilmaa. Nesteitä ei saa annostella, jos kuplanpoistokammion ja potilasliittimen välisessä letkussa on ilmakuplia.

Tämän varoituksen laiminlyöminen voi aiheuttaa ilman kulkeutumisen potilaaseen ja aiheuttaa hengenvaaran tai vakavan tapaturman.

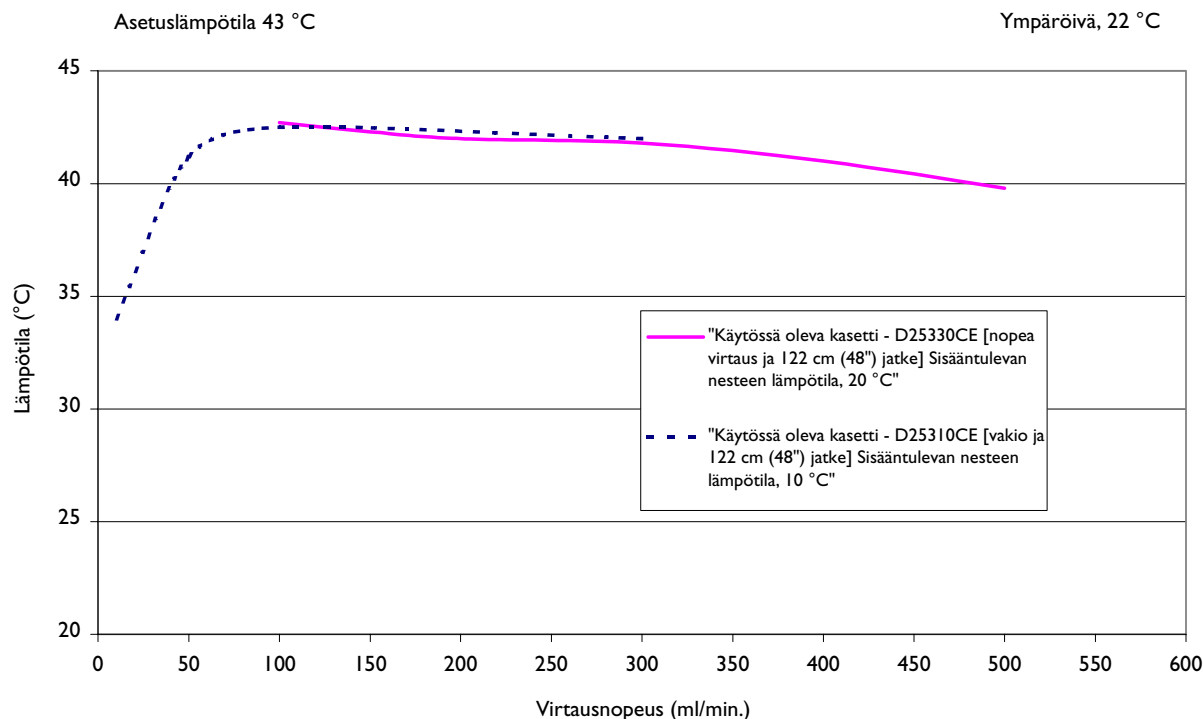
VAROITUS



Seuraa kuplanpoistokammion nestetasoa säännöllisin väliajoin. Lämmityksen aikaansaamat kuplat jäävät kuplanpoistokammioon. Täytä kammio uudestaan työntämällä ruisku venttiiliin ja aspiroimalla ilmaa, kunnes kammio on 2/3 täynnä. Kuplanpoistokammion on oltava vähintään 1/4 täynnä.

Kuplanpoistokammion nestetason tarkkailun laiminlyöminen voi aiheuttaa ilman kulkeutumisen potilaaseen ja aiheuttaa hengenvaaran tai vakavan tapaturman.

Potilasletkun pään lämpötilä



Kuva 6—Tyypillinen nesteen lämpötilä vs. virtausnopeus

3.1 Virtausnopeuden vaikutus nesteen lämpötilaan

Virtausnopeus vaikuttaa potilasletkusta poistuvan nesteen lämpötilaan. Seuraava virtaus vs. nesteen lämpötiläkäyrä on tyypillinen FWV600-sarjan lämmittimelle. Katso yllä olevaa kuvaa 6.

HUOM: Tämän käyrän nesteen lämpötilä on mitattu potilasletkun päästä.

3.2 Lämmityspakkauksen poistaminen

Kasettia ei voida poistaa lämmitimestä paineen alaisena. Poista kasetti seuraavasti:

1. Sulje lämmityspakkauksen tulopuristin ensin ja jätä poistopuristin auki.
2. Sulje lämmityspakkauksen poistopuristin.
3. Noudattamalla vaiheita 1 ja 2 neste valuu pois kasetista. Vedä sinistä ohjauskiskoa varovasti ja poista kasetti lämmitimestä.

4. Hävitä lämmityspakkaus sairaalan käytännön mukaisesti.

VARO

Jos kasetin nesteitä ei valuteta pois, se on vaikea poistaa. **Jos kasetti yritetään poistaa väkisin, se voi repeytyä.**



4.0 Turvajärjestelmät

4.1 Ylikuumentumisuojaus

Lämmitin varajärjestelmä on erillinen pääohjainyksiköstä ja se tarkkailee nesteen lämpötilaa jatkuvasti. Jos nesteen lämpötila ylittää 45 °C, varajärjestelmä keskeyttää lämmittimen virran välittömästi. Jos lämpötilan ylittyminen on tilapäistä ja johtuu nopeasta virtausnopeuden muutoksesta, näytöllä vilkkuvat **HI (KORKEA)** ja nesteen lämpötilä

vuorotellen. Kun nesteen lämpötila palautuu hyväksyttävälle tasolle, laite palaa normaalitoimintaan. Jos varajärjestelmä tunnistaa, että lämpötilan ylitys johtuu pääohjainyksiköstä, kuuluu merkkiäänä, **POISTA KÄYTTÖSTÄ**-merkkivalo syttyy ja laite sammuu. Jos näin tapahtuu, keskeytä nesteen virtaus välittömästi, hävitä lämmityspakkaus ja ota yhteys jälleenmyyjään laitteen huoltoa varten.

4.2 Itsetestaus

Laite suorittaa itsetestauksen aina, kun laite kytketään **VALMIUSTILASTA KÄYTTÖTILAAN**. Jos varajärjestelmä ei toimi kunnolla, näyttöön tulee vikaviesti ja laite sammuu. Tämän lisäksi itsetestauksia suoritetaan

säännöllisin väliajoin **KÄYTTÖTILAN** aikana lämmittimen jatkuvan turvallisen toiminnan varmistamiseksi.

4.3 LO-hälytin

Jos lämmitin tunnistaa, että nesteen lämpötila laskee alle 34 °C:n, kuuluu merkkiäänä ja näyttössä vuorottelevat symboli **LO (ALHAINEN)** ja nesteen senhetkinen lämpötila.

Poikkeus: Hälytysäänä ei kuulu ennen kuin nesteen lämpötila on ylittänyt 34 °C:n kynnyksen.

5.0 Puhdistus

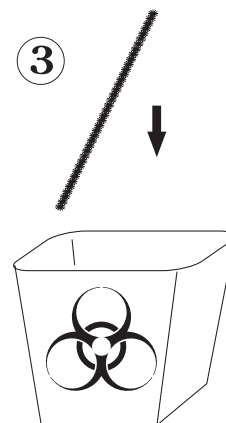
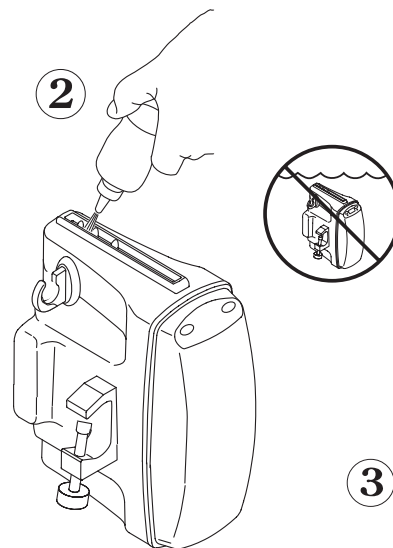
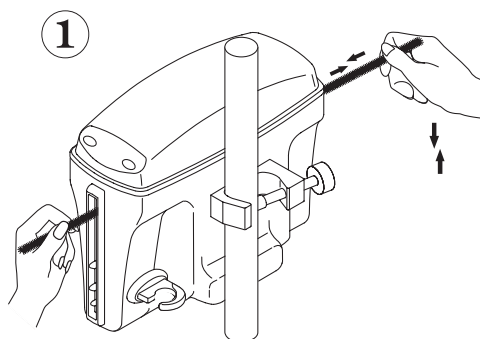
VARO

Lämmitintä ei saa upottaa puhdistus- tai desinfiointiliuokseen. Sitä ei saa upottaa nesteeseen; laite on nestekestävä, mutta ei täysin nestetiivis.

Upottaminen voi johtaa laitteen toimintahäiriöön tai vaurioon.

Suorita seuraavat hoito- ja puhdistustoimenpiteet potilaskäyttöjen välillä tai sairaalan käytännön mukaisesti.

- Irrota laite pistorasiasta ennen puhdistusta.
- Puhdista lämmittimen ulkopinnat hankaamattomalla puhdistusaineella (kuten lämpimällä saippuvedellä) ja puhtaalla pyyhkeellä.
- Puhdista kasettilokero sisäpuolelta kertakäyttöisellä harjalla. Huuhtelee huolellisesti vedellä täytetyllä ruiskupullolla. Puhdistuspakkauksen tuotenro 78350-000.
- Pyyhi lämmittimen ulkopinta ja kasettilokero



esim. 10-prosenttisella klooratulla valkaisuaineella (kloorattua valkaisuainetta, jossa on 5,25% natriumhypokloriittia) ja anna kuivua.

VARO

Lämmitin on puhdistettava, jos kasettilokeroon on päässyt nestettä tai vierasainetta. **Kasettilokero on pidettävä puhtaana, muussa tapauksessa voi kasetin asettaminen olla vaikeaa.**

6.0 Toiminta- ja turvallisuustarkistus

Optimaalisen toiminnan, luotettavuuden ja turvallisuuden varmistamiseksi seuraavat tarkistustoimenpiteet on suoritettava kahdentoista kuukauden välein tai sairaalan käytännön mukaisesti.

Tarvittavat laitteet tai työvälineet

- Mikä tahansa Gaymar D25340 -sarjan veren/nesteenlämmitin
- Lämpötilamittari:
 - Gaymar D25340-sarjan veren/nesteenlämmitin sekä
 - Lämpötilamittari (Gaymar tuotenro FWT1) ja ohmi-mittari (tarkkuus 1,5 % lukemasta; maksimi jännite 100µA) ja vastuksen lämpötilakaavio. Katso kuvaa 10 (sivu 12).

tai

- Mikä tahansa Gaymar D25000 -sarjan veren/nesteenlämmitin
- Vesitiivis lämpötila-anturi/mittari, tarkkuus $\pm 0,3\%$ vaihteluvälillä 30-60 °C ja 2 sekunnin tai nopeampi tasainen lämpöaika.
- Virtauksen mittari (Gaymar tuotenro FWT2 virtausmittari):
 - Nestelähde kalibroidulla virtausmittarilla, minimitarkkuus ± 12 ml/minuutissa
- tai**
- Nestelähde säädettävällä virtausmittarilla. Virtausnopeutta säädetään sekuntikellon ja asteikolla varustetun sylinterin avulla.
- Jännitevuodon/maadoitusvastuksen testaus
- Vaihtovirtamittari

6.1 Laitteen tarkistus

Tarkista, että seuraavat laitteen osat ovat toimintakunnossa.

- Tuotetarrat, jos ne ovat irtoamassa tai jos ne puuttuvat
- Kannen ruuvit
- Kuplanpoistokammion teline
- Virtajohto
- I.v.-tangon puristin

6.2 Nesteen lämpötilan varmistus

FW600-sarjan veren/nesteenlämmitin on kalibroitu tehtaalla 100 ml/min virtausnopeuteen ja 43,0 °C:n asetuspöytätilaan.

Nesteen lämpötila varmistetaan seuraavasti:

1. Huoneen lämpötilan on oltava 20–24 °C.
2. Suorita testausliitännät (kuva 7). Kiinnitä Gaymar FWT1-lämpötila-anturi kuplanpoistokammion poistoliittimeen.

Vaihtoehtoinen menetelmä: Tee kuplanpoistokammion päälle reikä ja työnnä lämpötilamittari tämän reiän läpi. Varmista, että anturi on kokonaan upotettuna nesteeseen ja tiivistä sitten kuplanpoistokammion reikä.
3. Liitä FWT2-virtausmittari tai virtausmittari/säätölaite FWT1-lämpötila-anturin ulostuloliittimeen.

Vaihtoehtoinen menetelmä: Jos anturia käytetään kuplanpoistokammion kanssa, liitä FWT2-virtausmittari tai virtauksen mittari/säätölaite suoraan kuplanpoistokammion ulostuloliittimeen.
4. Anna huoneenlämpöisen veden virrata lämmittimen läpi 100 ml/min. nopeudella. Varmista, että kuplanpoistokammio pysyy 1/2-2/3 täynnä.
5. Kytke lämmitin päälle. Säädä **ASETUSLÄMPÖTILA** 43,0 °C:een. Anna laitteen käydä 10 minuuttia.
6. Varmista, että veden lämpötila on 43,0 °C $\pm 1,1$ °C. FWT1-lämpötila-anturia ja ohmi-mittaria käytettäessä on varmistettava, että vastus on 1019—1112 ohmia.

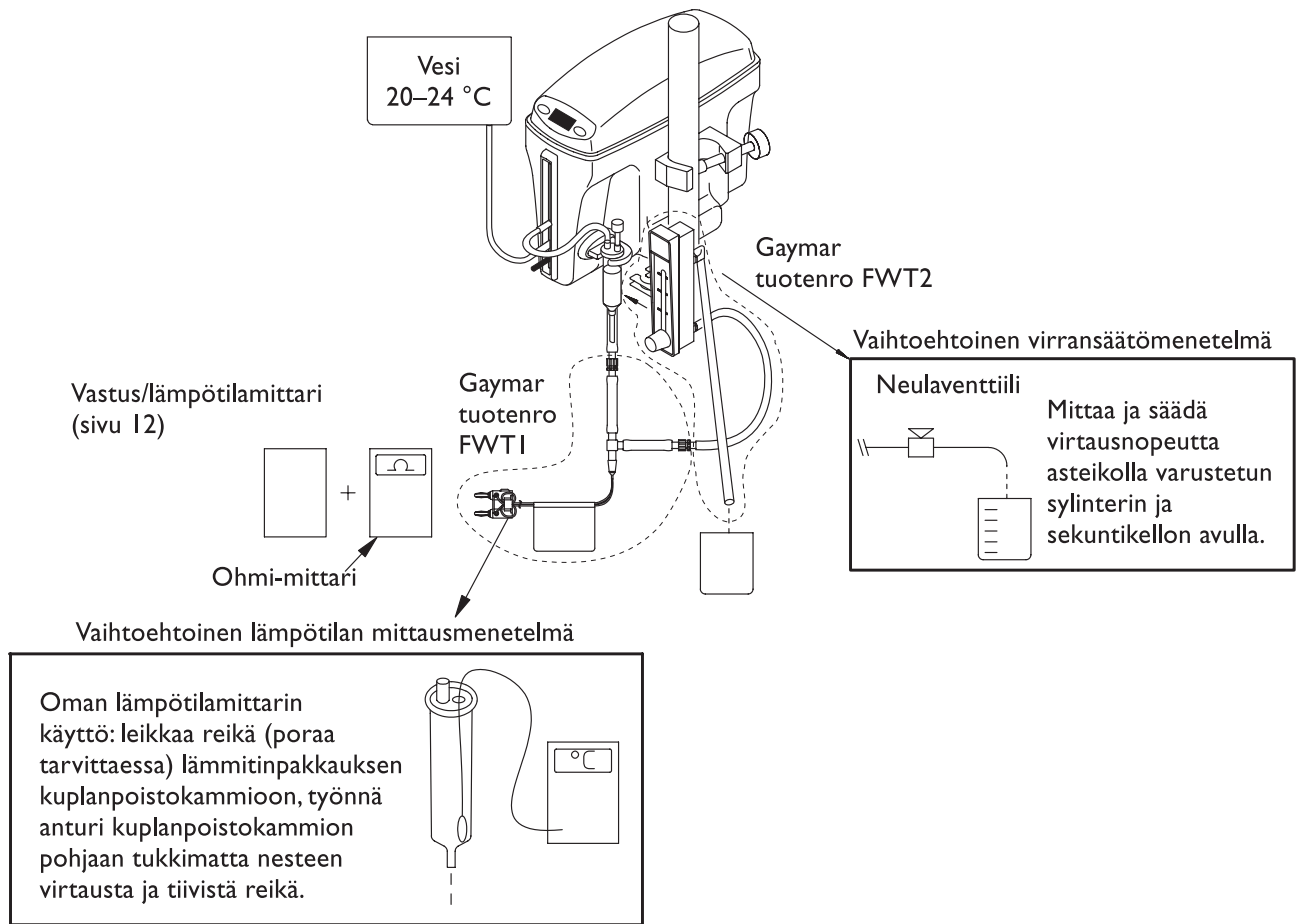
Jos lämpötila tai vastus eivät ole annettujen vaihteluvälien sisällä, tarkista asetukset ja toista testi. Jos ne eivät sittenkään ole vaihteluvälin sisällä, ota yhteys jälleenmyyjään huoltoa varten.

Tämä laite on kalibroitu tehtaalla, eikä sitä voida säätää käyttöpaikalla.

6.3 Ylikuumentumisen turvajärjestelmän tarkistus

Ylikuumentumisen turvajärjestelmän toiminta tarkistetaan aina, kun laite vaihdetaan **VALMIUSTILASTA KÄYTTÖTILAAN**. Tästä syystä järjestelmää ei tarvitse testata. Seuraavaa toimenpidettä voidaan kuitenkin käyttää **YLIKUUMENNUSTILAN** aikaansaamiseksi, jolloin voidaan varmistaa, että ylikuumentumisen turvajärjestelmä toimii:

1. Aseta D25000-sarjan lämmityskasetti lämmittimeen. Anna kuuman vesijohtoveden (46-50 °C) virrata kasetin läpi noin 1-3 minuutin ajan.



Kuva 7—Testiasetus

- Kytke lämmitin verkkovirtaan. Laite antaa välittömästi äänimerkin ja **POISTA KÄYTÖSTÄ** -merkkivalo syttyy.

6.4 Maadoituksen tarkistus

Tarkista virtapistokkeen maadoituksen ja i.v.-tangon kiinnitysruuvien välinen maadoitus jännitteen vuoto/maadoitustestaaajalla.

Vastus ei saa ylittää 0,50 ohmia.

6.5 Sähkövirran vuototesti

Mittaa vuotovirran enimmäismäärä (maadoitus avoin). Mittaa kaikki linjapolariteetin yhdistelmät nollajohdin avoinna ja suljettuna. Arvot eivät saa ylittää seuraavia:

FW600-nollajohdin suljettu 150µA

FW600-nollajohdin avoin 200µA

FW603-nollajohdin suljettu 250µA


FW603-nollajohdin avoin 300µA

7.0 Vianetsintä

Ongelma	Mahdolliset syyt	Vaadittava toimenpide
Näytössä vuorottelevat vilkkuva "LO" (ALHAINEN) ja nesteen lämpötila.	Lämpötila ei ole saavuttanut vielä 34 °C:ta.	Anna laitteen olla käynnissä 2 minuuttia. Jos lämpötila ei nouse, poista käytöstä ja lähetä huollettavaksi.
Näytössä vuorottelevat vilkkuva "HI" (KORKEA) ja nesteen lämpötila.	Tilapäinen häiriö, esim. Virtausnopeuden äkillinen muutos, aiheuttaa nesteen lämpötilan nousemisen yli 43°C:een	Ei TARVITA—yksikkö palaa normaaliin toimintaan, kun lämpötila laskee alle 43°C.
Merkkiäni kuuluu ja näytössä näkyy vilkkuva "LO" (ALHAINEN) ja nesteen lämpötila.	Nesteen lämpötila on laskenut alle 34 °C.	Anna laitteen olla käynnissä 2 minuuttia. Jos lämpötila ei nouse, poista käytöstä ja lähetä huollettavaksi.
Merkkiäni kuuluu ja näytössä on FA_ (VIKA)	Sähkötestaus on tunnistanut sisäisen ongelman.	Poista käytöstä ja lähetä huollettavaksi.
Merkkiäni on yhtäjaksoinen ja keltainen poista käytöstä -merkkivalo palaa.	Sisäinen nesteen lämpötila on ylittänyt 45°C ja varajärjestelmä on aktivoitu.	Keskeytä nesteen virtaus, hävitä kasetti ja lähetä laite huollettavaksi.
Kasettia on vaikea työntää lämmittimeen.	Kasetti on esitäytetty ennen sisääntyöntämistä.	Poista neste kasetista ja työnnä se takaisin lokeroon.
	Lämmittimen lämmityslevyt voivat olla kontaminoituneet.	Puhdista yksikön sisäpuoli puhdistusohjeiden mukaisesti (osa 5.0).
Kasettia on vaikea poistaa lämmittimestä.	Kasetti on vielä paineistettu.	Purista tulopuristin kiinni ja avaa poistopuristin. Anna nesteen valua pois.

Kuva 8—Vianetsintätaulukko

8.0 Tekniset tiedot

Tekniset tiedot		
Item	FW600	FW603
Asetuslämpötilan vaihteluväli / resoluutio	38,0–43,0°C, 1,0 °C välein	
Nesteen lämpötilan resoluutio	0,1 °C	
Ohjainyksikön tarkkuus 100 ml/min	±0,5 °C	
Jännite	120 VAC	220-240 VAC.
Virta	9 A	4,5 A
Sulake	(2) 15 A aikaviive 250 V	(2) T, 6,3 A, 250 V, L 5 mm x 20 mm
Taajuus	60 Hz	50/60 Hz
Ympäröivän ilman lämpötila	15–29 °C	
Virtajohto	Pituus 4,6 m, UL-listattu, tyyppi SJT, 16 AWG 3-kaapelinen johto, jossa sairaalakäyttöön sopiva pistoke	4,6 m pitkä. Käytä ainoastaan kansainvälistä 3-kaapelista johtoa, jossa käytetään 1,5 mm ² HD-21-hyväksyttyä johtoa (HO5VVF3G I.5.)
Luokitus  IPX4	Luokan I maadoitettu, tyyppin BF roiskesuojattu laite. Ei sovellu käytettäväksi tiloissa, joissa on tulenarkojen anestesiakaasun ja ilman, hapen ja typpioksiduulin seosta. Soveltuu jatkuvaan käyttöön.	
Säännökset	Luokiteltu ainoastaan sähköiskun, tulipalon ja mekaanisten vaarojen osalta UL 2601-I, CAN/CSA C22.2 NO.601.1 säännösten mukaisesti.	EN60601-I
Sähkömagneettinen yhteensopivuus	Täyttää seuraavat EN60601-I-2 -vaatimukset: I 993 (CISPR 11-luokiteltu luokka B, ryhmä I ISM-laitteisto)	
Paino	2,7 kg	
Mitat	22 cm x 28,5 cm x 12 cm	

Kuva 9—Tekniset tiedot

SUOMI

Lämpöt.	Vast.	Lämpöt.	Vast.	Lämpöt.	Vast.	Lämpöt.	Vast.	Lämpöt.	Vast.	Lämpöt.	Vast.	Lämpöt.	Vast.	Lämpöt.	Vast.	Lämpöt.	Vast.
(°C)	(ohmia)	(°C)	(ohm)	(°C)	(ohm)	(°C)	(ohms)	(°C)	(ohm)	(°C)	(ohm)	(°C)	(ohm)	(°C)	(ohm)	(°C)	(ohm)
35	1471	38	1300	41	1152	44	1023	47	910	50	811	53	725	56	648	59	581
35,1	1465	38,1	1295	41,1	1148	44,1	1019	47,1	907	50,1	808	53,1	722	56,1	646	59,1	579
35,2	1459	38,2	1290	41,2	1143	44,2	1015	47,2	903	50,2	805	53,2	718	56,2	644	59,2	577
35,3	1453	38,3	1285	41,3	1139	44,3	1011	47,3	900	50,3	802	53,3	716	56,3	641	59,3	575
35,4	1447	38,4	1279	41,4	1134	44,4	1007	47,4	896	50,4	799	53,4	714	56,4	639	59,4	573
35,5	1441	38,5	1274	41,5	1129	44,5	1003	47,5	893	50,5	796	53,5	711	56,5	637	59,5	571
35,6	1435	38,6	1269	41,6	1125	44,6	999	47,6	889	50,6	793	53,6	709	56,6	634	59,6	569
35,7	1429	38,7	1264	41,7	1120	44,7	995	47,7	886	50,7	790	53,7	706	56,7	632	59,7	567
35,8	1423	38,8	1259	41,8	1116	44,8	991	47,8	882	50,8	787	53,8	703	56,8	630	59,8	565
35,9	1417	38,9	1254	41,9	1112	44,9	988	47,9	879	50,9	784	53,9	701	56,9	627	59,9	563
36	1411	39	1249	42	1107	45	984	48	876	51	781	54	698	57	625	60	561
36,1	1405	39,1	1244	42,1	1103	45,1	980	48,1	872	51,1	778	54,1	695	57,1	623		
36,2	1400	39,2	1239	42,2	1098	45,2	976	48,2	869	51,2	775	54,2	693	57,2	620		
36,3	1394	39,3	1234	42,3	1094	45,3	972	48,3	866	51,3	772	54,3	690	57,3	618		
36,4	1388	39,4	1229	42,4	1090	45,4	968	48,4	862	51,4	769	54,4	688	57,4	616		
36,5	1383	39,5	1224	42,5	1085	45,5	965	48,5	859	51,5	767	54,5	685	57,5	614		
36,6	1377	39,6	1219	42,6	1081	45,6	961	48,6	856	51,6	764	54,6	683	57,6	611		
36,7	1371	39,7	1214	42,7	1077	45,7	957	48,7	853	51,7	761	54,7	680	57,7	609		
36,8	1366	39,8	1209	42,8	1073	45,8	954	48,8	849	51,8	758	54,8	678	57,8	607		
36,9	1360	39,9	1204	42,9	1068	45,9	950	48,9	846	51,9	755	54,9	675	57,9	605		
37	1355	40	1199	43	1064	46	946	49	843	52	752	55	673	58	603		
37,1	1349	40,1	1195	43,1	1060	46,1	942	49,1	840	52,1	748	55,1	670	58,1	600		
37,2	1344	40,2	1190	43,2	1056	46,2	939	49,2	836	52,2	747	55,2	668	58,2	598		
37,3	1338	40,3	1185	43,3	1052	46,3	935	49,3	833	52,3	744	55,3	665	58,3	596		
37,4	1333	40,4	1180	43,4	1047	46,4	932	49,4	830	52,4	741	55,4	663	58,4	594		
37,5	1327	40,5	1176	43,5	1043	46,5	928	49,5	827	52,5	738	55,5	660	58,5	592		
37,6	1322	40,6	1171	43,6	1039	46,6	924	49,6	824	52,6	735	55,6	658	58,6	590		
37,7	1316	40,7	1166	43,7	1035	46,7	921	49,7	821	52,7	733	55,7	655	58,7	587		
37,8	1311	40,8	1161	43,8	1031	46,8	917	49,8	817	52,8	730	55,8	653	58,8	585		
37,9	1306	40,9	1157	43,9	1027	46,9	914	49,9	814	52,9	727	55,9	651	58,9	583		

Kuva 10-Vastuksen lämpötilakaavio
(Gaymar FWTI -lämpötila-anturi)

Innholdsfortegnelse

<u>Avsn.</u>	<u>Emne</u>	<u>Side</u>
1.0	Indikasjoner for bruk	1
2.0	Produktbeskrivelse	2
3.0	Bruksanvisning	4
4.0	Sikkerhetssystemer	6
5.0	Rengjøring	7
6.0	Funksjonstester/sikkerhetsettersyn	8
7.0	Feilsøking	10
8.0	Tekniske spesifikasjoner	11

Før du begynner . . .



Viktig

Les gjennom og gjør deg kjent med innholdet av denne *Brukerhåndboken* og *SIKKERHETSFORSKRIFTENE* før du tar i bruk Medi-Temp III FW600-serie blod-/væskevarmer.

Ta kontakt med din lokale forhandler hvis du har noen spørsmål.

Garanti

Medi-Temp III FW600-serie blod-/væskeoppvarmeren er garantert å være fri for mangler på materiale eller utførelse i et tidsrom på ett (1) år.

Oppvarmingssettene til engangsbruk garanteres å være frie for mangler på materiale og utførelse for én enkelt anvendelse.

Kopi av garantien kan fås på forespørsel. Gaymar frasier seg alle underforståtte garantier, herunder, men ikke begrenset til, underforståtte garantier for salgbarhet og egnethet for et bestemt formål.

1.0 Indikasjoner for bruk

Dette apparatet er laget for å forebygge utilsiktet hypotermi under tilførsel av blod, blodprodukter og andre væsker.



1.1 Sikkerhetsforskrifter

FARE



Fare for elektrisk støt.

Apparatet inneholder ingen innvendige deler som brukeren kan utføre service på.

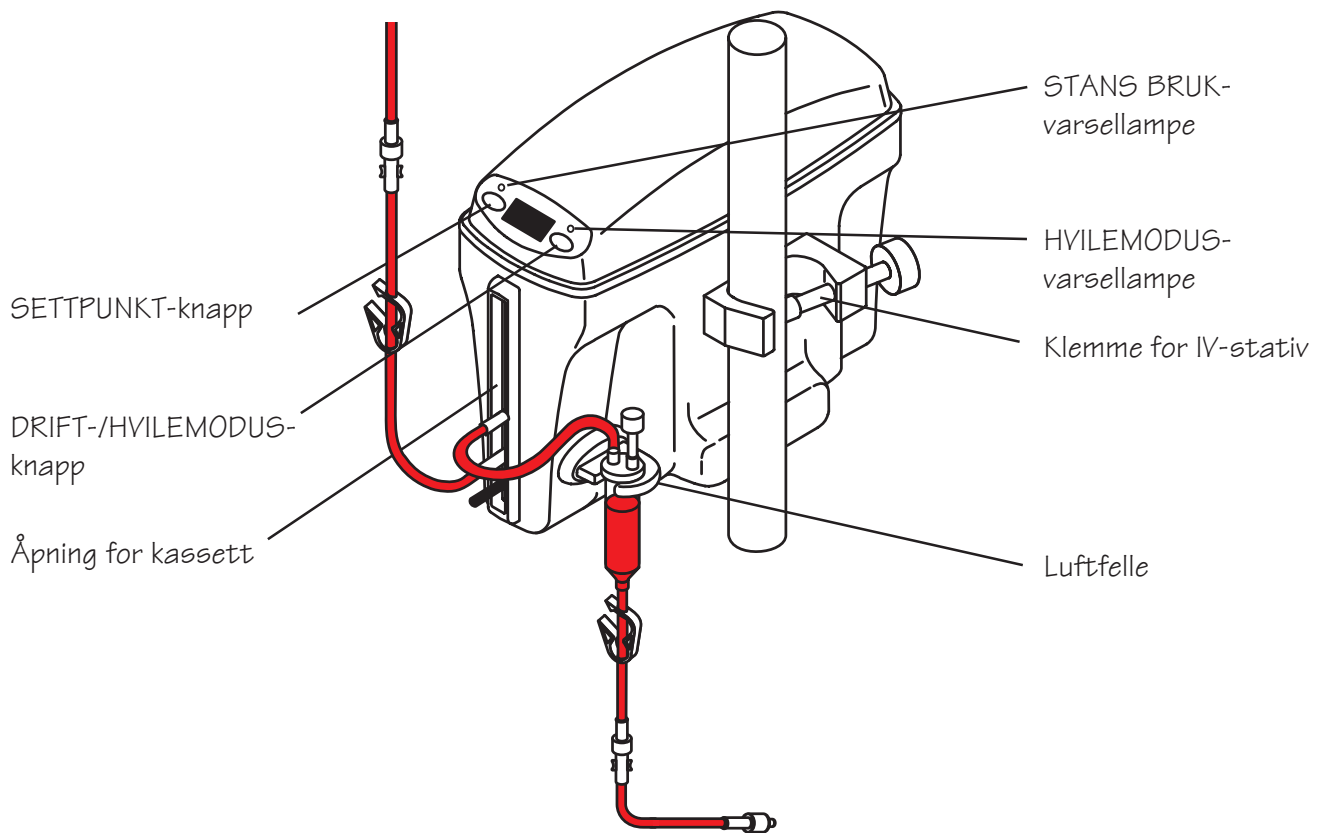
ADVARSEL

- All luft må fjernes fra væskeslangene før tilkobling til pasienten.
- Hold øye med væskeslangene for å sikre at de ikke inneholder luft. Væske må aldri tilføres hvis det er luftbobler i slangen mellom luftfellen og pasientkoblingen.
- Sjekk væsknivået i luftfellen jevnlig . Bobler som frigis under oppvarming, fanges opp i fellen. Du fyller opp igjen fellen ved å stikke en steril sprøyte inn i ventilen og trekke ut luft inntil fellen er 2/3 full. Væsknivået i luftfellen må aldri synke under 1/4 full.
- Luftfellen må være montert og i vannrett stilling til enhver tid.

Hvis de ovennevnte advarslene ikke tas til følge, kan det komme luft i pasientens blod . Tilførsel av luft i pasientens blod kan føre til dødsfall eller alvorlig personskade.

FORSIKTIG

- Ifølge amerikansk lovgivning kan dette apparatet bare selges eller bestilles av en lege.
- Apparatet må ikke dyppes i rengjørings- eller steriliseringsmiddel. Apparatet må ikke legges i vann; det er vannfast, men ikke vanntett.
- Bruk kun riktig jordet stikkontakt for å sikre at blod-/væskeoppvarmeren er forsvarlig jordet.
- *DRIFT-/HVILEMODUS*-knappen gir ingen isolering fra ledningsnett. Isolering fra ledningsnett (IEC 601-1) oppnås bare ved å trekke støpslet ut av stikkontakten.



Figur 1—FW600 serie blod-/væskeoppvarmer

2.0 Produktbeskrivelse

Medi-Temp III FW600-serie blod-/væskeoppvarmer er et tørrluftsapparat konstruert for rask og sikker oppvarming av blod, blodprodukter og annen væske i kombinasjon med engangsoppvarmingssett for blod/væske. Oppvarmeren kontrollerer ikke væskens strømningshastighet. Blod, blodprodukter og annen væske som vanligvis er nedkjølt, kan raskt varmes opp til en temperatur valgt av brukeren mellom 38,0–43,0 °C ved strømningshastigheter på opp til 300 ml/min. Væske som har romtemperatur, kan varmes opp ved strømningshastigheter på opptil 500 ml/min. Engangssettene for blod/væske leveres i flere modeller, nemlig standard, standard med forlengelse, for barnepasienter og for høy væskestrøm.

2.1 Varmer

Oppvarmingsapparatet er konstruert for å festes på IV-stativet. Det har ingen av/på-bryter. Tilkobling til strømmettet angis av en grønn varsellampe for HVILEMODUS på frontpanelet. I HVILEMODUS blir ikke

apparatet tilført strøm. Når du vil sette i gang normal drift, må du trykke på DRIFT-/HVILEMODUS-knappen.

Når dette skjer, viser et LED-vindu for temperatur på frontpanelet væskens faktiske temperatur eller settpunktstemperaturen i °C. Brukeren kan stille inn settpunktet fra 38,0–43,0 °C i trinn på 1,0 °C ved hjelp av SETTPUNKT-knappen på frontpanelet. Foran på apparatet finner du også åpningen hvor engangssettet skal stikkes inn. På apparatets høyre side like under IV-stativklemmen er holderen for luftfellen til engangssettet.

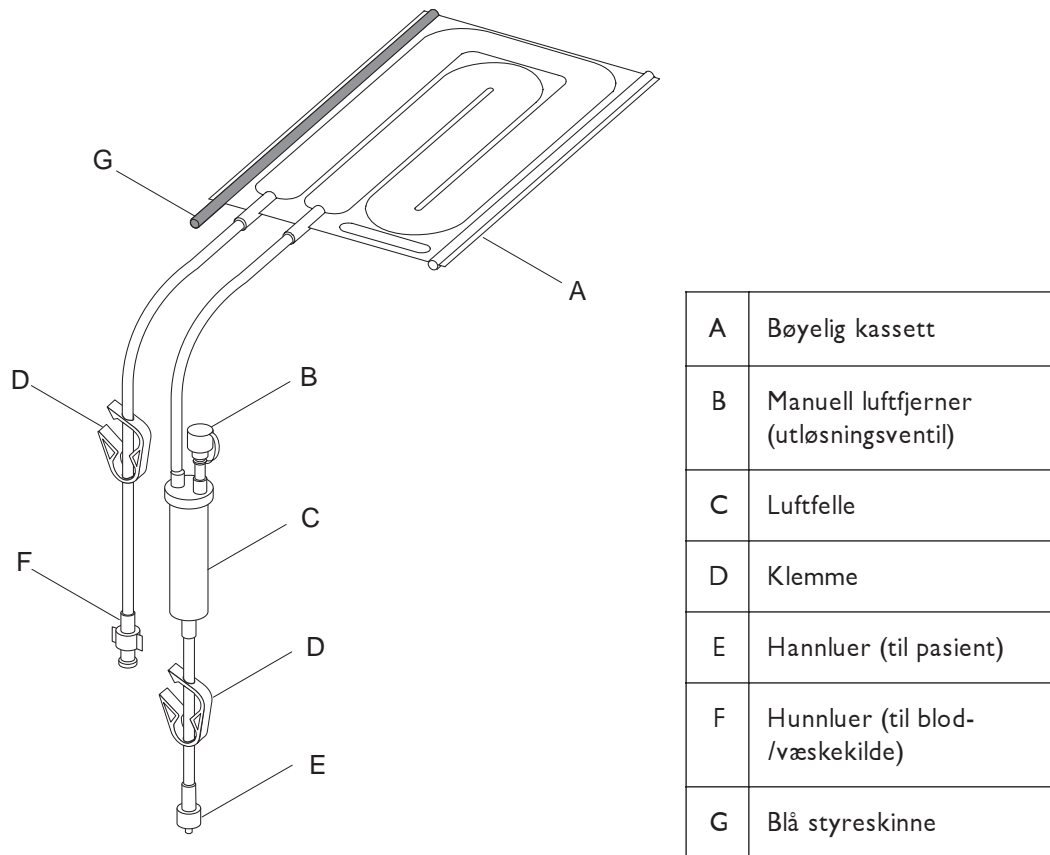
2.2 Engangssett

Medi-Temp III FW600-serie blod-/væskevarmer er konstruert for å brukes utelukkende sammen med oppvarmingssett til engangsbruk i Gaymars D25000-serie. Følgende oppvarmingssett (figure 2) er konstruert for bruk ved opptil 300 mm Hg-trykk. Ta kontakt med den lokale forhandleren hvis du har noen spørsmål.

Betegnelse	Katalognummer	Anvendelsesområde	Primingsvolum
Standard	D25340CE	HÅÅ—150 ml/min	39 ml
Standard med forlengelse på 122 cm (48")	D25310CE	HÅÅ—150 ml/min	48 ml
Standard med forlengelse på 152 cm (60")	D25315CE	HÅÅ—150 ml/min	50 ml
Barnemodell med forlengelse på 76 cm (30")	D25320CE	HÅÅ—100 ml/min	30 ml
Høy væskestrøm med forlengelse på 122 cm (48')	D25330CE	100—500 ml/min	79 ml

HÅÅ = minste påkrevde væskestrøm for å holde årene åpne

Figur 2—D25000-serie oppvarmingssett



Figur 3 – Oppvarmingssett og luftfelle

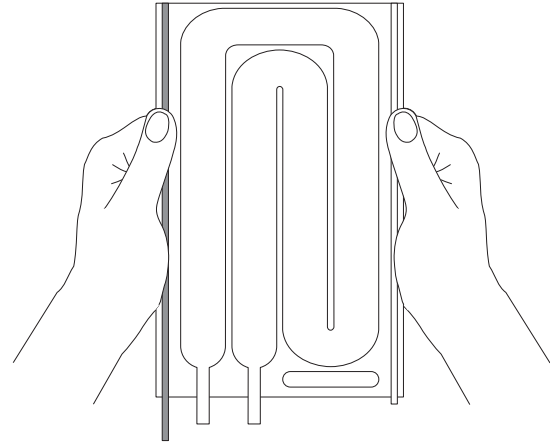
3.0 Bruksanvisning (se figur 3–5)

- Sett apparatet på IV-stativet og fest det med klemmen på den ene siden.
- Sett strømledningen i en jordet stikkontakt.
- Ta oppvarmingssettet ut av den sterile emballasjen

MERK: Det bøyelige oppvarmingssettet er laget slik at det bare kan settes inn i apparatet én vei. Sett kassetten slik at den blå styreskinnen vender mot bunnen av apparatet.

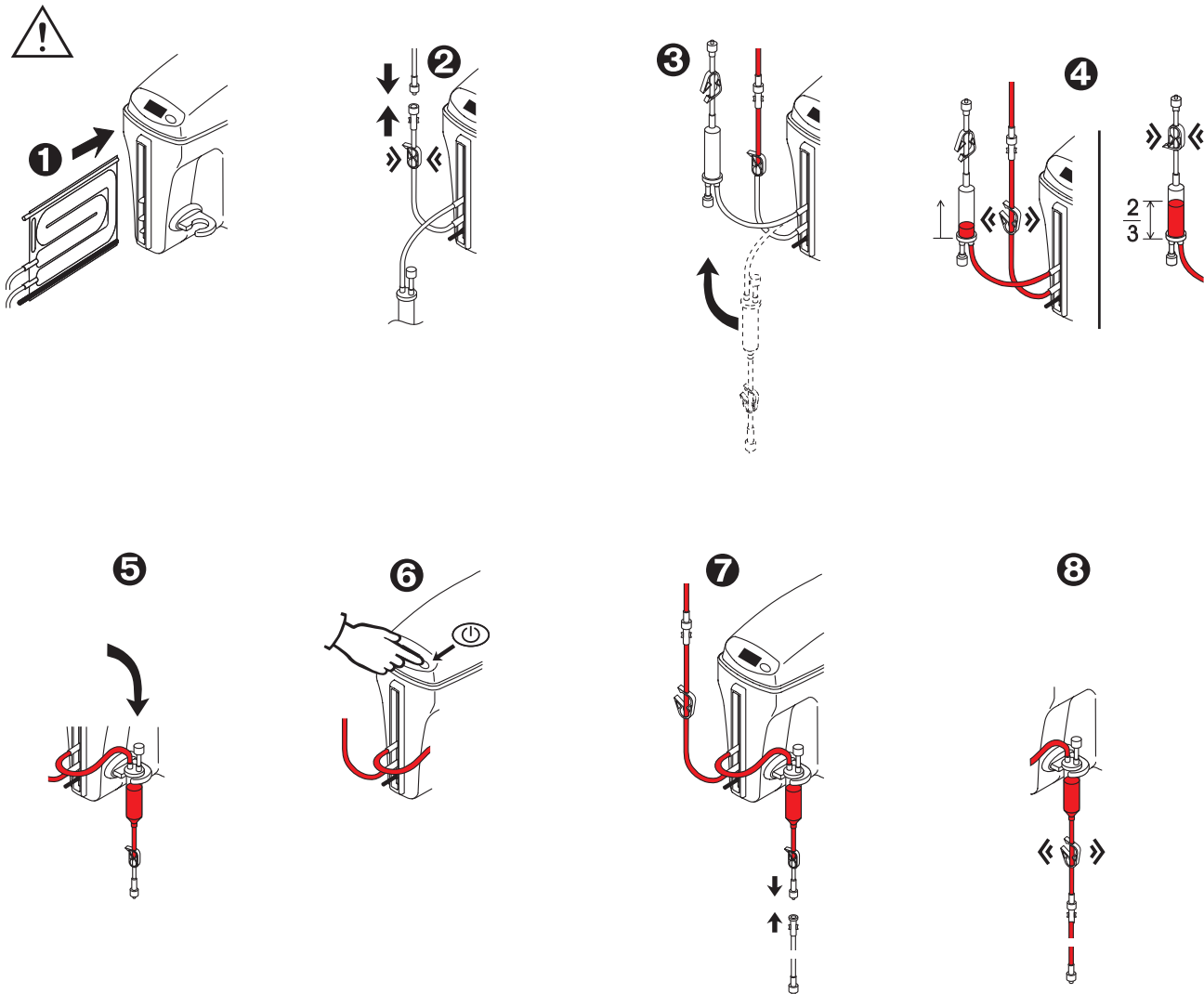
- 1 Grip tak i begge skinnene (se figur 4). Dra forsiktig i den bøyelige kassetten og sett forenden inn i åpningen på apparatet slik at den blå styreskinnen vender ned. Rett inn skinnene etter rillene.

Ta tak i skinnene som stikker ut, og før kassetten videre innover inntil den gjennomsiktige styreskinnen er **nesten** i flukt med forsiden av



Figur 4 – Sette i kassetten

apparatet. (Den blå styreskinnen vil fortsatt stikke litt ut, slik at det er lett å ta settet ut igjen.)



Figur 5 – Oppsettanvisninger

FORSIKTIG

Når kassetten er helt skjøvet inn, skal ikke den gjennomsiktige styreskinnen stikke mer enn 0,5 cm ut fra forsiden av apparatet. **Hvis kassetten ikke settes helt inn, kan den bli skadet.**

- 2 Lukk igjen oppvarmingssettets inngangsklemme. Ta vekk beskyttelsen fra hunnlueren på oppvarmingssettet og koble den sammen med hannlueren på infusjonssettet. Ta vekk beskyttelsen fra hannlueren på oppvarmingssettet. Temperaturfall og primingsvolum kan reduseres ved å fjerne unødvendige slangeforlengelser på dette tidspunktet.
- 3 Snu luftfellen opp-ned.
- 4 Åpne oppvarmingssettets inngangsklemme. La væsken prime settet. Når luftfellen er ca. 2/3 full, skal du lukke igjen utgangsklemmen.
- 5 Snu luftfellen igjen, og sett den i holderen på siden av oppvarmingsapparatet.



ADVARSEL

Luftfellen må være montert og holdes i vannrett stilling til enhver tid. **Hvis ikke, kan det komme luft i pasientens årer, noe som kan medføre dødsfall eller alvorlig personskade.**

- 6 Trykk på *DRIFT-/HVILEMODUS*-knappen  foran på apparatet.

Når den selvdagnostiserende testen er fullført, blinker settpunktet på displayet i ca. 3 sekunder, og så begynner oppvarmingen av væsken til valgt temperatur.

Settpunktet som sist ble brukt, oppbevares i minnet, selv etter at strømmen er frakoblet. Hvis du vil velge et annet settpunkt, holder du først

SETTPUNKT-knappen inne   et øyelikk.

Dermed vises settpunktet på displayet, hvor det blinker i rundt 3 sekunder. Mens settpunktet blinker på displayet, kan brukeren velge et hvilket som helst settpunkt mellom 38,0-43,0 °C i trinn på 1,0 °C ved å trykke flere ganger på *SETTPUNKT*-knappen.

MERK: Settpunktinnstillingen økes ikke ved å holde *SETTPUNKT*-knappen inne i lengre tid.

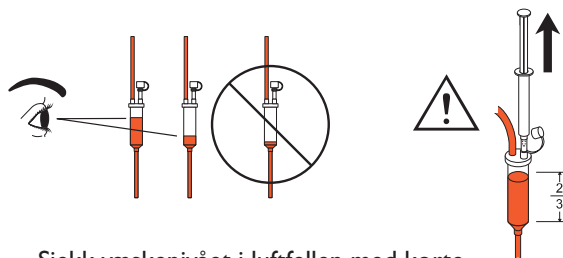
Etter at settpunkt er valgt, vil denne temperaturen blinke på displayet i ca. 3 sekunder før visningen går tilbake til å angi faktisk væsketemperatur. Settpunktet kan kontrolleres til enhver tid under infusjonen ved hjelp av et kort trykk på *SETTPUNKT*-knappen.

- 7 Om nødvendig kan det kobles til en forlengelse for å opprette forbindelse til pasienten.
- 8 Tøm den gjenværende delen av slangen for luft ved å åpne utgangsklemmen og la væsken strømme fritt.

ADVARSEL

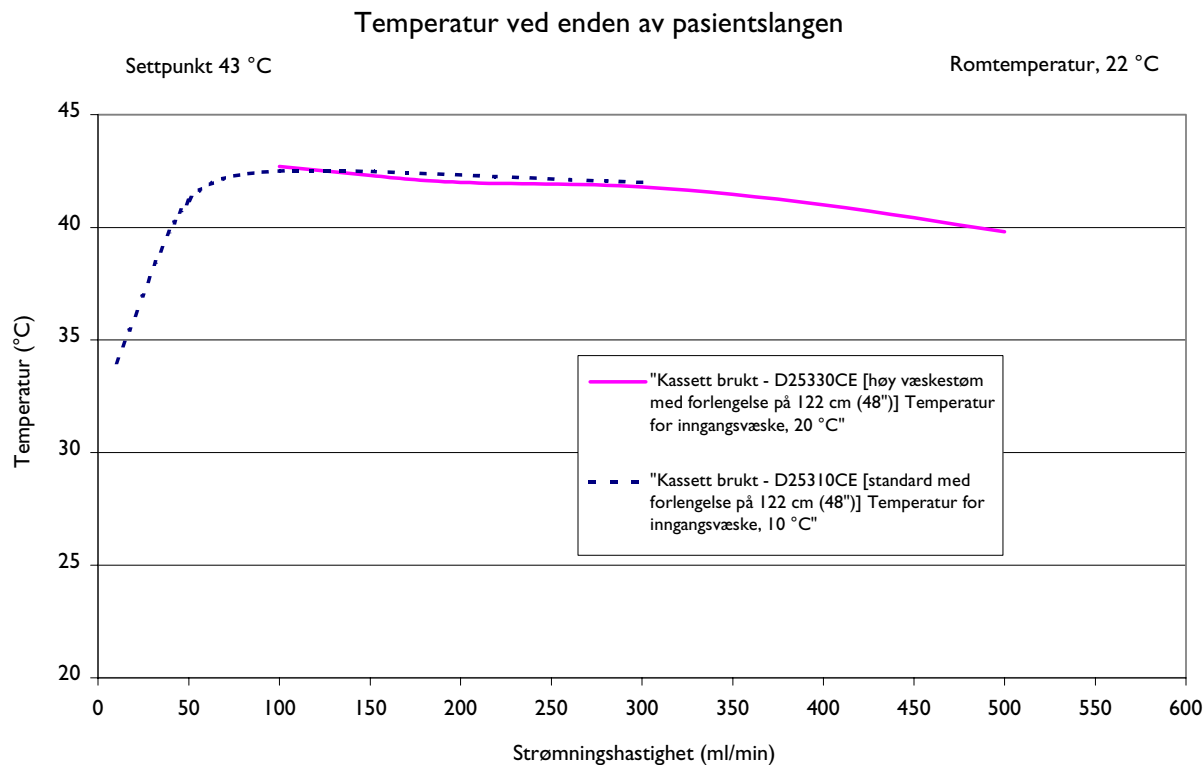
- All luft må fjernes fra væskeslangene før tilkobling til pasienten.
- Hold øye med væskeslangene for å sikre at de ikke inneholder luft. Væske må aldri tilføres hvis det er luftbobler i slangen mellom luftfellen og pasientkoblingen.

Hvis ikke, kan det komme luft i pasientens årer, noe som kan medføre dødsfall eller alvorlig personskade.

ADVARSEL

Sjekk væsknivået i luftfellen med korte mellomrom. Bobler som frigis under oppvarming, fanges opp i fellen. Du fyller opp igjen fellen ved å stikke en steril sprøyte inn i ventilen og trekke ut luft inntil luftfellen er 2/3 full. Væsknivået i luftfellen må aldri synke under 1/4 full.

Hvis væsknivået i luftfellen ikke holdes under oppsyn, kan det komme luft inn i årene på pasienten, noe som kan medføre dødsfall eller alvorlig personskade.



Figur 6 – Normal væsketemperatur kontra strømningshastighet

3.1 Strømningshastighetens innvirkning på væsketemperaturen

Temperaturen på væske som kommer ut av pasientslangen, er påvirket av strømningshastigheten. Følgende kurve for forholdet mellom strømningshastighet og temperatur på utgangsvæsken er vanlig for varmeapparater i FW600-serien. Se figur 6 ovenfor.

MERK: Temperaturen på utgangsvæsken for denne kurven er målt ved enden av pasientslangen.

3.2 Fjerning av oppvarmingssettet

Kassetten kan ikke tas ut av oppvarmingsenheten når den er under trykk. Slik tas kassetten ut:

1. Først lukkes inngangsklemmen på engangssettet, mens utgangsklemmen holdes åpen.
2. Lukk igjen oppvarmingssettets utgangsklemme.
3. Under trinn 1 og 2 vil gjenværende væske tømmes

ut av kassetten. Trekk lett i den blå styreskinnen for å ta kassetten ut av oppvarmingsapparatet.

4. Kasser oppvarmingssettet i henhold til sykehusets rutiner.

FORSIKTIG

Hvis kassetten ikke tømmes først, vil det være vanskelig å ta den ut. **Å dra kassetten ut med makt kan føre til at den sprekker.**



4.0 Sikkerhetssystemer

4.1 Overopphetingsvern

Et innvendig reservesystem i oppvarmingsapparatet er uavhengig av hovedkontrolleren og overvåker kontinuerlig væsketemperaturen. Hvis temperaturen på utgangsvæsken overskrider 45,0 °C, avbryter reservesystemet umiddelbart strømtilførselen til

varmeelementene. Hvis overopphetningstilstanden skyldes en forbigående endring i strømningshastigheten, vil ordet *HI* (høy) og væsketemperaturen blinke vekselvis på displayet. Når væsketemperaturen går tilbake til akseptabelt nivå, gjenopptas normal drift. Hvis reservesystemet imidlertid registrerer at overopphetingen skyldes svikt på hovedkontrolleren, avgis en lydalarm, varsellampen SB (*STANS BRUK*) tennes, og apparatet slås av. Hvis dette skjer, skal væskestrømmen umiddelbart stanses. Kasser oppvarmingssettet og ta kontakt med forhandleren for service.

4.2 Selvdiagnostikk

Hver gang apparatet går fra *HVILE-* til *DRIFTMODUS*, påbegynnes en selvtest. Hvis reservesystemet ikke fungerer som det skal, vises en feilmelding, og apparatet slås av. Videre gjennomføres selvtester med jevne mellomrom i *DRIFTMODUS* for å sikre kontinuerlig forsvarlig drift av apparatet.

4.3 Kontrollalarm LO

Hvis oppvarmingsenheten registrerer væsketemperatur under 34,0 °C, avgis lydalarmer, og symbolet *LO* (lav) og den faktiske væsketemperaturen blinker vekselvis på displayet.

Unntak: Enheten vil ikke avgi alarmen før væsketemperaturen først har kommet over terskelen på 34,0 °C.

5.0 Rengjøring

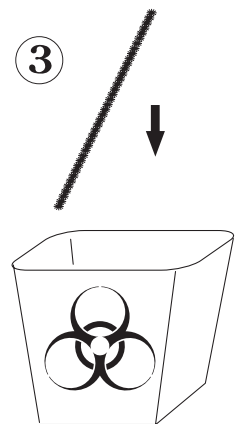
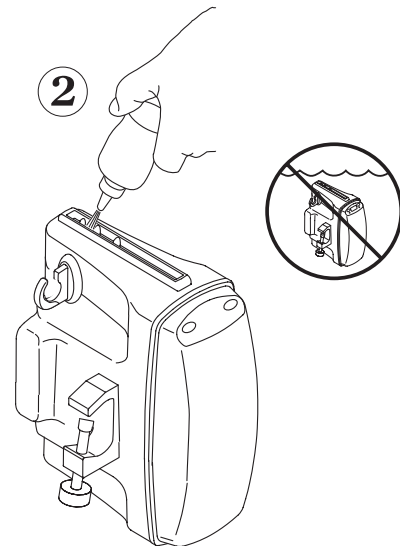
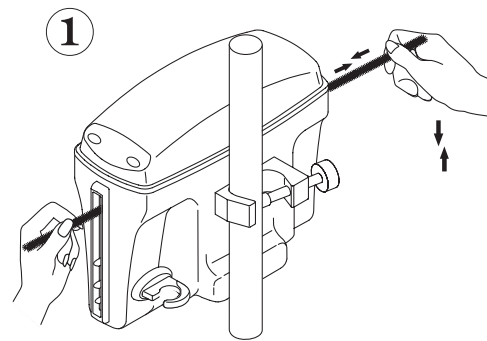
FORSIKTIG

Apparatet må ikke dyppes i rengjørings- eller desinfiseringsmidler. Apparatet må ikke legges i væske; det er vannfast, men ikke vanntett.

Hvis apparatet legges i væske, kan det oppstå svikt under drift eller skade på utstyr.

Følgende rengjørings- og vedlikeholdsrutine skal utføres mellom hver pasient eller ifølge institusjonens protokoll.

- Trekk ut kontakten før rengjøring.
- Rengjør apparatets ytre flater med et rengjøringsmiddel uten slipemidler (som varmt såpevann) og en ren klut.
- Rengjør innsiden av kassettporet med en engangsbørste. Skyll forsiktig ved hjelp av en sprutflaske med vann. Ekstra rengjøringssett, delenummer 78350-000.



- Påfør desinfiseringsmiddel, f.eks en blekemiddelsoppløsning med 10 % klor (klorin med 5,25 % natriumhypoklorid) både utenpå enheten og inni kassettpåningen, og la apparatet lufttørke.

FORSIKTIG

Oppvarmingsapparatet bør rengjøres hvis væske eller andre fremmedlegemer er kommet inn i kassettpåningen. **Hvis kassettpåningen ikke holdes ren, kan det bli vanskelig å sette i kassetten.**

6.0 Funksjonstester og sikkerhetsettersyn

For å sikre optimal ytelse, pålitelighet og sikkerhet, bør følgende rutine gjennomføres hver 12. måned eller ifølge sykehusets retningslinjer for forebyggende vedlikehold.

Nødvendig utstyr eller verktøy

- Ethvert Gaymar-blod-/væskeoppvarmingssett i D25340-serien
- Temperaturmåler:
 - Gaymar D25340 blod-/væskeoppvarmingssett; og
 - temperaturføler (Gaymar-katalognr. FWT1) og et ohmmeter (1,5 % nøyaktighet for avlesning; maksimal eksitasjonsstrøm på 100 μ A) og tabellen for motstand/temperatur. Se figur 10 (side 12).

eller

- Ethvert Gaymar-blod-/væskeoppvarmingssett i D25000-serien; og
 - vanntett temperaturføler/måler med en nøyaktighetsprosent på $\pm 0,3\%$ over hele området 30–60 °C og en termisk tidskonstant på 2 sekunder eller hurtigere.
 - Måleapparat for væskestrøm (Gaymar-katalognr. FWT2, væskestrømsmåler):
 - Væsketilte med kalibrert væskestrømsmåler og minstekapasitet på ± 12 ml/minutt
- eller
- Væsketilte med justerbar væskestrømskontroll. Bruk stoppeklokke og målesylinder til å justere strømningshastigheten.
 - Måler for lekkasjestrøm/jordingsmotstand
 - Multimeter for vekselstrøm

6.1 Manuell kontroll

Etterse om følgende komponenter er i god stand og forsvarlige.

- Etiketter, i ferd med å løsne eller mangler
- Skruer i dekslet
- Holder for luftfelle
- Strømledning
- Klemme for IV-stativ

6.2 Kontroll av temperatur for utgangsvæske

Blod-/væskeoppvarmere i FW600-serien er kalibrert på fabrikken til å ha en strømningshastighet op 100 ml/min med et settpunkt på 43,0 °C.

Slik kontrollerer du at temperaturen på utgangsvæsken er riktig:

1. Romtemperaturen må være mellom 20 og –24 °C.
2. Koble til testoppsettet (se figur 7). Koble til Gaymar FWT1-temperaturføleren til utgangen av luftfellen.

Alternativ metode: Stikk et hull gjennom toppen av luftfellen og før et temperaturmåleinstrument gjennom det. Påse at føleren er helt nedsunket i væske før du forseglar hullet i luftfellen.
3. Koble FWT2-væskestrømsmåleren eller annet måleinstrument til utgangen av FWT1-temperaturføleren.

Alternativ metode: Hvis du bruker metoden med føler i luftfellen, skal du koble FWT2-væskestrømsmåleren eller annet måle-/kontrollinstrument direkte til utgangen på luftfellen.

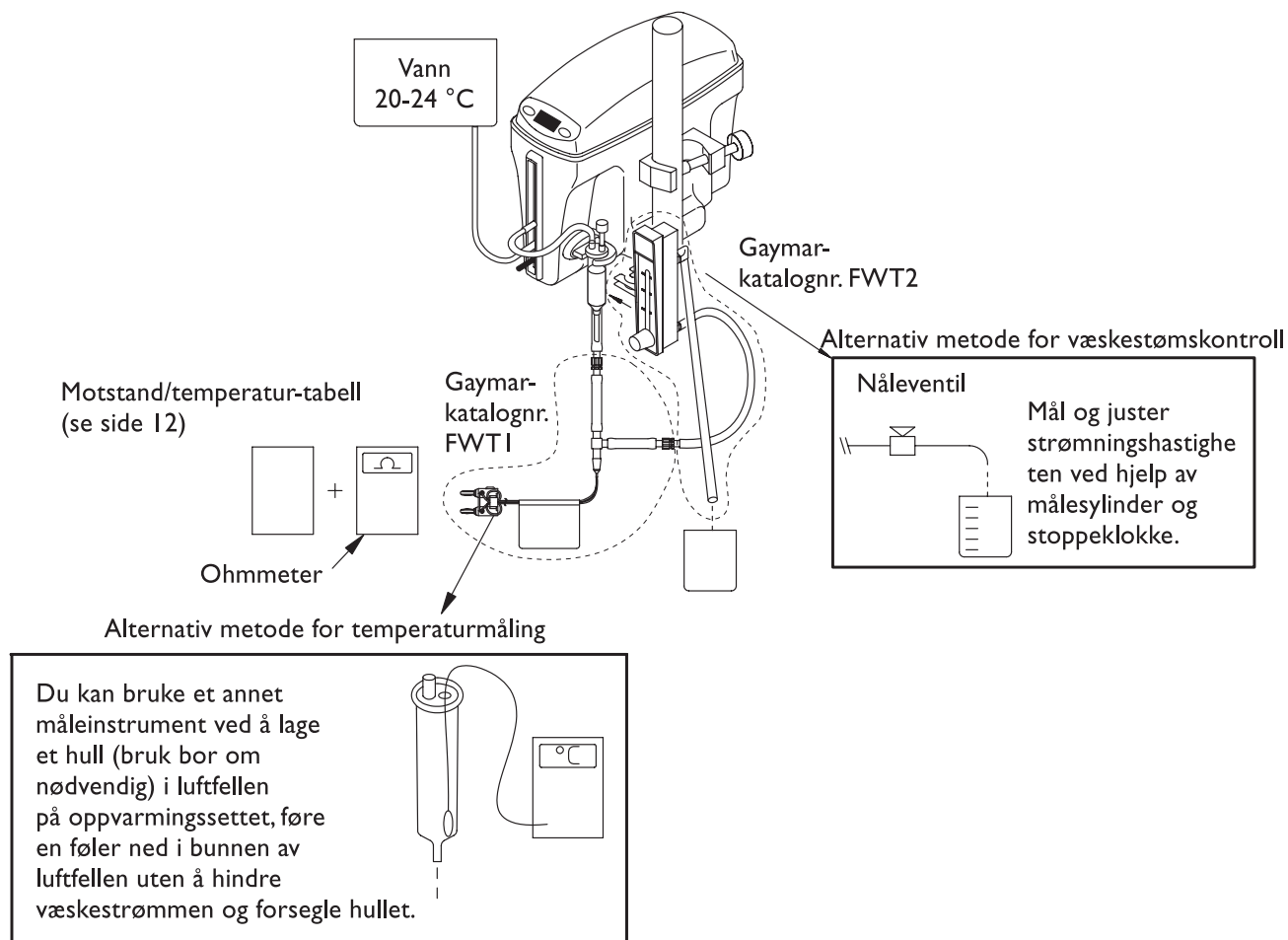
4. La vann med romtemperatur strømme gjennom apparatet ved 100 ml/min (cc/min). Påse at luftfellen er 1/2 til 2/3 full til enhver tid.
5. Slå på oppvarmingsenheten. Juster *SETTPUNKTET* til 43,0 °C og la apparatet gå i 10 minutter.
6. Kontroller at temperaturen på utgangsvannet er 43,0 °C $\pm 1,1$ °C. Hvis du bruker FWT1-temperaturføleren og ohmmeter, skal du kontrollere at motstanden ligger innenfor 1019–1112 W.

Hvis disse temperatur- eller motstandsverdiene ikke oppnås, skal du sjekke oppsettet og gjenta testen. Hvis verdiene fortsatt ikke ligger innenfor riktig område, skal du ta kontakt med forhandleren for service.

Apparatet er kalibrert på fabrikken, og kan ikke justeres på stedet.

6.3 Kontroll av overopphetningsvern

Hver gang apparatet går fra *HVILE-* til *DRIFTSMODUS*, kontrolleres det at systemet for overopphetningsvern fungerer som det skal. Derfor er det ikke nødvendig med rutinemessig testing av dette systemet. Følgende framgangsmåte kan imidlertid brukes til å framprovosere *OVEROPPHETNING* for å sjekke at overopphetningsvernet faktisk virker:



Figur 7—Testoppsett

1. Sett en varmekassett i D25000-serien i oppvarmingsenheten. La varmt vann fra springen (46-50 °C) strømme gjennom kassetten i rundt 1-3 minutter.
2. Koble apparatet til strømmettet. Apparatet skal umiddelbart avgi lydalarmer og tenne varselampen for Stans bruk.

6.4 Kontroll av jordingsmotstand

Bruk et måleinstrument for lekkasjestrøm/jordingsmotstand for å måle motstanden mellom jordingsstiften på støpslet og festeskruen på klemmen for IV-stativet.

Motstandsverdien skal ikke overskride 0,50 W.

6.5 Kontroll av lekkasjestrøm

Mål den maksimale ///jordlekkasjestrømmen (åpen jording). Mål alle kombinasjoner av ledningspolaritet med nøytrallederen til- og frakoblet. Verdiene skal ikke overskride følgende:


FW600, tilkoblet nøytralleder	150µA
FW600, frakoblet nøytralleder	200µA
FW603, tilkoblet nøytralleder	250µA
FW603, frakoblet nøytralleder	300µA

7.0 Feilsøking

Symptom	Mulige årsaker	Nødvendig tiltak
Ordet LO (lav) og væsketemperaturen blinker vekselvis på displayet	Temperaturen på utgangsvæsken har ennå ikke nådd opp i 34 °C..	La apparatet gå i 2 minutter. Hvis temperaturen ikke stiger, skal bruken stanses, og det må utføres service på enheten.
Ordet HI (høy) og væsketemperaturen blinker vekselvis på displayet	En forbigående forstyrrelse, som en plutselig endring i strømningshastigheten, har ført til at væsketemperaturen overskred 43 °C.	Ingenting – apparatet vil gå tilbake til normal drift når temperaturen synker under 43 °C.
Lydalarm avgis og ordet LO (lav) og væsketemperaturen blinker på displayet	Temperaturen på utgangsvæsken har falt under 34 °C.	La apparatet gå i 2 minutter. Hvis temperaturen ikke stiger, skal bruken stanses, og det må utføres service på enheten.
Lydalarmen avgis og displayet viser ordet FA_ (feil)	Den elektroniske diagnostikkfunksjonen har registrert et internt problem.	Stans bruken og få utført service på apparatet.
Lydalarm lyder uavbrutt og den gule varsellampen for STANS BRUK lyser	Intern væsketemperatur har overskredet 45 °C, og reservesystemet er blitt aktivert.	Stans væskestrømmen, kasser kassetten, og få utført service på apparatet.
Det er vanskelig å sette kassetten i apparatet.	Kassetten ble primet før innsetting.	Tøm kassetten og sett den i på nytt.
	Varmeplatene i den innvendige åpningen i apparatet kan være tilsmusset.	Rengjør apparatet innvendig ifølge rengjøringsmetoden (avsnitt 5.0)
Det er vanskelig å ta kassetten ut av apparatet	Kassetten er fremdeles under trykk.	Lukk igjen inngangsklemmen og åpne utgangsklemmen. La kassetten tømmes for væske.

Figur 8 – Feilsøkingstabell

8.0 Tekniske spesifikasjoner

Tekniske spesifikasjoner		
Bestanddel/funksjon	FW600	FW603
Settpunktsområde / intervaller	38,0 til 43,0 °C i trinn på 1,0 °C	
Væsketemperatursintervall	0,1 °C	
Kontrollers nøyaktighet ved 100 ml/min	±0,5°C	
Spenning	120 V vekselstrøm	220-240 V vekselstrøm
Strøm	9 A	4,5 A
Sikring	(2) 15A treg sikring 250V	(2) T, 6,3 A, 250 V, L 5 mm x 20 mm
Frekvens	60 Hz	50/60 Hz
Omgivelsestemperatur	15-29 °C	
Strømledning	4,6 meter lang, UL-registrert som type SJT, 16 AWG 3 leder med støpt, jordet støpsel av sykehuskvalitet	4,6 meter lang. Skal kun brukes på internasjonal (harmonisert) 3-leders ledning med bestanddeler godkjent for HD-21 lederstørrelse 1,5mm ² (HO5VVF3GI.5))
Klassifisering  IPX4	Jordet utstyr i klasse I, type BF, vannfast, ikke egnet for bruk i nærvær av brannfarlig blanding av bedøvelsesmiddel og luft eller oksygen og nitrogenoksid. Egnet for kontinuerlig drift.	
Spesielle bestemmelser	Kun klassifisert med hensyn til risiko for elektrisk støt, brann og mekaniske farer i henhold til UL 2601-1, CAN/CSA C22.2 NO.601.1	EN60601-1
Elektromagnetisk kompatibilitet.	Oppfyller EN60601-1-2: 1993 (CISPR 11, klassifisert som utstyr i Klasse B, Gruppe I ISM)	
Vekt	2,7 kg	
Størrelse	22 cm x 28,5 cm x 12 cm	

Figur 9 – Spesifikasjoner

NORSK

Temp.	Motst.	Temp.	Motst.	Temp.	Motst.	Temp.	Motst.	Temp.	Motst.	Temp.	Motst.	Temp.	Motst.	Temp.	Motst.	Temp.	Motst.
(°C)	(ohm)	(°C)	(ohm)	(°C)	(ohm)	(°C)	(ohms)	(°C)	(ohm)	(°C)	(ohm)	(°C)	(ohm)	(°C)	(ohm)	(°C)	(ohm)
35	1471	38	1300	41	1152	44	1023	47	910	50	811	53	725	56	648	59	581
35,1	1465	38,1	1295	41,1	1148	44,1	1019	47,1	907	50,1	808	53,1	722	56,1	646	59,1	579
35,2	1459	38,2	1290	41,2	1143	44,2	1015	47,2	903	50,2	805	53,2	718	56,2	644	59,2	577
35,3	1453	38,3	1285	41,3	1139	44,3	1011	47,3	900	50,3	802	53,3	716	56,3	641	59,3	575
35,4	1447	38,4	1279	41,4	1134	44,4	1007	47,4	896	50,4	799	53,4	714	56,4	639	59,4	573
35,5	1441	38,5	1274	41,5	1129	44,5	1003	47,5	893	50,5	796	53,5	711	56,5	637	59,5	571
35,6	1435	38,6	1269	41,6	1125	44,6	999	47,6	889	50,6	793	53,6	709	56,6	634	59,6	569
35,7	1429	38,7	1264	41,7	1120	44,7	995	47,7	886	50,7	790	53,7	706	56,7	632	59,7	567
35,8	1423	38,8	1259	41,8	1116	44,8	991	47,8	882	50,8	787	53,8	703	56,8	630	59,8	565
35,9	1417	38,9	1254	41,9	1112	44,9	988	47,9	879	50,9	784	53,9	701	56,9	627	59,9	563
36	1411	39	1249	42	1107	45	984	48	876	51	781	54	698	57	625	60	561
36,1	1405	39,1	1244	42,1	1103	45,1	980	48,1	872	51,1	778	54,1	695	57,1	623		
36,2	1400	39,2	1239	42,2	1098	45,2	976	48,2	869	51,2	775	54,2	693	57,2	620		
36,3	1394	39,3	1234	42,3	1094	45,3	972	48,3	866	51,3	772	54,3	690	57,3	618		
36,4	1388	39,4	1229	42,4	1090	45,4	968	48,4	862	51,4	769	54,4	688	57,4	616		
36,5	1383	39,5	1224	42,5	1085	45,5	965	48,5	859	51,5	767	54,5	685	57,5	614		
36,6	1377	39,6	1219	42,6	1081	45,6	961	48,6	856	51,6	764	54,6	683	57,6	611		
36,7	1371	39,7	1214	42,7	1077	45,7	957	48,7	853	51,7	761	54,7	680	57,7	609		
36,8	1366	39,8	1209	42,8	1073	45,8	954	48,8	849	51,8	758	54,8	678	57,8	607		
36,9	1360	39,9	1204	42,9	1068	45,9	950	48,9	846	51,9	755	54,9	675	57,9	605		
37	1355	40	1199	43	1064	46	946	49	843	52	752	55	673	58	603		
37,1	1349	40,1	1195	43,1	1060	46,1	942	49,1	840	52,1	748	55,1	670	58,1	600		
37,2	1344	40,2	1190	43,2	1056	46,2	939	49,2	836	52,2	747	55,2	668	58,2	598		
37,3	1338	40,3	1185	43,3	1052	46,3	935	49,3	833	52,3	744	55,3	665	58,3	596		
37,4	1333	40,4	1180	43,4	1047	46,4	932	49,4	830	52,4	741	55,4	663	58,4	594		
37,5	1327	40,5	1176	43,5	1043	46,5	928	49,5	827	52,5	738	55,5	660	58,5	592		
37,6	1322	40,6	1171	43,6	1039	46,6	924	49,6	824	52,6	735	55,6	658	58,6	590		
37,7	1316	40,7	1166	43,7	1035	46,7	921	49,7	821	52,7	733	55,7	655	58,7	587		
37,8	1311	40,8	1161	43,8	1031	46,8	917	49,8	817	52,8	730	55,8	653	58,8	585		
37,9	1306	40,9	1157	43,9	1027	46,9	914	49,9	814	52,9	727	55,9	651	58,9	583		

Figur 10 – Motstand/temperatur-tabell
(Gaymar FWTI temperaturføler)

Πίνακας Περιεχομένων

<u>Ενός Θέμα</u>	<u>Σελίδα</u>
1.0 Ενδείξεις Χρήσης	1
2.0 Περιγραφή Προϊόντος	2
3.0 Οδηγίες Χρήσης	4
4.0 Συστήματα Ασφαλείας	7
5.0 Καθαρισμός	8
6.0 Έλεγχος Λειτουργικότητας/Επιθεώρηση Ασφαλείας	9
7.0 Αντιμετώπιση Προβλημάτων	11
8.0 Τεχνικές Προδιαγραφές	12

Πριν αρχίσετε . . .**Σημαντικό**

Πριν αρχίσετε να χρησιμοποιείτε το Σύστημα Θέρμανσης Αίματος/Υγρών Medi Temp III της Σειράς FW600, παρακαλούμε διαβάστε και κατανοήστε το παρόν *Εγχειρίδιο Χρήσης* και τις *ΠΡΟΦΥΛΑΞΕΙΣ ΑΣΦΑΛΕΙΑΣ*, πριν από κάθε εφαρμογή.

Αν έχετε κάποια απορία, παρακαλούμε επικοινωνήστε με τον τοπικό σας αντιπρόσωπο για βοήθεια.

Εγγύηση

Το Σύστημα Θέρμανσης Αίματος/Υγρών Medi-Temp III της Σειράς FW600 δίδεται με εγγύηση που καλύπτει ανταλλακτικά και εργασία για χρονική περίοδο ενός (1) έτους.

Τα Σετ Θέρμανσης Μιας Χρήσης δίδονται με εγγύηση που καλύπτει ανταλλακτικά και εργασία για μία μόνο εφαρμογή.

Μπορείτε αν θέλετε να ζητήσετε ένα αντίγραφο της εγγύησης. Η Gaymar δεν αναγνωρίζει καμία εγγύηση που δεν αναφέρεται ρητά, συμπεριλαμβανομένων των εγγυήσεων εμπορικής και καταλληλότητας για συγκεκριμένη χρήση, αλλά χωρίς να περιορίζεται σε αυτές.

1.0 ΕνδείξειςΧρήσης

Η συσκευή αυτή προορίζεται για τη διευκόλυνση της αποφυγής ανεπιθύμητης υποθερμίας κατά τη διάρκεια χορήγησης αίματος, προϊόντων αίματος και άλλων υγρών.



1.1 Προφυλάξεις Ασφαλείας

ΚΙΝΔΥΝΟΣ



Κίνδυνος ηλεκτροπληξίας.
Δεν υπάρχουν εξαρτήματα στο εσωτερικό που να μπορούν να συντηρηθούν.

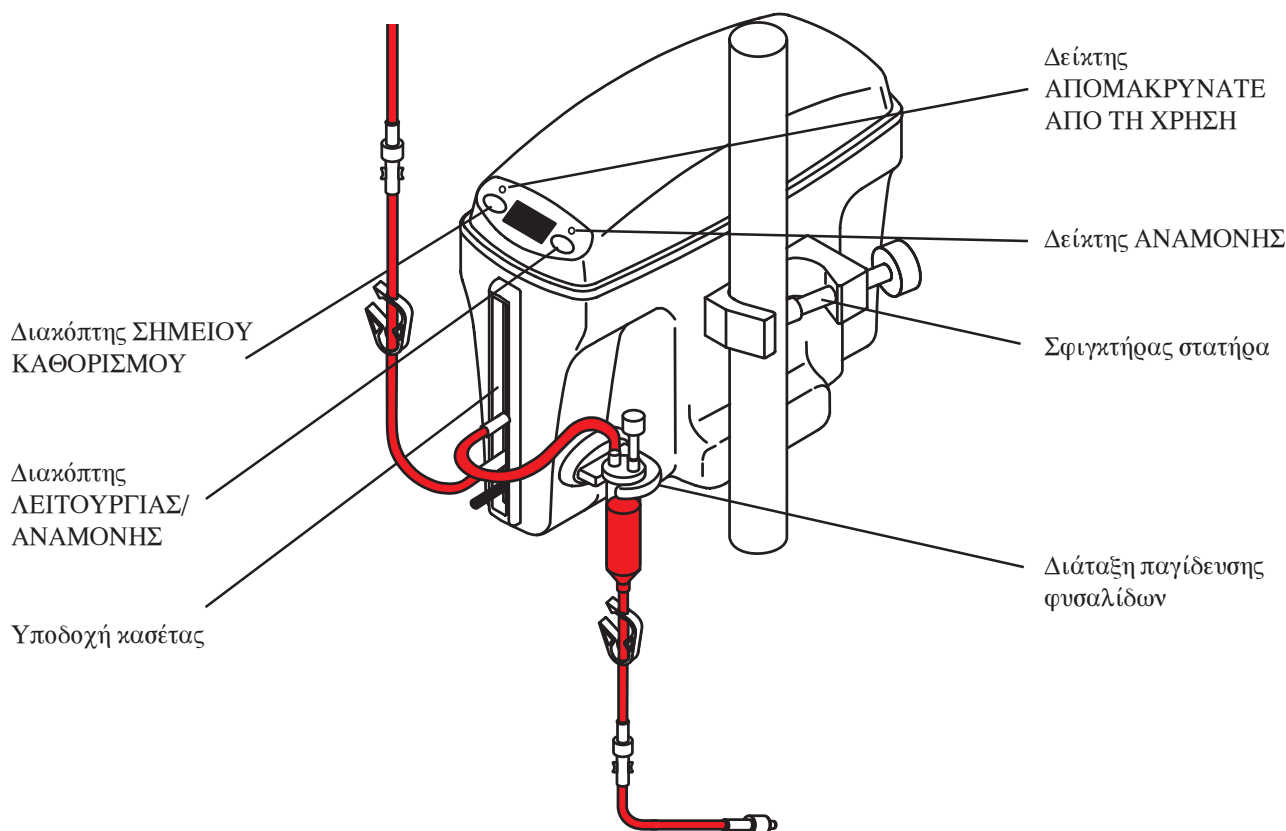
ΠΡΟΕΙΔΟΠΟΙΗΣΗ

- Πρέπει να αφαιρέσετε και το τελευταίο ίχνος αέρα από όλες τις σωληνώσεις υγρών προτού τις συνδέσετε με τον ασθενή.
- Παρακολουθείτε τις σωληνώσεις υγρών για να βεβαιωθείτε ότι δεν περιέχουν αέρα. Μη χορηγείτε ποτέ υγρά αν διαπιστώσετε την ύπαρξη φυσαλίδων αέρα στη σωλήνωση μεταξύ της διάταξης παγίδευσης φυσαλίδων και του συνδετικού εξαρτήματος του ασθενή.
- Παρακολουθείτε συχνά τη στάθμη του υγρού στη διάταξη παγίδευσης φυσαλίδων. Οι φυσαλίδες που σχηματίζονται κατά τη θέρμανση κατακρατούνται στη διάταξη παγίδευσης. Για να ανεβάσετε τη στάθμη στη διάταξη παγίδευσης, εισάγετε μία στείρα σύριγγα στη βαλβίδα και αναρροφήστε αέρα μέχρις ότου η διάταξη γεμίσει κατά τα 2/3 της χωρητικότητάς της. Μην επιτρέπετε τη στάθμη μέσα στη διάταξη αυτή να πέφτει κάτω από το 1/4 αυτής.
- Η διάταξη παγίδευσης φυσαλίδων πρέπει να παραμένει πάντα στερεωμένη και σε κατακόρυφη θέση.

Αν δεν τηρηθούν οι παραπάνω προειδοποιήσεις, μπορεί να επέλθει εισαγωγή αέρα στον ασθενή. Αυτό μπορεί να έχει σαν αποτέλεσμα το θάνατο ή την πρόκληση σοβαρού τραυματισμού στον ασθενή.

ΠΡΟΣΟΧΗ

- Ο Ομοσπονδιακός νόμος των ΗΠΑ επιτρέπει την πώληση της συσκευής αυτής μόνον από ιατρό ή κατόπιν εντολής του.
- Μη εμβαπτίζετε το σύστημα σε διάλυμα καθαρισμού ή αποστείρωσης ή και των δύο. Μην το εμβαπτίζετε και μην το εμποτίζετε σε υγρά. Το σύστημα αυτό είναι αδιάβροχο αλλά δεν είναι σχεδιασμένο για να αντέχει στην εμβάπτιση σε υγρά.
- Για να επιτυγχάνεται η αξιοπιστία της γείωσης του συστήματος θέρμανσης Αίματος/Υγρών, συνδέετε το σύστημα μόνο σε κατάλληλα γειωμένα πρίζα.
- Ο διακόπτης *ΛΕΙΤΟ ΥΡΓΙΑΣ/ΑΝΑΜΟΝΗΣ* δεν παρέχει μόνωση από το τροφοδοτικό δίκτυο. Τέτοια μόνωση (IEC 601-1) μπορεί να επιτευχθεί μόνον με αποσύνδεση του καλωδίου από την πρίζα.



Εικόνα 1—Σύστημα Θέρμανσης Αίματος/Υγρών Σειρά FW600

2.0 Περιγραφή Προϊόντος

Το Σύστημα Θέρμανσης Αίματος/Υγρών Medi-Temp III της Σειράς FW600 είναι μία συσκευή θέρμανσης εν ξηρώ που είναι σχεδιασμένη για την ασφαλή και γρήγορη θέρμανση αίματος, προϊόντων αίματος και άλλων υγρών, τη στιγμή της χορήγησής τους, με τη βοήθεια ειδικών σετ θέρμανσης αίματος/υγρών μιας χρήσης. Το σύστημα θέρμανσης δεν παρέχει δυνατότητα ελέγχου της παροχής των χορηγούμενων υγρών. Το αίμα, τα προϊόντα αίματος και άλλα υγρά που φυσιολογικά καταψύχονται, μπορούν να θερμαίνονται ταχέως σε θερμοκρασίες που επιλέγονται από το χρήστη μεταξύ 38,0°C και -43,0°C σε παροχές μέχρι και 300 ml/λεπτό. Τα υγρά που βρίσκονται σε θερμοκρασία δωματίου μπορούν να θερμαίνονται σε παροχές που φτάνουν μέχρι και 500 ml/λεπτό. Τα σετ θέρμανσης Αίματος/Υγρών μιας χρήσης υπάρχουν σε μοντέλα Βασικό, Βασικό με Προεκτάσεις, για Παιδιατρική Χρήση, και Υψηλής ροής.

2.1 Σύστημα Θέρμανσης

Η μονάδα θέρμανσης έχει σχεδιαστεί για τοποθέτηση σε στατήρα. Η συσκευή δε διαθέτει διακόπτη ενεργοποίησης/απενεργοποίησης. Η σύνδεση στην παροχή εναλλασσόμενου ρεύματος υποδεικνύεται από ένα πράσινο δείκτη κατάστασης **ΑΝΑΜΟΝΗΣ**, που βρίσκεται στον πρόσθιο πίνακα. Σε κατάσταση **ΑΝΑΜΟΝΗΣ**, ο

θερμαντήρας δεν μπορεί να τροφοδοτηθεί με ηλεκτρικό ρεύμα. Για να ξεκινήσει η κανονική λειτουργία, πρέπει να πατηθεί το κουμπί **ΛΕΙΤΟΥΡΓΙΑΣ/ΑΝΑΜΟΝΗΣ**.

Όταν γίνεται αυτό, μια οθόνη φωτεινής ένδειξης (LED) της θερμοκρασίας που βρίσκεται στον πρόσθιο πίνακα εμφανίζει την πραγματική θερμοκρασία του υγρού ή το σημείο καθορισμού θερμοκρασίας σε °C. Το σημείο καθορισμού επιλέγεται από το χρήστη μεταξύ 38,0°C–43,0°C σε προσαυξήσεις 1,0°C, με χρήση του διακόπτη από τον πρόσθιο πίνακα του **ΣΗΜΕΙΟΥ ΚΑΘΟΡΙΣΜΟΥ**. Στο πρόσθιο μέρος της συσκευής υπάρχει επίσης μία σχισμή για εισαγωγή της αναλώσιμης κασέτας του σετ θέρμανσης. Στη δεξιά πλευρά της συσκευής, αμέσως κάτω από το σφιγκτήρα στατήρα, υπάρχει ένα δοχείο για την διάταξη παγίδευσης φρουσαλίδων του αναλώσιμου σετ θέρμανσης.

2.2 Αναλώσιμα σετ

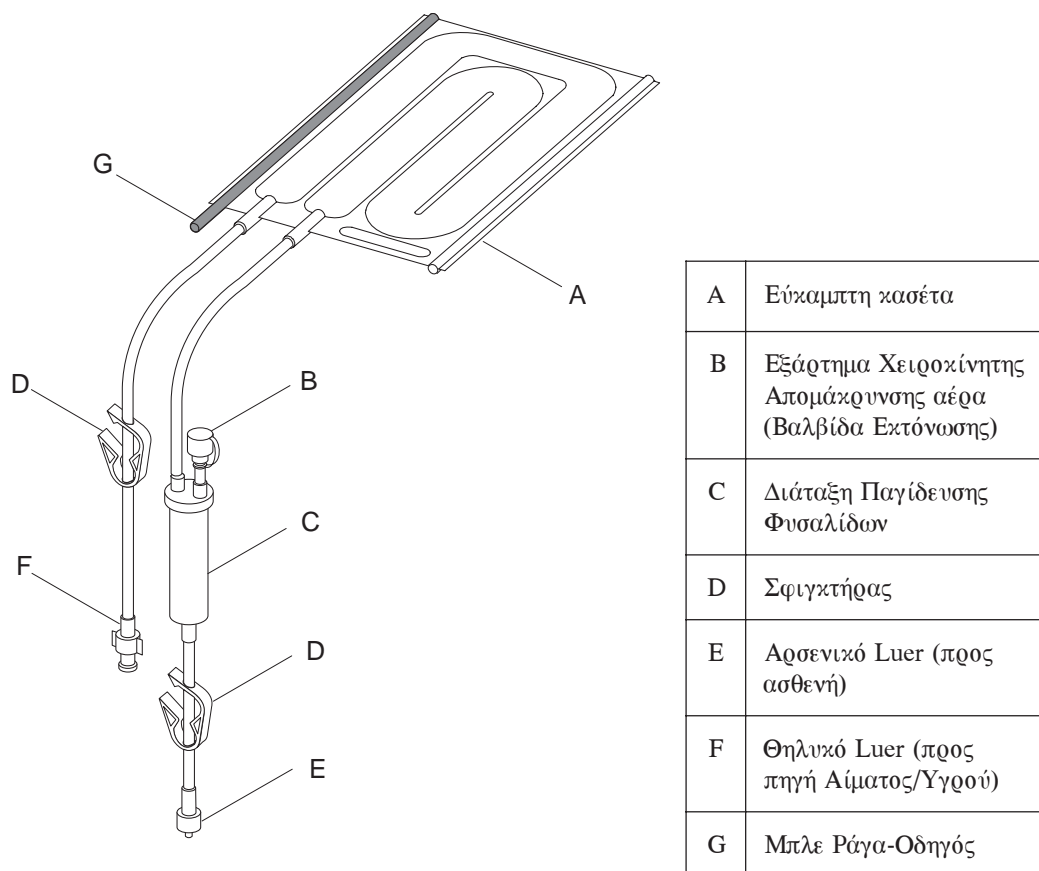
Το σύστημα θέρμανσης Αίματος/Υγρών Medi-Temp III της Σειράς FW600 είναι σχεδιασμένο για να χρησιμοποιείται μόνο με τα αναλώσιμα σετ θέρμανσης της σειράς D25000 της Gaymar. Τα ακόλουθα σετ θέρμανσης (εικόνα 2) είναι σχεδιασμένα για χρήση σε πίεση μέχρι και 300 mm Hg. Για περισσότερες πληροφορίες, επικοινωνήστε με τον τοπικό σας αντιπρόσωπο.

ΕΛΛΗΝΙΚΑ

Περιγραφή	Αρ. καταλόγου	Εφαρμογή	Όγκος πλήρωσης
Βασικό	D25340CE	KVO—150 ml/min	39 ml
Βασικό με προέκταση 122 cm (48")	D25310CE	KVO—150 ml/min	48 ml
Βασικό με προέκταση 152 cm (60")	D25315CE	KVO—150 ml/min	50 ml
Παιδιατρικής χρήσης με προέκταση 76cm (30")	D25320CE	KVO—100 ml/min	30 ml
Υψηλής ροής με προέκταση 122 cm (48")	D25330CE	100—500 ml/min	79 ml

KVO = (Keep Veins Open) ελάχιστη ροή που απαιτείται για να διατηρούνται οι φλέβες ανοικτές

Εικόνα 2—σετ θέρμανσης σειρός D25000



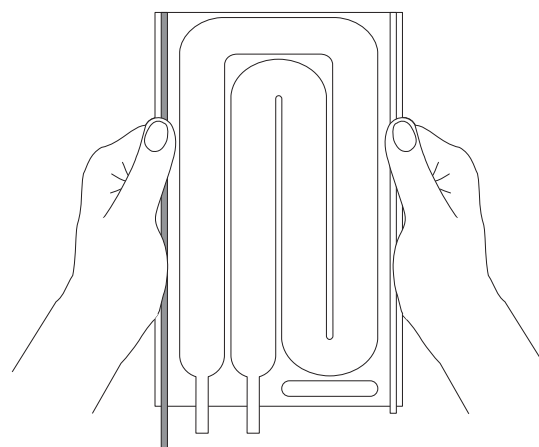
Εικόνα 3—Σετ θέρμανσης και διάταξη παγίδευσης φυσαλίδων

3.0 Οδηγίες Χρήσης (βλ. εικόνες 3—5)

- Συνδέστε τη συσκευή θέρμανσης στο στατήρα και στερεώστε τη με το σφιγκτήρα παραπλεύρως της συσκευής.
- Βάλτε το φινι του καλωδίου τροφοδοσίας ρεύματος σε μία κατάλληλα γειωμένη πρίζα.
- Αφαιρέστε το σετ θέρμανσης από την αποστειρωμένη συσκευασία του.

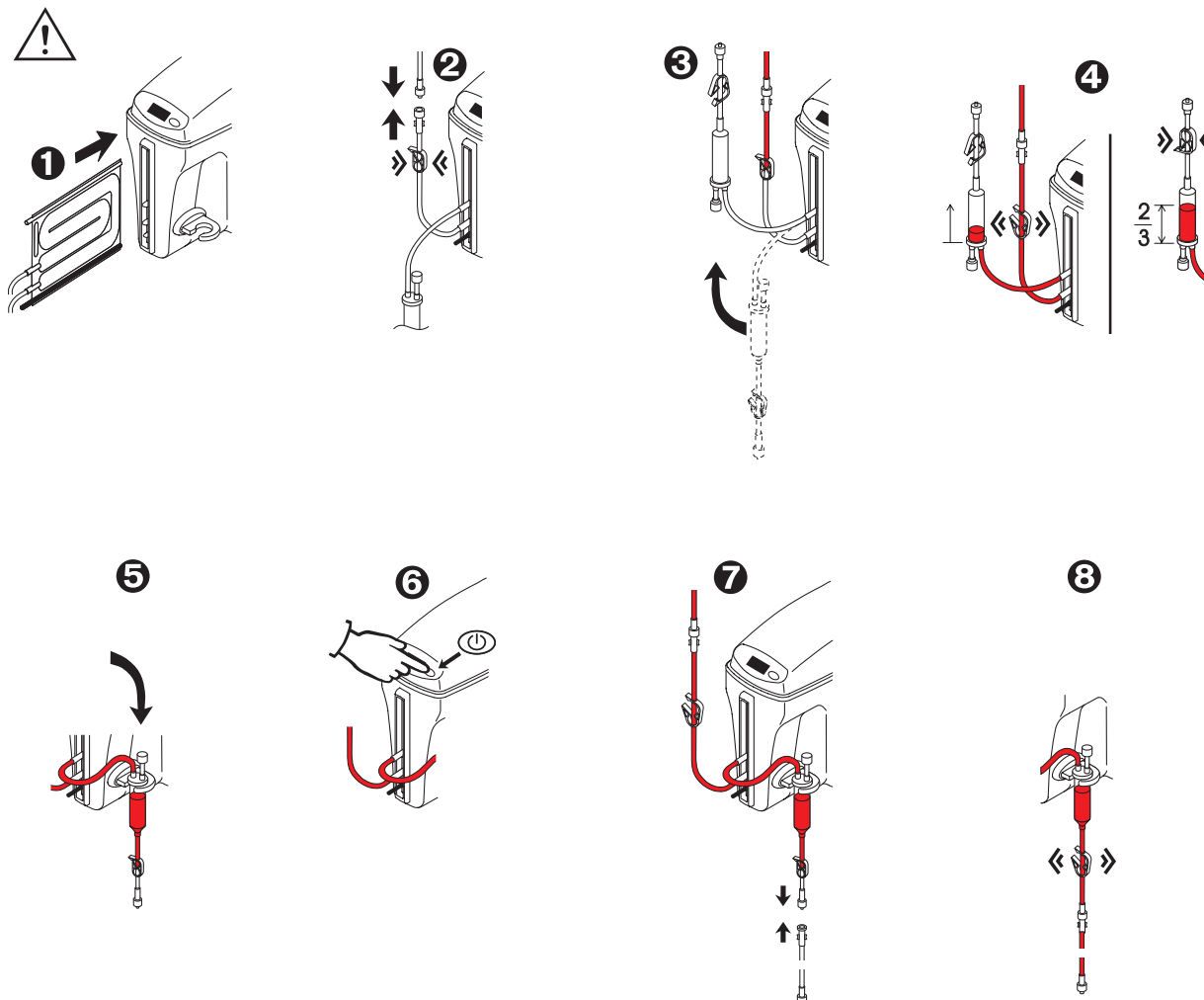
ΣΗΜΕΙΩΣΗ: Το εύκαμπτο σετ θέρμανσης έχει σχεδιαστεί έτσι ώστε να μπορεί να εισαχθεί μέσα στο σύστημα θέρμανσης με συγκεκριμένη φορά. Τοποθετήστε την κασέτα έτσι ώστε η μπλε ράγα-οδηγός να εισάγεται στο κάτω μέρος του συστήματος θέρμανσης.

- 1** Κρατήστε την κάθε ράγα (βλ. εικόνα 4) Τεντώστε ελαφρά την εύκαμπτη κασέτα και εισάγετε την εμπρός άκρη της στη μπροστινή όψη του συστήματος θέρμανσης, με τη μπλε ράγα-οδηγό στραμμένη προς τα κάτω. Ευθυγραμμίστε τις ράγες με κάθε άνοιγμα σχισμής.



Εικόνα 4—Εισαγωγή της κασέτας

Μετακινήστε τα χέρια σας στις προεξοχές που έχουν οι ράγες και συνεχίστε την εισαγωγή της κασέτας έως ότου η διαφανής ράγα-οδηγός έρθει **σχεδόν** ίσια-ίσια με την μπροστινή όψη της μονάδας. (Η μπλε ράγα-οδηγός θα εξέχει λίγο για να μπορείτε εύκολα να αφαιρέσετε την κασέτα.)



Εικόνα 5—Οδηγίες Εγκατάστασης

ΠΡΟΣΟΧΗ

Όταν εισάγεται πλήρως, η διαφανής ράγα-οδηγός δεν πρέπει να προεξέχει περισσότερο από 0,5 cm από το πρόσθιο μέρος του συστήματος θέρμανσης. **Εάν η κασέτα δεν εισαχθεί πλήρως, πιθανόν να προκληθεί ζημία σε αυτή.**

- 2 Κλείστε το σφιγκτήρα της εισαγωγής του σετ θέρμανσης. Αφαιρέστε το προστατευτικό κάλυμμα από το θηλυκό εξάρτημα σύνδεσης luer του σετ θέρμανσης και συνδέστε το εξάρτημα αυτό με το αρσενικό εξάρτημα luer του σετ ενδοφλέβιας χορήγησης. Αφαιρέστε το προστατευτικό κάλυμμα από το αρσενικό εξάρτημα σύνδεσης luer του σετ θέρμανσης.
- 3 Για να ελαχιστοποιήσετε την πτώση της θερμοκρασίας και τον όγκο αρχικής πλήρωσης, αφαιρέστε τις προεκτάσεις των σωληνώσεων που δε χρειάζεστε στην παρούσα φάση.
- 3 Γυρίστε ανάποδα τη διάταξη παγίδευσης φουσαλίδων.
- 4 Ανοίξτε το σφιγκτήρα της εισαγωγής του σετ θέρμανσης. Αφήστε το υγρό να γεμίσει το σετ θέρμανσης. Μόλις η διάταξη παγίδευσης φουσαλίδων γεμίσει κατά δύο τρίτα (2/3) περίπου, κλείστε το σφιγκτήρα της εξαγωγής.
- 5 Γυρίστε και πάλι τη διάταξη παγίδευσης φουσαλίδων και τοποθετήστε τη στο δοχείο διατάξεων παγίδευσης φουσαλίδων παραπλεύρως του συστήματος θέρμανσης.

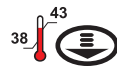
ΠΡΟΕΙΔΟΠΟΙΗΣΗ

Η διάταξη παγίδευσης φουσαλίδων πρέπει να παραμένει πάντα στερεωμένη σε κατακόρυφη θέση. **Σε αντίθετη περίπτωση, μπορεί να επέλθει εισαγωγή αέρα στον ασθενή, με αποτέλεσμα το θάνατο ή το σοβαρό τραυματισμό.**

- 6 Πατήστε το διακόπτη **ΛΕΙΤΟΥΡΓΙΑΣ/ΑΝΑΜΟΝΗΣ**  στο πρόσθιο μέρος της συσκευής.

Μετά από επιτυχή ολοκλήρωση των αυτοδιαγνωστικών ελέγχων, στην οθόνη αναβοσβήνει το σημείο καθορισμού για περίπου 3 δευτερόλεπτα, και μετά αρχίζει η θέρμανση του υγρού στην επιλεγμένη θερμοκρασία.

Το σημείο καθορισμού που χρησιμοποιήθηκε την τελευταία φορά παραμένει στη μνήμη, ακόμη και μετά την διακοπή τροφοδοσίας. Για να επιλέξετε ένα διαφορετικό σημείο καθορισμού, αρχικά πατήστε το διακόπτη **ΣΗΜΕΙΟΥ ΚΑΘΟΡΙΣΜΟΥ**



στιγμιαία. Τούτο προκαλεί την εμφάνιση του σημείου καθορισμού το οποίο αναβοσβήνει για περίπου 3 δευτερόλεπτα. Ενώ στην οθόνη το σημείο καθορισμού αναβοσβήνει, ο χρήστης μπορεί να επιλέξει οποιοδήποτε σημείο καθορισμού μεταξύ 38,0°C και 43,0°C σε προσαυξήσεις 1,0°C πατώντας επανειλημμένα το διακόπτη **ΣΗΜΕΙΟΥ ΚΑΘΟΡΙΣΜΟΥ**.

ΣΗΜΕΙΩΣΗ: το πάτημα του διακόπτη **ΣΗΜΕΙΟΥ ΚΑΘΟΡΙΣΜΟΥ** επ' αόριστον δεν προκαλεί αύξηση του σημείου καθορισμού.

Μετά από την ολοκλήρωση της επιλογής, στην οθόνη συνεχίζει να αναβοσβήνει αυτό το σημείο καθορισμού για περίπου 3 δευτερόλεπτα, και μετά επιστρέφει η προβολή της πραγματικής θερμοκρασίας του υγρού. Το σημείο καθορισμού μπορεί να ελέγχεται οποιαδήποτε στιγμή κατά τη διάρκεια της διαδικασίας πατώντας στιγμιαία το διακόπτη **ΣΗΜΕΙΟΥ ΚΑΘΟΡΙΣΜΟΥ**.

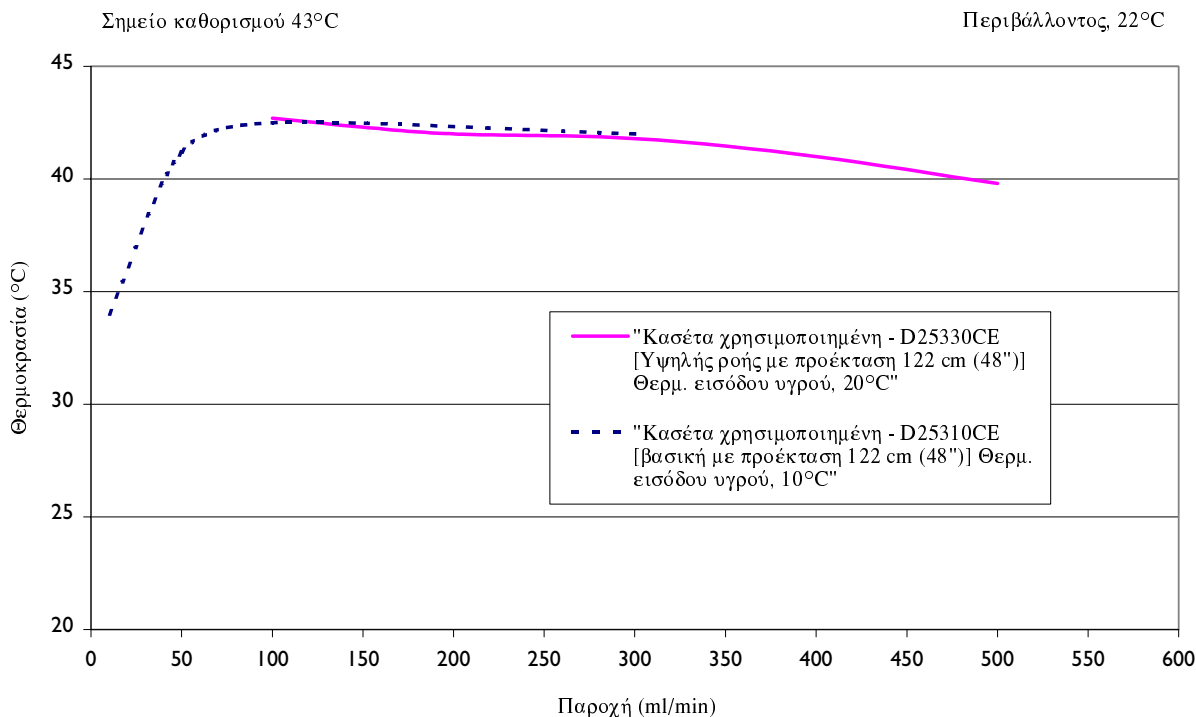
- 7 Αν χρειάζεται, συνδέστε μία προέκταση για τη σύνδεση με τον ασθενή.
- 8 Απομακρύνετε τον αέρα από το υπόλοιπο τμήμα ανοίγοντας το σφιγκτήρα της εξαγωγής και αφήνοντας να ρεύσει το υγρό.

ΠΡΟΕΙΔΟΠΟΙΗΣΗ

- Πρέπει να αφαιρέσετε και το τελευταίο ίχνος αέρα από όλες τις σωληνώσεις υγρών προτού τις συνδέσετε με τον ασθενή.
- Παρακολουθείτε τις σωληνώσεις υγρών για να βεβαιωθείτε ότι δεν περιέχουν αέρα. Μη χορηγείτε ποτέ υγρά αν διαπιστώσετε την ύπαρξη φουσαλίδων αέρα στη σωλήνωση μεταξύ της διάταξης παγίδευσης φουσαλίδων και του συνδετικού εξαρτήματος του ασθενή.

Σε αντίθετη περίπτωση, μπορεί να επέλθει εισαγωγή αέρα στον ασθενή, με αποτέλεσμα το θάνατο ή το σοβαρό τραυματισμό.

Θερμοκρασία στο Άκρο της Γραμμής Ασθενούς



Εικόνα 6—Τυπική θερμοκρασία υγρού ως προς παροχή

ΠΡΟΕΙΔΟΠΟΙΗΣΗ

Παρακολουθείτε συχνά τη στάθμη του υγρού στη διάταξη παγίδευσης φυσαλίδων. Οι φυσαλίδες που σχηματίζονται κατά τη θέρμανση κατακρατούνται στη διάταξη παγίδευσης. Για να ανεβάσετε τη στάθμη στη διάταξη παγίδευσης, εισάγετε μία σείρα σύριγγα στη βαλβίδα και αναρροφήστε αέρα μέχρις ότου η διάταξη γεμίσει κατά τα δύο τρίτα (2/3) της χωρητικότητάς της. Μην επιτρέπετε τη στάθμη μέσα στη διάταξη αυτή να πέφτει κάτω από το ένα τέταρτο (1/4) αυτής.

Η μη παρακολούθηση της στάθμης του υγρού στη διάταξη παγίδευσης φυσαλίδων, μπορεί να οδηγήσει σε εισαγωγή αέρα στον ασθενή, με αποτέλεσμα το θάνατο ή το σοβαρό τραυματισμό.

3.1 Επίδραση Παροχής στη Θερμοκρασία Υγρού

Οι θερμοκρασία του υγρού που εξέρχεται από τη γραμμή ασθενούς επηρεάζεται από την παροχή. Η παρακάτω καμπύλη ροής ως προς θερμοκρασία υγρού εξόδου είναι τυπική για ένα σύστημα θέρμανσης της σειράς FW600. Βλ. εικόνα 6 παραπάνω.

ΣΗΜΕΙΩΣΗ: Η θερμοκρασία υγρού εξόδου για την καμπύλη αυτή μετράται στο άκρο της γραμμής ασθενούς.

3.2 Αφαίρεση του Σετ Θέρμανσης

Η κασέτα δεν μπορεί να αφαιρεθεί από το σύστημα θέρμανσης υπό πίεση. Για να αφαιρέσετε τη κασέτα:

1. Κλείστε πρώτα το σφιγκτήρα εισόδου του σετ θέρμανσης, αφήνοντας ανοικτό το σφιγκτήρα εξόδου.
2. Κλείστε το σφιγκτήρα της εξόδου του σετ θέρμανσης.
3. Η εκτέλεση των βημάτων 1 και 2 επιτρέπει την αποστράγγιση του υγρού από την κασέτα. Τραβήξτε απαλά τη μπλε ράγα-οδηγό για να αφαιρέσετε την εύκαμπτη κασέτα από το σύστημα θέρμανσης.

4. Απορρίψτε το σετ θέρμανσης σύμφωνα με το πρωτόκολλο της υπηρεσίας.

ΠΡΟΣΟΧΗ

Η κασέτα αφαιρείται δύσκολα εάν δεν αποστραγγιστεί. **Η βίαια έξοδος της κασέτας πιθανόν να προκαλέσει τη θραύση της.**



4.0 Συστήματα Ασφαλείας

4.1 Προστασία Υπερθέρμανσης

Υπάρχει ένα εφεδρικό σύστημα μέσα στη συσκευή θέρμανσης, το οποίο είναι ανεξάρτητο από τον κύριο ελεγκτή και παρακολουθεί διαρκώς τη θερμοκρασία υγρού. Εάν η θερμοκρασία υγρού εξόδου υπερβεί τους 45,0°C, το εφεδρικό σύστημα διακόπτει αυτόματα τη τροφοδοσία των θερμαντήρων. Εάν η υπερθέρμανση είναι μια προσωρινή κατάσταση που προκύπτει από αιφνίδια αλλαγή της παροχής, στην οθόνη αναβοσβήνουν εναλλακτικά *HI* (*Υψηλή*) και θερμοκρασία υγρού. Όταν η θερμοκρασία υγρού επανέρχεται σε αποδεκτά επίπεδα θερμοκρασίας, επαναλαμβάνεται η φυσιολογική λειτουργία. Εάν, ωστόσο, το εφεδρικό σύστημα ανιχνεύσει ότι η κατάσταση υπερθέρμανσης προκαλείται από βλάβη του κύριου ελεγκτή, ακούγεται ένας συναγερμός, ο δείκτης RFU (*REMOVE FROM USE – ΑΠΟΜΑΚΡΥΝΑΤΕ ΑΠΟ ΧΡΗΣΗ*) ανάβει, και η λειτουργία της συσκευής διακόπτεται. Εάν συμβεί κάτι τέτοιο, διακόψτε αμέσως τη ροή του υγρού, απορρίψτε το σετ θέρμανσης, και επικοινωνήστε με τον αντιπρόσωπο για συντήρηση.

4.2 Αυτο-διαγνωστικοί έλεγχοι

Κάθε φορά που η συσκευή θέρμανσης αλλάζει από *ANAMONH* σε *ΛΕΙΤΟΥΡΓΙΑ*, εκτελείται ένας αυτοέλεγχος. Εάν το εφεδρικό σύστημα δεν λειτουργεί καλά, εμφανίζεται ένα μήνυμα σφάλματος και η λειτουργία του συστήματος διακόπτεται. Επιπλέον, αυτοέλεγχοι ρουτίνας εκτελούνται στον τρόπο *ΛΕΙΤΟΥΡΓΙΑΣ* για να διασφαλιστεί η ασφαλής λειτουργία του συστήματος θέρμανσης.

4.3 Συναγερμός Ελέγχου *LO*

Αν το σύστημα θέρμανσης αντιληφθεί θερμοκρασία υγρού κάτω από τους 34°C, ο ηχητικός συναγερμός χτυπά, ενώ στην οθόνη εναλλάσσεται το σύμβολο *LO* (*Χαμηλό*) με την πραγματική θερμοκρασία υγρού.

Εξαίρεση: Δεν χτυπά συναγερμός μέχρι η θερμοκρασία υγρού αρχικά να υπερβεί το όριο των 34,0°C.

5.0 Καθαρισμός

ΠΡΟΣΟΧΗ

Μην εμβάπτιζετε το σύστημα θέρμανσης σε διάλυμα καθαρισμού ή αποστείρωσης. Μην το βυθίζετε σε υγρά. Το σύστημα αυτό είναι αδιάβροχο αλλά δεν είναι σχεδιασμένο για να αντέχει στην εμβάπτιση σε υγρά.

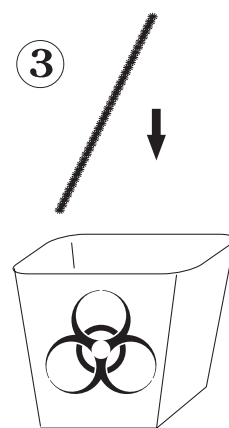
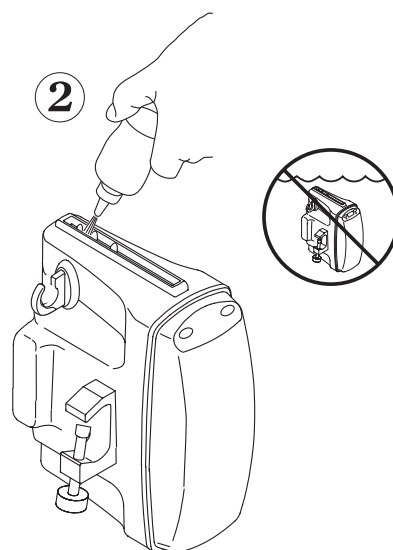
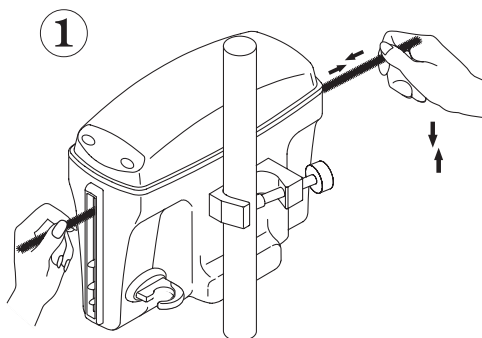
Η εμβάπτιση μπορεί να οδηγήσει σε κακή λειτουργία ή βλάβη του μηχανήματος.

Η φροντίδα και ο καθαρισμός του συστήματος μεταξύ διαδοχικών χρήσεων σε ασθενείς πρέπει να γίνεται με τον ακόλουθο τρόπο, ή σύμφωνα με το πρωτόκολλο της υπηρεσίας:

- Βγάλτε τη μονάδα από την πρίζα πριν εκτελέσετε οποιαδήποτε εργασία καθαρισμού
- Για να καθαρίσετε τις εξωτερικές επιφάνειες του συστήματος θέρμανσης, χρησιμοποιήστε ένα ήπιο διάλυμα καθαρισμού (όπως π.χ. χλιαρό σαπουνόνερο) και ένα καθαρό ύφασμα.
- Καθαρίστε το εσωτερικό της σχισμής της κασέτας με ψήκτρα μιας χρήσης. Ξεπλύνετε προσεκτικά με νερό με υδροβολέα. Σετ καθαρισμού αντικατάστασης P/N 78350-000.
- Περάστε τις εξωτερικές επιφάνειες του συστήματος θέρμανσης και τη σχισμή της κασέτας με ένα απολυμαντικό, όπως π.χ. διάλυμα χλωρίνης 10% (χλωρίνη με υποχλωριώδες νάτριο σε αναλογία 5,25%) και αφήστε τις να στεγνώσουν.

ΠΡΟΣΟΧΗ

Το σύστημα θέρμανσης πρέπει να καθαρίζεται εάν τυχόν εισέλθει κάποιο υγρό ή ξένο σώμα από τη σχισμή της κασέτας. **Η εισαγωγή της κασέτας μπορεί να εμποδίζεται εάν η σχισμή της δεν διατηρείται καθαρή.**



6.0 Έλεγχος Λειτουργικότητας και Επιθεώρηση Ασφαλείας

Για τη διασφάλιση βέλτιστης απόδοσης, αξιοπιστίας και ασφάλειας, πρέπει να εκτελούνται τα παρακάτω κάθε δώδεκα μήνες, ή όπως ορίζεται στο πρόγραμμα προληπτικής συντήρησης της υπηρεσίας.

Απαιτούμενος εξοπλισμός ή εργαλεία

- Οποιοδήποτε Σετ Θέρμανσης Αίματος/Υγρών σειράς Gaymar D25340
- Συσκευή μέτρησης θερμοκρασίας:
 - Σετ Θέρμανσης Αίματος/Υγρών σειράς Gaymar D25340, και
 - Αισθητήρας θερμοκρασίας (κατάλογος Gaymar FWT1) και ωμόμετρο (ακρίβεια 1,5% της μέτρησης, μέγιστο ρεύμα διέγερσης 100μΑ) και το διάγραμμα θερμοκρασίας αντίστασης. Βλ. εικόνα 10 (σελίδα 12).

ή

- Οποιοδήποτε Σετ Θέρμανσης Αίματος/Υγρών σειράς Gaymar D25000, και
 - Αδιάβροχος μετρητής/αισθητήρας θερμοκρασίας με ακρίβεια $\pm 0,3\%$ σε όλο το φάσμα από 30°C μέχρι 60°C και θερμική σταθερά χρόνου 2 δευτερολέπτων ή μικρότερη.
 - Συσκευή μέτρησης ροής (ροόμετρο FWT2 καταλόγου Gaymar):
 - Πηγή υγρών με βαθμονομημένο ροόμετρο και ελάχιστη ακρίβεια ± 12 ml/λεπτό
- ή
- Πηγή υγρών με έλεγχο ρυθμιζόμενης ροής. Χρησιμοποιήστε ένα χρονόμετρο και ογκομετρικό κύλινδρο για να ρυθμίσετε την παροχή.
 - Ελεγκτής Διαρροής Ρεύματος/Αντίστασης γείωσης
 - Πολύμετρο AC (εναλ. ρεύμ.)

6.1 Φυσική Επιθεώρηση

Εξετάστε και βεβαιωθείτε ότι τα παρακάτω αντικείμενα βρίσκονται σε καλή κατάσταση.

- Ετικέτες, εάν ξεκολλούν ή λείπουν
- Βίδες στο κάλυμμα
- Δοχείο διάταξης παγίδευσης φυσαλίδων
- Καλώδιο τροφοδοσίας
- Σφιγκτήρας στατήρα

6.2 Επαλήθευση Θερμοκρασίας Υγρού Εξόδου

Το σύστημα Θέρμανσης Αίματος/Υγρών της Σειράς FW600 είναι εργοστασιακά βαθμονομημένο σε παροχή 100 ml/min με σημείο καθορισμού 43,0°C.

Για να επαληθεύσετε ότι η θερμοκρασία υγρού εξόδου είναι σωστή:

1. Η θερμοκρασία δωματίου πρέπει να είναι μεταξύ 20°C και 24°C.
2. Συνδέστε την δοκιμαστική εγκατάσταση (βλ. εικόνα 7). Συνδέστε τον αισθητήρα θερμοκρασίας Gaymar FWT1 στην έξοδο της διάταξης παγίδευσης φυσαλίδων.
3. Συνδέστε το ροόμετρο FWT2 ή τη συσκευή μέτρησης/ελέγχου στην έξοδο του αισθητήρα θερμοκρασίας FWT1.

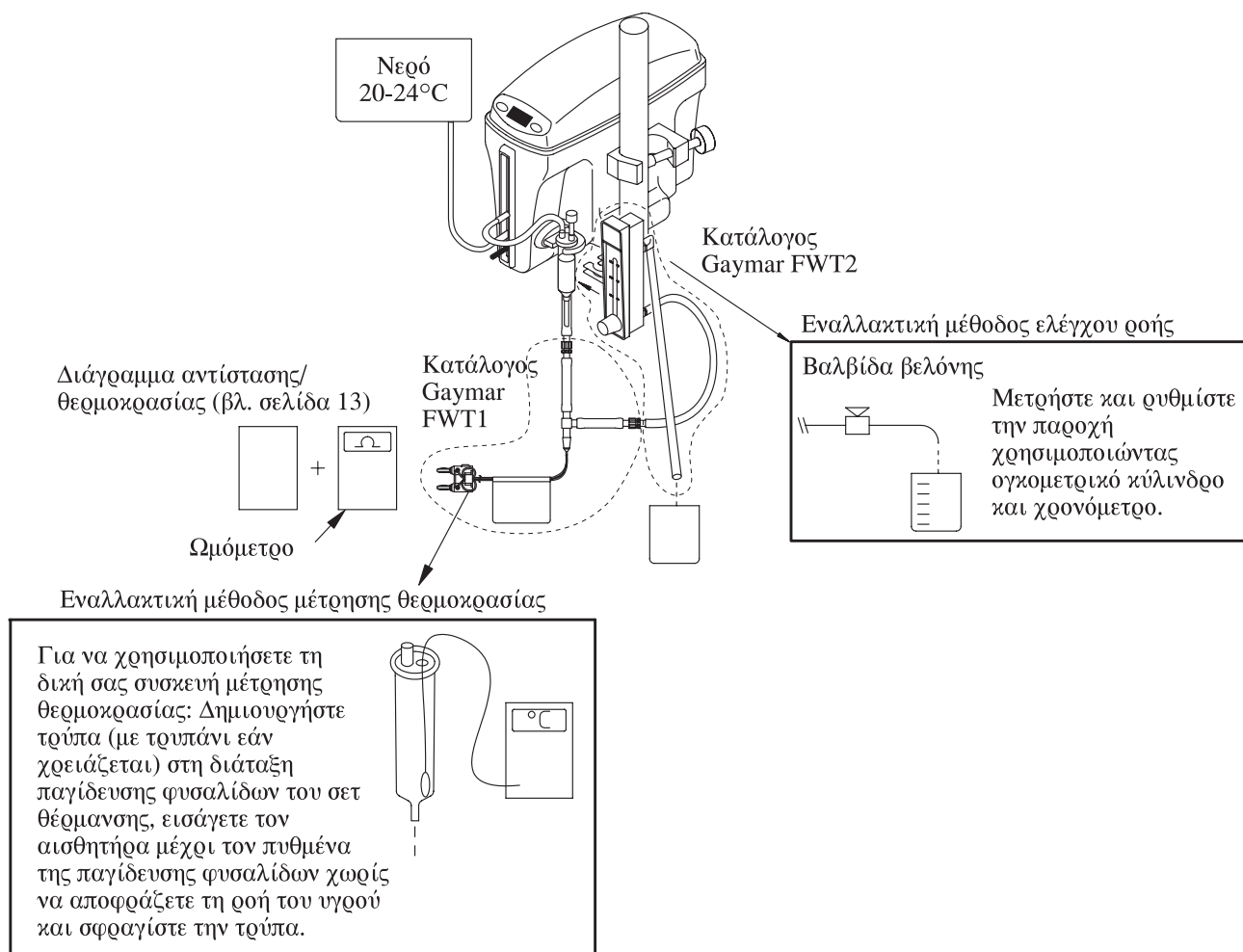
Εναλλακτική μέθοδος: Τρυπήστε το καπάκι της διάταξης παγίδευσης φυσαλίδων και εισάγετε μια συσκευή μέτρησης θερμοκρασίας από την τρύπα. Βεβαιωθείτε ότι ο συγκεκριμένος αισθητήρας είναι πλήρως βυθισμένος στο υγρό και στη συνέχεια σφραγίστε την τρύπα στη διάταξη παγίδευσης φυσαλίδων.

Εναλλακτική μέθοδος: Εάν χρησιμοποιείτε τον αισθητήρα στη μέθοδο παγίδευσης φυσαλίδων, συνδέστε το ροόμετρο FWT2 ή τη συσκευή μέτρησης/ελέγχου απευθείας στην έξοδο της διάταξης παγίδευσης φυσαλίδων.

4. Περάστε νερό σε θερμοκρασία δωματίου διαμέσου του συστήματος θέρμανσης στα 100 ml/min (cc/min). Βεβαιωθείτε ότι η διάταξη παγίδευσης φυσαλίδων διατηρείται πλήρως κατά 1/2 έως 2/3.
5. Θέσατε το σύστημα θέρμανσης σε λειτουργία. Ρυθμίστε το ΣΗΜΕΙΟ ΚΑΘΟΡΙΣΜΟΥ στους 43,0°C. Αφήστε το να λειτουργήσει για 10 λεπτά.
6. Για να επαληθεύσετε ότι η θερμοκρασία υγρού εξόδου είναι 43,0°C $\pm 1,1$ °C: Εάν χρησιμοποιείτε τον αισθητήρα θερμοκρασίας FWT1 και ένα ωμόμετρο, βεβαιωθείτε ότι η αντίσταση είναι μεταξύ 1019—1112 ohm.

Εάν δεν επιτυγχάνονται οι κατάλληλες τιμές θερμοκρασίας ή αντίστασης, ελέγξτε την εγκατάσταση και επαναλάβετε το τεστ. Εάν εξακολουθούν να βρίσκονται εκτός του επιθυμητού φάσματος, επικοινωνήστε με τον τοπικό αντιπρόσωπο για συντήρηση.

Η συσκευή αυτή είναι εργοστασιακά βαθμονομημένη και δεν μπορεί να ρυθμιστεί στο χώρο λειτουργίας της.



Εικόνα 7—Δοκιμαστική εγκατάσταση

6.3 Επαλήθευση Προστασίας Υπερθέρμανσης

Η κατάλληλη λειτουργία του συστήματος υπερθέρμανσης επαληθεύεται κάθε φορά που το σύστημα μεταπίπτει από *ΑΝΑΜΟΝΗ* σε *ΛΕΙΤΟΥΡΓΙΑ*. Συνεπώς, δε χρειάζονται περιοδικοί έλεγχοι του συστήματος αυτού. Ωστόσο, η παρακάτω διαδικασία μπορεί να χρησιμοποιείται για να επιβάλλει μια κατάσταση *ΥΠΕΡΘΕΡΜΑΝΣΗΣ* ώστε να γίνει παρατήρηση του τρόπου με τον οποίο λειτουργεί το σύστημα προστασίας υπερθέρμανσης:

1. Εισάγετε οποιαδήποτε κασέτα Θέρμανσης σειράς D25000 στο σύστημα θέρμανσης. Χρησιμοποιώντας ζεστό νερό βρύσης (46°C-50°C), αφήστε να τρέξει ζεστό νερό μέσα από την κασέτα για περίπου 1-3 λεπτά.
2. Συνδέστε το σύστημα θέρμανσης με εναλλασσόμενο ρεύμα. Στη συσκευή πρέπει να χτυπήσει αμέσως ηχητικός συναγερμός και να ανάψει η λυχνία RFU.

6.4 Έλεγχος Αντίστασης Γείωσης

Χρησιμοποιήστε ένα δοκιμαστικό αντίστασης ρεύματος διαρροής/γείωσης για να μετρήσετε την αντίσταση μεταξύ του πόλου γείωσης στο φινι τροφοδοσίας και της βίδας τοποθέτησης στο σφινγκήρα στατήρα.

Η τιμή της αντίστασης δεν πρέπει να υπερβαίνει τα 0,50 ohm.

6.5 Δοκιμή Διαρροής Ρεύματος

Μετρήστε το μέγιστο ρεύμα διαρροής γείωσης (γείωση ανοικτή). Μετρήστε όλους τους συνδυασμούς πολικότητας γραμμής με το ουδέτερο ανοικτό και κλειστό. Οι τιμές δεν πρέπει να υπερβαίνουν τις παρακάτω:

FW600 ουδέτερο κλειστό 150μΑ

FW600 ουδέτερο ανοικτό 200μΑ

FW603 ουδέτερο κλειστό 250μΑ


FW603 ουδέτερο ανοικτό 300μΑ

7.0 Αντιμετώπιση Προβλημάτων

Σύμπτωμα	Πιθανές αιτίες	Απαιτούμενη ενέργεια
Στην οθόνη αναβοσβήνει εναλλακτικά LO (χαμηλό) και η θερμοκρασία υγρού	Η θερμοκρασία υγρού εξόδου δεν έφθασε ακόμη τους 34°C.	Αφήστε το σύστημα να λειτουργήσει για 2 λεπτά. Εάν δεν αυξηθεί η θερμοκρασία, σταματήστε τη χρήση και ζητήστε συντήρηση.
Στην οθόνη αναβοσβήνει εναλλακτικά HI (υψηλό) και η θερμοκρασία υγρού	Μια παροδική διαταραχή, όπως μια αιφνίδια μεταβολή της παροχής, προκάλεσε αύξηση της θερμοκρασίας υγρού πάνω από 43°C.	ΟΥΔΕΝ—το σύστημα αναλαμβάνει τη φυσιολογική του λειτουργία όταν η θερμοκρασία πέφτει κάτω από 43°C.
Χτυπά ο ηχητικός συναγερμός και στην οθόνη αναβοσβήνουν LO (χαμηλό) και η θερμοκρασία υγρού	Η θερμοκρασία υγρού εξόδου έχει πέσει κάτω από τους 34°C.	Αφήστε το σύστημα να λειτουργήσει για 2 λεπτά. Εάν δεν αυξηθεί η θερμοκρασία, σταματήστε τη χρήση και ζητήστε συντήρηση.
Χτυπά ο ηχητικός συναγερμός και η οθόνη δείχνει FA_(Σφάλμα)	Οι ηλεκτρονικοί διαγνωστικοί έλεγχοι ανίχνευσαν ένα εσωτερικό πρόβλημα.	Διακόψτε τη χρήση της μονάδας και ζητήστε συντήρηση.
Ο ηχητικός συναγερμός χτυπά συνεχώς και ανάβει η κίτρινη λυχνία RFU	Οι θερμοκρασίες των εσωτερικών υγρών έχουν υπερβεί τους 45°C και έχει ενεργοποιηθεί το εφεδρικό σύστημα.	Διακόψτε τη ροή του υγρού, απορρίψτε την κασέτα και ζητήστε συντήρηση.
Η κασέτα εισάγεται δύσκολα στο σύστημα θέρμανσης	Η κασέτα έχει πληρωθεί πριν την εισαγωγή της.	Αποστραγγίστε την κασέτα και επανεισάγετέ την.
	Η εσωτερική σχισμή του συστήματος θέρμανσης πιθανόν να έχει ακαθαρσίες στους θερμομαντικούς δίσκους.	Καθαρίστε το εσωτερικό του συστήματος ακολουθώντας τη διαδικασία καθαρισμού (ενότητα 5.0)
Η κασέτα εξάγεται δύσκολα από το σύστημα θέρμανσης	Η κασέτα βρίσκεται ακόμη υπό πίεση.	Κλείστε το σφιγκτήρα εισόδου και ανοίξτε το σφιγκτήρα εξόδου. Αποστραγγίστε το υγρό.

Εικόνα 8—Διάγραμμα αντιμετώπισης προβλημάτων

8.0 Τεχνικές Προδιαγραφές

Τεχνικές Προδιαγραφές		
Αντικείμενο	FW600	FW603
Φάσμα / ανάλυση σημείου καθορισμού	38,0°C έως 43,0°C σε προσαυξήσεις 1,0°C	
Ανάλυση θερμοκρασίας υγρού	0,1°C	
Ακρίβεια ελεγκτή στα 100 ml/min	±0,5°C	
Τάση ρεύματος	120 VAC	220-240 VAC.
Ένταση ρεύματος	9 A	4,5 A
Ασφάλεια	(2) 15A χρονοκαθυστερήση 250V	(2) T, 6,3 A, 250 V, L 5mm x 20mm
Συχνότητα	60 Hz	50/60 Hz
Φάσμα θερμοκρασίας περιβάλλοντος	15°C έως 29°C	
Καλώδιο τροφοδοσίας	Καλώδιο τροφοδοσίας ρεύματος 4,6 μ. τύπου SJT κατά UL τριών αγωγών 16 AWG, με συγκολλημένο φινι με γείωση, κατάλληλο για πρίζες νοσοκομείων.	Μήκος 4,6 μέτρα. Χρησιμοποιείτε μόνον καλώδιο τροφοδοσίας ρεύματος διεθνούς τύπου (σύμφωνα με τους αντίστοιχους κανονισμούς εναρμόνισης), τριών αγωγών τύπου HD-21 διαστάσεων 1,5mm ² (HO5VVF3G1.5)
Ταξινόμηση	Εξοπλισμός Κλάσης 1 με γείωση, τύπος BF, αδιάβροχος σε σταγόνες υγρών, ακατάλληλος για χρήση παρουσία εύφλεκτων μιγμάτων αερίων νάρκωσης με αέρα ή οξυγόνο ή υποξείδιο του αζώτου. Κατάλληλο για συνεχή χρήση.	
Ρυθμιστικό  IPX4	Ταξινομημένο, ως προς ηλεκτροπληξία, πυρκαγιά, και μηχανικούς κινδύνους μόνο, σύμφωνα με τα UL 2601-1, CAN/CSA C22.2 NO.601.1	EN60601-1
Ηλεκτρομαγνητική συμβατότητα	Πληροί το EN60601-1-2: 1993 (CISPR 11 Ταξινομημένο ως εξοπλισμός Κλάσης B, Ομάδας 1 ISM)	
Βάρος	2,7 kg	
Μέγεθος	22 cm x 28,5 cm x 12 cm	

Εικόνα 9—Προδιαγραφές

ΕΛΛΗΝΙΚΑ

Θεσμ.	Αντίστ.	Θεσμ.	Αντίστ.	Θεσμ.	Αντίστ.	Θεσμ.	Αντίστ.	Θεσμ.	Αντίστ.	Θεσμ.	Αντίστ.	Θεσμ.	Αντίστ.	Θεσμ.	Αντίστ.	Θεσμ.	Αντίστ.
(°C)	(ohm)	(°C)	(ohm)	(°C)	(ohm)	(°C)	(ohm)	(°C)	(ohm)	(°C)	(ohm)	(°C)	(ohm)	(°C)	(ohm)	(°C)	(ohm)
35	1471	38	1300	41	1152	44	1023	47	910	50	811	53	725	56	648	59	581
35,1	1465	38,1	1295	41,1	1148	44,1	1019	47,1	907	50,1	808	53,1	722	56,1	646	59,1	579
35,2	1459	38,2	1290	41,2	1143	44,2	1015	47,2	903	50,2	805	53,2	718	56,2	644	59,2	577
35,3	1453	38,3	1285	41,3	1139	44,3	1011	47,3	900	50,3	802	53,3	716	56,3	641	59,3	575
35,4	1447	38,4	1279	41,4	1134	44,4	1007	47,4	896	50,4	799	53,4	714	56,4	639	59,4	573
35,5	1441	38,5	1274	41,5	1129	44,5	1003	47,5	893	50,5	796	53,5	711	56,5	637	59,5	571
35,6	1435	38,6	1269	41,6	1125	44,6	999	47,6	889	50,6	793	53,6	709	56,6	634	59,6	569
35,7	1429	38,7	1264	41,7	1120	44,7	995	47,7	886	50,7	790	53,7	706	56,7	632	59,7	567
35,8	1423	38,8	1259	41,8	1116	44,8	991	47,8	882	50,8	787	53,8	703	56,8	630	59,8	565
35,9	1417	38,9	1254	41,9	1112	44,9	988	47,9	879	50,9	784	53,9	701	56,9	627	59,9	563
36	1411	39	1249	42	1107	45	984	48	876	51	781	54	698	57	625	60	561
36,1	1405	39,1	1244	42,1	1103	45,1	980	48,1	872	51,1	778	54,1	695	57,1	623		
36,2	1400	39,2	1239	42,2	1098	45,2	976	48,2	869	51,2	775	54,2	693	57,2	620		
36,3	1394	39,3	1234	42,3	1094	45,3	972	48,3	866	51,3	772	54,3	690	57,3	618		
36,4	1388	39,4	1229	42,4	1090	45,4	968	48,4	862	51,4	769	54,4	688	57,4	616		
36,5	1383	39,5	1224	42,5	1085	45,5	965	48,5	859	51,5	767	54,5	685	57,5	614		
36,6	1377	39,6	1219	42,6	1081	45,6	961	48,6	856	51,6	764	54,6	683	57,6	611		
36,7	1371	39,7	1214	42,7	1077	45,7	957	48,7	853	51,7	761	54,7	680	57,7	609		
36,8	1366	39,8	1209	42,8	1073	45,8	954	48,8	849	51,8	758	54,8	678	57,8	607		
36,9	1360	39,9	1204	42,9	1068	45,9	950	48,9	846	51,9	755	54,9	675	57,9	605		
37	1355	40	1199	43	1064	46	946	49	843	52	752	55	673	58	603		
37,1	1349	40,1	1195	43,1	1060	46,1	942	49,1	840	52,1	748	55,1	670	58,1	600		
37,2	1344	40,2	1190	43,2	1056	46,2	939	49,2	836	52,2	747	55,2	668	58,2	598		
37,3	1338	40,3	1185	43,3	1052	46,3	935	49,3	833	52,3	744	55,3	665	58,3	596		
37,4	1333	40,4	1180	43,4	1047	46,4	932	49,4	830	52,4	741	55,4	663	58,4	594		
37,5	1327	40,5	1176	43,5	1043	46,5	928	49,5	827	52,5	738	55,5	660	58,5	592		
37,6	1322	40,6	1171	43,6	1039	46,6	924	49,6	824	52,6	735	55,6	658	58,6	590		
37,7	1316	40,7	1166	43,7	1035	46,7	921	49,7	821	52,7	733	55,7	655	58,7	587		
37,8	1311	40,8	1161	43,8	1031	46,8	917	49,8	817	52,8	730	55,8	653	58,8	585		
37,9	1306	40,9	1157	43,9	1027	46,9	914	49,9	814	52,9	727	55,9	651	58,9	583		

Εικόνα 10—Διάγραμμα θερμοκρασίας αντίστασης
(Αισθητήρας Θερμοκρασίας Gaymar FWT1)

GAYMAR®

GAYMAR INDUSTRIES, INC.

10 Centre Drive
Orchard Park, NY
14127-2295
USA

USA—TEL:
1 800 828-7341
(716) 662-2551

USA—FAX:
1 800 993-7890
(716) 662-0748

International:
(716) 662-8636 TEL
(716) 662-0730 FAX