

stryker[®]
Medical

4400 Infant Bassinet

Operations/Maintenance Manual

For Parts or Technical Assistance
800-327-0770

Table of Contents

Introduction	
Warning / Caution / Note Definition	2
Specifications	3
Safety Tips and Guidelines	4
Proper Bassinet Pushing Technique	5
Trendelenburg Positioning	6
Preventative Maintenance Checklist	7
Modern-Style Bassinet Assembly	8, 9
Shaker-Style Bassinet Assembly	10, 11
Traditional-Style Bassinet Assembly	12, 13
Euro-Style Bassinet Assembly	14, 15
Knobs	16
Warranty	
Obtaining Parts and Service	17
Supplemental Warranty Coverage	17
Return Authorization	18
Freight Damage Claims	18

Introduction

INTRODUCTION

The Stryker Infant Bassinet is intended for use as a support and transport surface for an infant in a health care environment.

This manual is designed to assist you with the operation of the Stryker Infant Bassinet. Read it thoroughly before using the equipment or beginning any maintenance on it.

WARNING / CAUTION / NOTE DEFINITION

The words WARNING, CAUTION and NOTE carry special meanings and should be carefully reviewed.

WARNING

The personal safety of the patient or user may be involved. Disregarding this information could result in injury to the patient or user.

CAUTION

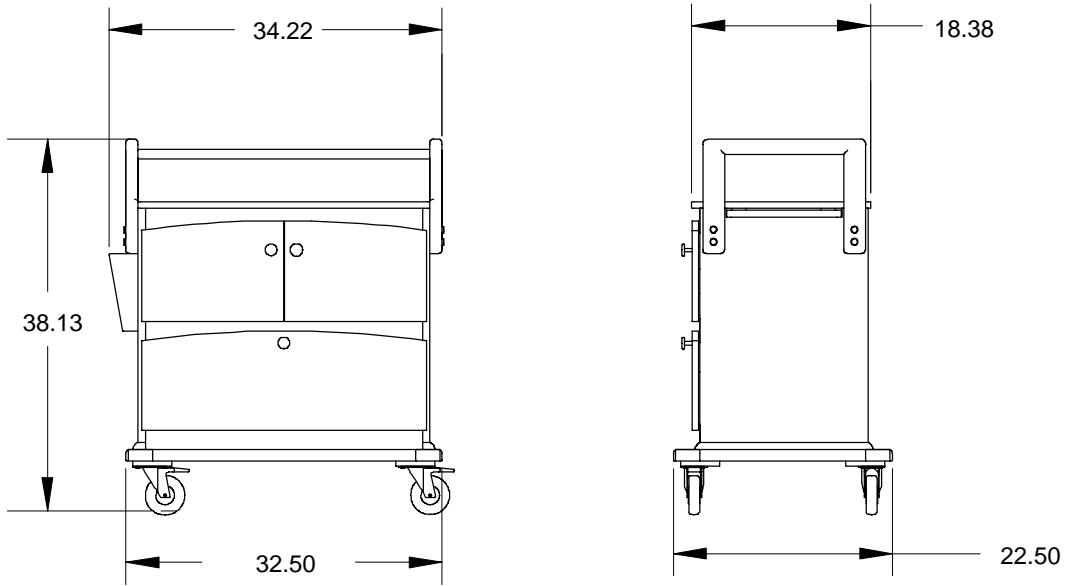
These instructions point out special procedures or precautions that must be followed to avoid damaging the equipment.

NOTE

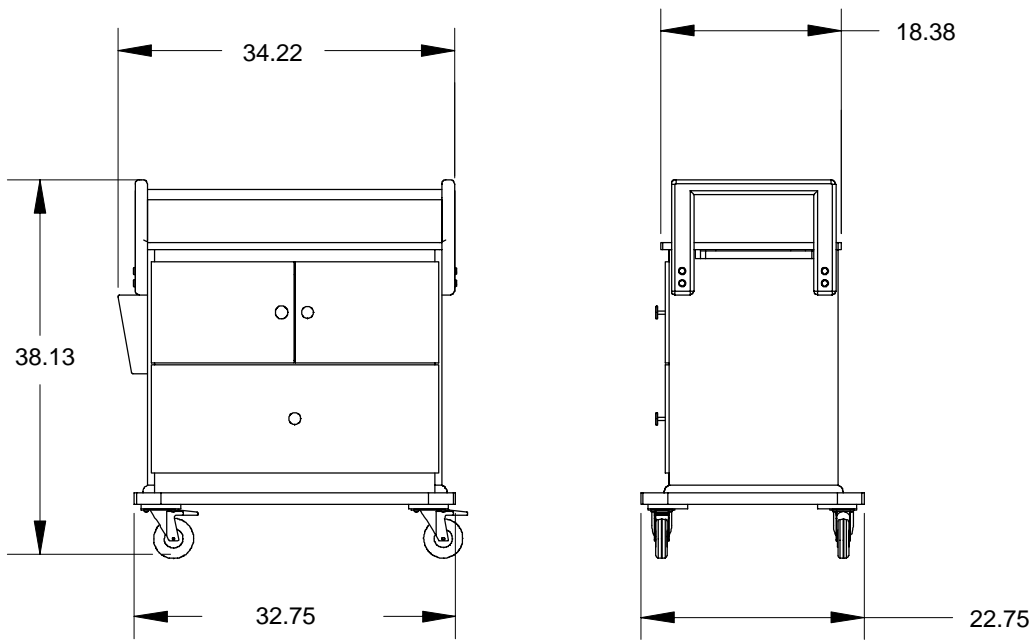
This provides special information to make maintenance easier or important instructions clearer.

Introduction

SPECIFICATIONS



MODERN STYLE



SHAKER, TRADITIONAL AND EURO STYLES (EURO SHOWN)

Introduction

SAFETY TIPS AND GUIDELINES

Before operating the Stryker Infant Bassinet, it is important to read and understand all information in this manual. Carefully read and strictly follow the safety guidelines listed on this page.

WARNING

To avoid risk of injury, never leave an infant unattended and do not leave sheets, blankets, pillows or other items in the bassinet with the infant.

Use the pull-out chart board only as a writing surface. Do not sit or lean on it, or apply excessive weight to it, or tipping of the bassinet could occur and injury could result.

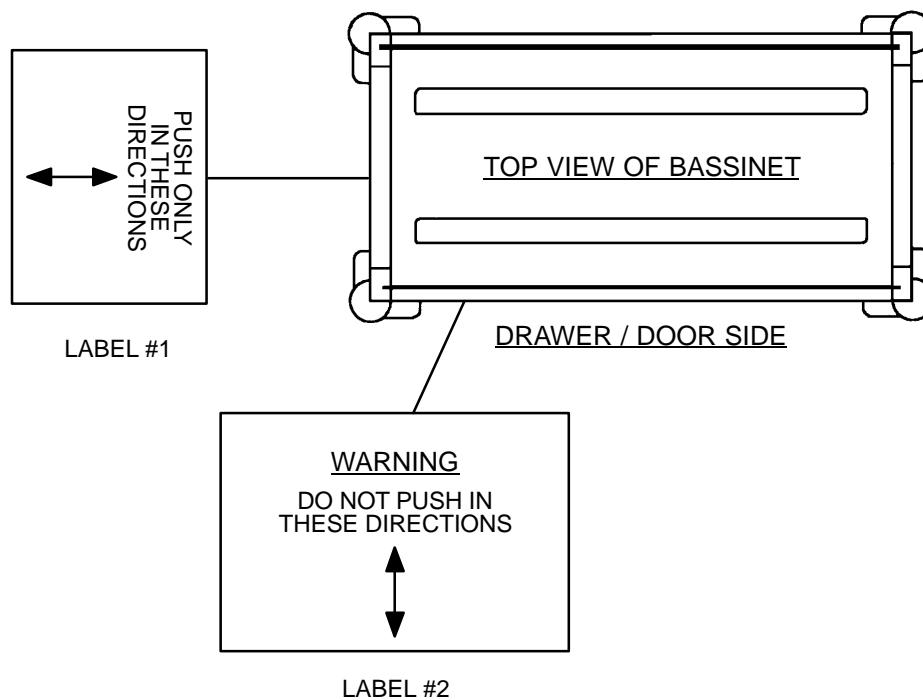
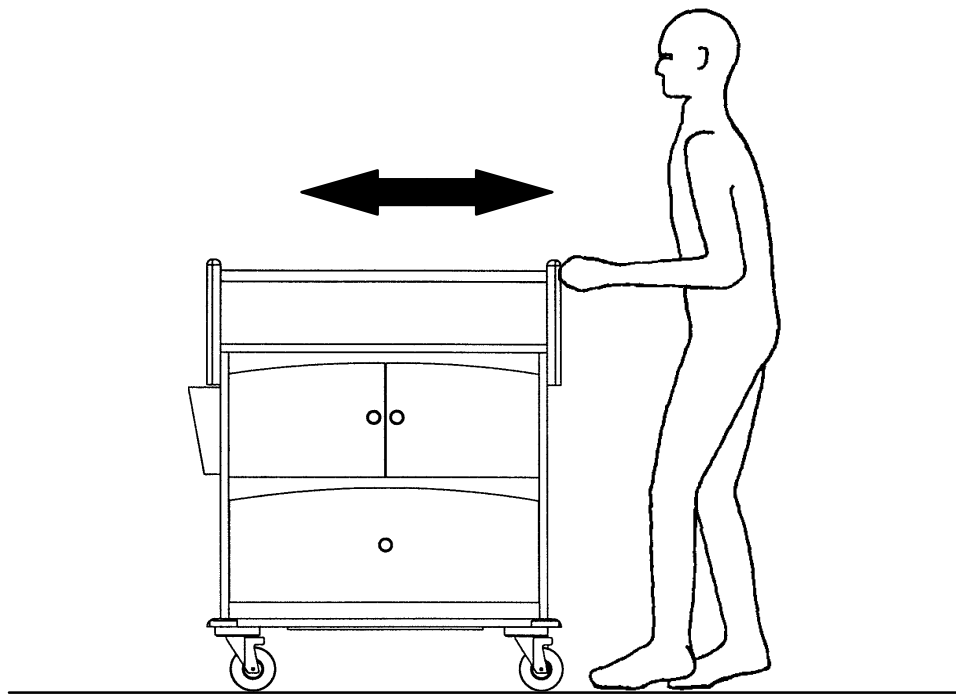
To prevent the bassinet from tipping and causing injury, do not place more than 25 pounds (11 kilograms) in the bassinet drawer.

Push the bassinet only from the ends. Do not push the bassinet from the sides or tipping of the bassinet could occur and injury could result.

When putting the bassinet into Trendelenburg/Reverse Trendelenburg, verify the “J” hook is engaged and secure before releasing the tub or injury could occur.

Bassinet Operating Instructions

PROPER BASSINET PUSHING TECHNIQUE

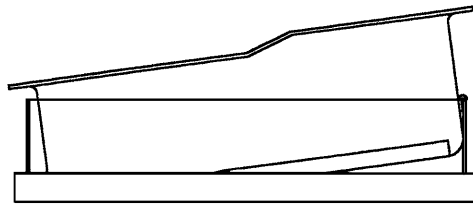


WARNING

Push the bassinet only from the ends as indicated by the illustrations above. Do not push the bassinet from the sides or tipping of the bassinet could occur and injury could result.

Bassinet Operating Instructions

TRENDELENBURG POSITIONING



BASSINET IN
REVERSE TRENDELENBURG POSITION

To put the bassinet into the Trendelenburg/Reverse Trendelenburg position, lift up on either end of the tub, then lower it until the “J” hook engages securely with the end rail (see above).

WARNING

When putting the bassinet into Trendelenburg/Reverse Trendelenburg, verify the “J” hook is engaged and secure before releasing the tub or injury could occur.

Tub with “J” Hooks - part number 8800-455-200

12 1/2” x 26” Mattress - part number 8800-346-300

Preventive Maintenance

MAINTENANCE CHECKLIST

- _____ All fasteners secure
- _____ All casters secure and swiveling properly
- _____ No debris in casters
- _____ Front casters hold when brakes are applied
- _____ Pull-out chart board intact and secure
- _____ Trendelenburg hook intact
- _____ Drawers intact and sliding smoothly
- _____ Doors intact and hinges operating smoothly
- _____ Warning labels intact and legible

Serial No. _____

_____	_____	_____
_____	_____	_____
_____	_____	_____

Completed By: _____ Date: _____

CLEANING

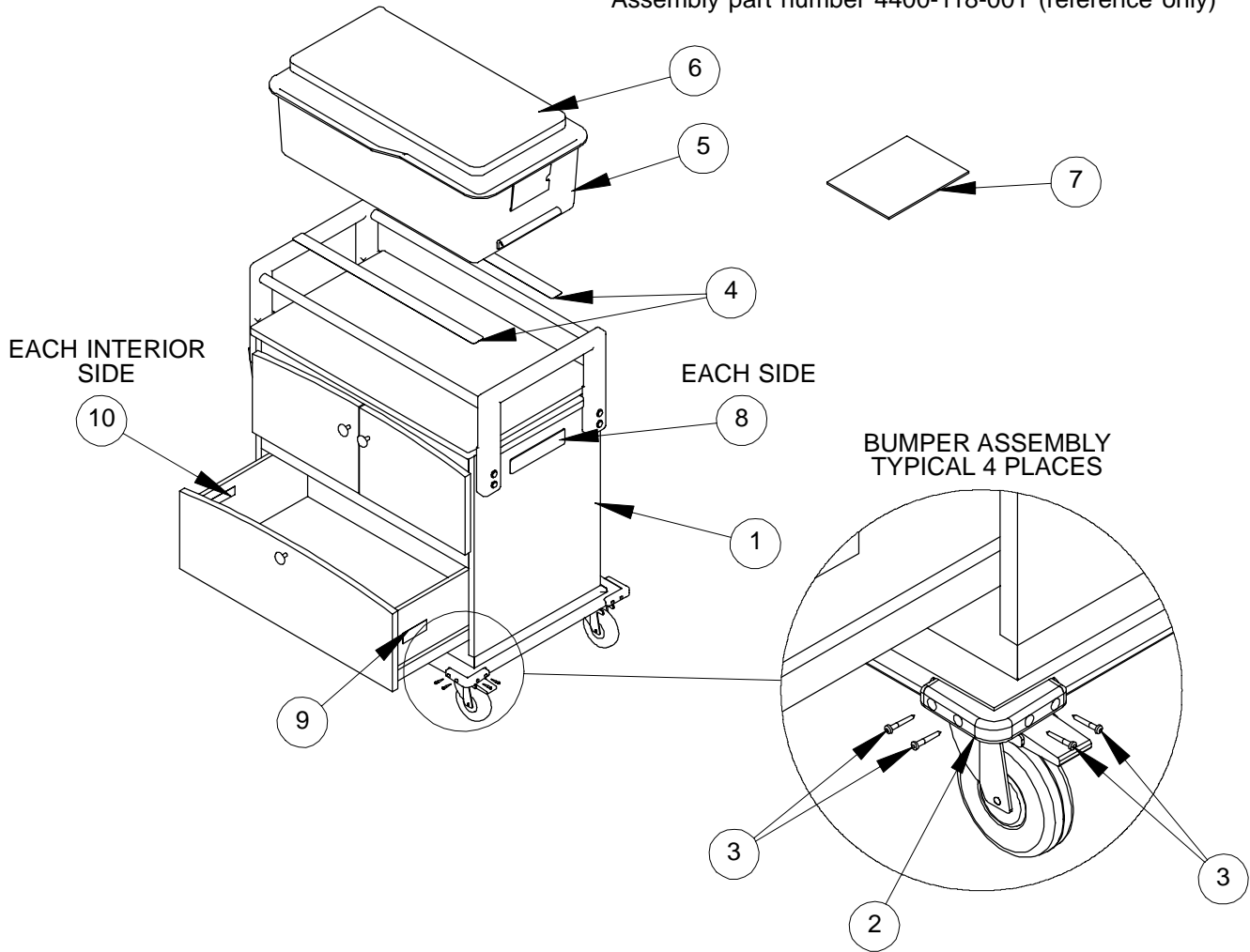
To clean the bassinet cabinet, wipe it with a soft cloth and a mild soap and water solution. Rinse thoroughly. Clean the bassinet tub with a mild anti-bacterial soap and warm water solution. Rinse thoroughly.

CAUTION

The bassinet tub should not be exposed to alcohol, solvents or abrasives. Damage could occur.

Modern-Style Bassinet Assembly

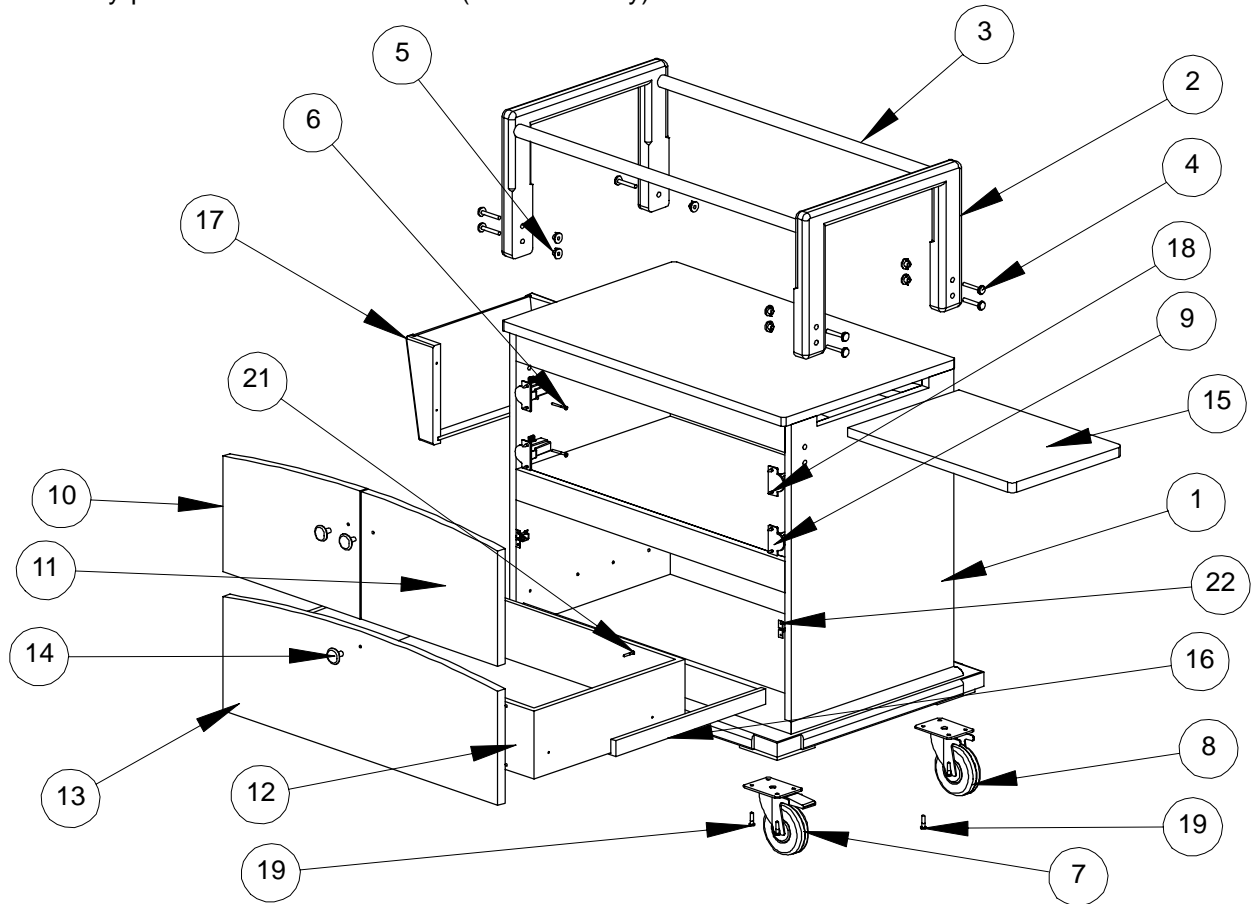
Assembly part number 4400-118-001 (reference only)



Item	Part No.	Part Name	Qty.
1	(page 9)	Modern Bassinet	1
2	8804-002-700	Bumper	4
3	8801-580-200	Grabber Screw	16
4	8800-469-800	Pad	2
5	8800-455-200	Tub	1
6	8800-346-300	Mattress	1
7	4400-1 18-400	Manual	1
8	4400-090-003	Push Direction Label	2
9	8801-410-100	Serial Number Label	1
10	4400-1 10-901	Bassinet Warning Label	2

Modern-Style Bassinet Assembly

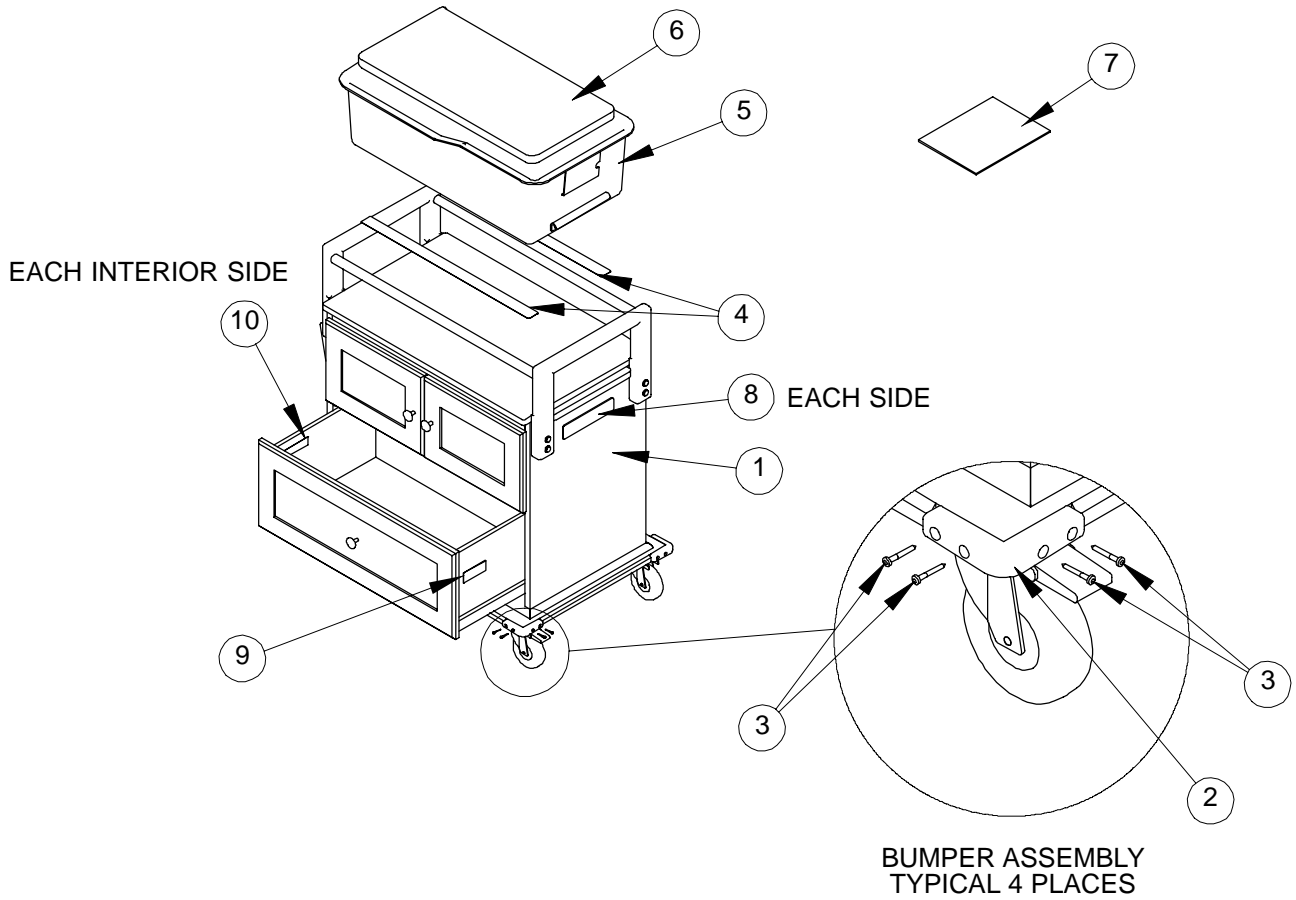
Assembly part number 4400-118-002 (reference only)



Item	Part No.	Part Name	Qty.
1	4400-1 18-100	Modern Cabinet	1
2	4400-1 18-218	Push Handle	2
3	4400-1 18-219	Push Handle Rod	2
4	4400-1 10-064	Bolt	8
5	4400-1 10-065	T-Nut	8
6	4400-1 10-063	Screw	4
7	4400-1 10-060	Locking Swivel Caster	2
8	4400-1 10-061	Non-Locking Swivel Caster	2
9	4400-1 11-302	Hinge	4
10	4400-1 18-220	Modern Door, Right	1
11	4400-1 18-221	Modern Door, Left	1
12	4400-1 18-101	Drawer Box	1
13	4400-1 18-222	Modern Drawer Front	1
14	(page 16)	Knob	3
15	4400-1 18-102	Chart Board	1
16	4400-1 18-300	16" Drawer Slide	2
17	4400-1 18-103	Chart Holder	1
18	0020-013-000	Wood Screw	16
19	4400-1 10-057	Wood Screw	16
21	8801-580-200	Grabber Screw	4
22	4400-1 18-229	Spring Catch	2

Shaker-Style Bassinet Assembly

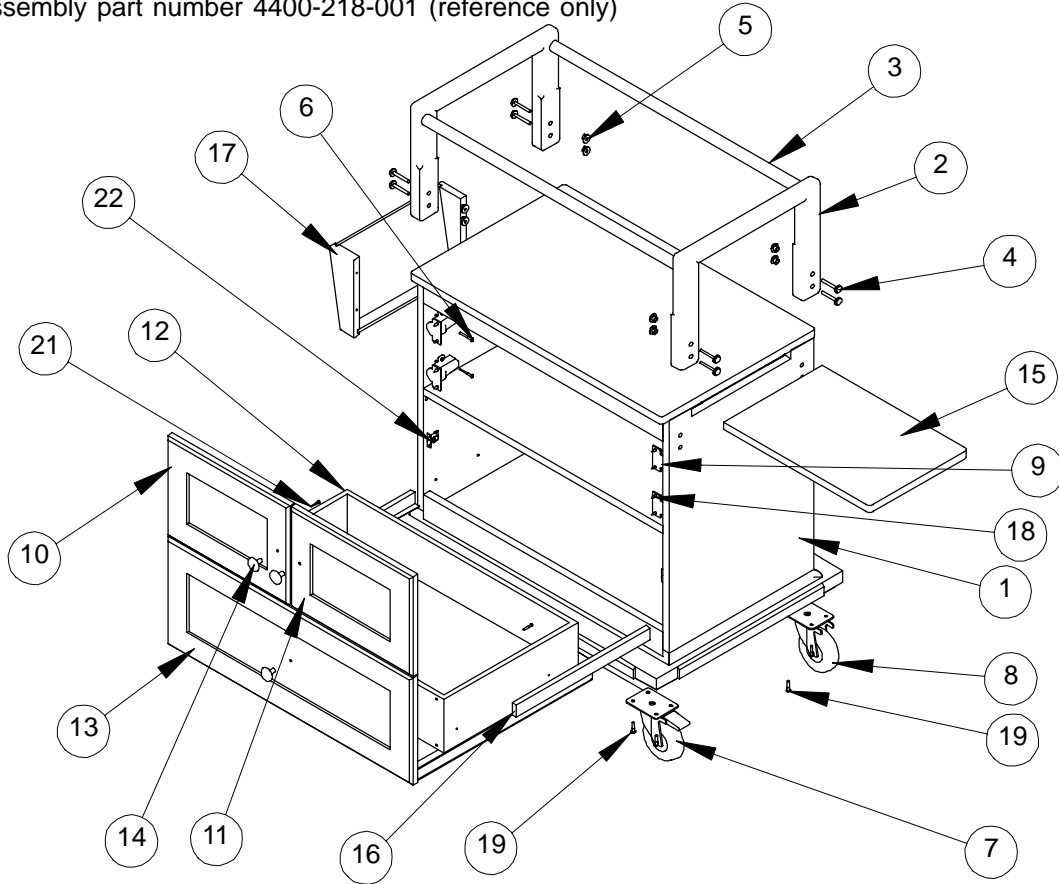
Assembly part number 4400-219-001 (reference only)



Item	Part No.	Part Name	Qty.
1	(page 11)	Shaker Bassinet	1
2	8804-002-700	Bumper	4
3	8801-580-200	Grabber Screw	16
4	8800-469-800	Pad	2
5	8800-455-200	Tub	1
6	8800-346-300	Mattress	1
7	4400-1 18-400	Manual	1
8	4400-090-003	Push Direction Label	2
9	8801-410-100	Serial Number Label	1
10	4400-1 10-901	Bassinet Warning Label	2

Shaker-Style Bassinet Assembly

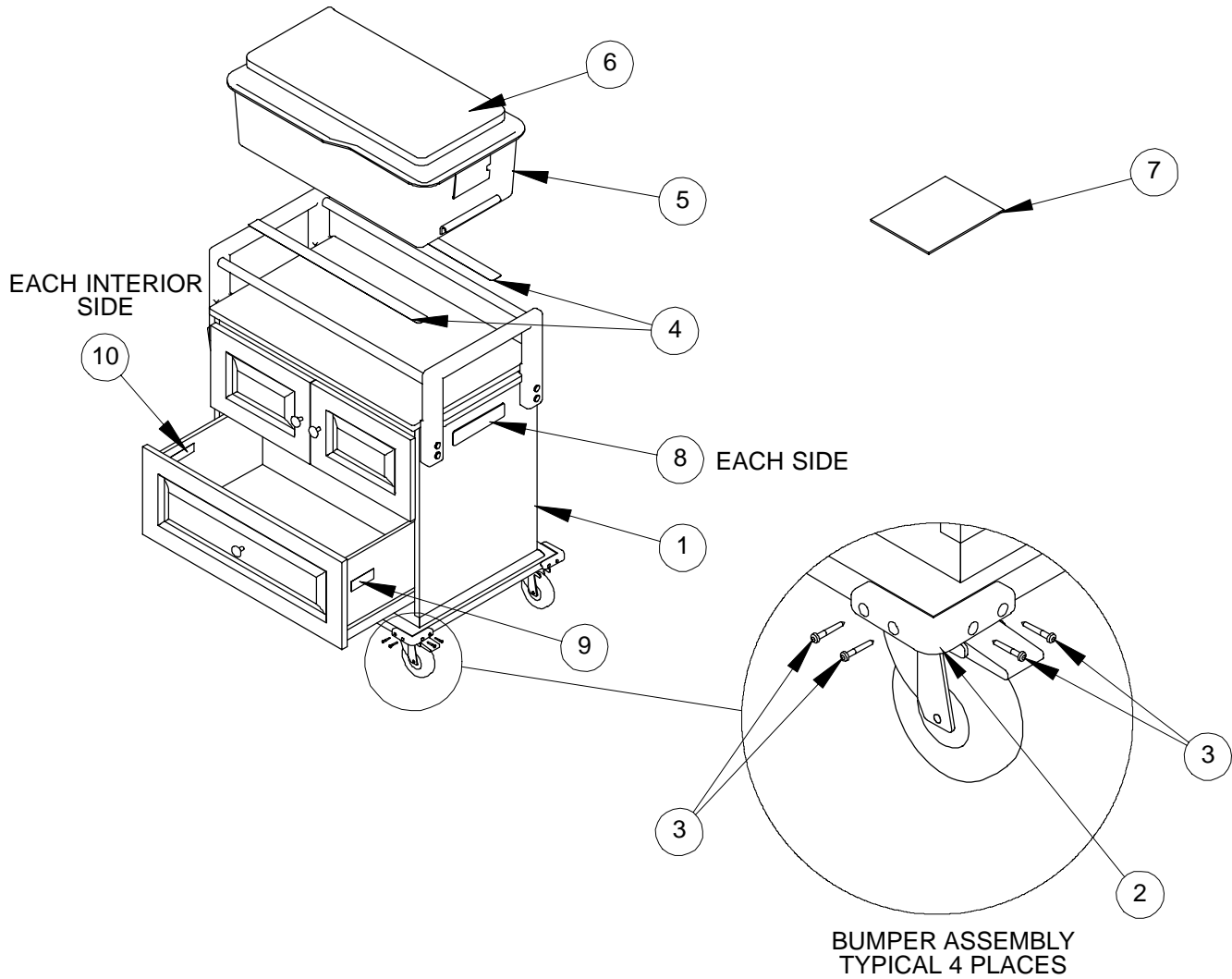
Assembly part number 4400-218-001 (reference only)



Item	Part No.	Part Name	Qty.
1	4400-218-100	Shaker Cabinet	1
2	4400-1 18-218	Push Handle	2
3	4400-1 18-219	Push Handle Rod	2
4	4400-1 10-064	Bolt	8
5	4400-1 10-065	T-Nut	8
6	4400-1 10-063	Screw	4
7	4400-1 10-060	Locking Swivel Caster	2
8	4400-1 10-061	Non-Locking Swivel Caster	2
9	4400-1 11-302	Hinge	4
10	4400-218-202	Shaker Door, Left	1
11	4400-218-203	Shaker Door, Right	1
12	4400-218-102	Drawer Box	1
13	4400-218-204	Shaker Drawer Front	1
14	(page 16)	Knob	3
15	4400-1 18-102	Chart Board	1
16	4400-1 18-300	16" Drawer Slide	2
17	4400-1 18-103	Chart Holder	1
18	0020-013-000	Wood Screw	16
19	4400-1 10-057	Wood Screw	16
21	8801-580-200	Grabber Screw	4
22	4400-1 18-229	Spring Catch	2

Traditional-Style Bassinet Assembly

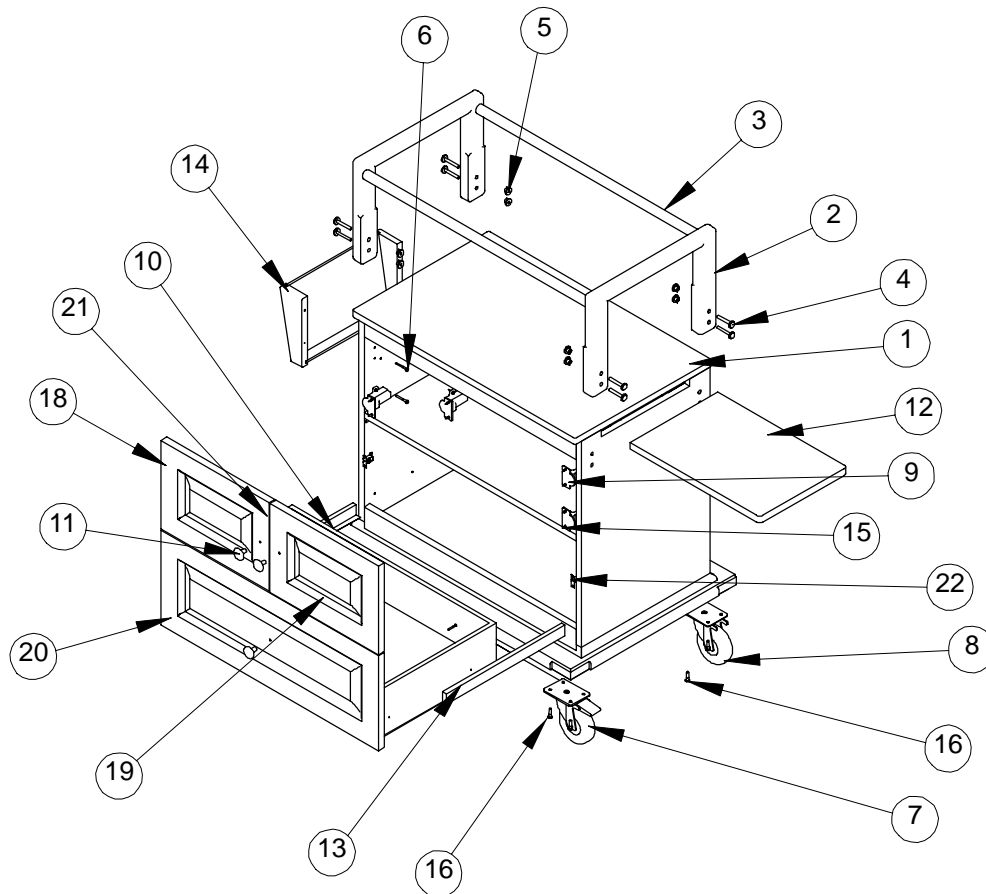
Assembly part number 4400-318-001 (reference only)



Item	Part No.	Part Name	Qty.
1	(page 13)	Traditional Bassinet	1
2	8804-002-700	Bumper	4
3	8801-580-200	Grabber Screw	16
4	8800-469-800	Pad	2
5	8800-455-200	Tub	1
6	8800-346-300	Mattress	1
7	4400-1 18-400	Manual	1
8	4400-090-003	Push Direction Label	2
9	8801-410-100	Serial Number Label	1
10	4400-1 10-901	Bassinet Warning Label	2

Traditional-Style Bassinet Assembly

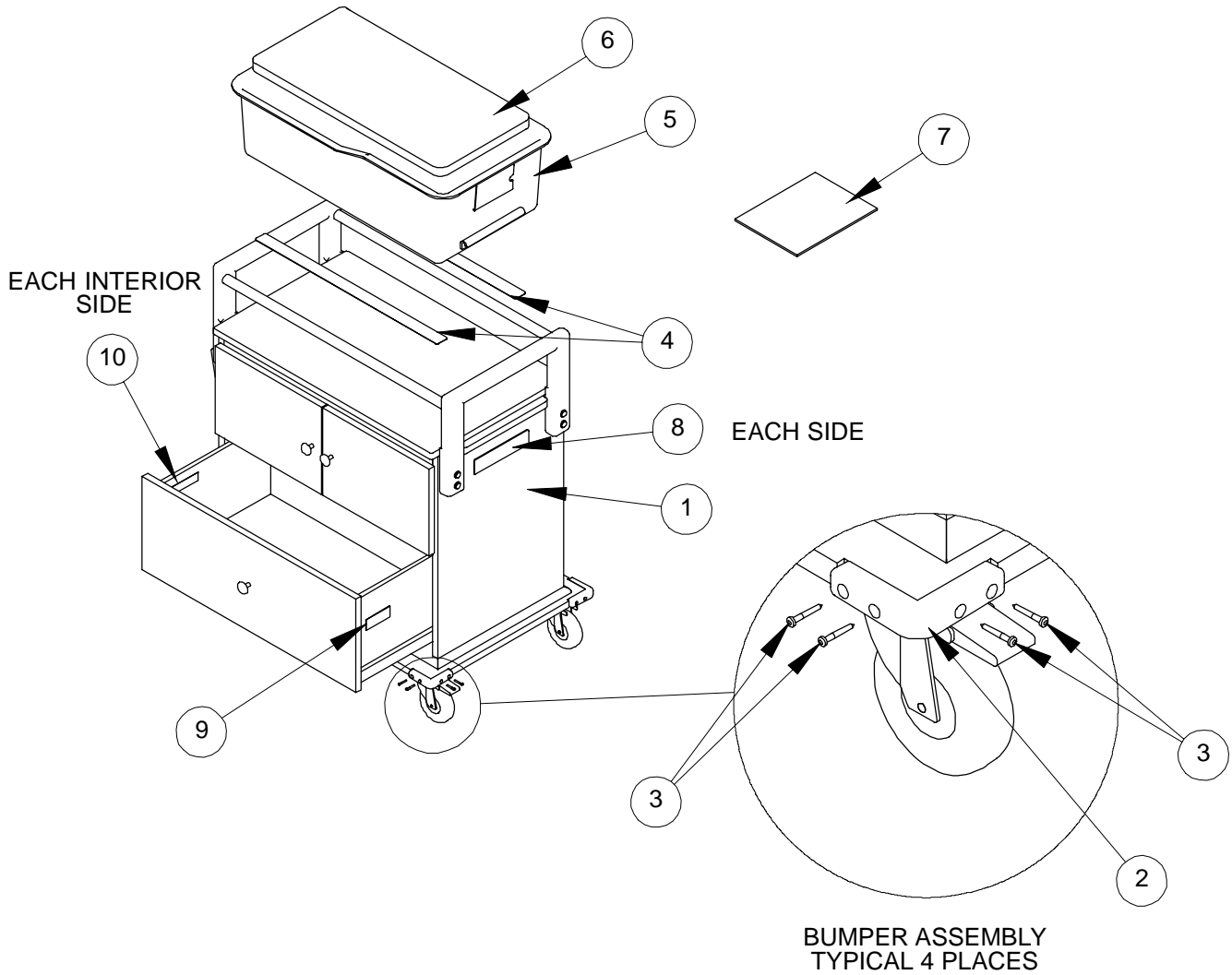
Assembly part number 4400-318-002 (reference only)



Item	Part No.	Part Name	Qty.
1	4400-318-100	Traditional Cabinet	1
2	4400-1 18-218	Push Handle	2
3	4400-1 18-219	Push Handle Rod	2
4	4400-1 10-064	Bolt	8
5	4400-1 10-065	T-Nut	8
6	4400-1 10-063	Screw	4
7	4400-1 10-060	Locking Swivel Caster	2
8	4400-1 10-061	Non-Locking Swivel Caster	2
9	4400-1 11-302	Hinge	4
10	4400-218-102	Drawer Box	1
11	(page 16)	Knob	3
12	4400-1 18-102	Chart Board	1
13	4400-1 18-300	16" Drawer Slide	2
14	4400-1 18-103	Chart Holder	1
15	0020-013-000	Wood Screw	16
16	4400-1 10-057	Wood Screw	16
18	4400-318-201	Traditional Door, Left	1
19	4400-318-202	Traditional Door, Right	1
20	4400-318-203	Traditional Drawer Front	1
21	8801-580-200	Grabber Screw	4
22	4400-1 18-229	Spring Catch	2

Euro-Style Bassinet Assembly

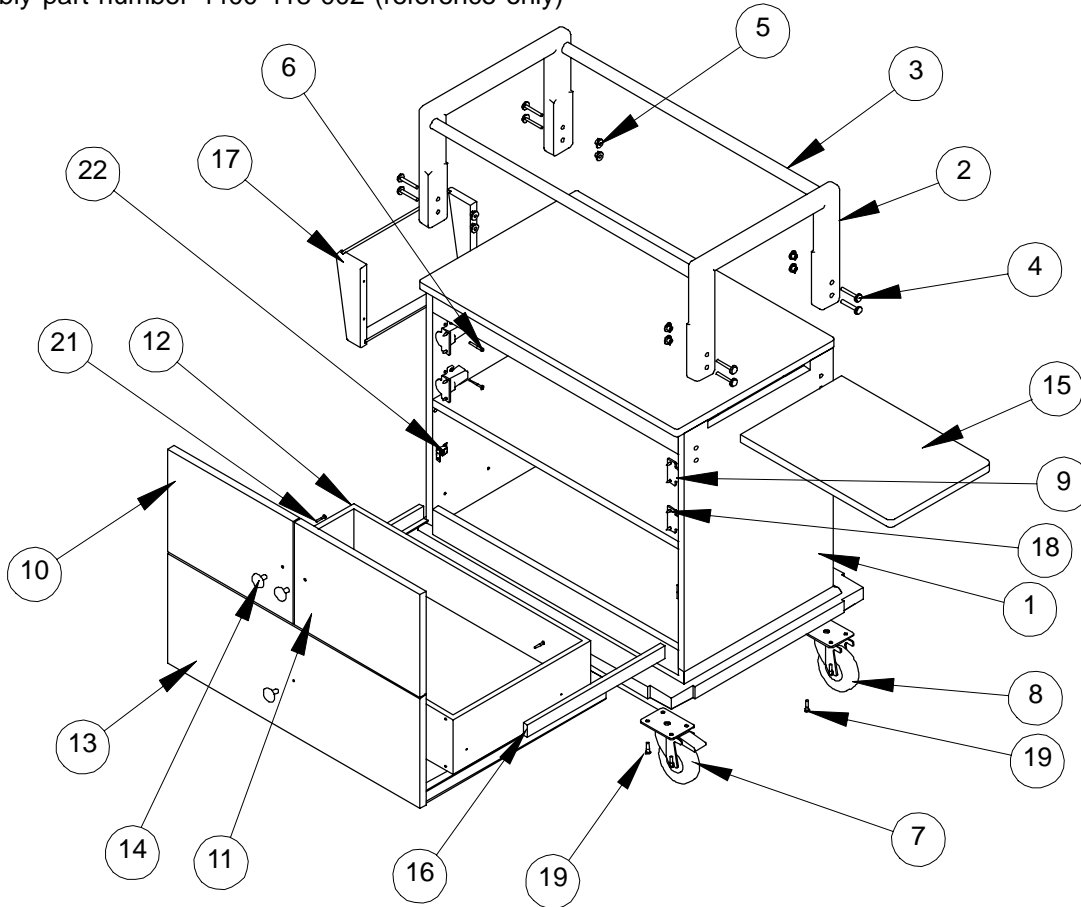
Assembly part number 4400-318-001 (reference only)



Item	Part No.	Part Name	Qty.
1	(page 15)	Euro Bassinet	1
2	8804-002-700	Bumper	4
3	8801-580-200	Grabber Screw	16
4	8800-469-800	Pad	2
5	8800-455-200	Tub	1
6	8800-346-300	Mattress	1
7	4400-1 18-400	Manual	1
8	4400-090-003	Push Direction Label	2
9	8801-410-100	Serial Number Label	1
10	4400-1 10-901	Bassinet Warning Label	2

Euro-Style Bassinet Assembly

Assembly part number 4400-418-002 (reference only)



Item	Part No.	Part Name	Qty.
1	4400-418-100	Euro Cabinet	1
2	4400-1 18-218	Push Handle	2
3	4400-1 18-219	Push Handle Rod	2
4	4400-1 10-064	Bolt	8
5	4400-1 10-065	T-Nut	8
6	4400-1 10-063	Screw	4
7	4400-1 10-060	Locking Swivel Caster	2
8	4400-1 10-061	Non-Locking Swivel Caster	2
9	4400-1 11-302	Hinge	4
10	4400-418-200	Euro Door, Left	1
11	4400-418-201	Euro Door, Right	1
12	4400-218-102	Drawer Box	1
13	4400-418-202	Euro Drawer Front	1
14	(page 16)	Knob	3
15	4400-1 18-102	Chart Board	1
16	4400-1 18-300	16" Drawer Slide	2
17	4400-1 18-103	Chart Holder	1
18	0020-013-000	5/8" Wood Screw	16
19	4400-1 10-057	1" Wood Screw	16
21	8801-580-200	Grabber Screw	4
22	4400-1 18-229	Spring Catch	2

Knobs - All Bassinets

KNOBS	
Part Number	Description
8100-000-003	Round Knob, Brushed Antique Brass
8100-000-004	Round Knob, Polished Brass
8100-000-005	Oval Knob, Polished Chrome
8100-000-010	Round Knob, Polished Chrome
8100-000-01 1	Round Knob, Brushed Stainless Steel
8100-000-012	Oval Knob, Polished Brass
8100-000-013	Oval Knob, Brushed Antique Brass
8100-000-014	Oval Knob, Brushed Stainless Steel

Warranty

Limited Warranty:

Stryker Medical Division, a division of Stryker Corporation, warrants to the original purchaser that its products should be free from defects in material and workmanship for a period of one (1) year after date of delivery. Stryker's obligation under this warranty is expressly limited to supplying replacement parts and labor for, or replacing, at its option, any product which is, in the sole discretion of Stryker, found to be defective. Stryker warrants to the original purchaser that the frame and welds on its beds will be free from structural defects for as long as the original purchaser owns the bed. If requested by Stryker, products or parts for which a warranty claim is made shall be returned prepaid to Stryker's factory. Any improper use or any alteration or repair by others in such manner as in Stryker's judgement affects the product materially and adversely shall void this warranty. Any repair of Stryker products using parts not provided or authorized by Stryker shall void this warranty. No employee or representative of Stryker is authorized to change this warranty in any way.

Stryker Medical stretchers are designed for a 10 year expected life under normal use conditions and appropriate periodic maintenance as described in the maintenance manual for each device.

This statement constitutes Stryker's entire warranty with respect to the aforesaid equipment. STRYKER MAKES NO OTHER WARRANTY OR REPRESENTATION, EITHER EXPRESSED OR IMPLIED, EXCEPT AS SET FORTH HEREIN. THERE IS NO WARRANTY OF MERCHANTABILITY AND THERE ARE NO WARRANTIES OF FITNESS FOR ANY PARTICULAR PURPOSE. IN NO EVENT SHALL STRYKER BE LIABLE HEREUNDER FOR INCIDENTAL OR CONSEQUENTIAL DAMAGES ARISING FROM OR IN ANY MANNER RELATED TO SALES OR USE OF ANY SUCH EQUIPMENT.

To Obtain Parts and Service:

Stryker products are supported by a nationwide network of dedicated Stryker Field Service Representatives. These representatives are factory trained, available locally, and carry a substantial spare parts inventory to minimize repair time. Simply call your local representative, or call Stryker Customer Service at (800) 327-0770.

Service Contract Coverage:

Stryker has developed a comprehensive program of service contract options designed to keep your equipment operating at peak performance at the same time it eliminates unexpected costs. We recommend that these programs be activated *before* the expiration of the new product warranty to eliminate the potential of additional equipment upgrade charges.

A SERVICE CONTRACT HELPS TO:

- Ensure equipment reliability
- Stabilize maintenance budgets
- Diminish downtime
- Establish documentation for JCAHO
- Increase product life
- Enhance trade-in value
- Address risk management and safety

Warranty

Stryker offers the following service contract programs:

SPECIFICATIONS	GOLD	SILVER	PM* ONLY
Annually scheduled preventative maintenance	X		X
All parts,** labor, and travel	X	X	
Unlimited emergency service calls	X	X	
Priority one contact; two hour phone response	X	X	X
Most repairs will be completed within 3 business days	X	X	
JCAHO documentation	X	X	X
On-site log book w/ preventative maintenance & emergency service records	X		
Factory-trained Stryker Service Technicians	X	X	X
Stryker authorized parts	X	X	X
End of year summary	X		
Stryker will perform all service during regular business hours (9-5)	X	X	X

* Replacement parts and labor for products under PM contract will be discounted.

** Does not include any disposable items, I.V. poles (except for Stryker HD permanent poles), mattresses, or damage resulting from abuse.

Stryker Medical also offers *personalized* service contracts.

Pricing is determined by age, location, model and condition of product.

For more information on our service contracts, please call your local representative or call (800) 327-0770 (option #2).

Return Authorization:

Merchandise cannot be returned without approval from the Stryker Customer Service Department. An authorization number will be provided which must be printed on the returned merchandise. Stryker reserves the right to charge shipping and restocking fees on returned items.

SPECIAL, MODIFIED, OR DISCONTINUED ITEMS NOT SUBJECT TO RETURN.

Damaged Merchandise:

ICC Regulations require that claims for damaged merchandise must be made with the carrier within fifteen (15) days of receipt of merchandise. **DO NOT ACCEPT DAMAGED SHIPMENTS UNLESS SUCH DAMAGE IS NOTED ON THE DELIVERY RECEIPT AT THE TIME OF RECEIPT.** Upon prompt notification, Stryker will file a freight claim with the appropriate carrier for damages incurred. Claim will be limited in amount to the actual replacement cost. In the event that this information is not received by Stryker within the fifteen (15) day period following the delivery of the merchandise, or the damage was not noted on the delivery receipt at the time of receipt, the customer will be responsible for payment of the original invoice in full.

Claims for any short shipment must be made within thirty (30) days of invoice.

International Warranty Clause:

This warranty reflects U.S. domestic policy. Warranty outside the U.S. may vary by country. Please contact your local Stryker Medical representative for additional information.



European Representative

Stryker France
BP 50040-95946 Roissy Ch. de Gaulle
Cedex-France

Phone: 33148632290
Fax: 33148632175

stryker[®]
Medical

6300 Sprinkle Road, Kalamazoo, MI 49001-9799

(800) 327-0770
www.strykermedical.com



DH 9/02 4400-118-400 REV A