

---

**stryker**<sup>®</sup>

**IMPORTANT**  
File in your  
maintenance  
records



---

## **Model 4400 Infant Bassinet**

---

### **OPERATIONS AND MAINTENANCE MANUAL**

For Parts or Technical Assistance  
1-800-327-0770 (Option 2)

---

# Table of Contents

---

Introduction	
Warning / Caution / Note Definition .....	2
Specifications .....	2
Safety Tips and Guidelines .....	3
Proper Bassinet Pushing Technique .....	4
Trendelenburg Positioning .....	5
Preventative Maintenance Checklist .....	6
Modern–Style Bassinet Assembly .....	8, 9
Shaker–Style Bassinet Assembly .....	10, 11
Traditional–Style Bassinet Assembly .....	12, 13
Euro–Style Bassinet Assembly .....	14, 15
Knobs .....	16
Warranty	
Obtaining Parts and Service .....	17
Supplemental Warranty Coverage .....	17
Return Authorization .....	18
Freight Damage Claims .....	18

# Introduction

---

## INTRODUCTION

The Stryker Infant Bassinet is intended for use as a support and transport surface for an infant in a health care environment.

This manual is designed to assist you with the operation of the Stryker Infant Bassinet. Read it thoroughly before using the equipment or beginning any maintenance on it.

## WARNING / CAUTION / NOTE DEFINITION

The words WARNING, CAUTION and NOTE carry special meanings and should be carefully reviewed.

---

### WARNING

The personal safety of the patient or user may be involved. Disregarding this information could result in injury to the patient or user.

---

### CAUTION

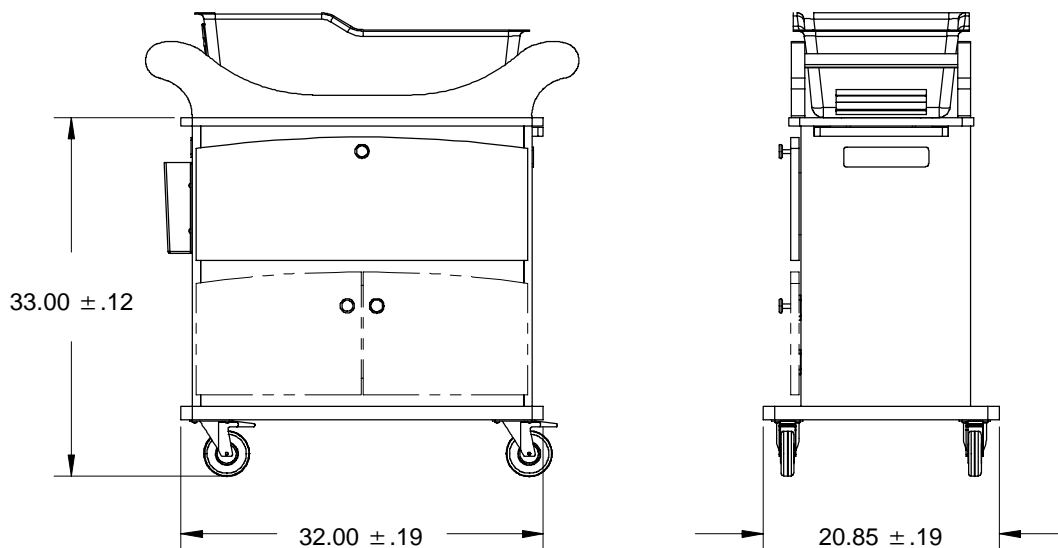
These instructions point out special procedures or precautions that must be followed to avoid damaging the equipment.

---

### NOTE

This provides special information to make maintenance easier or important instructions clearer.

## SPECIFICATIONS



**DIMENSIONS APPLY TO ALL STYLES (MODERN STYLE SHOWN)**

# Introduction

---

## **SAFETY TIPS AND GUIDELINES**

Before operating the Stryker Infant Bassinet, it is important to read and understand all information in this manual. Carefully read and strictly follow the safety guidelines listed on this page.

---

### **WARNING**

To avoid risk of injury, never leave an infant unattended and do not leave sheets, blankets, pillows or other items in the bassinet with the infant.

Use the pull-out chart board only as a writing surface. Do not sit or lean on it, or apply excessive weight to it, or tipping of the bassinet could occur and injury could result.

To prevent the bassinet from tipping and causing injury, do not place more than 25 pounds (11 kilograms) in the bassinet drawer.

Push the bassinet only from the ends. Do not push the bassinet from the sides or tipping of the bassinet could occur and injury could result.

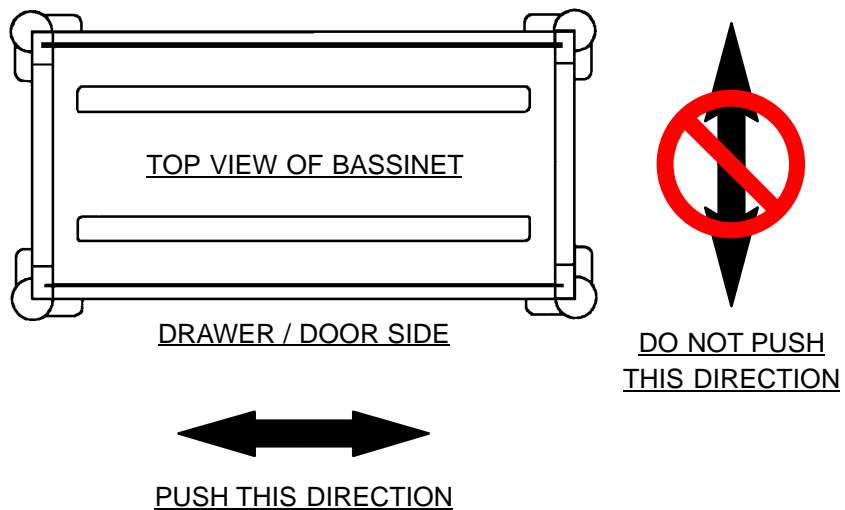
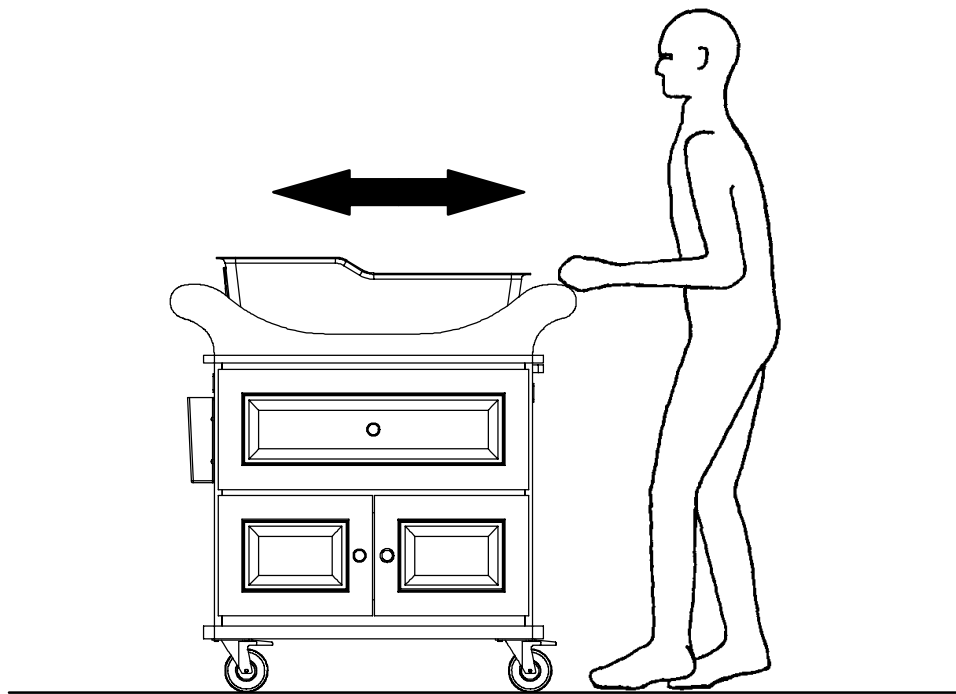
When putting the bassinet into Trendelenburg/Reverse Trendelenburg, verify the "C" hook is engaged and secure before releasing the tub or injury could occur.

---

# Bassinet Operating Instructions

---

## PROPER BASSINET PUSHING TECHNIQUE



---

### WARNING

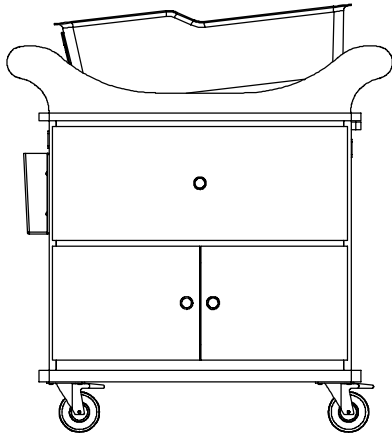
Push the bassinet only from the ends as indicated by the illustrations above. Do not push the bassinet from the sides or tipping of the bassinet could occur and injury could result.

---

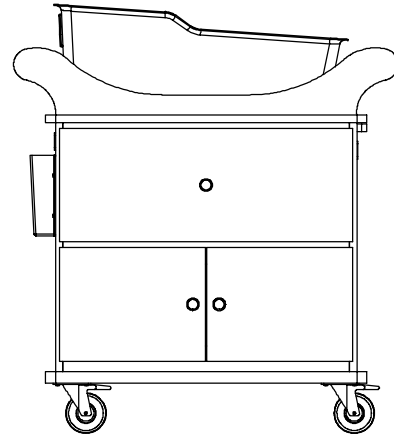
# Bassinet Operating Instructions

---

## TRENDELENBURG POSITIONING



BASSINET IN  
TRENDELENBURG POSITION



BASSINET IN  
REVERSE TRENDELENBURG POSITION

To put the bassinet into the Trendelenburg/Reverse Trendelenburg position, lift up on either end of the tub, then lower it until the “C” hook engages securely with the end rail (see above).

---

### WARNING

When putting the bassinet into Trendelenburg/Reverse Trendelenburg, verify the “C” hook is engaged and secure before releasing the tub or injury could occur.

---

Tub with “C” Hooks – part number 4400–118–106

12 1/2” x 26” Mattress – part number 8800–346–300

# Preventive Maintenance

---

## MAINTENANCE CHECKLIST

- \_\_\_\_\_ All fasteners secure
- \_\_\_\_\_ All casters secure and swiveling properly
- \_\_\_\_\_ No debris in casters
- \_\_\_\_\_ Front casters hold when brakes are applied
- \_\_\_\_\_ Pull-out chart board intact and secure
- \_\_\_\_\_ Trendelenburg hook intact
- \_\_\_\_\_ Drawers intact and sliding smoothly
- \_\_\_\_\_ Doors intact and hinges operating smoothly
- \_\_\_\_\_ Warning labels intact and legible

Serial No. \_\_\_\_\_  
\_\_\_\_\_

\_\_\_\_\_

\_\_\_\_\_

Completed By: \_\_\_\_\_ Date: \_\_\_\_\_

## CLEANING

To clean the bassinet cabinet, use a cleaner formulated especially for wood furniture. Do not use oils or ammonia. Dilute the cleaner according to the manufacturer's directions. Dampen, but do not saturate, a soft cloth with the diluted cleaner and wipe the surface in the direction of the wood grain to remove dirt and finger prints. Wipe the surface with a soft, dry cloth to remove any moisture. Spray wax may be applied sparingly twice a year.

Clean the bassinet tub using a damp sponge or soft cotton cloth and a mild soap or detergent solution. Rinse well with clean water and dry using a clean, soft cotton cloth. Do not expose bassinet tubs to temperatures in excess of 140 degrees F. Use mineral spirits to remove grease, oil, or adhesive tape residue. Any residual film should be washed off immediately as described above.

---

## CAUTION

DO NOT USE window sprays, all-purpose surface cleaners, abrasive scouring cleaners or solvents such as acetone, gasoline, benzene, toluene, chlorinated hydrocarbons, or lacquer thinner to clean the bassinet tub. These cleaners will permanently damage the bassinet tub.

Use an automotive cleaner/wax to remove surface scratches on the tub. Apply the wax to the scratched area with a clean, slightly damp, soft cotton cloth, working the compound into the surface with firm circular motions until almost dry. Allow to dry completely, and buff with a clean, soft cotton cloth.

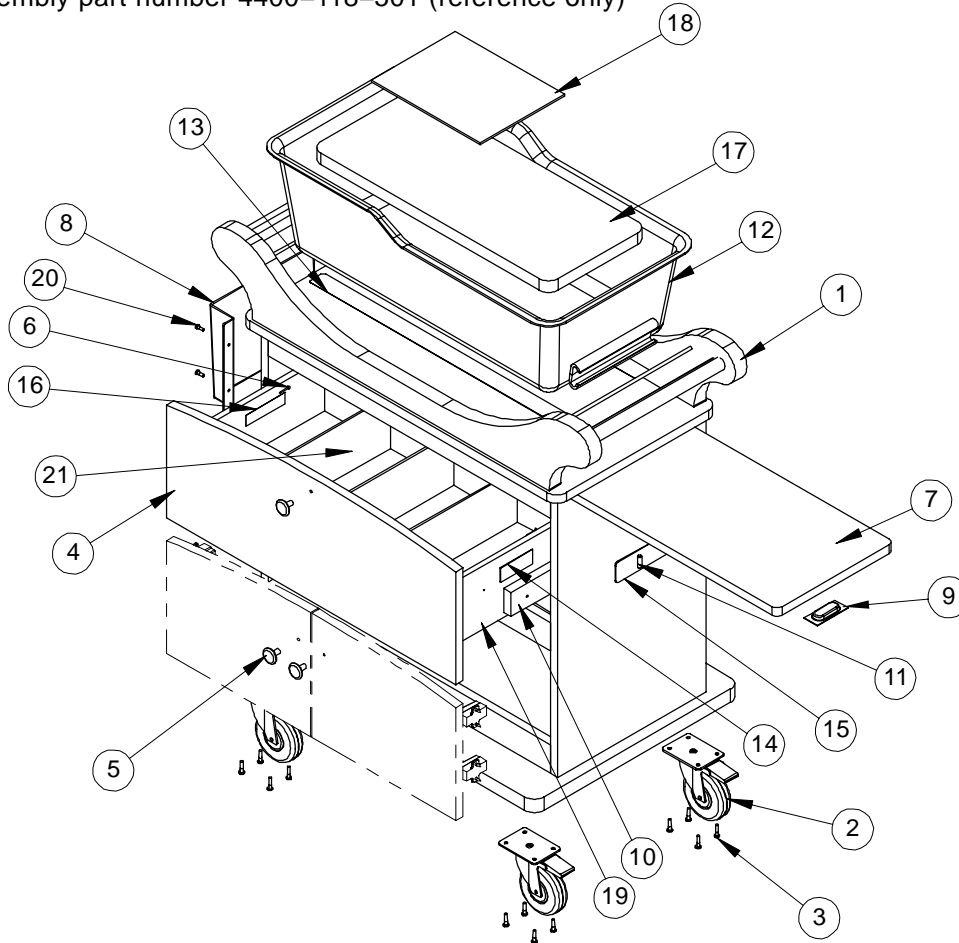
# Notes

---



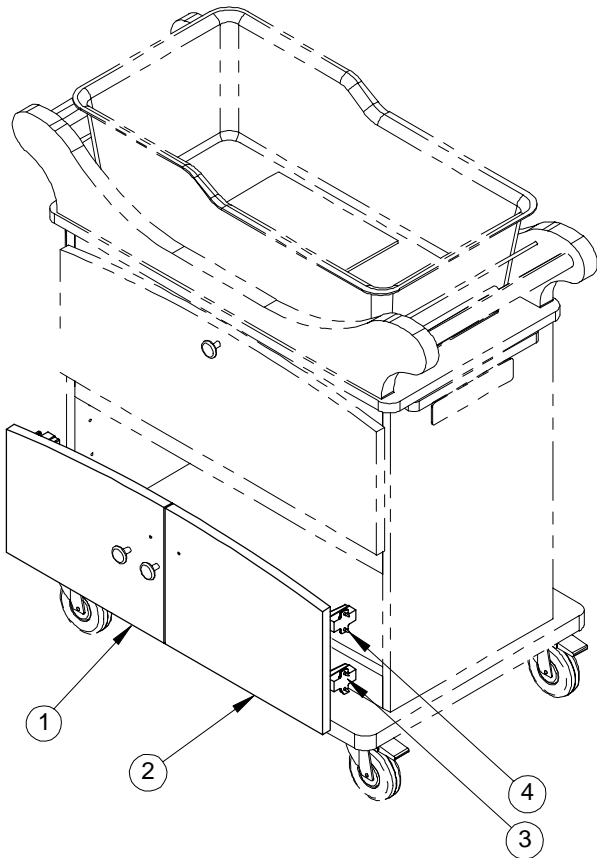
# Modern-Style Bassinet Assembly

Assembly part number 4400-118-501 (reference only)



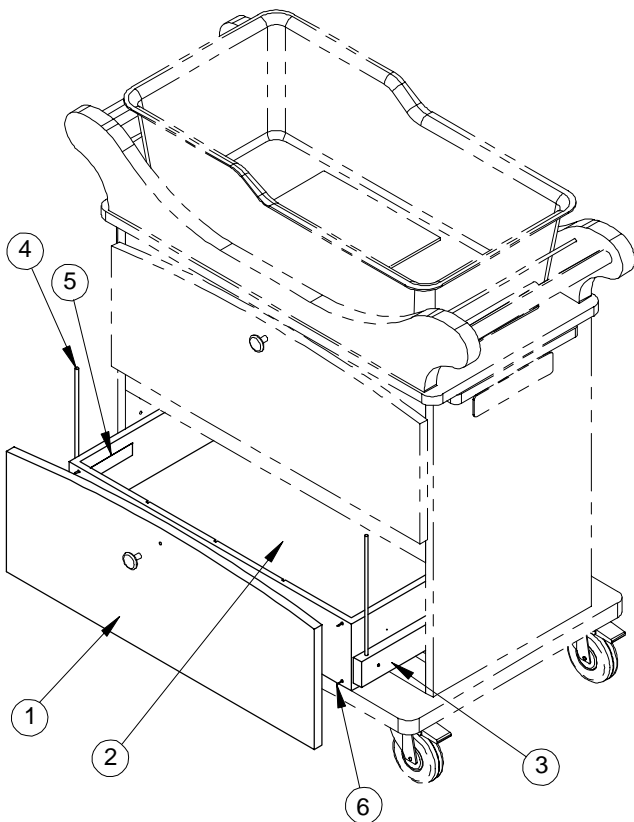
Item	Part No.	Part Name	Qty.
1	4400-118-104	Bassinet Cabinet	1
2	4400-118-230	Locking Caster	4
3	4400-110-057	Wood Screw	16
4	4400-118-243	Modern Drawer Front	1
5	(page 16)	Knob	3
6	8801-580-200	Grabber Screw	4
7	4400-118-244	Chartboard	1
8	4400-118-231	Chartholder	1
9	4400-118-232	Chartboard Pull	1
10	4400-118-233	Drawer Slide	2
11	4400-111-301	Dowel Pin	2
12	4400-118-106	Tub	1
13	8800-469-800	Pad	2
14	8801-410-100	Serial Number Label	1
15	4400-090-003	Push Direction Label	2
16	4400-110-901	Warning Label	2
17	8800-346-300	Mattress	1
18	4400-009-118	User Manual	1
19	4400-118-234	Drawer Box	1
20	4400-110-071	Pan Hd. Screw	4
21	4400-118-235	Drawer Divider	3

# Modern-Style Bassinet Assembly



## 4400-099-461 Modern Bassinet Door Option

Item	Part No.	Part Name	Qty.
1	4400-118-245	Left Door, Modern	1
2	4400-118-246	Right Door, Modern	1
3	4400-111-302	Hinge	4
4	0020-013-000	Wood Screw	16

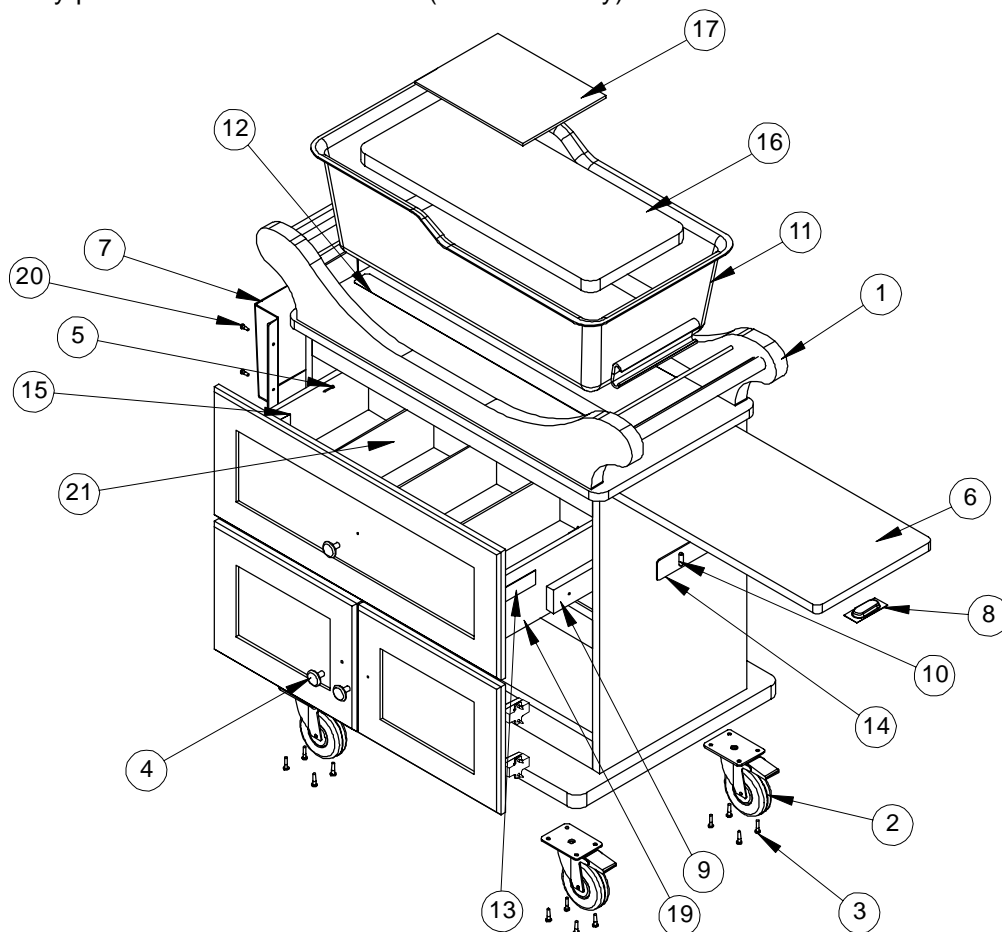


## 4400-099-462 Modern Bassinet Drawer Option

Item	Part No.	Part Name	Qty.
1	4400-118-243	Modern Drawer Front	1
2	4400-118-234	Drawer Box	1
3	4400-118-233	Drawer Slide	2
4	4400-118-236	Interlock Rod	2
5	4400-110-901	Warning Label	2
6	8801-580-200	Grabber Screw	4

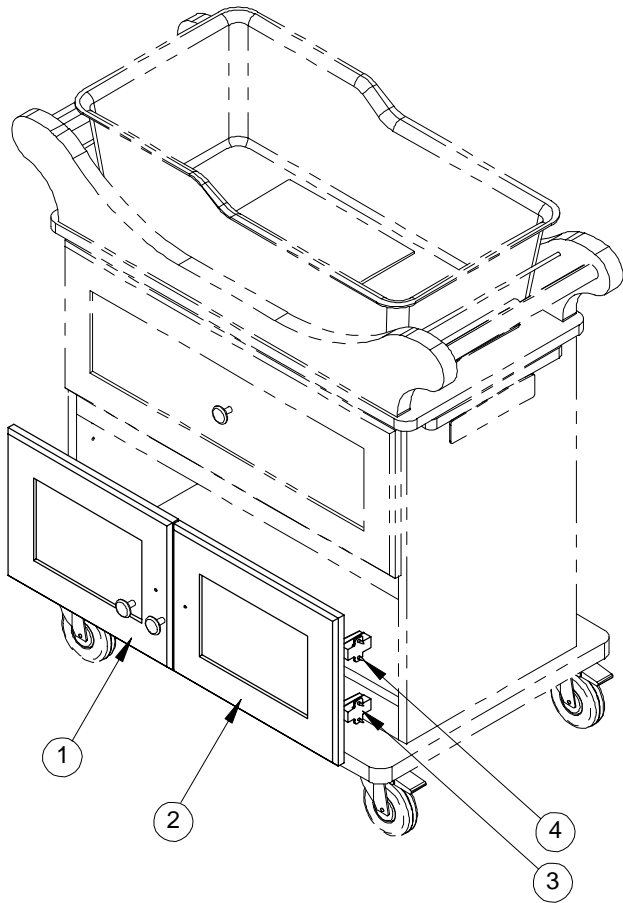
# Shaker-Style Bassinet Assembly

Assembly part number 4400-218-501 (reference only)



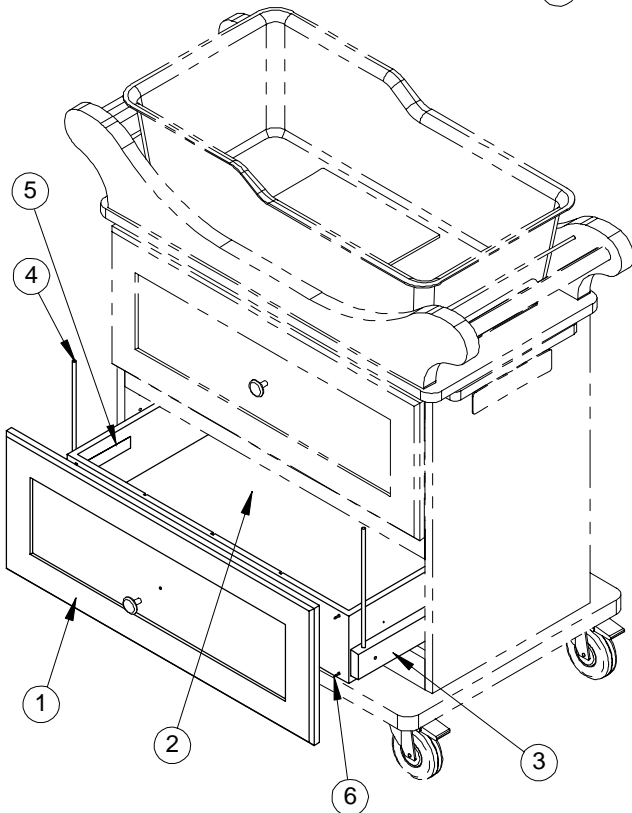
Item	Part No.	Part Name	Qty.
1	4400-118-104	Bassinet Cabinet	1
2	4400-118-230	Locking Caster	4
3	4400-110-057	Wood Screw	16
4	(page 16)	Knob	3
5	8801-580-200	Grabber Screw	4
6	4400-118-244	Chartboard	1
7	4400-118-231	Chartholder	1
8	4400-118-232	Chartboard Pull	1
9	4400-118-233	Drawer Slide	2
10	4400-111-301	Dowel Pin	2
11	4400-118-106	Tub	1
12	8800-469-800	Pad	2
13	8801-410-100	Serial Number Label	1
14	4400-090-003	Push Direction Label	2
15	4400-110-901	Warning Label	2
16	8800-346-300	Mattress	1
17	4400-009-118	User Manual	1
18	4400-218-207	Shaker Drawer Front	1
19	4400-118-234	Drawer Box	1
20	4400-110-071	Pan Hd. Screw	4
21	4400-118-235	Drawer Divider	3

# Shaker-Style Bassinet Assembly



## 4400-099-463 Shaker Bassinet Door Option

Item	Part No.	Part Name	Qty.
1	4400-218-205	Left Door, Shaker	1
2	4400-218-206	Right Door, Shaker	1
3	4400-111-302	Hinge	4
4	0020-013-000	Wood Screw	16

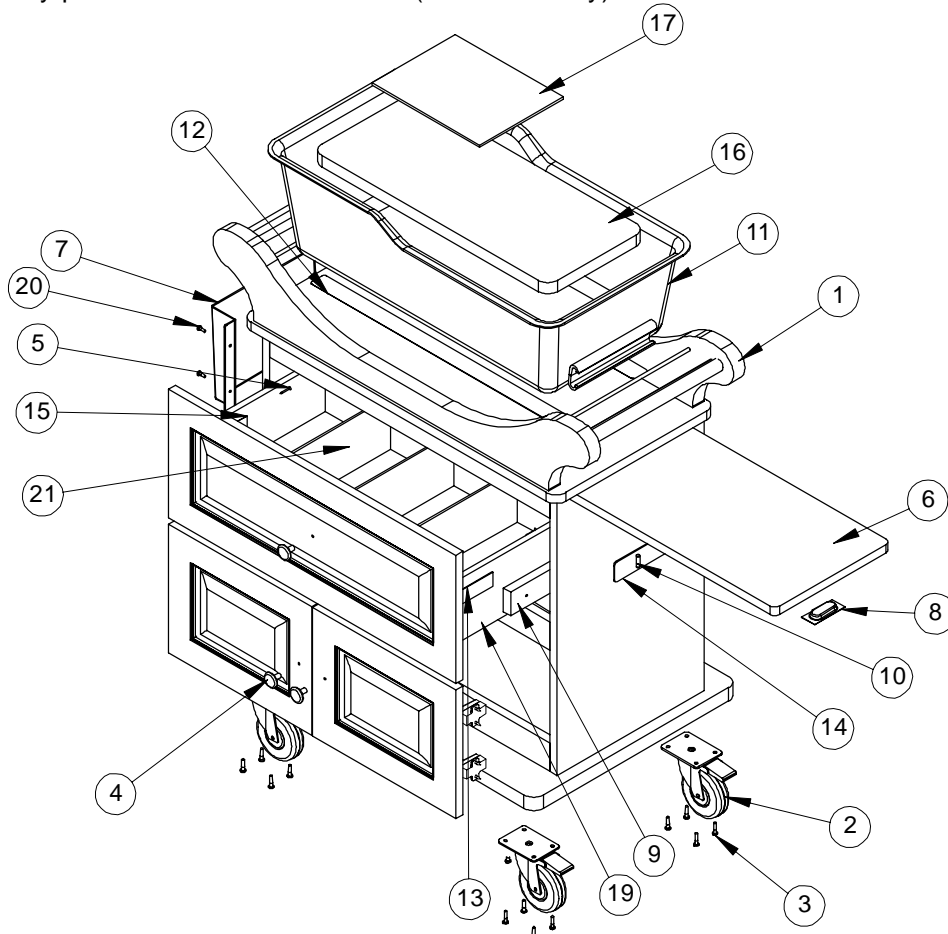


## 4400-099-464 Shaker Bassinet Drawer Option

Item	Part No.	Part Name	Qty.
1	4400-218-207	Shaker Drawer Front	1
2	4400-118-234	Drawer Box	1
3	4400-118-233	Drawer Slide	2
4	4400-118-236	Interlock Rod	2
5	4400-110-901	Warning Label	2
6	8801-580-200	Grabber Screw	4

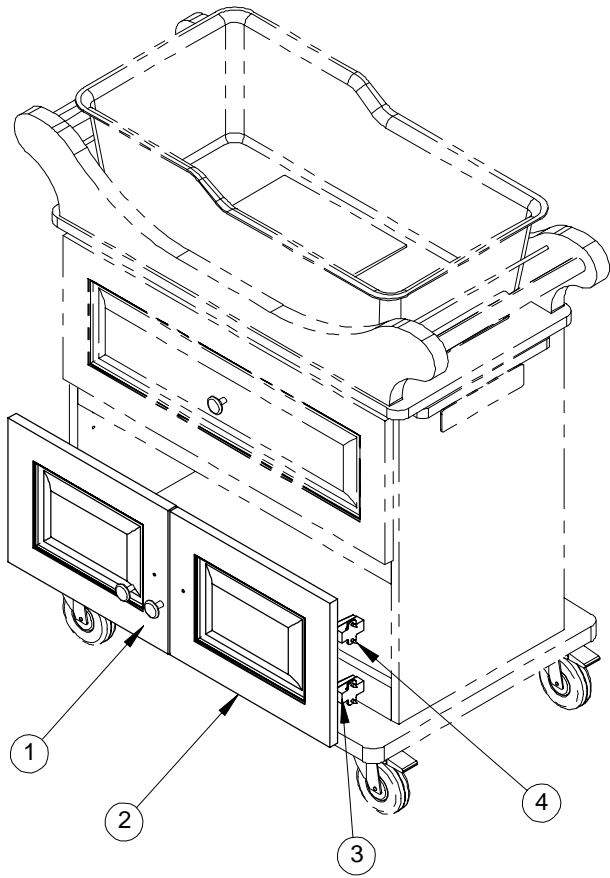
# Traditional-Style Bassinet Assembly

Assembly part number 4400-318-501 (reference only)



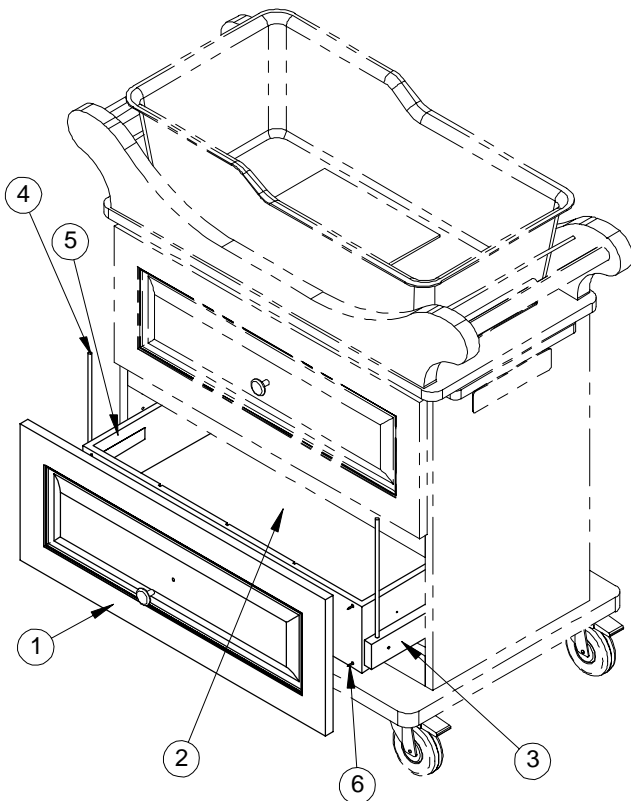
Item	Part No.	Part Name	Qty.
1	4400-118-104	Bassinet Cabinet	1
2	4400-118-230	Locking Caster	4
3	4400-110-057	Wood Screw	16
4	(page 16)	Knob	3
5	8801-580-200	Grabber Screw	4
6	4400-118-244	Chartboard	1
7	4400-118-231	Chartholder	1
8	4400-118-232	Chartboard Pull	1
9	4400-118-233	Drawer Slide	2
10	4400-111-301	Dowel Pin	2
11	4400-118-106	Tub	1
12	8800-469-800	Pad	2
13	8801-410-100	Serial Number Label	1
14	4400-090-003	Push Direction Label	2
15	4400-110-901	Warning Label	2
16	8800-346-300	Mattress	1
17	4400-009-118	User Manual	1
18	4400-318-206	Traditional Drawer Front	1
19	4400-118-234	Drawer Box	1
20	4400-110-071	Pan Hd. Screw	4
21	4400-118-235	Drawer Divider	3

# Traditional-Style Bassinet Assembly



## 4400-099-465 Traditional Bassinet Door Option

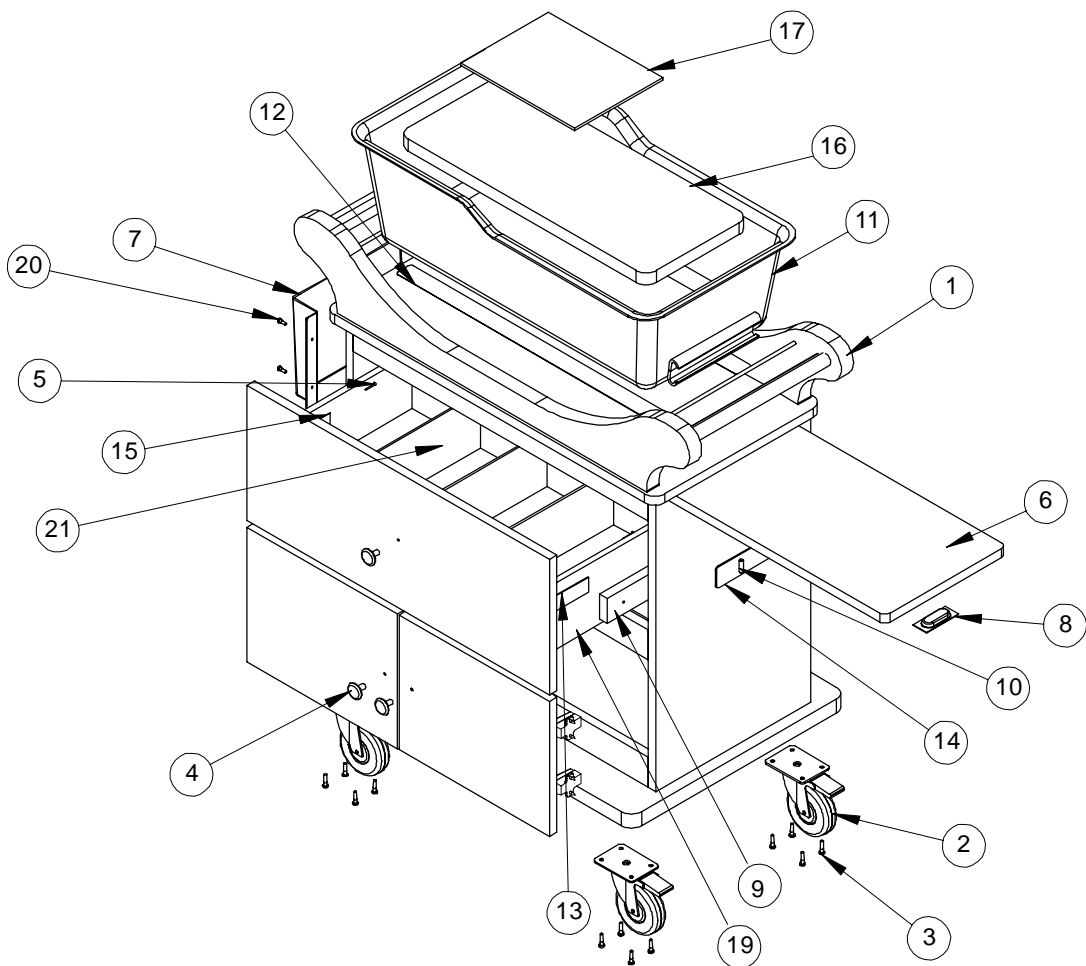
Item	Part No.	Part Name	Qty.
1	4400-318-204	Left Door, Traditional	1
2	4400-318-205	Right Door, Traditional	1
3	4400-111-302	Hinge	4
4	0020-013-000	Wood Screw	16



## 4400-099-466 Traditional Bassinet Drawer Option

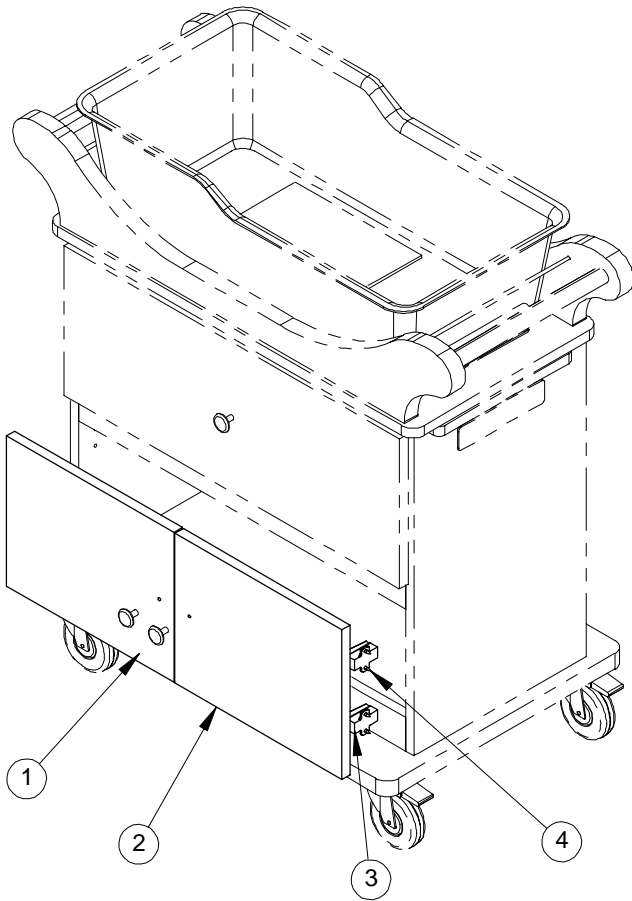
Item	Part No.	Part Name	Qty.
1	4400-318-206	Shaker Drawer Front	1
2	4400-118-234	Drawer Box	1
3	4400-118-233	Drawer Slide	2
4	4400-118-236	Interlock Rod	2
5	4400-110-901	Warning Label	2
6	8801-580-200	Grabber Screw	4

# Euro-Style Bassinet Assembly



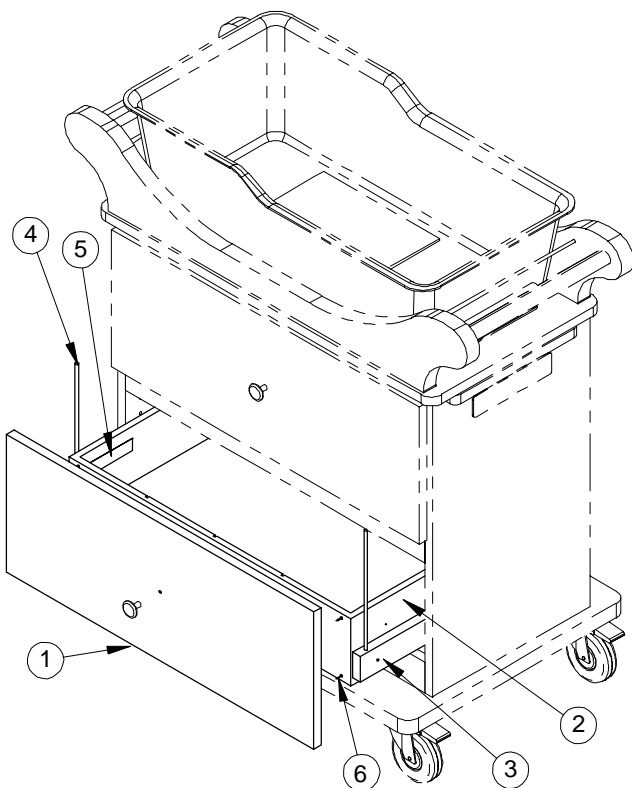
Item	Part No.	Part Name	Qty.
1	4400-118-104	Bassinet Cabinet	1
2	4400-118-230	Locking Caster	4
3	4400-110-057	Wood Screw	16
4	(page 16)	Knob	3
5	8801-580-200	Grabber Screw	4
6	4400-118-244	Chartboard	1
7	4400-118-231	Chartholder	1
8	4400-118-232	Chartboard Pull	1
9	4400-118-233	Drawer Slide	2
10	4400-111-301	Dowel Pin	2
11	4400-118-106	Tub	1
12	8800-469-800	Pad	2
13	8801-410-100	Serial Number Label	1
14	4400-090-003	Push Direction Label	2
15	4400-110-901	Warning Label	2
16	8800-346-300	Mattress	1
17	4400-110-083	User Manual	1
18	4400-418-206	Euro Drawer Front	1
19	4400-118-234	Drawer Box	1
20	4400-110-071	Pan Hd. Screw	4
21	4400-118-235	Drawer Divider	3

# Euro-Style Bassinet Assembly



## 4400-099-467 Euro Bassinet Door Option

Item	Part No.	Part Name	Qty.
1	4400-418-204	Left Door, Euro	1
2	4400-418-205	Right Door, Euro	1
3	4400-111-302	Hinge	4
4	0020-013-000	Wood Screw	16



## 4400-099-46 Euro Bassinet Drawer Option

Item	Part No.	Part Name	Qty.
1	4400-418-206	Euro Drawer Front	1
2	4400-118-234	Drawer Box	1
3	4400-118-233	Drawer Slide	2
4	4400-118-236	Interlock Rod	2
5	4400-110-901	Warning Label	2
6	8801-580-200	Grabber Screw	4



## Knobs – All Bassinets

---

<b>KNOBS</b>	
<b>Part Number</b>	<b>Description</b>
8100-000-003	Round Knob, Brushed Antique Brass
8100-000-004	Round Knob, Polished Brass
8100-000-005	Oval Knob, Polished Chrome
8100-000-010	Round Knob, Polished Chrome
8100-000-011	Round Knob, Brushed Stainless Steel
8100-000-012	Oval Knob, Polished Brass
8100-000-013	Oval Knob, Brushed Antique Brass
8100-000-014	Oval Knob, Brushed Stainless Steel

# Warranty

---

## Limited Warranty:

Stryker Medical Division, a division of Stryker Corporation, warrants to the original purchaser that its products should be free from defects in material and workmanship for a period of one (1) year after date of delivery. Stryker's obligation under this warranty is expressly limited to supplying replacement parts and labor for, or replacing, at its option, any product which is, in the sole discretion of Stryker, found to be defective. Stryker warrants to the original purchaser that the frame and welds on its beds will be free from structural defects for as long as the original purchaser owns the bed. If requested by Stryker, products or parts for which a warranty claim is made shall be returned prepaid to Stryker's factory. Any improper use or any alteration or repair by others in such manner as in Stryker's judgement affects the product materially and adversely shall void this warranty. Any repair of Stryker products using parts not provided or authorized by Stryker shall void this warranty. No employee or representative of Stryker is authorized to change this warranty in any way.

Stryker Medical stretchers are designed for a 10 year expected life under normal use conditions and appropriate periodic maintenance as described in the maintenance manual for each device.

This statement constitutes Stryker's entire warranty with respect to the aforesaid equipment. STRYKER MAKES NO OTHER WARRANTY OR REPRESENTATION, EITHER EXPRESSED OR IMPLIED, EXCEPT AS SET FORTH HEREIN. THERE IS NO WARRANTY OF MERCHANTABILITY AND THERE ARE NO WARRANTIES OF FITNESS FOR ANY PARTICULAR PURPOSE. IN NO EVENT SHALL STRYKER BE LIABLE HEREUNDER FOR INCIDENTAL OR CONSEQUENTIAL DAMAGES ARISING FROM OR IN ANY MANNER RELATED TO SALES OR USE OF ANY SUCH EQUIPMENT.

## To Obtain Parts and Service:

Stryker products are supported by a nationwide network of dedicated Stryker Field Service Representatives. These representatives are factory trained, available locally, and carry a substantial spare parts inventory to minimize repair time. Simply call your local representative, or call Stryker Customer Service at (800) 327-0770.

## Service Contract Coverage:

Stryker has developed a comprehensive program of service contract options designed to keep your equipment operating at peak performance at the same time it eliminates unexpected costs. We recommend that these programs be activated *before* the expiration of the new product warranty to eliminate the potential of additional equipment upgrade charges.

## **A SERVICE CONTRACT HELPS TO:**

- Ensure equipment reliability
- Stabilize maintenance budgets
- Diminish downtime
- Establish documentation for JCAHO
- Increase product life
- Enhance trade-in value
- Address risk management and safety

# Warranty

**Stryker offers the following service contract programs:**

<b>SPECIFICATIONS</b>	<b>GOLD</b>	<b>SILVER</b>	<b>PM* ONLY</b>
Annually scheduled preventative maintenance	X		X
All parts,** labor, and travel	X	X	
Unlimited emergency service calls	X	X	
Priority one contact; two hour phone response	X	X	X
Most repairs will be completed within 3 business days	X	X	
JCAHO documentation	X	X	X
On-site log book w/ preventative maintenance & emergency service records	X		
Factory-trained Stryker Service Technicians	X	X	X
Stryker authorized parts	X	X	X
End of year summary	X		
Stryker will perform all service during regular business hours (9-5)	X	X	X

\* Replacement parts and labor for products under PM contract will be discounted.

\*\* Does not include any disposable items, I.V. poles (except for Stryker HD permanent poles), mattresses, or damage resulting from abuse.

**Stryker Medical also offers *personalized* service contracts.**

**Pricing is determined by age, location, model and condition of product.**

***For more information on our service contracts, please call your local representative or call (800) 327-0770 (option #2).***

## **Return Authorization:**

Merchandise cannot be returned without approval from the Stryker Customer Service Department. An authorization number will be provided which must be printed on the returned merchandise. Stryker reserves the right to charge shipping and restocking fees on returned items.

SPECIAL, MODIFIED, OR DISCONTINUED ITEMS NOT SUBJECT TO RETURN.

## **Damaged Merchandise:**

ICC Regulations require that claims for damaged merchandise must be made with the carrier within fifteen (15) days of receipt of merchandise. **DO NOT ACCEPT DAMAGED SHIPMENTS UNLESS SUCH DAMAGE IS NOTED ON THE DELIVERY RECEIPT AT THE TIME OF RECEIPT.** Upon prompt notification, Stryker will file a freight claim with the appropriate carrier for damages incurred. Claim will be limited in amount to the actual replacement cost. In the event that this information is not received by Stryker within the fifteen (15) day period following the delivery of the merchandise, or the damage was not noted on the delivery receipt at the time of receipt, the customer will be responsible for payment of the original invoice in full.

Claims for any short shipment must be made within thirty (30) days of invoice.

## **International Warranty Clause:**

This warranty reflects U.S. domestic policy. Warranty outside the U.S. may vary by country. Please contact your local Stryker Medical representative for additional information.

---

## **European Representative**

Stryker EMEA RA/QA Director  
Stryker France  
ZAC Satolas Green Pusignan  
Av. De Satolas Green  
69881 MEYZIEU Cedex  
France

**stryker**<sup>®</sup>

6300 S. Sprinkle Road, Kalamazoo, MI 49001-9799  
(800) 327-0770  
[www.strykermedical.com](http://www.strykermedical.com)