

# stryker<sup>®</sup>

## Operations/Maintenance Manual








# Table of contents

---

Symbols . . . . .	<a href="#">4</a>
Warning/Caution/Note definition . . . . .	<a href="#">5</a>
Introduction . . . . .	<a href="#">6</a>
Product description . . . . .	<a href="#">6</a>
Intended use . . . . .	<a href="#">6</a>
Expected service life . . . . .	<a href="#">6</a>
Contraindications . . . . .	<a href="#">7</a>
Specifications . . . . .	<a href="#">7</a>
Contact information . . . . .	<a href="#">8</a>
Serial number location . . . . .	<a href="#">8</a>
Summary of safety precautions . . . . .	<a href="#">9</a>
Operation . . . . .	<a href="#">10</a>
Pushing the bassinet . . . . .	<a href="#">10</a>
Positioning Trendelenburg . . . . .	<a href="#">11</a>
Cleaning . . . . .	<a href="#">12</a>
Preventive maintenance . . . . .	<a href="#">12</a>
Checklist . . . . .	<a href="#">12</a>
Quick reference replacement parts . . . . .	<a href="#">13</a>
Modern style bassinet assembly . . . . .	<a href="#">14</a>
Shaker style bassinet assembly . . . . .	<a href="#">16</a>
Traditional style bassinet assembly . . . . .	<a href="#">18</a>
Euro style bassinet assembly . . . . .	<a href="#">20</a>
Knobs - all bassinets . . . . .	<a href="#">22</a>
Warranty . . . . .	<a href="#">23</a>
Limited warranty . . . . .	<a href="#">23</a>
Warranty exclusion and damage limitations . . . . .	<a href="#">23</a>
To obtain parts and service . . . . .	<a href="#">23</a>
Return authorization . . . . .	<a href="#">23</a>
Damaged product . . . . .	<a href="#">23</a>
International warranty clause . . . . .	<a href="#">23</a>

# Symbols

---

	Warning/Caution: Consult accompanying documentation
	Safe Working Load
	Manufacturer

# Warning/Caution/Note definition

---

The words **WARNING**, **CAUTION** and **NOTE** carry special meanings and should be carefully reviewed.

---

## **WARNING**

Alerts the reader about a situation which, if not avoided, could result in death or serious injury. It may also describe potential serious adverse reactions and safety hazards.

---

## **CAUTION**

Alerts the reader of a potentially hazardous situation which, if not avoided, may result in minor or moderate injury to the user or patient or damage to the equipment or other property. This includes special care necessary for the safe and effective use of the device and the care necessary to avoid damage to a device that may occur as a result of use or misuse.

---

## **NOTE**

Provides special information to make maintenance easier or important instructions clearer.

# Introduction

---

This manual assists you with the operation or maintenance of the Stryker Infant Bassinet. Read this manual thoroughly before operating or maintaining this product. Set methods and procedures to educate and train your staff on the safe operation or maintenance of this product.

---

## WARNING

- Improper usage of the product can cause injury to the patient or operator. Operate the product only as described in this manual.
  - Do not change the product or any components of the product. Modifying the product can cause unpredictable operation resulting in injury to patient or operator. Modifying the product also voids its warranty.
- 

## Notes

- This manual is a permanent part of the product and should remain with the product even if the product is sold.
- Stryker continually seeks advancements in product design and quality. This manual contains the most current product information available at the time of printing. There may be minor discrepancies between your product and this manual. If you have any questions, contact Stryker Customer Service or Technical Support at 1-800-327-0770.

## PRODUCT DESCRIPTION

The bassinet is intended to be used with infants after delivery in a maternity suite. The clear bassinet design gives high visibility to the infant.

The product consists of a base, drawer/cabinet set, and tub. The base has four swivel casters that allow the bassinet to be moved manually using the handles located on the sleigh rails. The braking method can be accomplished by manually engaging a single pedal on either of the front two castors. The drawer/cabinet set can come in either a two drawer or single drawer with two door configuration. The top drawer includes drawer organizers to section the drawer. The tub sits on top of the bassinet surrounded by sleigh rails. The tub can be placed in trendelenburg or reverse trendelenburg using the trend rods located on the rails. The bassinet also has a chartholder located on the left side of the product and a pull out charting surface located on the right side of the product.

## INTENDED USE

The bassinet is intended to support and transport infants in a healthcare environment. The product is intended to be used in a healthcare environment, including hospitals and birthing centers. The C hook on the bassinet tub allows the operator to put the patient into trendelenburg or reverse trendelenburg.

The bassinet is intended to be used in a general hospital setting. The safe working load for 4400 is 25 lb for each drawer, 5 lb for chart holder, 10 lb for pull out charting surface, 25 lb for tub (including accessories), and 15 lb inside of the storage compartment.

The bassinet is intended to support a human patient. The bassinet can come in contact with skin.

Intended operators are health care professionals (nurses, nurse aids, doctors) and bystanders.

## EXPECTED SERVICE LIFE

The bassinet has a seven year expected service life under normal use conditions and with appropriate periodic maintenance.

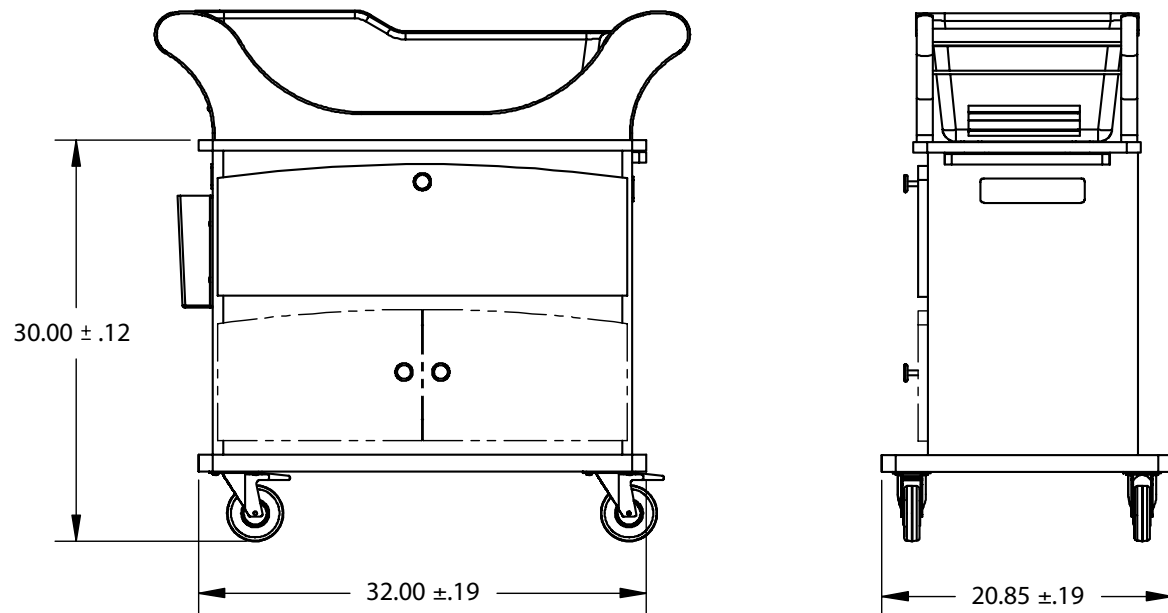
# Introduction

---

## CONTRAINDICATIONS

- The bassinet is not intended to be used with infants that can sit up.
- The bassinet tub is not intended to be used without the base.

## SPECIFICATIONS



**DIMENSIONS APPLY TO ALL STYLES (MODERN STYLE SHOWN)**

# Introduction

---

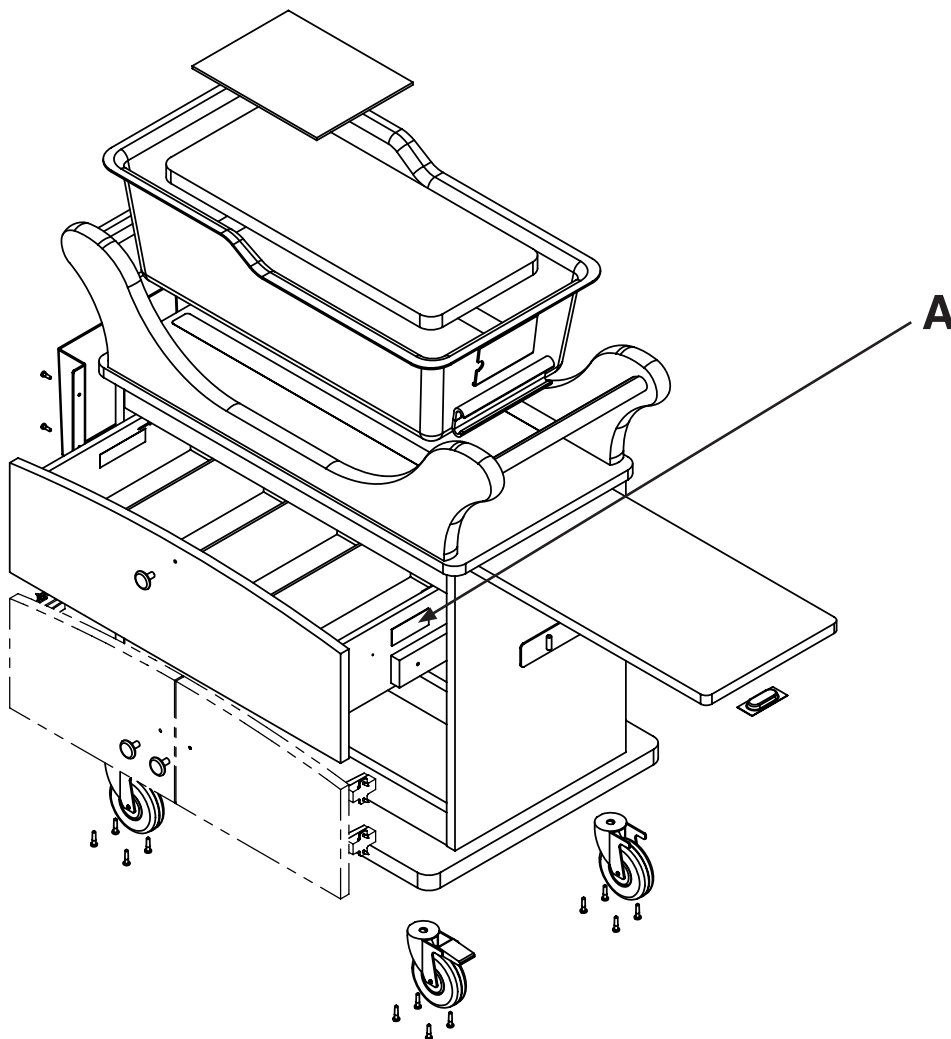
## CONTACT INFORMATION

Contact Stryker Customer Service or Technical Support at: 1-800-327-0770.

Stryker Medical  
3800 E. Centre Avenue  
Portage, MI 49002  
USA

Have the serial number (A) of your Stryker product available when calling Stryker Customer Service or Technical Support. Include the serial number in all written communication.

## SERIAL NUMBER LOCATION





# Summary of safety precautions

---

Carefully read and strictly follow the warnings and cautions listed on these pages. Service only by qualified personnel.

---

## **WARNING**

- Do not leave an infant unattended and do not leave sheets, blankets, pillows or other items in the bassinet with the infant.
  - Do not lift the bassinet tub with an infant inside.
  - Do not use the bassinet with an infant that can sit up or pull themselves up without assistance.
  - To avoid the risk of tipping the bassinet:
    - Do not sit or lean on the chartboard or apply excessive weight. Use the pull out chartboard only as a writing surface.
    - Do not place more than 5 lb (2 kg) in the chart holder.
    - Do not place more than 10 lb (4.5 kg) onto the chartboard.
    - Do not place more than 15 lb (6.8 kg) inside of the storage compartment.
    - Do not place more than 25 lb (11 kg) in the tub.
    - Do not place more than 25 lb (11 kg) in each bassinet drawer.
    - Do not push the bassinet from the sides. Push the bassinet only from the ends.
  - When putting the bassinet into Trendelenburg/Reverse Trendelenburg, engage and secure the C-hook before releasing the tub.
  - Do not leave objects inside of the tub. Objects left inside of the tub could be hazardous to the patient.
  - Do not expose the tub to alcohol, solvents, or abrasive cleaning agents.
- 

## **CAUTION**

Always make sure that you wipe each component with clean water and thoroughly dry each product after cleaning. Some cleaning products are corrosive in nature and may cause damage to the product if you use them improperly. If you do not properly rinse and dry the product, a corrosive residue may be left on the surface of the product that could cause premature corrosion of critical components. Failure to follow these cleaning instructions may void your warranty.

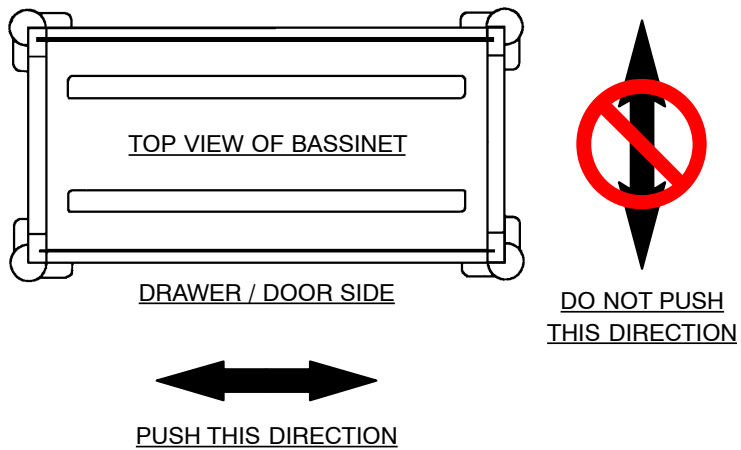
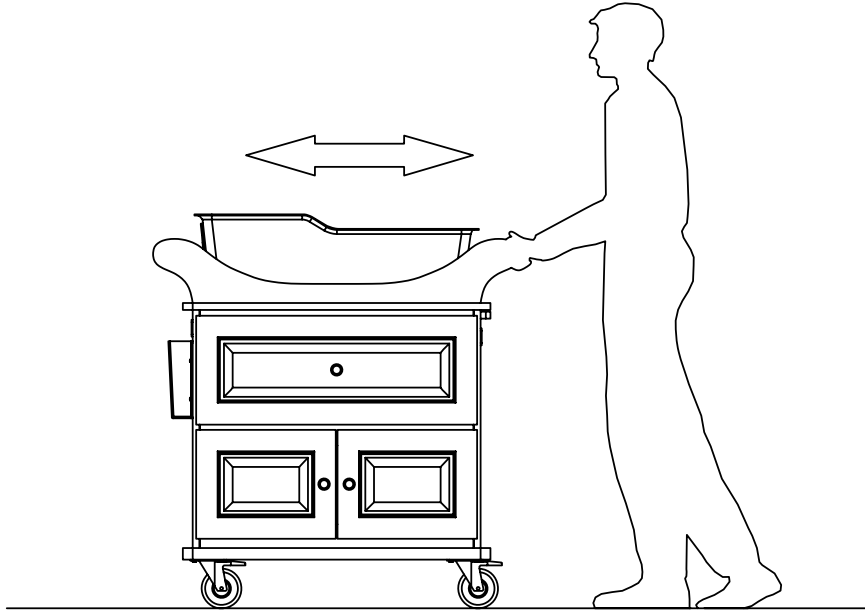
---

# Operation

## PUSHING THE BASSINET

**⚠ WARNING**

Do not push the bassinet from the sides. Always push the bassinet from the ends.



# Operation

---

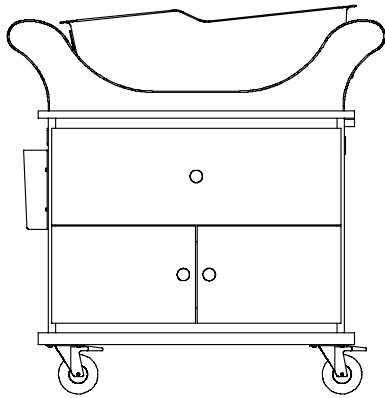
## POSITIONING TRENDLENBURG

To put the bassinet into the Trendelenburg/Reverse Trendelenburg position, lift up on either end of the tub, then lower it until you engage and secure the C-hook with the end rail.

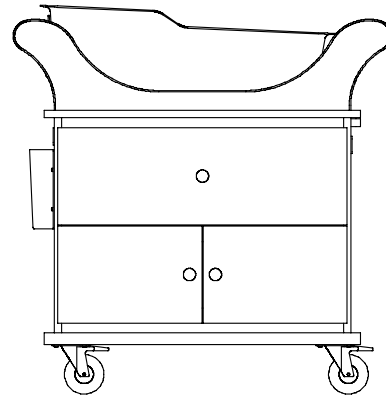
---

### WARNING

- When putting the bassinet into Trendelenburg/Reverse Trendelenburg, engage and secure the C-hook before releasing the tub.
  - Do not place more than 25 lb (11 kg) in the tub.
  - Do not leave objects inside of the tub. Objects left inside of the tub could be hazardous to the patient.
- 



**Bassinet in Reverse  
Trendelenburg Position**



**Bassinet in  
Trendelenburg Position**

# Cleaning

## WARNING

Do not expose the tub to alcohol, solvents, or abrasive cleaning agents.

## CAUTION

Always make sure that you wipe each component with clean water and thoroughly dry each product after cleaning. Some cleaning products are corrosive in nature and may cause damage to the product if you use them improperly. If you do not properly rinse and dry the product, a corrosive residue may be left on the surface of the product that could cause premature corrosion of critical components. Failure to follow these cleaning instructions may void your warranty.

**Bassinets tub:** Hand wash the tub with warm water and a mild anti-bacterial soap solution. Dry thoroughly.

**Wood Construction:** Hospital-grade cleaning agents may be used on Stryker Medical wood products as long as the liquid is not left sitting on the surface for an extended period of time. Failure to wipe up liquids or cleaners immediately from the wood surface with a soft, dry cloth may reduce the performance of the Valspar® finish and result in damage to the wood surface. Be sure to follow the instructions provided by the cleaning solution's manufacturer, and always test any cleaning agents on a hidden area of the wood first before proceeding with entire product.

**Melamine Construction:** The Center for Disease Control recommends a 1:4 mixture of bleach and water for disinfection. Thoroughly rinse the solution from the product surface. If other hospital-grade cleaning agents are used, follow the instructions provided by the cleaning solution's manufacturer. Wipe the surface with a soft, dry cloth to remove any moisture.

# Preventive maintenance

## CHECKLIST

Inspect the following items:

- All fasteners are secure
- Casters are secure and swivel properly
- Casters are free of debris
- Front casters hold when brakes are applied
- Pull out chart board is intact and secure
- Trendelenburg hook is intact
- Drawers are intact and sliding smoothly
- Doors are intact and hinges are operating smoothly
- Labels for legibility, proper adherence, and integrity

Serial Number:		

Completed by: \_\_\_\_\_ Date: \_\_\_\_\_

## Quick reference replacement parts

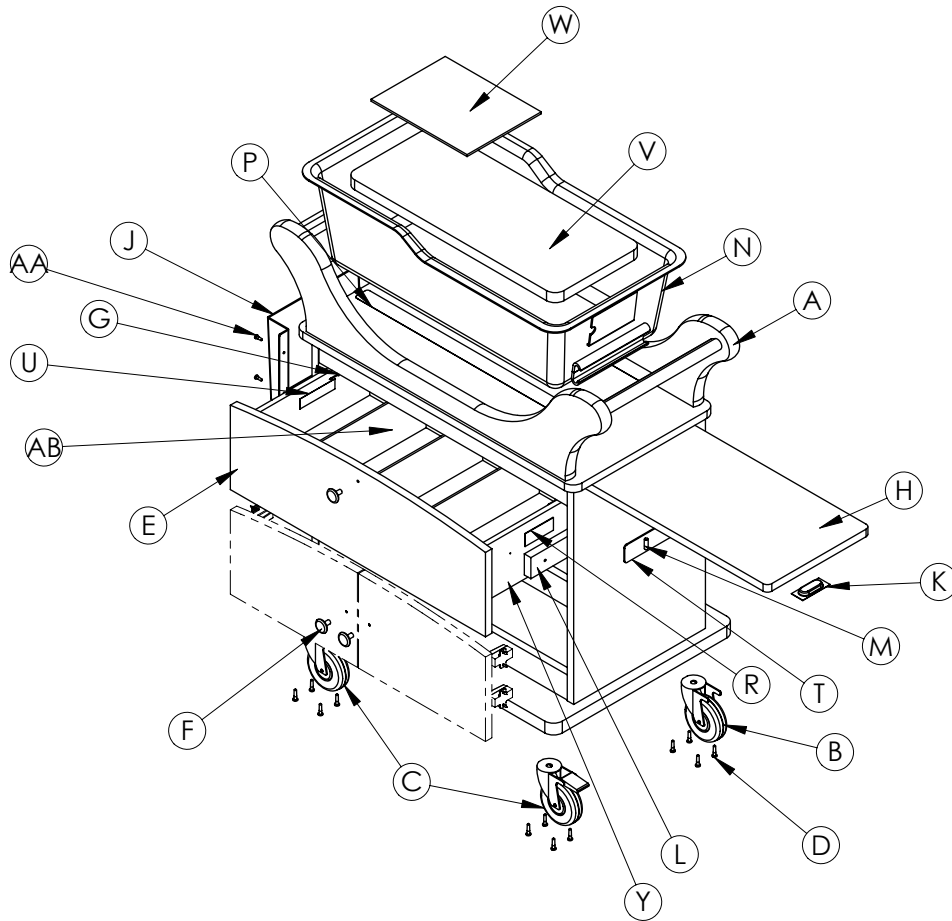
---

The parts and accessories listed on this page are all currently available for purchase. Some of the parts identified on the assembly drawing parts in this manual may not be individually available for purchase. Please call Stryker Customer Service USA at 1-800-327-0770 for availability and pricing.

<b>Part Name</b>	<b>Part Number</b>
Mattress, 12-1/2" x 26"	8800-346-300
Tub with C-hooks	4400-118-106

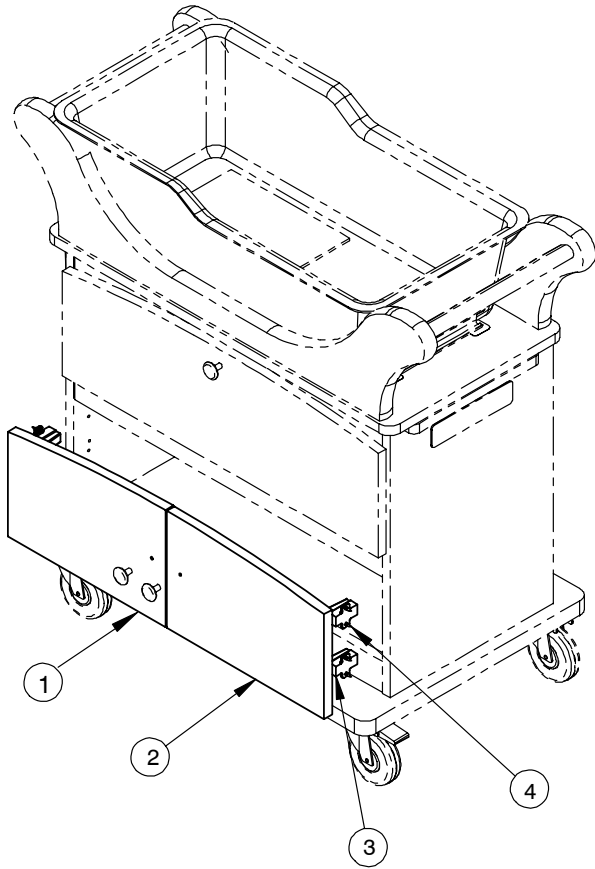
# Modern style bassinet assembly

4400-124-001 Rev B (Reference Only)



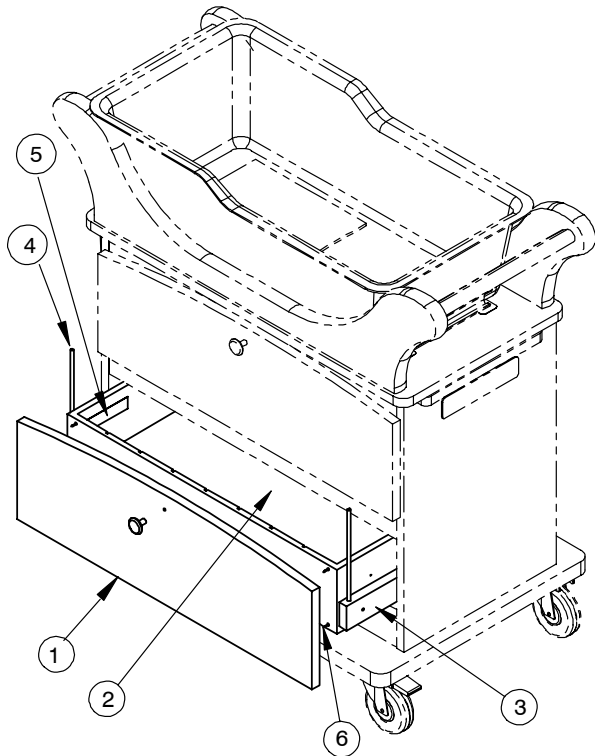
Item	Part No.	Part Name	Qty.
A	4400-118-107	Bassinet Cabinet	1
B	4400-118-256	Non-Locking Swivel Caster	2
C	4400-118-255	Locking Swivel Caster	2
D	4400-110-057	Wood Screw	16
E	4400-118-263	Modern Drawer Front	1
F	(see <a href="#">page 22</a> )	Knob	3
G	8801-580-200	Grabber Screw	4
H	4400-118-244	Chartboard	1
J	4400-118-231	Chartholder	1
K	4400-118-232	Chartboard Pull	1
L	4400-118-233	Drawer Slide	2
M	4400-111-301	Dowel Pin	2
N	4400-118-106	Tub	1
P	8800-469-800	Pad	2
R	8801-410-100	Label, Serial Number	1
T	4400-090-003	Label, Push Direction	2
U	4400-110-901	Label, Warning	2
V	8800-346-300	Mattress	1
W	4400-009-001	Manual	1
Y	4400-118-234	Drawer Box	1
AA	4400-110-071	Pan Head Screw	4
AB	4400-118-235	Drawer Divider	3

# Modern style bassinet assembly



## Modern Bassinet Door Option - 4400-099-469 Rev A

Item	Part No.	Part Name	Qty.
1	4400-118-261	Left Door, Modern	1
2	4400-118-262	Right Door, Modern	1
3	4400-111-302	Hinge	4
4	0020-013-000	Wood Screw	16

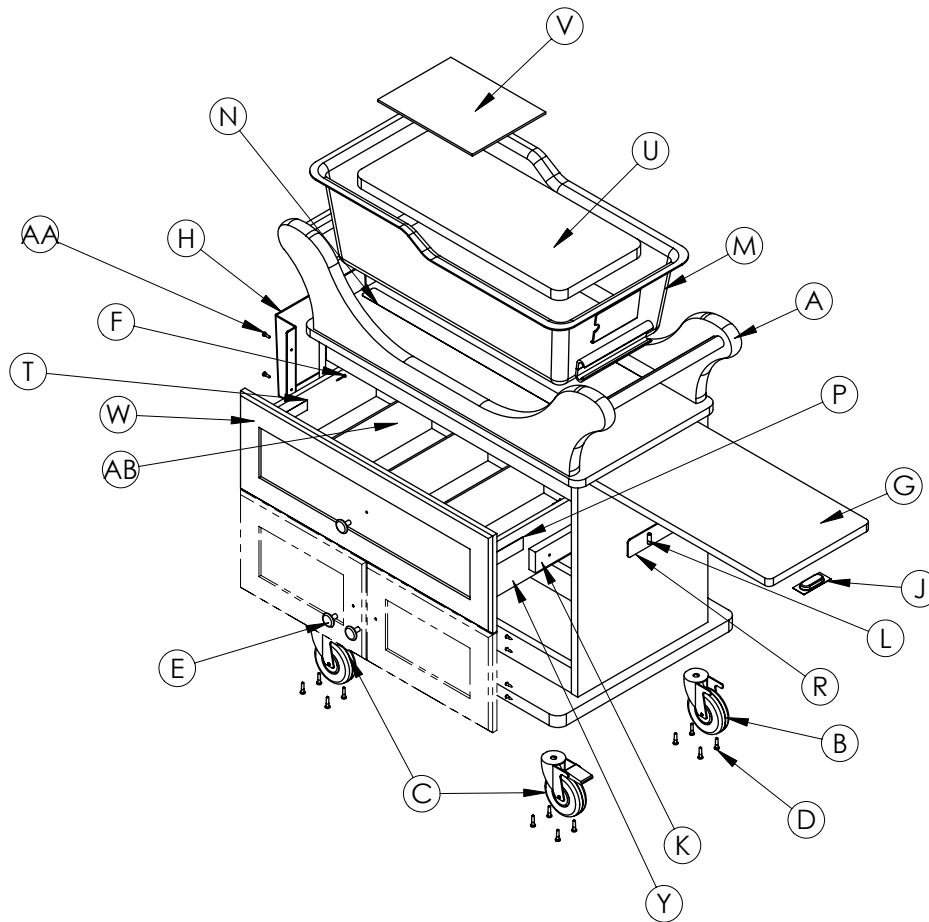


## Modern Bassinet Drawer Option - 4400-099-470 Rev A

Item	Part No.	Part Name	Qty.
1	4400-118-263	Modern Drawer Front	1
2	4400-118-234	Drawer Box	1
3	4400-118-233	Drawer Slide	2
4	4400-118-236	Interlock Rod	2
5	4400-110-901	Label, Warning	2
6	8801-580-200	Grabber Screw	4

# Shaker style bassinet assembly

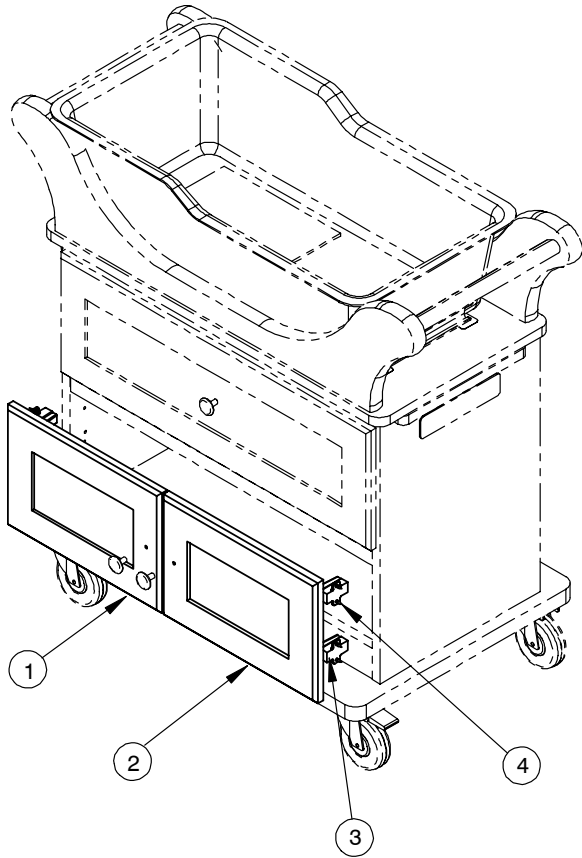
4400-224-001 Rev B (Reference Only)



Item	Part No.	Part Name	Qty.
A	4400-118-107	Bassinet Cabinet	1
B	4400-118-256	Non-Locking Swivel Caster	2
C	4400-118-255	Locking Swivel Caster	2
D	4400-110-057	Wood Screw	16
E	(see <a href="#">page 22</a> )	Knob	3
F	8801-580-200	Grabber Screw	4
G	4400-118-244	Chartboard	1
H	4400-118-231	Chartholder	1
J	4400-118-232	Chartboard Pull	1
K	4400-118-233	Drawer Slide	2
L	4400-111-301	Dowel Pin	2
M	4400-118-106	Tub	1
N	8800-469-800	Pad	2
P	8801-410-100	Label, Serial Number	1
R	4400-090-003	Label, Push Direction	2
T	4400-110-901	Label, Warning	2
U	8800-346-300	Mattress	1
V	4400-009-001	Manual	1
W	4400-218-210	Shaker Drawer Front	1
Y	4400-118-234	Drawer Box	1
AA	4400-110-071	Pan Head Screw	4
AB	4400-118-235	Drawer Divider	3

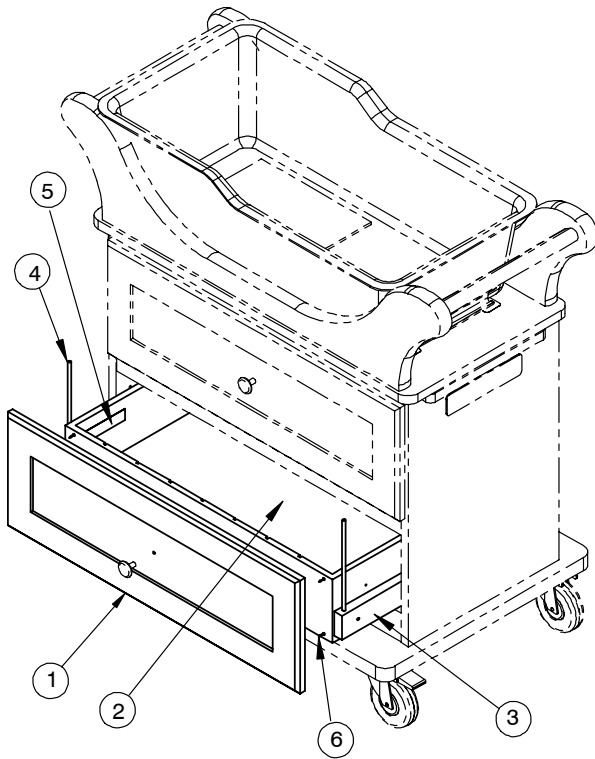


# Shaker style bassinet assembly



## Shaker Bassinet Door Option - 4400-099-471 Rev A

Item	Part No.	Part Name	Qty.
1	4400-218-208	Left Door, Shaker	1
2	4400-218-209	Right Door, Shaker	1
3	4400-111-302	Hinge	4
4	0020-013-000	Wood Screw	16

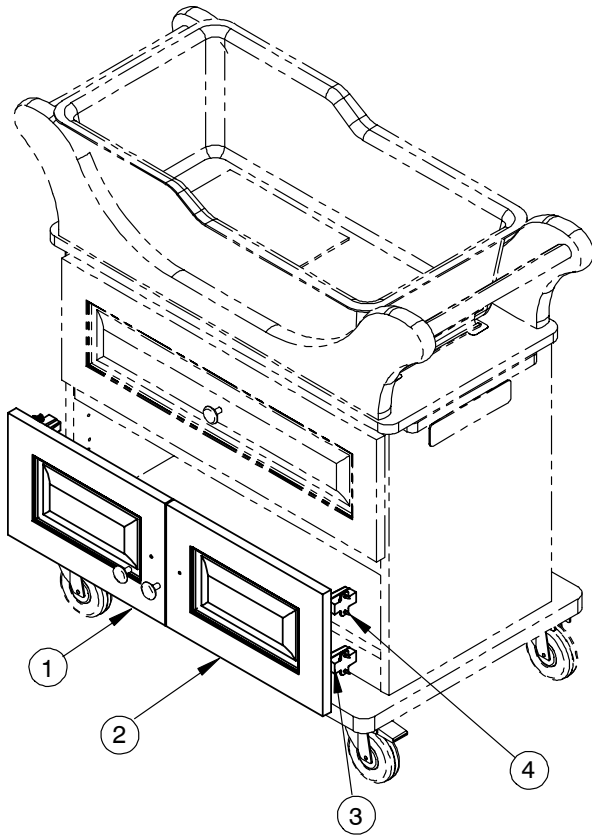


## Shaker Bassinet Drawer Option - 4400-099-472 Rev A

Item	Part No.	Part Name	Qty.
1	4400-218-210	Shaker Drawer Front	1
2	4400-118-234	Drawer Box	1
3	4400-118-233	Drawer Slide	2
4	4400-118-236	Interlock Rod	2
5	4400-110-901	Label, Warning	2
6	8801-580-200	Grabber Screw	4

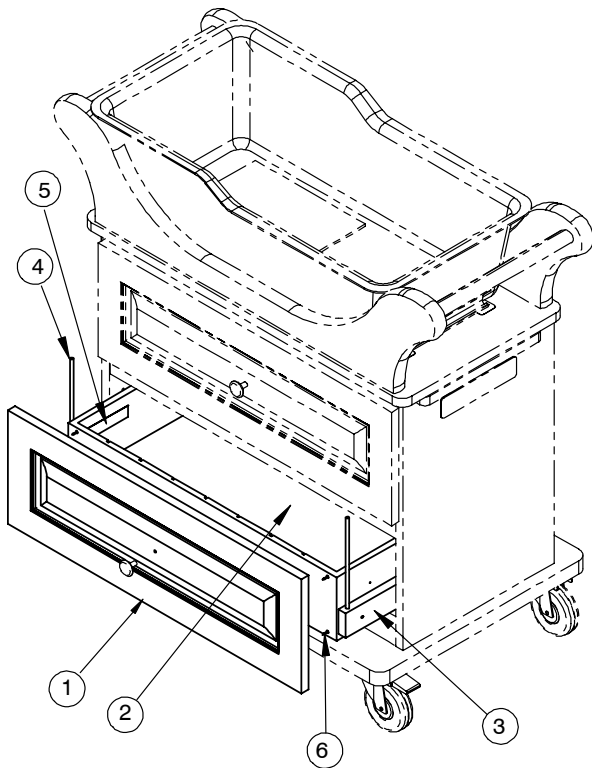


# Traditional style bassinet assembly



## Traditional Bassinet Door Option - 4400-099-473 Rev A

Item	Part No.	Part Name	Qty.
1	4400-318-207	Left Door, Traditional	1
2	4400-318-208	Right Door, Traditional	1
3	4400-111-302	Hinge	4
4	0020-013-000	Wood Screw	16

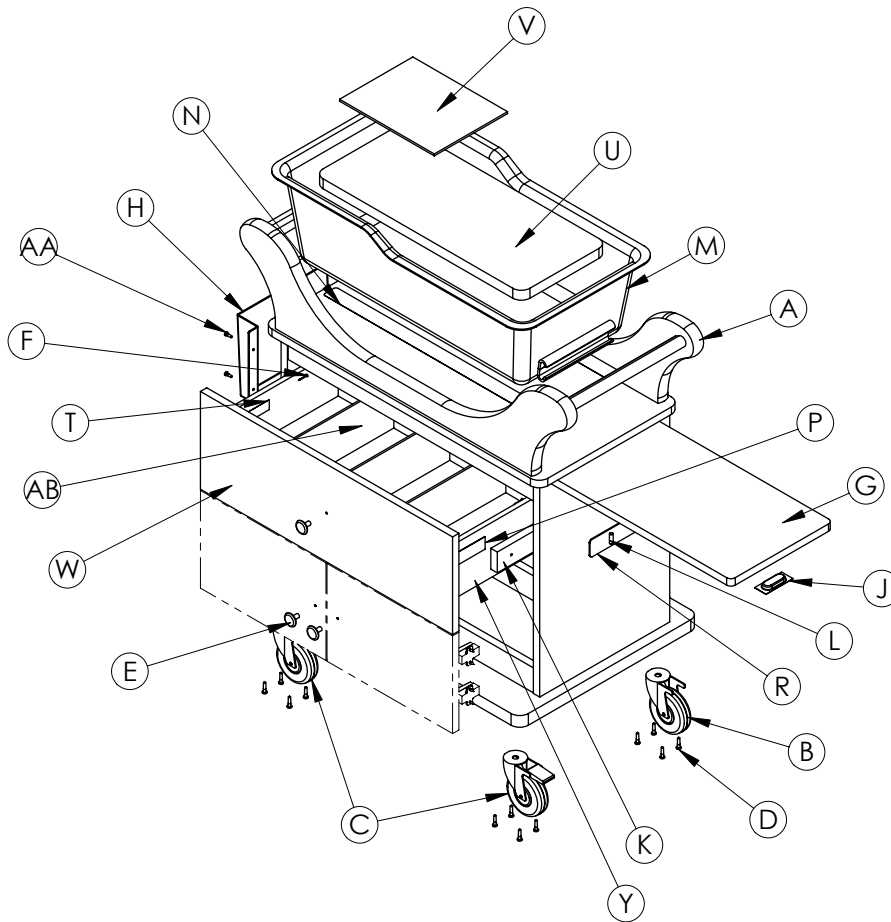


## Traditional Bassinet Drawer Option - 4400-099-474 Rev A

Item	Part No.	Part Name	Qty.
1	4400-318-209	Traditional Drawer Front	1
2	4400-118-234	Drawer Box	1
3	4400-118-233	Drawer Slide	2
4	4400-118-236	Interlock Rod	2
5	4400-110-901	Label, Warning	2
6	8801-580-200	Grabber Screw	4

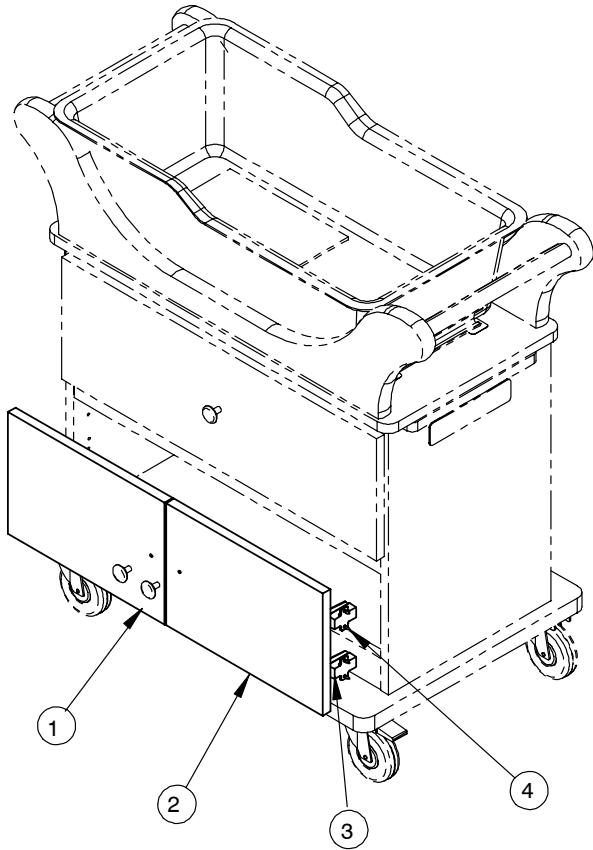
# Euro style bassinet assembly

4400-424-001 Rev B (Reference Only)



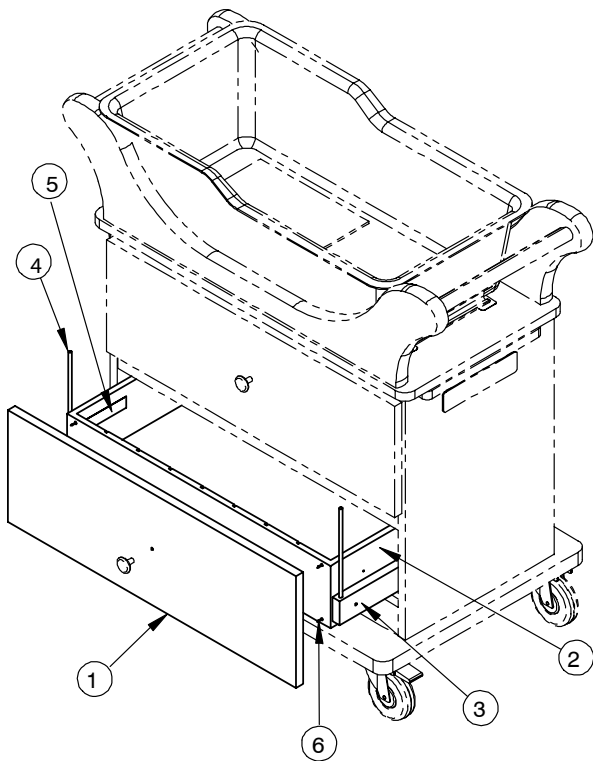
Item	Part No.	Part Name	Qty.
A	4400-118-107	Bassinet Cabinet	1
B	4400-118-256	Non-Locking Swivel Caster	2
C	4400-118-255	Locking Swivel Caster	2
D	4400-110-057	Wood Screw	16
E	(see <a href="#">page 22</a> )	Knob	3
F	8801-580-200	Grabber Screw	4
G	4400-118-244	Chartboard	1
H	4400-118-231	Chartholder	1
J	4400-118-232	Chartboard Pull	1
K	4400-118-233	Drawer Slide	2
L	4400-111-301	Dowel Pin	2
M	4400-118-106	Tub	1
N	8800-469-800	Pad	2
P	8801-410-100	Label, Serial Number	1
R	4400-090-003	Label, Push Direction	2
T	4400-110-901	Label, Warning	2
U	8800-346-300	Mattress	1
V	4400-009-001	Manual	1
W	4400-418-209	Euro Drawer Front	1
Y	4400-118-234	Drawer Box	1
AA	4400-110-071	Pan Head Screw	4
AB	4400-118-235	Drawer Divider	3

# Euro style bassinet assembly



## Euro Bassinet Door Option - 4400-099-475 Rev A

Item	Part No.	Part Name	Qty.
1	4400-418-207	Left Door, Euro	1
2	4400-418-208	Right Door, Euro	1
3	4400-111-302	Hinge	4
4	0020-013-000	Wood Screw	16



## Euro Bassinet Drawer Option - 4400-099-476 Rev A

Item	Part No.	Part Name	Qty.
1	4400-418-209	Euro Drawer Front	1
2	4400-118-234	Drawer Box	1
3	4400-118-233	Drawer Slide	2
4	4400-118-236	Interlock Rod	2
5	4400-110-901	Label, Warning	2
6	8801-580-200	Grabber Screw	4

## Knobs - all bassinets

---

KNOB OPTIONS	
DESCRIPTION	PART NUMBER
Round Knob, Brushed Antique Brass	4400-800-202
Round Knob, Polished Brass	4400-800-209
Round Knob, Polished Chrome	4400-800-207
Round Knob, Brushed Stainless Steel	4400-800-203
Oval Knob, Brushed Antique Brass	4400-800-205
Oval Knob, Polished Brass	4400-800-208
Oval Knob, Polished Chrome	4400-800-206
Oval Knob, Brushed Stainless Steel	4400-800-204

# Warranty

---

These warranties apply only to products manufactured after January 1, 2008.

## LIMITED WARRANTY

Stryker Medical Division, a division of Stryker Corporation, warrants to the original purchaser the Infant Bassinet, Model 4400, to be free from defects in material and workmanship for a period of **one (1)** year after date of delivery. Stryker's obligation under this warranty is expressly limited to supplying replacement parts and labor for, or replacing, at its option, any product which is, in the sole discretion of Stryker, found to be defective. If requested by Stryker, products or parts for which a warranty claim is made shall be returned prepaid to the factory. Any improper use or any alteration or repair by others in such manner as in Stryker's judgment affects the product materially and adversely shall void this warranty. Any repair of Stryker products using parts not provided or authorized by Stryker shall void this warranty. No employee or representative of Stryker is authorized to change this warranty in any way.

## WARRANTY EXCLUSION AND DAMAGE LIMITATIONS

The express warranty set forth herein is the only warranty applicable to the product. **Any and all other warranties, whether express or implied, including any implied warranty of merchantability or fitness for a particular purpose are expressly excluded by Stryker.** In no event shall Stryker be liable for incidental or consequential damages.

## TO OBTAIN PARTS AND SERVICE

Stryker products are supported by a nationwide network of dedicated Stryker Field Service Representatives. These representatives are factory trained, available locally, and carry a substantial spare parts inventory to minimize repair time. Simply call your local representative or call Stryker Customer Service at 1-800-327-0770.

## RETURN AUTHORIZATION

Product cannot be returned without prior approval from the Stryker Customer Service Department. An authorization number will be provided which must be printed on the returned product. Stryker reserves the right to charge shipping and restocking fees on returned product. Special, modified, or discontinued products are not subject to return.

## DAMAGED PRODUCT

ICC Regulations require that claims for damaged product must be made with within fifteen (15) days of receipt of the product. Do not accept damaged shipments unless such damage is noted on the delivery receipt at the time of receipt. Upon prompt notification, Stryker will file a freight claim with the appropriate carrier for damages incurred. Claims will be limited in amount to the actual replacement cost. In the event that this information is not received by Stryker within the fifteen (15) day period following the delivery of the product, or the damage was not noted on the delivery receipt at the time of receipt, the customer will be responsible for payment of the original invoice in full within thirty (30) days of receipt. Claims for any incomplete shipments must be made within thirty (30) days of invoice.

## INTERNATIONAL WARRANTY CLAUSE

This warranty reflects U.S. domestic policy. Warranty outside the U.S. may vary by country. Contact your local Stryker Medical representative for additional information.







Stryker Medical  
3800 E. Centre Ave.  
Portage, Michigan 49002  
USA



**stryker**<sup>®</sup>