

stryker[®]
Medical

4400 Infant Bassinet

Operations/Maintenance Manual

For Parts or Technical Assistance
800-327-0770

Table of Contents

- Introduction
 - Specifications 2
 - Warning / Caution / Note Definition 2
 - Safety Tips and Guidelines 3
- Features and Dimensions 4
- Proper Bassinet Pushing Technique 5
- Trendelenburg Positioning 6
- Preventative Maintenance Checklist 7, 8
- Bassinet Assembly and Parts List 9–14
- Warranty
 - Obtaining Parts and Service 15
 - Supplemental Warranty Coverage 15
 - Return Authorization 16
 - Freight Damage Claims 16

Introduction

INTRODUCTION

The Stryker Infant Bassinet is intended for use as a support and transport surface for an infant in a health care environment.

This manual is designed to assist you with the operation of the Stryker Infant Bassinet. Read it thoroughly before using the equipment or beginning any maintenance on it.

SPECIFICATIONS

Overall Length	34.22"
Overall Width	21.50"
Patient Surface Width	16.75"
Overall Height	38.38" ± .25"
Height to Patient Surface	32.00"

WARNING / CAUTION / NOTE DEFINITION

The words WARNING, CAUTION and NOTE carry special meanings and should be carefully reviewed.

WARNING

The personal safety of the patient or user may be involved. Disregarding this information could result in injury to the patient or user.

CAUTION

These instructions point out special procedures or precautions that must be followed to avoid damaging the equipment.

NOTE

This provides special information to make maintenance easier or important instructions clearer.

Introduction

SAFETY TIPS AND GUIDELINES

Before operating the Stryker Infant Bassinet, it is important to read and understand all information in this manual. Carefully read and strictly follow the safety guidelines listed on this page.

WARNING

To avoid risk of injury, never leave an infant unattended and do not leave sheets, blankets, pillows or other items in the bassinet with the infant.

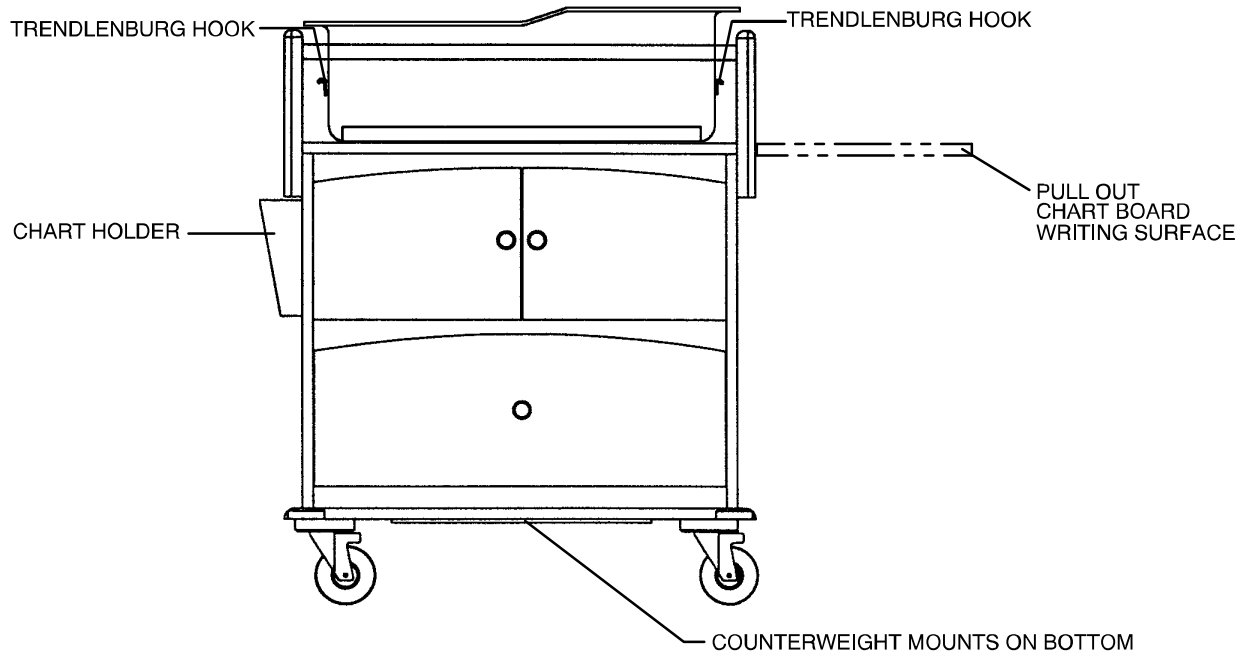
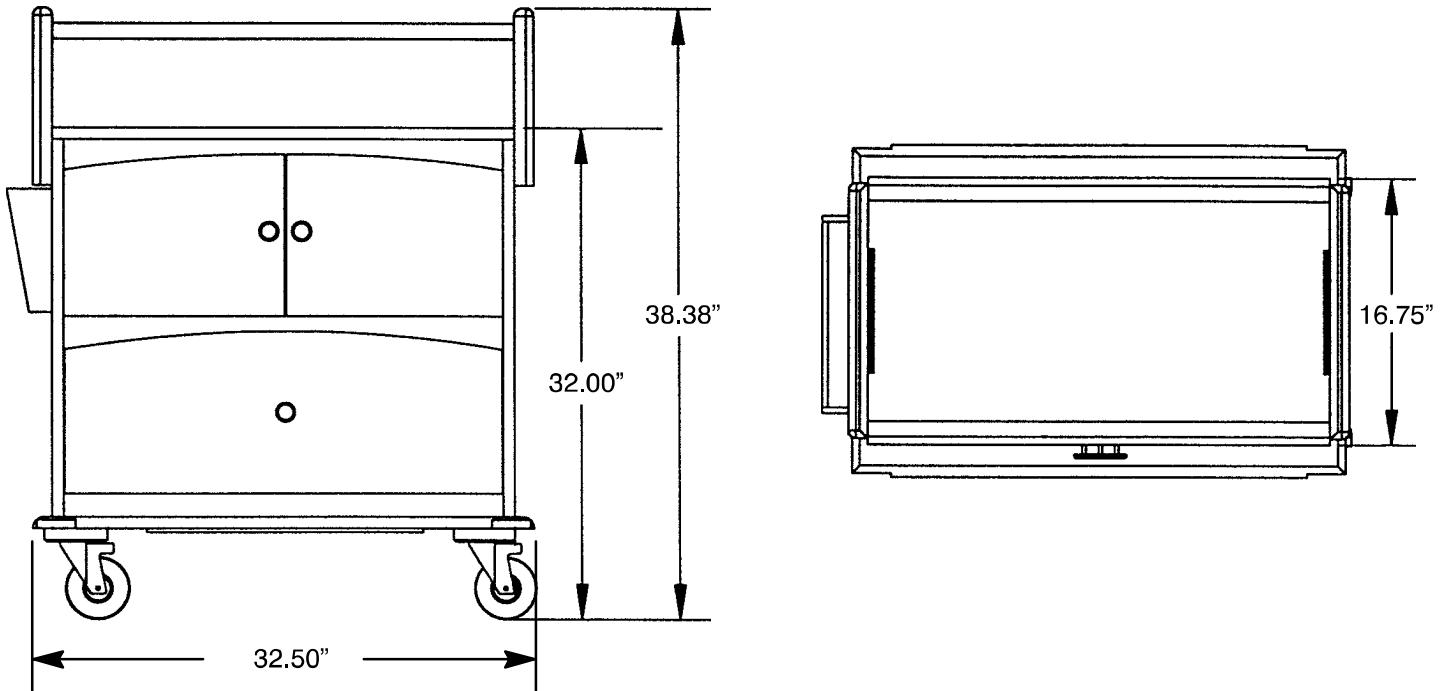
Use the pull-out chart board only as a writing surface. Do not sit or lean on it, or apply excessive weight to it, or tipping of the bassinet could occur and injury could result.

To prevent the bassinet from tipping and causing injury, do not place more than 25 pounds (11 kilograms) in the bassinet drawer.

Push the bassinet only from the ends. Do not push the bassinet from the sides or tipping of the bassinet could occur and injury could result.

When putting the bassinet into Trendelenburg/Reverse Trendelenburg, verify the “J” hook is engaged and secure before releasing the tub or injury could occur.

Introduction



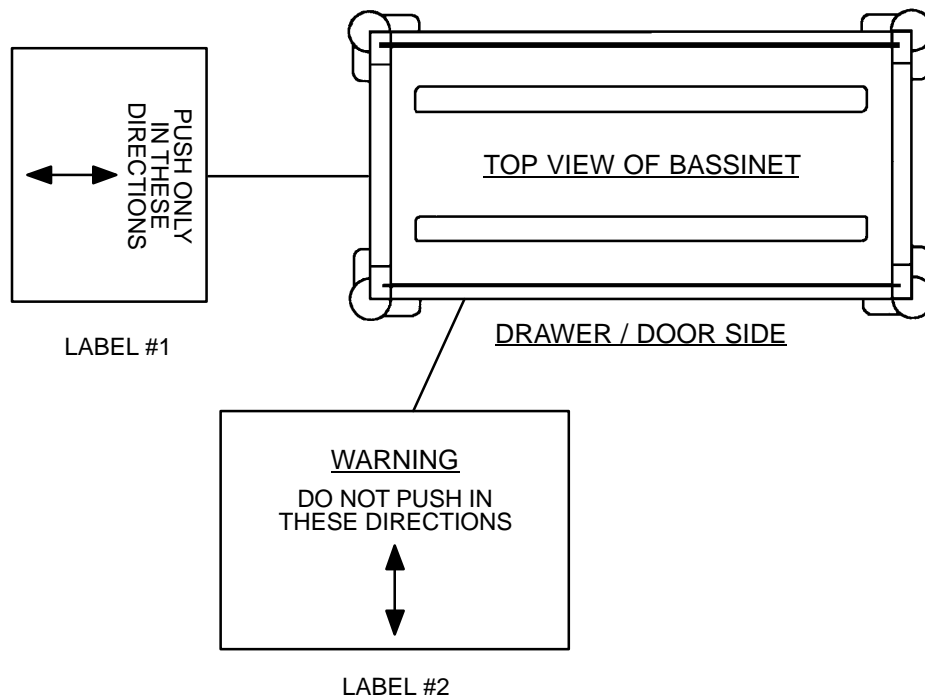
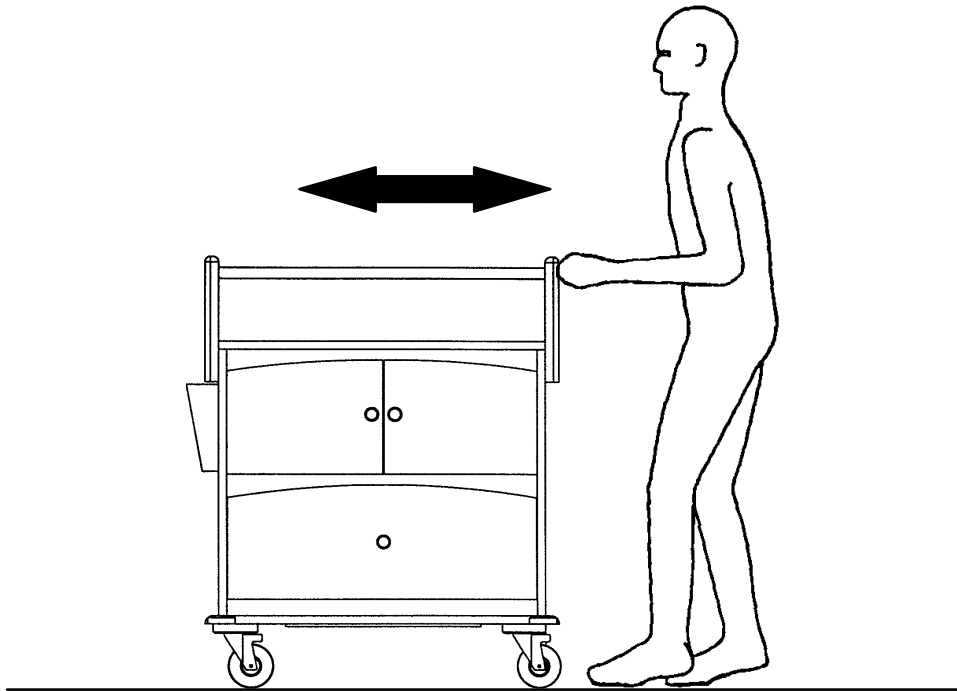
WARNING

Use the pull-out chart board only as a writing surface. Do not sit or lean on it, or apply excessive weight to it, or tipping of the bassinet could occur and injury could result.

To prevent the bassinet from tipping and causing injury, do not place more than 25 pounds (11 kilograms) in the bassinet drawer.

Bassinet Operating Instructions

PROPER BASSINET PUSHING TECHNIQUE

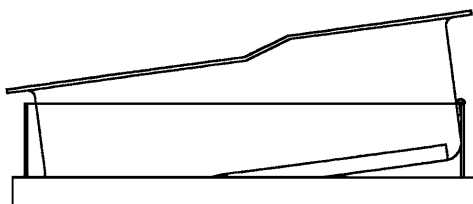


WARNING

Push the bassinet only from the ends as indicated by the illustrations above. Do not push the bassinet from the sides or tipping of the bassinet could occur and injury could result.

Bassinet Operating Instructions

TRENDELENBURG POSITIONING



BASSINET IN
TRENDELENBURG POSITION

To put the bassinet into the Trendelenburg/Reverse Trendelenburg position, lift up on the tub, then lower it until the hook engages securely with the end rail (see above).

WARNING

When putting the bassinet into Trendelenburg/Reverse Trendelenburg, verify the “J” hook is engaged and secure before releasing the tub or injury could occur.

Tub with “J” Hooks – part number 8800–455–200

12 1/2” x 26” Mattress – part number 8800–346–300

Preventive Maintenance

MAINTENANCE CHECKLIST

- _____ All fasteners secure
- _____ All casters secure and swiveling properly
- _____ No debris in casters
- _____ Front casters hold when brakes are applied
- _____ Base counterweight present and secure
- _____ Pull-out chart board intact and secure
- _____ Trendelenburg hook intact
- _____ Drawers intact and sliding smoothly
- _____ Doors intact and hinges operating smoothly
- _____ Warning labels intact and legible

Serial No. _____

_____	_____	_____
_____	_____	_____
_____	_____	_____

Completed By: _____ Date: _____

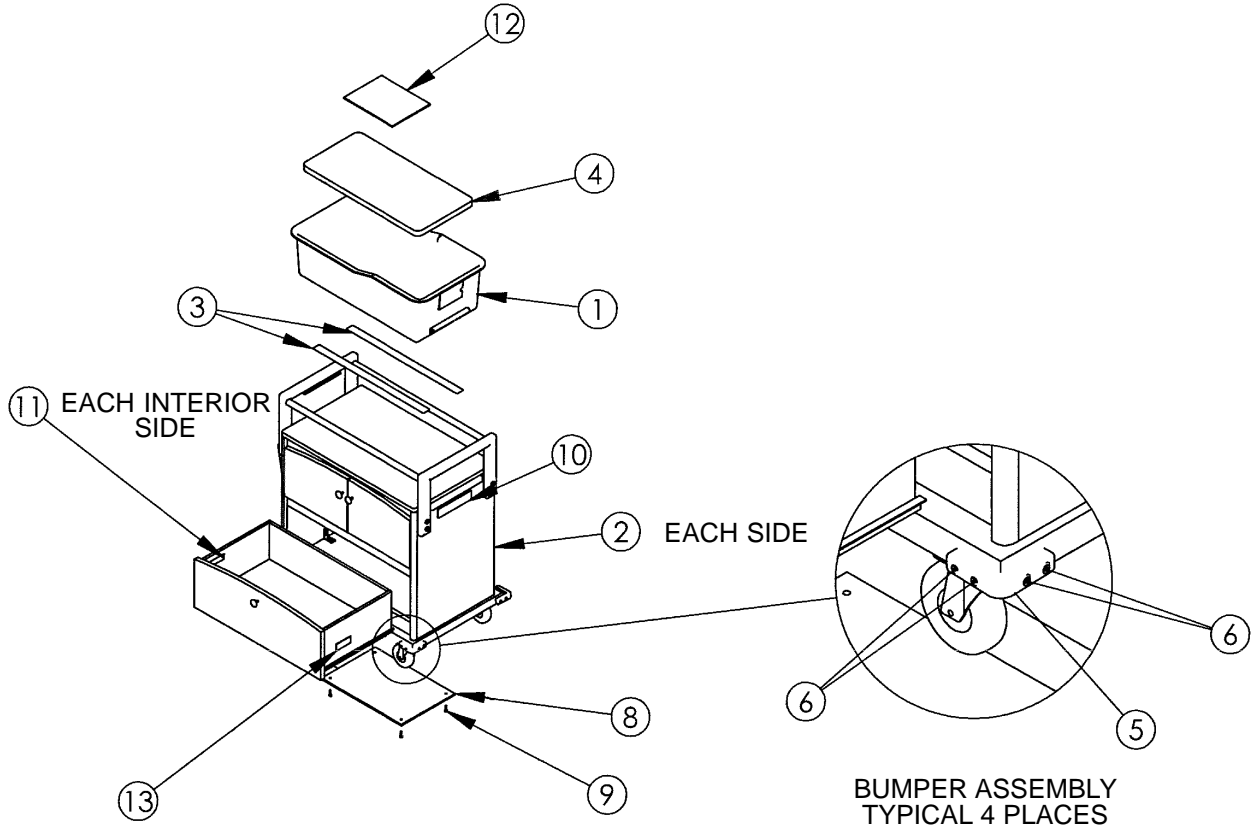
CLEANING

To clean the bassinet cabinet, wipe it with a soft cloth and a mild soap and water solution. Rinse thoroughly. Clean the bassinet tub with a mild anti-bacterial soap and warm water solution. Rinse thoroughly.

CAUTION

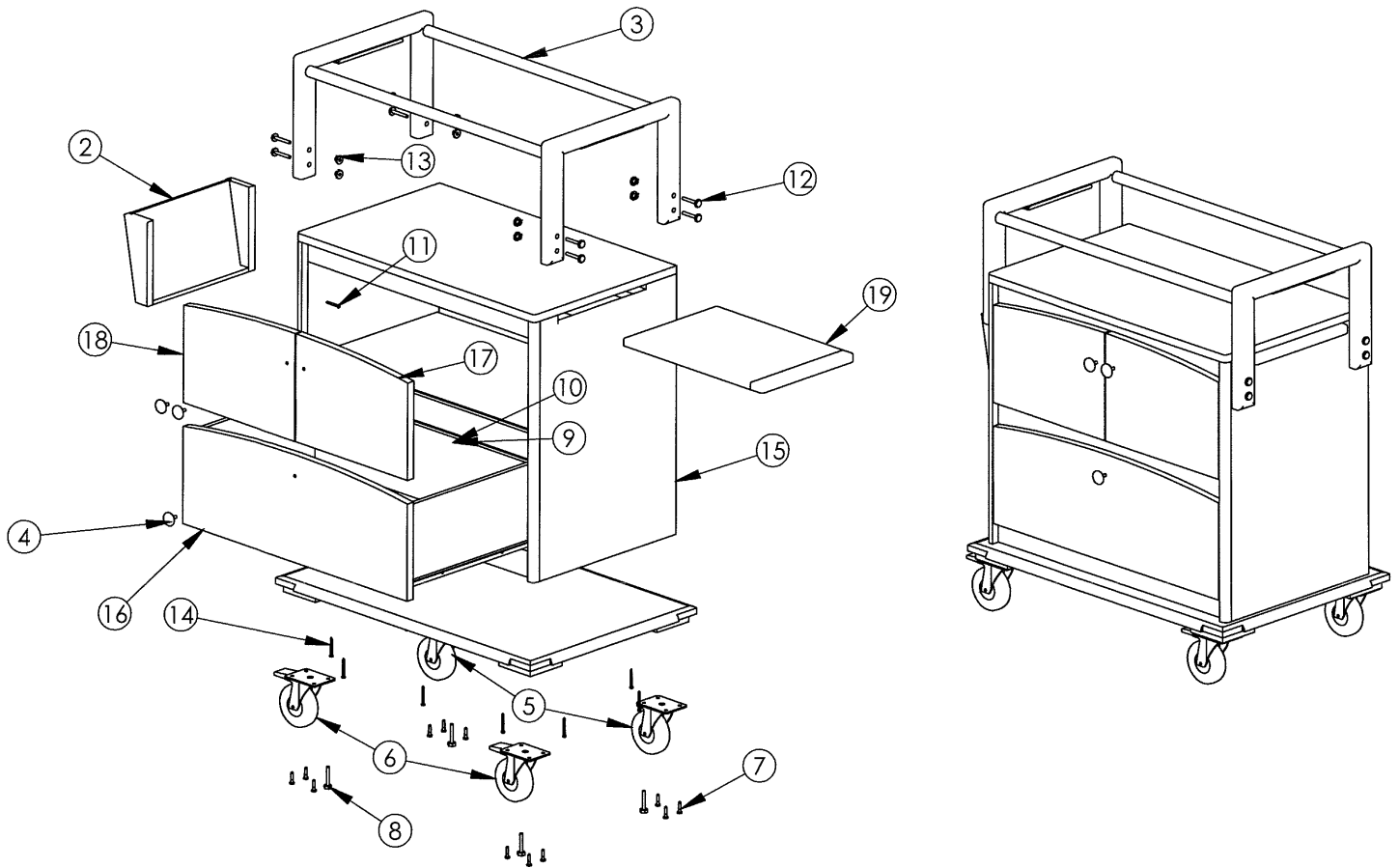
The bassinet tub should not be exposed to alcohol, solvents or abrasives or damage could occur.

Modern-Style Bassinet Assembly



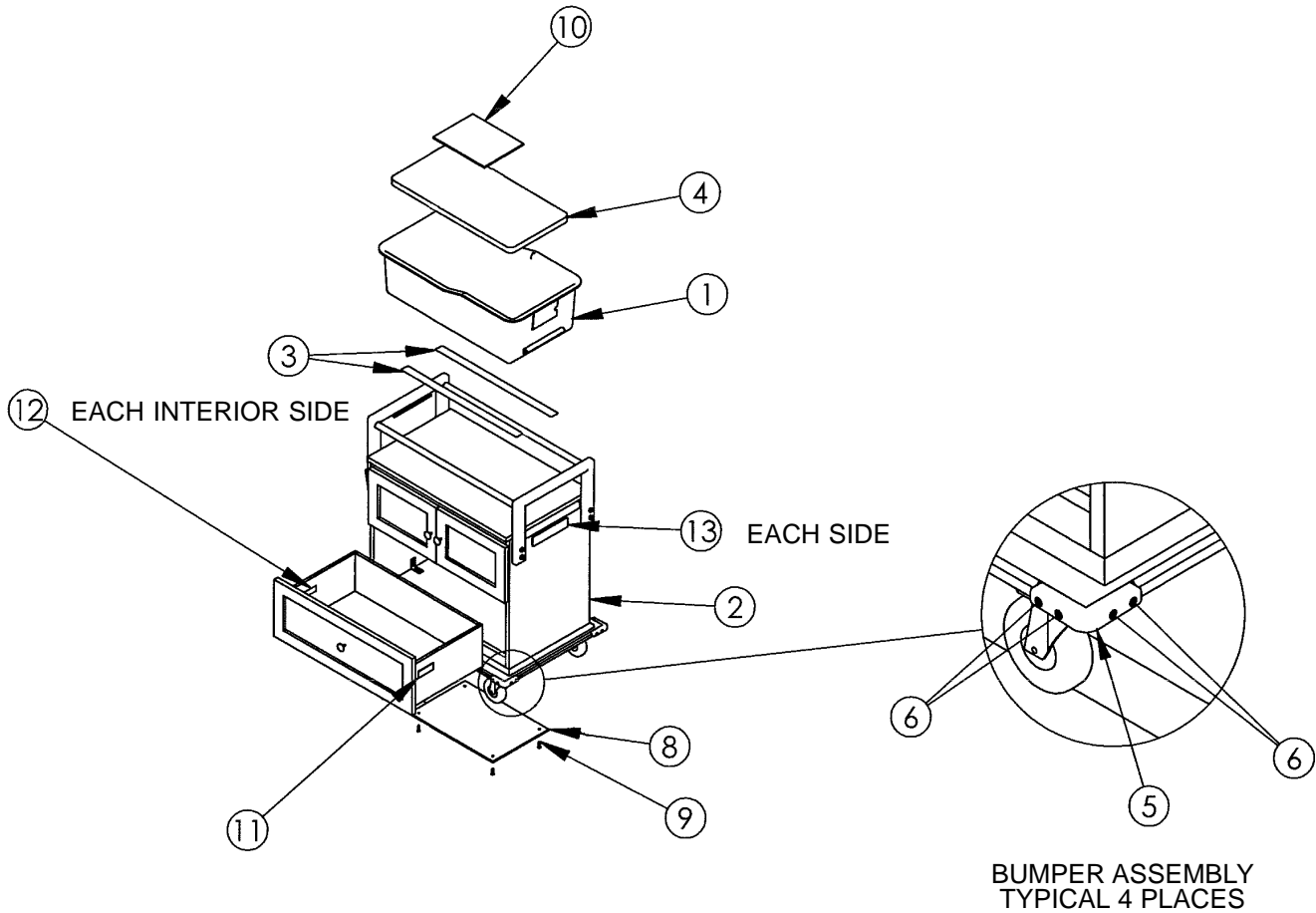
Item	Part No.	Part Name	Qty.
1	8800-455-200	Tub	1
2	4400-110-001	Modern Style Cabinet	1
3	8800-469-800	Pad	2
4	8800-346-300	Mattress	1
5	8804-002-700	Bumper	4
6	8801-580-200	Grabber Screw	16
8	8804-202-500	Counterweight	1
9	4400-110-076	Lag Screw	4
10	4400-090-003	Push Direction Label	2
11	4400-110-901	Bassinet Warning Label	2
12	4400-110-083	Manual	1
13	8801-410-100	Serial Number Label	1

Modern-Style Bassinet Assembly



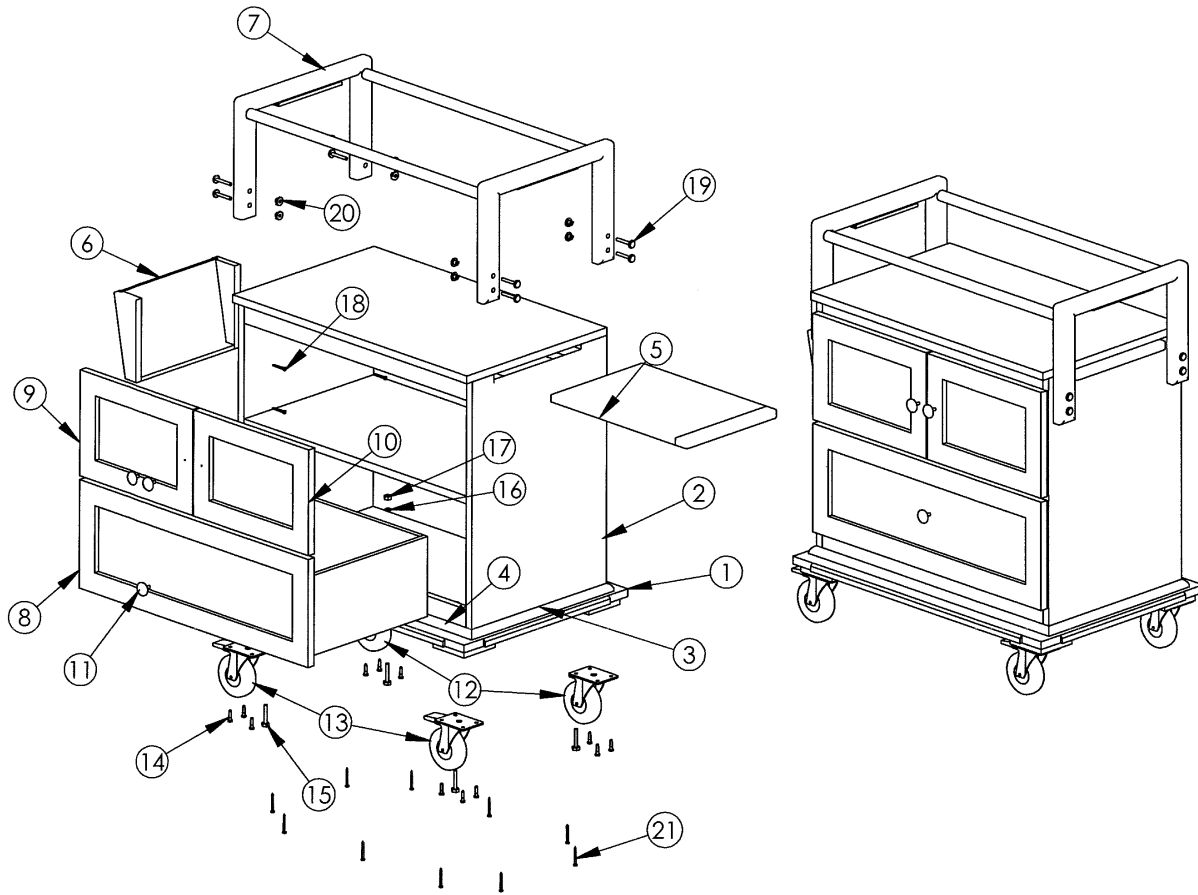
Item	Part No.	Part Name	Qty.
1	4400-110-115	Base Assembly	1
2	4400-110-052	Chart Holder	1
3	4400-110-090	Push Handle Assembly	1
4	(page 14)	Knob	3
5	4400-110-061	Non-Locking Swivel Caster	2
6	4400-110-060	Locking Swivel Caster	2
7	4400-110-057	Wood Screw	12
8	4400-110-058	Hex Bolt	4
9	4400-110-059	Lock Washer	4
10	4400-110-068	Hex Nut	4
11	4400-110-063	Screw	4
12	4400-110-064	Bolt	8
13	4400-110-065	T-Nut	8
14	4400-110-066	Screw	10
15	4400-110-110	Cabinet Assembly	1
16	4400-110-012	Cabinet Drawer Assembly	1
17	4400-110-011	Cabinet Drawer, Right	1
18	4400-110-010	Cabinet Drawer, Left	1
19	4400-110-030	Chart Board	1

Shaker-Style Bassinet Assembly



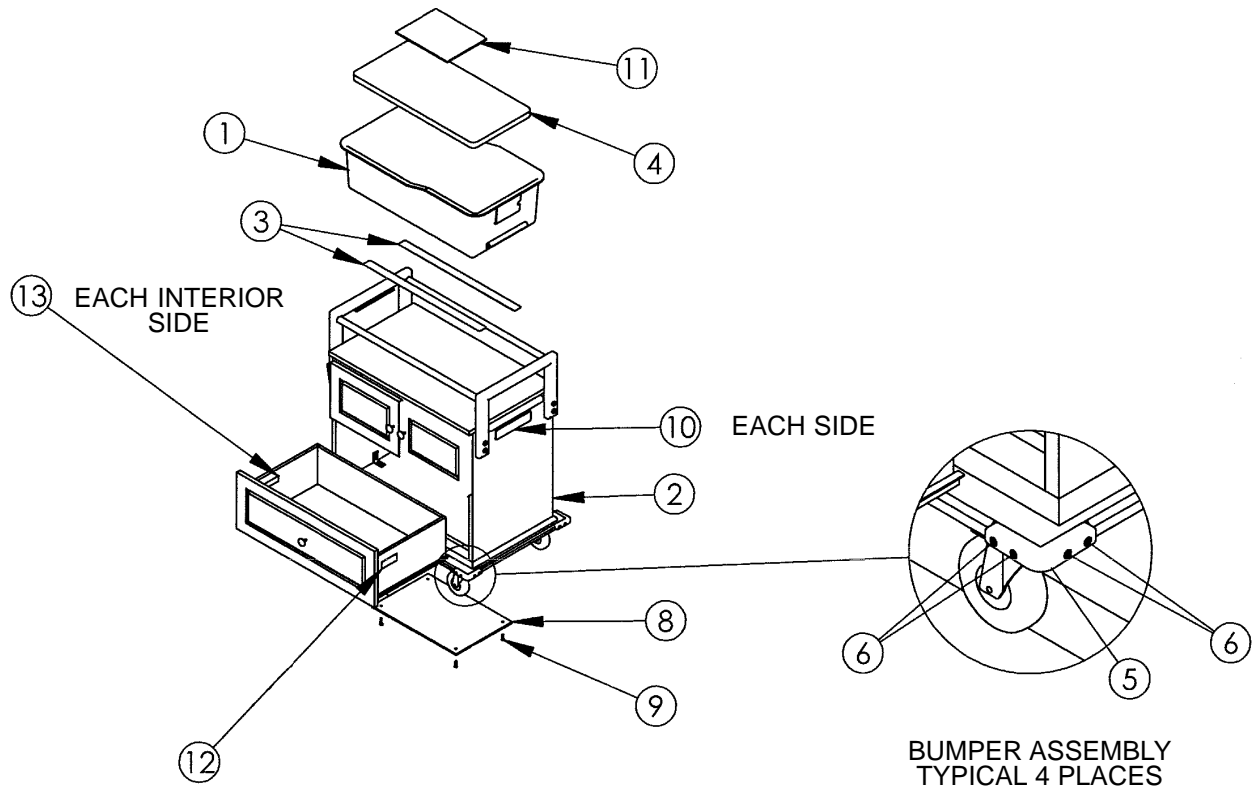
Item	Part No.	Part Name	Qty.
1	8800-455-200	Tub	1
2	4400-210-001	Shaker Cabinet	1
3	8800-469-800	Pad	2
4	8800-346-300	Mattress	1
5	8804-002-700	Bumper	4
6	8801-580-200	Grabber Screw	16
8	8804-202-500	Counterweight	1
9	4400-110-076	Lag Screw	4
10	4400-110-083	Manual	1
11	8801-410-100	Serial Number Label	1
12	4400-110-901	Bassinet Warning Label	2
13	4400-090-003	Push Direction Label	2

Shaker-Style Bassinet Assembly



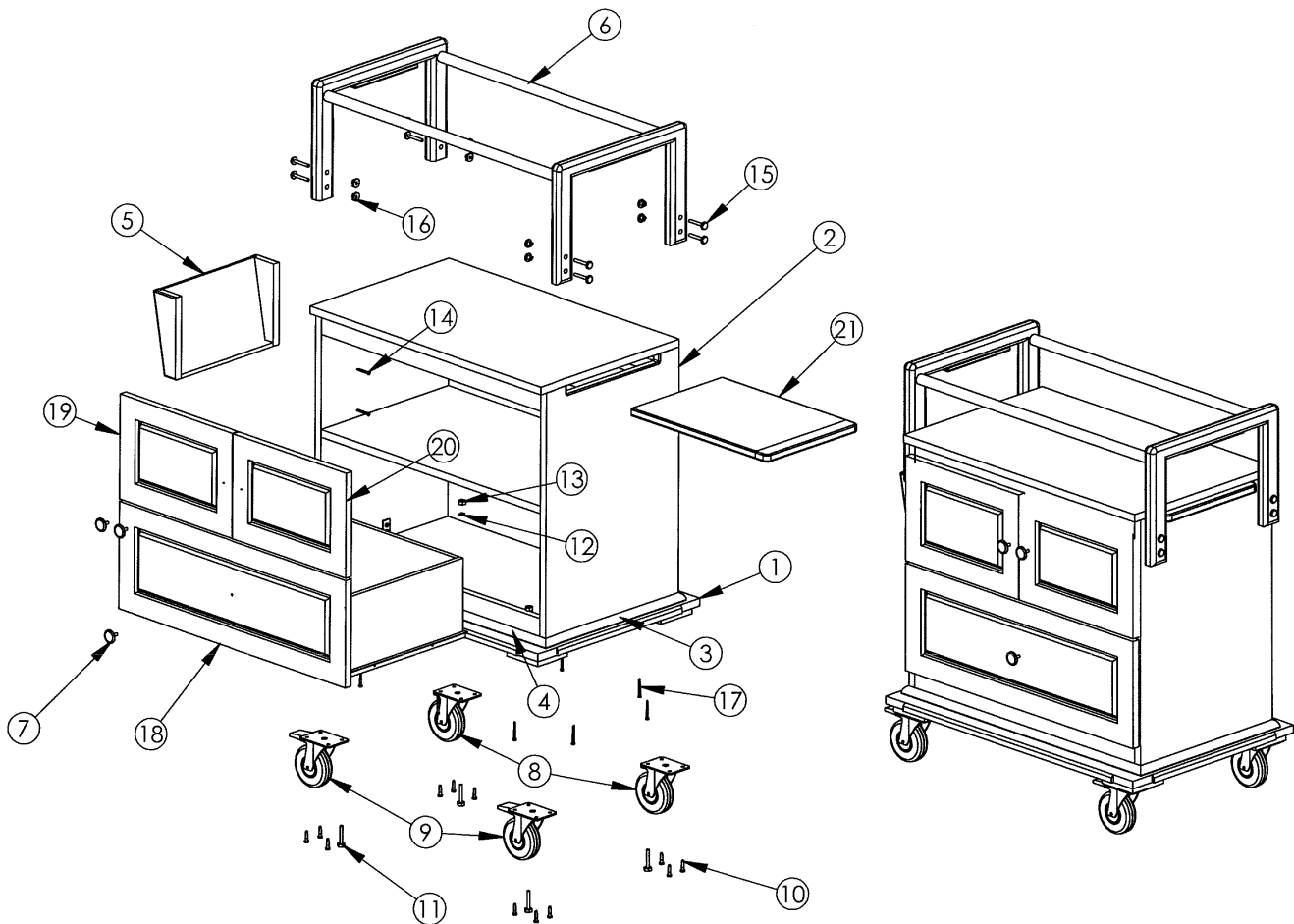
Item	Part No.	Part Name	Qty.
1	4400-210-115	Base Assembly	1
2	4400-210-110	Cabinet Assembly	1
3	4400-210-071	Cabinet Bottom Base Trim	2
4	4400-210-072	Cabinet Bottom Base Trim	2
5	4400-110-030	Chart Board	1
6	4400-110-052	Chart Holder	1
7	4400-110-090	Push Handle Assembly	1
8	4400-210-012	Cabinet Drawer Assembly	1
9	4400-210-010	Drawer Door	1
10	4400-210-011	Drawer Door	1
11	(page 14)	Knob	3
12	4400-110-061	Non-Locking Swivel Caster	2
13	4400-110-060	Locking Swivel Caster	2
14	4400-110-057	Wood Screw	12
15	4400-110-058	Hex Bolt	4
16	4400-110-059	Lock Washer	4
17	4400-110-068	Hex Nut	4
18	4400-110-063	Screw	4
19	4400-110-064	Bolt	8
20	4400-110-065	T-Nut	8
21	4400-110-066	Screw	10
22	4400-110-070	Top Face Board	1

Traditional-Style Bassinet Assembly



Item	Part No.	Part Name	Qty.
1	8800-455-200	Tub	1
2	4400-310-001	Traditional Cabinet	1
3	8800-469-800	Pad	2
4	8800-346-300	Mattress	1
5	8804-002-700	Bumper	4
6	8801-580-200	Grabber Screw	16
8	8804-202-500	Counterweight	1
9	4400-110-076	Lag Screw	4
10	4400-090-003	Push Direction Label	2
11	4400-110-083	Manual	1
12	8801-410-100	Serial Number Label	1
13	4400-110-901	Bassinet Warning Label	2

Traditional-Style Bassinet Assembly



Item	Part No.	Part Name	Qty.
1	4400-210-115	Base Assembly	1
2	4400-210-110	Cabinet Assembly	1
3	4400-210-071	Cabinet Bottom Base Trim	2
4	4400-210-072	Cabinet Bottom Base Trim	2
5	4400-110-052	Chart Holder	1
6	4400-110-090	Push Handle Assembly	1
7	(page 14)	Knob	3
8	4400-110-061	Non-Locking Swivel Caster	2
9	4400-110-060	Locking Swivel Caster	2
10	4400-110-057	Wood Screw	12
11	4400-110-058	Hex Bolt	4
12	4400-110-059	Lock Washer	4
13	4400-110-068	Hex Nut	4
14	4400-110-063	Screw	4
15	4400-110-064	Bolt	8
16	4400-110-065	T-Nut	8
17	4400-110-066	Screw	10
18	4400-310-012	Cabinet Drawer Assembly	1
19	4400-310-010	Cabinet Drawer Front	1
20	4400-310-011	Cabinet Drawer Front	1
21	4400-110-030	Chart Board	1

Knobs and Hinges – All Bassinets

KNOBS AND HINGES	
Part Number	Description
8100-000-001	Round Knob, Colonial Black
	Butterfly Hinge, Colonial Black
8100-000-002	Round Knob, Antique Copper
	Butterfly Hinge, Antique Copper
8100-000-003	Round Knob, Antique Brass
	Butterfly Hinge, Antique Brass

KNOBS	
Part Number	Description
8100-000-004	Round Knob, Polished Brass
8100-000-005	Oval Knob, Polished Chrome
8100-000-006	Oval Knob, Black Nickel
8100-000-007	Round Knob, White Porcelain
8100-000-008	Flat Oval Knob, Satin Brass
8100-000-009	Flat Oval Knob, Satin Silver

Warranty

Limited Warranty:

Stryker Medical Division, a division of Stryker Corporation, warrants to the original purchaser that its products should be free from defects in material and workmanship for a period of one (1) year after date of delivery. Stryker's obligation under this warranty is expressly limited to supplying replacement parts and labor for, or replacing, at its option, any product which is, in the sole discretion of Stryker, found to be defective. Stryker warrants to the original purchaser that the frame and welds on its beds will be free from structural defects for as long as the original purchaser owns the bed. If requested by Stryker, products or parts for which a warranty claim is made shall be returned prepaid to Stryker's factory. Any improper use or any alteration or repair by others in such manner as in Stryker's judgement affects the product materially and adversely shall void this warranty. Any repair of Stryker products using parts not provided or authorized by Stryker shall void this warranty. No employee or representative of Stryker is authorized to change this warranty in any way.

Stryker Medical stretchers are designed for a 10 year expected life under normal use conditions and appropriate periodic maintenance as described in the maintenance manual for each device.

This statement constitutes Stryker's entire warranty with respect to the aforesaid equipment. STRYKER MAKES NO OTHER WARRANTY OR REPRESENTATION, EITHER EXPRESSED OR IMPLIED, EXCEPT AS SET FORTH HEREIN. THERE IS NO WARRANTY OF MERCHANTABILITY AND THERE ARE NO WARRANTIES OF FITNESS FOR ANY PARTICULAR PURPOSE. IN NO EVENT SHALL STRYKER BE LIABLE HEREUNDER FOR INCIDENTAL OR CONSEQUENTIAL DAMAGES ARISING FROM OR IN ANY MANNER RELATED TO SALES OR USE OF ANY SUCH EQUIPMENT.

To Obtain Parts and Service:

Stryker products are supported by a nationwide network of dedicated Stryker Field Service Representatives. These representatives are factory trained, available locally, and carry a substantial spare parts inventory to minimize repair time. Simply call your local representative, or call Stryker Customer Service at (800) 327-0770.

Service Contract Coverage:

Stryker has developed a comprehensive program of service contract options designed to keep your equipment operating at peak performance at the same time it eliminates unexpected costs. We recommend that these programs be activated *before* the expiration of the new product warranty to eliminate the potential of additional equipment upgrade charges.

A SERVICE CONTRACT HELPS TO:

- Ensure equipment reliability
- Stabilize maintenance budgets
- Diminish downtime
- Establish documentation for JCAHO
- Increase product life
- Enhance trade-in value
- Address risk management and safety

Warranty

Stryker offers the following service contract programs:

SPECIFICATIONS	GOLD	SILVER	PM* ONLY
Annually scheduled preventative maintenance	X		X
All parts,** labor, and travel	X	X	
Unlimited emergency service calls	X	X	
Priority one contact; two hour phone response	X	X	X
Most repairs will be completed within 3 business days	X	X	
JCAHO documentation	X	X	X
On-site log book w/ preventative maintenance & emergency service records	X		
Factory-trained Stryker Service Technicians	X	X	X
Stryker authorized parts	X	X	X
End of year summary	X		
Stryker will perform all service during regular business hours (9-5)	X	X	X

* Replacement parts and labor for products under PM contract will be discounted.

** Does not include any disposable items, I.V. poles (except for Stryker HD permanent poles), mattresses, or damage resulting from abuse.

Stryker Medical also offers *personalized* service contracts.

Pricing is determined by age, location, model and condition of product.

For more information on our service contracts, please call your local representative or call (800) 327-0770 (option #2).

Return Authorization:

Merchandise cannot be returned without approval from the Stryker Customer Service Department. An authorization number will be provided which must be printed on the returned merchandise. Stryker reserves the right to charge shipping and restocking fees on returned items.

SPECIAL, MODIFIED, OR DISCONTINUED ITEMS NOT SUBJECT TO RETURN.

Damaged Merchandise:

ICC Regulations require that claims for damaged merchandise must be made with the carrier within fifteen (15) days of receipt of merchandise. **DO NOT ACCEPT DAMAGED SHIPMENTS UNLESS SUCH DAMAGE IS NOTED ON THE DELIVERY RECEIPT AT THE TIME OF RECEIPT.** Upon prompt notification, Stryker will file a freight claim with the appropriate carrier for damages incurred. Claim will be limited in amount to the actual replacement cost. In the event that this information is not received by Stryker within the fifteen (15) day period following the delivery of the merchandise, or the damage was not noted on the delivery receipt at the time of receipt, the customer will be responsible for payment of the original invoice in full.

Claims for any short shipment must be made within thirty (30) days of invoice.

International Warranty Clause:

This warranty reflects U.S. domestic policy. Warranty outside the U.S. may vary by country. Please contact your local Stryker Medical representative for additional information.



European Representative

Stryker France
BP 50040-95946 Roissy Ch. de Gaulle
Cedex-France

Phone: 33148632290
Fax: 33148632175

stryker[®]
Medical

6300 Sprinkle Road, Kalamazoo, MI 49001-9799

(800) 327-0770
www.strykermedical.com



DH 9/01 4400-110-083 REV A