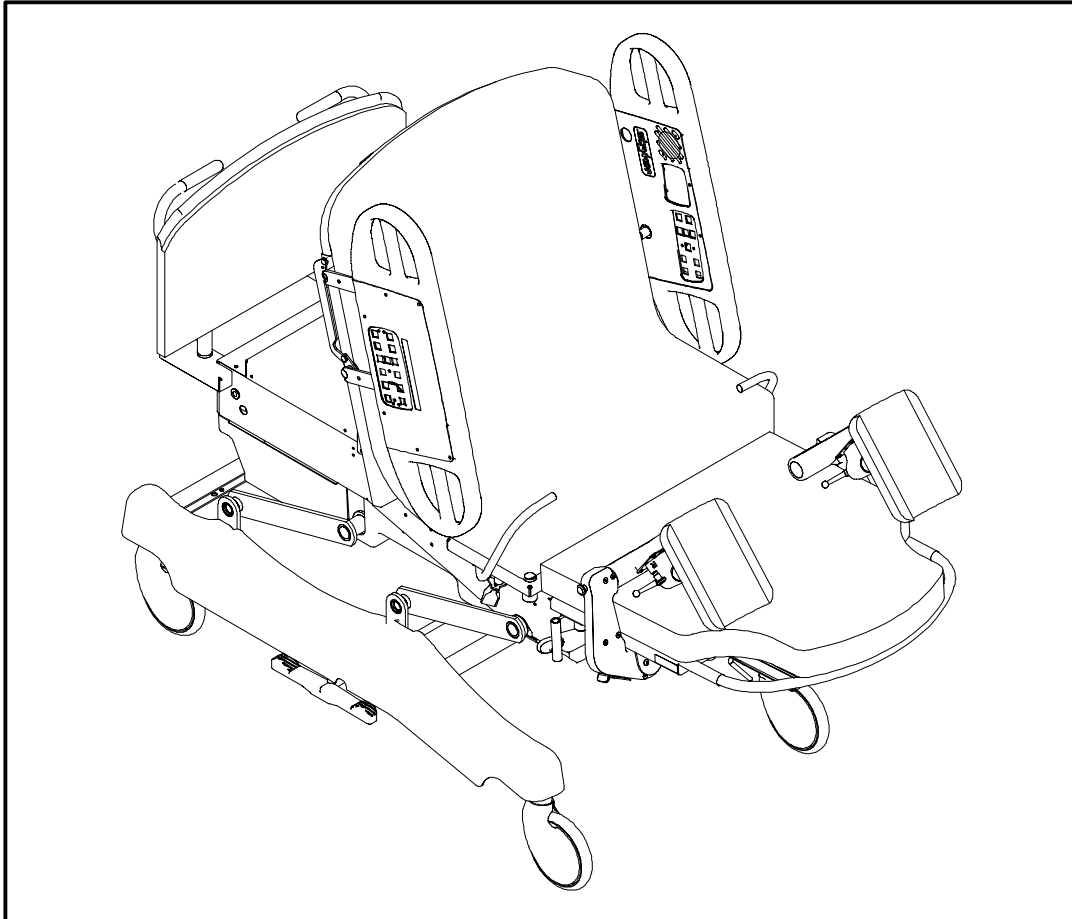

IMPORTANT
File in your
maintenance
records

stryker[®]
Medical



Stryker Adel Maternity Bed

Model 4700 & 5012

MAINTENANCE MANUAL

For Parts or Technical Assistance
1-800-327-0770

Table of Contents

Introduction	
Specifications	4
Warning / Caution / Note Definition	4
Safety Tips And Guidelines	5
Unpacking Instructions	6
Set-Up Procedures	6
Bed Symbols and Illustration	7–12
Cleaning	13
Preventative Maintenance Checklist	14
Static Discharge Precautions	15
Service Information	
Steer Wheel Cable Adjustment	16
Brake Adjustment	16
Lift Motor Removal and Replacement	17, 18
Trend Motor Removal and Replacement	18
Fowler In/Out Motor Removal and Replacement	19
Fowler Motor Removal and Replacement	19, 20
Foot Motor Removal and Replacement	20
Power Supply Board Replacement	21
CPU Board Replacement	21
Optional Power Board Replacement	22
Lift, Foot, And Fowler Calibration Procedure	22,23
Smart TV Interface Burn-In Procedure	24
Troubleshooting Guide	25–27
Bed Circuit Boards	28–33
Head Wall Output Configuration	34
Bed Communications Tester	35
Replacement Parts List	36, 37
Assembly Drawings and Parts Lists	
Base Assembly	38, 39
Brake Adjuster Assembly	40
8" Casters Assembly	41
8" Caster Assembly	42
8" Steer Caster Assembly	43
6" Caster Option Assembly	44
6" Steer Caster Option Assembly	45
6" Molded Wheel Assembly	46
Litter Assembly	47–50

Table of Contents

Assembly Drawings and Parts Lists (Continued)

Fowler Motor Assembly	51, 52
Fowler Potentiometer Assembly	53
Front Cover Assembly	54, 55
Litter Capacitor Assembly	56
Non-In/Out Fowler Assembly	57
Skoocher Assembly	58, 59
Fowler Assembly	60
Square In/Out Fowler Tube Assembly	61
Litter Lift/Trend Assembly	62–65
Trend Actuator Assembly	66
Lift Actuator Assembly	67
Bed Lift/Trend Limits Assembly	68
Bed Lift Potentiometer Assembly	69
Foot Lift Assembly	70, 71
Foot Potentiometer Assembly	72
Seat Assembly	73
Hand Grip Assembly	74, 75
Glideaway Foot Support Assembly	76
Foot Mattress Assembly	78, 79
Foot Support Upright Assembly	80, 81
Glideaway Assembly	82, 83
Foot Pan Assembly, Left	84
Foot Pan Assembly, Right	85
Glideaway Link Assembly, Left	86, 87
Glideaway Link Assembly, Right	88, 89
500XL–Style Foot End Assembly	90
500XL–Style Foot Pan Assembly	91
500XL–Style Foot Pan Latch Assembly	92
500XL–Style Foot Rest Assembly	93
500XL–Style Foot Mattress Assembly	94
500XL–Style Push Bar Assembly	95
500XL–Style Upright Assembly	96, 97
Electrical Assembly	98–100
Night Light Assembly	101
No Head Wall Interface Assembly	102
Pendant Port Assembly with No Nurse Call	103
Head Wall Interface Assembly with Nurse Call and No Port	104
Head Wall Interface Nurse Call and Communication Assembly	105

Table of Contents

Assembly Drawings and Parts Lists (Continued)

Air Mattress Assembly	106, 107
Power Mattress Assembly	108
Perineal Pillow Assembly	109
Manifold Assembly	110
Siderail Assembly	111–122
Siderail Latch Assembly	123, 124
Siderail Bypass Detent Clip Assembly	125
Siderail Timing Link Assembly	126, 127
Siderail Release Lever Assembly	128, 129
Siderail Outer Panel Assembly	130, 131
Siderail Lumbar Module Assembly	132, 133
Siderail Smart TV Module, No Lumbar	134, 135
Siderail Smart TV Module, With Lumbar	136, 137
Pendant Assembly	138
Wood Head Board Assembly	139
Crank Handle Assembly	140
3–Stage I.V. Mounting Pole Mounting Assembly	141
3–Stage I.V. Pole Assembly	142
3rd Stage Assembly	143
I.V. Pole Latch Assembly	144
Calf Rests	145
Attachable/Storable Calf Rest Assembly, Left	146
Attachable/Storable Calf Rest Assembly, Right	147
Free Standing Calf Rest Assembly	148
Labor Bar Assembly	149
Plastic Basin Assembly	150
Stainless Steel Basin Assembly	151
Arm Board Assembly	152
Multi–Purpose Shelf Assembly	153
Label Assembly	154, 155
Limited Warranty	
Obtaining Parts and Service	156
Supplemental Warranty Coverage	156
Return Authorization	157
Freight Damage Claims	157

Introduction

INTRODUCTION

This manual is designed to assist you with the maintenance of the Stryker Adel Maternity Bed. Read it thoroughly before beginning any maintenance on the equipment.

SPECIFICATIONS

Maximum Weight Capacity	500 pounds (227 kilograms)
Bed Length/Width	90" x 41" (with siderails up) – 37" (with siderails down) 229 cm x 104 cm (with siderails up) – 94 cm (with siderails down)
Bed Height (to top of seat)	19" (Low) – 37" (High) 49 cm (Low) – 95 cm (High) (w/8" Casters)
Mattress Size	Head – 49.5" (126 cm) x 33" (84 cm) x 5" (13 cm), Foot – 31" (79 cm) x 30" (77 cm) x 3" (8 cm), Patient Sleep Surface – 81" (206 cm)
Critical Angles	Maximum Elevation – Head 70°, Trendelenburg 8°
Break-Away Point from Wall	60" (152 cm)
Electrical	Standard 4 motor function: Head–Bed–Foot–Trendelenburg 4 function patient comfort 120 VAC, 60 Hz, 6 Amp – 105 to 135 VAC operating range. Optional: 230 V~, 50/60 Hz, 6 A – 220 to 240 VAC operating range Current leakage less than 100 microamperes. Hospital grade plug and 3–wire heavy duty cord. Compatible with non–flammable anesthetic agents and oxygen by nasal catheter or mask.
Caster Size	8" Standard; 6" Optional

Stryker reserves the right to change specifications without notice.

WARNING / CAUTION / NOTE DEFINITION

The words WARNING, CAUTION and NOTE carry special meanings and should be carefully reviewed.

WARNING

The personal safety of the patient or user may be involved. Disregarding this information could result in injury to the patient or user.

CAUTION

These instructions point out special procedures or precautions that must be followed to avoid damaging the equipment.

NOTE

This provides special information to make maintenance easier or important instructions clearer.

To ensure safe and proper use, the Stryker Adel Maternity Bed has the following caution and warning labels:

DANGER Explosion Hazard – do not use in the presence of flammable anesthetics.

CAUTION This unit is equipped with a hospital grade attachment plug. Grounding reliability can be achieved only when equipment is connected to equivalent receptacle.

CAUTION Electrical shock hazard. Do not remove cover panels. Refer all servicing to qualified personnel.

CAUTION Disconnect power cord before using the back up hand crank. Remove hand crank from back up outlet before connecting power cord.

Introduction

SAFETY TIPS AND GUIDELINES

Before operating the Stryker Adel Maternity Bed, it is important to read and understand all information in this manual. Carefully read and strictly follow the safety guidelines listed on this page.

It is important that all users have been trained and educated on the inherent hazards associated with the usage of electric beds.

WARNING

- The Stryker Adel Maternity Bed is equipped with a hospital grade plug for protection against shock hazard. It must be plugged directly into a properly grounded three-prong receptacle. Grounding reliability can be achieved only when a hospital grade receptacle is used.
 - Powered bed mechanisms can cause serious injury. Operate bed only when all persons are clear of the mechanisms.
 - To help reduce the number and severity of falls by patients, always leave the bed in the lowest position when the patient is unattended.
 - Leave the siderails fully up and locked when the patient is unattended. When raising the siderails, listen for the "click" that indicates the siderail has locked into the up position. Pull firmly on the siderail to ensure it is locked into position. Siderails are not intended to be a patient restraint device. It is the responsibility of the attending medical personnel to determine the degree of restraint necessary to ensure a patient will remain safely in bed.
 - Always keep the caster brakes applied when a patient is on the bed (except during transport). Serious injury could result if the bed moves while a patient is getting in or out of bed. After the brake pedal is applied, push on the bed to ensure the brakes are locked. When moving the bed, toggle the steer pedal to put the bed in the steer mode. This locks the swivel motion of the right foot end caster and makes the bed easier to move.
 - The instant CPR release is for emergency use only. When activating the instant CPR, all persons and equipment must be removed from the area below and around the Fowler (back rest) section of the bed or serious personal injury or damage to the equipment could occur.
 - When large spills occur in the area of the circuit boards, 110 volt cables and motors, immediately unplug the bed power cord from the wall socket. Remove the patient from the bed and clean up the fluid. Have maintenance completely check the bed. Fluids can have an affect on operational capabilities of any electrical product. DO NOT put the bed back into service until it is completely dry and has been thoroughly tested for safe operation.
 - Do not steam clean or hose off the bed. Do not immerse any part of the bed. The internal electric parts may be damaged by exposure to water. Hand wash all surfaces of the bed with warm water and mild detergent. Dry thoroughly. Inspect the mattress cover after each use. Discontinue use if any cracks or rips are found in the cover which may allow fluids to enter the mattress. Exposure to fluids may cause injury to patient and/or user.
 - Preventative maintenance should be performed at a minimum of annually to ensure all bed features are functioning as designed. Close attention should be given to safety features including, but not limited to:
 - Safety side latching mechanisms,
 - Frayed electrical cords and components,
 - All electrical controls return to off or neutral position when released,
 - Caster braking system,
 - No controls or cabling entangled in bed mechanisms,
 - Leakage current 100 MA max.
 - For additional maintenance information, refer to your maintenance manual.
 - Always unplug bed during service or cleaning. When working under the bed with the bed in the high position, always place blocks under the litter frame and set the brakes to prevent injury in case the Bed Down switch is accidentally pressed.
 - Unplug the bed power cord from the wall socket before using the hand crank. Remove the hand crank before plugging the power cord into the wall socket or personal injury could result.
-

Unpacking and Initial Set-Up Procedures

UNPACKING INSTRUCTIONS

Refer to unpacking instructions attached to the bed inside the crate.

SET-UP PROCEDURES

It is important that the Stryker Adel Maternity Bed is working properly before it is put into service. The following list will help ensure that each part of the bed is tested.

- Plug the bed into a properly grounded, hospital grade wall receptacle.

WARNING

The Stryker Adel Maternity Bed is equipped with a hospital grade plug for protection against shock hazard. It must be plugged directly into a properly grounded three-prong receptacle. Grounding reliability can be achieved only when a hospital grade receptacle is used.

-
- Ensure the siderails raise and lower smoothly and lock in the up position.
 - Ensure that the brakes hold when the brake pedal is engaged.
 - Test each function on the (optional) hand pendant to ensure that each function is working properly.

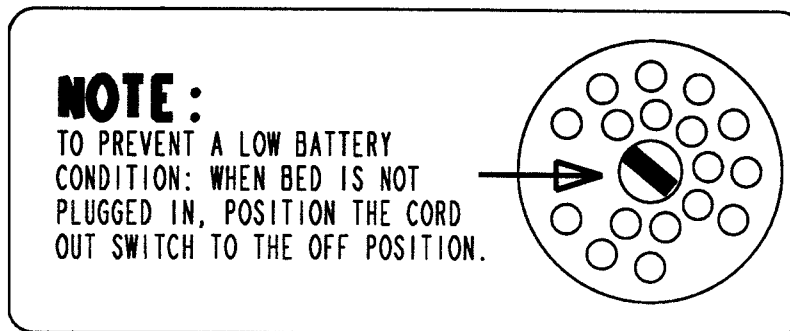
Beds equipped with nurse communication siderail control option only:

- Plug the interface cable into the 37 pin connector in the litter frame at the head end of the bed, and into the "Patient Station", "Head Wall", "Dock Station", or equivalent (whichever applies).
- Run through each function on the siderail control panels to ensure that each function is working properly.

NOTE

To prevent a low battery condition when the bed is not plugged in, position the cord out switch at the head end of the bed to the off position. The switch is identified by the label shown below. If the switch is not positioned as shown below and the bed power cord and pendant cord are unplugged, the life of the back-up battery will be significantly reduced.

If the siderail lights LED (located on the outside of both siderails) is flashing, the Nurse Call battery needs to be replaced. The battery is located on the patient's right side at the head end of the bed. No tools are required to replace the battery. Unplug the bed power cord from the wall socket and replace the battery. After replacing the battery, verify the siderail lights LED is no longer flashing and operates normally when the different light settings are selected.



Bed Symbols



Warning, Refer to Service/Maintenance Manual



Alternating Current



Type B Equipment: equipment providing a particular degree of protection against electric shock, particularly regarding allowable leakage current and reliability of the protective earth connection.

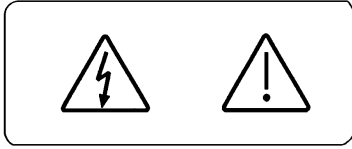
Class 1 Equipment: equipment in which protection against electric shock does not rely on BASIC INSULATION only, but which includes an additional safety precaution in that means are provided for the connection of the EQUIPMENT to the protective earth conductor in the fixed wiring of the installation in such a way that ACCESSIBLE METAL PARTS cannot become live in the event of a failure of the BASIC INSULATION.

IPX4: Protection from liquid splash

Bed Symbols

SYMBOL

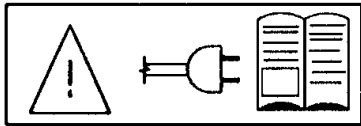
DESCRIPTION



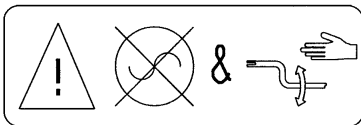
Warning: Potential Electrical Shock if Cover is Removed.



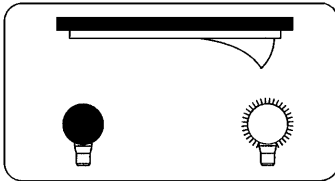
Keep Feet Clear.



Warning: Read all Instructions Before Plugging in the Bed.



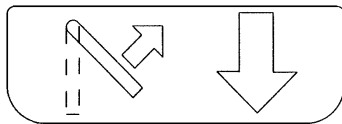
Warning: Unplug Bed Before Using the Hand Crank.



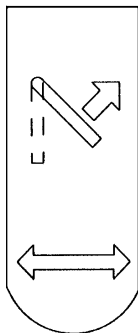
Night Light On/Off Switch



CPR Release



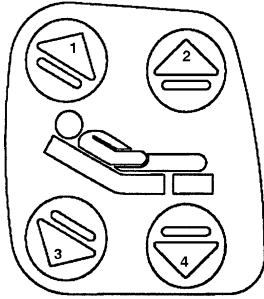
Lift to Lower



Lift to Move In or Out

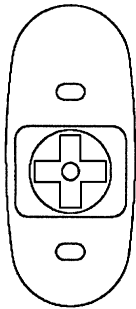
Bed Symbols

SYMBOL

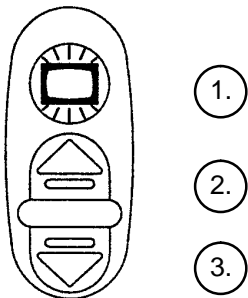


DESCRIPTION

1. Raise Fowler (back rest).
2. Raise foot section.
3. Lower Fowler.
4. Lower foot section.

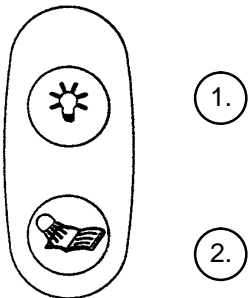


Activate Nurse Call



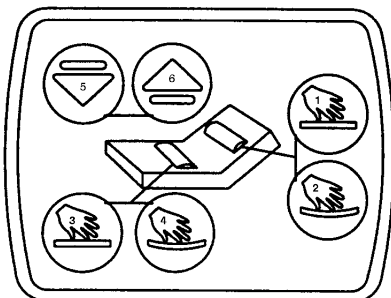
- 1.
- 2.
- 3.

1. Turn TV or radio on or select a channel.
2. Increase volume.
3. Decrease volume.



- 1.
- 2.

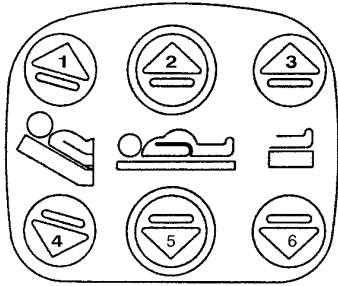
1. Turn the room light on or off.
2. Turn the bed overhead light on or off.



1. More support to the patient's lower back.
2. Less support to the patient's lower back.
3. More support to the patient's seat section.
4. Less support to the patient's seat section.
5. Lower the volume of the television.
6. Raise the volume of the television.

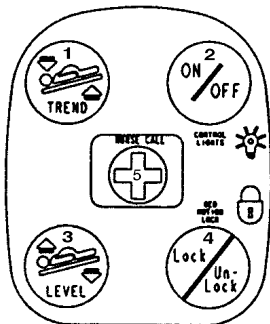
Bed Symbols

SYMBOL

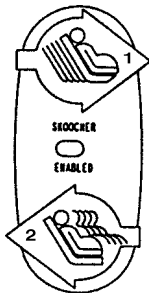


DESCRIPTION

1. Raise Fowler (back rest).
2. Raise bed height.
3. Raise foot section.
4. Lower Fowler (back rest).
5. Lower bed height.
6. Lower foot section.



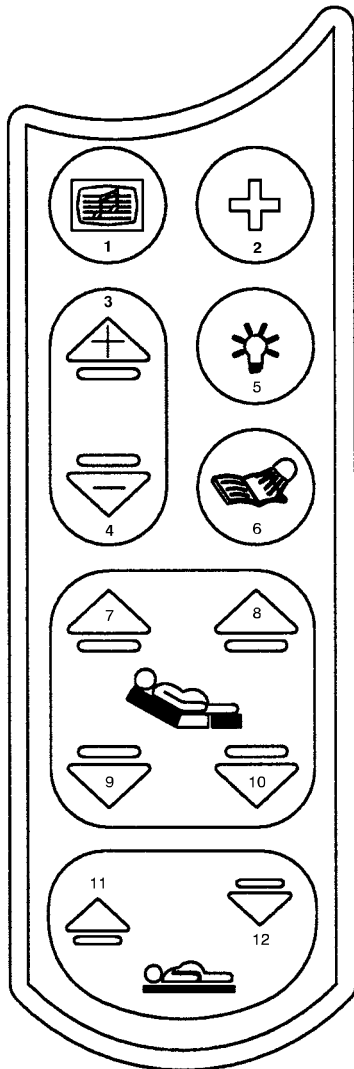
1. Lower head end of bed.
2. Toggle siderail lights to different settings.
3. Raise head end of bed and/or return bed to level.
4. Lock/unlock all bed motion.
5. Activate Nurse Call.



1. Decrease seat depth.
2. Increase seat depth.

Bed Symbols

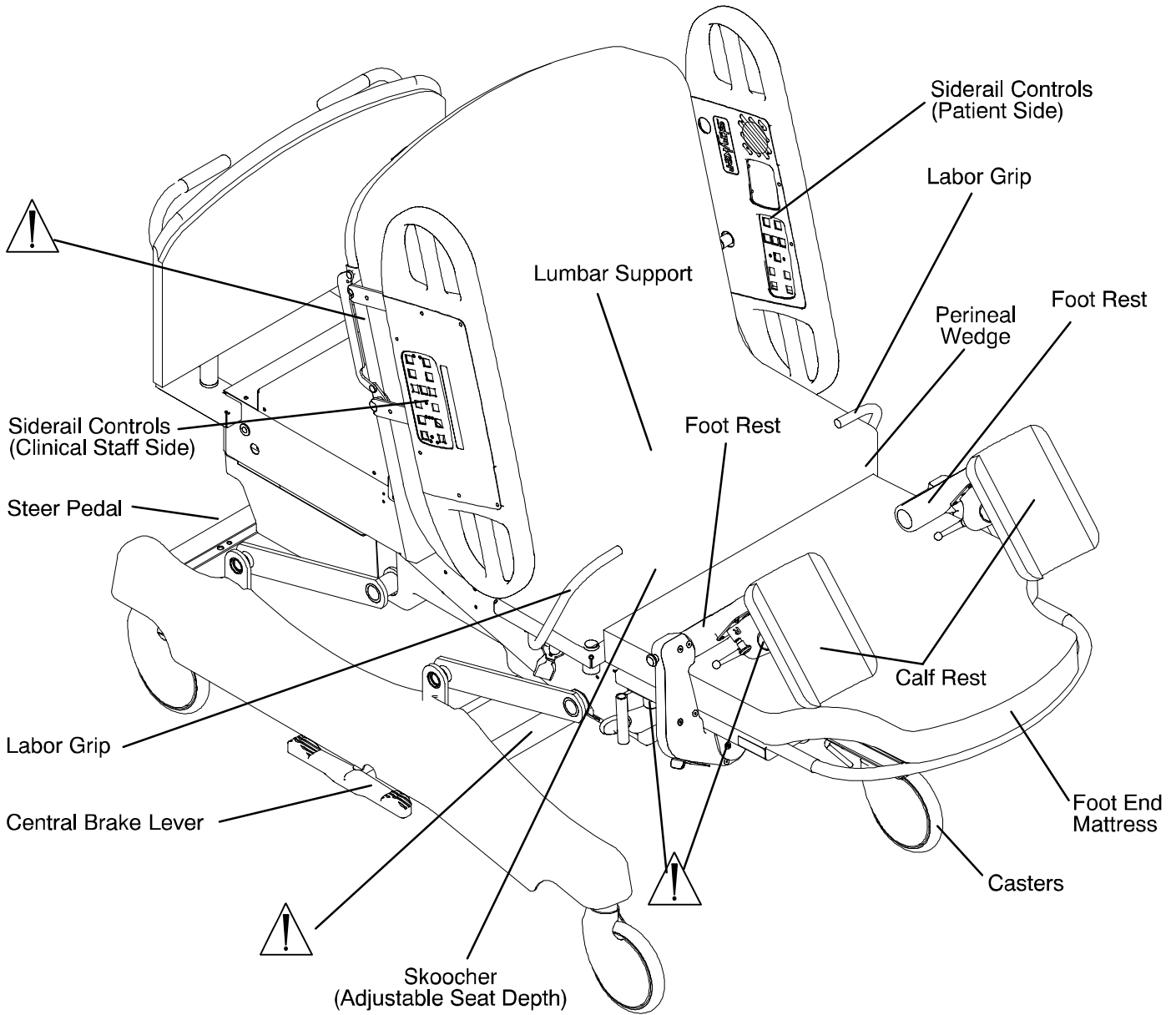
SYMBOL



DESCRIPTION

1. Turn TV or radio on or select a channel.
2. Activate Nurse Call.
3. Increase volume.
4. Decrease volume.
5. Turn the room light on or off.
6. Turn the bed overhead light on or off.
7. Raise Fowler.
8. Raise foot section.
9. Lower Fowler.
10. Lower foot section.
11. Raise bed height.
12. Lower bed height.

Bed Illustration



WARNING

Potential pinch points

Cleaning

WARNING

Hand wash all surfaces of the bed with warm water and mild detergent. Dry thoroughly. DO NOT STEAM CLEAN, PRESSURE WASH, HOSE OFF OR ULTRASONICALLY CLEAN. Using these methods of cleaning is **not** recommended and may void this product's warranty.

Inspect the mattress cover after each use. Discontinue use if any cracks or rips are found in the cover which may allow fluids to enter the mattress. Exposure to fluids may cause injury to patient and/or user.

In general, when used in those concentrations recommended by the manufacturer, either phenolic type or quaternary type disinfectants can be used. Iodophor type disinfectants are not recommended for use because staining may result. The following products have been tested and have been found not to have a harmful effect WHEN USED IN ACCORDANCE WITH MANUFACTURERS RECOMMENDED DILUTION.*

TRADE NAME	DISINFECTANT TYPE	MANUFACTURER	*MANUFACTURER'S RECOMMENDED DILUTION
A33	Quaternary	Airwick (Professional Products Division)	2 ounces/gallon
A33 (dry)	Quaternary	Airwick (Professional Products Division)	1/2 ounce/gallon
Beaucoup	Phenolic	Huntington Laboratories	1 ounce/gallon
Blue Chip	Quaternary	S.C. Johnson	2 ounces/gallon
Elimstaph	Quaternary	Walter G. Legge	1 ounce/gallon
Franklin Phenomysan F2500	Phenolic	Purex Corporation	1 1/4 ounce/gallon
Franklin Sentinel	Quaternary	Purex Corporation	2 ounces/gallon
Galahad	Phenolic	Puritan Churchill Chemical Company	1 ounce/gallon
Hi-Tor	Quaternary	Huntington Laboratories	1/2 ounce/gallon
LPH	Phenolic	Vestal Laboratories	1/2 ounce/gallon
Matar	Phenolic	Huntington Laboratories	1/2 ounce/gallon
Omega	Quaternary	Airwick (Professional Products Division)	1/2 ounce/gallon
Quanto	Quaternary	Huntington Laboratories	1 ounce/gallon
Sanikleen	Quaternary	West Chemical Products	2 ounces/ gallon
Sanimaster II	Quaternary	Service Master	1 ounce/gallon
Vesphene	Phenolic	Vestal Laboratories	1 1/4 ounce/gallon
Wexcide	Phenolic	Wexford Labs	1/2 ounce/gallon

Quaternary Germicidal Disinfectants, used as directed, and/or Chlorine Bleach products, typically 5.25% Sodium Hypochlorite in **dilutions ranging between 1 part bleach to 100 parts water, and 2 parts bleach to 100 parts water are not considered mild detergents. These products are corrosive in nature and may cause damage to your stretcher if used improperly.** If these types of products are used to clean Stryker patient handling equipment, measures must be taken to insure the stretchers are rinsed with clean water and thoroughly dried following cleaning. Failure to properly rinse and dry the stretchers will leave a corrosive residue on the surface of the stretcher, possibly causing premature corrosion of critical components.

NOTE

Failure to follow the above directions when using these types of cleaners may void this product's warranty.

REMOVAL OF IODINE COMPOUNDS

This solution may be used to remove iodine stains from mattress cover and foam footrest pad surfaces.

1. Use a solution of 1–2 tablespoons Sodium Thiosulfate in a pint of warm water to clean the stained area. Clean as soon as possible after staining occurs. If stains are not immediately removed, allow solution to soak or stand on the surface.
2. Rinse surfaces which have been exposed to the solution in clear water before returning bed to service.

Preventative Maintenance Checklist

- _____ All fasteners secure
- _____ All welds intact, not cracked or broken
- _____ No bent or broken tubing or sheet metal
- _____ No debris in casters
- _____ All casters secure and swivel properly
- _____ Engage brake pedal and push on the bed to ensure all casters lock securely
- _____ Steer caster latches properly
- _____ Siderails move and latch properly
- _____ Fowler operates properly
- _____ Fowler (back rest) Slide operates properly
- _____ Bed Up/Down operates properly
- _____ Foot operates properly
- _____ Trendelenburg operates properly
- _____ I.V. pole intact and operating properly
- _____ No rips or cracks in mattress cover
- _____ Lubricate where required
- _____ Replace Nurse Call 9V battery (annually)
- _____ Power cord not frayed
- _____ No cables worn or pinched
- _____ All electrical connections tight
- _____ All grounds secure to the frame
- _____ Ground impedance not more than 100 milliohms
- _____ Current leakage not more than 100 microamps

Serial No. _____

NOTE

Preventative maintenance should be performed at a minimum of annually. A preventative maintenance program should be established for all Stryker Medical equipment. Preventative maintenance may need to be performed more frequently based on the usage level of the product.

Static Discharge Precautions

The electronic circuits in the Stryker Adel Maternity Bed are completely protected from static electricity damage only while the bed is assembled. It is extremely important that all service personnel always use adequate static protection when servicing the electronic systems of the bed. *Whenever you are touching wires or circuit boards, you should be using static protection.*

Static Protection Equipment

The necessary equipment for proper static protection is:

- 1 static wrist strap; 3M part number 2214 or equivalent,
- 1 grounding plug; 3M part number 61038 or equivalent,
- 1 test lead with a banana plug on one end and an alligator clip on the other; Smith part number N132B699 or equivalent.

Stryker has available the following equipment for proper static protection:

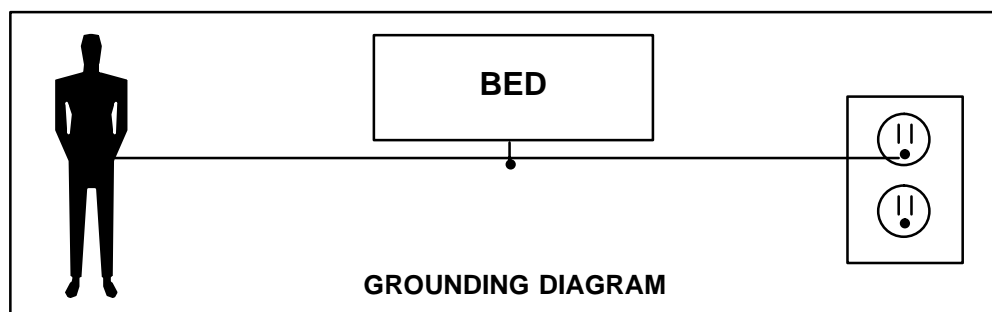
- Complete static protection system – part number 3000–000–753
- 1 grounding plug – Stryker part number 3000–000–754
- 1 static wrist strap – Stryker part number 3000–000–755
- 1 test lead – Stryker part number 3000–000–756

CAUTION

All electronic service parts will be shipped in static shielding bags. Do not open the bags until you have completed steps 2 and 3 of the following procedure. All circuit boards must be returned to Stryker Medical. Return circuit boards in the static shielding bags the new boards were shipped in.

Static Protection Procedure

1. Unplug the power cord from the wall receptacle.
2. Insert the grounding plug into a properly grounded hospital grade wall receptacle. Plug the banana plug of the test lead into the receptacle on the grounding plug. Connect the alligator clip on the other end of the test lead to a ground point on the bed.
3. Place the static control wrist strap on your wrist. Connect the alligator clip at the other end of the wrist strap cord to a ground point on the bed.



Service Information – Base

STEER WHEEL CABLE ADJUSTMENT

Required Tools:

(2) 10 mm Open End Wrenches

Adjustment Procedure:

1. Remove the base frame cover from the (patient) right side of the bed.
2. Position the steer pedal (located at the head end of the bed) in the off position.
3. Using two 10 mm open end wrenches, adjust the steer cable so the steer latch lever is approximately 3/16" away from the caster horn.
4. Test the steer wheel to ensure it engages when the steer pedal is in the on position and disengages when the steer pedal is in the off position.
5. Reinstall the base cover.

BRAKE ADJUSTMENT

Required Tools:

3/32" Allen Wrench

6" C-Clamp

Adjustment Procedure:

1. Remove the base frame cover on the side of the bed needing service.
2. Put the brake pedal (located at the center of the base frame on both sides of the bed) in the neutral position.
3. Using a 6" C-clamp, clamp the brake bar to the frame to release the tension on the brake adjuster.
4. Using a 3/32" Allen wrench, loosen the set screw on the end of the brake bar.
5. Turn the brake adjuster clockwise to increase the brake tension and counterclockwise to decrease the brake tension.

NOTE

All four wheel brakes should be set with equal brake tension.

6. Verify the brakes engage and disengage properly.
7. Using the 3/32" Allen wrench, tighten the set screw.
8. Reinstall the base frame cover.

Service Information – Litter

LIFT MOTOR REMOVAL AND REPLACEMENT

Required Tools:

1/2" Wrench	T27 Torx Wrench	Hammer
Punch	3/8" Socket Wrench	Standard Screwdriver
Snap Ring Pliers	5/16" Nut Driver	3/16" Allen Wrench
5/32" Allen Wrench	9/16" Wrench	(2) 2x4's

Removal Procedure:

1. Raise the bed to the full up position.

NOTE

If the bed will not raise electrically, crank the bed up manually.

2. Remove all accessories from the foot end of the bed (foot pan, mattress, basin, etc.).
3. Using a 5/16" nut driver, remove the 8 bolts holding the bottom cover to the litter.
4. Using a T27 Torx wrench, remove the six bolts holding the seat section to the frame and remove the seat section.
5. Raise the Fowler to the full up position.
6. Run the Fowler to the full in position (toward the foot end of the bed).
7. Unplug the bed power cord from the wall socket.
8. Using a 3/8" socket wrench, remove the four bolts holding the electrical cover to the electrical pan.
9. Using a 3/8" socket wrench, remove the four bolts holding the electrical pan to the frame.
10. Using a 3/8" socket wrench, remove the two bolts holding the cover over the Fowler motor and remove the cover.
11. Using a T27 Torx wrench, remove the four screws holding the front cover to the litter. Tilt and support it.
12. Slide the electrical panel toward the head end of the bed.
13. Using a standard screwdriver, remove the screw holding the potentiometer coil to the bed motor drive tube.

CAUTION

The potentiometer coil spring recoils very quickly. Before removing the screw, hold the spring securely to avoid damaging the potentiometer.

14. Using (2) 2x4's, support both ends of the bed between the base frame and the crank arms. Using the manual crank, lower the bed until it is resting on the 2x4's.
15. Using a hammer and punch, remove the 4 roll pins holding the lift coupler to the drive screw.

WARNING

It is **very important** to properly support the bed before removing the drive tube bolt or serious personal injury could result.

16. Using a 3/16" Allen wrench and a 1/2" wrench, remove the bolt from the end of the bed lift drive tube.
17. Remove the drive tube and drive screw from the bed.
18. Disconnect the motor connectors from the CPU board and the capacitor.
19. Using a 1/4" Allen wrench and a 9/16" wrench, remove the trend. link shoulder bolt from the patient/right side of the bed.
20. Using a 1/4" Allen wrench, remove the two shoulder bolts holding the motor to the litter frame.

Service Information – Litter

LIFT MOTOR REMOVAL AND REPLACEMENT (CONTINUED)

Removal Procedure (Continued):

21. Move the lift motor assembly toward the head end of the bed.
22. Remove the motor by lowering it and moving it toward the head end of the bed.
23. Reverse the above procedure to reinstall the replacement lift motor. After the replacement lift motor is installed, all the limits must be set and “burned in”. See page 22 & 23 for potentiometer replacement and adjustment.

TREND MOTOR REMOVAL AND REPLACEMENT

Required Tools:

7/16” Socket Wrench
5/16” Socket Wrench
3/8” Socket Wrench

3/16” Allen Wrench
1/2” Open End Wrench

11/32” Open End Wrench
1/2” Socket Wrench

Removal Procedure:

1. Raise the bed to the full up position.
2. Remove all accessories from the foot end of the bed (foot pan, mattress, basin, etc.).
3. Using a 5/16” nut driver, remove the 8 bolts holding the bottom cover to the litter.
4. Support the head end of the bed from the head board mounting post to the floor.

WARNING

It is **very important** to properly support the bed before removing the drive tube bolt or serious personal injury could result.

5. Unplug the bed power cord from the wall socket.
6. Using a 3/8” socket wrench or nut driver, remove the four 3/8” bolts from the electrical cover and remove the cover.
7. Using a 3/8” socket wrench or nut driver, remove the two 3/8” bolts holding the holding the Fowler motor access cover to the electrical pan.
8. Unplug the Trend motor from the litter CPU board.
9. Disconnect the motor to capacitor wires from the capacitor.
10. Using a 3/16” Allen wrench and 1/2” open end wrench, reach under the bed and remove the bolt and nut on the end of the drive tube.
11. Using a 11/32” open end wrench, remove the nut from the air compressor.
12. Using a 1/2” open end wrench and a 1/2” socket wrench, remove the four nuts and bolts from the motor mounting bracket and remove the motor. (When installing the replacement motor, use Loctite 242 on the bolts.)
13. Reverse the above procedure to install the new motor.

Service Information – Litter

SKOOCHER™ MOTOR REMOVAL AND REPLACEMENT

Required Tools:

3/8" Socket Wrench 5/16" Socket Wrench

Removal Procedure:

1. Raise the bed and the Fowler to the full up position.
2. Run the Fowler to the full out position (toward the head end of the bed).



WARNING

If the Fowler slide will not run electrically, it must be manually cranked out (toward the head of the bed) to prevent personal injury when the motor is removed. Remove the crank from the two clips at the head end of the bed. Unplug the bed power cord from the wall socket. Insert the crank into the opening marked with the Fowler Up/Down symbol. Center the notch in the end of the crank on the roll pin on the motor assembly and crank to the desired height.

3. Raise the siderails to the full up position.
4. Unplug the bed power cord from the wall socket.
5. Using a 3/8" socket wrench, remove the four bolts holding the electrical cover to the electrical pan and remove the cover.
6. Using the 3/8" socket wrench, remove the two bolts holding the Skoocher motor access cover to the electrical pan and remove the cover.
7. Using a 5/16" socket wrench, remove the 8 bolts holding the bottom cover to the litter frame and remove the cover.
8. Disconnect the capacitor wires and the option power board connector for the Fowler slide motor.
9. Using a 3/8" socket wrench, remove the five bolts holding the motor mounting bracket to the frame and remove the motor.
10. Reverse the above procedure to install the replacement Skoocher motor.

FOWLER MOTOR REMOVAL AND REPLACEMENT

Required Tools:

3/8" Socket Wrench 5/16" Socket Wrench Tie-Down Straps

Removal Procedure:

1. Raise the bed and the Fowler to the full up position.
2. Raise the siderails to the full up position.
3. Unplug the bed power cord from the wall socket.
4. Using a 3/8" socket wrench, remove the four bolts holding the electrical cover to the electrical pan.
5. Using a 3/8" socket wrench, remove the two bolts holding the Fowler motor access cover to the electrical pan and remove the cover.
6. Using a 3/8" socket wrench, remove the four bolts holding the electrical pan to the frame.
7. Unplug the Fowler motor from the main power board.

Service Information – Litter

FOWLER MOTOR REMOVAL AND REPLACEMENT (CONTINUED)

8. Unplug the capacitor wires.
9. Lift the electrical pan up slightly and turn it sideways on an angle.

WARNING

It is important to properly support the Fowler before proceeding or personal injury could result.

10. Using a 3/8" inch socket wrench, remove the five 5/16" bolts holding the motor mounting bracket to the litter frame.
11. Lift the motor up and out.
12. Reverse the above procedure to install the replacement Fowler motor.

FOOT MOTOR REMOVAL AND REPLACEMENT

Required Tools:

T27 Torx Driver
7/16" Socket

Hammer
9/16" Socket

Punch
Ratchet

Removal Procedure:

1. Raise the bed to the full up position.
2. Remove all accessories from the foot end of the bed (foot pan, mattress, basin, etc.).
3. Using a 5/16" nut driver, remove the 8 screws holding the bottom cover to the litter.
4. Using a 9/16" socket, remove the bolts holding the left and right foot pan support brackets. (When replacing the brackets during re-assembly, use Loctite 242 on the bolts and torque them to 40 foot-pounds.)
5. Remove the head/seat section mattress.
6. Using a T27 Torx driver, remove the six bolts holding the seat section.
7. Run the foot motor half way up from the bottom stop.
8. Unplug the motor connector from the power board.
9. Unplug the connector from the foot motor capacitor.
10. While holding the motor to prevent it from falling, use a 7/16" wrench to remove the four bolts from the seat section.
11. Using a hammer and punch, drive the roll pin out of the manual override nut.
12. With the motor and crosstube sitting on the seat frame, push down on the foot motor to force the Acme nut out of the crosstube and remove the nut from the screw.
13. Unscrew the Acme nut from the motor shaft.
14. Tilt the motor toward the head end of the bed and carefully lift it up and remove it from the bed.
15. Reverse the above procedure to install the replacement foot motor. See page 23 for the potentiometer adjustment procedure.

Service Information – Litter

POWER SUPPLY BOARD REPLACEMENT

Required Tools:

3/8" Socket

Ratchet

Needle Nose Pliers

Procedure:

1. Properly ground yourself (see page 15 for static discharge precautions).
2. Raise the Fowler to the full up position.
3. Unplug the bed power cord from the wall socket.
4. Remove the four 3/8" bolts from the electrical service panel and remove the access cover.
5. Unplug all connectors from the power supply board.
6. Using needle nose pliers, squeeze the four stand-offs and pull up gently on the board to remove it.
7. Reverse the above procedure to install the replacement power supply.

CPU BOARD REPLACEMENT

Required Tools:

3/8" Socket

Ratchet

Needle Nose Pliers

Removal Procedure:

1. Properly ground yourself (see page 15 for static discharge precautions).
2. Raise the Fowler to the full up position.
3. Unplug the bed power cord from the wall socket.
4. Remove the four 3/8" bolts from the electrical service panel and remove the access cover.
5. Unplug all connectors from the CPU board. Note the location of the connectors so each will be attached properly to the replacement CPU board. (See electrical assembly on pages 98–100).
6. Using needle nose pliers, squeeze the five stand-offs and pull up gently on the CPU board to remove it.
7. Install the replacement CPU board and plug all the connectors into the proper locations.

NOTE

All cables and board connections are lettered to aid with re-connection.

8. All replacement CPU boards must be calibrated. See page 22 & 23 for calibration procedures.
9. Reinstall the access cover.

Service Information – Litter

OPTIONAL POWER BOARD REPLACEMENT

Required Tools:

3/8" Socket

Ratchet

5/16" Nut Driver

Removal Procedure:

1. Properly ground yourself (see page 15 for static discharge precautions).
2. Raise the Fowler to the full up position.
3. Unplug the bed power cord from the wall socket.
4. Remove the four 3/8" bolts from the electrical service panel and remove the access cover.
5. Unplug all connectors from the optional power board.
6. Note the location of each connector so all will be attached properly to the replacement power board.
7. Remove the six 5/16" screws holding the optional power board to the electrical service panel.
8. Reverse the above procedure to install the replacement power board.

NOTE

All cables and board connections are lettered to aid with re-connection. (See electrical assembly on pages 98–100).

LIFT, FOOT, AND FOWLER CALIBRATION PROCEDURE

Required Tools:

Tape Measure

Inclinometer

Digital Volt Meter

Diagnostics Procedure:

1. Unplug the bed power cord from the wall socket.
2. Press and hold the "head up" and "head down" (Trendelenburg) buttons.
3. While continuing to hold down the "head up" and "head down" buttons, plug the bed power cord into a properly grounded wall receptacle.
4. Release the "head up" and "head down" buttons. The motion Lock LED will flash, indicating the bed is in diagnostics mode

Lift Calibration Procedure:



CAUTION

Raise the foot section of the bed to prevent the bed from being damaged when it is lowered.

1. Place the inclinometer on the seat section skin. Level the bed using the "head down" button.
2. Press the "bed down" button and lower the bed until the seat section skin is 19 3/8" above the floor ($\pm 1/8$ ").
3. To set the lift limit: press first the "head down" (Trendelenburg) button, then the "bed down" button. Note: It is important to press the "head down" button first. The Motion Lock LED will light. Continue to hold the buttons until the LED blinks on and off.

Service Information – Litter

LIFT, FOOT, AND FOWLER CALIBRATION PROCEDURE (CONTINUED)

Lift Calibration Procedure (Continued):

4. Press the “bed up” button and raise the bed until the seat section skin is 37 1/2” above the floor ($\pm 1/8$ ”).
5. To set the lift limit: press first the “head down” (Trendelenburg) button, then the “bed up” button. Note: It is important to press the “head down” button first. The Motion Lock LED will light. Continue to hold the buttons until the LED blinks on and off.
6. If Fowler or foot section calibration is not necessary, end the calibration procedure by unplugging the bed power cord from the wall socket.
7. Plug the power cord into the wall socket. Run the bed to full up, then full down to verify the bed limits.

Fowler Calibration Procedure:

1. Adjust the Fowler slide to the full out position. The Fowler down motion will not occur until this limit is met.
2. Press the Fowler down button until the Fowler is flat.
3. To set the Fowler limit: press first the “head down” (Trendelenburg) button then the Fowler down button. Note: It is important to press the “head down” button first. The Fowler LED will light. Continue to hold the buttons until the LED blinks on and off.
4. If lift or foot section calibration is not necessary, end the calibration procedure by unplugging the bed power cord from the wall socket.
5. Plug the power cord back in to the wall socket. Run the Fowler to full up, then full down to verify the limits.

Foot Calibration Procedure:



CAUTION

Raise the bed high enough to allow the foot section to be lowered without damaging the bed.

1. Press the “foot down” button until the the foot section reaches full down or the bottom limit.
2. To set the foot limit: press first the “head down” (Trendelenburg) button, then the “foot down” button. Note: It is important to press the “head down” button first. The LED will light. Continue to hold the buttons until the LED blinks on and off.
3. If lift or Fowler calibration is not necessary, end the calibration procedure by unplugging the bed power cord from the wall socket.
4. Plug the power cord back in to the wall socket. Run the foot to full up, then full down to verify the limits.

Potentiometer Initial Settings for Lift, Fowler, and Foot:

Lift Potentiometer (reference page 69)

Looking at the stem of the potentiometer, turn potentiometer fully counterclockwise until it stops, then turn it back (clockwise) two full turns.

Upper Limit (35") HDR 23	5000 ohms \pm 500 ohms + Lead Pin 3, – Lead Pin 2	2.5 VDC \pm 0.2 VDC
-----------------------------	--	-----------------------

Foot Potentiometer (reference page 72)

Looking at the stem of the potentiometer, turn potentiometer fully counterclockwise until it stops, then turn it back (clockwise) six full turns.

Upper Limit HDR 28	3300 ohms \pm 500 ohms + Lead Pin 3, – Lead Pin 2	1.65 VDC \pm 0.2 VDC
-----------------------	--	------------------------

Fowler Potentiometer (reference page 53)

Looking at the stem of the potentiometer, turn potentiometer fully clockwise until it stops, then turn it back (counterclockwise) one full turn.

Upper Limit (@68°) HDR 3	6750 ohms \pm 500 ohms + Lead Pin 3, – Lead Pin 4	3.37 VDC \pm 0.2 VDC
-----------------------------	--	------------------------

Service Information – Litter

SMART TV INTERFACE BURN-IN PROCEDURE

This procedure is used for selecting the style of TV interface desired for your bed. If traditional TV is desired, no calibration is required. If optional Smart TV is available on the bed, select one of the TV manufacturers listed in the table below.

SET-UP

- Ensure the communication cable is connected between the bed and the Db37 wall port or the pillow speaker port of the nurse call system. If available, a bed communication tester can be used instead of the hospital wiring.

PROCEDURE

1. Place the bed in the lift potentiometer burn-in mode (see page 22).
2. Notice the Nurse Call LED (yellow) is flashing. Notice the Nurse Answer LED (green) is flashing on/off slowly.
3. Press and release the TV ON/OFF switch on the bed's siderail once. Notice the Nurse Call LED flashes once. This is the first selection of TV manufacturers for the Smart TV mode. Notice the Nurse Answer LED (green) is flashing on/off slowly. The Nurse Answer LED will only light when the Nurse Call LED (yellow) is flashing.
4. Press and release the TV ON/OFF switch on the bed's siderail to scroll to other TV manufacturers. Notice the number of times the Nurse Call LED flashes matches the number listed in the table below and represents the TV manufacturer selected.
5. When the desired TV manufacturer has been selected, unplug the bed power cord from the wall socket and plug it back in to complete the Smart TV burn-in procedure.

NOTE

If the bed is connected to a television during the burn-in procedure, the television will turn on when the correct setting is selected.

TV MANUFACTURER SELECTION FOR SMART TV BURN-IN PROCEDURE		
Press and release TV ON/OFF switch:	Nurse Call LED (Yellow)	TV Manufacturer
One time	One flash	RCA 1
Two times	Two flashes	RCA 2
Three times	Three flashes	Zenith 1
Four times	Four flashes	Zenith 2
Five times	Five flashes	Phillips/Magnavox
Six times	Six flashes	Magnavox (models 9120, 9220, 9320)
Seven times	Seven flashes	Traditional TV
Eight times	Eight flashes	Traditional Plus

Electrical Troubleshooting

TROUBLESHOOTING GUIDE

DEFINITIONS:

DMM = Digital Multi-Meter

PCB = Printed Circuit Board

CPU = Central Processing Unit

NOTE

See pages 28–32 for an outline of bed PCB's and voltage test points. See pages 22 & 23 for potentiometer calibration.

PROBLEM/FAILURE	RECOMMENDED ACTION
No power to bed	<p>A. Unplug bed power cord and check continuity of fuses F1 and F2 with DMM.</p> <p>B. Check for 120 VAC power at J1 on the power supply, pin 1 and 2.</p> <p>C. Check for DC voltages on J2 (pins 1,2,3 & 6) on power supply. See page 31 for power supply voltage test points.</p> <p>D. If no voltages at J2, unplug connector HDR2 on the CPU board and recheck for DC voltages at J2 on the power supply.</p>
No bed down motion.	<p>A. Enter diagnostics, (see page 22) and press bed down. If motion is present, re-burn all limits.</p> <p>B. Check for shunt on HDR3 on pin 1 and 2.</p> <p>C. Check for 5VDC on R135 positive lead, CPU ground test point negative lead.</p> <p>D. If no down motion in diagnostics, check for 120 VAC on HDR29, pin 1 and 2, of the CPU board.</p>
No bed up motion.	<p>A. Enter diagnostics, (see page 22) and press bed up. If motion is present, re-burn all limits.</p> <p>B. Check for 5VDC on R139 positive lead, CPU ground test point negative lead.</p> <p>C. If no up motion in diagnostics, check 120 VAC on HDR29, pin 1 and 3, of the CPU board.</p>
No foot down motion.	<p>A. Enter diagnostics, (see page 22) and press foot down. If motion is present, re-burn all limits.</p> <p>B. Check for shunt on HDR3 on pin 1 and 2.</p> <p>C. Check for 5VDC on R149 positive lead, CPU ground test point negative lead.</p> <p>D. If no down motion in diagnostics, check for 120 VAC on HDR34 pin 1 and 3 of the CPU board.</p>
No foot up motion.	<p>A. Enter diagnostics, (see page 22) and press foot up. If motion is present, re-burn all limits.</p> <p>B. Check for 5VDC on R147 positive lead, CPU ground test point negative lead.</p> <p>C. If no up motion in diagnostics, check for 120 VAC on HDR34, pin 1 and 6 of the CPU board.</p>

Electrical Troubleshooting

TROUBLESHOOTING GUIDE (CONTINUED)

PROBLEM/FAILURE	RECOMMENDED ACTION
No Fowler down motion.	<p>A. Enter diagnostics, (see page 22) and check for Fowler down motion. If motion is present, re-burn all limits.</p> <p>B. If no Fowler down motion is present, check the Fowler Slide Out switch for proper connection. See item M on page 58 for details.</p> <p>C. Check for 5VDC on R137 positive lead, CPU ground test point negative lead.</p> <p>D. If no down motion in diagnostics, check for 120 VAC on HDR30 pin 1 and 3 of the CPU board.</p>
No Fowler up motion.	<p>A. Enter diagnostics, (see page 22) and press Fowler up. If motion is present, re-burn all limits.</p> <p>B. Check for 5VDC on R141 positive lead, CPU ground test point negative lead.</p> <p>C. If no up motion in diagnostics, check for 120 VAC on HDR30, pin 2 and 3 of the CPU board.</p>
No Trend motion.	<p>A. Check for shunt on HDR3 of the CPU board pin 1 and 2.</p> <p>B. Check for bed up and down limits. If no motion, reference bed motion troubleshooting.</p> <p>C. Check for 5 VDC on R145 positive lead, CPU ground test point negative lead.</p> <p>D. Check for 120 VAC on HDR33, pin 1 and 3 of the CPU board.</p>
No Trend Out motion.	<p>A. Check for 5 VDC on R143 positive lead, CPU ground test point negative lead.</p> <p>B. Check for 120 VAC on HDR33, pin 1 and 6 of the CPU board.</p>
No Fowler Slide In motion.	<p>A. Check for Fowler up and down limits. If no motion, reference Fowler troubleshooting.</p> <p>B. Check for 5 VDC at HDR2, pin 1 (Black) and 2 (Red) of the option power board.</p> <p>C. Check for 12 VDC at HDR2 pin 1 (Black) and 3 (Red) of the option power board.</p> <p>D. Check for 5 VDC on HDR2 pin 4 (Red) and 1 (Black) of the option power board.</p> <p>E. Check for 120 VAC on HDR6, pin 2 and 3 of the option power board.</p>
No Fowler Slide Out motion.	<p>A. Check for Fowler up and down limits. If no motion, reference Fowler troubleshooting.</p> <p>B. Check for 5 VDC at HDR2, pin 1 (Black) and 2 (Red) of the option power board.</p> <p>C. Check for 12 VDC at HDR2 pin 1 (Black) and 3 (Red) of the option power board.</p> <p>D. Check for 5 VDC on HDR2 pin 5 (Red) and 1 (Black) of the option power board.</p> <p>E. Check for 120 VAC on HDR6, pin 1 and 3 of the option power board.</p>

Electrical Troubleshooting

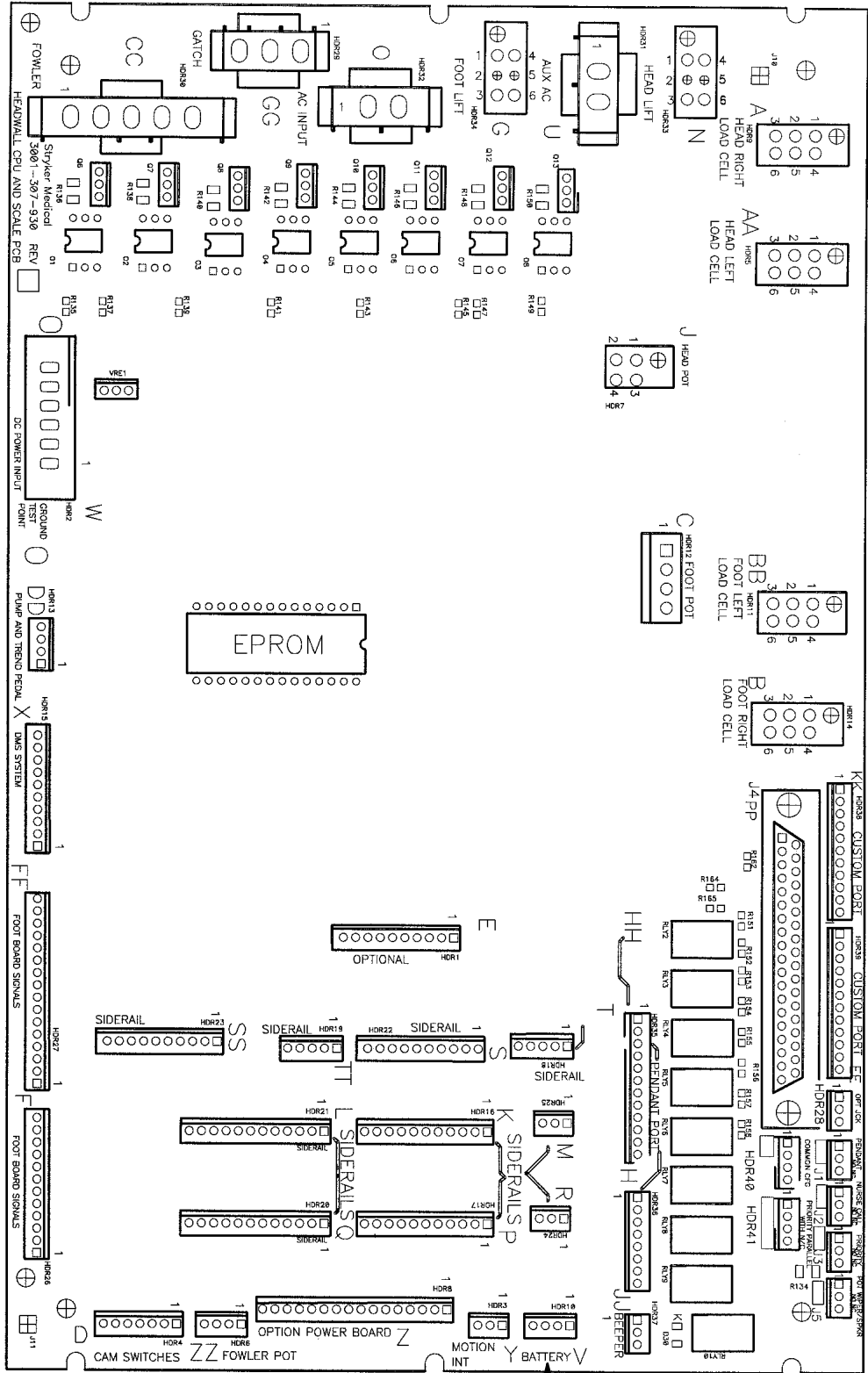
TROUBLESHOOTING GUIDE (CONTINUED)

PROBLEM/FAILURE	RECOMMENDED ACTION
No Lumbar Firm.	<p>A. Check for 5VDC on HDR2 pin 2 and 1 of the option power board.</p> <p>B. Check for 12 VDC on HDR2 pin 3 (Red) and 1 (Black) of the option power board.</p> <p>C. Check for 5 VDC on HDR2 pin 8 (Red) and 1 (Black) of the option power board.</p> <p>D. Check for 120 VAC on HDR 4 pin 1 and 3 of the option power board.</p>
No Lumbar Soft.	<p>A. Check for 5VDC on HDR2 pin 2 and 1 of the option power board.</p> <p>B. Check for 12 VDC on HDR2 pin 3 (Red) and 1 (Black) of the option power board.</p> <p>C. Check for 5 VDC on HDR2 pin 7 (Red) and 1 (Black) of the option power board.</p> <p>D. Check for 120 VAC on HDR4 pin 1 and 2 of the option power board.</p>
No Seat Firm.	<p>A. Check for 5VDC on HDR2 pin 2 and 1 of the option power board.</p> <p>B. Check for 12 VDC on HDR2 pin 3 (Red) and 1 (Black) of the option power board.</p> <p>C. Check for 5 VDC on HDR2 pin 10 (Red) and 1 (Black) of the option power board.</p> <p>D. Check for 120 VAC on HDR3 pin 1 and 3 of the option power board.</p>
No Seat Soft	<p>A. Check for 5VDC on HDR2 pin 2 and 1 of the option power board.</p> <p>B. Check for 12 VDC on HDR2 pin 3 (Red) and 1 (Black) of the option power board.</p> <p>C. Check for 5 VDC on HDR2 pin 9 (Red) and 1 (Black) of the option power board.</p> <p>D. Check for 120 VAC on HDR3 pin 1 and 2 of the option power board.</p>
No compressor function.	<p>A. Check for 5VDC on HDR2 pin 2 and 1 of the option power board.</p> <p>B. Check for 12 VDC on HDR2 pin 3 (Red) and 1 (Black) of the option power board.</p> <p>C. Check for 5 VDC on HDR2 pin 6 (Red) and 1 (Black) of the option power board.</p> <p>D. Check for 120 VAC on HDR5 pin 1 and 3 of the option power board.</p>

Bed Circuit Boards

CPU BOARD KIT WITH HEAD WALL INTERFACE – P/N 5010-500-2

CPU BOARD KIT WITHOUT HEAD WALL INTERFACE – P/N 5010-500-3



59-137
Shunt for
No Nurse Call

Bed Circuit Boards

CPU BOARD KIT WITH HEAD WALL INTERFACE – P/N 5010-500-2

CPU BOARD KIT WITHOUT HEAD WALL INTERFACE – P/N 5010-500-3

CONNECTOR LOCATION	CABLE LOCATION	VOLTAGE	POSITIVE LEAD	NEGATIVE LEAD	DESCRIPTION
HDR 2	W	+12 VDC	Pin 1	Pin 4 or 5	Relays & Siderails Light Voltage
HDR 2	W	+5 VDC	Pin 2 & 3	Pin 4 or 5	+5 VDC from Power Supply
HDR 2	W	-12 VDC	Pin 6	Pin 4 or 5	Relays & Siderails Light Voltage
HDR 6	ZZ	+5 VDC	Pin 1	Pin 4	+5 VDC for Fowler Potentiometer
HDR 6	ZZ	0 – 5 VDC	Pin 3	Pin 4	Fowler Potentiometer Wiper
HDR 6	ZZ	2.8 VDC	Pin 2	Pin 4	Fowler Potentiometer
HDR 7	J	0 – 5 VDC	Pin 3	Pin 2	Lift Potentiometer Wiper
HDR 7	J	+5 VDC	Pin 4	Pin 2	+5 VDC for Lift Potentiometer
HDR 8	Z	+5 VDC	Pin 2	Pin 1	+5 VDC to Option Power Board
HDR 8	Z	+12 VDC	Pin 3	Pin 1	Relay Voltage: Option Power Board
HDR 8	Z	0 VDC w/o Switch +5 VDC w/Switch	Pin 5	Pin 1	Fowler Slide Out
HDR 8	Z	0 VDC w/o Switch +5 VDC w/Switch	Pin 4	Pin 1	Fowler Slide In
HDR 8	Z	0 VDC w/o Switch +5 VDC w/Switch	Pin 6	Pin 1	Compressor
HDR 8	Z	0 VDC w/o Switch +5 VDC w/Switch	Pin 7	Pin 1	Lumbar Soft
HDR 8	Z	0 VDC w/o Switch +5 VDC w/Switch	Pin 8	Pin 1	Lumbar Firm
HDR 8	Z	0 VDC w/o Switch +5 VDC w/Switch	Pin 9	Pin 1	Seat Soft
HDR 8	Z	0 VDC w/o Switch +5 VDC w/Switch	Pin 10	Pin 1	Seat Firm
HDR 12	C	+5 VDC	Pin 1	Pin 2	+5 VDC for Foot Potentiometer
HDR 12	C	0 – 5 VDC	Pin 3	Pin 2	Foot Potentiometer Wiper
HDR 34	GG	0 VAC w/o Switch 110 VAC w/Switch	Pin 6	Neutral Pin 1 or 4	Foot Up
HDR 34	GG	0 VAC w/o Switch 110 VAC w/Switch	Pin 3	Neutral Pin 1 or 4	Foot Down

Bed Circuit Boards

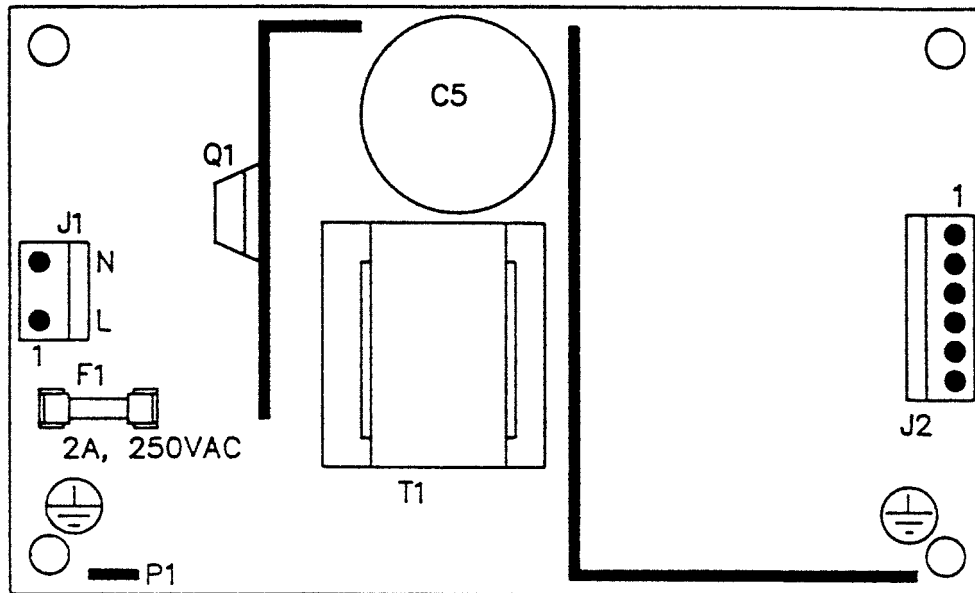
CPU BOARD KIT WITH HEAD WALL INTERFACE – P/N 5010-500-2

CPU BOARD KIT WITHOUT HEAD WALL INTERFACE – P/N 5010-500-3

CONNECTOR LOCATION	CABLE LOCATION	VOLTAGE	POSITIVE LEAD	NEGATIVE LEAD	DESCRIPTION
HDR 30	CC	0 VAC w/o Switch 120 VAC w/ Switch	Pin 1	Neutral Pin 3	Fowler Down
HDR 30	CC	0 VAC w/o Switch 120 VAC w/ Switch	Pin 2	Neutral Pin 3	Fowler Up
HDR 32	O	110 VAC	Pin 1	Pin 2	Line Voltage to Bed
HDR 29	N	0 VAC w/o Switch 120 VAC w/ Switch	Pin 2	Neutral Pin 1	Bed Down
HDR 29	N	0 VAC w/o Switch 120 VAC w/ Switch	Pin 3	Neutral Pin 1	Bed Up
HDR 33	G	0 VAC w/o Switch 120 VAC w/ Switch	Pin 3	Neutral Pin 1 or 4	Trend.
HDR 33	G	0 VAC w/o Switch 120 VAC w/ Switch	Pin 6	Neutral Pin 1 or 4	Trend. Out

Bed Circuit Boards

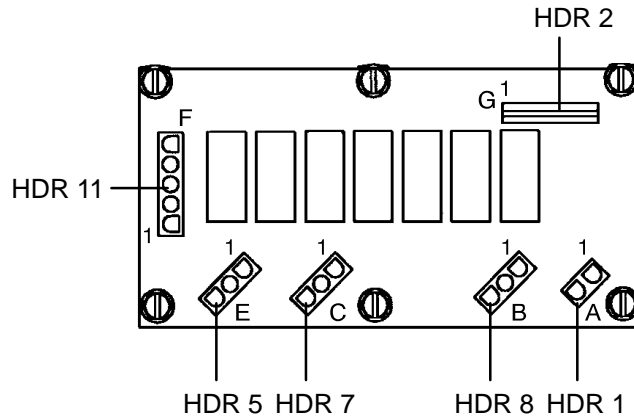
POWER SUPPLY – P/N 59-157



CONNECTOR LOCATION	VOLTAGE	POSITIVE LEAD	NEGATIVE LEAD
J1	110V	Pin 1	Pin 2
J2	12V	Pin 1	Pin 4 or 5
J2	5V	Pin 2	Pin 4 or 5
J2	5V	Pin 3	Pin 4 or 5
J2	GND	Pin 4	Pin 4 or 5
J2	GND	Pin 5	Pin 4 or 5
J2	-12V	Pin 6	Pin 4 or 5

Bed Circuit Boards

OPTION POWER BOARD – P/N 5000-300-900

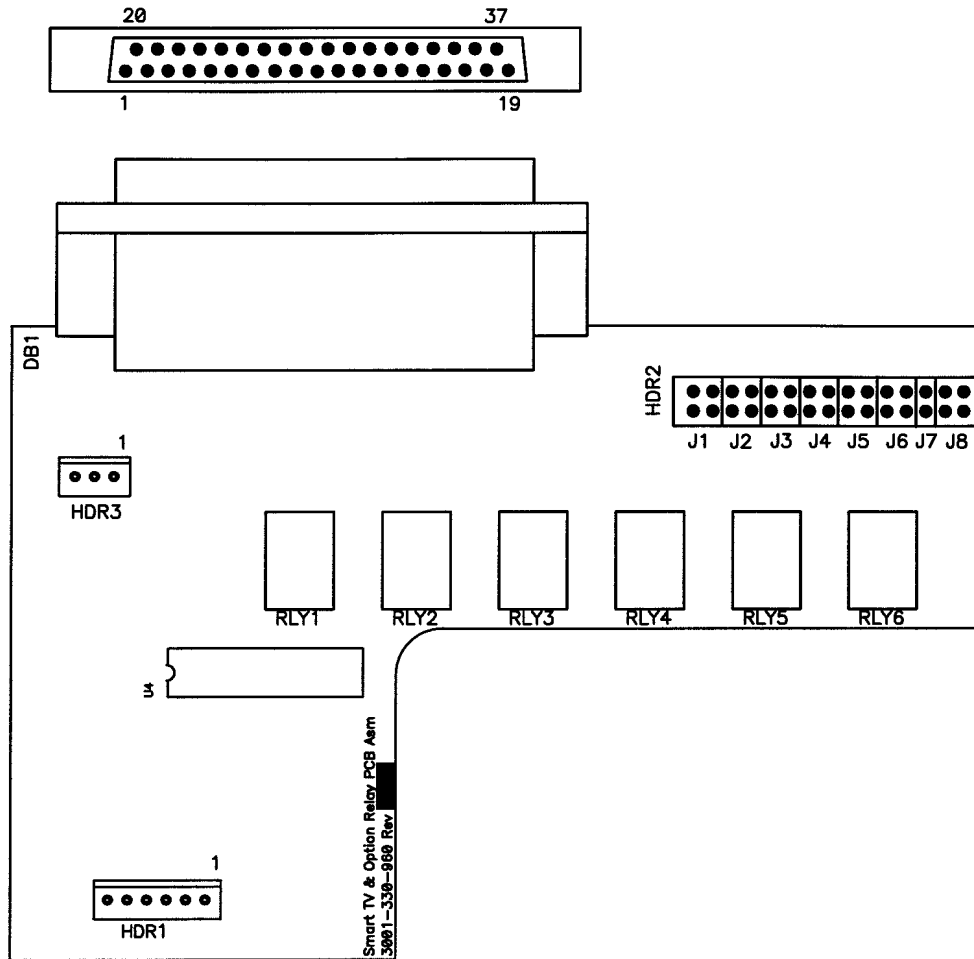


CONNECTOR LOCATION	CABLE LOCATION	VOLTAGE	POSITIVE LEAD	NEGATIVE LEAD	DESCRIPTION
HDR 1	A	120 VAC*	Pin 1	Pin 2	AC Line Voltage from CPU Board
HDR 2	G	+5 VDC	Pin 2	Pin 1	+5 VDC from CPU
HDR 2	G	16 – 18 VDC	Pin 3	Pin 1	Voltage for Relays
HDR 2	G	0 VDC w/o Switch 5 VDC w/Switch	Pin 4	Pin 1	Fowler Slide Out
HDR 2	G	0 VDC w/o Switch 5 VDC w/Switch	Pin 5	Pin 1	Fowler Slide In
HDR 2	G	0 VDC w/o Switch 5 VDC w/Switch	Pin 6	Pin 1	Compressor
HDR 2	G	0 VDC w/o Switch 5 VDC w/Switch	Pin 7	Pin 1	Lumbar Soft
HDR 2	G	0 VDC w/o Switch 5 VDC w/Switch	Pin 8	Pin 1	Lumbar Firm
HDR 2	G	0 VDC w/o Switch 5 VDC w/Switch	Pin 9	Pin 1	Seat Soft
HDR 5	E	0 VAC w/o Switch 120 VAC w/Switch	Pin 1	Pin 2	Seat Soft
HDR 5	E	0 VAC w/o Switch 120 VAC w/Switch	Pin 1	Pin 3	Seat Firm
HDR 7	C	0 VAC w/o Switch 120 VAC w/Switch	Pin 1	Pin 2	Lumbar Soft
HDR 7	C	0 VAC w/o Switch 120 VAC w/Switch	Pin 1	Pin 3	Lumbar Firm
HDR 8	B	0 VAC w/o Switch 120 VAC w/Switch	Pin 1	Pin 3	Compressor
HDR 11	F	0 VAC w/o Switch 120 VAC w/Switch	Pin 3	Pin 1	Fowler Slide Out
HDR 11	F	0 VAC w/o Switch 120 VAC w/Switch	Pin 3	Pin 2	Fowler Slide In

* 120 VAC present when Fowler slide, lumbar, or seat button is pressed.

Bed Circuit Boards

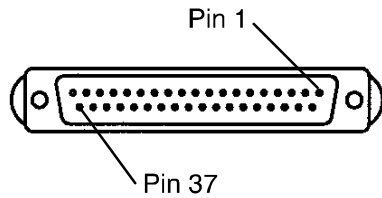
OPTIONAL SMART TV CIRCUIT BOARD WITH CUSTOM RELAYS – P/N 3001–330–960



CONNECTOR LOCATION	VOLTAGE	POSITIVE LEAD	NEGATIVE LEAD	DESCRIPTION
HDR 1	5 VDC	Pin 2	Pin 1	Regulated 5 VDC Power to the board
HDR 1	Digital Control	Pin 3–5	Pin 1	Serial control lines
HDR 1	5 VDC	Pin 6	Pin 1	5 VDC for option relay
HDR 3	+5 or +12 VDC	2	Pin 1	Power/control line from the TV Note: This header provides TV control to a non–Stryker pendant
DB1	+5 or +12 VDC	Pin 34	Pin 33	Power/Control line from the TV Note: If this polarity is reversed, place the shunts of J8 in the alternate position

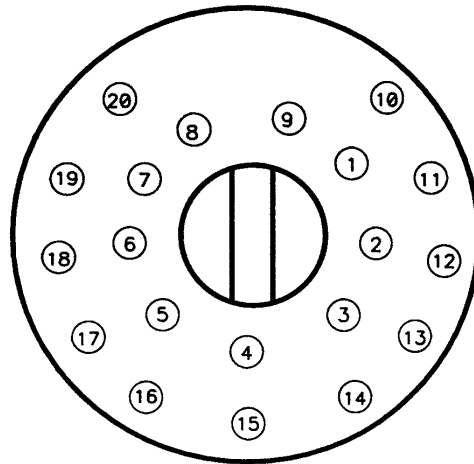
Head Wall Output Configuration

37-PIN CONNECTOR



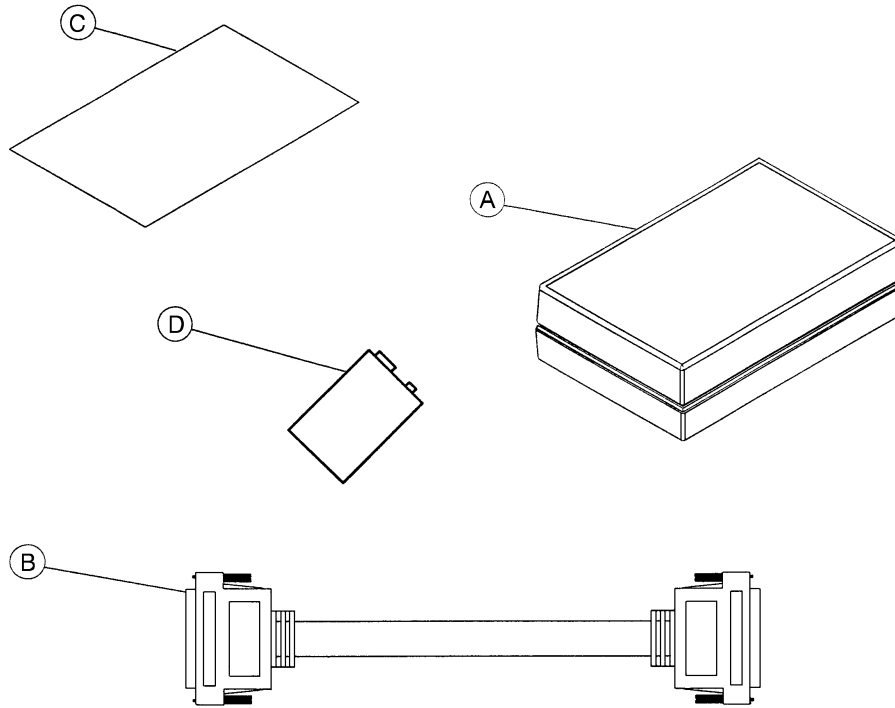
Pin 1	Option 2 Common
Pin 2	Read Light
Pin 3	Room Light
Pin 4	Speaker High
Pin 5	Pot Wiper
Pin 6	Radio Common
Pin 7	Nurse Call Interlock
Pin 8	Audio Transfer –
Pin 9	Audio Transfer +
Pin 10	Interlock +
Pin 11	Interlock –
Pin 12	Spare
Pin 13	Options 3 Common
Pin 14	Pot Low Common
Pin 15	Pot High Common
Pin 16	Nurse Answer Light +
Pin 17	Option 1 NO/NC
Pin 18	Option 1 Common
Pin 19	Nurse Call Light +
Pin 20	Option 2 NO/NC
Pin 21	Option 3 NO/NC
Pin 22	Option 3A NO/NC
Pin 23	Option 2A Common
Pin 24	Option 2A NO/NC
Pin 25	Nurse Call +
Pin 26	Nurse Call NO/NC
Pin 27	Room/Read Light Common
Pin 28	Nurse Call Light –
Pin 29	Nurse Answer Light –
Pin 30	Priority NO/NC
Pin 31	Priority Common
Pin 32	Option 3A Common
Pin 33	TV –
Pin 34	TV +
Pin 35	Speaker Low Common
Pin 36	Audio Shield
Pin 37	Radio NO/NC

STRYKER PENDANT PORT



1	Scan Line
2	Audio (–)
3	Nurse Call (+)
4	+5 VDC
5	Scan Line
6	Scan Line
7	Nurse Call (–)
8	TV Channel Up
9	Backlight
10	Audio (+)
11	Gatch Up/Fowler In/Foot Up/DMS Firm
12	Gatch Down/Fowler Out/Foot Out/DMS Soft
13	Fowler Up/Trend In
14	Fowler Down/Trend Out
15	Audio Shield
16	Not Used – Socket Filled
17	Bed Up
18	Ground
19	Read Light/Bed Down
20	Room Light

3001-303-160 Optional Bed Communications Tester



Item	Part No.	Part Name	Qty.
A	3001-303-160	BCT Unit	1
B	3001-303-825	37-Pin Cable	1
C	3001-303-162	Instructions	1
D	3000-303-871	9V Battery	1

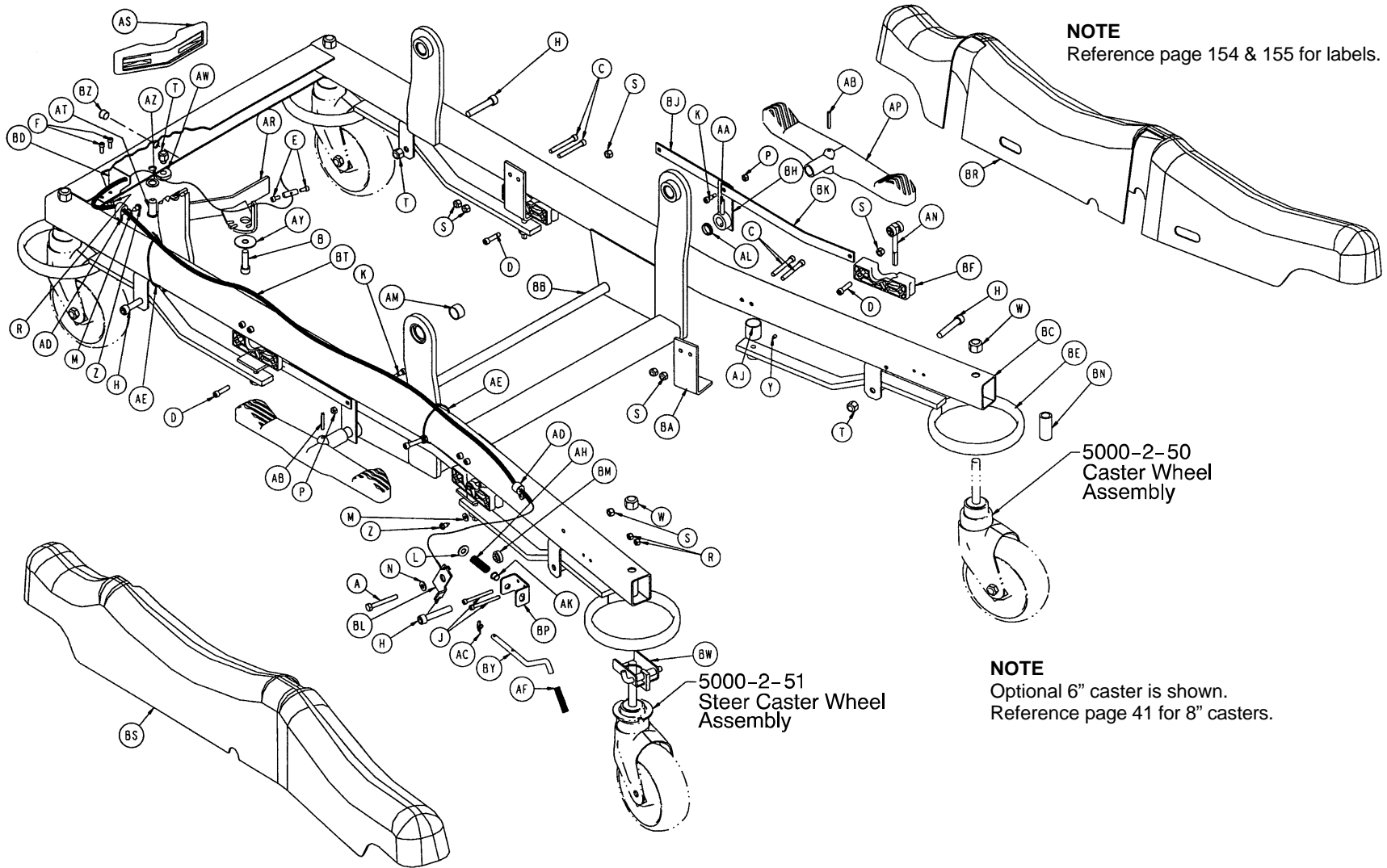
Replacement Parts

<u>PART NAME</u>	<u>PART NUMBER</u>
Arm Board Assembly	5000-101-3
Brake Adjuster	715-201-150
Brake Cam Actuator	5000-1-21
Capacitor, Bed Motor	59-140
Capacitor, Bed Motor, 230V	59-155
Capacitor, Foot Motor	59-151
Capacitor, Foot Motor, 230V	59-153
Capacitor, Fowler Motor	59-151
Capacitor, Fowler Motor, 230V	59-153
Capacitor, Fowler Slide Motor	59-151
Capacitor, Fowler Slide Motor, 230V	59-153
Capacitor, Trendelenburg Motor	59-151
Capacitor, Trendelenburg Motor, 230V	59-153
Caster Assembly, 8"	5000-2-34
Caster Assembly, Steer, 8"	5000-2-33
Caster Molded Wheel, 8"	715-2-25
Caster Assembly, 6"	5000-2-50
Caster Assembly, Steer, 6"	5000-2-50
Caster Molded Wheel, 6"	5000-2-10
Communications Tester	3001-303-160
CPU Board Kit, with Head Wall Interface	5010-500-2
CPU Board Kit without Head Wall Interface	5010-500-3
Crank Handle Assembly	5000-230-320
Fluid Basin, Plastic	5000-30-297
Fluid Basin, Stainless Steel	5000-201-29
Fluid Basin Liners	8813-320-000
Fuse, 7Amp, 3AG, 250 VAC, Slo-Blo	59-150
I.V. Pole, 3-Stage	4700-101
Linens (Two Sets)	4700-45-1
Mattress Assembly, Foot	4700-41
Mattress Assembly, Head w/Electric Lumbar	4700-48
Mattress Assembly, Standard, Enhanced Comfort	4700-45

Replacement Parts

<u>PART NAME</u>	<u>PART NUMBER</u>
Motor, Bed Lift	5010-30-71
Motor, Bed Lift, 230V	5012-30-71
Motor w/Clutch, Fowler and/or Fowler Slide	5000-30-271
Motor w/Clutch, Fowler and/or Fowler Slide, 230V	5002-30-271
Motor, Trendelenburg	5000-230-68
Motor, Trendelenburg, 230V	5002-30-68
Night Light	59-160
9V Battery	3000-303-871
Option Power Board Assembly	5000-300-900
Overlay, Mattress, Standard	4700-45-20
Paint, Touch-Up, Opal, Bottle w/Brush	7000-1-321
Paint, Touch-Up, Opal, Spray Can	7000-1-318
Potentiometer Assembly, Bed	5000-30-225
Potentiometer Assembly, Foot	5000-30-317
Potentiometer Assembly, Fowler	5000-30-316
Power Cord Assembly, 110V	39-248
Power Supply	59-157
Shelf Assembly	5000-101-44
Siderail Lumbar PCB Board, Left	5000-400-930
Siderail Lumbar PCB Board, Right	5000-400-920
Siderail Main PCB Board Assembly	3001-400-930
Siderail Outside PCB Board Assembly, Left	4700-400-910
Siderail Outside PCB Board Assembly, Right	4700-400-900

Assembly part number 5000-1 (reference only)



NOTE
Reference page 154 & 155 for labels.

5000-2-50
Caster Wheel
Assembly

5000-2-51
Steer Caster Wheel
Assembly

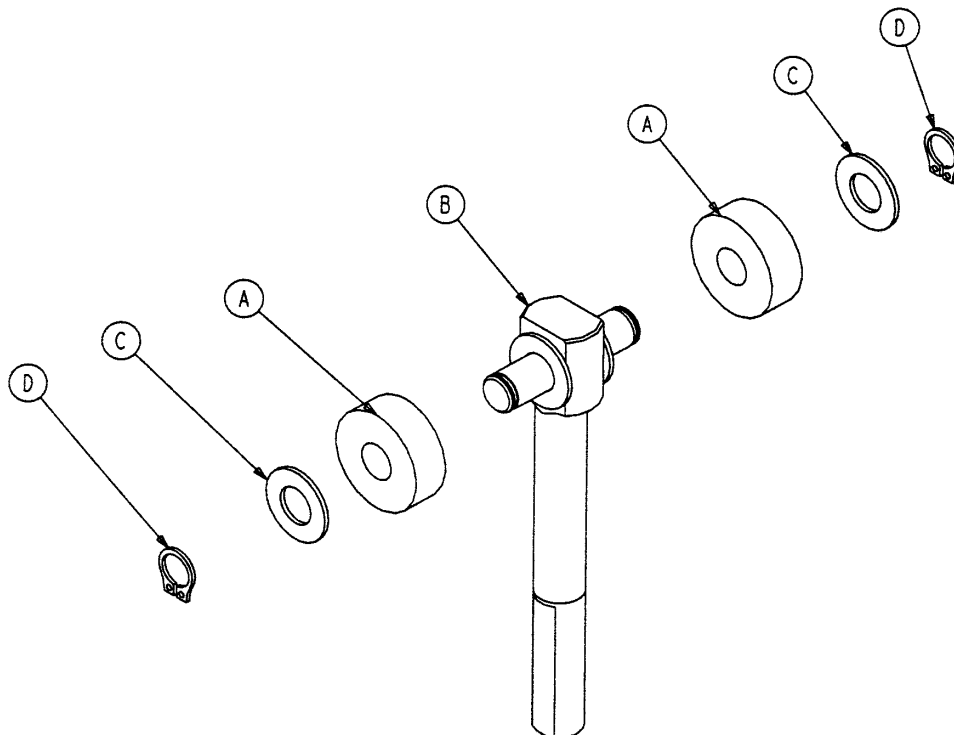
NOTE
Optional 6" caster is shown.
Reference page 41 for 8" casters.

Base Assembly

Base Assembly

Item	Part No.	Part Name	Qty.
A	3-79	Hex Hd. Cap Screw	1
B	4-12	Soc. Hd. Cap Screw	1
C	4-24	Soc. Hd. Cap Screw	8
D	4-28	Soc. Hd. Cap Screw	4
E	4-298	Soc. Hd. Cap Screw	2
F	4-32	Soc. Hd. Cap Screw	2
H	4-86	Soc. Hd. Cap Screw	4
J	4-114	Soc. Hd. Cap Screw	2
K	8-7	Soc. Hd. Shoulder Bolt	2
L	11-3	Washer	1
M	11-302	Flat Washer	2
N	11-280	Washer	1
P	16-2	Fiberlock Nut	2
R	16-3	Fiberlock Nut	4
S	16-28	Nylock Nut	13
T	16-12	Flexlock Nut	5
W	16-57	Fiberlock Nut	4
Y	21-50	Set Screw	4
Z	23-25	Hex Washer Hd. Tap. Screw	2
AA	26-13	Spring Pin	2
AB	26-261	Groove Pin	2
AC	27-21	Rue Ring Cotter	1
AD	34-254	Cable Clamp	2
AE	38-151	Cable Tie	2
AF	38-211	Extension Spring	1
AH	38-390	Compression Spring	1
AJ	38-395	Brake Compression Spring	4
AK	52-245	Nyliner Bearing	1
AL	52-301	Nyliner Bearing	2
AM	81-270	DU Bearing	4
AN	(page 40)	Brake Adjuster Assembly	4
AP	715-201-201	Brake/Steer Pedal	2
AR	3000-200-335	Steer Pedal Arm	1
AS	3000-200-336	Steer Pedal	1
AT	3000-200-337	Ball Plunger	1
AW	3000-200-341	Steer Pedal Bushing	1
AY	3000-200-348	Special Wide Washer	1
AZ	3000-200-349	Special Narrow Washer	1
BA	5000-1-3	Brake Cam Bracket	4
BB	5000-1-6	Base Brake Rod	1
BC	5000-1-10	Base Frame Weldment	1
BD	5000-1-14	Steer Cable Plate	1
BE	5000-1-20	Caster Brake Assembly	4
BF	5000-1-21	Brake Cam Actuator	4
BH	5000-1-23	Brake Actuator Weldment	2
BJ	5000-1-26	Brake Link, Head End	2
BK	5000-1-27	Brake Link, Foot End	2
BL	5000-1-33	Steer Lock Cable Lever	1
BM	5000-1-34	Steer Lock Lever Bushing	1
BN	5000-1-35	Caster Sleeve	4
BP	5000-1-36	Steer Lock Guide Bracket	1
BR	5000-1-38	Base Hood, Left	1
BS	5000-1-39	Base Hood, Right	1
BT	5000-1-40	Steer Lock Cable	1
BW	5000-2-40	Steer Lock Assembly	1
BY	5050-1-270	Steer Lock Linkage	1
BZ	59-100	Dome Plug	1

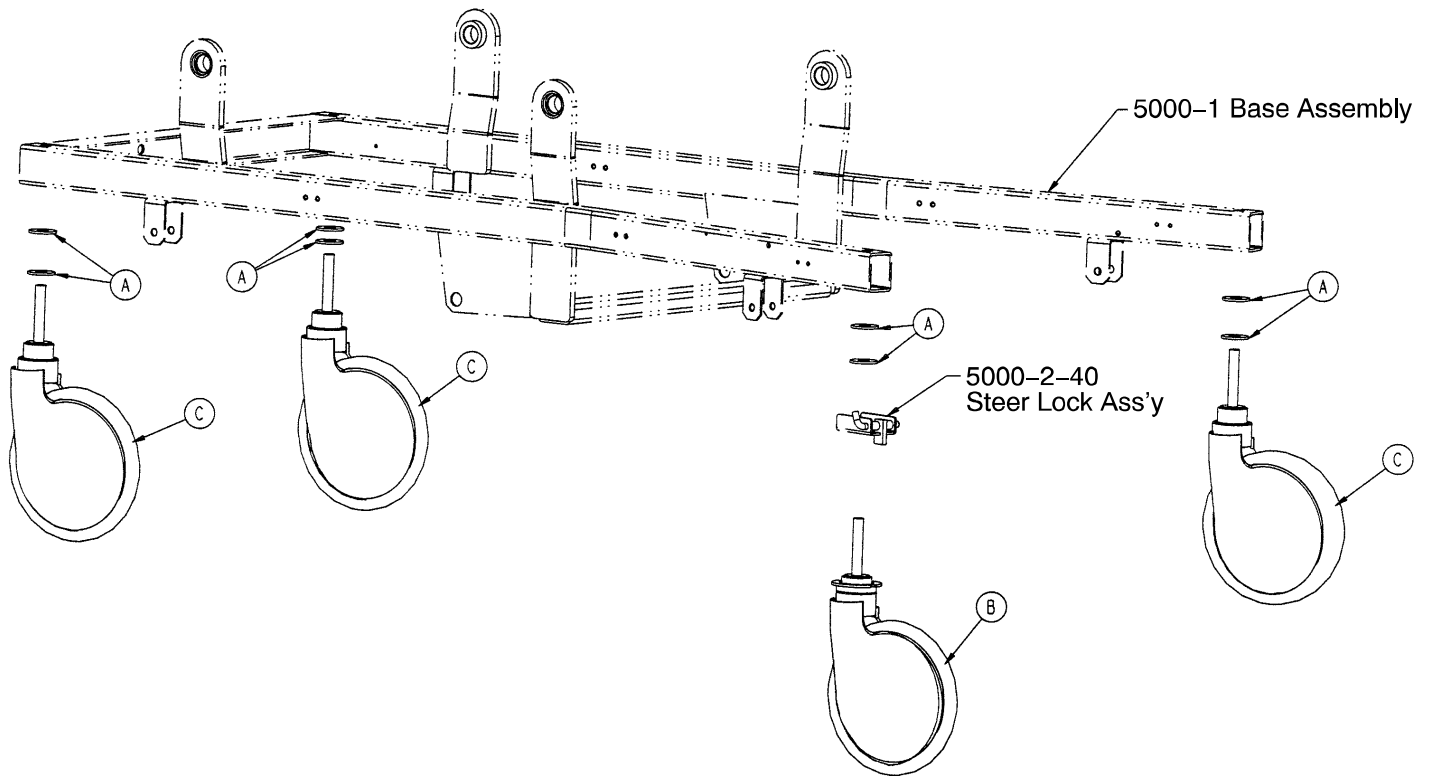
715-201-150 Brake Adjuster Assembly



Item	Part No.	Part Name	Qty.
A	715-1-180	Cam Bearing	2
B	715-201-62	Threaded Stud Assembly	1
C	14-4	Nylon Washer	4
D	28-8	External Retaining Ring	2

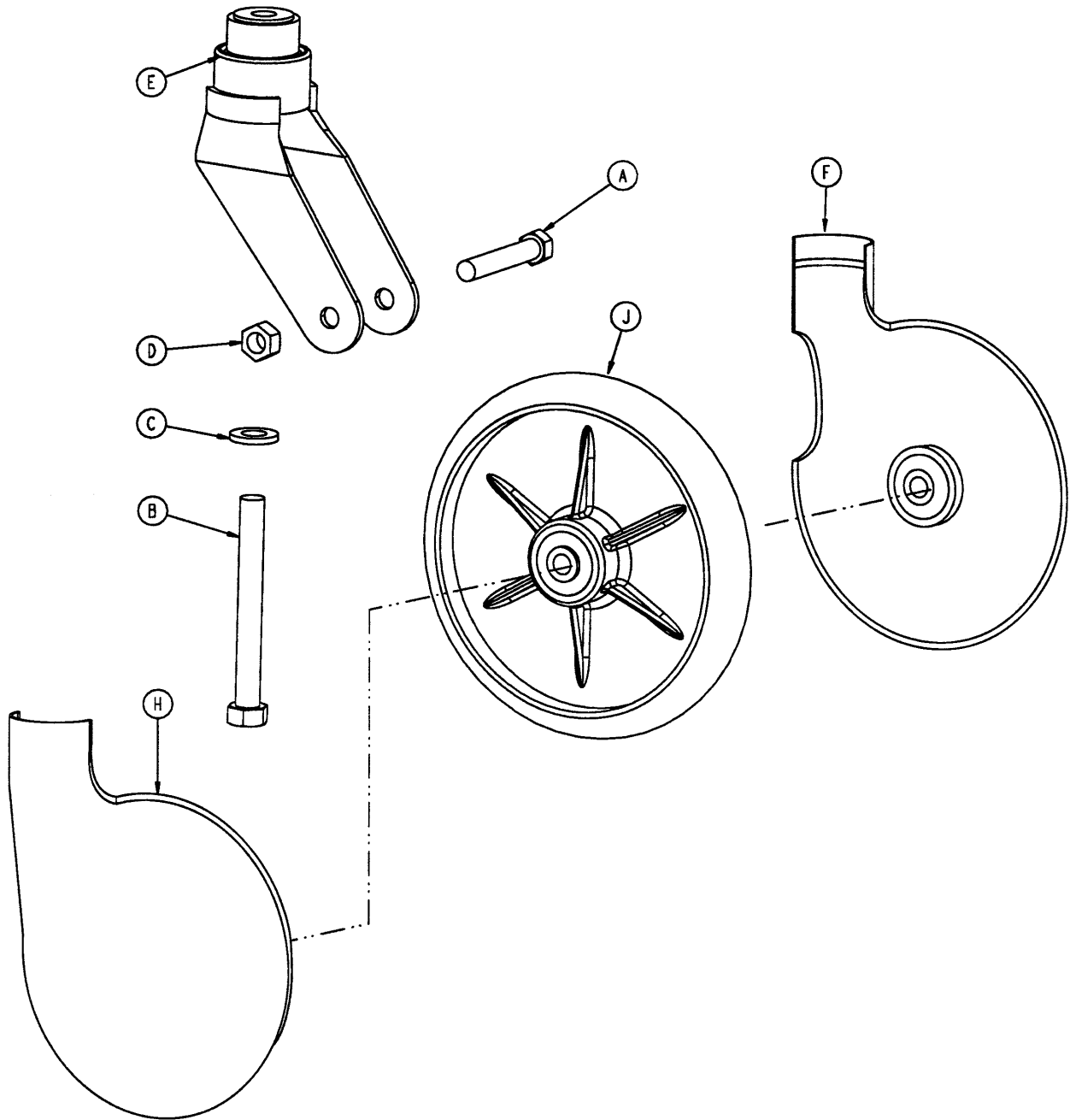
8" Caster Assembly

Assembly part number 5000-1-32



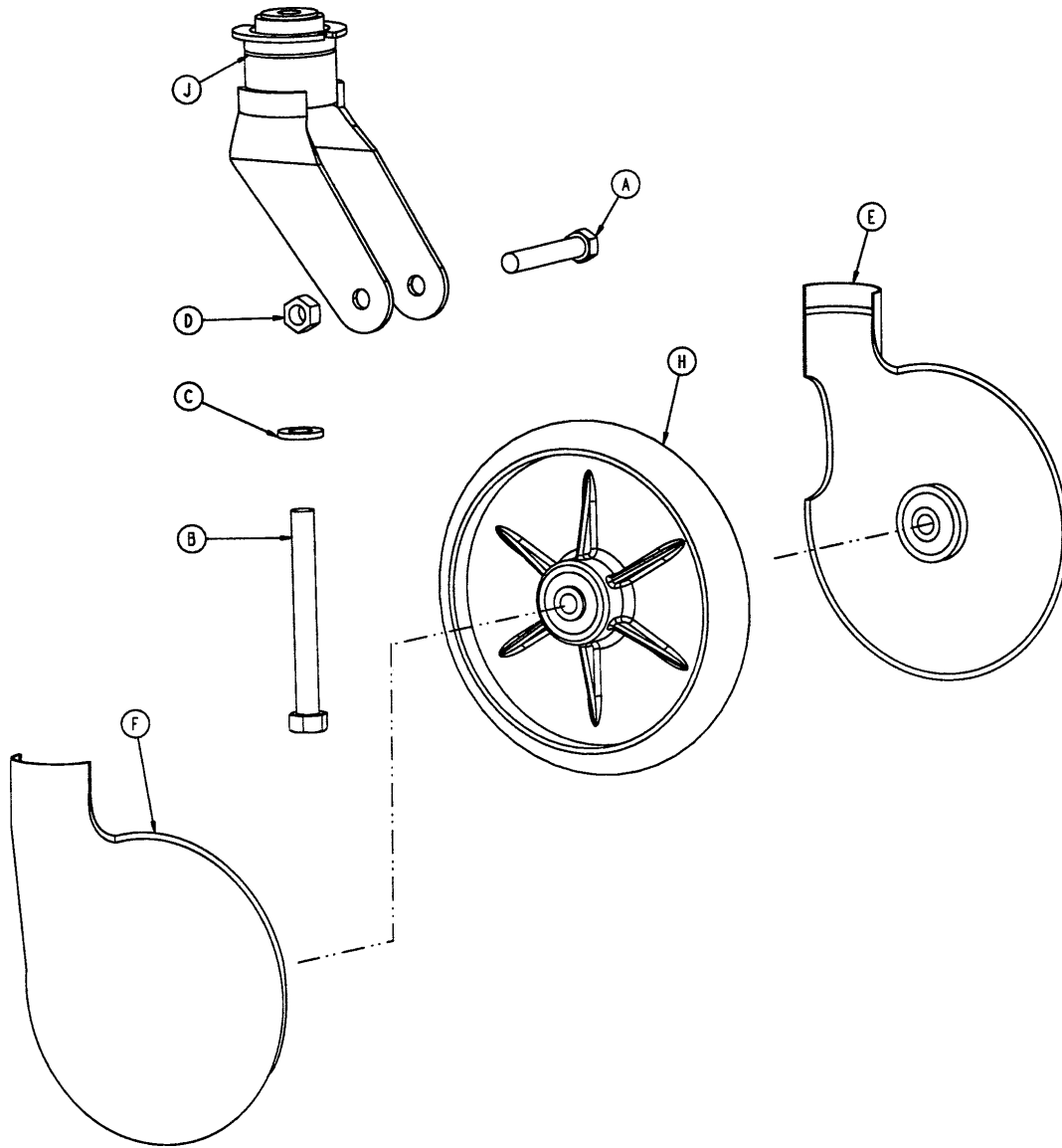
Item	Part No.	Part Name	Qty.
A	11-225	Washer	8
B	(page 43)	8" Steer Caster Assembly	1
C	(page 42)	8" Caster Assembly	3

5000-2-34 8" Caster Assembly



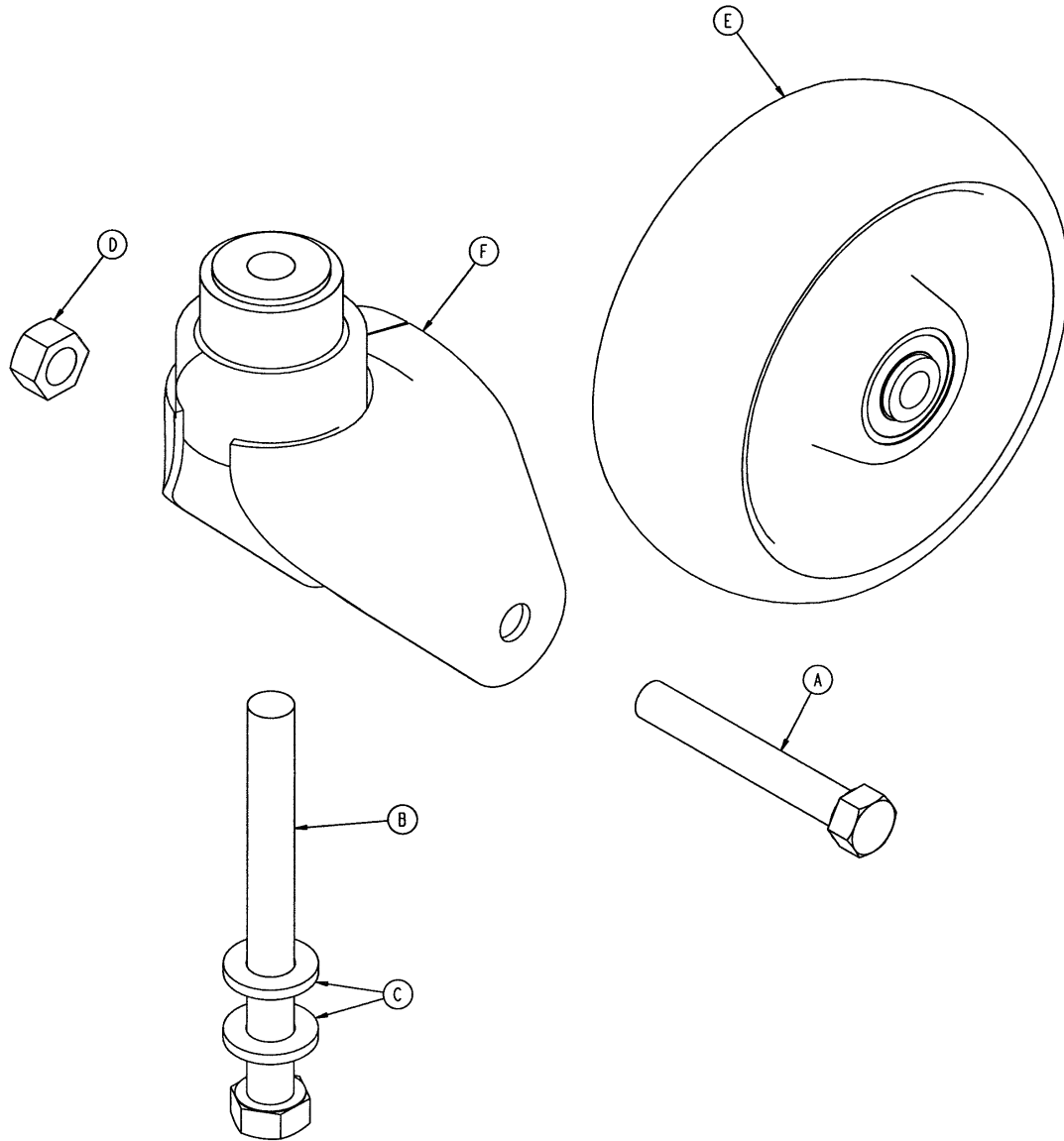
Item	Part No.	Part Name	Qty.
A	3-99	Hex Hd. Cap Screw	1
B	3-227	Hex Hd. Cap Screw	1
C	11-310	Washer	1
D	16-60	Hex Nut	1
E	5000-2-29	Caster Horn w/Bearing	1
F	2025-1-47	Wheel Cover, Right	1
H	2025-1-48	Wheel Cover, Left	1
J	715-2-25	Molded Wheel Assembly	1

5000-2-33 8"Steer Caster Assembly



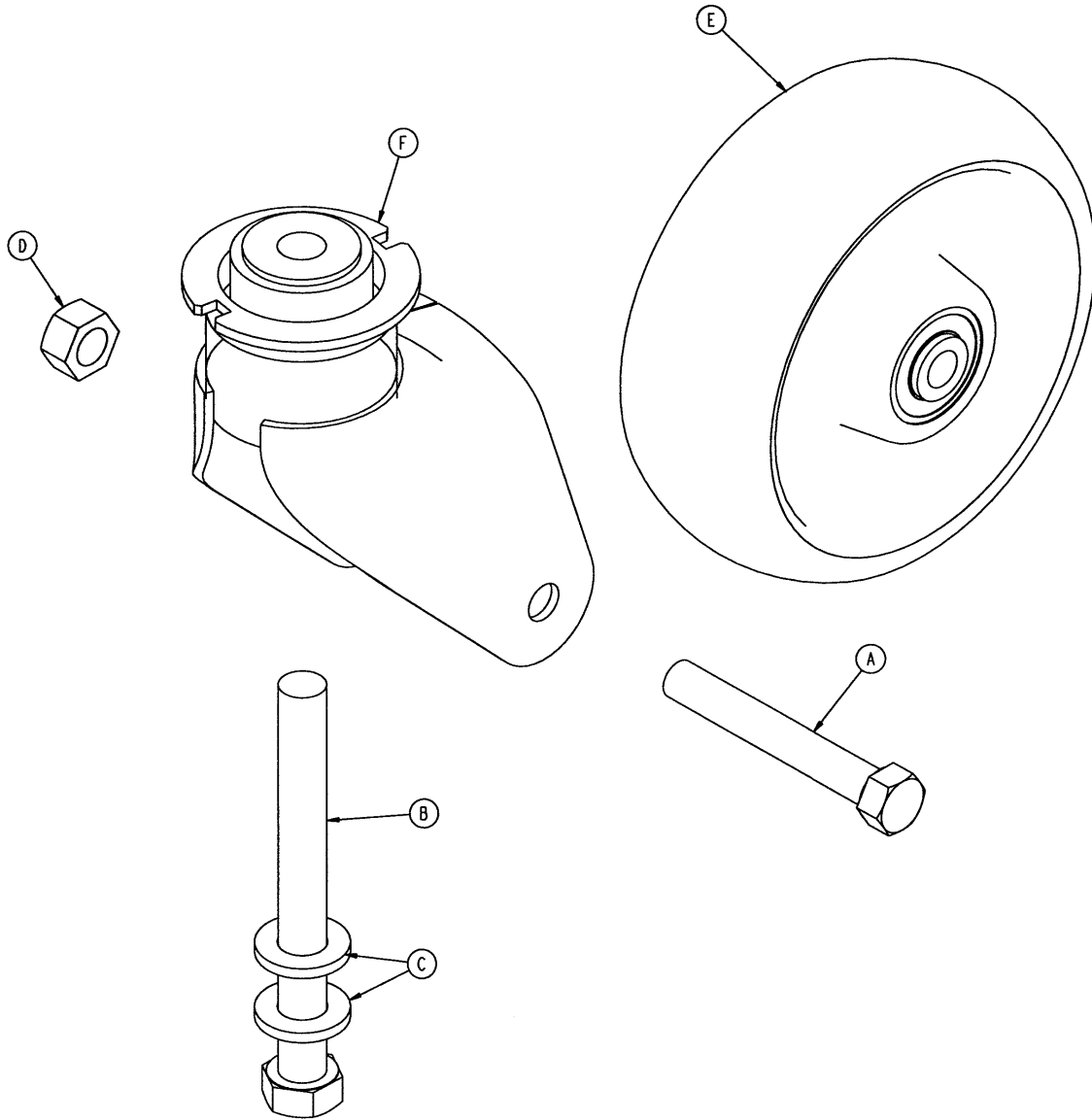
Item	Part No.	Part Name	Qty.
A	3-99	Hex Hd. Cap Screw	1
B	3-227	Hex Hd. Cap Screw	1
C	11-310	Washer	1
D	16-60	Hex Nut	1
E	2025-1-47	Wheel Cover, Right	1
F	2025-1-48	Wheel Cover, Left	1
H	715-2-25	Molded Wheel Assembly	1
J	5000-2-32	Steer Caster Weldment	1

5000-2-50 Optional 6" Caster Assembly



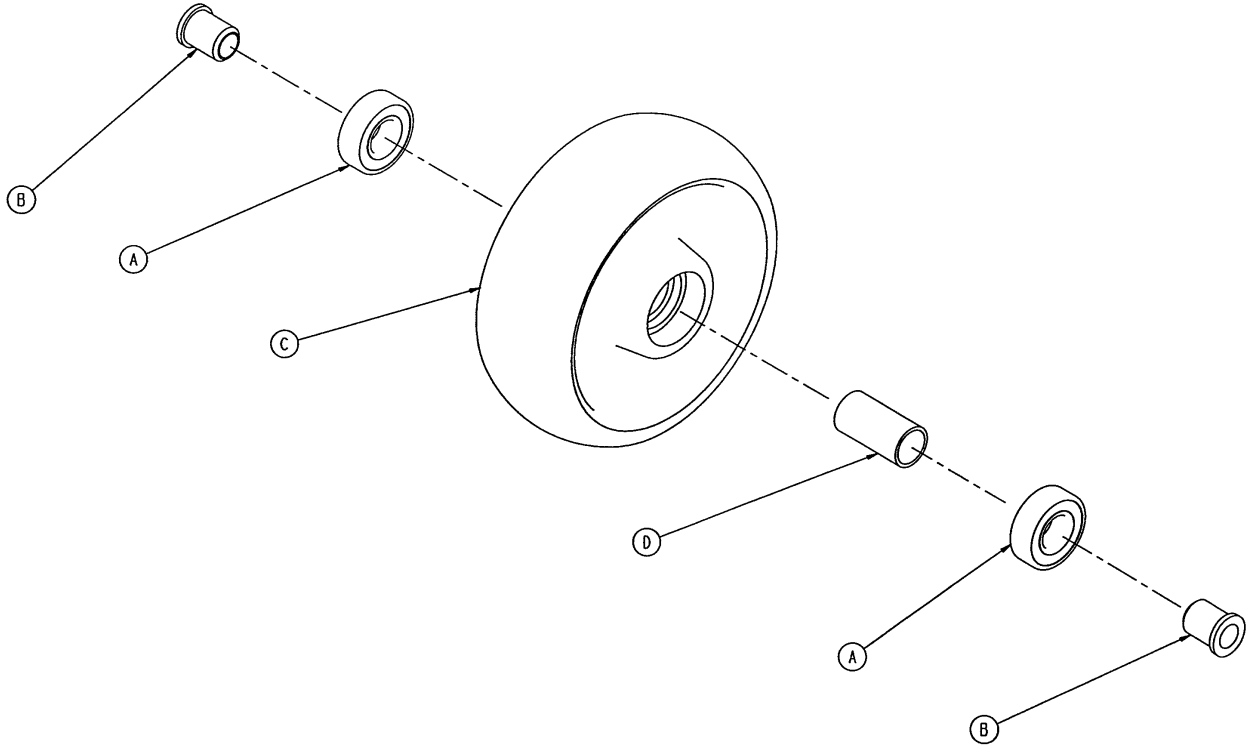
Item	Part No.	Part Name	Qty.
A	3-205	Hex Hd. Cap Screw	1
B	3-227	Hex Hd. Cap Screw	1
C	11-310	Washer	2
D	16-60	Hex Nut	1
E	(page 46)	Wheel Assembly	1
F	5000-2-30	Caster Horn Assembly	1

5000-2-51 Optional 6" Steer Caster Assembly



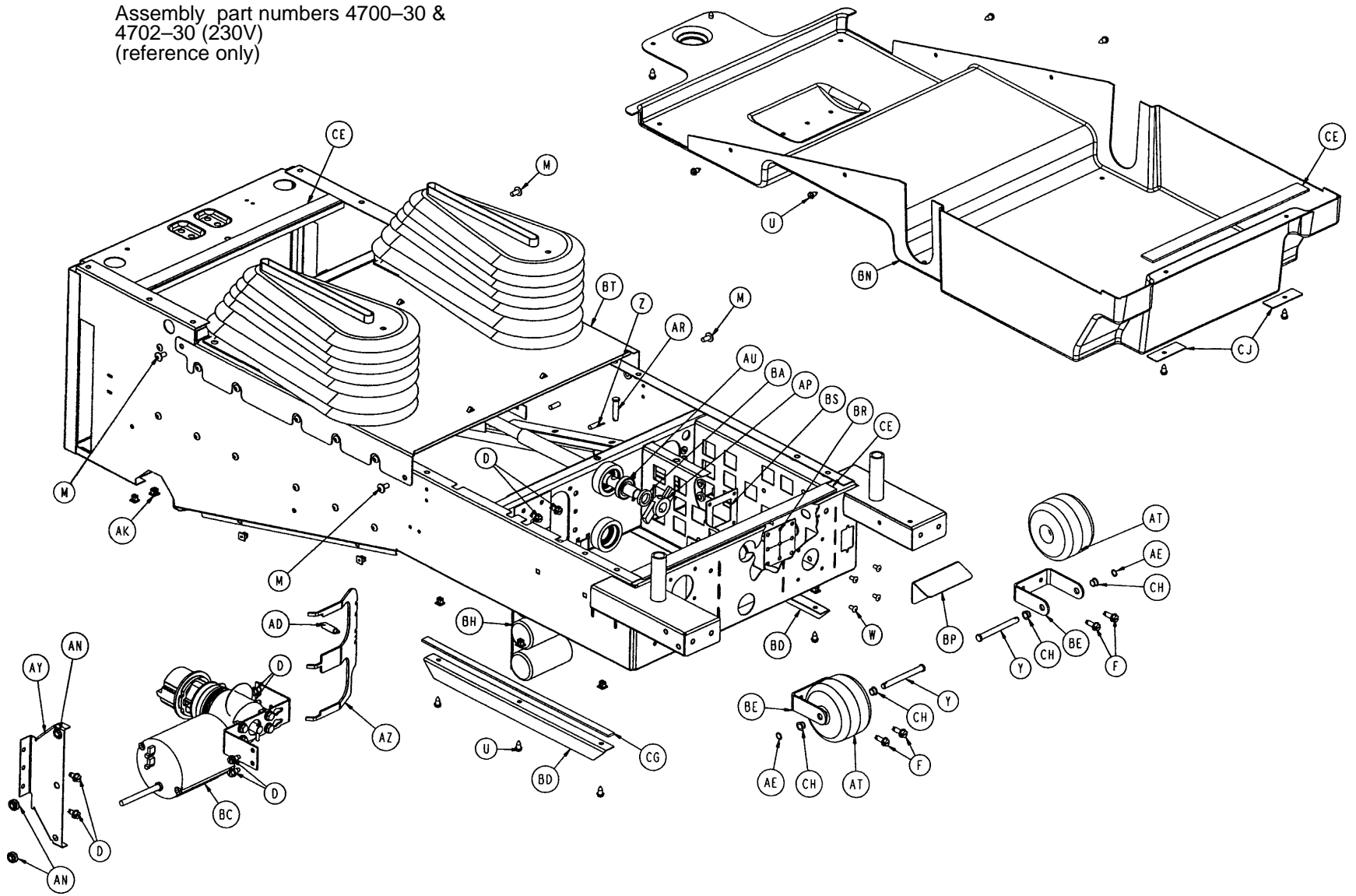
Item	Part No.	Part Name	Qty.
A	3-205	Hex Hd. Cap Screw	1
B	3-227	Hex Hd. Cap Screw	1
C	11-310	Washer	2
D	16-60	Hex Nut	1
E	(page 46)	Wheel Assembly	1
F	5000-2-31	Steer Caster Horn Ass'y	1

5000-2-10 Optional 6" Molded Wheel Assembly

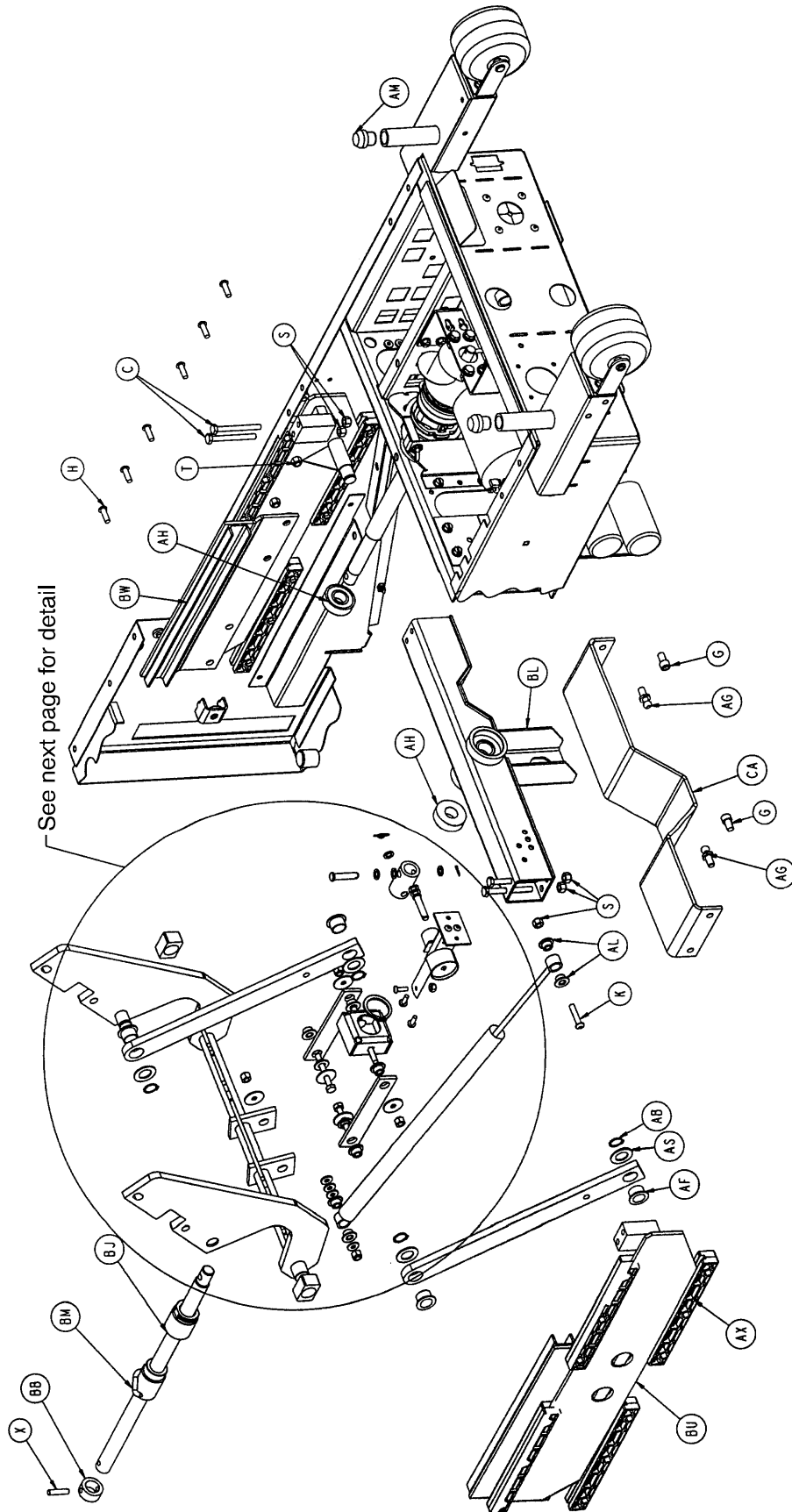


Item	Part No.	Part Name	Qty.
A	81-226	Bearing	2
B	715-1-255	Wheel Bushing	2
C	5000-2-20	Molded Wheel	1
D	6060-2-46	Bearing Spacer	1

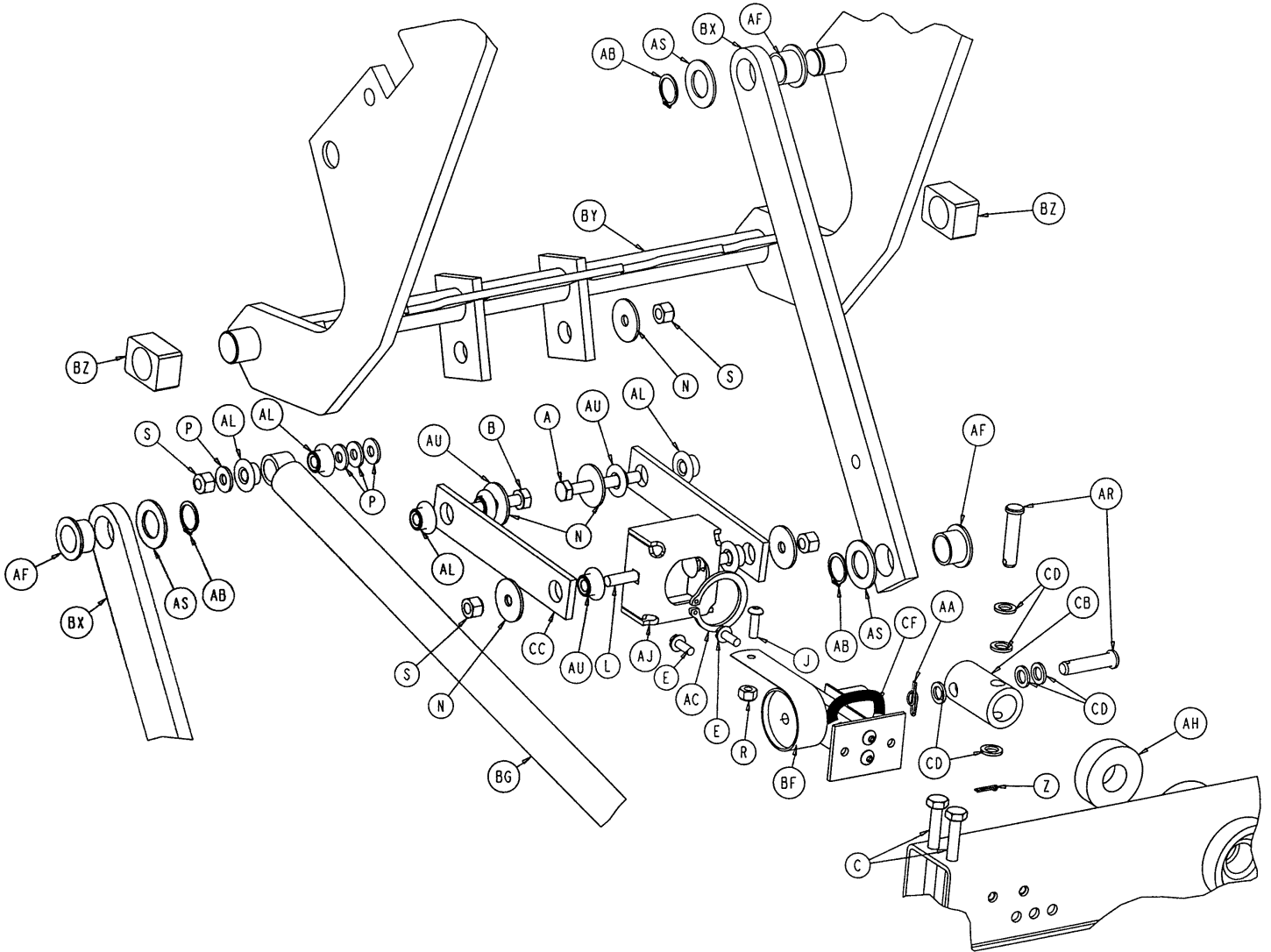
Assembly part numbers 4700-30 &
4702-30 (230V)
(reference only)



Litter Assembly



Litter Assembly

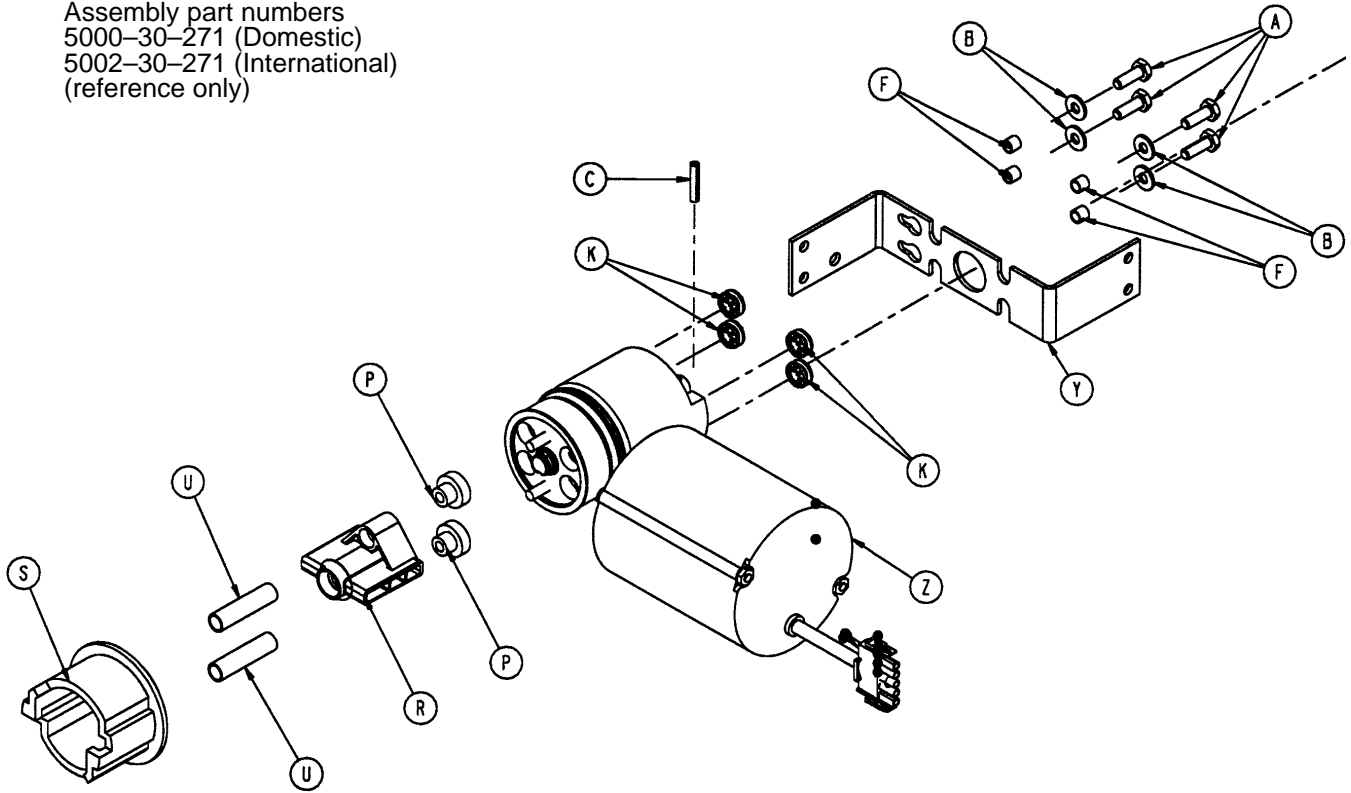


Litter Assembly

Item	Part No.	Part Name	Qty.	Item	Part No.	Part Name	Qty.
A	3-47	Hex Hd. Cap Screw	1	AS	3000-300-482	Thrust Washer	4
B	3-76	Hex Hd. Cap Screw	1	AT	3000-335-11	Roller Bumper	2
C	8803-016-000	Hex Hd. Cap Screw	4	AU	81-268	Flange Bushing	4
D	3-221	Hex Washer Hd. Screw	8	AW	3001-300-471	Roller Bearing	1
E	3-224	Hex Washer Hd. Screw	2	AX	5000-30-62	Slide Bearing	16
F	3-226	Hex Washer Hd. Screw	4	AY	5000-30-160	CPR Actuator Bracket	1
G	4-15	Soc. Hd. Cap Screw	2	AZ	5000-30-161	Double Horseshoe Brkt.	1
H	4-489	H. Soc. But. Hd. Cap Scr.	24	BA	5000-30-223	Bearing Spacer	1
J	4-304	H. Soc. But. Hd. Cap Scr.	1	BB	5000-30-255	Thrust Collar	1
K	4-198	But. Hd. Cap Screw	1	BC	(page 51)	Fowler Motor/CPR Ass'y	1
L	5-22	Carriage Bolt	2	BD	5000-30-285	Hood Bracket	2
M	7-58	Truss Hd. Torx	4	BE	5010-30-79	Roller Bumper Bracket	2
N	11-53	Washer	5	BF	(page 53)	Fowler Pot. Assembly	1
P	11-63	Washer	4	BG	5000-30-328	CPR Dampener	1
R	16-3	Nylock Nut	1	BH	(page 56)	Capacitor Assembly	1
S	16-28	Nylock Nut	9	BJ	5000-30-366	Fowler Nut Adaptor	1
T	16-102	Fiberlock Jam Nut	24	BL	5000-30-397	Fowler In/Out Weldment	1
U	23-25	Hex Washer Hd. Tap. Scr.	18	BM	5000-230-91	Fowler Ball Screw Ass'y	1
W	25-50	Pop Rivet	6	BN	5000-230-229	Litter Bottom Cover	1
X	26-168	Spirol Pin	1	BP	5002-30-69	Inlet Filter Splash Cover	1
Y	26-278	Clevis Pin	2	BR	5002-30-70	Man. Over. Splash Gask.	1
Z	27-17	Cotter Pin	2	BS	5002-30-71	Over. Gask. Backer Plate	1
AA	27-20	Rue Ring Cotter	1	BT	(page 54 & 55)	Front Cover Assembly	1
AB	28-23	External Retaining Ring	4	BU	5010-30-24	Fowler Slide, Left	1
AC	28-120	External Retaining Ring	1	BW	5010-30-25	Fowler Slide, Right	1
AD	38-404	CPR Extension Spring	1	BX	4700-30-30	Fowler Link	2
AE	52-727	Grooveless Ret. Ring	2	BY	4700-30-31	Fowler Guide Weldment	1
AF	81-243	I-Glide Bearing	4	BZ	5010-30-38	Bar Sleeve	2
AG	1550-31-2	Threaded End Fitting	2	CA	5010-30-39	Fowler Cross Brace	1
AH	2025-32-76	Ball Bearing	2	CB	5010-30-47	Ball Screw Coupler	1
AJ	2025-232-89	Fowler Nut Box	1	CC	5010-30-48	Fowler Drive Link	2
AK	3000-300-2	Plastic Clip Nut	16	CD	14-3	Nylon Washer	6
AL	3000-300-99	Modified Fowler Bushing	6	CE	8800-380-000	Neoprene Sponge	3.9'
AM	3000-300-349	Cap	2	CF	8815-029-200	Cable Tie	1
AN	3000-300-442	Fowler Drive Grommet	3	CG	7000-1-326	Neoprene Sponge Tape	2.6'
AP	3000-300-462	CPR Wing	1	CH	52-245	Bearing	4
AR	3000-300-473	Clevis Pin	3	CJ	5010-30-72	Bottom Cover Clamp	2

Fowler Motor/CPR Assembly

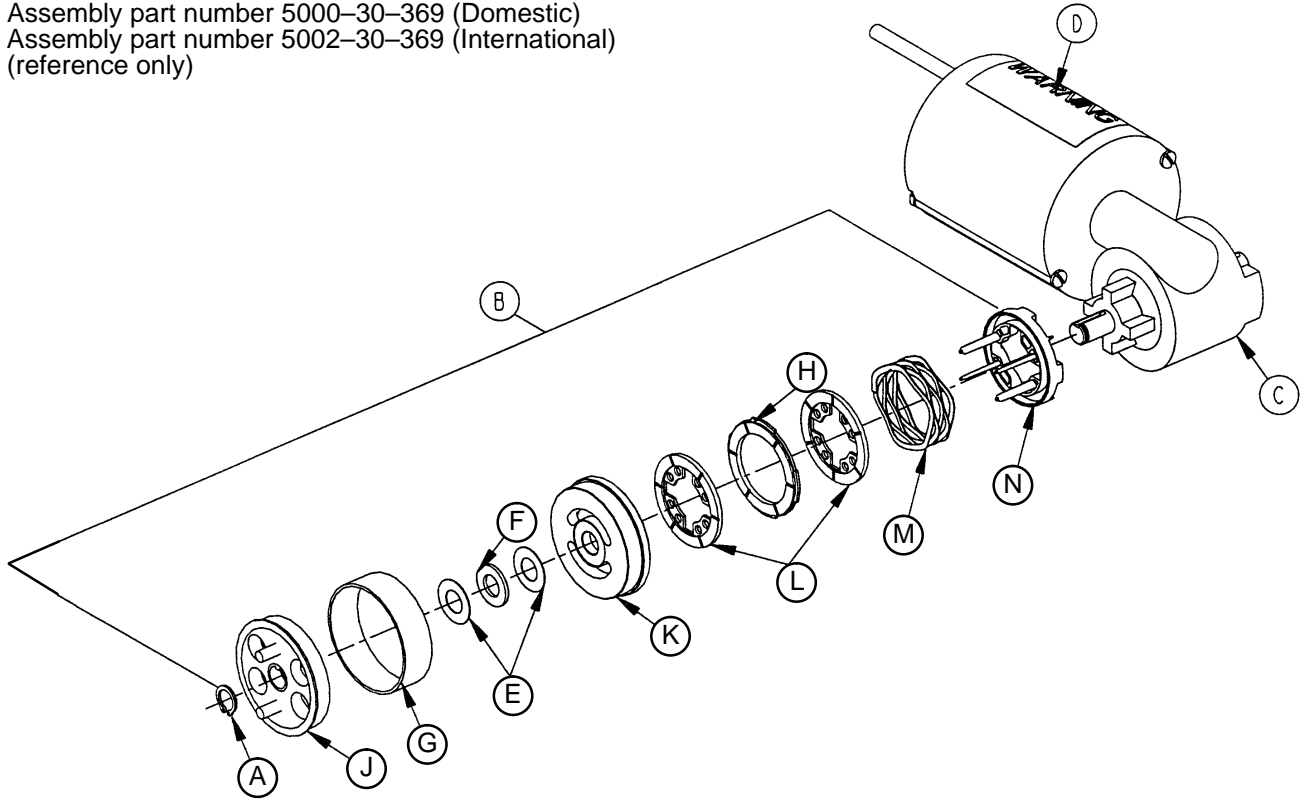
Assembly part numbers
 5000-30-271 (Domestic)
 5002-30-271 (International)
 (reference only)



Item	Part No.	Part Name	Qty.
A	3-214	Hex Hd. Cap Screw	4
B	11-63	Washer	4
C	26-53	Spring Pin	1
F	715-1-333	Release Valve Stop Sleeve	4
K	3000-300-442	Motor Mount Grommet	4
P	3000-300-455	CPR Isolation Bushing	2
R	3000-300-456	CPR Isolator	1
S	3000-300-461	CPR Decoupler	1
U	3000-300-464	CPR Engagement Spring	2
Y	5000-30-234	Motor Mount Bracket	1
Z	(page 52)	Fowler Motor/CPR Subass'y	1

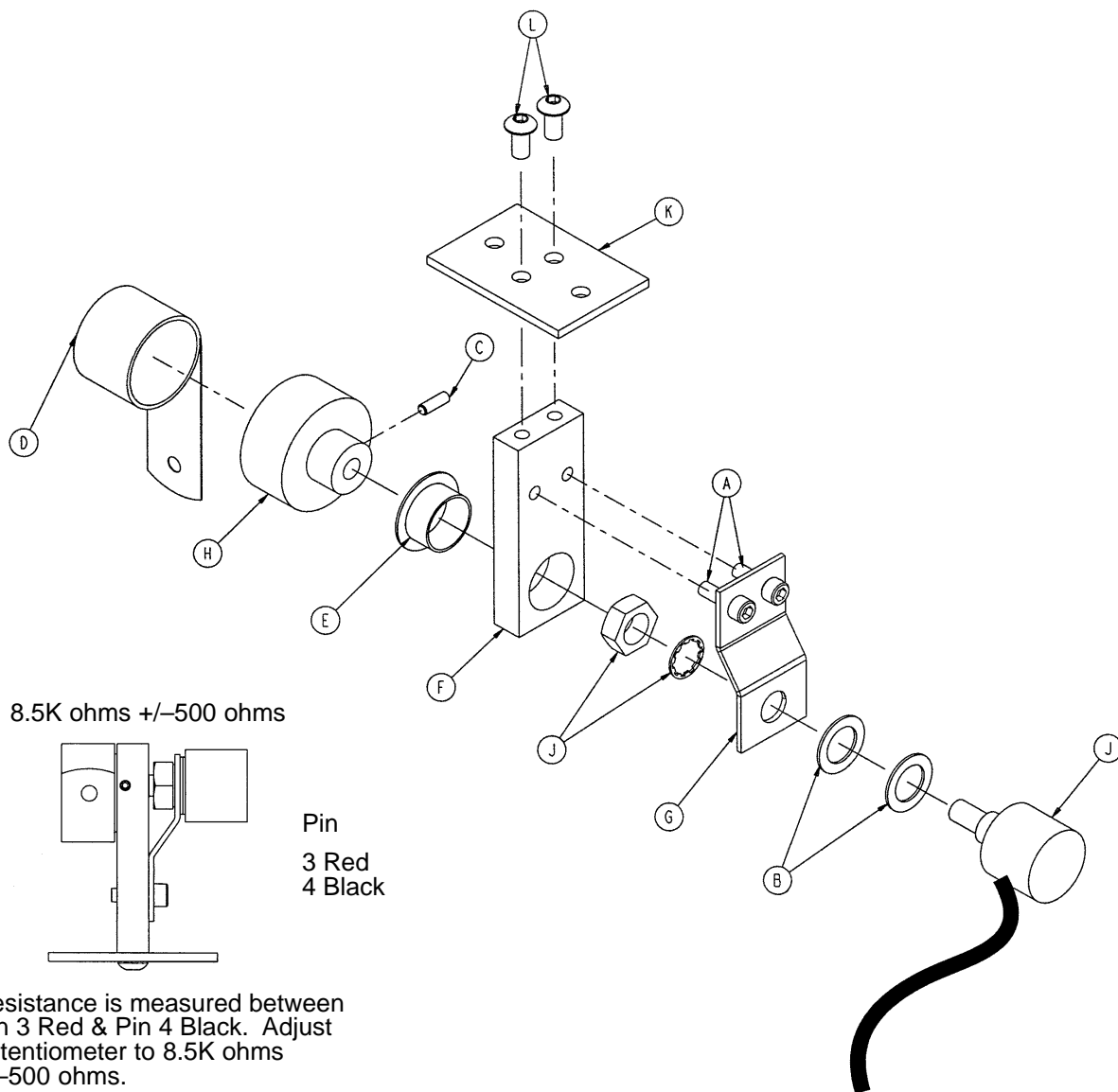
Fowler Motor/CPR Subassembly

Assembly part number 5000-30-369 (Domestic)
 Assembly part number 5002-30-369 (International)
 (reference only)



Item	Part No.	Part Name	Qty.
A	28-131	Retaining Ring	1
B	3001-300-775	Brake Kit	1
C	5000-30-340	Fowler Motor	1
	5002-30-340	230V Fowler Motor	1
D	3000-300-604	Warning Label	1
E	3000-200-224	Thrust Washer	2
F	3000-200-225	Roller Thrust Bearing	1
G	3000-300-465	CPR Clutch Spring	1
H	3001-300-552	Brake Disk	1
J	3001-300-455	CPR Coupler	1
K	3001-300-569	Brake Cup	1
L	3001-300-551	Brake Stator	2
M	3001-300-463	Wave Spring	1
N	3001-300-570	Spring Seat	1

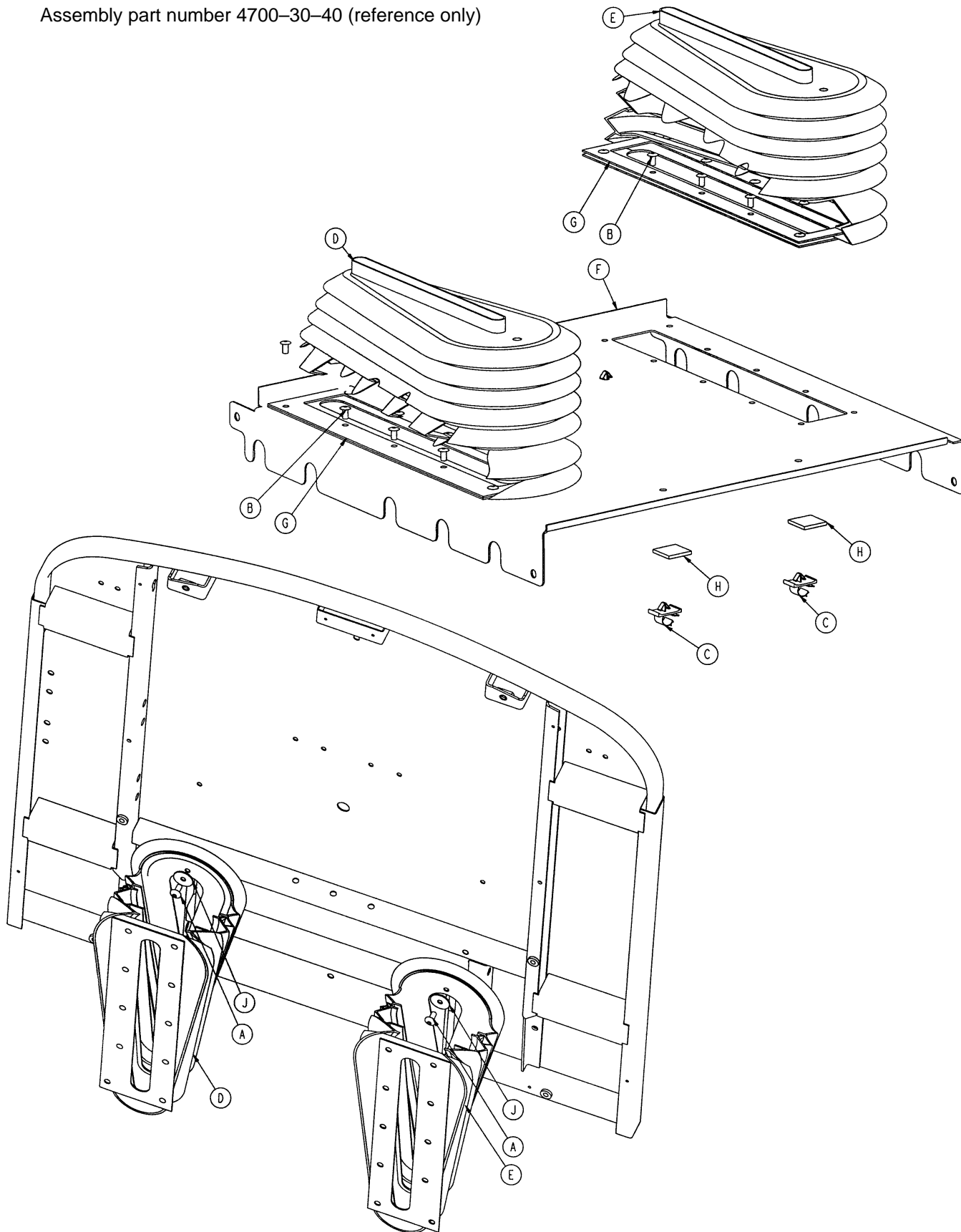
5000-30-316 Fowler Potentiometer Assembly



Item	Part No.	Part Name	Qty.
A	4-38	Soc. Hd. Cap Screw	2
B	14-8	Nylon Washer	2
C	21-149	Set Screw	1
D	38-389	Constant Force Spring	1
E	81-275	Flange Bearing	1
F	5000-30-226	Pot Mount	1
G	5000-30-227	Pot Mount Plate	1
H	5000-30-228	Drum	1
J	5000-280-7	Fowler Pot Cable	1
K	5000-30-219	Fowler Pot Bracket	1
L	4-307	But. Hd. Cap Screw	2

Front Cover Assembly

Assembly part number 4700-30-40 (reference only)

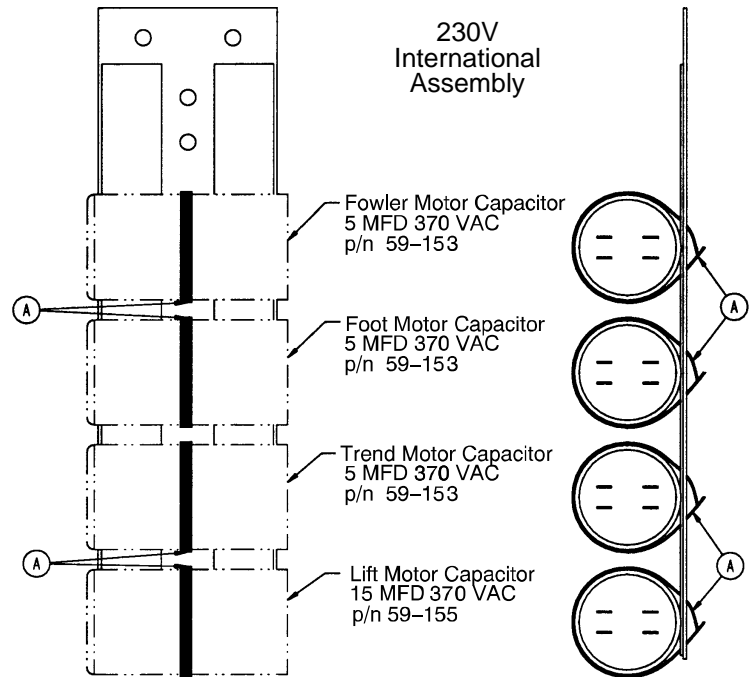
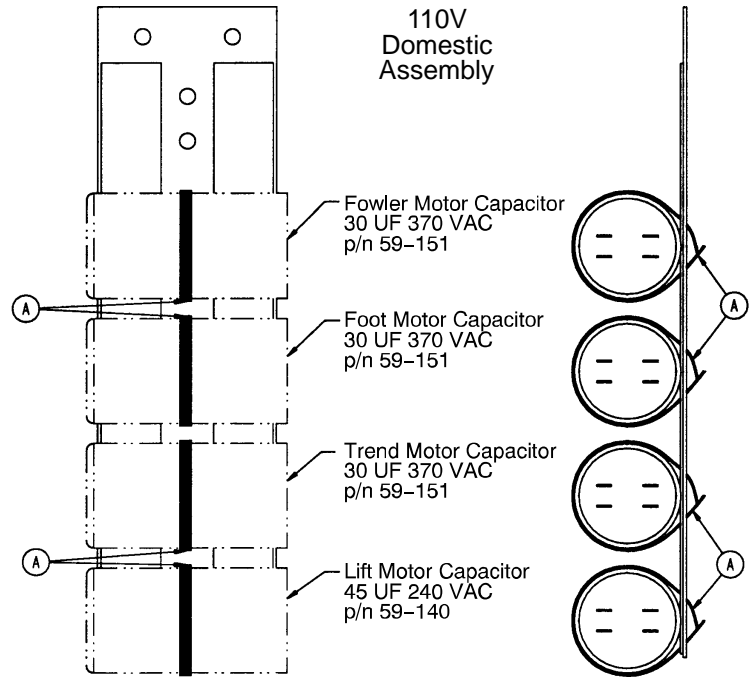
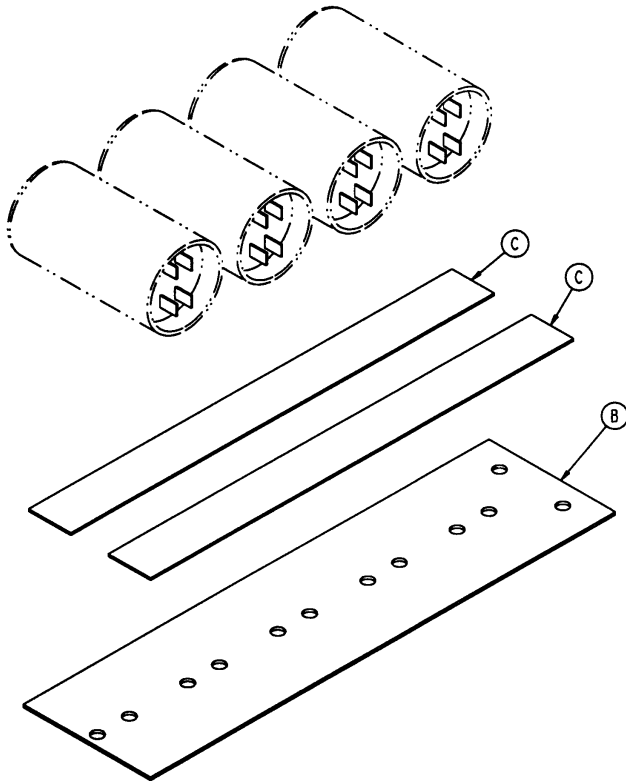


Front Cover Assembly

Item	Part No.	Part Name	Qty.
A	7-58	Truss Hd. Torx	2
B	25-50	Rivet	20
C	59-136	Push Mount Wire Clip	4
D	4700-30-61	Bellows, Left	1
E	4700-30-62	Bellows, Right	1
F	5010-30-21	Top Cover	1
G	5010-30-23	Top Cover Backer Plate	2
H	8800-380-000	Neoprene Sponge	.33'
L	11-53	Washer	2

Litter Capacitor Assembly

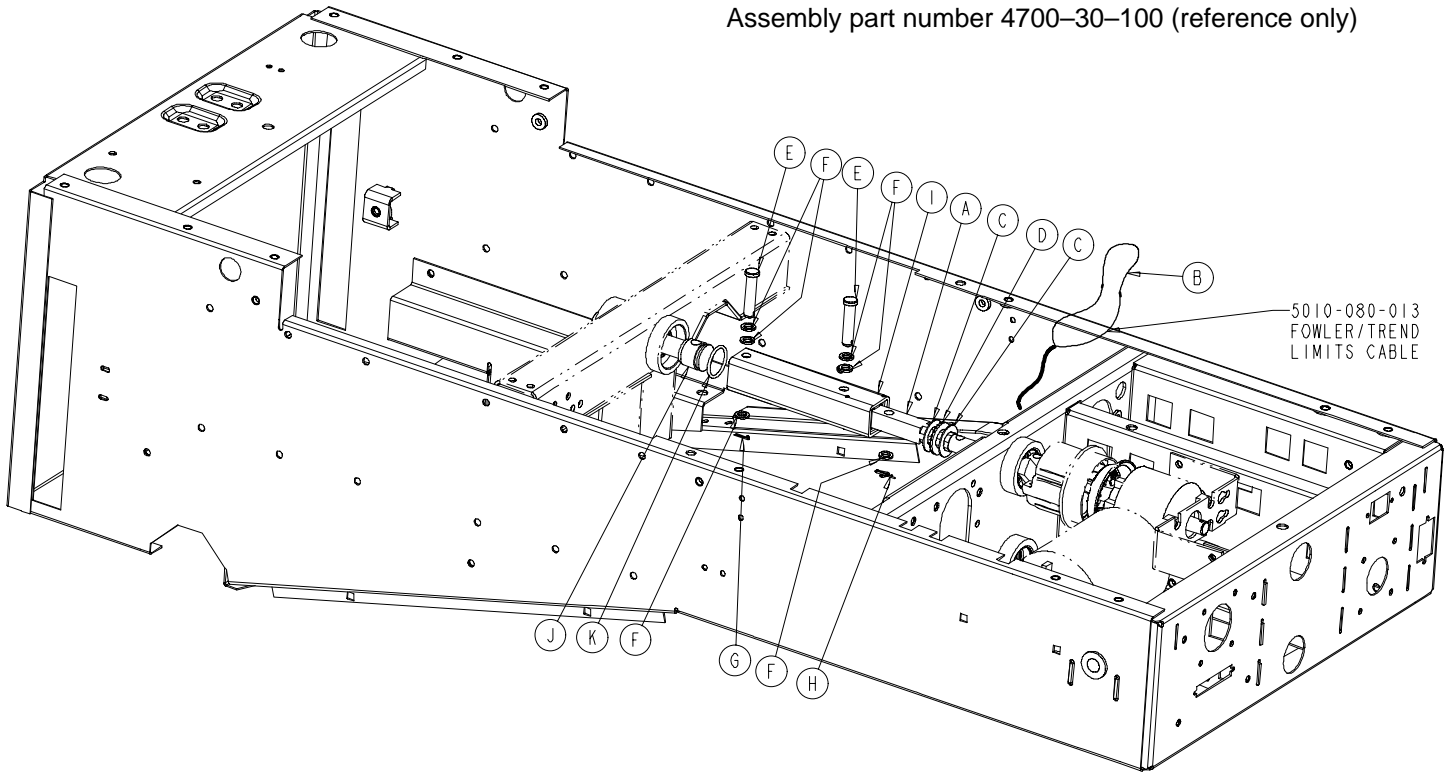
Assembly part numbers
 5000-30-330 (Domestic)
 5002-30-330 (International)
 (reference only)



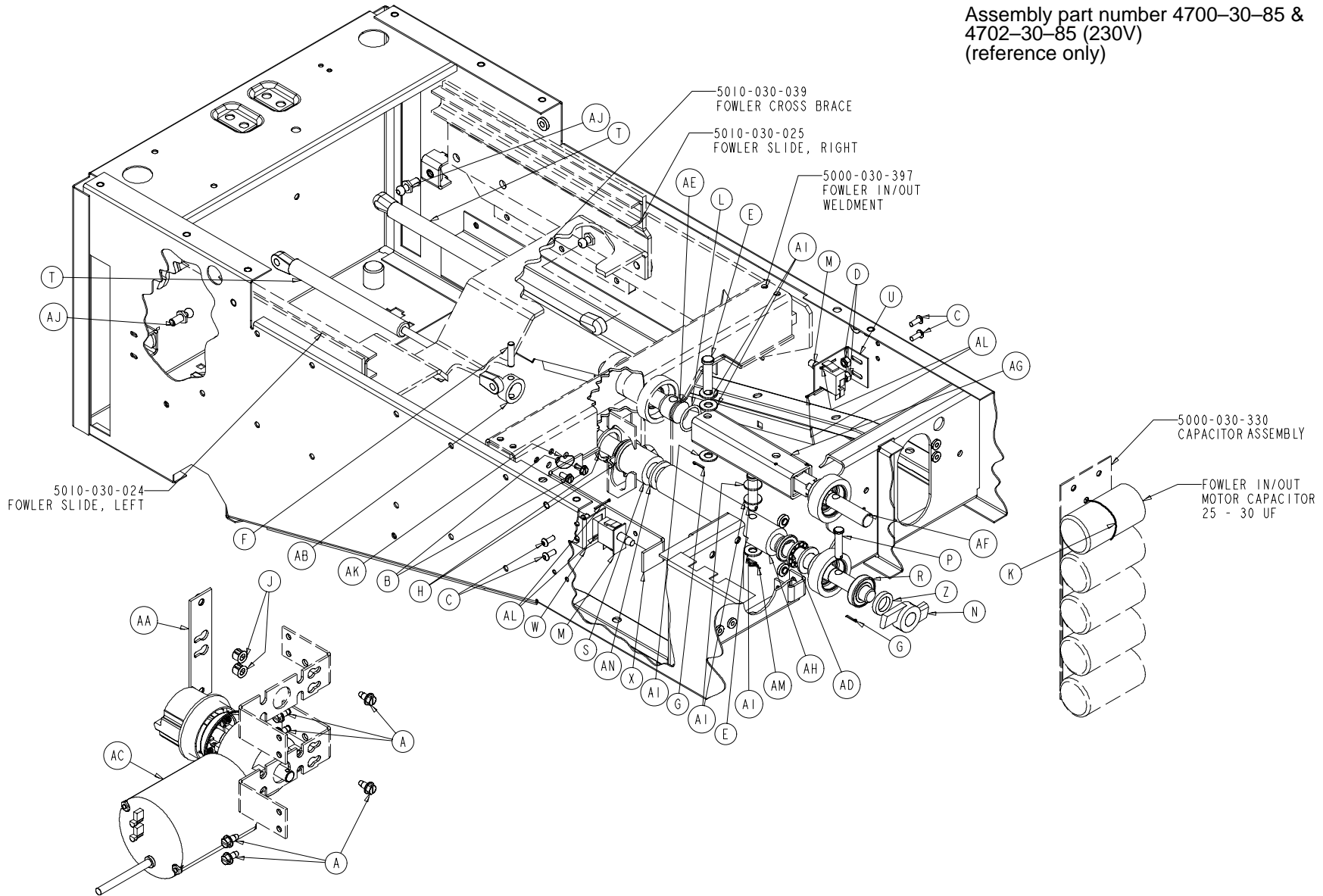
Item	Part No.	Part Name	Qty.
A	38-151	11" Cable Tie	4
B	5000-30-5	Capacitor Mounting Panel	1
C	8806-052-500	Adhesive Foam Tape	1.67'

Non-In/Out Fowler Assembly

Assembly part number 4700-30-100 (reference only)



Item	Part No.	Part Name	Qty.
A	5010-30-101	Non-Translating Shaft	1
B	5000-80-23	Non-Fowler Slide Opt. Cable	1
C	2025-32-86	Thrust Washer	2
D	2025-32-87	Needle Thrust Bearing	1
E	26-271	Clevis Pin	2
F	14-3	Nylon Washer	6
G	27-17	Cotter Pin	1
H	27-21	Rue Ring	1
I	(page 61)	Square In/Out Tube Ass'y	1
J	5000-30-398	Adapter Spline	1
K	45-137	O-Ring	1



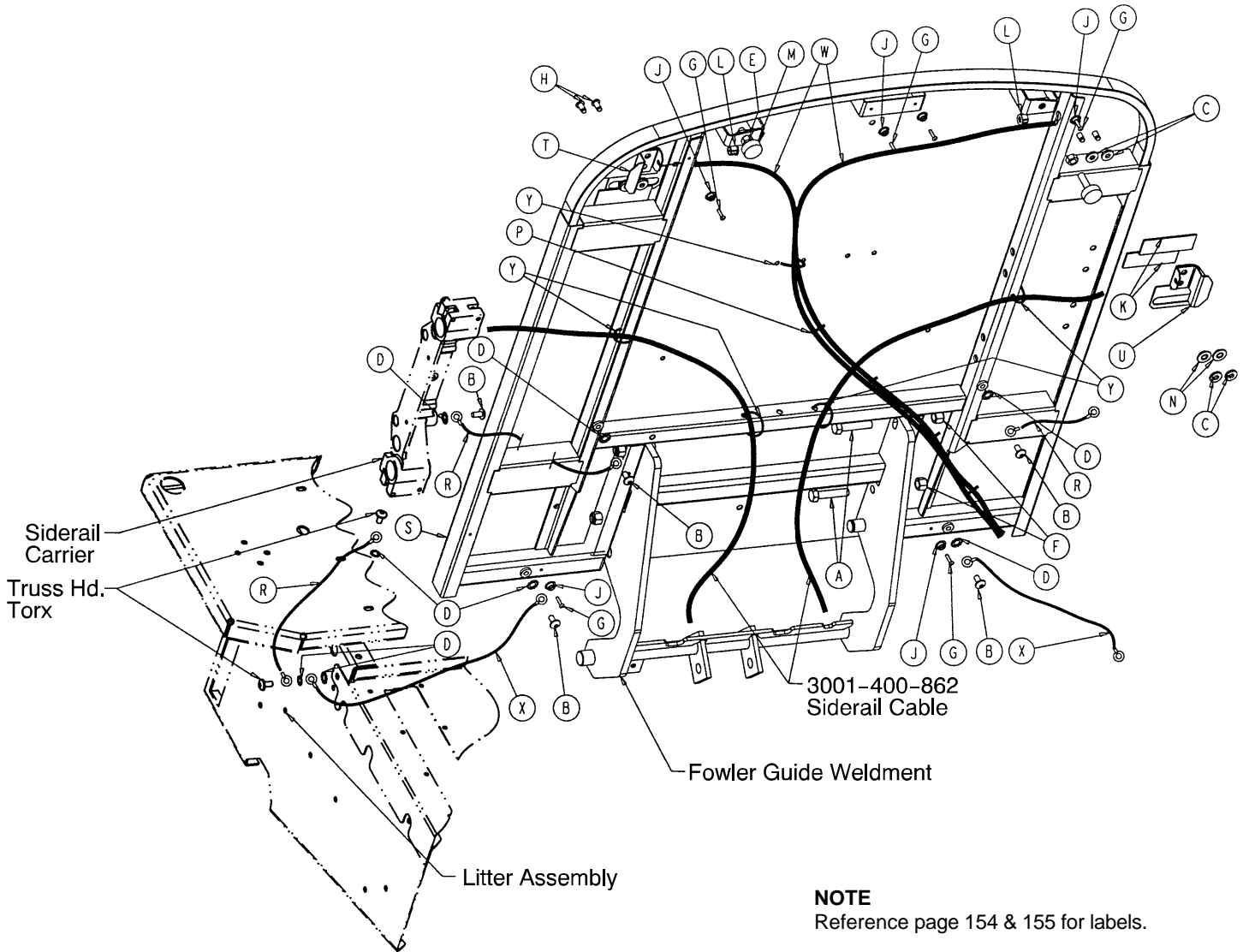
Assembly part number 4700-30-85 &
4702-30-85 (230V)
(reference only)

Optional Skoocher Assembly

Optional Skoocher Assembly

Item	Part No.	Part Name	Qty.
A	3-221	Hex Washer Hd. Screw	6
B	3-224	Hex Washer Hd. Screw	2
C	4-304	Hex Soc. But. Hd. Cap Screw	4
D	16-3	Fiberlock Nut	4
E	26-271	Clevis Pin	2
F	26-168	Spiral Pin	1
H	27-17	Cotter Pin	2
I	28-120	External Retaining Ring	2
J	30-52	Snap Bushing	2
K	38-151	11" Cable Tie	1
L	45-137	O-Ring	1
M	3000-300-58	Cherry Switch	2
N	3000-300-462	CPR Wing	1
P	3000-300-473	Clevis Pin	1
R	3001-300-471	Roller Bearing	1
S	5000-30-103	Ball Screw Assembly, Left	1
T	5000-30-213	Gas Spring	2
U	5000-30-215	Fowler Out Limit Switch Bracket	1
W	5000-30-216	Fowler In Limit Switch Bracket	1
X	5000-30-221	Fowler In Trip Link Bracket	1
Z	5000-30-223	Bearing Spacer	1
AA	5000-30-252	CPR Strip Weldment	1
AB	5000-30-255	Thrust Collar	1
AC	(page 51)	Fowler Motor/CPR Assembly	1
AD	5000-30-289	Ball Thrust Bearing	1
AE	5000-30-398	Spline Adapter	1
AF	5000-230-86	Spline Shaft	1
AG	(page 61)	Square In/Out Tube Assembly	1
AH	5010-30-82	In/Out Hard Stop	1
AI	14-3	Nylon Washer	6
AJ	1550-31-2	Ball Stud Gas Spring	2
AK	8815-029-200	Cable Tie	1
AL	27-8	Cotter Pin	4
AM	27-21	Rue Ring Cotter	1
AN	5010-30-81	In/Out Hard Stop Spacer	1

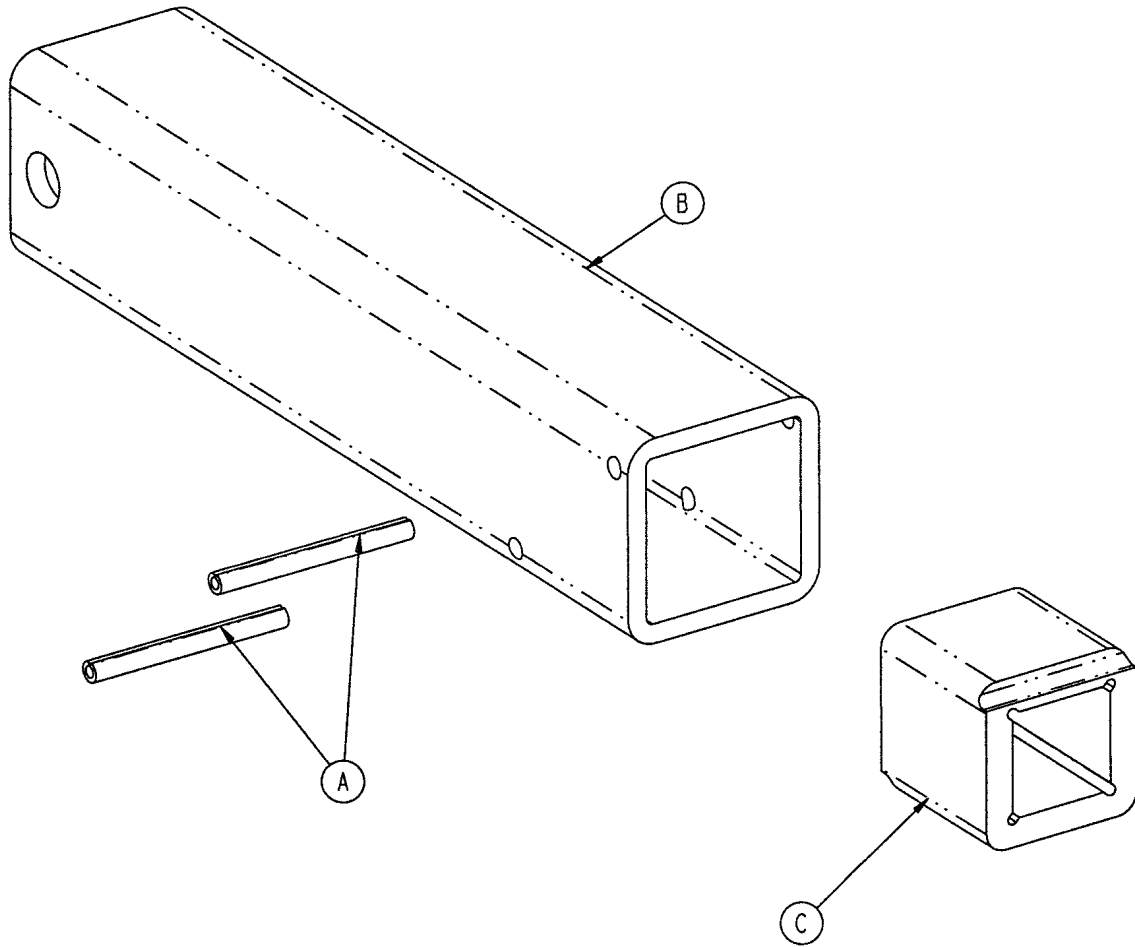
4700-30-50 Fowler Assembly



NOTE
Reference page 154 & 155 for labels.

Item	Part No.	Part Name	Qty.	Item	Part No.	Part Name	Qty.
A	3-64	Hex Hd. Cap Screw	4	M	3000-300-3	Bumper	2
B	7-58	Truss Hd. Torx	6	N	3001-300-99	Fowler Bushing	4
C	11-376	Washer	8	P	3000-300-114	4" Cable Tie	4
D	13-38	External Lock Washer	12	R	3001-300-870	8" Ground Jumper	4
E	15-12	Hex Nut	2	S	4700-30-150	Fowler Weldment	1
F	16-35	Nylock Nut	4	T	4700-30-160	Left CPR Handle	1
G	25-38	Pop Rivet	9	U	4700-30-161	Right CPR Handle	1
H	25-120	Pop Rivet	4	W	5000-30-269	CPR Cable	2
J	29-3	Brass Eyelet	9	X	5000-80-24	11" Ground Jumper	2
K	29-9	Dual Lock	2	Y	8815-029-200	Cable Tie	5
L	30-52	Heyco Plug	2				

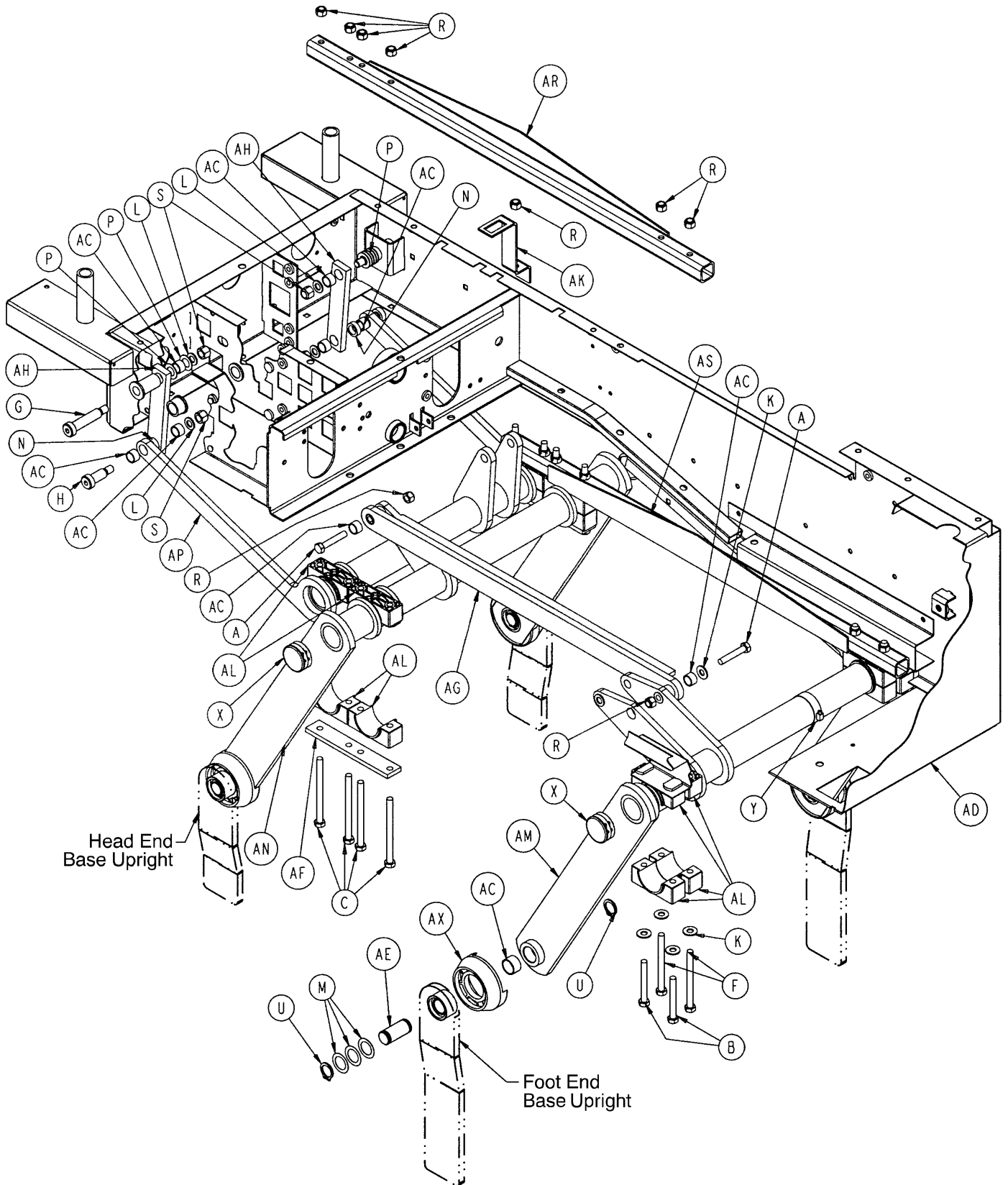
5000-230-89 Square In/Out Fowler Tube Assembly



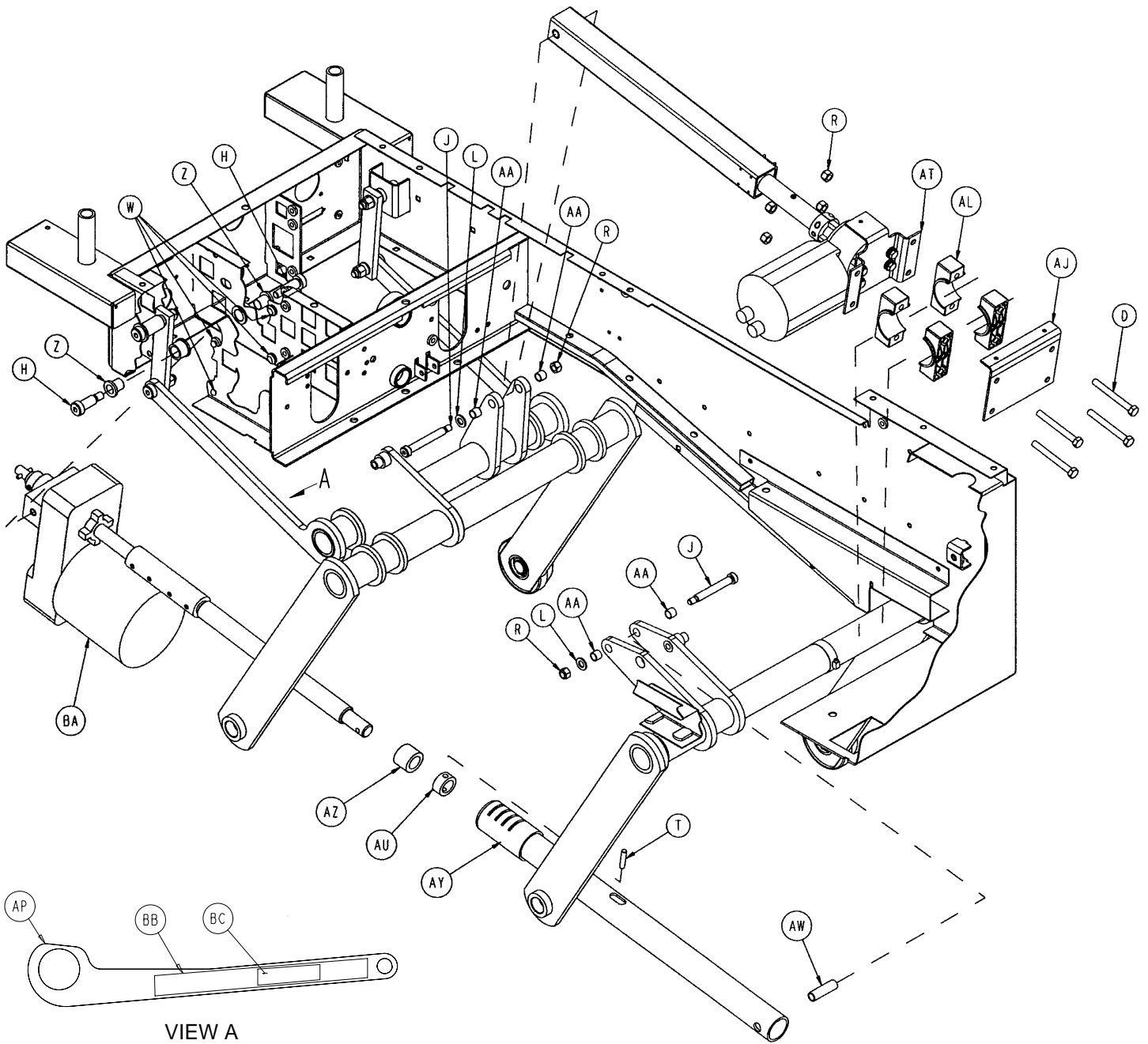
Item	Part No.	Part Name	Qty.
A	26-8	Spring Pin	2
B	5000-230-87	Square In/Out Tube	1
C	5000-230-90	Square In/Out Nut	1

Litter/Lift/Trend Assembly

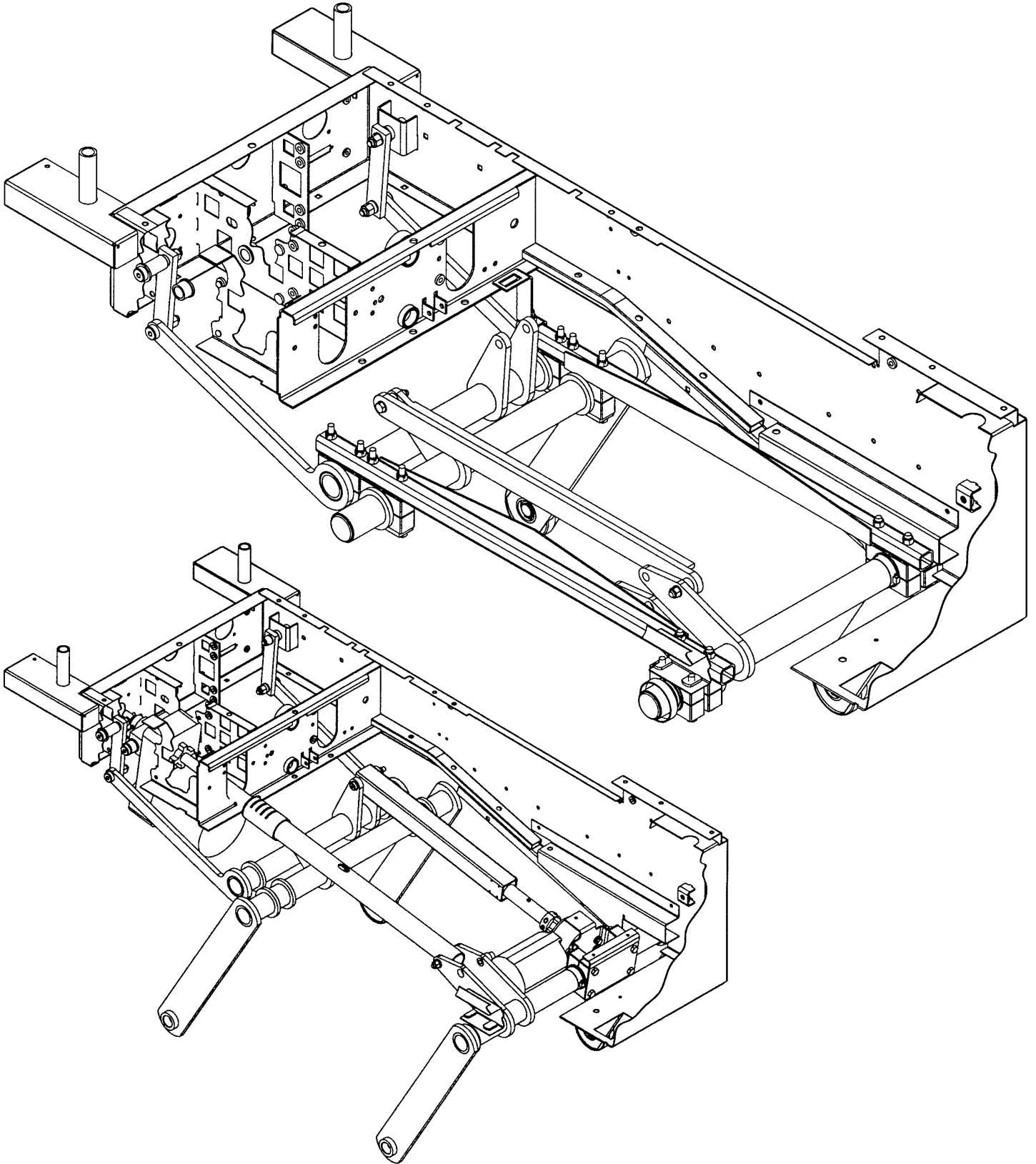
Assembly part number 4700-30-105 & 4702-30-105 (230V)
(reference only)



Litter/Lift/Trend Assembly



Litter/Lift/Trend Assembly

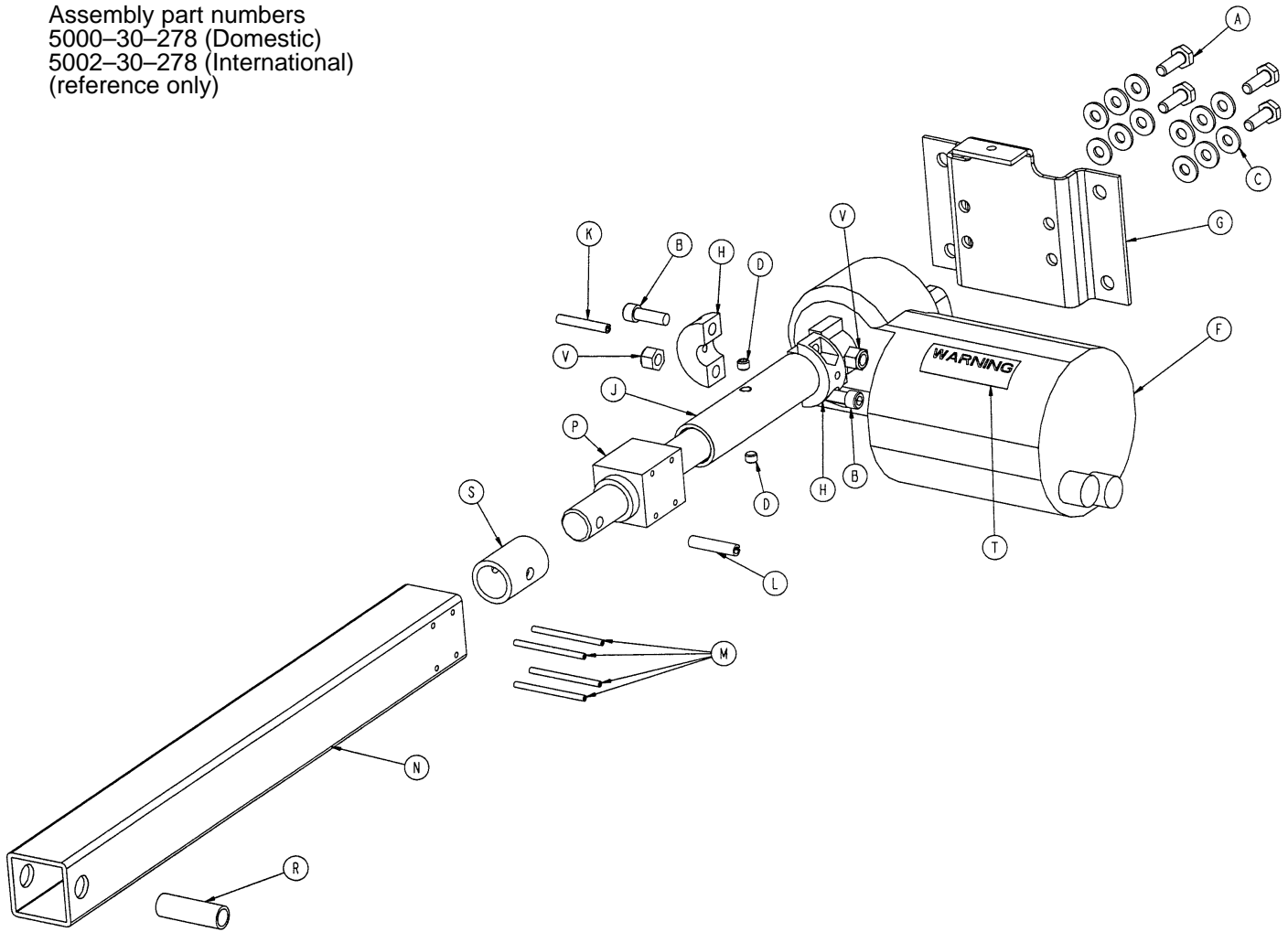


Litter/Lift/Trend Assembly

Item	Part No.	Part Name	Qty.
A	3-68	Hex Hd. Cap Screw	2
B	3-82	Hex Hd. Cap Screw	4
C	3-88	Hex Hd. Cap Screw	8
D	3-93	Hex Hd. Cap Screw	4
F	3-228	Hex Hd. Cap Screw	4
G	8-2	Hex Soc. Hd. Shoulder Bolt	2
H	8-45	Hex Soc. Hd. Shoulder Bolt	4
J	8-50	Hex Soc. Hd. Shoulder Bolt	2
K	11-3	Flat Washer	9
L	11-54	Flat Washer	6
M	11-339	Shim Washer	12
N	11-350	Flat Washer	2
P	14-7	Nylon Washer	7
R	16-11	Nylock Nut	20
S	16-35	Nylock Nut	4
T	26-168	Coil Spring Pin	1
U	28-163	External Retaining Ring	8
W	37-52	Grommet Bumper	4
X	37-216	Round Hole Plug	4
Y	38-283	Worm Drive Hose Clamp	1
Z	81-8	Flange Bearing	2
AA	81-269	DU Bearing	4
AB	81-270	DU Bearing	4
AC	81-271	DU Bearing	8
AD	4700-30-10	Litter Weldment	1
AE	5000-1-24	Pivot Pin	4
AF	5000-30-139	Trend Block Strap	2
AG	5000-30-144	Drag Link Weldment	1
AH	5000-30-166	Trend Follower Link	2
AJ	5000-30-171	Trend Motor Mount Plate	1
AK	5000-30-222	Trend Up Link Bracket	1
AL	5000-30-237	Crank Retainer Block	20
AM	5000-30-240	Front Crank Ass'y Weldment	1
AN	5000-30-244	Rear Crank Ass'y Weldment	1
AP	5000-30-246	Trend Link Weldment	1
AR	5000-30-258	Rail Weldment, Right	1
AS	5000-30-259	Rail Weldment, Left	1
AT	(page 66)	Trend Actuator Assembly	1
AU	5000-30-255	Thrust Collar	1
AW	5000-30-349	Lift Tube Cross Tube	1
AX	5000-30-374	Lift Crank Cap	4
AY	5000-230-212	Lift Screw Tube	1
AZ	5010-30-69	Lift Hard Stop	1
BA	(page 67)	Lift Actuator Assembly	1
BB	8800-380-000	Sponge	1
BC	29-9	Dual Lock	1

Trend Actuator Assembly

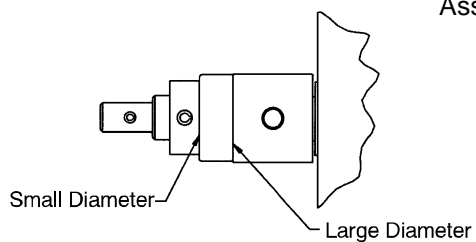
Assembly part numbers
 5000-30-278 (Domestic)
 5002-30-278 (International)
 (reference only)



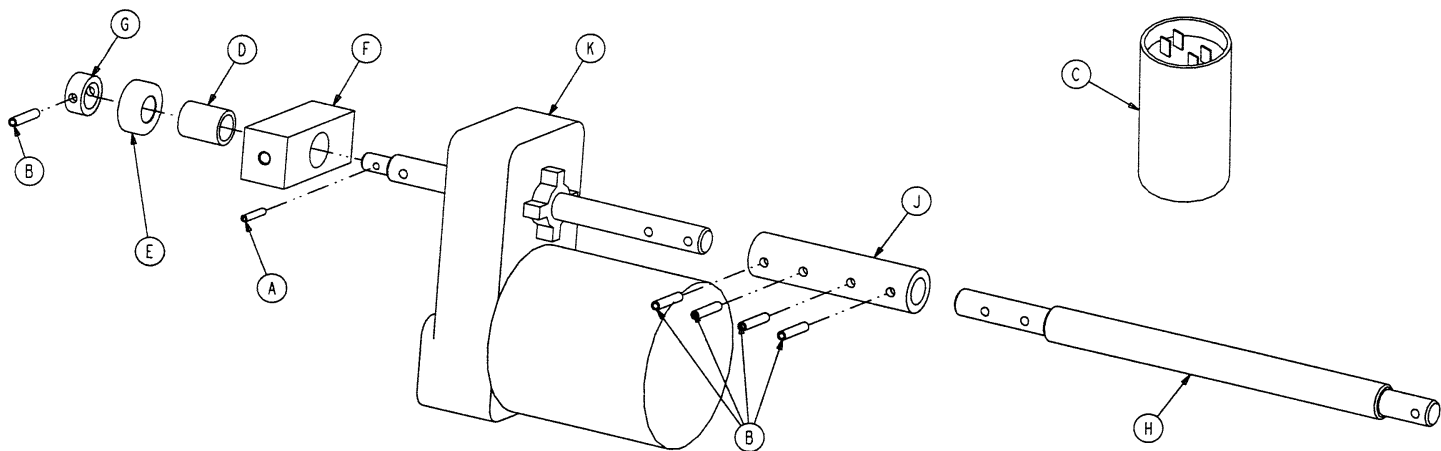
Item	Part No.	Part Name	Qty.
A	3-214	Hex Hd. Cap Screw	4
B	4-90	Soc. Hd. Cap Screw	2
C	11-63	Flat Washer	12
D	21-16	Set Screw	2
F	5000-230-68	Right Angle Motor Ass'y	1
	5002-30-68	230V Right Angle Motor Ass'y	1
G	5000-30-170	Trend Motor Mount Bracket	1
H	5000-30-286	Split Stop Collar	2
J	5000-30-312	Trend Hard Stop	1
K	26-52	Spring Pin	1
L	26-280	Spirol Pin	1
M	26-266	Spring Pin	4
N	5000-30-172	Trend Drive Tube	1
P	5000-30-208	Acme Nut	1
R	5000-30-301	Trend Spacer Tube	1
S	5000-30-372	Trend Hard Stop	1
T	3000-300-604	Warning Label	1
V	16-102	Nylock Jam Nut	2

Lift Actuator Assembly

Assembly part number 5010-230-71 (Domestic)
 Assembly part number 5012-30-71 (International)



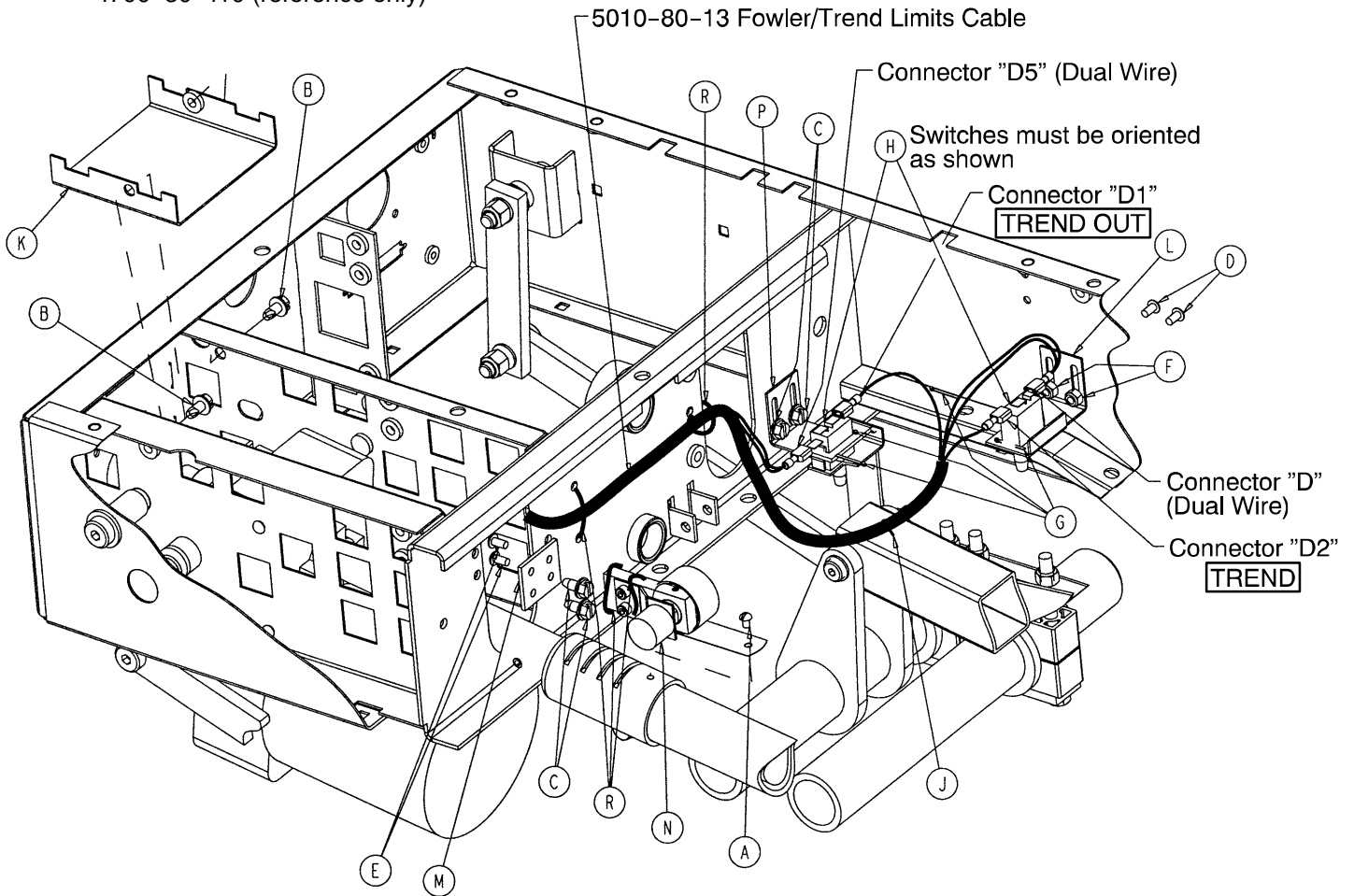
Thrust Bearing Installation Detail



Item	Part No.	Part Name	Qty.
A	26-11	Spring Pin	1
B	26-267	Spring Pin	5
C	59-140	Capacitor	1
	59-155	230V Capacitor	1
D	81-9	Bronze Bearing	1
E	81-276	Thrust Ball Bearing	1
F	5000-30-194	Motor Pivot Block	1
G	5000-30-255	Thrust Collar	1
H	5000-30-379	Lift Screw	1
J	5000-30-380	Lift Coupler	1
K	5000-30-381	Lift Motor Assembly	1
	5012-230-70	230V Lift Motor Assembly	1

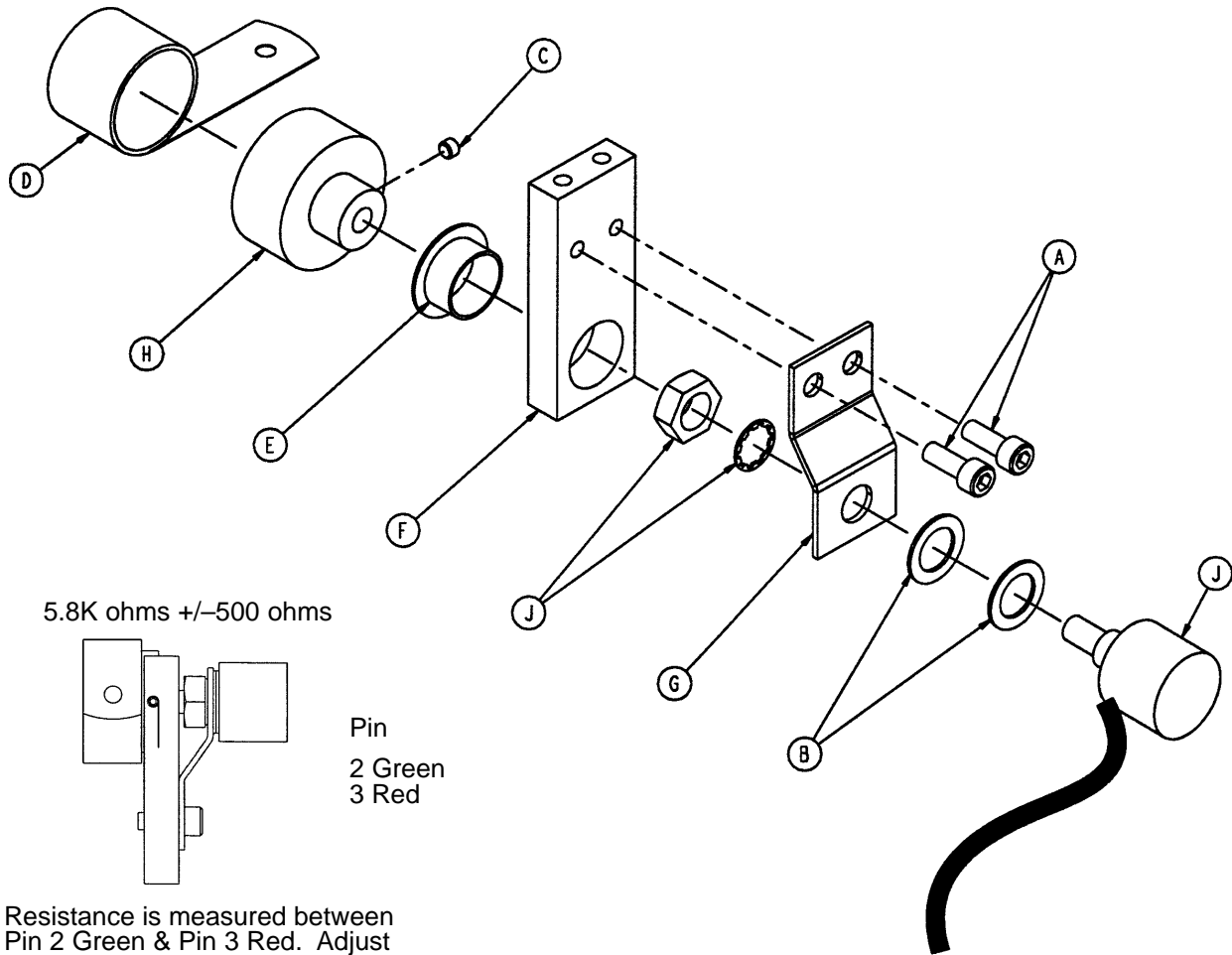
Bed Lift/Trend Limits Assembly

Assembly part number
4700-30-110 (reference only)



Item	Part No.	Part Name	Qty.
A	2-34	Round Hd. Mach. Screw	1
B	3-221	Hex Washer Hd. Screw	2
C	3-224	Hex Washer Hd/ Screw	4
D	4-304	Hex Soc. But. Hd. Cap Screw	2
E	4-307	But. Hd. Cap Screw	2
F	16-3	Fiberlock Nut	2
G	27-8	Cotter Pin	4
H	3000-300-58	Limit Switch	2
J	3000-300-114	4" Cable Tie	1
K	4700-30-18	Filter Shield Weldment	1
L	5000-30-217	Trend Limit Switch Bracket	1
M	5000-30-220	Lift Motor Pot Bracket	1
N	(page 69)	Bed Lift Potentiometer Ass'y	1
P	5000-30-341	Trend Up Trip Bracket	1
R	8815-029-200	7.4" Cable Tie	4

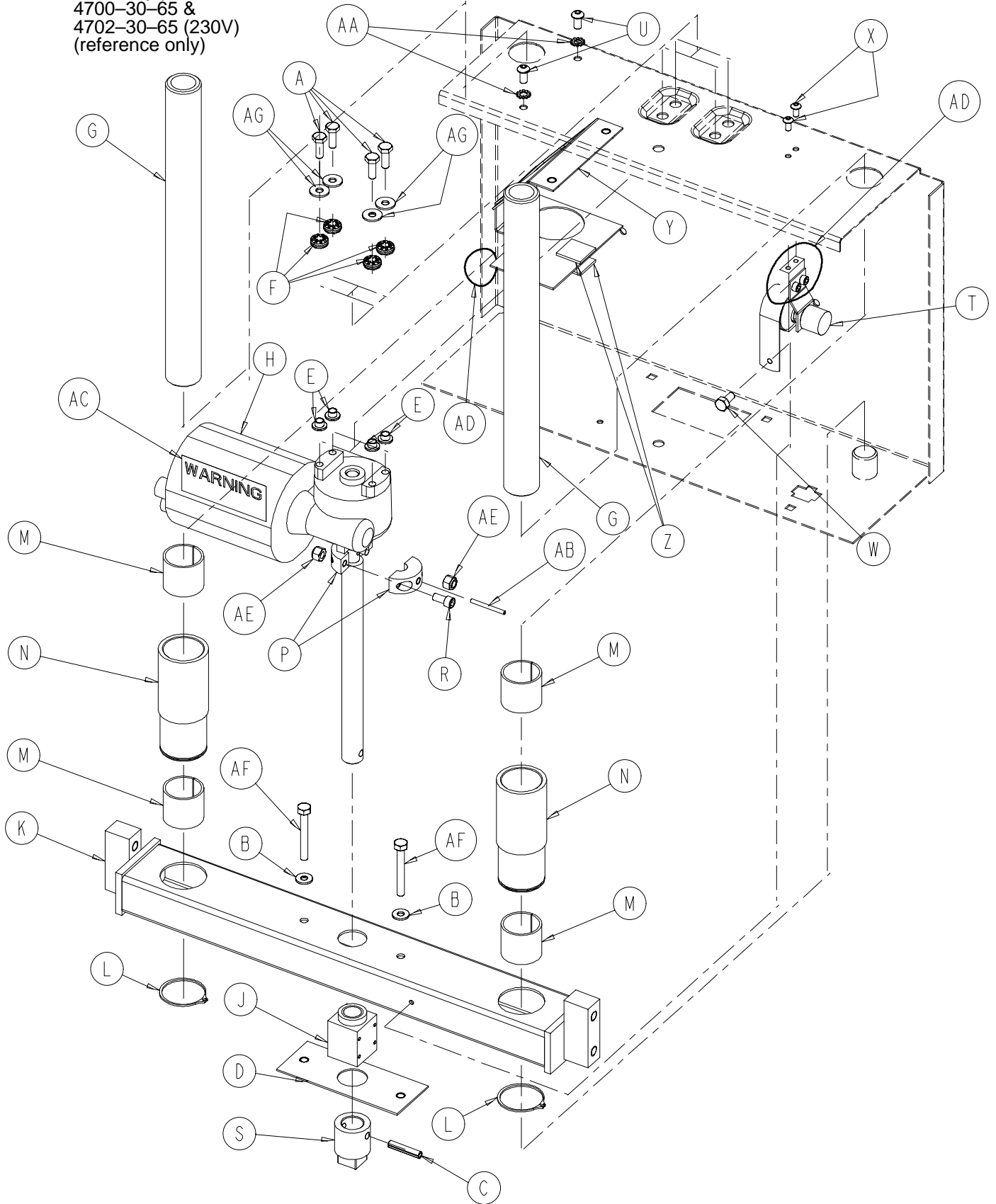
5000-30-225 Bed Lift Potentiometer Assembly



Item	Part No.	Part Name	Qty.
A	4-38	Soc. Hd. Cap Screw	2
B	14-8	Nylon Washer	2
C	21-149	Set Screw	1
D	38-389	Constant Force Spring	1
E	81-275	Flange Bearing	1
F	5000-30-226	Pot Mount	1
G	5000-30-227	Pot Mount Plate	1
H	5000-30-228	Drum	1
J	5000-280-6	Bed Up/Down Pot Cable	1

Foot Lift Assembly

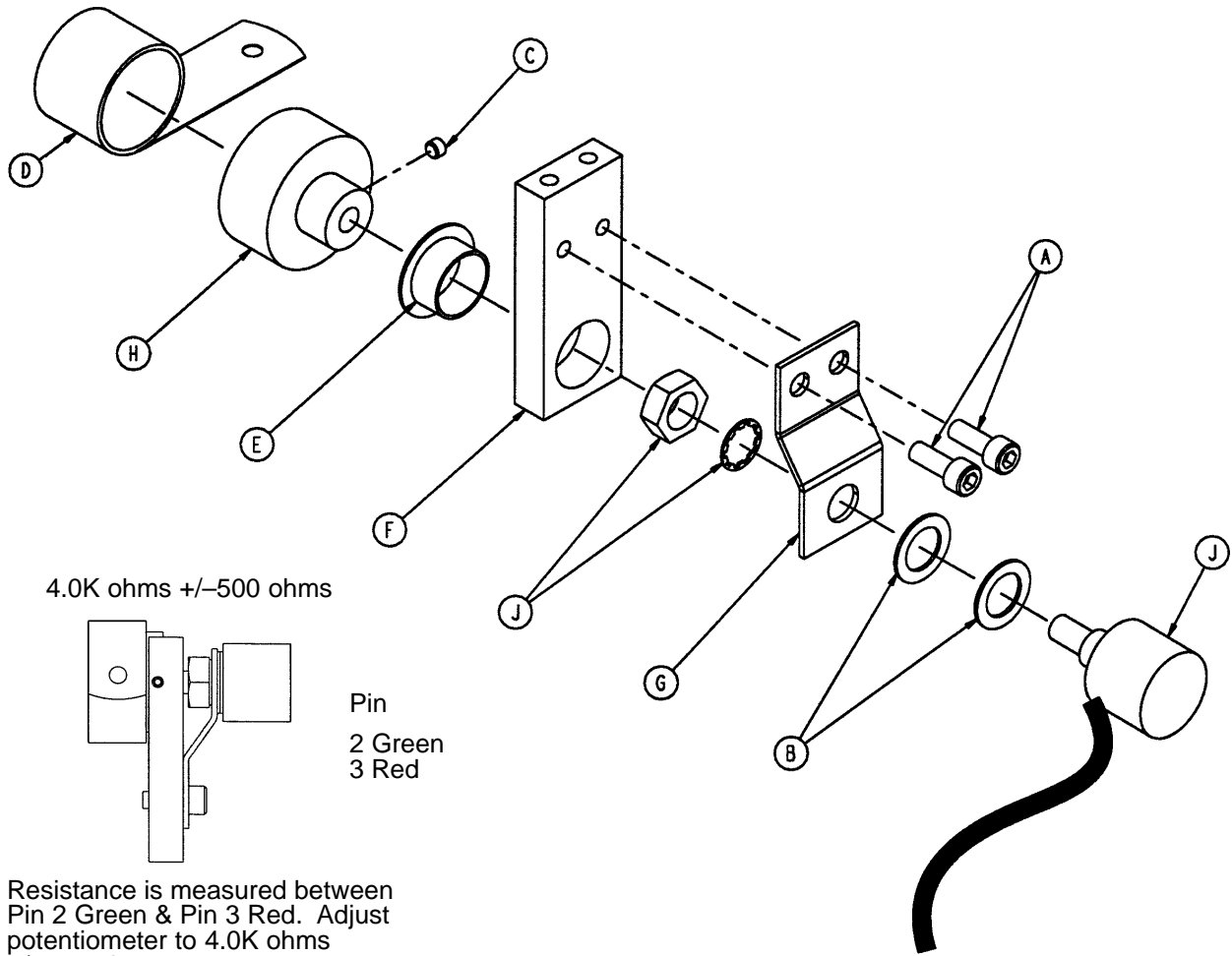
Assembly part numbers
4700-30-65 &
4702-30-65 (230V)
(reference only)



Foot Lift Assembly

Item	Part No.	Part Name	Qty.
A	3-214	Hex Hd. Cap Screw	4
B	11-63	Washer	2
C	26-267	Spring Pin	1
D	4700-30-25	Foot Lift Lock Plate	1
E	52-718	Nylon Insulator	4
F	3000-200-228	Motor Mounting Plate Grommet	4
G	4700-30-36	Foot Lift Shaft	2
H	5000-230-68	Right Angle Motor Ass'y	1
	5002-30-68	230V Right Angle Motor Ass'y	1
J	5000-30-208	Acme Nut	1
K	5000-30-211	Foot Tube Weldment	1
L	8800-200-700	Retaining Ring	2
M	8800-210-400	Split Tube Bushing	4
N	8812-400-100	Bushing Housing	2
P	5000-30-286	Split Stop Collar	2
R	4-90	Soc. Hd. Cap Screw	2
S	5000-30-327	Foot Lift Manual Nut	1
T	(page 72)	Foot Pot Assembly	1
U	7-58	Truss Hd. Torx	2
W	3-224	Hex Washer Hd. Screw	1
X	4-307	Hex Soc. But. Hd. Cap Screw	2
Y	5000-230-284	Foot Motor Shroud	1
Z	8800-380-000	Sponge	.167'
AA	13-10	External Tooth Lock Washer	2
AB	26-52	Spring Pin	1
AC	3000-300-604	Warning Label	1
AD	8815-029-200	Cable Tie	2
AE	16-102	Nylock Jam Nut	2
AF	3-76	Hex Hd. Cap Screw	2
AG	11-224	Nylon Washer	4

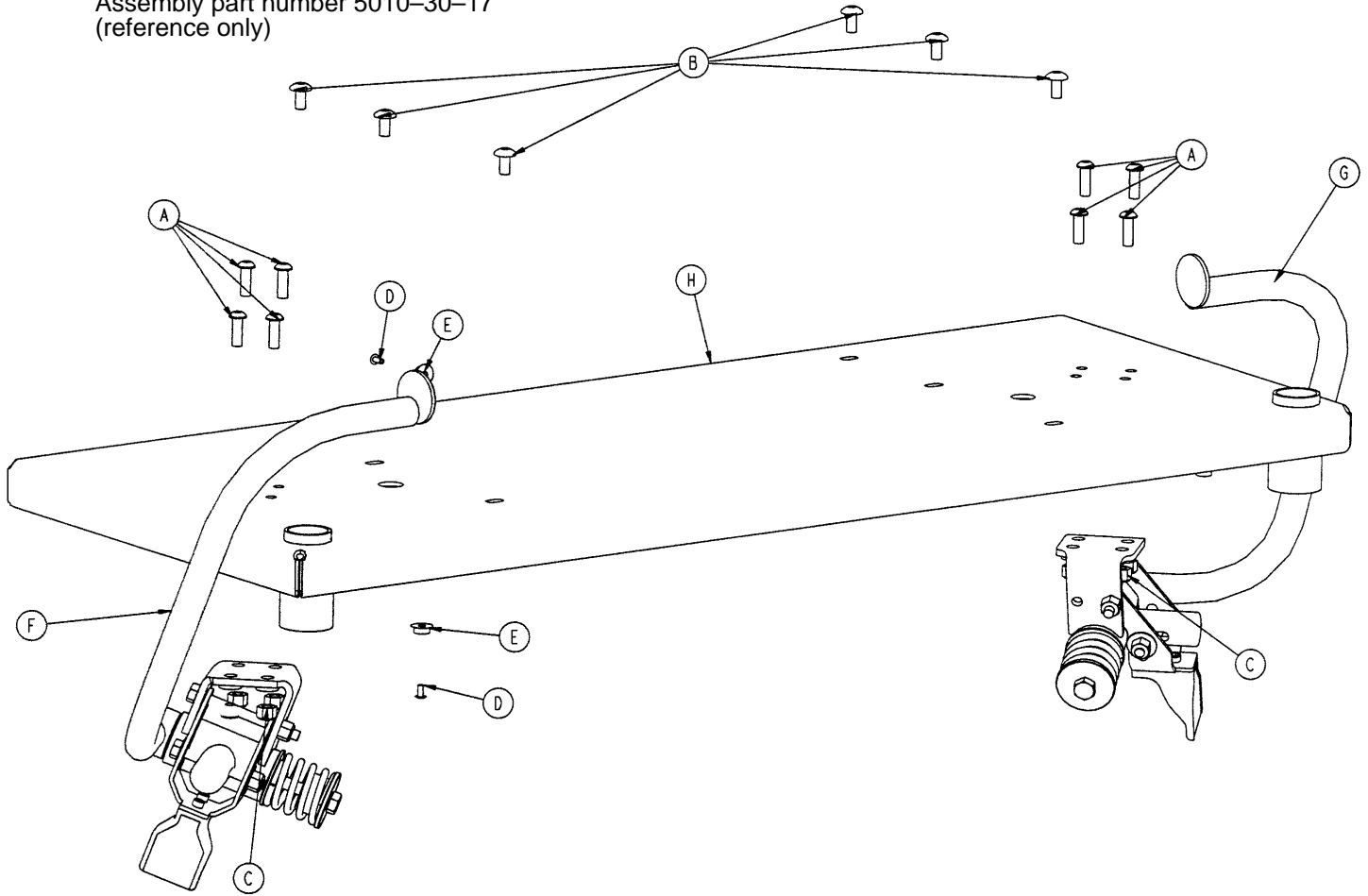
5000-30-317 Foot Potentiometer Assembly



Item	Part No.	Part Name	Qty.
A	4-38	Soc. Hd. Cap Screw	2
B	14-8	Nylon Washer	2
C	21-149	Set Screw	1
D	38-389	Constant Force Spring	1
E	81-275	Flange Bearing	1
F	5000-30-226	Pot Mount	1
G	5000-30-227	Pot Mount Plate	1
H	5000-30-228	Drum	1
J	5000-80-5	Foot Pot Cable	1

Seat Assembly

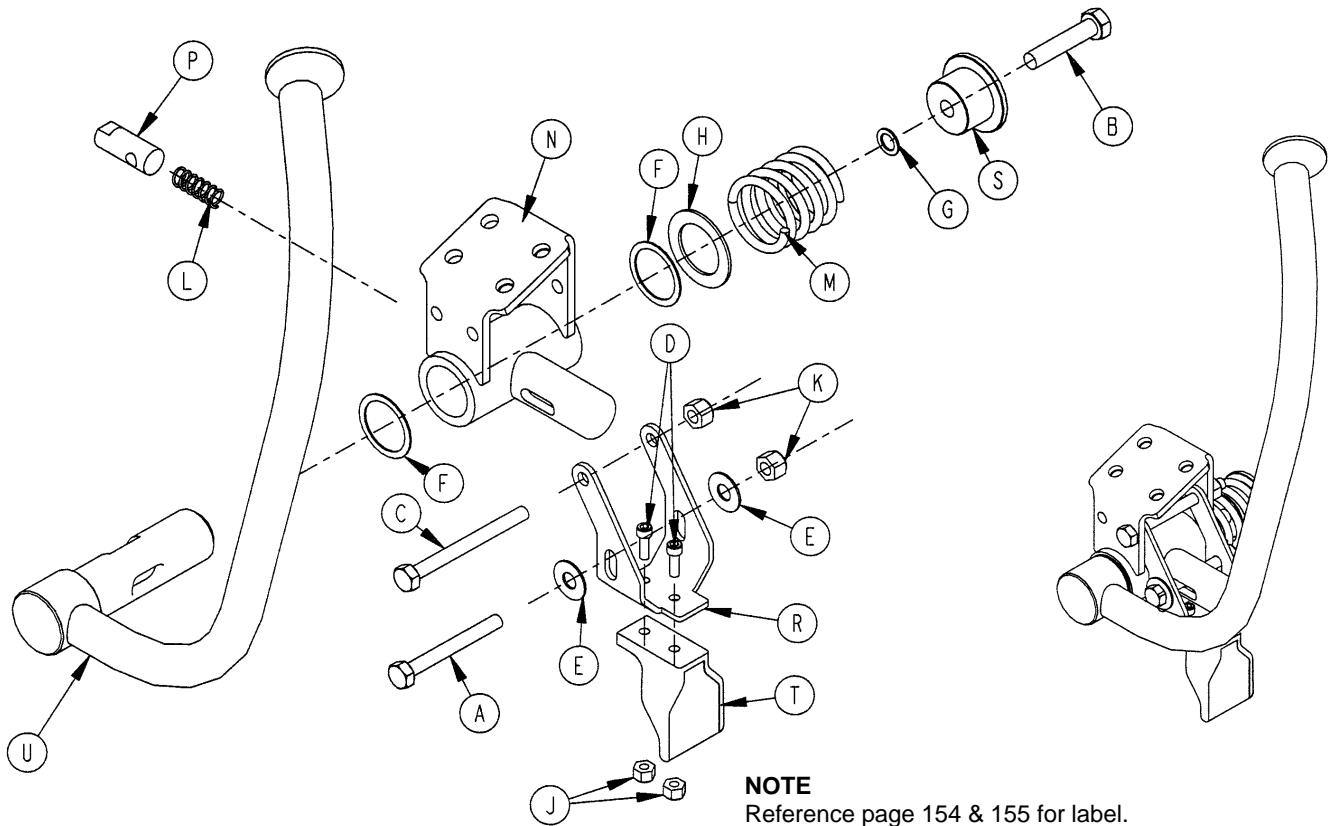
Assembly part number 5010-30-17
(reference only)



Item	Part No.	Part Name	Qty.
A	4-161	But. Hd. Cap Screw	8
B	7-58	Torx Hd. Screw	6
C	16-28	Nylock Nut	8
D	25-38	Rivet	5
E	29-3	Brass Eyelet	5
F	(page 74)	Hand Grip Ass'y, Right	1
G	(page 75)	Hand Grip Ass'y, Left	1
H	5010-30-19	Seat Weldment	1

Right Hand Grip Assembly

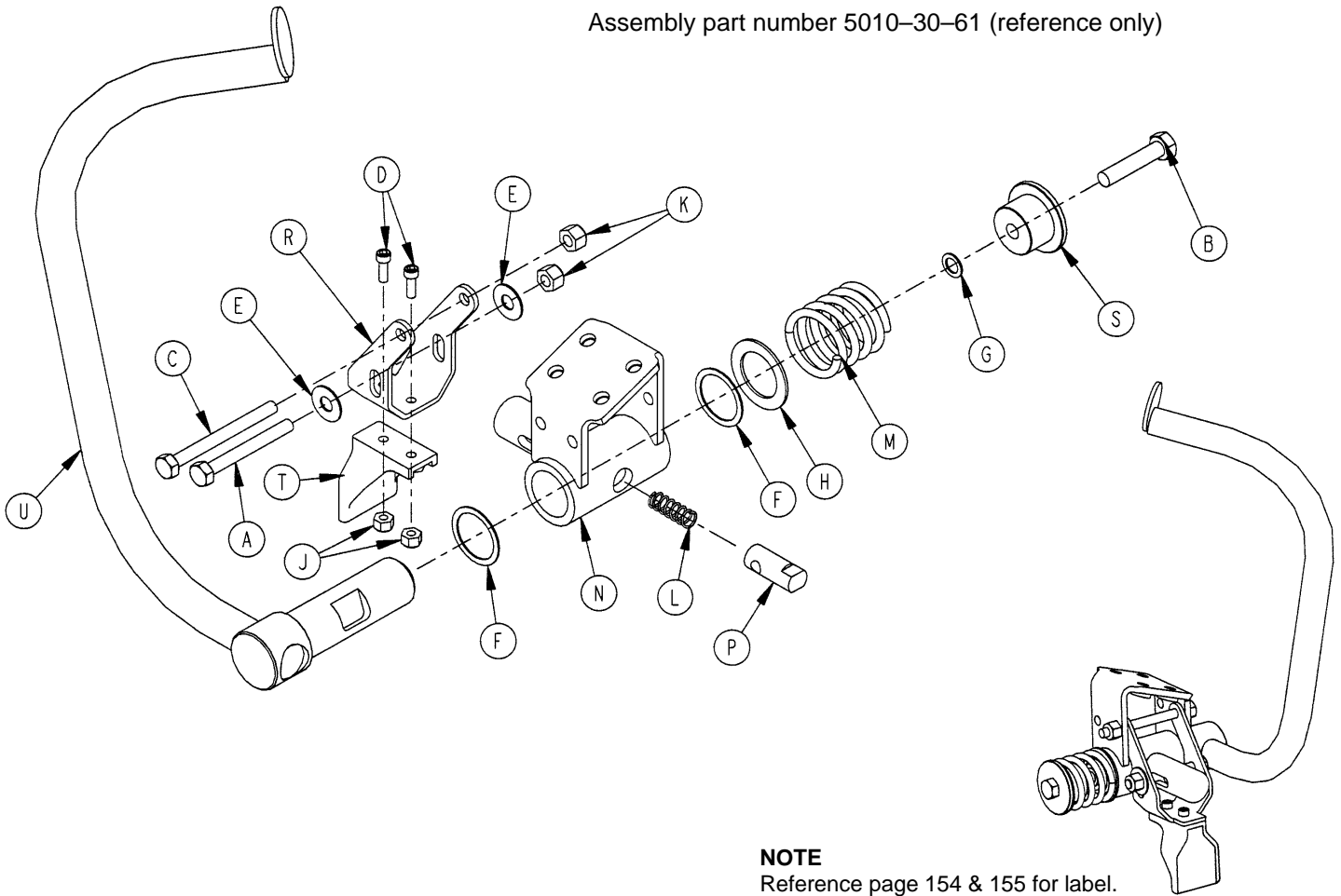
Assembly part number 5010-30-60 (reference only)



Item	Part No.	Part Name	Qty.
A	3-32	Hex Hd. Cap Screw	1
B	3-57	Hex Hd. Cap Screw	1
C	3-73	Hex Hd. Cap Screw	1
D	4-5	Soc. Hd. Cap Screw	2
E	11-179	Nylon Washer	2
F	11-392	Nylon Washer	2
G	11-397	Serrated Belleville Washer	1
H	11-406	Flat Washer	1
J	16-14	Nylock Nut	2
K	16-28	Nylock Nut	2
L	38-344	Compression Spring	1
M	38-391	Compression Spring	1
N	5000-30-124	Pivot Block, Right	1
P	5000-30-128	Hand Grip Lock Pin	1
R	5000-30-129	Hand Grip Latch Bracket	1
S	5000-30-315	Hand Grip Spring Spacer	1
T	5000-40-118	Pull Handle	1
U	5010-30-62	Hand Grip Weldment, Rt.	1

Left Hand Grip Assembly

Assembly part number 5010-30-61 (reference only)

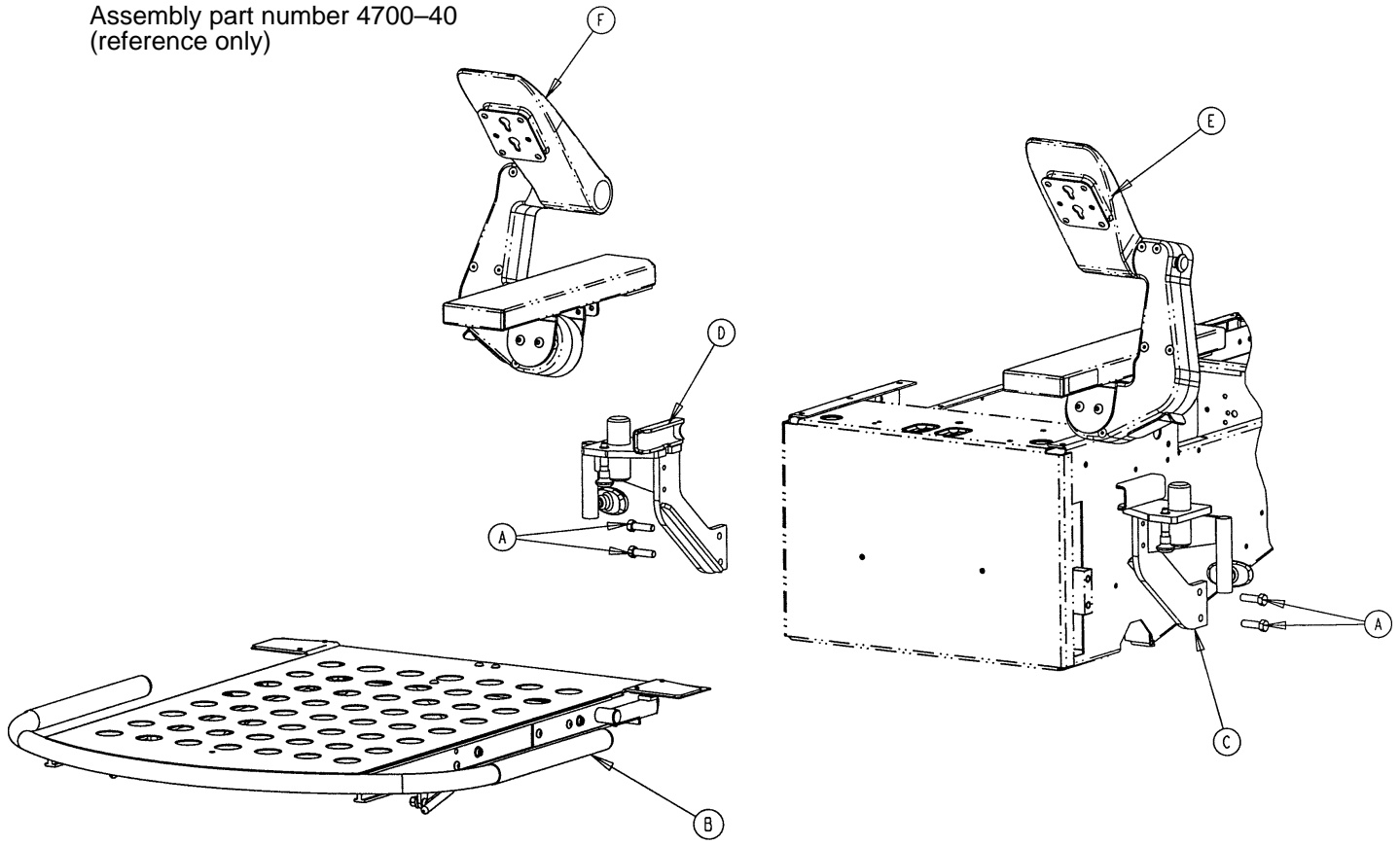


NOTE
Reference page 154 & 155 for label.

Item	Part No.	Part Name	Qty.
A	3-32	Hex Hd. Cap Screw	1
B	3-57	Hex Hd. Cap Screw	1
C	3-73	Hex Hd. Cap Screw	1
D	4-5	Soc. Hd. Cap Screw	2
E	11-179	Nylon Washer	2
F	11-392	Nylon Washer	2
G	11-397	Serrated Belleville Washer	1
H	11-406	Flat Washer	1
J	16-14	Nylock Nut	2
K	16-28	Nylock Nut	2
L	38-344	Compression Spring	1
M	38-391	Compression Spring	1
N	5000-30-125	Pivot Block, Left	1
P	5000-30-128	Hand Grip Lock Pin	1
R	5000-30-129	Hand Grip Latch Bracket	1
S	5000-30-315	Hand Grip Spring Spacer	1
T	5000-40-118	Pull Handle	1
U	5010-30-63	Hand Grip Weldment, Lt.	1

Glideaway Foot Support Assembly

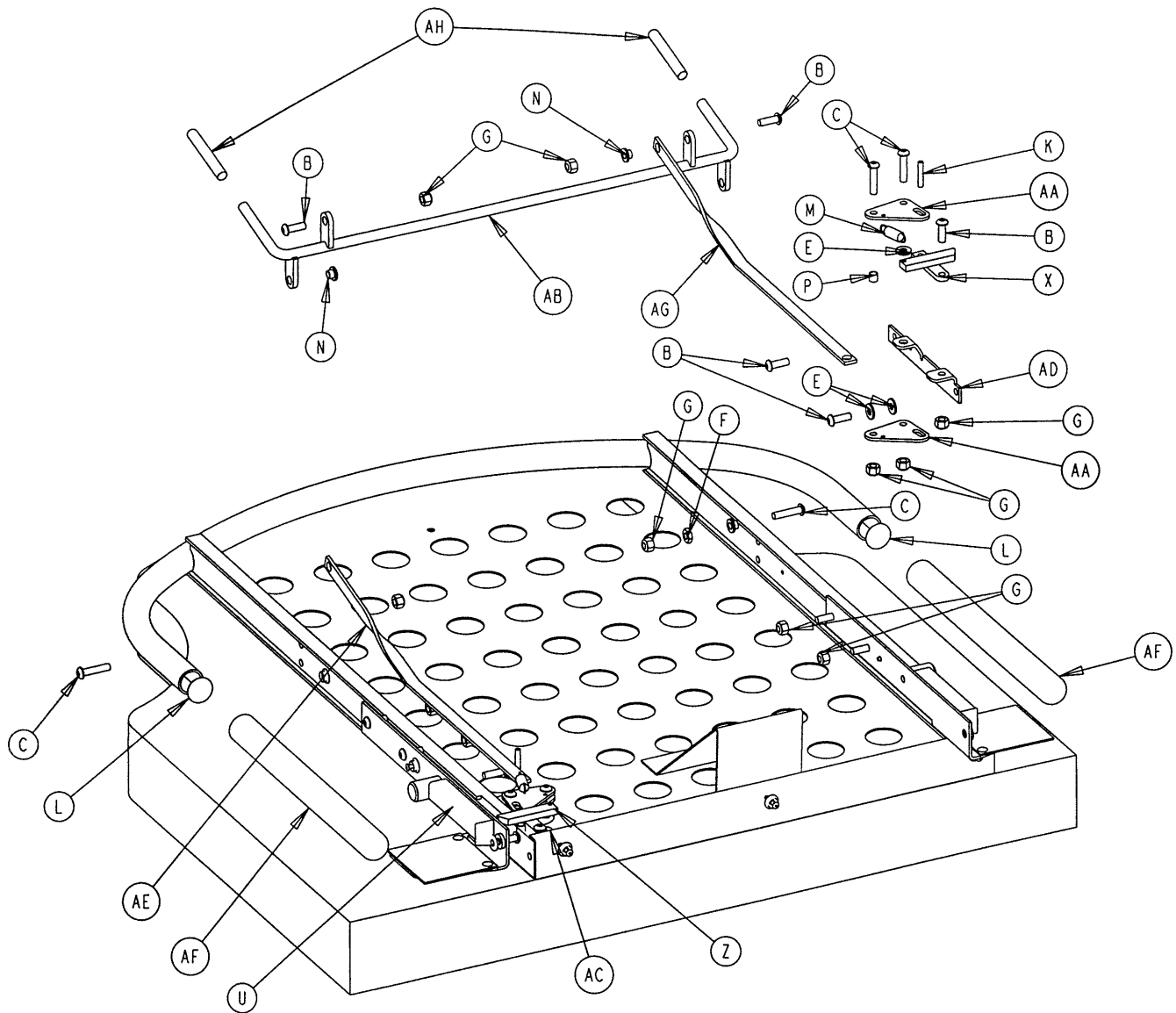
Assembly part number 4700-40
(reference only)



Item	Part No.	Part Name	Qty.
A	3-229	Hex Hd. Cap Screw	4
B	(page 78 & 79)	Foot Mattress Assembly	1
C	(page 80)	Left Upright Assembly	1
D	(page 81)	Right Upright Assembly	1
E	(page 82)	Left Glideaway Assembly	1
F	(page 83)	Right Glideaway Assembly	1

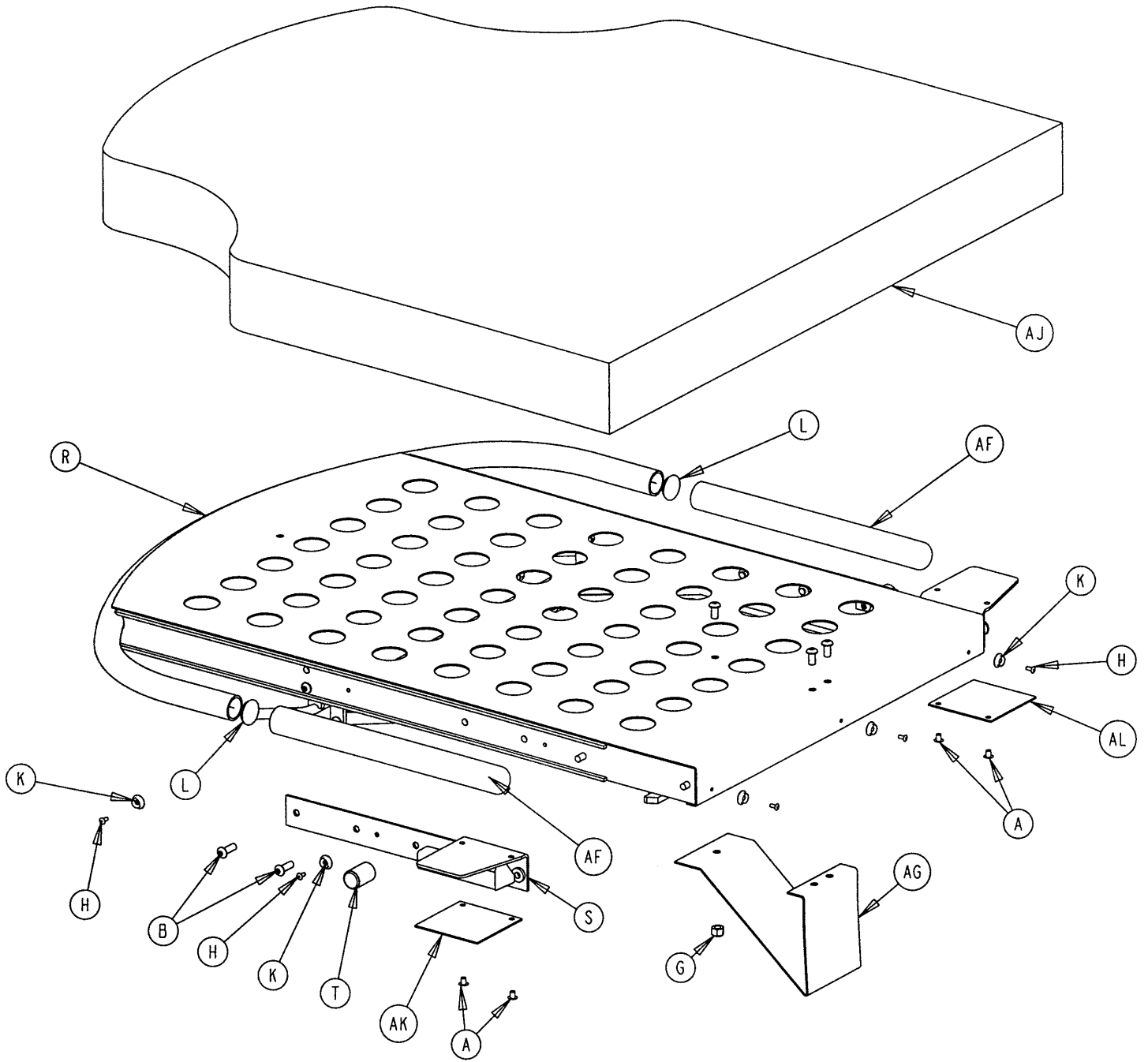
Notes

4700-40-70 Slide-Off Foot Mattress Assembly

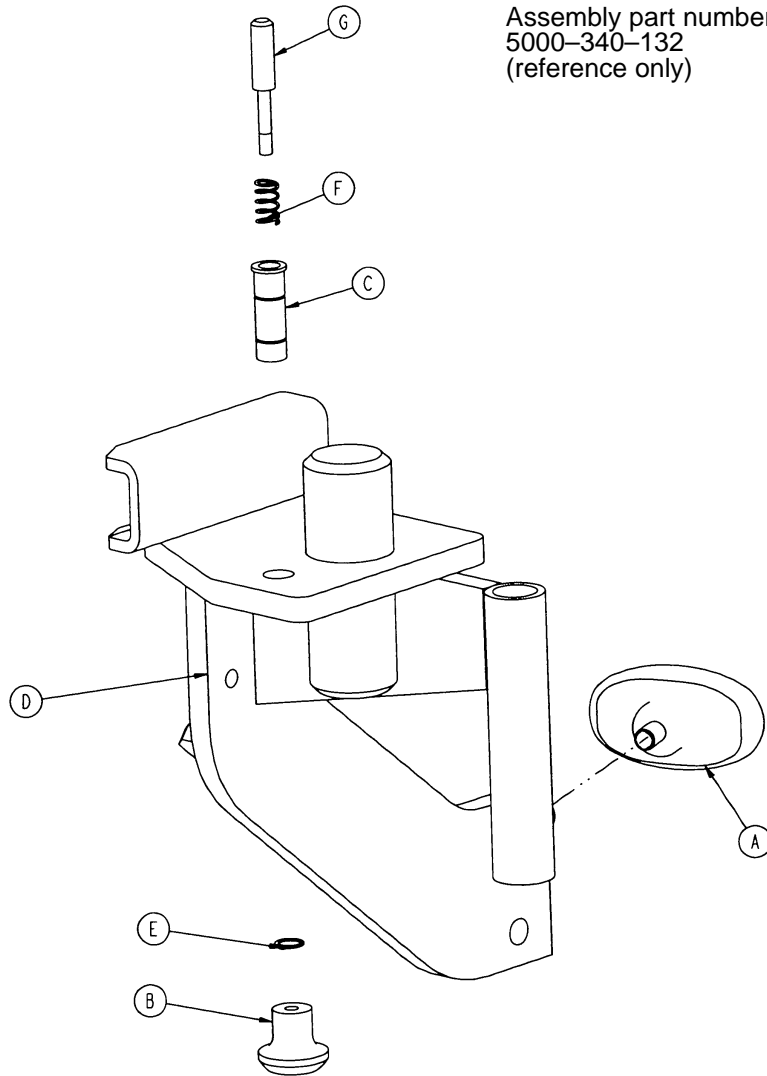


Item	Part No.	Part Name	Qty.	Item	Part No.	Part Name	Qty.
A	25-151	Semi-Tubular Rivet	4	T	5000-40-95	Pilot Weldment, Left	1
B	4-161	But. Hd. Cap Screw	12	U	5000-40-96	Pilot Weldment, Right	1
C	4-176	But. Hd. Cap Screw	6	X	5000-40-135	Latch Weldment, Left	1
D	4-232	But. Hd. Cap Screw	3	Z	5000-40-136	Latch Weldment, Right	1
E	11-63	Flat Washer	6	AA	5000-40-139	Pull Plate	4
F	15-11	Jam Nut	2	AB	5000-40-140	Trip Handle Weldment	1
G	16-28	Nylock Nut	17	AC	5000-40-143	Pivot, Right	1
H	25-37	Pop Rivet	4	AD	5000-40-144	Pivot, Left	1
J	26-11	Spring Pin	2	AE	5000-40-150	Handle Pull	2
K	29-3	Brass Eyelet	4	AF	4700-40-5	Foot Section End Cap	2
L	37-62	Hole Plug	2	AG	5000-40-168	Kickstand	1
M	38-330	Extension Spring	2	AH	5000-40-200	Vinyl Cap	2
N	52-718	Nylon Insulator	4	AJ	4700-41-000	Foot Mattress	1
P	715-1-133	Release Rod Stop Sleeve	2	AK	5000-40-227	Plastic Plate, Left	1
R	4700-40-10	Foot Mattress Weldment	1	AL	5000-40-228	Plastic Plate, Right	1
S	5000-40-88	Round Stop	2				

4700-40-70 Slide-Off Foot Mattress Assembly



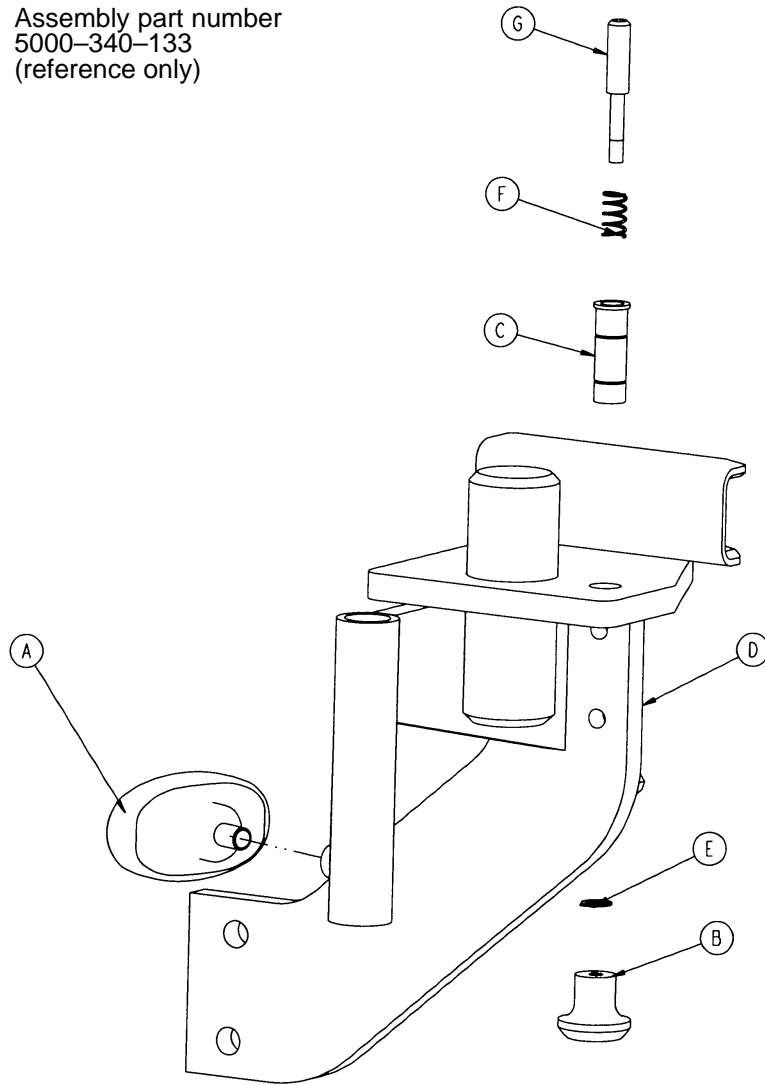
Left Upright Assembly



Item	Part No.	Part Name	Qty.
A	24-61	T-Knob	1
B	5010-40-71	Pull Knob	1
C	5000-40-134	Latch Pin Sleeve	1
D	5000-340-10	Left Upright Weldment	1
E	8800-201-100	Retaining Ring	1
F	8810-290-600	Compression Spring	1
G	8813-070-100	Foot Latch Pin	1

Right Upright Assembly

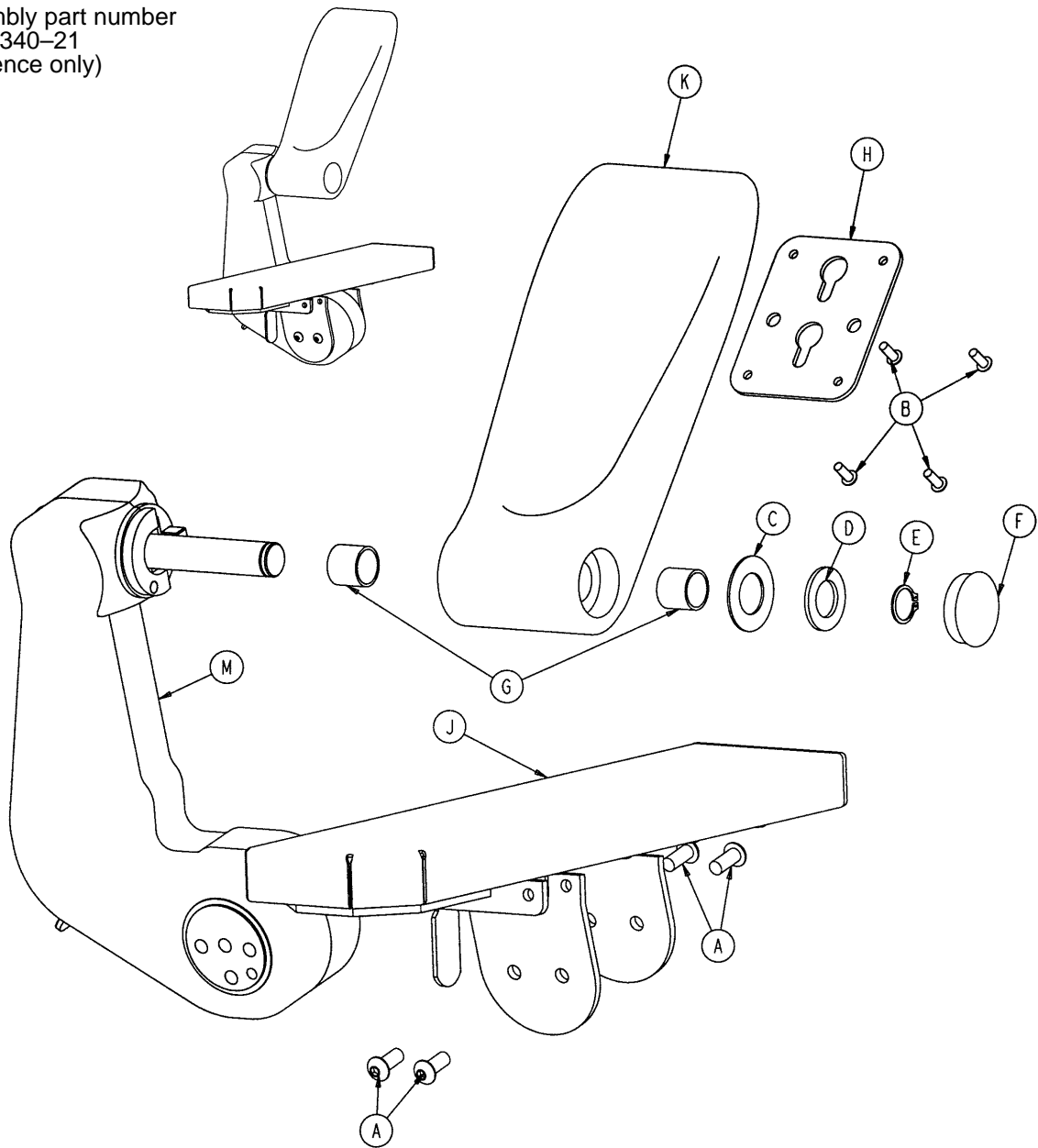
Assembly part number
5000-340-133
(reference only)



Item	Part No.	Part Name	Qty.
A	24-61	T-Knob	1
B	5010-40-71	Pull Knob	1
C	5000-40-134	Latch Pin Sleeve	1
D	5000-340-11	Right Upright Weldment	1
E	8800-201-100	Retaining Ring	1
F	8810-290-600	Compression Spring	1
G	8813-070-100	Foot Latch Pin	1

Left Glideaway Assembly

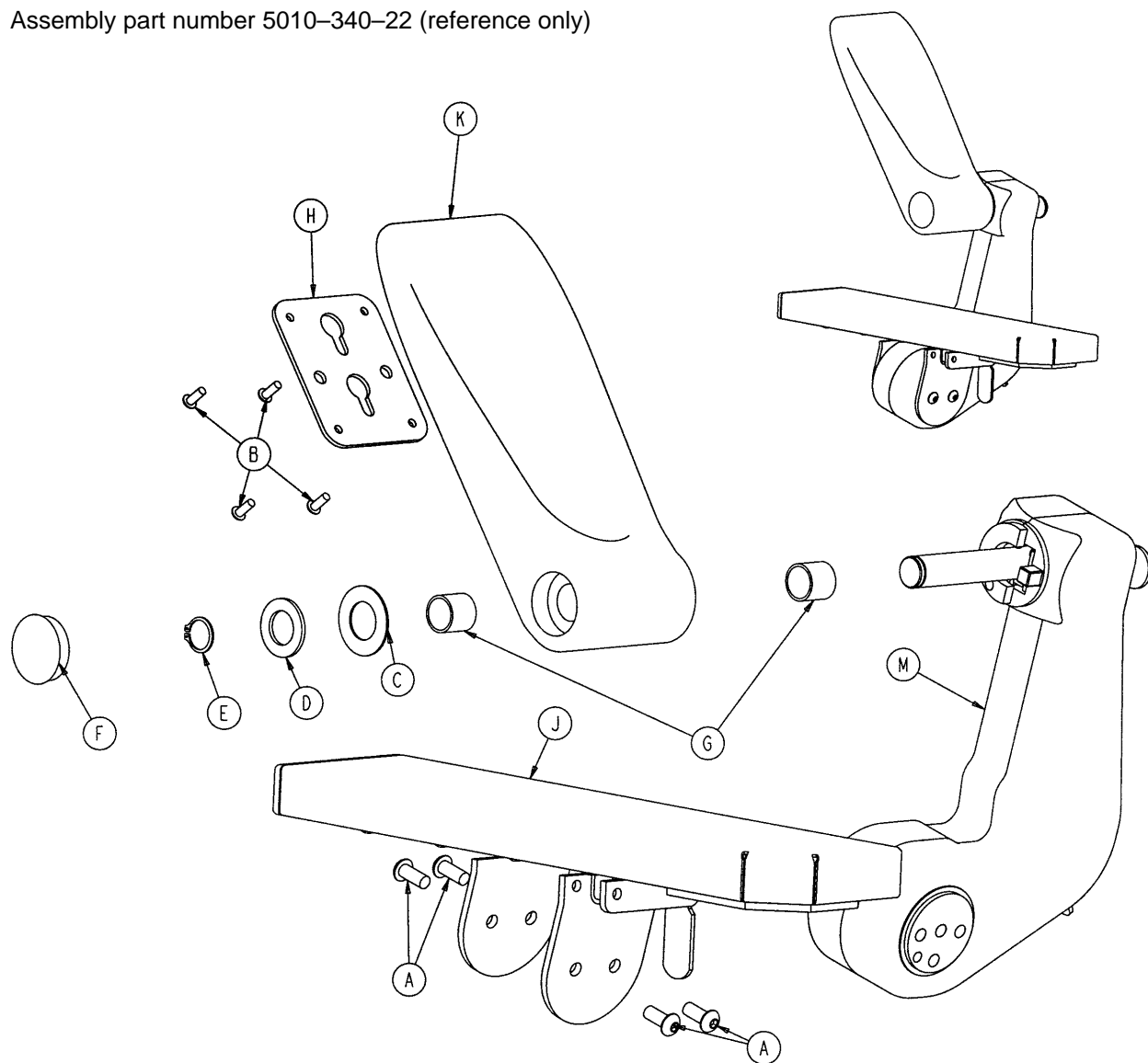
Assembly part number
5010-340-21
(reference only)



Item	Part No.	Part Name	Qty.
A	4-178	But. Hd. Cap Screw	4
B	4-320	But. Hd. Cap Screw	4
C	11-343	Shim Washer	2
D	11-411	Washer	1
E	28-166	External Retaining Ring	1
F	37-220	Hole Plug	1
G	81-289	I-Glide Bearing	2
H	5010-40-39	Keyhole Plate	1
J	(page 84)	Left Foot Pan Assembly	1
K	5010-240-25	Left Foot Rest	1
L	(page 86 & 87)	Left Link Assembly	1

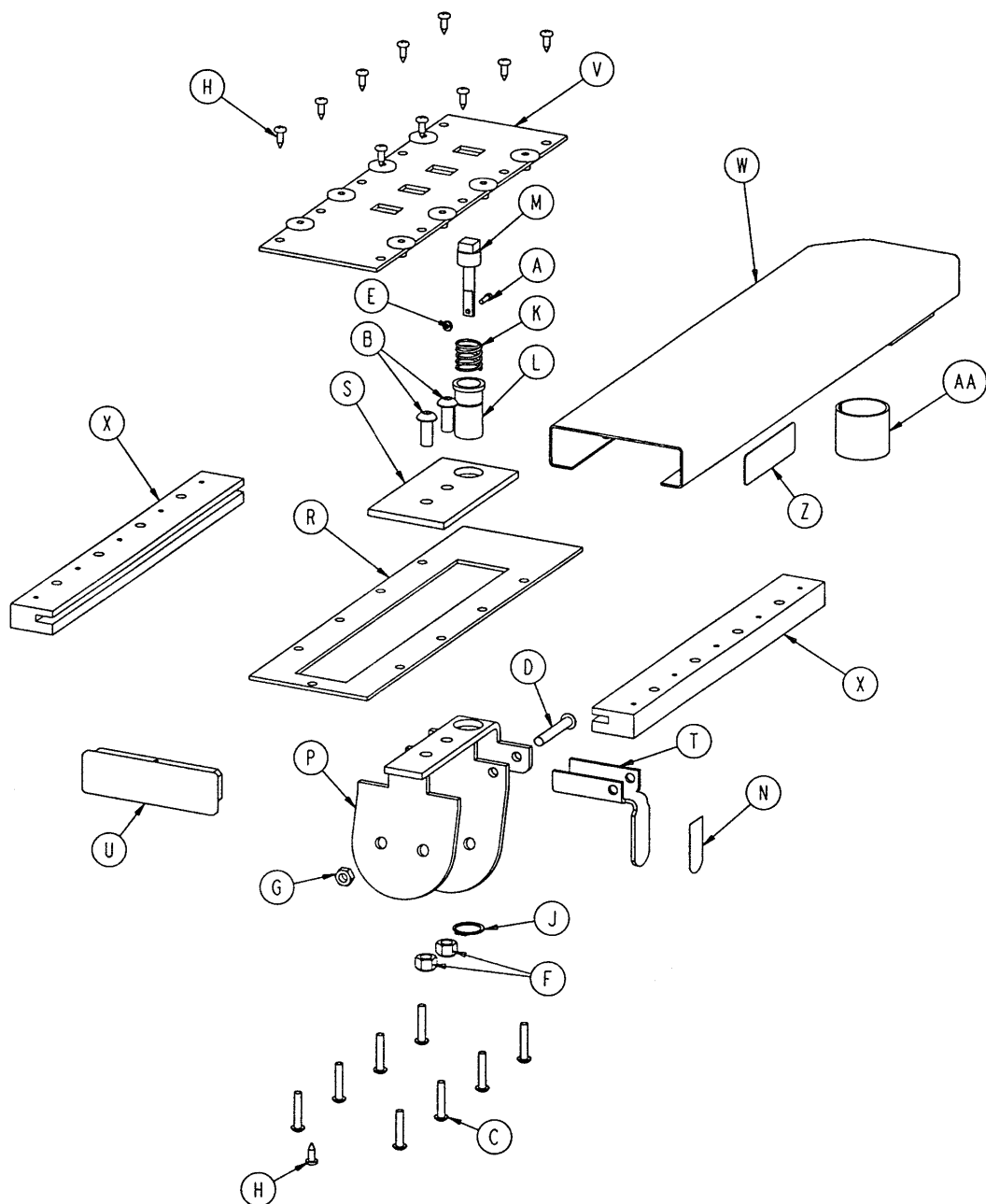
Right Glideaway Assembly

Assembly part number 5010-340-22 (reference only)



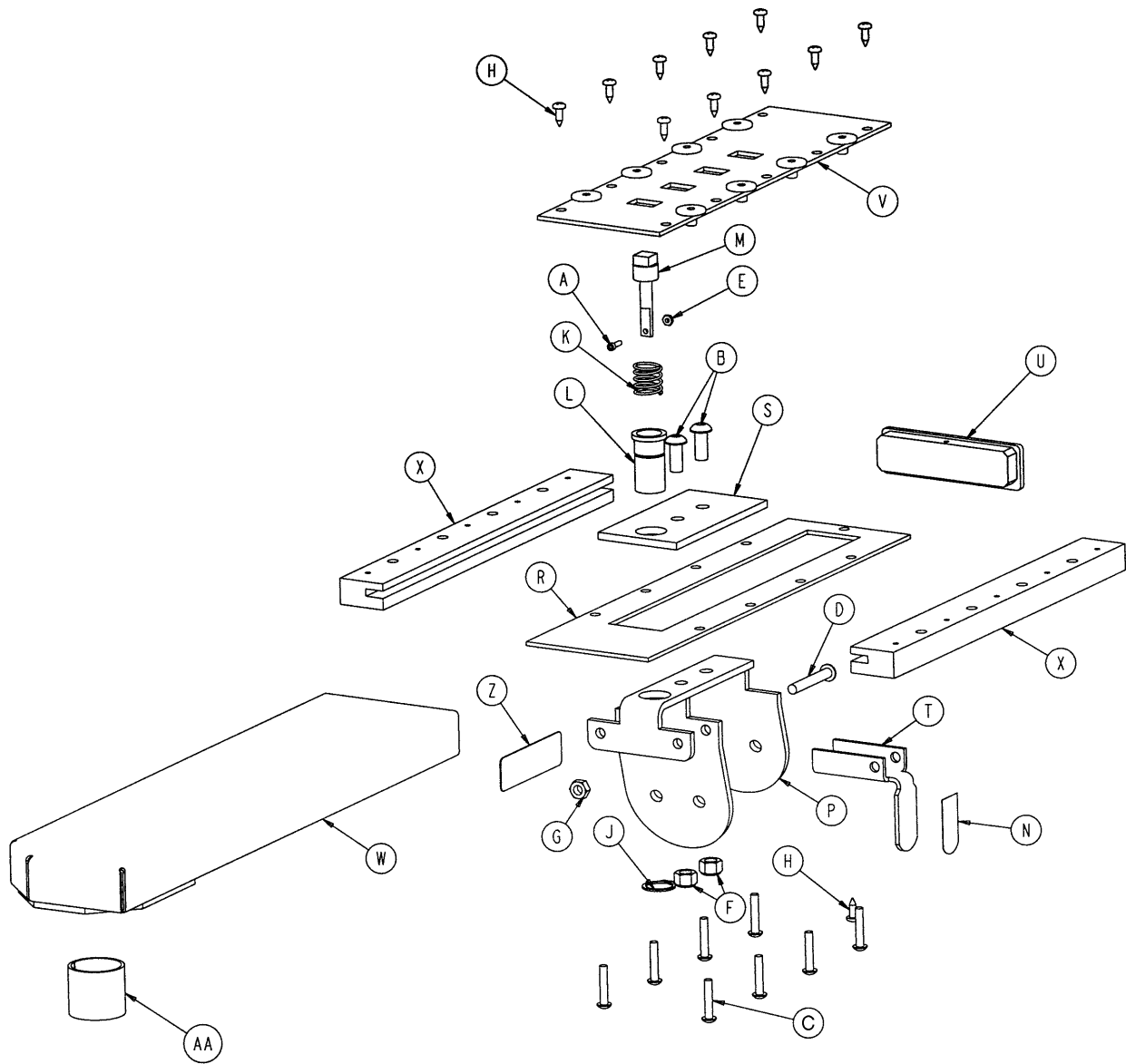
Item	Part No.	Part Name	Qty.
A	4-178	But. Hd. Cap Screw	4
B	4-320	But. Hd. Cap Screw	4
C	11-343	Shim Washer	2
D	11-411	Washer	1
E	28-166	External Retaining Ring	1
F	37-220	Hole Plug	1
G	81-289	I-Glide Bearing	2
H	5010-40-39	Keyhole Plate	1
J	(page 85)	Right Foot Pan Assembly	1
K	5010-240-26	Right Foot Rest	1
M	(page 88 & 89)	Right Link Assembly	1

5010-40-59 Left Foot Pan Assembly



Item	Part No.	Part Name	Qty.	Item	Part No.	Part Name	Qty.
A	4-42	Soc. Hd. Cap Screw	1	N	5000-90-44	"Pull" Label	1
B	4-178	But. Hd. Cap Screw	2	P	5010-40-27	Slide Weldment	1
C	4-335	But. Hd. Cap Screw	8	R	5010-40-35	Pan Bottom	1
D	4-337	But. Hd. Cap Screw	1	S	5010-40-37	Slide Top	1
E	16-7	Nylock Nut	1	T	5010-40-38	Pull Handle	1
F	16-11	Nylock Nut	2	U	5010-40-41	Pan End Cap	1
G	16-78	Centerlock Nut	1	V	5010-40-55	Locking Plate	1
H	23-260	Pan Hd. Hi-Lo Tapping Scr.	11	W	5010-40-57	Pan Weldment, Left	1
J	28-166	External Retaining Ring	1	X	5010-240-34	Slide	2
K	38-387	Compression Spring	1	Z	5010-90-2	Glideaway Label, Left	1
L	5000-40-32	Square Latch Housing	1	AA	8800-210-400	Split Tube Bushing	1
M	5000-40-37	Square Latch Pin	1				

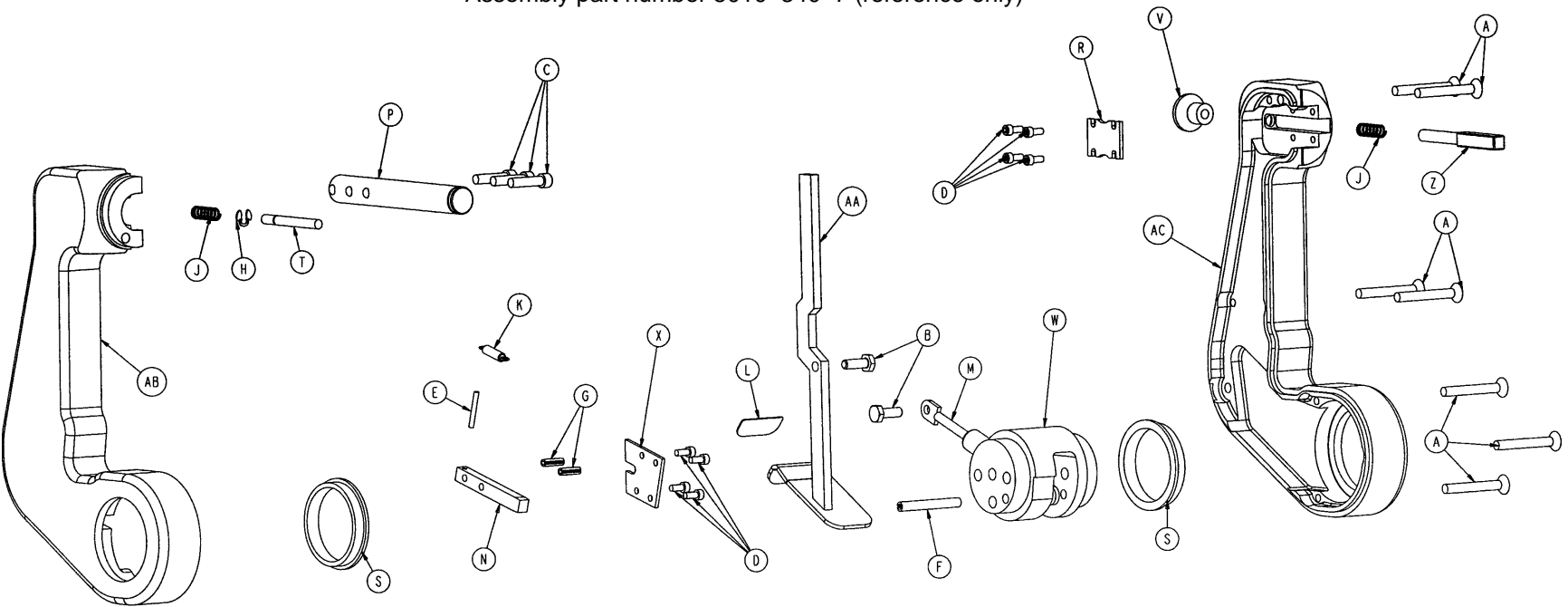
5010-40-58 Right Foot Pan Assembly



Item	Part No.	Part Name	Qty.	Item	Part No.	Part Name	Qty.
A	4-42	Soc. Hd. Cap Screw	1	N	5000-90-44	"Pull" Label	1
B	4-178	But. Hd. Cap Screw	2	P	5010-40-27	Slide Weldment	1
C	4-335	But. Hd. Cap Screw	8	R	5010-40-35	Pan Bottom	1
D	4-337	But. Hd. Cap Screw	1	S	5010-40-37	Slide Top	1
E	16-7	Nylock Nut	1	T	5010-40-38	Pull Handle	1
F	16-11	Nylock Nut	2	U	5010-40-41	Pan End Cap	1
G	16-78	Centerlock Nut	1	V	5010-40-55	Locking Plate	1
H	23-260	Pan Hd. Hi-Lo Tapping Scr.	11	W	5010-40-56	Pan Weldment, Right	1
J	28-166	External Retaining Ring	1	X	5010-240-34	Slide	2
K	38-387	Compression Spring	1	Z	5010-90-3	Glideaway Label, Right	1
L	5000-40-32	Square Latch Housing	1	AA	8800-210-400	Split Tube Bushing	1
M	5000-40-37	Square Latch Pin	1				

Glideaway Link Assembly, Left

Assembly part number 5010-340-7 (reference only)

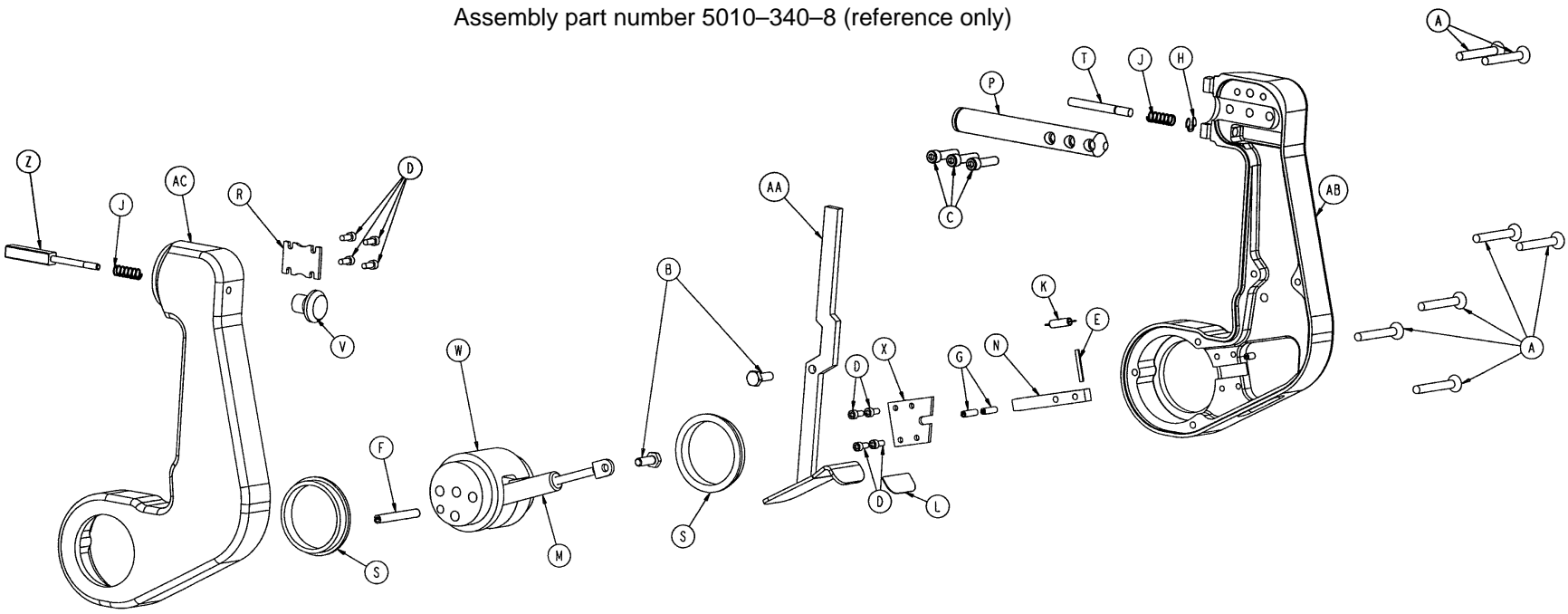


Glideaway Link Assembly, Left

Item	Part No.	Part Name	Qty.
A	1-124	Flat Hd. Machine Screw	7
B	3-214	Hex Hd. Cap Screw	2
C	4-28	Soc. Hd. Cap Screw	3
D	4-316	Soc. Hd. Cap Screw	8
E	26-7	Roll Pin	1
F	26-45	Roll Pin	2
G	26-172	Roll Pin	2
H	28-183	Retaining Ring	1
J	38-110	Compression Spring	2
K	38-274	Extension Spring	1
L	5000-90-19	Pull Label	1
M	5010-40-10	Gas Spring	1
N	5010-40-11	Lower Latch Pin	1
P	5010-40-13	Flipper Pivot	1
R	5010-40-14	Upper Retainer	1
S	5010-40-16	Bearing	2
T	5010-40-17	Lock Pin	1
V	5010-40-52	Flipper Pull Knob	1
W	5010-240-9	Center Casting	1
X	5010-240-12	Small Retainer	1
Z	5010-240-15	Flipper Pin	1
AA	5010-240-47	Pull Handle Weldment	1
AB	5010-340-3	Left Link Half, Foot End	1
AC	5010-340-4	Left Link Half, Head End	1

Glideaway Link Assembly, Right

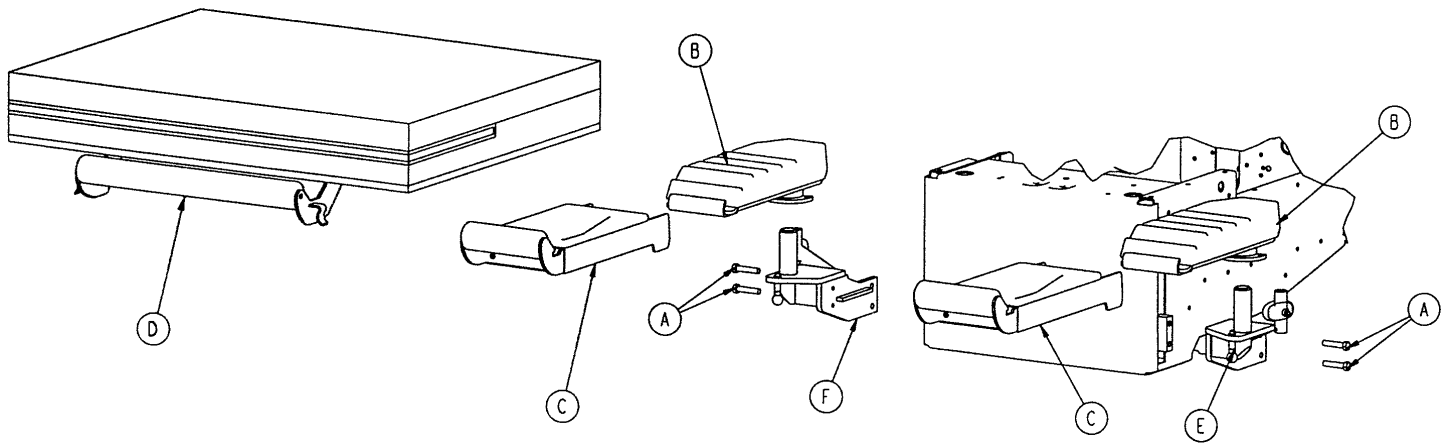
Assembly part number 5010-340-8 (reference only)



Glideaway Link Assembly, Right

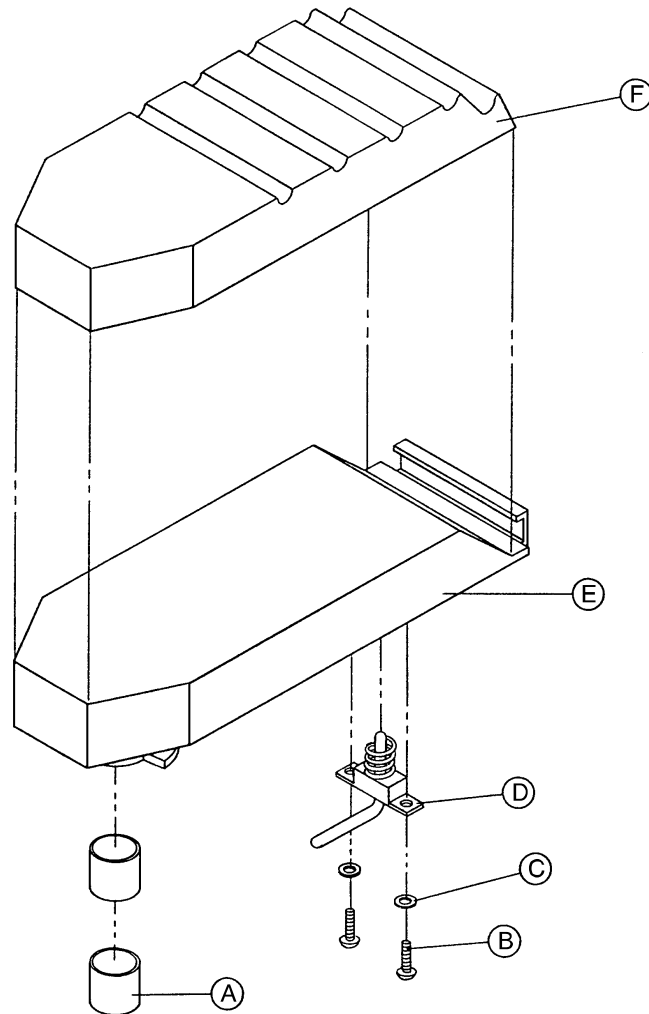
Item	Part No.	Part Name	Qty.
A	1-124	Flat Hd. Machine Screw	7
B	3-214	Hex Hd. Cap Screw	2
C	4-28	Soc. Hd. Cap Screw	3
D	4-316	Soc. Hd. Cap Screw	8
E	26-7	Roll Pin	1
F	26-45	Roll Pin	1
G	26-172	Roll Pin	2
H	28-183	Retaining Ring	1
J	38-110	Compression Spring	2
K	38-274	Extension Spring	1
L	5000-90-19	Pull Label	1
M	5010-40-10	Gas Spring	1
N	5010-40-11	Lower Latch Pin	1
P	5010-40-13	Flipper Pivot	1
R	5010-40-14	Upper Retainer	1
S	5010-40-16	Glide-Away Bearing	2
T	5010-40-17	Lock Pin	1
V	5010-40-52	Flipper Pull Knob	1
W	5010-240-9	Center Casting	1
X	5010-240-12	Small Retainer	1
Z	5010-240-15	Flipper Pin	1
AA	5010-240-47	Pull Handle Weldment	1
AB	5010-340-5	Right Link Half, Foot End	1
AC	5010-340-6	Right Link Half, Head End	1

4700-42 Optional 500-XL Style Foot End Assembly



Item	Part No.	Part Name	Qty.
A	3-229	Hex Hd. Cap Screw	4
B	(page 91)	Foot Pan Assembly	2
C	(page 93)	Foot Rest Assembly	2
D	(page 95)	Foot Mattress Assembly	1
E	(page 96)	Left Upright Assembly	1
F	(page 97)	Right Upright Assembly	1

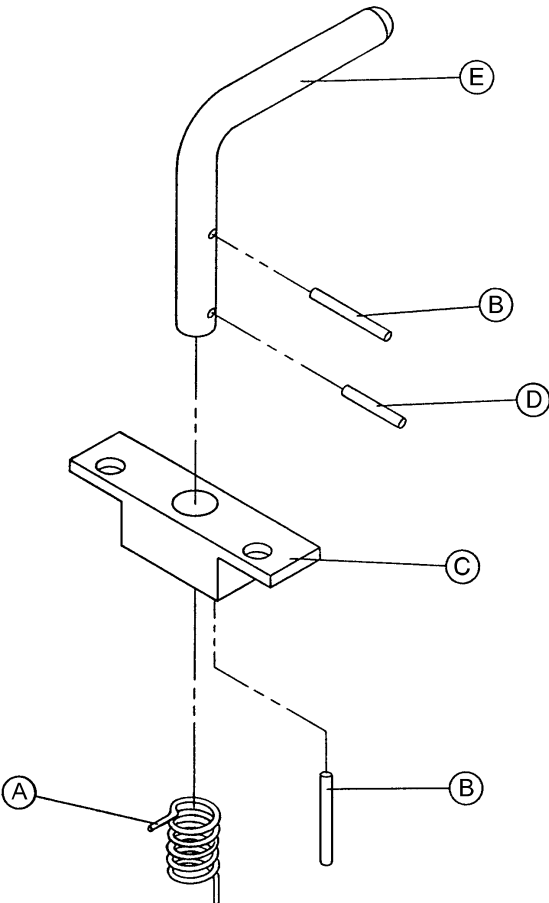
500-30-40 500XL-Style Foot Pan Assembly



Item	Part No.	Part Name	Qty.
A	8800-210-400	Bushing	2
B	8800-222-400	Truss Head Screw	2
C	8800-250-700	Internal Tooth Lock Washer	2
D	(page 92)	Foot Pan Latch Assembly	1
E	0500-030-019	Foot Pan	1
F	8805-905-800	Foot Pan Pad	1
G	0051-023-000	Loctite 454 (not shown)	1

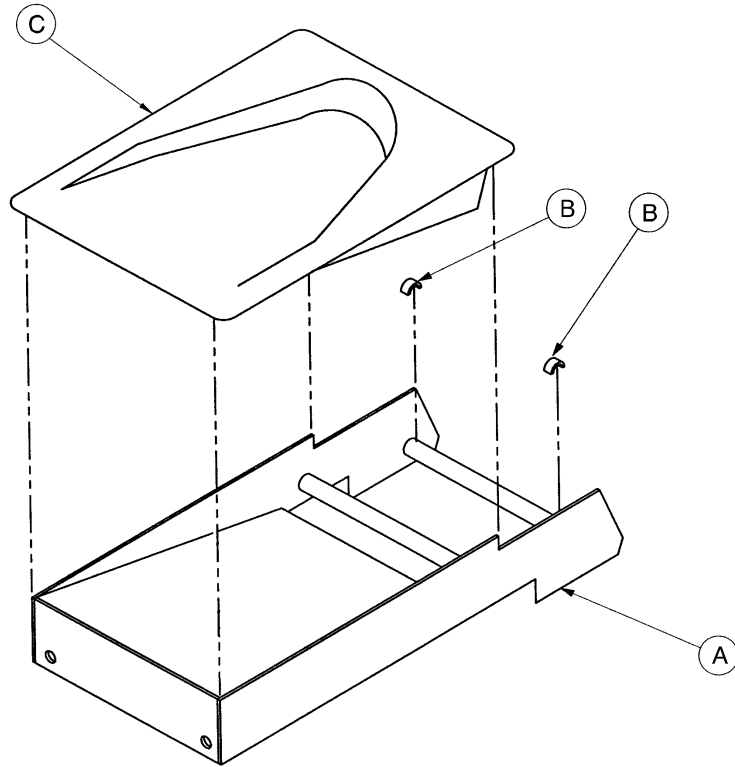
Apply item G (Loctite 454) to the mating surfaces of items E & F.

8805-906-100 500XL-Style Foot Pan Latch Assembly



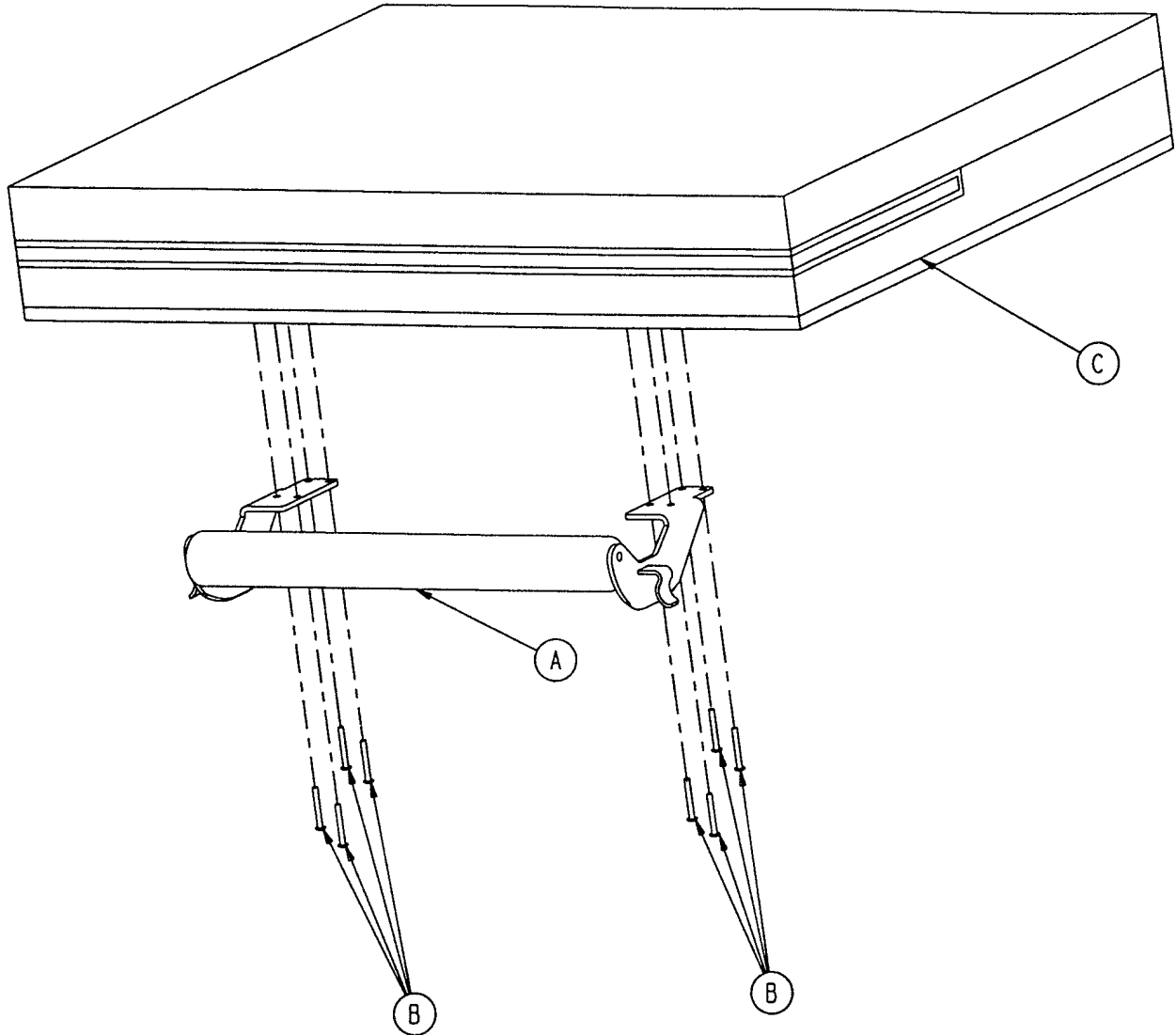
Item	Part No.	Part Name	Qty.
A	8805-906-500	Torsion Spring	1
B	8839-783-300	Roll Pin	2
C	8805-906-300	Foot Pan Latch Base	1
D	26-7	Roll Pin	1
E	8805-906-200	Foot Pan Latch Pin	1

500-30-41 500XL-Style Foot Rest Assembly



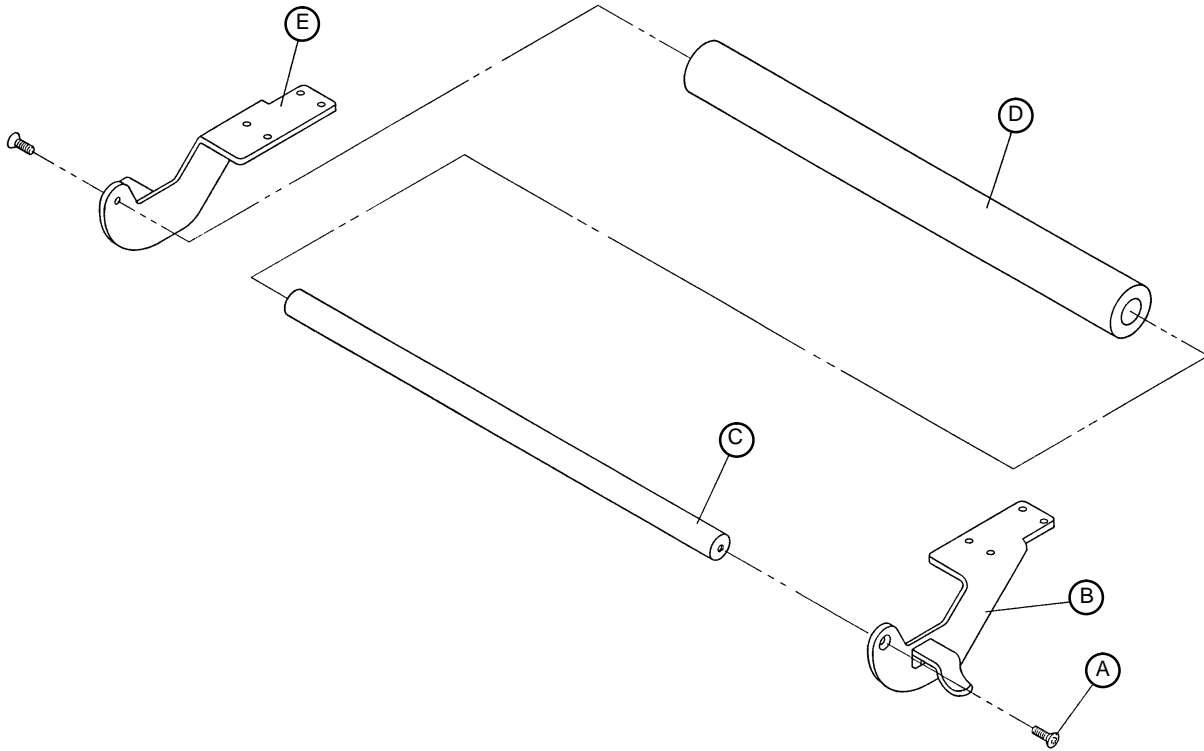
Item	Part No.	Part Name	Qty.
A	500-30-21	Foot Rest	1
B	8805-944-900	Foot Rest Bushing	2
C	8805-906-000	Foot Rest Pad	1

4700-42-70 500XL-Style Foot Mattress Assembly



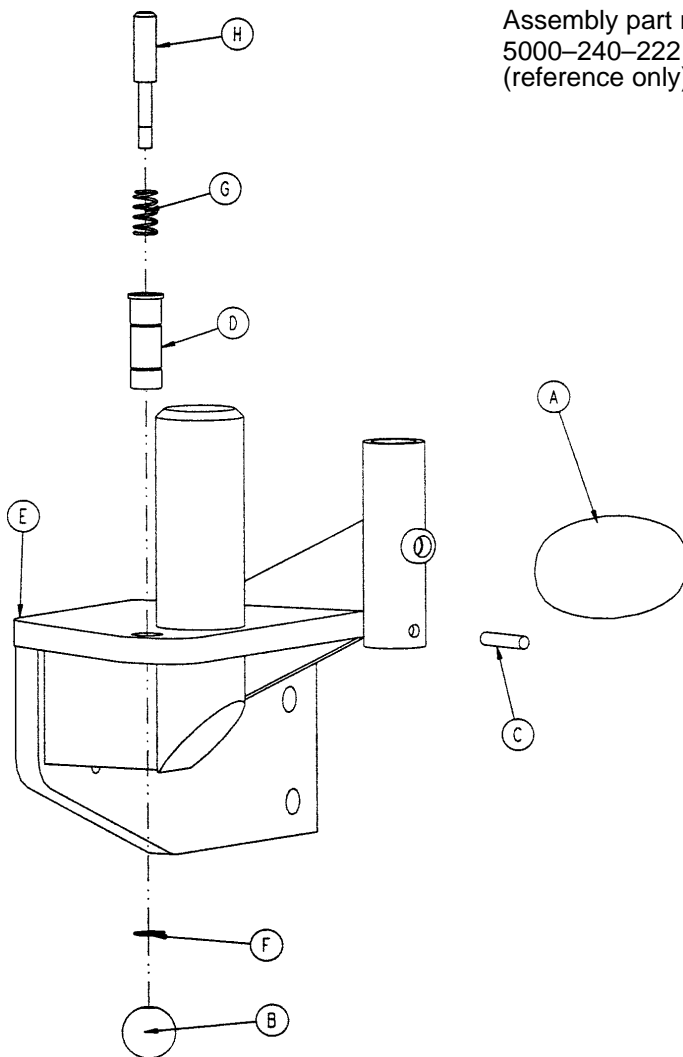
Item	Part No.	Part Name	Qty.
A	(page 95)	Push Bar Assembly	1
B	8806-900-000	Zinc Plated Tapping Screw	8
C	4700-42-71	Foot Mattress	1

0500-030-039 500XL-Style Push Bar Assembly



Item	Part No.	Part Name	Qty.
A	8800-224-400	Flat Hd. Screw	2
B	0500-030-017	Push Bar Bracket, Left	1
C	8803-073-800	Pushbar	1
D	8805-899-000	Foam Cover	1
E	0500-030-018	Push Bar Bracket, Right	1

500XL–Style Upright Assembly, Left

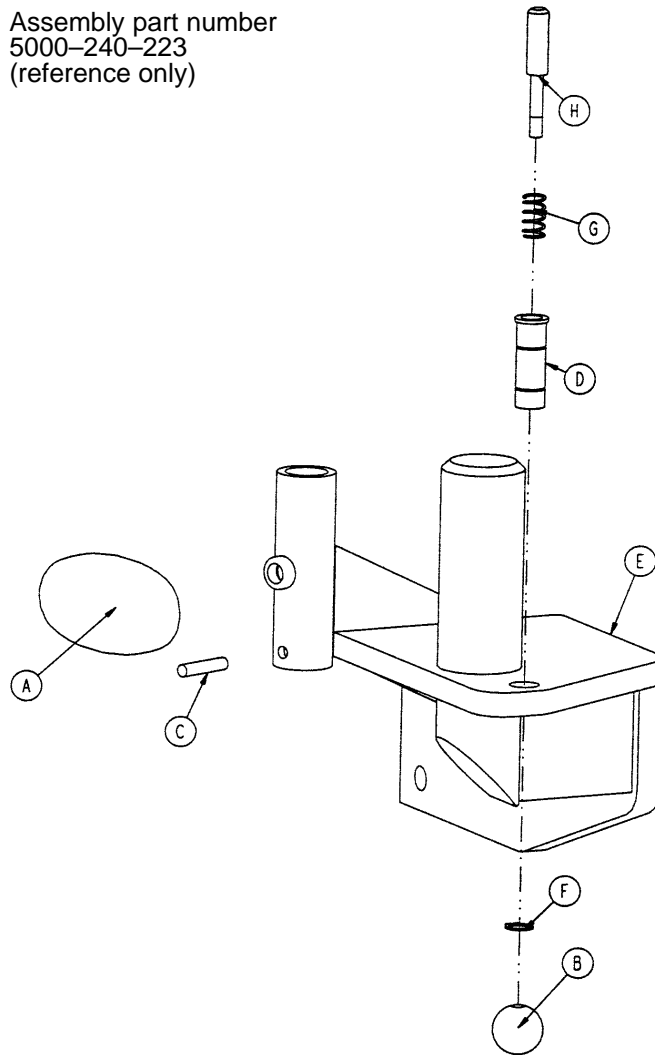


Assembly part number
5000-240-222
(reference only)

Item	Part No.	Part Name	Qty.
A	24-61	T-Knob	1
B	24-62	Plastic Ball	1
C	26-43	Spring Pin	1
D	5000-40-134	Latch Pin Sleeve	1
E	5000-240-190	Left Upright Weldment	1
F	8800-201-100	Retaining Ring	1
G	8810-290-600	Compression Spring	1
H	8813-070-100	Foot Latch Pin	1

500XL–Style Upright Assembly, Right

Assembly part number
5000–240–223
(reference only)

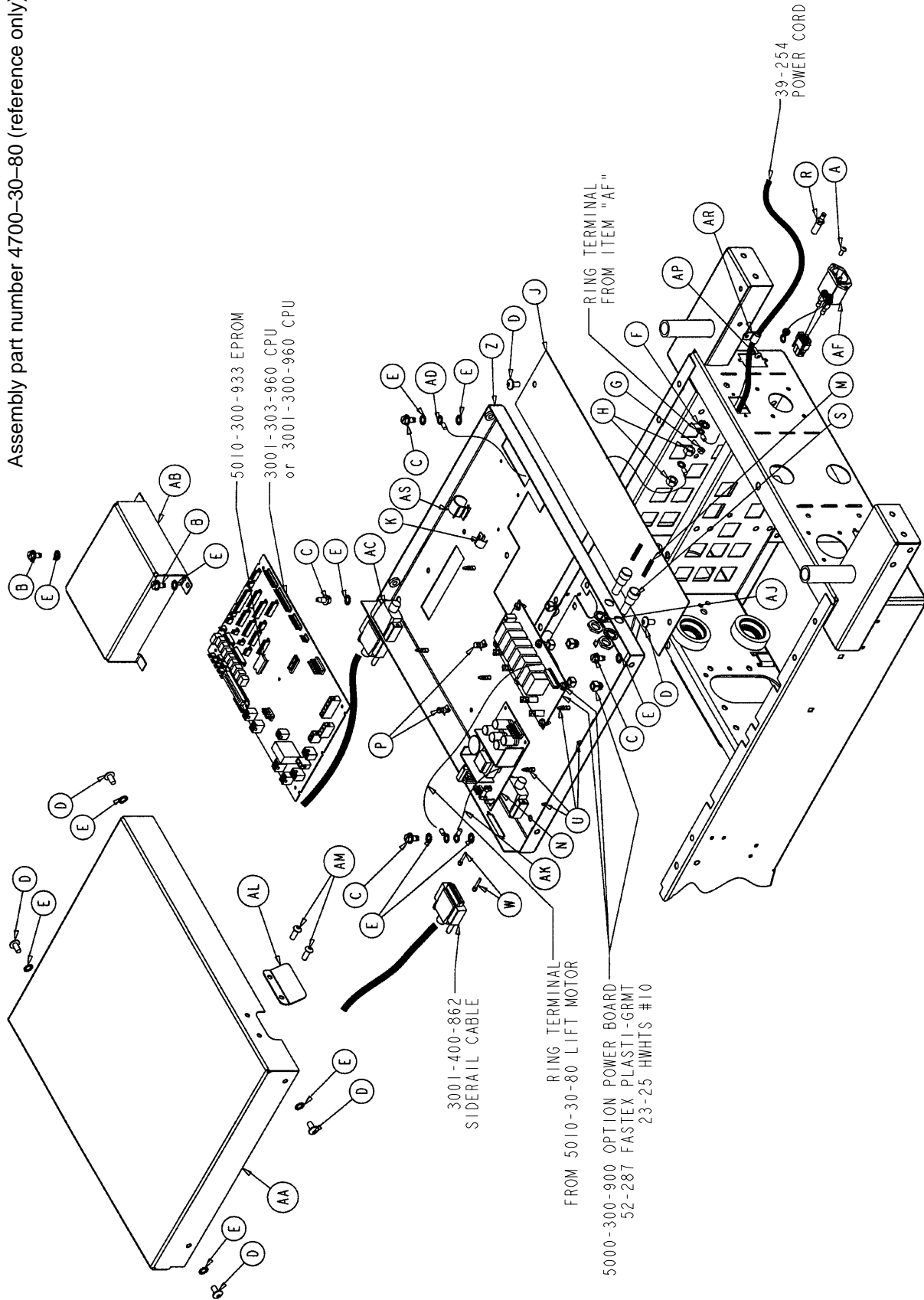


Item	Part No.	Part Name	Qty.
A	24–61	T–Knob	1
B	24–62	Plastic Ball	1
C	26–43	Spring Pin	1
D	5000–40–134	Latch Pin Sleeve	1
E	5000–240–191	Right Upright Weldment	1
F	8800–201–100	Retaining Ring	1
G	8810–290–600	Compression Spring	1
H	8813–070–100	Foot Latch Pin	1

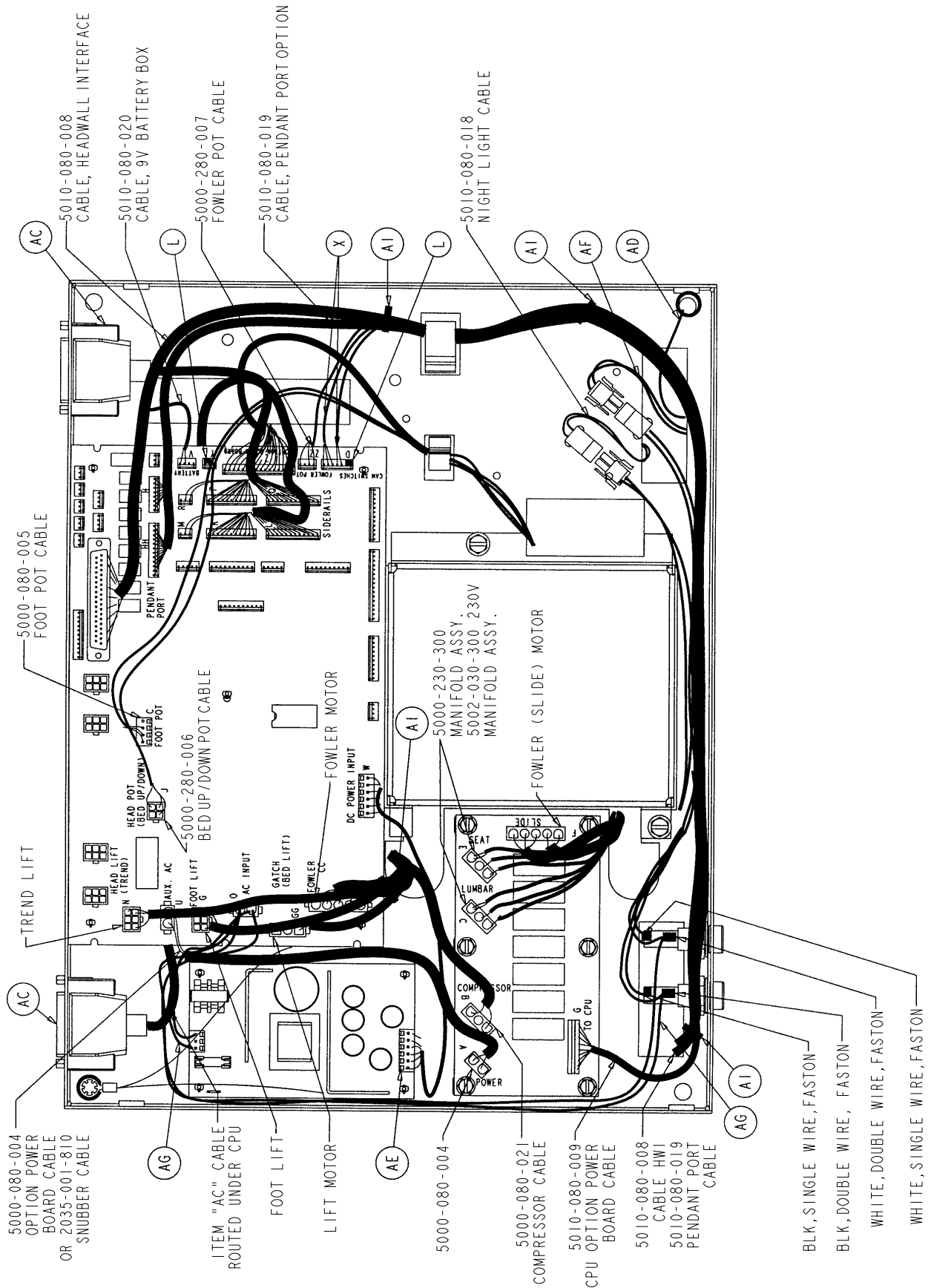
Electrical Assembly

Assembly part number 4700-30-80 (reference only)

Assembly part number 4700-30-80 (reference only)



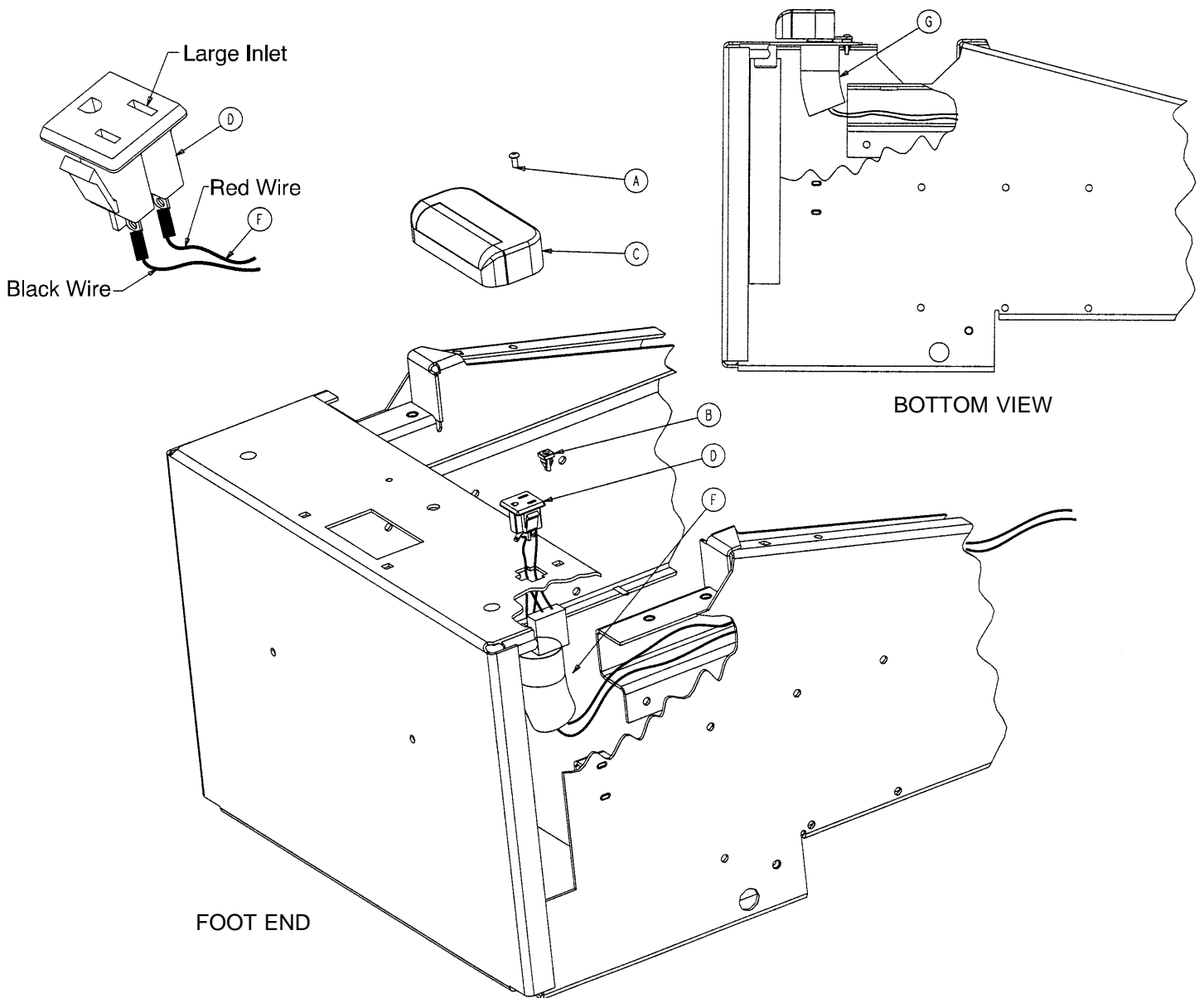
Electrical Assembly



Electrical Assembly

Item	Part No.	Part Name	Qty.
A	2-41	Round Hd. Mach. Screw	2
B	3-221	Hex Washer Hd. Screw	2
C	3-226	Hex Washer Hd. Screw	4
D	7-58	Truss Hd. Torx	6
E	13-10	External Tooth Lock Washer	12
F	13-38	External Tooth Lock Washer	1
G	16-23	Nylock Nut	2
H	16-33	Kep Nut	2
J	4700-30-26	Top Cover	1
K	59-136	Push Mount Wire Clip	2
L	59-137	Shunt	2
M	59-149	6A Fuse	2
N	59-157	Power Supply	1
P	59-171	Push Spacer	2
R	2011-1-215	Grounding Lug	1
S	2020-2-664	Fuse Holder	2
T	3000-300-114	Cable Tie	1
U	3000-300-115	Standoff	9
W	3001-300-7	Jack Screw	4
X	5010-80-13	Fowler/Trend. Limits Cable	1
Z	4700-30-108	Service Shelf Panel	1
AA	4700-30-109	Circuit Boards Cover	1
AB	4700-30-272	Inner Panel Cover	1
AC	5010-80-1	Siderail Extension Cable	1
AD	4700-80-2	Inlet/CPU Ground Cable	1
AE	5010-80-3	CPU/Power Supply Cable	1
AF	4700-80-4	Power Inlet Cable	1
AG	5010-80-10	Power Junction Cable	1
AH	8800-380-000	Sponge	1.51'
AI	8815-029-200	Cable Tie	6
AJ	13-37	Int. Tooth Lock Washer	2
AK	5010-80-7	Power Supply Ground Cable	1
AL	5010-30-77	Fuse Cover	1
AM	4-307	Hex Soc. But. Hd. Cap Screw	2
AN	7000-1-326	Sealing Tape	8.33'
AP	4-320	But. Hd. Cap Screw	1
AR	34-22	Cord Clamp	1
AS	59-135	Push Mount Wire Clip	1

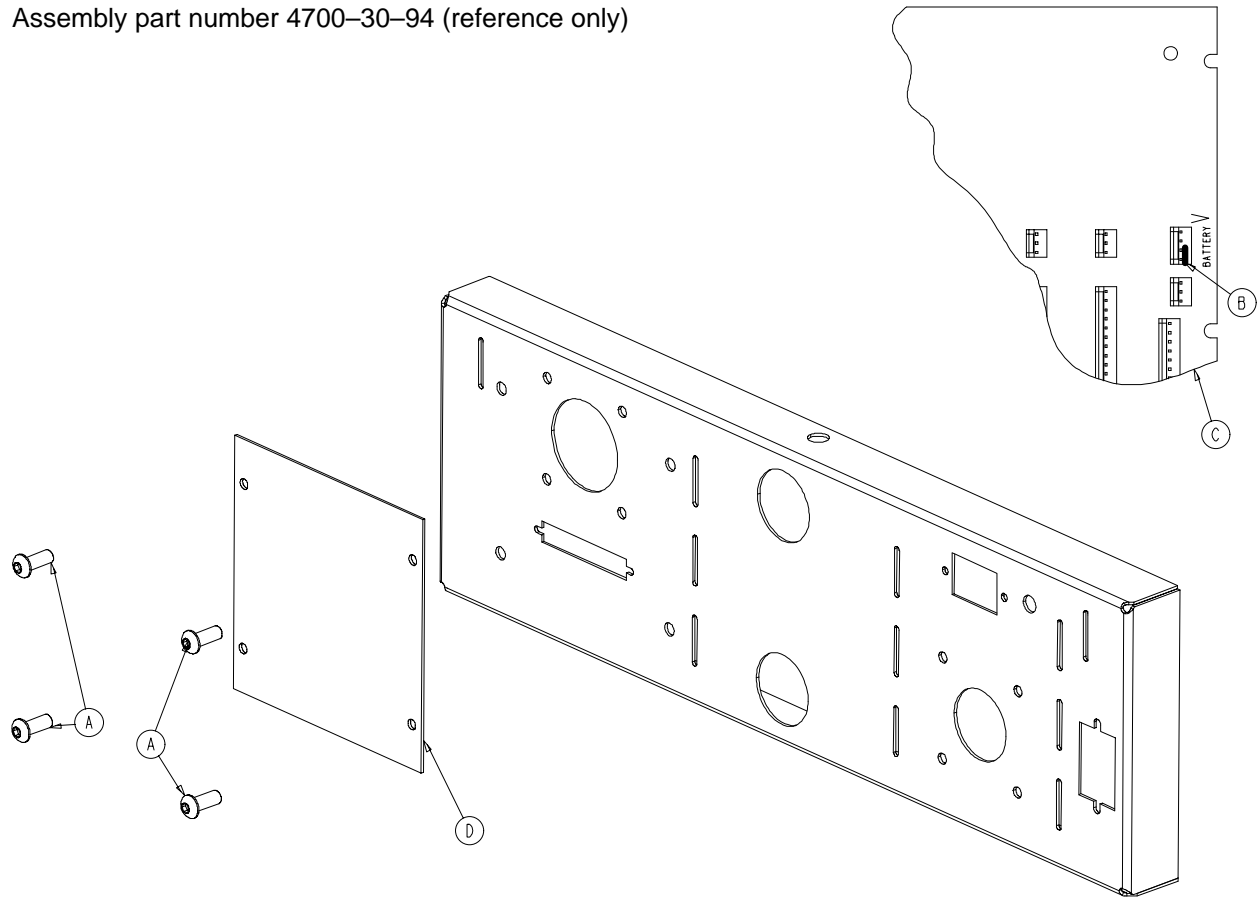
5010-30-75 Night Light Assembly 5012-30-75 230V Night Light Assembly



Item	Part No.	Part Name	Qty.
A	8815-002-200	Pan Hd. Screw	1
B	52-816	Grommet	1
C	59-160	Night Light	1
D	59-166	AC Socket	1
F	5010-80-18	Night Light Cable	1
	5012-80-18	230V Night Light Cable	1
G	7000-1-327	PVC Tubing	.33'

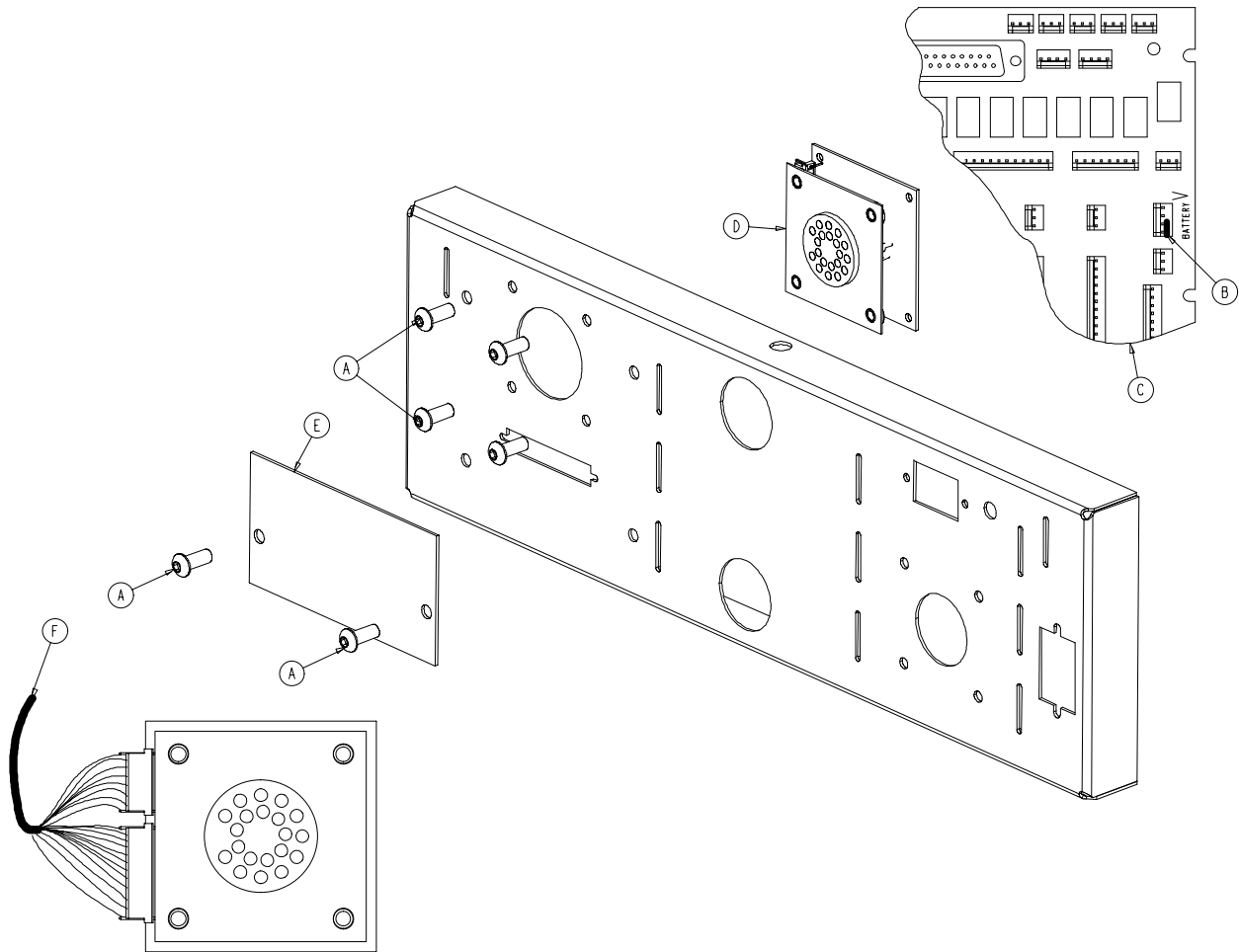
No Head Wall Interface Assembly

Assembly part number 4700-30-94 (reference only)



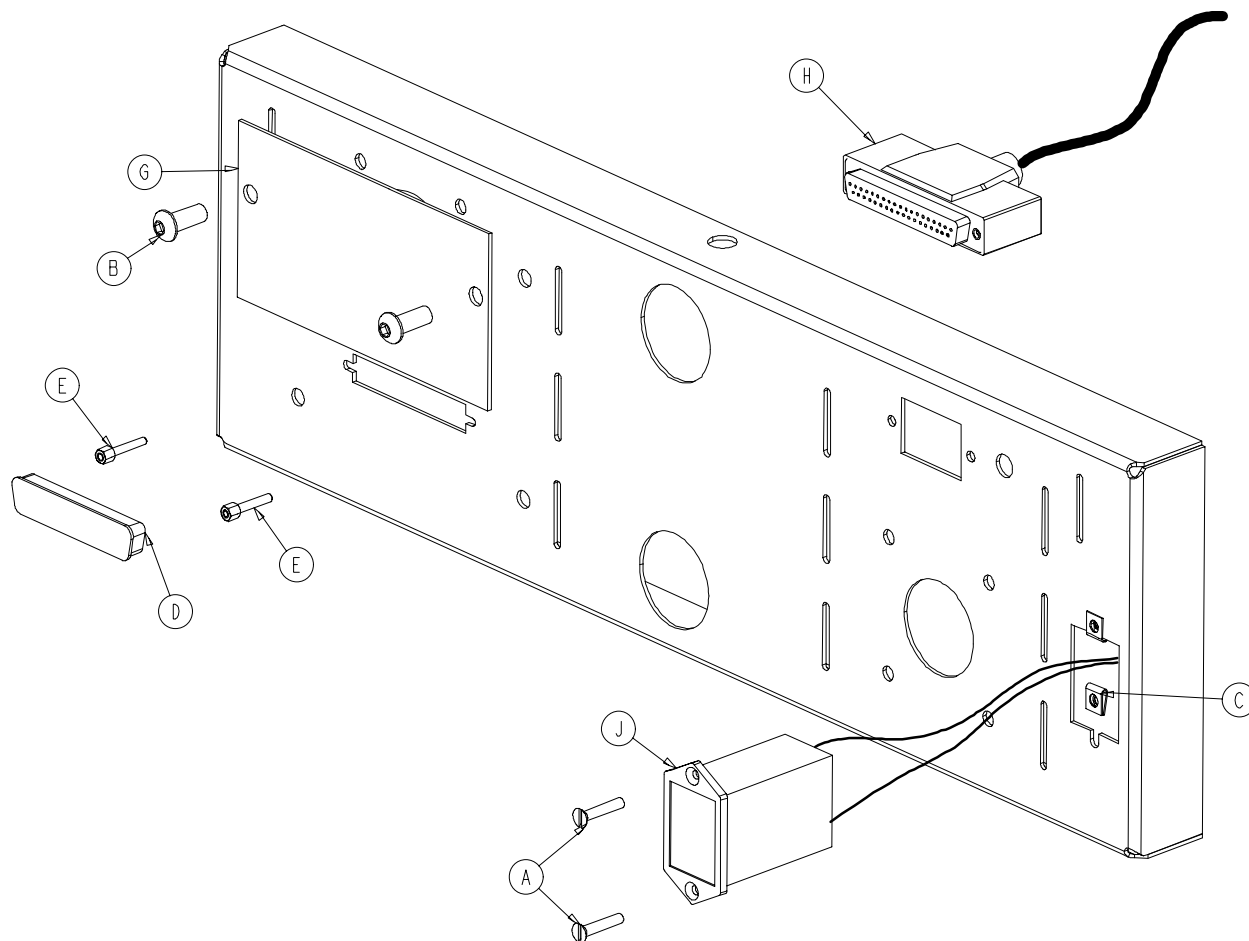
Item	Part No.	Part Name	Qty.
A	4-307	Hex Soc. But. Hd. Cap Screw	4
B	59-137	Shunt	1
C	3001-300-970	CPU, No Head Wall, No Scale	1
D	5000-30-367	No Head Wall Plate	1
E	5010-300-933	Eprom Assembly	1

4700-30-92 Pendant Port/No Nurse Call Assembly



Item	Part No.	Part Name	Qty.
A	4-307	Hex Soc. But. Hd. Cap Screw	6
B	59-137	Shunt	1
C	3001-303-964	Head Wall CPU, Non-Scale	1
D	3001-314-920	Pendant Port PCB Ass'y	1
E	5010-30-1	Cover Panel	1
F	5010-80-19	Pendant Port Option Cable	1
G	5010-300-933	Eprom Assembly	1

4700-30-93 Head Wall Interface – Nurse Call/No Port

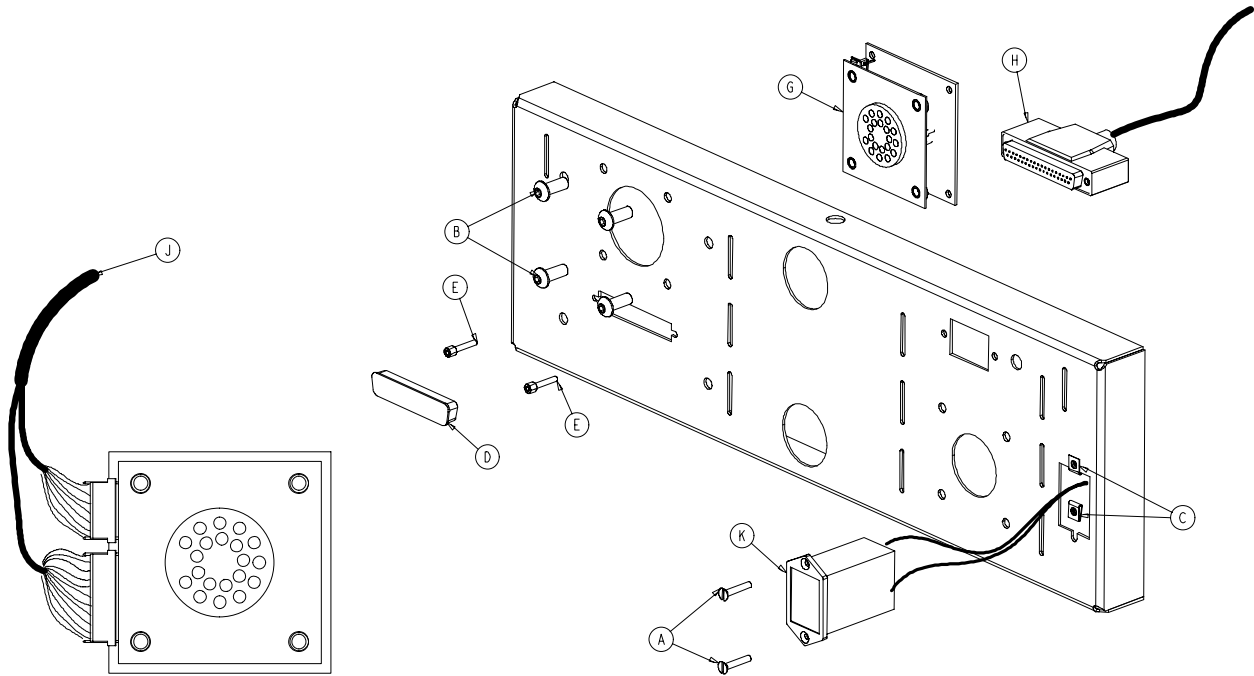


Item	Part No.	Part Name	Qty.
A	1-87	Flat Hd. Ctr. Sk. Mach. Screw	2
B	4-307	Hex Soc. But. Hd. Cap Screw	2
C	52-783	Speed Nut	2
D	59-710	Static Plug	1
E	3001-300-7	Jack Screw	2
F	3001-303-964	Head Wall CPU, Non-Scale	1
G	5010-30-1	Cover Panel	1
H	5010-80-8	Head Wall Interface Cable	1
J	5010-80-20	9V Battery Box Cable	1
K	5010-300-933	Eprom Assembly	1

NOTE

Items F & K are shown on assembly number 4700-30-80 (Electrical Assembly page 98-100)

4700-30-91 Head Wall Interface – Nurse Call/Comm.



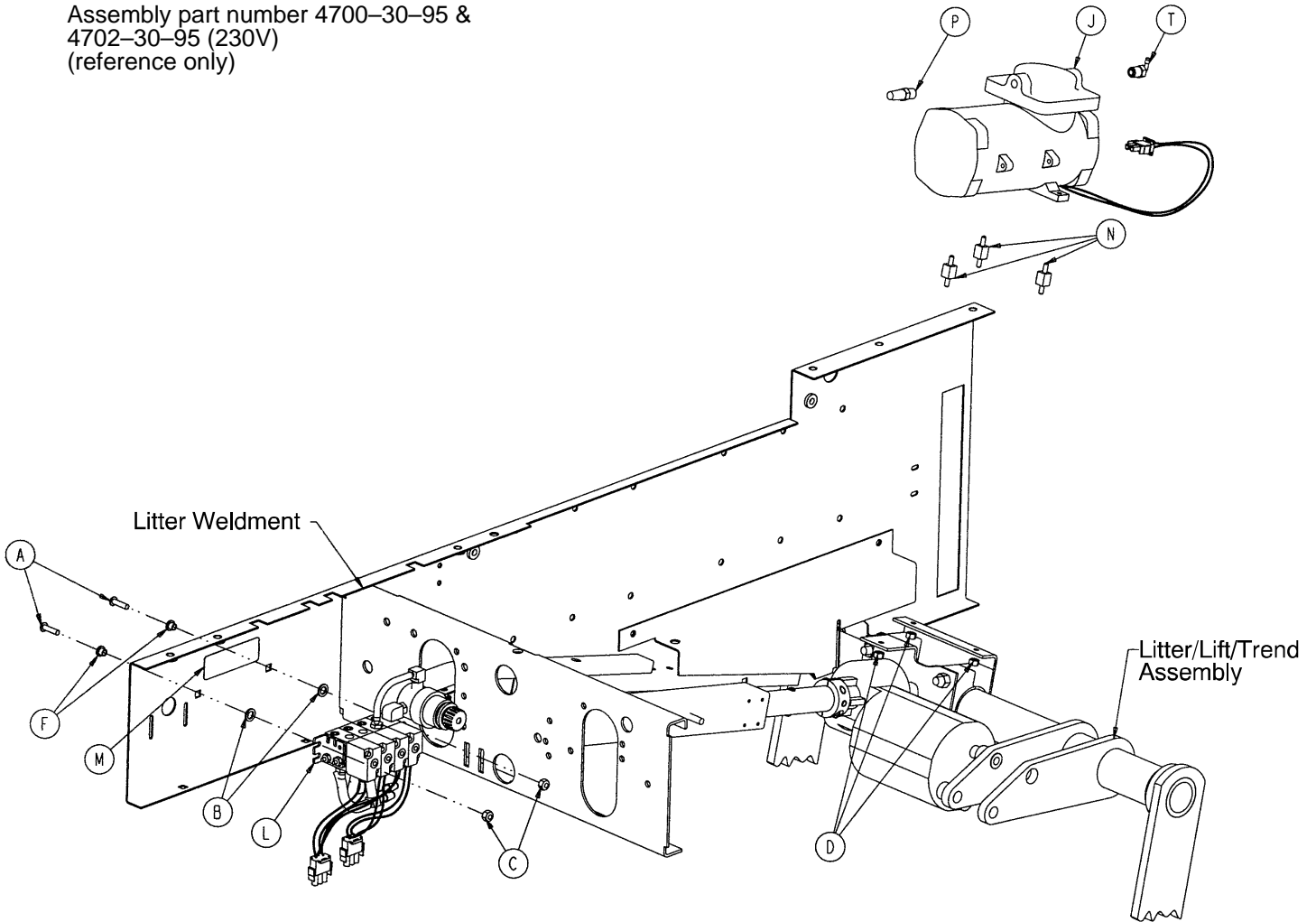
Item	Part No.	Part Name	Qty.
A	1-87	Flat Hd. Ctr. Sk. Mach. Screw	2
B	4-307	Hex Soc. But. Hd. Cap Screw	4
C	52-783	Speed Nut	2
D	59-710	Static Plug	1
E	3001-300-7	Jack Screw	2
F	3001-303-964	Head Wall CPU, Non-Scale	1
G	3001-314-920	Pendant Port PCB Ass'y	1
H	5010-80-8	Head Wall Interface Cable	1
J	5010-80-19	Pendant Port Option Cable	1
K	5010-80-20	9V Battery Box Cable	1
L	5010-300-933	Eprom Assembly	1

NOTE

Items F & L are shown on assembly number 4700-30-80 (Electrical Assembly page 98-100)

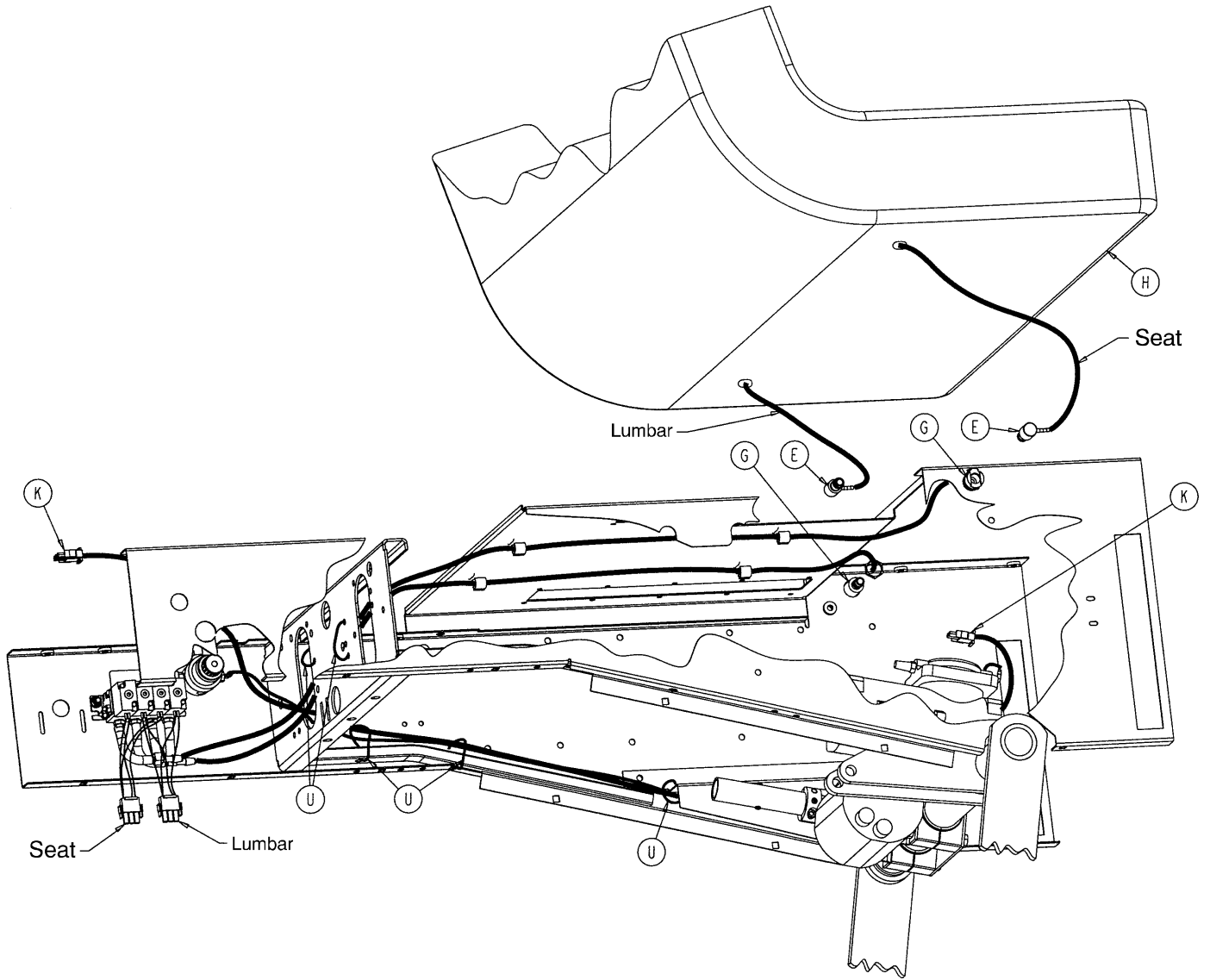
Optional Air Mattress Assembly

Assembly part number 4700-30-95 &
4702-30-95 (230V)
(reference only)

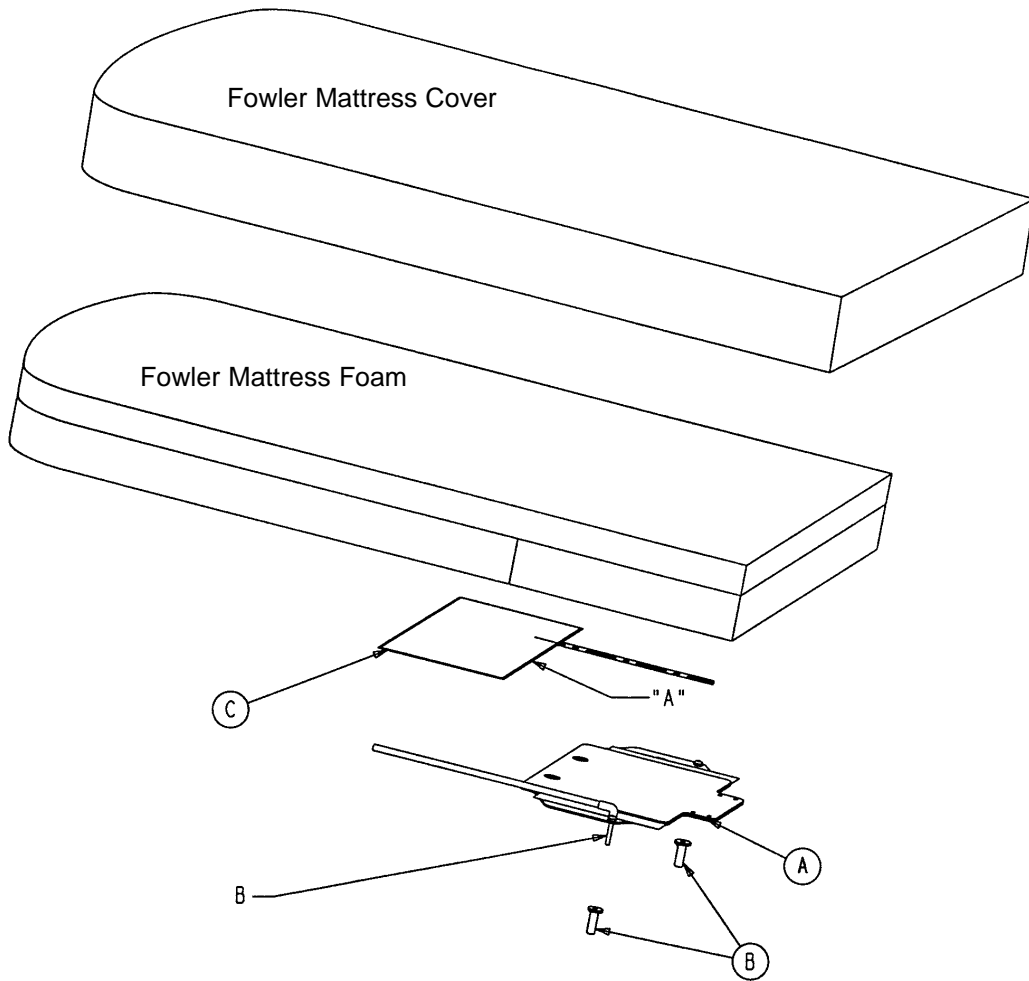


Item	Part No.	Part Name	Qty.	Item	Part No.	Part Name	Qty.
A	4-169	But. Hd. Cap Screw	2	K	5000-80-21	Compressor Cable	1
B	14-3	Nylon Washer	2	L	(page 110)	Manifold Assembly	1
C	16-3	Fiberlock Nut	2	M	5010-90-17	Solenoid Danger Label	1
D	16-14	Nylock Nut	3	N	8803-008-200	Compressor Mount	3
E	48-164	Elbow	2	P	8803-008-700	Muffler	1
F	52-308	Nylon Insulator	2	R	8803-009-500	1/4" Tubing	4'
G	2500-900-12	Panel Mount Coupler	2	S	8803-009-600	3/8" Tubing	7.17'
H	(page 108)	Power Mattress Ass'y	1	T	8803-134-000	Nylon Barbed Elbow	1
J	5000-30-299	Compressor Assembly	1	W	8815-029-200	Cable Tie	8
	5002-30-299	230V Compressor Ass'y	1				

Optional Air Mattress Assembly



4700–48 Optional Power Mattress Assembly



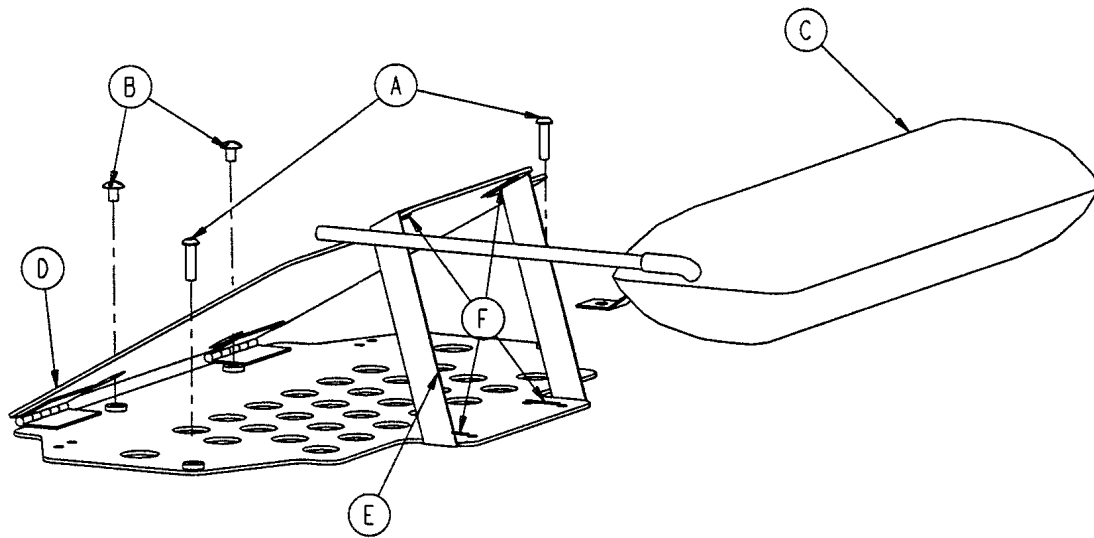
Item	Part No.	Part Name	Qty.
A	(page 109)	Perineal Pillow Assembly	1
B	5010–30–59	Plastic Cap	2
C	8803–002–400	Lumbar Bag	1

NOTE

Insert the perineal pillow into the bottom of the mattress. Use the guide pins (B) on the bottom plate to locate the assembly in the holes in the bottom of the mattress cover.

Insert the lumbar bag (item C) so the edge marked "A" is four inches in from the edge of the Fowler foam.

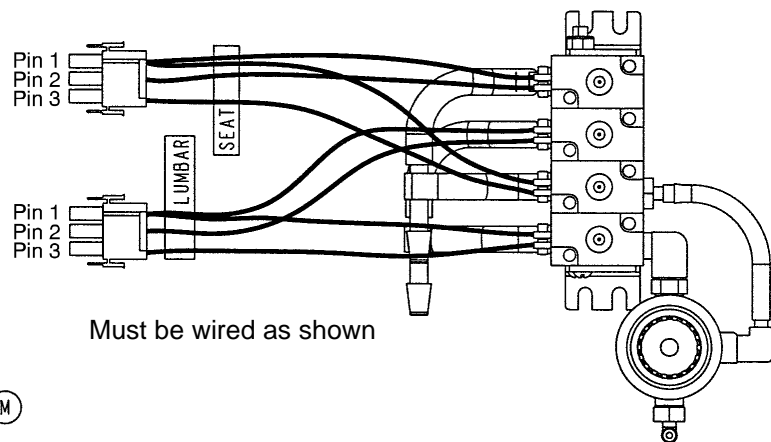
5010-30-45 Optional Perineal Pillow Assembly



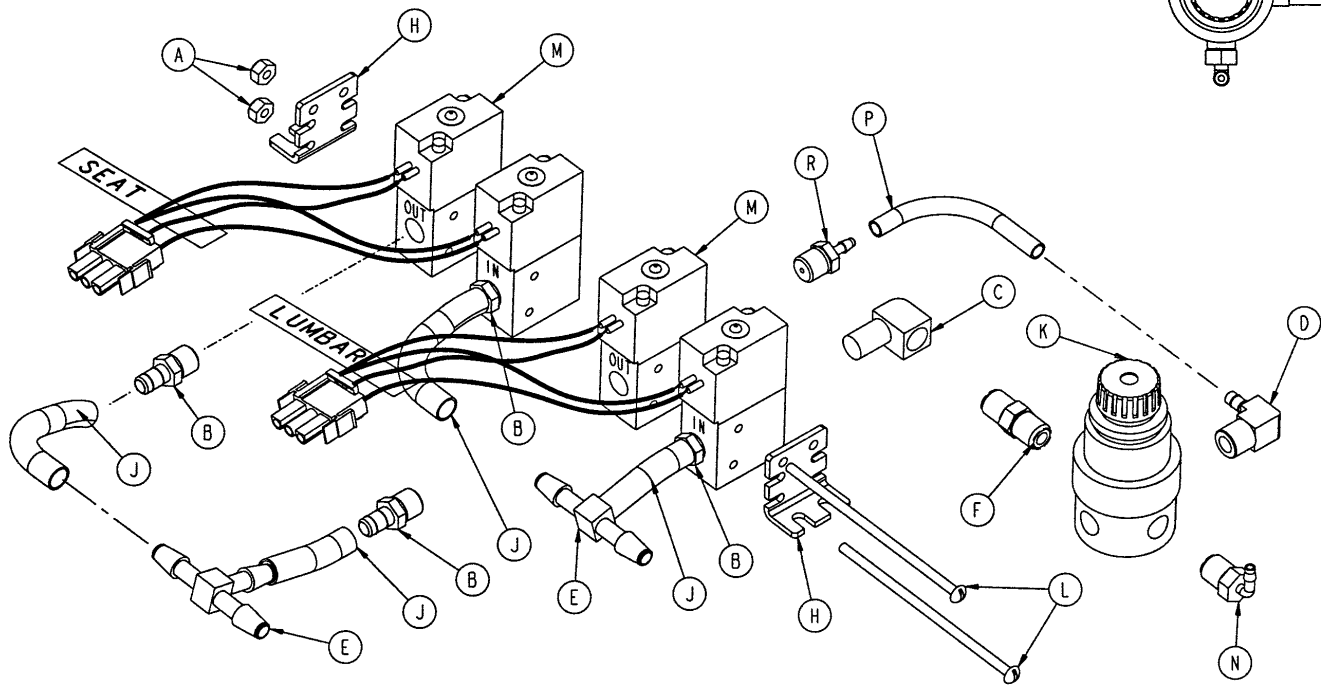
Item	Part No.	Part Name	Qty.
A	4-189	But. Hd. Cap Screw	2
B	7-41	Truss Hd. Mach Screw	2
C	5010-30-43	Air Bladder	1
D	5010-30-44	Dist. Plate Weldment	1
E	5010-30-46	1" Limit Strap	1
F	8815-029-200	Tie Wrap	4
H (not shown)	58-56	Edge Cover w/Adhesive	5"

5000-230-300 Manifold Assembly, Air Mattress Option

5002-30-300 230V Manifold Ass'y, Air Mattress Option

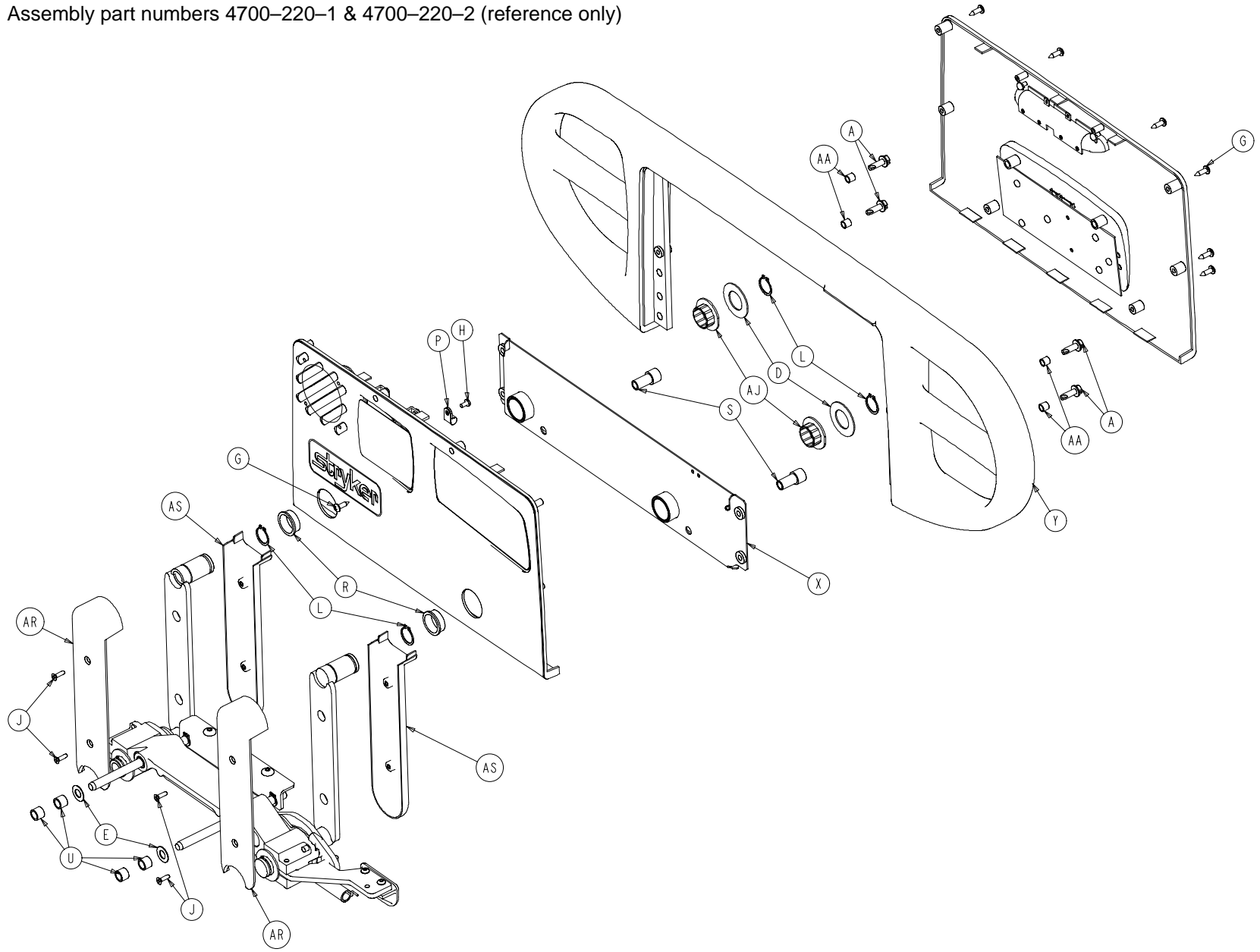


Must be wired as shown

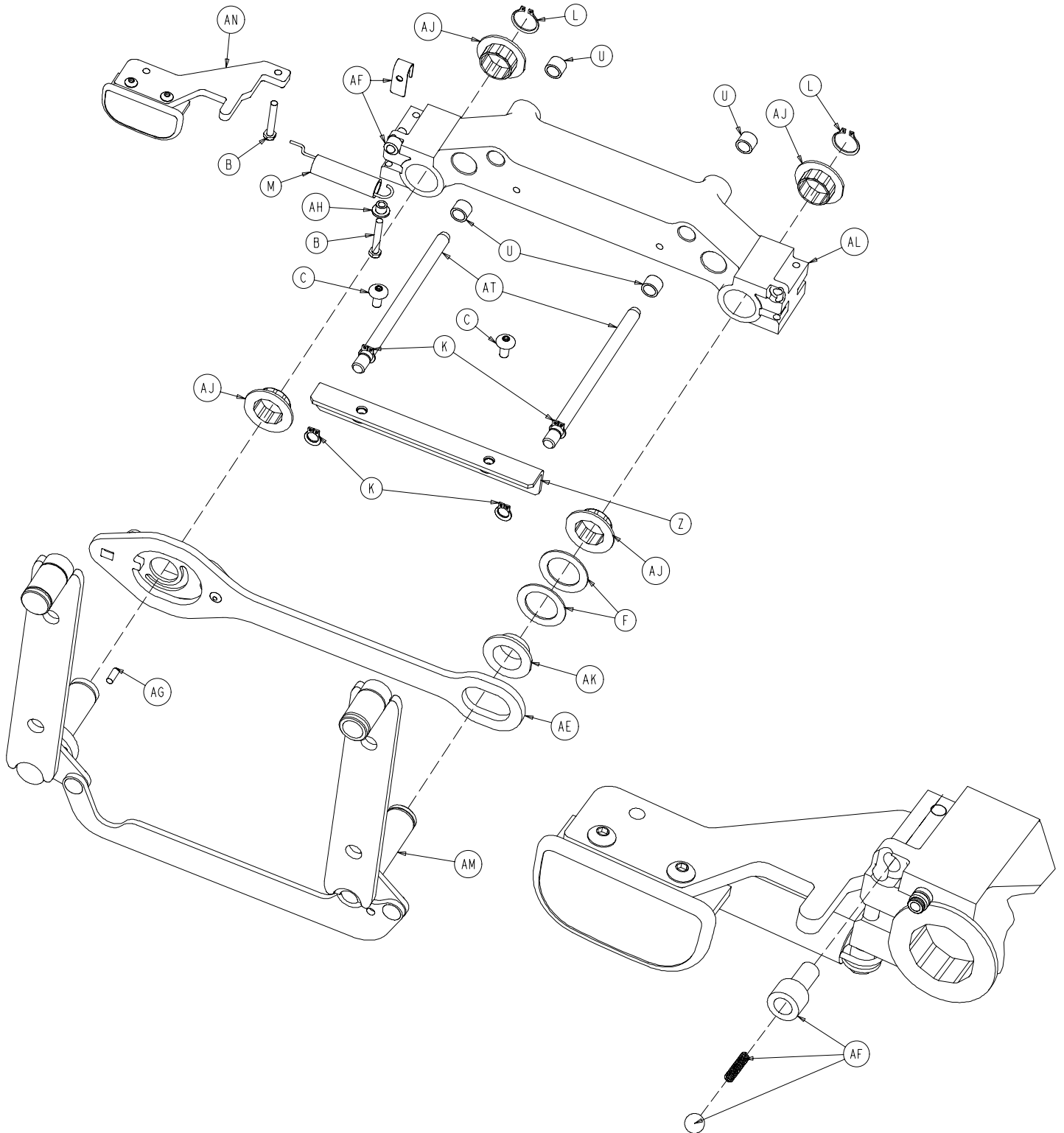


Item	Part No.	Part Name	Qty.
A	16-23	But. Hd. Cap Screw	2
B	48-159	Barbed Fitting	4
C	48-160	Nylon Elbow	1
D	48-166	Male Elbow	1
E	48-162	Miniature Barbed Tee	2
F	48-163	Brass Nipple	1
H	5002-30-239	Mounting Bracket	2
J	5002-30-240	Poly Tubing	N/A
K	5002-30-241	Regulator	1
L	5002-30-242	Soc. Hd. Cap Screw	1
M	5000-30-290	Solenoid Valve Ass'y	2
	5002-30-290	Solenoid Valve Ass'y (230V)	1
N	48-168	90° Barbed Fitting	1
P	5002-30-243	Poly Tubing	N/A
R	48-167	Barbed Fitting	1

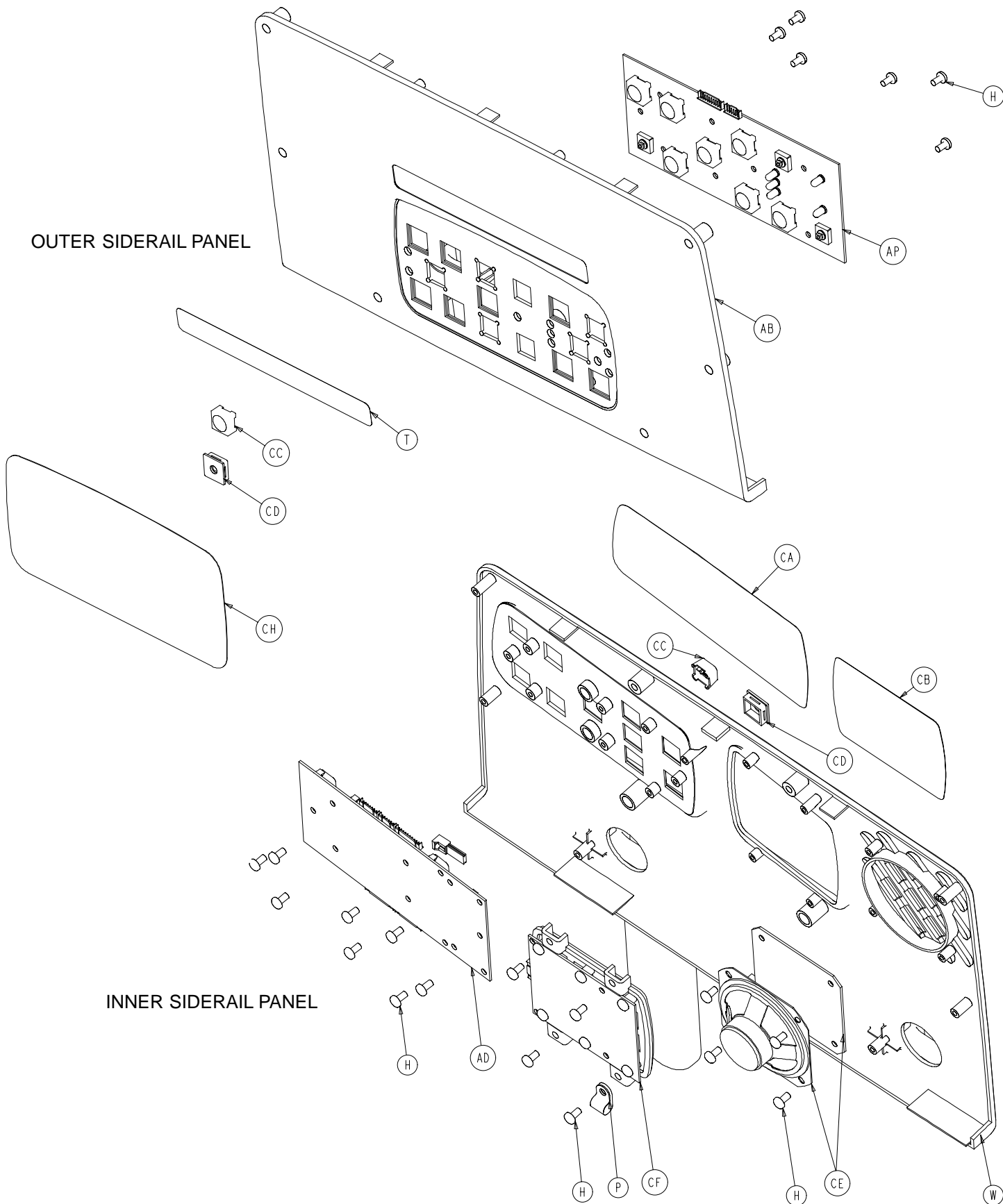
Assembly part numbers 4700-220-1 & 4700-220-2 (reference only)



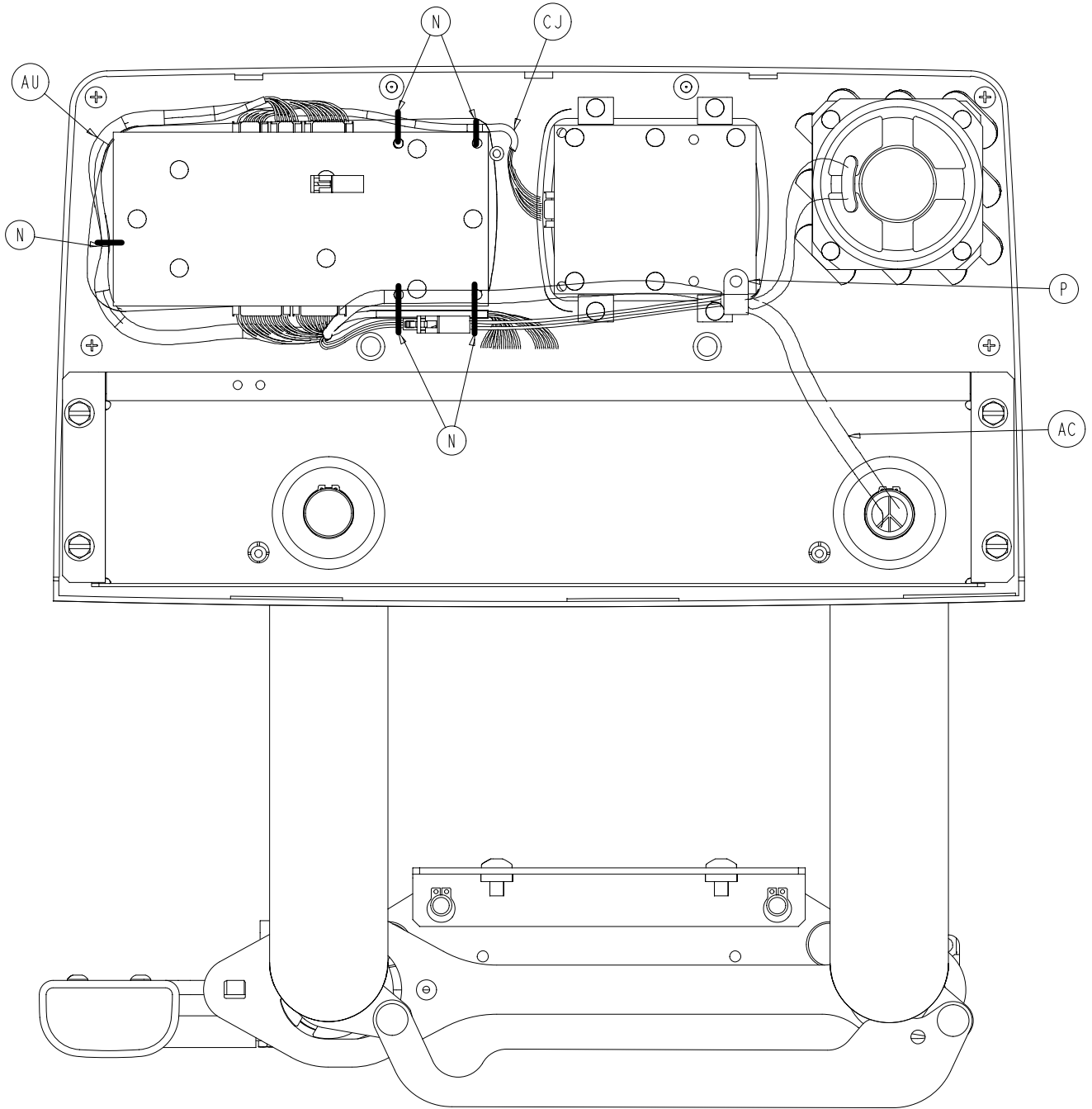
Siderail Assembly



Siderail Assembly

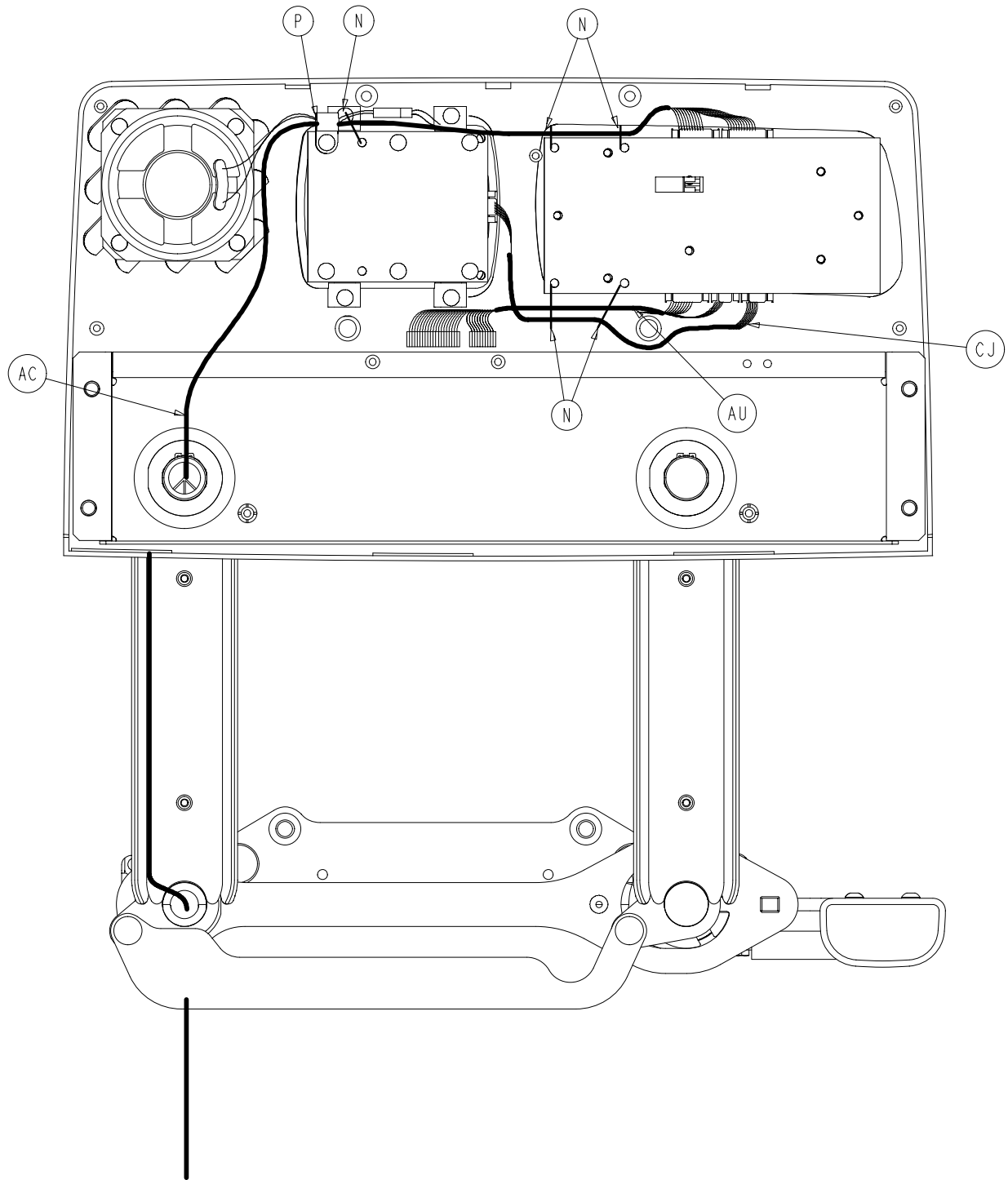


Siderail Assembly



LEFT SIDERAIL WIRE ROUTING

Siderail Assembly



RIGHT SIDERAIL WIRE ROUTING

Siderail Assembly

4700-220-1 Left Standard Components

Item	Part No.	Part Name	Qty.
A	3-226	Hex Washer Hd. Screw	4
B	3-344	Hex Hd. Screw	2
C	7-58	Truss Hd. Torx	2
D	11-343	Shim Washer	2
E	14-20	Nylon Washer	2
F	14-93	Washer	2
G	23-90	High-Low Tapping Screw	8
H	23-112	High-Low Tapping Screw	23
J	23-252	Flush Hd. Tapping Screw	4
K	28-126	Retaining Ring	4
L	28-128	Retaining Ring	6
M	3000-200-334	Release Lever Spring	1
N	3000-300-114	4" Cable Tie	5
P	3000-300-478	CPR Conduit Clamp	1
R	3000-400-513	Wear Bushing	2
S	3000-400-523	Panel Spacer	2
T	3000-400-556	Warning Label	1
U	3000-400-557	Sleeve Bearing	8
W	3001-400-101	Inner Panel, Left	1
X	3001-400-130	Support Wldmt., Hd., Lt.	1
Y	3001-400-515	Head Rail	1
Z	3001-400-543	Mounting Bracket	1
AA	3001-400-558	Spacer	4
AC	3001-400-862	Cable	1
AD	3001-400-930	Siderail Main PCB	1
AE	(page 123)	Latch Ass'y, Hd., Left	1
AF	(page 125)	Bypass Detent Clip Ass'y	1
AG	3002-400-505	Bypass Pin	1
AH	3002-400-509	Bypass Bushing Spacer	1
AJ	3002-400-513	Pivot Bushing	6
AK	3002-400-519	Latch Bushing	1
AL	3002-400-528	Siderail Carrier	1
AM	(page 127)	Timing Link Ass'y, Left	1
AN	(page 129)	Release Lever Ass'y, Lt.	1
AP	4700-400-910	Siderail Outside PCB, Lt.	1
AR	5000-20-5	Inner Arm Cover	2
AS	5000-20-6	Outer Arm Cover	2
AT	5000-20-7	Glide Rod	2
AU	5000-80-12	Main Outside Cable, Left	1

4700-220-2 Right Standard Components

Item	Part No.	Part Name	Qty.
A	3-226	Hex Washer Hd. Screw	4
B	3-344	Hex Hd. Screw	2
C	7-58	Truss Hd. Torx	2
D	11-343	Shim Washer	2
E	14-20	Nylon Washer	2
F	14-93	Washer	2
G	23-90	High Low Tapping Screw	8
H	23-112	High-Low Tapping Screw	23
J	23-252	Flush Hd. Tapping Screw	4
K	28-126	Retaining Ring	4
L	28-128	Retaining Ring	6
M	3000-200-334	Release Lever Spring	1
N	3000-300-114	4" Cable Tie	5
P	3000-300-478	CPR Conduit Clamp	1
R	3000-400-513	Wear Bushing	2
S	3000-400-523	Panel Spacer	2
T	3000-400-556	Warning Label	1
U	3000-400-557	Sleeve Bearing	8
W	3001-400-201	Inner Panel, Right	1
X	3001-400-230	Support Wldmt., Hd., Rt.	1
Y	3001-400-515	Head Rail	1
Z	3001-400-543	Mounting Bracket	1
AA	3001-400-558	Spacer	4
AC	3001-400-862	Cable	1
AD	3001-400-930	Siderail Main PCB	1
AE	(page 124)	Latch Ass'y, Hd., Right	1
AF	(page 125)	Bypass Detent Clip Ass'y	1
AG	3002-400-505	Bypass Pin	1
AH	3002-400-509	Bypass Bushing Spacer	1
AJ	3002-400-513	Pivot Bushing	6
AK	3002-400-519	Latch Bushing	1
AL	3002-400-528	Siderail Carrier	1
AM	(page 126)	Timing Link Ass'y, Right	1
AN	(page 128)	Release Lever Ass'y, Rt.	1
AP	4700-400-900	Siderail Outside PCB, Rt.	1
AR	5000-20-5	Inner Arm Cover	2
AS	5000-20-6	Outer Arm Cover	2
AT	5000-20-7	Glide Rod	2
AU	5000-80-11	Main Outside Cable, Right	1

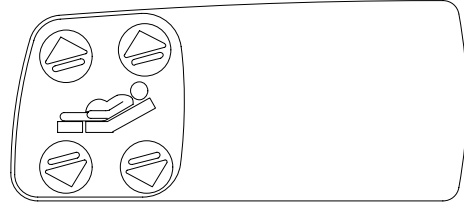
Siderail Assembly

All labels shown are right side.

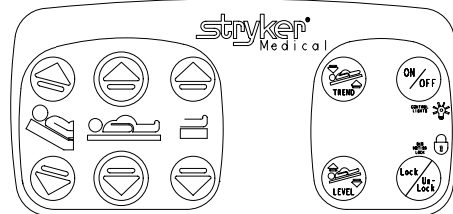
4700-20-101 Standard Siderail

Item	Part No.	Part Name	Qty.
AB	(page 130)	Outer Panel Ass'y, No Nurse Call	2
CA	5000-90-20	Label, Inner, Right, No Options	1
CA	5000-90-30	Label, Inner, Left, No Options	1
CC	3001-400-953	Switch Cap	14
CD	3001-400-522	Filler Cap	8
CE	3001-400-517	Speaker Seal	2
CF	3001-400-535	Blank Module	2
CH	4700-90-34	Label, Outer, Right, No Options	1
CH	4700-90-44	Label, Outer, Left, No Options	1
	2035-1-810	Snubber Cable	1

Inner Option Label



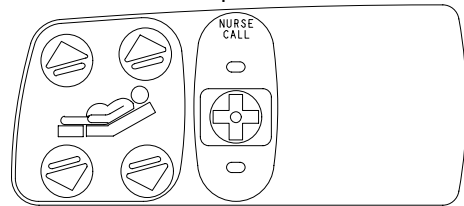
Outer Option Label



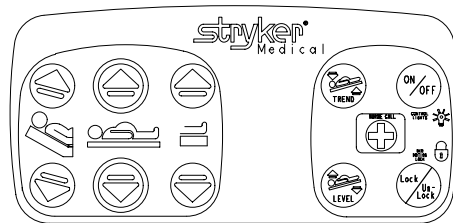
4700-20-102 Standard Siderail with Nurse Call

Item	Part No.	Part Name	Qty.
AB	(page 131)	Outer Panel Ass'y, with Nurse Call	2
CA	5000-90-21	Label, Inner, Right, w/Nurse Call	1
CA	5000-90-31	Label, Inner, Left, w/Nurse Call	1
CC	3001-400-953	Switch Cap	16
CD	3001-400-522	Filler Cap	7
CE	3001-403-831	Speaker With Cable	2
CF	3001-400-535	Blank Module	2
CH	4700-90-32	Label, Outer, Right, w/Nurse Call	1
CH	4700-90-42	Label, Outer, Left, w/Nurse Call	1
	2035-1-810	Snubber Cable	1

Inner Option Label



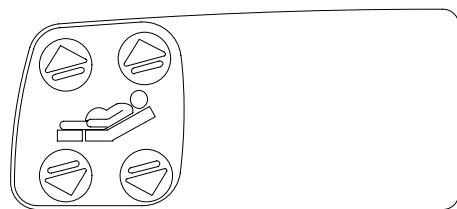
Outer Option Label



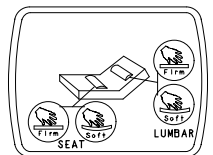
4700-20-105 Standard Siderail with Lumbar

Item	Part No.	Part Name	Qty.
AB	(page 130)	Outer Panel Ass'y, No Nurse Call	2
AY	23-112	Tapping Screw	8
AZ	3000-300-114	Cable Tie	3
CA	5000-90-20	Label, Inner, Right, No Options	1
CA	5000-90-30	Label, Inner, Left, No Options	1
CB	5000-90-68	Lumbar Label, Right	1
CB	5000-90-69	Lumbar Label, Left	1
CC	3001-400-953	Switch Cap	14
CD	3001-400-522	Filler Cap	8
CE	3001-400-517	Speaker Seal	2
CF	(page 132)	Lumbar Module, Left	1
CF	(page 133)	Lumbar Module, Right	1
CH	4700-90-34	Label, Outer, Right, No Options	1
CH	4700-90-44	Label, Outer, Left, No Options	1
CJ	5000-80-16	Main to Options PCB Cable	2

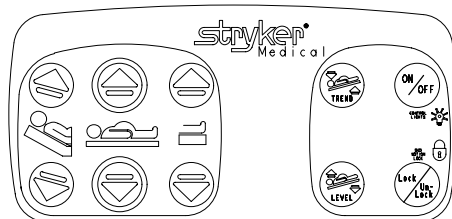
Inner Option Label



Lumbar Option Label



Outer Option Label



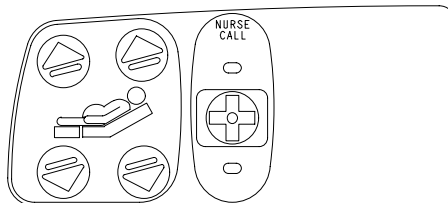
Siderail Assembly

All labels shown are right side.

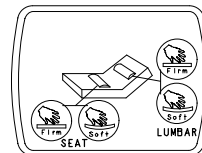
4700-20-112 Standard Siderail with Nurse Call & Lumbar

Item	Part No.	Part Name	Qty.
AB	(page 131)	Outer Panel Ass'y w/Nurse Call	2
AY	23-112	Tapping Screw	8
AZ	3000-300-114	Cable Tie	3
CA	5000-90-21	Inner Label, Right, w/Nurse Call	1
CA	5000-90-31	Inner Label, Left, w/Nurse Call	1
CB	5000-90-68	Lumbar Label, Right	1
CB	5000-90-69	Lumbar Label, Left	1
CC	3001-400-953	Switch Cap	16
CD	3001-400-522	Filler Cap	7
CE	3001-403-831	Speaker With Cable	2
CF	(page 132)	Lumbar Module, Left	1
CF	(page 133)	Lumbar Module, Right	1
CH	4700-90-32	Label, Outer, Right w/Nurse Call	1
CH	4700-90-42	Label, Outer, Left w/Nurse Call	1
CJ	5000-80-16	Main to Options PCB Cable	2

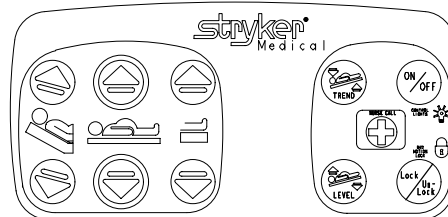
Inner Option Label



Lumbar Option Label



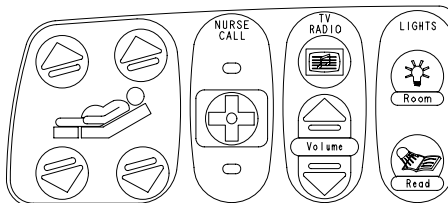
Outer Option Label



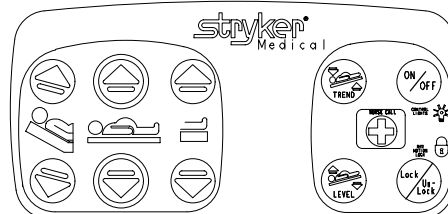
4700-20-114 Standard Siderail w/NC, TV/Radio & Lights

Item	Part No.	Part Name	Qty.
AB	(page 131)	Outer Panel Ass'y w/Nurse Call	2
CA	5000-90-23	Label, Inner, Right, N/C, TV, Lights	1
CA	5000-90-33	Label, Inner, Left, N/C, TV, Lights	1
CC	3001-400-953	Switch Cap	21
CD	3001-400-522	Filler Cap	2
CE	3001-403-831	Speaker With Cable	2
CF	3001-400-535	Blank Module	2
CH	4700-90-32	Label, Outer, Right, w/Nurse Call	1
CH	4700-90-42	Label, Outer, Left, w/Nurse Call	1
	2035-1-810	Snubber Cable	1

Inner Option Label



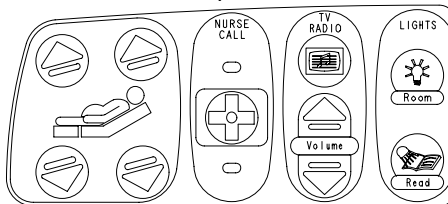
Outer Option Label



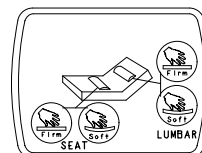
4700-20-113 Siderail w/NC, TV/Radio, Lights & Lumbar

Item	Part No.	Part Name	Qty.
AB	(page 131)	Outer Panel Ass'y w/Nurse Call	2
AY	23-112	Tapping Screw	8
AZ	3000-300-114	Cable Tie	3
CA	5000-90-23	Label, Inner, Right, N/C, TV, Lights	1
CA	5000-90-33	Label, Inner, Left, N/C, TV, Lights	1
CB	5000-90-68	Lumbar Label, Right	1
CB	5000-90-69	Lumbar Label, Left	1
CC	3001-400-953	Switch Cap	21
CD	3001-400-522	Filler Cap	2
CE	3001-403-831	Speaker with Cable	2
CF	(page 132)	Lumbar Module, Left	1
CF	(page 133)	Lumbar Module, Right	1
CH	4700-90-32	Label, Outer, Right, w/Nurse Call	1
CH	4700-90-42	Label, Outer, Left, w/Nurse Call	1
CJ	5000-80-16	Main to Options PCB Cable	2

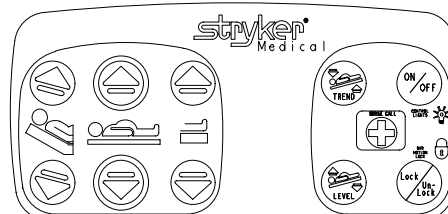
Inner Option Label



Lumbar Option Label



Outer Option Label



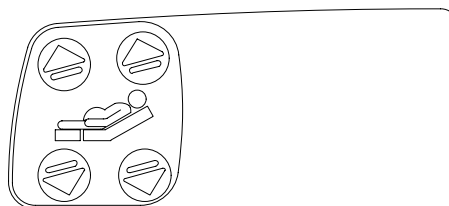
Siderail Assembly

All labels shown are right side.

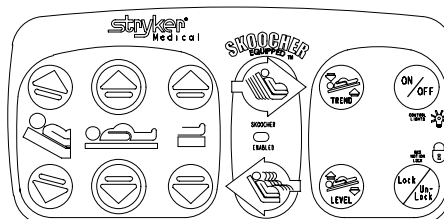
4700-20-117 Standard Siderail with Skoocher

Item	Part No.	Part Name	Qty.
AB	(page 130)	Outer Panel Ass'y, No Nurse Call	2
CA	5000-90-20	Label, Inner, Right, No Options	1
CA	5000-90-30	Label, Inner, Left, No Options	1
CC	3001-400-953	Switch Cap	16
CD	3001-400-522	Filler Cap	6
CE	3001-400-517	Speaker Seal	2
CF	3001-400-535	Blank Module	2
CH	4700-90-33	Label, Outer, Right, w/Skoocher	1
CH	4700-90-43	Label, Outer, Left, w/Skoocher	1

Inner Option Label



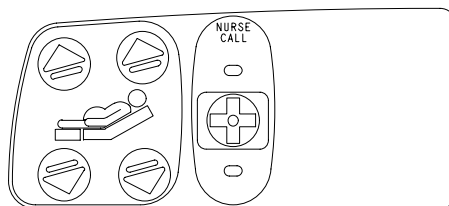
Outer Option Label



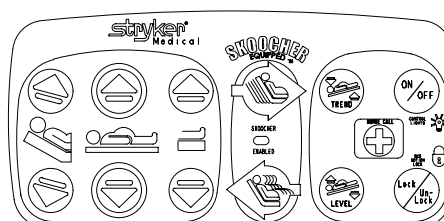
4700-20-118 Standard Siderail w/Skoocher & Nurse Call

Item	Part No.	Part Name	Qty.
AB	(page 131)	Outer Panel Ass'y w/Nurse Call	2
CA	5000-90-21	Label, Inner, Right, w/Nurse Call	1
CA	5000-90-31	Label, Inner, Left, w/Nurse Call	1
CC	3001-400-953	Switch Cap	18
CD	3001-400-522	Filler Cap	5
CE	3001-403-831	Speaker With Cable	2
CF	3001-403-535	Blank Module	2
CH	4700-90-31	Label, Outer, Right, N/C, Skoocher	1
CH	4700-90-41	Label, Outer, Left, N/C, Skoocher	1

Inner Option Label



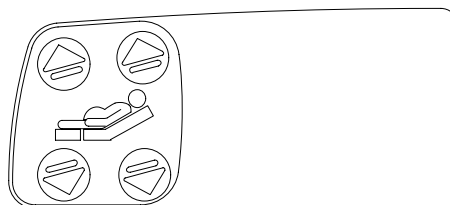
Outer Option Label



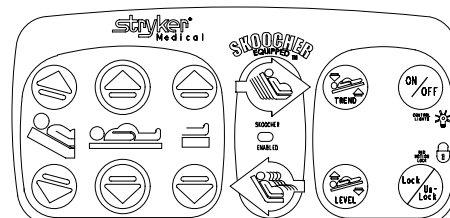
4700-20-121 Standard Siderail w/ Skoocher & Lumbar

Item	Part No.	Part Name	Qty.
AB	(page 130)	Outer Panel Ass'y, No Nurse Call	2
AY	23-112	Tapping Screw	8
AZ	3000-300-114	Cable Tie	3
CA	5000-90-20	Label, Inner, Right, No Options	1
CA	5000-90-30	Label, Inner, Left, No Options	1
CB	5000-90-68	Lumbar Label, Right	1
CB	5000-90-69	Lumbar Label, Left	1
CC	3001-400-953	Switch Cap	16
CD	3001-400-522	Filler Cap	6
CE	3001-400-517	Speaker Seal	2
CF	(page 132)	Lumbar Module, Left	1
CF	(page 133)	Lumbar Module, Right	1
CH	4700-90-33	Label, Outer, Right w/Skoocher	1
CH	4700-90-43	Label, Outer, Left w/Skoocher	1
CJ	5000-80-16	Main to Options PCB Cable	2

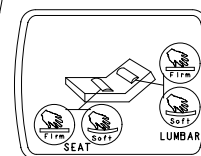
Inner Option Label



Outer Option Label



Lumbar Option Label

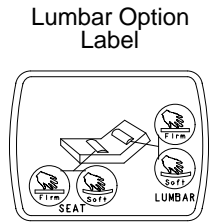
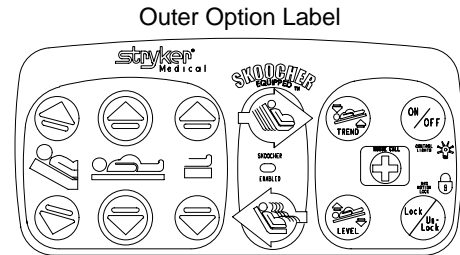
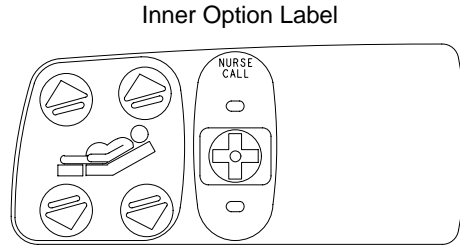


Siderail Assembly

All labels shown are right side.

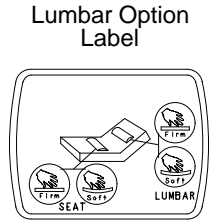
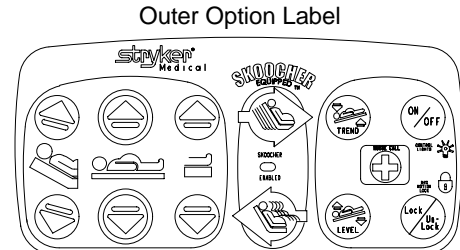
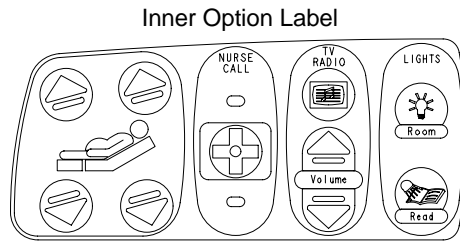
4700-20-124 Siderail with Skoocher, NC & Lumbar

Item	Part No.	Part Name	Qty.
AB	(page 131)	Outer Panel Ass'y w/Nurse Call	2
AY	23-112	Tapping Screw	8
AZ	3000-300-114	Cable Tie	3
CA	5000-90-21	Label, Inner, Right, w/Nurse Call	1
CA	5000-90-31	Label, Inner, Left, w/Nurse Call	1
CB	5000-90-68	Lumbar Label, Right	1
CB	5000-90-69	Lumbar Label, Left	1
CC	3001-400-953	Switch Cap	18
CD	3001-400-522	Filler Cap	5
CE	3001-403-831	Speaker With Cable	2
CF	(page 132)	Lumbar Module, Left	1
CF	(page 133)	Lumbar Module, Right	1
CH	4700-90-31	Label, Outer, Right, N/C, Skoocher	1
CH	4700-90-41	Label, Outer, Left, N/C, Skoocher	1
CJ	5000-80-16	Main to Options PCB Cable	2



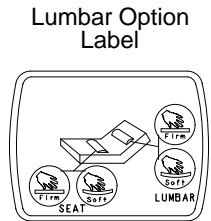
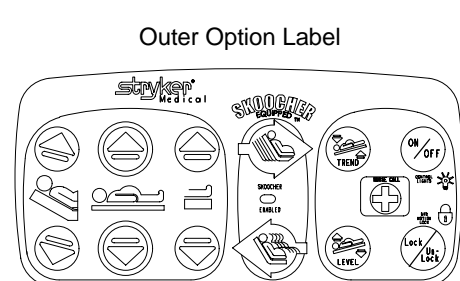
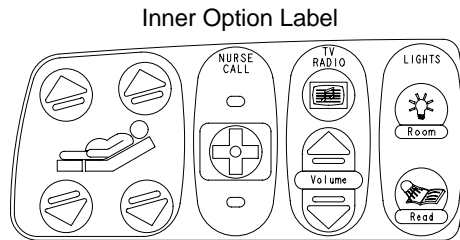
4700-20-126 Siderail w/Skoocher, NC, TV/Radio & Lights

Item	Part No.	Part Name	Qty.
AB	(page 131)	Outer Panel Ass'y w/Nurse Call	2
CA	5000-90-23	Label, Inner, Right, NC, TV, Lights	1
CA	5000-90-33	Label, Inner, Left, NC, TV, Lights	1
CC	3001-400-953	Switch Cap	23
CE	3001-403-831	Speaker with Cable	2
CF	3001-400-535	Blank Module	2
CH	4700-90-31	Label, Outer, Right, NC, Skoocher	1
CH	4700-90-41	Label, Outer, Left, NC, Skoocher	1



4700-20-125 Siderail w/Skoocher, NC, TV/Radio, Lights & Lumbar

Item	Part No.	Part Name	Qty.
AB	(page 131)	Outer Panel Ass'y w/Nurse Call	2
AY	23-112	Tapping Screw	8
AZ	3000-300-114	Cable Tie	3
CA	5000-90-23	Label, Inner, Right, NC, TV, Lights	1
CA	5000-90-33	Label, Inner, Left, NC, TV, Lights	1
CB	5000-90-68	Lumbar Label, Right	1
CB	5000-90-69	Lumbar Label, Left	1
CC	3001-400-953	Switch Cap	23
CE	3001-403-831	Speaker with Cable	2
CF	(page 132)	Lumbar Module, Left	1
CF	(page 133)	Lumbar Module, Right	1
CH	4700-90-31	Label, Outer, Right, NC, Skoocher	1
CH	4700-90-41	Label, Outer, Left, N/C, Skoocher	1
CJ	5000-80-16	Main to Options PCB Cable	2

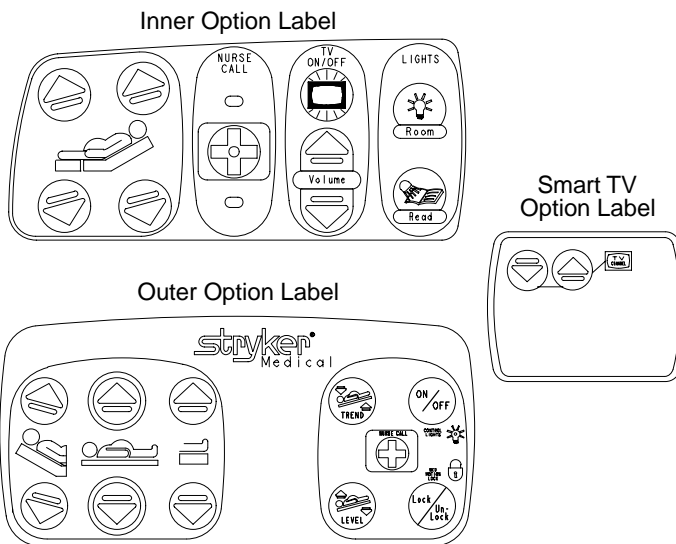


Siderail Assembly

All labels shown are right side.

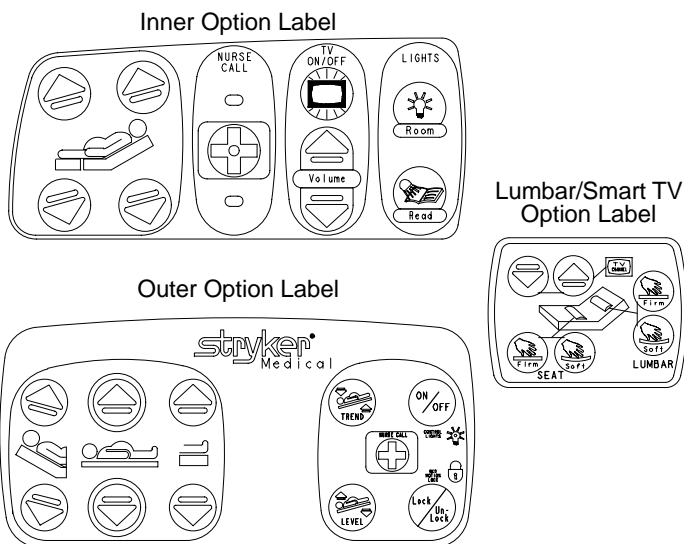
4700-20-134 Siderail with Nurse Call, Smart TV & Lights

Item	Part No.	Part Name	Qty.
AB	(page 131)	Outer Panel Ass'y, w/Nurse Call	2
CA	5000-90-93	Label, Inner, Right, N/C, TV, Lights	1
CA	5000-90-103	Label, Inner, Left, N/C, TV, Lights	1
CB	5000-90-81	TV Label, Right	1
CB	5000-90-82	TV Label, Left	1
CC	3001-400-953	Switch Cap	21
CD	3001-400-522	Filler Cap	2
CE	3001-403-831	Speaker with Cable	2
CF	(page 134)	TV Module, Left	1
CF	(page 135)	TV Module, Right	1
CH	4700-90-32	Label, Outer, Right, w/N/C	1
CH	4700-90-42	Label, Outer, Left, w/N/C	1
CJ	5000-80-16	Main to Options PCB Cable	2
	2035-1-801	Snubber Cable	1



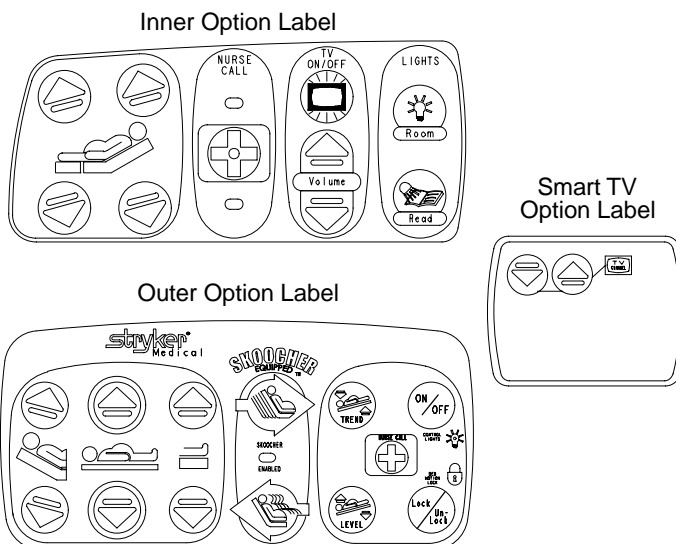
4700-20-133 Siderail w/NC, Smart TV, Lights & Lumbar

Item	Part No.	Part Name	Qty.
AB	(page 131)	Outer Panel Ass'y, w/Nurse Call	2
AY	23-112	Tapping Screw	8
AZ	3000-300-114	Cable Tie	3
CA	5000-90-93	Label, Inner, Right, N/C, TV, Lights	1
CA	5000-90-103	Label, Inner, Left N/C, TV, Lights	1
CB	5000-90-79	Lumbar/TV Label, Right	1
CB	5000-90-80	Lumbar/TV Label, Left	1
CC	3001-400-953	Switch Cap	21
CD	3001-400-522	Filler Cap	2
CE	3001-403-831	Speaker With Cable	2
CF	(page 136)	Lumbar/TV Module, Left	1
CF	(page 137)	Lumbar/TV Module, Right	1
CH	4700-90-32	Label, Outer, Right, w/NC	1
CH	4700-90-42	Label, Outer, Left, w/NC	1
CJ	5000-80-16	Main to Options PCB Cable	2



4700-20-136 Siderail with Skoocher, Nurse Call Smart TV & Lights

Item	Part No.	Part Name	Qty.
AB	(page 131)	Outer Panel Ass'y w/Nurse Call	2
CA	5000-90-93	Label, Inner, Right, NC, TV, Lights	1
CA	5000-90-103	Label, Inner, Left, NC, TV, Lights	1
CB	5000-90-81	TV Label, Right	1
CB	5000-90-82	TV Label, Left	1
CC	3001-400-953	Switch Cap	23
CE	3001-403-831	Speaker With Cable	2
CF	(page 134)	TV Module, Left	1
CF	(page 135)	TV Module, Right	1
CH	4700-20-31	Label, Outer, Right, NC, Skoocher	1
CH	5000-20-41	Label, Outer, Left, NC, Skoocher	1
CJ	5000-80-16	Main to Options PCB Cable	2

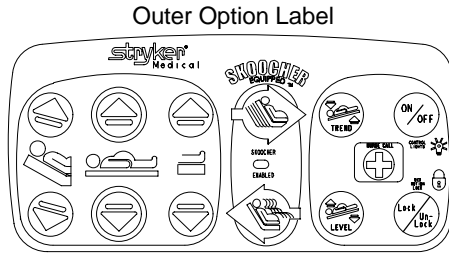
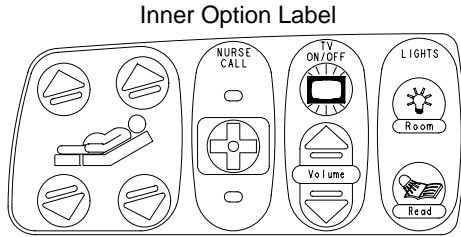


Siderail Assembly

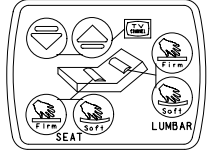
All labels shown are right side.

4700-20-135 Siderail w/Skoocher, NC, Smart TV, Lights and Lumbar

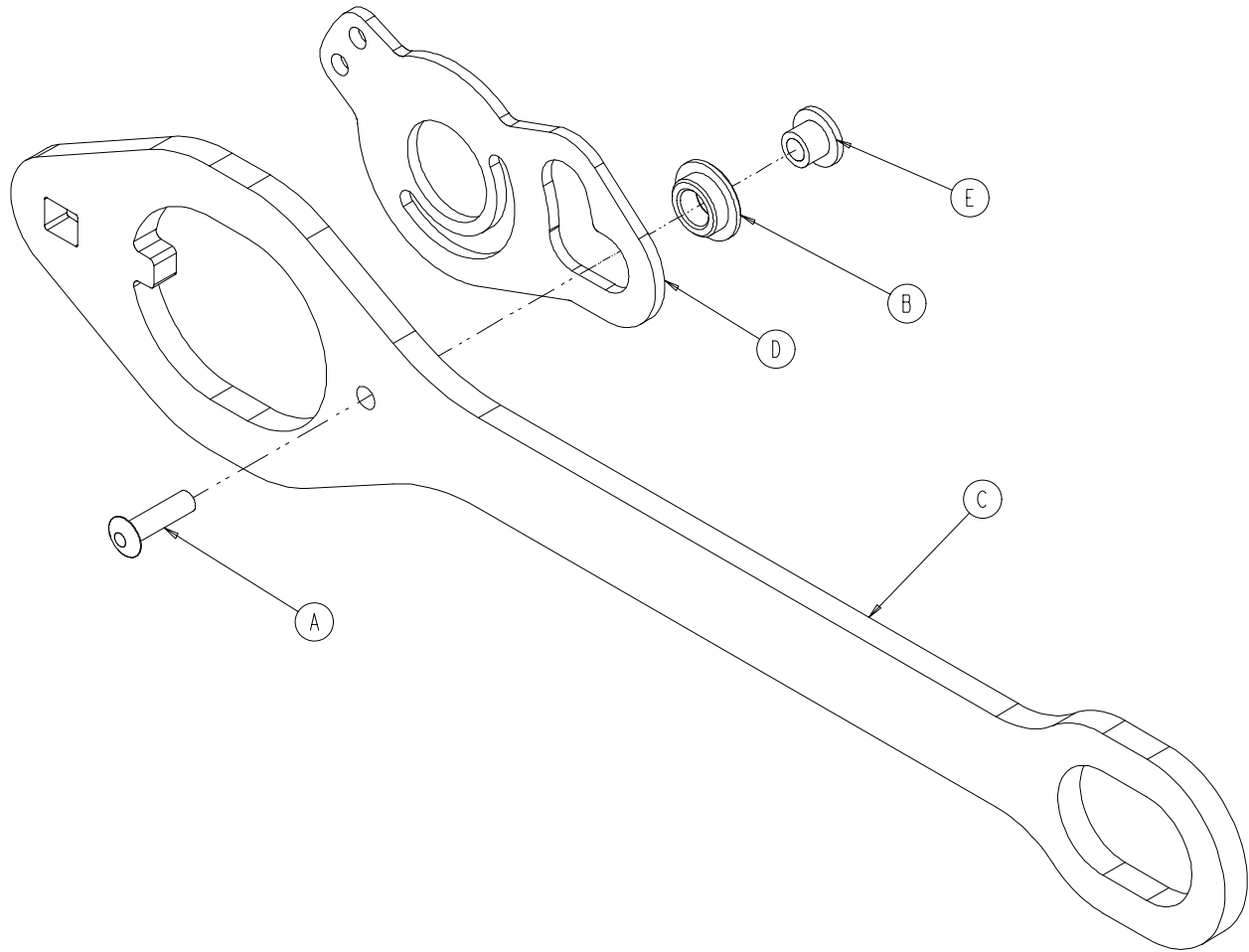
Item	Part No.	Part Name	Qty.
AB	(page 131)	Outer Panel Ass'y, w/Nurse Call	2
AY	23-112	Tapping Screw	8
AZ	3000-300-114	Cable Tie	3
CA	5000-90-93	Label, Inner, Right, N/C, TV, Lights	1
CA	5000-90-103	Label, Inner, Left, N/C, TV, Lights	1
CB	5000-90-79	Lumbar/TV Label, Right	1
CB	5000-90-80	Lumbar/TV Label, Left	1
CC	3001-400-953	Switch Cap	23
CE	3001-403-831	Speaker With Cable	2
CF	(page 136)	Lumbar/TV Module, Left	1
CF	(page 137)	Lumbar/TV Module, Right	1
CH	4700-90-31	Label, Outer, Rt., N/C, Skoocher	1
CH	4700-90-41	Label, Outer, Left, N/C, Skoocher	1
CJ	5000-80-16	Main to Options PCB Cable	2



Lumbar/Smart TV Option Label

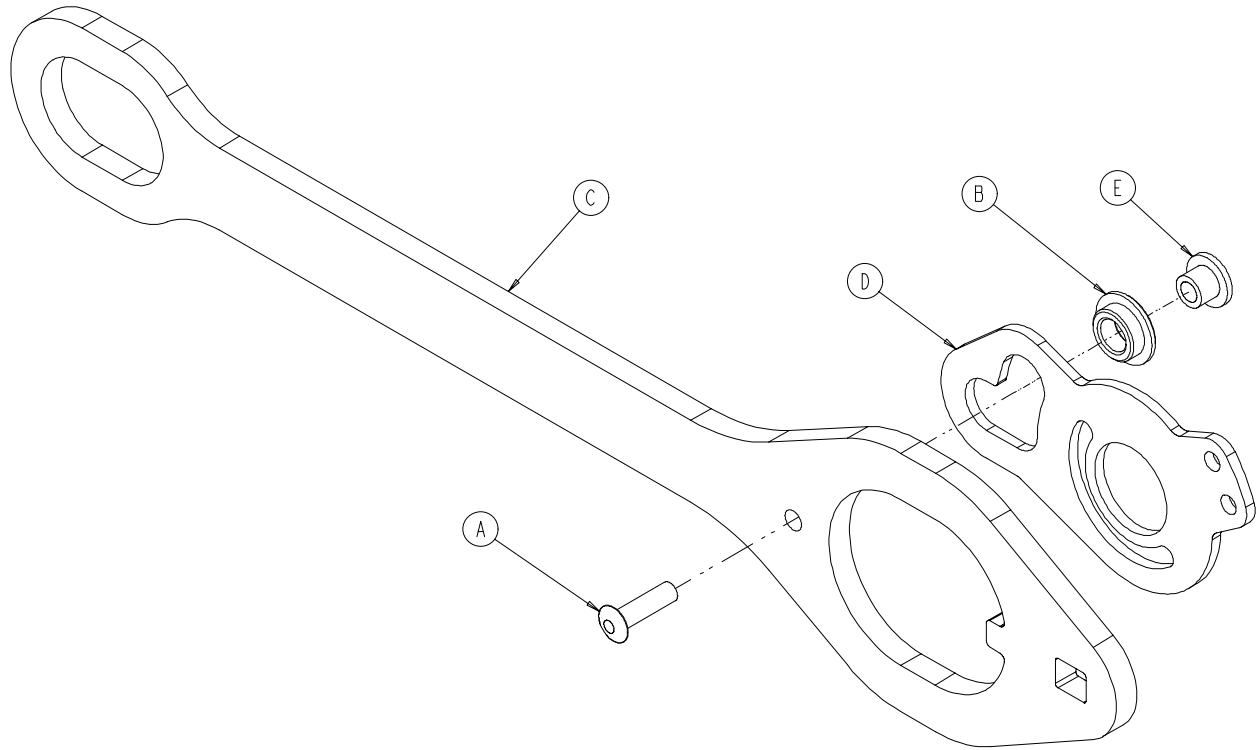


3002-400-70 Siderail Latch Assembly, Head End, Left



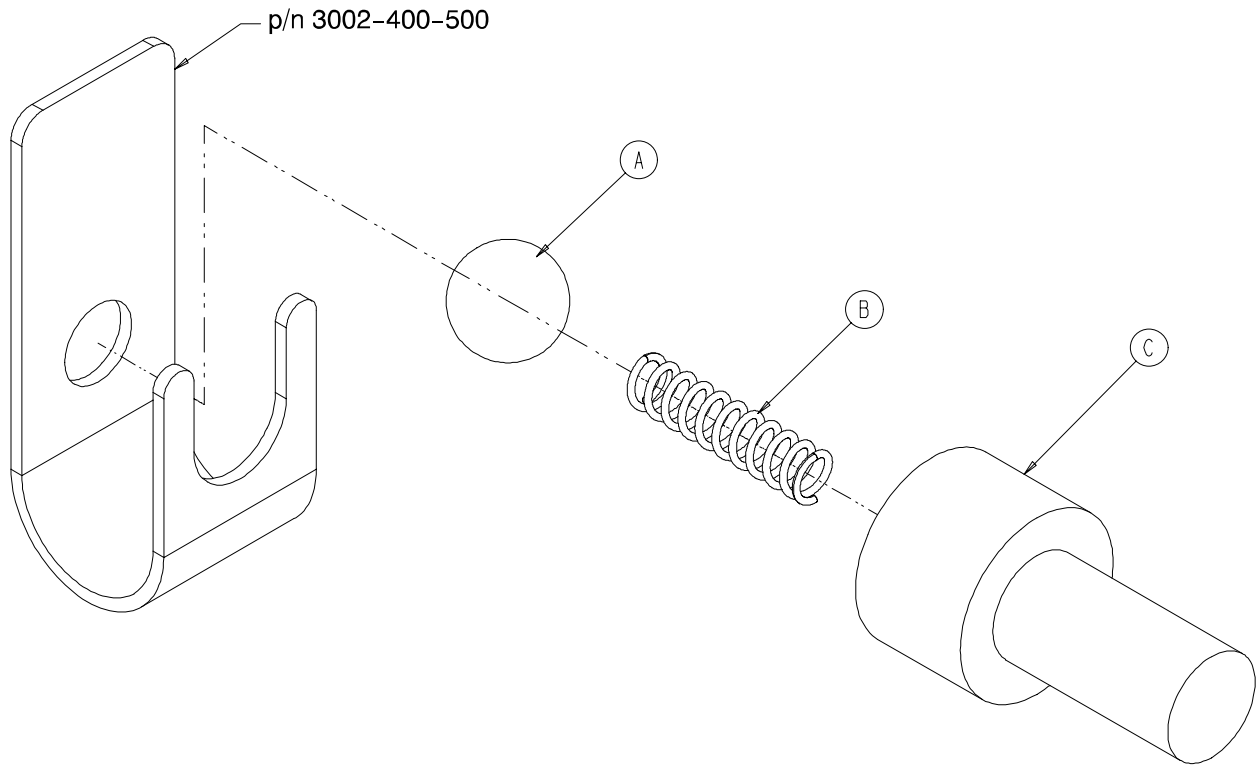
Item	Part No.	Part Name	Qty.
A	26-86	Blind Rivet	1
B	81-317	Bronze Bushing	1
C	3002-400-501	Latch	1
D	3002-400-503	Head End Bypass Plate	1
E	3002-400-509	Bypass Bushing Spacer	1

3002-400-75 Siderail Latch Assembly, Head End, Right



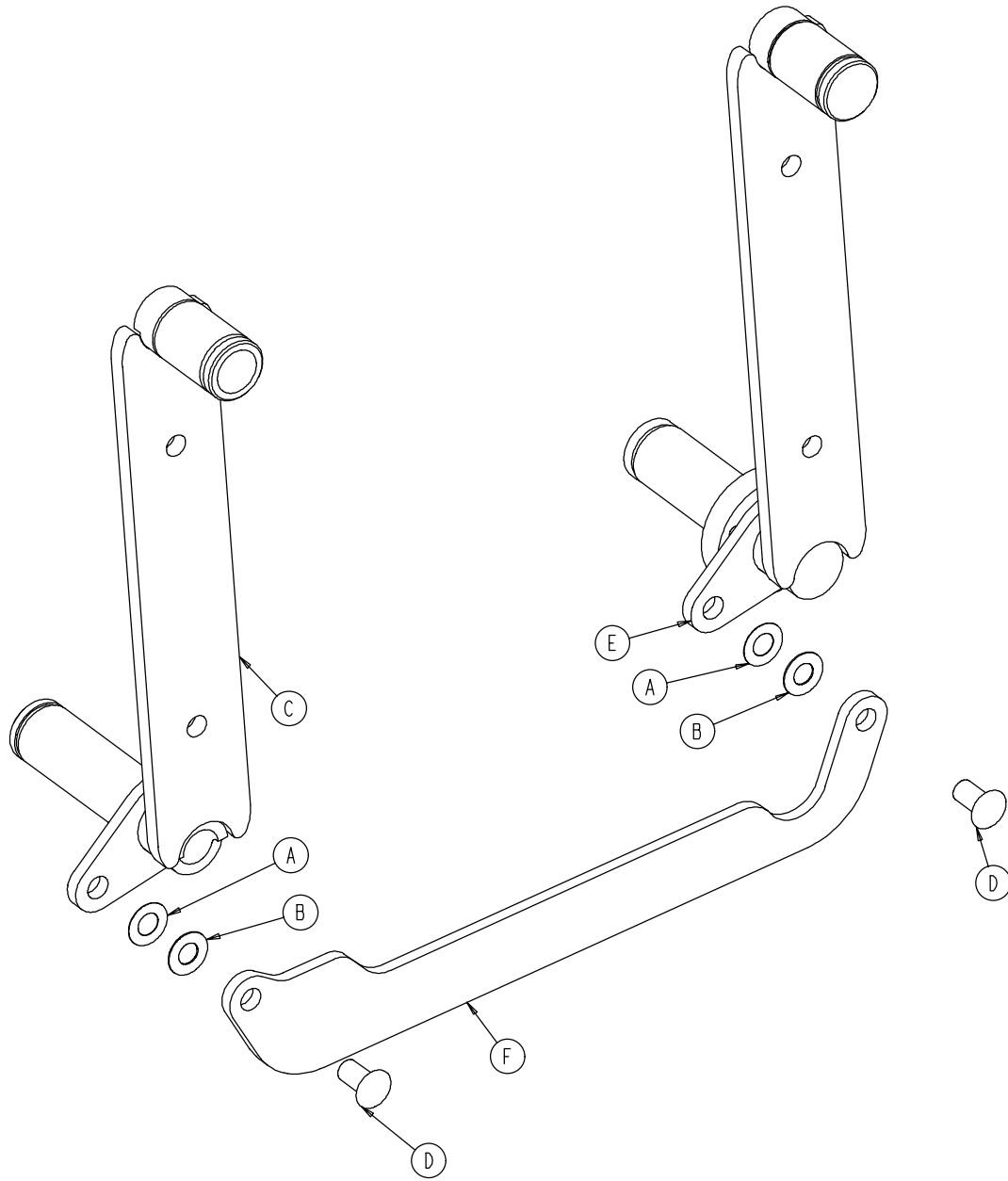
Item	Part No.	Part Name	Qty.
A	26-86	Blind Rivet	1
B	81-317	Bronze Bushing	1
C	3002-400-501	Latch	1
D	3002-400-503	Head End Bypass Plate	1
E	3002-400-509	Bypass Bushing Spacer	1

3002-400-90 Siderail Bypass Detent Clip Assembly



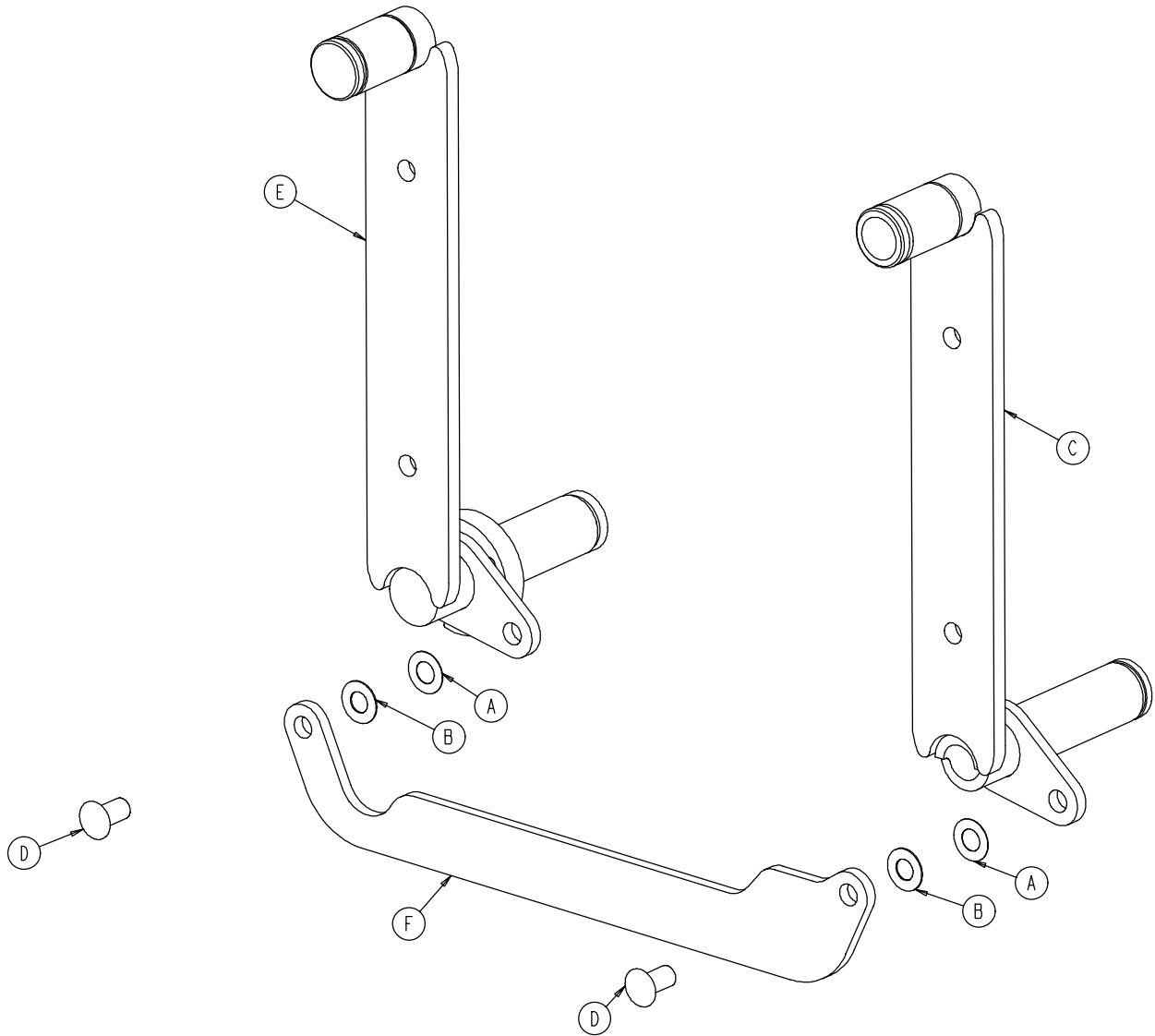
Item	Part No.	Part Name	Qty.
A	31-137	Steel Ball	1
B	38-464	Compression Spring	1
C	3002-400-524	Bypass Detent Housing	1

4700-320-4 Right Hd. End Siderail Timing Link Ass'y



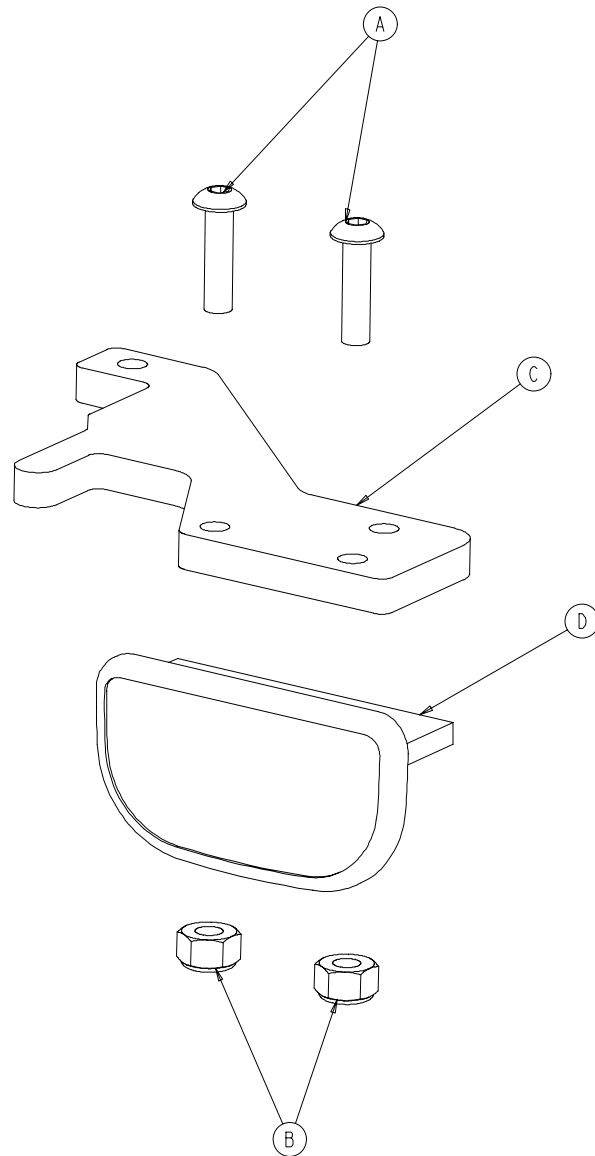
Item	Part No.	Part Name	Qty.
A	11-377-000	Nylon Washer	2
B	11-403	Shim Washer	2
C	3001-401-228	Arm Weldment, Rt., Hd., Hd.	1
D	3001-400-501	Siderail Linkage Rivet	2
E	3002-401-227	Arm Weldment, Rt., Hd., Ft.	1
F	5010-20-3	Head End Timing Link	1

4700-320-5 Left Head End Siderail Timing Link Ass'y



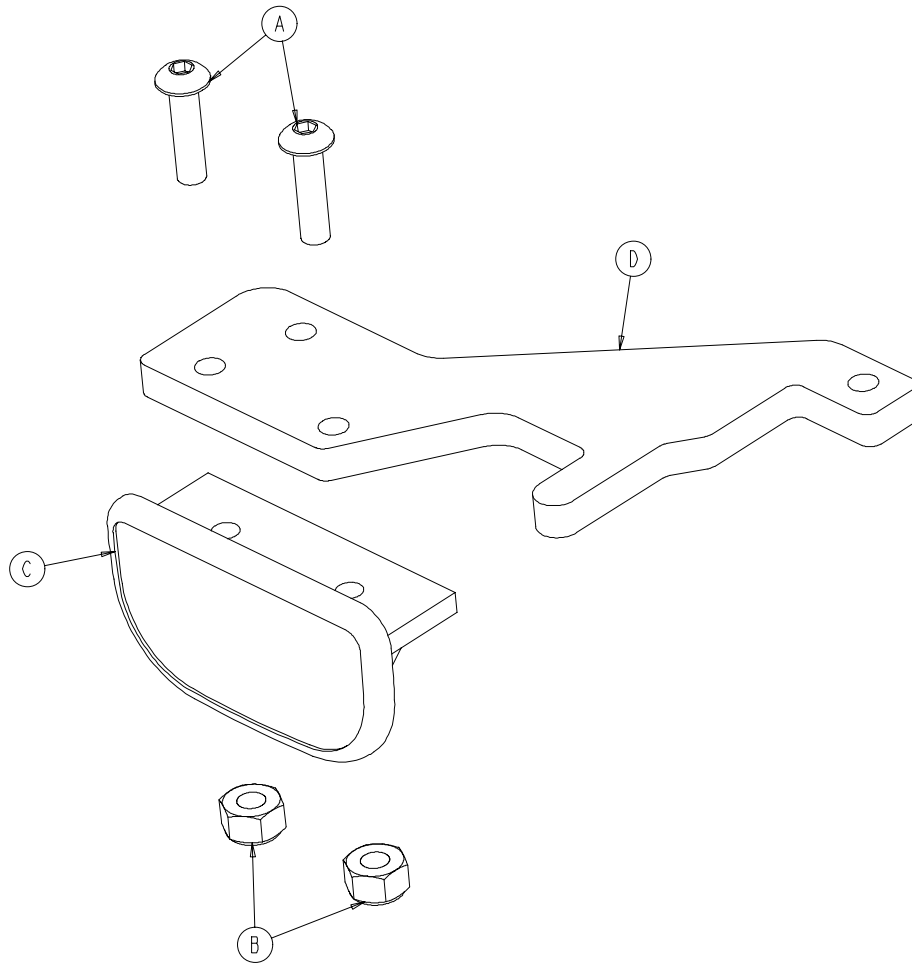
Item	Part No.	Part Name	Qty.
A	11-377	Nylon Washer	2
B	11-403	Shim Washer	2
C	3001-401-128	Arm Weldment, Lt., Hd., Hd.	1
D	3001-400-501	Siderail Linkage Rivet	2
E	3002-401-127	Arm Weldment, Lt., Hd., Ft.	1
F	5010-20-3	Head End Timing Link	1

4700-220-6 Right Release Lever Assembly



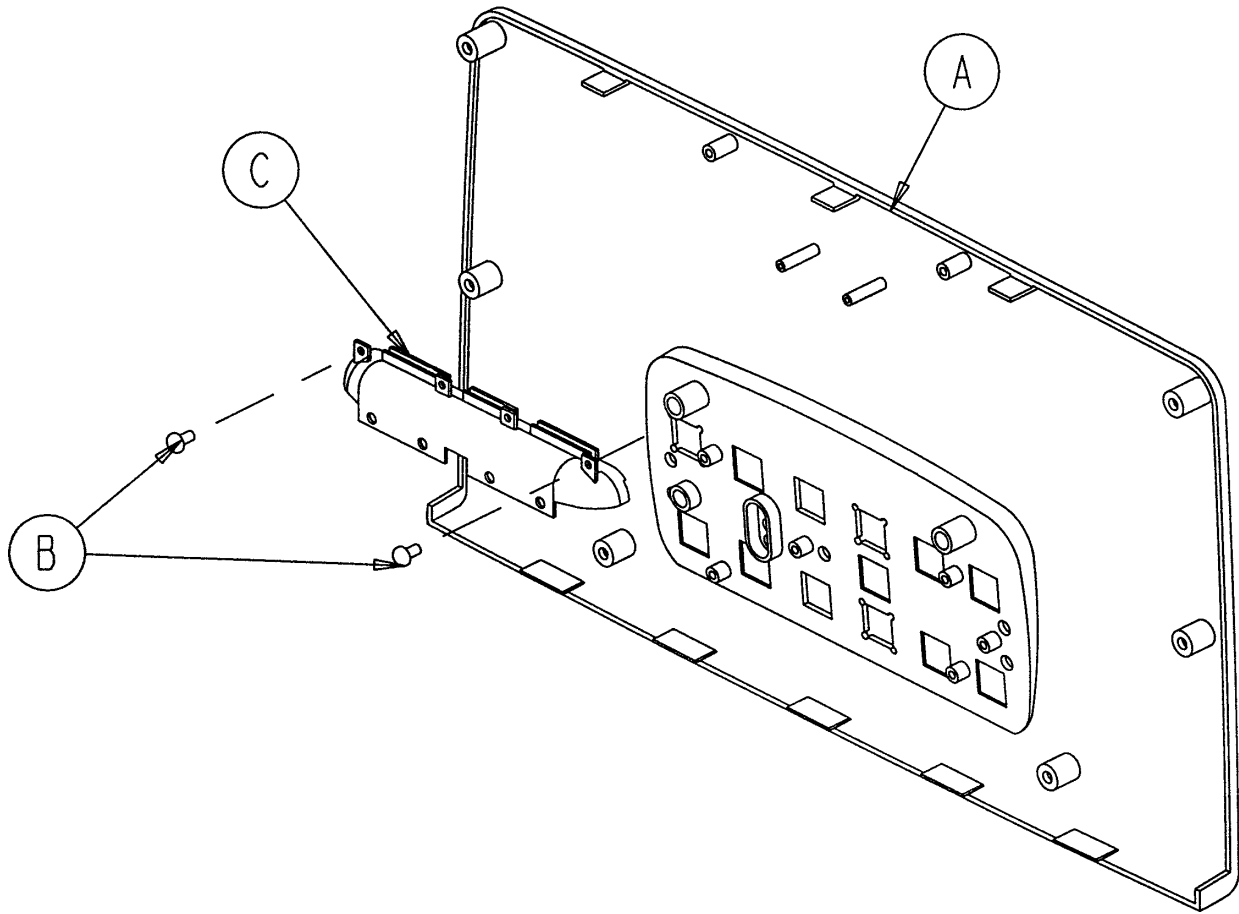
Item	Part No.	Part Name	Qty.
A	4-278	But. Hd. Cap Screw	2
B	16-2	Nylock Nut	2
C	3001-400-514	Release Lever Pad	1
D	3002-400-510	Release Lever	1

4700-220-7 Left Release Lever Assembly



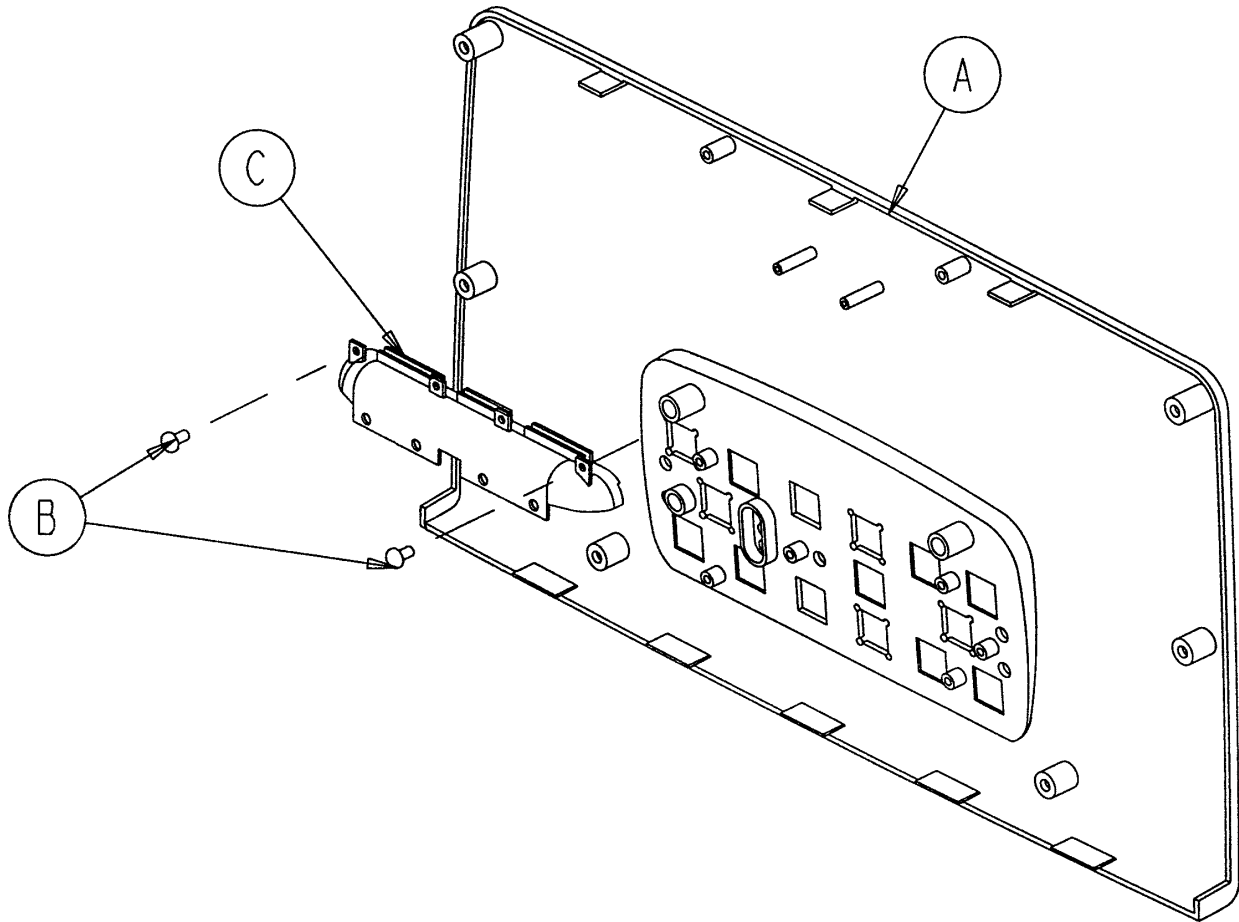
Item	Part No.	Part Name	Qty.
A	4-278	But. Hd. Cap Screw	2
B	16-2	Nylock Nut	2
C	3001-400-514	Release Lever Pad	1
D	3002-400-510	Release Lever	1

4700-20-11 Outer Siderail Panel w/o Nurse Call Option



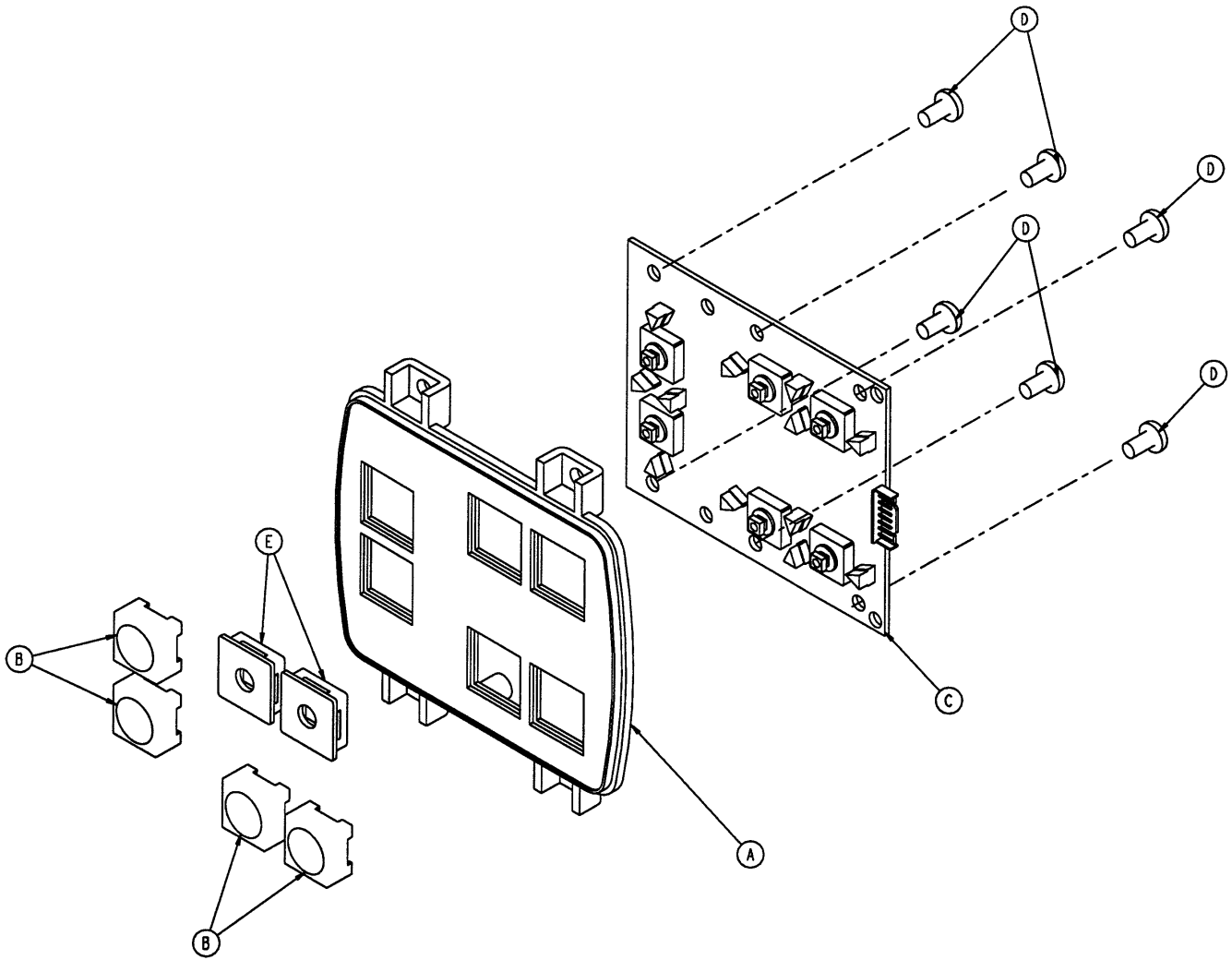
Item	Part No.	Part Name	Qty.
A	3001-400-599	Handle Insert	1
B	4700-20-10	Outer Panel, w/o N.C.	1
C	23-112	Tapping Screw	2

4700-20-9 Outer Siderail Panel w/Nurse Call Option



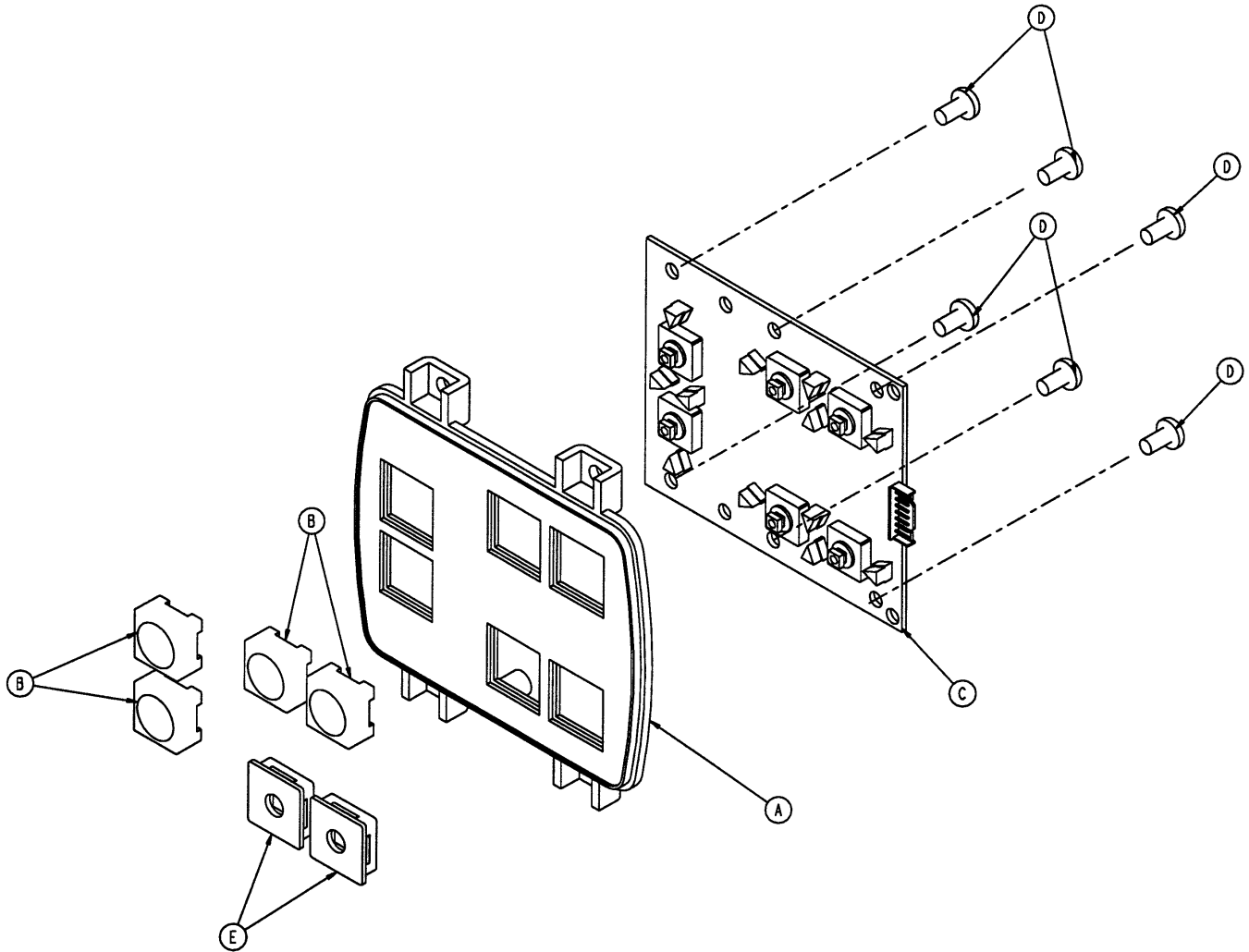
Item	Part No.	Part Name	Qty.
A	3001-400-599	Handle Insert	1
B	4700-20-8	Outer Panel w/N.C.	1
C	23-112	Tapping Screw	2

5000-220-8 Optional Siderail Lumbar Module, Left



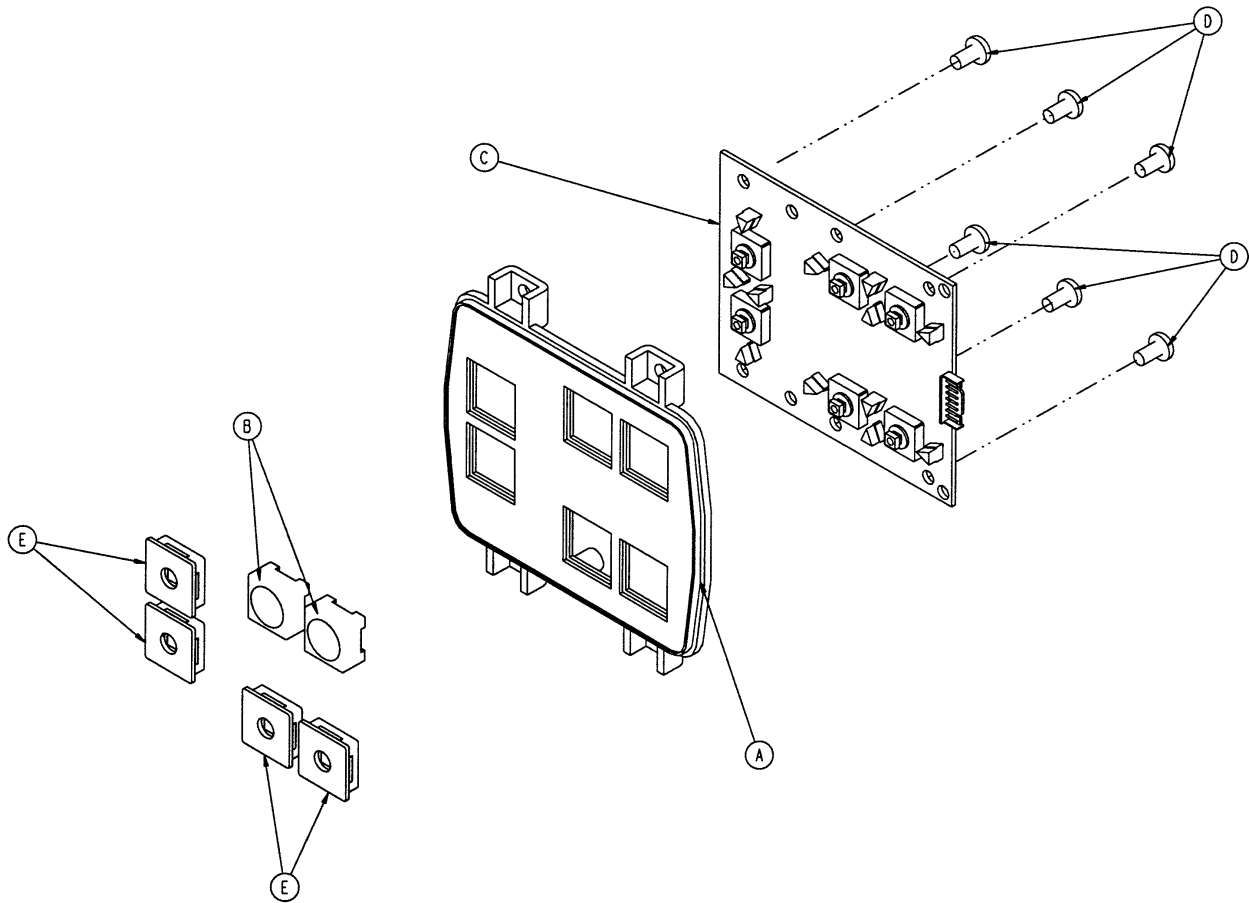
Item	Part No.	Part Name	Qty.
A	3001-400-524	Lumbar Module	1
B	3001-400-953	Switch Cap	4
C	5000-400-930	Lumbar Keypad PCB, Left	1
D	23-112	Tapping Screw	6
E	3001-400-522	Filler Cap	2

5000-220-10 Optional Siderail Lumbar Module, Right



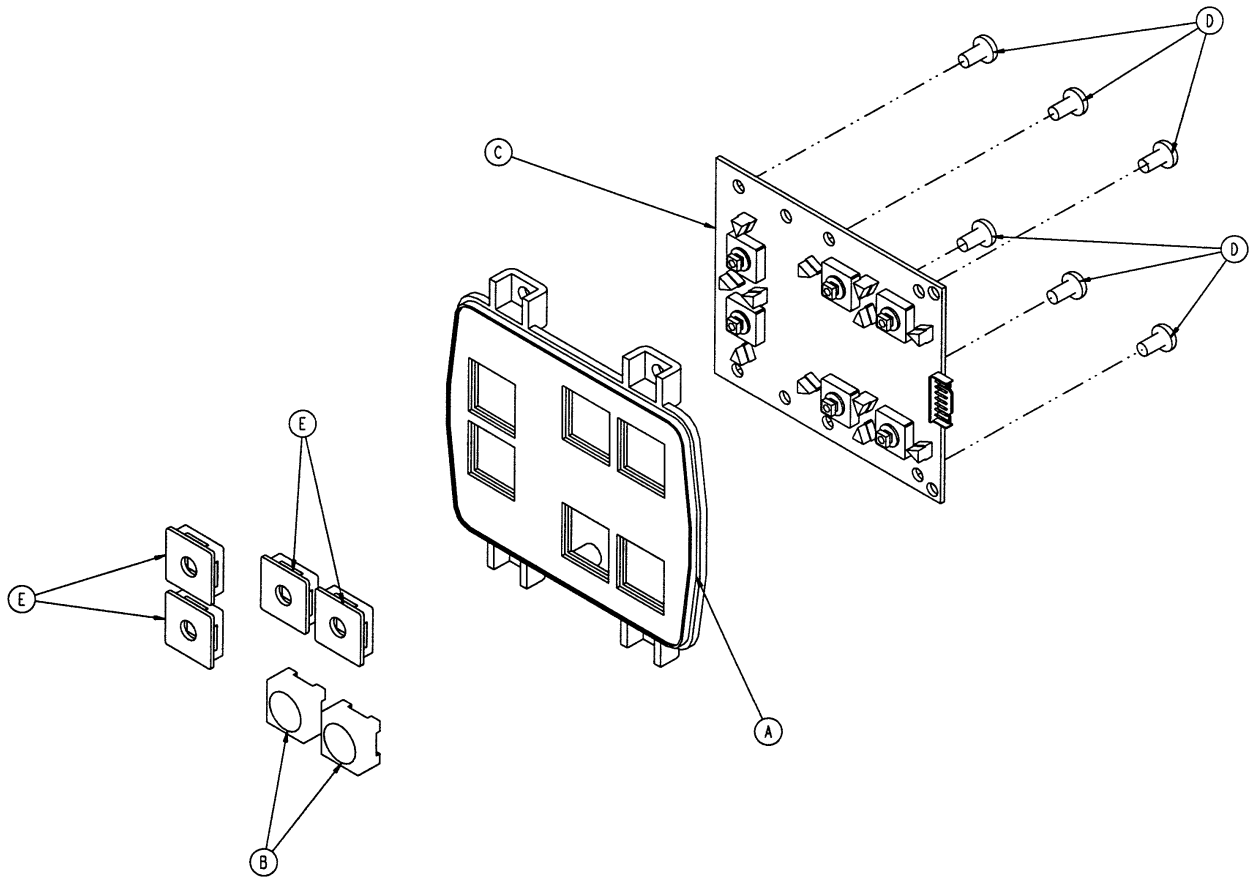
Item	Part No.	Part Name	Qty.
A	3001-400-524	Lumbar Module	1
B	3001-400-953	Switch Cap	4
C	5000-400-920	Lumbar Keypad PCB, Right	1
D	23-112	Tapping Screw	6
E	3001-400-522	Filler Cap	2

5000-20-28 Optional TV Module, No Lumbar, Left



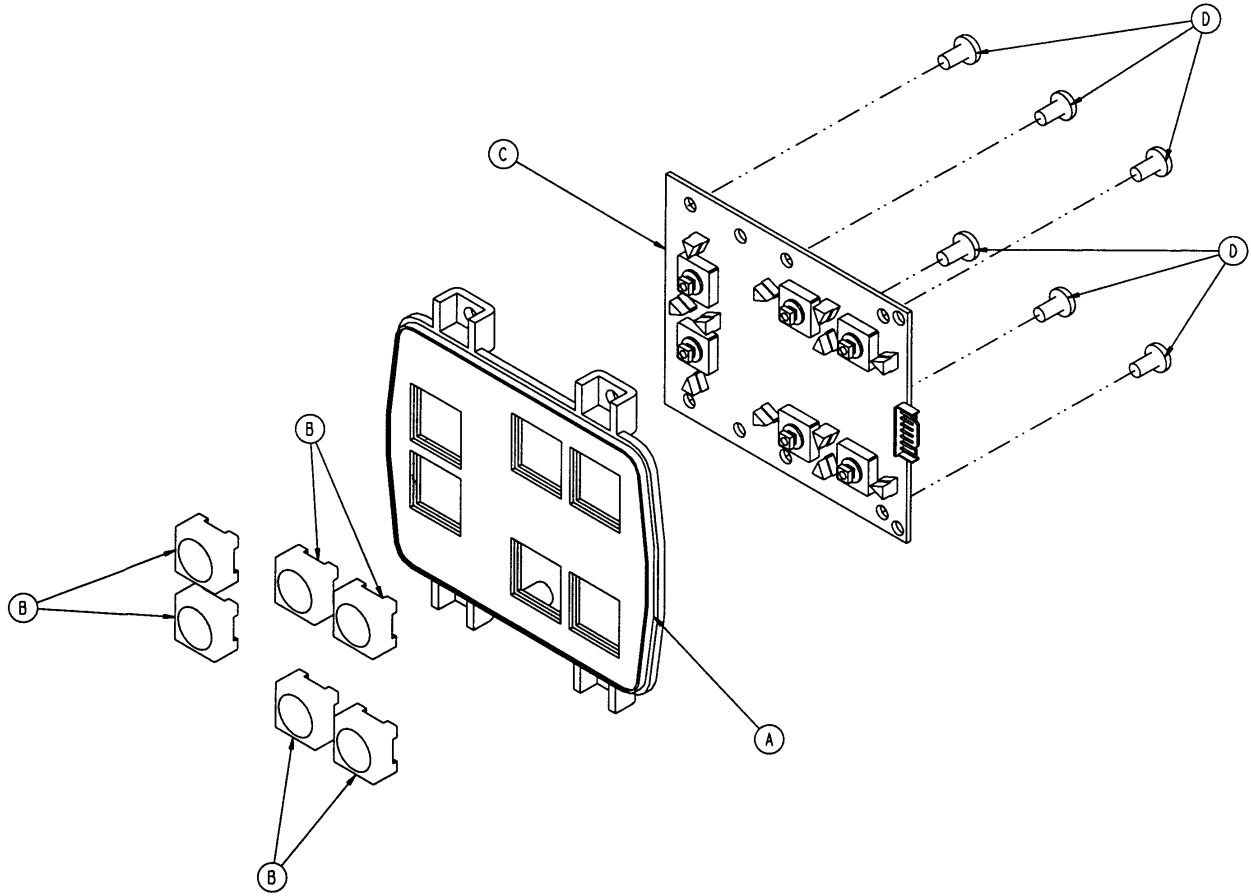
Item	Part No.	Part Name	Qty.
A	3001-400-524	Lumbar Module	1
B	3001-400-953	Switch Cap	2
C	5000-400-930	Lumbar Keypad PCB, Lt.	1
D	23-112	Tapping Screw	6
E	3001-400-522	Filler Cap	4

5000-20-29 Optional TV Module, No Lumbar, Right



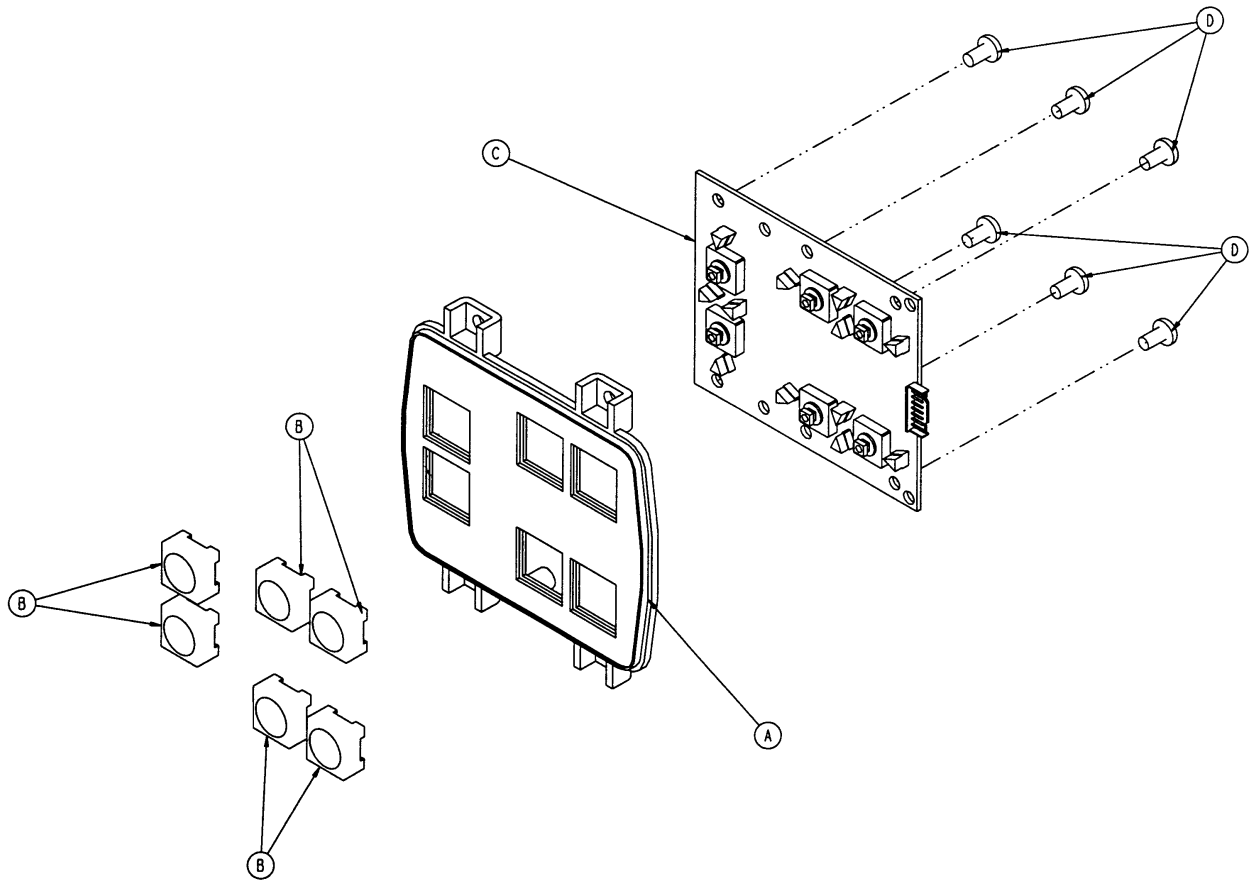
Item	Part No.	Part Name	Qty.
A	3001-400-524	Lumbar Module	1
B	3001-400-953	Switch Cap	2
C	5000-400-920	Lumbar Keypad PCB, Rt.	1
D	23-112	Tapping Screw	6
E	3001-400-522	Filler Cap	4

5000-20-26 Optional TV Module with Lumbar, Left



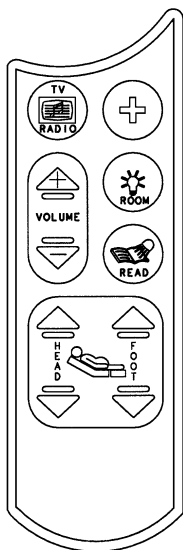
Item	Part No.	Part Name	Qty.
A	3001-400-524	Lumbar Module	1
B	3001-400-953	Switch Cap	6
C	5000-400-930	Lumbar Keypad PCB, Left	1
D	23-112	Tapping Screw	6

5000-20-27 Optional TV Module with Lumbar, Right

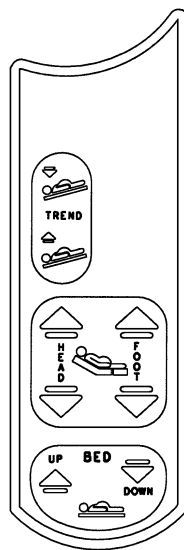


Item	Part No.	Part Name	Qty.
A	3001-400-524	Lumbar Module	1
B	3001-400-953	Switch Cap	6
C	5000-400-920	Lumbar Keypad PCB, Right	1
D	23-112	Tapping Screw	6

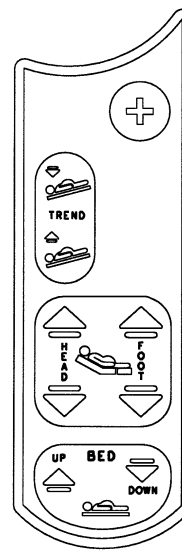
Optional Pendant Assembly



**5000-81-20
Communication Pendant**



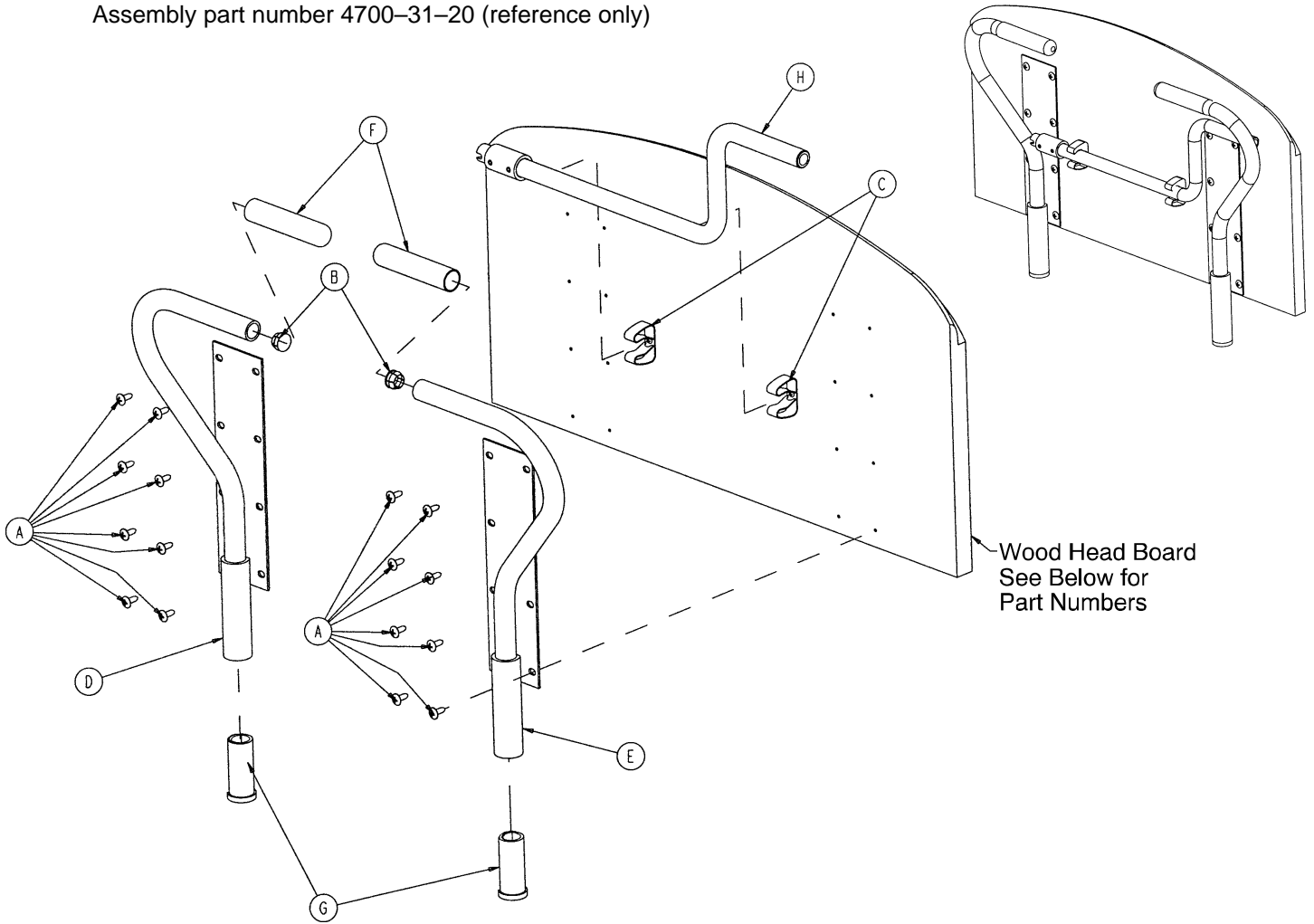
**5000-81-21
Motion Pendant**



**5000-81-23
Motion Pendant
with Nurse Call**

Wood Head Board Mounting Hardware

Assembly part number 4700-31-20 (reference only)

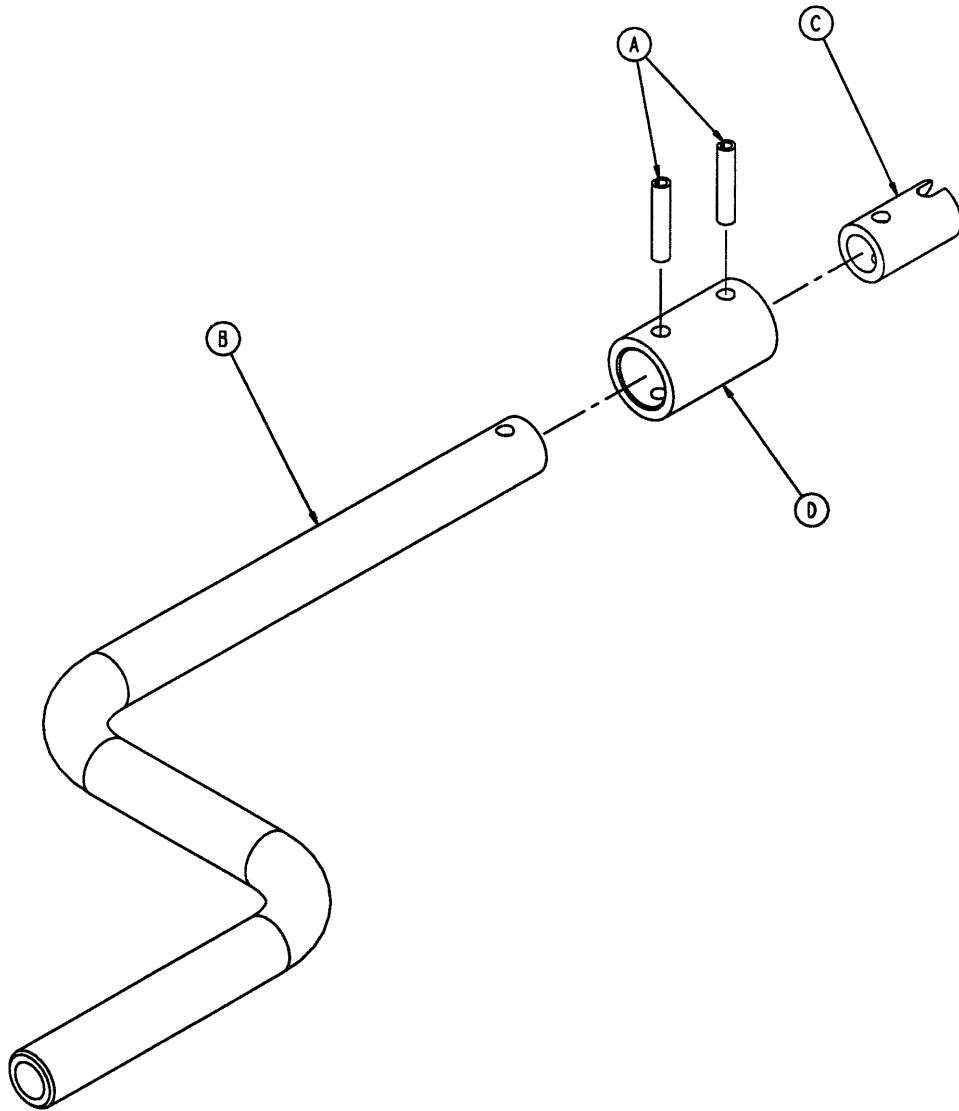


Wood Head Board
See Below for
Part Numbers

Item	Part No.	Part Name	Qty.
A	23-92	Truss Hd. Screw	16
B	37-62	Hole Plug	2
C	58-65	Handle Crank Clip	2
D	4700-30-51	Frame Weldment, Left	1
E	4700-30-56	Frame Weldment, Right	1
F	4700-30-57	Push Handle End Cap	2
G	5000-30-270	Plastic Insert	2
H	(page 140)	Crank Handle Assembly	1

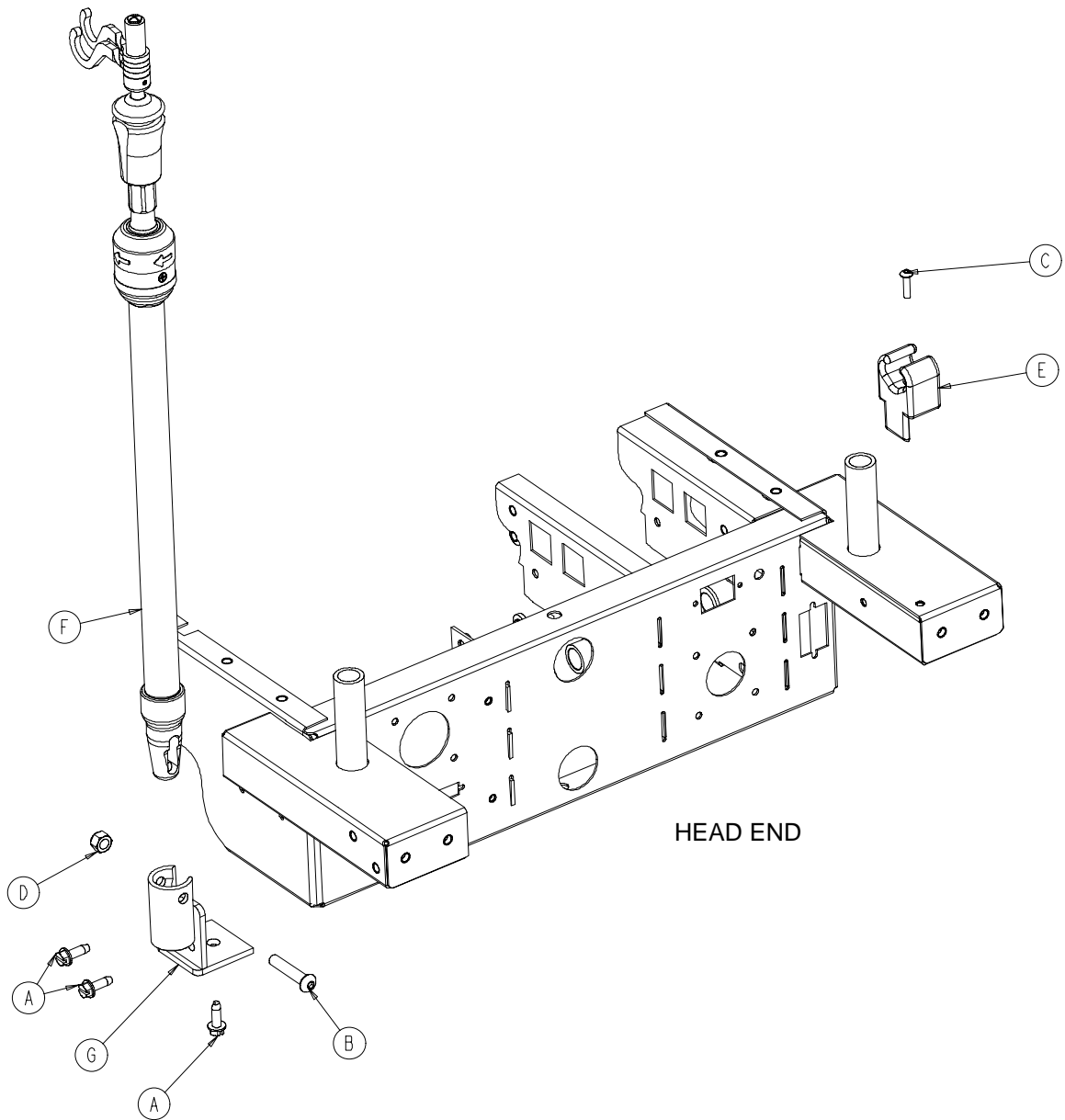
Stain Color	Part Number	Stain Color	Part Number
Blush	4700-31-1	Autumn Oak	4700-31-7
Classic	4700-31-2	Dark Natural	4700-31-8
Chestnut	4700-31-3	Beigewood	4700-31-9
Victorian Cherry	4700-31-4	Light Cherry	4700-31-10
Natural	4700-31-5	Dark Mahogany	4700-31-11
Traditional Oak	4700-31-6	Custom	4700-931-999

5000-230-320 Motor Crank Handle Assembly



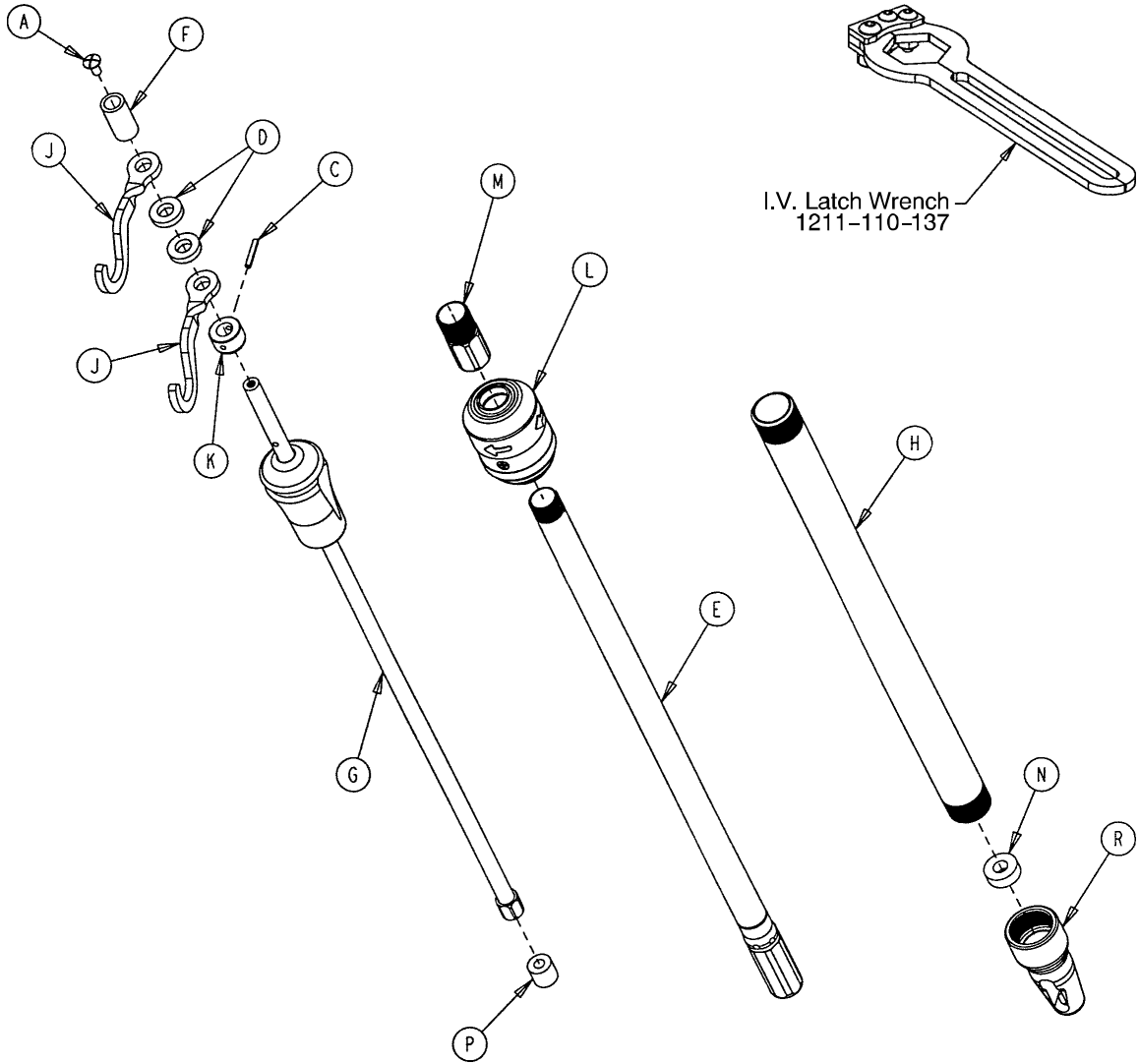
Item	Part No.	Part Name	Qty.
A	26-267	Spring Pin	2
B	5000-230-321	Crank Handle	1
C	5000-30-322	Crank End	1
D	5000-30-323	Crank Handle Collar	1

4700-101 Optional 3-Stage I.V. Pole Mounting Ass'y



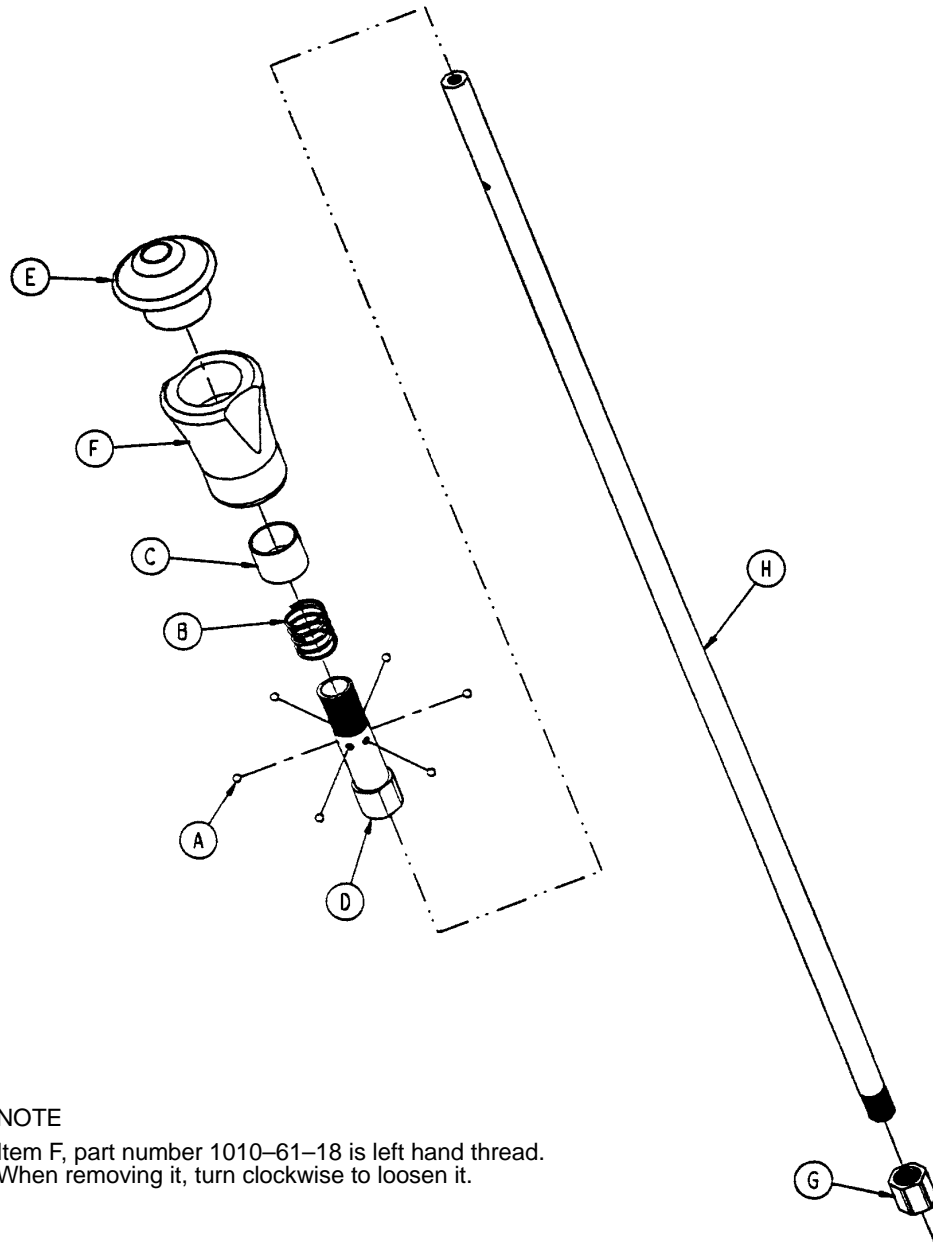
Item	Part No.	Part Name	Qty.
A	3-226	Hex Washer Hd. Screw	3
B	4-199	But. Hd. Cap Screw	1
C	4-278	But. Hd. Cap Screw	1
D	16-36	Nylock Nut	1
E	1001-59-12	I.V. Clip	1
F	(page 142)	3-Stage I.V. Pole Assembly	1
G	4700-30-23	I.V. Socket Weldment	1

1211-211-10 Optional 3-Stage I.V. Pole Assembly



Item	Part No.	Part Name	Qty.
A	7-4	Truss Hd. Machine Screw	1
C	26-76	Roll Pin	1
D	52-17	Spacer	2
E	1211-210-31	2nd Stage Assembly	1
F	926-400-162	Spacer	1
G	(page 143)	3rd Stage Assembly	1
H	1001-161-23	Base Tube	1
J	1010-259-16	I.V. Hook	2
K	1010-61-14	Collar	1
L	(page 144)	I.V. Pole Latch Assembly	1
M	1211-110-16	Threaded Adaptor	1
N	1001-359-13	Dampener	1
P	1001-359-14	Dampener	1
R	1001-359-112	Pivot	1

1211-110-32 3rd Stage Ass'y, 3-Stage I.V. Pole

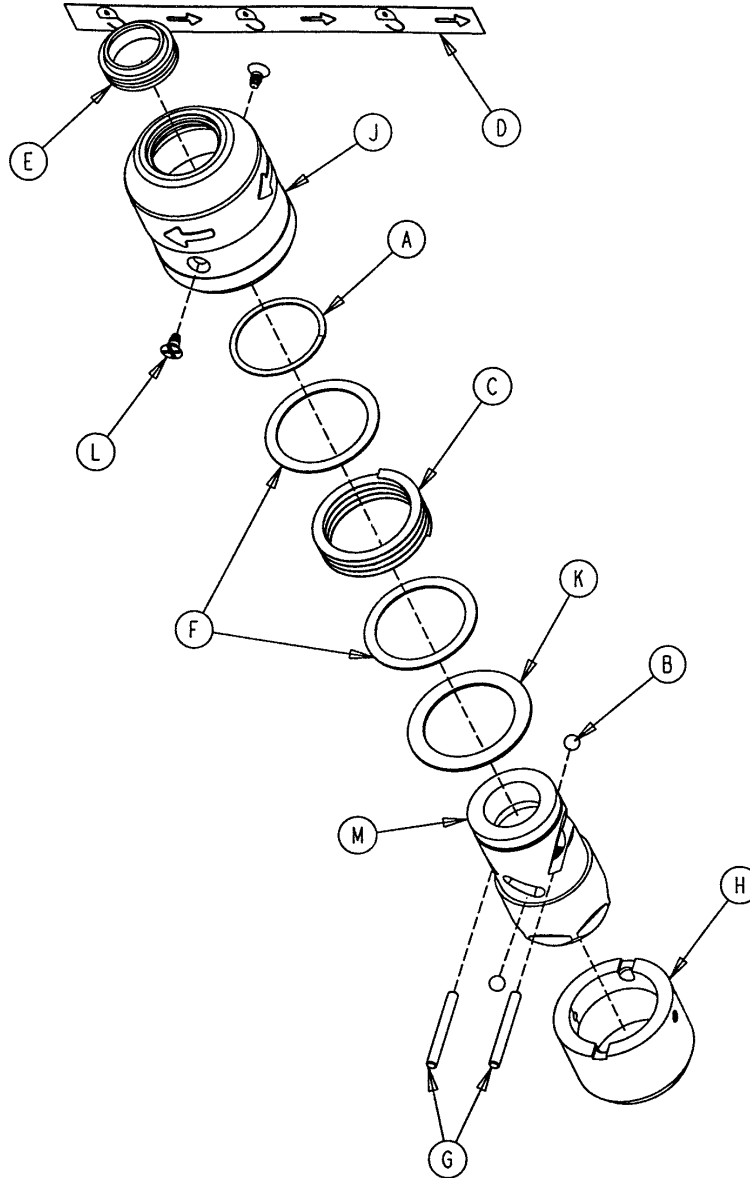


NOTE

Item F, part number 1010-61-18 is left hand thread.
When removing it, turn clockwise to loosen it.

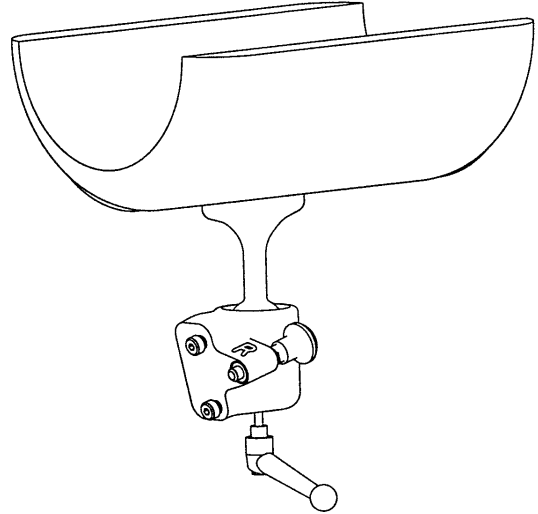
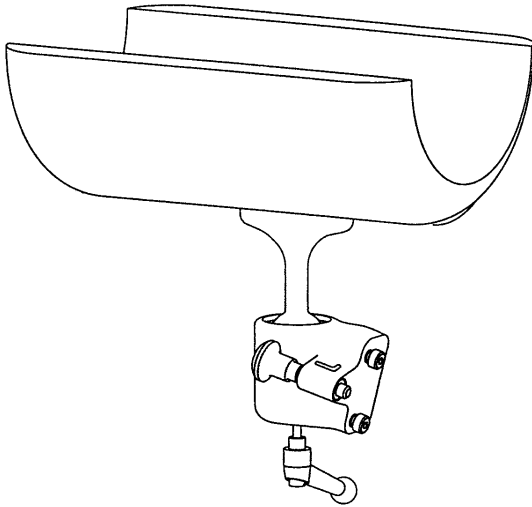
Item	Part No.	Part Name	Qty.
A	31-21	Ball	6
B	38-303	Compression Spring	1
C	1010-61-13	Ball Retainer	1
D	1010-61-16	Retaining Shaft	1
E	1010-61-17	Thumb Knob	1
F	1010-61-18	Hand Guard	1
G	1211-110-17	Nut	1
H	1211-110-33	3rd Extension Rod	1

1211-210-26 Latch Assembly, Optional 3-Stage I.V. Pole

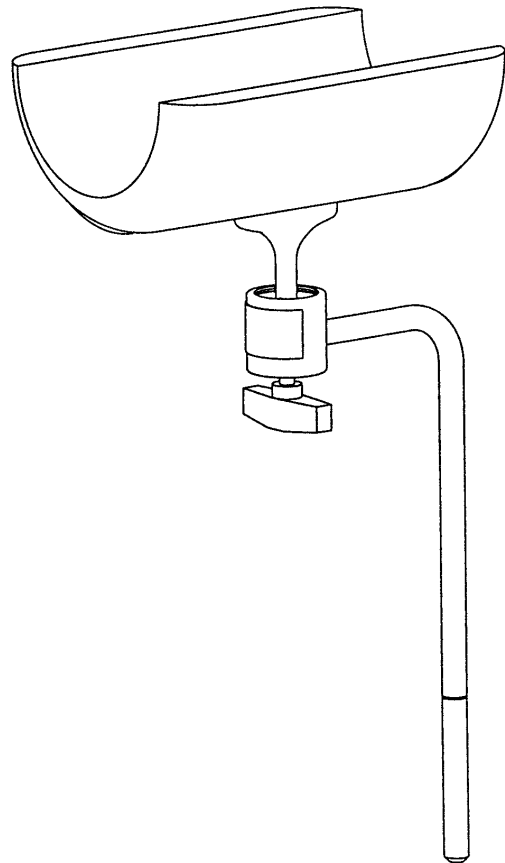
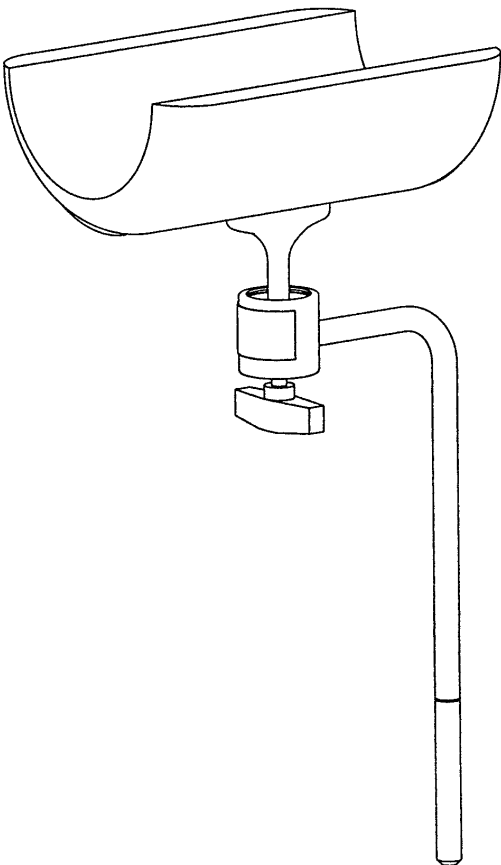


Item	Part No.	Part Name	Qty.
A	28-167	Retaining Ring	1
B	31-4	Steel Ball	2
C	38-392	Crest-to-Crest Spring	1
D	1211-91-34	Release Label	1
E	1211-110-18	I.V. Latch Seal	1
F	1211-110-20	Washer	2
G	1211-110-21	I.V. Latch Locking Pin	2
H	1211-110-22	I.V. Latch Guide	1
J	1211-110-24	I.V. Latch O.D. Housing	1
K	1211-110-35	Washer	1
L	1211-110-36	Self-Tapping Screw	2
M	1211-210-23	I.V. Latch I.D. Housing	1

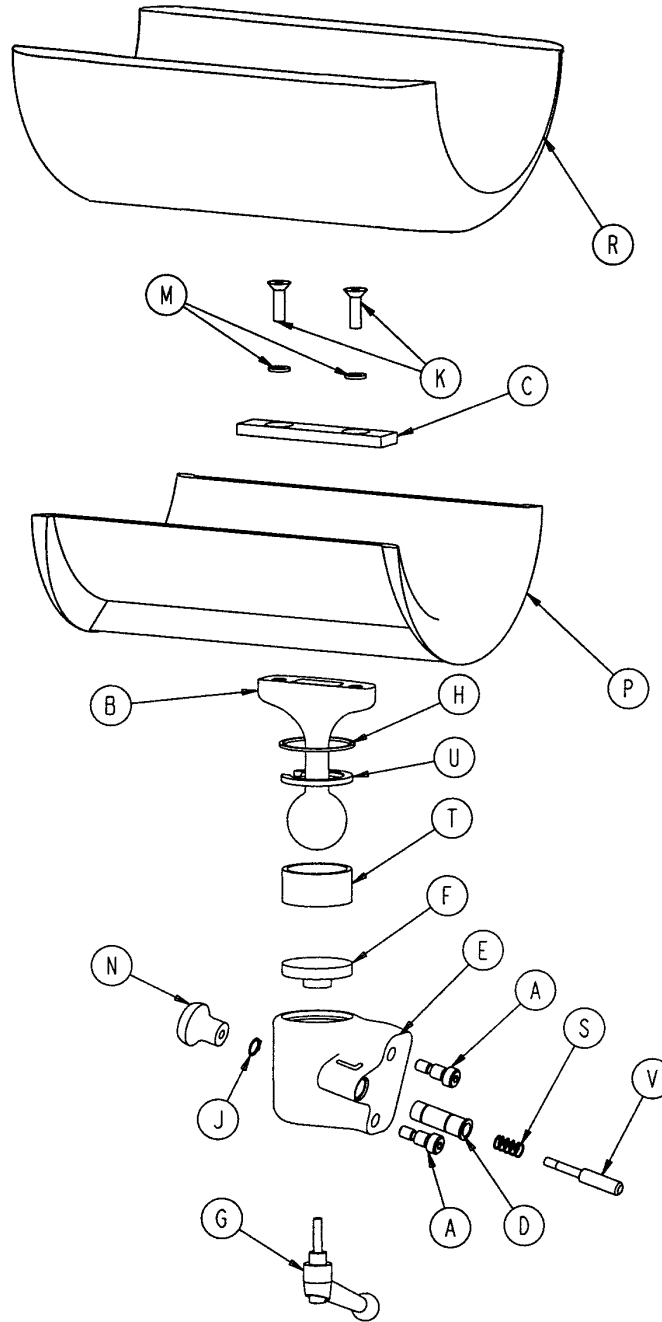
4700-40-20 (2) Attachable/Storable Calf Rests



4700-40-35 (2) Free Standing Calf Rests

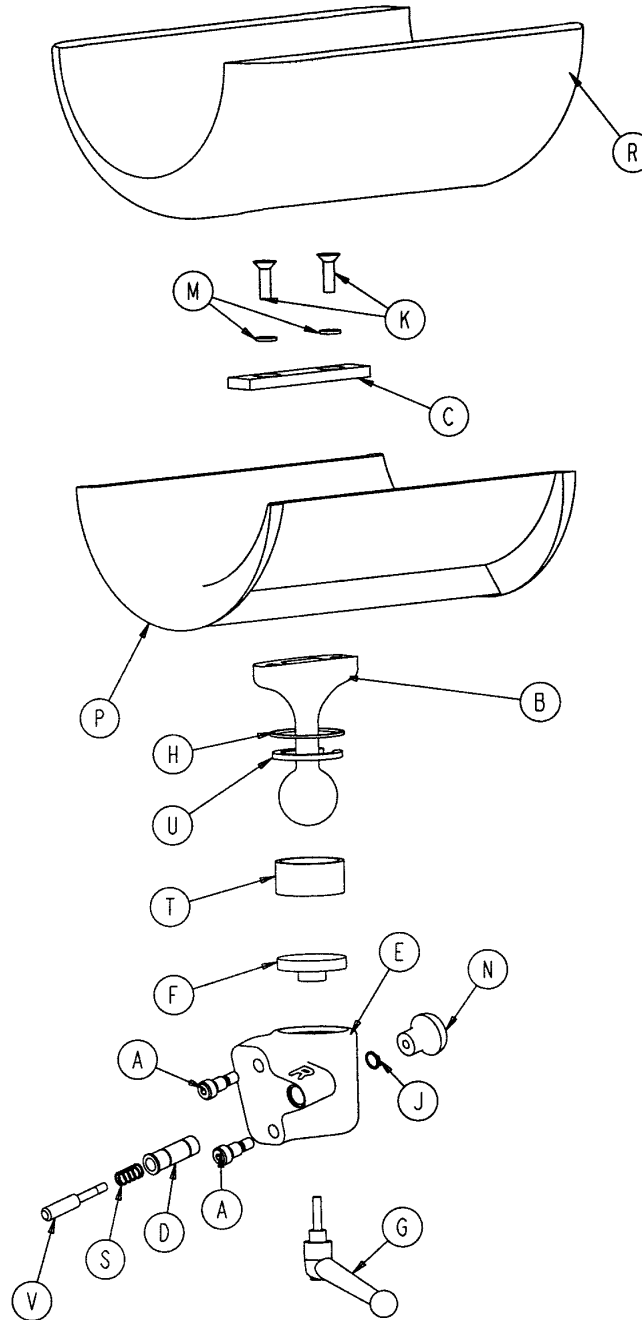


4700-40-21 Attachable/Storable Calf Rest Ass'y, Left



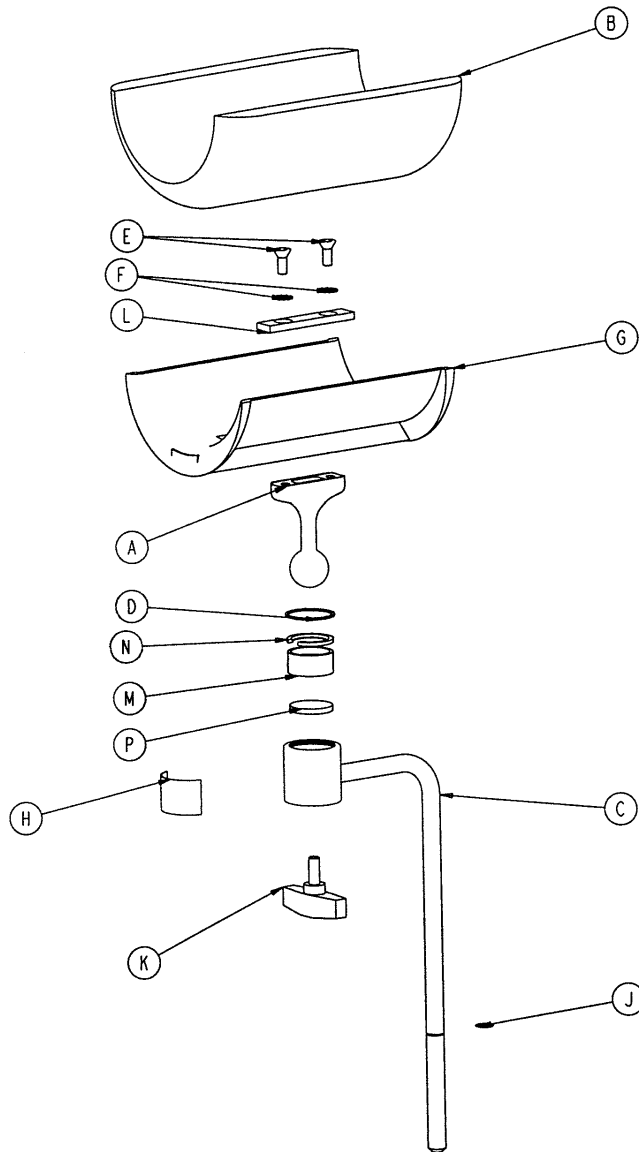
Item	Part No.	Part Name	Qty.	Item	Part No.	Part Name	Qty.
A	8-51	H. Soc. Hd. Sh. Bolt	2	K	1-97	H. Soc. Flat Hd. Screw	2
B	1060-1-155	Ball Post	1	M	8800-250-900	Int. Tooth Lock Washer	2
C	1060-1-157	Leg Support Mtg. Plate	1	N	5010-40-71	Stainless Steel Pull Knob	1
D	5000-40-134	Latch Pin Sleeve	1	P	8805-906-900	Calf Rest	1
E	5000-40-233	Ball Joint Housing, Left	1	R	4700-41-10	Calf Rest Cover Ass'y	1
F	5010-40-49	Locking Disc	1	S	8810-290-600	Foot Latch Spring	1
G	5010-40-51	Adj. Clamping Handle	1	T	8812-670-000	Leg Support Jaw	1
H	8800-200-800	Spiral Retainer Ring	1	U	8812-680-000	Split Ring	1
J	8800-201-100	Retaining Ring	1	V	8813-070-100	Foot Latch Pin	1

4700-40-22 Attachable/Storable Calf Rest Ass'y, Right



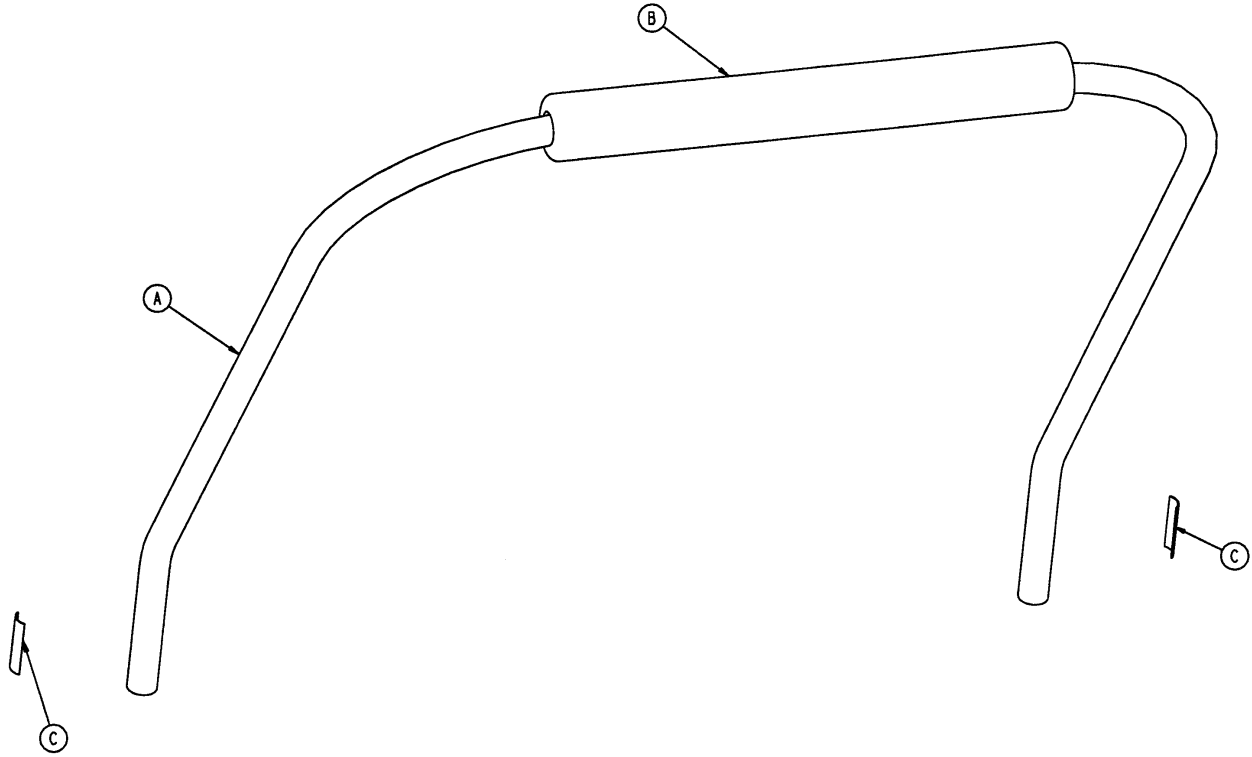
Item	Part No.	Part Name	Qty.	Item	Part No.	Part Name	Qty.
A	8-51	H. Soc. Hd. Sh. Bolt	2	K	1-97	H. Soc. Flat Hd. Screw	2
B	1060-1-155	Ball Post	1	M	8800-250-900	Int. Tooth Lock Washer	2
C	1060-1-157	Leg Support Mtg. Plate	1	N	5010-40-71	Stainless Steel Pull Knob	1
D	5000-40-134	Latch Pin Sleeve	1	P	8805-906-900	Calf Rest	1
E	5000-40-234	Ball Joint Housing, Right	1	R	4700-41-10	Calf Rest Cover Ass'y	1
F	5010-40-49	Locking Disc	1	S	8810-290-600	Foot Latch Spring	1
G	5010-40-51	Adj. Clamping Handle	1	T	8812-670-000	Leg Support Jaw	1
H	8800-200-800	Spiral Retainer Ring	1	U	8812-680-000	Split Ring	1
J	8800-201-100	Retaining Ring	1	V	8813-070-100	Foot Latch Pin	1

4700-40-30 Free Standing Calf Rest Assembly



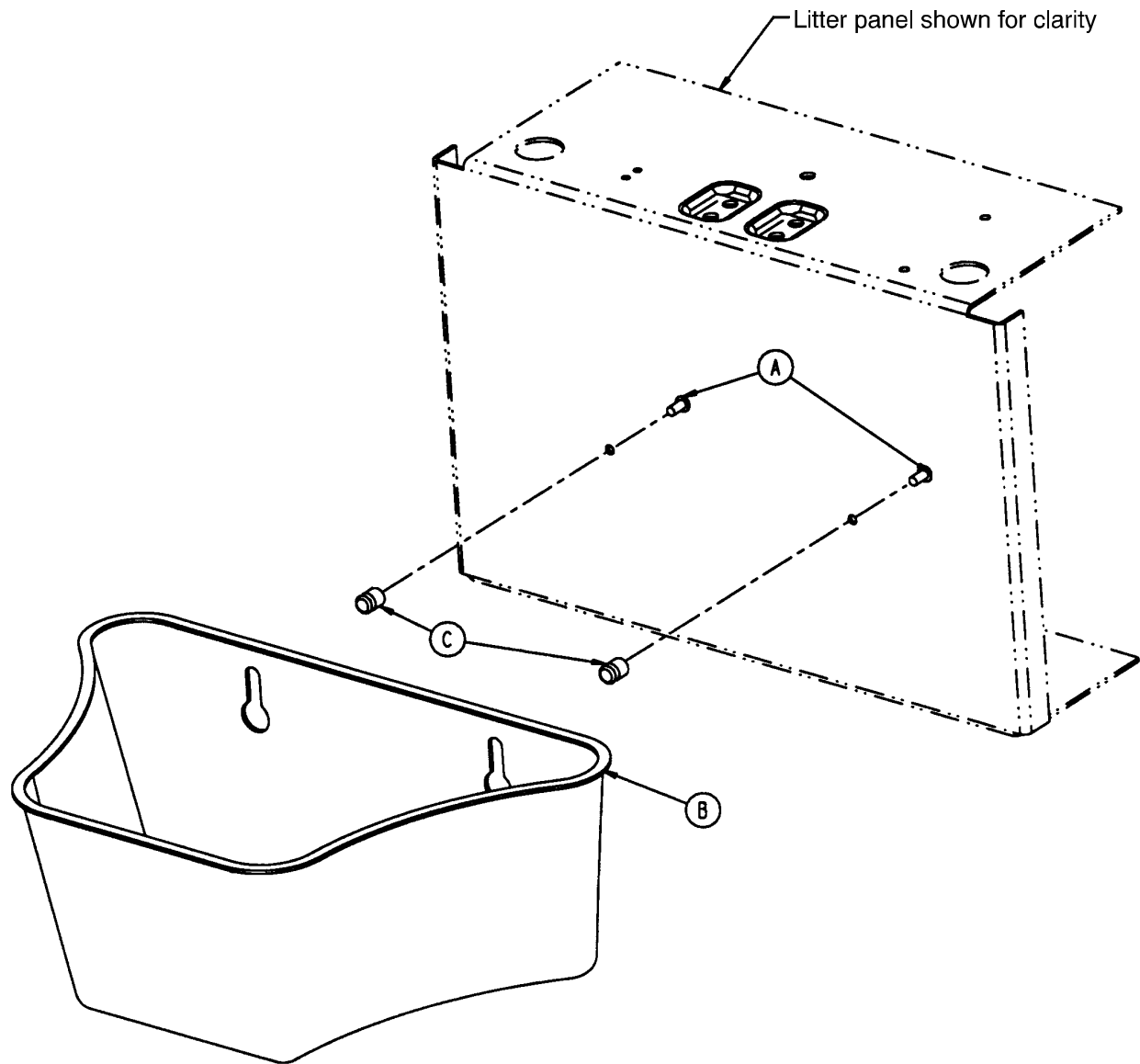
Item	Part No.	Part Name	Qty.
A	1060-1-155	Ball Post	1
B	4700-41-10	Calf Rest Cover Ass'y	1
C	5000-240-171	Calf Support Weldment	1
D	8800-200-800	Spiral Retaining Ring	1
E	1-97	Flat Soc. Hd. Screw	2
F	8800-250-900	Internal Tooth Lock Washer	2
G	8805-906-900	Leg Rest	1
H	8805-911-700	Warning Label	1
J	8806-124-800	Leg Support Ring	1
K	8811-410-300	T-Knob	1
L	8812-640-000	Leg Support Mounting Plate	1
M	8812-670-000	Leg Support Jaw	1
N	8812-680-000	Split Ring	1
P	8812-690-000	Leg Support Pressure Disc	1

5000-101-27 Optional Labor Bar Assembly



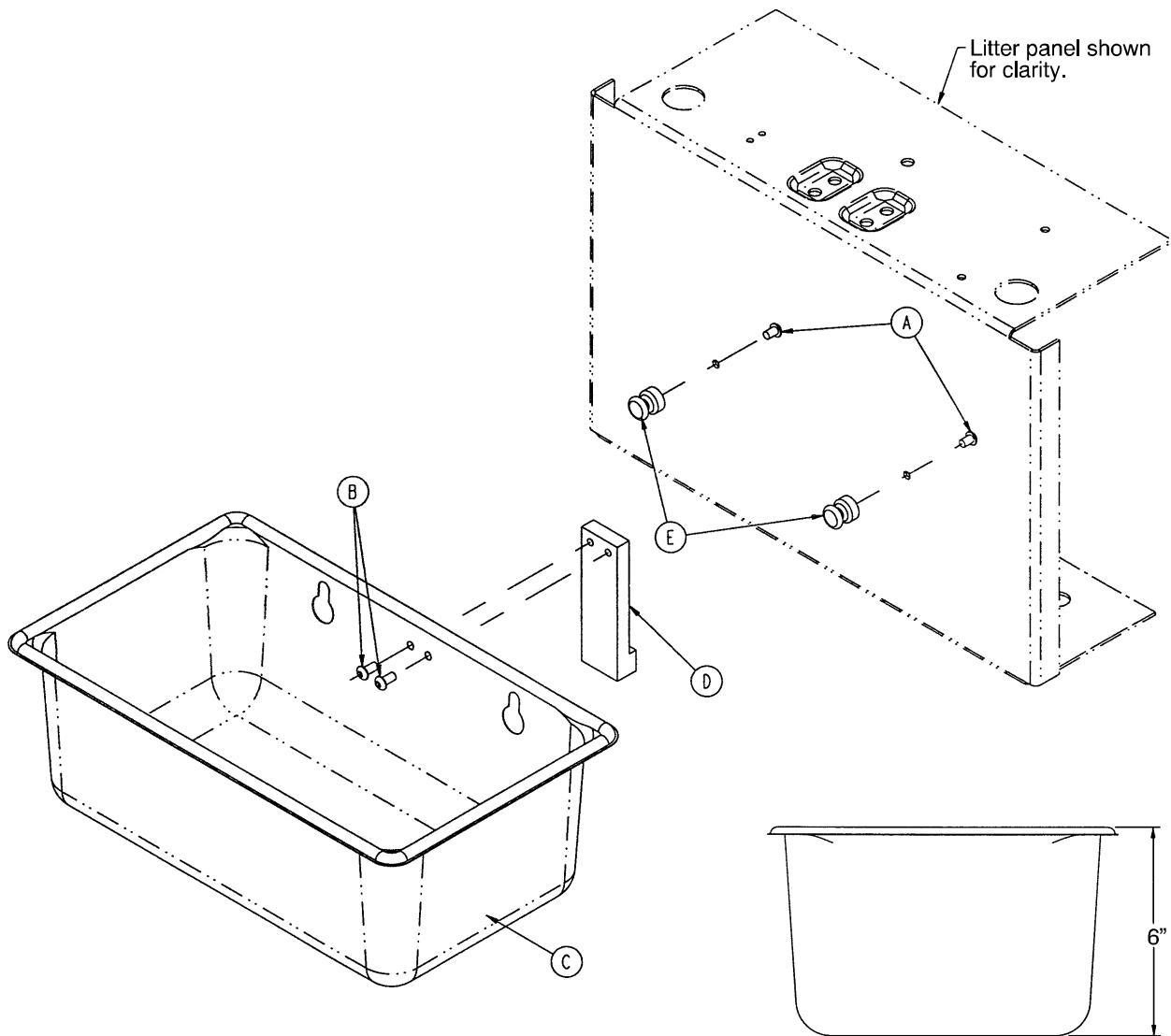
Item	Part No.	Part Name	Qty.
A	5000-101-2	Labor Bar	1
B	5000-101-31	Pad	1
C	8809-520-500	Labor Bar Label	2

5000-30-297 Standard Plastic Basin Assembly



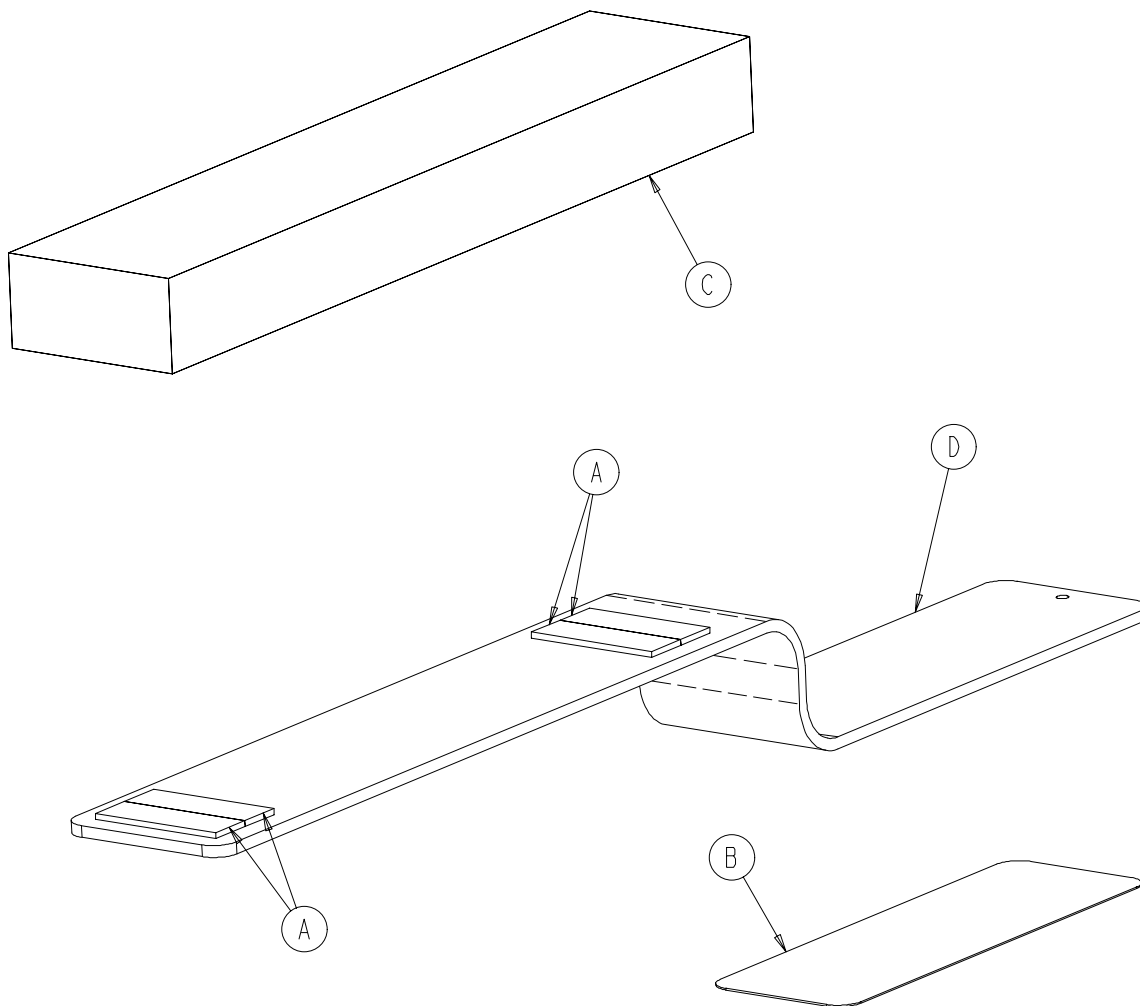
Item	Part No.	Part Name	Qty.
A	4-232	Button Hd. Cap Screw	2
B	5000-30-230	Basin	1
C	8812-290-000	Basin Button	2

5000-101-28 Optional Stainless Steel Basin Assembly



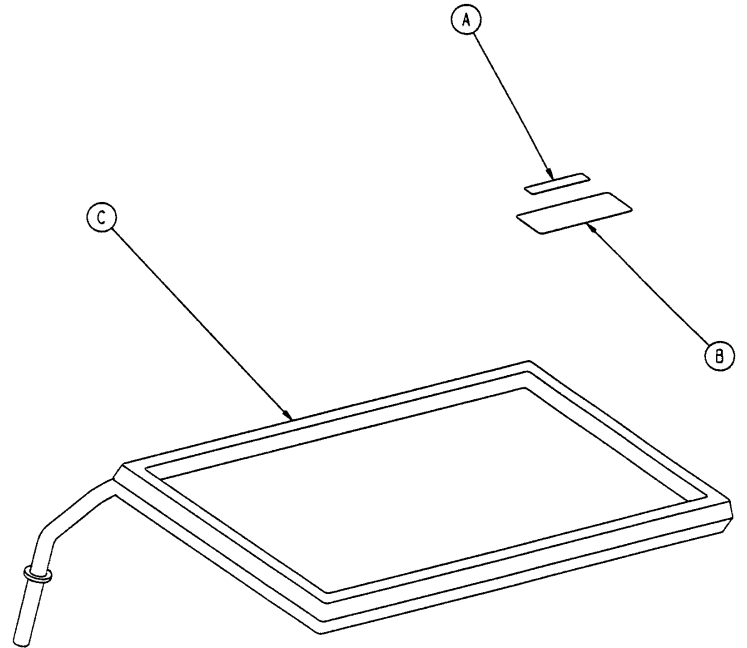
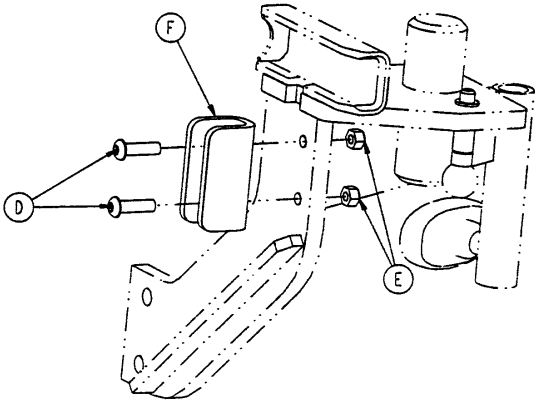
Item	Part No.	Part Name	Qty.
A	4-74	Button Hd. Cap Screw	2
B	7-52	Truss Hd. Torx	2
C	5000-201-29	Stainless Steel Basin	1
D	5000-101-30	Pan Spacer	1
E	8812-290-000	Basin Button	2

4700-43 Optional Arm Board Assembly



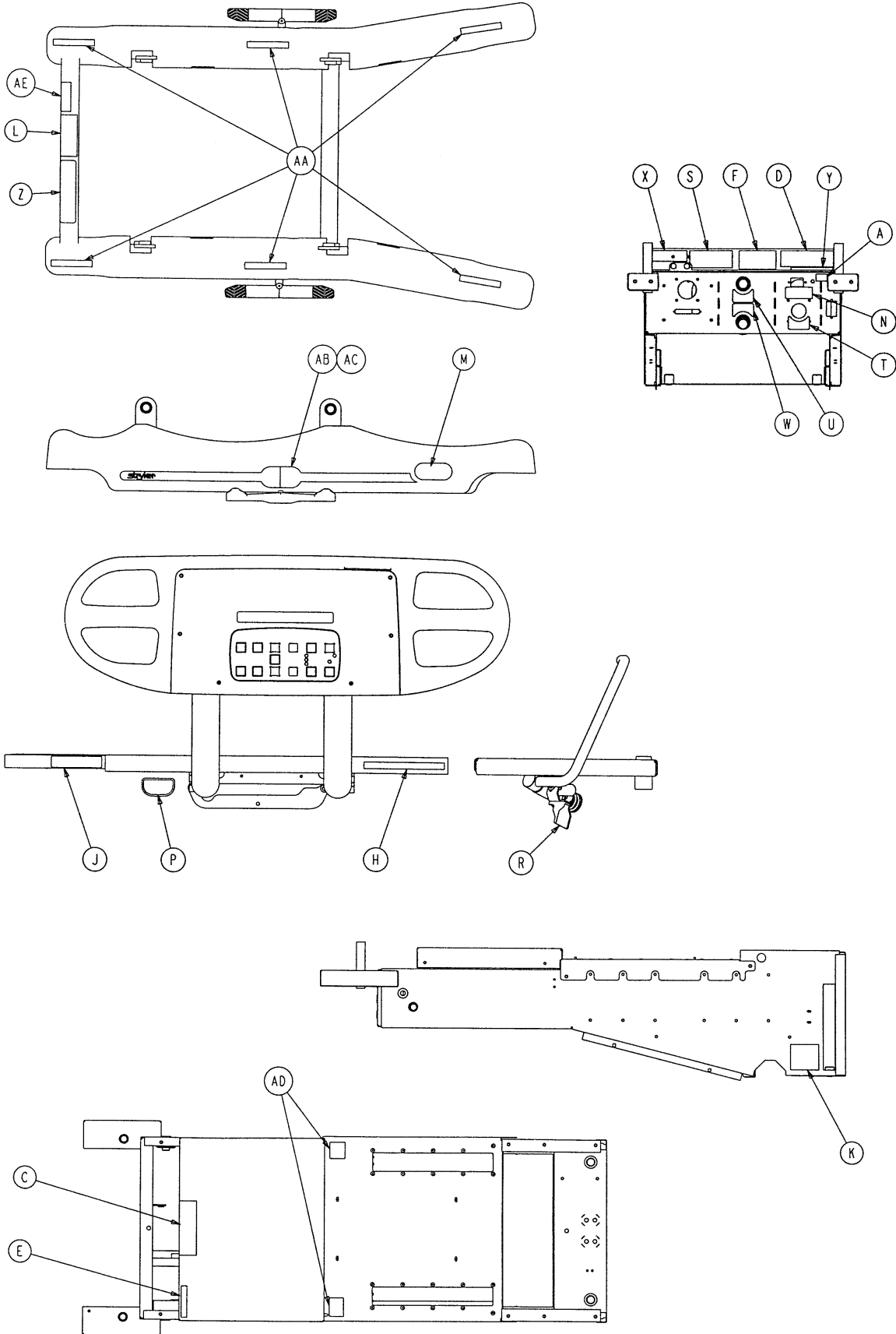
Item	Part No.	Part Name	Qty.
A	8800-440-200	1" Hook Tape	12"
B	8805-897-900	Arm Board Pad	1
C	4700-43-1	Arm Board Mattress	1
D	5000-101-4	Arm Board	1

5000-101-44 Optional Multi-Purpose Shelf Assembly



Item	Part No.	Part Name	Qty.
A	8805-946-000	Weight Capacity Label	1
B	8805-997-400	Shelf Label	1
C	5000-101-001	Shelf	1
D	4-46	But. Hd. Cap Screw	4
E	16-28	Nylock Nut	4
F	5000-40-179	Shelf Mount	2

Label Assembly



Label Assembly

Item	Part No.	Part Name	Qty.
A	36-115	Ground Label	1
C	988-2-708	Electric Shock Caution Label	1
D	1550-90-1	Grounding Caution Label	1
E	1550-90-20	O2 Caution Label	1
F	2011-1-104	Anesthetics Danger Label	1
H	2020-88-820	Fire Hazard Label	2
J	4700-90-2	CPR Release Label	2
K	3001-310-601	Night Light Label	1
L	4700-90-7	Specification Label	1
M	4700-90-11	Adel Adv. Del. System Label	2
N	5000-90-4	Power Cord Caution Label	1
P	5000-90-16	"Push to Release" Label	2
R	5000-90-18	Pull Label	2
S	5000-90-28	HWI Port Label	1
T	5000-90-64	Bed Up/Down Label	1
U	5000-90-66	Up/Down Label	1
W	5000-90-65	Fowler In/Out Label	1
X	5010-90-9	6A Fuse Label	1
Y	5010-90-8	Caution Label	1
Z	5010-90-12	Steer Label	1
AA	5010-90-13	"Keep Feet Clear" Label	6
AB	5010-90-15	Base Hood Label, Right	1
AC	5010-90-16	Base Hood Label, Left	1
AD	6060-90-114	"Keep Hands Clear" Label	2
AE	5010-90-28	Patent Label	1

Warranty

Limited Warranty:

Stryker Medical Division warrants to the original purchaser that its products should be free from defects in material and workmanship for a period of one (1) year after date of delivery. Stryker's obligation under this warranty is expressly limited to supplying replacement parts and labor for, or replacing, at its option, any product which is, in the sole discretion of Stryker, found to be defective. Stryker warrants to the original purchaser that the frame and welds on its beds will be free from structural defects for as long as the original purchaser owns the bed. If requested by Stryker, products or parts for which a warranty claim is made shall be returned prepaid to Stryker's factory. Any improper use or any alteration or repair by others in such manner as in Stryker's judgement affects the product materially and adversely shall void this warranty. No employee or representative of Stryker is authorized to change this warranty in any way.

This statement constitutes Stryker's entire warranty with respect to the aforesaid equipment. STRYKER MAKES NO OTHER WARRANTY OR REPRESENTATION, EITHER EXPRESSED OR IMPLIED, EXCEPT AS SET FORTH HEREIN. THERE IS NO WARRANTY OF MERCHANTABILITY AND THERE ARE NO WARRANTIES OF FITNESS FOR ANY PARTICULAR PURPOSE. IN NO EVENT SHALL STRYKER BE LIABLE HEREUNDER FOR INCIDENTAL OR CONSEQUENTIAL DAMAGES ARISING FROM OR IN ANY MANNER RELATED TO SALES OR USE OF ANY SUCH EQUIPMENT.

To Obtain Parts and Service:

Stryker products are supported by a nationwide network of dedicated Stryker Field Service Representatives. These representatives are factory trained, available locally, and carry a substantial spare parts inventory to minimize repair time. Simply call your local representative, or call Stryker Customer Service at (800) 327-0770.

Supplemental Warranty Coverage:

Stryker has developed a comprehensive program of extended warranty options designed to keep your equipment operating at peak performance at the same time it eliminates unexpected costs. We recommend that these programs be activated *before* the expiration of the new product warranty to eliminate the potential of additional equipment upgrade charges. Stryker offers the following Supplemental Warranties:

Extended (Parts and Labor)

- All replacement parts (excluding mattresses and consumable items)
- Labor and travel for *all* scheduled and unscheduled calls
- Annual Preventive Maintenance Inspections and repairs
- JCAHO paperwork for preventive maintenance
- Priority Emergency Service

Standard (Labor Only):

- Labor and travel for *all* scheduled and unscheduled calls
- Annual Preventive Maintenance Inspections and repairs
- JCAHO paperwork for preventive maintenance
- Priority Emergency Service

Basic (Parts Only):

- All replacement parts (excluding mattresses and consumable items)
- Priority Emergency Service

Please call your local representative, or call (800) 327-0770 for further information

Warranty

Return Authorization:

Merchandise cannot be returned without approval from the Stryker Customer Service Department. An authorization number will be provided which must be printed on the returned merchandise. Stryker reserves the right to charge shipping and restocking fees on returned items.

SPECIAL, MODIFIED, OR DISCONTINUED ITEMS NOT SUBJECT TO RETURN.

Damaged Merchandise:

ICC Regulations require that claims for damaged merchandise must be made with the carrier within fifteen (15) days of receipt of merchandise. **DO NOT ACCEPT DAMAGED SHIPMENTS UNLESS SUCH DAMAGE IS NOTED ON THE DELIVERY RECEIPT AT THE TIME OF RECEIPT.** Upon prompt notification, Stryker will file a freight claim with the appropriate carrier for damages incurred. Claim will be limited in amount to the actual replacement cost. In the event that this information is not received by Stryker within the fifteen (15) day period following the delivery of the merchandise, or the damage was not noted on the delivery receipt at the time of receipt, the customer will be responsible for payment of the original invoice in full.

Claims for any short shipment must be made within thirty (30) days of invoice.

International Warranty Clause:

This warranty reflects U.S. domestic policy. Warranty outside the U.S. may vary by country. Please contact your local Stryker representative for additional information.



European Representative

Stryker France
BP 50040-95946 Roissy Ch. de Gaulle
Cedex-France

Phone: 33148632290
Fax: 33148632175

stryker[®]
Medical

6300 Sprinkle Road, Kalamazoo, MI 49001-9799

(800) 327-0770
www.strykermedical.com



JH 9/05 4700-002-001 REV A