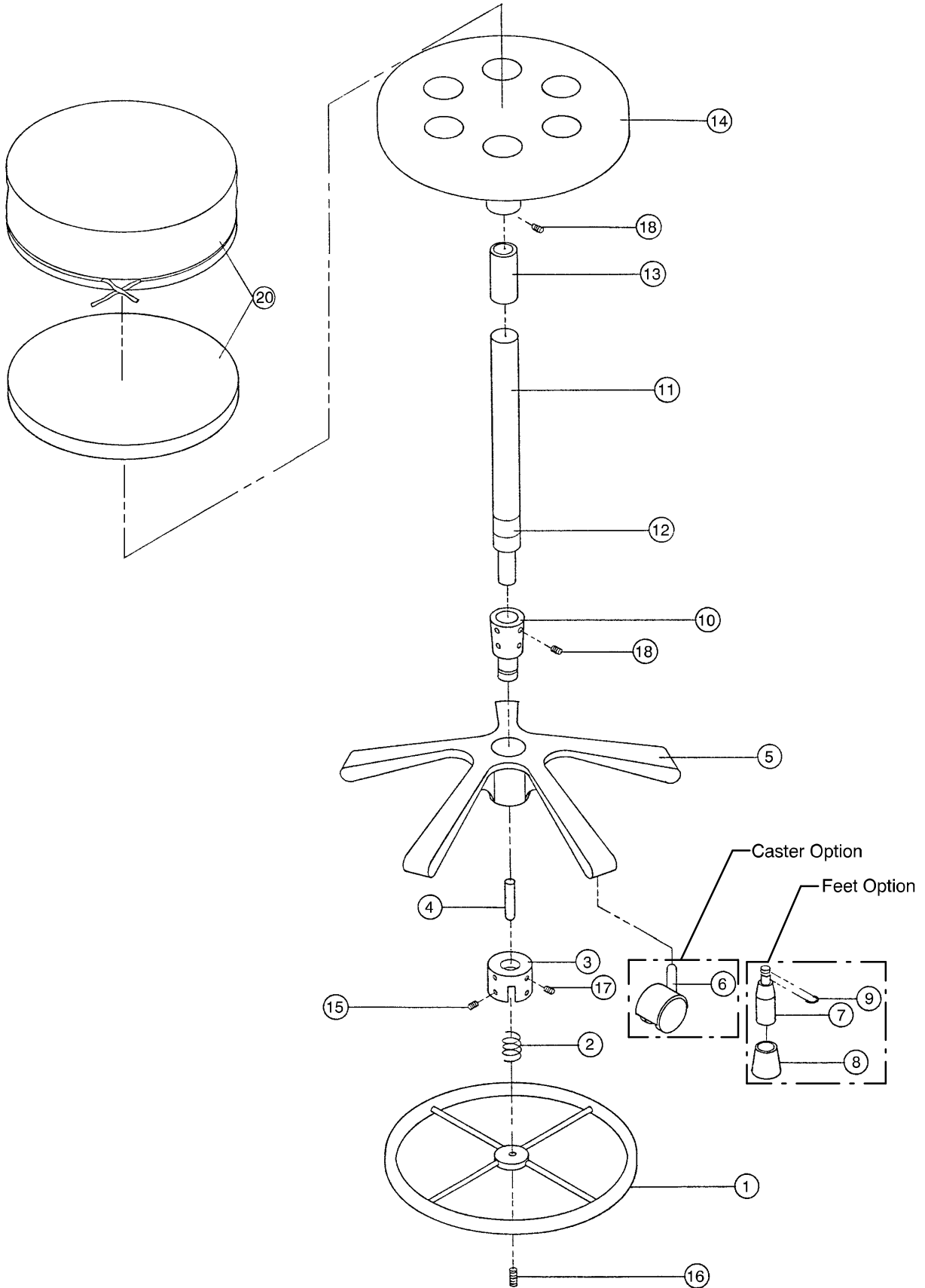


8811-090-000 Clinician's Stool with Casters

8811-090-100 Clinician's Stool with Feet



8811-090-000 Clinician's Stool with Casters

8811-090-100 Clinician's Stool with Feet

| Item | Part No. | Part Name | Qty. |
|------|--------------|--------------------------|------|
| 1 | 8801-810-000 | Actuator Ring | 1 |
| 2 | 8801-900-000 | Spring | 1 |
| 3 | 8811-100-000 | Collar | 1 |
| 4 | 8801-800-000 | Actuator Rod | 1 |
| 5 | 8801-830-000 | Base | 1 |
| 6 | 8801-790-000 | Caster and Stem | 5 |
| 7 | 8800-970-000 | Stool Foot | 5 |
| 8 | 8800-970-100 | Stool Tip | 5 |
| 9 | 8800-970-200 | Spring Clip | 5 |
| 10 | 8801-780-000 | Adaptor | 1 |
| 11 | 8811-092-000 | Gas Spring | 1 |
| 12 | 8800-840-600 | Furniture Label | 1 |
| 13 | 8801-890-000 | Seat Spacer | 1 |
| 14 | 8801-820-000 | Seat Pan | 1 |
| 15 | 8800-223-800 | Set Screw (bottom holes) | 4 |
| 16 | 8810-780-000 | Set Screw | 1 |
| 17 | 8810-790-000 | Set Screw (top holes) | 4 |
| 18 | 8815-024-100 | Set Screw | 8 |
| 19 | 8801-650-100 | Sealant | A/R |
| 20 | 8810-680-000 | Optional Stool Cover | A/R |

Note: Apply item number 19 (sealant) to the inside diameter of item 10 (adaptor).
Apply Loctite™ 242 to all screws.
The serial number tag is located below the seat pan.

| | |
|--------------------------|------------------------------|
| Maximum Weight Capacity | 300 pounds |
| Lower/Upper Height Range | 20 – 26 inches (without pad) |

stryker[®]
Medical

6300 Sprinkle Road Kalamazoo, MI 49001-9799 USA

(800) 327-0770