

Joerns
Healthcare

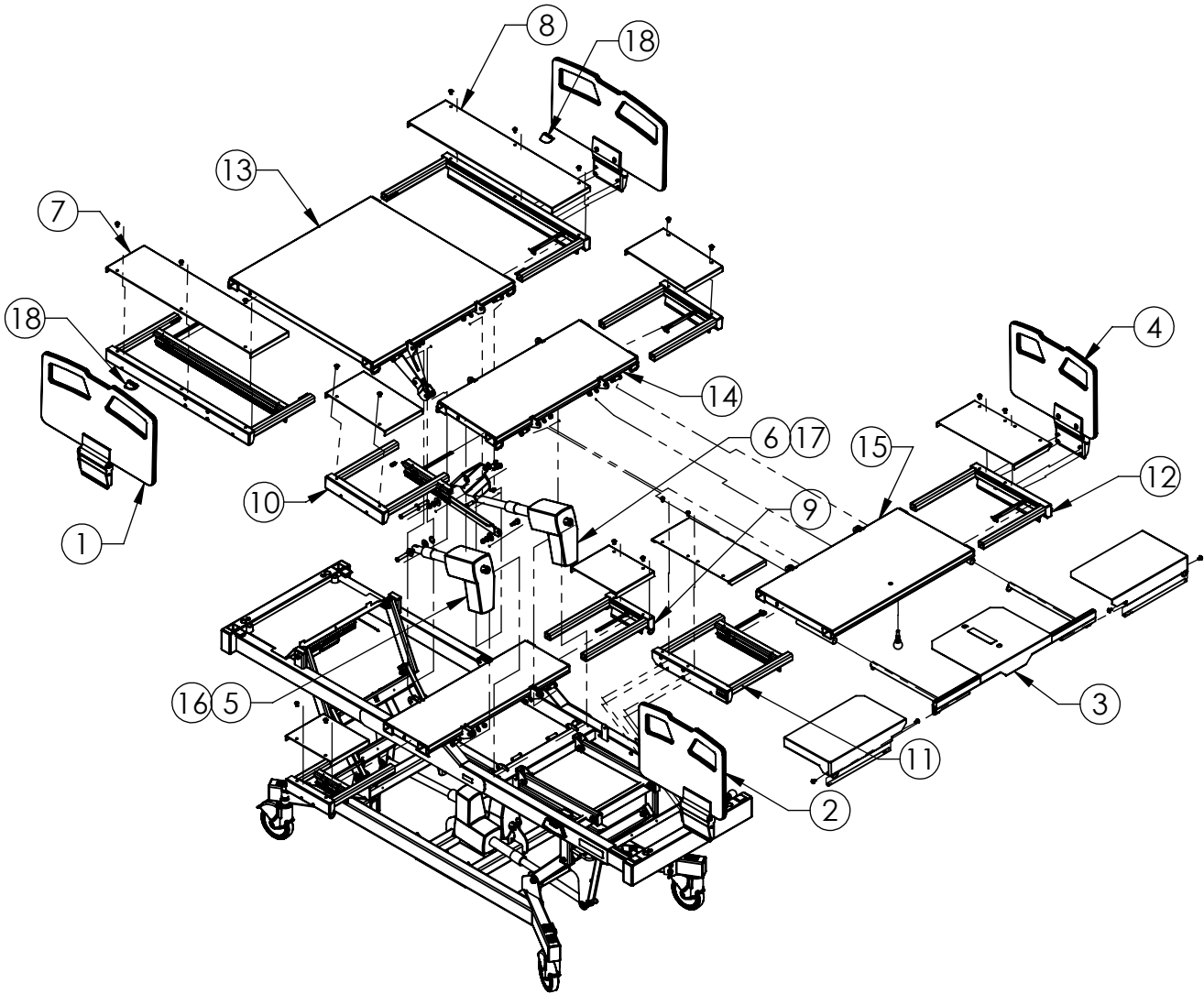
Parts List
Joerns® Bariatric Beds
Bari10A Model

To avoid injury, read user's manual before using.



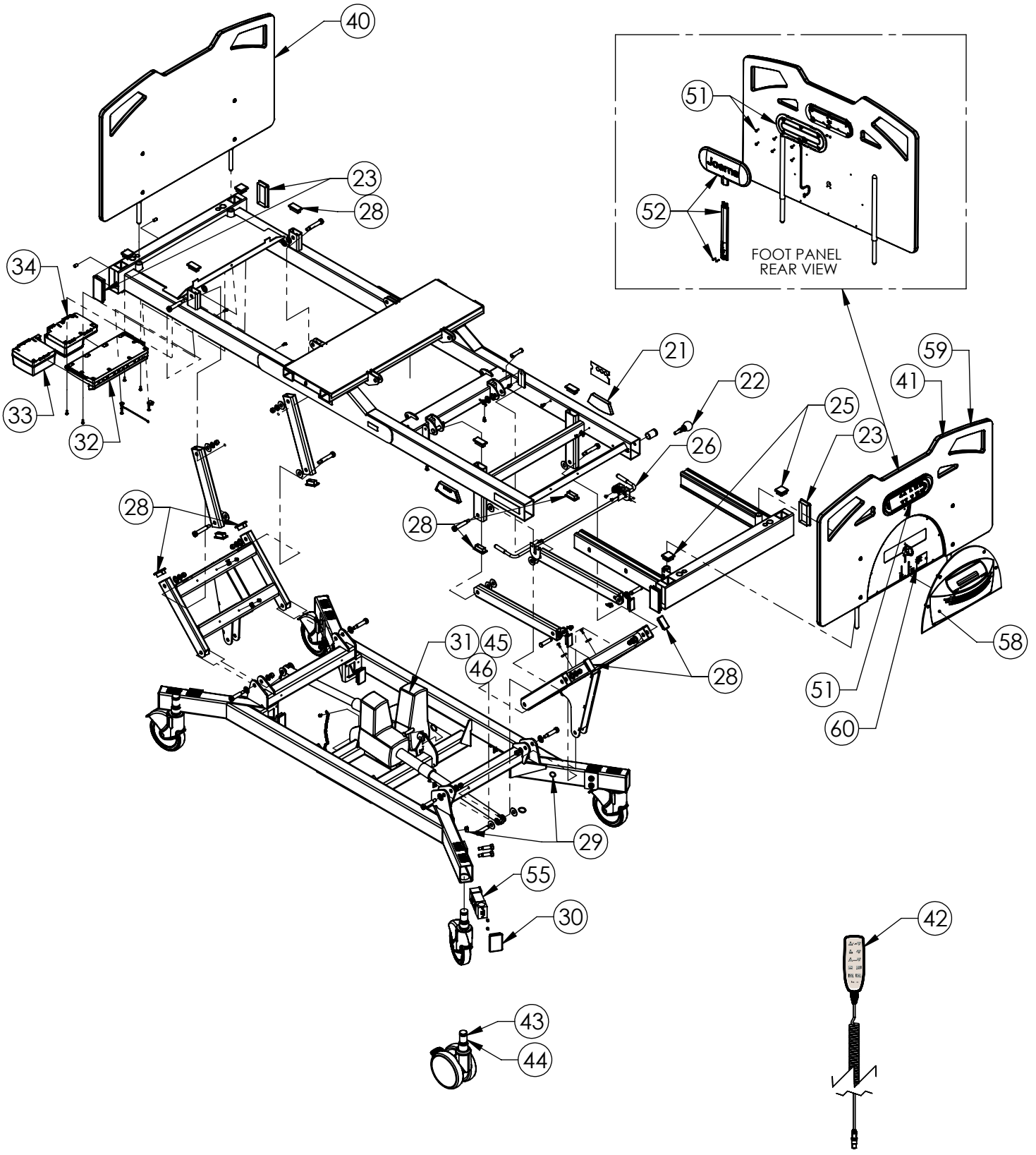
leading bed evolution

MATTRESS SUPPORT
PLATFORM (PAGES 4-7)
SERVICE COMPONENTS
MODELS: BARI10A



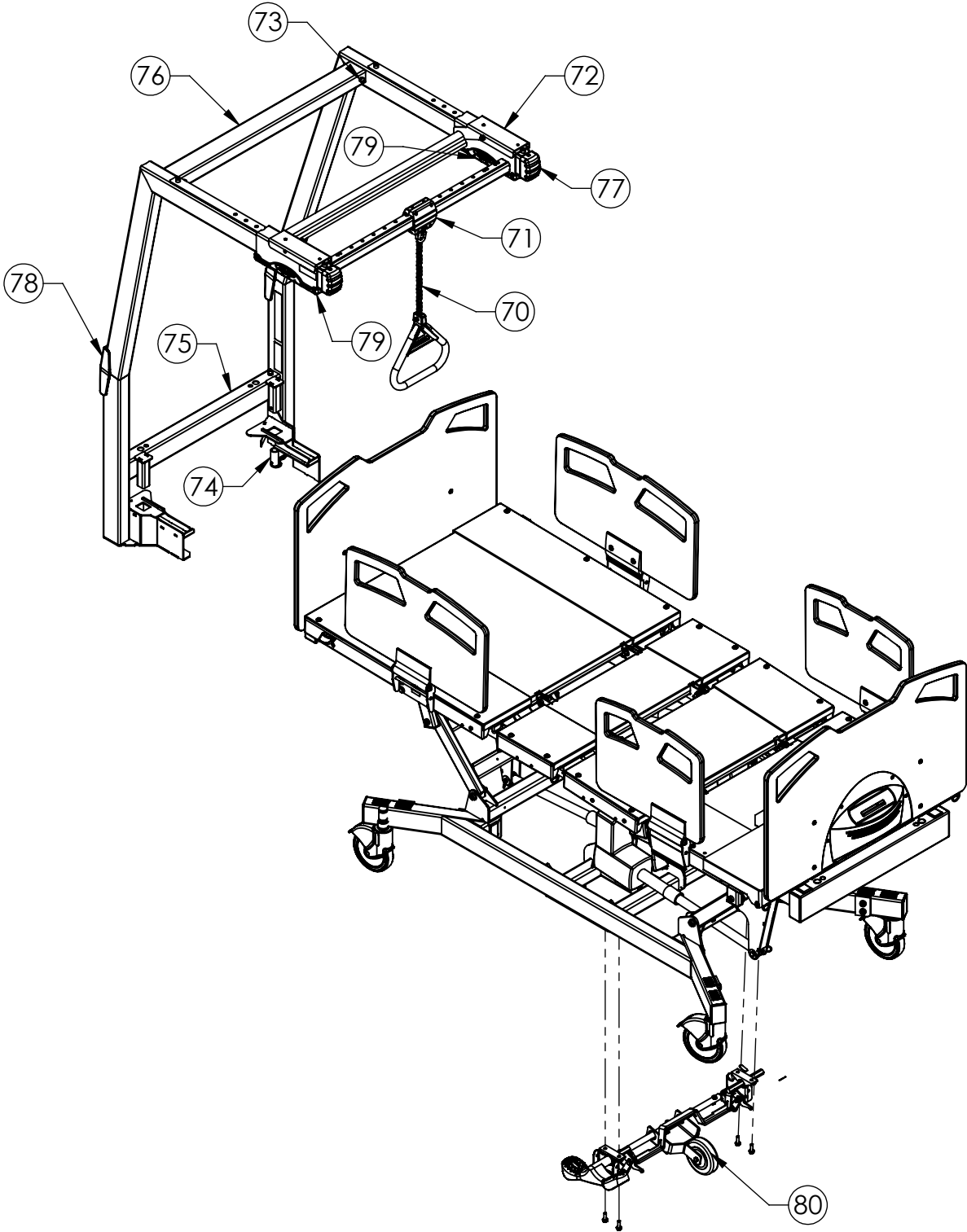
USE NUMBER BALLOONS ON THE PAGE TO MATCH TO CORRESPONDING BILL OF MATERIALS IN THE FOLLOWING PAGES

UPPER AND LOWER BED FRAME
 SERVICE COMPONENTS (PAGES 8-13)
 MODEL: BARI10A



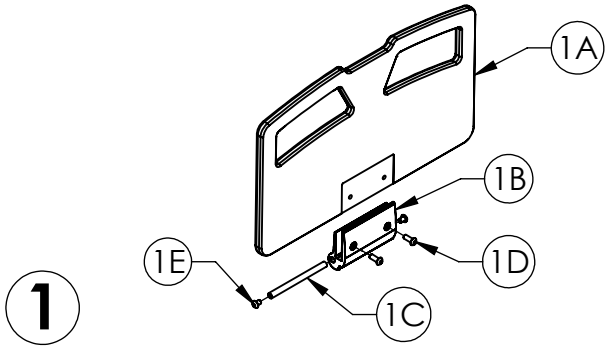
USE NUMBER BALLOONS ON THE PAGE TO MATCH TO CORRESPONDING BILL OF MATERIALS IN THE FOLLOWING PAGES

PATIENT HELPER AND 5th WHEEL
SERVICE COMPONENTS (PAGES 14-15)
MODELS: BARI10A



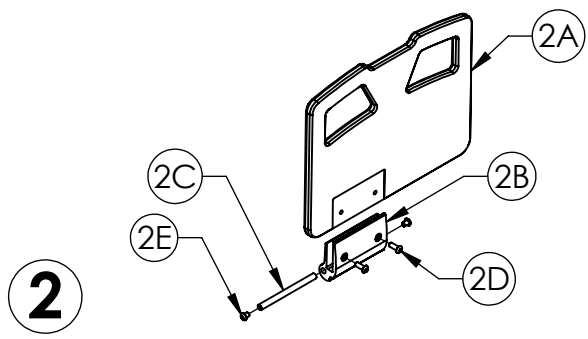
USE NUMBER BALLOONS ON THIS PAGE TO MATCH TO CORRESPONDING BILL OF MATERIALS ON THE FOLLOWING PAGES.

MATTRESS SUPPORT PLATFORM SERVICE COMPONENTS BARI10A



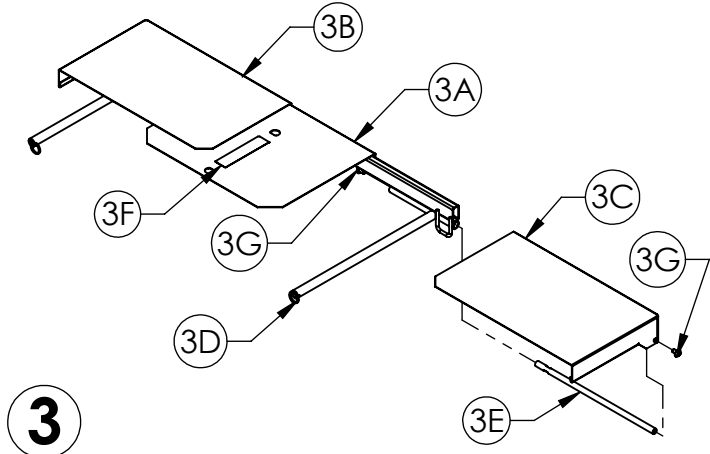
ITEM 1 39000917 Head Rail w/ Sub Assembly Components

PART	PART #	DESCRIPTION	QTY.
1A	11013501	SIDE RAIL, HEAD	1
1B	11013503	SIDE RAIL MOUNT, ANODIZED	1
1C	11013505	SIDE RAIL PIVOT SHAFT	1
1D	12523774	BOLT, BH, 3/8-16 x 1	2
1E	12543717	SCREW, BUTTONHEAD, 3/8-16X.50"L	2
NS	12010060	LOCTITE	1
NS	6150297	INSTALLATION INSTRUCTION, HEAD RAIL, BARI10A	1



ITEM 2 39000919 Right Foot Rail w/ Sub Assembly Components

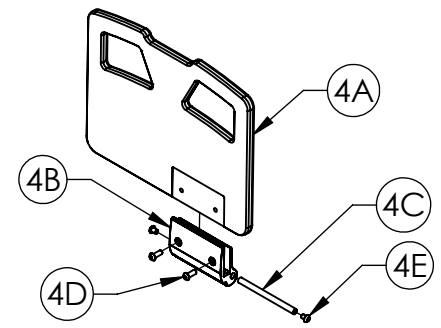
PART	PART #	DESCRIPTION	QTY.
2A	11013499	SIDE RAIL, FOOT, RIGHT	1
2B	11013503	SIDE RAIL MOUNT, ANODIZED	1
2C	11013505	SIDE RAIL PIVOT SHAFT	1
2D	12523774	BOLT, BH, 3/8-16 x 1	2
2E	12543717	SCREW, BUTTONHEAD, 3/8-16X.50"L	2
NS	12010060	LOCTITE	1
NS	6150307	INSTALLATION INSTRUCTION, RIGHT FOOT RAIL, BARI10A	1



ITEM 3 39000943AL Deck Length Extension Components

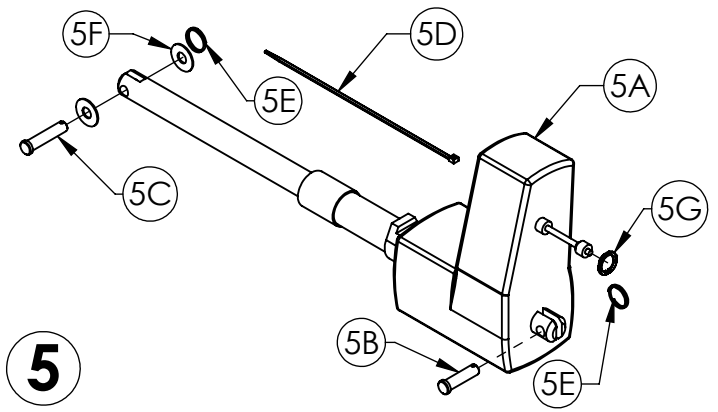
PART	PART #	DESCRIPTION	QTY.
3A	24006363AL	FOOT LENGTH EXTENDER FRAME	1
3B	24006379AL	FOOT LENGTH EXTENDER, LEFT	1
3C	24006380AL	FOOT LENGTH EXTENDER, RIGHT	1
3D	12809807	RING, KICKOUT	2
3E	11013517	FOOT LENGTH EXTENDER, ROD LEFT	2
3F	216-2269	JOERNS BARI10A, LABEL SET	1
3G	12523775	BOLT, BH, 5/16-18 x 1/2, SS	4
NS	12020042	TEFLON TAPE	7.5 FT
NS	6150289	INSTALLATION INSTRUCTIONS, DECK LENGTH EXT., BARI10A	1

"NS" = NOT SHOWN



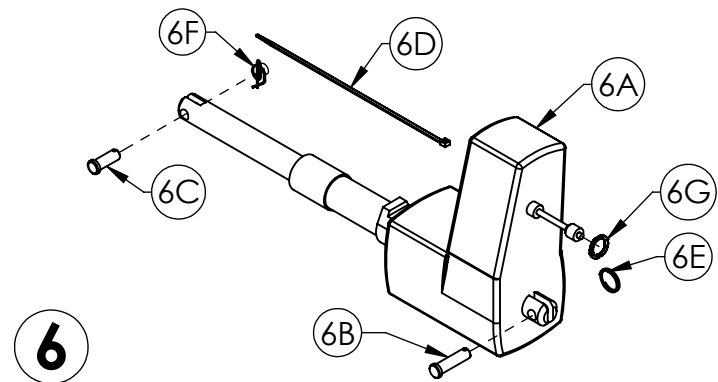
ITEM 4 39000918 Left Foot Rail w/ Sub Assembly Components

PART	PART #	DESCRIPTION	QTY.
4A	11013500	SIDE RAIL, FOOT, LEFT	1
4B	11013503	SIDE RAIL MOUNT, ANODIZED	1
4C	11013505	SIDE RAIL PIVOT SHAFT	1
4D	12523774	BOLT, BH, 3/8-16 x 1	2
4E	12543717	SCREW, BUTTONHEAD, 3/8-16X.50"L	2
NS	12010060	LOCTITE	1
NS	6150300	INSTALLATION INSTRUCTION, LEFT FOOT RAIL, BARI10A	1



ITEM 5 39001122 Back Actuator Components

PART	PART #	DESCRIPTION	QTY.
5A	11013565	ACTUATOR, LA34, BACK	1
5B	11012238	PIN, SLEEP SURFACE PIVOT	1
5C	11012387	PIN, MOUNT	1
5D	12160281	TIE-CABLE	1
5E	12809807	RING, KICKOUT	2
5F	12849113	WASHER, FLAT	2
5G	12999049	LOCKING RING, MOTOR CABLE	1
NS	6150388	INSTALLATION INSTRUCTIONS, BARI10A, ACTUATOR, BACK	1



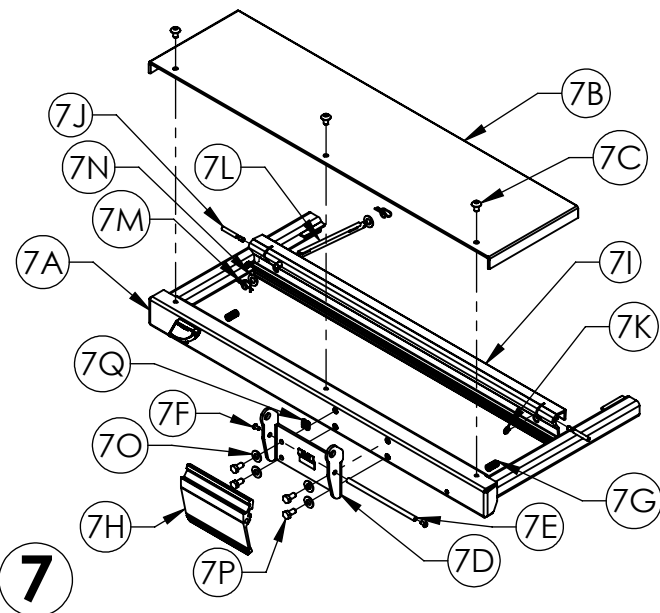
ITEM 6 39001121 Foot Actuator Components

PART	PART #	DESCRIPTION	QTY.
6A	11013564	ACTUATOR, LA34, KNEE	1
6B	11012238	PIN, SLEEP SURFACE PIVOT	1
6C	11012388	PIN, JOINT	1
6D	12160281	TIE-CABLE	2
6E	12809807	RING, KICKOUT	1
6F	12800032	RING, RUE	1
6G	12999049	LOCKING RING, MOTOR CABLE	1
NS	6150387	INSTALLATION INSTRUCTIONS, BARI10A, ACTUATOR, KNEE	1

MATTRESS SUPPORT PLATFORM SERVICE COMPONENTS BARI10A

ITEM 8 CONTINUED

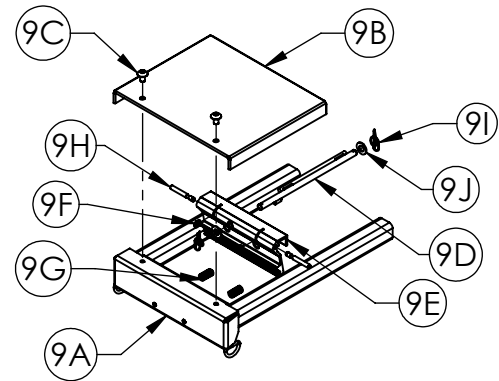
8G	12390119	SPRING, .48 x 1.475 x .38	2
8H	11013506	SIDE RAIL RELEASE HANDLE, ANO.	1
8I	11013513	EXT LATCH HANDLE, HEAD, ANO	1
8J	11013519	DECK EXTENSION HANDLE SHAFT	2
8K	12802502	E-RING, 1/4" SHAFT	2
8L	24006375	DECK EXTENDER LATCH ROD (3 PARTS)	1
8M	12800032	RUE RING	2
8N	12843789	WASHER, FLAT, STL, 3/8, BLACK	2
8O	12842789	WASHER, 5/16	4
8P	12543183	HEX BOLT, 5/16-18 x 5/8	4
8Q	12390120	SPRING, .24 O.D. x .56 LONG	2
8R	-	LEV-O-GAGE, 60 DEGREE, LH	1
NS	12010060	LOCKTITE	1
NS	12020042	TEFLON TAPE, 1/2 x .005 THK	32"
NS	6150301	INSTALLATION INSTRUCTIONS, LEFT HAND DECK EXT., BARI10A	1



7

ITEM 7 39000923AL Slide Out Section, Right Head Components

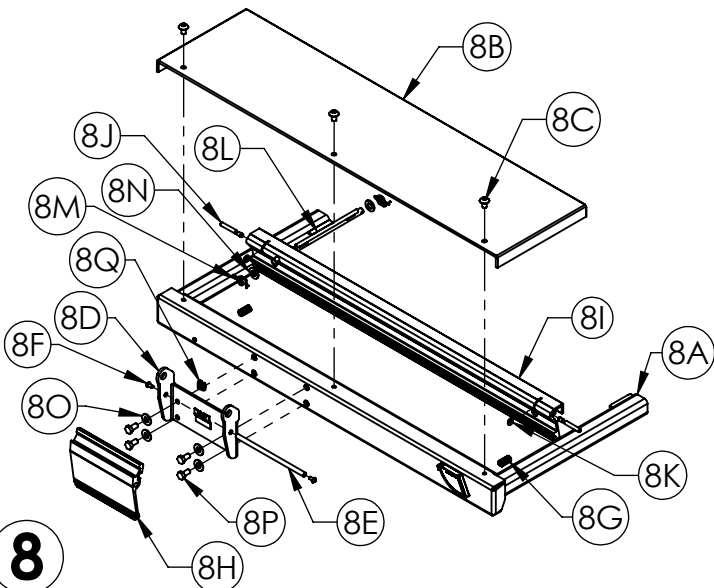
PART	PART #	DESCRIPTION	QTY.
7A	24006360AL	DEX WELDMENT, HEAD, RIGHT	1
7B	11013528AL	DEXT DECK, HEAD	1
7C	12523775	BOLT, BH 5/16-18 x 1/2, SS	3
7D	24006295AL	SIDE RAIL MOUNT WELDMENT	1
7E	11013504	SIDE RAIL RELEASE HANDLE, PIVOT SHAFT	2
7F	12541036	SCREW, BH 10-32 x 3/8, HEX DRIVE, SS	2
7G	12390119	SPRING, .48 x 1.475 x .38	2
7H	11013506	SIDE RAIL RELEASE HANDLE, ANO.	1
7I	11013513	EXT LATCH HANDLE, HEAD, ANO	1
7J	11013519	DECK EXTENSION HANDLE SHAFT	2
7K	12802502	E-RING, 1/4" SHAFT	2
7L	24006375	DECK EXTENDER LATCH ROD (3 PARTS)	1
7M	12800032	RUE RING	2
7N	12843789	WASHER, FLAT, STL, 3/8, BLACK	2
7O	12842789	WASHER, 5/16	4
7P	12543183	HEX BOLT, 5/16-18 x 5/8	4
7Q	12390120	SPRING, .24 O.D. x .56 LONG	2
7R	-	LEV-O-GAGE, 60 DEGREE, RH	1
NS	12010060	LOCKTITE	1
NS	12020042	TEFLON TAPE, 1/2 x .005 THK	32"
NS	6150308	INSTALLATION INSTRUCTIONS, RIGHT HAND DECK EXT., BARI10A	1



9

ITEM 9 39000924AL Seat Deck Extension Components

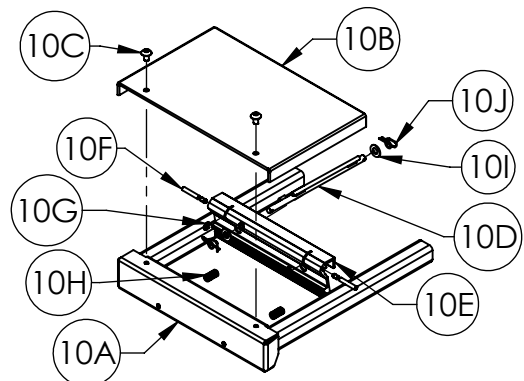
PART	PART #	DESCRIPTION	QTY.
9A	24006373AL	DEX WELDMENT, SEAT	1
9B	11013534AL	DEXT DECK, SEAT	1
9C	12523775	BOLT, BH 5/16-18 x 1/2, SS	2
9D	24006375	DECK EXTENDER, LATCH ROD	1
9E	11013516	EXT. LATCH HANDLE, SEAT	1
9F	12802502	E-RING, BLACK	2
9G	12390119	COMPRESSION SPRING, .48 x 1.475 x .38	2
9H	11013519	DECK EXTENSION HANDLE SHAFT	2
9I	12800032	RING, RUE-22	2
9J	12843789	WASHER, FLAT, STL, 3/8, BLACK	2
NS	12020042	TEFLON TAPE, 1/2 x .005 THK	9.7"
NS	6150310	INSTALLATION INSTRUCTION, SEAT DECK EXT., BARI10A	1



8

ITEM 8 39000922AL Slide Out Section, Left Head Components

PART	PART #	DESCRIPTION	QTY.
8A	24006361AL	DEX WELDMENT, HEAD, LEFT	1
8B	11013528AL	DEXT DECK, HEAD	1
8C	12523775	BOLT, BH 5/16-18 x 1/2, SS	3
8D	24006295AL	SIDE RAIL MOUNT WELDMENT	1
8E	11013504	SIDE RAIL RELEASE HANDLE, PIVOT SHAFT	2
8F	12541036	SCREW, BH 10-32 x 3/8, HEX DRIVE, SS	2



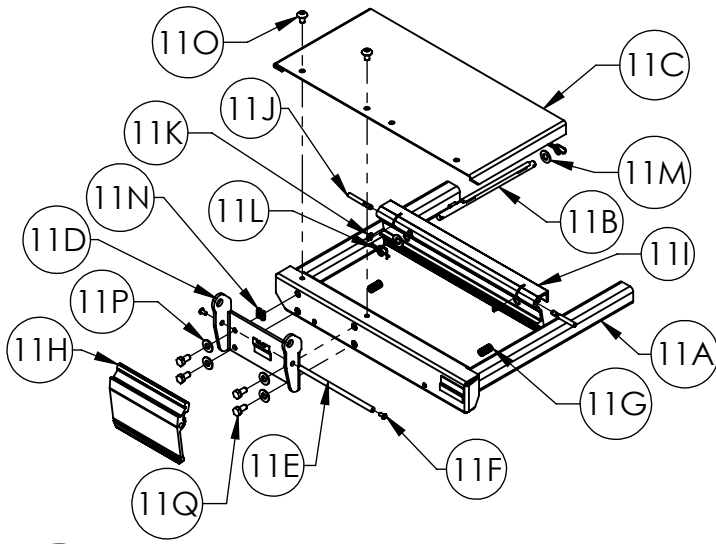
10

ITEM 10 39000942AL Knee Deck Extension Components

PART	PART #	DESCRIPTION	QTY.
10A	24006367AL	DEX WELDMENT, KNEE	1
10B	11013532AL	DEXT DECK, KNEE	1
10C	12523775	BOLT, BH, 5/16-18 x 1/2, SS	2
10D	24006375	DECK EXTENDER, LATCH ROD	1
10E	11013514	EXT. LATCH HANDLE, KNEE	1
10F	11013519	DECK EXTENSION, HANDLE SHAFT	2
10G	12802502	E-RING, BLACK	2
10H	12390119	COMPRESSION SPRING, .48 x 1.475 x .38W	2
10I	12843789	WASHER, FLAT, STL, 3/8, BLACK	2
10J	12800032	RUE RING	2
NS	12020042	TEFLON TAPE, 1/2 x .005 THK	12.5"
NS	6150298	INSTALLATION INSTRUCTIONS, KNEE EXT., BARI10A	1

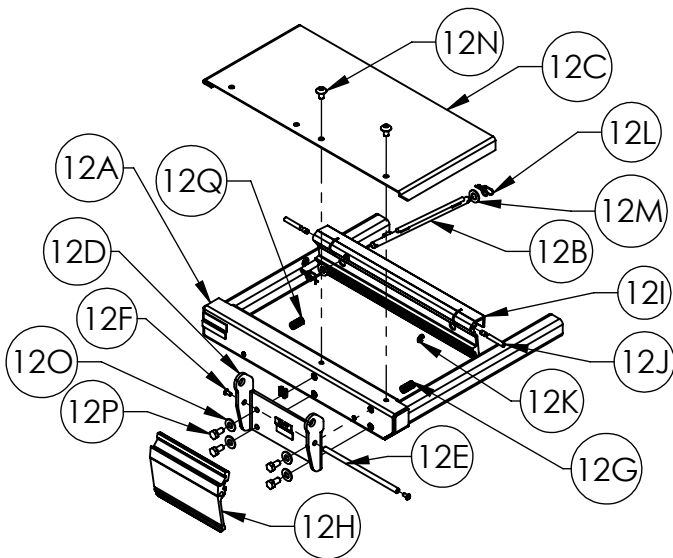
"NS" = NOT SHOWN
"-" = INDIVIDUAL COMPONENTS NOT AVAILABLE

MATTRESS SUPPORT PLATFORM SERVICE COMPONENTS BARI10A



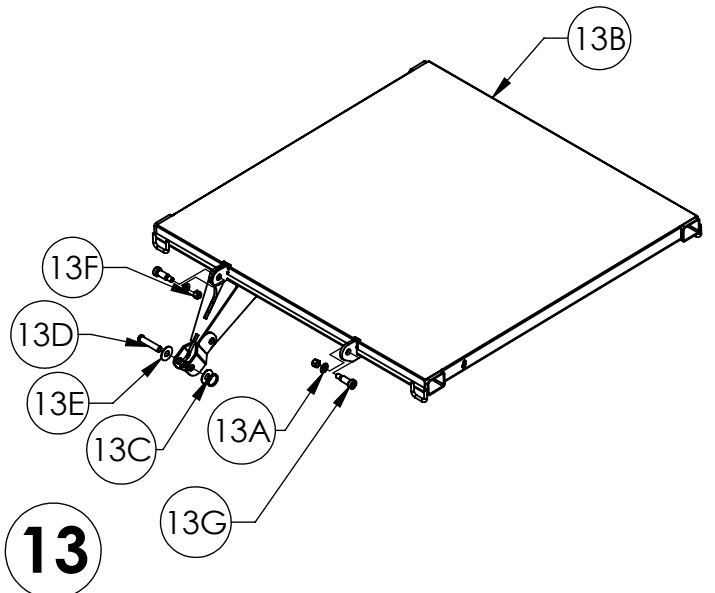
11

ITEM 11 39000941AL Right Foot Deck Extension Components			
PART	PART #	DESCRIPTION	QTY.
11A	24006371AL	DEXT WELDMENT, FOOT RIGHT	1
11B	24006375	DECK EXTENDER, LATCH ROD	1
11C	11013533AL	DEXT DECK, FOOT	1
11D	24006295AL	SIDE RAIL MOUNT, WELDMENT	1
11E	11013504	SHAFT, SIDE RAIL, RELEASE HANDLE	1
11F	12541036	SCREW, BH 10-32 x .38	2
11G	12390119	SPRING, COMPRESSION, .48 x 1.475 x .38	2
11H	11013506	SIDE RAIL RELEASE HANDLE	1
11I	11013515	EXT. LATCH HANDLE FOOT	1
11J	11013519	DECK EXT., HANDLE SHAFT	2
11K	12802502	E-RING, BLACK	2
11L	12800032	RING, RUE-22	2
11M	12843789	WASHER, FLAT, STL, 3/8, BLACK	2
11N	12390120	SPRING, 24 x .56	31"
11O	12523775	BH, SCREW, 5/16-18 x 1/2	2
11P	12842789	WASHER, 5/16	4
11Q	12543183	BOLT, HEX 5/16-18 x .062	4
NS	12010060	LOCTITE	1
NS	12020042	TEFLON TAPE, 1/2 x .005 THK	1
NS	6150306	INSTALLATION INSTRUCTIONS, RIGHT FOOT DECK, BARI10A	1



12

ITEM 12 39000925AL Left Foot Deck Extension Components			
PART	PART #	DESCRIPTION	QTY.
12A	24006370AL	DEXT WELDMENT, FOOT	1
12B	24006375	DECK EXTENDER, LATCH ROD	1
12C	11013533AL	DEXT DECK, FOOT	1
12D	24006295AL	SIDE RAIL MOUNT, WELDMENT	1
12E	11013504	SHAFT, SIDE RAIL, RELEASE HANDLE	1
12F	12541036	SCREW, BH 10-32 x .38	2
12G	12390119	SPRING, COMPRESSION, .48 x 1.475 x .38	2
12H	11013506	SIDE RAIL RELEASE HANDLE	1
12I	11013515	EXT. LATCH HANDLE FOOT	1
12J	11013519	DECK EXT., HANDLE SHAFT	2
12K	12802502	E-RING, BLACK	2
12L	12800032	RING, RUE-22	2
12M	12843789	WASHER, FLAT, STL, 3/8, BLACK	2
12N	12523775	BH, SCREW, 5/16-18 x 1/2	2
12O	12842789	WASHER, 5/16	4
12P	12543183	BOLT, HEX 5/16-18 x .062	4
12Q	12390120	SPRING, 24 x .56	1
NS	12020042	TEFLON TAPE, 1/2 x .005 THK	31"
NS	12010060	LOCTITE	1
NS	6150299	INSTALLATION INSTRUCTIONS, LEFT FOOT DECK EXT., BARI10A	1

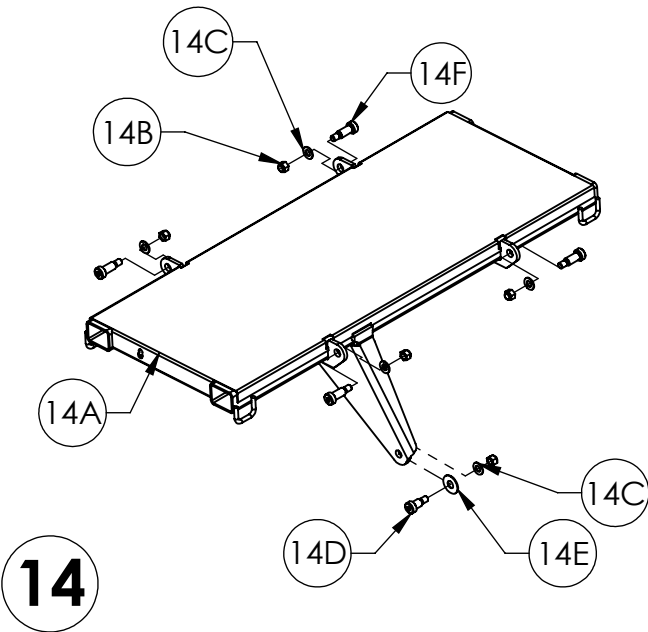


13

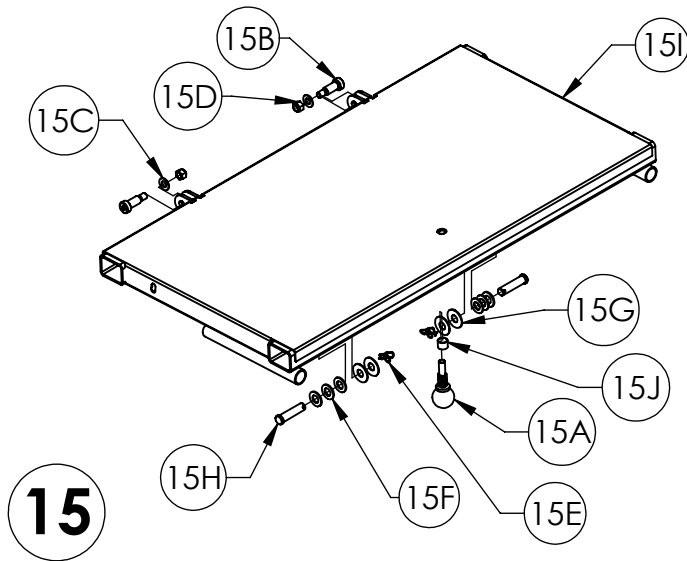
ITEM 13 39001102AL Head Section Components			
PART	PART #	DESCRIPTION	QTY.
13A	12843789	WASHER, FLAT STL 3/8 SAE BLK OX	4
13B	24006287AL	DECK SECTION-HEAD	1
13C	12809807	RING, KICKOUT	1
13D	11012387	PIN, MOUNT	1
13E	12849113	WASHER, FLAT,	2
13F	12673718	3/8-16 NYLOCK NUT	2
13G	12523777	SHOULDER BOLT 50 X 1 00 LONG	2
NS	12800032	RING, RUE-22	2
NS	6150422	INSTALLATION INSTRUCTIONS, HEAD SECTION COMPONENTS	1

"NS" = NOT SHOWN

MATTRESS SUPPORT PLATFORM SERVICE COMPONENTS BARI10A

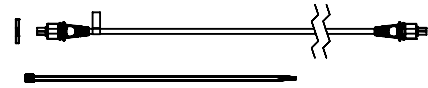


ITEM 14 39001103AL Knee Section Components			
PART	PART #	DESCRIPTION	QTY.
14A	24006366AL	DECK SECTION- KNEE	1
14B	12673718	3/8-16 NYLOCK NUT	5
14C	12843789	WASHER, FLAT STL 3/8 SAE BLK OX	7
14D	12523771	SHOULDER BOLT 0.50X0.62 LONG	1
14E	12849113	WASHER, FLAT	1
14F	12523777	SHOULDER BOLT .50 X 1.00 LONG	4
NS	12800032	RING, RUE-22	2
NS	6150423	INSTALLATION INSTRUCTIONS, KNEE SECTION COMPONENTS	1



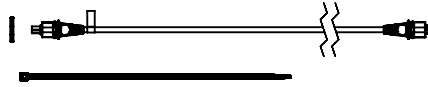
ITEM 15 39001104AL Foot Section Components			
PART	PART #	DESCRIPTION	QTY.
15A	12999031	Quick Release Pin 1.5 in lg	1
15B	12523777	SHOULDER BOLT .50 X 1.00 LONG	2
15C	12843789	WASHER, FLAT STL 3/8 SAE BLK OX	2
15D	12673718	3/8-16 NYLOCK NUT	2
15E	12800032	RING, RUE	2
15F	12845007	WASHER, STEEL	6
15G	12849113	WASHER, FLAT	4
15H	12795002	CLEVIS PIN, 1/2X2.00 LONG	2
15I	24006369AL	DECK SECTION- FOOT	1
15J	11013518	COLLAR-RELEASE PIN	1
NS	12809807	KICK-OUT RING	2
NS	12800032	RING, RUE-22	4
NS	6150424	INSTALLATION INSTRUCTIONS, FOOT SECTION COMPONENTS	1

16



ITEM 16 39001135 Back Motor Cable Components			
PART	PART #	DESCRIPTION	QTY.
16A	-	CABLE, MOTOR, BACK	1
16B	-	LOCKING RING, MOTOR CABLE	1
16C	-	TIE, CABLE	9
NS	-	INSTALLATION INSTRUCTIONS, BARI10A, MOTOR CABLE	1

17



ITEM 17 39001136 Knee Motor Cable Components			
PART	PART #	DESCRIPTION	QTY.
17A	-	CABLE, MOTOR, KNEE	1
17B	-	LOCKING RING, MOTOR CABLE	1
17C	-	TIE, CABLE	10
NS	-	INSTALLATION INSTRUCTIONS, BARI10A, MOTOR CABLE	1

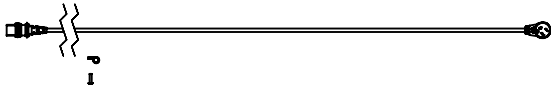
18



ITEM 18 N165 Head Section Angle Indicator Components			
PART	PART #	DESCRIPTION	QTY.
18A	-	LEV-O-GAGE, 60 DEGREE, RH	1
18B	-	LEV-O-GAGE, 60 DEGREE, LH	1
NS	-	INSTALLATION INSTRUCTIONS, ANGLE INDICATOR	1

"NS" = NOT SHOWN
"-" = INDIVIDUAL COMPONENTS NOT AVAILABLE

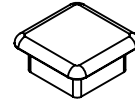
UPPER AND LOWER BED FRAME SERVICE COMPONENTS BARI10A



20

NOT SHOWN IN EXPLODED VIEWS (PAGE 1 OR PAGE 2)

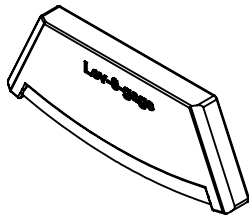
ITEM 20 39001134 Mains Cable Components			
PART	PART #	DESCRIPTION	QTY.
20A	-	CABLE, MAINS, CB20	1
20B	-	STRAIN RELIEF, HEYCO	1
20C	-	#10-32 X3/4 TORX THREAD FORMING	1
NS	-	INSTALLATION INSTRUCTIONS, BARI10A, MAINS CABLE	1



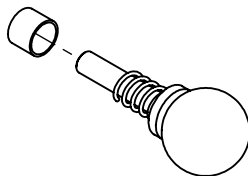
25

ITEM 25 39000932 End Cap Components			
PART	PART #	DESCRIPTION	QTY.
25A	-	END CAP TUBE, 1.5" x 1.5"	4
NS	-	INSTALLATION INSTRUCTIONS, END CAP, 1/5" x 1.5", BARI10A	1

21

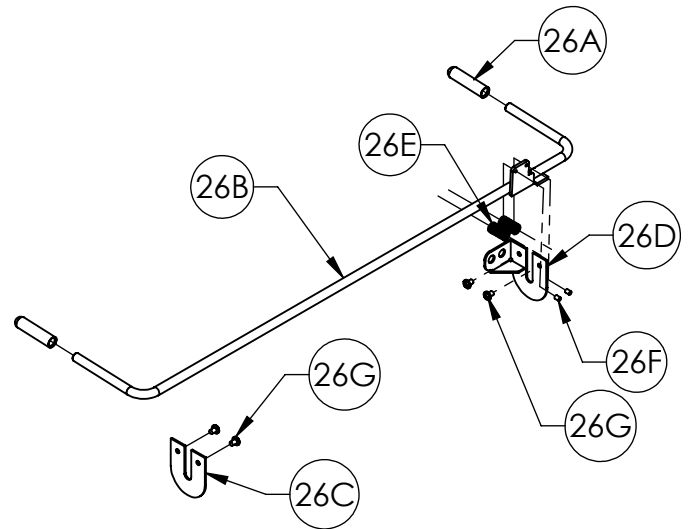


ITEM 21 39000937 Angle Indicator Components			
PART	PART #	DESCRIPTION	QTY.
21A	12999029	ANGLE INDICATOR/INCLINOMETER	1
NS	6150284	INSTALLATION INSTRUCTIONS, ANGLE INDICATOR, BARI10A	1



22

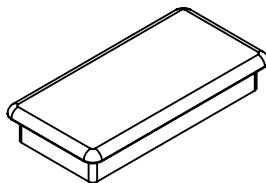
ITEM 22 39000920 Slide-Out Knob Components			
PART	PART #	DESCRIPTION	QTY.
22A	-	QUICK RELEASE PIN, 1.5IN.	1
22B	-	COLLAR-RELEASE PIN	1
NS	-	LOCKTITE	1



26

ITEM 26 39001071 CPR Handle Components			
PART	PART #	DESCRIPTION	QTY.
26A	12470482	RED CAP	2
26B	24006374	MANUAL RELEASE LEVER	1
26C	11013502	QUICK RELEASE MOUNT-PLAIN	1
26D	11013498	QUICK RELEASE MOUNT	1
26E	12390119	COMPRESSION SPRING	2
26F	12999028	STOP SLEEVE	2
26G	12544014	SCREW, PH	4
NS	11012751	CABLE, 68"	1
NS	11012752	CABLE, 48"	1
NS	6150382	INSTALLATION INSTRUCTIONS CPR	1

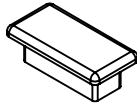
23



ITEM 23 39000935 End Cap 4 Components			
PART	PART #	DESCRIPTION	QTY.
23A	-	END CAP TUBE, 2" x 4"	4
NS	-	INSTALLATION INSTRUCTIONS, END CAP 2" x 4", BARI10A	1

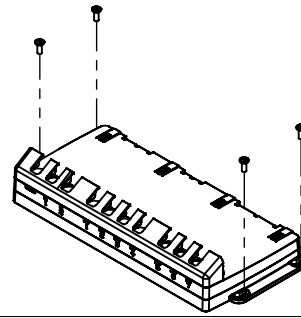
UPPER AND LOWER BED FRAME SERVICE COMPONENTS BARI10A

28



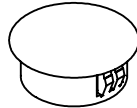
ITEM 28 39000933 End Cap 2 Components			
PART	PART #	DESCRIPTION	QTY.
28A	-	END CAP TUBE, 1" x 2"	14
NS	-	INSTALLATION INSTRUCTIONS, END CAP 1" x 2", BARI10A	1

32



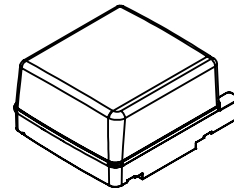
ITEM 32 39001131 Control Box Base Components			
PART	PART #	DESCRIPTION	QTY.
32A	-	CONTROLLER UNIT, CU20	1
32B	-	SCREW, #10-24 X 1/2 PPHTT BLK	4
NS	-	INSTALLATION INSTRUCTIONS, BARI10A, CONTROL SYSTEM	1

29



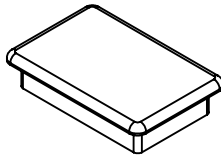
ITEM 29 39000938 Round Plug Components			
PART	PART #	DESCRIPTION	QTY.
29A	-	PRESS ON FITTING, BARI10A	1
NS	-	INSTALLATION INSTRUCTIONS, ROUND PLUG, BARI10A	1

33



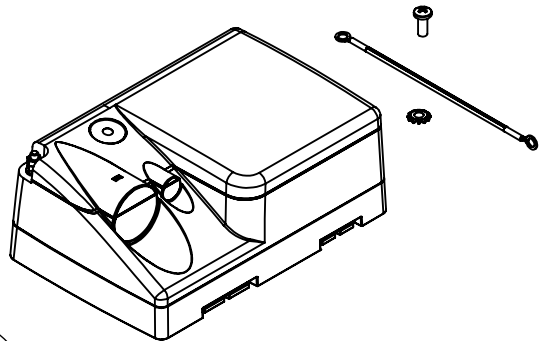
ITEM 33 11013559 Battery Components			
PART	PART #	DESCRIPTION	QTY.
33A	-	BATTERY, BA20	1

30



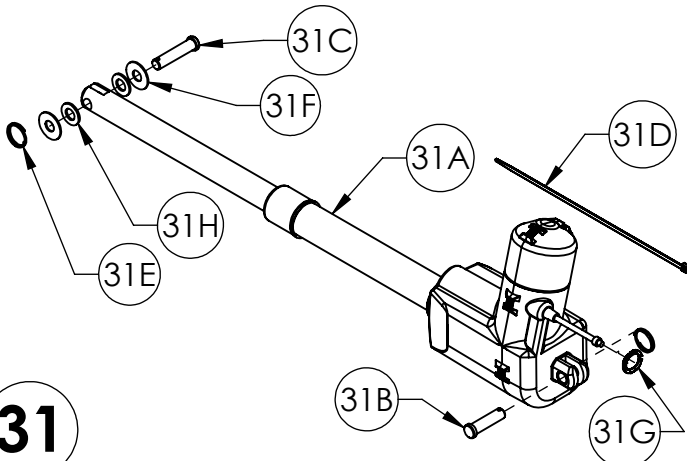
ITEM 30 39000934 End Cap 3 Components			
PART	PART #	DESCRIPTION	QTY.
30A	-	END CAP TUBE, 2" x 3"	4
NS	-	INSTALLATION INSTRUCTIONS, END CAP 2" x 3", BARI10A	1

34



ITEM 34 39001123 Control Box Power Unit Components			
PART	PART #	DESCRIPTION	QTY.
34A	-	CONTROLLER POWER, CP20	1
34B	-	WIRE ASSEMBLY, 18AWG, GREEN/YELLOW	1
34C	-	WASHER, EXT TOOTH LOCK #10	1
34D	-	SCREW, #10-16 X 1/2" HWH TEK SCR	1
NS	-	INSTALLATION INSTRUCTIONS, BARI10A, CONTROL SYSTEM	1

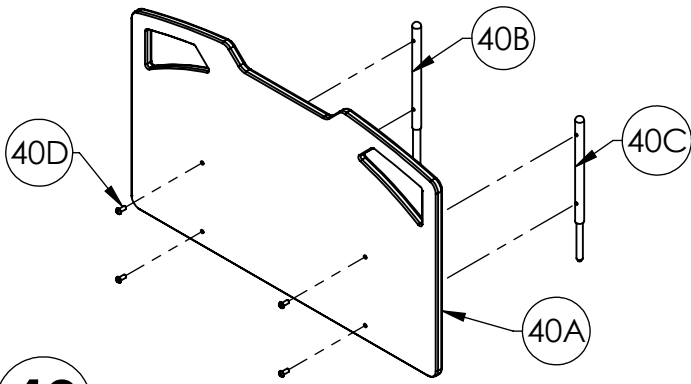
31



ITEM 31 39001120 Hi-Low Actuators Components			
PART	PART #	DESCRIPTION	QTY.
31A	11013566	ACTUATOR, LA-34, HI-LO	1
31B	11012238	PIN, SLEEP SURFACE PIVOT	1
31C	11012387	PIN, MOUNT	1
31D	12160281	TIE, CABLE	3
31E	12809807	RING, KICKOUT	2
31F	12849113	WASHER, FLAT	2
31G	12999049	LOCKING RING, MOTOR CABLE	1
31H	12845007	WASHER, STEEL	2
NS	6150386	INSTALLATION INSTRUCTIONS, BARI10A, ACTUATOR, HI-LOW	1

"NS" = NOT SHOWN
"-" = INDIVIDUAL COMPONENTS NOT AVAILABLE

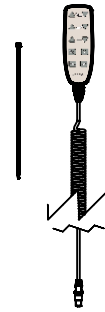
UPPER AND LOWER BED FRAME SERVICE COMPONENTS BARI10A



40

ITEM 40 39000921 Head Panel w/ Post Components

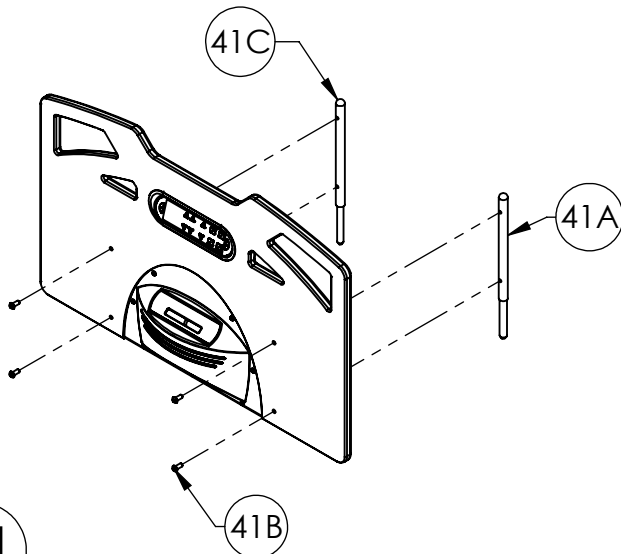
PART	PART #	DESCRIPTION	QTY.
40A	11013509	HEAD PANEL W/POSTS	1
40B	11013507	HEADBOARD SUPPORT, LG, RD, RT	1
40C	11013508	HEADBOARD SUPPORT, SML, RD, LT	1
40D	12523776	BOLT, BH 5/16-18 x 3/4, SS	4
NS	6150296	INSTALLATION INSTRUCTION, HEAD PANEL, BARI10A	1



42

ITEM 42 39001124 Pendant Control Components

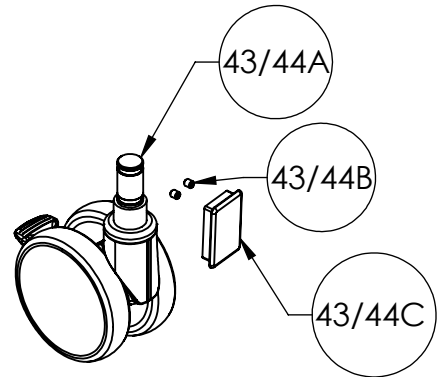
PART	PART #	DESCRIPTION	QTY.
42A	-	PENDANT	1
42B	-	TIE, CABLE	5
NS	-	INSTALLATION INSTRUCTIONS, BARI10A, PENDANT	1



41

ITEM 41 39001119 Complete Foot Panel Components

PART	PART #	DESCRIPTION	QTY.
41A	11013507	HEADBOARD SUPPORT, GF	1
41B	12523776	SCREW, BH, 5/16-18 X3/4 LG	4
41C	11013508	HEADBOARD SUPPORT, SML	1
41D	-	WIRE TIE MOUNT	2
41E	-	SCREW, BH, 10-32X.62 LG	7
41F	-	CIRCUIT BOARD, POWER CONDITIONING	1
41G	-	FOOT PANEL, BARI10A W/STAFF CONTROL	1
41H	-	COVER, SCALE DISPLAY	1
41I	-	ASSEMBLY, STAFF, FRONT	1
41J	-	SCREW, #6 X3/8 PHIL PN HD SMS	4
41K	-	GROMMET, STAFF AND SCALE	1
41L	-	SCREW, TPHTF, 6-19 X1/2"	10
41M	-	ASSEMBLY, SEAL COVER AND CABLE	1
41N	-	COVER, CABLE, STAFF CONTROL	1
41O	-	COVER, REAR, STAFF CONTROL	1
41P	-	BARI10A BED SCALE MEMBRANE	1
NS	-	SCREW, FH, PHILLIPS 6-32 X3/8" ZINC/STL	2
NS	-	CORD, PANEL MOUNT	1
NS	-	ASSEMBLY, SCALE DISPLAY, BARI10A	1
NS	6150425	INSTALLATION INSTRUCTIONS, FOOT PANEL WITH STAFF	1



43

ITEM 43 39001066 Double Casters Components (Full Install)

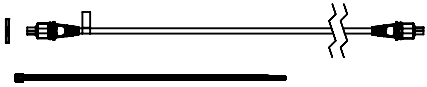
PART	PART #	DESCRIPTION	QTY.
43A	11013601	CASTER, 6" TWIN WHEEL TL, STEINCO, 551	4
43B	12593109	SET SCREW 5/16-18 UNC X 3/8LG	8
43C	12470480	END CAP TUBE 2X3X 125	4
NS	12010060	LOCKTITE, SMALL, B10A KITS	1
NS	6150380	INST, INSTALL, BARI10A CASTER	1

44

ITEM 44 39001087 Double Caster Components (Single Replacement)

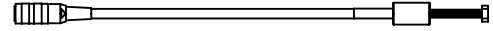
PART	PART #	DESCRIPTION	QTY.
44A	11013601	CASTER, 6" TWIN WHEEL TL, STEINCO, 551	1
44B	12593109	SET SCREW 5/16-18 UNC X 3/8LG	2
44C	12470480	END CAP TUBE 2X3X 125	1
NS	12010060	LOCKTITE, SMALL, B10A KITS	1
NS	6150380	INST, INSTALL, BARI10A CASTER	1

UPPER AND LOWER BED FRAME SERVICE COMPONENTS BARI10A



45

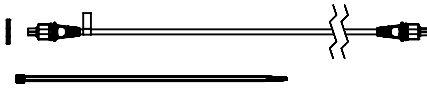
ITEM 45 39001132 Foot Hi-Lo Actuator Cable			
PART	PART #	DESCRIPTION	QTY.
45A	-	CABLE, MOTOR, FOOT	1
45B	-	LOCKING RING, MOTOR CABLE	1
45C	-	TIE, CABLE	10
NS	-	INSTALLATION INSTRUCTIONS, BARI10A, MOTOR CABLE	1



50

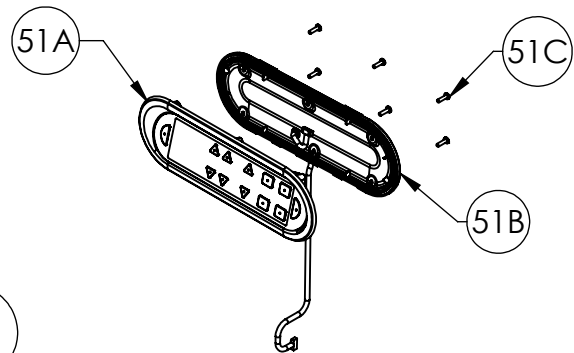
NOT SHOWN IN EXPLODED VIEWS (PAGE 1 OR PAGE 2)

ITEM 50 39001127 Panel Mount Cable Components			
PART	PART #	DESCRIPTION	QTY.
50A	-	CORD, PANEL MOUNT	1
NS	-	SEALANT	1
NS	-	INSTALLATION INSTRUCTIONS, BARI10A, STAFF CONTROL	1



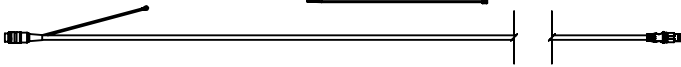
46

ITEM 46 39001137 Head Hi-Lo Actuator Cable			
PART	PART #	DESCRIPTION	QTY.
46A	-	CABLE, MOTOR, HEAD	1
46B	-	LOCKING RING, MOTOR CABLE	1
46C	-	TIE, CABLE	10
NS	-	INSTALLATION INSTRUCTIONS, BARI10A, MOTOR CABLE	1



51

ITEM 51 39001128 Staff Control Components			
PART	PART #	DESCRIPTION	QTY.
51A	31009141	ASSEMBLY, STAFF FRONT ADV. SOFT TONE	1
51B	31009139	ASSEMBLY, SEAL COVER AND CABLE	1
51C	12551231	SCREW, #6-19 X 1/2 PHTFS TORX	10
NS	11013605	GROMMET, STAFF AND SCALE	1
NS	12500027	SEALANT	1
NS	6150395	INSTALLATION INSTRUCTIONS, BARI10A, STAFF CONTROL	1



47

NOT SHOWN IN EXPLODED VIEWS (PAGE 1 OR PAGE 2)

ITEM 47 39001138 Control Harness Components			
PART	PART #	DESCRIPTION	QTY.
47A	-	CONTROL CABLE A	1
47B	-	TIE, CABLE	13
NS	-	INSTALLATION INSTRUCTIONS, BARI10A CONTROL HARNESS	1

48

IMAGE NOT AVAILABLE

NOT SHOWN IN EXPLODED VIEWS (PAGE 1 OR PAGE 2)

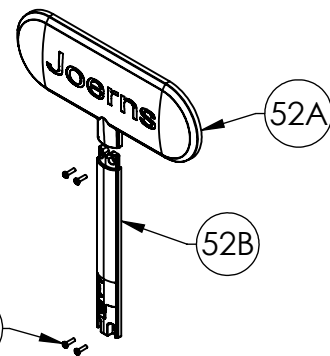
ITEM 48 39001149 Scale Crossover Cable Components			
PART	PART #	DESCRIPTION	QTY.
48A	-	CABLE, CROSSOVER, SCALE	1
48B	-	TIE, CABLE	2

49

IMAGE NOT AVAILABLE

NOT SHOWN IN EXPLODED VIEWS (PAGE 1 OR PAGE 2)

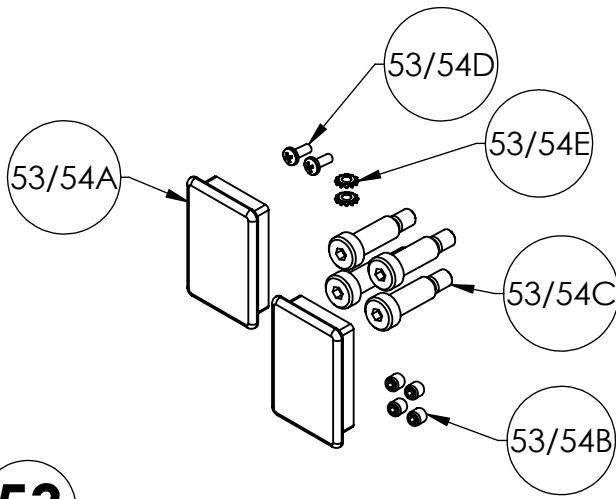
ITEM 49 39001150 Scale System Connection Cable Components			
PART	PART #	DESCRIPTION	QTY.
49A	-	CABLE, CONNECTION, SCALE	1
49B	-	TIE, CABLE	6



52

ITEM 52 39001129 Staff Control Cover Components			
PART	PART #	DESCRIPTION	QTY.
52A	11013614	COVER, REAR, STAFF CONTROL, SOFT TONE	1
52B	11013615	COVER, CABLE, STAFF CONTROL, SOFT TONE	1
52C	12551231	SCREW, #6-19 X 1/2 PHTFS TORX	4
NS	6150395	INSTALLATION INSTRUCTIONS, BARI10A, STAFF CONTROL	1

UPPER AND LOWER BED FRAME SERVICE COMPONENTS BARI10A

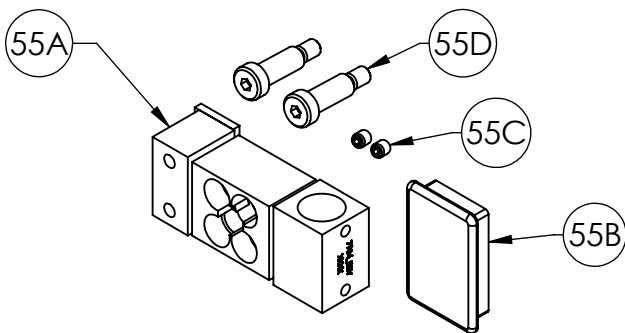


53 NOT SHOWN IN EXPLODED VIEWS (PAGE 1 OR PAGE 2)

ITEM 53 39001151 Right Side Scale Cable Components			
PART	PART #	DESCRIPTION	QTY.
53A	12470480	END CAP TUBE, 2" X 3" X .125"	2
53B	12593109	SET SCREW, 5/16-18 X 3/8"	4
53C	12523773	SHOULDER BOLT, 0.50 X 1.25	4
53D	12551009	SCREW, #10-24 X 1/2 PPHTFS	2
53E	12851001	WASHER, EXT. LOCK, #10	2
NS	11013791	ASSEMBLY, CABLE, LOAD CELL, RIGHT	1
NS	12010060	LOCKTITE, SMALL, B10A KITS	1
NS	6150415	INSTALLATION INSTRUCTIONS, SCALE CABLE	1

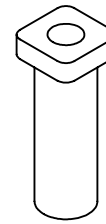
54 NOT SHOWN IN EXPLODED VIEWS (PAGE 1 OR PAGE 2)

ITEM 54 39001152 Left Side Scale Cable Components			
PART	PART #	DESCRIPTION	QTY.
54A	12470480	END CAP TUBE, 2" X 3" X .125"	2
54B	12593109	SET SCREW, 5/16-18 X 3/8"	4
54C	12523773	SHOULDER BOLT, 0.50 X 1.25	4
54D	12551009	SCREW, #10-24 X 1/2 PPHTFS	2
54E	12851001	WASHER, EXT. LOCK, #10	2
NS	11013792	ASSEMBLY, CABLE, LOAD CELL, LEFT	1
NS	12010060	LOCKTITE, SMALL, B10A KITS	1
NS	6150415	INSTALLATION INSTRUCTIONS, SCALE CABLE	1



55

ITEM 55 39001105 Load Cell Components			
PART	PART #	DESCRIPTION	QTY.
55A	11013761	LOAD CELL, SINGLE	1
55B	12470480	END CAP TUBE, 2" X 3" X .125"	1
55C	12593109	SET SCREW, 5/16-18 X 3/8"	2
55D	12523773	SHOULDER BOLT, 0.50 X 1.25"	2
NS	12010060	LOCKTITE, SMALL, B10A KITS	1
NS	6150408	INSTALLATION INSTRUCTIONS, BARI10A, LOAD CELL KIT	1

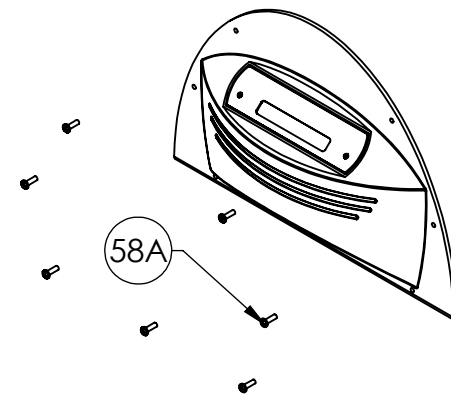


56 NOT SHOWN IN EXPLODED VIEWS (PAGE 1 OR PAGE 2)

ITEM 56 39001017 IV Rod Components			
PART	PART #	DESCRIPTION	QTY.
56A	-	IV ROD HOLDER, BARI10A, 3/4"	1
NS	-	INSTALLATION INSTRUCTIONS, IV ROD, BARI10A	1

57 NOT SHOWN
NOT SHOWN IN EXPLODED VIEWS (PAGE 1 OR PAGE 2)

ITEM 57 18000235 Touch Up Paint			
PART	PART #	DESCRIPTION	QTY.
NS	-	TOUCH UP PAINT, SOFT TONE	1



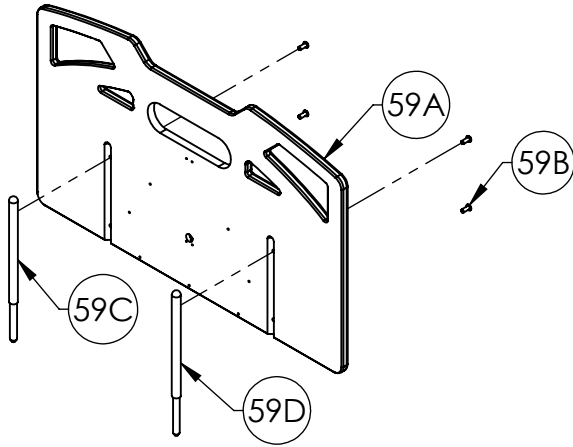
58

ITEM 58 39001125 Scale Display Components			
PART	PART #	DESCRIPTION	QTY.
58A	12544016	SCREW, BH, 10-32X62 LG	7
58B	-	SCREW, FH, PHILLIPS 6-32 X 3/8" ZINC/STL	2
58C	-	COVER, SCALE DISPLAY	1
58D	-	BARI10A BED SCALE MEMBRANE	1
NS	12500027	SEALANT	1
NS	6150396	INSTALLATION INSTRUCTIONS, FOOT PANEL COMPONENTS	1

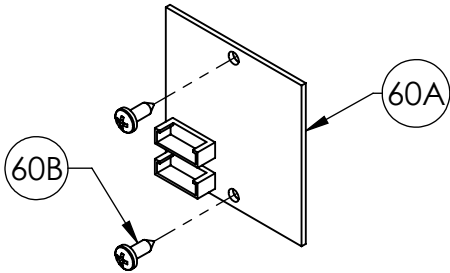
"NS" = NOT SHOWN

"-" = INDIVIDUAL COMPONENTS NOT AVAILABLE

UPPER AND LOWER BED FRAME
SERVICE COMPONENTS
BARI10A

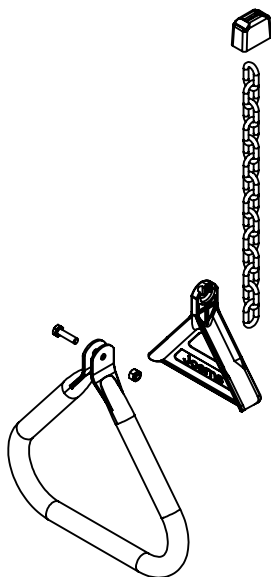


ITEM 59 39001126 Foot Panel Components			
PART	PART #	DESCRIPTION	QTY.
59A	11013609	FOOT PANEL, BARI10A, W/ STAFF CONTROL	1
59B	12523776	SCREW, BH, 5/16-18 X 3/4 LG	4
59C	11013507	HEADBOARD SUPPORT, LG	1
59D	11013508	HEADBOARD SUPPORT, SML	1
NS	12500027	SEALANT	1
NS	6150396	INSTALLATION INSTRUCTIONS, BARI10A, FOOT PANEL	1



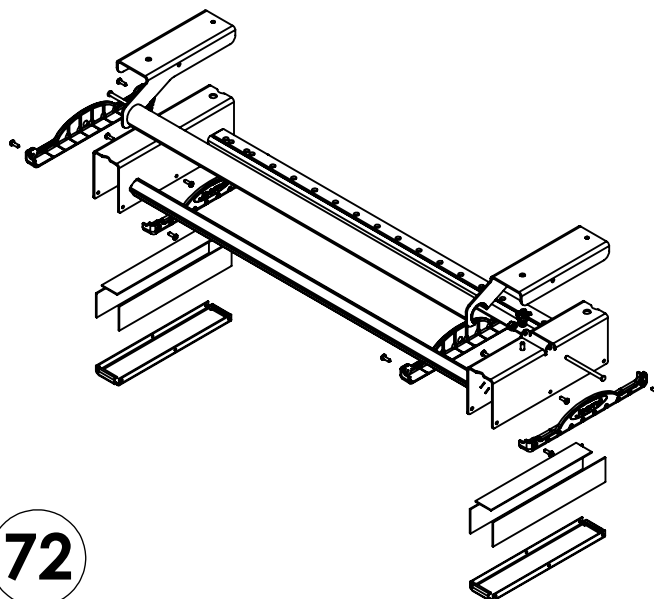
ITEM 60 39001148 Power Conditioning Board Components			
PART	PART #	DESCRIPTION	QTY.
60A	11013606	CIRCUIT BOARD, POWER CONDITIONING	1
60B	12570618	SCREW, #6 X 3/8 PHIL PN HD SMS	2
NS	12500027	SEALANT	1
NS	6150407	INSTALLATION INSTRUCTIONS, POWER CONDITIONING BOARD	1

PATIENT HELPER AND 5th WHEEL
SERVICE COMPONENTS
BARI10A



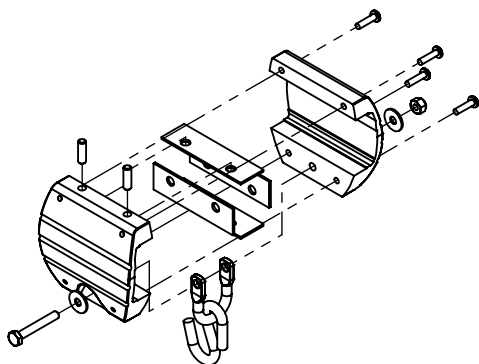
70

ITEM 70 39000952 Patient Helper Handle Components			
PART	PART #	DESCRIPTION	QTY.
70A	-	WELDED CHAIN, 800-lb CAP	1
70B	-	TRAPEZE HANDLE GUSSET	1
70C	-	HANDLE	1
70D	-	BOOT	1
70E	-	TRAPEZE INSERT BOLT 1/4-20 x 1 GRADE 5	1
70F	-	1/4-20 LOCK NUT	1



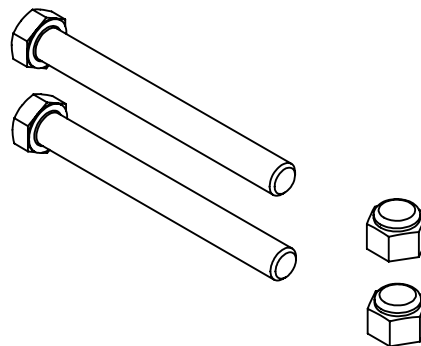
72

ITEM 72 39000954 Patient Helper Handle Carriage Assembly Components			
PART	PART #	DESCRIPTION	QTY.
72A	-	CROSS BAR WELDED ASSM	1
72B	-	SLIDER TOP STRIP	2
72C	-	ROCKER WELDED ASSM	1
72D	-	ROCKER SPRING	2
72E	-	SLIDER SLIDE STRIP	4
72F	-	ROCKER PIVOT PIN	2
72G	-	ROCKER PIVOT RIN RETAINER	2
72H	-	BOTTOM PLATE	2
72I	-	SLIDER BOTTOM CAP	4
72J	-	BOTTOM CAP FASTENER, #10-32 x 5/8" 6-LOBE PAN HD TRI-LOBE THRD FORMING SCREW, CLEAR ZINC	12



71

ITEM 71 39000953 Patient Helper Handle Slider Components			
PART	PART #	DESCRIPTION	QTY.
71A	-	HANDLE SLIDE STRIP	4
71B	-	HANDLE EXTR REAR MACHINED	1
71C	-	U-CLEVIS	1
71D	-	S-HOOK	1
71E	-	HANDLE EXTR. FRONT MACHINED	1
71F	-	CLEVIS BOLT 1/4-20 x 1 3/4 GRADE 5	1
71G	-	1/4-20 LOCKNUT	1
71H	-	310-32 x 3/4" 6-LOBE PAN HD MACH SCREW	4
71I	-	WASHER, NYLON 3/4 X .260 X .06	4



73

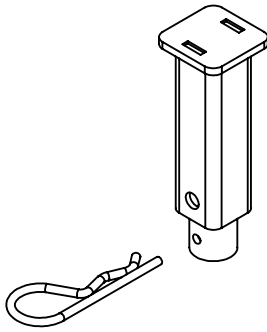
ITEM 73 39000955 Patient Helper Stretcher Bolt Components			
PART	PART #	DESCRIPTION	QTY.
73A	-	REAR STRETCHER BOLT, 3/8-16 x 3 1/2" GRADE 5	2
73B	-	NYLON INSERT LOCKNUT, 3/8-16 UNC	2

"NS" = NOT SHOWN

"-" = INDIVIDUAL COMPONENTS NOT AVAILABLE

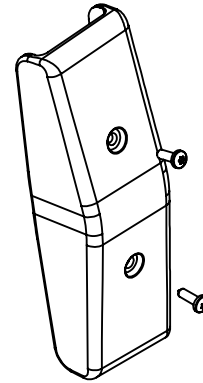
PATIENT HELPER AND 5th WHEEL SERVICE COMPONENTS BARI10A

74



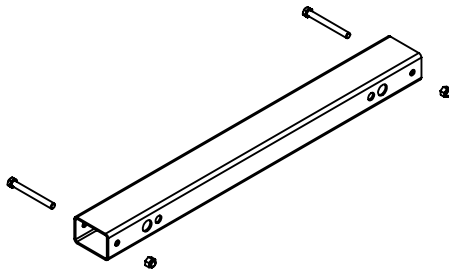
ITEM 74 39000956 Patient Helper Frame Pin Components			
PART	PART #	DESCRIPTION	QTY.
74A	-	PIN WELDMENT	1
74B	-	PIN WELDMENT FASTENER, HAIRPIN CLIP	1

78



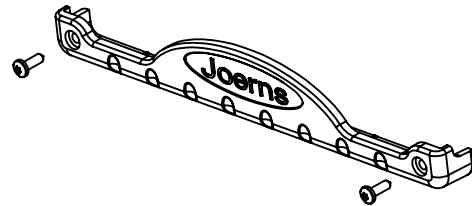
ITEM 78 39000960 Patient Helper Angle Cap Components			
PART	PART #	DESCRIPTION	QTY.
78A	-	FRAME ANGLE CAP	1
78B	-	BOTTOM CAP FASTENER, #10-32 x 5/8" 6-LOBE PAN HD TRI-LOBE THRD FORMING SCREW, CLEAR ZINC	2

75



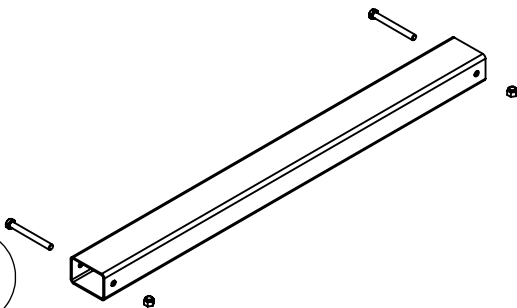
ITEM 75 39000957 Patient Helper Lower Stretcher Components			
PART	PART #	DESCRIPTION	QTY.
75A	-	LOWER STRETCHER	1
75B	-	REAR STRETCHER BOLT, 3/8-16 x 3 1/2" GRADE 5	2
75C	-	NYLON INSERT LOCKNUT, 3/8-16 UNC	2

79



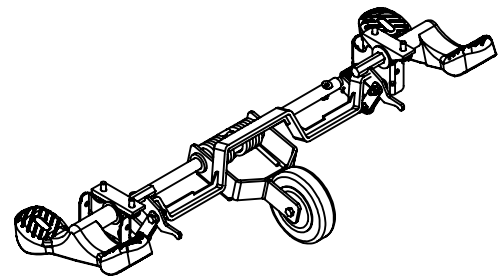
ITEM 79 39000961 Patient Helper Slider Cap Components			
PART	PART #	DESCRIPTION	QTY.
79A	-	SLIDER BOTTOM CAP	1
79B	-	BOTTOM CAP FASTENER #10-32 x 5/8" 6-LOBE PAN HD TRI-LOBE THRD FORMING SCREW, CLEAR ZINC	2

76



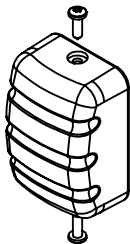
ITEM 76 39000958 Patient Helper Upper Stretcher Components			
PART	PART #	DESCRIPTION	QTY.
76A	-	REAR STRETCHER	1
76B	-	REAR STRETCHER BOLT, 3/8-16 x 3 1/2" GRADE 5	2
76C	-	NYLON INSERT LOCKNUT, 3/8-16 UNC	2

80



ITEM 80 N175 5th Wheel Assembly/Components			
PART	PART #	DESCRIPTION	QTY.
80A	-	ASSM, 5TH WHEEL	1
NS	-	LABEL, 5TH WHEEL ACTIVATION, RIGHT	1
NS	-	LABEL, SCALE ACCURACY, WARNING	1
NS	-	LABEL, 5TH WHEEL ACTIVATION, LEFT	1
NS	-	USER MANUAL	1

77



ITEM 77 39000959 Patient Helper Frame End Cap Components			
PART	PART #	DESCRIPTION	QTY.
77A	-	TUBE END CAP	1
77B	-	BOTTOM CAP FASTENER, #10-32 x 5/8" 6-LOBE PAN HD TRI-LOBE THRD FORMING SCREW, CLEAR ZINC	2

Joerns® Bari10A Bed Frame
Parts List

Item #	Joerns P/N	Stryker P/N
1	39000917	2230-100-006
1A	11013501	2230-100-072
1B	11013503	2230-100-073
1C	11013505	2230-100-074
1D	12523774	2230-100-075
1E	12543717	2230-100-221
NS	12010060	2230-100-066
NS	6150297	2230-100-077
2	39000919	2230-100-008
2A	11013499	2230-100-080
2B	11013503	2230-100-073
2C	11013505	2230-100-074
2D	12523774	2230-100-075
2E	12543717	2230-100-221
NS	12010060	2230-100-066
NS	6150307	2230-100-082
3	39000943AL	2230-100-168
3A	24006363AL	2230-100-169
3B	24006379AL	2230-100-170
3C	24006380AL	2230-100-171
3D	12809807	2230-100-122
3E	11013517	2230-100-172
3F	216-2269	2230-100-239
3G	12523775	2230-100-090
NS	12020042	2230-100-102
NS	6150289	2230-100-173
4	39000918	2230-100-007
4A	11013500	2230-100-078
4B	11013503	2230-100-073
4C	11013505	2230-100-074
4D	12523774	2230-100-075
4E	12543717	2230-100-221
NS	12010060	2230-100-066
NS	6150300	2230-100-079
5	39001122	2239-100-014
5A	11013565	2239-100-036
5B	11012238	2230-100-240
5C	11012387	2230-100-123
5D	12160281	2230-100-241
5E	12809807	2230-100-122
5F	12849113	2230-100-125
5G	12999049	2239-100-037
NS	6150388	2239-100-038

Item #	Joerns P/N	Stryker P/N
6	39001121	2239-100-013
6A	11013564	2239-100-039
6B	11012238	2230-100-240
6C	11012388	2230-100-243
6D	12160281	2230-100-241
6E	12809807	2230-100-122
6F	12800032	2230-100-100
6G	12999049	2239-100-037
NS	6150387	2239-100-041
7	39000923AL	2230-100-012
7A	24006360AL	2230-100-108
7B	11013528AL	2230-100-109
7C	12523775	2230-100-090
7D	24006295AL	2230-100-091
7E	11013504	2230-100-092
7F	12541036	2230-100-161
7G	12390119	2230-100-093
7H	11013506	2230-100-094
7I	11013513	2230-100-095
7J	11013519	2230-100-096
7K	12802502	2230-100-098
7L	24006375	2230-100-099
7M	12800032	2230-100-100
7N	12843789	2230-100-101
7O	12842789	2230-100-104
7P	12543183	2230-100-105
7Q	12390120	2230-100-106
NS	12010060	2230-100-066
NS	12020042	2230-100-102
NS	6150308	2230-100-214
8	39000922AL	2230-100-011
8A	24006361AL	2230-100-087
8B	11013528AL	2230-100-088
8C	12523775	2230-100-090
8D	24006295AL	2230-100-091
8E	11013504	2230-100-092
8F	12541036	2230-100-161
8G	12390119	2230-100-093
8H	11013506	2230-100-094
8I	11013513	2230-100-095
8J	11013519	2230-100-096
8K	12802502	2230-100-098
8L	24006375	2230-100-099

Joerns® Bari10A Bed Frame Parts List

Item #	Joerns P/N	Stryker P/N
8M	12800032	2230-100-100
8N	12843789	2230-100-101
8O	12842789	2230-100-104
8P	12543183	2230-100-105
8Q	12390120	2230-100-106
NS	12010060	2230-100-066
NS	12020042	2230-100-102
NS	6150301	2230-100-107
9	39000924AL	2230-100-013
9A	24006373AL	2230-100-110
9B	11013534AL	2230-100-111
9C	12523775	2230-100-090
9D	24006375	2230-100-099
9E	11013516	2230-100-112
9F	12802502	2230-100-098
9G	12390119	2230-100-093
9H	11013519	2230-100-096
9I	12800032	2230-100-100
9J	12843789	2230-100-101
NS	12020042	2230-100-102
NS	6150310	2230-100-113
10	39000942AL	2230-100-163
10A	24006367AL	2230-100-164
10B	11013532AL	2230-100-165
10C	12523775	2230-100-090
10D	24006375	2230-100-099
10E	11013514	2230-100-166
10F	11013519	2230-100-096
10G	12802502	2230-100-098
10H	12390119	2230-100-093
10I	12843789	2230-100-101
10J	12800032	2230-100-100
NS	12020042	2230-100-102
NS	6150298	2230-100-167
11	39000941AL	2230-100-159
11A	24006371AL	2230-100-160
11B	24006375	2230-100-099
11C	11013533AL	2230-100-115
11D	24006295AL	2230-100-091
11E	11013504	2230-100-092
11F	12541036	2230-100-161
11G	12390119	2230-100-093
11H	11013506	2230-100-094

Item #	Joerns P/N	Stryker P/N
11I	11013515	2230-100-116
11J	11013519	2230-100-096
11K	12802502	2230-100-098
11L	12800032	2230-100-100
11M	12843789	2230-100-101
11N	12390120	2230-100-106
11O	12523775	2230-100-090
11P	12842789	2230-100-104
11Q	12543183	2230-100-105
NS	12010060	2230-100-066
NS	12020042	2230-100-102
NS	6150306	2230-100-162
12	39000925AL	2230-100-014
12A	24006370AL	2230-100-114
12B	24006375	2230-100-099
12C	11013533AL	2230-100-115
12D	24006295AL	2230-100-091
12E	11013504	2230-100-092
12F	12541036	2230-100-161
12G	12390119	2230-100-093
12H	11013506	2230-100-094
12I	11013515	2230-100-116
12J	11013519	2230-100-096
12K	12802502	2230-100-098
12L	12800032	2230-100-100
12M	12843789	2230-100-101
12N	12523775	2230-100-090
12O	12842789	2230-100-104
12P	12543183	2230-100-105
12Q	12390120	2230-100-106
NS	12020042	2230-100-102
NS	12010060	2230-100-066
NS	6150299	2230-100-118
13	39001102AL	2230-100-236
13A	12843789	2230-100-101
13B	24006287AL	2230-100-222
13C	12809807	2230-100-122
13D	11012387	2230-100-123
13E	12849113	2230-100-125
13F	12673718	2230-100-199
13G	12523777	2230-100-223
NS	12800032	2230-100-100
NS	6150422	2230-100-245

Joerns® Bari10A Bed Frame
Parts List

Item #	Joerns P/N	Stryker P/N
14	39001103AL	2230-100-237
14A	24006366AL	2230-100-224
14B	12673718	2230-100-199
14C	12843789	2230-100-101
14D	12523771	2230-100-225
14E	12849113	2230-100-125
14F	12523777	2230-100-223
NS	12800032	2230-100-100
NS	6150423	2230-100-246
15	39001104AL	2230-100-238
15A	12999031	2230-100-083
15B	12523777	2230-100-223
15C	12843789	2230-100-101
15D	12673718	2230-100-199
15E	12800032	2230-100-100
15F	12845007	2230-100-124
15G	12849113	2230-100-125
15H	12795002	2230-100-227
15I	24006369AL	2230-100-226
15J	11013518	2230-100-084
NS	12809807	2230-100-122
NS	12800032	2230-100-100
NS	6150424	2230-100-247
16	39001135	2239-100-025
17	39001136	2239-100-026
18	N165	2230-100-036
20	39001134	2239-100-024
21	39000937	2230-100-026
22	39000920	2230-100-009
23	39000935	2230-100-024
25	39000932	2230-100-021
26	39001071	2230-100-228
26A	12470482	2230-100-157
26B	24006374	2230-100-229
26C	11013502	2230-100-230
26D	11013498	2230-100-231
26E	12390119	2230-100-093
26F	12999028	2230-100-232
26G	12544014	2230-100-233
NS	11012751	2230-100-234
NS	11012752	2230-100-235
NS	6150382	2230-100-248
28	39000933	2230-100-022

Item #	Joerns P/N	Stryker P/N
29	39000938	2230-100-027
30	39000934	2230-100-023
31	39001120	2239-100-012
31A	11013566	2239-100-042
31B	11012238	2230-100-240
31C	11012387	2230-100-123
31D	12160281	2230-100-241
31E	12809807	2230-100-122
31F	12849113	2230-100-125
31G	12999049	2239-100-037
31H	12845007	2230-100-124
NS	6150386	2239-100-044
32	39001131	2239-100-022
33A	11013559	2239-100-030
34	39001123	2239-100-015
40	39000921	2230-100-010
40A	11013509	2230-100-085
40B	11013507	2230-100-052
40C	11013508	2230-100-053
40D	12523776	2230-100-051
NS	6150296	2230-100-086
41	39001119	2239-100-001
41A	11013507	2230-100-052
41B	12523776	2230-100-051
41C	11013508	2230-100-053
NS	6150425	2239-100-045
42	39001124	2239-100-016
43	39001066	2230-100-216
43A	11013601	2230-100-251
43B	12593109	2230-100-065
43C	12470480	2230-100-146
NS	12010060	2230-100-066
NS	6150380	2230-100-252
45	39001132	2239-100-023
46	39001137	2239-100-027
47	39001138	2239-100-028
48	39001149	2239-100-031
49	39001150	2239-100-032
50	39001127	2239-100-018
51	39001128	2239-100-019
51A	31009141	2239-100-006
51B	31009139	2239-100-009
51C	12551231	2239-100-008

Joerns® Bari10A Bed Frame Parts List

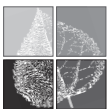
Item #	Joerns P/N	Stryker P/N
NS	11013605	2239-100-046
NS	12500027	2239-100-047
NS	6150395	2239-100-048
52	39001129	2239-100-020
52A	11013614	2239-100-004
52B	11013615	2239-100-005
52C	12551231	2239-100-008
NS	6150395	2239-100-048
53	39001151	2239-100-033
53A	12470480	2230-100-146
53B	12593109	2230-100-065
53C	12523773	2230-100-254
53D	12551009	2239-100-051
53E	12851001	2239-100-052
NS	11013791	2239-100-053
NS	12010060	2230-100-066
NS	6150415	2239-100-054
54	39001152	2239-100-034
54A	12470480	2230-100-146
54B	12593109	2230-100-065
54C	12523773	2230-100-254
54D	12551009	2239-100-051
54E	12851001	2239-100-052
NS	11013792	2239-100-058
NS	12010060	2230-100-066
NS	6150415	2239-100-054
55	39001105	2230-100-217
55A	11013761	2230-100-253
55B	12470480	2230-100-146
55C	12593109	2230-100-065
55D	12523773	2230-100-254
NS	12010060	2230-100-066
NS	6150408	2230-100-255
56	39001017	2230-100-029
57A	18000235	2230-100-213
58	39001125	2239-100-017
58A	12999025	2239-100-060
58B	12544016	2230-100-057
58C	11013606	2239-100-002
58D	208-0153	2239-100-061
58E	12570618	2239-100-003
58F	11013604	2239-100-010
NS	12500027	2239-100-047

Item #	Joerns P/N	Stryker P/N
NS	6150396	2239-100-063
59	39001126	2239-100-064
59A	11013609	2239-100-011
59B	12523776	2230-100-051
59C	11013507	2230-100-052
59D	11013508	2230-100-053
NS	12500027	2239-100-047
NS	6150396	2239-100-063
60	39001148	2239-100-029
60A	11013606	2239-100-002
60B	12570618	2239-100-003
NS	12500027	2239-100-047
NS	6150407	2239-100-068
70	39000952	2230-100-037
71	39000953	2230-100-038
72	39000954	2230-100-039
73	39000955	2230-100-040
74	39000956	2230-100-041
75	39000957	2230-100-042
76	39000958	2230-100-043
77	39000959	2230-100-044
78	39000960	2230-100-045
79	39000961	2230-100-046
80	N175	2230-100-256





Joerns® Bari10A Bed Frame Parts List



**Joerns
Healthcare**

www.joerns.com • email: info@joerns.com

Post Acute, Acute, HomeCare
5001 Joerns Drive
Stevens Point WI 54481
(P) 800.826.0270
(F) 800.457.8827

VA/Government
19748 Dearborn Street
Chatsworth, CA 91311
(P) 800.966.6662
(F) 800.232.9796

Canadian Office
1000 Clarke Road, Suite 6
London, ON Canada N5V 3A9
(P) 866.546.1151
(F) 519.451.8662