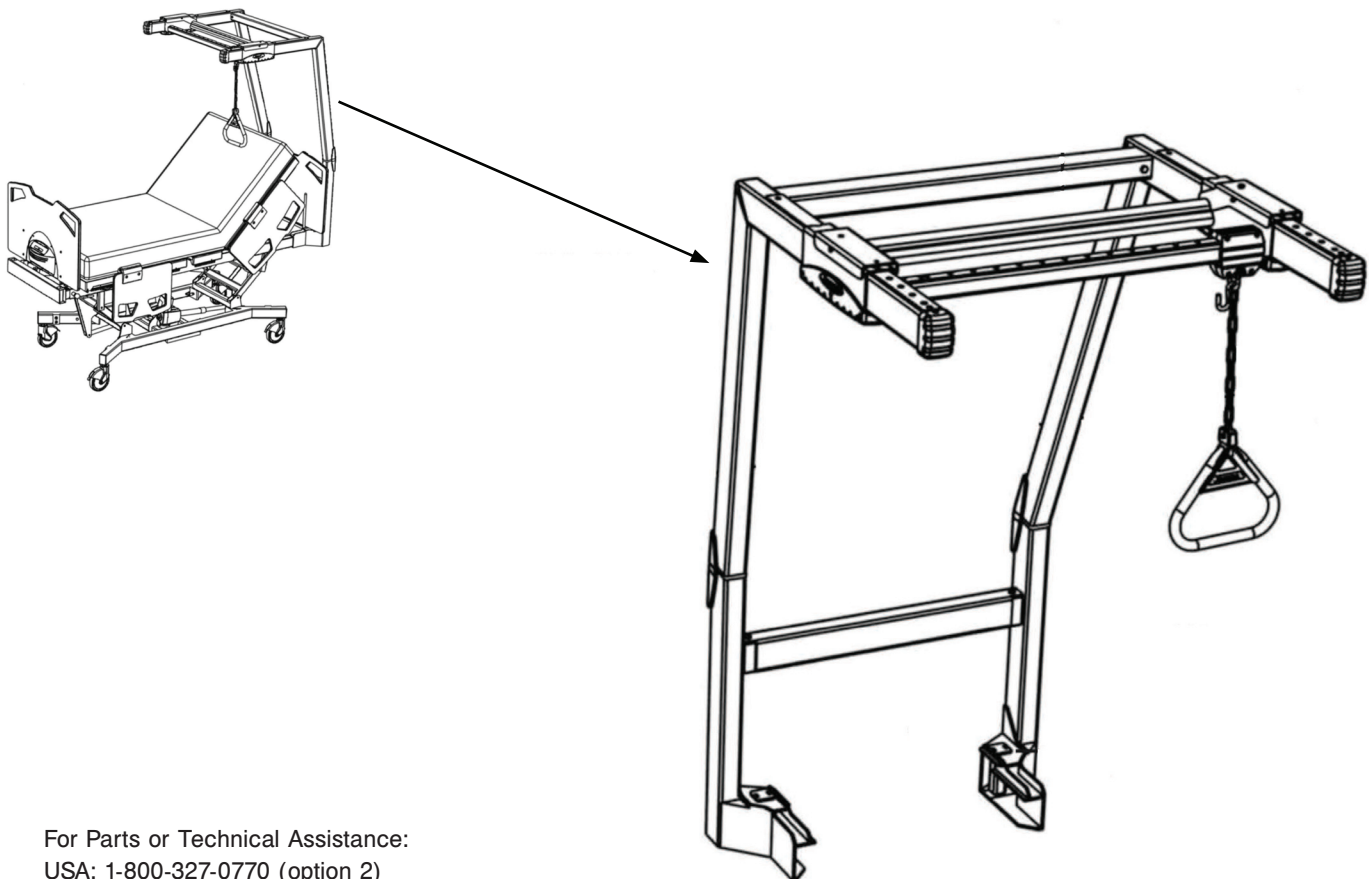


Bari10 Patient Helper

stryker[®]

Installation Guide



For Parts or Technical Assistance:
USA: 1-800-327-0770 (option 2)

Table of Contents

Introduction	4
Intended Use	4
Patient Helper Features	4
Patient Helper Illustration	4
Specifications	5
Warning / Caution / Note Definition	5
Symbols	5
Setup Procedures	6
Operation Guide	8
Positioning the Carriage	8
Positioning The Handle	8
Optional Patient Helper Assembly, Standard Components	9
Optional Patient Helper Handle Assembly - 2230-100-037	10
Optional Patient Helper Sliding Handle Assembly - 2230-100-038	10
Optional Patient Helper Carriage Assembly - 2230-100-039	10
Optional Patient Helper Stretcher Bolt Assembly - 2230-100-040	11
Patient Helper Frame Pin Assembly - 2230-100-041	11
Optional Patient Helper Lower Stretcher Assembly - 2230-100-042	11
Patient Helper Upper Stretcher Assembly - 2230-100-043	11
Optional Patient Helper Frame End Cap Assembly - 2230-100-044	12
Optional Patient Helper Angle Cap Assembly - 2230-100-045	12
Optional Patient Helper Slider Cap Assembly - 2230-100-046	12

Introduction

INTENDED USE

The Patient Helper is intended to be used in conjunction with the Bari10A Bariatric bed frame. It is intended to provide support, increase stability while the patient is repositioning himself/herself.

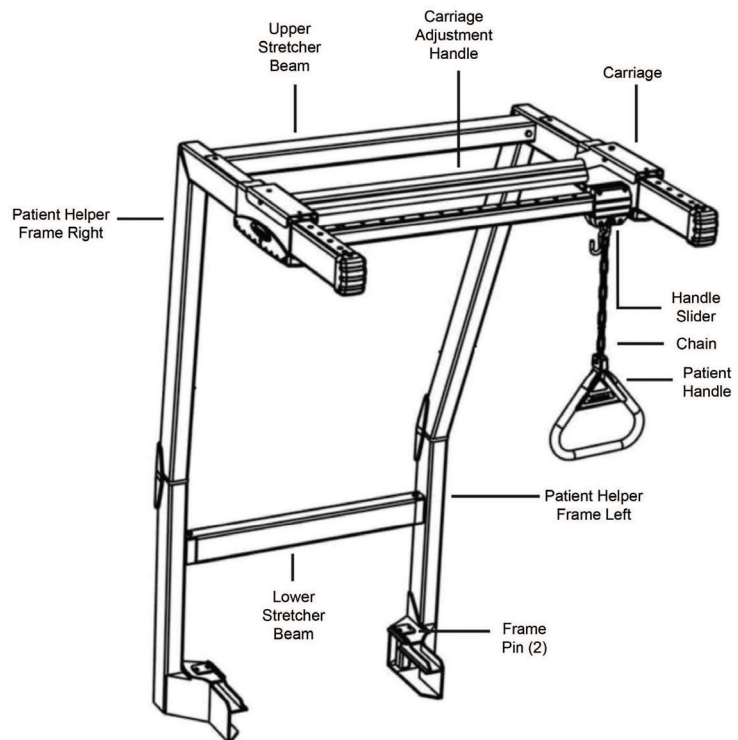
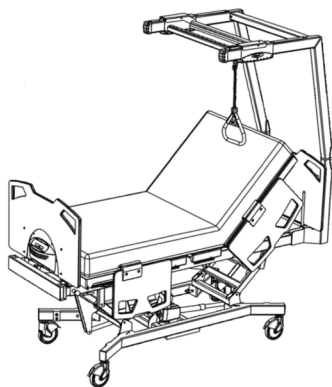
CAUTION

Note: The Patient Helper is not intended to support the entire patients weight.

PATIENT HELPER FEATURES


- Safe working load of 400 lbs.
- Designed to work in conjunction with the Bari10A fully-articulated mattress support platform. Also features an angled frame to avoid wall damage in the trendelenburg position.
- Patient helper handle can be positioned left and right as well as forward and back for enhanced patient comfort.
- Easy rear mounting using existing bed frame mounting locations.
- Integrated bed frame mounts.

PATIENT HELPER ILLUSTRATION



Introduction

SPECIFICATIONS

Patient Helper			
Safe Working Load		400 pounds	181 kg
Dimensions (installed on Bed frame)	Depth	44-3/4"	113,5 cm
	Width	40"	101,6 cm
	Height	63-1/4"	160,7 cm
Patient Handle Slider		29"	73,7 cm
Carriage Assembly		15-1/4"	38,7 cm
Product Weight		200 lbs	91 kg

Stryker reserves the right to change specifications without notice.

Specifications listed are approximate and may vary slightly from unit to unit or by power supply fluctuations.

WARNING / CAUTION / NOTE DEFINITION

The words WARNING, CAUTION, and NOTE carry special meanings and should be carefully reviewed.

WARNING

Alerts the reader about a situation, which if not avoided, could result in death or serious injury. It may also describe potential serious adverse reactions and safety hazards.



CAUTION

Alerts the reader of a potentially hazardous situation, which if not avoided, may result in minor or moderate injury to the user or patient or damage to the equipment or other property. This includes special care necessary for the safe and effective use of the device and the care necessary to avoid damage to a device that may occur as a result of use or misuse.

Note

This provides special information to make maintenance easier or important instructions clearer.

Symbols

	Warning / Caution - Consult accompanying documentation
	Safe Working Load

Setup Procedures

Lower the bed to its lowest position or to a comfortable working height.

CAUTION

Use caution when maneuvering the components into position described in the following installation steps. Be aware of your surroundings and any potential obstacles.

1. Place the left patient helper frame on the left side of the rear bed frame.
2. Drop (1) frame pin in place securing the left patient helper frame to the bed frame (see Figure 2). Secure frame pin with hair pin.
3. Install lower stretcher beam to the left patient helper frame, loosely bolt with 3/8" bolt and nylon locking nut (see Figure 3).

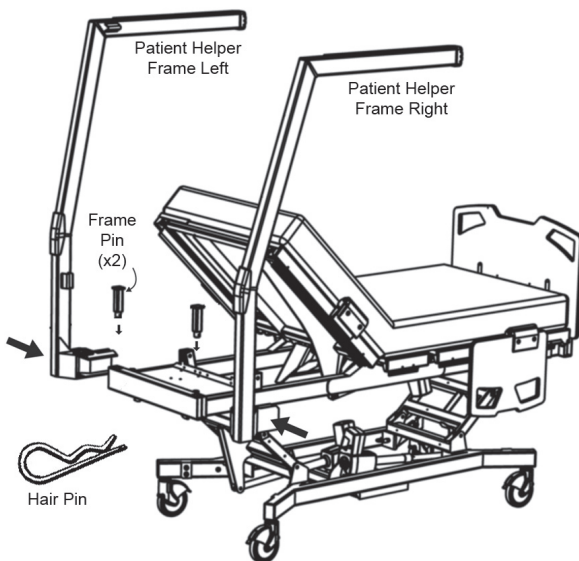


Figure 2

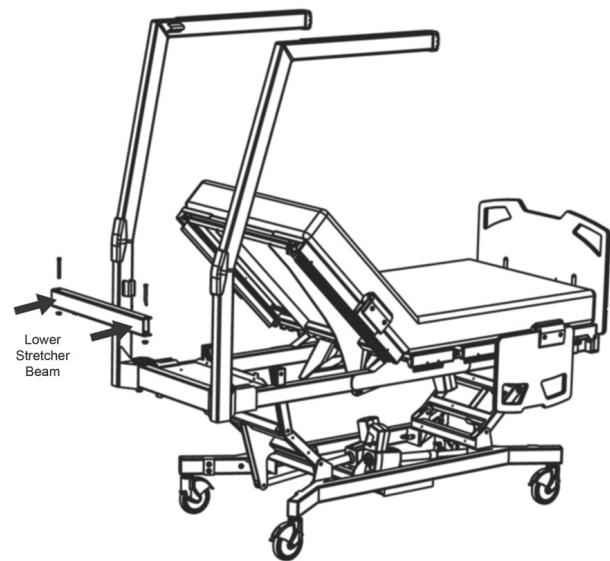


Figure 3

4. Place the right patient helper frame on the right side of the rear bed frame.
5. Drop (1) frame pin in place securing the trapeze arm to the bed frame (see Figure 4). Secure frame pin with hair pin.

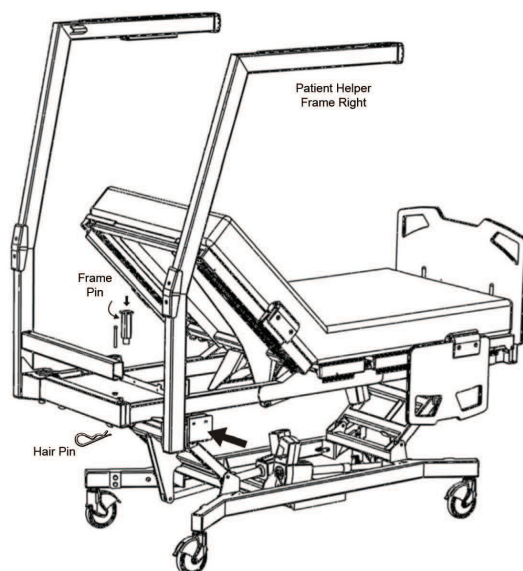


Figure 4

[Return To Table of Contents](#)

Setup Procedures

- Loosely bolt lower stretcher beam with 3/8" bolt and nylon locking nut.
- Install upper stretcher beam to the patient helper frame, loosely bolt with 3/8" bolts (2) and nylon locking nuts (2) (see Figure 5).
- Fit carriage assembly over the patient helper frames.
- Install carriage bottom plates (2) to the carriage with (2) fasteners per side (see Figure 6). Utilize the center holes on each side.

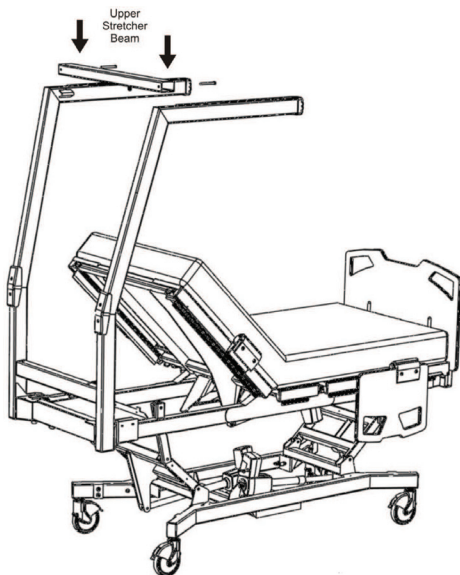


Figure 5

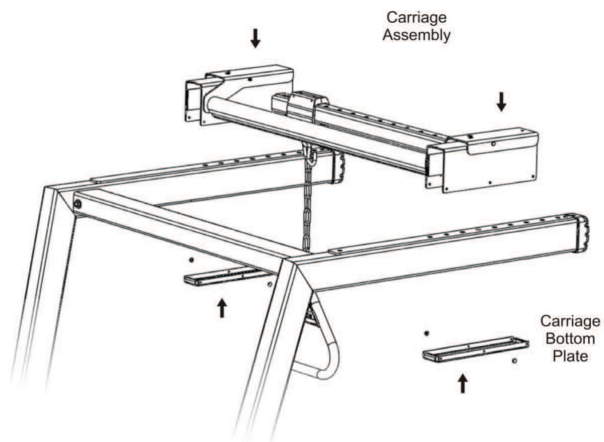


Figure 6

- Install carriage bottom caps (4) to the carriage assembly with (4) fasteners per side (see Figure 8).

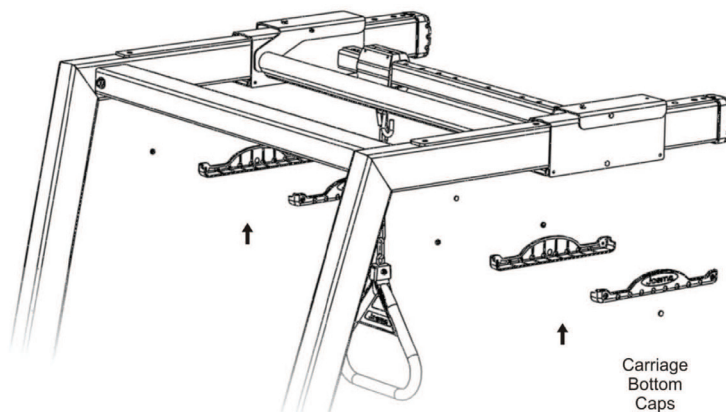


Figure 7

- Slide carriage assembly as far forward as possible to middle of bed. Tighten lower stretcher nuts from steps 3-6 (see Figure 5 and 6).
- Slide carriage assembly as far rearward as possible to the head end of bed. Tighten the upper stretcher nuts from step 7 (see Figure 7).
- Check that carriage assembly moves freely back and forth when carriage adjustment handle is squeezed (enabled).
- Recalibrate the scale to ensure proper reading of patient weight.

[Return To Table of Contents](#)

Operation Guide

POSITIONING THE CARRIAGE

Refer to Figure 8.

1. Squeeze the carriage adjustment handle.
2. Slide the carriage to the desired position and release the carriage adjustment handle.
3. To ensure that the locator pins are securely seated in the frame it may be necessary to slide the carriage back and forth slightly.

POSITIONING THE HANDLE

Refer to Figure 8.

1. Lift the handle slider with the attached chain up (lifting the handle slider locator pins from the carriage).
2. Move the handle slider to the desired position and lower it.
3. To ensure that the handle slider index pins are securely seated in the frame, it may be necessary to move the handle slider back and forth slightly.

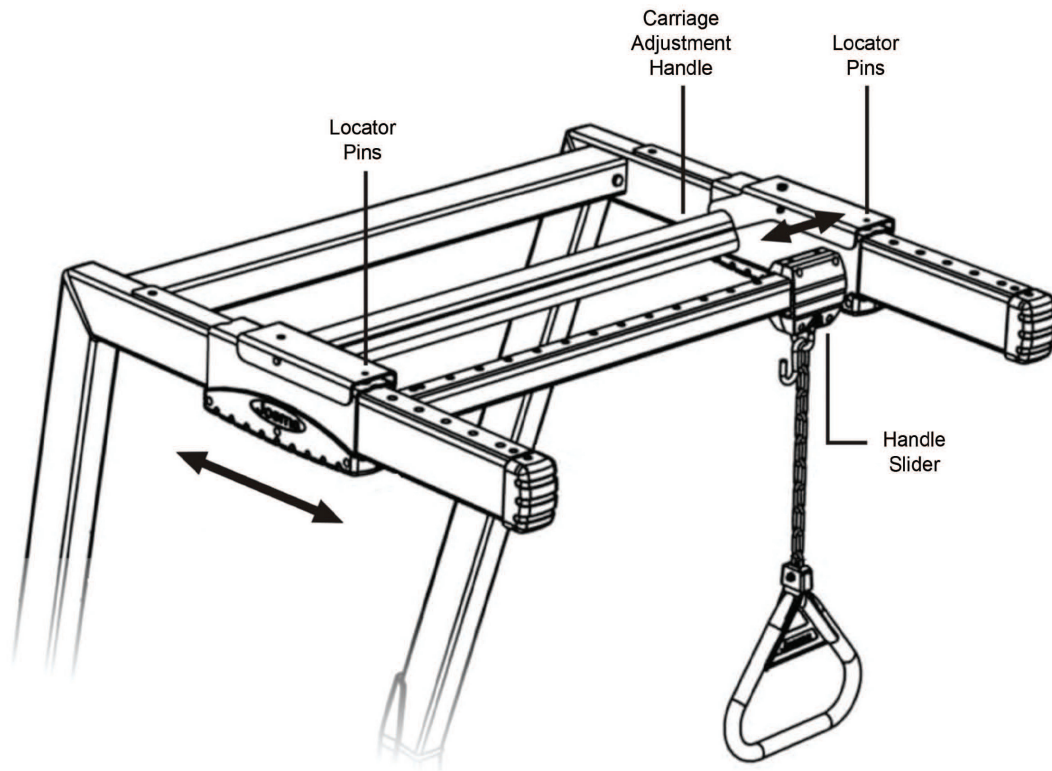
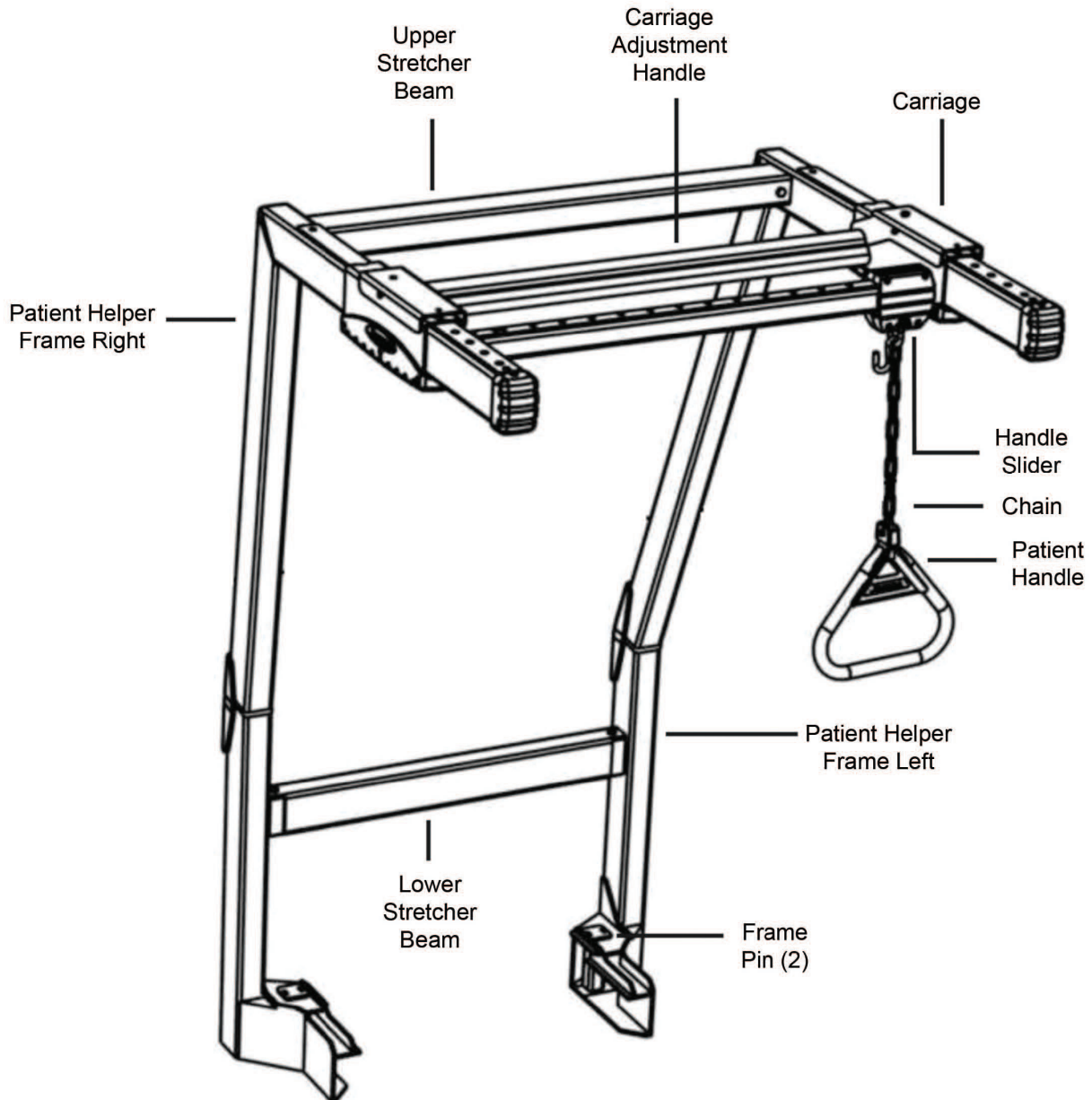


Figure 8

Optional Patient Helper Assembly, Standard Components

Refer to pages 10 through 12 for Optional Patient Helper Assembly standard component part list.



Optional Patient Helper Assembly, Standard Components

OPTIONAL PATIENT HELPER HANDLE ASSEMBLY - 2230-100-037

Item	Part No.	Part Name	Qty.
1	2230-100-174	Welded Chain, 800-lb Cap	1
2	2230-100-175	Trapeze Handle Gusset	1
3	2230-100-176	Handle	1
4	2230-100-177	Boot	1
5	2230-100-178	Trapeze Insert Bolt, 1/4-20 X 1, Grade 5	1
6	2230-100-179	1/4-20 Lock Nut	1

OPTIONAL PATIENT HELPER SLIDING HANDLE ASSEMBLY - 2230-100-038

Item	Part No.	Part Name	Qty.
1	2230-100-180	Handle Slide Strip	4
2	2230-100-181	Handle Extr Rear Machined	1
3	2230-100-182	U-Clevis	1
4	2230-100-184	S-Hook	1
5	2230-100-185	Handle Extr. Front Machined	1
6	2230-100-186	Clevis Bolt 1/4-20 X 1-3/4 Grade 5	1
7	2230-100-179	1/4-20 Locknut	1
8	2230-100-187	3/10-32 x 3/4" 6-Lobe Pan Head Mach Screw	4

OPTIONAL PATIENT HELPER CARRIAGE ASSEMBLY - 2230-100-039

Item	Part No.	Part Name	Qty.
1	2230-100-188	Cross Bar Welded Assembly	1
2	2230-100-189	Slider Top Strip	2
3	2230-100-190	Rocker Welded Assembly	1
4	2230-100-191	Rocker Spring	2
5	2230-100-192	Slider Slide Strip	4
6	2230-100-193	Rocker Pivot Pin	2
7	2230-100-194	Rocker Pivot Pin Retainer	2
8	2230-100-195	Bottom Plate	2
9	2230-100-196	Slider Bottom Cap	4
10	2230-100-197	Bottom Cap Fastener, #10-32 x 5/8" 6-Lobe Pan Head Screw	12

Optional Patient Helper Assembly, Standard Components

OPTIONAL PATIENT HELPER STRETCHER BOLT ASSEMBLY - 2230-100-040

Item	Part No.	Part Name	Qty.
1	2230-100-198	Rear Stretcher Bolt, 3/8-16 X 3 1/2" Grade 5	2
2	2230-100-199	Nylon Insert Locknut, 3/8-16 UNC	2

PATIENT HELPER FRAME PIN ASSEMBLY - 2230-100-041

Item	Part No.	Part Name	Qty.
1	2230-100-200	Pin Weldment	1
2	2230-100-201	Pin Weldment Fastener, Hairpin Clip	1

OPTIONAL PATIENT HELPER LOWER STRETCHER ASSEMBLY - 2230-100-042

Item	Part No.	Part Name	Qty.
1	2230-100-202	Lower Stretcher	1
2	2230-100-198	Rear Stretcher Bolt, 3/8-16 X 3 1/2" Grade 5	2
3	2230-100-199	Nylon Insert Locknut, 3/8-16 UNC	2

PATIENT HELPER UPPER STRETCHER ASSEMBLY - 2230-100-043

Item	Part No.	Part Name	Qty.
1	2230-100-203	Rear Stretcher	1
2	2230-100-198	Rear Stretcher Bolt, 3/8-16 X 3 1/2" Grade 5	2
3	2230-100-199	Nylon Insert Locknut, 3/8-16 UNC	2

Optional Patient Helper Assembly, Standard Components

OPTIONAL PATIENT HELPER FRAME END CAP ASSEMBLY - 2230-100-044

Item	Part No.	Part Name	Qty.
1	2230-100-204	Tube End Cap	1
2	2230-100-197	Bottom Cap Fastener, #10-32 x 5/8" 6-Lobe Pan Head Screw	2

OPTIONAL PATIENT HELPER ANGLE CAP ASSEMBLY - 2230-100-045

Item	Part No.	Part Name	Qty.
1	2230-100-205	Frame Angle Cap	1
2	2230-100-197	Bottom Cap Fastener, #10-32 x 5/8" 6-Lobe Pan Head Screw	2

OPTIONAL PATIENT HELPER SLIDER CAP ASSEMBLY - 2230-100-046

Item	Part No.	Part Name	Qty.
1	2230-100-196	Slider Bottom Cap	1
2	2230-100-197	Bottom Cap Fastener, #10-32 x 5/8" 6-Lobe Pan Head Screw	2

UNITED STATES
Stryker Medical
3800 E. Centre Ave.,
Portage, Michigan USA
49002

stryker[®]

Manufactured by Joerns Healthcare