

Maintenance Manual

Medical

**Important
Information**

File in your
maintenance
records

Secure II Med-Surg Bed
Model 3002

For parts or technical
assistance call
800 327 0770 (option 2)



Table of Contents

Introduction	
Specifications	5
Warning / Caution / Note Definition	6
Safety Tips And Guidelines	7 – 9
Set-Up Procedures	10, 11
Bed Symbols	12
Bed Illustration	13
Bed Operation	
Brake Pedal Operation	14
Steer Pedal Operation	14
CPR Emergency Release Usage	15
Foot Prop Usage	15
Fracture Frame Usage	15
Foley Bag Hooks	15
Patient Restraint Strap Locations	15
Night Light Usage	16
Nurse Call Back-Up Battery	16
110V Outlet	16
CPR Board Usage	16
IV Poles	17
Positioning Siderails	18
Siderail Control Panel Lights	18
Siderail Function Guide	19, 20
Foot Board Control Panel Guide	21–24
Scale System Operation Guide	25, 31
Pendant Controller	32
Zoom® Option Operation Guide	33 – 36
Preventative Maintenance	
Cleaning	37
Preventative Maintenance Checklist	38
Static Discharge Precautions	39
Troubleshooting	40 – 44
Bed Circuit Boards	45 – 54
Bed Communications Tester	55
Headwall Output Configuration	56
Inverter Protection Features	57
Quick Reference Replacement Parts List	58, 59

Table of Contents

Service Information

Brake Pedal Replacement	60
Lift Motor and Capacitor Removal and Replacement	61
Lift Housing Removal and Replacement	62, 63
Lift Potentiometer Replacement and Adjustment	64, 65
Lift Potentiometer “Burn-In” Procedure	65
Lift Motor Isolation Plate Replacement	66
Lift Motor Coupler Replacement	67
Power and Sensor Coil Cord Replacement	68, 69
Zoom® Option Battery Removal and Replacement	70
Zoom® Option Power Board Removal and Replacement	71
Drive Motor Removal and Replacement	72
Knee Motor Removal and Replacement	73
Head Motor Cam and Cam Guide Replacement	74
Head Motor Limit Setting	75
Head Motor Removal and Replacement	76
Head Motor Drive Isolator and CPR Decoupler Removal and Replacement	77
Head Motor Drive Screw and Ball Nut Replacement	78, 79
Head Motor Brake/Clutch Replacement	79
Scale System Diagnostics	80 – 82
Load Cell Replacement	83, 84
Power Supply Replacement	84
CPU Board Replacement	85
Smart TV Interface “Burn-In” Procedure	86
Zoom® Option Control Bar Potentiometer Replacement	87
Zoom® Option Control Bar Potentiometer “Burn-In” Procedure	88
Zoom® Option AC Crossover Board Replacement	89
Zoom® Option Display/CPU Board Replacement	89
Siderail Cover Removal	90
Molded Siderail Replacement	91
Head End Siderail Cable Replacement	92, 93
Siderail Assembly Removal	94
Foot Board Hinge Removal	95
Foot Board Module Replacement	95
Foot Board Interface Plug Replacement	96

Table of Contents

Assembly Drawings and Parts Lists

Bed Assembly	98, 99
Base Assembly and Options	100 – 107
Lift Assembly	108 – 111
Motor Isolation Plate Assembly	112
Brake Shaft Assembly	113
Brake Crank Assembly	114
Brake Bar Assembly	115
Caster Assembly	116–121
Zoom® Option Base Assembly	122–129
Zoom® Option Drive Wheel Lift Lever Assembly	130
Zoom® Option Bottom Covers	131
Zoom® Option Drive Train Assembly	132
Zoom® Option Battery Tray Assembly	133
Zoom® Option Base Power Assembly	134
Battery Back-Up Option Base Assembly	135 – 139
Battery Back-Up Option Base Power Assembly	140
Litter Assembly and Options	141 – 147
Litter Covers	148, 149
Electrical Litter Assembly	150 – 155
Mechanical Litter Assembly	156 – 160
Lift Header Assembly	162 , 163
Gatch Motor Assembly	164
Fowler Drive Assembly	165 – 167
Fowler Limit Switch Assembly	168, 169
Night Light Assembly	170, 171
Optional 110V Outlet Assembly	172, 173
110V Outlet Box Assembly	174
Scale/Bed Exit Option Assembly	176, 177
Optional HWI Assembly with Communication	178, 179
Optional HWI Assembly with Communication & Ports	180 – 182
Battery Enclosure Assembly	183
Zoom® Option Litter Assembly	184 – 190
Zoom® Battery Enclosure Assembly	191
Battery Back-Up Option Head End Enclosure Assembly	192 – 196
Head End Siderail Assembly	197 – 215
Siderail Panels	216, 217

Table of Contents

Assembly Drawings and Parts Lists (Continued)

Head End Siderail Latch Assembly	218 , 219
Foot End Siderail Assembly	220 – 222
Foot End Siderail Support Assembly	223, 224
Foot End Siderail Latch Assembly	225
Siderail Release Lever Assembly	226, 227
Siderail Bypass Detent Clip Assembly	228
Pendants	229
Foot Board Assembly	230 – 238
Foot Board Standard Module	239
Foot Board Bed Exit Module	240, 241
Foot Board Scale Module	242
Head Board Assembly	243
CPR Board Assembly	244
Removable IV Assembly	245, 246
Permanent IV Assembly	247 – 249
Defibrillator Tray Assembly	250
Pleur–Evac Rack Assembly	251
Pleur–Evac Rack with Defibrillator Tray	252, 253
Siderail Pleur–Evac Rack Assembly	254
Pump Rack Assembly	255
90° Power Cord Assembly	256
Oxygen Bottle Holder Assembly	257
Accessory Adapter Frame Assembly	258, 259
Litter Roller Assembly	260, 261
Bed Extender Assembly	262, 263
Bed Extender Mattress	264
Traction Socket Extensions	265
Urine Bottle Hanger	266
Telephone Mounting Bracket	267
Padded Siderail Covers	268

Limited Warranty


Obtaining Parts and Service	269
Extended Warranty Coverage	269
Return Authorization	270
Freight Damage Claims	270

Introduction

INTRODUCTION

This manual is designed to assist you with the maintenance of the Stryker Model 3002 Secure II Bed. Read it thoroughly before using the equipment or beginning any maintenance on it.

SPECIFICATIONS

Safe Working Load	500 pounds (227 kilograms) 
Scale System Capacity (optional equipment)	Loads weighing up to 500 pounds (227 kilograms)
Scale System Accuracy (optional equipment)	± 2 pounds at 0° – ± 10° Trend for patients weighing 100 pounds or less ±2% of total patient weight at 0° – ± 10° Trend for patients weighing greater than 100 pounds
Overall Bed Length/Width – Standard Bed	93" x 42.5" (siderails up) – 36" (siderails down) 236 cm. x 108 cm. (siderails up) – 92 cm. (siderails down)
Overall Bed Length/Width – Short Bed	85" x 42.5" (siderails up) – 36" (siderails down) 216 cm. x 108 cm. (siderails up) – 92 cm. (siderails down)
Overall Bed Length/Width – Zoom Bed	95" x 42.5" (siderails up) – 36" (siderails down) 241 cm. x 108 cm. (siderails up) – 92 cm. (siderails down)
Overall Bed Length/Width – Zoom Short Bed	87" x 42.5" (siderails up) – 36" (siderails down) 221 cm. x 108 cm. (siderails up) – 92 cm. (siderails down)
Patient Sleep Surface – Standard Bed	84" x 35" – 213 cm. x 89 cm.
Patient Sleep Surface – Short Beds	76" x 35" – 193 cm. x 89 cm.
Bed Height to Top of Seat Litter – 6" Casters (Add 2 inches if the bed has 8" casters.)	16" to 30" ±0.5 / 41 cm. to 76 cm. Beds with Zoom Option –19.75" x 30" – 50 cm. x 76 cm. Short Beds with Zoom Option –20.5" x 30" – 52 cm. x 76 cm.
Litter Platform to Top of Siderail (Full Up)	15" Head End Siderail, 14" Foot End Siderail
Space Between Siderails (Full Up)	8" – 9.125"
Knee Gatch Angle	0° to 40°
Fowler Angle	0° to 60°
Trendelenburg/Reverse Trendelenburg	-12° to +12° ±1° -10° to +10° ±1° – Beds with Zoom Option -8° to +8° ±1° – Short Beds
Electrical Requirements – all electrical requirements meet UL 2601 specifications.	115 VAC, 60 Hz, 7.0 Amp. Optional: 230 VAC, 50/60 Hz, 4.0 Amp.
Outlet Option	125 VAC, 60 Hz, 10.0 Amp (not available with Zoom option)

Stryker reserves the right to change specifications without notice.

Introduction

WARNING / CAUTION / NOTE DEFINITION

The words WARNING, CAUTION and NOTE carry special meanings and should be carefully reviewed.

WARNING

Alerts the reader about a situation, which if not avoided, could result in death or serious injury. It may also describe potential serious adverse reactions and safety hazards.

CAUTION

Alerts the reader of a potentially hazardous situation, which if not avoided, may result in minor or moderate injury to the user or patient or damage to the equipment or other property. This includes special care necessary for the safe and effective use of the device and the care necessary to avoid damage to a device that may occur as a result of use or misuse.

NOTE

This provides special information to make maintenance easier or important instructions clearer.

Introduction

SAFETY TIPS AND GUIDELINES

Before operating the Secure Bed, it is important to read and understand all information in this manual. Carefully read and strictly follow the safety guidelines listed on this page.

It is important that all users have been trained and educated on the inherent hazards associated with the usage of electric beds.



WARNING

- Danger: Explosion hazard. Do not use in the presence of flammable anesthetics.
 - Always apply the caster brakes when a patient is getting on or off the bed. Always keep the caster brakes applied when a patient is on the bed (except during transport). After the brake pedal is applied, push on the bed to ensure the brakes are locked. Serious injury could result if the bed moves while a patient is getting in or out of bed.
 - Ensure the brakes are completely released prior to attempting to move the unit. Attempting to move the unit with the brakes actuated could result in injury to the user and/or patient.
 - Do not attempt to move the foot end of the bed laterally when the steer pedal is activated. When the steer pedal is activated, the steer caster at the foot end of the bed cannot swivel. Attempting to move the bed laterally when the steer pedal is activated may cause injury to the user.
 - The Secure II Bed is not intended for use with patients less than two years of age.
 - Serious injury can result if caution is not used when operating the unit. Operate the unit only when all persons are clear of the electrical and mechanical systems.
 - To help reduce the number and severity of falls by patients, always leave the bed in the lowest position when the patient is unattended.
 - When attaching equipment to the frame, ensure it will not impede normal frame operation. For example: hooks on hanging equipment must not actuate control buttons, equipment must not hide the nurse call button, etc.
 - Use only a Stryker supplied interface cable. Use of any other cable may cause the bed to function improperly which may result in patient or user injury.
 - The Secure II is equipped with a hospital grade plug for protection against shock hazard. It must be plugged directly into a properly grounded three-prong receptacle. Grounding reliability can be achieved only when a hospital grade receptacle is used.
 - When using the manual override shaft to manually actuate bed functions, always unplug the bed power cord from the wall socket to avoid injury in the event of a sudden return of power to the bed.
 - When raising the siderails, listen for the "click" that indicates the siderail has locked in the up position. Pull firmly on the siderail to ensure it is locked into position. Siderails are not intended to be a patient restraint device. It is the responsibility of attending medical personnel to determine the degree of restraint and the siderail positioning to ensure a patient will remain safely in bed.
 - The Bed Exit System is intended only to aid in the detection of a patient exiting the unit. It is NOT intended to replace patient monitoring protocol. The bed exit system signals when a patient is about to exit. Adding or subtracting objects from the frame after zeroing the weigh system may cause a reduction in the sensitivity of the bed exit system.
 - Always unplug the bed power cord from the wall socket and push the battery power on/off switch to the "OFF" position before servicing or cleaning the bed. When working under the bed with the bed in the high position, always place blocks under the litter frame and apply the brakes to prevent injury in case the Bed Down switch is accidentally pressed.
 - The CPR emergency release on the Short Bed frame may require assistance to lower the back when the Back is in the highest position. Attempting to lower the Back in this position without assistance may result in injury to the operator.
 - Only use equipment with the following electrical specs: 110 VAC; 10A; 60Hz. Maximum total load drawn by equipment used in this receptacle outlet must not exceed 10A. The total system chassis risk current should not exceed 100uA. Grounding continuity should be checked periodically.
-

Introduction

SAFETY TIPS AND GUIDELINES (CONTINUED)

WARNING

- To avoid risk of electrical shock, unplug **all** power cords before opening the service compartment, junction box or receptacle.
- Do not use the optional 110V outlet for life sustaining equipment.
- To avoid pinching your fingers, place the IV pole in the upright position before using the drive handle .

To avoid possible injury and to assure proper operation when using a powered mattress replacement system such as XPRT:

- Confirm proper scale system operation following mattress installation. For best results, secure the therapy mattress power cord to prevent damage to the cord or interference with the bed frame and the scale system.
 - Do not zero bed scales or weigh patient with Percussion, Vibration, Rotation or Turn-Assist active. Patient motion and position resulting from the dynamic therapy mattress may adversely affect scale system performance.
 - Do not initialize (“arm”) bed exit with Percussion, Vibration, Rotation or Turn-Assist active. The patient motion and position resulting from the dynamic therapy mattress may adversely affect bed exit system performance.
-

CAUTION

- When large spills occur in the area of the circuit boards, 110 volt cables and motors, immediately unplug the bed power cord from the wall socket. Remove the patient from the bed and clean up the fluid. Have maintenance completely check the bed. Fluids can affect the operational capabilities of any electrical product. **DO NOT** put the bed back into service until it is completely dry and has been thoroughly tested for safe operation.
- Preventative maintenance should be performed at a minimum of annually to ensure all bed features are functioning properly. Close attention should be given to safety features including, but not limited to: safety side latching mechanisms, frayed electrical cords and components, all electrical controls return to off or neutral position when released, caster braking systems, no controls or cabling entangled in bed mechanisms, leakage current 100 microamps maximum, scale and bed exit systems calibrated properly.
- Because individual beds may have different options, foot boards should not be moved from one bed to another. Mixing foot boards could result in unpredictable bed operation.
- The lockout buttons on the foot board lock the Fowler, Gatch and Bed Up/Down functions and prevent motion of the bed. It is the responsibility of attending medical personnel to determine whether these functions should be locked and to use the buttons accordingly.
- The weight of the IV bags should not exceed 40 pounds.
- Scale function may be affected by siderail/caster interference. With the litter fully lowered or lowered in Reverse Trendelenburg, the siderails tucked under the litter in the storage position and the casters turned, there is the potential for interference between the siderail and the caster. Raise the siderails when lowering the litter to the full down position to prevent the interference from causing the scale system to weigh inaccurately.
- When attaching equipment to the frame, ensure it will not impede normal operation. For example: hooks on hanging equipment must not actuate control buttons, equipment must not hide the nurse call button, etc.
- The use of a mattress overlay may reduce the effectiveness of the siderail.

Introduction

SAFETY TIPS AND GUIDELINES (ZOOM® OPTION)

In addition to the previous warnings and cautions, all of the following warnings and cautions apply to units equipped with the Zoom® option.

WARNING

- The 3002 Patient Transport Frame is intended for use by trained hospital personnel only. Failure to properly train personnel could result in injury.
- USE CAUTION while maneuvering the unit with the drive wheel activated. Always ensure there are no obstacles near the unit while the drive wheel is activated. Injury to the patient, user or bystanders or damage to the frame or surrounding equipment could occur if the unit collides with an obstacle.
- Use caution when transporting the unit down halls, through doors, in and out of elevators, etc. Damage to the siderails or other parts of the unit could occur if the unit comes in contact with walls or door frames.
- Put the drive wheel in the neutral position and release the brakes before pushing the unit manually. Do not attempt to push the unit manually with the drive wheel engaged. The unit will be difficult to push and injury could result.
- If unanticipated motion occurs, unplug the power cord from the wall socket, push the battery power on/off switch to the "OFF" position (the LED will not be illuminated) and actuate the drive wheel pedal to the neutral position.
- The power save mode is activated after one hour on battery power with no motion release switch activation. Functions including Bed Exit, scale and motion will cease to operate when the unit enters the power save mode. Injury to the patient could occur if proper patient monitoring protocol is not observed.
- Always unplug the power cord and push the battery power on/off switch to the "OFF" position before service or cleaning. When working under the frame, always place blocks under the litter frame to prevent injury in case the Bed Down switch is accidentally activated.
- Due to the weight the battery adds to the bed (approximately 50 pounds), additional force is required to move the bed. Caution should be used when transporting this bed. Additional assistance should be used when necessary. Failure to use caution while transporting this bed may result in injury to the user.
- Battery posts, terminals and related accessories contain lead and lead compounds, chemicals known to the State of California to cause cancer and birth defects or other reproductive harm. **Wash hands after handling.**
- Do not modify the 3002 Patient Transport Frame. Modifying the unit can cause unpredictable operation resulting in injury to the patient or operator. Modifying the unit will also void its warranty.

CAUTION

- To avoid damage while transporting the bed, verify the I.V. pole is at a low enough height to allow it to safely pass through door openings and under light fixtures.
- The battery tray assembly weighs 50 pounds. Take care when removing the two hex head screws securing it to the base frame or personal injury could result.

Set-Up Procedures

SET-UP PROCEDURES

It is important that the Secure II Bed is working properly before it is put into service. The following list will help ensure that each part of the bed is tested.

- Plug the bed into a properly grounded, hospital grade wall receptacle and ensure the "Power" LED light at the foot end of the bed comes on.

WARNING

The Secure II is equipped with a hospital grade plug for protection against shock hazard. It must be plugged directly into a properly grounded three-prong receptacle. Grounding reliability can be achieved only when a hospital grade receptacle is used.

- Plug the optional interface cable into the 37 pin connector under the litter frame at the head end of the bed, and into the "Patient Station", "Head Wall", "Docking Station", or equivalent (whichever applies). Test the interface cable to verify it is functioning properly.

WARNING

Use only a Stryker supplied interface cable. Use of any other cable may cause the bed to function improperly which may result in patient or user injury.

- Ensure the siderails raise, lower and store smoothly and lock in the up position and in the intermediate position when lowered ([page 18](#)).
- Ensure that all four casters lock when the brake pedal is engaged ([page 14](#)).
- Raise the Back up to approximately 60°. Squeeze the CPR release handle and ensure the Back will drop with minimal effort.

NOTE

Ensure that the "Brake Not Set" LED's located on the outside of the head end siderails and on the foot board control panel come on when the brakes are disengaged.

- Run through each function on the foot board control panel to ensure that each function is working properly ([page 21-25](#)).
- Run through each function on both head end siderails to ensure that each is working properly ([page 18-20](#)).
- Activate the motion stop system to ensure it is functioning properly: press and hold down the BED DOWN key. As the bed lowers, lift up on the motion interrupt pan (reference drawing on [page 13](#)) and ensure the downward motion stops. Release the pan and allow the downward motion to continue.

NOTE

The bed's upward motion or other functions are not disrupted by the motion stop system.

Set-Up Procedures

SET-UP PROCEDURES (ZOOM™ OPTION)

If your bed is equipped with the Zoom™ drive wheel option, run through the set-up procedures on [page 10](#) and continue with the procedures listed below.

- Plug the power cord into a properly grounded, hospital grade wall receptacle. The 12 volt batteries that provide power to the drive wheel and back-up power to the unit functions will charge whenever the power cord is plugged into the wall socket. The batteries require approximately 10 hours of charging time before the bed is put into service.
- Unplug the power cord from the wall socket. Push the battery power switch located on the lower left corner of the head end to the “ON” position. Again, verify each function on the foot board and siderails is operating properly.
- With the battery power switch in the “ON” position and the brakes engaged, ensure the “Release Brakes” LED on the head end control panel is illuminated.
- With the battery power switch in the “ON” position and the drive wheel in the neutral position (not touching the floor), ensure the “Engage Drive Wheel” LED on the head end control panel is illuminated.
- Run through the operation of the drive wheel (see [page 33 & 34](#)) to ensure it is operating properly.

If any problems are found during bed set-up, contact Stryker Customer Service at 800-327-0770.

Damaged Merchandise

ICC Regulations require that claims for damaged merchandise must be made with the carrier within fifteen (15) days of receipt of merchandise. **DO NOT ACCEPT DAMAGED SHIPMENTS UNLESS SUCH DAMAGE IS NOTED ON THE DELIVERY RECEIPT AT THE TIME OF RECEIPT.** Stryker Customer Service must be notified immediately. Stryker will aid the customer in filing a freight claim with the appropriate carrier for damages incurred. Claim will be limited in amount to the actual replacement cost. In the event that this information is not received by Stryker within the fifteen (15) day period following the delivery of the merchandise, or the damage was not noted on the delivery receipt at the time of receipt, the customer will be responsible for payment of the original invoice in full.

Claims for any short shipment must be made within thirty (30) days of invoice.

Symbols



Warning, Refer to Service/Maintenance Manual



Alternating Current



Type B Equipment: equipment providing a particular degree of protection against electric shock, particularly regarding allowable leakage current and reliability of the protective earth connection.

Class 1 Equipment: equipment in which protection against electric shock does not rely on BASIC INSULATION only, but which includes an additional safety precaution in that means are provided for the connection of the EQUIPMENT to the protective earth conductor in the fixed wiring of the installation in such a way that ACCESSIBLE METAL PARTS cannot become live in the event of a failure of the BASIC INSULATION.

Mode of Operation: Continuous

IPX4: Protection from liquid splash



Dangerous Voltage Symbol



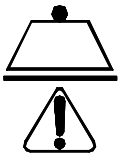
Protective Earth Terminal



Potential Equalization Symbol

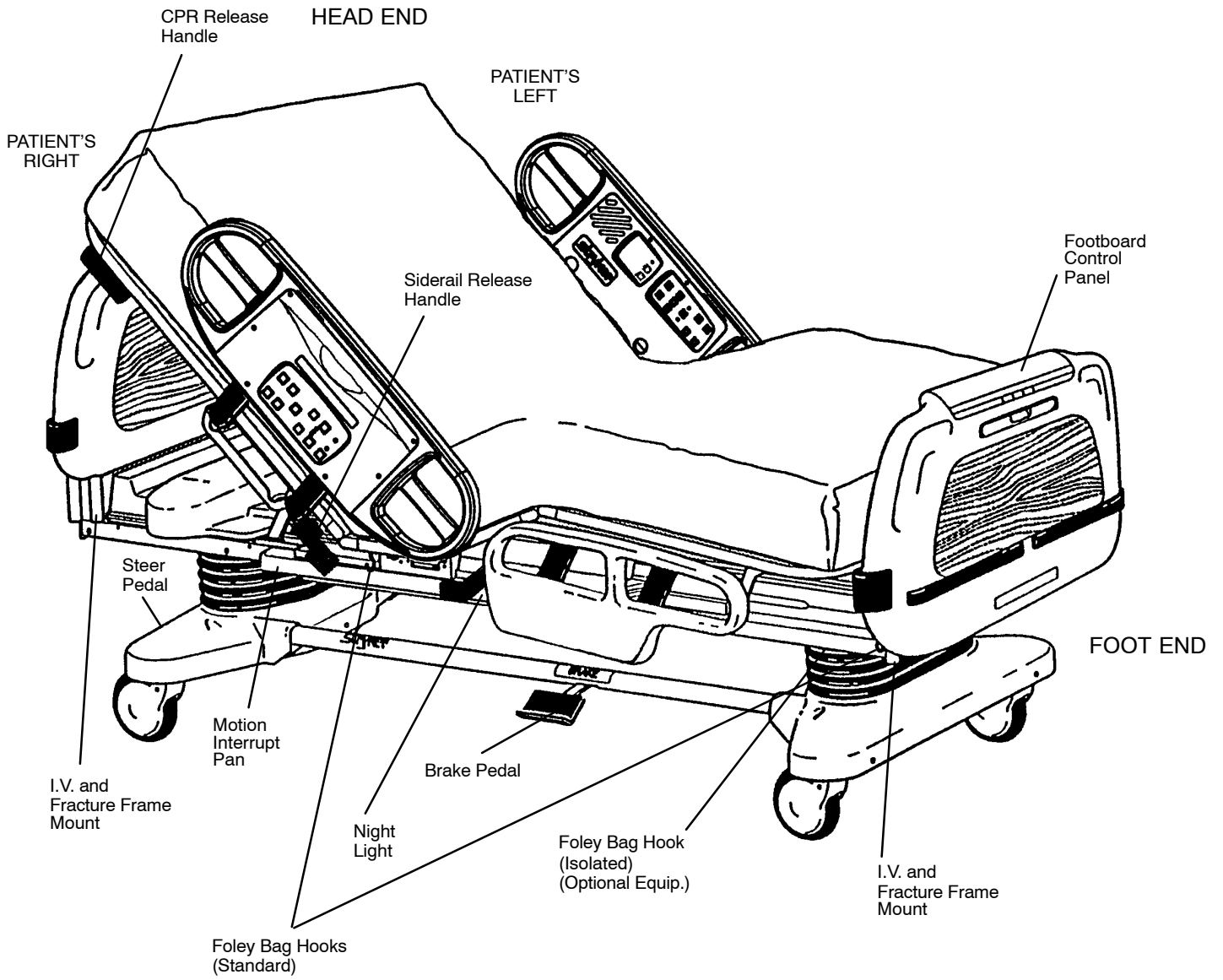


Medical Equipment Classified by Underwriters Laboratories Inc. with Respect to Electric Shock, Fire, Mechanical and Other Specified Hazards Only in Accordance with UL 2601-1 and CAN/CSA C22.2 No. 601.1



Safe Working Load Symbol

Bed Illustration



Base Operation Guide

BRAKE PEDAL OPERATION

WARNING

Always apply the caster brakes when a patient is getting on or off the bed. Push on the bed to ensure the brakes are securely locked. Always engage the brakes unless the bed is being moved. Injury could result if the bed moves while a patient is getting on or off the bed.

To activate the brakes, push down once on one of the pedals located at the midpoint of the bed on both sides (identified by the label at right). The pedal will remain in the lowered position, indicating the brakes are engaged. To disengage the brakes, push down once and the pedal will return to the upper position.



BRAKE
PRESS TO SET OR RELEASE

NOTE

There are LED lights on the outside of the head end siderails and on the foot end control panel that will blink when the brakes are not engaged only if the bed is plugged into a wall socket (see pages 20 & 22). The brakes will still operate properly when the bed is not plugged in.

STEER PEDAL OPERATION (BEDS WITHOUT THE ZOOM® DRIVE WHEEL OPTION)

When the bed is moved, the steer caster helps guide the bed along a straight line and helps the bed pivot around corners.

To activate the steer caster, move the pedal located at the head end of the bed to your left as shown on the label.



NOTE

For proper "tracking" of the steer caster, push the bed approximately 10 feet to allow the wheels to face the direction of travel before engaging the steer pedal. If this is not done, proper "tracking" will not occur and the bed will be difficult to steer.

WARNING

Do not attempt to move the foot end of the bed laterally when the steer pedal is activated. When the steer pedal is activated, the steer caster at the foot end of the bed cannot swivel. Attempting to move the bed laterally when the steer pedal is activated may cause injury to the user.

Litter Operation Guide

CPR EMERGENCY RELEASE

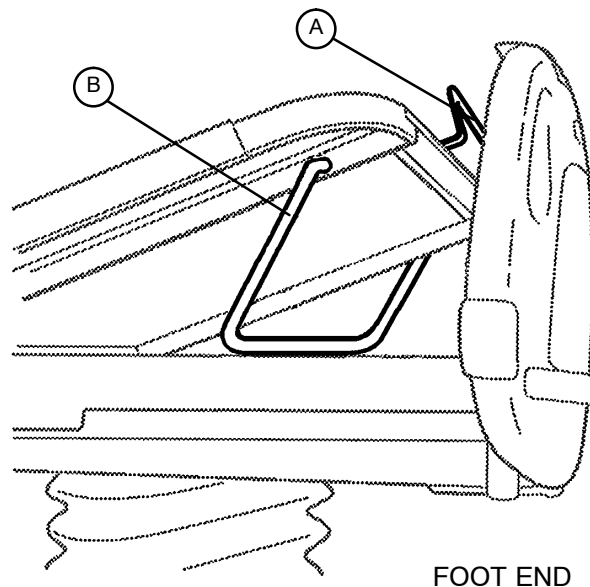
When quick access to the patient is needed, and the Fowler is raised, squeeze one of the two red release handles (see illustration, [page 13](#)) and the Fowler can be quickly guided down to a flat position.

NOTE

The handle can be released at any time to stop the Fowler from lowering.

FOOT PROP USAGE

To prop the foot end of the Knee Gatch up, grasp the handle (A) at the end of the Knee Gatch and lift upward, allowing the foot prop (B) to engage at the desired height. To release the prop, lift up on the handle (A), swing the prop (B) toward the head end of the bed to disengage the hinge and lower the foot end.



WARNING

To avoid injury while cleaning or servicing under the foot section, secure the foot section with string or bungee cords or hold it up out of the way.

FRACTURE FRAME USAGE

A standard fracture frame can be mounted on the bed using the IV sockets located on all four corners of the bed. IV poles can be used in conjunction with a fracture frame if IV pole adaptor sockets are purchased.

WARNING

Use only retractable traction or fracture frames. Failure to use a retractable frame may result in injury to the patient and/or damage to the equipment.

FOLEY BAG HOOKS USAGE

The standard Foley bag hooks are found at two locations on both sides of the frame: under the frame below the seat section and at the extreme foot end of the frame. The optional isolated Foley bag hooks are located at the foot end of the bed on top of the lift header. The patient weight reading on the scale system will not be affected when the optional isolated Foley bag hooks are used.

PATIENT RESTRAINT STRAP LOCATIONS

The bed has 12 locations for installing patient restraint straps on the litter top, 6 on each side of the bed.

WARNING

Improperly adjusted restraint straps can cause serious injury to a patient. The clinician must use her/his judgement to determine proper use of restraint straps and restraint strap locations.

Clean Velcro **AFTER EACH USE**. Saturate Velcro with disinfectant and allow disinfectant to evaporate. (Appropriate disinfectant for nylon Velcro should be determined by the hospital.)

Litter Operation Guide

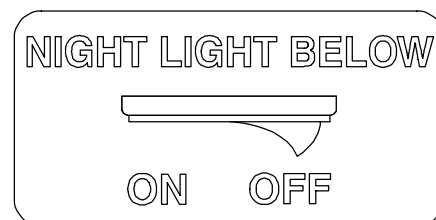
NIGHT LIGHT USAGE

The bed is equipped with two night lights to illuminate the floor area around the bed.

There is a switch under the litter thigh section on the patient's left side that turns both lights on and off.

NOTE

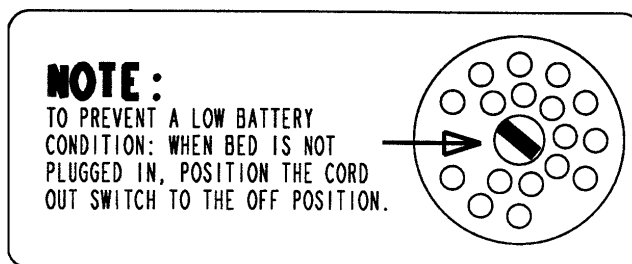
The night lights have a sensor so the lights will turn off, even when the switch is on, if the light in the room is bright enough so a night light is not necessary.



NURSE CALL BACK-UP BATTERY (Optional Equipment)

To prevent a low battery condition when the bed is not plugged in, position the cord out switch at the head end of the bed to the off position. The switch is identified by the label shown below. If the switch is not positioned as shown below and the bed power cord and pendant cord are unplugged, the life of the back-up battery will be significantly reduced.

If the power light (located on the foot board) is flashing, the Nurse Call battery needs to be replaced. The battery is located on the patient's left side at the head end of the bed. No tools are required to replace the battery. Unplug the bed power cord from the wall socket and replace the battery.



USING THE 110 VOLT OUTLET (Optional Equipment)

The 110V outlet has its own power cord that must be plugged into a properly grounded three prong wall receptacle different from the wall receptacle the bed power cord is plugged into.

If the equipment plugged into the bed outlet is not receiving power, check the circuit breakers located on the litter frame under the head section (see [page 172](#)). Reset, if necessary.



WARNING

Only use equipment with the following electrical specs: 110 VAC; 10A; 60Hz. Maximum total load drawn by equipment used in this receptacle outlet must not exceed 10A. The total system chassis risk current should not exceed 100uA. Grounding continuity should be checked periodically.

To avoid risk of electrical shock, unplug **all** power cords before opening the service compartment, junction box or receptacle.

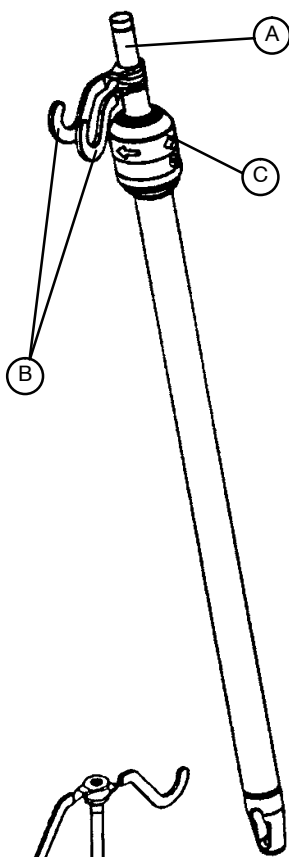
Do not use the optional 110V outlet for life sustaining equipment.

CPR BOARD USAGE (Optional Equipment)

If the bed is equipped with the optional CPR board, it is stored on the bed's head board. To remove it, pull it away from the head board and lift it out of storage position. If the CPR board option was not purchased, the head board can also be removed and used as an emergency CPR board.

Litter Operation Guide

OPERATING IV POLES



To use the 2-Stage Permanently Attached IV pole:

NOTE

The 2-stage permanently attached IV pole is an option and may have been installed at either the head, foot or both ends. The choice was made at the time the unit was purchased.

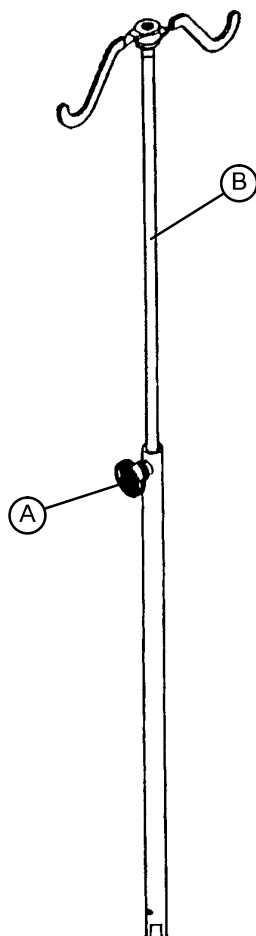
1. Lift and pivot the pole from the storage position and push down until it rests in the receptacle.
2. To raise the height of the pole, pull up on the telescoping portion (A) until it locks into place at its fully raised position.
3. Rotate the IV hangers (B) to desired position and hang IV bags.
4. To lower the IV pole turn the latch (C) clockwise until section (A) lowers.

CAUTION

To avoid damage, the weight of the IV bags should not exceed 40 pounds.

WARNING

To avoid pinching your fingers, place the IV pole in the upright position before using the drive handle .



To use the "Removable" IV pole:

1. Install the pole at any of the four receptacles on the bed top (located on all four corners of the frame.)
2. To raise the height of the pole, turn knob (A) counterclockwise and pull up on the telescoping portion (B) of the pole and raise it to the desired height.
3. Turn knob (A) clockwise to tighten the telescoping portion in place.

CAUTION

To avoid damage, the weight of the IV bags should not exceed 40 pounds.

Siderail Operation Guide

POSITIONING SIDERAILS

NOTE

The siderails can be locked at two heights (intermediate & full up). The foot end siderails on a Short Bed do not have an intermediate position.

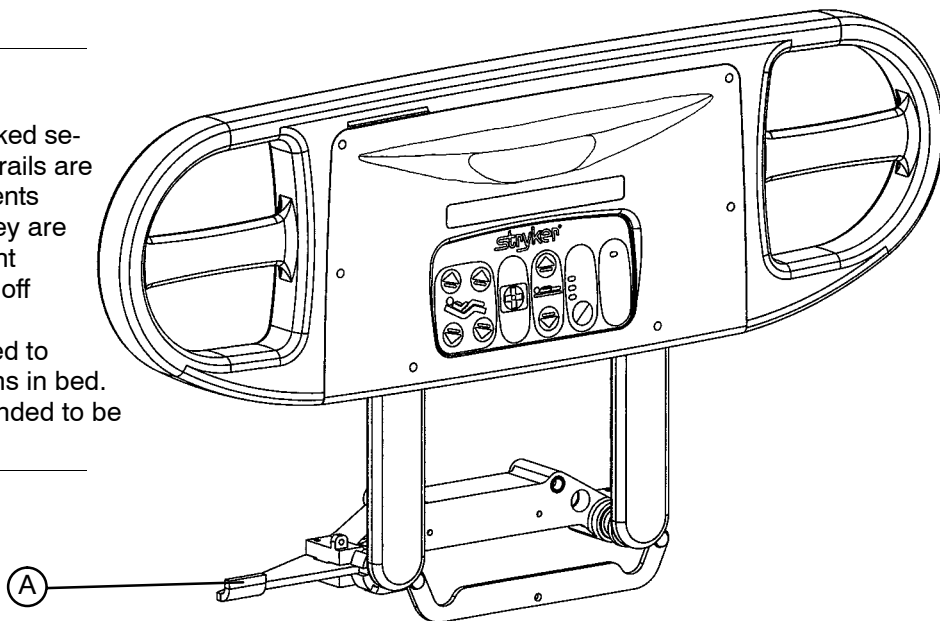
The siderails can be tucked away under the bed when not in use. To remove the rail from the tucked position, grasp the top of the rail and pull outward.

To engage the head end siderail, grasp the rail and swing it upward to full height. When the siderail is being raised, it does not lock in the intermediate position. To lower the siderail, push in the blue release handle (A) and rotate the siderail until it locks in the intermediate position. To lower the siderail fully, push in the blue release handle (A) again and rotate the siderail until it is completely lowered.

To engage the foot end siderail, the same procedure is required as for the head end siderail, however, the siderail swings toward the foot end of the bed.

WARNING

Be sure the siderail is locked securely into position. Siderails are not intended to keep patients from exiting the bed. They are designed to keep a patient from inadvertently rolling off the bed. Proper restraint methods should be utilized to ensure the patient remains in bed. The siderails are not intended to be used as a push device.



To disengage the rail, push in the blue release handle (A) and swing the rail down to the desired height. Store the siderails by tucking the rails under the bed. Rails must be in the full down position before they can be tucked.

SIDERAIL CONTROL PANEL LIGHTS

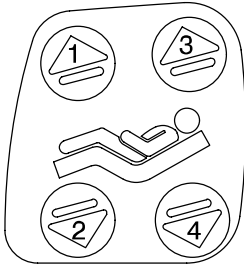
The bed is equipped with lights to illuminate the head end siderail control panel and the red nurse call switches. Both can be activated at the foot board control panel. Three settings are available for the control panel lights: low, medium and high intensity. When all lights are off, push the siderail control light button at the foot board once to turn on both the control lights and the nurse call light at the siderail. Push again to change from low to medium setting, and a third time to change to the high setting. The nurse call light intensity is not affected. Pushing the button a fourth time will turn off the siderail control panel lights and pushing it a fifth time will turn off the red nurse call light as well (see control panel guide [page 21](#)).

NOTE

The purpose of the red nurse call light on the siderails is to ensure the patient immediately knows which button to push to contact the nurse station. Turning the red light off may compromise this ability, especially in a darkened room.

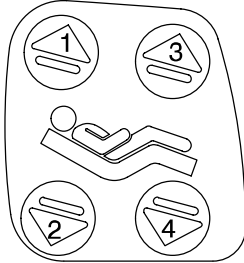
Siderail Operation Guide

INSIDE SIDERAIL FUNCTION GUIDE



(Patient's Right Rail)

1. Push to raise Knee Gatch.
2. Push to lower Knee Gatch.
3. Push to raise Fowler.
4. Push to lower Fowler.



(Patient's Left Rail)

1. Push to raise Fowler.
2. Push to lower Fowler.
3. Push to raise Knee Gatch.
4. Push to lower Knee Gatch.

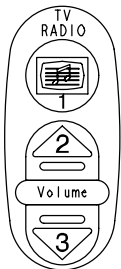


1. Push to activate Nurse Call.

NOTE

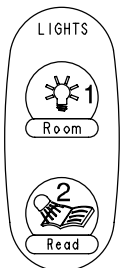
Yellow LED will light when button is pushed. Red LED will light with Nurse Station acknowledgment.

► This panel is optional equipment.



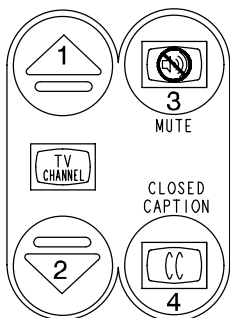
1. Push to turn TV or radio on and to select a channel.
2. Push to increase volume.
3. Push to decrease volume.

► This panel is optional equipment.



1. Push to turn the room light on.
2. Push to turn the bed overhead light on.

► This panel is optional equipment.

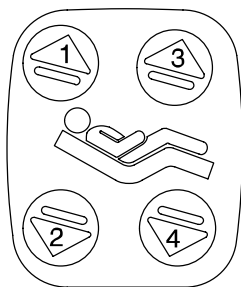


1. Push to change the TV channel up.
2. Push to change the TV channel down.
3. Push to mute TV volume. Push again to turn the sound back on.
4. Push to display closed captioning. Push again to turn off closed captioning.

► This panel is optional equipment.

Siderail Operation Guide

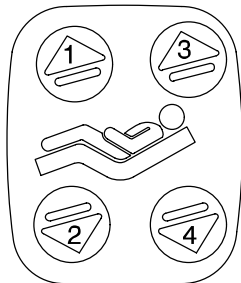
OUTSIDE SIDERAIL FUNCTION GUIDE



(Patient's Right Rail)

1. Push to raise Fowler.
2. Push to lower Fowler.
3. Push to raise Knee Gatch.
4. Push to lower Knee Gatch.

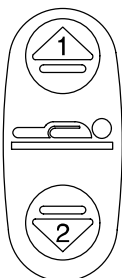
► This panel is optional equipment.



(Patient's Left Rail)

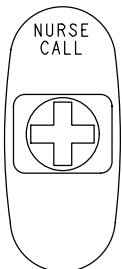
1. Push to raise Knee Gatch.
2. Push to lower Knee Gatch.
3. Push to raise Fowler.
4. Push to lower Fowler.

► This panel is optional equipment.



1. Push to raise bed height.

2. Push to lower bed height.

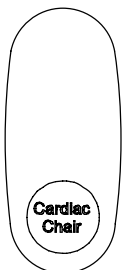


Push to activate Nurse Call.

► This panel is optional equipment.



LED will blink when the brakes are not set.

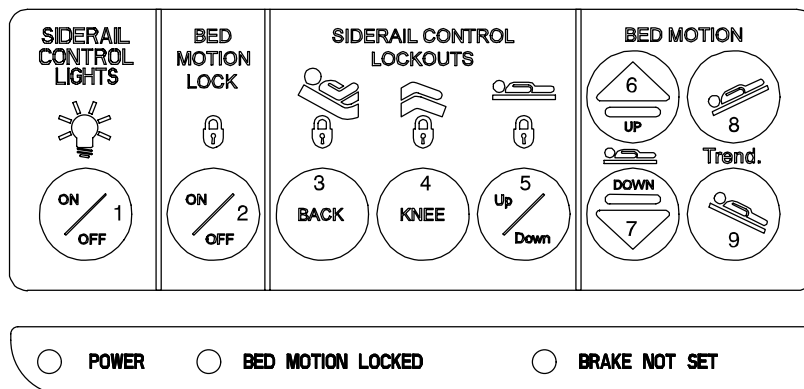


Push to activate the Cardiac Chair function. The Knee will raise, the Back will raise or lower to approximately 52° and the bed will tilt to approximately -12° (-10° if it's a Short Bed) reverse Trendelenburg (foot end down). Release the button to stop bed movement: hold the button until movement stops to complete the function.

► This panel is optional equipment.

Foot Board Operation Guide

FOOT BOARD CONTROL PANEL GUIDE



1. Push repeatedly for low, medium and high settings for the siderail control panel lights. Pushing a fourth and fifth time will turn off the siderail lights and the red nurse call light respectively (see [page 18](#)).

NOTE

The intent of the red nurse call light on the siderails is to ensure the patient immediately knows which button to push to contact the nurse station. Turning the red light off may compromise this ability, especially in a darkened room.

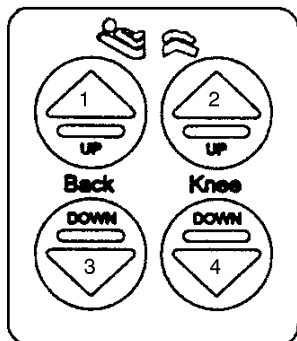
2. Push to lock out all bed motions. The MOTION lock icon and the "BED MOTION LOCKED" LED will light. Push again to unlock.
3. Push to lock out Back Rest controls at both siderails. The HEAD lock icon will light. Push again to unlock.
4. Push to lock out Knee Gatch controls at both siderails. The KNEE lock icon will light. Push again to unlock.
5. Push to lock out bed height movement at both siderails. The UP/DOWN lock icon will light. Push again to unlock.
6. Push to raise bed height.
7. Push to lower bed height.
8. Push to lower head end/raise foot end of bed (Trendelenburg position).
9. Push to lower foot end/raise head end of bed (Reverse Trendelenburg position).

CAUTION

Because individual beds may have different options, foot boards should not be moved from one bed to another. Mixing foot boards could result in unpredictable bed operation.

Foot Board Operation Guide

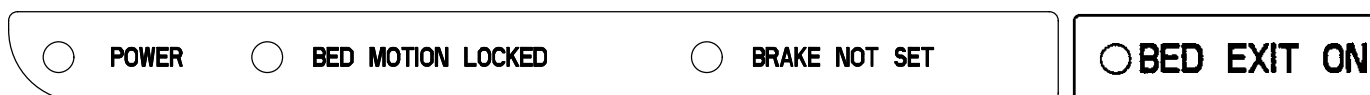
FOOT BOARD CONTROL PANEL GUIDE (CONTINUED)



1. Push to raise Fowler.
 2. Push to raise Knee Gatch.
 3. Push to lower Fowler.
 4. Push to lower Knee Gatch.
- ▶ This panel is optional equipment.

LED DISPLAY PANEL GUIDE

The LED Display Panel is located at the foot end of the bed, under the Control Panel.



"POWER" – will light when the bed is plugged into the wall receptacle. Will blink if the 9V Nurse Call battery needs to be replaced.

"BED MOTION LOCKED" – will light when the Bed Motion Lock has been activated.

"BRAKE NOT SET" – will blink when the brakes have not been set.

"BED EXIT ON" – will light when the Bed Exit function has been activated (optional equipment).

FUNCTION LOCKOUT SYSTEM USAGE

1. To lock out the bed movement functions on the siderails and prevent the patient from changing the positioning of the bed, push the "HEAD", "KNEE" and/or "UP/DOWN" switches in the "Siderail Control Lockouts" module on the foot board control panel.

NOTE

The foot board controls for these motions are not affected by the lockout switches.

The "padlock" symbol on the control panel will be lighted when that function is locked out.

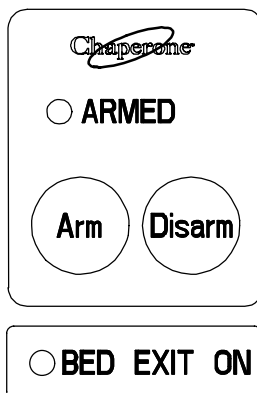
2. To lock out the entire bed motion for all switches on the bed (siderails and foot board), push the "ON/OFF" switch in the "Bed Motion Lock" module on the foot board control panel.

CAUTION

The lockout buttons on the foot board lock the Fowler, Gatch and Bed Up/Down functions and prevent motion of the bed. It is the responsibility of attending medical personnel to determine whether these functions should be locked and to use the buttons accordingly.

Foot Board Operation Guide

CHAPERONE® BED EXIT (OPTIONAL EQUIPMENT)



For beds with a scale system:

NOTE

If the weigh system is in use, it will switch to "off" when the "ARM" key is pressed.

1. Before putting the patient on the bed, the weigh system must be zeroed for the Bed Exit System to function properly (see [page 26](#) for instructions on zeroing the weigh system).
2. Put the patient on the bed and push the "ARM" key to activate the Bed Exit function. The "ARMED" light will come on.
3. To deactivate Bed Exit, push the "DISARM" key. The "ARMED" and "BED EXIT ON" lights will turn off.

For beds without a scale system:

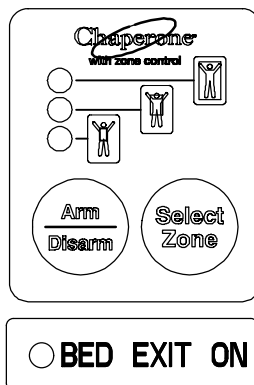
1. Before putting the patient on the bed, press and hold the "ARM" and the "DISARM" keys together until the "ARMED" light begins to flash.
2. Release the "ARM" and the "DISARM" keys and do not touch the bed until the "ARMED" light stops flashing.
3. Put the patient on the bed and push the "ARM" key to activate the Bed Exit function. The "ARMED" light will come on.
4. To deactivate Bed Exit, push "DISARM". The "ARMED" and "BED EXIT ON" lights will turn off.

WARNING

The Bed Exit System is intended only to aid in the detection of a patient exiting the bed. It is NOT intended to replace patient monitoring protocol. It signals when a patient is about to exit. Adding or subtracting objects from the bed after arming the bed exit system may cause a reduction in the sensitivity of the bed exit system. To avoid possible injury and to assure proper operation when using a powered mattress replacement system such as XPRT, do not initialize ("arm") bed exit with Percussion, Vibration, Rotation or Turn-Assist active. The patient motion and position resulting from a dynamic therapy mattress may adversely affect bed exit system performance.

Foot Board Operation Guide

CHAPERONE® BED EXIT WITH ZONE CONTROL (OPTIONAL EQUIPMENT)



For beds with a scale system:

NOTE: If the weigh system is in use, it will switch to "off" when Bed Exit is armed.

1. Before putting the patient on the bed, the weigh system must be zeroed for the Bed Exit System to function properly (see [page 26](#) for instructions on zeroing the weigh system).
2. Put the patient on the bed and push and release the "ARM/DISARM" key (top light will come on).
3. The Bed Exit system with Zone Control will automatically select the first zone. To change the zone, push and hold the "SELECT ZONE" key until the light indicating the desired zone comes on.
4. To deactivate Bed Exit, push the "ARM/DISARM" key. The selected zone light and "BED EXIT ON" light will turn off.

For beds without a scale system:

1. Before putting the patient on the bed, press and hold the "ARM/DISARM" and the "SELECT ZONE" keys together for 5 seconds. The top light will begin to flash.
2. Release the "ARM/DISARM" and the "SELECT ZONE" keys and do not touch the bed until the top light stops flashing.
3. Put the patient on the bed and push and release the "ARM/DISARM" key (top light will come on).
4. The Bed Exit system with Zone Control will automatically select the first zone. To change the zone, push and hold the "SELECT ZONE" key until the light indicating the desired zone comes on.
5. To deactivate Bed Exit, push the "ARM/DISARM" key. The selected zone light and "BED EXIT ON" light will turn off.

CHAPERONE® ZONE SETTINGS

The first zone (top indicator light) is the traditional Bed Exit zone. The patient can move around the bed freely but cannot fully exit the bed or the alarm will sound.

The second zone (middle indicator light) is more restrictive than the first zone. When the zone is selected, the bed measures the location of the patient's center of gravity. If the patient's center of gravity moves from the original location more than 6.5 inches to either side or 13 inches toward the head or foot, an alarm will sound.

The third zone (bottom indicator light) is the most restrictive zone. When the zone is selected, the bed measures the location of the patient's center of gravity. If the patient's center of gravity moves from the original location more than 1 inch to either side or 1 inch toward the head or foot, an alarm will sound.

NOTE: All zone dimensions are $\pm .5$ inches.

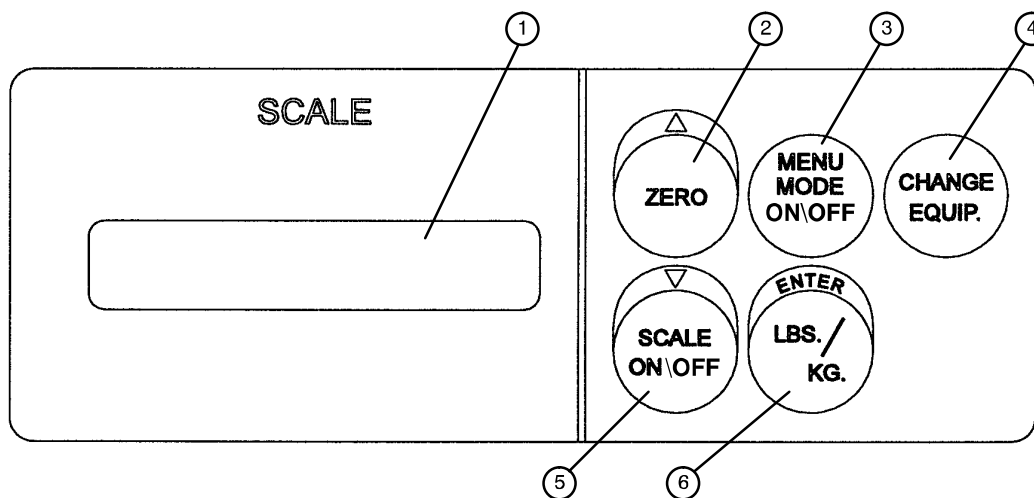


WARNING

To avoid possible injury and to assure proper operation when using a powered mattress replacement system such as XPRT, do not initialize ("arm") bed exit with Percussion, Vibration, Rotation or Turn-Assist active. The patient motion and position resulting from a dynamic therapy mattress may adversely affect bed exit system performance.

Scale System Operation Guide

SCALE SYSTEM CONTROL PANEL GUIDE (OPTIONAL EQUIPMENT)



1. LCD – displays patient weight. Trendelenburg angle is displayed when the scale is not active.
2. Press to zero bed ([page 26](#)). Also press to scroll while Menu Mode is active.
3. Press to enter and exit the Menu Mode.
4. Press when adding or removing equipment to the bed ([page 27](#)).
5. Press to turn scale system on and off. Also press to scroll while Menu Mode is active.
6. Press to change weight from pounds to kilograms or back ([page 28](#)). Also press while using the Menu Mode.

NOTE

If weight is displayed, SCALE ON/OFF must be pressed to turn off the scale before the Trend. or Fowler angle will display.



CAUTION

Scale function may be affected by siderail/caster interference. With the litter fully lowered or lowered in Reverse Trendelenburg, the siderails tucked under the litter in the storage position and the casters turned, there is the potential for interference between the siderail and the caster. Raise the siderails when lowering the litter to the full down position to prevent the interference from causing the scale system to weigh inaccurately.



WARNING

To avoid possible injury and to assure proper operation when using a powered mattress replacement system such as XPRT:

- Confirm proper scale system operation following mattress installation. For best results, secure the mattress power cord to prevent damage to the cord and interference with the bed frame and the scale system.
- Do not zero bed scales or weigh patient with Percussion, Vibration, Rotation or Turn-Assist active. Patient motion and position resulting from the dynamic therapy mattress may adversely affect scale system performance.

For more detailed operating instructions, see the following:

1. Preparing The Bed For Patient Stay/Zeroing the Bed – [page 26](#)
2. Activating the Scale System and Displaying Patient Weight – [page 26](#)
3. Adding or Removing Items During a Patient's Stay – [page 27](#)
4. Converting the Patient's Weight – [page 28](#)
5. Displaying the Weight Log – [page 29](#)
6. Viewing Patient Weight In Gain/Loss Mode – [page 30](#)
7. Changing the Numerical Value Of Displayed Weight – [page 31](#)


Scale System Operation Guide

PREPARING THE BED FOR PATIENT STAY/ZEROING THE SCALE SYSTEM

NOTE

Do not zero the bed while a patient is in bed. If this should occur, remove the patient and zero the bed again. If Bed Exit is armed, it must be disarmed before the scales can be zeroed.

- Prepare the bed for the patient's stay by adding/removing linens, pillows, etc.

- Press and release  The scale monitor will read:

“LET GO FOR SCALE”


“WEIGHING”

“XXX.X LB”

- Press and hold  The scale monitor will read:

“HOLD TO ZERO WT.”

“RELEASE TO ZERO”

- Release  The scale monitor will now read:

“DO NOT TOUCH BED”

“0.0 LB”

The bed is now ready for the patient.

NOTE

If there is a problem with a load cell or another component of the scale system, the system will try to zero for 30 seconds, and the scale monitor will read:

“UNABLE TO ZERO”

“TRY AGAIN”


If the problem continues, after 3 attempts at zeroing, the scale system will lock and the scale monitor will read:

“Scale Sys. Error”

“Call for service”

Unplug the bed power cord from the wall socket and plug it back in. If the problem continues, call a service technician.

ACTIVATING THE SCALE SYSTEM AND DISPLAYING PATIENT WEIGHT

- Press and release  The scale monitor will read:

“LET GO FOR SCALE”

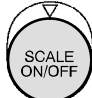
“WEIGHING”


“XXX.X LB”

Scale System Operation Guide

ADDING OR REMOVING ITEMS DURING A PATIENT'S STAY


- If it is necessary to add or remove items (monitors, pumps, etc.) during the patient's stay, press and re-

lease  to activate the scale system. After the scale monitor reads: "XXX.X LB", press and hold

 The scale monitor will read:


"HOLD TO START"

"RELEASE TO START"


- Release  The scale monitor will read:

"DO NOT TOUCH BED"

"ADD/REMOVE EQUIP."

- Add or remove the equipment and press  The scale monitor will read:

"RELEASE TO FIN."

- Release  The scale monitor will read:


"DO NOT TOUCH BED"

"XXX.X LB"


The weight displayed will be that of the patient only.

- If the CHANGE EQUIPMENT function is started but not finished, after approximately 45 seconds the monitor will read:

"HIT CH. EQ. TO END"

- Press  The scale monitor will read:

"RELEASE TO FIN."


- Release  The scale monitor will read:

"DO NOT TOUCH BED"

"XXX.X LB"


Scale System Operation Guide

CONVERTING THE PATIENT'S WEIGHT

- Press and release  The scale monitor will read:
"WEIGHT NOW KGS"
"XXX.X KG"
 - Repeat the procedure to return to pounds. The display will read:
"WEIGHT NOW LBS"
"XXX.X LB"
 - If the unit of measurement has been locked, the display will read:
"UNITS ARE LOCKED"
- A service technician must be called to unlock the unit of measurement.


Scale System Operation Guide

DISPLAYING THE WEIGHT LOG



- To display a list of the previous 10 weight readings, press  to activate the scale system. The scale monitor will read:

“LET GO FOR SCALE”

“XXX.X LB”


- Press  to enter the Menu Mode. The scale monitor will read:

“▲▼ FOR OPTIONS”



- Press  or  to scroll through the menu options. The scale monitor will read:

“SHOW WEIGHT LOG”


“PUSH ENTER”

- Press  The scale monitor will read:

“▲▼ WEIGHT LOG”

- Press  or  to scroll through the weight log. The scale monitor will read:

“1. 0.0 LB”

- A weight reading is logged each time the  button is pressed and the bed is in the scale mode for at least 15 seconds.

The first weight reading displayed (1.) is the most recent. If the change in the patient's weight since the last reading was taken is less than .2 pounds, the log will not update. Zeroing the scale system clears the weight log.

Scale System Operation Guide


VIEWING PATIENT WEIGHT IN GAIN/LOSS MODE

- To view the patient's weight and to begin totaling the amount of weight the patient has gained or lost, press





to activate the scale system. The scale monitor will read:

"LET GO FOR SCALE"


- Press  to enter the Menu Mode. The scale monitor will read:

"▲▼ FOR OPTIONS"

- Press  or  to scroll through the menu options. The scale monitor will read:


"START GAIN/LOSS"

"PUSH ENTER"



- Press  The scale monitor will read:

"DO NOT TOUCH BED"

"XXX.X LB G XX.X"


- To exit Gain/Loss mode, press  to enter the Menu Mode. The scale monitor will read:

"▲▼ FOR OPTIONS"

- Press  to  to scroll through the menu options. The scale monitor will read:

"QUIT GAIN/LOSS"


"PUSH ENTER"

- Press  The scale monitor will read:

"XXX.X LB"

Scale System Operation Guide


CHANGING THE NUMERICAL VALUE OF DISPLAYED WEIGHT

- To decrease the numerical value of the displayed weight, press  to activate the scale system.



The scale monitor will read:

“LET GO FOR SCALE”

“XXX.X LB”


- Press  to enter the Menu Mode. The scale monitor will read:

“▲▼ FOR OPTIONS”



- Press  or  to scroll through the menu options. The scale monitor will read:


“CHNG. PTNT. WGT.”

“PUSH ENTER”

- Press  The scale monitor will read:

“HOLD ▲ TO INC.
▼ TO DEC.”

- Press  to decrease the displayed weight or  to increase the displayed weight.

- Once the desired weight is displayed, press  The scale monitor will read:

“XXX.X LB”

NOTE

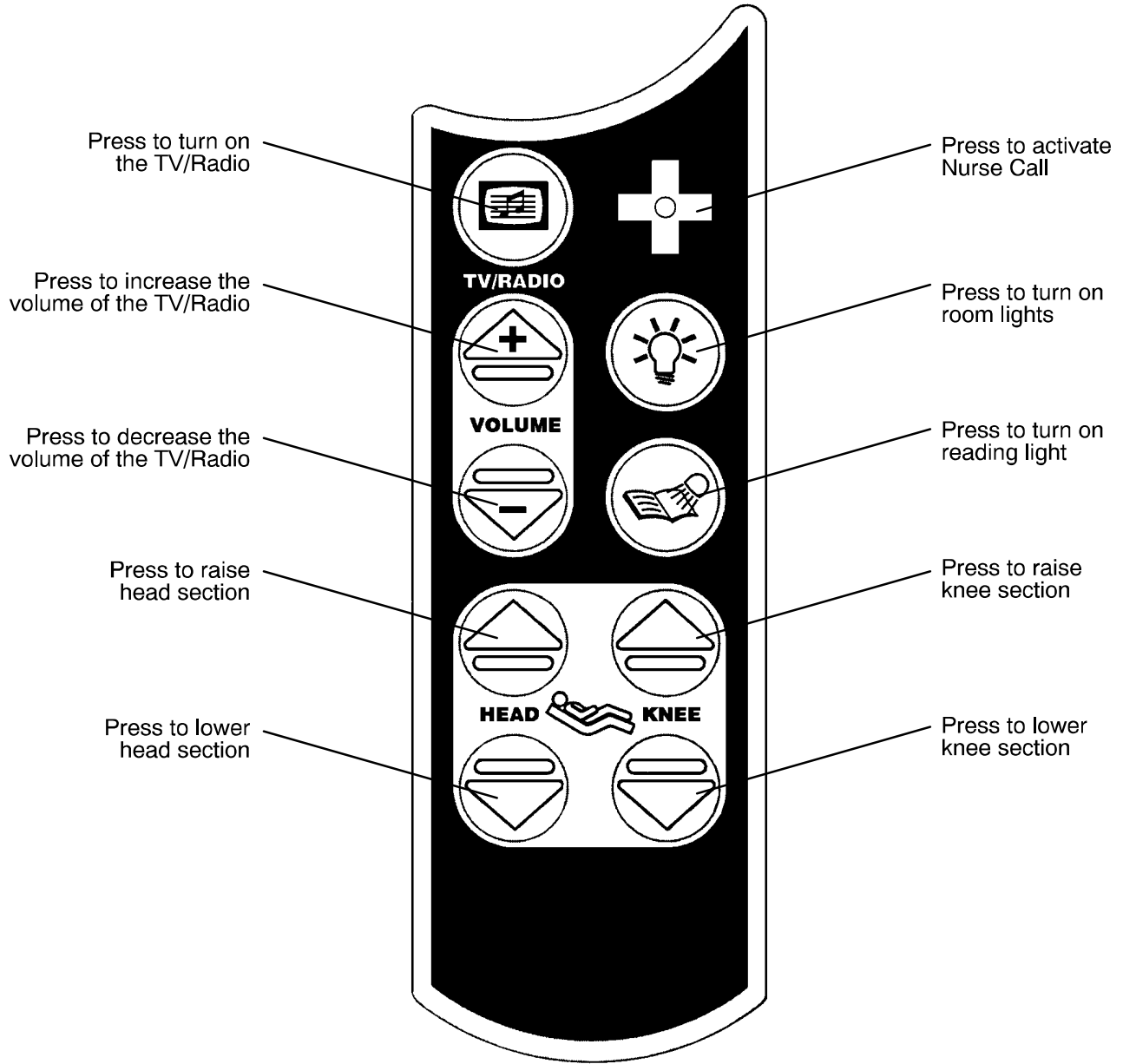
If one of the load cells is malfunctioning or overloaded, the scale monitor will read:

“Scale Sys. Error”

“Call for service”

Call a service technician.

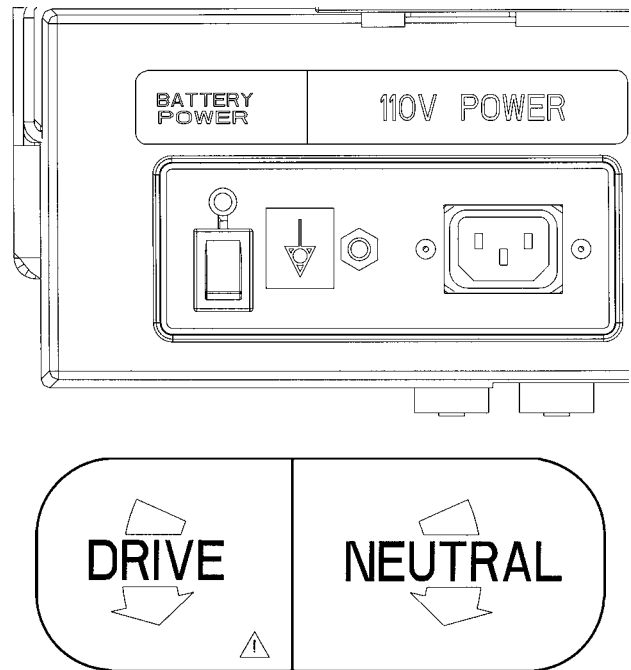
Optional Pendant Operation



Zoom Option Operation Guide

DRIVE WHEEL OPERATION

1. Unplug the power cord from the wall socket and secure the cord sufficiently to prevent entanglement while the unit is in motion. The drive wheel will not operate if the power cord is plugged into the wall socket.
2. Activate the power to the drive wheel by placing the battery power switch located at the left side of the head end of the litter in the “ON” position. The LED will illuminate.
3. Engage the drive wheel by rotating the pedal located at the head end to the left as shown on the label. To place the drive wheel in the neutral position, rotate the pedal to the right.
4. Release the brakes. The drive system will not function while the brakes are engaged. The “Release Brakes” LED on the head end control panel will be illuminated if the brakes are engaged while the battery power switch is on.



WARNING

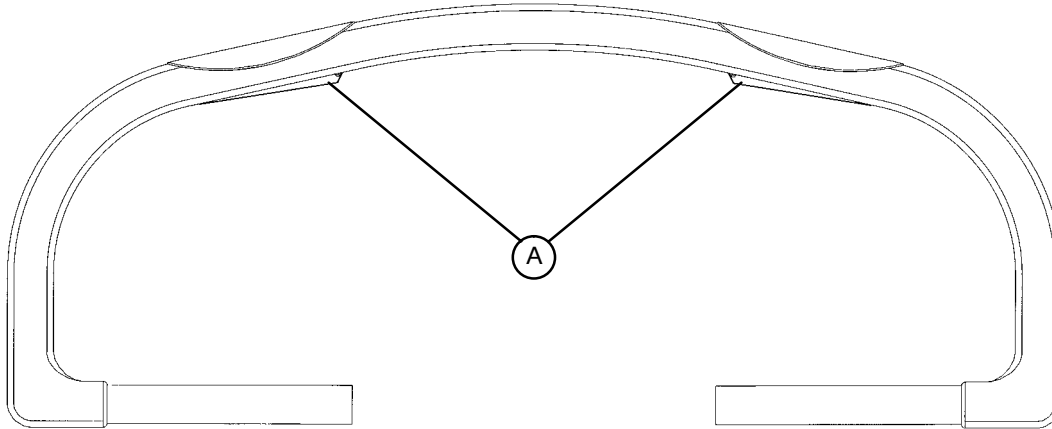
USE CAUTION while maneuvering the unit with the drive wheel activated. Always ensure there are no obstacles near the unit while the drive wheel is activated. Injury to the patient, user or bystanders or damage to the unit or surrounding equipment could occur if the unit collides with an obstacle.

Use caution when transporting the unit down halls, through doors, in and out of elevators, etc. Damage to the siderails or other parts of the unit could occur if the unit comes in contact with walls or door frames.

Zoom Option Operation Guide

DRIVE WHEEL OPERATION (CONTINUED)

5. Grasp the drive handle at the two raised grip areas. Squeeze either of the motion release switches (A) located under the handle to enable the movement of the drive wheel. Either or both switches will enable movement but both switches must be released to stop movement.



6. While continuing to squeeze the switch(es), push the handle away from you or pull the handle toward you to initiate motion in that direction. The forward speed will increase proportionally to the distance the drive handle is moved. I.E. the farther forward the drive handle is pushed, the faster the unit will move. **To stop motion, remove your hands from the switches and the handle.**

NOTE

The drive wheel does not pivot. The unit cannot be moved directly sideways with the drive wheel engaged. With the drive wheel pedal in the neutral position and the unit's brakes released, the unit can be moved in any direction including sideways.

Driving a Zoom™-equipped unit over liquids or slick surfaces could decrease the traction of the drive wheel.

WARNING

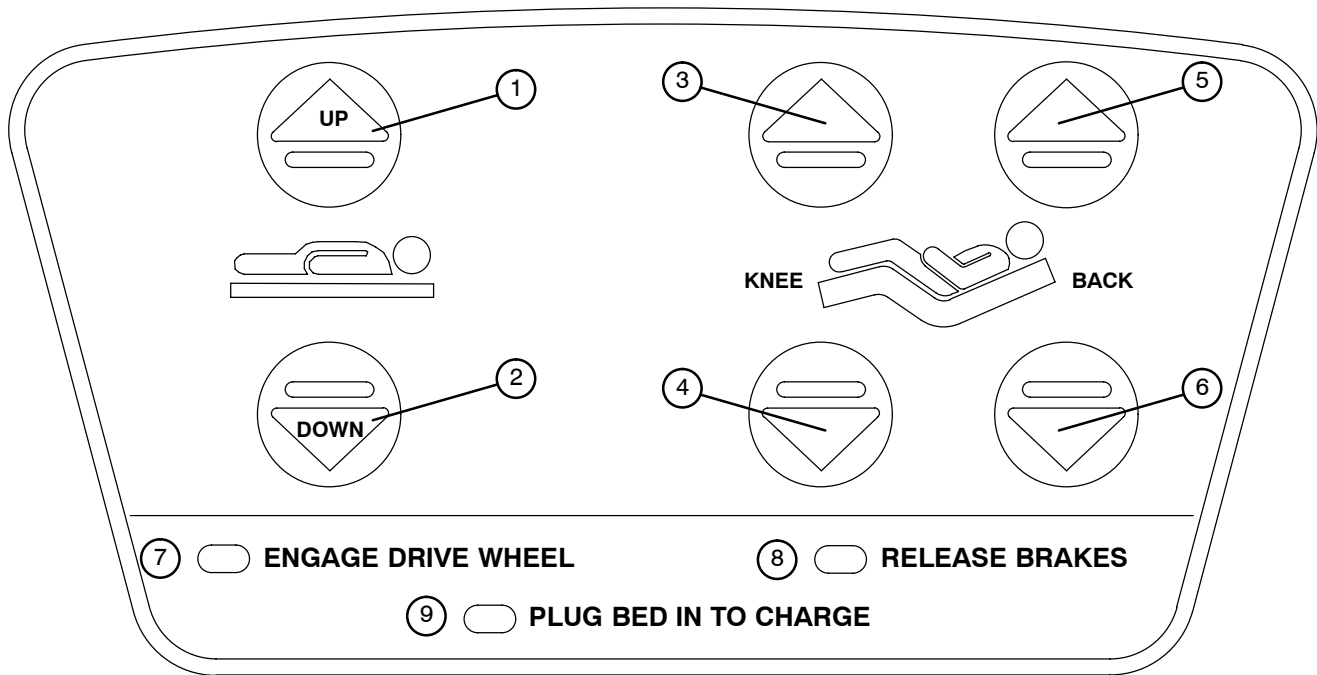
Put the drive wheel in the neutral position and release the brakes before pushing the unit manually. Do not attempt to push the unit manually with the drive wheel engaged. The unit will be difficult to push and injury could result.

CAUTION

When attaching equipment to the frame, ensure it will not impede normal operation. For example: hooks on hanging equipment must not actuate control buttons, equipment must not hide the nurse call button, etc.

Zoom Option Operation Guide

HEAD END CONTROL PANEL OPERATION



1. Press and hold to raise the litter.
2. Press and hold to lower the litter
3. Press to raise the Knee section.
4. Press to lower the Knee section.
5. Press to raise the Back section.
6. Press to lower the Back section.
7. The “Engage Drive Wheel” LED will be illuminated whenever the battery power switch is on and the drive wheel pedal is in the neutral position. The light will go off when the drive wheel is in the drive position.
8. The “Release Brakes” LED will be illuminated whenever the bed’s brakes are engaged while the battery power switch is on. The light will go off when the brakes are disengaged.
9. The “Plug Bed In To Charge” LED will be illuminated while the battery power switch is on if the battery level is low. Plug the bed power cord into the wall socket to charge the batteries.

Zoom Option Operation Guide

BATTERY CHARGING AND OPERATION

NOTE

The bed may be equipped with a battery back-up option without the Zoom® drive wheel.

1. The unit has two 12 volt batteries to provide power to the drive wheel and back-up power to the unit functions if the power cord is unplugged from the wall socket. Neither the unit functions nor the drive wheel will operate properly if the batteries are not sufficiently charged. The batteries require approximately 10 hours of charging time when they are fully discharged.
2. The batteries are charging whenever the power cord is plugged into a properly grounded, hospital grade wall socket. When the unit is stationary, the power cord should be plugged into a wall socket whenever possible.

NOTE

The battery will operate under slightly decreased power until it has run through 10–15 cycles of usage and recharging.

3. The “Plug Bed In To Charge” LED on the Head End Control Panel will be illuminated while the battery power switch is on if the battery level is low (see [page 35](#)). Plug the power cord into a wall socket to charge the batteries.
4. After one hour on battery power with no motion release switch activation, the unit will enter power save mode and none of the unit’s powered functions will operate. Squeeze either of the motion release switches located under the drive handle to enable the unit functions.

NOTE

The three LED’s on the Head End Control Panel may still be illuminated when the unit is in power save mode. The Battery Power LED located at the left side of the head end of the unit will be illuminated when the unit is in power save mode.



WARNING

The power save mode is activated after one hour on battery power with no motion release switch activation. Functions including Bed Exit, scale and motion will cease to operate when the unit enters the power save mode. Injury to the patient could occur if proper patient monitoring protocol is not observed.

Preventative Maintenance

CLEANING

Hand wash all surfaces of the bed with warm water and mild detergent. DRY THOROUGHLY. Do not steam clean or hose off the Secure II Bed. Do not immerse any part of the bed. Some of the internal parts of the bed are electric and may be damaged by exposure to water.

Suggested cleaners for bed surfaces:

Quaternary Cleaners (active ingredient – ammonium chloride)

Phenolic Cleaners (active ingredient – o-phenyl phenyl)

Chlorinated Bleach Solution (5.25% – less than 1 part bleach to 100 parts water)

Avoid over-saturation and ensure the product does not stay wet longer than the chemical manufacturer's guidelines for proper disinfecting.



CAUTION

SOME CLEANING PRODUCTS ARE CORROSIVE IN NATURE AND MAY CAUSE DAMAGE TO THE PRODUCT IF USED IMPROPERLY. If the products described above are used to clean Stryker patient care equipment, measures must be taken to insure the beds are wiped with clean water and thoroughly dried following cleaning. Failure to properly rinse and dry the beds will leave a corrosive residue on the surface of the bed, possibly causing premature corrosion of critical components. Failure to follow the above directions when using these types of cleaners may void this product's warranty.

For mattress cleaning instructions, please see the tag on the mattress, or contact the mattress manufacturer.

Clean Velcro® AFTER EACH USE. Saturate Velcro® with disinfectant and allow disinfectant to evaporate. (Appropriate disinfectant for nylon Velcro® should be determined by the hospital.)

Preventative Maintenance

CHECKLIST

- _____ All fasteners secure (reference all assembly prints)
- _____ Engage brake pedal and push on the bed to verify all casters lock securely
- _____ "Brake Not Set" LED (on foot board) blinks when brakes are not engaged
- _____ Locking steer caster engages and disengages properly
- _____ Siderails move, latch and stow properly
- _____ CPR release working properly
- _____ Foot prop intact and working properly
- _____ I.V. pole working properly
- _____ Foley bag hooks intact
- _____ Optional CPR board not cracked or damaged and stores properly
- _____ No cracks or splits in head and foot boards
- _____ No rips or cracks in mattress cover
- _____ All functions on head end siderails working properly (including LED's)
- _____ All functions on footboard working properly (including LED's)
- _____ Optional Scale and Bed Exit systems calibrated properly
- _____ Motion Interrupt switches working properly
- _____ Night light working properly
- _____ Power cord not frayed
- _____ No cables worn or pinched
- _____ All electrical connections tight
- _____ All grounds secure to the frame
- _____ Ground impedance not more than 100 milliohms
- _____ Current leakage not more than 300 microamps
- _____ Apply grease to litter grease points
- _____ Engage drive wheel and ensure it is operating properly (Zoom® option)
- _____ Motion release switches working properly (Zoom® option)
- _____ Confirm Head End Control Panel functionality (Zoom® option)
- _____ Confirm battery powered functionality (Zoom® option)

Bed Serial No. _____

Completed By: _____ Date: _____

Static Discharge Precautions

The electronic circuits in the Secure II are completely protected from static electricity damage only while the bed is assembled. It is extremely important that all service personnel always use adequate static protection when servicing the electronic systems of the Secure II. *Whenever you are touching wires, you should be using static protection.*

Static Protection Equipment

The necessary equipment for proper static protection is:

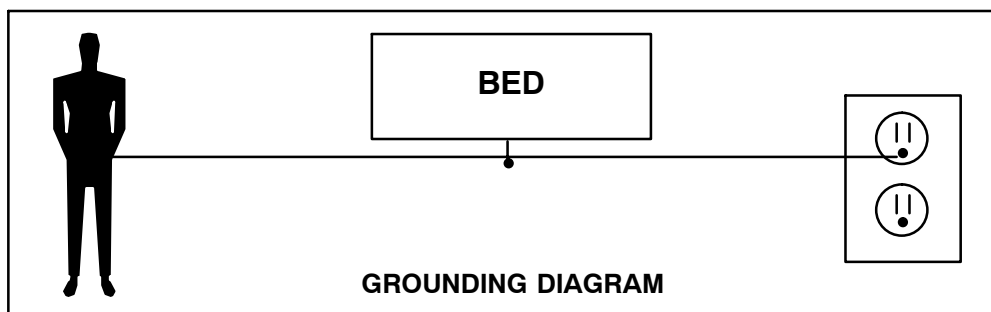
- 1 static wrist strap; 3M part number 2214 or equivalent,
- 1 grounding plug; 3M part number 61038 or equivalent,
- 1 test lead with a banana plug on one end and an alligator clip on the other; Smith part number N132B699 or equivalent.

CAUTION

All electronic service parts will be shipped in static shielding bags. Do not open the bags until you have completed steps 2 and 3 of the following procedure. Do not place unprotected circuit boards on the floor. All circuit boards to be returned to Stryker Medical should be shipped in the static shielding bags the new boards were shipped in.

Static Protection Procedure

1. Unplug the power cord from the wall receptacle.
2. Insert the grounding plug into a properly grounded hospital grade wall receptacle. Plug the banana plug of the test lead into the receptacle on the grounding plug. Connect the alligator clip on the other end of the test lead to a ground point on the bed.
3. Place the static control wrist strap on your wrist. Connect the alligator clip at the other end of the wrist strap cord to a ground point on the bed.



Troubleshooting Guide

NOTE

See [pages 45–54](#) for an outline of bed PCB's and voltage test points.

PROBLEM/FAILURE	RECOMMENDED ACTION
No power to bed	<p>A. Verify the power cord connections at the wall and the bed.</p> <p>B. Check circuit breakers, under the litter/gatch section on the patient left side. If the circuit breaker is tripped, reset it by pushing in.</p> <p>C. Check for 120 VAC at J1 on the power supply, Pin 1 and 2.</p> <p>D. Check for DC voltages on J2 (Pins 1, 2, 3 & 6) on power supply. See page 50 for power supply voltage test points.</p> <p>a. If voltage is present, check connector W on the CPU board and check for the same DC voltages. If OK, go to step E.</p> <p>b. If voltage is not present, unplug connector W on the CPU board and recheck for DC voltages at J2 on the power supply.</p> <p>1. If voltages come back, re-connect cable W to the CPU board, and go to step c.</p> <p>2. If DC voltage does not come back, replace the power supply.</p> <p>c. Unplug all connectors except for F, FF, O, and W from the CPU board and recheck voltages on connector W</p> <p>1. If DC voltages come back, plug the cable connections back in until problem comes back, isolate the problem to a component or assembly.</p> <p>2. If DC voltages do not come back, replace the CPU board</p> <p>E. Check for 120 VAC at connector O on the CPU board.</p> <p>a. If voltage is present, replace the CPU board.</p> <p>F. Verify bed function and return to service.</p>
No bed down motion.	<p>A. Enter diagnostics, (see page 80) and press bed down.</p> <p>a. If motion is not present, verify there is a two-pin shunt present on connector Z, closest to the center of the bed, if not, install shunt.</p> <p>1. Test bed down motion, if motion is present then go to step D.</p> <p>b. If motion is present, re-burn lift potentiometer limits, see page 65 for procedure.</p> <p>B. Check for 5 VDC on TP 9 (HL) and TP 7 (FL), see page 45.</p> <p>a. If 5 VDC is present, go to step C.</p> <p>b. If 5 VDC is not present, replace CPU board.</p> <p>C. Check for 120 VAC power on connector N (HL) and G (FL), pin 1 white and pin 3 black, of the CPU board, while pressing bed motion up.</p> <p>a. If voltage is not present, replace CPU board.</p> <p>b. If voltage is present:</p> <p>1. Verify the motors are running, if so, replace lift couplers.</p> <p>2. If motors are not running, check voltage at motor connection.</p> <p>3. If voltage is present at motor, check capacitors or motors.</p> <p>D. Verify bed function and return to service.</p>

Troubleshooting Guide

PROBLEM/FAILURE	RECOMMENDED ACTION
No bed up motion.	<p>A. Enter diagnostics, (see page 80) and press bed up.</p> <ul style="list-style-type: none"> a. If motion is not present, go to step B. b. If motion is present, re-burn lift potentiometer limits, see page 65 for procedure. <p>B. Check for 5VDC on TP 10 (HL) and TP 8 (FL) on the CPU board</p> <ul style="list-style-type: none"> a. If 5 VDC is present, go to step C. b. If 5 VDC is not present, replace CPU board. <p>C. Check for 120 VAC power on connector N (HL) and G (FL), pin 1 white and pin 6 red, of the CPU board while pressing bed motion up.</p> <ul style="list-style-type: none"> a. If voltage is not present, replace CPU board. b. If voltage is present <ul style="list-style-type: none"> 1. Verify the motors are running, if so, replace lift couplers. 2. If motors are not running, check voltage at motor connection. 3. If voltage is present at motor, check capacitors or motors. <p>D. Verify bed function and return to service.</p>
No Fowler down motion.	<p>A. Check for 5VDC on TP 5 on the CPU board</p> <ul style="list-style-type: none"> a. If 5 VDC is present, go to step B. b. If 5 VDC is not present, replace CPU board. <p>B. Check for 120 VAC power on connector CC, pin 2 (red) and pin 3 (white), of the CPU board while pressing gatch down.</p> <ul style="list-style-type: none"> a. If voltage is not present, replace the CPU board b. If 5 VDC is present, check the capacitor and motor. <p>C. Verify bed function and return to service.</p>
No Fowler up motion.	<p>A. Check for 5 VDC on TP 6 on the CPU board</p> <ul style="list-style-type: none"> a. If 5 VDC is present, go to step B. b. If 5 VDC is not present, replace CPU board. <p>B. Check for 120 VAC on connector CC, pin 1 (black) and pin 3 (white), of the CPU board while pressing gatch up.</p> <ul style="list-style-type: none"> a. If voltage is not present, replace the CPU board b. If 5 VDC is present, check the capacitor and motor. <p>C. Verify bed function and return to service.</p>
No Gatch up motion.	<p>A. Check for 5 VDC on TP 3 on the CPU board</p> <ul style="list-style-type: none"> a. If 5 VDC is present, go to step B. b. If 5 VDC is not present, replace CPU board. <p>B. Check for 120 VAC on connector GG, Pin 1 (white) and pin 2 (black), of the CPU board while pressing Fowler up.</p> <ul style="list-style-type: none"> a. If voltage is not present, replace the CPU board b. If 5 VDC is present, check the capacitor and motor. <p>C. Verify bed function and return to service.</p>
No Gatch down motion.	<p>A. Check for 5VDC on TP4 on the CPU board</p> <ul style="list-style-type: none"> a. If 5 VDC is present, go to step B. b. If 5 VDC is not present, replace CPU board. <p>B. Check for 120 VAC on connector GG, Pin 1 (white) and pin 3 (red), of the CPU board while pressing Fowler up.</p> <ul style="list-style-type: none"> a. If voltage is not present, replace the CPU board b. If 5 VDC is present, check the capacitor and motor. <p>C. Verify bed function and return to service.</p>

Troubleshooting Guide

This section of the troubleshooting guide includes the Zoom® self-propelled drive and the battery backup functions. When using this guide, assume the bed is functioning properly when powered by the AC line cord with the exception of the battery charging components.

PROBLEM/FAILURE	POSSIBLE CAUSE	RECOMMENDED ACTION
ON/OFF switch is in the on position but the power LED is off and the bed does not function.	No DC voltage from the batteries.	<p>A. Check the circuit breakers at the head end of the bed.</p> <p>B. Verify the battery voltage is greater than 24 VDC.</p> <p>C. Check the battery fuse – replace if necessary (p/n 2040-1-802).</p> <p>D. Check the cable connections from the batteries to the display board.</p> <p>E. Check the ON/OFF switch and cabling.</p>
ON/OFF switch is in the on position, the power LED is on but the bed does not function.	Display board is not functioning or is locking out all functions.	<p>A. Check the safety switches on the drive bar.</p> <p>B. Verify the battery voltage is greater than 24 VDC.</p> <p>C. Verify the display board is functioning (see note below).</p> <p>D. Check all cable connections on the display and power boards.</p>
ON/OFF switch is in the on position, the power LED is on, the Zoom® drive works but the battery backup does not work.	The thermostat on the inverter/charger board has tripped, indicating a temperature above 110° C (230° F).	<p>A. Wait approximately 3–5 minutes to allow the inverter/charger board to cool down.</p>
The Zoom® drive does not work – the bed does not drive – but all other functions are working.	Zoom® drive circuitry is not responding.	<p>A. Verify the display board is functioning (see note below).</p> <p>B. Perform the control bar potentiometer “burn-in” procedure (see page 88).</p> <p>C. Check the control bar potentiometer. When the bar is centered, there should be 2.25VDC – 2.75 VDC between pin 1 and pin 2 on header 1 on the display/CPU board (see page 52)</p> <p>D. Check all cable connections on the display and power boards.</p> <p>E. Verify the power board is functioning.</p> <p>F. Verify the drive wheel is functioning.</p>
The Zoom® drive does work – the bed will drive – but all other bed functions are not working.	No AC power from the Zoom® base.	<p>A. Check AC voltage coming out of the inverter. It should be 120VAC between pin 1 and pin 4 on header 5 on the AC crossover board (see page 53)</p> <p>B. Check all cable connections from the batteries to the converter.</p> <p>C. Check the AC crossover board.</p>
The bed power cord is plugged in but the battery does not charge.	The battery charger is not functioning.	<p>A. Check the circuit breakers on the litter.</p> <p>B. Check the battery charger.</p> <p>C. Check all cable connections on the charger.</p>

NOTE

The display board will display the state of battery charge when the bed is first powered using the ON/OFF switch:

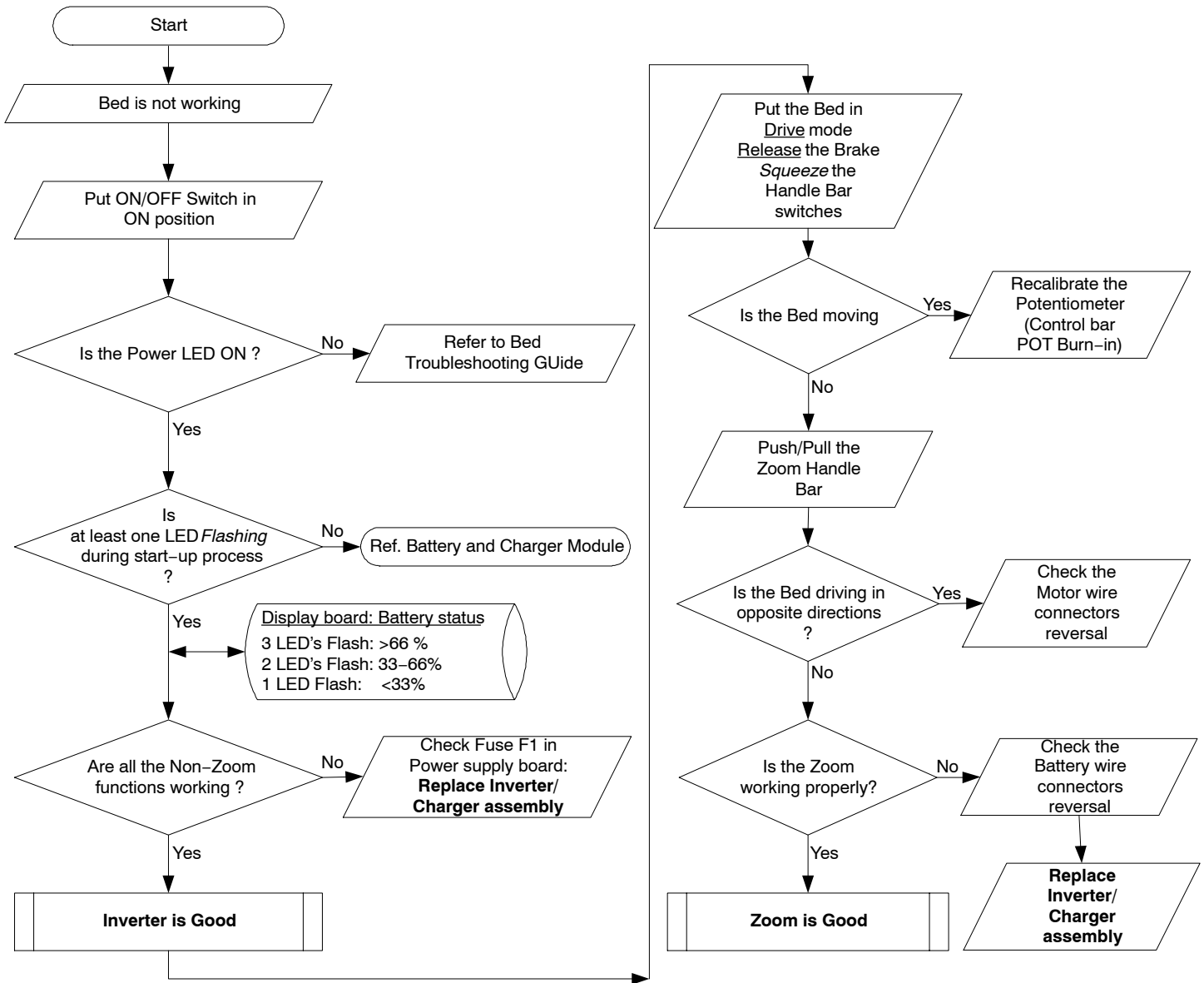
Three LED's flash = 66% – 100% charged

Two LED's flash = 33% – 66% charged

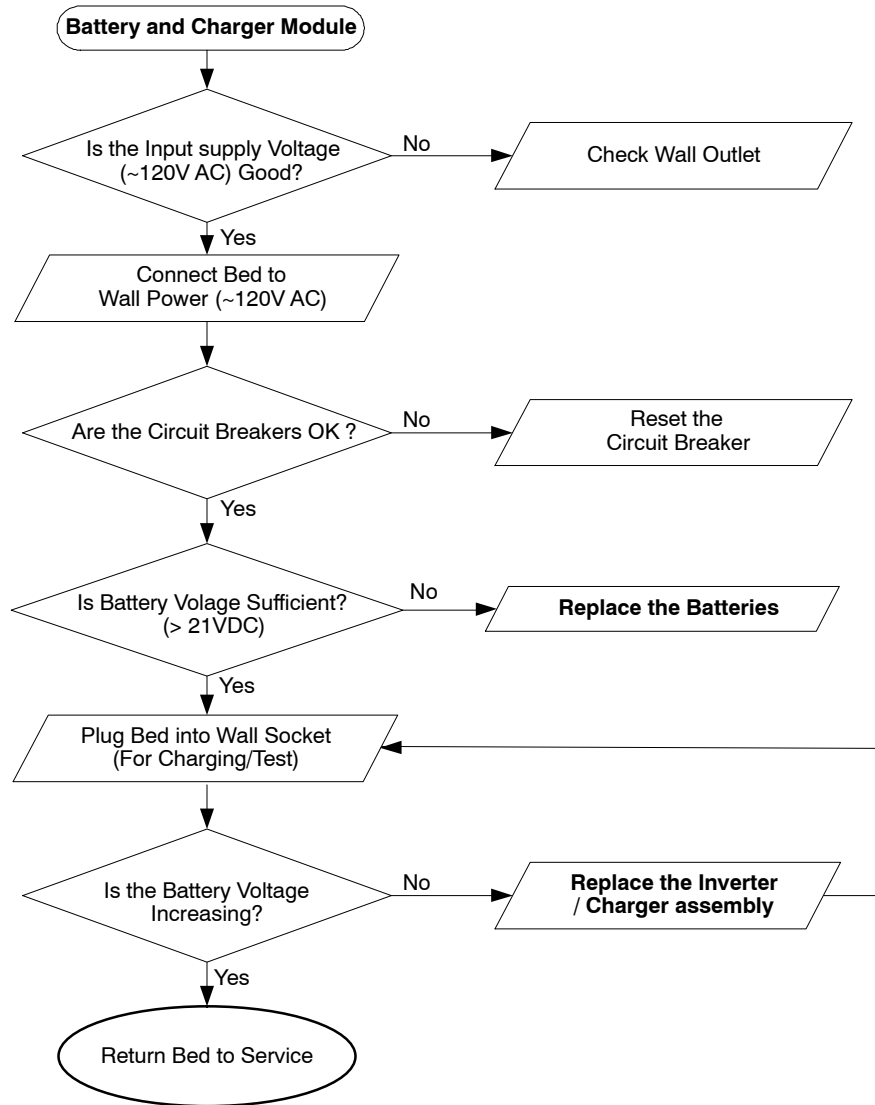
One LED flashes = less than 33% charged

No LED's flash = No significant charge remaining.

Inverter/Charger, Battery & Zoom® Troubleshooting

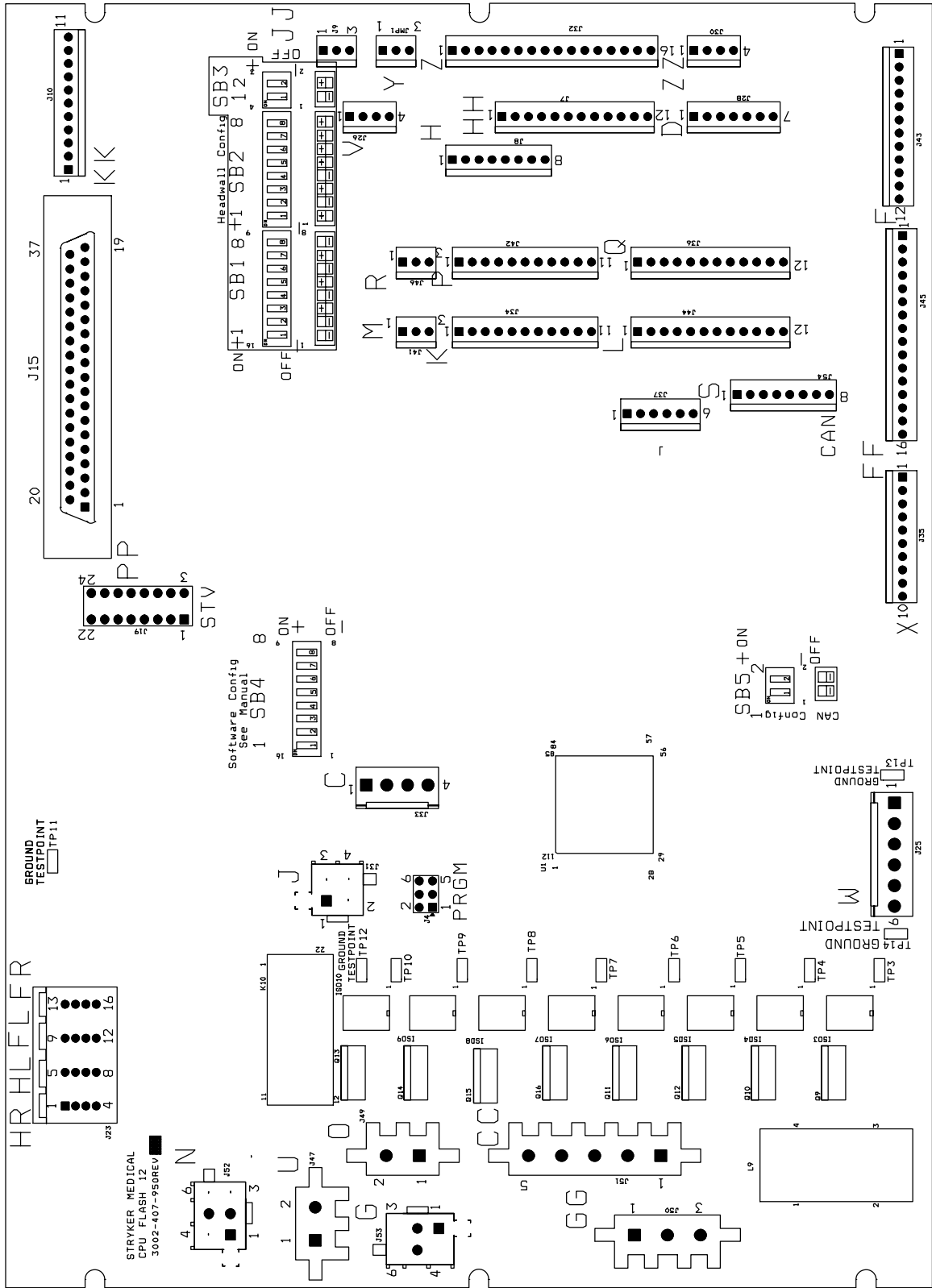


Inverter/Charger, Battery & Zoom® Troubleshooting



Bed Circuit Boards

CPU BOARD – 3002-407-950




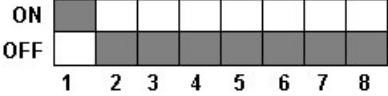
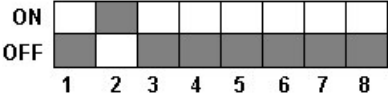





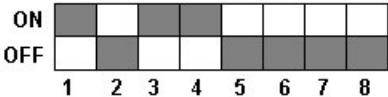
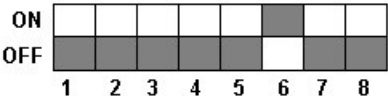
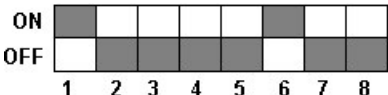
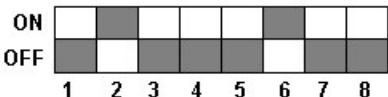
Bed Circuit Boards

CPU BOARD – 3002-407-950

CABLE LOCATION	VOLTAGE	POSITIVE LEAD	NEGATIVE LEAD	DESCRIPTION
W	+12 VDC	Pin 1	Pin 4 or 5	Relays & Siderails Light Voltage
W	+5 VDC	Pin 2 & 3	Pin 4 or 5	+5 VDC from Power Supply
W	-12 VDC	Pin 6	Pin 4 or 5	Relays & Siderails Light Voltage
J	+5 VDC	Pin 4	Pin 2	+5 VDC for Head Lift Pot
J	0 – 5 VDC	Pin 3	Pin 2	Head Lift Pot Wiper
C	+5 VDC	Pin 1	Pin 2	+5 VDC for Foot Lift Pot
C	0 – 5 VDC	Pin 3	Pin 2	Foot Lift Pot Wiper
GG	0 VAC w/o Switch 110 VAC w/Switch	Pin 2 Purple	Pin 1 Blue	Gatch Up
GG	0 VAC w/o Switch 110 VAC w/Switch	Pin 3 Red	Pin 1 Blue	Gatch Down
CC	0 VAC w/o Switch 160 VAC w/Switch	Pin 1 Black	Pin 3 Red	Fowler Up
CC	0 VAC w/o Switch 120 VAC w/Switch	Pin 2 White	Pin 3 Red	Fowler Down
O	110 VAC	Pin 1	Pin 2	Line Voltage to Bed
N	0 VAC w/o Switch 120 VAC w/Switch	Pin 3 Black	Pin 1 White	Head Lift Down
N	0 VAC w/o Switch 120 VAC w/Switch	Pin 6 Red	Pin 1 White	Head Lift Up
G	0 VAC w/o Switch 120 VAC w/Switch	Pin 3 Black	Pin 1 Red	Foot Lift Down
G	0 VAC w/o Switch 120 VAC w/Switch	Pin 6 White	Pin 1 Red	Foot Lift Up









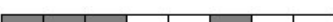


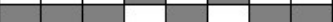


Bed Circuit Boards

SOFTWARE CONFIGURATION (CONTINUED)

	FUNCTIONAL TEST
	ICU-KCI
	MED-SURG-KCI
	ICU-STANDARD BED
	ICU-ZOOM / STANDARD BED
	ICU-ZOOM / SCALE / BEDEXIT
	ICU-ZOOM / SCALE / ZONE CONTROL BEDEXIT
	ICU-SCALE / BEDEXIT
	ICU-SCALE / ZONE CONTROL BEDEXIT
	MED-SURG-STANDARD BED
	MED-SURG-ZOOM / STANDARD BED
	MED-SURG-ZOOM / SCALE / BEDEXIT

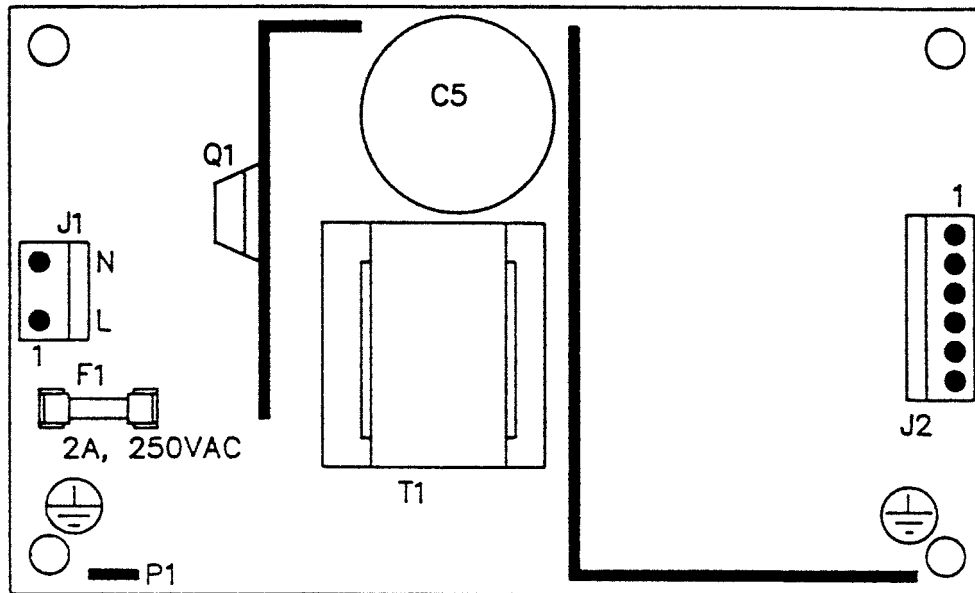
Bed Circuit Boards

SOFTWARE CONFIGURATION (CONTINUED)

<p>ON </p> <p>OFF </p> <p style="text-align: center;">1 2 3 4 5 6 7 8</p>	MED-SURG-ZOOM / SCALE / ZONE CONTROL BEDEXIT
<p>ON </p> <p>OFF </p> <p style="text-align: center;">1 2 3 4 5 6 7 8</p>	MED-SURG-SCALE / BEDEXIT
<p>ON </p> <p>OFF </p> <p style="text-align: center;">1 2 3 4 5 6 7 8</p>	MED-SURG-SCALE / ZONE CONTROL BEDEXIT
<p>ON </p> <p>OFF </p> <p style="text-align: center;">1 2 3 4 5 6 7 8</p>	MED-SURG-SHORT / ZOOM / STANDARD BED
<p>ON </p> <p>OFF </p> <p style="text-align: center;">1 2 3 4 5 6 7 8</p>	MED-SURG-SHORT / ZOOM / SCALE / BEDEXIT
<p>ON </p> <p>OFF </p> <p style="text-align: center;">1 2 3 4 5 6 7 8</p>	MED-SURG-SHORT / ZOOM / SCALE / ZONE CONTROL BEDEXIT
<p>ON </p> <p>OFF </p> <p style="text-align: center;">1 2 3 4 5 6 7 8</p>	MATERNITY

Bed Circuit Boards

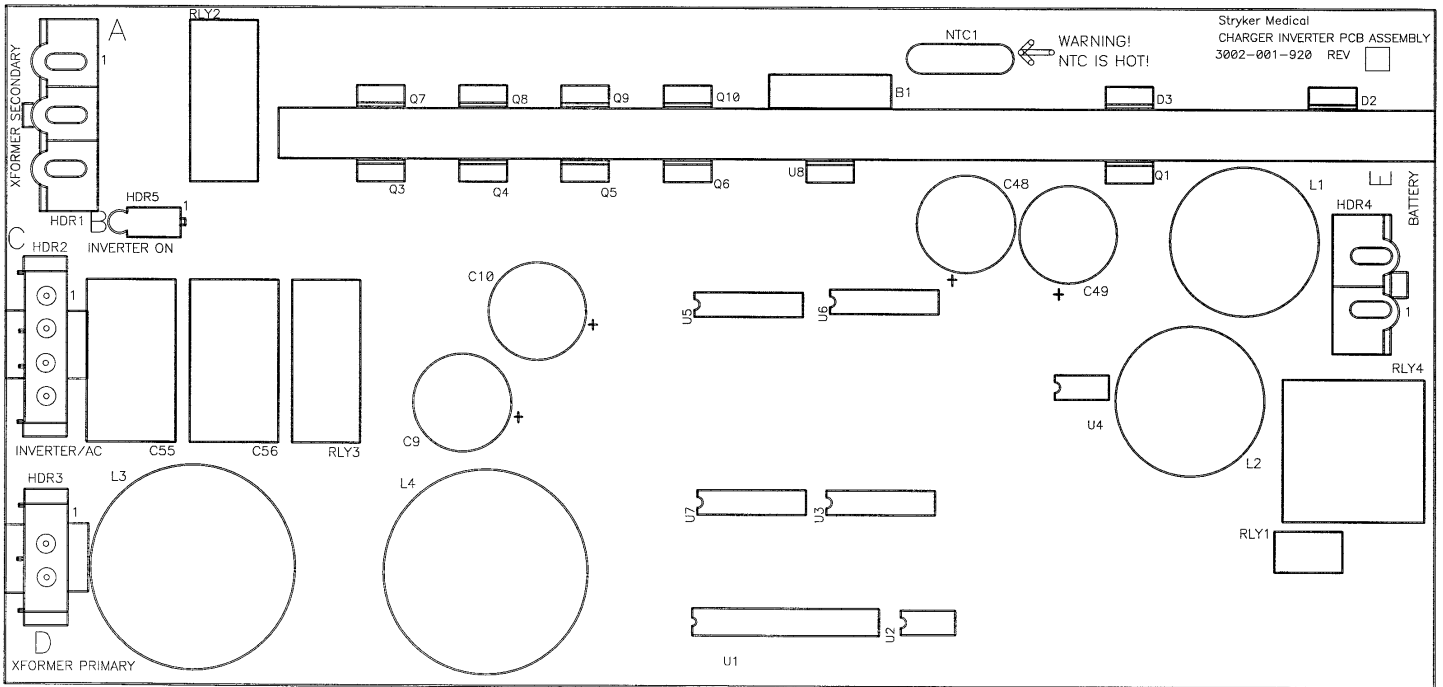
POWER SUPPLY - P/N 59-157



CONNECTOR LOCATION	VOLTAGE	POSITIVE LEAD	NEGATIVE LEAD
J1	110V	Pin 1	Pin 2
J2	12V	Pin 1	Pin 4 or 5
J2	5V	Pin 2	Pin 4 or 5
J2	5V	Pin 3	Pin 4 or 5
J2	GND	Pin 4	Pin 4 or 5
J2	GND	Pin 5	Pin 4 or 5
J2	-12V	Pin 6	Pin 4 or 5

Bed Circuit Boards

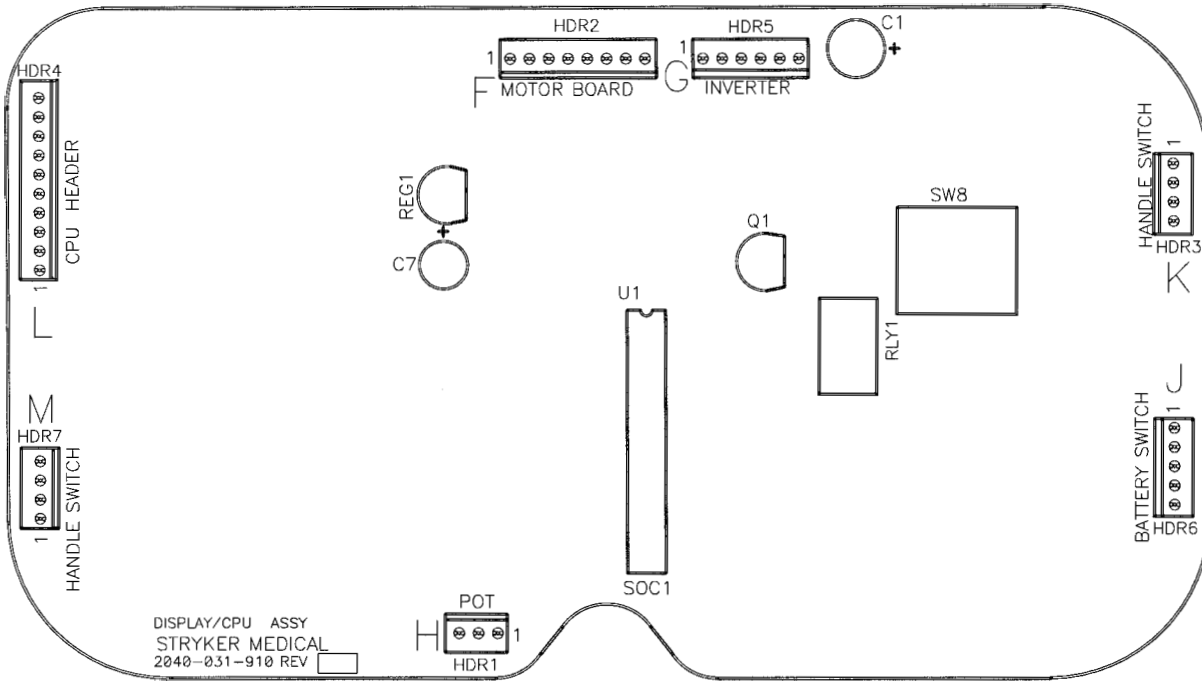
ZOOM® OPTION INVERTER/CHARGER BOARD – PART NUMBER 3002-1-30



CONNECTOR LOCATION	VOLTAGE	POSITIVE LEAD	NEGATIVE LEAD	DESCRIPTION
HDR 4	26 VDC	Pin 2 Red	Pin 1 Black	From Battery – unplugged
HDR 1	22 VAC	Pin 3 Red	Pin 2	Secondaries from Transformer – plugged in
HDR 1	34 VAC	Pin 1 Green	Pin 2 Brown	Secondaries from Transformer – plugged in
HDR 2	110-140 VAC	Pin 4 Brown	Inverter Module Pin 3 Blue	Unplugged
HDR 2	110 V	Pin 2 Brown	Pin 1 Blue	From Wall – plugged in
HDR 3	120 V	Pin 2	Plug-In Pin 1	Wall Voltage – plugged in

Bed Circuit Boards

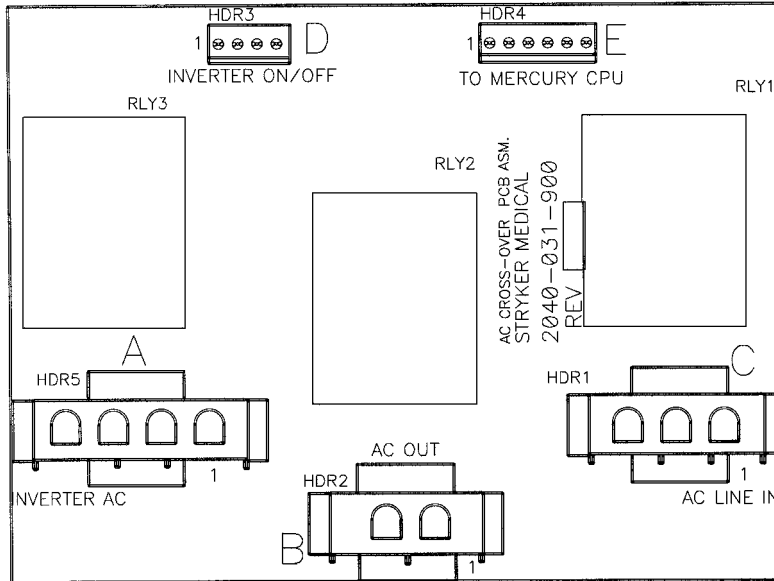
ZOOM® OPTION DISPLAY/CPU – P/N 2040-31-910



CONNECTOR LOCATION	VOLTAGE	POSITIVE LEAD	NEGATIVE LEAD	DESCRIPTION
HDR 1 (H)	0-5VDC	Pin 1	Pin 2	Control Pot Wiper Voltage (with Switch On)
HDR 6 (J)	Battery voltage around 26VDC	Pin 1	Pin 5	Battery Voltage Return from On/Off Switch (with Switch On)
HDR 4 (L)	5VDC	Pin 9	Pin 1	Voltage from CPU
HDR 1	5VDC	Pin 1	Pin 3	DC Voltage to Pot
HDR 7	Continuity	Pin 1	Pin 4	Right Hand Switch
HDR 3	Continuity	Pin 1	Pin 4	Left Hand Switch
HDR 2	26VDC	Pin 3	Pin 1	Battery Voltage

Bed Circuit Boards

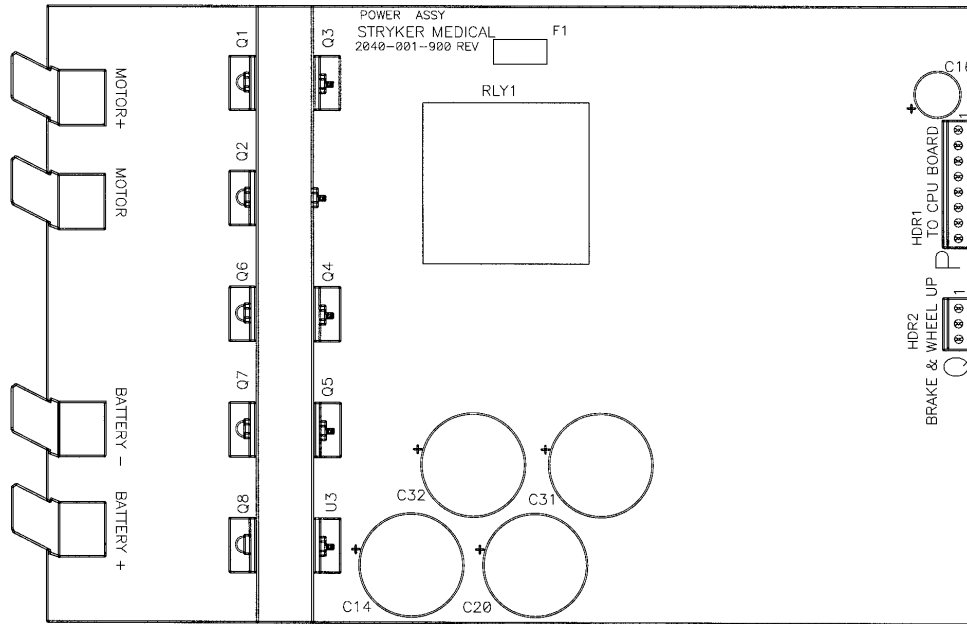
ZOOM® OPTION AC CROSSOVER BOARD – P/N 2040-31-900



CONNECTOR LOCATION	VOLTAGE	POSITIVE LEAD	NEGATIVE LEAD	DESCRIPTION
HDR 5 (A)	120VAC	Pin 4	Pin 1	AC Input to Board from the Inverter with the Power Cord Unplugged
HDR 1 (C)	120VAC	Pin 3	Pin 1	AC Input to Board from the Wall Receptacle
HDR 2 (B)	120VAC	Pin 2	Pin 1	AC Output of Board to Main Power
HDR 4 (E)	+5VDC	Pin 4	Pin 1	+5VDC when AC is Unplugged from the Wall Receptacle

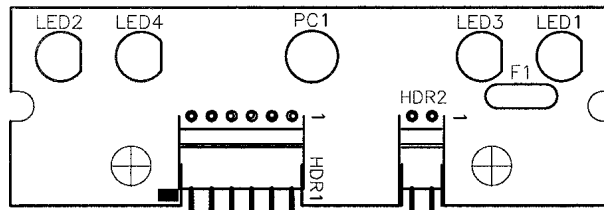
Bed Circuit Boards

OPTIONAL DC MOTOR POWER BOARD – P/N 2040-1-900



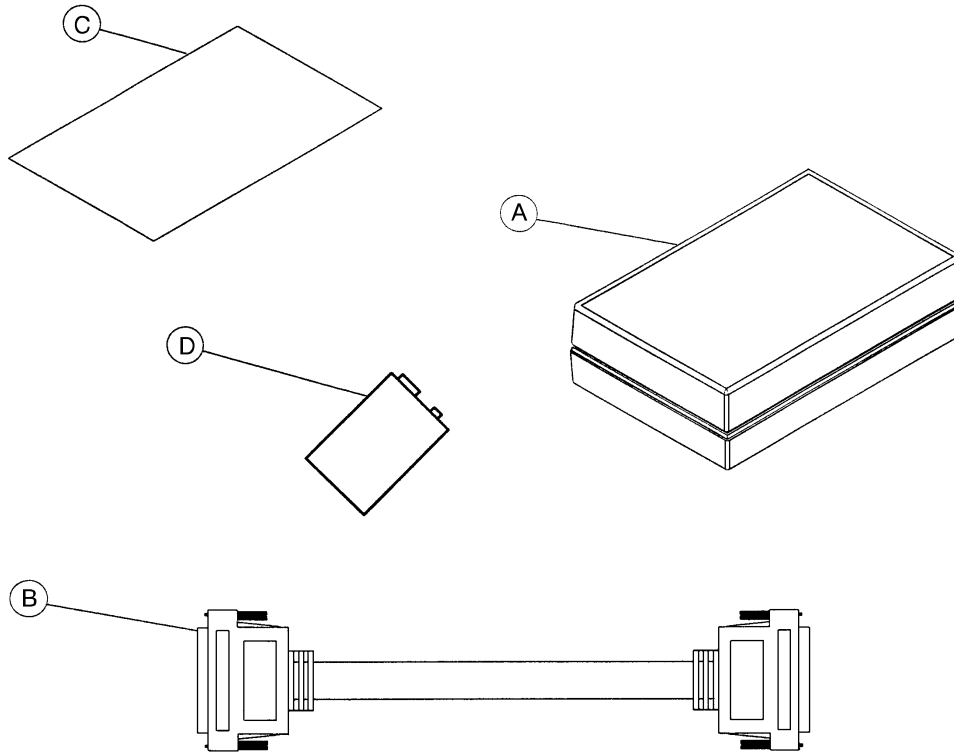
CONNECTOR LOCATION	VOLTAGE	POSITIVE LEAD	NEGATIVE LEAD	DESCRIPTION
HDR 1 (P)	Battery voltage around 26VDC	Pin 3 Red	Pin 1 Black	Battery Voltage out to the Display/CPU Board
HDR 2 (Q)	5VDC Disengaged 0VDC Engaged	Pin 1 Red	Pin 3 Black	Drive Wheel
HDR 2 (Q)	5VDC Disengaged 0VDC Engaged	Pin 2 Red	Pin 3 Black	Brakes

OPTIONAL NIGHT LIGHT BOARD – PART NUMBER 3002-310-900



CONNECTOR LOCATION	NEGATIVE LEAD	POSITIVE LEAD	VOLTAGE	DESCRIPTION
HDR 2	Pin 1	Pin 2	5 VDC	Supply IN
HDR 1	Pin 1 HDR 2	Pin 2 Pin 4	5 VDC	Output Voltage for Optional LED's

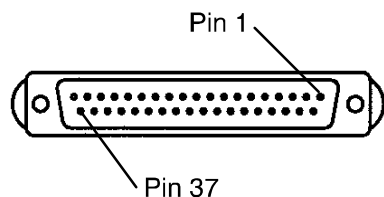
3002-45-700 Optional Bed Communications Tester



Item	Part No.	Part Name	Qty.
A	3002-45-805	BCT Unit	1
B	3001-303-825	37-Pin Cable	1
C	3002-45-806	Instructions	1
D	3000-303-871	9V Battery	1

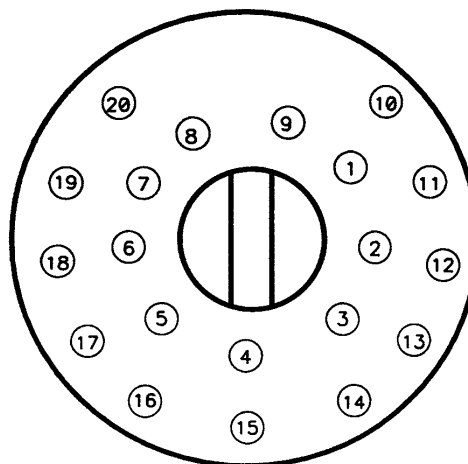
Head Wall Output Configuration

37-PIN CONNECTOR



Pin 1	Option 2 Common
Pin 2	Read Light
Pin 3	Room Light
Pin 4	Speaker High
Pin 5	Pot Wiper
Pin 6	Radio Common
Pin 7	Nurse Call Interlock
Pin 8	Audio Transfer -
Pin 9	Audio Transfer +
Pin 10	Interlock +
Pin 11	Interlock -
Pin 12	Spare
Pin 13	Options 3 Common
Pin 14	Pot Low Common
Pin 15	Pot High Common (Std.)/Audio (STV)
Pin 16	Nurse Answer Light +
Pin 17	Option 1 NO/NC
Pin 18	Option 1 Common
Pin 19	Nurse Call Light +
Pin 20	Option 2 NO/NC
Pin 21	Option 3 NO/NC
Pin 22	Option 3A NO/NC
Pin 23	Option 2A Common
Pin 24	Option 2A NO/NC
Pin 25	Nurse Call +
Pin 26	Nurse Call NO/NC
Pin 27	Room/Read Light Common
Pin 28	Nurse Call Light -
Pin 29	Nurse Answer Light -
Pin 30	Priority NO/NC
Pin 31	Priority Common
Pin 32	Option 3A Common
Pin 33	TV - (Std.)/Data (STV)
Pin 34	TV + (Std.)/Common (STV)
Pin 35	Speaker Low Common
Pin 36	Audio Shield
Pin 37	Radio NO/NC

STRYKER PENDANT PORT



1	Scan Line
2	Audio (-)
3	Nurse Call (+)
4	+5 VDC
5	Scan Line
6	Scan Line
7	Nurse Call (-)
8	TV Channel Up
9	Backlight
10	Audio (+)
11	Gatch Up/Fowler In/Foot Up/DMS Firm
12	Gatch Down/Fowler Out/Foot Out/DMS Soft
13	Fowler Up/Trend In
14	Fowler Down/Trend Out
15	Audio Shield
16	Not Used - Socket Filled
17	Bed Up
18	Ground
19	Read Light/Bed Down
20	Room Light

Zoom® Option Inverter Protection Features

The inverter has several features to prevent internal damage:

1. Low Battery Voltage – If the battery voltage at the inverter drops below the low voltage cut-off, the inverter will shut off.
2. Over-Temperature – If the inverter gets too hot, it will shut off. The overheating may be caused by high ambient temperature, blocked air flow or an overload condition. When the inverter reaches an acceptable temperature, it will restart.
3. Over-Power – The inverter will source up to its maximum power rating. If the load requires more, the output voltage will shut down. Turning the power switch off and on will reset the inverter. Plugging the bed power cord into the wall socket to charge the battery will reset the inverter.

 **WARNING**

The inverter generates 115VAC, the same as a wall receptacle. To prevent injury, do not put anything into the electrical outlets other than an appliance power cord. Keep the outlets covered when not in use. Do not submerge the unit or subject it to moisture.

Quick Reference Replacement Parts List

ELECTRICAL COMPONENTS

FOOT BOARD KEYBOARD (S/R LIGHTS, LOCKOUTS, ETC.)	3001-500-28
FOOT BOARD SCALE DISPLAY	3002-507-900
FOOT BOARD SCALE KEYBOARD	3002-507-910
FOOT BOARD BED EXIT KEYBOARD	3001-508-900
CPU KIT	3002-407-950
KIT, SCALE & BED EXIT TO A STANDARD BED	*3002-
KIT, SCALE & ZONE BED EXIT TO A STANDARD BED	*3002-
KIT, SCALE TO A STANDARD BED	*3002-
KIT, BED EXIT TO A STANDARD BED	*3002-
KIT, ZONE BED EXIT TO A STANDARD BED	*3002-
KIT, SCALE TO A BED EXIT BED	*3002-
KIT, SCALE TO A ZONE BED EXIT BED	*3002-
KIT, BED EXIT TO A SCALE BED	*3002-
KIT, ZONE BED EXIT TO A SCALE BED	*3002-
KIT, SCALE & BED EXIT TO A STANDARD BED WITH ZOOM	*3002-
KIT, SCALE & ZONE BED EXIT TO A STANDARD BED WITH ZOOM	*3002-
KIT, SCALE TO A STANDARD BED WITH ZOOM	*3002-
KIT, BED EXIT TO A STANDARD BED WITH ZOOM	*3002-
KIT, ZONE BED EXIT TO A STANDARD BED WITH ZOOM	*3002-
KIT, SCALE TO A BED EXIT ZOOM BED	*3002-
KIT, SCALE TO A ZONE BED EXIT ZOOM BED	*3002-
KIT, BED EXIT TO A SCALE ZOOM BED	*3002-
KIT, ADD ZONE BED EXIT TO A SCALE ZOOM BED	*3002-
POWER SUPPLY	59-157
SIDERAIL BOARD, INSIDE	3001-400-930
SIDERAIL BOARD, OUTSIDE	3001-400-910
SIDERAIL SPEAKER W/CABLE	3000-403-831
NIGHT LIGHT CIRCUIT BOARD	3002-310-900

OTHER COMPONENTS

BEEPER KIT, BED EXIT, LOW SOUNDING	3002-700-29
BEEPER KIT, BED EXIT, HIGH SOUNDING	3002-700-30
CAPACITOR, FOWLER	59-780
CAPACITOR, FOWLER, 230V	3221-300-453
CAPACITOR, GATCH	59-779
CAPACITOR, GATCH, 230V	59-153
CAPACITOR, LIFT	59-778
CAPACITOR, LIFT, 230V	3221-200-243
CASTER, 6"	3001-200-60
CASTER, STEER, 6"	3001-200-50
CASTER, 8", OPTIONAL	3001-200-90

*Call Stryker Technical Support (1-800-327-0770) for assistance.

Quick Reference Replacement Parts List

OTHER COMPONENTS (CONTINUED)

CASTER, STEER, 8", OPTIONAL	3001-200-80
COIL CORD, LIFT POWER	3001-200-824
COIL CORD, LIFT SENSOR	3001-200-815
COIL CORD, LITTER POWER	3001-300-844
COIL CORD, LITTER SIGNAL	3001-300-846
FOWLER BRAKE KIT	3001-300-775
LOAD CELL	3002-307-57
MOTOR COUPLER KIT, LIFT	3000-200-725
MOTOR, FOWLER W/CLUTCH	3001-300-705
MOTOR, FOWLER W/CLUTCH, SHORT BED	3001-342-705
MOTOR, FOWLER W/CLUTCH, 230V	3221-300-705
MOTOR, GATCH	2025-232-70
MOTOR, GATCH, 230V	2026-232-70
MOTOR, LIFT (SAME FOR HEAD AND FOOT END)	3000-200-213
MOTOR, LIFT, 230V (SAME FOR HEAD AND FOOT END)	3221-200-213
PADDED SIDERAIL COVER, HEAD, RIGHT	3000-336-11
PADDED SIDERAIL COVER, FOOT, LEFT	3000-336-14
PADDED SIDERAIL COVER, FOOT, RIGHT	3000-336-13
PADDED SIDERAIL COVER, HEAD, LEFT	3000-336-12
PADDED SIDERAIL COVERS, SET OF ALL FOUR	3000-336-701
PAINT, TOUCH-UP, OPAL, BOTTLE W/BRUSH	7000-1-321
PAINT, TOUCH-UP, OPAL, SPRAY CAN	7000-1-318
POTENTIOMETER, FOOT END	3001-200-230
POTENTIOMETER, HEAD END	3001-200-240
POWER CORD	39-254
SINGLE TUBE OF GREASE	3000-200-700
HEAD/FOOT BOARD "C" BUMPER ADHESIVE	72-2-71

ZOOM OPTION COMPONENTS

BATTERY KIT	2040-700-13
DRIVE POTENTIOMETER WITH CABLE	2040-31-804
DRIVE WHEEL MOTOR	3002-1-72
ON/OFF SWITCH	59-191
TRANSFORMER	3002-1-10
ZOOM INVERTER/CHARGER BOARD	3002-1-30
ZOOM DISPLAY/CPU BOARD	2040-31-910
ZOOM AC CROSSOVER BOARD	2040-31-900

Service Information

BRAKE PEDAL REPLACEMENT

Required Tools:

5/16" Hex Allen Wrench
Hammer

Torque Wrench
Punch

Loctite 242
#2 Phillips Screwdriver

Procedure:

1. Unplug the bed power cord from the wall socket.
2. Using a #2 Phillips screwdriver, remove the three screws holding both the head end and the foot end upper lift covers. If desired, hold the covers out of the way by using bungee cords (or the equivalent) to secure them to the litter top.
3. Using a 5/16" hex Allen wrench, remove the two bolts holding the brake pedal to the brake rod.
4. Using a hammer and punch, remove the roll pins holding the brake shaft crank to the brake rod on both the head and the foot end.
5. Push the brake rod through the frame until the brake pedal is clear. Remove the brake pedal.
6. Reverse the above steps to attach the new brake pedal.

NOTE

Use Loctite 242 when reinstalling the bolts and torque the bolts to 25 foot-pounds.

Service Information

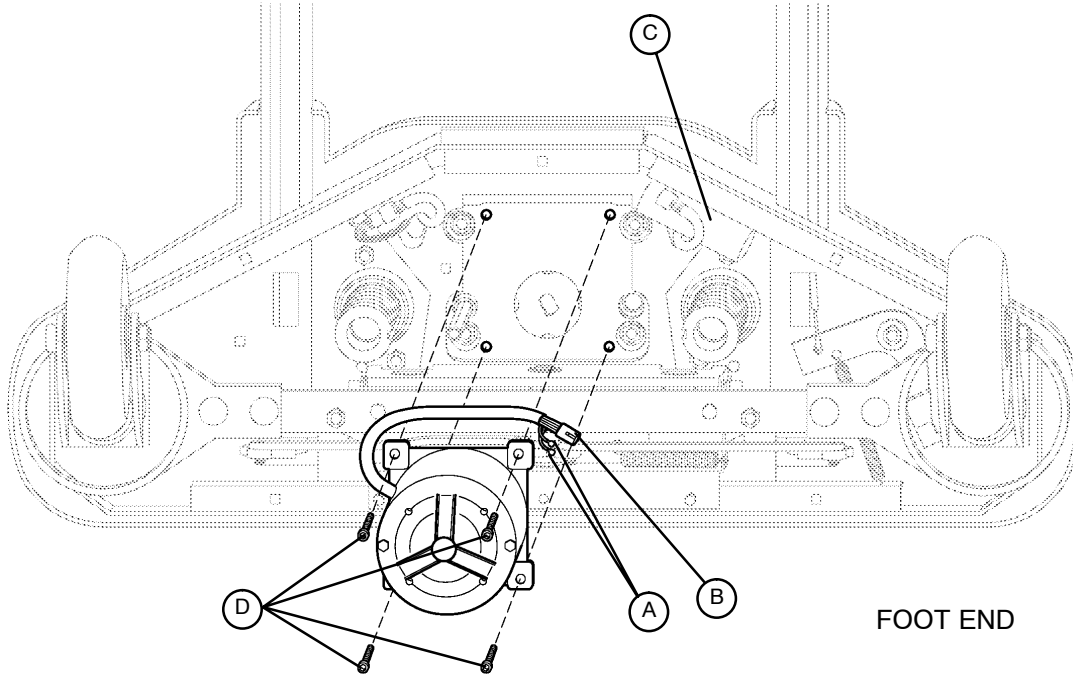
LIFT MOTOR AND CAPACITOR REMOVAL AND REPLACEMENT

Required Tools:

3/8" Socket Wrench w/Extension
Side Cutters

5/16" Socket Wrench
7/16" Open End Wrench

Floor Jack
2x4 (or Equivalent)



Procedure:

NOTE

If you need more space to work under the base frame, place a 2x4 across the base frame rails and use a floor jack to raise the base frame off the floor.

1. Unplug the bed power cord from the wall socket. Using a 5/16" socket wrench, remove the five bolts holding the lower lift cover to the base and remove the cover.
2. Disconnect the two connectors (A) at the motor capacitor.
3. Disconnect the white connector (B) from the power cord.
4. Using side cutters, cut the cable ties holding the capacitor (C) to the base and remove the capacitor.
5. Using a 3/8" socket wrench, remove the four screws (D) holding the motor assembly in the lift housing and remove the motor assembly.
6. Reverse the above steps to install the new motor.

NOTE

The drive shaft on the new motor probably will have to be turned to be aligned with the coupler. Use a 7/16" open end wrench to turn the drive shaft of the motor.

The procedure for lift motor and capacitor removal and replacement is the same for both ends of the bed.

Service Information

LIFT HOUSING REMOVAL AND REPLACEMENT

Required Tools:

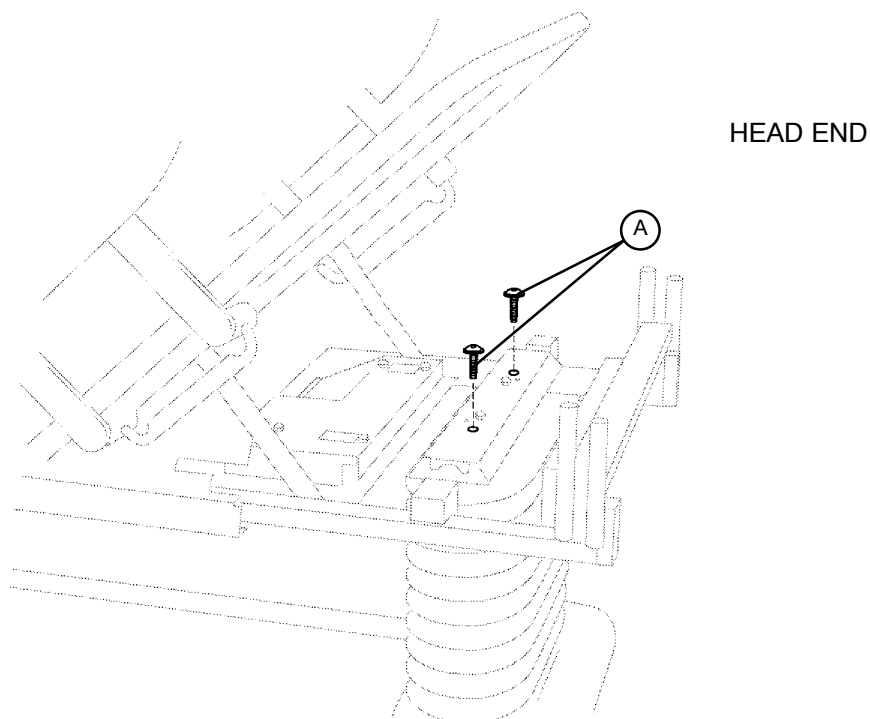
#2 Phillips Screwdriver	Bungee Cord (or equivalent)	5/16" Socket Wrench
Side Cutters	9/16" Socket Wrench	5/16" Nut Driver
7/32" Hex Allen Socket Wrench	Sawhorses (or equivalent)	T27 Torx
3/8" Socket Wrench (w/ approx. 6" extension)		

Procedure:

1. Unplug the bed power cord from the wall socket.
2. Using a 5/16" socket wrench, remove the five bolts holding the lower lift cover to the base and remove the cover.
3. Using a #2 Phillips screwdriver, remove the three screws holding the upper lift cover to the base.
4. If you are working on the foot end of the bed, use a T27 Torx to remove the screw holding the litter access panel to the litter.
5. Remove the lift motor and capacitor (refer to procedure on [page 61](#)).
6. Remove lift potentiometer (refer to procedure on [page 64](#)).
7. Using a 5/16" socket wrench, remove the cable clamps holding the power and sensor coil cords on top of the lift housing assembly. Cut the cable ties and disconnect the coil cords from under the lift housing. The power and sensor coil cords are now free of the lift housing assembly. Drape them up out of the way.
8. Using a 7/32" hex Allen socket, remove the two screws (A) holding the lift screws to the header crossbar plate.

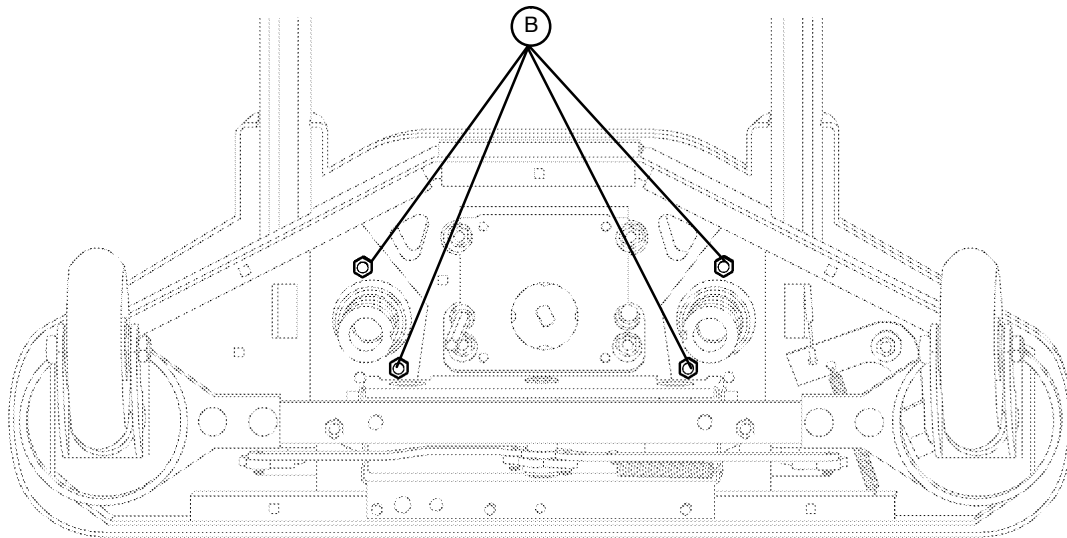
CAUTION

The bed litter retracts on rollers. Secure it to prevent it from rolling while the procedure is being done.



Service Information

LIFT HOUSING REMOVAL AND REPLACEMENT (CONTINUED)



FOOT END – BOTTOM VIEW

9. Lift the litter top up and support it about 6" above the lift screws with sawhorses or the equivalent.
10. Under the base, using a 9/16" socket, remove the four nuts (B) holding the lift housing to the base.
11. Lift up and out on the lift housing assembly to remove it from the base.

CAUTION

See pages [68](#) and [69](#) for proper reattachment procedure for power and sensor coil cords and [page 64](#) for reattachment of the lift potentiometer .

12. Reverse the above steps to reinstall the lift housing assembly after service is completed.

NOTE

The procedure for lift housing removal and replacement is the same for both ends of the bed.

Service Information

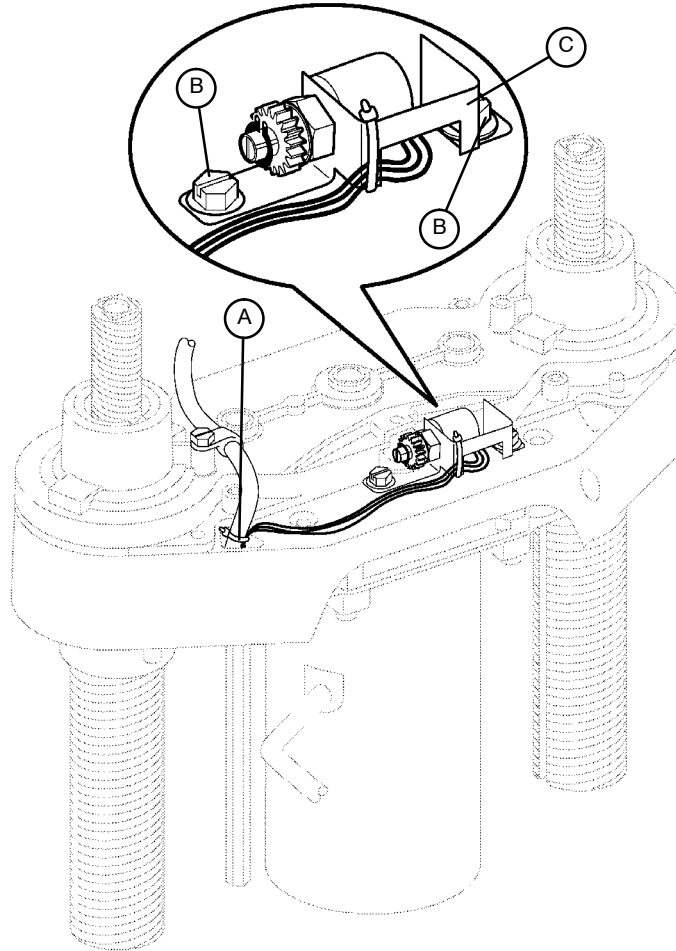
LIFT POTENTIOMETER REPLACEMENT AND ADJUSTMENT

Required Tools:

#2 Phillips Screwdriver
3/8" Open End Wrench

Bungee Cord (or equivalent)
Side Cutters

5/16" Socket Wrench



Procedure:

1. Unplug the bed power cord from the wall socket.
2. Using a 5/16" socket wrench, remove the five bolts holding the lower lift cover to the base and remove the cover.
3. Using a #2 Phillips screwdriver, remove the three screws holding the upper lift cover to the base.
4. Using side cutters, cut the cable tie (A) holding the pot cable to the coil cord.
5. Unplug the pot cable from the sensor coil cord. If replacing a pot at the head end of the bed, unplug the cables attached to the brake sensor switch.
6. Pull the pot cable up through the base.
7. Using a 3/8" open end wrench, remove the two bolts (B) holding the pot housing (C) to the lift housing.

Service Information

LIFT POTENTIOMETER REPLACEMENT AND ADJUSTMENT (CONTINUED)

8. Lift up and out on the pot housing assembly to remove it from the lift housing.
9. Before installing the new pot on the bed, turn it clockwise until it stops. Turn it back counterclockwise two full (360°) revolutions. This allows a "window" position for proper upper and lower limits.
10. Reverse steps 4–8 to install the new pot and pot housing assembly.
11. After installing the new pot, the "burn-in" procedure below must be followed.

NOTE

Be sure to maintain the pot position while installing.

LIFT POTENTIOMETER "BURN-IN" PROCEDURE

1. Unplug the bed power cord from the wall socket.
2. On the foot board control panel, hold down the Siderail Control Lights, Head Lock Out, and Up/Down Lock Out buttons simultaneously.
3. While holding down the above three buttons, plug the power cord into the wall socket. The Lights button on the foot board control panel should flash, indicating the bed is in the diagnostics mode.
4. On a bed **without** the Zoom power drive option, run both ends of the bed *full down* to a "hard stop". On a bed **with** the Zoom option, run both ends of the bed *full up* to a "hard stop".
5. Hold down the Bed Motion Lock button until the light flashes.
6. Release the button and unplug the power cord from the wall socket.
7. Plug the power cord back in to the wall socket. Run the bed to full up, then full down to verify the bed limits.
8. The distance between the floor and the top of the litter seat section on a standard Secure bed (without a mattress) should be 16"– 16 3/8" with the litter fully down and 29 1/4" – 29 7/8" with the litter fully up. The distance between the floor and the top of the litter seat section on a Secure Zoom bed (without a mattress) should be 19.5" with the litter fully down and 30" – 30 1/4" with the litter fully up. The distance between the floor and the top of the litter seat section on a Secure short bed with Zoom (without a mattress) should be 20.5" with the litter fully down and 30" – 30 1/4" with the litter fully up.

NOTE

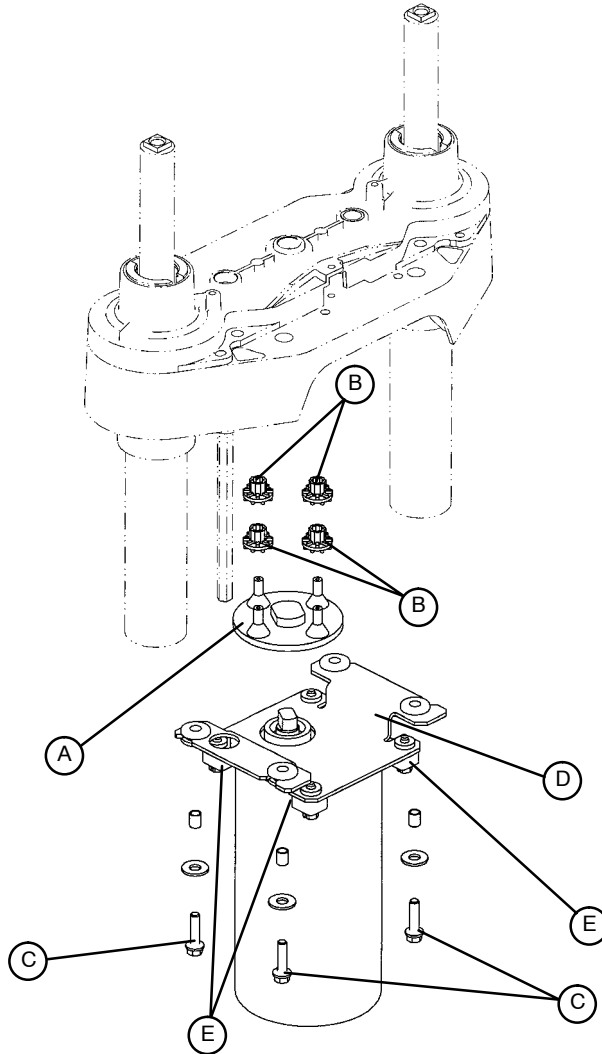
These values are for beds equipped with 6 inch casters. Add two inches to both measurements for beds equipped with 8 inch casters.

Service Information

LIFT MOTOR ISOLATION PLATE REPLACEMENT

Required Tools:

7/16" Open End Wrench 5/16" Nut Driver or 5/16" Socket Wrench 3/8" Socket Wrench (w/6" ext.)



Procedure:

1. Unplug the bed power cord from the wall socket.
2. Using a 5/16" socket wrench, remove the five bolts securing the lower lift cover and remove the cover.
3. Using a 3/8" socket with a 6" extension, remove the four bolts (C) holding the lift motor isolation plate to the lift housing and carefully lower the isolation plate to the floor.
4. Remove the motor coupler (A) and bushings (B).
5. Using a 3/8" socket, remove the bolts and washers (E) from the motor and remove the isolation plate (D).
6. Reverse the above steps to install the new isolation plate and reattach all components to the bed.

NOTE

When reinstalling the lift motor, the drive shaft on the motor will have to be turned to be aligned with the coupler. Use a 7/16" open end wrench to turn the drive shaft of the motor.

Service Information

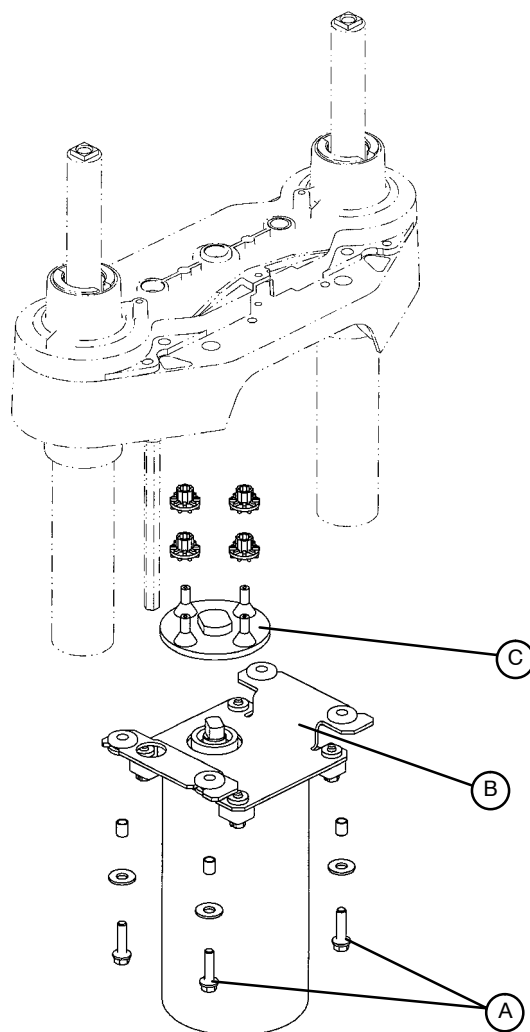
LIFT MOTOR COUPLER REPLACEMENT

Required Tools:

5/16" Socket Wrench
2x4 (or Equivalent)

3/8" Socket Wrench (w/6" Extension)

Floor Jack



Procedure:

NOTE

If you need more space to work under the base frame, place a 2x4 across the base frame rails and use a floor jack to raise the base frame off the floor.

1. Unplug the bed power cord from the wall socket.
2. Using a 5/16" socket wrench, remove the five bolts holding the lower lift cover to the base and remove the cover.
3. Using a 3/8" socket with an extension, remove the four bolts (A) holding the isolation plate (B) to the lift housing and lower the lift motor and isolation plate assembly to allow access to the coupler (C).
4. The motor coupler can now be removed from the lift housing.
5. Reverse the above steps to install the new motor coupler and bushings.

Service Information

POWER AND SENSOR COIL CORD REPLACEMENT

Required Tools:

#2 Phillips Screwdriver	Side Cutters	5/16" Socket Wrench
Bungee Cord (or equivalent)	5/16" Nut Driver	Floor Jack
2x4 (or Equivalent)		

Procedure:

NOTE

If you need more space to work under the base frame, place a 2x4 across the base frame rails and use a floor jack to raise the base frame off the floor.

1. Unplug the bed power cord from the wall socket.
2. Using a 5/16" socket wrench, remove the five bolts holding the lower lift cover to the base and remove the cover.
3. Using a #2 Phillips screwdriver, remove the three screws holding the upper lift cover to the base. If you want, hold the covers out of the way by using bungee cords (or the equivalent) to secure them to the litter top.
4. Using side cutters, cut the cable ties holding the power and sensor coil cords to the base. Remove the ground wire coming from the sensor cord that is attached to the base (note the star washer arrangement).
5. Disconnect the cables going to the motor and the lift potentiometer (at the head end, the sensor cord is also attached to the brake switch sensor).
6. Pull both cords up through the frame of the bed and the lift housing.
7. Using a 5/16" socket wrench, remove the two screws (A) holding the cable clamps* to the top of the lift housing.
8. Using a 5/16" socket wrench, remove the two screws (B) securing the cable clamps* to the underside of the header crossbar assembly.
9. Pull both coil cords up through the header crossbar assembly.
10. Disconnect the power and sensor coil cords from the connectors.
11. The cords should now be completely removed from the bed. Reverse the above steps to install the new power and sensor cords.*

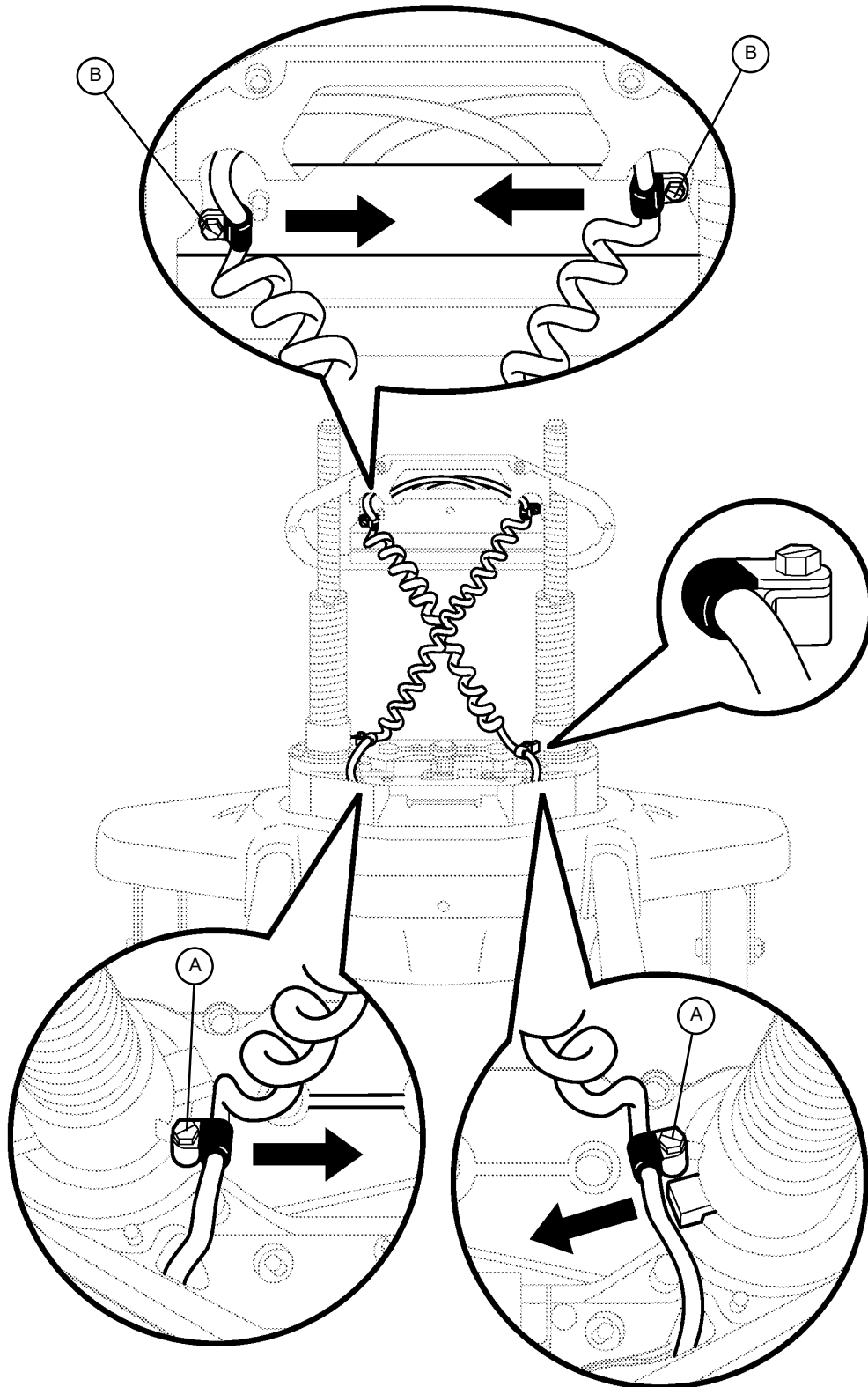


CAUTION

* When replacing the power and sensor coil cords, secure the cable clamps to the cords at the first coil both on the top and on the bottom to ensure there is not too much slack in the cords between the top of the lift housing assembly and the bottom of the header crossbar. Be sure the clamps are fastened at exactly the correct angle, as shown by the arrows in the illustration. Arrange the cords exactly as shown in the illustration (left in front of right). **If this is not done correctly, damage to the cords will result.**

Service Information

POWER AND SENSOR COIL CORD REPLACEMENT ILLUSTRATION



VIEW FROM CENTER OF BED

Service Information

ZOOM® OPTION BATTERY REMOVAL AND REPLACEMENT

Required Tools:

Torx T27	7/16" Wrench
1/2" Socket Wrench	Bungee Cords
Phillips Screwdriver	5/32" Allen

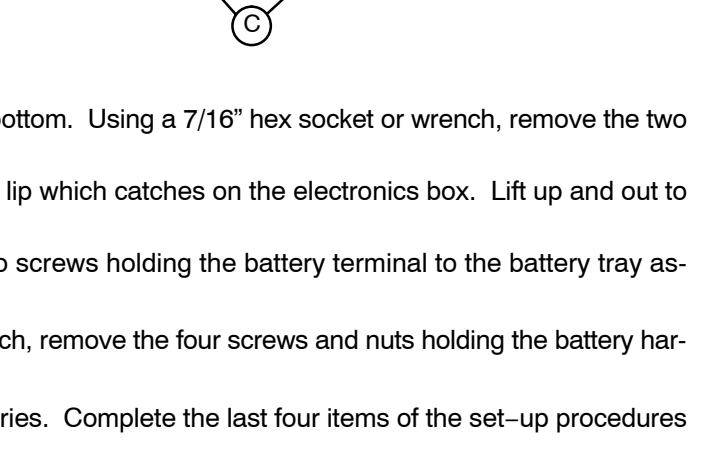
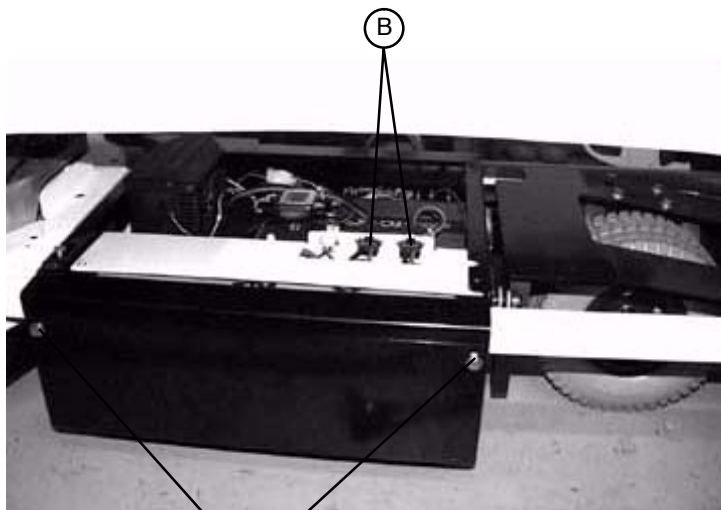
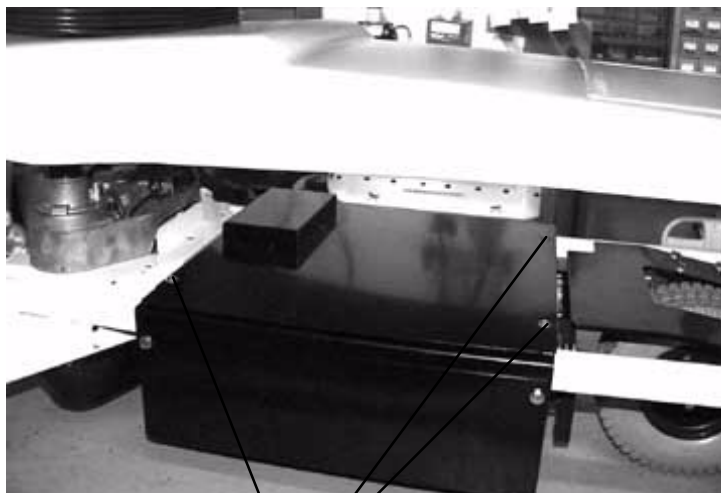
Procedure:

1. Raise the litter to full up. Unplug the power cord from the wall socket and push the battery power on/off switch to the "OFF" position.
2. Using a Phillips screwdriver, remove the four screws holding the base hood to the base frame.
3. Lift the base hood and support it from the litter frame using bungee cords or the equivalent.
4. Properly ground yourself (see [page 39](#) for static discharge precautions).
5. Open the cable clamp at the head end, left side of the base frame and remove the cables from the clamp.
6. Using a Torx T27, remove the four screws (A) holding the electronics box cover and remove the cover.
7. Disconnect the two battery cables (B).

WARNING

The battery tray assembly weighs 50 pounds. Use caution when removing the two hex head screws securing it to the base frame or personal injury could result. Battery posts, terminals and related accessories contain lead and lead compounds, chemicals known to the State of California to cause cancer and birth defects or other reproductive harm. **Wash hands after handling.**

8. Support the battery tray assembly from the bottom. Using a 7/16" hex socket or wrench, remove the two screws (C) supporting the battery tray.
9. The back of the battery tray assembly has a lip which catches on the electronics box. Lift up and out to remove the battery tray assembly.
10. Using a Phillips screwdriver, remove the two screws holding the battery terminal to the battery tray assembly.
11. Using a 5/32" Allen wrench and a 7/16" wrench, remove the four screws and nuts holding the battery harness to the battery terminals.
12. Reverse steps 1 – 11 to install the new batteries. Complete the last four items of the set-up procedures on [page 11](#).



Service Information

ZOOM® OPTION DC MOTOR BOARD REMOVAL AND REPLACEMENT

Required Tools:

Phillips Screwdriver
T27 Torx

1/8" Allen Wrench

Bungee Cords

Procedure:

1. Raise the litter to the full up position.
2. Unplug the power cord from the wall socket and push the battery power on/off switch to the "OFF" position.
3. Using a Phillips screwdriver, remove the four screws holding the base hood to the base frame.
4. Open the cable clamp at the head end, left side of the base frame and remove the cables from the clamp.
5. Lift the base hood and support it from the litter frame using bungee cords or the equivalent.
6. Using a T27 Torx, remove the four screws holding the cover to the side of the electronics box.
7. Properly ground yourself (see [page 39](#) for static discharge precautions).
8. Using a 1/8" Allen wrench, remove the four bolts and standoffs holding the motor board to the electronics box.
9. Remove all cables from the motor board and remove the board.

NOTE

Note the locations of the cables so you can connect them properly to the new motor board.

10. Reverse steps 1 – 8 to install the new power board.

Service Information

DRIVE MOTOR REMOVAL AND REPLACEMENT

Required Tools:

Phillips Screwdriver
Floor Jack

1/2" Socket Wrench
T27 Torx

Bungee Cords

Procedure:

1. Raise the litter to the full up position.
2. Unplug the power cord from the wall socket and push the battery power on/off switch to the "OFF" position.
3. Using a Phillips screwdriver, remove the four screws holding the base hood to the base frame.
4. Open the cable clamp at the head end, left side of the base frame and remove the cables from the clamp.
5. Lift the base hood and support it from the litter frame using bungee cords or the equivalent.
6. Using a T27 Torx, remove the four screws holding the power board cover to the side of the electronics box. Remove the two motor wires from the power board and remove the T27 Torx ground screw.
7. Apply the brakes and disengage the drive wheel. Place a floor jack under the leaf spring at the foot end of the bed and raise the wheels approximately three inches off the floor.
8. Using a 1/2" socket wrench, remove the four bolts holding the drive motor to the leaf spring.



CAUTION

Support the drive motor before removing the four bolts to prevent it from falling to the floor and becoming damaged.

9. Reverse steps 1 – 8 to install the new drive motor.
10. Run through the operation of the power drive wheel to ensure it is operating properly before returning the unit to service.

Service Information

KNEE MOTOR REMOVAL AND REPLACEMENT

Required Tools:

T27 Torx

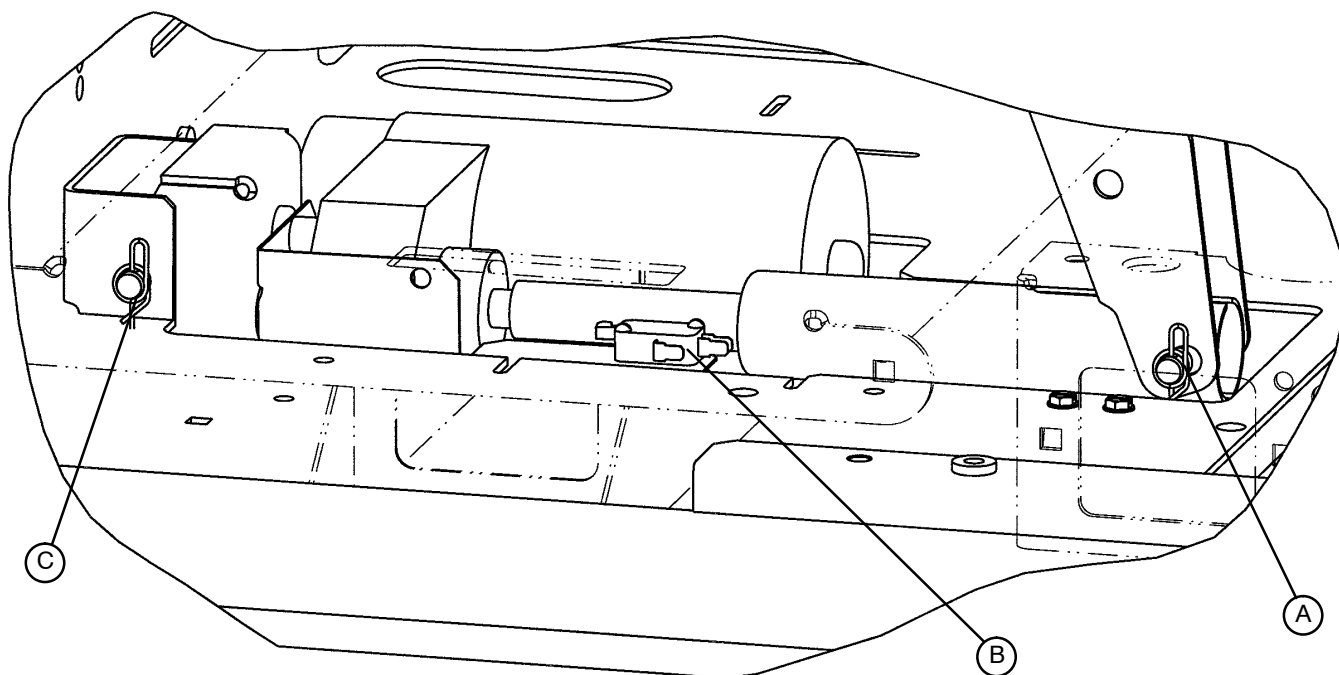
Needle Nose Pliers

3/8" Socket Wrench

Wire Cutters

Procedure:

1. Electrically run the litter fully up. Unplug the bed power cord from the wall receptacle.
2. Using a 3/8" socket wrench, remove the two bolts holding the motion interrupt pan to the litter frame and remove the pan.
3. Using needle nose pliers, remove the Rue pin (A) from the end of the drive tube.
4. Fold the Gatch section back toward the head end of the bed. Using a T27 Torx, remove the screw holding the mid-litter cover to the litter frame and remove the cover.
5. Remove the two wires from the auto contour micro switch (B) mounted next to the drive tube.
6. Using wire cutters, remove the cable ties. Disconnect the motor and capacitor wires.
7. Using needle nosed pliers, remove the Rue pin (C) from the motor bracket and lift the motor out.
8. Using a 3/8" socket wrench, remove the four bolts holding the motor bracket to the old motor. Remove the bracket and install it on the replacement motor using the same four bolts.
9. Install the replacement motor into the bed. **Do not** hook up the drive tube to the Gatch section yet.
10. Plug the bed power cord into a properly grounded wall receptacle. Using the button on the foot board or siderail, run the Gatch motor down until it stops.
11. Reinstall the mid-litter cover.
12. Fold the Gatch section back down. From underneath the bed, manually turn the drive tube in or out until it lines up with the hole in the Gatch section. Reinstall the pin, the wires for the auto contour switch, and the motion interrupt pan.
13. Test the bed for proper operation before returning it to service.



Service Information

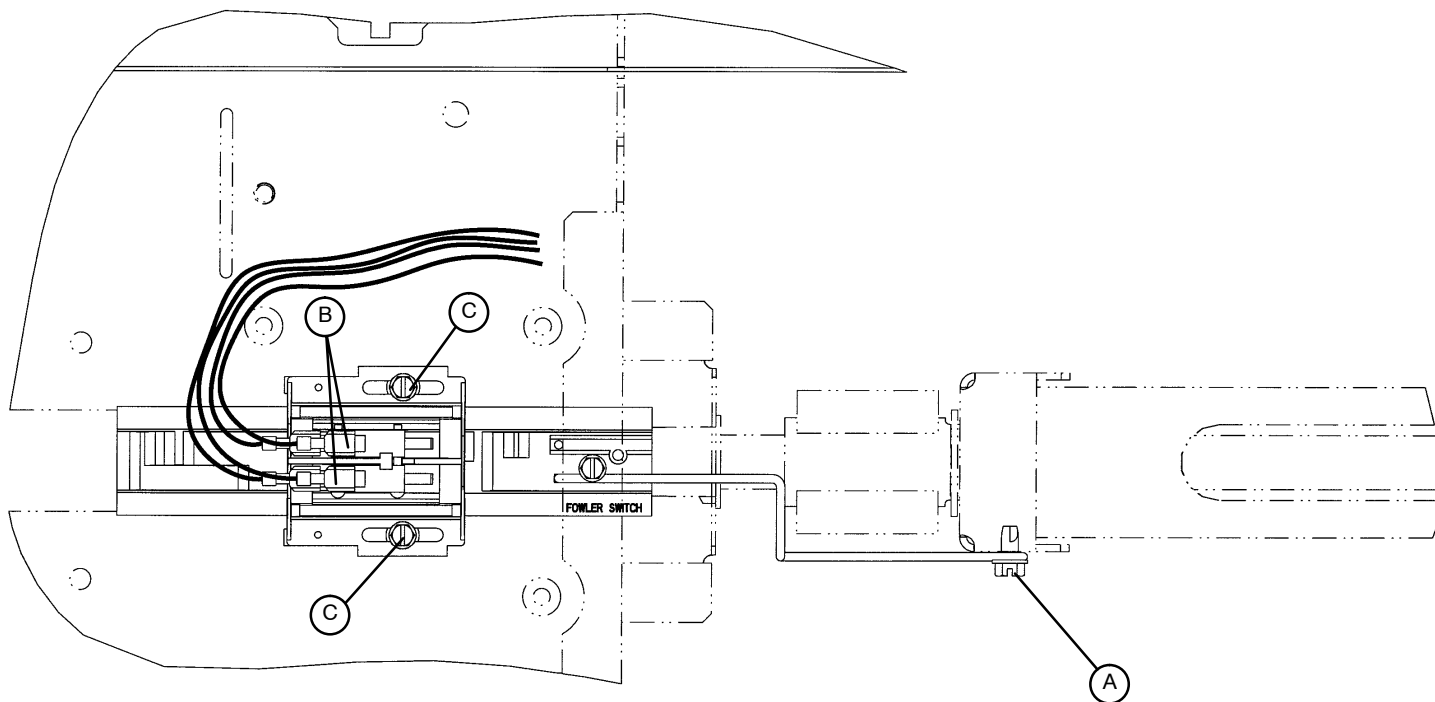
HEAD MOTOR CAM AND CAM GUIDE REPLACEMENT

Required Tools:

5/16" Nut Driver

3/8" Socket Wrench

T27 Torx



Procedure:

1. Run the Knee Gatch fully up. Unplug the bed power cord from the wall socket.
2. Using a T27 Torx, remove the screw holding the foot end litter cover to the frame and remove the cover.
3. Using a 3/8" socket wrench, remove the two bolts holding the motion interrupt pan to the litter and remove the pan.
4. Using a 5/16" nut driver, remove the screw (A) holding the cam retention wire to the ball nut assembly.
5. Disconnect the cables (B) from the micro switches. Take note of the locations of the cables so they will be connected properly to the replacement cam.
6. Using a 5/16" nut driver, remove the two screws (C) holding the cam and cam guide to the support bracket and remove the cam and cam guide with the attached micro switches from the bed.
7. Reverse the above steps to install the replacement cam and cam guide/micro switch assembly.
8. Refer to [page 75](#) for "Limit Setting – Head Motor".

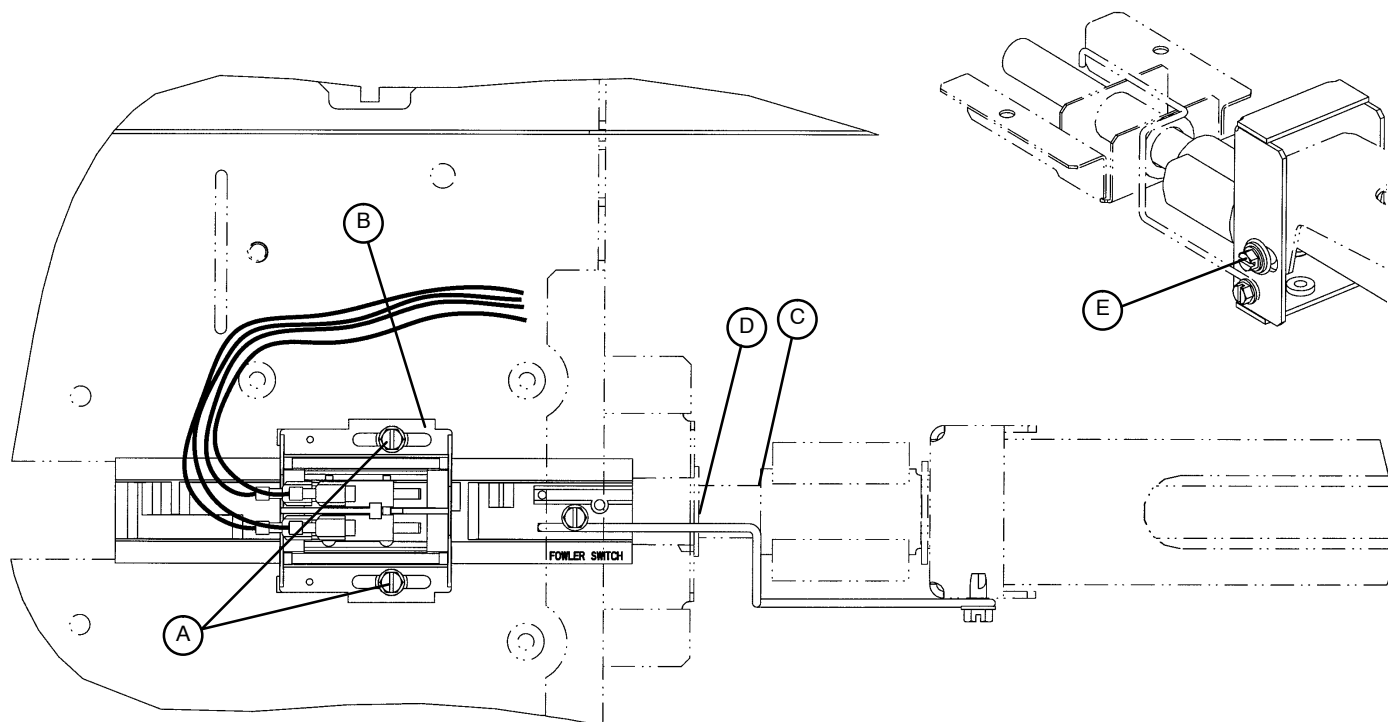
Service Information

LIMIT SETTING – HEAD MOTOR

Required Tools:

5/16" Nut Driver

T27 Torx



Procedure:

1. Run the Knee Gatch fully up.
2. Using a T27 Torx, remove the screw holding the midsection litter access covers to the litter and remove the covers.
3. Run the head section down electrically until flat (0°) or use the CPR release handle to fully lower the head.
4. Lightly tap the Fowler down button until the bolt and bushing (E) are centered in the slot.
5. Unplug the power cord from the wall socket.
6. Using a 5/16" nut driver, loosen the two screws (A) on the cam (B).
7. Slide the cam toward the head of the bed just until the microswitch is activated (the switch will make a clicking noise).

NOTE

Check that the cam "bump" is on the "head" side of the switch actuator.

8. Tighten the two screws (A).

CAUTION

Be sure the head section stops when it is fully up and the ball nut bracket (C) is approximately 3/4" from panel (D). If not, damage to the unit could result.

9. Ensure the head section will lower to flat (0°) before returning the bed to service. Verify the head section lowers onto the rubber rests and the motor stops running. Re-install the litter access panels removed in step 1.

Service Information

HEAD MOTOR REMOVAL AND REPLACEMENT

Required Tools:

3/8" Socket Wrench

Procedure:

WARNING

The head motor is not grounded and may be an electrical hazard. Use caution when working around motors.

1. Using the CPR release, lower the Fowler to flat (0°).
2. Unplug the bed power cord from the wall socket.
3. Using a 3/8" socket wrench, remove the two bolts at the foot end of the motion interrupt pan and remove the pan.
4. Using a 3/8" socket wrench, remove the two bolts holding the motor bracket to the bed frame. Remove the motor.

NOTE

Use caution when removing the motor to avoid having the coupler come off the ball screw shaft.

5. Unplug the head motor cables from the bed and capacitor.

NOTE

The replacement motor will come with the attached CPR clutch. The mounting bracket will be re-used with the replacement motor.

6. Reverse the above steps to install the new motor assembly and reattach all litter panels.

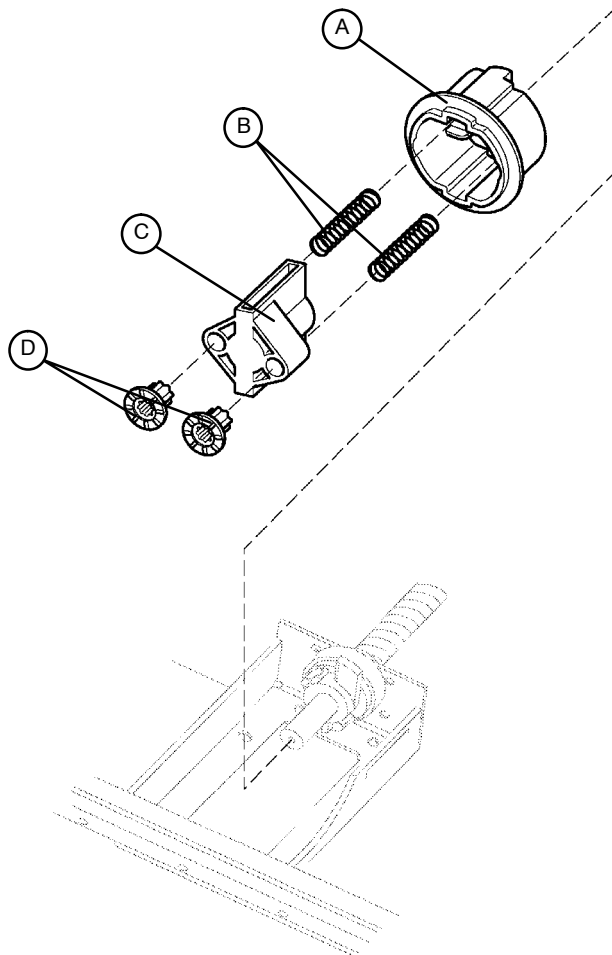
Service Information

HEAD MOTOR DRIVE ISOLATOR AND CPR DECOUPLER REMOVAL AND REPLACEMENT

Required Tools:

3/8" Socket Wrench

Needle Nose Pliers



Procedure:

1. Refer to [page 76](#) for the "Head Motor Removal and Replacement" procedure to access the isolator, springs and decoupler.
2. Pull the drive isolator (C) with the bushings (D), springs (B) and CPR decoupler (A) off the drive screw and remove it from the litter.

NOTE

These parts are spring-loaded. Use caution when removing them so they won't drop to the floor.

3. To reinstall, put the decoupler (A) on the shaft.
4. Using needle nose pliers, bend the end of the springs (B) out slightly to help hold the springs in the isolator. Put the springs in the isolator and install it on the shaft.
5. Reinstall the head motor (see [page 76](#)).
6. Run the Fowler up and down several times to test it before returning the bed to service.

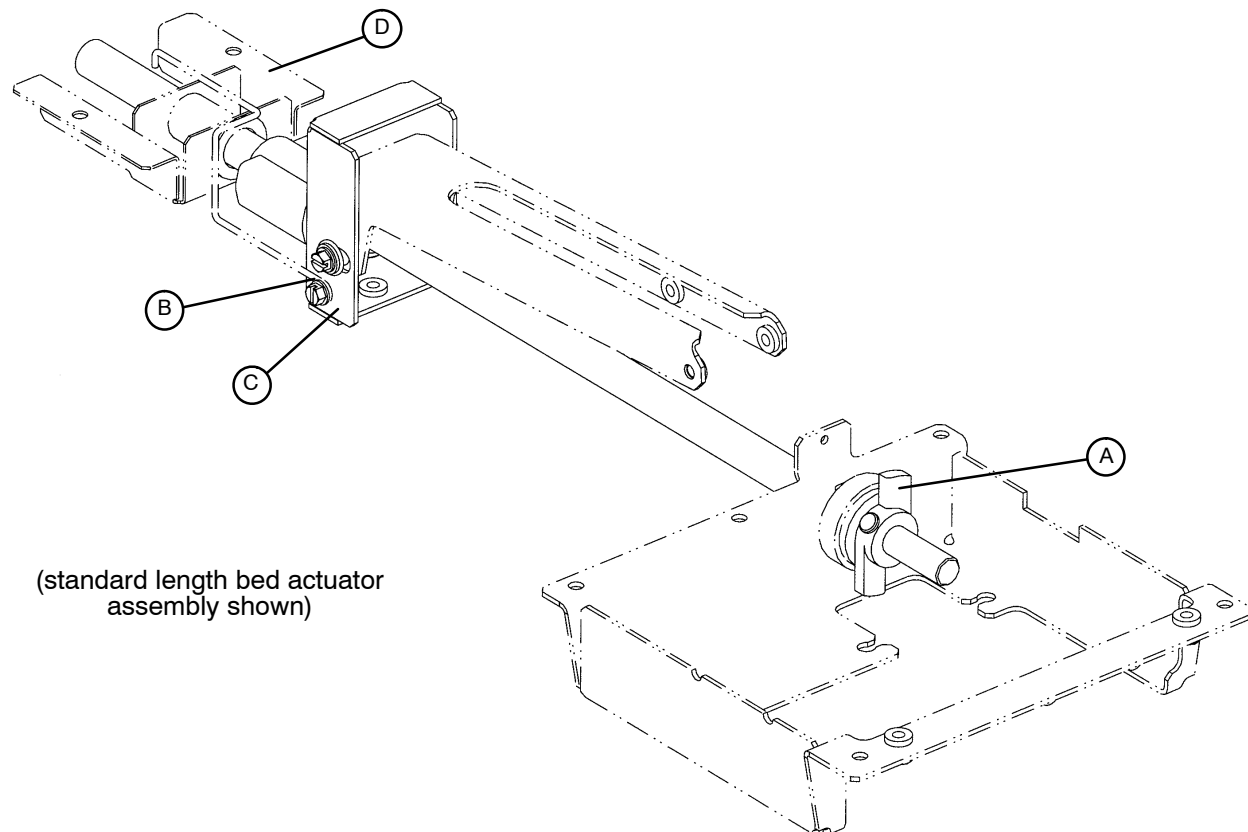
Service Information

HEAD MOTOR DRIVE SCREW AND BALL NUT REPLACEMENT

Required Tools:

Large Snap-Ring Pliers

3/8" Socket Wrench



Procedure:

1. Run the bed fully up. Unplug the bed power cord from the wall socket.
2. Using a 3/8" socket wrench, remove the two bolts holding the motion interrupt pan to the litter and remove the pan.
3. Remove the head motor (see [page 76](#)) for access to the screw and ball nut.
4. Remove the head motor drive isolator and CPR decoupler (see [page 77](#)).
5. Using needle-nose pliers, remove the cotter pin holding the clevis pin to the drive screw "wing" (A).
6. Remove the clevis pin and slide the wing and tapered roller bearing off the drive screw.
7. Using a 3/8" socket wrench underneath the litter, remove the screw holding the cam retention wire (B) to the ball nut assembly.
8. Using a 3/8" socket wrench, remove the two bolts holding the ball screw support bracket (D) to the bottom of the litter and remove the bracket.
9. Using large snap ring pliers, remove the snap ring holding the ball nut to the bracket (C).

Service Information

HEAD MOTOR DRIVE SCREW AND BALL NUT REPLACEMENT (CONTINUED)

10. To prevent the ball nut from coming off the drive screw, cable tie both ends of the ball nut to the drive screw.
11. Pull the drive screw toward the foot of the bed and remove the head end of the drive screw and ball nut assembly from the support.

NOTE

Do not allow the ball nut assembly to come off the drive screw. The ball nut will be shipped attached to the drive screw and retained in position during shipment. Remove the restraining straps **after** installing the drive screw and nut.

12. Remove the thrust washers and bearing from the head end of the drive screw and set them aside.
13. Reverse the above steps to install the replacement drive screw and ball nut assembly.

NOTE

Apply grease to all bearing areas.

CAUTION

Verify the head motor stops properly at both upper and lower electric limits. If it does not, refer to [page 75](#) for "Limit Setting – Head Motor".

HEAD MOTOR BRAKE/CLUTCH REPLACEMENT

Required Tools:

3/8" Socket Wrench

Snap Ring Pliers

9/16" Socket Wrench

9/16" Box End Wrench

Wire Cutters

Procedure:

1. Remove the head motor (see [page 76](#)).
2. Using snap ring pliers, remove the snap ring from the motor shaft.

CAUTION

The brake/clutch is spring-loaded. Use caution when removing the snap ring so the parts don't drop to the floor.

3. Remove the old brake/clutch from the motor and discard it.
4. Using a 9/16" socket wrench and a 9/16" box end wrench, remove the nut, bolt and washers from the new brake/clutch.
5. Install the new brake/clutch onto the motor. It may be necessary to turn the motor shaft to line up the key way with the brake/clutch.
6. Using the snap ring pliers, install the new snap ring.
7. Using the wire cutters, remove the two wire ties from the new brake/clutch.
8. Reinstall the head motor (see [page 76](#)).
9. Test the bed for proper operation before returning it to service.

Service Information

SCALE SYSTEM DIAGNOSTICS AND CALIBRATION

Diagnostic Mode Functions:

1. ANGLE CALIBRATE – This may be required in the field to recalibrate the scale. Calibrate using 50 pounds.
2. DISP. CORNER LBS – This function displays the individual corner weights in **pounds** for each load cell assembly and can be used to isolate a defective load cell.
3. DISP. CORNER CTS – This function displays the individual corner weights in **counts** for each load cell assembly and can be used to isolate a defective load cell.
4. DISPLAY FACTORS – This function is used to see the scale calibration factors. This can be used to diagnose a bad scale calibration.
5. DISPLAY AVERAGES – This function is used to see the average weight in pounds each load cell has experienced.
6. DISPLAY MAXIMUMS – This function is used to see the maximum weight each load cell has experienced.
7. CLEAR STATISTICS – This function is used to clear the averages and maximums.
8. INIT TO DEFAULTS – This function is used to reset the scale factors back to defaults.
9. VIEW ERROR LOG – This function can be used to see a log of scale errors and the time they occurred.
10. LOCK/UNLOCK UNITS – This function can be used to lock out the ability to change weight units.
11. PICK EXIT ALARM – This function can be used to select a different bed exit alarm tone.
12. SOFTWARE CONFIG – This function can be used to see what the bed configuration is.
13. SOFTWARE VERSION – This function can be used to see what software version it is.
14. CALIBRATE SCALE – This is the old scale calibration routine with 200 pounds. Only there for backup purposes.
15. EXIT DIAGNOSTIC – This function will give you the ability to exit the diagnostic mode and go into scale mode.

Diagnostic Mode:

NOTE

It requires **two people** to enable the diagnostic mode for the scale system.

1. To enter diagnostic mode, unplug the bed's power cord from the wall socket.
2. Press and **hold down** the LBS/KGS button.
3. While still holding the LBS/KGS button, plug the bed's power cord into the wall socket.
4. After two seconds, release the LBS/KGS button. The scale monitor should read "ANGLE CALIBRATE". The diagnostic mode is now active.

Displaying Individual Load Cell Outputs:

A defective load cell can be detected by entering diagnostics and displaying individual load cell outputs.

1. Enter the diagnostic mode. The LCD will display "ANGLE CALIBRATE" when the diagnostic mode is activated.
2. Repeatedly press and release the up or down arrow button (ZERO or SCALE ON/OFF) until the LCD displays "DISPLAY CORNER CTS".
3. Press and release the ENTER button (LBS/KGS). The LCD should display " $\wedge \vee$ SELECT CORNER".

Service Information

SCALE SYSTEM DIAGNOSTICS AND CALIBRATION (CONTINUED)

Displaying Individual Load Cell Outputs (Continued):

The two buttons listed below function as POSITION buttons to select the four corners of the bed's litter. Whenever the LCD displays " $\wedge \vee$ SELECT CORNER", press one of these buttons to cycle through the corners and to select the load cell assembly at the desired corner.

- A. ZERO = cycle up through the four corners
 - B. SCALE ON/OFF = cycle down through the four corners
4. Press and release the position button that corresponds with the load cell to be checked. The LCD should display "X/X=NNN.N". "X/X" represents the initials of the selected corner, i.e. H/R will be displayed for the patient's head end, right side. "NNN.N" represents the resistance of the load cell.
 5. Repeat step four for each corner. Head end weight readings will normally be lower than foot end weights. Weight readings should be constant. A drifting 000.0 or 999.9 weight, or a reading that does not change when weight is applied to that corner of the bed indicates a problem with the selected load cell assembly or load cell cable.

Verifying Scale Accuracy:

1. Zero the empty bed. Place a known weight on the center of the bed; the heavier the better and no less than 100 pounds. The displayed weight should be within $\pm 2\%$ of the actual weight.
2. If the displayed weight is not accurate, remove the weight from the bed and place the scale CPU in calibration mode.

Scale Calibration:

NOTE

It requires **two people** to enable the calibration mode for the scale system.

Calibrate the scale system with a known weight of approximately 50 pounds.

1. To enter the calibration mode, unplug the bed's power cord from the wall socket.
2. Press and **hold down** the LBS/KGS button.
3. While still holding the LBS/KGS button, plug the bed's power cord into the wall socket.
4. After two seconds, release the LBS/KGS button. The LCD should read "ANGLE CALIBRATE". The calibration mode is now active.
5. Press and hold the ENTER button (LBS/KGS). Zero the bed, following the displayed instructions. When the bed is zeroed, the LCD should display "REF X100=<0>5000". This is the factory default for 50 pounds. If 50 pounds will be used to calibrate the scale, proceed to step 7.

Service Information

SCALE SYSTEM DIAGNOSTICS AND CALIBRATION (CONTINUED)

Scale Calibration (Continued):

6. If exactly 50 pounds is not available, change the display to match the weight you are using. Pressing the CHANGE EQUIP button will move the cursor position to the right. Pressing the up arrow (ZERO) button will increase the numbers. Pressing the down arrow (SCALE ON/OFF) button will decrease the numbers. Scroll through the numbers until they match the weight you will use for calibration.
7. Place the 50 pound calibrated weight in the center of the bed. Press and release the ENTER button and the LCD will display "PRESS REV. TREND". Press and hold the button with the Reverse Trendelenburg symbol (feet down/head up) until the bed stops. Release the button and the LCD will display "DO NOT TOUCH BED". Press and hold the Reverse Trendelenburg button again until the bed stops. Release the button and the LCD will display "DO NOT TOUCH BED".
8. The LCD will display "PRESS TREND." Press and hold the button with the Trendelenburg symbol (feet up/head down) until the bed stops. Release the button and the LCD will display "DO NOT TOUCH BED". Press and hold the Trend button again until the bed stops. Release the button and the LCD will display "DO NOT TOUCH BED".
9. The LCD will display the weight. This indicates the calibration procedure is complete.
10. Level the bed at a full up or full down position. Remove the weight and zero the bed.
11. Verify scale accuracy and functionality before returning the bed to service.

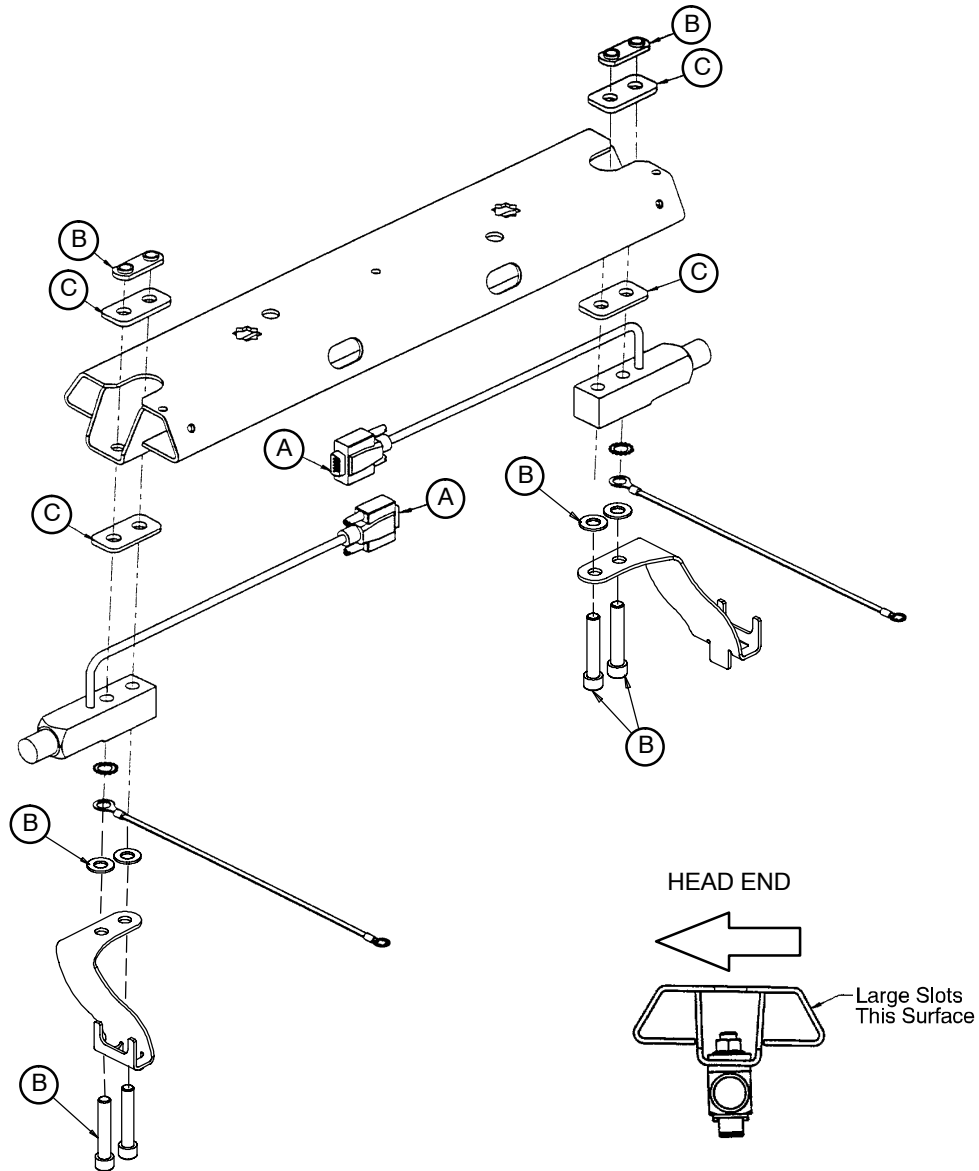
Service Information

LOAD CELL REPLACEMENT

Required Tools:

1/4" Hex Allen Wrench

Wire Cutters



Procedure:

1. Unplug the bed power cord from the wall socket.
2. Support the corner of the litter where the load cell is being removed.
3. Unplug the load cell connector (A) from the load cell cable. Using side cutters, cut the cable ties.
4. Using a 1/4" hex Allen wrench, remove the screws, washers, and nuts (B) holding the load cell to the bed.
5. To remove a load cell at the head end of the bed, slide the load cell toward the center of the bed to clear the bushing that supports the load cell. Remove the load cell by lifting it up and out. To remove a load cell at the foot end of the bed, slide the load cell with the roller bushing toward the center of the bed to clear the litter frame. Remove the load cell and the roller bushing by lifting them up and out.

Service Information

LOAD CELL REPLACEMENT (CONTINUED)

NOTE

If your bed is equipped with a scale system, there are two tapered shims (C) for each load cell. Refer to [page 83](#) as reference for proper installation of the shims. Proper installation of these shims is very important for scale accuracy.

6. Reverse the above procedure to install the new load cell.

CAUTION

Be sure the load cell's strain gauge is facing up when installing a new load cell or the weigh system will not work properly.

7. Recalibrate the weigh system (see [page 81](#)).

POWER SUPPLY REPLACEMENT

Required Tools:

#2 Phillips Screwdriver T27 Torx

Procedure:

1. Adjust the Fowler to approximately 25–30°. Unplug the bed power cord from the wall socket.
2. Properly ground yourself (see [page 39](#) for static discharge precautions).
3. Using a T27 Torx, remove the two screws holding the head end litter access cover and remove the cover.
4. Disconnect all cables at the power supply. Note the locations of the cables so they will be reconnected properly to the replacement power board.
5. To remove the board from the litter standoffs, use a #2 Phillips screwdriver to remove the four screws holding the board to the litter. Remove the board.
6. Install the new board and reconnect all cables.
7. Reinstall the litter access panel and plug the bed power cord into a properly grounded wall receptacle.
8. Test the bed for accurate operation before returning it to service.

Service Information

CPU BOARD REPLACEMENT

Required Tools:

T27 Torx

Procedure:

1. Adjust the Fowler to approximately 25–30°. Unplug the bed power cord from the wall socket.
2. Properly ground yourself (see [page 39](#) for static discharge precautions).
3. Using a T27 Torx, remove the two screws holding the head end litter access cover and remove the cover.
4. Disconnect all cables at the litter CPU board. Note the locations of the cables so they will be connected properly to the replacement litter CPU.
5. To remove the board from the litter standoffs, pull out on the retention clips and lift upward on the board.
6. Install the new board and reconnect all cables.
7. Reinstall the litter access panel and plug the bed power cord into a properly grounded wall receptacle.
8. When a new CPU board is installed, a “burn-in” procedure must be done (see below). If your bed is equipped with a scale system, scale calibration must also be done (see [page 81](#)).
9. Test bed operations before returning the bed to service.

Service Information

OPTIONAL SMART TV INTERFACE “BURN-IN” PROCEDURE

This procedure is used for selecting the style of TV interface needed for your bed. If traditional TV is desired, no calibration is required. If optional Smart TV is available on the bed, select one of the TV manufacturers listed in the table below.

SET-UP

- Ensure the communication cable is connected between the bed and the Db37 wall port or the pillow speaker port of the nurse call system. If available, a bed communication tester can be used instead of the hospital wiring.

PROCEDURE

1. Place the bed in the lift potentiometer burn-in mode (see [page 65](#)).
2. Notice the Nurse Call LED (yellow) is flashing. Notice the Nurse Answer LED (green) is flashing on/off slowly.
3. Press and release the TV ON/OFF switch on the bed’s siderail once. Notice the Nurse Call LED flashes once. This is the first selection of TV manufacturers for the Smart TV mode. Notice the Nurse Answer LED (green) is flashing on/off slowly. The Nurse Answer LED will only light when the Nurse Call LED (yellow) is flashing.
4. Press and release the TV ON/OFF switch on the bed’s siderail to scroll to other TV manufacturers. Notice the number of times the Nurse Call LED flashes matches the number listed in the table below and represents the TV manufacturer selected.
5. When the desired TV manufacturer has been selected, unplug the bed power cord from the wall socket and plug it back in to complete the Smart TV burn-in procedure.

NOTE

If the bed is connected to a television during the burn-in procedure, the television will turn on when the correct setting is selected.

TV MANUFACTURER SELECTION FOR SMART TV BURN-IN PROCEDURE		
Press and release TV ON/OFF switch:	Nurse Call LED (Yellow)	TV Manufacturer
One time	One flash	RCA 1
Two times	Two flashes	RCA 2
Three times	Three flashes	Zenith 1
Four times	Four flashes	Zenith 2
Five times	Five flashes	Phillips/Magnavox
Six times	Six flashes	Magnavox (models 9120, 9220, 9320)
Seven times	Seven flashes	Traditional TV
Eight times	Eight flashes	Traditional Plus
Nine times	Nine flashes	Auto Detect: Smart TV
Ten times	Ten flashes	Auto Detect w/ Digital Volume Smart TV

Service Information

ZOOM® OPTION CONTROL BAR POTENTIOMETER REPLACEMENT

Required Tools:

T27 Torx	1/2" Box End Wrench	#2 Phillips Screwdriver
Wire Cutters	Small Flat Blade Screwdriver	5/16" Nut Driver

Replacement Procedure:

1. Raise the litter and the head end to the full up position.
2. Remove the head board from the bed.
3. Unplug the power cord from the wall socket and push the battery power on/off switch to the "OFF" position.
4. Using a 5/16" nut driver, remove the screw holding the power cord clamp to the bumper weldment and remove the clamp from the bumper.
5. Using a T27 Torx, remove the four bolts (A) at the head end of the bed holding the control bar mounting bracket to the head end (see Figure 1).
6. Using a #2 Phillips screwdriver, remove the three screws (B) holding the control bar cover to the head end of the bed (see Figure 2).
7. Standing at the head end, pull the control bar toward you and fold down the control bar mounting bracket.
8. Using a 1/2" wrench, remove the nut holding the potentiometer to the mount. Using wire cutters, cut the wire ties. Unplug the pot cable from the CPU display board and remove the pot.
9. Install the new potentiometer. Using a small flat blade screwdriver, turn the pot shaft clockwise until it stops. Turn it back counterclockwise 1/2 turn.
10. After the new pot has been installed, the potentiometer "burn-in" procedure must be performed (see [page 88](#)).
11. After performing the "burn-in" procedure, reverse steps 1 – 7 to reassemble the bed.
12. Test all functions before returning the unit to service.

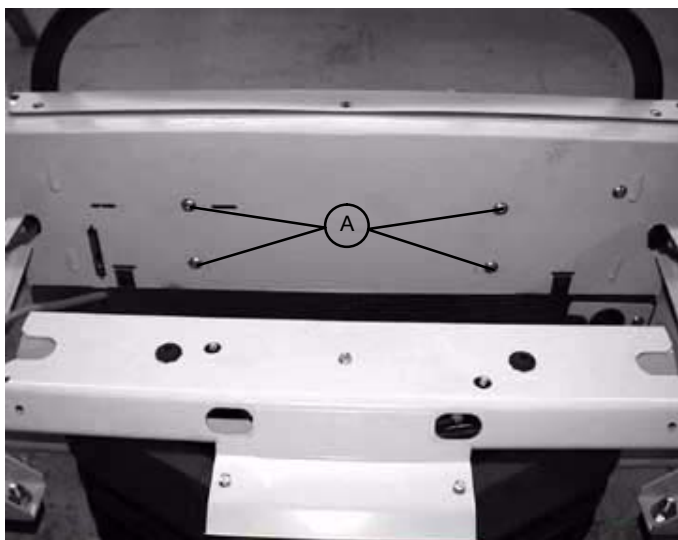


FIGURE 1

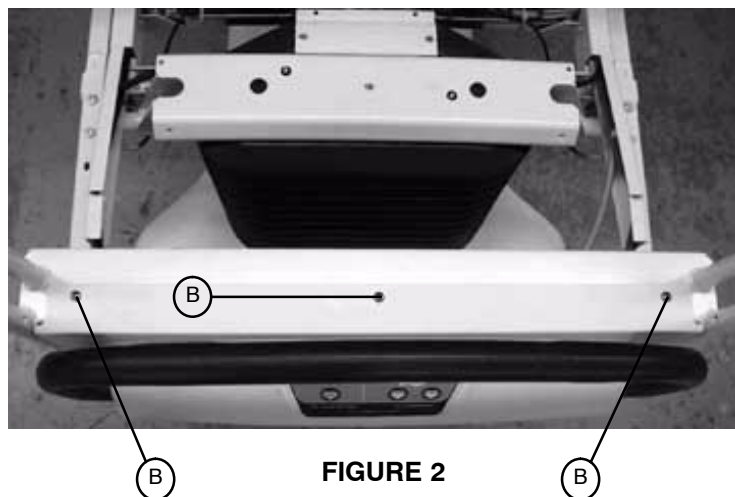


FIGURE 2

Service Information

ZOOM® OPTION CONTROL BAR POTENTIOMETER “BURN-IN” PROCEDURE

Required Tools:

T27 Torx

1/2" Box End Wrench

#2 Phillips Screwdriver

Wire Cutters

Small Flat Blade Screwdriver

5/16" Nut Driver

1. If it has not already been done, follow steps 1 – 7 of the control bar potentiometer replacement procedure on [page 87](#).
2. Hold down the switch on the back of the drive CPU board.
3. With the switch depressed, move the battery power on/off switch to the “ON” position.
4. Verify the “ENGAGE DRIVE WHEEL” LED at the head end of the bed is flashing.
5. Move the battery power on/off switch to the “OFF” position, close the drive control box, and move the switch back to the “ON” position.
6. The “ENGAGE DRIVE WHEEL” LED will flash once. The control bar potentiometer is calibrated.
7. Grasp the drive handle and squeeze the motion release switch without moving the drive handle forward or back. Verify the bed does not move.
8. Release the bed brakes and engage the drive wheel. Standing at the head end of the bed, grasp the drive handle and squeeze the motion release switch while moving the drive handle away from you. Verify the bed moves forward.
9. Grasp the drive handle and squeeze the motion release switch while moving the drive handle toward you. Verify the bed moves backward.
10. Reverse steps 1 – 7 of the control bar potentiometer replacement procedure on [page 87](#) to reassemble the bed.

Service Information

ZOOM® OPTION AC CROSSOVER BOARD REPLACEMENT

Required Tools:

T27 Torx	1/2" Box End Wrench	#2 Phillips Screwdriver
Wire Cutters	Small Flat Blade Screwdriver	Needle Nose Pliers
5/16" Nut Driver		

Replacement Procedure:

1. Follow steps 1 – 7 of the control bar potentiometer replacement procedure on [page 87](#).
2. Using a T-27 Torx, remove the 2 bolts holding the AC crossover board cover to the head end frame and remove the cover.
3. Disconnect all wires from the AC crossover board.
4. Using needle nose pliers, release the four mounting stand-offs from the board and remove the board.
5. Reverse steps 1 – 4 to install the new board.
6. Reverse steps 1 – 7 of the control bar potentiometer replacement procedure on [page 87](#) to reassemble the bed.

ZOOM® OPTION DISPLAY/CPU BOARD REPLACEMENT

Required Tools:

T27 Torx	1/2" Box End Wrench	#2 Phillips Screwdriver
Wire Cutters	Small Flat Blade Screwdriver	Needle Nose Pliers
5/16" Nut Driver		

Replacement Procedure:

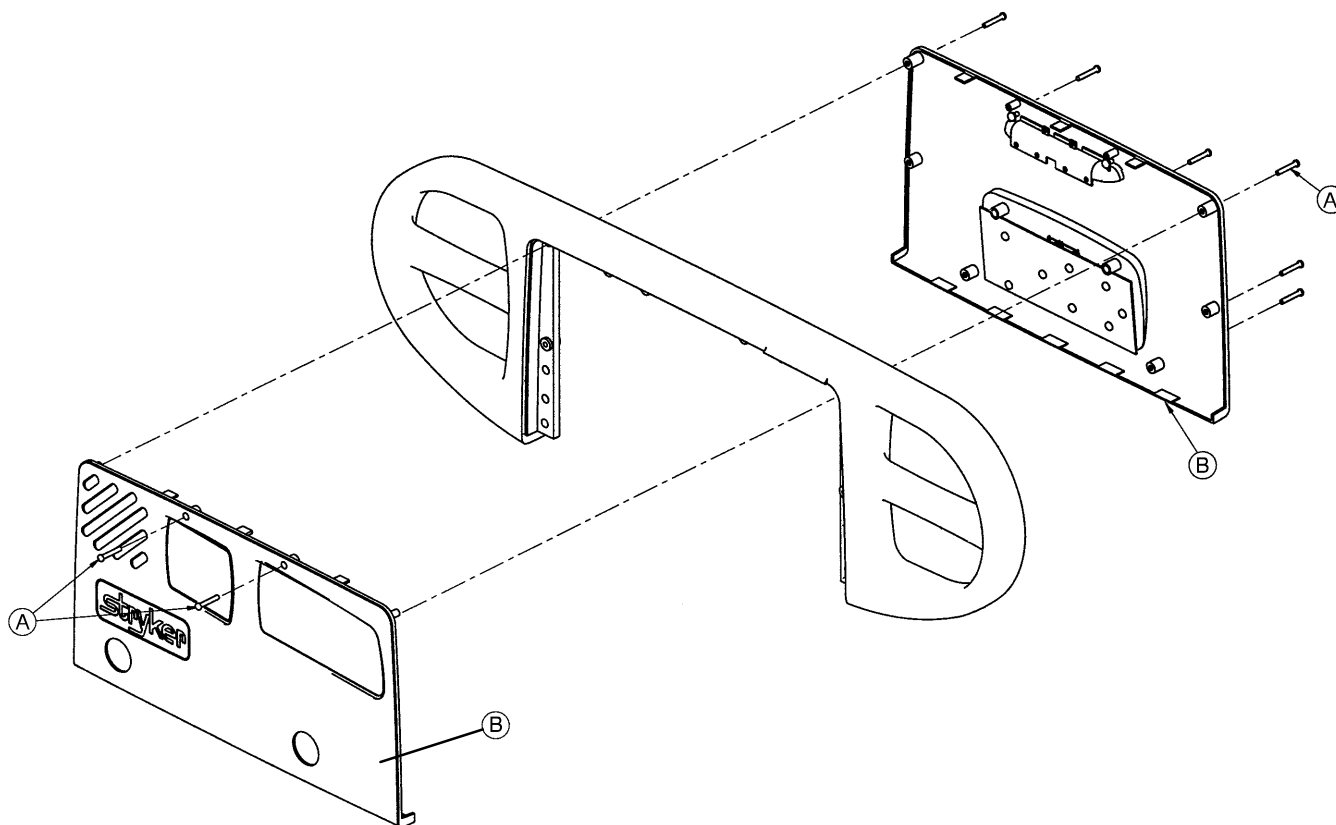
1. Follow steps 1 – 7 of the control bar potentiometer replacement procedure on [page 87](#).
2. Disconnect all wires from the display/CPU board.
3. Using a #2 Phillips screwdriver, remove the six screws holding the display/CPU board to the control bar cover and remove the board.
4. Reverse steps 2 & 3 to install the new board. After the new board has been installed, the potentiometer "burn-in" procedure must be performed (see [page 88](#)).
5. Reverse steps 1 – 7 of the control bar potentiometer replacement procedure on [page 87](#) to reassemble the bed.

Maintenance Procedures – Siderail

HEAD AND FOOT SIDERAIL COVER REMOVAL

Required Tools:

#2 Phillips Screwdriver



Removal Procedure:

1. Unplug the power cord from the wall receptacle.
2. Using a #2 Phillips screwdriver, remove the 8 phillips screws (A) holding the covers (B) to the siderail.

CAUTION

There are two cables connecting the outside cover to the head end siderail. Be careful not to pull on them when removing the cover.

3. Remove the cables from the siderail. Make note of the proper location for the cables.
4. Reverse the above steps to reattach the cover.

CAUTION

Do not snag the cables when installing the siderail cover.

NOTE

Follow the same procedure for siderail cover removal for the foot end rails.

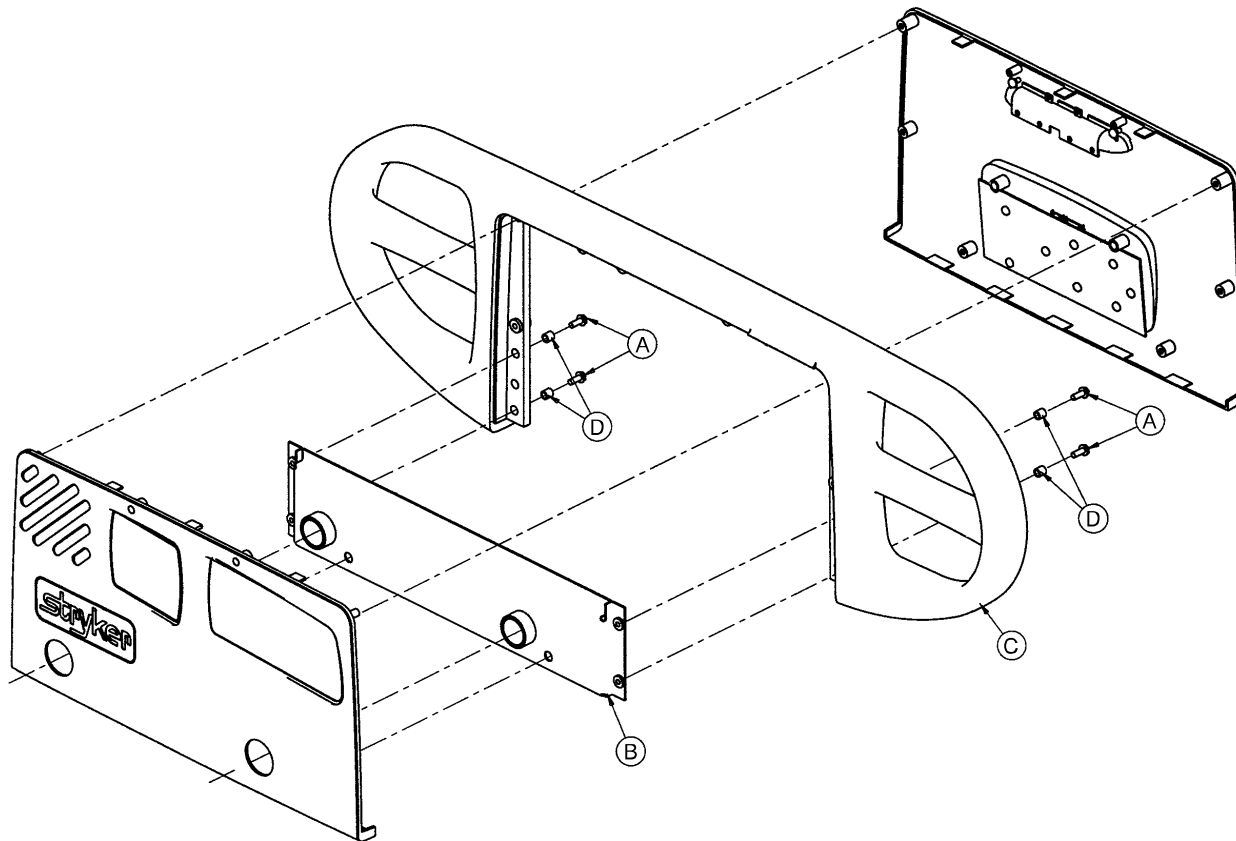
Maintenance Procedures – Siderail

HEAD AND FOOT MOLDED SIDERAIL REPLACEMENT

Required Tools:

#2 Phillips Screwdriver

3/8" Nut Driver



Procedure:

1. Unplug the bed power cord from the wall socket.
2. Remove the siderail cover (see [page 90](#)).
3. Using a 3/8" nut driver, remove the four screws (A) holding the molded rail (C) to the siderail support assembly (B).

NOTE

Note the location of the spacers (D) for re-assembly purposes.

4. Pull up on the molded rail (C) to remove it from the siderail assembly.
5. Reverse the above steps to install the new molded rail.

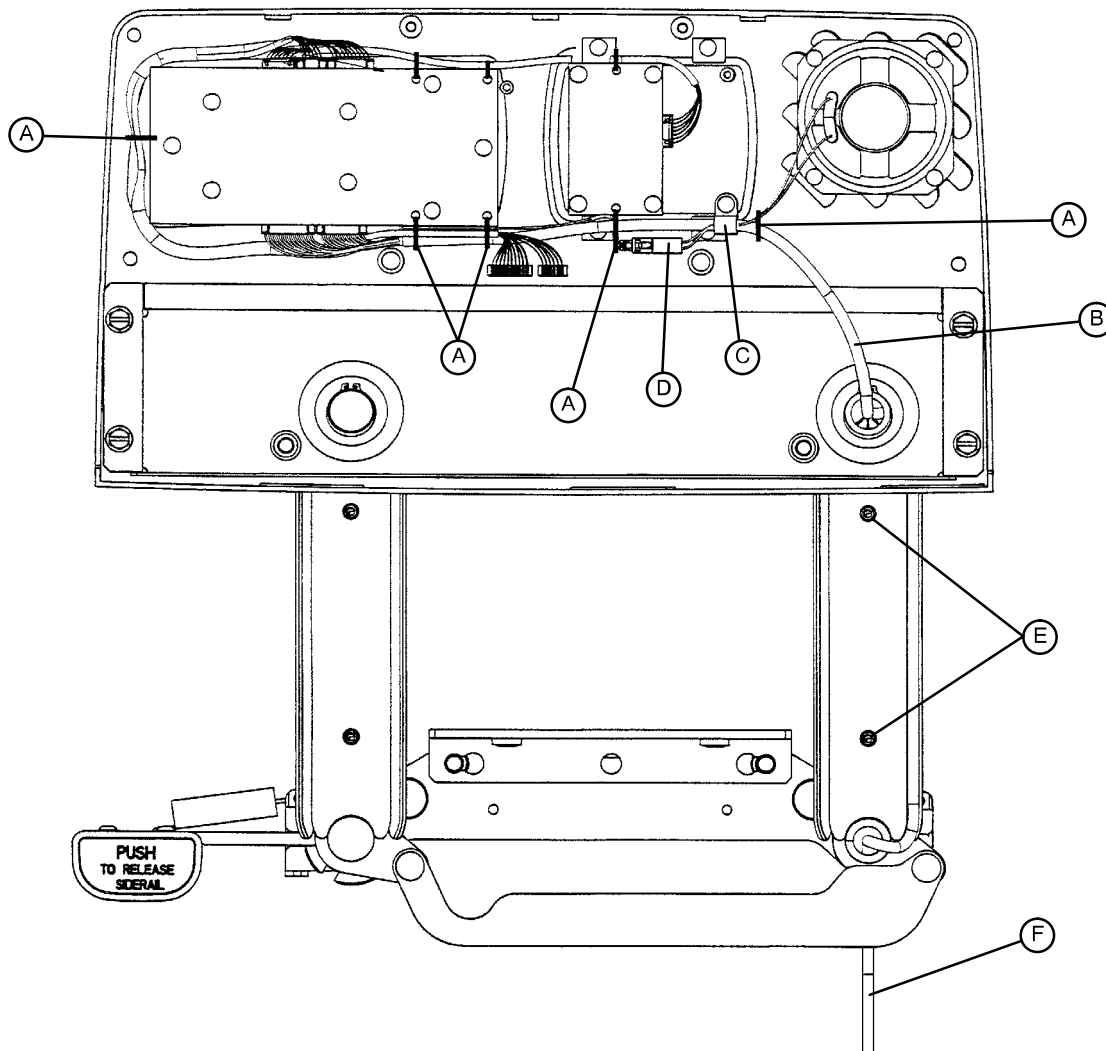
Maintenance Procedures – Siderail

HEAD END SIDERAIL CABLE REPLACEMENT

Required Tools:

#2 Phillips Screwdriver

Side Cutters



Procedure:

1. Run the head section fully up.
2. Unplug the bed power cord from the wall socket.
3. Using a #2 Phillips screwdriver, remove the eight screws holding the siderail cover and remove the cover.
4. Put the siderail in the down position.
5. Using a #2 Phillips screwdriver, remove the two screws (E) holding the rear siderail pivot arm cover to the pivot arm. Remove the cover to expose the siderail cables.

Maintenance Procedures – Siderail

HEAD END SIDERAIL CABLE REPLACEMENT (CONTINUED)

6. Using side cutters, clip the cable ties (A) holding the cables together.
7. Using a #2 Phillips screwdriver, remove the cable clamp (C) from the siderail.
8. Disconnect cable (B) from the circuit board and cable (D) from the speaker.

NOTE

The speaker and nurse call are optional equipment and may not be in the siderail as shown.

9. Pull the cables through the siderail (toward the center of the bed).
10. Unplug the cable assembly (F) underneath the head section.
11. Reverse the above steps to install the new cable.

CAUTION

Be sure to position the cables on both sides of the pivot arm, as shown in the illustration on [page 92](#), before reattaching the pivot arm cover. If not done properly, the cover will not fit tightly and damage could occur to the cables.

Maintenance Procedures – Siderail

SIDERAIL ASSEMBLY REMOVAL

Required Tools:

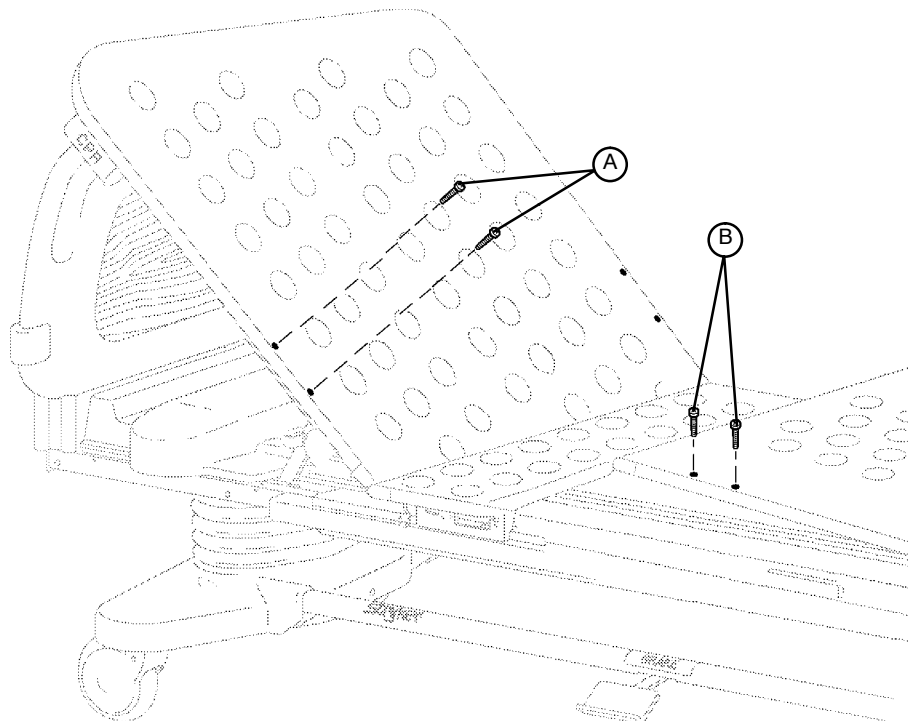
T27 Torx

Removal Procedure:

1. Run the head section up electrically when removing a head end siderail.
2. Unplug the bed power cord from the wall socket.
3. Lower the siderail being removed.

NOTE

If removing a head end siderail, the cable must be unplugged.



4. Using a T27 Torx, remove the screw from the ground strap and the two screws (A – head end) or (B – foot end) holding the complete siderail assembly on the head or foot section.
5. Push in on the siderail assembly to clear under the head or foot section and pull the siderail back to remove it from the bed.
6. Reverse the above steps to reinstall the siderail assembly.

NOTE

Grease the glide rods on the replacement siderail assembly with Syntech grease.

Maintenance Procedures – Foot Board

FOOT BOARD HINGE REMOVAL

Required Tools:

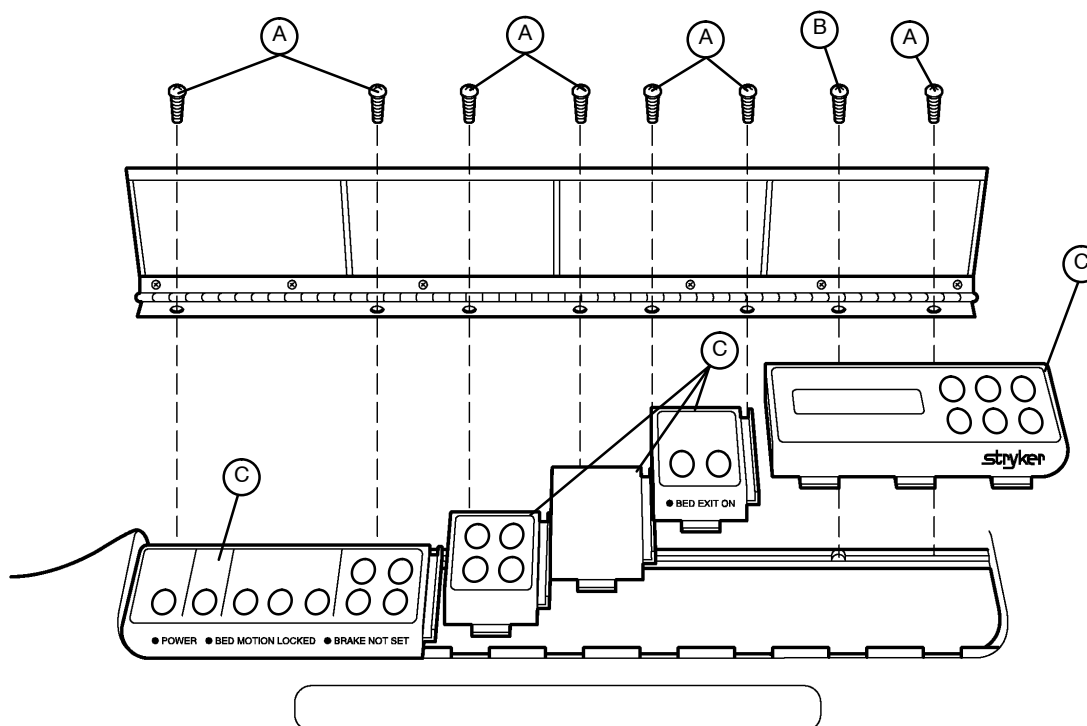
#2 Phillips Screwdriver

Procedure:

1. Using a #2 Phillips screwdriver, remove the screws (A & B) holding the door and hinge assembly to the foot board.
2. If replacing the hinge only, use a Phillips screwdriver to remove the screws holding the hinge to the door.
3. Reverse the above steps to attach the replacement door and/or hinge.

NOTE

Screw (B) is a machine screw and must be reinstalled in the proper hole.



FOOT BOARD MODULE REPLACEMENT

Required Tools:

#2 Phillips Screwdriver

Procedure:

1. Unplug the bed power cord from the wall socket. Remove the foot board hinge (see above).

NOTE

No matter which module is being replaced, the farthest module to the right must be removed first.

2. Pull the module out of the foot board and disconnect the cable from the module (C).
3. Reverse the above steps to install the new module.

CAUTION

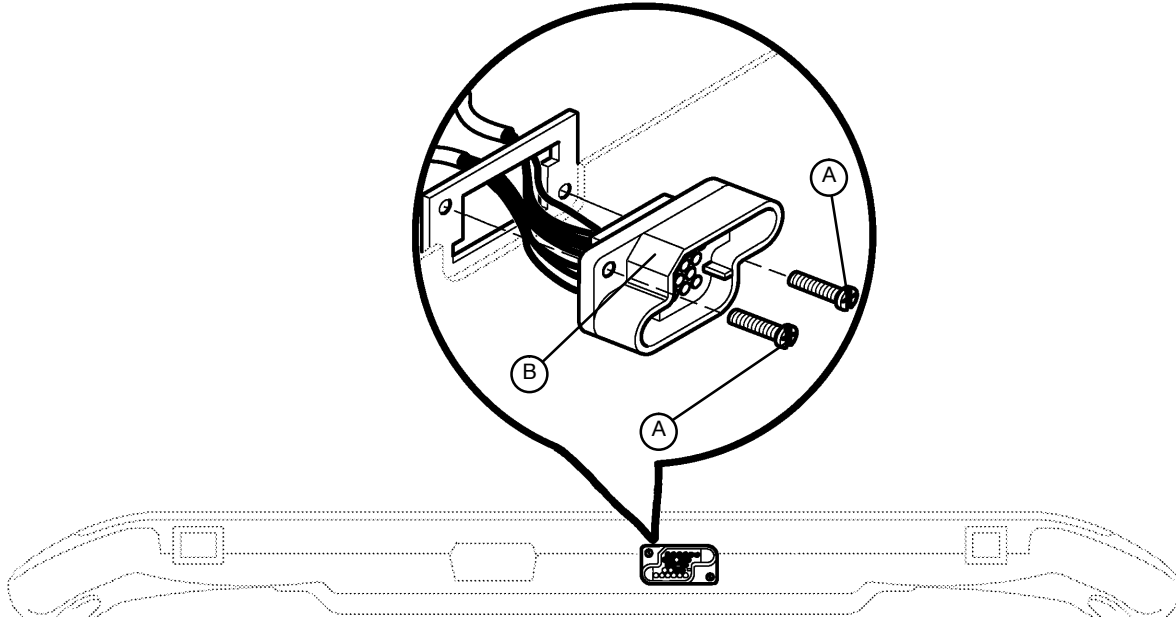
The modules must be overlapped as shown in the illustration to prevent fluids from entering the board cavity and causing damage.

Maintenance Procedures – Foot Board

FOOT BOARD INTERFACE PLUG REPLACEMENT

Required Tools:

#2 Phillips Screwdriver



BOTTOM VIEW OF FOOT BOARD

Procedure:

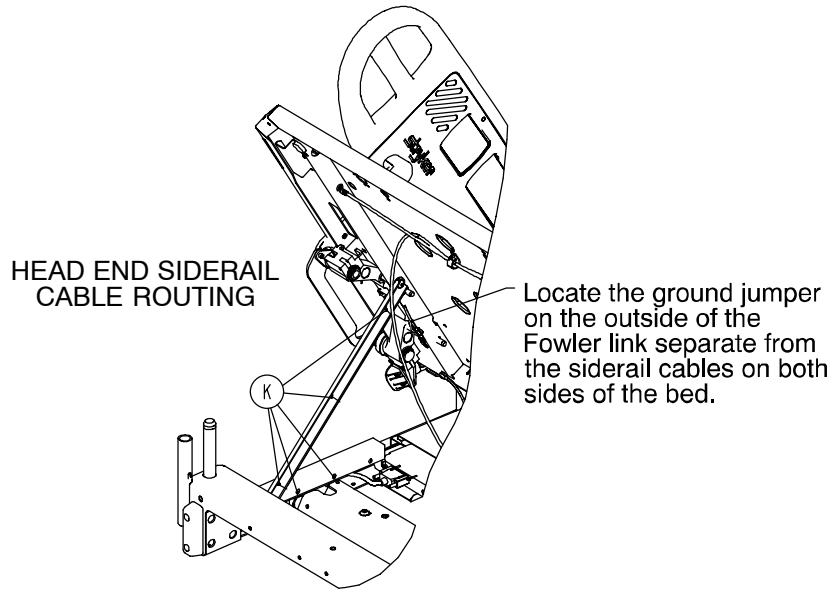
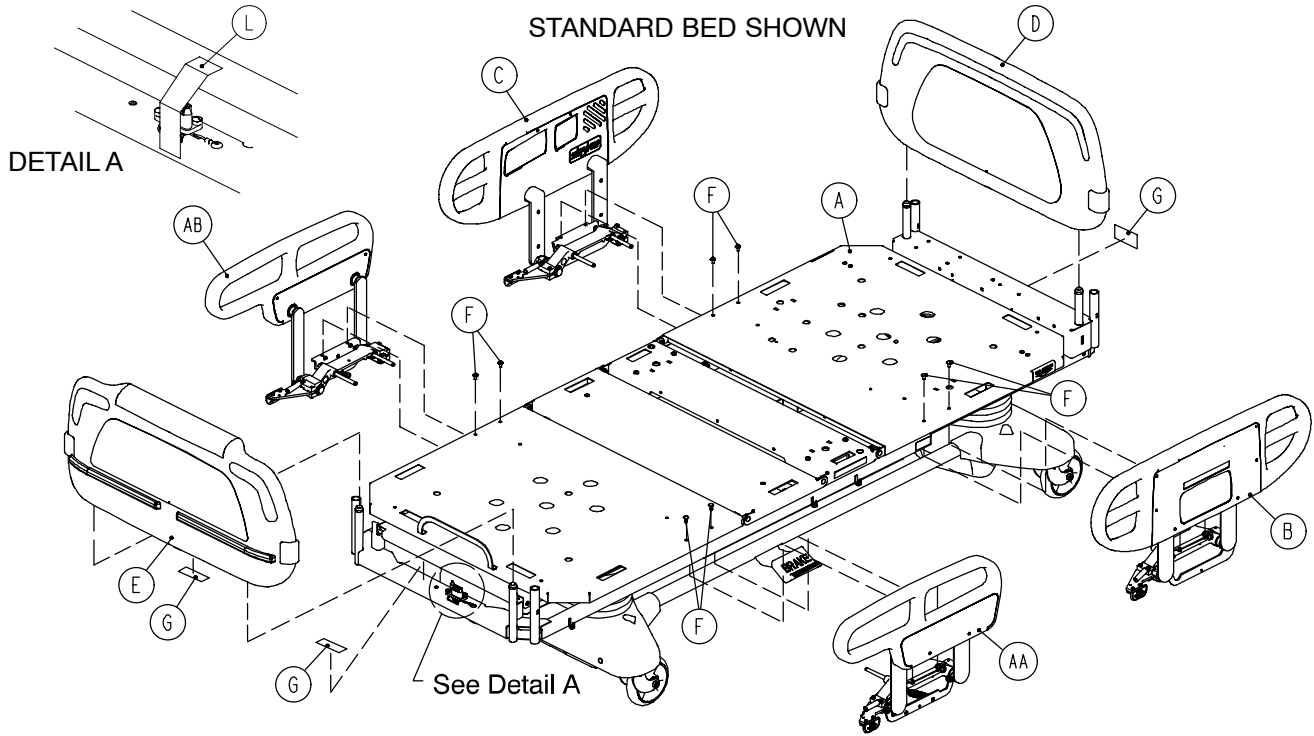
1. Unplug the bed power cord from the wall socket.
2. Remove the foot board from the bed to access the bottom of the board.
3. Properly ground yourself (see [page 39](#) for static discharge precautions).
4. Using a #2 Phillips screwdriver, remove the eight screws holding the foot board door to the foot board and remove the door.
5. Using a #2 Phillips screwdriver, remove the two screws (A) holding the plug to the foot board.
6. Disconnect the cable from the foot board module cable. Note proper placement of the cable so it will be reconnected properly.
7. Reverse the above steps to install the new interface plug.

CAUTION

Be sure to install the plug with the flat edge (B) at the top left, as shown in the illustration, or the foot board interface plug will not mate properly with the bed. Damage to the plug or the foot board could result.

Notes

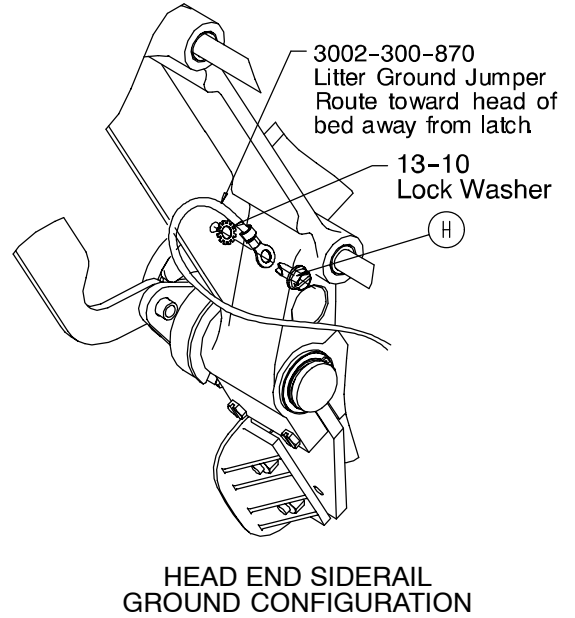
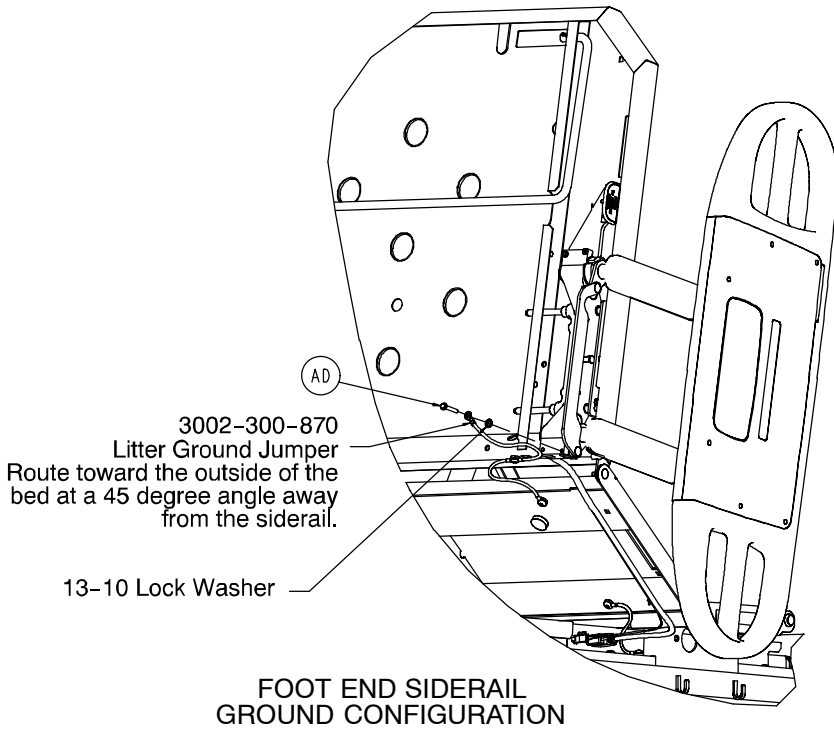
Secure II Bed Assembly



Standard Bed Components

Item	Part No.	Part Name	Qty.	Item	Part No.	Part Name	Qty.
A	(page 141-147)	Litter Assembly	1	H	3-221	Hex Washer Hd. Screw	2
B	(page 197-215)	Lt. Hd. End Siderail Ass'y	1	K	3000-300-113	8" Cable Tie	6
C	(page 197-215)	Rt. Hd. End Siderail Ass'y	1	L	3000-300-641	Foot Board Ground Label	1
D	(page 243)	Head Board Assembly	1	AA	(page 220-222)	Lt. Ft. End Siderail Ass'y	1
E	(page 230-238)	Foot Board Assembly	1	AB	(page 220-222)	Rt. Ft. End Siderail Ass'y	1
F	7-65	Truss Hd. Screw	8	(page 170 & 171)		Night Light Assembly	1
G	3000-300-625	Date-of-Manu. Label	1	AD	3-221	Hex Washer Hd. Screw	2

Secure II Bed Assembly



8" Shorter Bed Components

Item	Part No.	Part Name	Qty.
A	(page 141-147)	Litter Assembly	1
B	(page 197-215)	Lt. Hd. End Siderail Ass'y	1
C	(page 197-215)	Rt. Hd. End Siderail Ass'y	1
AA	(page 220-222)	Lt. Ft. End Siderail Ass'y	1
AB	(page 220-222)	Rt. Ft. End Siderail Ass'y	1

Standard Length Bed Components

Item	Part No.	Part Name	Qty.
A	(page 141-147)	Litter Assembly	1
B	(page 197-215)	Lt. Hd. End Siderail Ass'y	1
C	(page 197-215)	Rt. Hd. End Siderail Ass'y	1
AA	(page 220-222)	Lt. Ft. End Siderail Ass'y	1
AB	(page 220-222)	Rt. Ft. End Siderail Ass'y	1

Zoom Option Bed Components

Item	Part No.	Part Name	Qty.
A	(page 141-147)	Litter Assembly	1
B	(page 197-215)	Lt. Hd. End Siderail Ass'y	1
C	(page 197-215)	Rt. Hd. End Siderail Ass'y	1
AA	(page 220-222)	Lt. Ft. End Siderail Ass'y	1
AB	(page 220-222)	Rt. Ft. End Siderail Ass'y	1
	3002-31-113	Umbilical Cable Iso. Brkt.	1
AC	(page 131)	Bottom Cover (not shown)	1

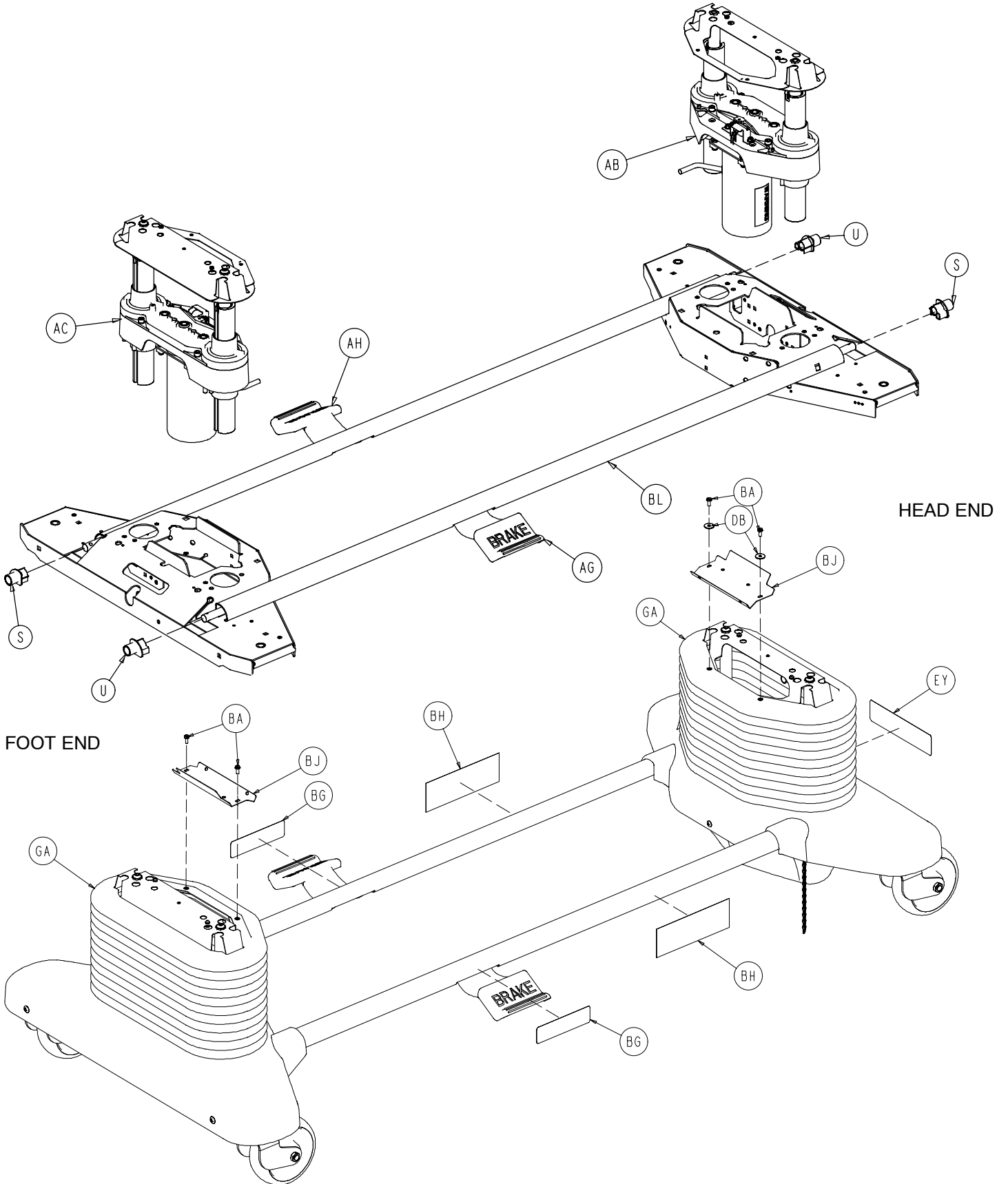
Zoom Option 8" Shorter Bed Components

Item	Part No.	Part Name	Qty.
A	(page 141-147)	Litter Assembly	1
B	(page 197-215)	Lt. Hd. End Siderail Ass'y	1
C	(page 197-215)	Rt. Hd. End Siderail Ass'y	1
AA	(page 220-222)	Lt. Ft. End Siderail Ass'y	1
AB	(page 220-222)	Rt. Ft. End Siderail Ass'y	1
	3002-31-113	Umbilical Cable Iso. Brkt.	1

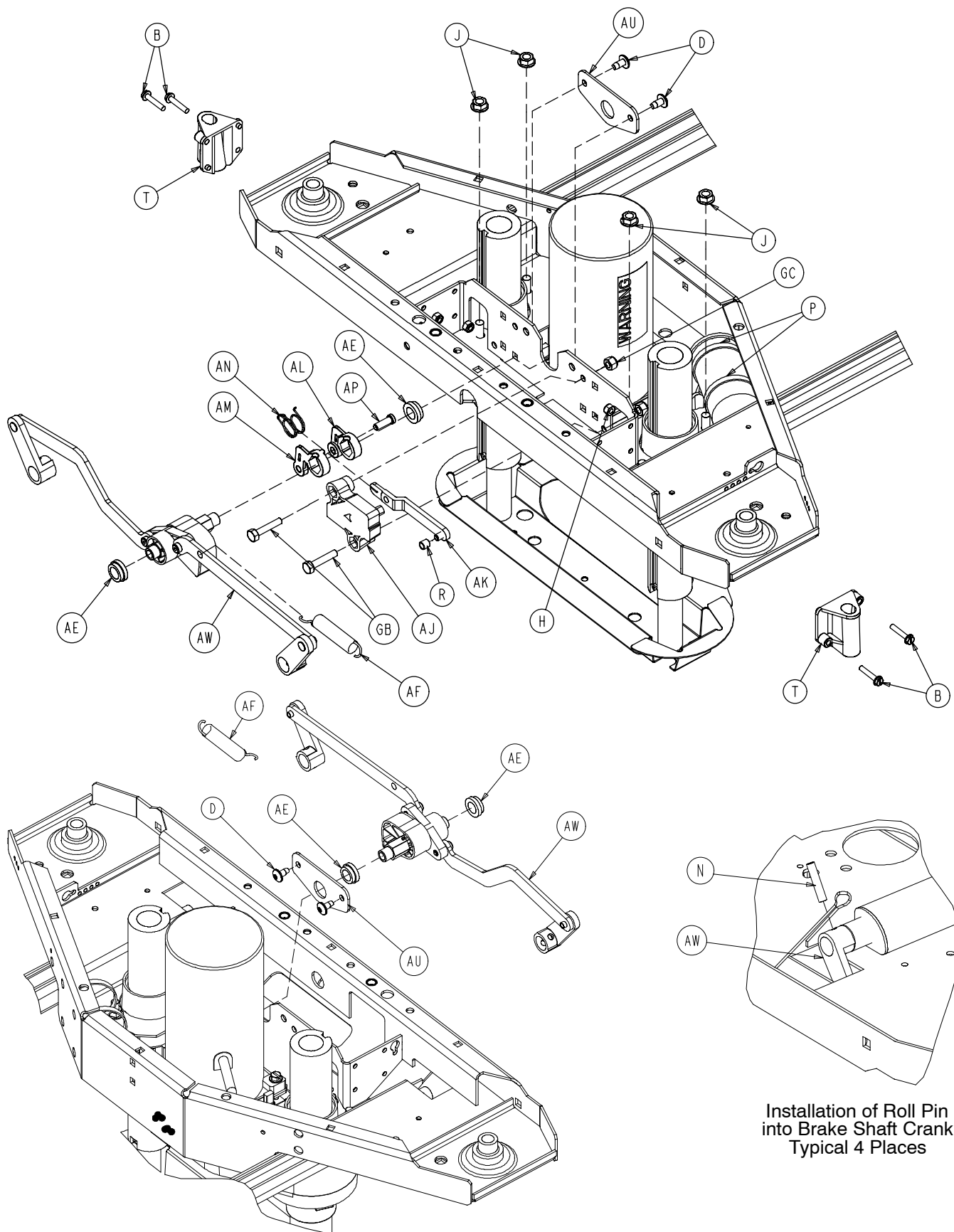
Battery Back-Up Option Components

Item	Part No.	Part Name	Qty.
A	(page 141-147)	Litter Assembly	1
B	(page 197-215)	Lt. Hd. End Siderail Ass'y	1
C	(page 197-215)	Rt. Hd. End Siderail Ass'y	1
AA	(page 220-222)	Lt. Ft. End Siderail Ass'y	1
AB	(page 220-222)	Rt. Ft. End Siderail Ass'y	1

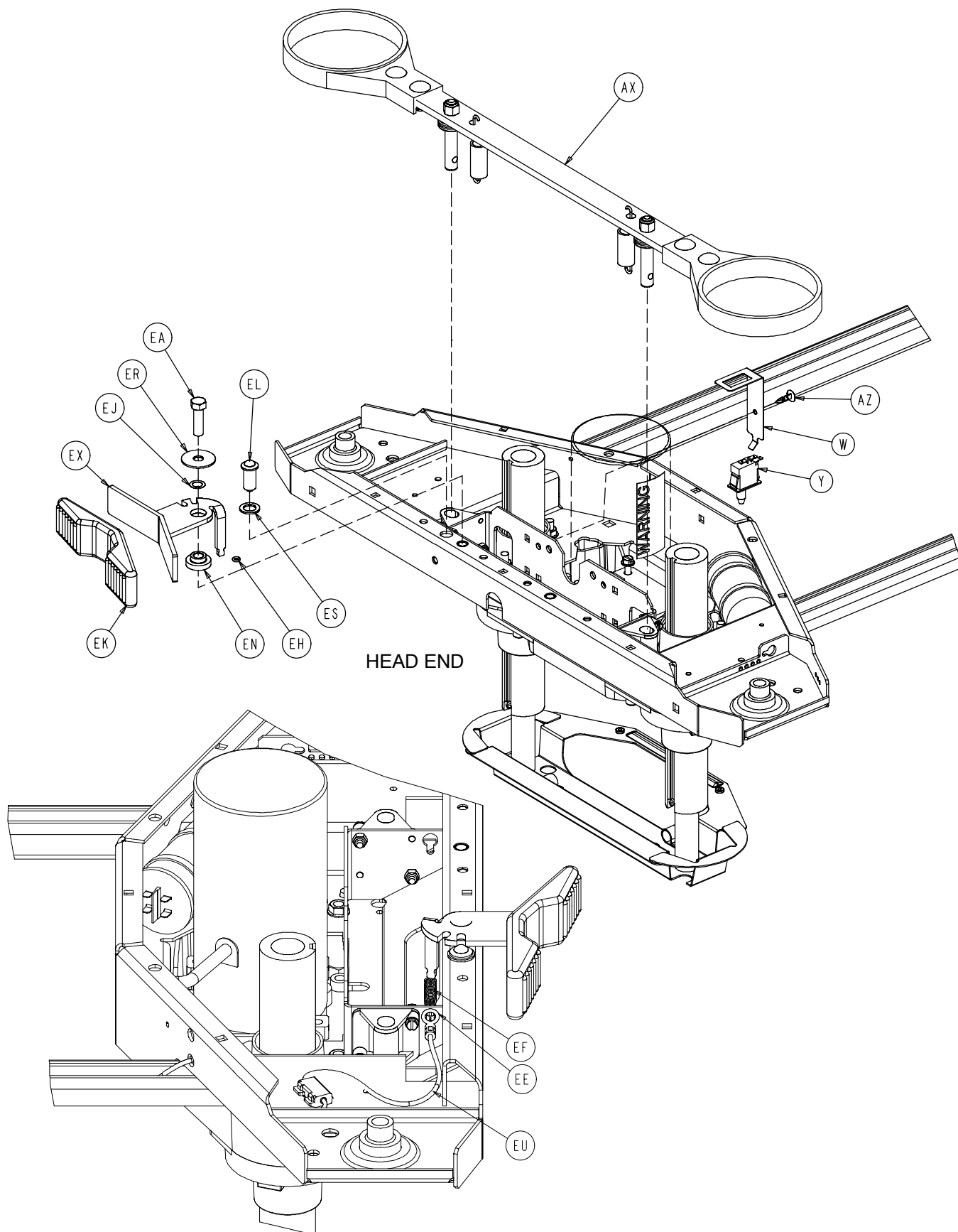
Base Assembly and Options



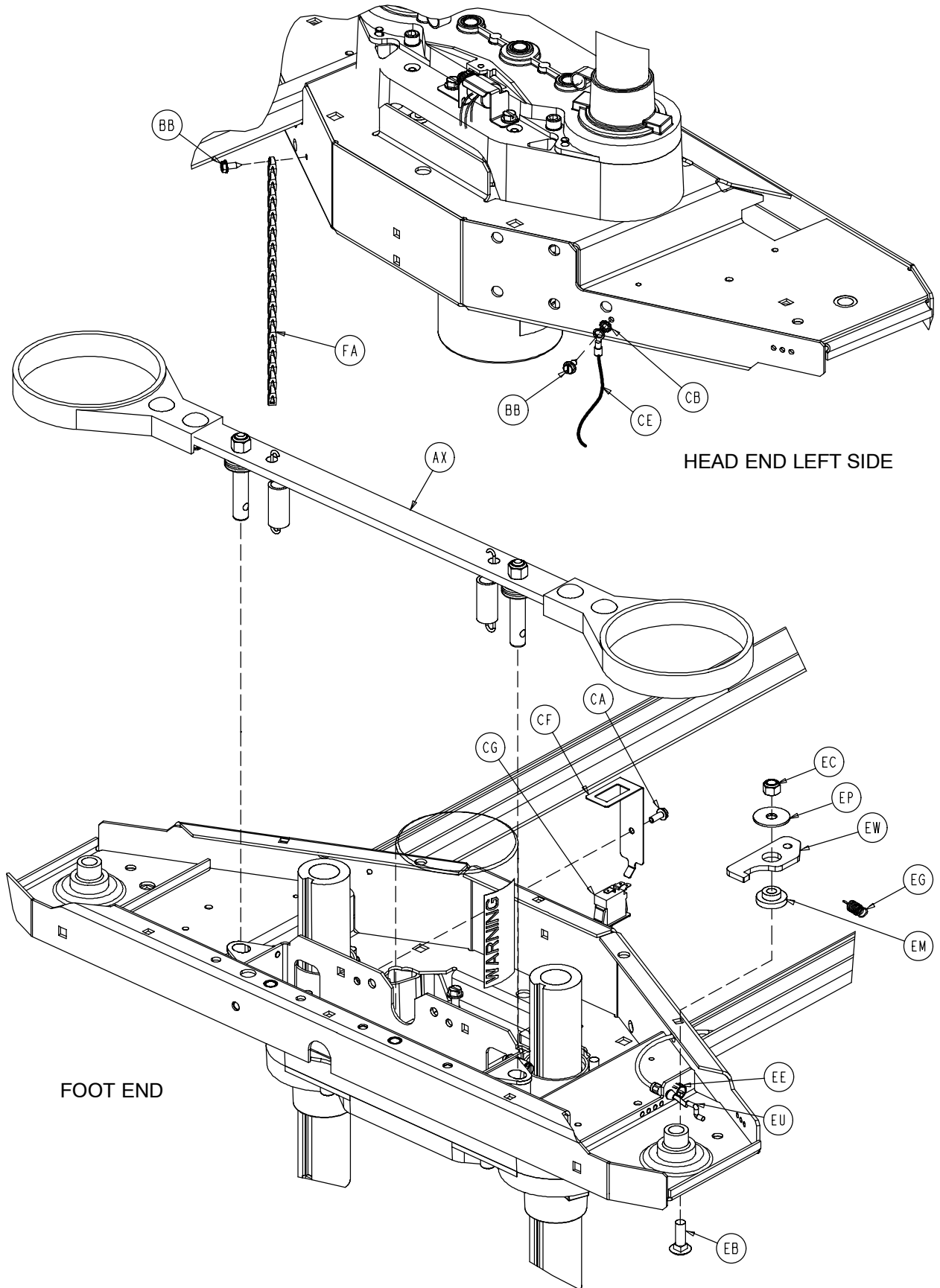
Base Assembly and Options



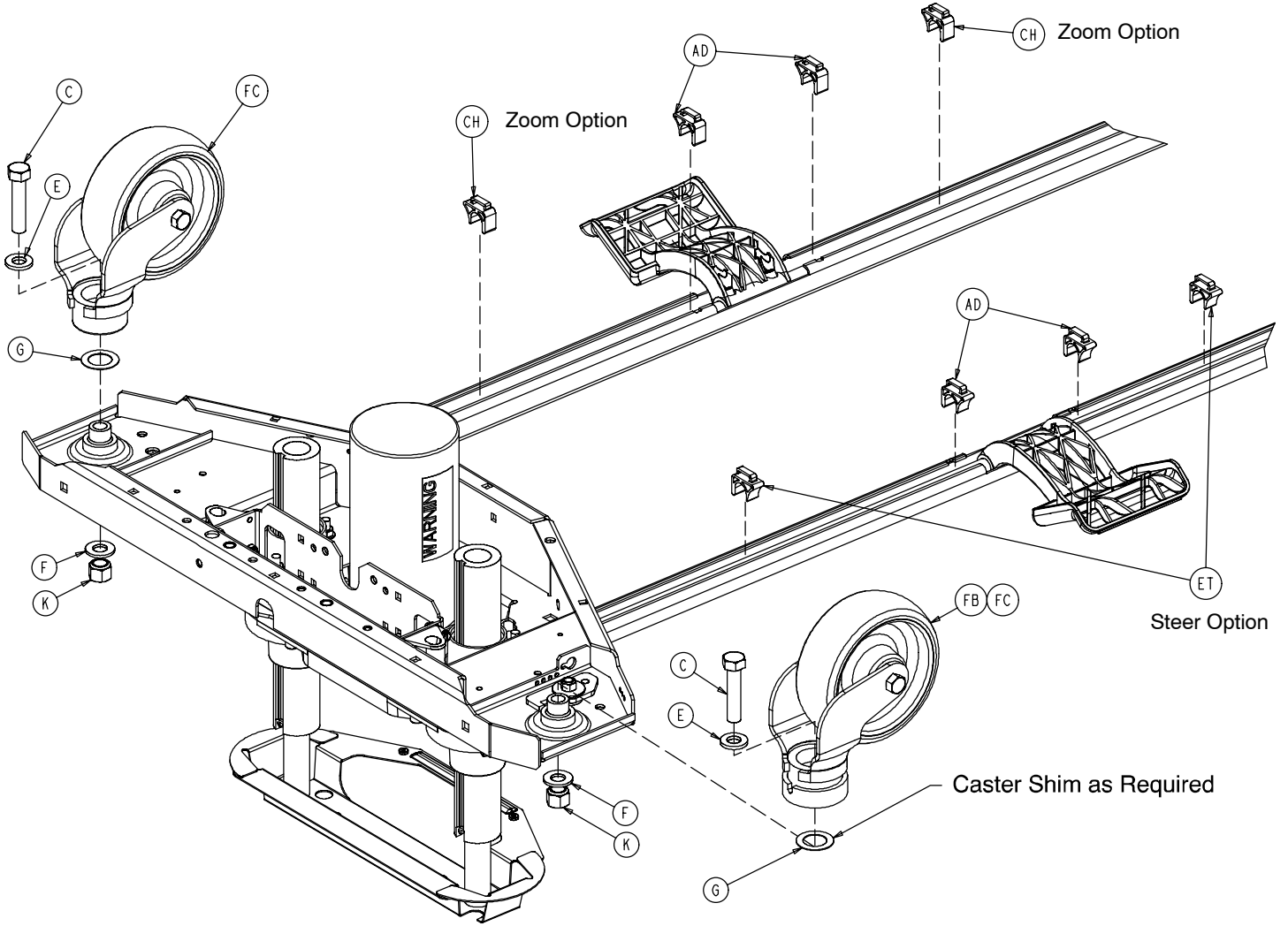
Base Assembly and Options



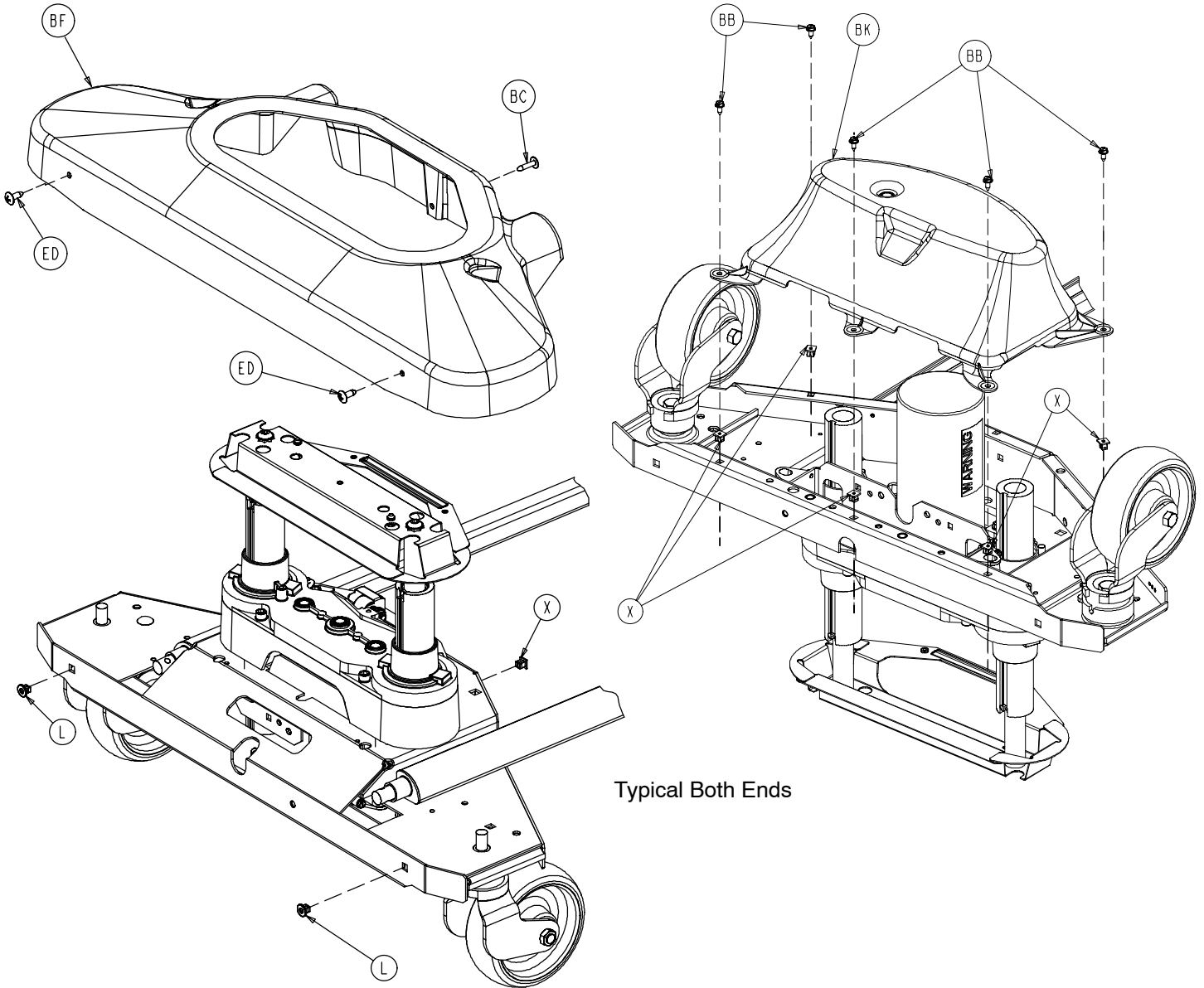
Base Assembly and Options



Base Assembly and Options

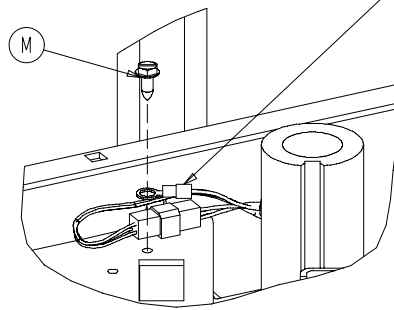


Base Assembly and Options



Typical Both Ends

Sensor Coil Cable p/n 3001-200-815 Ground



Typical Both Ends

Base Assembly and Options

Base Assembly Common Components – Part Number 3002-200-3 (Reference Only)

Item	Part No.	Part Name	Qty.	Item	Part No.	Part Name	Qty.
B	3-122	Hex Washer Hd. Screw	8	AC	(page 108)	Foot End Lift Assembly	1
D	7-52	Truss Hd. Torx	4	AD	3001-200-306	Brake Pedal Shaft Bearing	4
E	11-310	Washer	4	AE	3001-200-317	Brake Cam Shaft Bushing	4
G	11-343	Washer	4	AF	3001-200-334	Brake Return Ext. Spring	2
H	16-2	Nylock Nut	8	AG	(page 113)	Brake Shaft Assembly, Lt.	1
J	16-98	Hex Flange Nut	8	AH	(page 113)	Brake Shaft Assembly, Rt.	1
K	16-49	Nylock Jam Nut	4	AJ	3002-201-301	Brake Ratchet Track	1
L	18-36	Plastic Clip Nut	4	AK	3002-200-302	Brake Ratchet Link Ass'y	1
M	3-224	Hex Washer Hd. Screw	2	AL	3002-200-305	Brake Ratchet Crank, Lt.	1
N	26-14	Roll Pin	4	AM	3002-200-306	Brake Ratchet Crank, Rt.	1
P	38-151	Cable Tie	4	AN	3002-200-307	Brake Latch Spring	1
R	3002-200-316	Brake Track Roller	1	AP	3002-200-308	Brake Ratchet Crank Pin	1
S	3000-200-305	Brake Shaft Bushing, Rt.	2	AU	3002-200-314	Brake Mounting Bracket	2
T	3000-200-328	Brake Guide Bushing	4	AW	(page 114)	Brake Crank Assembly	2
U	3000-200-331	Brake Shaft Bushing, Lt.	2	AX	(page 115)	Brake Bar Assembly	2
W	3000-200-343	Brake Switch Bracket	1	AZ	3000-300-115	Stand-Off	1
X	3000-300-2	Plastic Clip Nut	10	GA	2025-000-101	Bellows	2
Y	3000-300-58	Plunger Switch	1	GB	3-74	Hex Hd. Bolt	2
Z	3000-300-113	8" Cable Tie	6	GC	16-28	Nylock Nut	2
AB	(page 108)	Head End Lift Assembly	1				

Base Assembly, Standard Secure Bed – Part Number 3002-243-3 (Reference Only)

Item	Part No.	Part Name	Qty.
C	3-333	Hex Hd. Cap Screw	4
F	11-333	Flat Washer	4
X	3000-300-2	Clip Nut	2
AB	(page 108)	Head End Lift Assembly	1
AC	(page 108)	Foot End Lift Assembly	1
BA	3-224	Hex Washer Hd. Screw	4
BB	23-25	Hex Washer Hd. Screw	13
BC	23-80	Truss Hd. Screw	2
BF	(page 121.1)	Uni-Pan Cover Assembly	2
BG	3000-200-601	Brake Pedal Label	2
BH	3000-200-602	Stryker Logo Label	2
BJ	3001-200-8	Bellows Bracket	2
BK	(page 131)	Bottom Cover	2
BL	3002-200-102	Base Weldment	1

Base Assembly, Zoom Secure Bed – Part Number 3002-244-3 (Reference Only)

Item	Part No.	Part Name	Qty.
C	3-204	Hex Hd. Cap Screw	4
AB	(page 108)	Head End Lift Assembly	1
AC	(page 108)	Foot End Lift Assembly	1
BL	3002-200-102	Base Weldment	1
CA	3000-300-115	Stand-Off	1
CB	13-18	External Tooth Lock Washer	1
CE	2025-31-805	Ground Strap	1
CF	3000-200-343	Brake Switch Bracket	1
CG	3000-300-58	Switch Plunger	1
CH	3001-200-306	Brake Pedal Shaft Bearing	2

Base Assembly and Options

Base Assembly, Steer Option – Part Number 3001–999–137 (Reference Only)

Item	Part No.	Part Name	Qty.
EA	3–349	Hex Hd. Cap Screw	1
EB	5–20	Carriage Bolt	1
EC	16–36	Nylock Nut	1
ED	23–92	Truss Phillips Hd. Screw	4
EE	30–52	Snap Bushing	2
EF	38–414	Pedal Extension Spring	1
EG	38–416	Lever Extension Spring	1
EH	45–8	O–Ring	1
EJ	52–305	Brass Flat Washer	1
EK	3000–200–336	Steer Pedal	1
EL	3000–200–337	Push Fit Ball Plunger	1
EM	3000–200–339	Steer Lock Lever Bushing	1
EN	3000–200–341	Steer Pedal Bushing	1
EP	3000–200–347	Special Washer	1
ER	3000–200–348	Special Wide Washer	1
ES	3000–200–349	Special Narrow Washer	1
ET	3001–200–306	Brake Pedal Shaft Bearing	2
EU	3001–200–342	Steer Cable Assembly	1
EW	3001–200–370	Steer Lock Lever	1
EX	3001–200–371	Steer Pedal Arm	1
EY	5000–90–13	Steer Label	1

Base Assembly, 6” Caster Option – Part Number 3001–999–138 (Reference Only)

Item	Part No.	Part Name	Qty.
FA	3001–200–52	6” Ground Chain	2
FB	(page 117)	6” Steer Caster Assembly	1
FC	(page 116)	6” Caster Assembly	3

Base Assembly, 8” Caster Option – Part Number 3001–999–139 (Reference Only)

Item	Part No.	Part Name	Qty.
FA	3001–200–54	8” Ground Chain	2
FB	(page 120)	8” Steer Caster Assembly	1
FC	(page 119)	8” Caster Assembly	3
FD	2025–1–47	Caster Cover, Right	4
FE	2025–1–48	Caster Cover, Left	4

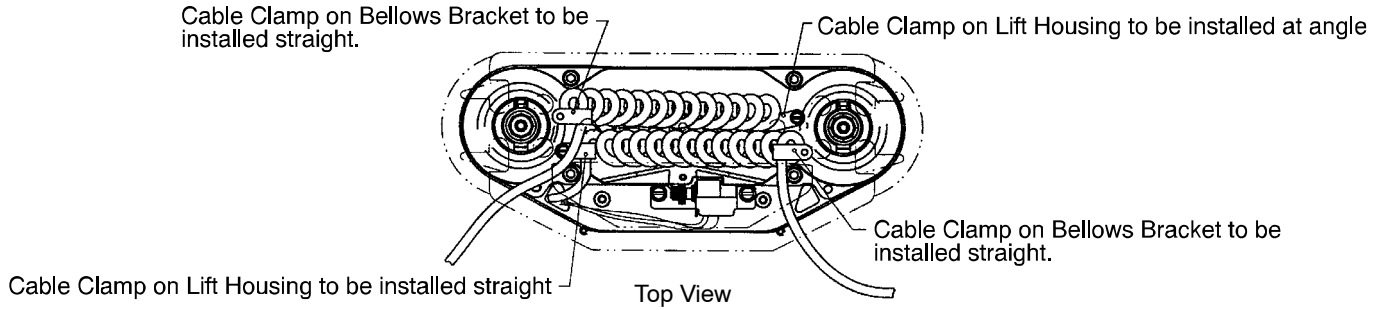
Zoom Base Assembly, 6” Caster Option – Part Number 3002–999–138 (Reference Only)

Item	Part No.	Part Name	Qty.
FA	3001–200–52	6” Ground Chain	2
FC	(page 116)	6” Caster Assembly	4

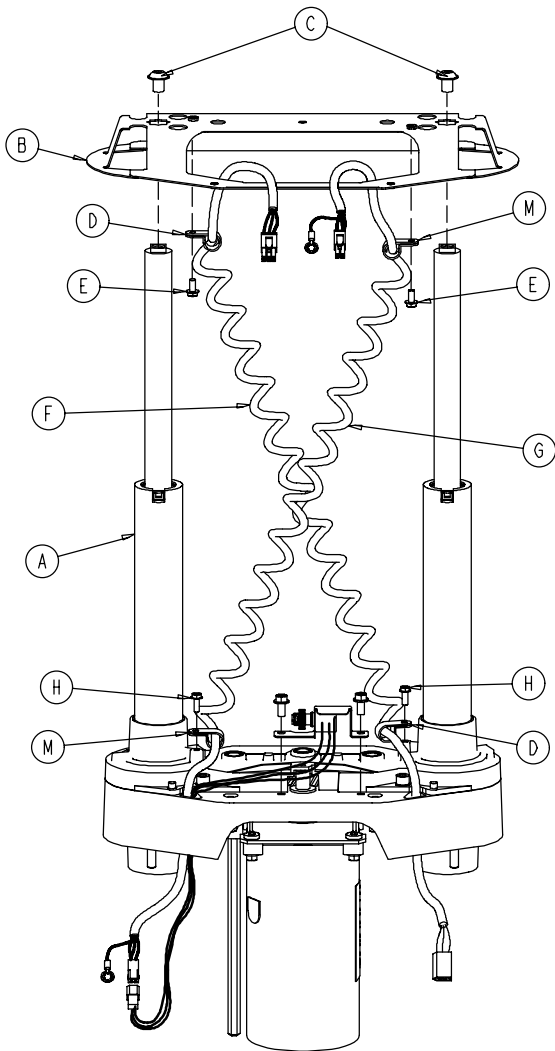
Zoom Base Assembly, 8” Caster Option – Part Number 3002–999–139 (Reference Only)

Item	Part No.	Part Name	Qty.
FA	3001–200–54	8” Ground Chain	2
FC	(page 119)	8” Caster Assembly	4
FD	2025–1–47	Caster Cover, Right	4
FE	2025–1–48	Caster Cover, Left	4

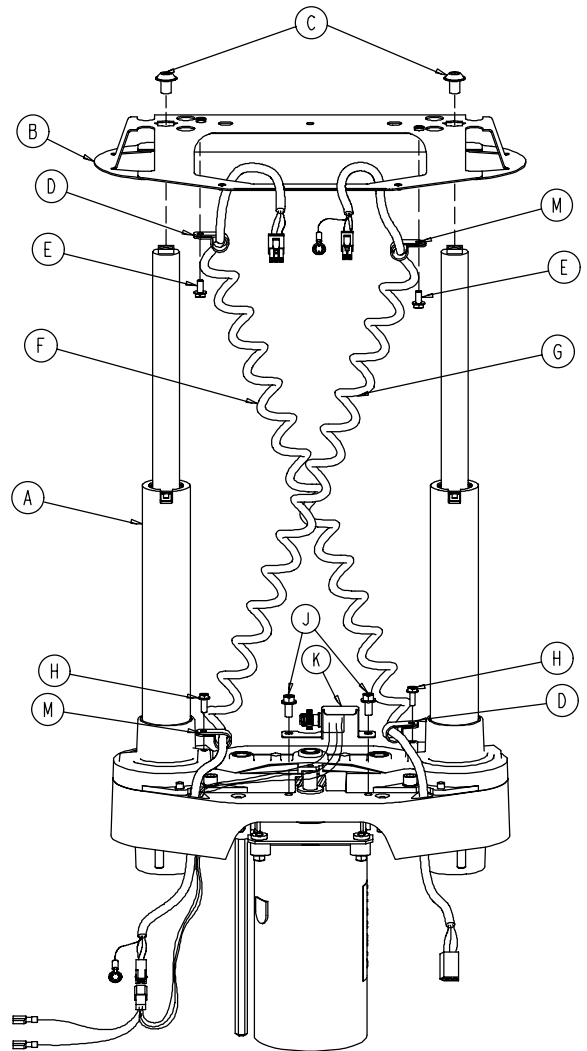
Lift Assembly (Head & Foot End)



3001-200-251 (Foot - Standard Height)



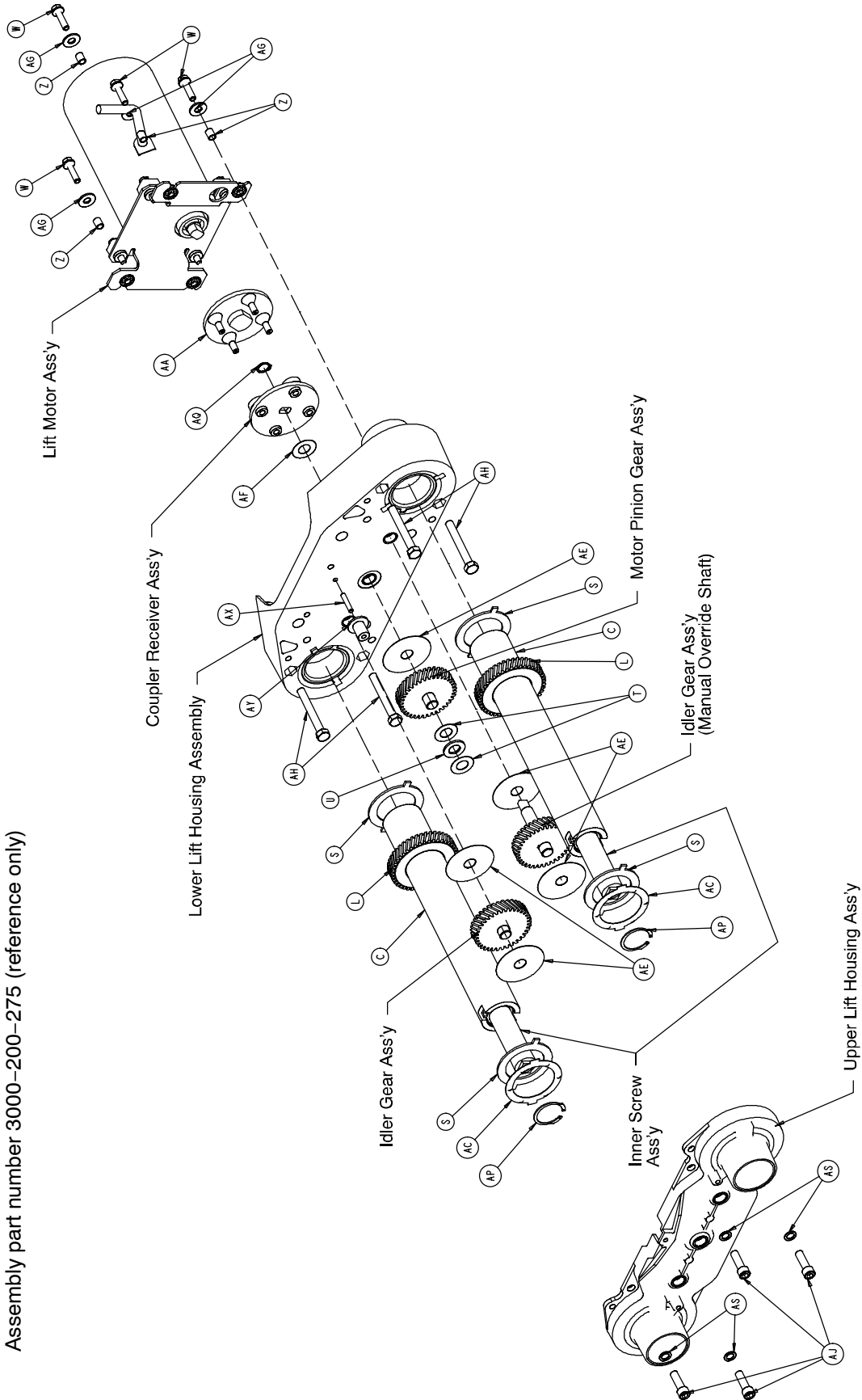
3001-200-201 (Head - Standard Height)



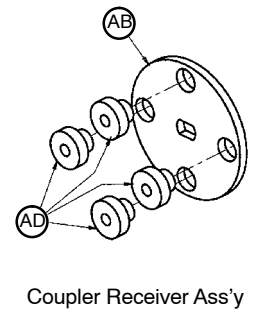
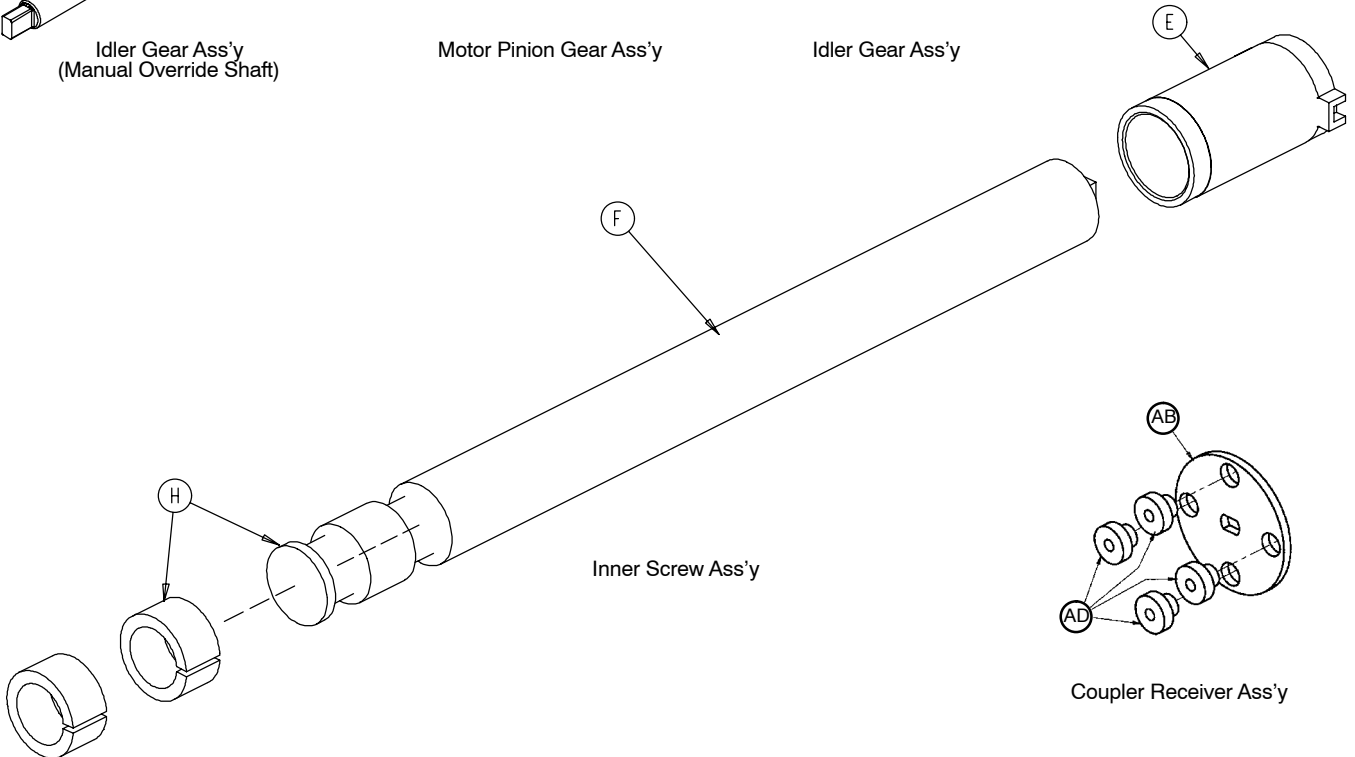
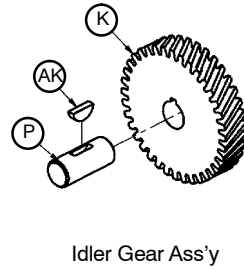
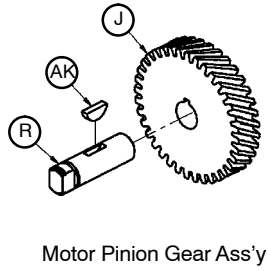
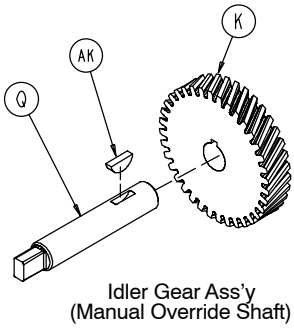
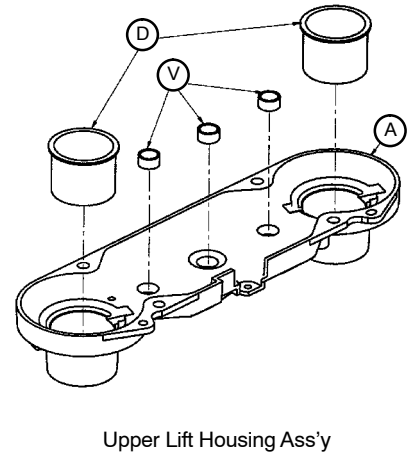
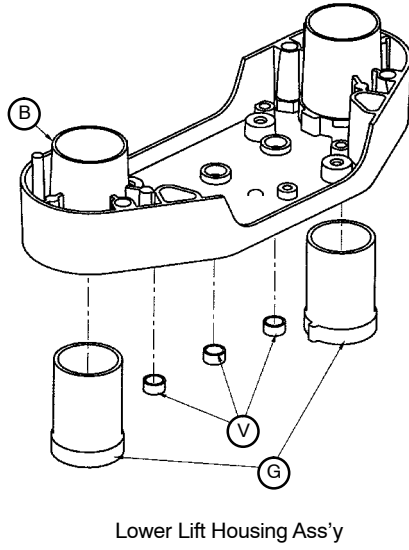
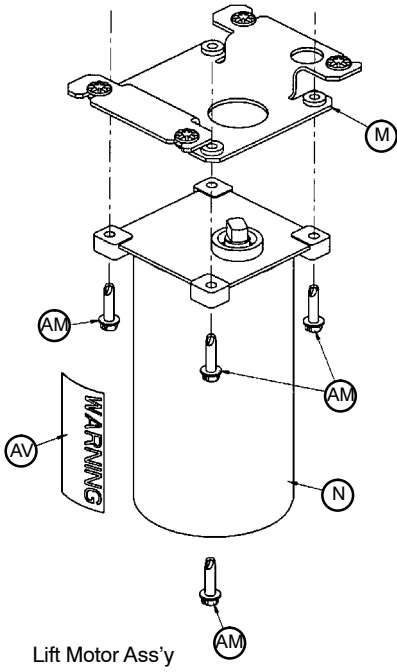
Item	Part No.	Part Name	Qty.	Item	Part No.	Part Name	Qty.
A	(page 109-111)	Common Lift Assembly	1	H	3-128	Hex Washer Hd. Screw	2
B	3000-200-52	Bellows Bracket	1	J	3-121	Hex Washer Hd. Screw	2
D	34-22	Cord Clamp	2	K	3001-200-240	Head End Pot. Ass'y	1
E	3-106	Hex Washer Hd. Screw	2		3001-200-230	Foot End Pot. Ass'y	1
F	3001-200-864	Power Coil Cord	1	M	34-381	Cord Clamp	2
G	3001-200-815	Sensor Coil Cord	1				

Lift Assembly (Common)

Assembly part number 3000-200-275 (reference only)



Lift Assembly (Common)

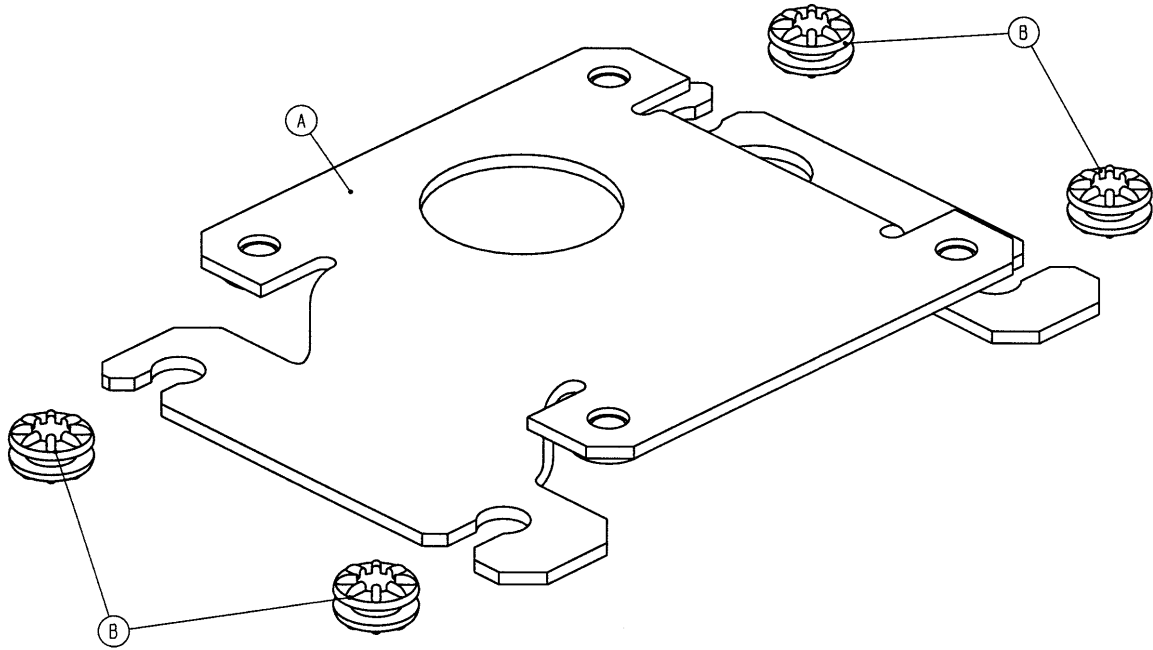


Lift Assembly (Common)

Item	Part No.	Part Name	Qty.
A	3000-200-201	Upper Lift Housing	1
B	3000-200-202	Lower Lift Housing	1
C	3000-200-251	Outer Screw	2
D	3000-200-204	Upper Housing Sleeve	2
E	3000-200-205	Upper Stage Nut	2
F	3000-200-249	Inner Screw	2
G	3000-200-207	Lower Stage Nut	2
H	3000-200-208	Glide Bushing	4
J	3000-200-209	Motor Pinion Gear	1
K	3000-200-210	Idler Gear	2
L	3000-200-252	Output Gear	2
M	(page 112)	Motor Isolation Plate Ass'y	1
N	3000-200-213	Lift Motor	1
	3221-200-213	230V Lift Motor	1
P	3000-200-218	Idler Shaft, Lift	1
Q	3002-200-235	Idler Man. Over. Shaft	1
R	3000-200-220	Input Pinion Shaft	1
S	3000-200-223	Output Gear Thr. Washer	4
T	3000-200-224	Input Gear Thr. Washer	2
U	81-212	Thrust Needle Roller Brg.	1
V	3000-200-226	Pinion Shaft Bushing	6
W	3001-200-228	Mounting Standoff	4
Z	3001-300-19	Isolation Sleeve	4
AA	3000-200-233	Lift Motor Coupler	1
AB	3000-200-234	Coupler Receiver	1
AC	3000-200-241	Crush Washer	2
AD	3000-300-455	Isolation Bushing	4
AE	3000-200-245	Gear Washer	5
AF	3000-200-246	Nylon Washer	1
AG	11-408	Flat Washer	4
AH	3-82	Hex Hd. Cap Screw	4
AJ	4-213	Soc. Hd. Cap Screw	4
AK	58-44	Woodruff Key	3
AM	3-331	Hex Washer Hd. Screw	4
AP	28-121	Retaining Ring	2
AQ	28-97	Retaining Ring	1
AS	11-308	Serrated Belleville Washer	4
AV	3000-300-604	Warning Label	1
AX	3000-200-239	Pot. Drive Gear Shaft	1
AY	3000-200-216	Potentiometer Drive Gear	1

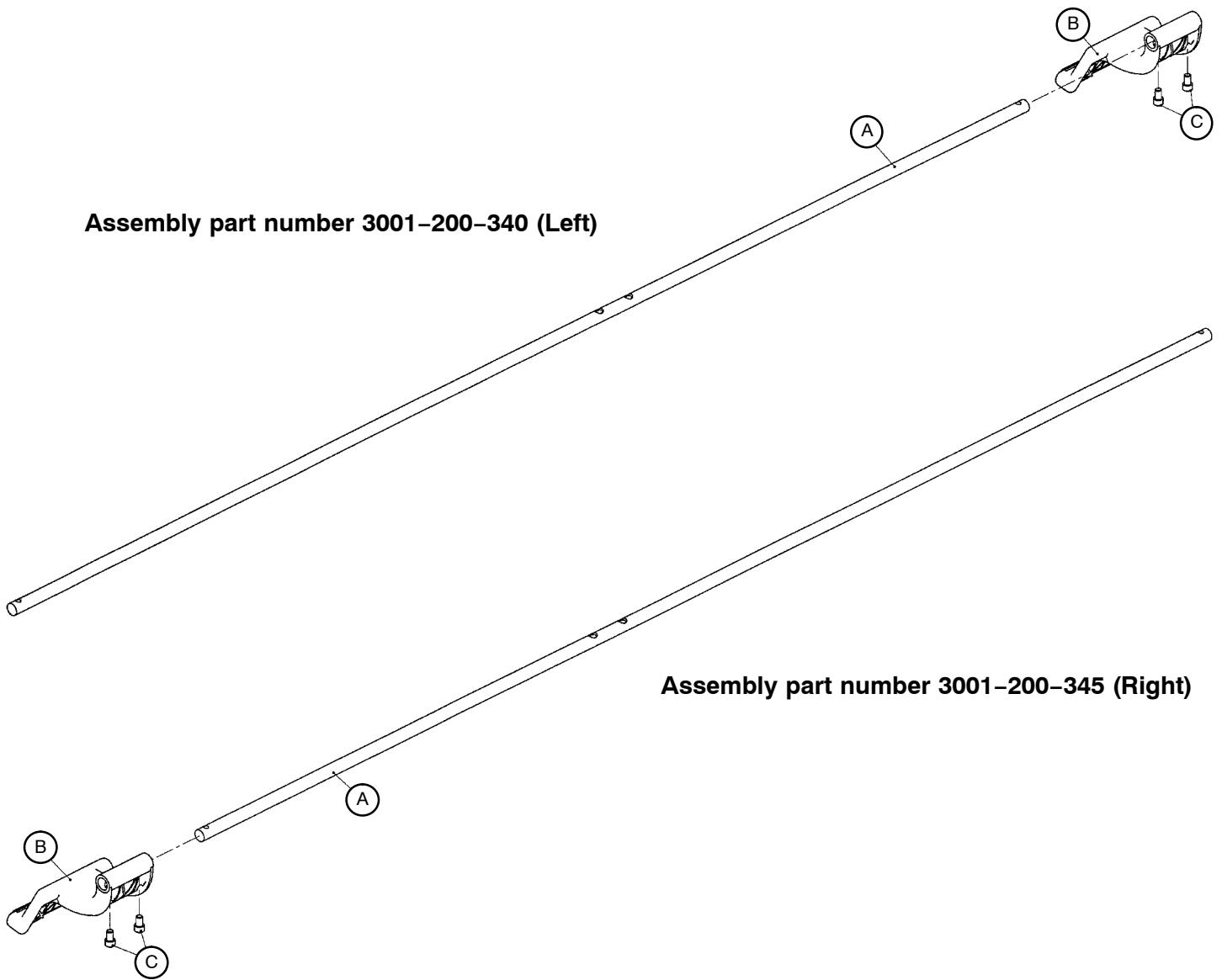
3000-200-723 Motor Isolation Plate Assembly

Assembly part number 3001-200-214 (reference only)



Item	Part No.	Part Name	Qty.
A	3001-200-213	Isolation Plate	1
B	3000-300-442	Grommet	4

Brake Shaft Assembly, Left and Right

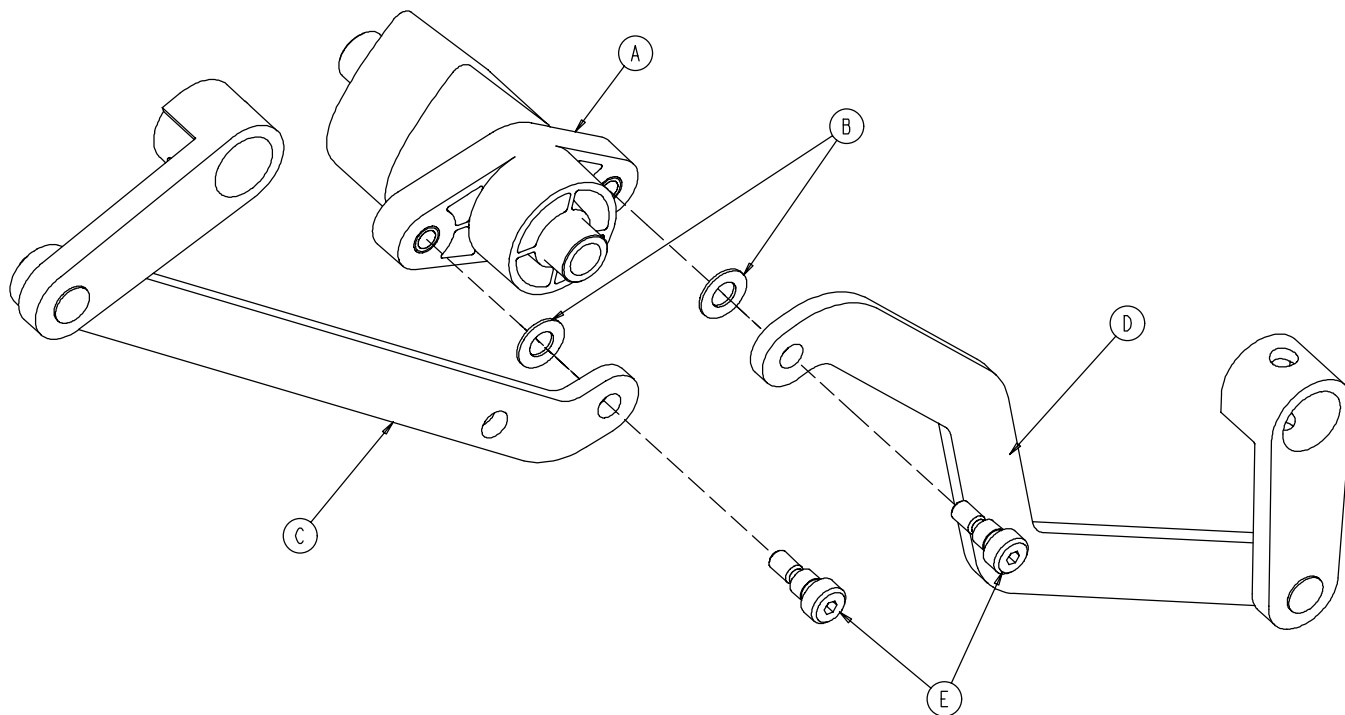


Assembly part number 3001-200-340 (Left)

Assembly part number 3001-200-345 (Right)

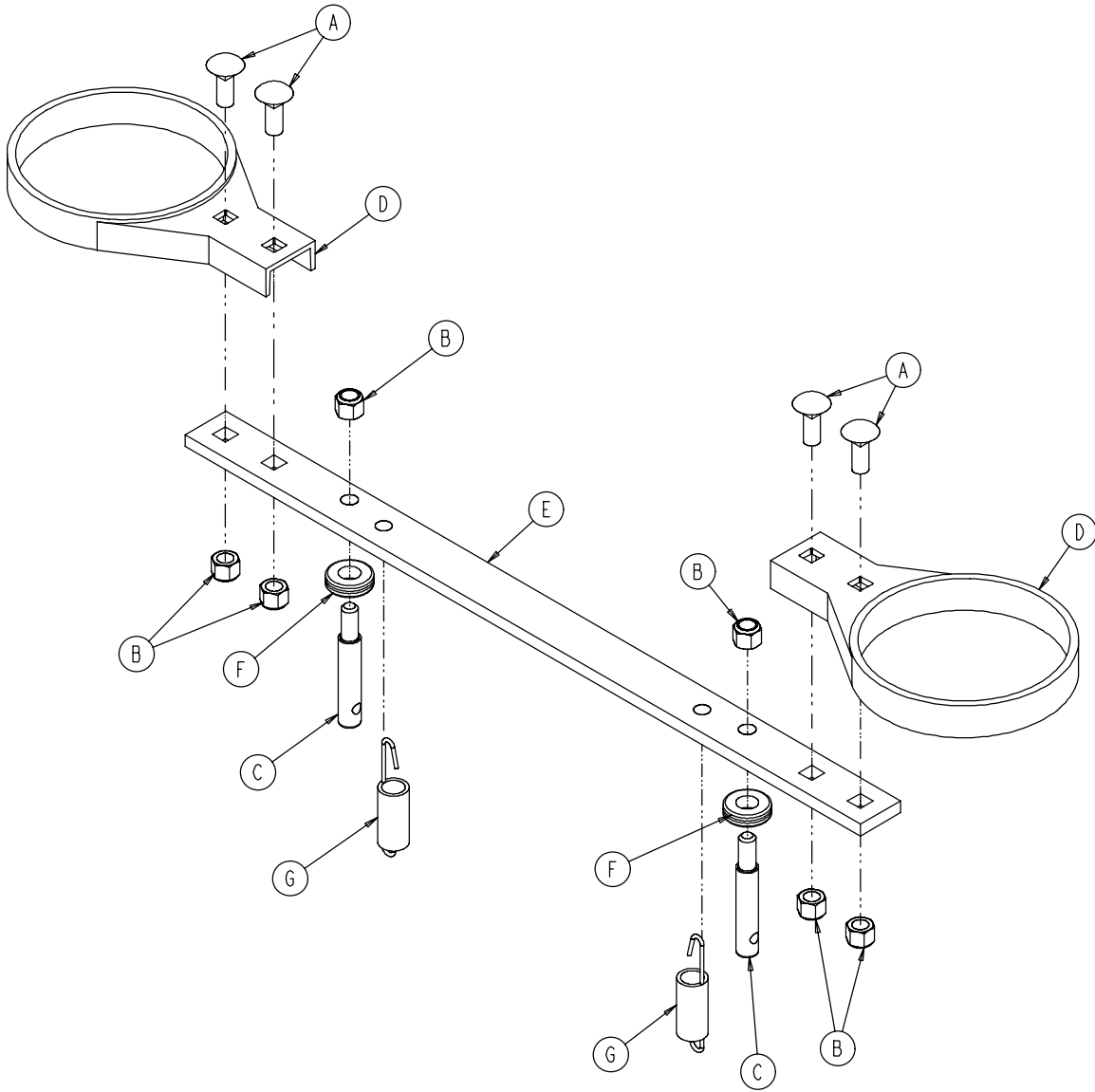
Item	Part No.	Part Name	Qty.
A	3000-200-314	Brake Shaft	1
B	3001-200-325	Brake Pedal	1
C	4-270	Soc. Hd. Cap Screw	2

3002-201-330 Brake Crank Assembly



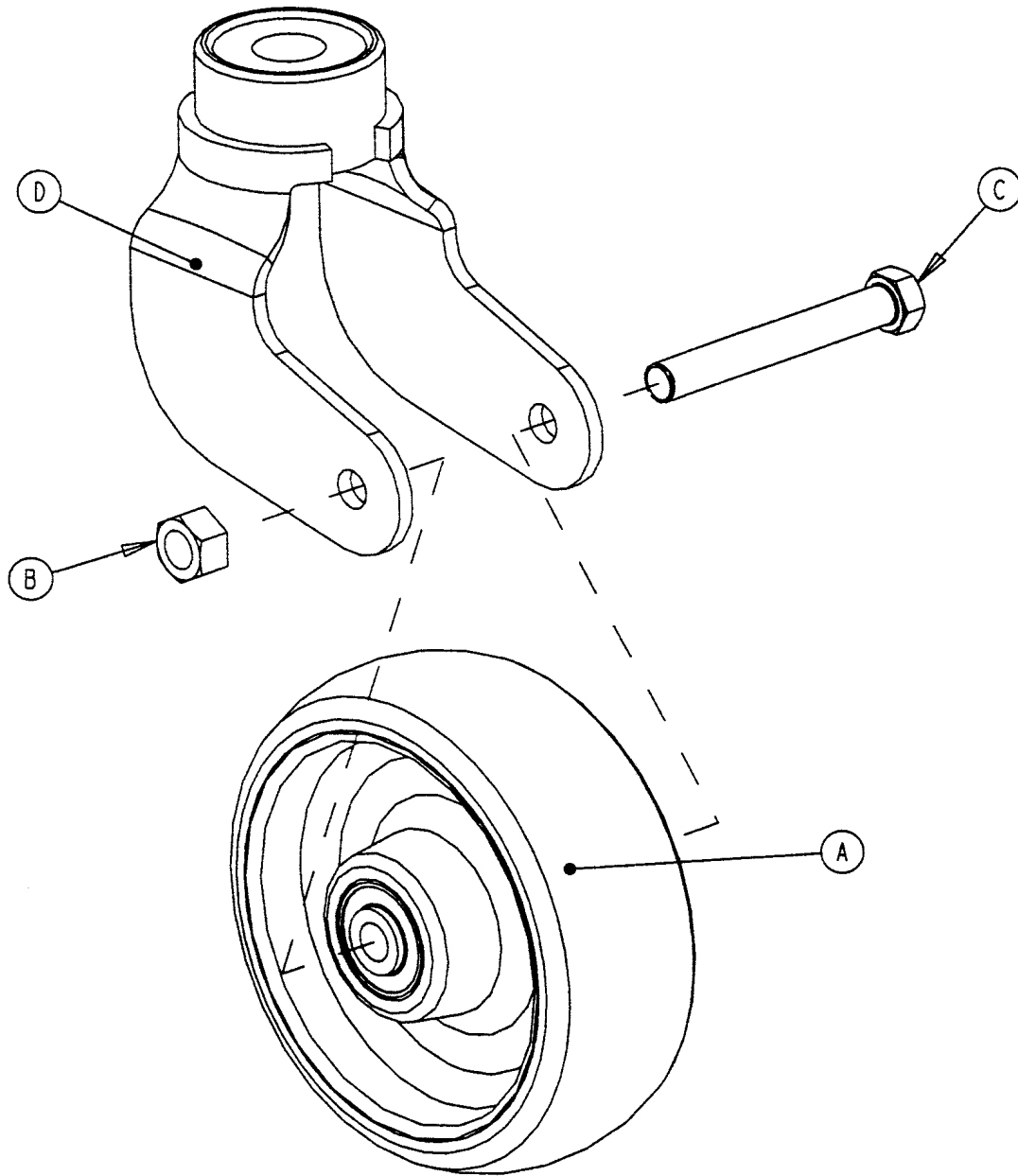
Item	Part No.	Part Name	Qty.
A	3002-201-309	Brake Cam Shaft Crank	1
B	14-4	Washer	2
C	3002-200-331	Brake Link	1
D	3002-200-332	Dog Leg Brake Link	1
E	2-108	Socket Hd. Shoulder Screw	2

3002-200-335 Brake Bar Assembly



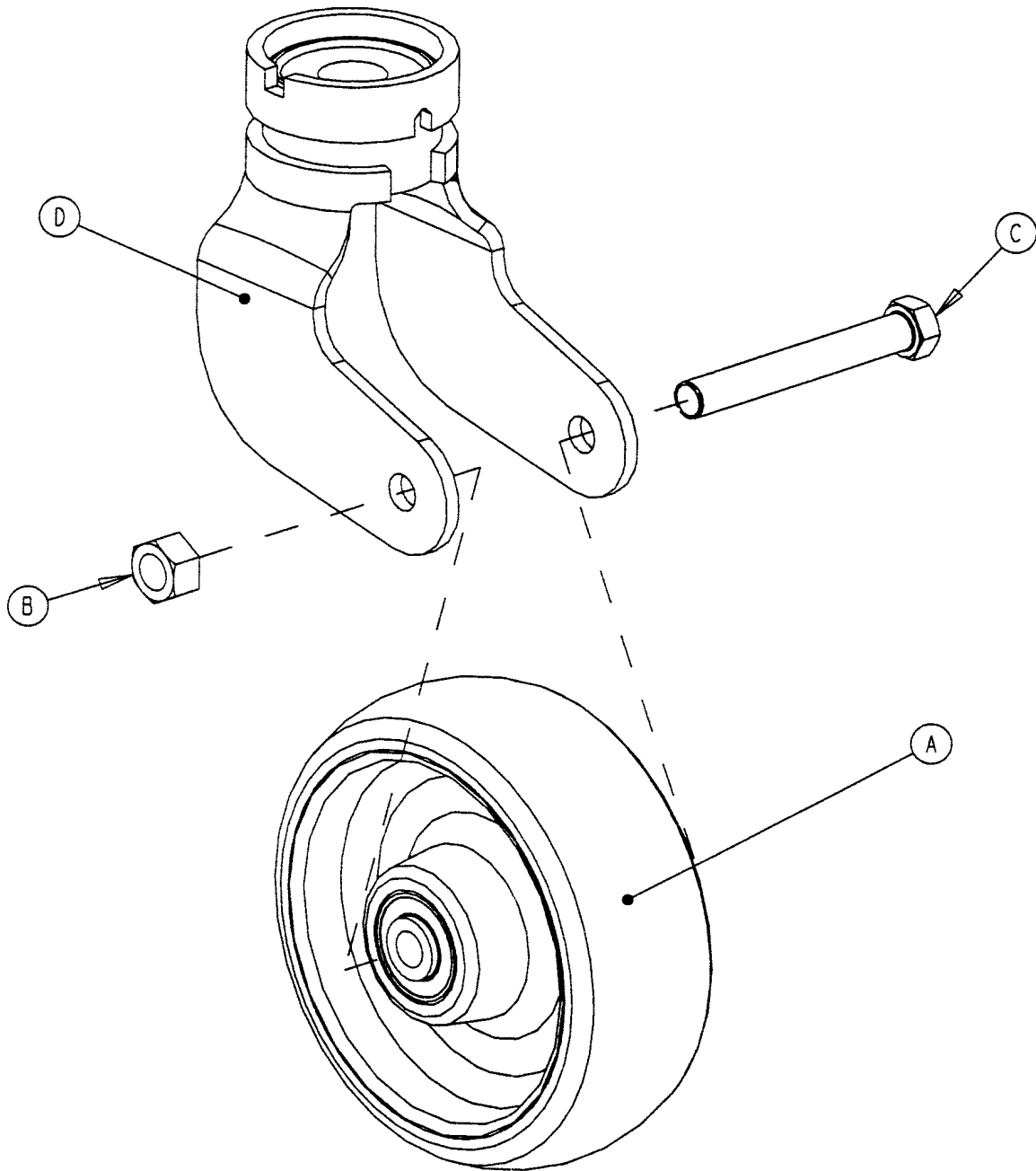
Item	Part No.	Part Name	Qty.
A	5-18	Carriage Bolt	4
B	16-35	Nylock Hex Nut	6
C	3000-200-318	Guide Pin	2
D	3000-200-321	Brake Ring	2
E	3000-200-323	Brake Bar	1
F	3000-200-324	Brake Bar Bumper	2
G	3002-200-310	Brake Bar Return Spring	2

3001-200-60 6" Caster Assembly



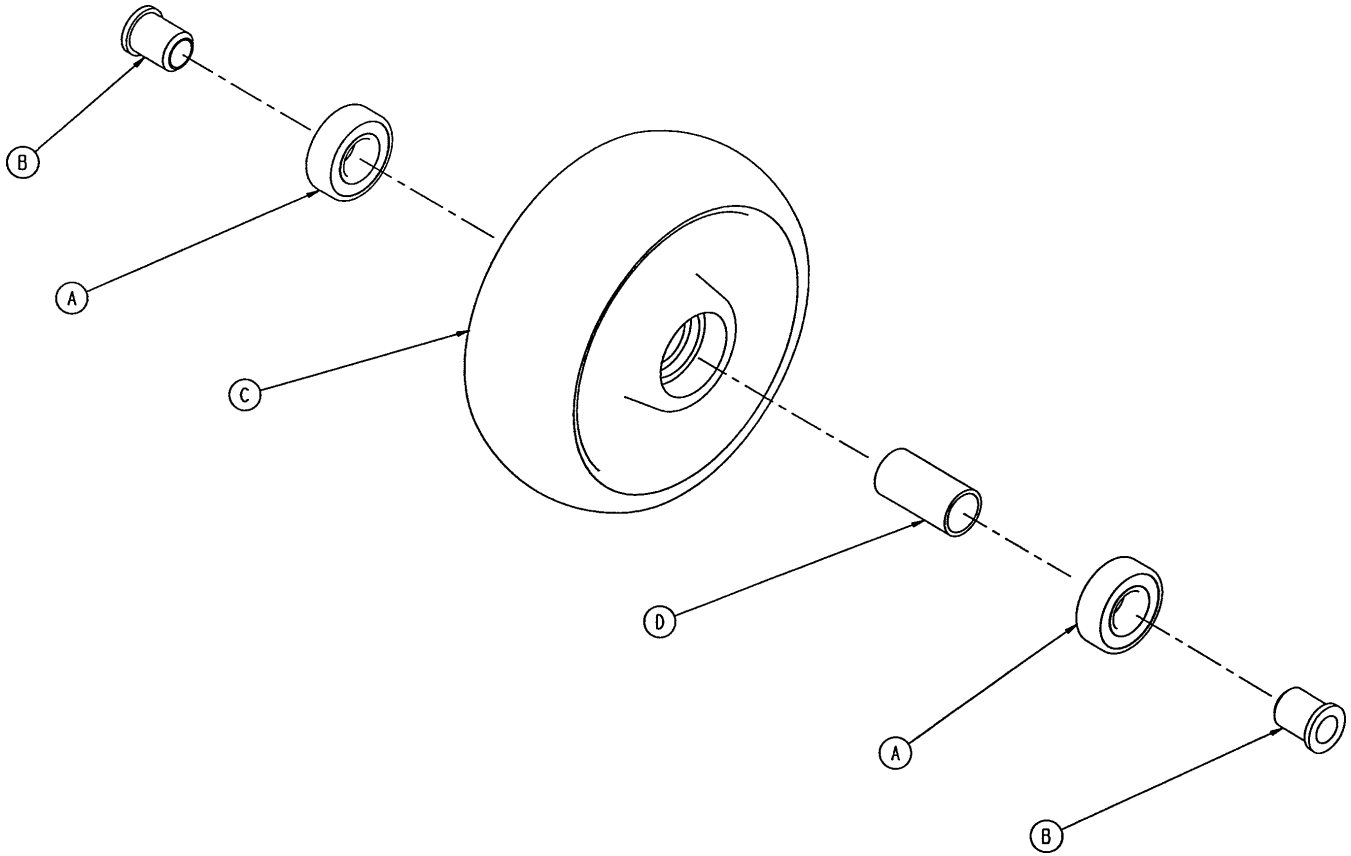
Item	Part No.	Part Name	Qty.
A	(page 118)	Wheel Assembly	1
B	16-60	Lock Nut	1
C	3-342	Hex Hd. Cap Screw	1
D	3001-200-61	Caster Horn w/Bearing	1

3001-200-50 6" Steer Caster Assembly



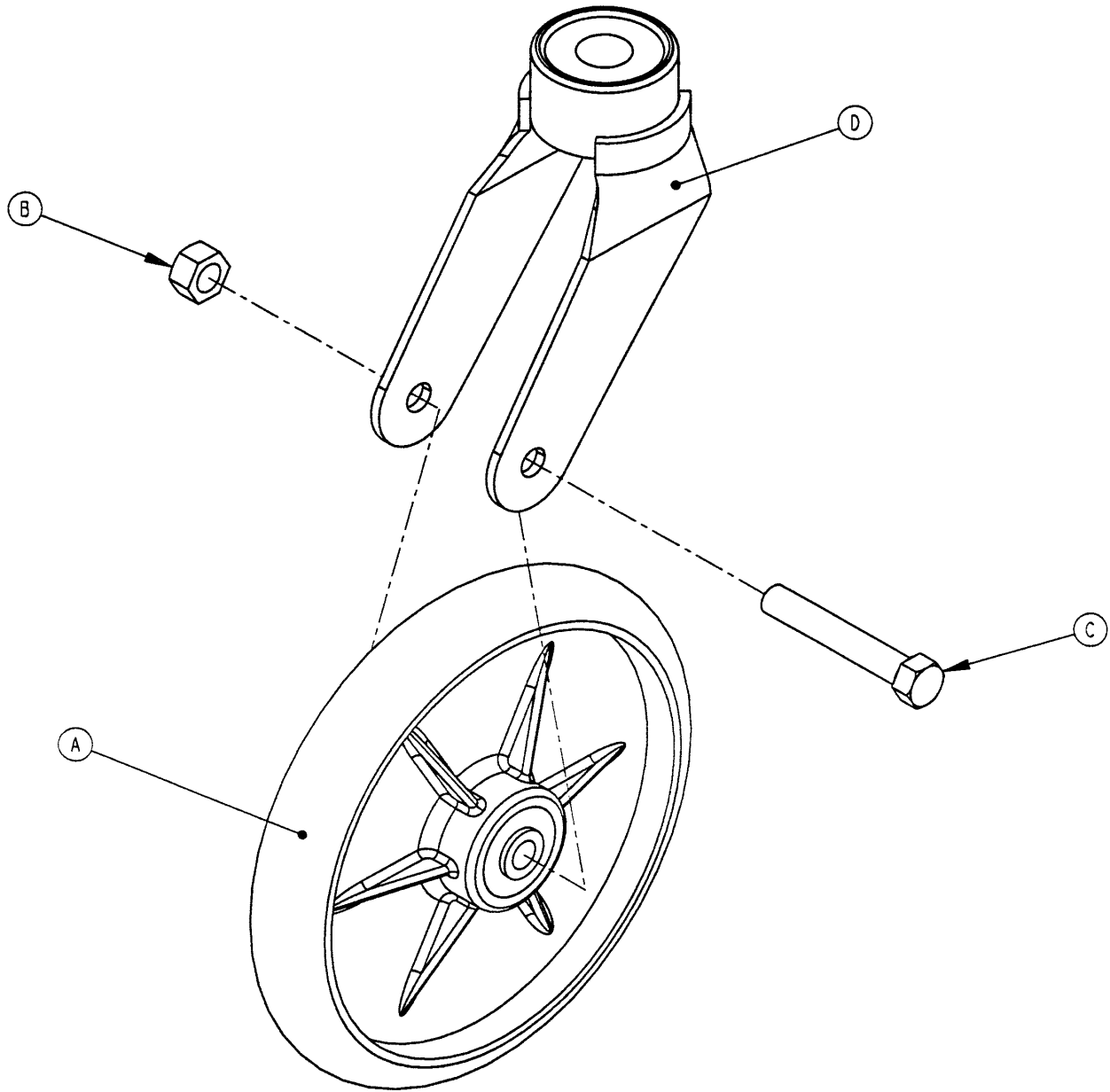
Item	Part No.	Part Name	Qty.
A	(page 118)	Wheel Assembly	1
B	16-60	Lock Nut	1
C	3-342	Hex Hd. Cap Screw	1
D	3001-200-51	Steer Caster Horn w/Bearing	1

5000-2-10 6" Molded Wheel Assembly



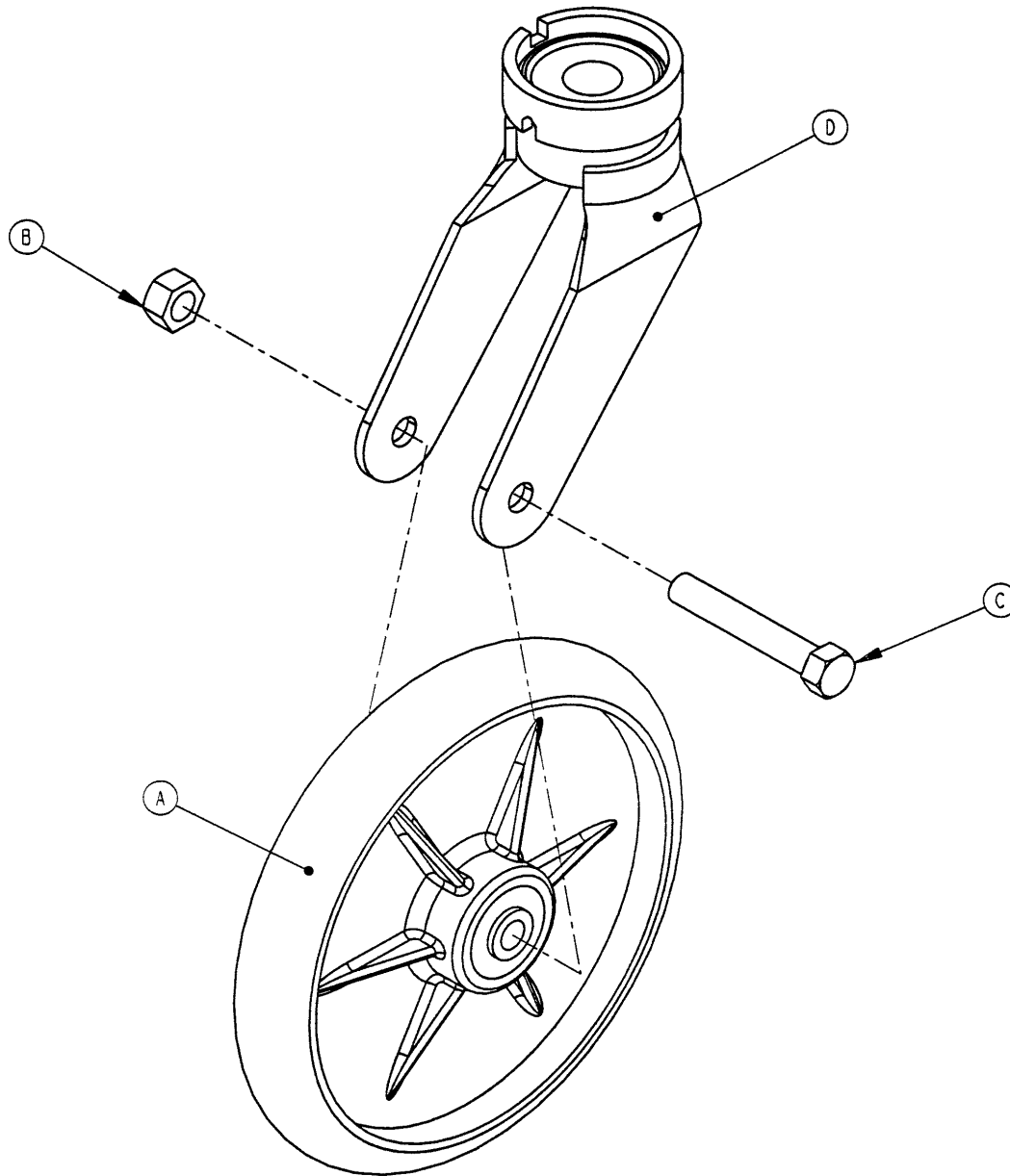
Item	Part No.	Part Name	Qty.
A	81-226	Bearing	2
B	715-1-255	Wheel Bushing	2
C	5000-2-20	Molded Wheel	1
D	6060-2-46	Bearing Spacer	1

3001-200-90 Optional 8" Caster Assembly



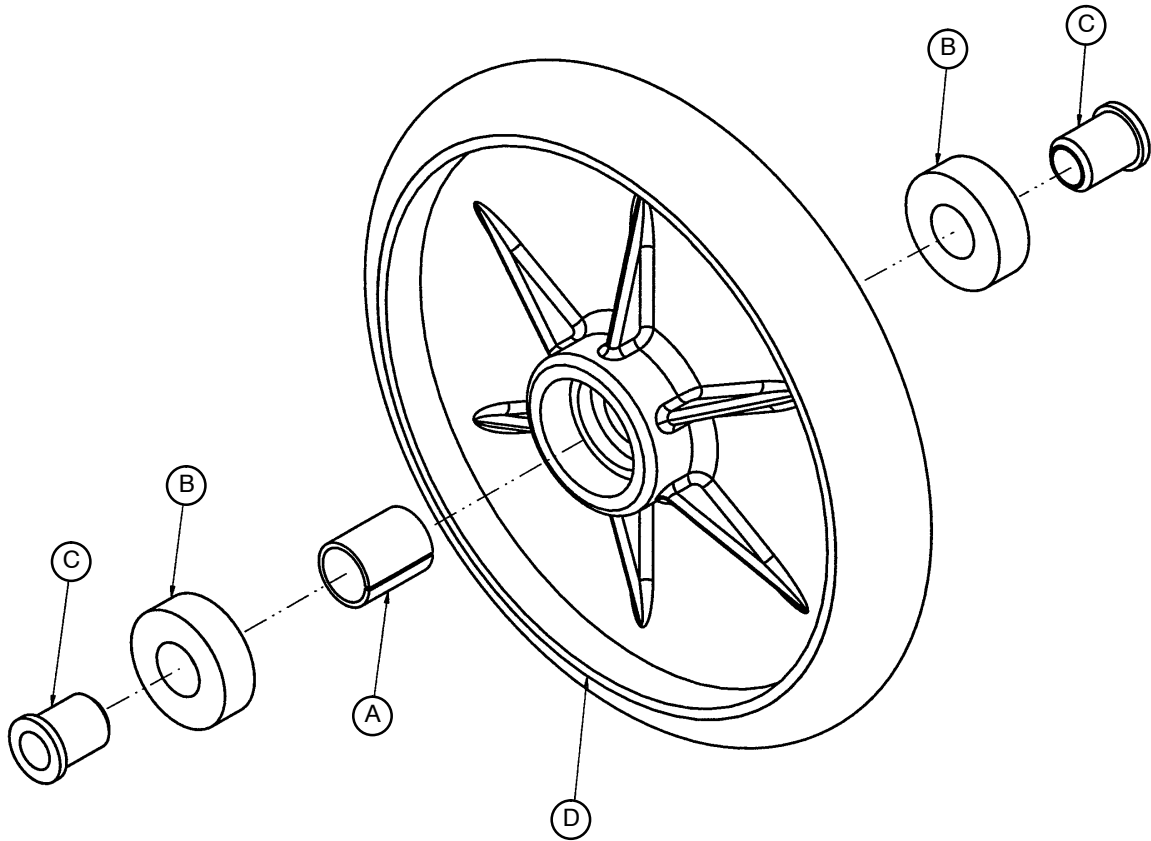
Item	Part No.	Part Name	Qty.
A	(page 121)	Wheel Assembly	1
B	16-60	Hex Nut	1
C	3-99	Hex Hd. Cap Screw	1
D	3001-200-76	Caster Horn	1

3001-200-80 Optional 8" Steer Caster Assembly



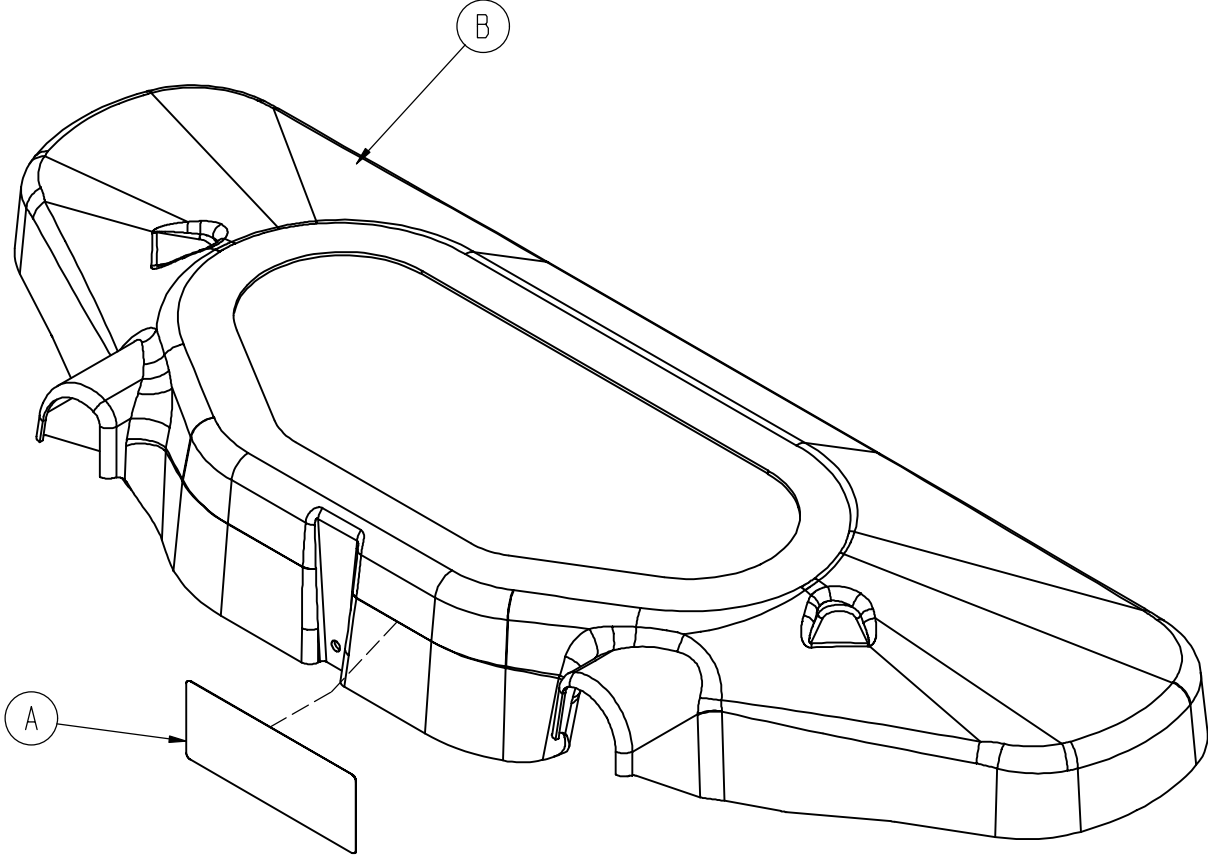
Item	Part No.	Part Name	Qty.
A	(page 121)	Wheel Assembly	1
B	16-60	Hex Nut	1
C	3-99	Hex Hd. Cap Screw	1
D	3001-200-81	Caster Horn	1

715-2-25 Optional 8" Wheel Assembly



Item	Part No.	Part Name	Qty.
A	52-503	Bearing Spacer	1
B	81-226	Bearing	2
C	715-1-255	Wheel Bearing	2
D	715-1-255	Wheel	1

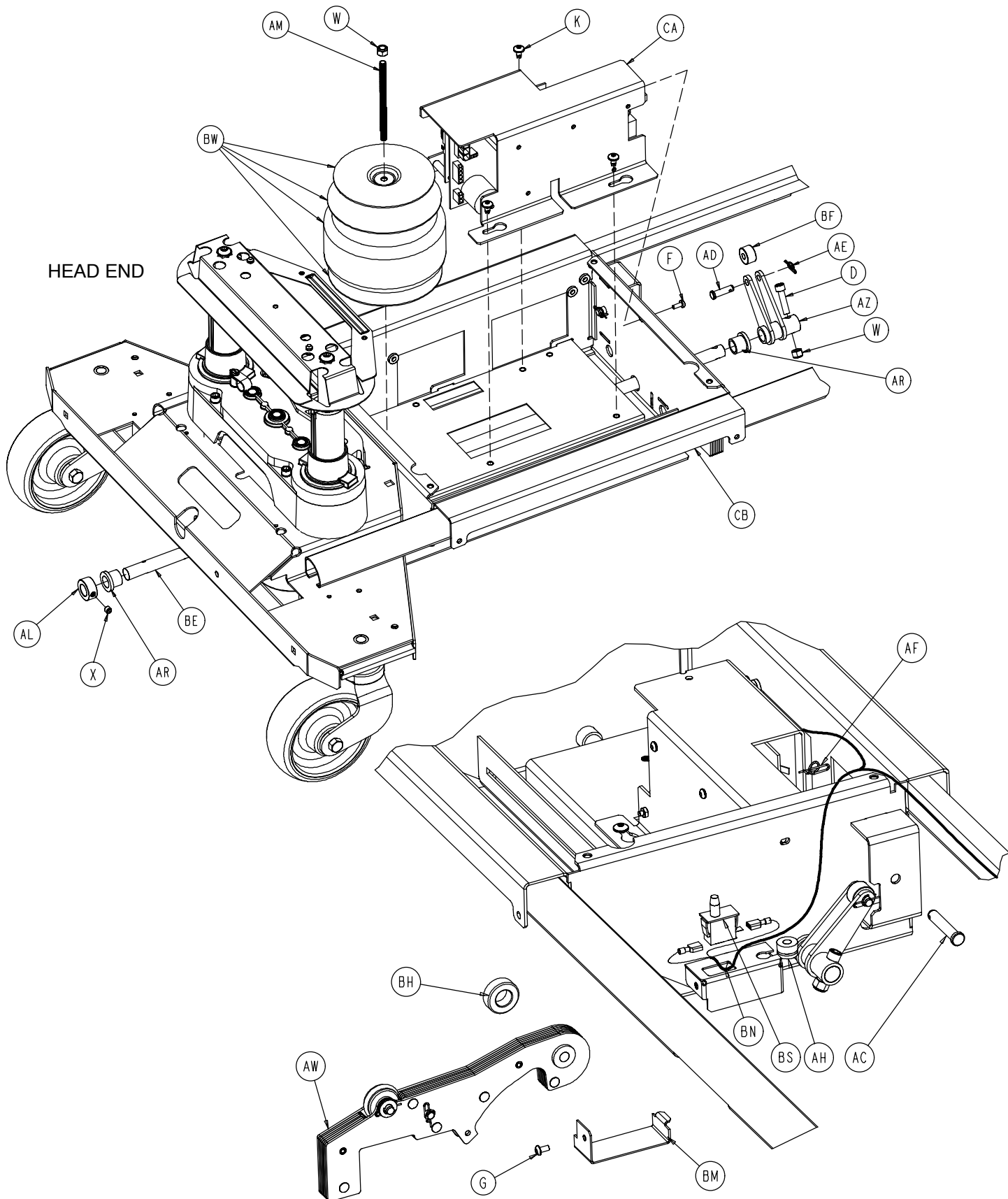
3002-300-10 Base Uni-Pan Cover Assembly



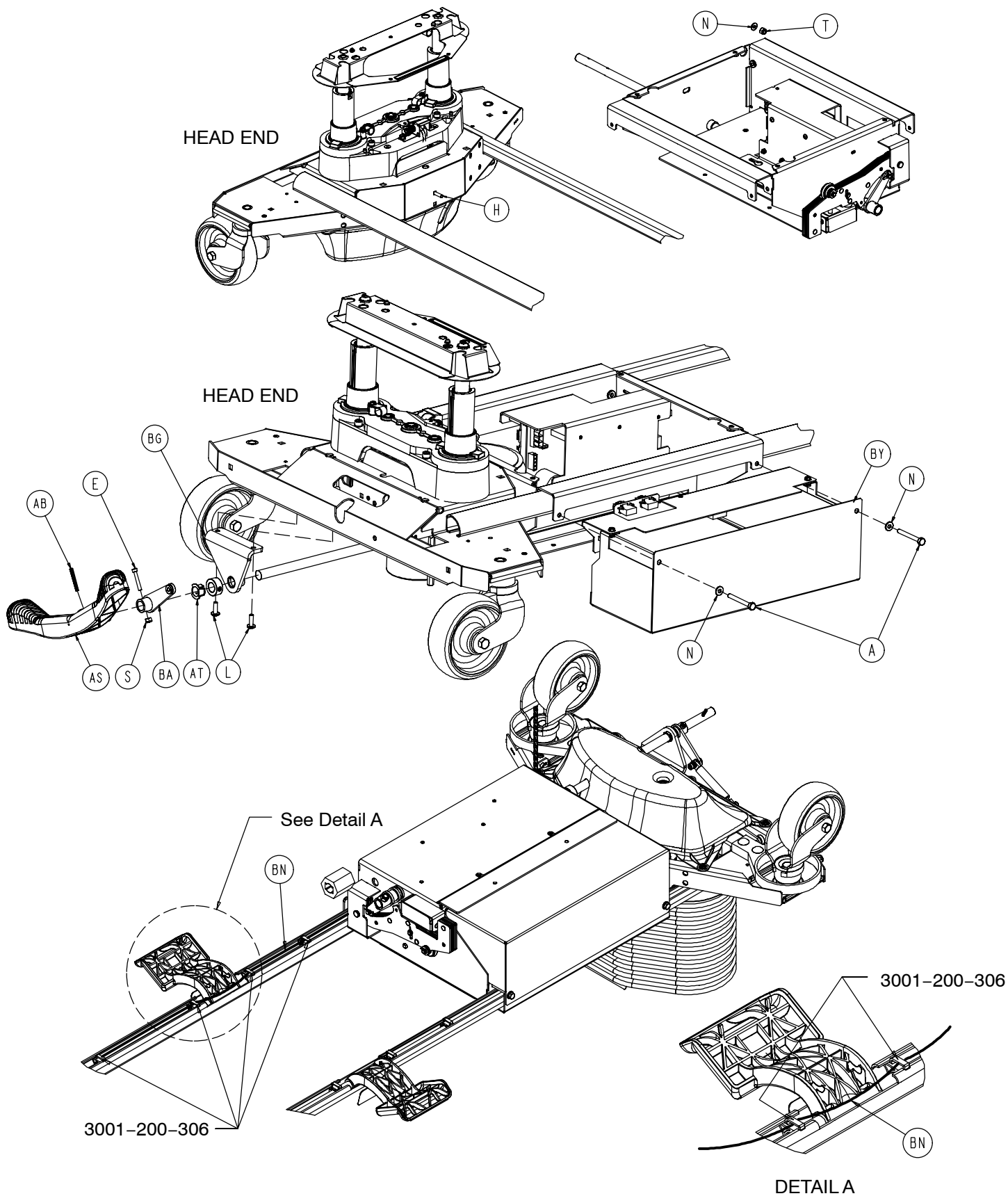
Item	Part No.	Part Name	Qty.
A	988-2-708	Service Caution Label	1
B	3002-300-9	Uni-Pan Cover	1

Notes

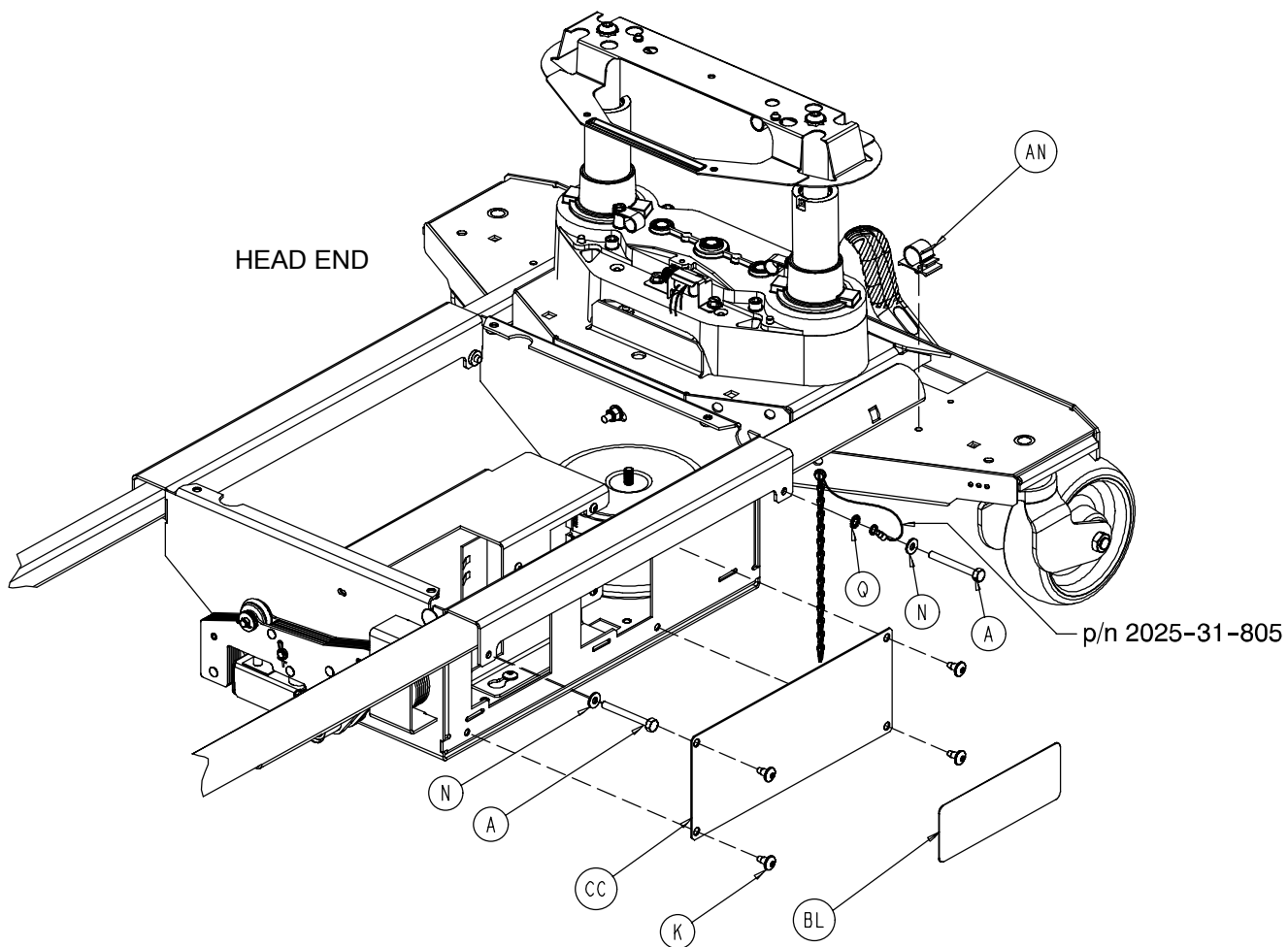
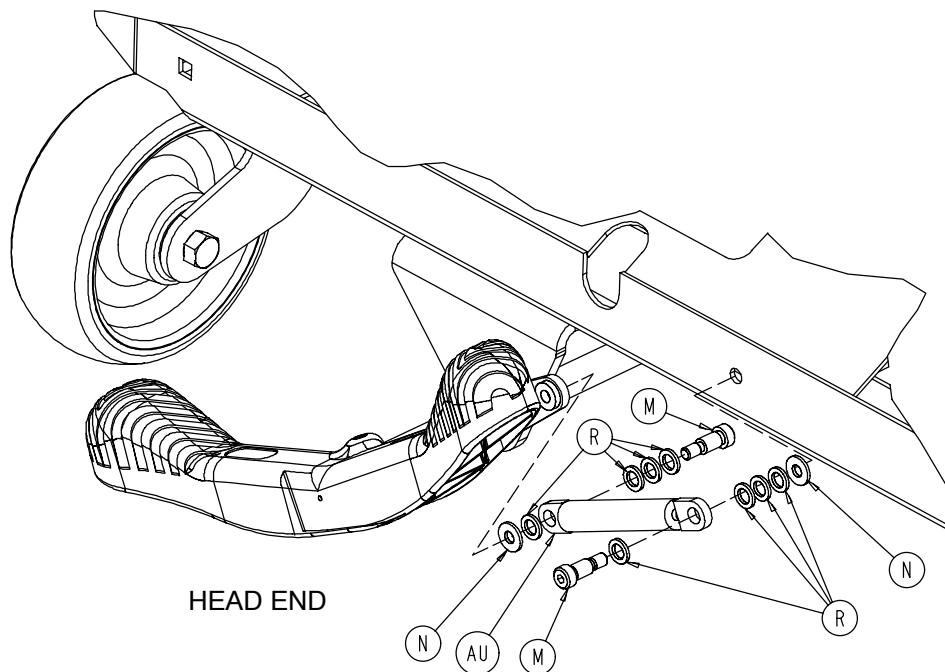
Base Assembly with Zoom® Option



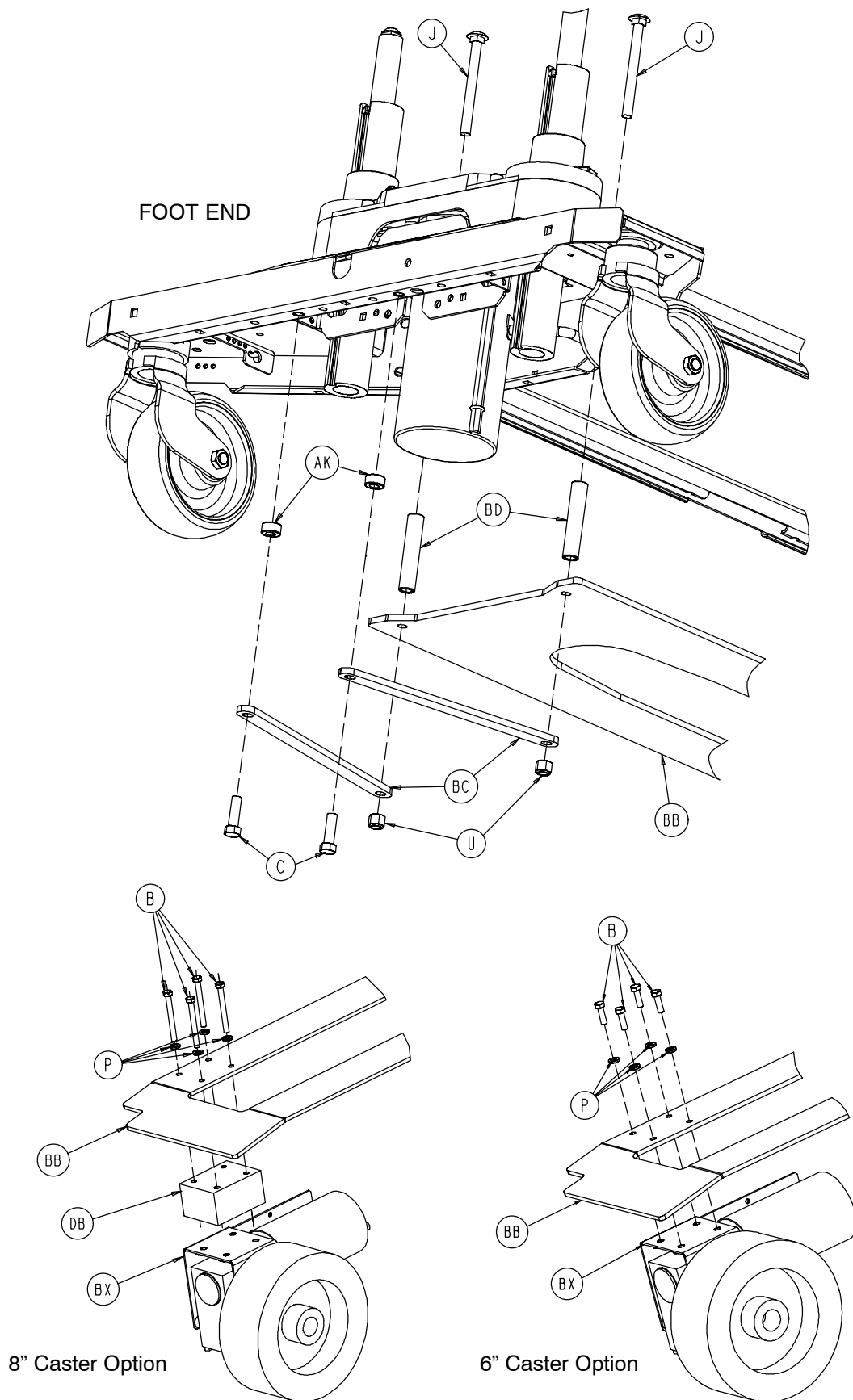
Base Assembly with Zoom® Option



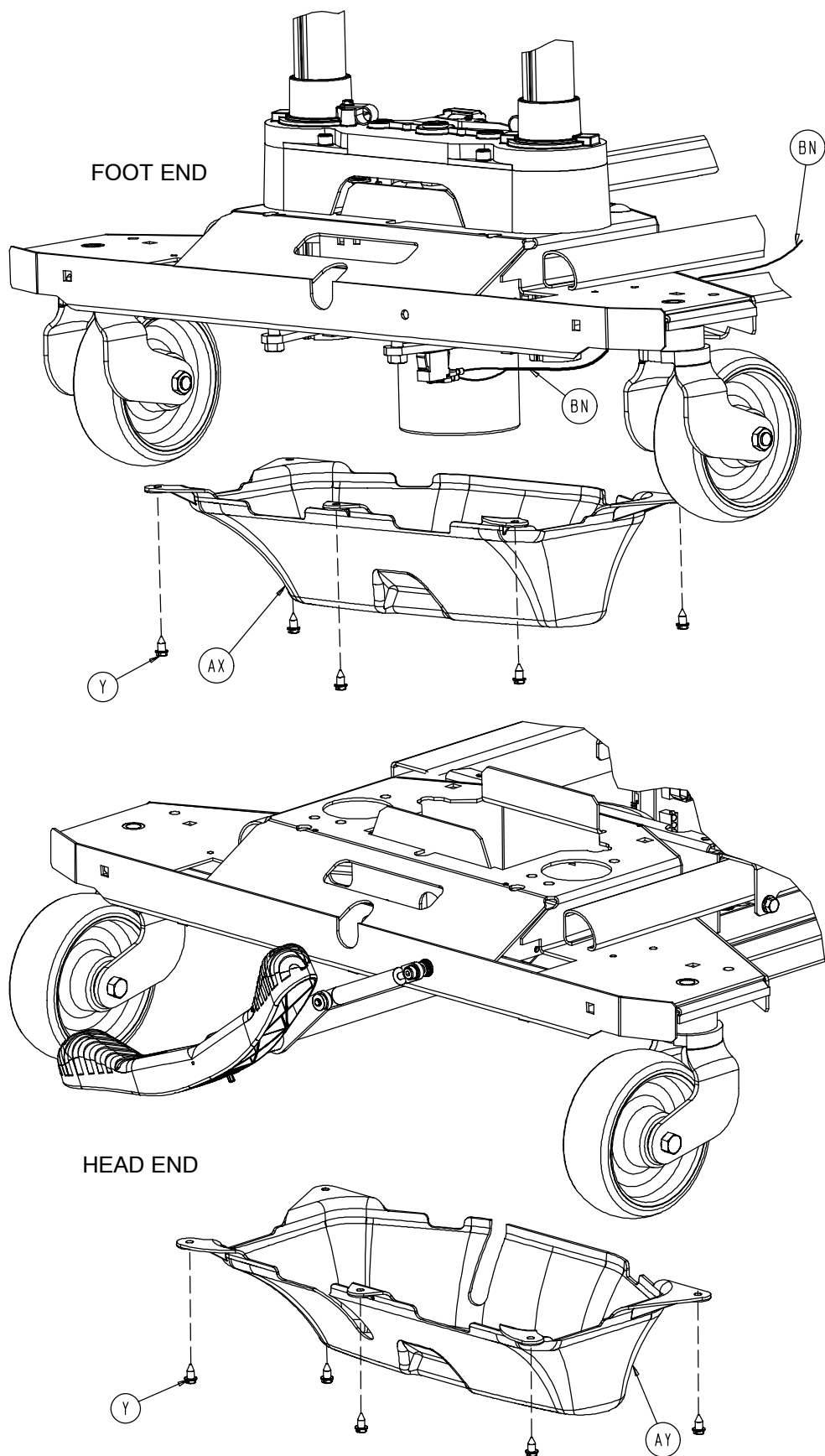
Base Assembly with Zoom® Option



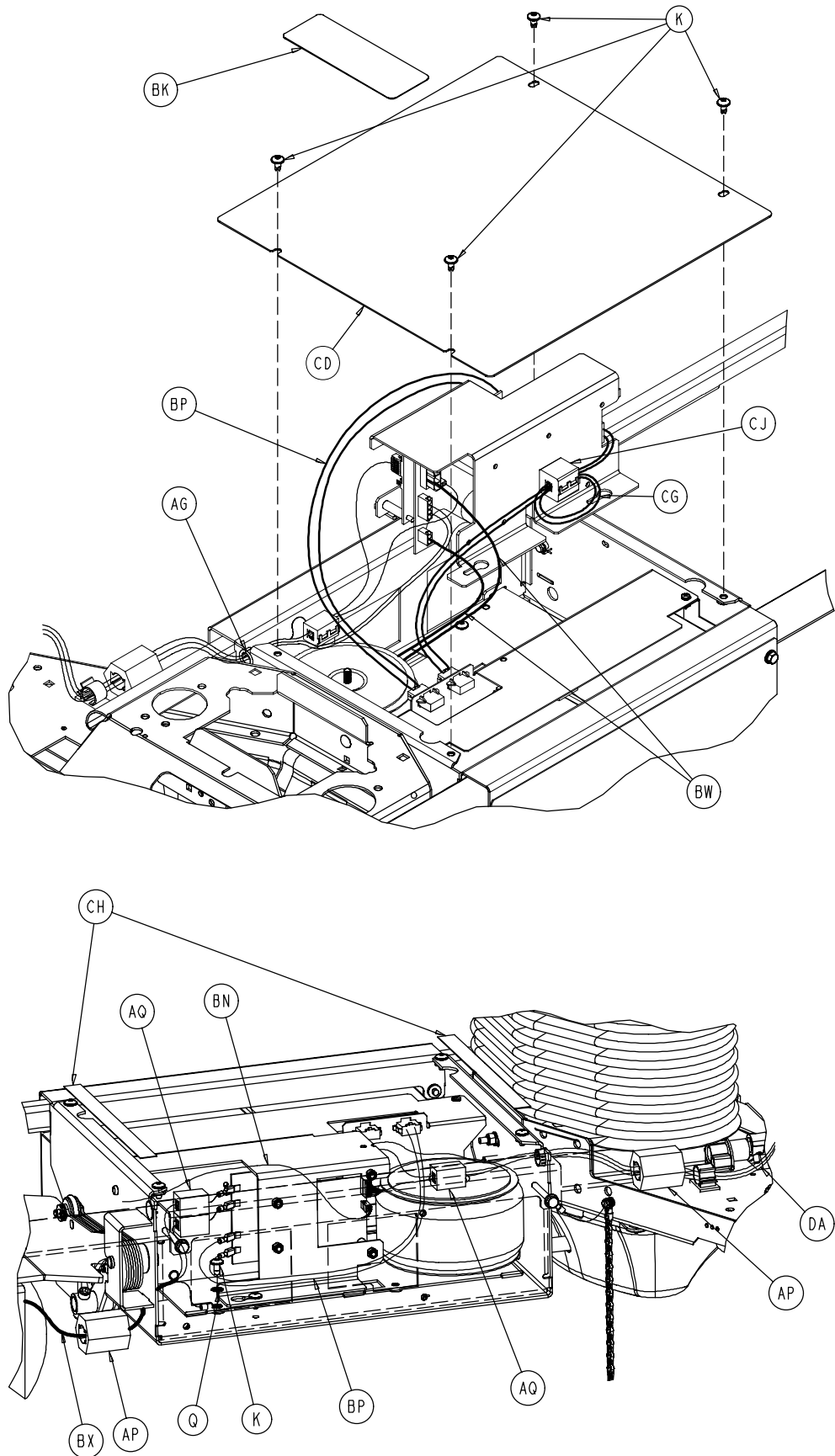
Base Assembly with Zoom® Option



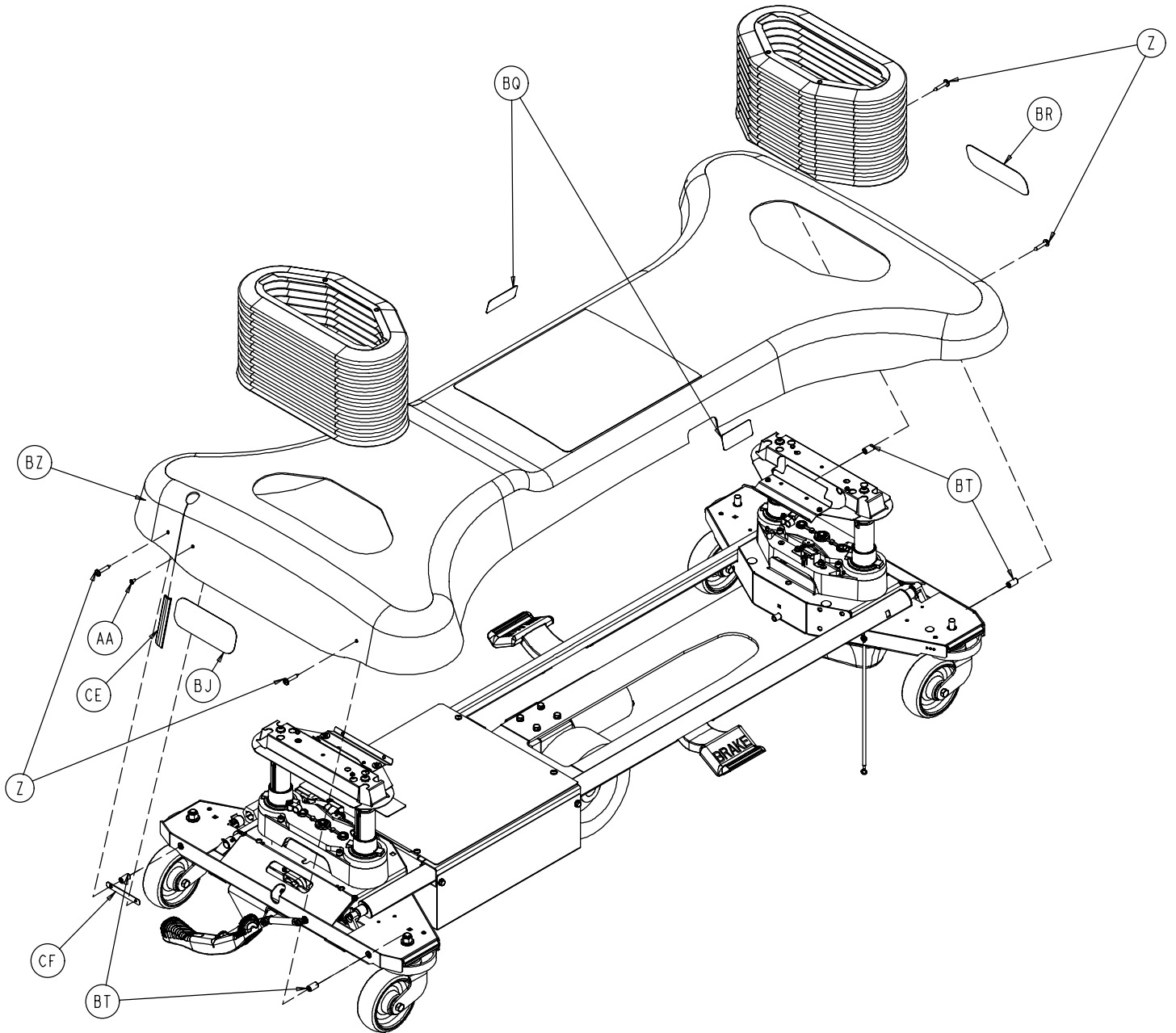
Base Assembly with Zoom® Option



Base Assembly with Zoom® Option



Base Assembly with Zoom® Option



Base Assembly with Zoom® Option

Zoom Option Common Components – Part Number 3002-1-1 (Reference Only)

Item	Part No.	Part Name	Qty.	Item	Part No.	Part Name	Qty.
A	3-32	Hex Hd. Cap Screw	4	AT	1210-201-251	Insert Bushing	1
C	3-120	Hex Hd. Cap Screw	2	AU	1210-201-671	Damper	1
D	4-39	Soc. Hd. Cap Screw	1	AW	(page 130)	Drive Whl. Lift Lever Ass'y	1
E	4-160	Soc. Hd. Cap Screw	1	AX	(page 131)	Foot End Bottom Cover	1
F	4-301	Pan Hd. Mach. Screw	1	AY	(page 131)	Head End Bottom Cover	1
G	4-307	Soc. But. Hd. Cap Screw	1	AZ	2040-1-51	Pedal Crank Weldment	1
H	5-17	Carriage Bolt	1	BA	2040-1-53	Damper Crank Weldment	1
J	5-31	Carriage Bolt	2	BB	2040-1-60	Leaf Spring	1
K	7-52	Truss Hd. Torx	12	BC	2040-1-61	Tie Down Strap	2
L	7-63	Truss Hd. Torx	2	BD	2040-1-62	Reinforcement Tube	2
M	8-49	Soc. Hd. Shoulder Bolt	2	BE	2040-1-82	Pedal Rod	1
N	11-63	Washer	7	BF	2040-1-83	Pedal Crank Roller	1
P	12-20	Lock Washer	4	BG	2040-1-84	Pedal Rod Pivot Bracket	1
Q	13-10	Ext. Tooth Star Washer	4	BH	2040-1-98	Lift Lever Spacer	1
R	14-3	Plastic Washer	8	BJ	2040-1-100	Drive Whl. Position Label	1
S	16-3	Nylock Nut	1	BK	2040-1-101	Charger Box Cover	1
T	16-28	Nylock Nut	1	BL	2040-1-102	Power Bd. Cover Label	1
U	16-35	Nylock Nut	2	BM	2040-1-103	Charger Box Sw. Brkt. Cov.	1
W	16-36	Nylock Nut	2	BN	2040-1-801	Base Switch Cable	1
X	21-22	Set Screw	1	BP	2040-1-804	Pwr. Bd. DC Pwr. Cable	1
Y	23-25	Hex Washer Hd. Screw	10	BQ	3000-200-601	Brake Label	2
Z	23-281	Self-Tapping Screw	4	BR	3000-200-602	Stryker Logo Label	1
AA	25-79	Pop Rivet	1	BS	3000-300-58	Limit Switch	1
AB	26-261	Groove Pin	1	BT	3000-300-428	Gatch Link Sleeve	4
AC	26-277	Clevis Pin	1	BU	3000-300-113	Wire Ties	2
AD	26-297	Clevis Pin	1	BW	3001-1-10	Transformer	1
AE	27-21	Rue Ring Cotter	1	BX	(page 132)	Drive Train Assembly	1
AF	27-22	Rue Ring Cotter	1	BY	(page 133)	Battery Tray Assembly	1
AG	30-38	Split Bushing	1	BZ	3002-1-18	Hood Assembly	1
AH	30-40	E-A-R Grommet	1	CA	(page 134)	Base Power Assembly	1
AK	42-6	Collar	2	CB	3002-1-50	Charger Box Weldment	1
AL	42-20	Lock Collar	1	CC	3002-1-68	Power PCB Cover	1
AM	58-90	Threaded Stud	1	CD	3002-1-71	Charger/Inverter Cover	1
AN	59-133	Push-Mount Wire Clip	1	CE	3002-1-78	Hood Slot Trim	1
AP	59-192	Split Ferrite	1	CF	3002-1-79	Hood Slot Trim Bracket	1
AQ	59-194	Split Ferrite	3	CG	3002-1-802	Inverter/Battery Cable	1
AR	81-245	Bronze Bushing	2	CH	7000-1-326	Foam Tape (10")	2
AS	1210-201-153	Butterfly "V" Pedal	1	CJ	59-144	Split Ferrite	1

Zoom Base, 6" Casters – 3002-244-10 (Ref.)

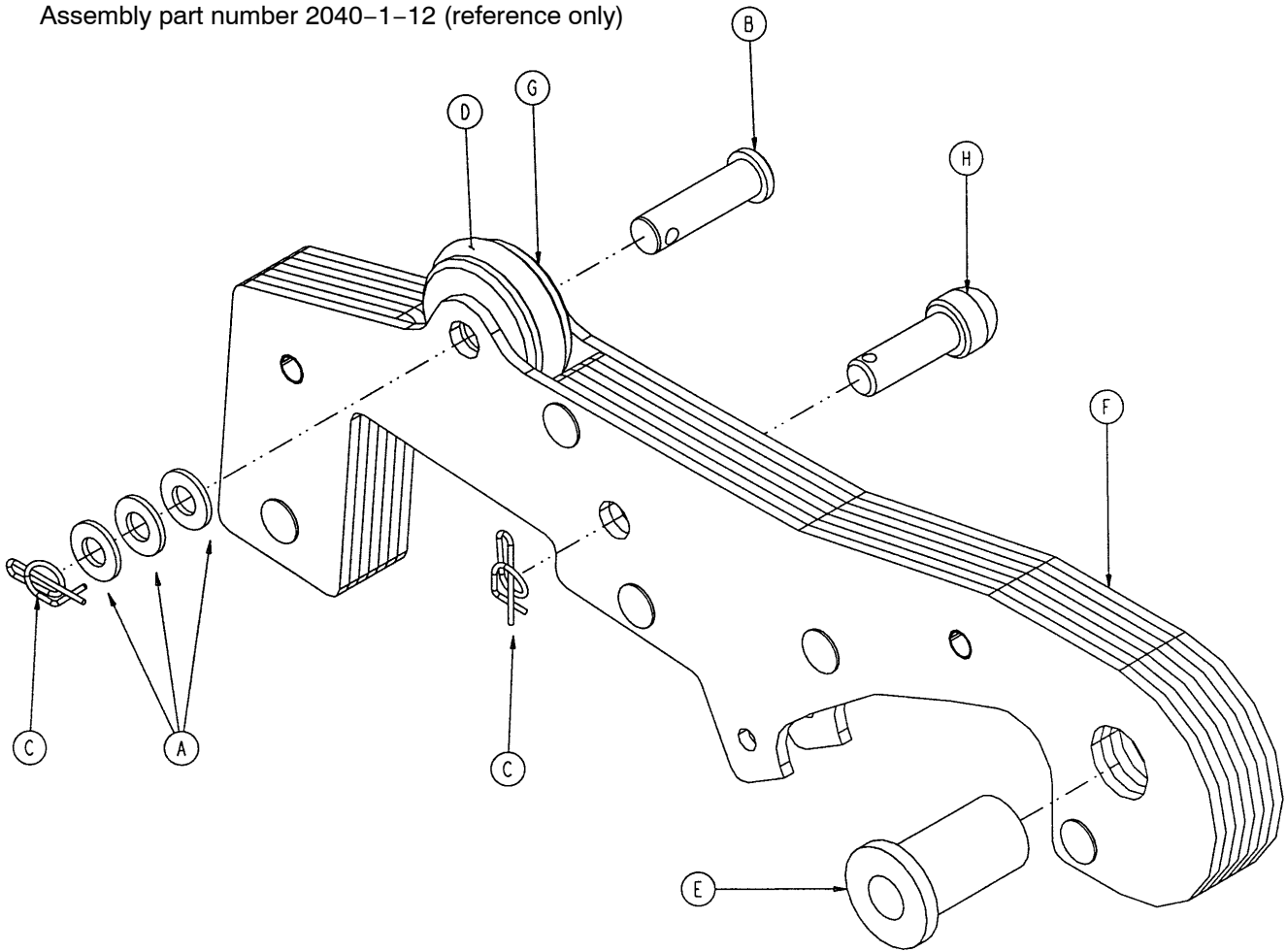
Item	Part No.	Part Name	Qty.
B	3-85	Hex Hd. Cap Screw	4
DA	3002-1-801	Umbilical Cable Ass'y	1

Zoom Base, 8" Casters – 3002-248-10 (Ref.)

Item	Part No.	Part Name	Qty.
B	3-53	Hex Hd. Cap Screw	4
DA	3002-1-801	Umbilical Cable Ass'y	1
DB	2040-1-1	8" Caster Spacer	1

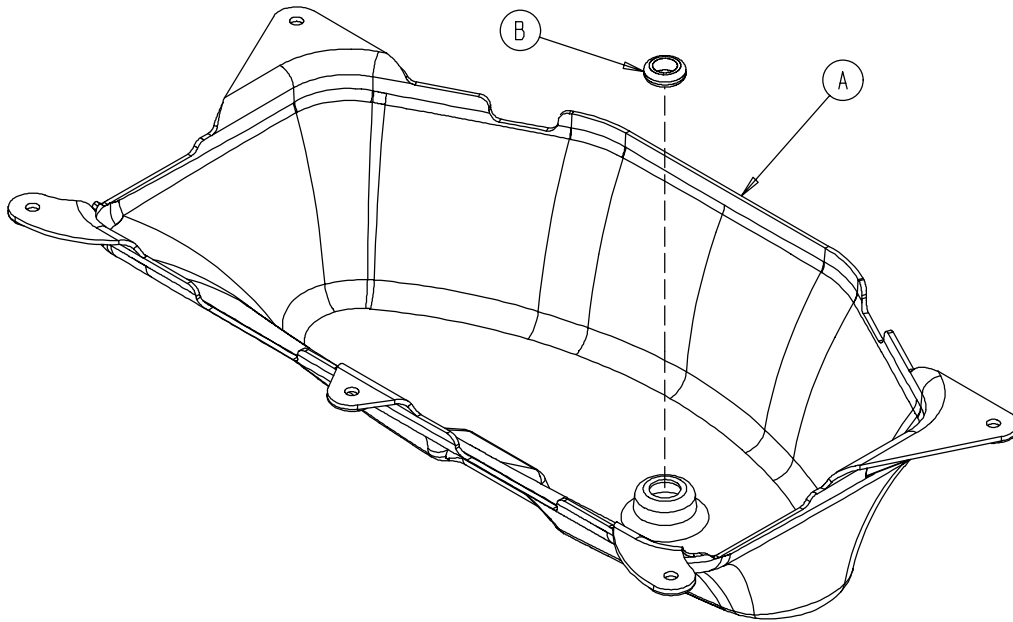
Zoom Option Drive Wheel Lift Lever Assembly

Assembly part number 2040-1-12 (reference only)



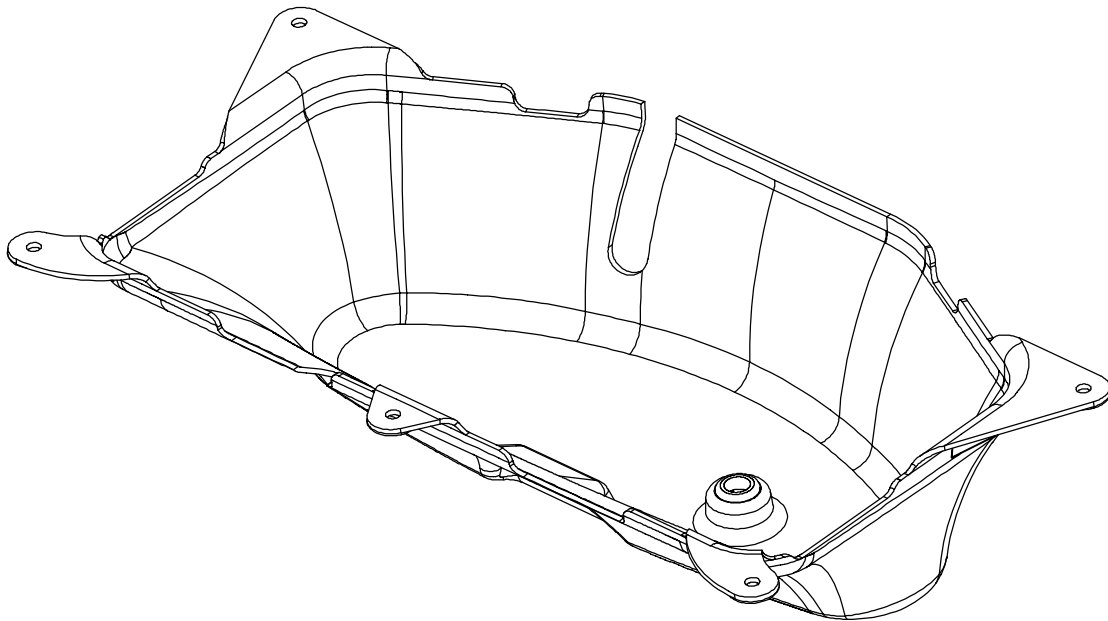
Item	Part No.	Part Name	Qty.
A	11-3	Washer	3
B	26-297	Clevis Pin	1
C	27-21	Rue Ring	2
D	45-232	O-Ring	1
E	81-70	Flange Bearing	1
F	2040-201-13	Drive Wheel Lift Plate Ass'y	1
G	2040-1-87	Lift Lever Roller	1
H	2040-1-99	Lift Lever Guide	1

3001-200-22 Foot End Bottom Cover

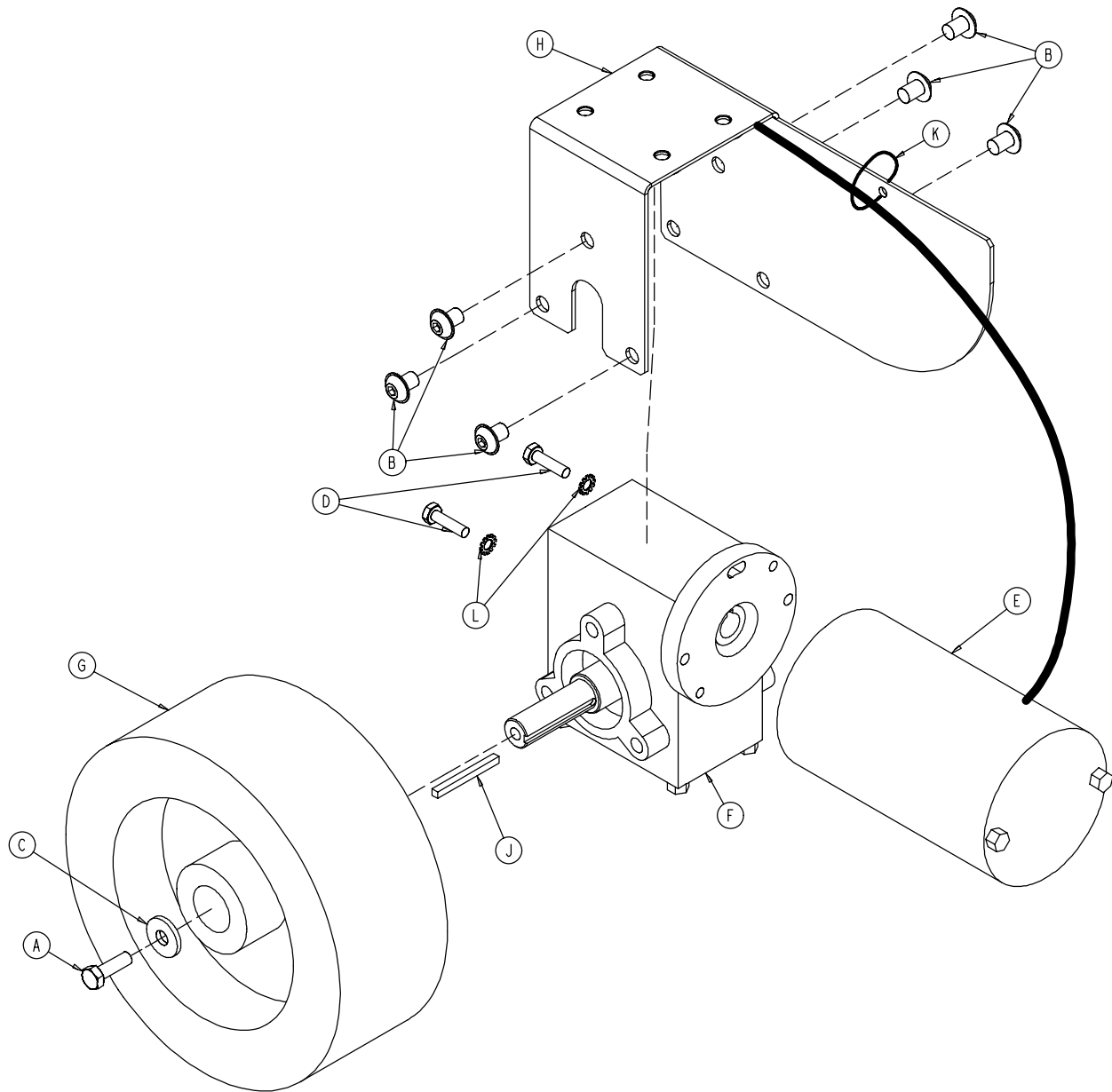


Item	Part No.	Part Name	Qty.
A	3002-1-100	Bottom Cover	1
B	3000-000-039	Grommet	1

2040-1-17 Zoom Option Head End Bottom Cover



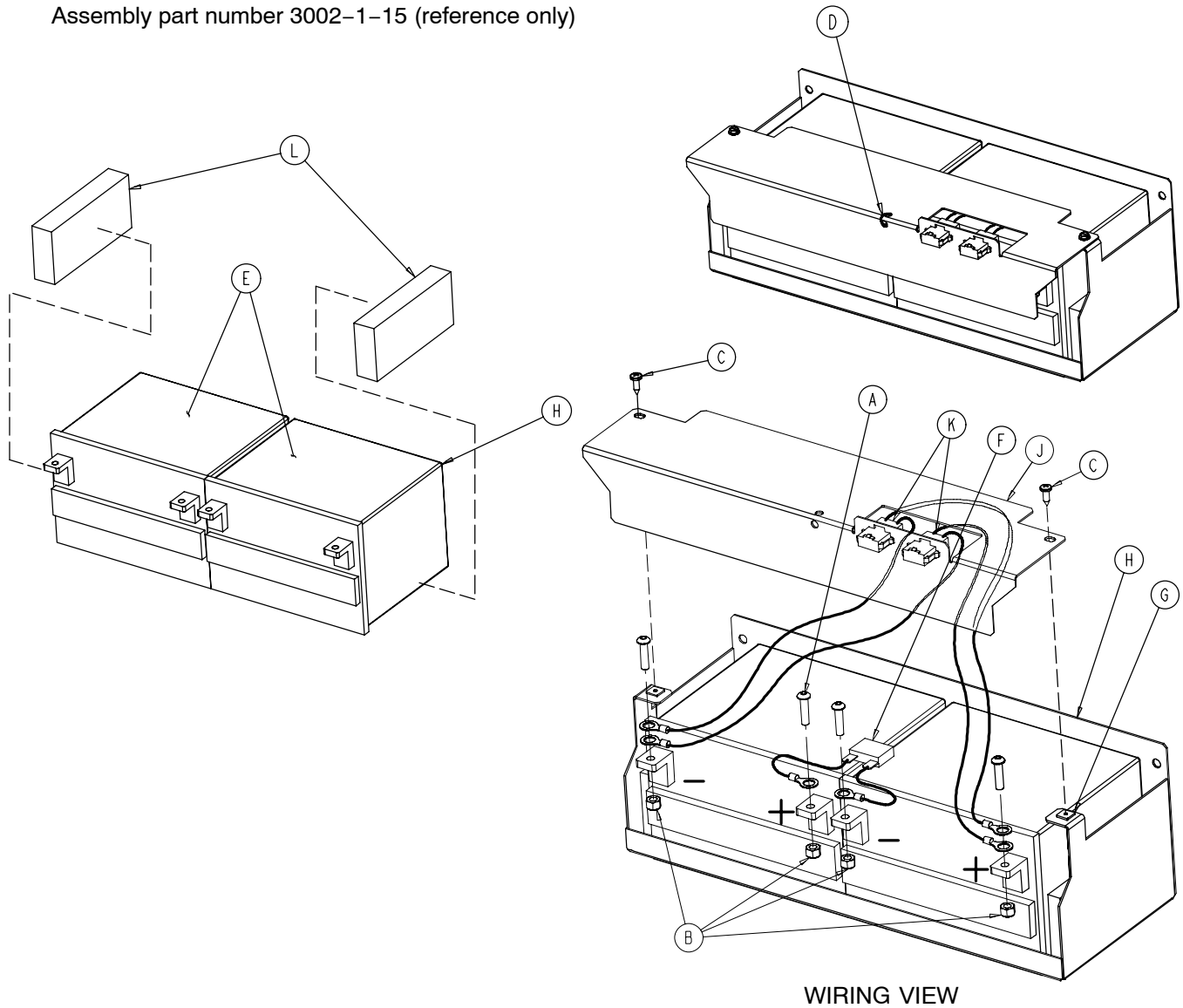
3002-1-14 Zoom Option Drive Train Assembly



Item	Part No.	Part Name	Qty.
A	8839-793-700	Hex Hd. Cap Screw	1
B	4-338	Flanged But. Hd. Cap Screw	6
C	11-262	Washer	1
D	3-54	Hex Hd. Cap Screw	2
E	3002-1-72	Drive Train Motor	1
F	2040-1-73	Gear Box	1
G	2040-1-74	Drive Train Wheel	1
H	2040-1-75	Motor Mounting Bracket	1
J	2040-1-97	Square Key	1
K	3000-300-113	Wire Tie	1
L	13-10	Star Washer	2

Zoom Option Battery Tray Assembly

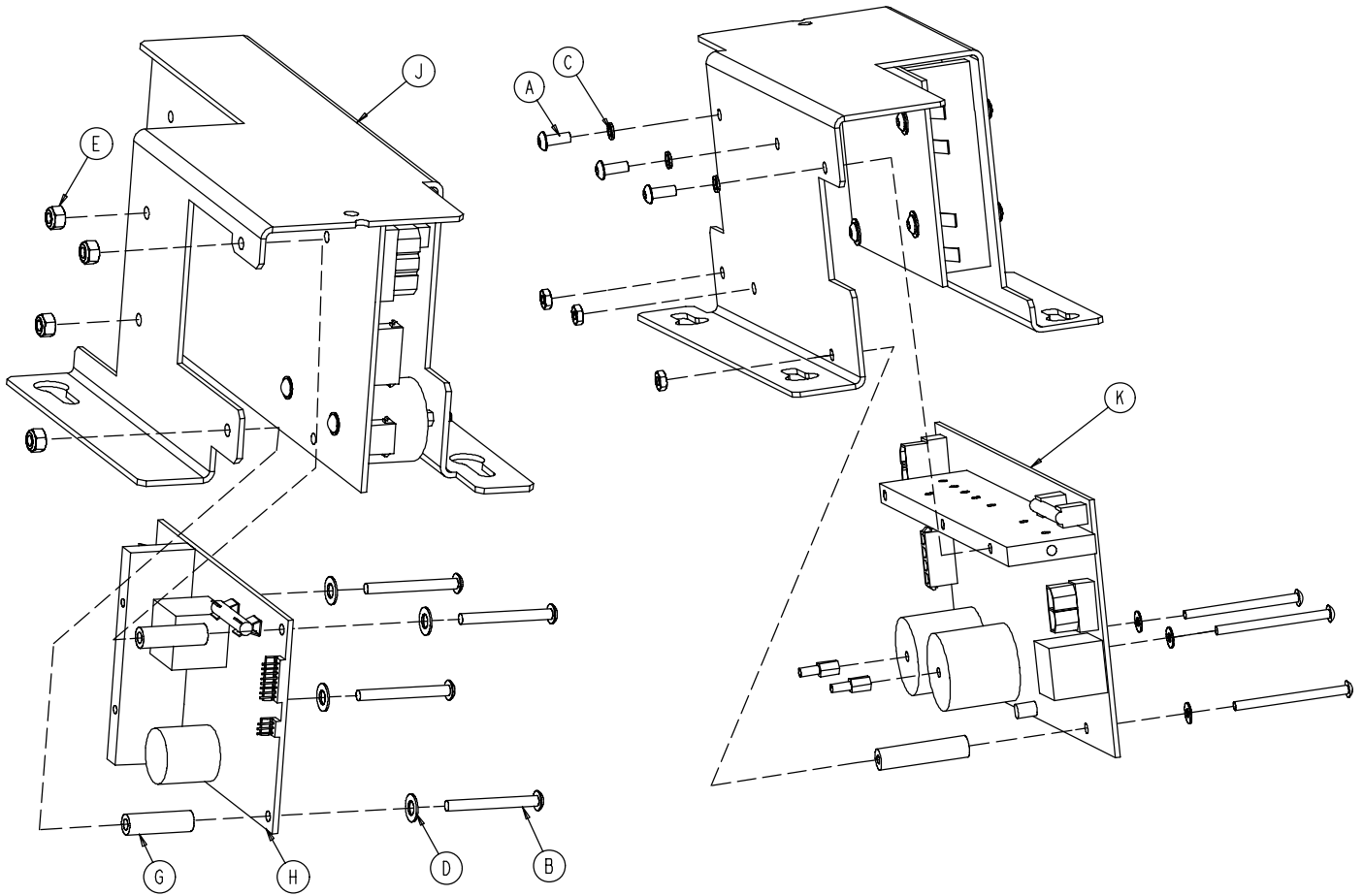
Assembly part number 3002-1-15 (reference only)



Item	Part No.	Part Name	Qty.
A	4-46	But. Hd. Cap Screw	4
B	16-28	Nylock Nut	4
C	23-256	Pan Hd. Screw	2
D	38-151	Cable Tie	1
E	2040-1-70	Battery	2
F	2040-1-802	Battery Jumper Cable	1
G	3000-300-2	Push Nut	2
H	3002-1-69	Battery Tray	1
J	3002-1-91	Terminal Guard	1
K	3002-1-803	Battery Harness Cable	2
L	3002-101-43	Foam Spacer	2

Battery Kit part number 2040-700-13.

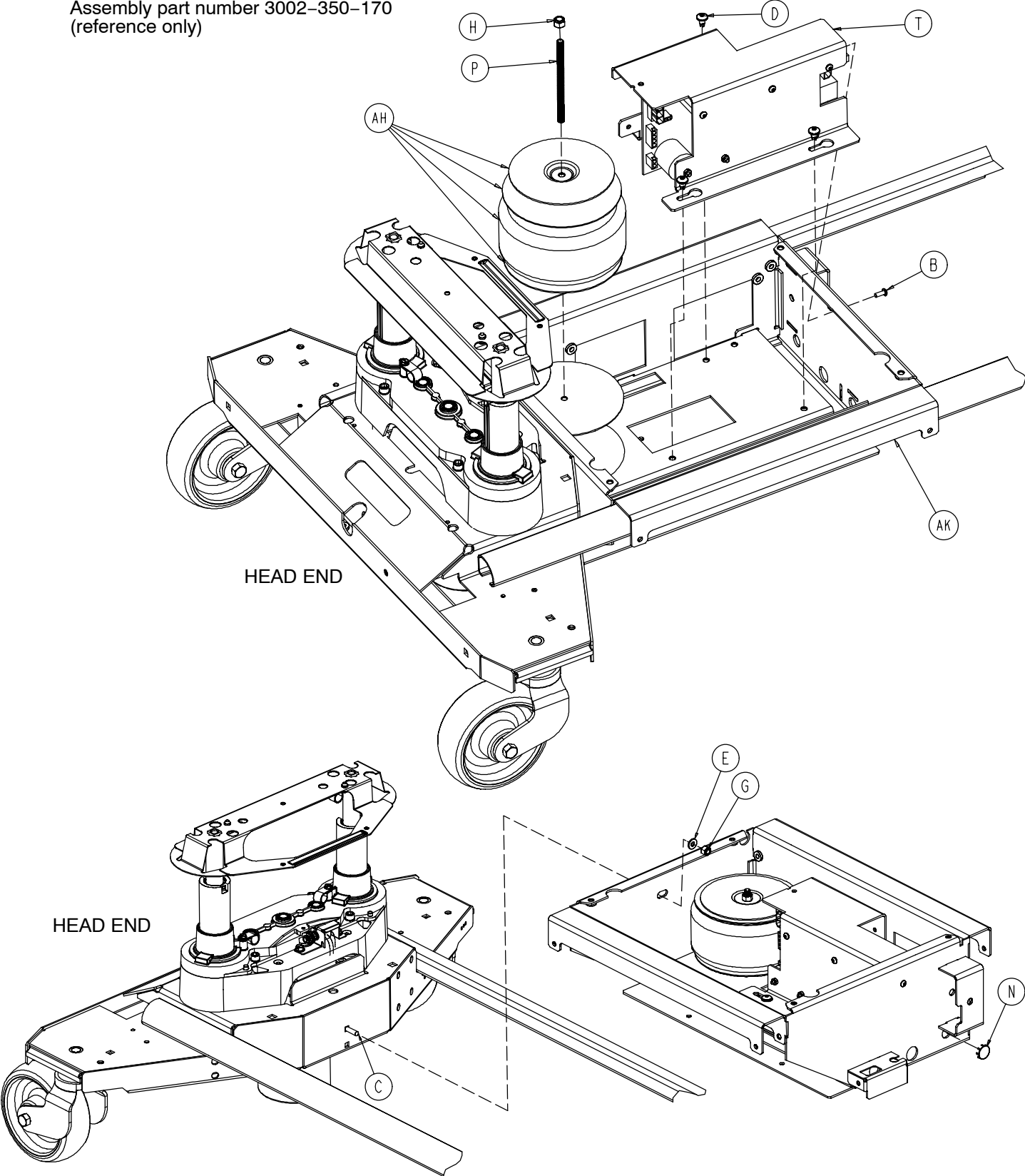
3002-1-30 Zoom Option Base Power Assembly



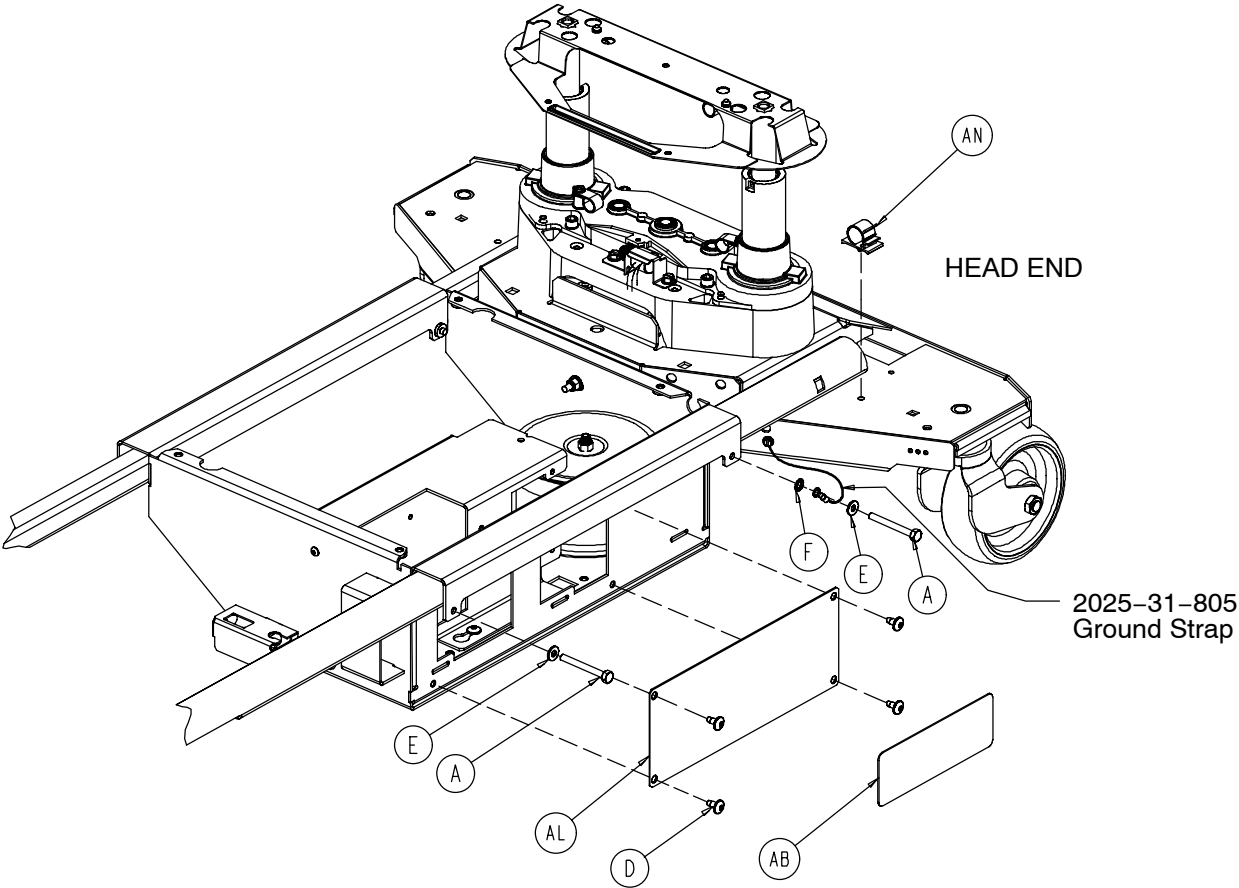
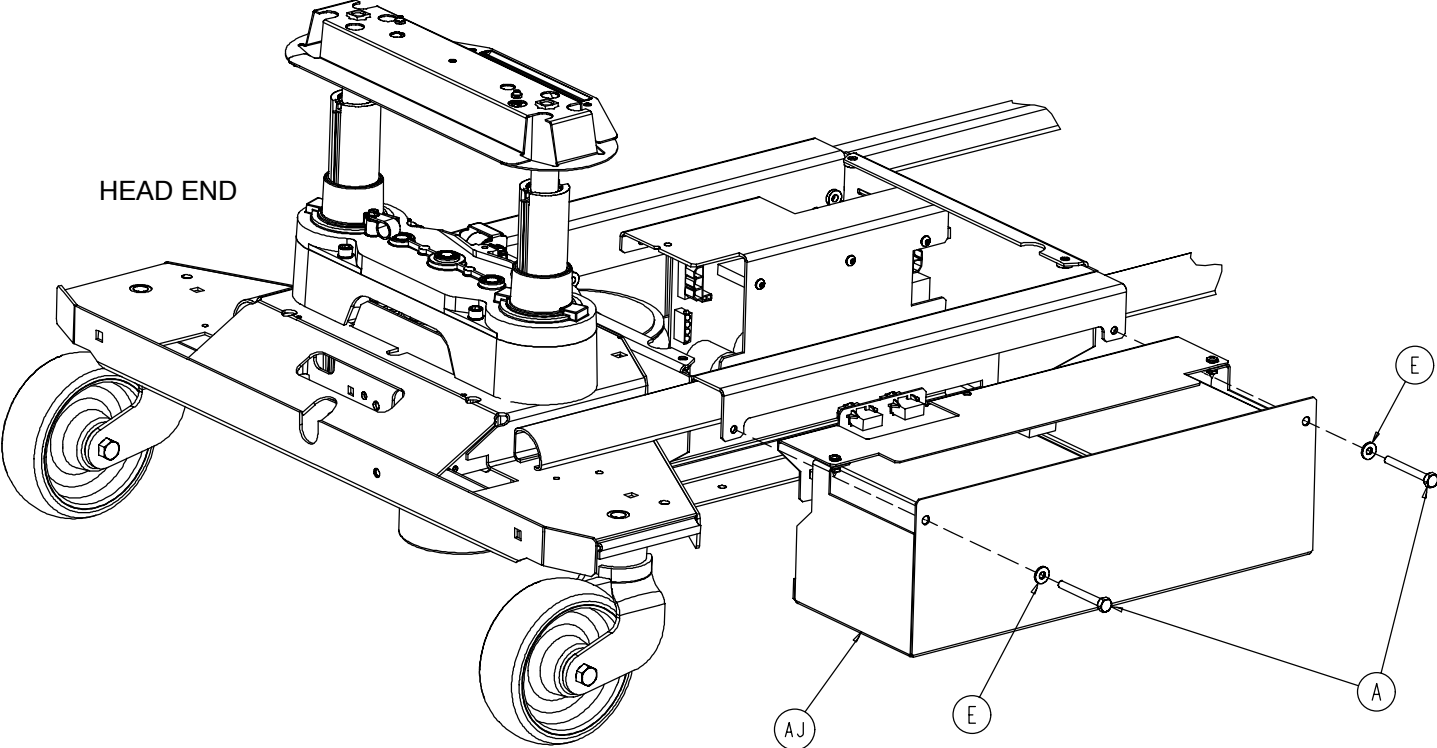
Item	Part No.	Part Name	Qty.
A	4-263	But. Hd. Cap Screw	3
B	4-315	But. Hd. Cap Screw	4
C	12-6	Helical Lock Washer	3
D	14-4	Nylon Washer	4
E	16-2	Fiberlock Nut	4
G	59-187	Spacer	2
H	2040-1-900	Power Board	1
J	3002-1-17	Charger/Inverter Heat Bracket	1
K	3002-1-930	Charger/Inverter Board Ass'y	1

Base Assembly with Battery Back-Up Option

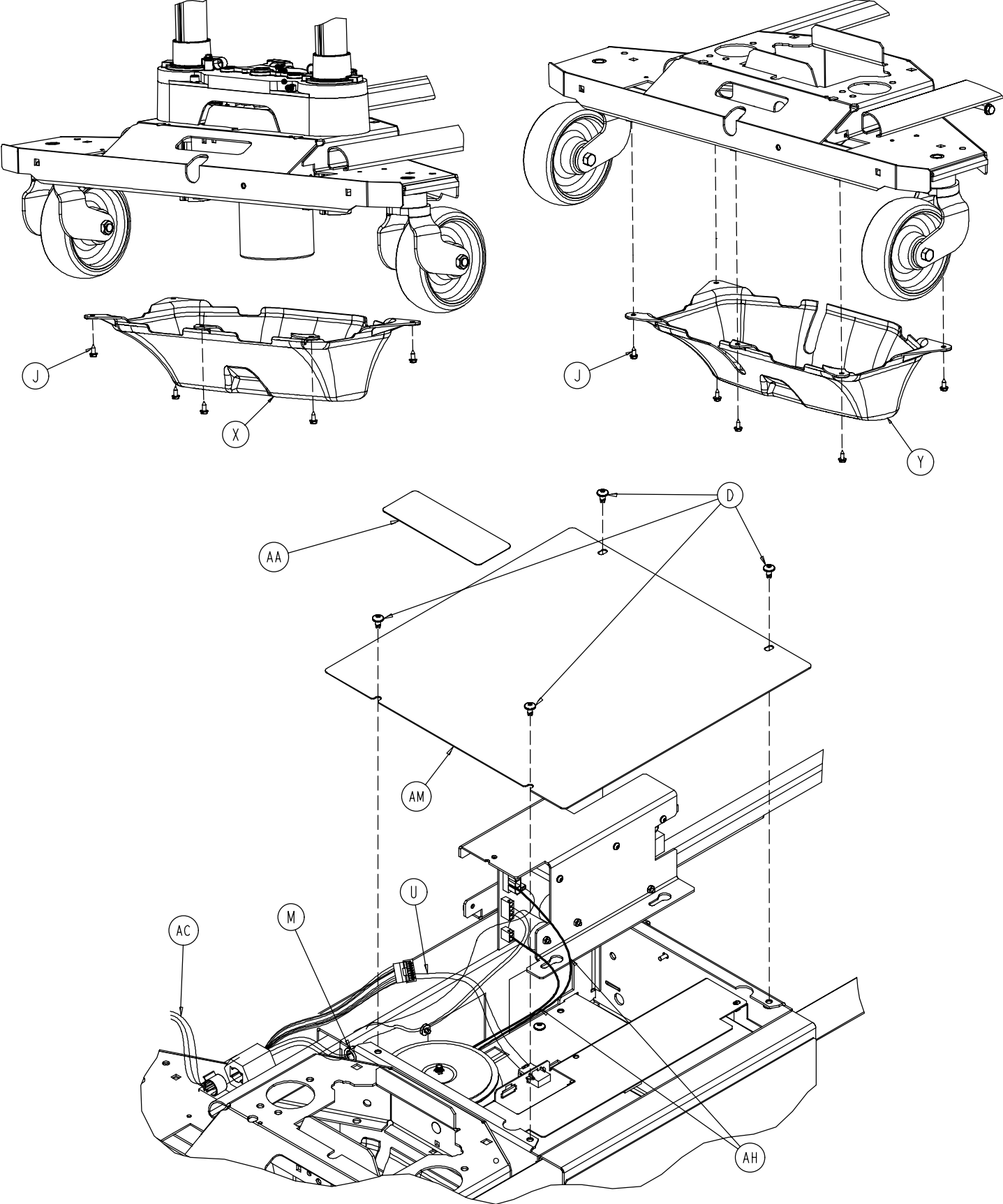
Assembly part number 3002-350-170
(reference only)



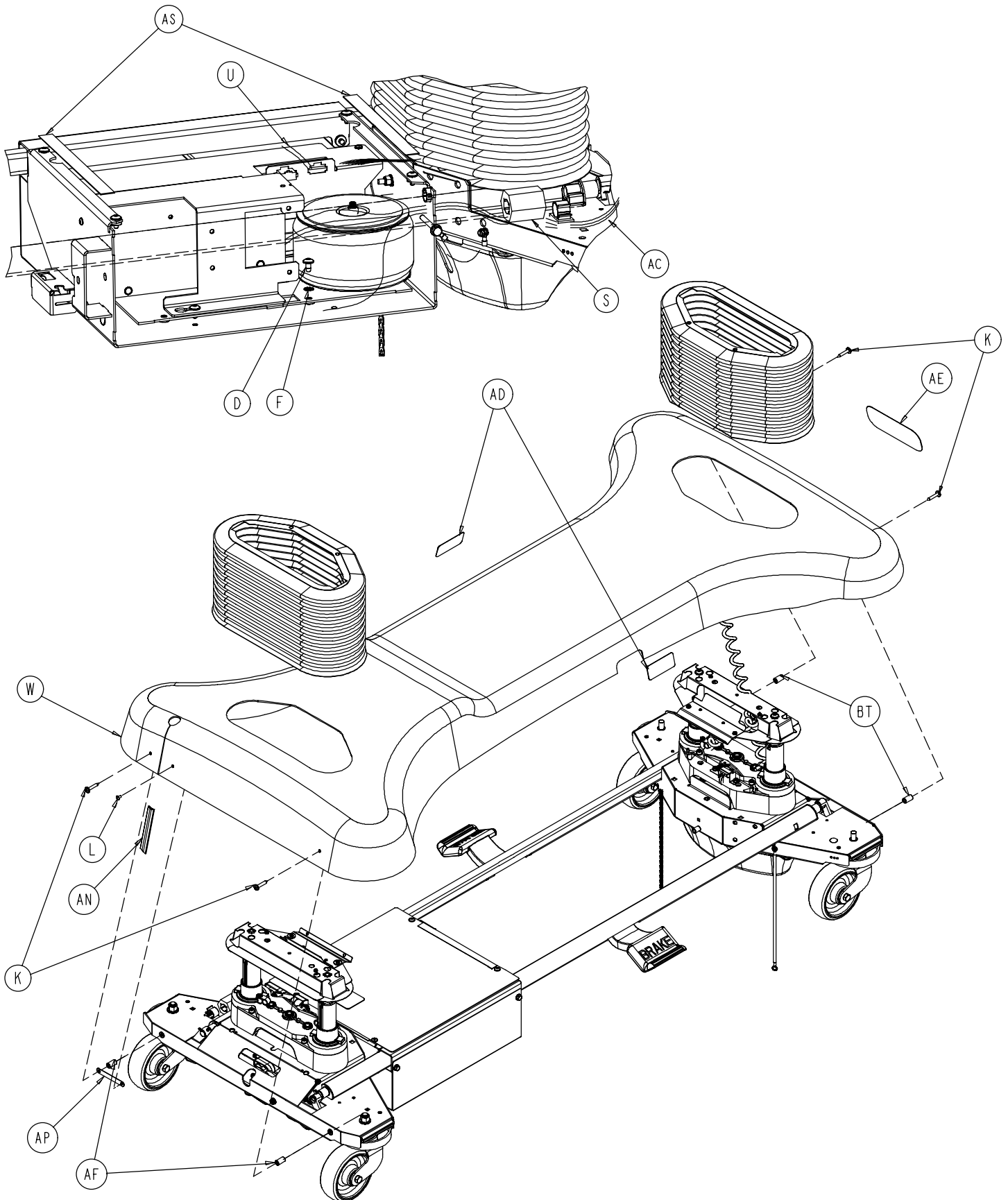
Base Assembly with Battery Back-Up Option



Base Assembly with Battery Back-Up Option



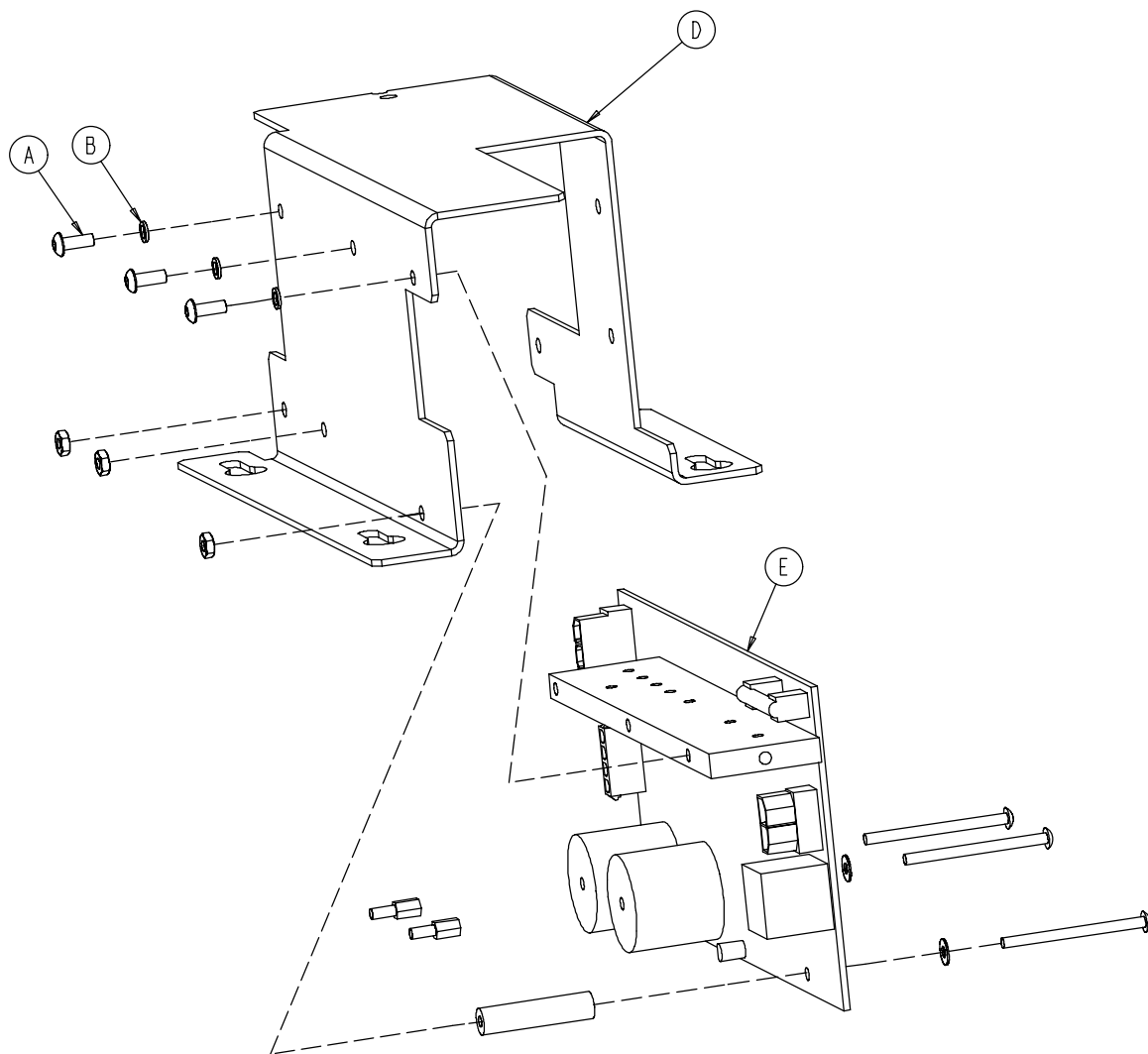
Base Assembly with Battery Back-Up Option



Base Assembly with Battery Back-Up Option

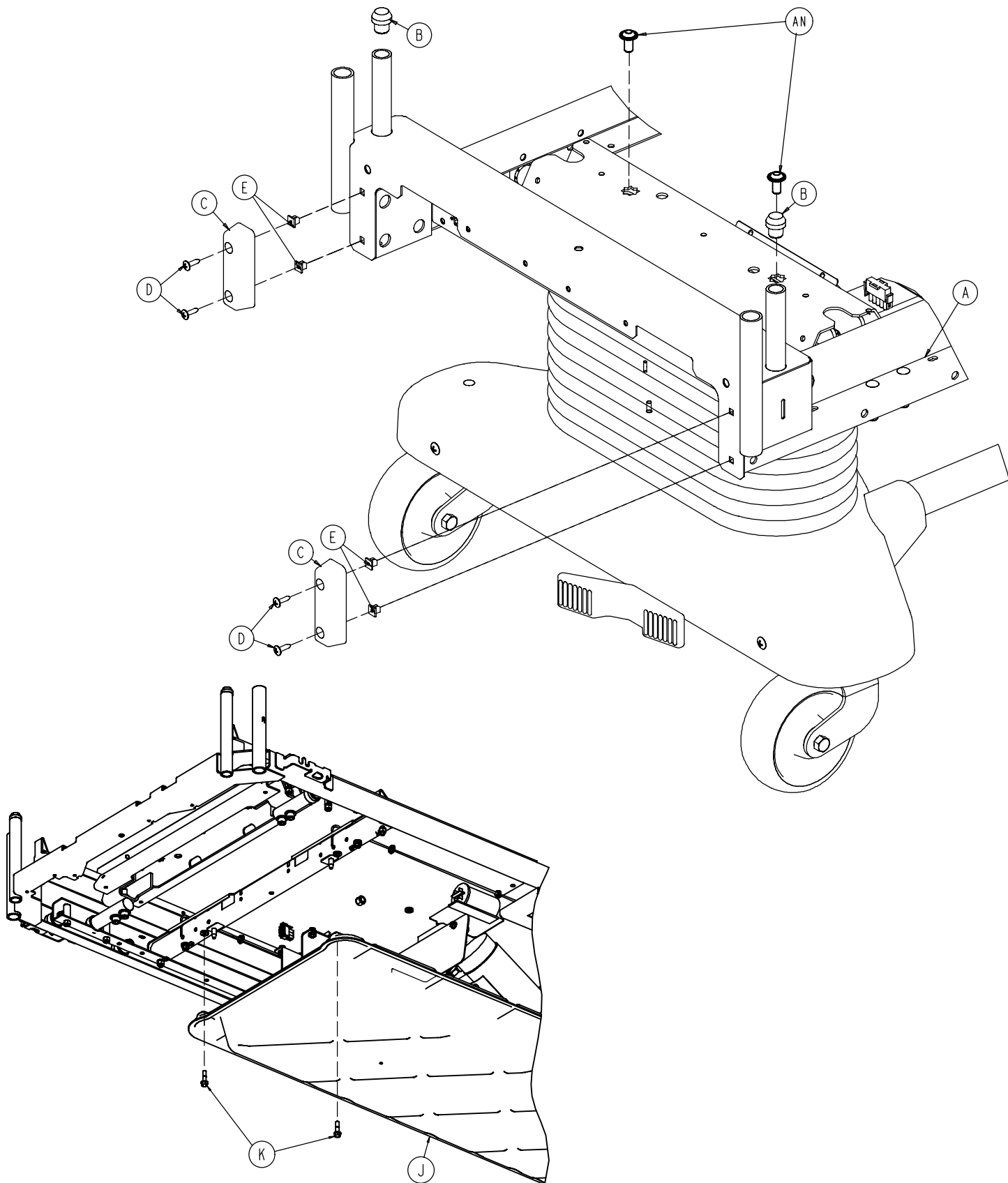
Item	Part No.	Part Name	Qty.
A	3-32	Hex Hd. Cap Screw	4
B	4-301	Pan Hd. Machine Screw	1
C	5-17	Carriage Bolt	1
D	7-52	Truss Hd. Torx Screw	13
E	11-63	Washer	5
F	13-10	External Tooth Star Washer	5
G	16-28	Nylock Nut	1
H	16-36	Nylock Nut	1
J	23-25	Hex Washer Hd. Screw	10
K	23-281	Self-Tapping Screw	4
L	25-79	Pop Rivet	1
M	30-38	Split Bushing	1
N	37-221	Hole Plug	1
P	58-90	Threaded Stud	1
R	59-133	Push-Mount Wire Clip	1
S	59-192	Split Ferrite	1
T	(page 140)	Base Power Assembly	1
U	2030-80-802	Epic+ DC Jumper Assembly	1
W	2030-201-5	Base Hood	1
X	(page 131)	Foot End Bottom Cover Ass'y	1
Y	(page 131)	Head End Bottom Cover Ass'y	1
Z	2040-1-100	Drive Wheel Position Label	1
AA	2040-1-101	Charger Box Cover Label	1
AB	2040-1-102	Power Board Cover Label	1
AC	3002-31-113	Umbilical Cable Isolation Bracket	1
AD	3000-200-601	Brake Label	2
AE	3000-200-602	Stryker Logo Label	1
AF	3000-300-428	Gatch Link Sleeve	4
AG	3000-300-113	Wire Tie	2
AH	3002-1-10	Transformer	1
AJ	(page 133)	Battery Tray Assembly	1
AK	3002-1-50	Charger Box	1
AL	3002-1-68	Power PCB Cover	1
AM	3002-1-71	Charger/Inverter Cover	1
AN	3002-1-78	Hood Slot Trim	1
AP	3002-1-79	Hood Slot Trim Bracket	1
AR	3002-1-802	Inverter/Battery Cable	1
AS	7000-1-326	Foam Tape (10")	2
AT	(page 106)	Zoom® Secure Bed Base Ass'y	1

2030-1-30 Battery Back-Up Option Power Assembly

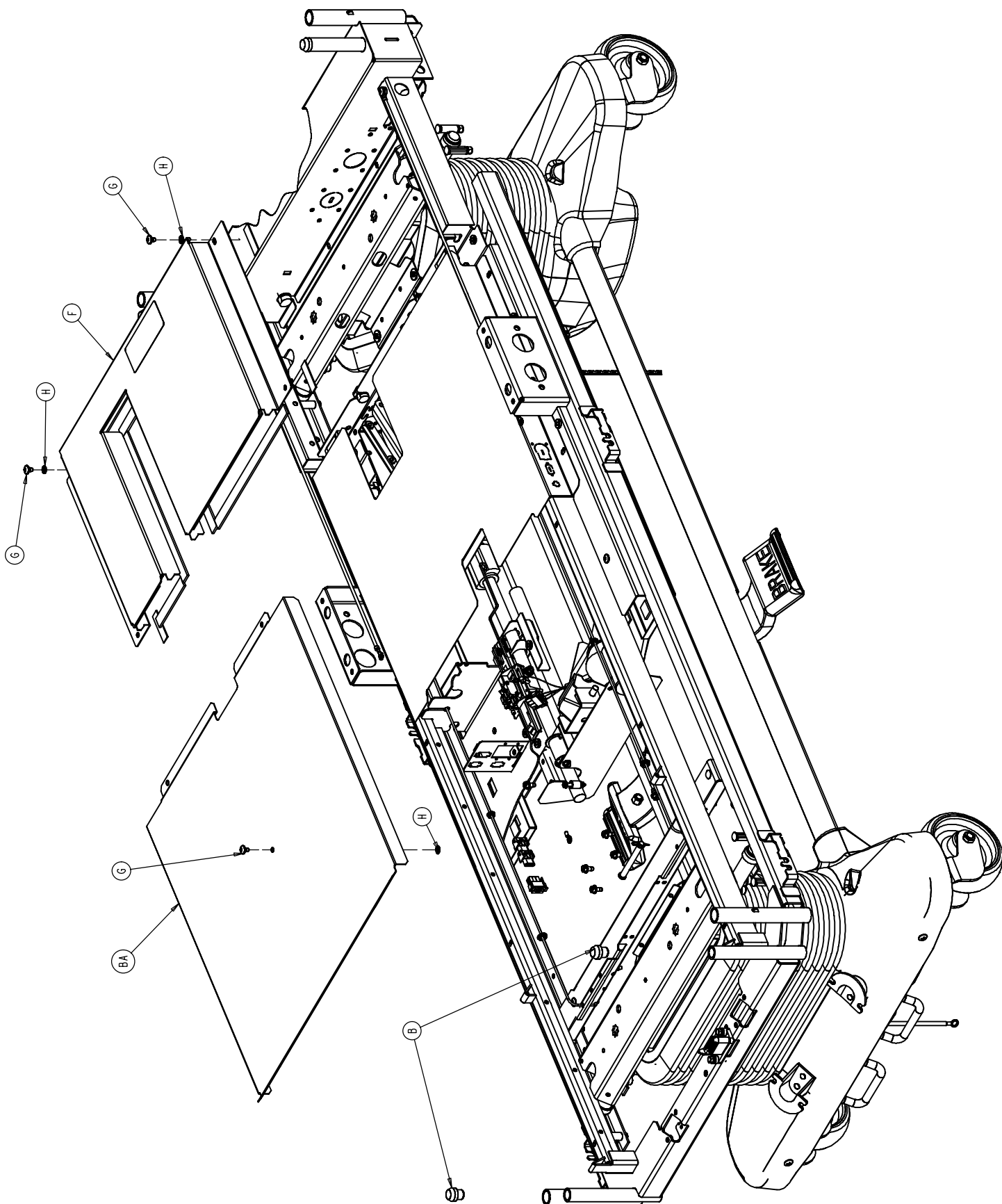


Item	Part No.	Part Name	Qty.
A	4-263	But. Hd. Cap Screw	3
B	12-6	Helical Lock Washer	3
D	3002-1-17	Charger/Inverter Heat Bracket	1
E	3002-1-930	Charger/Inverter Board	1

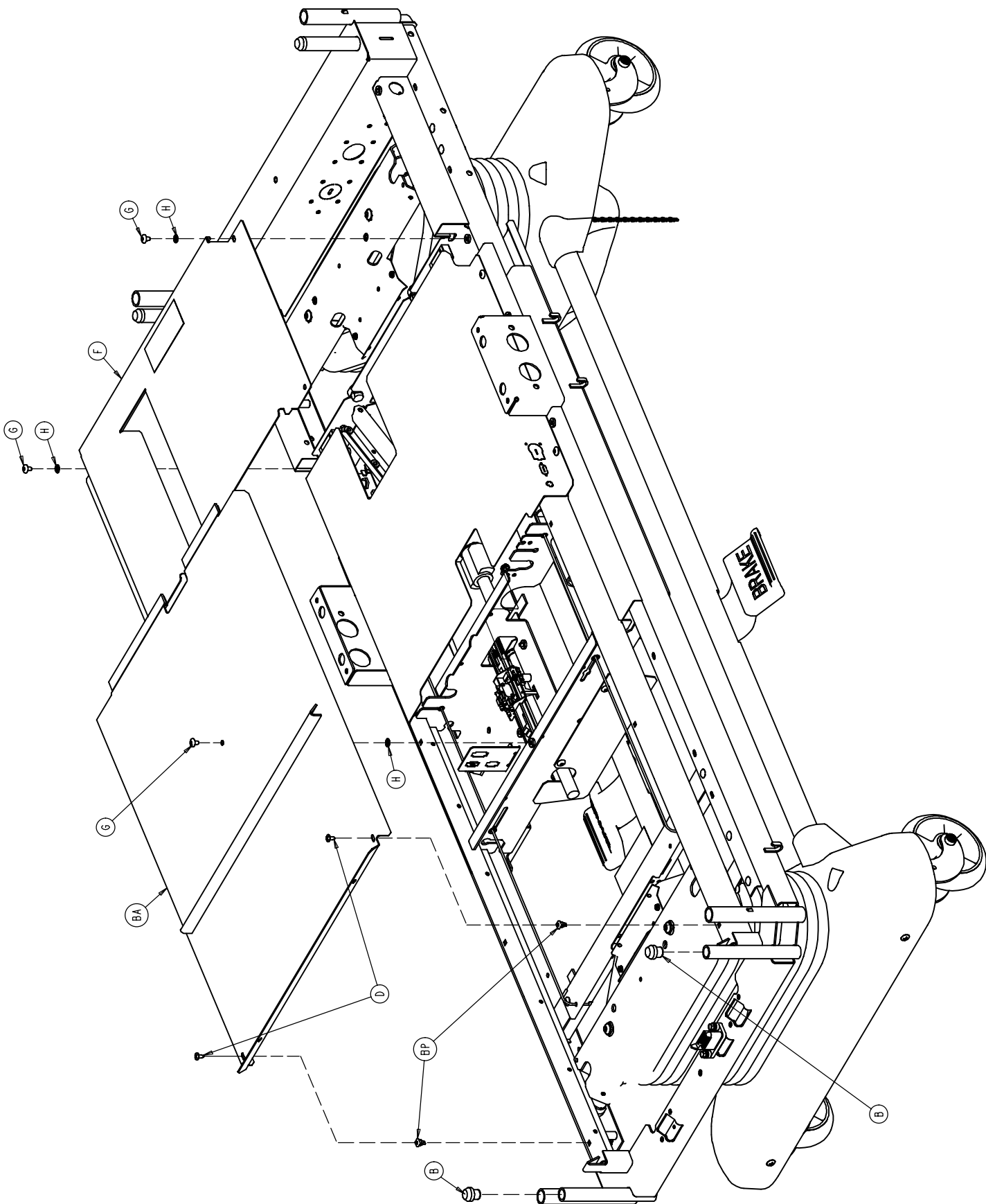
Litter Assembly



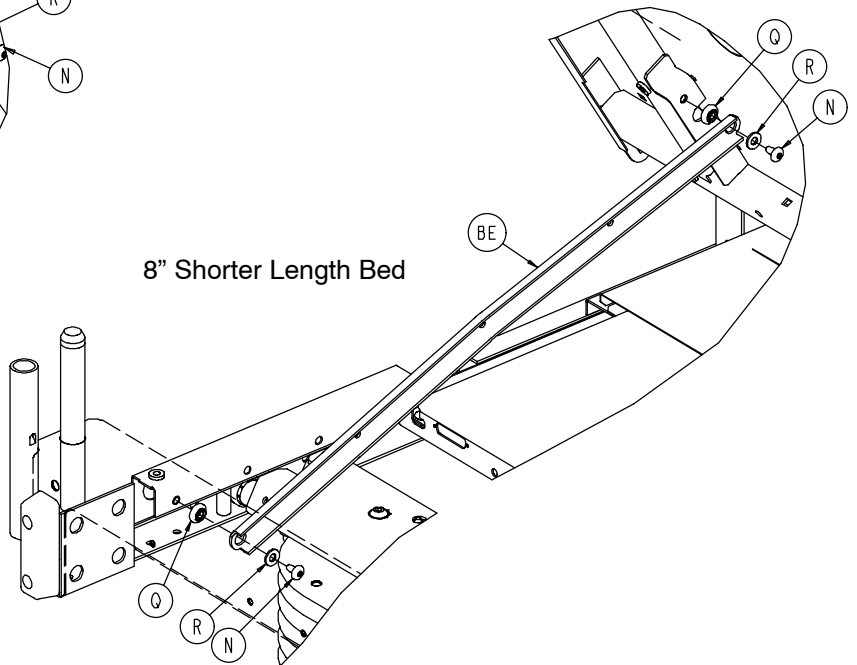
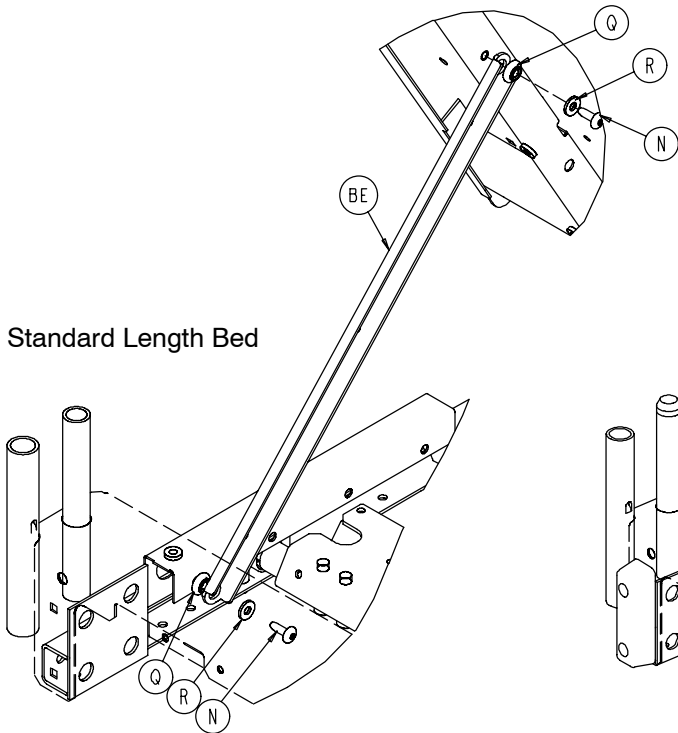
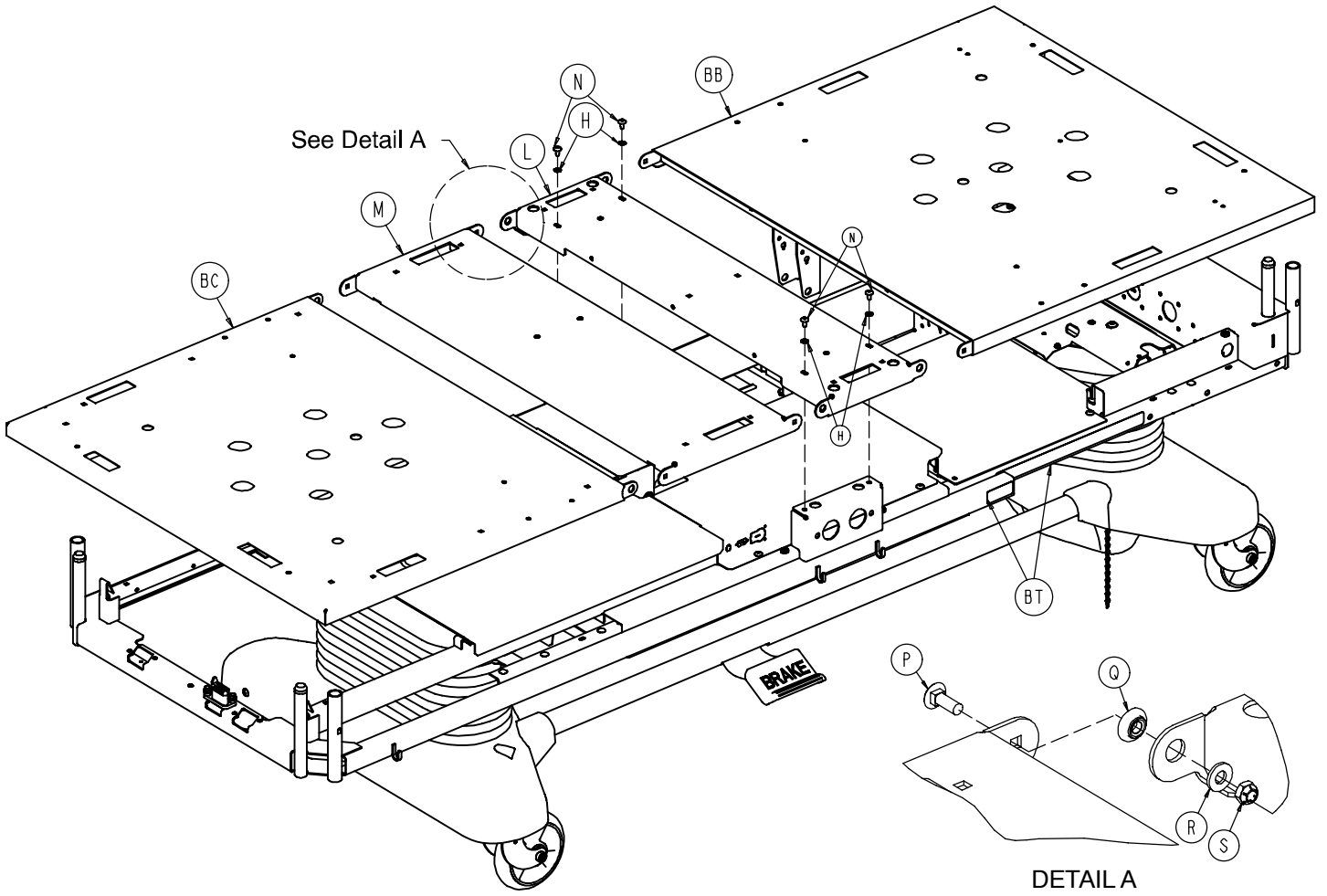
Litter Assembly



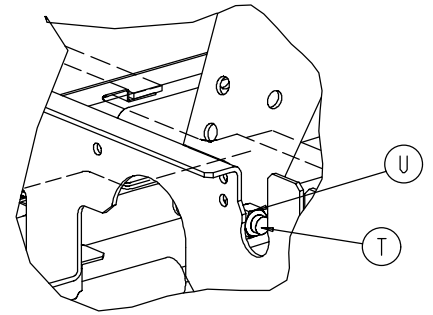
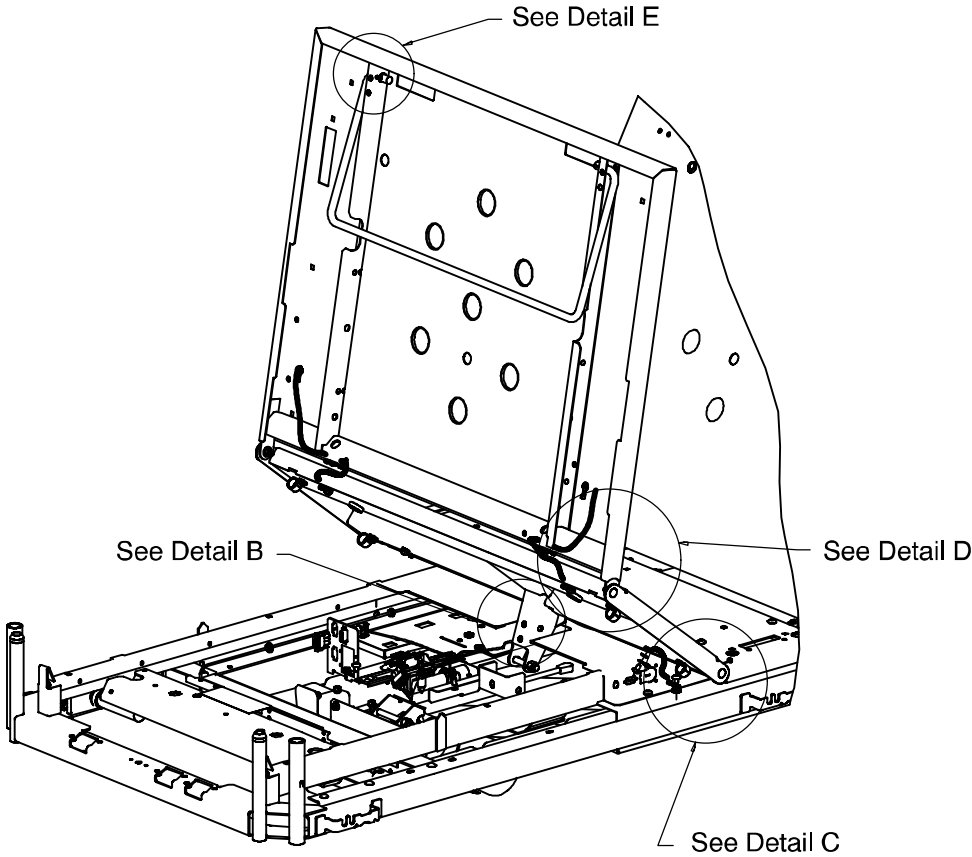
Litter Assembly



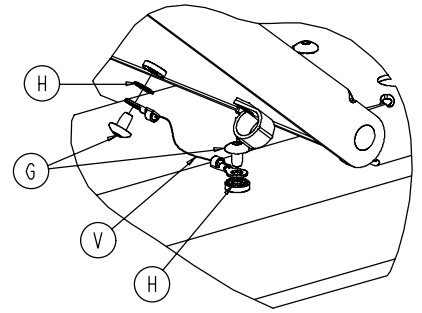
Litter Assembly



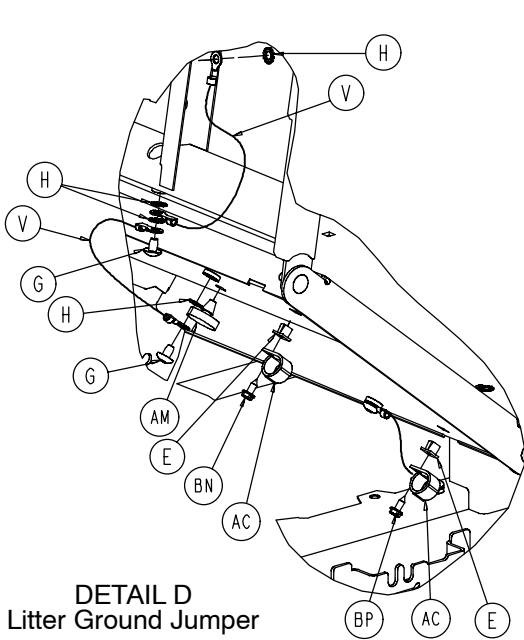
Litter Assembly



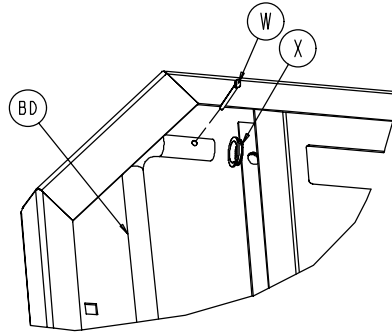
DETAIL B



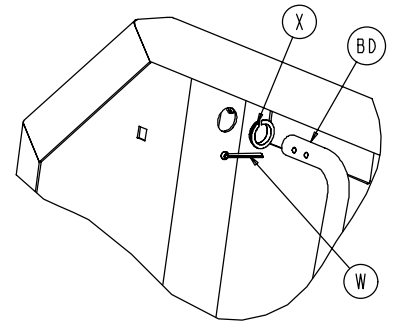
DETAIL C
Litter Ground Jumper



DETAIL D
Litter Ground Jumper

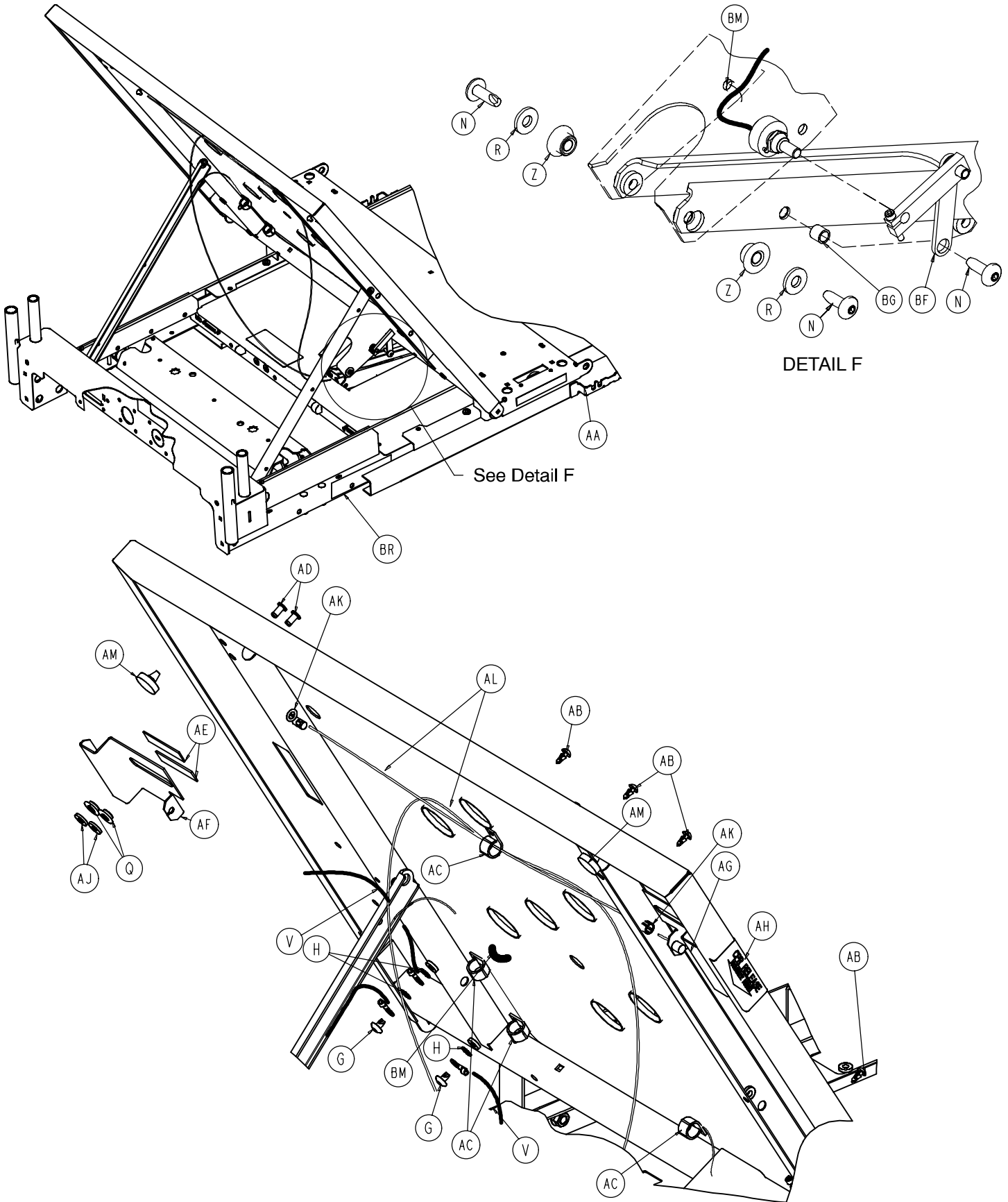


DETAIL E
Standard Length Bed
Foot Prop Installation



DETAIL E
8" Shorter Length Bed
Foot Prop Installation

Litter Assembly



Litter Assembly

Litter Common Components – part number 3002-300-2 (reference only)

Item	Part No.	Part Name	Qty.	Item	Part No.	Part Name	Qty.
A	(page 150-155)	Electrical Litter Ass'y	1	X	52-754	Bushing	2
B	3000-300-349	Cap	4	AA	2020-88-820	Caution Label	2
F	(page 148)	CPU Cover Ass'y	1	AB	3000-300-477	CPR Conduit Stud	1
G	7-53	Truss Hd. Screw	17	AC	59-743	Wire Harness Clip	1
H	13-10	Ext. Tooth Lock Washer	27	AD	25-120	Pop Rivet	4
K	3001-200-229	Mounting Standoff	2	AE	3001-300-663	Velcro Strip	4
L	3001-300-135	Seat Litter	1	AF	3001-300-662	CPR Handle, Left	1
M	3001-300-170	Thigh Litter Ass'y	1	AG	3001-300-661	CPR Handle, Right	1
N	7-63	Truss Hd. Screw	6	AH	3001-300-603	CPR Release Label	2
P	5-17	Carriage Bolt	6	AJ	11-376	Washer	4
Q	3001-300-99	Fowler Bushing	14	AK	30-52	Snap Bushing	2
R	11-77	Flat Washer	12	AL	3001-300-670	CPR Cable Ass'y	2
S	16-28	Fiber Lock Nut	6	AM	3001-300-8	Bumper	2
T	3-72	Hex Hd. Cap Screw	1	AN	4-338	Flange But. Hd. Cap Scr.	4
U	16-35	Nylon Hex Nut	1	AP	7-65	Truss Hd. Screw	4
V	3002-300-870	Litter Ground Jumper	10	AR	58-56	Black Edge Trim	3"
W	27-7	Cotter Pin	2				

Std. Length Bed Litter – 3002-343-2 (ref.)

Item	Part No.	Part Name	Qty.
A	(page 150-155)	Electrical Litter Ass'y	1
C	3000-300-350	Head End Bumper	2
D	23-80	Truss Hd. Screw	4
E	3000-300-2	Plastic Clip Nut	4
J	3002-300-83	Motion Interrupt Pan	1
Z	3000-300-99	Fowler Bushing	2
AM	3001-300-8	Bumper	2
BA	(page 149)	Foot Cover Ass'y	1
BB	3002-300-145	Fowler Litter Ass'y	1
BC	3002-300-190	Foot Litter Ass'y	1
BD	3001-300-162	Foot Prop Rod	1
BE	3001-300-5	Fowler Link	2
BR	3002-300-602	Fowler Angle Label	1

8" Shorter Litter Option – 3002-342-2 (ref.)

Item	Part No.	Part Name	Qty.
A	(page 150-155)	Electrical Litter Ass'y	1
C	3000-300-350	Head End Bumper	2
D	23-80	Truss Hd. Screw	6
E	3000-300-2	Plastic Clip Nut	4
J	3001-300-83	Motion Interrupt Pan	1
Z	3001-300-99	Fowler Bushing	2
AM	3001-300-8	Bumper	2
BA	(page 149)	Foot Cover Ass'y	1
BB	3002-342-130	Fowler Litter Ass'y	1
BC	3002-342-180	Foot Litter Assembly	1
BD	3001-342-162	Foot Prop Rod	1
BE	3001-342-8	Fowler Link	2
BP	52-816	Screw Grommet	2
BR	3002-300-602	Fowler Angle Label	1

Zoom Litter Option – 3002-344-2 (ref.)

Item	Part No.	Part Name	Qty.
A	(page 150-155)	Electrical Litter Ass'y	1
J	3002-300-83	Motion Interrupt Pan	1
Z	3000-300-99	Fowler Bushing	2
AM	3001-300-8	Bumper	2
BA	(page 149)	Foot Cover Ass'y	1
BB	3002-300-145	Fowler Litter Ass'y	1
BC	3002-300-190	Foot Litter Ass'y	1
BD	3001-300-162	Foot Prop Rod	1
BE	3001-300-5	Fowler Link	2
BR	3002-300-602	Fowler Angle Label	1

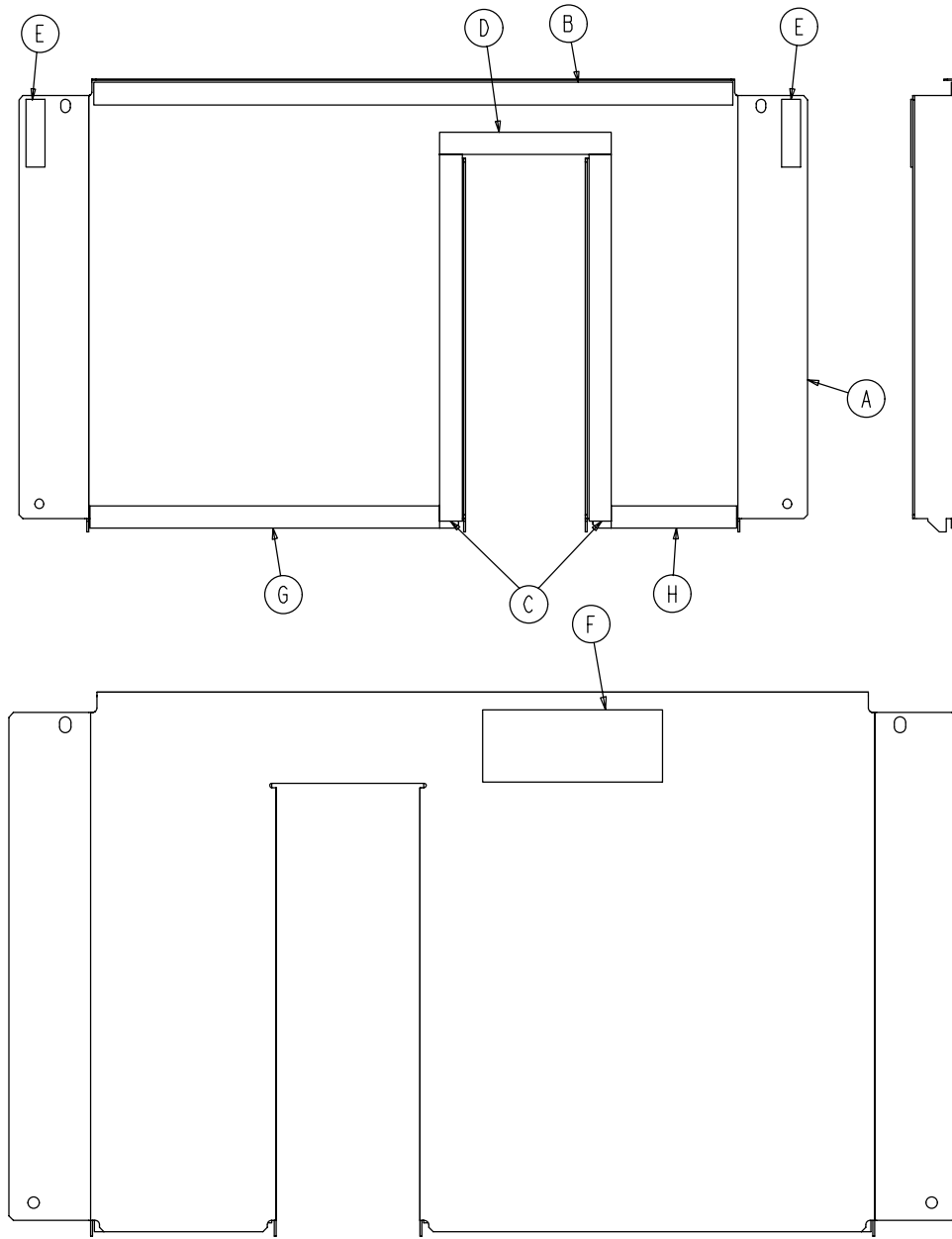
8" Shorter Zoom Litter Option – 3002-346-2 (ref.)

Item	Part No.	Part Name	Qty.
A	(page 150-155)	Electrical Litter Ass'y	1
D	23-80	Truss Hd. Screw	2
J	3002-300-83	Motion Interrupt Pan	1
Z	3001-300-99	Fowler Bushing	2
AM	3001-300-8	Bumper	2
BA	(page 149)	Foot Cover Ass'y	1
BB	3002-342-130	Fowler Litter Ass'y	1
BC	3002-342-180	Foot Litter Ass'y	1
BD	3001-342-162	Foot Prop Rod	1
BE	3001-342-8	Fowler Link	2
BP	52-816	Screw Grommet	2
BR	3002-300-602	Fowler Angle Label	1

Battery Back-Up Litter Option – 3002-350-200 (ref.)

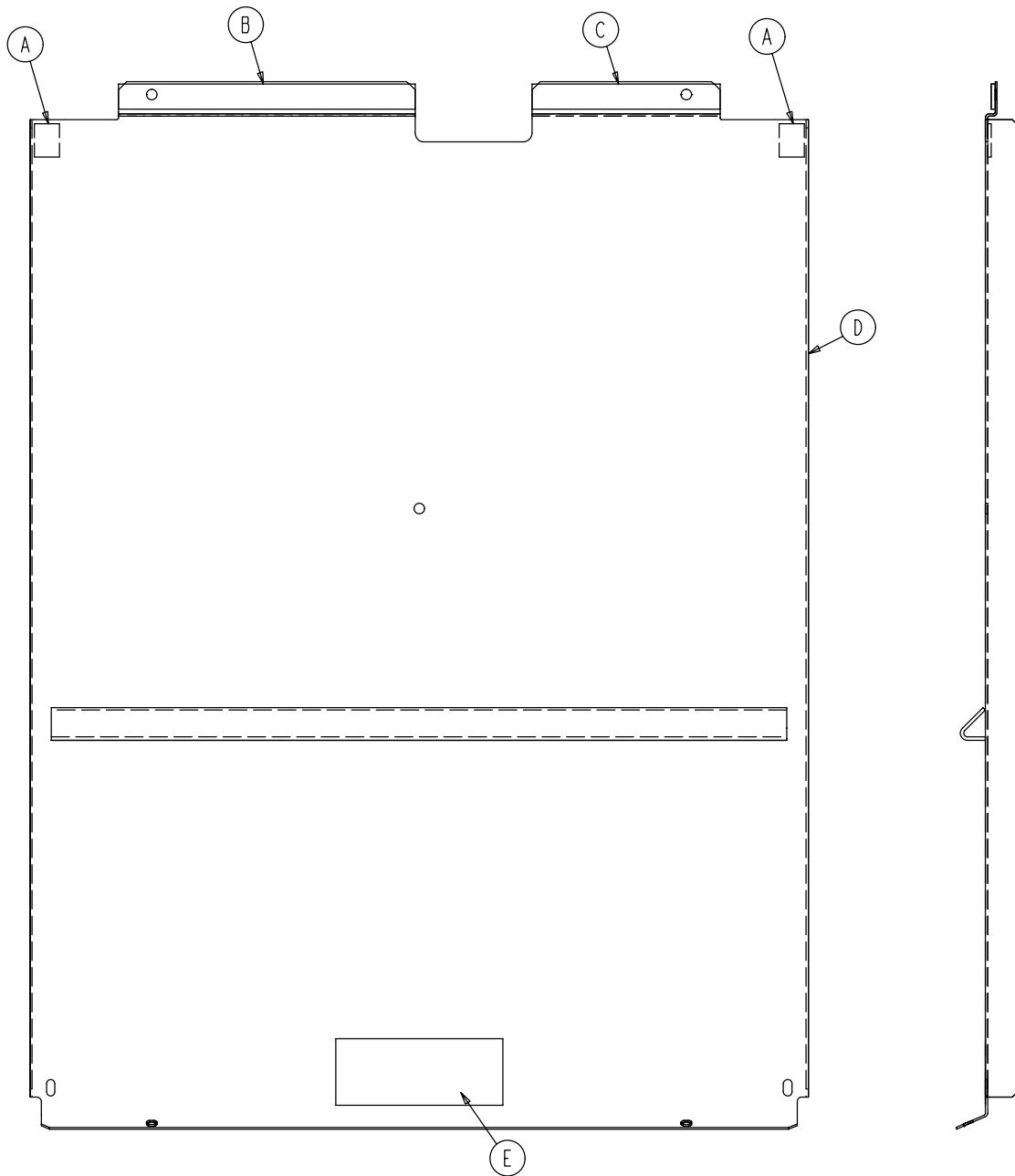
Item	Part No.	Part Name	Qty.	Item	Part No.	Part Name	Qty.
A	(page 155)	Battery Back-Up Ass'y	1	BA	(page 149)	Foot Cover Ass'y	1
J	3002-300-83	Motion Interrupt Pan	1	BB	3002-300-145	Fowler Litter Ass'y	1
Z	3000-300-99	Fowler Bushing	2	BC	3002-300-190	Foot Litter Ass'y	1
AM	3001-300-8	Bumper	2	BD	3001-300-162	Foot Prop Rod	1
BE	3001-300-5	Fowler Link	2	BR	3002-300-602	Fowler Angle Label	1

3001-300-97 Litter CPU Cover Assembly



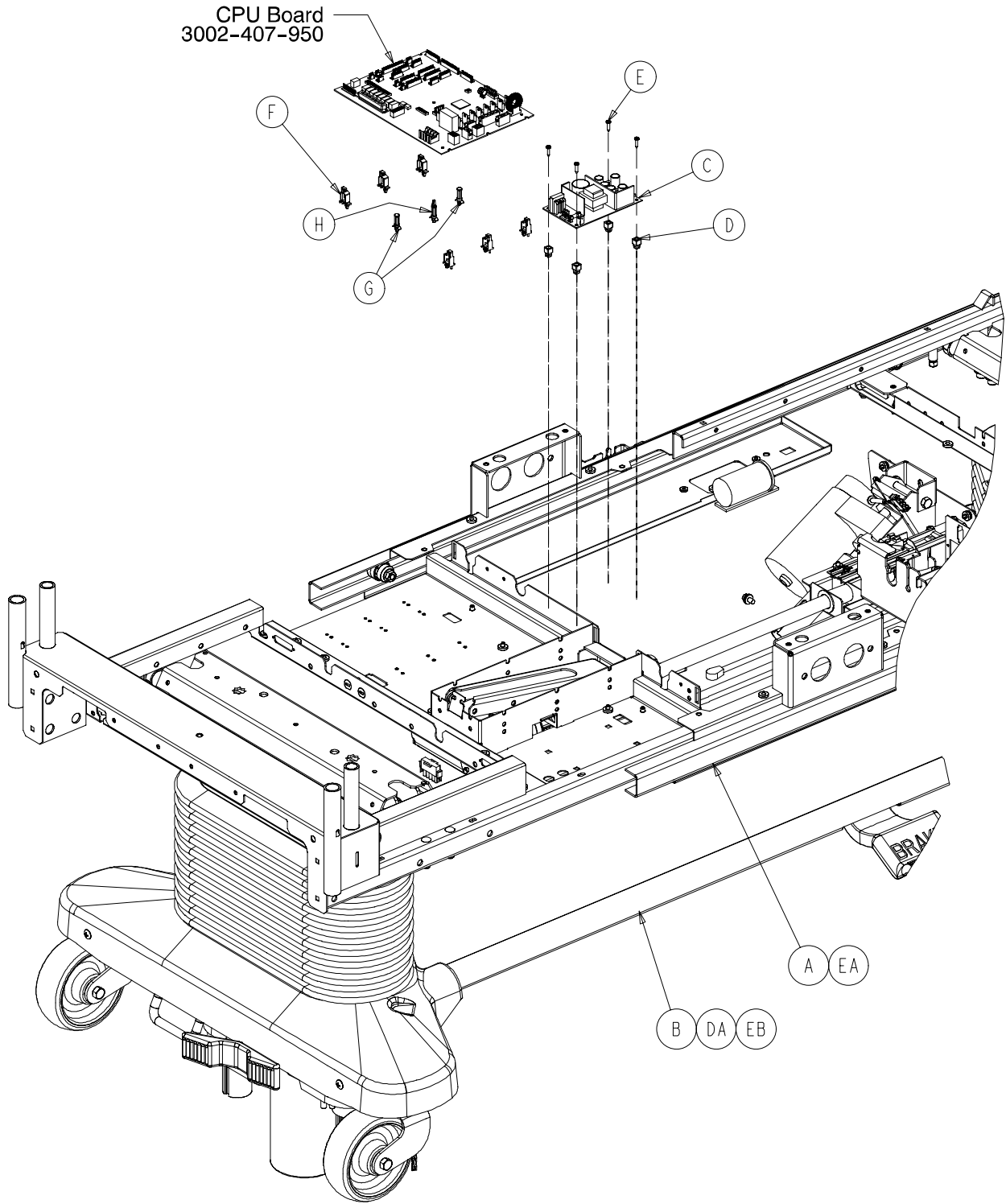
Item	Part No.	Part Name	Qty.
A	3001-300-98	CPU Cover	1
B	7900-1-291	Foam Tape (21.38")	1
C	7900-1-291	Foam Tape (12.25")	2
D	7900-1-291	Foam Tape (5.75")	1
E	3001-300-663	Velcro Strip	2
F	988-2-708	Service Caution Label	1
G	7900-1-291	Foam Tape (11.75")	1
H	7900-1-291	Foam Tape (4.25")	1

3001-300-42 Foot Cover Assembly, Standard Bed 3001-342-41 Foot Cover Assembly 8" Shorter Bed

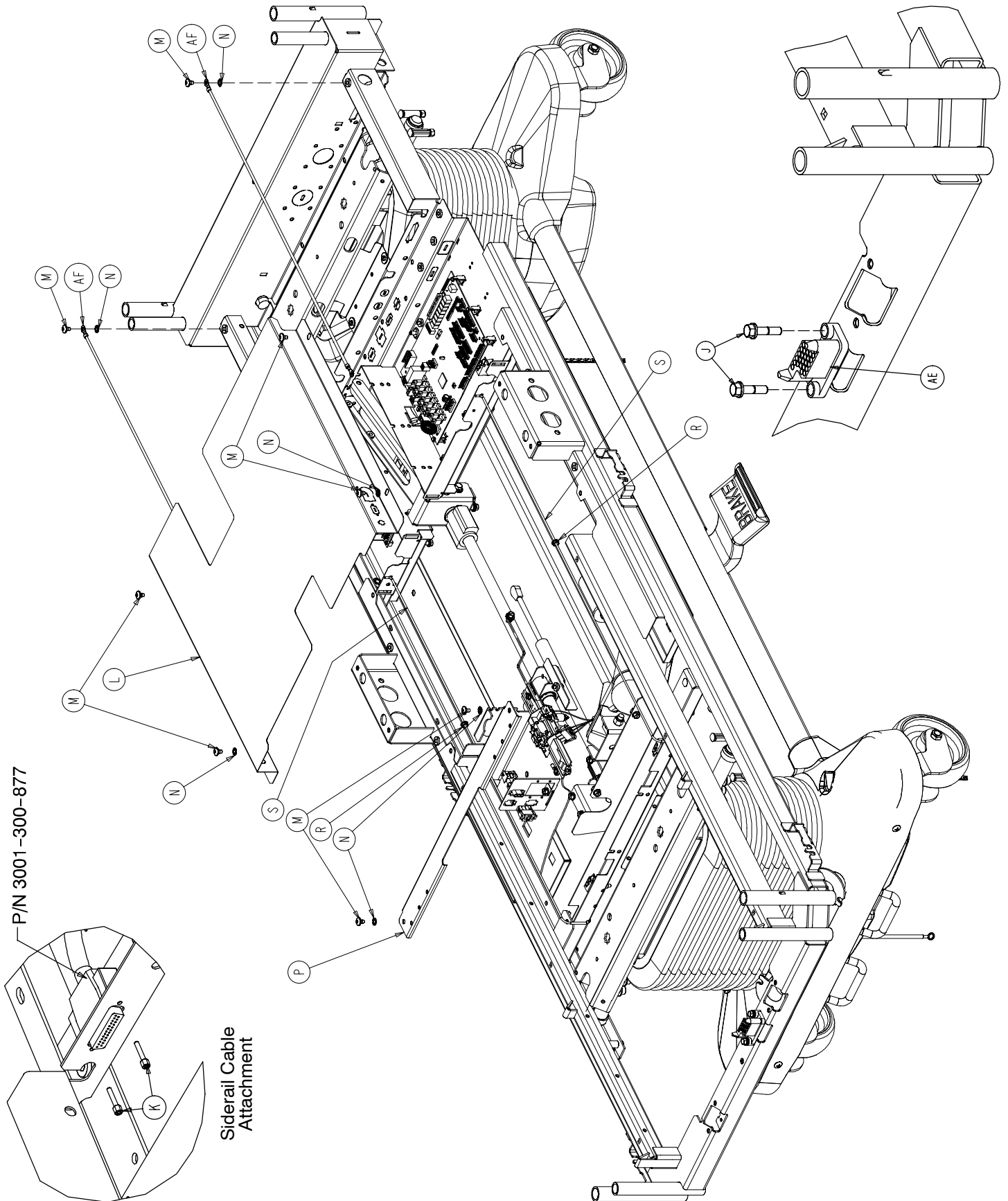


Item	Part No.	Part Name	Qty.
A	7900-1-291	Foam Tape (5.63")	1
B	7900-1-291	Foam Tape (8.88")	1
C	7900-1-291	Foam Tape (1")	4
D	3001-300-43	Foot Cover (Standard)	1
	3001-342-42	Foot Cover (8" Shorter Bed)	1
E	988-2-708	Service Caution Label	1

Electrical Litter Assembly



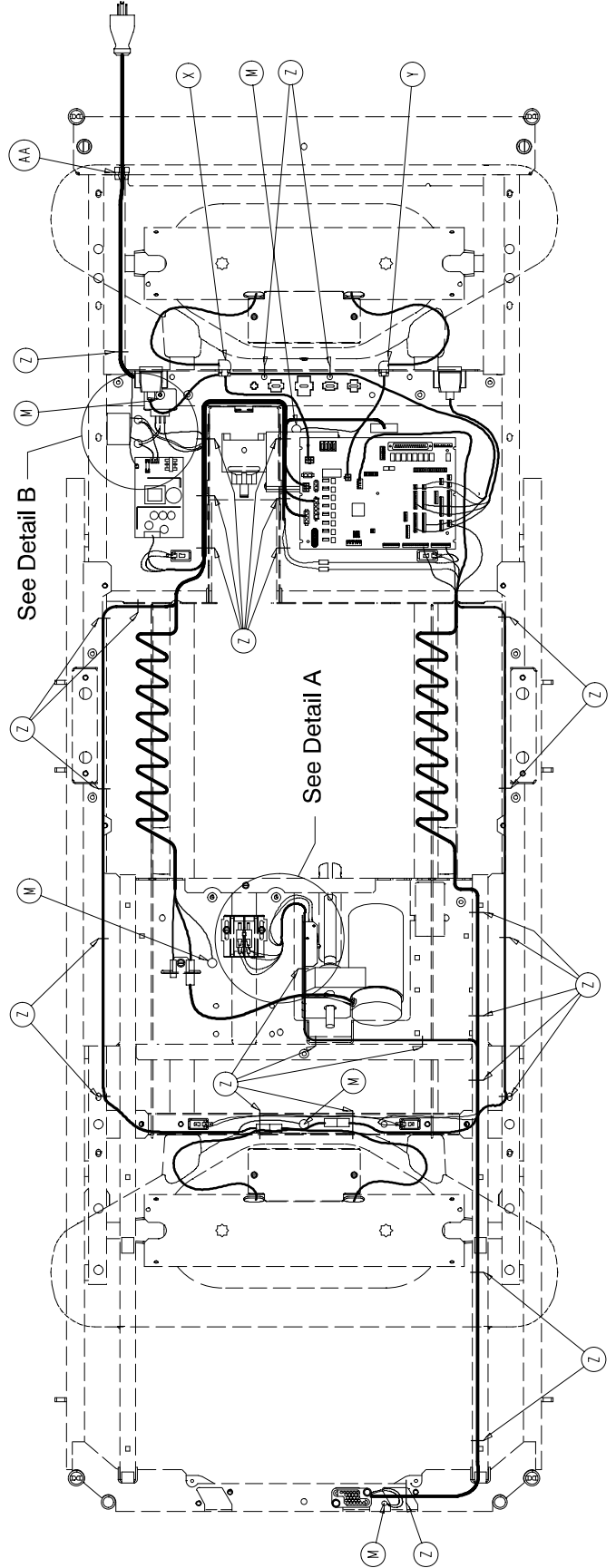
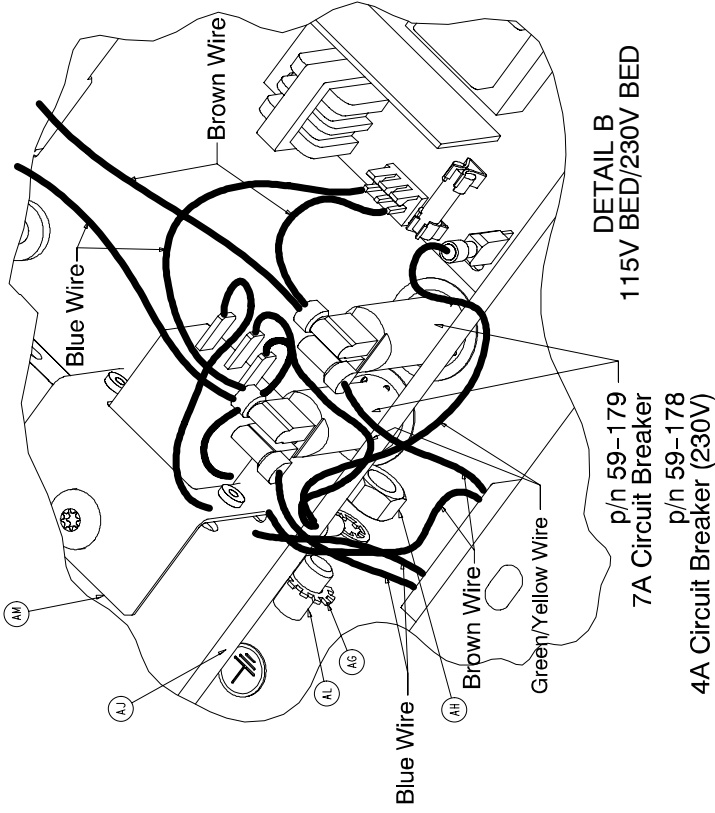
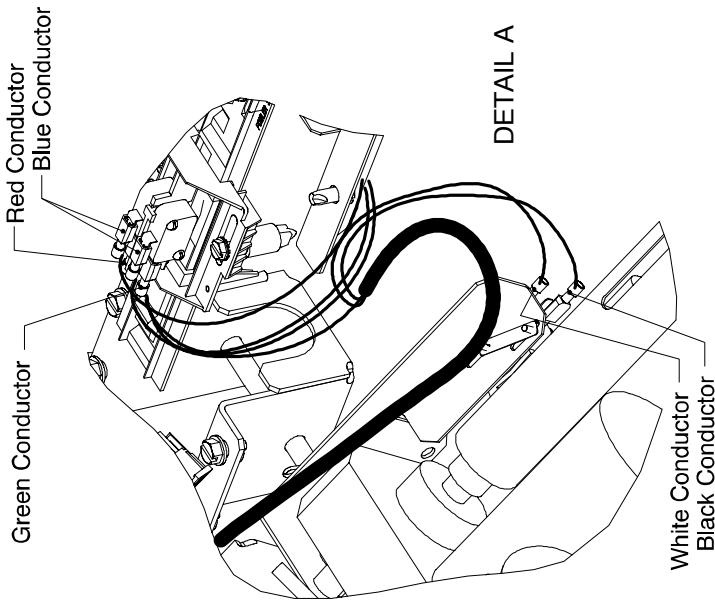
Electrical Litter Assembly



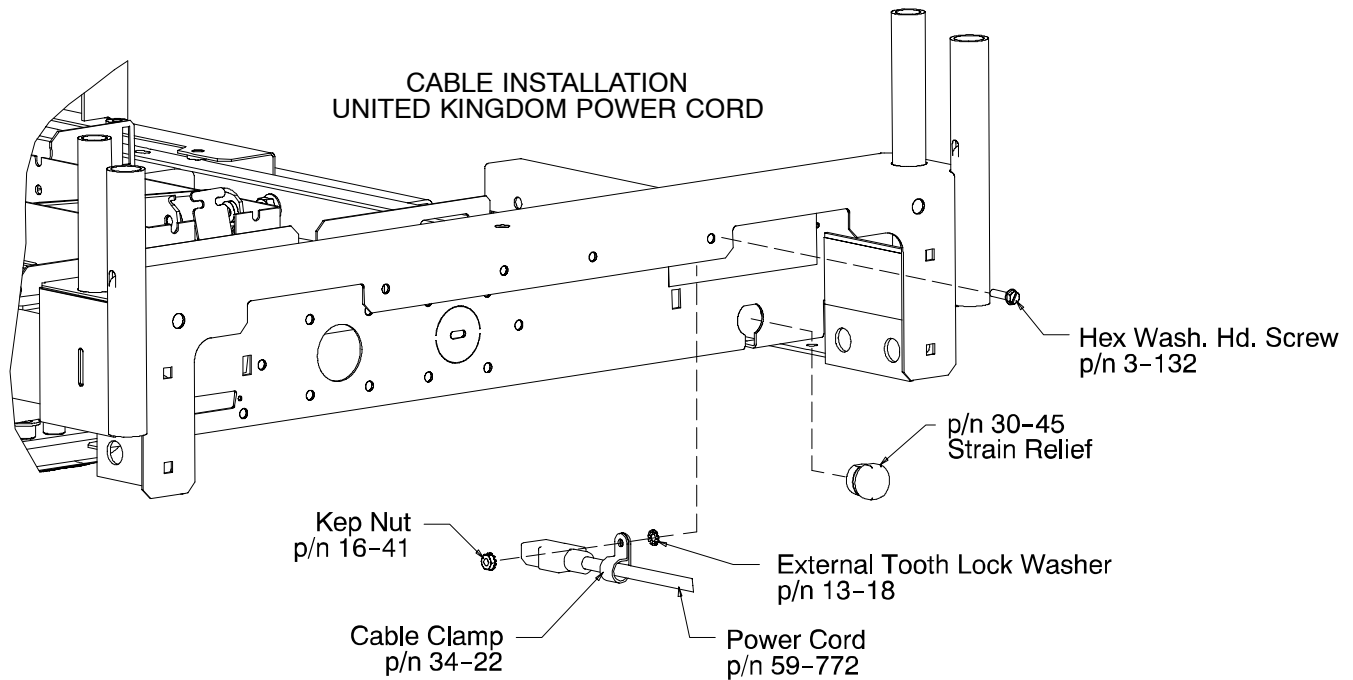
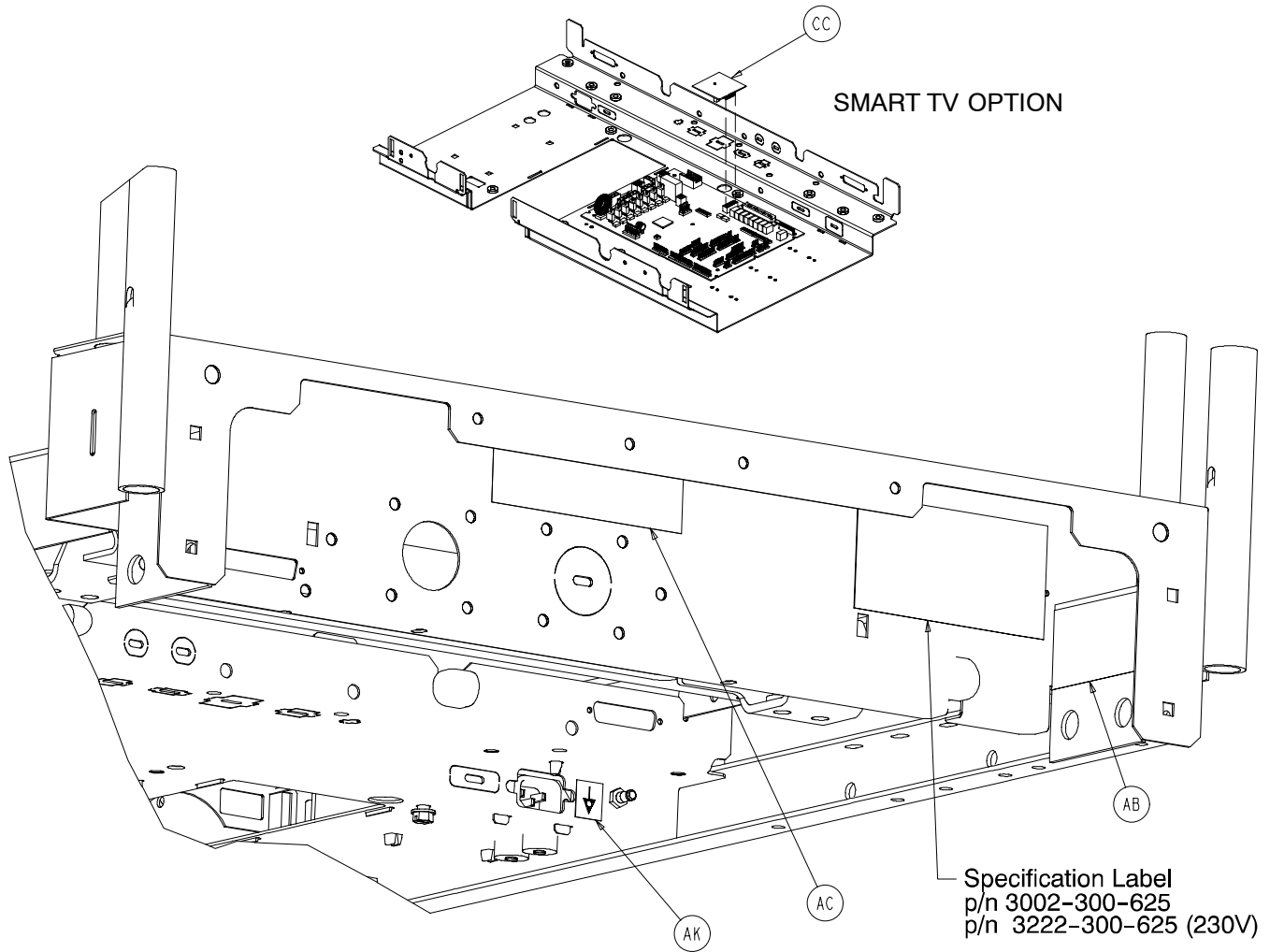
P/N 3001-300-877

Siderail Cable Attachment

Electrical Litter Assembly



Electrical Litter Assembly



Electrical Litter Assembly

Electrical Litter Assembly – Common Components – p/n 3002–300–895 (reference only)

Item	Part No.	Part Name	Qty.	Item	Part No.	Part Name	Qty.
A	(page 156–160)	Litter Ass'y, Mechanical	1	T	3000–300–58	Switch Plunger	4
B	(page 100–106)	Base Assembly	1	U	3001–300–877	Siderail Extension Cable	1
C	59–157	Power Supply	1	W	3001–300–865	Mot. Int. Lift Sen. Cable	1
D	52–287	Grommet	4	X	30–48	Strain Relief	1
E	23–138	Ph. Hd. Screw	4	Y	30–47	Strain Relief	1
F	59–745	Board Mount	6	Z	3000–300–113	Cable Tie	30
G	59–773	Push Spacer	2	AA	30–45	Strain Relief	1
H	59–774	Locking Circuit Bd. Supt.	1	AB	2011–1–104	Warning Label	1
J	3001–200–228	Mounting Standoff	2	AC	1550–90–1	Hosp. Grade Plug Label	1
K	3001–300–7	Screw	4	AF	3002–300–874	Litter Ground Jumper	2
L	3001–300–88	Mid Litter Cover Ass'y	1	AG	13–38	Lock Washer	1
M	7–53	Truss Hd. Torx Screw	13	AH	16–33	Keq Nut	1
N	13–10	Ext. Tooth Lock Washer	6	AJ	36–46	Ground Label	1
P	3001–300–23	Cross Support Cover	1	AK	36–115	Ground Label	1
R	52–822	Nyliner Bearing	2	AL	2011–1–215	Grounding Lug	1
S	3001–300–11	Guide Rod	2	AN	3002–300–861	Power Harness	1

Standard Bed – 3002–343–895 (ref. only)

Item	Part No.	Part Name	Qty.
A	(page 156–160)	Litter Ass'y, Mechanical	1
B	(page 100–106)	Base Assembly	1
AE	3002–300–866	Litter Signal Coil Cable	1
AM	3002–300–881	Power Inlet Cable	1

8" Shorter Bed – 3002–342–895 (ref. only)

Item	Part No.	Part Name	Qty.
A	(page 156–160)	Litter Ass'y, Mechanical	1
B	(page 100–106)	Base Assembly	1
AE	3002–300–866	Litter Signal Coil Cable	1
AM	3002–300–881	Power Inlet Cable	1

Zoom Option – 3002–344–895 (ref. only)

Item	Part No.	Part Name	Qty.
A	(page 156–160)	Litter Ass'y, Mechanical	1
B	(page 122–129)	Secure Zoom Base Ass'y	1
AE	3002–300–866	Litter Signal Coil Cable	1
DA	(page 122–129)	Zoom® Base Assembly	1
DC	(page 184–189)	Zoom® Litter Assembly	1
AM	3002–300–881	Power Inlet Cable	1

Zoom 8" Shorter Bed Option – 3002–346–895 (ref. only)

Item	Part No.	Part Name	Qty.
A	(page 156–160)	Litter Ass'y, Mechanical	1
B	(page 100–106)	Base Assembly	1
AE	3002–300–866	Litter Signal Coil Cable	1
DA	(page 122–129)	Zoom® Base Assembly	1
DC	(page 184–189)	Zoom® Litter Assembly	1
AM	3002–300–881	Power Inlet Cable	1

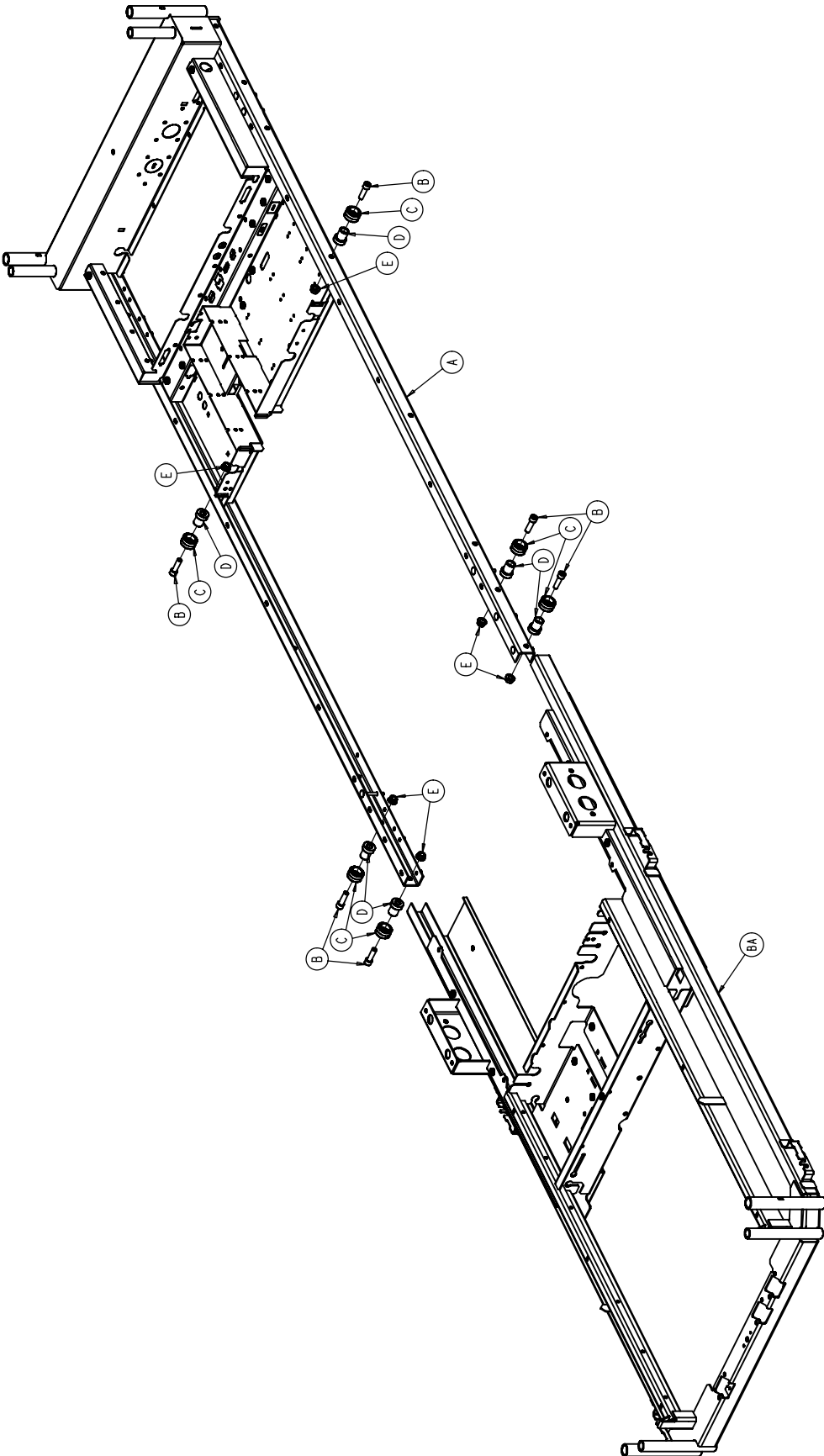
Smart TV Option – p/n 3002–999–229 (ref. only)

Item	Part No.	Part Name	Qty.
CA	59–727	Jackscrew	2
CC	3002–39–800	Smart TV Board	1

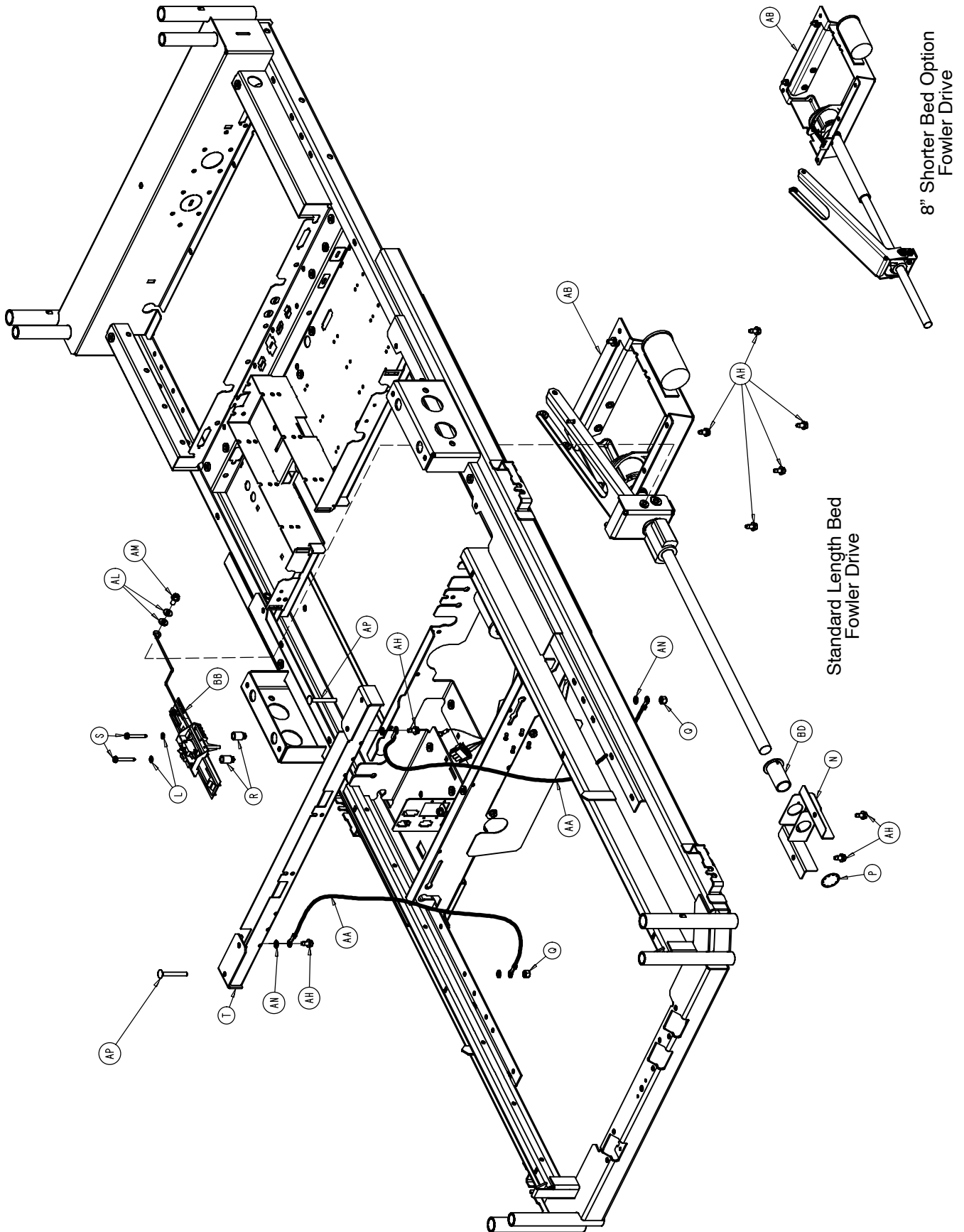
Bat. Back-Up Option – 3002–350–110 (ref. only)

Item	Part No.	Part Name	Qty.
A	(page 156–160)	Litter Ass'y, Mechanical	1
B	(page 100–106)	Base Assembly	1
AE	3002–300–866	Litter Signal Coil Cable	1
EA	(page 192)	Enclosure Assembly	1
EB	(page 135)	Base Assembly	1
AM	3002–300–881	Power Inlet Cable	1

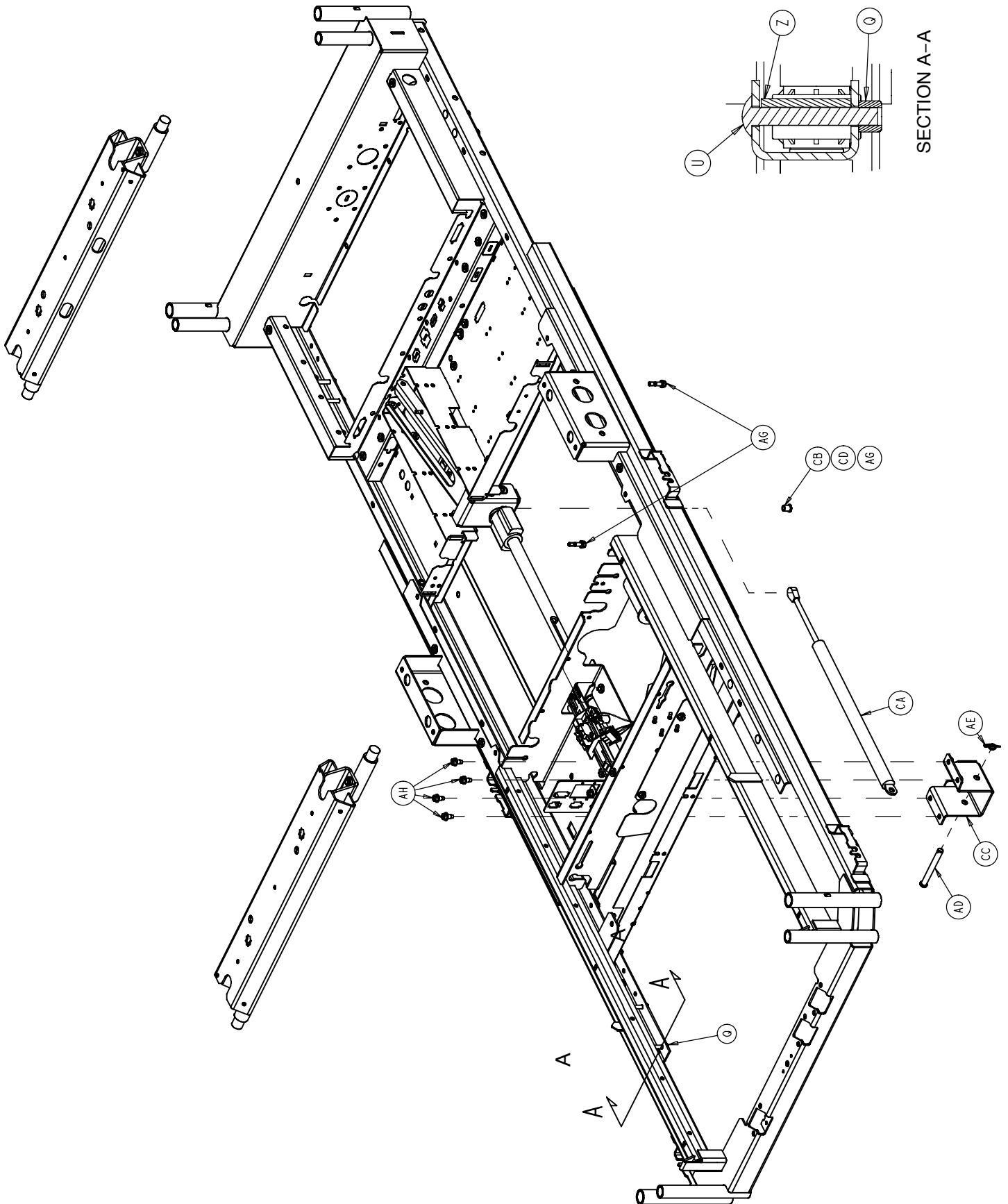
Mechanical Litter Assembly



Mechanical Litter Assembly



Mechanical Litter Assembly



Mechanical Litter Assembly

Mechanical Litter Assembly Common Components – p/n 3002–300–197 (reference only)

Item	Part No.	Part Name	Qty.	Item	Part No.	Part Name	Qty.
A	3002–300–303	Stationary Frame Ass'y	1	U	5–46	Carriage Bolt	8
B	4–211	Soc. Hd. Cap Screw	6	V	(page 162 & 163)	Lift Header Ass'y	2
C	3000–300–353	Roller	6	W	3–221	Truss Hd. Screw	2
D	3000–300–352	Roller Shaft	6	AA	3002–300–870	Litter Ground Jumper	2
E	16–93	Flange Lock Nut	6	AB	(page 166 & 167)	Fowler Drive Ass'y	1
F	(page 164)	Gatch Motor Ass'y	1	AC	13–10	Ext. Tooth Lock Washer	2
H	38–151	11" Cable Tie	1	AG	3001–200–229	Mounting Standoff	2
J	44–29	Double–Sided Tape	1	AH	3–221	Hex Washer Hd. Screw	10
K	3001–300–417	Gatch Shield	1	AK	7900–1–291	Vibration Tape	1"
L	13–18	Ext. Tooth Lock Washer	2	AL	11–63	Washer	2
N	3001–300–491	Screw Support Bracket	1	AM	3–121	Hex Washer Hd. Screw	1
P	28–122	Retaining Ring	1	AN	13–10	Int. Tooth Lock Washer	4
Q	16–6	Kep Nut	10	AP	5–24	Carriage Bolt	2
R	52–800	Grommet	2	AQ	3–370	Hex Hd. Cap Screw	1
S	23–251	Hex Washer Hd. Screw	2	AR	11–529	Adhesive Rubber Washer	1
T	3001–300–370	Cross Support Ass'y	1	AS	16–35	Nylock Hex Nut	1

Standard Bed – p/n 3002–343–197 (ref. only)

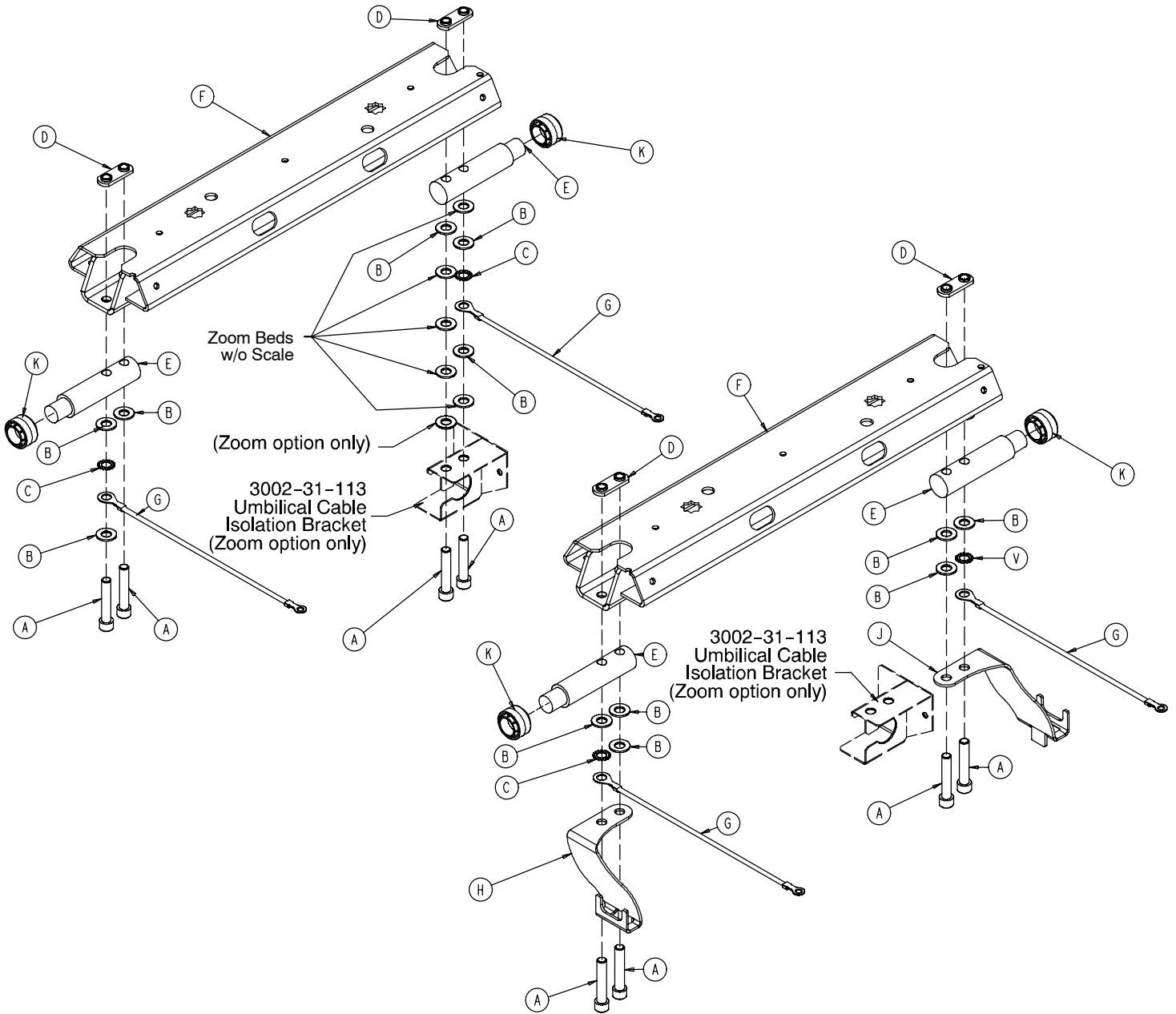
Item	Part No.	Part Name	Qty.
AB	(page 167)	Fowler Drive Ass'y	1
BA	3002–300–204	Moving Frame Assembly	1
BB	(page 168)	Fowler Limit Ass'y	1
BD	3000–300–9	Screw Support Bushing	1

8" Shorter Bed – p/n 3002–342–197 (ref. only)

Item	Part No.	Part Name	Qty.
AB	(page 167)	Fowler Drive Ass'y	1
AD	26–279	Clevis Pin	1
AE	27–22	Rue Cotter Pin	1
AG	3001–200–228	Mounting Standoff	1
AH	3–221	Hex Washer Hd. Screw	4
BA	3002–342–204	Moving Frame Assembly	1
BB	(page 169)	Fowler Limit Assembly	1
BD	3001–342–9	Screw Support Bushing	1
CA	52–819	Dampener Cylinder	1
CB	52–818	Flange Bearing	1
CC	3001–345–489	Cylinder Mtg. Bracket	1
CD	11–2	Flat Washer	1

Notes

Lift Header Assembly – No Load Cells



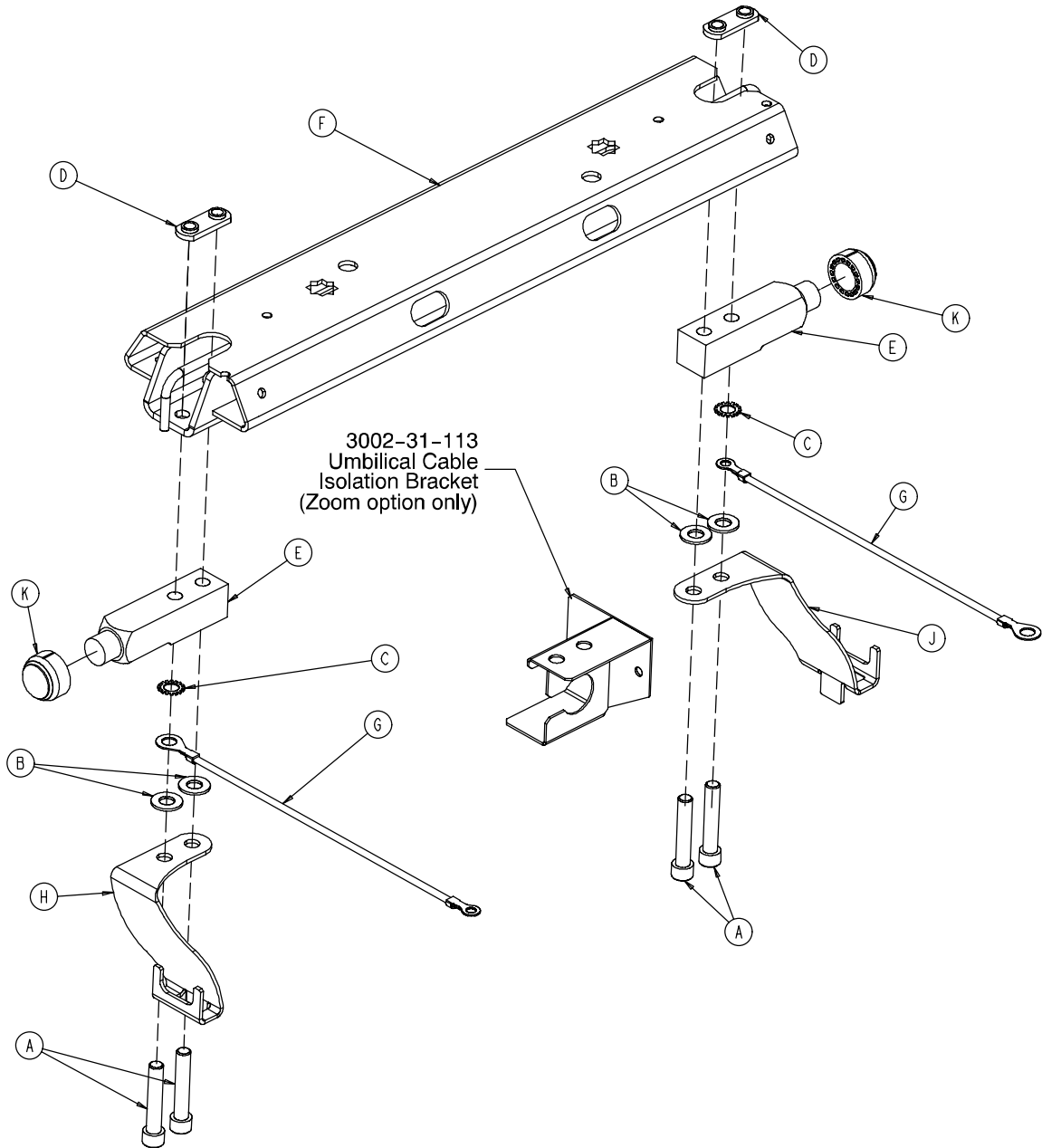
3002-300-500 Lift Header – Standard Bed

Item	Part No.	Part Name	Qty.
A	4-288	Hex Soc. Hd. Cap Screw	4
B	11-4	Flat Washer	6
C	13-32	Ext. Tooth Lock Washer	2
D	3002-300-509	Weldnut	2
E	3001-300-511	"Imitation" Load Cell	2
F	3001-300-530	Lift Header	1
G	3002-300-871	Ground Jumper	2
H	3000-300-353	Roller Cap	2

3002-326-550 Lift Hdr. – Std. Bed/Iso. Foley Hooks

Item	Part No.	Part Name	Qty.
A	4-288	Hex Soc. Hd. Cap Screw	4
B	11-4	Flat Washer	2
C	13-32	Ext. Tooth Lock Washer	2
D	3002-300-509	Weldnut	2
E	3002-300-511	"Imitation" Load Cell	2
F	3001-300-530	Lift Header	1
G	3002-300-871	Ground Jumper	2
H	3002-326-10	Iso. Foley Bag Ass'y, Lt.	1
J	3002-326-20	Iso. Foley Bag Ass'y, Rt.	1
H	3000-300-353	Roller Cap	2

Lift Header Assembly with Load Cells



3002-307-501 Lift Header – Load Cells

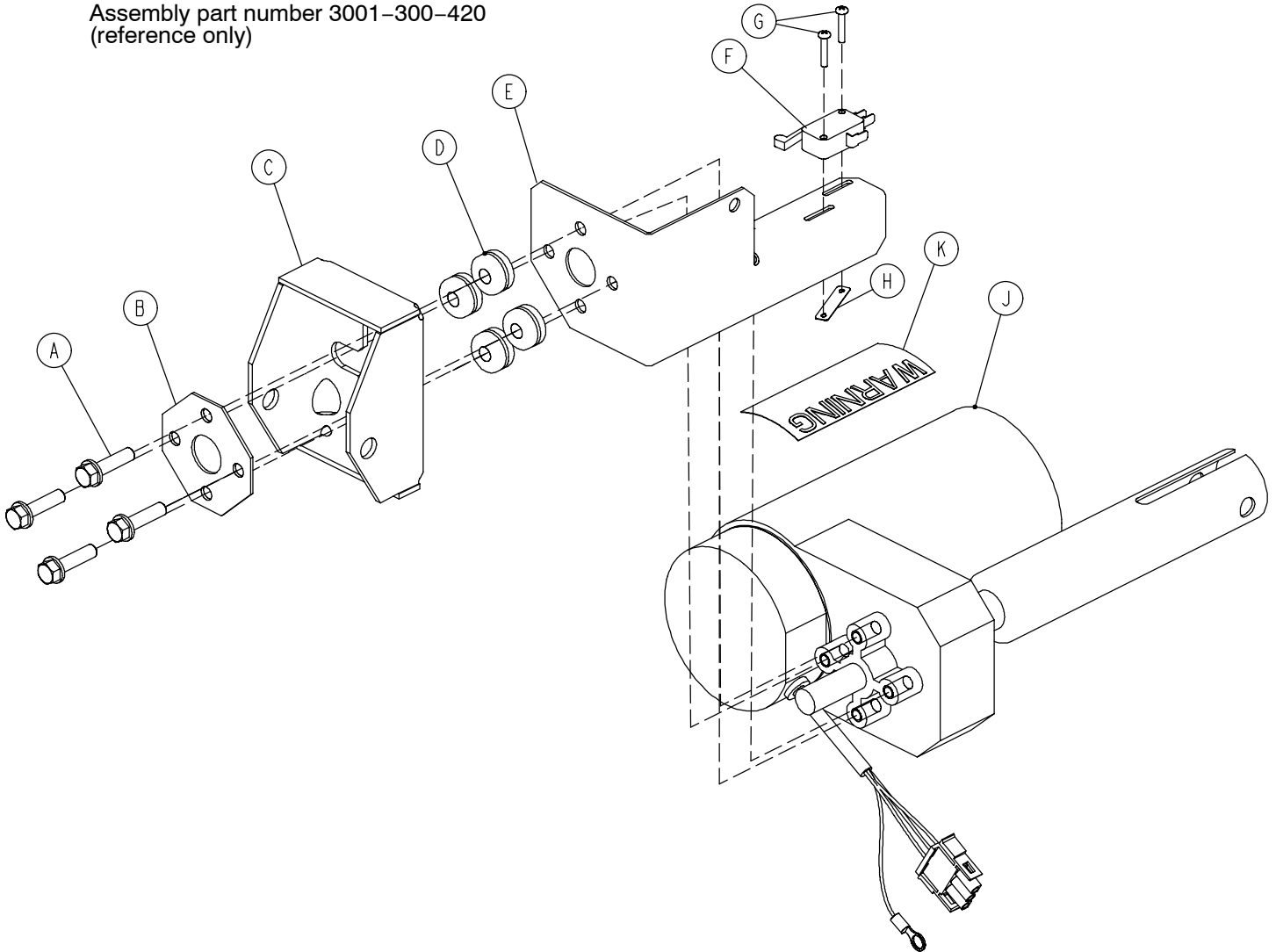
Item	Part No.	Part Name	Qty.
A	4-288	Hex Soc. Hd. Cap Screw	4
B	11-4	Flat Washer	4
C	13-32	Ext. Tooth Lock Washer	2
D	3001-300-509	Weldnut	2
E	3002-307-57	Load Cell	2
F	3001-300-530	Lift Header	1
G	3002-300-871	Ground Jumper	2
K	3000-300-353	Roller Cap	2

3002-326-501 Lift Hdr. – Load Cells/Iso. Foley Hooks

Item	Part No.	Part Name	Qty.
A	4-288	Hex Soc. Hd. Cap Screw	4
B	11-4	Flat Washer	2
C	13-32	Ext. Tooth Lock Washer	2
D	3002-300-509	Weldnut	2
E	3002-307-57	Load Cell	2
F	3001-300-530	Lift Header	1
G	3002-300-871	Ground Jumper	2
J	3002-326-10	Iso. Foley Bag Ass'y, Lt.	1
K	3002-326-20	Iso. Foley Bag Ass'y, Rt.	1
H	3000-300-353	Roller Cap	2

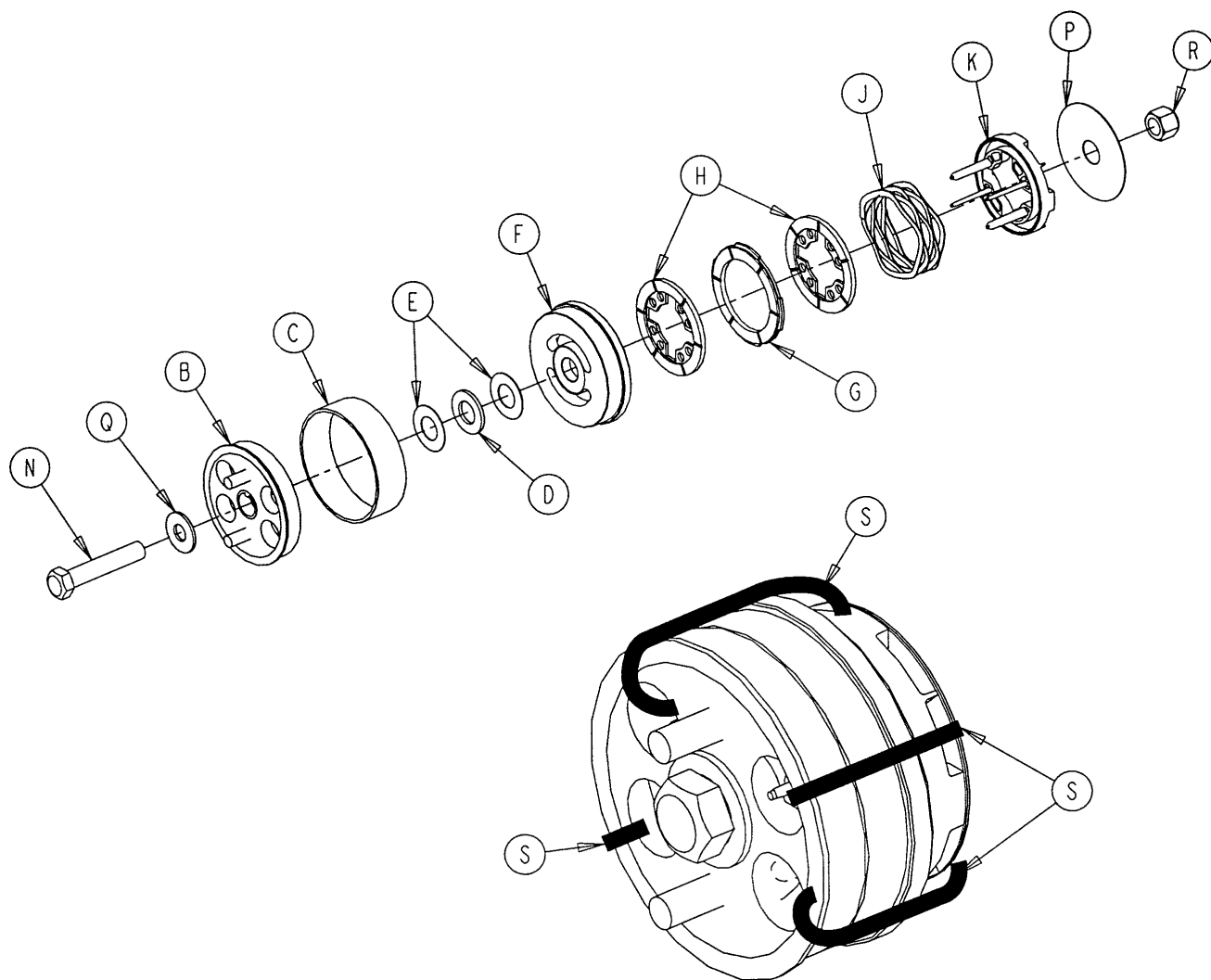
Gatch Motor Assembly

Assembly part number 3001-300-420
(reference only)



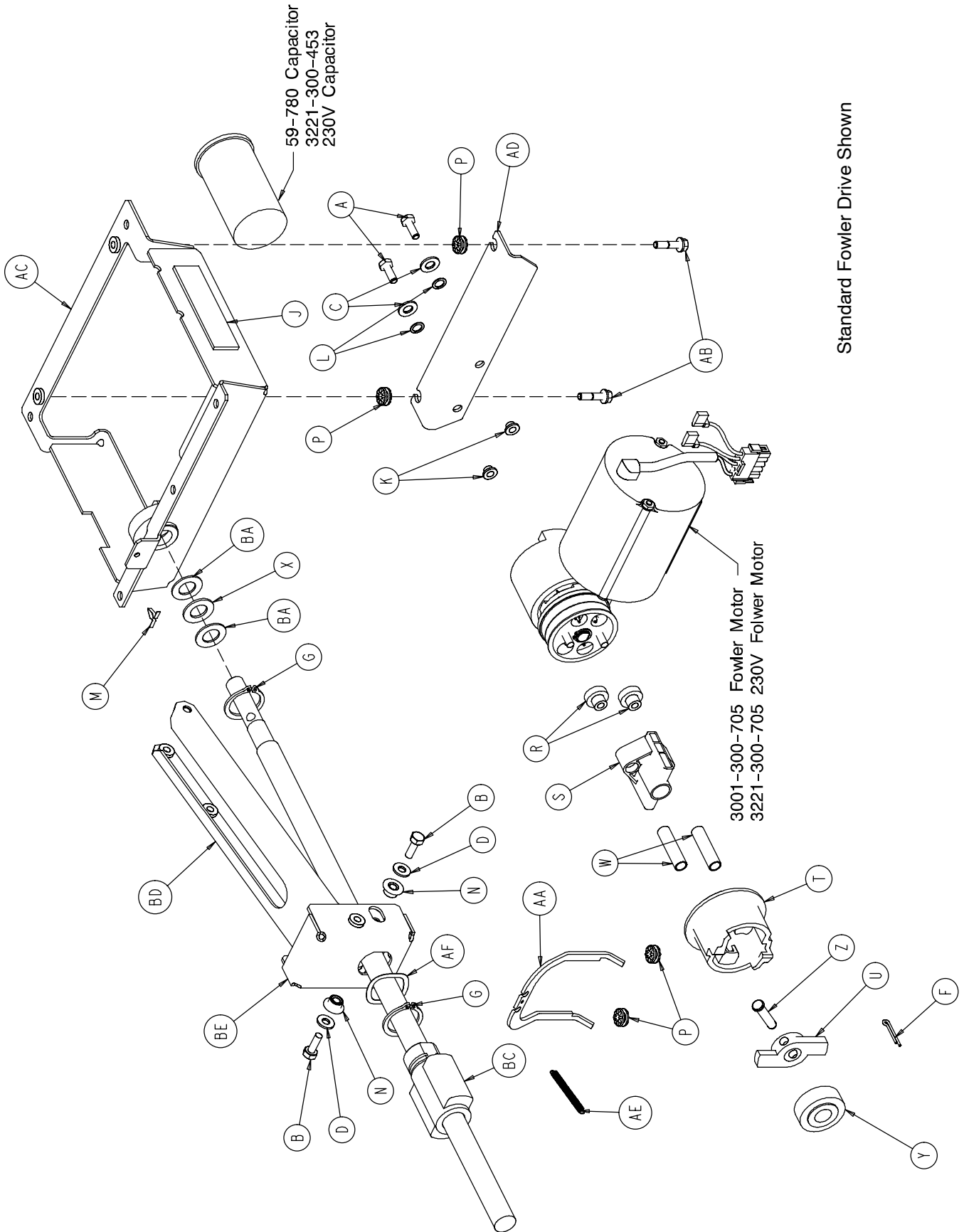
Item	Part No.	Part Name	Qty.
A	3001-200-228	Mounting Standoff	4
B	3001-300-499	Gatch Motor Mounting Plate	1
C	3001-300-225	Motor Mount Bracket	1
D	52-817	Grommet	4
E	3001-300-421	Gatch Limit Bracket	1
F	3000-300-41	Micro Switch	1
G	2-107	Phillips Round Hd. Screw	2
H	16-69	Twin-Type Fastener	1
J	2025-232-70	Gatch Motor	1
	2026-232-70	230V Gatch Motor	1
K	3000-300-604	Warning Label	1
L	3000-300-114	Wire Tie (not shown)	1

3001-300-775 Fowler Brake Kit Assembly

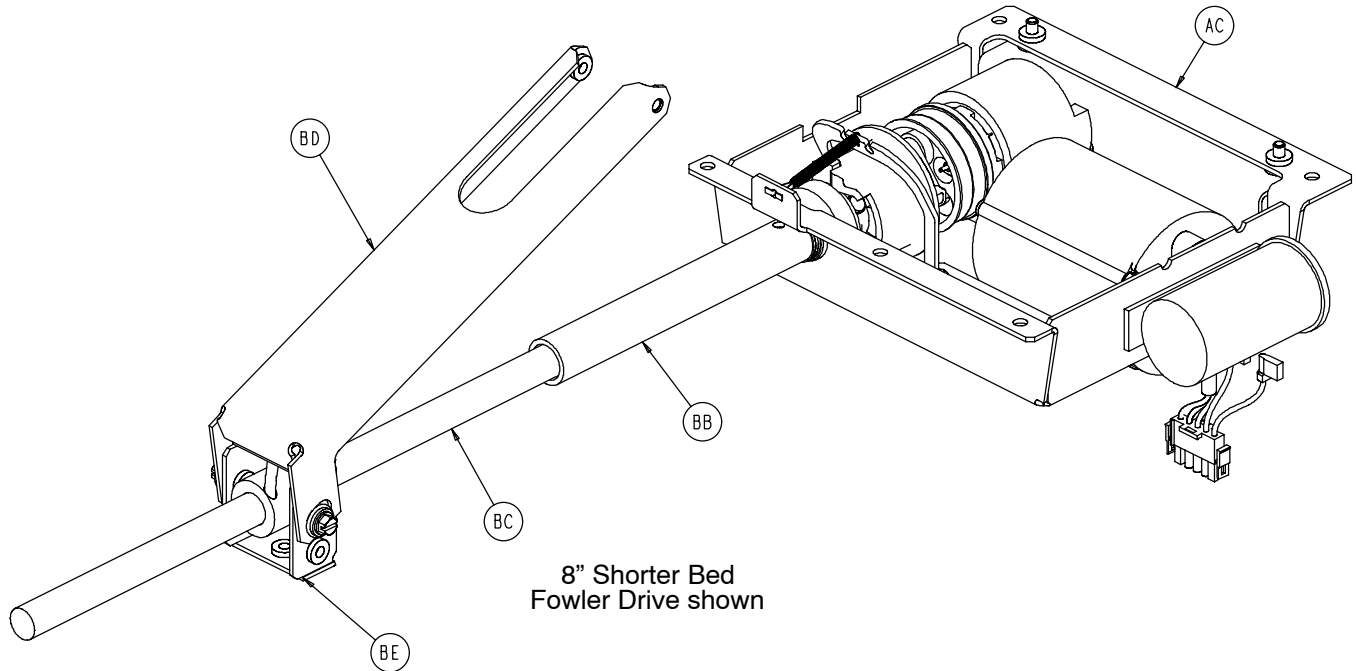


Item	Part No.	Part Name	Qty.
B	3001-300-455	CPR Coupler Assembly	1
C	3000-300-465	CPR Clutch Spring	1
D	81-212	Thrust Needle Roller Brg.	1
E	3000-200-224	Idler Gear Thrust Washer	2
F	3001-300-569	Brake Cup	1
G	3001-300-552	CPR Brake Disc	1
H	3001-300-551	CPR Spring Cup	2
J	3001-300-563	CPR Brake Spring	1
K	3001-300-570	CPR Spring Cup	1
N	3-64	Hex Hd. Cap Screw	1
P	3000-300-776	Flat Washer	1
Q	11-193	Heavy Flat Washer	1
R	16-35	Nylock Nut	1
S	3000-300-113	8" Wire Tie	4

Fowler Drive Assembly



Fowler Drive Assembly



3002-300-550 Fowler Actuator Common Components

Item	Part No.	Part Name	Qty.	Item	Part No.	Part Name	Qty.
A	3-214	Hex Hd. Cap Screw	2	S	3000-300-456	CPR Isolator	1
B	3-50	Hex Washer Hd. Screw	2	T	3000-300-461	CPR Decoupler	1
C	11-3	Flat Washer	2	U	3000-300-462	CPR Wing	1
D	11-2	Flat Washer	2	W	3000-300-464	CPR Engagement Spring	2
F	27-17	Cotter Pin	1	X	3000-300-466	Thrust Bearing	1
G	28-120	External Retaining Ring	2	Y	3000-300-471	Roller Bearing	1
H	38-151	Cable Tie	2	Z	3000-300-473	Clevis Pin	1
J	44-29	Double-Stick Tape	1	AA	3000-300-658	CPR Release Arm	1
K	52-718	Nylon Insulator	2	AB	3001-200-228	Mounting Standoff	2
L	52-719	Nylon Flat Washer	2	AC	3001-300-485	Fowler Actuator Wldmt.	1
M	29-21	Dart Clip	1	AD	3001-300-487	Actuator Mounting Brkt.	1
N	3000-300-99	Litter Pivot Bushing	2	AE	3001-300-664	CPR Spring	1
P	3000-300-442	Fowler Drive Grommet	4	AF	38-478	Wave Spring	1
R	3000-300-455	CPR Isolation Bushing	2				

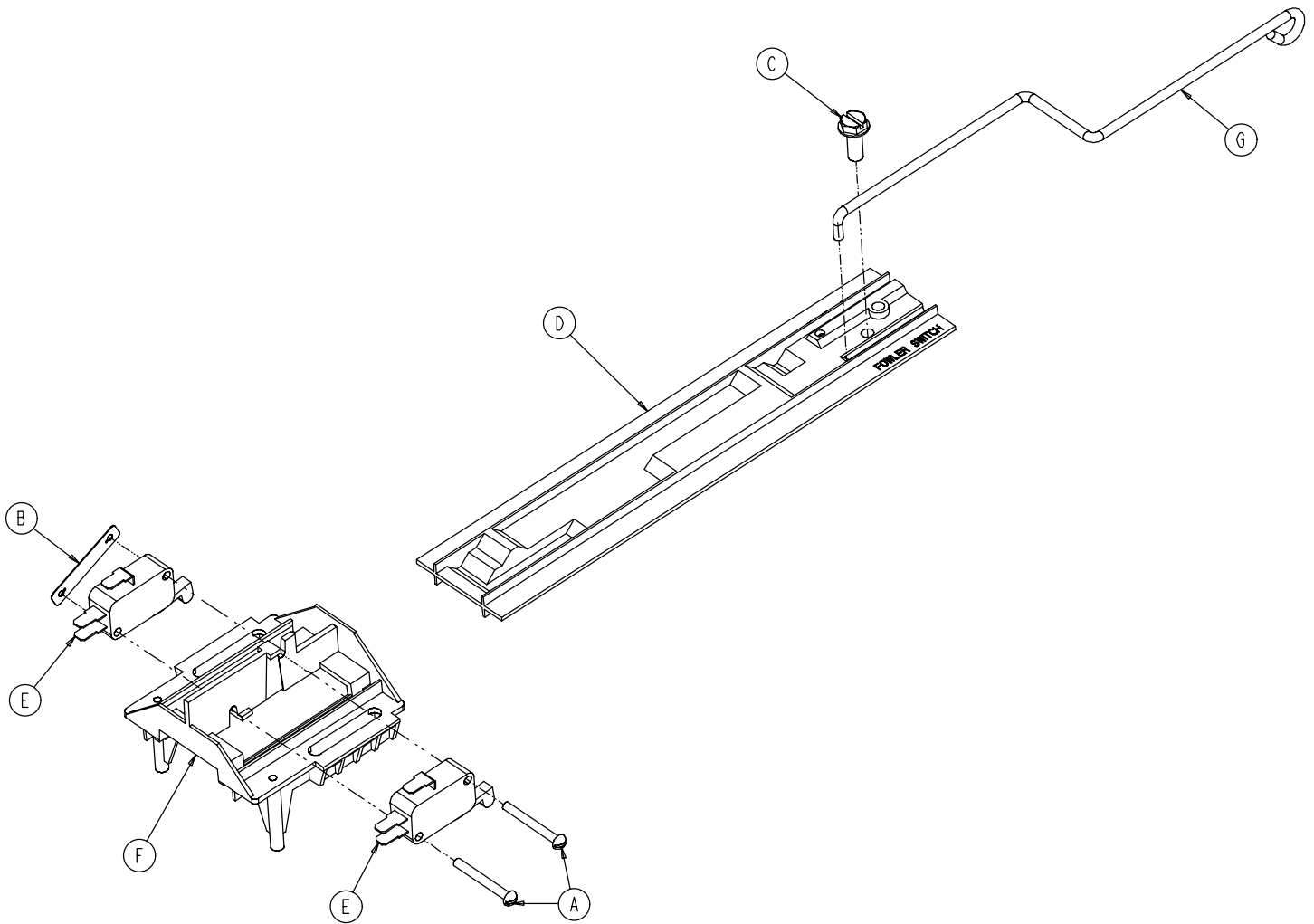
3002-343-550 Fowler Actuator - Standard Bed

Item	Part No.	Part Name	Qty.
BA	14-83	Thrust Washer	1
BC	3000-300-457	CPR Ball Screw	1
BD	3001-300-496	Fowler Link	1
BE	3002-300-493	Fowler Link Bracket	1

3002-342-550 Fowler Actuator - 8" Shorter Bed

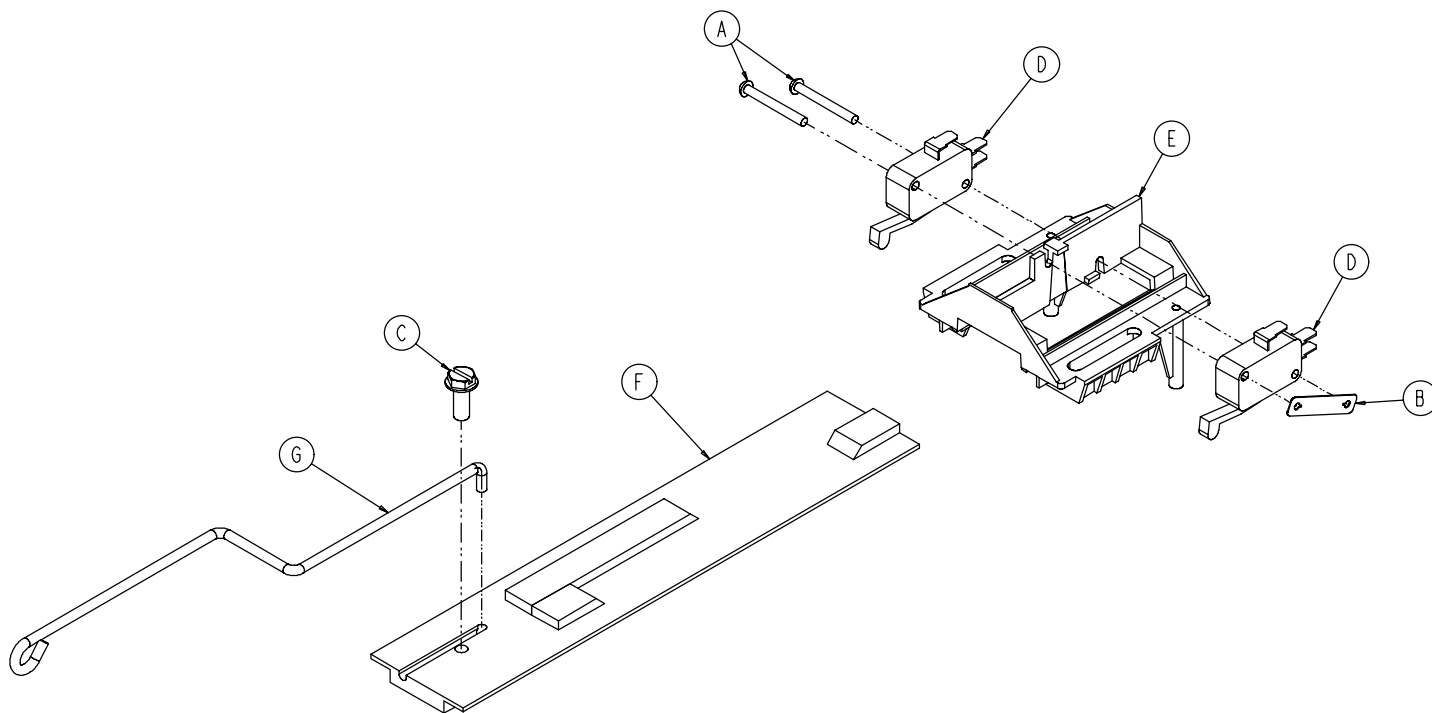
Item	Part No.	Part Name	Qty.
BA	14-83	Thrust Washer	2
BB	3001-342-457	Fowler Nut Stop Tube	1
BC	3001-342-467	CPR Ball Screw	1
BD	3001-342-496	Fowler Link	1
BE	3001-342-499	Fowler Link Bracket	1

3002-343-35 Standard Bed Fowler Limit Switch Ass'y



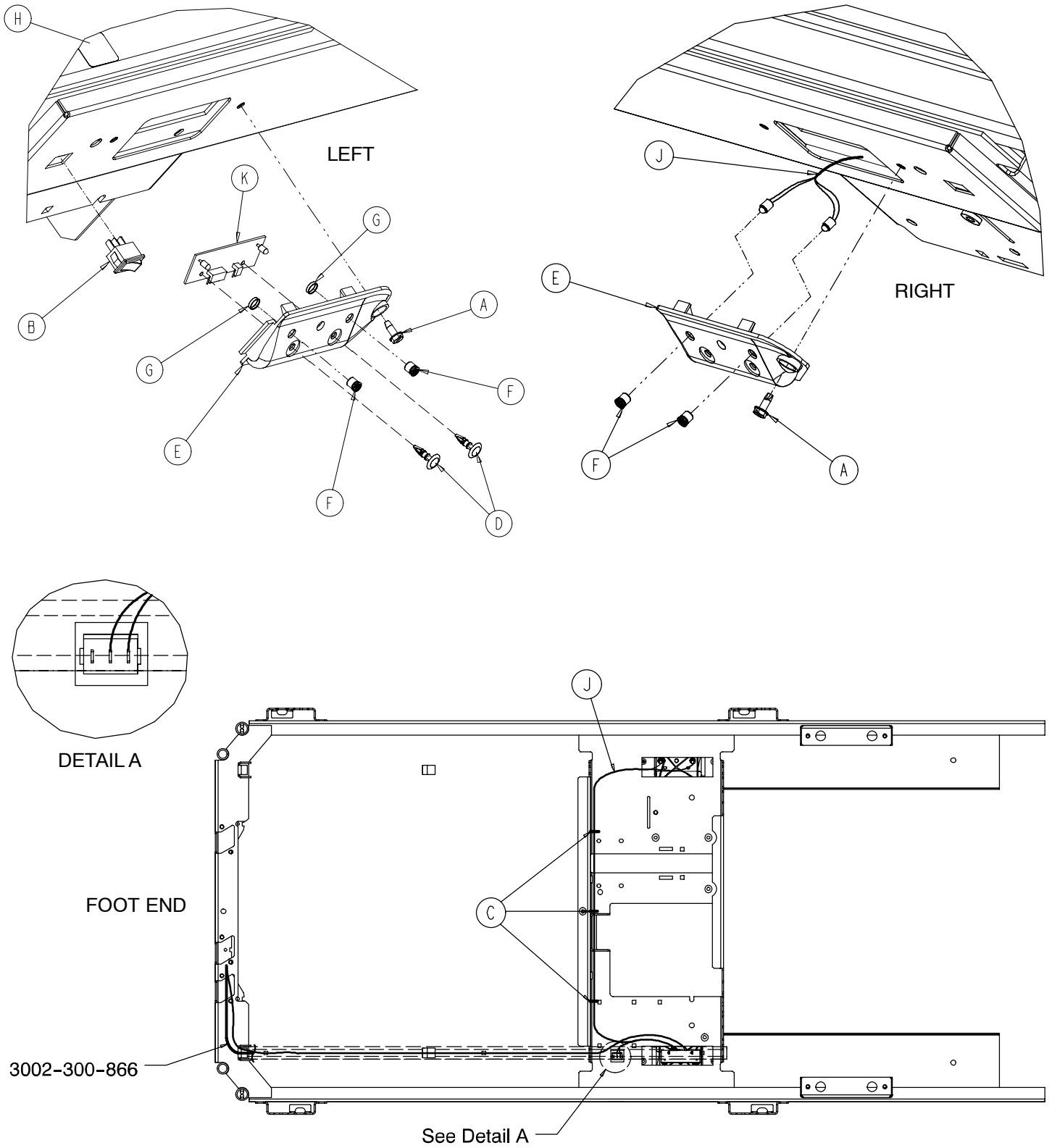
Item	Part No.	Part Name	Qty.
A	2-3	Round Hd. Screw	2
B	16-69	Twin Type Fastener	1
C	16-129	Hex Washer Hd. Screw	1
D	3000-300-36	Fowler Cam Card	1
E	3000-300-41	Micro Switch	2
F	3000-300-44	Cam Guide	1
G	3002-300-38	Link Wire	1

3002-342-25 8" Shorter Bed Fowler Limit Switch Ass'y



Item	Part No.	Part Name	Qty.
A	2-3	Round Hd. Screw	2
B	16-69	Twin Type Fastener	1
C	23-82	Hex Washer Hd. Screw	1
D	3000-300-41	Micro Switch	2
E	3000-300-44	Cam Guide	1
F	3001-342-32	Fowler Cam Card	1
G	3002-300-38	Link Wire	1

3002-410-20 Night Light Assembly

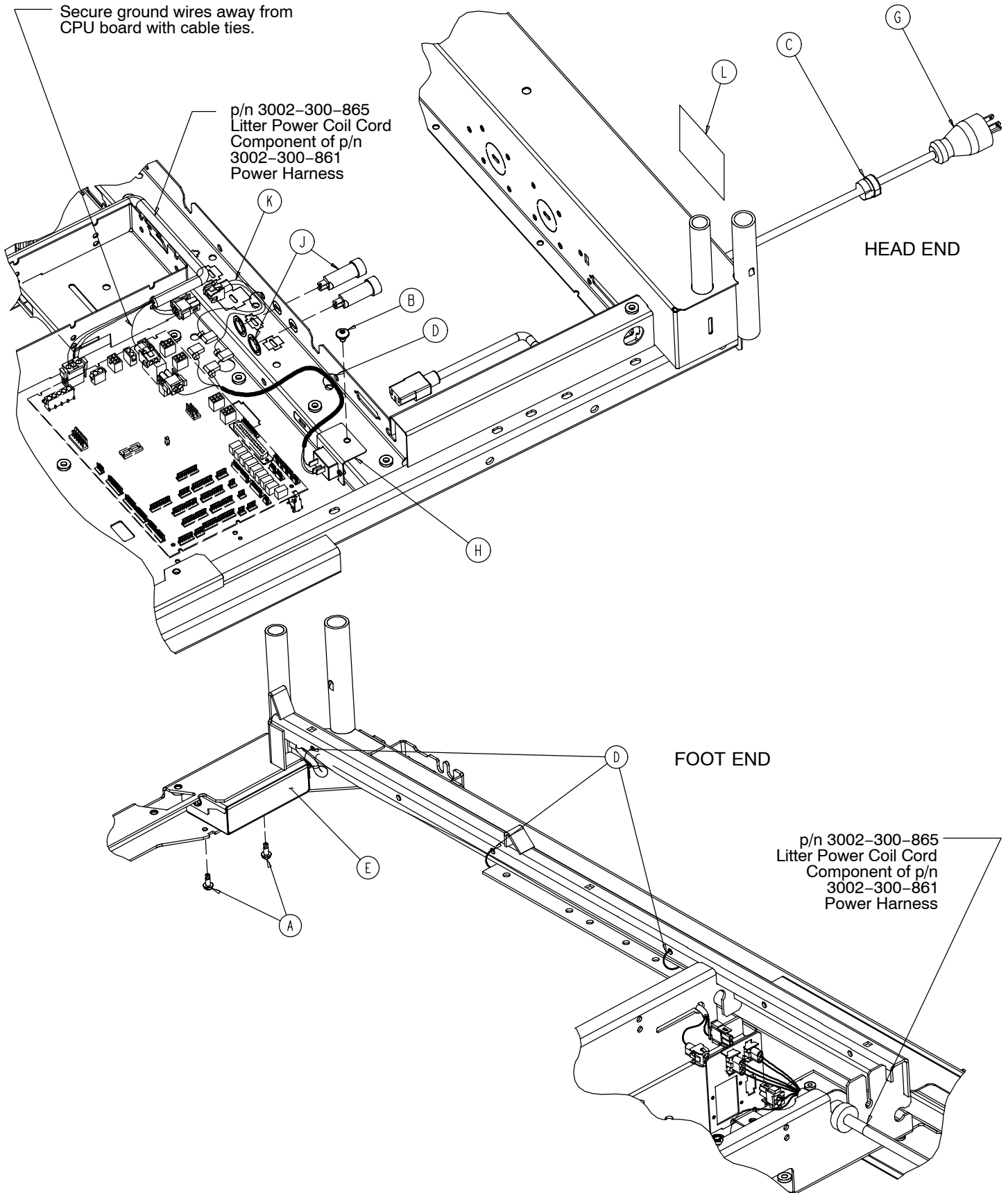


TOP VIEW – Some components are removed or shown in phantom for clarity.

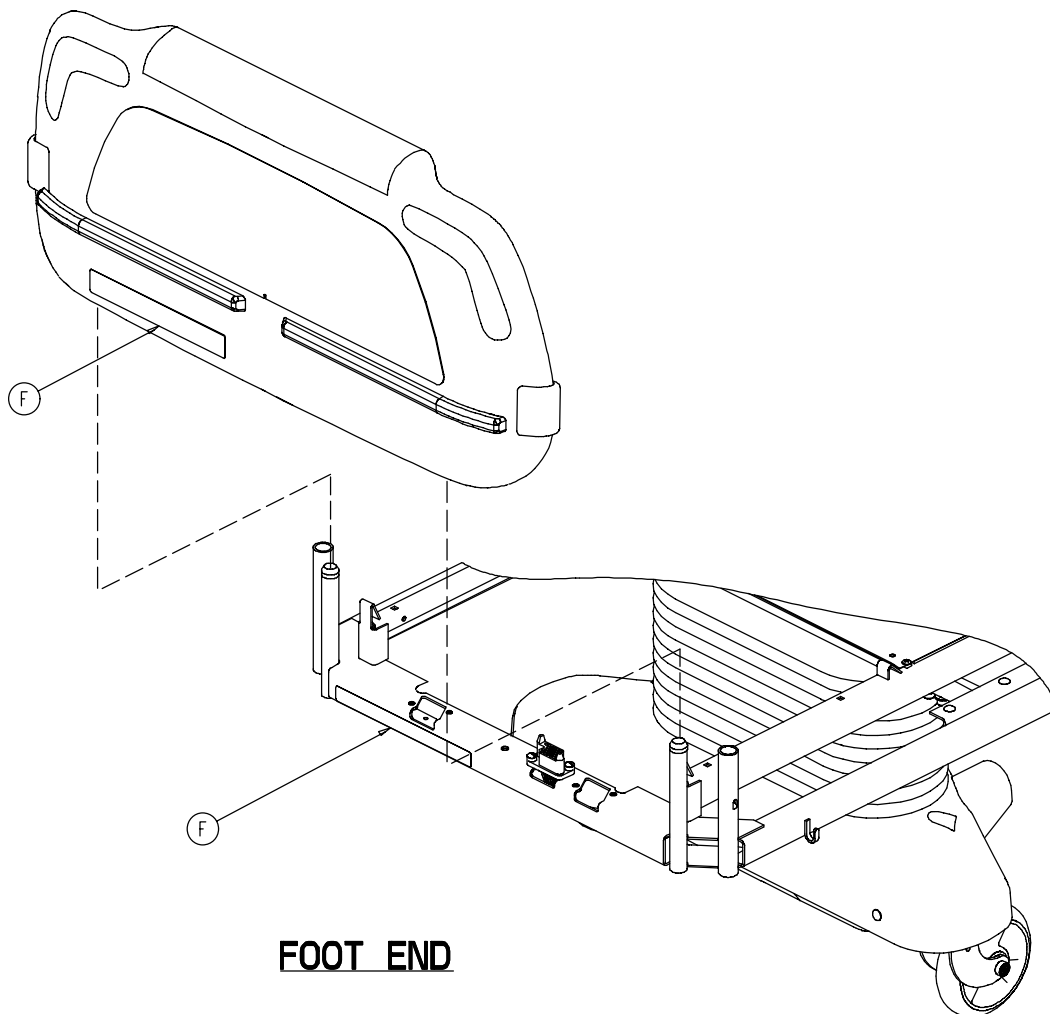
3002-410-20 Night Light Assembly

Item	Part No.	Part Name	Qty.
A	3-224	Hex Washer Hd. Screw	4
B	59-191	Toggle Switch	1
C	3000-300-113	8" Cable Tie	4
D	3000-300-115	Stand-Off	2
E	3002-310-18	Night Light Cover	2
F	3002-310-10	LED Lens	4
G	3002-310-11	Lens Retainer	2
H	3002-310-601	Night Light Label	1
J	3002-310-801	Night Light Wiring Harness	1
L	3002-310-900	Night Light PCB	1

3002-320-50 Optional 110V Outlet Assembly

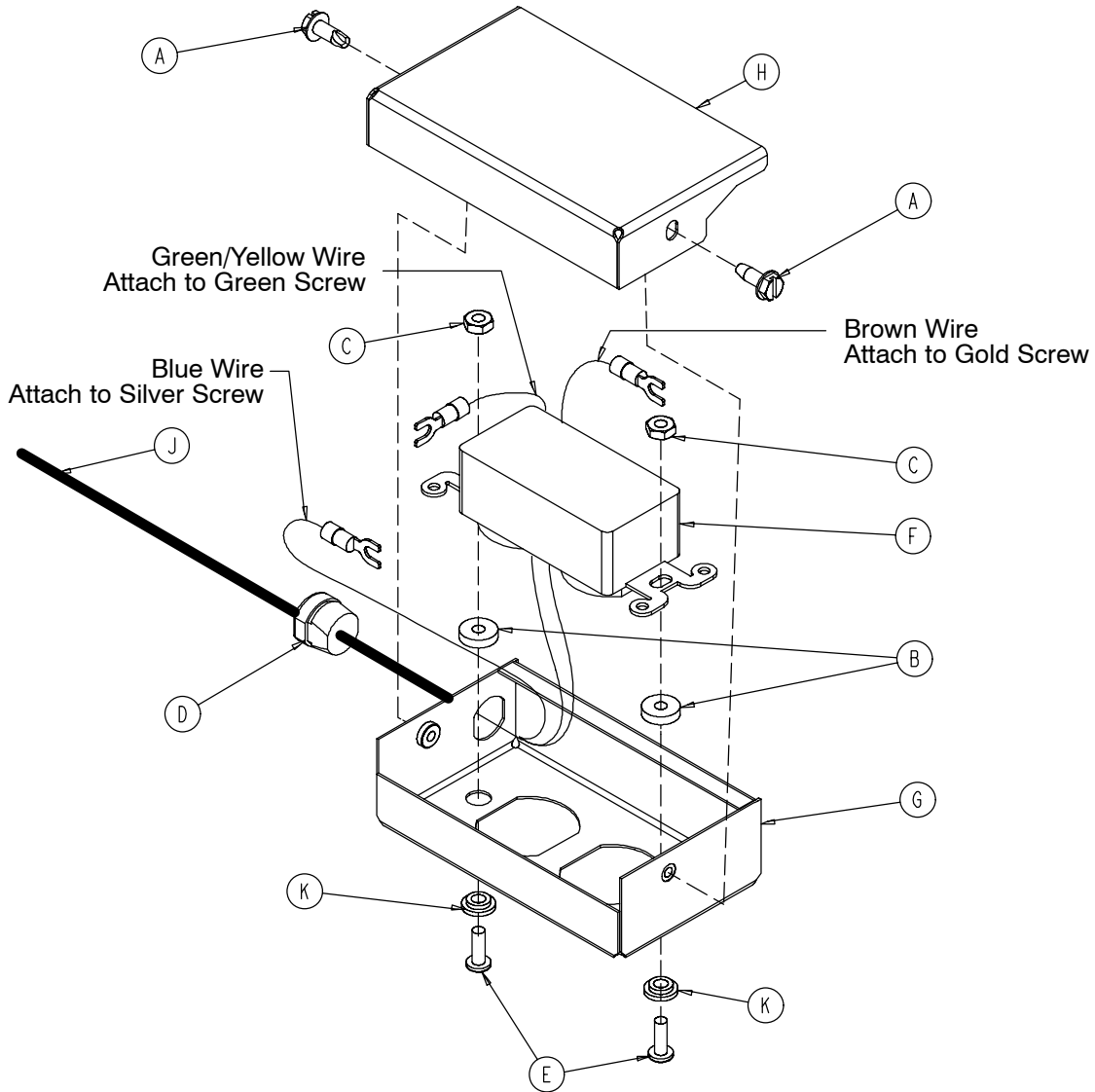


3002-320-50 Optional 110V Outlet Assembly



Item	Part No.	Part Name	Qty.
A	3-224	Hex Washer Hd. Screw	2
B	7-53	Truss Hd. Torx	1
C	30-45	Strain Relief	1
D	3000-300-113	Cable Tie	5
E	(page 174)	Outlet Box Assembly	1
F	3002-320-626	110V Outlet Label	2
G	3002-320-801	Power Cord	1
H	3002-320-878	110V Power Inlet Cable	1
J	59-196	10A Circuit Breaker	2
K	3002-320-803	110V Power Jumper	1
L	3002-320-625	Shock Hazard Caution Label	1

3002-320-60 110V Outlet Box Assembly

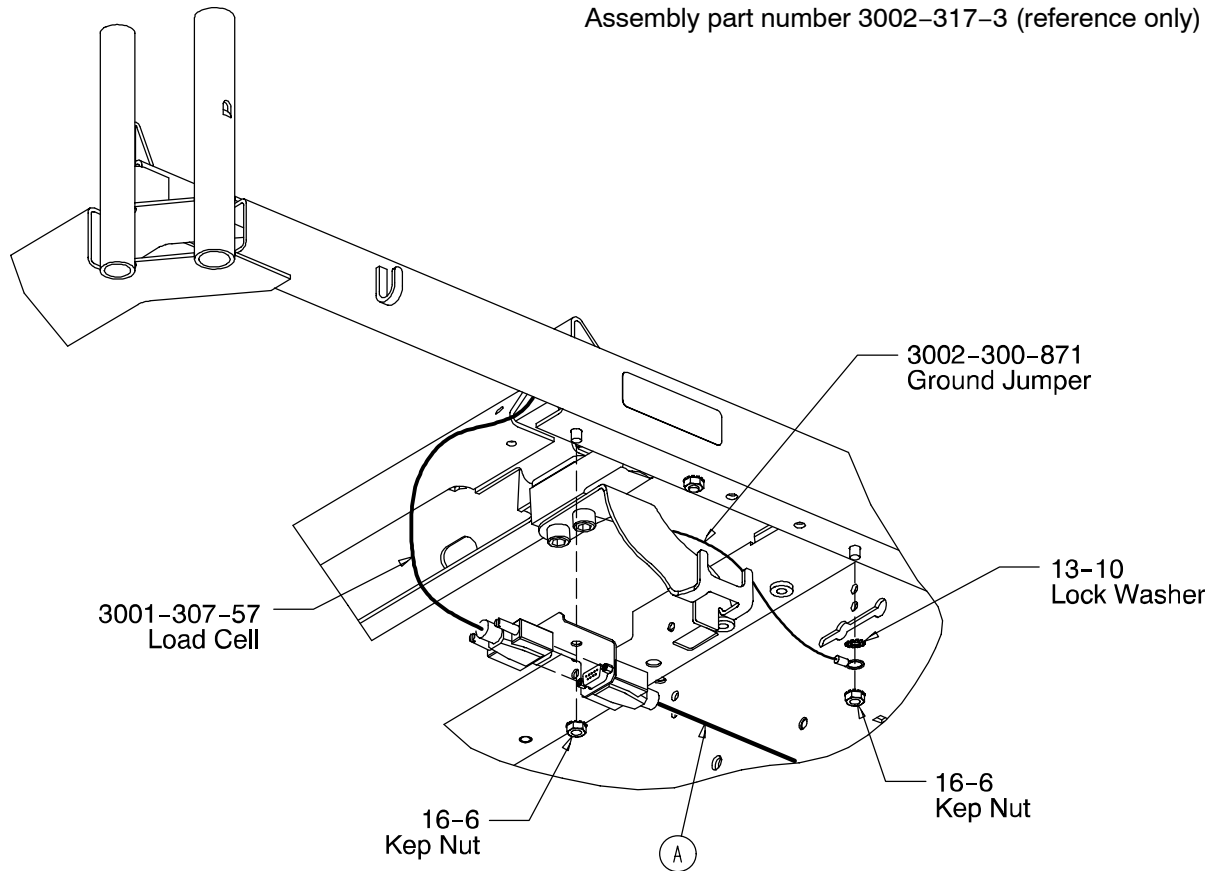


Item	Part No.	Part Name	Qty.
A	3-224	Hex Washer Hd. Screw	2
B	52-318	Round Spacer	2
C	16-14	Hex Nut	2
D	34-133	Strain Relief	1
E	4-265	But. Hd. Machine Screw	2
F	59-733	Hospital Grade Receptacle	1
G	3002-320-20	110V Outlet Box	1
H	3002-320-21	110V Outlet Box Cover	1
J	3002-320-802	110V Outlet Cable	1
K	52-317	Shoulder Washer	2

Notes

Optional Scale/Bed Exit Assembly

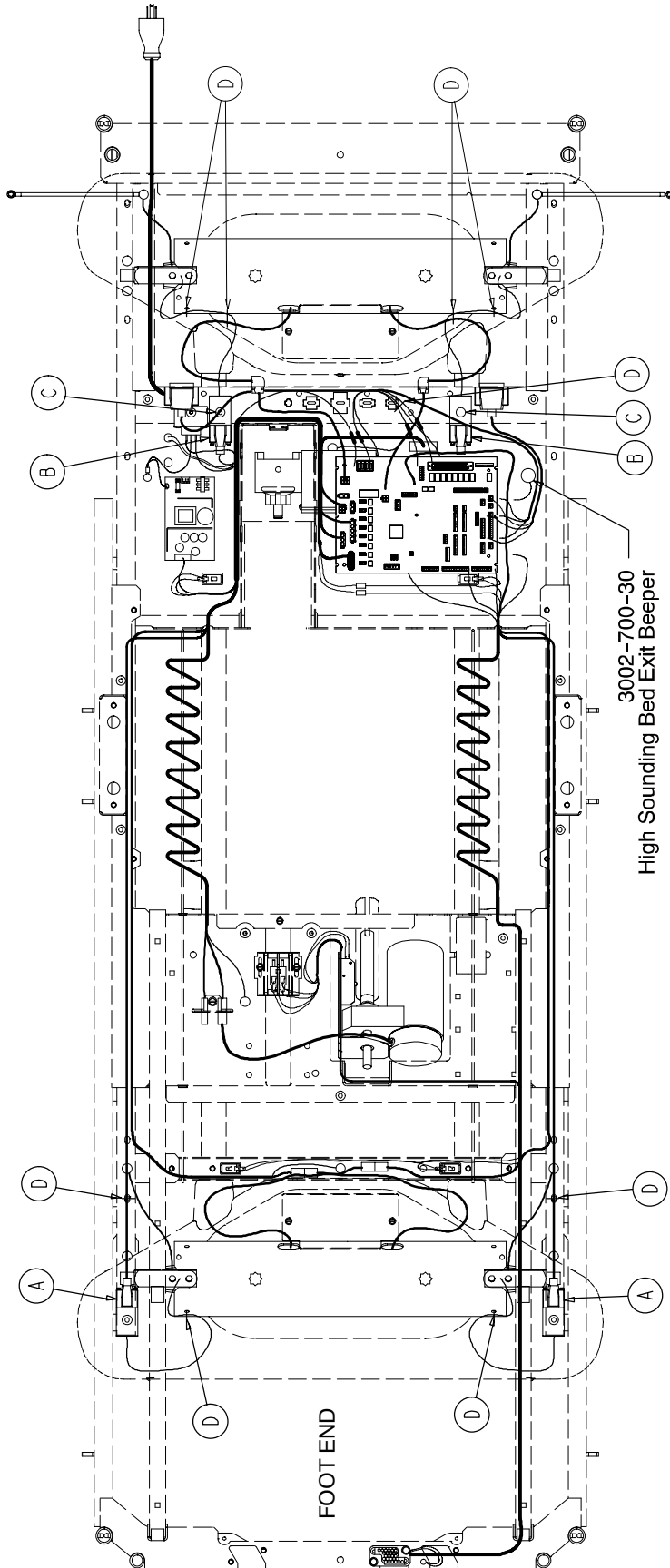
Assembly part number 3002-317-3 (reference only)



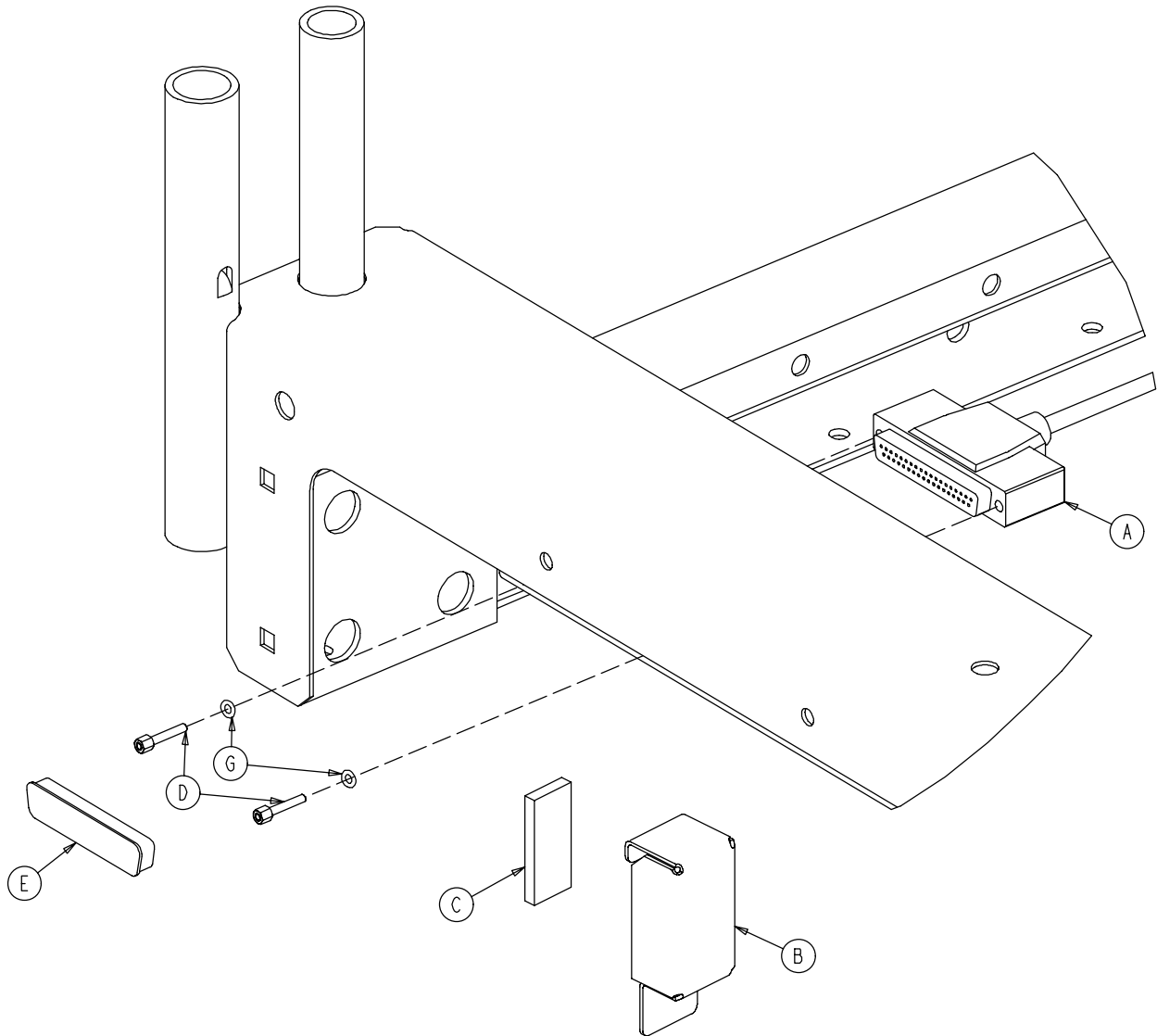
FOOT END LOAD CELL CABLE INSTALLATION
(TYPICAL BOTH SIDES OF THE BED)

Item	Part No.	Part Name	Qty.
A	3002-317-835	Foot End Load Cell Cable	2
B	3002-317-834	Head End Load Cell Cable	2
C	7-53	Truss Hd. Torx	2
D	3000-300-113	Cable Tie	9

Optional Scale/Bed Exit Assembly



Optional HWI Assembly with Communication



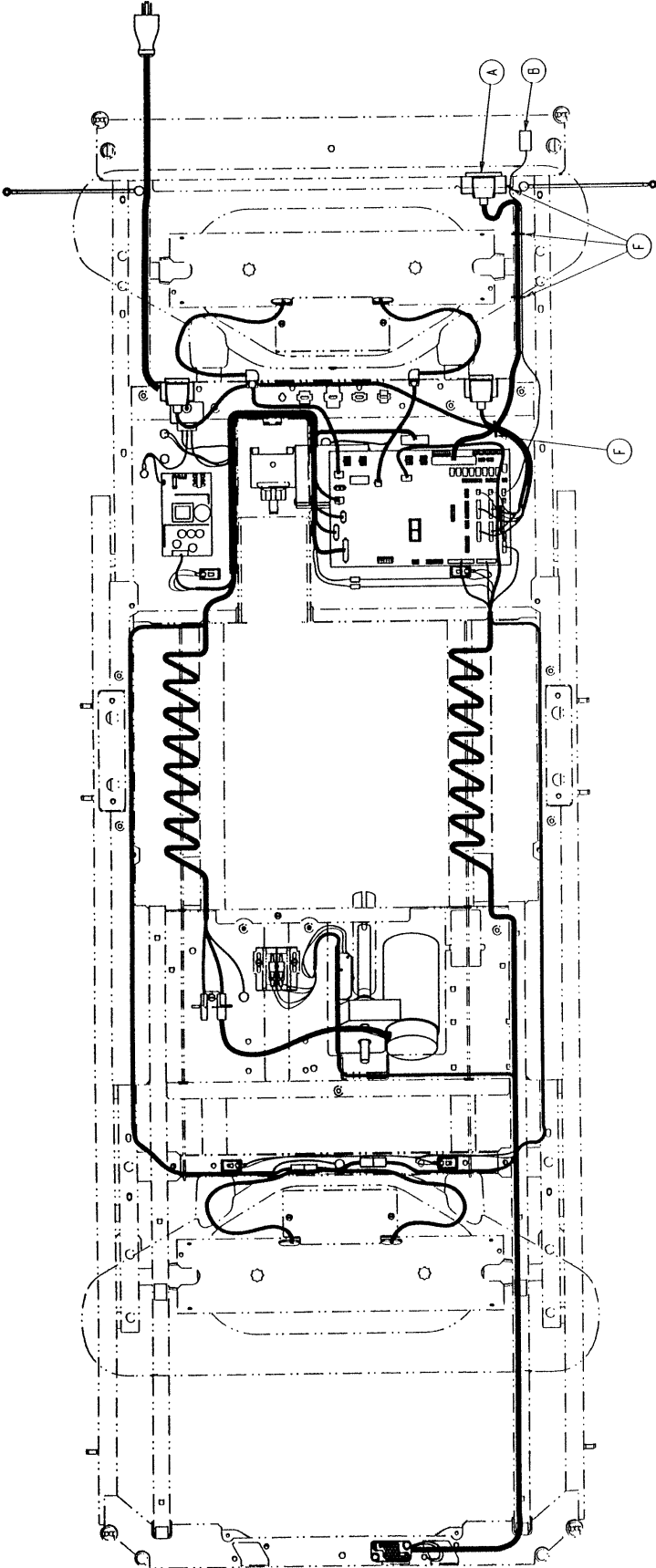
3001-303-52 Nurse Call & Communication

Item	Part No.	Part Name	Qty.
A	3001-303-821	Headwall Interface Cable	1
B	(page 183)	Battery Enclosure Ass'y	1
C	7900-1-291	Foam Tape	1
D	3001-300-7	Female Screwjack	2
E	59-710	Static Plug	1
F	3000-300-113	Cable Tie	4
G	12-46	Split Lock Washer	2

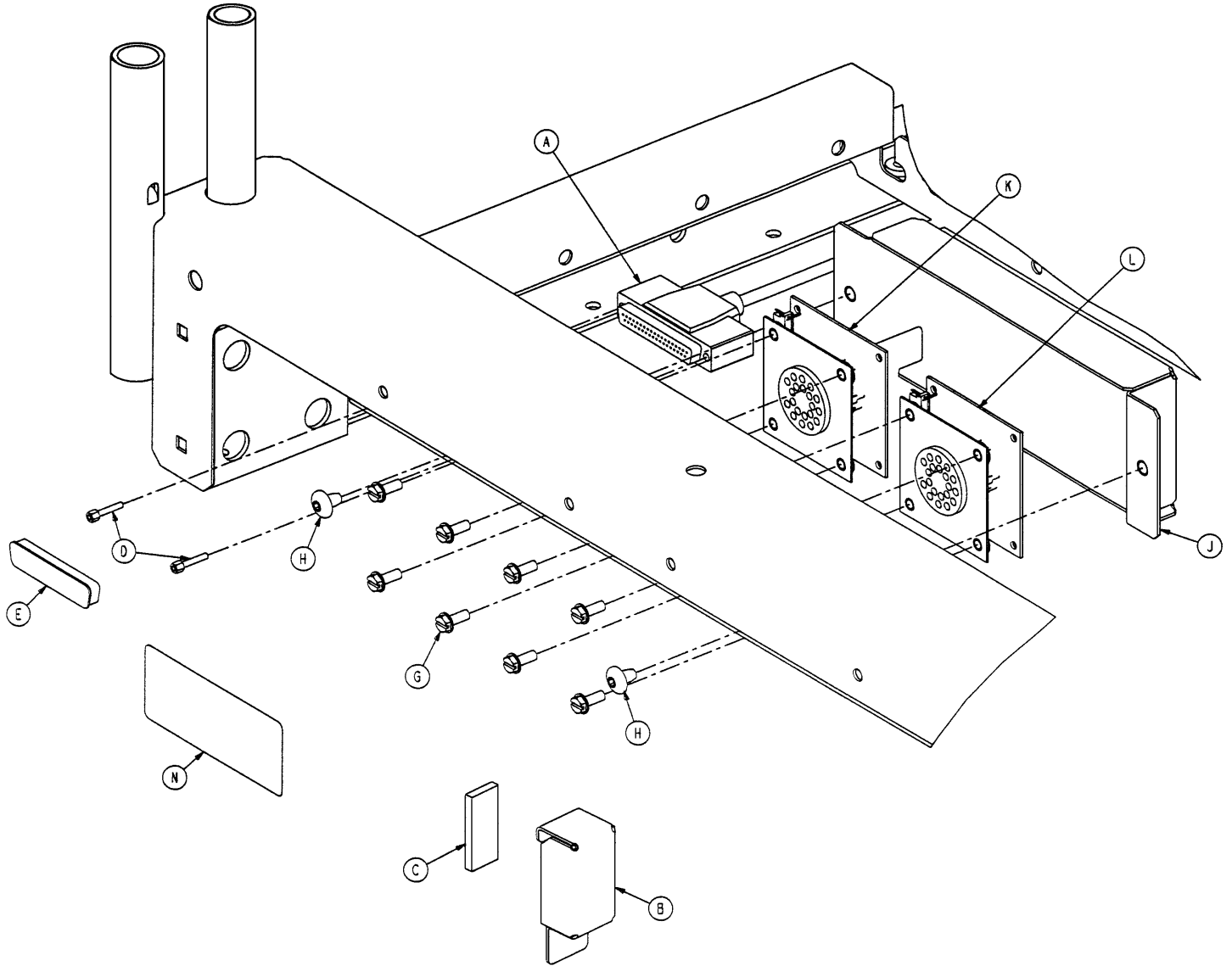
3001-303-122 Communication

Item	Part No.	Part Name	Qty.
A	3001-303-821	Headwall Interface Cable	1
D	3001-300-7	Female Screwjack	2
E	59-710	Static Plug	1
F	3000-300-113	Cable Tie	3
G	12-46	Split Lock Washer	2

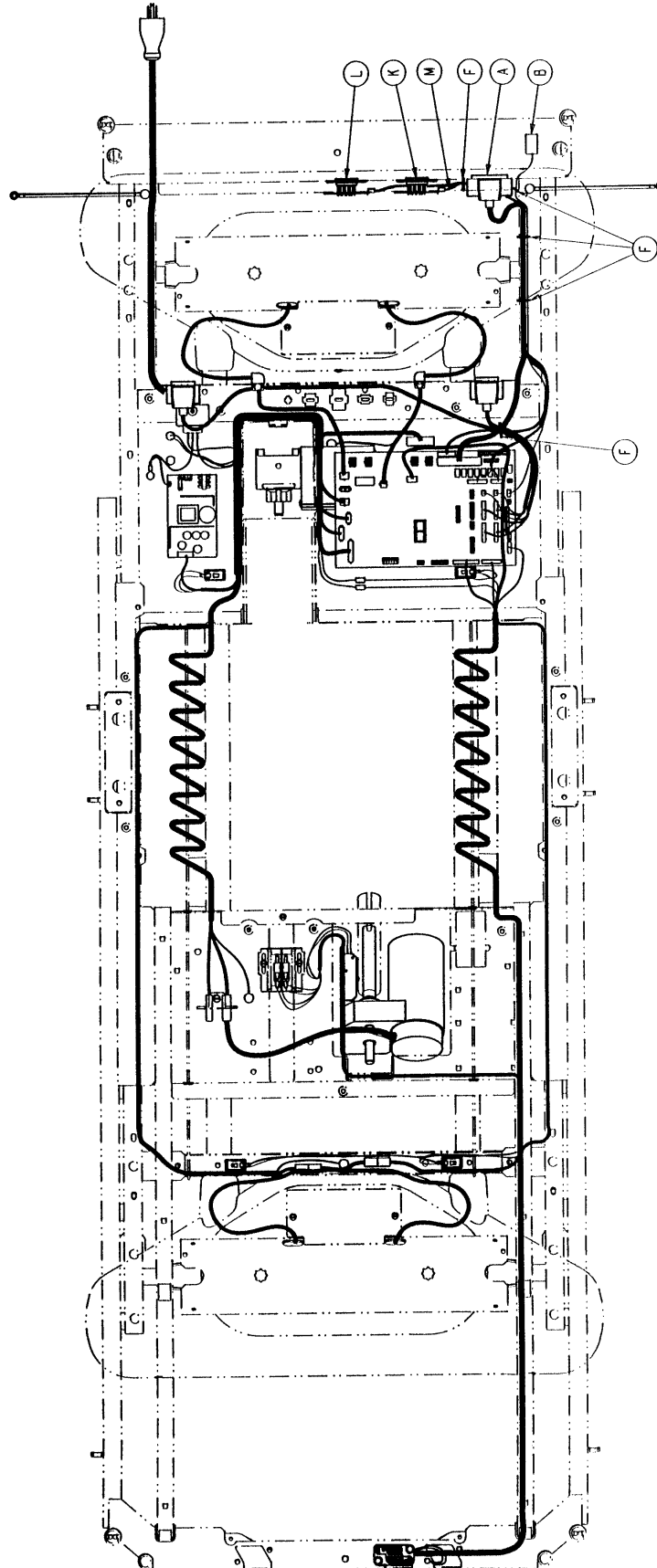
Optional HWI Assembly with Communication



Optional HWI Assembly w/Communication & Ports



Optional HWI Assembly w/Communication & Ports



Optional HWI Assembly w/Communication & Ports

3001-314-12 HWI w/1 Stryker Port

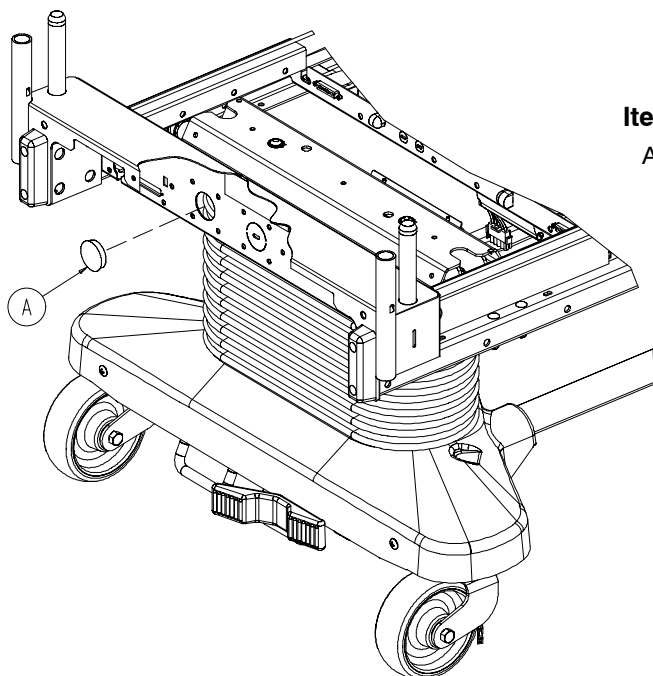
Item	Part No.	Part Name	Qty.
A	3001-303-821	Headwall Interface Cable	1
B	(page 183)	Battery Enclosure Ass'y	1
C	7900-1-291	Foam Tape	1
D	3001-300-7	Female Screwjack	2
E	59-710	Static Plug	1
F	3000-300-113	Cable Tie	5
G	3-224	Hex Washer Hd. Screw	4
H	7-53	Truss Hd. Screw	2
J	3001-314-006	Pendant Port Cover	1
K	3001-314-920	HWI Pendant Port PCB	1
M	3001-314-821	Pendant Port Cable	1
N	5000-90-28	Cord Out Label	1

3001-314-112 HWI w/1 Custom Port

Item	Part No.	Part Name	Qty.
A	3001-303-821	Headwall Interface Cable	1
B	(page 183)	Battery Enclosure Ass'y	1
C	7900-1-291	Foam Tape	1
D	3001-300-7	Female Screwjack	2
E	59-710	Static Plug	1
F	3000-300-113	Cable Tie	5
G	3-224	Hex Washer Hd. Screw	4
H	7-53	Truss Hd. Screw	2
J	3001-314-006	Pendant Port Cover	1
K	3001-314-889	HWI Cust. Pend. Port PCB	1
M	3001-314-821	Pendant Port Cable	1
N	5000-90-28	Cord Out Label	1

3001-314-122 HWI w/1 Stryker & 1 Custom Port

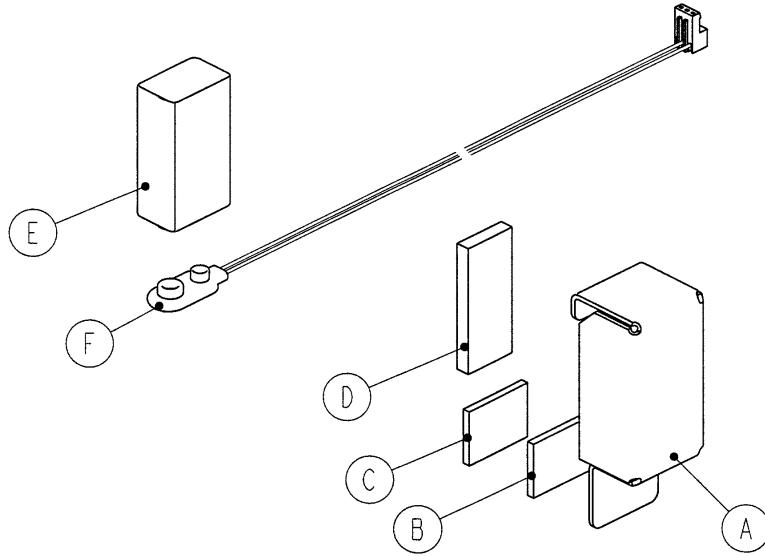
Item	Part No.	Part Name	Qty.
A	3001-303-821	Headwall Interface Cable	1
B	(page 183)	Battery Enclosure Ass'y	1
C	7900-1-291	Foam Tape	1
D	3001-300-7	Female Screwjack	2
E	59-710	Static Plug	1
F	3000-300-113	Cable Tie	5
G	3-224	Hex Washer Hd. Screw	8
H	7-53	Truss Hd. Screw	2
J	3001-314-006	Pendant Port Cover	1
K	3001-314-920	HWI Pendant Port PCB	1
L	3001-314-889	HWI Cust. Pend. Port PCB	1
M	3001-314-821	Pendant Port Cable	1
N	5000-90-28	Cord Out Label	1



3002-999-066 No Pendant Port Option

Item	Part No.	Part Name	Qty.
A	37-220	Hole Plug	1

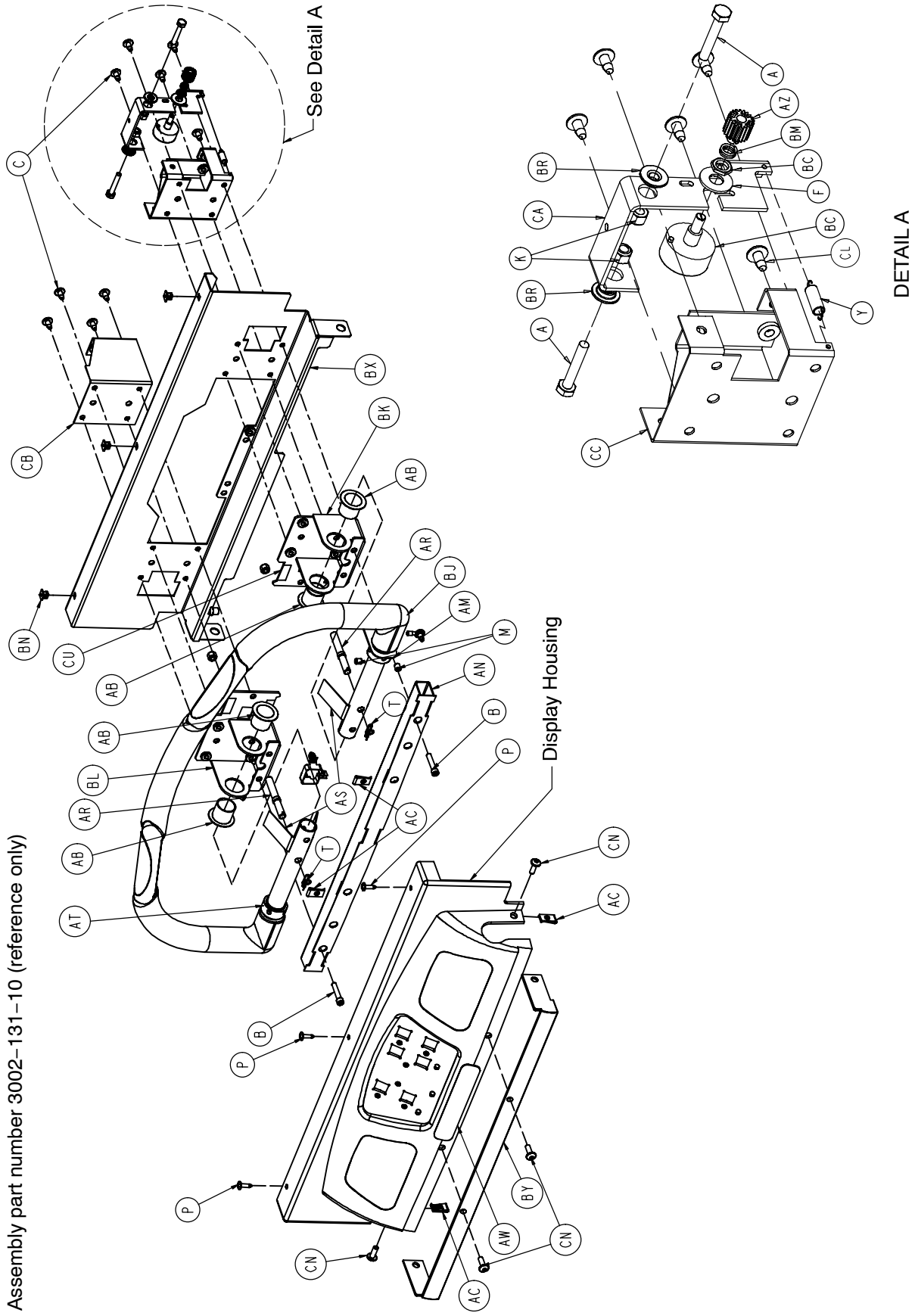
3001-303-45 Battery Enclosure



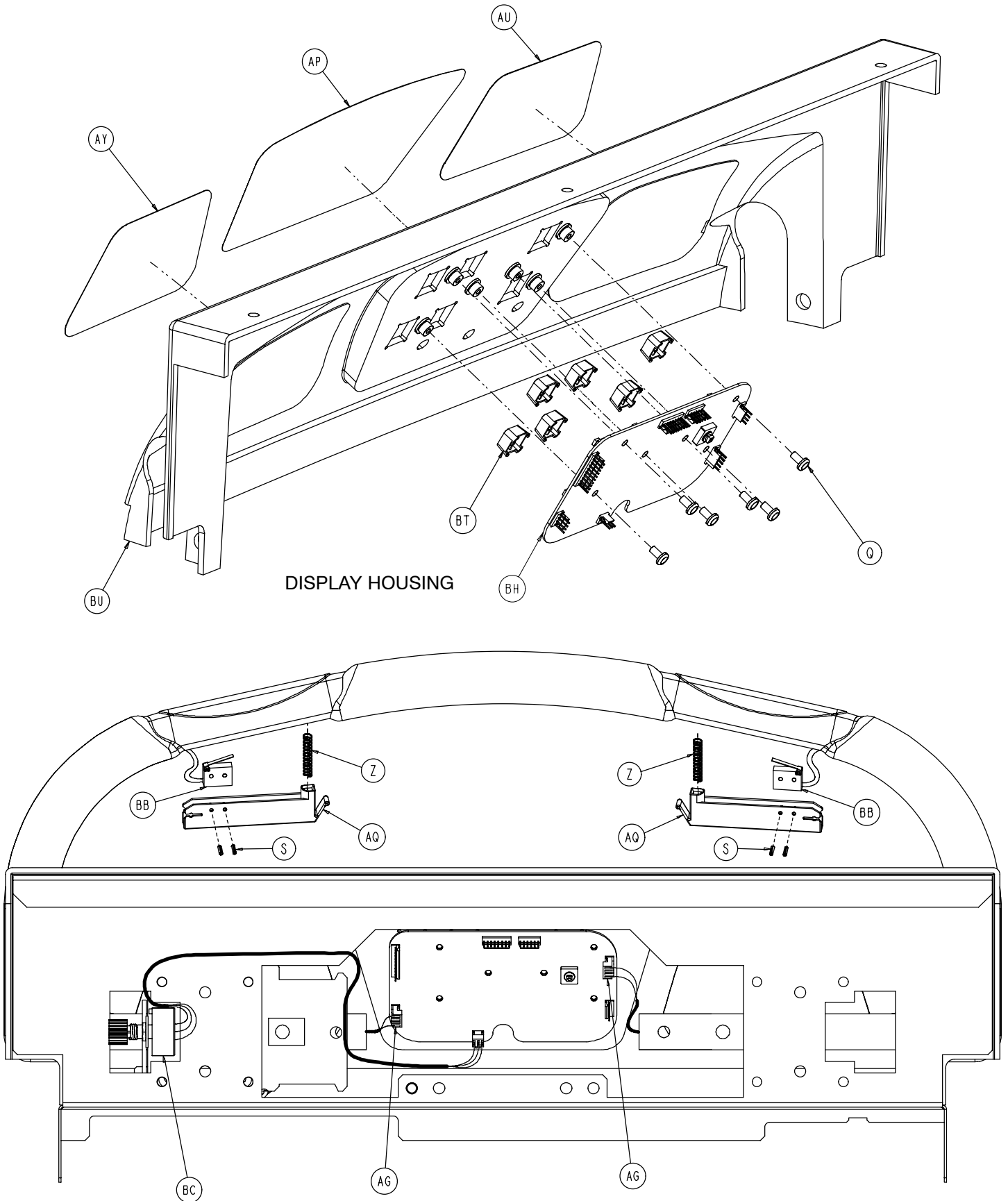
Item	Part No.	Part Name	Qty.
A	3001-303-12	Battery Enclosure	1
B	29-10	Fine Duo-Lock	1
C	29-8	Coarse Duo-Lock	1
D	7900-1-291	Foam Tape	1
E	3000-303-871	Battery	1
F	3001-303-811	Battery Cable	1

Zoom Option Litter Assembly

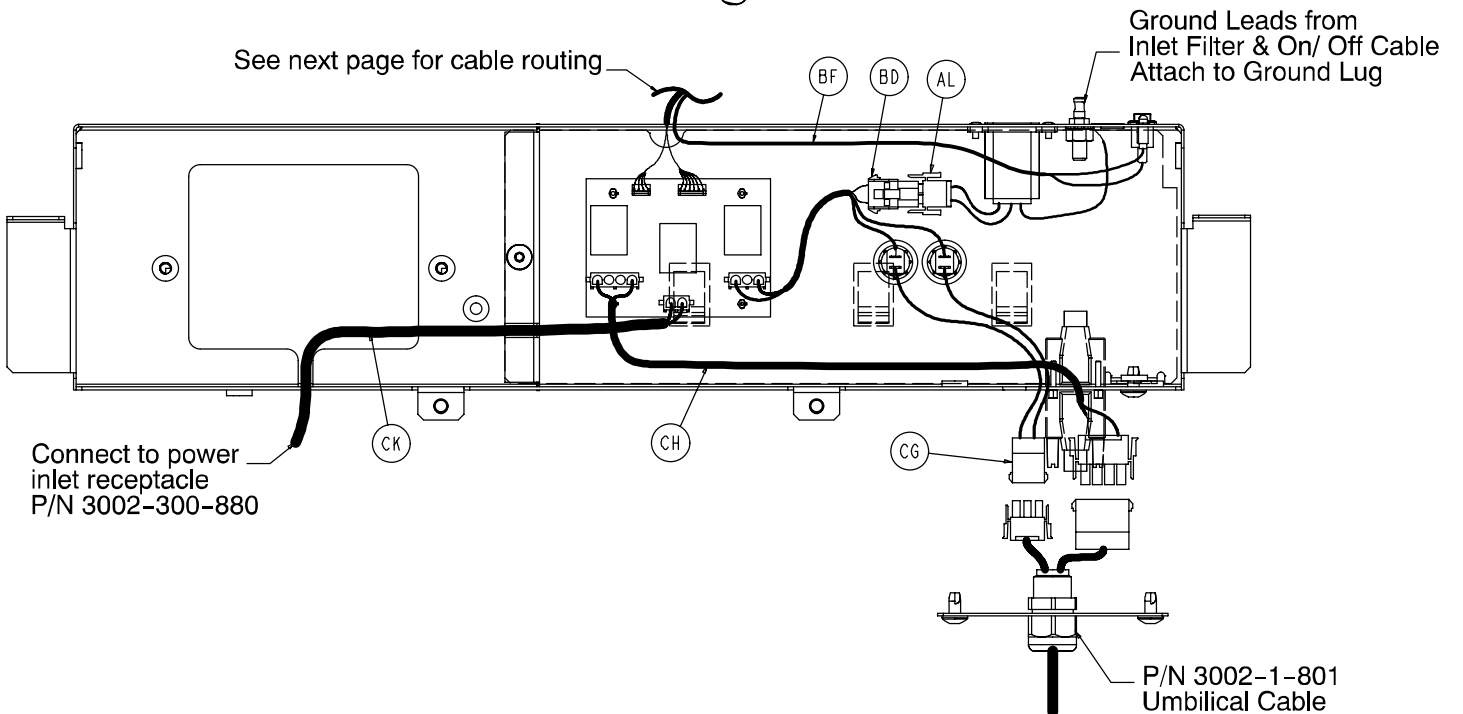
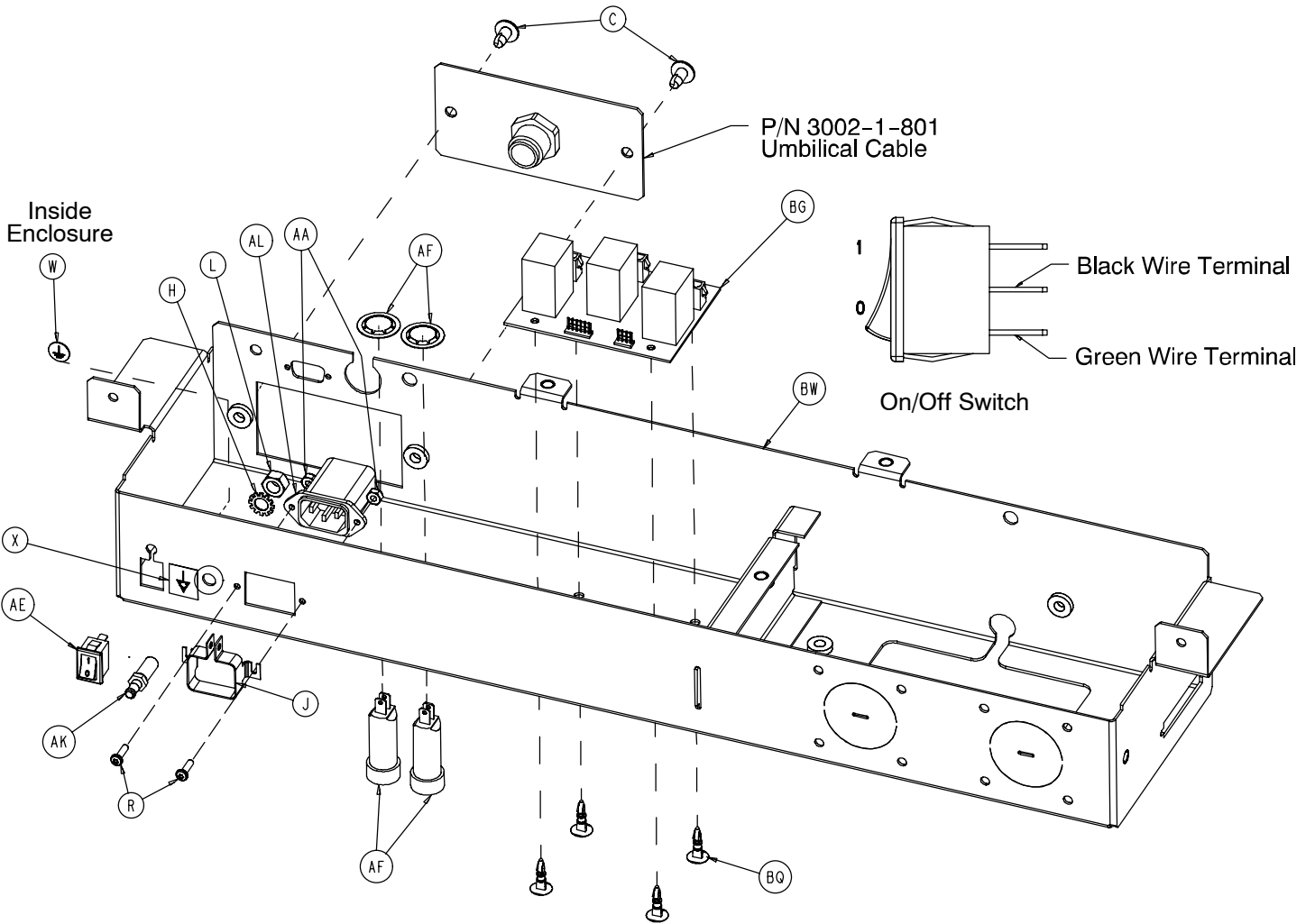
Assembly part number 3002-131-10 (reference only)



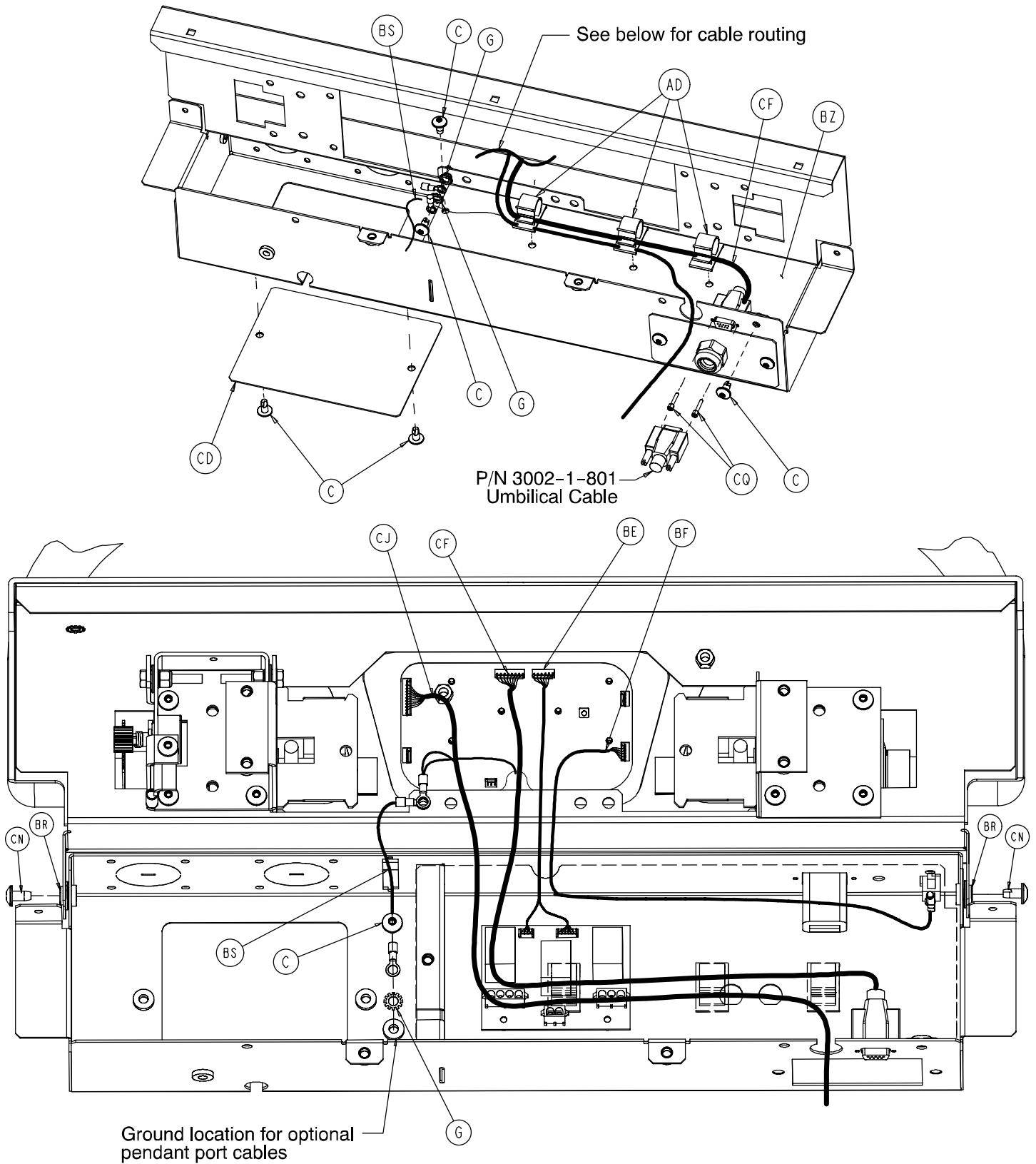
Zoom Option Litter Assembly



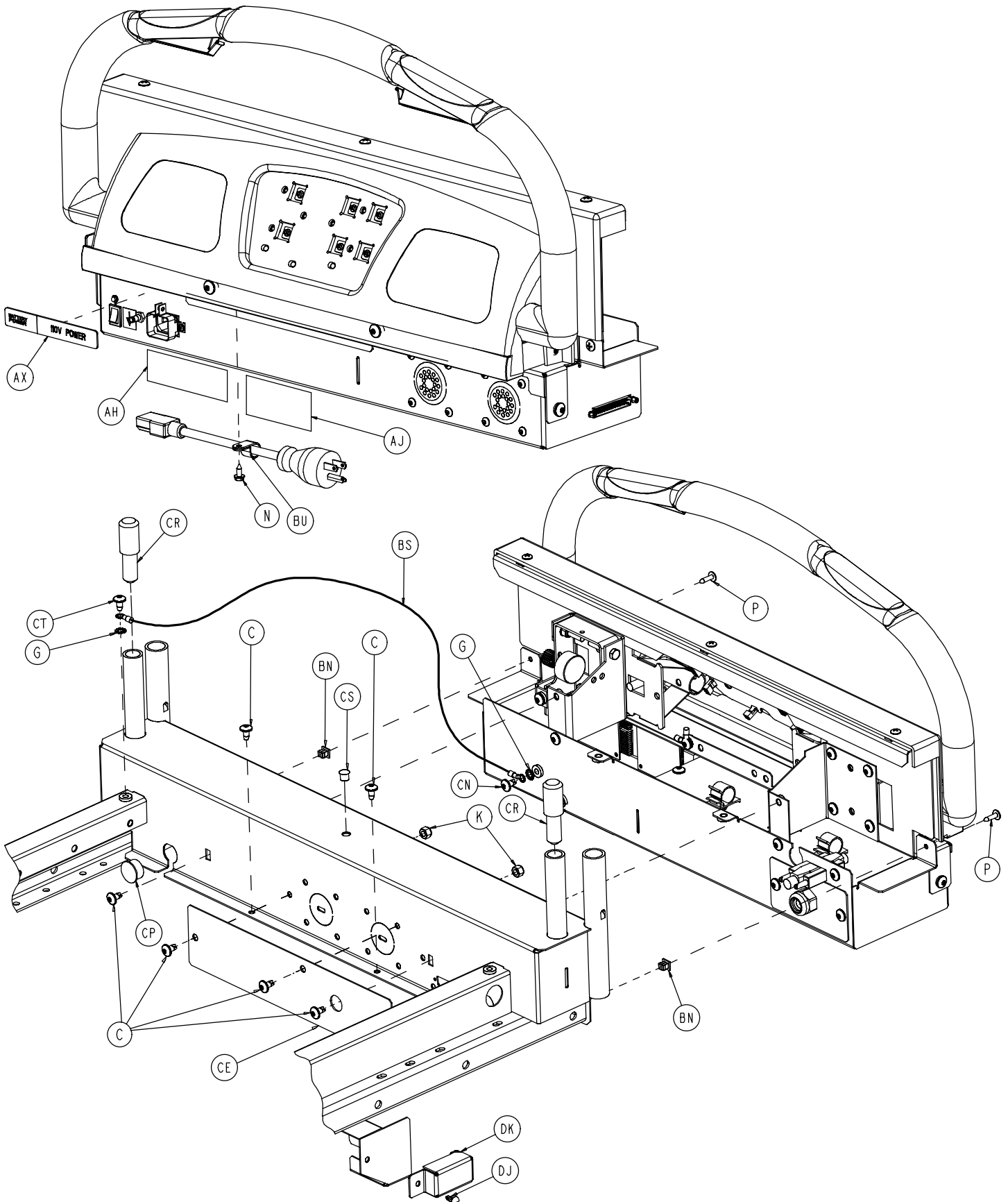
Zoom Option Litter Assembly



Zoom Option Litter Assembly



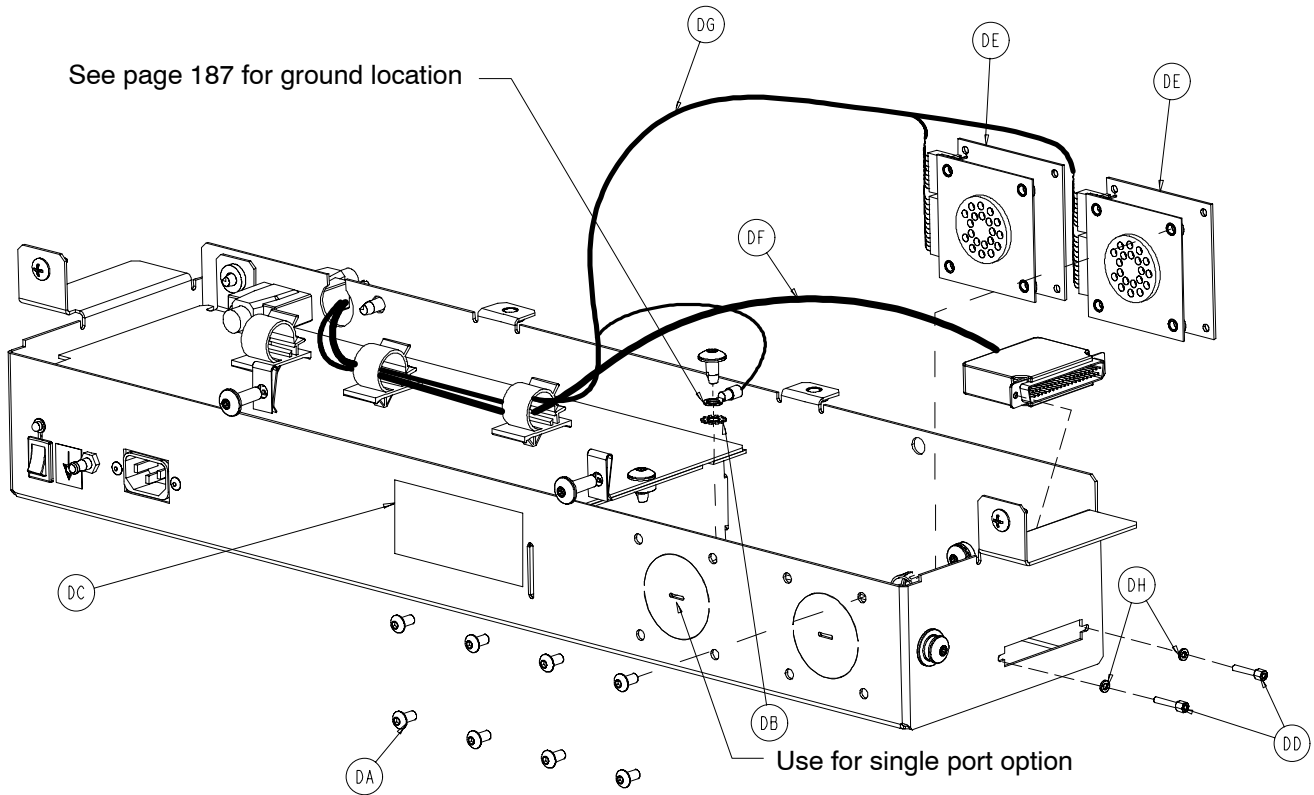
Zoom Option Litter Assembly



Zoom Option Litter Assembly

Item	Part No.	Part Name	Qty.	Item	Part No.	Part Name	Qty.
A	3-50	Hex Hd. Cap Screw	2	AY	2040-31-105	Logo Label	1
B	4-142	Soc. Hd. Cap Screw	2	AZ	2040-31-106	Potentiometer Gear	1
C	7-52	Truss Hd. Torx	25	BB	2040-31-803	Mom. Cont. Swch. Cable	2
F	11-193	Flat Washer	1	BC	2040-31-804	Potentiometer Cable	1
G	13-10	Ext. Tooth Lock Washer	5	BD	2040-31-808	Charger AC Jumper Cable	1
H	13-38	External Lock Washer	1	BE	2040-31-809	CPU/Crossover Cable	1
J	59-205	Connector Lock	1	BF	2040-31-810	On/Off Cable	1
K	16-28	Nylock Nut	4	BG	2040-31-900	AC/Switchover PCB Ass'y	1
L	16-33	Kep Nut	1	BH	2040-31-910	Display/CPU Assembly	1
M	21-140	Set Screw	4	BJ	2040-231-64	Control Bar	1
N	23-25	Hex Washer Hd. Screw	1	BK	2040-31-110	Pivot Bracket, Right	1
P	23-80	Truss Hd. Screw	5	BL	2040-31-111	Pivot Bracket, Left	1
Q	23-112	Hi-Low Tapping Screw	6	BM	3000-200-253	Pot. Worm Gear Retainer	1
R	50-32	Pan Hd. Mach. Screw	2	BN	3000-300-2	Plastic Clip Nut	5
S	26-303	Roll Pin	4	BP	3000-300-114	4" Wire Tie	5
T	27-22	Rue Pin	2	BQ	3000-300-115	Stand Off	4
U	34-22	Cord Clamp	1	BR	3001-300-99	Pivot Bearing	4
W	36-46	Ground Label	1	BS	3002-300-870	8" Ground Strap	2
X	36-115	Ground Label	1	BT	3001-400-953	Switch Cap	6
Y	38-482	Extension Spring	1	BU	3002-31-11	Top Display Housing	1
Z	38-448	Switch Handle Ret. Spring	2	BW	3002-31-53	Hd. End Bottom Enclosure	1
AA	16-23	Nylock Nut	2	BX	3002-31-63	Head End Top Enclosure	1
AB	52-762	Flange Bearing	4	BY	2040-231-69	Display Bumper	1
AC	55-27	"U"-Type Nut	4	BZ	3002-31-92	Hd. End Electronics Cover	1
AD	59-133	Push-Mount Wire Clip	3	CA	3002-31-108	Potentiometer Mount	1
AE	59-191	On/Off Switch	1	CB	3002-31-109	Reinforcement Brkt., Left	1
AF	59-195	Circuit Breaker	2	CC	3002-31-110	Reinforcement Brkt., Right	1
AG	59-781	4-Position Connector	2	CD	3002-31-112	Pendant Port Cover	1
AH	1550-90-1	Hosp. Grade Plug Label	1	CE	3002-31-115	Cover Plate	1
AJ	2011-1-104	Danger Label	1	CF	3002-31-801	Zoom CPU Signal Jumper	1
AK	2011-1-215	Grounding Lug	1	CG	3002-31-802	Zoom Breaker Jumper	1
AL	2035-31-880	Power Inlet Cable	1	CH	3002-31-803	Zoom Crossover PCB Jmpr.	1
AM	2040-31-51	Potentiometer Collar	1	CJ	3002-7-805	Zoom/Bed CPU Jumper	1
AN	2040-31-54	Bumper Attachment Wldmt.	1	CK	3002-31-805	Bed AC Power Jumper	1
AP	2040-31-62	Display Label	1	CL	4-325	Soc. Hd. Cap Screw	1
AQ	2040-31-68	Contact Switch Handle	2	CN	7-63	Truss Hd. Torx	7
AR	2040-31-73	Stop Pin	2	CP	37-240	Hole Plug	1
AS	2040-31-74	Control Bar Return Spring	2	CQ	3001-300-7	M/F Screw	2
AT	2040-31-82	Potentiometer Collar	1	CR	3002-31-114	Head Board Extender	2
AU	2040-31-101	Drive Instruction Label	1	CS	59-738	Hole Plug	1
AW	2040-31-102	Drive Warning Label	1	CT	7-65	Truss Hd. Screw	1
AX	2040-31-103	Power Label	1	CU	44-32	Pressure Sensitive Tape	4

Zoom Option Litter Assembly



3002-31-200 Head Wall Communication Option

Item	Part No.	Part Name	Qty.
DD	3001-300-7	M/F Screw	2
DF	3002-80-8	Head Wall IF Cable	1

3002-31-201 Head Wall Comm. w/Nurse Call

Item	Part No.	Part Name	Qty.
DD	3001-300-7	M/F Screw	2
DF	5010-80-8	Head Wall Interface Cable	1
DH	12-46	Split Lock Washer	2
DK	(page 183)	Battery Enclosure Ass'y	1

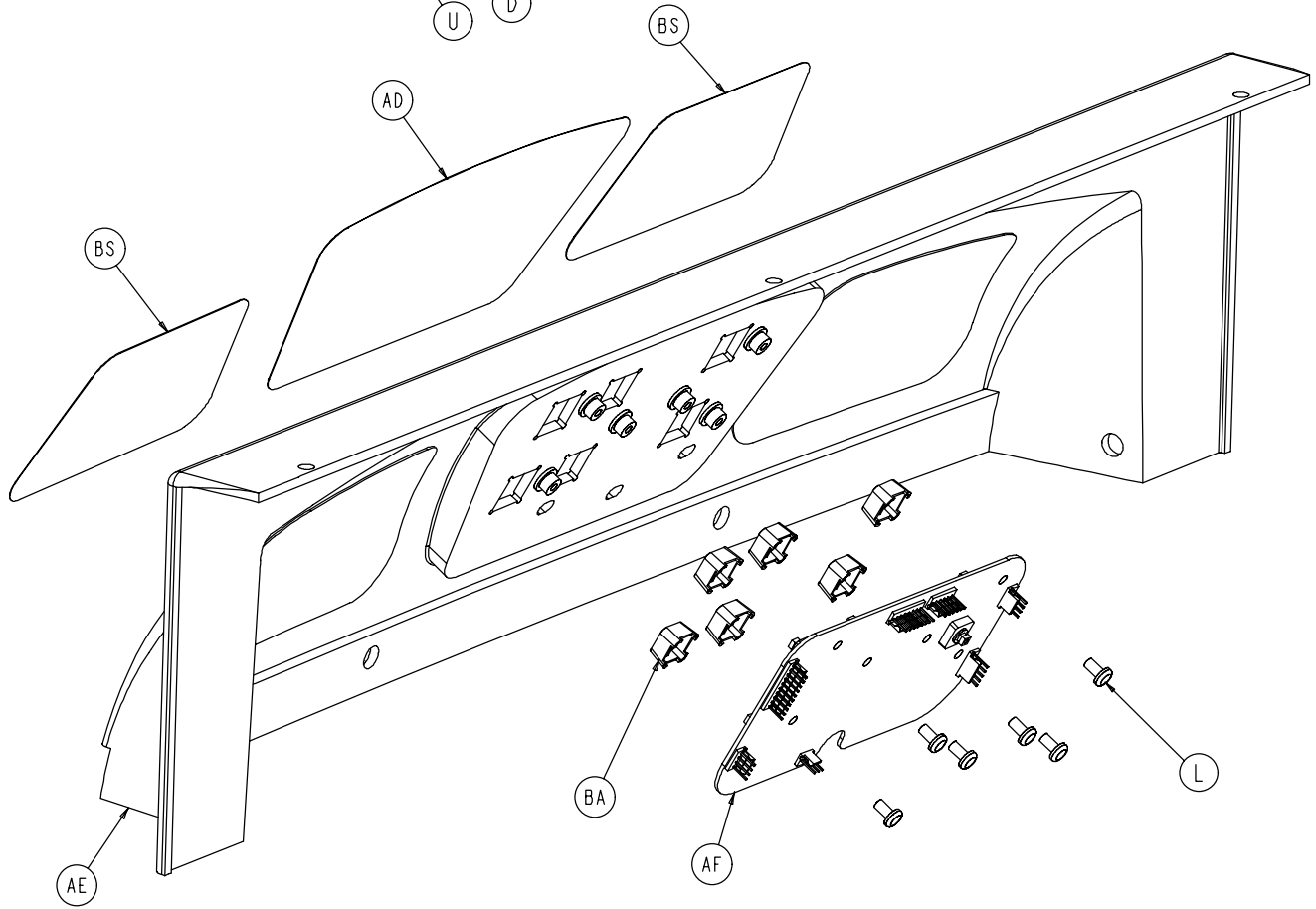
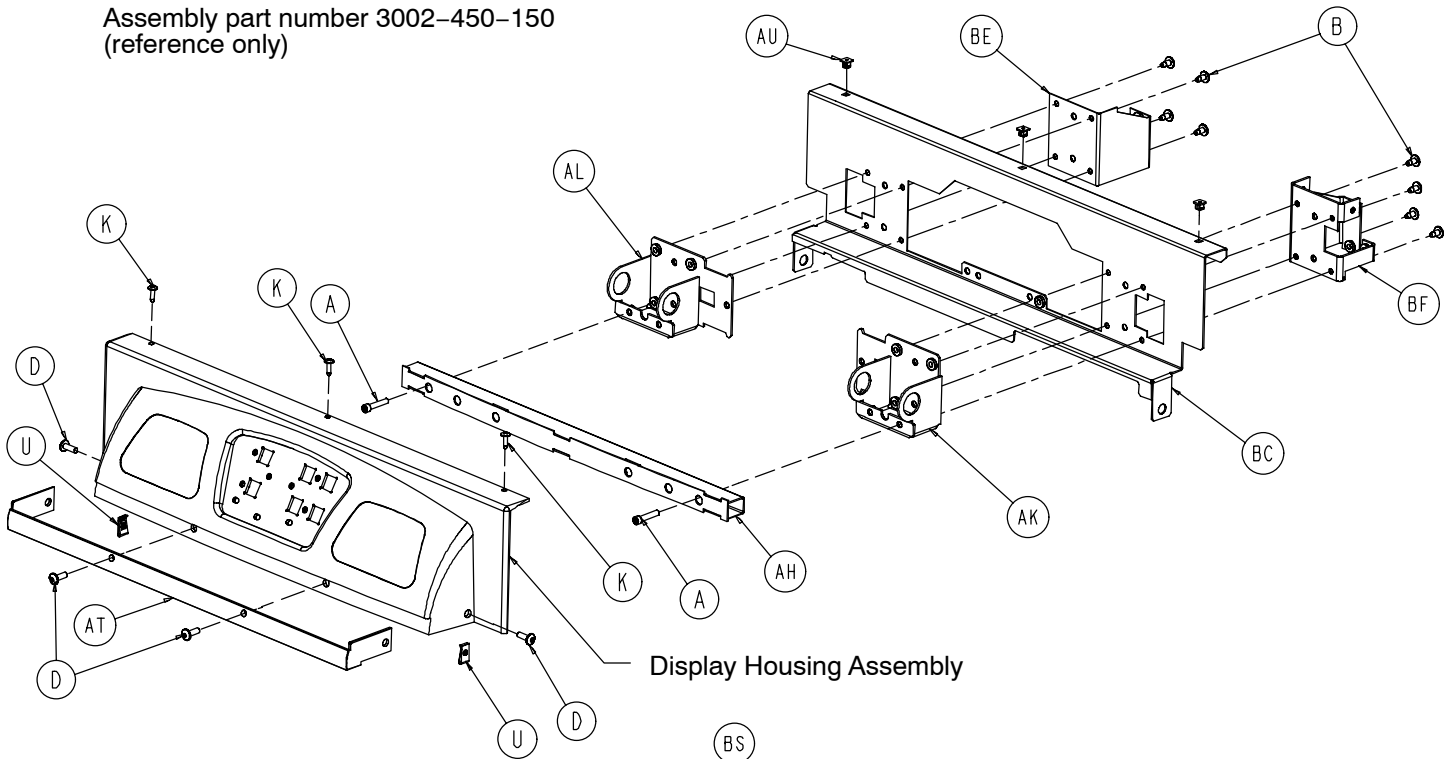
3002-31-202 HW Comm. w/NC & 1 Stryker Port

Item	Part No.	Part Name	Qty.
DA	4-307	But. Hd. Cap Screw	4
DB	13-10	Ext. Tooth Lock Washer	1
DC	2040-31-104	Cord Out Label	1
DD	3001-300-7	M/F Screw	2
DE	3001-314-920	Head Wall Pend. Port PCB	1
DF	3002-80-8	Head Wall Interface Cable	1
DG	3002-31-807	Zoom Pendant Port Cable	1
DH	12-46	Split Lock Washer	2
DK	(page 183)	Battery Enclosure Ass'y	1

Notes

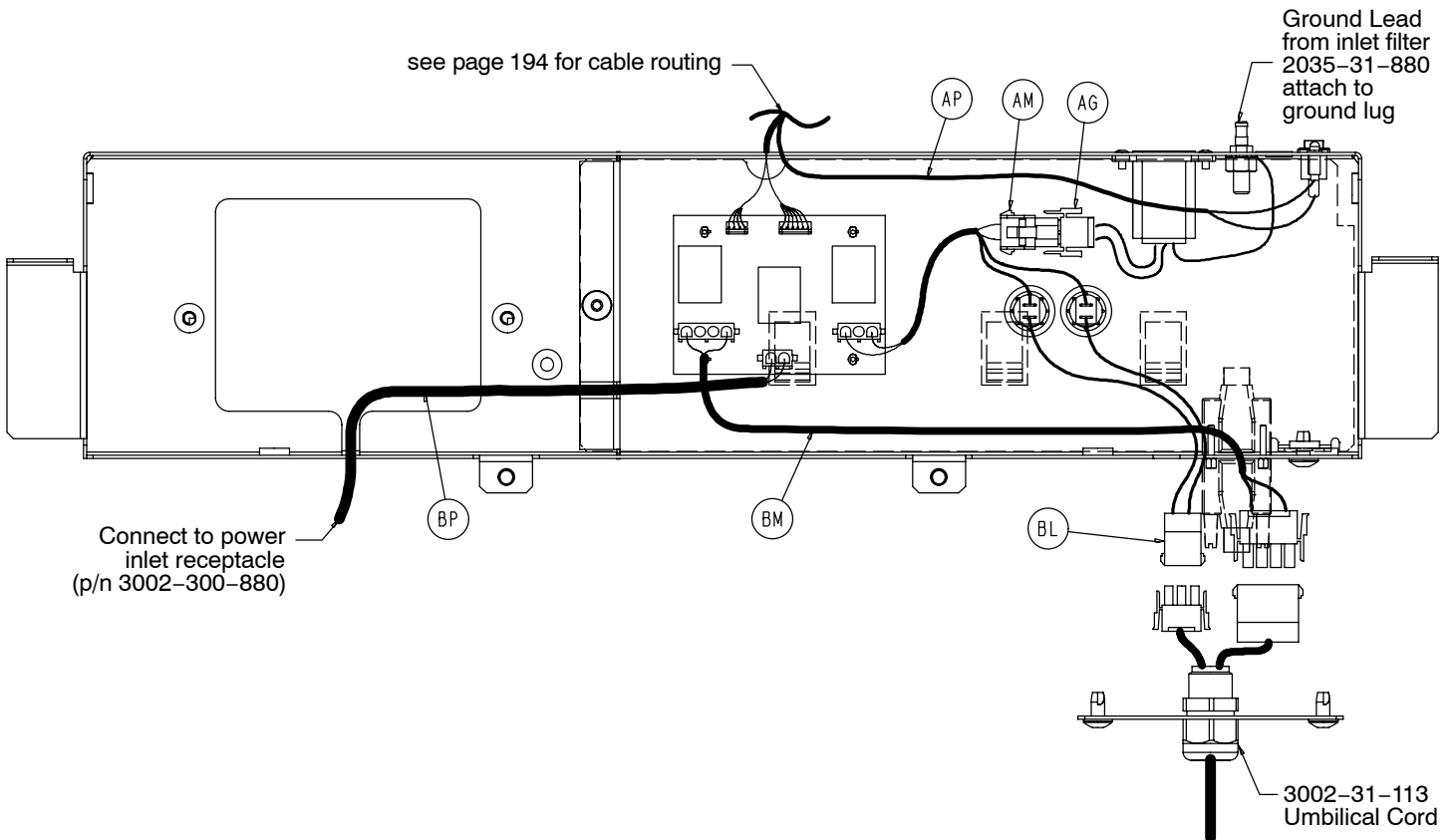
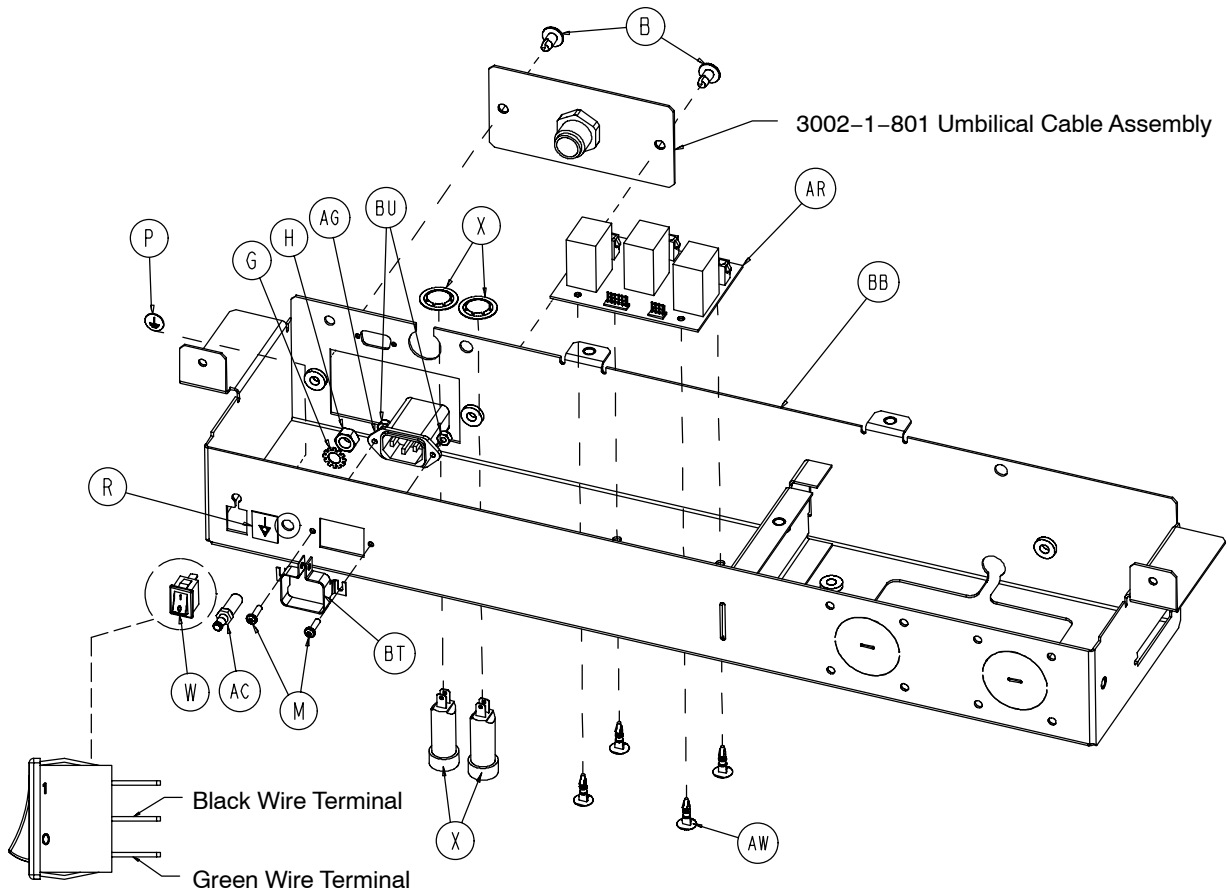
Battery Back-Up Option Head-End Enclosure

Assembly part number 3002-450-150
(reference only)

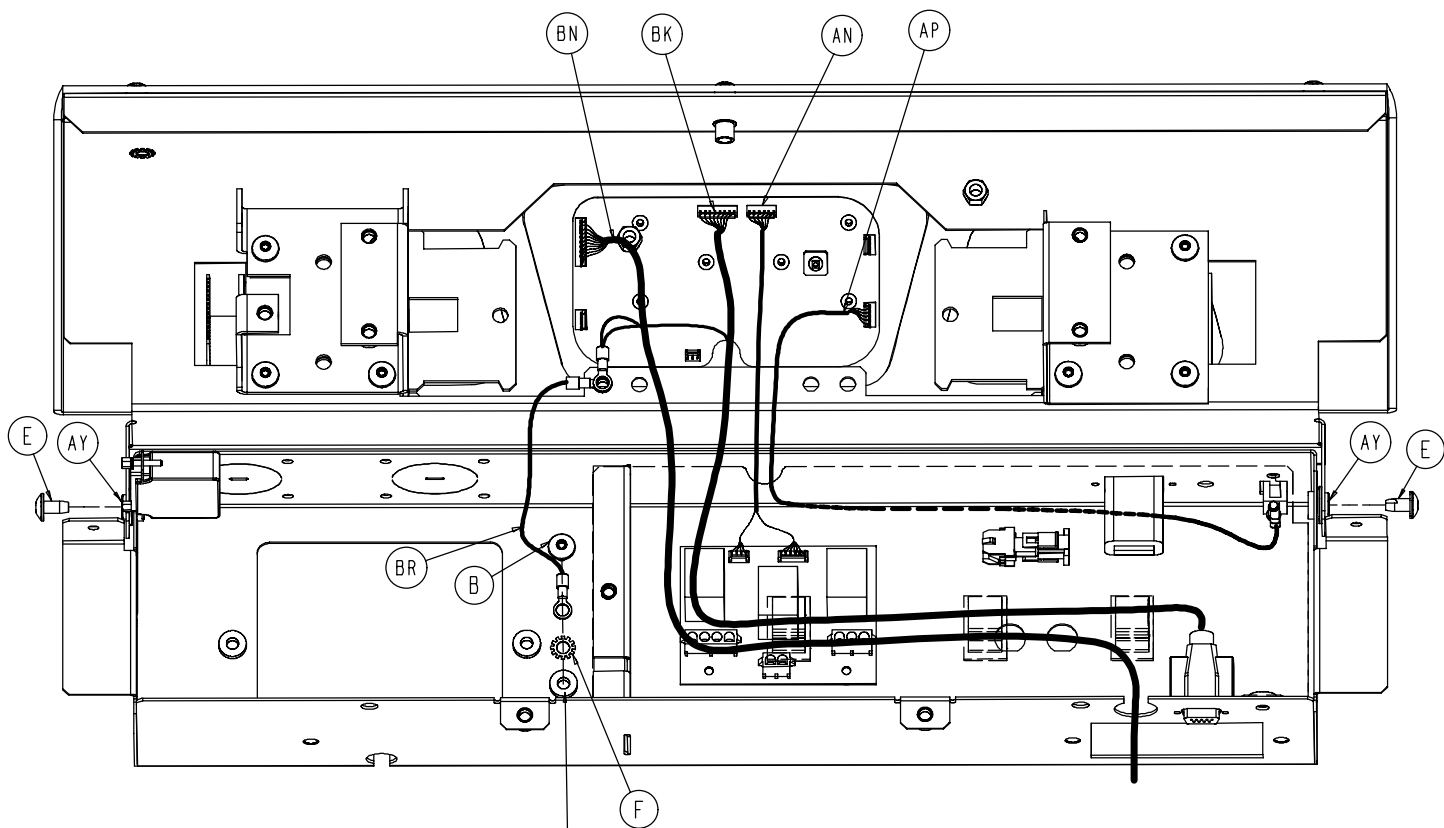


DISPLAY HOUSING ASSEMBLY

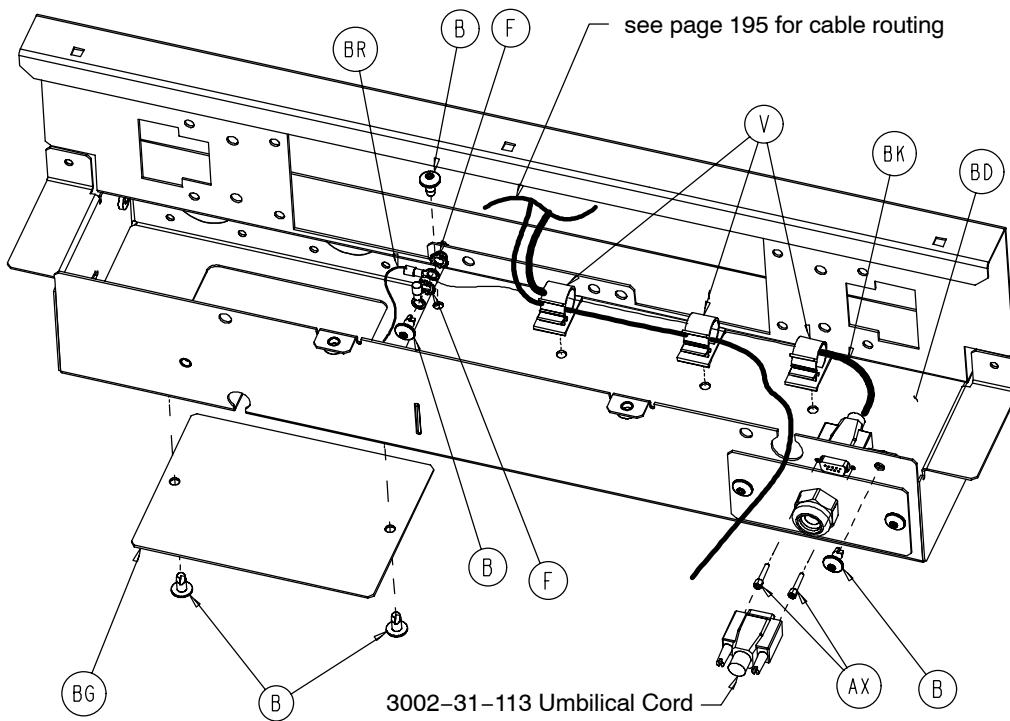
Battery Back-Up Option Head-End Enclosure



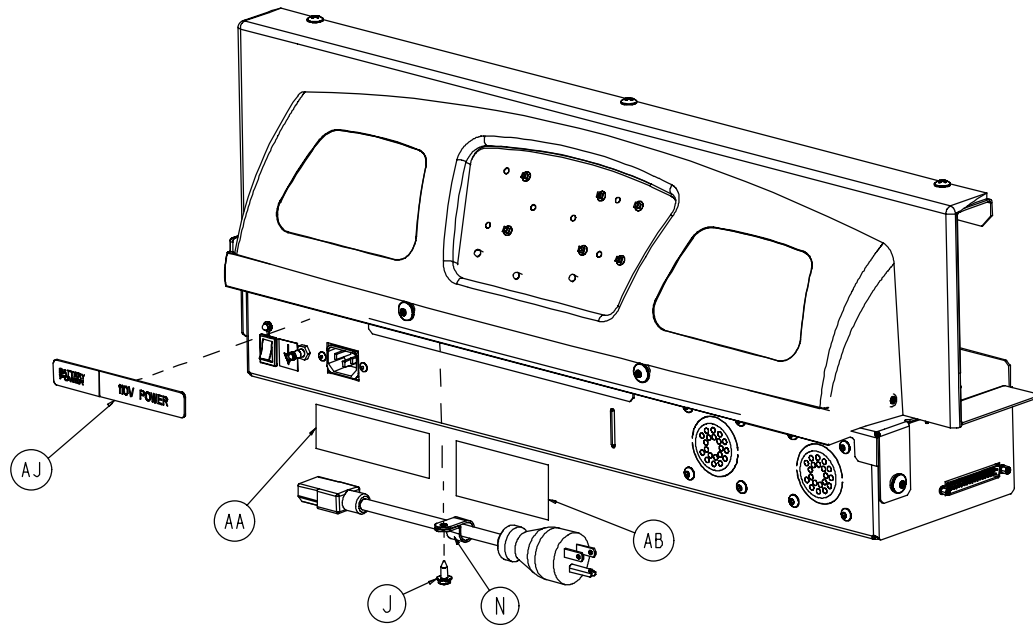
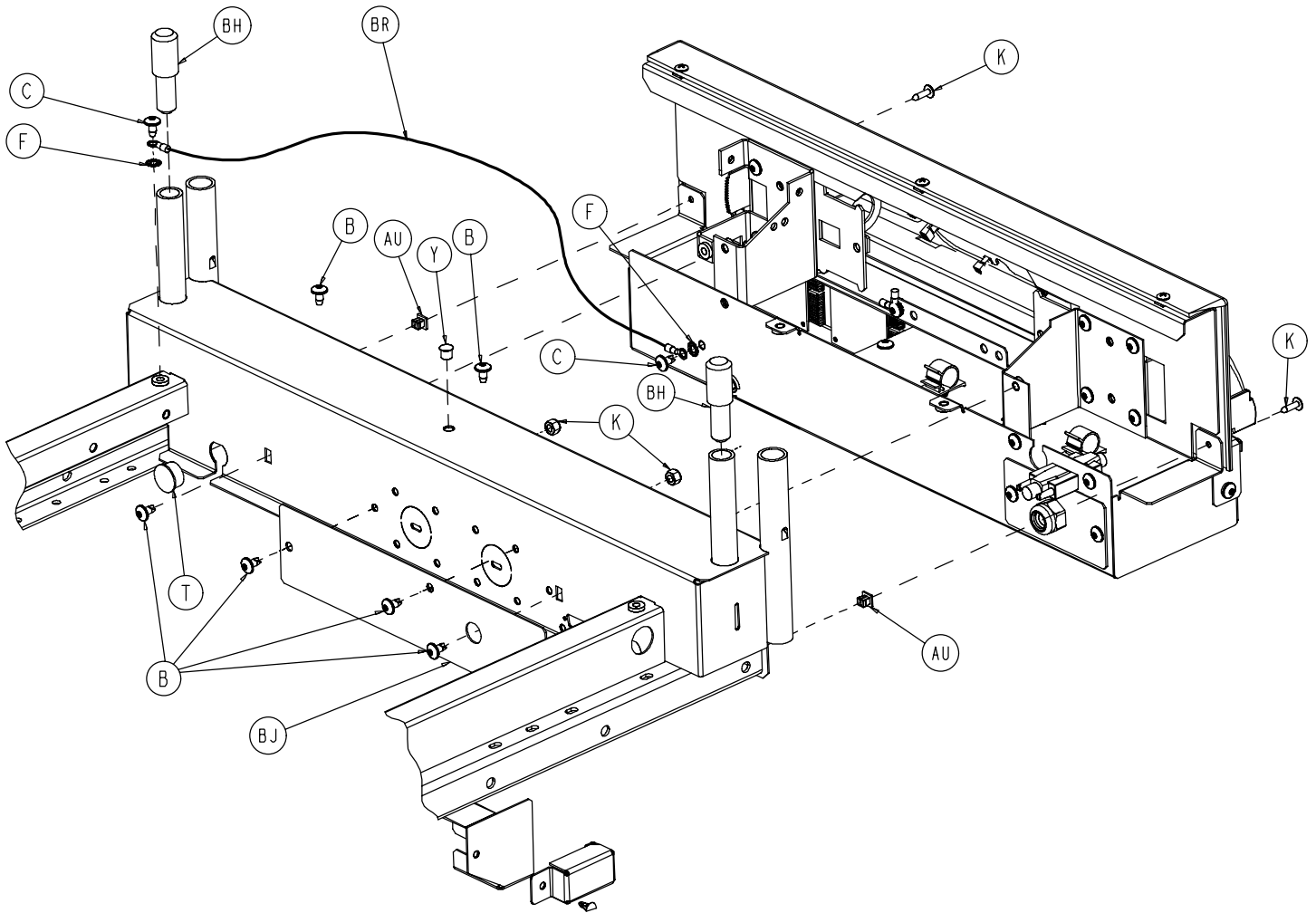
Battery Back-Up Option Head-End Enclosure



Ground location for optional pendant port cables



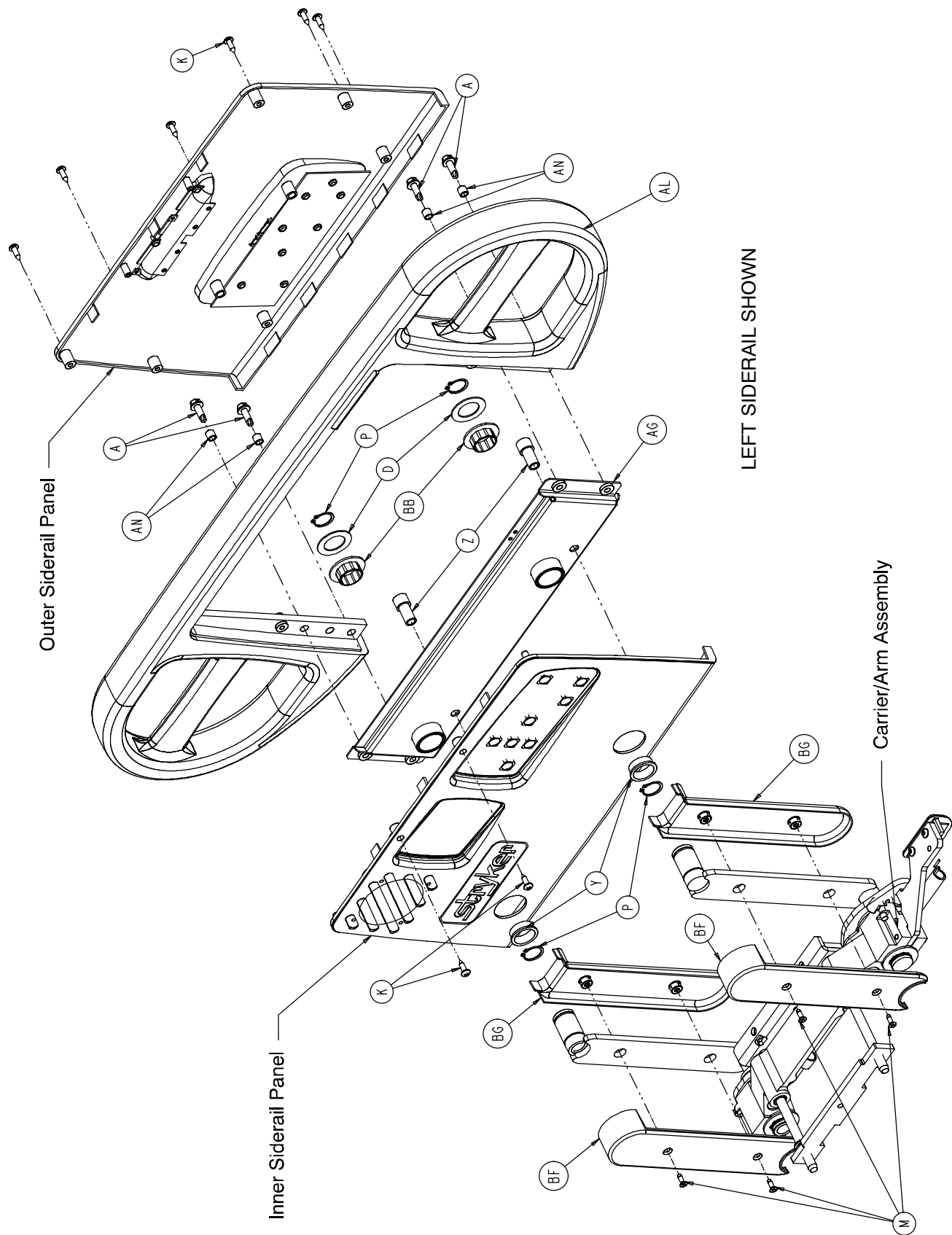
Battery Back-Up Option Head-End Enclosure



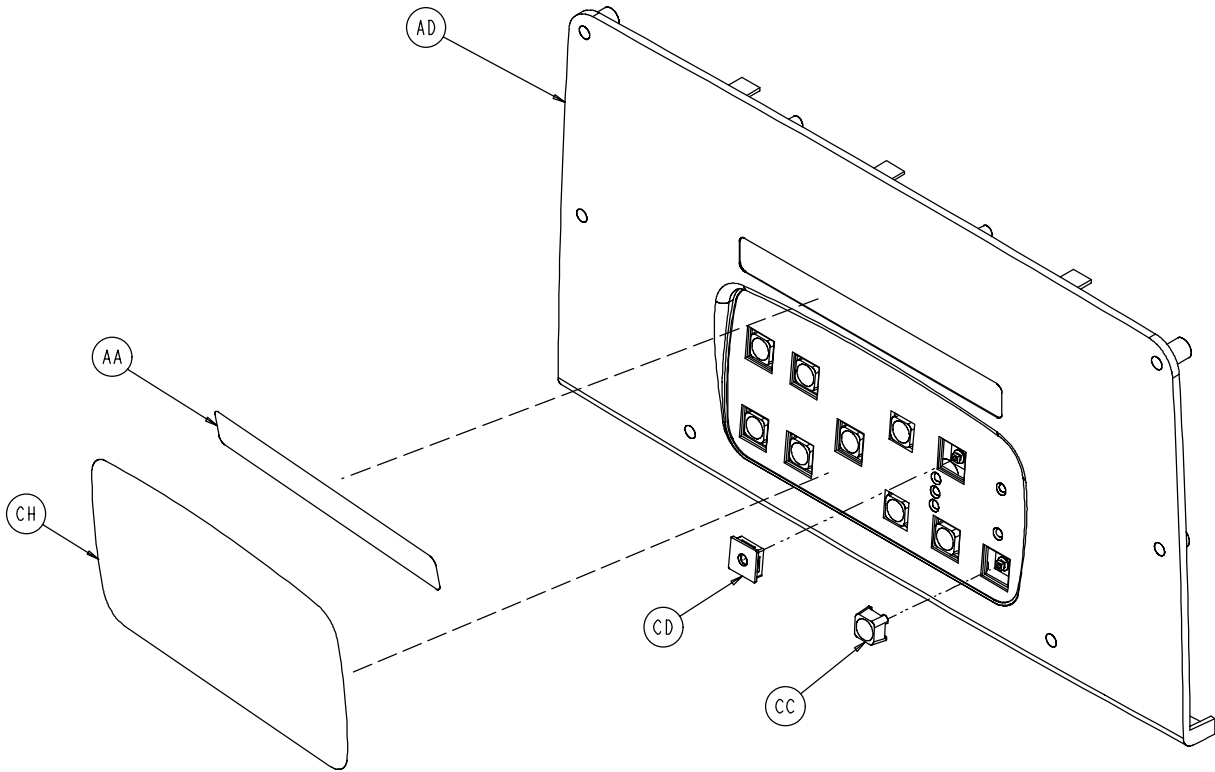
Battery Back-Up Option Head-End Enclosure

Item	Part No.	Part Name	Qty.	Item	Part No.	Part Name	Qty.
A	4-142	Soc. Hd. Cap Screw	2	AK	2040-31-110	Pivot Bracket, Right	1
B	7-52	Truss Hd. Torx Screw	22	AL	2040-31-111	Pivot Bracket, Left	1
C	7-53	Truss Hd. Torx Screw	2	AM	2040-31-808	Charger AC Jumper Cable	1
D	7-56	Truss Hd. Torx Screw	4	AN	2040-31-809	CPU/Crossover PCB Jumper	1
E	7-63	Truss Hd. Torx Screw	2	AP	2040-31-810	On/Off Cable	1
F	13-10	Ext. Tooth Lock Washer	5	AR	2040-31-900	AC Switchover PCB	1
G	13-38	Ext. Tooth Lock Washer	1	AT	2040-231-69	Display Bumper	1
H	16-33	Kep Nut	1	AU	3000-300-2	Plastic Clip Nut	5
J	23-25	Hex Washer Hd. Screw	1	AV	3000-300-114	Wire Tie	5
K	23-80	Truss Hd. Screw	5	AW	3000-300-115	Standoff	4
L	23-112	Hi-Low Tapping Screw	6	AX	3001-300-7	Jack Screw	2
M	25-40	Rivet	2	AY	3001-300-99	Pivot Bearing	2
N	34-22	Cord Clamp	1	BA	3001-400-953	Switch Cap	6
P	36-46	Ground Label	1	BB	3002-31-53	Bottom Hd. End Enclosure	1
R	36-115	Ground Label	1	BC	3002-31-63	Top Head End Enclosure	1
T	37-240	Hole Plug	1	BD	3002-31-92	Hd. End Electronics Cover	1
U	55-27	"U" Type Nut	2	BE	3002-31-109	Reinforcement Brkt., Hd., Lt.	1
V	59-113	Push-Mount Wire Clip	3	BF	3002-31-110	Reinforcement Brkt., Hd., Rt.	1
W	59-191	On/Off Switch	1	BG	3002-31-112	Pendant Port Cover	1
X	59-195	3A Circuit Breaker	2	BH	3001-31-114	Head Board Extender	2
Y	59-738	Hole Plug	1	BJ	3002-31-115	Cover Plate	1
AA	1550-90-1	Hospital Grade Plug Label	1	BK	3002-31-801	CPU Signal Jumper	1
AB	2011-1-104	Danger Label	1	BL	3002-31-802	Breaker Jumper	1
AC	2011-1-215	Grounding Lug	1	BM	3002-31-803	Crossover PCB Jumper	1
AD	2030-31-10	Display Label	1	BN	3002-7-805	Zoom to Bed CPU Jumper	1
AE	2030-31-208	Display Housing	1	BP	3002-31-805	Bed AC Power Jumper	1
AF	2030-31-910	Display / CPU	1	BR	3002-300-870	Ground Strap	2
AG	2035-31-880	Inlet Filter Cable	1	BS	3002-350-151	Secure II Logo Label	2
AH	2040-31-54	Bumper Attachment Wldmt.	1	BT	59-205	Connector Lock	1
AJ	2040-31-103	Power Label	1	BU	16-23	Nylock Hex Nut	2

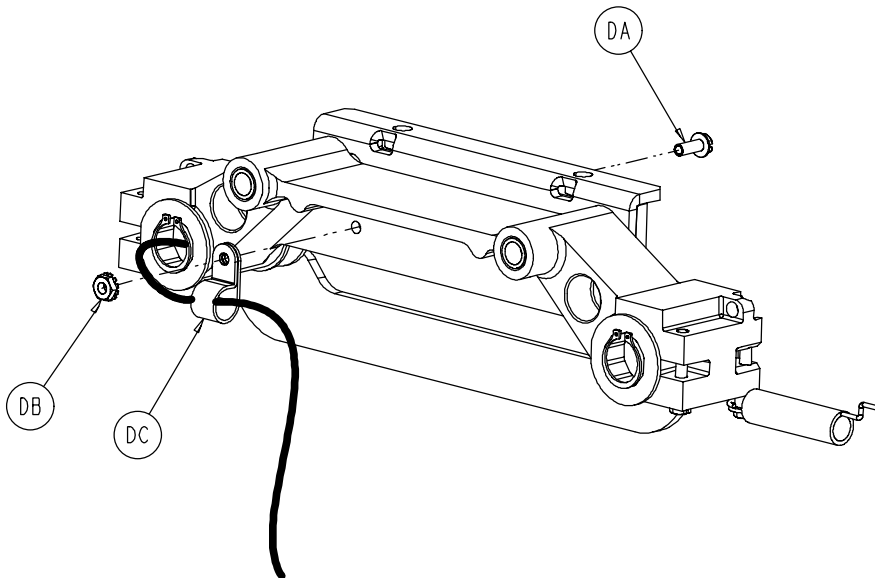
Head End Siderail Assembly



Head End Siderail Assembly

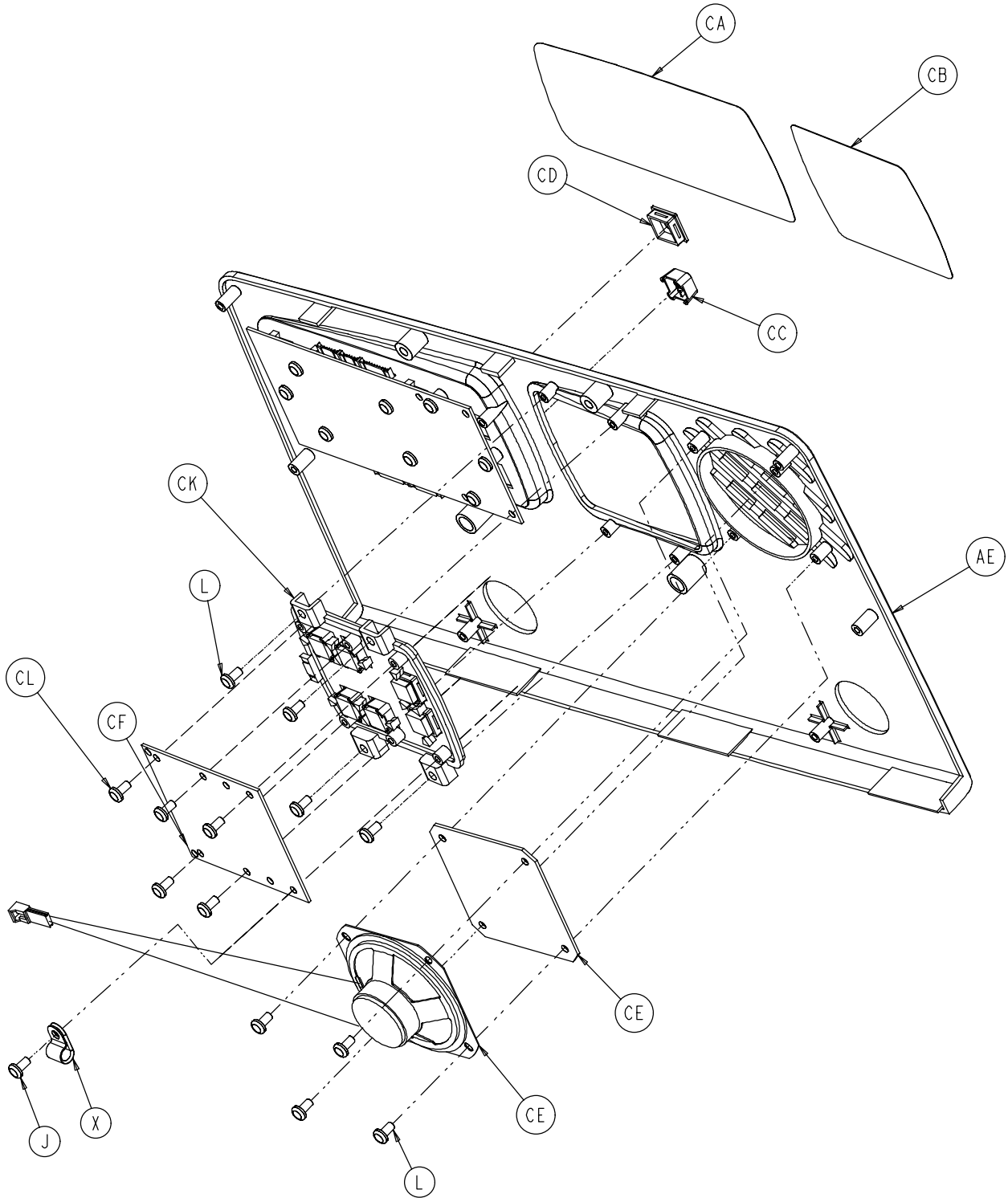


SIDERAIL OUTER PANEL ASSEMBLY



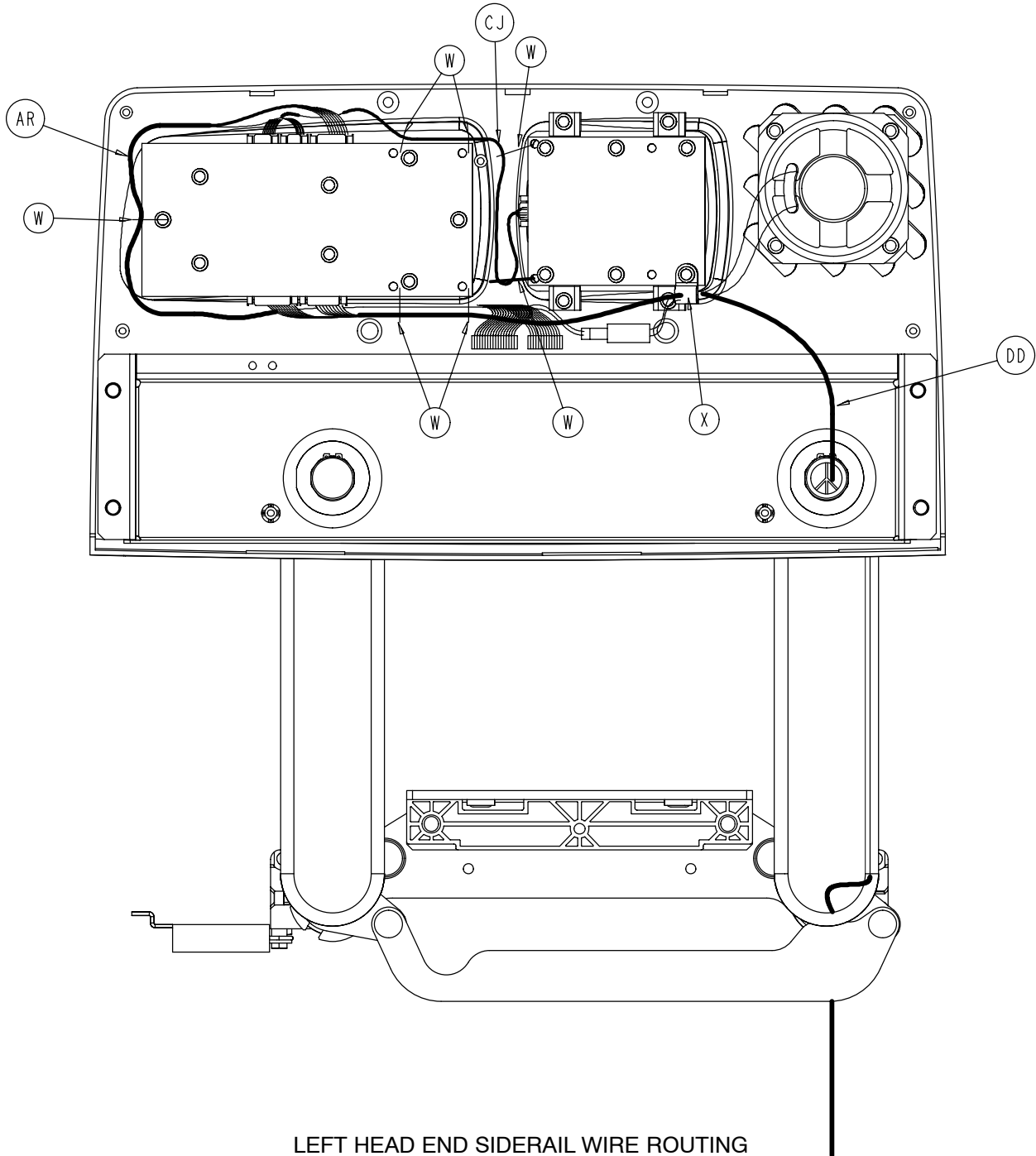
8" SHORTER BED ONLY - RIGHT AND LEFT SIDERAILS

Head End Siderail Assembly



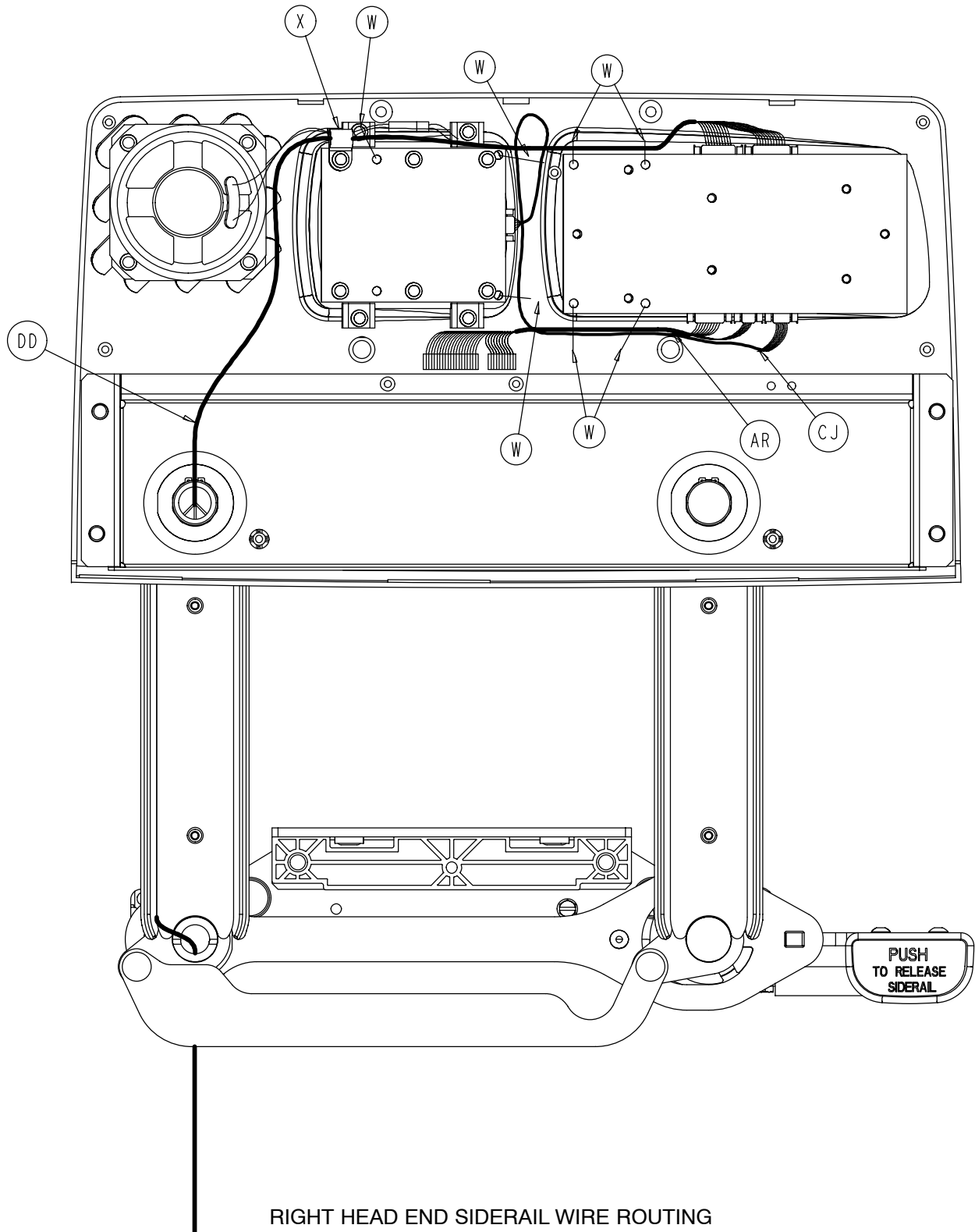
SIDERAIL INNER PANEL ASSEMBLY

Head End Siderail Assembly



LEFT HEAD END SIDERAIL WIRE ROUTING

Head End Siderail Assembly



Head End Siderail Assembly

3002-401-105 Left Standard Components

Item	Part No.	Part Name	Qty.
A	3-226	Hex Washer Hd. Screw	4
B	3-344	Hex Hd. Screw	2
D	11-343	Shim Washer	3
E	11-377	Washer	2
F	11-491	Steel Shim Washer	2
G	14-93	Washer	2
H	16-2	Hex Nut	2
J	23-86	High-Low Tapping Screw	1
K	23-90	High-Low Tapping Screw	8
L	23-88	High-Low Tapping Screw	8
M	1-72	Ph. Flat Hd. Mach. Screw	4
P	28-128	Retaining Ring	6
T	3000-300-442	Grommet	1
U	3000-200-334	Release Lever Spring	1
W	3000-300-114	4" Cable Tie	7
X	3000-300-478	CPR Conduit Clamp	1
Y	3000-400-513	Wear Bushing	2
Z	3000-400-523	Panel Spacer	2
AA	3000-400-556	Warning Label	1
AB	3000-400-557	Sleeve Bearing	4
AC	3001-400-11	Head End Timing Link	1
AD	(page 216)	Outer Siderail Panel Ass'y	1
AE	(page 217)	Inner Siderail Panel Ass'y	1
AF	3001-401-128	Arm Wldmt., Left, Hd., Hd.	1
AG	3001-400-130	Support Wldmt., Hd., Lt.	1
AH	3001-400-501	Siderail Linkage Rivet	2
AL	3001-400-515	Head Rail	1
AM	3001-400-555	Mounting Bracket	1
AN	3001-400-558	Siderail Spacer	4
AP	3001-400-564	Glide Rod	2
AR	3001-400-802	Main Outside Cable, Left	1
AS	3002-401-127	Arm Wldmt., Lt., Hd., Ft.	1
AT	(page 218)	Latch Ass'y, Hd., Left	1
AW	3002-400-505	Bypass Pin	1
AX	3002-400-509	Bypass Spacer Bushing	1
AY	(page 226)	Release Lever Ass'y, Lt.	1
AZ	3002-400-511	Glide Rod Bumper Pad	2
BA	3002-400-512	Bumper Washer	2
BB	3002-400-513	Pivot Bushing	6
BC	3002-400-519	Latch Bushing	1
BD	(page 228)	Bypass Detent Clip Ass'y	1
BE	3002-400-528	Siderail Carrier	1
BF	5000-20-5	Inner Arm Cover	2
BG	3001-400-619	Outer Arm Cover	2

3002-401-205 Right Standard Components

Item	Part No.	Part Name	Qty.
A	3-226	Hex Washer Hd. Screw	4
B	3-344	Hex Hd. Screw	2
D	11-343	Shim Washer	3
E	11-377	Washer	2
F	11-491	Steel Shim Washer	2
G	14-93	Washer	2
H	16-2	Hex Nut	2
J	23-86	High-Low Tapping Screw	1
K	23-90	High Low Tapping Screw	8
L	23-88	High-Low Tapping Screw	8
M	1-72	Ph. Flat Hd. Mach. Screw	4
P	28-128	Retaining Ring	6
T	3000-300-442	Grommet	1
U	3000-200-334	Release Lever Spring	1
W	3000-300-114	4" Cable Tie	7
X	3000-300-478	CPR Conduit Clamp	1
Y	3000-400-513	Wear Bushing	2
Z	3000-400-523	Panel Spacer	2
AA	3000-400-556	Warning Label	1
AB	3000-400-557	Sleeve Bearing	4
AC	3001-400-11	Head End Timing Link	1
AD	(page 216)	Outer Siderail Panel Ass'y	1
AE	(page 217)	Inner Siderail Panel Ass'y	1
AF	3001-401-228	Arm Wldmt., Rt, Hd., Hd.	1
AG	3001-400-230	Support Wldmt., Hd., Rt.	1
AH	3001-400-501	Siderail Linkage Rivet	2
AL	3001-400-515	Head Rail	1
AM	3001-400-555	Mounting Bracket	1
AN	3001-400-558	Siderail Spacer	4
AP	3001-400-564	Glide Rod	2
AR	3001-400-801	Main Outside Cable, Right	1
AS	3002-401-227	Arm Wldmt., Rt., Hd., Ft.	1
AT	(page 219)	Latch Ass'y, Hd., Right	1
AW	3002-400-505	Bypass Pin	1
AX	3002-400-509	Bypass Spacer Bushing	1
AY	(page 227)	Release Lever Ass'y, Rt.	1
AZ	3002-400-511	Glide Rod Bumper Pad	2
BA	3002-400-512	Bumper Washer	2
BB	3002-400-513	Pivot Bushing	6
BC	3002-400-519	Latch Bushing	1
BD	(page 228)	Bypass Detent Clip Ass'y	1
BE	3002-400-528	Siderail Carrier	1
BF	5000-20-5	Inner Arm Cover	2
BG	3001-400-619	Outer Arm Cover	2

Head End Siderail Assembly

3002-443-106 Left Rail – Standard Bed

Item	Part No.	Part Name	Qty.
DD	3001-400-862	Siderail Cable	1

3002-443-206 Right Rail – Standard Bed

Item	Part No.	Part Name	Qty.
DD	3001-400-862	Siderail Cable	1

3002-442-106 Left Rail – 8” Shorter Bed

Item	Part No.	Part Name	Qty.
DA	3-124	Hex Washer Hd. Screw	1
DB	16-41	Kep Nut	1
DC	34-22	Cable Clamp	1
DD	3001-442-862	Siderail Cable	1

3002-442-206 Right Rail – 8” Shorter Bed

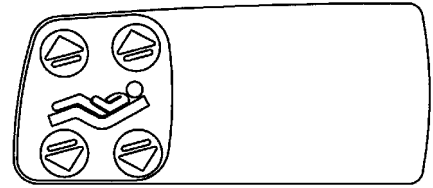
Item	Part No.	Part Name	Qty.
DA	3-124	Hex Washer Hd. Screw	1
DB	16-41	Kep Nut	1
DC	34-22	Cable Clamp	1
DD	3001-442-862	Siderail Cable	1

Head End Siderail Assembly

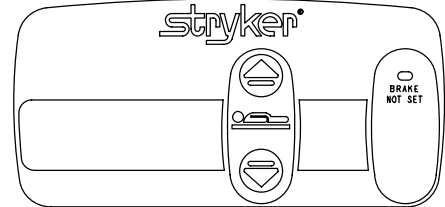
3002-999-001 Standard Siderail

Item	Part No.	Part Name	Qty.
CA	3002-400-620	Standard Label, Inner, Left	1
CA	3002-400-610	Standard Label, Inner, Right	1
CC	3001-400-953	Switch Cap	12
CD	3001-400-522	Filler Cap	28
CE	3001-400-517	Speaker Seal	2
CF	3001-400-535	Blank Module	2
CH	3002-400-630	Blue Standard Label, Outer, Left	1
CH	3002-400-640	Blue Standard Label, Outer, Right	1

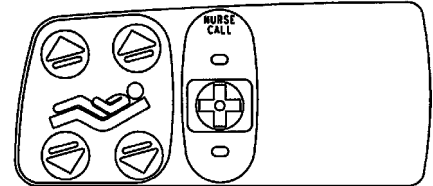
Inner Right Siderail Label



Outer Right Siderail Label



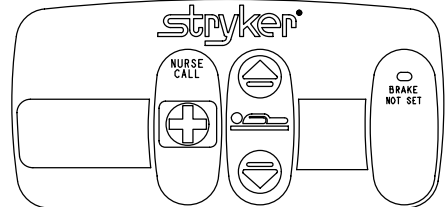
Inner Right Siderail Label



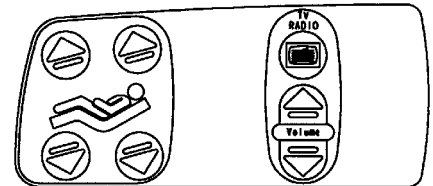
3002-999-002 Standard Siderail with Nurse Call

Item	Part No.	Part Name	Qty.
CA	3002-400-621	Nurse Call Label, Inner, Left	1
CA	3002-400-611	Nurse Call Label, Inner, Right	1
CC	3001-400-953	Switch Cap	16
CD	3001-400-522	Filler Cap	24
CE	3001-403-831	Speaker With Cable	2
CF	3001-400-535	Blank Module	2
CH	3002-400-631	Blue Nurse Call Label, Outer, Left	1
CH	3002-400-641	Blue Nurse Call Label, Outer, Right	1

Outer Right Siderail Label



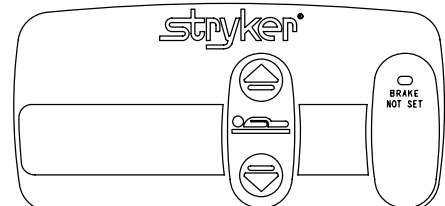
Inner Right Siderail Label



3002-999-018 Standard Siderail with TV/Radio

Item	Part No.	Part Name	Qty.
CA	3002-400-626	TV Label, Inner, Left	1
CA	3002-400-616	TV Label, Inner, Right	1
CC	3001-400-953	Switch Cap	18
CD	3001-400-522	Filler Cap	22
CE	3001-403-831	Speaker With Cable	2
CF	3001-400-535	Blank Module	2
CH	3002-400-630	Blue Standard Label, Outer, Left	1
CH	3002-400-640	Blue Standard Label, Outer, Right	1

Outer Right Siderail Label

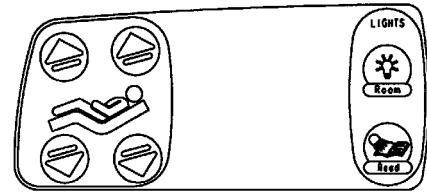


Head End Siderail Assembly

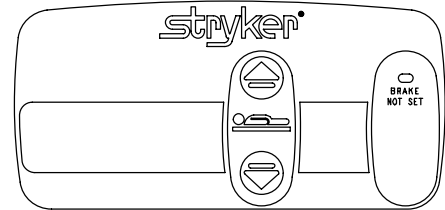
3002-999-029 Standard Siderail with Lights

Item	Part No.	Part Name	Qty.
CA	3002-400-627	Lights Label, Inner, Left	1
CA	3002-400-617	Lights Label, Inner, Right	1
CC	3001-400-953	Switch Cap	16
CD	3001-400-522	Filler Cap	24
CE	3001-400-517	Speaker Seal	2
CF	3001-400-535	Blank Module	2
CH	3002-400-630	Blue Standard Label, Outer, Left	1
CH	3002-400-640	Blue Standard Label, Outer, Right	1

Inner Right Siderail Label



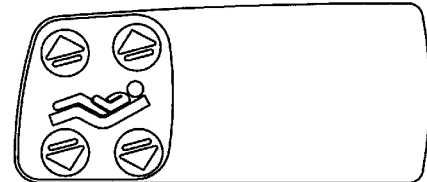
Outer Right Siderail Label



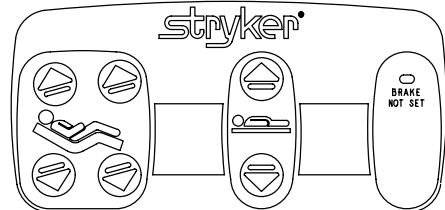
3002-999-032 Standard Siderail with Gatch/Fowler

Item	Part No.	Part Name	Qty.
CA	3002-400-620	Standard Label Inner, Left	1
CA	3002-400-610	Standard Label, Inner, Right	1
CC	3001-400-953	Switch Cap	20
CD	3001-400-522	Filler Cap	20
CE	3001-400-517	Speaker Seal	2
CF	3001-400-535	Blank Module	2
CH	3002-400-636	Blue G/F Label, Outer, Left	1
CH	3002-400-646	Blue G/F Label, Outer, Right	1

Inner Right Siderail Label



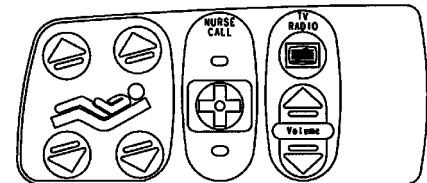
Outer Right Siderail Label



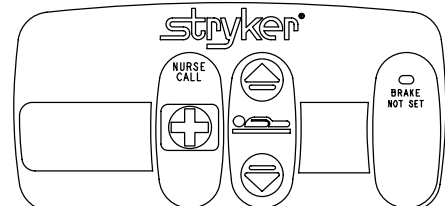
3002-999-003 Standard Siderail w/Nurse Call & TV/Radio

Item	Part No.	Part Name	Qty.
CA	3002-400-622	NC, TV Label, Inner, Left	1
CA	3002-400-612	NC, TV Label, Inner, Right	1
CC	3001-400-953	Switch Cap	22
CD	3001-400-522	Filler Cap	18
CE	3001-403-831	Speaker With Cable	2
CF	3001-400-535	Blank Module	2
CH	3002-400-631	Blue Nurse Call Label, Outer, Left	1
CH	3002-400-641	Blue Nurse Call Label, Outer, Right	1

Inner Right Siderail Label



Outer Right Siderail Label

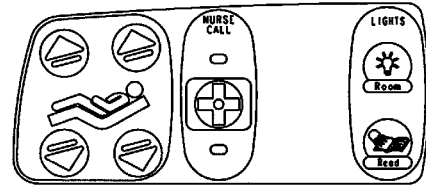


Head End Siderail Assembly

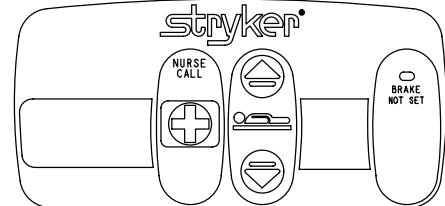
3002-999-011 Standard Siderail w/Nurse Call & Lights

Item	Part No.	Part Name	Qty.
CA	3002-400-625	NC, Lights Label, Inner, Left	1
CA	3002-400-615	NC, Lights Label, Inner, Right	1
CC	3001-400-953	Switch Cap	20
CD	3001-400-522	Filler Cap	20
CE	3001-403-831	Speaker With Cable	2
CF	3001-400-535	Blank Module	2
CH	3002-400-631	Blue NC Label, Outer, Left	1
CH	3002-400-641	Blue NC Label, Outer, Right	1

Inner Right Siderail Label



Outer Right Siderail Label

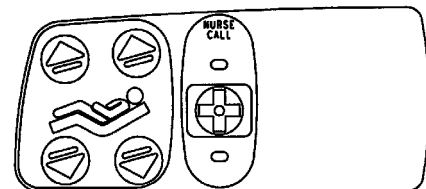


3002-999-017

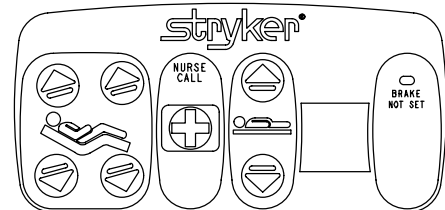
Standard Siderail with Nurse Call & Gatch/Fowler

Item	Part No.	Part Name	Qty.
CA	3002-400-621	Nurse Call Label, Inner, Left	1
CA	3002-400-611	Nurse Call Label, Inner, Right	1
CC	3001-400-953	Switch Cap	24
CD	3001-400-522	Filler Cap	16
CE	3001-403-831	Speaker With Cable	2
CF	3001-400-535	Blank Module	2
CH	3002-400-632	Blue NC, G/F Label, Outer, Left	1
CH	3002-400-642	Blue NC, G/F Label, Outer, Right	1

Inner Right Siderail Label



Outer Right Siderail Label

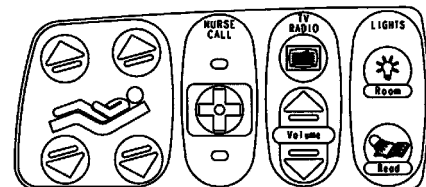


3002-999-004

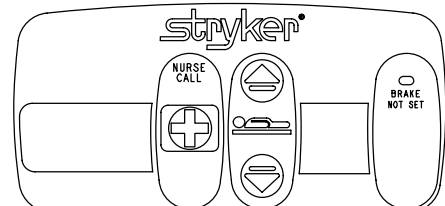
Standard Siderail with Nurse Call, TV/Radio & Lights

Item	Part No.	Part Name	Qty.
CA	3002-400-623	NC, TV, Lights Label, Inner, Left	1
CA	3002-400-613	NC, TV, Lights Label, Inner, Right	1
CC	3001-400-953	Switch Cap	26
CD	3001-400-522	Filler Cap	14
CE	3001-403-831	Speaker with Cable	2
CF	3001-400-535	Blank Module	2
CH	3002-400-631	Blue Nurse Call Label, Outer, Left	1
CH	3002-400-641	Blue Nurse Call Label, Outer, Right	1

Inner Right Siderail Label



Outer Right Siderail Label



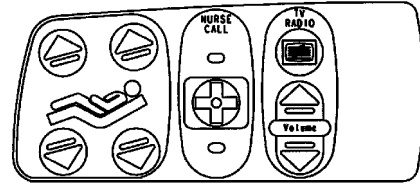
Head End Siderail Assembly

3002-999-010

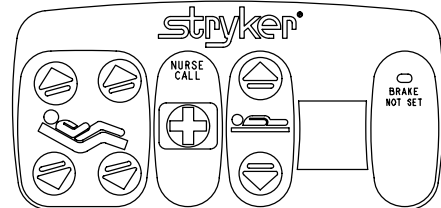
Standard Siderail w/Nurse Call, TV/Radio, & G/F

Item	Part No.	Part Name	Qty.
CA	3002-400-622	NC, TV Label, Inner, Left	1
CA	3002-400-612	NC, TV Label, Inner, Right	1
CC	3001-400-953	Switch Cap	30
CD	3001-400-522	Filler Cap	10
CE	3001-403-831	Speaker with Cable	2
CF	3001-400-535	Blank Module	2
CH	3002-400-632	Blue NC, G/F Label, Outer, Left	1
CH	3002-400-642	Blue NC, G/F Label, Outer, Right	1

Inner Right Siderail Label



Outer Right Siderail Label

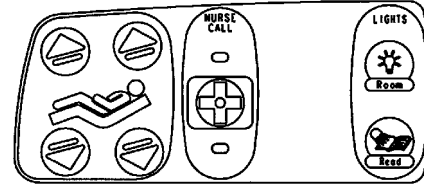


3002-999-014

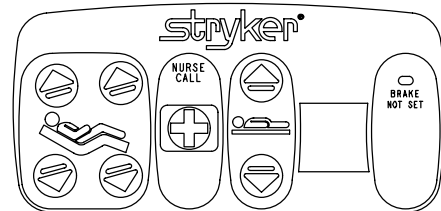
Standard Siderail with Nurse Call, Lights, and G/F

Item	Part No.	Part Name	Qty.
CA	3002-400-625	NC, Lights Label Inner, Left	1
CA	3002-400-615	NC, Lights Label, Inner, Right	1
CC	3001-400-953	Switch Cap	28
CD	3001-400-522	Filler Cap	12
CE	3001-403-831	Speaker With Cable	2
CF	3001-400-535	Blank Module	2
CH	3002-400-632	Blue NC, G/F Label, Outer, Left	1
CH	3002-400-642	Blue NC, G/F Label, Outer, Right	1

Inner Right Siderail Label



Outer Right Siderail Label

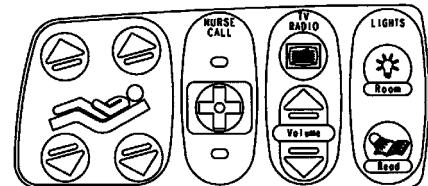


3002-999-007

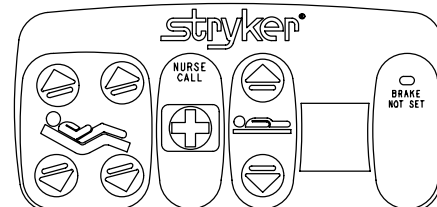
Standard Siderail w/Nurse Call, TV/Radio, Lights, & G/F

Item	Part No.	Part Name	Qty.
CA	3002-400-623	NC, TV, Lights Label, Inner, Left	1
CA	3002-400-613	NC, TV, Lights Label, Inner, Right	1
CC	3001-400-953	Switch Cap	34
CD	3001-400-522	Filler Cap	6
CE	3001-403-831	Speaker with Cable	2
CF	3001-400-535	Blank Module	2
CH	3002-400-632	Blue NC, G/F Label, Outer, Left	1
CH	3002-400-642	Blue NC, G/F Label, Outer, Right	1

Inner Right Siderail Label



Outer Right Siderail Label



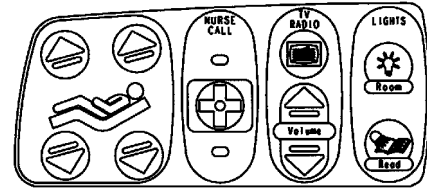
Head End Siderail Assembly

3002-999-007

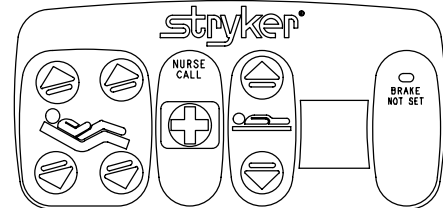
Standard Siderail w/Nurse Call, TV/Radio, Lights, & G/F

Item	Part No.	Part Name	Qty.
CA	3002-400-623	NC, TV, Lights Label, Inner, Left	1
CA	3002-400-613	NC, TV, Lights Label, Inner, Right	1
CC	3001-400-953	Switch Cap	34
CD	3001-400-522	Filler Cap	6
CE	3001-403-831	Speaker with Cable	2
CF	3001-400-535	Blank Module	2
CH	3002-400-632	Blue NC, G/F Label, Outer, Left	1
CH	3002-400-642	Blue NC, G/F Label, Outer, Right	1

Inner Right Siderail Label



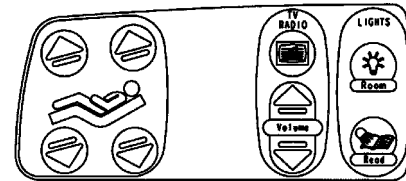
Outer Right Siderail Label



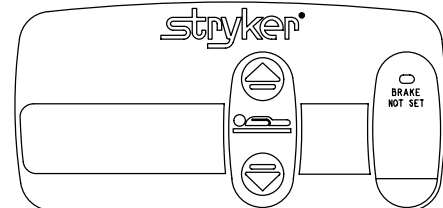
3002-999-019 Standard Siderail with TV/Radio & Lights

Item	Part No.	Part Name	Qty.
CA	3002-400-624	TV, Lights Label, Inner, Left	1
CA	3002-400-614	TV, Lights Label, Inner, Right	1
CC	3001-400-953	Switch Cap	26
CD	3001-400-522	Filler Cap	14
CE	3001-403-831	Speaker with Cable	2
CF	3001-400-535	Blank Module	2
CH	3002-400-630	Blue Standard Label, Outer, Left	1
CH	3002-400-640	Blue Standard Label, Outer, Right	1

Inner Right Siderail Label



Outer Right Siderail Label

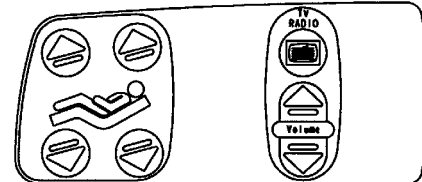


3002-999-025

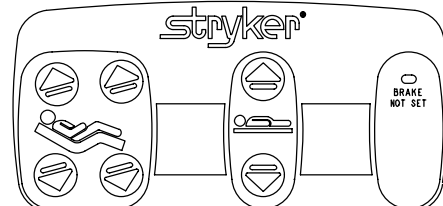
Standard Siderail with TV/Radio and G/F

Item	Part No.	Part Name	Qty.
CA	3002-400-626	TV Label, Inner, Left	1
CA	3002-400-616	TV Label, Inner, Right	1
CC	3001-400-953	Switch Cap	26
CD	3001-400-522	Filler Cap	14
CE	3001-403-831	Speaker with Cable	2
CF	3001-400-535	Blank Module	2
CH	3002-400-636	Blue G/F Label, Outer, Left	1
CH	3002-400-646	Blue G/F Label, Outer, Right	1

Inner Right Siderail Label



Outer Right Siderail Label



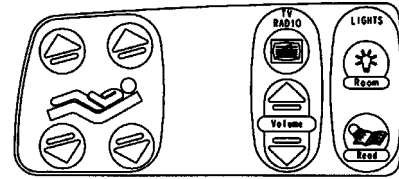
Head End Siderail Assembly

3002-999-022

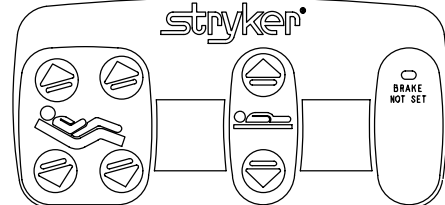
Standard Siderail with TV/Radio, Lights, and G/F

Item	Part No.	Part Name	Qty.
CA	3002-400-624	TV, Lights Label, Inner, Left	1
CA	3002-400-614	TV, Lights Label, Inner, Right	1
CC	3001-400-953	Switch Cap	30
CD	3001-400-522	Filler Cap	10
CE	3001-403-831	Speaker with Cable	2
CF	3001-400-535	Blank Module	2
CH	3002-400-636	Blue G/F Label, Outer, Left	1
CH	3002-400-646	Blue G/F Label, Outer, Right	1

Inner Right Siderail Label



Outer Right Siderail Label

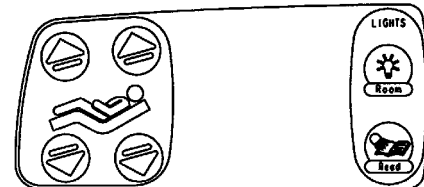


3002-999-028

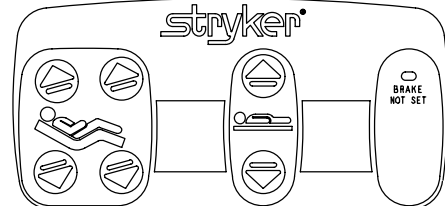
Standard Siderail with Lights and Gatch/Fowler

Item	Part No.	Part Name	Qty.
CA	3002-400-627	Lights Label, Inner, Left	1
CA	3002-400-617	Lights Label, Inner, Right	1
CC	3001-400-953	Switch Cap	24
CD	3001-400-522	Filler Cap	16
CE	3001-400-517	Speaker Seal	2
CF	3001-400-535	Blank Module	2
CH	3002-400-636	Blue G/F Label, Outer, Left	1
CH	3002-400-646	Blue G/F Label, Outer, Right	1

Inner Right Siderail Label



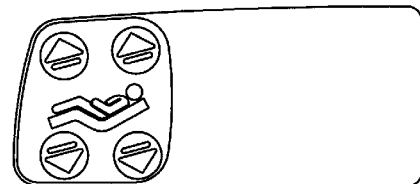
Outer Right Siderail Label



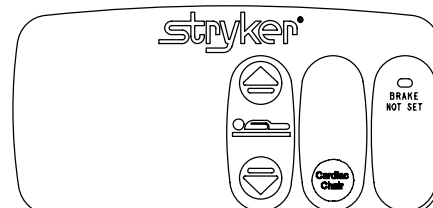
3002-999-030 Standard Siderail with Cardiac Chair

Item	Part No.	Part Name	Qty.
CA	3002-400-620	Standard Label, Inner, Left	1
CA	3002-400-610	Standard Label, Inner, Right	1
CC	3001-400-953	Switch Cap	14
CD	3001-400-522	Filler Cap	26
CE	3001-400-517	Speaker Seal	2
CF	3001-400-535	Blank Module	2
CH	3002-400-637	Blue CC Label, Outer, Left	1
CH	3002-400-647	Blue CC Label, Outer, Right	1

Inner Right Siderail Label



Outer Right Siderail Label



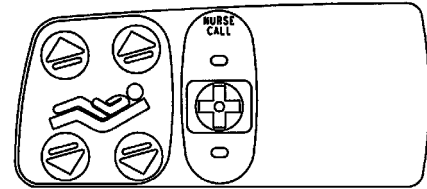
Head End Siderail Assembly

3002-999-015

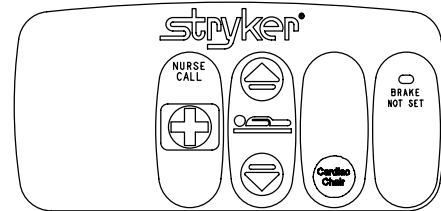
Standard Siderail with Cardiac Chair and Nurse Call

Item	Part No.	Part Name	Qty.
CA	3002-400-621	Nurse Call Label, Inner, Left	1
CA	3002-400-611	Nurse Call Label, Inner, Right	1
CC	3001-400-953	Switch Cap	18
CD	3001-400-522	Filler Cap	22
CE	3001-403-831	Speaker With Cable	2
CF	3001-400-535	Blank Module	2
CH	3002-400-635	Blue CC & N/C Label, Outer, Left	1
CH	3002-400-645	Blue CC & N/C Label, Outer, Right	1

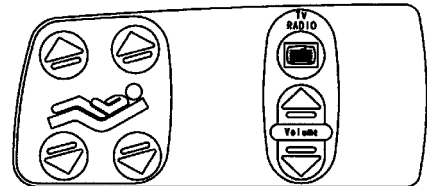
Inner Right Siderail Label



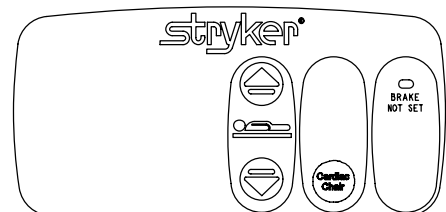
Outer Right Siderail Label



Inner Right Siderail Label



Outer Right Siderail Label

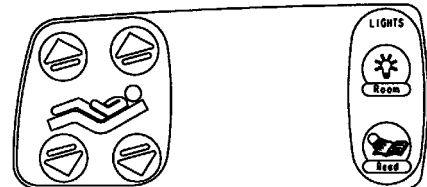


3002-999-024

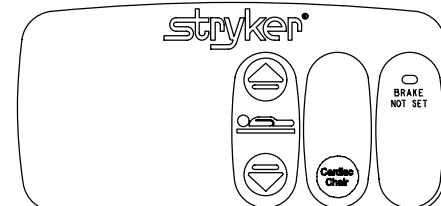
Standard Siderail with Cardiac Chair and TV/Radio

Item	Part No.	Part Name	Qty.
CA	3002-400-626	TV Label, Inner, Left	1
CA	3002-400-616	TV Label, Inner, Right	1
CC	3001-400-953	Switch Cap	18
CD	3001-400-522	Filler Cap	22
CE	3001-403-831	Speaker With Cable	2
CF	3001-400-535	Blank Module	2
CH	3002-400-637	Blue CC, TV Label, Outer, Left	1
CH	3002-400-647	Blue CC Label, Outer, Right	1

Inner Right Siderail Label



Outer Right Siderail Label



3002-999-026

Standard Siderail with Cardiac Chair and Lights

Item	Part No.	Part Name	Qty.
CA	3002-400-627	Lights Label, Inner, Left	1
CA	3002-400-617	Lights Label, Inner, Right	1
CC	3001-400-953	Switch Cap	18
CD	3001-400-522	Filler Cap	22
CE	3001-400-517	Speaker Seal	2
CF	3001-400-535	Blank Module	2
CH	3002-400-637	Blue CC Label, Outer, Left	1
CH	3002-400-647	Blue CC Label, Outer, Right	1

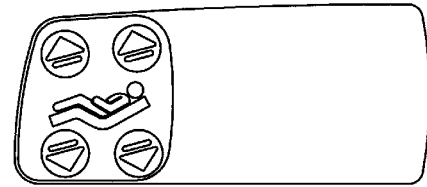
Head End Siderail Assembly

3002-999-031

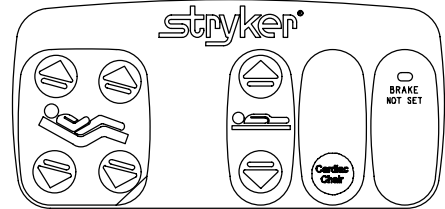
Standard Siderail with Cardiac Chair and Gatch/Fowler

Item	Part No.	Part Name	Qty.
CA	3002-400-620	Standard Label Inner, Left	1
CA	3002-400-610	Standard Label, Inner, Right	1
CC	3001-400-953	Switch Cap	22
CD	3001-400-522	Filler Cap	18
CE	3001-400-517	Speaker Seal	2
CF	3001-400-535	Blank Module	2
CH	3002-400-634	Blue CC, G/F Label, Outer, Left	1
CH	3002-400-644	Blue CC, G/F Label, Outer, Right	1

Inner Right Siderail Label



Outer Right Siderail Label

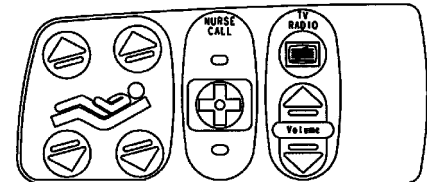


3002-999-009

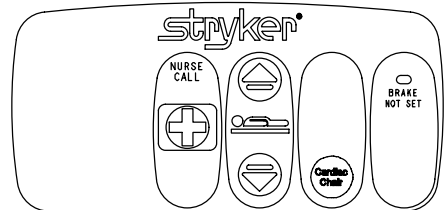
Standard Siderail with Cardiac Chair, N/C and TV/Radio

Item	Part No.	Part Name	Qty.
CA	3002-400-622	NC, TV Label, Inner, Left	1
CA	3002-400-612	NC, TV Label, Inner, Right	1
CC	3001-400-953	Switch Cap	24
CD	3001-400-522	Filler Cap	16
CE	3001-403-831	Speaker With Cable	2
CF	3001-400-535	Blank Module	2
CH	3002-400-635	Blue CC & N/C Label, Outer, Left	1
CH	3002-400-645	Blue CC & N/C Label, Outer, Right	1

Inner Right Siderail Label



Outer Right Siderail Label

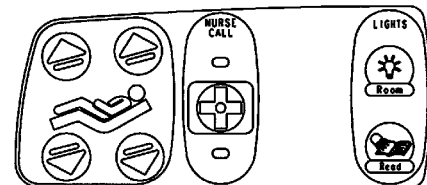


3002-999-012

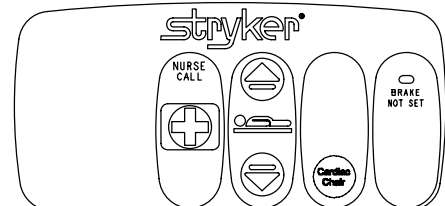
Standard Siderail with Cardiac Chair, Nurse Call & Lights

Item	Part No.	Part Name	Qty.
CA	3002-400-625	NC, Lights Label, Inner, Left	1
CA	3002-400-615	NC, Lights Label, Inner, Right	1
CC	3001-400-953	Switch Cap	22
CD	3001-400-522	Filler Cap	18
CE	3001-403-831	Speaker With Cable	2
CF	3001-400-535	Blank Module	2
CH	3002-400-635	Blue CC & N/C Label, Outer, Left	1
CH	3002-400-645	Blue CC & N/C Label, Outer, Right	1

Inner Right Siderail Label



Outer Right Siderail Label



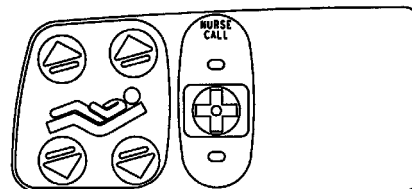
Head End Siderail Assembly

3002-999-016

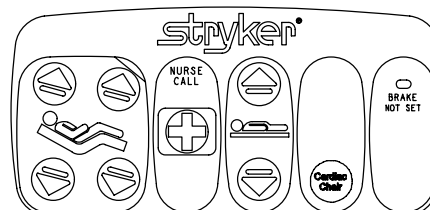
Standard Siderail with Cardiac Chair, N/C & Gatch/Fowler

Item	Part No.	Part Name	Qty.
CA	3002-400-621	Nurse Call Label, Inner, Left	1
CA	3002-400-611	Nurse Call Label, Inner, Right	1
CC	3001-400-953	Switch Cap	26
CD	3001-400-522	Filler Cap	14
CE	3001-403-831	Speaker With Cable	2
CF	3001-400-535	Blank Module	2
CH	3002-400-633	Blue NC, G/F Label, Outer, Left	1
CH	3002-400-643	Blue NC, G/F Label, Outer, Right	1

Inner Right Siderail Label



Outer Right Siderail Label

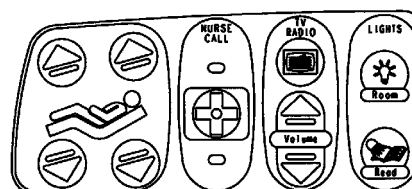


3002-999-005

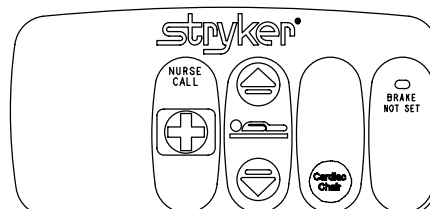
Standard Siderail with Cardiac Chair, N/C, TV/Radio & Lights

Item	Part No.	Part Name	Qty.
CA	3002-400-623	NC, TV, Lights Label, Inner, Left	1
CA	3002-400-613	NC, TV, Lights Label, Inner, Right	1
CC	3001-400-953	Switch Cap	28
CD	3001-400-522	Filler Cap	12
CE	3001-403-831	Speaker with Cable	2
CF	3001-400-535	Blank Module	2
CH	3002-400-635	Blue CC & N/C Label, Outer, Left	1
CH	3002-400-645	Blue CC & N/C Label, Outer, Right	1

Inner Right Siderail Label



Outer Right Siderail Label

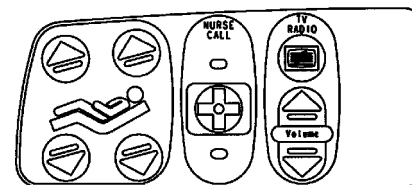


3002-999-008

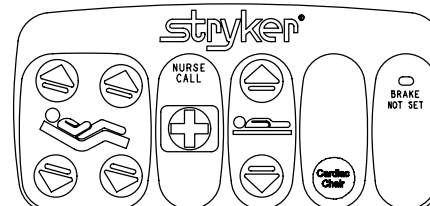
Standard Siderail w/Cardiac Chair, N/C, TV/Radio & G/F

Item	Part No.	Part Name	Qty.
CA	3002-400-622	NC, TV Label, Inner, Left	1
CA	3002-400-612	NC, TV Label, Inner, Right	1
CC	3001-400-953	Switch Cap	32
CD	3001-400-522	Filler Cap	8
CE	3001-403-831	Speaker with Cable	2
CF	3001-400-535	Blank Module	2
CH	3002-400-633	Blue CC, N/C, G/F Label, Outer, Lt.	1
CH	3002-400-643	Blue CC, N/C, G/F Label, Outer, Rt.	1

Inner Right Siderail Label



Outer Right Siderail Label



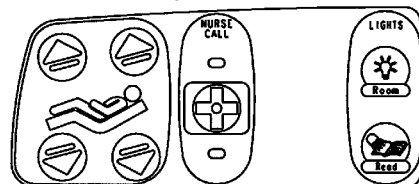
Head End Siderail Assembly

3002-999-013

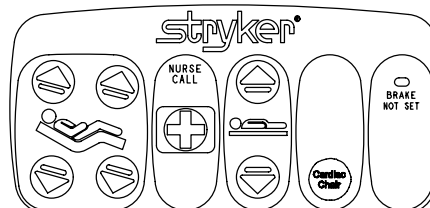
Standard Siderail with Cardiac Chair, N/C, G/F & Lights

Item	Part No.	Part Name	Qty.
CA	3002-400-625	NC, Lights Label Inner, Left	1
CA	3002-400-615	NC, Lights Label, Inner, Right	1
CC	3001-400-953	Switch Cap	30
CD	3001-400-522	Filler Cap	10
CE	3001-403-831	Speaker With Cable	2
CF	3001-400-535	Blank Module	2
CH	3002-400-633	Blue CC, N/C, G/F Label, Outer, Lt.	1
CH	3002-400-643	Blue CC, N/C, G/F Label, Outer, Rt.	1

Inner Right Siderail Label



Outer Right Siderail Label

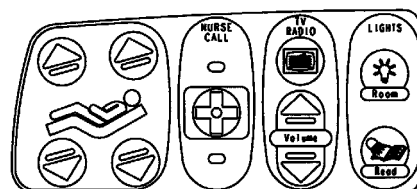


3002-999-006

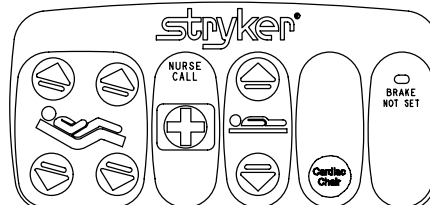
Standard Siderail w/C. Chair, N/C, TV/Radio, Lights & G/F

Item	Part No.	Part Name	Qty.
CA	3002-400-623	NC, TV, Lights Label, Inner, Left	1
CA	3002-400-613	NC, TV, Lights Label, Inner, Right	1
CC	3001-400-953	Switch Cap	36
CD	3001-400-522	Filler Cap	4
CE	3001-403-831	Speaker with Cable	2
CF	3001-400-535	Blank Module	2
CH	3002-400-633	Blue NC, G/F Label, Outer, Left	1
CH	3002-400-643	Blue NC, G/F Label, Outer, Right	1

Inner Right Siderail Label



Outer Right Siderail Label

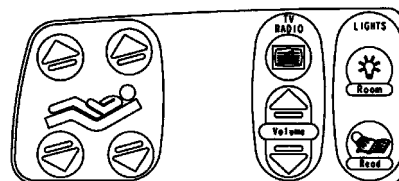


3002-999-020

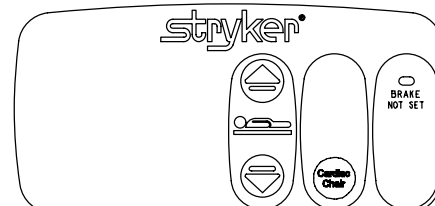
Standard Siderail with Cardiac Chair, TV/Radio & Lights

Item	Part No.	Part Name	Qty.
CA	3002-400-624	TV, Lights Label, Inner, Left	1
CA	3002-400-614	TV, Lights Label, Inner, Right	1
CC	3001-400-953	Switch Cap	24
CD	3001-400-522	Filler Cap	16
CE	3001-403-831	Speaker with Cable	2
CF	3001-400-535	Blank Module	2
CH	3002-400-637	Blue C. Chair Label, Outer, Left	1
CH	3002-400-647	Blue C. Chair Label, Outer, Right	1

Inner Right Siderail Label



Outer Right Siderail Label



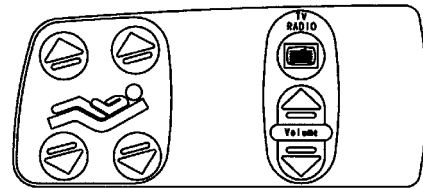
Head End Siderail Assembly

3002-999-023

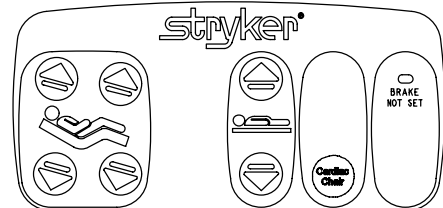
Standard Siderail with Cardiac Chair, TV/Radio & G/F

Item	Part No.	Part Name	Qty.
CA	3002-400-626	TV Label, Inner, Left	1
CA	3002-400-616	TV Label, Inner, Right	1
CC	3001-400-953	Switch Cap	28
CD	3001-400-522	Filler Cap	12
CE	3001-403-831	Speaker with Cable	2
CF	3001-400-535	Blank Module	2
CH	3002-400-634	Blue CC, G/F Label, Outer, Left	1
CH	3002-400-644	Blue CC, G/F Label, Outer, Right	1

Inner Right Siderail Label



Outer Right Siderail Label

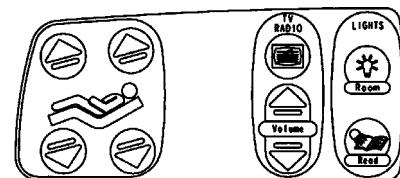


3002-999-027

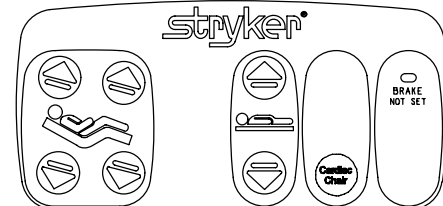
Standard Siderail with Cardiac Chair, Lights & G/F

Item	Part No.	Part Name	Qty.
CA	3002-400-627	Lights Label, Inner, Left	1
CA	3002-400-617	Lights Label, Inner, Right	1
CC	3001-400-953	Switch Cap	26
CD	3001-400-522	Filler Cap	14
CE	3001-400-517	Speaker Seal	2
CF	3001-400-535	Blank Module	2
CH	3002-400-634	Blue CC, G/F Label, Outer, Left	1
CH	3002-400-644	Blue CC, G/F Label, Outer, Right	1

Inner Right Siderail Label



Outer Right Siderail Label

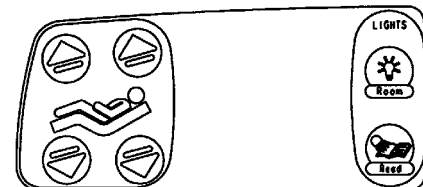


3002-999-021

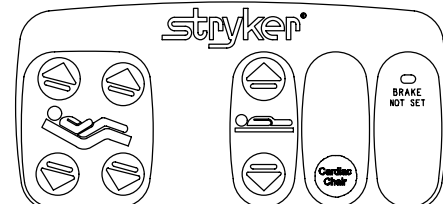
Standard Siderail w/C. Chair, TV/Radio, Lights & G/F

Item	Part No.	Part Name	Qty.
CA	3002-400-624	TV, Lights Label, Inner, Left	1
CA	3002-400-614	TV, Lights Label, Inner, Right	1
CC	3001-400-953	Switch Cap	32
CD	3001-400-522	Filler Cap	8
CE	3001-403-831	Speaker with Cable	2
CF	3001-400-535	Blank Module	2
CH	3002-400-634	Blue CC, G/F Label, Outer, Left	1
CH	3002-400-644	Blue CC, G/F Label, Outer, Right	1

Inner Right Siderail Label

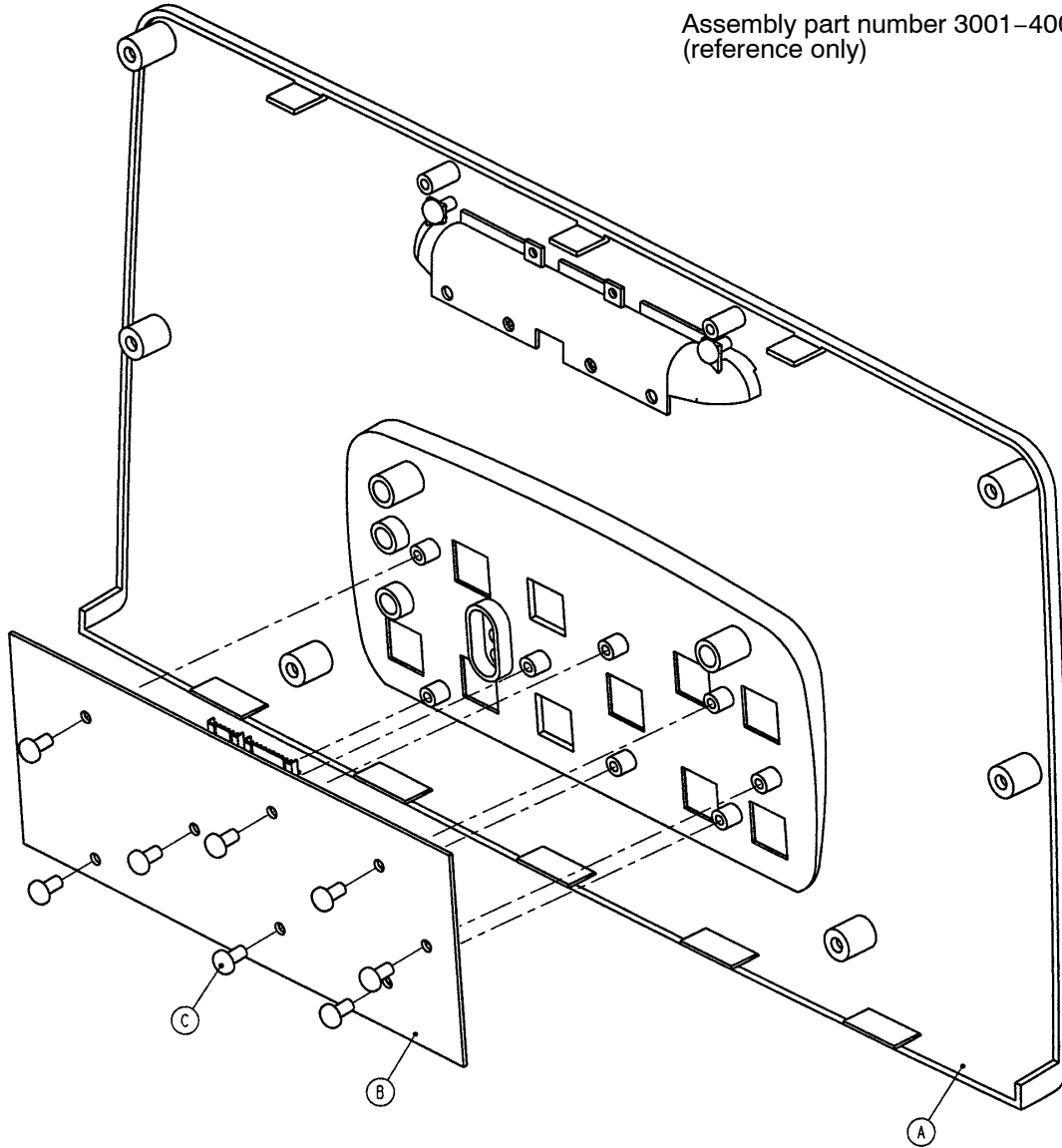


Outer Right Siderail Label



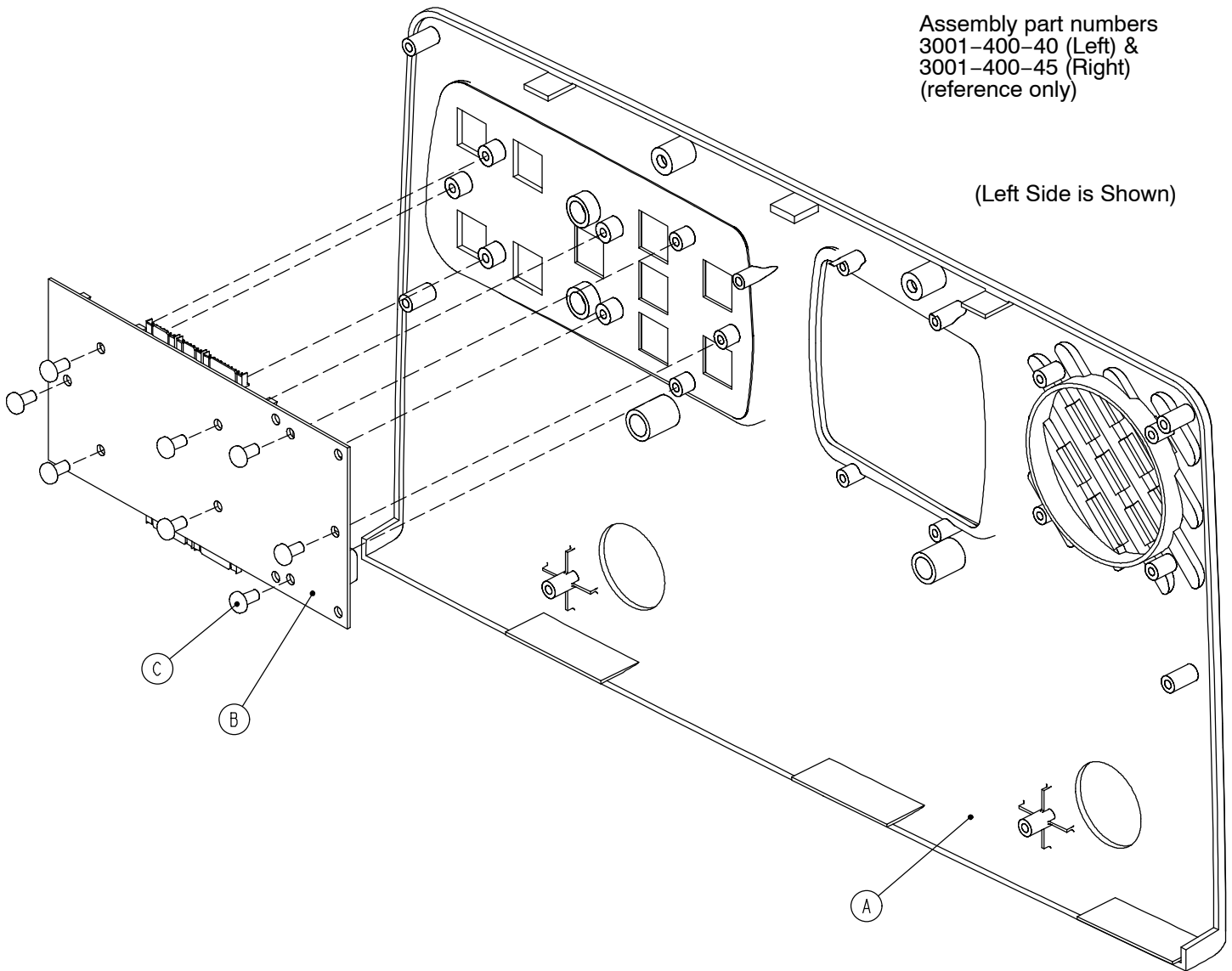
Head End Siderail Outer Panel Assembly

Assembly part number 3001-400-35
(reference only)



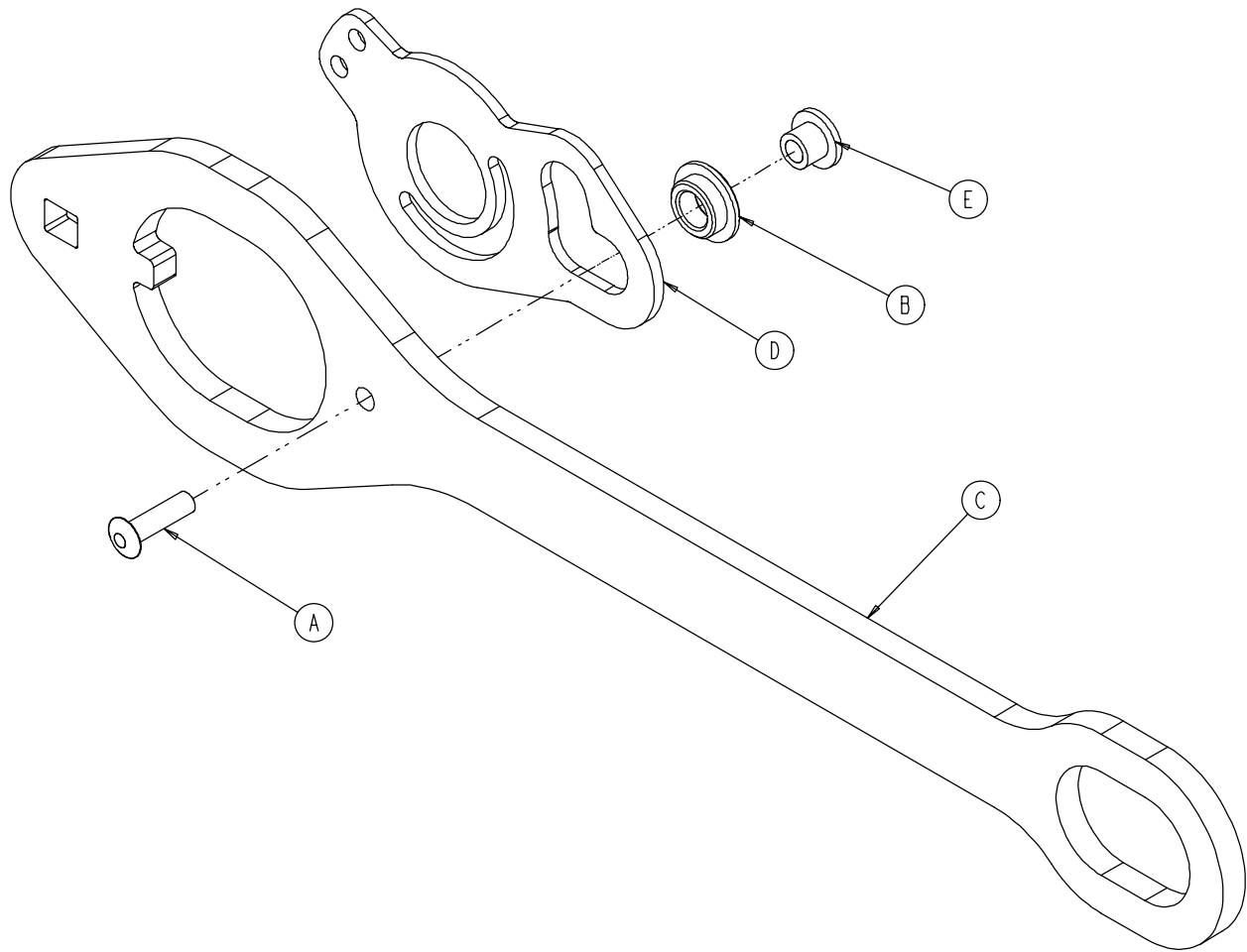
Item	Part No.	Part Name	Qty.
A	3001-400-50	Outer Panel Assembly	1
B	3001-400-910	Outer Siderail PCB Assembly	1
C	23-112	Hi-Low Tapping Screw	8

Head End Siderail Inner Panel Assembly



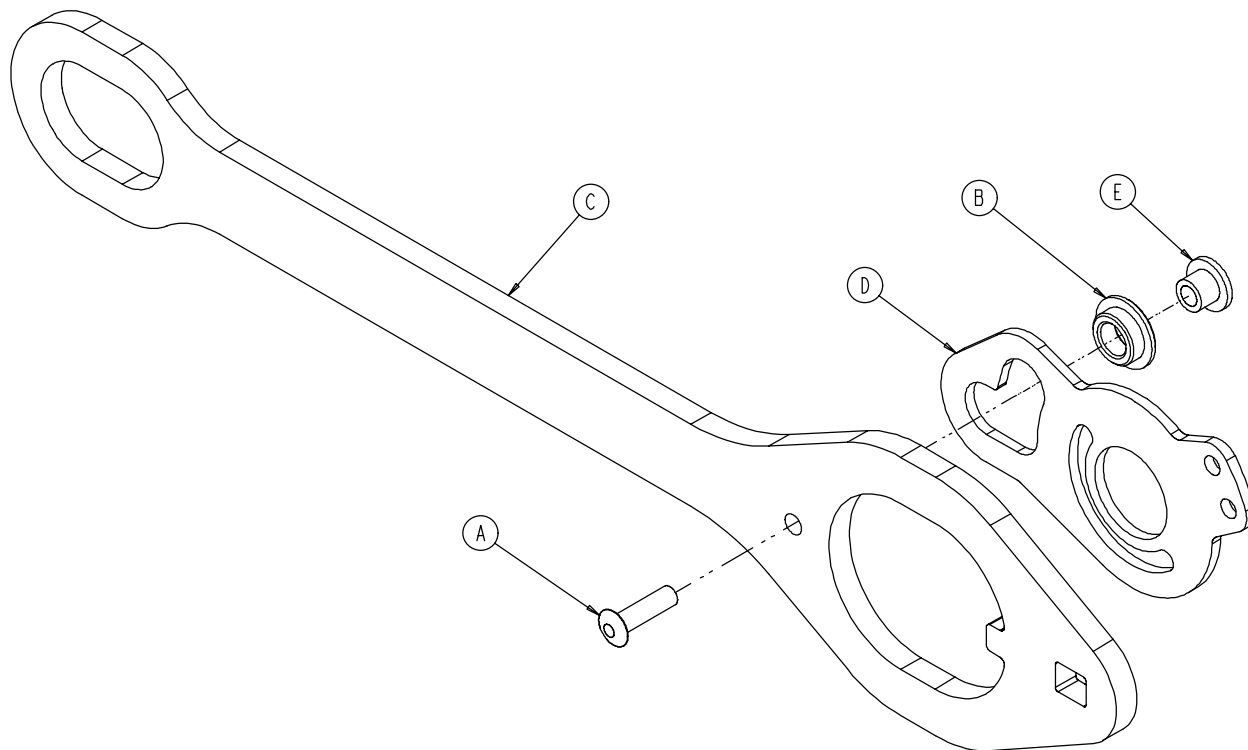
Item	Part No.	Part Name	Qty.
A	3001-400-101	Left Inner Panel	1
	3001-400-201	Right Inner Panel	1
B	3001-400-930	Inner Siderail PCB Assembly	1
C	23-112	Hi-Low Tapping Screw	8

3002-400-70 Siderail Latch Assembly, Head End, Left



Item	Part No.	Part Name	Qty.
A	25-86	Blind Rivet	1
B	81-317	Bronze Bushing	1
C	3002-400-501	Latch	1
D	3002-400-503	Head End Bypass Plate	1
E	3002-400-509	Bypass Bushing Spacer	1

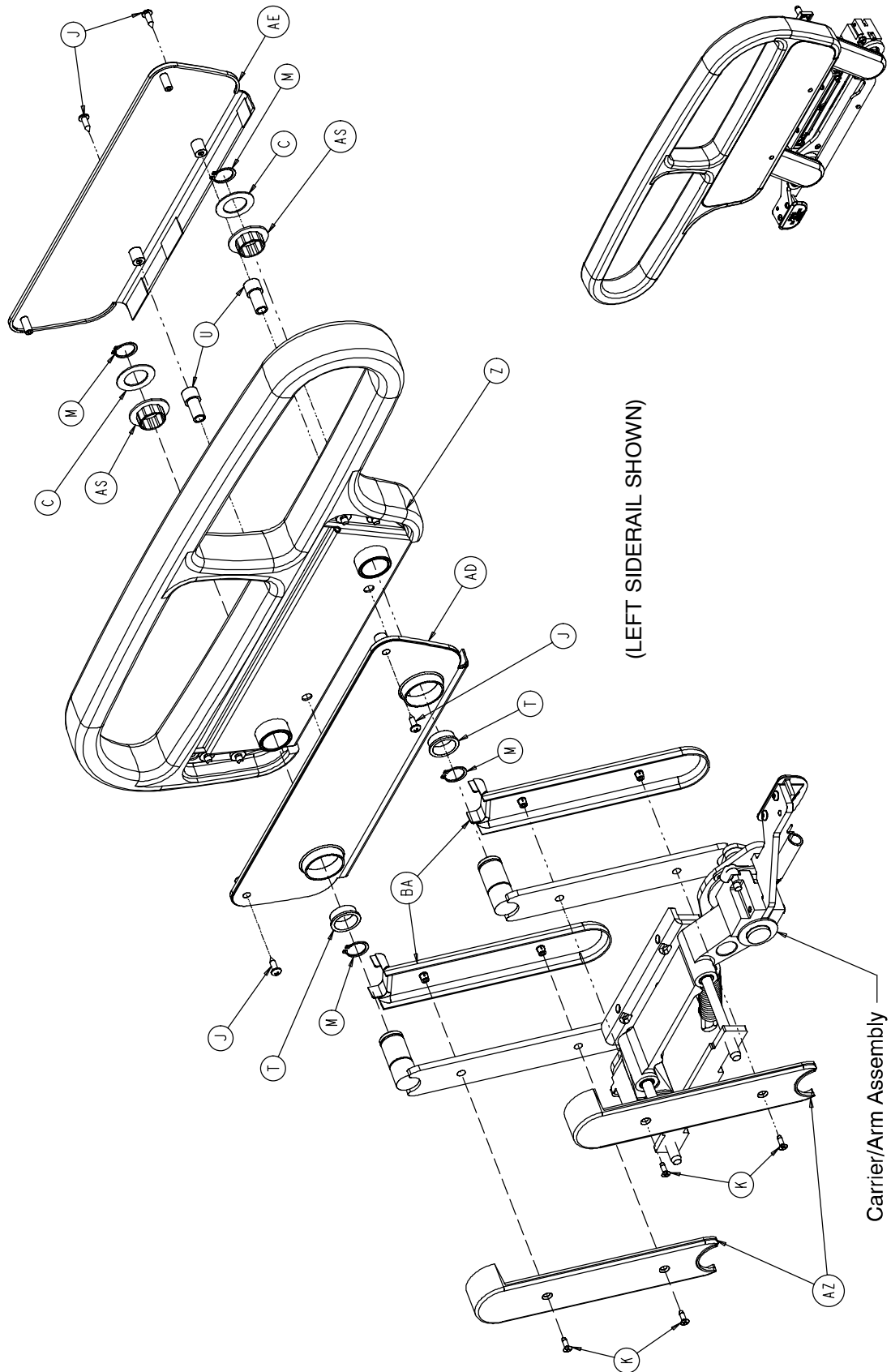
3002-400-75 Siderail Latch Assembly, Head End, Right



Item	Part No.	Part Name	Qty.
A	25-86	Blind Rivet	1
B	81-317	Bronze Bushing	1
C	3002-400-501	Latch	1
D	3002-400-503	Head End Bypass Plate	1
E	3002-400-509	Bypass Bushing Spacer	1

3002-401-300 Foot End Siderail Assembly, Left

3002-401-400 Foot End Siderail Assembly, Right



3002-401-300 Foot End Siderail Assembly, Left

3002-401-400 Foot End Siderail Assembly, Right

3002-401-300 Left Common Components

3002-401-400 Right Common Components

Item	Part No.	Part Name	Qty.	Item	Part No.	Part Name	Qty.
A	3-344	Hex Hd. Cap Screw	2	A	3-344	Hex Hd. Cap Screw	2
C	11-343	Shim Washer	3	C	11-343	Shim Washer	3
D	11-377	Washer	2	D	11-377	Washer	2
E	11-491	Steel Shim Washer	2	E	11-491	Steel Shim Washer	2
F	14-93	Washer	2	F	14-93	Washer	2
H	16-102	Nylock Nut	1	H	16-102	Nylock Nut	1
J	23-90	Pan Hd. Tapping Screw	4	J	23-90	Pan Hd. Tapping Screw	4
K	1-72	Ph. Flat Hd. Mach. Screw	4	K	1-72	Ph. Flat Hd. Mach. Screw	4
M	28-128	Retaining Ring	6	M	28-128	Retaining Ring	6
S	3000-200-334	Extension Spring	1	S	3000-200-334	Extension Spring	1
T	3000-400-513	Flange Bearing	2	T	3000-400-513	Flange Bearing	2
U	3000-400-523	Panel Spacer	2	U	3000-400-523	Panel Spacer	2
W	3000-400-557	Sleeve Bearing	4	W	3000-400-557	Sleeve Bearing	4
X	3001-300-99	Modified Bushing	1	X	3001-300-99	Modified Bushing	1
Y	3001-401-327	Arm Wldmt., Left, Ft., Hd.	1	Y	3001-401-427	Arm Wldmt., Rt., Ft., Hd.	1
Z	(page 223)	Support Assembly, Left	1	Z	(page 224)	Support Assembly, Right	1
AA	3001-400-501	Rivet	2	AA	3001-400-501	Rivet	2
AD	3001-400-526	Inner Panel	1	AD	3001-400-526	Inner Panel	1
AE	3001-400-527	Outer Panel	1	AE	3001-400-527	Outer Panel	1
AF	3001-400-555	Mounting Bracket	1	AF	3001-400-555	Mounting Bracket	1
AG	3001-400-564	Glide Rod	2	AG	3001-400-564	Glide Rod	2
AM	3002-400-509	Bypass Bushing Spacer	1	AM	3002-400-509	Bypass Bushing Spacer	1
AN	(page 226)	Release Lever Ass'y, Lt.	1	AN	(page 227)	Release Lever Ass'y, Rt.	1
AP	3002-400-511	Glide Rod Bumper Pad	2	AP	3002-400-511	Glide Rod Bumper Pad	2
AR	3002-400-512	Bumper Washer	2	AR	3002-400-512	Bumper Washer	2
AS	3002-400-513	Pivot Bushing	6	AS	3002-400-513	Pivot Bushing	6
AT	3002-400-515	Timing Link, Foot, Left	1	AT	3002-400-514	Timing Link, Foot, Right	1
AU	3002-400-517	Tuck Spring	1	AU	3002-400-517	Tuck Spring	1
AW	3002-400-519	Latch Bushing	1	AW	3002-400-519	Latch Bushing	1
AY	3002-400-528	Siderail Carrier	1	AY	3002-400-528	Siderail Carrier	1
AZ	5000-20-5	Inner Arm Cover	2	AZ	5000-20-5	Inner Arm Cover	2
BA	3001-400-619	Outer Arm Cover	2	BA	3001-400-619	Outer Arm Cover	2
BB	11-408	Flat Washer	1	BB	11-408	Flat Washer	1
BC	3001-400-558	Siderail Spacer	1	BC	3001-400-558	Siderail Spacer	1

3002-443-301 Left Rail – Standard Bed

3002-443-401 Right Rail – Standard Bed

Item	Part No.	Part Name	Qty.	Item	Part No.	Part Name	Qty.
AH	3002-401-328	Foot Arm Wldmt., Lt., Foot	1	AH	3002-401-428	Foot Arm Wldmt., Rt., Foot	1
AJ	(page 225)	Latch Ass'y, Foot End	1	AJ	(page 225)	Latch Ass'y, Foot End	1
AK	3002-400-504	Foot Bypass Plate	1	AK	3002-400-504	Foot Bypass Plate	1
AL	3002-400-505	Bypass Pin	1	AL	3002-400-505	Bypass Pin	1
AX	(page 228)	Bypass Detent Clip Ass'y	1	AX	(page 228)	Bypass Detent Clip Ass'y	1

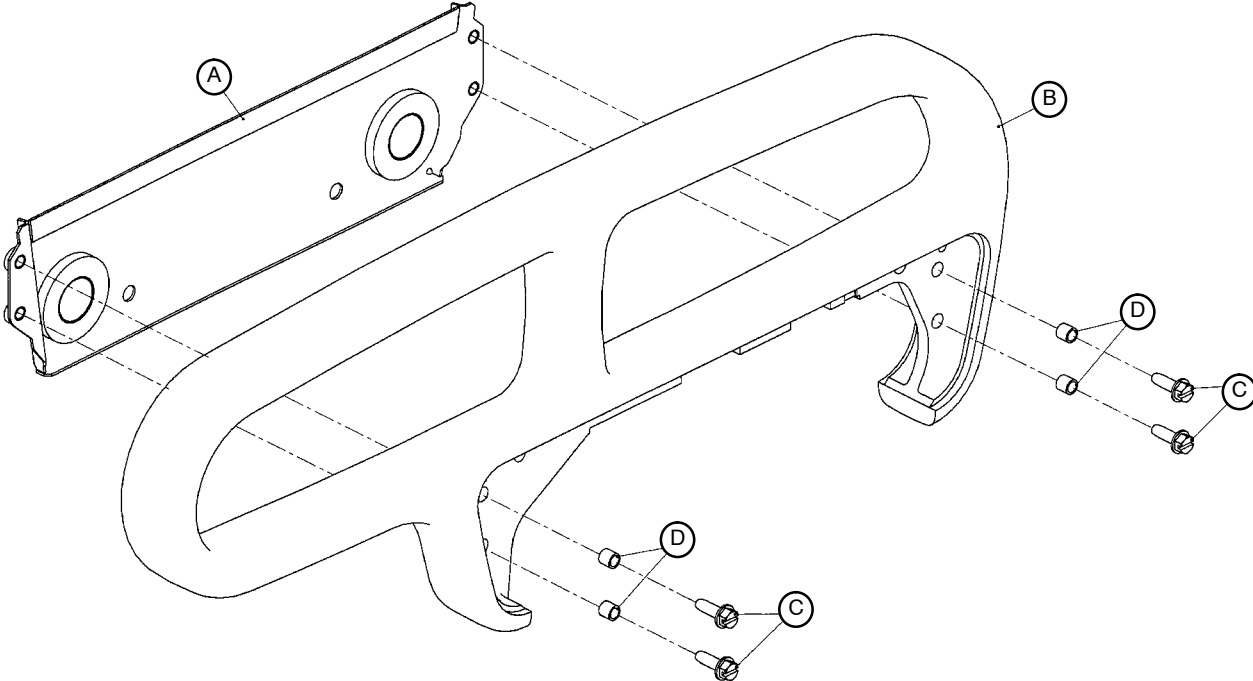
3002-442-301 Left Rail – 8" Shorter Bed

3002-442-401 Right Rail – 8" Shorter Bed

Item	Part No.	Part Name	Qty.	Item	Part No.	Part Name	Qty.
AH	3002-443-318	Foot Arm Wldmt., Lt., Foot	1	AH	3002-443-418	Foot Arm Wldmt., Rt., Foot	1
AJ	3002-400-501	Latch	1	AJ	3002-400-501	Latch	1
CA	11-185	Washer	1	CA	11-185	Washer	1

Left Foot End Siderail Support Assembly

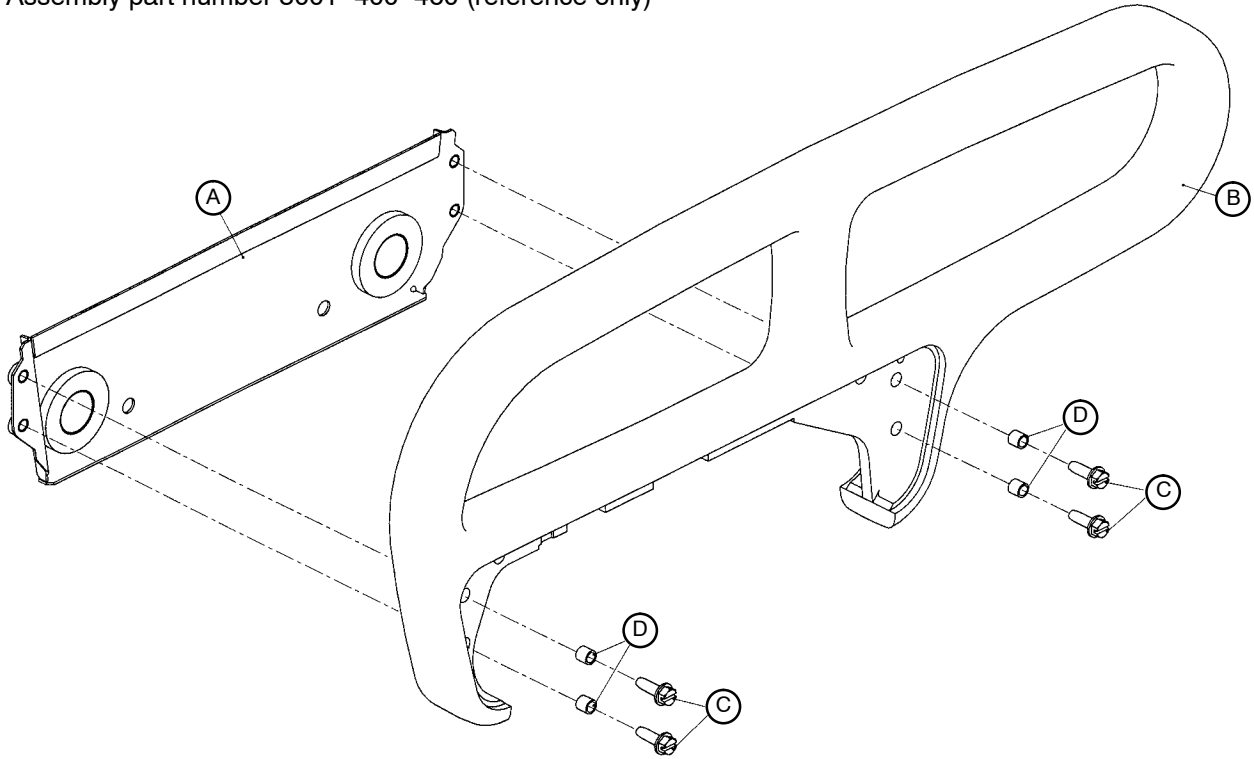
Assembly part number 3001-400-360 (reference only)



Item	Part No.	Part Name	Qty.
A	3001-400-31	Foot Support Weldment	1
B	3000-400-520	Foot Rail	1
C	3-224	Hex Washer Hd. Screw	6
D	3000-400-558	Siderail Spacer	6

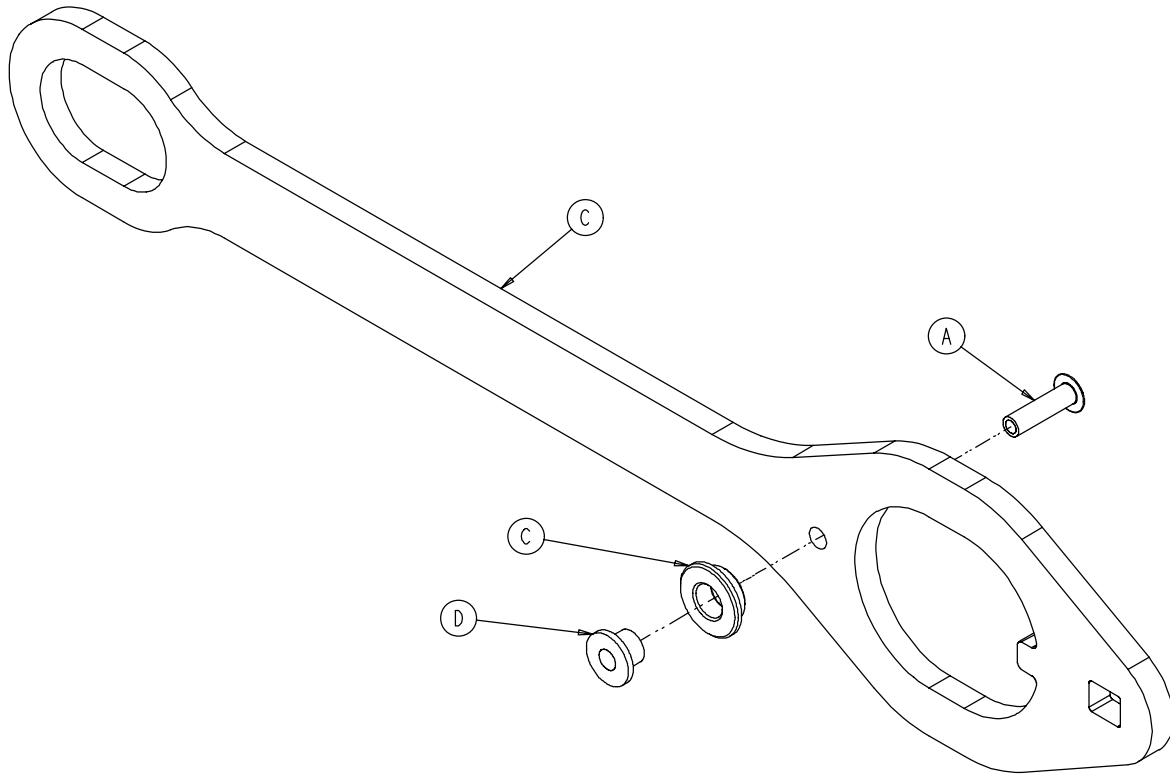
Right Foot End Siderail Support Assembly

Assembly part number 3001-400-460 (reference only)



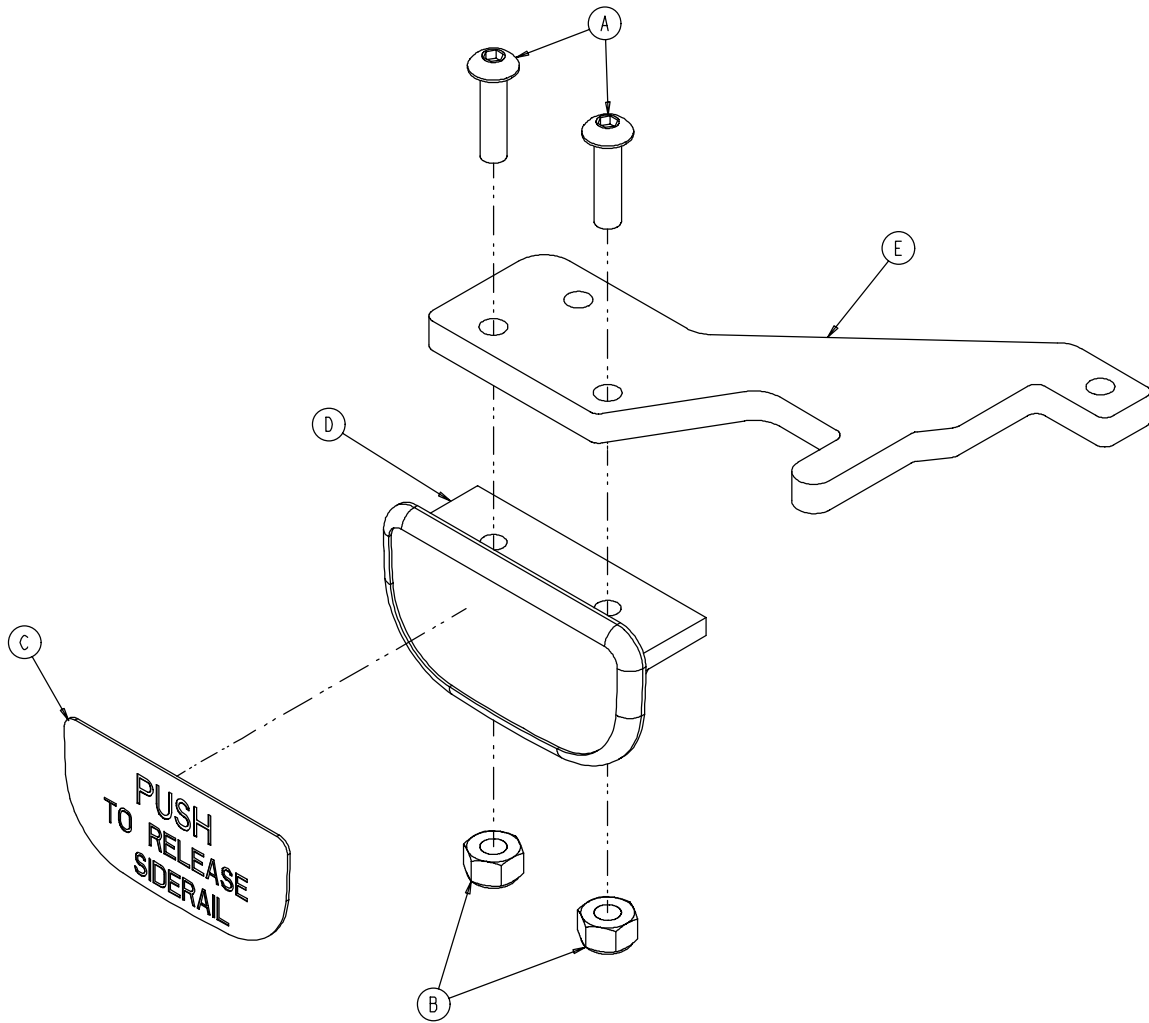
Item	Part No.	Part Name	Qty.
A	3001-400-580	Foot Support Weldment	1
B	3000-400-520	Foot Rail	1
C	3-226	Hex Washer Hd. Screw	4
D	3001-400-558	Siderail Spacer	4

3002-400-80 Siderail Latch Assembly, Foot End



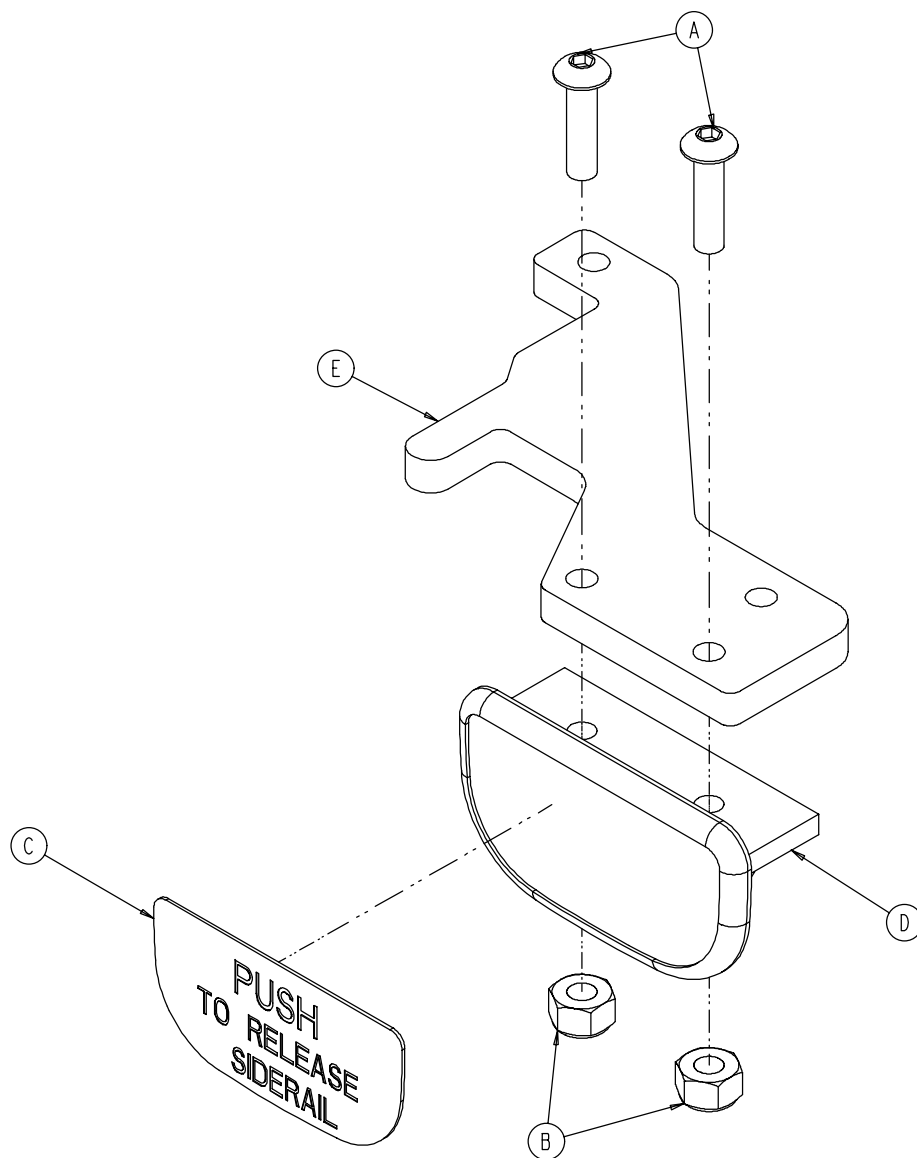
Item	Part No.	Part Name	Qty.
A	25-86	Blind Rivet	1
B	81-317	Bronze Bushing	1
C	3002-400-501	Latch	1
D	3002-400-509	Bypass Bushing Spacer	1

3002-400-55 Siderail Release Lever Assembly, Left



Item	Part No.	Part Name	Qty.
A	4-278	Socket But. Hd. Cap Screw	2
B	16-2	Hex Nut	2
C	3001-400-505	Release Label	1
D	3001-400-514	Release Lever Pad	1
E	3002-400-510	Release Lever	1

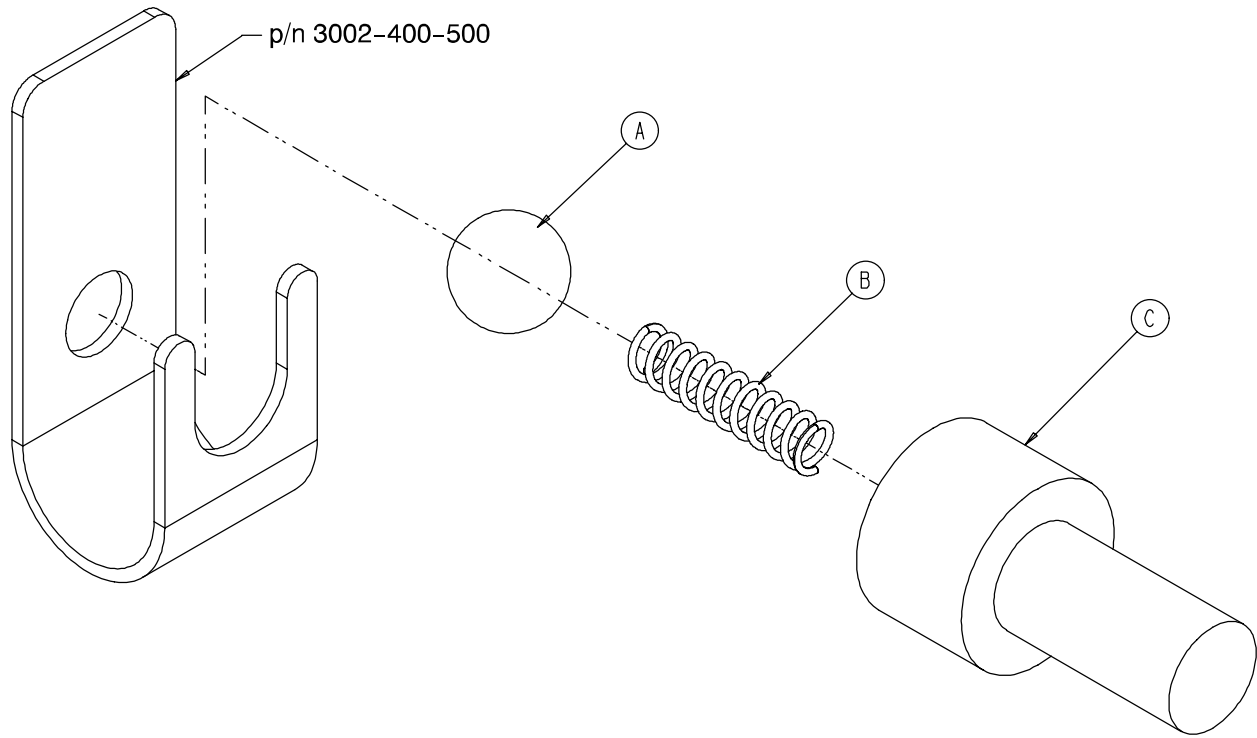
3002-400-65 Siderail Release Lever Assembly, Right



Item	Part No.	Part Name	Qty.
A	4-278	Socket But. Hd. Cap Screw	2
B	16-2	Hex Nut	2
C	3001-400-505	Release Label	1
D	3001-400-514	Release Lever Pad	1
E	3002-400-510	Release Lever	1

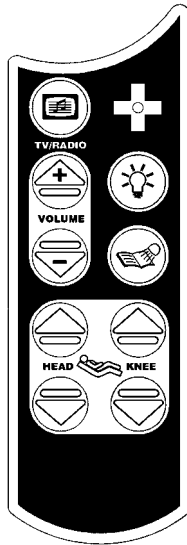
Siderail Bypass Detent Clip Assembly

Assembly part number 3002-400-90 (reference only)

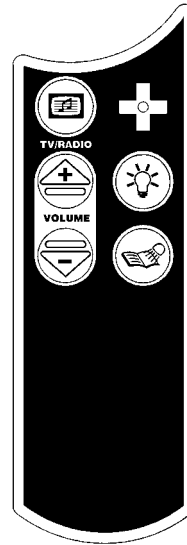


Item	Part No.	Part Name	Qty.
A	31-137	Steel Ball	1
B	38-464	Compression Spring	1
C	3002-400-524	Bypass Detent Housing	1

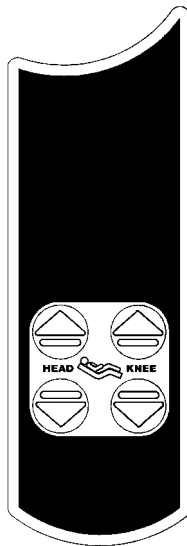
Optional Pendant Assembly



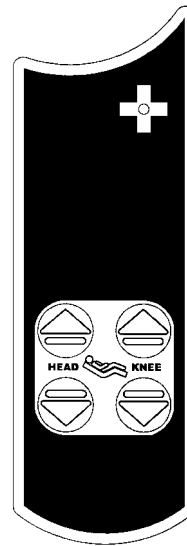
**3001-315-12 Combination Pendant
Motion/Communication**



**3001-315-16 Combination Pendant
Communication Only**

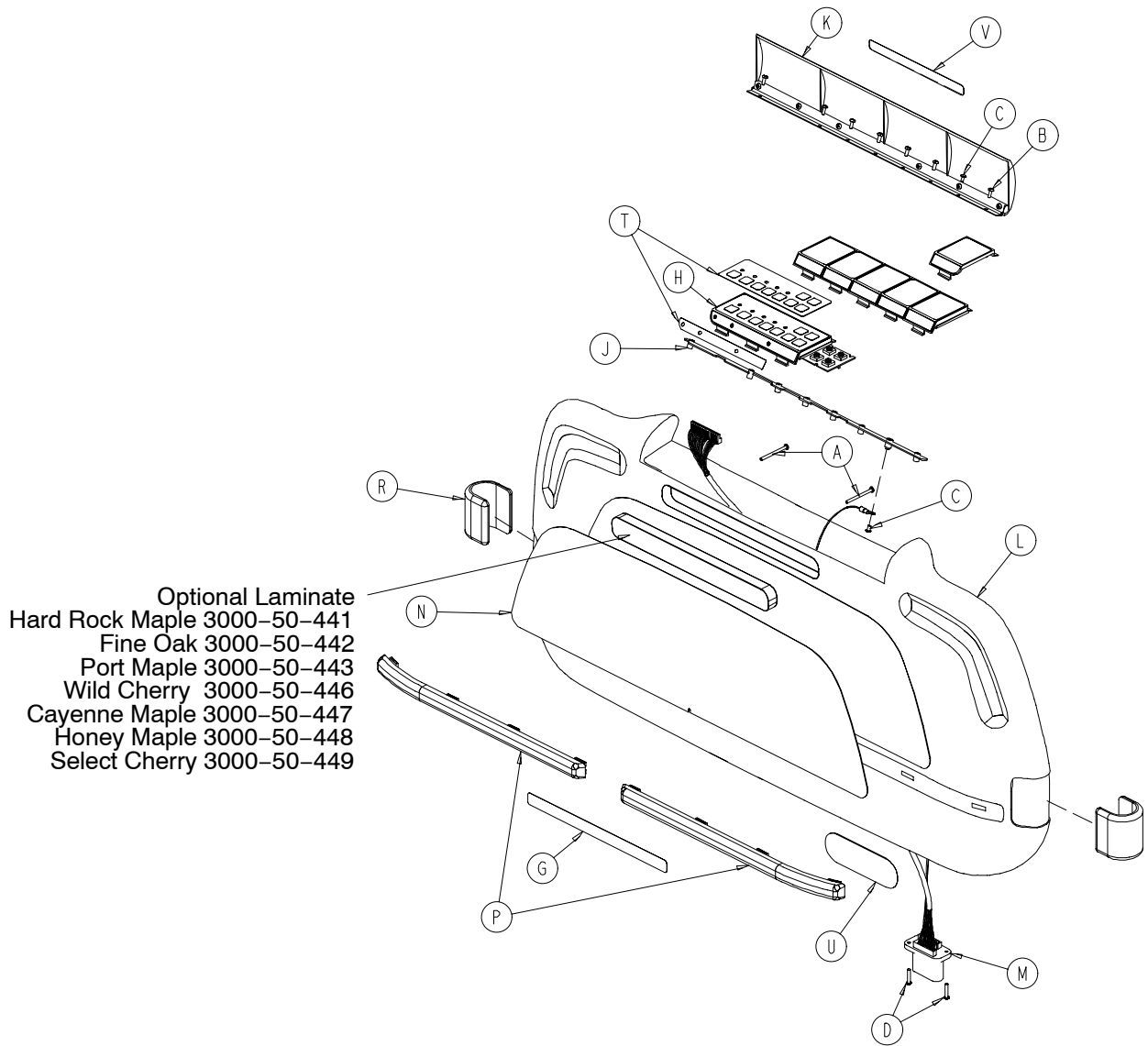


**3001-315-14 Combination Pendant
Motion Only**



**3001-315-18 Combination Pendant
Motion/NurseCall**

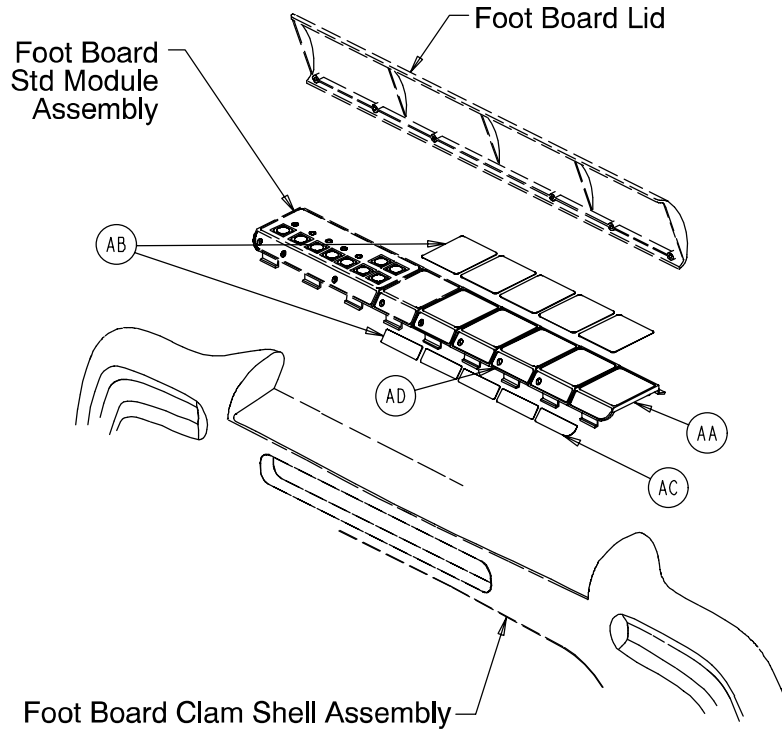
Foot Board Assembly



3002-500-11 Standard Components

Item	Part No.	Part Name	Qty.	Item	Part No.	Part Name	Qty.
A	23-99	Phillips Pan Hd. Screw	2	K	3001-500-1	Lid Assembly	1
B	23-103	Pan Hd. Hi-Lo Tap. Screw	7	L	3001-500-10	Clam Shell Assembly	1
C	50-38	Pan Hd. Mach. Screw	2	M	3001-500-801	Foot Board Drawer Cable	1
D	50-39	Pan Hd. Mach. Screw	2	P	2025-000-105	Bumper Strip	2
E	72-2-71	"C" Bumper Adhesive	1	R	3002-500-7	C-Bumper	2
F	3000-500-8	Chart Rack Cover	1	T	3002-500-24	Standard Module Label	1
G	3000-500-29	Hazard Label	1	U	3002-500-601	Secure II Label	1
H	(page 239)	Std. Control Module Ass'y	1	V	3002-500-25	Lid Label	1
J	3001-500-64	Hinge Plate	1				

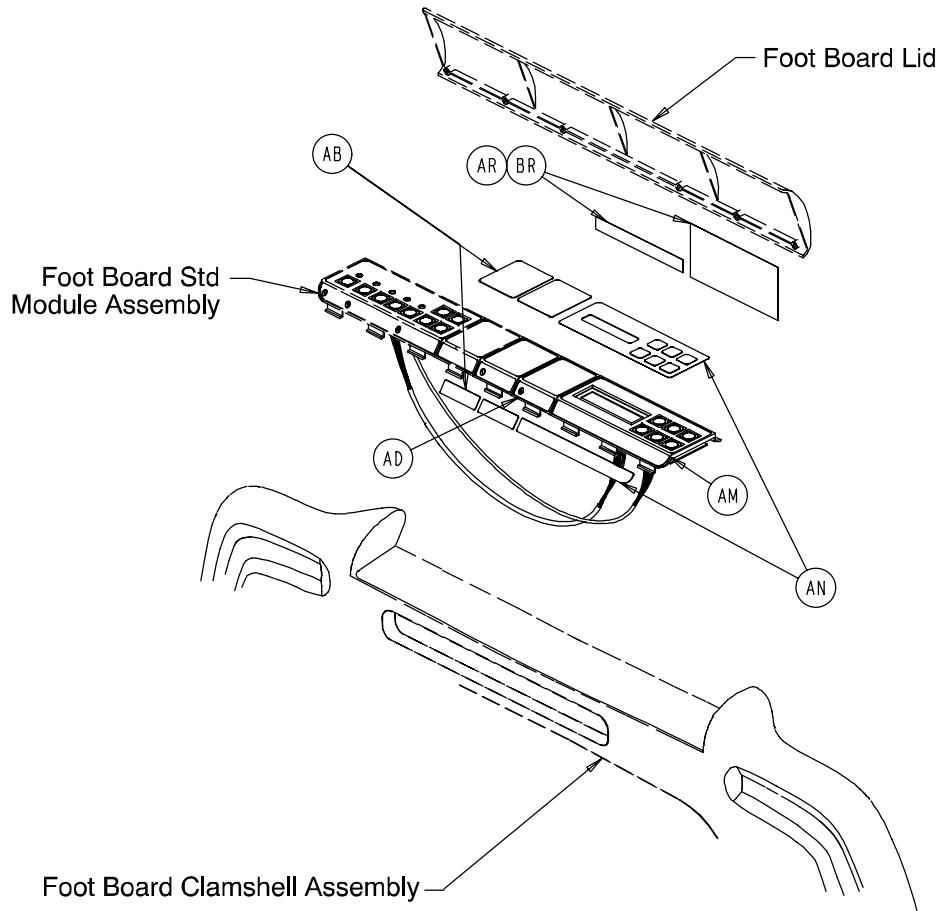
Foot Board Assembly



No Scale/Bed Exit - p/n 3002-507-120

Item	Part No.	Part Name	Qty.
AA	3000-500-4	End Module	1
AB	3002-508-4	Blank Module Label	5
AC	3002-500-27	End Module Label	1
AD	3001-500-3	Blank Module	4

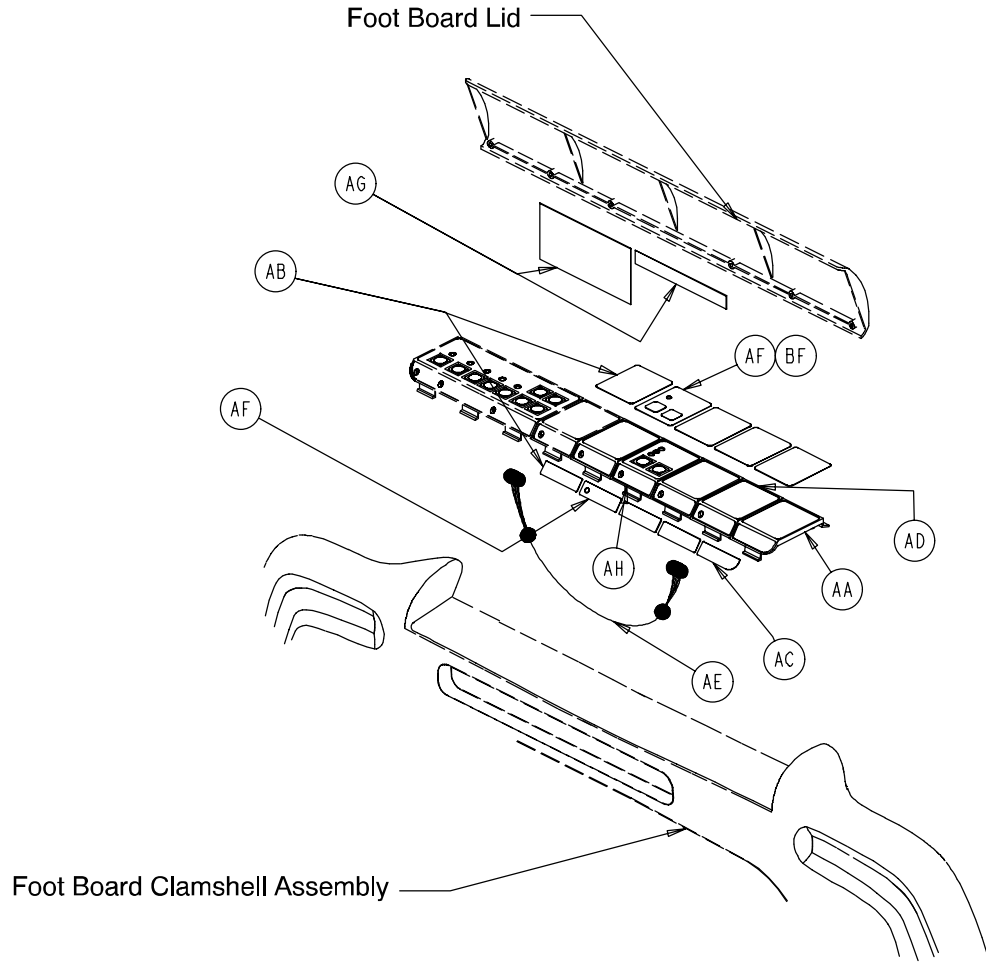
Foot Board Assembly



Scale Only – p/n 3002-507-13

Item	Part No.	Part Name	Qty.
AB	3002-508-4	Blank Module Label	2
AD	3001-500-3	Blank Module	2
AM	(page 242)	Scale Module	1
AN	3002-000-152	Scale Module Label	1
AR	3002-507-11	Scale Label	1

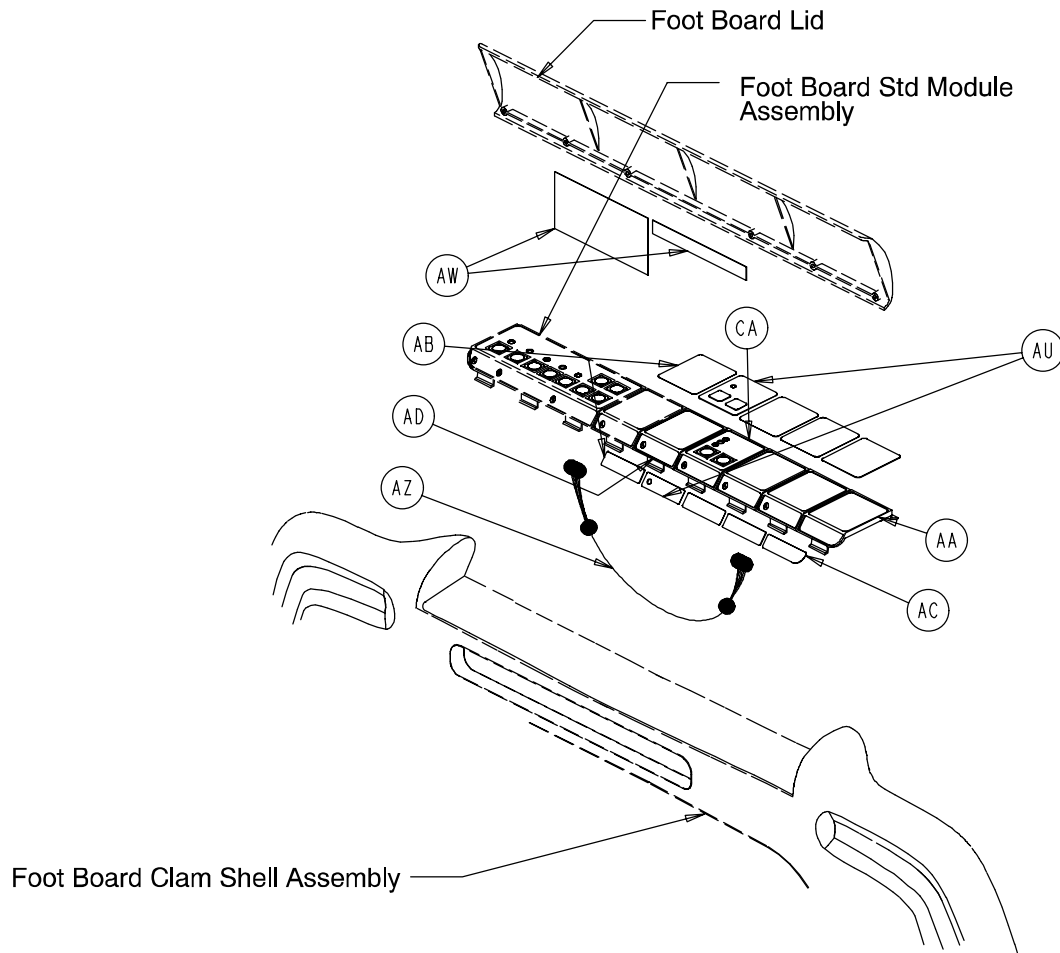
Foot Board Assembly



Chaperone Bed Exit Only – p/n 3002-508-11

Item	Part No.	Part Name	Qty.
AA	3000-500-4	End Module	1
AB	3002-508-4	Blank Module Label	4
AC	3002-500-27	End Module Label	1
AD	3001-500-3	Blank Module	3
AE	3001-508-800	Bed Exit Keypad Cable	1
AF	3002-508-2	Bed Exit Module Label	1
AG	3002-508-10	Bed Exit Label	1
AH	(page 240)	Bed Exit Module	1

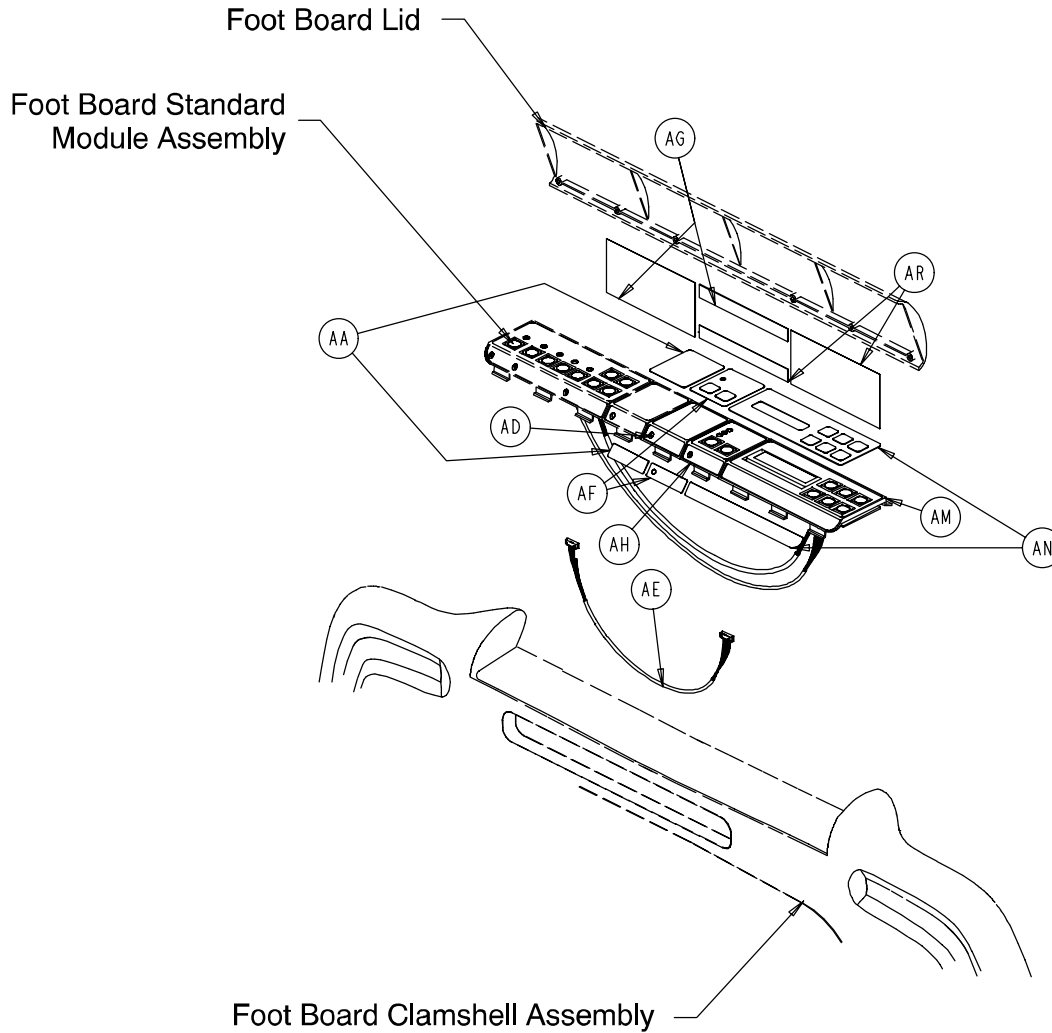
Foot Board Assembly



Chaperone w/Zone Control Bed Exit – p/n 3002-508-21

Item	Part No.	Part Name	Qty.
AA	3000-500-4	End Module	1
AB	3002-508-4	Blank Module Label	4
AC	3002-500-27	End Module Label	1
AD	3001-500-3	Blank Module	3
AU	3002-508-3	Chaperone II Module Label	1
AW	3002-508-12	Chaperone II Label	1
AZ	3002-508-800	Zone Ctrl. Keypad Cable	1
CA	(page 241)	Bed Exit Module	1

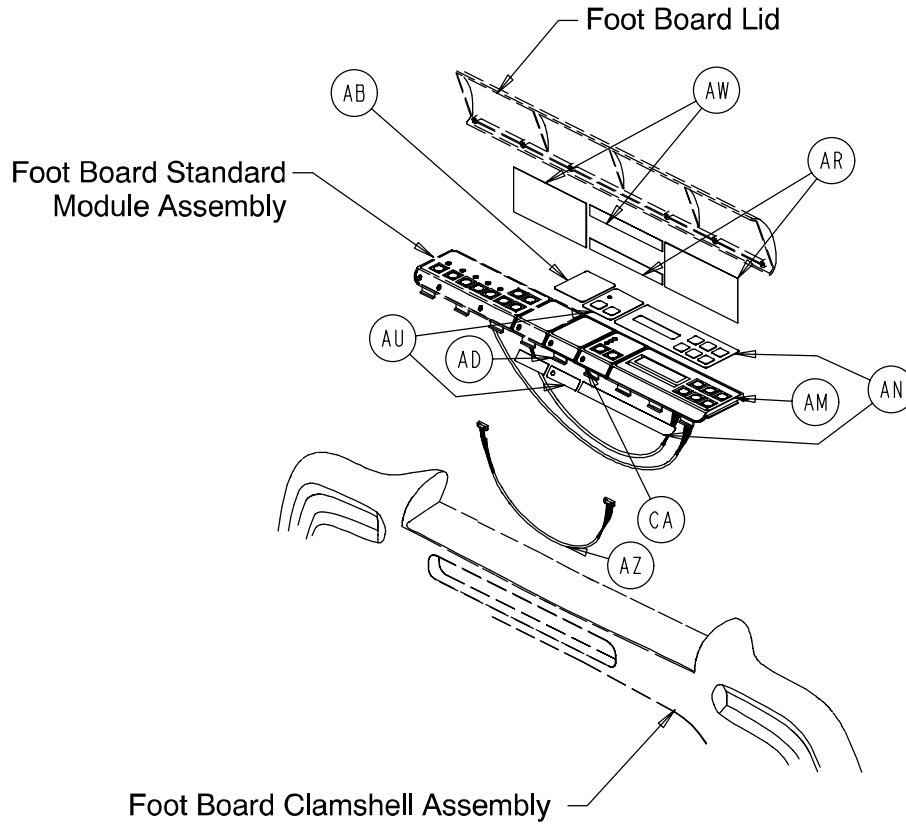
Foot Board Assembly



Scale & Chaperone – p/n 3002-507-121

Item	Part No.	Part Name	Qty.
AB	3002-508-4	Blank Module Label	1
AD	3001-500-3	Blank Module	1
AE	3001-508-800	Bed Exit Keypad Cable	1
AF	3002-508-2	Bed Exit Module Label	1
AG	3002-508-10	Bed Exit Label	1
AH	(page 240)	Bed Exit Module	1
AM	(page 242)	Scale Module	1
AN	3002-000-152	Scale Module Label	1
AR	3002-507-11	Scale Label	1

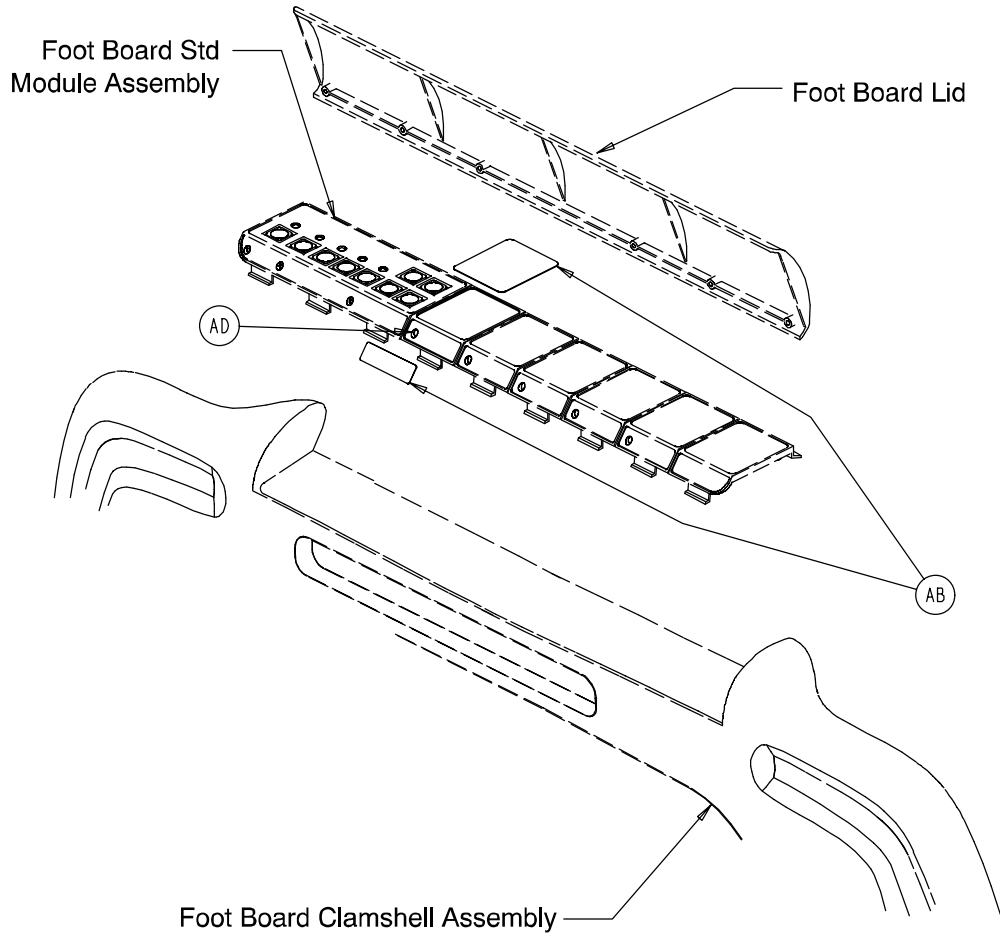
Foot Board Assembly



Scale & Chaperone w/Zone Control – 3002-507-122

Item	Part No.	Part Name	Qty.
AB	3002-508-4	Blank Module Label	4
AD	3001-500-3	Blank Module	3
AM	(page 242)	Scale Module	1
AN	3002-000-152	Scale Module Label	1
AR	3002-507-11	Scale Label	1
AU	3002-508-3	Chaperone II Module Label	1
AW	3002-508-12	Chaperone II Label	1
AZ	3002-508-800	Zone Ctrl. Keypad Cable	1
CA	(page 241)	Zone Bed Exit Module	1

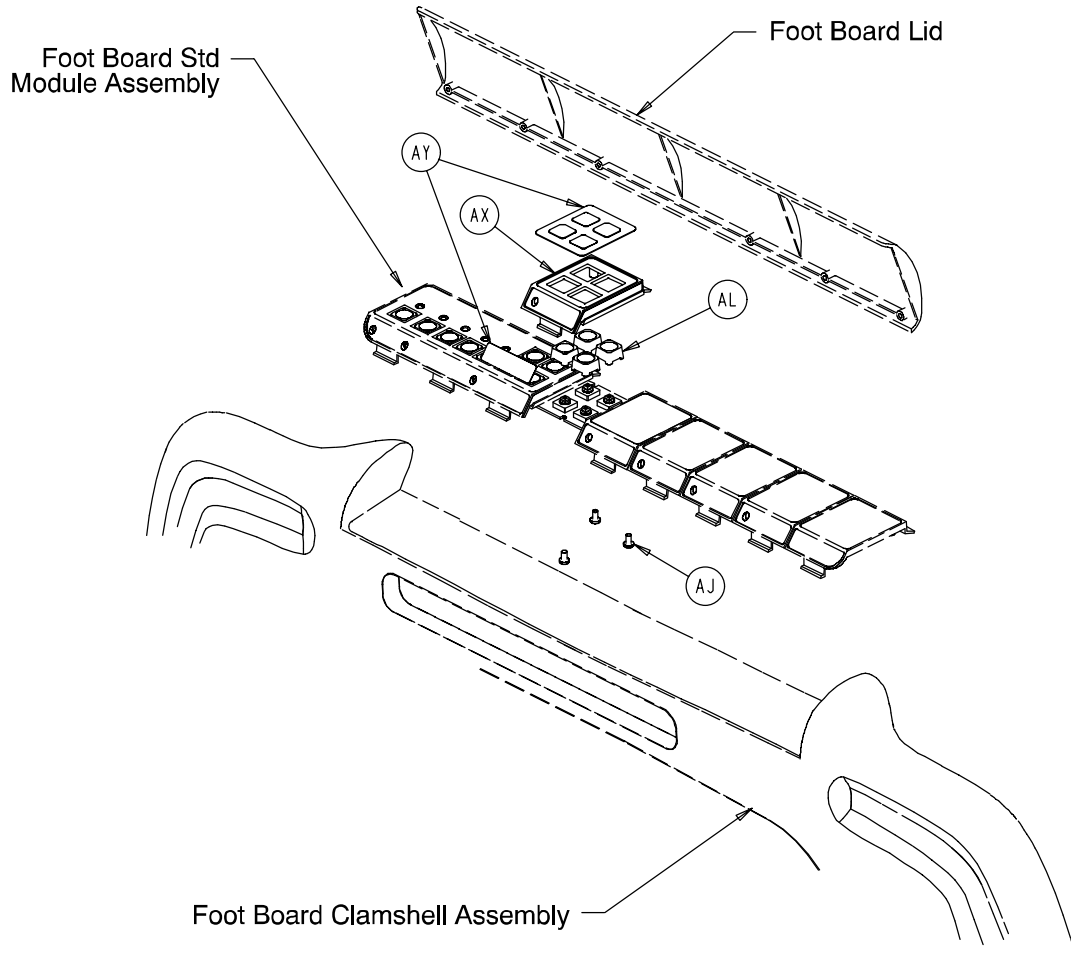
Foot Board Assembly



No Gatch/Fowler – p/n 3002-501-110

Item	Part No.	Part Name	Qty.
AB	3002-508-4	Blank Module Label	1
AD	3001-500-3	Blank Module	1

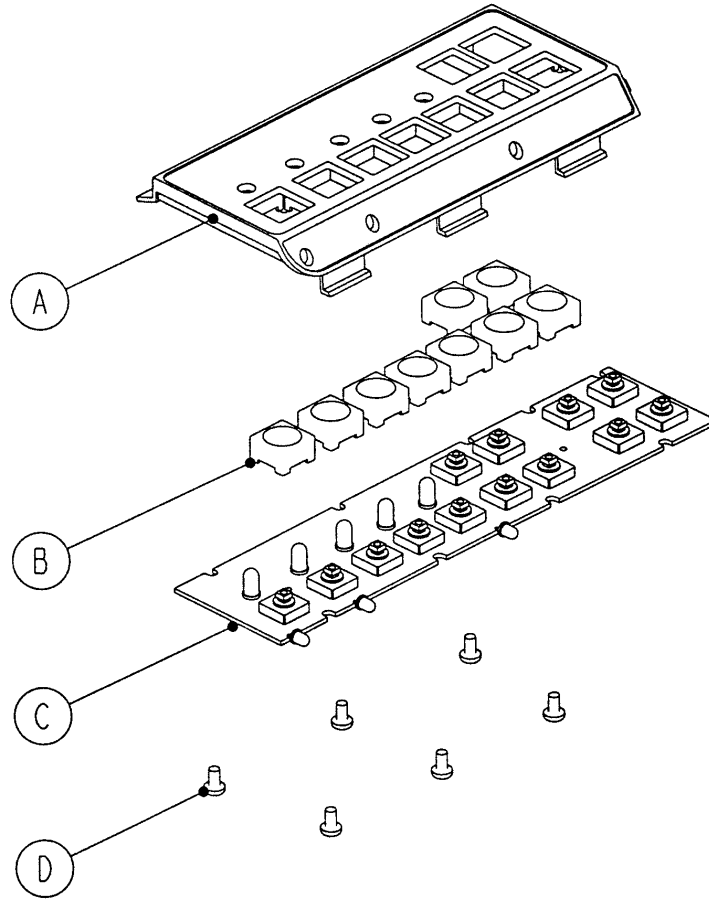
Foot Board Assembly



Gatch/Fowler – p/n 3002-501-11

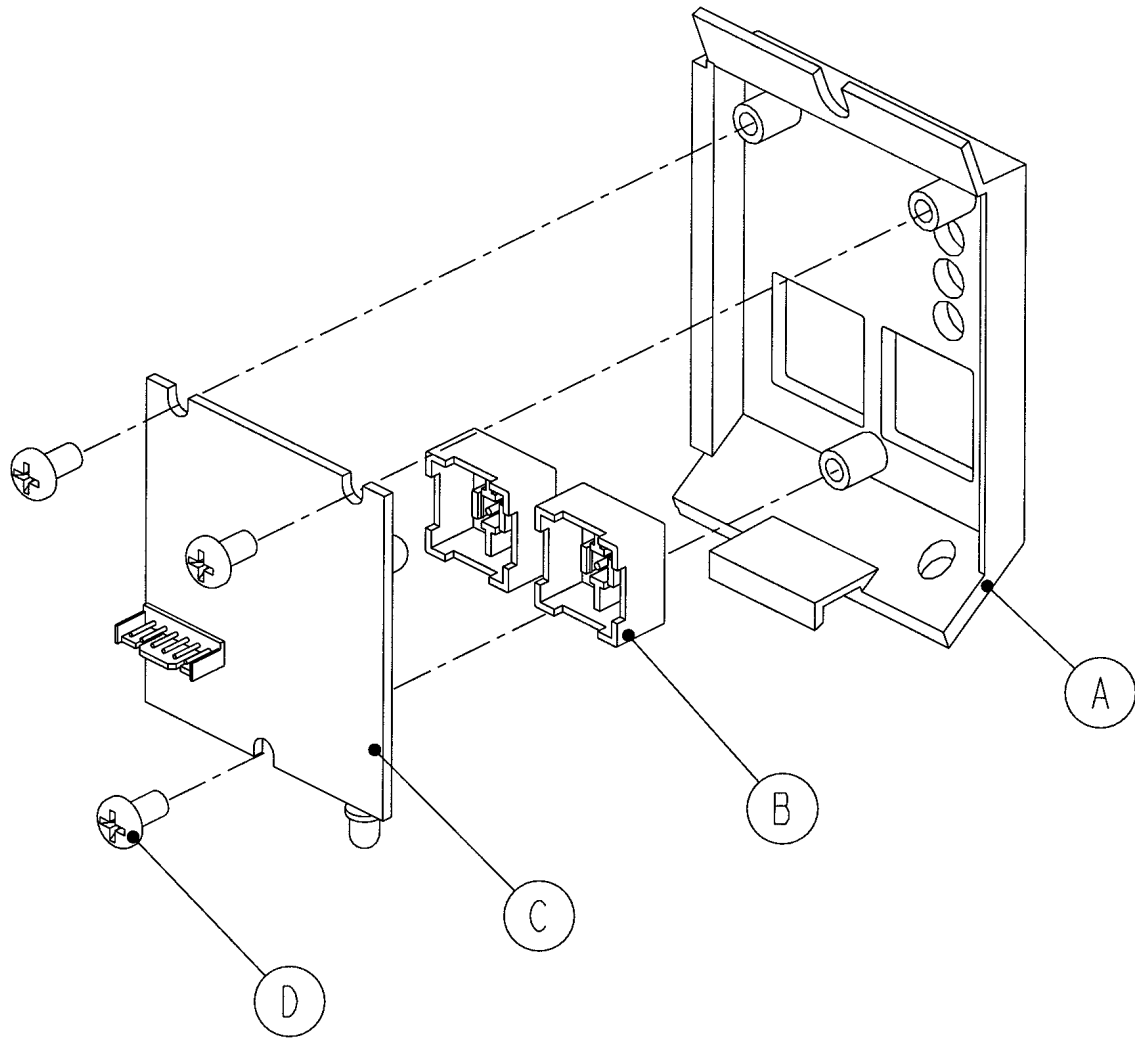
Item	Part No.	Part Name	Qty.
AJ	23-87	Pan Hd. Hi-Lo Tap. Screw	3
AL	3001-400-953	Switch Cap	4
AX	3000-501-1	Gatch/Fowler Module	1
AY	3002-501-2	Gatch/Fowler Module Label	1

3001-500-28 Foot Board Standard Module Assembly



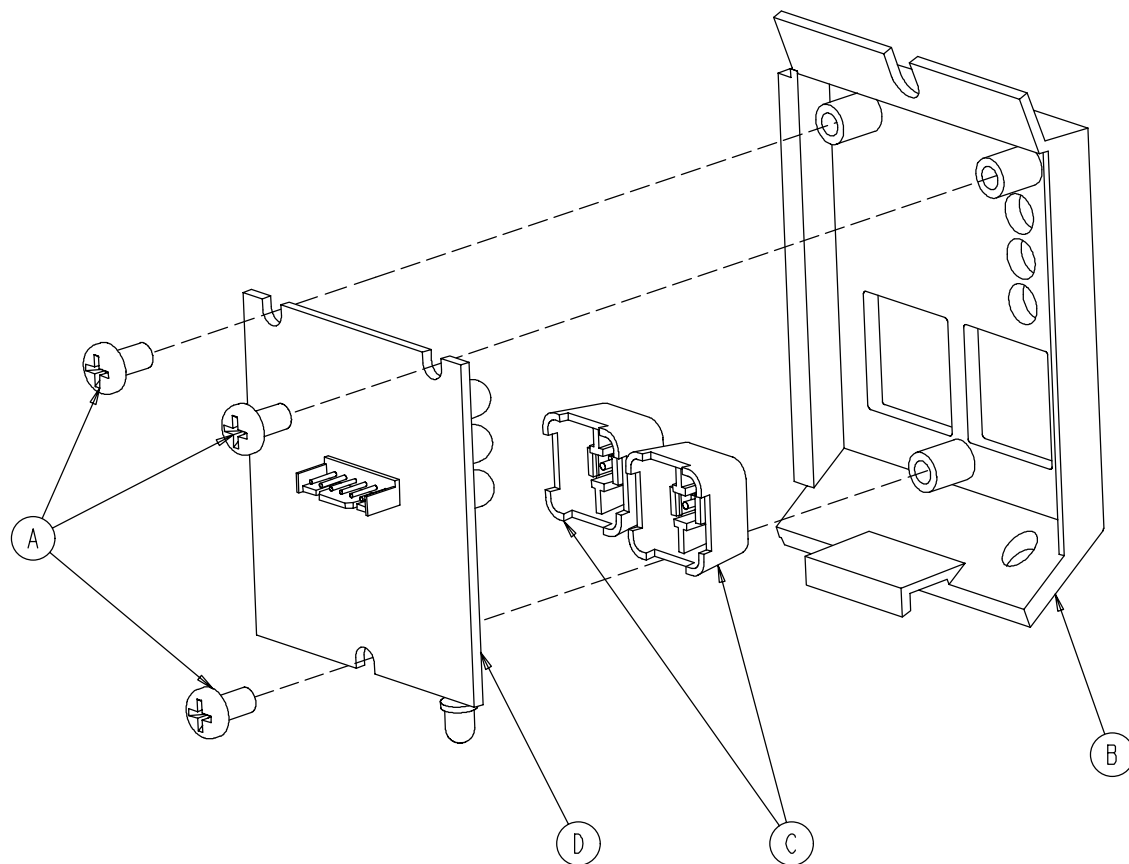
Item	Part No.	Part Name	Qty.
A	3000-500-2	Foot Board Standard Module	1
B	3001-400-953	Switch Cap	9
C	3001-500-930	Main Foot Board Keyboard	1
D	23-87	Pan Hd. Tapping Screw	6

3001-508-30 Optional Foot Board Bed Exit Module



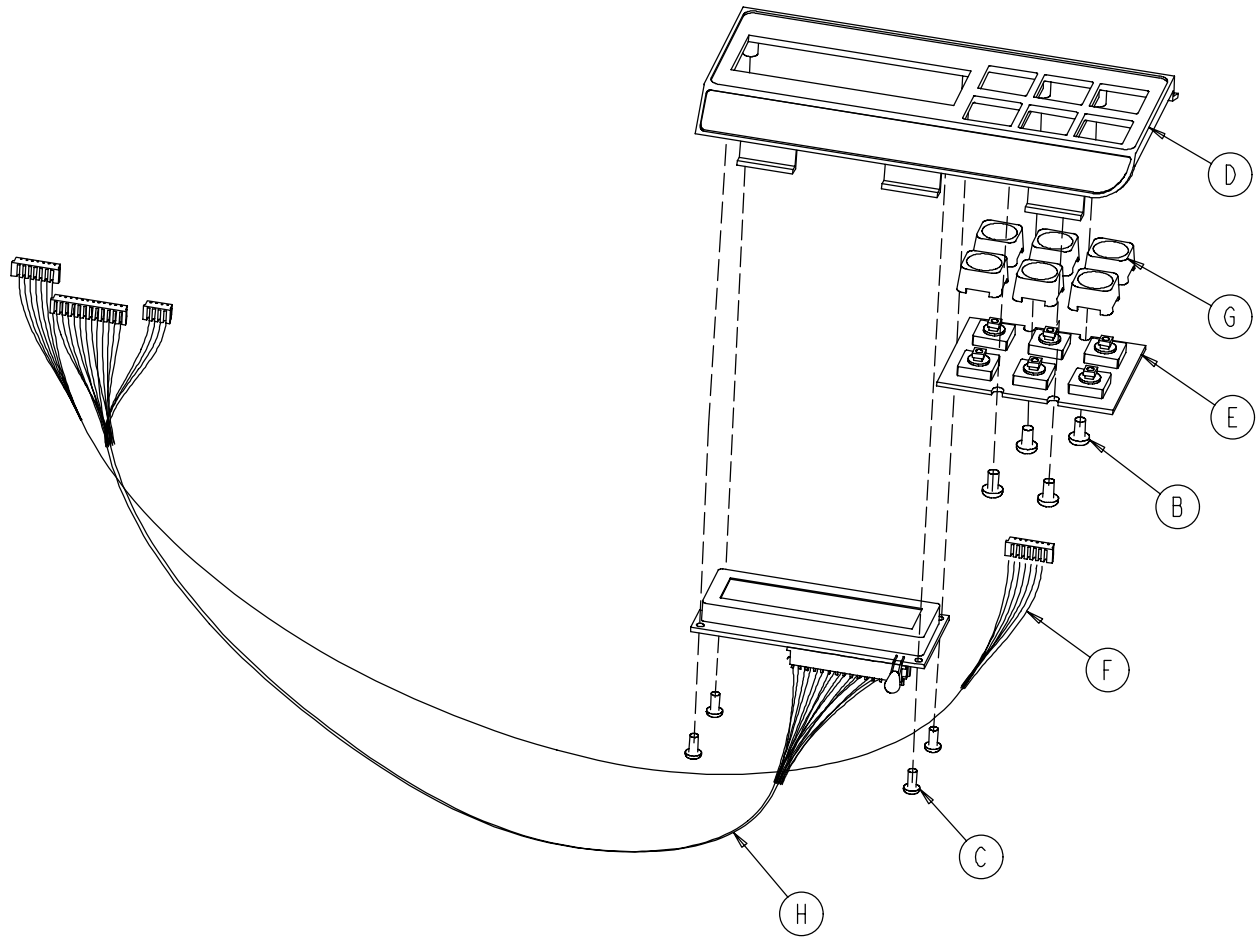
Item	Part No.	Part Name	Qty.
A	3000-508-1	Bed Exit Module Panel	1
B	3001-400-953	Switch Cap	2
C	3001-508-910	Bed Exit Keypad Ass'y	1
D	23-87	Tapping Screw	3

3002-508-30 Optional Foot Board Zone Bed Exit Module



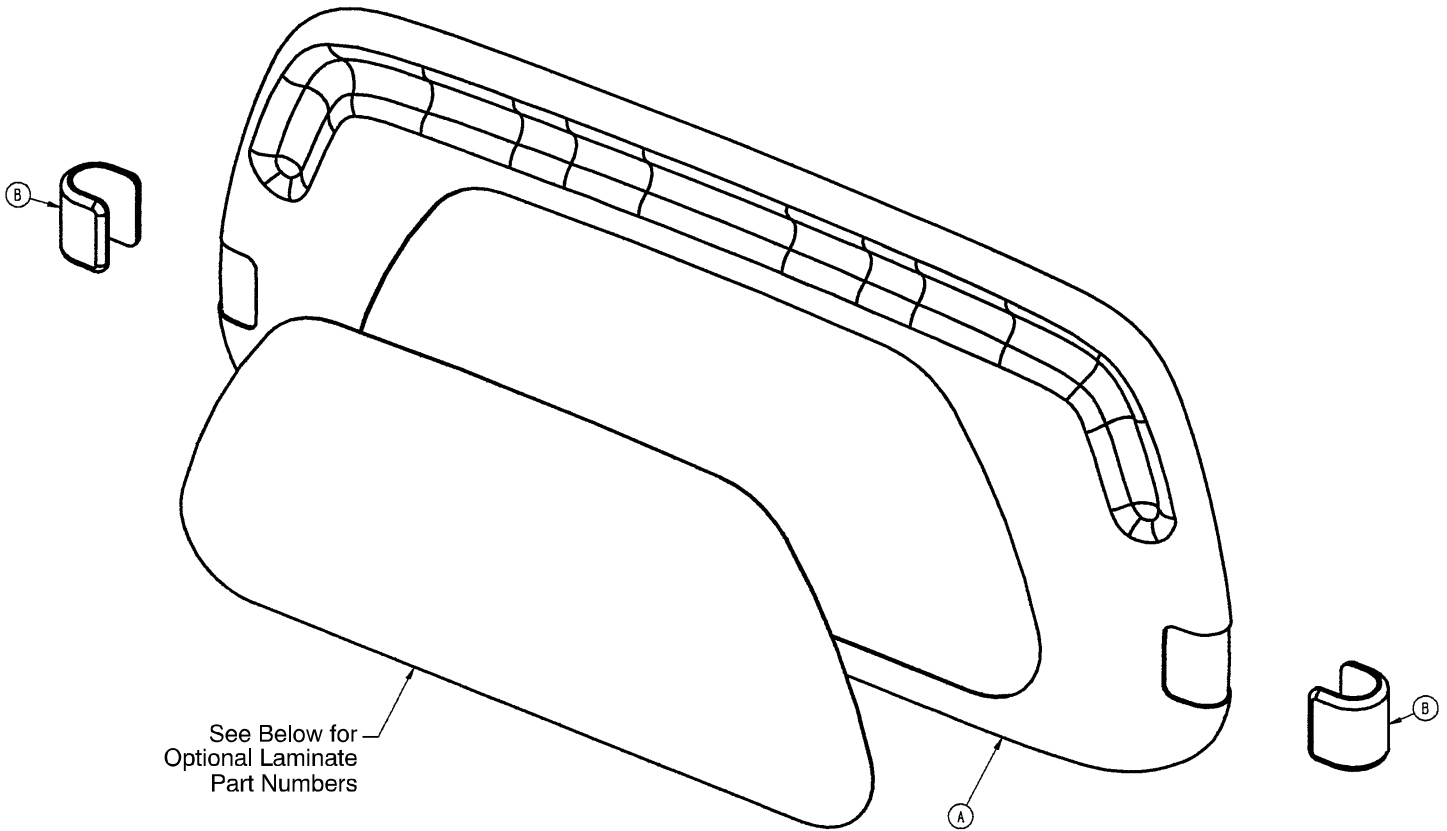
Item	Part No.	Part Name	Qty.
A	23-87	Hi-Low Tapping Screw	3
B	3000-508-1	End Exit Module Panel	1
C	3001-400-953	Switch Cap	2
D	3002-508-900	Bed Exit Board	1

3002-507-30 Foot Board Scale Module Assembly



Item	Part No.	Part Name	Qty.
B	23-87	Pan Hd. Hi-Lo Tapping Screw	4
C	23-91	Pan Hd. Hi-Lo Tapping Screw	4
D	3001-507-1	Scale Module	1
E	3001-507-910	Scale Keypad	1
F	3001-507-800	Scale Keypad Cable	1
G	3001-400-953	Switch Cap	6
H	3002-507-900	Scale Display Cable	1

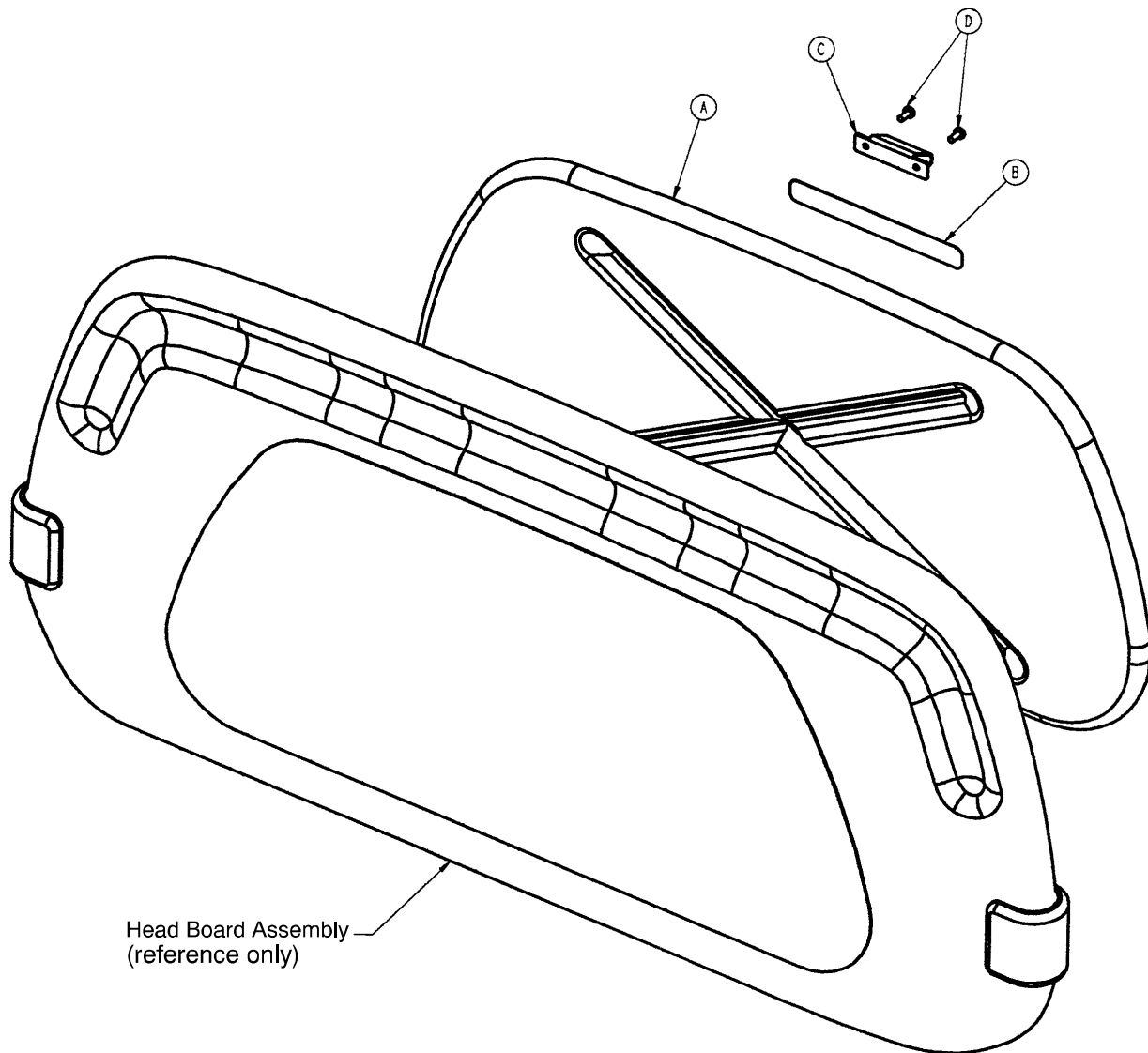
3002-600-000 Head Board Assembly



Item	Part No.	Part Name	Qty.
A	3000-600-10	Clamshell Assembly	1
B	3002-500-7	"C" Bumper (Blue)	2
C	72-2-71	"C" Bumper Adhesive	1

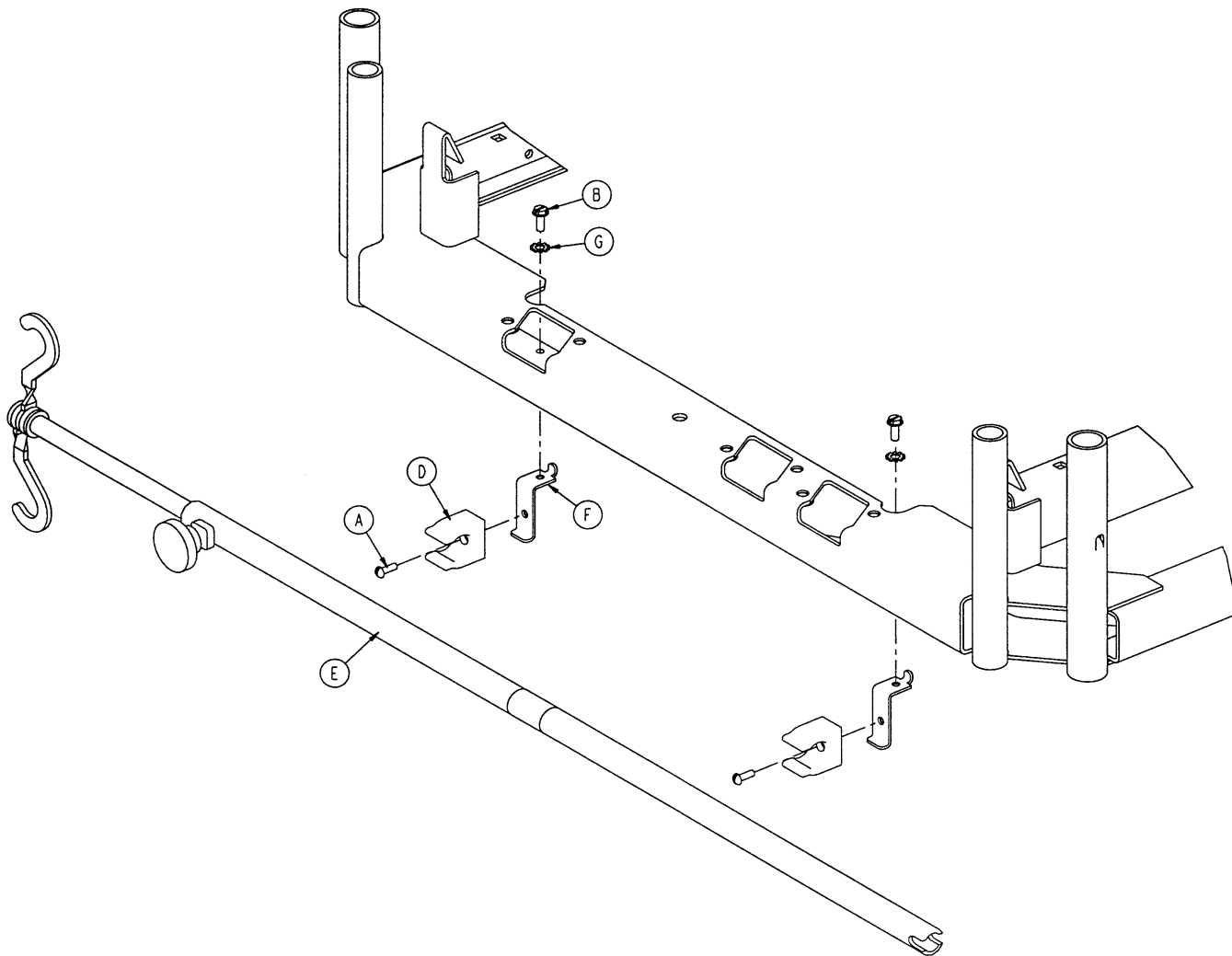
Laminate Color	Part Number
Hard Rock Maple	3000-60-441
Fine Oak	3000-60-442
Port Maple	3000-60-443
Hearth Oak	3000-60-444
Royal Maple	3000-60-445
Wild Cherry	3000-60-446

3000-526-10 Optional CPR Board Assembly



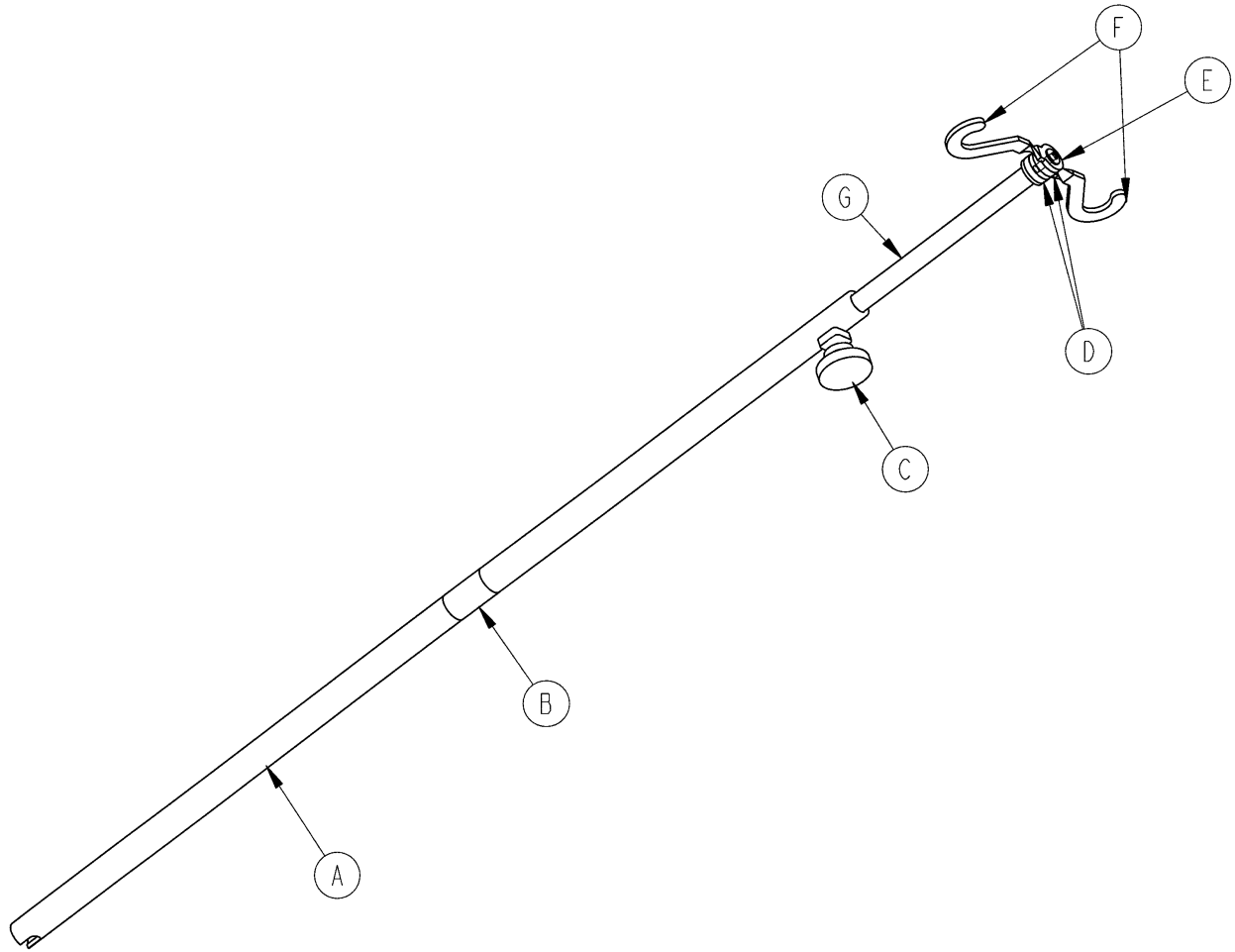
Item	Part No.	Part Name	Qty.
A	3000-526-1	CPR Board	1
B	3000-526-3	CPR Board Label	1
C	3000-526-2	CPR Head Board Clip	1
D	23-88	Pan Hd. Tapping Screw	2

3001-338-10 Removable IV Pole Mounting Assembly



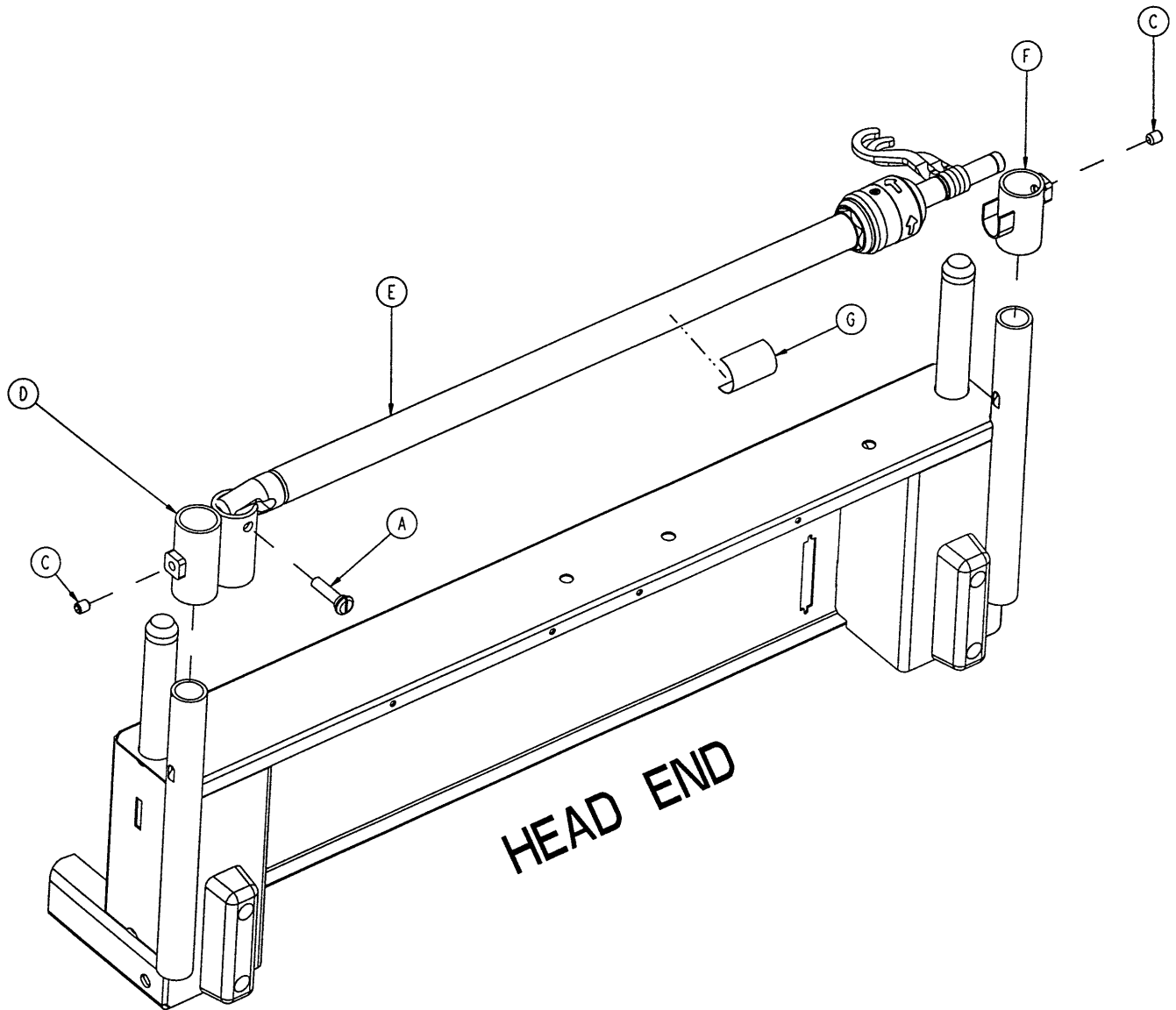
Item	Part No.	Part Name	Qty.
A	2-31	Round Hd. Screw	2
B	3-124	Hex Washer Hd. Screw	2
D	958-1-224	IV Clip	2
E	(page 246)	IV Pole Assembly	1
F	3001-300-87	Mounting Bracket	2
G	13-18	External Tooth Lock Washer	2

3000-300-80 Removable IV Pole Assembly



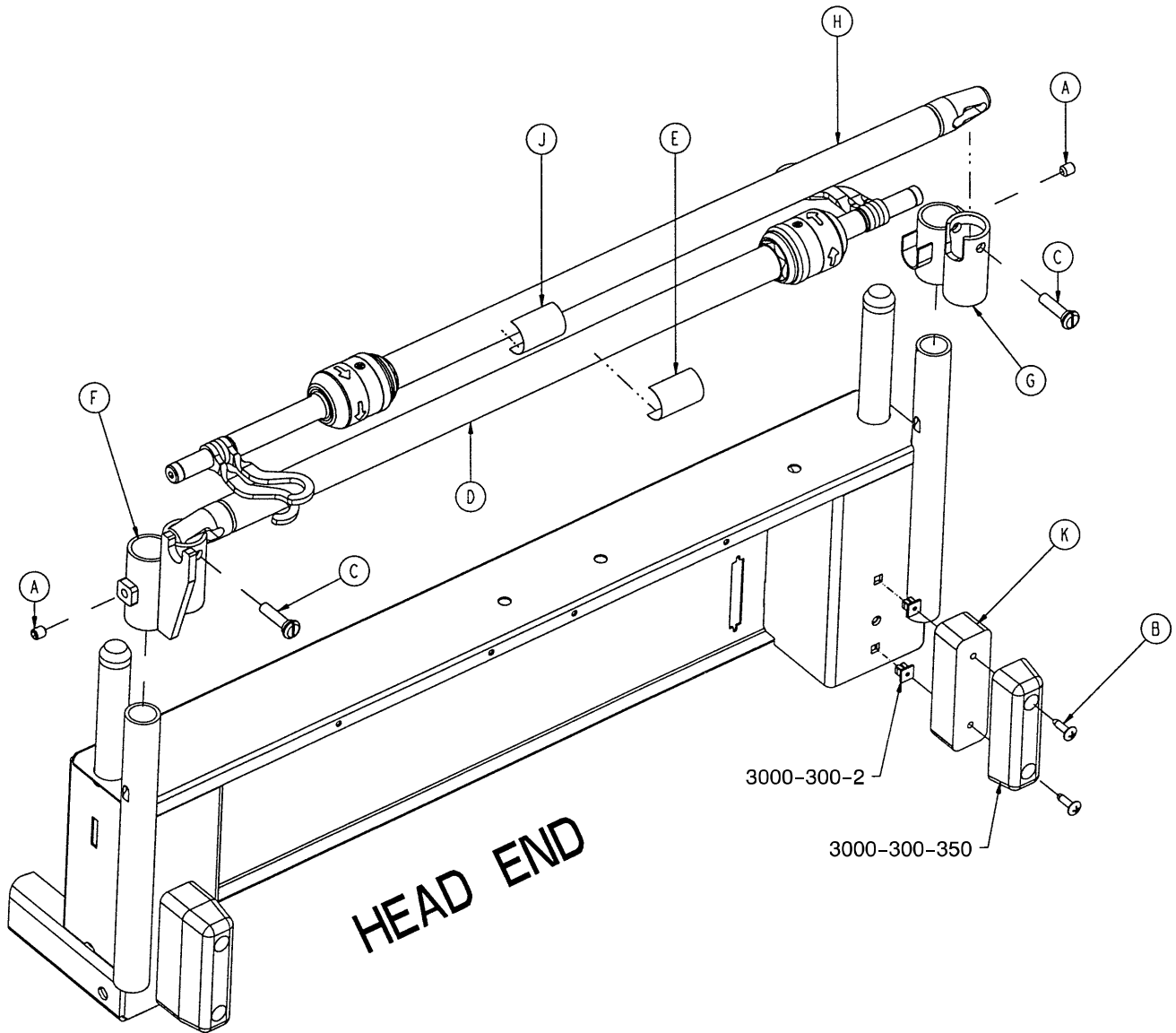
Item	Part No.	Part Name	Qty.
A	3000-300-81	Outer Tube	1
B	3000-300-89	Label	1
C	24-50	Fluted Knob	1
D	52-17	Spacer	2
E	7-40	Phillips Truss Hd. Screw	1
F	1010-59-16	IV Hook	2
G	3000-300-85	Inner Tube Assembly	1

2035-112 Optional 2-Stage IV Assembly



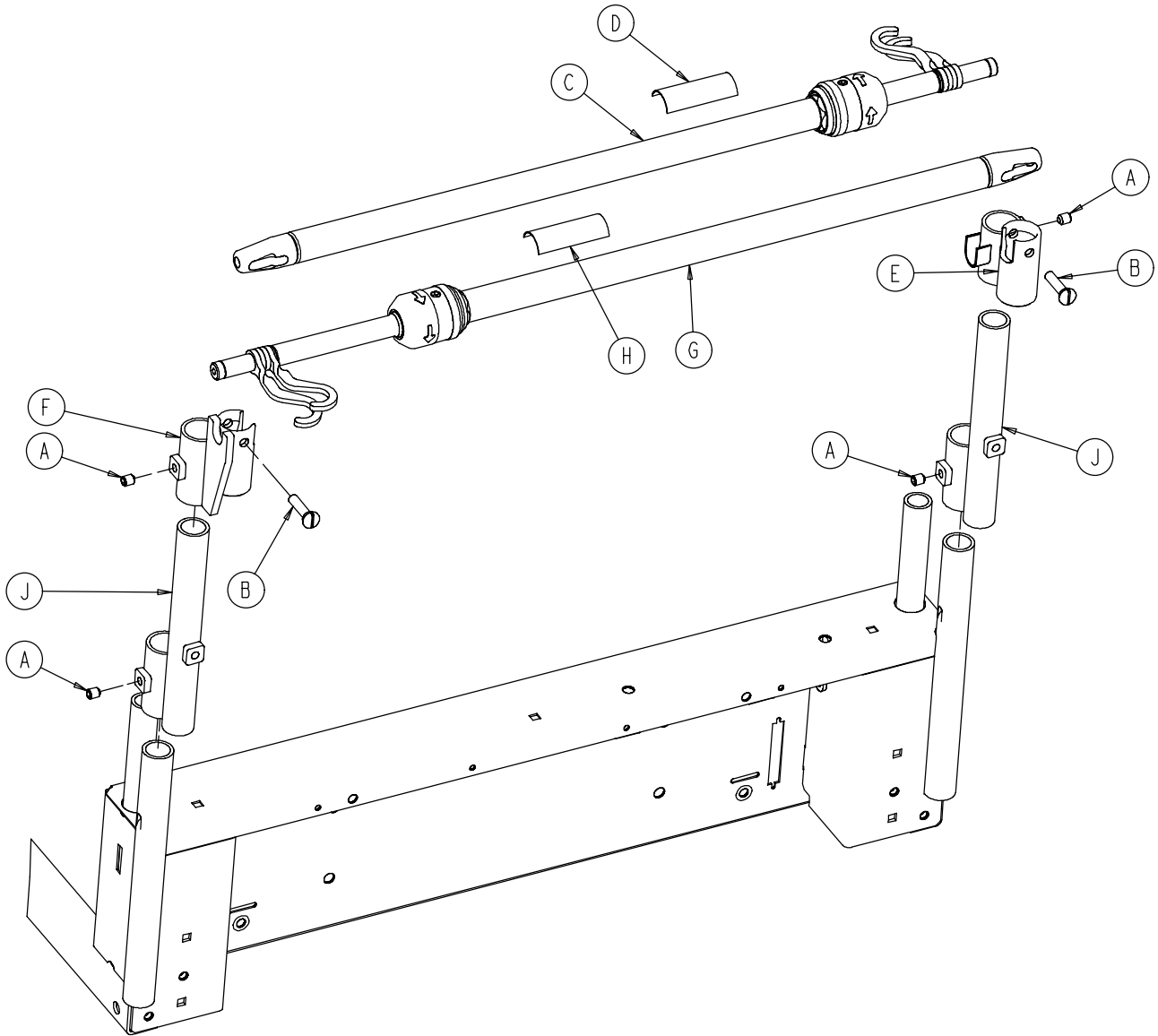
Item	Part No.	Part Name	Qty.
A	1015-24-35	Retaining Pin	1
C	21-140	Set Screw	2
D	2035-112-1	IV Receptacle, Head, Left	1
E	(page 248)	IV Pole Assembly	1
F	3000-311-16	IV Rest	1
G	2035-112-110	Specification Label	1

2035-113 Optional Dual Head End 2-Stage IV Ass'y



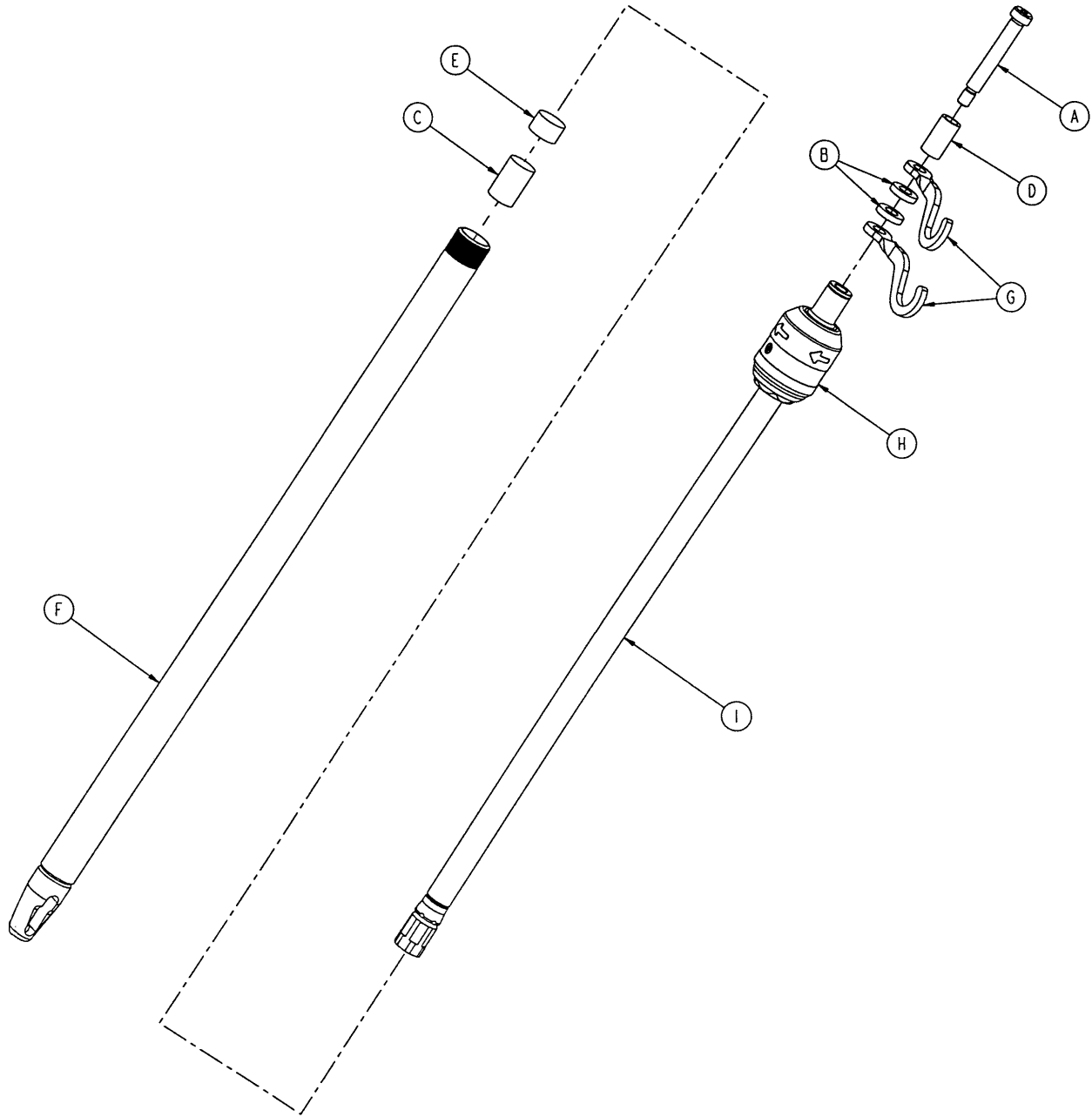
Item	Part No.	Part Name	Qty.
A	21-140	Set Screw	2
B	23-277	Truss Hd. Screw	4
C	1015-24-35	Retaining Pin	2
D	(page 248)	IV Pole Assembly, Left	1
E	2035-112-110	Specification Label	1
F	2035-113-1	IV Receptacle, Dual Head, Lt.	1
G	2035-113-2	IV Receptacle, Dual Head, Rt.	1
H	(page 248)	IV Pole Assembly, Right	1
J	2035-113-111	Specification Label	1
K	2035-113-6	Head End Bumper Spacer	2

2040-110-3 Optional Dual Head End IV Assembly



Item	Part No.	Part Name	Qty.
A	21-140	Set Screw	4
B	1015-24-35	Retaining Pin	2
C	(page 248)	IV Pole Assembly, Left	1
D	2035-112-110	Specification Label	1
E	2035-113-2	IV Receptacle, Dual Hd. End, Rt.	1
F	2035-113-1	IV Receptacle, Dual Hd. End, Lt.	1
G	(page 248)	IV Pole Assembly, Right	1
H	2035-113-111	Specification Label	1
J	2040-110-2	IV Pole Extension	2

2035-112-10 & 2035-113-11 Optional 2-Stage IV Pole

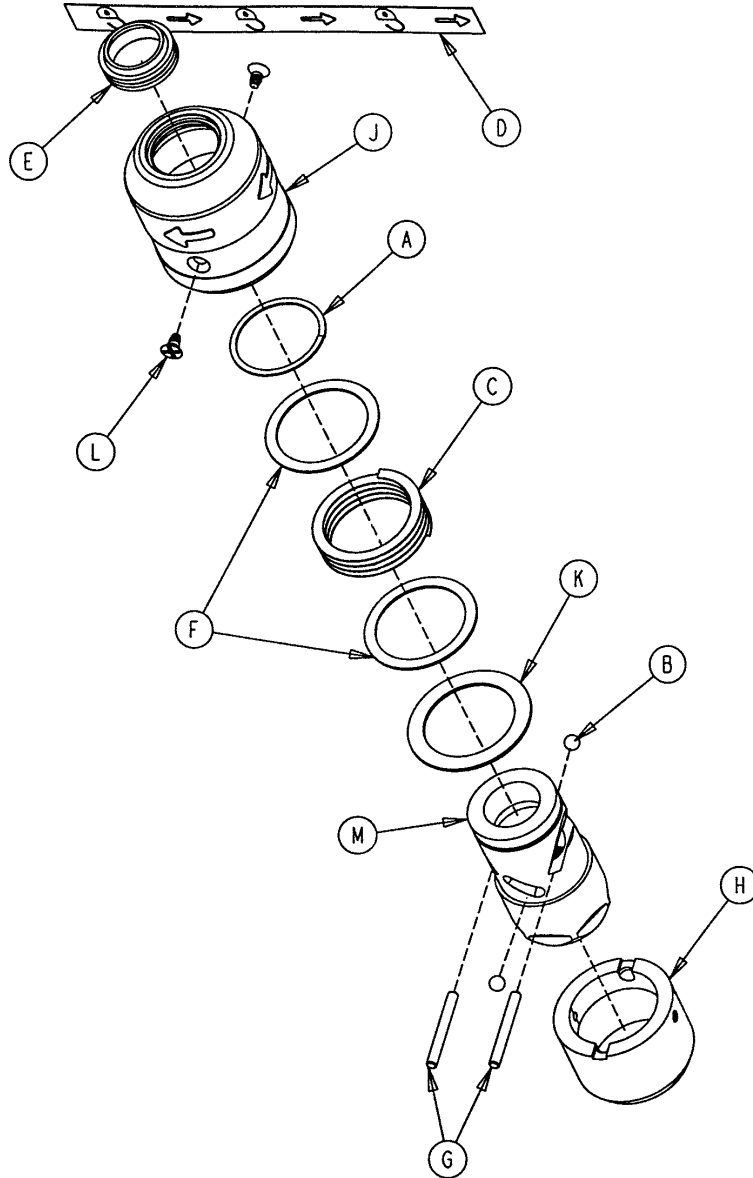


2035-112-10, Left Side

2035-113-11, Right Side

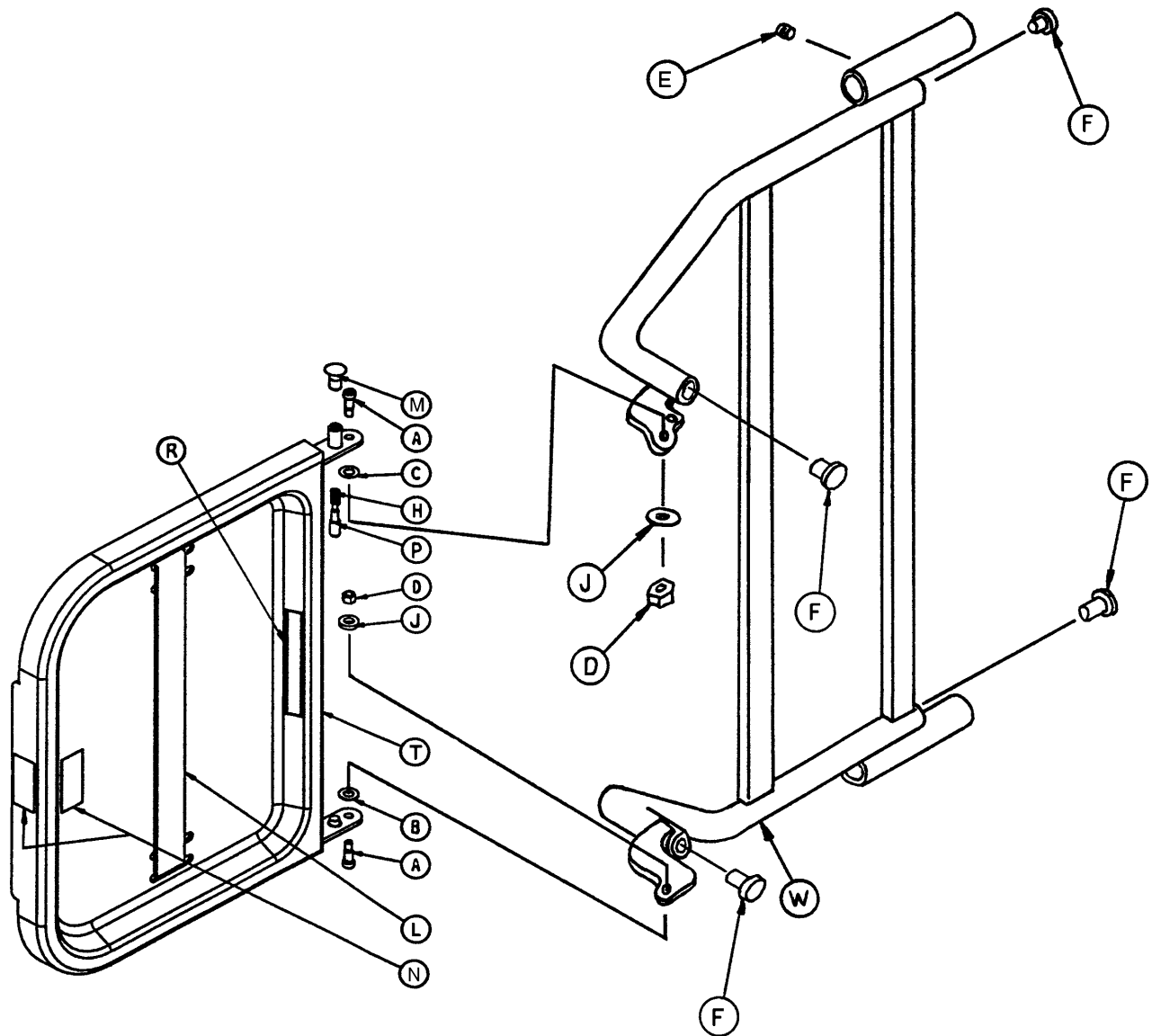
Item	Part No.	Part Name	Qty.	Item	Part No.	Part Name	Qty.
A	8-31	Soc. Hd. Shoulder Screw	1	A	8-31	Soc. Hd. Shoulder Screw	1
B	52-17	Washer	2	B	52-17	Washer	2
C	52-310	Spacer	1	C	52-311	Spacer	1
D	926-400-162	Spacer	1	D	926-400-162	Spacer	1
E	1001-259-13	Dampener	1	E	1001-259-13	Dampener	1
F	1001-259-32	Base Tube Weldment	1	F	1001-259-32	Base Tube Weldment	1
G	1010-259-16	IV Hook	2	G	1010-259-16	IV Hook	2
H	(page 249)	IV Pole Latch	1	H	(page 249)	IV Pole Latch	1
I	1211-110-29	2nd Stage Assembly	1	I	1211-110-29	2nd Stage Assembly	1

1211-210-026 IV Pole Latch Assembly



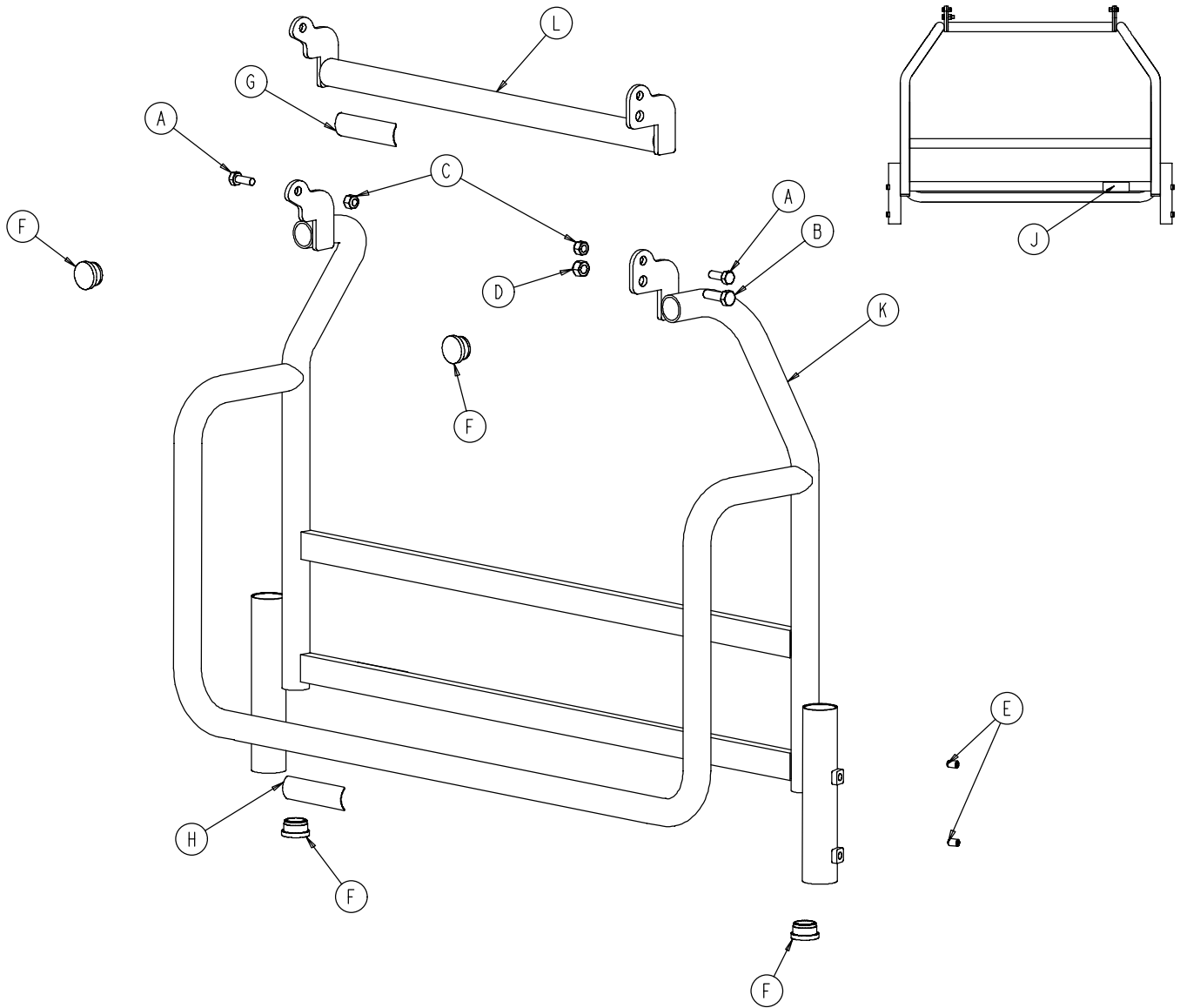
Item	Part No.	Part Name	Qty.
A	0028-167-000	Retaining Ring	1
B	0031-004-000	Steel Ball	2
C	0038-392-000	Crest-to-Crest Spring	1
D	1211-091-034	Release Label	1
E	1211-110-018	IV Latch Seal	1
F	1211-110-020	Washer	2
G	1211-110-021	IV Latch Locking Pin	2
H	1211-110-022	IV Latch Guide	1
J	1211-110-024	IV Latch O.D. Housing	1
K	1211-110-035	Washer	1
L	1211-110-036	Self-Tapping Screw	2
M	1211-210-023	IV Latch I.D. Housing	1

2025-120 Optional Defibrillator Tray Assembly



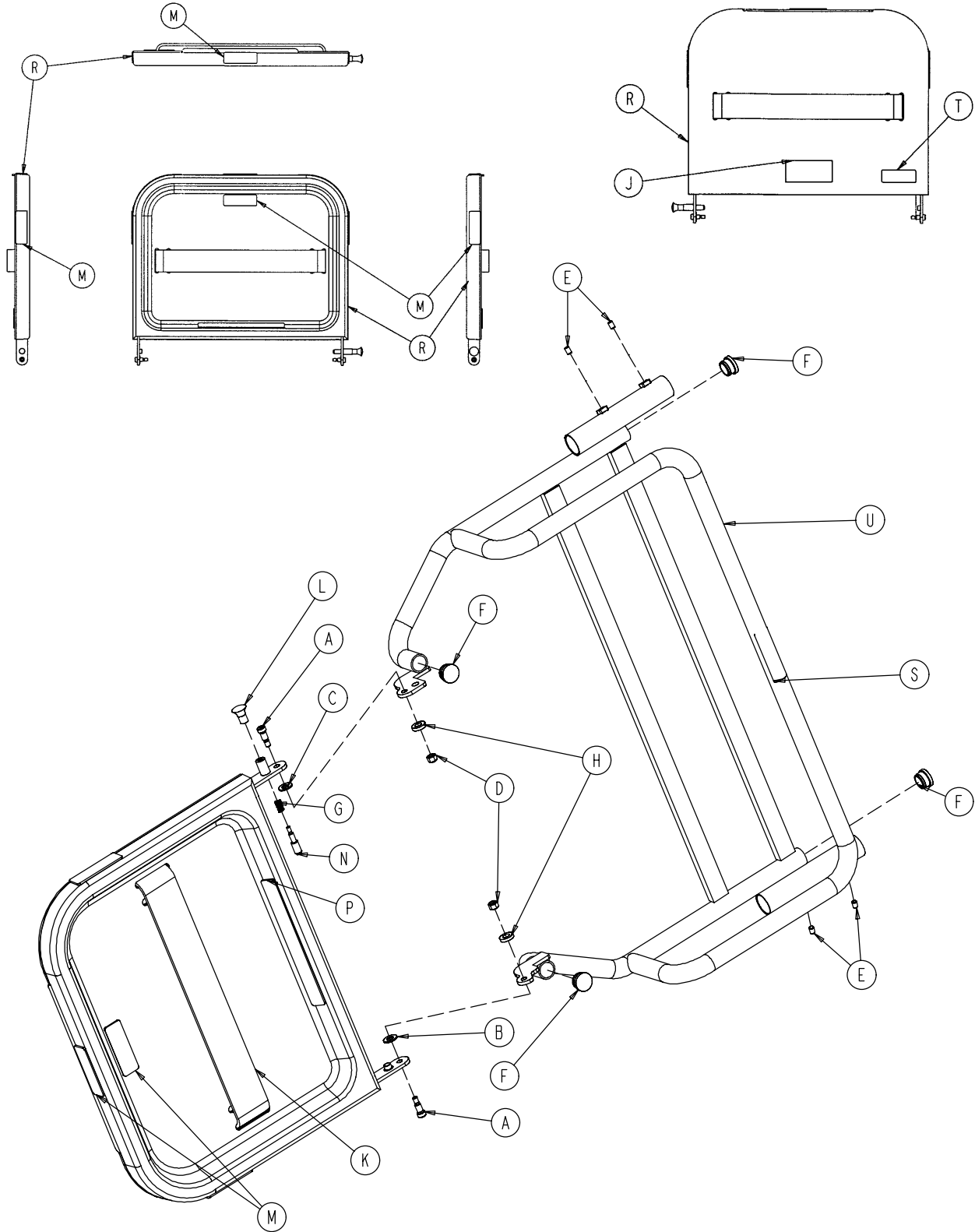
Item	Part No.	Part Name	Qty.	Item	Part No.	Part Name	Qty.
A	8-49	Soc. Hd. Shoulder Bolt	2	L	1010-50-21	Long Strap	1
B	14-20	Thrust Washer	1	M	1010-50-50	Knob	1
C	14-21	Thrust Washer	1	N	1010-50-57	Max. Weight Label	4
D	16-28	Fiberlock Nut	2	P	1010-50-242	Lock Pin	1
E	21-17	Set Screw	4	R	2025-120-5	Equipment Label	1
F	37-214	Hole Plug	4	S	2025-120-6	Specification Label	1
H	38-133	Spring	1	T	2025-120-18	Tray Assembly	1
J	52-17	Spacer	2	W	2025-120-25	Pivot Weldment Frame	1
K	1010-50-19	"Push/Pull" Label	1				

2040-120-20 Optional Pleur-Evac Rack Assembly



Item	Part No.	Part Name	Qty.
A	3-50	Hex Hd. Cap Screw	2
B	3-85	Hex Hd. Cap Screw	1
C	15-28	Nylock Nut	2
D	16-36	Nylock Nut	1
E	21-17	Set Screw	4
F	37-214	Hole Plug	4
G	1010-50-57	Maximum Weight Label	1
H	2040-90-1	Acc. Rail Warning Label	1
J	2040-90-4	Specification Label	1
K	2040-120-3	Rack Weldment	1
L	2040-120-10	Rack Top Weldment	1

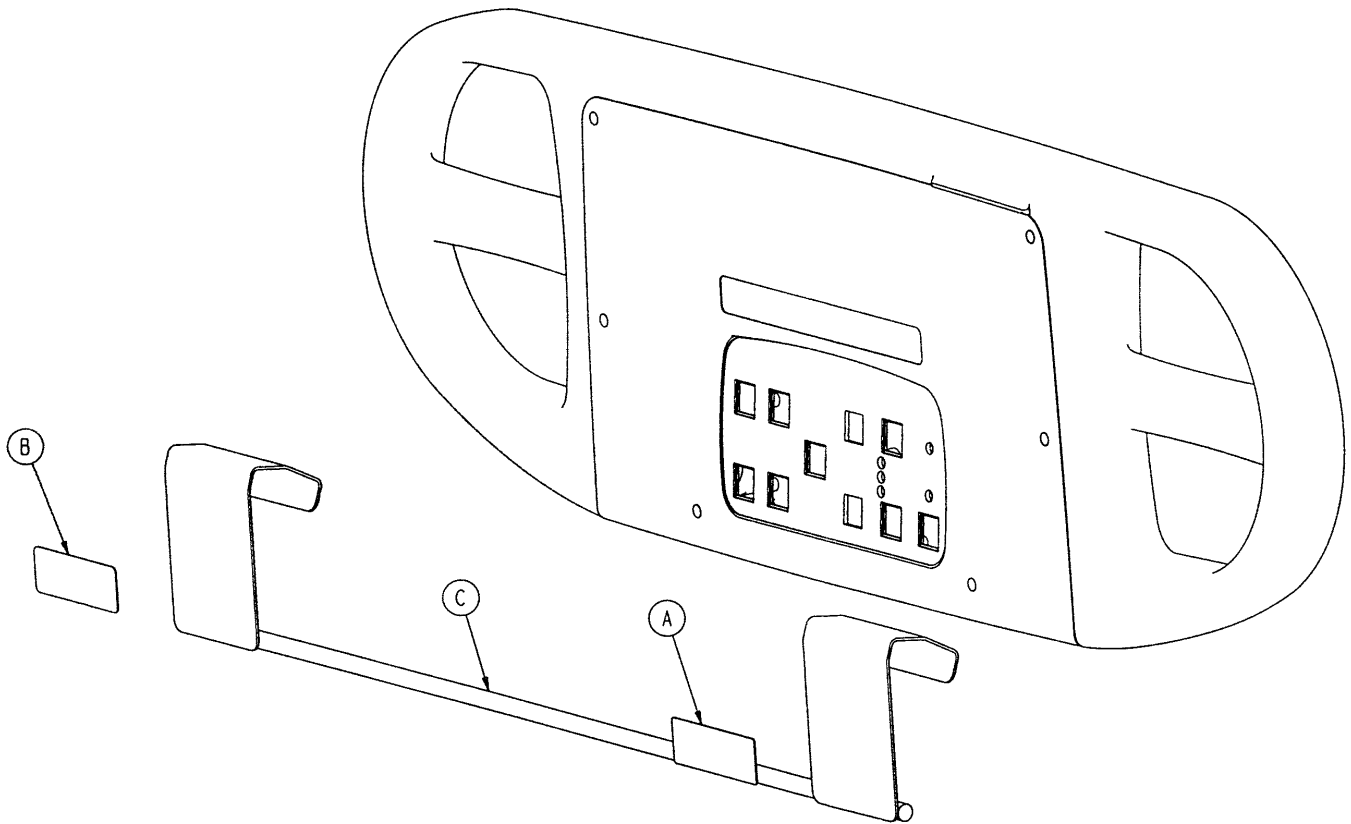
2040-120-4 Optional Pleur-Evac Rack w/Defib. Tray



2040-120-4 Optional Pleur-Evac Rack w/Defib. Tray

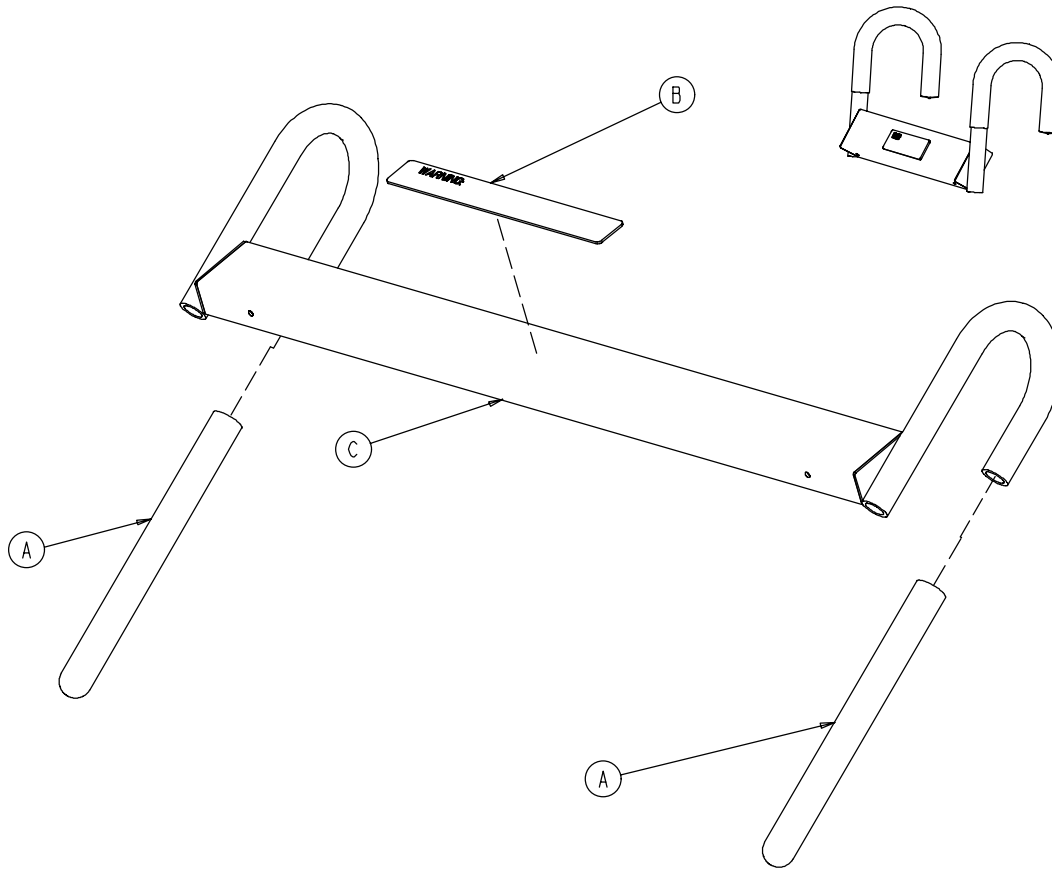
Item	Part No.	Part Name	Qty.
A	8-49	Soc. Hd. Shoulder Bolt	2
B	14-20	Thrust Washer	1
C	14-21	Thrust Washer	1
D	16-28	Fiberlock Nut	2
E	21-17	Set Screw	4
F	37-214	Hole Plug	4
G	38-133	Spring	1
H	52-17	Spacer	2
J	1010-50-19	"Push/Pull" Label	1
K	1010-50-21	Long Strap	1
L	1010-50-50	Knob	1
M	1010-50-57	"Max. Weight" Label	4
N	1010-50-242	Lock Pin	1
P	2025-120-5	Equipment Label	1
R	2025-120-18	Tray Assembly	1
S	2040-90-1	Warning Label	1
T	2040-90-5	Specification Label	1
U	2040-120-3	Rack Weldment	1

2040-120-9 Optional Siderail Pleur-Evac Rack Ass'y



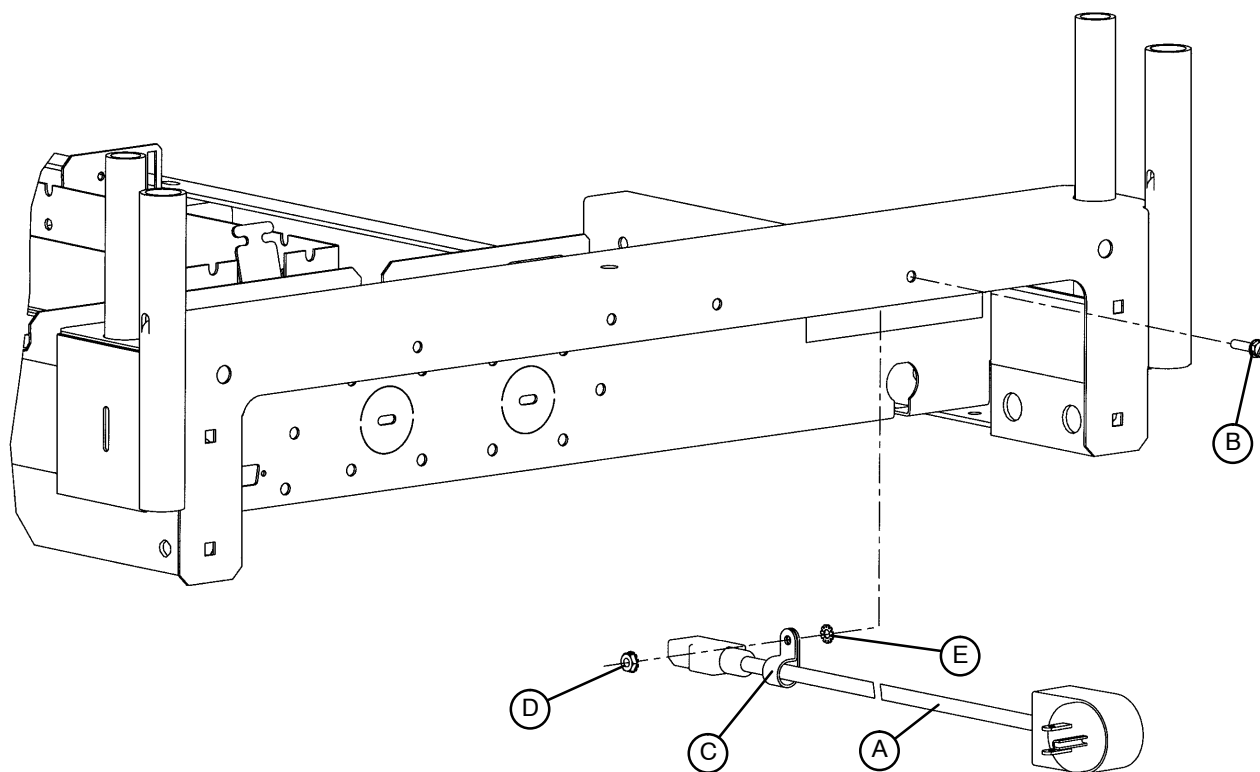
Item	Part No.	Part Name	Qty.
A	2040-90-1	Warning Label	1
B	2040-90-2	Maximum Weight Label	1
C	2040-120-8	Rack Weldment	1

2040-111 Optional Pump Rack Assembly



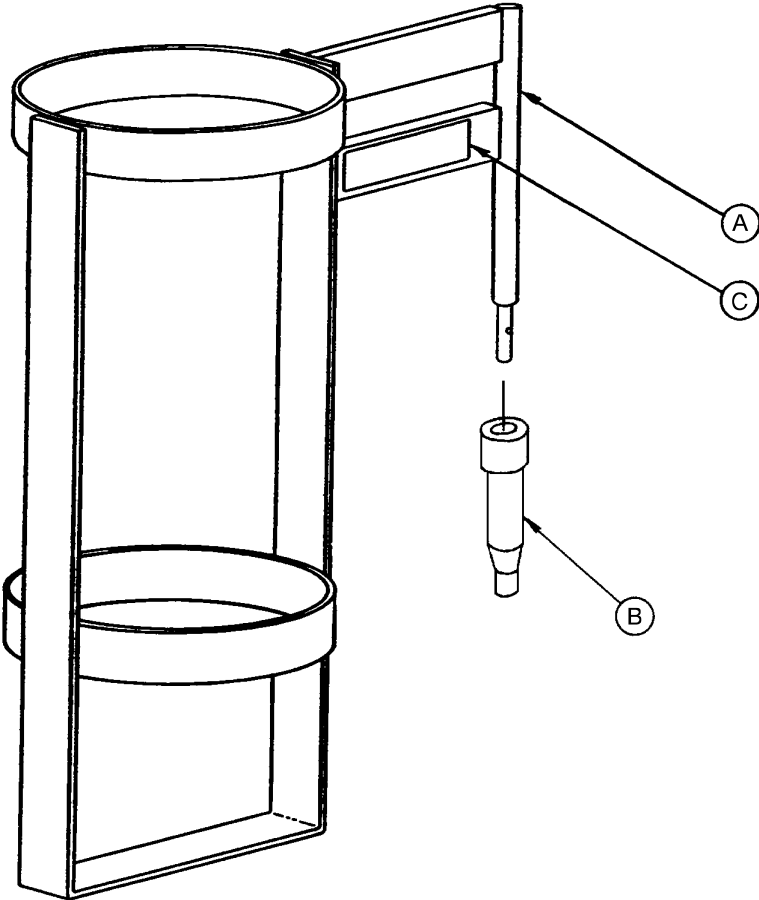
Item	Part No.	Part Name	Qty.
A	58-87	End Cap	2
B	2030-140-2	Pump Rack Label	1
C	2040-111-5	Pump Rack Tube	1

3001-334-10 Optional 90° Power Cord



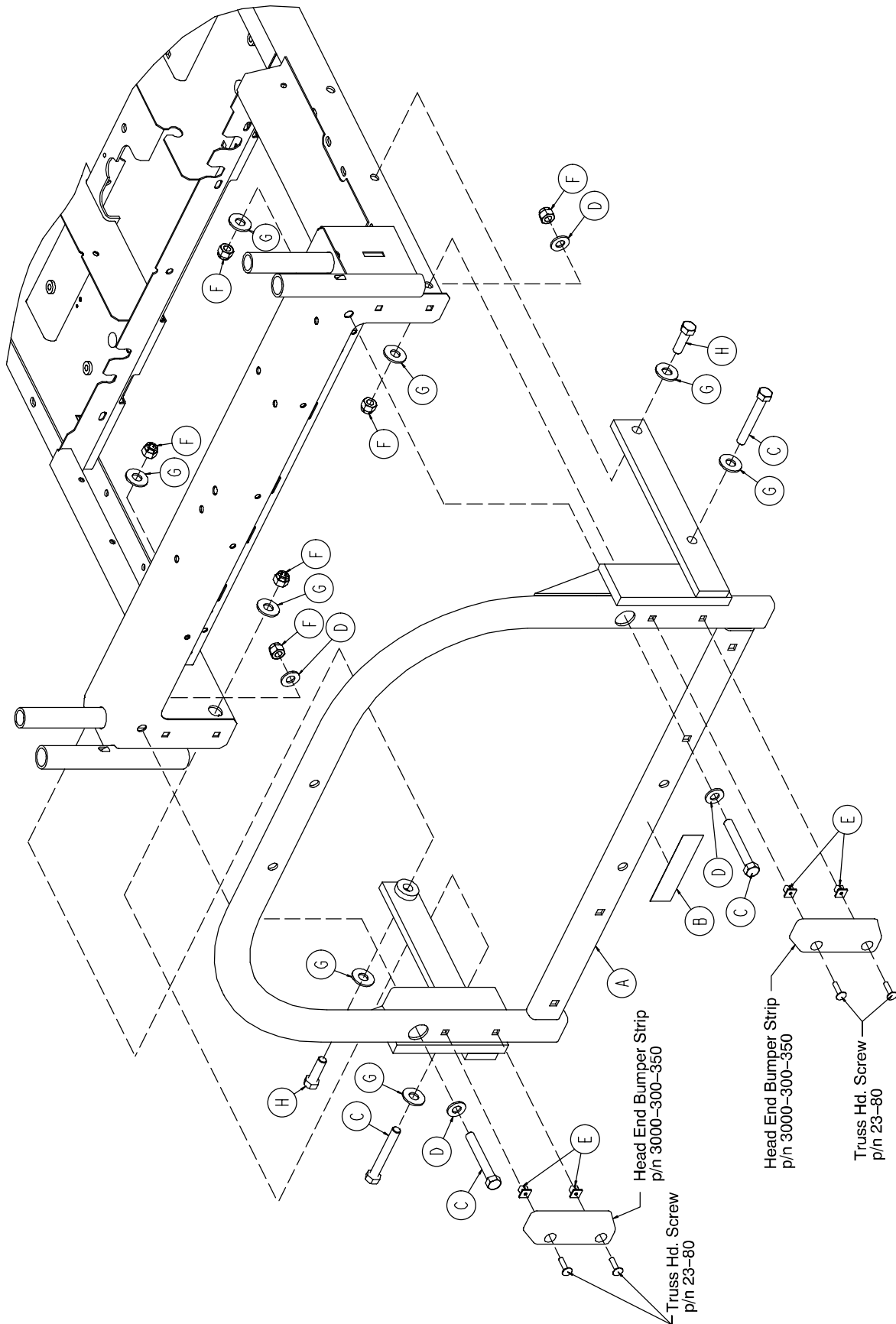
Item	Part No.	Part Name	Qty.
A	3001-334-860	90° Power Cord (12 O'Clock)	1
	3001-334-861	90° Power Cord (9 O'Clock)	1
	3001-334-862	90° Power Cord (6 O'Clock)	1
	3001-334-863	90° Power Cord (3 O'Clock)	1
B	3-132	Hex Washer Hd. Screw	1
C	34-22	Cable Clamp	1
D	16-41	Kep Nut	1
E	13-18	External Tooth Lock Washer	1

2025-150-10 Optional Upright O2 Bottle Holder Ass'y



Item	Part No.	Part Name	Qty.
A	1010-30-11	Upright Bottle Holder	1
B	2025-150-1	Bottle Holder Adapter	1
C	2025-150-2	Specification Label	1

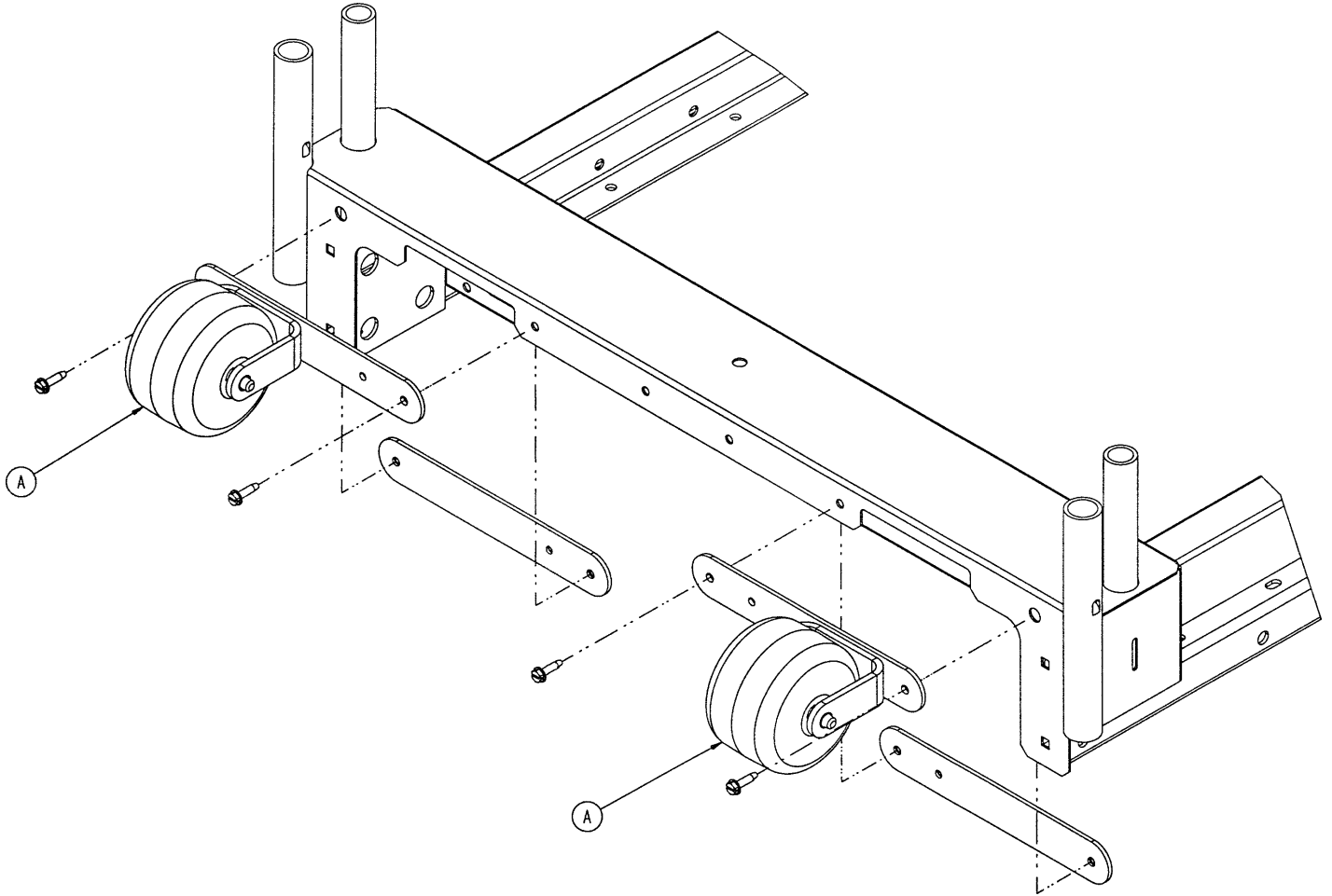
3001-333-000 Optional Accessory Adapter Frame



3001-333-000 Optional Accessory Adapter Frame

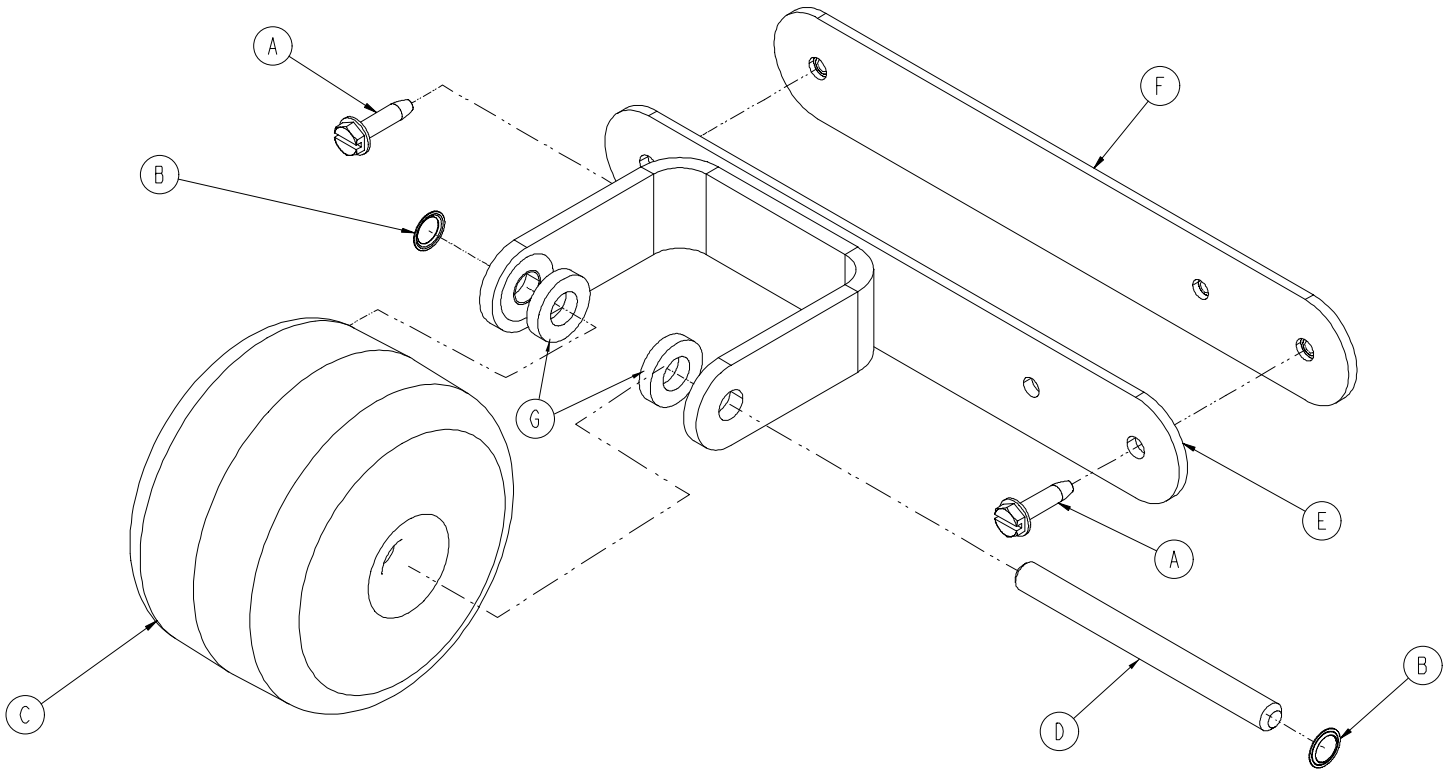
Item	Part No.	Part Name	Qty.
A	3001-333-10	Frame Assembly	1
B	3000-333-15	Accessory Adapter Label	1
C	3-208	Hex Hd. Cap Screw	4
D	11-4	Flat Washer	4
E	3000-300-2	Plastic Clip Nut	4
F	16-35	Nylock Nut	6
G	11-361	Flat Washer	8
H	3-25	Hex Hd. Cap Screw	2

3002-335 Optional Litter Roller Assembly



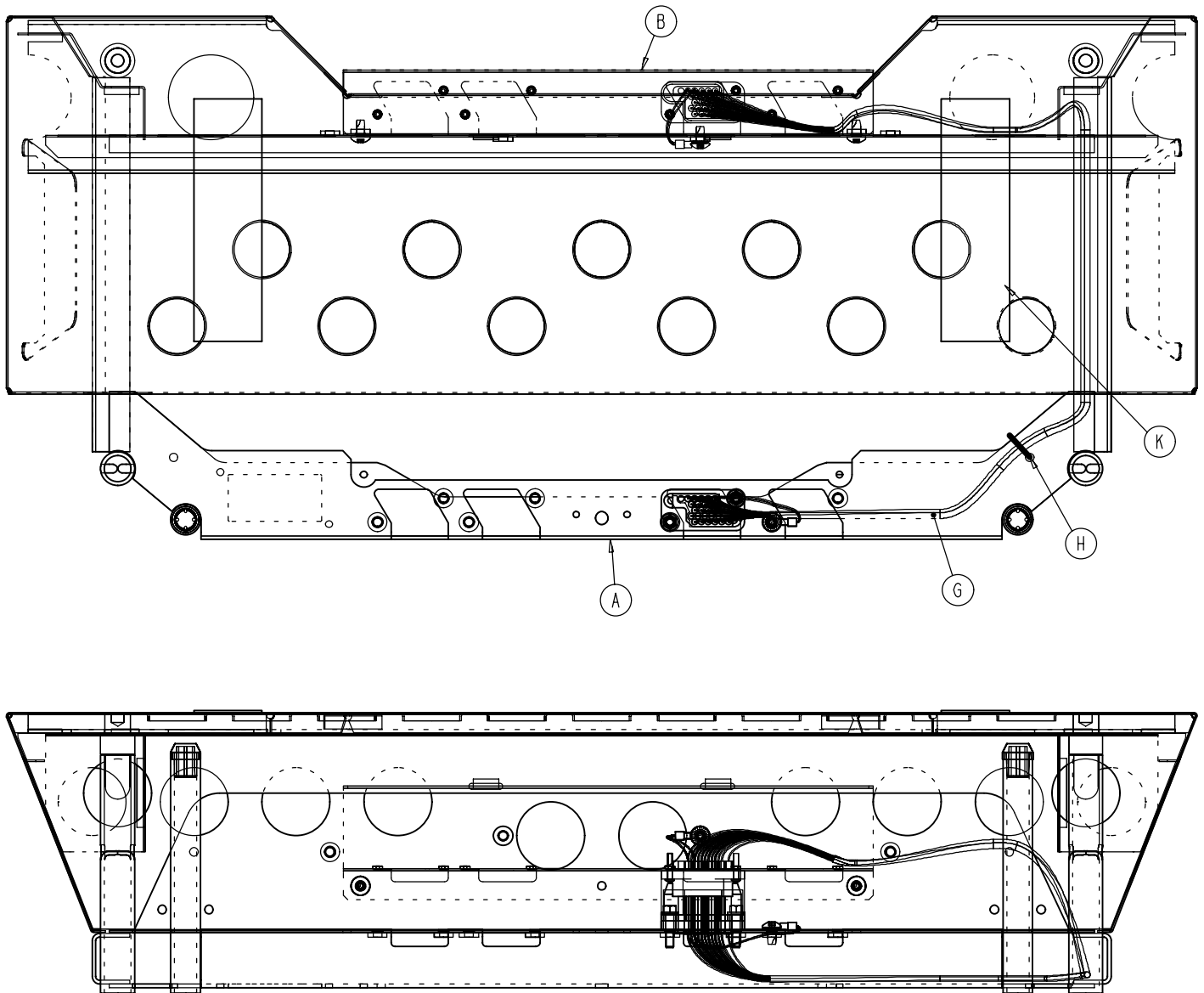
Item	Part No.	Part Name	Qty.
A	(page 261)	Roller Assembly	2

3002-335-5 Roller Assembly



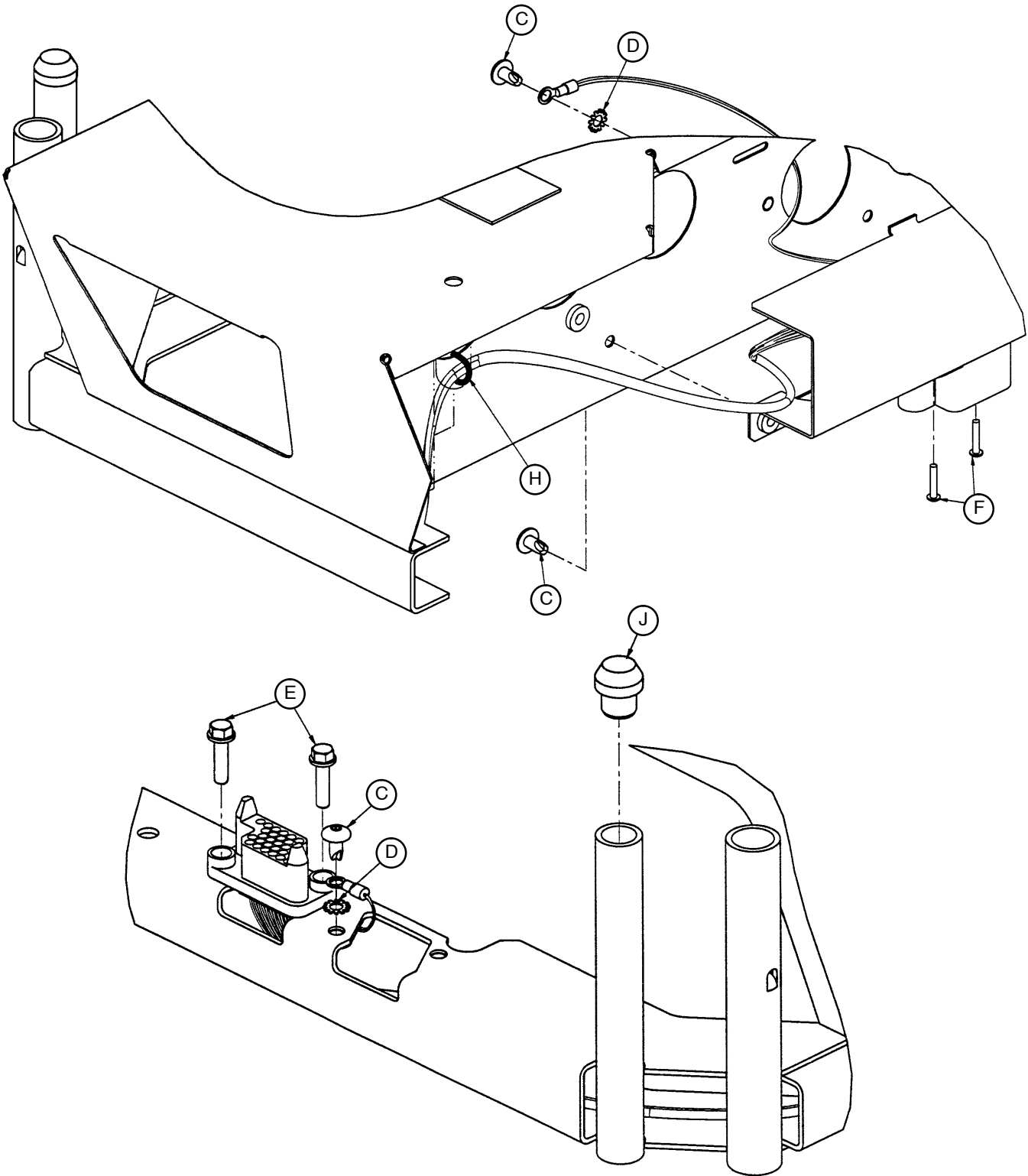
Item	Part No.	Part Name	Qty.
A	3-225	Hex Washer Hd. Screw	2
B	52-727	Grooveless Retainer Ring	2
C	3000-335-11	Roller Bumper	1
D	3000-335-12	Roller Shaft	1
E	3002-335-20	Roller Bracket	1
F	3002-335-25	Roller Mounting Plate	1
G	0052-017-000	Plastic Washer	2

3001-318-20 Optional Bed Extender Assembly

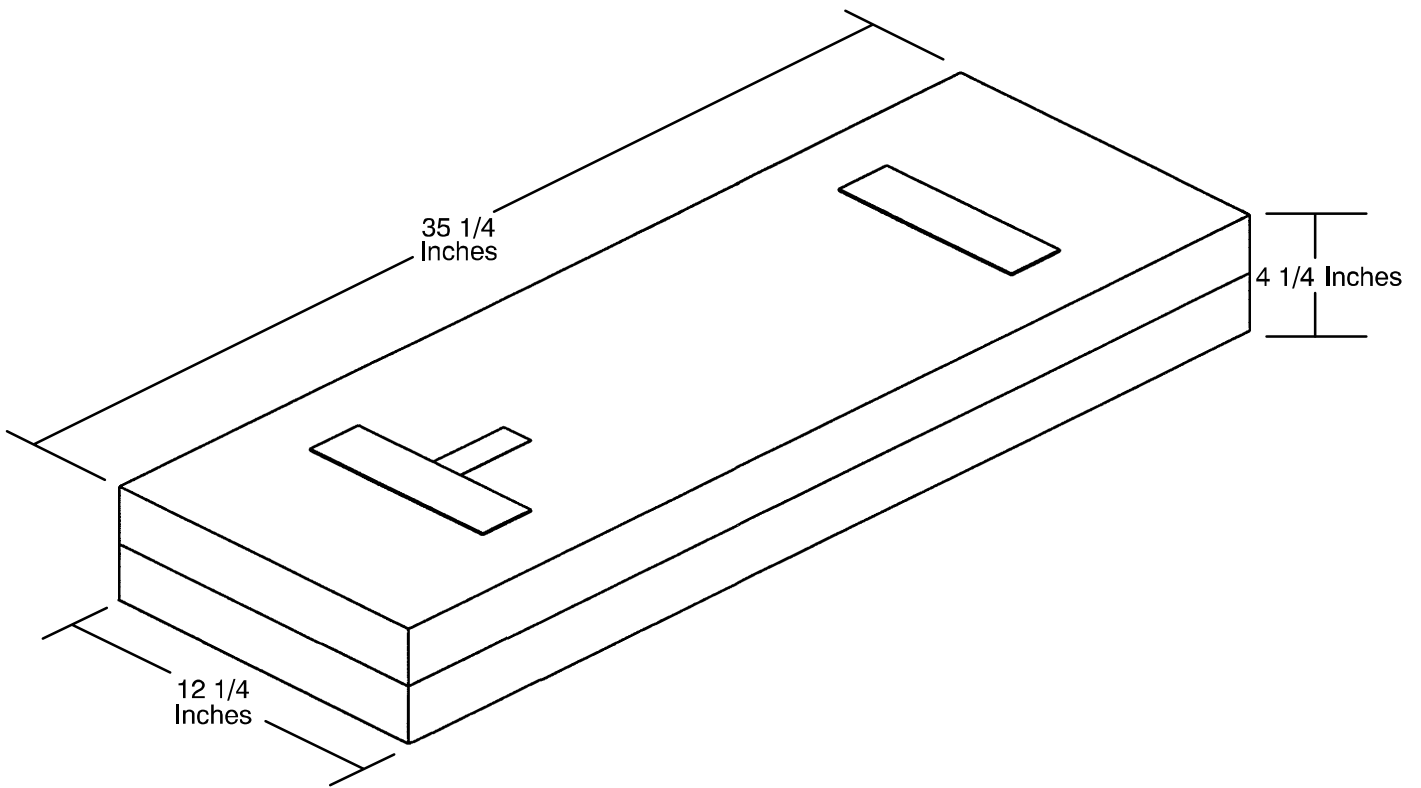


Item	Part No.	Part Name	Qty.
A	3001-318-50	Bed Extender Weldment	1
B	3001-318-31	Connector Mounting Bracket	1
C	7-52	Truss Hd. Screw	4
D	13-10	External Tooth Lock Washer	2
E	3001-200-228	Mounting Standoff	2
F	50-39	Pan Hd. Machine Screw	2
G	3000-318-801	Bed Extender Cable	1
H	3000-300-114	Cable Tie	2
J	3000-300-349	Cap	2
K	7900-1-102	Velcro Adhesive Pile	2

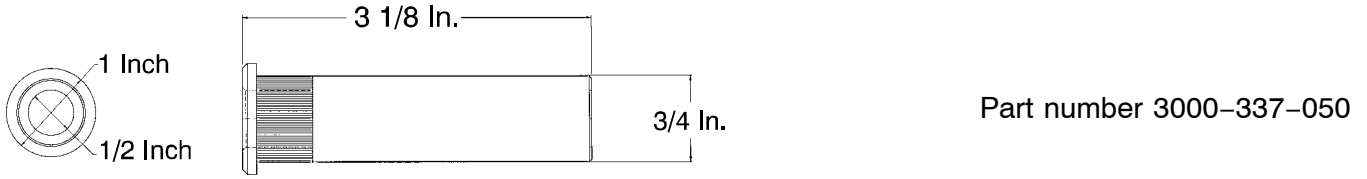
3001-318-20 Optional Bed Extender Assembly



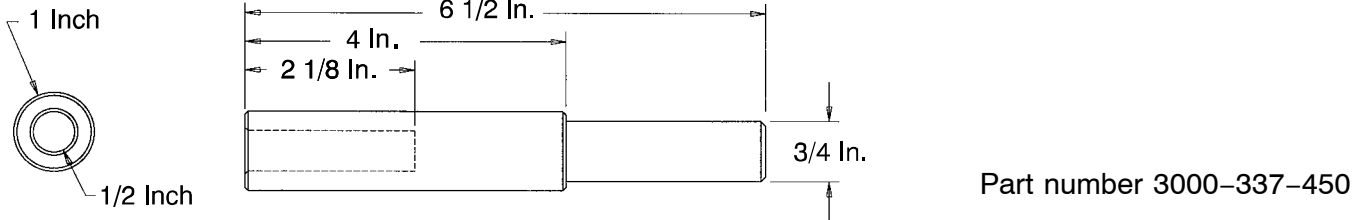
3000-318-50 Optional Bed Extender Mattress



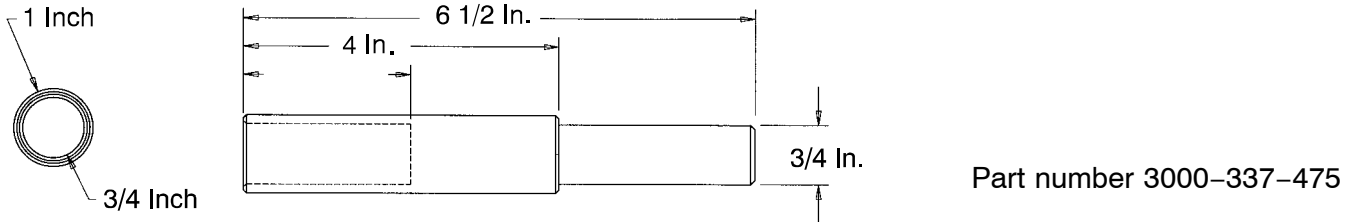
Optional Traction Socket Extensions



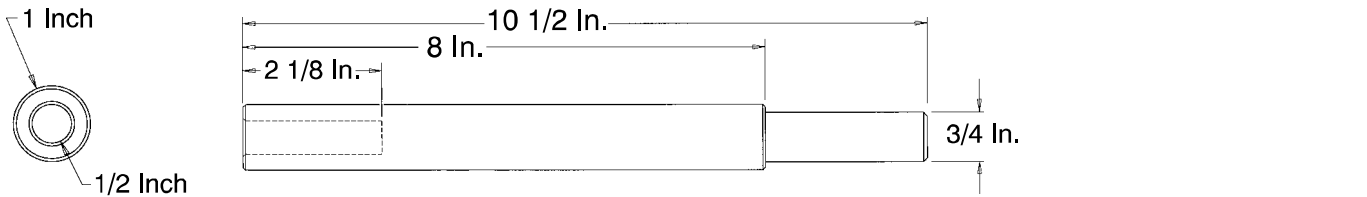
Part number 3000-337-050



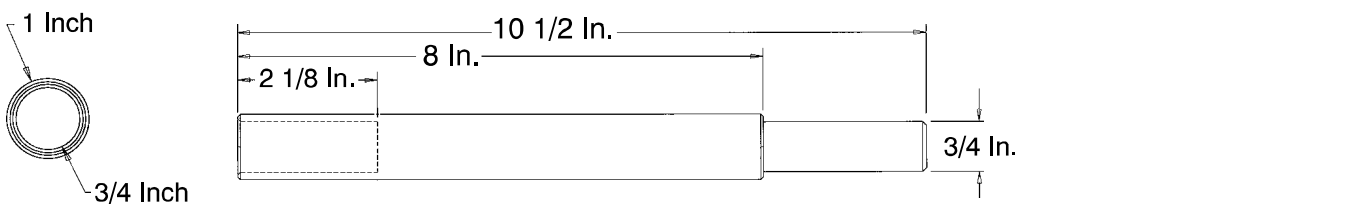
Part number 3000-337-450



Part number 3000-337-475

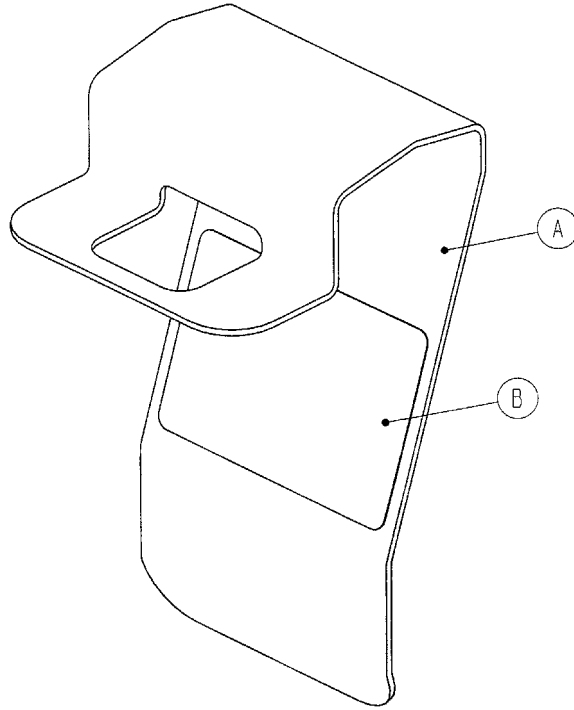


Part number 3000-337-850



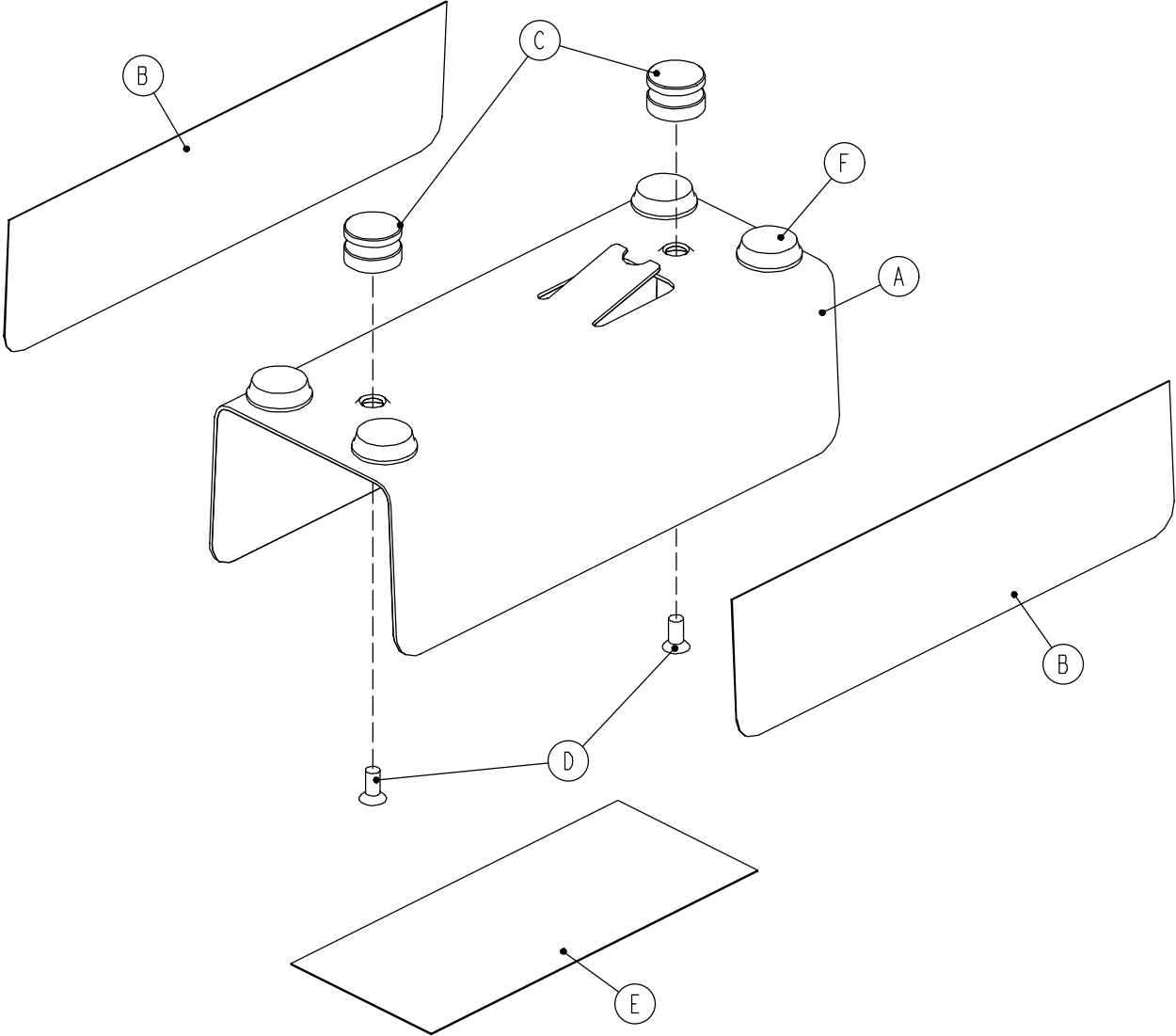
Part number 3000-337-875

3000-339-10 Optional Urine Bottle Hanger



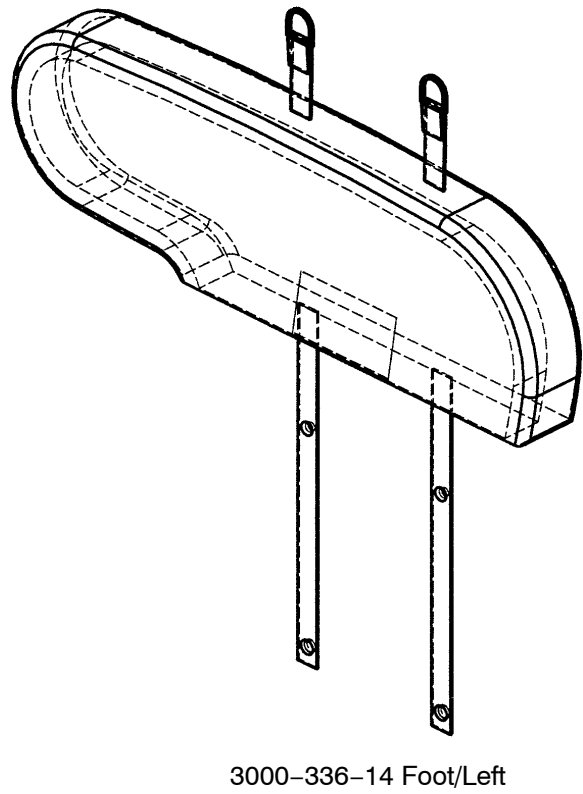
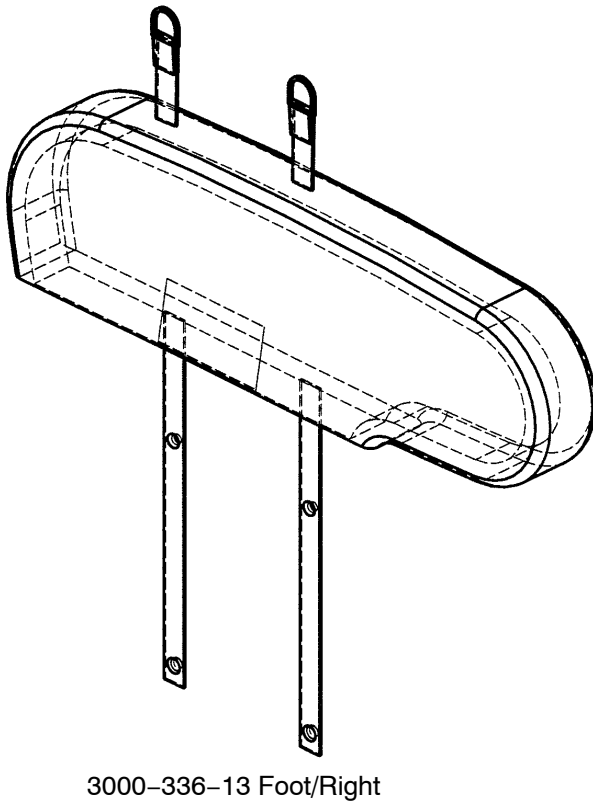
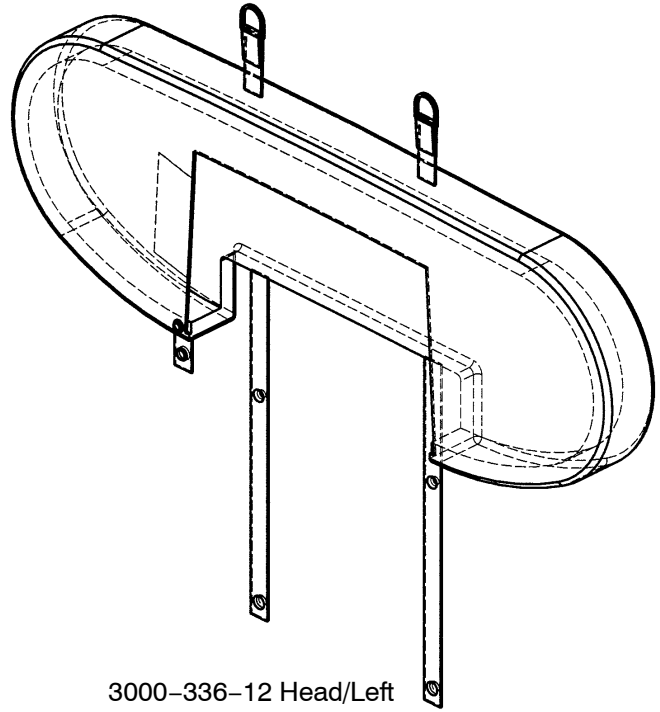
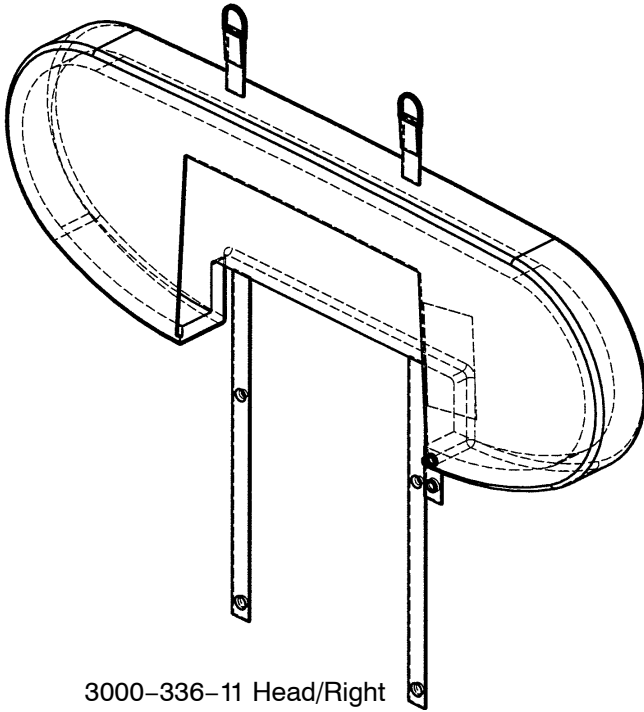
Item	Part No.	Part Name	Qty.
A	3000-339-11	Hanger	1
B	3000-339-12	Hanger Label	1

3001-305-702 Optional Telephone Mtg. Bracket Ass'y



Item	Part No.	Part Name	Qty.
A	3001-305-1	Telephone Bracket	1
B	3000-305-11	Installation Label	2
C	3000-305-13	Mounting Post	2
D	1-170	Flat Soc. Hd. Cap Screw	2
E	3001-305-12	Identification Label	1
F	56-14	Bumper	4

3000-336-701 Optional Padded Siderail Cover Kit



Warranty

Limited Warranty:

Stryker Medical Division, a division of Stryker Corporation, warrants to the original purchaser that its products should be free from defects in material and workmanship for a period of one (1) year after date of delivery. Stryker's obligation under this warranty is expressly limited to supplying replacement parts and labor for, or replacing, at its option, any product which is, in the sole discretion of Stryker, found to be defective. Stryker warrants to the original purchaser that the frame and welds on its beds will be free from structural defects for as long as the original purchaser owns the bed. If requested by Stryker, products or parts for which a warranty claim is made shall be returned prepaid to Stryker's factory. Any improper use or any alteration or repair by others in such manner as in Stryker's judgement affects the product materially and adversely shall void this warranty. Any repair of Stryker products using parts not provided or authorized by Stryker shall void this warranty. No employee or representative of Stryker is authorized to change this warranty in any way.

Stryker Medical beds are designed for a 15 year expected life under normal use conditions and appropriate periodic maintenance as described in the maintenance manual for each device.

This statement constitutes Stryker's entire warranty with respect to the aforesaid equipment. STRYKER MAKES NO OTHER WARRANTY OR REPRESENTATION, EITHER EXPRESSED OR IMPLIED, EXCEPT AS SET FORTH HEREIN. THERE IS NO WARRANTY OF MERCHANTABILITY AND THERE ARE NO WARRANTIES OF FITNESS FOR ANY PARTICULAR PURPOSE. IN NO EVENT SHALL STRYKER BE LIABLE HEREUNDER FOR INCIDENTAL OR CONSEQUENTIAL DAMAGES ARISING FROM OR IN ANY MANNER RELATED TO SALES OR USE OF ANY SUCH EQUIPMENT.

To Obtain Parts and Service:

Stryker products are supported by a nationwide network of dedicated Stryker Field Service Representatives. These representatives are factory trained, available locally, and carry a substantial spare parts inventory to minimize repair time. Simply call your local representative, or call Stryker Customer Service at (800) 327-0770.

Service Contract Coverage:

Stryker has developed a comprehensive program of service contract options designed to keep your equipment operating at peak performance at the same time it eliminates unexpected costs. We recommend that these programs be activated *before* the expiration of the new product warranty to eliminate the potential of additional equipment upgrade charges.

A SERVICE CONTRACT HELPS TO:

- Ensure equipment reliability
- Stabilize maintenance budgets
- Diminish downtime
- Establish documentation for JCAHO
- Increase product life
- Enhance trade-in value
- Address risk management and safety

Warranty

Stryker offers the following service contract programs:

SPECIFICATIONS	GOLD	SILVER	PM* ONLY
Annually scheduled preventative maintenance	X		X
All parts,** labor, and travel	X	X	
Unlimited emergency service calls	X	X	
Priority one contact; two hour phone response	X	X	X
Most repairs will be completed within 3 business days	X	X	
JCAHO documentation	X	X	X
On-site log book w/ preventative maintenance & emergency service records	X		
Factory-trained Stryker Service Technicians	X	X	X
Stryker authorized parts	X	X	X
End of year summary	X		
Stryker will perform all service during regular business hours (9-5)	X	X	X

* Replacement parts and labor for products under PM contract will be discounted.

** Does not include any disposable items, I.V. poles (except for Stryker HD permanent poles), mattresses, or damage resulting from abuse.

Stryker Medical also offers *personalized* service contracts.

Pricing is determined by age, location, model and condition of product.

***For more information on our service contracts,
please call your local representative or call (800) 327-0770 (option #2).***

Return Authorization:

Merchandise cannot be returned without approval from the Stryker Customer Service Department. An authorization number will be provided which must be printed on the returned merchandise. Stryker reserves the right to charge shipping and restocking fees on returned items.

SPECIAL, MODIFIED, OR DISCONTINUED ITEMS NOT SUBJECT TO RETURN.

Damaged Merchandise:

ICC Regulations require that claims for damaged merchandise must be made with the carrier within fifteen (15) days of receipt of merchandise. **DO NOT ACCEPT DAMAGED SHIPMENTS UNLESS SUCH DAMAGE IS NOTED ON THE DELIVERY RECEIPT AT THE TIME OF RECEIPT.** Upon prompt notification, Stryker will file a freight claim with the appropriate carrier for damages incurred. Claim will be limited in amount to the actual replacement cost. In the event that this information is not received by Stryker within the fifteen (15) day period following the delivery of the merchandise, or the damage was not noted on the delivery receipt at the time of receipt, the customer will be responsible for payment of the original invoice in full.

Claims for any short shipment must be made within thirty (30) days of invoice.

International Warranty Clause:

This warranty reflects U.S. domestic policy. Warranty outside the U.S. may vary by country. Please contact your local Stryker Medical representative for additional information.

European Representative

Stryker EMEA RA/QA Director
Stryker France
ZAC Satolas Green Pusignan
Av. De Satolas Green
69881 MEYZIEU Cedex
France

stryker[®]

6300 S. Sprinkle Road, Kalamazoo, MI 49001-9799
(800) 327-0770
www.strykermedical.com



SS 03/05 3002-109-002 REV D