

Emergency Relief Bed™



Operations Manual

REF 3019



Symbols

	Consult instructions for use
	General warning
	Keep hands clear
	No pushing
	Catalogue number
	Manufacturer
	Keep dry
	Do not use sharp objects to open the package

Summary of safety precautions

WARNING

The personal safety of the patient or user may be involved. Disregarding this information could result in injury to the patient or user.

CAUTION

These instructions point out special procedures or precautions that must be followed to avoid damaging the equipment.

WARNING

- Do not sit directly on the ends of the bed. Excessive weight will cause the litter surface to tip up, possibly causing patient injury.
- Always apply the caster brakes when a patient is getting on or off the bed. Push on the bed to ensure the brakes are securely locked. Always engage the brakes unless the bed is being moved. Injury could result if the bed moves while a patient is getting on or off the bed.
- The maximum weight limit of the device is 350 lb. A weight beyond this limit could cause the device to break or collapse resulting in patient injury.
- Push the bed with the foot bar handle when the patient is prone to avoid injury to the end user. You can also push the bed from the head end when the Fowler (head end of patient support surface) is raised.
- Use caution when moving the bed when occupied because there are no restraints or siderails.
- Do not use the IV pole as a push/pull device. Product damage may occur.

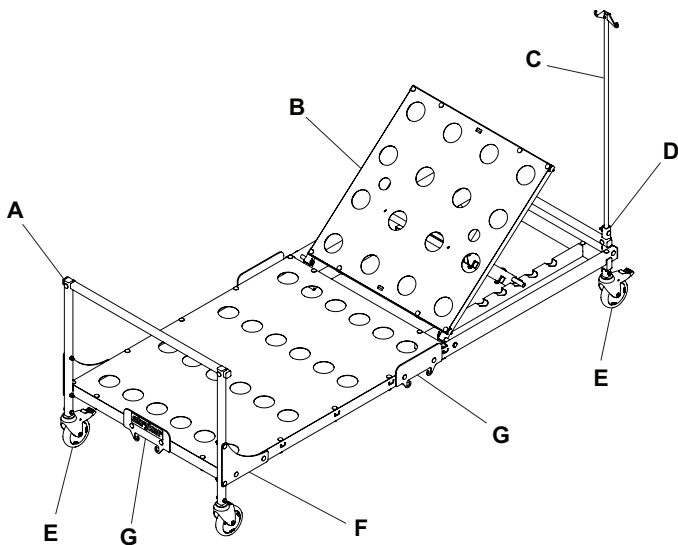
Product description

The **Emergency Relief Bed** is a non-powered, manual adjustable hospital bed that is used in combination with a patient support surface and includes an IV pole. The non-powered patient support surface fits the dimensions of the frame. This basic bed and surface were developed in response to the shortage of hospital beds during the COVID-19 pandemic.

Indications for use

The **Emergency Relief Bed** is intended to assist with positioning, therapy, recovery, support, and transport of patients within a general hospital or in a temporary emergency environment during a local, state, or federal-declared situation. The product is intended to be used only for the duration of the COVID-19 pandemic. The non-powered support surface is intended to provide a support surface for treatment and examination of a patient.

Product illustration



A	Foot bar handle
B	Fowler
C	IV pole
D	IV pole socket
E	Brake caster
F	Gusset plate
G	Retainer plate

Inserting the IV pole

1. Remove the rue ring cotter and clevis pin from the IV pole socket (D).
2. Insert the IV pole (C) into the IV pole socket.
3. Reinstall the rue ring cotter and clevis pin to secure the IV pole in the IV pole socket.

Cleaning

Recommended cleaning method:

1. Hand wash all exposed surfaces of the product with a mild detergent by spray or pre-soaked wipes.
2. Follow the cleaning solution manufacturer's instructions for appropriate contact time and rinse requirements.
3. Dry the product before you return it to service.

Note - Avoid oversaturation. Do not allow the product to remain wet.

Disinfecting

Recommended disinfectants for this product's surfaces include the following:

- Quaternary (active ingredient - ammonium chloride) that contain less than 3% glycol ether
- Phenolic (active ingredient - o-phenylphenol)
- Chlorinated bleach solution (5.25% - less than 1 part bleach to 100 parts water)
- Alcohol (active ingredient - 70% isopropyl alcohol)

Recommended disinfection method:

1. Follow the disinfectant solution manufacturer's dilution recommendations.
2. Apply the recommended disinfectant solution by spray or pre-soaked wipes.
3. Hand wash all exposed surfaces of the product with the recommended disinfectant.
4. Dry the product before you return it to service.

Note

- Avoid oversaturation. Do not allow the product to remain wet.
- Follow the manufacturer's dilution recommendations for appropriate contact time and rinsing requirements. Follow the chemical manufacturer's guidelines for proper disinfecting.

Bed frame assembly

Tools required:

- Rubber mallet (optional) to install bolts, if needed
- Scissors, knife, or wire snips to cut zip ties
- Table surface – 15 cm x 75 cm recommended (130 kg weight capacity to support 70 kg bed)

Tools for low volume assembly:

- M8 ratchet wrench

Tools for high volume assembly:

- Drill driver
- Drill driver setting 14-17
- M8 deep socket
- 150 mm long hex power drive extension with 3/8" male square

Note - Do not use a shorter extension to avoid interference between the tool and the bed frame.

Important: Two people are needed to lift, move, and flip the beds during assembly.

Note - The bed frames are stacked upside down on the pallets at delivery.

1. With two people, rest the bed frame upside down on a table surface.
2. Install the bolts onto the bottom of the bed.

Note

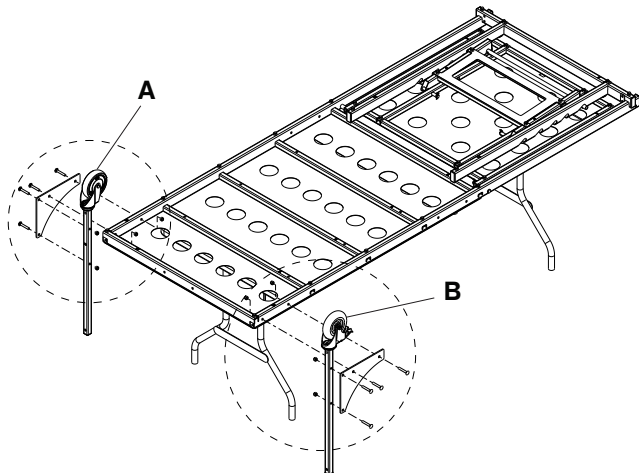
- The bed frame is longer and wider than this table size to allow for overhang of the installed parts.
- Rest the bed on a high surface to keep these parts from touching the floor: #8 caster tubes, #7 caster tubes, and mattress retainer plates. These parts extend above the top of the litter skin.

Install these items with the bed frame upside down on the table:

- Two foot end caster assemblies
- Two head end caster assemblies
- Three mattress retainer plates

Foot end caster assembly

1. Hand tighten four short bolts and four nuts (two per side) to install two gusset plates (one per side).
2. Check that all casters are the same model type.
3. Note the location of the no brake (A) and brake (B) type. Assemble the no brake (A) casters diagonally to each other. Assemble the brake (B) casters diagonally to each other.
4. Install two tube #8 caster assemblies (one per side). Face the engraved #8 on the tubes toward the litter skin.
5. Hand tighten four short bolts and four nuts first (two per side).
6. Fully tighten all eight nuts.

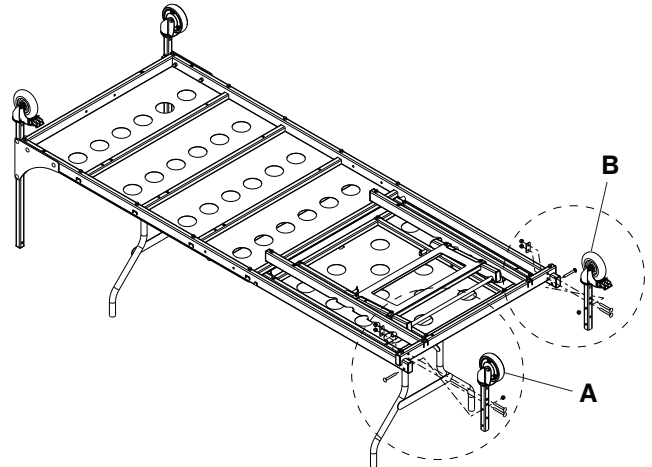


Head end caster assembly

1. Note the location of the no brake (A) and brake (B) type. Assemble the no brake (A) casters diagonally to

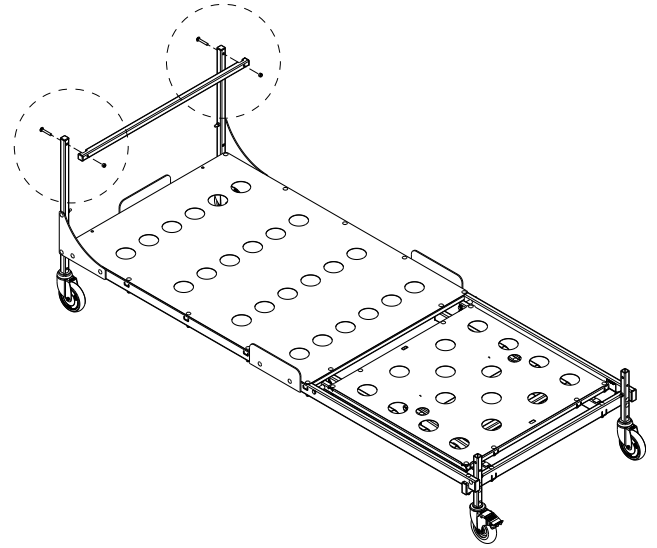
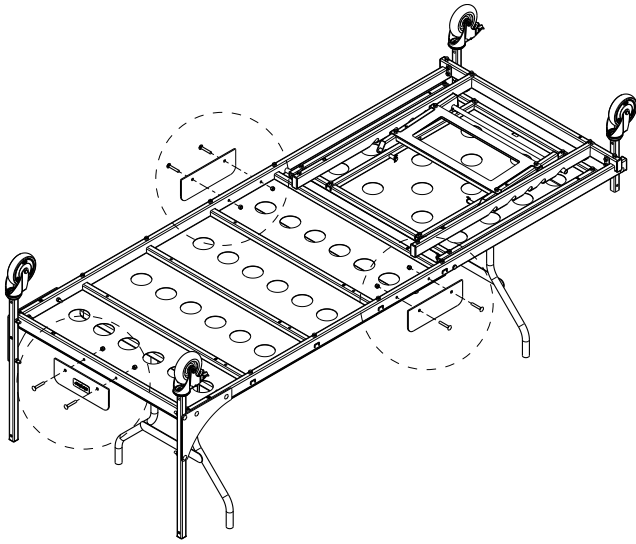
each other. Assemble the brake (B) casters diagonally to each other.

2. Install two head plates and two tube #7 caster assemblies (one per side). Face the engraved #7 on the tubes toward the litter skin.
3. Hand tighten six medium bolts and six nuts (three per side).
4. Fully tighten all six nuts.



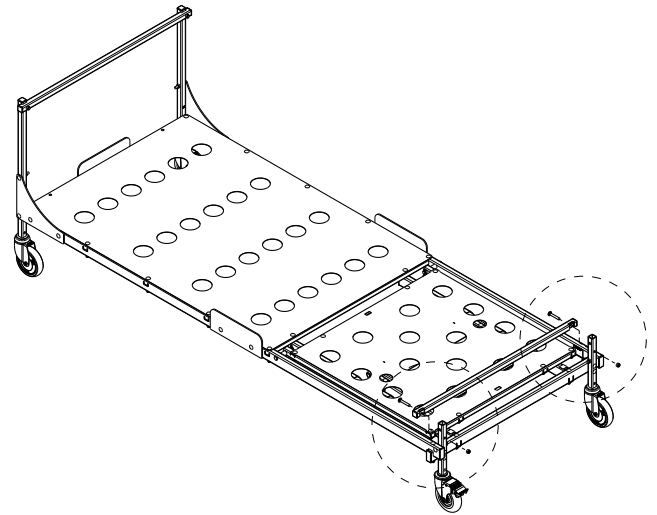
Mattress retainer plate assembly

1. Position the mattress retainer plates to extend toward the patient side of the bed.
2. Install two mattress retainer plates (no Stryker label) on the #16 side tubes (one per side).
3. Hand tighten four medium bolts and four nuts (two per side).
4. Position the mattress retainer plate to extend toward the patient side of the bed.
5. Install one mattress retainer plate (with Stryker label) on the #10 foot end tube. The Stryker label faces toward the outside of the bed at the foot end.
6. Hand tighten two medium bolts and two nuts.
7. Fully tighten all six nuts.



Headboard tube assembly

1. Install the headboard tube #13 to the litter skin side of tube #7. Face the engraved #13 toward the floor.
2. Hand tighten two medium bolts and two nuts.
3. Fully tighten both nuts.



Important: Two people are needed to lift, move, and flip the beds during assembly.

With two people:

1. Flip the bed over on and rest the bed on the table with the patient side up.
2. Lift the bed off the table and set the bed on the floor.

Install these items with the bed upright on the floor.

- Footboard tube assembly
- Headboard tube assembly
- IV pole (see page 2)

Footboard tube assembly

1. Install the footboard tube #14 to the litter skin side of tube #8. Face the engraved #14 toward the floor.
2. Hand tighten two medium bolts and two nuts.
3. Fully tighten both nuts.



Stryker Medical
3800 E. Centre Avenue
Portage, MI 49002
USA