

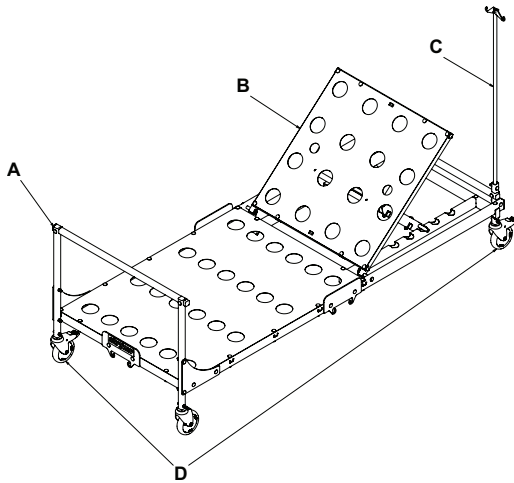
Emergency Relief Bed™

Manual hospital bed

Assembly Instructions

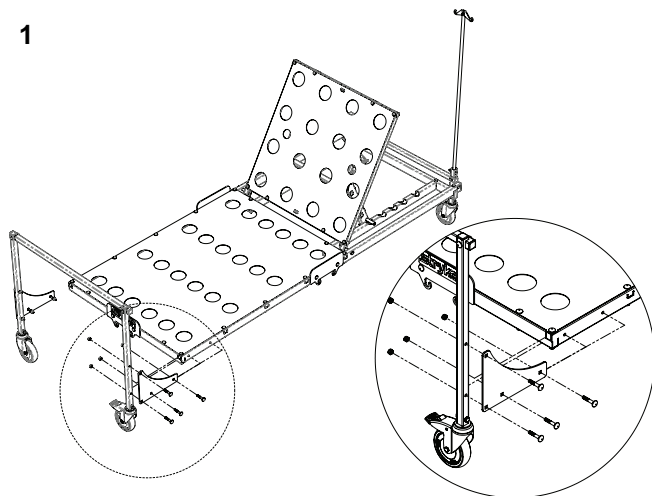
REF 7600-000-900

Product illustration

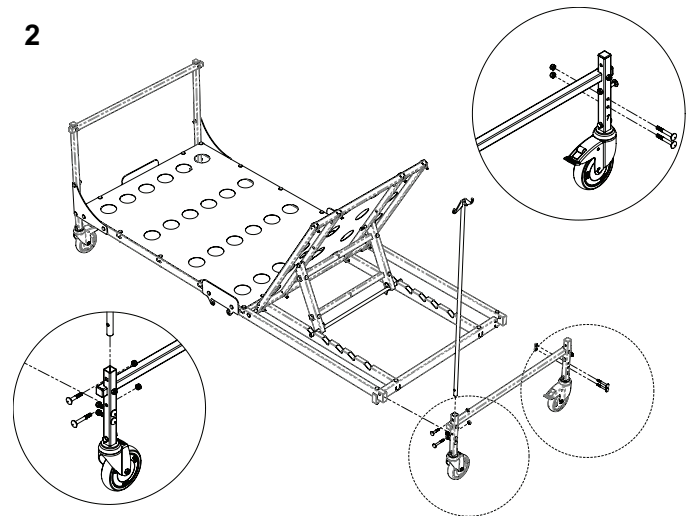


- A Foot bar handle
- B Fowler
- C IV pole
- D Brake caster

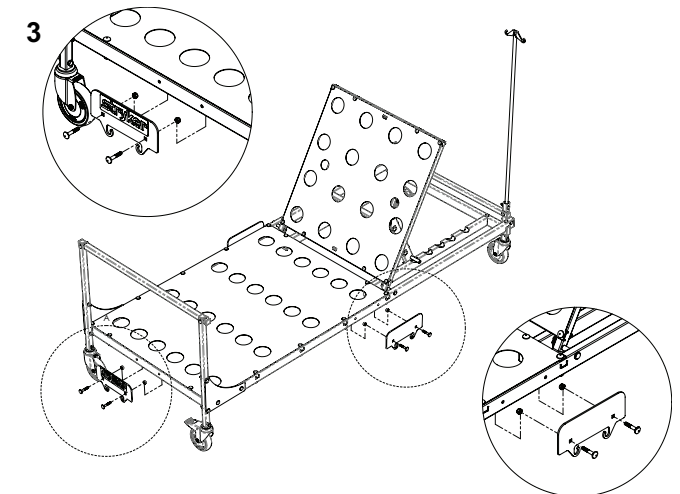
Caster frame assembly, foot end



Caster frame assembly, head end



Mattress retainer assembly



Stryker Medical
3800 E. Centre Avenue
Portage, MI 49002
USA

EC REP

Stryker European Operations Limited
Anngrove, IDA Business & Technology Park
Carrigtwohill, Co Cork, T45 HX08
Ireland

