



Emergency Relief Bed™

Manual hospital bed
Operations Manual

REF 7600-000-900



	Keep dry
	Do not use sharp objects to open the package

Summary of safety precautions

WARNING

The personal safety of the patient or user may be involved. Disregarding this information could result in injury to the patient or user.

CAUTION

These instructions point out special procedures or precautions that must be followed to avoid damaging the equipment.

Symbols

	Operating instructions/Consult instructions for use
	General warning
	Keep hands clear
	No pushing
REF	Catalogue number
	Manufacturer
CE	CE mark
	Authorized representative in the European Community
	Safe working load
	Mass of equipment with safe working load
	Maximum patient weight

WARNING

- Do not sit directly on the ends of the bed. Excessive weight will cause the litter surface to tip up, possibly causing patient injury.
- Always apply the caster brakes when a patient is getting on or off the bed. Push on the bed to ensure the brakes are securely locked. Always engage the brakes unless the bed is being moved. Injury could result if the bed moves while a patient is getting on or off the bed.
- The maximum patient weight limit of the device is 160 kg. The safe working load is 180 kg. A weight beyond this limit could cause the device to break or collapse resulting in patient injury.
- Push the bed with the foot bar handle when the patient is prone to avoid injury to the end user. You can also push the bed from the head end when the Fowler (head end of patient support surface) is raised.
- Use caution when moving the bed when occupied because there are no restraints or siderails.
- Do not use the IV pole as a push/pull device. Product damage may occur.

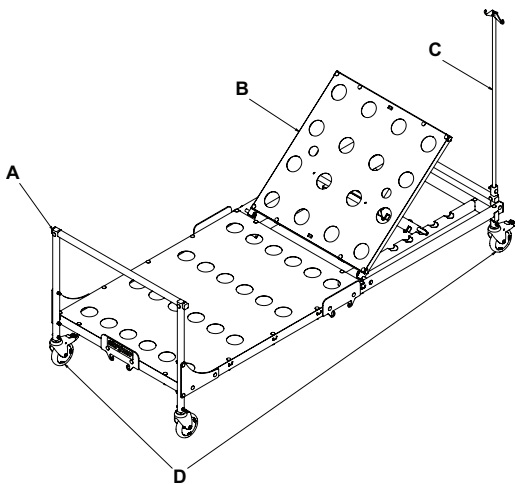
Product description

The **Emergency Relief Bed** is a non-powered, manual adjustable hospital bed that is used in combination with a patient support surface and includes an IV pole. The non-powered patient support surface fits the dimensions of the frame. This basic bed and surface were developed in response to the shortage of hospital beds during the COVID-19 pandemic.

Indications for use

The **Emergency Relief Bed** is intended to assist with positioning, therapy, recovery, support, and transport of patients within a general hospital or in a temporary emergency environment during a local, state, or federal-declared situation. The product is intended to be used only for the duration of the COVID-19 pandemic. The non-powered support surface is intended to provide a support surface for treatment and examination of a patient.

Product illustration



- A Foot bar handle
- B Fowler
- C IV pole
- D Brake caster

Inserting the IV pole

1. Remove the rue ring cotter and clevis pin from the IV pole socket.
2. Insert the IV pole (C) into the IV pole socket.
3. Reinstall the rue ring cotter and clevis pin to secure the IV pole in the IV pole socket.

Cleaning

Recommended cleaning method:

1. Hand wash all exposed surfaces of the product with a mild detergent by spray or pre-soaked wipes.
2. Follow the cleaning solution manufacturer's instructions for appropriate contact time and rinse requirements.
3. Dry the product before you return it to service.

Note - Avoid oversaturation. Do not allow the product to remain wet.

Disinfecting

Recommended disinfectants for this product's surfaces include the following:

- Quaternary (active ingredient - ammonium chloride) that contain < 3% glycol ether
- Phenolic (active ingredient - o-phenylphenol)
- Chlorinated bleach solution (5.25% - less than 1 part bleach to 100 parts water)
- Alcohol (active ingredient - 70% isopropyl alcohol)

Recommended disinfection method:

1. Follow the disinfectant solution manufacturer's dilution recommendations.
2. Apply the recommended disinfectant solution by spray or pre-soaked wipes.
3. Hand wash all exposed surfaces of the product with the recommended disinfectant.
4. Dry the product before you return it to service.

Note

- Avoid oversaturation. Do not allow the product to remain wet.
- Follow the manufacturer's dilution recommendations for appropriate contact time and rinsing requirements. Follow the chemical manufacturer's guidelines for proper disinfecting.



Stryker Medical
3800 E. Centre Avenue
Portage, MI 49002
USA

EC REP

Stryker European Operations Limited
Anngrove, IDA Business & Technology Park
Carrigtwohill, Co Cork, T45 HX08
Ireland