

MedSurg Bed

Model FL23SE
(Electric)

stryker[®]

Maintenance Manual



For Parts or Technical Assistance:

USA: 1-800-327-0770 (option 2)

Canada: 1-888-233-6888



Table of Contents

Introduction	7
Intended Use	7
Product Illustration	7
Specifications	8
Warning / Caution / Note Definition	9
Symbols	10
Electrical Service Information	11
Connection Diagram	11
Preventative Maintenance	13
Annual Checklist	13
Cleaning	14
Bed Cleaning	14
Mattress Care	14
Troubleshooting Guide	15
Quick Reference Replacement Parts List	17
Operation Guide	19
Maintenance Procedures	19
Static Discharge Precautions	19
Service Information	20
Siderail Replacement	22
Half-Length Rail Replacement	22
Half-Length Siderail Assembly Replacement	24
Transfer Plate Replacement	25
Full-Length Siderail Pivot Tube Replacement	27
Full-Length Rail Replacement	28
Full-Length Siderail Assembly Replacement	29
Full-Length Siderail Release Handle Replacement	30
Full-Length Siderail Locking Hook Replacement	31
Foot End Control Panel Replacement	32
Foot End Casing Connector Replacement (Optional)	33
Foot Board Control Panel Replacement (Optional)	34
Foot Board Connector Replacement (Optional)	35
Siderail Control Panel Membrane Replacement	36
Mattress Support Replacement	37
Foot Section Replacement	38
Thigh Section Replacement	39
Seat Section Replacement	40
Head Section Replacement	41
Fowler Actuator Replacement	43
Knee Gatch Motor Replacement	45
Bed Lift Motor Replacement	47

Table of Contents

Service Information (Continued)

Toroidal Transformer Replacement (International Series Models)	49
Motor Control Board Replacement	50
Power Connector and Fuse Replacement	51
Auto Contour Micro Switch Replacement (Optional)	52
CPR Micro Switch Replacement (Optional)	54
CPR Activation Cable Replacement (Optional)	56
CPR Pneumatic Cylinder Replacement (Optional)	57
Brake/Steer Pedal Replacement	58
Fifth Wheel Caster Replacement (Optional)	59
Fifth Wheel Assembly Replacement (Optional)	60
Fifth Wheel Swing Arm Assembly Replacement (Optional)	61
Bed Caster Replacement	62
Brake Rod Replacement	64

Assembly Drawings

Base	65
Wheel Covers	66
Brake Mechanism without Fifth Wheel	68
5" Casters without Fifth Wheel	70
6" Casters without Fifth Wheel	71
Brake Mechanism with Fifth Wheel	72
6" Casters with Fifth Wheel	74
Fifth Wheel	75
Bed Lift Mechanism	78
Frame	80
120V Electric System	82
100V Electric System	86
International Electric System	87
200V Electric System	92
220V Electric System	93
240V Electric System	94
Auto Contour Positioning	96
Bed Lift Motors Screw Covers	98
Mattress Support	100
Foot End Control Panel	102
Control Panel on Frame for Full-Length	104
Foot End and Foot Board Control Panels	106
Foot End and Foot Board Control Panels - Full-Length Siderail	108
Without CPR Emergency Release	110
CPR Emergency Release	112
Stickers French/English	116

Table of Contents

Assembly Drawings (Continued)

Stickers English/Spanish	118
BNQ Certification	120
120V Auxiliary Outlet	122
Night Light	124
Cable and Phone Plug 1/4"	125
Power Cord with 90° North American Grade Plug	131
Power Cord with Straight Molded North American Hospital Grade Plug	131
Power Cords and Plugs	132
Full-Length Retractable Siderail	133
Retractable Full-Length Siderail without Pendant	137
PVC Protector for Full-Length Siderail	141
Retractable Half-Length Siderails with Fixed Control	142
Retractable Siderails with Removable Controls	148
PVC Protector - Half-Length Retractable Siderails	153
Fixed Control Panel without Nurse Call	154
Fixed Control Panel with Nurse Call	155
Control with Nurse Call Normally Open (N.O.)	156
Control with Nurse Call Normally Closed (N.C.)	157
Post Set	158
Melamine Boards without Control Panel	159
MDF Laminated Boards without Control Panel	160
MDF Laminated Boards with Control Panel	161
Solid Wood Board without Control Panel	163
Solid Wood Boards with Control Panel	165
Solid Core Boards with Flat Top and Control Panel	167
Optional Bed Accessories	169
Removable I.V. Pole - FDTSH	170
Bed Extender - FA64152	171
Emergency Crank - FA64161	174
Removable Two-Sided, Two Function Pendant Control - FA64160	175
P&D Two-Function Pendant Control - FA64155	176
Half an Inch Diameter Stryker Removable I.V. Pole - FA64135	177
Half-Length Siderail Protective Pads - DM64232	178
Full-Length Siderail Protective Pads - DM64176	178
Half-Length Siderail Protective Pads - DM64233	179
Full-Length Siderail Protective Pads - DM64178	179
One Inch Diameter Removable I.V. Pole - FA61002-G	180
Oxygen Bottle Holder - FA64036-G	181
Upright Oxygen Bottle Holder - FA64117	182
Overhead Trapeze - FA64145	184

Table of Contents

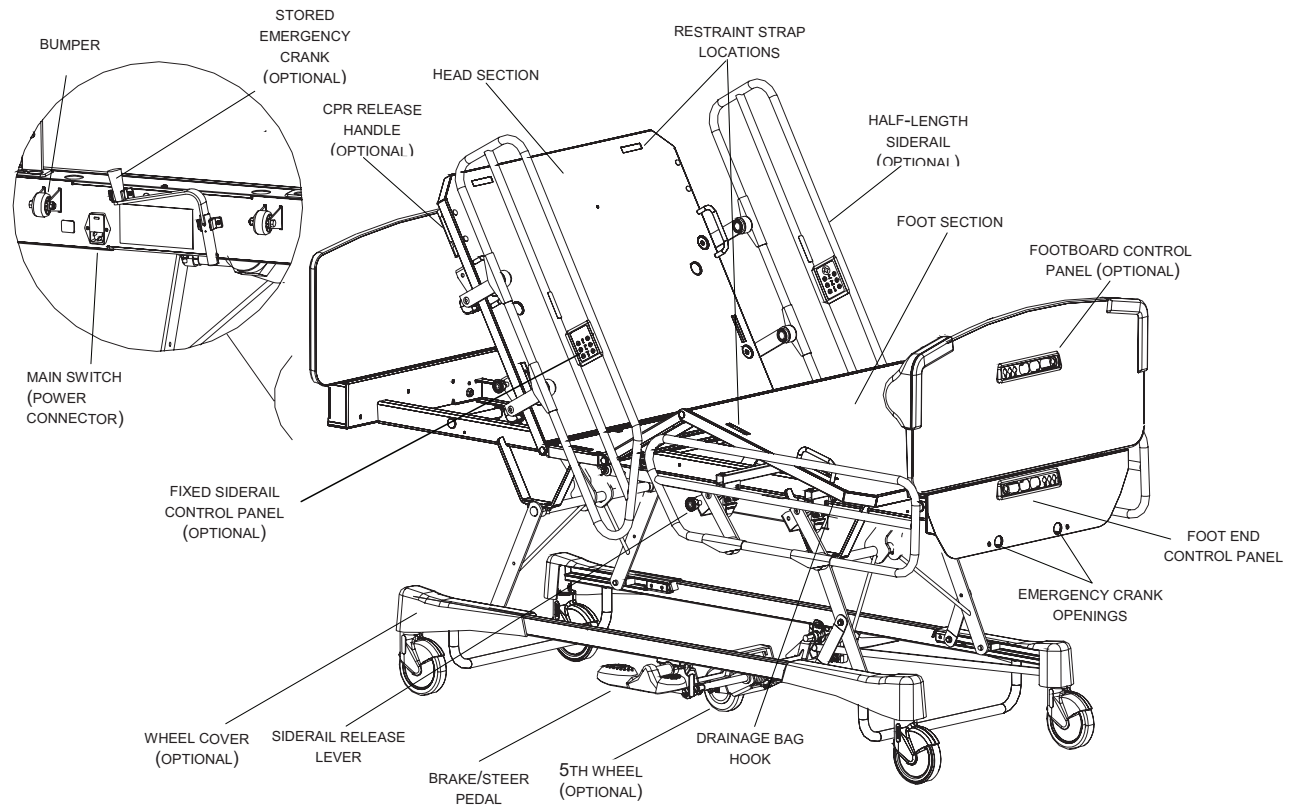
- Optional Bed Accessories
 - Monitor Tray - FA64153 186
 - One Inch Diameter Fixed I.V. Pole - FA64157 187
- Recycling Passport 188
- Warranty 190
 - Limited Warranty 190
 - To Obtain Parts and Service 190
 - Service Contract Coverage 190
 - Service Contract Programs 191
 - Return Authorization 191
 - Damaged Merchandise 191
 - International Warranty Clause 191

Introduction

INTENDED USE


This manual is designed to assist you with the maintenance of Stryker Model FL23SE Electrical MedSurg Bed. Carefully read this manual thoroughly before using the equipment or beginning maintenance on it. To ensure safe operation of this equipment, it is recommended that methods and procedures be established for educating and training staff on the safe operation of this bed.

PRODUCT ILLUSTRATION



Introduction

SPECIFICATIONS

	Safe Working Load			
	Note: Safe Working Load indicates the sum of the patient, mattress, and accessory weight.		500 lbs	227 kg
Overall Length/Width	Half-Length Siderails Raised		90,4" x 41,3"	229,6 x 104,9 cm
	Full-Length Siderails Raised		90,4" x 39,9"	229,6 x 101,3 cm
Weight with Head/Foot Boards			390 lbs	177 kg
Patient Sleep Surface			35" x 78"	88,9 x 198,1 cm
Recommended Mattress Size	Length/Width		35" x 78" or 80"	88,9 x 198,1 cm or 203,2 cm
	Maximum Thickness	BNQ Standard	Bed with diameter 12.7 cm (5") casters	6"
Bed with diameter 15.2 cm (6") casters			5"	12,7 cm
Non-BNQ Standard		5"	12,7 cm	
Minimum/Maximum Bed Height	With diameter 12,7 cm (5") casters		11,75" to 29"	29,8 to 737 cm
	With diameter 15,2 cm (6") casters		12,75" to 30"	32,4 to 76,2 cm
Fowler Angle			0° to 62°	
Knee Gatch Angle	With Auto Contour		0° to 25°	
	Without Auto Contour		0° to 32°	
Trendelenburg/Reverse Trendelenburg			+17° to -17°	
Environmental Conditions	Transport and Storage		-40° to 158°F 10 to 100% 500 to 1060 hPa	-40° to 70°C
	Operating		50° to 104°F 5 to 95% without condensation 700 to 1060 hPa	10° to 40°C
Electrical Requirement	Complies with the following standards: CSA C22.2 No. 601.1, UL 60601-1, IEC 60601-1, 60601-2-38 and BNQ 6641-120 : 2003.		100V~, 50-60Hz, 7.5A - Two 250V, 10A Fast Acting Fuses 120V~, 50-60Hz, 4A (9.8A with 120V Optional Auxiliary Outlet) - Two 250V, 10A Fast Acting Fuses 200V~, 50-60Hz, 3.2A - Two 250V, 6.3A Slow Blow Fuses 220V~, 50-60Hz, 2.9A - Two 250V, 6.3A Slow Blow Fuses 240V~, 50-60Hz, 2.7A - Two 250V, 6.3A Slow Blow Fuses	

Stryker reserves the right to change specifications without notice.

Specifications listed are approximate and may vary slightly from unit to unit or by power supply fluctuations.

*This device has a 10% duty cycle.

Note

The Safe Working Load for the BNQ beds is of 390 lbs (177 kg).

Introduction

WARNING / CAUTION / NOTE DEFINITION

The words WARNING, CAUTION, and NOTE carry special meanings and should be carefully reviewed.

WARNING

Alerts the reader about a situation, which if not avoided, could result in death or serious injury. It may also describe potential serious adverse reactions and safety hazards.

CAUTION

Alerts the reader of a potentially hazardous situation, which if not avoided, may result in minor or moderate injury to the user or patient or damage to the equipment or other property. This includes special care necessary for the safe and effective use of the device and the care necessary to avoid damage to a device that may occur as a result of use or misuse.

Note

This provides special information to make maintenance easier or important instructions clearer.

Symbols



Warning, Refer to Accompanying Documentation



Alternating Current



Type B Equipment: Equipment providing a particular degree of protection against electric shock, particularly regarding allowable leakage current and reliability of the protective earth connection.

Class 1 Equipment: Equipment in which protection against electric shock does not rely on basic insulation only, but which includes an additional safety precaution in that means are provided for the connection of the equipment to the protective earth conductor in the fixed wiring of the installation in such a way that accessible metal parts cannot become live in the event of a failure of the basic insulation.

IPX4

Protection from liquid splash



Dangerous Voltage Symbol



Protective Earth Terminal



Potential Equalization Symbol



Medical Equipment Classified by Underwriters Laboratories Inc. with respect to Electric Shock, Fire, Mechanical and Other Specified Hazards Only in Accordance with UL 60601-1, First Edition (2003) and CAN/CSA C22.2 No. 601.1-M90 with updates 1 and 2.



Safe Working Load Symbol



Fuse rating for bed with 100V \sim and 120V \sim electric systems.



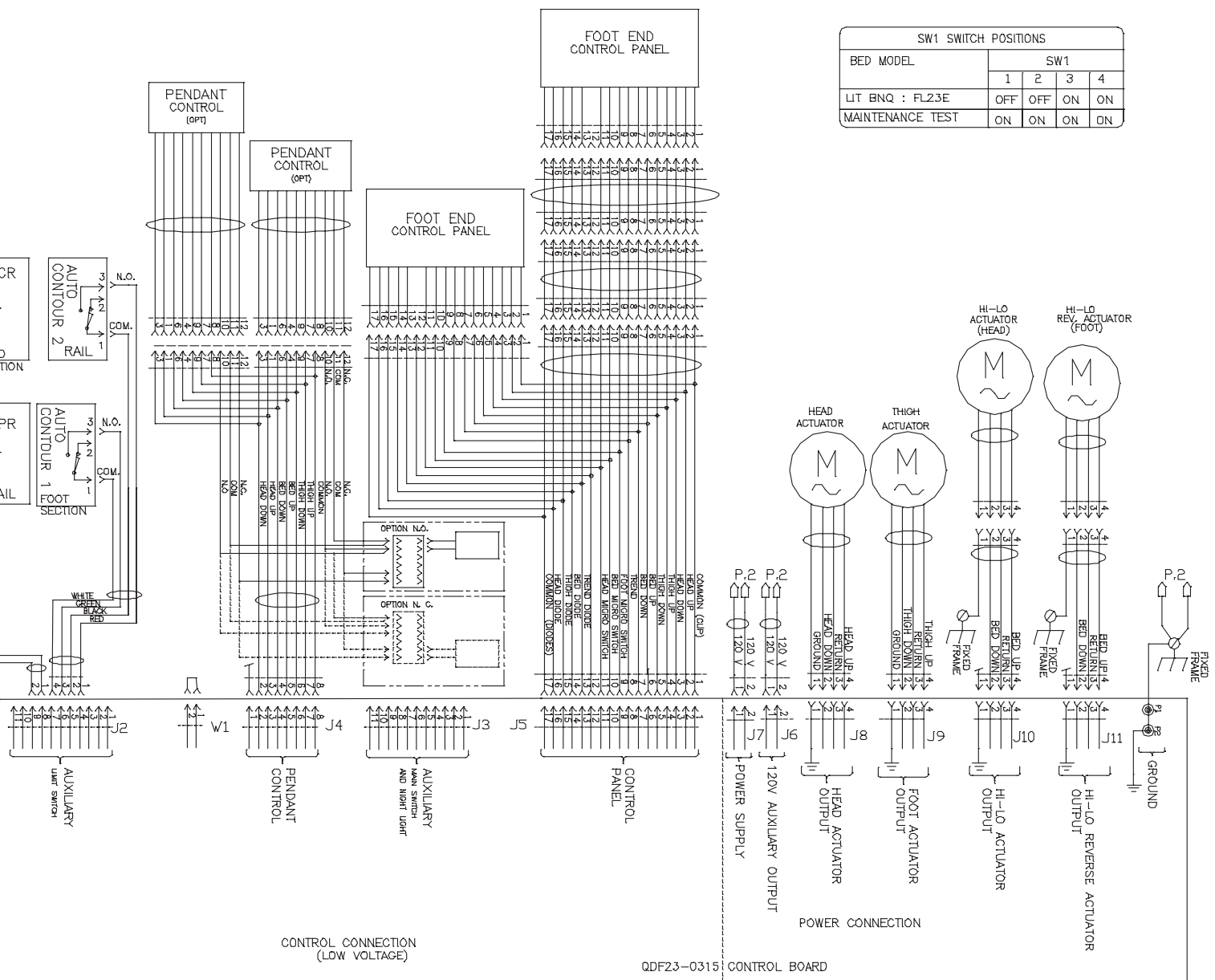
Fuse rating for bed with 200V \sim , 220V \sim and 240V \sim electric systems.



In accordance with **European Directive 2002/96/EC** on Waste Electrical and Electronic Equipment (**WEEE**), this symbol indicates that the product must not be disposed of as unsorted municipal waste, but should be collected separately. Refer to your local distributor for return and/or collection systems available in your country.

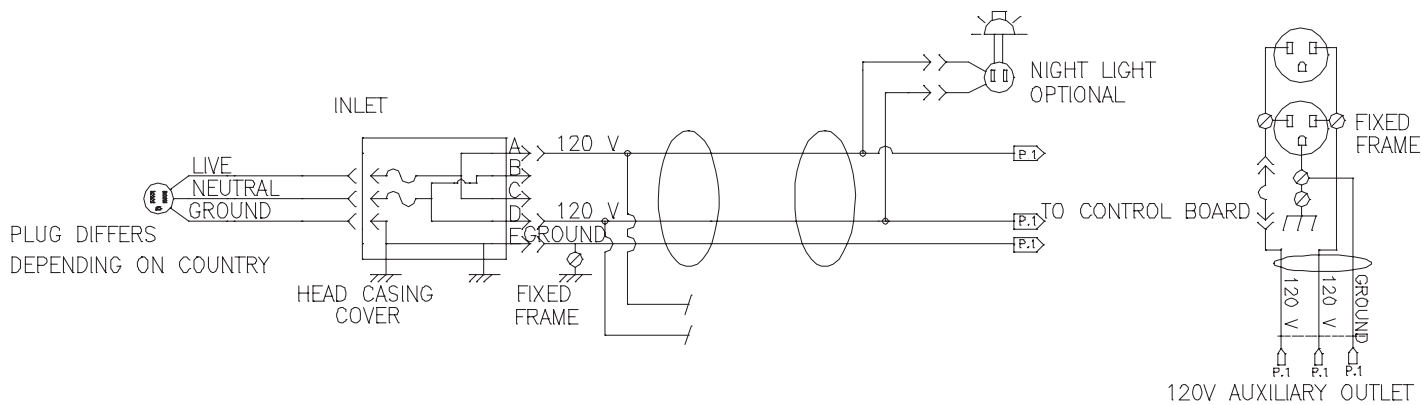
CONNECTION DIAGRAM

SW1 SWITCH POSITIONS				
BED MODEL	SW1			
	1	2	3	4
LIT BNQ : FL23E	OFF	OFF	ON	ON
MAINTENANCE TEST	ON	ON	ON	ON

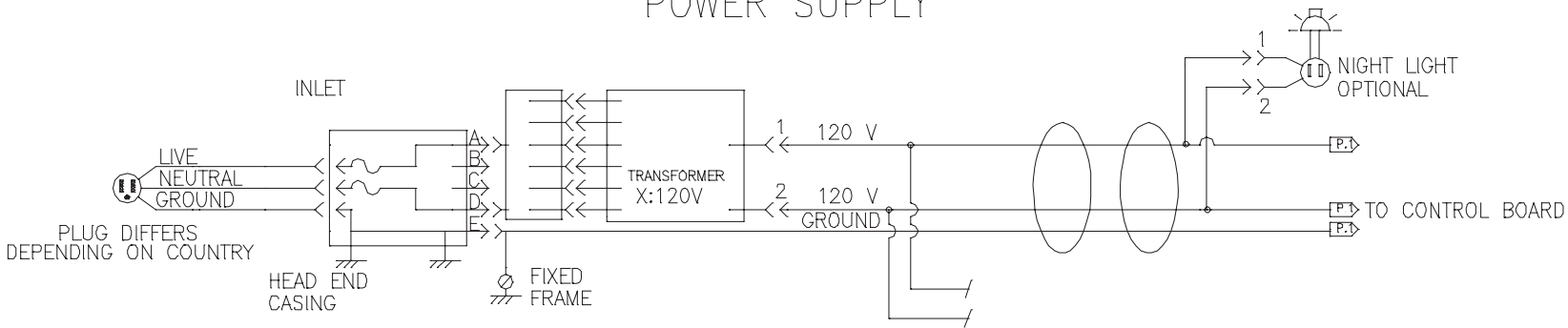


CONNECTION DIAGRAM (CONTINUED)

120V POWER SUPPLY



100V – 200V – 220V – 240V
POWER SUPPLY



Preventative Maintenance

 **WARNING**

Use only replacement parts provided by Stryker.

ANNUAL CHECKLIST

- _____ All fasteners secure.
- _____ Inspect for excessive wear the oil-impregnated bronze shoulder spacers found at the bed hinge points. Replace as needed. **Do not lubricate these spacers.**
- _____ On both sides of the bed, depress fully down the side of the pedal identified with a red sticker and ensure that the brakes are applied and the bed immobilized. Toggle the pedal to neutral and ensure the brakes are released.
- _____ On both sides of the bed, depress fully down the side of the pedal identified with a green sticker and ensure that the steer mode (fifth wheel (optional) or bed wheel) is engaged. Toggle the pedal to neutral and ensure that the steer mode disengages.
- _____ Siderails move smoothly and latch properly in high position.
- _____ Ensure that each control of the inner and outer head siderail control panels (optional) and those of the removable pendant control (optional) are working properly.
- _____ All controls of the foot end panel and those of the foot board panel (optional) working properly, including Trendelenburg and lockout LED's.
- _____ Fowler and Knee Gatch (if raised) flatten and the Fowler control motor resets itself automatically when the two CPR handles (optional) are pulled until Fowler is flattened. Wait about 30 seconds, the time for the Fowler motor to reset itself, and then raise the Fowler to ensure that the resetting of the motor has indeed occurred.
- _____ Verify the Fowler, Knee Gatch and Hi-Lo movements to ensure that the motion interrupt switch integrated to the four electric actuators is operating properly.
- _____ Auxiliary outlet (option available only with 120V beds) working properly.
- _____ Night light (optional) working properly.
- _____ Head end bumpers tightly secured to frame and working properly.
- _____ No rips or cracks in mattress cover.
- _____ Power cord is not frayed. Replace if the protective sleeve is cut or torn.
- _____ No cables worn or pinched.
- _____ All electrical connections tight.
- _____ All grounds secured to the frame.
- _____ All casters roll properly. Check caster for cuts, wear, etc.
- _____ Measure current leakage and grounding continuity of the bed and the optional auxiliary outlet. Check with our Technical Service department for the acceptable values.

Bed Serial Number:		

Completed by: _____

Date: _____

[Return To Table of Contents](#)

Cleaning

BED CLEANING

CAUTION

- Do not use harsh cleaners, solvents or detergents. Equipment damage could occur. **Do not steam clean, hose off or ultrasonically clean the bed. Do not immerse any part of the bed.** The bed electrical parts may be damaged by exposure to water.
- Germicidal disinfectant, used as directed, and/or Chlorine Bleach products are not considered as mild detergents. These products are corrosive in nature and may cause damage to your bed if used improperly. If these types of products are used, ensure the beds **are wiped with clean water and thoroughly dried following cleaning.** Failure to properly rinse and dry the beds will leave a corrosive residue on the surface of the bed, possibly causing premature corrosion of critical components. Failure to follow the above directions when using these types of cleaners may void the product's warranty.

Procedure:

Hand wash all surfaces of the bed with a soft cloth moistened with a solution of lukewarm water and a mild detergent. Wipe the bed clean and dry thoroughly to avoid build up of cleaning solution.

MATTRESS CARE

WARNING

Inspect the mattress after each use. Discontinue use if any cracks or rips, which may allow fluid to enter the mattress, are found in the mattress cover. Failure to properly clean the mattress, or dispose of it if defective, may increase the risk of exposure to pathogenic substances and may bring about diseases to the patient and user.

Inspection

- Implement local policies to address regular care, maintenance, and cleaning of mattresses and covers. The cover cleaning procedure can be found below and on the bed label.
- Inspect mattress cover surface, interior and exterior, as well as zip fasteners and cover inner surface if mattresses have zip fasteners, regularly for signs of damage. If the mattress cover is heavily stained or soiled, or is torn, remove the mattress from service.

Cleaning

Stains: Wash with lukewarm water using a mild detergent. Rinse with water and let dry. For tough stains, use bleach diluted with ten parts of water.

Troubleshooting Guide

Problem/Failure	Recommended Action
No power to bed	<ul style="list-style-type: none"> • Is the bed power switch at the head end of the bed turned on? • Is the power cord connected to the power connector and plugged into the wall outlet? • Is the power cord severed? Replace if so. • Are the two fuses inside the power connector still operational (see pg. 51)? • Verify power at the wall outlet.
No bed up or down motion when: <ul style="list-style-type: none"> • The removable pendant control (optional) is used. • The foot board command is used. 	<ul style="list-style-type: none"> • Is the Hi-Lo lockout activated (LED off)? If so, deactivate it (LED on). • Is the cable of the removable pendant control (optional) properly connected to the bed connector under the mattress support? • Check points of the “No power to bed” problem described above.
No Fowler up or down motion when: <ul style="list-style-type: none"> • The siderail (optional) or removable pendant control (optional) is used. • The foot board command is used. 	<ul style="list-style-type: none"> • Is the Fowler lockout activated (LED off)? If so, deactivate it (LED on). • Is the cable of the siderail control panel (optional) or of the removable pendant control (optional) properly connected to the bed connector under the mattress support? • Check points of the “No power to bed” problem described above.
The Fowler does not fully raise .	This situation arises when the CPR emergency release (optional) is used to partially lower the Fowler. The use of the CPR for this purpose creates a situation where the Fowler motor is out of sync with the actual position of the Fowler. To correct the situation: <ul style="list-style-type: none"> • Lower the Fowler completely using a CPR handle or the Fowler electric control to enable the Fowler motor to reset itself and thus synchronize its course with the actual position (flatten) of the Fowler.
No Knee Gatch up or down motion when: <ul style="list-style-type: none"> • The siderail (optional) or removable pendant control (optional) is used. • The foot board command is used. 	<ul style="list-style-type: none"> • Is the Knee Gatch lockout activated (LED off)? If so, deactivate it (LED on). • Is the cable of the siderail control panel (optional) or of the removable pendant control (optional) properly connected to the bed connector under the mattress support? • Check points of the “No power to bed” problem described above.

Troubleshooting Guide

Problem/Failure	Recommended Action
The positioning mechanisms of the Fowler, and/or the Knee Gatch, and/or the bed height operate with difficulty.	<ul style="list-style-type: none">• Check the four actuator screws to verify their lubrication condition and apply grease if needed (see pg. 20).
No Auto Contour (optional) motion.	<ul style="list-style-type: none">• Is the Knee Gatch lockout activated (LED off)? If so, deactivate it (LED on).• Check and replace if needed the two Auto Contour limit switches (see pg. 52).
Improper operation of the CPR emergency release (optional): Knee Gatch does not lower and/or the Fowler actuator does not reset.	<ul style="list-style-type: none">• Check and replace if needed the two CPR mechanism limit switches (see pg. 54).

Quick Reference Replacement Parts List

Note

The parts and accessories listed on this page are all currently available for purchase. Some of the parts identified on the assembly drawing parts in this manual may not be individually available for purchase. Please call Stryker Customer Service USA: 1-800-327-0770 (Option 2) or Canada: 1-888-233-6888 for availability and pricing.

Part Name	Part Number
Electric/Electronic Components	
Motor Control Board	QDF23-0315
Micro Switch	1325P003 / QDF9159
Fuse - Fast Acting 10A, 250V (100/120V)	QDF8078
Fuse - Slow Blow 6.3A, 250V (200/220/240V)	QDF8068
Power Cord with Straight North American Molded Plug	QDF8066
Night Light (Optional)	QDF9539
5A Circuit Breaker for Auxiliary Outlet (optional)	QDF9025
Hi-Lo Actuator	23-0702
Head Section Actuator	23-0335
Thigh Section Actuator	23-0336
Toroidal Transformer - International Series Beds	QDF14-1160
Stand-Off Pins: Motors Control Board	QP23-0735
Strain-Relief Bushing	QDF9541
Support for the Foot End Control Panel Membrane	QP17-0127-07
Foot End Control Panel Membrane	QDF17-0693 / QDF17-0180
Siderail Components	
Protective Cap	QDFP1514
Transfer Plate - Half-Length Siderail	23-0777G / 23-0778G 23-0817G / 23-0818G
Left Inner Membrane without Nurse Call Right Inner Membrane without Nurse Call	QDF23-0392 / QDF23-0393
Right Inner Membrane with Nurse Call Left Inner Membrane with Nurse Call	QDF23-0396 / QDF23-0397
Left Outer Membrane	QDF23-0405
Right Outer Membrane	QDF23-0406
PVC Protector for Painted Head Half-Length Siderails	23-0476
PVC Protector for Painted Foot Half-Length Siderails	23-0478
PVC Protector for Painted Full-Length Siderails	23-0641

[Return To Table of Contents](#)

Quick Reference Replacement Parts List

Part Name	Part Number
Mattress Support Components	
Lateral Mattress Retainer	QP14034-07
I.V. Pole Holder	QP17-0121
Caster	
6" with Lock Mechanism	RD25038807
6" without Lock Mechanism	RD25049307
6" with Steer Mechanism	RD25049607
5" with Lock Mechanism	RD25049407
5" without Lock Mechanism	RD25039107
5" with Steer Mechanism	RD25049507
Fifth Wheel Mechanism 5" Caster (Optional)	RL5
Base Components	
Rue Ring Cotter Diameter 3/8"	QDF7878
Green Sticker - Fifth Wheel	QE71-0496
Red Sticker - Brake	QE71-0511
Wheel Cover - Right (Optional)	QP28-0299-07
Wheel Cover - Left (Optional)	QP28-0300-07
Brake/Steer Pedal	QP23-0627
Velcro Fastener	25-0550
Miscellaneous	
Grey Spray Paint	DDCAP-GSP
Shoulder Spacer	QDF17-0020
Nylon Cable Tie	QDF9518

Operation Guide

MAINTENANCE PROCEDURES

WARNING

- Always unplug the bed power cord when cleaning or servicing the bed.
- To prevent injury when working under the bed with the bed in the high position, always place blocks under the Hi-Lo levers and apply the brakes. Always unplug the bed power cord from the wall outlet when servicing or cleaning the bed.

STATIC DISCHARGE PRECAUTIONS

The electronic circuits of the bed are protected from static electricity damage only while the bed is assembled. It is extremely important that all service personnel always use adequate static protection when servicing the electronic components of the bed.

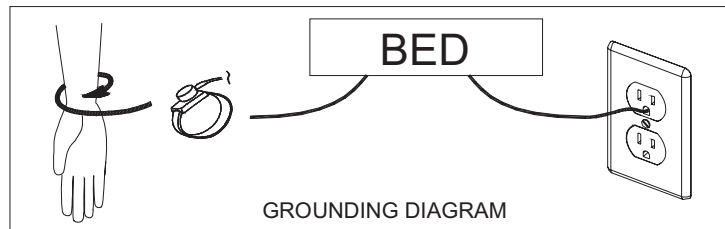
STATIC PROTECTION EQUIPMENT

The necessary equipment for a proper static protection is:

- 1 static wrist strap
- 1 grounding plug
- 1 test lead with a banana plug on one end and an alligator clip on the other.

STATIC PROTECTION PROCEDURE

1. Unplug the bed power cord from the wall outlet.
2. Insert the grounding plug into a properly grounded hospital grade wall receptacle. Plug the banana plug of the test lead into the receptacle on the grounding plug. Connect the alligator clip on the other end of the test lead to a ground point on the bed.
3. Place the static control wrist strap on your wrist. Connect the clip at the other end of the wrist strap cord to a ground point on the bed.



Service Information

WARNING

- Always unplug the bed power cord when cleaning or servicing the bed.
- To prevent injury when working under the bed with the bed in the high position, always place blocks under the Hi-Lo levers and apply the brakes. Always unplug the bed power cord from the wall outlet when servicing or cleaning the bed.

ACTUATOR LUBRICATION

Note

In compliance with the service life requirement of the BNQ 6641-120/2003 standard, this unit was designed maintenance free with regard to lubrication. However, if the bed is used improperly or cleaned without following the recommendations set forth in the Maintenance Manual (presence of cleaning detergent on the actuator screws), a lubrication of the actuator could be necessary.

Tools Required:

- No. 2 Phillips Screwdriver
- 1/4" Ratchet (with 6" extension) and 5/16" Socket
- Bungee Cords
- OG2 Grease
- Brush

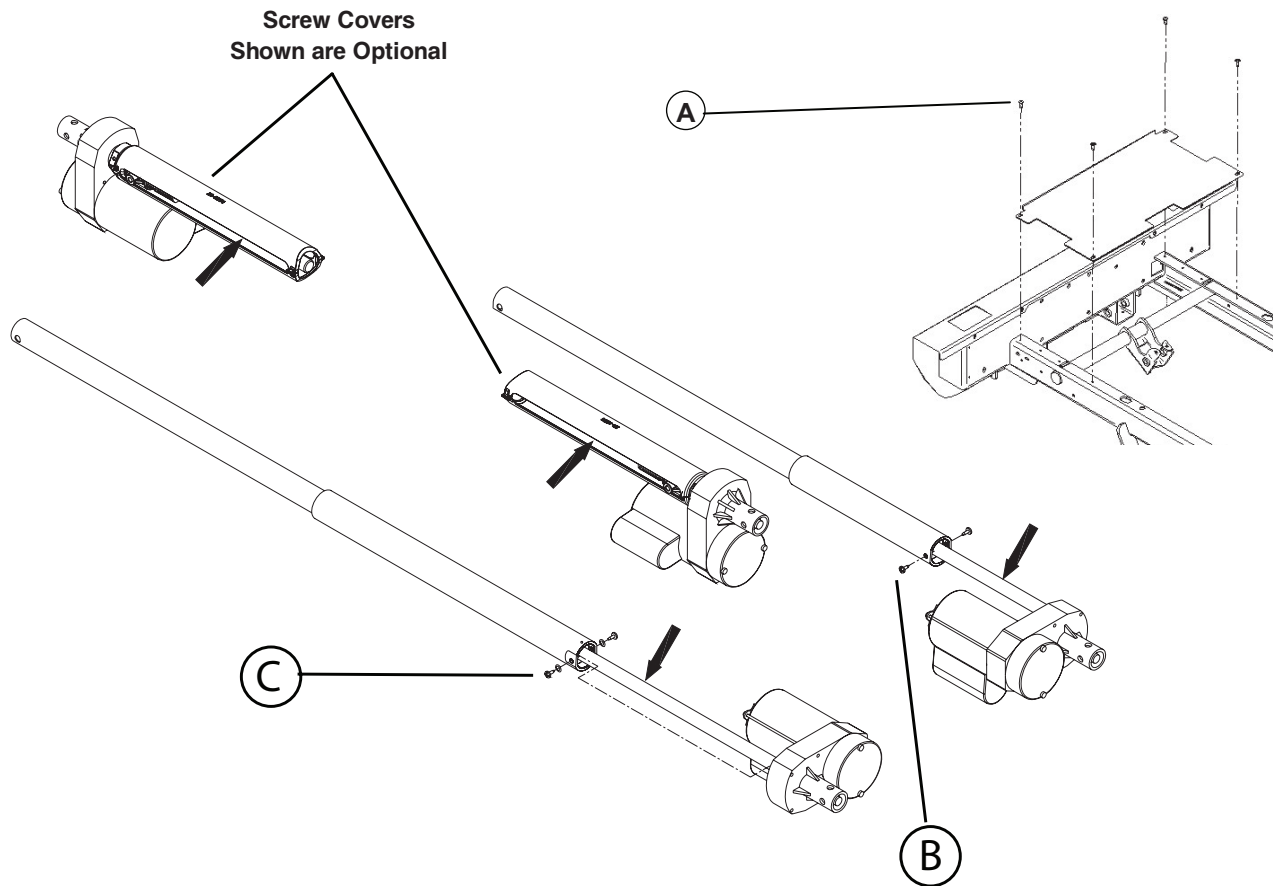


Figure 2.2

Service Information

ACTUATOR LUBRICATION (CONTINUED)

Procedure:

Head and Thigh Actuators

1. Completely raise the bed and apply the brakes.
2. Completely raise the head section and flatten the thigh section to expose maximum screw threads on both actuators. Lower the four siderails.
3. Unplug the power cord from the wall outlet.
4. Lift and fold back the foot section toward the head end of the bed. Attach it to the bed using bungee cords.
5. Using a no. 2 Phillips screwdriver, remove the four screws (A) holding the cover plate to the frame and remove the plate. Remove the optional night light if present.
6.
 - a. Using a 1/4" ratchet (with 6" extension) and a 5/16" socket, remove the two screws (B) holding the dust tube of each knee gatch actuator. Push the tube to free it.
 - b. For the head actuator, remove the two screws, spring washer (C) holding the dust tube of the actuator. Push the tube to free the threads.
7. Using a brush, apply grease on the screw threads. Make sure the grease reaches the bottom of the threads.
8. Replace the dust tubes.
9. Using the electric controls, raise and lower several times the Fowler and Knee Gatch to spread the grease evenly.
10. Replace the cover plate.

Hi-Lo Actuators

1. Lower the bed completely.
2. Completely raise the head and foot sections, then lift and fold back the foot section toward the head end of the bed.
3. Unplug the power cord from the wall outlet.
4. Using a brush, apply grease on the threads of the bed lift actuators screws. Optional dust tubes may be present, if so, simply apply grease through the dust tube side openings.
5. Using the electric controls, raise and lower the bed several times to spread the grease evenly.

Service Information

SIDERAIL REPLACEMENT

HALF-LENGTH RAIL REPLACEMENT

Tools Required:

- 3/8" Drive Ratchet
- Small Slotted Head Screwdriver
- Long Nose Pliers
- Retaining Ring Pliers
- Rubber Mallet
- 7/16" Socket

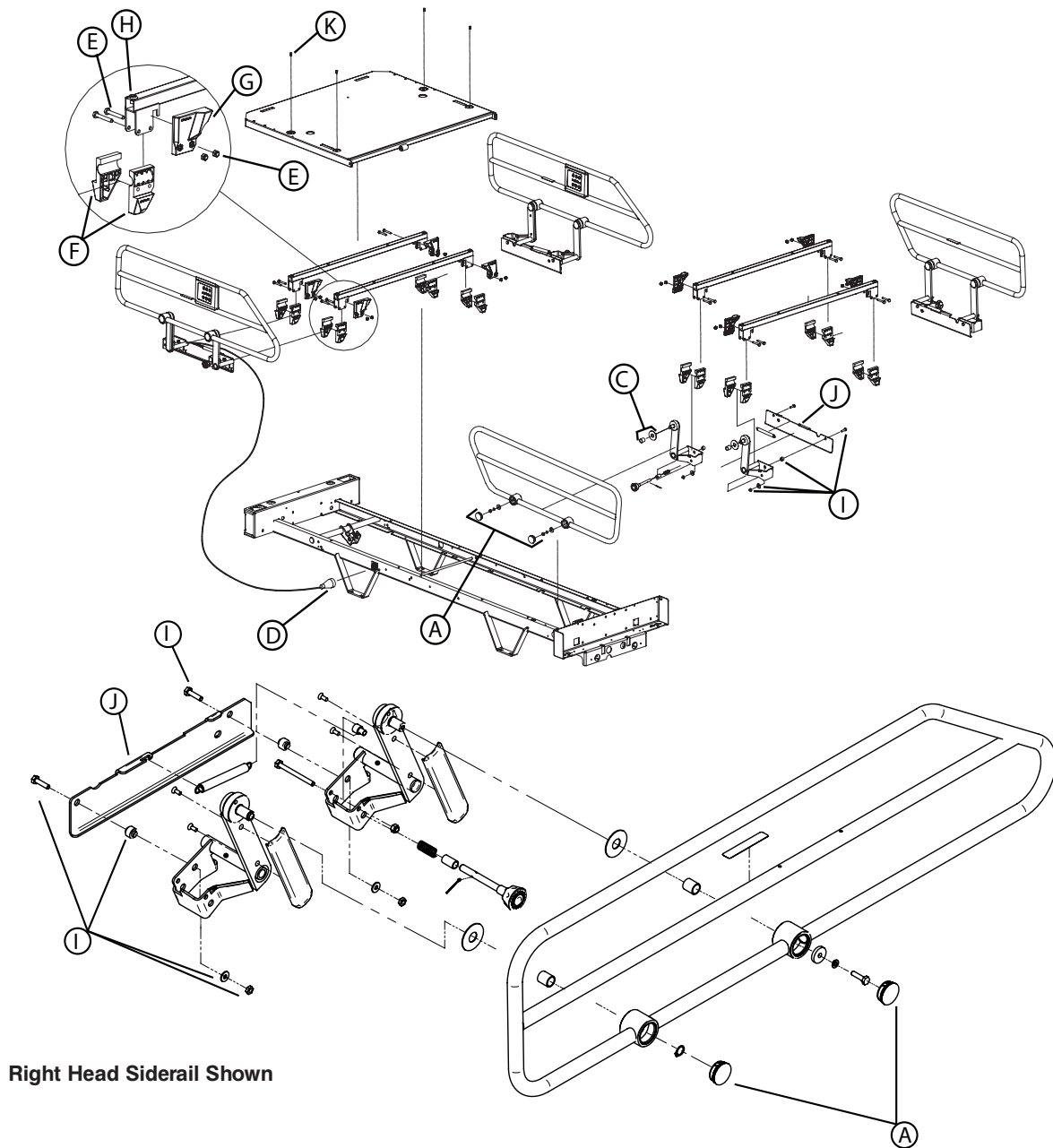


Figure 4.1 A

Service Information

SIDERAIL REPLACEMENT (CONTINUED)

HALF-LENGTH SIDERAIL

Procedure:

1. Completely raise the bed and apply the brakes.
2. Position all the mattress support sections to flat.
3. Unplug the bed power cord from the wall outlet.
4. Raise the siderail needing repair.
5. Using a small slotted head screwdriver and long nose pliers, remove the two protective caps (A). Be careful while using the tools not to damage the siderail paint.

Note

Replace the caps using a rubber mallet. The removal of the caps may damage them; make sure you have some on hand.

6. a. For a head siderail, using the retaining ring pliers, remove the retaining ring on one arm and using the 7/16" socket, remove the nut, spring washer and spacer holding the rail in place.
b. For a foot siderail, remove using the 7/16" socket the nut, the spring washer and the spacer holding the siderail in place (B).

Note

Inspect the self-lubricating bearings for wear and replace them if need be.

7. Reverse the above steps to install the replacement rail.
8. Verify the siderail movement for proper operation before returning the bed to service.

Service Information

HALF-LENGTH SIDERAIL ASSEMBLY REPLACEMENT

Tools Required:

- 3/8" Drive Ratchet
- 7/16" Socket
- 7/16" Combination Wrench
- Diagonal Pliers

Procedure:

Note

Unless otherwise indicated, refer to Figure 4.1 A on [pg. 22](#) for the following replacement procedure.

1. Completely raise the bed and apply the brakes.
2. Depending on the position of the siderail needing repair, place the mattress support sections as follows:
 - Head Siderail: Completely raise the head section.
 - Foot Siderail: Lower completely the head section. Completely raise the thigh section, then lift and fold back the foot section toward the head end of the bed.
3. Unplug the bed power cord from the wall outlet.
4. Raise the siderail needing repair.
5. Using diagonal pliers, cut, if applicable, the cable ties holding the siderails fixed control cable (optional). Loosen the lock ring (D) and unplug the cable.

Note

Note the position and the gathering of the cable before cutting the cable ties to make sure the replacement cable will be connected correctly.

6. Using the 7/16" socket and 7/16" combination wrench, remove the two locknuts and bolts (E) holding the two half bushings (F), the stopper (G) and the siderail mechanism to each of the two siderail support (H). Remove the half bushings and the mechanism from their location, hold the bushings tightly to prevent them from falling to the ground.

Note

First, remove the two locknuts and bolts at one end of the assembly and, while holding the assembly, finish with the ones at the opposite end.

7. Reverse the above steps to install the replacement siderail assembly.
8. Verify the siderail for proper operation before returning the bed to service.

Service Information

TRANSFER PLATE REPLACEMENT

Tools Required:

- 3/8" Drive Ratchet
- 7/16" Socket
- 7/16" Combination Wrench
- Torque Wrench

Procedure:

Note

Unless otherwise indicated, refer to Figure 4.1 A on [pg. 22](#) for the following replacement procedure.

1. Completely raise the bed and apply the brakes.
2. Depending on the siderail position, place the mattress support sections as follows:
 - Head Siderail: Completely raise the head section.
 - Foot Siderail: Lower completely the head section. Completely raise the thigh section, then lift and fold back the foot section toward the head end of the bed.
3. Unplug the bed power cord from the wall outlet.
4. Lower the siderail needing repair.
5. Using the 7/16" socket and 7/16" combination wrench, remove the two locknuts, bushings, washers and bolts (I) holding the transfer plate (J) to the siderail mechanism.

Note

At assembly, tighten the two locknuts to a 75 in/lb torque using the torque wrench.

6. Reverse the above steps to install the replacement transfer plate.
7. Verify the siderail for proper operation before returning the bed to service.

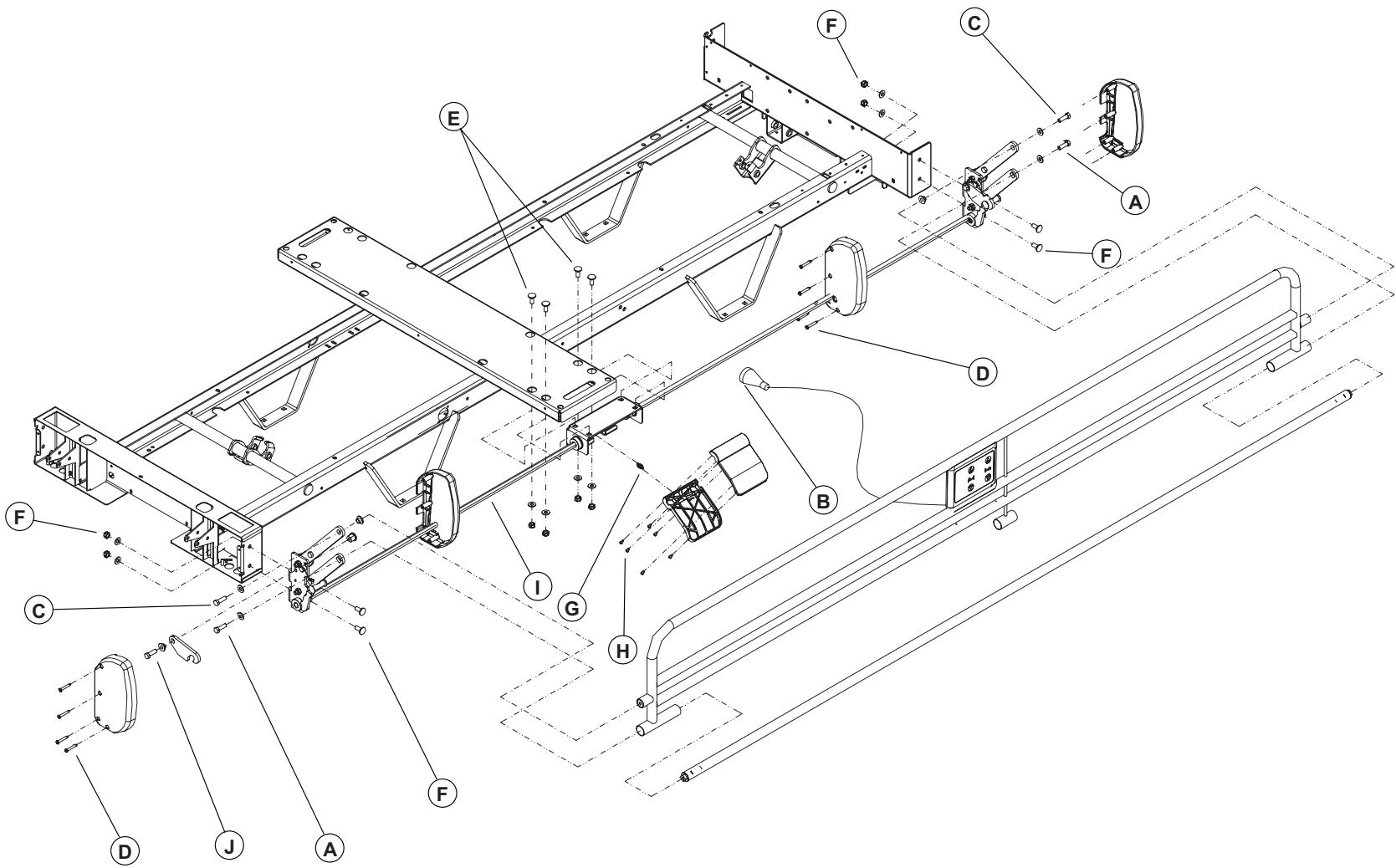


Figure 4.1 B

Service Information

FULL-LENGTH SIDERAIL PIVOT TUBE REPLACEMENT

Tools Required:

- 1/2" Combination Wrench
- Rubber Mallet

Procedure:

Note

Unless otherwise indicated, refer to Figure 4.1 B on [pg. 26](#) for the following replacement procedure.

1. Completely raise the bed and apply the brakes.
2. Unplug the bed power cord from the wall outlet.
3. Lower the siderail needing repair.
4. Using the 1/2" combination wrench, remove the two bolts and washers (A) holding the pivot tube ends to the siderail mechanism arms. Use a rubber mallet to free the tube ends from the arms.
5. Slide the tube out of its location.

Note

Apply grease on a 4" distance from both ends of the tube.

6. Reverse the above steps to install the replacement pivot tube.
7. Verify the siderail movement before returning the bed to service.

Service Information

FULL-LENGTH RAIL REPLACEMENT

Tools Required:

- 1/2" Combination Wrench
- Rubber Mallet

Procedure:

Note

Unless otherwise indicated, refer to Figure 4.1 B on [pg. 26](#) for the following replacement procedure.

1. Completely raise the bed and apply the brakes.
2. Unplug the bed power cord from the wall outlet.
3. Raise the siderail needing repair.
4. Loosen, if applicable, the lock ring (B) and unplug the removable pendant control (optional) cable. Remove the pendant control from the siderail by sliding it out its supports.
5. Using the 1/2" combination wrench, remove the four bolts and washers (A, C) holding the rail to the siderail mechanism arms. Use a rubber mallet to free the tube ends from the arms.

Note

Hold the rail firmly when removing the last bolts.

6. Reverse the above steps to install the replacement rail.
7. Verify the siderail movement before returning the bed to service.

Service Information

FULL-LENGTH SIDERAIL ASSEMBLY REPLACEMENT

Tools Required:

- No. 2 Phillips Screwdriver
- Two 1/2" Combination Wrenches

Procedure:

Note

Unless otherwise indicated, refer to Figure 4.1 B on [pg. 26](#) for the following replacement procedure.

1. Completely raise the bed and raise the siderail needing repair.
2. Unplug the bed power cord from the wall outlet.
3. Remove the head and foot boards.
4. Using two 1/2" combination wrenches, remove the two locknuts and bolts (K, Figure 4.3 C, [pg. 43](#)) holding the two bumpers to their supports at the head end of the bed.
5. Using the no. 2 Phillips screwdriver, remove the seven screws (Q, Figure 4.3 C, [pg. 43](#)) holding the cover to the head end casing. Remove the cables connected to the power connector after having noted their location and remove the cover.
6. Using the no. 2 Phillips screwdriver, remove the 10 screws (A, Figure 4.2 A, [pg. 32](#)) holding the cover and the I.V. pole holders to the foot casing. Lift and remove the cover while taking care to disconnect the control panel cable (B, Figure 4.2 A, [pg. 32](#)) from the control board and, if applicable, the foot end casing connector cable (C, Figure 4.2 A, [pg. 32](#)) (optional).
7. Using the no. 2 Phillips screwdriver, remove the four screws (D) holding together the two parts of both siderail mechanism covers. Remove the covers.
8. Using the 1/2" combination wrench, remove the four nuts, washers and bolts (E) holding the siderail release handle to the seat section.
9. Using the 1/2" combination wrench, remove the two nuts, washers and bolts (F) holding each end of the full-length siderail to the head end and foot end casings.
10. Reverse the above steps to install the replacement siderail assembly.
11. Verify the siderail for proper operation before returning the bed to service.

Service Information

FULL-LENGTH SIDERAIL RELEASE HANDLE REPLACEMENT

Tools Required:

- Needle Nose Pliers
- No. 1 Phillips Screwdriver
- Bungee Cord
- 7/16" Combination Wrench

Procedure:

Note

Unless otherwise indicated, refer to Figure 4.1 B on [pg. 26](#) for the following replacement procedure.

1. Completely raise the bed and apply the brakes.
2. Unplug the bed power cord from the wall outlet.
3. Raise both siderails.
4. Using needle nose pliers, remove the return spring (G).
5. Attach the siderail needing repair to the other siderail using a bungee cord.
6. Using the No. 1 Phillips screwdriver, remove the six screws (H) holding both parts of the release handle. Hold the lower part to prevent it from falling.
7. Using the 7/16" combination wrench, remove the upper part of the handle by turning the lock rod (I) towards the floor.

Note

Use the same procedure to insert the upper part of the new handle on the rod, but this time turn the lock rod up.

8. Reverse the above steps to install the replacement release handle.
9. Verify the release handle for proper operation before returning the bed to service.

Service Information

FULL-LENGTH SIDERAIL LOCKING HOOK REPLACEMENT

Tools Required:

- No. 2 Phillips Screwdriver
- Bungee Cord
- Two 1/2" Combination Wrenches

Procedure:

Note

Unless otherwise indicated, refer to Figure 4.1 B on [pg. 26](#) for the following replacement procedure.

1. Completely raise the bed and raise the siderail needing repair.
2. Unplug the bed power cord from the wall outlet.

If the hook is at the head end of the bed, follow steps 3 to 6, then go to step 8.

If the hook is at the foot end of the bed, go directly to step 7.

Head End

3. Remove the head board.
4. Raise the defective siderail.
5. Using the two 1/2" combination wrenches, remove the two locknuts and bolts (K, Figure 4.3 C, [pg. 43](#)) holding the bumpers to their support.
6. Using the No. 2 Phillips screwdriver, remove the seven screws (Q, Figure 4.3 C, [pg. 43](#)) holding the cover of the head box. Remove cables connected to power connector taking note of their position then remove cover.

Foot End

7. Using the No. 2 Phillips screwdriver, remove the 10 screws (A, Figure 4.2 A, [pg. 32](#)) holding the cover as well as the two I.V. poles to the foot box. Raise and remove the cover taking care to disconnect the electronic board first, the cable (B, Figure 4.2 A, [pg. 32](#)) of the control panel and, if applicable, the cable (C, Figure 4.2 A, [pg. 32](#)) of the connector from the foot box (optional).
8. Using the No. 2 Phillips screwdriver, remove the four screws (D) holding the two parts of the plastic cover over the siderail mechanism. Remove cover.
9. Using the two 1/2" combination wrenches, remove locknut, shoulder spacer and bolt (J) holding the locking hook to the plate. Remove hook.
10. Reverse the preceding steps to install the new hook.
11. Verify siderail for proper operation before returning the bed to service.

Service Information

FOOT END CONTROL PANEL REPLACEMENT

Tools Required:

- No. 2 Phillips Screwdriver

Note

The control panel is made of a membrane and its support. Both parts should be ordered for this replacement procedure. Refer to the "Quick Reference Replacement Parts List" section on [pg. 17](#).

Procedure:

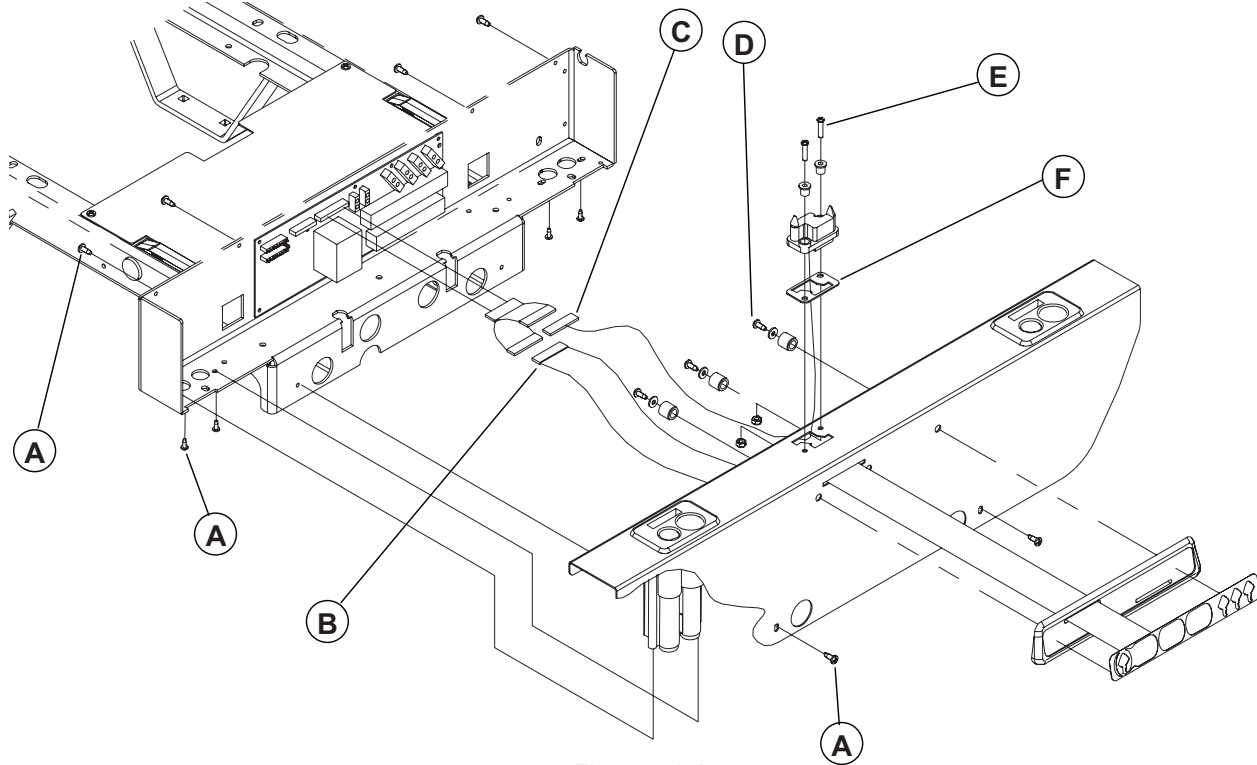


Figure 4.2 A

1. Completely raise the bed and apply the brakes.
2. Unplug the bed power cord from the wall outlet.
3. Remove the foot board.
4. Using the No. 2 Phillips screwdriver, remove the 10 screws (A) holding the cover and the I.V. pole holders to the foot casing.
5. Use the Static Discharge Precautions procedure (see [pg. 19](#)).
6. Lift and remove the cover taking care to disconnect the electronic board, the cable (B) from the control panel and, if applicable, the foot casing connector cable ((optional), C). Lay the cover on a workbench.
7. Using the No. 2 Phillips screwdriver, remove the three screws, washers and spacers (D) holding the panel to the cover.
8. Reverse the above steps to install the new control panel.
9. Verify all the controls of the foot end control panel before returning the bed to service.

Service Information

FOOT END CASING CONNECTOR REPLACEMENT (OPTIONAL)

Tools Required:

- No. 2 Phillips Screwdriver
- 3/8" Combination Wrench

Procedure:

Note

Unless otherwise indicated, refer to Figure 4.2 A on [pg. 32](#) for the following replacement procedure.

1. Completely raise the bed and apply the brakes.
2. Unplug the bed power cord from the wall outlet.
3. Remove the foot board.
4. Using the No. 2 Phillips screwdriver, remove the 10 screws (A) holding the cover and the two I.V. pole holders to the foot casing.
5. Lift and remove the cover taking care to disconnect the electronic board, the control panel cable (B) and the foot casing connector cable (C). Lay the cover on a workbench.
6. Using the 3/8" combination wrench, remove the two locknuts, shoulder spacers and screws (E) holding the connector and the seal (F) to the cover. Remove the defective connector using the 3/8" combination wrench and No. 2 Phillips screwdriver. Keep the seal for the replacement connector.
7. Reverse the above steps to install the new connector.
8. Verify all the controls of the foot end control panel for proper operation before returning the bed to service.

Service Information

FOOT BOARD CONTROL PANEL REPLACEMENT (OPTIONAL)

Tools Required:

- No. 2 Phillips Screwdriver
- Double-Sided Tape

Procedure:

Note

The control panel is made of a membrane and its support. Both parts should be ordered for this replacement procedure. Refer to the "Quick Reference Replacement Parts List" section on [pg. 17](#).

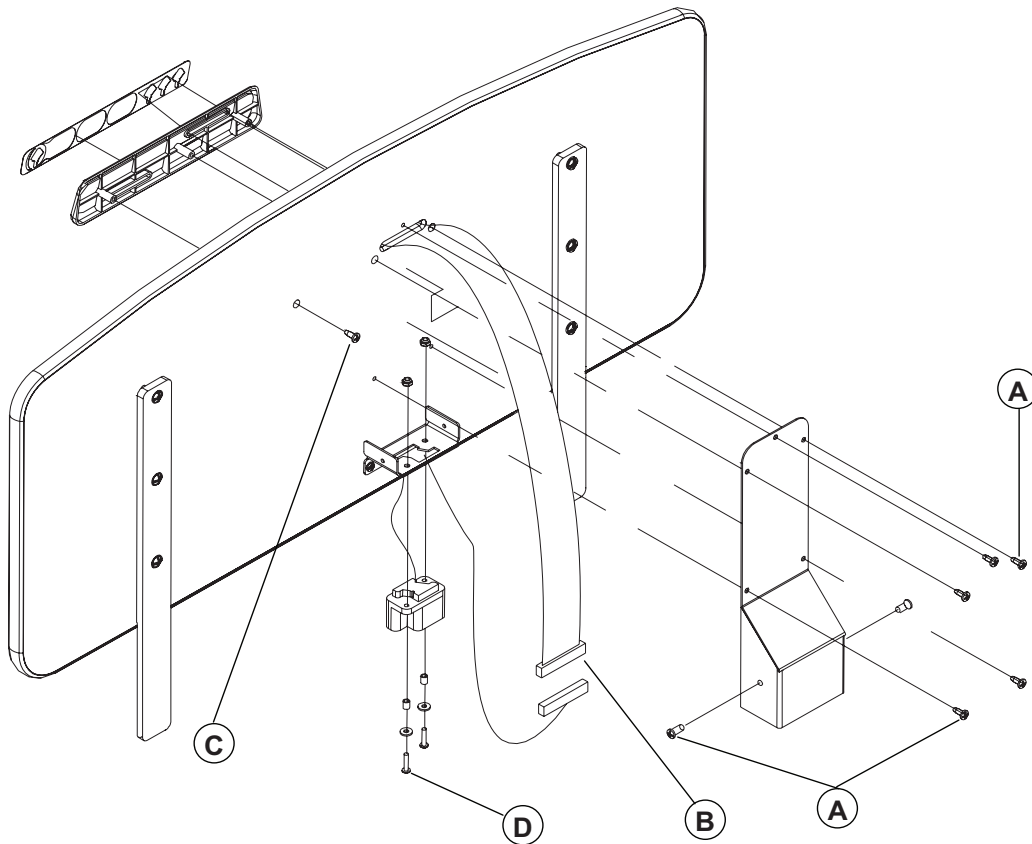


Figure 4.2 B

1. Completely raise the bed and apply the brakes.
2. Unplug the bed power cord from the wall outlet.
3. Remove the foot board and lay it on a workbench.
4. Using the No. 2 Phillips screwdriver, remove the seven screws (A) holding the support cover to the inner face of the foot board and remove the cover.
5. Disconnect the foot board panel cable (B).
6. Using the No. 2 Phillips screwdriver, remove the last screw (C) holding the control panel to the foot board. Remove the panel. A small part of the panel cable is stuck to the inner face of the panel with a small double-sided tape. Do the same at reassembly.
7. Reverse the above steps to install the replacement foot board panel.
8. Verify all the controls of the foot board panel for proper operation before returning the bed to service.

Service Information

FOOT BOARD CONNECTOR REPLACEMENT (OPTIONAL)

Tools Required:

- No. 2 Phillips Screwdriver
- 9 mm Combination Wrench

Procedure:

Note

This connector is present when the bed is equipped with a foot board control panel. Unless otherwise indicated, refer to Figure 4.2 B on [pg. 34](#) for the following replacement procedure.

1. Completely raise the bed and apply the brakes.
2. Unplug the bed power cord from the wall outlet.
3. Remove the foot board and lay it on a workbench.
4. Using the No. 2 Phillips screwdriver, remove the seven screws (A) holding the support cover to the inner face of the foot board and remove the cover.
5. Disconnect the foot board connector cable (B).
6. Using the 9 mm combination wrench and No. 2 Phillips screwdriver, remove the two locknuts, washers, sleeves and screws (D) holding the connector to its support. Remove the defective connector.
7. Reverse the above steps to install the replacement connector.
8. Verify the foot board controls for proper operation before returning the bed to service.

Service Information

SIDERAIL CONTROL PANEL MEMBRANE REPLACEMENT

Tools Required:

- No. 2 Phillips Screwdriver

Note

The replacement of a membrane implies that the one facing it on the inner or outer control panel also has to be replaced. Service kits, including both membranes are available.

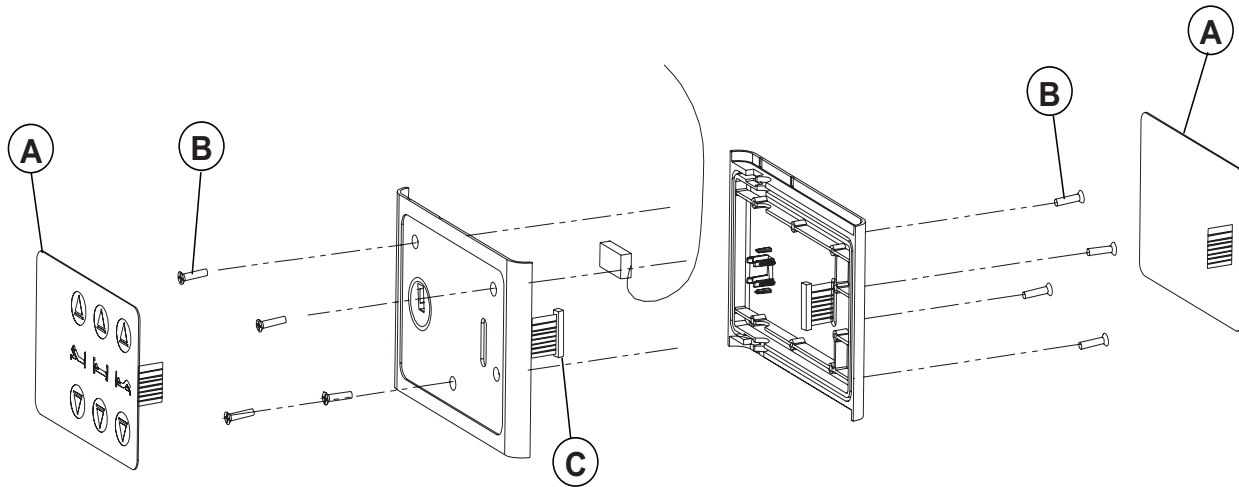


Figure 4.2 C

Procedure:

1. Completely raise the bed and apply the brakes. Bring the head section to horizontal position.
2. Unplug the bed power cord from the wall outlet.
3. Raise the head siderail needing repair.
4. Properly ground yourself (see [pg. 19](#)).
5. Detach the two membranes (A) from their mounting plates and let them hang down.
6. Using a No. 2 Phillips screwdriver, remove the eight screws (B) holding together the two sections of the control panel housing.
7. Open the housing, disconnect the defective membrane cable (C) and remove the membrane.
8. Reverse the above steps to install the new control panel membranes.

Note

Make sure to connect the membrane cables before fastening together the two sections of the control panel housing. Stick the membranes to the support at the end of the replacement procedure.

9. Verify all the siderail functions for proper operation before returning the bed to service.

MATTRESS SUPPORT REPLACEMENT

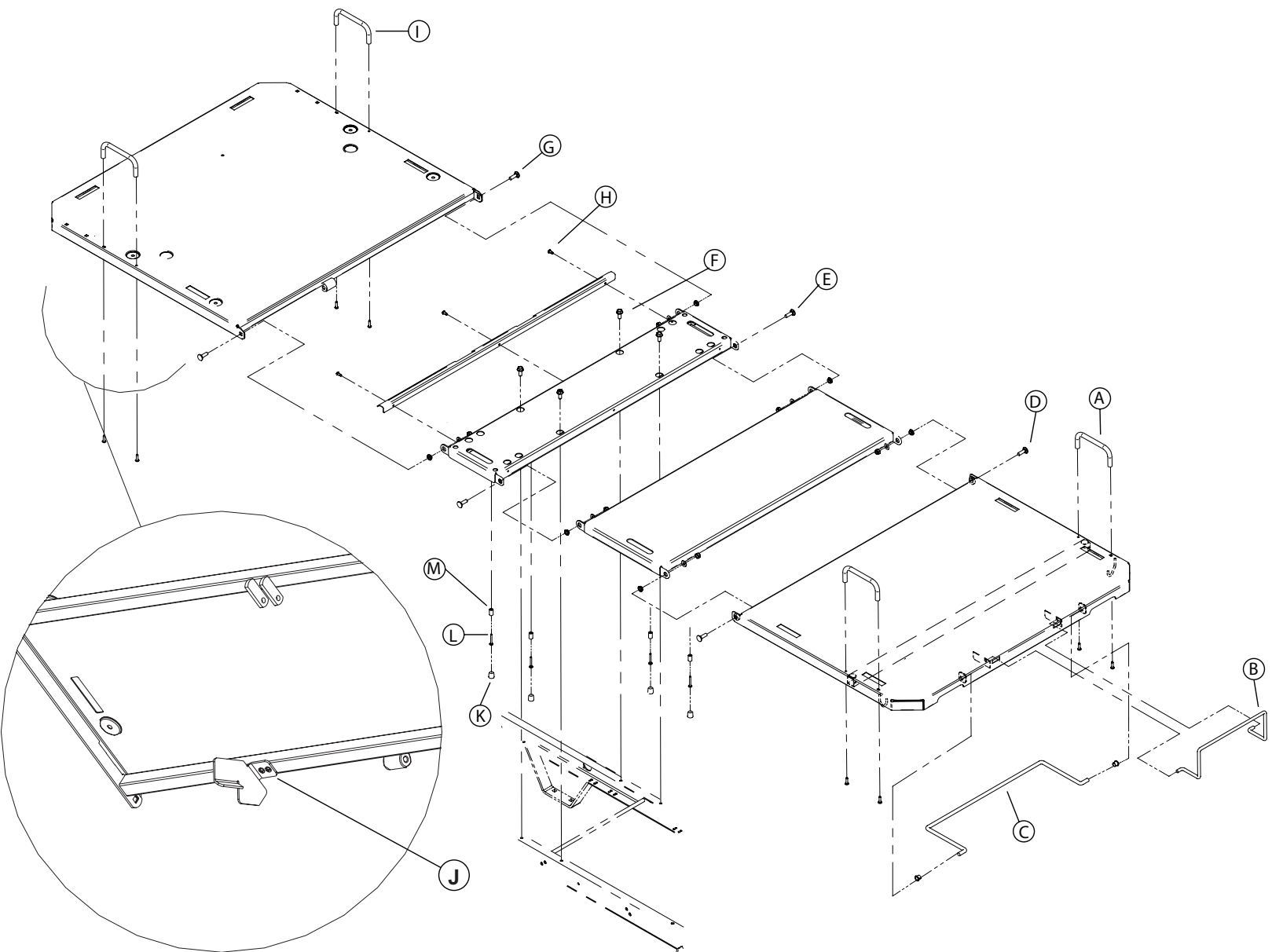


Figure 4.3 A

Service Information

FOOT SECTION REPLACEMENT

Tools Required:

- No. 2 Phillips Screwdriver
- 1/2" Combination Wrench
- Bungee Cords

Procedure:

1. Completely raise the bed and apply the brakes. Flatten all sections of the mattress support.
2. Unplug the bed power cord from the wall outlet.
3. Lower the siderails.
4. Lift and fold back the foot section toward the head end of the bed. Secure the section to the bed using a bungee cord.
5. Using the No. 2 Phillips screwdriver, remove the two lateral mattress retainers (A).
6. Remove the foot end mattress retainer (B).
7. Remove the foot prop rod (C).
8. Remove the bungee cord and replace the foot section to horizontal position.
9. Using the 1/2" combination wrench, remove the two locknuts, washers, shoulder spacers and bolts (D) linking the foot section to the thigh section and remove the defective section.
10. Reverse the above steps to install the new foot section.

Service Information

THIGH SECTION REPLACEMENT

Tools Required:

- Needle Nose Pliers
- 1/2" Combination Wrench
- Bungee Cords

Procedure:

Note

Unless otherwise indicated, refer to Figure 4.3 A on [pg. 37](#) for the following replacement procedure.

1. Completely raise the bed and apply the brakes. Flatten all sections of the mattress support.
2. Unplug the bed power cord from the wall outlet.
3. Lower the siderails.
4. Lift and fold back the foot section toward the head end of the bed. Secure the section to the bed using a bungee cord.
5. Using needle nose pliers, remove the rue ring cotter, washers and clevis pin (D, Figure 4.3 C, [pg. 43](#)) linking the thigh section lever arms to the thigh actuator tube.

Note

Before linking back the thigh actuator tube to the thigh section lever arms, verify that the actuator course was preserved. To do so, refer to the caution that follows step 16 of the "Knee Gatch Actuator Replacement Procedure" on [pg. 45](#) and proceed with step 17 of the procedure.

6. Remove the bungee cord and bring the foot section back to flat position.
7. Using the 1/2" combination wrench, remove the four locknuts, washers, shoulder spacers and bolts (D, E) linking the thigh section to the foot and seat sections and remove the thigh section.
8. Reverse the above steps to install the replacement thigh section.

Service Information

SEAT SECTION REPLACEMENT

Tools Required:

- 3/8" Drive Ratchet
- 1/2" Socket - Deep Well
- Torque Wrench
- 1/2" Combination Wrench
- No. 2 Phillips Screwdriver

Procedure:

Note

Unless otherwise indicated, refer to Figure 4.3 A on [pg. 37](#) for the following replacement procedure.

1. Completely raise the bed and apply the brakes. Flatten the mattress support.
2. Unplug the power plug from the wall outlet.
3. Lower the siderails.
4. Using the 1/2" socket, remove the four thread rolling bolts (F) holding the seat section to the frame.

Note

At reassembly, screw the bolts in manually and then tighten applying a 135 lb/in torque.

5. Using the 1/2" combination wrench, remove the four locknuts, washers, shoulder spacers and bolts (E, G) linking the seat section to the thigh and head sections and remove the seat section.
6. Using the Phillips No. 2 screwdriver turn the seat section up side down and remove the three screws (H) holding the protective plate to the seat section. Keep the plate for the replacement seat section.
7. Remove the four rubber caps (K) covering the screws (L) holding the stops (M) to the defective section and replace the parts on the replacement section.
8. Reverse the above steps to install the replacement seat section.

Service Information

HEAD SECTION REPLACEMENT

Tools Required:

- No. 2 Phillips Screwdriver
- Strap
- Two 1/2" Combination Wrenches
- Two 7/16" Combination Wrenches

Procedure:

Note

Unless otherwise indicated, refer to Figure 4.3 A on [pg. 37](#) for the following replacement procedure.

1. Completely raise the bed and apply the brakes.
2. If the bed is equipped with full-length siderails, lower them. If equipped with half-length siderails, raise the head siderails and lower the foot ones.
3. Remove the head board.
4. Completely raise the head section and attach it securely to the bed using a strap. **It must not move during the procedure.**
5. Unplug the bed power cord from the wall outlet.
6. Using the No. 2 Phillips screwdriver, remove the two lateral mattress retainers (I) and keep them for the replacement head section.

If the bed is not equipped with the CPR emergency release (optional), proceed with steps 7 to 14. Otherwise, proceed with steps 15 to 24.

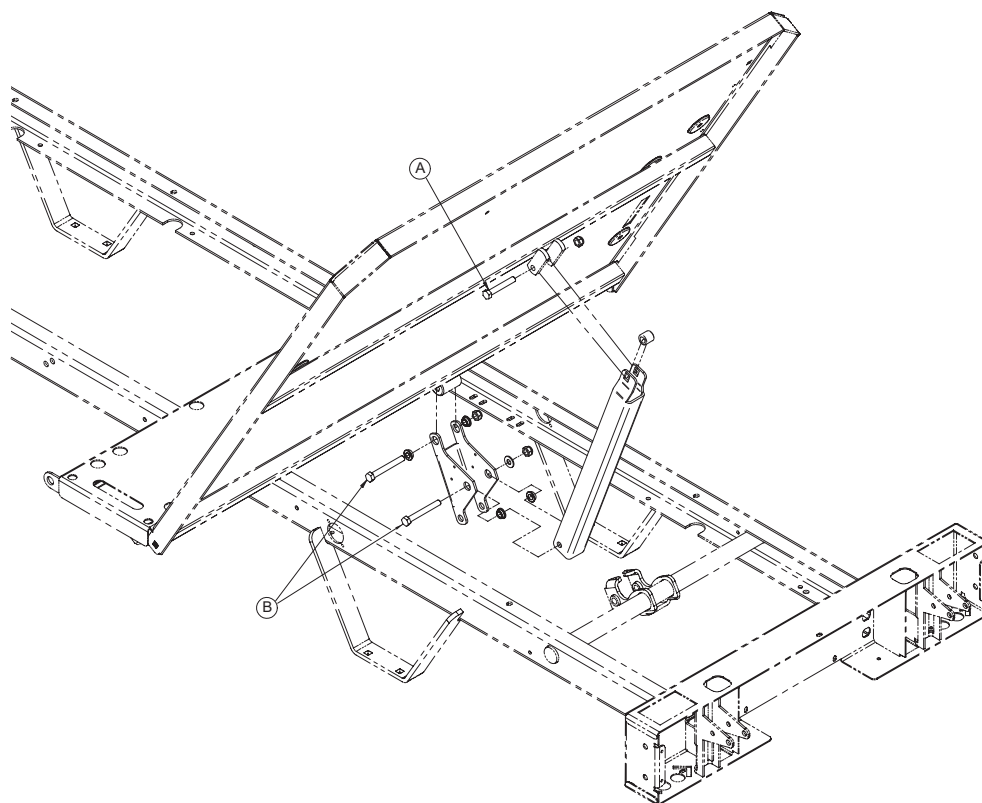


Figure 4.3 B

[Return To Table of Contents](#)

Service Information

HEAD SECTION REPLACEMENT (CONTINUED)

- Using two 1/2" combination wrenches, remove the locknut, spacer and bolt holding the upper part of the compression bar to the head section and lay it down.
- Using two 1/2" combination wrenches, remove the locknut, shoulder spacers and bolt (B) linking the mattress support lever to the head section and remove the lever-compression bar assembly.
- Remove the strap and manually lower the head section completely.
- If the bed is equipped with half-length siderails, lower the head siderails and use the No. 2 Phillips screwdriver to remove the four screws (K, Figure 4.1 A, [pg. 22](#)) holding the two siderail supports to the head section. Let the support-siderail assembly rest on the frame.
- Using the 1/2" combination wrench, remove the two locknuts, flat washers, shoulder spacers and bolts (G) linking the head section to the seat section. Remove the defective head section.
- Using the no. 2 Phillips screwdriver, remove the two screws (J) holding the micro switch activator (optional) to the head section.

Note

This activator is present only if the bed is equipped with the optional Auto Contour positioning. Remember the position of the micro switch activator before removing the screws. Properly positioned, the blade of the Auto Contour micro switch is pushed in by the activator when the Fowler is in flat position.

- Reverse the above steps to install the replacement head section.
- Verify the Auto Contour positioning (optional) for proper operation before returning the bed to service.

End of the procedure for beds with Auto Contour.

Note

Unless otherwise indicated, refer to Figure 4.3 A on [pg. 37](#) for the following replacement procedure.

- Disconnect the two wires (A, Figure 4.3 F, [pg. 54](#)) from the micro switch located on the head section lever. Note their position before doing so.
- Using two 7/16" combination wrenches, remove the locknut and bolt (O, Figure 4.3 F, [pg. 54](#)) holding the cylinder end fitting to the head section.
- Using two 1/2" combination wrenches, remove the nut, shoulder spacers and bolt (P, Figure 4.3 F, [pg. 54](#)) holding the upper part of the section lever to the head section.
- Using a 7/16" combination wrench, remove the two locknuts and bolts (Q, Figure 4.3 F, [pg. 54](#)) holding each CPR release handle to the head section.
- Remove the strap and manually lower the head section completely.
- If the bed is equipped with half-length siderails, lower the head siderails and use the No. 2 Phillips screwdriver to remove the four screws (K, Figure 4.1 A, [pg. 22](#)) holding the two siderail supports to the head section. Let the supports-siderails assembly rests on the frame.
- Using the 1/2" combination wrench, remove the two locknuts, shoulder spacers, washers and bolts (G) holding the head section to the seat section. Remove the defective head section.
- Using the No. 2 Phillips screwdriver, remove the two screws holding the activator (J) to the head section.

Note

Note the position of the activator before removing the screws. Properly positioned, the blade of the CPR and Auto Contour (optional) micro switches are pushed in by the activator when the Fowler is in flat position.

- Reverse the above steps to install the replacement head section.
- Verify the CPR emergency release and the Auto Contour positioning (optional) for proper operation before returning the bed to service.

End of the procedure for beds with CPR and Auto Contour.

Service Information

FOWLER ACTUATOR REPLACEMENT

Tools Required:

- Needle Nose Pliers
- No. 2 Phillips Screwdriver
- Diagonal Pliers
- 5/16" Socket
- Small Regular Head Screwdriver
- Pliers
- Bungee Cord
- 1/4" Drive Ratchet

Procedure:

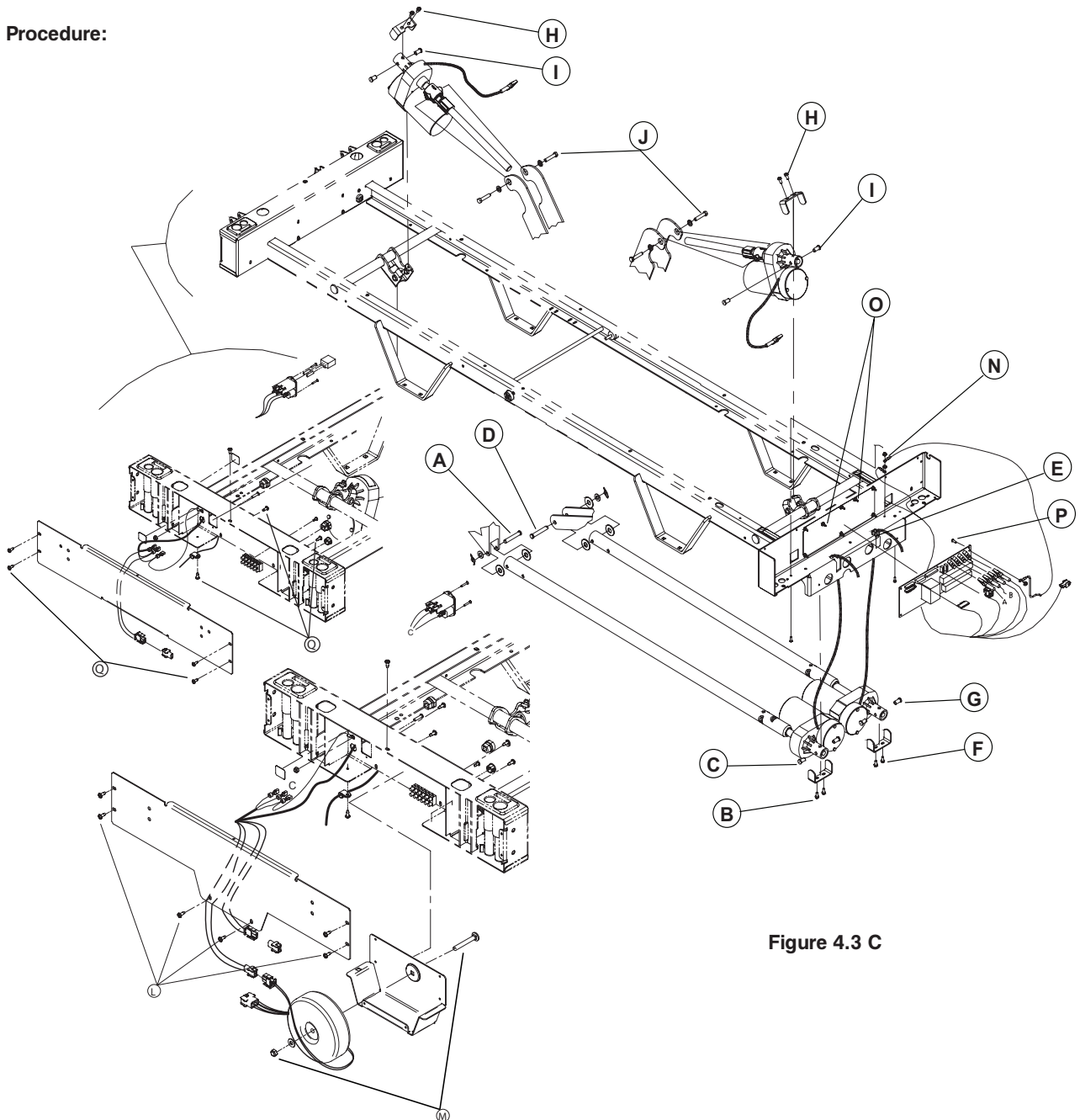



Figure 4.3 C

Service Information

FOWLER ACTUATOR REPLACEMENT (CONTINUED)

1. Completely raise the bed and apply the brakes. Completely raise the Knee Gatch section and flatten the Fowler section.
2. Unplug the bed power cord from the wall outlet.
3. Raise the siderails.
4. Manually lift and fold the foot section back toward the head end of the bed. Attach it securely to the bed using a bungee cord.
5. Using needle nose pliers, remove the rue ring cotter, washers and clevis pin (A) linking the head actuator tube to the section lever arms.
6. Remove the foot board.
7. Using the No. 2 Phillips screwdriver, remove the 10 screws (A, Figure 4.2 A, [pg. 32](#)) holding the cover and the two I.V. pole holders to the foot casing.
8. Lift up and remove the cover, taking care first to disconnect, from the control board, the control panel cable (B, Figure 4.2 A, [pg. 32](#)) and, if applicable, the foot casing connector cable ((optional), C, Figure 4.2 A, [pg. 32](#)).
9. Properly ground yourself (see [pg. 19](#)).
10. Using cutting pliers, cut the cable tie holding the head actuator cable to the other cables.
11. Disconnect the actuator cable (connector J8) from the control board and remove the cable from the foot end casing.
12. Using the 5/16" socket, remove the two screws (B) holding the retaining plate to the actuator support.
13. Remove the two pivot pins (C) holding the actuator to the support. To facilitate the removal of the pins, insert a small slotted head screwdriver into the opening at the end of the actuator and push out the pins.
-  14. Move the actuator toward the centre of the bed to remove it from its location.
15. Reverse the above steps to install the replacement actuator. Take note of the following caution before hooking up the actuator tube to the head section lever arms.

CAUTION

It is of utmost importance that the course of the replacement head actuator be adjusted before hooking up its tube to the head section lever arms. An improper adjustment can damage the head section structure.

16. To adjust the course of the replacement head actuator, proceed as follows:
 - A. Make sure that the actuator cable is connected to the control board, and then connect the bed power cord.
 - B. Grab the replacement actuator tube and position its holes horizontally. While firmly holding the tube with one hand to prevent it from rotating, press the Fowler up control for a few seconds using the other hand, then press the down control until the actuator stops. This will be the lower limit of the Fowler actuator course.
 - C. Gently turn the tube in either direction to align the tube holes with those of the head section lever arms. Then, still holding firmly the tube, raise again the Fowler a few inches, and lower it completely.
 - D. Check the alignment of the holes. If the tube holes are not aligned any more with those of the lever arms, repeat steps B and C until they are. Once the holes are aligned, install the washers and the clevis pin. Slightly raise the head section manually to ease the insertion of the clevis pin.
 - E. Before installing the rue ring cotter to finalize the head actuator replacement, raise and lower completely the Fowler. Check that the actuator stops working as soon as the head section reaches the frame.

Service Information

KNEE GATCH MOTOR REPLACEMENT

Tools Required:

- Bungee Cord
- Needle Nose Pliers
- No. 2 Phillips Screwdriver
- Pliers
- Diagonal Pliers
- Small Regular Head Screwdriver
- 5/16" Socket
- 1/4" Drive Ratchet

Procedure:

Note

Unless otherwise indicated, refer to Figure 4.3 C on [pg. 43](#) for the following replacement procedure.

1. Completely raise the bed and apply the brakes. Flatten the mattress support.
2. Unplug the bed power cord from the wall outlet.
3. Raise the siderails.
4. Manually lift and fold the foot section back toward the head end of the bed. Attach it securely to the bed using a bungee cord.
5. Using needle nose pliers, remove the rue ring cotter, washers and clevis pin (D) linking the thigh actuator tube to the thigh section lever arms.
6. Using the No. 2 Phillips screwdriver, remove the 10 screws (A, Figure 4.2 A, [pg. 32](#)) holding the cover and the two I.V. pole holders to the foot casing.
7. Lift up and remove the cover, taking care to first disconnect the control panel cable (B, Figure 4.2 A, [pg. 32](#)) and, if applicable, the foot casing connector cable ((optional), C, Figure 4.2 A, [pg. 32](#)) from the control board.
8. Properly ground yourself (see [pg. 19](#)).
9. Using diagonal pliers, cut the cable tie holding the thigh actuator cable to the other cables.
10. Disconnect the motor cable (connector J9) from the control board.
11. Using pliers, squeeze the upper part of the black strain-relief bushing (E) holding the actuator cable to the foot casing and raise the bushing to disengage it from its location.
12. Disengage the cable from the strain-relief bushing and remove the cable from the foot casing.
13. Using the 5/16" socket, remove the two screws (F) holding the retaining plate to the actuator support.
14. Remove the two pivot pins (G) holding the motor to the support. To facilitate the removal of the pins, insert a small regular head screwdriver into the opening at the end of the actuator and push out the pins.
15. Push on the defective actuator toward the centre of the bed to remove it from its location.
16. Reverse the above steps to install the replacement actuator. Take note of the following caution before hooking up the actuator tube to the thigh section lever arms.

CAUTION

It is of utmost importance that the course of the replacement thigh actuator be adjusted before hooking up its tube to the thigh section lever arms. An improper adjustment can damage the thigh section structure.

Service Information

KNEE GATCH MOTOR REPLACEMENT (CONTINUED)

17. To adjust the travel of the replacement knee gatch motor, proceed as follows:
 - A. Make sure that the motor cable is connected to the control board, then connect the bed power cord.
 - B. Grab the replacement motor tube and position its holes horizontally. While firmly holding the tube with one hand to prevent it from rotating, press the Knee Gatch up control for a few seconds using the other hand, then press the down control until the actuator stops. This will be the lower limit of the Knee Gatch actuator course
 - C. Gently turn the tube in either direction to align the tube holes with those of the thigh section lever arms. Then, still holding firmly the tube, raise again the Knee Gatch a few inches, and lower it completely.
 - D. Check the alignment of the holes. If the tube holes are not aligned any more with those of the lever arms, repeat steps B and C until they are. Once the holes are aligned, install the washers and the clevis pin. Slightly raise the head section manually to ease the insertion of the clevis pin.
 - E. Before installing the rue ring cotter to finalize the head actuator replacement, raise and lower completely the Knee Gatch. Check that the actuator stops working as soon as the thigh section reaches the frame.

Service Information

BED LIFT MOTOR REPLACEMENT

Tools Required:

- 1/4" Drive Ratchet
- KR0121 Tool Kit
- Diagonal Pliers
- 5/16" Socket
- Small Regular Head Screwdriver
- No. 2 Phillips Screwdriver
- 1/2" Combination Wrench
- Bungee Cord

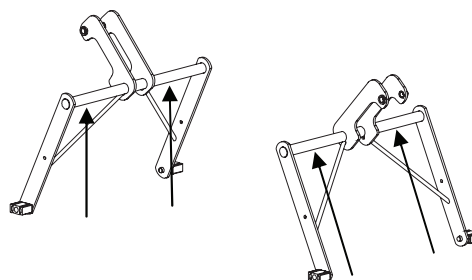
Procedure:

Note

In order to preserve the adjustment of the bed's lowest position when replacing a bed lift motor, a special tool kit designed for that purpose must be used. The kit includes alignment jigs. To obtain this kit, contact our Customer Support department and order part number KR0121.

Unless otherwise indicated, refer to Figure 4.3 C on [pg. 43](#) for the following replacement procedure.

1. Position the mattress support sections depending on the location of the bed lift motor to replace:
 - A. At the **foot of the bed**: Completely raise the thigh section, then lift and fold back the foot section toward the head end of the bed. Attach it securely to the bed using a bungee cord. Finally completely raise the Fowler.
 - B. At the **head of the bed**: Completely raise the Fowler.
2. Position the alignment jigs on the floor, on a plane surface, right under the two transversal tubes supporting the link arms of both bed lift levers. Lower the bed until the tubes come to rest on the jigs (see opposite Figure). Use the 3/8" ratchet wrench with the 1/2" socket provided in the kit to lower a defective bed lift motor until the tube rests on the jig.
3. Unplug the bed power cord from the wall outlet.
4. Raise the siderails.
5. Disconnect the motor cable and cut, using diagonal pliers, the cable ties holding it to the frame.
6. Using the 5/16" socket, remove the two screws (H) holding the retaining plate to the actuator support.
7. Remove the two pivot pins (I) holding the motor to the support. To facilitate the removal of the pins, insert the small regular head screwdriver into the opening at the end of the actuator and push out the pins.
8. Using the 1/2" combination wrench, remove the two bolts and washers (J) holding the molded nut support to the Hi-Lo lever. Remove the molded nut support and keep it for the replacement actuator.



Note

Make sure that the support and the molded nut holes are aligned before screwing in the bolts. If resistance is felt, it means that the holes are not aligned.

9. Remove the defective motor.
10. Using the No. 2 Phillips screwdriver, remove the two screws holding together the two parts of the screw cover (optional) and keep it for the replacement actuator.
11. Reverse the above steps to install the replacement actuator. Take note of the following caution before hooking up the motor to the bed lift lever.

[Return To Table of Contents](#)

Service Information

HI-LO ACTUATOR REPLACEMENT (CONTINUED)

 **CAUTION**

The course of the replacement motor must be adjusted prior to hooking it to the bed lift lever. An improper adjustment can damage the bed lift mechanism.

12. To adjust the replacement motor, proceed as follows:

- A. Once the replacement motor cable is connected, plug the bed power cord and press the bed down control until the motor stops. This will be the lower limit of the actuator course.
- B. Link the motor to the bed lift lever.
- C. The alignment jigs still in position, completely raise and lower the bed to ensure that the lower limit has been preserved following the motor replacement.

Service Information

TOROIDAL TRANSFORMER REPLACEMENT (INTERNATIONAL SERIES MODELS)

Tools Required:

- No. 2 Phillips Screwdriver
- 1/2" Combination Wrench

Procedure:

Note

Unless otherwise indicated, refer to Figure 4.3 C on [pg. 43](#) for the following replacement procedure.

1. Completely raise the bed and apply the brakes.
2. Unplug the bed power cord from the wall outlet.
3. Remove the head board.
4. Using a No. 2 Phillips screwdriver, remove the seven screws (L) holding the cover to the head casing.
5. Remove the cables connected to the power connector after having carefully noted their position and remove the cover.
6. Disconnect the transformer cables.
7. Using the 1/2" combination wrench, remove the nut, washer and bolt (M) holding the transformer to the head casing.

Note

Do not over tighten the nut.

8. Reverse the above steps to install the replacement transformer.
9. Test all the bed electric controls for proper operation before returning the bed to service.

Service Information

MOTOR CONTROL BOARD REPLACEMENT

Tools Required:

- No. 2 Phillips Screwdriver
- Needle Nose Pliers
- Diagonal Pliers
- 3/8" Combination Wrench

Procedure:

Note

Unless otherwise indicated, refer to Figure 4.3 C on [pg. 43](#) for the following replacement procedure.

1. Completely raise the bed and apply the brakes.
2. Unplug the bed power cord from the wall outlet.
3. Remove the foot board.
4. Using the No. 2 Phillips screwdriver, remove the 10 screws (A, Figure 4.2 A, [pg. 32](#)) holding the cover and the I.V. pole holders to the foot casing.
5. Lift up and remove the cover, taking care to first disconnect the control panel cable (B, Figure 4.2 A, [pg. 32](#)) and, if applicable, the foot casing connector cable ((optional), C, Figure 4.2 A, [pg. 32](#)) from the control board.
6. Properly ground yourself (see [pg. 19](#)).
7. Using diagonal pliers, cut the cable ties holding together the cables.

Note

Carefully note the position and the grouping together of the cables before clipping the cable ties.

8. Remove all cables connected to the control board. Note their location so they will be connected properly to the replacement board. Refer to the connection diagram in the "Electrical Service Information" section for the connecting position of the cables on the motor control board.
9. Using the 3/8" combination wrench, remove the nut (N) holding the ground cable to the frame and remove the cable.
10. Using needle nose pliers, pinch the upper part of the stand-off pins (O) and gradually lift the board up and out.

Note

Verify that the DIP switches of the replacement control board are set as the ones of the defective board. They should be as follows:

DIP switches
no. 1: off;
no. 2: off;
no. 3: on;
no. 4: on.

11. Using the 3/8" combination wrench and No. 2 Phillips screwdriver, remove the nut and screw (P) holding the ground cable to the board.
12. Keep the jumper (W1) that is located on the electronic board before replacing the board.
13. Reverse the above steps to install the replacement control board.
14. Test all the bed electric functions before returning the bed to service.

Service Information

POWER CONNECTOR AND FUSE REPLACEMENT

Tools Required:

- No. 2 Phillips Screwdriver
- No. 1 Phillips Screwdriver
- Small Regular Head Screwdriver

Procedure:

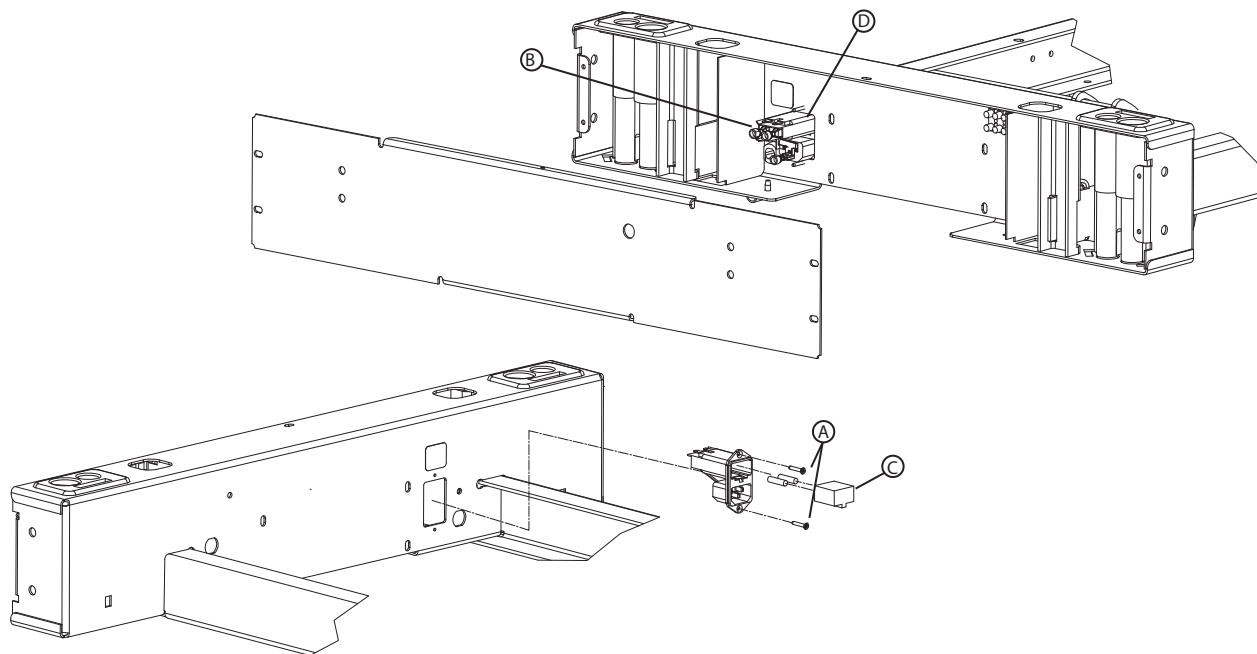


Figure 4.3 D

Note

Fuses used in this bed, powered by the 120V electrical system, are of the fast acting type and their rating is 250V, 10A. For beds powered by other electrical system, see the “Specifications” section on [pg. 8](#) for the fuse ratings.

For the replacement of a fuse, proceed with steps 8 to 10.

1. Completely raise the bed and apply the brakes.
2. Unplug the bed power cord from the wall outlet.
3. Remove the foot board.
4. Raise the head section, using the emergency crank.
5. Using the No. 2 Phillips screwdriver, remove the seven screws (Q, Figure 4.3 C, [pg. 43](#)) holding the cover to the head casing. Remove all the cables (B) connected to the power connector (D). Note their location so they will be connected correctly to the replacement power connector. Remove the cover and lay it on a work bench.
6. Using the No. 1 Phillips screwdriver, remove the two screws (A) holding the power connector to the frame.
7. Using the small regular screwdriver, remove the fuse holder.
8. Remove the fuses from the fuse holder and keep them for the replacement power connector, taking care to check that they are still in good condition, or replace them if you are only proceeding with the replacement of the fuses.
9. Reverse the above steps to install the replacement power connector.
10. Turn the power switch on and check that the bed is powered before returning it to service.

Service information

AUTO CONTOUR MICRO SWITCH REPLACEMENT (OPTIONAL)

Tools Required:

- No. 2 Phillips Screwdriver
- No. 1 Phillips Screwdriver

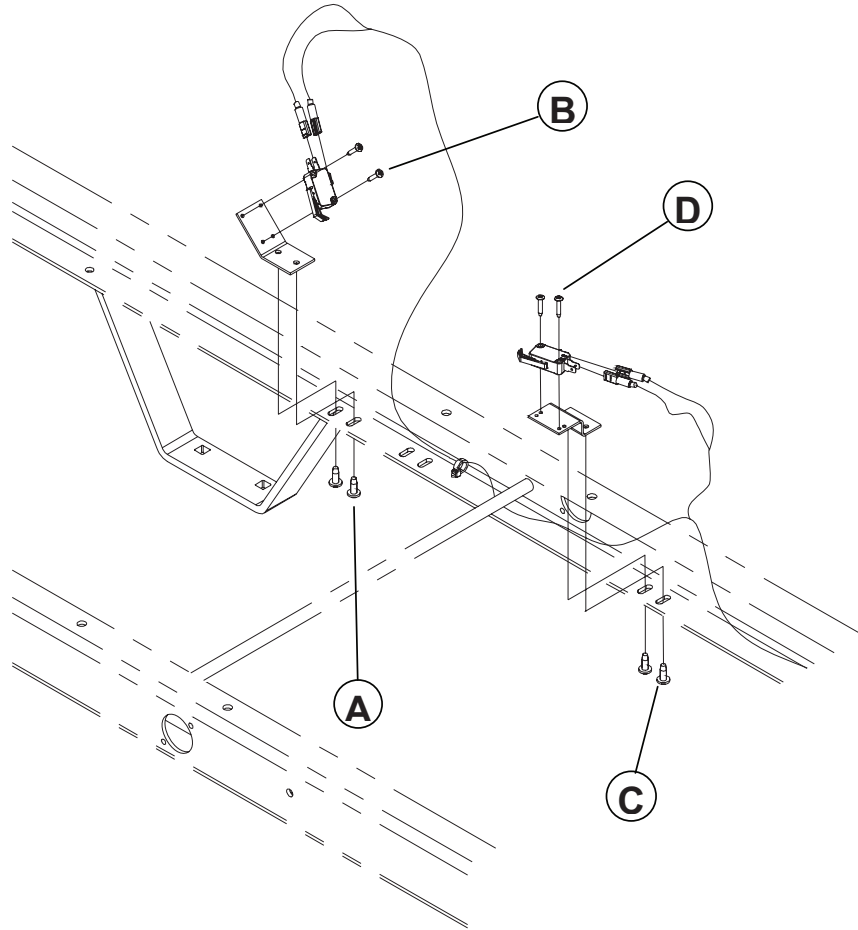


Figure 4.3 E

Procedure:

1. Completely raise the bed and apply the brakes.
2. Deactivate the Auto Contour function by pressing the Knee Gatch lockout switch at the foot end of the bed. The lockout switch LED will go off.
3. Completely raise the Fowler.
4. Unplug the bed power cord from the wall socket.

Head Section Micro Switch

Note

This switch signals to the motor control board that the Knee Gatch must be lowered. The signal is sent during the lowering of the Fowler when the bed is in the Auto Contour position.

Service Information

AUTO CONTOUR MICRO SWITCH REPLACEMENT (OPTIONAL) (CONTINUED)

5. Remove the cable wires from the switch. Note their location so they will be connected correctly to the replacement switch.
6. Using the No. 2 Phillips screwdriver, remove the two screws (A) holding the support to the frame and remove the support.

Note

The mounting position of the support may be adjusted thanks to the oblong holes present on the frame. The proper adjustment of the support is obtained when the switch blade is pushed in by the activator, located at the base of the head section, when the Fowler is in flat position.

7. Using the No. 1 Phillips screwdriver, remove the two screws (B) holding the switch to the support and remove the defective switch.
8. Reverse the above steps to install the replacement micro switch.
9. Test the Auto Contour positioning for proper operation before returning the bed to service.

Thigh Section Micro Switch

Note

This switch signals to the motor control board that the Knee Gatch has reached the maximum elevation angle in the Auto Contour positioning context. As a consequence, the Knee Gatch stops raising.

1. Remove the cable wires from the switch. Note their location so they will be connected correctly to the replacement switch.
2. Using the No. 2 Phillips screwdriver, remove the two screws (C) holding the support to the frame and remove the support.

Note

The mounting position of the support may be adjusted thanks to the oblong holes present on the frame. The proper adjustment of the support is obtained when the switch blade is pushed in by the thigh section outer lever arm, located underneath the thigh section, when the thigh section is in flat position.

3. Using the No. 1 Phillips screwdriver, remove the two screws (D) holding the switch to the support.
4. Reverse the above steps to install the replacement micro switch.
5. Test the Auto Contour positioning for proper operation before returning the bed to service.

Service Information

CPR MICRO SWITCH REPLACEMENT (OPTIONAL)

Tools Required:

- Inclinator
- No. 1 Phillips Screwdriver
- No. 2 Phillips Screwdriver

Procedure:

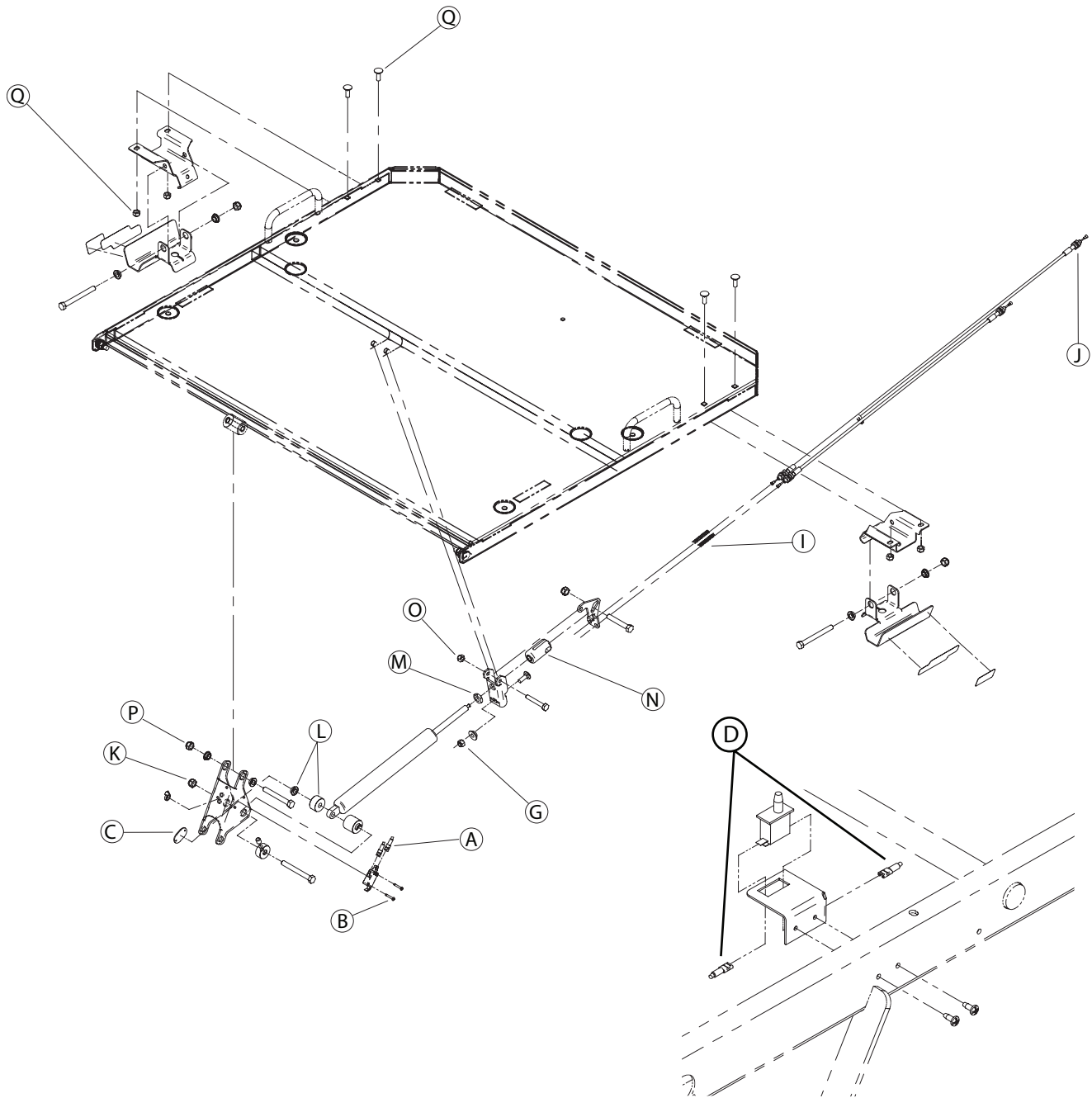


Figure 4.3 F

Service Information

CPR MICRO SWITCH REPLACEMENT (OPTIONAL) (CONTINUED)

Micro Switch Attached to the Head Section Lever

Note

This switch informs on the state of the Fowler motor (engaged or disengaged) when the CPR emergency release is activated.

1. Completely raise the bed and apply the brakes.
2. Raise the head siderails.
3. Raise the head section at an angle of 45°.
4. Unplug the bed power cord from the wall outlet.
5. Remove the wires (A) from the micro switch. Note the location of the wires so they will be connected correctly to the replacement micro switch.
6. Using the No. 1 Phillips screwdriver, remove the two screws (B) holding the micro switch to the fowler section lever. Keep the mounting plate (C). Remove the defective micro switch.
7. Reverse the above steps to install the replacement micro switch.
8. Test the CPR emergency release before returning the bed to service.

Micro Switch Attached to the Frame

Note

This switch signals to the motor control board on one hand, that the resetting of the Fowler motor may begin because the Fowler is completely lowered, and on the other hand, that the lowering to flat of the Knee Gatch may also begin.

1. Completely raise the Fowler.
2. Unplug the bed power cord from the wall outlet.
3. Remove the cable wires (D) from the micro switch. Note the location of the wires so they will be connected correctly to the replacement micro switch.
4. Using the regular screwdriver, remove the micro switch from its support.
5. Reverse the above steps to install the replacement micro switch.
6. Test the CPR emergency release before returning the bed to service.

Service Information

CPR ACTIVATION CABLE REPLACEMENT (OPTIONAL)

Tools Required:

- 7/16" Combination Wrench

Procedure:

Note

Unless otherwise indicated, refer to Figure 4.3 F on [pg. 54](#) for the following replacement procedure.

1. Completely raise the bed and apply the brakes.
2. Completely raise the Fowler and remove the head board.
3. Unplug the bed power cord from the wall outlet.
4. Using the 7/16" combination wrench, remove the nut, sleeve and bolt (G) holding both ends of the activation cable to the fixed lever.
5. Using the 7/16" combination wrench, remove the nut and washer (H) holding the defective cable jacket to the mobile lever. Remove the cable from the mobile lever and keep the spring (I). Try not to move the other cable from its position.
6. Unscrew completely the two locknuts (J) holding the defective cable to the CPR handle end. Remove the cable.
7. Reverse the above steps to install the replacement cable.

Note

Make sure there is no loose space at the CPR handle once the replacement cable is installed.

8. Test the CPR emergency release before returning the bed to service.

Service Information

CPR PNEUMATIC CYLINDER REPLACEMENT (OPTIONAL)

Tools Required:

- Two 1/2" Combination Wrenches
- 11/16" Combination Wrench

Procedure:

Note

Unless otherwise indicated, refer to Figure 4.3 F on [pg. 54](#) for the following replacement procedure.

1. Completely raise the bed and apply the brakes.
2. Completely raise the fowler section.
3. Unplug the bed power cord from the wall outlet.
4. Using two 1/2" combination wrenches, remove the nut (K) from the bolt holding the lower end of the pneumatic cylinder.
5. Partially remove the bolt until the lower end of the cylinder is free. Keep the shoulder spacer and sleeve (L). Disengage the lower end of the cylinder from the sleeve still in place.
6. Using the 11/16" combination wrench, loosen the locknut (M) and unscrew the cylinder completely from the end fitting (N). Note the location of the locknut before loosening it so the replacement cylinder will be properly screwed into the end fitting.
7. Reverse the above steps to install the replacement cylinder.
8. Test the CPR emergency release for proper operation before returning the bed to service.

Service Information

BRAKE/STEER PEDAL REPLACEMENT

Tools Required:

- 3/8" Drive Ratchet
- 1/2" Socket
- Rubber Mallet

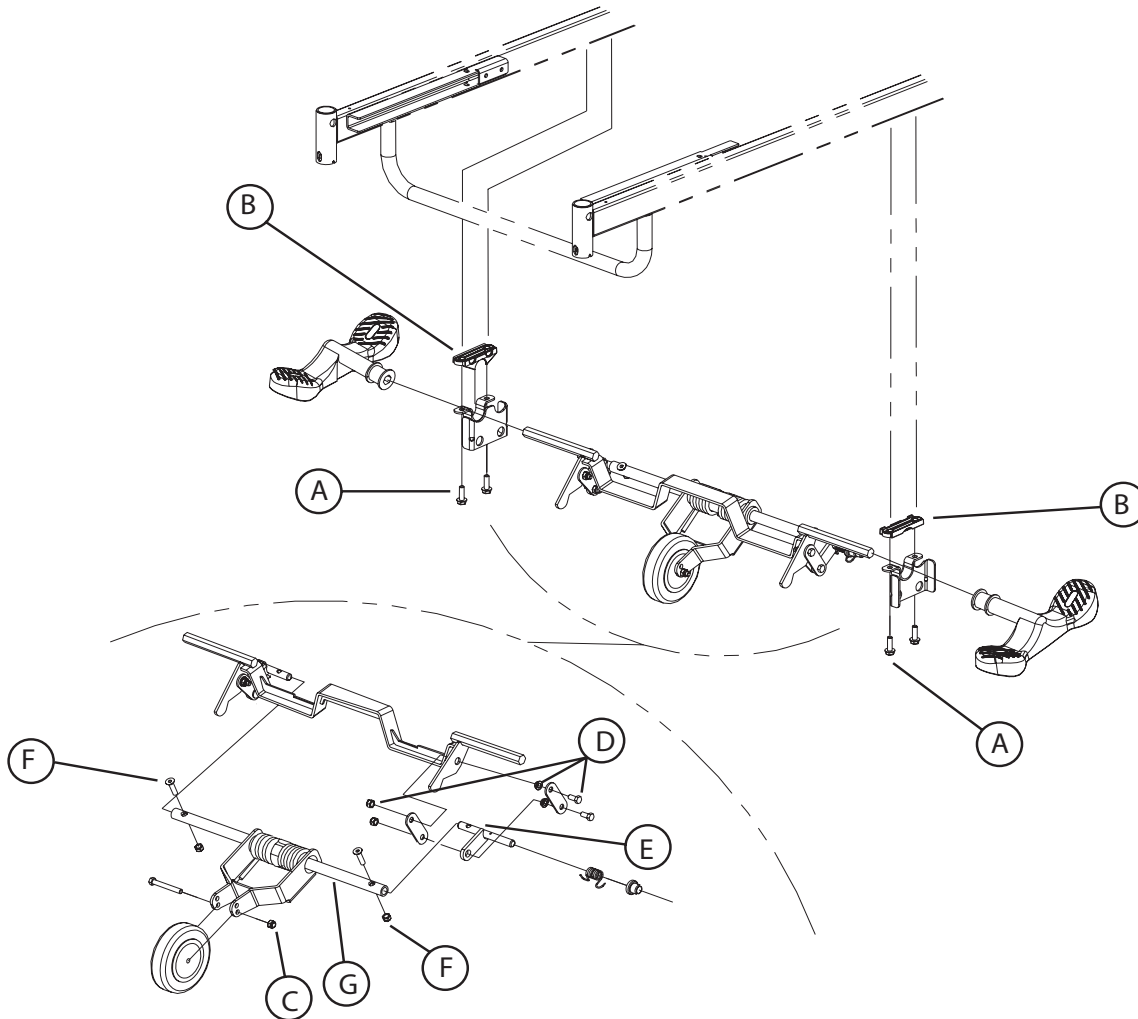


Figure 4.4 A

Procedure:

1. Completely raise the bed.
2. Unplug the bed power cord from the wall outlet.
3. Position the brake/steer pedal to neutral.
4. Using the 1/2" socket, remove the two bolts (A) holding the fifth wheel support (optional) or the lever support (F, Figure 4.4 B, (without fifth wheel option) [pg. 62](#)) on the side of the defective pedal and lay the support down. Keep the molded spacer (B).
5. Remove the pedal from the activation lever shaft. Use a rubber mallet if necessary.
6. Reverse the above steps to install the replacement pedal.

Service Information

FIFTH WHEEL CASTER REPLACEMENT (OPTIONAL)

Tools Required:

- Two 1/2" Combination Wrenches

Procedure:

Note

Unless otherwise indicated, refer to Figure 4.4 A on [pg. 58](#) for the following replacement procedure.

1. Completely raise the bed.
2. Unplug the bed power cord from the wall outlet.
3. Position the brake/steer pedal to neutral.
4. Using two 1/2" combination wrenches, remove the nut and bolt (C) holding the caster to the swing arm.
5. Reverse the above steps to install the replacement caster.

Service Information

FIFTH WHEEL ASSEMBLY REPLACEMENT (OPTIONAL)

Tools Required:

- 1/2" Combination Wrench
- 1/2" Socket
- Rubber Mallet
- 3/8" Drive Ratchet

Procedure:

Note

Unless otherwise indicated, refer to Figure 4.4 A on [pg. 58](#) for the following replacement procedure.

1. Completely raise the bed.
2. Unplug the bed power cord from the wall outlet.
3. Position the brake/steer pedal to neutral.
4. Using the 1/2" combination wrench, remove the two nuts, washers, shoulder spacers and bolts (E1, Figure 4.4 B, [pg. 62](#)) linking the end of the brake rod to the locking levers, on the side of the pedals. If the optional four-wheel brake system is present on the bed, also remove the fasteners linking the end of the two other brake rods to the same locking levers.
5. Using the 1/2" socket, remove the four bolts (A) holding both fifth wheel supports to the base. Keep the molded spacers (B). Remove the assembly.
6. Remove the two brake/steer pedals from the activation lever shafts. Use a rubber mallet if necessary.
7. Remove and keep the two locking levers (G, Figure 4.4 B, [pg. 62](#)).
8. Reverse the above steps to install the replacement fifth wheel assembly.
9. Test the fifth wheel for proper operation before returning the bed to service.

Service Information

FIFTH WHEEL SWING ARM ASSEMBLY REPLACEMENT (OPTIONAL)

Tools Required:

- 3/8" Drive Ratchet
- 1/2" Socket
- Two 1/2" Combination Wrenches
- 3/16" Allen Wrench

Procedure:

Note

Unless otherwise indicated, refer to Figure 4.4 A on [pg. 58](#) for the following replacement procedure.

1. Completely raise the bed.
2. Unplug the bed power cord from the wall outlet.
3. Position the brake/steer pedal to neutral.
4. Using the 1/2" socket, remove the two bolts (A) holding the left or right fifth wheel support to the base. Lay the support down and keep the molded spacer (B).
5. Using two 1/2" combination wrenches, remove the nut, shoulder spacer and bolt (D) holding the torsion lever (E) to the lower part of the counter lever.
6. Using the 1/2" combination wrench and 3/16" Allen wrench, remove the two nuts and Allen screws (F) holding the torsion levers (E) to both ends of the torque shaft (G).

Note

At reassembly, screw down the Allen screws before installing the nuts.

7. Disengage the swing arm assembly from the torsion levers and remove it.
8. Using two 1/2" combination wrenches, remove the nut and bolt (C) holding the caster to the swing arm and keep it for the replacement swing arm assembly.
9. Reverse the above steps to install the replacement swing arm assembly.
10. Test the fifth wheel for proper operation before returning the bed to service.

Service Information

BED CASTER REPLACEMENT

Tools Required:

- Jack Stand
- Needle Nose Pliers
- 1/2" Combination Wrench

Procedure:

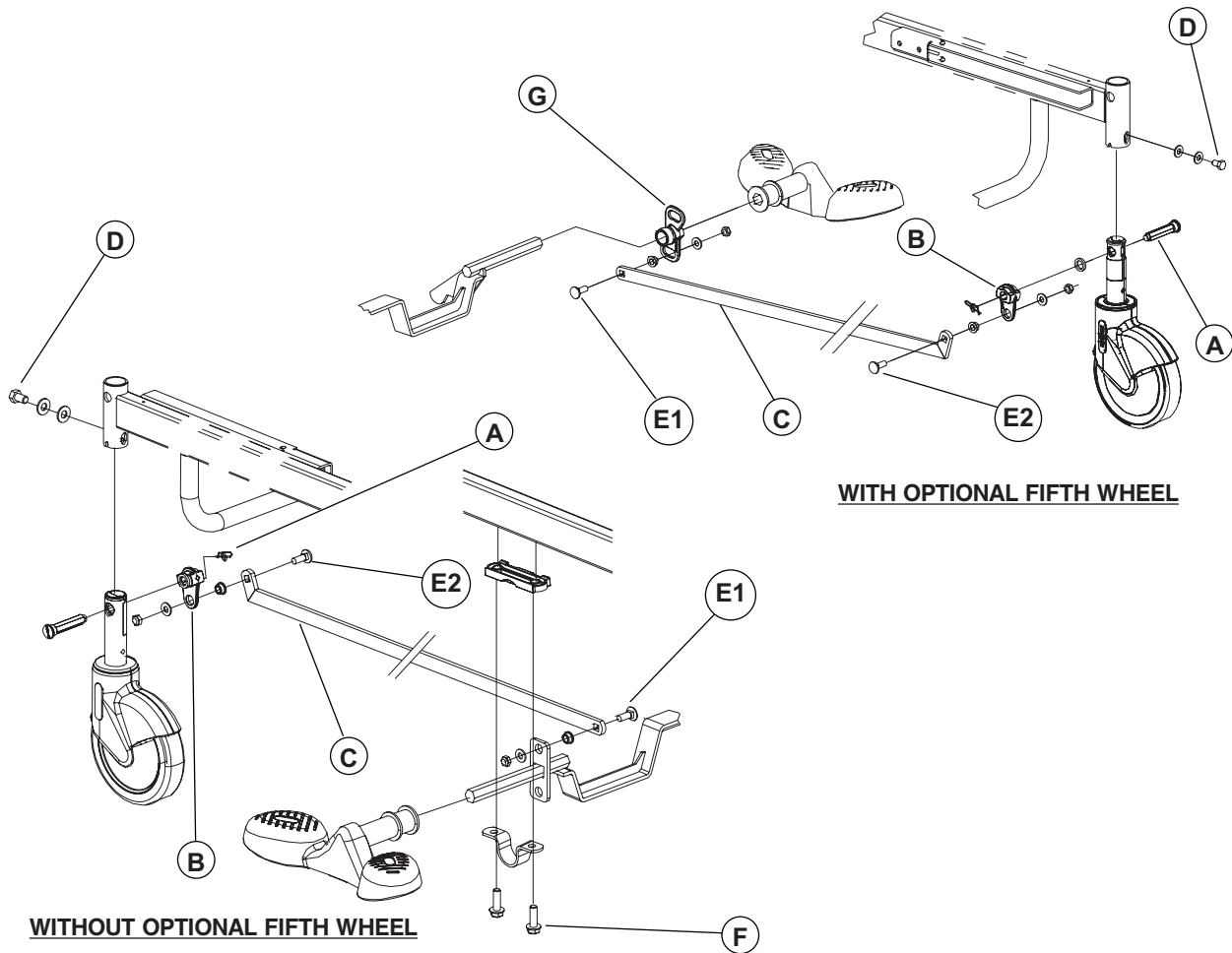


Figure 4.4 B

1. Completely raise the bed.
2. Position the brake/steer to neutral.
3. Install a jack stand under the frame near the defective caster.
4. If present, remove the wheel cover (optional).
5. Lower the bed until the caster is six inches off the ground.
6. Unplug the bed power cord from the wall outlet.
7. Remove, using needle nose pliers, the rue ring, washer and locking axle (A) linking the caster shaft to the locking lever (B) and the brake rod (C) if the caster is part of the braking system.

Service Information

BED CASTER REPLACEMENT (CONTINUED)

Note

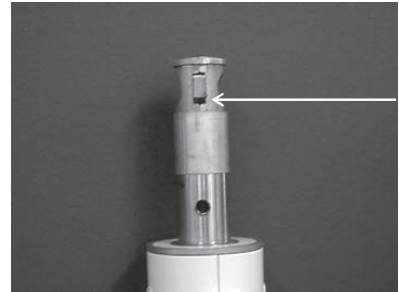
The shaft of a caster that is part of the braking mechanism must be properly oriented before mounting it to the base. The opposite illustration shows the side of the shaft that should be facing the inside of the bed: it is the side showing the largest opening below the cam in neutral position.

8. Using the 1/2" combination wrench, remove the bolt and washers (D) holding the caster to the base.

Note

Before completely tightening the bolt (D), make sure that the caster shaft is completely inserted into the mounting socket.

9. Reverse the above steps to install the replacement caster.
10. If the replacement caster is part of the brake mechanism, apply the brakes and check that the caster is locked before returning the bed to service.



Service Information

BRAKE ROD REPLACEMENT

Tools Required:

- 1/2" Combination Wrench

Procedure:

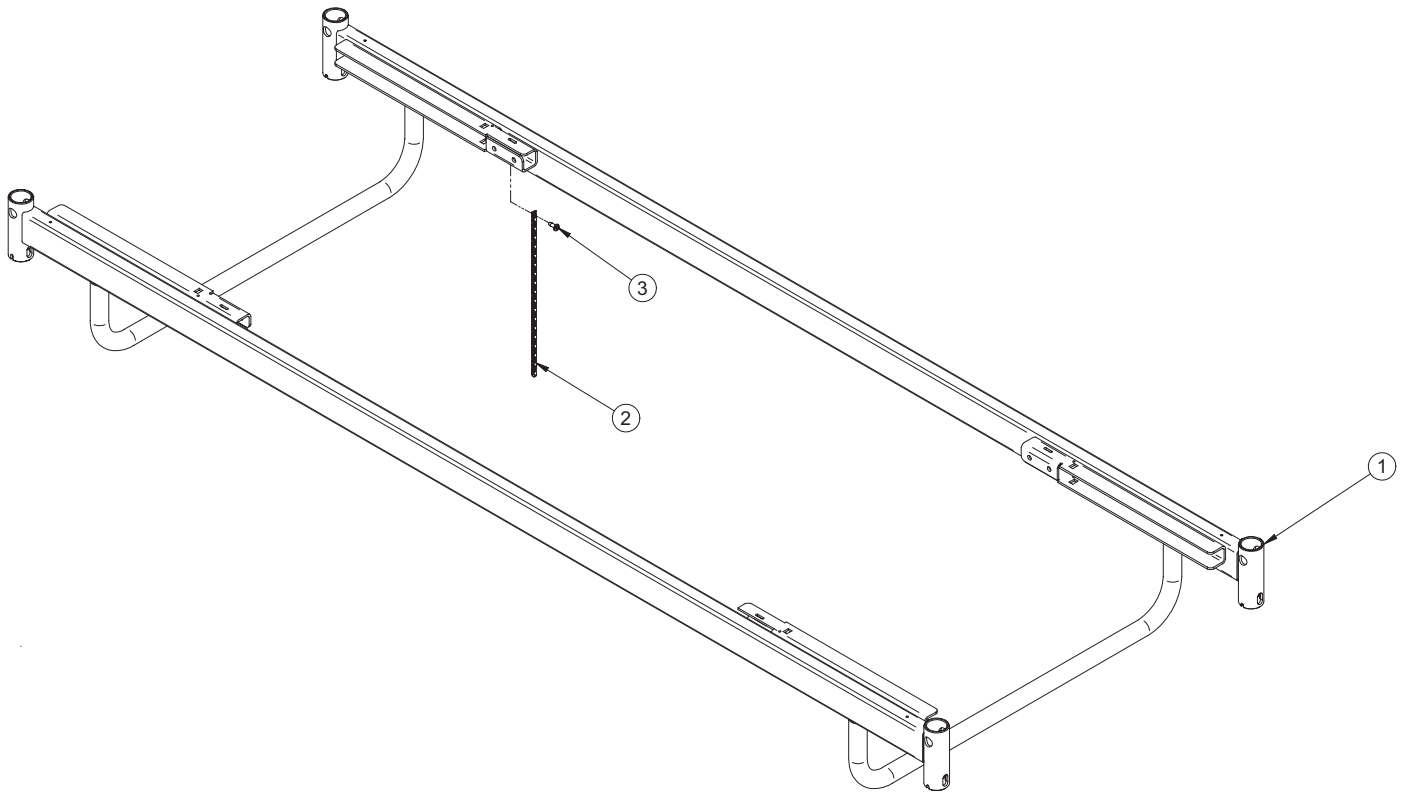
Note

Unless otherwise indicated, refer to Figure 4.4 B on [pg. 62](#) for the following replacement procedure.

1. Completely raise the bed.
2. Using a 1/2" combination wrench, remove the nut, shoulder spacer, washer and bolt (E1, E2) holding each end of the linking rod.
3. Remove the defective linking rod.
4. Reverse the above steps to install the replacement linking rod.
5. Check the braking mechanism before returning the bed to service.

Base

For Reference Only: L23-006
Rev. 01



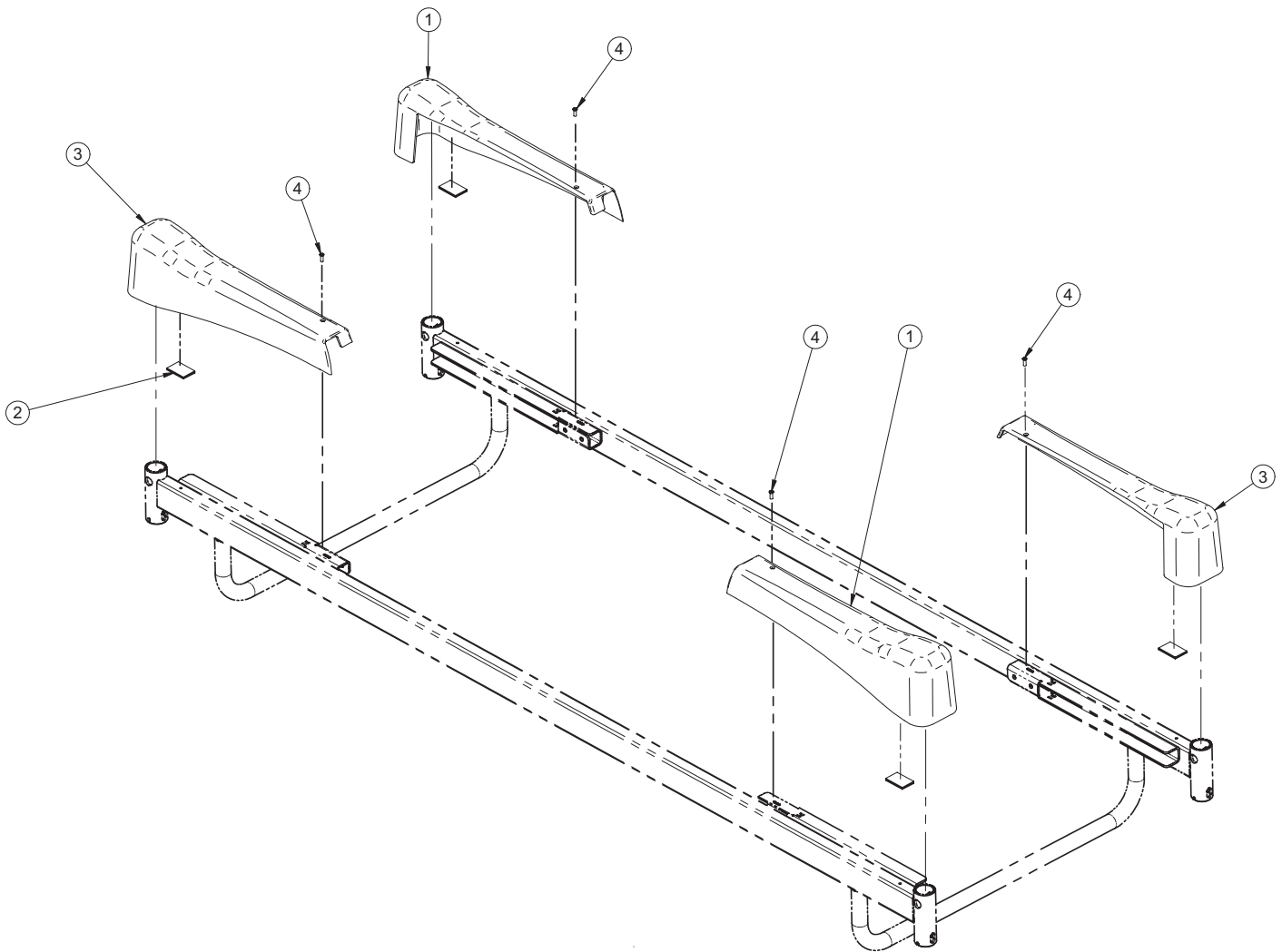
Base (For Reference Only: L23-006G, Rev. 01)

Item	Part No.	Part Name	Qty.
1	25-0108G	Base S.A.	1
2	28-0469	Ground Chain	1
3	VV83A9G16	Tapping Screw Pan Type B Phillips #10 x 1/2" z.p.	1

[Return To Table of Contents](#)

Wheel Covers

For Reference Only: OL230101
Rev. 02



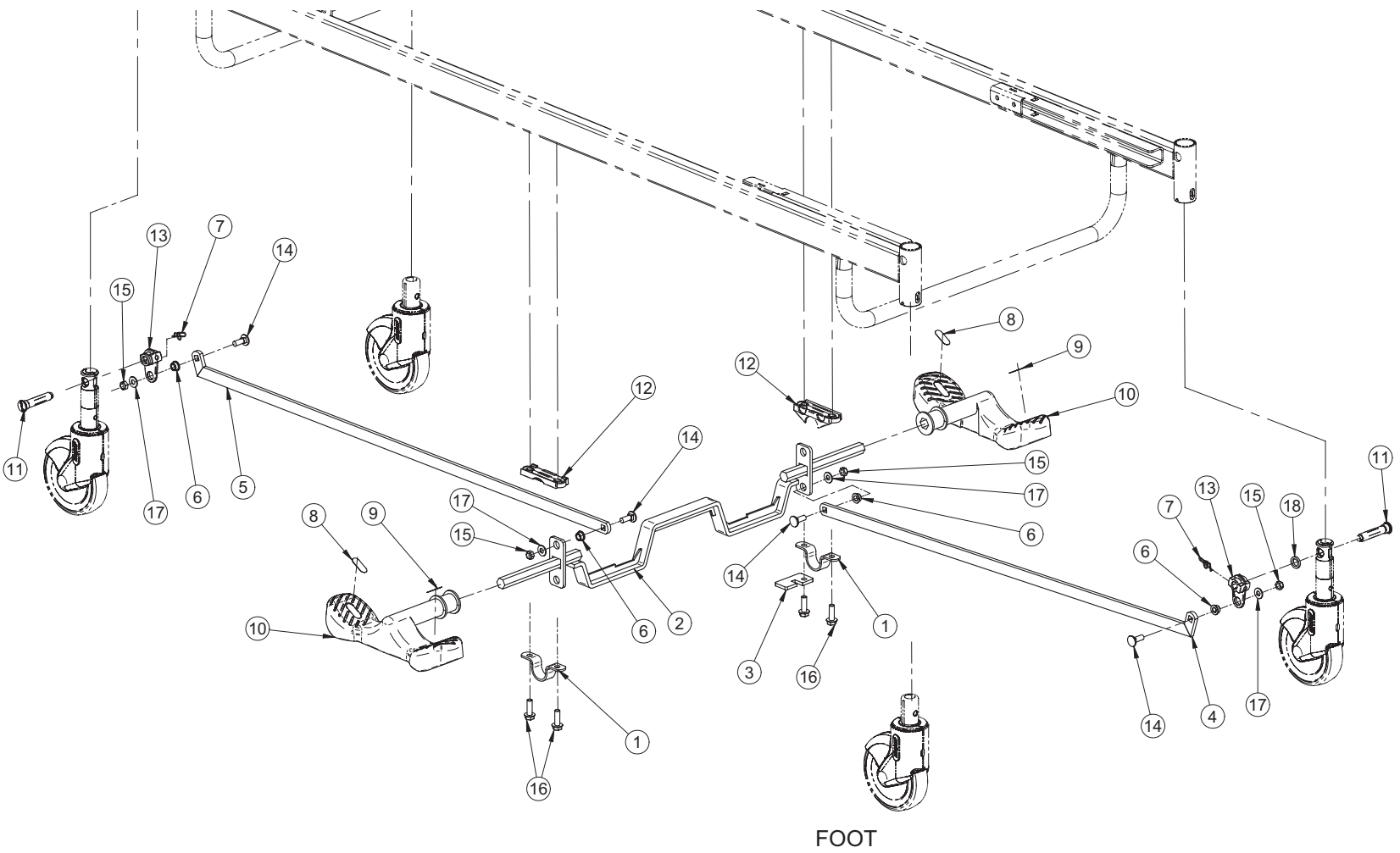
Wheel Covers (For Reference Only: OL230101, Rev. 03)

Item	Part No.	Part Name	Qty.
1	QP25-0299-07	Right Caster Cover	2
2	25-0550	Caster Hood Velcro	4
3	QP28-0300-07	Left Caster Cover	2
4	VV81A9E16	Tapping Screw Type B Flat Head Phillips # 8 x 1/2 z.p.	4

Notes

Brake Mechanism without Fifth Wheel

For Reference Only: OL230042
Rev. 03



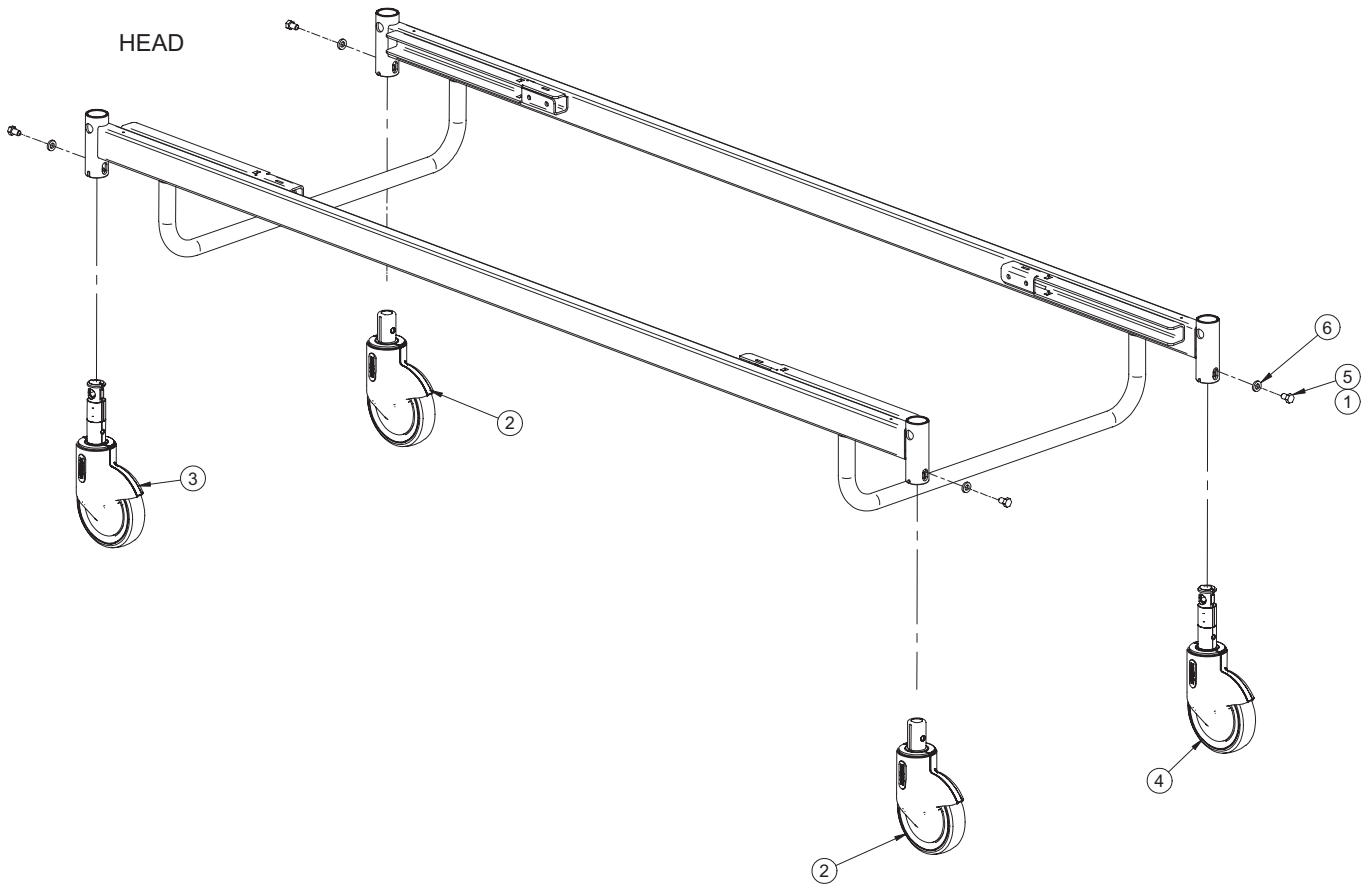
Brake Mechanism without Fifth Wheel

Brake Mechanism without Fifth Wheel (For Reference Only: OL230042G, Rev. 03)

Item	Part No.	Part Name	Qty.
1	14662Z	Lever Clamp	2
2	23-0327G	Brake Lever S.A.	1
3	23-0333Z	Steer Stop	1
4	25-0291G	Linking Rod - Foot S.A.	1
5	25-0292G	Linking Rod - Head S.A.	1
6	25-0340	5/16 X 3/16 Spacer	4
7	QDF7878	Rue Ring Cotter Diameter 3/8" z.p.	2
8	QE71-0496	Fifth Wheel Green Sticker	2
9	QE71-0511	Brake Sticker	2
10	QP23-0627-11	Pedal	2
11	QPA23-0233	Locking Axle	2
12	QPA25-0312	Molded Spacer	2
13	QPA25-0411	Brake Lever	2
14	VB35A1028FT	Long Neck Carriage Bolt 5/16 - 18 X 7-8" Grade 5, z.p.	4
15	VE79A1O	UNC Grade C ESNA Nut 5/16 - 18	4
16	VVB4A1O32	Bolt 5/16" - 18 X 1" Thread Rolling	4
17	VW10A10	Flat Washer 5/16" SAE z.p.	4
18	VW10C162404	Nylon Washer 1/2" Int. x 3/4" Ext. x 1/8" ep.	2

5" Casters without Fifth Wheel

For Reference Only: OL230044
Rev. 04



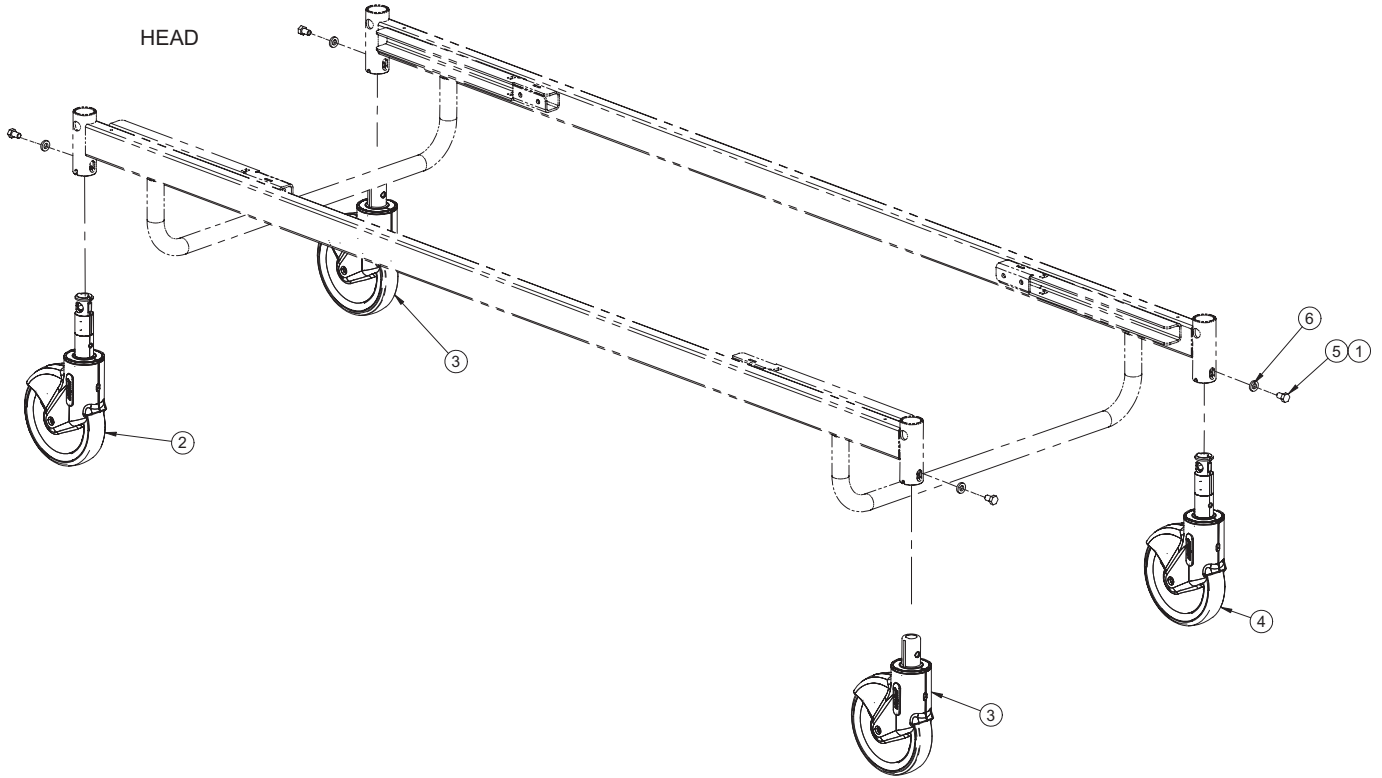
5" Casters without Fifth Wheel (For Reference Only: OL230044, Rev. 03)

Item	Part No.	Part Name	Qty.
1	M0008	Thread Locker - Medium Strength (Blue)	.0500
2	RD25039107	5" Swivel Caster	2
3	RD25049407	5" Locking Caster	1
4	RD25049507	5" Steer Caster	1
5	VB15A1O16	Hexagonal Bolt 5/16-18 x 1/2" Grade 5, z.p	4
6	VW10A1120	Flat Washer 5/16" SAE z.p.	4

6" Casters without Fifth Wheel

For Reference Only: OL230048

Rev. 04



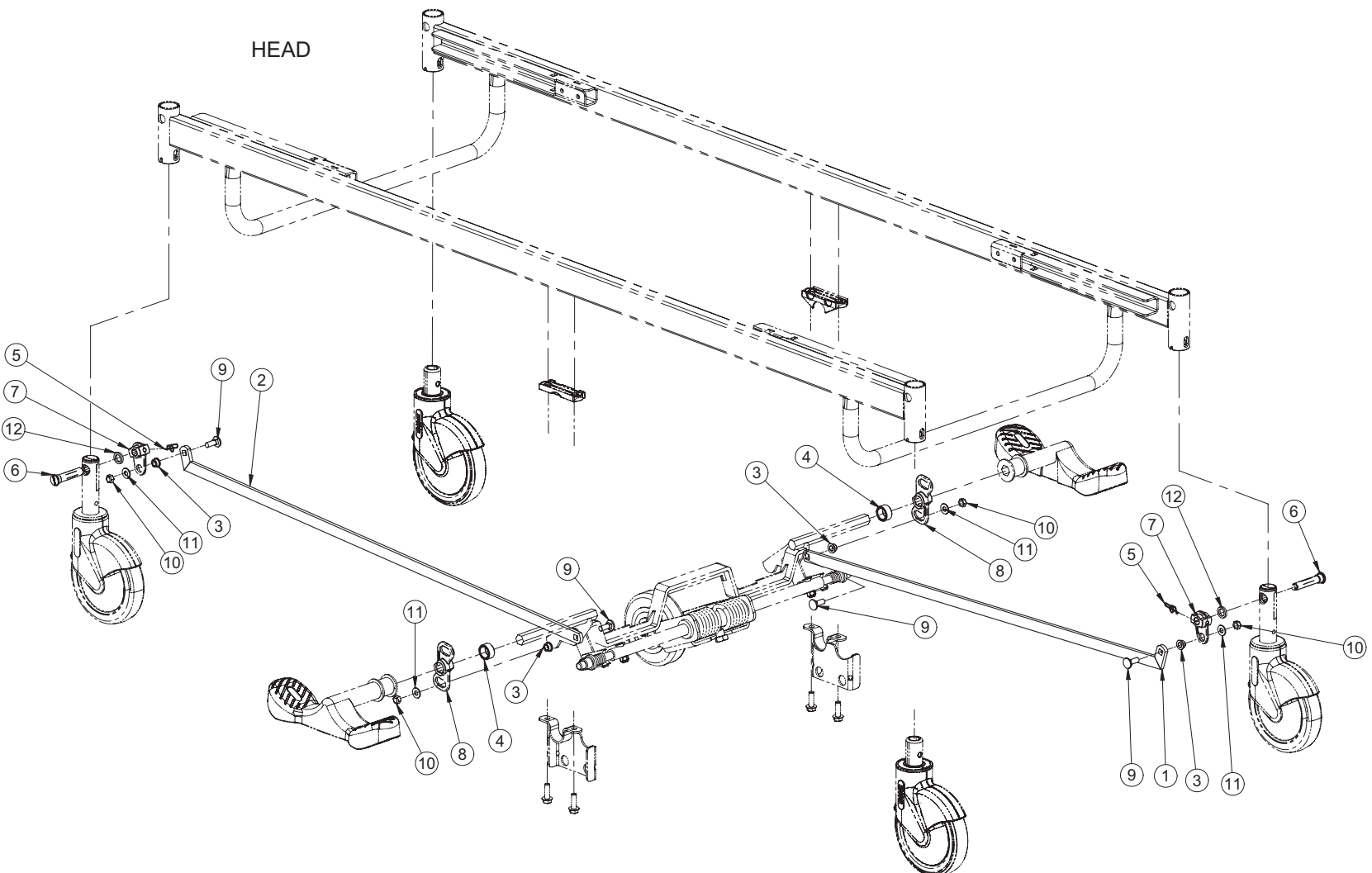
6" Casters without Fifth Wheel (For Reference Only: OL230048, Rev. 04)

Item	Part No.	Part Name	Qty.
1	M0008	Thread Locker - Medium Strength (Blue)	.0500
2	RD25038807	6" Locking Caster	1
3	RD25049307	6" Swivel Caster	2
4	RD25049607	6" Steer Caster	1
5	VB15A1O16	Hexagonal Bolt 5/16-18 x 1/2" Grade 5, z.p.	4
6	VW10A1120	Flat Washer 5/16" SAE z.p.	4

[Return To Table of Contents](#)

Brake Mechanism with Fifth Wheel

For Reference Only: OL2330043
Rev. 02



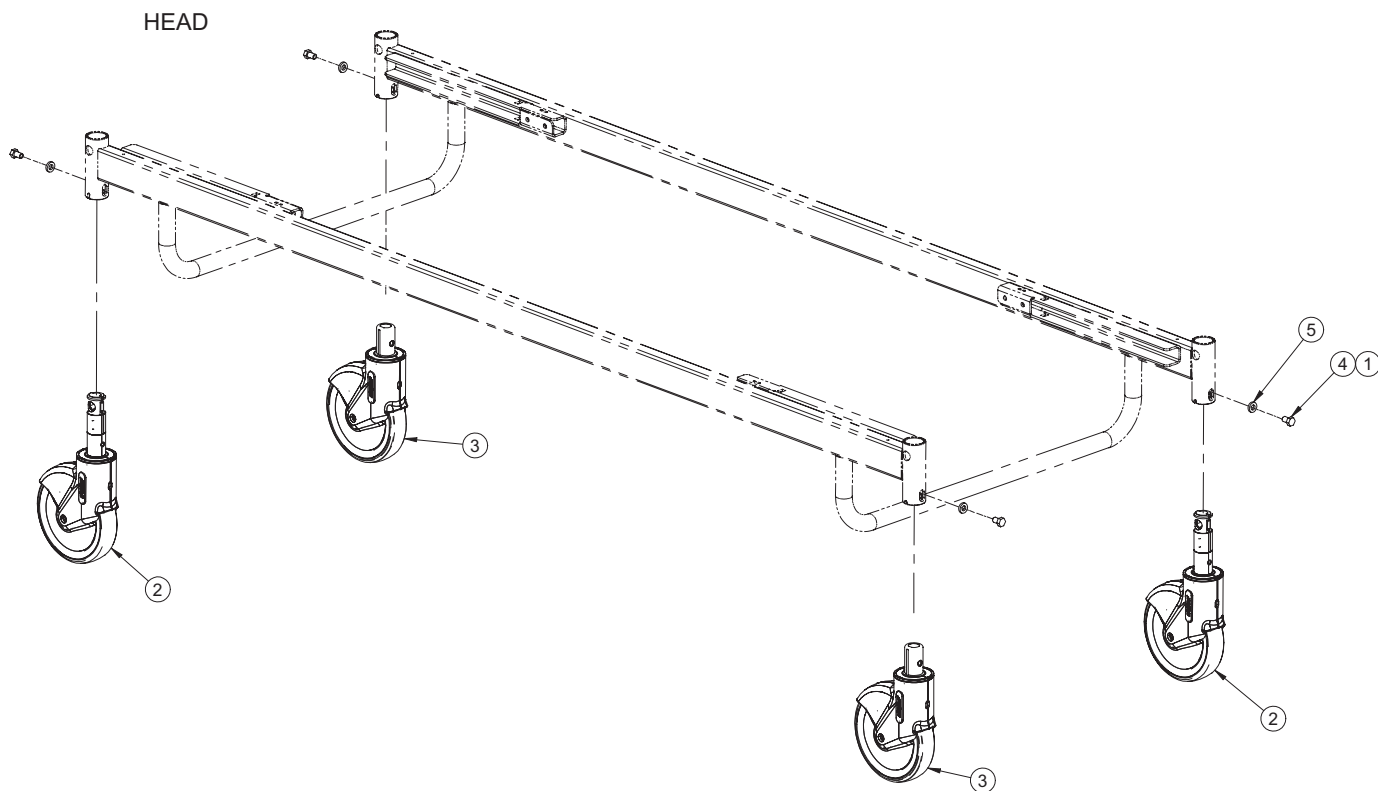
Brake Mechanism with Fifth Wheel

Brake Mechanism with Fifth Wheel (For Reference Only: OL230043G, Rev. 02)

Item	Part No.	Part Name	Qty.
1	25-0291G	Linking Rod - Foot S.A.	1
2	25-0292G	Linking Rod - Head S.A.	1
3	25-0340	5/16 X 3/16 Spacer	4
4	25-0451	Lever Spacer	2
5	QDF7878	Rue Ring Cotter Diameter 3/8" z.p.	2
6	QPA23-0233	Locking Axle	2
7	QPA25-0411	Brake Lever	2
8	QPA25-0427	Locking Lever	2
9	VB35A1O28FT	Long Neck Carriage Bolt 5/16 - 18 X 7-8" Grade 5, z.p.	4
10	VE79A1O	UNC Grade C ESNA Nut 5/16 - 18	4
11	VW10A10	Flat Washer 5/16" SAE z.p.	4
12	VW10C162404	Nylon Washer 1/2" Int. x 3/4" Ext. x 1/8" ep.	2

6" Casters with Fifth Wheel

For Reference Only: OL230050
Rev. 03

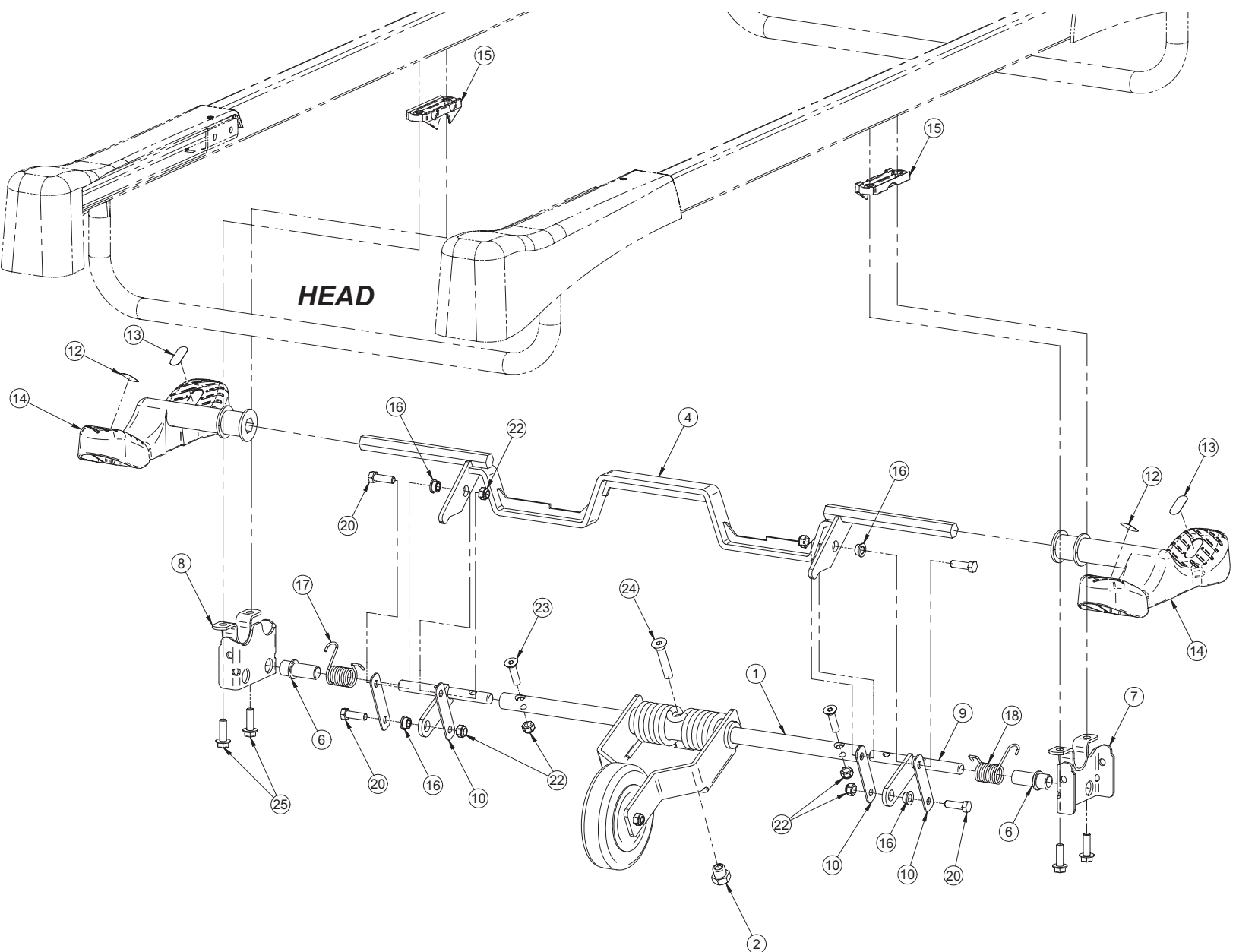


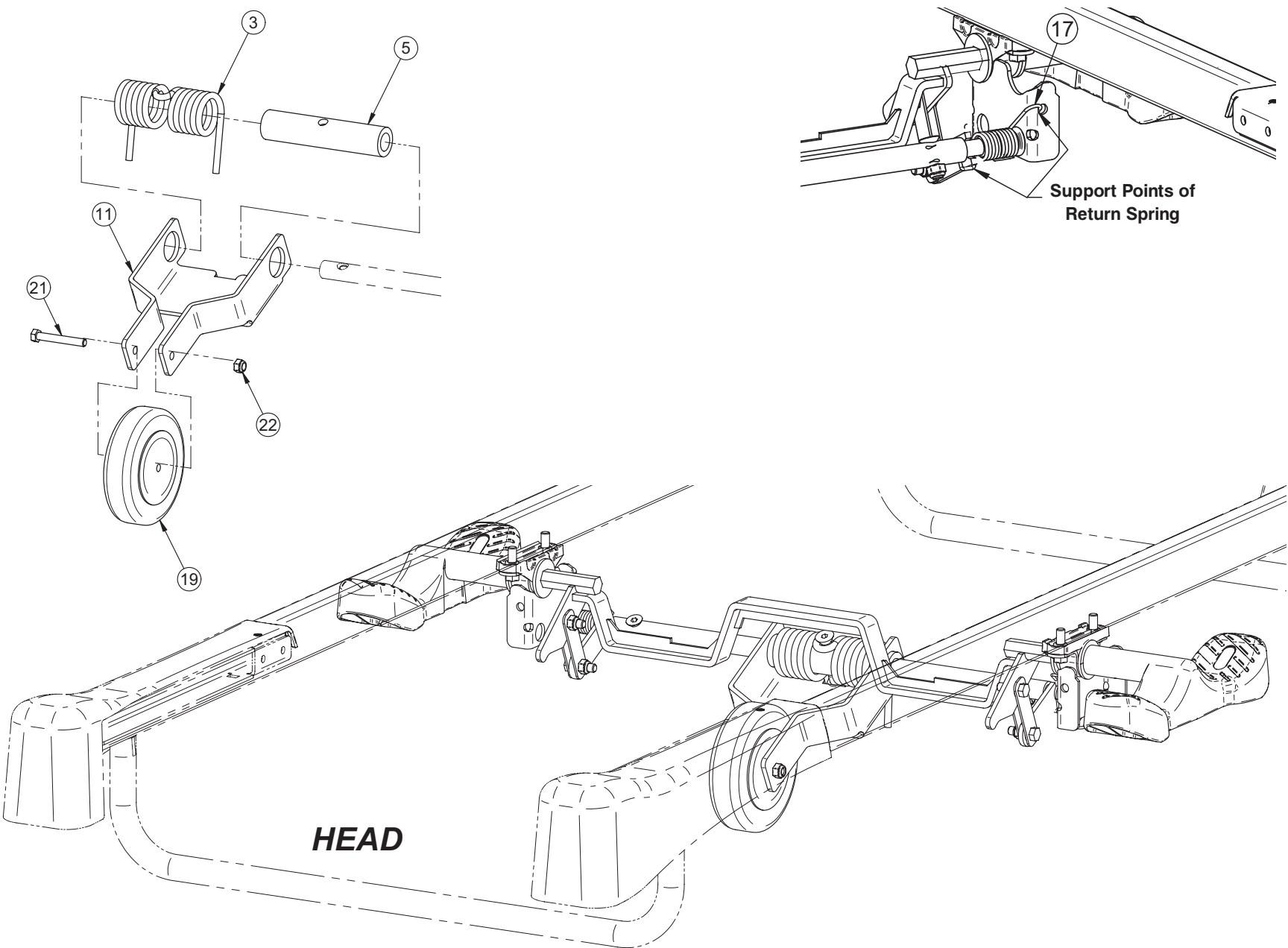
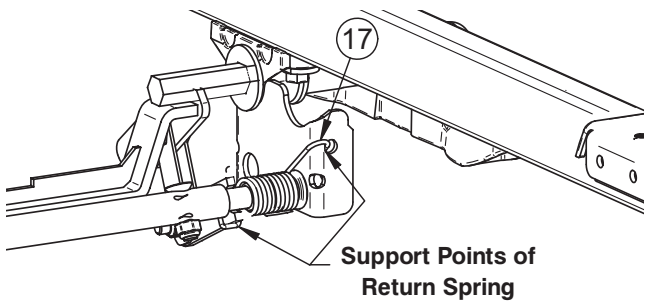
6" Casters with Fifth Wheel (For Reference Only: OL230050-05)

Item	Part No.	Part Name	Qty.
1	M0008	Thread Locker - Medium Strength (Blue)	.0500
2	RD25038807	6" Locking Caster	2
3	RD25049307	6" Swivel Caster	2
4	VB15A1O16	Hexagonal Bolt 5/16-18 x 1/2" Grade 5, z.p.	4
5	VW10A1120	Flat Washer 5/16" SAE z.p.	4

Fifth Wheel

For Reference Only: OL230219
Rev. 02





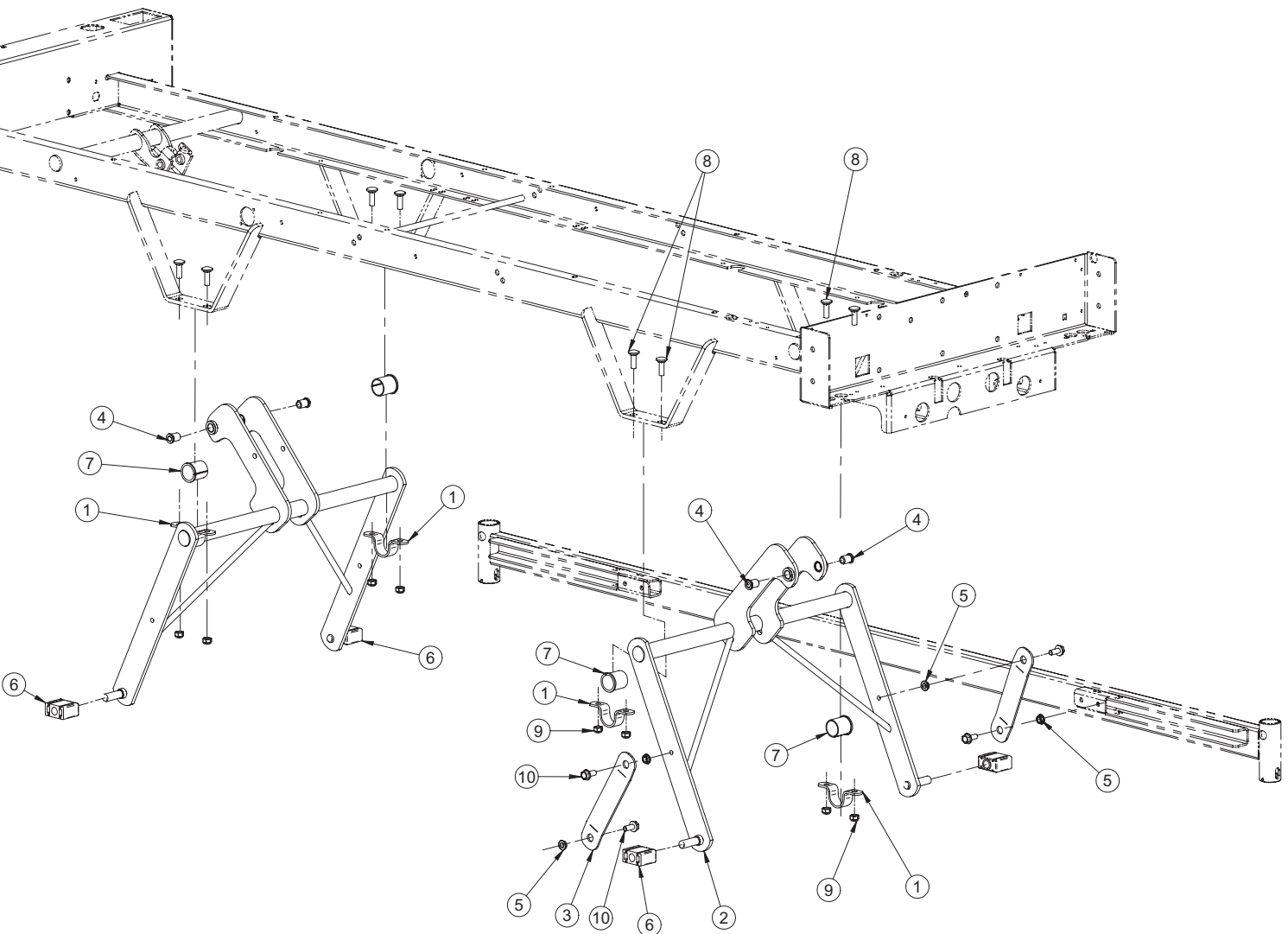
Fifth Wheel

Fifth Wheel (For Reference Only: OL230219G, Rev. 01)

Item	Part No.	Part Name	Qty.
1	17-0082G	Torque Shaft	1
2	17-0104Z	Fifth Wheel Support	1
3	17-0124G	Fifth Wheel Spring	1
4	17-0714G	Actuating Lever S.A.	1
5	25-0068	Fifth Wheel Bushing	1
6	25-0581	Nylon Bushing 1/2" ID	2
7	28-0132Z	Right Fifth Wheel Support S.A.	1
8	28-0133Z	Left Fifth Wheel Support S.A.	1
9	28-0149Z	Torsion Lever	2
10	28-0150Z	Counter Lever	4
11	28-0151G	Clearance Arm	1
12	QE71-0496	Fifth Wheel Green Sticker	2
13	QE71-0511	Brake Sticker	2
14	QP23-0627	Pedal	2
15	QPA25-0312	Molded Spacer	2
16	QPA25-0340	5/16 x 3/16 Spacer	4
17	QRD25-0582	Left Torsion Spring	1
18	QRD25-0585	Right Torsion Spring	1
19	RL5	Fifth Wheel	1
20	VB15A1O32	Bolt 5/16-18 x 1" Grade 5, z.p.	4
21	VB15A1O50	Bolt 5/16-18 2 1/4" Grade 5 z.p.	1
22	VE30A1O	Nylon Hexagonal Locknut 5/16-18 UNC z.p.	7
23	VV11A1O36	Flat Head Hexagonal Socket Cap Screw 5/16-18 UNC x 1 1/4" z.p.	2
24	VV11A1P48	Flat Head Hexagonal Socket Cap Screw 3/8-16 UNC x 2" z.p.	1
25	VVB4A1O32	Bolt 5/16" - 18 X 1" Thread Rolling	4

Bed Lift Mechanism

For Reference Only: L23-001
Rev. 02



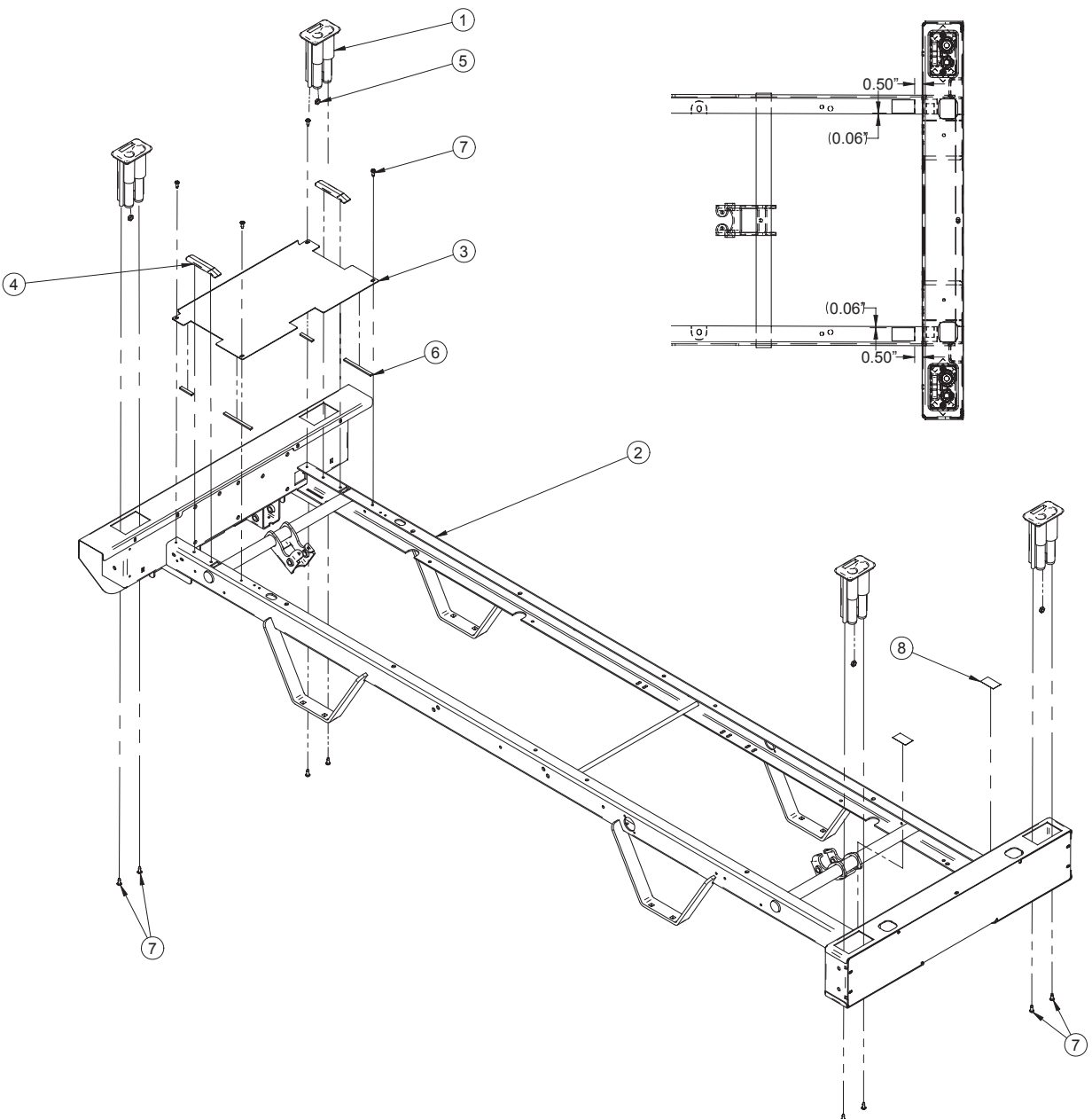
Bed Lift Mechanism

Bed Lift Mechanism (For Reference Only: L23-001G, Rev. 03)

Item	Part No.	Part Name	Qty.
1	14662Z	Lever Clamp	4
2	23-0234G	Bed Lift Lever S.A.	2
3	25-0281G	Stabilizer	2
4	25-0521	Spacer	4
5	QDF17-0020	Shoulder Spacer Diameter 5/16" x 0.210"	4
6	QPN-1310P009	Nylon Glide	4
7	QPN-18121	Molded Frame Bushing	4
8	VB35A1O32	Carriage Bolt (Short Neck) 5/16-18-1" z.p.	8
9	VE30A1O	Nylon Hexagonal Locknut 5/16-18 UNC z.p.	8
10	VVB4A1O24	Bolt 5/16" - 18 X 3/4" Thread Rolling	4

Frame

For Reference Only: L23-019
Rev. 00



Frame

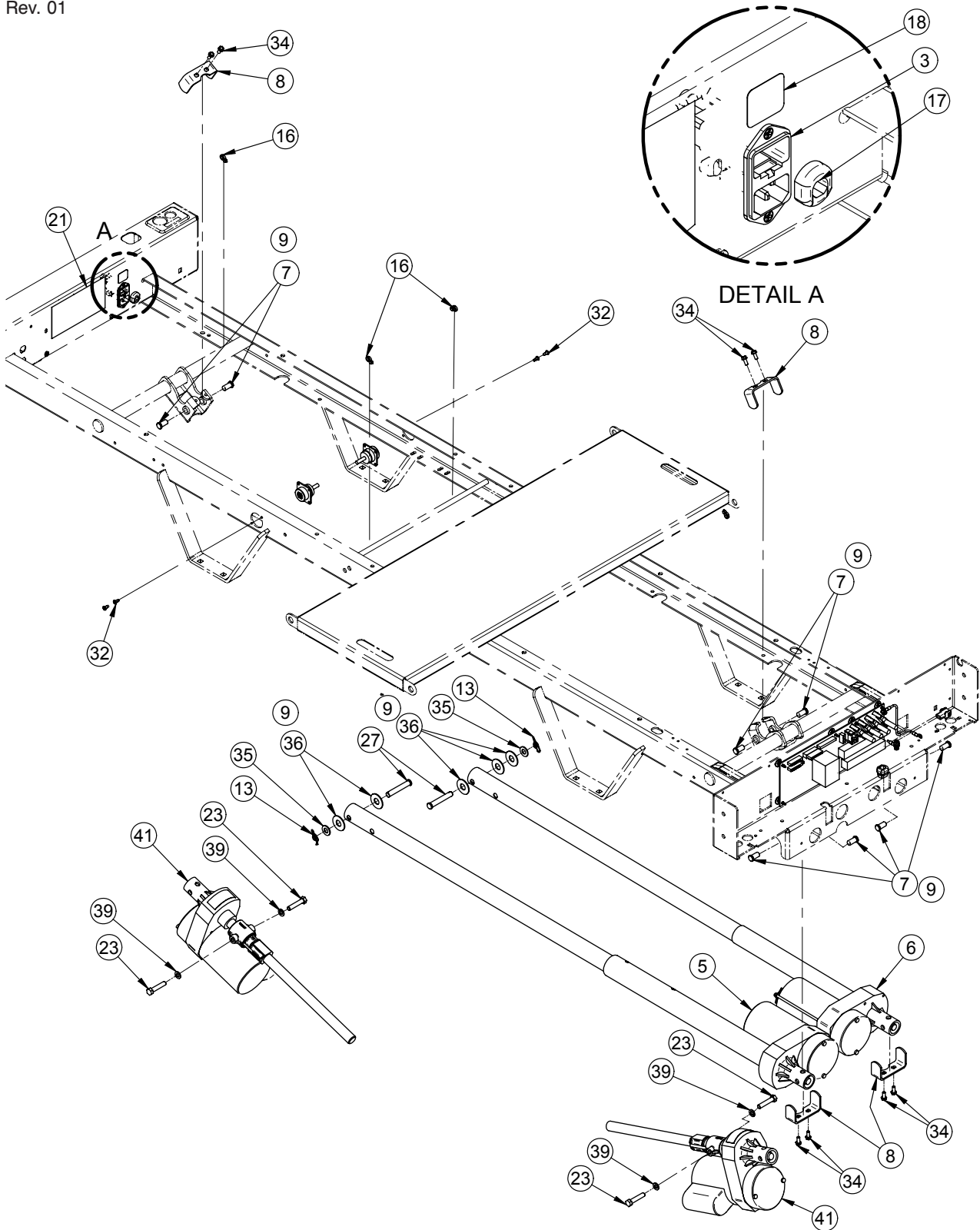
Frame (For Reference Only: L23-019G, Rév. 00)

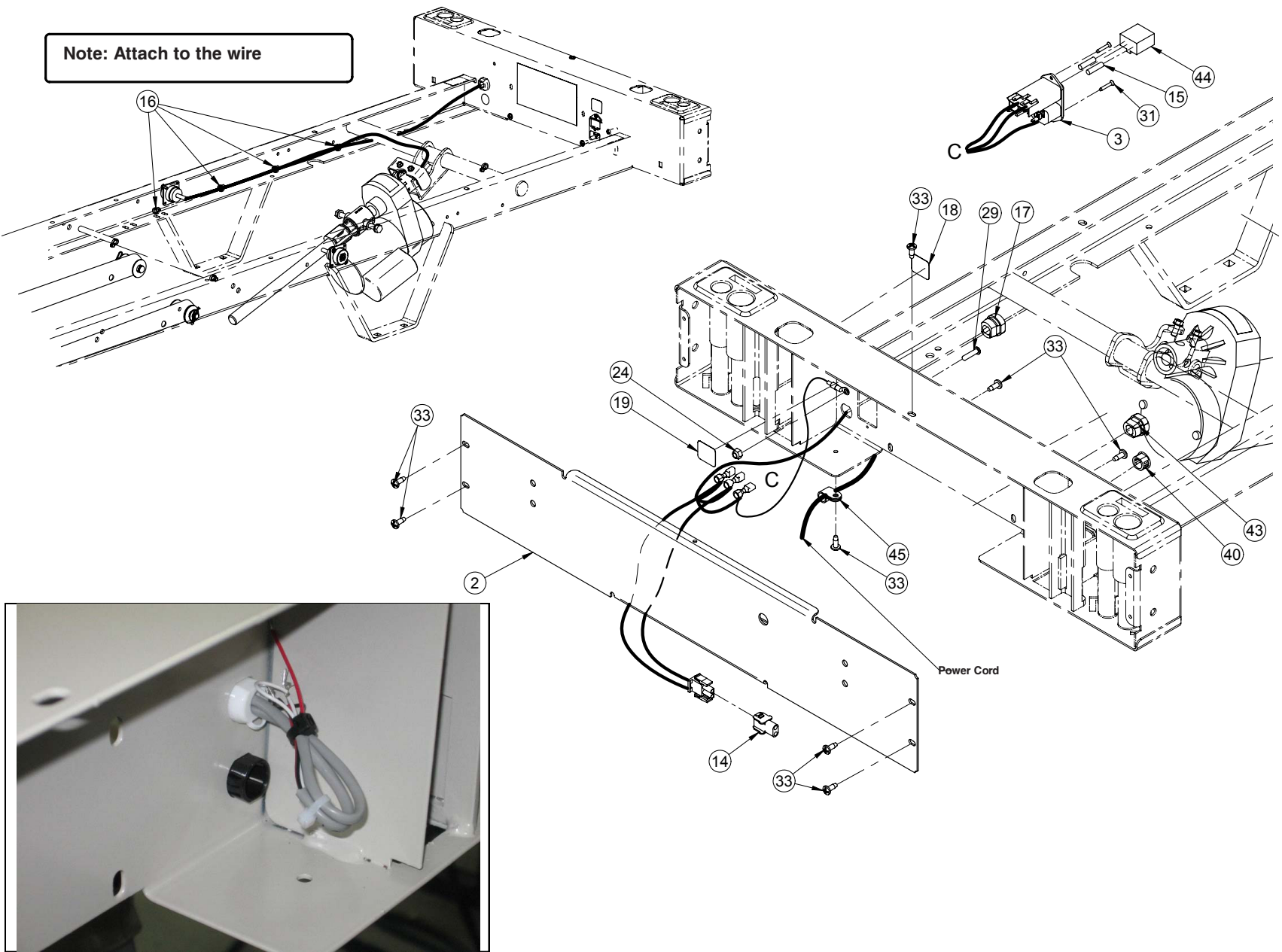
Item	Part No.	Part Name	Qty.
1	QP17-0121-07	I.V. Pole Holder	4
2	23-0764G	Short Frame S.A.	1
3	23-0167G	Foot Cover Plate	1
4	QP23-0257	Mattress Support Glide	2
5	VE20A1N	Locknut 1/4-20	4
6	QDF132X	"Perma-Stick" Anti-Cold Stopper	2
7	VV83A9G16	Tapping Screw Pan Phillips Type B #10 x 1/2" z.p.	12
8	QE71-1069	Frame Protector Sticker	2

120V Electric System

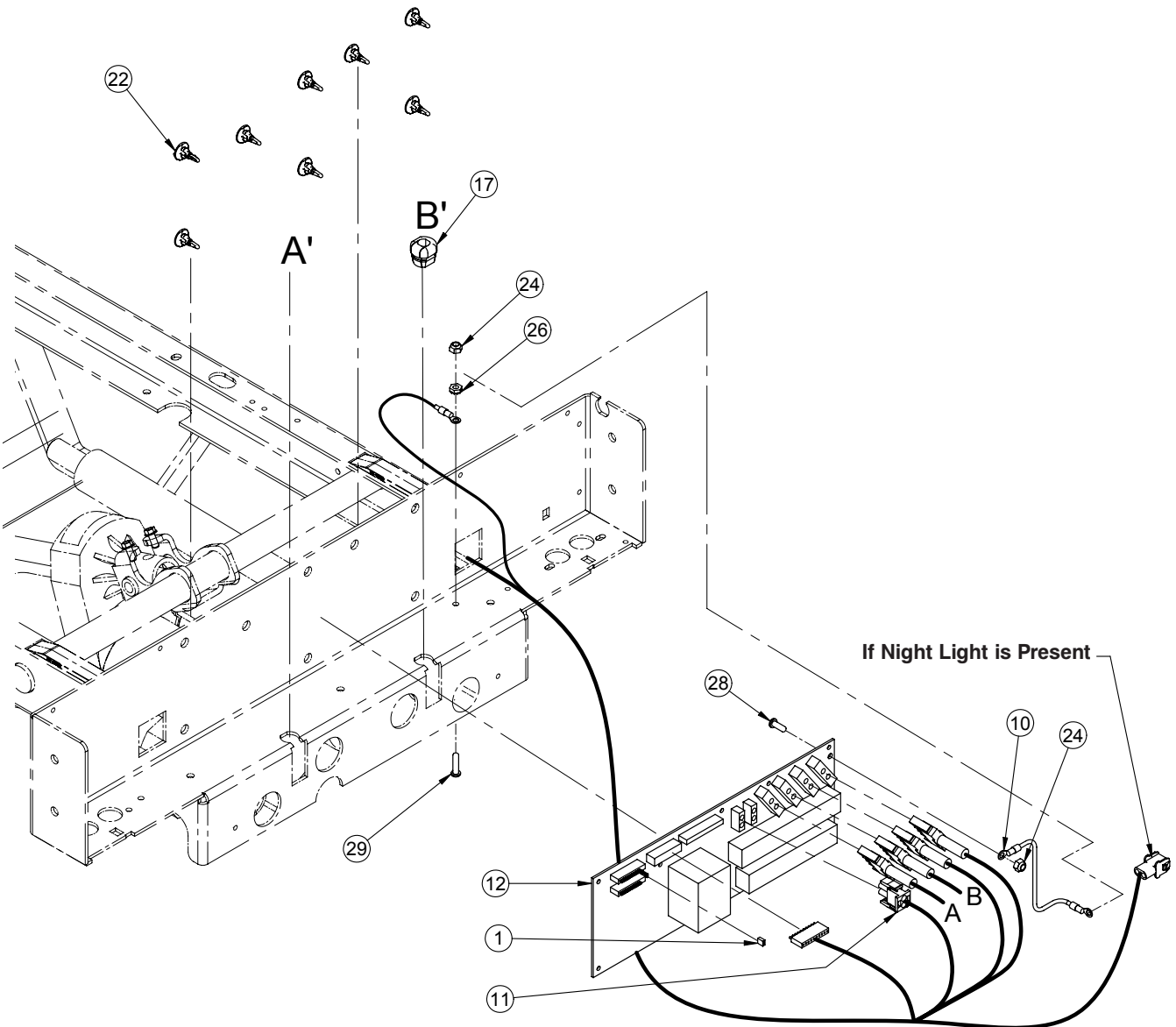
For Reference Only: OL230229

Rev. 01





120V Electric System



120V Electric System

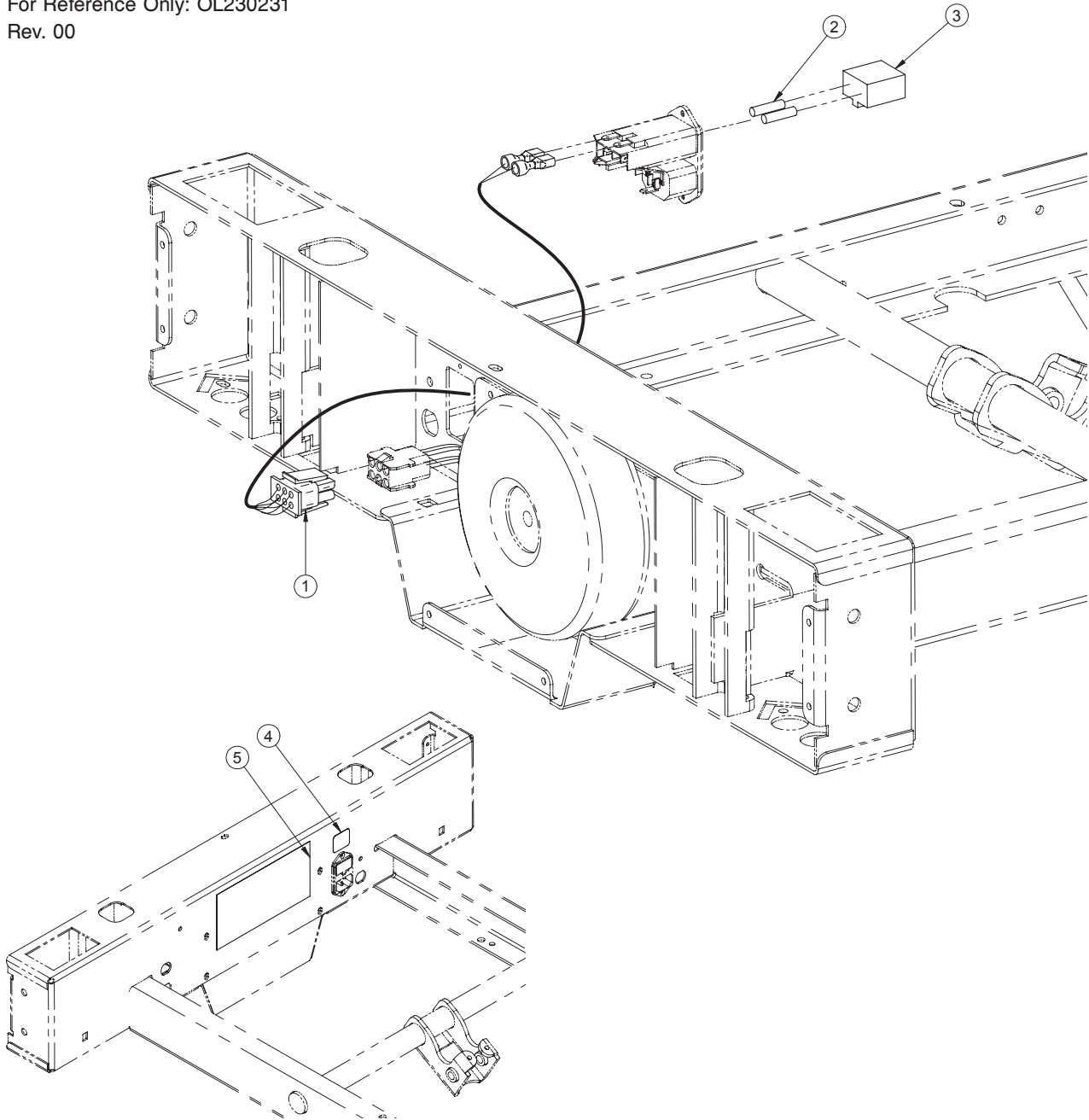
120V Electric System (For Reference Only: OL230229G, Rév. 01)

Item	Part No.	Part Name	Qty.
1	QDF8047	PC Board Jumper	1
2	23-0746G	Head Casing Cover	1
3	QDF9574	Power Connector S.A.	1
5	23-0335	Hubble Head Actuator	1
6	23-0336	Hubble Thigh Actuator	1
7	25-0250Z	Actuator Pivot	8
8	25-0251Z	Head/Thigh Actuator Support Cover	4
9	M0019	OG2 Petro Canada Grease	.0150
10	QDF17-0138	PC Board Ground Wire	1
11	QDF23-0574	FL23SE Siderail Control Cable S.A.	1
12	QDF23-0315	Control Board	1
13	QDF7878	Rue Ring Cotter Diameter 3/8" z.p.	2
14	QDF8042	Mate-N-Lock Female 2 x 1 # 1-480699-0	1
15	QDF8078	10A, 250V Long Fast Action Fuse	2
16	QDF9518	Nylon Ty-Rap Black (0.143 X 8")	8
17	QDF9541	Strain Relief SR 6P3-4	2
18	QE71-0571	Sticker - 10A, 250V Fuses	1
19	QE71-0572	Sticker - Ground	1
21	QE71-1193	120V CSA Sticker	1
22	QP23-0735	Control Board Stand-Off Pin	8
23	VB15A1O40	Bolt 5/16-18 X 1 1/2" Grade 5 z.p.	4
24	VE30A0G	Nylon Locknut #10-32 z.p.	3
26	VE80A0G	"K-Lok" Locknut #10-32 z.p.	1
27	VG50B1250	Clevis Pin Diameter 3/8" x 2-1/4" z.p.	2
28	VV33A0G16	Machine Screw Pan Phillips #10-32 x 1/2" z.p.	1
29	VV33A0G24	Machine Screw Phillips Pan Head #10-32 x 3/4" z.p.	2
31	VV41A1A20	Phillips Countersunk Screw Type F #4-40 x 5/8" zp	2
33	VV83A9G16	Tapping Screw Pan Phillips Type B #10 x 1/2" z.p.	8
34	VV84A1H46	Flanged Hexagonal Head Tapping Screw #12 X 1/2 Type B z.p.	8
35	VW10A12	Washer 3/8" SAE z.p.	2
36	VW10C173602	Nylon Washer	5
39	VW20A10	Spring Washer 5/16" Diameter	4
40	QPPF1518	Plug Double "D" Diameter 5/8"	1
41	23-0702	Hubble Hi-Lo Actuator	2
43	QPNC0606	Strain Relief Bushing	1
44	QDF9575	Fuse Holder	1
45	QDF9520	Cable Tie Diameter 3/8"	1

[Return To Table of Contents](#)

100V Electric System

For Reference Only: OL230231
Rev. 00



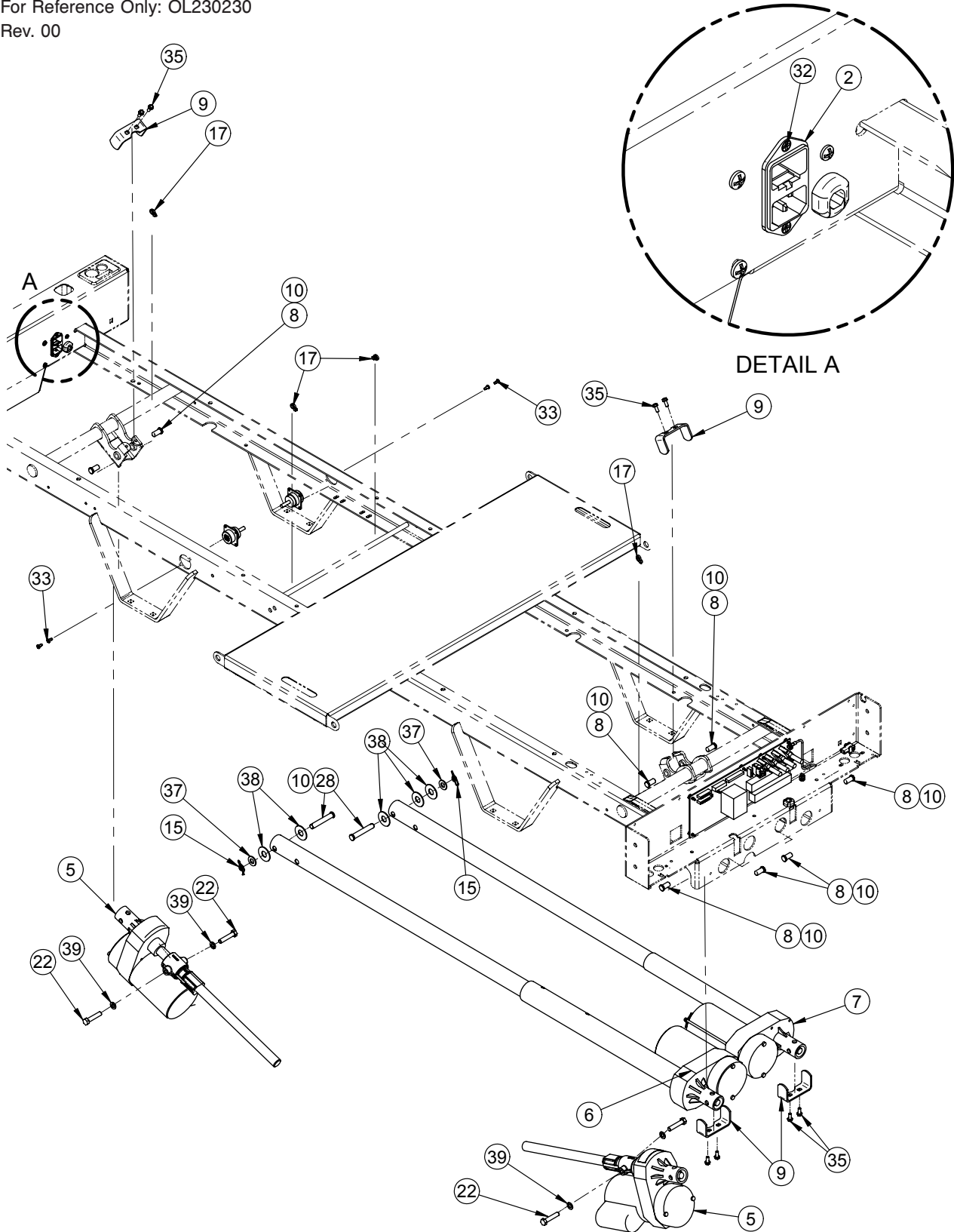
100V Electric System (For Reference Only: OL230231, Rev. 00)

Item	Part No.	Part Name	Qty.
1	QDF20-0081	100V Connector	1
2	QDF8078	10A, 250V Long Fast Action Fuse	2
3	QED9575	Fuse Holder	1
4	QE71-0571	Sticker - 10A, 250V Fuses	1
5	QE71-1194	100V CSA Sticker	1

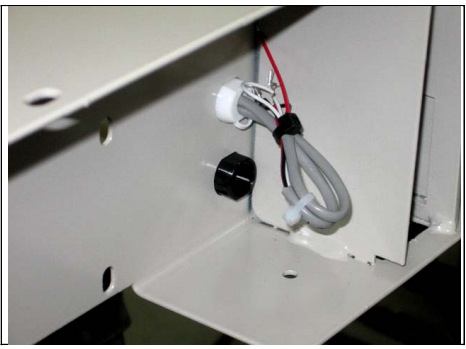
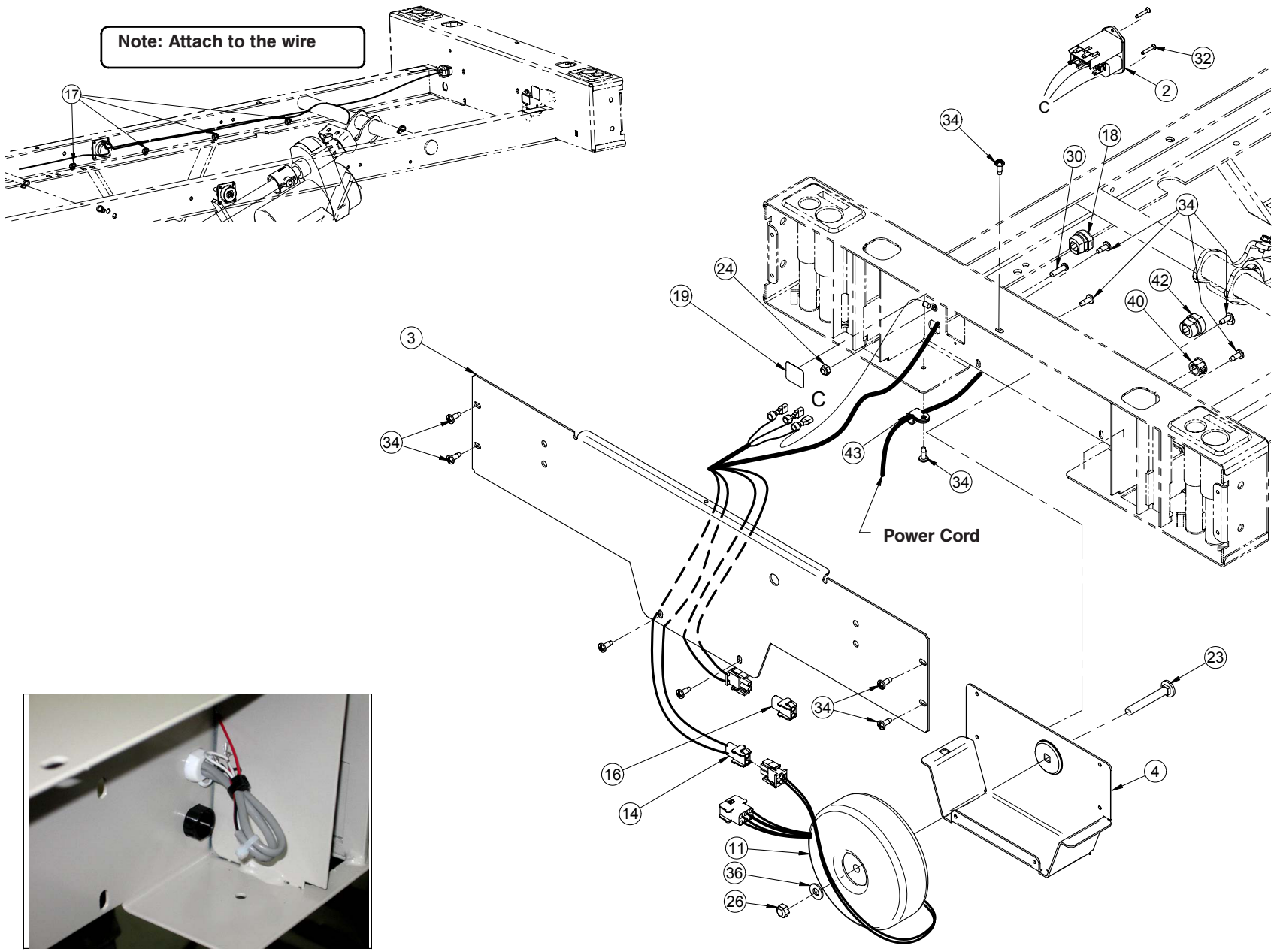
International Electric System

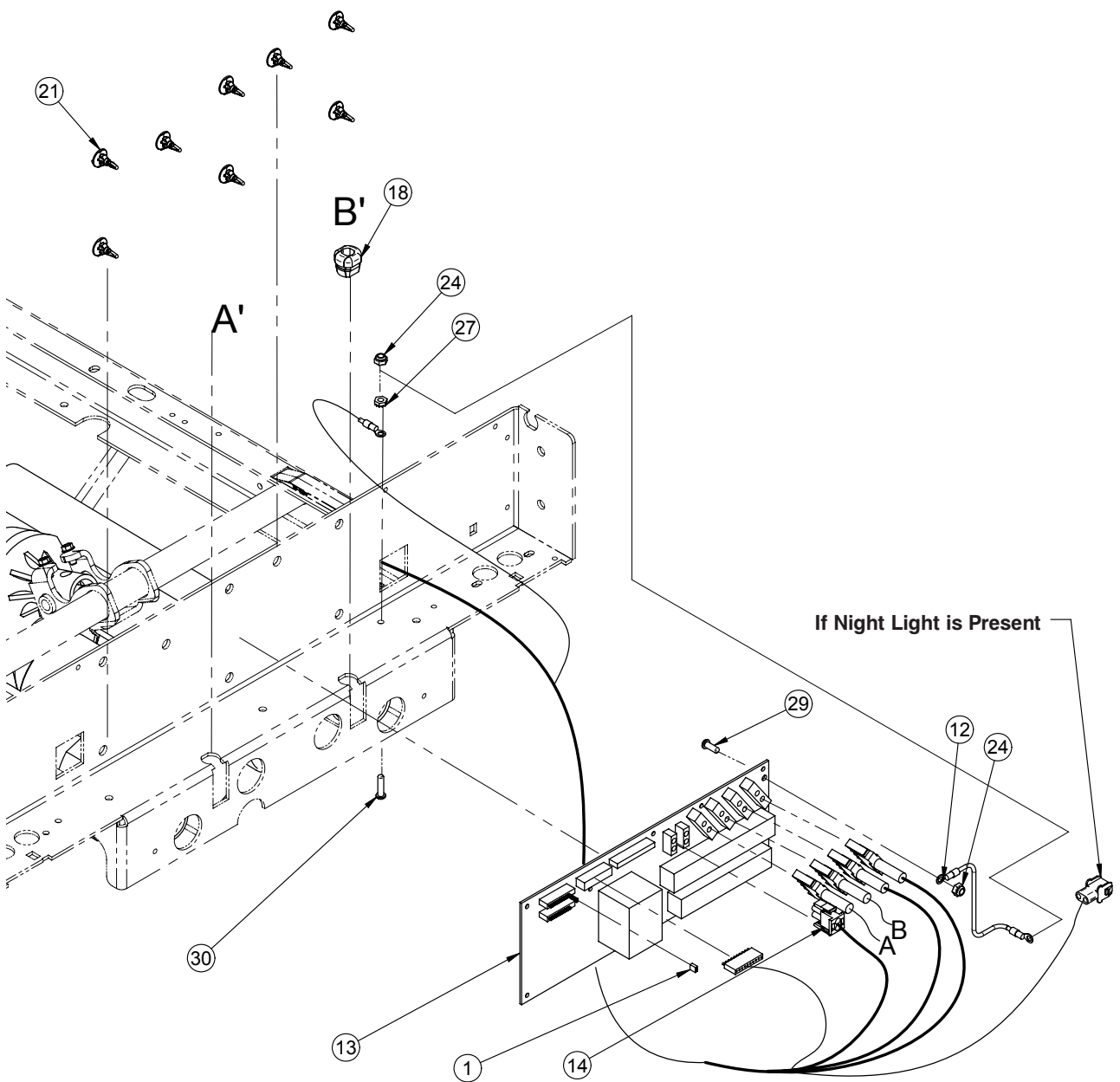
For Reference Only: OL230230

Rev. 00



[Return To Table of Contents](#)





International Electric System

International Electric System (For Reference Only: OL230230G, Rev. 00)

Item	Part No.	Part Name	Qty.
1	QDF8047	PC Board Jumper	1
2	QDF9574	Power Connector S.A.	1
3	23-0754G	International Head Casing Cover	1
4	23-0317G	Transformer Support	1
5	23-0702	Hubble Hi-Lo Actuator	2
6	23-0335	Hubble Head Actuator	1
7	23-0336	Hubble Thigh Actuator	1
8	25-0250Z	Actuator Pivot	8
9	25-0251Z	Head/Thigh Actuator Support Cover	4
10	M0019	Petro Canada OG2 Grease	.0100
11	QDF14-1160	Medical Toroid Transformer	1
12	QDF17-0138	PC Board Ground Wire	1
13	QDF23-0315	Control Board	1
14	QDF23-0573	FL23SE Siderail Control Cable - International Electric System S.A.	1
15	QDF7878	Rue Ring Cotter Diameter 3/8" z.p.	2
16	QDF8042	Mate-N-Lock Female 2 x 1 AMP #1-480699-0	1
17	QDF9518	Nylon Ty-Rap Black (0.143 X 8")	8
18	QDF9541	Strain Relief SR 6P3-4	2
19	QE71-0572	Sticker - Ground	1
21	QP23-0735	Control Board Stand-Off Pin	8
22	VB15A1O40	Bolt 5/16-18 X 1 1/2" Grade 5 z.p.	4
23	VB35A1O50	Carriage Bolt 5/16-18 x 2 1/4" z.p.	1
24	VE30A0G	Nylon Hexagonal Locknut #10-32 z.p.	3
26	VE79A1O	UNC Grade C ESNA Nut 5/16 - 18	1
27	VE80A0G	"K-lok" Locknut #10-32 z.p.	1
28	VG50B1250	Clevis Pin Diameter 3/8" x 2-1/4" z.p.	2
29	VV33A0G16	Machine Screw Pan Phillips #10-32 x 1/2" z.p.	1
30	VV33A0G24	Machine Screw Phillips Pan Head #10-32 x 3/4" z.p.	2
32	VV41A1A20	Phillips Countersunk Screw Type F #4-40 x 5/8" zp	2
34	VV83A9G16	Tapping Screw Pan Phillips Type B #10 x 1/2" z.p.	12
35	VV84A1H46	Flanged Hexagonal Head Tapping Screw #12 X 1/2 Type B z.p.	8

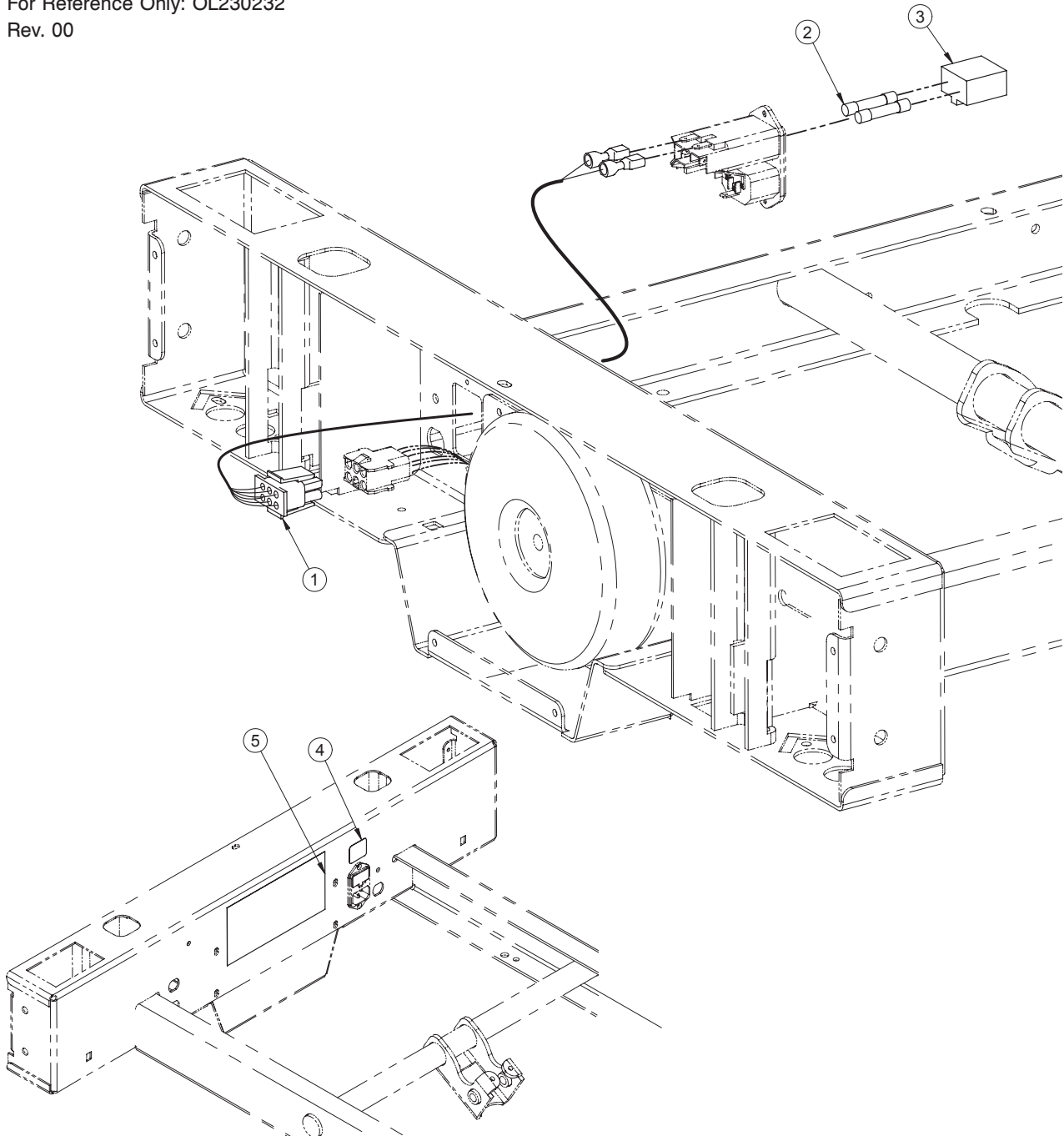
International Electric System

International Electric System (For Reference Only: OL230230G, Rev. 10) (Continued)

Item	Part No.	Part Name	Qty.
36	VW10A10	Flat Washer 5/16" SAE z.p	1
37	VW10A12	Washer 3/8" SAE z.p.	2
38	VW10C173602	Nylon Washer	5
39	VW20A10	Spring Washer 5/16"	4
40	QPPF1518	Plug Double "D" 5/8" Diameter	1
42	QPNC0606	Strain Relief Bushing	1
43	QDF9520	Cable Fastener Diameter 3/8"	1

200V Electric System

For Reference Only: OL230232
Rev. 00



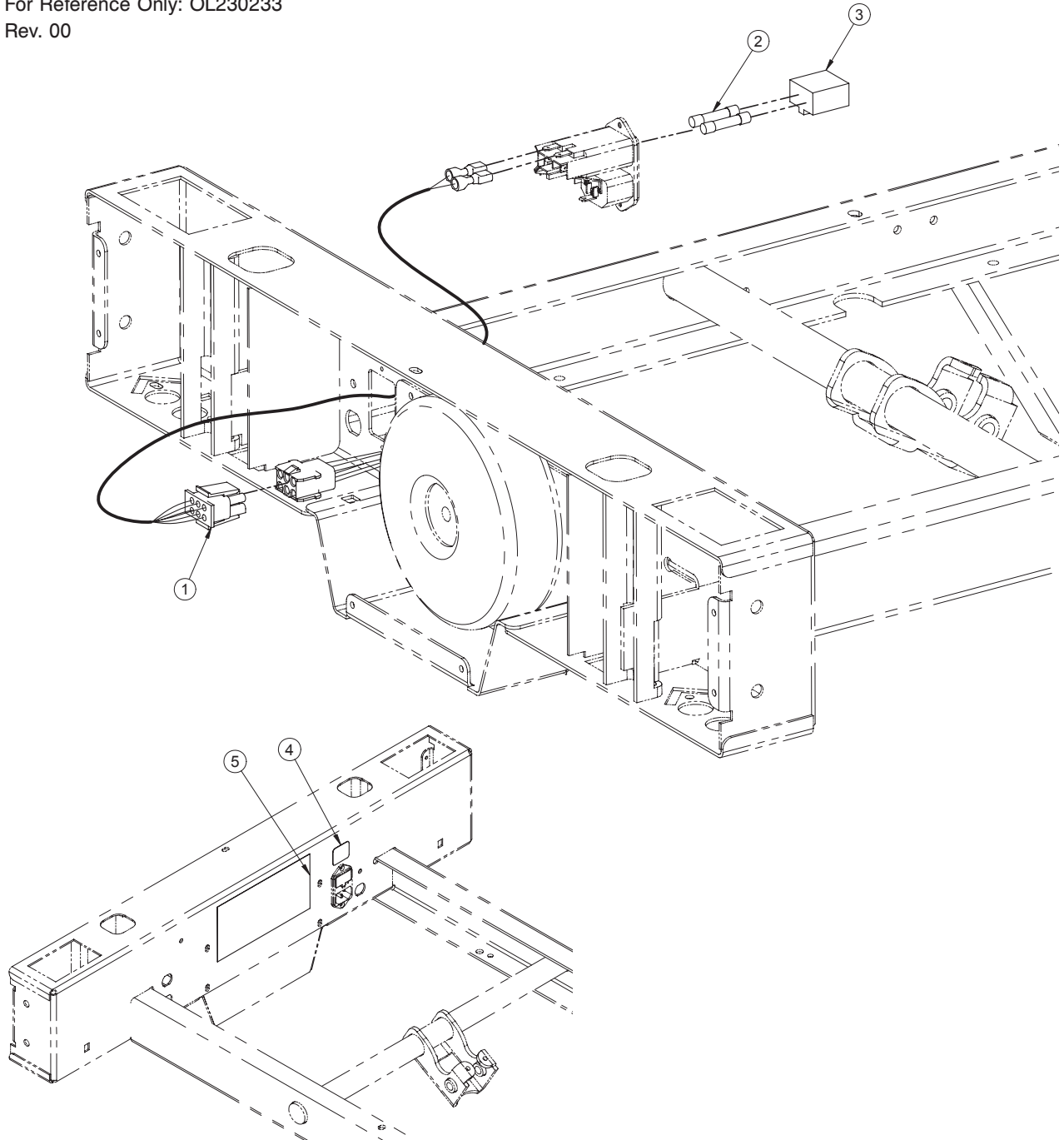
200V Electric System (For Reference Only: OL230232, Rev. 00)

Item	Part No.	Part Name	Qty.
1	QDF20-0082	200V Connector	1
2	QDF8068	Fuse 6.3A (200, 220, 240V)	2
3	QDF9580	Fuse Holder	1
4	QE71-0573	Sticker - 6.3A Fuses	1
5	QE71-1195	200V CSA Sticker	1

220V Electric System

For Reference Only: OL230233

Rev. 00



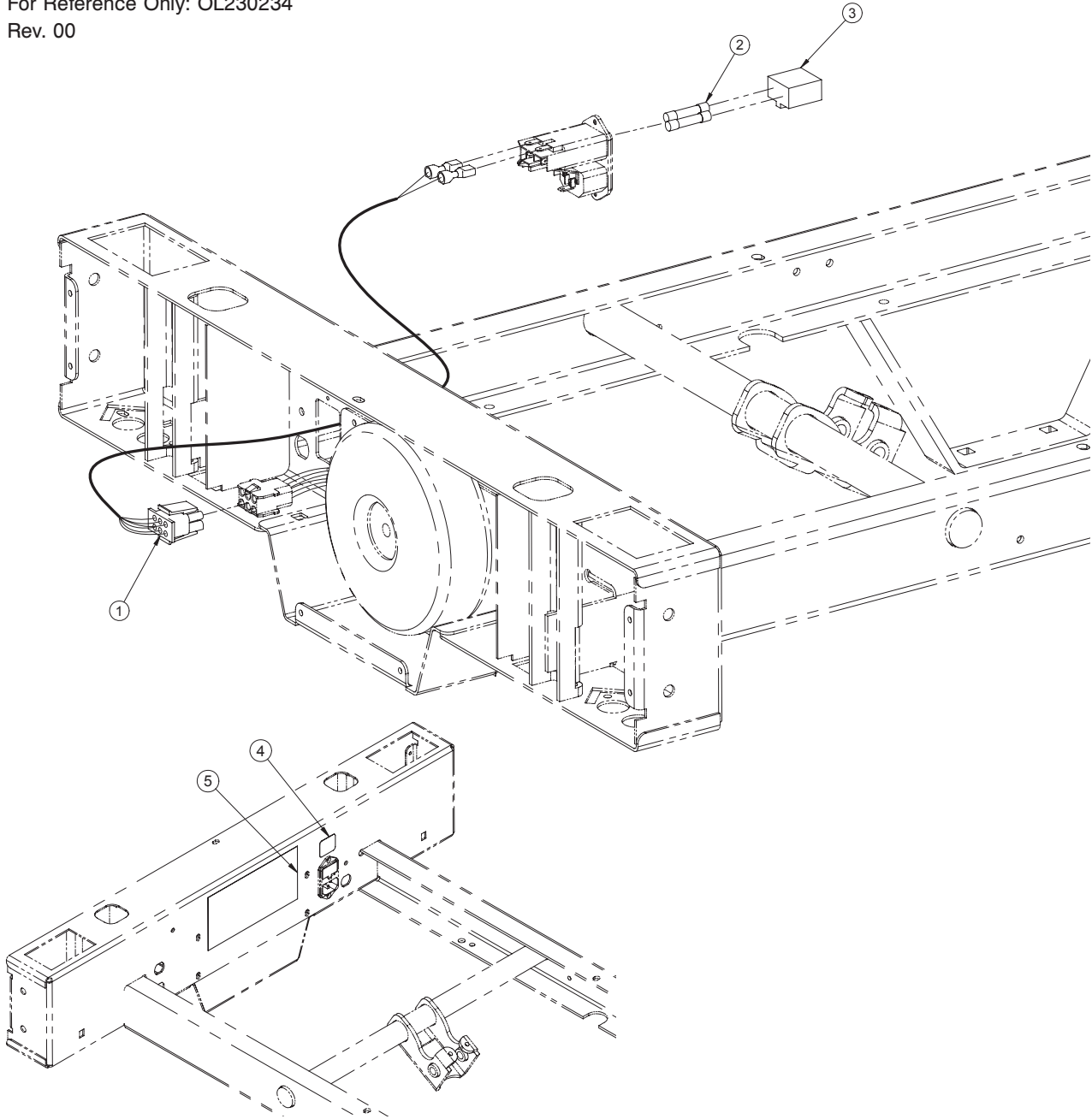
220V Electric System (For Reference Only: OL230233, Rev. 00)

Item	Part No.	Part Name	Qty.
1	QDF20-0083	220V Connector	1
2	QDF8068	6.3A Fuse (200, 220, 240V)	2
3	QDF9580	Fuse Holder	1
4	QE71-0573	Sticker - 6.3A Fuses	1
5	QE71-1196	220V CSA Sticker	1

[Return To Table of Contents](#)

240V Electric System

For Reference Only: OL230234
Rev. 00



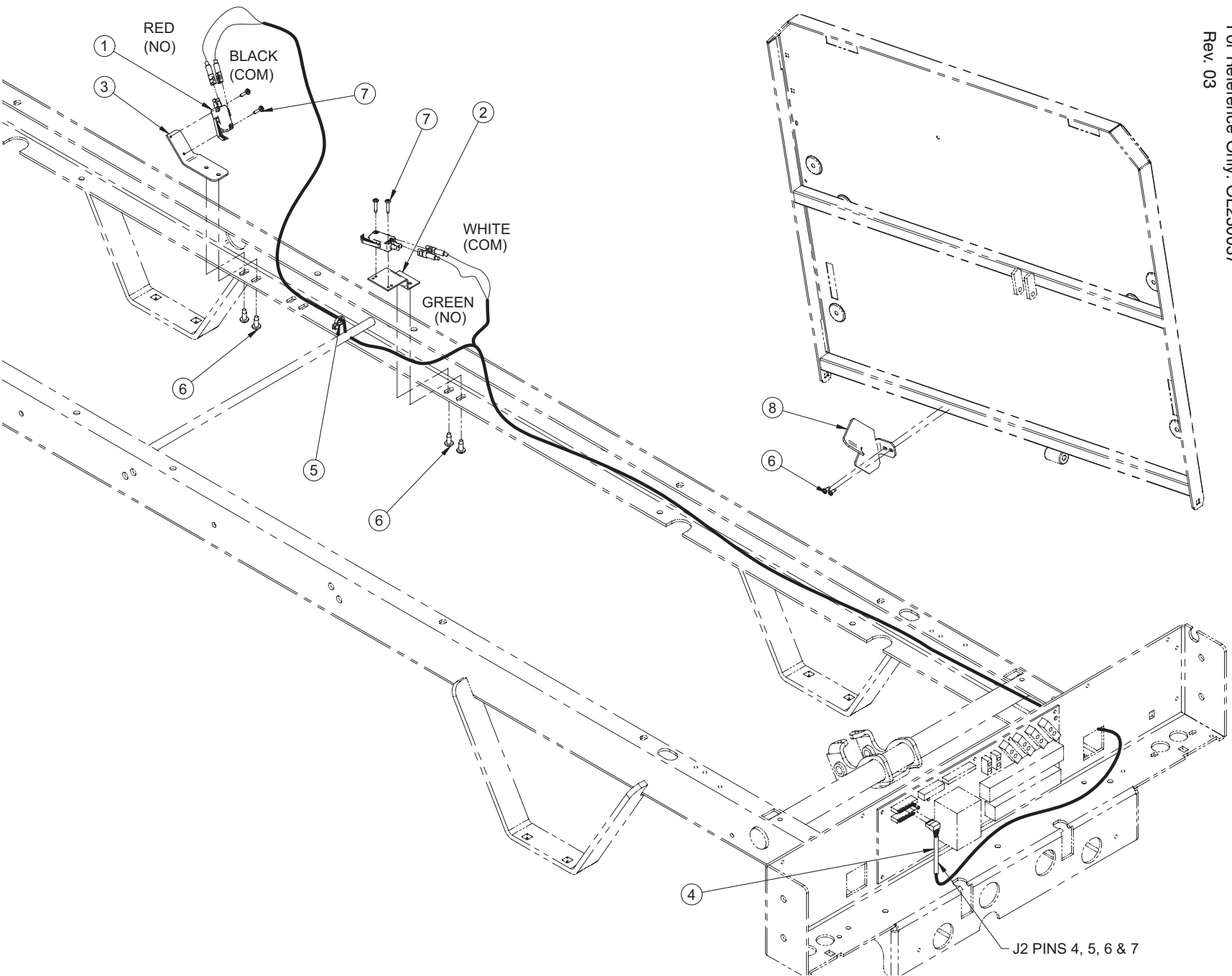
240V Electric System (For Reference Only: OL230234, Rev. 00)

Item	Part No.	Part Name	Qty.
1	QDF20-0084	240V Connector	1
2	QDF8068	6.3A Fuse (200, 220, 240V)	2
3	QDF9580	Fuse Holder	1
4	QE71-0573	6.3A Fuses - Sticker	1
5	QE71-1197	240V CSA - Sticker	1

Notes

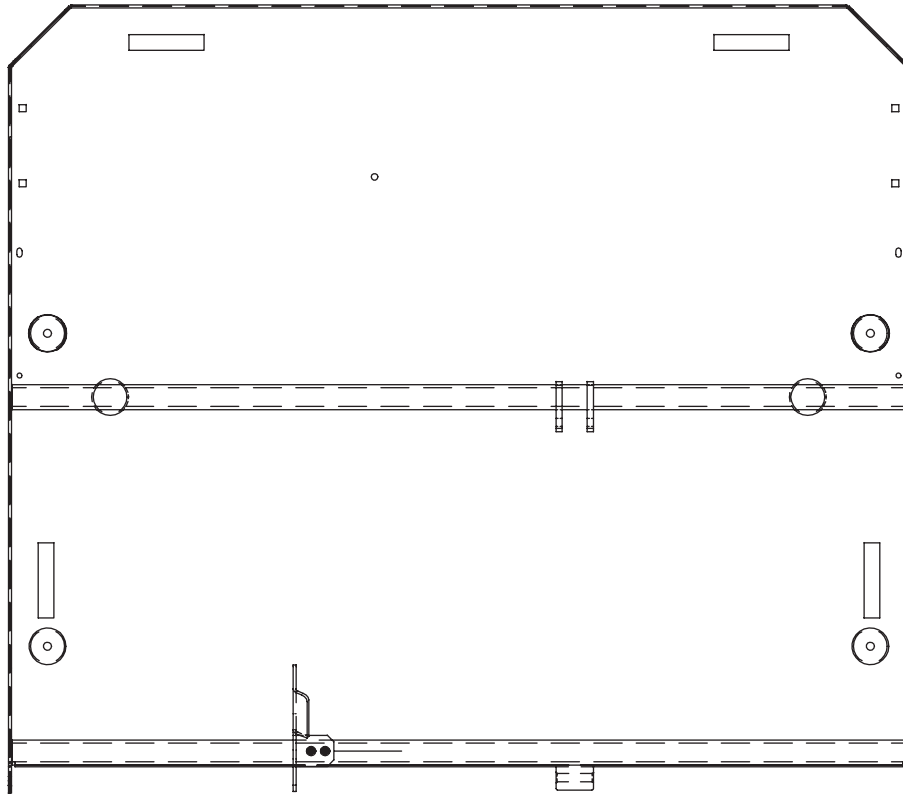
Auto Contour Positioning

For Reference Only: OL230037
Rev. 03



J2 PINS 4, 5, 6 & 7

Auto Contour Positioning



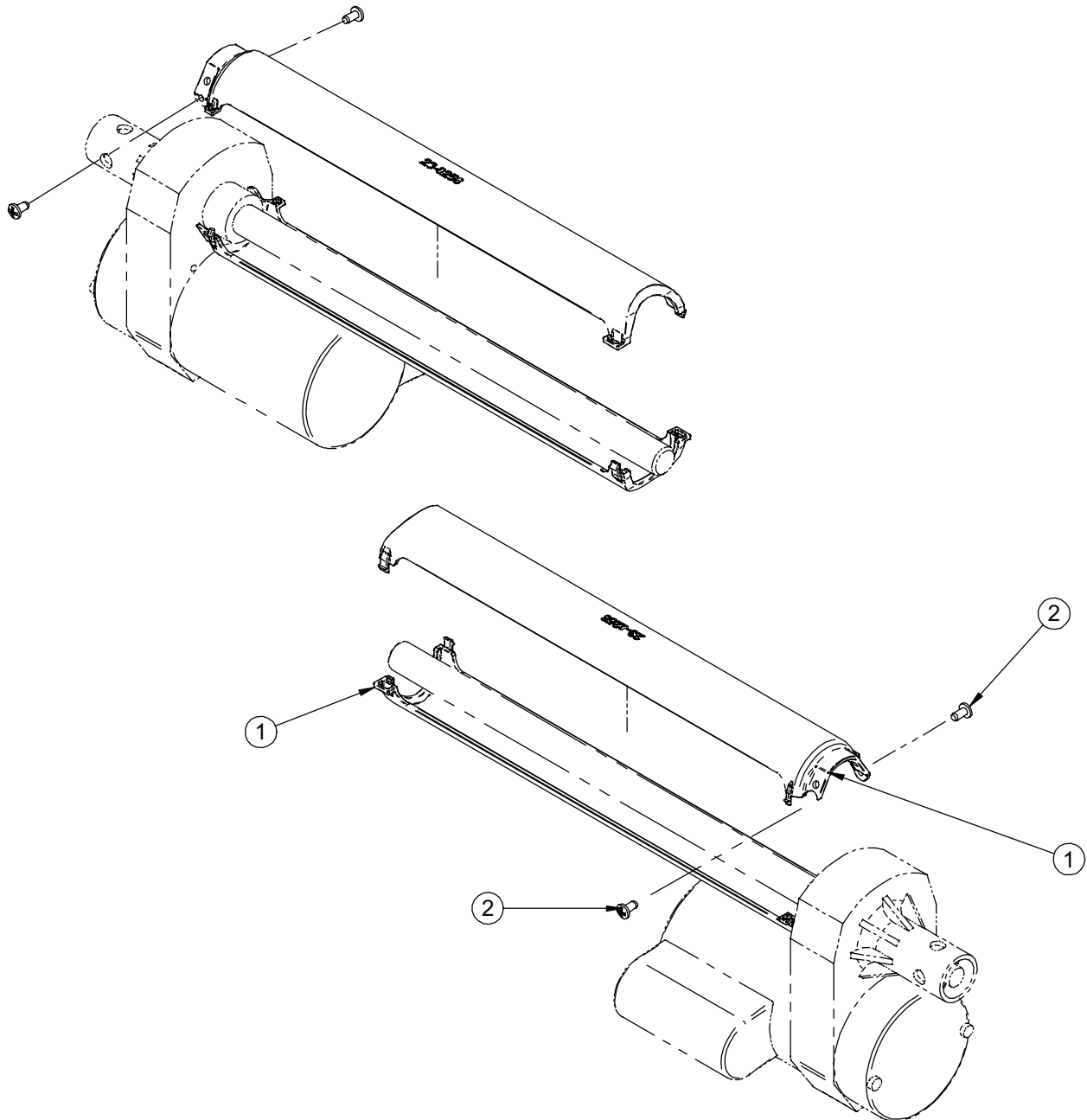
Auto Contour Positioning (For Reference Only: OL230037, Rev. 04)

Item	Part No.	Part Name	Qty.
1	1325P003	Micro Switch	2
2	23-0164Z	Micro Switch Support	1
3	23-0451Z	Micro Switch Support	1
4	QDF13-0251	Auto Contour Positioning Connection Cable	1
5	QDF9518	Nylon Ty-Rap Black (0.143 X 8")	1
6	VV83A9G16	Tapping Screw Pan Phillips Type B #10 x 1/2" z.p.	6
7	VV87A9A20	Tapping Screw Truss Phillips Socket #4 x 5/8" Type B z.p.	4
8	23-0452G	Angle Sensor Arm	1

[Return To Table of Contents](#)

Bed Lift Motors Screw Covers

For Reference Only: OL230091
Rev. 00



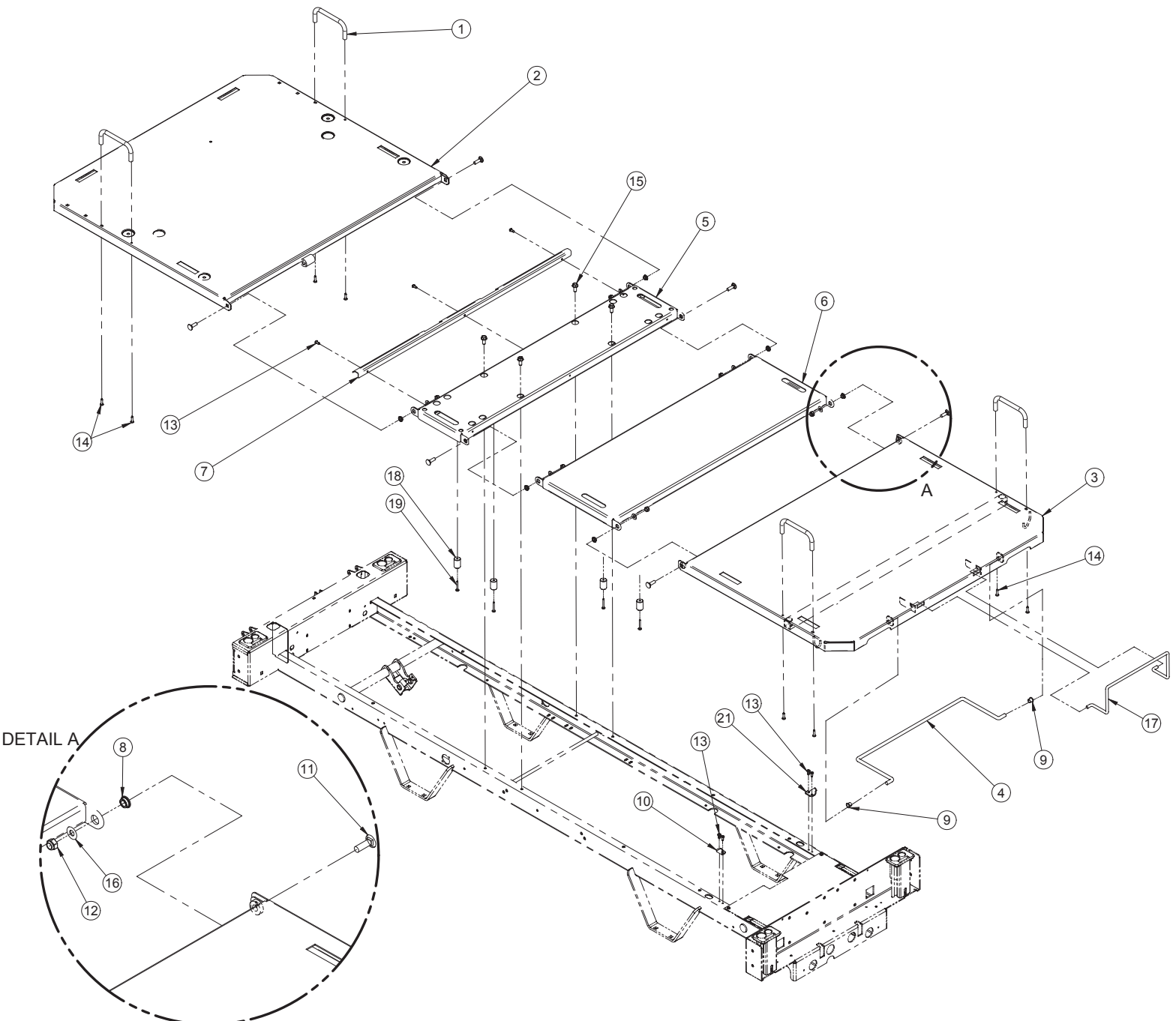
Bed Lift Motors Screw Covers (For Reference Only: OL230091, Rev. 01)

Item	Part No.	Part Name	Qty.
1	QP23-0256	Screw Cover	4
2	VV83A9G12	Tapping Screw Pan Phillips Type B #10 x 3/8" z.p.	4

Notes

Mattress Support

For Reference Only: L23-016
Rev. 00



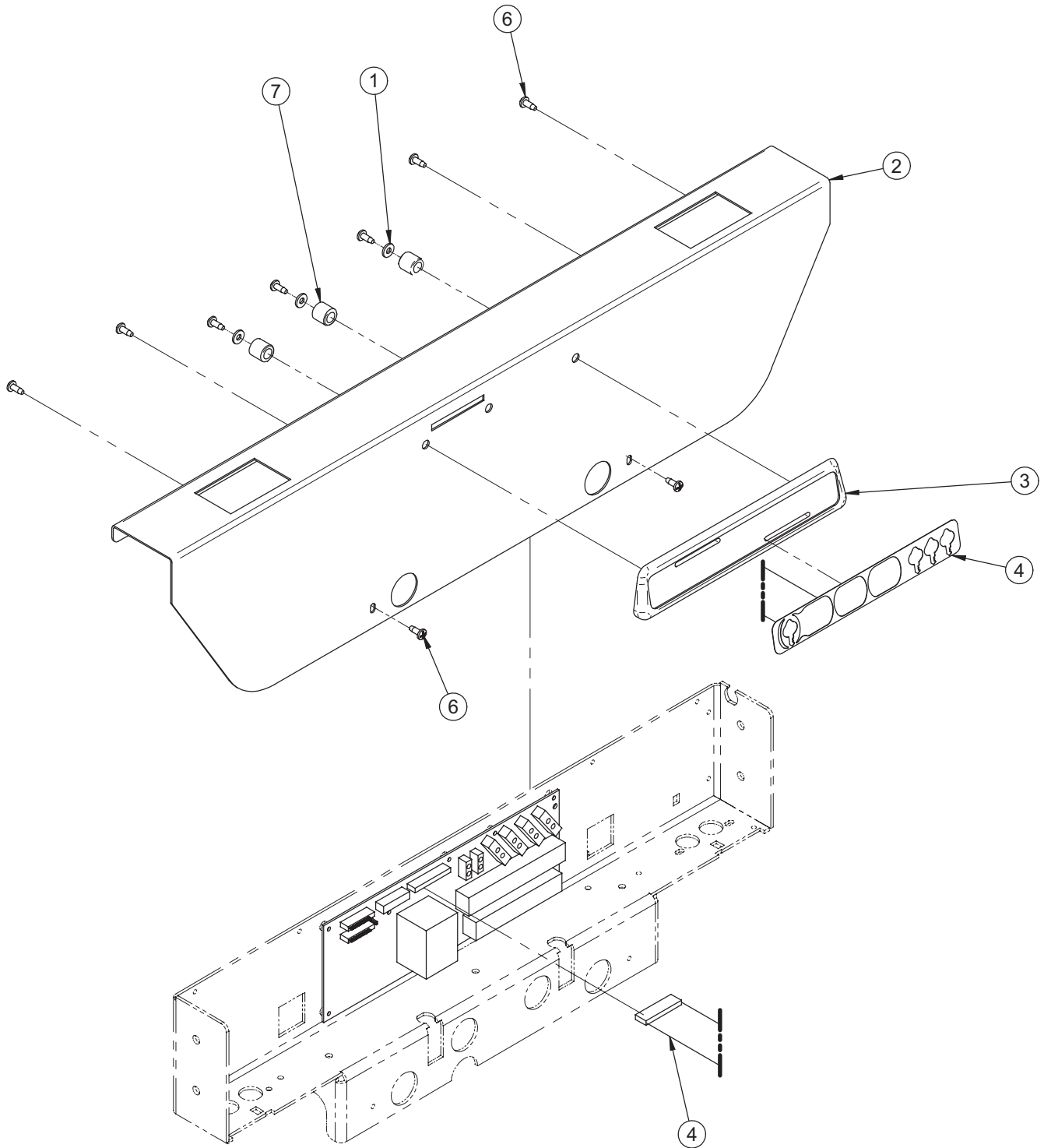
Mattress Support

Mattress Support (For Reference Only: L23-016G, Rev. 01)

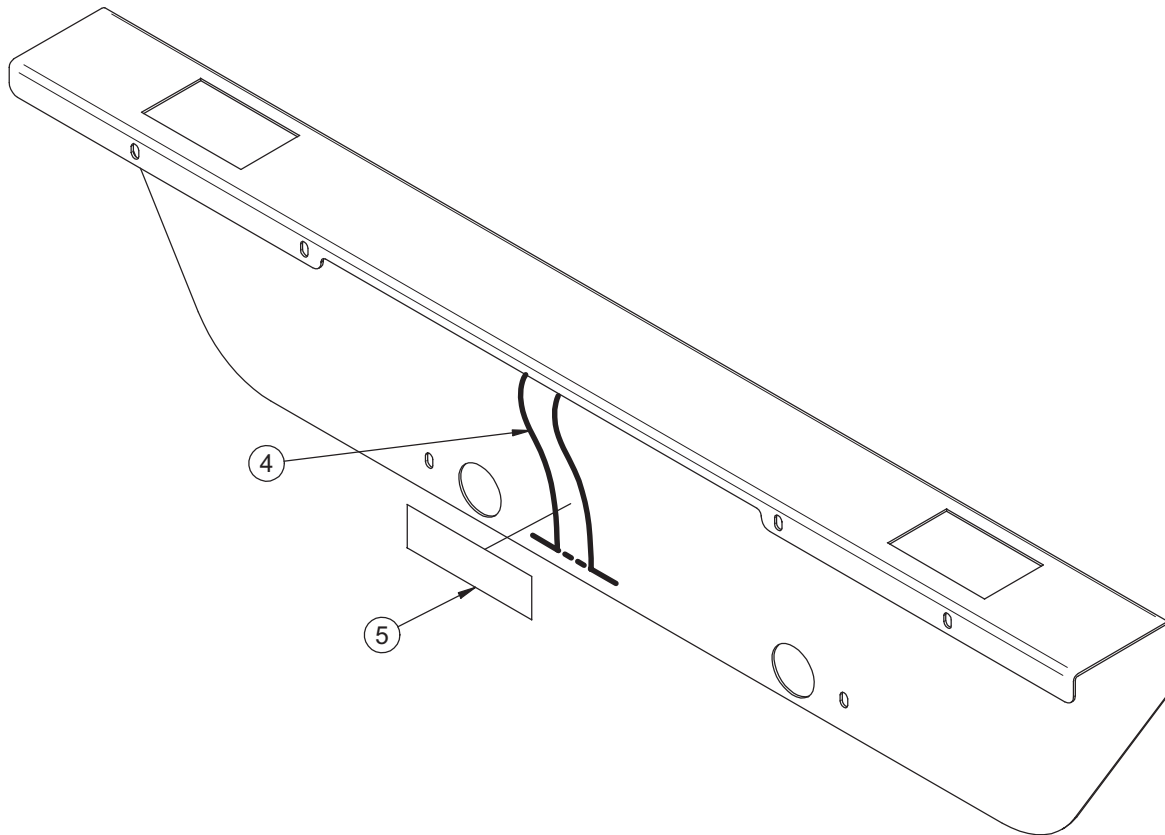
Item	Part No.	Part Name	Qty.
1	QP14034-07	Mattress Retainer	4
2	23-0091G	Head Section S.A.	1
3	23-0705G	Foot Section S.A.	1
4	23-0704G	Foot Prop Rod S.A.	1
5	23-0640G	Seat Section S.A.	1
6	25-0634G	Thigh Section S.A.	1
7	25-0274G	Protective Bracket	1
8	QDF17-0020	Shoulder Spacer Diameter 5/16" x 0.210"	6
9	QPNI2404	Nylon Shoulder Bushing 3/8" ID	2
10	28-0461Z	Right Hook	1
11	VB35A1O32	Carriage Bolt (Short Neck) 5/16-18-1" Grade 5 z.p.	6
12	VE30A1O	Nylon Hexagonal Locknut 5/16-18 UNC z.p.	6
13	VV83A9G16	Tapping Screw Pan Phillips Type B #10 x 1/2" z.p.	7
14	VV83A9G24	Tapping Screw Pan Phillips Type B #10 x 3/4" z.p.	8
15	VVB4A1O24	Bolt 5/16" - 18 X 3/4" Thread Rolling	4
16	VW10A10	Flat Washer 5/16" SAE z.p.	6
17	17-0211G	Foot End Mattress Retainer	1
18	23-0815	Centre Section Stop	4
19	VV83A9G36	Type B Screw, #10 X 1-1/4	4
21	28-0468Z	Left Hook	1

Foot End Control Panel

For Reference Only: OL230026
Rev. 04



Foot End Control Panel



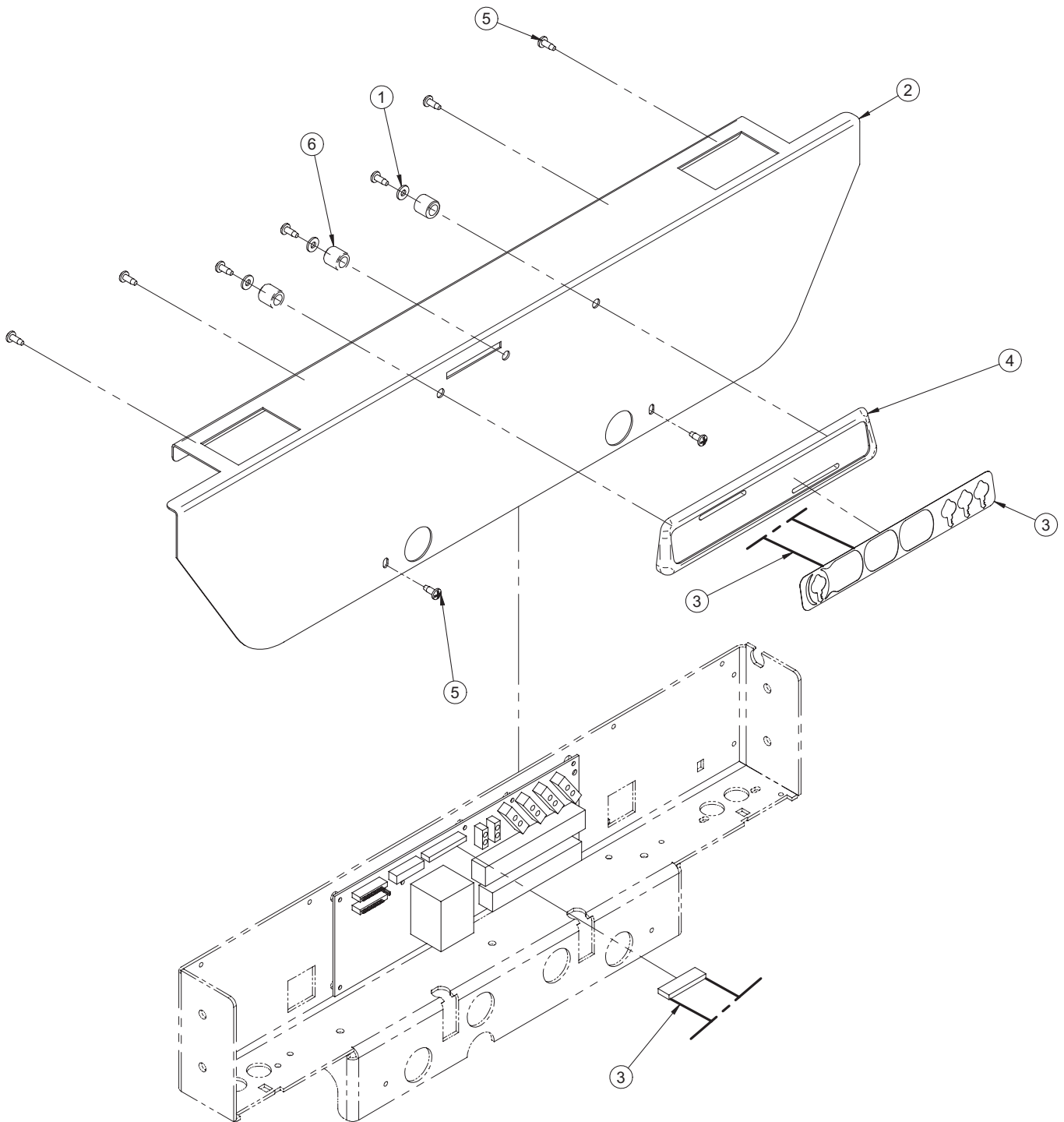
Foot End Control Panel (For Reference Only: OL230026G, Rev. 05)

Item	Part No.	Part Name	Qty.
1	VW10A06	Flat Washer #10 z.p.	3
2	23-0119G	Foot Casing Cover	1
3	QP17-0127-07	Nurse Control Board	1
4	QDF23-0693	Nurse Control Membrane	1
5	QDF7826	3M Adhesive Tape #950 x 1"	.1250
6	VV83A9G16	Tapping Screw Pan Phillips Type B #10 x 1/2" z.p.	9
7	VW60C201320	Nylon Spacer 5/8" x .386" x 39/64"	3

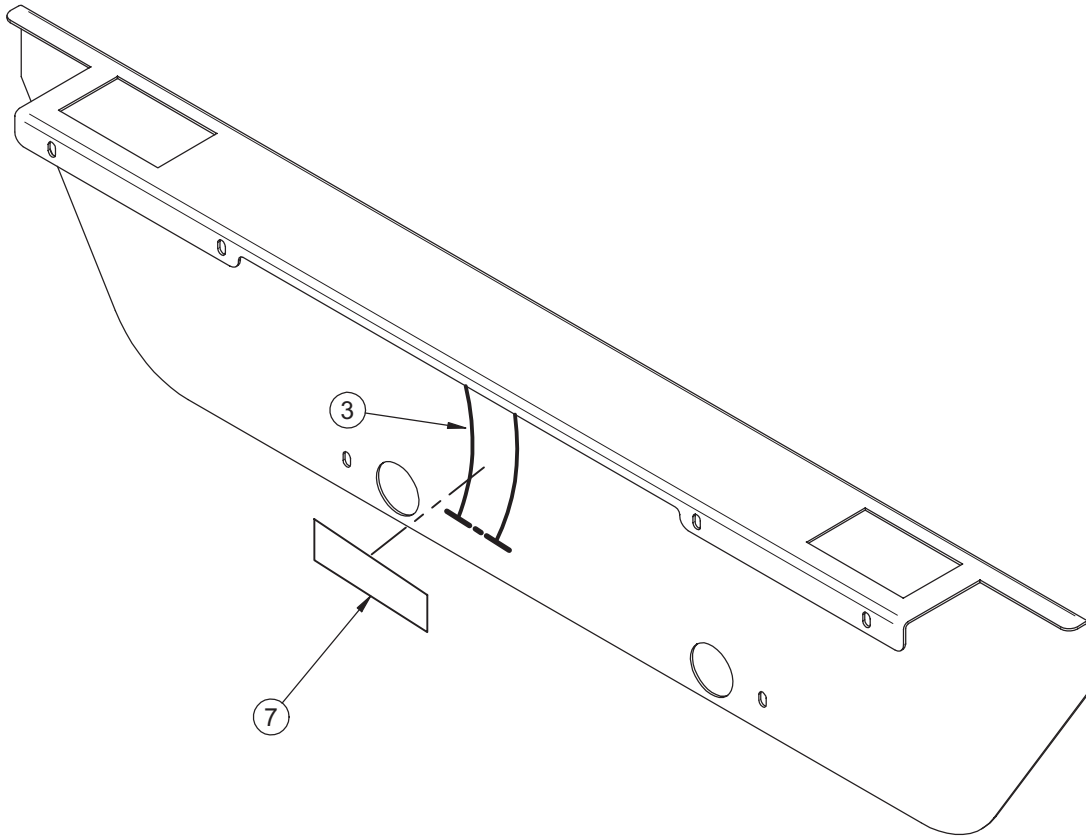
Control Panel on Frame for Full-Length

For Reference Only: OL230209

Rev. 01



Control Panel on Frame for Full-Length

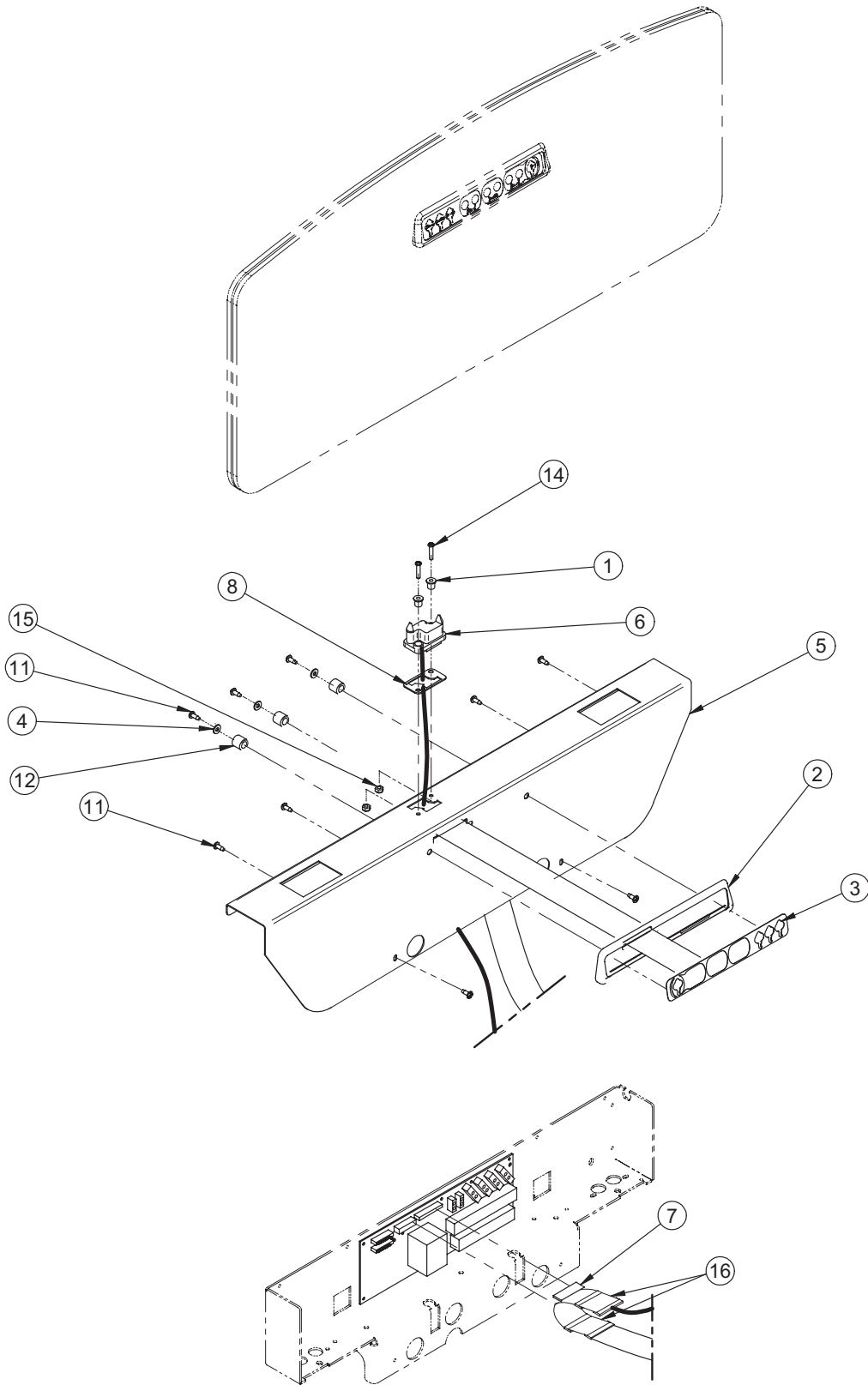


Control Panel on Frame for Full-Length Siderails (For Reference Only: OL230209G, Rev. 02)

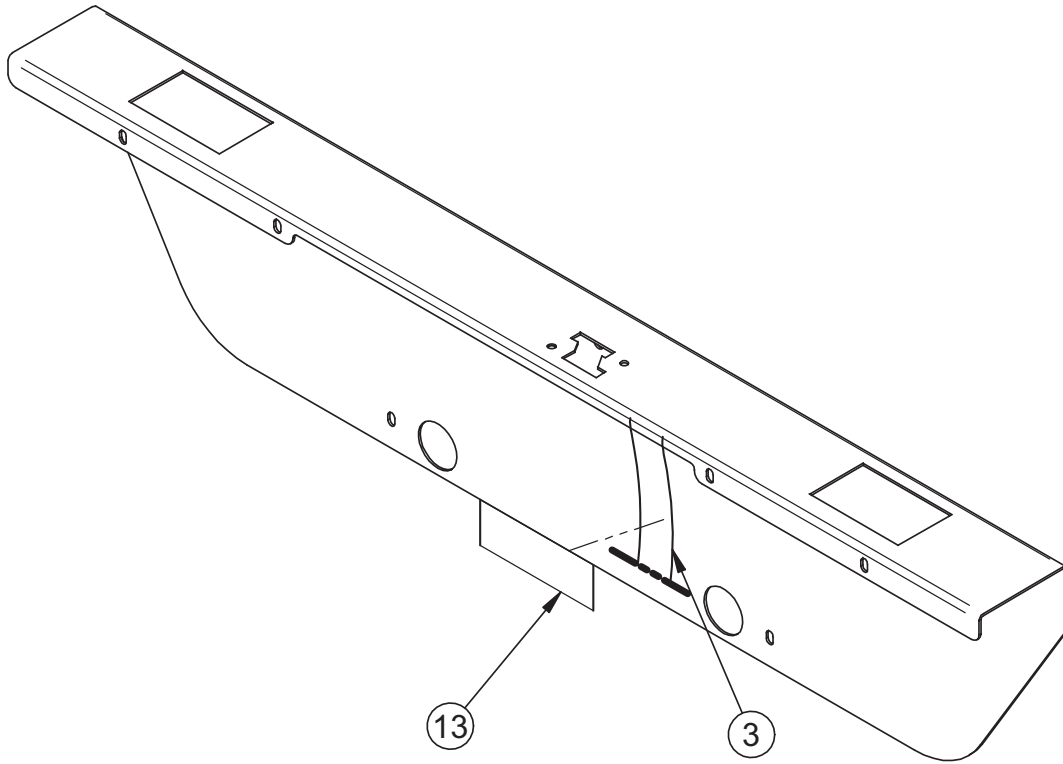
Item	Part No.	Part Name	Qty.
1	VW10A06	Flat Washer #10 z.p.	3
2	23-0635G	Foot End Casing Cover without Connector	1
3	QDF23-0693	Nurse Control Membrane	1
4	QP17-0127-07	Nurse Control Board	1
5	VV83A9G16	Tapping Screw Pan Phillips Type B #10 x 1/2" z.p.	9
6	VW60C201320	Nylon Spacer 5/8" x .386" x 39/64"	3
7	QDF7826	3M Adhesive Tape #950 x 1"	.2500

Foot End and Foot Board Control Panels

For Reference Only: OL230033
Rev. 04



Foot End and Foot Board Control Panels



Foot End and Foot Board Control Panels (For Reference Only: OL230033G, Rev. 05)

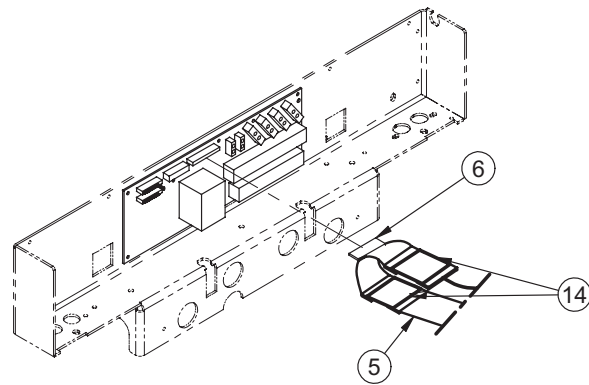
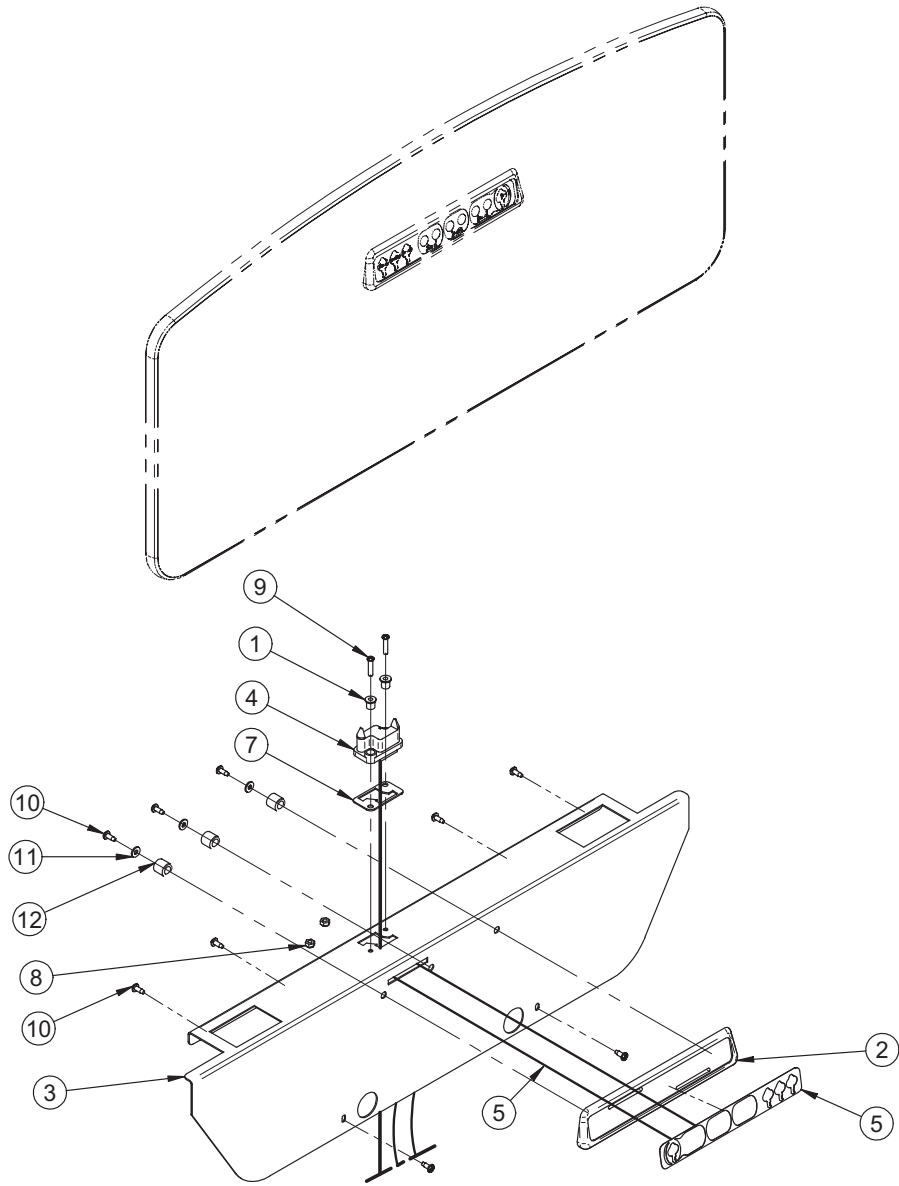
Item	Part No.	Part Name	Qty.
1	17-0014Z	Shoulder Sleeve	2
2	QP17-0127-07	Nurse Control Board	1
3	QDF23-0693	Nurse Control Membrane	1
4	VW10A06	Flat Washer #10 z.p.	3
5	23-0261G	Foot Casing Cover with Connector	1
6	QDF17-0141	PC-Board/Connector Cable	1
7	QDF23-0279	Y Cable S.A.	1
8	QPN-17-0011	Seal	1
11	VV83A9G16	Tapping Screw Pan Phillips Type B #10 x 1/2" z.p.	9
12	VW60C201320	Nylon Spacer 5/8" x .386" x 39/64"	3
13	QDF7826	3M Adhesive Tape #950 x 1"	.2500
14	VV33A1G28	Machine Screw Pan Phillips #10-24 x 7/8" z.p.	2
15	VE30A1G	Nylon Hexagonal Locknut #10-24 z.p.	2
16	QDF2053	Red PVC Tape	.5000

[Return To Table of Contents](#)

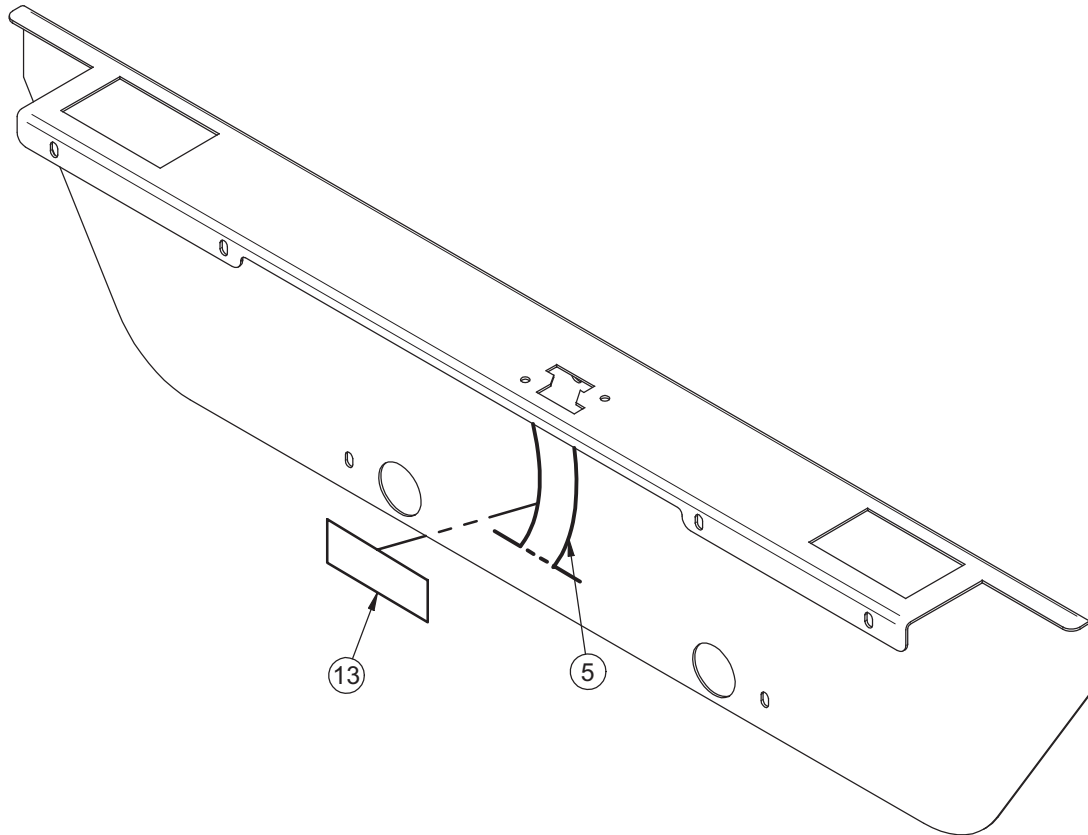
Foot End and Foot Board Control Panels - Full-Length Siderail

For Reference Only: OL230210

Rev. 01



Foot End and Foot Board Control Panels - Full-Length Siderail



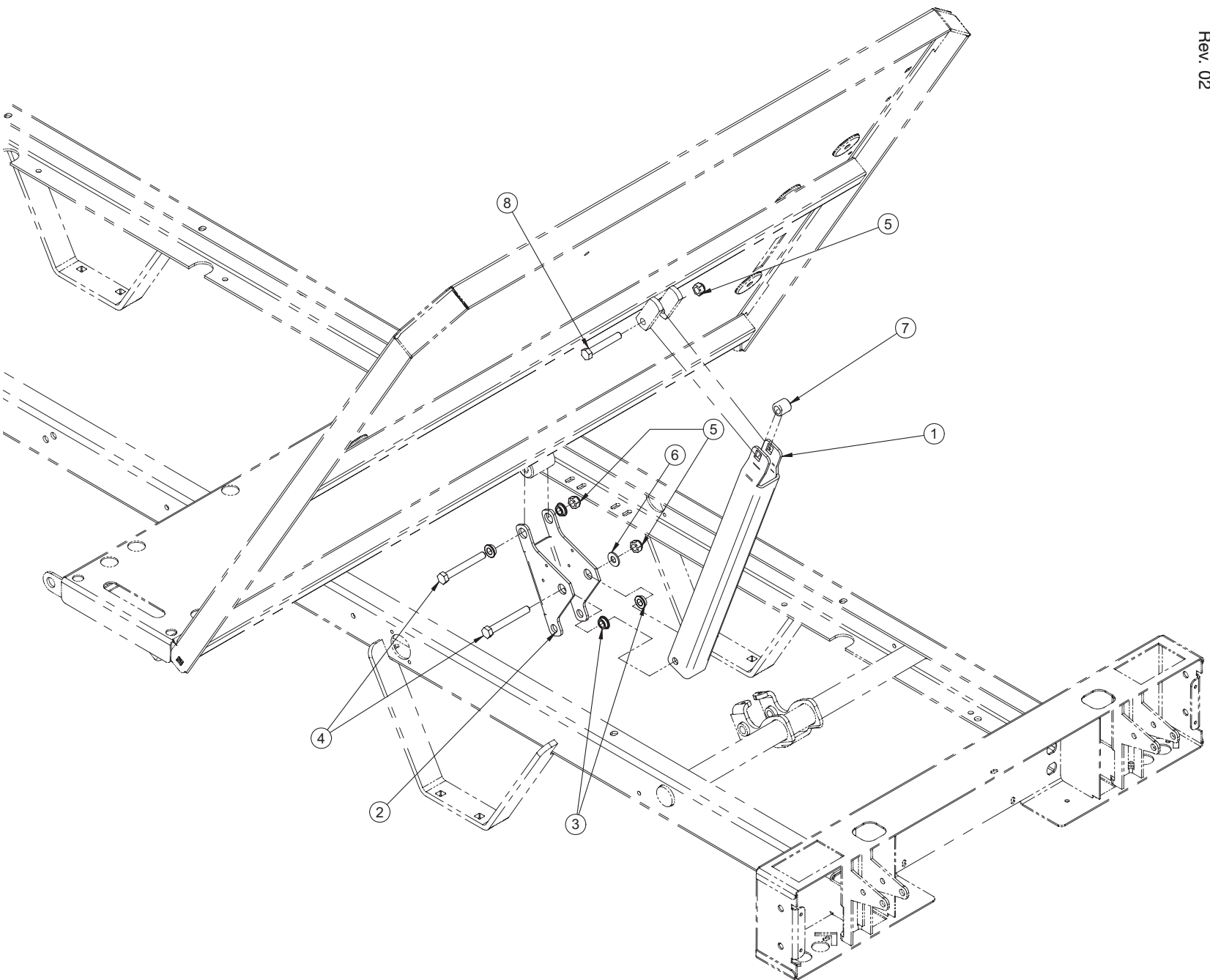
Foot End and Foot Board Control Panels - Full-Length Siderail (For Reference Only: OL230210G, Rev. 02)

Item	Part No.	Part Name	Qty.
1	17-0014Z	Shoulder Sleeve	2
2	QP17-0127-07	Nurse Control Board	1
3	23-0513G	Foot End Casing Cover with Connector	1
4	QDF17-0141	PC-Board/Connector Cable	1
5	QDF23-0693	Nurse Control Membrane	1
6	QDF23-0279	Y Cable S.A.	1
7	QPN-17-0011	Seal	1
8	VE30A1G	Nylon Hexagonal Locknut #10-24 z.p.	2
9	VV33A1G28	Machine Screw Pan Phillips #10-24 x 7/8" z.p.	2
10	VV83A9G16	Tapping Screw Pan Phillips Type B #10 x 1/2" z.p.	9
11	VW10A06	Flat Washer # 10 z.p.	3
12	VW60C201320	Nylon Spacer 5/8" x .386" x 39/64"	3
13	QDF7826	3M Adhesive Tape #950 x 1"	.2500
14	QDF2053	Red PVC Tape	.5000

[Return To Table of Contents](#)

Without CPR Emergency Release

For Reference Only: OL230105
Rev. 02



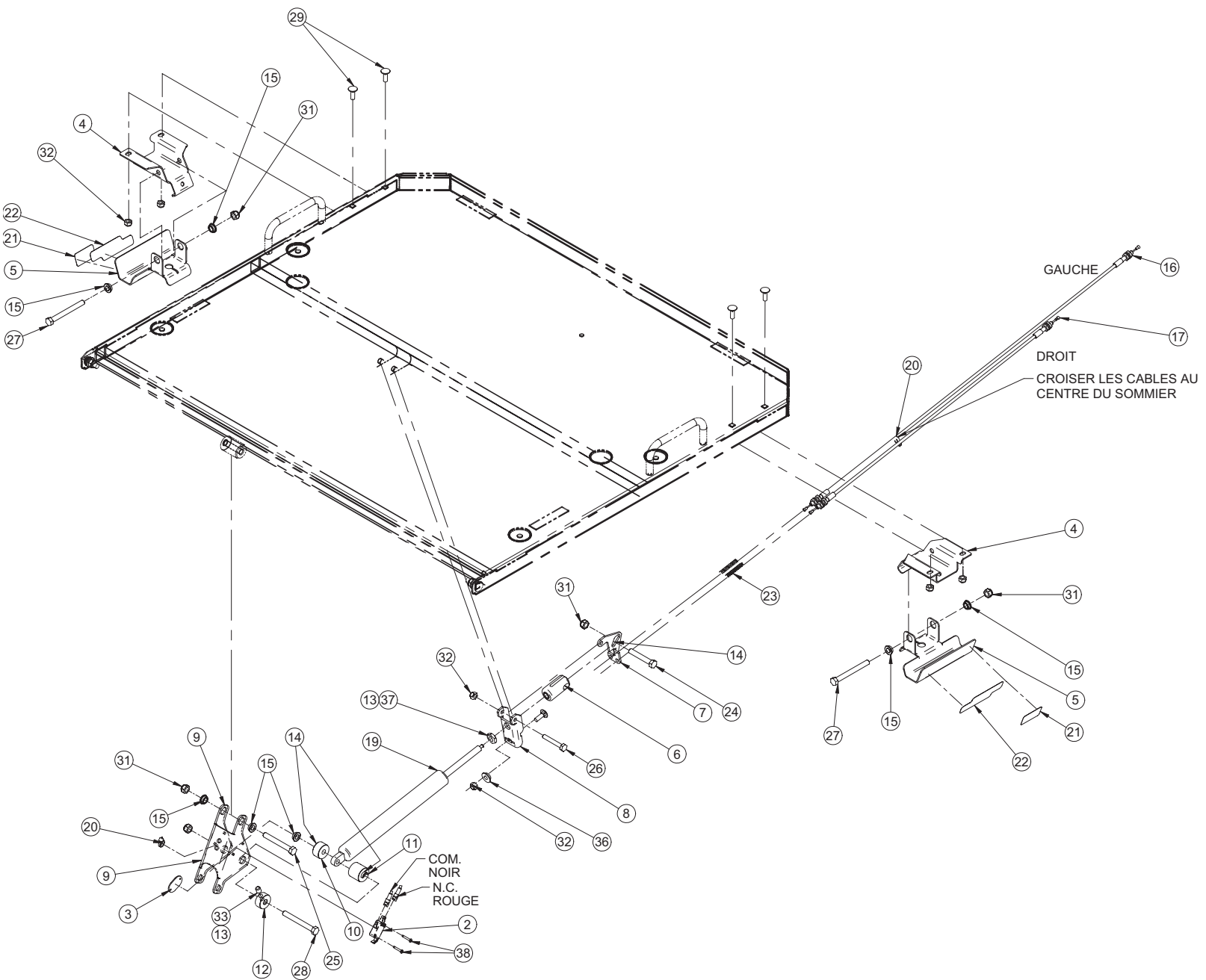
Without CPR Emergency Release

Without CPR Emergency Release (For Reference Only: OL230105G, Rev. 03)

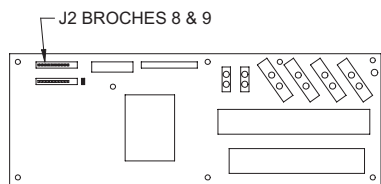
Item	Part No.	Part Name	Qty.
1	20-0223G	Head Section Arm Lever	1
2	25-0362Z	Mattress Support Lever	1
3	QDF17-0020	Shoulder Spacer Diameter 5/16" x 0.210"	4
4	VB18A1O52	Hexagonal Bolt 5/16-18 x 2 1/2" Grade 8, z.p.	2
5	VE30A1O	Nylon Hexagonal Locknut 5/16-18 UNC z.p.	3
6	VW10A10	Flat Washer 5/16" SAE z.p.	1
7	VW60C201320	Nylon Spacer 5/8" x .386" x 39/64"	1
8	VB15A1O48	Hexagonal Bolt 5/16-18 2" Grade 5	1

CPR Emergency Release

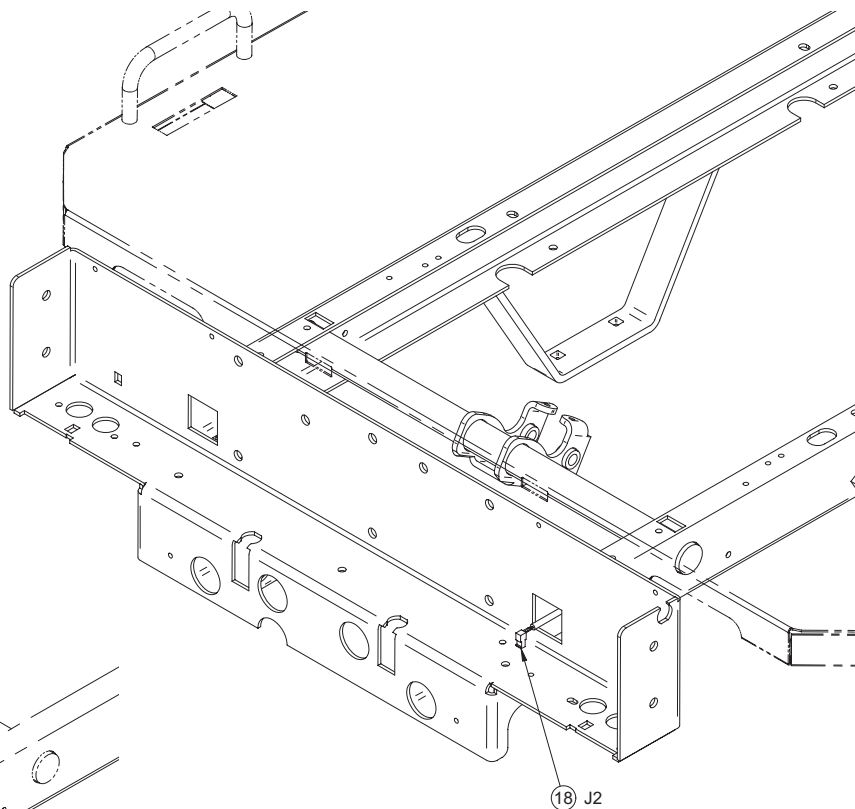
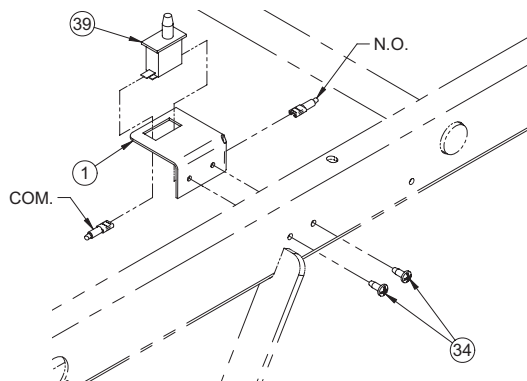
For Reference Only: OL230227
Rev. 00



CPR Emergency Release



CARTE CONTROLE



CPR Emergency Release (For Reference Only: OL230227G, Rev. 00)

Item	Part No.	Part Name	Qty.
1	23-0736Z	Micro Switch Support	1
2	1325P003	Micro Switch	1
3	17-0192	Nut for Micro Switch	1
4	20-0015Z	Activation Handle Bracket	2
5	20-0242G	Activation Handle	2
6	20-0017Z	Activation Mechanism Socket	1
7	20-0018Z	Mobile Lever	1
8	20-0019Z	Fixed Lever	1
9	25-0362Z	Mattress Support Lever	1
10	25-0456Z	Sleeve	1
11	25-0514Z	Cylinder Inner Sleeve	1
12	25-0515Z	Cylinder Outer Sleeve	1
13	M0008	Threadlocker - Medium Strength (Blue)	.3000
14	M0019	Petro Canada OG2 Grease	.0450
15	QDF17-0020	Shoulder Spacer Diameter 5/16" x 0.210"	7

[Return To Table of Contents](#)

CPR Emergency Release

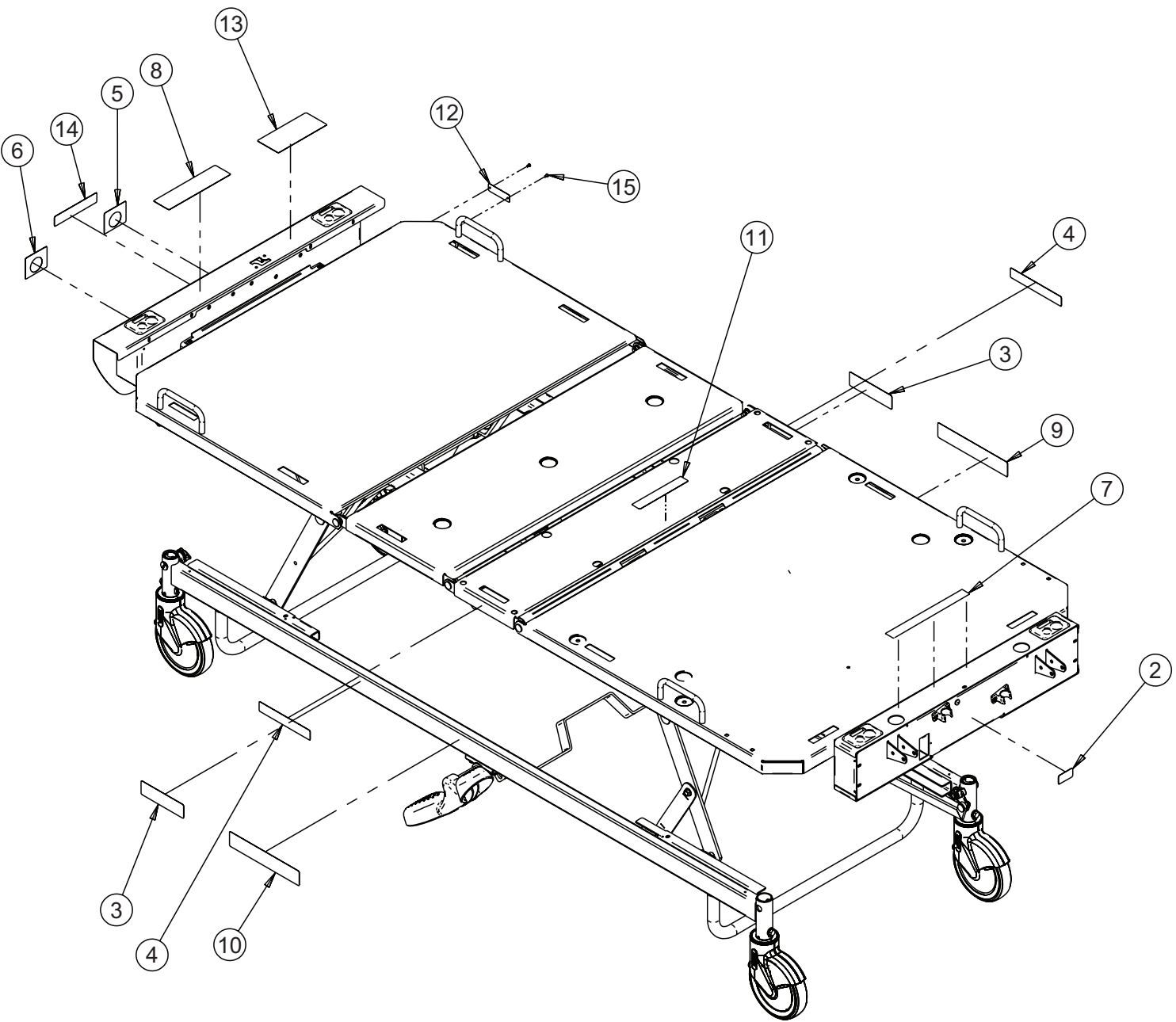
CPR Emergency Release (For Reference Only: OL230227G, Rev. 00)

Item	Part No.	Part Name	Qty.
16	QDF19-0354	Head Section Cable	1
17	QDF19-0815	Short Head Section Cable	1
18	QDF23-0747	CPR Cable	1
19	QDF5090	CPR Pneumatic Cylinder (Bloc-o-Lift #682802)	1
20	QDF9518	Nylon Ty-Rap Black (0.143 X 8")	2
21	QE18545	"Refer to Manual" Sticker	2
22	QE71-0222	Sticker - CPR	2
23	QRC18579	Compression Spring	2
24	VB15A1O48	Hexagonal Bolt 5/16-18 x 2" Grade 5, z.p.	1
25	VB18A1O52	Hexagonal Bolt 5/16-18 x 2 1/2" Grade 8, z.p.	1
26	VB15A1N44	Hexagonal Bolt 1/4-20 x 1 3/4" Grade 5 z.p.	1
27	VB15A1O56	Hexagonal Bolt 5/16-18 x 3" Grade 5, z.p.	2
28	VB15A1O54	Hexagonal Bolt 5/16-18 unc x 2-3/4" Grade 5, z.p.	1
29	VB35A1N24	Carriage Bolt 1/4-20 x 3/4" z.p.	5
31	VE30A1O	Nylon Hexagonal Locknut 5/16-18 UNC z.p.	5
32	VE30A1N	Nylon Hexagonal Locknut 1/4-20 z.p.	6
33	VV60B1O12	Hexagonal Socket Set Screw 5/16-18 x 3/8 z.p.	1
34	VV83A9G16	Tapping Screw Pan Phillips Type B #10 x 1/2" z.p.	2
36	VW60C081624	Nylon Shoulder Washer (ID 270" x D 480" x OD 720")	1
37	VE20AOP	Locknut M10 x 1.0 z.p.	1
38	VV87A9A24	Tapping Screw Truss Phillips Socket #4 x 1/2"	2
39	QDF9159	Cherry Limit Switch	1

Notes

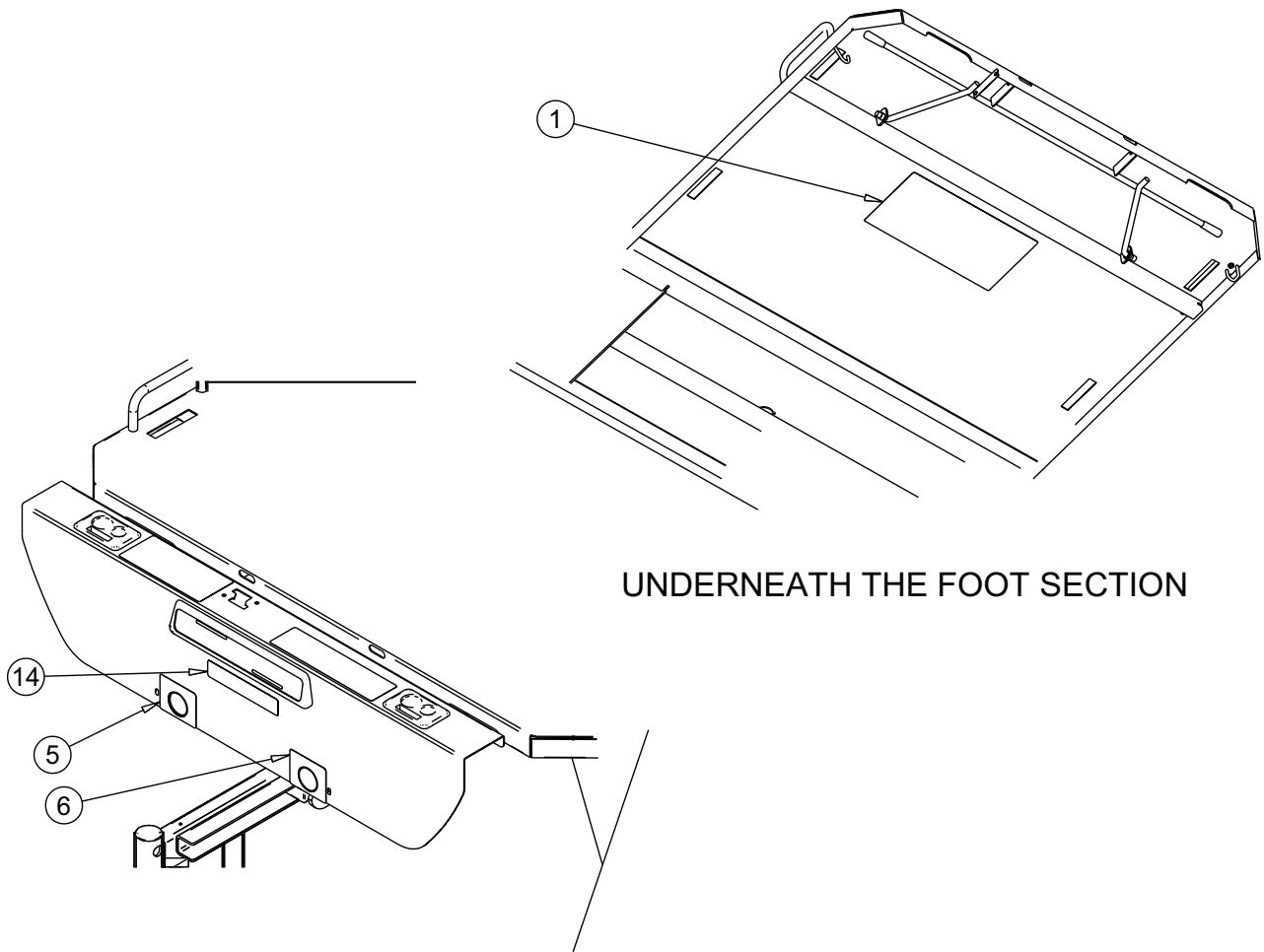
Stickers French/English

For Reference Only: OL230120
Rev. 05



[Return To Table of Contents](#)

Stickers French/English



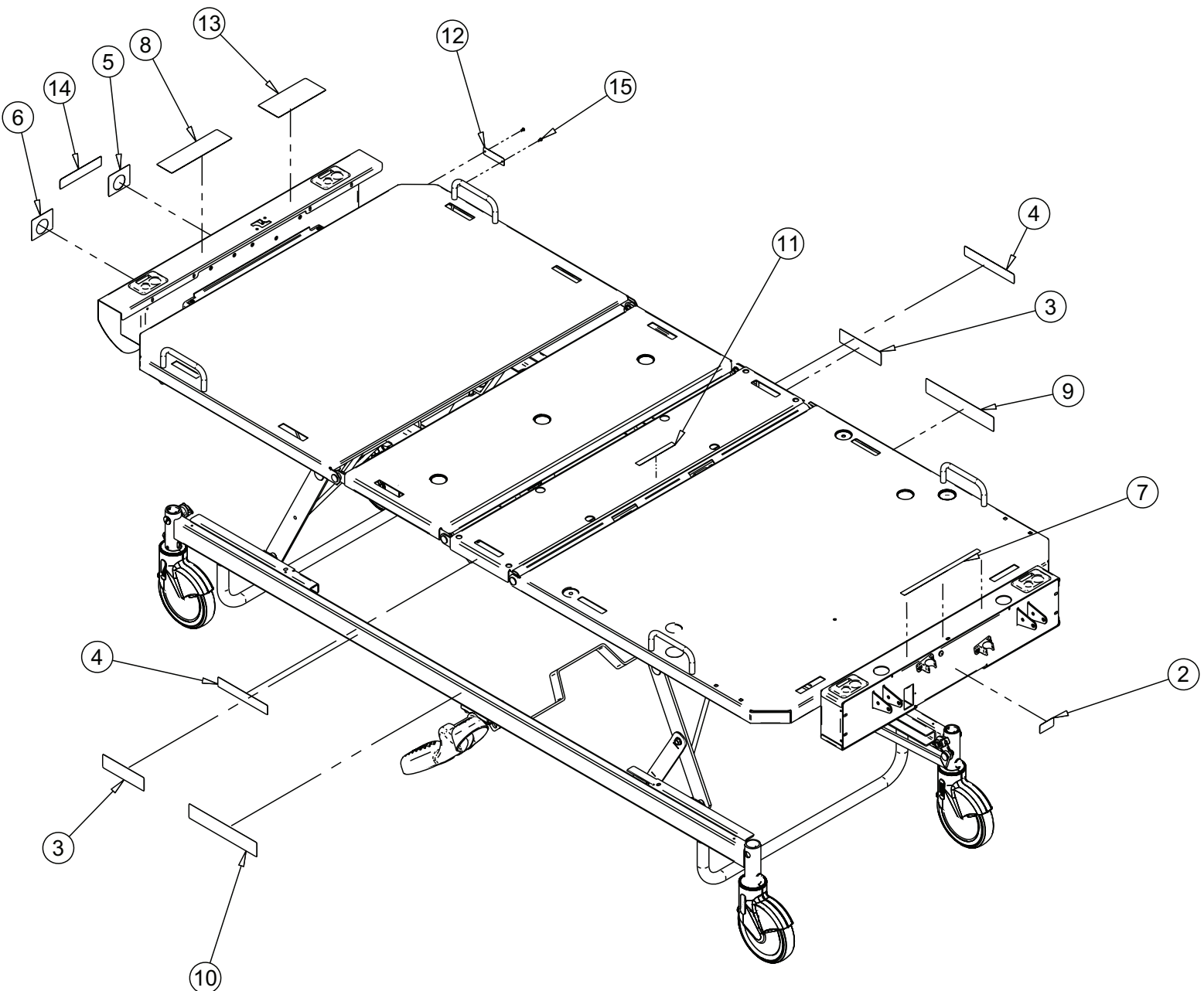
Stickers French/English (For Reference Only: OL230120, Rev. 03)

Item	Part No.	Part Name	Qty.
1	QE14400-F	Sticker - Results of Automated Tests	1
2	QE18545	"Refer to Manual" Sticker	1
3	QE71-0346	Sticker - STRYKER	2
4	QE71-0547	Sticker - Maximum Load	2
5	QE71-0707	Sticker - Emergency Handle Position/Head Section	1
6	QE71-0708	Sticker - Emergency Handle Position/Thigh Section	1
7	QE71-0737-T	Sticker - Serious Injury	1
8	QE71-0738-T	Sticker - Electric Shock Hazard	1
9	QE71-0739-T	Sticker - Right Pedal Positions	1
10	QE71-0740-T	Sticker - Left Pedal Positions	1
11	QE71-0741-T	Sticker - Mattress Maximum Thickness	1
12	QE71-0749-T	Serial Number Plate	1
13	QE71-0752-F	Fire Hazard - Sticker	1
14	QE71-0778-F	Sticker - Accessory Warning	1
15	VR11H43	Dome Head Pop Rivet #43	2

[Return To Table of Contents](#)

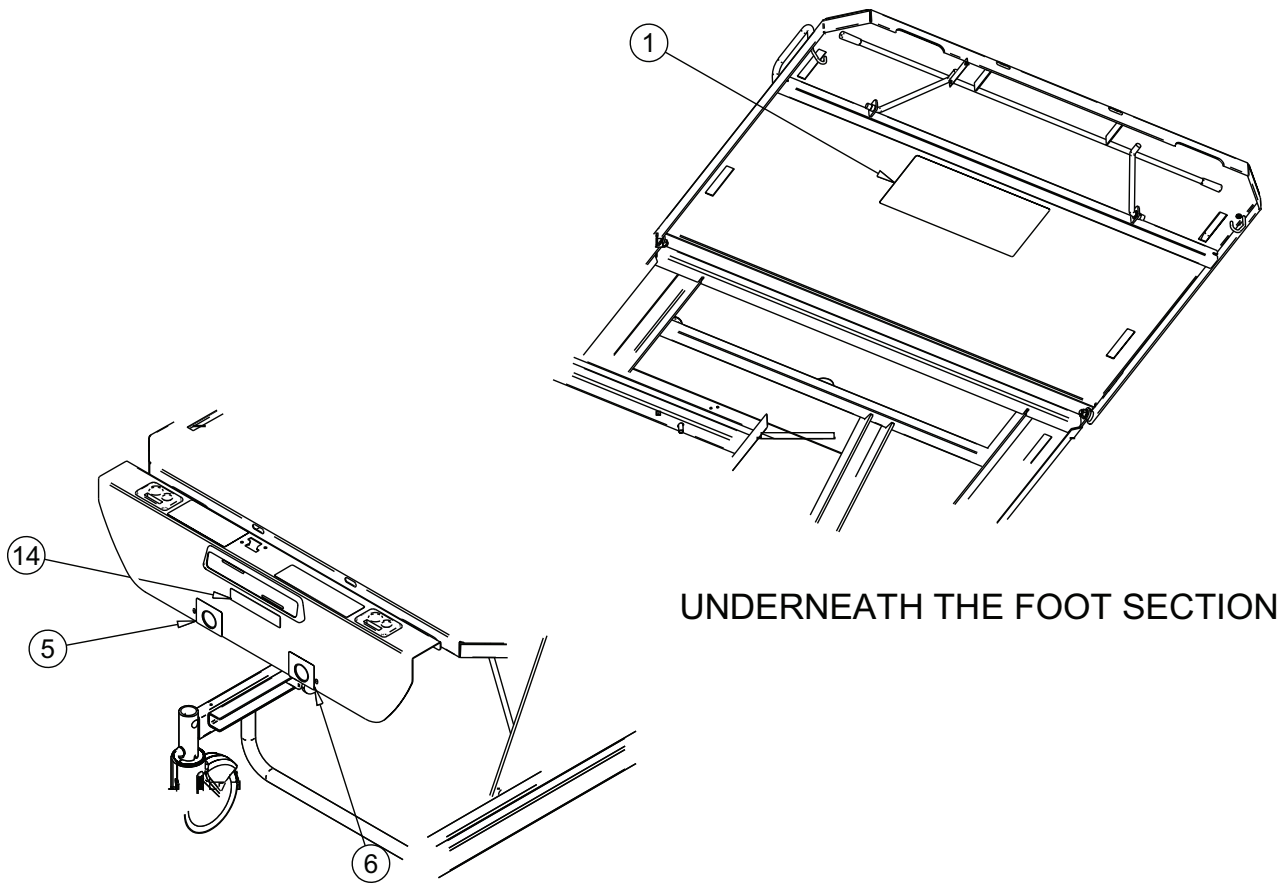
Stickers English/Spanish

For Reference Only: OL230121
Rev. 05



[Return To Table of Contents](#)

Stickers English/Spanish



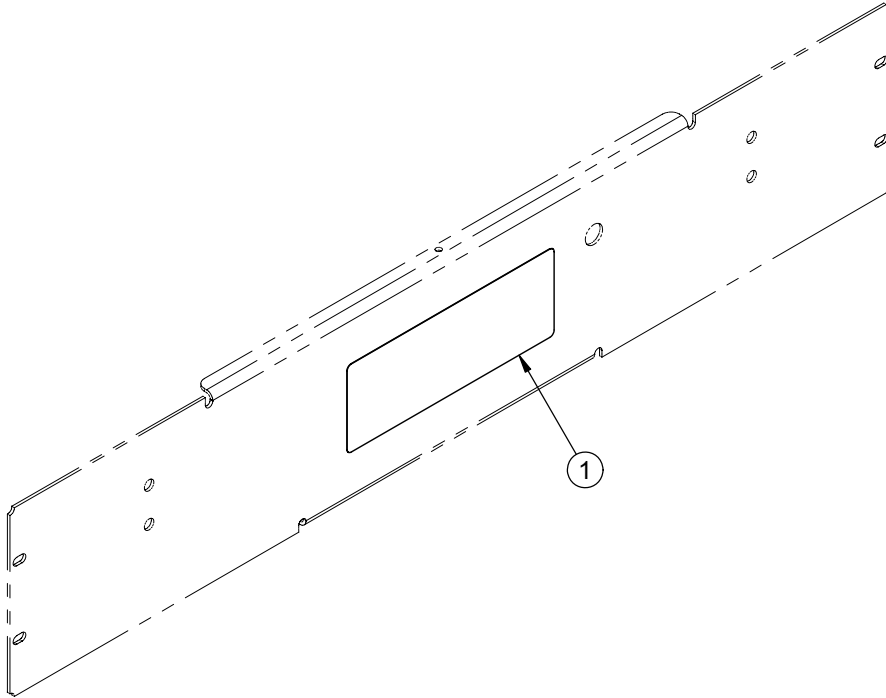
Stickers English/Spanish (For Reference Only: OL230121, Rev. 03)

Item	Part No.	Part Name	Qty.
1	QE14400-F	Sticker - Results of Automated Tests	1
2	QE18545	"Refer to Manual" Sticker	1
3	QE71-0346	Sticker - STRYKER	2
4	QE71-0547	Sticker - Maximum Load	2
5	QE71-0707	Sticker - Emergency Handle Position/Head Section	1
6	QE71-0708	Sticker - Emergency Handle Position/Thigh Section	1
7	QE71-0737-T	Sticker - Serious Injury	1
8	QE71-0738-T	Sticker - Electric Shock Hazard	1
9	QE71-0739-T	Sticker - Right Pedal Positions	1
10	QE71-0740-T	Sticker - Left Pedal Positions	1
11	QE71-0741-T	Sticker - Mattress Maximum Thickness	1
12	QE71-0749-T	Serial Number Plate	1
13	QE71-0752-E	Fire Hazard - Sticker	1
14	QE71-0778-E	Sticker: Accessory Warning	1
15	VR11H43	Dome Head Pop Rivet #43	2

[Return To Table of Contents](#)

BNQ Certification

For Reference Only: OL230258
Rev. 00



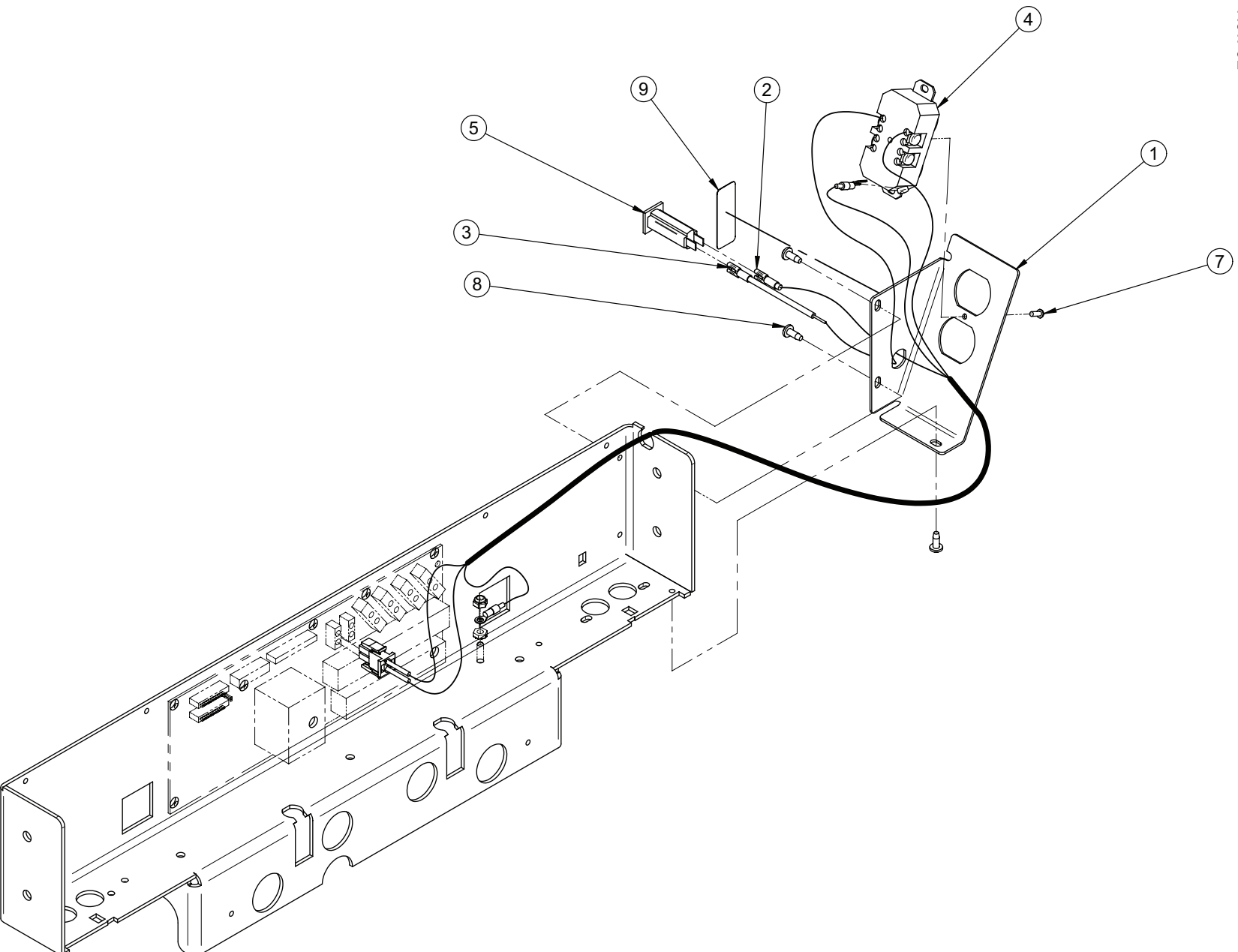
BNQ Certification (For Reference Only: OL230258, Rev. 00)

Item	Part No.	Part Name	Qty.
1	QE71-1201-F	BNQ Sticker	1

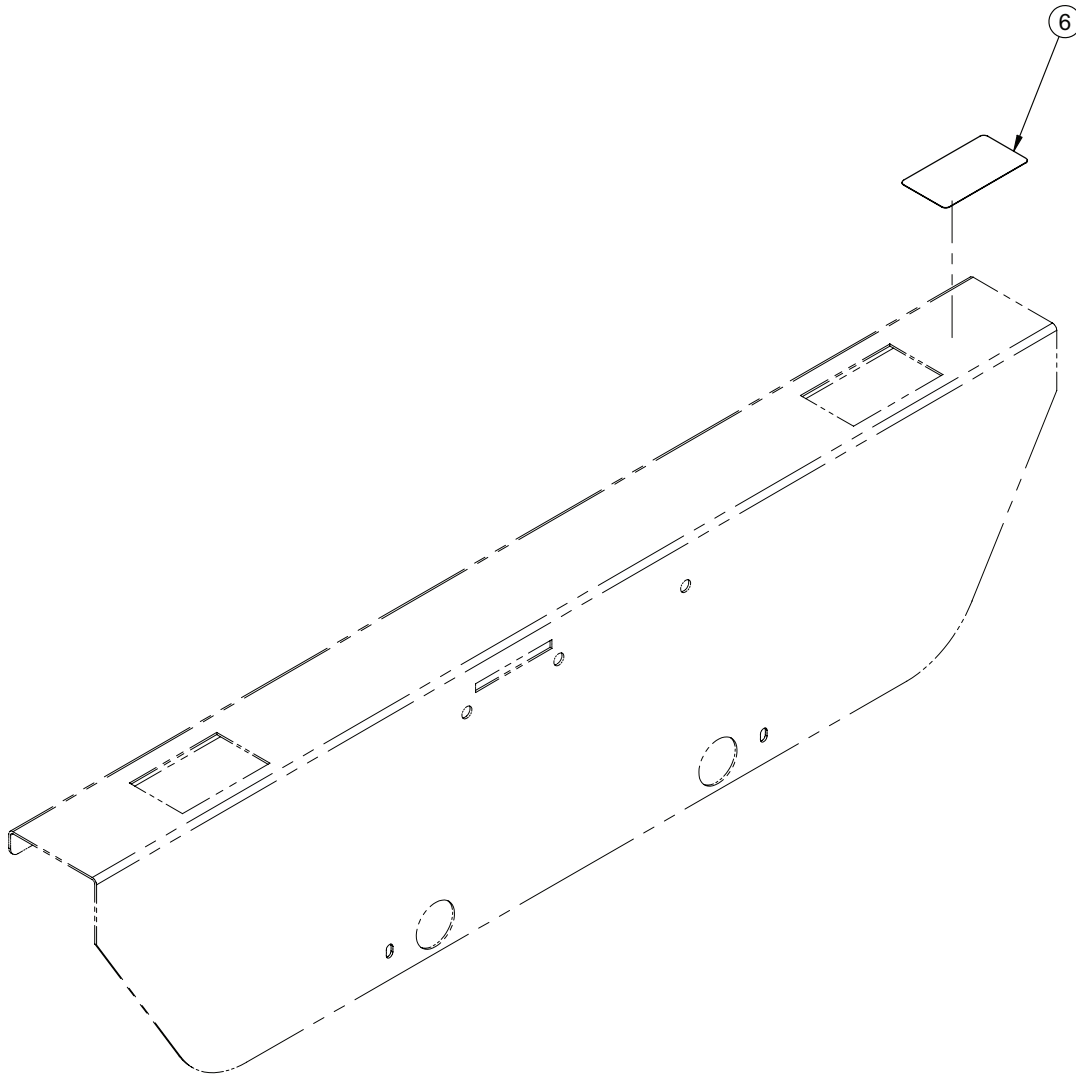
Notes

120V Auxiliary Outlet

For Reference Only: OL230010
Rev. 02



120V Auxiliary Outlet

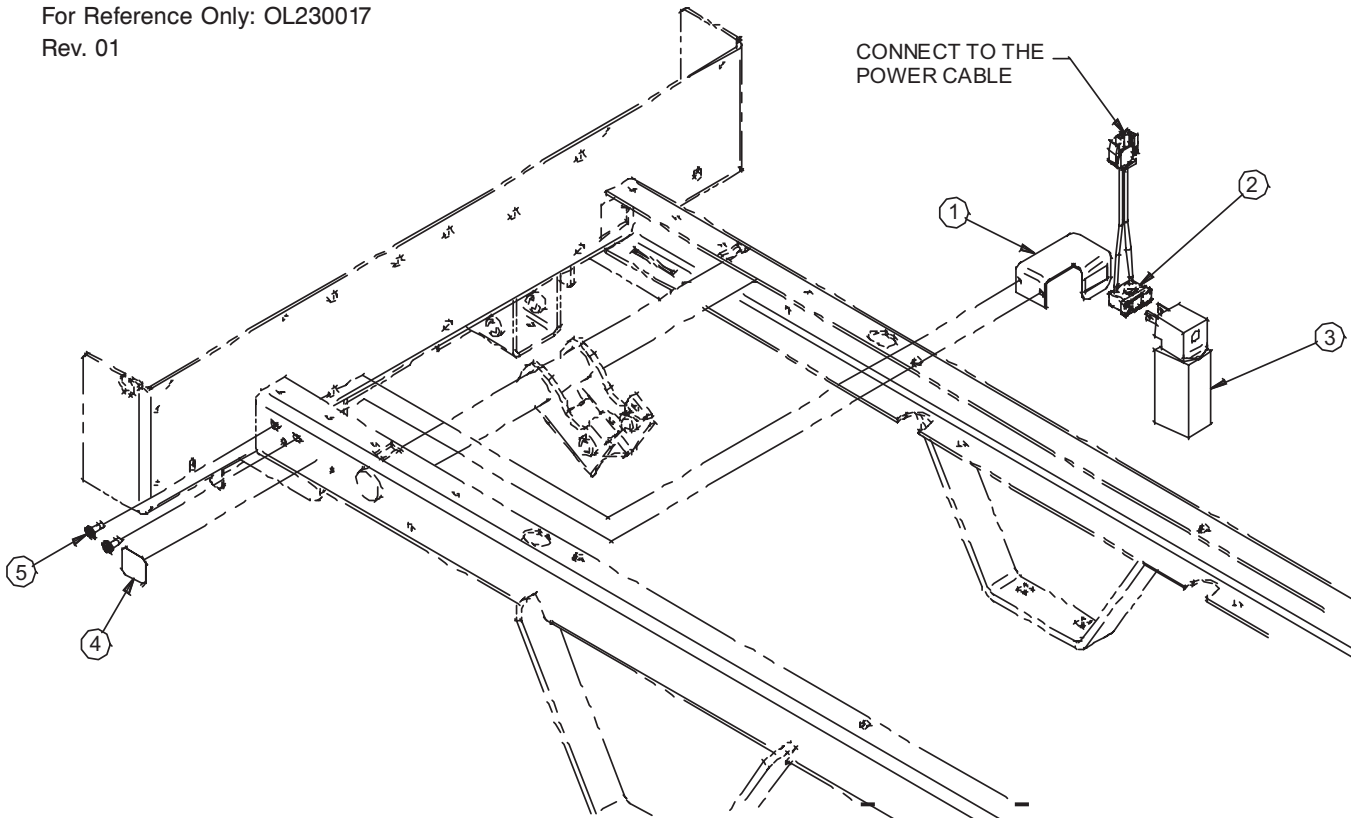


120V Auxiliary Outlet (For Reference Only: OL230010G, Rev. 03)

Item	Part No.	Part Name	Qty.
1	23-0219G	Auxiliary Power Casing	1
2	QDF17-0199	120V Auxiliary Plug Wire	1
3	QDF17-0223	Circuit Breaker Wire	1
4	QDF8024	8200-W Leviton Double Socket	1
5	QDF9025	5A Circuit Breaker	1
6	QE71-0742-T	Power Source Label	1
7	VV37A1C12	Machine Screw Truss Phillips #6-32 x 3/8" z.p.	1
8	VV83A9G16	Type B Pan Phillips Tapping Screw #10 x 1/2" z.p.	3
9	QE71-0225-T	Sticker - Circuit Breaker	1

Night Light

For Reference Only: OL230017
Rev. 01

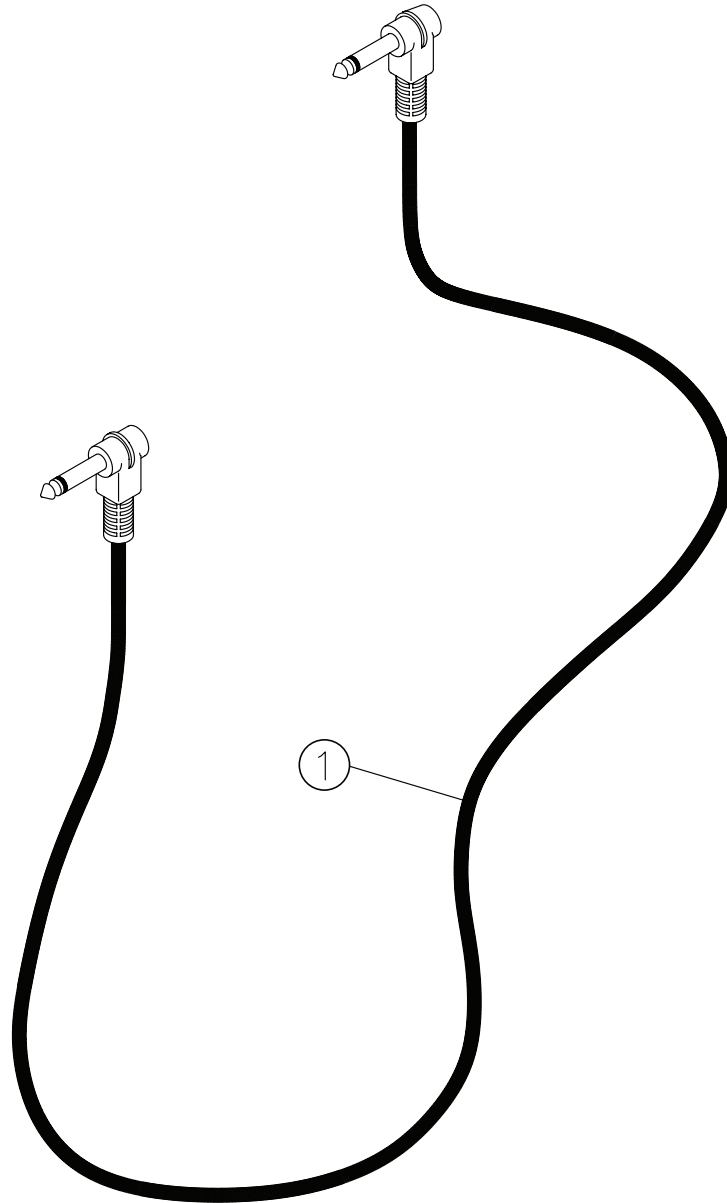


Night Light (For Reference Only: OL230017, Rev. 02)

Item	Part No.	Part Name	Qty.
1	25-0273Z	Night Light Support	1
2	QDF18825	Interlocking Outlet	1
3	QDF9539	Night Light	1
4	QE71-0712	Sticker - Night Light	1
5	VV83A9G16	Tapping Screw Pan Phillips Type B #10 x 1/2" z.p.	2

Cable and Phone Plug 1/4"

For Reference Only: OL230215
Rev. 00



Cable and Phone PLug 1/4" (For Reference Only: OL230215, Rev. 01)

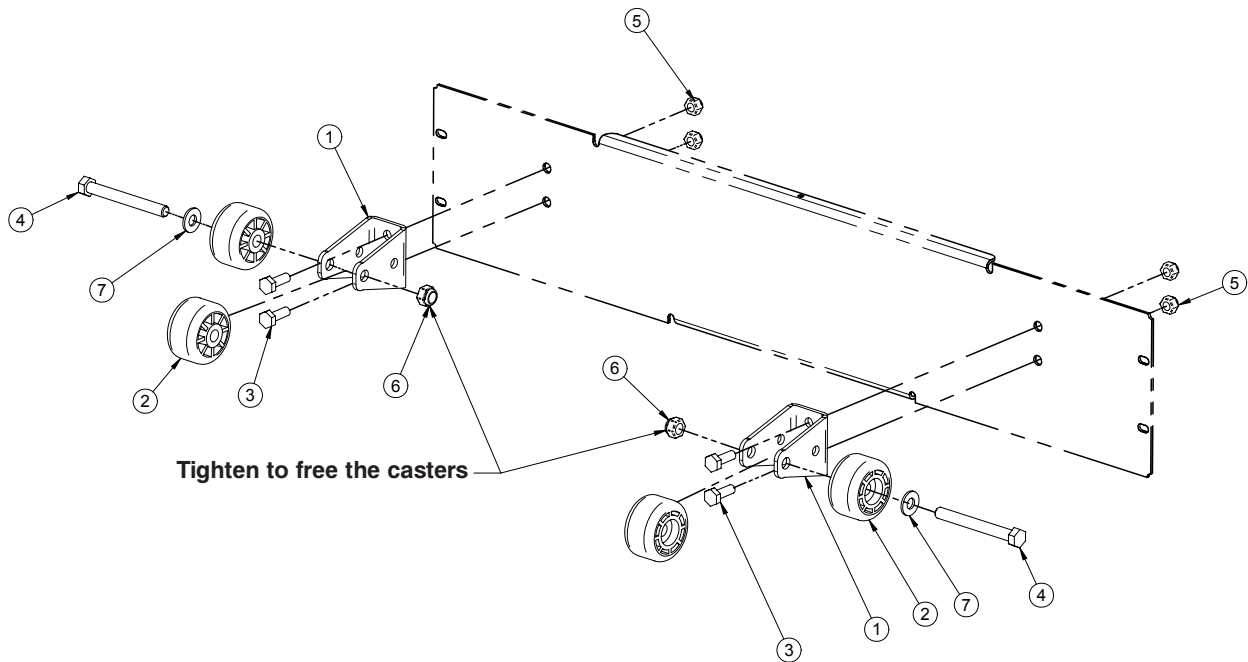
Item	Part No.	Part Name	Qty.
1	QDF23-0571	Mono Wall Connection Cable	1

[Return To Table of Contents](#)

Bumper with Two Soft Casters

For Reference Only: OL230241

Rev. 00



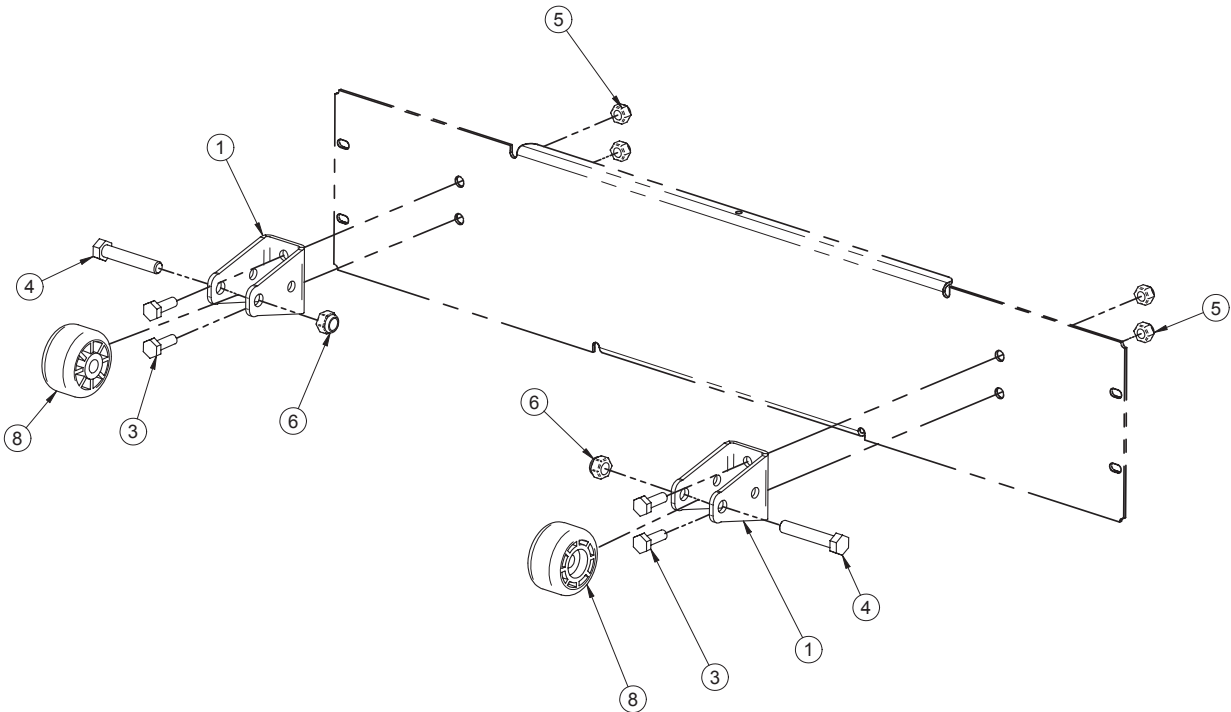
Bumper with Two Soft Casters (For Reference Only: OL230241, Rev. 00)

Item	Part No.	Part Name	Qty.
1	23-0798G	Single Bumper Support	2
2	QPC-14-0321	Caster Diameter 1 3/4"	4
3	VB15A1N24	Bolt 1/4"-20 x 3/4" Grade 5 z.p.	4
4	VB15A1O54	Bolt 5/16-18 x 2 3/4" LG Full Thread	2
5	VE30A1N	Nylon Locknut 1/4-20	4
6	VE30A1O	Nylon Locknut 5/16"-18	2
7	VW10A10	Flat Washer Diameter 5/16" S.A.E.	2

Bumper with One Rigid Caster

For Reference Only: OL230242

Rev. 00



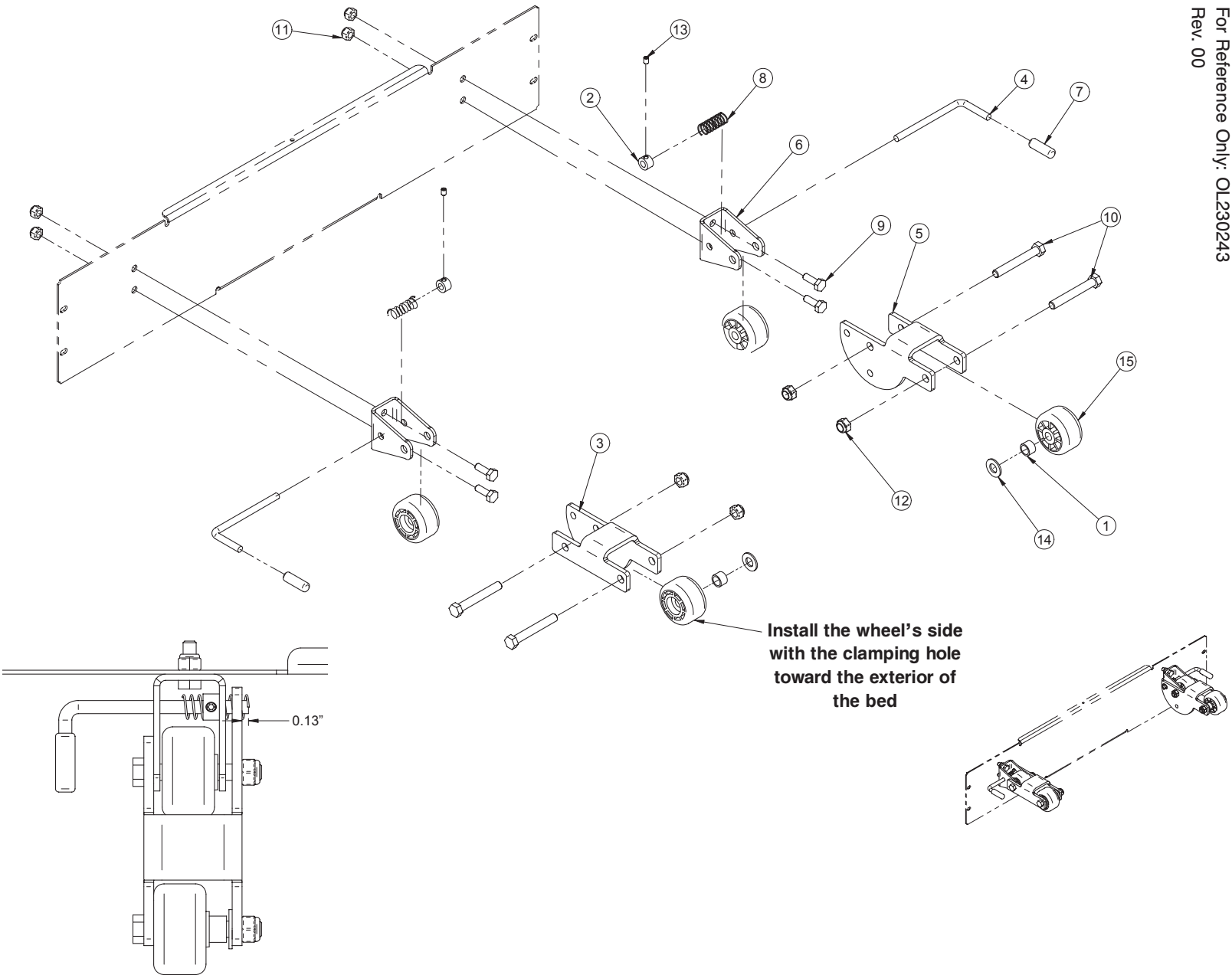
Bumper with One Rigid Caster (For Reference Only: OL230242, Rev. 00)

Item	Part No.	Part Name	Qty.
1	23-0798G	Single Bumper Support	2
3	VB15A1N24	Bolt 1/4"-20 x 3/4" Grade 5 z.p.	4
4	VB15A1O44	Bolt 5/16-18 x 1 3/4" LG Grade 5	2
5	VE30A1N	Nylon Locknut 1/4-20	4
6	VE30A1O	Nylon Locknut 5/16"-18	2
8	QPN14-0705	Caster for Head Lever Arm	2

[Return To Table of Contents](#)

Adjustable Bumper

For Reference Only: OL230243
Rev. 00



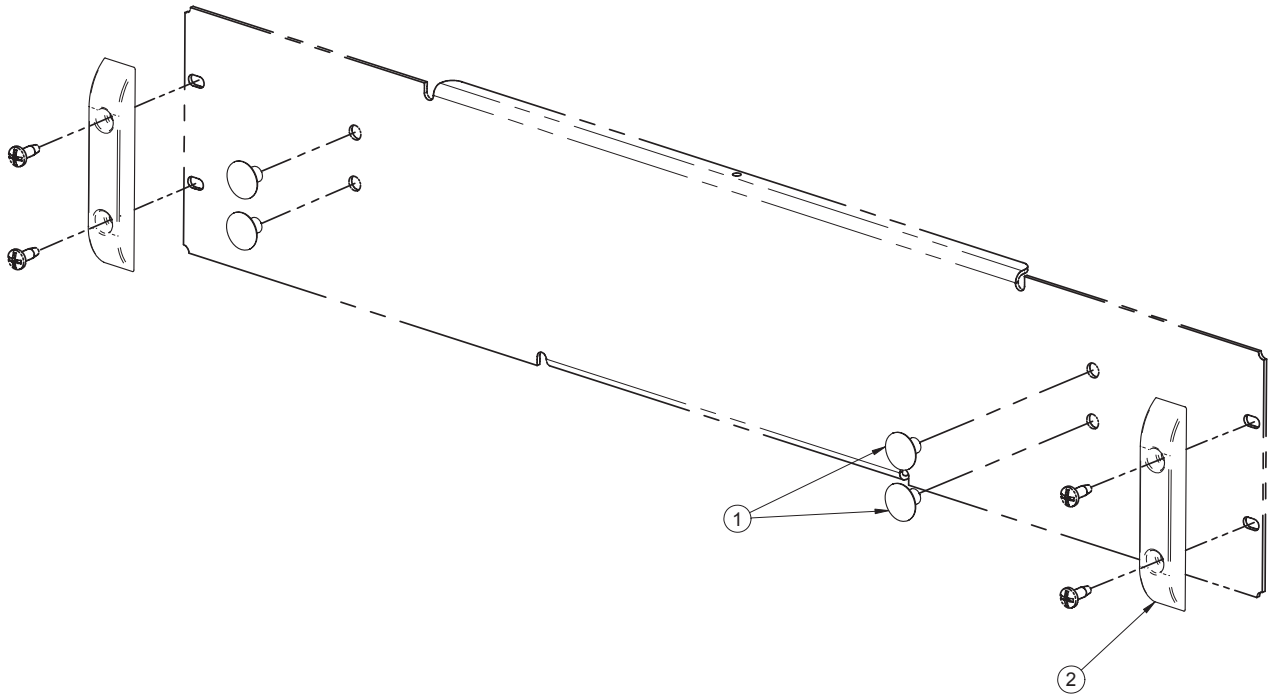
Adjustable Bumper

Adjustable Bumper (For Reference Only: OL230243, Rev. 00)

Item	Part No.	Part Name	Qty.
1	14403Z	Spacer	2
2	19-0478Z	Adjustable Retainer	2
3	23-0347G	Left Pivot Plate	1
4	23-0348Z	Strike	2
5	23-0349G	Right Pivot Plate	1
6	23-0798G	Single Bumper Support	2
7	QPVA0012	Vinyl Cap Diameter 1/4" x 1 1/4"	2
8	QRC18642	Compression Spring (13/32 x 1 1/4)	2
9	VB15A1N24	Bolt 1/4"-20 x 3/4" Grade 5 z.p.	4
10	VB15A1O50	Bolt 5/16"-18 x 2 1/4" LG, Grade 5	4
11	VE30A1N	Nylon Locknut 1/4-20	4
12	VE30A1O	Nylon Locknut 5/16"-18	4
13	VV60A0G08-S	Hexagone Pressure Screw #10-32 x 1/4" LG Scotch Grip	2
14	VW10C122402	Nylon Washer 0.380" Int. x 3/4" ext. x 1/16" wi.	2
15	QPN14-0705	Caster for Head Lever Arm	4

Short Bed Bumper

For Reference Only: OL230244
Rev. 00

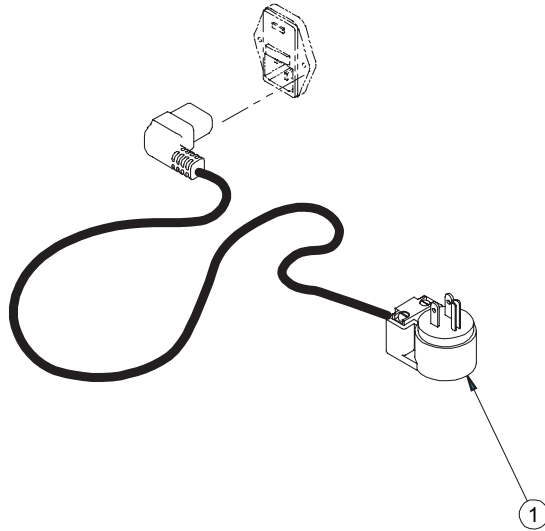


Short Bed Bumper (For Reference Only: OL230244, Rev. 00)

Item	Part No.	Part Name	Qty.
1	QPPE1207	Plastic Cap 1/4	4
2	QP23-0776	Glider	2

Power Cord with 90° North American Grade Plug

For Reference Only: OL250055
Rev. 01

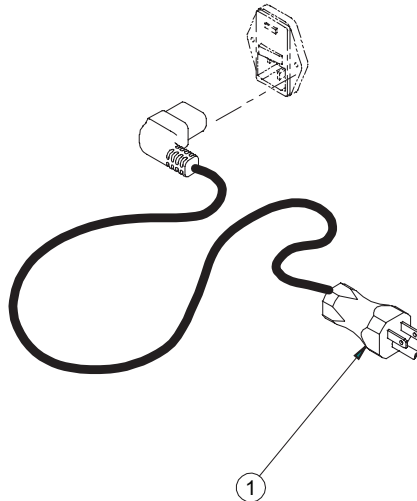


Power Cord with 90° North American Grade Plug (For Reference Only: OL250055, Rev. 01)

Item	Part No.	Part Name	Qty.
1	QDF8066-90D	Power Cord with 90° North American Grade Plug	1

Power Cord with Straight Molded North American Hospital Grade Plug

For Reference Only: OL250053
Rev. 00



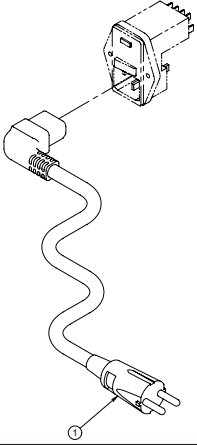
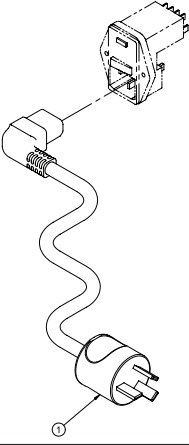
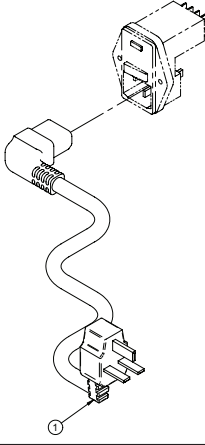
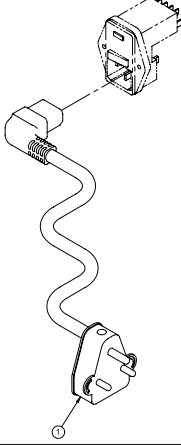
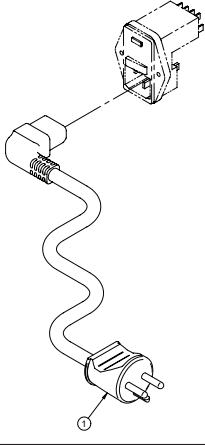
Power Cord with Straight Molded North American Hospital Grade Plug (For Reference Only: OL250053, Rev. 01)

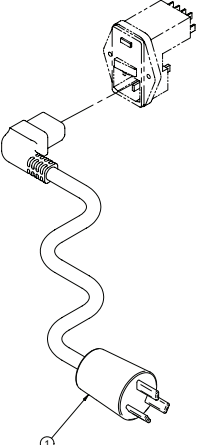
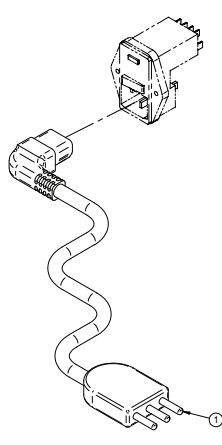
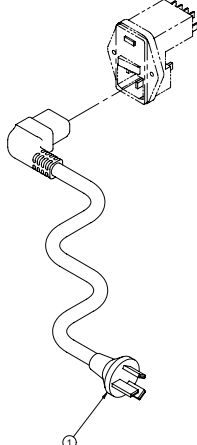
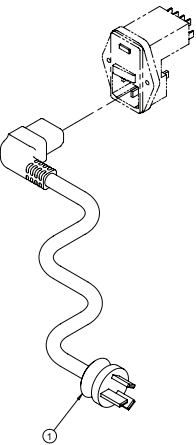
Item	Part No.	Part Name	Qty.
1	QDF8066	Power Cord with Straight Molded North American Hospital Grade Plug	1

[Return To Table of Contents](#)

Power Cords and Plugs

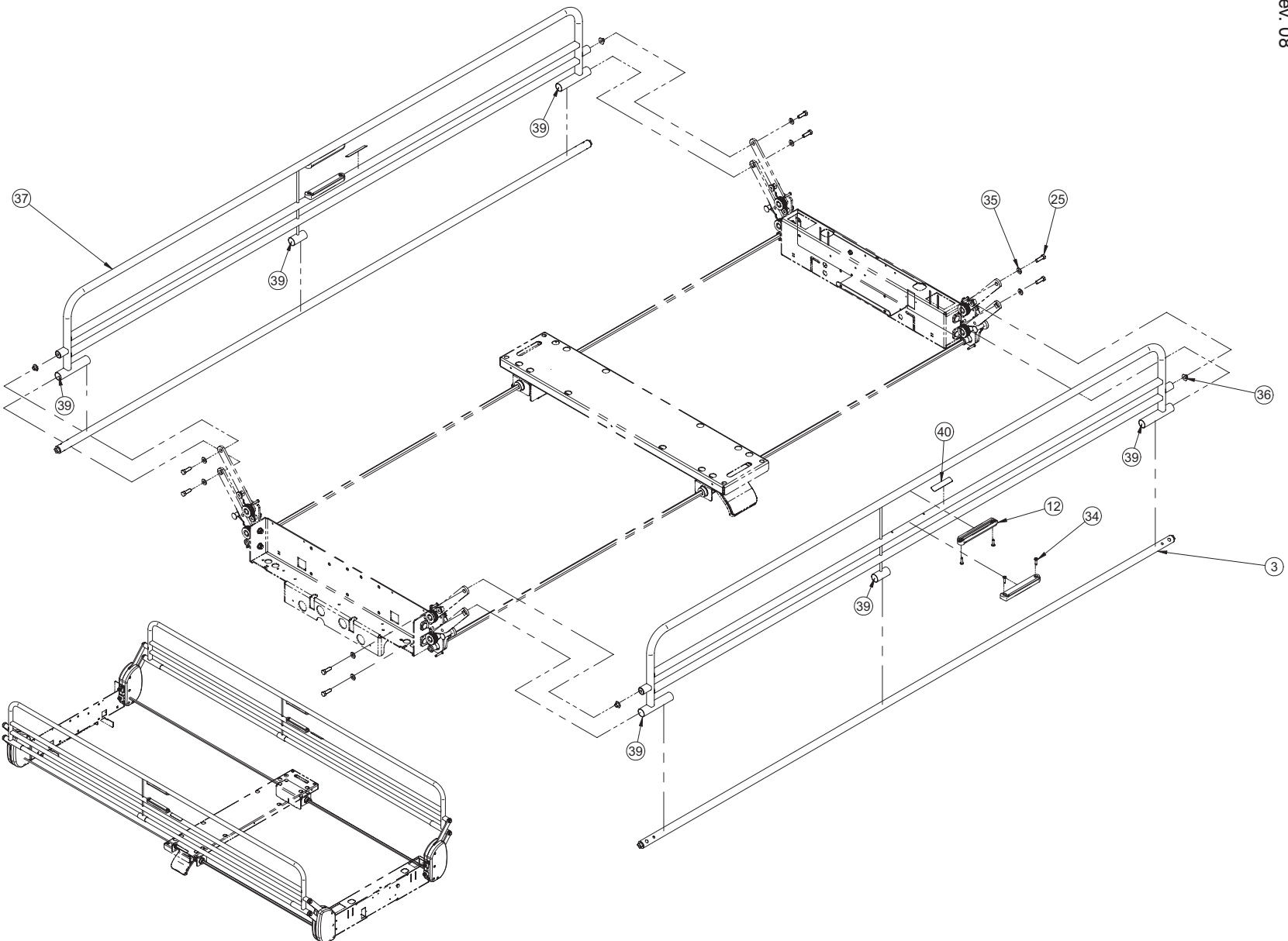
Quantity for each: 1

Continental Europe	Australia	United Kingdom	India	Denmark
For Reference Only: OL250058 Rev. 01	For Reference Only: OL250059 Rev. 01	For Reference Only: OL250060 Rev. 01	For Reference Only: OL250061 Rev. 01	For Reference Only: OL250067 Rev. 01
				
Part Number: QDF8066-EUR	Part Number: QDF8066-AUS	Part Number: QDF8066-ROY	Part Number: QDF8066-IND	Part Number: QDF8066-DAN

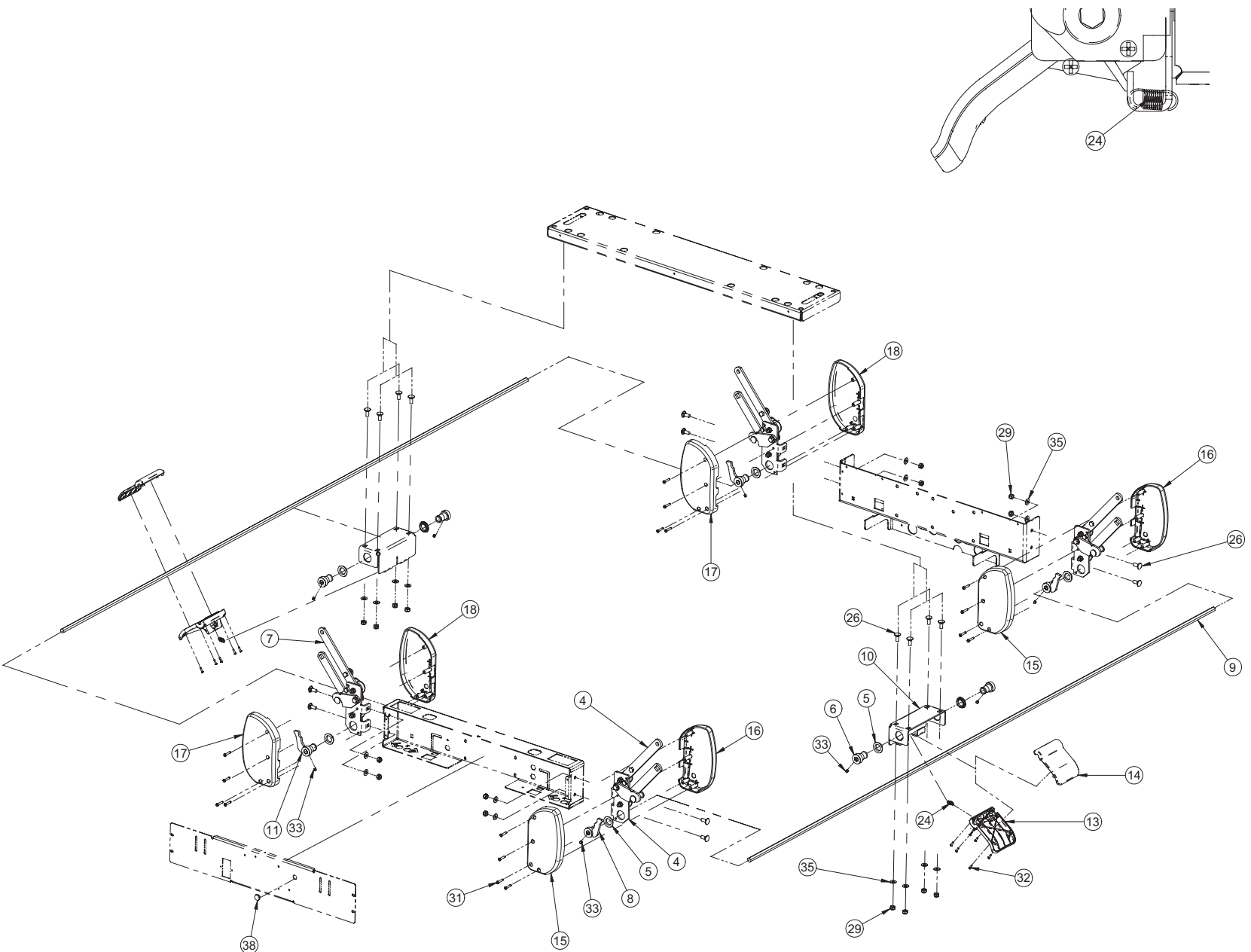
Israel	Italy/Chili	Argentina	China
For Reference Only: OL250068 Rev. 01	For Reference Only: OL250069 Rev. 01	For Reference Only: OL250073 Rev. 01	For Reference Only: OL250074 Rev. 01
			
Part Number: QDF8066-ISR	Part Number: QDF8066-ITA	Part Number: QDF8066-ARG	Part Number: QDF8066-CHI

Full-Length Retractable Siderail

For Reference Only: OL230202
Rev. 08



Full-Length Retractable Siderail



Painted Full-Length Retractable Siderail

Painted Full-Length Retractable Siderail (For Reference Only: OL230202G, Rev. 06)

Item	Part No.	Part Name	Qty.
3	23-0492G	Pivot Tube S.A.	2
4	23-0535G	Right Siderail Mechanism S.A.	2
5	23-0541	Shoulder Spacer	8
6	23-0547Z	Lock Bushing	4
7	23-0548G	Left Siderail Mechanism S.A.	2
8	23-0549Z	Right Release Finger S.A.	2
9	23-0550Z	Release Rod - Head	2
10	23-0551G	Release Handle Bracket	2
11	23-0555Z	Left Release Finger S.A.	2
12	QP23-0389-07	Removable Control Panel Support	4
13	QP23-0556-08	Release Handle - Upper Part	2
14	QP23-0557-08	Release Handle - Lower Part	2
15	QP23-0623-07	Head Right Siderail Mechanism Outer Cover	2
16	QP23-0624-07	Foot Right Siderail Mechanism Outer Cover	2
17	QP23-0625-07	Head Left Siderail Mechanism Outer Cover	2
18	QP23-0626-07	Foot Left Siderail Mechanism Outer Cover	2
24	QRE23-0561	Release Handle Extension Spring	2
25	VB15A1O32-S	Hexagonal Bolt 5/16 - 18 x 1" Grade 5 z.p.	8
26	VB35A1O24	Carriage Bolt (Short Neck) 5/16-18 x 3/4" z.p. Grade 5	16
29	VE30A1O	Nylon Hexagonal Locknut 5/16-18 UNC z.p.	16
31	VV23A1G32HL	Tapping Screw Pan Phillips Type High-Low #10 x 1" z.p.	16
32	VV23A9C16HL	Phillips Pan Head High-Low Tapping Screw Type B #6 X 1/2	12
33	VV61A0M08	Nylon Tipped Hexagonal Socket Set Screw 1/4 - 28 x 1/4"	8
34	VV83A9G24	Tapping Screw Pan Phillips Type B #10 x 3/4" z.p.	8
35	VW10A10	Flat Washer 5/16" SAE z.p.	24
36	23-0658	Spacer	4
37	23-0485G	Full-Length Retractable Siderails S.A.	2
38	QPCE1207	Diameter 5/8"-18 unc ga 16-18 Cap	1
39	M0019	Petro Canada OG2 Grease	.0300
40	QE71-0764T	Sticker: Manipulate Here	2

[Return To Table of Contents](#)

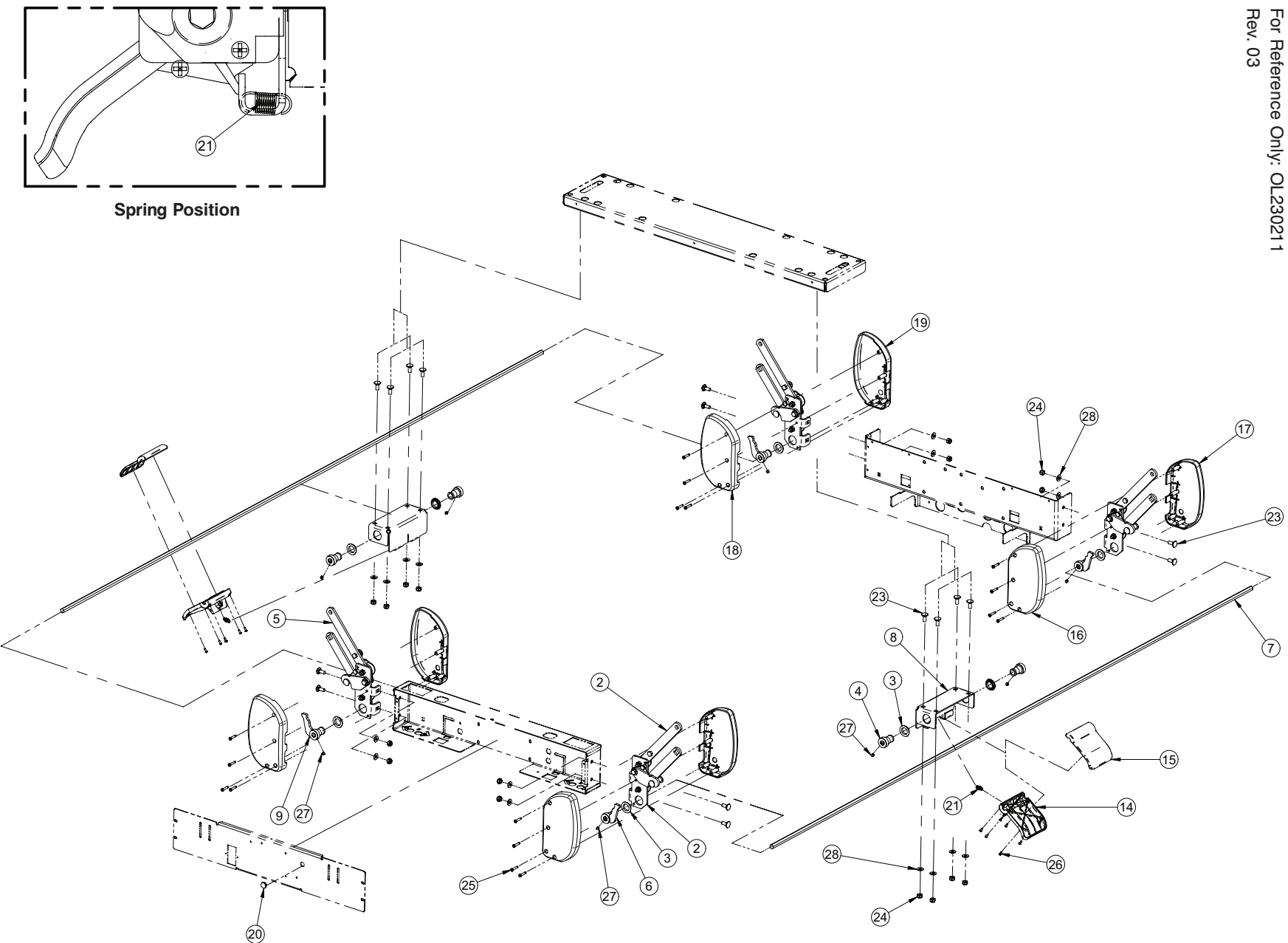
Chromed Full-Length Retractable Siderail

Chromed Full-Length Retractable Siderail (For Reference Only: OL230202CG, Rev. 06)

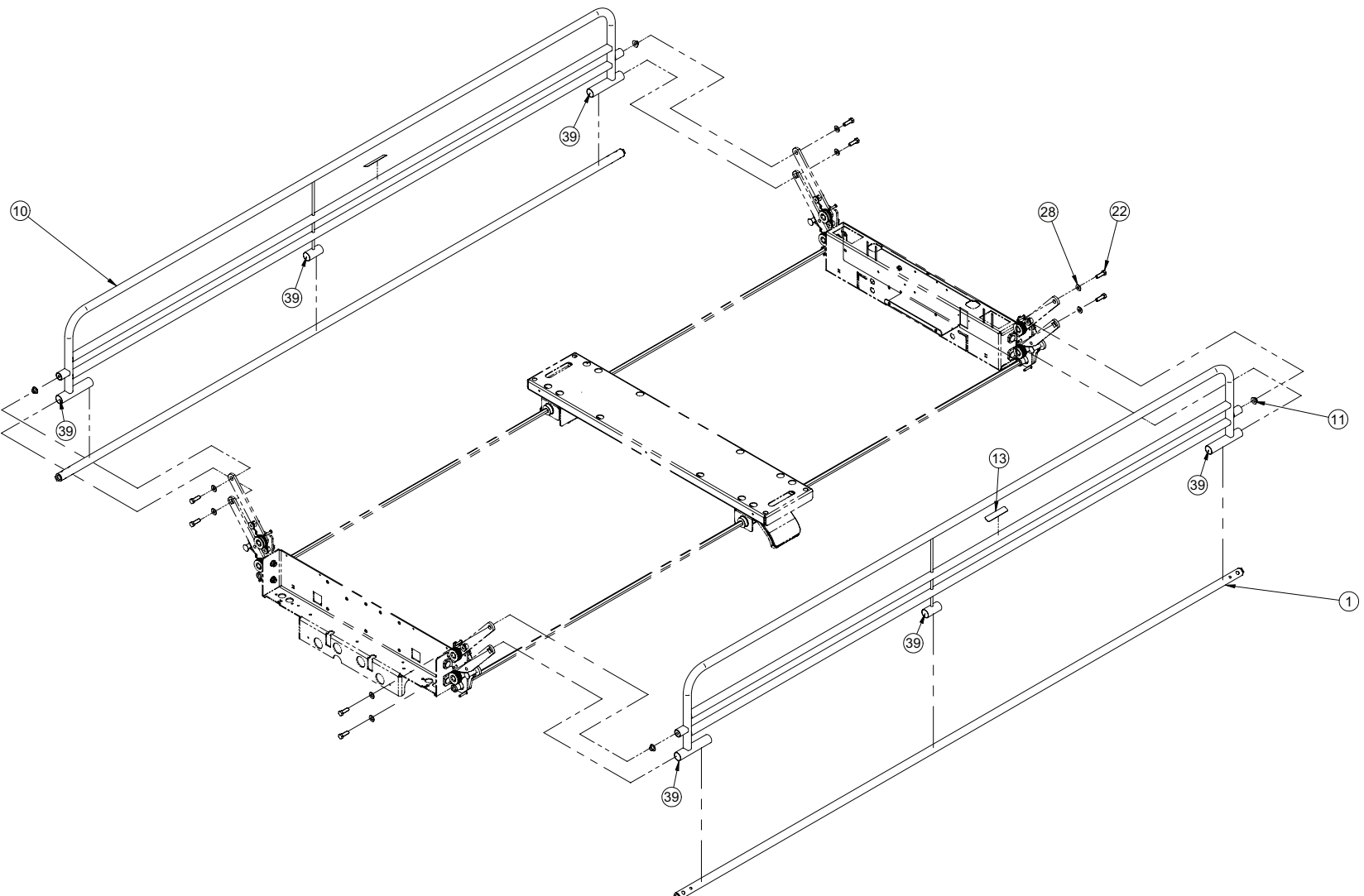
Item	Part No.	Part Name	Qty.
3	23-0492C	Pivot Tube S.A.	2
4	23-0535G	Right Siderail Mechanism S.A.	2
5	23-0541	Shoulder Spacer	8
6	23-0547Z	Lock Bushing	4
7	23-0548G	Left Siderail Mechanism S.A.	2
8	23-0549Z	Right Release Finger S.A.	2
9	23-0550Z	Release Rod - Head	2
10	23-0551G	Release Handle Bracket	2
11	23-0555Z	Left Release Finger S.A.	2
12	QP23-0389-07	Removable Control Panel Support	2
13	QP23-0556-08	Release Handle - Upper Part	2
14	QP23-0557-08	Release Handle - Lower Part	2
15	QP23-0623-07	Head Right Siderail Mechanism Outer Cover	2
16	QP23-0624-07	Foot Right Siderail Mechanism Outer Cover	2
17	QP23-0625-07	Head Left Siderail Mechanism Outer Cover	2
18	QP23-0626-07	Foot Left Siderail Mechanism Outer Cover	2
24	QRE23-0561	Release Handle Extension Spring	2
25	VB15A1O32-S	Hexagonal Bolt 5/16 - 18 x 1" Grade 5 z.p.	8
26	VB35A1O24	Carriage Bolt (Short Neck) 5/16-18 x 3/4" z.p. Grade 5	16
29	VE30A1O	Nylon Hexagonal Locknut 5/16-18 UNC z.p.	16
31	VV23A1G32HL	Tapping Screw Pan Phillips Type High-Low #10 x 1" z.p.	16
32	VV23A9C16HL	Phillips Pan Head High-Low Tapping Screw Type B #6 X 1/2	12
33	VV61A0M08	Nylon Tipped Hexagonal Socket Set Screw 1/4 - 28 x 1/4"	8
34	VV83A9G24	Tapping Screw Pan Phillips Type B #10 x 3/4" z.p.	8
35	VW10A10	Flat Washer 5/16" SAE z.p.	24
36	23-0658	Spacer	4
37	23-0485C	Full-Length Retractable Siderails S.A.	2
38	QPCE1207	Diameter 5/8"-18 unc ga 16-18 Cap	1
39	M0019	Petro Canada OG2 Grease	.0300
40	QE71-0764T	Sticker: Manipulate Here	2

Retractable Full-Length Siderail without Pendant

For Reference Only: OL23021 1
Rev. 03



Retractable Full-Length Siderail without Pendant



Painted Retractable Full-Length Siderail without Pendant

Painted Retractable Full-Length Siderail without Pendant (For Reference Only: OL230211G, Rev. 03)

Item	Part No.	Part Name	Qty.
1	23-0492G	Painted Pivot Tube S.A.	2
2	23-0535G	Right Siderail Mechanism S.A.	2
3	23-0541	Shoulder Spacer	8
4	23-0547Z	Lock Bushing	4
5	23-0548G	Left Siderail Mechanism S.A.	2
6	23-0549Z	Right Release Finger S.A.	2
7	23-0550Z	Release Rod - Head	2
8	23-0551G	Siderail Handle Bracket	2
9	23-0555Z	Left Release Finger S.A.	2
10	23-0654G	Painted Full-Length Siderail without Pendant S.A.	2
11	23-0658	Spacer	4
12	M0019	Petro Canada OG2 Grease	0.0300
13	QE71-0764T	Sticker: Manipulate Here	2
14	QP23-0556-08	Release Handle - Upper Part	2
15	QP23-0557-08	Release Handle - Lower Part	2
16	QP23-0623-07	Head Right Siderail Mechanism Outer Cover	2
17	QP23-0624-07	Foot Right Siderail Mechanism Outer Cover	2
18	QP23-0625-07	Head Left Siderail Mechanism Outer Cover	2
19	QP23-0626-07	Foot Left Siderail Mechanism Outer Cover	2
20	QPCE1207	Diameter 5/8"-18 unc ga 16-18 Cap	1
21	QRE23-0561	Handle Extension Spring	2
22	VB15A1O32-S	Release Hexagonal Bolt 5/16"-18 x 1" LG Grade 5	8
23	VB35A1O24	Carriage Bolt (short neck) 5/16-18 x 3/4" Grade 5 z.p.	16
24	VE30A1O	Nylon Hexagonal Locknut 5/16"-18 UNC z.p.	16
25	VV23A1G32HL	Tapping Screw "High-Low" Type Phillips Pan #10 x 1" z.p.	16
26	VV23A9C16HL	Phillips Pan Head High-Low Tapping Screw Type B #6 x 1/2"	12
27	VV61A0M08	Nylon Tipped Hexagonal Socket Set Screw 1/4-28 x 1/4"	8
28	VW10A10	Flat Washer Diameter 5/16" S.A.E. z.p.	24

[Return To Table of Contents](#)

Chromed Retractable Full-Length Siderail without Pendant

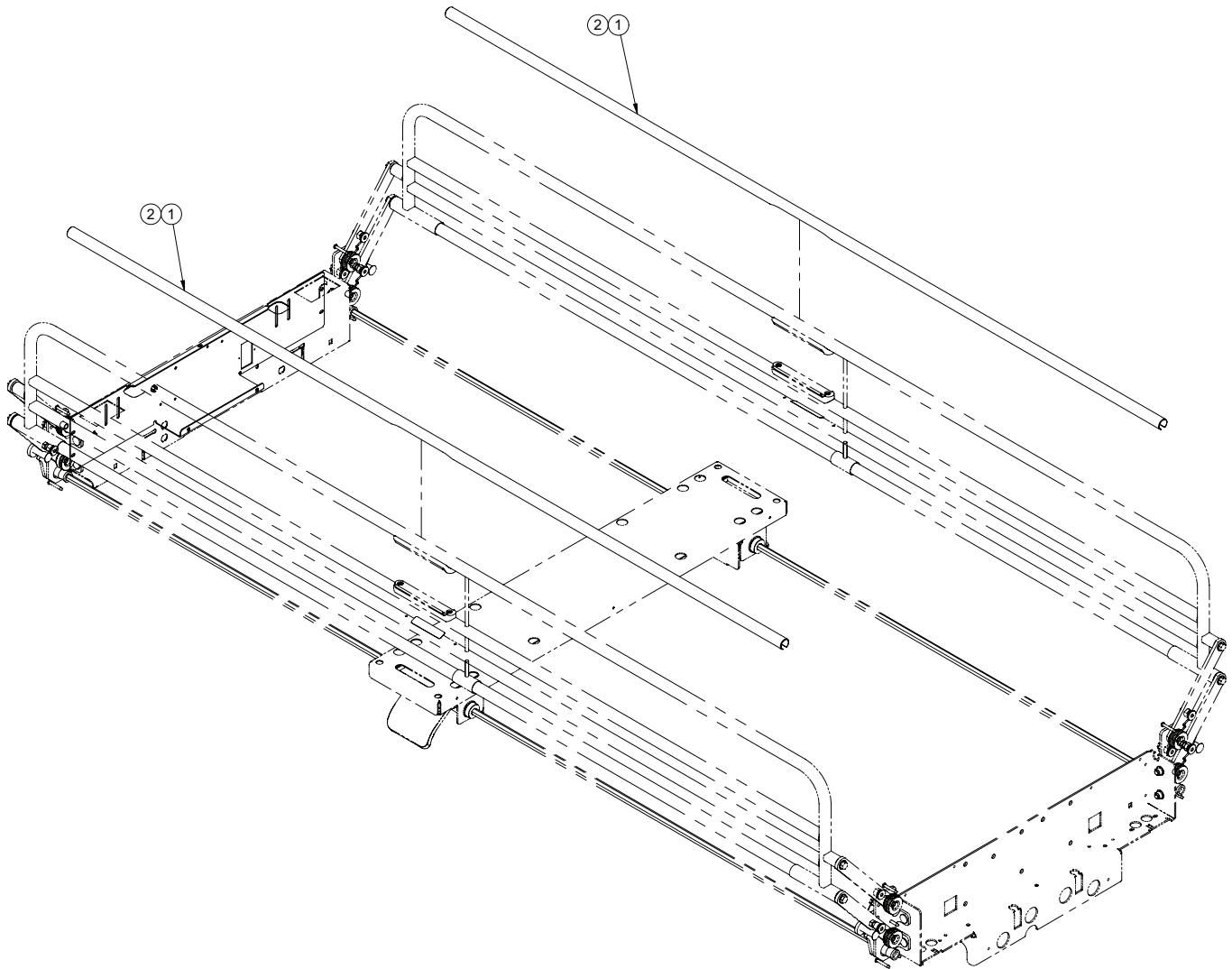
Chromed Retractable Full-Length Siderail without Pendant (For Reference Only: OL230211CG, Rev. 03)

Item	Part No.	Part Name	Qty.
1	23-0492C	Chromed Pivot Tube S.A.	2
2	23-0535G	Right Siderail Mechanism S.A.	2
3	23-0541	Shoulder Spacer	8
4	23-0547Z	Lock Bushing	4
5	23-0548G	Left Siderail Mechanism S.A.	2
6	23-0549Z	Right Release Finger S.A.	2
7	23-0550Z	Release Rod - Head	2
8	23-0551G	Siderail Handle Bracket	2
9	23-0555Z	Left Release Finger S.A.	2
10	23-0654C	Chromed Full-Length Siderail without Pendant S.A.	2
11	23-0658	Spacer	4
12	M0019	Petro Canada OG2 Grease	0.0300
13	QE71-0764T	Sticker: Manipulate Here	2
14	QP23-0556-08	Release Handle - Upper Part	2
15	QP23-0557-08	Release Handle - Lower Part	2
16	QP23-0623-07	Head Right Siderail Mechanism Outer Cover	2
17	QP23-0624-07	Foot Right Siderail Mechanism Outer Cover	2
18	QP23-0625-07	Head Left Siderail Mechanism Outer Cover	2
19	QP23-0626-07	Foot Left Siderail Mechanism Outer Cover	2
20	QPCE1207	Diameter 5/8"-18 unc ga 16-18 Cap	1
21	QRE23-0561	Handle Extension Spring	2
22	VB15A1O32-S	Release Hexagonal Bolt 5/16"-18 x 1" LG Grade 5	8
23	VB35A1O24	Carriage Bolt (short neck) 5/16-18 x 3/4" Grade 5 z.p.	16
24	VE30A1O	Nylon Hexagonal Locknut 5/16"-18 UNC z.p.	16
25	VV23A1G32HL	Tapping Screw "High-Low" Type Phillips Pan #10 x 1" z.p.	16
26	VV23A9C16HL	Phillips Pan Head High-Low Tapping Screw Type B #6 x 1/2"	12
27	VV61A0M08	Nylon Tipped Hexagonal Socket Set Screw 1/4-28 x 1/4"	8
28	VW10A10	Flat Washer Diameter 5/16" S.A.E. z.p.	24

PVC Protector for Full-Length Siderail

For Reference Only: OL230208

Rev. 00



PVC Protector for Full-Length Siderail (For Reference Only: OL230208, Rev. 01)

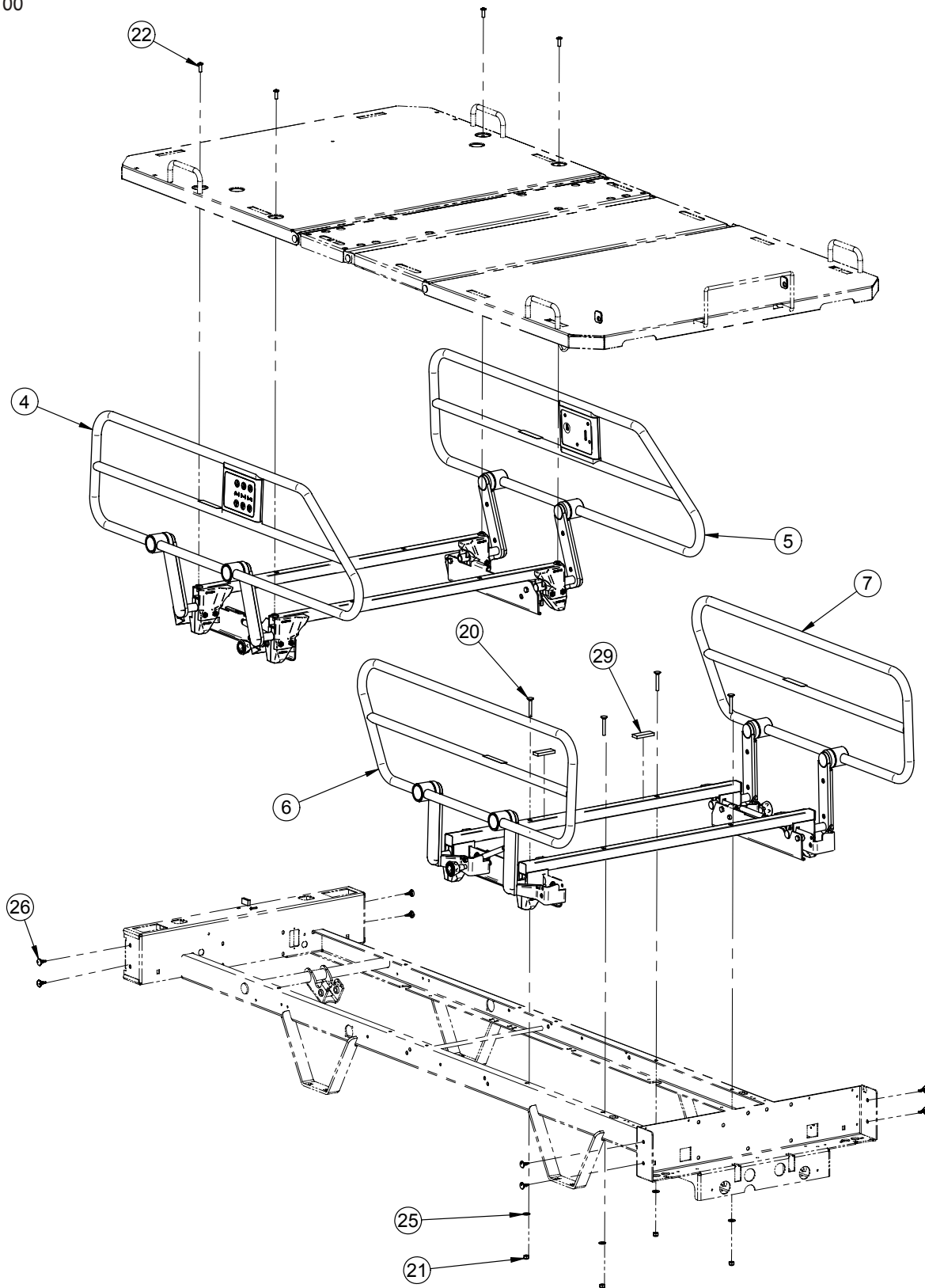
Item	Part No.	Part Name	Qty.
1	23-0641	Full-Length Siderail PVC Protector	2
2	QDF7826	3M Adhesive Tape #950 x 1"	12

[Return To Table of Contents](#)

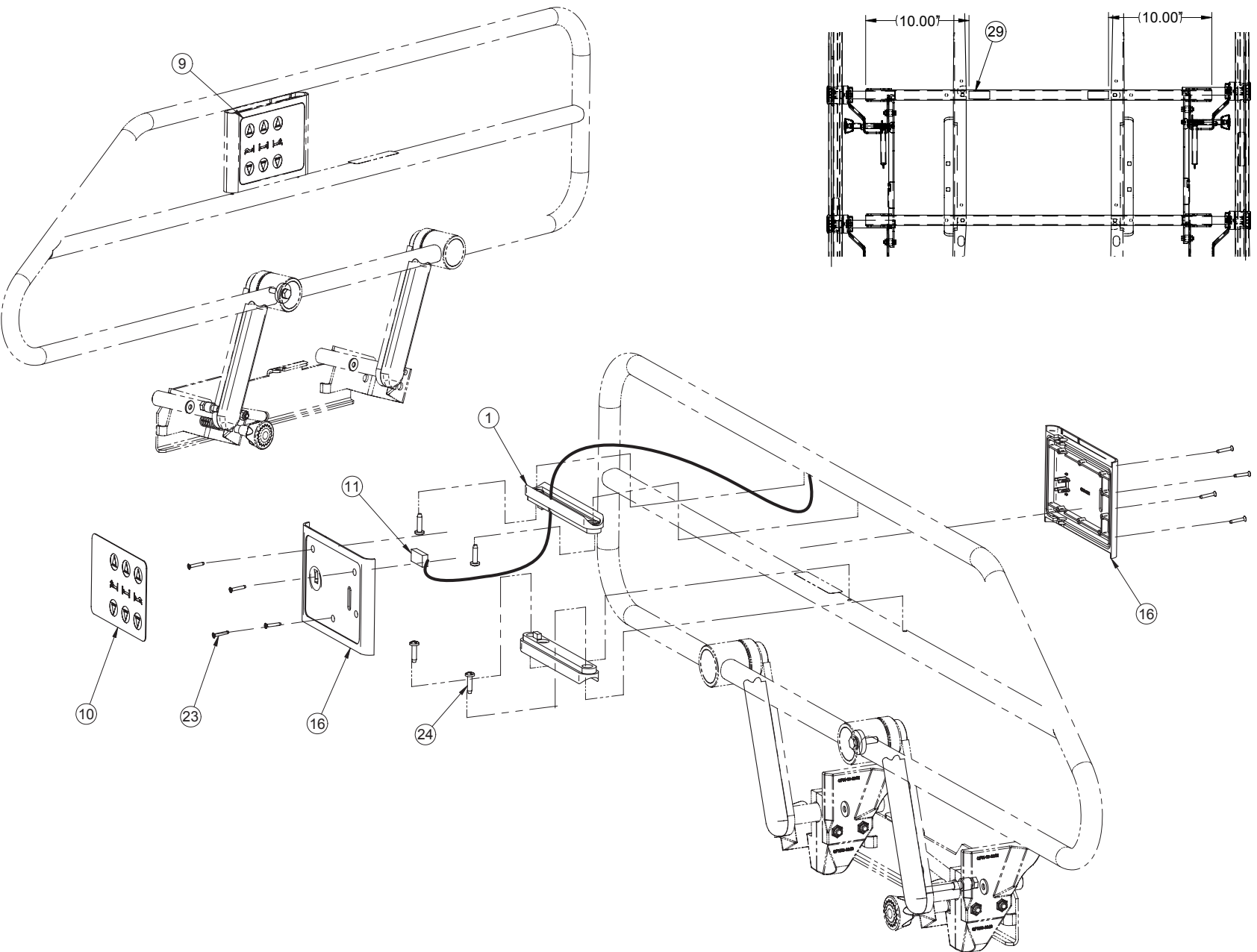
Retractable Half-Length Siderails with Fixed Control

For Reference Only: OL230245

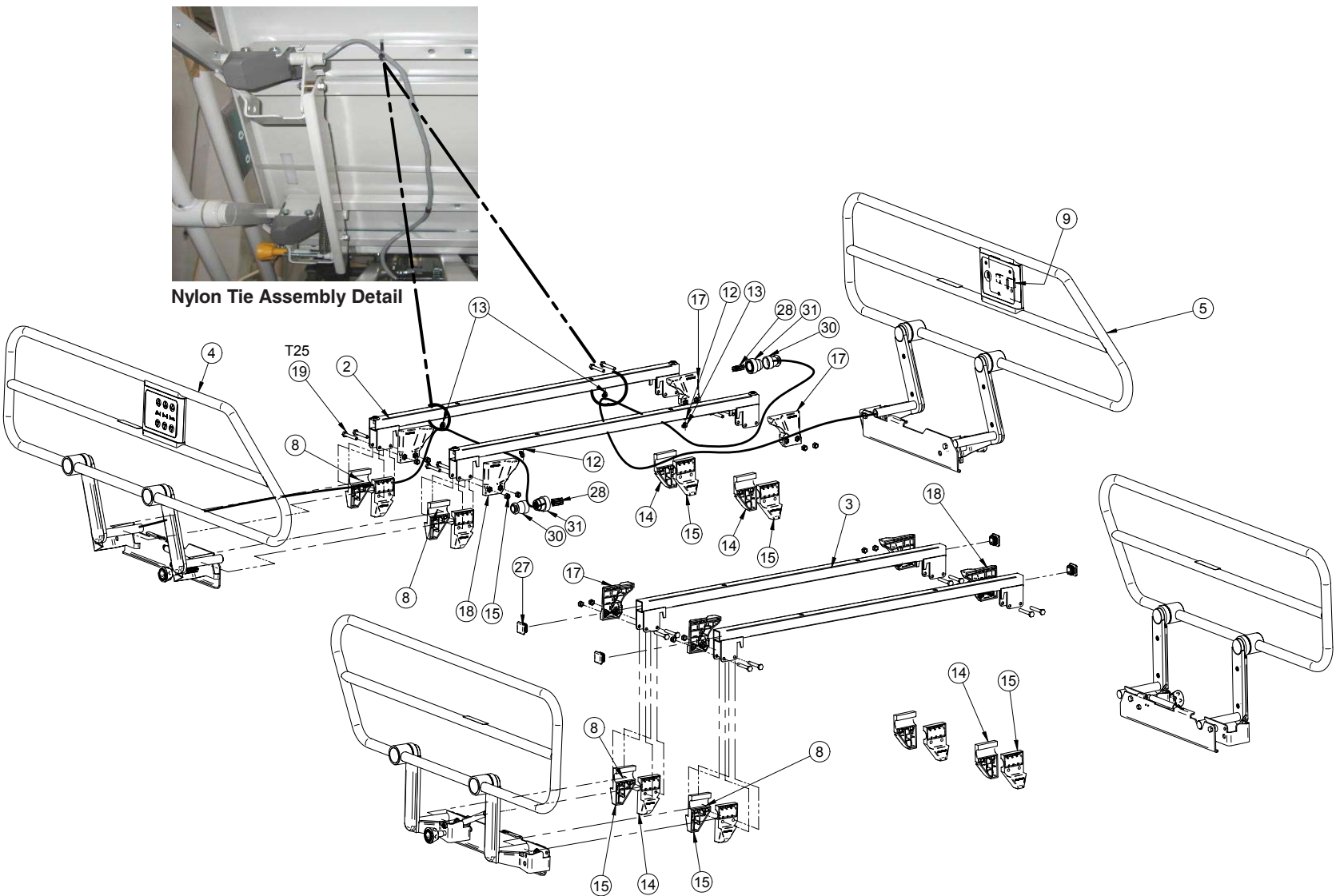
Rev. 00



Retractable Half-Length Siderails with Fixed Control



Retractable Half-Length Siderails with Fixed Control



Retractable Chromed Half-Length Siderails with Fixed Control

Retractable Chromed Half-Length Siderails with Fixed Control (For Reference Only: OL230245CG, Rev. 00)

Item	Part No.	Part Name	Qty.
1	QP18821-07	Patient Control Panel Support	4
2	23-0188	Siderail Support and Insert	2
3	23-0650G	Siderail Support	2
4	23-0769CG	Chromed Head Right Siderail	1
5	23-0770CG	Chromed Head Left Siderail	1
6	23-0785CG	Chromed Foot Right Siderail	1
7	23-0786CG	Chromed Foot Left Siderail	1
8	M0019	Petro Canada OG2 Grease	.0300
9	QDF23-0405	Left Three-Function Membrane	1
10	QDF23-0406	Right Three-Function Membrane	1
11	QDF23-0521	Siderail Control Panel Cable	2
12	QDF5096	Flat Tie Holder	2
13	QDF9518	Nylon Ty-Rap Black (0.143 X 8")	4
14	QP18-0240-07	Anchoring - Left Glider	8
15	QP18-0243-07	Anchoring - Right Glider	8
16	QP23-0391	Pendant Control Casing	4
17	QP18-0241-07	Rear Glider - Right	4
18	QP18-0242-07	Rear Glider - Left	4
19	VB15A1N44	Bolt 1/4-20 UNC x 1 3/4" Grade 5 z.p.	16
20	VB35A1N44	Carriage Bolt 1/4-20 x 1 3/4" Grade 5	4
21	VE30A1N	Nylon Hexagonal Locknut 1/4-20 z.p.	20
22	VV37A1N24-S	Machine Screw Truss Phillips 1/4-20 x 3/4" Scotch Grip	4
23	VV41A1A20	Phillips Countersunk Screw Type F #4-40 x 5/8" zp	16
24	VV83A9G24	Tapping Screw Pan Phillips Type B #10 x 3/4" z.p.	8
25	VW10A08	Flat Washer 1/4" x 1/16 SAE zp	4
26	QP23-0735	Control Board Stand-off Pin	8
27	QDF7908	Black Plug 1" #SQR-1-10-14	4
28	QDF9018	"AMP" Pin Contact #66103-2	20
29	QDF299X	Adhesive Neoprene 1/4 x 3/4	.1666
30	QDF2043	Cable Clamp "AMP" 206070-1	2
31	QDF2042	14-Positions Circular Connector	2

[Return To Table of Contents](#)

Retractable Painted Half-Length Siderails with Fixed Control

Retractable Painted Half-Length Siderails with Fixed Control (For Reference Only: OL230245G, Rev. 00)

Item	Part No.	Part Name	Qty.
1	QP18821-07	Control Panel Support	4
2	23-0188	Siderail Support and Insert	2
3	23-0650G	Siderail Support	2
4	23-0769G	Painted Head Right Siderail	1
5	23-0770G	Painted Head Left Siderail	1
6	23-0785G	Painted Foot Right Siderail	1
7	23-0786G	Painted Foot Left Siderail	1
8	M0019	Petro Canada OG2 Grease	.0300
9	QDF23-0405	Left Three-Function Membrane	1
10	QDF23-0406	Right Three-Function Membrane	1
11	QDF23-0521	Siderail Control Panel Cable	2
12	QDF5096	Flat Tie Holder	2
13	QDF9518	Nylon Ty-Rap Black (0.143 X 8")	4
14	QP18-0240-07	Anchoring - Left Glider	8
15	QP18-0243-07	Anchoring - Right Glider	8
16	QP23-0391	Pendant Control Casing	4
17	QP18-0241-07	Rear Glider - Right	4
18	QP18-0242-07	Rear Glider - Left	4
19	VB15A1N44	Bolt 1/4-20 UNC x 1 3/4" Grade 5 z.p.	16
20	VB35A1N44	Carriage Bolt 1/4-20 x 1 3/4" lg Grade 5	4
21	VE30A1N	Nylon Hexagonal Locknut 1/4-20 z.p.	20
22	VV37A1N24-S	Machine Screw Truss Phillips 1/4-20 x 3/4" Scotch Grip	4
23	VV41A1A20	Phillips Countersunk Screw Type F #4-40 x 5/8" zp	16
24	VV83A9G24	Tapping Screw Pan Phillips Type B #10 x 3/4" z.p.	8
25	VW10A08	Flat Washer 1/4" SAE zp	4
26	QP23-0735	Control Board Stand-off Pin	8
27	QDF7908	Black Plug 1" #SQR-1-10-14	4
28	QDF9018	"AMP" Contact Pin #66103-2	20
29	QDF299X	Adhesive Neoprene 1/4 x 3/4	.1666
30	QDF2043	Cable Clamp "AMP" 206070-1	2
31	QDF2042	14-Positions Circular Connector	2

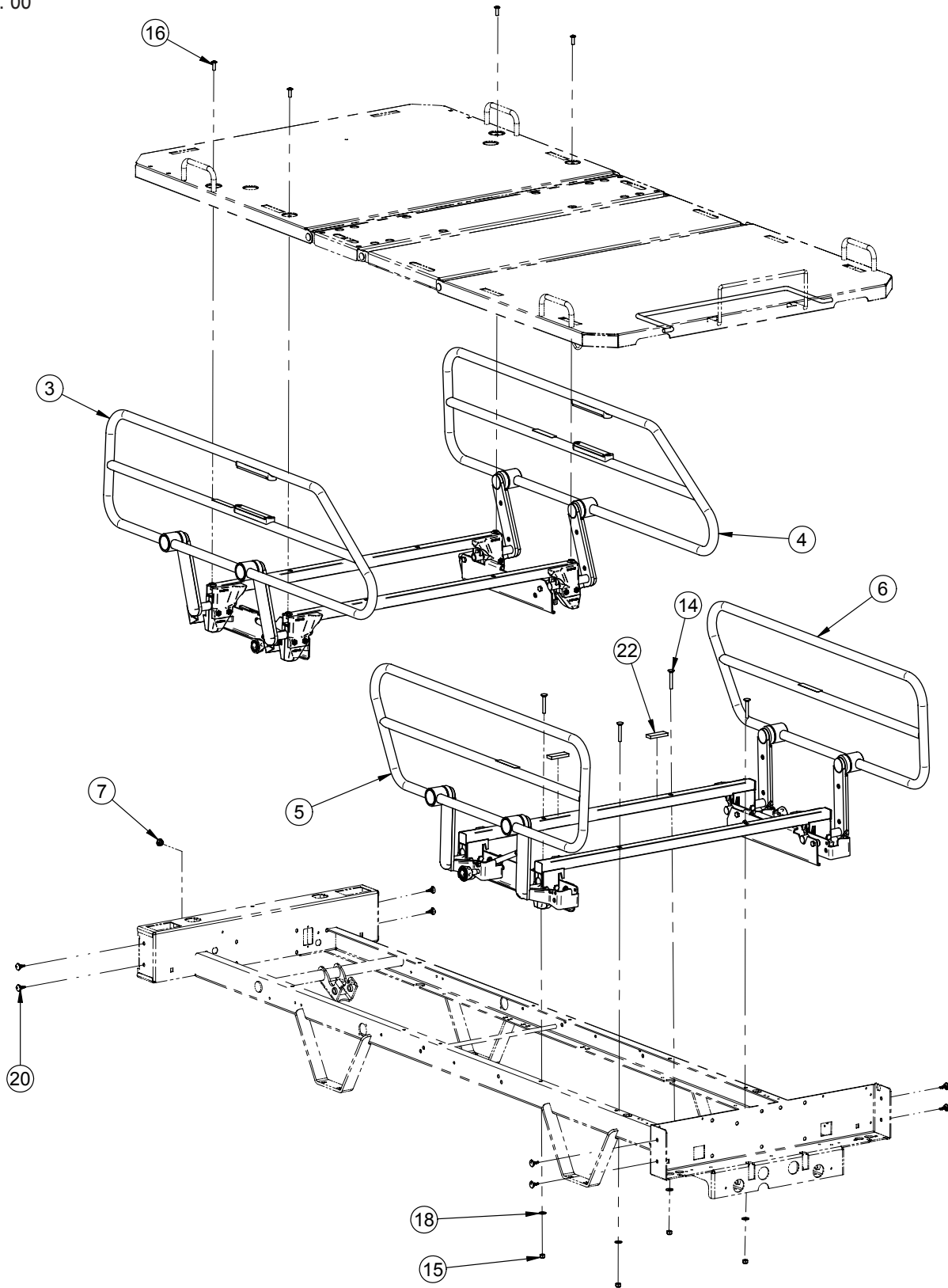
Retractable Half-Length Siderails with Fixed Control

Siderail Module Communication Cable Connections		
Positions on the Connector	Signal	Color
3	Raise Fowler	Brown
6	Raise Bed	Blue
9	Raise Gatch	Orange
8	Communication	Black
7	Lower Gatch	White
4	Lower Bed	Green
1	Lower Fowler	Red
10	Normally Open Buzzer	Yellow
11	Communication Buzzer	Grey
12	Normally Closed Buzzer	Purple

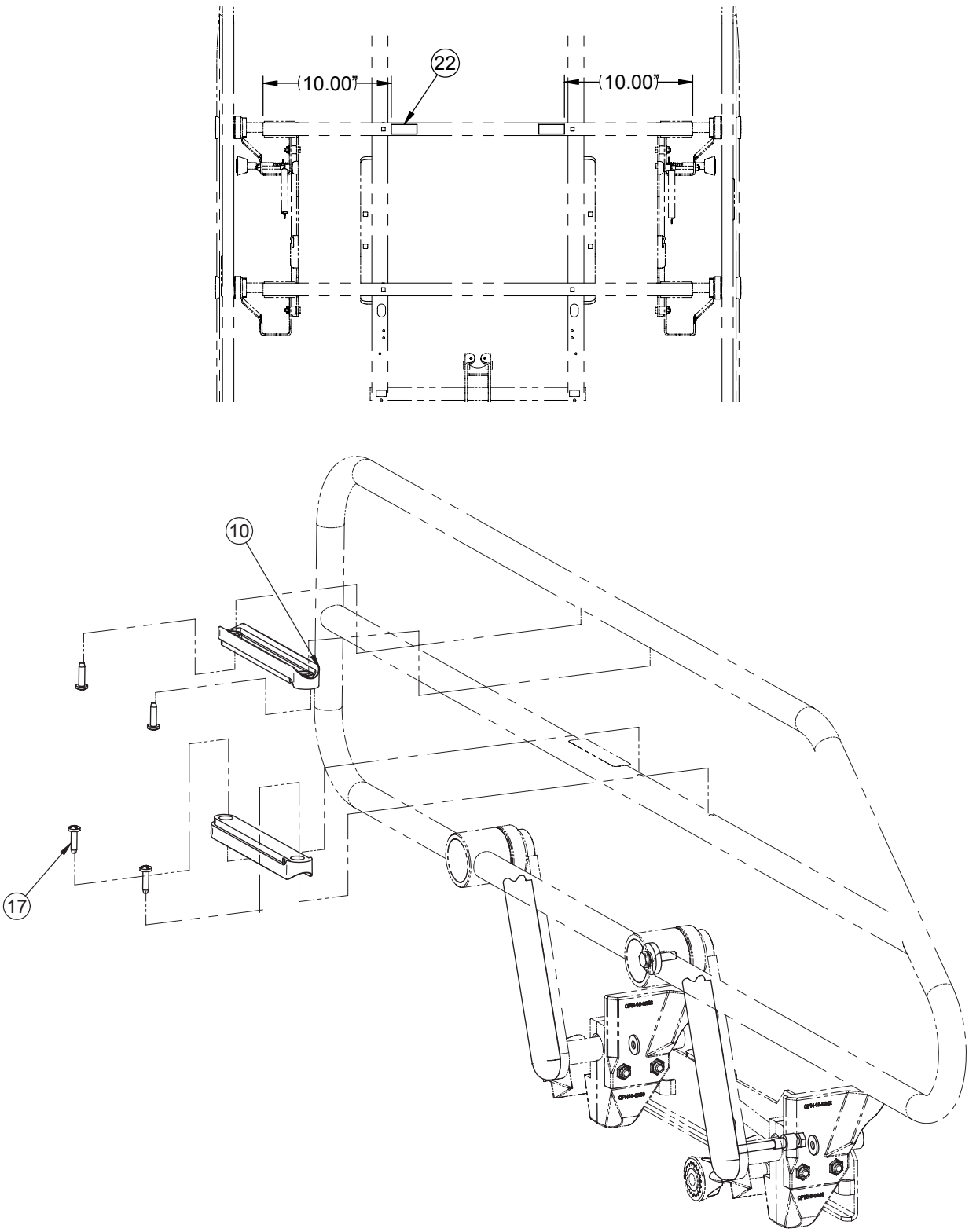
Retractable Siderails with Removable Controls

For Reference Only: OL230246

Rev. 00

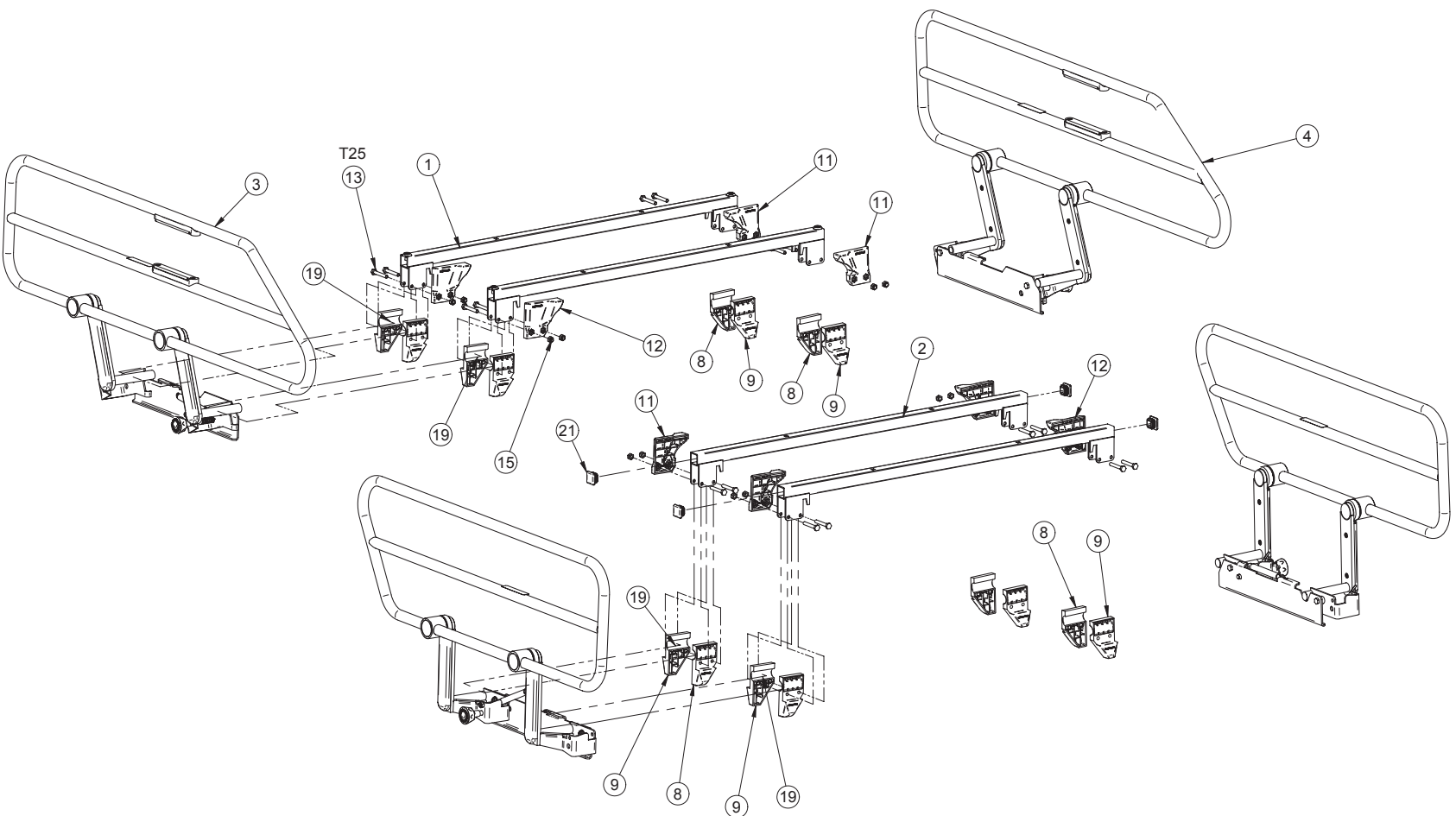


Retractable Siderails with Removable Controls



[Return To Table of Contents](#)

Retractable Siderails with Removable Controls



Retractable Chromed Siderails with Removable Controls

Retractable Chromed Siderails with Removable Controls (For Reference Only: OL230246CG, Rev. 00)

Item	Part No.	Part Name	Qty.
1	23-0188	Siderail Support and Insert	2
2	23-0650G	Siderail Support	2
3	23-0769C	Chromed Head Right Siderail	1
4	23-0770C	Chromed Head Left Siderail	1
5	23-0785C	Chromed Foot Right Siderail	1
6	23-0786C	Chromed Foot Left Siderail	1
7	QPCE1207	Cap	1
8	QP18-0240-07	Anchoring - Left Glider	8
9	QP18-0243-07	Anchoring - Right Glider	8
10	QP23-0389	Removable Control Panel Support	4
11	QP18-0241-07	Rear Glider - Right	4
12	QP18-0242-07	Rear Glider - Left	4
13	VB15A1N44	Bolt 1/4-20 UNC x 1 3/4" Grade 5	16
14	VB35A1N44	Carriage Bolt 1/4-20 x 1 3/4" Grade 5	4
15	VE30A1N	Nylon Locknut 1/4-20	20
16	VV37A1N24-S	Machine Screw Truss Phillips 1/4-20 x 3/4" Scotch Grip	4
17	VV83A9G24	Tapping Screw Pan Phillips Type B #10 x 3/4"	8
18	VW10A08	Flat Washer 1/4" x 1/16"	4
19	M0019	Petro Canada OG2 Grease	.0300
20	QP23-0735	PCB Support	8
21	QDF7908	Black Plug 1" #SQR-1-10-14	4
22	QDF299X	Adhesive Neoprene 1/4 x 3/4	.3333

Retractable Painted Siderails with Removable Controls

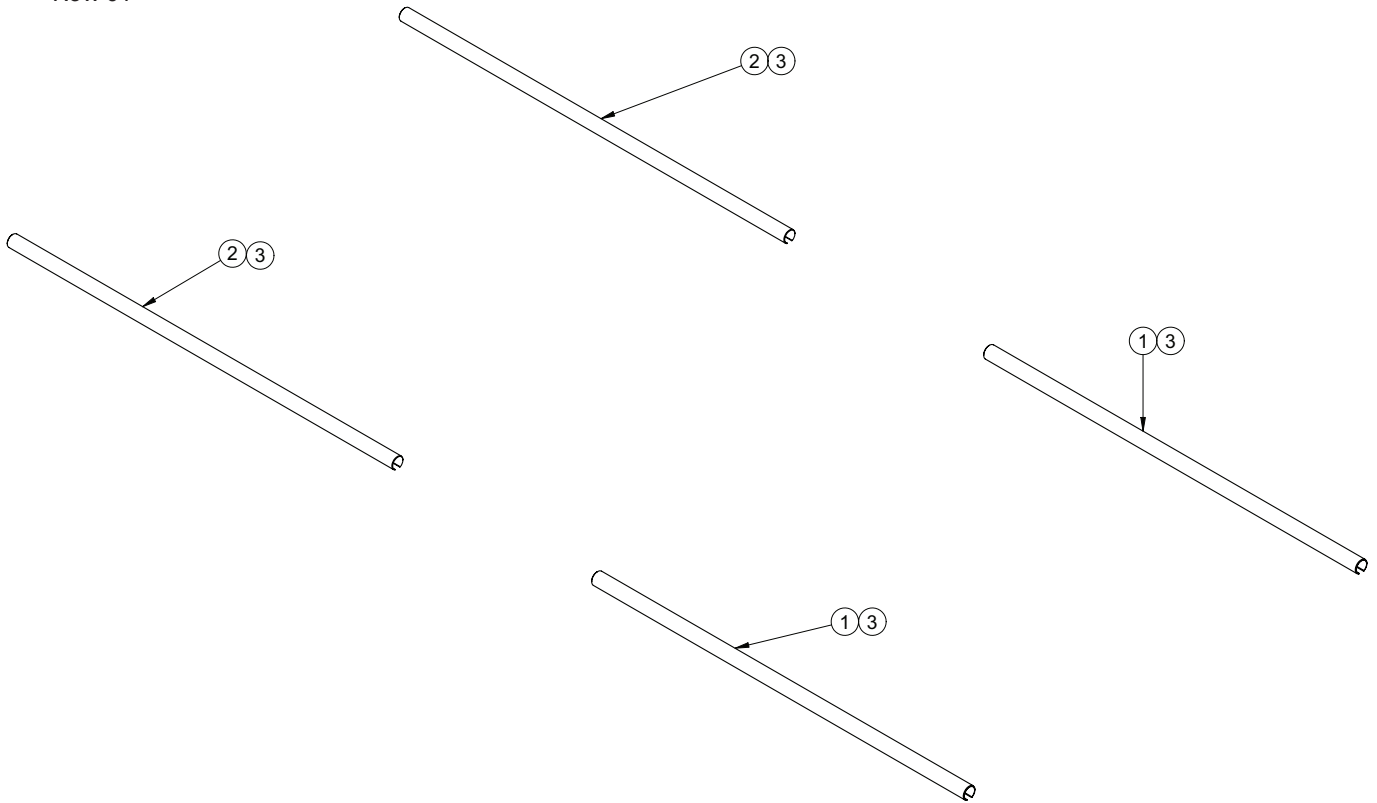
Retractable Painted Siderails with Removable Controls (For Reference Only: OL230246G, Rev. 00)

Item	Part No.	Part Name	Qty.
1	23-0188	Siderail Support and Insert	2
2	23-0650G	Siderail Support	2
3	23-0769G	Painted Head Right Siderail	1
4	23-0770G	Painted Head Left Siderail	1
5	23-0785G	Painted Foot Right Siderail	1
6	23-0786G	Painted Foot Left Siderail	1
7	QPCE1207	Cap	1
8	QP18-0240-07	Anchoring - Left Glider	8
9	QP18-0243-07	Anchoring - Right Glider	8
10	QP23-0389	Removable Control Panel Support	4
11	QP18-0241-07	Rear Glider - Right	4
12	QP18-0242-07	Rear Glider - Left	4
13	VB15A1N44	Bolt 1/4-20 x 1 3/4" Grade 5	16
14	VB35A1N44	Carriage Bolt 1/4-20 x 1 3/4" Grade 5	4
15	VE30A1N	Nylon Locknut 1/4-20	20
16	VV37A1N24-S	Machine Screw Truss Phillips 1/4-20 x 3/4" Scotch Grip	4
17	VV83A9G24	Tapping Screw Pan Phillips Type B #10 x 3/4" z.p.	8
18	VW10A08	Flat Washer 1/4" x 1/16	4
19	M0019	Petro Canada OG2 Grease	.0300
20	QP23-0735	PCB Support	8
21	QDF7908	Black Plug 1" #SQR-1-10-14	4
22	QDF299X	Adhesive Neoprene 1/4 x 3/4	.3333

PVC Protector - Half-Length Retractable Siderails

For Reference Only: OL230205

Rev. 01



PVC Protector - Half-Length Retractable Siderails (For Reference Only: OL230205, Rev. 01)

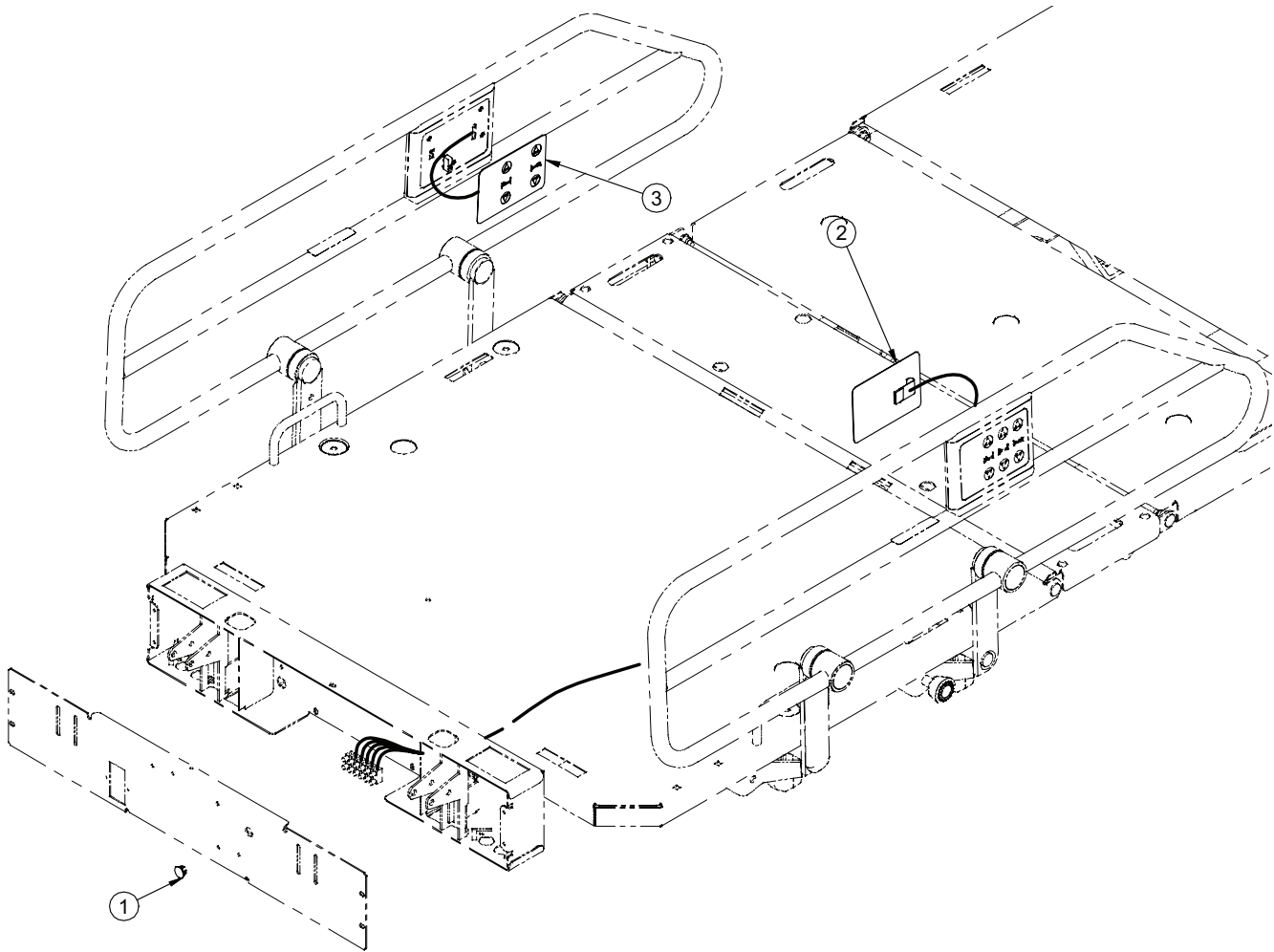
Item	Part No.	Part Name	Qty.
1	23-0478	Foot Siderail PVC Protector	2
2	23-0617	PVC Protector, Retractable Split Siderails, Head	2
3	QDF7826	3M Adhesive Tape #950 x 1"	10

[Return To Table of Contents](#)

Fixed Control Panel without Nurse Call

For Reference Only: OL230199

Rev. 02



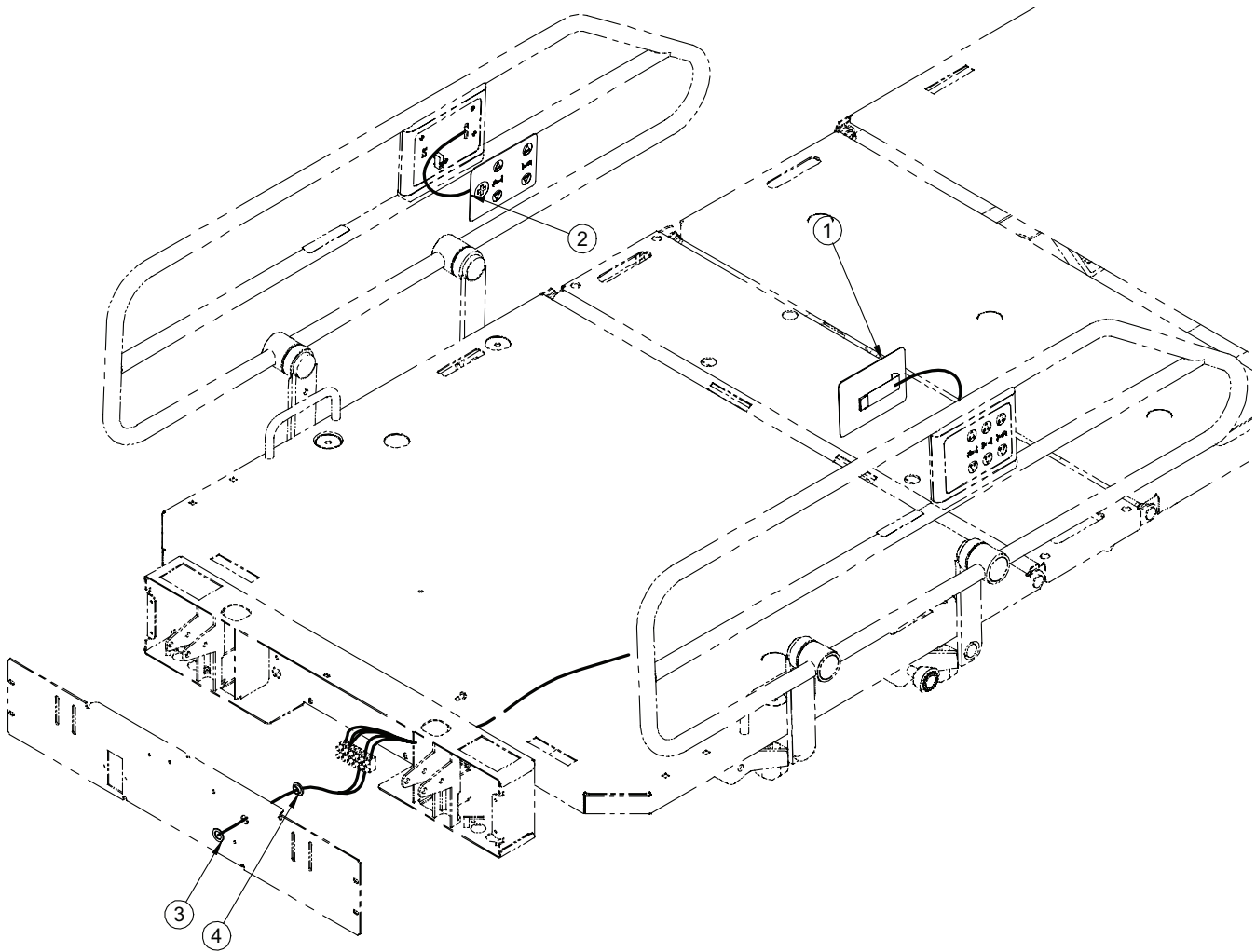
Fixed Control Panel without Nurse Call (For Reference Only: OL230199, Rev. 01)

Item	Part No.	Part Name	Qty.
1	QPCE1207	Diameter 5/8"-18 unc ga 16-18 Cap	1
2	QDF23-0392	Left Membrane without Nurse Call	1
3	QDF23-0393	Right Membrane without Nurse Call	1

Fixed Control Panel with Nurse Call

For Reference Only: OL230198

Rev. 01



Fixed Control Panel with Nurse Call (For Reference Only: OL230198, Rev. 01)

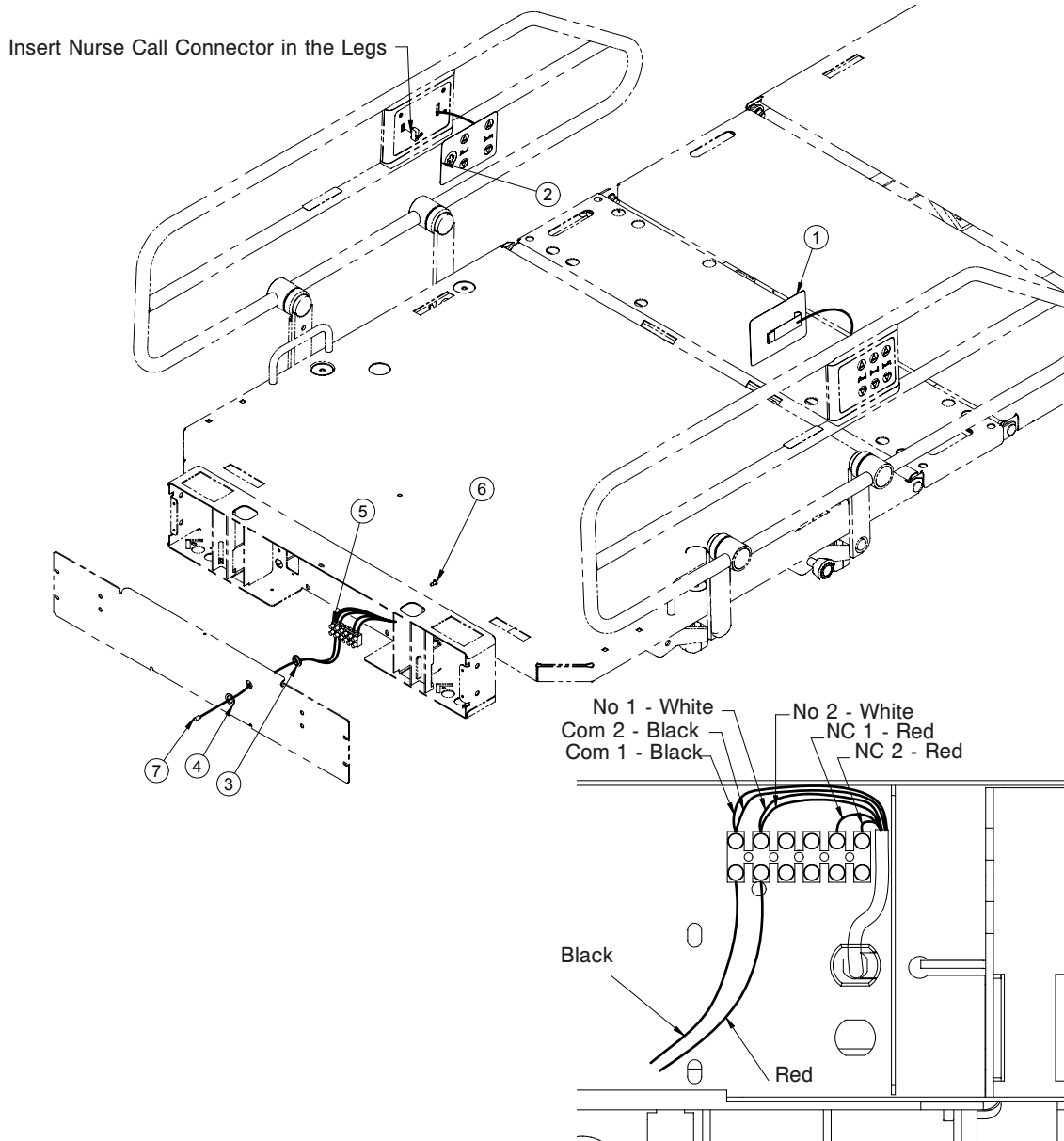
Item	Part No.	Part Name	Qty.
1	QDF23-0396	Foot/Head Membrane with Nurse Call	1
2	QDF23-0397	Head/Foot Membrane with Nurse Call	1
3	VW10C162402	Nylon Washer 0,505" Ins. Dia. x 3/4" OU	1
4	VW60C122408	Shoulder Spacer 3/8" Ins. Dia.	1

[Return To Table of Contents](#)

Control with Nurse Call Normally Open (N.O.)

For Reference Only: OL230200

Rev. 01



Control with Nurse Call Normally Open (N.O.) (For Reference Only: OL230200, Rev. 01)

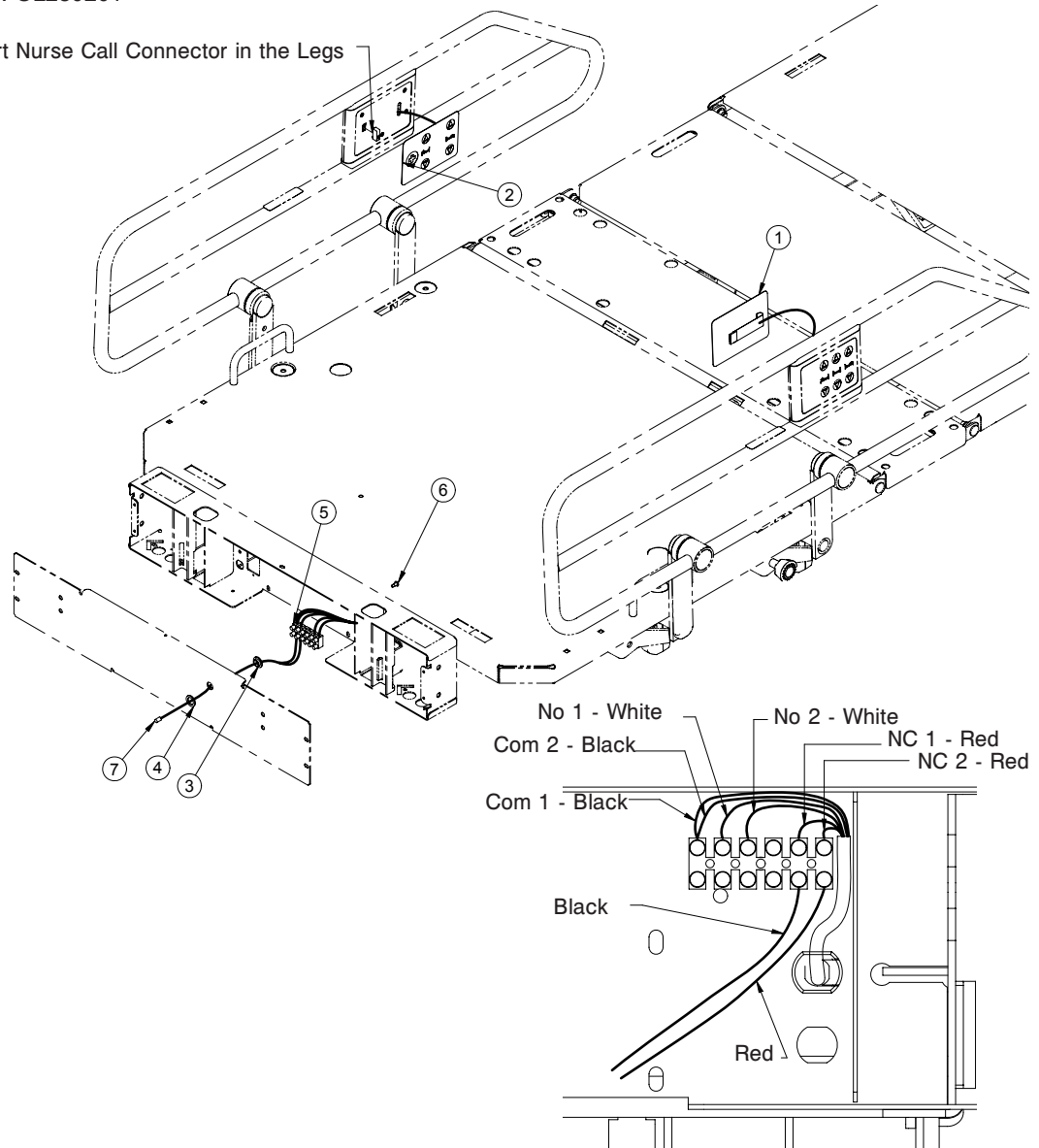
Item	Part No.	Part Name	Qty.
1	QDF23-0396	Head and Foot Two-Functions Module with Nurse Call	1
2	QDF23-0397	Head and Foot Two-Functions Module with Nurse Call	1
3	VW60C122408	Nylon Spacer Washer	1
4	VW10C142402	Nylon Washer 0.505" ins. x 3/4" out. x 1/16" wi.	1
5	QDF9012	Connection Terminal (6x2)	1
6	VV83A9E12	Tapping Screw Type B Pan Head Phillips #8 x 3/8" z.p.	1
7	QDF23-0530	1/4 Normally Open (N.O.) Phono Plug Cable	1

Control with Nurse Call Normally Closed (N.C.)

For Reference Only: OL230201

Rev. 01

Insert Nurse Call Connector in the Legs



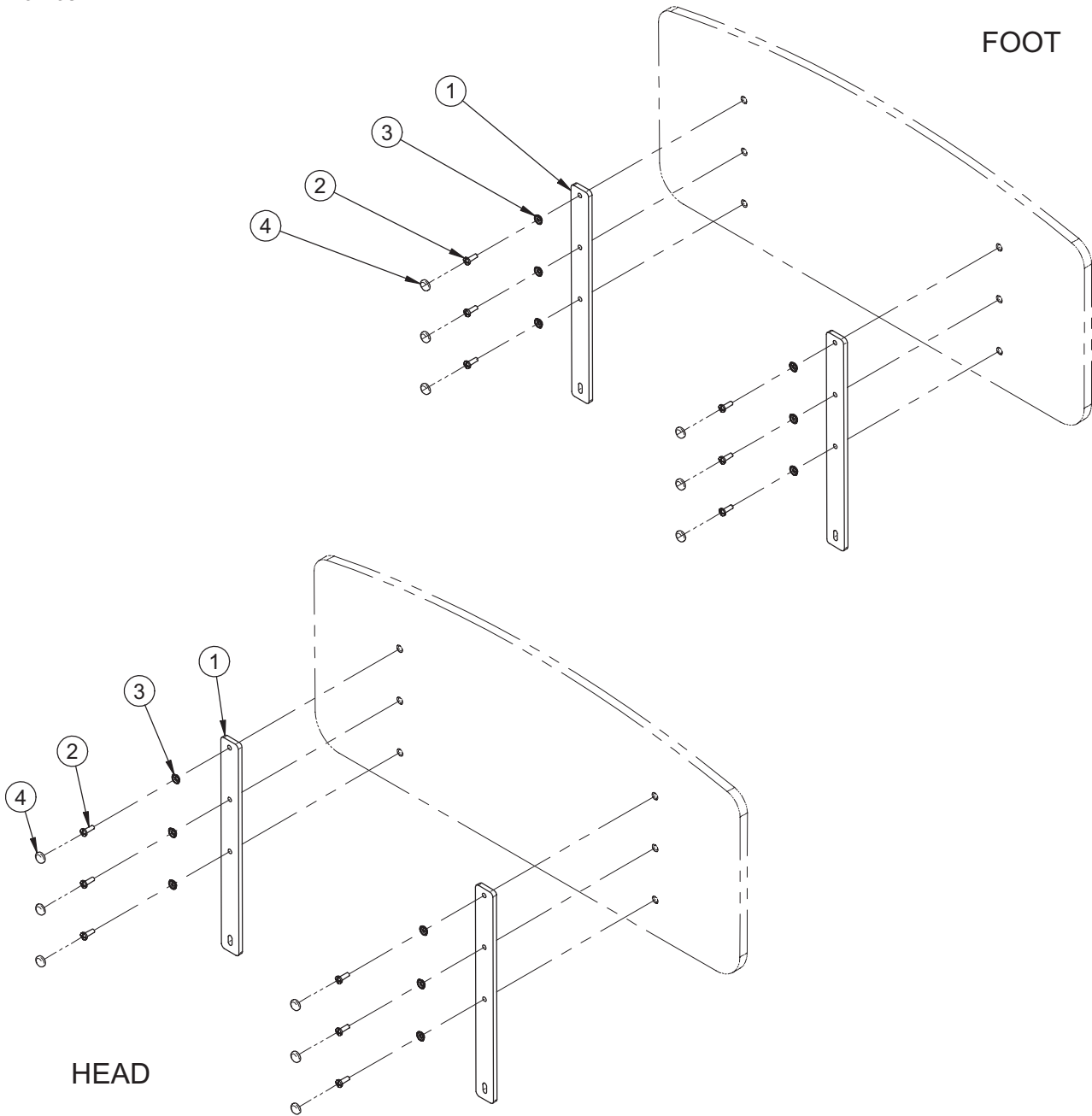
Control with Nurse Call Normally Closed (N.C.) (For Reference Only: OL230201, Rev. 01)

Item	Part No.	Part Name	Qty.
1	QDF23-0396	Head and Foot Two-Functions Module with Nurse Call	1
2	QDF23-0397	Head and Foot Two-Functions Module with Nurse Call	1
3	VW60C122408	Nylon Spacer Washer	1
4	VW10C142402	Nylon Washer	1
5	QDF9012	0.505" ins. x 3/4" out. x 1/16" wi Connection Terminal (6x2)	1
6	VV83A9E12	Tapping Screw Type B Pan Head Phillips #8 x 3/8" z.p.	1
7	QDF23-0531	1/4 Normally Closed (N.C.) Phono Plug Cable	1

[Return To Table of Contents](#)

Post Set

For Reference Only: L23-005
Rev. 03



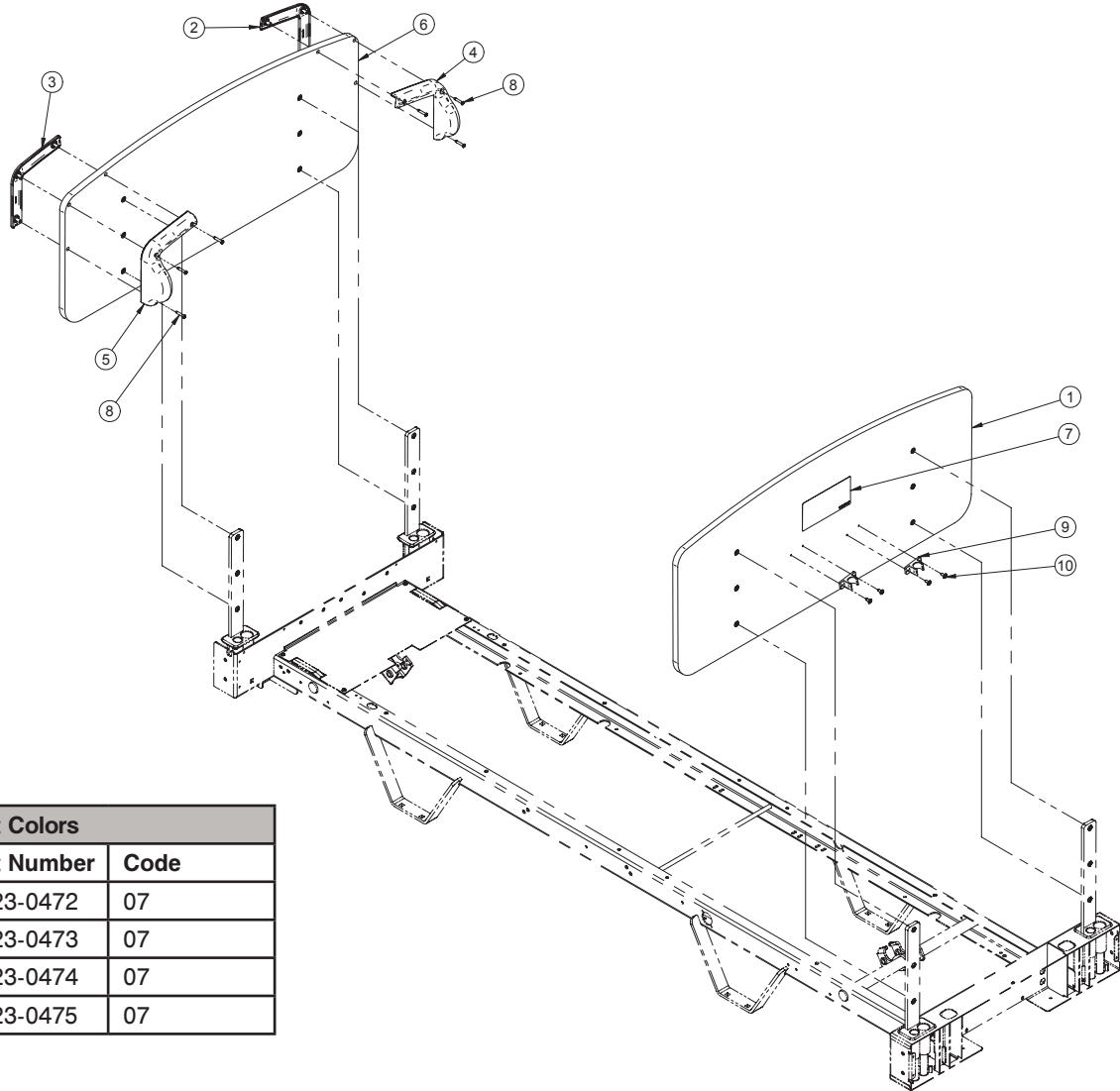
Post Set (For Reference Only: L23-005G, Rev. 05)

Item	Part No.	Part Name	Qty.
1	23-0124G	Post	4
2	VV33A1N24-S	Machine Screw Pan Head 1/4-20 x 3/4" Scotch Grip	12
3	QPPF1521	Metal Washer 1/4" Diameter	12
4	QPPF1514-1	White Plastic Cap	12

Melamine Boards without Control Panel

For Reference Only: OP230252

Rev. 00



Part Colors	
Part Number	Code
QP23-0472	07
QP23-0473	07
QP23-0474	07
QP23-0475	07

Melamine Boards without Control Panel (For Reference Only: OP230252, Rev. 00)

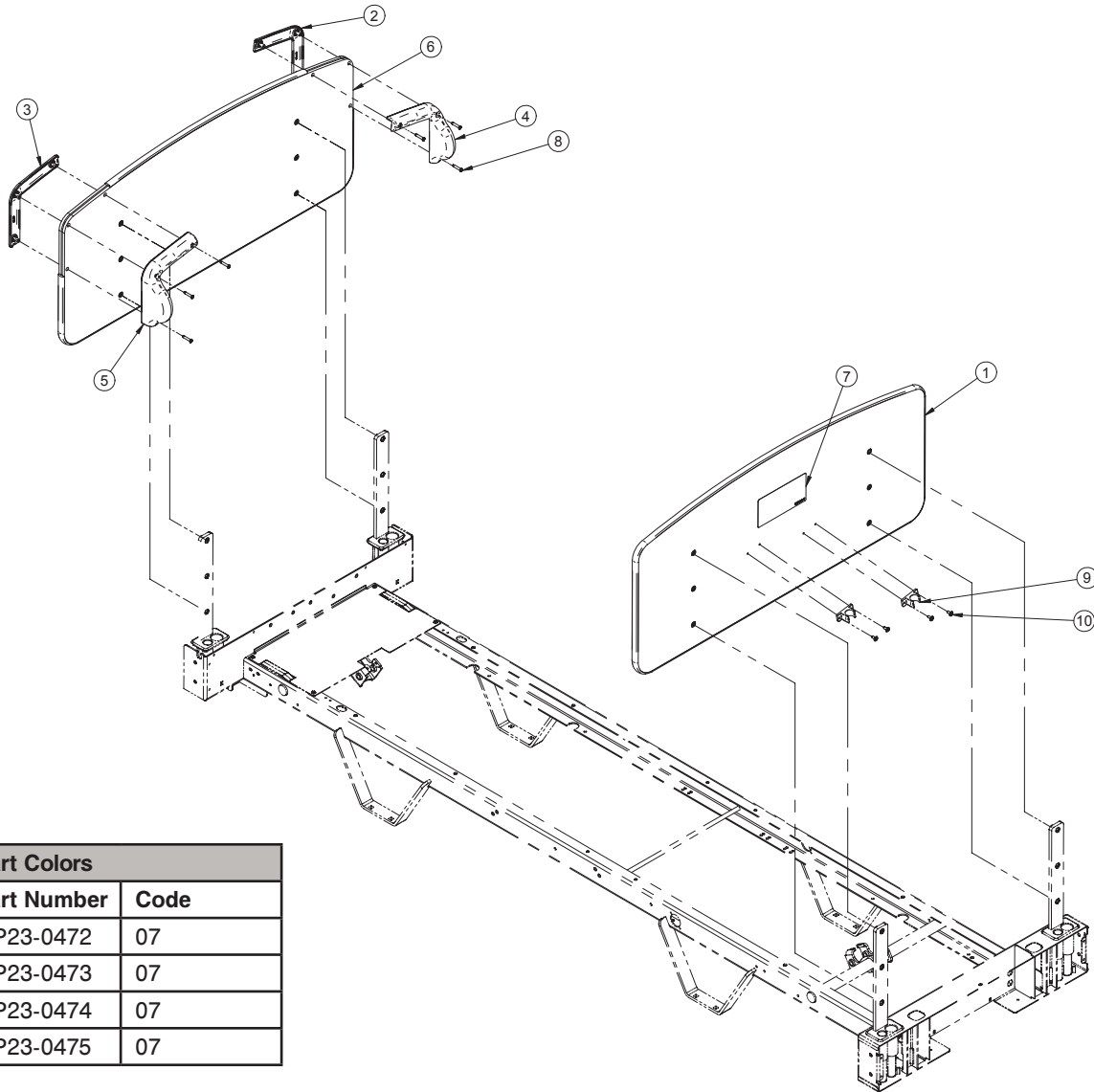
Item	Part No.	Part Name	Qty.
1	23-0806	Melamine Board	1
2	QP23-0472	Outer Right Handle	1
3	QP23-0473	Outer Left Handle	1
4	QP23-0474	Inner Right Handle	1
5	QP23-0475	Inner Left Handle	1
6	23-0514	Melamine Foot Board	1
7	QE14376-T	Sticker - Headboard Installation	1
8	VV23A1G32HL	Tapping Screw Pan Phillips Type High-Low #10 x 1" z.p.	1 6
9	QPAG1801	Rod Support	2
10	VV27A9G16	Tapping Screw Truss Head Phillips #10 x 1/2" LG	4

[Return To Table of Contents](#)

MDF Laminated Boards without Control Panel

For Reference Only: OP230253

Rev. 00



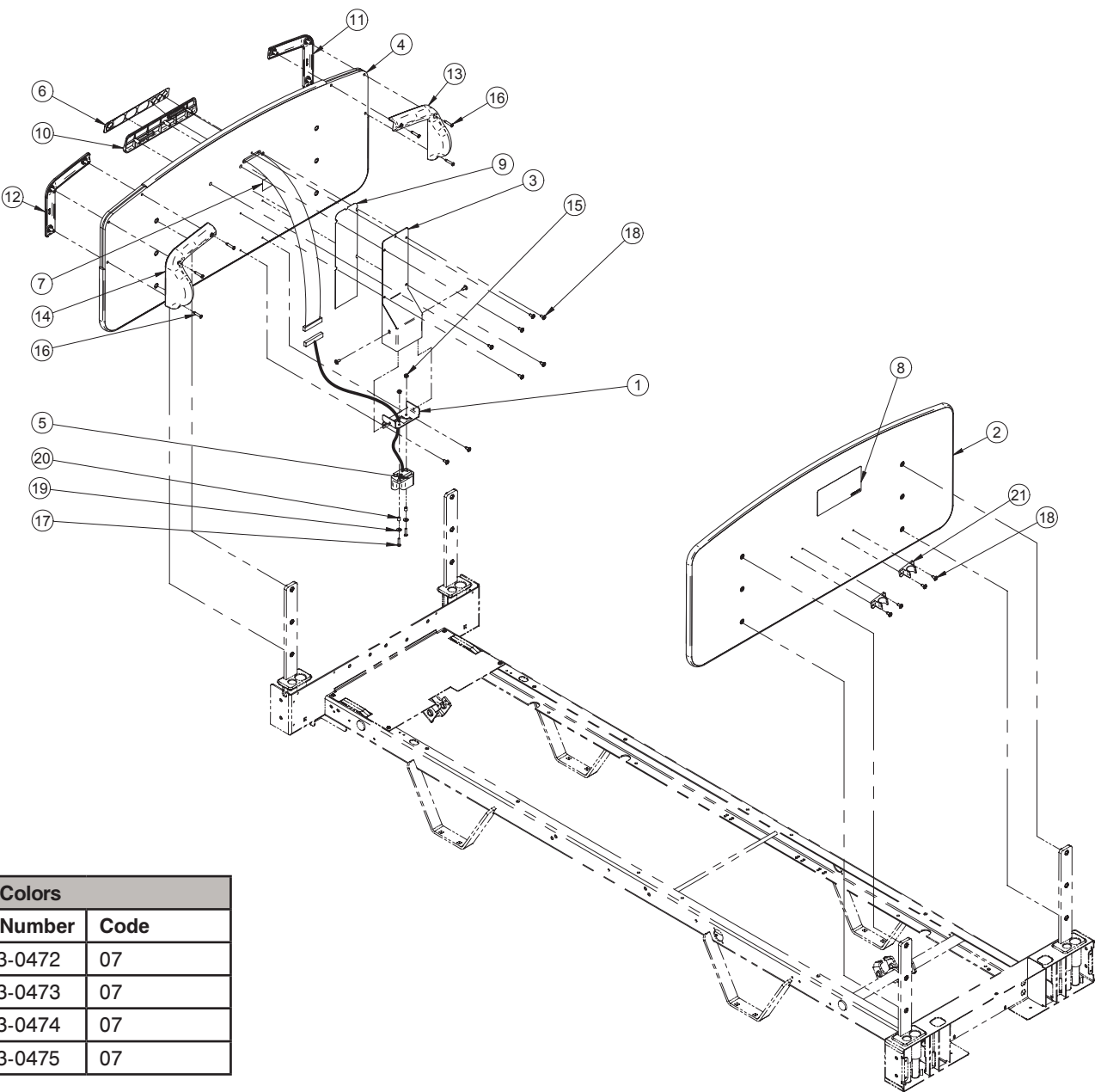
Part Colors	
Part Number	Code
QP23-0472	07
QP23-0473	07
QP23-0474	07
QP23-0475	07

MDF Laminated Boards without Control Panel (For Reference Only: OP230253, Rev. 00)

Item	Part No.	Part Name	Qty.
1	23-0807	MDF Laminated Board	1
2	QP23-0472	Outer Right Handle	1
3	QP23-0473	Outer Left Handle	1
4	QP23-0474	Inner Right Handle	1
5	QP23-0475	Inner Left Handle	1
6	23-0516	Laminated Board	1
7	QE14376-T	Sticker - Headboard Installation	1
8	VV23A1G32HL	Tapping Screw Pan Phillips Type High-Low #10 x 1" z.p.	6
9	QPAG1801	Rod Support	2
10	VV27A9G16	Tapping Screw Truss Head Phillips #10 x 1/2" LG	4

MDF Laminated Boards with Control Panel

For Reference Only: QP230254
Rev. 00



Part Colors	
Part Number	Code
QP23-0472	07
QP23-0473	07
QP23-0474	07
QP23-0475	07

[Return To Table of Contents](#)

MDF Laminated Boards with Control Panel

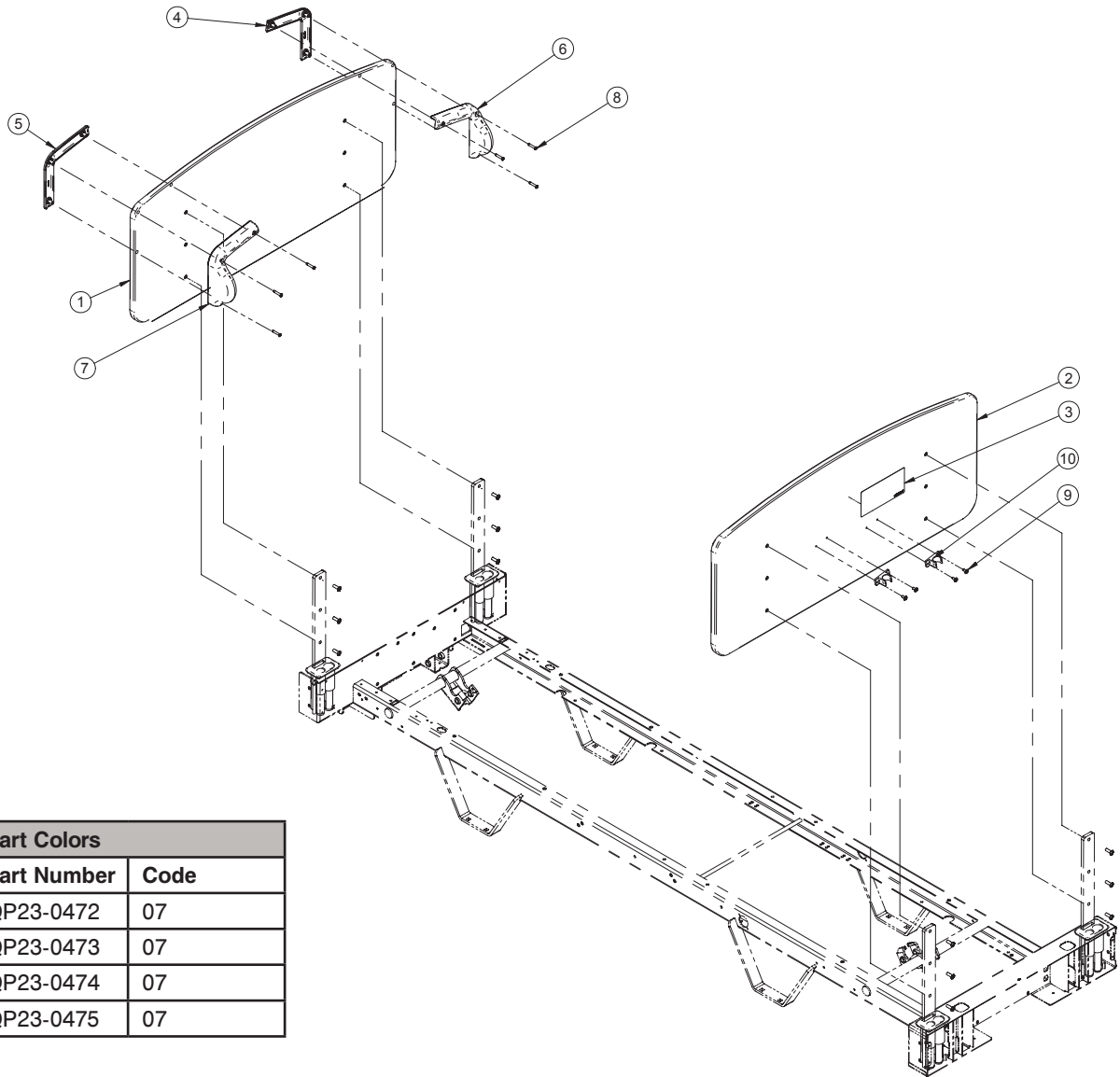
MDF Laminated Boards with Control Panel (For Reference Only: OP230254, Rev. 00)

Item	Part No.	Part Name	Qty.
1	17-0144G	Nurse Control Board	1
2	23-0807	MDF Laminated Board	1
3	23-0334G	Support Cover	1
4	23-0519	MDF Laminated Foot Board	1
5	QDF17-0139	Extension Cord for Membrane	1
6	QDF17-0180	Nurse Call Membrane	1
7	QDF7826	Transfert Tape 3M 1" Wide	1
8	QE14376-T	Sticker - Inversion	1
9	QE71-0751	Sticker - Foot Board Isolation	2
10	QP17-0127-07	Nurse Call Plate	1
11	QP23-0472	Right Exterior Handle	1
12	QP23-0473	Left Exterior Board Handle	1
13	QP23-0474	Right Interior Handle	1
14	QP23-0475	Left Exterior Board Handle	1
15	VE30A1E	Nylon Locknut #8-32	1
16	VV23A1G32HL	Tapping Screw High-Low Pan Head Phillips #10 x 1" z.p.	2
17	VV33A1E24	Machine Screw Round Head Phillips 3-32 x 3/4	1
18	VV27A9G16	Tapping Screw Truss Head Phillips #10 x 1/2" LG	10
19	VW11A9E	Flat Washer #8	1
20	VW60C081005	Sleeve	1
21	QPAG1801	Rod Support	1

Solid Wood Board without Control Panel

For Reference Only: OP230257

Rev. 00



Part Colors	
Part Number	Code
QP23-0472	07
QP23-0473	07
QP23-0474	07
QP23-0475	07

Solid Wood Board without Control Panel (For Reference Only: OP230257, Rev. 00)

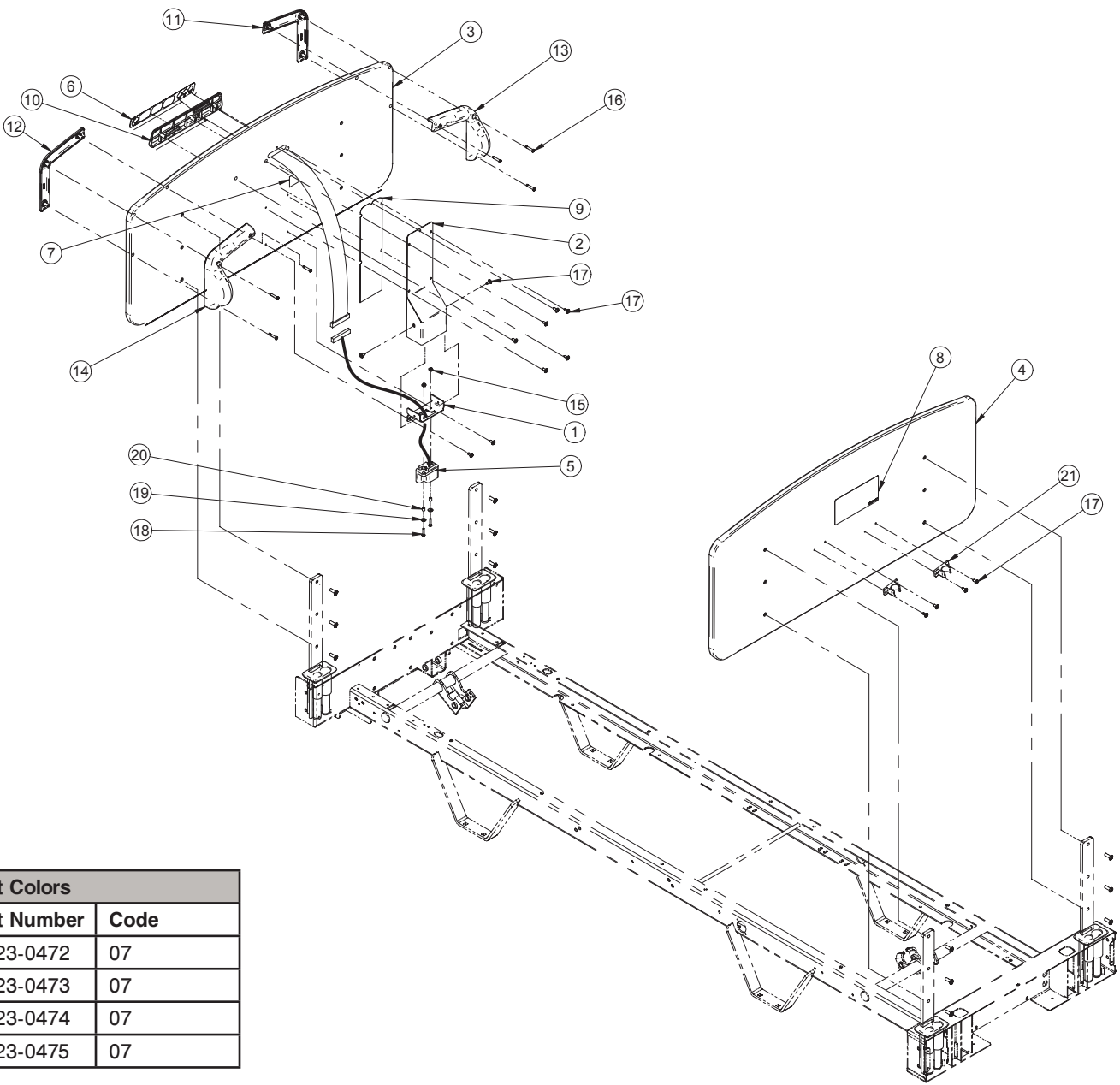
Item	Part No.	Part Name	Qty.
1	23-0660	Solid Wood Foot Board	1
2	23-0811	Solid Wood Head Board	1
3	QE14376-T	Sticker - Headboard Installation	1
4	QP23-0472	Outer Right Handle	1
5	QP23-0473	Outer Left Handle	1
6	QP23-0474	Inner Right Handle	1
7	QP23-0475	Inner Left Handle	1
8	VV23A1G32HL	Tapping Screw Pan Phillips Type High-Low #10 x 1" z.p.	6
9	VV27A9G16	Tapping Screw Truss Head Phillips #10 x 1/2" LG	4
10	QPAG1801	Rod Support	2

[Return To Table of Contents](#)

Notes

Solid Wood Boards with Control Panel

For Reference Only: QP230255
Rev. 00



Part Colors	
Part Number	Code
QP23-0472	07
QP23-0473	07
QP23-0474	07
QP23-0475	07

[Return To Table of Contents](#)

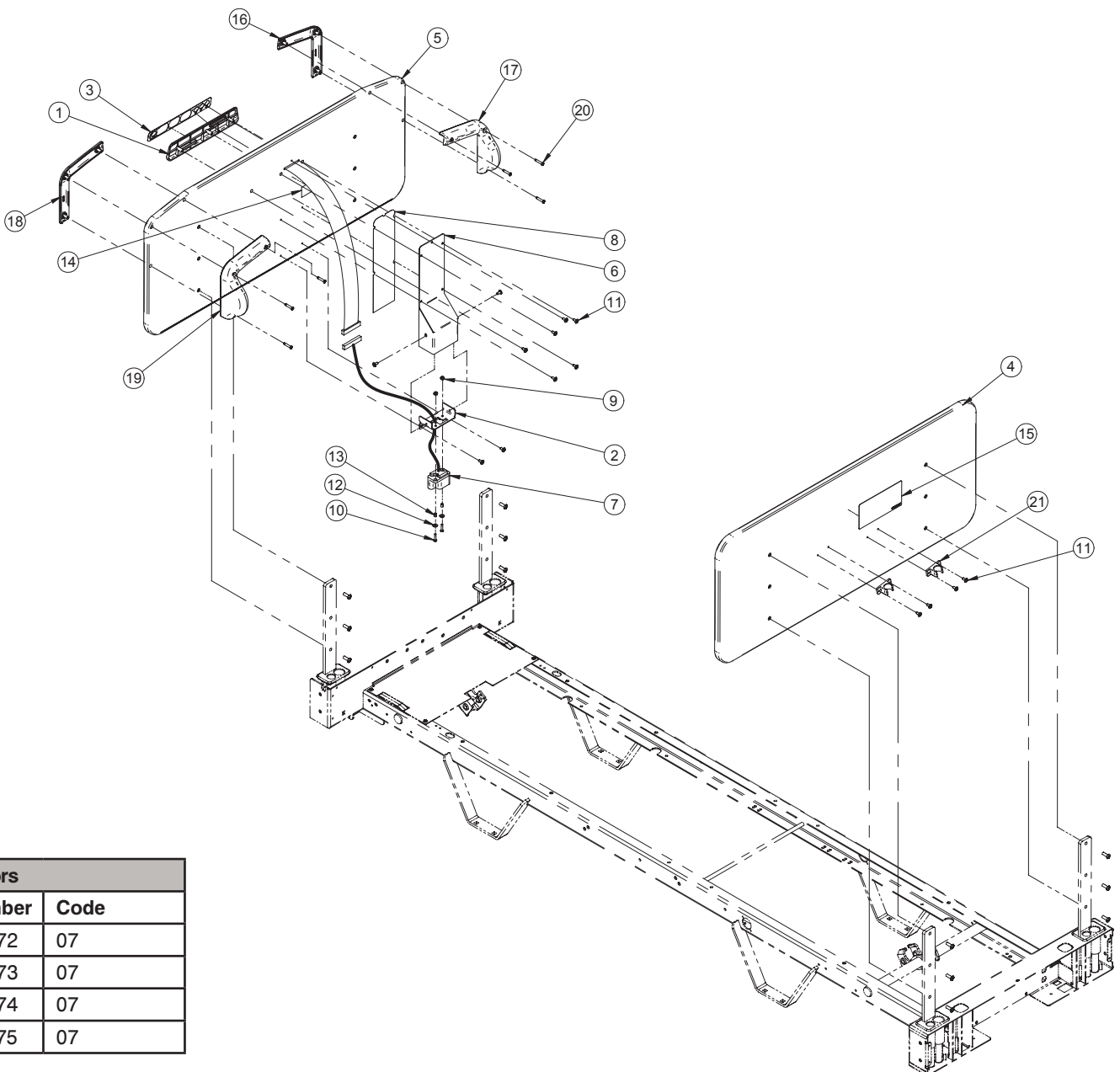
Solid Wood Boards with Control Panel

Solid Wood Boards with Control Panel (For Reference Only: OP230255, Rev. 00)

Item	Part No.	Part Name	Qty.
1	17-0144G	Connector Support	1
2	23-0334G	Support Cover	1
3	23-0633	Foot Solid Core Laminated Board	1
4	23-0811	Head Solid Core Laminated Board	1
5	QDF17-0139	Extension Cord for Membrane	1
6	QDF17-0180	Nurse Control Membrane	1
7	QDF7826	3M Adhesive Tape #950 x 1"	1
8	QE14376-T	Sticker - Headboard Installation	1
9	QE71-0751	Foot Board Isolating Strip	1
10	QP17-0127-07	Nurse Control Board	1
11	QP23-0472	Outer Right Handle	1
12	QP23-0473	Outer Left Handle	1
13	QP23-0474	Inner Right Handle	1
14	QP23-0475	Inner Left Handle	1
15	VE30A1E	Nylon Locknut #8-32 z.p.	2
16	VV23A1G32HL	Tapping Screw Pan Phillips Type High-Low #10 x 1" z.p.	6
17	VV27A9G16	Tapping Screw Truss Phillips Type A #10 x 1/2" z.p.	14
18	VV33A1E24	Machine Screw Pan Phillips #8-32 x 3/4" z.p.	2
19	VW11A9E	Flat Washer #8	2
20	VW60C081005	Sleeve	2
21	QPAG1801	Rod Support	2

Solid Core Boards with Flat Top and Control Panel

For Reference Only: OP230256
Rev. 00



Part Colors	
Part Number	Code
QP23-0472	07
QP23-0473	07
QP23-0474	07
QP23-0475	07

[Return To Table of Contents](#)

Solid Core Boards with Flat Top and Control Panel

Solid Core Boards with Flat Top and Control Panel (For Reference Only: OP230256, Rev. 00)

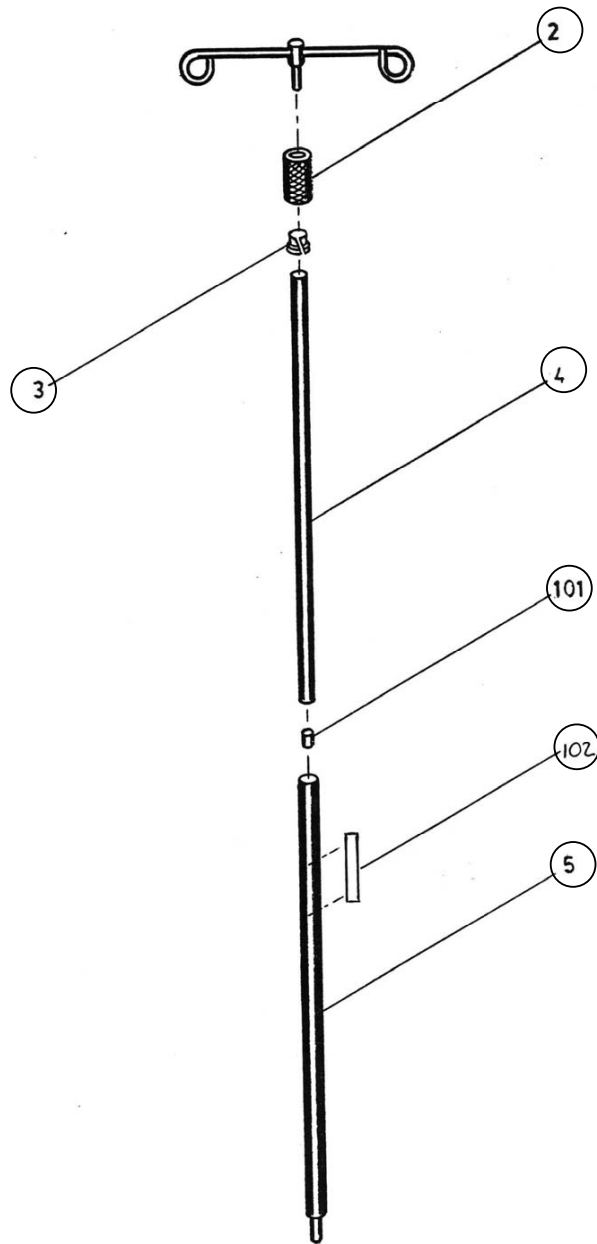
Item	Part No.	Part Name	Qty.
1	QP17-0127-07	Nurse Control Board	1
2	17-0144G	Connector Support	1
3	QDF17-0180	Nurse Control Membrane	1
4	23-0809	Solid Core Head Board	1
5	23-0681	Solid Core Foot Board	1
6	23-0334G	Support Cover	1
7	QDF17-0139	Extension Cord for Membrane	1
8	QE71-0751	Foot Board Isolating Strip	1
9	VE30A1E	Nylon Hexagone Locknut #8-32 z.p.	2
10	VV33A1E24	Machine Screw Pan Phillips #8-32 x 3/4" z.p.	2
11	VV27A9G16	Tapping Screw truss Phillips Type A #10 x 1/2" z.p.	14
12	VW11A9E	Flat Washer #8	2
13	VW60C081005	Sleeve	2
14	QDF7826	3M Adhesive Tape #950 x 1"	.1666
15	QE14376-T	Sticker - Headboard Installation	1
16	QP23-0472	Outer Right Handle	1
17	QP23-0474	Inner Right Handle	1
18	QP23-0473	Outer Left Handle	1
19	QP23-0475	Inner Left Handle	1
20	VV23A1G32HL	Tapping Screw Pan Phillips Type High-Low #10 x 1" z.p.	6
21	QPAG1801	Rod Support	2

Optional Bed Accessories

Accessory	Part Number	Page Reference
Removable I.V. Pole	FDTSH	See pg. 170
Bed Extender	FA64152	See pg. 171
Cushion for Bed Extender	DM64063	See pg. 173
Cushion for Bed Extender	DM64064	See pg. 173
Emergency Crank	FA64161	See pg. 174
Removable Two-Sided, Two-Function Pendant Control	FA64160	See pg. 175
P&D Two-Function Pendant Control	FA64155	See pg. 176
Half an Inch Diameter Stryker Removable I.V. Pole	FA64135	See pg. 177
Half-Length Siderail Protective Pads	DM64232	See pg. 178
Full-Length Siderail Protective Pads	DM64176	See pg. 178
Half-Length Siderail Protective Pads	DM64233	See pg. 179
Full-Length Siderail Protective Pads	DM64178	See pg. 179
One Inch Diameter Removable I.V. Pole	FA61002-G	See pg. 180
Oxygen Bottle Holder	FA64036-G	See pg. 181
Upright Oxygen Bottle Holder	FA64117	See pg. 182
Overhead Trapeze	FA64145	See pg. 184
Monitor Tray	FA64153	See pg. 186
One Inch Diameter Fixed I.V. Pole	FA64157	See pg. 187

[Return To Table of Contents](#)

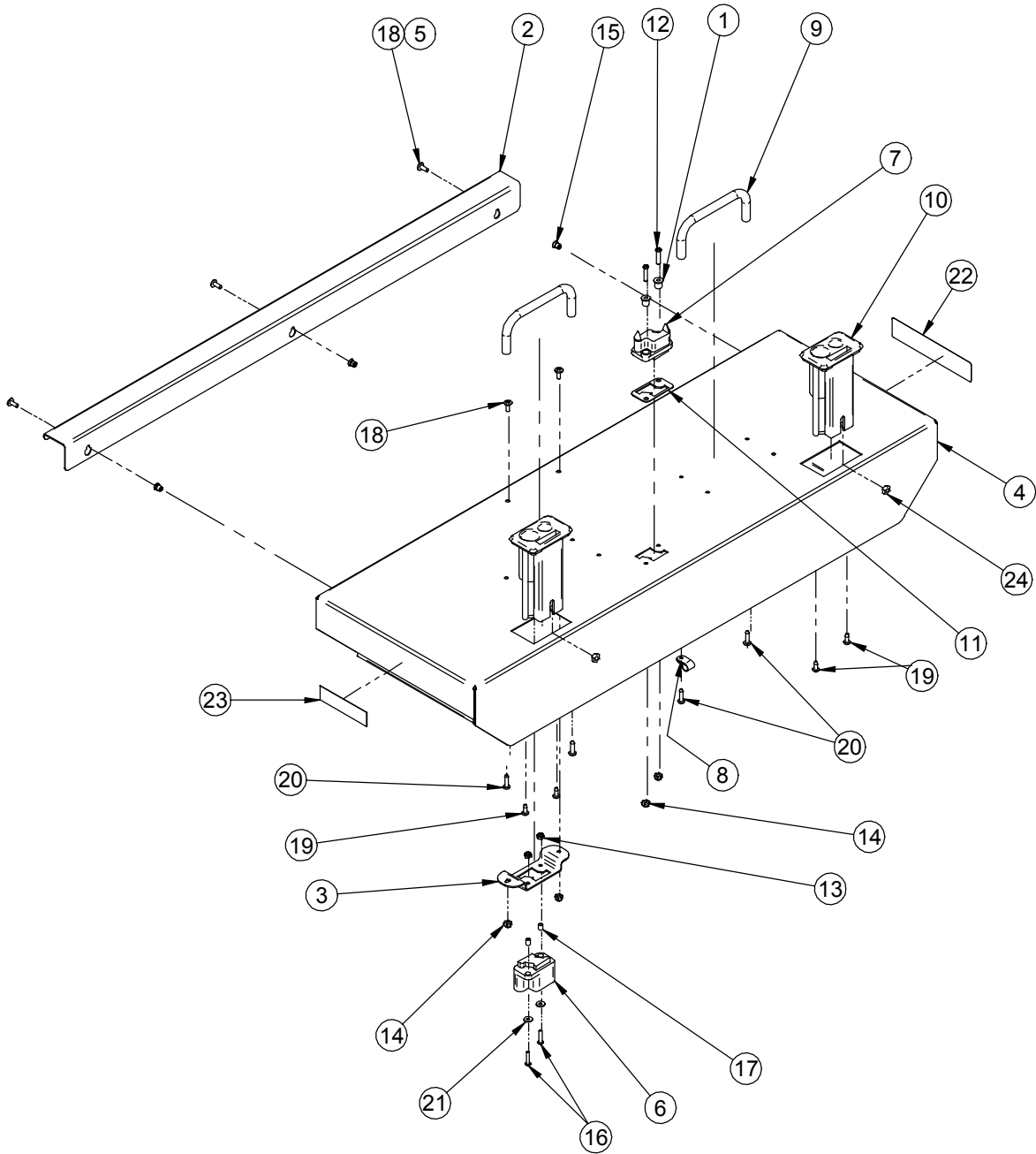
Removable I.V. Pole - FDTSH



Removable I.V. Pole (For Reference Only: FDTSH)

Item	Part No.	Description	Qty
2	2111A	Tightening Sleeve-Anodized	1
3	2109	Compression Socket	1
4	2107A	Top Tube-Anodized	1
5	2105A	Bottom Tube-Anodized	1
6	QE14399-T	Manufacturer's Nameplate	1
101	QPCE1206	Rubber Cap #000 Black (1/2" x 11/32" x 7/8")	1
102	QE71-0246-T	"Warning" Sticker	1

Bed Extender - FA64152

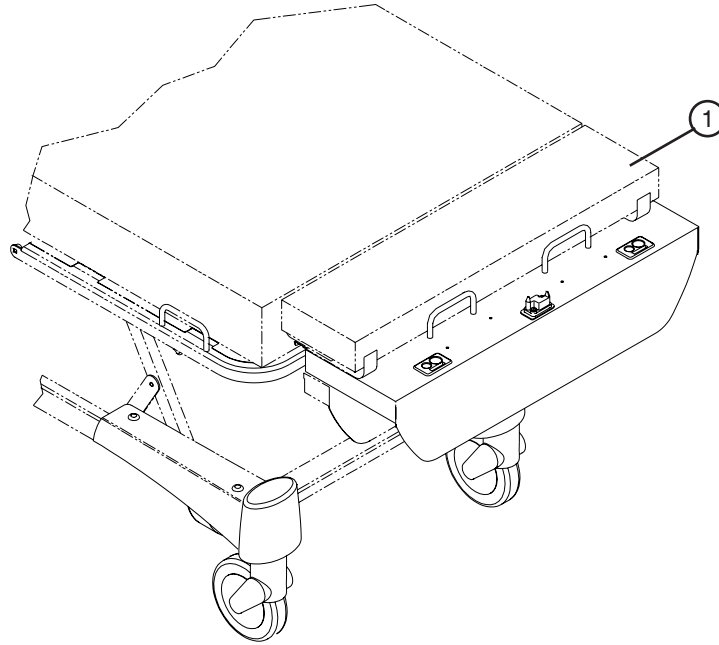


Bed Extender - FA64152

Bed Extender (For Reference Only: FA64152)

Item	Part No.	Description	Qty
1	17-0014Z	Shoulder Sleeve	2
2	64-0203G	Support for Bed Extension	1
3	64-0742G	Connector Support	1
4	64-0744G	S.A. Bed Extension	1
5	M0008	Threadlocker - Medium Strength (Blue)	0.15
6	QDF17-0139	Extension Cord for Membrane	1
7	QDF17-0141	PC-Board/Connector Cable	1
8	QDF9520	3/8" Diameter Calbe Clip	1
9	QP14034-07	Mattress Retainer	2
10	QP17-0121-07	I.V. Pole Holder	2
11	QPN-17-0011	Seal	1
12	VV33A0G28	Machine Screw Pan Phillips #10-32 x 7/8" z.p.	2
13	VE30A1E	Nylon Hexagone Locknut #8-32 z.p.	2
14	VE30A0G	Nylon Hexagone Locknut #10-32 z.p.	4
15	VEX9A0G	Nutsert #10-32 Hexagone	3
16	VV33A1E24	Machine Screw Pan Phillips #8-32 x 3/4" z.p.	2
17	VW60C081005	Sleeve	2
18	VV37A0G16	Machine Screw Truss Phillips #10-32 x 1/2" z.p.	5
19	VV83A9G16	Tapping Screw Pan Phillips Type B #10 x 1/2" z.p.	4
20	VV83A9G24	Tapping Screw Pan Phillips Type B #10 x 3/4" z.p.	4
21	VW11A9E	Flat Washer #8	2
22	QE71-0787-T	Sticker - Emergency Crank Warning	1
23	QE14399-T	Manufacturer's Nameplate	1
24	VE20A1N	Hexagone Locknut 1/4-20 z.p.	2

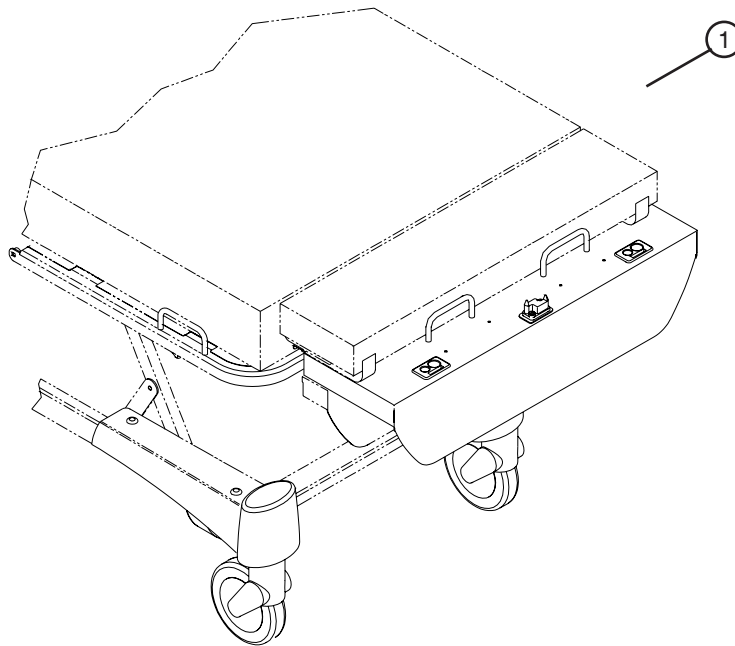
Cushion for Bed Extender - DM64063



Cushion for Bed Extender (For Reference Only: DM64063)

Item	Part No.	Description	Qty
1	DM64063	Cushion for Bed Extender	1

Cushion for Bed Extender - DM64064

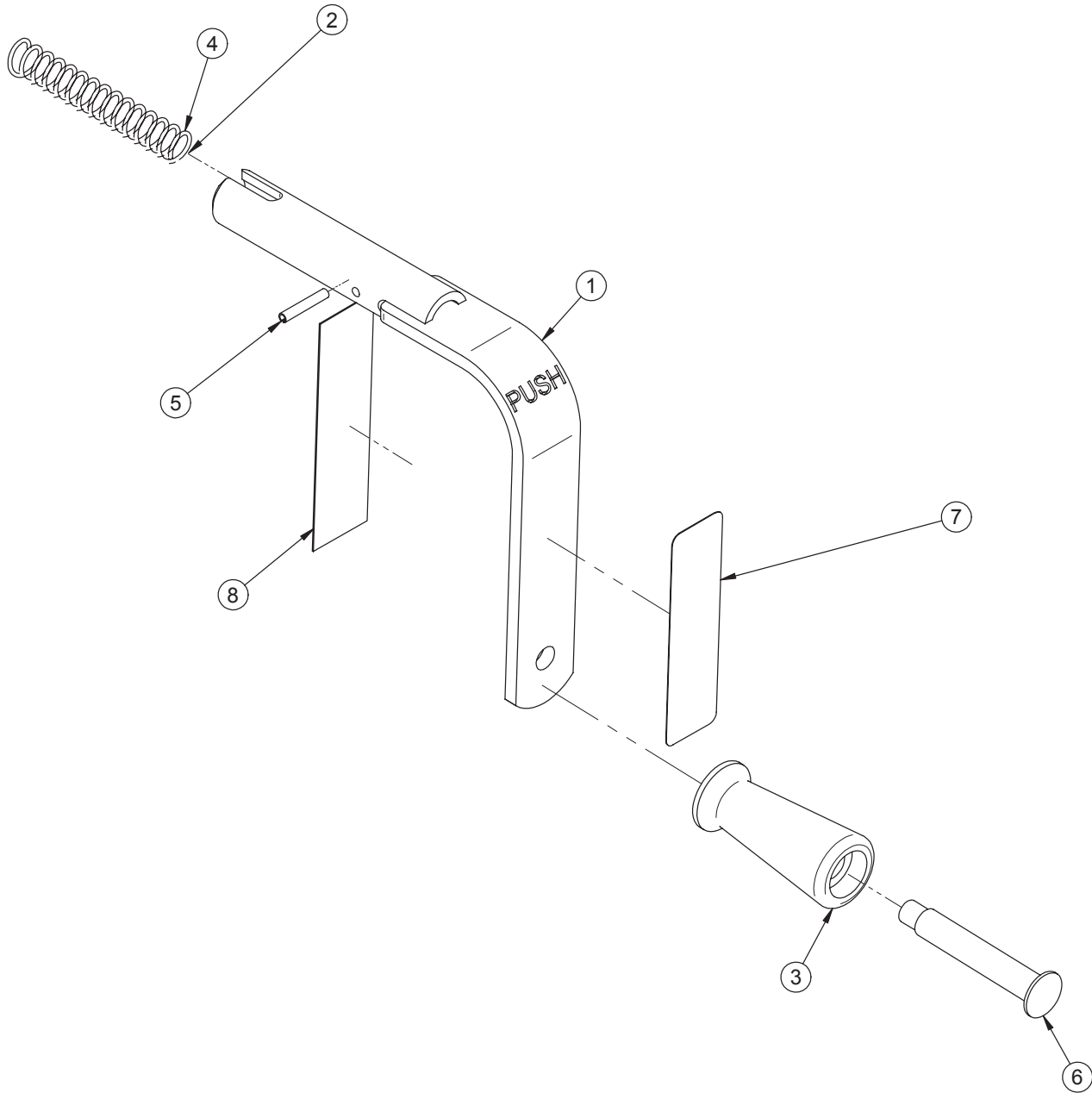


Cushion for Bed Extender (For Reference Only: DM64064)

Item	Part No.	Description	Qty
1	DM64064	Cushion for Bed Extender	1

[Return To Table of Contents](#)

Emergency Crank - FA64161

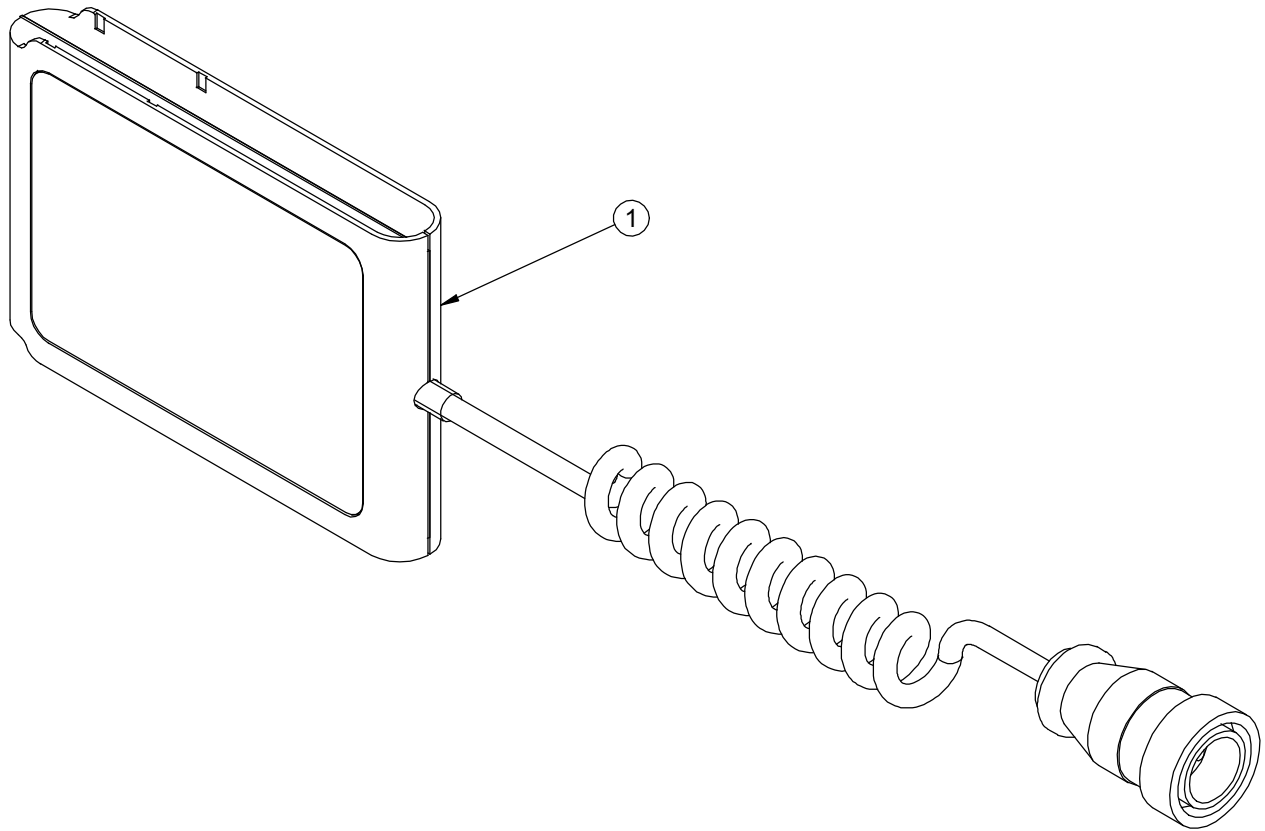


Emergency Crank (For Reference Only: FA64161)

Item	Part No.	Description	Qty
1	64-0772C	S.A. Emergency Crank	1
2	M0019	Petro Canada OG2 Grease	0.0002 kg
3	QPN-9438	Black Nylon Handle	1
4	QRC16887	Compression Spring	1
5	VG10B0424	Spring Pin 1/8" x 3/4"	1
6	VR43A9439	Shoulder Rivet	1
7	QE71-0814	Sticker - Emergency Crank	1
8	QE14399-T	Manufacturer's Nameplate	1

Removable Two-Sided, Two Function Pendant Control

- FA64160

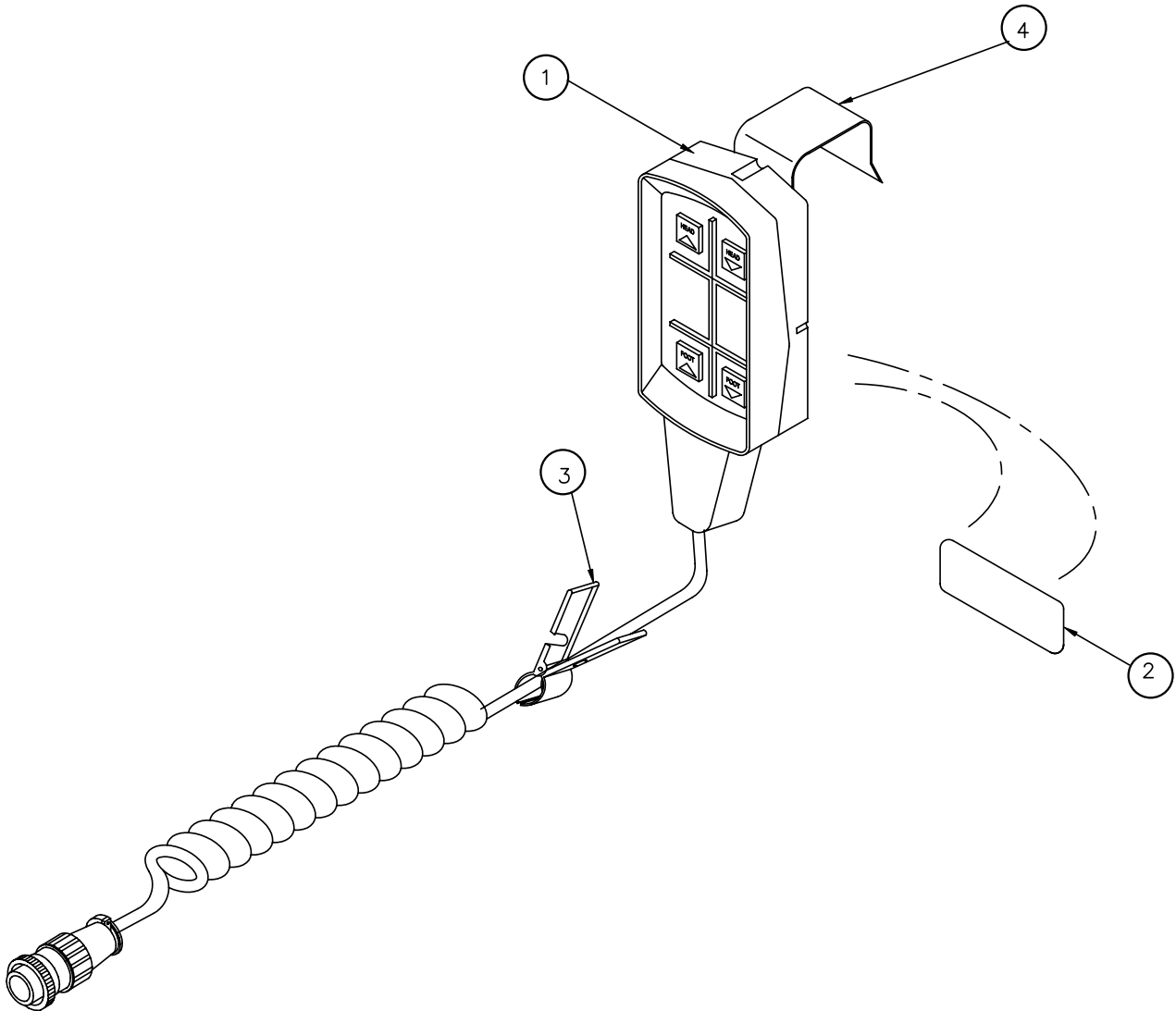


Removable Two-Sided, Two Function Pendant Control (For Reference Only: FA64160)

Item	Part No.	Description	Qty
1	QDF64-0986	Removable Two-Function Pendant Control	1

[Return To Table of Contents](#)

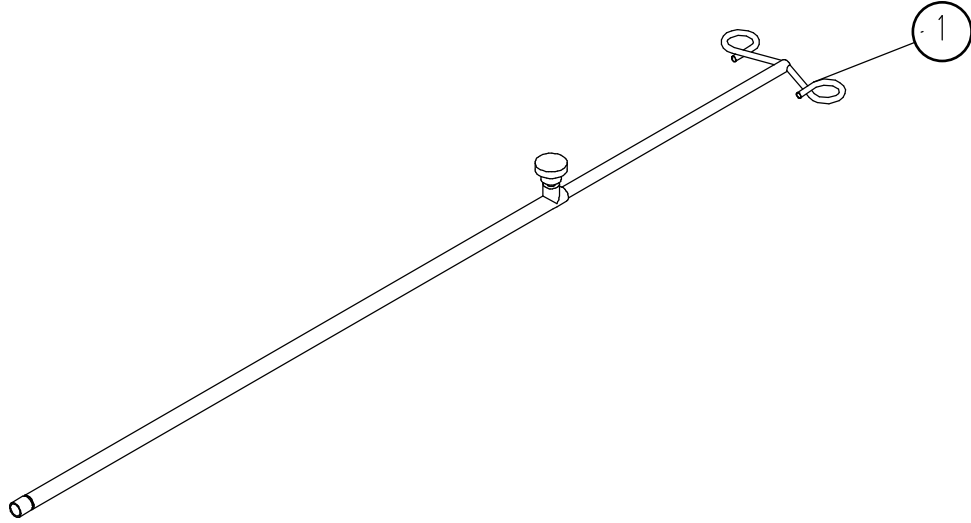
P&D Two-Function Pendant Control - FA64155



P&D Two-Function Pendant Control (For Reference Only: FA64155)

Item	Part No.	Description	Qty
1	QDF64-0687	P&D Two-Function Pendant Control	1
2	QE71-0133	Stryker Label	1
3	QDF8066	Security Clip (Interlock Press)	1
4	6400-035G	Hook of the Pendant Control	1

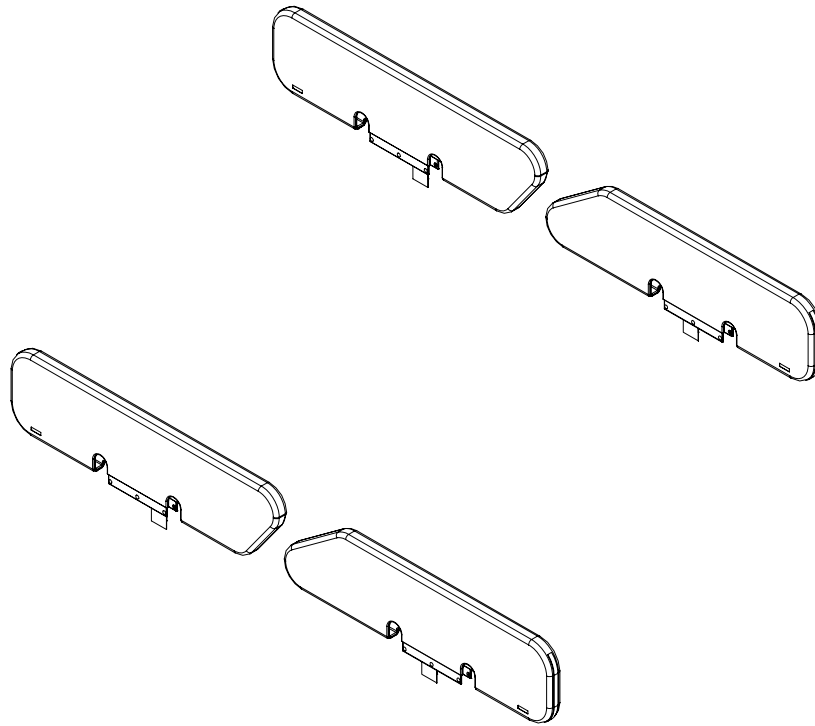
Half an Inch Diameter Stryker Removable I.V. Pole - FA64135



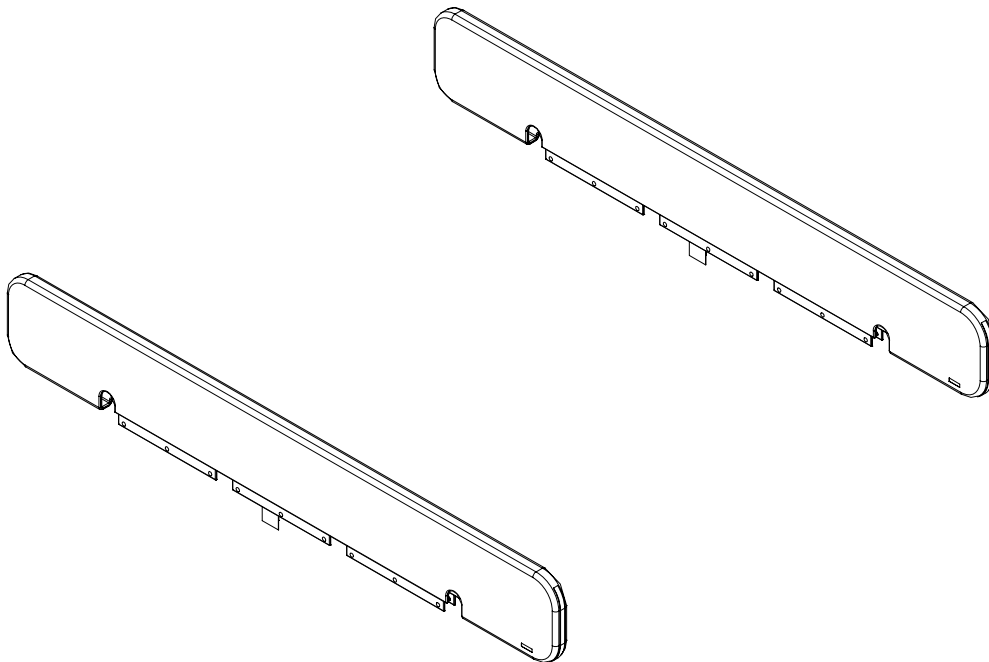
Half an Inch Diameter Stryker Removable I.V. Pole (For Reference Only: FA64135)

Item	Part No.	Description	Qty
1	QDF9165	Stryker's 1/2" Diameter Removable I.V. Pole	1

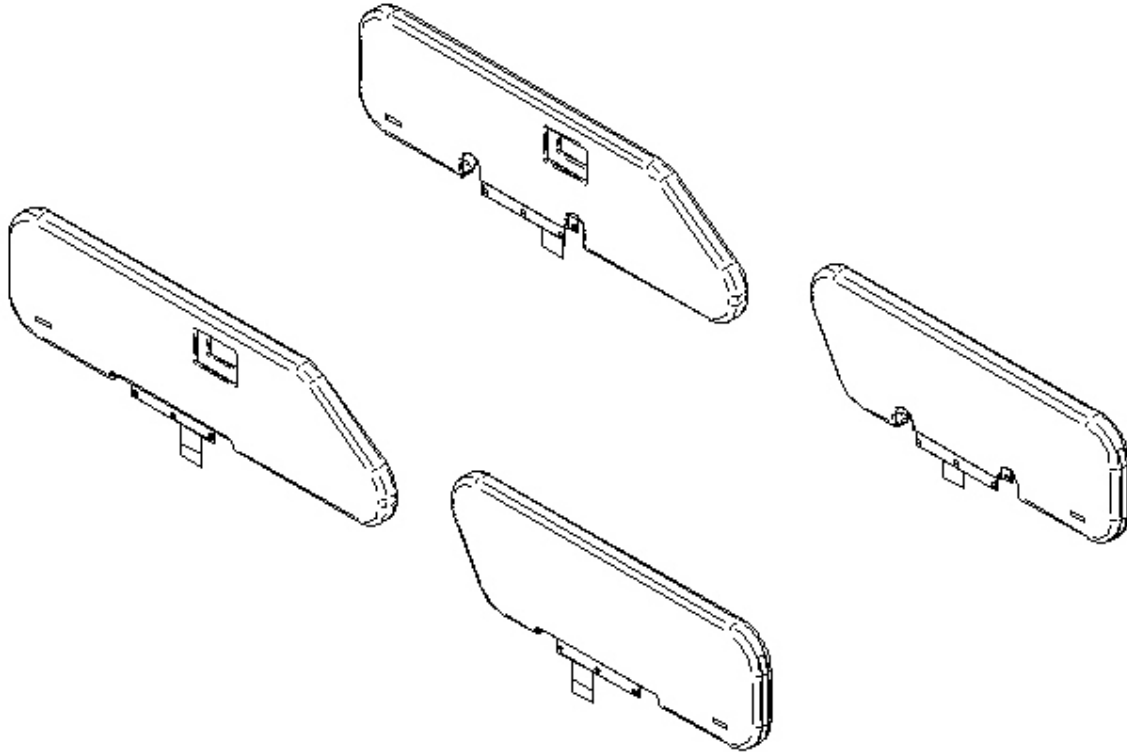
Half-Length Siderail Protective Pads - DM64232



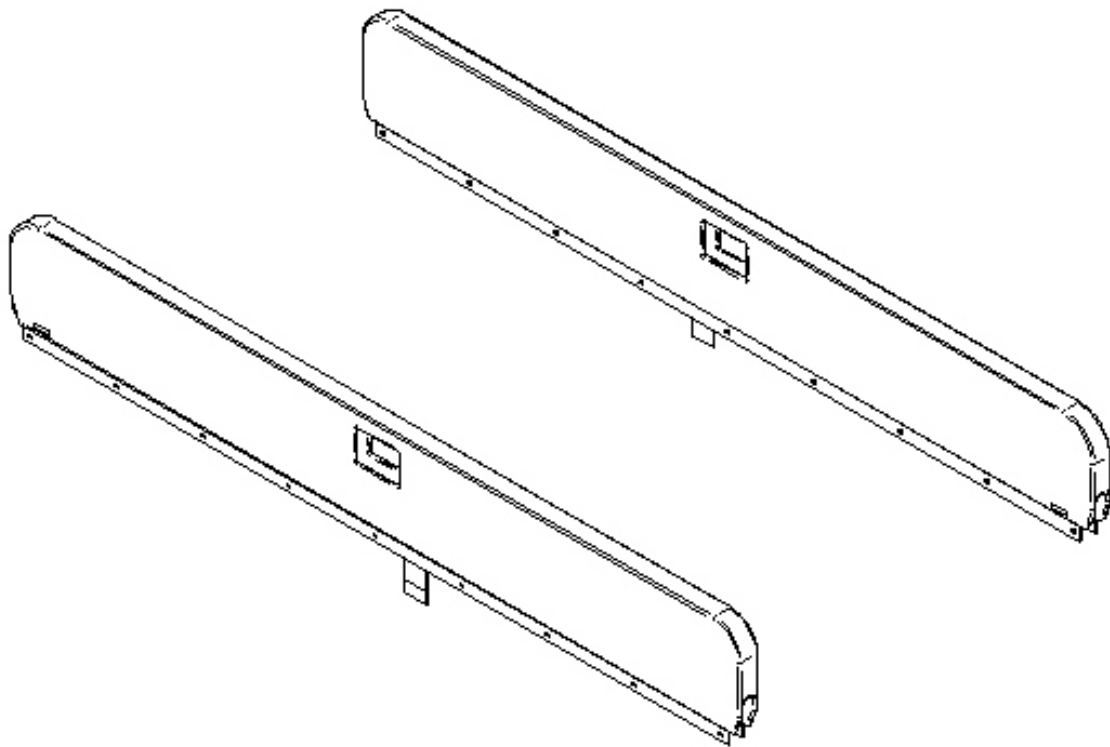
Full-Length Siderail Protective Pads - DM64176



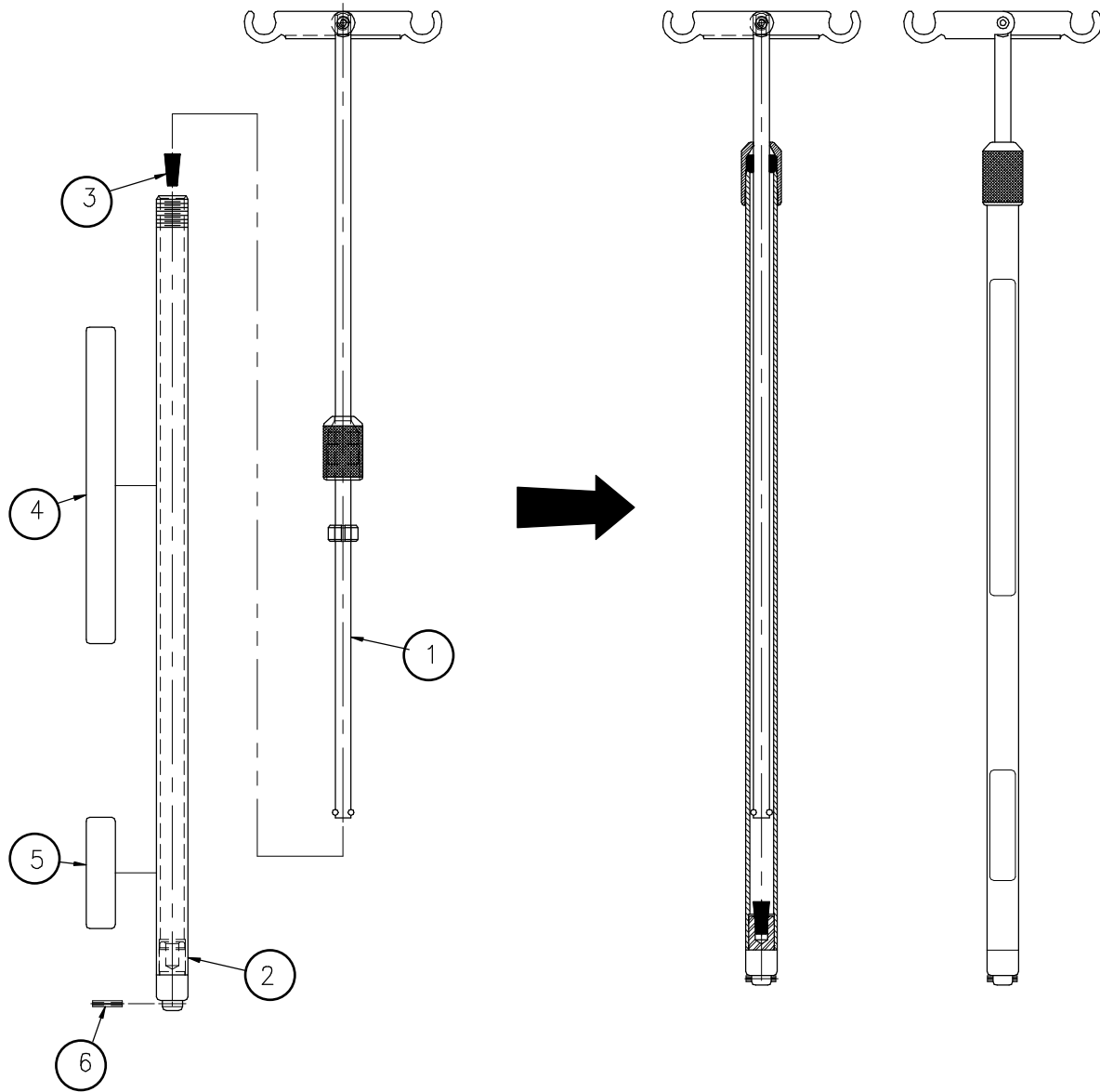
Half-Length Siderail Protective Pads - DM64233



Full-Length Siderail Protective Pads - DM64178



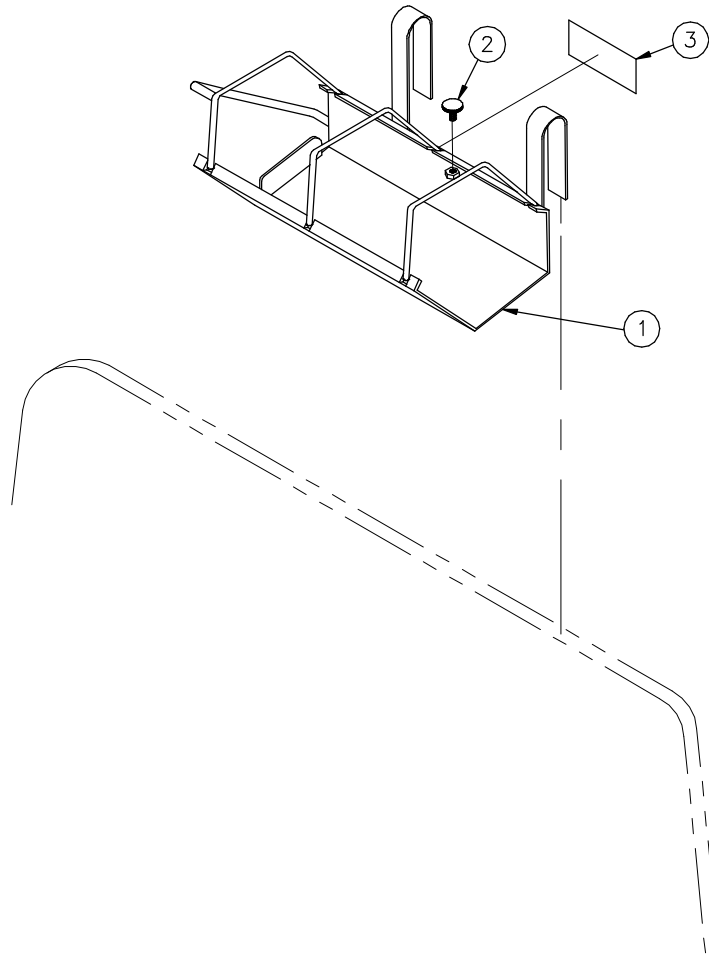
One Inch Diameter Removable I.V. Pole - FA61002-G



One Inch Diameter Removable I.V. Pole (For Reference Only: FA61002-G)

Item	Part No.	Description	Qty.
1	61-0011	S.A. Top Rod	1
2	61-0002A	S.A. Bottom Tube	1
3	QPCE1206	Rubber Cap #000 (1/2" x 11/32" x 7/8") Black	1
4	QE71-0246-T	Warning Sticker	1
5	QE14399-T	Manufacturer's Nameplate	1
6	VG10B0630	Spring Pin 3/16" Diameter x 15/16"	1

Oxygen Bottle Holder - FA64036-G

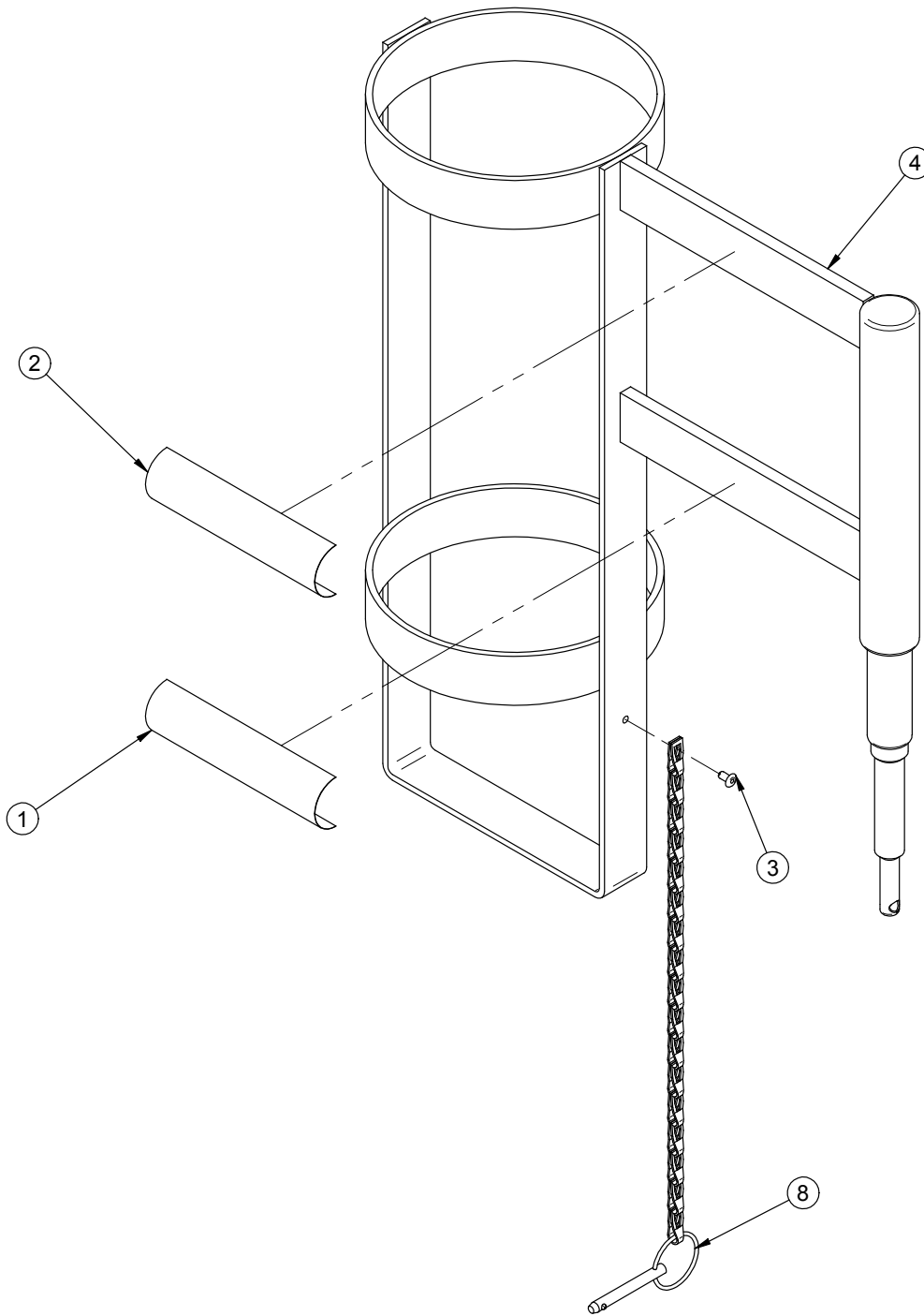


Oxygen Bottle Holder (For Reference Only: FA64036-G)

Item	Part No.	Description	Qty.
1	64-0193G	S.A. Oxygen Bottle Holder	1
2	64-0294	S.A. Stop Screw	1
3	QE14399-T	Manufacturer's Nameplate	1

[Return To Table of Contents](#)

Upright Oxygen Bottle Holder - FA64117

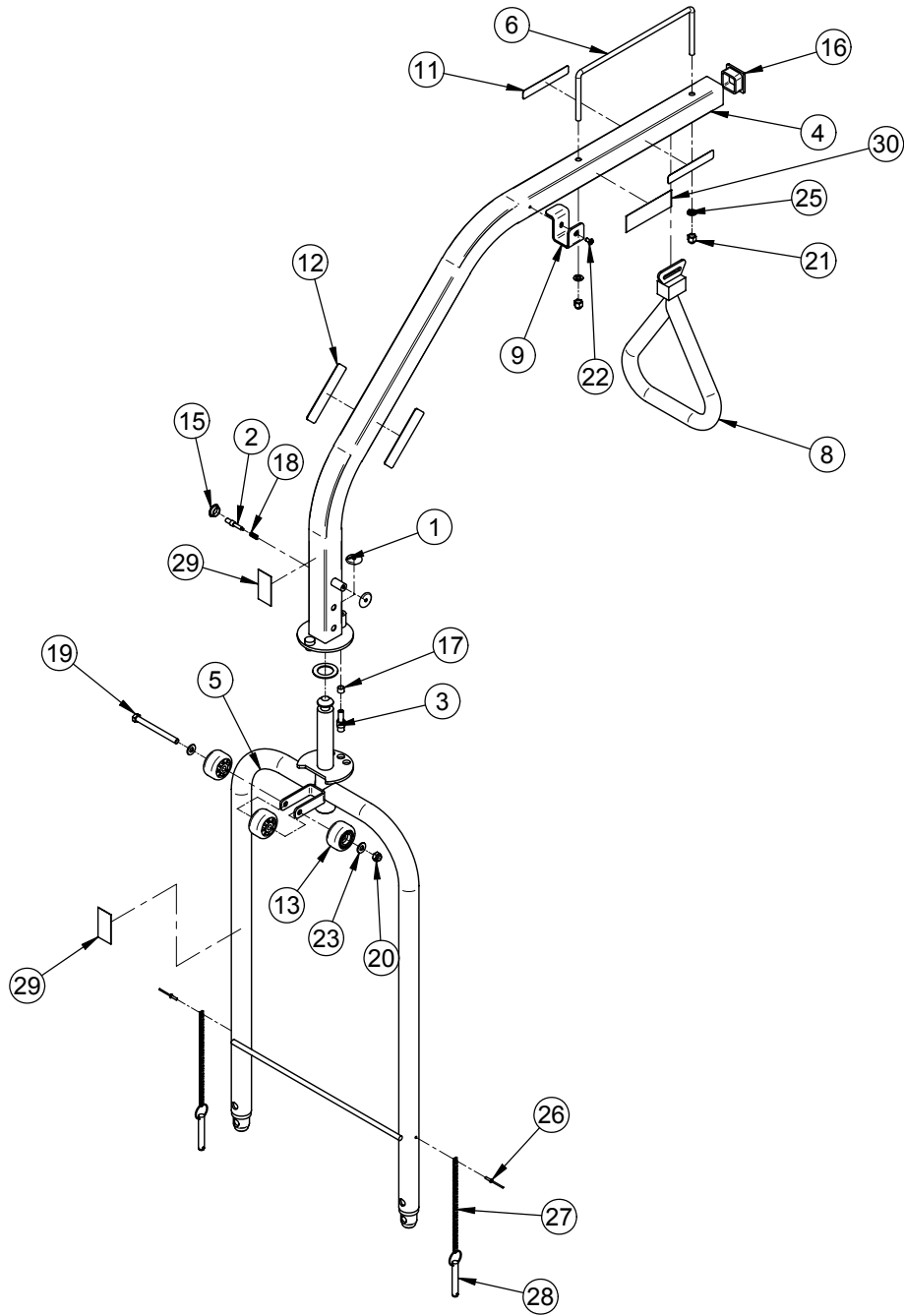


Upright Oxygen Bottle Holder (For Reference Only: FA64117)

Item	Part No.	Description	Qty.
1	QE14399-T	Manufacturer's Nameplate	1
2	QE71-0601	Sticker - Maximum Load	1
3	VR11H42	Pop Rivet #42 Dome Head	1
4	QDF64-1005	Oxygen Support Bottle	1
8	64-0647	S.A. Security Chain	1

Notes

Overhead Trapeze - FA64145

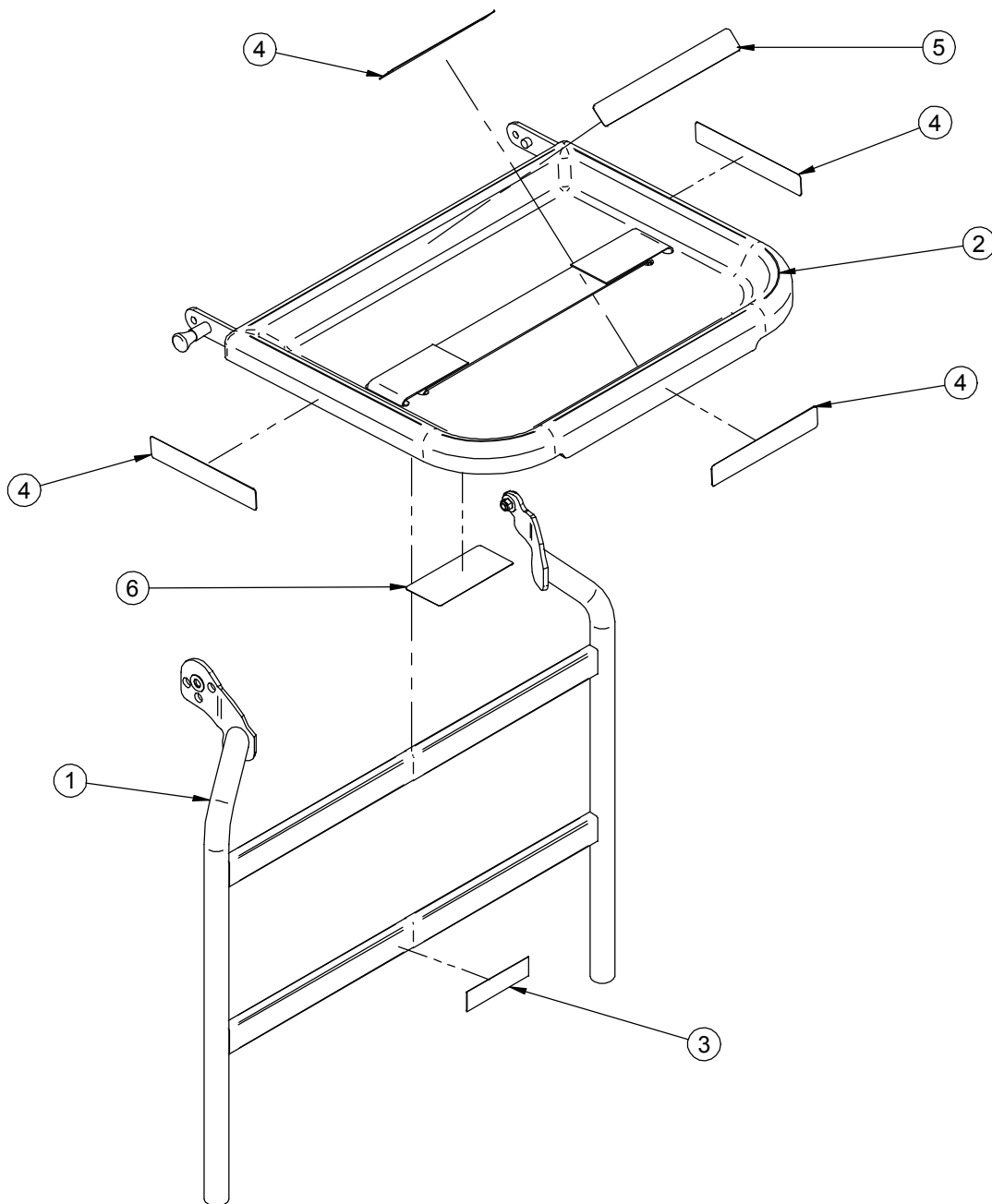


Overhead Trapeze - FA64145

Overhead Trapeze (For Reference Only: FA64145)

Item	Part No.	Description	Qty.
1	16242C	Plunger Washer	2
2	16243Z	Plunger (Arm)	1
3	18939Z	Plunger	1
4	64-0700G	Curved Upper Tube	1
5	64-0699G	S.A. Trapeze Bar	1
6	9870C	Triangular Retainer	1
8	QDF6023	Trapeze with Webbing	1
9	64-1298G	Hook for Trapeze	1
11	QE71-0292-T	Maximal Weight Label	2
12	QE71-0731-F	Sticker - "Do not use trapeze to get in or leave the bed"	2
13	QPC-14-0321	Bumper Roller 1 3/4" Diameter	3
15	QPPE1205	Black Plastic Cap 5/8"	1
16	QPPF1505	Square Tubing Tip 1 1/2" x 1 1/2"	1
17	QR110027	Compression Spring 0.400" x 0.700" x 0.04	1
18	QRC9793	Compression Spring 1/4" out. x 5/8" x 0.025	1
19	VB15A1O60	Hexagone Bolt 5/16-18 x 3 1/2" Grade 5 z.p.	1
20	VE30A1O	Nylon Hexagone Locknut 5/16-18 UNC z.p.	1
21	VE40A1O	Cap Nut 5/16-18 z.p.	2
22	VV83A9G12	Tapping Screw Pan Phillips Type B #10 x 3/8" z.p.	1
23	VW10A10	Flat Washer 5/16" SAE z.p.	2
24	VW10C322802	Nylon Washer 0.062" x 1" ins. x 1.563" out.	1
25	VW20A10	Spring Washer 5/16" Diameter	2
26	VR11H46	Pop Rivet #46, Dome Head	2
27	64-0536	Chain for Trapeze	2
28	QDF7871	QR Hitch Pin	2
29	QE14399-T	Manufacturer's Nameplate	2
30	QE71-1163-T	Storage of the Triangle Sticker	1

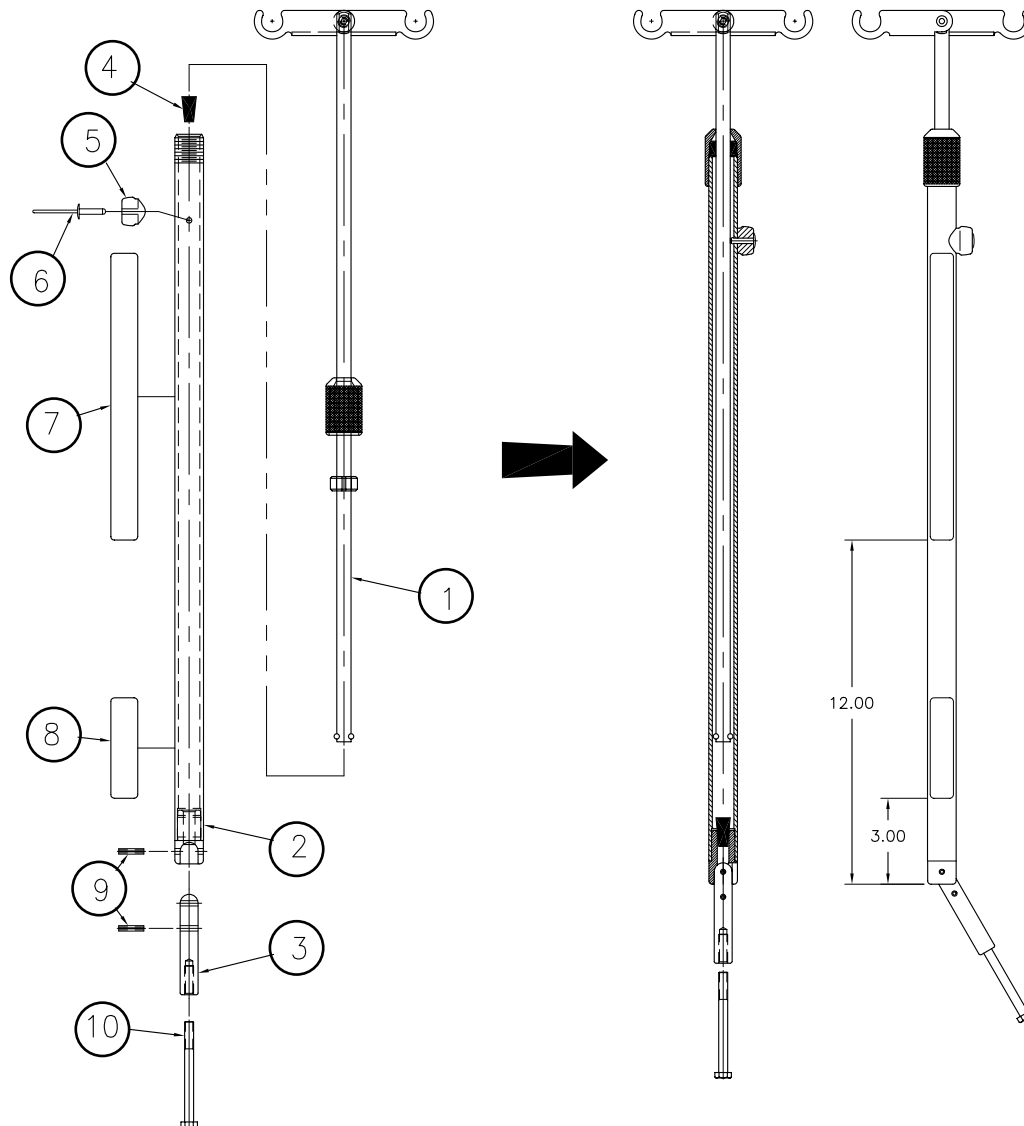
Monitor Tray - FA64153



Monitor Tray (For Reference Only: FA64153)

Item	Part No.	Description	Qty.
1	64-0745G	S.A. Tray Support	1
2	QDF5093	Tray and Fasteners	1
3	QE14399-T	Manufacturer's Nameplate	1
4	QE71-0578	Sticker - Maximum Load Capacity	4
5	QE71-0579-F	Sticker - Tied Up Load	1
6	QE71-0580-F	Sticker - Caution	1

One Inch Diameter Fixed I.V. Pole - FA64157



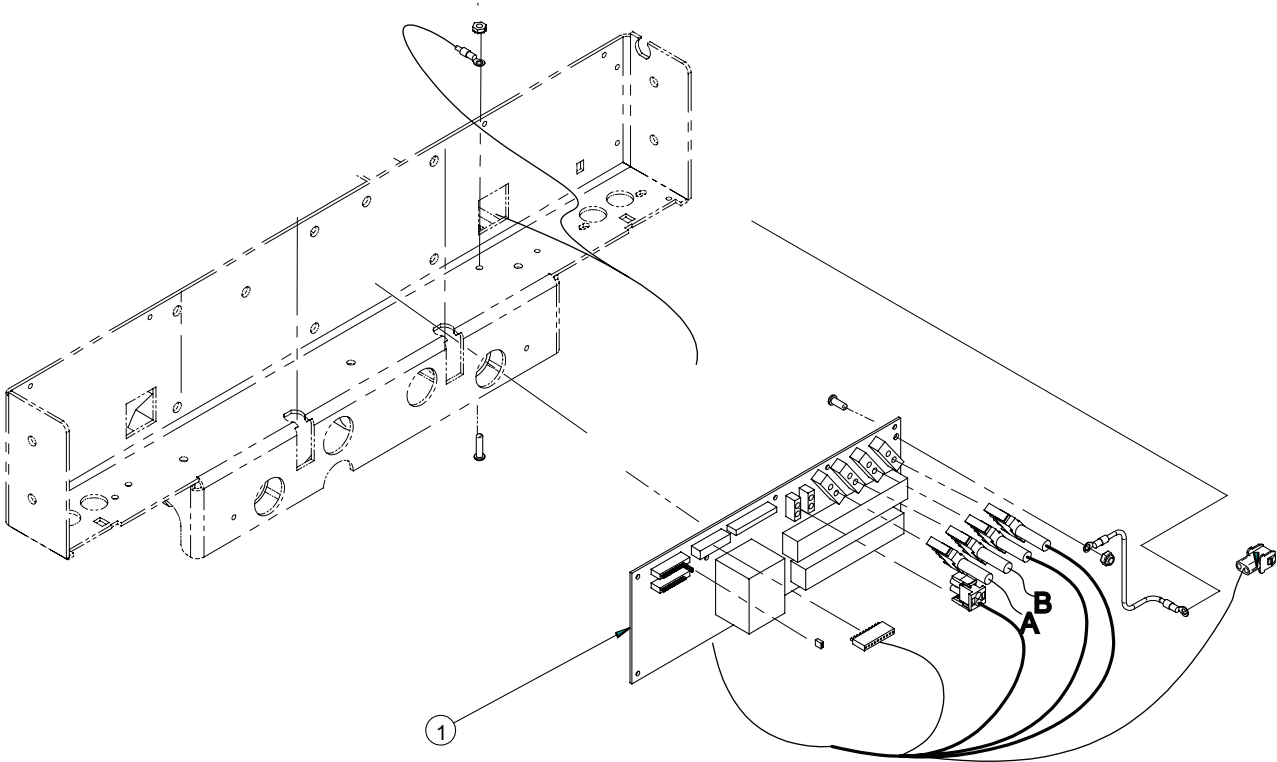
One Inch Diameter Fixed I.V. Pole (For Reference Only: FA64157)

Item	Part No.	Description	Qty.
1	61-0011G	S.A. Top Rod	1
2	64-0752	S.A. Lower Tube	1
3	61-0012A	Fixing Shaft	1
4	QPCE1206	Rubber Cap #000 (1/2" x 11/32" x 7/8") Black	1
5	61-0016A	Pole Stopper	1
6	VR15A610	Pop Rivet 3/16" x 0.815" #AD610ABSLF	1
7	QE71-0246-T	Warning Sticker	1
8	QE14399-T	Manufacturer's Nameplate	1
9	VG10B0630	Spring Pin 3/16" Diameter x 15/16"	2
10	VB15A1O60	Hexagone Bolt 5/16-18 x 3 1/2" Grade 5 z.p.	1

[Return To Table of Contents](#)

Recycling Passport

Assembly Part Number: OL230229G

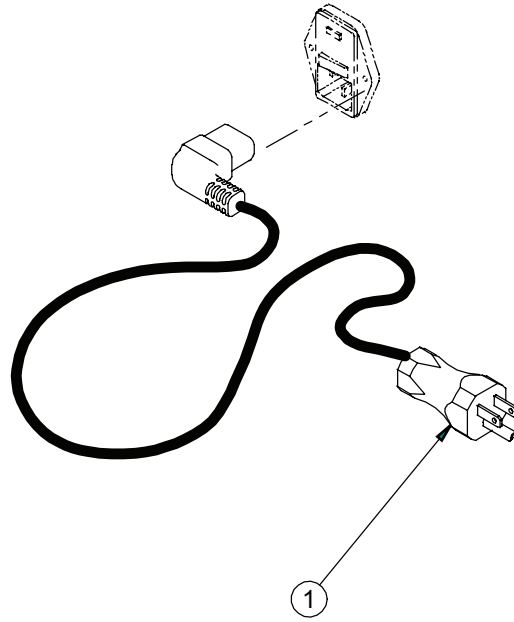


Item	Recycling/Material Code	Qty
1	Control Board (QDF23-0315)	1

Recycling Passport



Assembly Part Number: OL250053



Note

The image may vary according to country of use.

Item	Recycling/Material Code	Qty
1	QDF8066-EUR 120V Power Cord and Continental Europe Plug (OL250058)	1
1	QDF8066 120V Power Cord with Straight Molded North American Hospital Grade Plug (OL250053)	1
1	QDF8066-90D 120V Power Cord with 90° North American Hospital Grade Plug (OL250055)	1
1	QDF8066-AUS 120V Power Cord and Australia Plug (OL250059)	1
1	QDF8066-ROY 120V Power Cord and United Kingdom Plug (OL250060)	1
1	QDF8066-IND 120V Power Cord and India Plug (OL250061)	1
1	QDF8066-DAN 120V Power Cord and Denmark Plug (OL250067)	1
1	QDF8066-ISR 120V Power Cord and Israel Plug (OL250068)	1
1	QDF8066-ITA 120V Power Cord and Italy Plug (OL250069)	1
1	QDF8066-ARG 120V Power Cord and Argentina Plug (OL250073)	1
1	QDF8066-CHI 120V Power Cord and China Plug (OL250074)	1

[Return To Table of Contents](#)

Warranty

LIMITED WARRANTY

Stryker Medical Division, a division of Stryker Corporation, warrants to the original purchaser the Electrical MedSurg Bed, model FL23SE, to be free from defects in material and workmanship for a period of one (1) year after date of delivery. Stryker's obligation under this warranty is expressly limited to supplying replacement parts and labor for, or replacing, at its option, any product which is, in the sole discretion of Stryker, found to be defective. If requested by Stryker, products or parts for which a warranty claim is made shall be returned prepaid to the factory. Any improper use or any alteration or repair by others in such manner as in Stryker's judgment affects the product materially and adversely shall void this warranty. Any repair of Stryker products using parts not provided or authorized by Stryker shall void this warranty. No employee or representative of Stryker is authorized to change this warranty in any way.

Stryker Medical Bed products are designed for a 15 year expected service life under normal use, conditions, and with appropriate periodic maintenance as described in the maintenance manual for each device. Stryker warrants to the original purchaser that the welds on its Bed products will be free from structural defects for the expected 15 year life of the Bed product as long as the original purchaser owns the product.

This statement constitutes Stryker's entire warranty with respect to the aforesaid equipment. **Stryker makes no other warranty or representation, either expressed or implied, except as set forth herein. There is no warranty of merchantability and there are no warranties of fitness for any particular purpose. In no event shall Stryker be liable here under for incidental or consequential damages arising from or in any manner related to sales or use of any such equipment.**

TO OBTAIN PARTS AND SERVICE

Stryker products are supported by a nationwide network of dedicated Stryker Field Service Representatives. These representatives are factory trained, available locally, and carry a substantial spare parts inventory to minimize repair time. Simply call your local representative, or call Stryker Customer Service USA at 1-800-327-0770 or Canada at 1-888-233-6888.

SERVICE CONTRACT COVERAGE

Stryker has developed a comprehensive program of service contract options designed to keep your equipment operating at peak performance at the same time it eliminates unexpected costs. We recommend that these programs be activated before the expiration of the new product warranty to eliminate the potential of additional equipment upgrade charges.

A Service Contract helps to:

- Ensure equipment reliability
- Stabilize maintenance budgets
- Diminish downtime
- Establish documentation for JCAHO
- Increase product life
- Enhance trade-in value
- Address risk management and safety

Warranty

SERVICE CONTRACT PROGRAMS

Stryker offers the following service contract programs:

Service Agreement Options *	Gold	Silver	Parts	Labor	PM
Annually scheduled preventative maintenance	X				X
All parts	X	X	X		
All labor and travel	X	X		X	
Unlimited emergency service calls	X	X		X	
Priority one contact: two hour phone response	X	X	X	X	
Most repairs completed within 3 days	X	X		X	
JCAHO documentation	X	X		X	X
On-site record of PM & emergency service	X				X
Factory-trained Stryker service technician	X	X		X	X
Stryker authorized parts used	X	X	X	X	X
Service during regular business hours (8–5)	X	X	X	X	X

* Does not include maintenance due to abuse or for any disposable items. Stryker reserves the right to change options without notice.

Stryker Medical also offers personalized service contracts.
Pricing is determined by age, location, model and condition of product.

**For more information on our service contracts,
please call your local representative.**

RETURN AUTHORIZATION

Merchandise cannot be returned without approval from the Stryker Customer Service Department. An authorization number will be provided which must be printed on the returned merchandise. Stryker reserves the right to charge shipping and restocking fees on returned items. **Special, modified, or discontinued, items not subject to return.**

DAMAGED MERCHANDISE

ICC Regulations require that claims for damaged merchandise must be made with the carrier within fifteen (15) days of receipt of merchandise. **Do not accept damaged shipments unless such damage is noted on the delivery receipt at the time of receipt.** Upon prompt notification, Stryker will file a freight claim with the appropriate carrier for damages incurred. Claim will be limited in amount to the actual replacement cost. In the event that this information is not received by Stryker within the fifteen (15) day period following the delivery of the merchandise, or the damage was not noted on the delivery receipt at the time of receipt, the customer will be responsible for payment of the original invoice in full. Claims for any short shipment must be made within thirty (30) days of invoice.

INTERNATIONAL WARRANTY CLAUSE

This warranty reflects U.S. domestic policy. Warranty outside the U.S. may vary by country. Please contact your local Stryker Medical representative for additional information.

[Return To Table of Contents](#)

UNITED STATES
Stryker Medical
3800 E. Centre Ave.,
Portage, Michigan USA
49002

CANADA
Stryker Canada
45 Innovation Drive
Hamilton, Ontario Canada
L9H 7L8

EC	REP
----	-----

European Representative
Stryker France
ZAC Satolas Green Pusignan
Av. De Satolas Green
69881 MEYZIEU Cedex
France

stryker[®]