

Electric MedSurg Bed
Model FL23SE

stryker[®]

Maintenance Manual



For Parts or Technical Assistance:
USA: 1-800-327-0770 (option 2)
Canada: 1-888-233-6888

CE

Table of Contents

Symbols and Definitions	6
Warning / Caution / Note Definition	7
Introduction	8
Specifications	8
Environmental Conditions	9
Product Illustration	10
Summary of Safety Precautions	11
Static Discharge Precautions	13
Cleaning	14
Preventative Maintenance	15
Checklist	15
Troubleshooting Guide	18
Quick Reference Replacement Parts List	19
Service Information	20
Connection Diagram	20
Half Length Siderail Replacement	22
Half-Length Siderail Assembly Replacement	24
Transfer Plate Replacement	25
Full-Length Siderail Pivot Tube Replacement	27
Full-Length Rail Replacement	28
Full-Length Siderail Assembly Replacement	29
Full-Length Siderail Release Handle Replacement	30
Full-Length Siderail Locking Hook Replacement	31
Foot End Control Panel Replacement	32
Foot End Casing Connector Replacement (Optional)	33
Foot Board Control Panel Replacement (Optional)	34
Foot Board Connector Replacement (Optional)	35
Siderail Control Panel Membrane Replacement	36
Mattress Support Replacement	37
Foot Section Replacement	38
Thigh Section Replacement	39
Seat Section Replacement	40
Head Section Replacement	41
Fowler Actuator Replacement	43
Knee Gatch Motor Replacement	45
Bed Lift Motor Replacement	47
Transformer Replacement (International Series Models)	49
Motor Control Board Replacement	50
Power Connector and Fuse Replacement	51
Auto Contour Micro Switch Replacement (Optional)	52
CPR Micro Switch Replacement (Optional)	54
CPR Activation Cable Replacement (Optional)	56
CPR Pneumatic Cylinder Replacement (Optional)	57
Brake/Steer Pedal Replacement	58

Table of Contents

Service Information (Continued)	
Fifth Wheel Caster Replacement (Optional)	59
Fifth Wheel Assembly Replacement (Optional)	60
Fifth Wheel Swing Arm Assembly Replacement (Optional)	61
Bed Caster Replacement	62
Brake Rod Replacement	64
Assembly Drawings	66
Base	66
5" Casters	67
6" Casters without Fifth Wheel	68
6" Casters with Fifth Wheel	69
Brake Mechanism without Fifth Wheel	70
Brake Mechanism with Fifth Wheel	72
Wheel Covers	74
Fifth Wheel	75
Bed Lift Mechanism	78
Frame	80
120V Electric System	82
100V Electric System	86
International Electric System	87
Bed Lift Motors Screw Covers	91
200V Electric System	92
220V Electric System	93
240V Electric System	94
Auto Contour Positioning	95
Mattress Support	96
Without CPR Emergency Release	98
CPR Emergency Release	100
BNQ Certification	103
120V Auxiliary Outlet	104
Night Light	106
Cable and Phone Plug 1/4"	107
Bumper with Two Soft Casters	108
Bumper with One Rigid Caster	109
Adjustable Bumper	110
Short Bed Bumper	112
Power Cord with 90° North American Grade Plug	113
Power Cord with Straight Molded North American Hospital Grade Plug	113
Power Cords and Plugs	114
Full-Length Retractable Siderail	115
PVC Protector for Full-Length Siderail	119
Retractable Half-Length Siderails with Fixed Control	120
Retractable Siderails with Removable Controls	126
PVC Protector - Half-Length Retractable Siderails	131

Table of Contents

Assembly Drawings (Continued)	
Fixed Control Panel without Nurse Call	132
Control with Nurse Call Normally Open (N.O.)	134
Control with Nurse Call Normally Closed (N.C.)	135
Foot End Control Panel	136
Control Panel on Frame for Full-Length	138
Foot End and Foot Board Control Panels	140
Foot End and Foot Board Control Panels - Full-Length Siderail	142
Post Set	144
Melamine Boards without Control Panel	145
MDF Laminated Boards without Control Panel	146
MDF Laminated Boards with Control Panel	147
Solid Wood Board without Control Panel	149
Solid Wood Boards with Control Panel	150
Solid Core Boards with Flat Top and Control Panel	152
Bed Labeling - English/French	154
Bed Labeling - English/Spanish	156
Optional Accessories	158
Removable I.V. Pole - FDTSH	159
Bed Extender - FA64152	160
Emergency Crank - FA64161	163
Removable Two-Sided, Two Function Pendant Control - FA64160	164
P&D Two-Function Pendant Control - FA64155	165
Half an Inch Diameter Stryker Removable I.V. Pole - FA64135	166
Half-Length Siderail Protective Pads - DM64232	167
Full-Length Siderail Protective Pads - DM64176	167
Half-Length Siderail Protective Pads - DM64233	168
Full-Length Siderail Protective Pads - DM64178	168
One Inch Diameter Removable I.V. Pole - FA61002-G	169
Oxygen Bottle Holder - FA64036-G	170
Upright Oxygen Bottle Holder - FA64117	171
Overhead Trapeze - FA64145	172
Monitor Tray - FA64153	174
One Inch Diameter Fixed I.V. Pole - FA64157	175
Recycling Passport	176
Warranty	177
Limited Warranty	177
To Obtain Parts and Service	177
Service Contract Coverage	177
Service Contract Programs	178
Return Authorization	178
Damaged Merchandise	178
International Warranty Clause	178

Symbols and Definitions



Warning, Refer to Accompanying Documentation



Alternating Current



Type B Equipment: Equipment providing a particular degree of protection against electric shock, particularly regarding allowable leakage current and reliability of the protective earth connection.

Class 1 Equipment: Equipment in which protection against electric shock does not rely on basic insulation only, but which includes an additional safety precaution in that means are provided for the connection of the equipment to the protective earth conductor in the fixed wiring of the installation in such a way that accessible metal parts cannot become live in the event of a failure of the basic insulation.

IPX4 Protection from liquid splash



Dangerous Voltage Symbol



Protective Earth Terminal



Potential Equalization Symbol



Medical Equipment Classified by Underwriters Laboratories Inc. with respect to Electric Shock, Fire, Mechanical and Other Specified Hazards Only in Accordance with UL 60601-1, First Edition (2003) and CAN/CSA C22.2 No. 601.1-M90 with updates 1 and 2.



Safe Working Load Symbol



Fuse rating for bed with 100V \sim and 120V \sim electric systems.



Fuse rating for bed with 200V \sim , 220V \sim and 240V \sim electric systems.



In accordance with **European Directive 2002/96/EC** on Waste Electrical and Electronic Equipment (**WEEE**), this symbol indicates that the product must not be disposed of as unsorted municipal waste, but should be collected separately. Refer to your local distributor for return and/or collection systems available in your country.

Symbols and Definitions

WARNING / CAUTION / NOTE DEFINITION

The words WARNING, CAUTION, and NOTE carry special meanings and should be carefully reviewed.

WARNING

Alerts the reader about a situation, which if not avoided, could result in death or serious injury. It may also describe potential serious adverse reactions and safety hazards.

CAUTION

Alerts the reader of a potentially hazardous situation, which if not avoided, may result in minor or moderate injury to the user or patient or damage to the equipment or other property. This includes special care necessary for the safe and effective use of the device and the care necessary to avoid damage to a device that may occur as a result of use or misuse.


Note

This provides special information to make maintenance easier or important instructions clearer.

Introduction

This manual is designed to assist you with the maintenance of Stryker Model FL23SE Electrical MedSurg Bed. Carefully read this manual thoroughly before using the equipment or beginning maintenance on it. To ensure safe operation of this equipment, it is recommended that methods and procedures be established for educating and training staff on the safe operation of this bed.

SPECIFICATIONS

	Safe Working Load			
	Note: Safe Working Load indicates the sum of the patient, mattress, and accessory weight.		500 lb	227 kg
Overall Length/ Width	Half-Length Siderails Raised		90.4" x 41.3"	229,6 x 104,9 cm
	Full-Length Siderails Raised		90.4" x 39.9"	229,6 x 101,3 cm
Weight with Head/Foot Boards			390 lb	177 kg
Patient Sleep Surface			35" x 78"	88,9 x 198,1 cm
Recommended Mattress Size	Length/Width		35" x 78" or 80"	88,9 x 198,1 cm or 203,2 cm
Maximum Mattress Thickness	BNQ	5" (12,7 cm) casters	6"	15,2 cm
	Standard	6" (15,2 cm) casters	5"	12,7 cm
	Non-BNQ Standard		5"	12,7 cm
Minimum/ Maximum Bed Height	5" (12,7 cm) casters		11.75" to 29"	29,8 to 73,7 cm
	6" (15,2 cm) casters		12.75" to 30"	32,4 to 76,2 cm
Fowler Angle			0° to 60°	
Gatch Angle	With Auto Contour		0° to 25°	
	Without Auto Contour		0° to 30°	
Trendelenburg/Reverse Trendelenburg			+17° to -17°	
Electrical Requirement	Complies with the following standards: CSA C22.2 No. 601.1, UL 60601-1, IEC 60601-1, 60601-2-38 and BNQ 6641-120 : 2003.		100V~, 50-60Hz, 7.5A - Two 250V, 10A Fast Acting Fuses 120V~, 50-60Hz, 4A (9.8A with 120V Optional Auxiliary Outlet) - Two 250V, 10A Fast Acting Fuses 200V~, 50-60Hz, 3.2A - Two 250V, 6.3A Slow Blow Fuses 220V~, 50-60Hz, 2.9A - Two 250V, 6.3A Slow Blow Fuses 240V~, 50-60Hz, 2.7A - Two 250V, 6.3A Slow Blow Fuses	

Stryker reserves the right to change specifications without notice.

Specifications listed are approximate and may vary slightly from unit to unit or by power supply fluctuations.

*This device has a 10% duty cycle.

Note: The Safe Working Load for the BNQ beds is of 390 lb (177 kg).

Introduction

ENVIRONMENTAL CONDITIONS

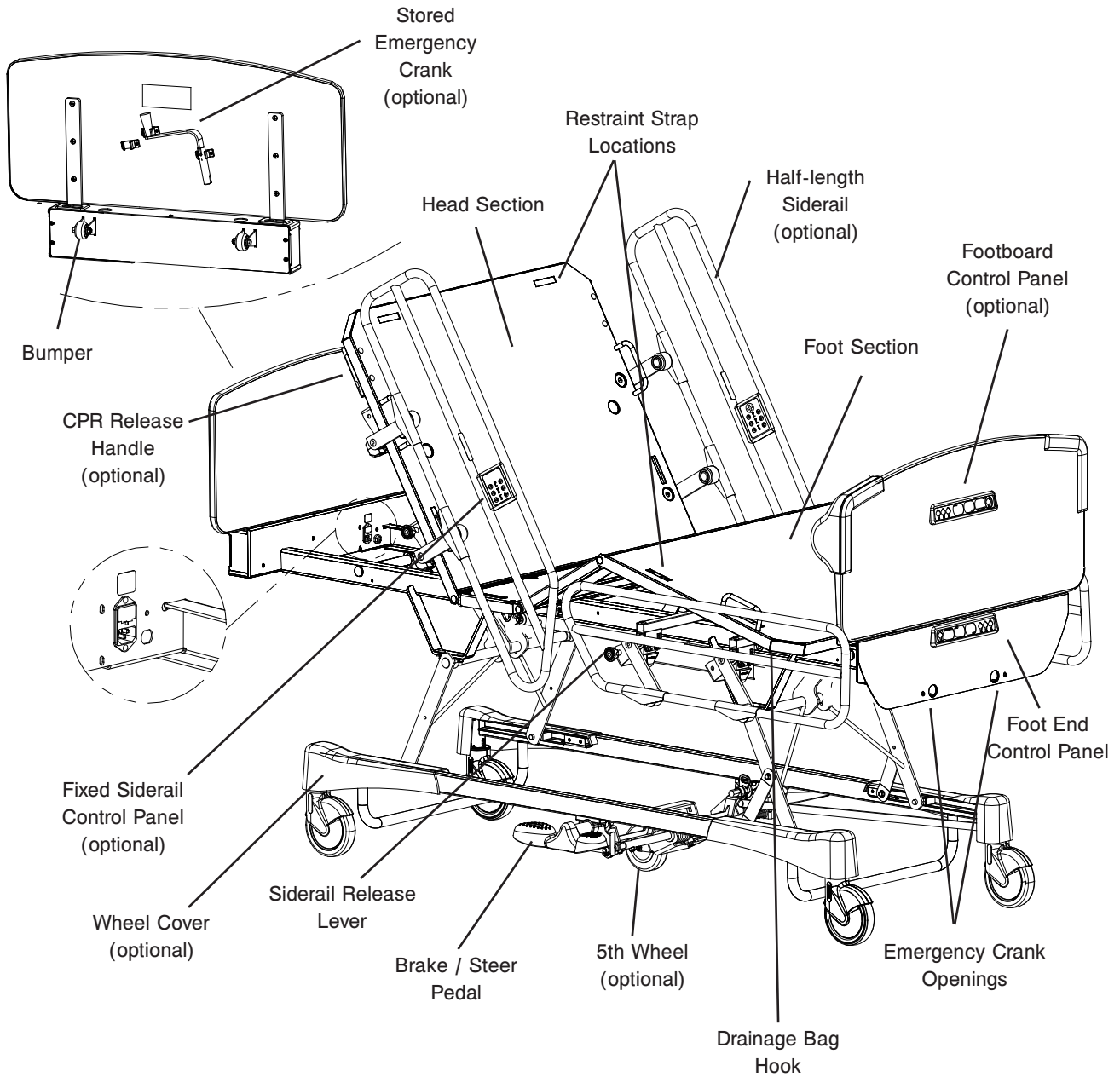
Environmental Conditions	Operation	Storage and Transportation
Ambient Temperature		
Relative Humidity (Non-Condensing)		
Atmospheric Pressure		

Stryker reserves the right to change specifications without notice.

- Specifications listed are approximate and may vary slightly from unit to unit.
- Operating environment recommended to ensure the scale system (optional) precision.

Introduction

PRODUCT ILLUSTRATION



Summary of Safety Precautions

Before operating the Electric MedSurg Bed, Model FL23SE, it is important to read and understand all information in this manual. Carefully read and strictly follow the safety guidelines listed below. It is important that all users have been trained and educated on the inherent hazards associated with the usage of electric beds.

WARNINGS

- This bed is not intended for pediatric use.
- The mattress thickness should not exceed 6" (15,24 cm).
- Do not use an accessory that slides under the bed frame when the bed is in low position or remove it before lowering the bed. Failure to conform to this safety precaution could result in serious patient injury and equipment damage.
- This bed is equipped with a hospital grade plug for protection against shock hazard. It must be plugged directly into a properly grounded power source. Grounding reliability can be achieved only when a hospital grade power source is used.
- Shock Hazard - Improper handling of the power cord may result in damage to the power cord and potential shock hazards. If damage has occurred to the power cord, immediately remove the bed from service, and contact the appropriate maintenance personnel. Failure to do so may result in serious injury or death.
- Serious injury may result if caution is not used when operating the bed. Operate the bed only when all people and equipment are clear of the electrical and mechanical systems.
- Always apply the brakes when a patient is on the bed or entering/exiting the bed. Serious injury could result if the bed moves while a patient is getting on or off the bed. After the brake pedal is engaged, push on the bed to ensure the brakes are securely applied.
- When the patient is unattended and unless the patient's medical condition dictates otherwise, keep the sleep surface horizontal in its lowest position and the siderails fully raised, except for beds equipped with half-length siderails, in which case, the foot siderails should be left down to allow the patient to exit the bed.
- When raising the siderails, be sure that you hear the "click" that signals the locked condition. Pull firmly on the siderail to ensure it is locked into position.
- When the sleep surface sections are articulated, ensure that all patient's extremities are within the raised siderails to avoid patient injury.
- When a patient's condition requires greater safety measures for his/her security, lock the siderail controls using the foot end lockout controls or remove any optional pendant control and install protective pads on the siderails.
- Siderails, with or without their padded covers, are not intended to serve as restraint devices to keep patients from exiting the bed. Siderails are designed to keep a patient from inadvertently rolling off the bed. It is the responsibility of the attending medical personnel to determine the degree of restraint necessary to ensure a patient will remain safely in bed. Failure to use the siderails properly could result in serious patient injury.
- To reduce risk of injury, ensure the sleep surface is horizontal and in the lowest position with the siderails fully raised and locked when moving the bed with a patient in it.
- To avoid injury to the patient and/or user, do not attempt to move the bed laterally with the steer mode engaged.
- The CPR emergency release (optional) is for emergency use only. To avoid serious injury, personal injury or equipment damage, ensure all people and equipment are removed from the area below and around the head, thigh and foot sections of the bed, before activating the CPR release handle.
- Possible fire hazard exists when this bed is used with oxygen administering equipment other than nasal or mask type. It is recommended to unplug the bed power cord from the wall when oxygen administering equipment is used.
- When a large fluid spill occurs, immediately unplug the bed power cord from the wall outlet. Remove the patient from the bed and clean up the fluid. Have maintenance completely check the bed. Fluids can have an adverse effect on operational capabilities of any electrical product. **Do not** put the bed back into service until it is completely dried and has been thoroughly tested for safe operation.
- Preventative maintenance should be performed at least once a year to ensure all bed features are operating properly. Ensure that any bed malfunction is promptly reported to your service personnel for immediate attention.
- Always unplug the bed power cord from the power source when servicing or cleaning the bed. When working under the bed with the bed in the high position, always place blocks under the mattress support frame and apply the brakes to prevent injury in case the bed down control is accidentally pressed.
- To avoid damage to the siderail mechanisms, do not move the bed using the raised siderails. Use the head or foot board to move the bed.

 **WARNINGS (CONTINUED)**

- Before using the optional emergency crank during a power failure, always unplug the power cord. An unexpected return of power could rotate the handle and cause injury.
 - When servicing, use only identical replacement parts provided by Stryker.
 - Do not steam clean or hose off the Electric MedSurg Bed, Model FL23SE. Do not immerse any part of the bed. Some of the internal parts of the bed are electric and may be damaged by exposure to water.
-

Note: Throughout this operations manual, the words “right” and “left” refer to the right and left sides of a patient lying face up on the bed.

Static Discharge Precautions

The electronic circuits in the Electric MedSurg Bed, Model FL23SE are completely protected from static electricity damage only while the bed is assembled. It is extremely important that all service personnel always use adequate static protection when servicing the electronic systems of the bed. Whenever you are touching wires, you should be using static protection.

Static Protection Equipment

The necessary equipment for proper static protection is:

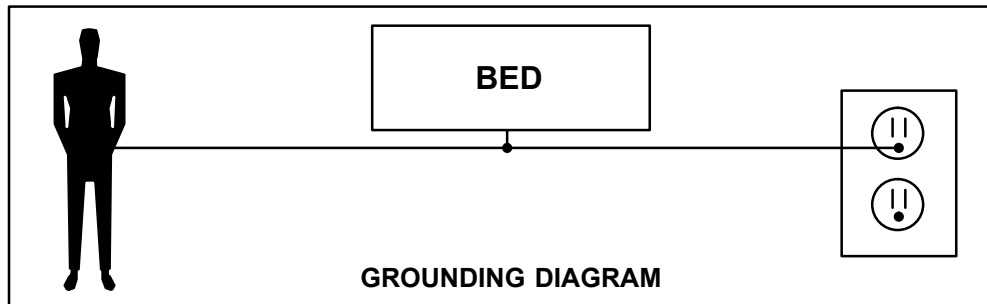
- 1 static wrist strap; 3M part number 2214 or equivalent,
- 1 grounding plug; 3M part number 61038 or equivalent,
- 1 test lead with a banana plug on one end and an alligator clip on the other; Smith part number N132B699 or equivalent.

CAUTION

All electronic service parts will be shipped in static shielding bags. Do not open the bags until you have completed steps 2 and 3 of the following procedure. Do not place unprotected circuit boards on the floor. All circuit boards to be returned to Stryker Medical should be shipped in the static shielding bags the new boards were shipped in.

Static Protection Procedure

1. Unplug the power cord from the wall receptacle.
2. Insert the grounding plug into a properly grounded hospital grade wall receptacle. Plug the banana plug of the test lead into the receptacle on the grounding plug. Connect the alligator clip on the other end of the test lead to a ground point on the bed.
3. Place the static control wrist strap on your wrist. Connect the alligator clip at the other end of the wrist strap cord to a ground point on the bed.



Cleaning

Hand wash all surfaces of the bed with warm water and mild detergent. Dry thoroughly. Do not steam clean or hose off the Electric MedSurg Bed, Model FL23SE. Do not immerse any part of the bed. Some of the internal parts of the bed are electric and may be damaged by exposure to water.

Suggested cleaners for bed surfaces:

- Quaternary Cleaners (active ingredients - ammonium chloride)
- Phenolic Cleaners (active ingredient - o-phenylphenol)
- Chlorinated Bleach Solution (5.25% - less than 1 part bleach to 100 parts water)

Avoid over saturation and ensure the product does not stay wet longer than the chemical manufacturer's guidelines for proper disinfecting.

 **CAUTION**

Some cleaning products are corrosive in nature and may cause damage to the product if used improperly. If the products described above are used to clean Stryker patient care equipment, measures must be taken to ensure the beds are wiped with a damp cloth soaked in clean water and thoroughly dried following cleaning. Failure to properly rinse and dry the beds will leave a corrosive residue on the surface of the bed, possibly causing premature corrosion of critical components. Failure to follow the above directions when using these types of cleaners may void this product's warranty.

For mattress cleaning instructions, please see the tag on the mattress, or contact the mattress manufacturer.

Clean Velcro® **after each use**. Saturate Velcro® with disinfectant and allow disinfectant to evaporate. (Appropriate disinfectant for nylon Velcro® should be determined by the hospital.)

Preventative Maintenance

Beds require an effective maintenance program. We recommend checking these items annually. Use this sheet for your records and keep on file.

CHECKLIST

- _____ All fasteners secure (reference all assembly drawings).
- _____ Inspect for excessive wear the oil-impregnated bronze shoulder spacers found at the bed hinge points. Replace as needed. **Do not lubricate these spacers.**
- _____ On both sides of the bed, depress fully down the side of the pedal identified with a red label and ensure that the brakes are applied and the bed immobilized. Toggle the pedal to neutral and ensure the brakes are released.
- _____ On both sides of the bed, depress fully down the side of the pedal identified with a green label and ensure that the steer mode (fifth wheel (optional) or bed wheel) is engaged. Toggle the pedal to neutral and ensure that the steer mode disengages.
- _____ Siderails move smoothly and latch properly in high position.
- _____ Ensure that each control of the inner and outer head siderail control panels (optional) and those of the removable pendant control (optional) are working properly.
- _____ All controls of the foot end panel and those of the foot board panel (optional) working properly, including Trendelenburg and lockout LED's.
- _____ Fowler and Gatch (if raised) flatten and the Fowler control motor resets itself automatically when the two CPR handles (optional) are pulled until Fowler is flattened. Wait 30 seconds to allow the Fowler motor to reset and then raise the Fowler to ensure the motor reset properly.
- _____ Verify the Fowler, Gatch and Hi-Lo movements to ensure that the motion interrupt switch integrated to the four electric actuators is operating properly.
- _____ Auxiliary outlet (option available only with 120V beds) working properly.
- _____ Night light (optional) working properly.
- _____ Head end bumpers tightly secured to frame and working properly.
- _____ No rips or cracks in mattress cover.
- _____ Power cord is not frayed. Replace if the protective sleeve is cut or torn.
- _____ No cables worn or pinched.
- _____ All electrical connections tight.
- _____ All grounds secured to the frame.
- _____ All casters roll properly. Check caster for cuts, wear, etc.
- _____ Current leakage not more than 100 μ A (microamps).
- _____ Ground impedance not more than 100 m Ω (milliohms).

Bed Serial Number:		

Completed by: _____

Date: _____

Preventative Maintenance

⚠ WARNING

- Always unplug the bed power cord from the wall outlet when cleaning or servicing the bed.
- To reduce the risk of injury while working under the bed, always place blocks under the lift levers and apply the brakes.

DRIVE TUBE LUBRICATION

Note: In compliance with the service life requirement of the BNQ 6641-120/2003 standard, this unit was designed to be maintenance free with regard to lubrication. Improper use or failure to follow cleaning recommendations may require lubrication of the actuator.

Tools Required:

- #2 Phillips Screwdriver
- Bungee Cords (or equivalent)
- OG2 Grease (or equivalent)
- Brush

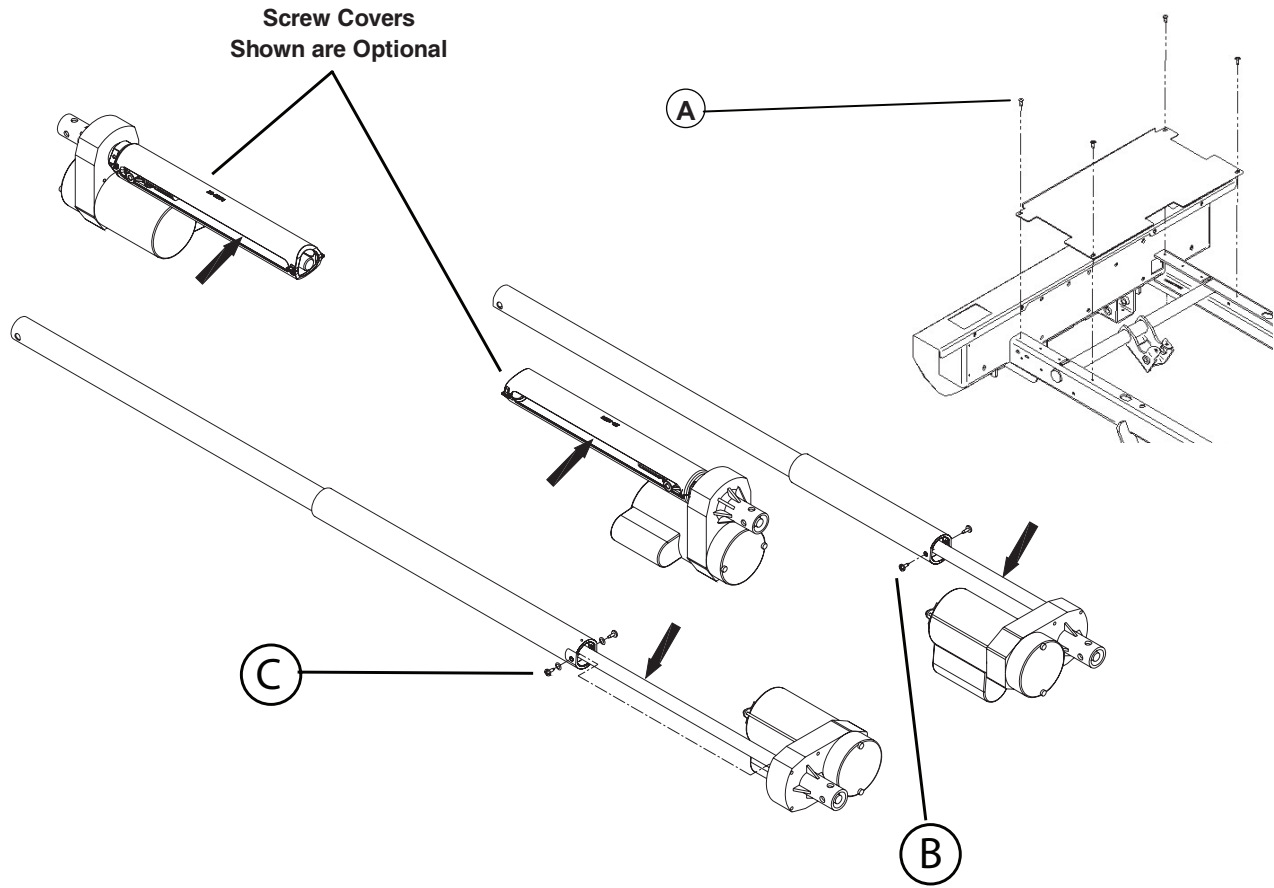


Figure 1

Preventative Maintenance

DRIVE TUBE LUBRICATION (CONTINUED)

Procedure:

Fowler and Gatch Drive Tubes

1. Apply the brakes.
2. Raise the bed to its highest height.
3. Raise the head section to its highest position and lower the gatch section to its lowest position to expose the maximum length of the screw threads on both actuators.
4. Lower the four siderails.
5. Unplug the power cord from the wall outlet.
6. Lift the foot section and fold it back toward the head end of the bed. Secure it using bungee cords.
7. Using a #2 Phillips screwdriver, remove the four screws (A) holding the cover plate to the frame and remove the plate. Remove the night light (optional).
8.
 - a. Gatch Drive Tube - Using a #2 Phillips screwdriver, remove the two screws (B) holding the dust tube of each gatch actuator. Push the tube to free it.
 - b. Fowler Driver Tube - Using a #2 Phillips screwdriver, remove the two screws and spring washer (C) holding the dust tube of the actuator. Push the tube to free the threads.
9. Using a brush, apply grease to the drive tube threads. Ensure the grease reaches the bottom of the threads.
10. Replace the dust tubes.
11. Plug the power cord into the wall outlet.
12. Using the electronic controls, raise and lower the fowler and gatch sections several times to spread the grease evenly.
13. Replace the cover plate.

Lift Drive Tubes

1. Apply the brakes.
1. Lower the bed to its lowest height.
2. Raise the foot and fowler sections to their highest positions. Lift the foot section and fold it back toward the head end of the bed. Secure it using a bungee cord.
3. Unplug the power cord from the wall outlet.
4. Using a brush, apply grease to the threads of the lift drive tube threads. If the bed is equipped with the optional dust cover tubes, apply grease through the openings in the sides of the dust tube.
5. Using the electronic controls, raise and lower the bed several times to spread the grease evenly.

Troubleshooting Guide

Problem/Failure	Recommended Action
No power to bed	<ul style="list-style-type: none"> • Verify power at the wall outlet. • Verify power cord connections at the wall outlet and the power connector on the bed. • Inspect power cord for damage. Replace if necessary. • Inspect fuses inside the power connector
No bed up or down motion when	<ul style="list-style-type: none"> • Ensure the Lift Lockout is not activated (green LED lit). • Verify the pendant control cable (optional) is properly connected to the bed. • Verify the bed has power.
No Fowler up or down motion when	<ul style="list-style-type: none"> • Ensure the Fowler Lockout is not activated (green LED lit). • Verify the control cable of the siderail control panel (optional) and the removable pendant control (optional) is properly connected to the bed. • Verify the bed has power.
The Fowler does not completely raise.	<ul style="list-style-type: none"> • Lower the Fowler completely using the Fowler controls or the CPR release (optional). Wait 30 seconds to allow the Fowler motor to reset.
No Gatch up or down motion when:	<ul style="list-style-type: none"> • Verify the Gatch Lockout is not activated (green LED lit). • Verify the control cable of the siderail control panel (optional) and the removable pendant control (optional) is properly connected to the bed. • Verify the bed has power.
The positioning mechanisms of the Fowler, and/or the Gatch, and/or the bed height operate with difficulty.	<ul style="list-style-type: none"> • Check the four actuator screws to verify their lubrication condition and apply grease if needed (page).
No Auto Contour (optional) motion.	<ul style="list-style-type: none"> • Verify the Gatch Lockout is not activated (green LED lit). • Check the two Auto Contour limit switches for proper operations. Replace if necessary (page).
Improper operation of the CPR emergency release (optional): Gatch does not lower and/or the Fowler actuator does not reset.	<ul style="list-style-type: none"> • Check the two CPR mechanism limit switches for proper operations. Replace if necessary (page).

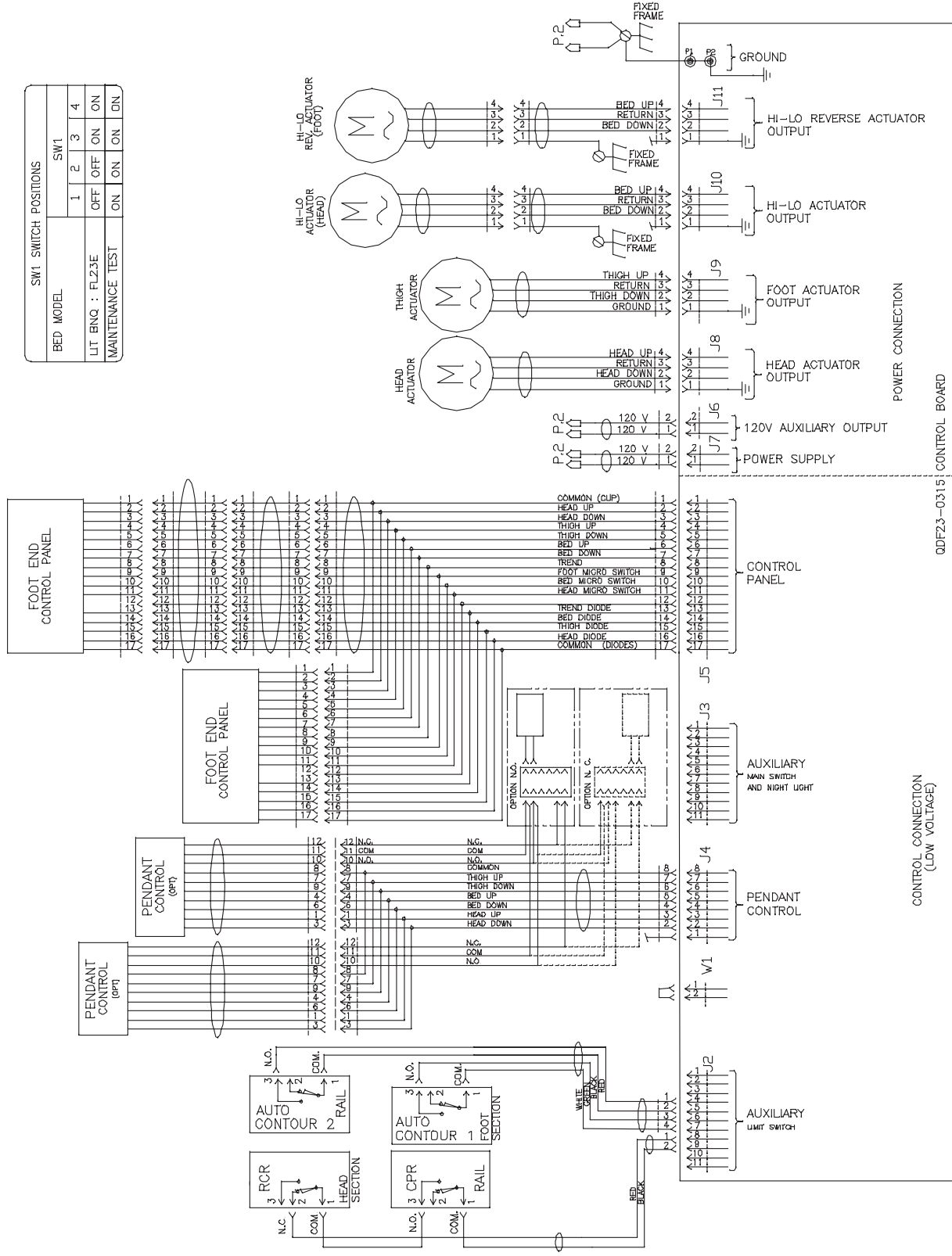
Quick Reference Replacement Parts List

The parts and accessories listed on this page are all currently available for purchase. Some of the parts identified on the assembly drawing parts in this manual may not be individually available for purchase. Please call Stryker Customer Service USA: 1-800-327-0770 (Option 2) or Canada: 1-888-233-6888 for availability and pricing.

Part Name	Part Number
Motor Control Board	QDF23-0315
Fuse - Fast Acting 10A, 250V (100/120V)	QDF8078
Fuse - Slow Blow 6.3A, 250V (200/220/240V)	QDF8068
Power Cord with Straight North American Molded Plug	QDF8066
Night Light (Optional)	QDF9539
5A Circuit Breaker for Auxiliary Outlet (optional)	QDF9025
Lift Motor	23-0864
Fowler Motor	23-0887
Gatch Motor	23-0888
Foot End Control Panel Membrane	QDF17-0693 / QDF17-0180
Left Inner Membrane without Nurse Call	QDF23-0393
Right Inner Membrane without Nurse Call	QDF23-0392
Left Inner Membrane with Nurse Call	QDF23-0397
Right Inner Membrane with Nurse Call	QDF23-0396
Left Outer Membrane	QDF23-0405
Right Outer Membrane	QDF23-0406
6" with Lock Mechanism	RD25038807
6" without Lock Mechanism	RD25049307
6" with Steer Mechanism	RD25049607
5" with Lock Mechanism	RD25049407
5" without Lock Mechanism	RD25039107
5" with Steer Mechanism	RD25049507
Grey Spray Paint	PD016

Service Information

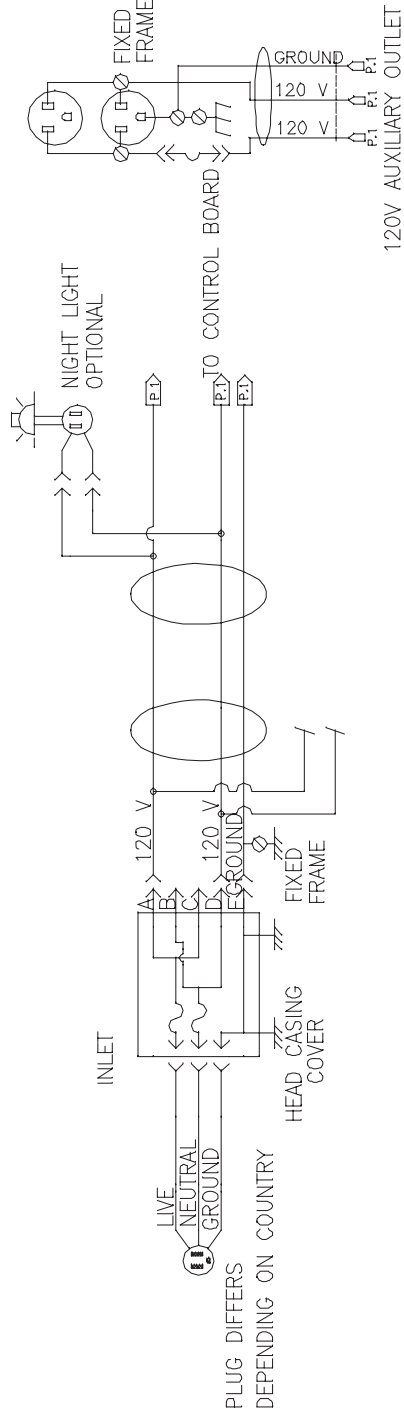
CONNECTION DIAGRAM



Service Information

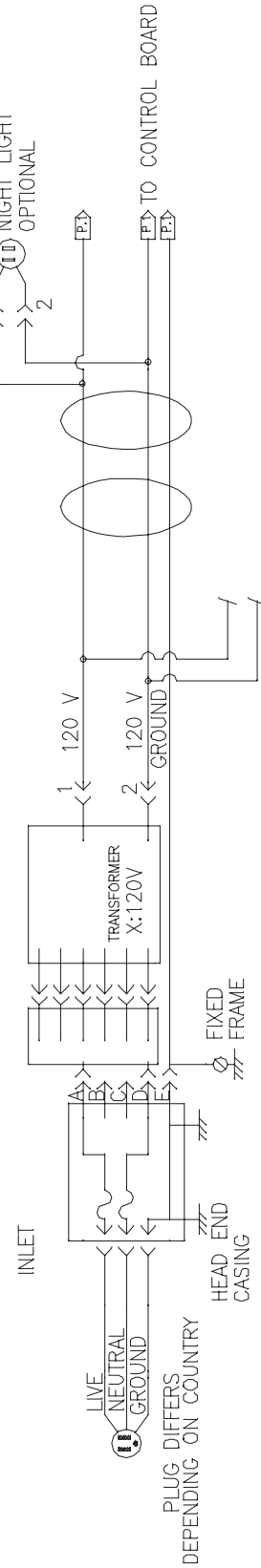
CONNECTION DIAGRAM (CONTINUED)

120V POWER SUPPLY



100V - 200V - 220V - 240V

POWER SUPPLY



Service Information

HALF LENGTH SIDERAIL REPLACEMENT

Tools Required:

- 3/8" Drive Ratchet
- Small Slotted Head Screwdriver
- Long Nose Pliers
- Retaining Ring Pliers
- Rubber Mallet
- 7/16" Socket

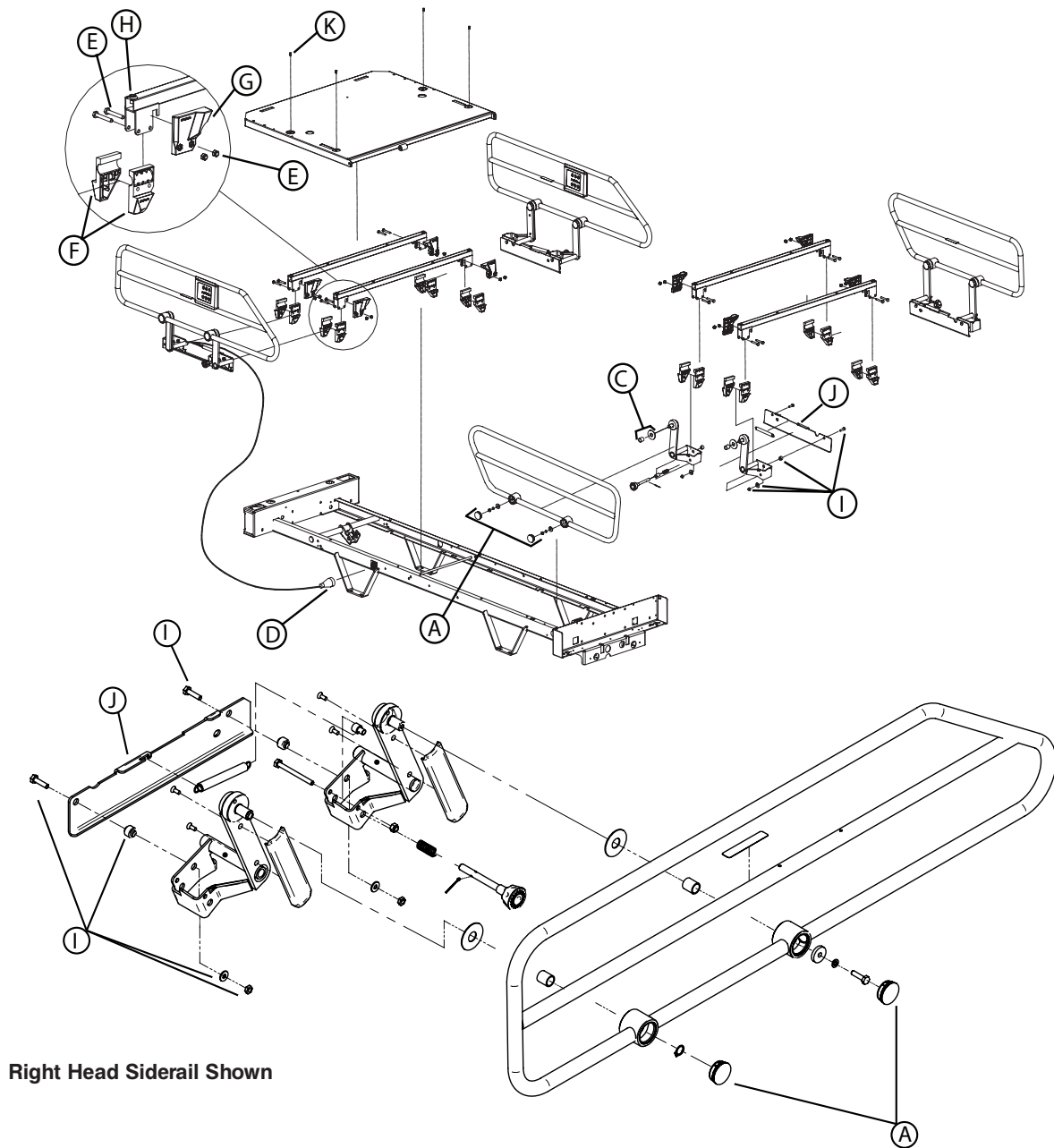


Figure 4.1 A

Service Information

SIDERAIL REPLACEMENT (CONTINUED)

Procedure:

1. Completely raise the bed and apply the brakes.
2. Position all the mattress support sections to flat.
3. Unplug the bed power cord from the wall outlet.
4. Raise the siderail needing repair.
5. Using a small slotted head screwdriver and long nose pliers, remove the two protective caps (A). Be careful while using the tools not to damage the siderail paint.

Note: Replace the caps using a rubber mallet. The removal of the caps may damage them; make sure you have some on hand.

6.
 - a. For a head siderail, using the retaining ring pliers, remove the retaining ring on one arm and using the 7/16" socket, remove the nut, spring washer and spacer holding the rail in place.
 - b. For a foot siderail, remove using the 7/16" socket the nut, the spring washer and the spacer holding the siderail in place (B).

Note: Inspect the self-lubricating bearings for wear and replace them if need be.

7. Reverse the above steps to install the replacement rail.
8. Verify the siderail movement for proper operation before returning the bed to service.

Service Information

HALF-LENGTH SIDERAIL ASSEMBLY REPLACEMENT

Tools Required:

- 3/8" Drive Ratchet
- 7/16" Socket
- 7/16" Combination Wrench
- Diagonal Pliers

Procedure:

Note: Unless otherwise indicated, refer to Figure 4.1 A on [pg. 22](#) for the following replacement procedure.

1. Completely raise the bed and apply the brakes.
2. Depending on the position of the siderail needing repair, place the mattress support sections as follows:
 - Head Siderail: Completely raise the head section.
 - Foot Siderail: Lower completely the head section. Completely raise the thigh section, then lift and fold back the foot section toward the head end of the bed.
3. Unplug the bed power cord from the wall outlet.
4. Raise the siderail needing repair.
5. Using diagonal pliers, cut, if applicable, the cable ties holding the siderails fixed control cable (optional). Loosen the lock ring (D) and unplug the cable.

Note: Note the position and the gathering of the cable before cutting the cable ties to make sure the replacement cable will be connected correctly.

6. Using the 7/16" socket and 7/16" combination wrench, remove the two locknuts and bolts (E) holding the two half bushings (F), the stopper (G) and the siderail mechanism to each of the two siderail support (H). Remove the half bushings and the mechanism from their location, hold the bushings tightly to prevent them from falling to the ground.

Note: First, remove the two locknuts and bolts at one end of the assembly and, while holding the assembly, finish with the ones at the opposite end.

7. Reverse the above steps to install the replacement siderail assembly.
8. Verify the siderail for proper operation before returning the bed to service.

Service Information

TRANSFER PLATE REPLACEMENT

Tools Required:

- 3/8" Drive Ratchet
- 7/16" Socket
- 7/16" Combination Wrench
- Torque Wrench

Procedure:

Note: Unless otherwise indicated, refer to Figure 4.1 A on [pg. 22](#) for the following replacement procedure.

1. Completely raise the bed and apply the brakes.
2. Depending on the siderail position, place the mattress support sections as follows:
 - Head Siderail: Completely raise the head section.
 - Foot Siderail: Lower completely the head section. Completely raise the thigh section, then lift and fold back the foot section toward the head end of the bed.
3. Unplug the bed power cord from the wall outlet.
4. Lower the siderail needing repair.
5. Using the 7/16" socket and 7/16" combination wrench, remove the two locknuts, bushings, washers and bolts (I) holding the transfer plate (J) to the siderail mechanism.

Note: At assembly, tighten the two locknuts to a 75 in/lb torque using the torque wrench.

6. Reverse the above steps to install the replacement transfer plate.
7. Verify the siderail for proper operation before returning the bed to service.

Service Information

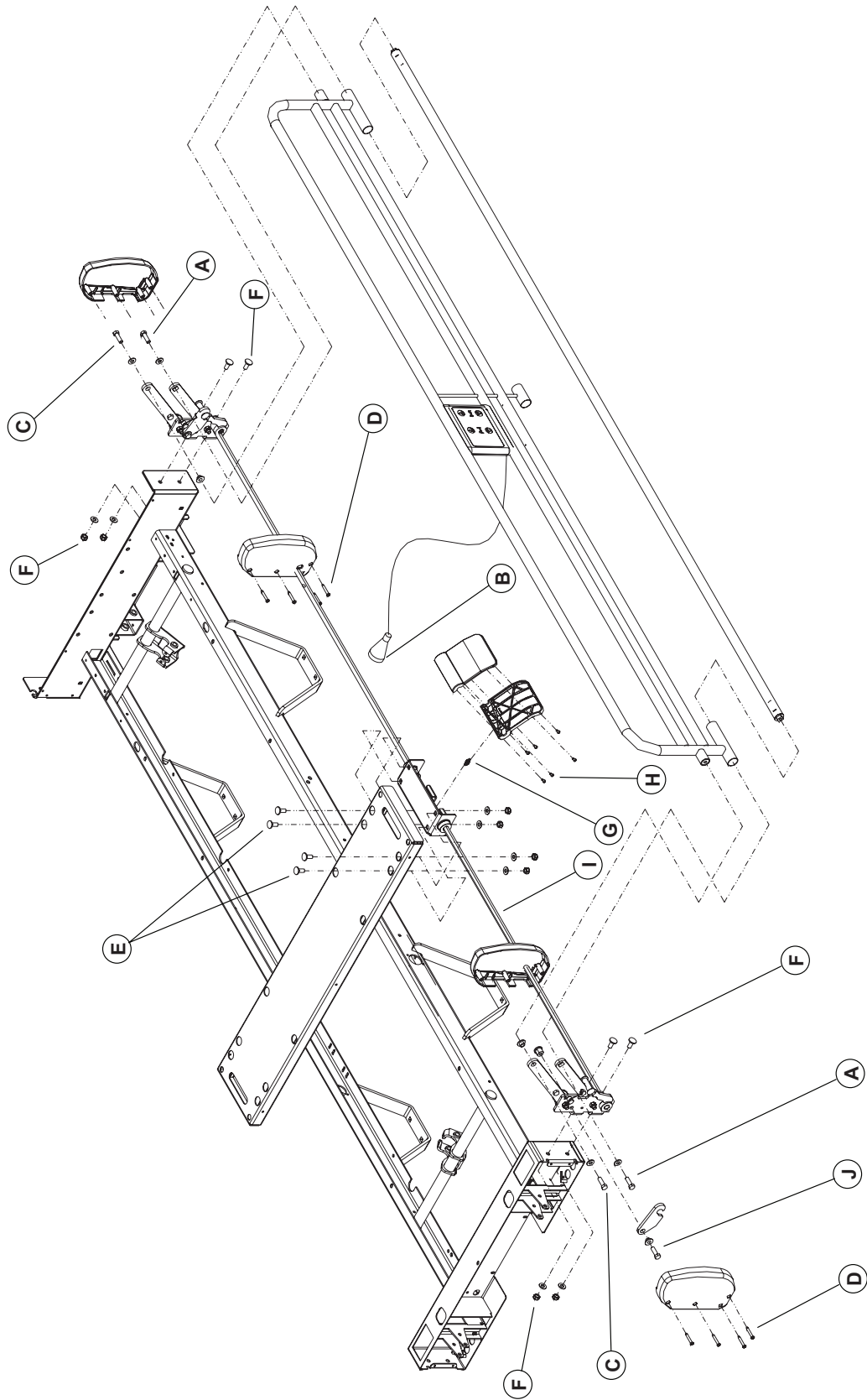


Figure 4.1 B

Service Information

FULL-LENGTH SIDERAIL PIVOT TUBE REPLACEMENT

Tools Required:

- 1/2" Combination Wrench
- Rubber Mallet

Procedure:

Note: Unless otherwise indicated, refer to Figure 4.1 B on [pg. 26](#) for the following replacement procedure.

1. Completely raise the bed and apply the brakes.
2. Unplug the bed power cord from the wall outlet.
3. Lower the siderail needing repair.
4. Using the 1/2" combination wrench, remove the two bolts and washers (A) holding the pivot tube ends to the siderail mechanism arms. Use a rubber mallet to free the tube ends from the arms.
5. Slide the tube out of its location.

Note: Apply grease on a 4" distance from both ends of the tube.

6. Reverse the above steps to install the replacement pivot tube.
7. Verify the siderail movement before returning the bed to service.

Service Information

FULL-LENGTH RAIL REPLACEMENT

Tools Required:

- 1/2" Combination Wrench
- Rubber Mallet

Procedure:

Note: Unless otherwise indicated, refer to Figure 4.1 B on [pg. 26](#) for the following replacement procedure.

1. Completely raise the bed and apply the brakes.
2. Unplug the bed power cord from the wall outlet.
3. Raise the siderail needing repair.
4. Loosen, if applicable, the lock ring (B) and unplug the removable pendant control (optional) cable. Remove the pendant control from the siderail by sliding it out its supports.
5. Using the 1/2" combination wrench, remove the four bolts and washers (A, C) holding the rail to the siderail mechanism arms. Use a rubber mallet to free the tube ends from the arms.

Note: Hold the rail firmly when removing the last bolts.

6. Reverse the above steps to install the replacement rail.
7. Verify the siderail movement before returning the bed to service.

Service Information

FULL-LENGTH SIDERAIL ASSEMBLY REPLACEMENT

Tools Required:

- #2 Phillips Screwdriver
- (2) 1/2" Combination Wrenches

Procedure:

Note: Unless otherwise indicated, refer to Figure 4.1 B on [pg. 26](#) for the following replacement procedure.

1. Completely raise the bed and raise the siderail needing repair.
2. Unplug the bed power cord from the wall outlet.
3. Remove the head and foot boards.
4. Using two 1/2" combination wrenches, remove the two locknuts and bolts (K, Figure 4.3 C, [pg. 43](#)) holding the two bumpers to their supports at the head end of the bed.
5. Using the #2 Phillips screwdriver, remove the seven screws (Q, Figure 4.3 C, [pg. 43](#)) holding the cover to the head end casing. Remove the cables connected to the power connector after having noted their location and remove the cover.
6. Using the #2 Phillips screwdriver, remove the 10 screws (A, Figure 4.2 A, [pg. 32](#)) holding the cover and the I.V. pole holders to the foot casing. Lift and remove the cover while taking care to disconnect the control panel cable (B, Figure 4.2 A, [pg. 32](#)) from the control board and, if applicable, the foot end casing connector cable (C, Figure 4.2 A, [pg. 32](#)) (optional).
7. Using the no. 2 Phillips screwdriver, remove the four screws (D) holding together the two parts of both siderail mechanism covers. Remove the covers.
8. Using the 1/2" combination wrench, remove the four nuts, washers and bolts (E) holding the siderail release handle to the seat section.
9. Using the 1/2" combination wrench, remove the two nuts, washers and bolts (F) holding each end of the full-length siderail to the head end and foot end casings.
10. Reverse the above steps to install the replacement siderail assembly.
11. Verify the siderail for proper operation before returning the bed to service.

Service Information

FULL-LENGTH SIDERAIL RELEASE HANDLE REPLACEMENT

Tools Required:

- Needle Nose Pliers
- #1 Phillips Screwdriver
- Bungee Cord (or equivalent)
- 7/16" Combination Wrench

Procedure:

Note: Unless otherwise indicated, refer to Figure 4.1 B on [pg. 26](#) for the following replacement procedure.

1. Completely raise the bed and apply the brakes.
2. Unplug the bed power cord from the wall outlet.
3. Raise both siderails.
4. Using needle nose pliers, remove the return spring (G).
5. Attach the siderail needing repair to the other siderail using a bungee cord.
6. Using the #1 Phillips screwdriver, remove the six screws (H) holding both parts of the release handle. Hold the lower part to prevent it from falling.
7. Using the 7/16" combination wrench, remove the upper part of the handle by turning the lock rod (I) towards the floor.

Note: Use the same procedure to insert the upper part of the new handle on the rod, but this time turn the lock rod up.

8. Reverse the above steps to install the replacement release handle.
9. Verify the release handle for proper operation before returning the bed to service.

Service Information

FULL-LENGTH SIDERAIL LOCKING HOOK REPLACEMENT

Tools Required:

- #2 Phillips Screwdriver
- Bungee Cord (or equivalent)
- (2) 1/2" Combination Wrenches

Procedure:

Note: Unless otherwise indicated, refer to Figure 4.1 B on [pg. 26](#) for the following replacement procedure.

1. Completely raise the bed and raise the siderail needing repair.
2. Unplug the bed power cord from the wall outlet.

If the hook is at the head end of the bed, follow steps 3 to 6, then go to step 8.

If the hook is at the foot end of the bed, go directly to step 7.

Head End

3. Remove the head board.
4. Raise the defective siderail.
5. Using the two 1/2" combination wrenches, remove the two locknuts and bolts (K, Figure 4.3 C, [pg. 43](#)) holding the bumpers to their support.
6. Using the #2 Phillips screwdriver, remove the seven screws (Q, Figure 4.3 C, [pg. 43](#)) holding the cover of the head box. Remove cables connected to power connector taking note of their position then remove cover.

Foot End

7. Using the #2 Phillips screwdriver, remove the 10 screws (A, Figure 4.2 A, [pg. 32](#)) holding the cover as well as the two I.V. poles to the foot box. Raise and remove the cover taking care to disconnect the electronic board first, the cable (B, Figure 4.2 A, [pg. 32](#)) of the control panel and, if applicable, the cable (C, Figure 4.2 A, [pg. 32](#)) of the connector from the foot box (optional).
8. Using the #2 Phillips screwdriver, remove the four screws (D) holding the two parts of the plastic cover over the siderail mechanism. Remove cover.
9. Using the two 1/2" combination wrenches, remove locknut, shoulder spacer and bolt (J) holding the locking hook to the plate. Remove hook.
10. Reverse the preceding steps to install the new hook.
11. Verify siderail for proper operation before returning the bed to service.

Service Information

FOOT END CONTROL PANEL REPLACEMENT

Tools Required:

- #2 Phillips Screwdriver

Note: The control panel is made of a membrane and its support. Both parts should be ordered for this replacement procedure. Refer to the “Quick Reference Replacement Parts List” section on [pg. 19](#).

Procedure:

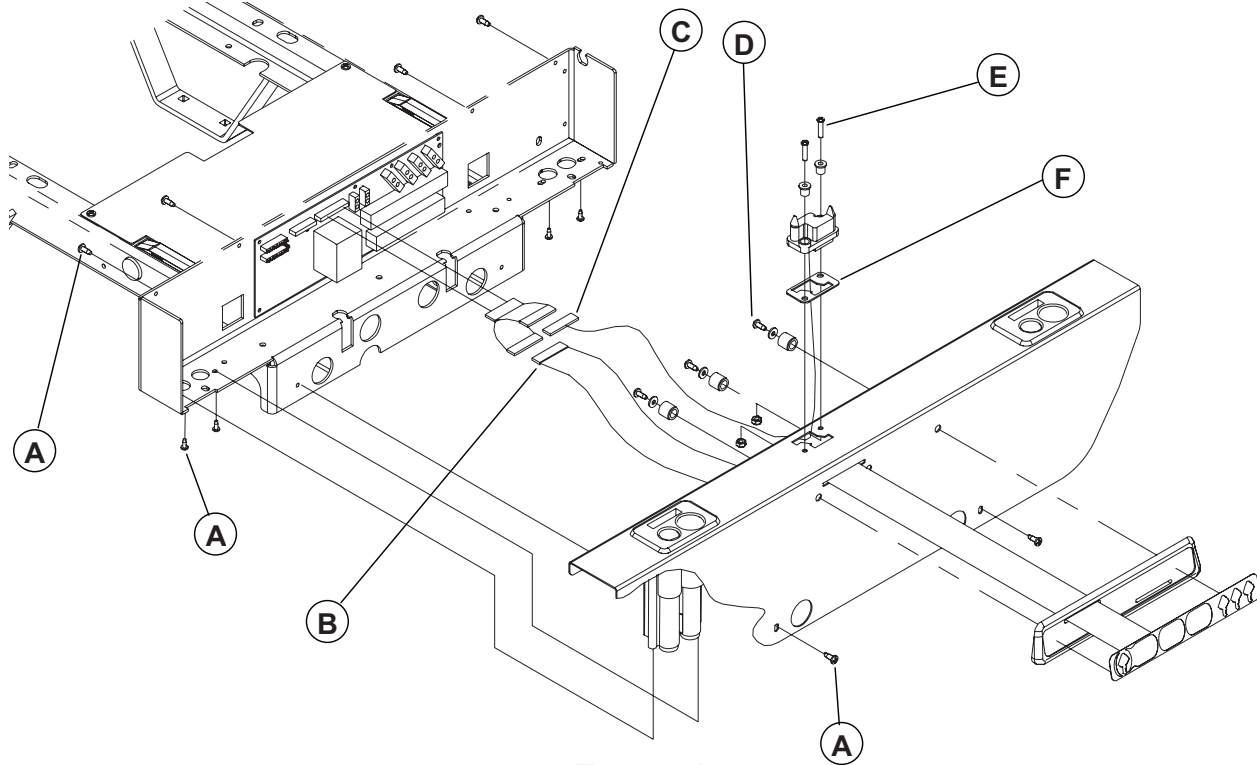


Figure 4.2 A

1. Completely raise the bed and apply the brakes.
2. Unplug the bed power cord from the wall outlet.
3. Remove the foot board.
4. Using the #2 Phillips screwdriver, remove the 10 screws (A) holding the cover and the I.V. pole holders to the foot casing.
5. Use the Static Discharge Precautions procedure (see [pg. 13](#)).
6. Lift and remove the cover taking care to disconnect the electronic board, the cable (B) from the control panel and, if applicable, the foot casing connector cable ((optional), C). Lay the cover on a workbench.
7. Using the #2 Phillips screwdriver, remove the three screws, washers and spacers (D) holding the panel to the cover.
8. Reverse the above steps to install the new control panel.
9. Verify all the controls of the foot end control panel before returning the bed to service.

Service Information

FOOT END CASING CONNECTOR REPLACEMENT (OPTIONAL)

Tools Required:

- #2 Phillips Screwdriver
- 3/8" Combination Wrench

Procedure:

Note: Unless otherwise indicated, refer to Figure 4.2 A on [pg. 32](#) for the following replacement procedure.

1. Completely raise the bed and apply the brakes.
2. Unplug the bed power cord from the wall outlet.
3. Remove the foot board.
4. Using the #2 Phillips screwdriver, remove the 10 screws (A) holding the cover and the two I.V. pole holders to the foot casing.
5. Lift and remove the cover taking care to disconnect the electronic board, the control panel cable (B) and the foot casing connector cable (C). Lay the cover on a workbench.
6. Using the 3/8" combination wrench, remove the two locknuts, shoulder spacers and screws (E) holding the connector and the seal (F) to the cover. Remove the defective connector using the 3/8" combination wrench and #2 Phillips screwdriver. Keep the seal for the replacement connector.
7. Reverse the above steps to install the new connector.
8. Verify all the controls of the foot end control panel for proper operation before returning the bed to service.

Service Information

FOOT BOARD CONTROL PANEL REPLACEMENT (OPTIONAL)

Tools Required:

- #2 Phillips Screwdriver
- Double Sided Tape

Procedure:

Note: The control panel is made of a membrane and its support. Both parts should be ordered for this replacement procedure. Refer to the “Quick Reference Replacement Parts List” section on [pg. 19](#).

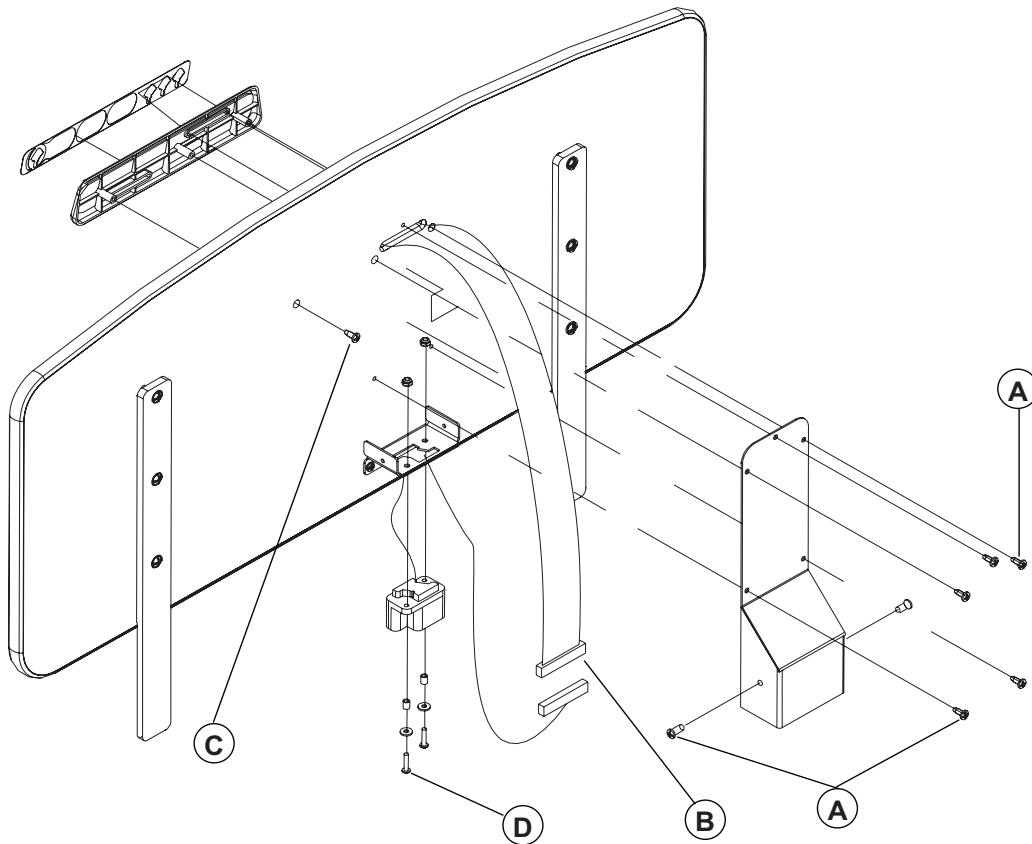


Figure 4.2 B

1. Completely raise the bed and apply the brakes.
2. Unplug the bed power cord from the wall outlet.
3. Remove the foot board and lay it on a workbench.
4. Using the #2 Phillips screwdriver, remove the seven screws (A) holding the support cover to the inner face of the foot board and remove the cover.
5. Disconnect the foot board panel cable (B).
6. Using the #2 Phillips screwdriver, remove the last screw (C) holding the control panel to the foot board. Remove the panel. A small part of the panel cable is stuck to the inner face of the panel with a small double-sided tape. Do the same at reassembly.
7. Reverse the above steps to install the replacement foot board panel.
8. Verify all the controls of the foot board panel for proper operation before returning the bed to service.

Service Information

FOOT BOARD CONNECTOR REPLACEMENT (OPTIONAL)

Tools Required:

- #2 Phillips Screwdriver
- 9 mm Combination Wrench

Procedure:

Note: This connector is present when the bed is equipped with a foot board control panel.

Unless otherwise indicated, refer to Figure 4.2 B on [pg. 34](#) for the following replacement procedure.

1. Completely raise the bed and apply the brakes.
2. Unplug the bed power cord from the wall outlet.
3. Remove the foot board and lay it on a workbench.
4. Using the No. 2 Phillips screwdriver, remove the seven screws (A) holding the support cover to the inner face of the foot board and remove the cover.
5. Disconnect the foot board connector cable (B).
6. Using the 9 mm combination wrench and #2 Phillips screwdriver, remove the two locknuts, washers, sleeves and screws (D) holding the connector to its support. Remove the defective connector.
7. Reverse the above steps to install the replacement connector.
8. Verify the foot board controls for proper operation before returning the bed to service.

Service Information

SIDERAIL CONTROL PANEL MEMBRANE REPLACEMENT

Tools Required:

- #2 Phillips Screwdriver

Note: The replacement of a membrane implies that the one facing it on the inner or outer control panel also has to be replaced.

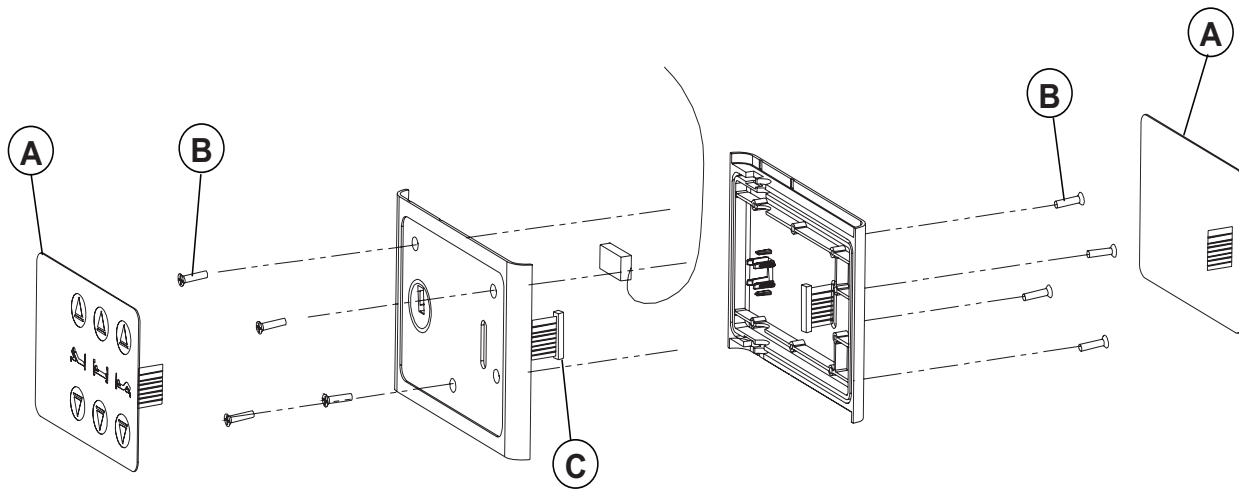


Figure 4.2 C

Procedure:

1. Completely raise the bed and apply the brakes. Bring the head section to horizontal position.
2. Unplug the bed power cord from the wall outlet.
3. Raise the head siderail needing repair.
4. Properly ground yourself (see [pg. 13](#)).
5. Detach the two membranes (A) from their mounting plates and let them hang down.
6. Using a #2 Phillips screwdriver, remove the eight screws (B) holding together the two sections of the control panel housing.
7. Open the housing, disconnect the defective membrane cable (C) and remove the membrane.
8. Reverse the above steps to install the new control panel membranes.

Note: Make sure to connect the membrane cables before fastening together the two sections of the control panel housing. Stick the membranes to the support at the end of the replacement procedure.

9. Verify all the siderail functions for proper operation before returning the bed to service.

Service Information

MATTRESS SUPPORT REPLACEMENT

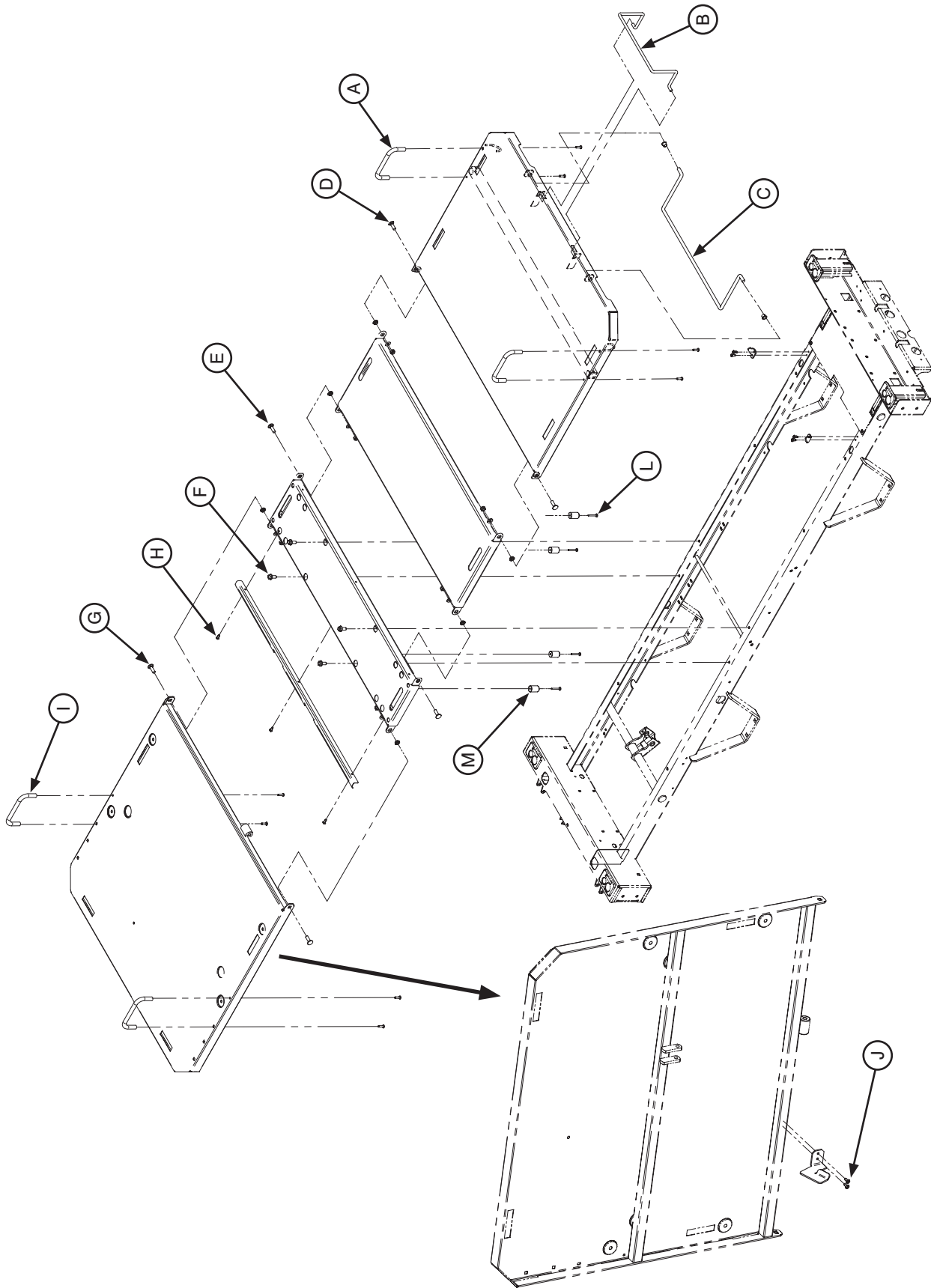


Figure 4.3 A

Service Information

FOOT SECTION REPLACEMENT

Tools Required:

- #2 Phillips Screwdriver
- 1/2" Combination Wrench
- Bungee Cords (or equivalent)

Procedure:

1. Completely raise the bed and apply the brakes. Flatten all sections of the mattress support.
2. Unplug the bed power cord from the wall outlet.
3. Lower the siderails.
4. Lift and fold back the foot section toward the head end of the bed. Secure the section to the bed using a bungee cord.
5. Using the #2 Phillips screwdriver, remove the two lateral mattress retainers (A).
6. Remove the foot end mattress retainer (B).
7. Remove the foot prop rod (C).
8. Remove the bungee cord and replace the foot section to horizontal position.
9. Using the 1/2" combination wrench, remove the two locknuts, washers, shoulder spacers and bolts (D) linking the foot section to the thigh section and remove the defective section.
10. Reverse the above steps to install the new foot section.

Service Information

THIGH SECTION REPLACEMENT

Tools Required:

- Needle Nose Pliers
- 1/2" Combination Wrench
- Bungee Cords (or equivalent)

Procedure:

Note: Unless otherwise indicated, refer to Figure 4.3 A on [pg. 37](#) for the following replacement procedure.

1. Completely raise the bed and apply the brakes. Flatten all sections of the mattress support.
2. Unplug the bed power cord from the wall outlet.
3. Lower the siderails.
4. Lift and fold back the foot section toward the head end of the bed. Secure the section to the bed using a bungee cord.
5. Using needle nose pliers, remove the rue ring cotter, washers and clevis pin (D, Figure 4.3 C, [pg. 43](#)) linking the thigh section lever arms to the thigh actuator tube.

Note: Before linking back the thigh actuator tube to the thigh section lever arms, verify that the actuator course was preserved. To do so, refer to the caution that follows step 16 of the "Knee Gatch Actuator Replacement Procedure" on [pg. 45](#) and proceed with step 17 of the procedure.

6. Remove the bungee cord and bring the foot section back to flat position.
7. Using the 1/2" combination wrench, remove the four locknuts, washers, shoulder spacers and bolts (D, E) linking the thigh section to the foot and seat sections and remove the thigh section.
8. Reverse the above steps to install the replacement thigh section.

Service Information

SEAT SECTION REPLACEMENT

Tools Required:

- 3/8" Drive Ratchet
- 1/2" Socket - Deep Well
- Torque Wrench
- 1/2" Combination Wrench
- #2 Phillips Screwdriver

Procedure:

Note: Unless otherwise indicated, refer to Figure 4.3 A on [pg. 37](#) for the following replacement procedure.

1. Completely raise the bed and apply the brakes. Flatten the mattress support.
2. Unplug the power plug from the wall outlet.
3. Lower the siderails.
4. Using the 1/2" socket, remove the four bolts (F) holding the seat section to the frame.

Note: At reassembly, screw the bolts in manually and then tighten applying a 135 lb/in torque.

5. Using the 1/2" combination wrench, remove the four locknuts, washers, shoulder spacers and bolts (E, G) linking the seat section to the thigh and head sections and remove the seat section.
6. Using the #2 Phillips screwdriver turn the seat section up side down and remove the three screws (H) holding the protective plate to the seat section. Keep the plate for the replacement seat section.
7. Remove the four screws (L) holding the stops (M) to the defective section and replace the parts on the replacement section.
8. Reverse the above steps to install the replacement seat section.

Service Information

HEAD SECTION REPLACEMENT

Tools Required:

- #2 Phillips Screwdriver
- Strap
- (2) 1/2" Combination Wrenches
- (2) 7/16" Combination Wrenches

Procedure:

Note

- Unless otherwise indicated, refer to Figure 4.3 A on [pg. 37](#) for the following replacement procedure.
 - When ordering a new head section, please specify if the bed is equipped with the Auto Contour option.
1. Completely raise the bed and apply the brakes.
 2. If the bed is equipped with full-length siderails, lower them. If equipped with half-length siderails, raise the head siderails and lower the foot ones.
 3. Remove the head board.
 4. Completely raise the head section and attach it securely to the bed using a strap. **It must not move during the procedure.**
 5. Unplug the bed power cord from the wall outlet.
 6. Using the #2 Phillips screwdriver, remove the two lateral mattress retainers (I) and keep them for the replacement head section.

If the bed is not equipped with the CPR emergency release (optional), proceed with steps 7 to 14. Otherwise, proceed with steps 15 to 24.

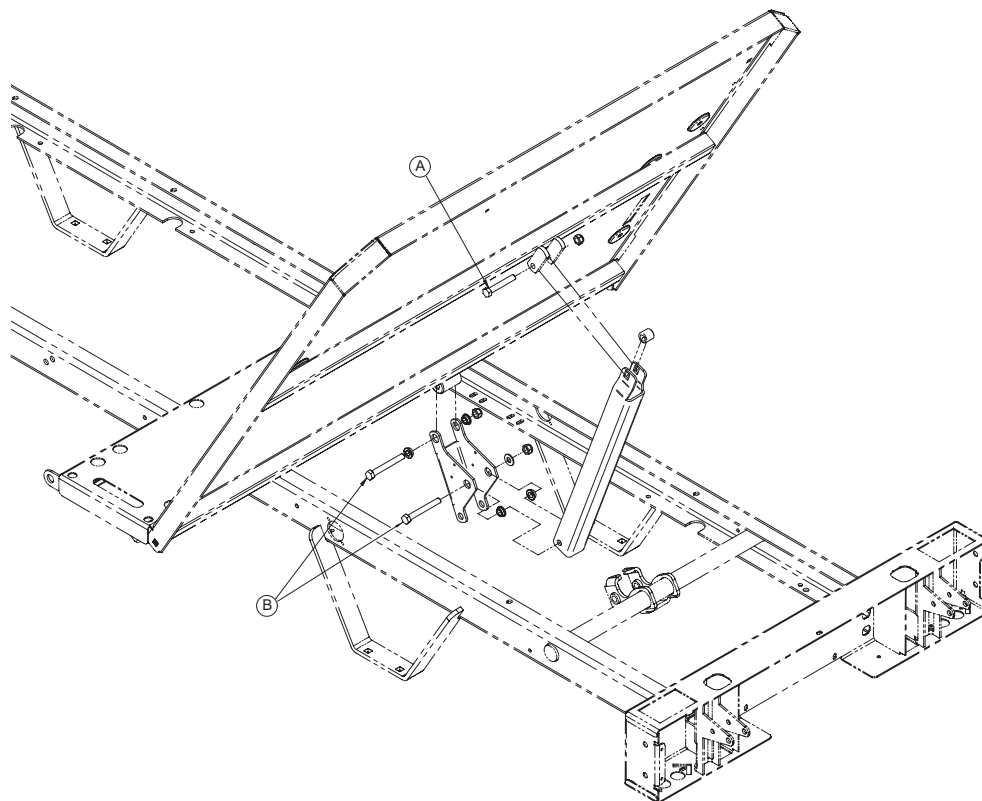


Figure 4.3 B

Service Information

HEAD SECTION REPLACEMENT (CONTINUED)

7. Using two 1/2" combination wrenches, remove the locknut, spacer and bolt holding the upper part of the compression bar to the head section and lay it down.
8. Using two 1/2" combination wrenches, remove the locknut, shoulder spacers and bolt (B) linking the mattress support lever to the head section and remove the lever-compression bar assembly.
9. Remove the strap and manually lower the head section completely.
10. If the bed is equipped with half-length siderails, lower the head siderails and use the #2 Phillips screwdriver to remove the four screws (K, Figure 4.1 A, [pg. 22](#)) holding the two siderail supports to the head section. Let the support-siderail assembly rest on the frame.
11. Using the 1/2" combination wrench, remove the two locknuts, flat washers, shoulder spacers and bolts (G) linking the head section to the seat section. Remove the defective head section.
12. Using the #2 Phillips screwdriver, remove the two screws (J) holding the micro switch activator (optional) to the head section.

Note: This activator is present only if the bed is equipped with the optional Auto Contour positioning. Remember the position of the micro switch activator before removing the screws. Properly positioned, the blade of the Auto Contour micro switch is pushed in by the activator when the Fowler is in flat position.

13. Reverse the above steps to install the replacement head section.
14. Verify the Auto Contour positioning (optional) for proper operation before returning the bed to service.

End of the procedure for beds with Auto Contour.

Note: Unless otherwise indicated, refer to Figure 4.3 A on [pg. 37](#) for the following replacement procedure.

15. Disconnect the two wires (A, Figure 4.3 F, [pg. 54](#)) from the micro switch located on the head section lever. Note their position before doing so.
16. Using two 7/16" combination wrenches, remove the locknut and bolt (O, Figure 4.3 F, [pg. 54](#)) holding the cylinder end fitting to the head section.
17. Using two 1/2" combination wrenches, remove the nut, shoulder spacers and bolt (P, Figure 4.3 F, [pg. 54](#)) holding the upper part of the section lever to the head section.
18. Using a 7/16" combination wrench, remove the two locknuts and bolts (Q, Figure 4.3 F, [pg. 54](#)) holding each CPR release handle to the head section.
19. Remove the strap and manually lower the head section completely.
20. If the bed is equipped with half-length siderails, lower the head siderails and use the No. 2 Phillips screwdriver to remove the four screws (K, Figure 4.1 A, [pg. 22](#)) holding the two siderail supports to the head section. Let the supports-siderails assembly rests on the frame.
21. Using the 1/2" combination wrench, remove the two locknuts, shoulder spacers, washers and bolts (G) holding the head section to the seat section. Remove the defective head section.
22. Using the #2 Phillips screwdriver, remove the two screws holding the activator (J) to the head section.

Note: Note the position of the activator before removing the screws. Properly positioned, the blade of the CPR and Auto Contour (optional) micro switches are pushed in by the activator when the Fowler is in flat position.

23. Reverse the above steps to install the replacement head section.
24. Verify the CPR emergency release and the Auto Contour positioning (optional) for proper operation before returning the bed to service.

End of the procedure for beds with CPR and Auto Contour.

Service Information

FOWLER ACTUATOR REPLACEMENT

Tools Required:

- Needle Nose Pliers
- #2 Phillips Screwdriver
- Diagonal Pliers
- 5/16" Socket
- Small Regular Head Screwdriver
- Pliers
- Bungee Cord (or equivalent)
- 1/4" Drive Ratchet

Procedure:

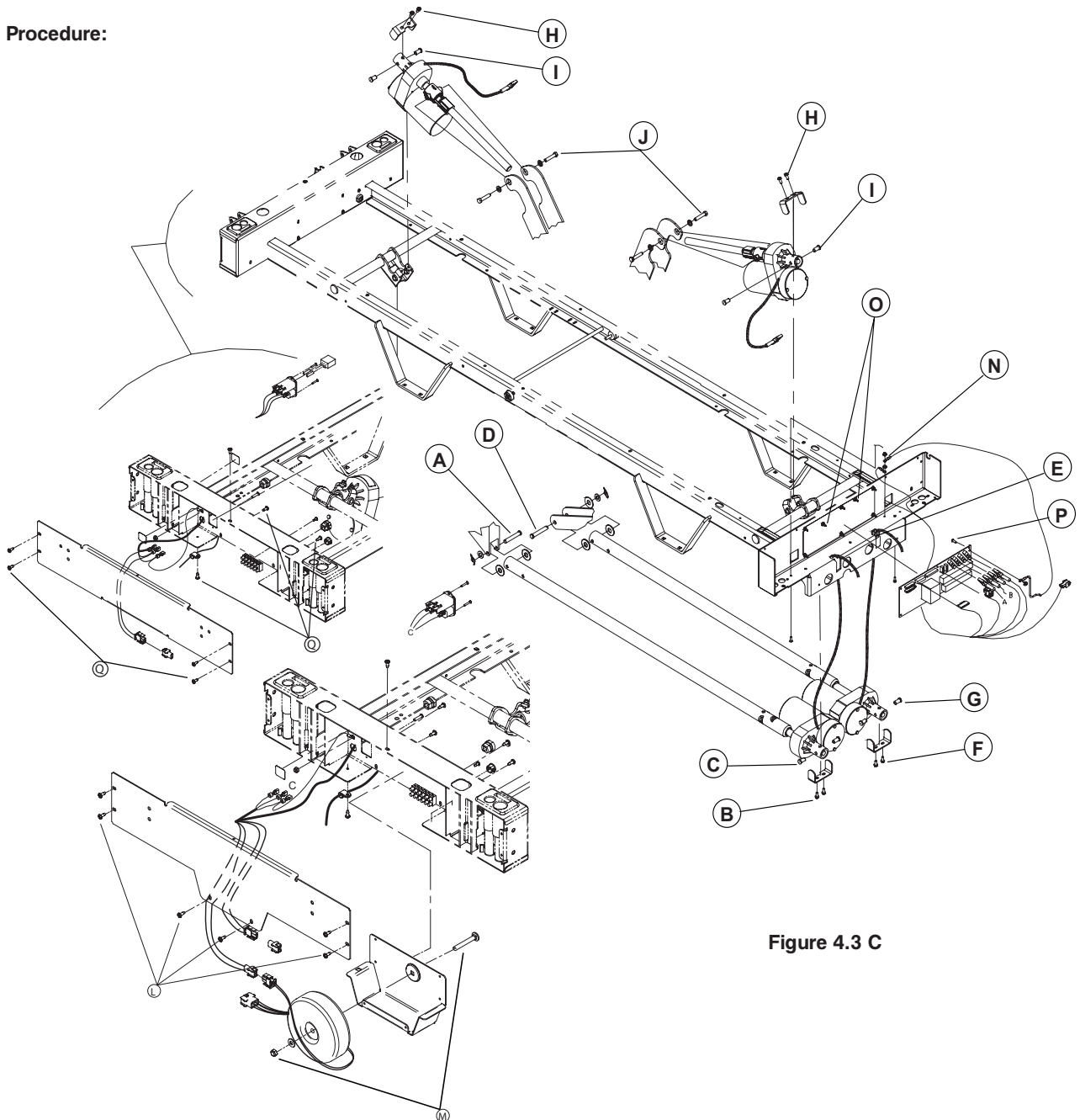


Figure 4.3 C

Service Information

FOWLER ACTUATOR REPLACEMENT (CONTINUED)

1. Completely raise the bed and apply the brakes. Completely raise the Knee Gatch section and flatten the Fowler section.
2. Unplug the bed power cord from the wall outlet.
3. Raise the siderails.
4. Manually lift and fold the foot section back toward the head end of the bed. Attach it securely to the bed using a bungee cord.
5. Using needle nose pliers, remove the rue ring cotter, washers and clevis pin (A) linking the head actuator tube to the section lever arms.
6. Remove the foot board.
7. Using the #2 Phillips screwdriver, remove the 10 screws (A, Figure 4.2 A, [pg. 32](#)) holding the cover and the two I.V. pole holders to the foot casing.
8. Lift up and remove the cover, taking care first to disconnect, from the control board, the control panel cable (B, Figure 4.2 A, [pg. 32](#)) and, if applicable, the foot casing connector cable ((optional), C, Figure 4.2 A, [pg. 32](#)).
9. Properly ground yourself (see [pg. 13](#)).
10. Using cutting pliers, cut the cable tie holding the head actuator cable to the other cables.
11. Disconnect the actuator cable (connector J8) from the control board and remove the cable from the foot end casing.
12. Using the 5/16" socket, remove the two screws (B) holding the retaining plate to the actuator support.
13. Remove the two pivot pins (C) holding the actuator to the support. To facilitate the removal of the pins, insert a small slotted head screwdriver into the opening at the end of the actuator and push out the pins.
14. Move the actuator toward the centre of the bed to remove it from its location.
15. Reverse the above steps to install the replacement actuator. Take note of the following caution before hooking up the actuator tube to the head section lever arms.

 **CAUTION**

It is of utmost importance that the course of the replacement head actuator be adjusted before hooking up its tube to the head section lever arms. An improper adjustment can damage the head section structure.

16. To adjust the course of the replacement head actuator, proceed as follows:
 - A. Make sure that the actuator cable is connected to the control board, and then connect the bed power cord.
 - B. Grab the replacement actuator tube and position its holes horizontally. While firmly holding the tube with one hand to prevent it from rotating, press the Fowler up control for a few seconds using the other hand, then press the down control until the actuator stops. This will be the lower limit of the Fowler actuator course.
 - C. Gently turn the tube in either direction to align the tube holes with those of the head section lever arms. Then, still holding firmly the tube, raise again the Fowler a few inches, and lower it completely.
 - D. Check the alignment of the holes. If the tube holes are not aligned any more with those of the lever arms, repeat steps B and C until they are. Once the holes are aligned, install the washers and the clevis pin. Slightly raise the head section manually to ease the insertion of the clevis pin.
 - E. Before installing the rue ring cotter to finalize the head actuator replacement, raise and lower completely the Fowler. Check that the actuator stops working as soon as the head section reaches the frame.

Service Information

KNEE GATCH MOTOR REPLACEMENT

Tools Required:

- Bungee Cord (or equivalent)
- Needle Nose Pliers
- #2 Phillips Screwdriver
- Pliers
- Diagonal Pliers
- Small Regular Head Screwdriver
- 5/16" Socket
- 1/4" Drive Ratchet

Procedure:

Note: Unless otherwise indicated, refer to Figure 4.3 C on [pg. 43](#) for the following replacement procedure.

1. Completely raise the bed and apply the brakes. Flatten the mattress support.
2. Unplug the bed power cord from the wall outlet.
3. Raise the siderails.
4. Manually lift and fold the foot section back toward the head end of the bed. Attach it securely to the bed using a bungee cord.
5. Using needle nose pliers, remove the rue ring cotter, washers and clevis pin (D) linking the thigh actuator tube to the thigh section lever arms.
6. Using the #2 Phillips screwdriver, remove the 10 screws (A, Figure 4.2 A, [pg. 32](#)) holding the cover and the two I.V. pole holders to the foot casing.
7. Lift up and remove the cover, taking care to first disconnect the control panel cable (B, Figure 4.2 A, [pg. 32](#)) and, if applicable, the foot casing connector cable ((optional), C, Figure 4.2 A, [pg. 32](#)) from the control board.
8. Properly ground yourself (see [pg. 13](#)).
9. Using diagonal pliers, cut the cable tie holding the thigh actuator cable to the other cables.
10. Disconnect the motor cable (connector J9) from the control board.
11. Using pliers, squeeze the upper part of the black strain-relief bushing (E) holding the actuator cable to the foot casing and raise the bushing to disengage it from its location.
12. Disengage the cable from the strain-relief bushing and remove the cable from the foot casing.
13. Using the 5/16" socket, remove the two screws (F) holding the retaining plate to the actuator support.
14. Remove the two pivot pins (G) holding the motor to the support. To facilitate the removal of the pins, insert a small regular head screwdriver into the opening at the end of the actuator and push out the pins.
15. Push on the defective actuator toward the centre of the bed to remove it from its location.
16. Reverse the above steps to install the replacement actuator. Take note of the following caution before hooking up the actuator tube to the thigh section lever arms.

CAUTION



It is of utmost importance that the course of the replacement thigh actuator be adjusted before hooking up its tube to the thigh section lever arms. An improper adjustment can damage the thigh section structure.

Service Information

KNEE GATCH MOTOR REPLACEMENT (CONTINUED)

17. To adjust the travel of the replacement knee gatch motor, proceed as follows:
 - A. Make sure that the motor cable is connected to the control board, then connect the bed power cord.
 - B. Grab the replacement motor tube and position its holes horizontally. While firmly holding the tube with one hand to prevent it from rotating, press the Knee Gatch up control for a few seconds using the other hand, then press the down control until the actuator stops. This will be the lower limit of the Knee Gatch actuator course
 - C. Gently turn the tube in either direction to align the tube holes with those of the thigh section lever arms. Then, still holding firmly the tube, raise again the Knee Gatch a few inches, and lower it completely.
 - D. Check the alignment of the holes. If the tube holes are not aligned any more with those of the lever arms, repeat steps B and C until they are. Once the holes are aligned, install the washers and the clevis pin. Slightly raise the head section manually to ease the insertion of the clevis pin.
 - E. Before installing the rue ring cotter to finalize the head actuator replacement, raise and lower completely the Knee Gatch. Check that the actuator stops working as soon as the thigh section reaches the frame.

Service Information

BED LIFT MOTOR REPLACEMENT

Tools Required:

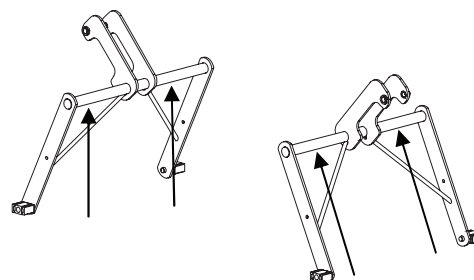
- 1/4" Drive Ratchet
- KR0121 Tool Kit
- Diagonal Pliers
- 5/16" Socket
- Small Regular Head Screwdriver
- #2 Phillips Screwdriver
- 1/2" Combination Wrench
- Bungee Cord (or equivalent)

Procedure:

Note: In order to preserve the adjustment of the bed's lowest position when replacing a bed lift motor, a special tool kit designed for that purpose must be used. The kit includes alignment jigs. To obtain this kit, contact our Customer Support department and order part number KR0121.

Unless otherwise indicated, refer to Figure 4.3 C on [pg. 43](#) for the following replacement procedure.

1. Position the mattress support sections depending on the location of the bed lift motor to replace:
 - A. At the **foot of the bed**: Completely raise the thigh section, then lift and fold back the foot section toward the head end of the bed. Attach it securely to the bed using a bungee cord. Finally completely raise the Fowler.
 - B. At the **head of the bed**: Completely raise the Fowler.
2. Position the alignment jigs on the base frame, right under the two transversal tubes supporting the link arms of both bed lift levers. Lower the bed until the tubes come to rest on the jigs (see opposite Figure). Use the 3/8" ratchet wrench with the 1/2" socket provided in the kit to lower a defective bed lift motor until the tube rests on the jig.
3. Unplug the bed power cord from the wall outlet.
4. Raise the siderails.
5. Disconnect the motor cable and cut, using diagonal pliers, the cable ties holding it to the frame.
6. Using the 5/16" socket, remove the two screws (H) holding the retaining plate to the actuator support.
7. Remove the two pivot pins (I) holding the motor to the support. To facilitate the removal of the pins, insert the small regular head screwdriver into the opening at the end of the actuator and push out the pins.
8. Using the 1/2" combination wrench, remove the two bolts and washers (J) holding the molded nut support to the Hi-Lo lever. Remove the molded nut support and keep it for the replacement actuator.



Note: Make sure that the support and the molded nut holes are aligned before screwing in the bolts. If resistance is felt, it means that the holes are not aligned.

9. Remove the defective motor.
10. Using the #2 Phillips screwdriver, remove the two screws holding together the two parts of the screw cover (optional) and keep it for the replacement actuator.
11. Reverse the above steps to install the replacement actuator. Take note of the following caution before hooking up the motor to the bed lift lever.

Service Information

BED LIFT MOTOR REPLACEMENT (CONTINUED)

 **CAUTION**

The course of the replacement motor must be adjusted prior to hooking it to the bed lift lever. An improper adjustment can damage the bed lift mechanism.

12. To adjust the replacement motor, proceed as follows:

- A. Once the replacement motor cable is connected, plug the bed power cord and press the bed down control until the motor stops. This will be the lower limit of the actuator course.
- B. Link the motor to the bed lift lever.
- C. The alignment jigs still in position, completely raise and lower the bed to ensure that the lower limit has been preserved following the motor replacement.

Service Information

TRANSFORMER REPLACEMENT (INTERNATIONAL SERIES MODELS)

Tools Required:

- #2 Phillips Screwdriver
- 1/2" Combination Wrench

Procedure:

Note: Unless otherwise indicated, refer to Figure 4.3 C on [pg. 43](#) for the following replacement procedure.

1. Completely raise the bed and apply the brakes.
2. Unplug the bed power cord from the wall outlet.
3. Remove the head board.
4. Using a #2 Phillips screwdriver, remove the seven screws (L) holding the cover to the head casing and remove the cover.
5. Disconnect the transformer cables.
6. Using the 1/2" combination wrench, remove the nut, washer and bolt (M) holding the transformer to the head casing.

Note: Do not over tighten the nut.

8. Reverse the above steps to install the replacement transformer.
9. Test all the bed electric controls for proper operation before returning the bed to service.

Service Information

MOTOR CONTROL BOARD REPLACEMENT

Tools Required:

- #2 Phillips Screwdriver
- Needle Nose Pliers
- Diagonal Pliers
- 3/8" Combination Wrench

Procedure:

Note: Unless otherwise indicated, refer to Figure 4.3 C on [pg. 43](#) for the following replacement procedure.

1. Completely raise the bed and apply the brakes.
2. Unplug the bed power cord from the wall outlet.
3. Remove the foot board.
4. Using the #2 Phillips screwdriver, remove the 10 screws (A, Figure 4.2 A, [pg. 32](#)) holding the cover and the I.V. pole holders to the foot casing.
5. Lift up and remove the cover, taking care to first disconnect the control panel cable (B, Figure 4.2 A, [pg. 32](#)) and, if applicable, the foot casing connector cable ((optional), C, Figure 4.2 A, [pg. 32](#)) from the control board.
6. Properly ground yourself (see [pg. 13](#)).
7. Using diagonal pliers, cut the cable ties holding together the cables.

Note: Carefully note the position and the grouping together of the cables before clipping the cable ties.

8. Remove all cables connected to the control board. Note their location so they will be connected properly to the replacement board. Refer to the connection diagram in the "Electrical Service Information" section for the connecting position of the cables on the motor control board.
9. Using the 3/8" combination wrench, remove the nut (N) holding the ground cable to the frame and remove the cable.
10. Using needle nose pliers, pinch the upper part of the stand-off pins (O) and gradually lift the board up and out.

Note: Verify that the DIP switches of the replacement control board are set as the ones of the defective board. They should be as follows:

DIP switches

- 1: off
- 2: off
- 3: on
- 4: on

11. Using the 3/8" combination wrench and #2 Phillips screwdriver, remove the nut and screw (P) holding the ground cable to the board.
12. Keep the jumper (W1) that is located on the electronic board before replacing the board.
13. Reverse the above steps to install the replacement control board.
14. Test all the bed electric functions before returning the bed to service.

Service Information

POWER CONNECTOR AND FUSE REPLACEMENT

Tools Required:

- #2 Phillips Screwdriver
- #1 Phillips Screwdriver
- Small Regular Screwdriver

Procedure:

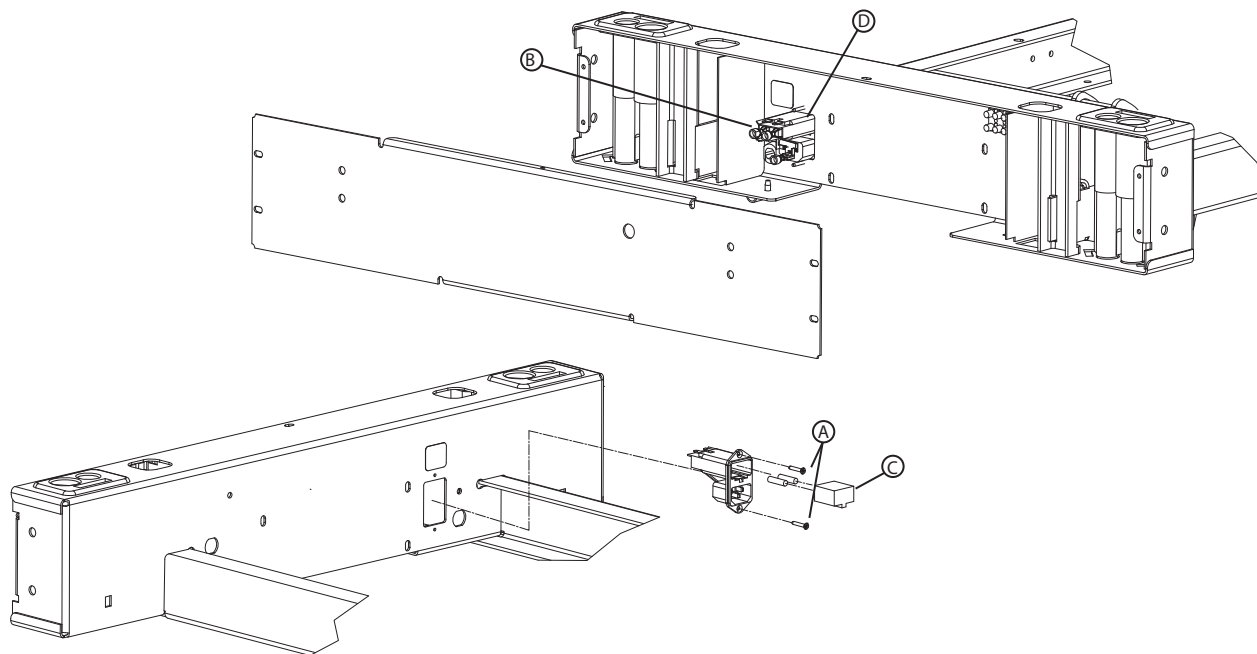


Figure 4.3 D

Note: Fuses used in the 120V electrical system, are of the fast acting type and their rating is 250V, 10A. For using other voltages, see the “Specifications” section on [pg. 8](#) for the fuse ratings.

For the replacement of a fuse, proceed with steps 8 to 10.

1. Completely raise the bed and apply the brakes.
2. Unplug the bed power cord from the wall outlet.
3. Remove the foot board.
4. Raise the head section, using the emergency crank.
5. Using the #2 Phillips screwdriver, remove the seven screws (Q, Figure 4.3 C, [pg. 43](#)) holding the cover to the head casing. Remove all the cables (B) connected to the power connector (D). Note their location so they will be connected correctly to the replacement power connector. Remove the cover and lay it on a work bench.
6. Using the #1 Phillips screwdriver, remove the two screws (A) holding the power connector to the frame.
7. Using the small regular screwdriver, remove the fuse holder.
8. Remove the fuses from the fuse holder and keep them for the replacement power connector, taking care to check that they are still in good condition, or replace them if you are only proceeding with the replacement of the fuses.
9. Reverse the above steps to install the replacement power connector.
10. Verify the bed powers on before returning it to service.

Service information

AUTO CONTOUR MICRO SWITCH REPLACEMENT (OPTIONAL)

Tools Required:

- #2 Phillips Screwdriver
- #1 Phillips Screwdriver

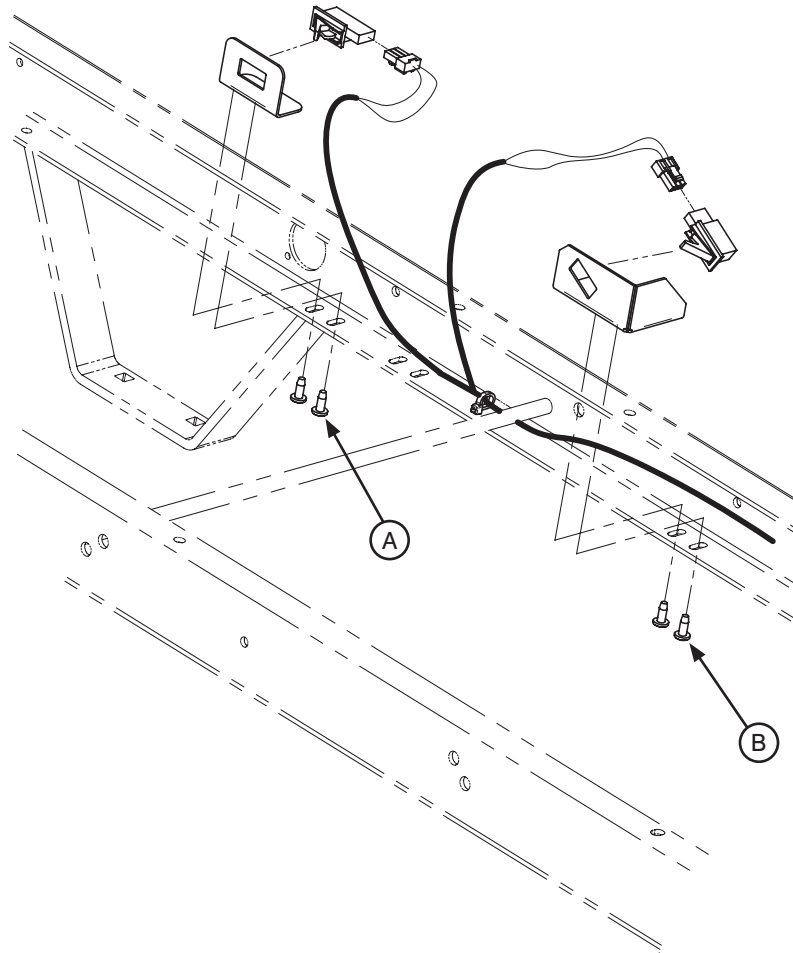


Figure 4.3 E

Procedure:

1. Completely raise the bed and apply the brakes.
2. Deactivate the Auto Contour function by pressing the gatch lockout switch at the foot end of the bed. The lockout switch LED will go off.
3. Completely raise the Fowler.
4. Unplug the bed power cord from the wall socket.

Head Section Micro Switch

Note: This switch signals to the motor control board that the Knee Gatch must be lowered. The signal is sent during the lowering of the Fowler when the bed is in the Auto Contour position.

5. Remove the cable wires from the switch. Note their location so they will be connected correctly to the replacement switch.
6. Using the #2 Phillips screwdriver, remove the two screws (A) holding the support to the frame and remove the support.

[Return To Table of Contents](#)

Service Information

AUTO CONTOUR MICRO SWITCH REPLACEMENT (OPTIONAL) (CONTINUED)

Note: The mounting position of the support may be adjusted thanks to the oblong holes present on the frame. The proper adjustment of the support is obtained when the switch blade is pushed in by the activator, located at the base of the head section, when the Fowler is in flat position.

7. Remove the defective switch.
8. Reverse the above steps to install the replacement micro switch.
9. Test the Auto Contour positioning for proper operation before returning the bed to service.

Thigh Section Micro Switch

Note: This switch signals to the motor control board that the gatch has reached the maximum elevation angle in the Auto Contour positioning context. As a consequence, the gatch stops raising.

1. Remove the cable wires from the switch. Note their location so they will be connected correctly to the replacement switch.
2. Using the #2 Phillips screwdriver, remove the two screws (B) holding the support to the frame and remove the support.

Note: The mounting position of the support may be adjusted thanks to the oblong holes present on the frame. The proper adjustment of the support is obtained when the switch blade is pushed in by the thigh section outer lever arm, located underneath the thigh section, when the thigh section is in flat position.

3. Remove the defective switch.
4. Reverse the above steps to install the replacement micro switch.
5. Test the Auto Contour positioning for proper operation before returning the bed to service.

Service Information

CPR MICRO SWITCH REPLACEMENT (OPTIONAL)

Tools Required:

- Inclinator
- #1 Phillips Screwdriver
- #2 Phillips Screwdriver

Procedure:

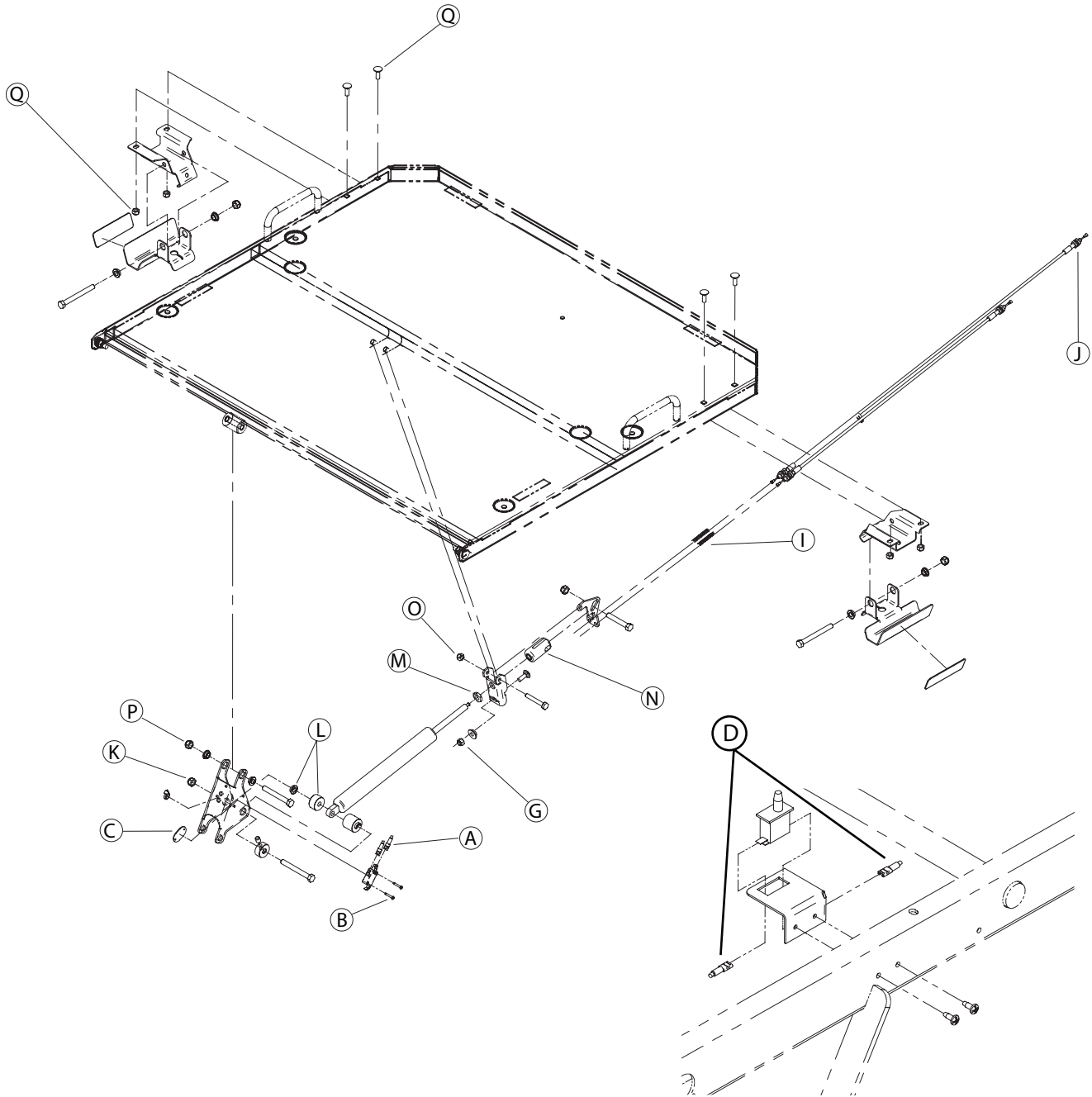


Figure 4.3 F

Service Information

CPR MICRO SWITCH REPLACEMENT (OPTIONAL) (CONTINUED)

Micro Switch Attached to the Head Section Lever

Note: This switch informs on the state of the Fowler motor (engaged or disengaged) when the CPR emergency release is activated.

1. Completely raise the bed and apply the brakes.
2. Raise the head siderails.
3. Raise the head section at an angle of 45°.
4. Unplug the bed power cord from the wall outlet.
5. Remove the wires (A) from the micro switch. Note the location of the wires so they will be connected correctly to the replacement micro switch.
6. Using the #1 Phillips screwdriver, remove the two screws (B) holding the micro switch to the fowler section lever. Keep the mounting plate (C). Remove the defective micro switch.
7. Reverse the above steps to install the replacement micro switch.
8. Test the CPR emergency release before returning the bed to service.

Micro Switch Attached to the Frame

Note: This switch signals to the motor control board on one hand, that the resetting of the Fowler motor may begin because the Fowler is completely lowered, and on the other hand, that the lowering to flat of the gatch may also begin.

1. Completely raise the Fowler.
2. Unplug the bed power cord from the wall outlet.
3. Remove the cable wires (D) from the micro switch. Note the location of the wires so they will be connected correctly to the replacement micro switch.
4. Using the regular screwdriver, remove the micro switch from its support.
5. Reverse the above steps to install the replacement micro switch.
6. Test the CPR emergency release before returning the bed to service.

Service Information

CPR ACTIVATION CABLE REPLACEMENT (OPTIONAL)

Tools Required:

- 7/16" Combination Wrench

Procedure:

Note: Unless otherwise indicated, refer to Figure 4.3 F on [pg. 54](#) for the following replacement procedure.

1. Completely raise the bed and apply the brakes.
2. Completely raise the Fowler and remove the head board.
3. Unplug the bed power cord from the wall outlet.
4. Using the 7/16" combination wrench, remove the nut, sleeve and bolt (G) holding both ends of the activation cable to the fixed lever.
5. Using the 7/16" combination wrench, remove the nut and washer (H) holding the defective cable jacket to the mobile lever. Remove the cable from the mobile lever and keep the spring (I). Try not to move the other cable from its position.
6. Unscrew completely the two locknuts (J) holding the defective cable to the CPR handle end. Remove the cable.
7. Reverse the above steps to install the replacement cable.

Note: Make sure there is no loose space at the CPR handle once the replacement cable is installed.

8. Test the CPR emergency release before returning the bed to service.

Service Information

CPR PNEUMATIC CYLINDER REPLACEMENT (OPTIONAL)

Tools Required:

- Two 1/2" Combination Wrenches
- 11/16" Combination Wrench

Procedure:

Note: Unless otherwise indicated, refer to Figure 4.3 F on [pg. 54](#) for the following replacement procedure.

1. Completely raise the bed and apply the brakes.
2. Completely raise the fowler section.
3. Unplug the bed power cord from the wall outlet.
4. Using two 1/2" combination wrenches, remove the nut (K) from the bolt holding the lower end of the pneumatic cylinder.
5. Partially remove the bolt until the lower end of the cylinder is free. Keep the shoulder spacer and sleeve (L). Disengage the lower end of the cylinder from the sleeve still in place.
6. Using the 11/16" combination wrench, loosen the locknut (M) and unscrew the cylinder completely from the end fitting (N). Note the location of the locknut before loosening it so the replacement cylinder will be properly screwed into the end fitting.
7. Reverse the above steps to install the replacement cylinder.
8. Test the CPR emergency release for proper operation before returning the bed to service.

Service Information

BRAKE/STEER PEDAL REPLACEMENT

Tools Required:

- 3/8" Drive Ratchet
- 1/2" Socket
- Rubber Mallet

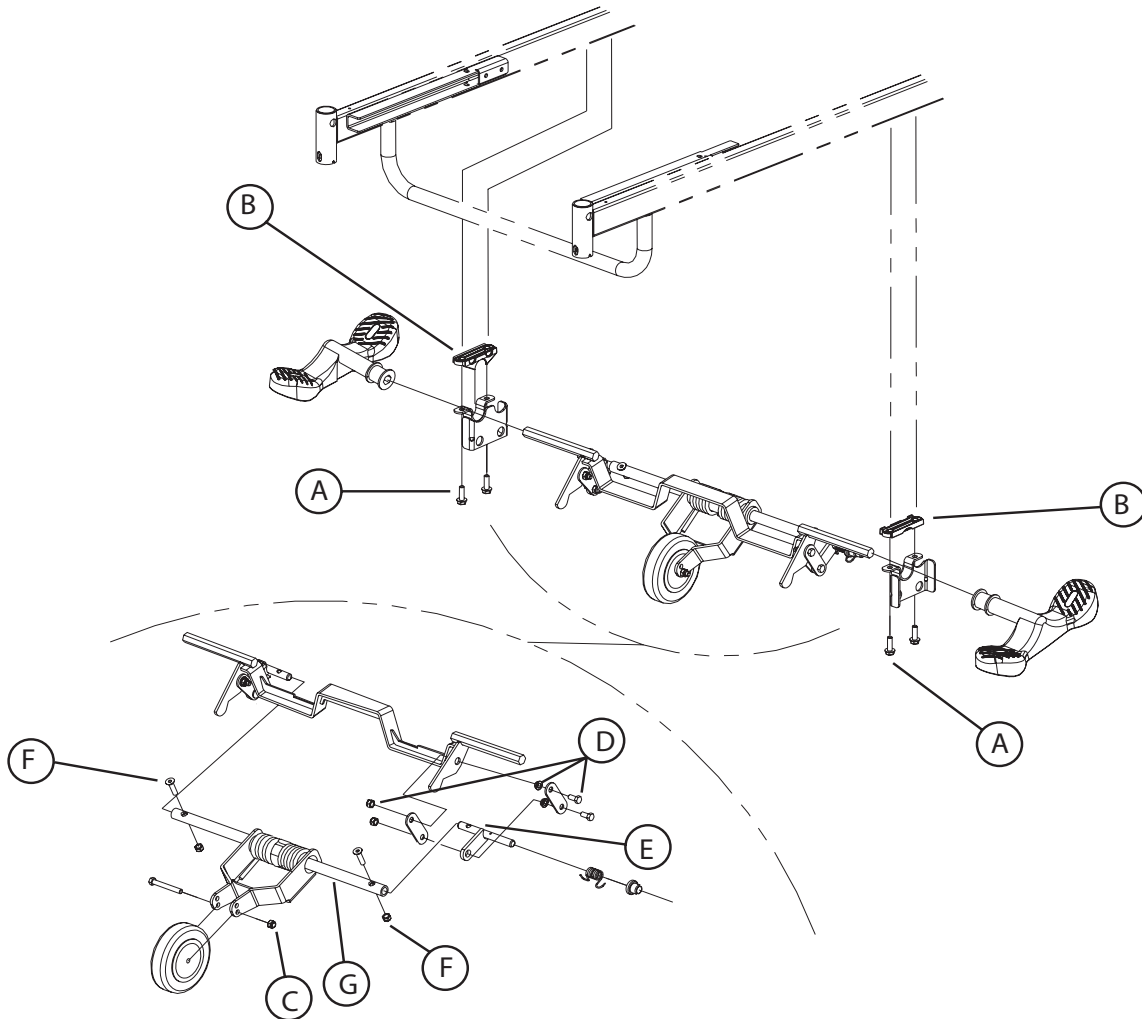


Figure 4.4 A

Procedure:

1. Completely raise the bed.
2. Unplug the bed power cord from the wall outlet.
3. Position the brake/steer pedal to neutral.
4. Using the 1/2" socket, remove the two bolts (A) holding the fifth wheel support (optional) or the lever support (F, Figure 4.4 B, (without fifth wheel option) [pg. 62](#)) on the side of the defective pedal and lay the support down. Keep the molded spacer (B).
5. Remove the pedal from the activation lever shaft. Use a rubber mallet if necessary.
6. Reverse the above steps to install the replacement pedal.

Service Information

FIFTH WHEEL CASTER REPLACEMENT (OPTIONAL)

Tools Required:

- Two 1/2" Combination Wrenches

Procedure:

Note: Unless otherwise indicated, refer to Figure 4.4 A on [pg. 58](#) for the following replacement procedure.

1. Completely raise the bed.
2. Unplug the bed power cord from the wall outlet.
3. Position the brake/steer pedal to neutral.
4. Using two 1/2" combination wrenches, remove the nut and bolt (C) holding the caster to the swing arm.
5. Reverse the above steps to install the replacement caster.

Service Information

FIFTH WHEEL ASSEMBLY REPLACEMENT (OPTIONAL)

Tools Required:

- 1/2" Combination Wrench
- 1/2" Socket
- Rubber Mallet
- 3/8" Drive Ratchet

Procedure:

Note: Unless otherwise indicated, refer to Figure 4.4 A on [pg. 58](#) for the following replacement procedure.

1. Completely raise the bed.
2. Unplug the bed power cord from the wall outlet.
3. Position the brake/steer pedal to neutral.
4. Using the 1/2" combination wrench, remove the two nuts, washers, shoulder spacers and bolts (E1, Figure 4.4 B, [pg. 62](#)) linking the end of the brake rod to the locking levers, on the side of the pedals. If the optional four-wheel brake system is present on the bed, also remove the fasteners linking the end of the two other brake rods to the same locking levers.
5. Using the 1/2" socket, remove the four bolts (A) holding both fifth wheel supports to the base. Keep the molded spacers (B). Remove the assembly.
6. Remove the two brake/steer pedals from the activation lever shafts. Use a rubber mallet if necessary.
7. Remove and keep the two locking levers (G, Figure 4.4 B, [pg. 62](#)).
8. Reverse the above steps to install the replacement fifth wheel assembly.
9. Test the fifth wheel for proper operation before returning the bed to service.

Service Information

FIFTH WHEEL SWING ARM ASSEMBLY REPLACEMENT (OPTIONAL)

Tools Required:

- 3/8" Drive Ratchet
- 1/2" Socket
- Two 1/2" Combination Wrenches
- 3/16" Allen Wrench

Procedure:

Note: Unless otherwise indicated, refer to Figure 4.4 A on [pg. 58](#) for the following replacement procedure.

1. Completely raise the bed.
2. Unplug the bed power cord from the wall outlet.
3. Position the brake/steer pedal to neutral.
4. Using the 1/2" socket, remove the two bolts (A) holding the left or right fifth wheel support to the base. Lay the support down and keep the molded spacer (B).
5. Using two 1/2" combination wrenches, remove the nut, shoulder spacer and bolt (D) holding the torsion lever (E) to the lower part of the counter lever.
6. Using the 1/2" combination wrench and 3/16" Allen wrench, remove the two nuts and Allen screws (F) holding the torsion levers (E) to both ends of the torque shaft (G).

Note: At reassembly, screw down the Allen screws before installing the nuts.

7. Disengage the swing arm assembly from the torsion levers and remove it.
8. Using two 1/2" combination wrenches, remove the nut and bolt (C) holding the caster to the swing arm and keep it for the replacement swing arm assembly.
9. Reverse the above steps to install the replacement swing arm assembly.
10. Test the fifth wheel for proper operation before returning the bed to service.

Service Information

BED CASTER REPLACEMENT

Tools Required:

- Jack Stand
- Needle Nose Pliers
- 1/2" Combination Wrench

Procedure:

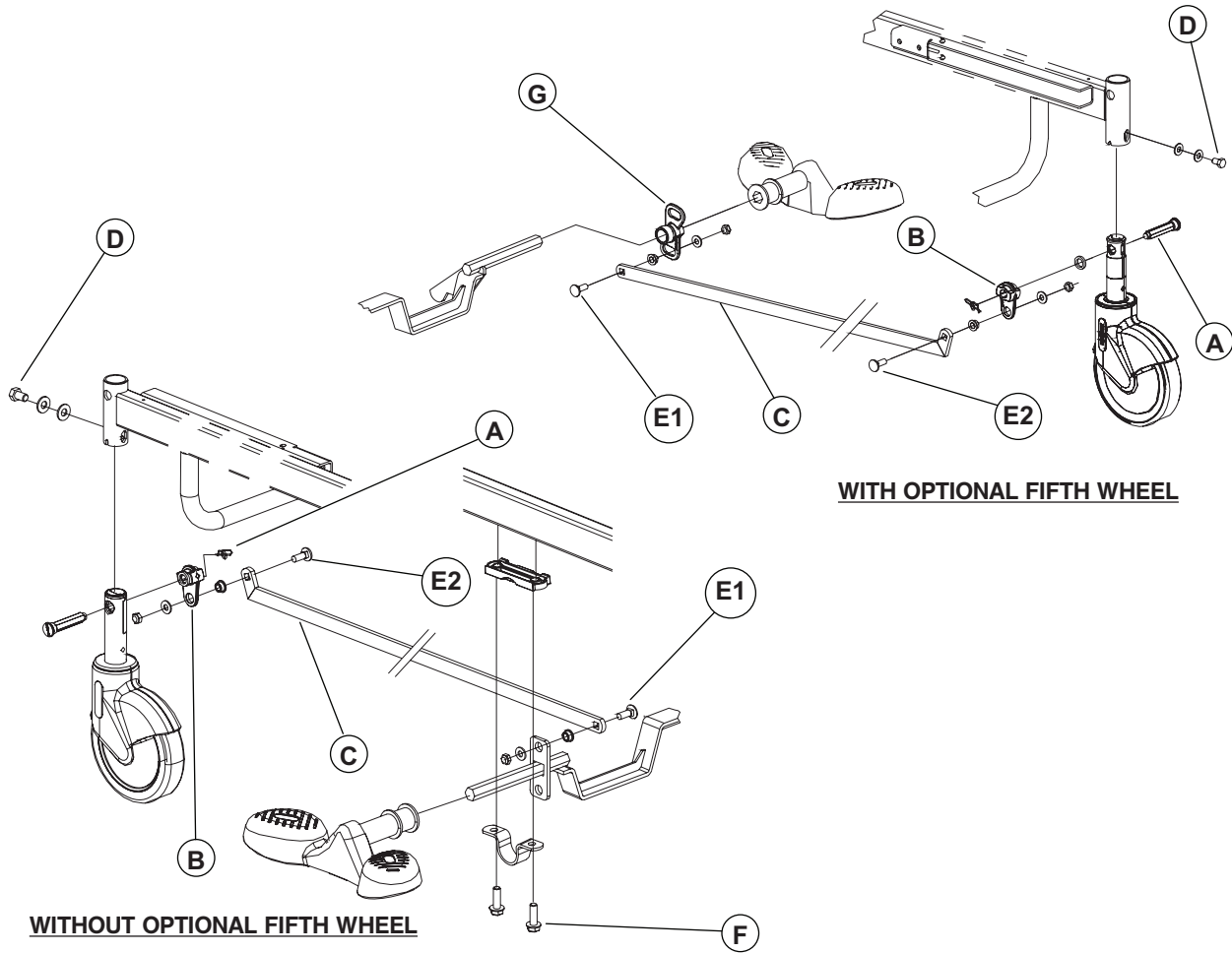


Figure 4.4 B

1. Completely raise the bed.
2. Position the brake/steer to neutral.
3. Install a jack stand under the frame near the defective caster.
4. If present, remove the wheel cover (optional).
5. Lower the bed until the caster is six inches off the ground.
6. Unplug the bed power cord from the wall outlet.
7. Remove, using needle nose pliers, the rue ring, washer and locking axle (A) linking the caster shaft to the locking lever (B) and the brake rod (C) if the caster is part of the braking system.

Service Information

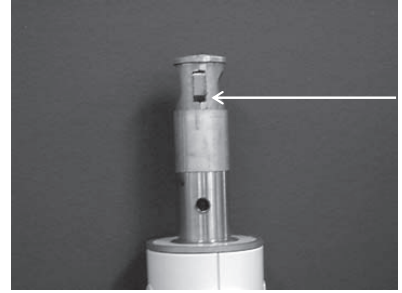
BED CASTER REPLACEMENT (CONTINUED)

Note: The shaft of a caster that is part of the braking mechanism must be properly oriented before mounting it to the base. The opposite illustration shows the side of the shaft that should be facing the inside of the bed: it is the side showing the largest opening below the cam in neutral position.

8. Using the 1/2" combination wrench, remove the bolt and washers (D) holding the caster to the base.

Note: Before completely tightening the bolt (D), make sure that the caster shaft is completely inserted into the mounting socket.

9. Reverse the above steps to install the replacement caster.
10. If the replacement caster is part of the brake mechanism, apply the brakes and check that the caster is locked before returning the bed to service.



Service Information

BRAKE ROD REPLACEMENT

Tools Required:

- 1/2" Combination Wrench

Procedure:

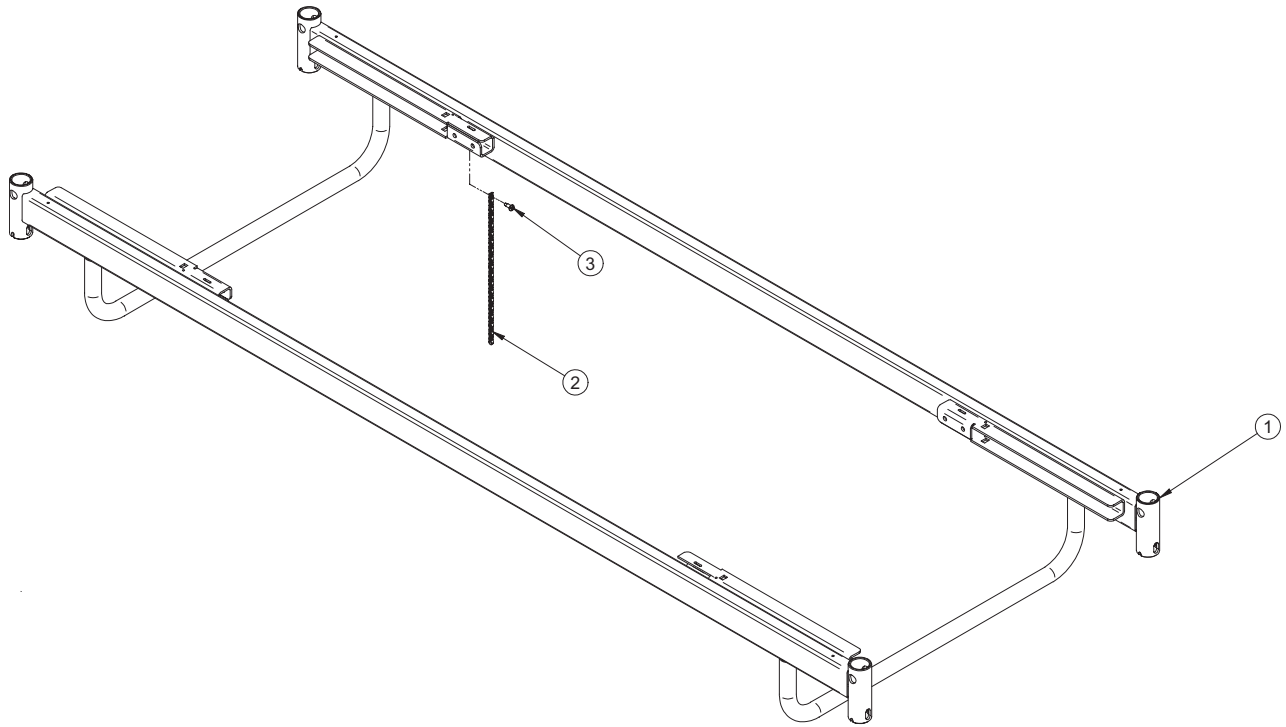
Note: Unless otherwise indicated, refer to Figure 4.4 B on [pg. 62](#) for the following replacement procedure.

1. Completely raise the bed.
2. Using a 1/2" combination wrench, remove the nut, shoulder spacer, washer and bolt (E1, E2) holding each end of the linking rod.
3. Remove the defective linking rod.
4. Reverse the above steps to install the replacement linking rod.
5. Check the braking mechanism before returning the bed to service.

Notes

Base

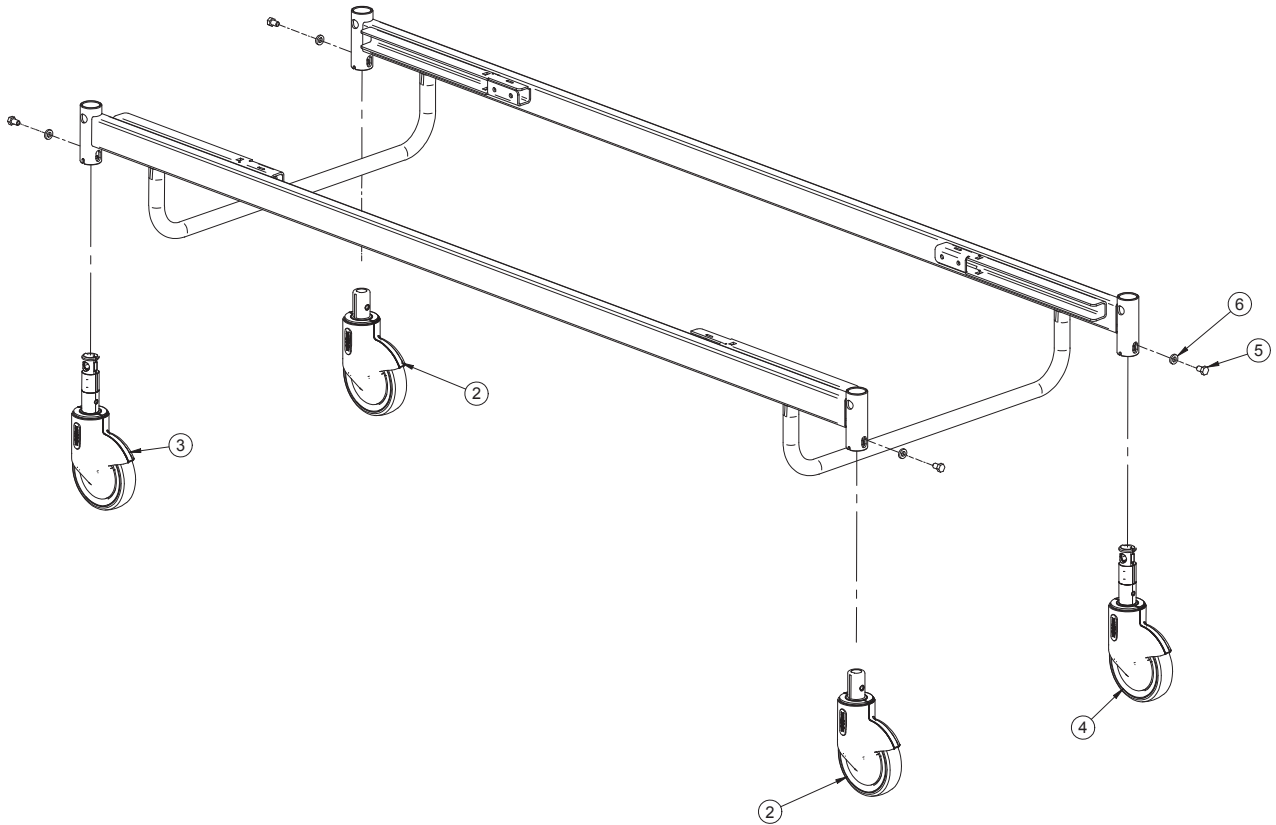
L23-006G Rev 01 (Reference Only)



Item	Part No.	Part Name	Qty.
1	25-0108G	Base	1
2	28-0469	Ground Chain	1
3	VV83A9G16	Pan Head Tapping Screw	1

5" Casters

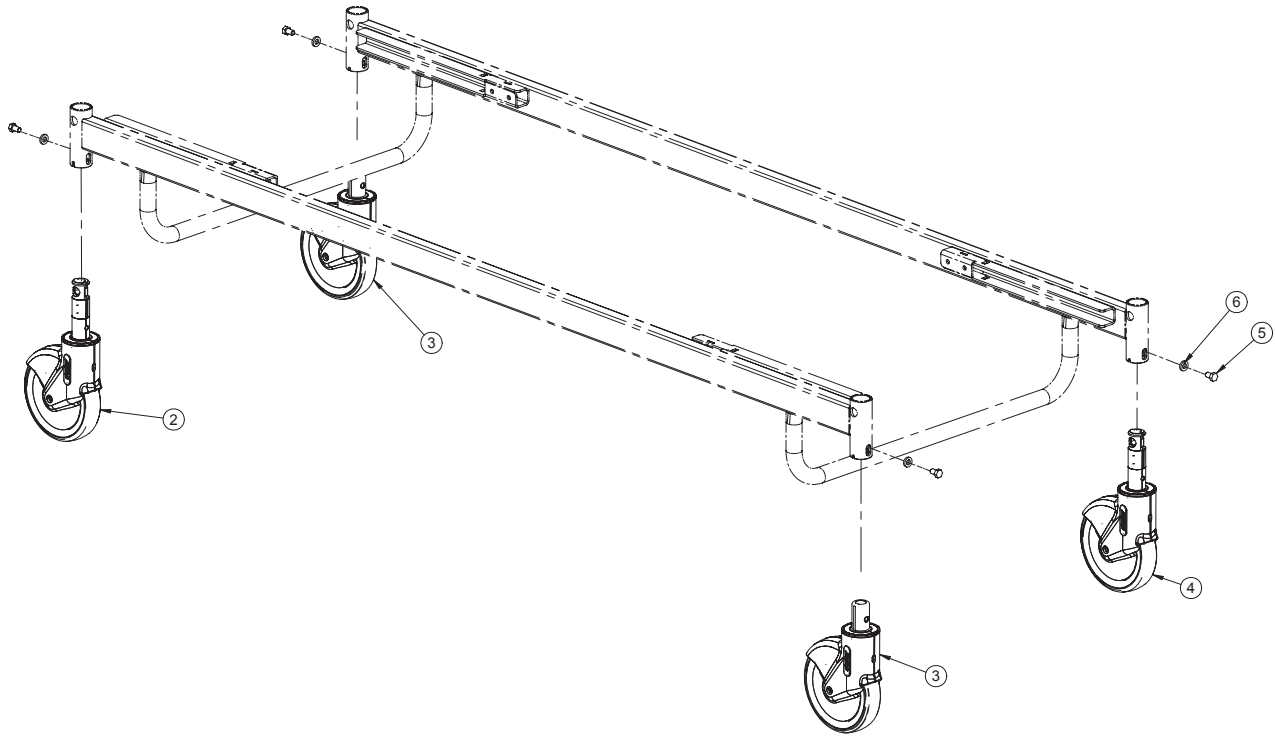
OL230044 Rev 05 (Reference Only)



Item	Part No.	Part Name	Qty.
2	RD25039107	5" Swivel Caster	2
3	RD25049407	5" Locking Caster	1
4	RD25049507	5" Steer Caster	1
5	VB15A1O16-S	Hex Bolt	4
6	VW10A1120	Flat Washer	4

6" Casters without Fifth Wheel

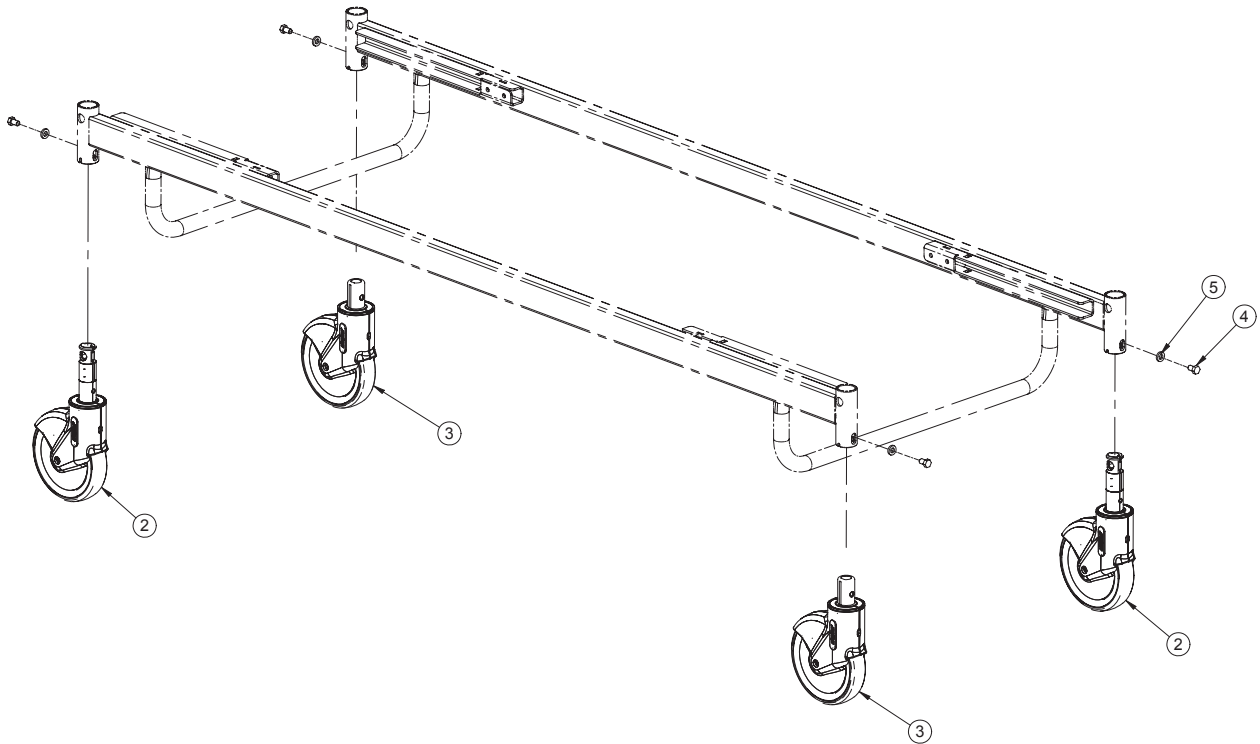
OL230048 Rev 05 (Reference Only)



Item	Part No.	Part Name	Qty.
2	RD25038807	6" Locking Caster	1
3	RD25049307	6" Swivel Caster	2
4	RD25049607	6" Steer Caster	1
5	VB15A1O16-S	Hex Bolt	4
6	VW10A1120	Flat Washer	4

6" Casters with Fifth Wheel

OL230050 Rev 04 (Reference Only)

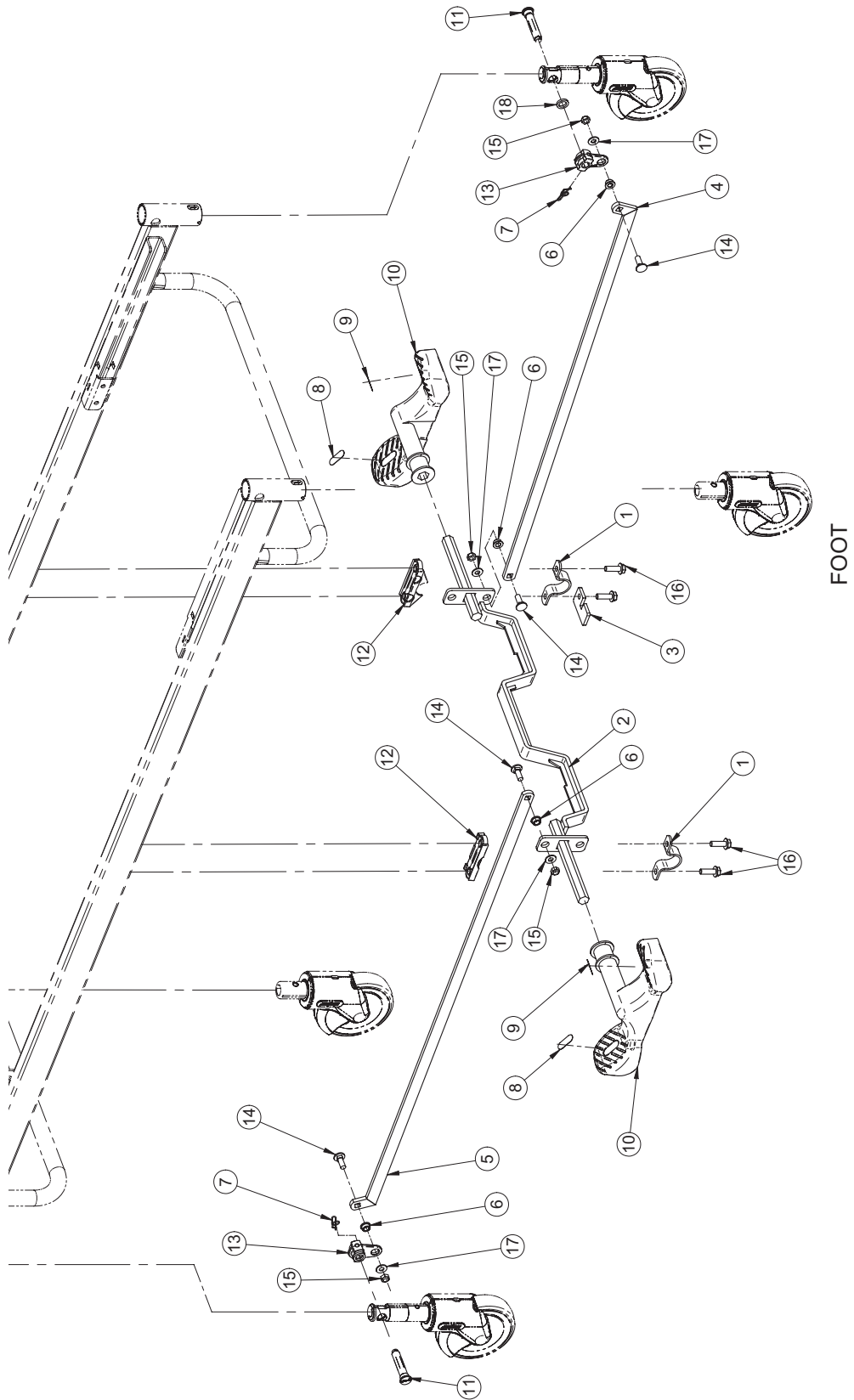


Item	Part No.	Part Name	Qty.
2	RD25038807	6" Locking Caster	2
3	RD25049307	6" Swivel Caster	2
4	VB15A1O16-S	Hex Bolt	4
5	VW10A1120	Flat Washer	4

[Return To Table of Contents](#)

Brake Mechanism without Fifth Wheel

OL230042G Rev 03 (Reference Only)



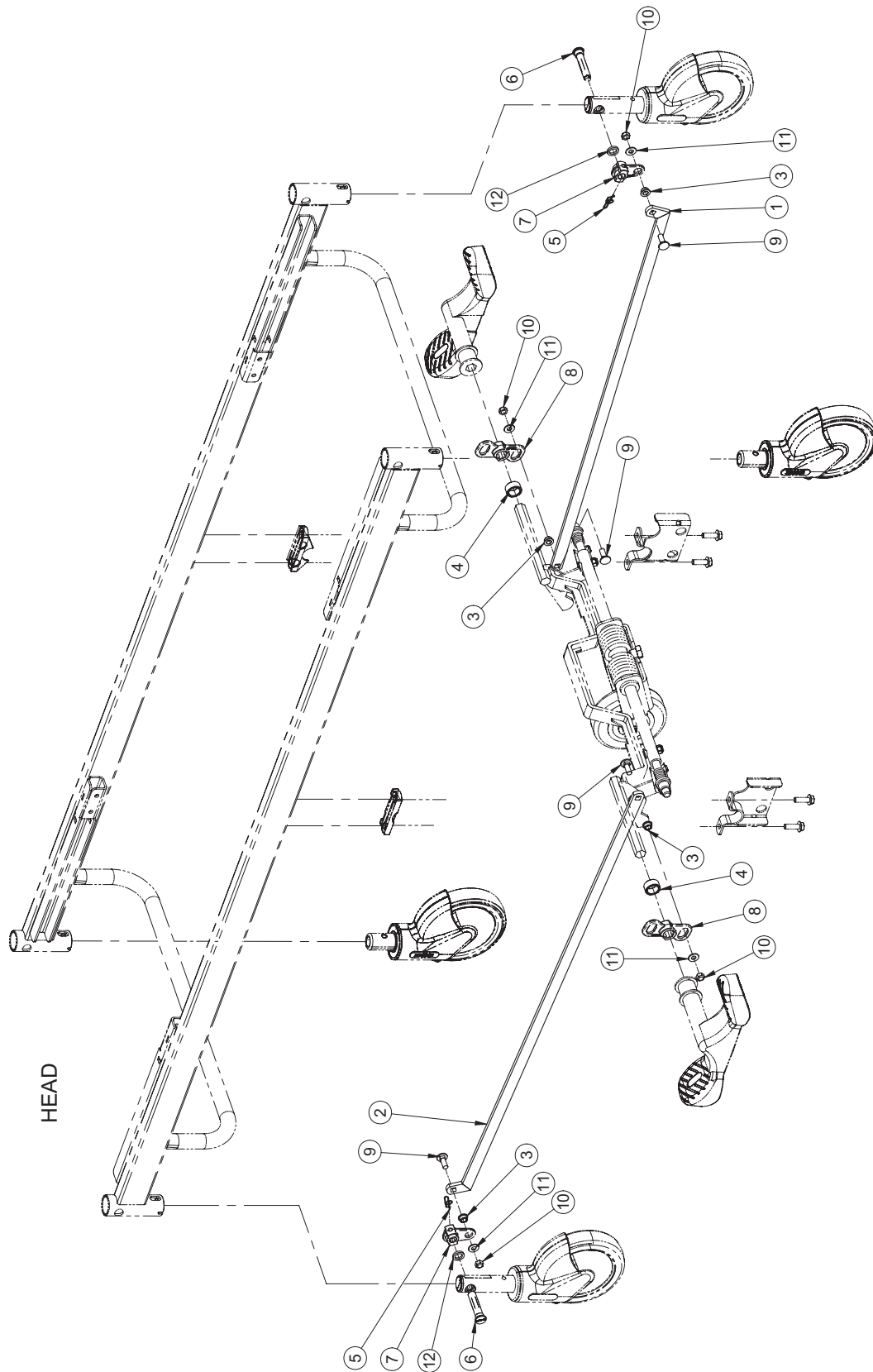
Brake Mechanism without Fifth Wheel

Brake Mechanism without Fifth Wheel - OL230042G Rev 03 (Reference Only)

Item	Part No.	Part Name	Qty.
1	14662Z	Lever Clamp	2
2	23-0327G	Brake Lever	1
3	23-0333Z	Steer Stop	1
4	25-0291G	Linking Rod - Foot	1
5	25-0292G	Linking Rod - Head	1
6	QPA25-0340	Spacer	4
7	QDF7878	Rue Ring Cotter	2
8	QE71-0496	Fifth Wheel Green Sticker	2
9	QE71-0511	Brake Sticker	2
10	QP23-0627-11	Pedal	2
11	QPA23-0233	Locking Axle	2
12	QPA25-0312	Molded Spacer	2
13	QPA25-0411	Brake Lever	2
14	VB35A1028FT	Long Neck Carriage Bolt	4
15	VE79A1O	Nut	4
16	VVB4A1O32	Bolt Thread Rolling	4
17	VW10A10	Flat Washer	4
18	VW10C162404	Nylon Washer	2

Brake Mechanism with Fifth Wheel

OL230043 Rev 02 (Reference Only)



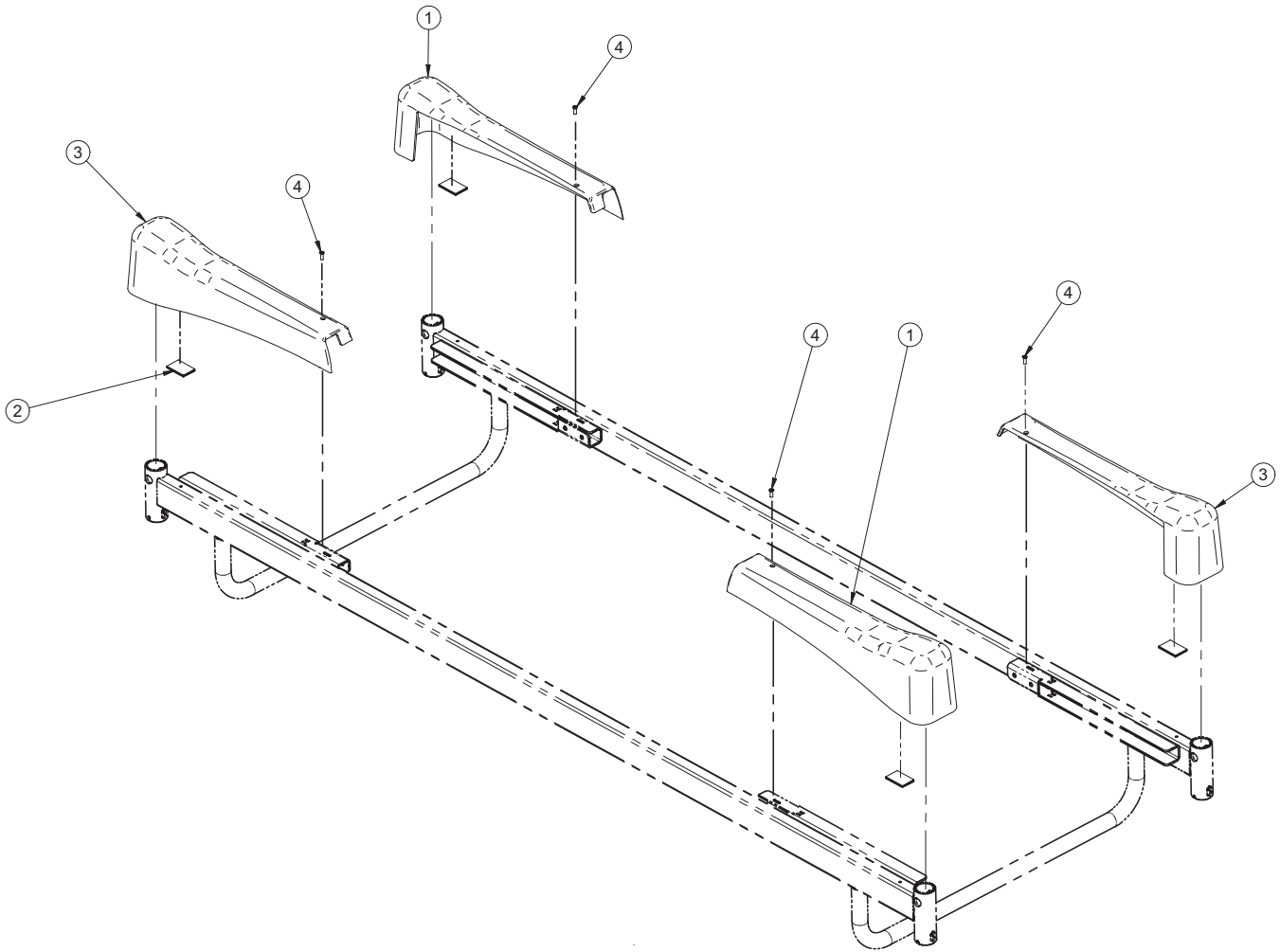
Brake Mechanism with Fifth Wheel

Brake Mechanism with Fifth Wheel - OL230043G Rev 02 (Reference Only)

Item	Part No.	Part Name	Qty.
1	25-0291G	Linking Rod - Foot	1
2	25-0292G	Linking Rod - Head	1
3	QPA25-0340	Spacer	4
4	25-0451	Lever Spacer	2
5	QDF7878	Rue Ring Cotter	2
6	QPA23-0233	Locking Axle	2
7	QPA25-0411	Brake Lever	2
8	QPA25-0427	Locking Lever	2
9	VB35A1O28FT	Long Neck Carriage Bolt	4
10	VE79A1O	Nut	4
11	VW10A10	Flat Washer	4
12	VW10C162404	Nylon Washer	2

Wheel Covers

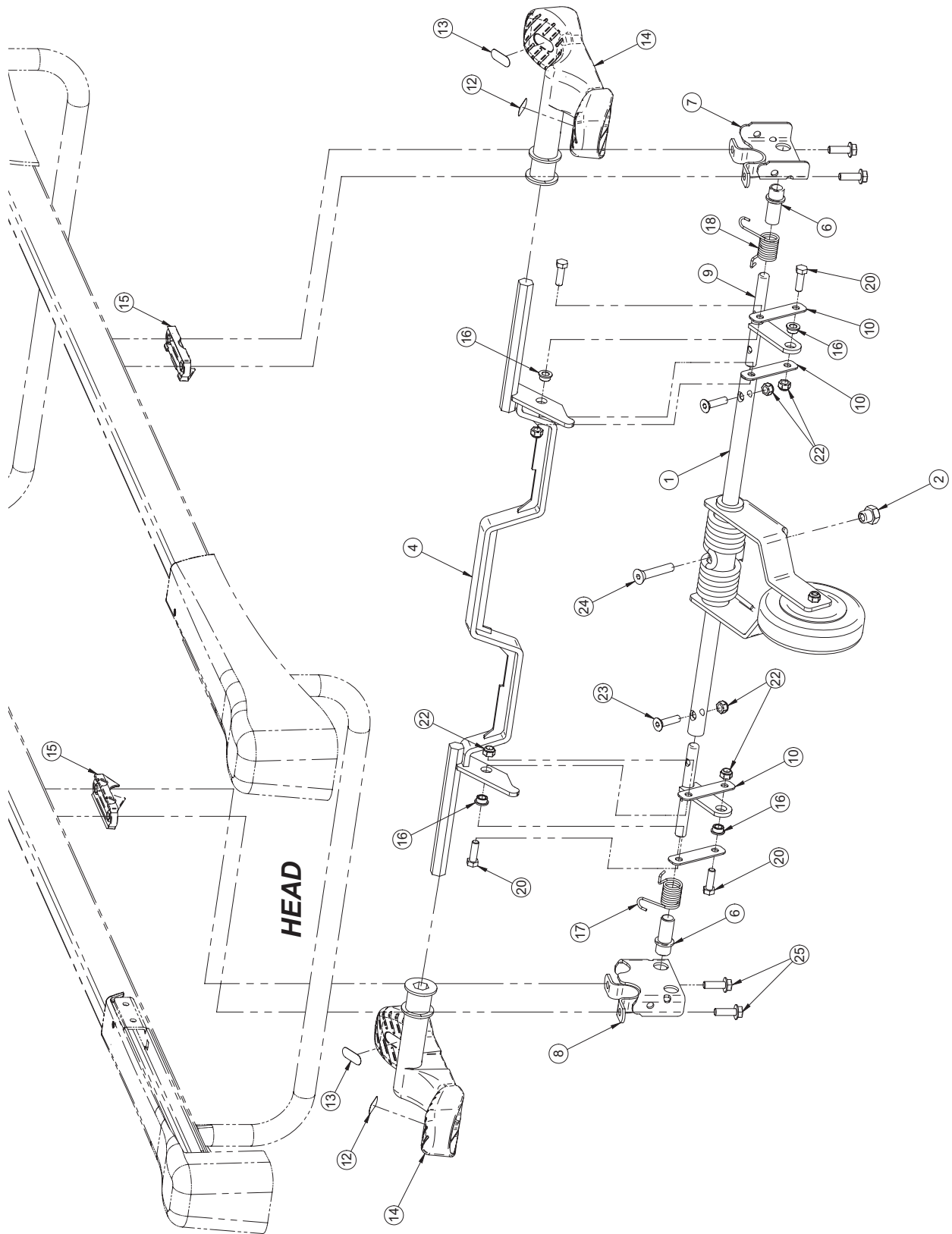
OL230101G Rev 02 (Reference Only)



Item	Part No.	Part Name	Qty.
1	QP28-0299-07	Right Caster Cover	2
2	25-0550	Caster Hood Velcro	4
3	QP28-0300-07	Left Caster Cover	2
4	VV81A9E16	Flat Head Tapping Screw	4

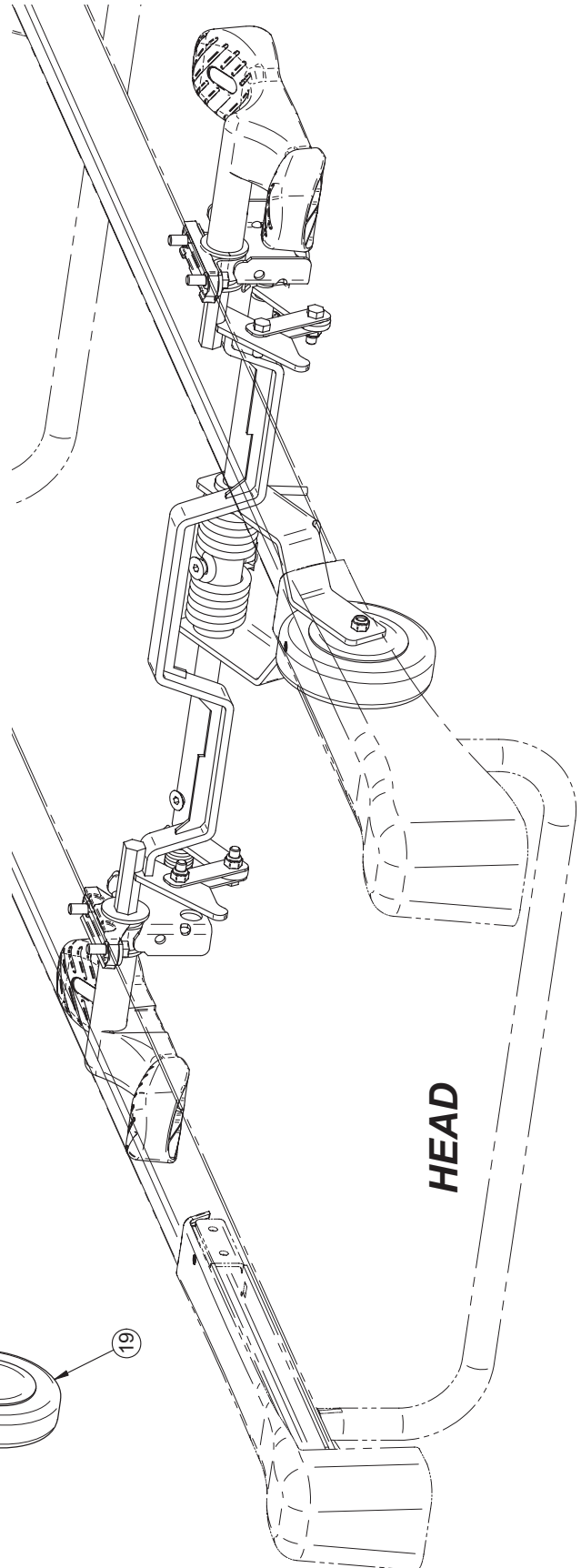
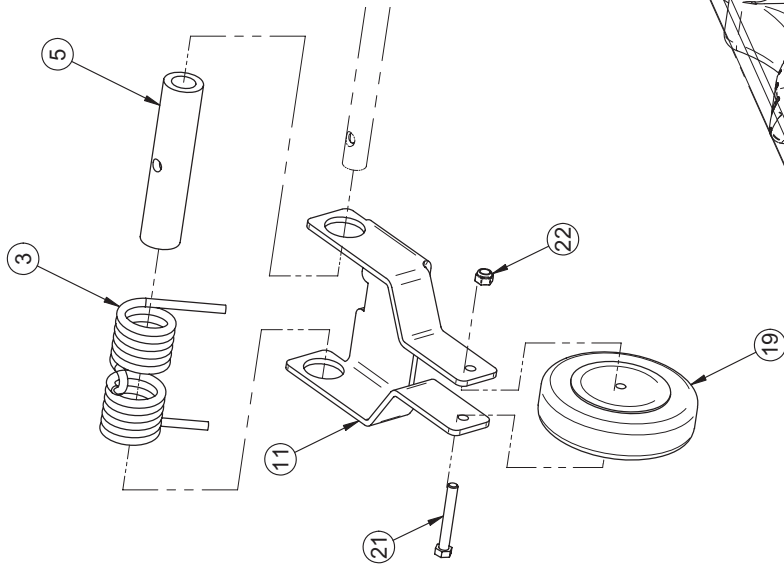
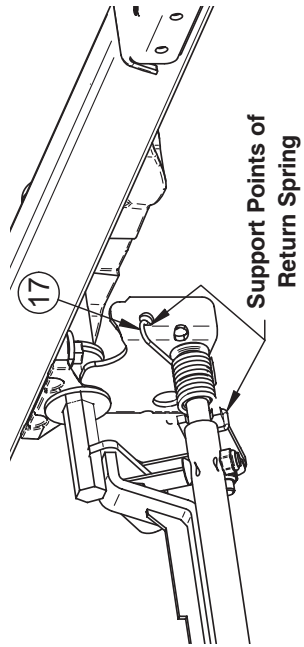
Fifth Wheel

OL230219 Rev 02 (Reference Only)



[Return To Table of Contents](#)

Fifth Wheel



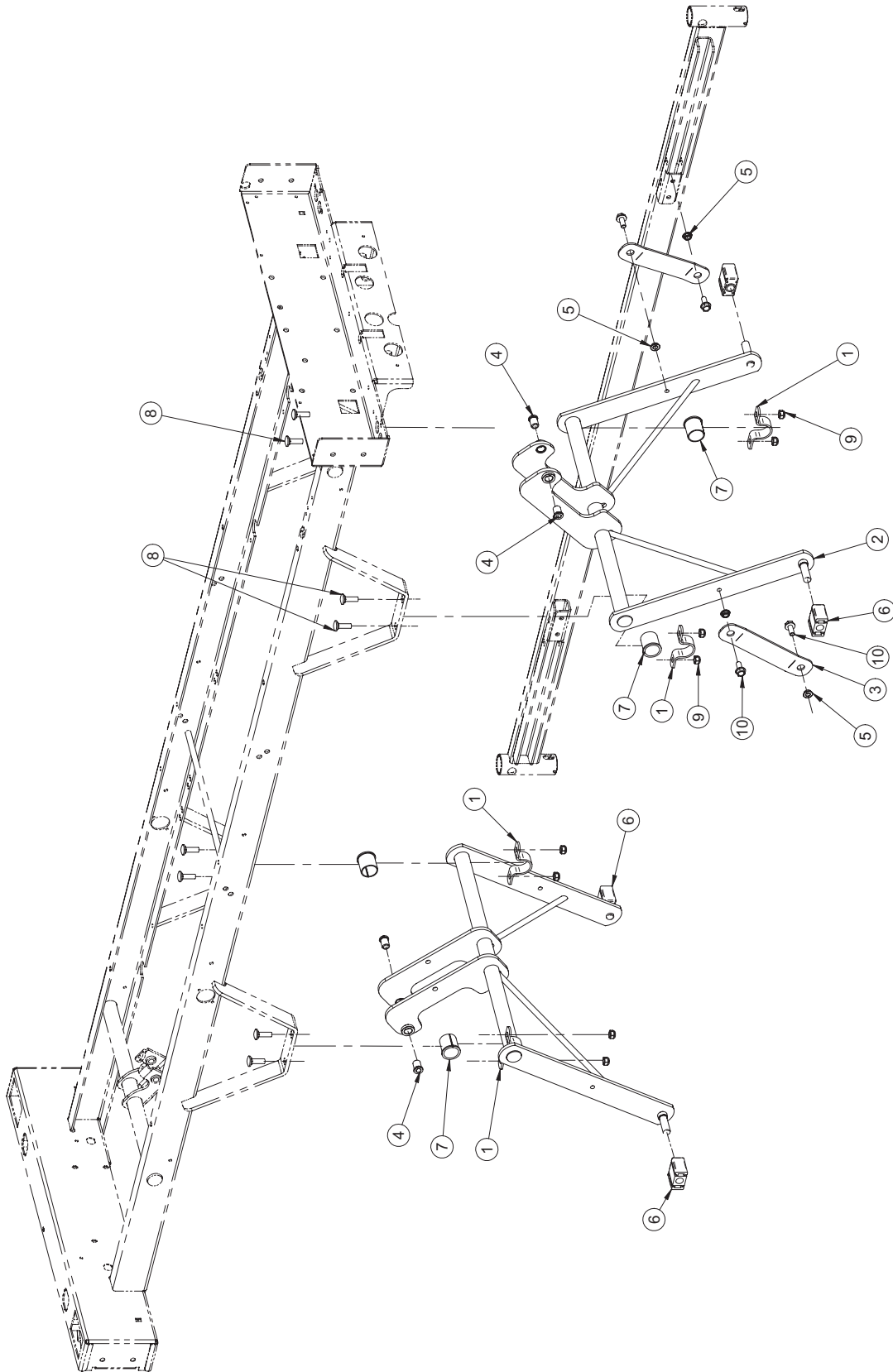
Fifth Wheel

Fifth Wheel - OL230219G Rev 01 (Reference Only)

Item	Part No.	Part Name	Qty.
1	17-0082G	Torque Shaft	1
2	17-0104Z	Fifth Wheel Support	1
3	17-0124G	Fifth Wheel Spring	1
4	17-0714G	Actuating Lever S.A.	1
5	QP28-0773	Fifth Wheel Bushing	1
6	QP25-0581	Nylon Bushing 1/2" ID	2
7	28-0132Z	Right Fifth Wheel Support S.A.	1
8	28-0133Z	Left Fifth Wheel Support S.A.	1
9	28-0149Z	Torsion Lever	2
10	28-0150Z	Counter Lever	4
11	28-0151G	Clearance Arm	1
12	QE71-0496	Fifth Wheel Green Sticker	2
13	QE71-0511	Brake Sticker	2
14	QP23-0627-11	Pedal	2
15	QPA25-0312	Molded Spacer	2
16	QPA25-0340	5/16 x 3/16 Spacer	4
17	QRD25-0582	Left Torsion Spring	1
18	QRD25-0585	Right Torsion Spring	1
19	RL5	Fifth Wheel	1
20	VB15A1O32	Bolt 5/16-18 x 1" Grade 5, z.p.	4
21	VB15A1O50	Bolt 5/16-18 2 1/4" Grade 5 z.p.	1
22	VE30A1O	Nylon Hexagonal Locknut 5/16-18 UNC z.p.	7
23	VV11A1O36	Flat Head Hexagonal Socket Cap Screw 5/16-18 UNC x 1 1/4" z.p.	2
24	VV11A1P48	Flat Head Hexagonal Socket Cap Screw 3/8-16 UNC x 2" z.p.	1
25	VVB4A1O32	Bolt 5/16" - 18 X 1" Thread Rolling	4

Bed Lift Mechanism

L23-001G Rev 02 (Reference Only)



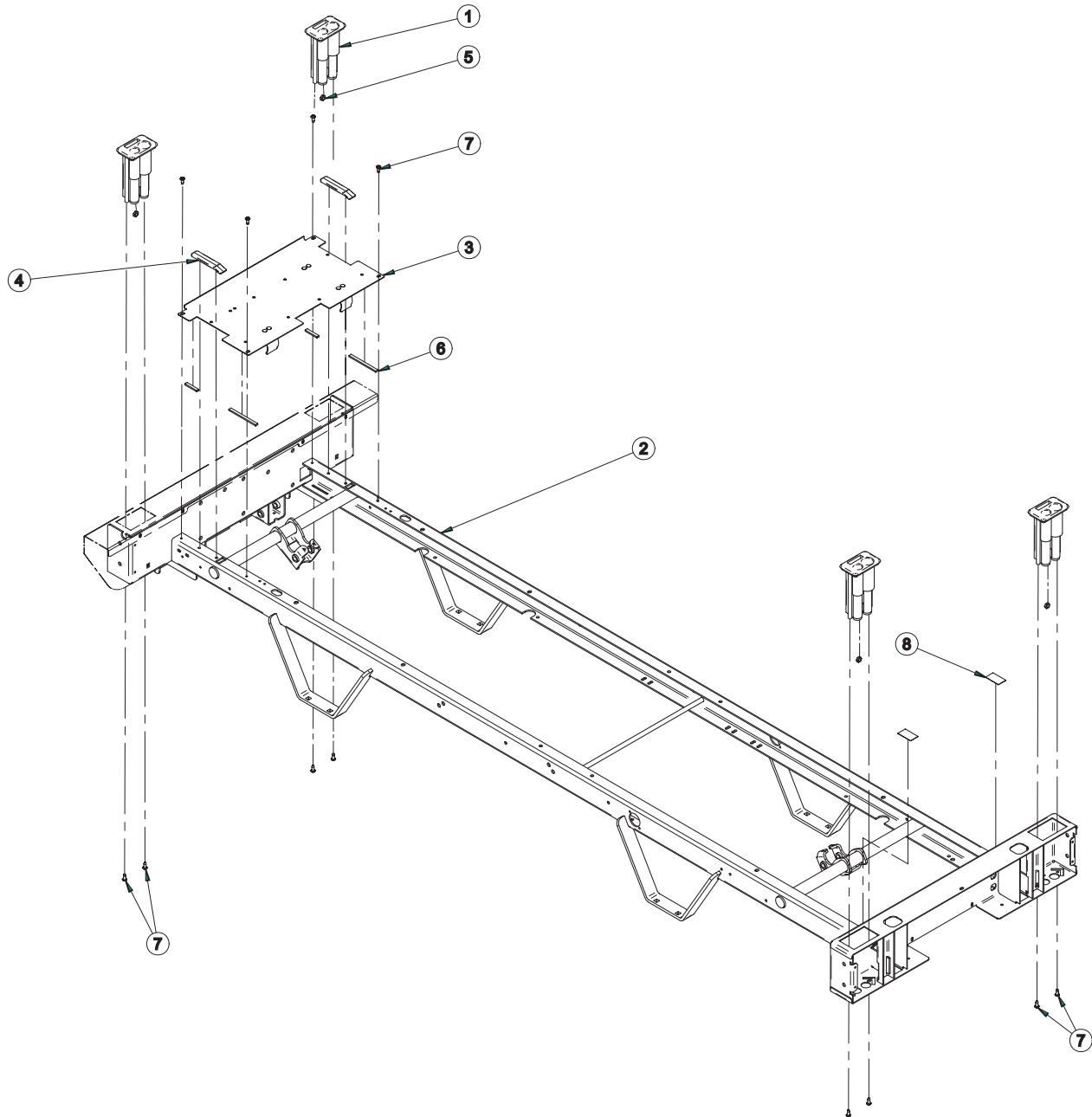
Bed Lift Mechanism

Bed Lift Mechanism - L23-001G Rev 03 (Reference Only)

Item	Part No.	Part Name	Qty.
1	14662Z	Lever Clamp	4
2	23-0234G	Bed Lift Lever S.A.	2
3	25-0281G	Stabilizer	2
4	25-0521	Spacer	4
5	QDF17-0020	Shoulder Spacer Diameter 5/16" x 0.210"	4
6	QPN-1310P009	Nylon Glide	4
7	QPN-18121	Molded Frame Bushing	4
8	VB35A1O32	Carriage Bolt (Short Neck) 5/16-18-1" z.p.	8
9	VE30A1O	Nylon Hexagonal Locknut 5/16-18 UNC z.p.	8
10	VVB4A1O24	Bolt 5/16" - 18 X 3/4" Thread Rolling	4

Frame

L23-033G Rev 00 (Reference Only)



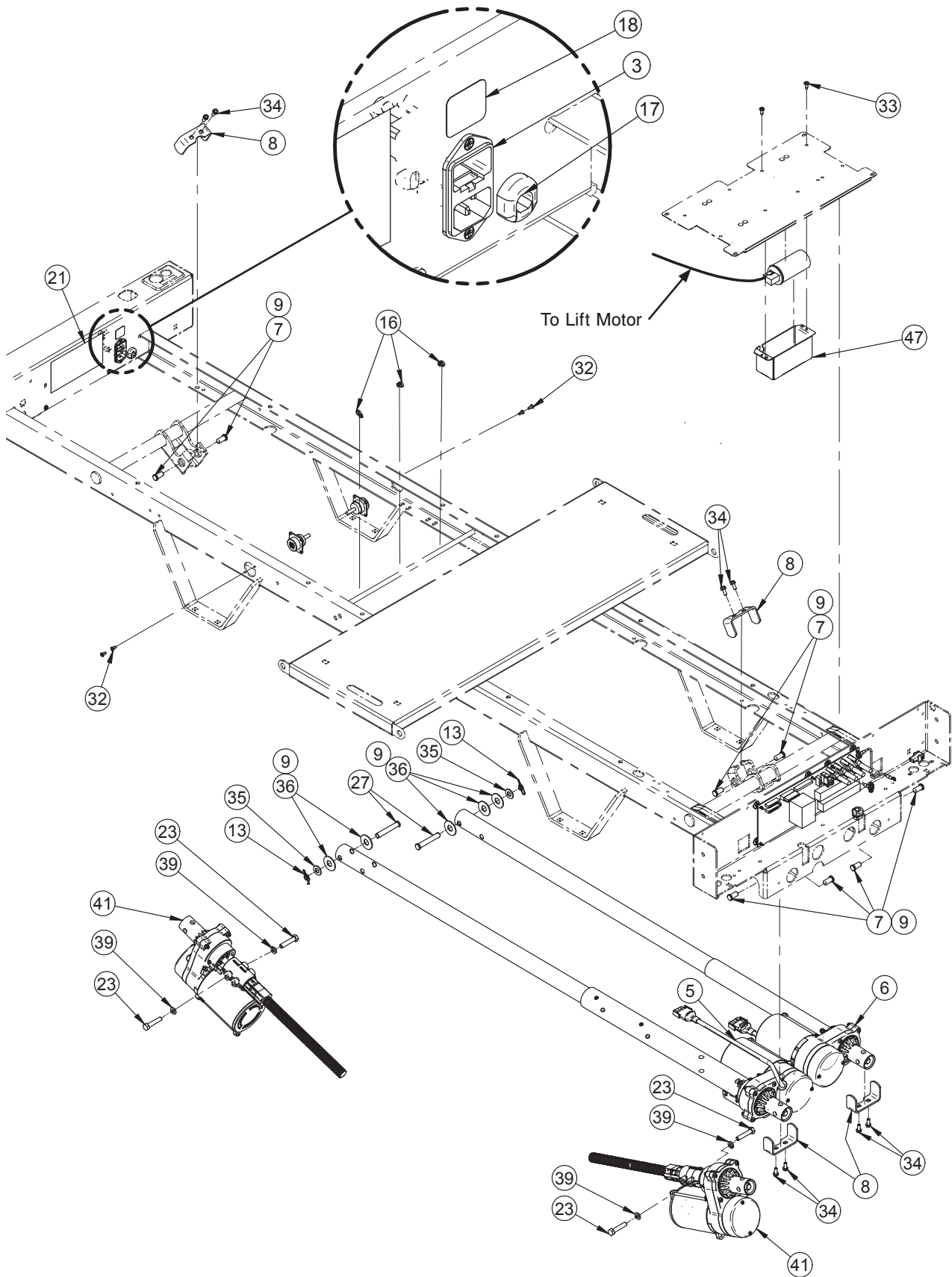
Frame

Frame - L23-033G Rev 00 (Reference Only)

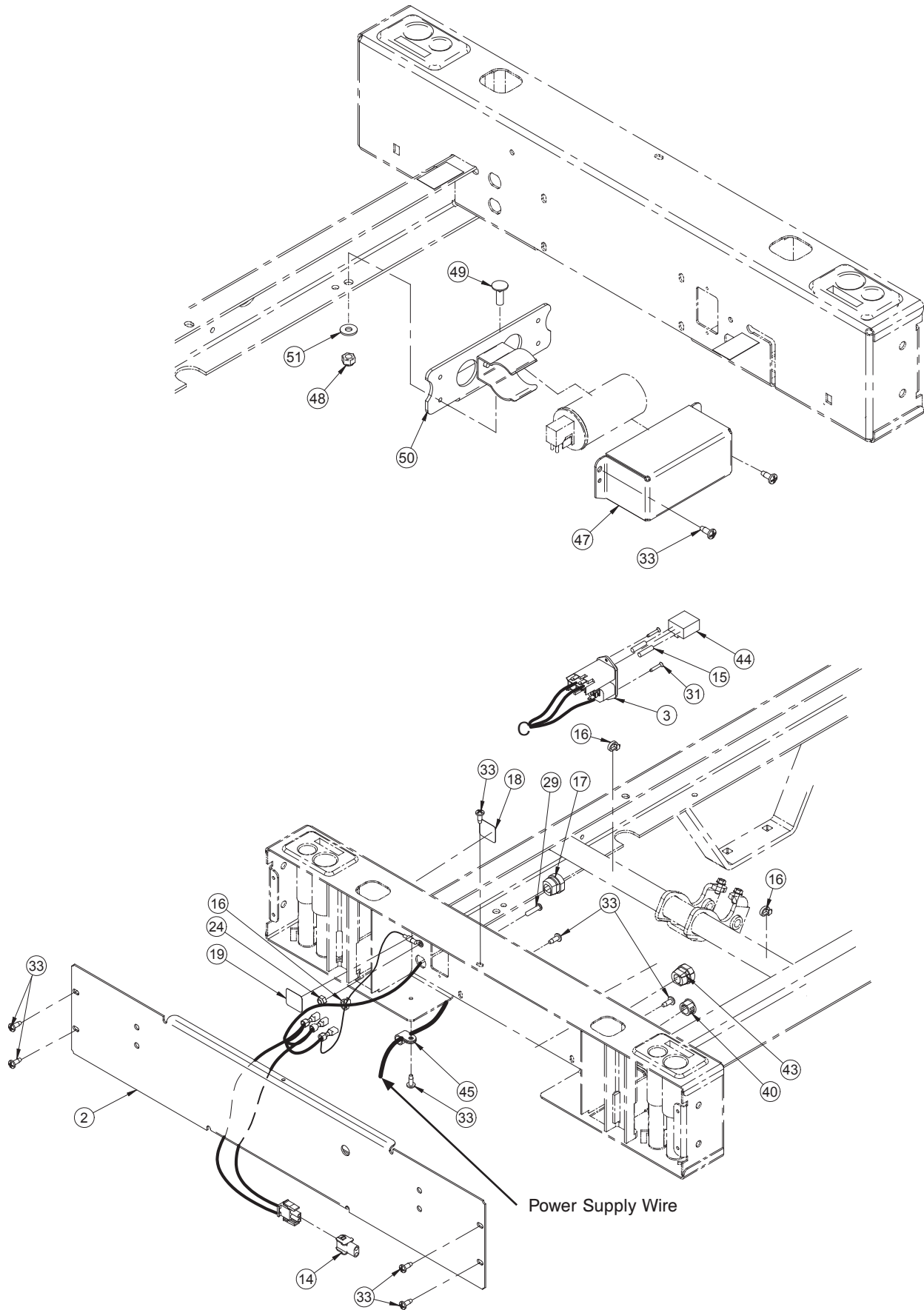
Item	Part No.	Part Name	Qty.
1	QP17-0121-07	I.V. Pole Holder	4
2	23-0764G	Short Frame S.A.	1
3	23-0859G	Foot Plate	1
4	QP23-0257	Mattress Support Glide	2
5	VE20A1N	Locknut 1/4-20	4
6	QDF132X	"Perma-Stick" Anti-Cold Stopper	2
7	VV83A9G16	Tapping Screw Pan Phillips Type B #10 x 1/2" z.p.	12
8	QE71-1069	Frame Protector Sticker	2

120V Electric System

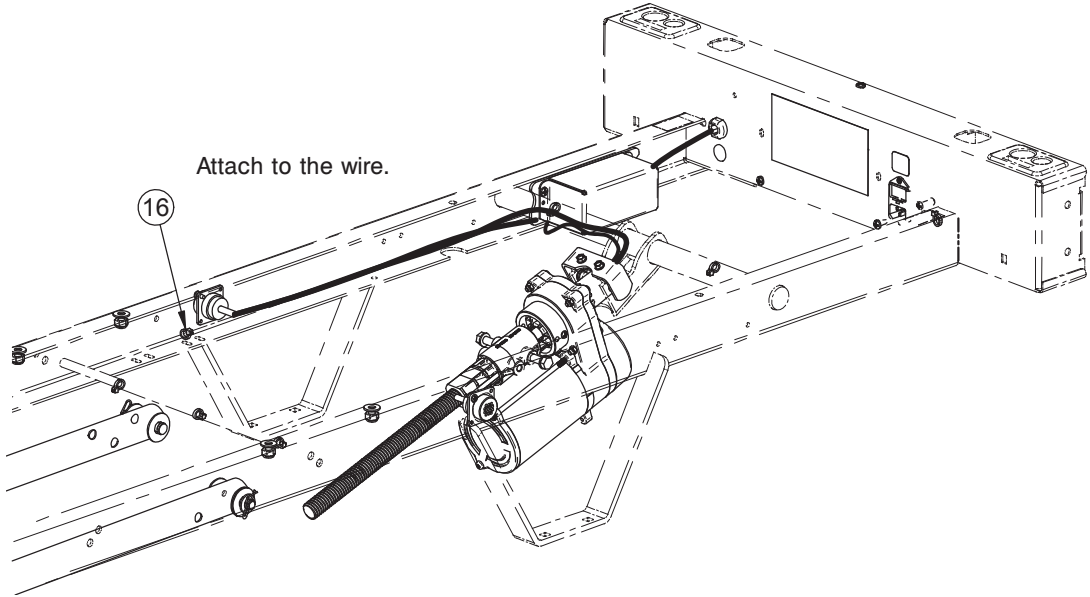
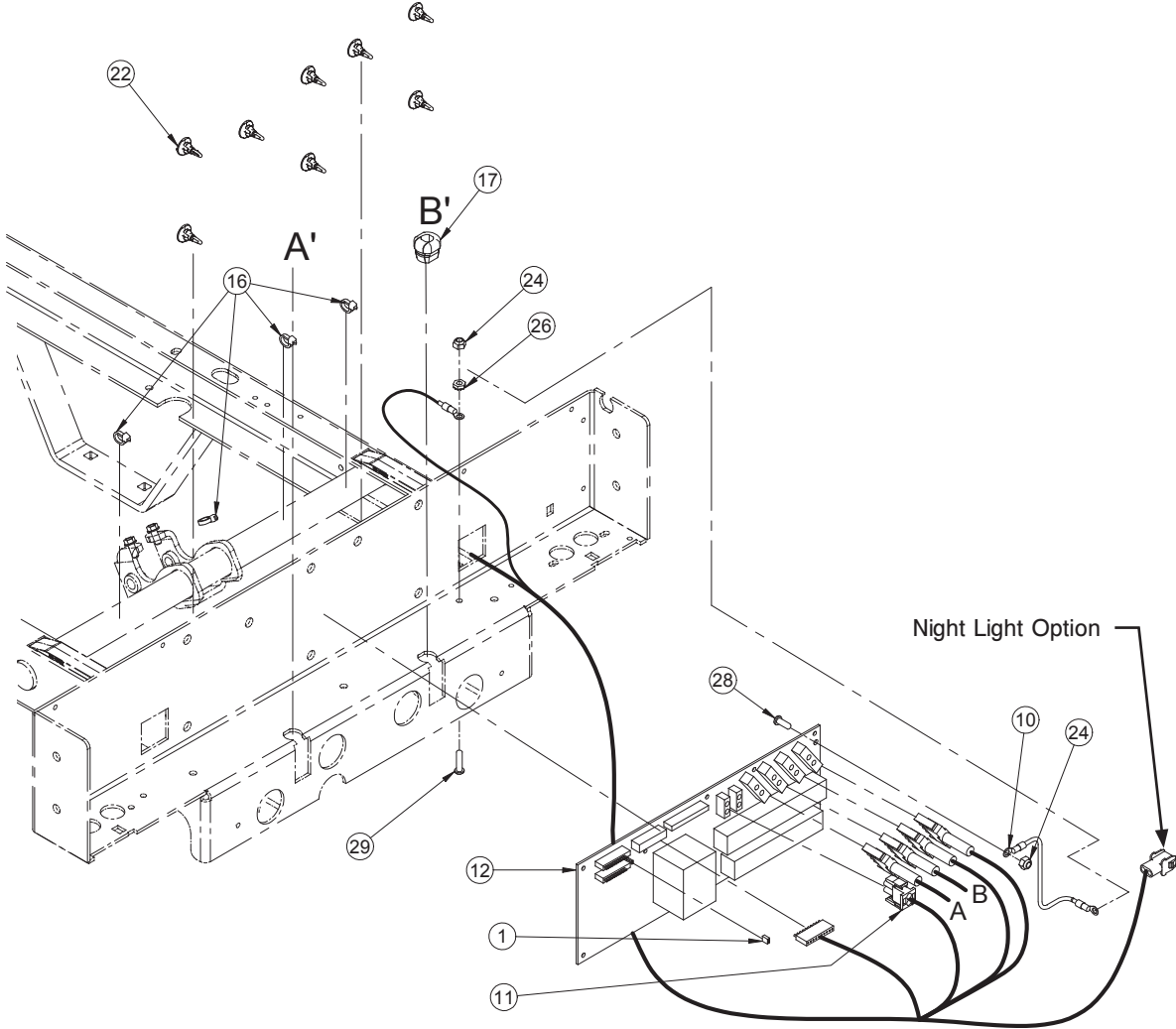
OL230303G Rev 00 (Reference Only)



120V Electric System



120V Electric System



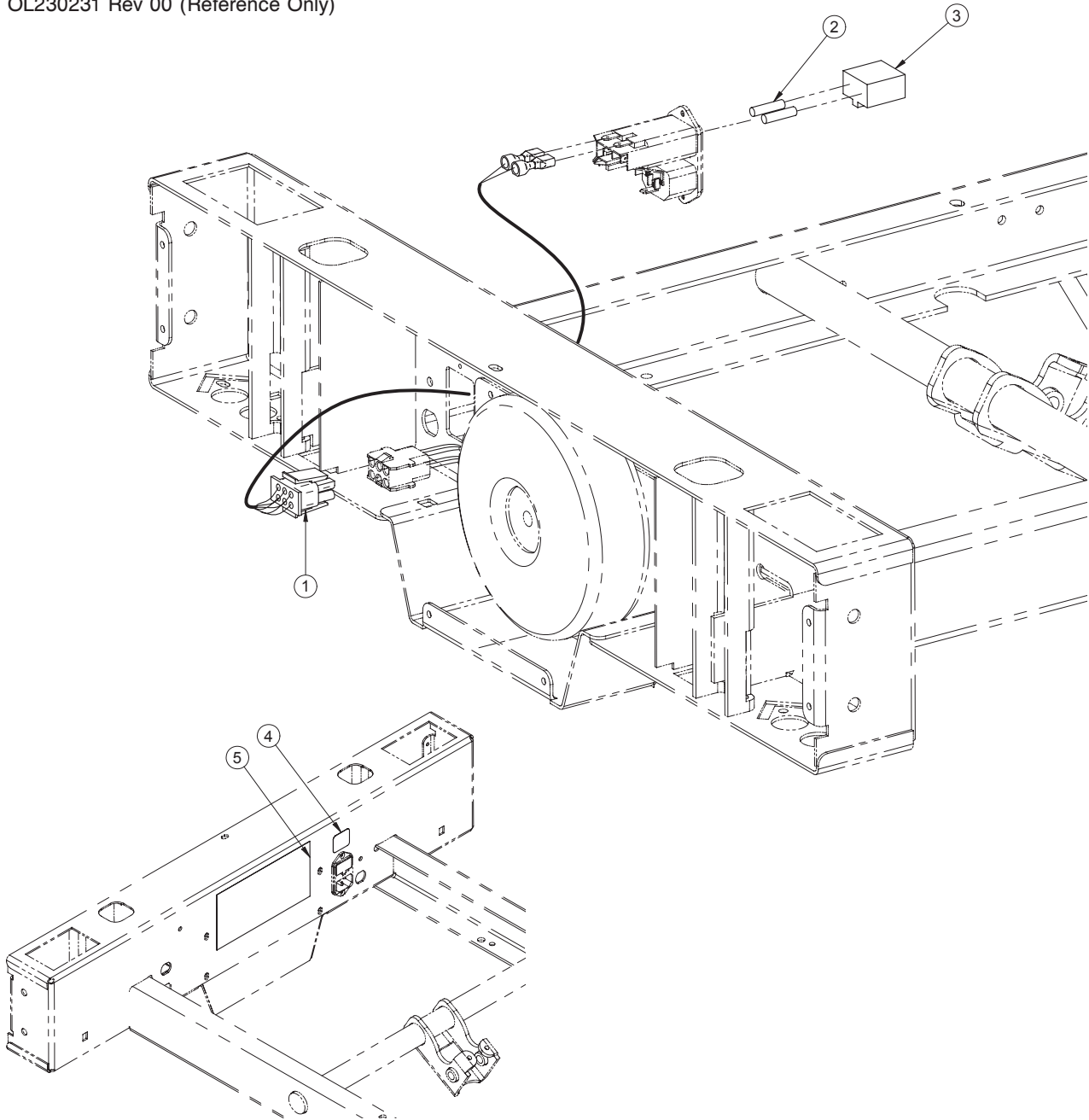
120V Electric System

120V Electric System - OL230303G Rev 00 (Reference Only)

Item	Part No.	Part Name	Qty.
1	QDF8047	PC Board Jumper	1
2	23-0746G	Head Casing Cover	1
3	QDF9574	Power Connector S.A.	1
5	23-0887	SKF Head Actuator	1
6	23-0888	SKF Thigh Actuator	1
7	25-0250Z	Actuator Pivot	8
8	25-0251Z	Head/Thigh Actuator Support Cover	4
9	M0019	OG2 Petro Canada Grease	.03 kg
10	QDF17-0138	PC Board Ground Wire	1
11	QDF23-0574	FL23SE Siderail Control Cable S.A.	1
12	QDF23-0315	Control Board	1
13	QDF7878	Rue Ring Cotter Diameter 3/8" z.p.	2
14	QDF8042	Mate-N-Lock Female 2 x 1 # 1-480699-0	1
15	QDF8078	10A, 250V Long Fast Action Fuse	2
16	QDF9518	Nylon Ty-Rap Black (0.143 X 8")	11
17	QDF9541	Strain Relief SR 6P3-4	2
18	QE71-0571	Sticker - 10A, 250V Fuses	1
19	QE71-0572	Sticker - Ground	1
21	QE71-1272	120V CSA Sticker	1
22	QP23-0735	Control Board Stand-Off Pin	8
23	VB15A1O40	Bolt 5/16-18 X 1 1/2" Grade 5 z.p.	4
24	VE30A0G	Nylon Locknut #10-32 z.p.	3
26	VE80A0G	"K-Lok" Locknut #10-32 z.p.	1
27	VG50B1250	Clevis Pin Diameter 3/8" x 2-1/4" z.p.	2
28	VV33A0G16	Machine Screw Pan Phillips #10-32 x 1/2" z.p.	1
29	VV33A0G24	Machine Screw Phillips Pan Head #10-32 x 3/4" z.p.	2
31	VV41A1A20	Phillips Countersunk Screw Type F #4-40 x 5/8" zp	2
32	VV83A9E12	Tapping Screw Pan Phillips	4
33	VV83A9G16	Tapping Screw Pan Phillips Type B #10 x 1/2" z.p.	12
34	VV84A1H46	Flanged Hexagonal Head Tapping Screw #12 X 1/2 Type B z.p.	8
35	VW10A12	Washer 3/8" SAE z.p.	2
36	VW10C173602	Nylon Washer	5
39	VW20A10	Spring Washer 5/16" Diameter	4
40	QPPF1518	Plug Double "D" Diameter 5/8"	1
41	23-0864	SKF Hi-Lo Actuator	2
43	QPNC0606	Strain Relief Bushing	1
44	QDF9575	Fuse Holder	1
45	QDF9520	Cable Tie Diameter 3/8"	1
47	28-0748G	Condensing Case	2
48	VE30A1N	Nylon Locknut	1
49	VB35A1N24	Carriage Bolt	1
50	23-0860	Condensing Support	1
51	VW10AO8	Washer	1

100V Electric System

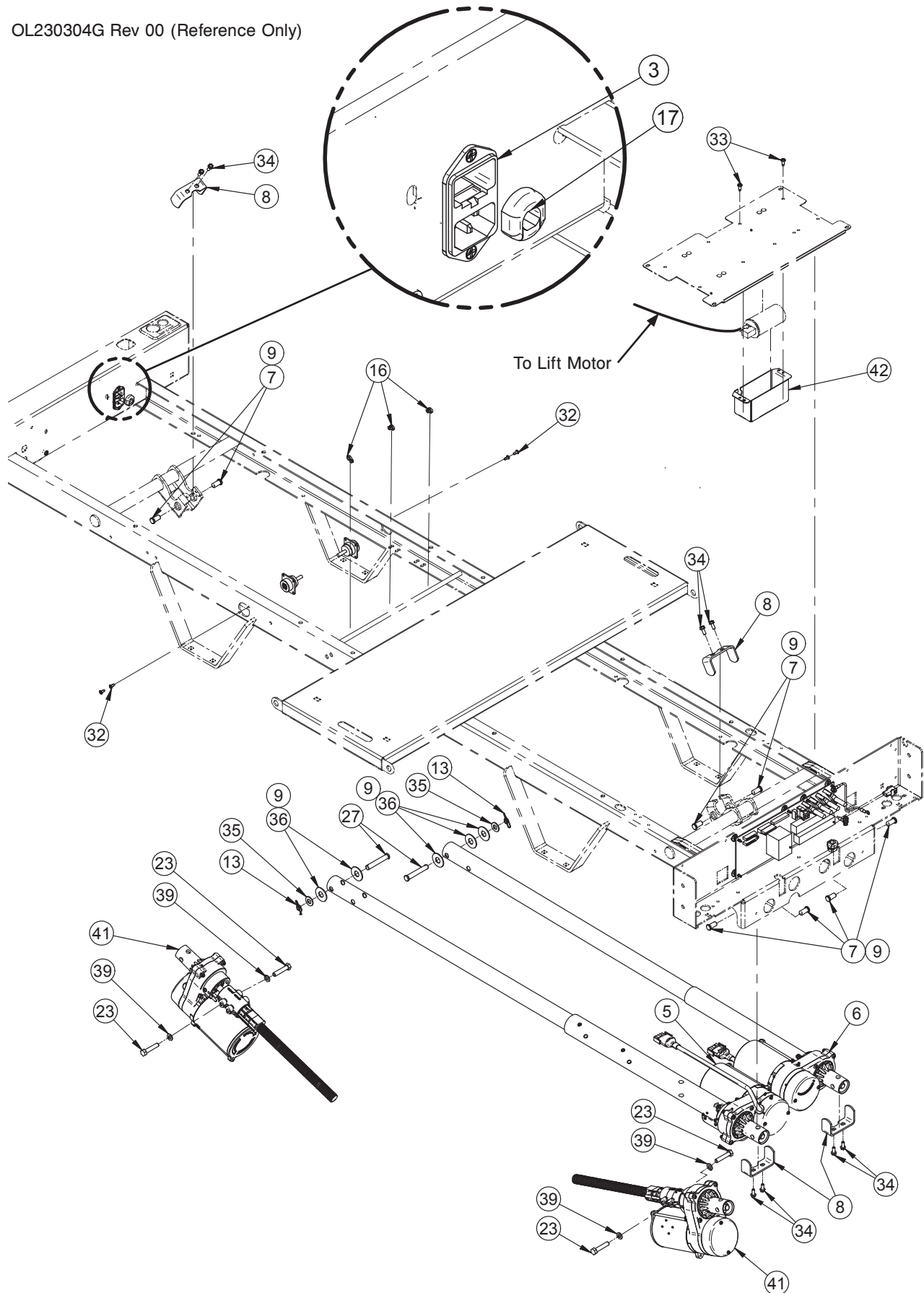
OL230231 Rev 00 (Reference Only)



Item	Part No.	Part Name	Qty.
1	QDF20-0081	100V Connector	1
2	QDF8078	10A, 250V Long Fast Action Fuse	2
3	QED9575	Fuse Holder	1
4	QE71-0571	Sticker - 10A, 250V Fuses	1
5	QE71-1273-E	100V CSA Sticker	1

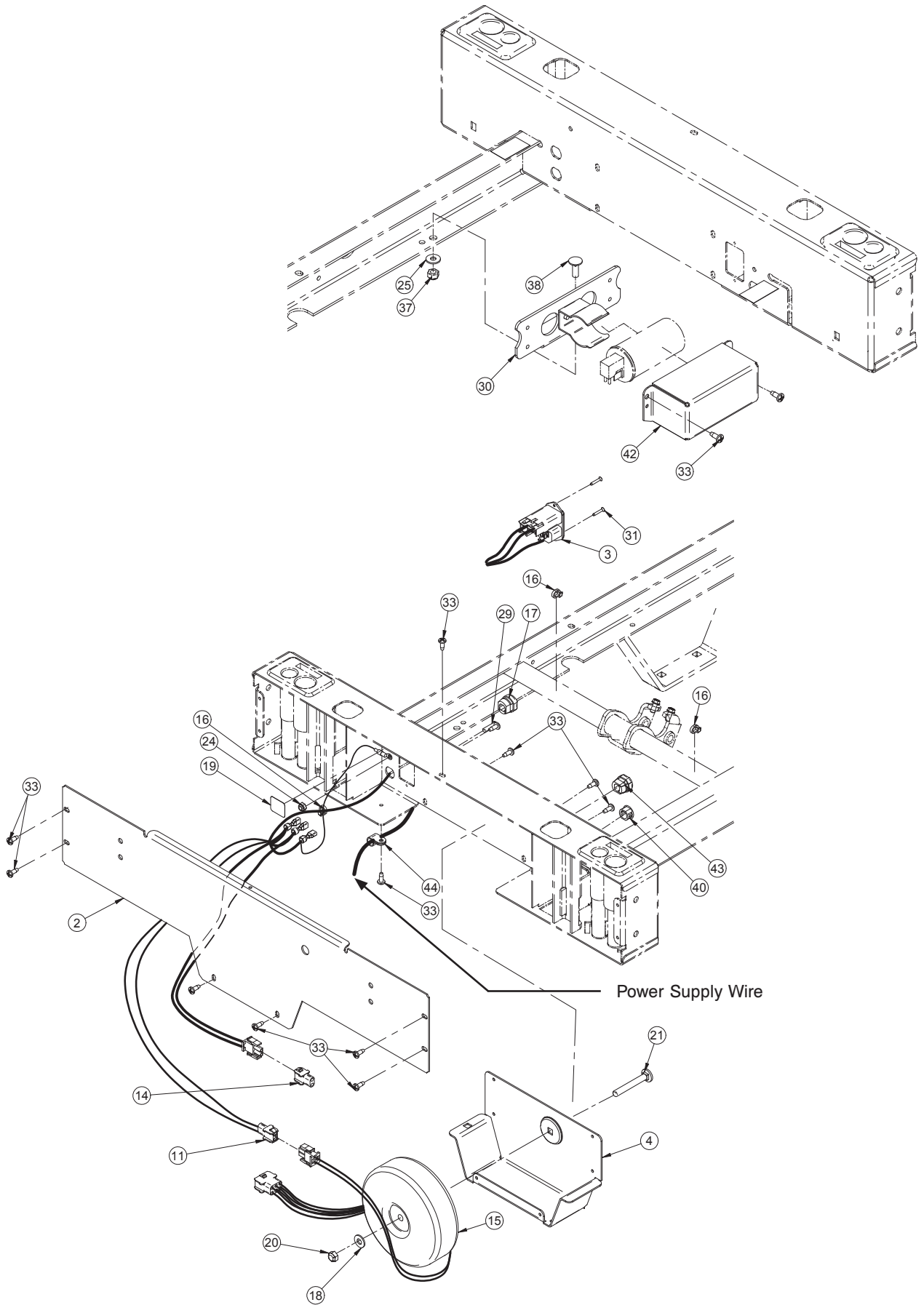
International Electric System

OL230304G Rev 00 (Reference Only)

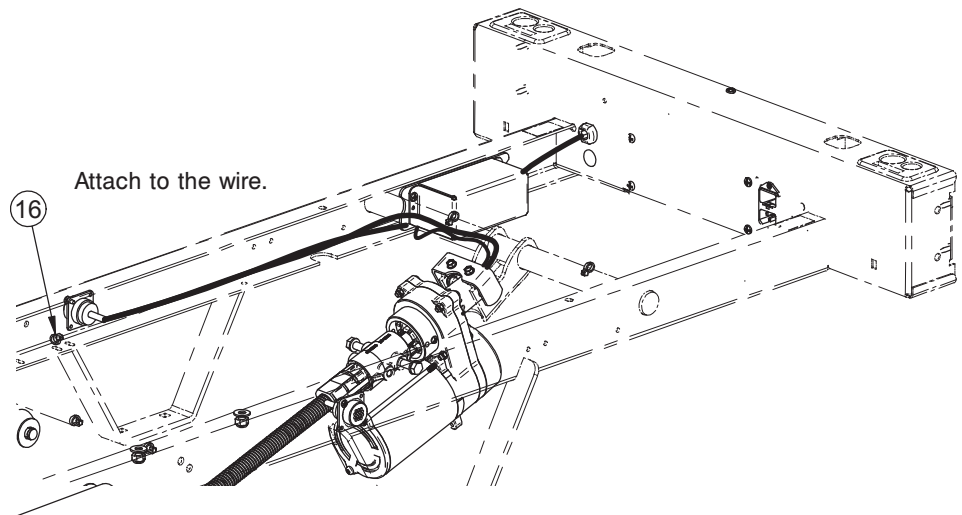
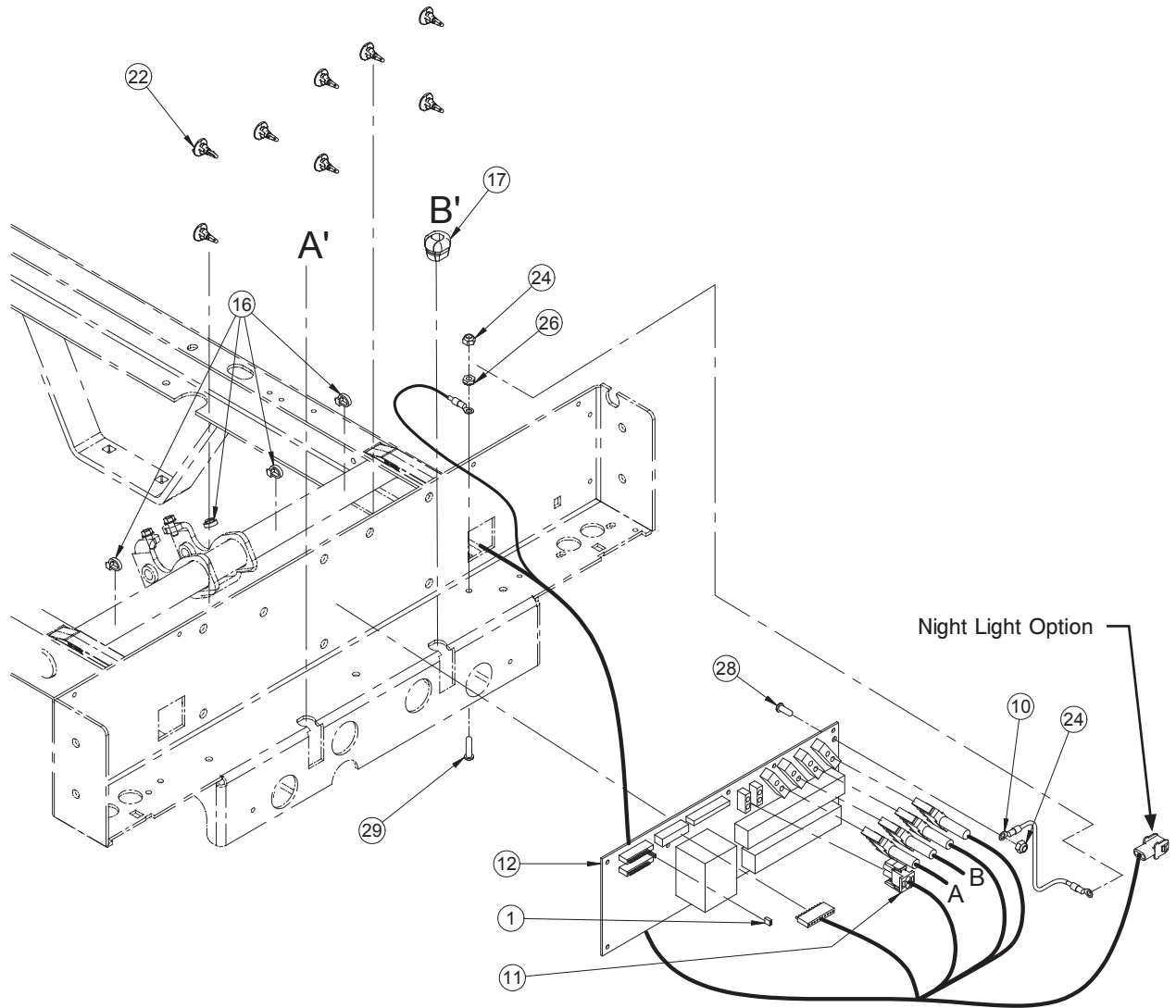


[Return To Table of Contents](#)

International Electric System



International Electric System



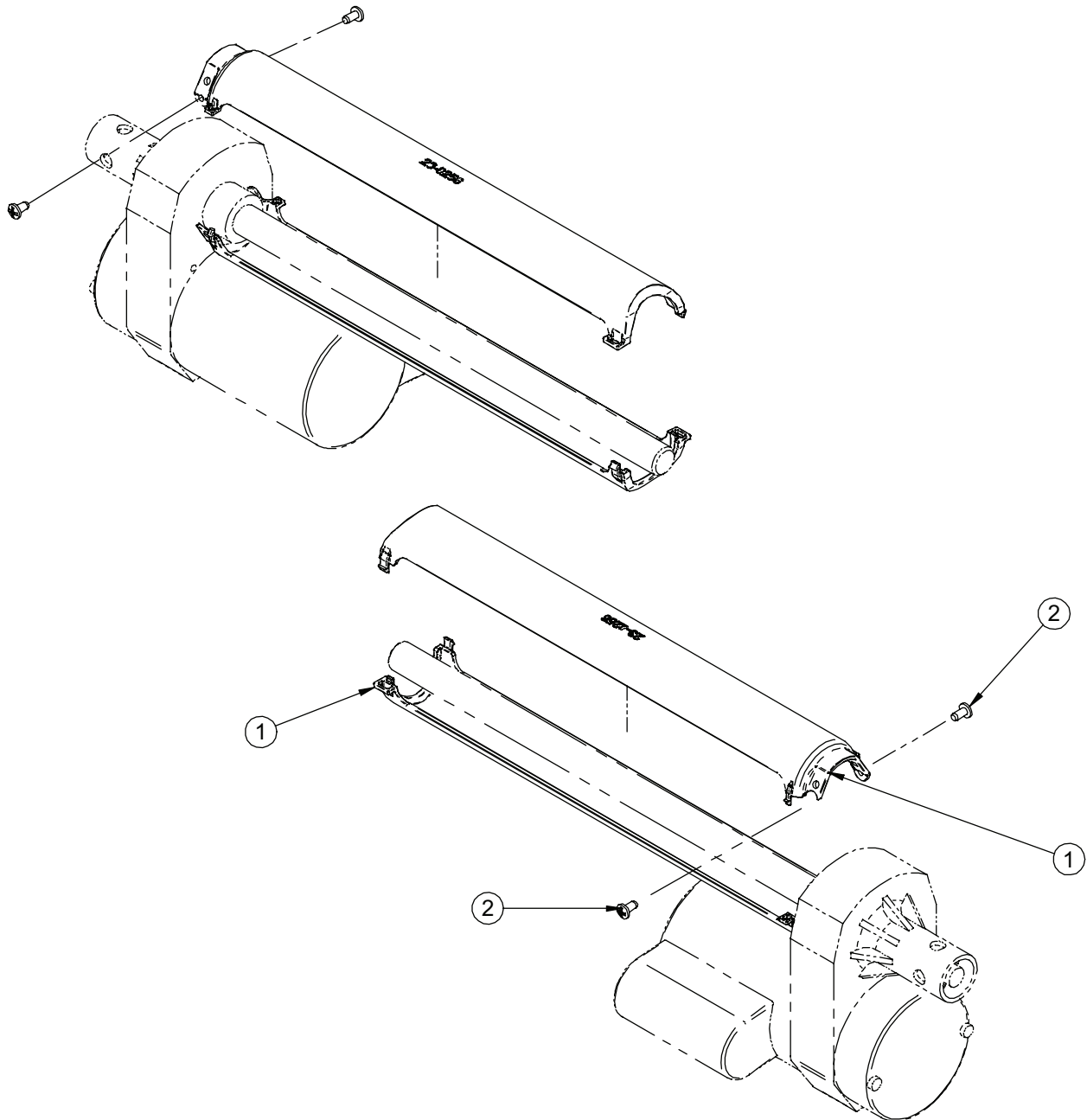
International Electric System

International Electric System - OL230304G Rev 00 (Reference Only)

Item	Part No.	Part Name	Qty.
1	QDF8047	PC Board Jumper	1
2	23-0754G	International Head Casing Cover	1
3	QDF9574	Power Connector S.A.	1
4	23-0317G	Transformer Support	1
5	23-0887	SKF Head Actuator	1
6	23-0888	SKF Thigh Actuator	1
7	25-0250Z	Actuator Pivot	8
8	25-0251Z	Head/Thigh Actuator Support Cover	4
9	M0019	Petro Canada OG2 Grease	.03 kg
10	QDF17-0138	PC Board Ground Wire	1
11	QDF23-0573	FL23SE Siderail Control Cable - International Electric System	1
12	QDF23-0315	Control Board	1
13	QDF7878	Rue Ring Cotter	2
14	QDF8042	Mate-N-Lock Female 2 x 1 AMP	1
15	QDF14-1160	Medical Toroid Transformer	1
16	QDF9518	Cable Tie	11
17	QDF9541	Strain Relief SR 6P3-4	2
18	VW10A10	Flat Washer 5/16" SAE z.p	1
19	QE71-0572	Sticker - Ground	1
20	VE79A1O	Nut	1
21	VB35A1O50	Carriage Bolt	1
22	QP23-0735	Control Board Stand-Off Pin	8
23	VB15A1O40	Bolt 5/16-18 X 1 1/2" Grade 5 z.p.	4
24	VE30A0G	Nylon Hex Locknut	3
25	VW10A08	Washer	1
26	VE80A0G	"K-lok" Locknut #10-32 z.p.	1
27	VG50B1250	Clevis Pin	2
28	VV33A0G16	Machine Screw Pan Phillips	1
29	VV33A0G24	Machine Screw Phillips	2
30	23-0860	Condensing Support	1
31	VV41A1A20	Phillips Countersunk Screw	2
32	VV83A9E12	Tapping Screw Pan Phillips	4
33	VV83A9G16	Tapping Screw Pan Phillips	16
34	VV84A1H46	Flanged Hex Head Tapping Screw	8
35	VW10A12	Washer 3/8" SAE z.p.	2
36	VW10C173602	Nylon Washer	5
37	VE30A1N	Nylon Locknut	1
38	VB35A1N24	Carriage Bolt	1
39	VW20A10	Spring Washer 5/16"	4
40	QPPF1518	Plug Double "D" 5/8" Diameter	1
41	23-0864	SKF Lift Motor	2
42	28-0748G	Condensing Case	2
43	QPNC0606	Strain Relief Bushing	1
44	QDF9520	Cable Fastener Diameter 3/8"	1

Bed Lift Motors Screw Covers

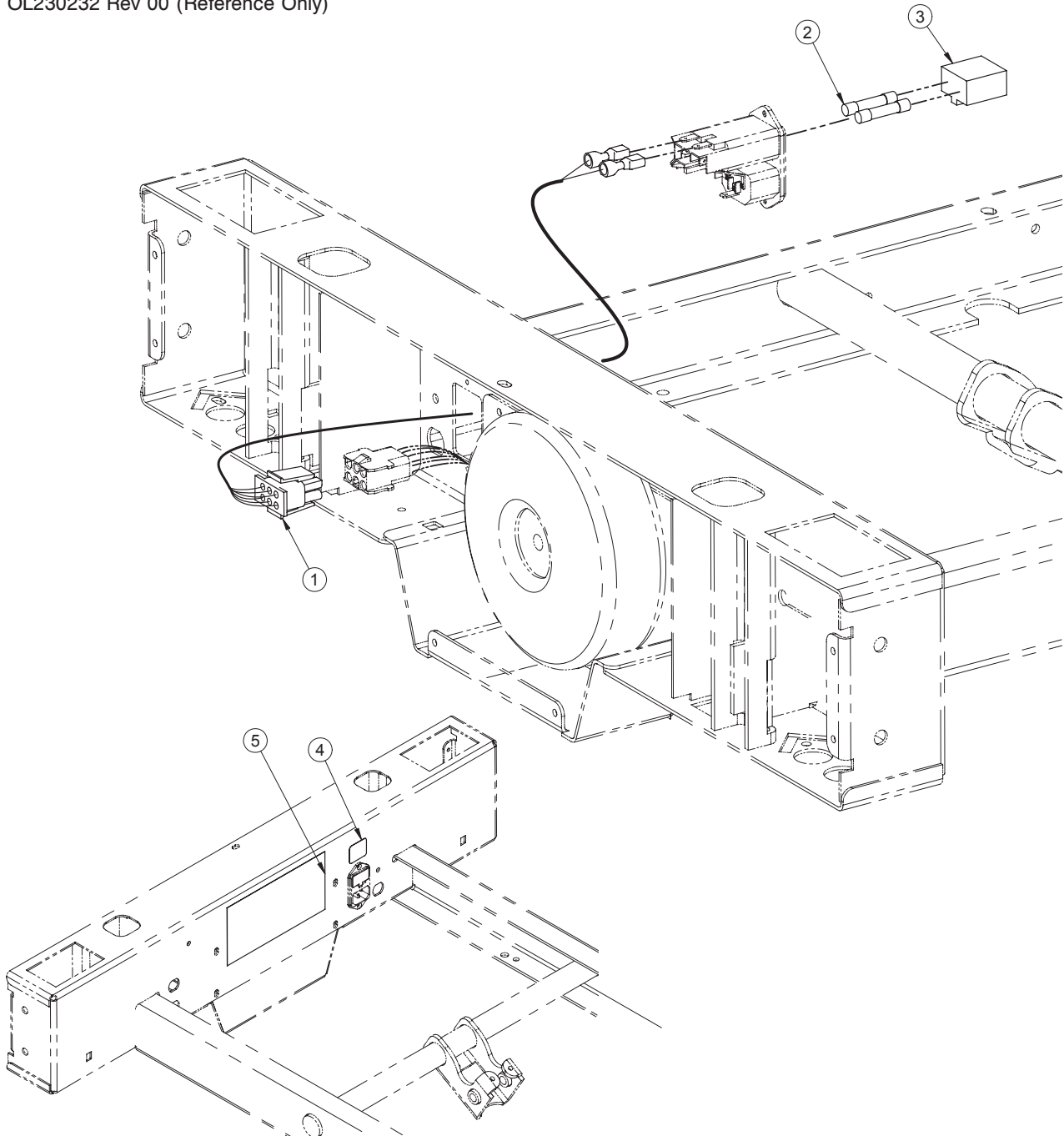
OL230302 Rev 00 (Reference Only)



Item	Part No.	Part Name	Qty.
1	QP23-0256	Screw Cover	4
2	VV83A9G16	Tapping Screw Pan Phillips	4

200V Electric System

OL230232 Rev 00 (Reference Only)

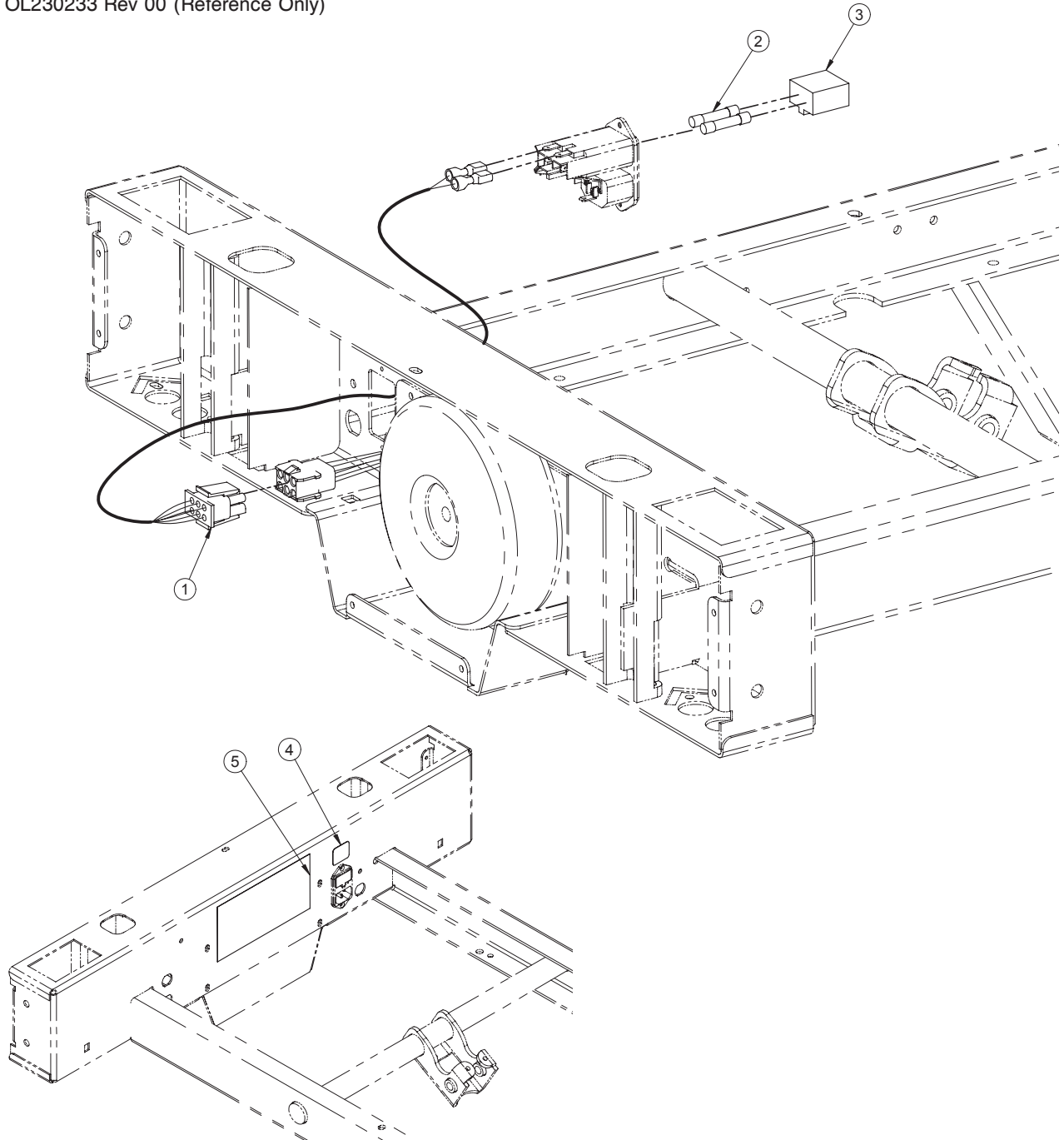


200V Electric System (For Reference Only: OL230232, Rev. 00)

Item	Part No.	Part Name	Qty.
1	QDF20-0082	200V Connector	1
2	QDF8068	Fuse 6.3A (200, 220, 240V)	2
3	QDF9580	Fuse Holder	1
4	QE71-0573	Sticker - 6.3A Fuses	1
5	QE71-1274-E	200V CSA Sticker	1

220V Electric System

OL230233 Rev 00 (Reference Only)

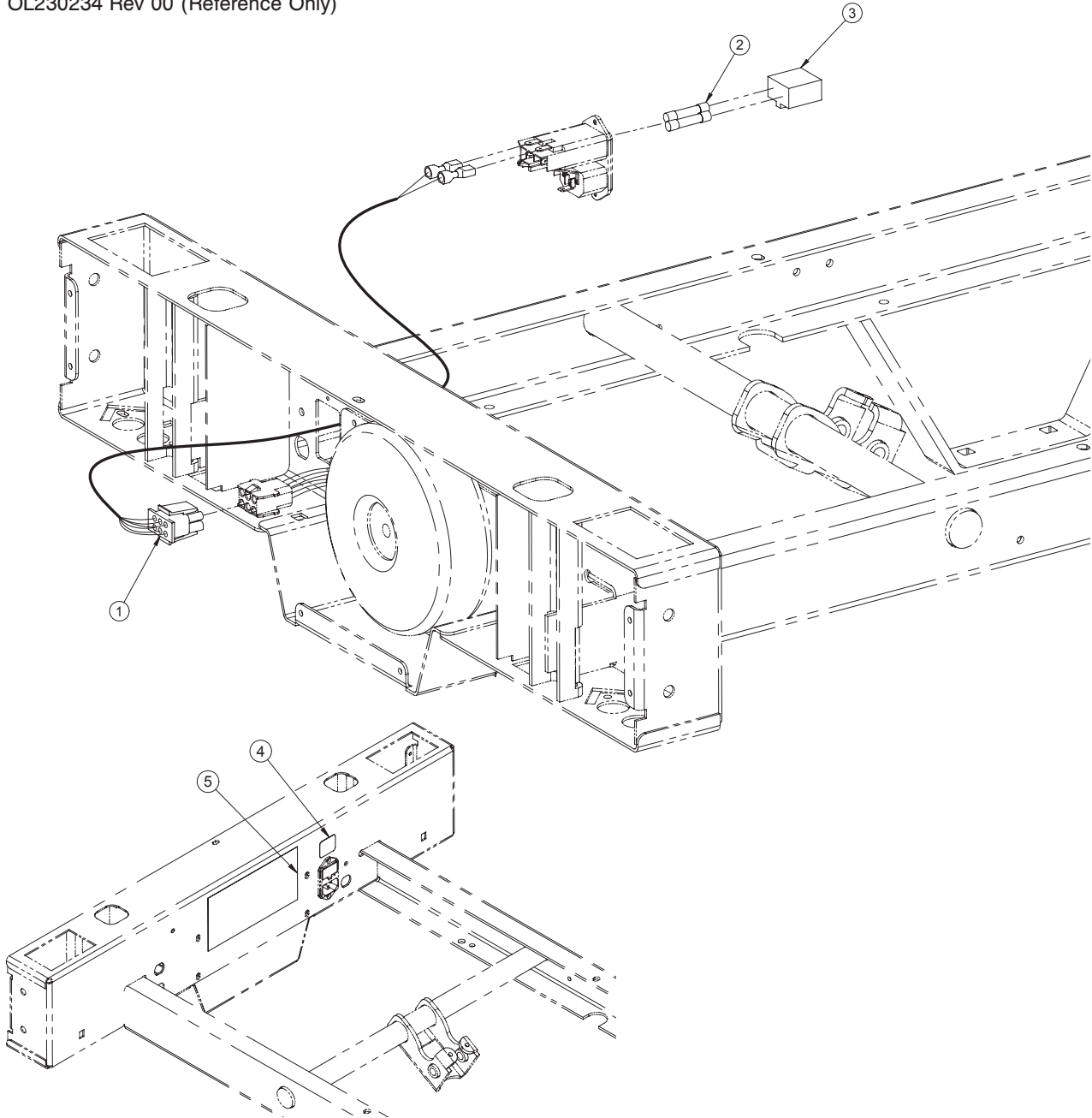


220V Electric System (For Reference Only: OL230233, Rev. 00)

Item	Part No.	Part Name	Qty.
1	QDF20-0083	220V Connector	1
2	QDF8068	6.3A Fuse (200, 220, 240V)	2
3	QDF9580	Fuse Holder	1
4	QE71-0573	Sticker - 6.3A Fuses	1
5	QE71-1275-E	220V CSA Sticker	1

240V Electric System

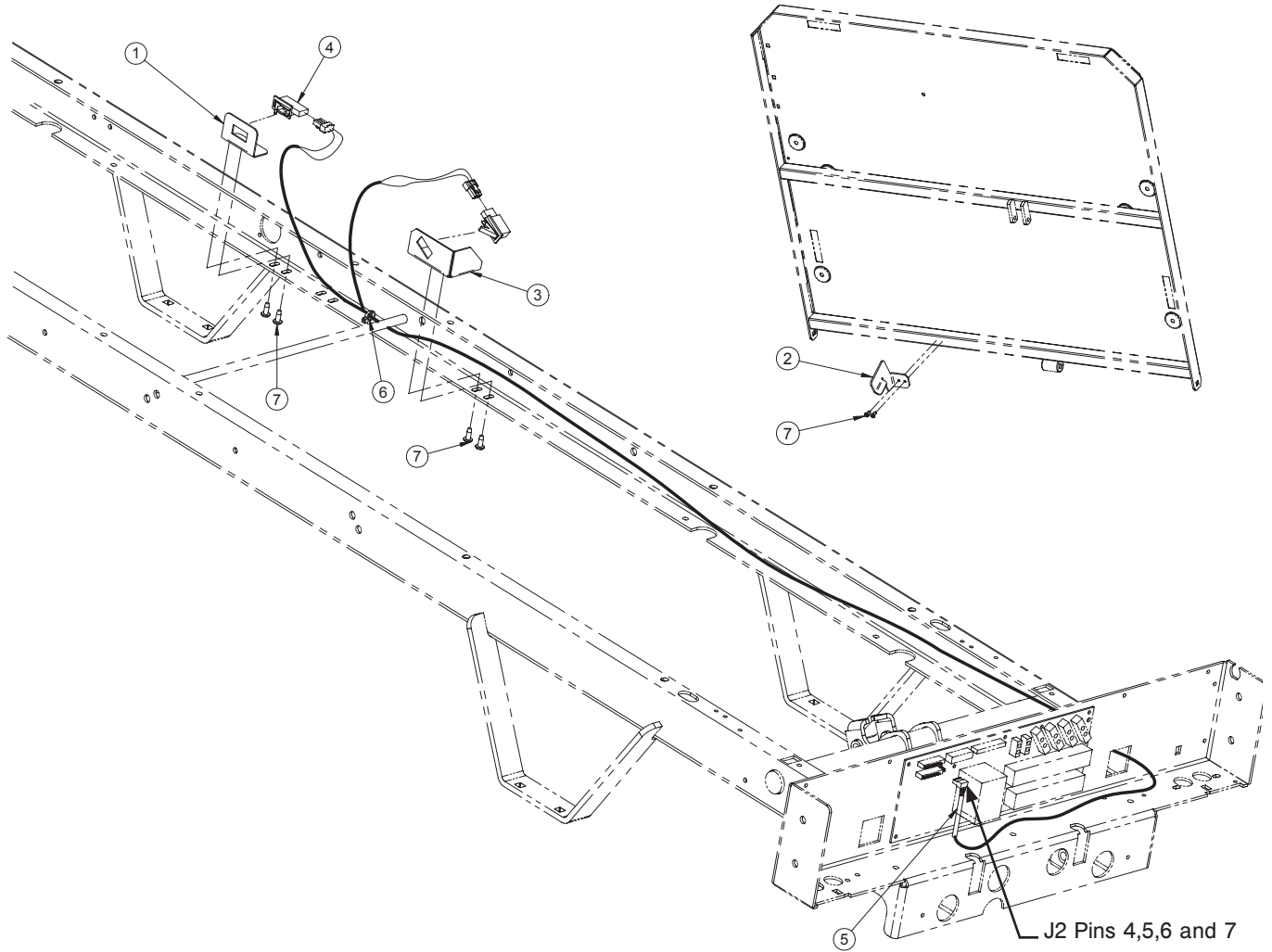
OL230234 Rev 00 (Reference Only)



Item	Part No.	Part Name	Qty.
1	QDF20-0084	240V Connector	1
2	QDF8068	6.3A Fuse (200, 220, 240V)	2
3	QDF9580	Fuse Holder	1
4	QE71-0573	6.3A Fuses - Sticker	1
5	QE71-1276-E	240V CSA - Sticker	1

Auto Contour Positioning

OL230239 Rev 00 (Reference Only)

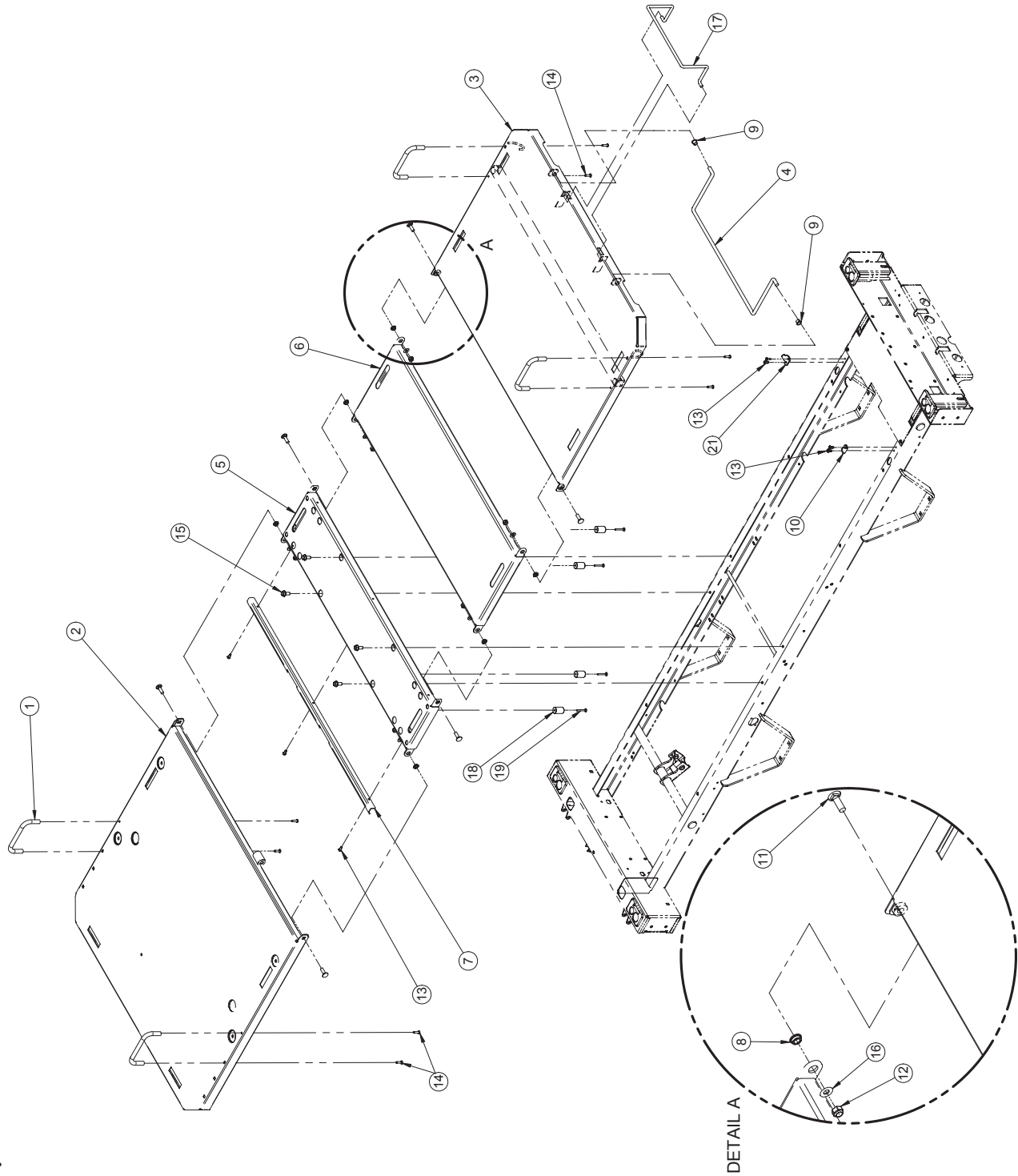


Auto Contour Positioning - OL230239 Rev 00 (Reference Only)

Item	Part No.	Part Name	Qty.
1	23-0795Z	Micro Switch Support	1
2	23-0796G	Angle Detector Arm	1
3	23-0797Z	Switch Support	1
4	QDF2083	Toggle Switch	2
5	QDF23-0814	Auto Contour Cable	1
6	QDF9518	Cable Tie	1
7	VV83A9G16	Pan Head Tapping Screw	6

Mattress Support

L23-016G Rev 01 (Reference Only)



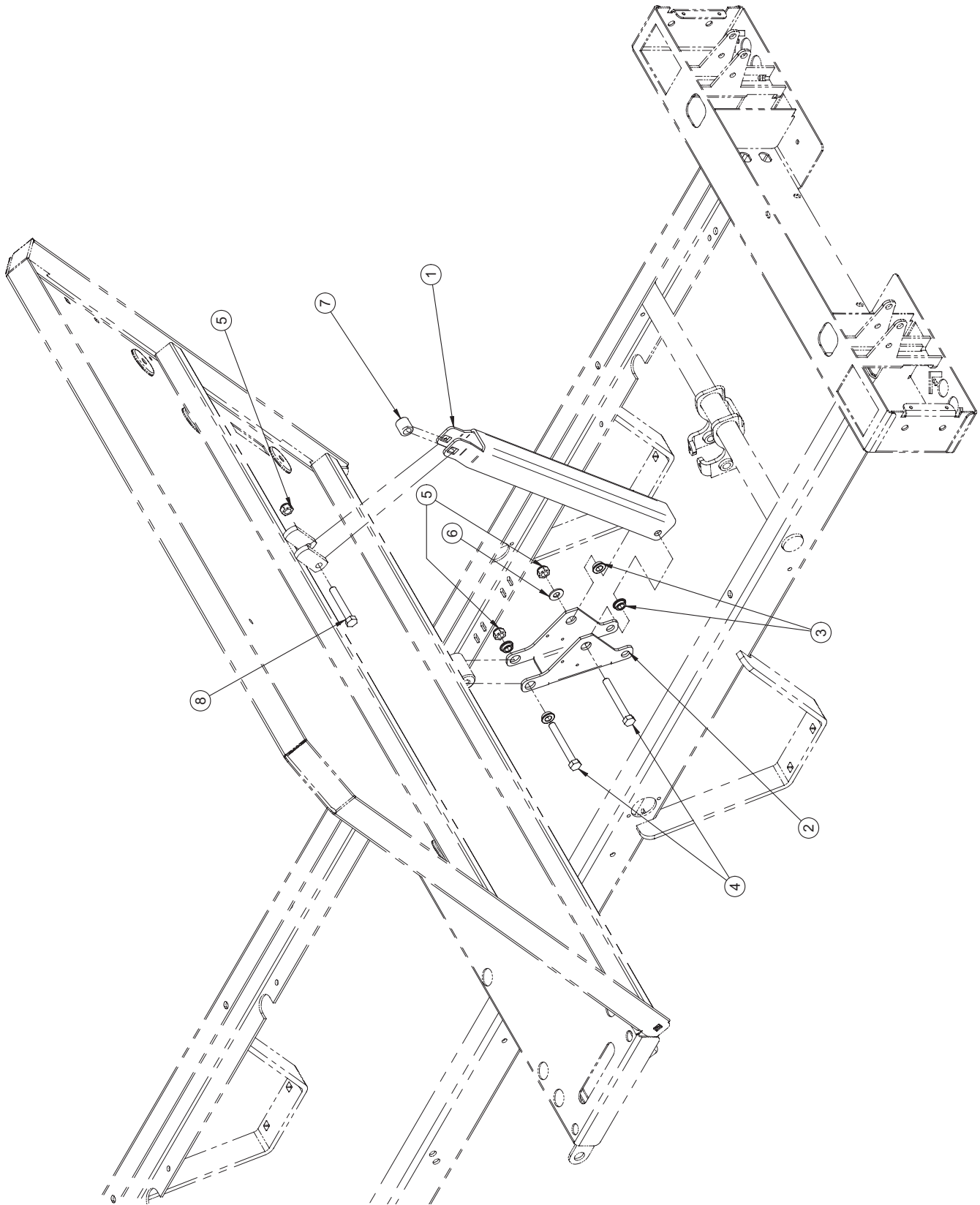
Mattress Support

Mattress Support - L23-016G Rev 03 (Reference Only)

Item	Part No.	Part Name	Qty.
1	QP14034-07	Mattress Retainer	4
2	23-0091G	Head Section S.A.	1
3	23-0705G	Foot Section S.A.	1
4	QDF23-0704G	Foot Prop Rod S.A.	1
5	23-0640G	Seat Section S.A.	1
6	25-0634G	Thigh Section S.A.	1
7	25-0274G	Protective Bracket	1
8	QDF17-0020	Shoulder Spacer Diameter	6
9	QPNI2404	Nylon Shoulder Bushing 3/8" ID	2
10	28-0461Z	Right Hook	1
11	VB35A1O32	Carriage Bolt	6
12	VE30A1O	Nylon Hexagonal Locknut	6
13	VV83A9G16	Pan Head Tapping Screw	7
14	VV83A9G24	Pan Head Tapping Screw	8
15	VVB4A1O24	Bolt	4
16	VW10A10	Flat Washer 5/16" SAE z.p.	6
17	17-0211G	Foot End Mattress Retainer	1
18	23-0815	Centre Section Stop	4
19	VV83A9G36	Type B Screw, #10 X 1-1/4	4
21	28-0468Z	Left Hook	1

Without CPR Emergency Release

OL230105 Rev 03 (Reference Only)



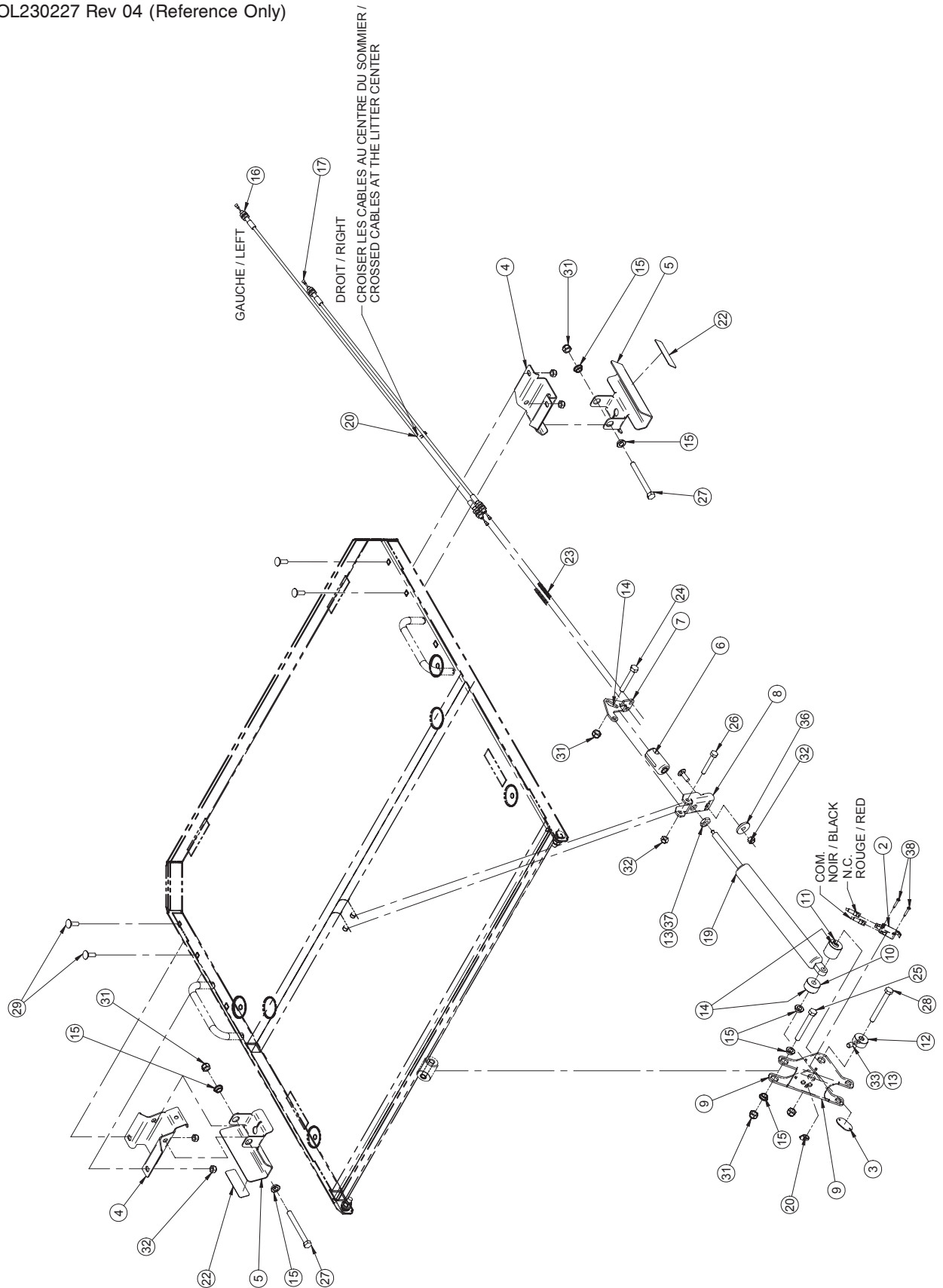
Without CPR Emergency Release

Without CPR Emergency Release - OL230105G Rev 03 (Reference Only)

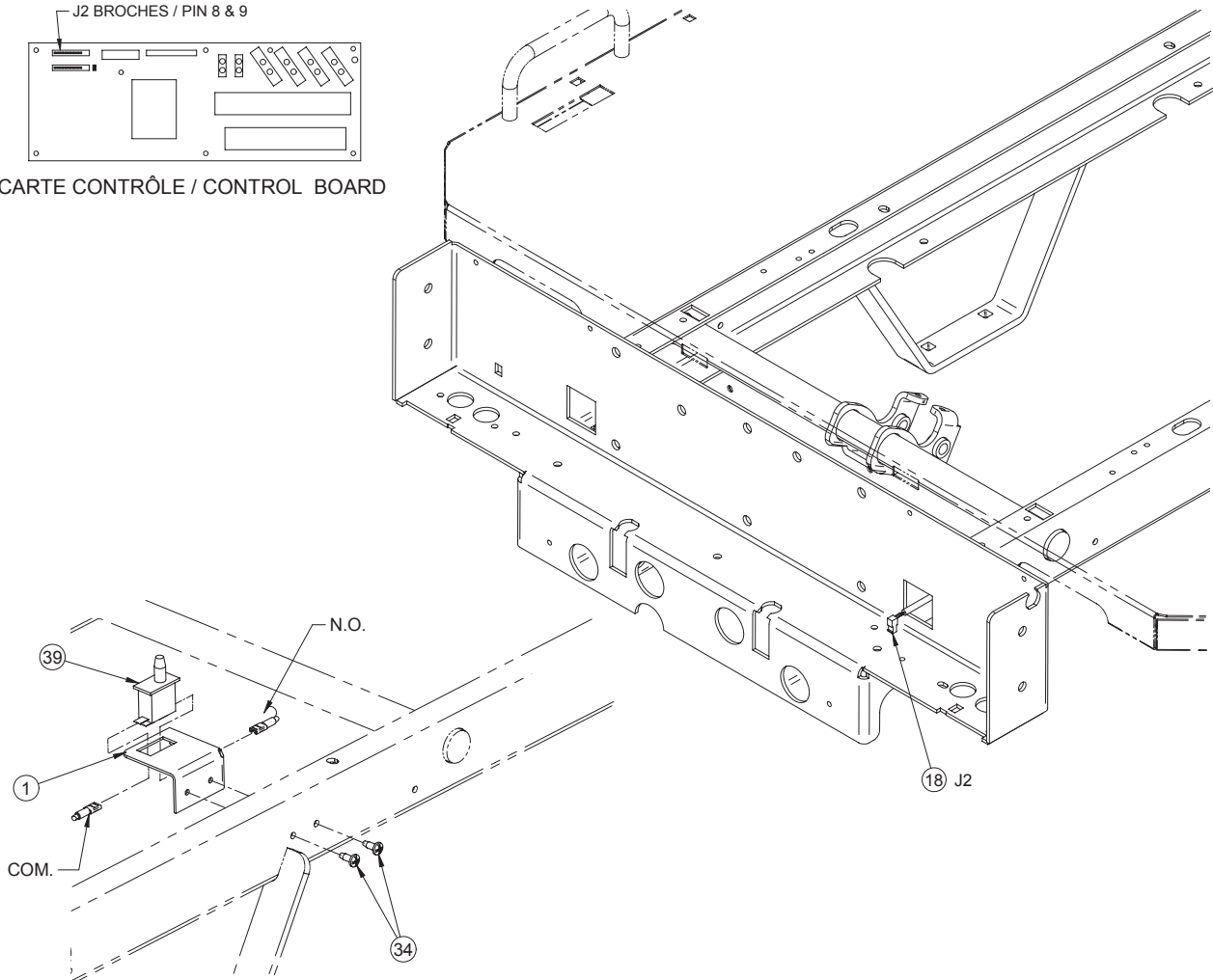
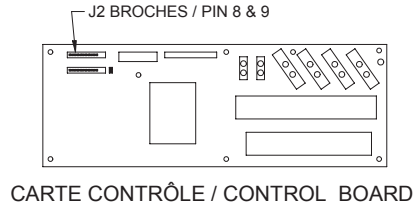
Item	Part No.	Part Name	Qty.
1	20-0223G	Head Section Arm Lever	1
2	25-0362Z	Mattress Support Lever	1
3	QDF17-0020	Shoulder Spacer Diameter	4
4	VB18A1O52	Hexagonal Bolt	2
5	VE30A1O	Nylon Hexagonal Locknut	3
6	VW10A10	Flat Washer 5/16" SAE z.p.	1
7	VW60C201320	Nylon Spacer	1
8	VB15A1O48	Hexagonal Bolt 5/16-18 2" Grade 5	1

CPR Emergency Release

OL230227 Rev 04 (Reference Only)



CPR Emergency Release



CPR Emergency Release - OL230227G Rev 04 (Reference Only)

Item	Part No.	Part Name	Qty.
1	23-0736Z	Micro Switch Support	1
2	1325P003	Micro Switch	1
3	17-0192	Nut for Micro Switch	1
4	20-0015Z	Activation Handle Bracket	2
5	20-0242G	Activation Handle	2
6	20-0017Z	Activation Mechanism Socket	1
7	20-0018Z	Mobile Lever	1
8	20-0019Z	Fixed Lever	1
9	25-0362Z	Mattress Support Lever	1
10	25-0456Z	Sleeve	1
11	25-0514Z	Cylinder Inner Sleeve	1
12	25-0515Z	Cylinder Outer Sleeve	1
13	M0008	Threadlocker - Medium Strength (Blue)	.3000
14	M0019	Petro Canada OG2 Grease	.0450
15	QDF17-0020	Shoulder Spacer Diameter 5/16" x 0.210"	7

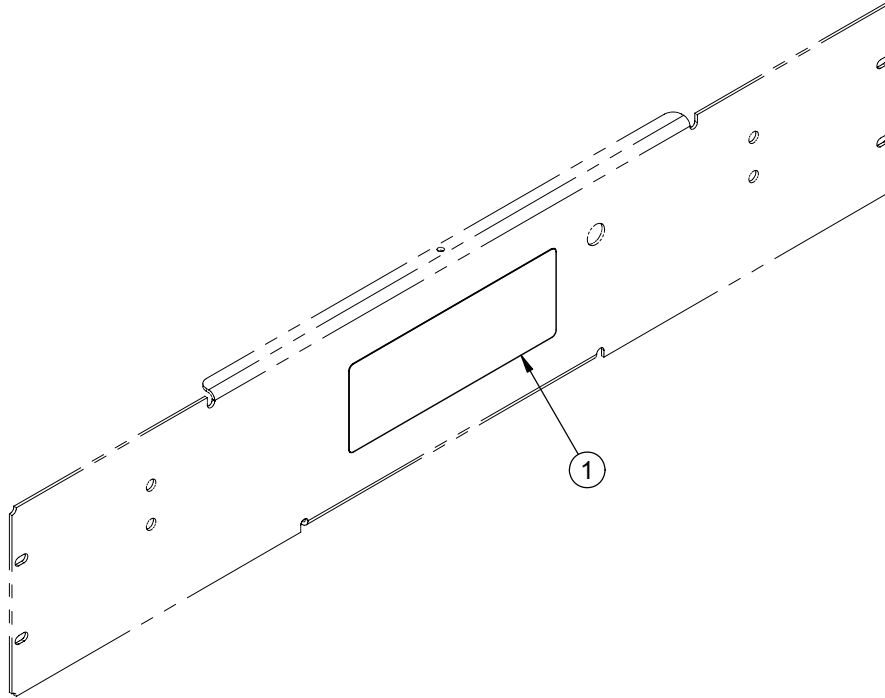
CPR Emergency Release

CPR Emergency Release - OL230227G Rev 04 (Reference Only)

Item	Part No.	Part Name	Qty.
16	QDF19-0354	Head Section Cable	1
17	QDF19-0815	Short Head Section Cable	1
18	QDF23-0747	CPR Cable	1
19	QDF5090	CPR Pneumatic Cylinder (Bloc-o-Lift #682802)	1
20	QDF9518	Nylon Ty-Rap Black (0.143 X 8")	2
22	QE71-0963-BIL	Sticker - CPR	2
23	QRC18579	Compression Spring	2
24	VB15A1O48	Hexagonal Bolt 5/16-18 x 2" Grade 5, z.p.	1
25	VB18A1O52	Hexagonal Bolt 5/16-18 x 2 1/2" Grade 8, z.p.	1
26	VB15A1N44	Hexagonal Bolt 1/4-20 x 1 3/4" Grade 5 z.p.	1
27	VB15A1O56	Hexagonal Bolt 5/16-18 x 3" Grade 5, z.p.	2
28	VB15A1O54	Hexagonal Bolt 5/16-18 unc x 2-3/4" Grade 5, z.p.	1
29	VB35A1N24	Carriage Bolt 1/4-20 x 3/4" z.p.	5
31	VE30A1O	Nylon Hexagonal Locknut 5/16-18 UNC z.p.	5
32	VE30A1N	Nylon Hexagonal Locknut 1/4-20 z.p.	6
33	VV60B1O12	Hexagonal Socket Set Screw 5/16-18 x 3/8 z.p.	1
34	VV83A9G16	Tapping Screw Pan Phillips Type B #10 x 1/2" z.p.	2
36	23-0762	Nylon Shoulder Washer (ID 270" x D 480" x OD 720")	1
37	VE20AOP	Locknut M10 x 1.0 z.p.	1
38	VV87A9A24	Tapping Screw Truss Phillips Socket #4 x 1/2"	2
39	QDF9159	Cherry Limit Switch	1

BNQ Certification

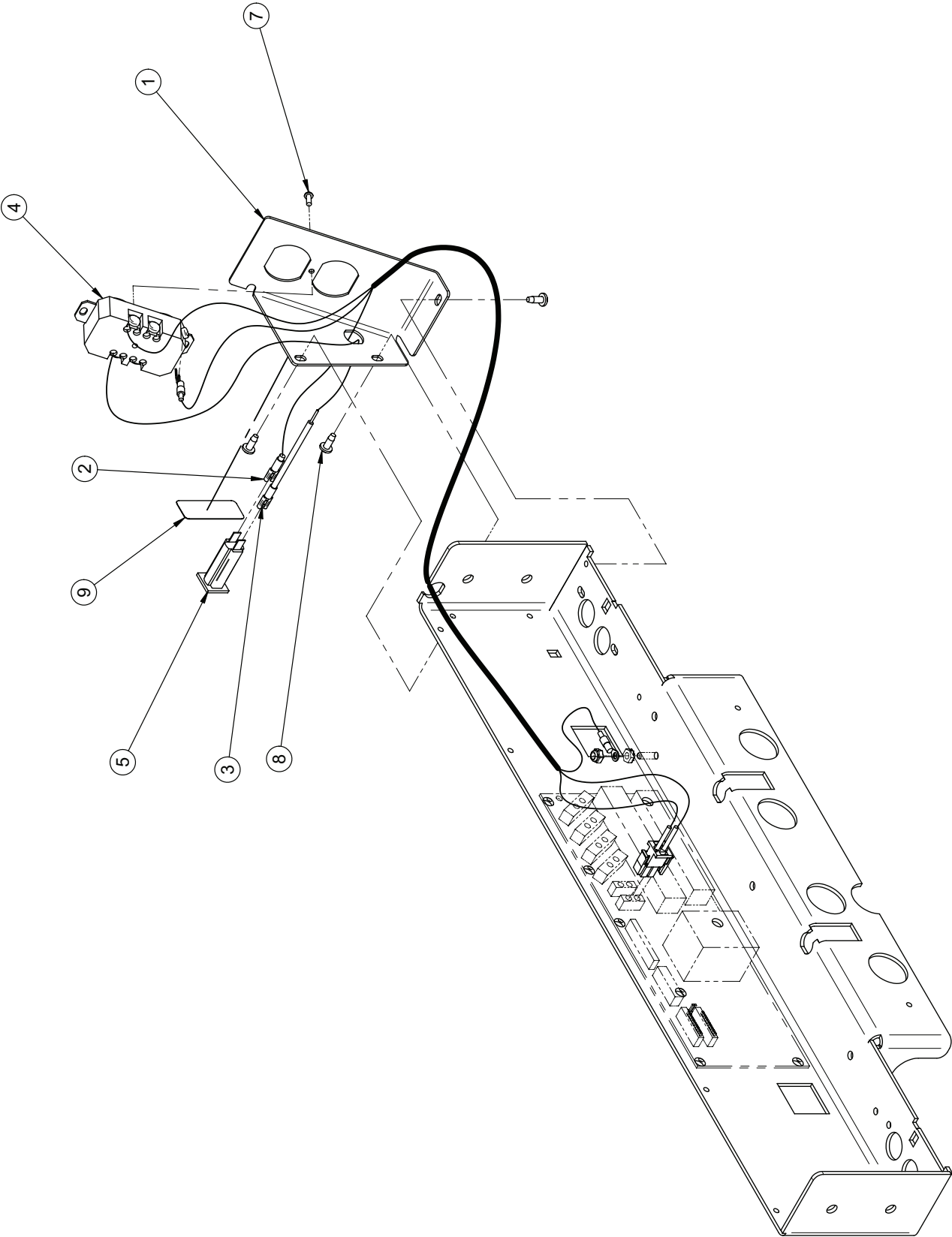
OL230258 Rev 00 (Reference Only)



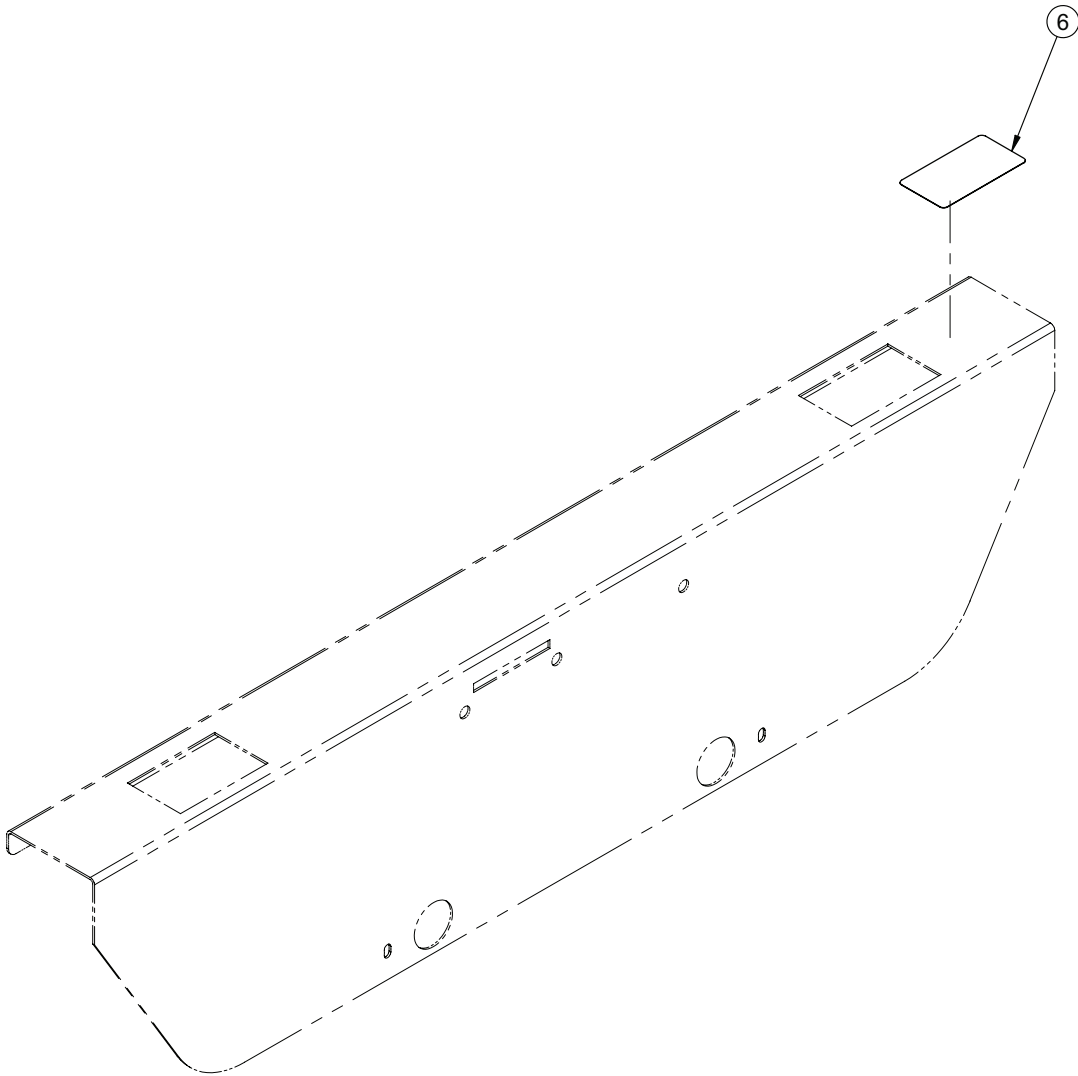
Item	Part No.	Part Name	Qty.
1	QE71-1201-F	BNQ Sticker	1

120V Auxiliary Outlet

OL230010G Rev 04 (Reference Only)



120V Auxiliary Outlet

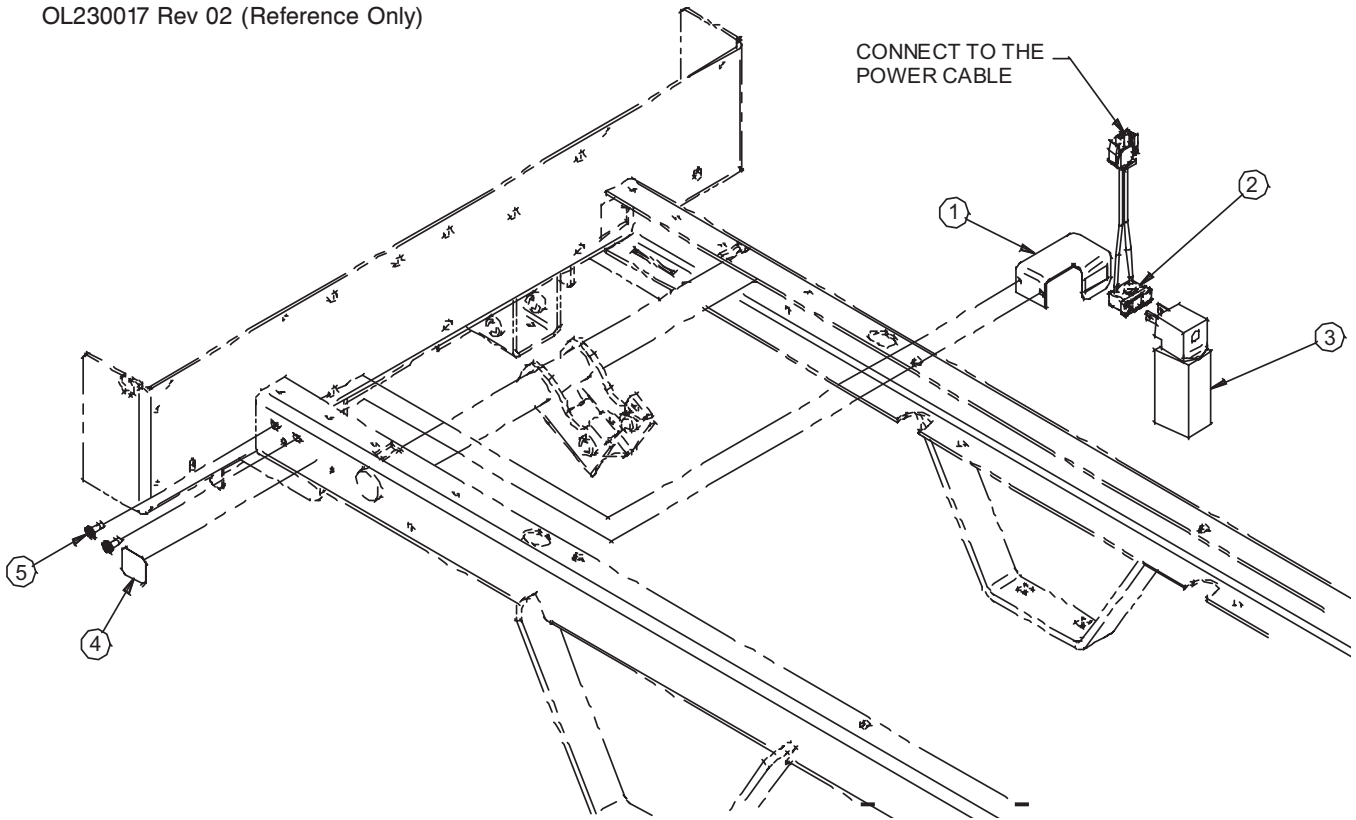


120V Auxiliary Outlet - OL230010G Rev 04 (Reference Only)

Item	Part No.	Part Name	Qty.
1	23-0219G	Auxiliary Power Casing	1
2	QDF17-0199	120V Auxiliary Plug Wire	1
3	QDF17-0223	Circuit Breaker Wire	1
4	QDF8024	8200-W Leviton Double Socket	1
5	QDF9025	5A Circuit Breaker	1
6	QE71-0742-T	Power Source Label	1
7	VV37A1C12	Truss Head Machine Screw	1
8	VV83A9G16	Pan Head Tapping Screw	3
9	QE71-0225-T	Sticker - Circuit Breaker	1

Night Light

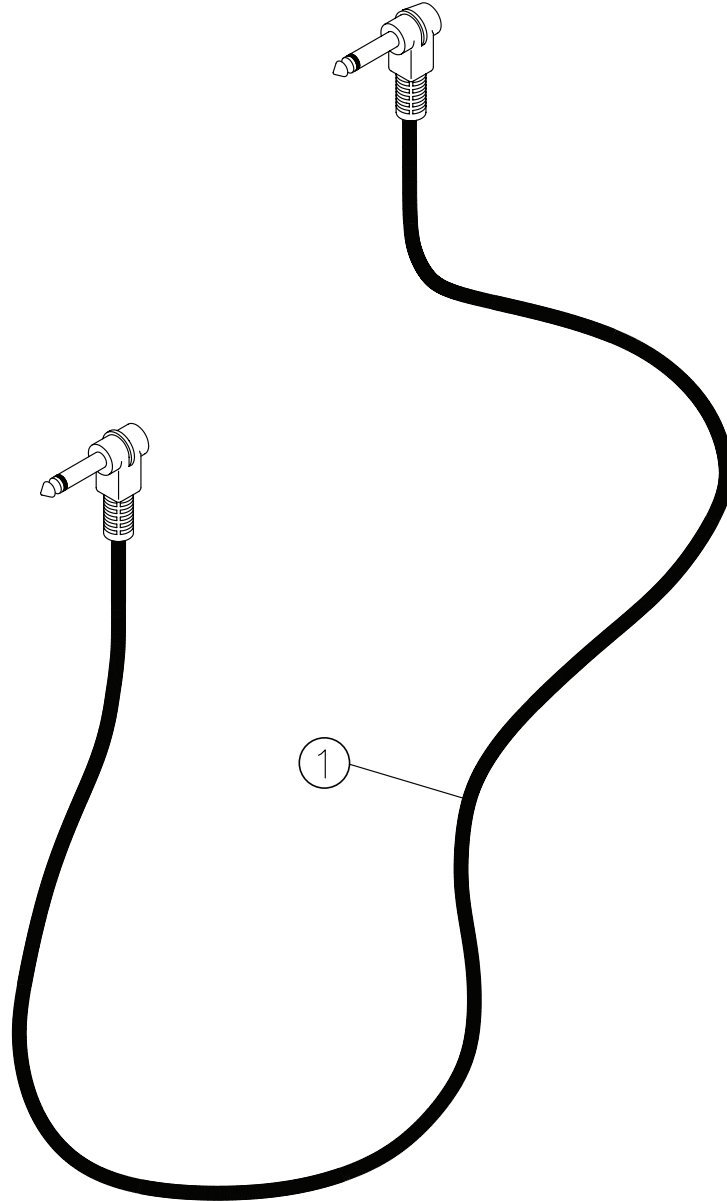
OL230017 Rev 02 (Reference Only)



Item	Part No.	Part Name	Qty.
1	25-0273Z	Night Light Support	1
2	QDF18825	Interlocking Outlet	1
3	QDF9539	Night Light	1
4	QE71-0712	Sticker - Night Light	1
5	VV83A9G16	Tapping Screw Pan Phillips Type B #10 x 1/2" z.p.	2

Cable and Phone Plug 1/4"

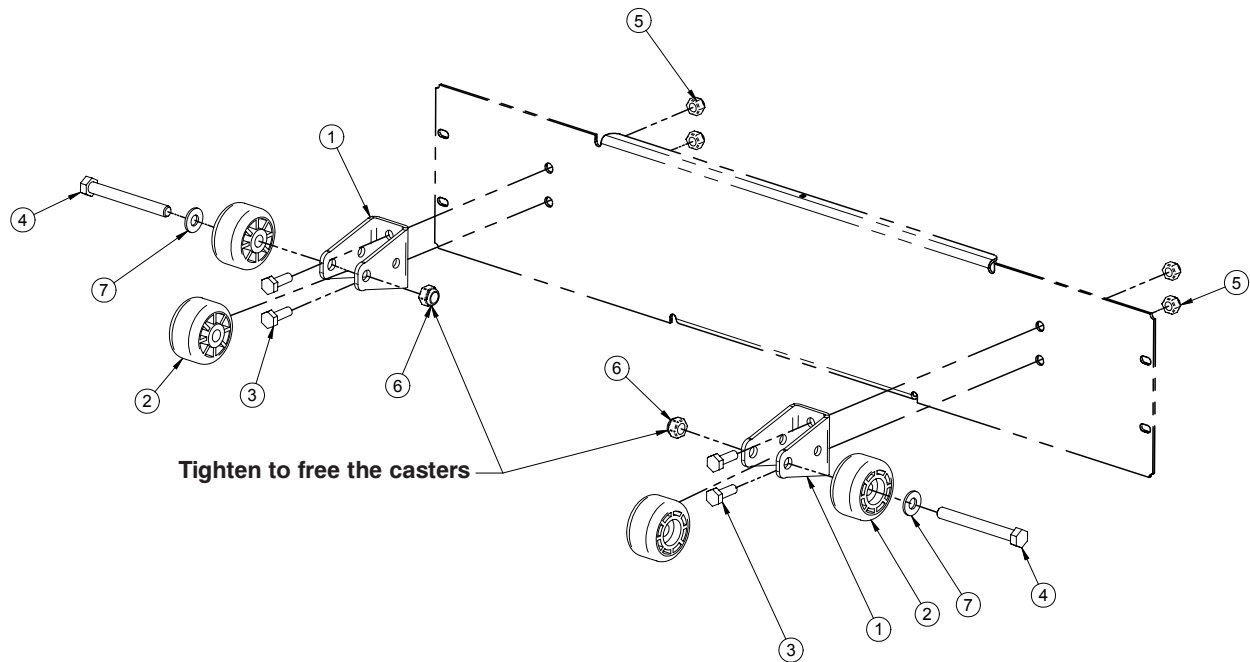
OL230215 Rev 01 (Reference Only)



Item	Part No.	Part Name	Qty.
1	QDF23-0571	Mono Wall Connection Cable	1

Bumper with Two Soft Casters

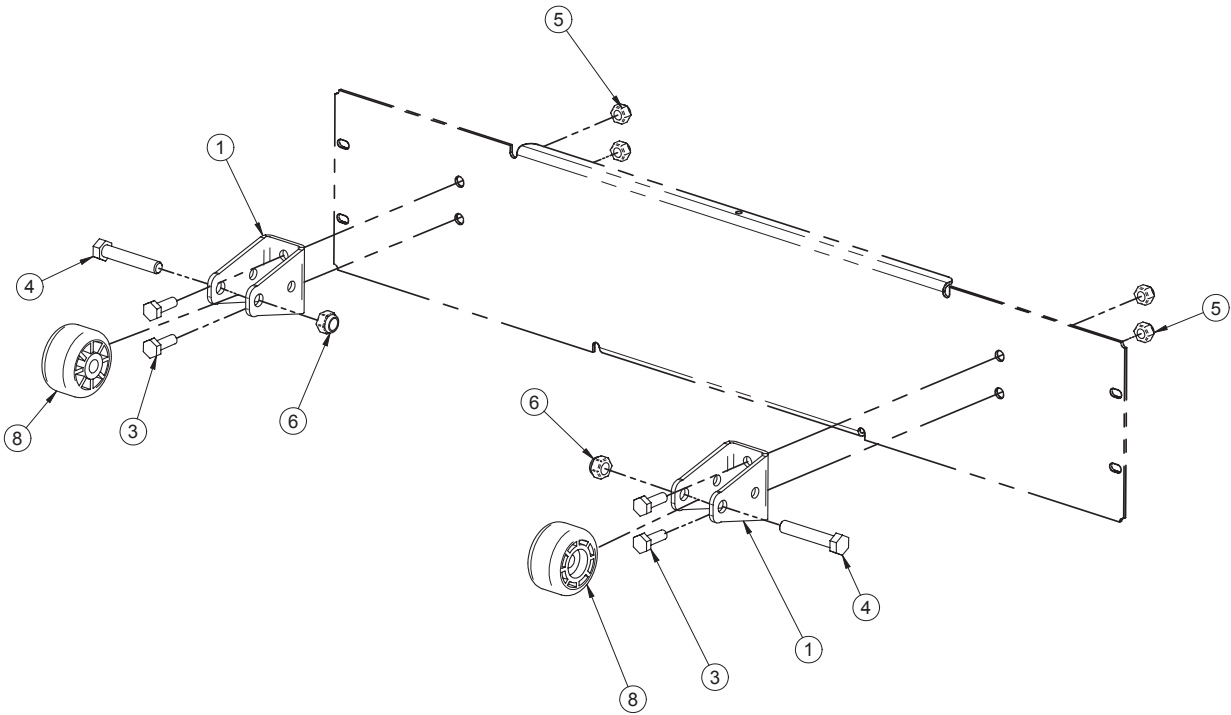
OL230241 Rev 00 (Reference Only)



Item	Part No.	Part Name	Qty.
1	23-0798G	Single Bumper Support	2
2	QPC-14-0321	Caster Diameter 1 3/4"	4
3	VB15A1N24	Bolt 1/4"-20 x 3/4" Grade 5 z.p.	4
4	VB15A1O54	Bolt 5/16-18 x 2 3/4" LG Full Thread	2
5	VE30A1N	Nylon Locknut 1/4-20	4
6	VE30A1O	Nylon Locknut 5/16"-18	2
7	VW10A10	Flat Washer Diameter 5/16" S.A.E.	2

Bumper with One Rigid Caster

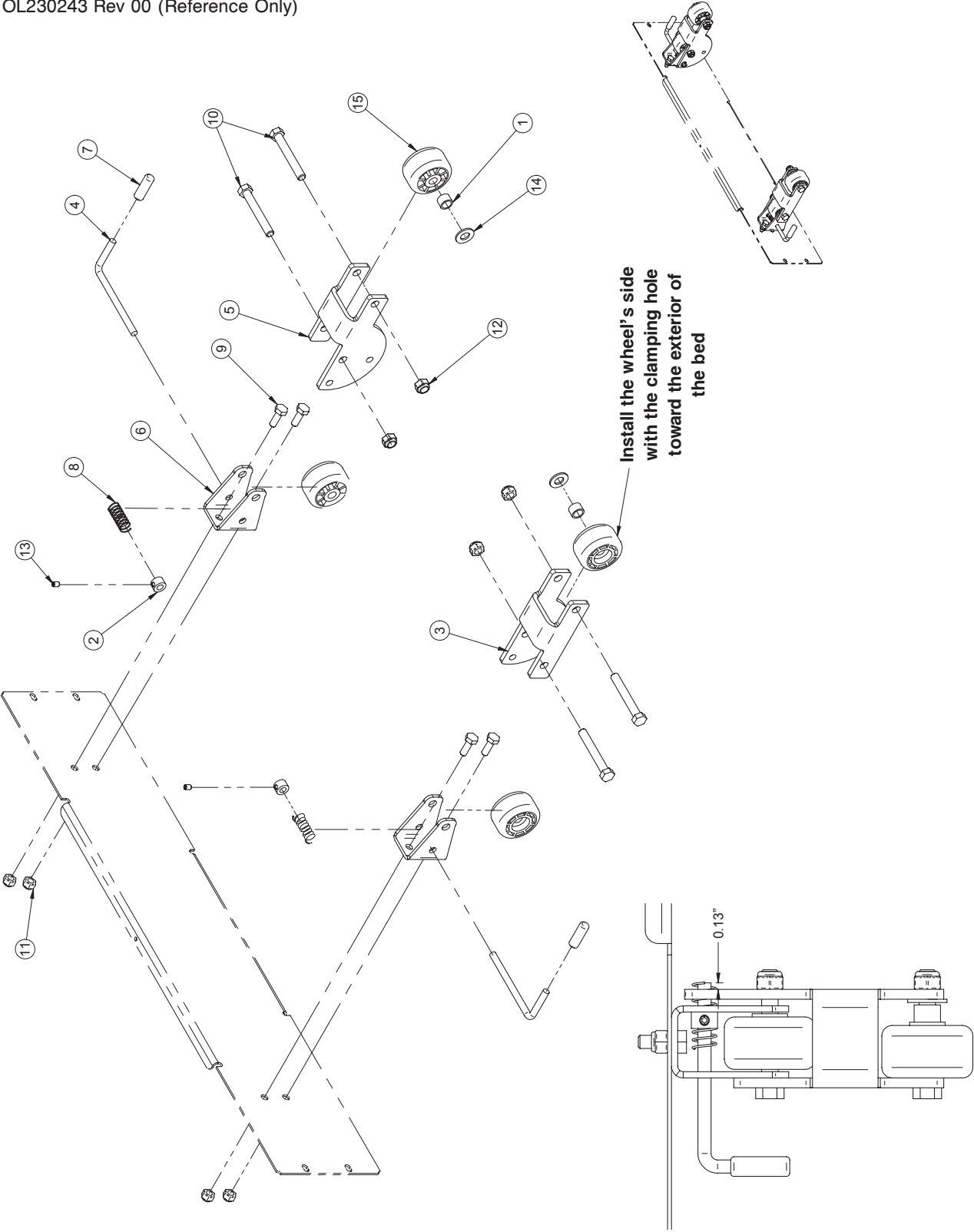
OL230242 Rev 00 (Reference Only)



Item	Part No.	Part Name	Qty.
1	23-0798G	Single Bumper Support	2
3	VB15A1N24	Bolt 1/4"-20 x 3/4" Grade 5 z.p.	4
4	VB15A1O44	Bolt 5/16-18 x 1 3/4" LG Grade 5	2
5	VE30A1N	Nylon Locknut 1/4-20	4
6	VE30A1O	Nylon Locknut 5/16"-18	2
8	QPN-14-0705	Caster for Head Lever Arm	2

Adjustable Bumper

OL230243 Rev 00 (Reference Only)



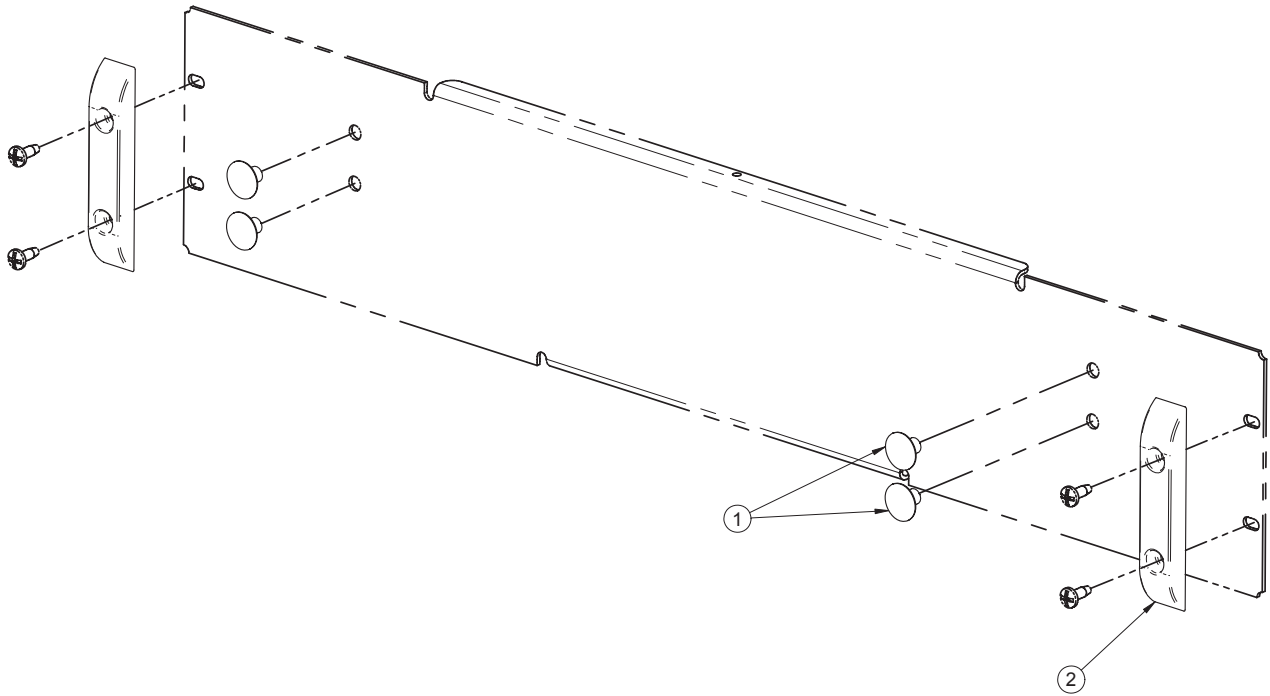
Adjustable Bumper

Adjustable Bumper - OL230243 Rev 00 (Reference Only)

Item	Part No.	Part Name	Qty.
1	14403Z	Spacer	2
2	19-0478Z	Adjustable Retainer	2
3	23-0347G	Left Pivot Plate	1
4	23-0348Z	Strike	2
5	23-0349G	Right Pivot Plate	1
6	23-0798G	Single Bumper Support	2
7	QPVA0012	Vinyl Cap Diameter 1/4" x 1 1/4"	2
8	QRC18642	Compression Spring (13/32 x 1 1/4)	2
9	VB15A1N24	Bolt 1/4"-20 x 3/4" Grade 5 z.p.	4
10	VB15A1O50	Bolt 5/16"-18 x 2 1/4" LG, Grade 5	4
11	VE30A1N	Nylon Locknut 1/4-20	4
12	VE30A1O	Nylon Locknut 5/16"-18	4
13	VV60A0G08-S	Hex Pressure Screw	2
14	VW10C122402	Nylon Washer	2
15	QPN-14-0705	Caster for Head Lever Arm	4

Short Bed Bumper

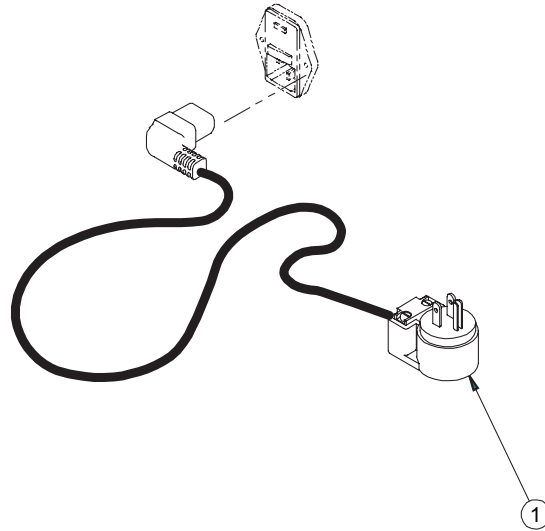
OL230244 Rev 00 (Reference Only)



Item	Part No.	Part Name	Qty.
1	QPPE1207	Plastic Cap 1/4	4
2	QP23-0776	Glider	2

Power Cord with 90° North American Grade Plug

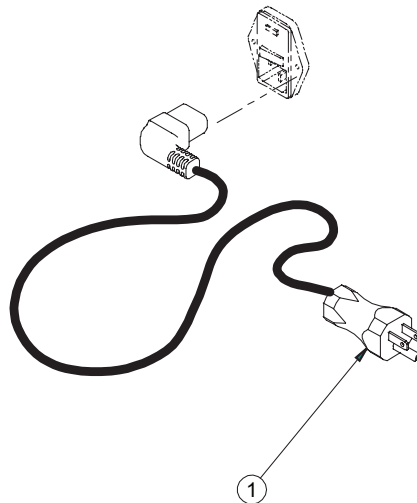
OL250055 Rev 01 (Reference Only)



Item	Part No.	Part Name	Qty.
1	QDF8066-90D	Power Cord with 90° North American Grade Plug	1

Power Cord with Straight Molded North American Hospital Grade Plug

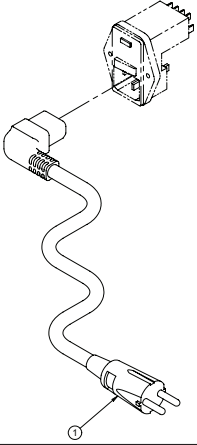
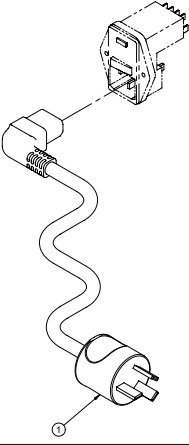
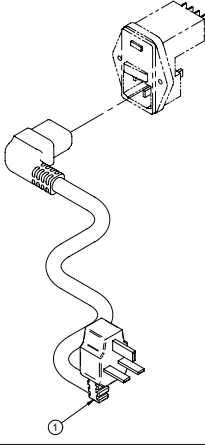
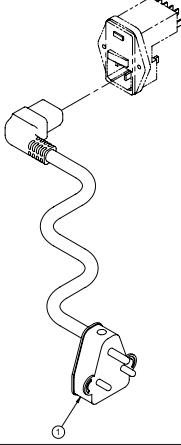
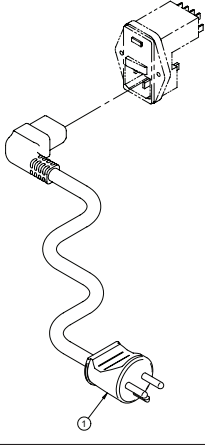
OL250053 Rev 01 (Reference Only)

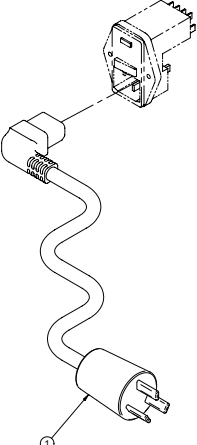
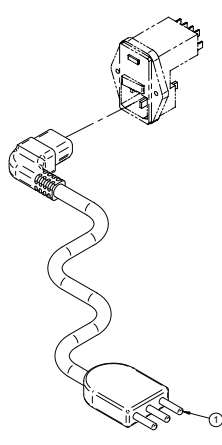
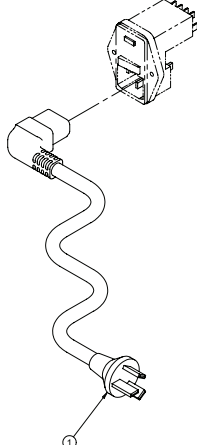
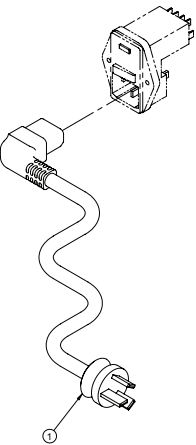


Item	Part No.	Part Name	Qty.
1	QDF8066	Power Cord with Straight Molded North American Hospital Grade Plug	1

Power Cords and Plugs

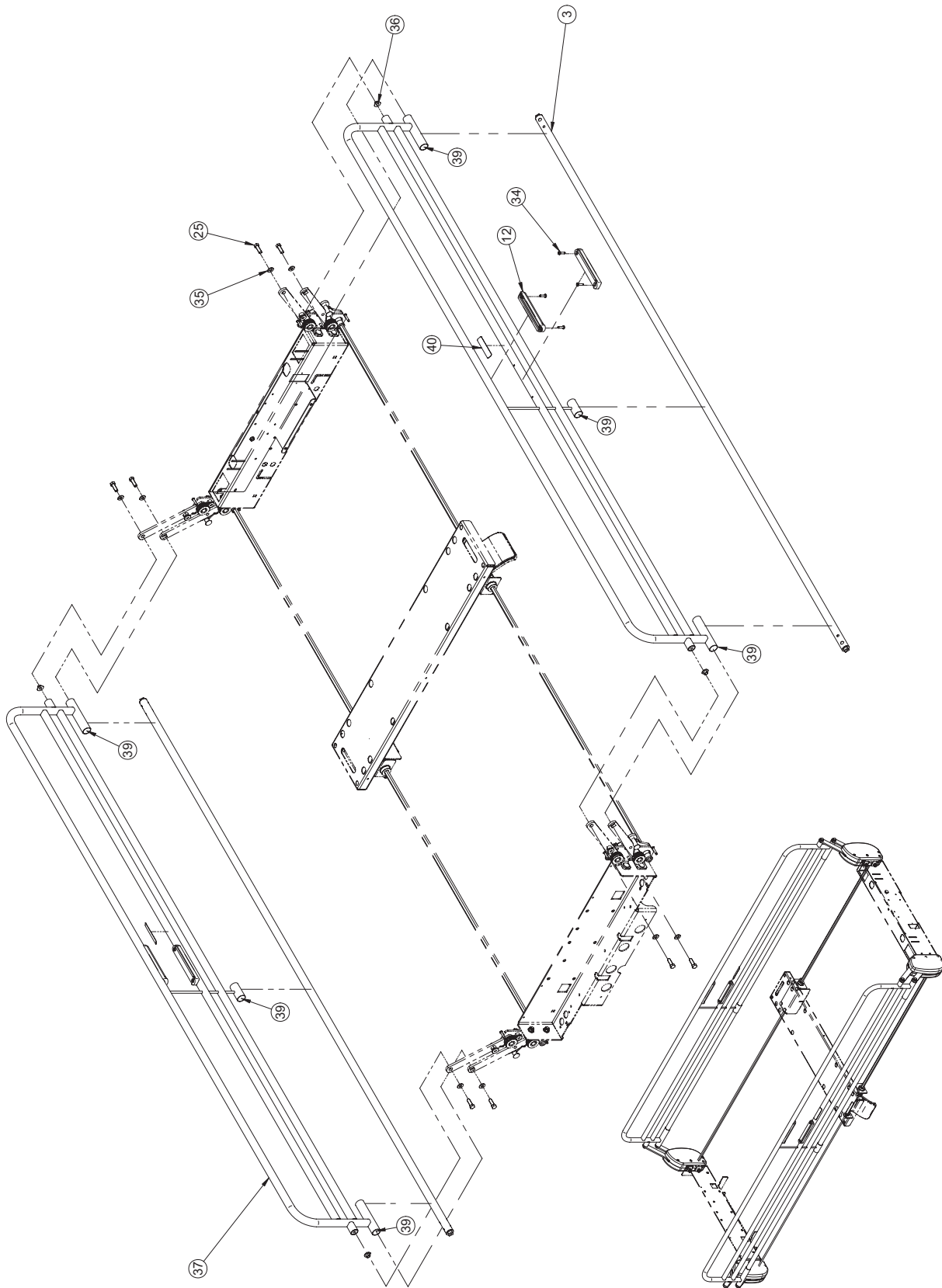
Quantity for each: 1

Continental Europe	Australia	United Kingdom	India	Denmark
For Reference Only: OL250058 Rev. 02	For Reference Only: OL250059 Rev. 02	For Reference Only: OL250060 Rev. 02	For Reference Only: OL250061 Rev. 02	For Reference Only: OL250067 Rev. 02
				
Part Number: QDF8066-EUR	Part Number: QDF8066-AUS	Part Number: QDF8066-ROY	Part Number: QDF8066-IND	Part Number: QDF8066-DAN

Israel	Italy/Chili	Argentina	China
For Reference Only: OL250068 Rev. 02	For Reference Only: OL250069 Rev. 02	For Reference Only: OL250073 Rev. 02	For Reference Only: OL250074 Rev. 01
			
Part Number: QDF8066-ISR	Part Number: QDF8066-ITA	Part Number: QDF8066-ARG	Part Number: QDF8066-CHI

Full-Length Retractable Siderail

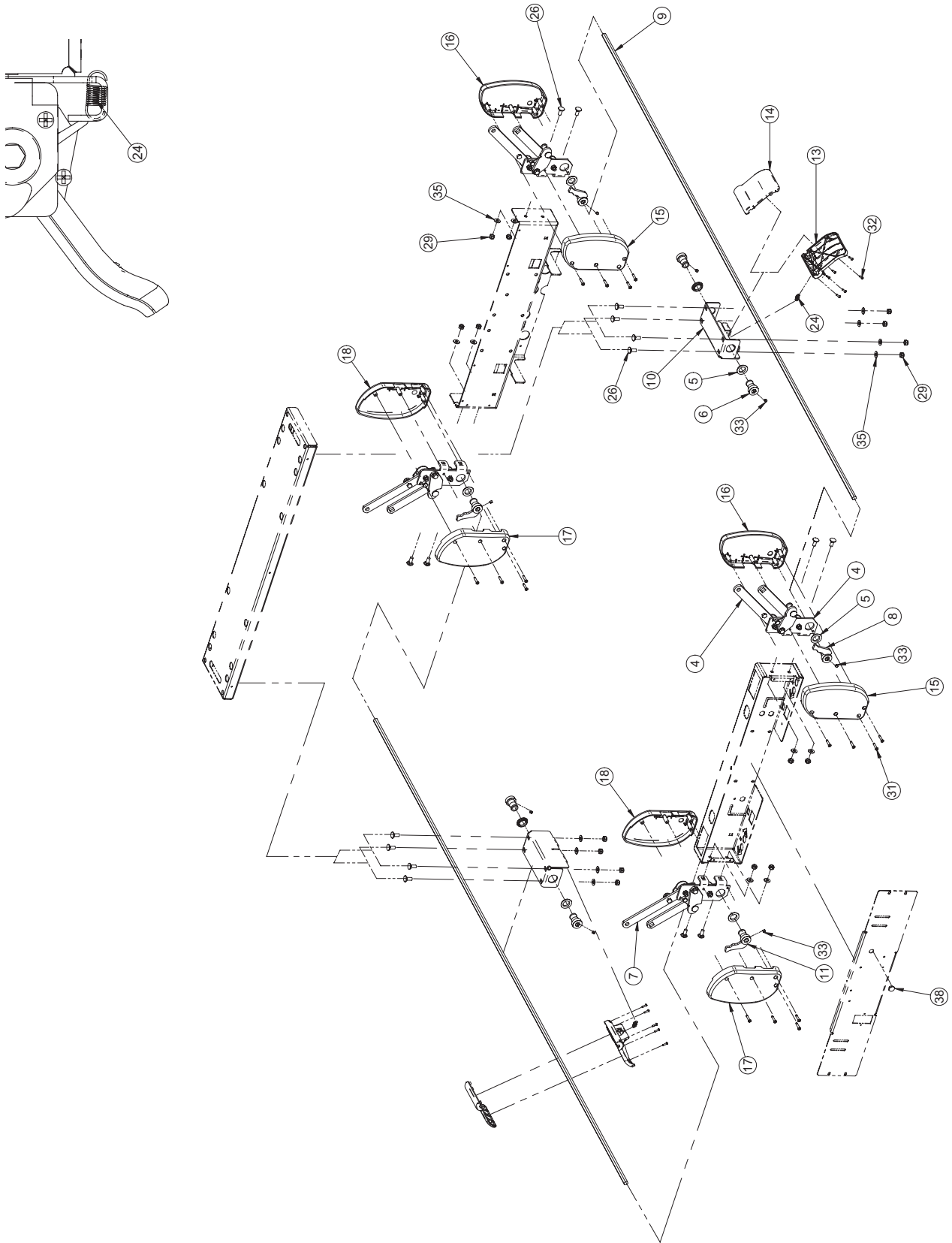
OL230202 Rev 08 (Reference Only)



[Return To Table of Contents](#)

[Return To Table of Contents](#)

Full-Length Retractable Siderail



Painted Full-Length Retractable Siderail

Painted Full-Length Retractable Siderail - OL230202G Rev 08 (Reference Only)

Item	Part No.	Part Name	Qty.
3	23-0492G	Pivot Tube S.A.	2
4	23-0535G	Right Siderail Mechanism S.A.	2
5	23-0541	Shoulder Spacer	8
6	23-0547Z	Lock Bushing	4
7	23-0548G	Left Siderail Mechanism S.A.	2
8	23-0549Z	Right Release Finger S.A.	2
9	23-0550Z	Release Rod - Head	2
10	23-0551G	Release Handle Bracket	2
11	23-0555Z	Left Release Finger S.A.	2
12	QP23-0389-07	Removable Control Panel Support	4
13	QP23-0556-08	Release Handle - Upper Part	2
14	QP23-0557-08	Release Handle - Lower Part	2
15	QP23-0623-07	Head Right Siderail Mechanism Outer Cover	2
16	QP23-0624-07	Foot Right Siderail Mechanism Outer Cover	2
17	QP23-0625-07	Head Left Siderail Mechanism Outer Cover	2
18	QP23-0626-07	Foot Left Siderail Mechanism Outer Cover	2
24	QRE23-0561	Release Handle Extension Spring	2
25	VB15A1O32-S	Hexagonal Bolt 5/16 - 18 x 1" Grade 5 z.p.	8
26	VB35A1O24	Carriage Bolt (Short Neck) 5/16-18 x 3/4" z.p. Grade 5	16
29	VE30A1O	Nylon Hexagonal Locknut 5/16-18 UNC z.p.	16
31	VV23A1G32HL	Tapping Screw Pan Phillips Type High-Low #10 x 1" z.p.	16
32	VV23A9C16HL	Phillips Pan Head High-Low Tapping Screw Type B #6 X 1/2	12
33	VV61A0M08	Nylon Tipped Hexagonal Socket Set Screw 1/4 - 28 x 1/4"	8
34	VV83A9G24	Tapping Screw Pan Phillips Type B #10 x 3/4" z.p.	8
35	VW10A10	Flat Washer 5/16" SAE z.p.	24
36	23-0658	Spacer	4
37	23-0485G	Full-Length Retractable Siderails S.A.	2
38	QPCE1207	Diameter 5/8"-18 unc ga 16-18 Cap	1
39	M0019	Petro Canada OG2 Grease	.0300
40	QE71-1175-T	Sticker: Manipulate Here	2

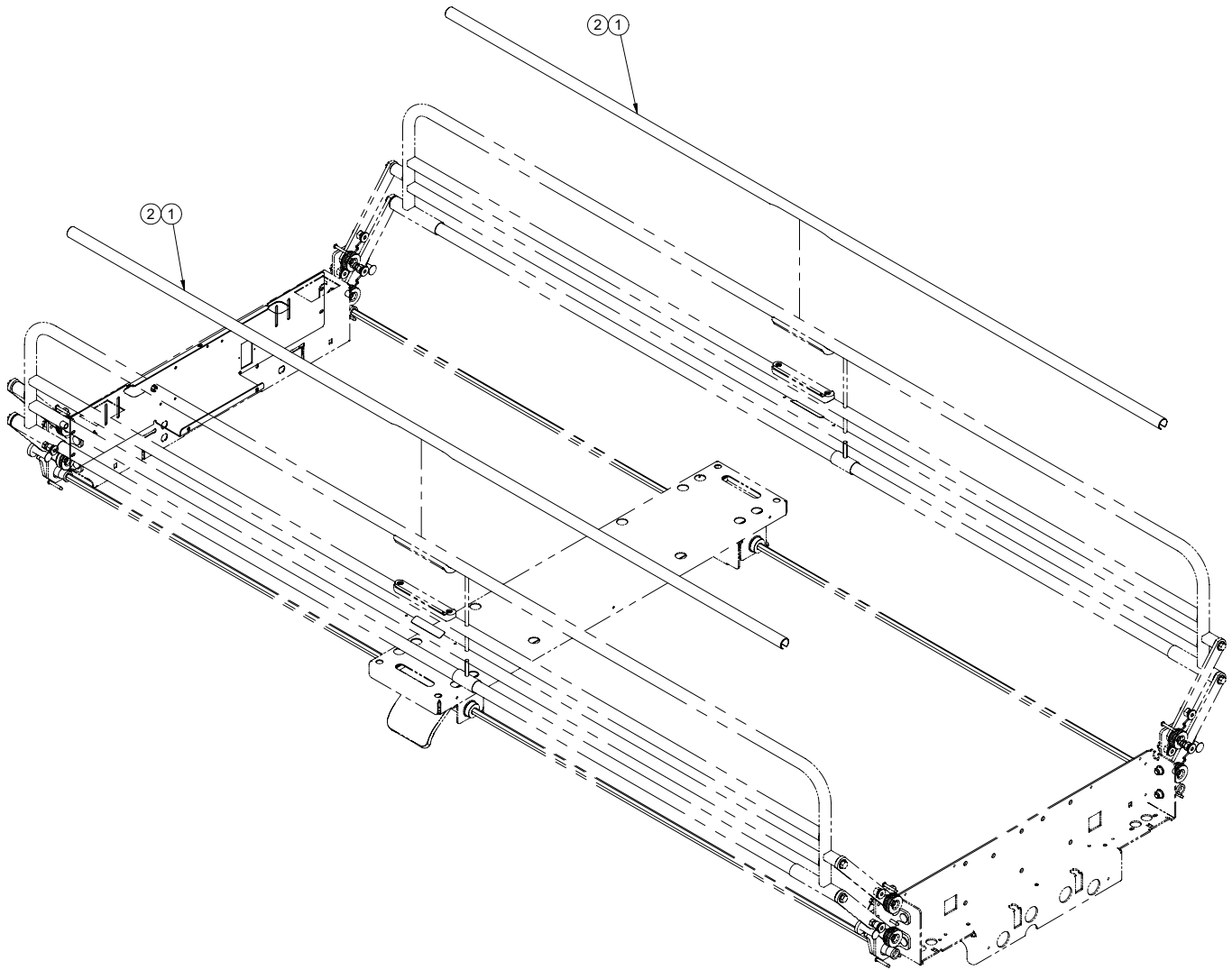
Chromed Full-Length Retractable Siderail

Chromed Full-Length Retractable Siderail - OL230202CG Rev 08 (Reference Only)

Item	Part No.	Part Name	Qty.
3	23-0492C	Pivot Tube S.A.	2
4	23-0535G	Right Siderail Mechanism S.A.	2
5	23-0541	Shoulder Spacer	8
6	23-0547Z	Lock Bushing	4
7	23-0548G	Left Siderail Mechanism S.A.	2
8	23-0549Z	Right Release Finger S.A.	2
9	23-0550Z	Release Rod - Head	2
10	23-0551G	Release Handle Bracket	2
11	23-0555Z	Left Release Finger S.A.	2
12	QP23-0389-07	Removable Control Panel Support	2
13	QP23-0556-08	Release Handle - Upper Part	2
14	QP23-0557-08	Release Handle - Lower Part	2
15	QP23-0623-07	Head Right Siderail Mechanism Outer Cover	2
16	QP23-0624-07	Foot Right Siderail Mechanism Outer Cover	2
17	QP23-0625-07	Head Left Siderail Mechanism Outer Cover	2
18	QP23-0626-07	Foot Left Siderail Mechanism Outer Cover	2
24	QRE23-0561	Release Handle Extension Spring	2
25	VB15A1O32-S	Hexagonal Bolt 5/16 - 18 x 1" Grade 5 z.p.	8
26	VB35A1O24	Carriage Bolt (Short Neck) 5/16-18 x 3/4" z.p. Grade 5	16
29	VE30A1O	Nylon Hexagonal Locknut 5/16-18 UNC z.p.	16
31	VV23A1G32HL	Tapping Screw Pan Phillips Type High-Low #10 x 1" z.p.	16
32	VV23A9C16HL	Phillips Pan Head High-Low Tapping Screw Type B #6 X 1/2	12
33	VV61A0M08	Nylon Tipped Hexagonal Socket Set Screw 1/4 - 28 x 1/4"	8
34	VV83A9G24	Tapping Screw Pan Phillips Type B #10 x 3/4" z.p.	8
35	VW10A10	Flat Washer 5/16" SAE z.p.	24
36	23-0658	Spacer	4
37	23-0485C	Full-Length Retractable Siderails S.A.	2
38	QPCE1207	Diameter 5/8"-18 unc ga 16-18 Cap	1
39	M0019	Petro Canada OG2 Grease	.0300
40	QE71-1175-T	Sticker: Manipulate Here	2

PVC Protector for Full-Length Siderail

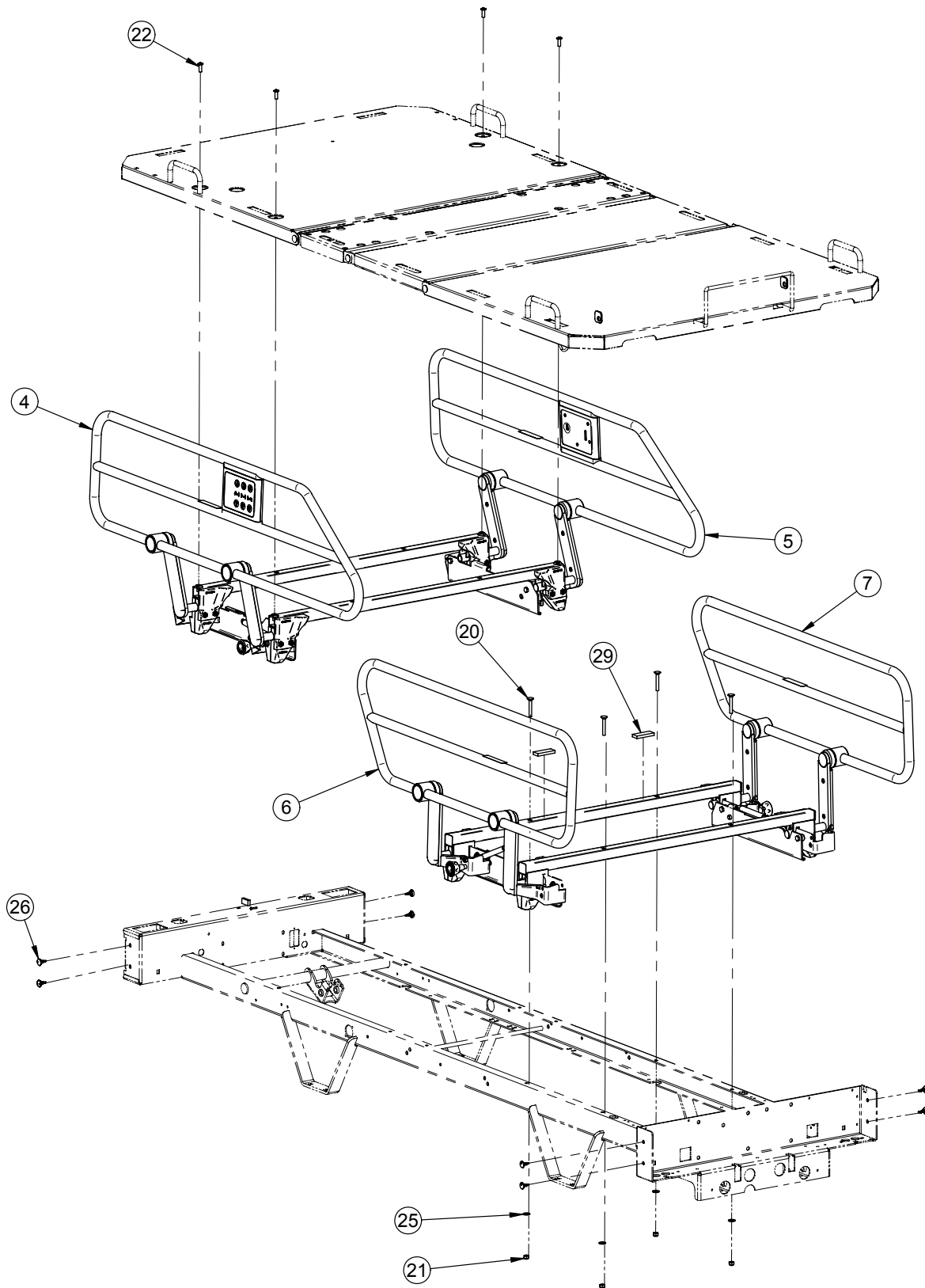
OL230208 Rev 00 (Reference Only)



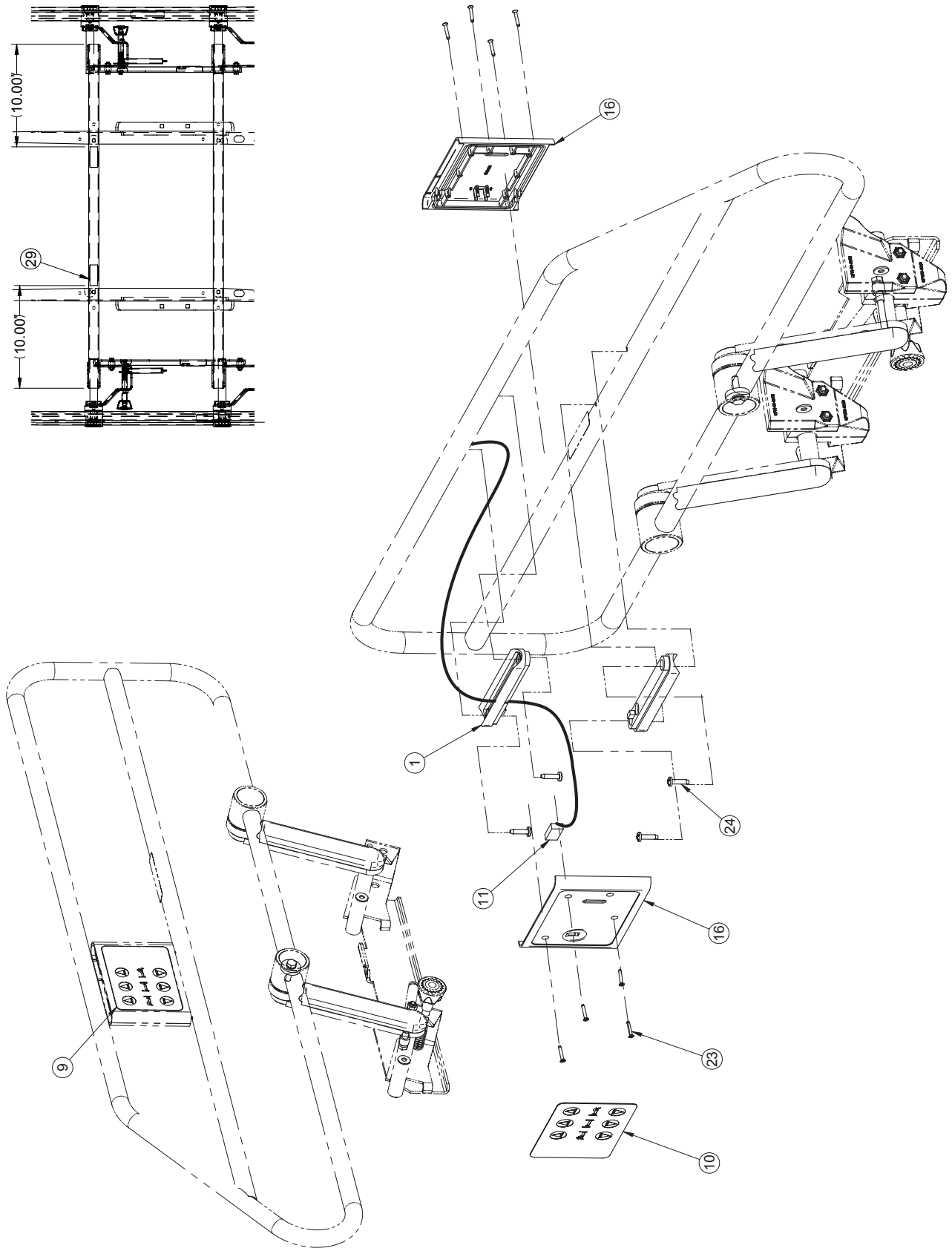
Item	Part No.	Part Name	Qty.
1	23-0641	Full-Length Siderail PVC Protector	2
2	QDF7826	3M Adhesive Tape #950 x 1"	140"

Retractable Half-Length Siderails with Fixed Control

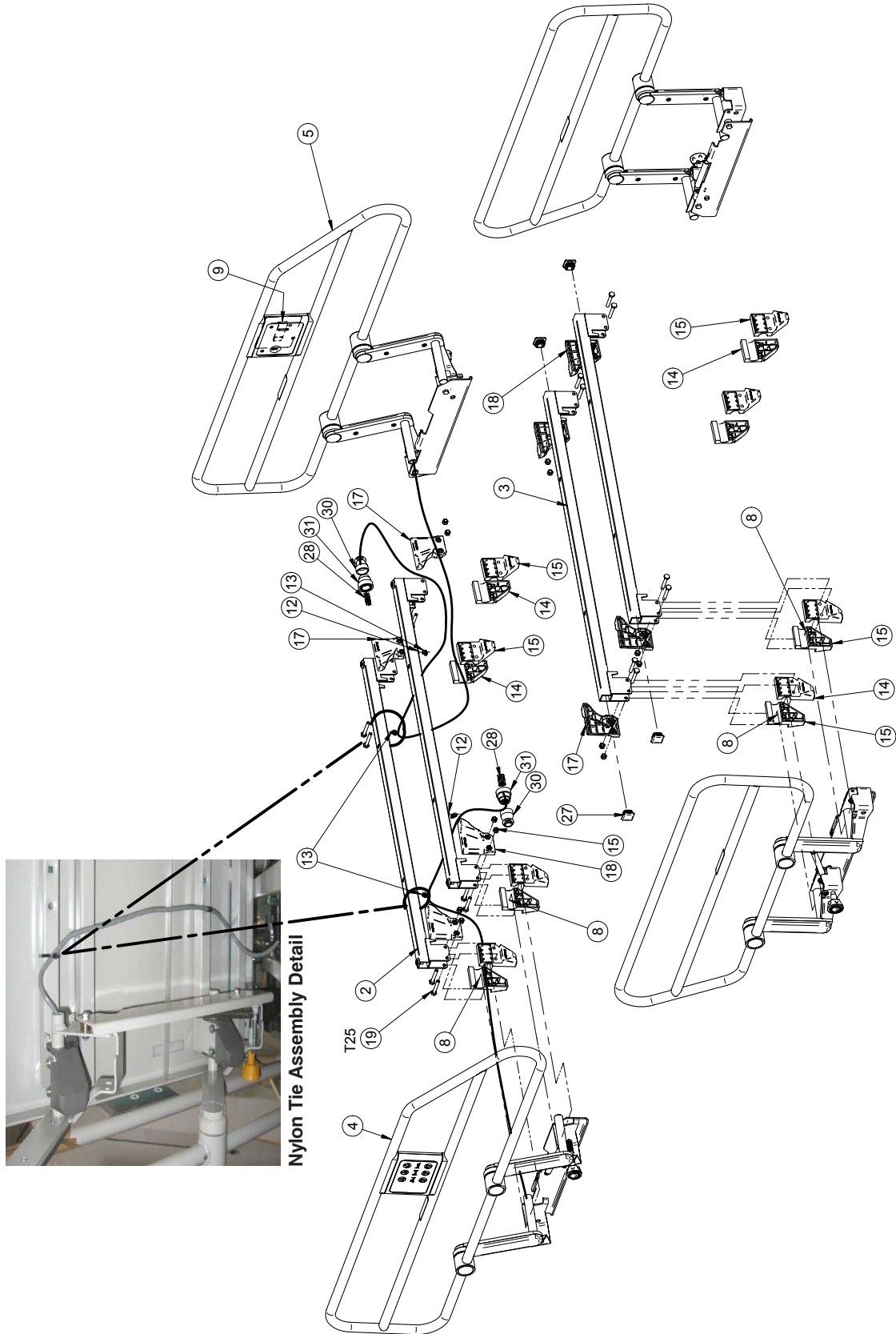
OL230245 Rev 00 (Reference Only)



Retractable Half-Length Siderails with Fixed Control



Retractable Half-Length Siderails with Fixed Control



Retractable Chromed Half-Length Siderails with Fixed Control

Retractable Chromed Half-Length Siderails with Fixed Control - OL230245CG Rev 00 (Reference Only)

Item	Part No.	Part Name	Qty.
1	QP18821-07	Patient Control Panel Support	4
2	23-0188G	Siderail Support and Insert	2
3	23-0650G	Siderail Support	2
4	23-0769C	Chromed Head Right Siderail	1
5	23-0770C	Chromed Head Left Siderail	1
6	23-0785C	Chromed Foot Right Siderail	1
7	23-0786C	Chromed Foot Left Siderail	1
8	M0019	Petro Canada OG2 Grease	.0300
9	QDF23-0405	Left Three-Function Membrane	1
10	QDF23-0406	Right Three-Function Membrane	1
11	QDF23-0521	Siderail Control Panel Cable	2
12	QDF5096	Flat Tie Holder	2
13	QDF9518	Nylon Ty-Rap Black (0.143 X 8")	4
14	QP18-0240-07	Anchoring - Left Glider	8
15	QP18-0243-07	Anchoring - Right Glider	8
16	QP23-0391-07	Pendant Control Casing	4
17	QP18-0241-07	Rear Glider - Right	4
18	QP18-0242-07	Rear Glider - Left	4
19	VB15A1N44	Bolt 1/4-20 UNC x 1 3/4" Grade 5 z.p.	16
20	VB35A1N44	Carriage Bolt 1/4-20 x 1 3/4" Grade 5	4
21	VE30A1N	Nylon Hexagonal Locknut 1/4-20 z.p.	20
22	VV37A1N24-S	Machine Screw Truss Phillips 1/4-20 x 3/4" Scotch Grip	4
23	VV41A1A20	Phillips Countersunk Screw Type F #4-40 x 5/8" zp	16
24	VV83A9G24	Tapping Screw Pan Phillips Type B #10 x 3/4" z.p.	8
25	VW10A08	Flat Washer 1/4" x 1/16 SAE zp	4
26	QP23-0735	Control Board Stand-off Pin	8
27	QDF7908	Black Plug 1" #SQR-1-10-14	4
28	QDF9018	"AMP" Pin Contact #66103-2	20
29	QDF299X	Adhesive Neoprene 1/4 x 3/4	.1666
30	QDF2043	Cable Clamp "AMP" 206070-1	2
31	QDF2042	14-Positions Circular Connector	2

Retractable Painted Half-Length Siderails with Fixed Control

Retractable Painted Half-Length Siderails with Fixed Control - OL230245G Rev 00 (Reference Only)

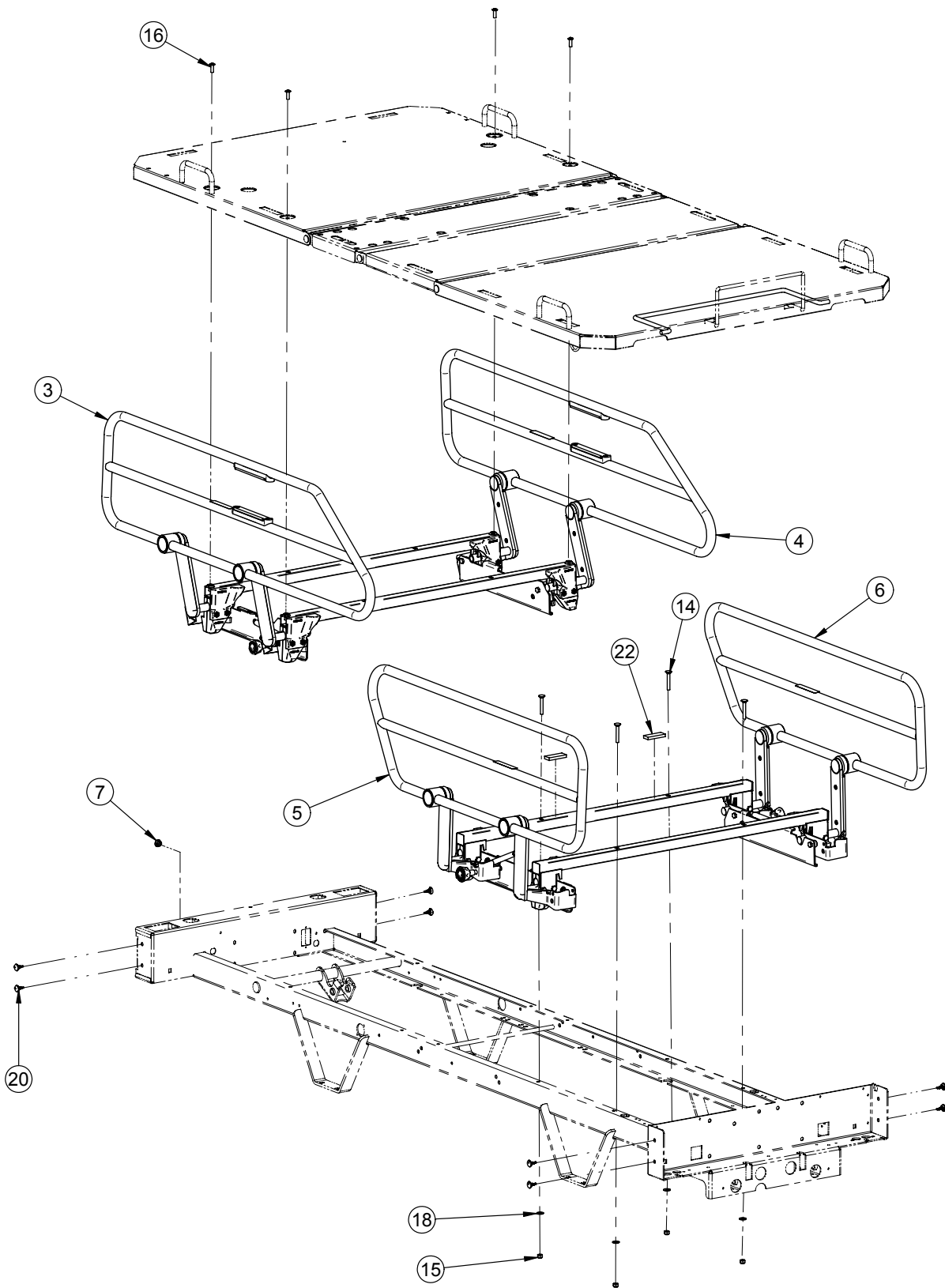
Item	Part No.	Part Name	Qty.
1	QP18821-07	Control Panel Support	4
2	23-0188G	Siderail Support and Insert	2
3	23-0650G	Siderail Support	2
4	23-0769G	Painted Head Right Siderail	1
5	23-0770G	Painted Head Left Siderail	1
6	23-0785G	Painted Foot Right Siderail	1
7	23-0786G	Painted Foot Left Siderail	1
8	M0019	Petro Canada OG2 Grease	.0300
9	QDF23-0405	Left Three-Function Membrane	1
10	QDF23-0406	Right Three-Function Membrane	1
11	QDF23-0521	Siderail Control Panel Cable	2
12	QDF5096	Flat Tie Holder	2
13	QDF9518	Nylon Ty-Rap Black (0.143 X 8")	4
14	QP18-0240-07	Anchoring - Left Glider	8
15	QP18-0243-07	Anchoring - Right Glider	8
16	QP23-0391-07	Pendant Control Casing	4
17	QP18-0241-07	Rear Glider - Right	4
18	QP18-0242-07	Rear Glider - Left	4
19	VB15A1N44	Bolt 1/4-20 UNC x 1 3/4" Grade 5 z.p.	16
20	VB35A1N44	Carriage Bolt 1/4-20 x 1 3/4" lg Grade 5	4
21	VE30A1N	Nylon Hexagonal Locknut 1/4-20 z.p.	20
22	VV37A1N24-S	Machine Screw Truss Phillips 1/4-20 x 3/4" Scotch Grip	4
23	VV41A1A20	Phillips Countersunk Screw Type F #4-40 x 5/8" zp	16
24	VV83A9G24	Tapping Screw Pan Phillips Type B #10 x 3/4" z.p.	8
25	VW10A08	Flat Washer 1/4" SAE zp	4
26	QP23-0735	Control Board Stand-off Pin	8
27	QDF7908	Black Plug 1" #SQR-1-10-14	4
28	QDF9018	"AMP" Contact Pin #66103-2	20
29	QDF299X	Adhesive Neoprene 1/4 x 3/4	.1666
30	QDF2043	Cable Clamp "AMP" 206070-1	2
31	QDF2042	14-Positions Circular Connector	2

Retractable Half-Length Siderails with Fixed Control

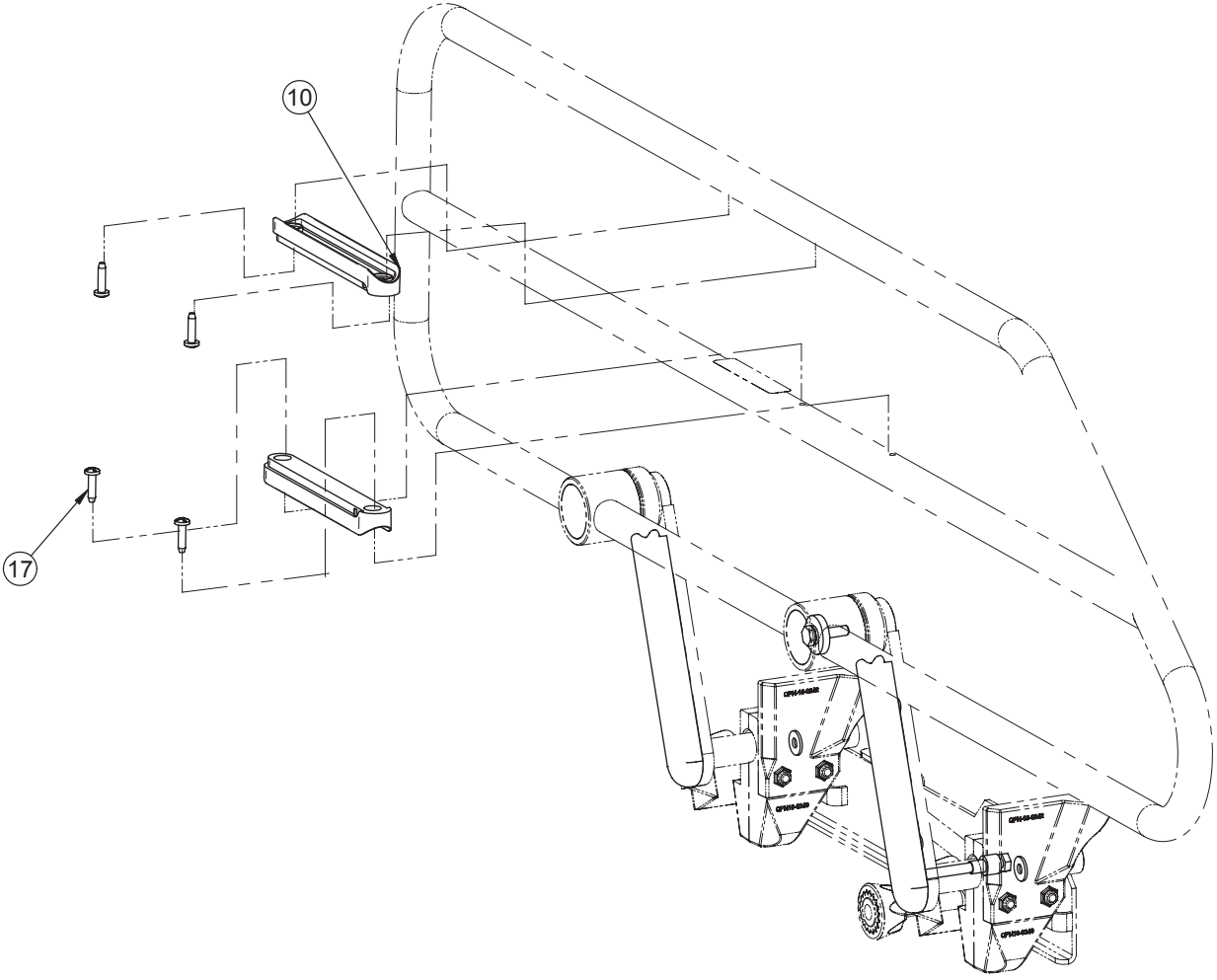
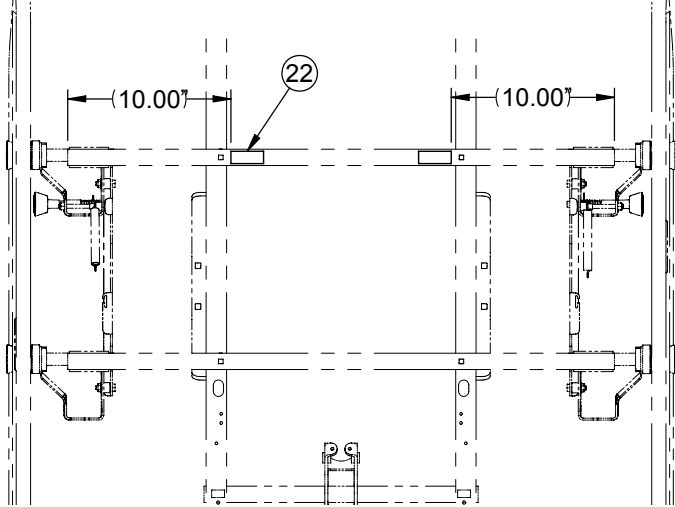
Siderail Module Communication Cable Connections		
Positions on the Connector	Signal	Color
3	Raise Fowler	Brown
6	Raise Bed	Blue
9	Raise Gatch	Orange
8	Communication	Black
7	Lower Gatch	White
4	Lower Bed	Green
1	Lower Fowler	Red
10	Normally Open Buzzer	Yellow
11	Communication Buzzer	Grey
12	Normally Closed Buzzer	Purple

Retractable Siderails with Removable Controls

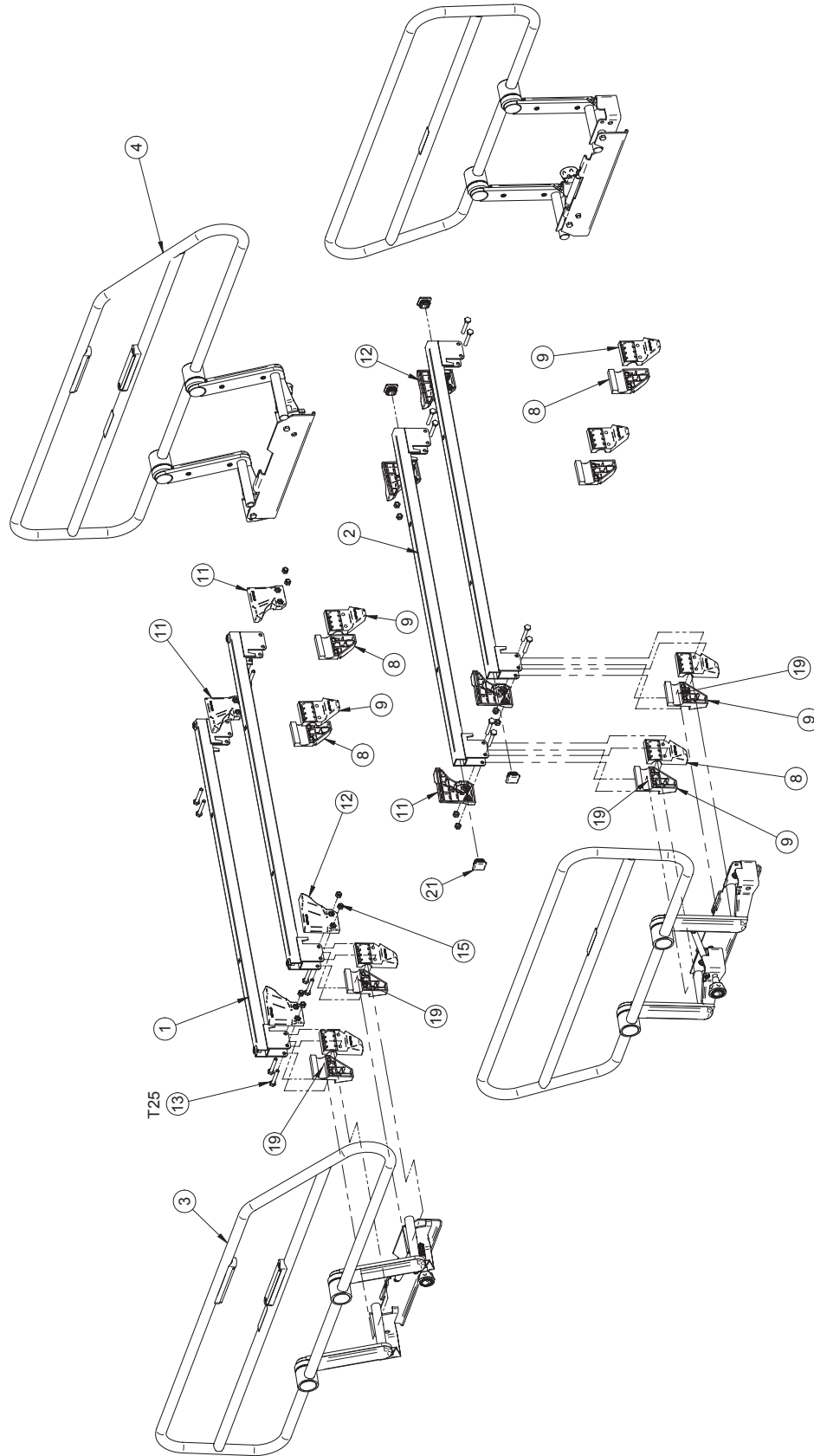
OL230246 Rev 00 (Reference Only)



Retractable Siderails with Removable Controls



Retractable Siderails with Removable Controls



Retractable Chromed Siderails with Removable Controls

Retractable Chromed Siderails with Removable Controls - OL230246CG Rev 00 (Reference Only)

Item	Part No.	Part Name	Qty.
1	23-0188G	Siderail Support and Insert	2
2	23-0650G	Siderail Support	2
3	23-0769C	Chromed Head Right Siderail	1
4	23-0770C	Chromed Head Left Siderail	1
5	23-0785C	Chromed Foot Right Siderail	1
6	23-0786C	Chromed Foot Left Siderail	1
7	QPCE1207	Cap	1
8	QP18-0240-07	Anchoring - Left Glider	8
9	QP18-0243-07	Anchoring - Right Glider	8
10	QP23-0389-07	Removable Control Panel Support	4
11	QP18-0241-07	Rear Glider - Right	4
12	QP18-0242-07	Rear Glider - Left	4
13	VB15A1N44	Bolt 1/4-20 UNC x 1 3/4" Grade 5	16
14	VB35A1N44	Carriage Bolt 1/4-20 x 1 3/4" Grade 5	4
15	VE30A1N	Nylon Locknut 1/4-20	20
16	VV37A1N24-S	Machine Screw Truss Phillips 1/4-20 x 3/4" Scotch Grip	4
17	VV83A9G24	Tapping Screw Pan Phillips Type B #10 x 3/4"	8
18	VW10A08	Flat Washer 1/4" x 1/16"	4
19	M0019	Petro Canada OG2 Grease	.0300
20	QP23-0735	PCB Support	8
21	QDF7908	Black Plug 1" #SQR-1-10-14	4
22	QDF299X	Adhesive Neoprene 1/4 x 3/4	.3333

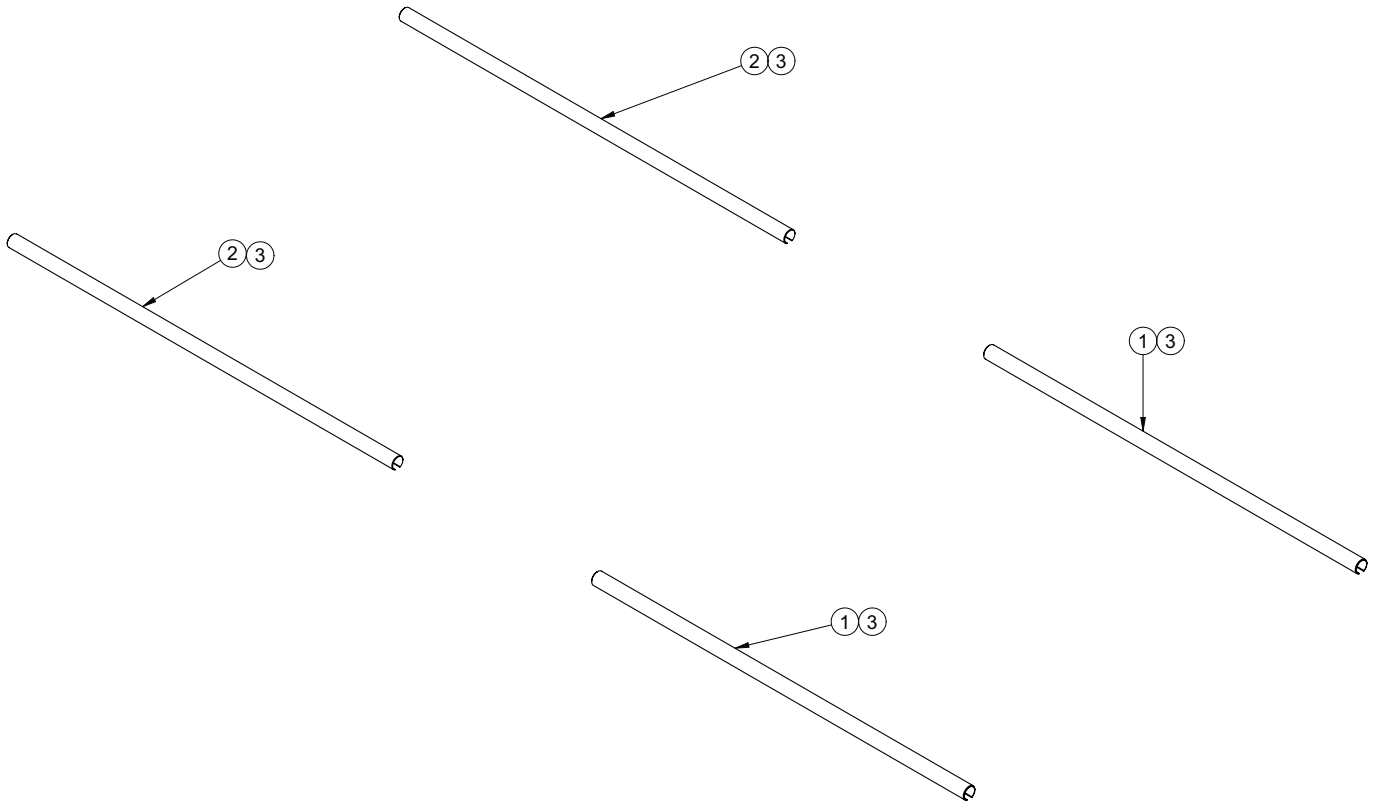
Retractable Painted Siderails with Removable Controls

Retractable Painted Siderails with Removable Controls - OL230246G Rev 00 (Reference Only)

Item	Part No.	Part Name	Qty.
1	23-0188G	Siderail Support and Insert	2
2	23-0650G	Siderail Support	2
3	23-0769G	Painted Head Right Siderail	1
4	23-0770G	Painted Head Left Siderail	1
5	23-0785G	Painted Foot Right Siderail	1
6	23-0786G	Painted Foot Left Siderail	1
7	QPCE1207	Cap	1
8	QP18-0240-07	Anchoring - Left Glider	8
9	QP18-0243-07	Anchoring - Right Glider	8
10	QP23-0389-07	Removable Control Panel Support	4
11	QP18-0241-07	Rear Glider - Right	4
12	QP18-0242-07	Rear Glider - Left	4
13	VB15A1N44	Bolt 1/4-20 x 1 3/4" Grade 5	16
14	VB35A1N44	Carriage Bolt 1/4-20 x 1 3/4" Grade 5	4
15	VE30A1N	Nylon Locknut 1/4-20	20
16	VV37A1N24-S	Machine Screw Truss Phillips 1/4-20 x 3/4" Scotch Grip	4
17	VV83A9G24	Tapping Screw Pan Phillips Type B #10 x 3/4" z.p.	8
18	VW10A08	Flat Washer 1/4" x 1/16	4
19	M0019	Petro Canada OG2 Grease	.0300
20	QP23-0735	PCB Support	8
21	QDF7908	Black Plug 1" #SQR-1-10-14	4
22	QDF299X	Adhesive Neoprene 1/4 x 3/4	.3333

PVC Protector - Half-Length Retractable Siderails

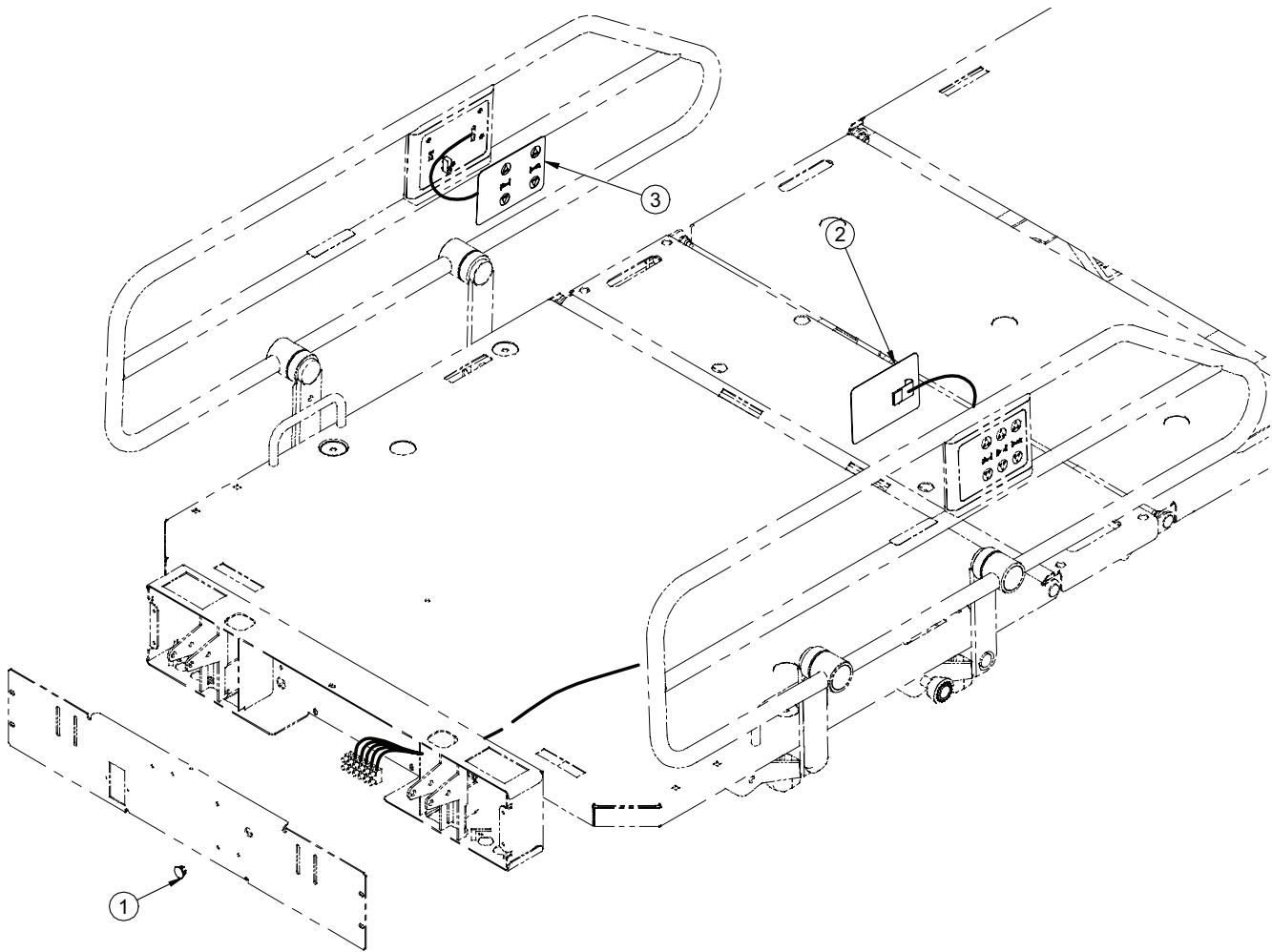
OL230205 Rev 01 (Reference Only)



Item	Part No.	Part Name	Qty.
1	23-0478	Foot Siderail PVC Protector	2
2	23-0617	PVC Protector, Retractable Split Siderails, Head	2
3	QDF7826	3M Adhesive Tape #950 x 1"	116"

Fixed Control Panel without Nurse Call

OL230199 Rev 01 (Reference Only)

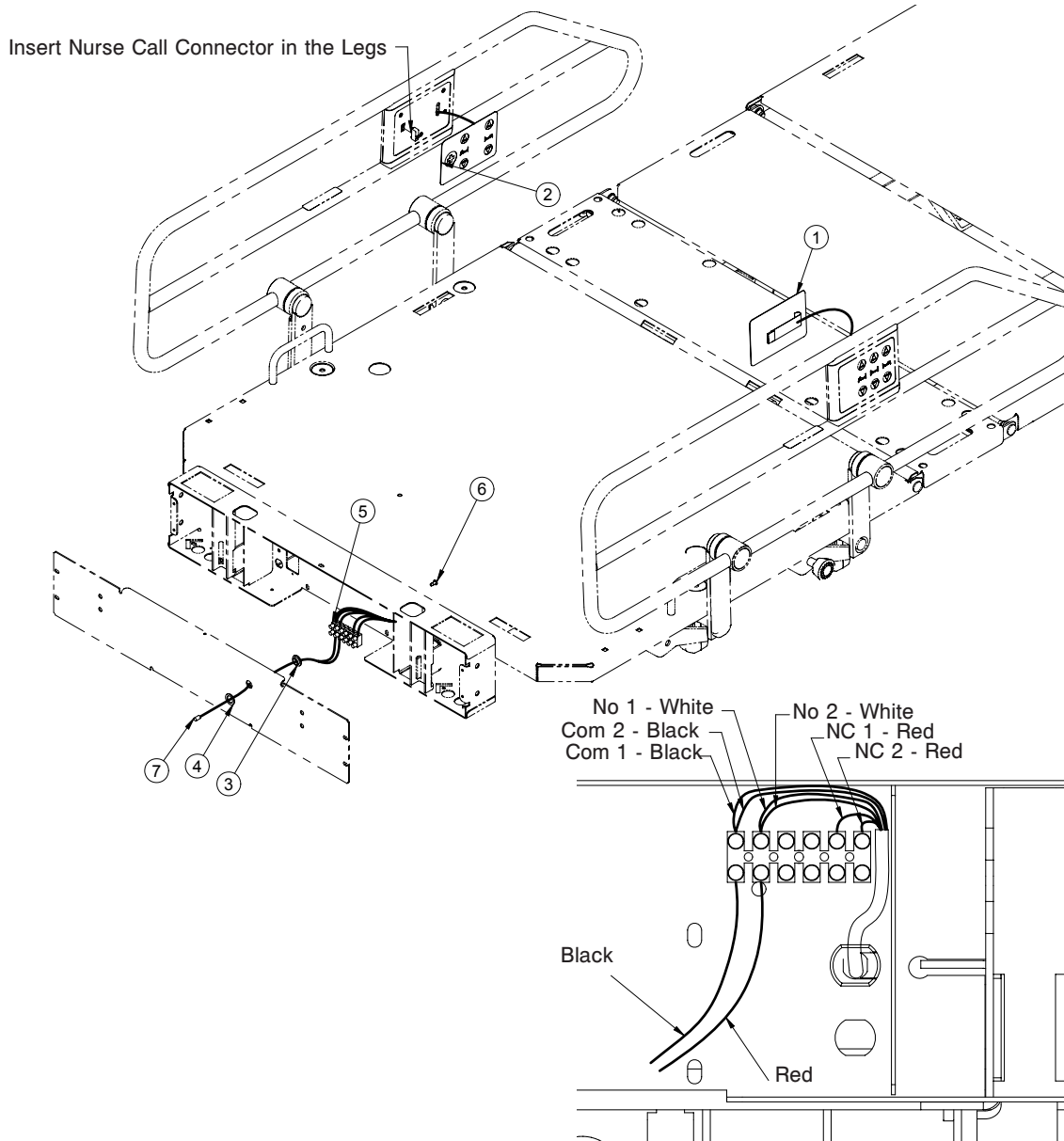


Item	Part No.	Part Name	Qty.
1	QPCE1207	Diameter 5/8"-18 unc ga 16-18 Cap	1
2	QDF23-0392	Left Membrane without Nurse Call	1
3	QDF23-0393	Right Membrane without Nurse Call	1

Notes

Control with Nurse Call Normally Open (N.O.)

OL230300 Rev 00 (Reference Only)

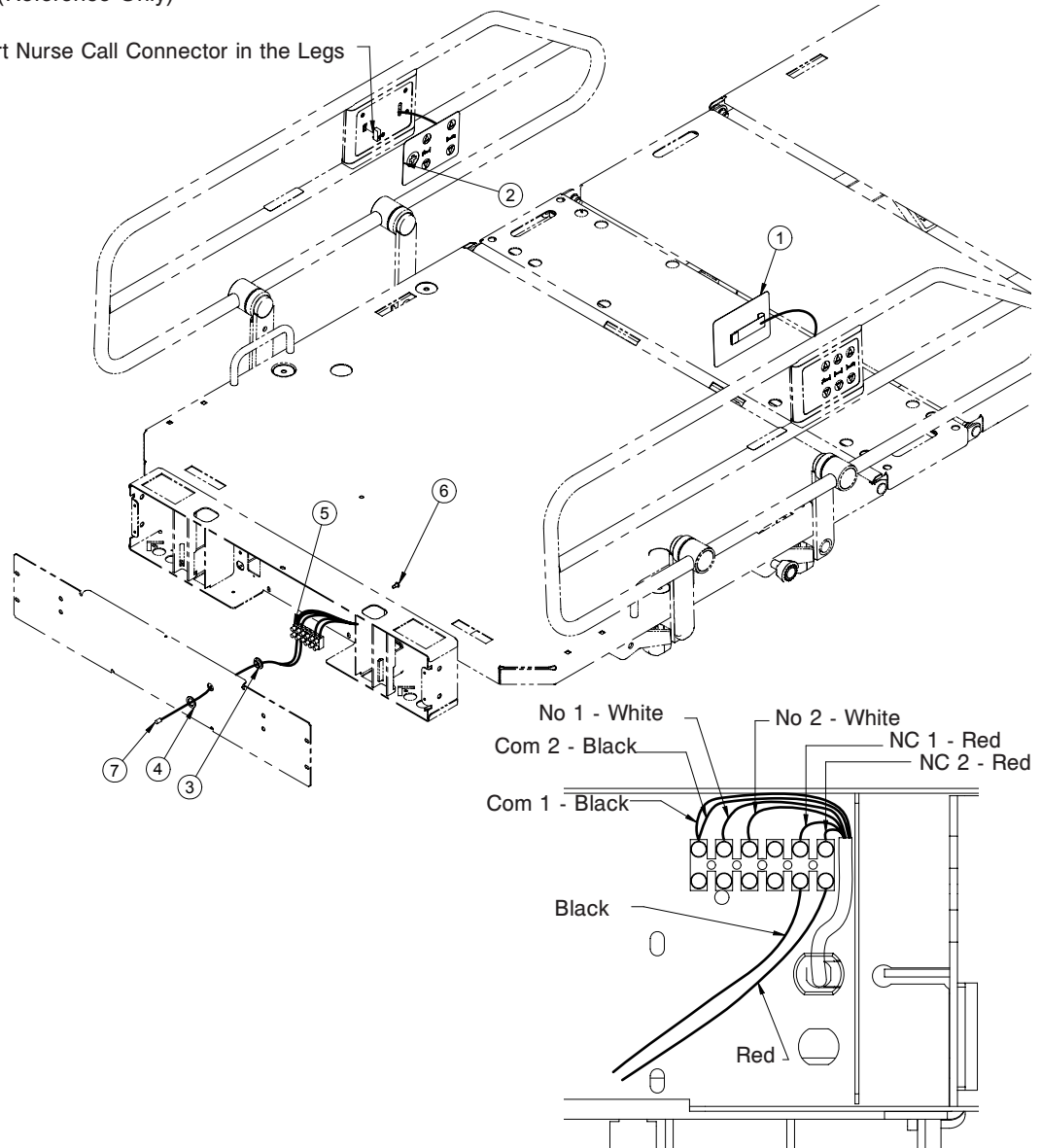


Item	Part No.	Part Name	Qty.
1	QDF23-0396	Head and Foot Two-Functions Module with Nurse Call	1
2	QDF23-0397	Head and Foot Two-Functions Module with Nurse Call	1
3	VW60C122408	Nylon Spacer Washer	1
4	VW10C142402	Nylon Washer	1
5	QDF9012	0.505" ins. x 3/4" out. x 1/16" wi. Connection Terminal (6x2)	1
6	VV83A9E12	Tapping Screw Type B Pan Head Phillips #8 x 3/8" z.p.	1
7	QDF23-0530	1/4 Normally Open (N.O.) Phono Plug Cable	1

Control with Nurse Call Normally Closed (N.C.)

OL230301 Rev 00 (Reference Only)

Insert Nurse Call Connector in the Legs

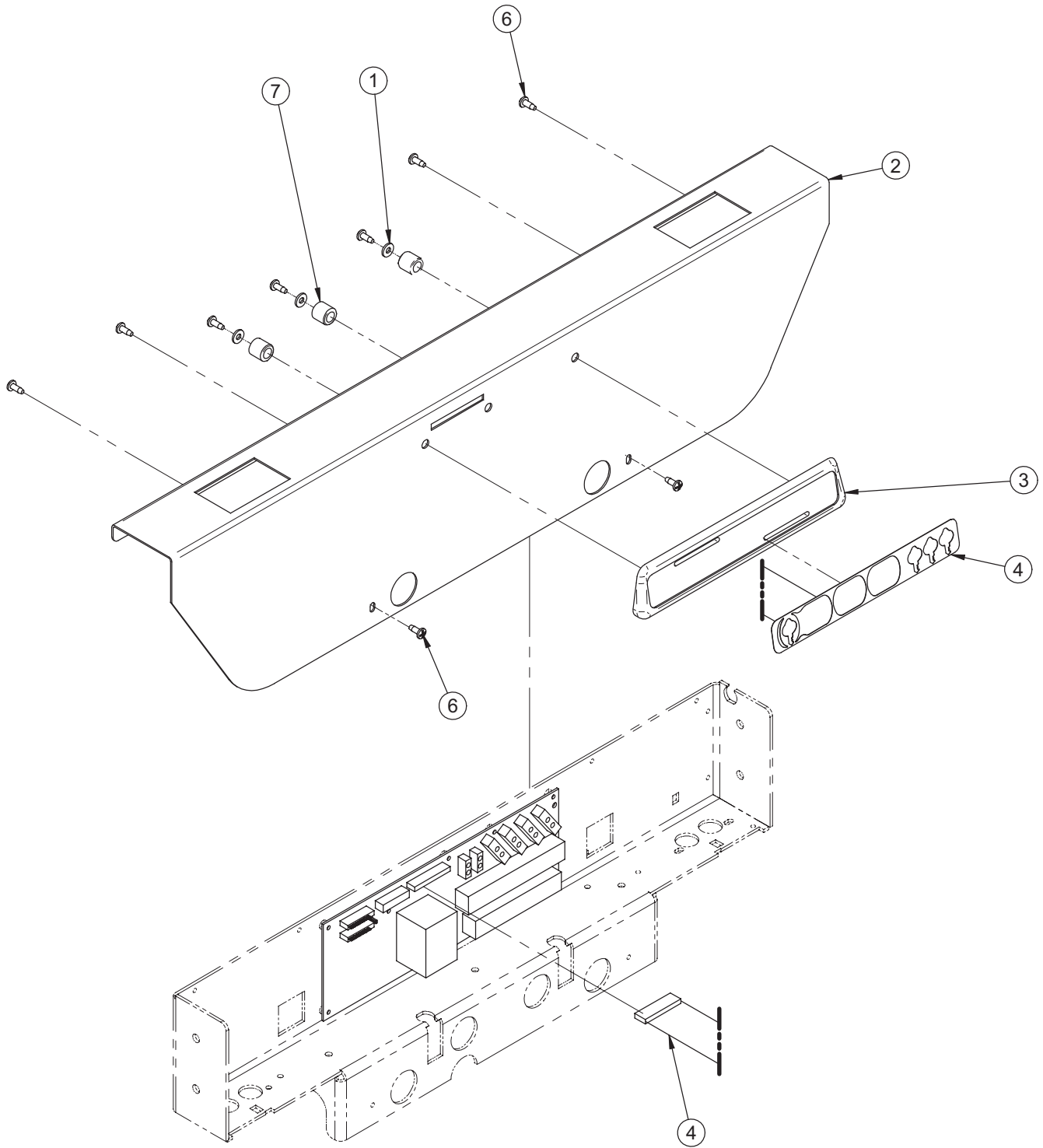


Item	Part No.	Part Name	Qty.
1	QDF23-0396	Head and Foot Two-Functions Module with Nurse Call	1
2	QDF23-0397	Head and Foot Two-Functions Module with Nurse Call	1
3	VW60C122408	Nylon Spacer Washer	1
4	VW10C142402	Nylon Washer	1
5	QDF9012	0.505" ins. x 3/4" out. x 1/16" wi Connection Terminal (6x2)	1
6	VV83A9E12	Tapping Screw Type B Pan Head Phillips #8 x 3/8" z.p.	1
7	QDF23-0531	1/4 Normally Closed (N.C.) Phono Plug Cable	1

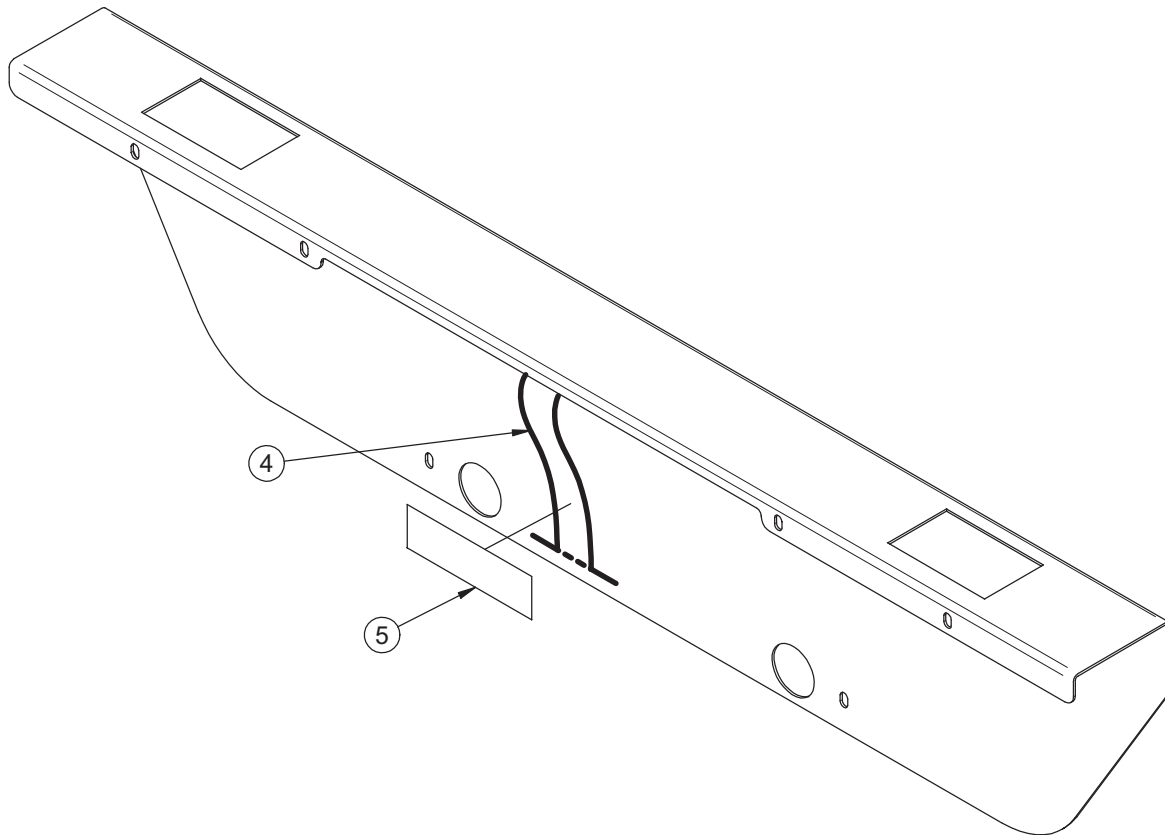
[Return To Table of Contents](#)

Foot End Control Panel

OL230026 Rev 05 (Reference Only)



Foot End Control Panel

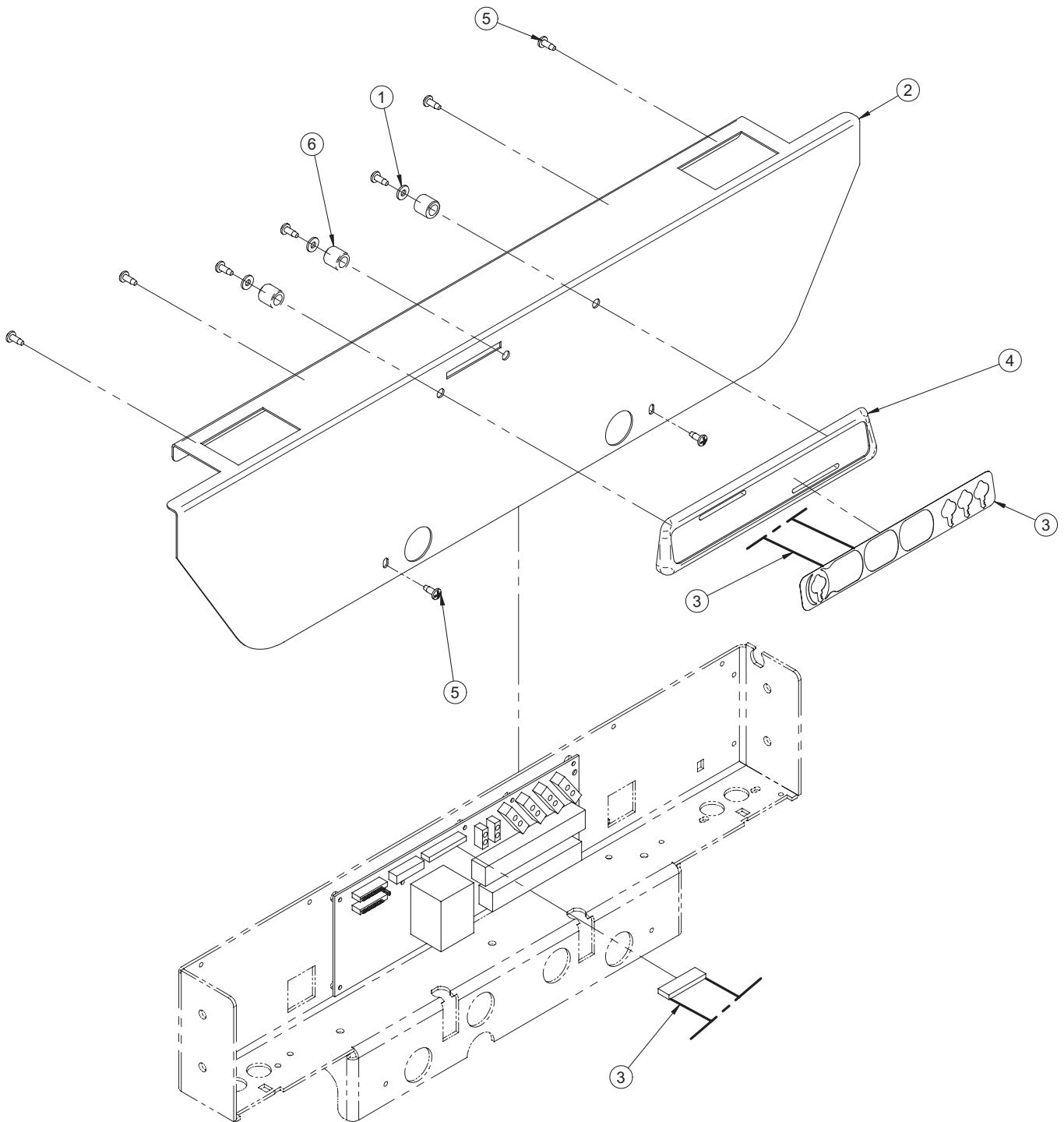


Foot End Control Panel - OL230026G Rev 05 (Reference Only)

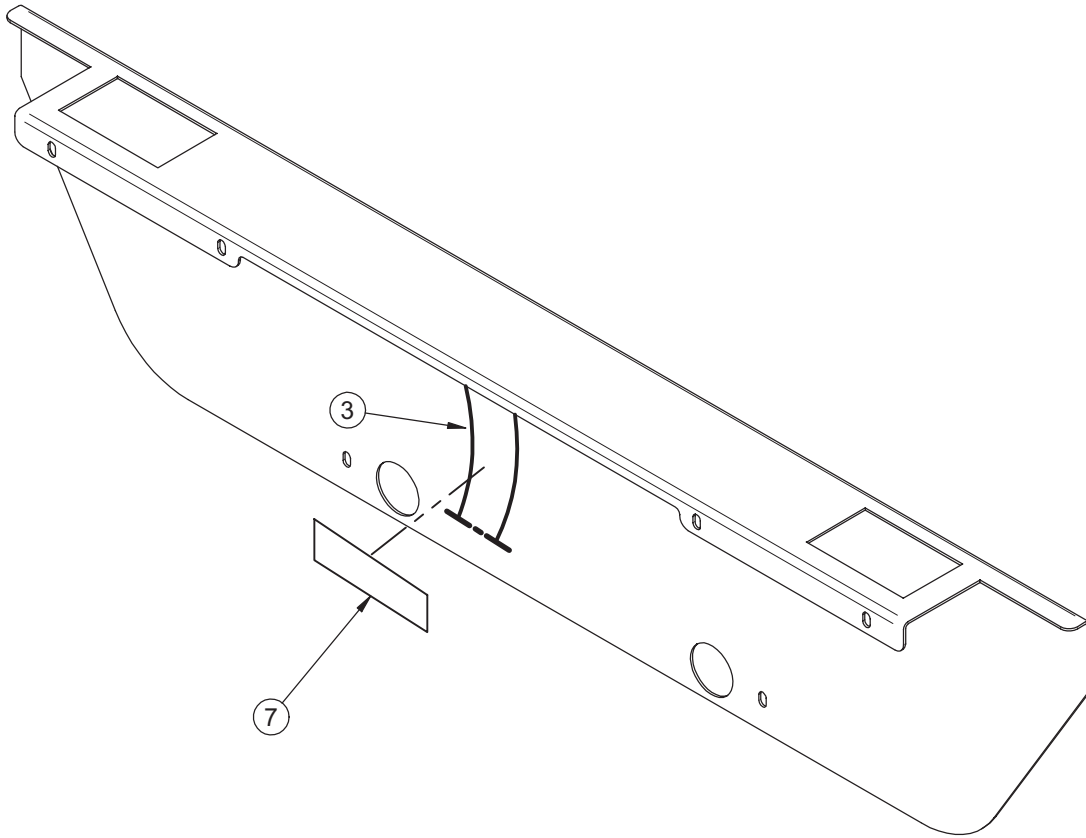
Item	Part No.	Part Name	Qty.
1	VW10A06	Flat Washer #10 z.p.	3
2	23-0119G	Foot Casing Cover	1
3	QP17-0127-07	Nurse Control Board	1
4	QDF23-0693	Nurse Control Membrane	1
5	QDF7826	3M Adhesive Tape #950 x 1"	.1250
6	VV83A9G16	Tapping Screw Pan Phillips Type B #10 x 1/2" z.p.	9
7	VW60C201320	Nylon Spacer 5/8" x .386" x 39/64"	3

Control Panel on Frame for Full-Length

OL230209 Rev 02 (Reference Only)



Control Panel on Frame for Full-Length

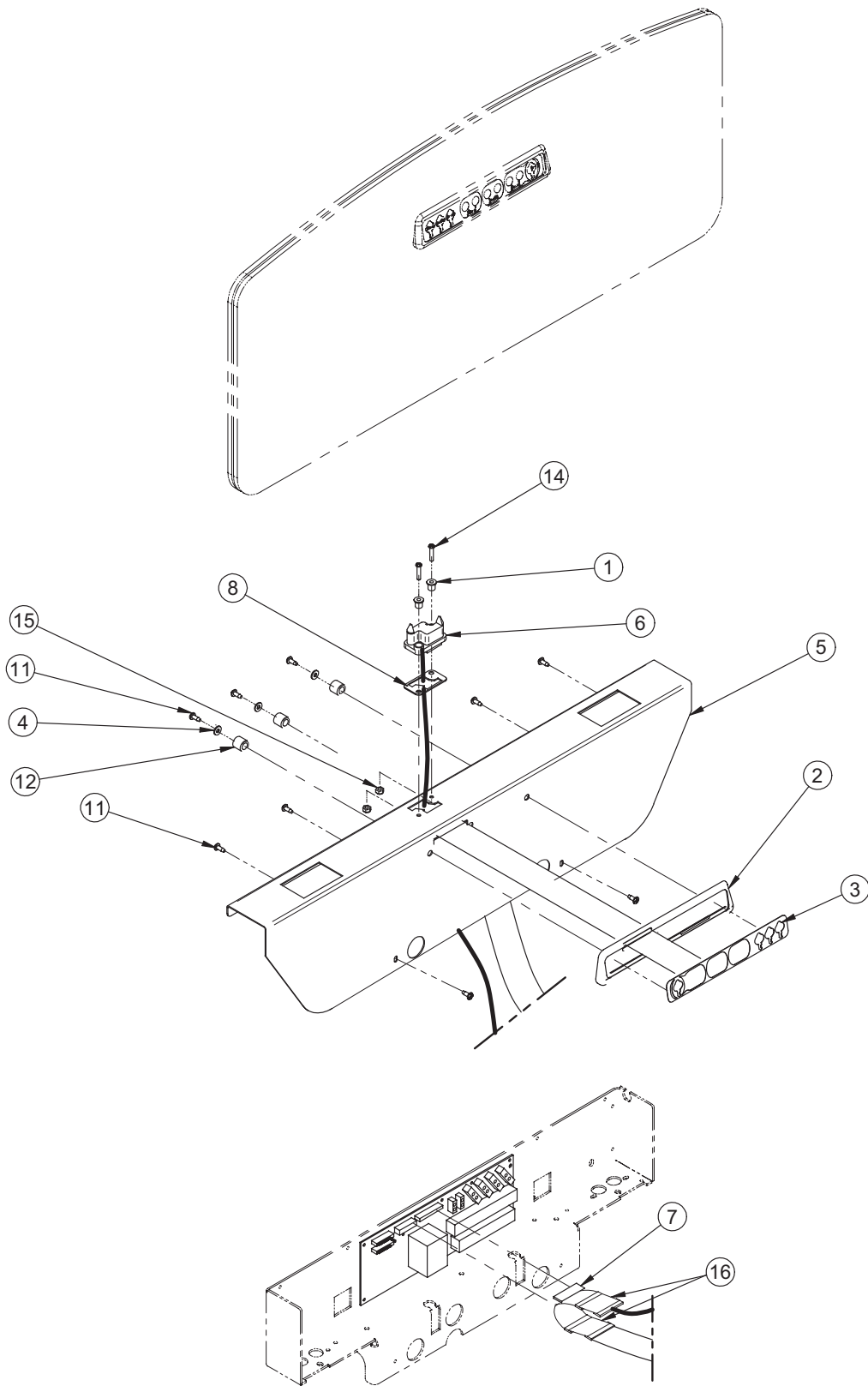


Control Panel on Frame for Full-Length Siderails - OL230209G Rev 02 (Reference Only)

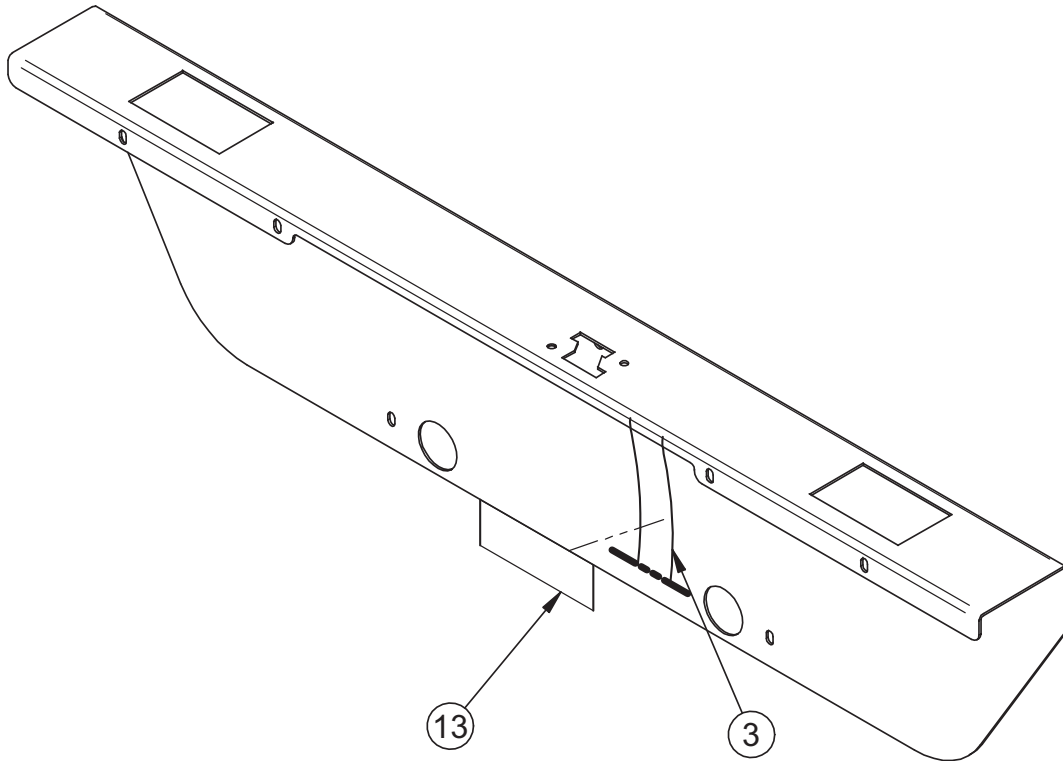
Item	Part No.	Part Name	Qty.
1	VW10A06	Flat Washer #10 z.p.	3
2	23-0635G	Foot End Casing Cover without Connector	1
3	QDF23-0693	Nurse Control Membrane	1
4	QP17-0127-07	Nurse Control Board	1
5	VV83A9G16	Tapping Screw Pan Phillips	9
6	VW60C201320	Nylon Spacer	3
7	QDF7826	3M Adhesive Tape #950 x 1"	.2500

Foot End and Foot Board Control Panels

OL230033 Rev 05 (Reference Only)



Foot End and Foot Board Control Panels

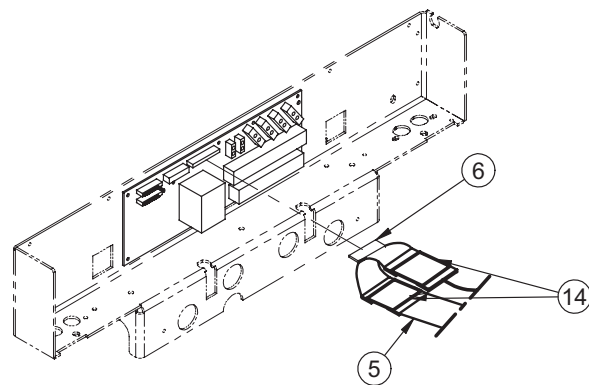
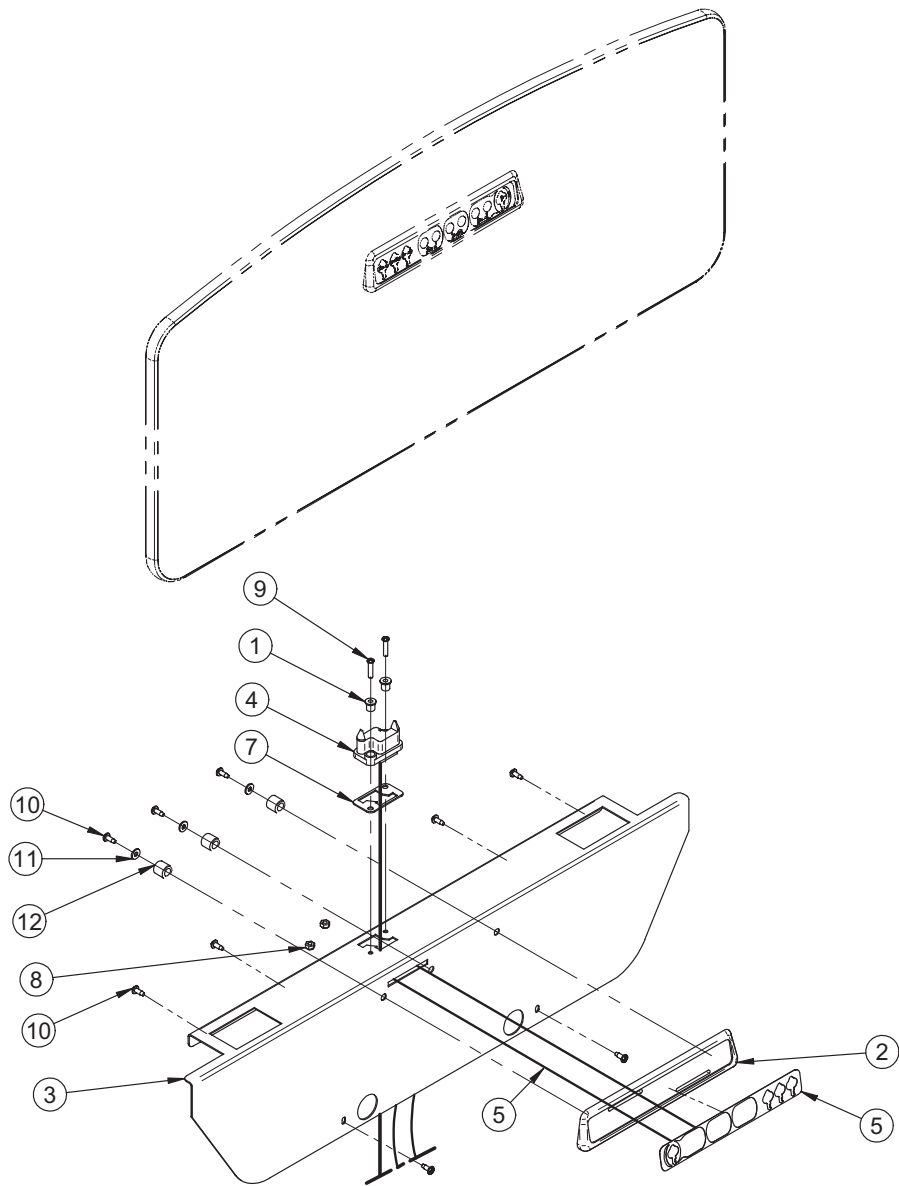


Foot End and Foot Board Control Panels - OL230033G Rev 05 (Reference Only)

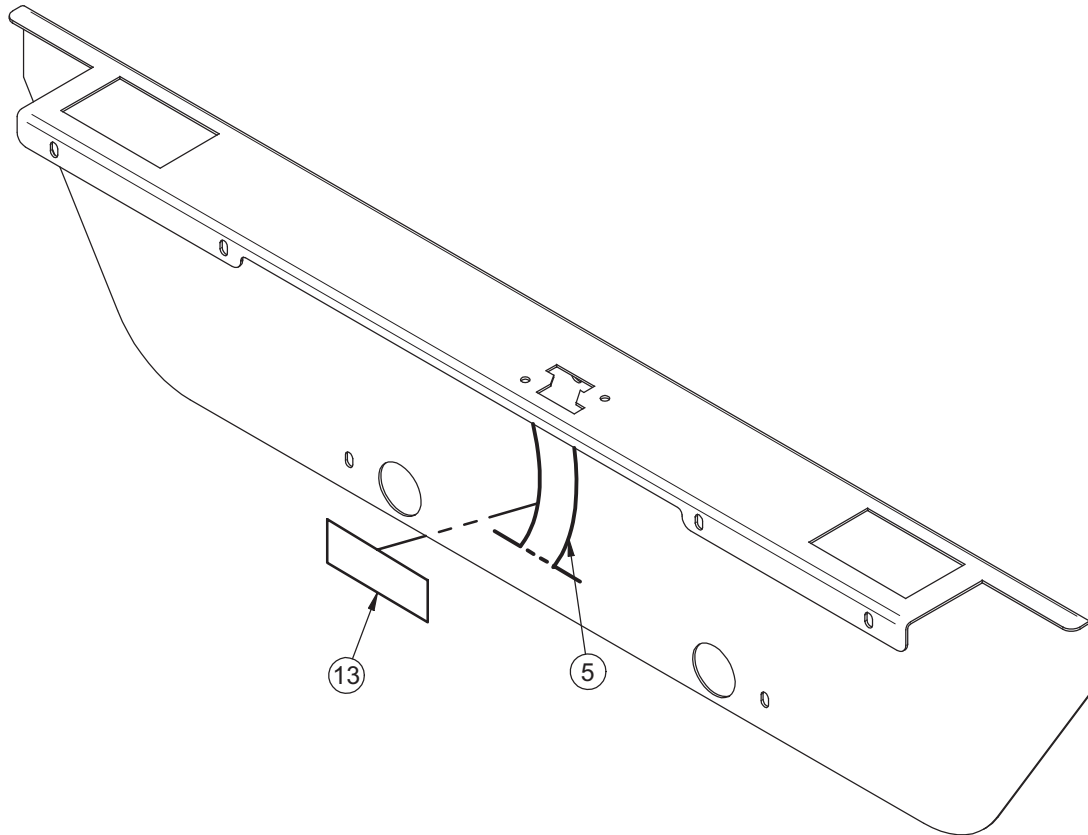
Item	Part No.	Part Name	Qty.
1	17-0014Z	Shoulder Sleeve	2
2	QP17-0127-07	Nurse Control Board	1
3	QDF23-0693	Nurse Control Membrane	1
4	VW10A06	Flat Washer #10 z.p.	3
5	23-0261G	Foot Casing Cover with Connector	1
6	QDF17-0141	PC-Board/Connector Cable	1
7	QDF23-0279	Y Cable S.A.	1
8	QPN-17-0011	Seal	1
11	VV83A9G16	Pan Head Tapping Screw	9
12	VW60C201320	Nylon Spacer	3
13	QDF7826	3M Adhesive Tape #950 x 1"	.2500
14	VV33A1G28	Pan Head Machine Screw	2
15	VE30A1G	Nylon Hex Locknut	2
16	QDF2053	Red PVC Tape	.5000

Foot End and Foot Board Control Panels - Full-Length Siderail

OL230210 Rev 02 (Reference Only)



Foot End and Foot Board Control Panels - Full-Length Siderail

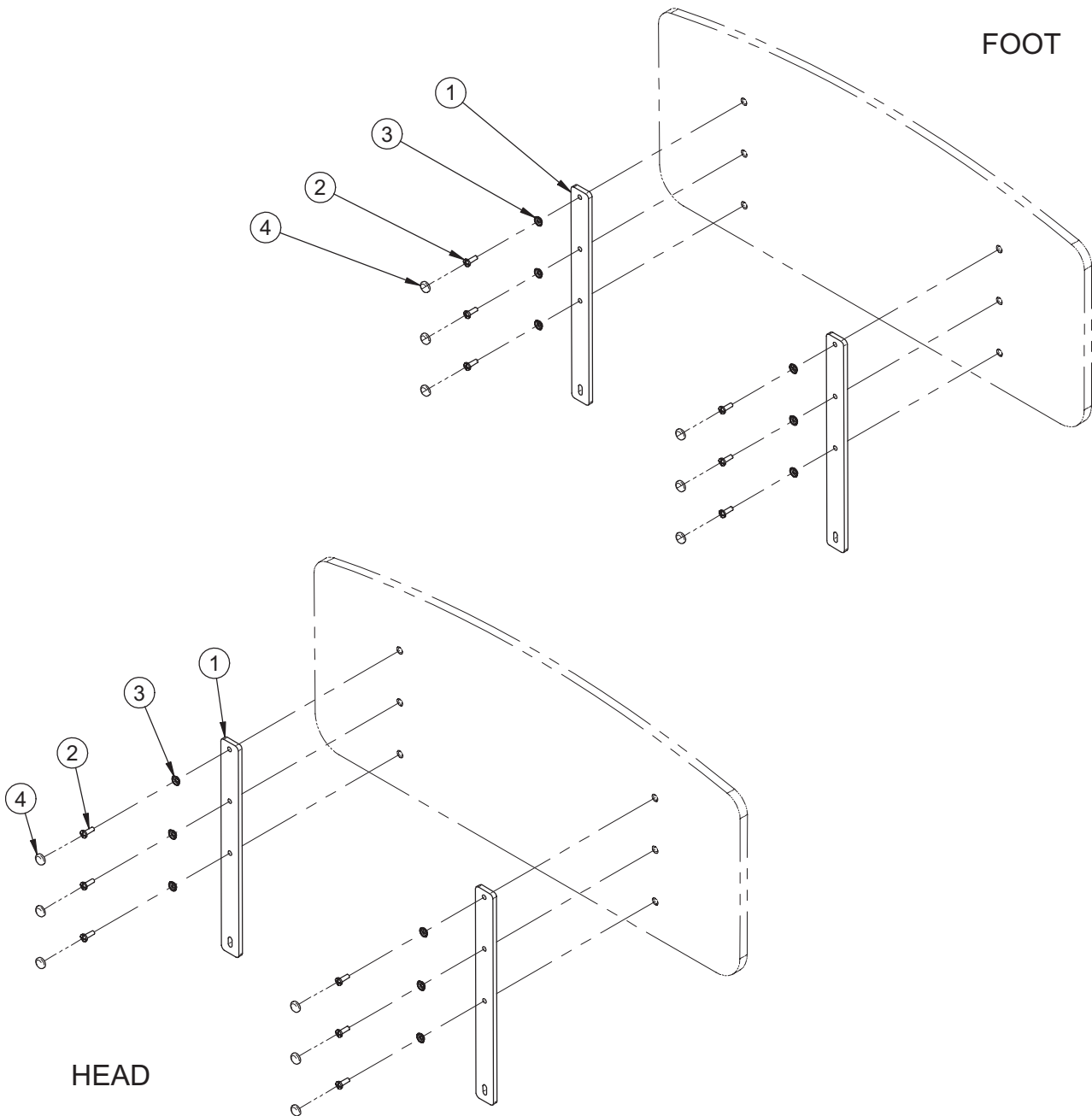


Foot End and Foot Board Control Panels - Full-Length Siderail - OL230210G Rev 02 (Reference Only)

Item	Part No.	Part Name	Qty.
1	17-0014Z	Shoulder Sleeve	2
2	QP17-0127-07	Nurse Control Board	1
3	23-0513G	Foot End Casing Cover with Connector	1
4	QDF17-0141	PC-Board/Connector Cable	1
5	QDF23-0693	Nurse Control Membrane	1
6	QDF23-0279	Y Cable S.A.	1
7	QPN-17-0011	Seal	1
8	VE30A1G	Nylon Hexagonal Locknut	2
9	VV33A1G28	Pan Head Machine Screw	2
10	VV83A9G16	Pan Head Tapping Screw	9
11	VW10A06	Flat Washer # 10 z.p.	3
12	VW60C201320	Nylon Spacer	3
13	QDF7826	3M Adhesive Tape #950 x 1"	.2500
14	QDF2053	Red PVC Tape	.5000

Post Set

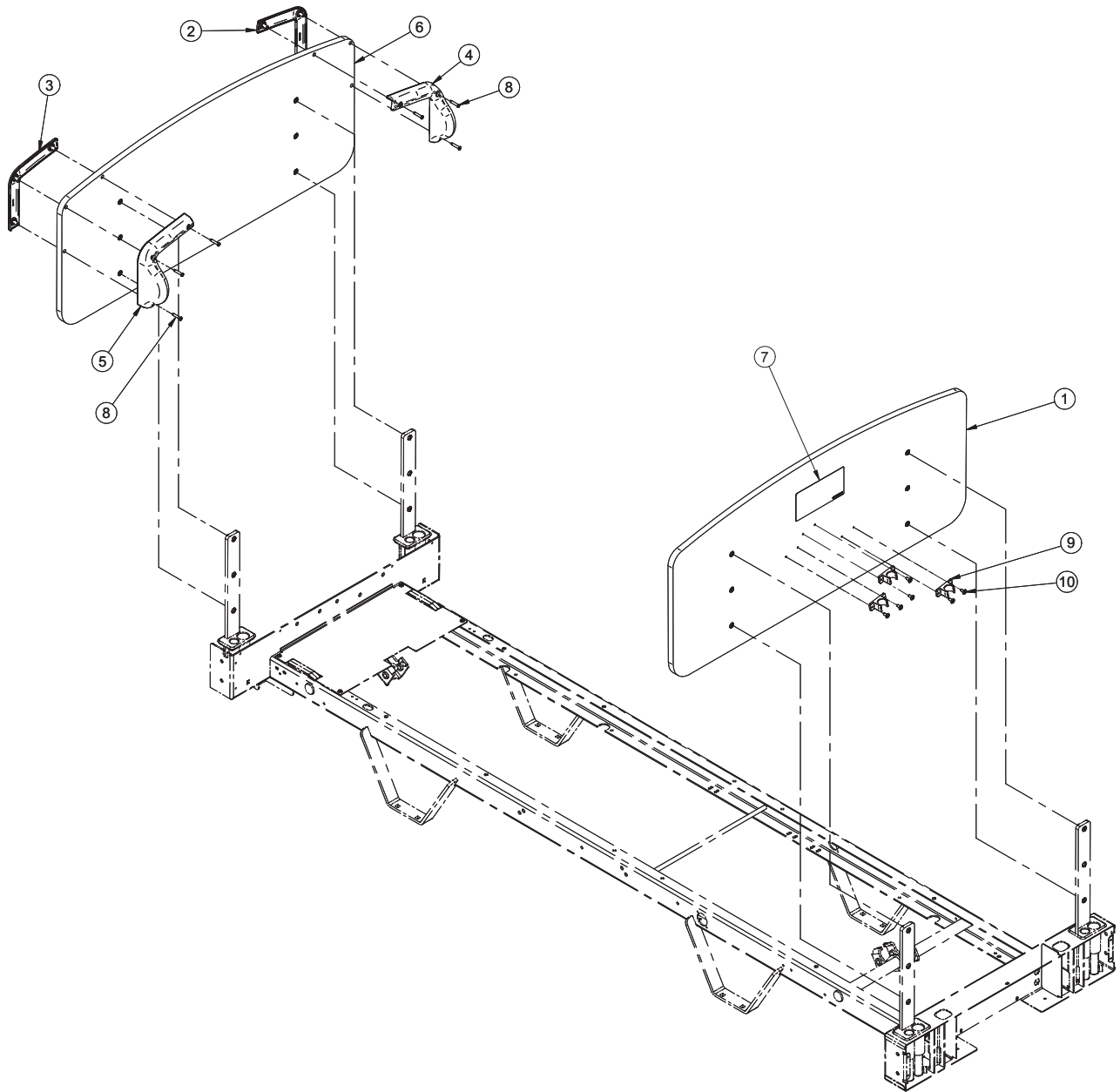
L23-005G Rev 06 (Reference Only)



Item	Part No.	Part Name	Qty.
1	23-0124G	Post	4
2	VV33A1N24-S	Machine Screw Pan Head	12
3	QPPF1521	Metal Washer 1/4" Diameter	12
4	QPPF1514-1	White Plastic Cap	12

Melamine Boards without Control Panel

OP230252 Rev 01 (Reference Only)

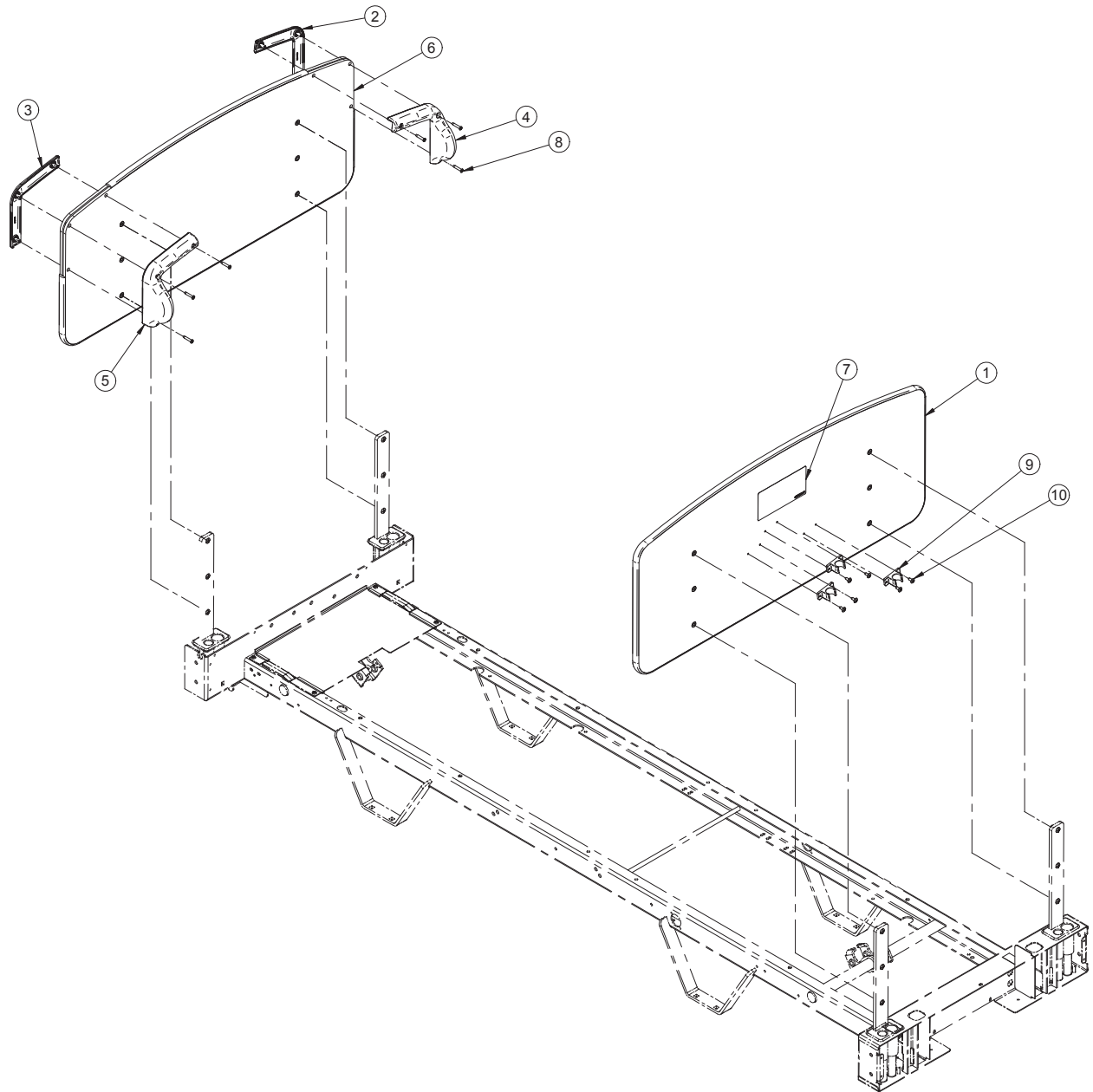


Item	Part No.	Part Name	Qty.
1	23-0806XX	Melamine Board	1
2	QP23-0472-07	Outer Right Handle	1
3	QP23-0473-07	Outer Left Handle	1
4	QP23-0474-07	Inner Right Handle	1
5	QP23-0475-07	Inner Left Handle	1
6	23-0514XX	Melamine Foot Board	1
7	QE14376-T	Sticker - Headboard Installation	1
8	VV23A1G32HL	Tapping Screw Pan Phillips	6
9	QPAG1801	Rod Support	3
10	VV27A9G16	Tapping Screw Truss Head Phillips	6

[Return To Table of Contents](#)

MDF Laminated Boards without Control Panel

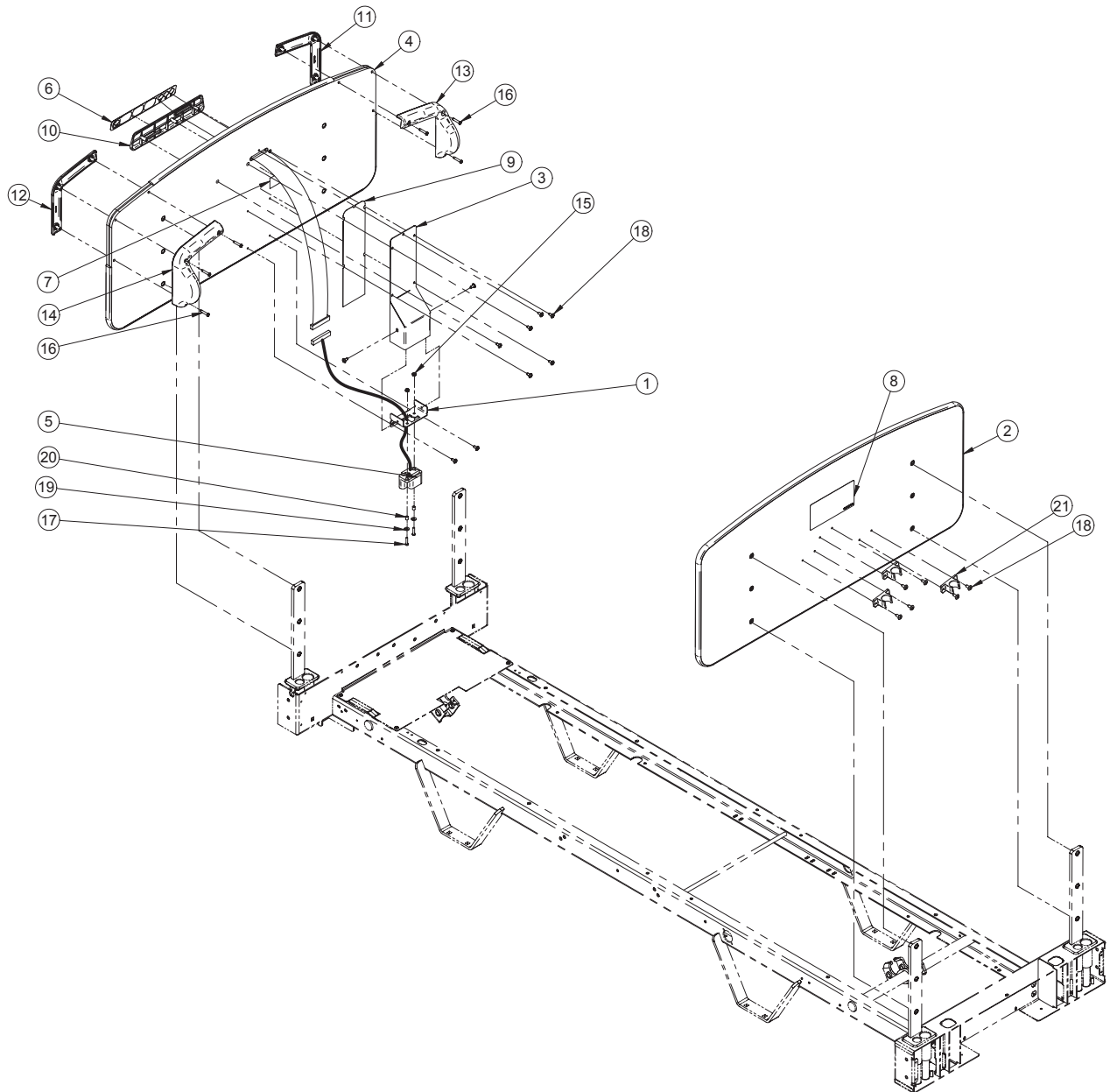
OP230253 Rev 01 (Reference Only)



Item	Part No.	Part Name	Qty.
1	23-0807XXXX	MDF Laminated Board	1
2	QP23-0472-07	Outer Right Handle	1
3	QP23-0473-07	Outer Left Handle	1
4	QP23-0474-07	Inner Right Handle	1
5	QP23-0475-07	Inner Left Handle	1
6	23-0516XXXX	Laminated Board	1
7	QE14376-T	Sticker - Headboard Installation	1
8	VV23A1G32HL	Tapping Screw Pan Phillips	6
9	QPAG1801	Rod Support	3
10	VV27A9G16	Tapping Screw Truss Head Phillips	6

MDF Laminated Boards with Control Panel

OP230254 Rev 00 (Reference Only)



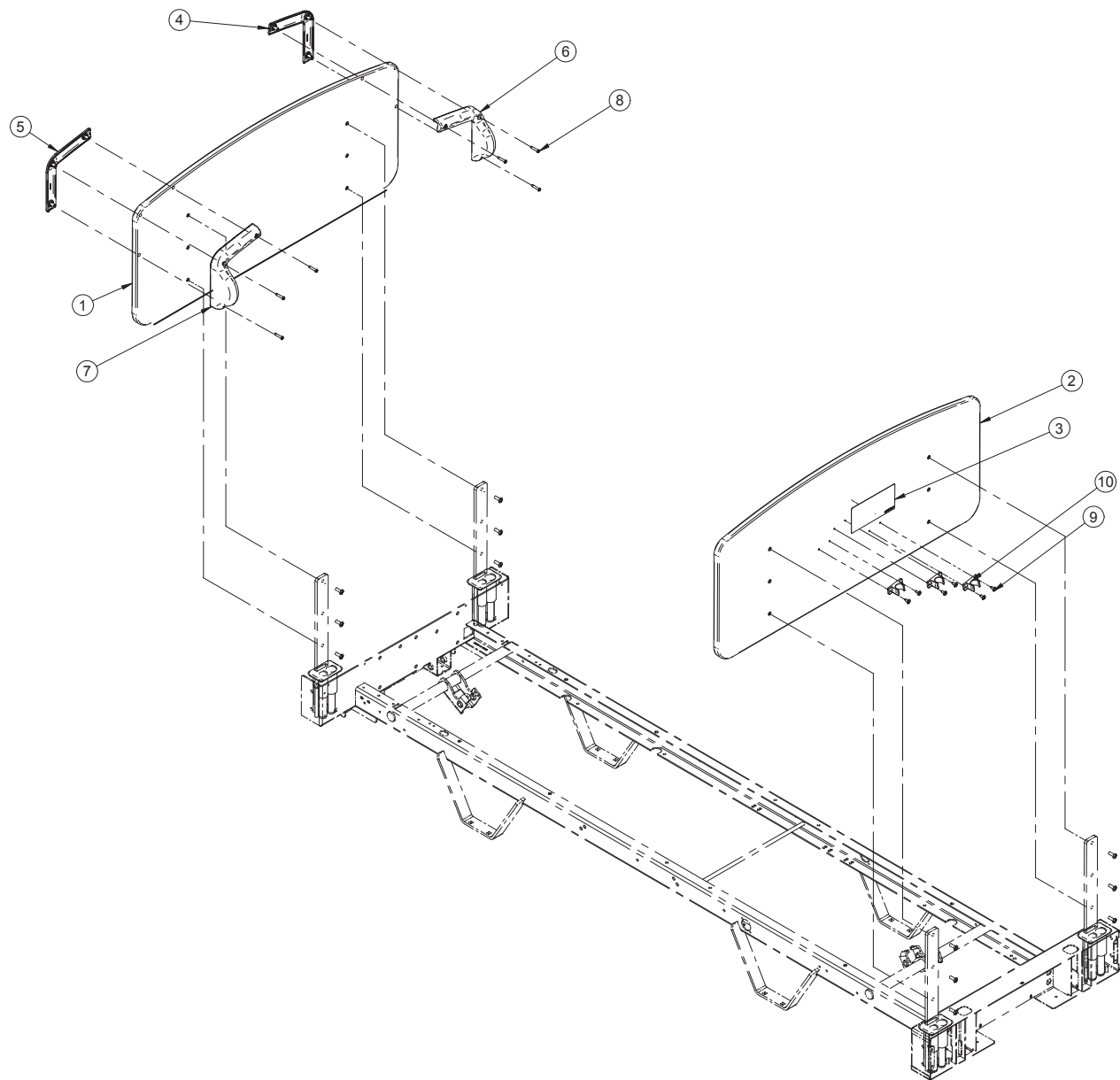
MDF Laminated Boards with Control Panel

MDF Laminated Boards with Control Panel - OP230254 Rev 00 (Reference Only)

Item	Part No.	Part Name	Qty.
1	17-0144G	Nurse Control Board	1
2	23-0807XXXX	MDF Laminated Board	1
3	23-0334G	Support Cover	1
4	23-0519XXXX	MDF Laminated Foot Board	1
5	QDF17-0139	Extension Cord for Membrane	1
6	QDF17-0180	Nurse Call Membrane	1
7	QDF7826	Transfert Tape 3M 1" Wide	1
8	QE14376-T	Sticker - Inversion	1
9	QE71-0751	Sticker - Foot Board Isolation	1
10	QP17-0127-07	Nurse Call Plate	1
11	QP23-0472-07	Right Exterior Handle	1
12	QP23-0473-07	Left Exterior Board Handle	1
13	QP23-0474-07	Right Interior Handle	1
14	QP23-0475-07	Left Exterior Board Handle	1
15	VE30A1E	Nylon Locknut #8-32	2
16	VV23A1G32HL	Tapping Screw High-Low Pan Head Phillips #10 x 1" z.p.	6
17	VV33A1E24	Machine Screw Round Head Phillips 3-32 x 3/4	2
18	VV27A9G16	Tapping Screw Truss Head Phillips #10 x 1/2" LG	16
19	VW11A9E	Flat Washer #8	2
20	VW60C081005	Sleeve	2
21	QPAG1801	Rod Support	3

Solid Wood Board without Control Panel

OP230257 Rev 01 (Reference Only)

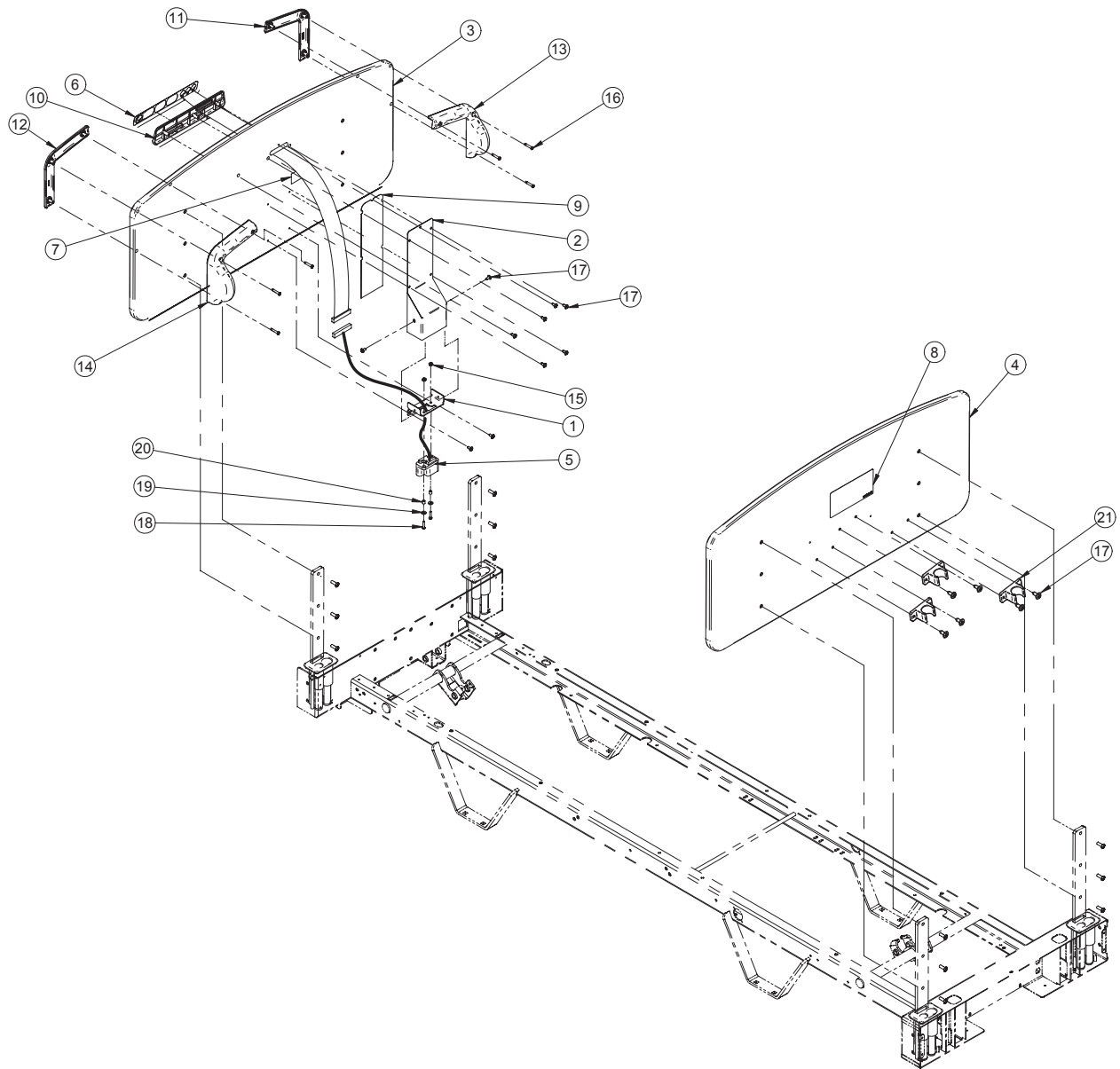


Item	Part No.	Part Name	Qty.
1	23-0660XX	Solid Wood Foot Board	1
2	23-0811XX	Solid Wood Head Board	1
3	QE14376-T	Sticker - Headboard Installation	1
4	QP23-0472-07	Outer Right Handle	1
5	QP23-0473-07	Outer Left Handle	1
6	QP23-0474-07	Inner Right Handle	1
7	QP23-0475-07	Inner Left Handle	1
8	VV23A1G32HL	Tapping Screw Pan Phillips	6
9	VV27A9G16	Tapping Screw Truss Head	6
10	QPAG1801	Rod Support	3

[Return To Table of Contents](#)

Solid Wood Boards with Control Panel

OP230255 Rev 00 (Reference Only)



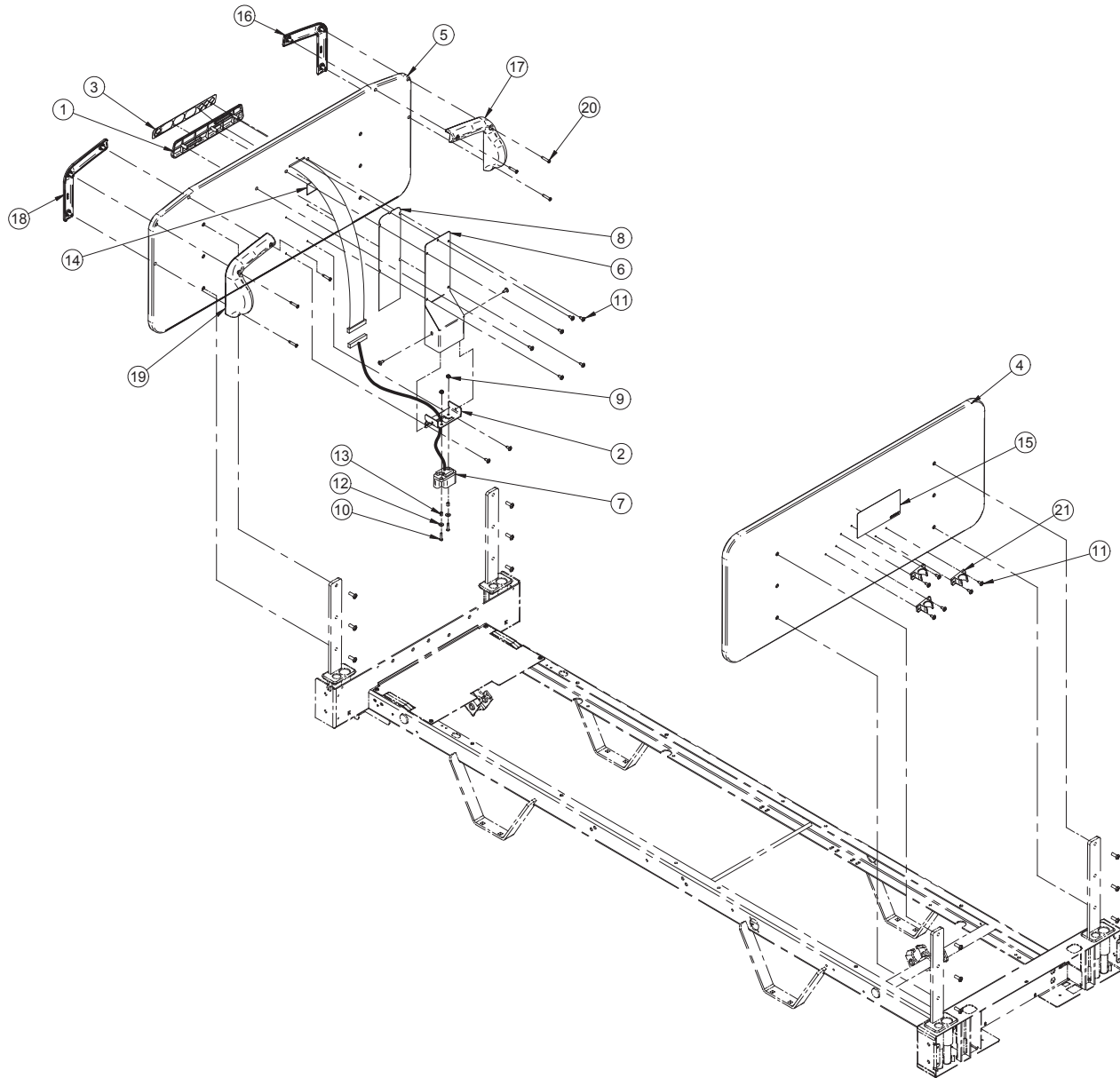
Solid Wood Boards with Control Panel

Solid Wood Boards with Control Panel - OP230255 Rev 00 (Reference Only)

Item	Part No.	Part Name	Qty.
1	17-0144G	Connector Support	1
2	23-0334G	Support Cover	1
3	23-0633XX	Foot Solid Core Laminated Board	1
4	23-0811XX	Head Solid Core Laminated Board	1
5	QDF17-0139	Extension Cord for Membrane	1
6	QDF17-0180	Nurse Control Membrane	1
7	QDF7826	3M Adhesive Tape #950 x 1"	1
8	QE14376-T	Sticker - Headboard Installation	1
9	QE71-0751	Foot Board Isolating Strip	1
10	QP17-0127-07	Nurse Control Board	1
11	QP23-0472-07	Outer Right Handle	1
12	QP23-0473-07	Outer Left Handle	1
13	QP23-0474-07	Inner Right Handle	1
14	QP23-0475-07	Inner Left Handle	1
15	VE30A1E	Nylon Locknut #8-32 z.p.	2
16	VV23A1G32HL	Tapping Screw Pan Phillips Type High-Low #10 x 1" z.p.	6
17	VV27A9G16	Tapping Screw Truss Phillips Type A #10 x 1/2" z.p.	16
18	VV33A1E24	Machine Screw Pan Phillips #8-32 x 3/4" z.p.	2
19	VW11A9E	Flat Washer #8	2
20	VW60C081005	Sleeve	2
21	QPAG1801	Rod Support	3

Solid Core Boards with Flat Top and Control Panel

OP230256 Rev 01 (Reference Only)



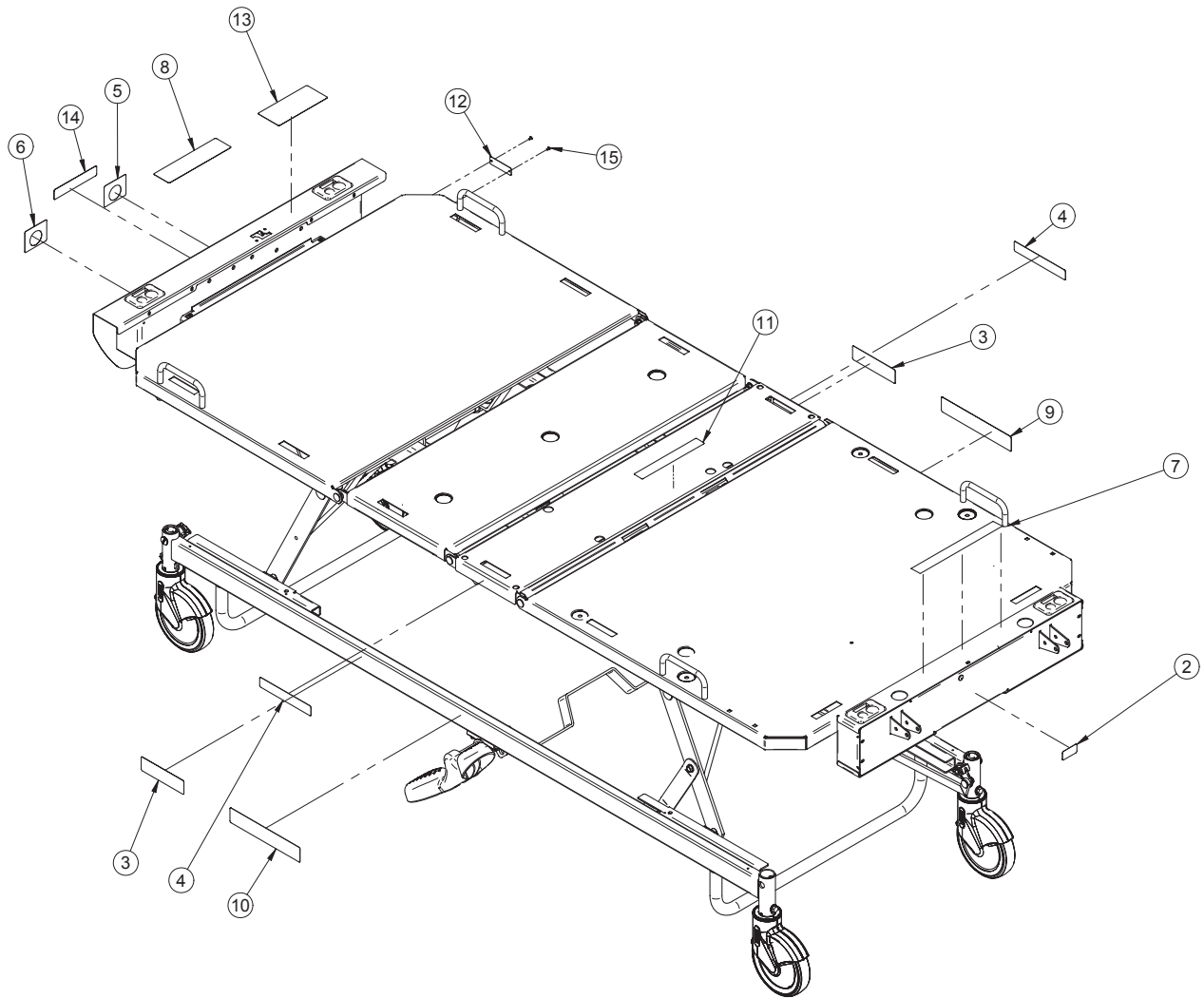
Solid Core Boards with Flat Top and Control Panel

Solid Core Boards with Flat Top and Control Panel - OP230256 Rev 01 (Reference Only)

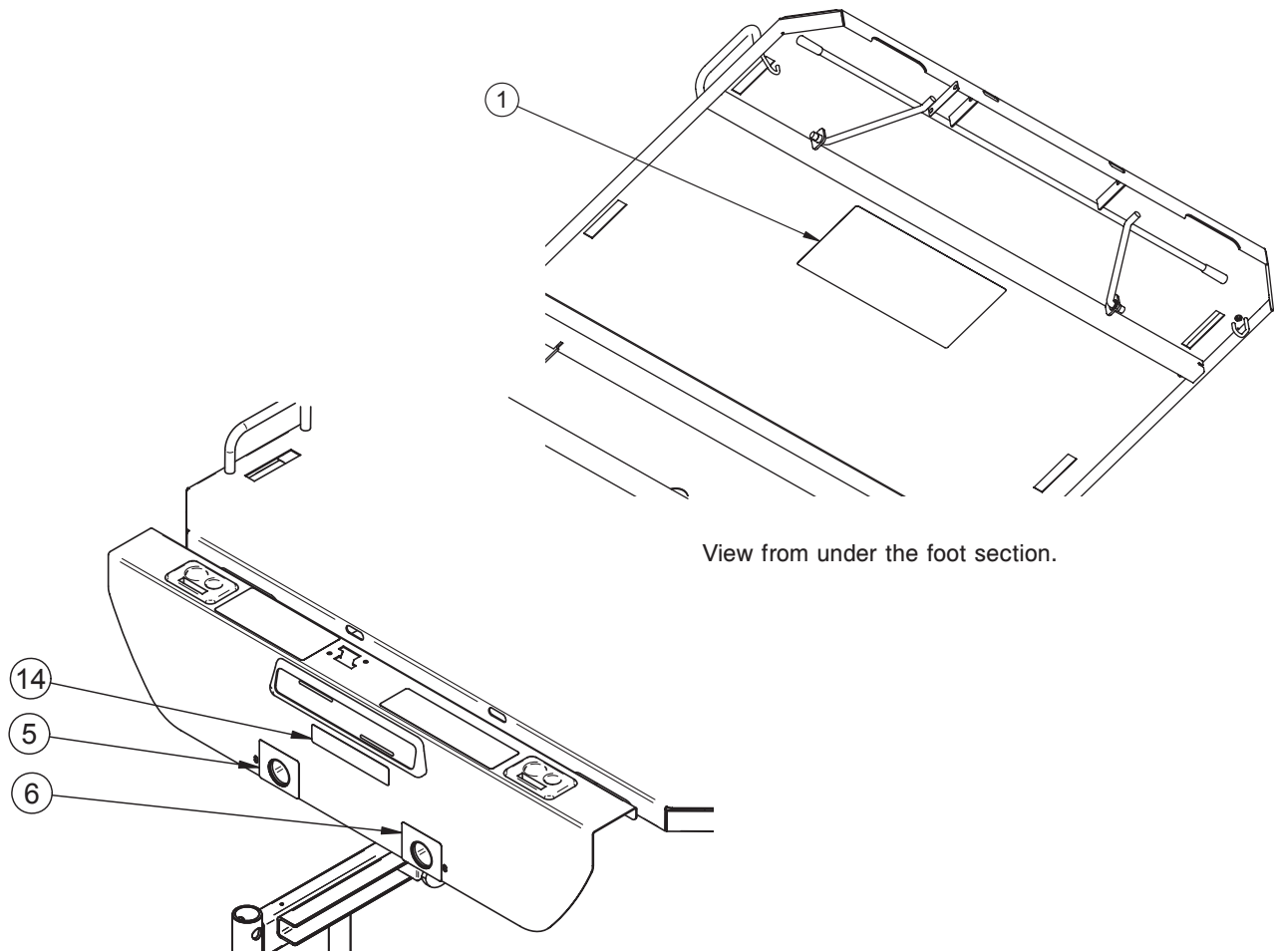
Item	Part No.	Part Name	Qty.
1	QP17-0127-07	Nurse Control Board	1
2	17-0144G	Connector Support	1
3	QDF17-0180	Nurse Control Membrane	1
4	23-0809XX	Solid Core Head Board	1
5	23-0681XX	Solid Core Foot Board	1
6	23-0334G	Support Cover	1
7	QDF17-0139	Extension Cord for Membrane	1
8	QE71-0751	Foot Board Isolating Strip	1
9	VE30A1E	Nylon Hexagone Locknut #8-32 z.p.	2
10	VV33A1E24	Machine Screw Pan Phillips #8-32 x 3/4" z.p.	2
11	VV27A9G16	Tapping Screw truss Phillips Type A #10 x 1/2" z.p.	16
12	VW11A9E	Flat Washer #8	2
13	VW60C081005	Sleeve	2
14	QDF7826	3M Adhesive Tape #950 x 1"	.1666
15	QE14376-T	Sticker - Headboard Installation	1
16	QP23-0472-07	Outer Right Handle	1
17	QP23-0474-07	Inner Right Handle	1
18	QP23-0473-07	Outer Left Handle	1
19	QP23-0475-07	Inner Left Handle	1
20	VV23A1G32HL	Tapping Screw Pan Phillips Type High-Low #10 x 1" z.p.	6
21	QPAG1801	Rod Support	3

Bed Labeling - English/French

OL230120 Rev 03 (Reference Only)



Bed Labeling - English/French

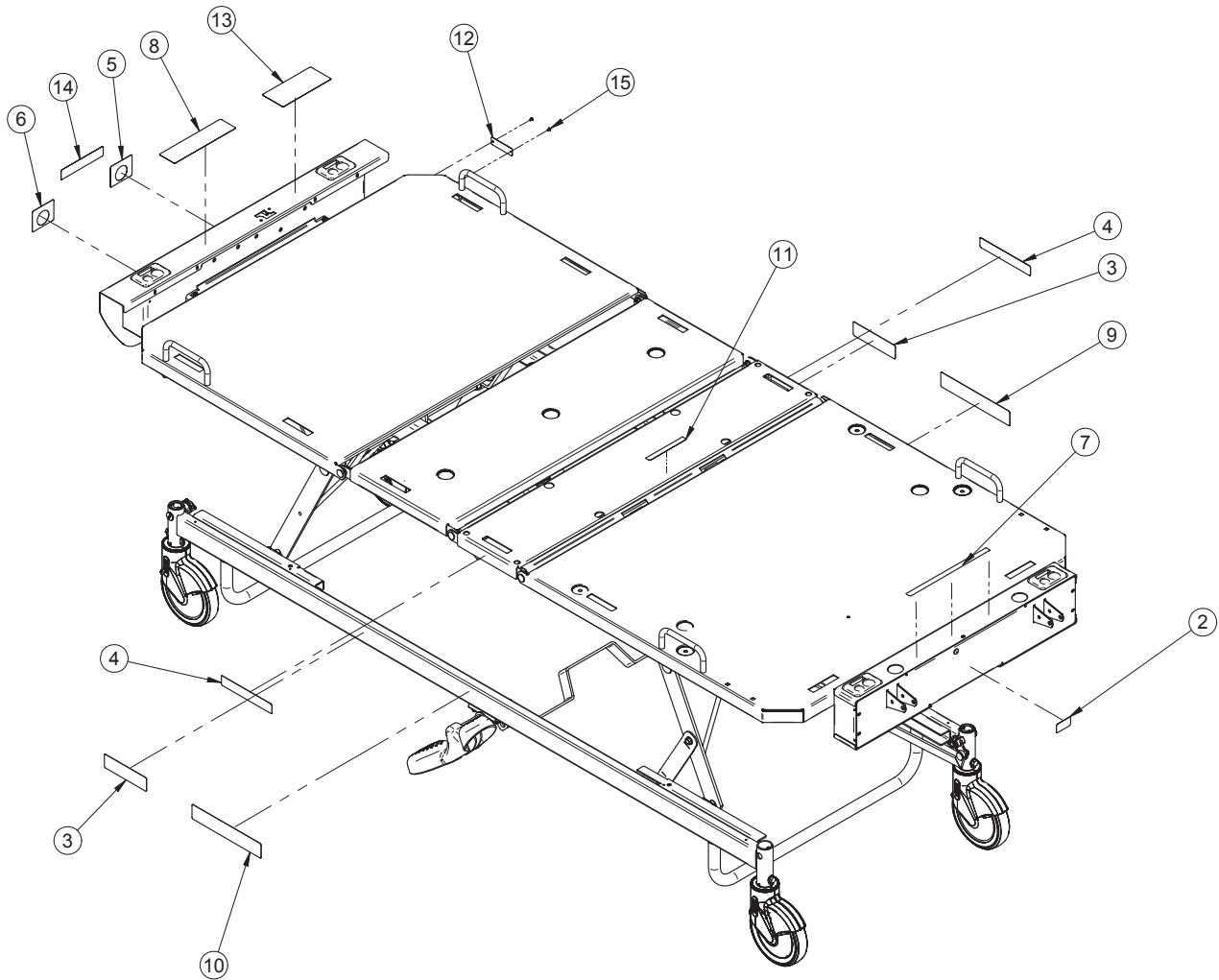


Stickers French/English - OL230120 Rev 03 (Reference Only)

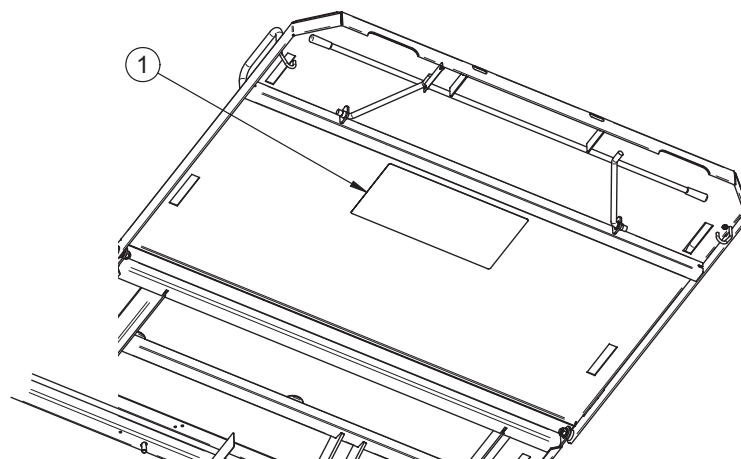
Item	Part No.	Part Name	Qty.
1	QE14400-F	Sticker - Results of Automated Tests	1
2	QE18545	"Refer to Manual" Sticker	1
3	QE71-0346	Sticker - STRYKER	2
4	QE71-0547	Sticker - Maximum Load	2
5	QE71-0707	Sticker - Emergency Handle Position/Head Section	1
6	QE71-0708	Sticker - Emergency Handle Position/Thigh Section	1
7	QE71-0737-T	Sticker - Serious Injury	1
8	QE71-0738-T	Sticker - Electric Shock Hazard	1
9	QE71-0739-T	Sticker - Right Pedal Positions	1
10	QE71-0740-T	Sticker - Left Pedal Positions	1
11	QE71-0741-T	Sticker - Mattress Maximum Thickness	1
12	QE71-0749-T	Serial Number Plate	1
13	QE71-0752-F	Fire Hazard - Sticker	1
14	QE71-0778-F	Sticker - Accessory Warning	1
15	VR11H43	Dome Head Pop Rivet #43	2

Bed Labeling - English/Spanish

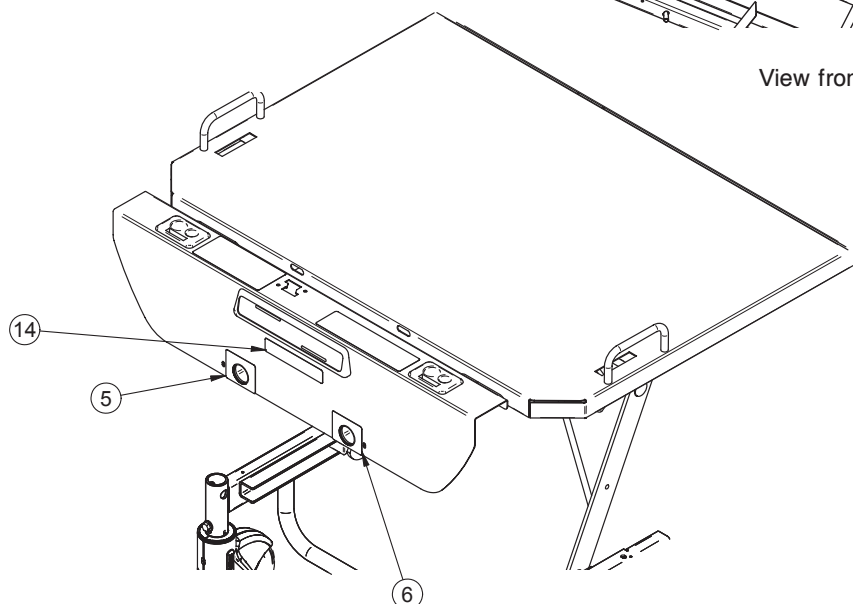
OL230121 Rev 03 (Reference Only)



Bed Labeling - English/Spanish



View from under the foot section.



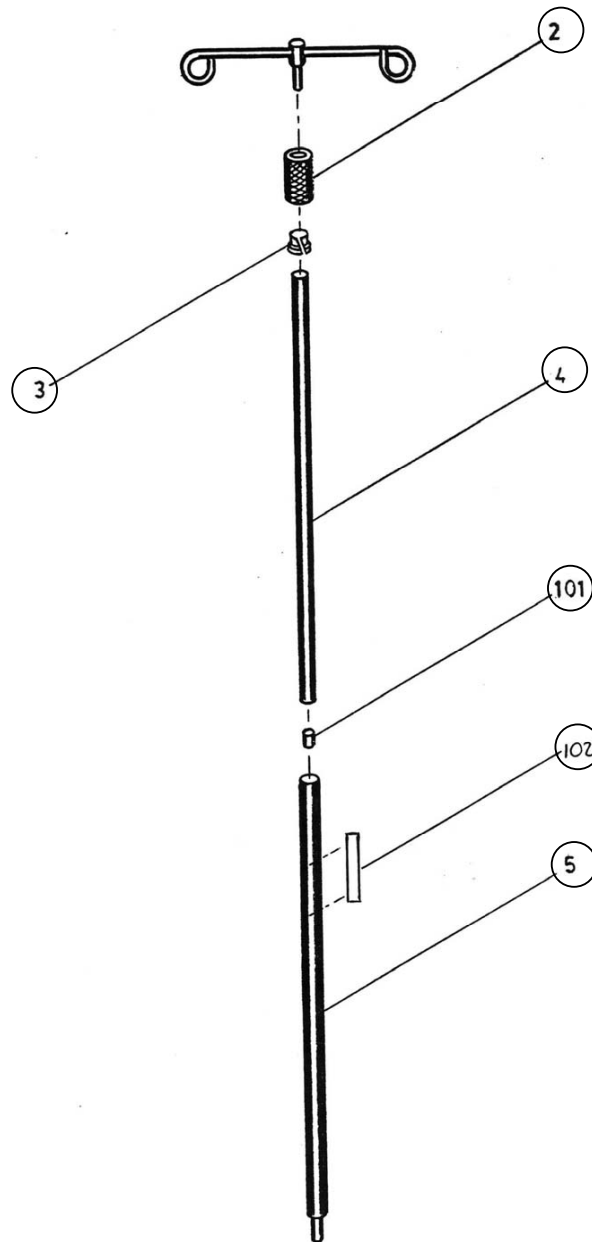
Stickers English/Spanish OL230121 Rev 03 (Reference Only)

Item	Part No.	Part Name	Qty.
1	QE14400-F	Sticker - Results of Automated Tests	1
2	QE18545	"Refer to Manual" Sticker	1
3	QE71-0346	Sticker - STRYKER	2
4	QE71-0547	Sticker - Maximum Load	2
5	QE71-0707	Sticker - Emergency Handle Position/Head Section	1
6	QE71-0708	Sticker - Emergency Handle Position/Thigh Section	1
7	QE71-0737-T	Sticker - Serious Injury	1
8	QE71-0738-T	Sticker - Electric Shock Hazard	1
9	QE71-0739-T	Sticker - Right Pedal Positions	1
10	QE71-0740-T	Sticker - Left Pedal Positions	1
11	QE71-0741-T	Sticker - Mattress Maximum Thickness	1
12	QE71-0749-T	Serial Number Plate	1
13	QE71-0752-E	Fire Hazard - Sticker	1
14	QE71-0778-E	Sticker: Accessory Warning	1
15	VR11H43	Dome Head Pop Rivet #43	2

Optional Accessories

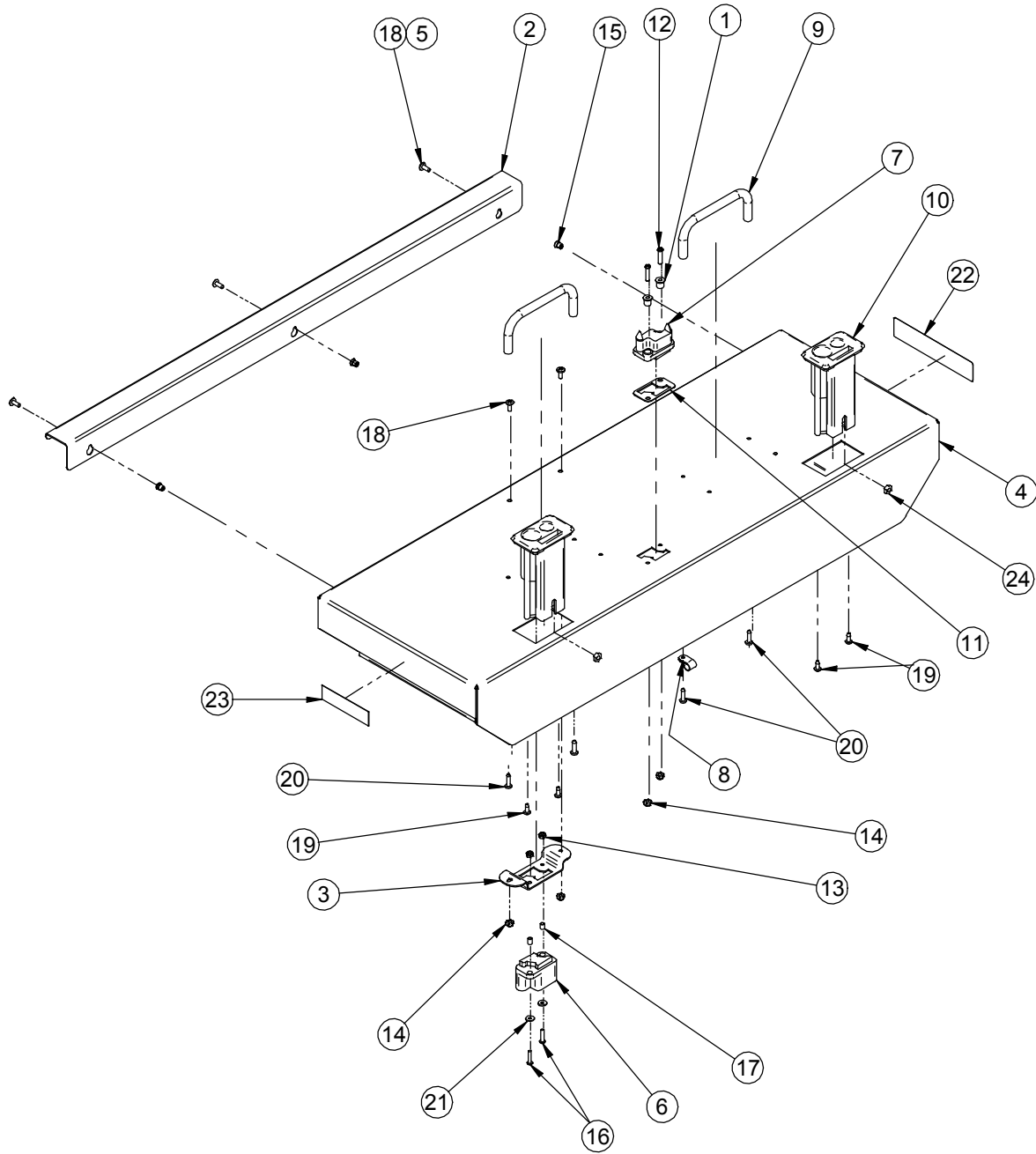
Accessory	Part Number	Page
Removable I.V. Pole	FDTSH	See pg. 159
Bed Extender	FA64152	See pg. 160
Cushion for Bed Extender	DM64063	See pg. 162
Cushion for Bed Extender	DM64064	See pg. 162
Emergency Crank	FA64161	See pg. 163
Removable Two-Sided, Two-Function Pendant Control	FA64160	See pg. 164
P&D Two-Function Pendant Control	FA64155	See pg. 165
Half an Inch Diameter Stryker Removable I.V. Pole	FA64135	See pg. 166
Half-Length Siderail Protective Pads	DM64232	See pg. 167
Full-Length Siderail Protective Pads	DM64176	See pg. 167
Half-Length Siderail Protective Pads	DM64233	See pg. 168
Full-Length Siderail Protective Pads	DM64178	See pg. 168
One Inch Diameter Removable I.V. Pole	FA61002-G	See pg. 169
Oxygen Bottle Holder	FA64036-G	See pg. 170
Upright Oxygen Bottle Holder	FA64117	See pg. 171
Overhead Trapeze	FA64145	See pg. 172
Monitor Tray	FA64153	See pg. 174
One Inch Diameter Fixed I.V. Pole	FA64157	See pg. 175

Removable I.V. Pole - FDTSH



Item	Part No.	Description	Qty
2	2111A	Tightening Sleeve-Anodized	1
3	2109	Compression Socket	1
4	2107A	Top Tube-Anodized	1
5	2105A	Bottom Tube-Anodized	1
6	QE14399-T	Manufacturer's Nameplate	1
101	QPCE1206	Rubber Cap #000 Black (1/2" x 11/32" x 7/8")	1
102	QE71-0246-T	"Warning" Sticker	1

Bed Extender - FA64152

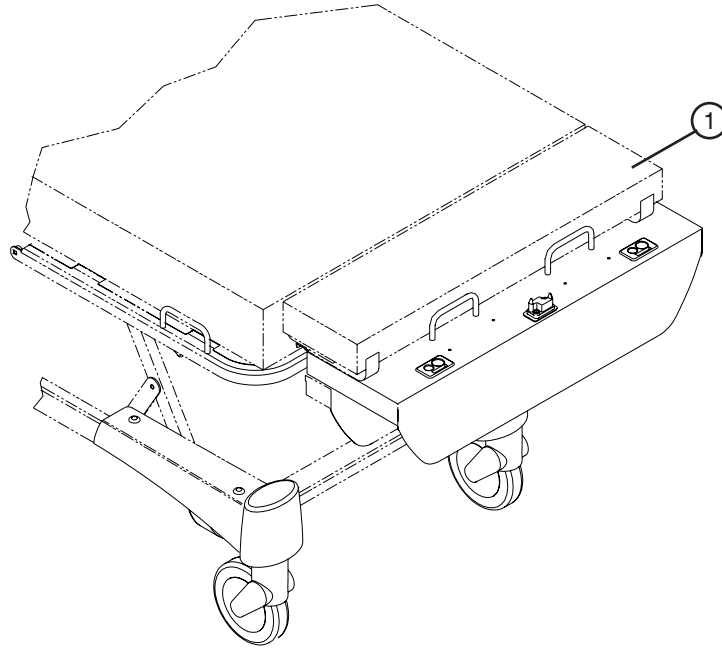


Bed Extender - FA64152

Bed Extender (For Reference Only: FA64152)

Item	Part No.	Description	Qty
1	17-0014Z	Shoulder Sleeve	2
2	64-0203G	Support for Bed Extension	1
3	64-0742G	Connector Support	1
4	64-0744G	S.A. Bed Extension	1
5	M0008	Threadlocker - Medium Strength (Blue)	0.15
6	QDF17-0139	Extension Cord for Membrane	1
7	QDF17-0141	PC-Board/Connector Cable	1
8	QDF9520	3/8" Diameter Calbe Clip	1
9	QP14034-07	Mattress Retainer	2
10	QP17-0121-07	I.V. Pole Holder	2
11	QPN-17-0011	Seal	1
12	VV33A0G28	Machine Screw Pan Phillips #10-32 x 7/8" z.p.	2
13	VE30A1E	Nylon Hexagone Locknut #8-32 z.p.	2
14	VE30A0G	Nylon Hexagone Locknut #10-32 z.p.	4
15	VEX9A0G	Nutsert #10-32 Hexagone	3
16	VV33A1E24	Machine Screw Pan Phillips #8-32 x 3/4" z.p.	2
17	VW60C081005	Sleeve	2
18	VV37A0G16	Machine Screw Truss Phillips #10-32 x 1/2" z.p.	5
19	VV83A9G16	Tapping Screw Pan Phillips Type B #10 x 1/2" z.p.	4
20	VV83A9G24	Tapping Screw Pan Phillips Type B #10 x 3/4" z.p.	4
21	VW11A9E	Flat Washer #8	2
22	QE71-0787-T	Sticker - Emergency Crank Warning	1
23	QE14399-T	Manufacturer's Nameplate	1
24	VE20A1N	Hexagone Locknut 1/4-20 z.p.	2

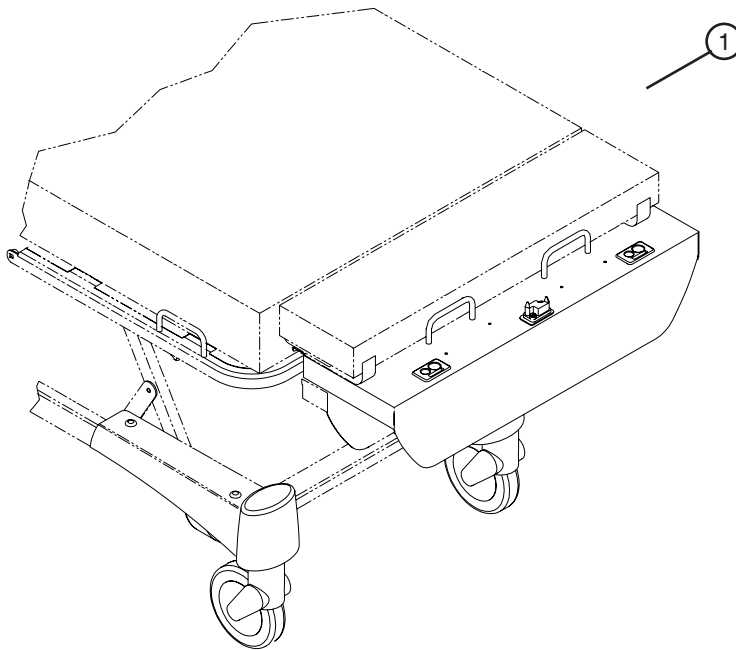
Cushion for Bed Extender - DM64063



Cushion for Bed Extender - DM64063

Item	Part No.	Description	Qty
1	DM64063	Cushion for Bed Extender	1

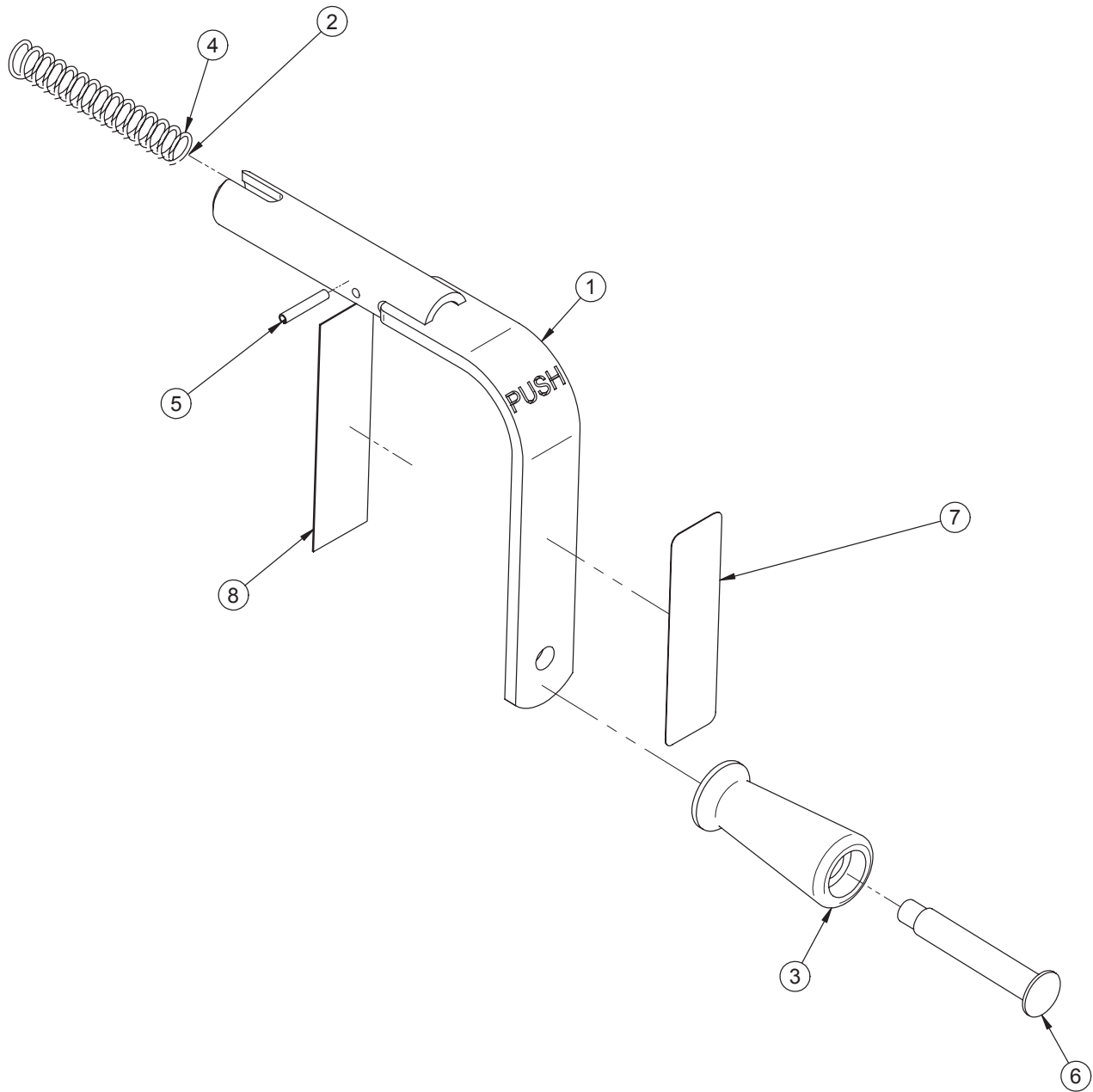
Cushion for Bed Extender - DM64064



Cushion for Bed Extender - DM64064

Item	Part No.	Description	Qty
1	DM64064	Cushion for Bed Extender	1

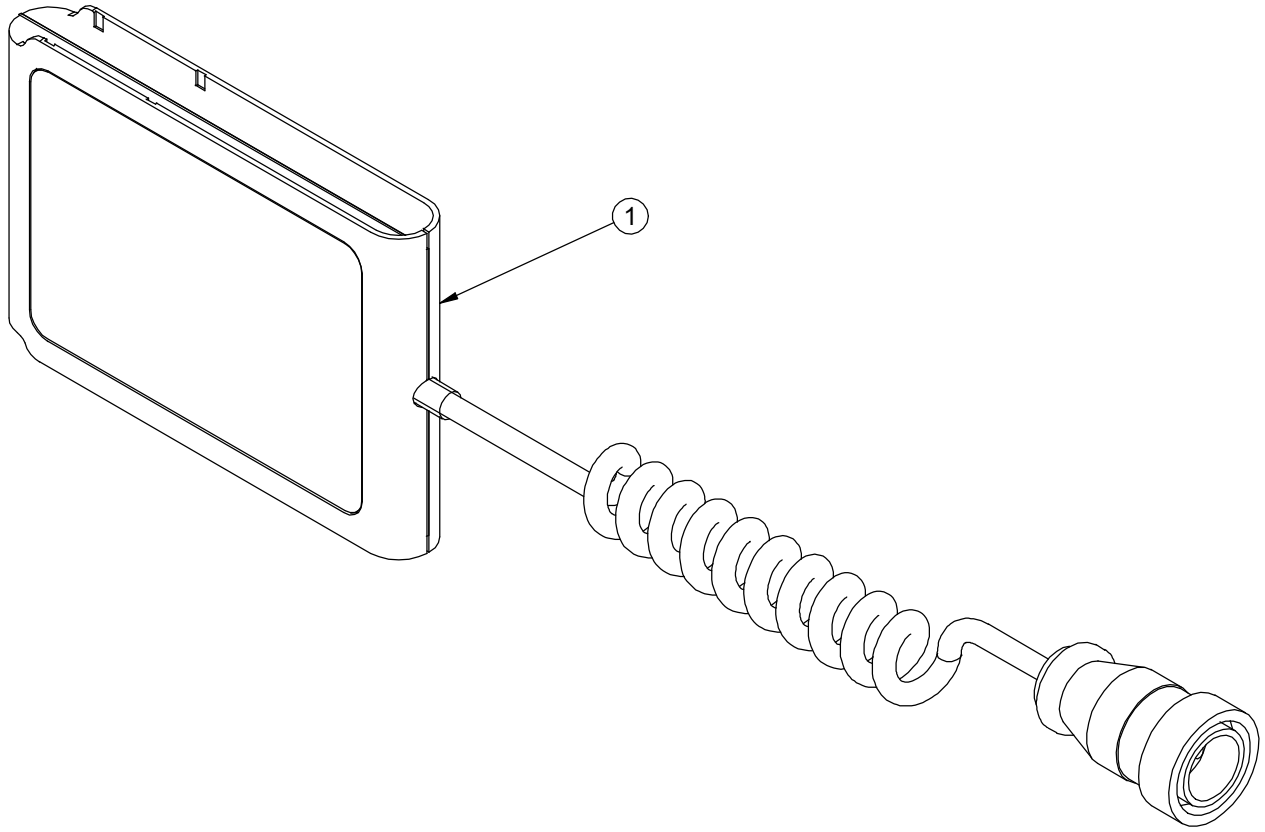
Emergency Crank - FA64161



Item	Part No.	Description	Qty
1	64-0772C	S.A. Emergency Crank	1
2	M0019	Petro Canada OG2 Grease	0.0002 kg
3	QPN-9438	Black Nylon Handle	1
4	QRC16887	Compression Spring	1
5	VG10B0424	Spring Pin 1/8" x 3/4"	1
6	VR43A9439	Shoulder Rivet	1
7	QE71-0814-F	Sticker - Emergency Crank	1
8	QE71-1313-T	Manufacturer's Nameplate	1

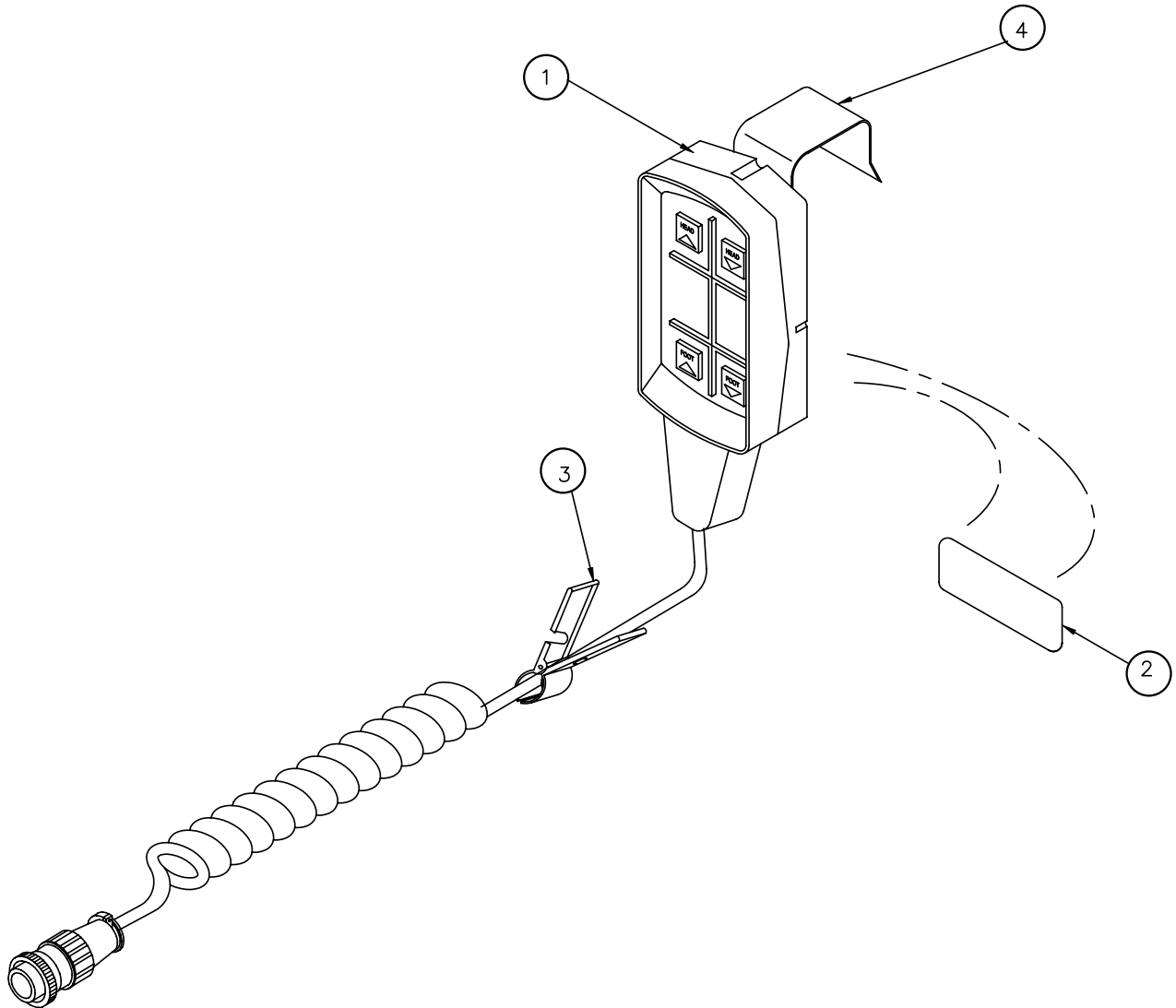
Removable Two-Sided, Two Function Pendant Control

- FA64160



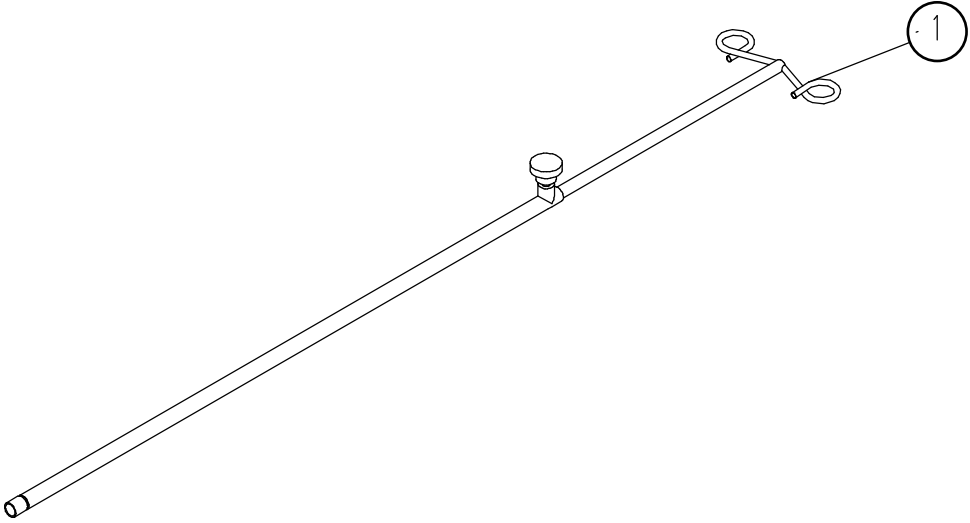
Item	Part No.	Description	Qty
1	QDF64-0986	Removable Two-Function Pendant Control	1

P&D Two-Function Pendant Control - FA64155



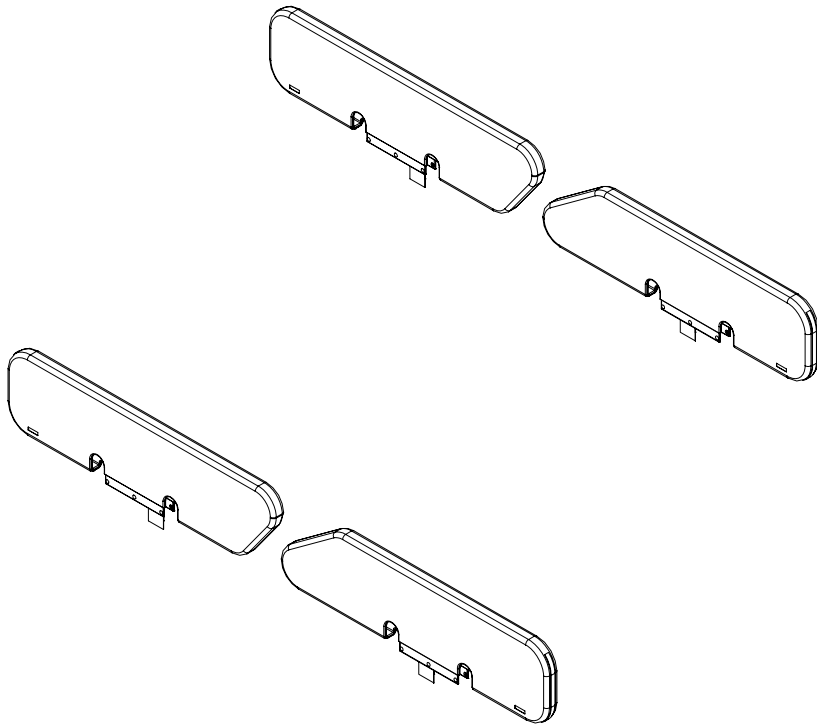
Item	Part No.	Description	Qty
1	QDF64-0687	P&D Two-Function Pendant Control	1
2	QE71-0133	Stryker Label	1
3	QDF8066	Security Clip (Interlock Press)	1
4	6400-035G	Hook of the Pendant Control	1

Half an Inch Diameter Stryker Removable I.V. Pole - FA64135

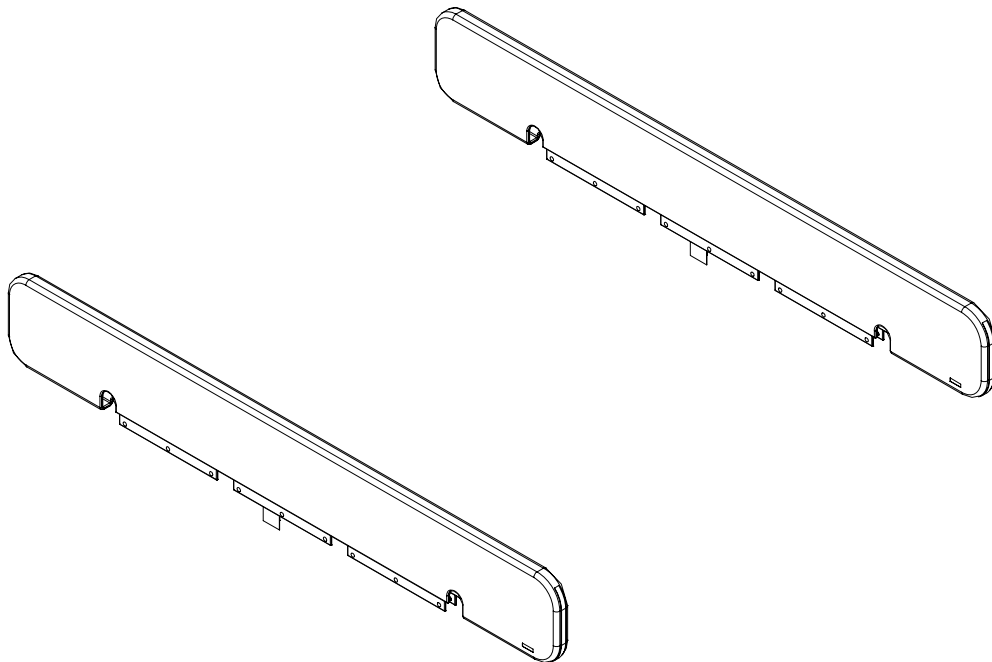


Item	Part No.	Description	Qty
1	QDF9165	Stryker's 1/2" Diameter Removable I.V. Pole	1

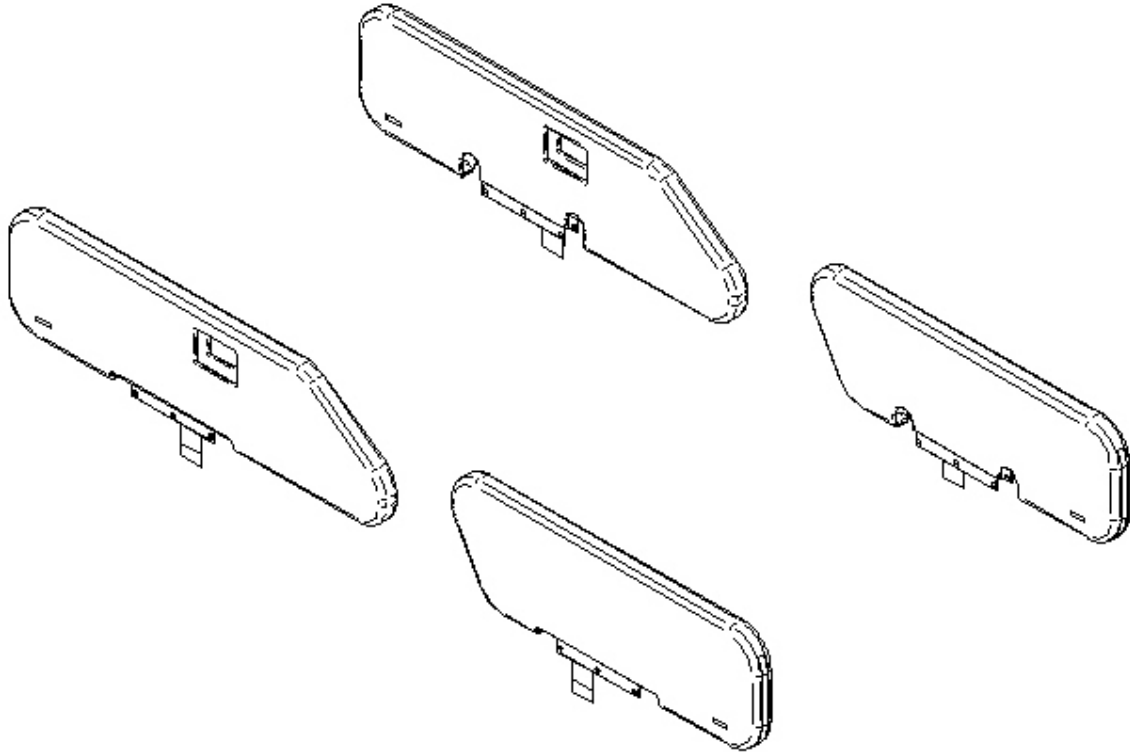
Half-Length Siderail Protective Pads - DM64232



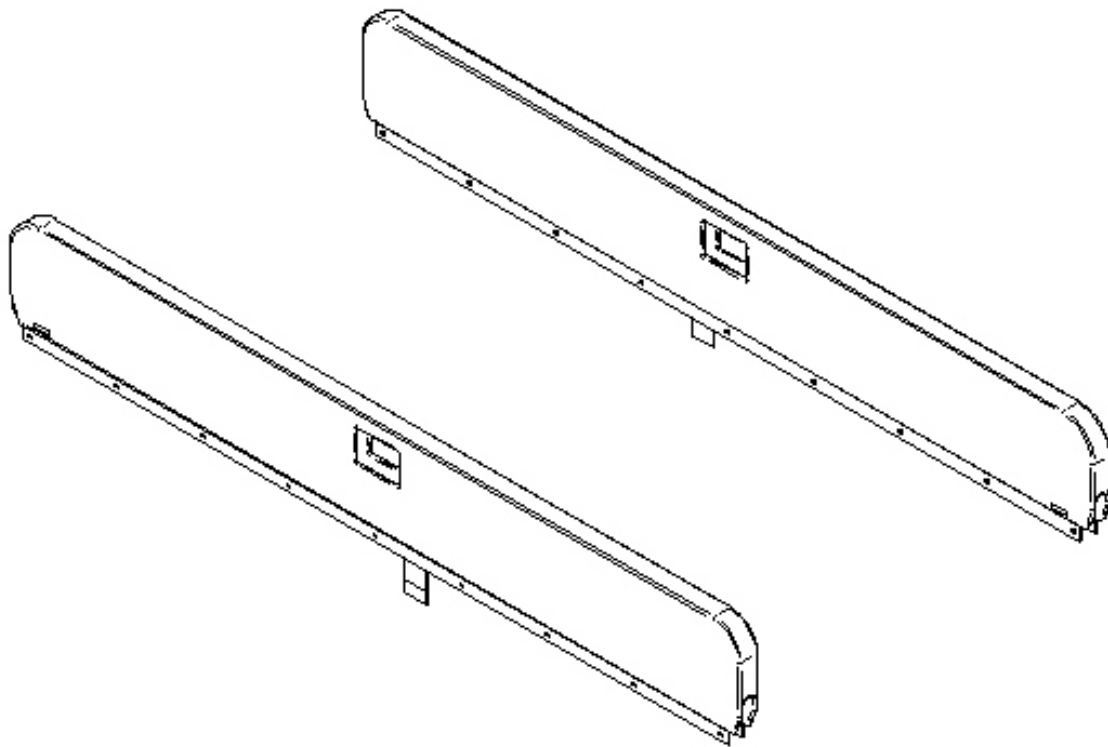
Full-Length Siderail Protective Pads - DM64176



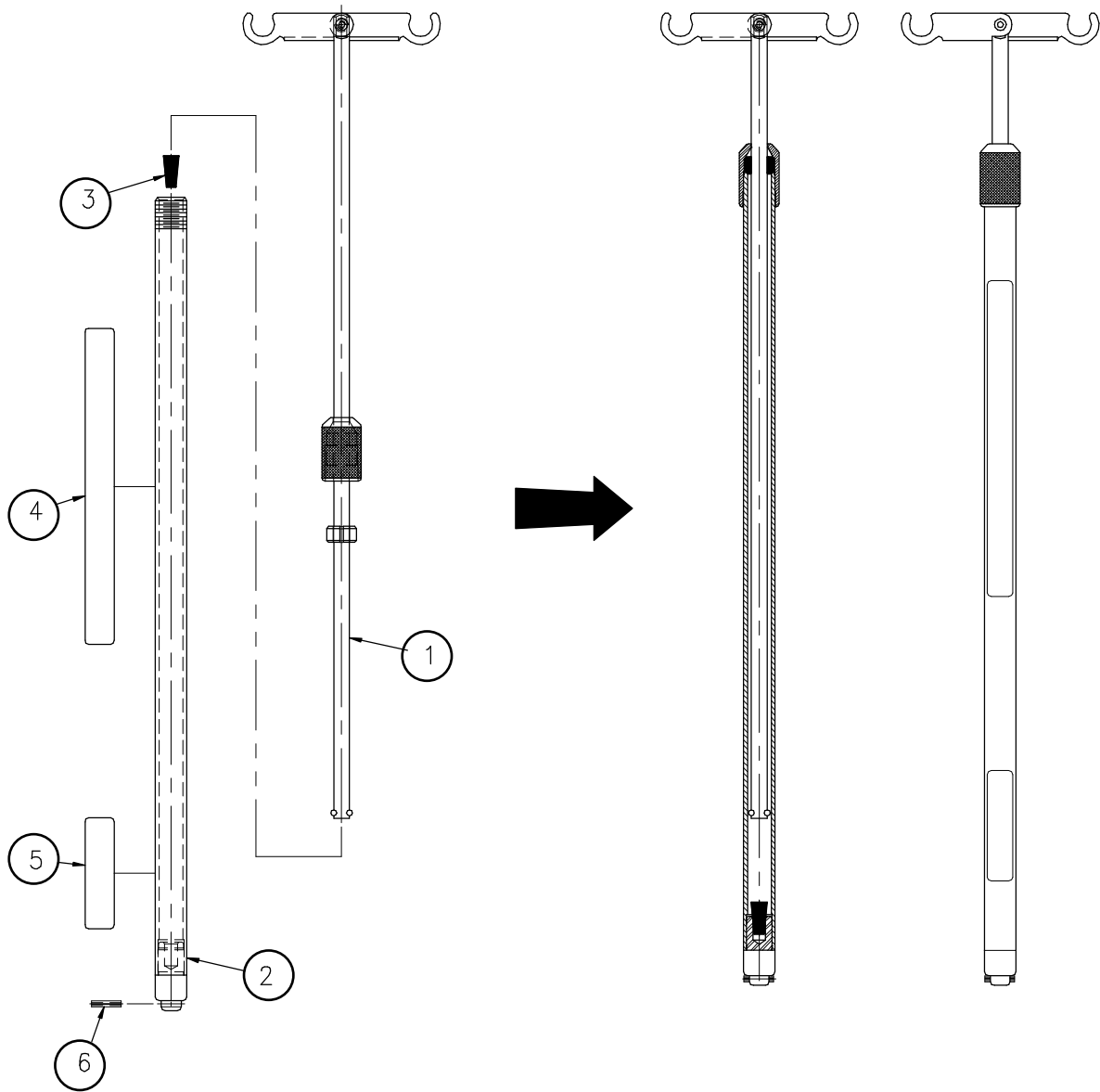
Half-Length Siderail Protective Pads - DM64233



Full-Length Siderail Protective Pads - DM64178

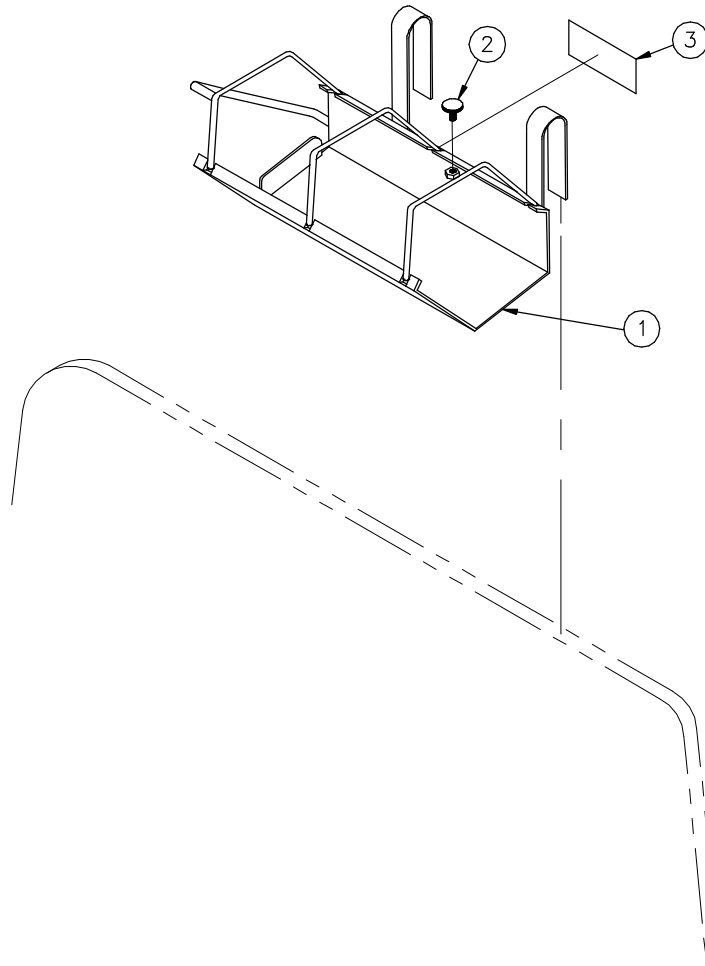


One Inch Diameter Removable I.V. Pole - FA61002-G



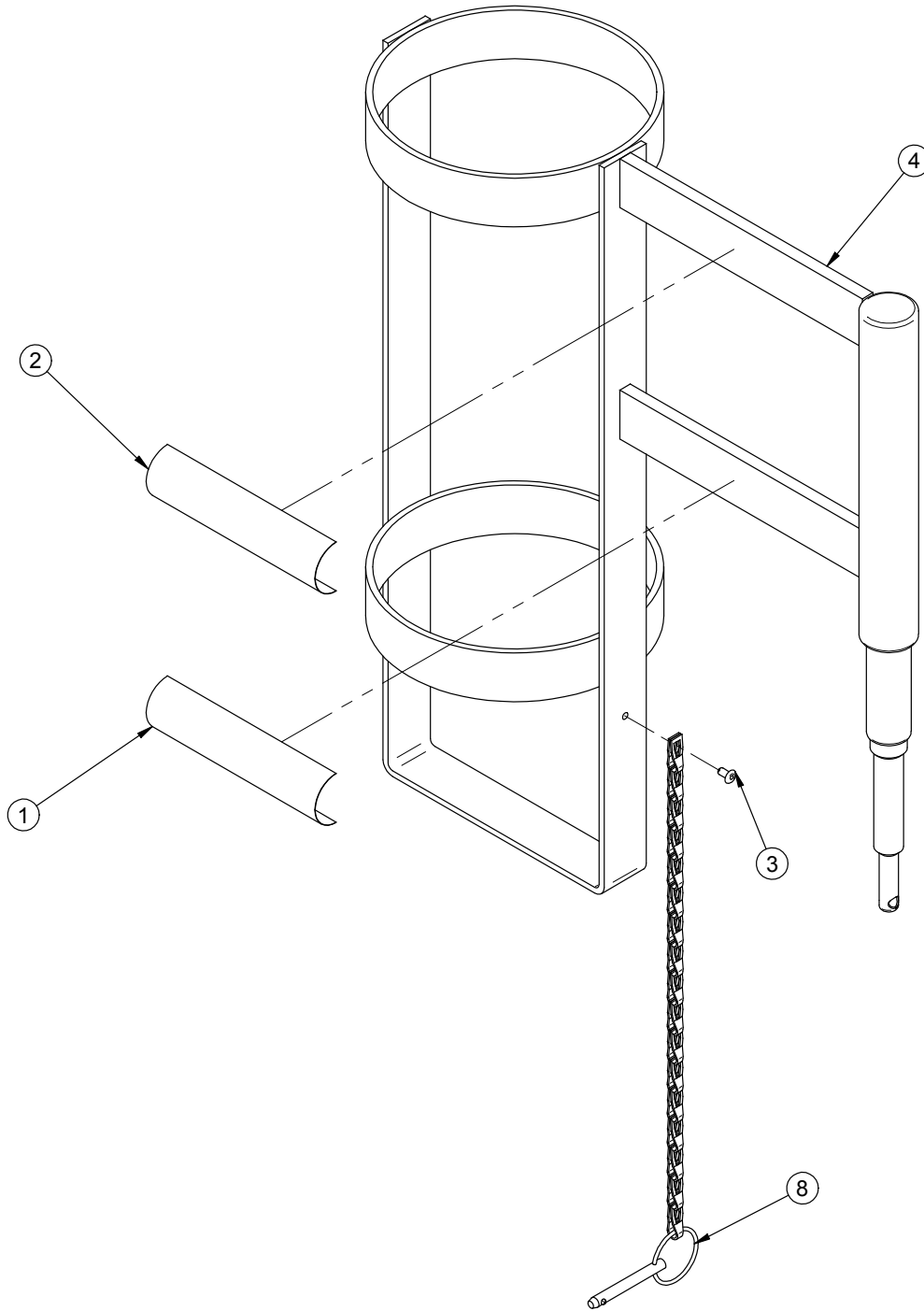
Item	Part No.	Description	Qty.
1	61-0011G	S.A. Top Rod	1
2	61-0002A	S.A. Bottom Tube	1
3	QPCE1206	Rubber Cap #000 (1/2" x 11/32" x 7/8") Black	1
4	QE71-0246-T	Warning Sticker	1
5	QE14399-T	Manufacturer's Nameplate	1
6	VG10B0630	Spring Pin 3/16" Diameter x 15/16"	1

Oxygen Bottle Holder - FA64036-G



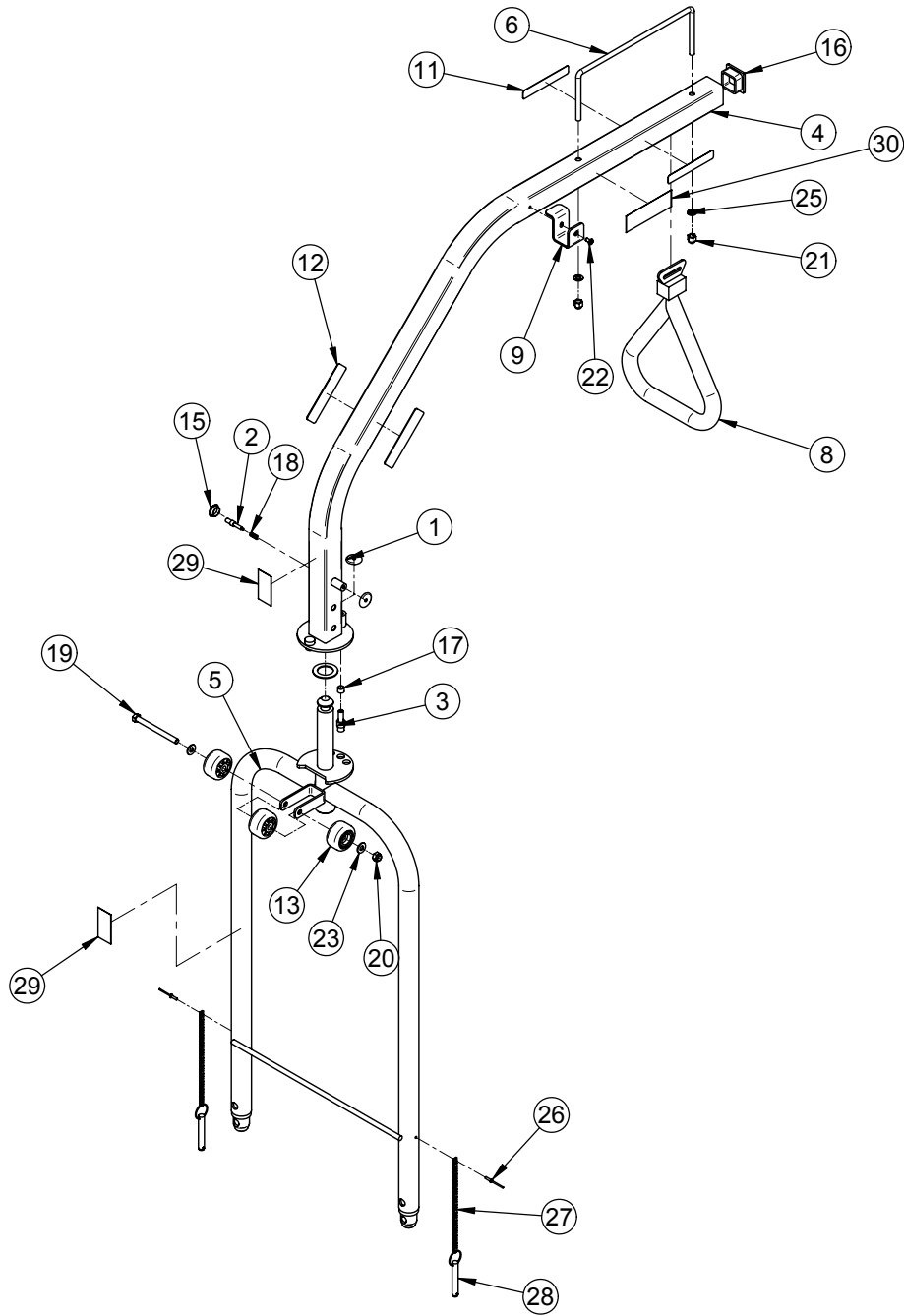
Item	Part No.	Description	Qty.
1	64-0193G	S.A. Oxygen Bottle Holder	1
2	64-0294	S.A. Stop Screw	1
3	QE14399-T	Manufacturer's Nameplate	1

Upright Oxygen Bottle Holder - FA64117



Item	Part No.	Description	Qty.
1	QE14399-T	Manufacturer's Nameplate	1
2	QE71-0601	Sticker - Maximum Load	1
3	VR11H42	Pop Rivet #42 Dome Head	1
4	QDF64-1005	Oxygen Support Bottle	1
8	64-0647	S.A. Security Chain	1

Overhead Trapeze - FA64145

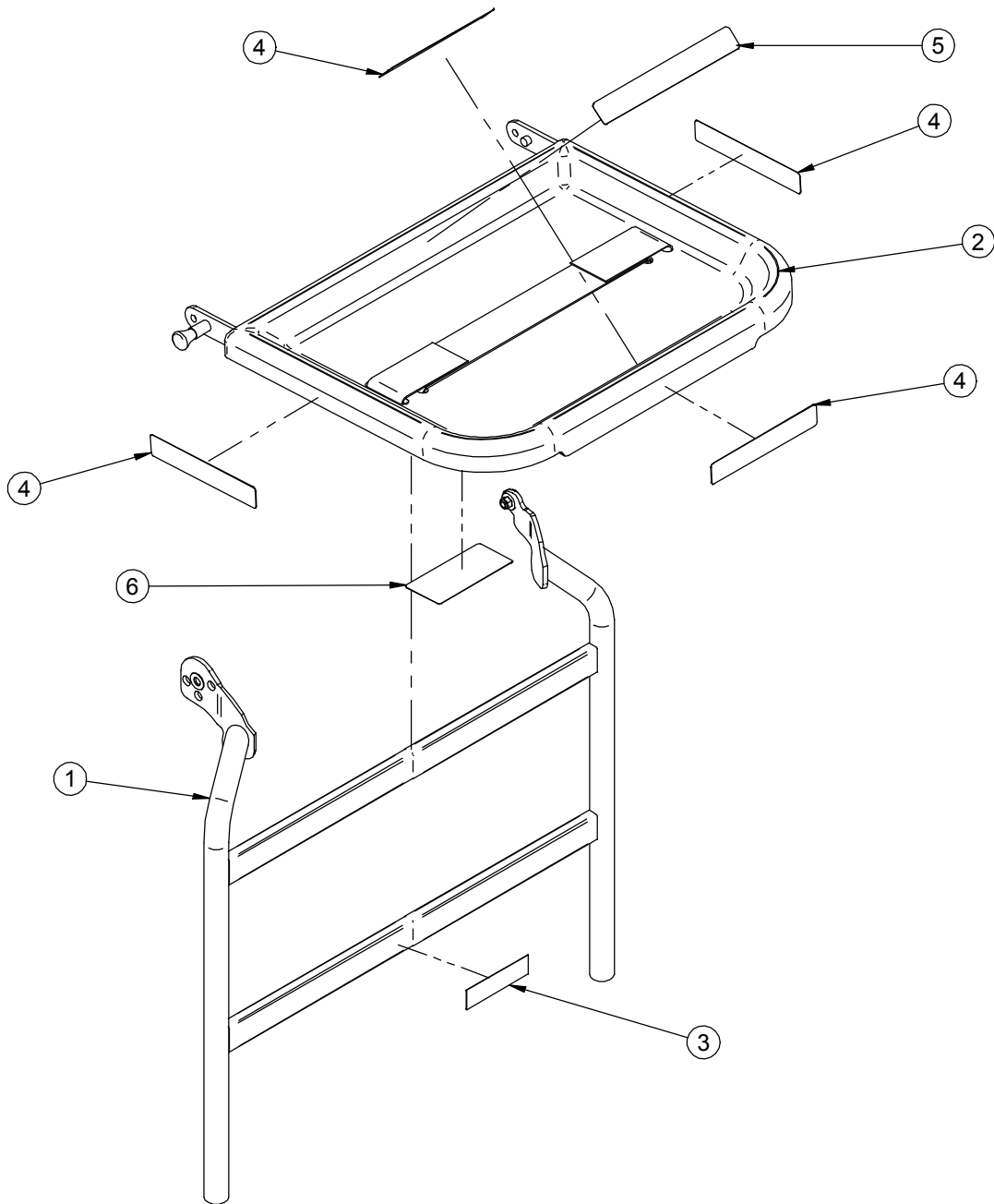


Overhead Trapeze - FA64145

Overhead Trapeze (For Reference Only: FA64145)

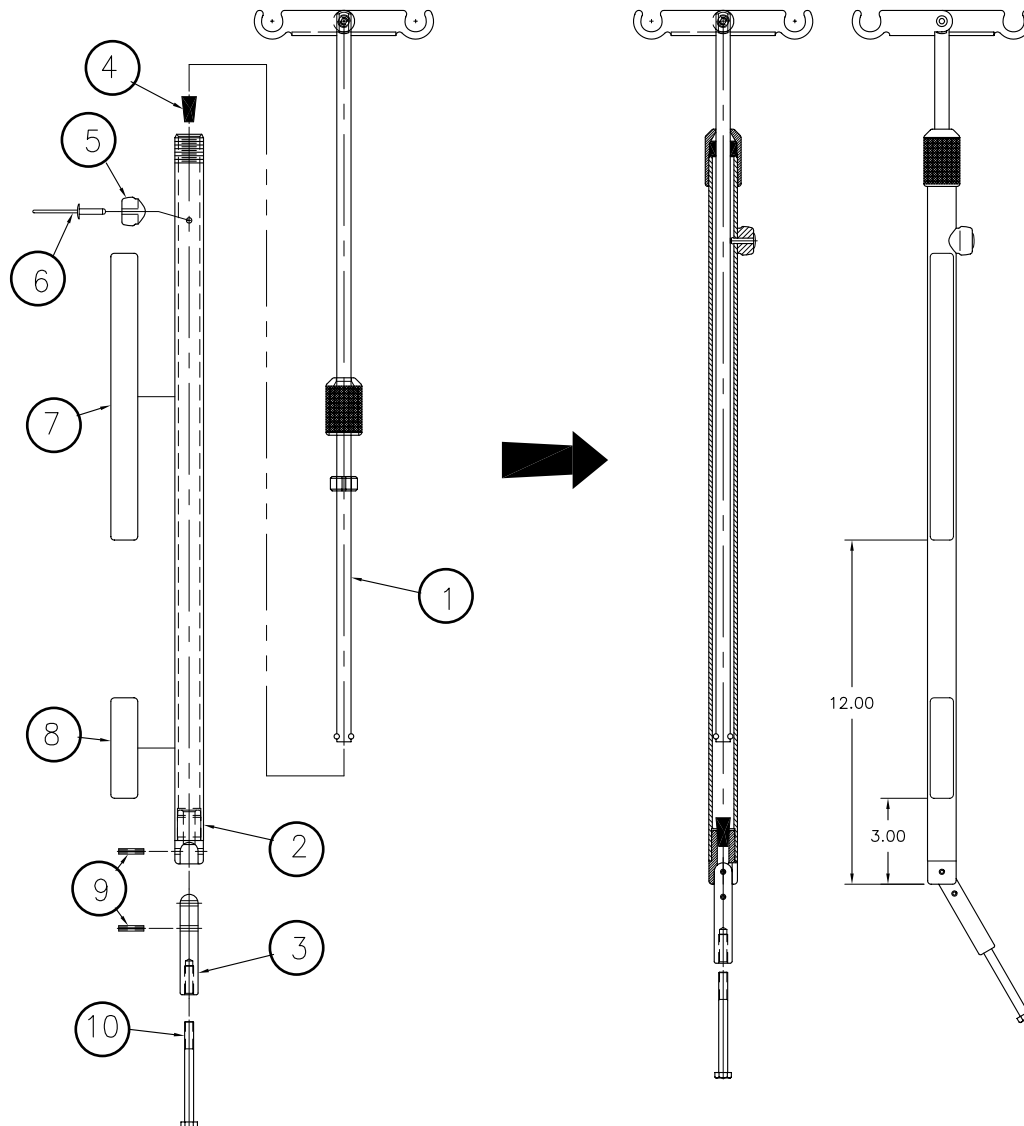
Item	Part No.	Description	Qty.
1	16242C	Plunger Washer	2
2	16243Z	Plunger (Arm)	1
3	18939Z	Plunger	1
4	64-0700G	Curved Upper Tube	1
5	64-0699G	S.A. Trapeze Bar	1
6	9870C	Triangular Retainer	1
8	QDF6023	Trapeze with Webbing	1
9	64-1298G	Hook for Trapeze	1
11	QE71-0292-T	Maximal Weight Label	2
12	QE71-0731-F	Sticker - "Do not use trapeze to get in or leave the bed"	2
13	QPC-14-0321	Bumper Roller 1 3/4" Diameter	3
15	QPPE1205	Black Plastic Cap 5/8"	1
16	QPPF1505	Square Tubing Tip 1 1/2" x 1 1/2"	1
17	QR110027	Compression Spring 0.400" x 0.700" x 0.04	1
18	QRC9793	Compression Spring 1/4" out. x 5/8" x 0.025	1
19	VB15A1O60	Hexagone Bolt 5/16-18 x 3 1/2" Grade 5 z.p.	1
20	VE30A1O	Nylon Hexagone Locknut 5/16-18 UNC z.p.	1
21	VE40A1O	Cap Nut 5/16-18 z.p.	2
22	VV83A9G12	Tapping Screw Pan Phillips Type B #10 x 3/8" z.p.	1
23	VW10A10	Flat Washer 5/16" SAE z.p.	2
24	VW10C322802	Nylon Washer 0.062" x 1" ins. x 1.563" out.	1
25	VW20A10	Spring Washer 5/16" Diameter	2
26	VR11H46	Pop Rivet #46, Dome Head	2
27	64-0536	Chain for Trapeze	2
28	QDF7871	QR Hitch Pin	2
29	QE14399-T	Manufacturer's Nameplate	2
30	QE71-1163-T	Storage of the Triangle Sticker	1

Monitor Tray - FA64153



Item	Part No.	Description	Qty.
1	64-0745G	S.A. Tray Support	1
2	QDF5093	Tray and Fasteners	1
3	QE14399-T	Manufacturer's Nameplate	1
4	QE71-0578	Sticker - Maximum Load Capacity	4
5	QE71-0579-F	Sticker - Tied Up Load	1
6	QE71-0580-F	Sticker - Caution	1

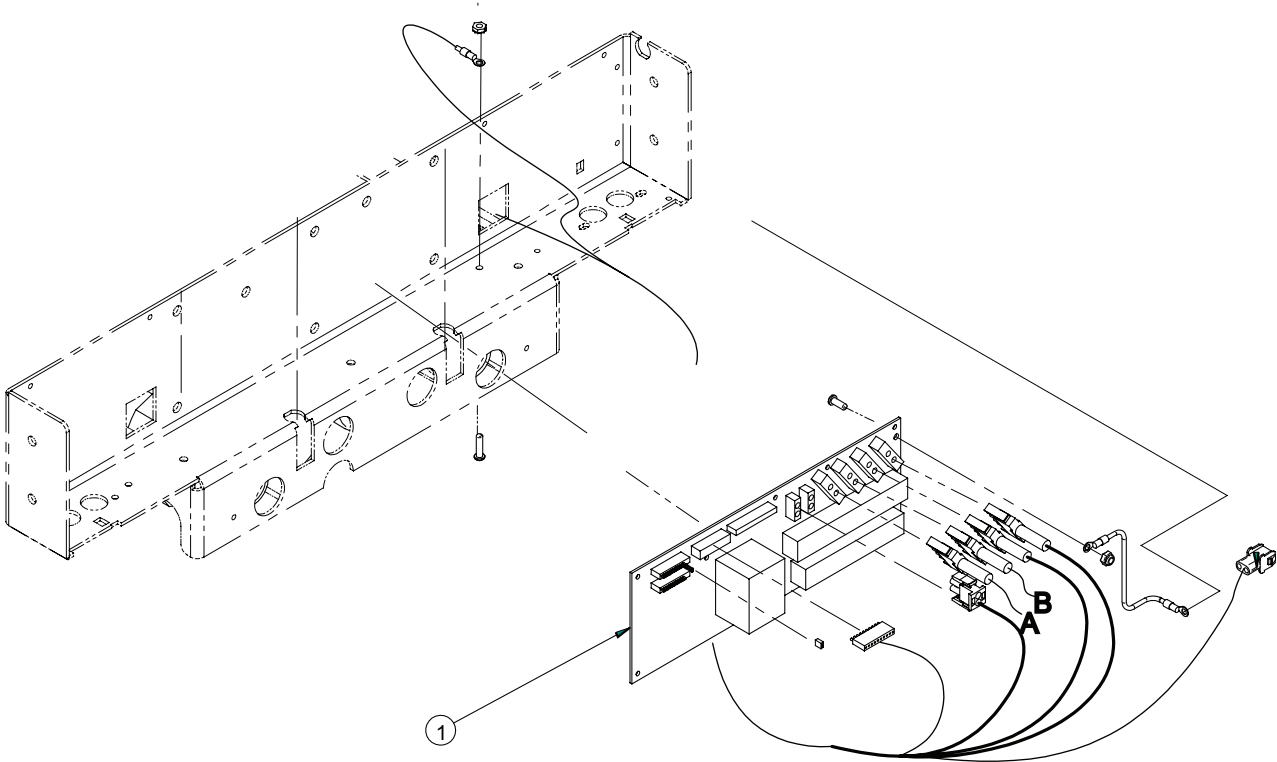
One Inch Diameter Fixed I.V. Pole - FA64157



Item	Part No.	Description	Qty.
1	61-0011G	S.A. Top Rod	1
2	64-0752	S.A. Lower Tube	1
3	61-0012A	Fixing Shaft	1
4	QPCE1206	Rubber Cap #000 (1/2" x 11/32" x 7/8") Black	1
5	61-0016A	Pole Stopper	1
6	VR15A610	Pop Rivet 3/16" x 0.815" #AD610ABSLF	1
7	QE71-0246-T	Warning Sticker	1
8	QE14399-T	Manufacturer's Nameplate	1
9	VG10B0630	Spring Pin 3/16" Diameter x 15/16"	2
10	VB15A1O60	Hexagone Bolt 5/16-18 x 3 1/2" Grade 5 z.p.	1

Recycling Passport

Reference: OL230303G, OL230304G



Item	Recycling/Material Code	Qty
1	Control Board (QDF23-0315)	1

Warranty

LIMITED WARRANTY

Stryker Medical Division, a division of Stryker Corporation, warrants to the original purchaser the Electrical MedSurg Bed, model FL23SE, to be free from defects in material and workmanship for a period of one (1) year after date of delivery. Stryker's obligation under this warranty is expressly limited to supplying replacement parts and labor for, or replacing, at its option, any product which is, in the sole discretion of Stryker, found to be defective. If requested by Stryker, products or parts for which a warranty claim is made shall be returned prepaid to the factory. Any improper use or any alteration or repair by others in such manner as in Stryker's judgment affects the product materially and adversely shall void this warranty. Any repair of Stryker products using parts not provided or authorized by Stryker shall void this warranty. No employee or representative of Stryker is authorized to change this warranty in any way.

Stryker Medical Bed products are designed for a 15 year expected service life under normal use, conditions, and with appropriate periodic maintenance as described in the maintenance manual for each device. Stryker warrants to the original purchaser that the welds on its Bed products will be free from structural defects for the expected 15 year life of the Bed product as long as the original purchaser owns the product.

This statement constitutes Stryker's entire warranty with respect to the aforesaid equipment. **Stryker makes no other warranty or representation, either expressed or implied, except as set forth herein. There is no warranty of merchantability and there are no warranties of fitness for any particular purpose. In no event shall Stryker be liable here under for incidental or consequential damages arising from or in any manner related to sales or use of any such equipment.**

TO OBTAIN PARTS AND SERVICE

Stryker products are supported by a nationwide network of dedicated Stryker Field Service Representatives. These representatives are factory trained, available locally, and carry a substantial spare parts inventory to minimize repair time. Simply call your local representative, or call Stryker Customer Service USA at 1-800-327-0770 or Canada at 1-888-233-6888.

SERVICE CONTRACT COVERAGE

Stryker has developed a comprehensive program of service contract options designed to keep your equipment operating at peak performance at the same time it eliminates unexpected costs. We recommend that these programs be activated before the expiration of the new product warranty to eliminate the potential of additional equipment upgrade charges.

A Service Contract helps to:

- Ensure equipment reliability
- Stabilize maintenance budgets
- Diminish downtime
- Establish documentation for JCAHO
- Increase product life
- Enhance trade-in value
- Address risk management and safety

Warranty

SERVICE CONTRACT PROGRAMS

Stryker offers the following service contract programs:

Service Agreement Options *	Premium	Complete	Standard
Annually scheduled preventative maintenance	X		X
All parts	X	X	
All labor and travel	X	X	
Unlimited emergency service calls	X	X	
Priority one contact: two hour phone response	X	X	
Most repairs completed within 3 days	X	X	
JCAHO documentation	X	X	X
On-site record of PM & emergency service	X		X
Factory-trained Stryker service technician	X	X	X
Stryker authorized parts used	X	X	X
Service during regular business hours (8-5)	X	X	X

* Does not include maintenance due to abuse or for any disposable items. Stryker reserves the right to change options without notice.

Stryker Medical also offers personalized service contracts.
Pricing is determined by age, location, model and condition of product.

**For more information on our service contracts,
please call your local representative.**

RETURN AUTHORIZATION

Merchandise cannot be returned without approval from the Stryker Customer Service Department. An authorization number will be provided which must be printed on the returned merchandise. Stryker reserves the right to charge shipping and restocking fees on returned items. **Special, modified, or discontinued, items not subject to return.**

DAMAGED MERCHANDISE

ICC Regulations require that claims for damaged merchandise must be made with the carrier within fifteen (15) days of receipt of merchandise. **Do not accept damaged shipments unless such damage is noted on the delivery receipt at the time of receipt.** Upon prompt notification, Stryker will file a freight claim with the appropriate carrier for damages incurred. Claim will be limited in amount to the actual replacement cost. In the event that this information is not received by Stryker within the fifteen (15) day period following the delivery of the merchandise, or the damage was not noted on the delivery receipt at the time of receipt, the customer will be responsible for payment of the original invoice in full. Claims for any short shipment must be made within thirty (30) days of invoice.

INTERNATIONAL WARRANTY CLAUSE

This warranty reflects U.S. domestic policy. Warranty outside the U.S. may vary by country. Please contact your local Stryker Medical representative for additional information.

UNITED STATES
Stryker Medical
3800 E. Centre Ave.,
Portage, Michigan USA
49002

CANADA
Stryker Canada
45 Innovation Drive
Hamilton, Ontario Canada
L9H 7L8

EC	REP
----	-----

European Representative
Stryker France
ZAC Satolas Green Pusignan
Av. De Satolas Green
69881 MEYZIEU Cedex
France

stryker[®]