

stryker[®]
Medical

Transport Series

720 Transport Stretcher

Maintenance Manual

For Parts or Technical Assistance
800-327-0770

Table of Contents

Introduction	
Specifications	3
Warning / Caution / Note Definition	3
Preventative Maintenance Checklist	4
Cleaning	5
Service Information	
Caster Assembly Replacement	6
Caster Cover Installation And Removal	7
Brake Cam Replacement	8
Brake Ring Replacement	8
Stretcher Height Adjustment	9
Fifth Wheel Replacement	9
Base Side Control Brake/Steer Gear Replacement	10
Brake Adjustment	11
Base Lubrication	11
Pneumatic Fowler Adjustment	12
Siderail Latch Adjustment	13
Transfer Board Counterbalance Adjustment	13
Replacement Parts	14
Assembly Drawings and Parts Lists	
Base Assembly	15-17
Brake Cam Assembly	18
Brake Adjuster Assembly	19
Base Assembly with Steerlock Caster Option	20
Steerlock Caster Assembly	21
Standard Caster Assembly	22
Base Assembly with Fifth Wheel Option	23
Pivot Rod Assembly	24
Wheel Arm Assembly	25
Optional Side Control Brake Assembly	26, 27
Base Labeling Assembly	28, 29
Litter Assembly	30, 31
Manual Fowler Assembly	32
Pneumatic Fowler Assembly	33, 34
Outer Housing Assembly	35
Siderail Assembly, Right & Left	36
Short Transfer System to Frame Assembly	37
Short Transfer System Assembly, Left	38
Short Transfer System Assembly, Right	39
Long Transfer System to Frame Assembly	40
Long Transfer System Assembly, Left	41

Table of Contents

Assembly Drawings and Parts Lists (Continued)

Long Transfer System Assembly, Right	42
Removable I.V. Pole Assembly	43
Tethered I.V. Pole Mounting Assembly	44
Tethered I.V. Pole Assembly	45
2-Stage I.V. Pole Assembly, Foot & Head	46
2-Stage I.V. Pole Assembly	47
I.V. Pole Latch Assembly	48
3-Stage I.V. Pole Assembly, Head & Foot	49
3-Stage I.V. Pole Assembly	50
3rd Stage Assembly	51
C-Spine Cassette Holder Assembly	52
C-Spine Support Pole Assembly	53
C-Spine Storage Bracket Assembly	54
Defibrillator Tray Assembly	55
Foot Extension/Defibrillator Tray Assembly	56
Foot Board/Chartholder Assembly	57
Upright Oxygen Bottle Holder Assembly	57
O2 Bottle Retainer Assembly	58
Mattresses and Siderail Pads	59, 60

Warranty

Obtaining Parts and Service	61
Supplemental Warranty Coverage	61
Return Authorization	62
Freight Damage Claims	62

Introduction

INTRODUCTION

This manual is designed to assist you with the maintenance of the 720 Transport Stretcher. Read it thoroughly before using the equipment or beginning any maintenance on it.

SPECIFICATIONS

Maximum Weight Capacity	500 pounds
Overall Bed Length/Width	81", 30"
Fixed Height Options	28", 30", 32"
Fowler Angle	0 to 90 degrees

Stryker reserves the right to change specifications without notice.

WARNING / CAUTION / NOTE DEFINITION

The words WARNING, CAUTION and NOTE carry special meanings and should be carefully reviewed.

WARNING

The personal safety of the patient or user may be involved. Disregarding this information could result in injury to the patient or user.

CAUTION

These instructions point out special procedures or precautions that must be followed to avoid damaging the equipment.

NOTE

This provides special information to make maintenance easier or important instructions clearer.

WARNING

Patients should be discouraged from sitting directly on the ends of the stretcher. Excessive weight will cause the litter surface to tip up, possibly causing patient injury.

Always apply the caster brakes when a patient is getting on or off the stretcher. Push on the stretcher to ensure the brakes are securely locked. Always engage the brakes unless the stretcher is being moved. Injury could result if the stretcher moves while a patient is getting on or off the stretcher.

Preventative Maintenance

CHECKLIST

- _____ All fasteners secure (reference all assembly prints)
- _____ Siderails move and latch properly (page 13)
- _____ Engage brake pedal and push on the stretcher to ensure all casters lock securely (page 11)
- _____ Steer function working properly
- _____ All casters secure and swivel properly
- _____ Body restraints working properly
- _____ I.V. pole intact and operating properly
- _____ Oxygen bottle holder intact and operating properly (page 57)
- _____ Fowler operates and latches properly (pneumatic: page 12, manual: page 32)
- _____ No rips or cracks in mattress cover
- _____ Transfer boards intact and operating properly (page 13)
- _____ Ground chain intact
- _____ Lubricate where required, including the brake adjuster assembly and brake cam (page 11)
- _____ Accessories and mounting hardware in good condition and working properly

Serial No. _____

Completed By: _____ Date: _____

NOTE

Preventative maintenance should be performed at a minimum of annually. A preventative maintenance program should be established for all Stryker Medical equipment. Preventative maintenance may need to be performed more frequently based on the usage level of the product.

NOTE

References to the right or left side of the stretcher refer to the right and left sides of a patient lying face up on the stretcher.

Cleaning

Hand wash all surfaces of the stretcher with warm water and mild detergent. Dry thoroughly. **DO NOT STEAM CLEAN, PRESSURE WASH, HOSE OFF OR ULTRASONICALLY CLEAN.** Using these methods of cleaning is **not** recommended and may void this product's warranty.

Clean Velcro **AFTER EACH USE**. Saturate Velcro with disinfectant and allow disinfectant to evaporate. (Appropriate disinfectant for nylon Velcro should be determined by the hospital.)

In general, when used in those concentrations recommended by the manufacturer, either phenolic type or quaternary type disinfectants can be used. Iodophor type disinfectants are not recommended for use. The following products have been tested and have been found not to have a harmful effect WHEN USED IN ACCORDANCE WITH MANUFACTURERS RECOMMENDED DILUTION.*

TRADE NAME	DISINFECTANT TYPE	MANUFACTURER	*MANUFACTURER'S RECOMMENDED DILUTION
A33	Quaternary	Airwick (Professional Products Division)	2 ounces/gallon
A33 (dry)	Quaternary	Airwick (Professional Products Division)	1/2 ounce/gallon
Beaucoup	Phenolic	Huntington Laboratories	1 ounce/gallon
Blue Chip	Quaternary	S.C. Johnson	2 ounces/gallon
Elimstaph	Quaternary	Walter G. Legge	1 ounce/gallon
Franklin Phenomysan F2500	Phenolic	Purex Corporation	1 1/4 ounce/gallon
Franklin Sentinel	Quaternary	Purex Corporation	2 ounces/gallon
Galahad	Phenolic	Puritan Churchill Chemical Company	1 ounce/gallon
Hi-Tor	Quaternary	Huntington Laboratories	1/2 ounce/gallon
LPH	Phenolic	Vestal Laboratories	1/2 ounce/gallon
Matar	Phenolic	Huntington Laboratories	1/2 ounce/gallon
Omega	Quaternary	Airwick (Professional Products Division)	1/2 ounce/gallon
Quanto	Quaternary	Huntington Laboratories	1 ounce/gallon
Sanikleen	Quaternary	West Chemical Products	2 ounces/ gallon
Sanimaster II	Quaternary	Service Master	1 ounce/gallon
Vesphene	Phenolic	Vestal Laboratories	1 1/4 ounce/ gallon

Quaternary Germicidal Disinfectants, used as directed, and/or Chlorine Bleach products, typically 5.25% Sodium Hypochlorite in dilutions ranging between 1 part bleach to 100 parts water, and 2 parts bleach to 100 parts water are not considered mild detergents. These products are corrosive in nature and may cause damage to your stretcher if used improperly. If these types of products are used to clean Stryker patient handling equipment, measures must be taken to insure the stretchers are rinsed with clean water and thoroughly dried following cleaning. Failure to properly rinse and dry the stretchers will leave a corrosive residue on the surface of the stretcher, possibly causing premature corrosion of critical components. Failure to follow the above directions when using these types of cleaners may void this product's warranty.

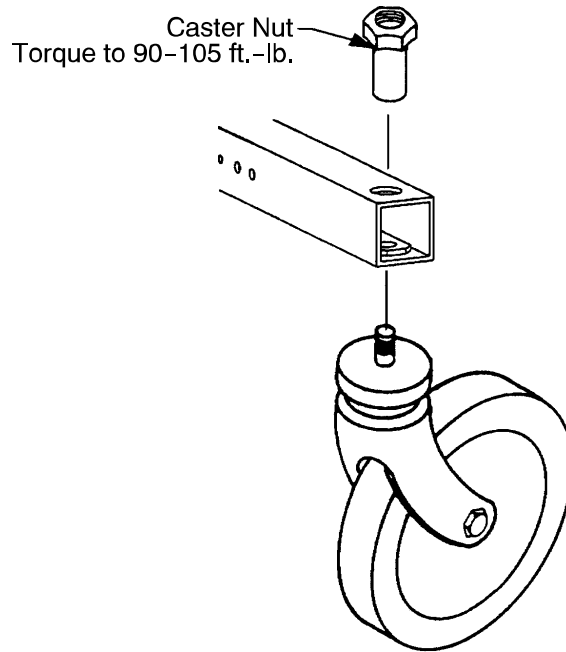
REMOVAL OF IODINE COMPOUNDS

This solution may be used to remove iodine stains from mattress cover and foam footrest pad surfaces.

1. Use a solution of 1-2 tablespoons Sodium Thiosulfate in a pint of warm water to clean the stained area. Clean as soon as possible after staining occurs. If stains are not immediately removed, allow solution to soak or stand on the surface.
2. Rinse surfaces which have been exposed to the solution in clear water before returning bed to service.

Service Information

CASTER ASSEMBLY REPLACEMENT



1. Remove the old caster assembly.
2. Install the replacement caster and caster nut. Tighten the caster nut to 90-105 ft.-lb. with a torque wrench.

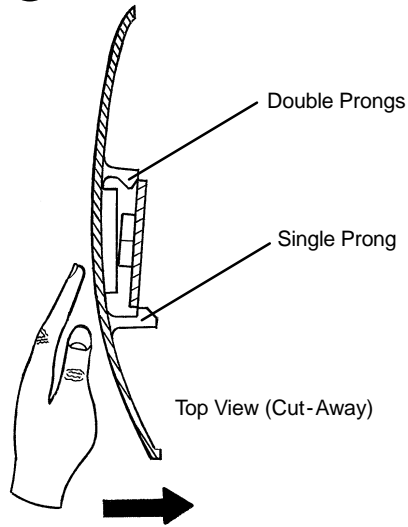
NOTE

A new caster assembly with a 3M patch does not require the application of Loctite at assembly. However, the patch is appropriate for only one installation. If the caster is removed and reassembled for any reason, apply Loctite 242 to two or three threads of both the bolt and caster nut and tighten to 90-105 ft.-lb. with a torque wrench.

Service Information

CASTER COVER INSTALLATION AND REMOVAL

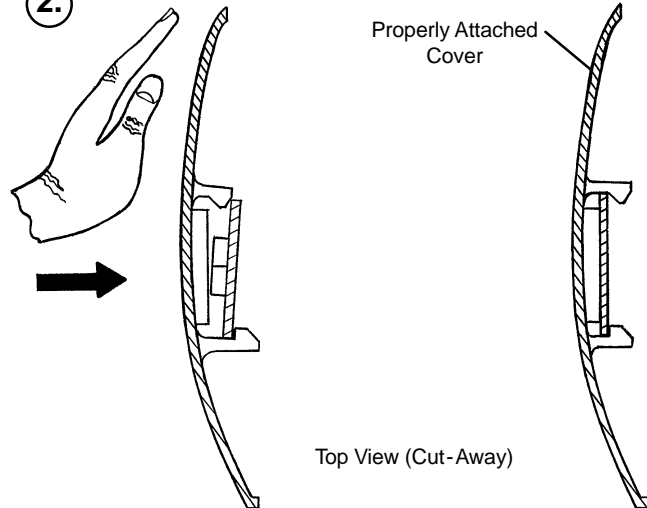
1.



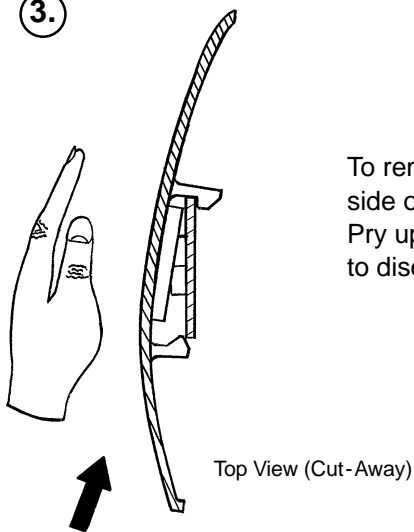
Looking through the larger of the two side cut-outs, align cover with axle nut or bolt head, as shown. Push down on the opposite side of the cover until single prong engages with caster horn.

Push with palm on cover until double prongs engage.

2.



3.



To remove wheel cover, insert large screwdriver into cut-out in side of wheel cover and into the space between the double prongs. Pry up cover to disengage double prongs and push sharply upward to disengage single prong.

Service Information

BRAKE CAM REPLACEMENT

Brake Cam Part Number 715-201-213

Required Tools:

1/8" Allen Wrench String or Bungee Cord 3/32" Allen Wrench

Procedure:

1. Lift and support the base hood using string or bungee cord.
2. Using a 3/32" Allen wrench, loosen the set screw holding the brake adjuster to the brake ring and turn the adjuster clockwise to remove it.
3. Using a 1/8" Allen wrench, remove the shoulder bolt and nut holding the brake link on the cam and remove the cam.
4. Reverse the above steps to install the new cam. Apply and release the brakes several times to verify they operate properly.

BRAKE RING REPLACEMENT

Brake Ring Part Number 715-1-61

Required Tools:

String or Bungee Cord (2) 7/16" Wrenches Floor Jack, Small Crate (or equiv.)
Large Standard Screwdriver 3/32" Allen Wrench 11/16" Socket & Ratchet
5/8" Wrench Needle-Nose Pliers

Procedure:

1. Lift and support the base hood using string or bungee cord.
2. Put the brake/steer pedal in the neutral position. Lift the end of the base needing service until the casters are approximately 12" off the floor and support it with a jack or the equivalent.
3. Using a 3/32" Allen wrench, loosen the set screw holding the brake adjuster to the brake ring and turn the adjuster clockwise to remove it.
4. Remove the wheel covers on both casters (see page 7).
5. Remove one of the complete caster assemblies (see page 6). On the other caster, use an 11/16" socket and ratchet and a 5/8" wrench to remove the nut and bolt holding the wheel on the caster horn and remove only the wheel.
6. Using needle-nose pliers, carefully remove the spring between the brake cam and the brake ring.

WARNING

The spring is tightly compressed. Use caution when removing it or personal injury could result.

7. If you are working on an end control base, remove the spring from the pump pedal.
8. Lower the brake ring and remove it from the base. Remove the brake pads and bushings and install them on the new brake ring.
9. Reverse the above steps to install the new brake ring and reinstall the caster and wheel. Apply and release the brakes to assure they operate properly. Reinstall the base hood.

Service Information

STRETCHER HEIGHT ADJUSTMENT

NOTE

The 720 Transport Stretcher is available in three "fixed" heights: 28", 30", and 32". The pre-set stretcher height was chosen at the time of purchase. Follow the procedure below to change the stretcher height. Refer to page 15-17 for part reference.

Required Tools:

1/2" Open End Wrench
1/2" Socket with Ratchet

Adjustment Procedure:

WARNING

Do not attempt the following adjustment with a patient on the stretcher or injury could occur.

1. Using a 1/2" open end wrench and 1/2" socket with ratchet, loosen the 2 bolts (AM) and 2 hex nuts (BA) located on each head and foot end upper tower assembly (AB).
2. Remove only the 4 hex nuts (BA).
3. Lift the litter top from both ends simultaneously only enough to relieve the pressure on the 4 bolts (AM) and remove the bolts and 8 washers (AR).
4. Adjust to the desired height by aligning the appropriate holes located in both the head and foot end upper and lower tower assemblies.
5. Reinstall the 4 bolts, 8 washers and 4 self-locking nuts and tighten securely.

FIFTH WHEEL REPLACEMENT

Required Tools:

Pliers
(2) 9/16" Box End Wrenches

String or Bungee Cord

3/16" Allen Wrench

Procedure:

1. Apply the stretcher brakes.
2. Pump the litter up to full height.
3. Lift and support the base hood using string or bungee cord.
4. Using pliers, remove the cotter pin from the end of the fifth wheel pivot rod and remove the two washers.
5. Pull up on the fifth wheel arm and pull down on the tension spring to release the pressure on the arm.
6. Using a 3/16" Allen wrench, remove the hex Allen bolt from the center of the pivot rod and pull the pivot rod out of the wheel arm.
7. Reverse the above steps to install a new fifth wheel assembly.

NOTE

To replace the wheel only, use two 9/16" box end wrenches to remove the bolt and nut holding it to the wheel arm.

Service Information

BASE SIDE CONTROL BRAKE/STEER GEAR REPLACEMENT

Required Tools:

Pliers	String or Bungee Cord	Floor Jack or Equivalent
1/8" Allen Wrench	5/32" Allen Wrench	3/8" Box End Wrench
(2) 9/16" Box End Wrenches	3/16" Punch	1/4" Punch
Hammer		

Procedure:

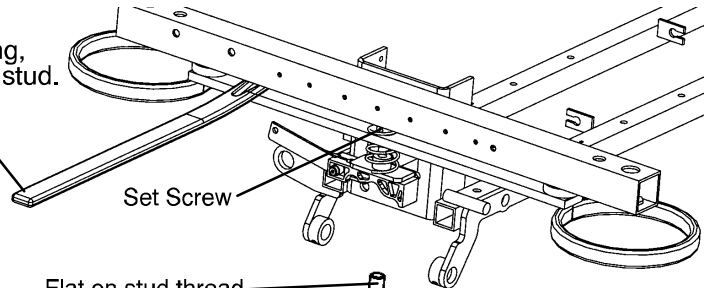
1. Apply the stretcher brakes.
2. Pump the litter up to full height.
3. Lift and support the base hood using string or bungee cord.
4. Using pliers, remove the cotter pins from both jack pump pistons and the pump linkage.
5. Using the 9/16" box end wrenches, remove the two bearing plate bolts.
6. Remove the cotter pin on the side brake bar.
7. Remove the bearing plate and pull out the idler gear rod while holding onto the gear. Lift the gear out.
8. Slide the miter gear away from the rod spacer and remove the dowel pin.
9. Using the floor jack, raise the side of the base you are working on approximately four inches.
10. Rotate the brake bar so the pedals are upside down.
11. Using a 1/4" punch and a hammer, remove the groove pin from the side brake rod.
12. Using a 3/16" punch and hammer, remove the 3/16" groove pin from the pedal.
13. Using a 5/32" Allen wrench, remove the set screw from the collar inside the gear box.
14. Remove the brake rod while holding the gear on the rod.
15. Using a 1/8" Allen wrench and a 3/8" box end wrench, remove the nuts and bolts holding the brake link to the rod.
16. Using a 5/32" Allen wrench, remove the set screw from the collar outside of the gear box.
17. Using a 1/4" punch, remove the roll pin from the cam and brake link collar.
18. Reverse the above steps to install the replacement gear.
19. Inspect each gear for wear. Lube with MPG-2 grease or the equivalent if necessary.

Service Information

BRAKE ADJUSTMENT

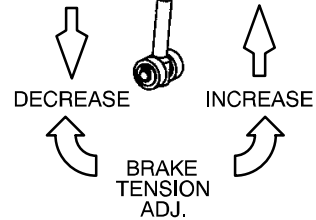
PRY BAR
To compress spring,
relieving pressure on stud.

Required Tools:
3/32" Hex Allen Wrench
Pry Bar
Thread "Locktite"



Set Screw

Flat on stud thread

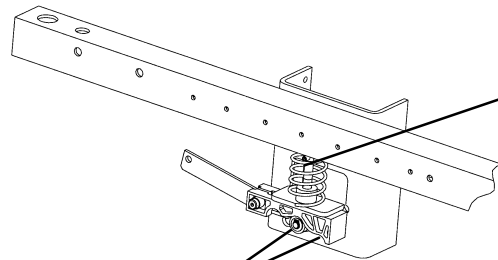


DECREASE

INCREASE

BRAKE
TENSION
ADJ.

BASE LUBRICATION



Lubricate brake adjuster rod
around area shown with MPG-2
grease or equivalent.

Do not grease area shown.

Service Information

PNEUMATIC FOWLER ADJUSTMENT

Required Tools:

5/32" Hex Allen Wrench 1/2" Open End Wrench

Adjustment Procedure:

1. For part identification, refer to page 34, drawing 721-231-120.
2. For easier access, move Fowler to 75° or higher.
3. Using a 1/2" open end wrench, loosen the nuts (item K) in the actuator arms on the end of the trip bar (F).
4. To adjust the Fowler, use a 5/32" hex Allen wrench to turn the Allen screws (item N) 1 to 2 turns counter-clockwise if the Fowler will not move or 1 to 2 turns clockwise if the Fowler will not hold its position.
5. Retighten the nuts. Be sure the Fowler will travel from flat to 90° and down again and will hold its position when weight is applied before returning the stretcher to service.

Service Information

SIDERAIL LATCH ADJUSTMENT

Required Tools:

1/8 Hex Allen Wrench

WARNING

The siderail latch adjustment is pre-set at the factory, and should not normally need adjusting. If adjustment must be done it is important to follow the procedure below. If it is not done properly, injury could occur.

Adjustment Procedure:

1. Using a 1/8" hex Allen wrench, adjust the Allen screw located on the latch assembly opposite the latch. Turning the screw clockwise will **DECREASE** the amount of "play" in the latch. Turning counterclockwise will **INCREASE** the amount. The amount of "play" in the siderail, when in full up engaged position, should be approximately 1/8 to 3/16 inches.

CAUTION

Too much "play" when the siderail is in the full up engaged position will give the siderail the appearance of being unstable and could also cause premature wearing of the latch system. Too little "play" will obstruct the latch and keep it from engaging completely in the full up position, which may cause damage to the latch and/or injury to the patient or user.

TRANSFER BOARD COUNTERBALANCE ADJUSTMENT

Required Tools:

7/16 Open End Wrench

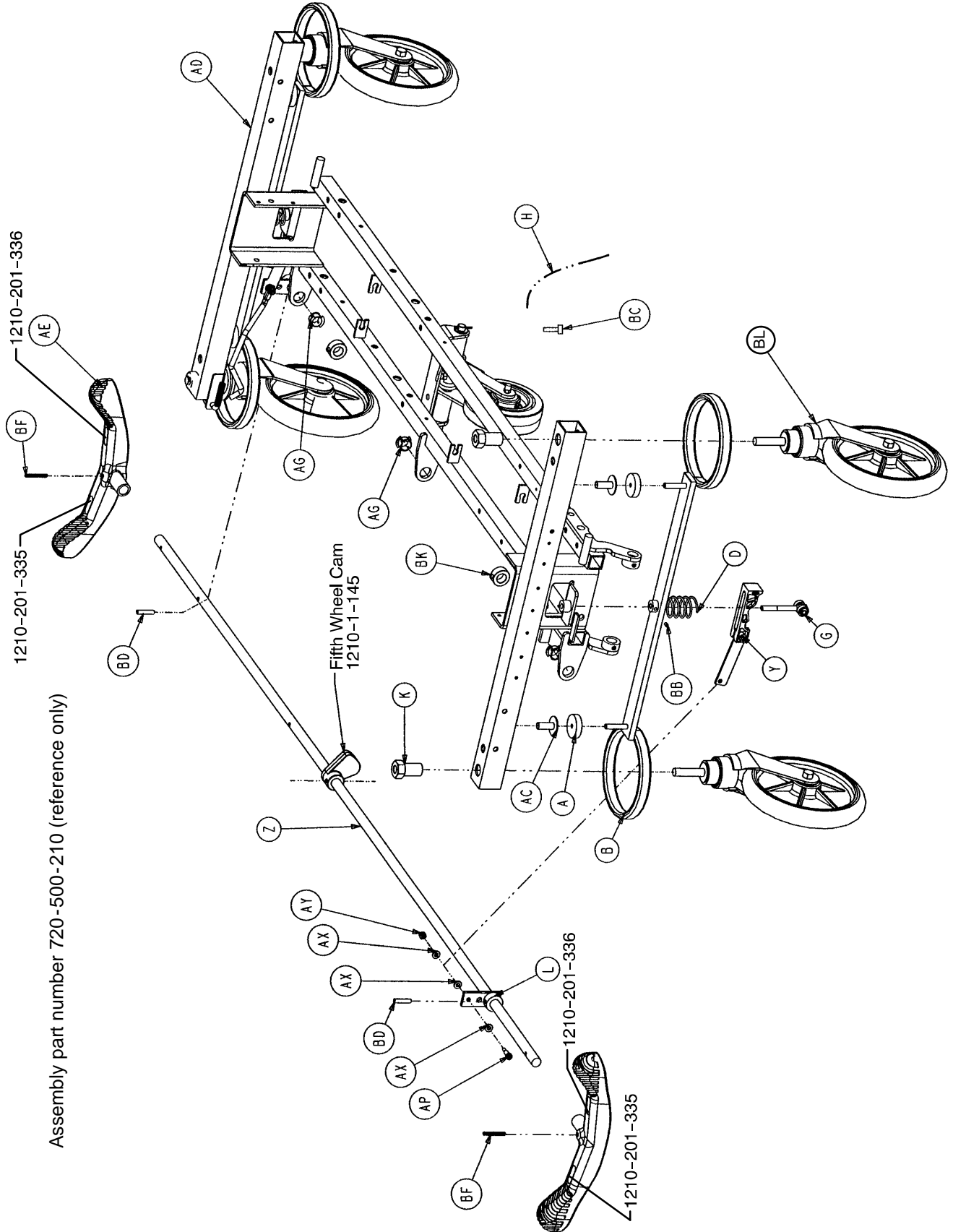
Adjustment Procedure:

1. Raise the transfer board to the full up position.
2. Unhook the extension spring at the eye bolt.
3. Using a 7/16 open end wrench, loosen the jam nut at the eye bolt and adjust the eye bolt to the desired position.
4. Tighten the jam nut.
5. Hook the extension spring to the eye bolt.
6. Allow the transfer board to lower on its own.
7. Repeat steps 1-7 until the desired counterbalance is achieved.

Replacement Parts and Kits

<u>PART NAME</u>	<u>PART NUMBER</u>
Brake Adjuster Service Tool	715-700-150
C-Spine Cassette Holder	1001-70
Caster Cover Kit	1010-56-100
Defibrillator/Equipment Tray	926-39
Foot Board/Chart Holder	926-40-100
Foot Extension/Defibrillator Tray	1010-50-100
Full Patient Security Package	1010-77
Head/Foot Board (2)	946-29-100
Instrument/Serving Tray	1052-129
I.V. Caddy	1050-1-100
I.V. Caddy Tool Kit	1050-10
I.V. Pole, Standard, Removable	390-25
I.V. Pole, 3-Stage Permanent, Head End	721-61
I.V. Pole, 3-Stage Permanent, Foot End	721-62
I.V. Pole, 2-Stage Permanent	721-400-1
I.V. Pole, Tethered	721-117
Mattress, 3" x 24" Standard	1059-324-140
Mattress, 4" x 24" Standard	1059-424-140
Mattress, 3" x 26" Standard	1059-326-140
Mattress, 4" x 26" Standard	1059-426-140
Mattress, 3" x 24" Enhanced Comfort	721-248-106
Mattress, 4" x 24" Enhanced Comfort	721-247-106
Mattress, 3" x 26" Enhanced Comfort	1001-48-106
Mattress, 4" x 26" Enhanced Comfort	1001-47-106
Oxygen Bottle Holder	1020-30
Paint, Touch-Up, Gloss Black, Bottle w/Brush	7000-1-322
Paint, Touch-Up, Gloss Black, Spray Can	7000-1-319
Paint, Touch-Up, Gray, Bottle w/Brush	7000-1-320
Paint, Touch-Up, Gray, Spray Can	7000-1-317
Restraint Straps, Ankle	946-43
Restraint Straps, Body	390-19
Restraint Straps, Chest	1010-58
Restraint Straps, Wrist	946-44
SAFR™ Patient Transfer Board, Short	721-239
SAFR™ Patient Transfer Board, Long	721-234

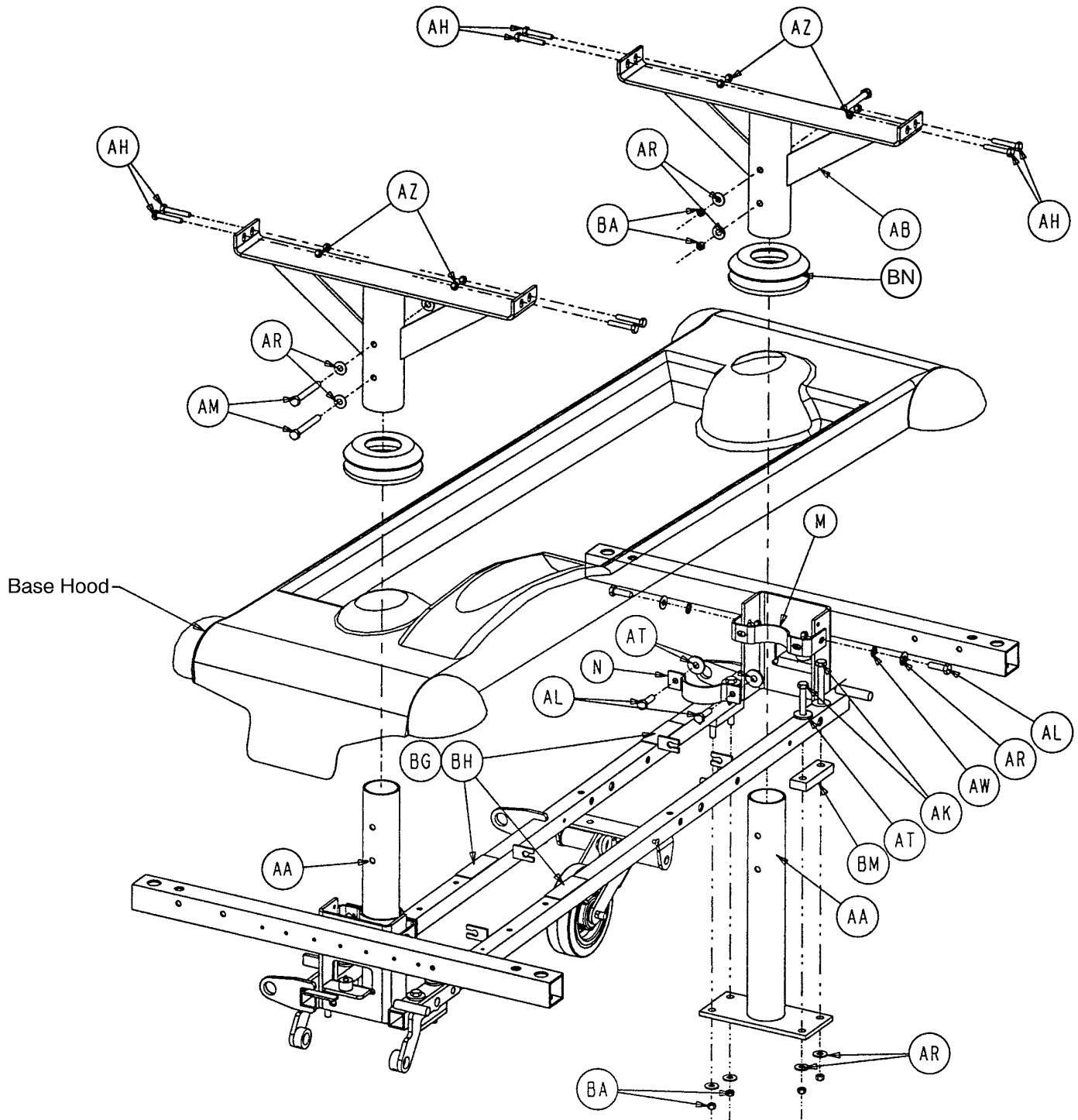
Fixed Height Base Assembly



Assembly part number 720-500-210 (reference only)

Fixed Height Base Assembly

Assembly part number 720-500-210 (reference only)

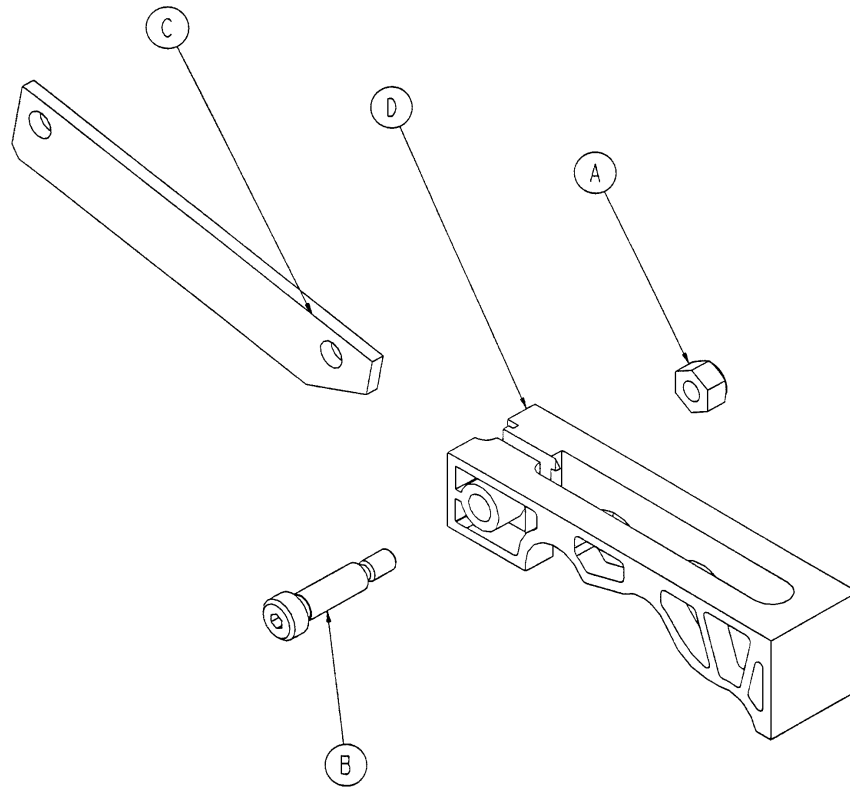


Fixed Height Base Assembly

Item	Part No.	Part Name	Qty.
A	715-1-11	Brake Cushion	4
B	715-1-61	Brake Weldment	2
D	715-201-94	Compression Spring	2
G	(page 19)	Brake Adjuster Assembly	2
H	715-1-156	Ground Chain	1
K	715-1-158	Caster Nut	4
L	715-1-165	Actuator Plate Weldment	2
M	715-1-192	Jack Support	2
N	715-1-193	Jack Support Clamp	2
Y	(page 18)	Brake Cam Assembly	2
Z	715-201-230	Brake Bar	1
AA	720-560-21	Lower Tower Assembly	2
AB	720-560-24	Upper Tower Assembly	2
AC	946-1-116	Brake Bar Bushing	4
AD	1210-201-120	Base Frame	1
AE	1210-201-153	Butterfly "V" Pedal	2
AG	1210-201-251	Insert	3
AH	3-47	Hex Hd. Cap Screw	8
AK	3-82	Hex Hd. Cap Screw	4
AL	3-85	Hex Hd. Cap Screw	8
AM	3-93	Hex Hd. Cap Screw	4
AP	8-17	Shoulder Bolt	2
AR	11-3	Washer	12
AT	11-262	Washer	12
AW	13-38	Lock Washer	4
AX	14-2	Washer	6
AY	16-2	Hex Nut	2
AZ	16-28	Hex Nut	12
BA	16-36	Hex Nut	16
BB	21-151	Set Screw	2
BC	23-25	Self-Tapping Screw	1
BD	26-13	Spring Pin	2
BF	26-143	Groove Pin	2
BG	29-12	Velcro Loop	3
BH	29-14	Velcro Hook	3
BK	42-20	Collar	2
BL	(page 22)	Caster Assembly	*
BM	720-201-33	Front Spacer	4
BN	946-421-5	Bellows	2

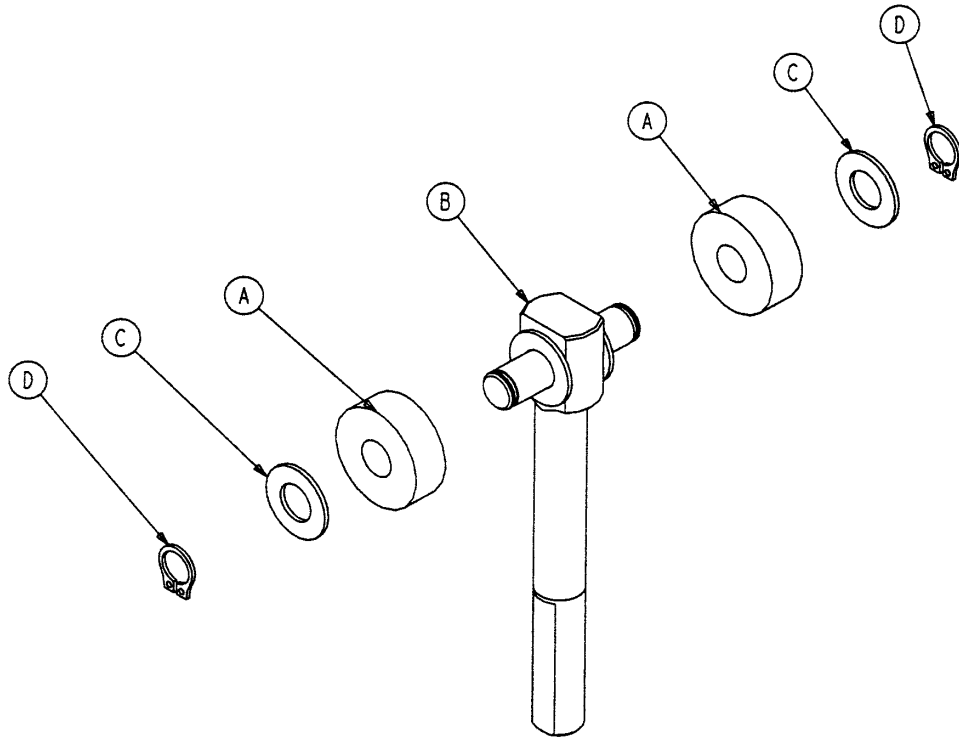
* Caster assembly is quantity of 4 if the fifth wheel option is present on the stretcher and quantity of 3 if the steering caster option is present.

715-201-213 Brake Cam Assembly



Item	Part No.	Part Name	Qty.
A	16-59	Hex Nut	1
B	8-21	Soc. Hd. Shoulder Screw	1
C	715-201-173	Brake Connecting Link	1
D	715-301-221	Brake Cam	1

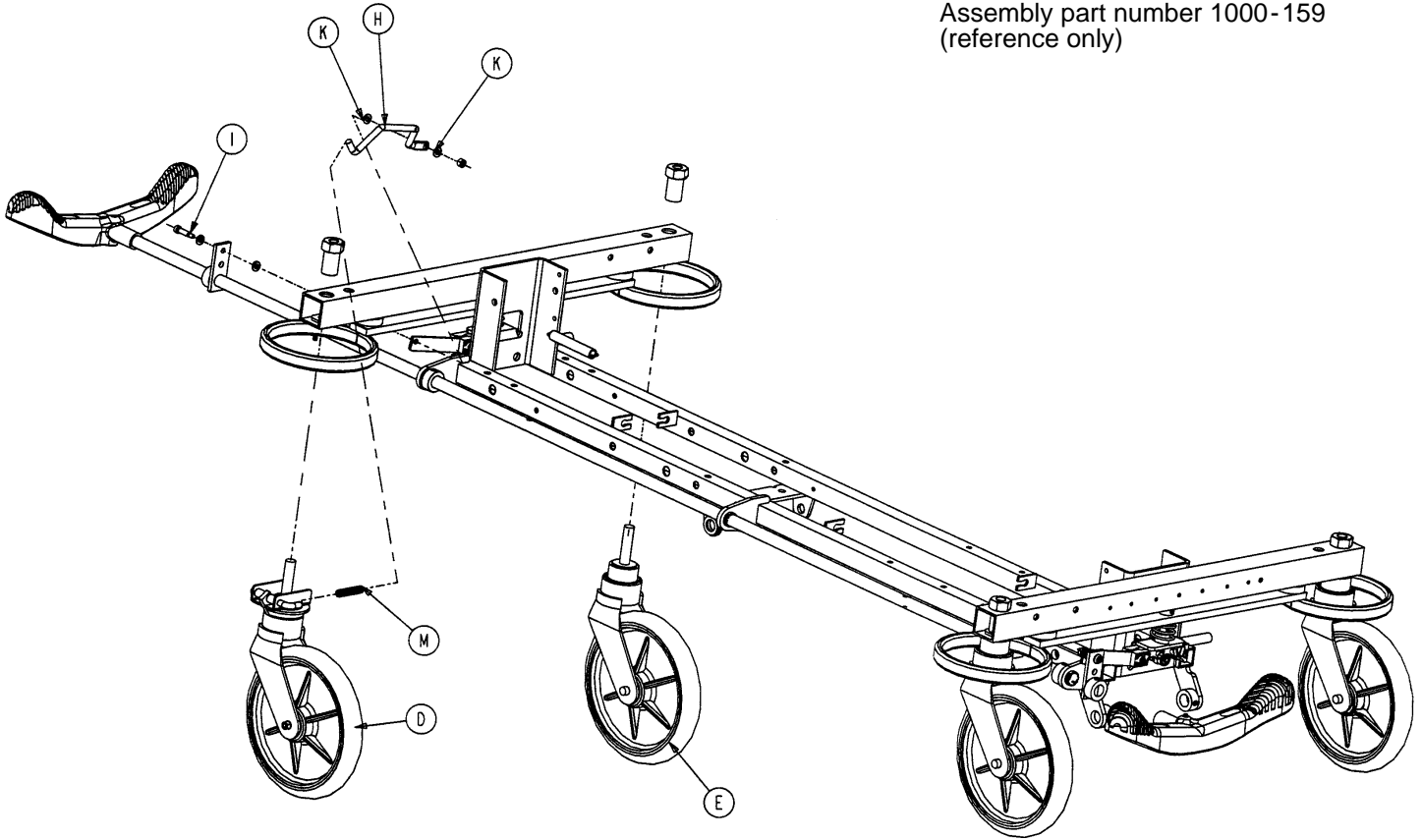
715-201-150 Brake Adjuster Assembly



Item	Part No.	Part Name	Qty.
A	715-1-180	Cam Bearing	2
B	715-201-62	Threaded Stud Assembly	1
C	14-4	Nylon Washer	4
D	28-8	External Retaining Ring	2

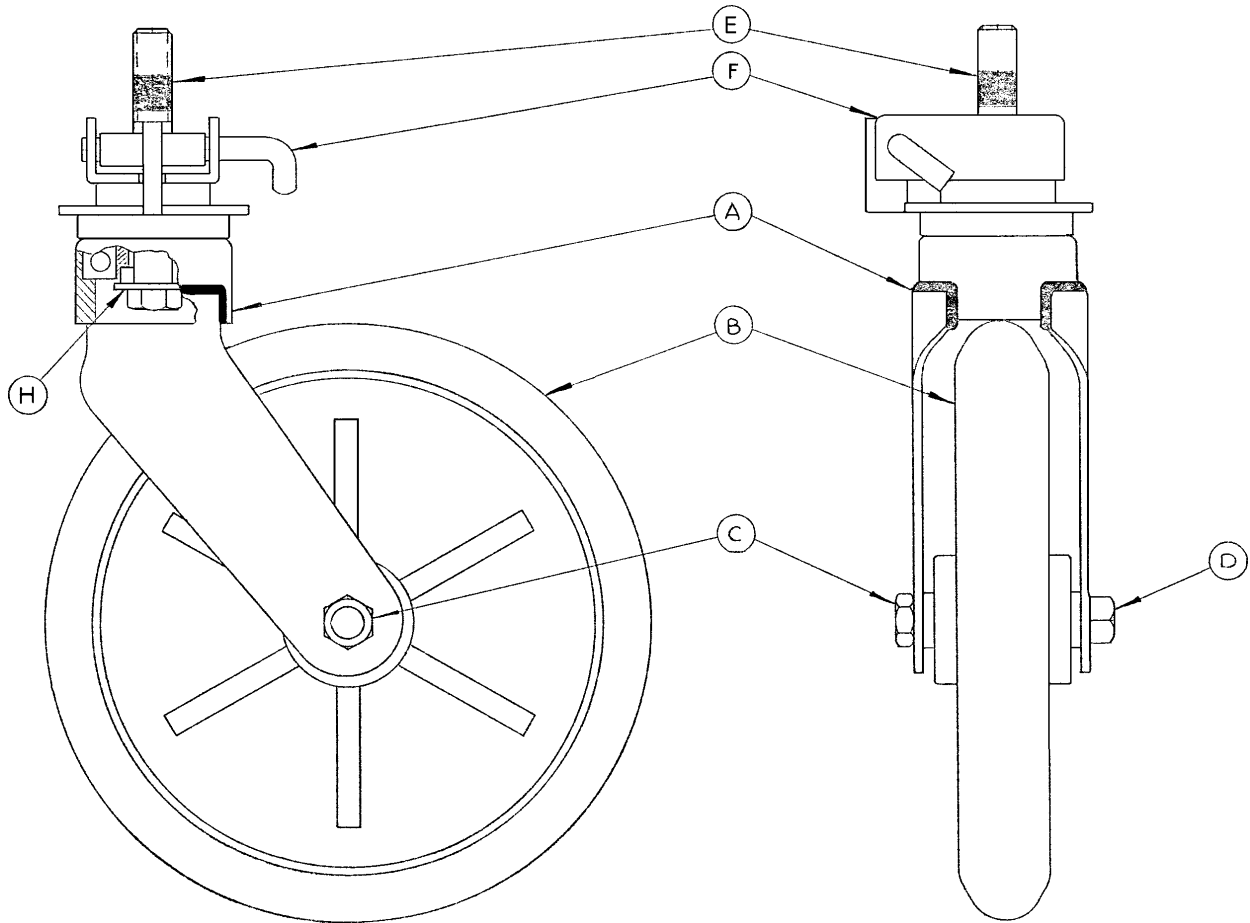
Base Assembly w/Steerlock Caster Option

Assembly part number 1000-159
(reference only)



Item	Part No.	Part Name	Qty.
D	(page 21)	Steer Caster Assembly	1
E	(page 22)	Caster Assembly	3
H	1000-210-62	Steer Lock Linkage Bar	1
I	8-21	Shoulder Bolt	1
K	14-2	Washer	2
M	38-211	Spring	1

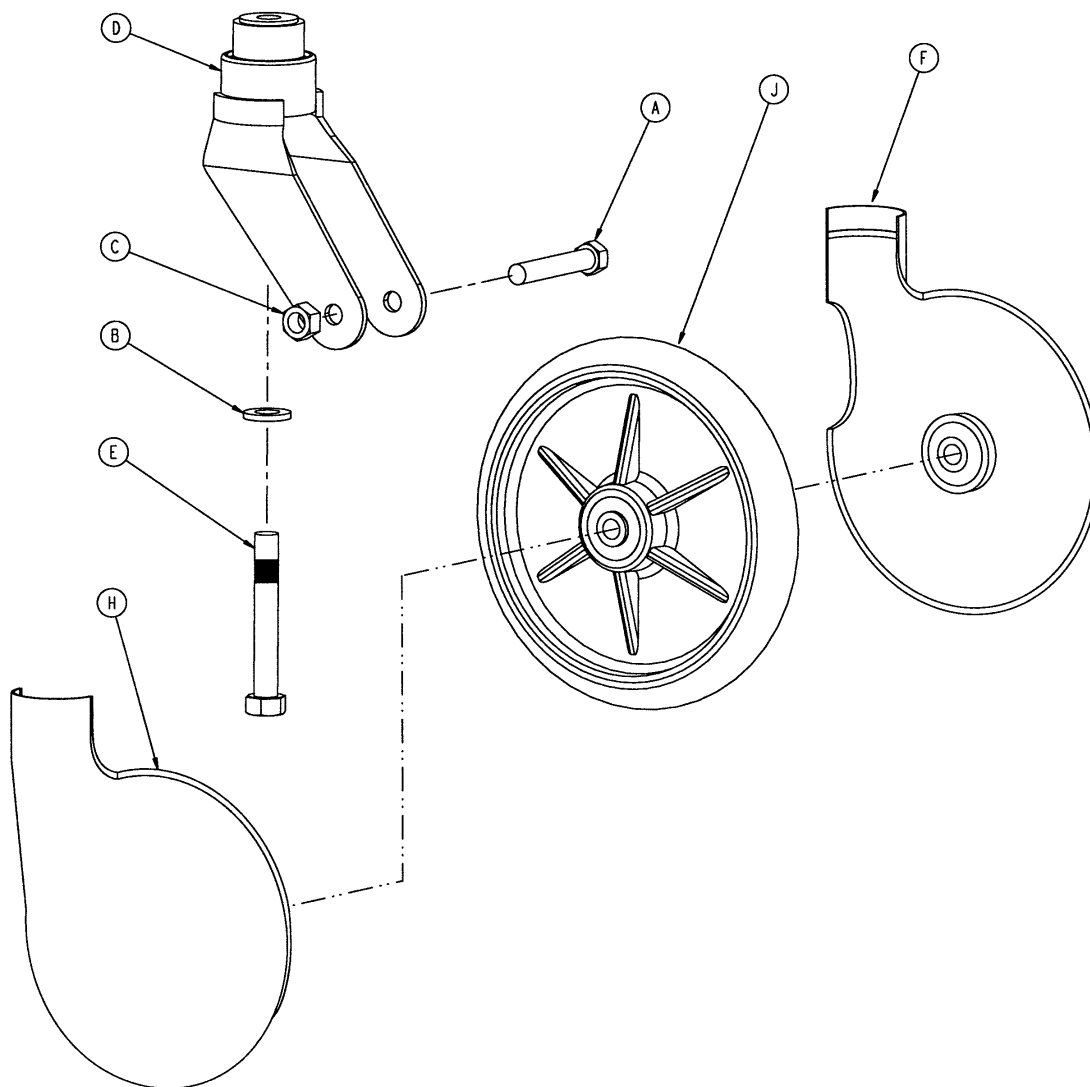
715-269-100 Caster Assembly w/Steerlock



Assembly part number 715-2-21 (reference only)

Item	Part No.	Part Name	Qty.
A	700-10-50	Steer Lock Caster Weldment	1
B	715-2-25	Caster Wheel	1
C	16-60	Hex Nut	1
D	3-99	Hex Bolt	1
E	715-3-96	Hex Bolt	1
F	1000-59-10	Latch Assembly	1
H	11-310	Flat Washer	1

Standard Caster Assembly



Item	Part No.	Part Name	Qty.
A	3-99	Hex Hd. Cap Screw	1
B	11-310	Washer	1
C	16-60	Hex Nut	1
D	715-2-16	Horn Assembly	1
E	715-3-96	Hex Hd. Cap Screw	1
F	715-1-265	Wheel Cover, Right	1
H	715-1-266	Wheel Cover, Left	1
J	715-2-25	Wheel	1
	715-1-158	Caster Nut (not shown)	1

p/n 715-259-400 - Kit to replace 4 standard caster assemblies with hardware - no caster covers.

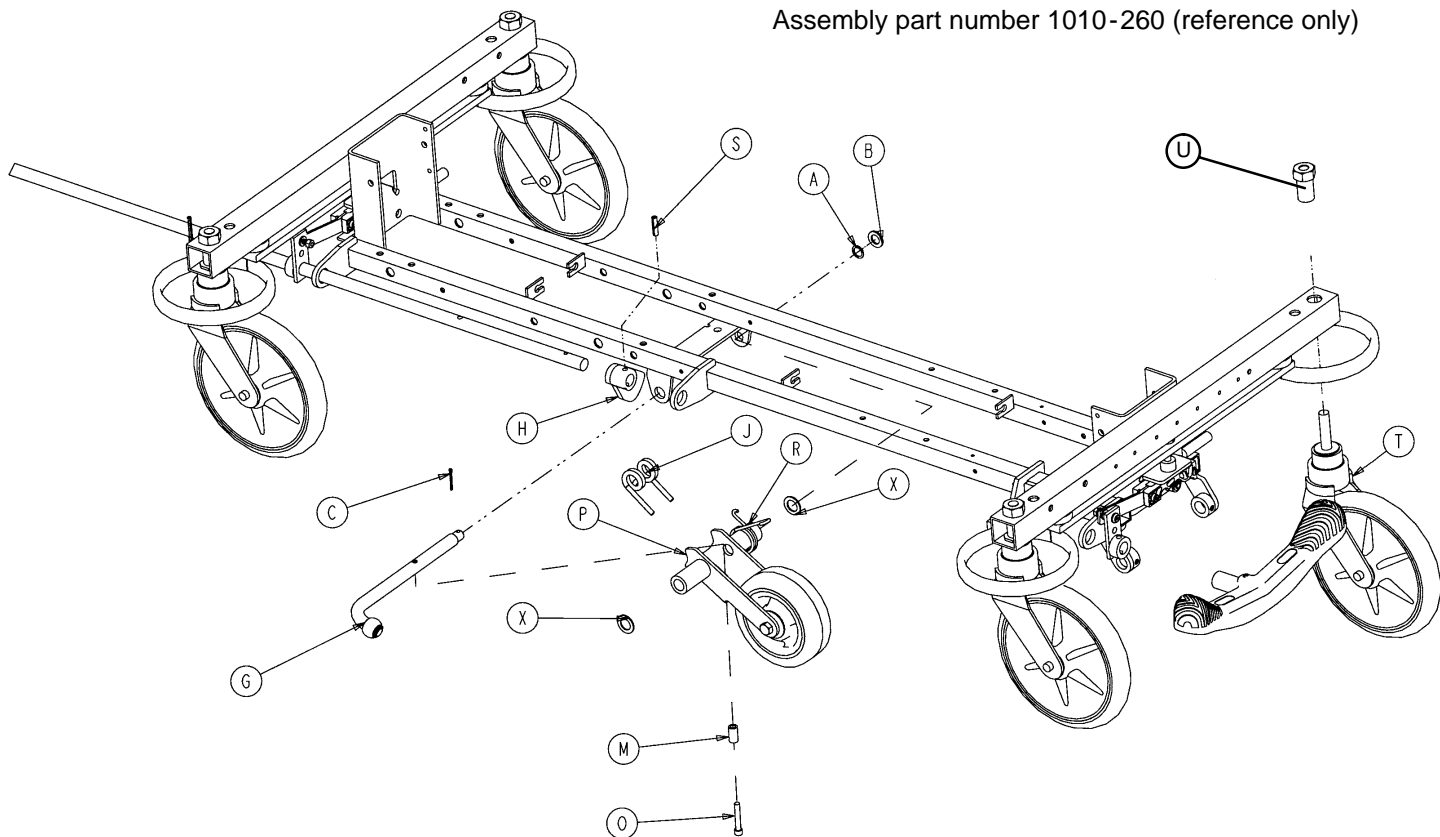
p/n 715-269-400 - Kit to replace 3 standard caster assemblies and 1 steerlock caster with hardware - no caster covers.

p/n 715-259-100 - Kit to replace 1 standard caster assembly with hardware - no caster covers.

p/n 1010-56-200 - Kit to replace both caster covers on all four wheels.

Base Assembly w/Fifth Wheel Option

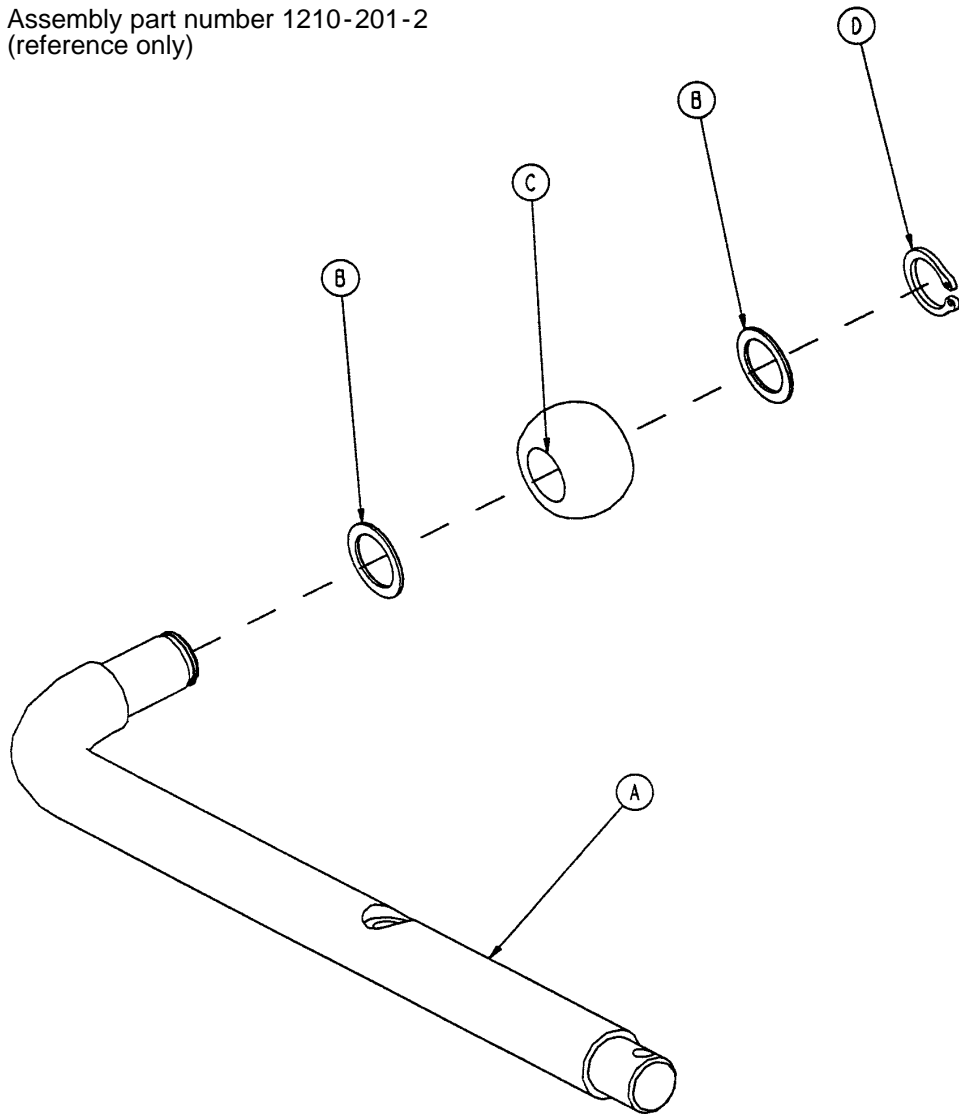
Assembly part number 1010-260 (reference only)



Item	Part No.	Part Name	Qty.
A	14-79	Nylon Washer	1
B	11-13	Washer	1
C	27-16	Cotter Pin	1
G	(page 24)	Pivot Rod Assembly	1
H	1210-1-145	Cam	1
J	1210-1-148	Torsion Spring	1
M	1210-201-149	Spring Spacer	1
O	4-10	Bolt	1
P	(page 25)	Wheel Arm Assembly	1
R	1210-1-146	Torsion Spring	1
S	26-35	Roll Pin	1
T	(page 22)	Caster Assembly	4
U	715-1-158	Caster Nut	4
X	14-80	Nylon Washer	2

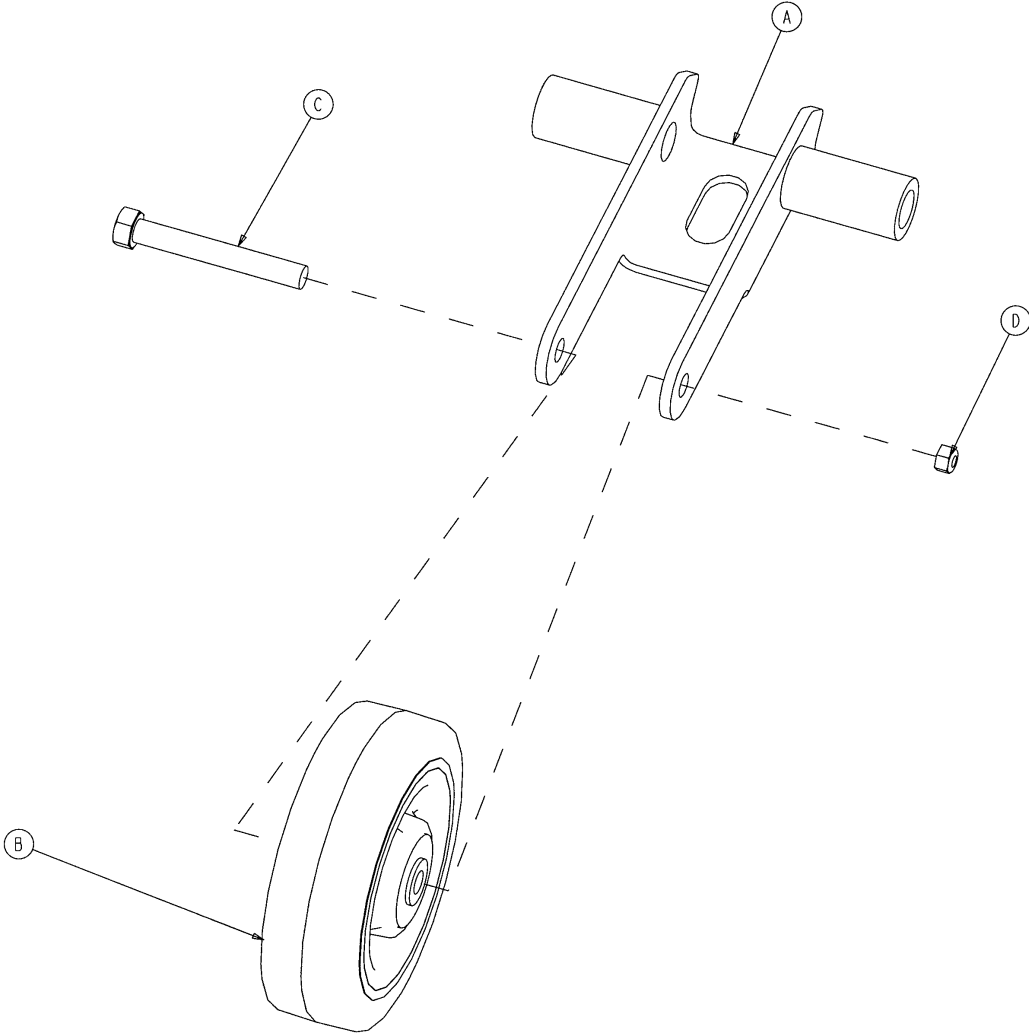
Pivot Rod Assembly

Assembly part number 1210-201-2
(reference only)



Item	Part No.	Part Name	Qty.
A	1210-1-143	Pivot Rod	1
B	14-79	Nylon Washer	2
C	1210-1-144	Roller	1
D	28-131	Snap Ring	1
E	27-16	Cotter Pin	1

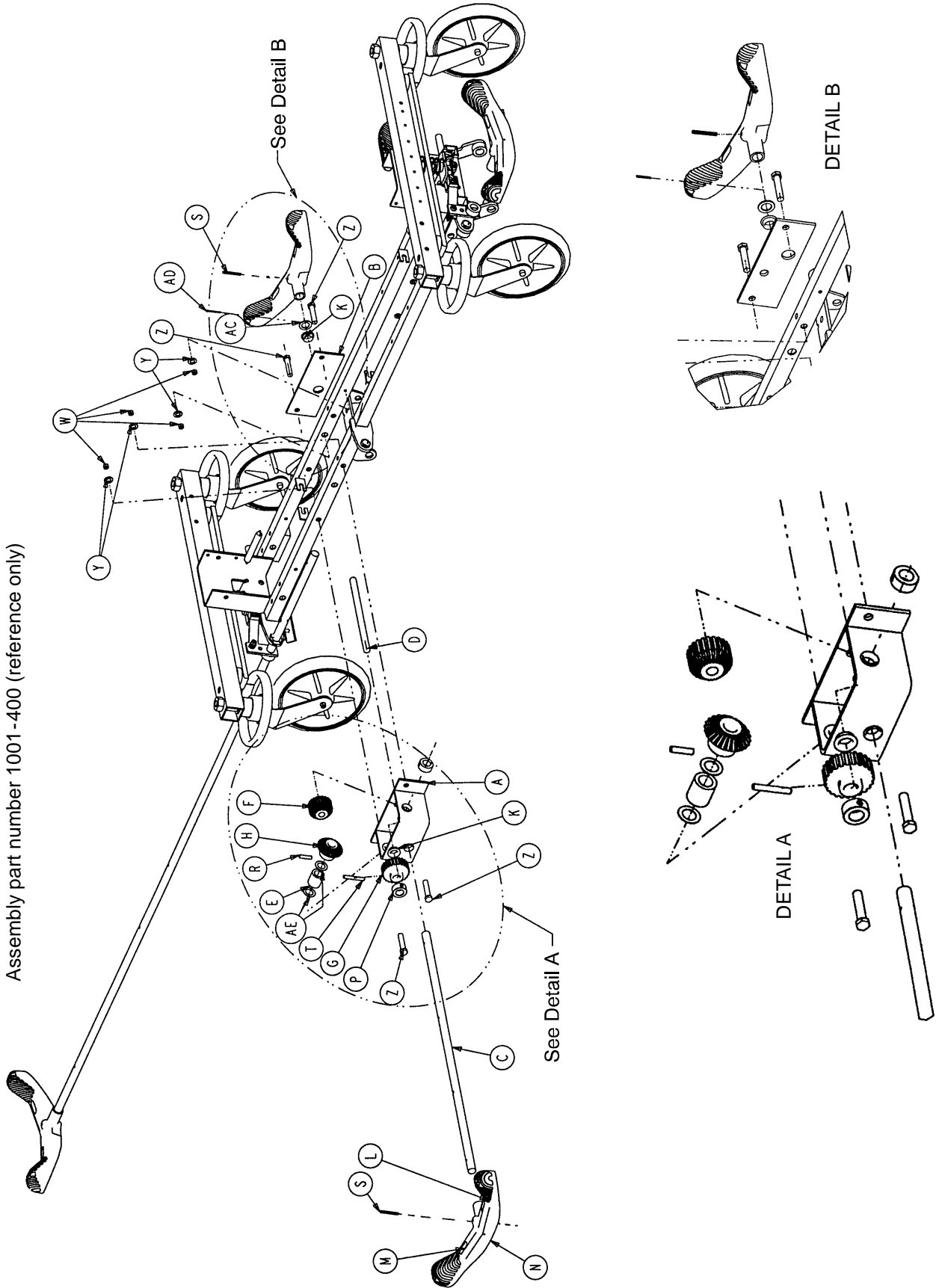
715-201-125 Wheel Arm Assembly



Item	Part No.	Part Name	Qty.
A	1210-201-553	Wheel Arm	1
B	1210-1-147	Fifth Wheel	1
C	3-31	Hex Hd. Cap Screw	1
D	16-35	Nylock Nut	1

Optional Side Control Brake Assembly

Assembly part number 1001-400 (reference only)

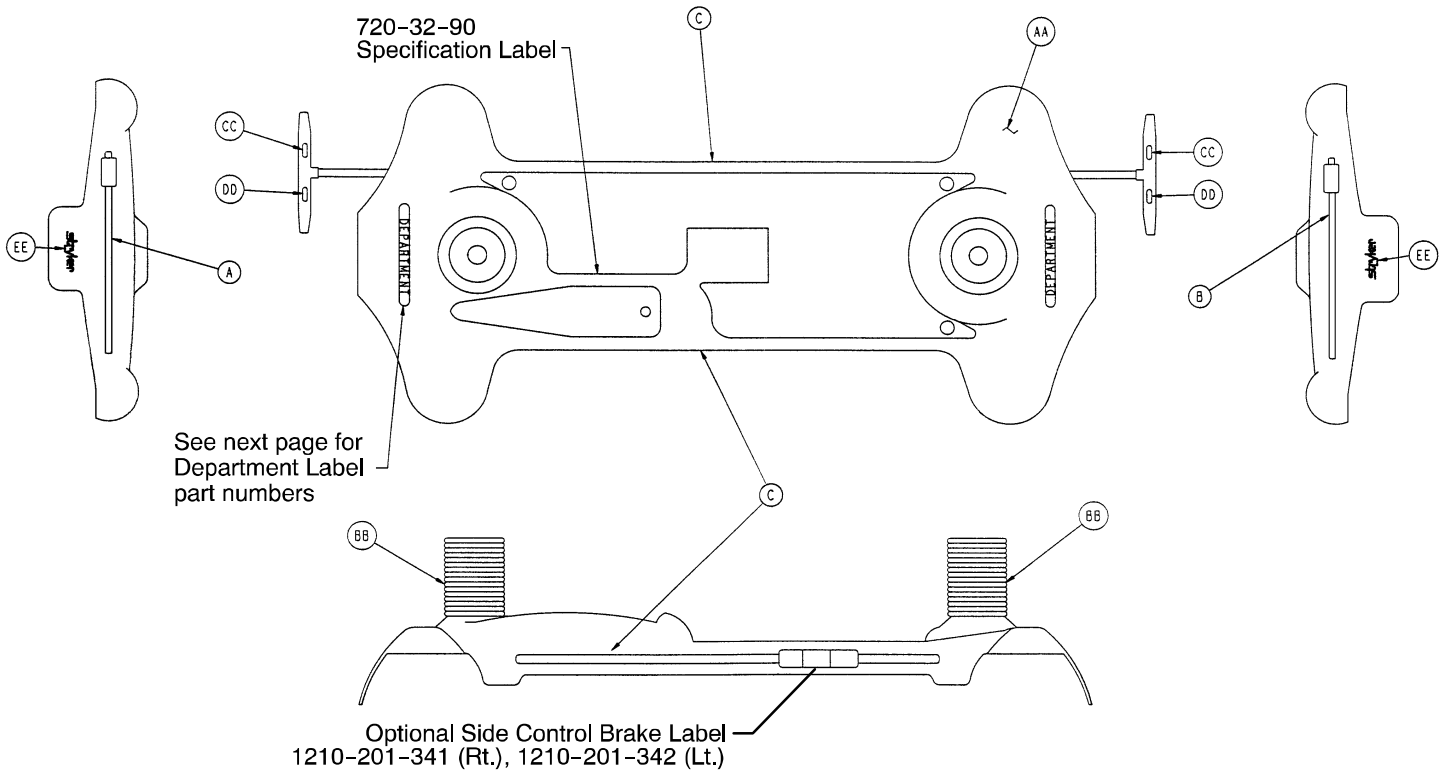


Optional Side Control Brake Assembly

Item	Part No.	Part Name	Qty.
A	1210-301-400	Gear Box Weldment	1
B	1210-301-412	Support	1
C	1210-201-409	Side Control Brake/Steer Rod	1
D	1210-201-407	Pin	1
E	1210-301-406	Spacer	1
F	1210-301-405	Miter/Spur Gear	1
G	1210-301-404	Spur Gear	1
H	1210-301-403	Miter Gear	1
K	1210-201-401	Flange Bearing	5
L	1210-201-336	Steer Label	2
M	1210-201-335	Brake Label	2
N	1210-201-153	Butterfly "V" Pedal	2
P	42-20	Collar	1
R	26-265	Gear Dowel Pin	1
S	26-143	Pedal Dowel Pin	2
T	26-166	Groove Pin	1
W	16-35	Lock Nut	4
Y	11-4	Flat Washer	4
Z	3-45	Hex Hd. Cap Screw	4
AA	1210-201-341	Brake/Steer Label, Right*	1
AB	1210-201-342	Brake/Steer Label, Left*	1
AC	14-71	Washer	1
AD	27-16	Cotter Pin	1
AE	14-80	Washer	2

* Reference hood/label assembly drawing (page 28) for label positioning.

Base Labeling Assembly



Item	Part No.	Part Name	Qty.
AA	1001-200-1	Base Hood	1
BB	946-421-5	Bellows	2
CC	1210-201-335	Red Brake Label	2
DD	1210-201-336	Green Steer Label	2
EE	946-201-60	Stryker Logo Label	2

Color Set P/N	Item A Control Label, Head End	Item B Control Label, Foot End	Item C Side Stripe	Litter Bumper Strip
RED 720-700-110	1001-700-113	1001-700-114	1001-800-13	1010-700-15
PURPLE 720-700-120	1001-700-123	1001-700-124	1001-800-23	1010-700-25
GREEN 720-700-130	1001-700-133	1001-700-134	1001-800-33	1010-700-35
GRAY 720-700-140	1001-700-143	1001-700-144	1001-800-43	1010-700-45
TEAL 720-700-150	1001-700-153	1001-700-154	1001-800-53	1010-700-55
PINK 720-700-160	1001-700-163	1001-700-164	1001-800-63	1010-700-65
BLUE 720-700-170	1001-700-173	1001-700-174	1001-800-73	1010-700-75

Department Labels

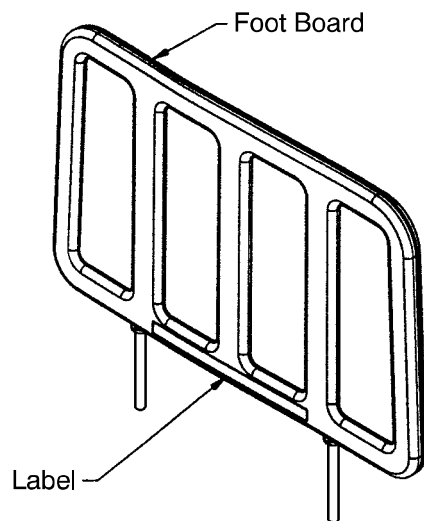
BASE HOOD DEPARTMENT LABELS

Department	Label Part Number
Emergency	1010-900-215
PACU	1010-900-220
Transport	1010-900-225
Surgery	1010-900-230
Extended Stay	1010-900-235
Maternity	1010-900-240
Endoscopy	1010-900-245
Radiology	1010-900-250
Nuclear Medicine	1010-900-255
Ambulatory Surgery	1010-900-260
G.I. Lab	1010-900-265
Cath. Lab	1010-900-270
Same Day Surgery	1010-900-275
Cardio.	1010-900-280
Ultrasound	1010-900-285

NOTE

All base hood department labels are quantity of two.

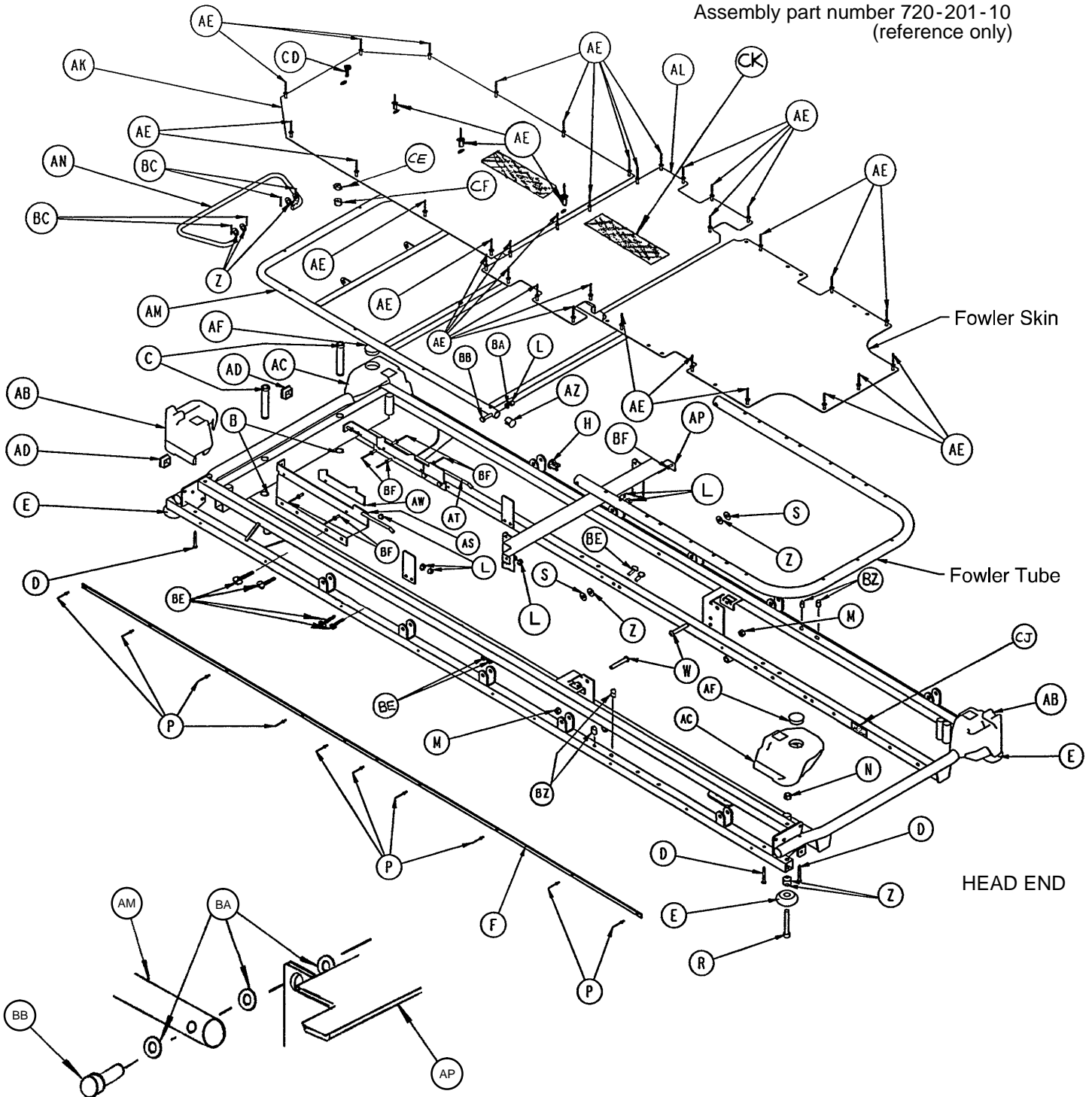
FOOT BOARD DEPARTMENT LABELS



Department	Label Part No.
Demo Stryker	1010-900-186
Ophthalmology	1010-900-187
Outpatient Surgery	1010-900-188
Recovery	1010-900-189
Trauma	1010-900-190
Urgence	1010-900-191
Special (Blank)	1010-900-192

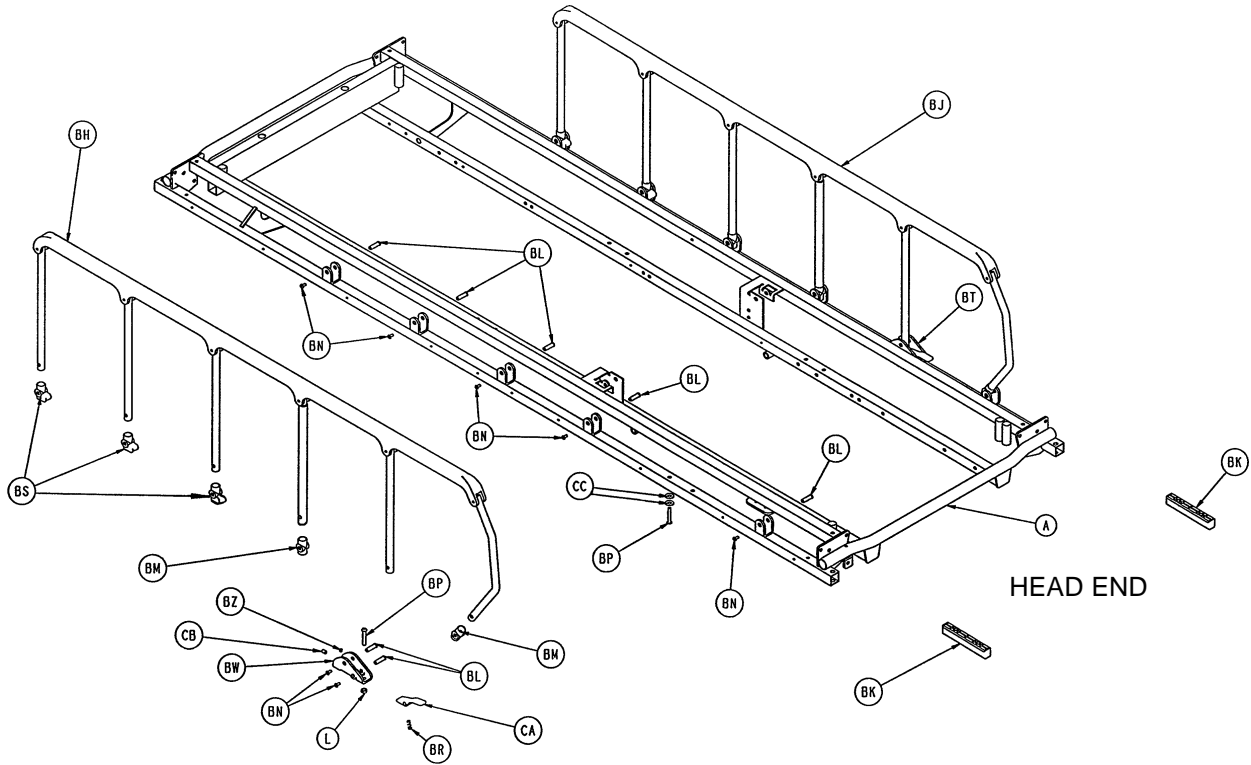
Litter Assembly

Assembly part number 720-201-10
(reference only)



Detail of Foot Section
Tube and Fasteners

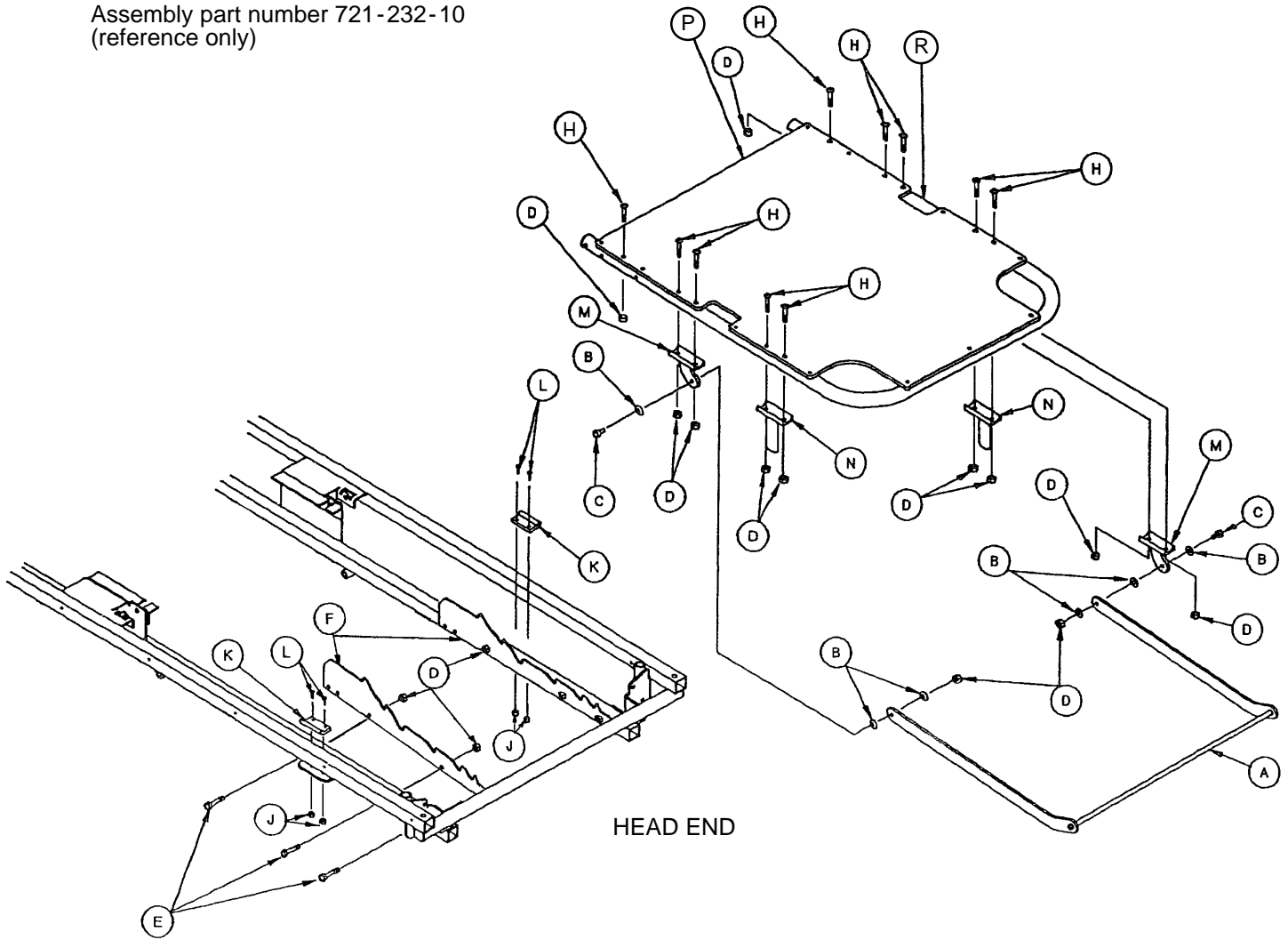
Litter Assembly



Item	Part No.	Part Name	Qty.	Item	Part No.	Part Name	Qty.
A	721-201-20	Frame Assembly	1	AW	720-201-21	Riser Stop	2
B	28-72	Retaining Ring	2	AZ	1001-34-25	End Plug	2
C	1001-40-12	Foot Board Receptacle	2	BA	14-2	Flat Washer	6
D	23-104	Self-Tapping Screw	8	BB	3-47	Hex Hd. Cap Screw	10
E	926-400-142	Corner Wheel	4	BC	27-4	Cotter Pin	4
F	1010-201-27	Bumper Extrusion	2	BE	3-78	Hex Hd. Cap Screw	4
H	1001-1-36	End Plug	2	BF	25-79	Pop Rivet	8
L	16-28	Nylock Hex Nut	16	BH	(page 36)	Siderail Ass'y, Left	1
M	16-36	Stover Lock Nut	2	BJ	(page 36)	Siderail Ass'y, Right	1
N	16-35	Stover Lock Nut	4	BK	1010-26-69	Lock Support	2
P	25-38	Pop Rivet	20	BL	721-26-66	Pivot Screw	14
R	4-201	Soc. Hd. Cap Screw	4	BM	721-26-69	Upright Sleeve	4
S	11-179	Nylon Flat Washer	2	BN	4-136	But. Hd. Cap Screw	14
W	4-103	Fowler Pivot Bolt	2	BP	4-135	But. Hd. Cap Screw	4
Z	14-21	Washer	18	BR	38-220	Compression Spring	2
AB	1010-201-238	Corner Cover, Slot Only	2	BS	721-26-68	Upright Cradle	6
AC	1010-201-239	Corner Cover, Hole Only	2	BT	1010-26-81	Lock Housing Ass'y, Lt.	1
AD	37-10	Hole Plug	2	BW	1010-26-80	Lock Housing Ass'y, Rt.	1
AE	25-122	Pop Rivet	36	BZ	37-74	Hole Plug	6
AF	37-59	Hole Plug	2	CA	721-26-74	Lock Handle, Machined	2
AJ	(page 28)	Siderail Bumper	2	CB	21-104	Set Screw	2
AK	720-201-126	Foot Section Skin	1	CC	11-2	Flat Washer	4
AL	720-201-27	Midsection Skin	1	CD	4-131	But. Hd. Cap Screw	1
AM	720-201-122	Foot Section Tube Ass'y	1	CE	15-4	Hex Nut	1
AN	720-201-20	Gatch Riser	1	CF	37-11	Neoprene Cap	1
AP	720-201-23	Midsection Support	1	CH	721-31-65	Litter Hole Plug (not shown)	4
AR	1001-34-24	Thigh Support	2	CJ	1210-800-8	Patent Label	1
AS	1001-34-29	Slider Support Ass'y, Lt.	1	CK	7900-1-102	Velcro Pile	24"
AT	1001-34-30	Slider Support Ass'y, Rt.	1				

Manual Fowler Assembly

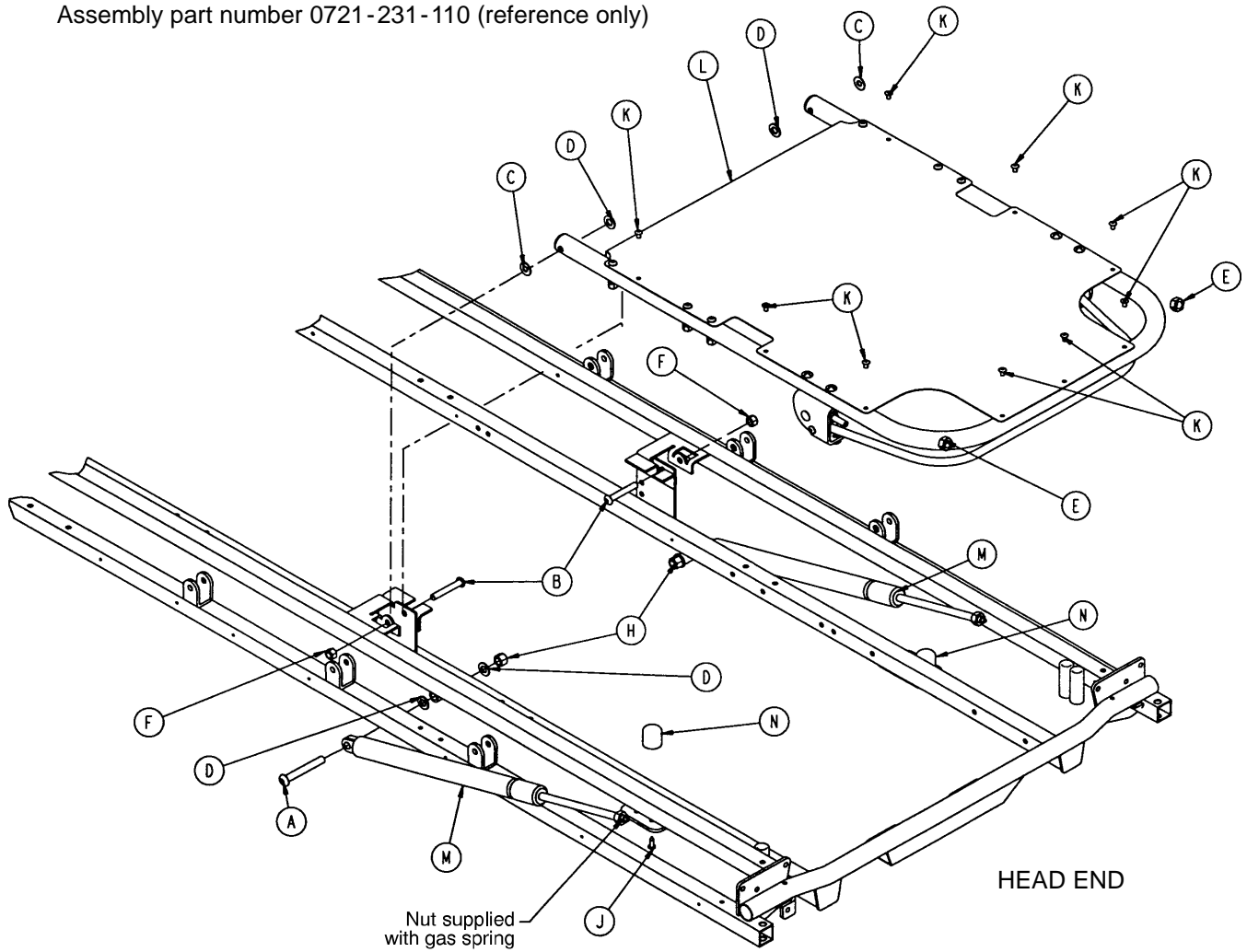
Assembly part number 721-232-10
(reference only)



Item	Part No.	Part Name	Qty.
A	721-232-19	Brace Assembly	1
B	14-2	Nylon Flat Washer	6
C	3-357	Hex Hd. Cap Screw	2
D	16-118	Nylock Hex Nut	18
E	3-355	Hex Hd. Cap Screw	6
F	1001-32-22	Position Bar Rest	2
H	4-135	But. Hd. Cap Screw	10
J	16-3	Lock Nut	4
K	1001-32-26	Manual Fowler Rest	2
L	4-169	But. Hd. Cap Screw	4
M	1001-32-23	Tab Assembly	2
N	1001-32-28	Riser Assembly	2
P	721-231-12	Fowler Skin	1
R	721-231-13	Fowler Tube	1

Pneumatic Fowler Assembly

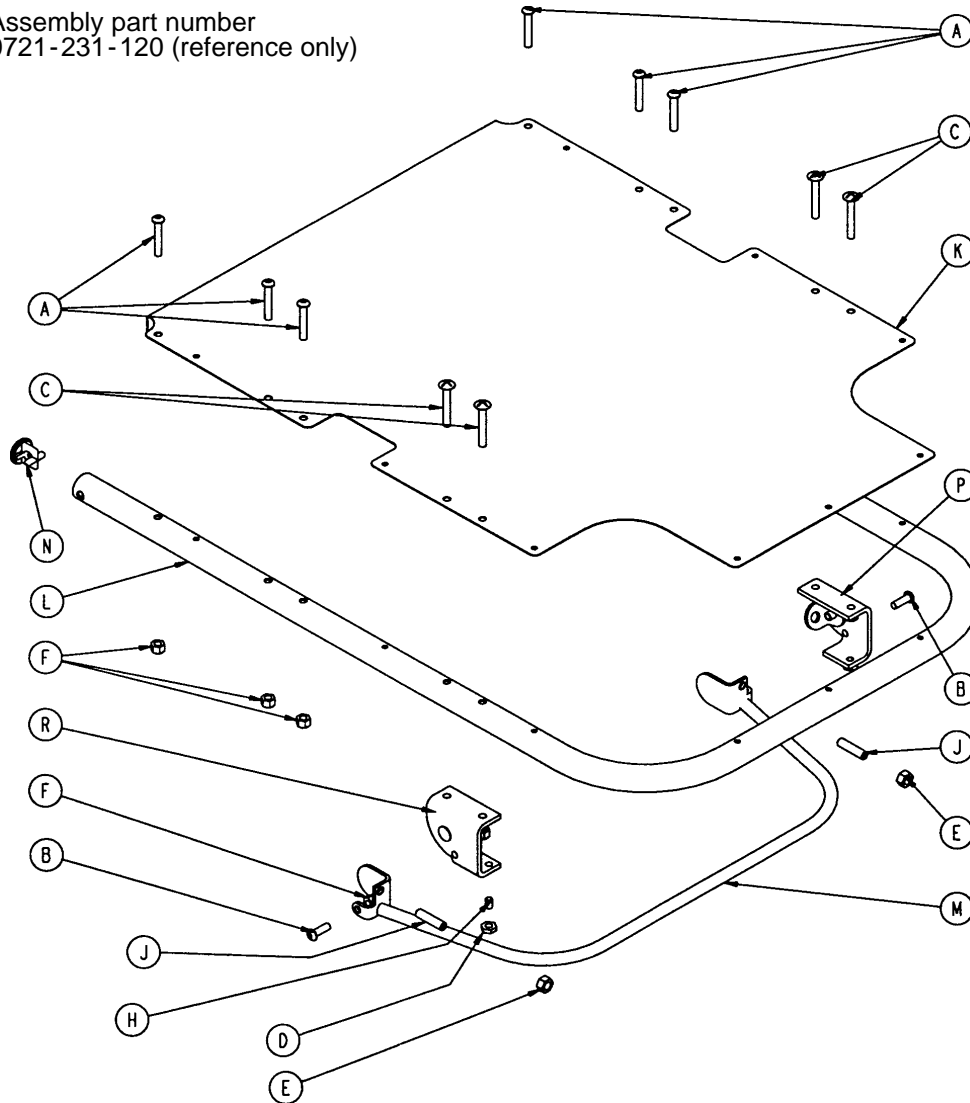
Assembly part number 0721-231-110 (reference only)



Item	Part No.	Part Name	Qty.
A	0004-182-000	Hex Soc. But. Hd. Cap Screw	2
B	0004-183-000	Hex Soc. But. Hd. Cap Screw	2
C	0011-179-000	Washer	2
D	0014-021-000	Washer	8
E	0015-060-000	Hex Jam Nut	2
F	0016-116-000	Hex Nut	2
H	0016-117-000	Hex Nut	2
J	0023-256-000	Self-Tapping Screw	2
K	0025-122-000	Blind Rivet	9
L	(page 34)	Pneumatic Fowler Assembly	1
M	1010-031-078	Gas Cylinder	2
N	1211-031-031	Pneumatic Fowler Rest	2

Pneumatic Fowler Assembly

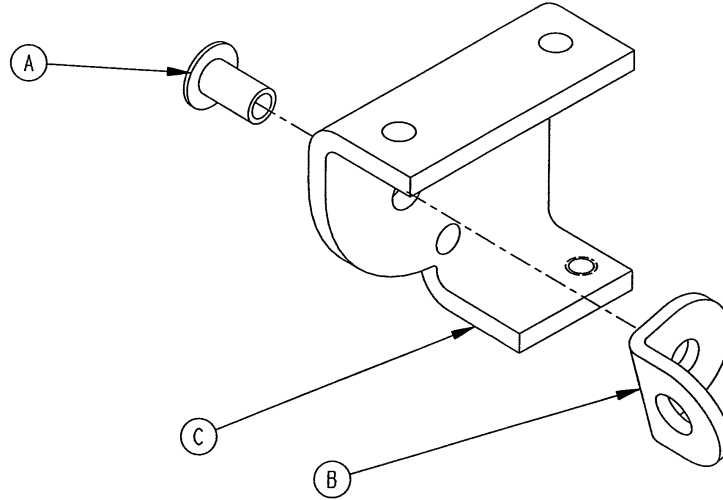
Assembly part number
0721-231-120 (reference only)



Item	Part No.	Part Name	Qty.
A	0004-135-000	But Hd. Cap Screw	6
B	0004-161-000	Hex Soc. But. Hd. Cap Screw	2
C	0007-071-000	Truss Hd. Mach. Screw	4
D	0015-037-000	Jam Nut	2
E	0015-050-000	Hex Nut	2
F	0016-118-000	Stover Lock Nut	12
H	0021-125-000	Set Screw	2
J	0021-126-000	Set Screw	2
K	0721-231-012	Fowler Skin	1
L	0721-231-013	Fowler Tube	1
M	0721-231-118	Trip Bar Assembly	1
N	1001-001-036	Hole Plug	2
P	(page 35)	Outer Housing Ass'y, Right	1
R	(page 35)	Outer Housing Ass'y, Left	1

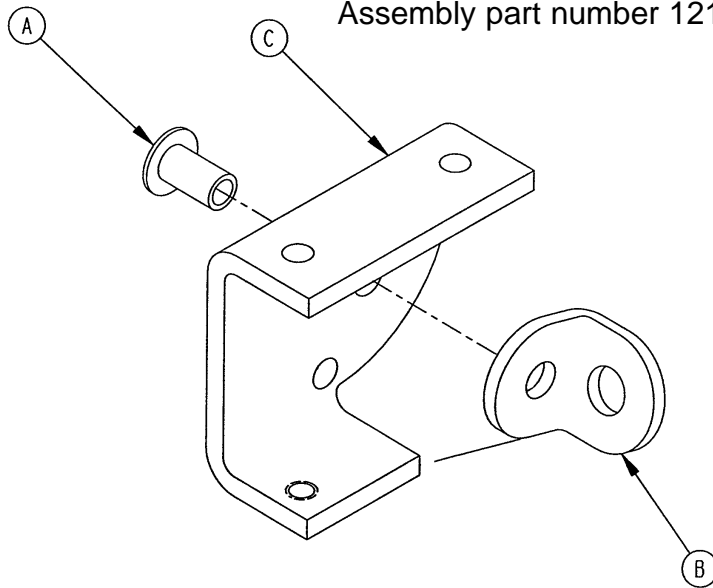
Pneumatic Fowler Outer Housing Assembly

Assembly part number 1210-031-106 (Right)



Item	Part No.	Part Name	Qty.
A	0025-144-000	Semi-Tubular Rivet	1
B	1210-031-103	Pivot Tab	1
C	1210-031-104	Outer Housing, Right	1

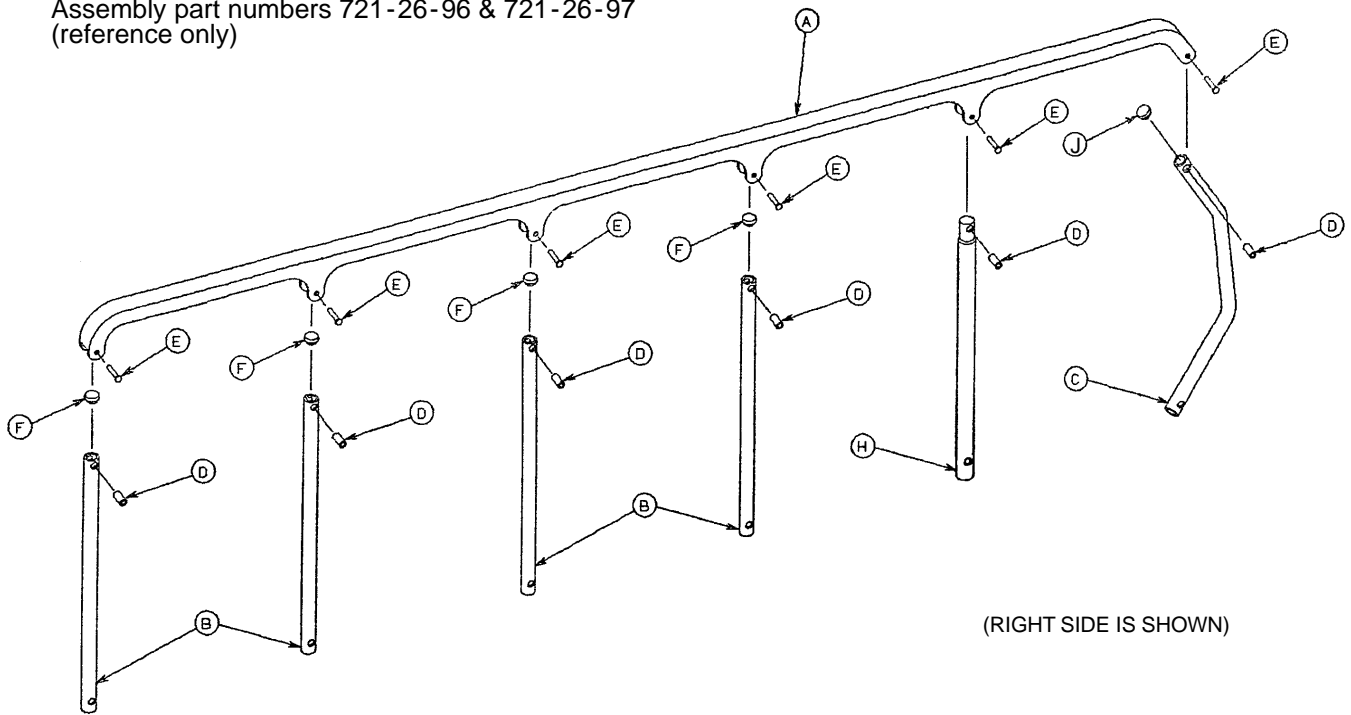
Assembly part number 1210-031-107 (Left)



Item	Part No.	Part Name	Qty.
A	0025-144-000	Semi-Tubular Rivet	1
B	1210-031-103	Pivot Tab	1
C	1210-031-105	Outer Housing, Left	1

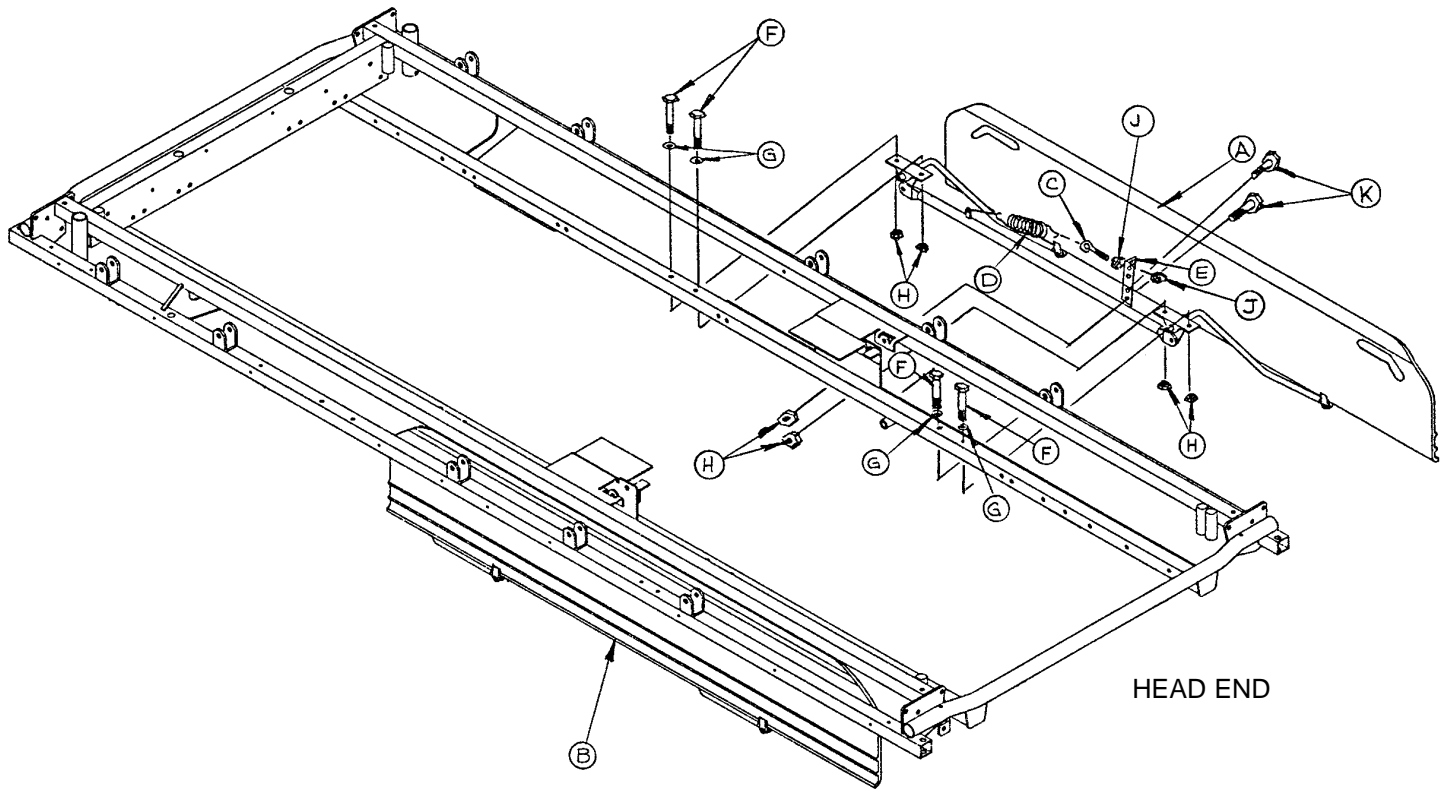
Siderail Assembly, Right & Left

Assembly part numbers 721-26-96 & 721-26-97
(reference only)



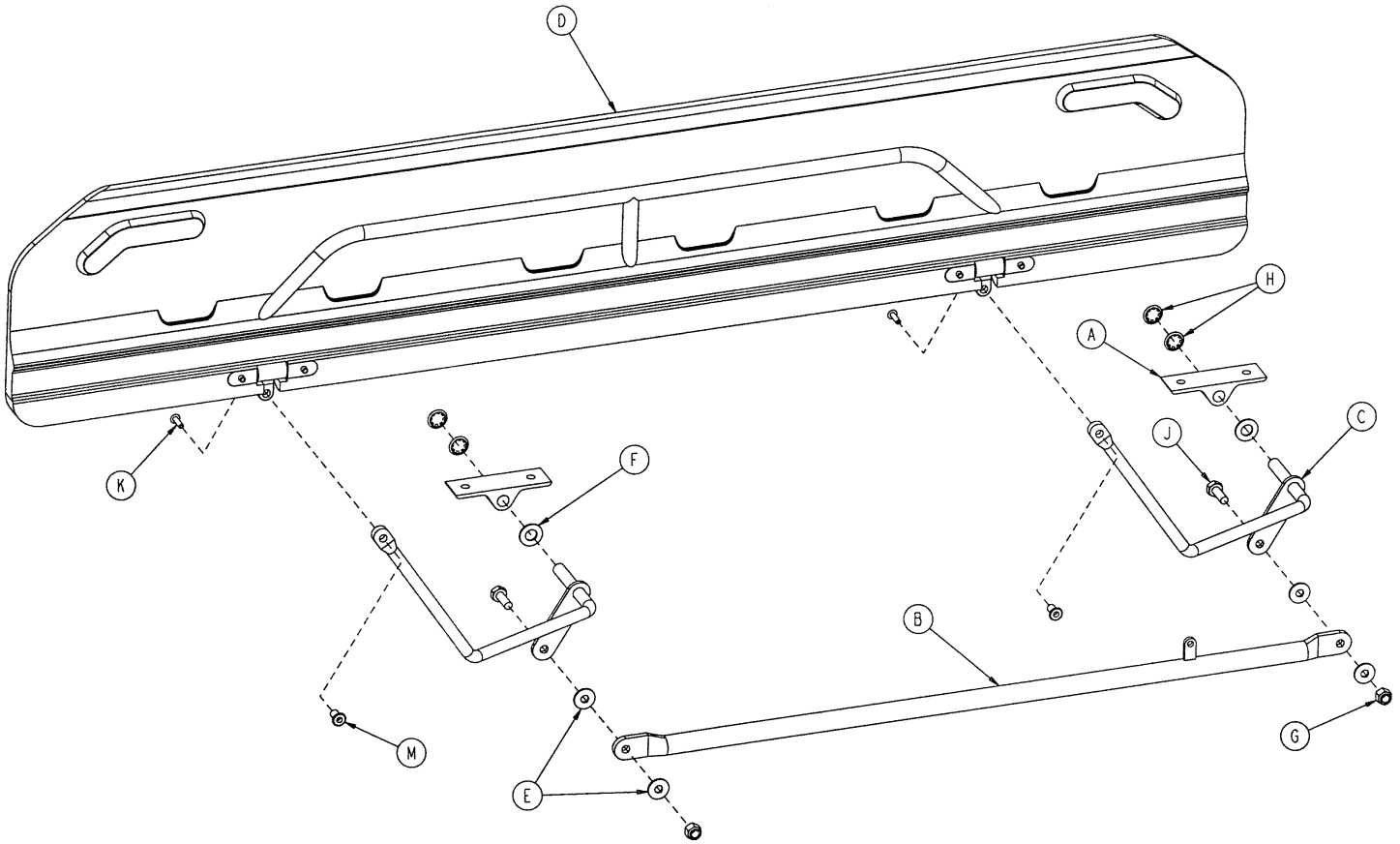
Item	Part No.	Part Name	Qty.
A	1010-26-15	Top Rail	1
B	1010-26-34	Upright	4
C	1010-26-36	Upright, Bent	1
D	1010-26-66	Spacer	6
E	25-106	Semi-Tubular Rivet	6
F	721-26-84	Round Hole Plug	4
H	1010-26-35	Upright, Latch	1
J	1010-26-12	Bent Spindle Stop	1

0721 -239-010 Optional Short Transfer System Assembly



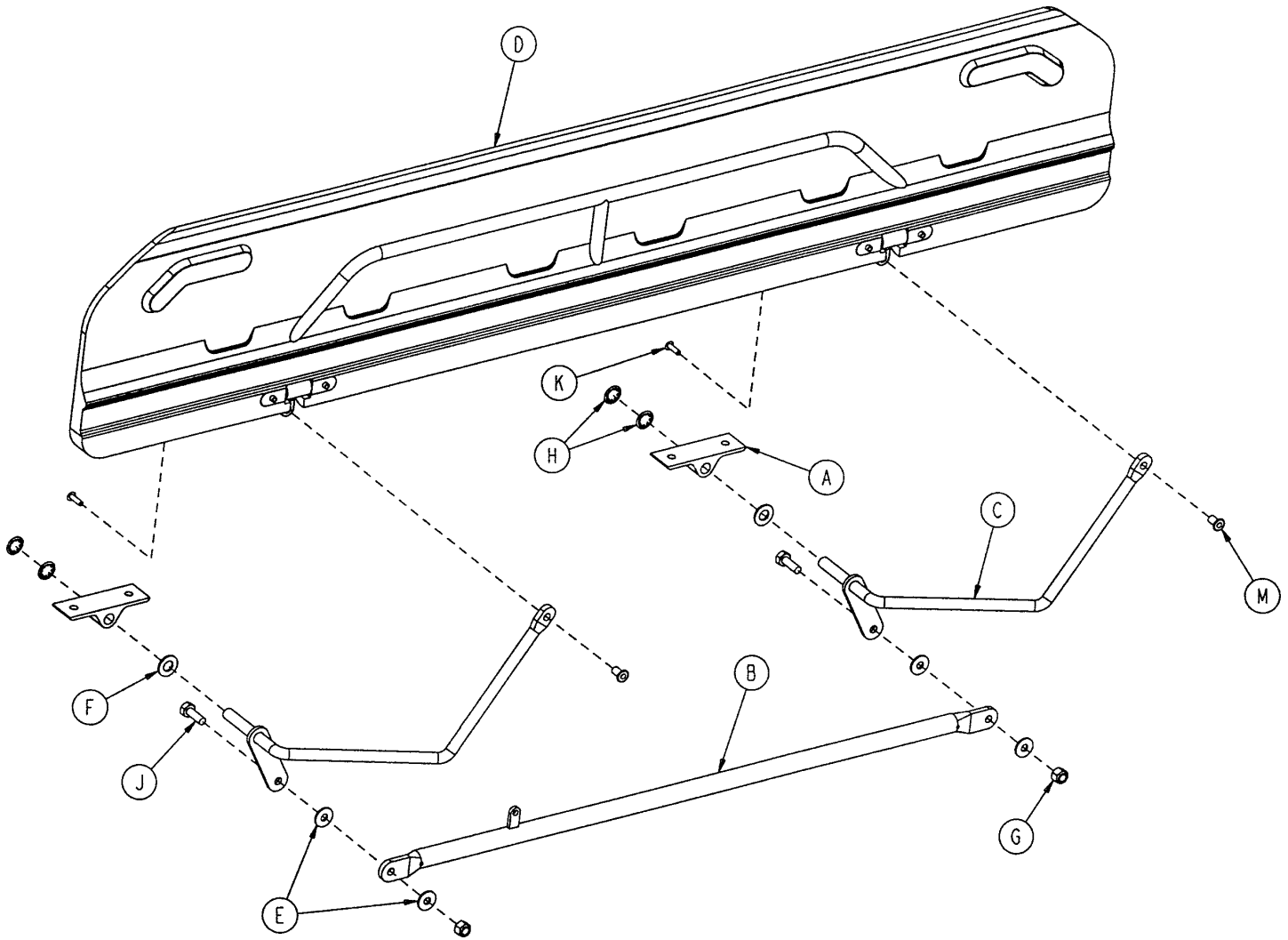
Item	Part No.	Part Name	Qty.
A	(page 38)	Transfer System Ass'y, Rt.	1
B	(page 39)	Transfer System Ass'y, Lt.	1
C	0010-011-000	Eye Bolt	2
D	0038-218-000	Tension Spring	2
E	1010-224-025	Spring Retainer	2
F	0003-359-000	Hex Hd. Cap Screw	8
G	0011-180-000	Flat Washer	8
H	0016-118-000	Nylock Hex Nut	12
J	0015-021-000	Jam Nut	4
K	0003-356-000	Hex Hd. Cap Screw	4

1010-232-010 Short Transfer Board Assembly, Right



Item	Part No.	Part Name	Qty.
A	1010-032-098	Pivot	2
B	1010-224-033	Connecting Link Ass'y, Rt.	1
C	1010-232-016	Pivot Arm Ass'y, Right	2
D	1020-032-100	Transfer Board Ass'y	1
E	0011-224-000	Nylon Flat Washer	4
F	0014-021-000	Nylon Flat Washer	2
G	0016-118-000	Nylock Hex Nut	2
H	0028-093-000	Retaining Ring	4
J	0003-356-000	Hex Hd. Cap Screw	2
K	0025-157-000	Blind Rivet	2
L	0721-024-046	Label	1
M	1211-132-025	Pivot Sleeve	2

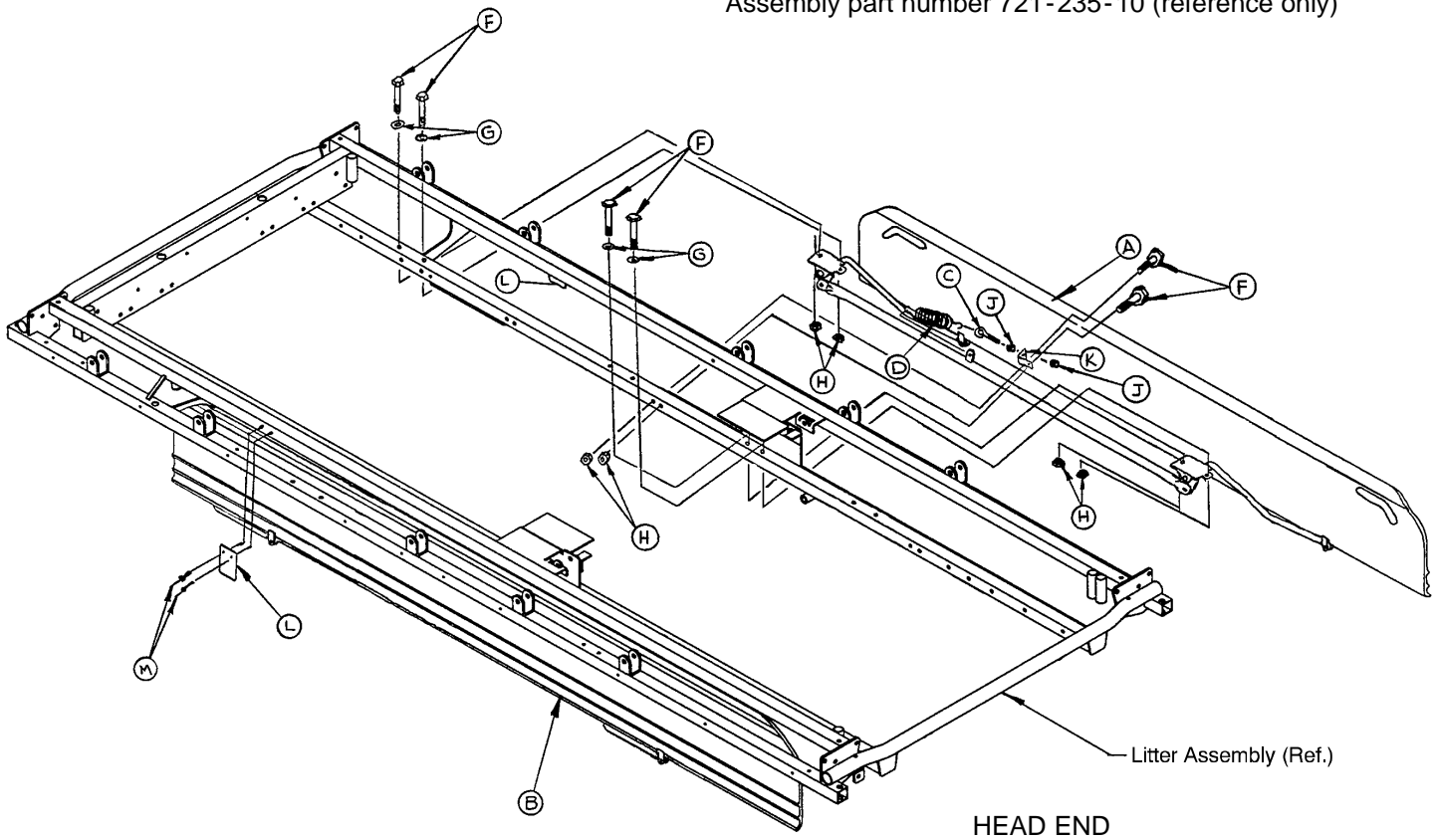
1010-232-011 Short Transfer Board Assembly, Left



Item	Part No.	Part Name	Qty.
A	1010-032-098	Pivot	2
B	1010-224-033	Connecting Link Ass'y	1
C	1010-232-017	Pivot Arm Ass'y, Lt.	2
D	1020-032-100	Transfer Board Ass'y	1
E	0011-224-000	Nylon Flat Washer	4
F	0014-021-000	Nylon Flat Washer	2
G	0016-118-000	Nylock Hex Nut	2
H	0028-093-000	Retaining Ring	4
J	0003-356-000	Hex Hd. Cap Screw	2
K	0025-157-000	Blind Rivet	2
L	0721-024-046	Label	1
M	1211-132-025	Pivot Sleeve	2

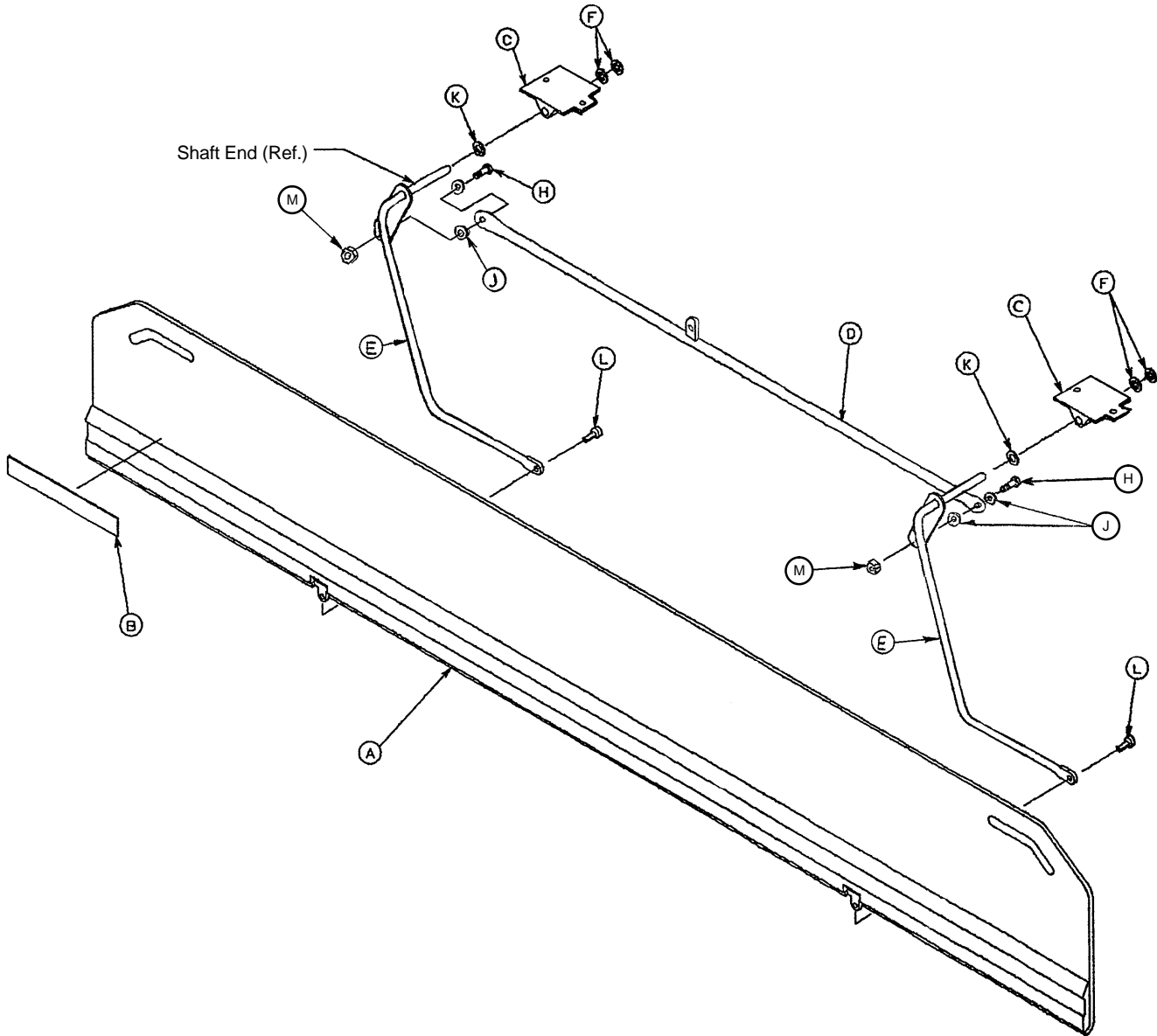
Optional Long Transfer System to Frame Assembly

Assembly part number 721-235-10 (reference only)



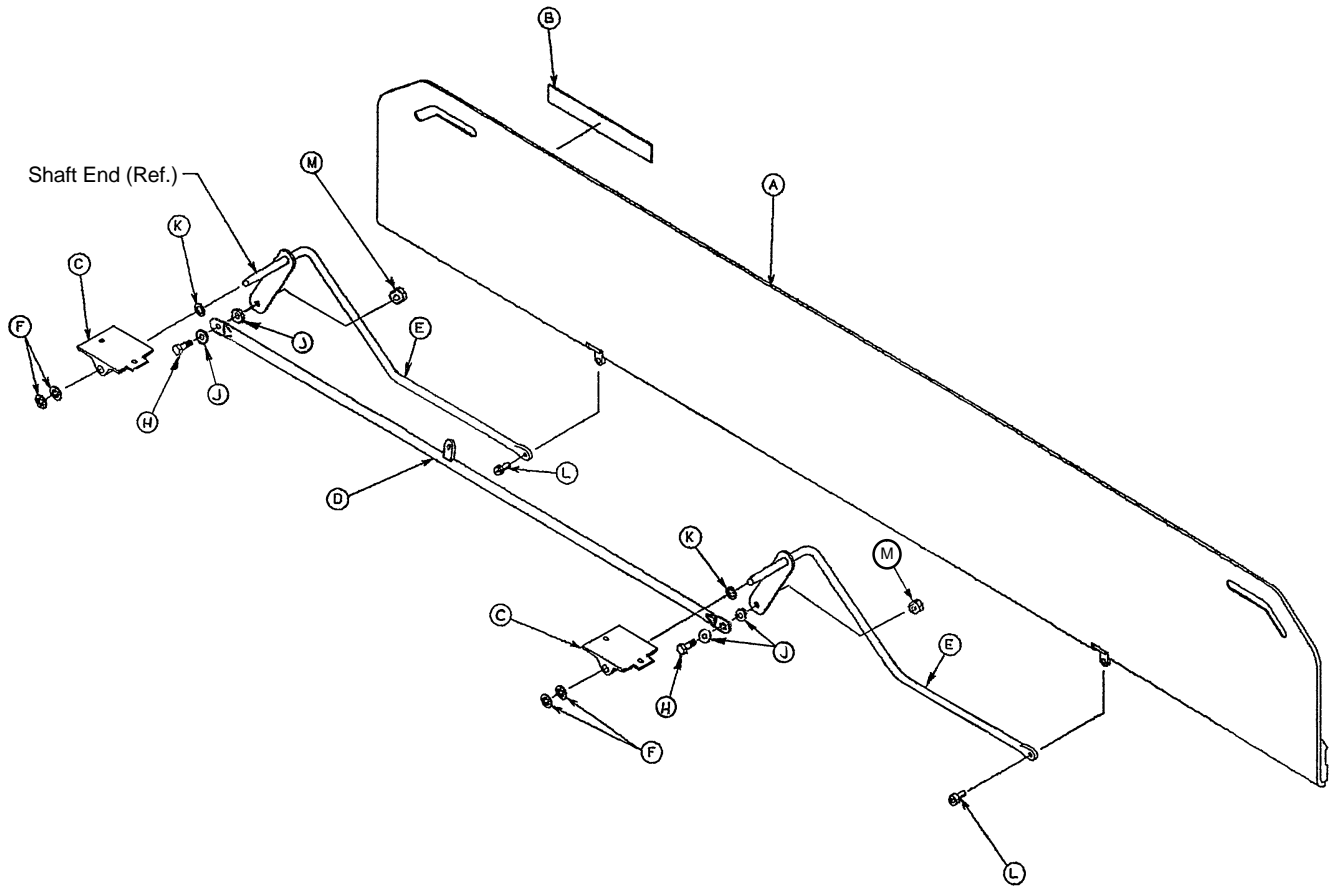
Item	Part No.	Part Name	Qty.
A	(page 42)	Transfer System Ass'y, Rt.	1
B	(page 41)	Transfer System Ass'y, Lt.	1
C	10-11	Eye Bolt	2
D	38-218	Tension Spring	2
E	721-224-25	Spring Retainer, Rt.	1
F	3-359	Hex Hd. Cap Screw	12
G	11-180	Flat Washer	8
H	16-118	Nylock Hex Nut	12
J	15-21	Jam Nut	4
K	721-224-24	Spring Retainer, Lt.	1
L	721-24-61	Pivot Arm Rest	2
M	25-179	Pop Rivet	4

721-234-12 Long Transfer System Assembly, Left



Item	Part No.	Part Name	Qty.
A	721-24-55	Transfer Board Ass'y	1
B	721-24-46	Label	1
C	721-224-16	Long Pivot, Machined	2
D	721-224-33	Connecting Link Ass'y	1
E	721-232-17	Pivot Arm Ass'y, Lt.	2
F	28-93	Retaining Ring	4
H	3-50	Hex Hd. Cap Screw	2
J	11-224	Nylon Flat Washer	4
K	14-21	Nylon Flat Washer	2
L	4-156	Soc. Hd. Cap Screw	2
M	16-28	Nylock Hex Nut	2

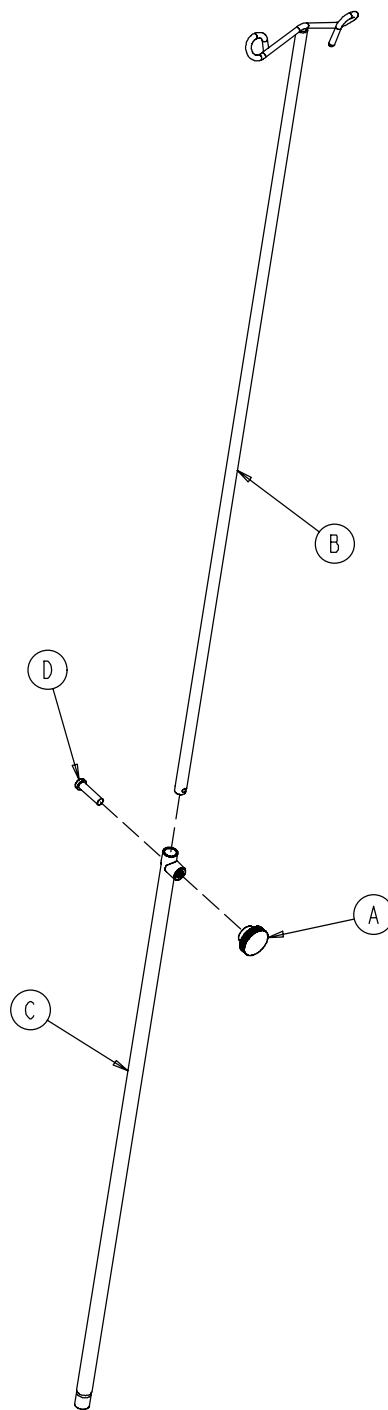
721-234-13 Long Transfer System Assembly, Right



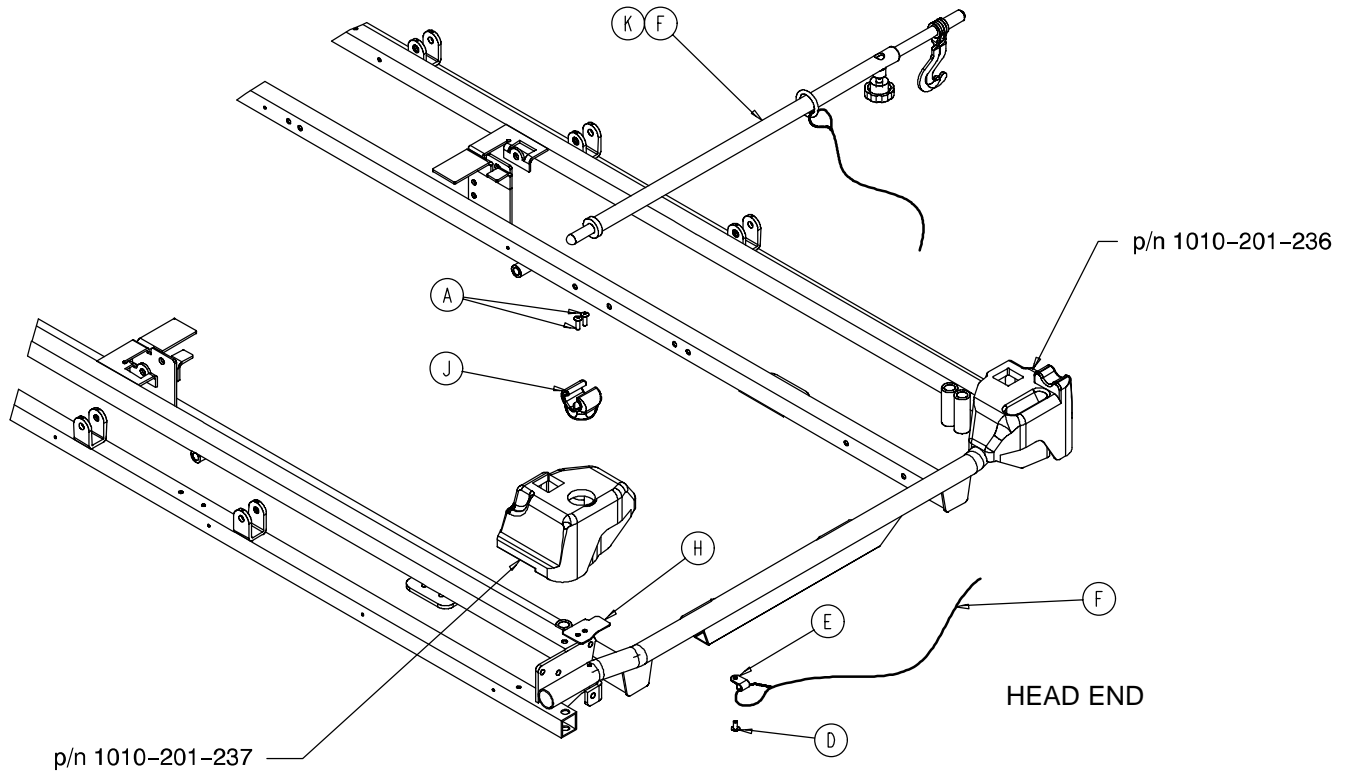
Item	Part No.	Part Name	Qty.
A	721-24-55	Transfer Board Ass'y	1
B	721-24-46	Label	1
C	721-224-16	Long Pivot, Machined	2
D	721-224-33	Connecting Link Ass'y, Rt.	1
E	721-232-16	Pivot Arm Ass'y, Right	2
F	28-93	Retaining Ring	4
H	3-50	Hex Hd. Cap Screw	2
J	11-224	Nylon Flat Washer	4
K	14-21	Nylon Flat Washer	2
L	4-156	Soc. Hd. Cap Screw	2
M	16-28	Nylock Hex Nut	2

390-25 Standard, Removable I.V. Pole Assembly

Item	Part No.	Part Name	Qty.
A	24-23	Plastic Knob	1
B	390-3-53	Double I.V. Ass'y	1
C	393-3-43	Tube Assembly	1
D	4-496	Soc. Hd. Cap Screw	1

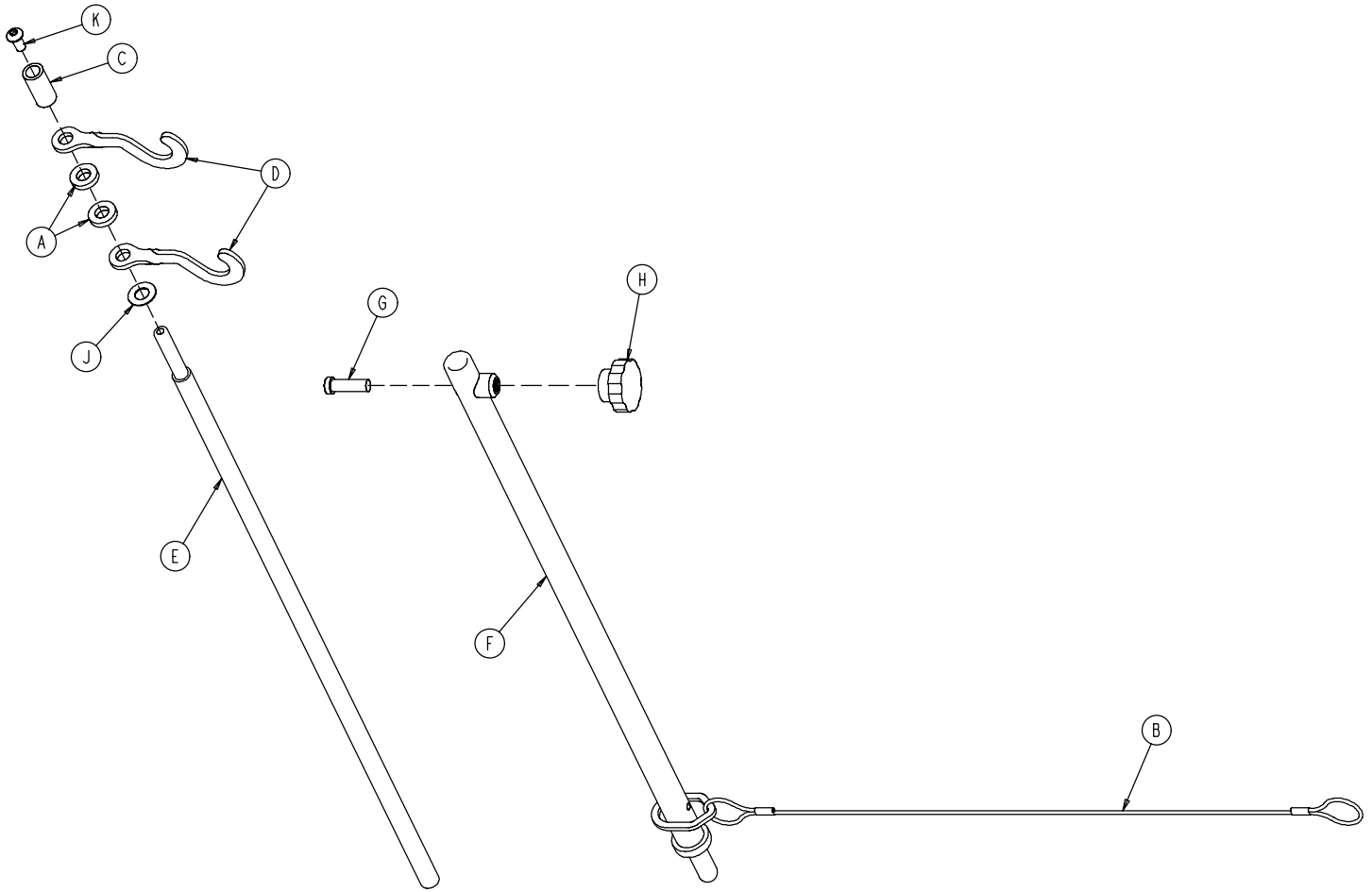


721-117 Optional Tethered I.V. Assembly



Item	Part No.	Part Name	Qty.
A	25-133	Pop Rivet	2
D	25-179	Rivet	1
E	34-22	Cable Clamp	1
F	1001-159-42	I.V. Plug	1
H	(page 45)	Tethered I.V. Pole Assembly	1
J	1211-117-21	Backing Plate	1
K	1211-117-22	I.V. Clip	1

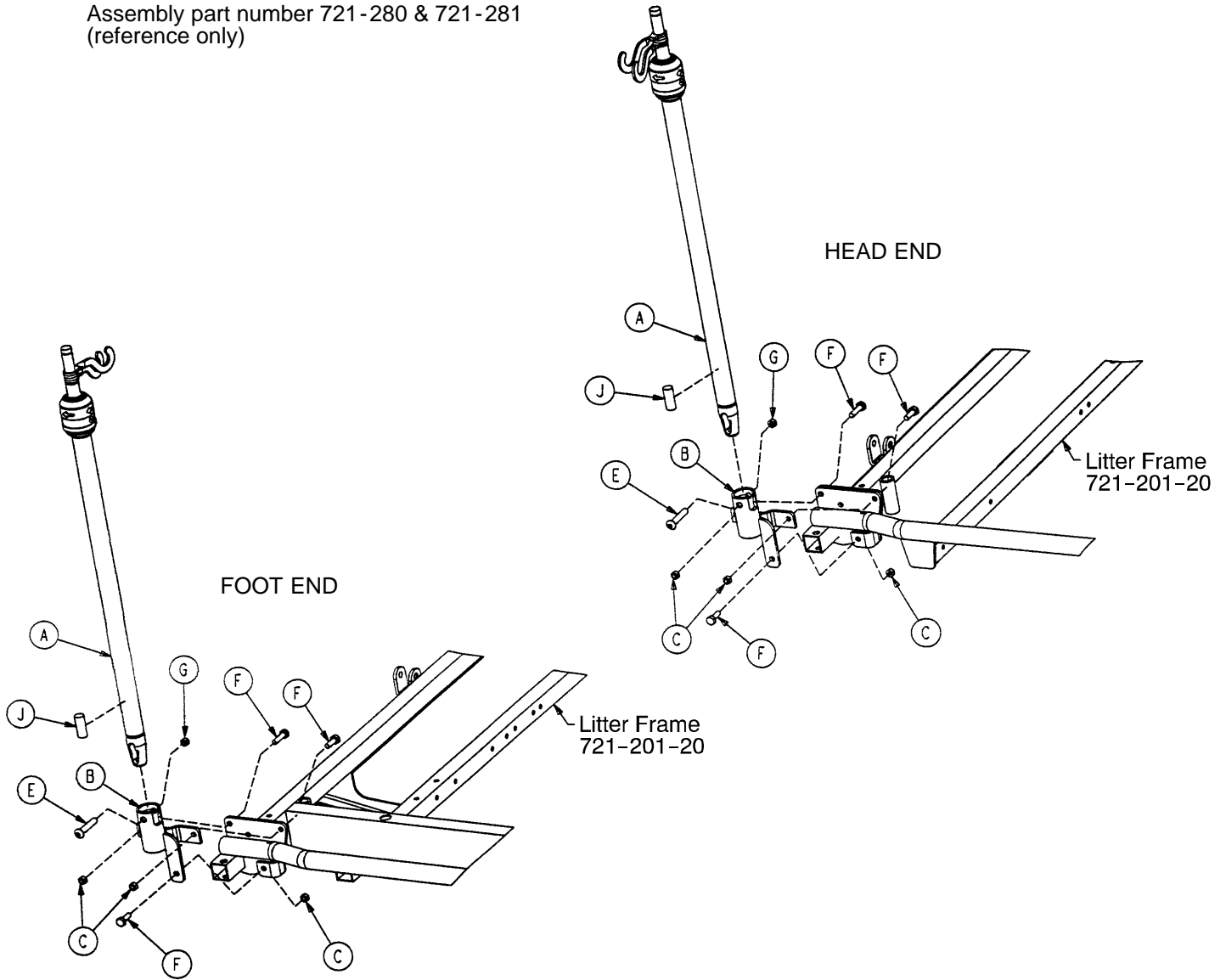
1211-117-10 Tethered I.V. Pole Assembly



Item	Part No.	Part Name	Qty.
A	52-17	Spacer	2
B	1211-117-20	Cable Assembly	1
C	926-400-62	Stop Sleeve	1
D	1010-59-16	I.V. Hook	2
E	1211-117-11	Extension Rod	1
F	1211-117-12	Base Tube Weldment	1
G	4-495	Low Hd. Soc. Hd. Cap Screw	1
H	1211-117-16	Knob	1
J	14-20	Nylon Washer	1
K	4-232	Button Hd. Cap Screw	1

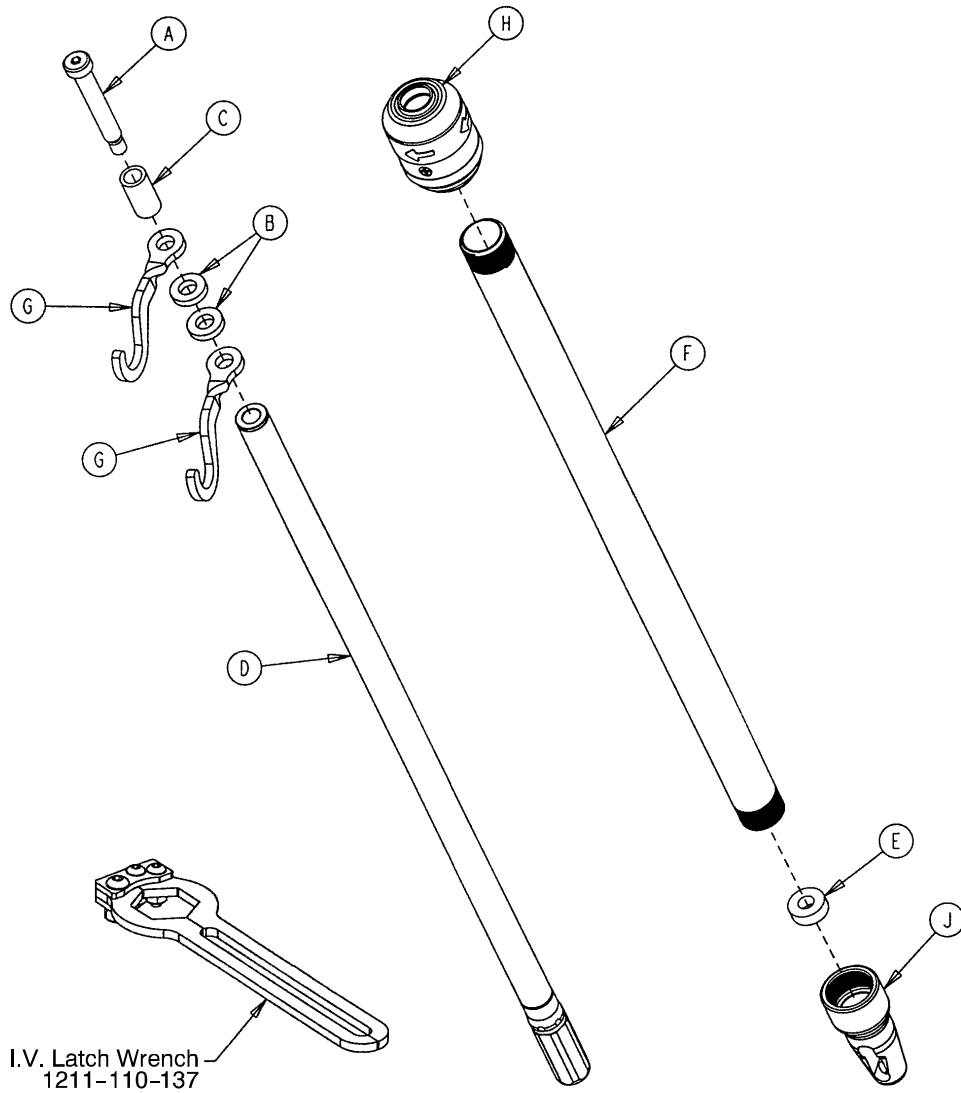
721-400-1 Optional 2-Stage I.V. Ass'y, Head & Foot

Assembly part number 721-280 & 721-281
(reference only)



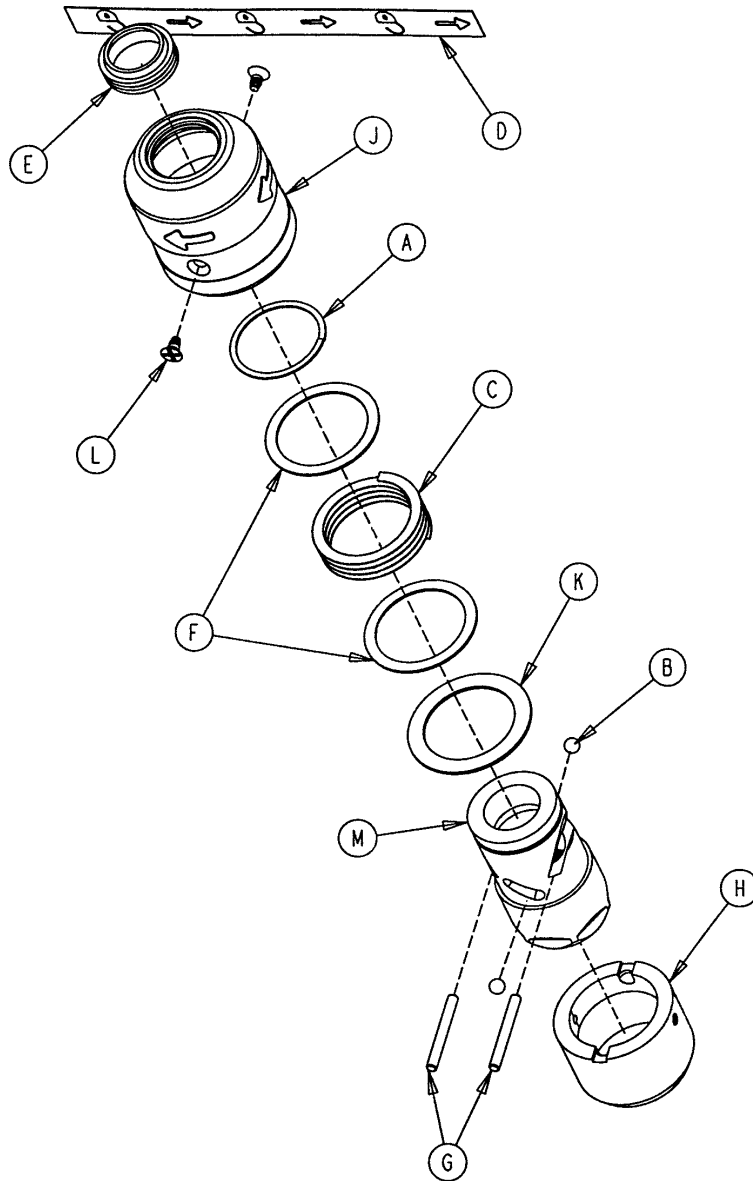
Item	Part No.	Part Name	Qty
A	(page 47)	I.V. Pole Assembly	1
B	1001-259-103	I.V. Pivot	1
C	16-118	Fiberlock Nut	3
E	4-452	But. Hd. Cap Screw	1
F	3-356	Hex Hd. Cap Screw	3
G	16-116	Flexlock Nut	1
J	1001-59-40	I.V. Plug	1

1211-210-10 Optional 2-Stage I.V. Pole Assembly



Item	Part No.	Part Name	Qty.
A	8-31	Soc. Hd. Cap Screw	1
B	52-17	Washer	2
C	926-400-162	Spacer	1
D	1211-210-29	2nd Stage Assembly	1
E	1001-359-13	Dampener	1
F	1001-159-28	Base Tube	1
G	1010-259-16	I.V. Hook	2
H	(page 48)	I.V. Pole Latch	1
J	1001-359-112	Pivot	1

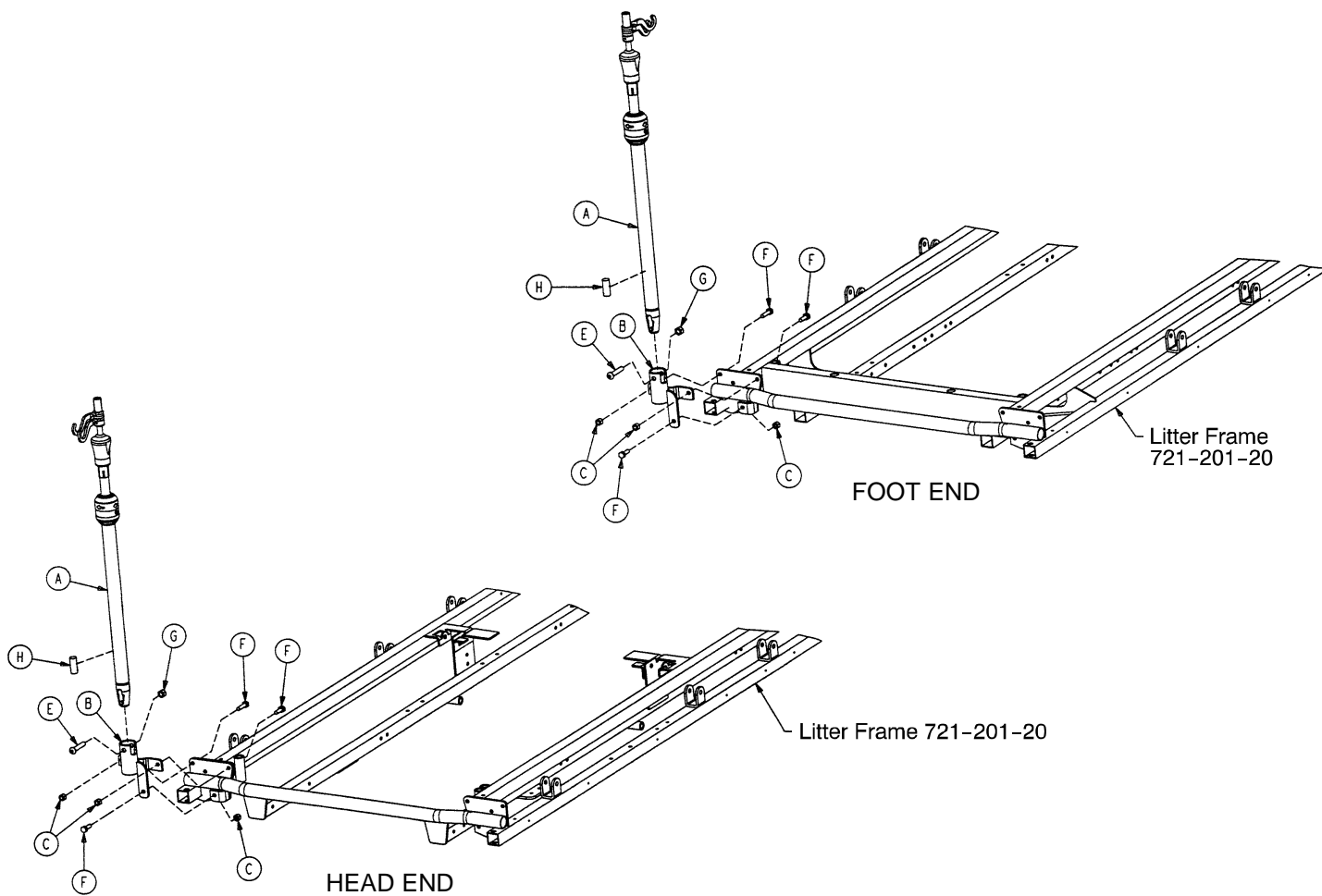
1211-210-26 Optional I.V. Pole Latch Assembly



Item	Part No.	Part Name	Qty.
A	28-167	Retaining Ring	1
B	31-4	Steel Ball	2
C	38-392	Crest-to-Crest Spring	1
D	1211-91-34	Release Label	1
E	1211-110-18	I.V. Latch Seal	1
F	1211-110-20	Washer	2
G	1211-110-21	I.V. Latch Locking Pin	2
H	1211-110-22	I.V. Latch Guide	1
J	1211-110-24	I.V. Latch O.D. Housing	1
K	1211-110-35	Washer	1
L	1211-110-36	Self-Tapping Screw	2
M	1211-210-23	I.V. Latch I.D. Housing	1

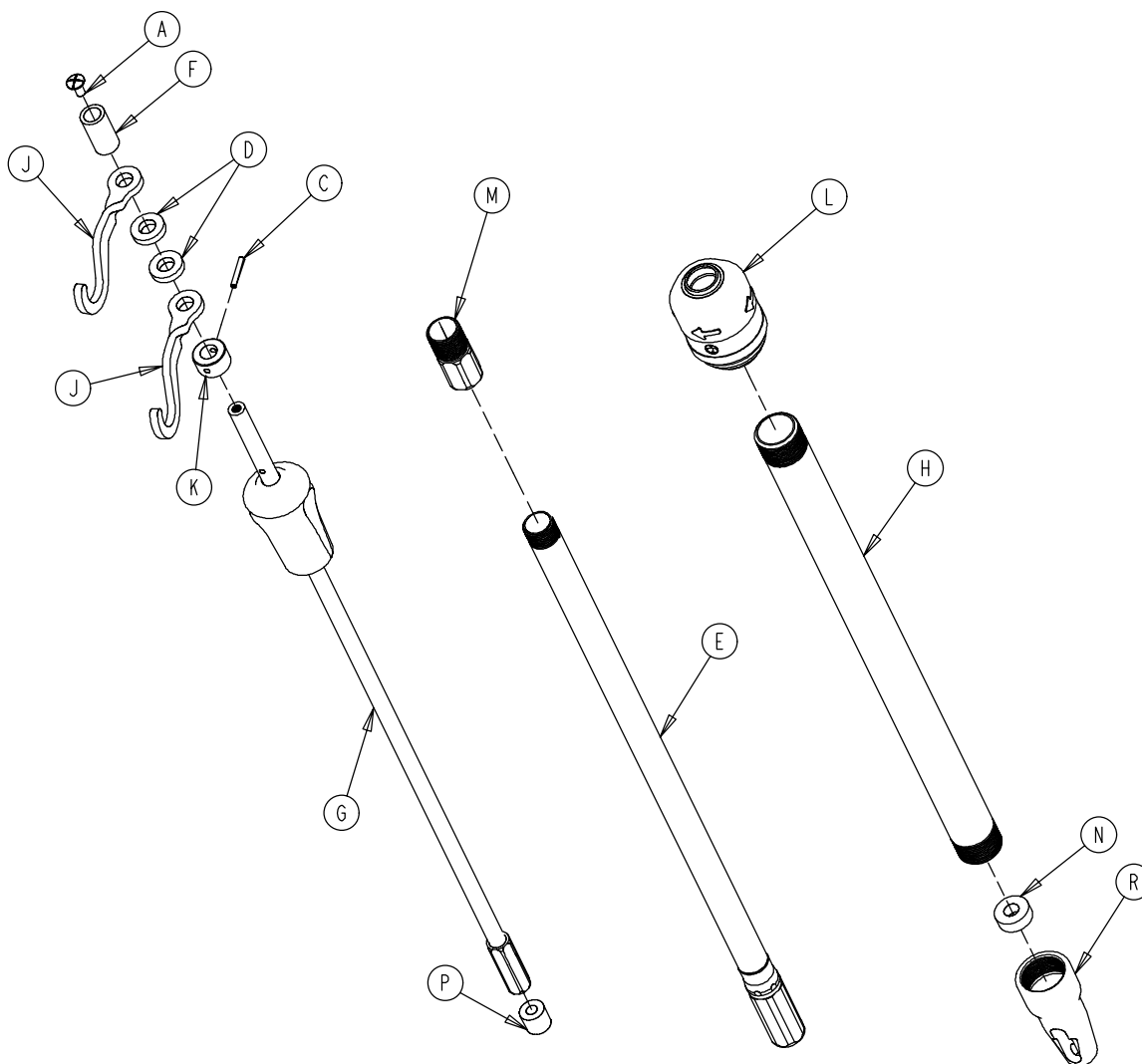
721-61 Optional 3-Stage I.V. Assembly, Head

721-62 Optional 3-Stage I.V. Assembly, Foot



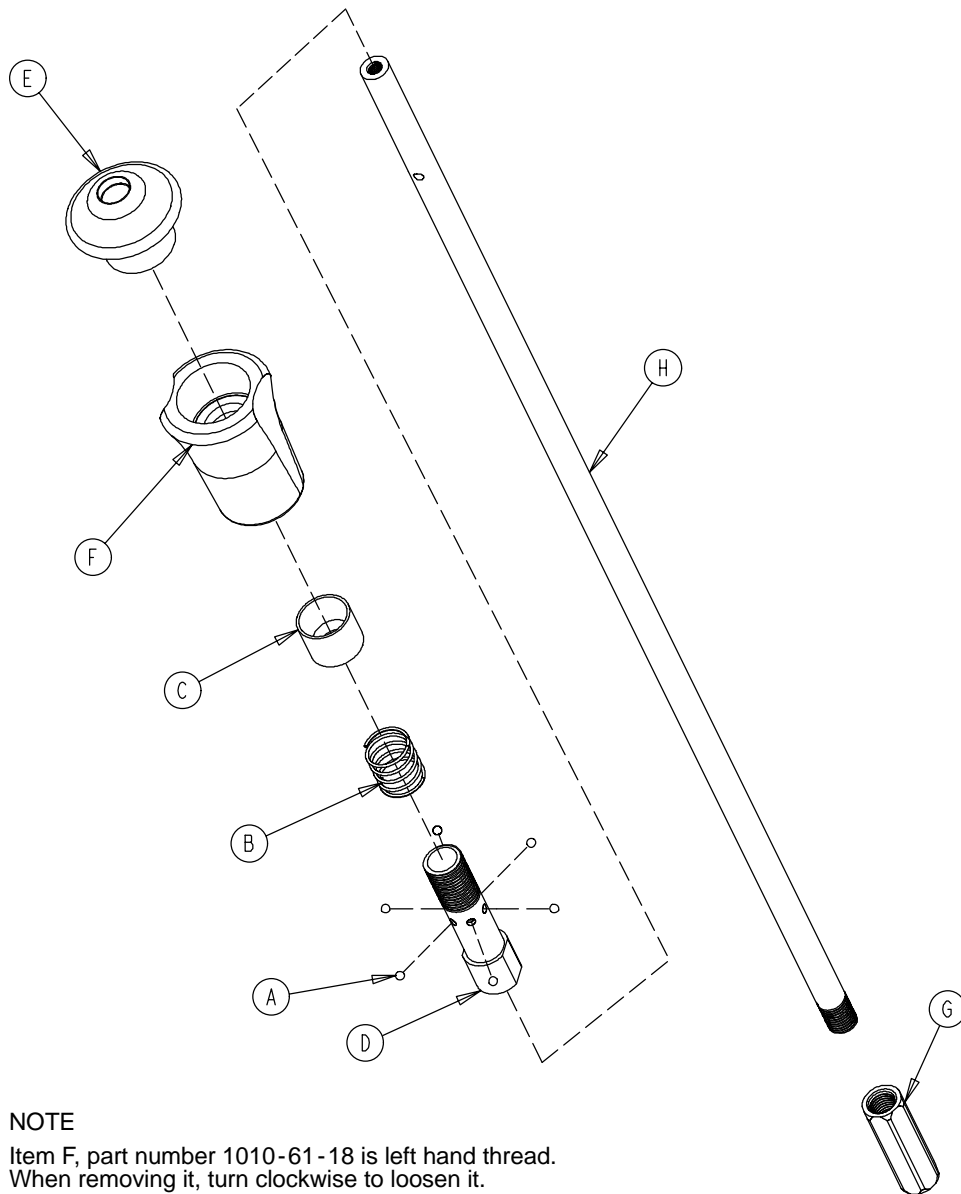
Item	Part No.	Part Name	Qty.
A	(page 50)	I.V. Pole Assembly	1
B	1001-259-13	I.V. Pivot	1
C	16-118	Fiberlock Nut	3
E	4-452	But. Hd. Cap Screw	1
F	3-356	Hex Hd. Cap Screw	3
G	16-116	Flexlock Nut	1
H	1001-59-40	Plug	1

1211-211-10 Optional 3-Stage I.V. Pole Assembly



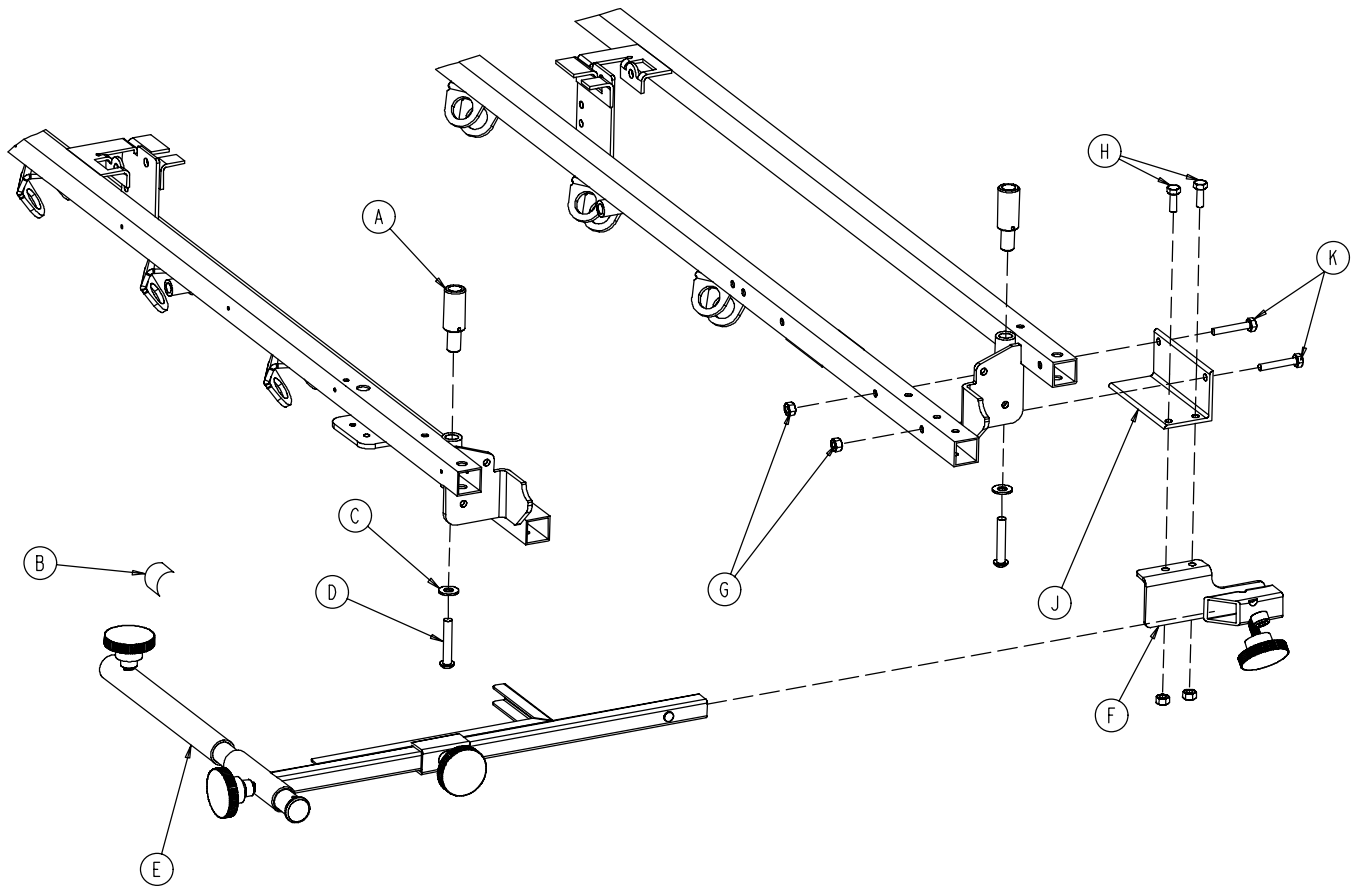
Item	Part No.	Part Name	Qty.
A	7-4	Truss Hd. Machine Screw	1
C	26-76	Roll Pin	1
D	52-17	Spacer	2
E	1211-210-31	2nd Stage Assembly	1
F	926-400-162	Spacer	1
G	(page 51)	3rd Stage Assembly	1
H	1001-161-23	Base Tube	1
J	1010-259-16	I.V. Hook	2
K	1010-61-14	Collar	1
L	(page 48)	I.V. Pole Latch	1
M	1211-110-16	Threaded Adaptor	1
N	1001-359-13	Dampener	1
P	1001-359-14	Dampener	1
R	1001-359-112	Pivot	1

1211-110-32 Optional 3rd Stage Assembly



Item	Part No.	Part Name	Qty.
A	31-21	Ball	6
B	38-303	Compression Spring	1
C	1010-61-13	Ball Retainer	1
D	1010-61-16	Retaining Shaft	1
E	1010-61-17	Thumb Knob	1
F	1010-61-18	Hand Guard	1
G	1211-110-117	Nut	1
H	1211-110-33	3rd Extension Rod	1

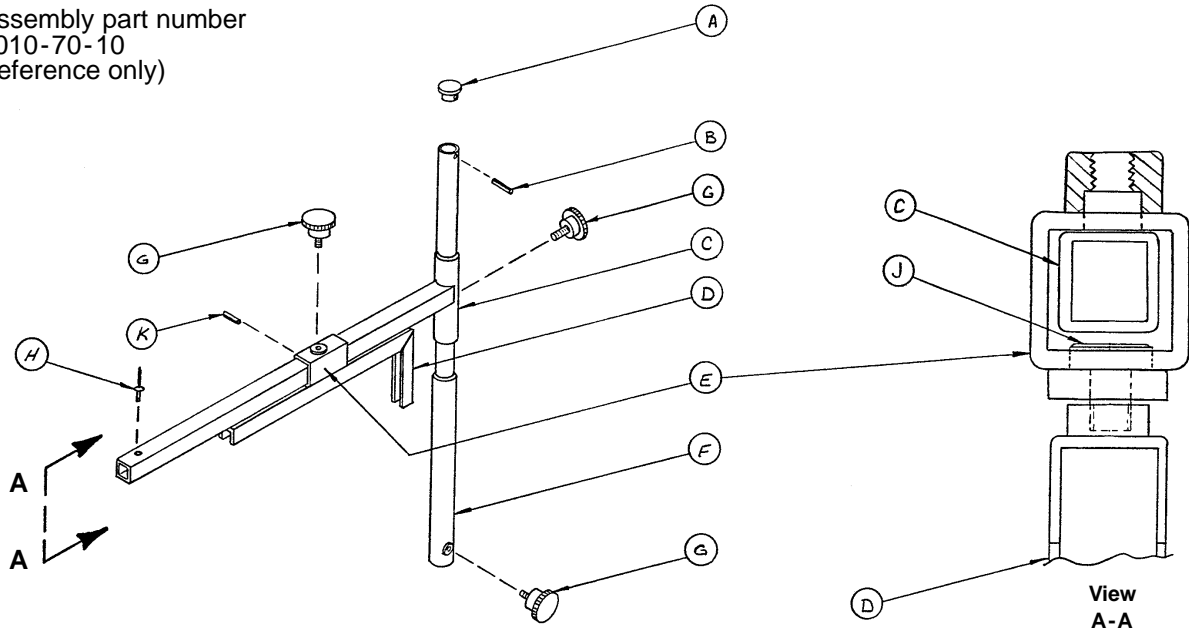
1001-70 C-Spine Cassette Holder Assembly



Item	Part No.	Part Name	Qty.
A	1010-70-25	I.V. Adaptor	2
B	1010-70-18	Specification Label	1
C	11-447	Flat Washer	2
D	4-54	But. Hd. Cap Screw	2
E	(page 53)	Support Pole Assembly	1
F	(page 54)	Storage Bracket Ass'y	1
G	16-118	Nylock Nut	4
H	3-356	Hex Hd. Cap Screw	2
J	1001-70-11	Attachment Bracket	1
K	3-355	Hex Hd. Cap Screw	2

C-Spine Support Pole Assembly

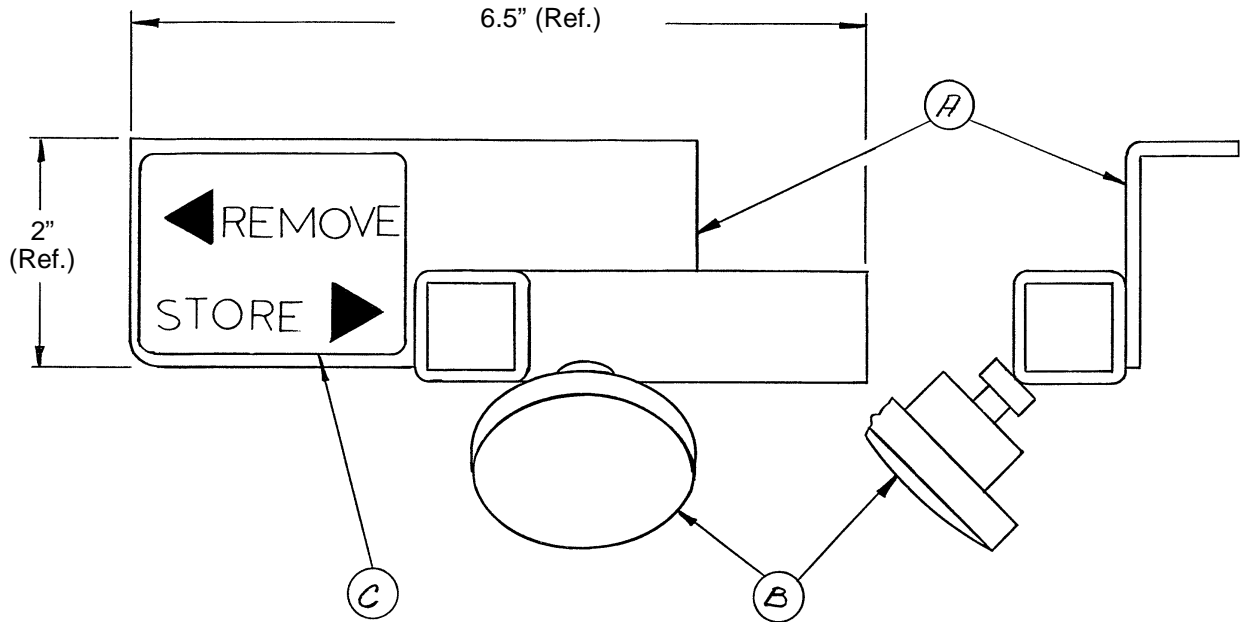
Assembly part number
1010-70-10
(reference only)



Item	Part No.	Part Name	Qty.
A	1010-70-33	Support Tube Cap	1
B	26-6	Roll Pin	1
C	1010-70-34	Support Arm Weldment	1
D	1010-70-42	Cassette Holder Weldment	1
E	1010-70-50	Adjustment Tube Weldment	1
F	1010-70-30	Base Tube Weldment	1
G	1010-70-45	Knob	3
H	25-55	Pop Rivet	1
J	1010-70-44	Pivot Pin	1
K	26-5	Roll Pin	1

C-Spine Storage Bracket Assembly

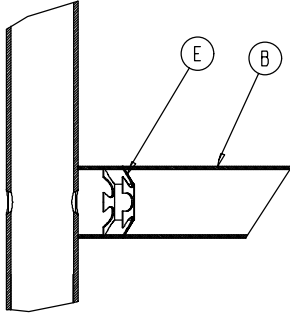
Assembly part number 1010-70-19 (reference only)



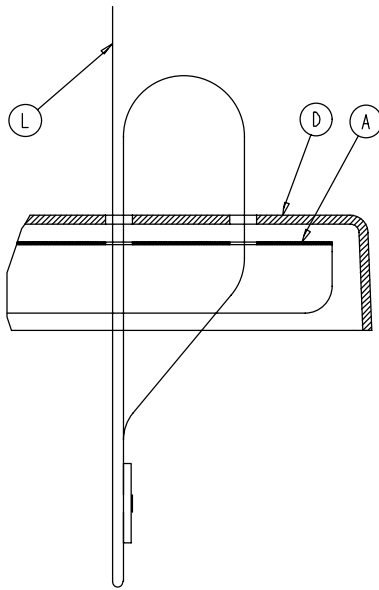
Item	Part No.	Part Name	Qty.
A	1010-70-20	Storage Bracket Weldment	1
B	1010-70-45	Knob	1
C	1010-70-23	Storage Label	1

926-39 Optional Defibrillator Tray Assembly

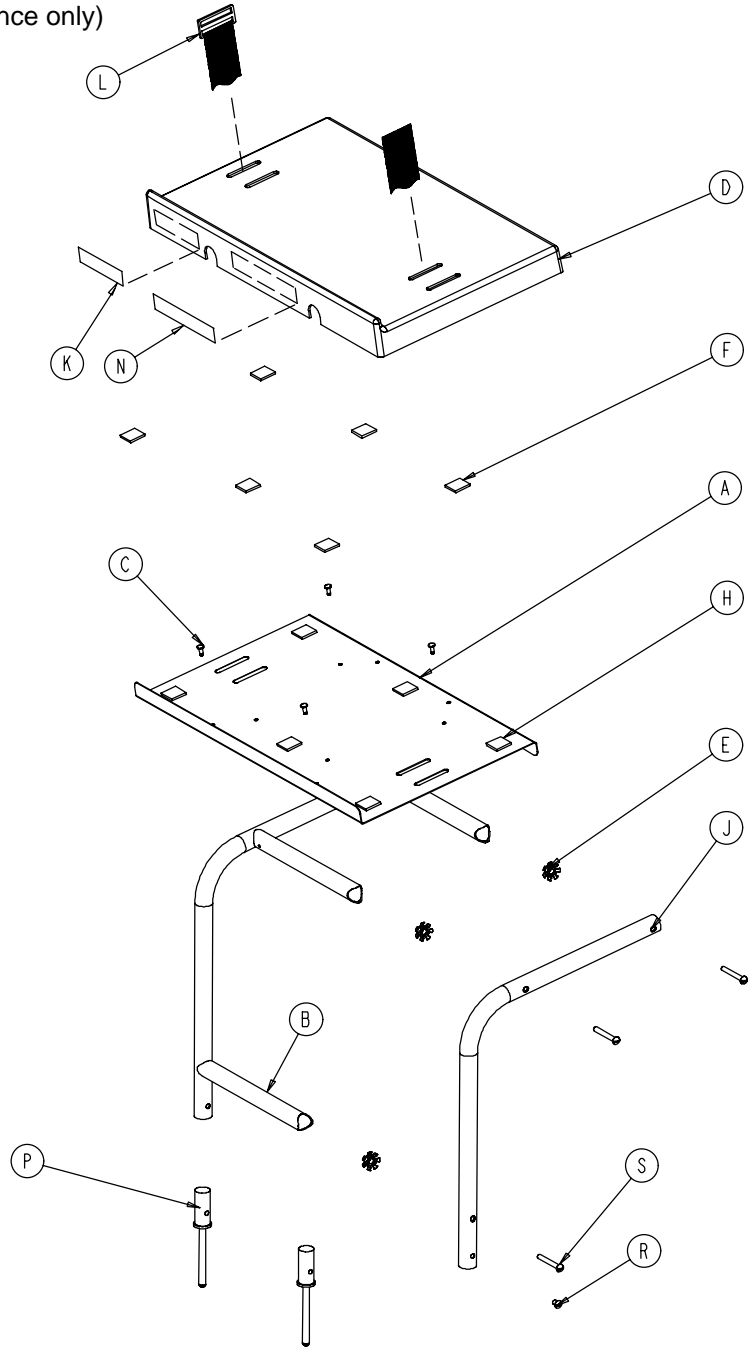
Assembly part number 926-39-10 (reference only)



Umbrella Nut/Crosstube Detail



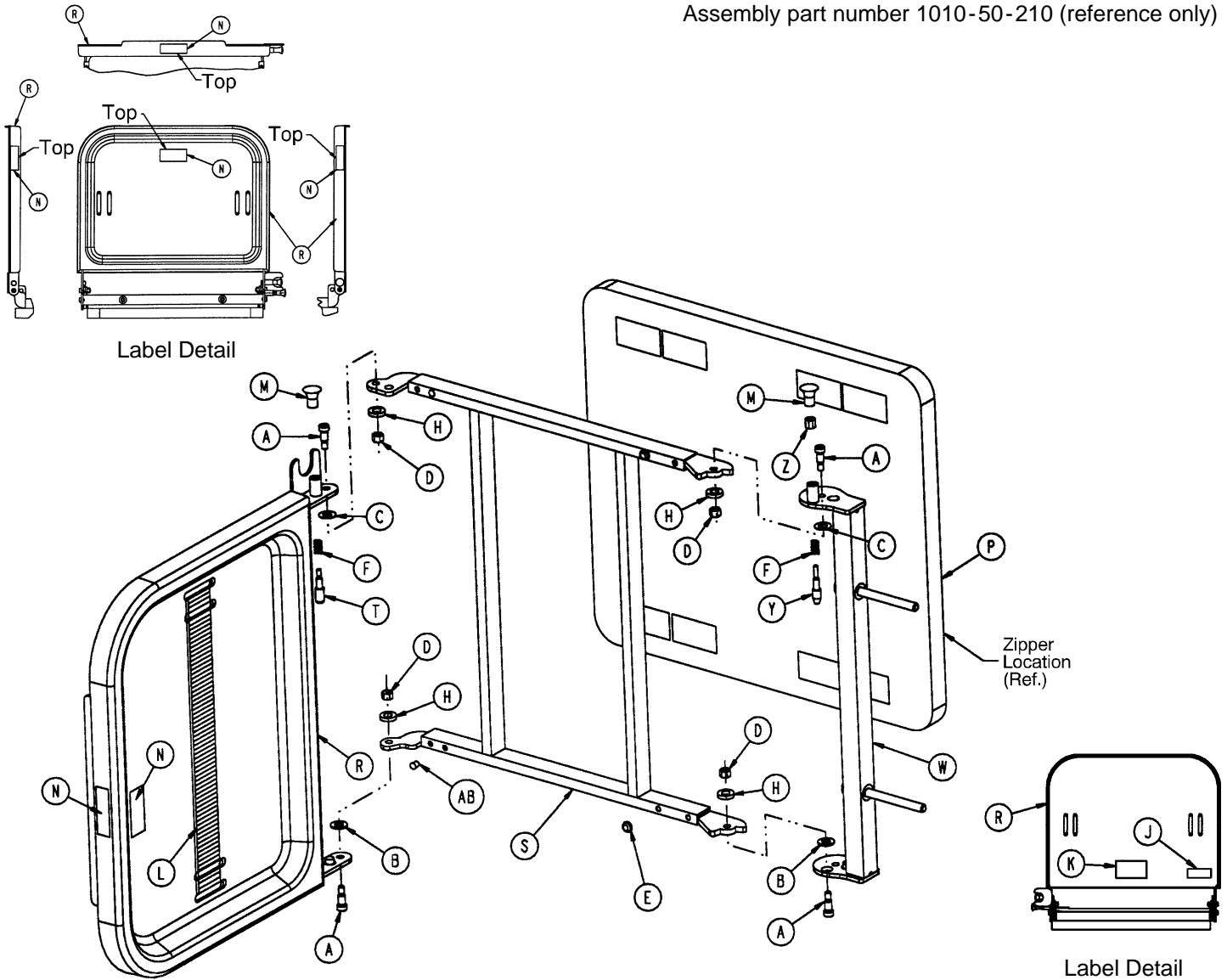
Strap Securing Detail



Item	Part No.	Part Name	Qty.	Item	Part No.	Part Name	Qty.
A	946-39-4	Tray	1	J	946-39-3	Support Tube	2
B	926-39-16	Crosstube	3	K	926-1-82	Label	1
C	25-55	Rivet	4	L	1010-50-21	Long Strap	1
D	926-39-9	Cover	1	N	946-1-283	Label	1
E	18-6	Umbrella Nut	6	P	926-39-15	Holder	2
F	29-8	Dual Lock	6	R	2-44	Screw	2
H	29-10	Dual Lock	6	S	2-105	Rd. Hd. Mach. Screw	6

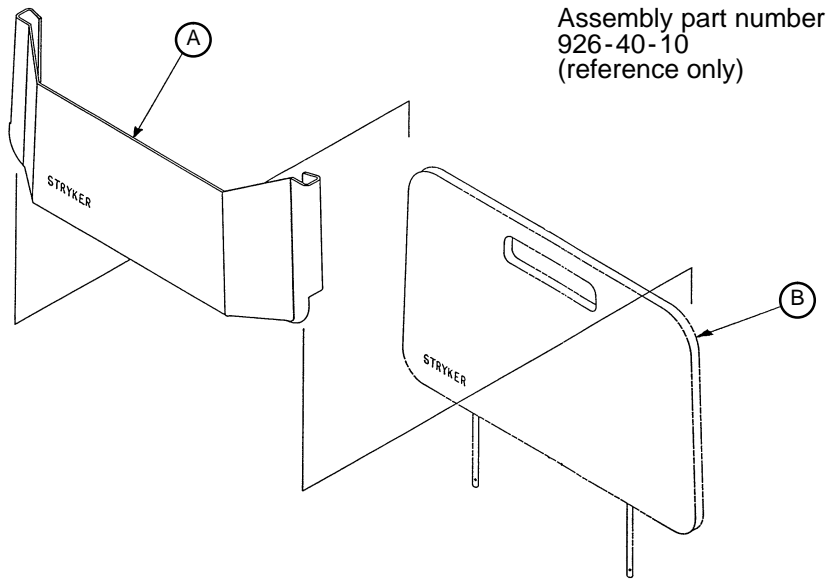
1010-50-100 Foot Extension/Defibrillator Tray Ass'y

Assembly part number 1010-50-210 (reference only)



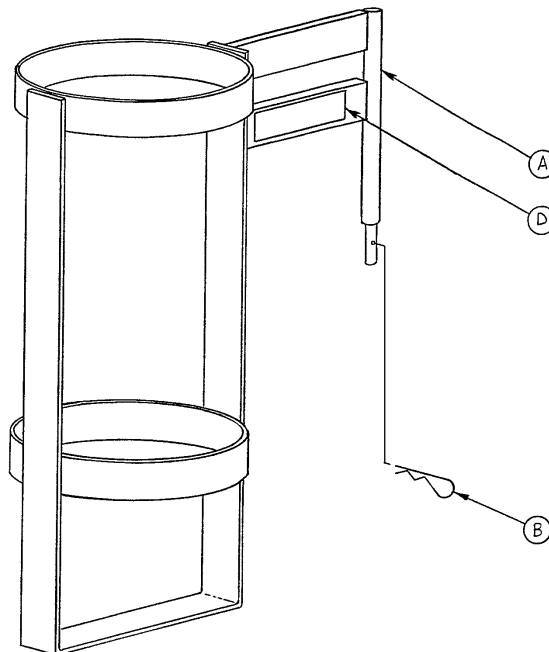
Item	Part No.	Part Name	Qty.	Item	Part No.	Part Name	Qty.
A	8-49	Socket Hd. Shoulder Bolt	4	M	1010-50-50	Knob	2
B	14-20	Nylon Washer	2	N	1010-50-57	"Max. Weight" Label	4
C	14-21	Nylon Washer	2	P	1010-50-205	Cushion Assembly	1
D	16-28	Fiberlock Nut	4	R	1010-50-218	Foot & Tray Board	1
E	37-52	Rubber Bumper	2	S	1010-50-225	Pivot Frame Weldment	1
F	38-133	Spring	2	T	1010-50-242	Pin Lock	1
H	52-17	Spacer	4	W	1010-50-246	Base Mounting Ass'y	1
J	1010-50-17	Specification Label	1	Y	1010-50-248	Lower Pin Lock	1
K	1010-50-19	"Push/Pull" Label	1	Z	1010-50-250	Pin Adjuster	1
L	1010-50-21	Long Strap	1	AB	721-31-65	Hole Plug	2

926-40-100 Foot Board/Chartholder Assembly



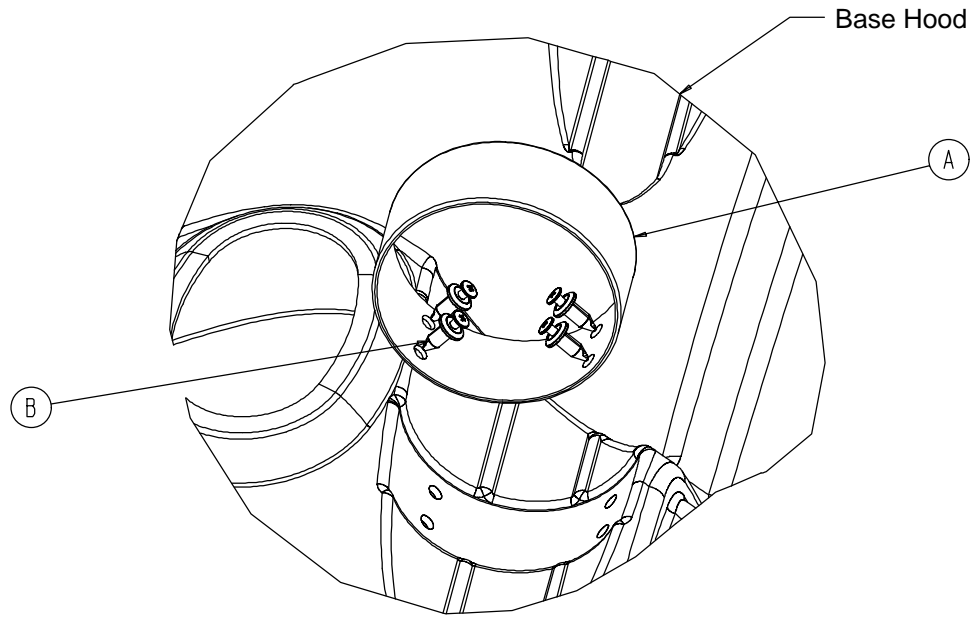
Item	Part No.	Part Name	Qty.
A	946-28-11	Chart Holder	1
B	946-29-6	Foot Board	1

1020-30 Upright Oxygen Bottle Holder Assembly



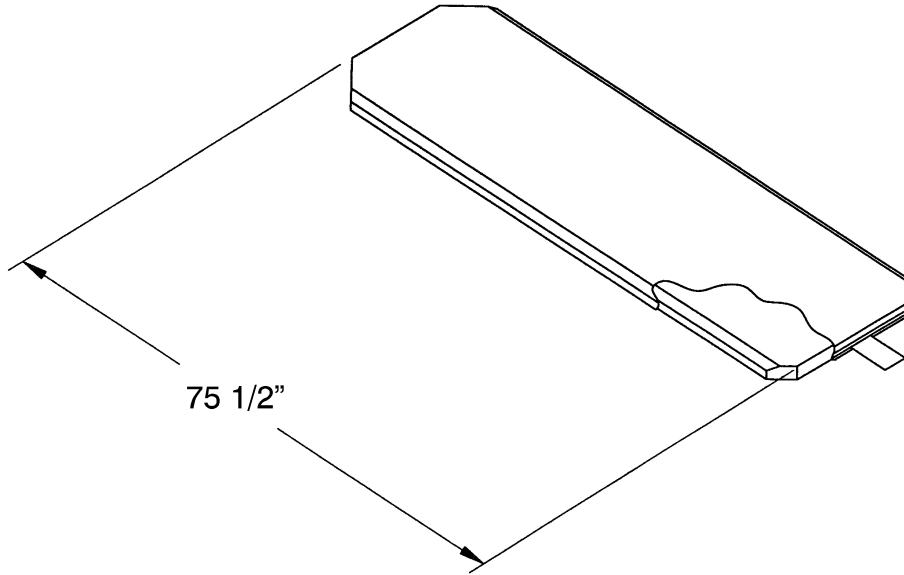
Item	Part No.	Part Name	Qty.
A	1020-30-11	Upright Bottle Holder	1
B	27-12	Cotter Pin	1
D	1020-30-17	Specification Label	1

1040-10-90 Optional O₂ Bottle Retainer Assembly

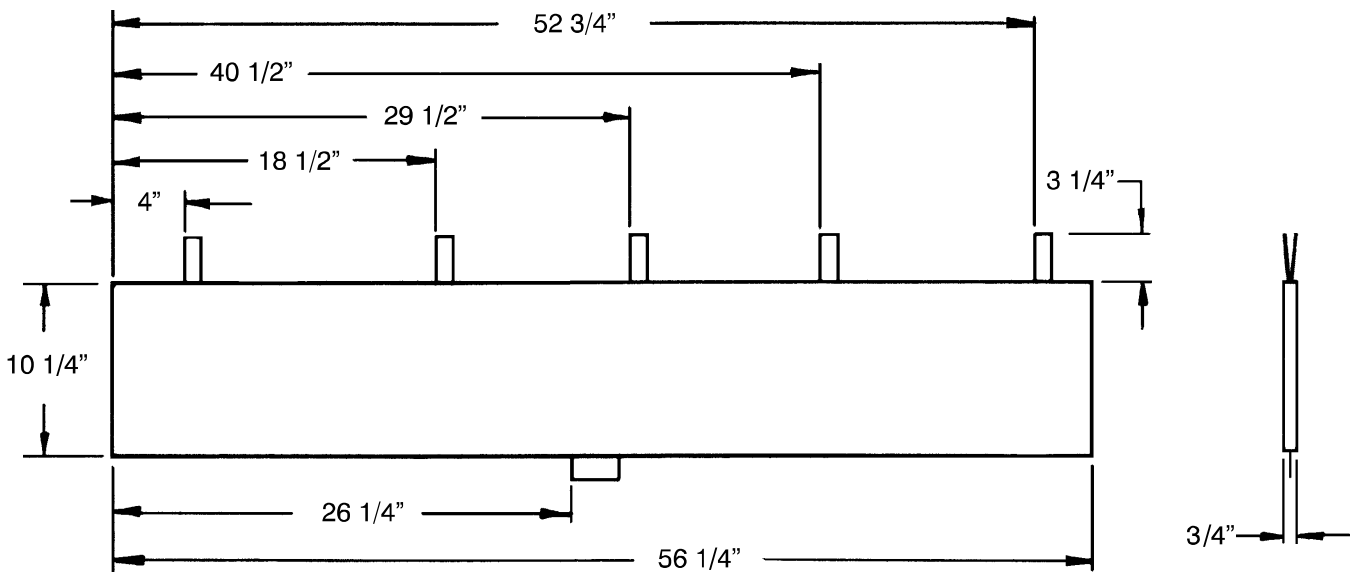


Item	Part No.	Part Name	Qty.
A	1040-10-91	Bottle Retainer	1
B	1040-10-92	Scrulok Fastener	4

Mattresses and Siderail Pads

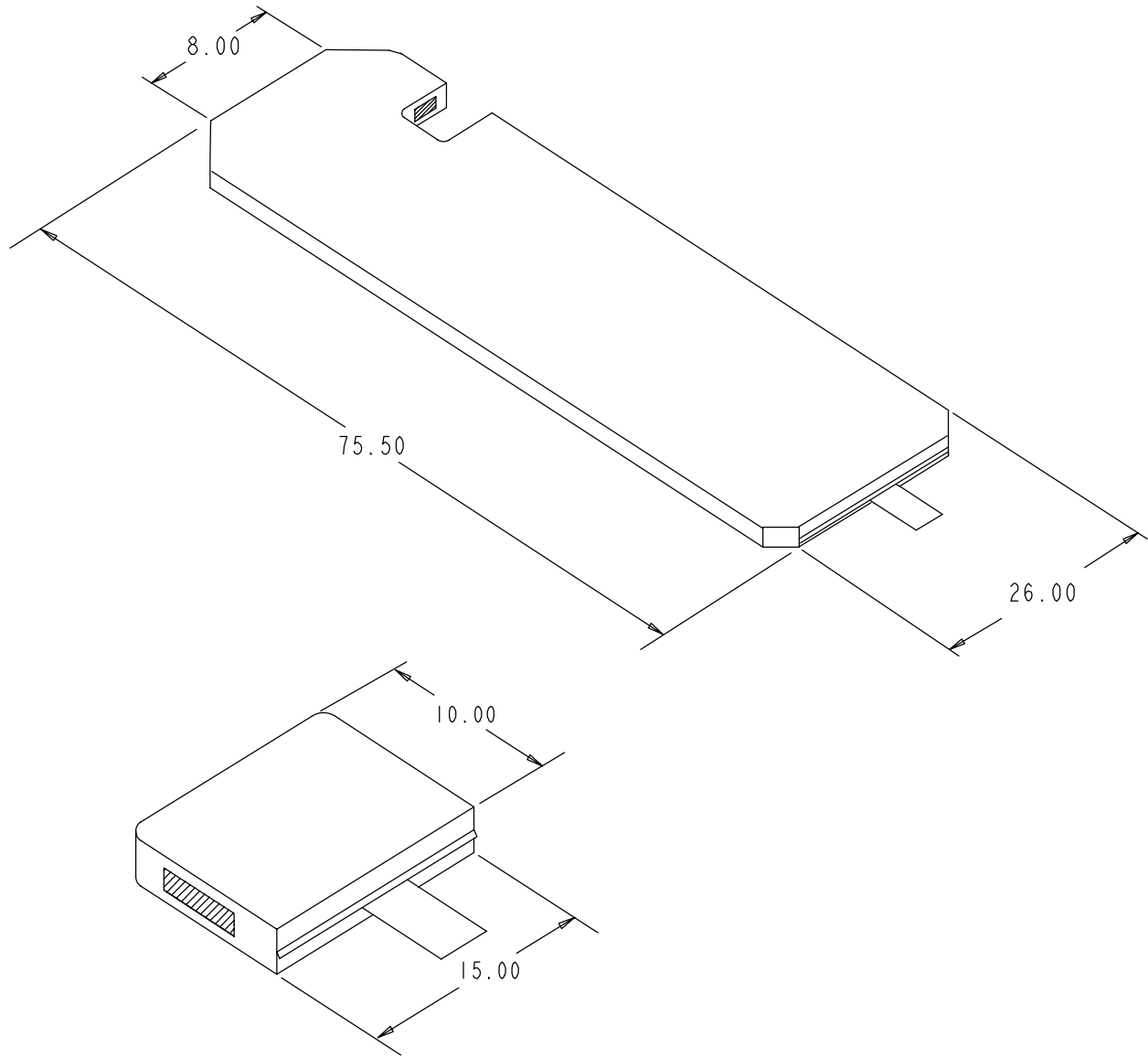


- Mattress, 3" Thick x 24" Wide, Enhanced Comfort part # 721-248-106
- Mattress, 4" Thick x 24" Wide, Enhanced Comfort part # 721-247-106
- Mattress, 3" Thick x 26" Wide, Enhanced Comfort part # 1001-48-106
- Mattress, 4" Thick x 26" Wide, Enhanced Comfort part # 1001-47-106
- Mattress, 3" Thick x 24" Wide, Standard part # 1059-324-140
- Mattress, 4" Thick x 24" Wide, Standard part # 1059-424-140
- Mattress, 3" Thick x 26" Wide, Standard part # 1059-326-140
- Mattress, 4" Thick x 26" Wide, Standard part # 1059-426-140



- Siderail Pad Set part # 1010-52

Echo Mattresses



Mattress, 26" Wide part # 1059-459-10

Cut-Out Mattress part # 1059-426-28

Warranty

Limited Warranty:

Stryker Medical Division, a division of Stryker Corporation, warrants to the original purchaser that its products should be free from defects in material and workmanship for a period of one (1) year after date of delivery. Stryker's obligation under this warranty is expressly limited to supplying replacement parts and labor for, or replacing, at its option, any product which is, in the sole discretion of Stryker, found to be defective. Stryker warrants to the original purchaser that the frame and welds on its beds will be free from structural defects for as long as the original purchaser owns the bed. If requested by Stryker, products or parts for which a warranty claim is made shall be returned prepaid to Stryker's factory. Any improper use or any alteration or repair by others in such manner as in Stryker's judgement affects the product materially and adversely shall void this warranty. Any repair of Stryker products using parts not provided or authorized by Stryker shall void this warranty. No employee or representative of Stryker is authorized to change this warranty in any way.

Stryker Medical stretchers are designed for a 10 year expected life under normal use conditions and appropriate periodic maintenance as described in the maintenance manual for each device.

This statement constitutes Stryker's entire warranty with respect to the aforesaid equipment. STRYKER MAKES NO OTHER WARRANTY OR REPRESENTATION, EITHER EXPRESSED OR IMPLIED, EXCEPT AS SET FORTH HEREIN. THERE IS NO WARRANTY OF MERCHANTABILITY AND THERE ARE NO WARRANTIES OF FITNESS FOR ANY PARTICULAR PURPOSE. IN NO EVENT SHALL STRYKER BE LIABLE HEREUNDER FOR INCIDENTAL OR CONSEQUENTIAL DAMAGES ARISING FROM OR IN ANY MANNER RELATED TO SALES OR USE OF ANY SUCH EQUIPMENT.

To Obtain Parts and Service:

Stryker products are supported by a nationwide network of dedicated Stryker Field Service Representatives. These representatives are factory trained, available locally, and carry a substantial spare parts inventory to minimize repair time. Simply call your local representative, or call Stryker Customer Service at (800) 327-0770.

Service Contract Coverage:

Stryker has developed a comprehensive program of service contract options designed to keep your equipment operating at peak performance at the same time it eliminates unexpected costs. We recommend that these programs be activated *before* the expiration of the new product warranty to eliminate the potential of additional equipment upgrade charges.

A SERVICE CONTRACT HELPS TO:

- Ensure equipment reliability
- Stabilize maintenance budgets
- Diminish downtime
- Establish documentation for JCAHO
- Increase product life
- Enhance trade-in value
- Address risk management and safety

Warranty

Stryker offers the following service contract programs:

SPECIFICATIONS	GOLD	SILVER	PM* ONLY
Annually scheduled preventative maintenance	X		X
All parts,** labor, and travel	X	X	
Unlimited emergency service calls	X	X	
Priority one contact; two hour phone response	X	X	X
Most repairs will be completed within 3 business days	X	X	
JCAHO documentation	X	X	X
On-site log book w/ preventative maintenance & emergency service records	X		
Factory-trained Stryker Service Technicians	X	X	X
Stryker authorized parts	X	X	X
End of year summary	X		
Stryker will perform all service during regular business hours (9-5)	X	X	X

* Replacement parts and labor for products under PM contract will be discounted.

** Does not include any disposable items, I.V. poles (except for Stryker HD permanent poles), mattresses, or damage resulting from abuse.

Stryker Medical also offers *personalized* service contracts.

Pricing is determined by age, location, model and condition of product.

For more information on our service contracts, please call your local representative or call (800) 327-0770 (option #2).

Return Authorization:

Merchandise cannot be returned without approval from the Stryker Customer Service Department. An authorization number will be provided which must be printed on the returned merchandise. Stryker reserves the right to charge shipping and restocking fees on returned items.

SPECIAL, MODIFIED, OR DISCONTINUED ITEMS NOT SUBJECT TO RETURN.

Damaged Merchandise:

ICC Regulations require that claims for damaged merchandise must be made with the carrier within fifteen (15) days of receipt of merchandise. **DO NOT ACCEPT DAMAGED SHIPMENTS UNLESS SUCH DAMAGE IS NOTED ON THE DELIVERY RECEIPT AT THE TIME OF RECEIPT.** Upon prompt notification, Stryker will file a freight claim with the appropriate carrier for damages incurred. Claim will be limited in amount to the actual replacement cost. In the event that this information is not received by Stryker within the fifteen (15) day period following the delivery of the merchandise, or the damage was not noted on the delivery receipt at the time of receipt, the customer will be responsible for payment of the original invoice in full.

Claims for any short shipment must be made within thirty (30) days of invoice.

International Warranty Clause:

This warranty reflects U.S. domestic policy. Warranty outside the U.S. may vary by country. Please contact your local Stryker Medical representative for additional information.



European Representative

Stryker EMEA RA/QA Director
Stryker France
ZAC Satolas Green Pusignan
Av. De Satolas Green
69881 MEYZIEU Cedex
France

stryker[®]
Medical

6300 S. Sprinkle Road, Kalamazoo, MI 49001 - 9799

(800) 327-0770
www.strykermedical.com