

stryker[®]
Medical

965 Wedge Turning Frame

Operations and Maintenance Manual

For Parts or Technical Assistance
800-327-0770

Table of Contents

Introduction	
Specifications	3
Warning/Caution/Note Definition	3
Operation Instructions	
Operating Base Controls	4
Raising And Lowering Litter Height	5
Operating Directional Steering Caster/Fifth Wheel Options	5
Applying The Brake System	5
Operating the Turning Frame	6-8
Preventative Maintenance	
Checklist	9
Cleaning	10
Service Information	
Caster Assembly Replacement	11
Caster Cover Installation and Removal	12
Brake Cam Replacement	13
Brake Ring Replacement	13
Brake Adjustment	14
Fifth Wheel Replacement	14
Base Side Control Brake/Steer Gear Replacement	15
Jack Replacement	16
Jack Assembly Torque Specification	17
Hydraulic System Troubleshooting	17
Removal Of Excess Air (Vacuum) From The Hydraulic System	17
Checking Hydraulic Fluid Level	18
Jack Descent Rate Adjustment	18
Hydraulic Check Valve Replacement	
Replacement of Valve #1	19
Replacement of Valve #2	20
Replacement of Valve (Poppet) #3	20
Base Lubrication Points	21
Replacement Parts and Accessories	22
Assembly Drawings and Parts Lists	
Base Assembly	24-27
Brake Adjuster Assembly	28
Brake Cam Assembly	29
Pump Pedal Assembly	30, 31
Base Assembly with Steerlock Caster Option	32
Standard Caster Assembly	33
Caster Assembly with Steerlock	34
Base Assembly with Fifth Wheel Option	35

Table of Contents

Assembly Drawings and Parts Lists (Continued)

Pivot Rod Assembly	36
Wheel Arm Assembly	37
Jack Assembly	38
Jack Base Assembly	39
Pump Piston Assembly	40
Base Labeling Assembly	42, 43
Top Assembly	44, 45
Carrier Assembly	46
Yoke Assembly	47
Support Tube Swivel Assembly	48
Swivel Bracket Assembly	49
Pin Assembly	50
Knurled Nut Assembly	50
Ring Assembly	51
Tray & Tube Assembly	52
Arm Board Assembly	53
Posterior Frame Assembly	54
Anterior Frame Assembly	55
Traction Swivel Assembly	56
Mirror Assembly	57
Overhead Grasping Bar Assembly	58
Face Piece Assembly	59
Face Piece Frame Assembly	60
Accessory Stand Assembly	61
Oxygen Bottle Holder Assembly	62
Foot Support Assembly	63
Stainless Steel Bed Pan Assembly	64
Warranty	
Obtaining Parts and Service	65
Supplemental Warranty Coverage	65
Return Authorization	66
Freight Damage Claims	66

Introduction

INTRODUCTION

This manual is designed to assist you with the operations and maintenance of the 965 Wedge Turning Frame. Read it thoroughly before using the equipment or beginning any maintenance on it.

SPECIFICATIONS

Maximum Weight Capacity	250 pounds
Overall Bed Length / Width	95" / 31"
Minimum / Maximum Bed Height (to posterior frame)	33.5" /46.5"
Trendelenburg / Reverse Trendelenburg	+18 to -18°

Stryker reserves the right to change specifications without notice.

WARNING / CAUTION / NOTE DEFINITION

The words WARNING, CAUTION and NOTE carry special meanings and should be carefully reviewed.

WARNING

The personal safety of the patient or user may be involved. Disregarding this information could result in injury to the patient or user.

CAUTION

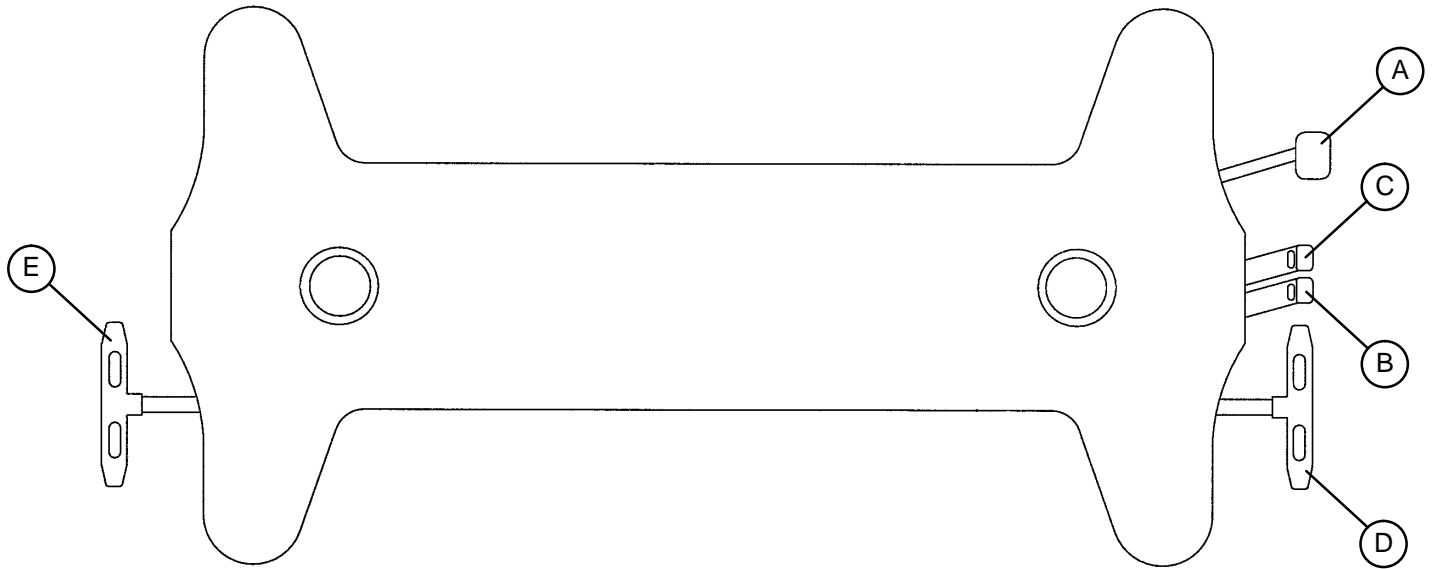
These instructions point out special procedures or precautions that must be followed to avoid damaging the equipment.

NOTE

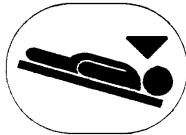
This provides special information to make maintenance easier or important instructions clearer.

Stretcher Operation

OPERATING BASE CONTROLS



(A) Pump to raise litter.

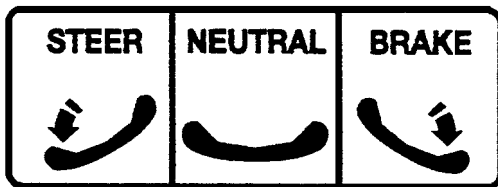


(B) Depress to lower head end.

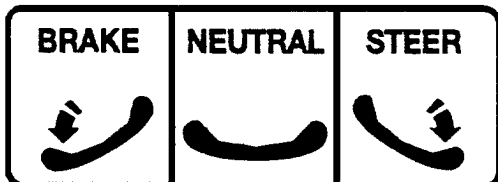


(C) Depress to lower foot end.

Note: Depress B & C together to lower both ends of the litter simultaneously.



(D) Brake and Steer functions (foot end)



(E) Brake and Steer functions (head end)

Stretcher Operation

RAISING AND LOWERING LITTER HEIGHT

To **raise** the litter height, pump pedal (A) repeatedly until the desired height is achieved (see illustration on page 4).

To **lower** both ends of the litter simultaneously, depress pedal (B) and (C) together using the same foot. To lower only the head end of the litter, depress pedal (B). To lower only the foot end of the stretcher, depress pedal (C) (see illustration on page 4). The base may be equipped with optional variable descent controls. With variable descent controls, the farther you press down on the pedal, the faster the litter will lower.

TRENDELENBURG/REVERSE TRENDELENBURG

NOTE

Litter height must be raised first in order to achieve a trend. or reverse trend. position.

CAUTION

Be sure to remove any equipment that may be in the way before lowering stretcher.

For **Trendelenburg** positioning (head down), depress pedal (B) (see illustration, page 4).

For **Reverse Trendelenburg** positioning (foot down), depress pedal (C) (see illustration on page 4).

APPLYING THE BRAKE SYSTEM

NOTE

For user convenience, the brake/steer pedal is located on both ends of the stretcher.

WARNING

Always apply the caster brakes when a patient is getting on or off the stretcher. Push on the stretcher to ensure the brakes are securely locked. Always engage the brakes unless the stretcher is being moved. Injury could result if the stretcher moves while a patient is getting on or off the stretcher. If brakes do not hold properly, refer to your stretcher maintenance manual for a brake adjustment procedure.

To engage the brakes on the head end, push fully down on the left side of pedal (E) (see page 4).

To engage the brakes on the foot end, push fully down on the right side of pedal (D) (see page 4).

NOTE

Your stretcher may be equipped with optional side control brake and steer functions in addition to the standard head and foot end controls. The side control brakes operate the same as the head and foot end versions. They are indicated by a label on each side of the stretcher base.

OPERATING DIRECTIONAL STEERING CASTER/5TH WHEEL OPTIONS

The purpose of the steer wheel and 5th wheel options are to help guide the stretcher when transporting a patient along a straight line and also for pivoting at corners.

To engage the steer wheel/5th wheel, push the proper side of the brake/steer pedal to the full down position.

NOTE

Stretchers cannot be equipped with both steering caster and fifth wheel options. The choice was made at the time the stretcher was purchased.

The steer wheel is located at the foot end of the stretcher on the patient's left. The 5th wheel is located underneath the center of the base assembly.

Turning Frame Operation Instructions

WARNING

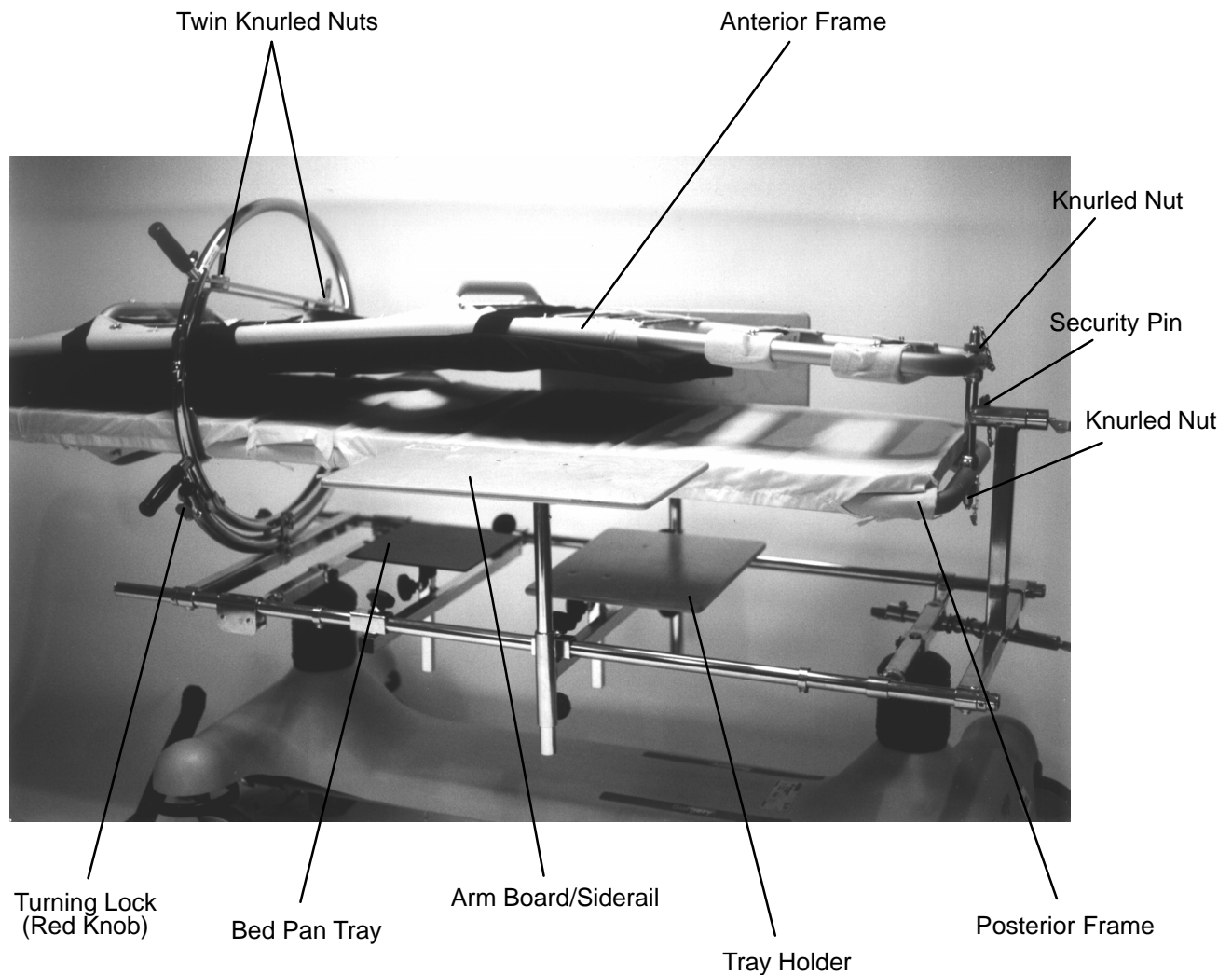
Read the operation instructions completely before operating the turning frame.

The 965 is equipped with a security pin. All operators should be aware of its use and the need to remove the security pin prior to turning the bed.

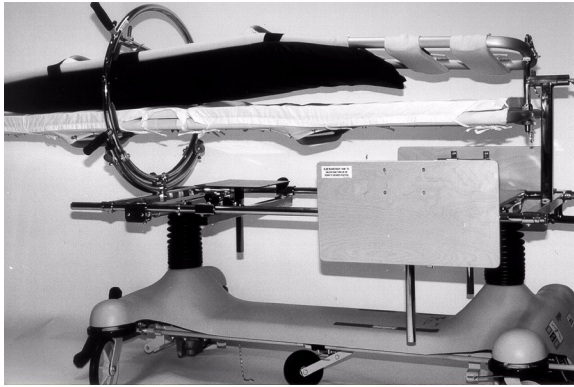
Maximum allowable patient weight is 250 pounds (113 kilograms).

The knurled nut securing the anterior and posterior frames should be kept tightened at all times.

Set the caster brakes at all times except when transporting the patient.



Turning Frame Operation Instructions



1. This view shows the frame and covers, illustrating the “wedging” which prevents the patient from sliding out during the turning process. The center section on the posterior frame is dropped for bedpan service by releasing the hooks at the pointed end of the canvas. Arm boards can be positioned to support the bedpan.

WARNING

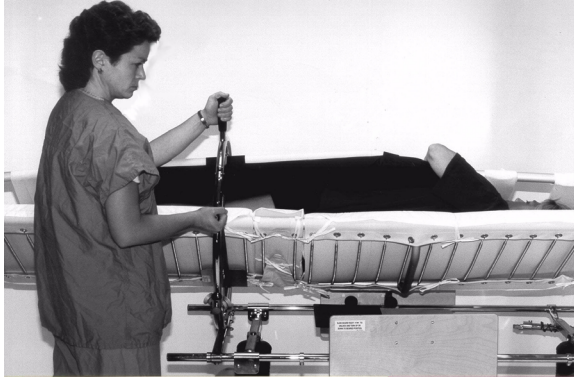
The knurled nuts *must* be kept tight at all times.
The caster brakes must be on at all times (except when moving the equipment).

2. Before placing the patient on the posterior frame, insert the security pin at the head end of the frame. To receive the patient, the posterior frame is placed on the half of the ring marked “posterior frame” and the head end is fastened to the bolt marked “posterior frame”. The opposites are marked “anterior” for the anterior frame. The turning handles should always be on the patient’s left side. The anterior half of the ring may be removed for easier transfer. To remove: unlock and open ring completely and slide the anterior half off the hinge pin (toward the head end). To replace the half ring, reverse the process.



3. Before turning the patient, insert the anterior half of the ring and fasten the end of the anterior frame securely with the knurled nut at the head end of the bed. Lower the anterior frame over the patient. Secure the frame snugly over the patient by closing the ring over the anterior frame until it locks with an audible “click”. If there is too much pressure on a large patient or too little pressure on a thin patient when the ring is completely closed, unlock the ring and adjust the frame by turning the twin knurled nuts on the anterior frame either up or down.

Turning Frame Operation Instructions

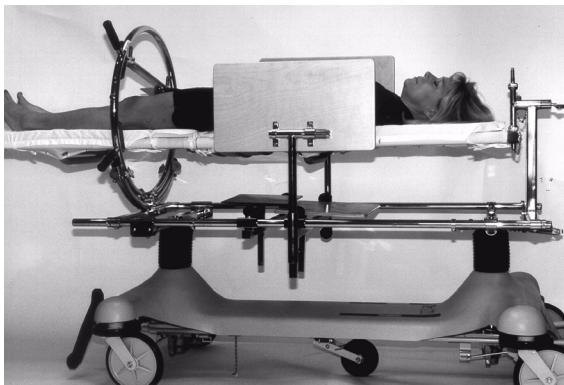


4. To turn the patient, lower the arm boards out of the way and ask the patient to fold his/her arms over the anterior frame. Remove the security pin from the head end of the frame. Pull out the red knob (turning lock) and turn the patient over with the turning handles. The turning lock automatically locks when the lower frame is horizontal and level. The security pin should be immediately inserted in the head end of the frame. The turning motion will always be to the patient's right. Restraint straps should be used for larger patients and when the patient doesn't have use of his/her arms.

5. While the patient is on the anterior frame, unlock and open the ring and remove the posterior frame. Close the ring until it locks with an audible "click". Adjust the position of the arm boards and the table for reading. The arm boards can be moved up and down, forward and back, and tilted and locked in any one of four positions. When the patient is on the anterior frame, elevate the head end 2 inches for increased comfort.



6. For added security, or when the patient is unattended, close the ring over the patient and turn the arm boards up to use as side boards. Ensure the safety pin has been inserted. Restraint straps should be used to secure the patient.



CERVICAL
TRACTION



Turning Frame Operation Instructions

These labels are essential to the safe operation of the Wedge Turning Frame. If they are not present and in good condition, they must be replaced.

**LOWER HEAD JACK 1" OR MORE FROM
MAXIMUM UP POSITION BEFORE LOWERING
FOOT JACK FOR REVERSE TRENDELENBERG POSITION**

part number 965-1-30

**MAXIMUM WEIGHT
250 LBS = 113.39 KGS**

part number 124-1-129

**ATTENTION
FOR ADJUSTMENT ON EXTRA
HEAVY PATIENTS SEE INSTRU-
CTION DECAL ON MAIN FRAME.**

part number 124-1-59

POSTERIOR

part number 124-1-53

ANTERIOR

part number 124-1-58

SECURITY LOCKING PIN

part number 124-1-35

**ALIGN ANTERIOR FRAME ON
THE SUPPORT BAR IN THE
TURNING RING. THEN TIGHTEN
KNURLED NUT.**

part number 965-1-31

**KNURLED NUT
TIGHTEN SECURELY BEFORE
TURNING PATIENT**

part number 124-1-98

**SLIDE BOARD RIGHT → TO
UNLOCK AND TURN UP OR
DOWN TO DESIRED POSITION**

part number 124-1-107

**REMOVE SECURITY
PIN AT SWIVEL
BEFORE ROTATING.**

part number 124-1-130

**CAUTION THIS BAR MAY BE ADJUSTED TO PATIENTS THICKNESS.
NEVER COMPLETELY REMOVE THIS BAR SPACER NUTS MAY BE REMOVED FOR SPECIAL CASES.
ALWAYS TIGHTEN NUTS BEFORE ROTATING PATIENT.**

part number 124-1-65

Notes

Preventative Maintenance

CHECKLIST

- _____ All fasteners secure (reference all assembly prints)
- _____ Engage brake pedal and push on the stretcher to ensure all casters lock securely (page 14)
- _____ Steer function working properly
- _____ All casters secure and swivel properly
- _____ Oxygen bottle holder intact and operating properly
- _____ Trendelenburg/Reverse Trendelenburg operating properly
- _____ No rips or cracks in mattress cover
- _____ Ground chain intact
- _____ No leaks at hydraulic connections
- _____ Hydraulic jacks holding properly (page 17)
- _____ Hydraulic drop rate set properly (page 18)
- _____ Hydraulic oil level sufficient (page 18)
- _____ Lubricate where required, including the brake adjuster assembly and brake cam (page 14)
- _____ Accessories and mounting hardware in good condition and working properly

Serial No. _____

Completed By: _____ Date: _____

NOTE

Preventative maintenance should be performed at a minimum of annually. A preventative maintenance program should be established for all Stryker Medical equipment. Preventative maintenance may need to be performed more frequently based on the usage level of the product.

NOTE

References to the right or left side of the stretcher refer to the right and left sides of a patient lying face up on the stretcher.

Cleaning

Hand wash all surfaces of the stretcher with warm water and mild detergent. Dry thoroughly. **DO NOT STEAM CLEAN, PRESSURE WASH, HOSE OFF OR ULTRASONICALLY CLEAN.** Using these methods of cleaning is **not** recommended and may void this product's warranty.

Clean Velcro **AFTER EACH USE**. Saturate Velcro with disinfectant and allow disinfectant to evaporate. (Appropriate disinfectant for nylon Velcro should be determined by the hospital.)

In general, when used in those concentrations recommended by the manufacturer, either phenolic type or quaternary type disinfectants can be used. Iodophor type disinfectants are not recommended for use because staining may result. The following products have been tested by the Herculite Laboratory and have been found not to have a harmful effect **WHEN USED IN ACCORDANCE WITH MANUFACTURERS RECOMMENDED DILUTION.***

TRADE NAME	DISINFECTANT TYPE	MANUFACTURER	*MANUFACTURER'S RECOMMENDED DILUTION
A33	Quaternary	Airwick (Professional Products Division)	2 ounces/gallon
A33 (dry)	Quaternary	Airwick (Professional Products Division)	1/2 ounce/gallon
Beaucoup	Phenolic	Huntington Laboratories	1 ounce/gallon
Blue Chip	Quaternary	S.C. Johnson	2 ounces/gallon
Elimstaph	Quaternary	Walter G. Legge	1 ounce/gallon
Franklin Phenomysan F2500	Phenolic	Purex Corporation	1 1/4 ounce/gallon
Franklin Sentinel	Quaternary	Purex Corporation	2 ounces/gallon
Galahad	Phenolic	Puritan Churchill Chemical Company	1 ounce/gallon
Hi-Tor	Quaternary	Huntington Laboratories	1/2 ounce/gallon
LPH	Phenolic	Vestal Laboratories	1/2 ounce/gallon
Matar	Phenolic	Huntington Laboratories	1/2 ounce/gallon
Omega	Quaternary	Airwick (Professional Products Division)	1/2 ounce/gallon
Quanto	Quaternary	Huntington Laboratories	1 ounce/gallon
Sanikleen	Quaternary	West Chemical Products	2 ounces/ gallon
Sanimaster II	Quaternary	Service Master	1 ounce/gallon
Vesphene	Phenolic	Vestal Laboratories	1 1/4 ounce/ gallon

Quaternary Germicidal Disinfectants, used as directed, and/or Chlorine Bleach products, typically 5.25% Sodium Hypochlorite in **dilutions ranging between 1 part bleach to 100 parts water, and 2 parts bleach to 100 parts water are not considered mild detergents. These products are corrosive in nature and may cause damage to your stretcher if used improperly.** If these types of products are used to clean Stryker patient handling equipment, measures must be taken to insure the stretchers are rinsed with clean water and thoroughly dried following cleaning. Failure to properly rinse and dry the stretchers will leave a corrosive residue on the surface of the stretcher, possibly causing premature corrosion of critical components.

NOTE

Failure to follow the above directions when using these types of cleaners may void this product's warranty.

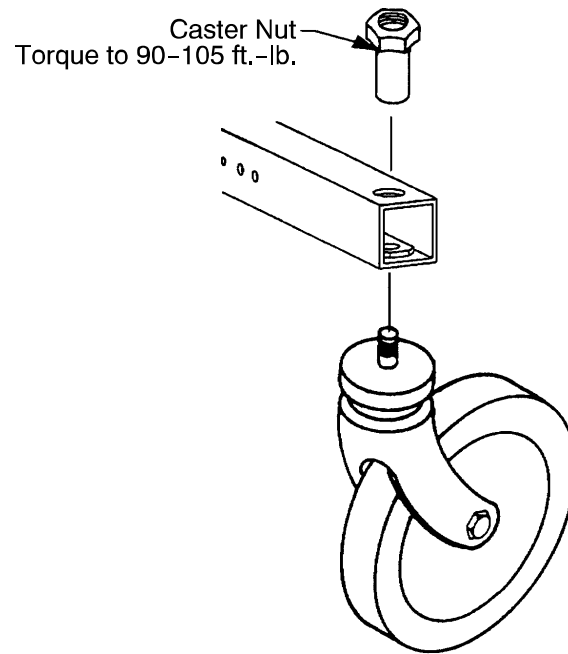
REMOVAL OF IODINE COMPOUNDS

This solution may be used to remove iodine stains from mattress cover and foam footrest pad surfaces.

1. Use a solution of 1-2 tablespoons Sodium Thiosulfate in a pint of warm water to clean the stained area. Clean as soon as possible after staining occurs. If stains are not immediately removed, allow solution to soak or stand on the surface.
2. Rinse surfaces which have been exposed to the solution in clear water before returning bed to service.

Service Information

CASTER ASSEMBLY REPLACEMENT



1. Remove the old caster assembly.
2. Install the replacement caster and caster nut. Tighten the caster nut to 90-105 ft.-lb. with a torque wrench.

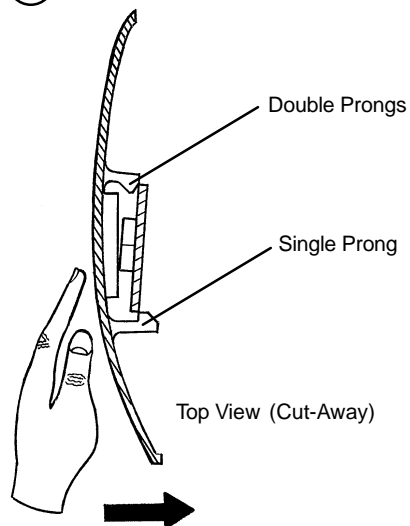
NOTE

A new caster assembly with a 3M patch does not require the application of Loctite at assembly. However, the patch is appropriate for only one installation. If the caster is removed and reassembled for any reason, apply Loctite 242 to two or three threads of both the bolt and caster nut and tighten to 90-105 ft.-lb. with a torque wrench.

Service Information

CASTER COVER INSTALLATION AND REMOVAL

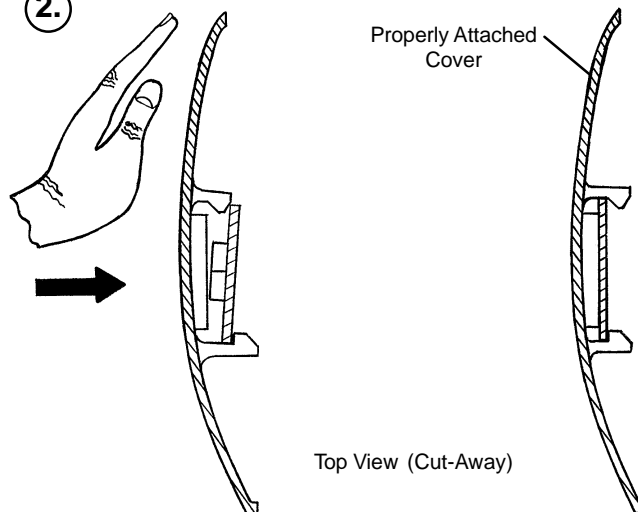
1.



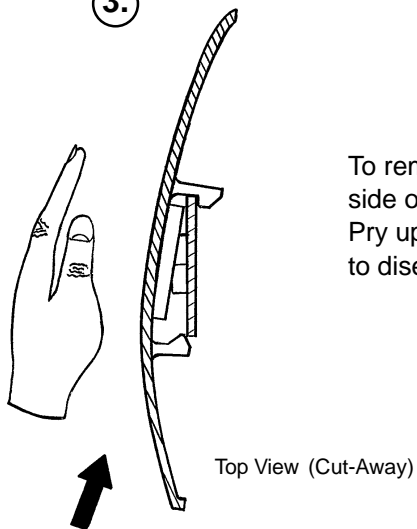
Looking through the larger of the two side cut-outs, align cover with axle nut or bolt head, as shown. Push down on the opposite side of the cover until single prong engages with caster horn.

Push with palm on cover until double prongs engage.

2.



3.



To remove wheel cover, insert large screwdriver into cut-out in side of wheel cover and into the space between the double prongs. Pry up cover to disengage double prongs and push sharply upward to disengage single prong.

Service Information

BRAKE CAM REPLACEMENT

Brake Cam Part Number 715-201-213

Required Tools:

Phillips Screwdriver	String or Bungee Cord	3/32" Allen Wrench
1/8" Allen Wrench		

Procedure:

1. Remove the four Phillips screws holding the base hood to the frame. Lift and support the base hood using string or bungee cord.
2. Using a 3/32" Allen wrench, loosen the set screw holding the brake adjuster to the brake ring and turn the adjuster clockwise to remove it.
3. Using a 1/8" Allen wrench, remove the shoulder bolt and nut holding the brake link on the cam and remove the cam.
4. Reverse steps 3 and 4 to install the new cam. Verify the brakes are operating properly. If adjustment is required, see page 14. Reinstall the base hood.

BRAKE RING REPLACEMENT

Brake Ring Part Number 715-1-61

Required Tools:

Phillips Screwdriver	String or Bungee Cord	Floor Jack, Small Crate (or equiv.)
Large Standard Screwdriver	3/32" Allen Wrench	11/16" Socket & Ratchet
5/8" Wrench	Needle-Nose Pliers	(2) 7/16" Wrenches

Procedure:

1. Remove the four Phillips screws holding the base hood to the frame. Lift and support the base hood using string or bungee cord. Put the brake/steer pedal in the neutral position. Lift the end of the base needing service until the casters are approximately 12" off the floor and support it with a jack or the equivalent.
2. Using a 3/32" Allen wrench, loosen the set screw holding the brake adjuster to the brake ring and turn the adjuster clockwise to remove it.
3. Remove the caster covers on both casters (see page 12).
4. Remove one of the casters (see page 11). On the other caster, use an 11/16" socket and ratchet and a 5/8" wrench to remove the nut and bolt holding the wheel on the caster horn and remove only the wheel.
5. Using needle-nose pliers, carefully squeeze and remove the spring between the brake cam and the brake ring.

WARNING

The spring is tightly compressed. Use caution when removing it or personal injury could result.

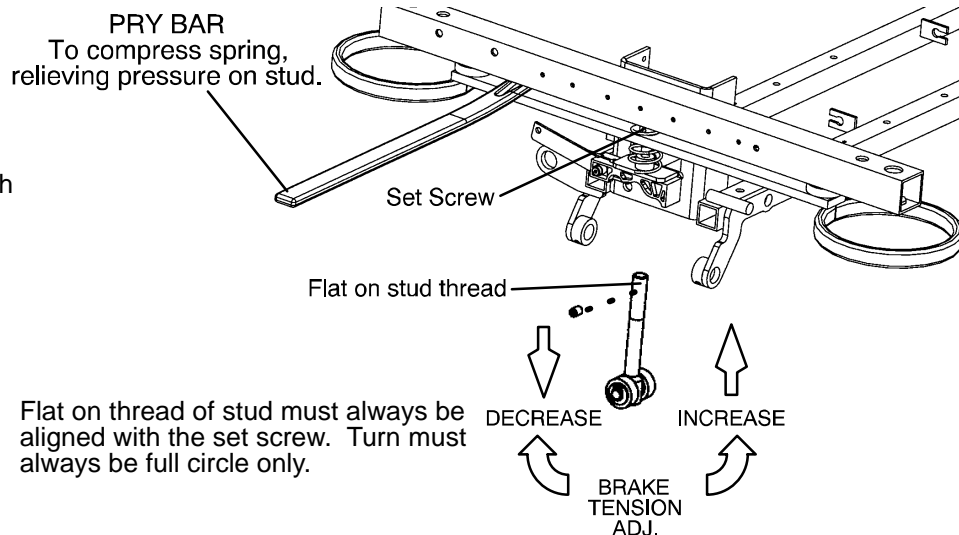
6. If you are working on an end control base, remove the spring from the pump pedal.
7. Lower the brake ring and remove it from the base. Remove the brake pads and bushings and install them on the new brake ring.
8. Reverse the above steps to install the new brake ring and reinstall the caster and wheel. Apply and release the brakes to verify they operate properly. If adjustment is required, see page 14. Reinstall the base hood.

Service Information

BRAKE ADJUSTMENT

Required Tools:

3/32" Hex Allen Wrench
Pry Bar
Thread "Locktite"



FIFTH WHEEL REPLACEMENT

Required Tools:

Pliers
(2) 9/16" Box End Wrenches
String or Bungee Cord
3/16" Allen Wrench

Procedure:

1. Apply the stretcher brakes.
2. Pump the litter up to full height.
3. Lift and support the base hood using string or bungee cord.
4. Using pliers, remove the cotter pin from the end of the fifth wheel pivot rod and remove the two washers.
5. Pull up on the fifth wheel arm and pull down on the tension spring to release the pressure on the arm.
6. Using a 3/16" Allen wrench, remove the hex Allen bolt from the center of the pivot rod and pull the pivot rod out of the wheel arm.
7. Reverse the above steps to install a new fifth wheel assembly.

NOTE

To replace the wheel only, use two 9/16" box end wrenches to remove the bolt and nut holding it to the wheel arm.

Service Information

BASE SIDE CONTROL BRAKE/STEER GEAR REPLACEMENT

Required Tools:

Pliers	String or Bungee Cord	Floor Jack or Equivalent
1/8" Allen Wrench	5/32" Allen Wrench	3/8" Box End Wrench
(2) 9/16" Box End Wrenches	3/16" Punch	1/4" Punch
Hammer		

Procedure:

1. Apply the stretcher brakes.
2. Pump the litter up to full height.
3. Lift and support the base hood using string or bungee cord.
4. Using pliers, remove the cotter pins from both jack pump pistons and the pump linkage.
5. Using the 9/16" box end wrenches, remove the two bearing plate bolts.
6. Remove the cotter pin on the side brake bar.
7. Remove the bearing plate and pull out the idler gear rod while holding onto the gear. Lift the gear out.
8. Slide the miter gear away from the rod spacer and remove the dowel pin.
9. Using the floor jack, raise the side of the base you are working on approximately four inches.
10. Rotate the brake bar so the pedals are upside down.
11. Using a 1/4" punch and a hammer, remove the groove pin from the side brake rod.
12. Using a 3/16" punch and hammer, remove the 3/16" groove pin from the pedal.
13. Using a 5/32" Allen wrench, remove the set screw from the collar inside the gear box.
14. Remove the brake rod while holding the gear on the rod.
15. Using a 1/8" Allen wrench and a 3/8" box end wrench, remove the nuts and bolts holding the brake link to the rod.
16. Using a 5/32" Allen wrench, remove the set screw from the collar outside of the gear box.
17. Using a 1/4" punch, remove the roll pin from the cam and brake link collar.
18. Reverse the above steps to install the replacement gear.
19. Inspect each gear for wear. Lube with MPG-2 grease or the equivalent if necessary.

Service Information

JACK REPLACEMENT (WITHOUT COMPRESSION SPRING)

Required Tools:

3/8" Wrench

1/2" Socket

1/2" Wrench

Needle-Nosed Pliers

Replacement Procedure:

1. Apply stretcher brakes. Raise litter to full up. Raise Fowler to full up and raise siderails.
2. Use a 3/8" wrench to remove the bolt in the litter support tube above black bellows on both ends.
3. With the assistance of another person, lift off the stretcher litter and set it aside, taking care not to damage the siderails, etc.
4. Push down on the jack actuator to put the jack in the full down position.
5. Lift off the plastic base hood, separating the Velcro holding it to the base frame.
6. Using a 1/2" socket and 1/2" wrench, remove the four bolts, washers and nuts holding the jack support straps to the base frame.
7. Using needle-nosed pliers, remove the two cotter keys on the pump link and remove the pump link.
8. Using a 1/2" socket and a 1/2" wrench, remove the four bolts holding the jack base to the base frame (using a 3" extension may be required). Remove the jack from the base frame.
9. Reverse steps 6-8 to install the replacement jack. Reinstall the base hood and the stretcher litter.

JACK REPLACEMENT (WITH COMPRESSION SPRING)

Required Tools:

3/8" Wrench

Needle-Nosed Pliers

Straight Screwdriver

Spring Compression Tool

Replacement Procedure:

1. Apply stretcher brakes. Raise litter to full up. Raise Fowler to full up and raise siderails.
2. Use a 3/8" wrench to remove the bolt in the litter support tube above black bellows on both ends.
3. With the assistance of another person, lift off the stretcher litter and set it aside, taking care not to damage the siderails, etc.
4. Push down on the jack actuator to put the jack in the full down position.
5. Lift off the plastic base hood, separating the Velcro holding it to the base frame.
6. Using needle-nosed pliers, pull cotter pin from pump cylinder.
7. Using a straight screwdriver and pump spring compression tool (available upon request), compress the pump spring and pry the pump link out of the pump cylinder.

CAUTION

Be sure not to let the pump piston come out of the jack or damage may occur.

8. Remove and replace jack as described in the procedure above.
9. Replace pump spring and pump link using the straight screwdriver and the pump compression tool.
10. Reinstall the base hood and the stretcher litter.

Service Information

JACK ASSEMBLY TORQUE SPECIFICATION

Jack Assembly with Threads Oiled

- | | |
|---|----------------------|
| 1. Jack Cap Assembly to Jack Actuator Cylinder | 75 to 85 Foot Pounds |
| 2. Jack Actuator Cylinder to Jack Base Assembly | 55 to 65 Foot Pounds |

Jack Base Assembly with Threads Oiled

- | | |
|---|----------------------|
| 1. Jack Pump Cylinder to Jack Base Machined | 45 to 55 Foot Pounds |
| 2. Jack Pin Housing to Jack Base Machined | 35 to 45 Foot Pounds |
| 3. Jack Base Plugs to Jack Base Machined | 8 to 12 Foot Pounds |
| 4. Jack Valve Plug to Jack Base Machined | 8 to 12 Foot Pounds |
| 5. Flow Control Valve to Jack Base Machined | 16 to 20 Foot Pounds |

HYDRAULIC TROUBLESHOOTING

PROBLEM/SYMPTOM	SOLUTION
Jack will not raise to full height.	Add hydraulic fluid (see p.18). Check for leaks.
Jack will not hold in raised position.	Close the needle valve completely. If the jack holds, replace the release valve (see p. 20).
Jack will not pump up and the jack actuator rod does not move.	Close the needle valve. If the jack will now pump up, replace the release valve (see p. 20). If the jack still will not pump up after closing the needle valve, replace the poppet valve (see p. 20).
Jack will not pump up but the jack actuator rod does move when the pump pedal is activated.	Replace the check valve (see p. 19).
Jack will not pump up and the jack actuator rod may or may not move.	Remove excess air (vacuum) in system (see below).

Contact Stryker technical support at 1-800-327-0770 for further assistance.

REMOVAL OF EXCESS AIR (VACUUM) FROM THE HYDRAULIC SYSTEM

Procedure:

1. Verify all hydraulic linkages are secure and operating properly.
2. Using pump pedal, actuate system several times. This will force the air through the system and the jack should now pump up.

Service Information

CHECKING HYDRAULIC FLUID LEVEL

Required Tools:

3/8 Open End Wrench 3/4 Open End Wrench

Procedure:

WARNING

To avoid personal injury or damage to the stretcher, remove the litter and the base hood before beginning service on the jacks.

1. Using a 3/8 open end wrench, remove square head set screws from both head and foot end jack support tubes. Remove litter top and set aside.
 2. Lift base hood off base frame and set aside.
 3. Be sure there are no hydraulic leaks. If there are, jack replacement will be necessary.
 4. Lower the jack to the full down position.
 5. Using a 3/4 open end wrench, slowly turn the fill plug located on the side of the reservoir counterclockwise to allow excess system pressure to vent. Remove the fill plug.
 6. The hydraulic fluid should be visible at the bottom of the fill hole. If it is not, add Mobil Aero HFA hydraulic fluid (Stryker part number 2020-70-475) until the fluid is visible at the bottom of the fill hole. Replace the fill plug.
-

CAUTION

Use of other types of oil may damage hydraulic units.

7. Replace the hood and the litter.

JACK DESCENT RATE ADJUSTMENT

Required Tools:

Screwdriver Bungee Cords (or equivalent)

Adjustment Procedure:

1. Pump the litter up to full height.
2. Lift the base hood, separating the hood from the base frame. Using the bungee cords, support the base hood.
3. The descent rate needle valve is located on the base of the jack. Turning the needle valve clockwise, with a screwdriver, will decrease the rate of descent. Turning it counterclockwise will increase the rate of descent.
4. Adjust the needle valve so that the foot end of the stretcher descends slightly faster than the head end.

NOTE

The larger percentage of a patient's weight is located in the torso area. Adjust descent rate accordingly.

5. Remove the bungee cords supporting the base hood and secure the hood to the base frame.

NOTE

The jack descent rate was preset at the factory to drop the foot end faster than the head. It is recommended that the foot drop faster to avoid patient disorientation.

Service Information

CONSTANT FLOW JACK DESCENT RATE ADJUSTMENT

Required Tools:

Bungee Cords

Adjustment Procedure:

1. Pump the litter up to full height
2. Lift the base hood, separating the Velcro holding it to the base frame.
3. The adjustable descent valve is located on the base of the jack and has a blue knob on the end. To adjust, loosen the silver locking ring by turning it counterclockwise. Turning the blue knob clockwise will increase the rate of litter descent. Turning it counterclockwise will decrease the rate of descent.
4. Adjust the valve so that the jack at the foot end of the stretcher will descend slightly faster than the jack at the head end.
5. Remove the bungee cords supporting the base hood and secure the hood to the base frame.

ADJUSTABLE PRESSURE COMPENSATED (P.C.) VALVE REPLACEMENT

P.C. valve part number 5050-70-50

WARNING

To avoid personal injury or damage to the stretcher, always remove the litter and the base hood before beginning service on the jacks. Lower the jack rod completely to relieve the pressure on the pump piston side of the jack.

Required Tools:

3/8" Wrench

13/16" Wrench

Replacement Procedure:

NOTE

It requires two people to safely perform this procedure.

1. Apply the stretcher brakes. Raise the litter to full up.
2. Using a 3/8" wrench, remove the bolts in the litter support tubes above the black bellows on both ends of the litter.
3. With the assistance of another person, lift the litter off the base and set it aside, taking care not to damage the leg section linkages and other litter components.
4. Push down on the jack actuator to put the jack in the full down position.
5. Lift off the plastic base hood, separating the Velcro holding it to the base frame.
6. Using a 13/16" wrench, remove the adjustable P.C. valve (see page 41.1 for part reference).
7. Check for any contaminants in the valve as well as in the jack base.

Service Information

ADJUSTABLE PRESSURE COMPENSATED (P.C.) VALVE REPLACEMENT (CONTINUED)

8. Install the replacement P.C. valve. Moisten the O-ring seal with hydraulic fluid to ensure a tight seal.
9. Tighten the valve manually and then an additional 1/8-1/4 turn with a 13/16" wrench. **Do not over-tighten** or damage may occur to the O-ring seal.
10. Pump up the jack to the maximum height and press the release pedal to lower it to check the jack's operation.
11. Check for any hydraulic fluid leaks before replacing the base hood and litter.

NOTE

The jack descent rate was preset at the factory to lower the foot end 3-7 seconds faster than the head. It is recommended to have the foot end lower faster to avoid patient disorientation.

Service Information

HYDRAULIC CHECK VALVE REPLACEMENT

Required Tools:

3/8 Open End Wrench
3/4 Open End Wrench

Stiff Wire (with bent, pointed end)
Torque Wrench (with Ft. Lbs. adjust.)

Small Needle Nose Pliers
7/32 Hex Allen Wrench

Check Valve Part Number 926-20-153

Replacement of Check Valve

WARNING

To avoid personal injury or damage to the stretcher, remove the litter and the base hood before beginning service on the jacks. Lower the jack rod completely to relieve the pressure on the pump piston side of the jack. This will prevent large hydraulic fluid loss and possible damage when the base plugs are removed.

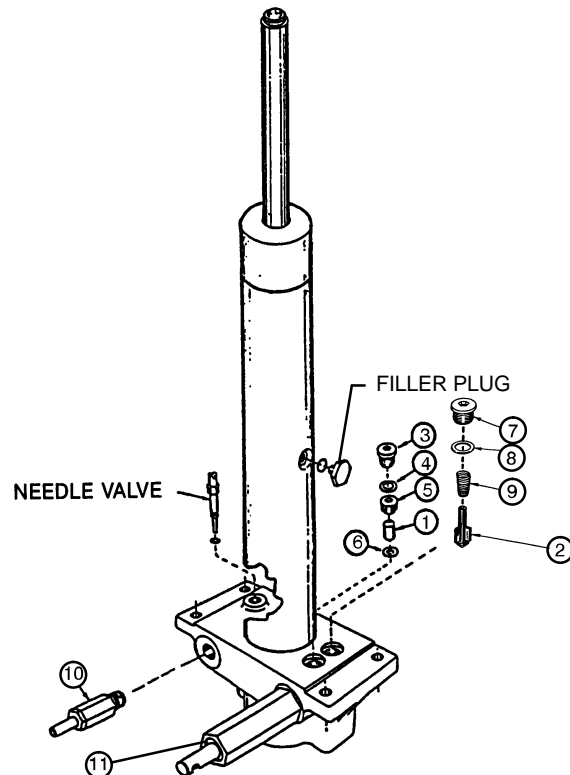
1. Remove the base plug (3) and the seal (4).
2. Remove the valve plug (5).
3. Using a stiff wire with a bent, pointed end, remove the valve (1).
4. Install the new valve (1) with the beveled end up (as shown in the illustration).
5. Reinstall the valve plug (5) with the beveled end down toward valve (1) and tighten to 10 foot-pounds torque.
6. Reinstall the seal (4) and the base plug (3) and tighten to 10 foot-pounds torque.
7. Pump up the jack to the maximum height.
8. Be sure there are no hydraulic leaks before replacing the base hood and the litter.

ITEM	PART NO.	PART NAME
1	926-20-153	Check Valve
2	715-1-341	Poppet
3	715-1-301	Base Plug
4	926-20-156	Seal
5	715-1-309	Valve Plug
6	926-20-154	Seal
7	715-1-301	Base Plug
8	926-20-156	Seal
9	390-2-134	Compression Spring
10	715-270-100	Valve Assembly*
10	2025-700-26	Valve Assembly**
11	715-100-325	Pump Piston

* Used on jack part number 1231-70-10.

** Used on jack part number 1231-70-210.

(See label on side of jack reservoir for jack part number).



Service Information

HYDRAULIC CHECK VALVE REPLACEMENT (CONTINUED)

Replacement of Release Valve

Release Valve Part Number 715-270-100

WARNING

To avoid personal injury or damage to the stretcher, remove the litter and the base hood before beginning service on the jacks. Lower the jack rod completely to relieve the pressure on the pump piston side of the jack. This will prevent large hydraulic fluid loss and possible damage when the base plugs are removed.

1. Remove the release valve (10).
2. Install the new release valve (10).
3. Pump up the jack to the maximum height.
4. Be sure there are no hydraulic leaks before replacing the base hood and the litter.

Replacement of Poppet Valve

Poppet Valve Part Number 715-1-341

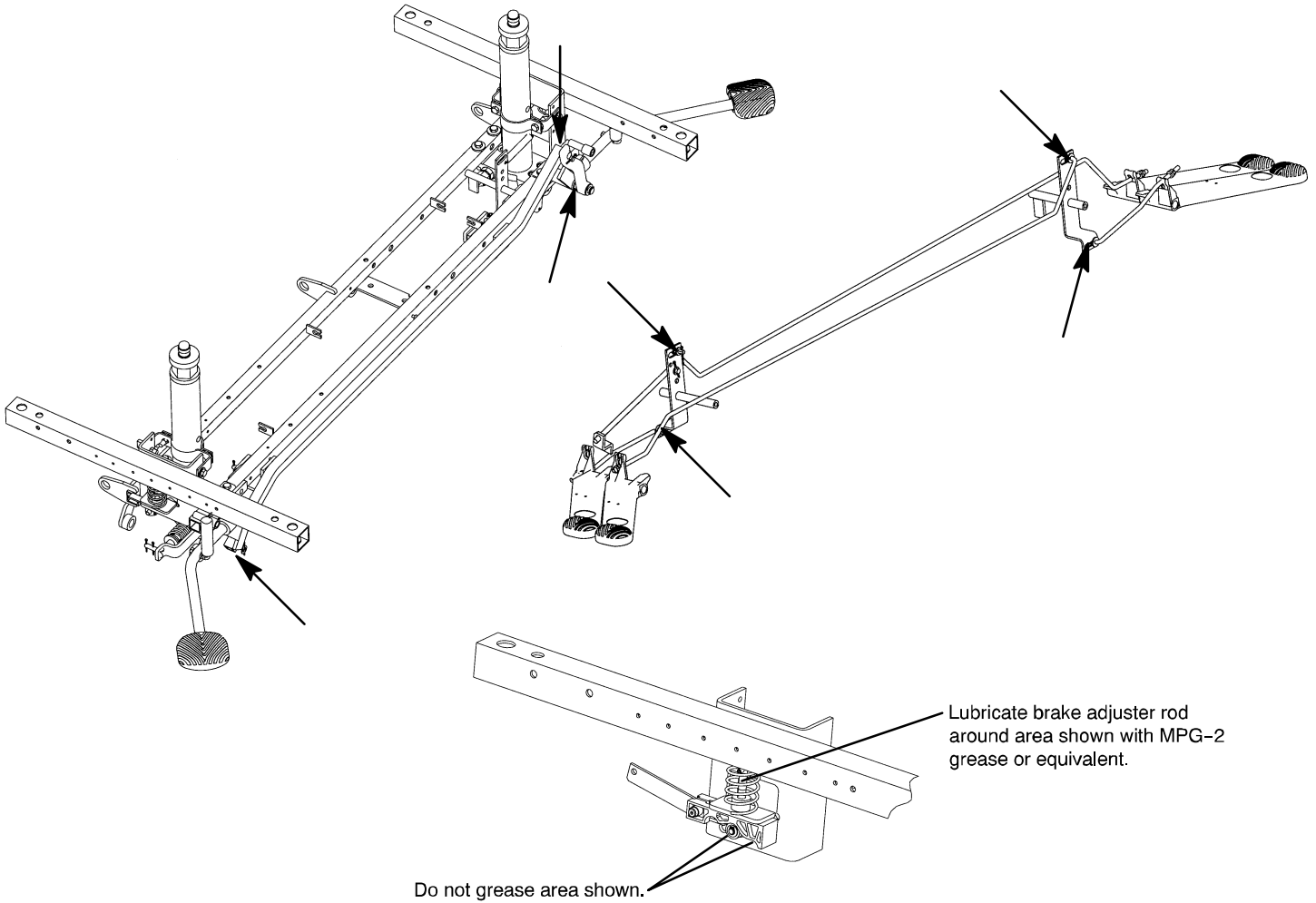
WARNING

To avoid personal injury or damage to the stretcher, remove the litter and the base hood before beginning service on the jacks. Lower the jack rod completely to relieve the pressure on the pump piston side of the jack. This will prevent large hydraulic fluid loss and possible damage when the base plugs are removed.

1. Remove the base plug (7) and the seal (8).
2. Remove the compression spring (9).
3. Using small needle nose pliers, remove the poppet valve (2).
4. Install the new poppet valve (2).
5. Reinstall the compression spring (9).
6. Reinstall the seal (8) and the base plug (7) and tighten to 10 foot-pounds torque.
7. Pump up the jack to the maximum height to check its operation.
8. Check for hydraulic leaks before replacing the base hood and the litter.

Service Information

BASE LUBRICATION



Replacement Parts and Accessories

<u>PART NAME</u>	<u>PART NUMBER</u>
Accessory Stand and Frame	124-12
Arm Board Assembly	124-1-100
Bedpan, Stainless Steel	460-619-2
Brake Adjuster	715-201-150
Brake Adjuster Service Tool	715-700-150
Brake Ring Assembly	715-1-61
Canvas, Anterior Frame	460-5-1 15
Canvas, Posterior Frame	125-4-5
Facepiece Assembly, Foam, Adjustable	124-1 1
Facepiece Frame Assembly	124-1 1-1
Foot Support	125-9
Frame Dust Cover, Plastic	124-13
Grasping Bar	124-14
Head Support Band	100-5-8
Head Support Band Evertaut	38-1
Jack Assembly	1231-70-10
Jack Pump Piston Assembly	715-100-325
Jack Release Valve Assembly	715-270-100
Knurled Nut w/Chain	460-4-165
Mattress, Anterior	460-5-121
Mattress Plastic Cover Set	125-28
Mattress, Posterior, 3-Piece	125-4-8
Mattress w/Vinyl Cover, Anterior	965-1-24
Mirror Assembly	100-19
Oxygen Bottle Holder	360-140
Pin Assembly, Locking, w/Chain	124-1-23
Restraint Straps, Frame, One Piece w/Buckle (2)	125-12
Restraint Strap, Body, Two-Piece	390-19
Sheet, Anterior	460-5-1 18
Sheet Set, Anterior/Posterior	125-27
Sheet Set, Posterior, 3 Piece	125-4-1 1
Sheet Protector	124-18-1
Spring (45 Required)	38-4
Traction Rope (Per Foot)	41-1
Traction Rope (100 Feet)	41-100

NOTE

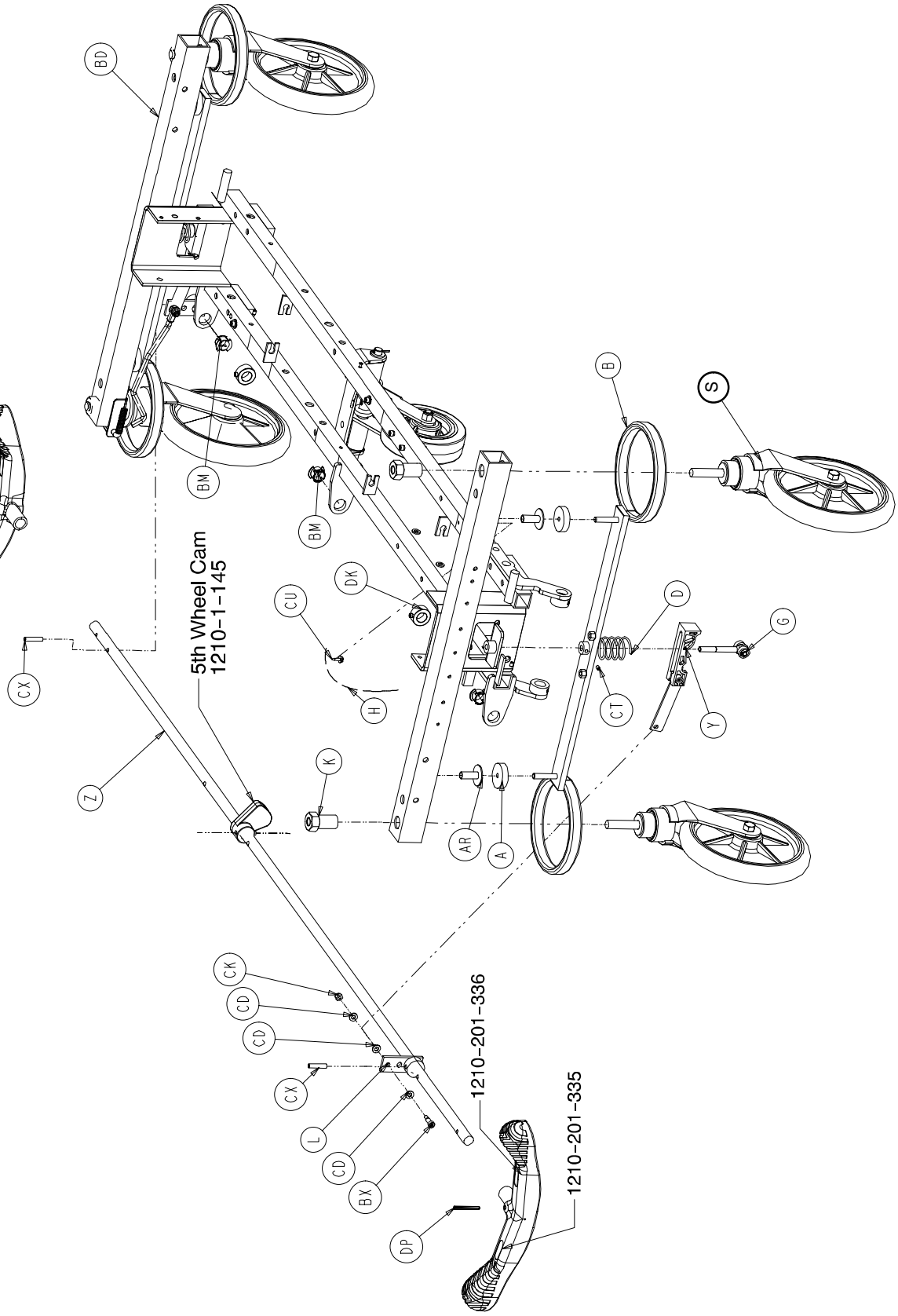
The parts and accessories listed on this page are all currently available for purchase. Some of the parts identified on the assembly drawing pages in this manual may not be individually available for purchase. Please call Stryker Customer Service at 1-800-327-0770 for availability and pricing.

Notes

Base Assembly

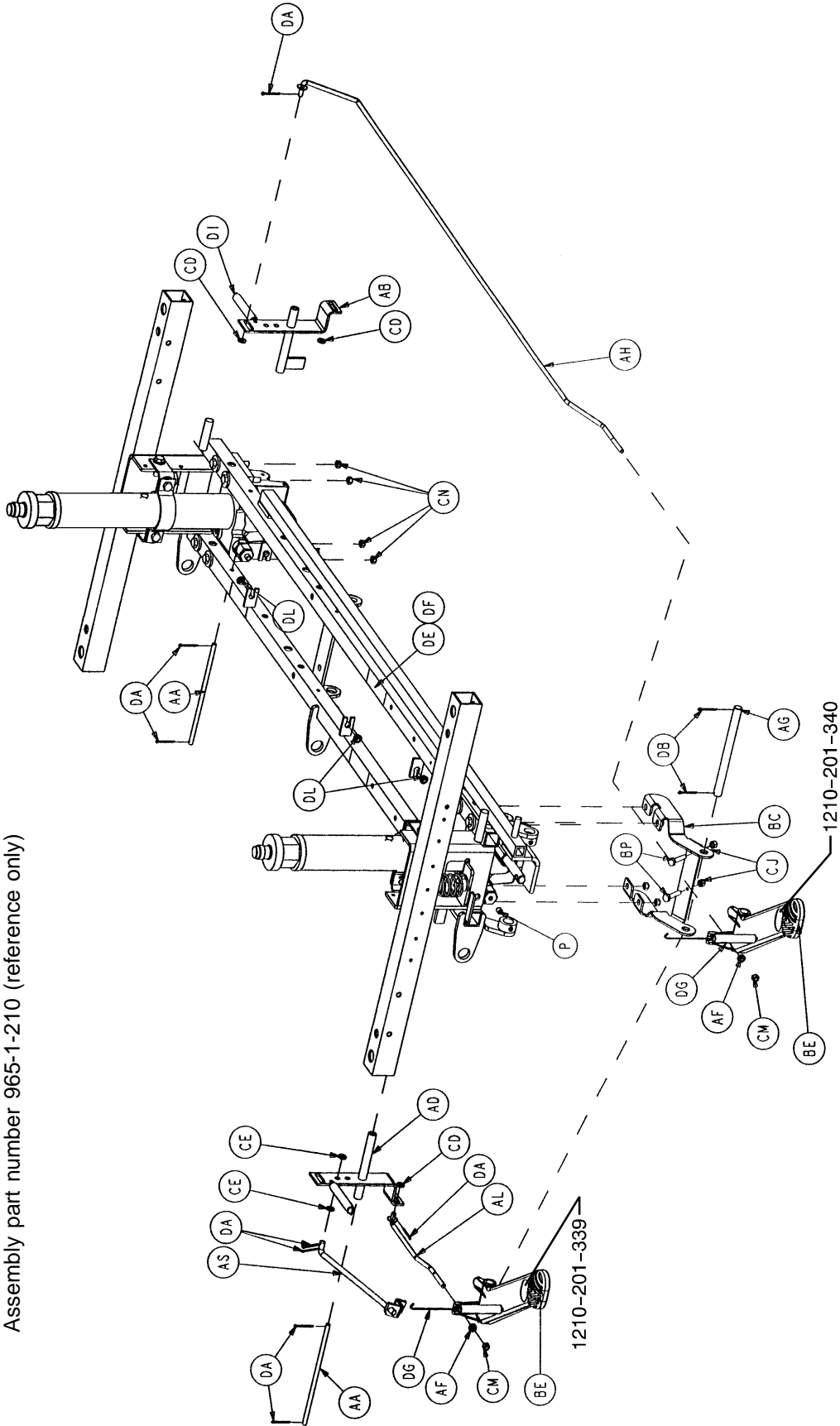
Assembly part number 965-1-210 (reference only)

1210-201-335
1210-201-336



Base Assembly

Assembly part number 965-1-210 (reference only)

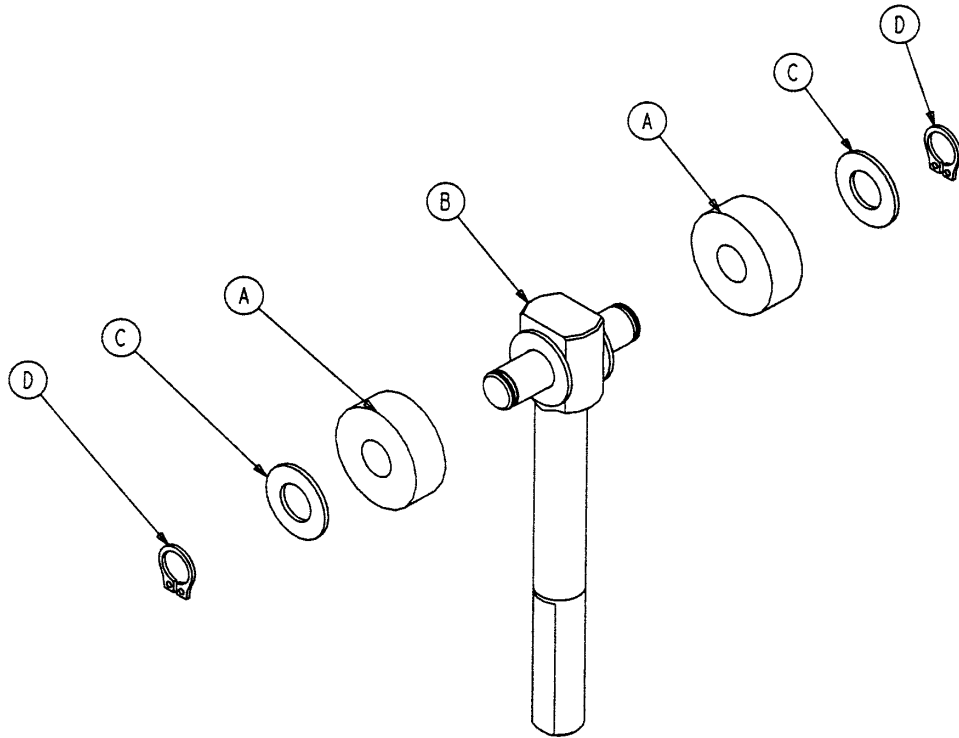


Base Assembly

Item	Part No.	Part Name	Qty.	Item	Part No.	Part Name	Qty.
A	715-1-1 1	Brake Cushion	4	BM	1210-201-251	Insert	3
B	715-1-61	Caster Brake Weldment	2	BP	3-3	Hex Cap Screw	2
D	715-201-94	Compression Spring	2	BT	3-62	Hex Hd. Cap Screw	8
E	715-1-133	Collar	2	BU	3-85	Hex Hd. Cap Screw	8
F	715-1-140	Vinyl Tube	1	BX	8-17	Shoulder Bolt	2
G	(page 28)	Brake Adjuster	2	BY	11-3	Washer	4
H	715-1-156	Ground Chain	1	BZ	11-13	Washer	2
K	715-1-158	Caster Nut	4	CA	11-262	Washer	10
L	715-1-165	Actuator Plate Weldment	2	CB	11-350	Spacer Washer	1
M	715-1-192	Jack Support	2	CC	13-38	Ext. Tooth Lock Washer	4
N	715-1-193	Jack Support Clamp	2	CD	14-2	Washer	9
P	715-1-333	Release Rod Stop Sleeve	2	CE	14-3	Washer	2
R	716-1-109	Head End Pump Link	1	CF	14-7	Washer	4
S	(page 33)	Caster Assembly	*	CG	14-9	Washer	2
T	715-201-126	Slip-On Pump Pedal	1	CJ	15-1 1	Hex Nut	2
Y	(page 29)	Brake Cam Assembly	2	CK	16-2	Hex Nut	2
Z	715-201-230	Brake Bar	1	CL	16-14	Nylock Nut	1
AA	716-1-15	Release Pivot Bar	2	CM	16-102	Hex Nut	2
AB	716-1-52	Pivot Assembly, Foot End	1	CN	16-36	Hex Nut	12
AC	716-1-102	Pump Link Weldment, Ft.	1	CT	21-151	Set Screw	2
AD	716-1-1 19	Pivot Assembly, Head End	1	CU	23-25	Self-Tapping Screw	1
AE	716-201-281	Pump Idler Link	2	CX	26-13	Spring Pin	2
AF	716-1-286	Release Ball Spacer	2	CY	26-195	Clevis Pin	2
AG	716-201-61	Release Pedal Pivot Rod	1	DA	27-4	Cotter Pin	7
AH	716-201-70	Long Release Rod	1	DB	27-3	Cotter Pin	7
AK	(page 30)	Head End Pump Pedal	1	DC	27-16	Cotter Pin	2
AL	716-201-74	Release Rod	1	DD	28-97	Ext. Tooth Retaining Ring	2
AN	763-1-15	Jack Spring	1	DE	29-7	Dual Lock	3
AP	763-1-16	Spring Holder	1	DF	29-9	Dual Lock	3
AR	946-1-1 16	Brake Bar Bushing	4	DG	38-235	Desc. Pedal Return Spring	2
AS	1210-1-1 12	Rel. Rod, Head End, Lt.	1	DH	38-251	Pump Return Spring	2
BA	1210-201-27	Pump Connecting Rod	1	DI	38-326	Extension Spring	2
BC	1210-201-1 11	End Release Pedal Brkt.	1	DK	42-20	Collar	2
BD	1210-201-120	Base Frame Weldment	1	DL	52-245	Nyliner	4
BE	1210-201-154	Head Rel. Pedal, Offset, Rt.	2	DM	(p. 38 or 41)	Jack Assembly	2
BF	1210-201-153	Butterfly "V" Pedal	2	DN	1210-1-44	Pump Spacer	1
BG	1210-201-551	Eye Bolt	1	DP	26-143	Groove Pin	3
BK	1210-201-201	Pivot Pin Bracket, Foot End	1	DR	1210-201-200	Pivot Pin Bracket, Hd. End	1

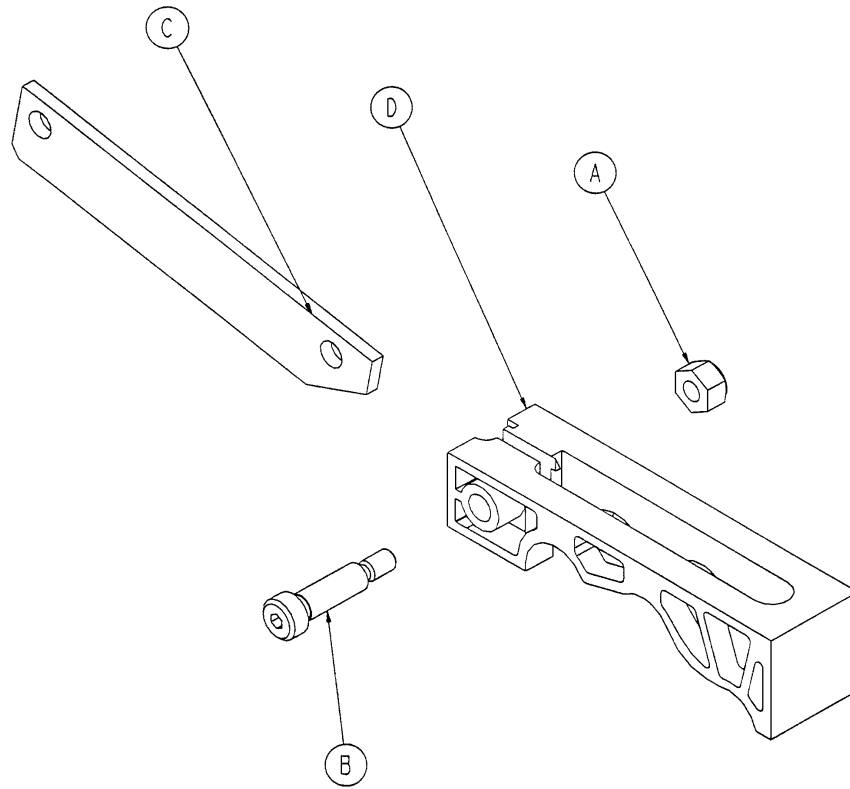
* Caster assembly is quantity of 4 if the fifth wheel option is present on the stretcher and quantity of 3 if the steering caster option is present.

715-201-150 Brake Adjuster Assembly



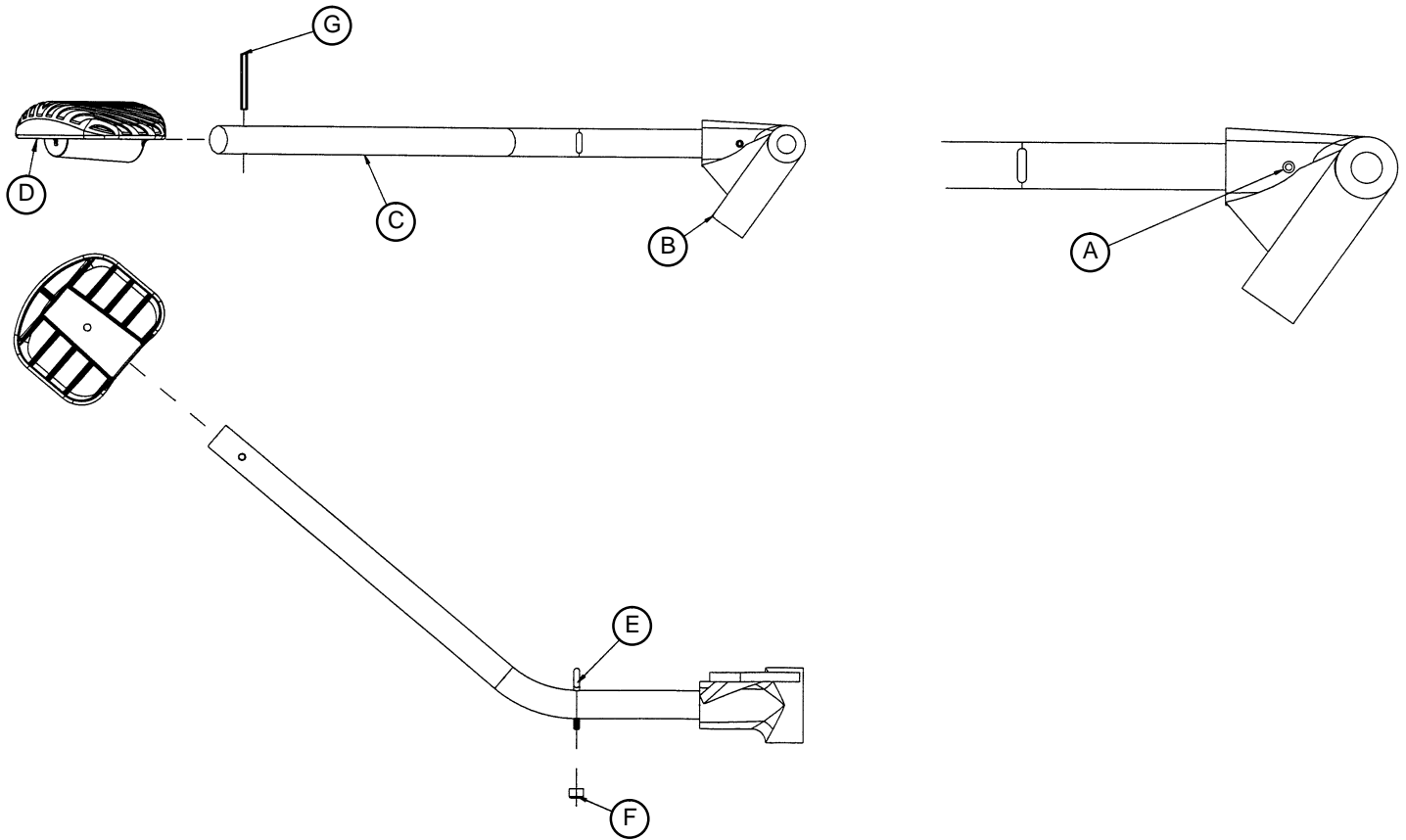
Item	Part No.	Part Name	Qty.
A	715-1-180	Cam Bearing	2
B	715-201-62	Threaded Stud Assembly	1
C	14-4	Nylon Washer	4
D	28-8	External Retaining Ring	2

715-201-213 Brake Cam Assembly



Item	Part No.	Part Name	Qty.
A	8-21	Hex Nut	1
B	16-59	Soc. Hd. Shoulder Screw	1
C	715-201-173	Brake Connecting Link	1
D	715-301-221	Brake Cam	1

716-201-292 Head End Pump Pedal Assembly

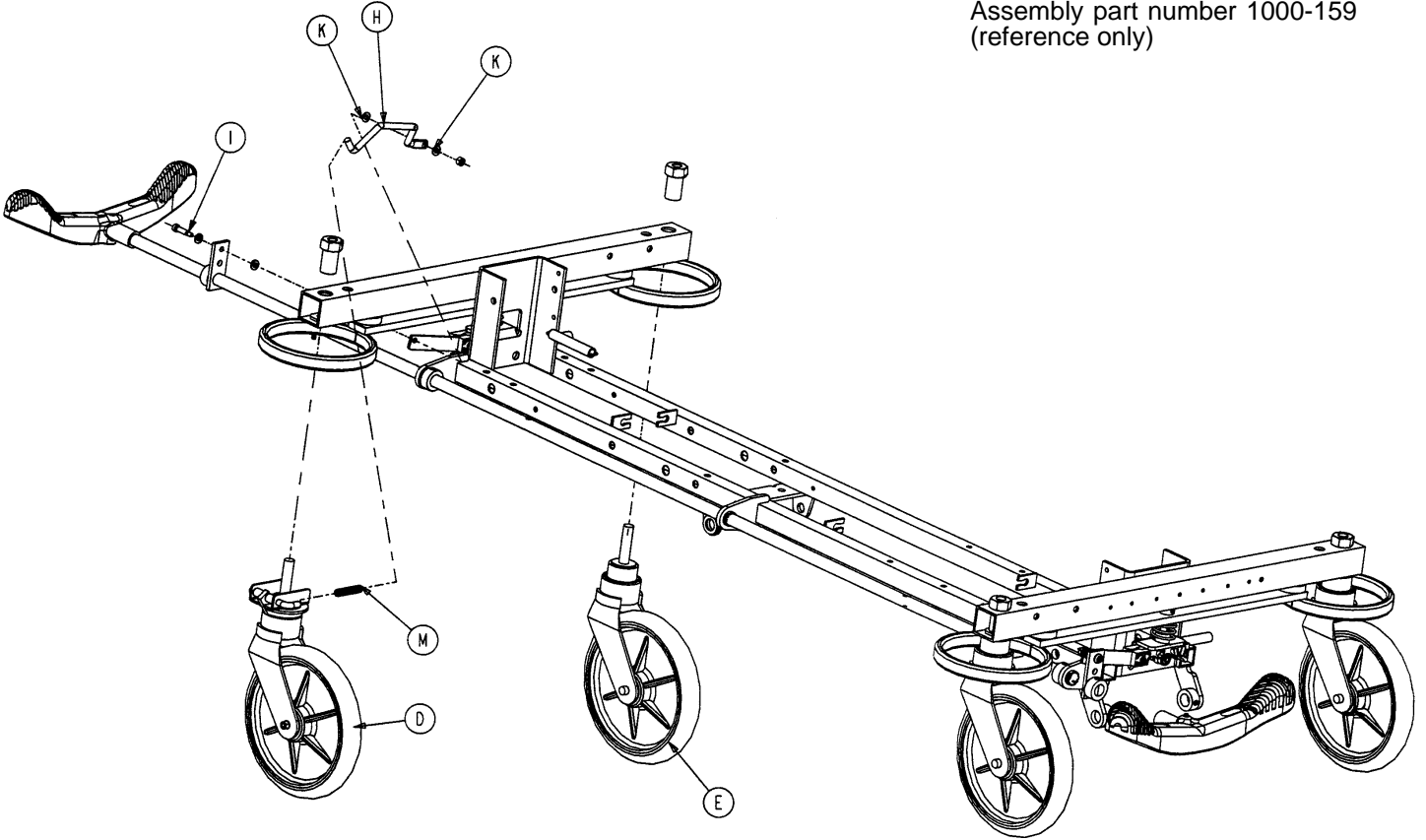


Item	Part No.	Part Name	Qty.
A	26-145	Spring Pin	1
B	716-1-285	Pump Pivot Housing, Hd. End	1
C	716-201-14	Head End Pump Rod	1
D	715-201-126	Pedal	1
E	1210-201-551	Eye Bolt	1
F	16-14	Nylock Nut	1
G	26-261	Groove Pin	1

Notes

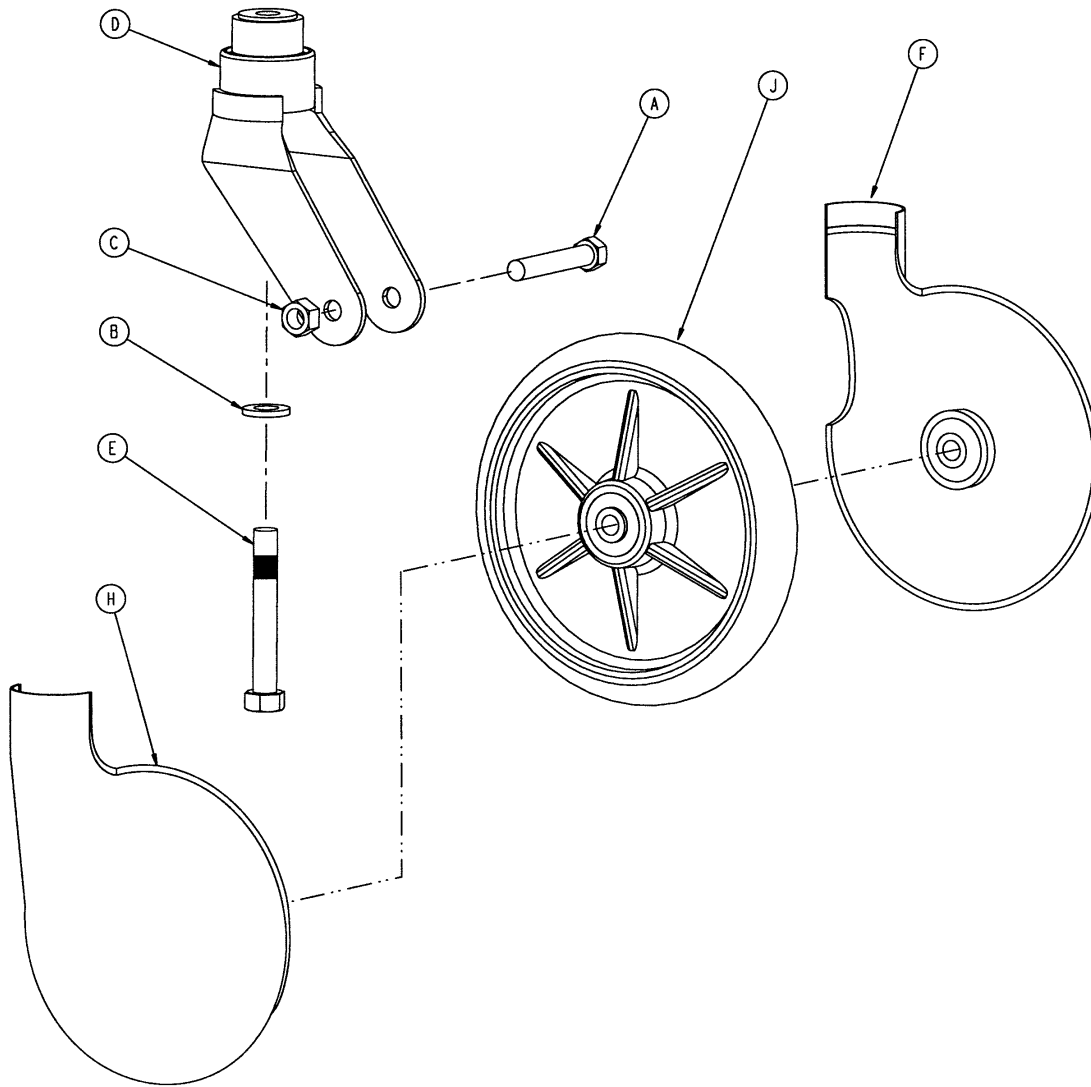
Base Assembly w/Steerlock Caster Option

Assembly part number 1000-159
(reference only)



Item	Part No.	Part Name	Qty.
D	(page 34)	Steer Caster Assembly	1
E	(page 33)	Caster Assembly	3
H	1000-210-62	Steer Lock Linkage Bar	1
I	8-21	Shoulder Bolt	1
K	14-2	Washer	2
M	38-21 1	Spring	1

Standard Caster Assembly



Item	Part No.	Part Name	Qty.
A	3-99	Hex Hd. Cap Screw	1
B	11-310	Washer	1
C	16-60	Hex Nut	1
D	715-2-16	Horn Assembly	1
E	715-3-96	Hex Hd. Cap Screw	1
F	715-1-265	Wheel Cover, Right	1
H	715-1-266	Wheel Cover, Left	1
J	715-2-25	Wheel	1
	715-1-158	Caster Nut (not shown)	1

p/n 715-259-400 - Kit to replace 4 standard caster assemblies with hardware - no caster covers.

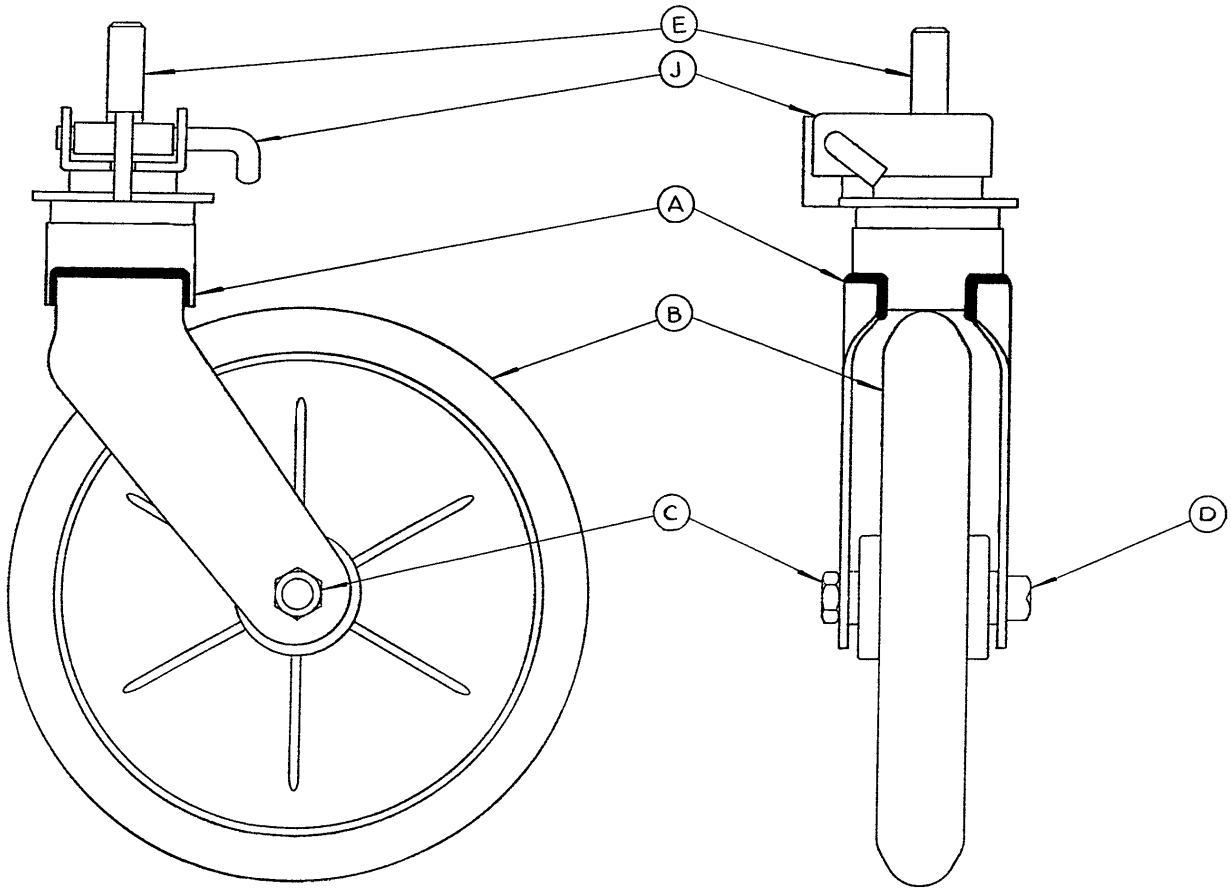
p/n 715-269-400 - Kit to replace 3 standard caster assemblies and 1 steerlock caster with hardware - no caster covers.

p/n 715-259-100 - Kit to replace 1 standard caster assembly with hardware - no caster covers.

p/n 1010-56-200 - Kit to replace both caster covers on all four wheels.

715-269-100 Caster Assembly with Steerlock

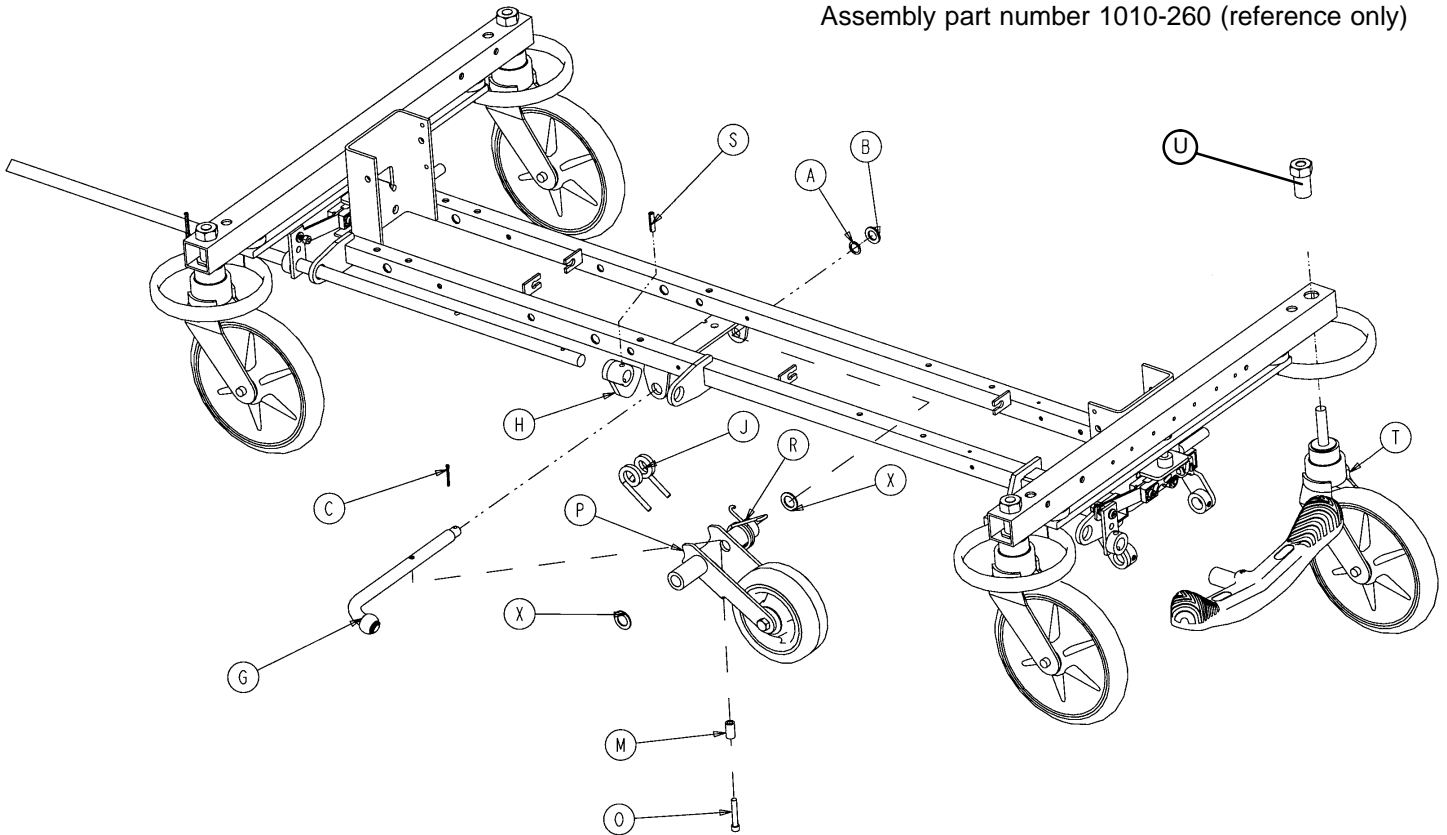
Assembly part number 715-2-21 (reference only)



Item	Part No.	Part Name	Qty.
A	700-10-50	Steer Lock Caster Weldment	1
B	715-2-25	Caster Wheel	1
C	16-60	Hex Nut	1
D	3-99	Hex Bolt	1
E	3-96	Hex Bolt	1
J	1000-59-10	Latch Assembly	1

Base Assembly w/Fifth Wheel Option

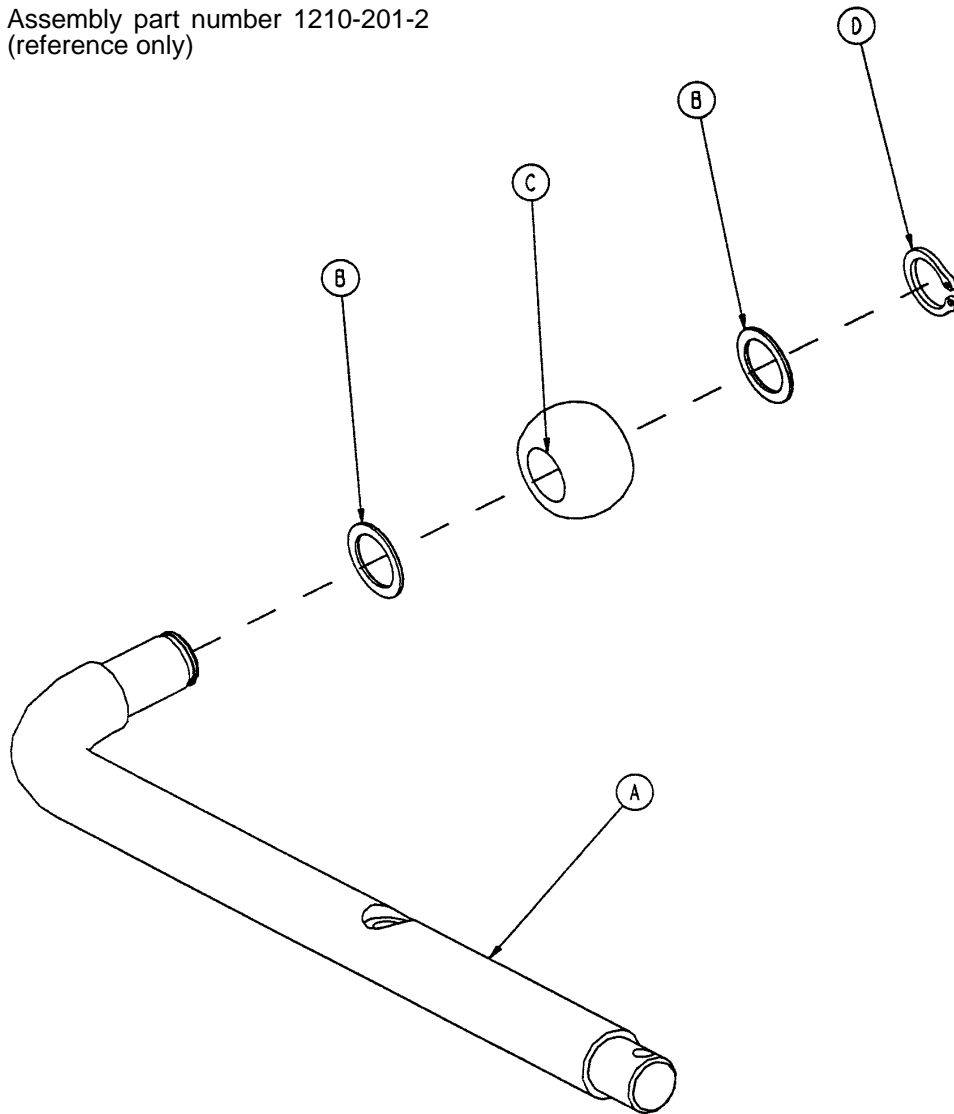
Assembly part number 1010-260 (reference only)



Item	Part No.	Part Name	Qty.
A	14-79	Nylon Washer	1
B	11-13	Washer	1
C	27-16	Cotter Pin	1
G	(page 36)	Pivot Rod Assembly	1
H	1210-1-145	Cam	1
J	1210-1-148	Torsion Spring	1
M	1210-201-149	Spring Spacer	1
O	4-10	Bolt	1
P	(page 37)	Wheel Arm Assembly	1
R	1210-1-146	Torsion Spring	1
S	26-35	Roll Pin	1
T	(page 33)	Caster Assembly	4
U	715-1-158	Caster Nut	4
X	14-80	Nylon Washer	2

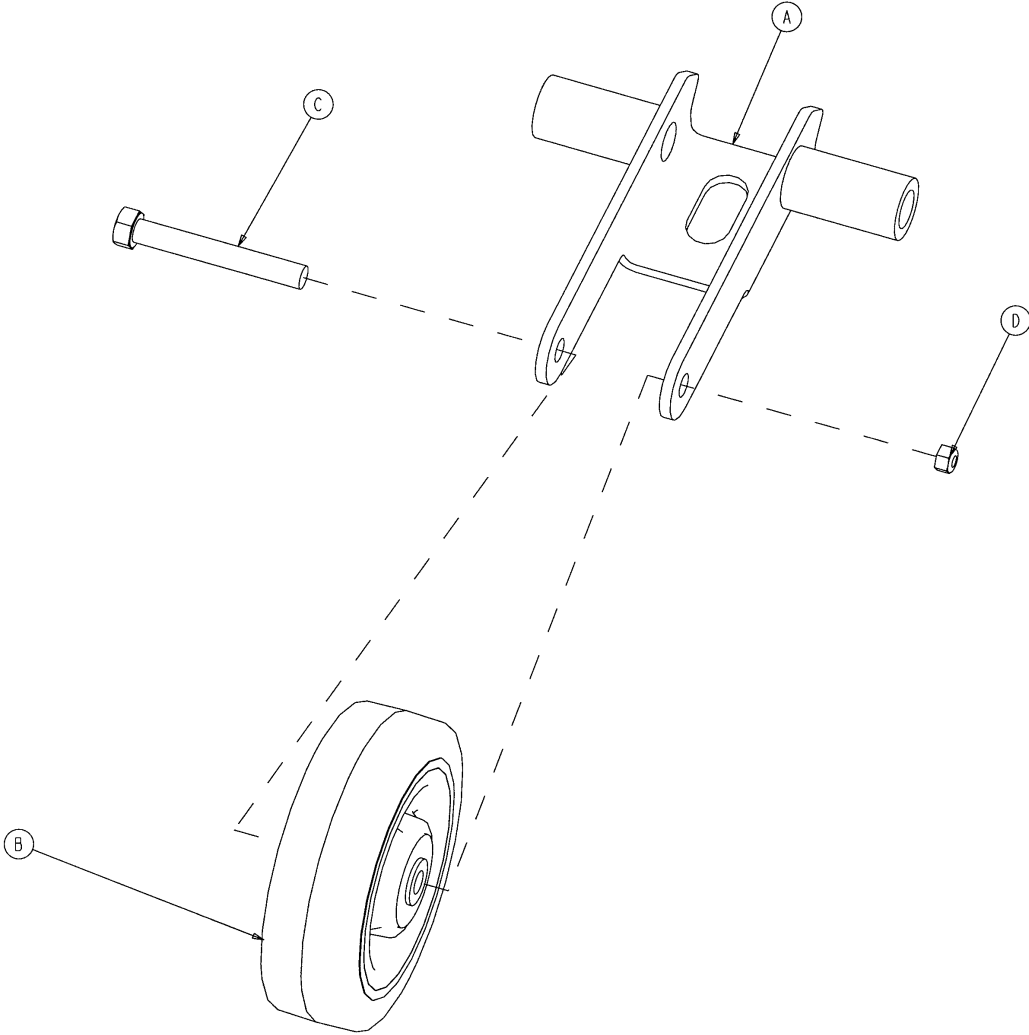
Pivot Rod Assembly

Assembly part number 1210-201-2
(reference only)



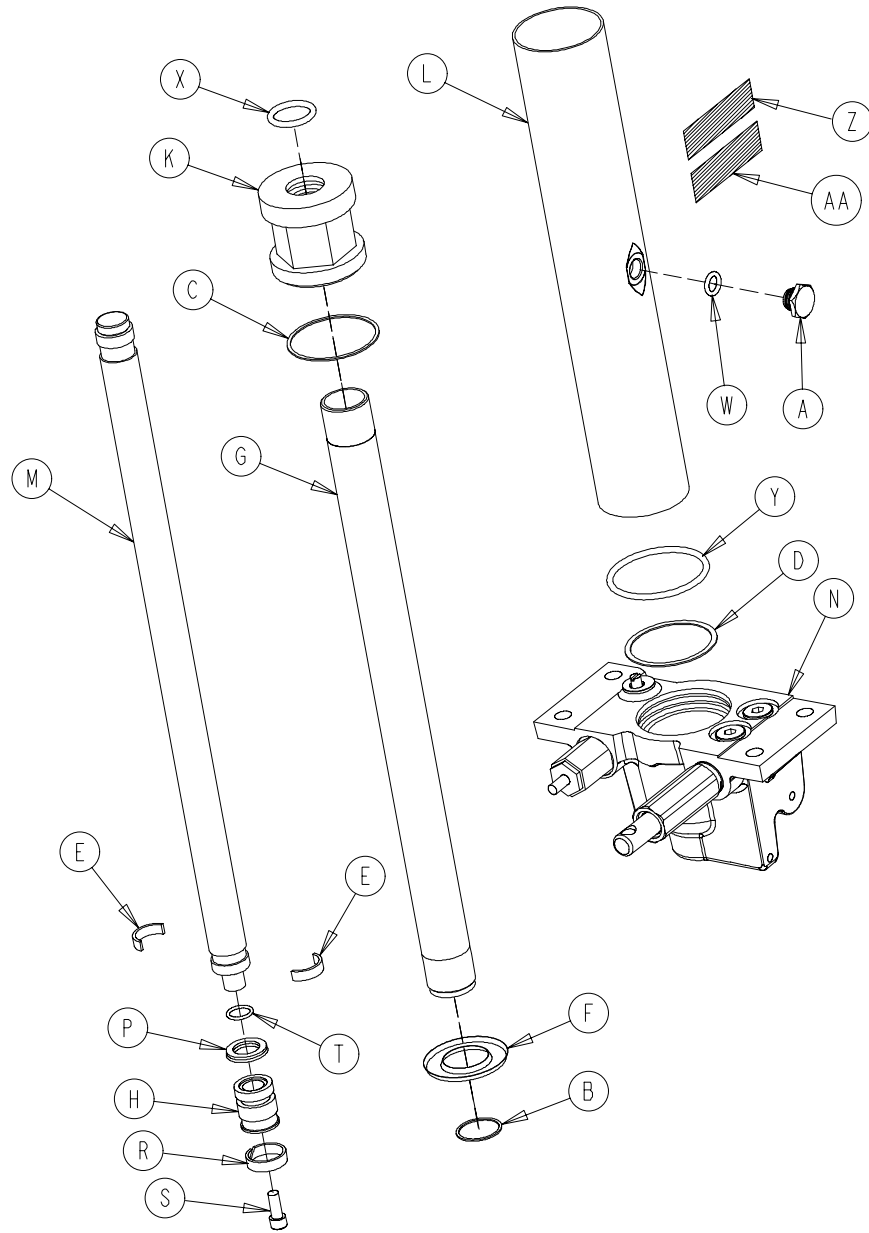
Item	Part No.	Part Name	Qty.
A	1210-1-143	Pivot Rod	1
B	14-79	Nylon Washer	2
C	1210-1-144	Roller	1
D	28-131	Snap Ring	1
E	27-16	Cotter Pin	1

715-201-125 Wheel Arm Assembly



Item	Part No.	Part Name	Qty.
A	1210-201-553	Wheel Arm	1
B	1210-1-147	Fifth Wheel	1
C	3-31	Hex Hd. Cap Screw	1
D	16-35	Nylock Nut	1

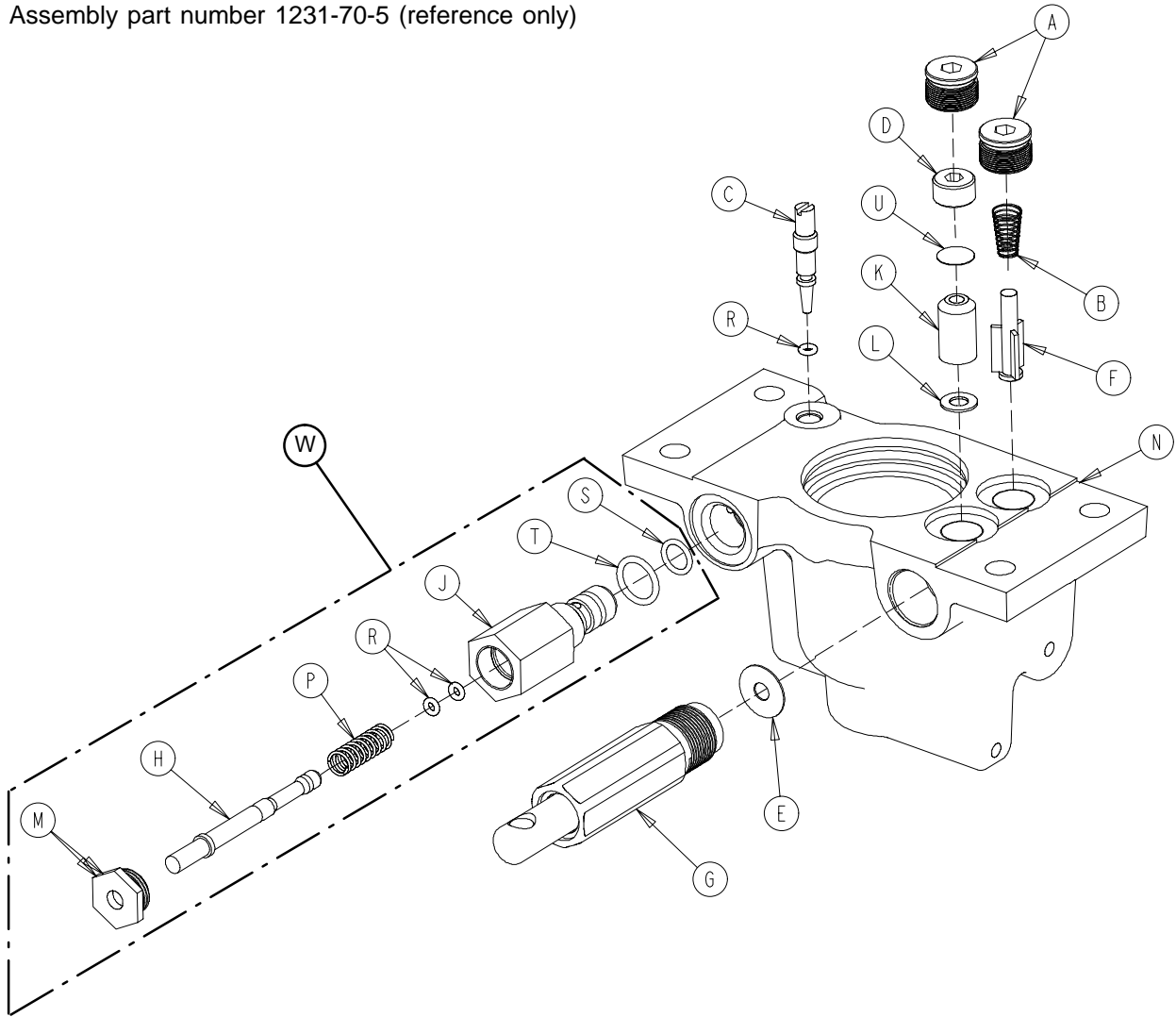
1231-70-10 Variable Descent Jack Assembly



Item	Part No.	Part Name	Qty.	Item	Part No.	Part Name	Qty.
A	388-100-38	Plug	1	N	(page 39)	Jack Base Ass'y	1
B	390-1-238	Actuator Gasket	1	P	926-20-161	Parker Packing	1
C	390-1-243	Gasket	1	R	926-20-162	Wear Ring	1
D	390-1-244	Base Gasket	1	S	4-14	Soc. Hd. Cap Screw	1
E	390-2-139	Retaining Ring	2	T	45-14	O-Ring	1
F	715-1-320	Jack Screen	1	W	45-1 10	O-Ring	1
G	715-1-323	Actuator Cylinder	1	X	45-904	O-Ring	1
H	715-1-331	Piston End	1	Y	45-978	O-Ring	1
K	715-1-340	Jack Cap Assembly	1	Z	1231-70-1 10	Label	1
L	715-1-422	Reservoir	1	AA	921-1-252	Serial Number Label	1
M	715-1-325	Actuator Rod	1				

Jack Base Assembly

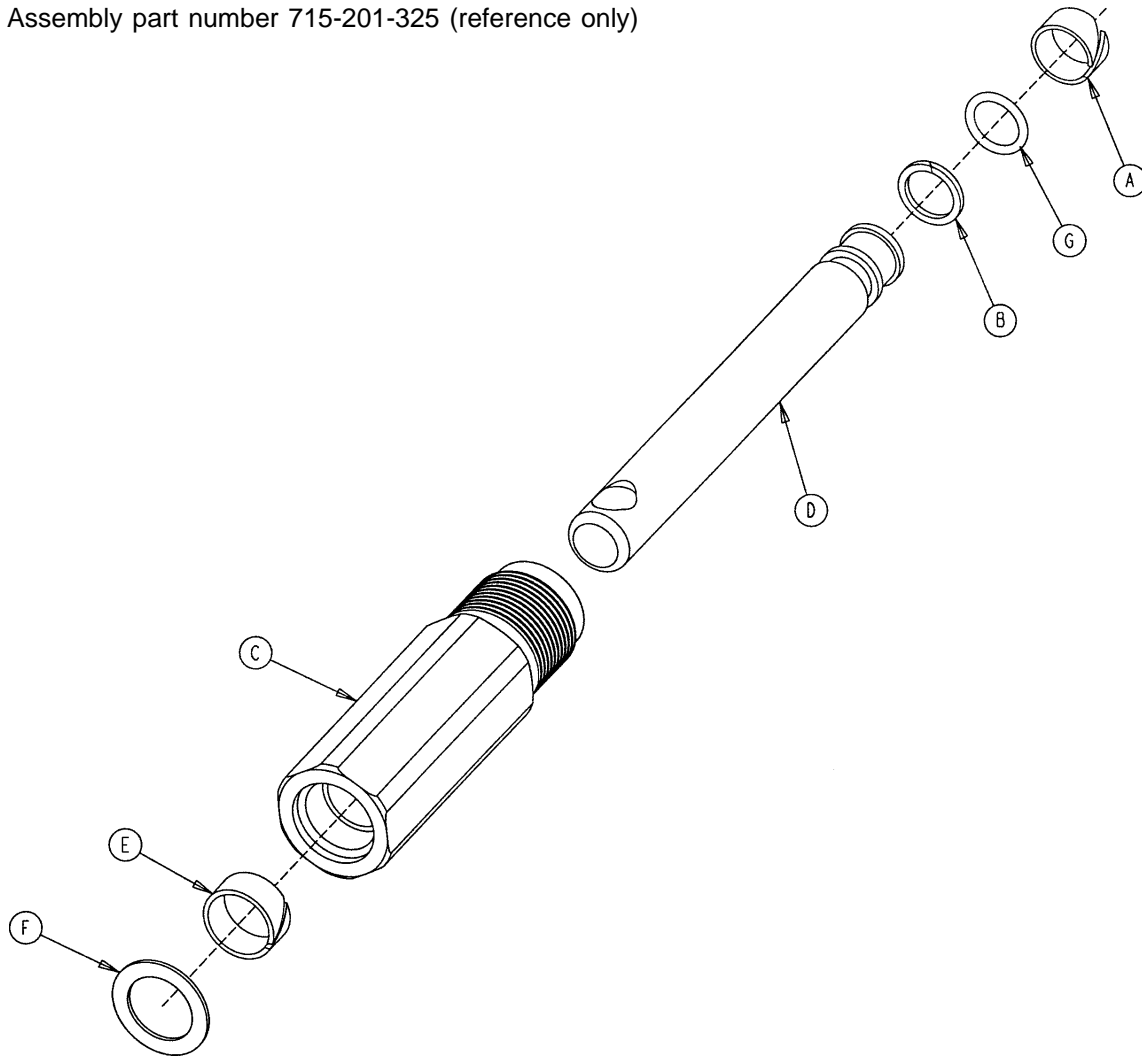
Assembly part number 1231-70-5 (reference only)



Item	Part No.	Part Name	Qty.	Item	Part No.	Part Name	Qty.
A	48-147	Base Plug	2	L	926-20-154	Seal	1
B	390-2-134	Conical Comp. Spring	1	M	1210-170-13	Base Plug	1
C	715-1-307	Needle Valve	1	N	1210-270-12	Jack Base	1
D	715-1-309	Valve Plug	1	P	38-31 1	Compression Spring	1
E	715-1-329	Pump Seal	1	R	45-6	O-Ring	3
F	715-1-341	Poppet	1	S	45-966	O-Ring	1
G	(page 40)	Pump Piston Assembly	1	T	45-967	O-Ring	1
H	715-270-1	Pin	1	U	715-1-321	Check Valve Screen	1
J	715-270-2	Pin Housing	1	W	715-270-100	Relief Valve Assembly	1
K	926-20-153	Check Valve	1				

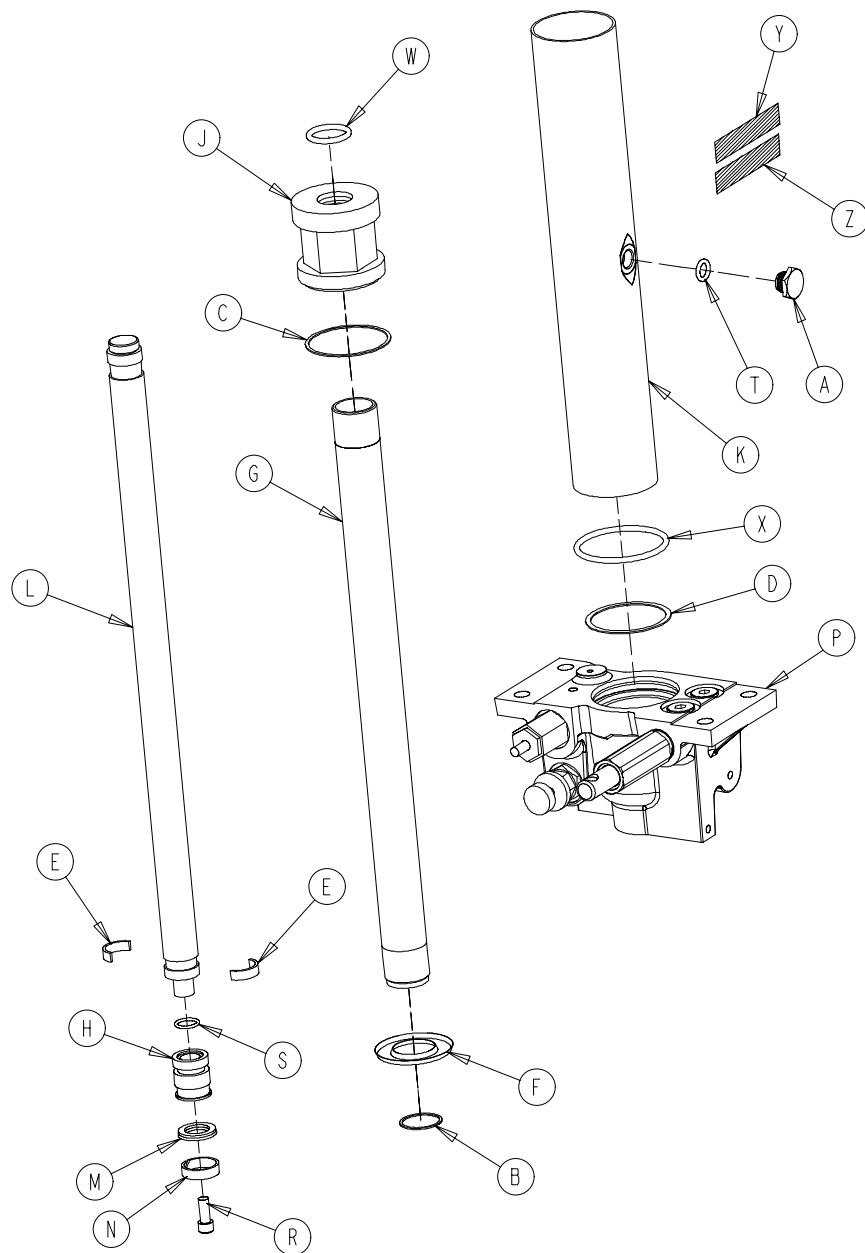
715-100-425 Jack Pump Piston Assembly

Assembly part number 715-201-325 (reference only)



Item	Part No.	Part Name	Qty.
A	715-1-328	Piston Wear Ring	1
B	715-1-400	O-Ring Back Up	1
C	715-200-316	Pump Cylinder	1
D	715-201-318	Pump Piston	1
E	715-201-327	Cylinder Wear Ring	1
F	14-50	Bearing Retainer	1
G	45-1 10	O-Ring	1
	715-1-329	Pump Seal (not shown)	1

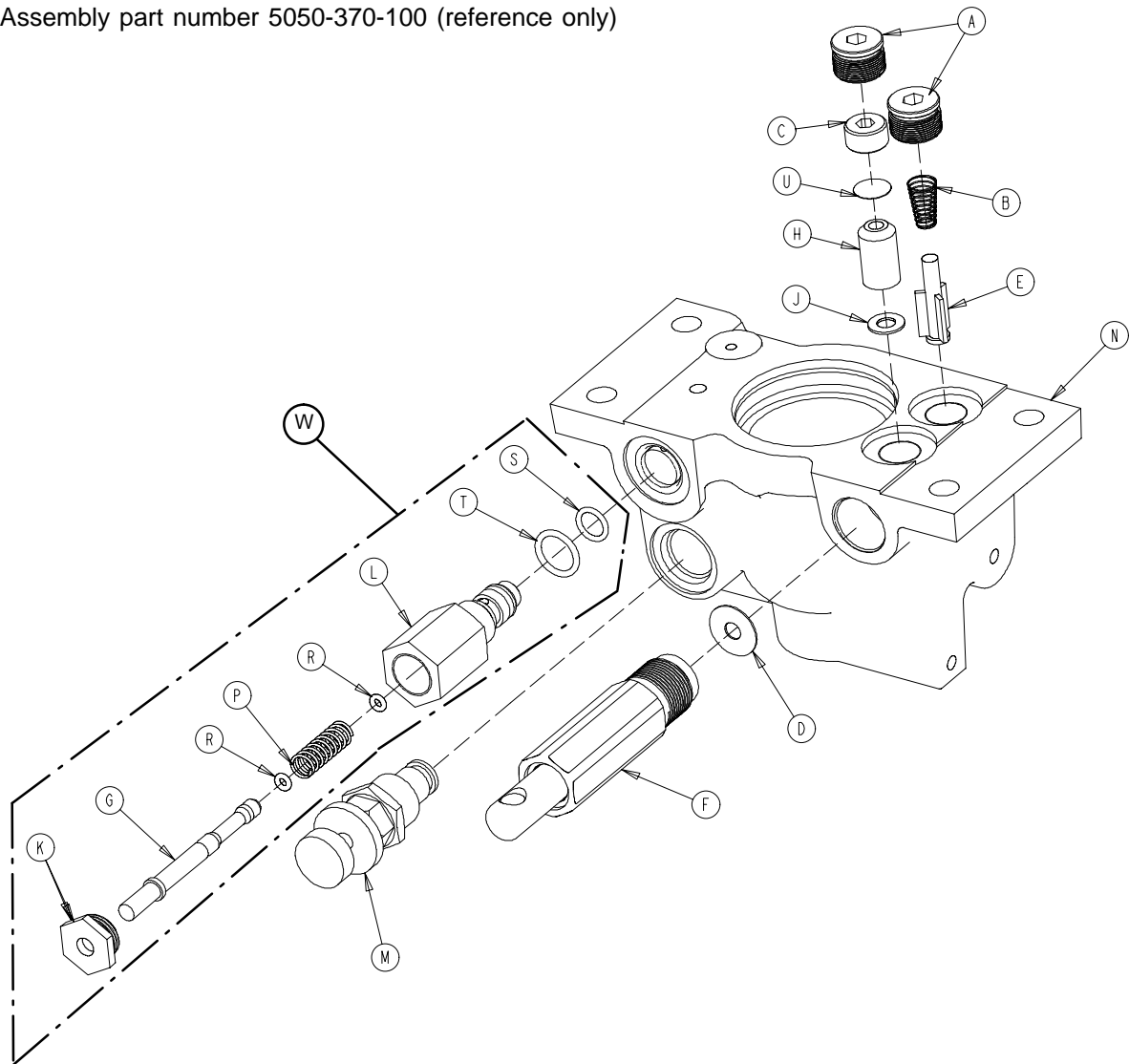
1231-70-210 Constant Flow Jack Assembly



Item	Part No.	Part Name	Qty.	Item	Part No.	Part Name	Qty.
A	388-100-38	Plug	1	M	926-20-161	Parker Packing	1
B	390-1-238	Actuator Gasket	1	N	926-20-162	Wear Ring	1
C	390-1-243	Gasket	1	P	(page 41.1)	Jack Base Ass'y	1
D	390-1-244	Base Gasket	1	R	4-14	Soc. Hd. Cap Screw	1
E	390-2-139	Retaining Ring	2	S	45-14	O-Ring	1
F	715-1-320	Jack Screen	1	T	45-110	O-Ring	1
G	715-1-323	Actuator Cylinder	1	W	45-904	O-Ring	1
H	715-1-331	Piston End	1	X	45-978	O-Ring	1
J	715-1-340	Jack Cap Assembly	1	Y	1231-70-21 1	Label	1
K	715-1-422	Reservoir	1	Z	921-1-252	Serial Number Label	1
L	715-1-325	Actuator Rod	1				

Constant Flow Jack Base Assembly

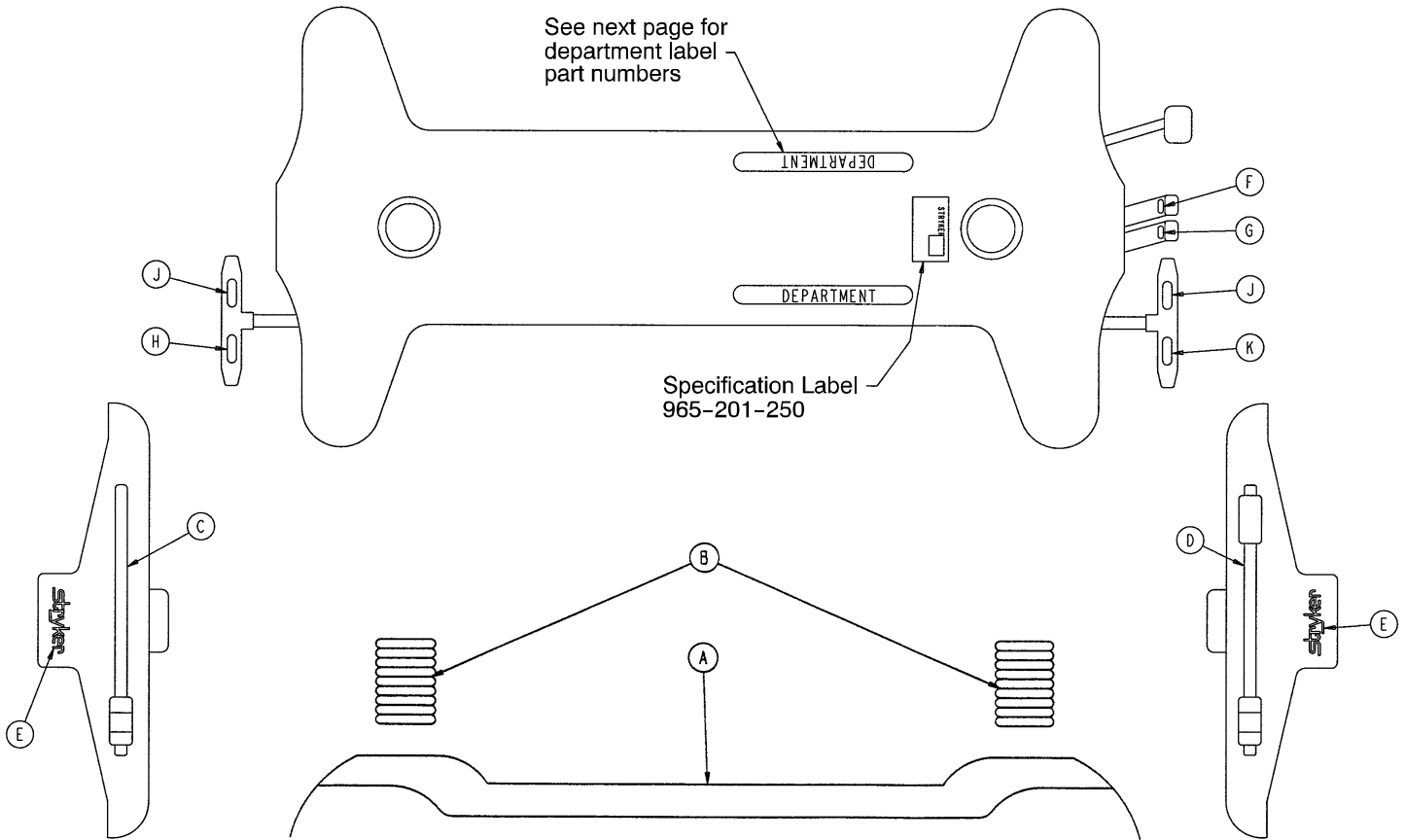
Assembly part number 5050-370-100 (reference only)



Item	Part No.	Part Name	Qty.	Item	Part No.	Part Name	Qty.
A	48-147	Base Plug	2	L	2025-75-87	Pin Housing	1
B	390-2-134	Conical Comp. Spring	1	M	5050-70-50	Adj. P.C. Valve Cartridge	1
C	715-1-309	Valve Plug	1	N	5050-370-1	Jack Base	1
D	715-1-329	Pump Seal	1	P	38-31	Compression Spring	1
E	715-1-341	Poppet	1	R	45-6	O-Ring	2
F	(page 40)	Pump Piston Assembly	1	S	45-966	O-Ring	1
G	715-270-1	Pin	1	T	45-967	O-Ring	1
H	926-20-153	Check Valve	1	U	715-1-321	Check Valve Screen	1
J	926-20-154	Seal	1	W	2025-700-26	Relief Valve Assembly	1
K	1210-170-13	Base Plug	1				

Notes

Base Labeling Assembly



Item	Part No.	Part Name	Qty.
A	360-45-125	Hood	1
B	715-1-134	Bellows	2
C	1001-700-144	Foot End Control Label	1
D	1001-800-141	Head End Control Label	1
E	946-201-60	Stryker Logo Label	2
F	1210-201-340	Foot Down Label, Head End	1
G	1210-201-339	Head Down Label, Head End	1
H	1210-201-335	Brake Label	2
J	1210-201-336	Steer Label	2

Department Labels

BASE HOOD DEPARTMENT LABELS

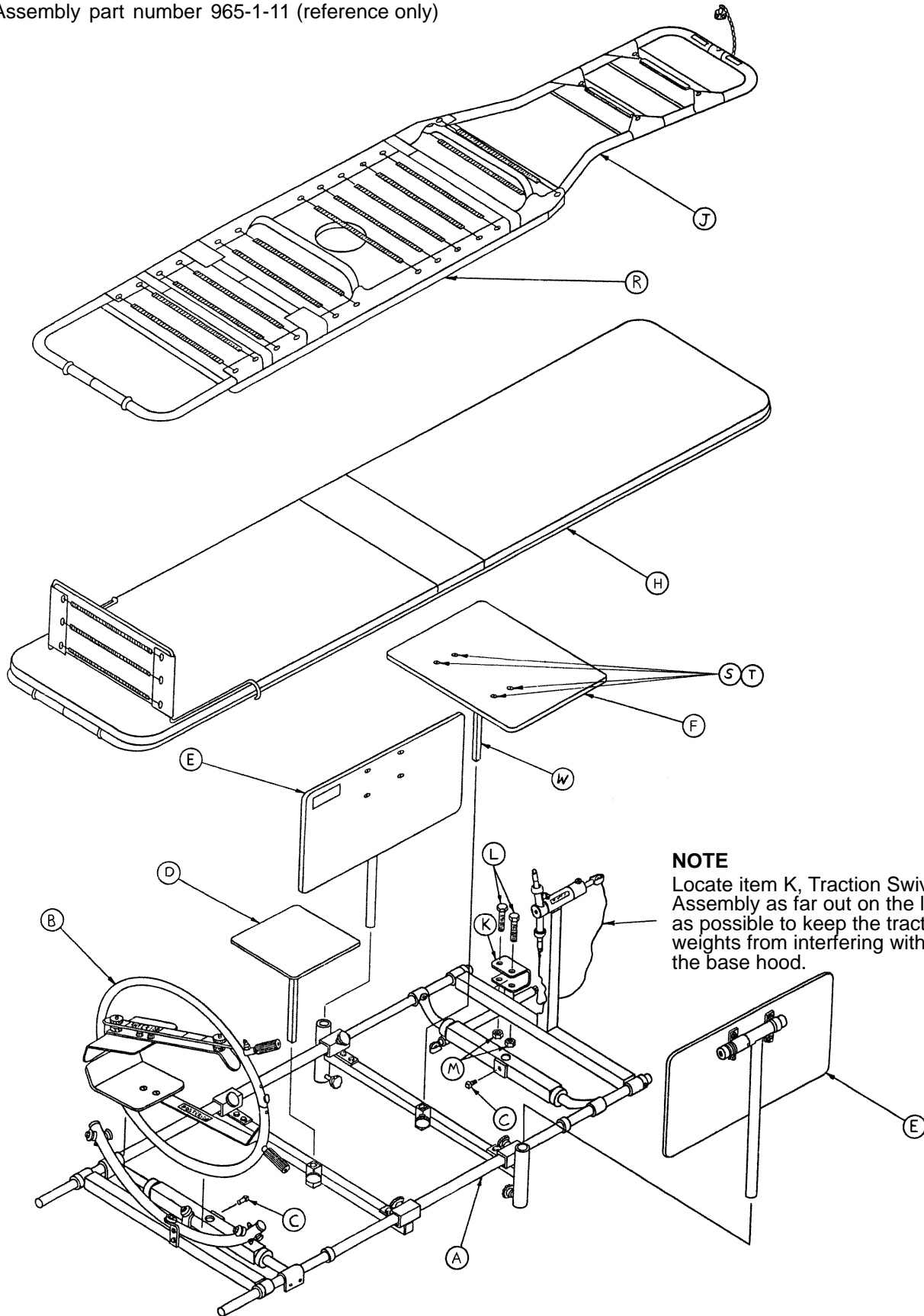
Department	Label Part Number
Emergency	1010-900-215
PACU	1010-900-220
Transport	1010-900-225
Surgery	1010-900-230
Extended Stay	1010-900-235
Maternity	1010-900-240
Endoscopy	1010-900-245
Radiology	1010-900-250
Nuclear Medicine	1010-900-255
Ambulatory Surgery	1010-900-260
G.I. Lab	1010-900-265
Cath. Lab	1010-900-270
Same Day Surgery	1010-900-275
Cardio.	1010-900-280
Ultrasound	1010-900-285

NOTE

All base hood department labels are quantity of two.

Top Assembly

Assembly part number 965-1-11 (reference only)

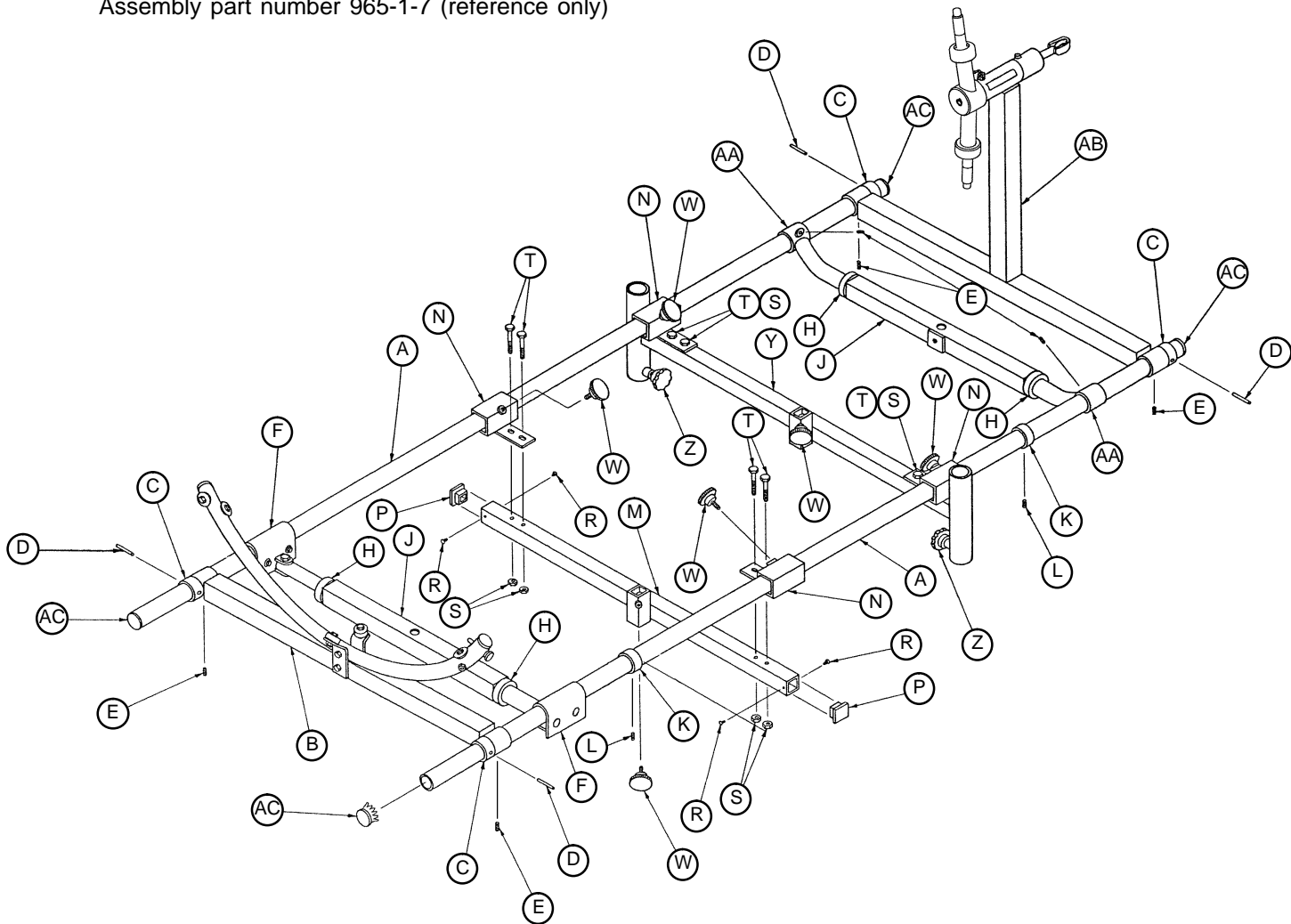


Top Assembly

Item	Part No.	Part Name	Qty.
A	(page 46)	Carrier Assembly	1
B	(page 51)	Ring Assembly	1
C	46-1	Square Hd. Screw	2
D	(page 52)	Tray & Tube Assembly	1
E	(page 53)	Arm Board Assembly	2
F	124-1-34	Board	1
H	(page 54)	Posterior Frame Assembly	1
J	(page 55)	Anterior Frame Assembly	1
K	(page 56)	Traction Swivel Assembly	1
L	3-17	Hex Hd. Cap Screw	2
M	16-6	Kep Nut	2
R	965-1-24	Mattress & Cover Assembly	1
S	1-35	Flat Hd. Mach Screw	4
T	16-3	Fiberlock Nut	4
W	124-1-32	Tray Support Assembly	1

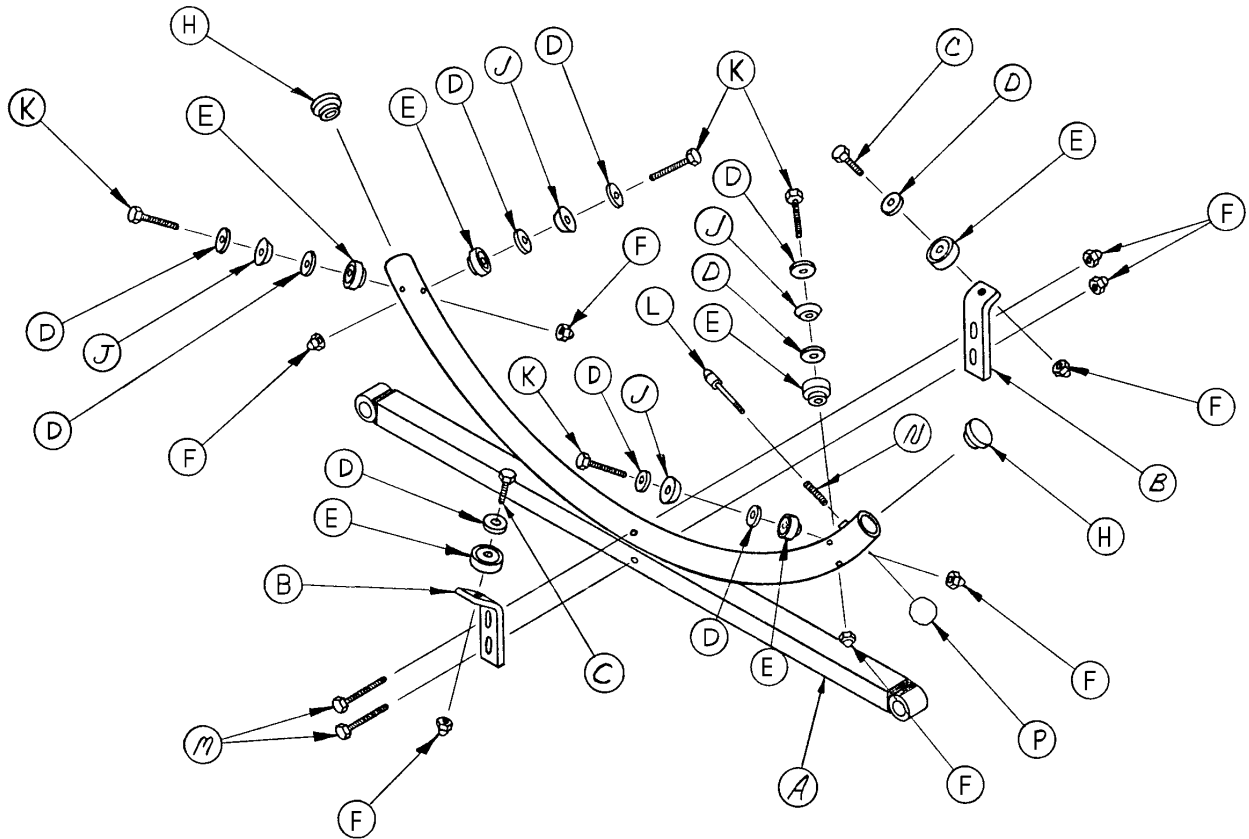
Carrier Assembly

Assembly part number 965-1-7 (reference only)



Item	Part No.	Part Name	Qty.	Item	Part No.	Part Name	Qty.
A	965-1-1	Rail Tube	2	N	965-1-4	Slide Bracket Ass'y	4
B	(page 47)	Yoke Assembly	1	P	37-10	Hole Plug	2
C	350-2-24	Collar	4	R	22-6	Drive Screw	4
D	26-14	Roll Pin	4	S	16-5	Conelock Nut	8
E	21-75	Set Screw	6	T	3-5	Hex Hd. Cap Screw	8
F	(page 48)	Supt. Tube Swivel Ass'y	2	W	24-1 1	Plastic Knob	6
H	42-7	Collar Assembly	4	Y	965-1-5	Arm Support Brkt. Ass'y	1
J	390-9-13	Top Support Tube Ass'y	2	Z	460-3-62	Knob	2
K	124-1-1 13	Collar Assembly	2	AA	391-34-25	Angle Tube Ass'y, Hd.	2
L	21-45	Set Screw	2	AB	(page 49)	Swivel Bracket Ass'y	1
M	965-1-3	Bed Pan Holder Ass'y	1	AC	37-2	Hole Plug	4

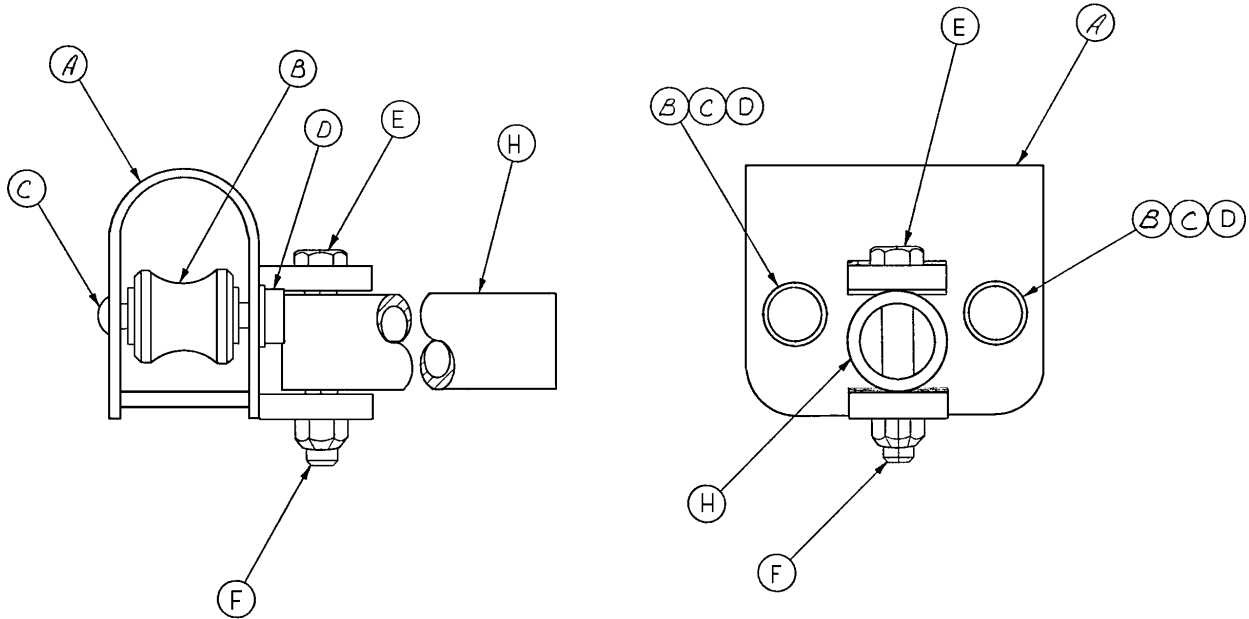
965-1-2 Yoke Assembly



Item	Part No.	Part Name	Qty.
A	965-1-22	Yoke Support Frame Ass'y	1
B	124-1-75	Bearing Support Bracket	2
C	3-3	Hex Hd. Cap Screw	2
D	11-2	Washer	10
E	124-1-78	Bearing	6
F	17-4	Acorn Nut	8
H	124-1-76	Stop Plug	2
J	124-1-109	Spacer Guard	4
K	3-23	Hex Hd. Cap Screw	4
L	124-1-81	Lock Pin	1
M	3-20	Hex Hd. Cap Screw	2
N	124-1-82	Spring	1
P	965-300-471	Threaded Ball Knob	1

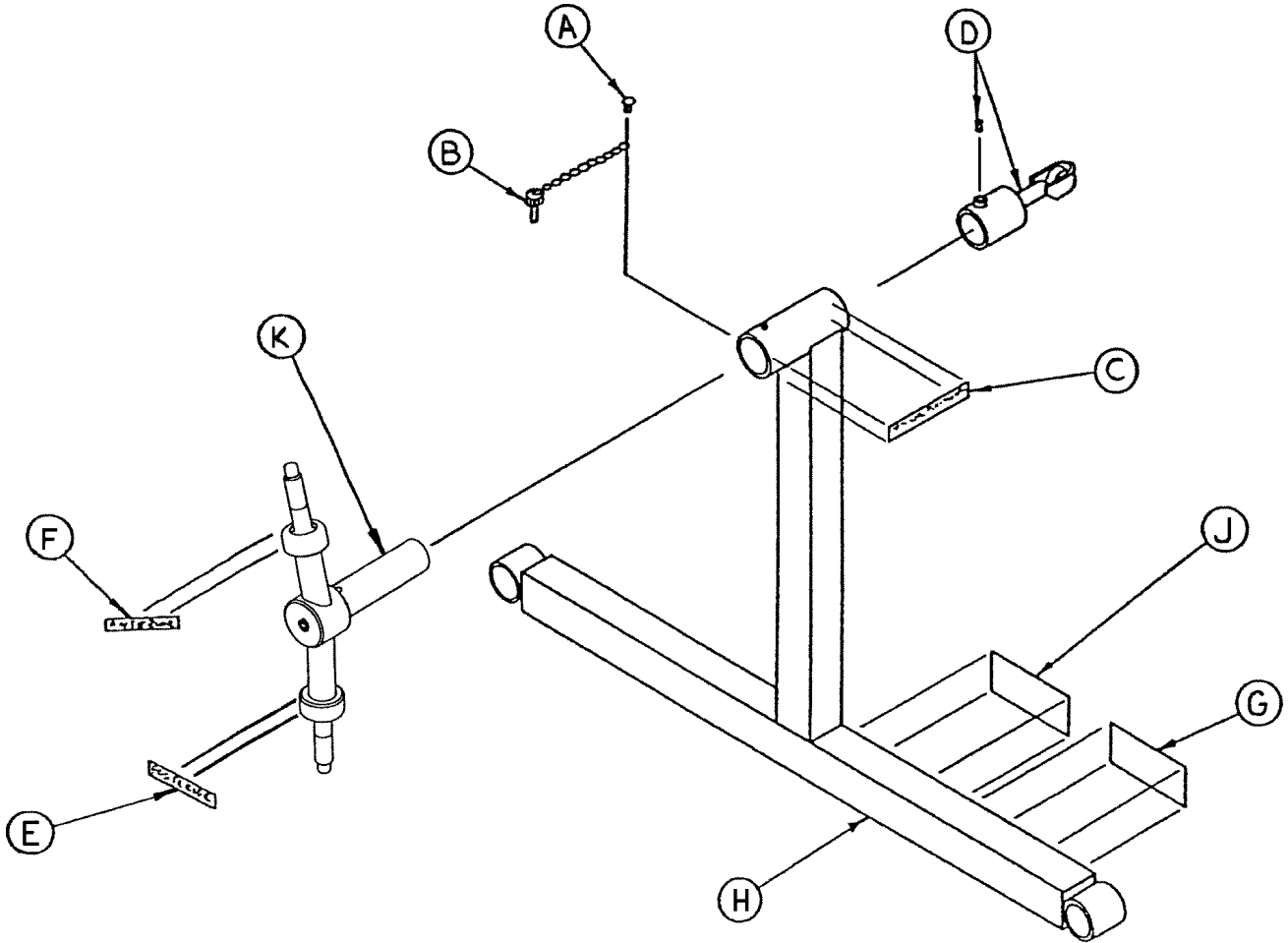
Support Tube Swivel Assembly

Assembly part number 940-2-155 (reference only)



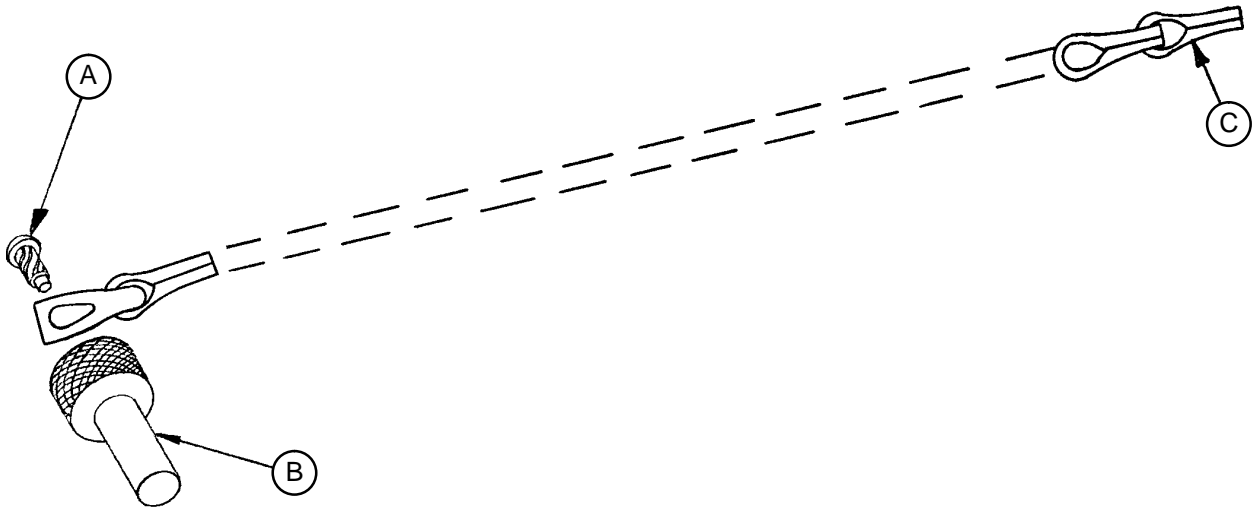
Item	Part No.	Part Name	Qty.
A	940-2-157	Support Tube Assembly	1
B	938-1-291	Support Tube Roller Ass'y	2
C	25-53	Rivet	2
D	17-3	Drive Nut	2
E	3-40	Hex Hd. Cap Screw	1
F	16-11	Flexlock Nut	1
H	940-2-156	Support Tube	1

965-1-6 Swivel Bracket Assembly



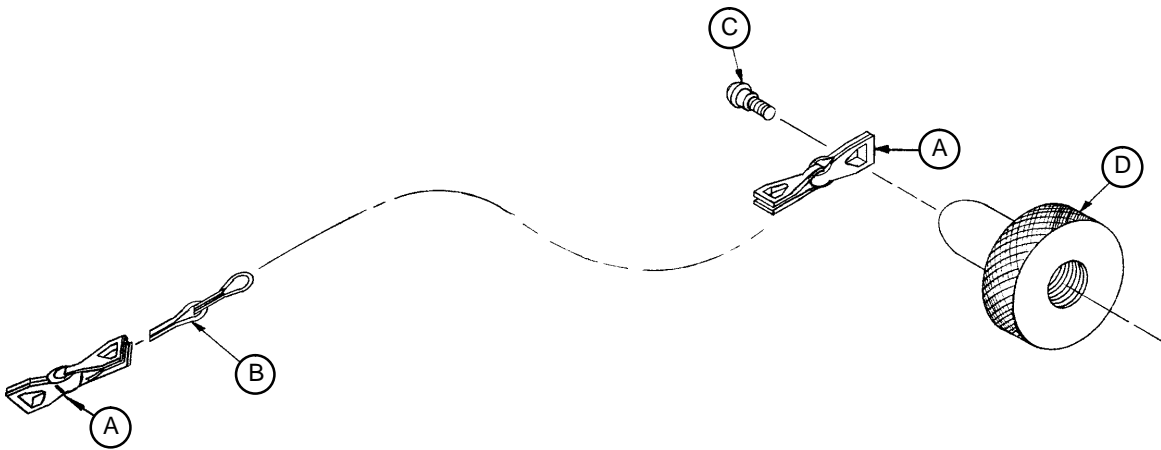
Item	Part No.	Part Name	Qty.
A	22-8	Drive Screw	1
B	(page 50)	Pin Assembly	1
C	124-1-35	Lock Pin Label	1
D	124-1-44	Collar Assembly	1
E	124-1-53	Posterior Label	1
F	124-1-58	Anterior Label	1
G	124-1-129	Weight Label	1
H	965-1-16	Bracket Assembly	1
J	965-1-30	"Lower Jack" Label	1
K	965-300-463	Swivel Assembly	1

124-1-23 Pin Assembly



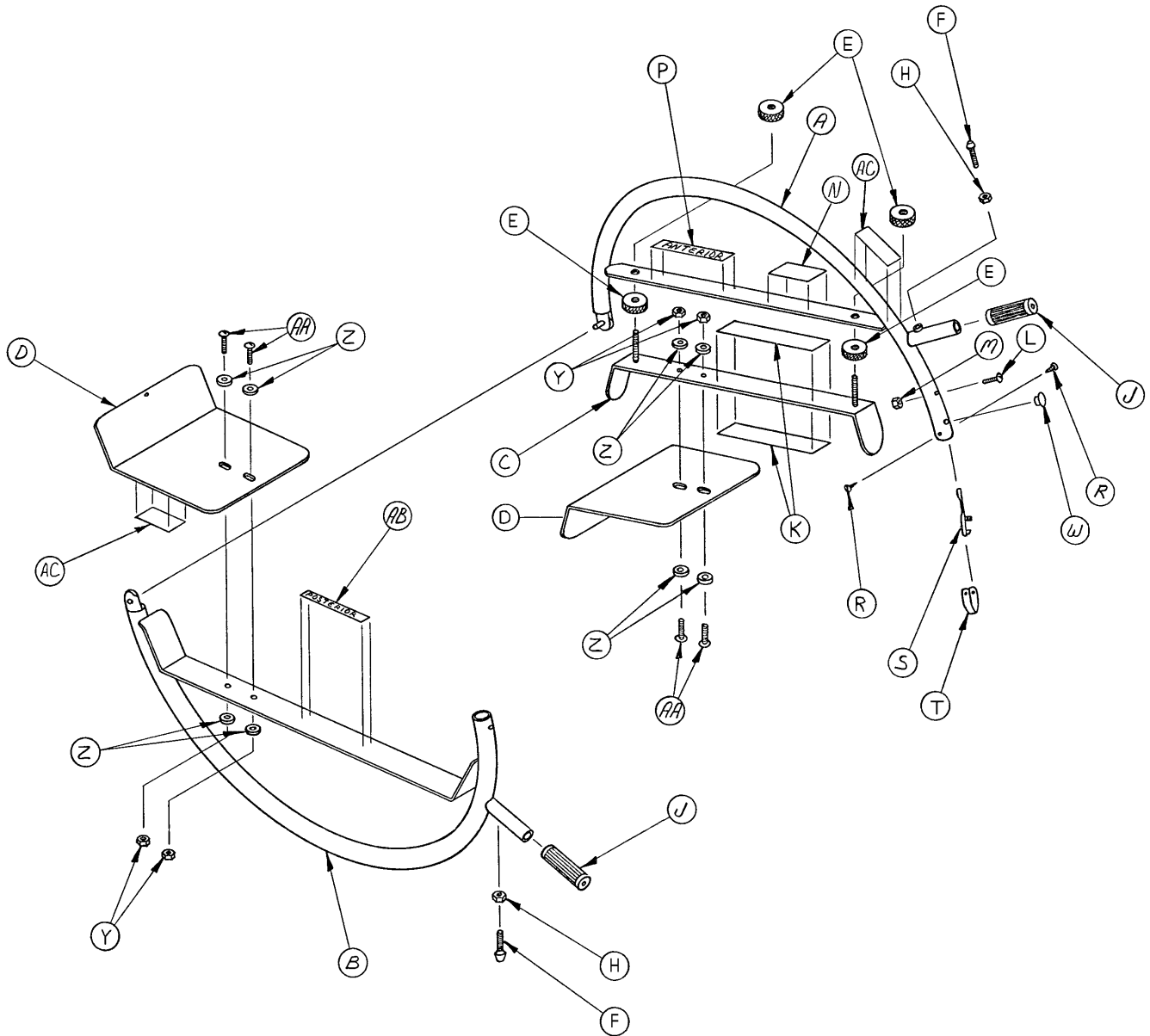
Item	Part No.	Part Name	Qty.
A	22-8	Drive Screw	1
B	124-1-17	Safety Pin	1
C	124-1-131	Chain Assembly	1

460-4-165 Knurled Nut Assembly



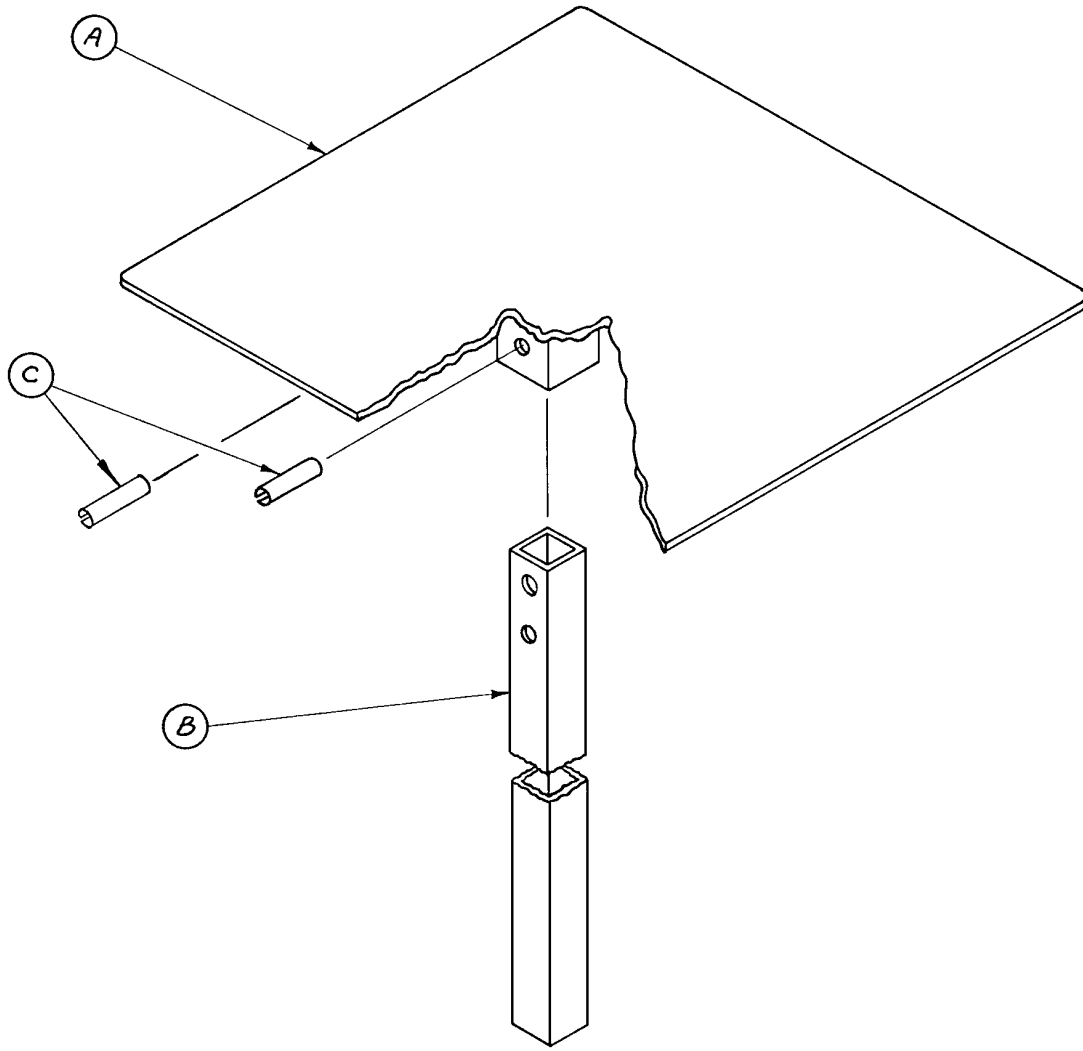
Item	Part No.	Part Name	Qty.
A	390-3-75	Modified Link	2
B	460-4-167	Sash Chain	1
C	8-8	Shoulder Screw	1
D	460-4-166	Knurled Nut	1

124-1-1 19 Ring Assembly



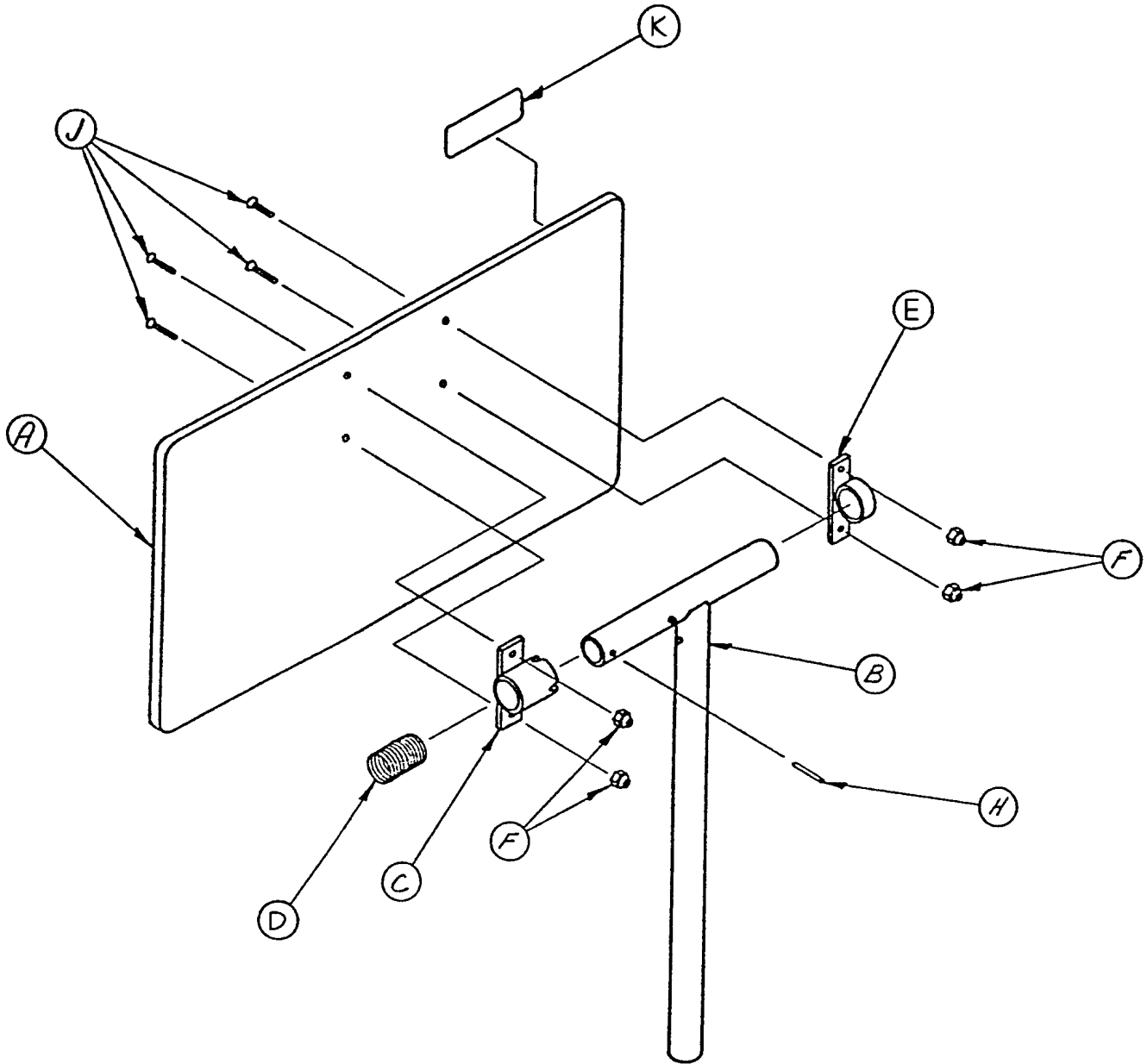
Item	Part No.	Part Name	Qty.	Item	Part No.	Part Name	Qty.
A	124-1-54	Anterior Radial Frame	1	N	124-1-59	Label	1
B	124-1-46	Posterior Radial Frame	1	P	124-1-58	Anterior Label	1
C	124-1-60	Anterior Support	1	R	23-3	Sheet Metal Screw	2
D	124-18-1	Sheet Protector	2	S	124-1-66	Spring Release	1
E	100-3-6	Inner Knurled Nut	4	T	124-1-64	Pilot	1
F	124-1-71	Stop Button	2	W	124-1-70	Button	1
H	15-21	Hex Nut	2	Y	16-3	Fiberlock Nut	4
J	763-1-28	Hand Grip	2	Z	11-1	Washer	8
K	124-1-65	Caution Label	2	AA	2-19	Rd. Hd. Mach. Screw	4
L	2-31	Rd. Hd. Mach. Screw	1	AB	124-1-53	Posterior Label	1
M	16-14	Fiberlock Nut	1	AC	124-1-130	Security Pin Label	2

965-1-32 Tray & Tube Assembly



Item	Part No.	Part Name	Qty.
A	124-6-1	Tray Assembly	1
B	965-1-29	Support Tube	1
C	26-11	Roll Pin	2

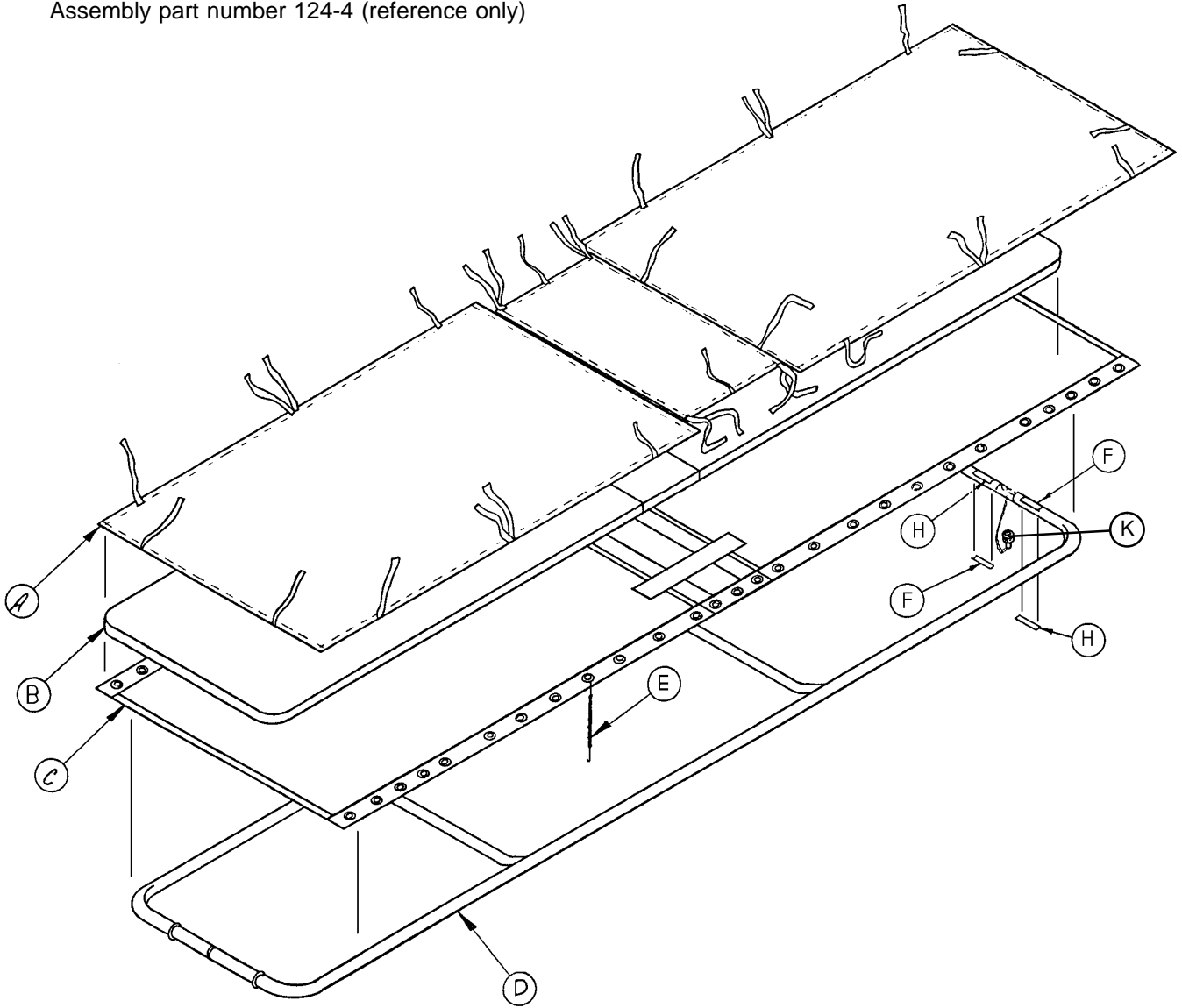
124-1-100 Arm Board Assembly



Item	Part No.	Part Name	Qty.
A	124-1-106	Arm Board	1
B	124-1-101	Support	1
C	124-1-108	Notched Pivot Bracket	1
D	460-635-46	Spring	1
E	124-1-1 15	Sleeve Assembly	1
F	16-3	Fiberlock Nut	1
H	26-14	Roll Pin	1
J	1-35	Flat Hd. Mach. Screw	4
K	124-1-107	Label	1

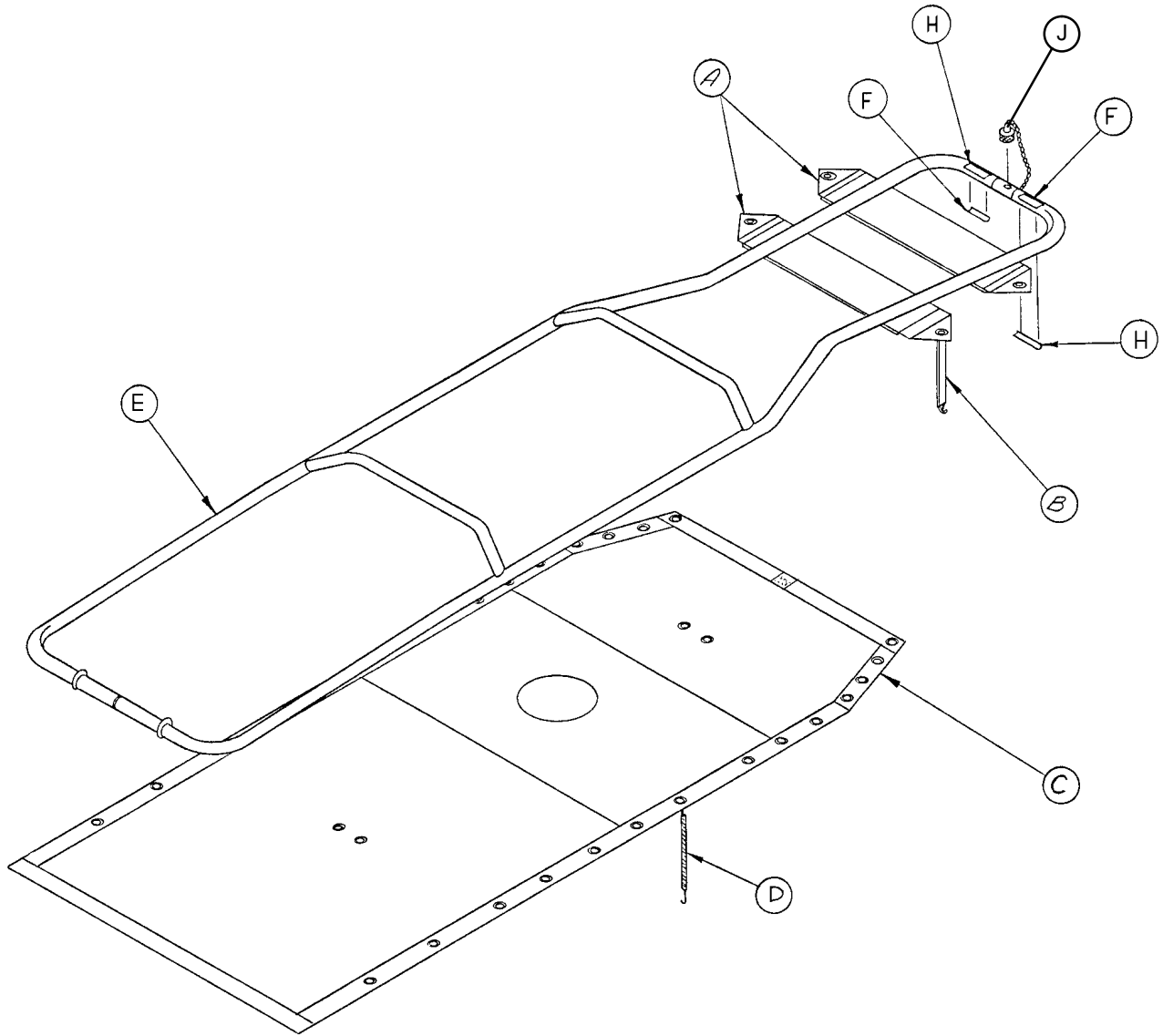
Posterior Frame Assembly

Assembly part number 124-4 (reference only)



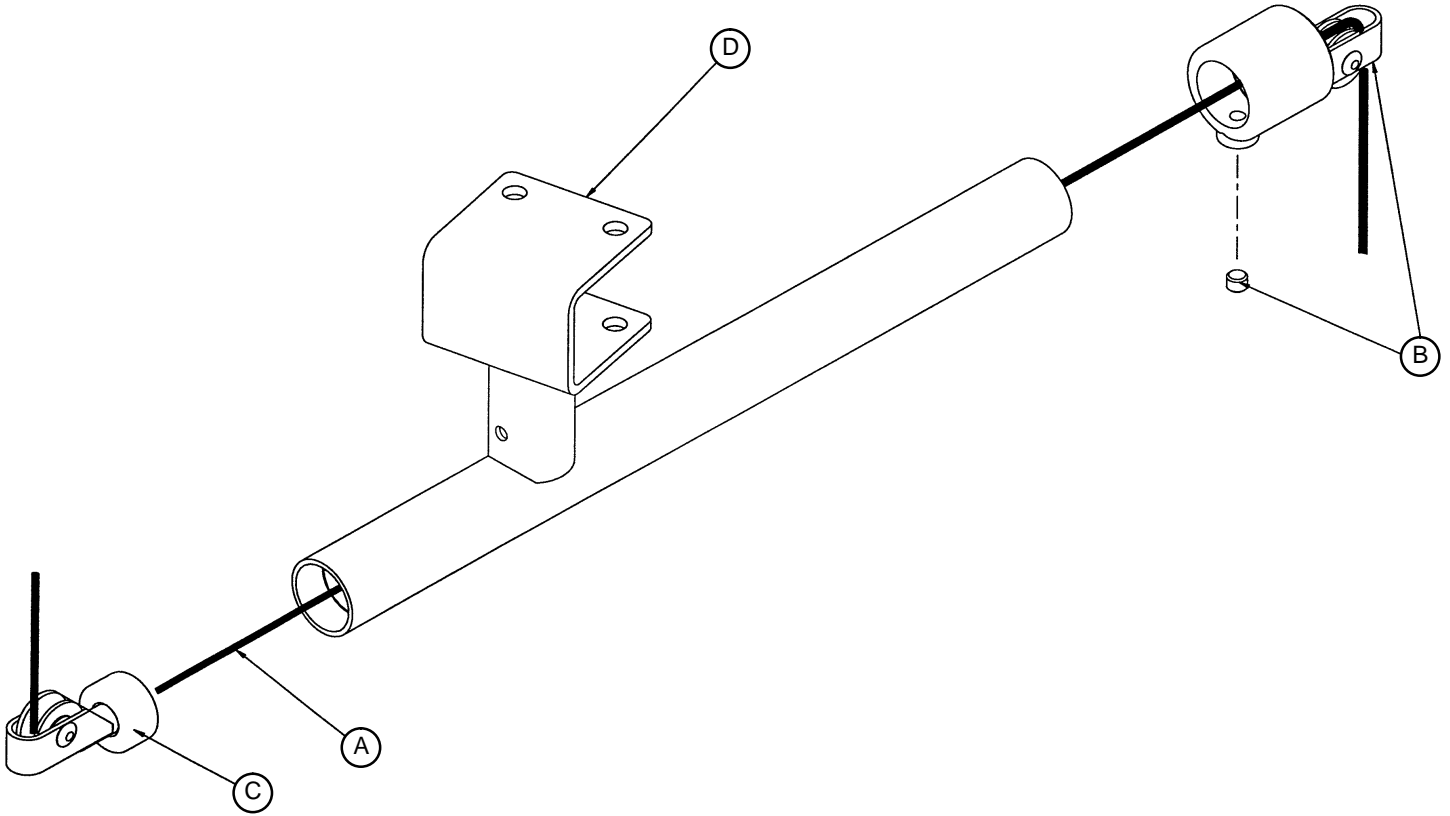
Item	Part No.	Part Name	Qty.
A	125-4-1	Posterior Sheet Set	1
B	125-4-8	Posterior Mattress Set	1
C	125-4-5	Posterior Canvas	1
D	124-4-6	Frame Assembly	1
E	38-4	Evertaut Spring	28
F	124-1-98	Knurled Nut Label	2
H	124-1-129	Weight Label	2
J	43-18	Plastic Sheet (not shown)	1
K	(page 50)	Knurled Nut	1

965-1-23 Anterior Frame Assembly



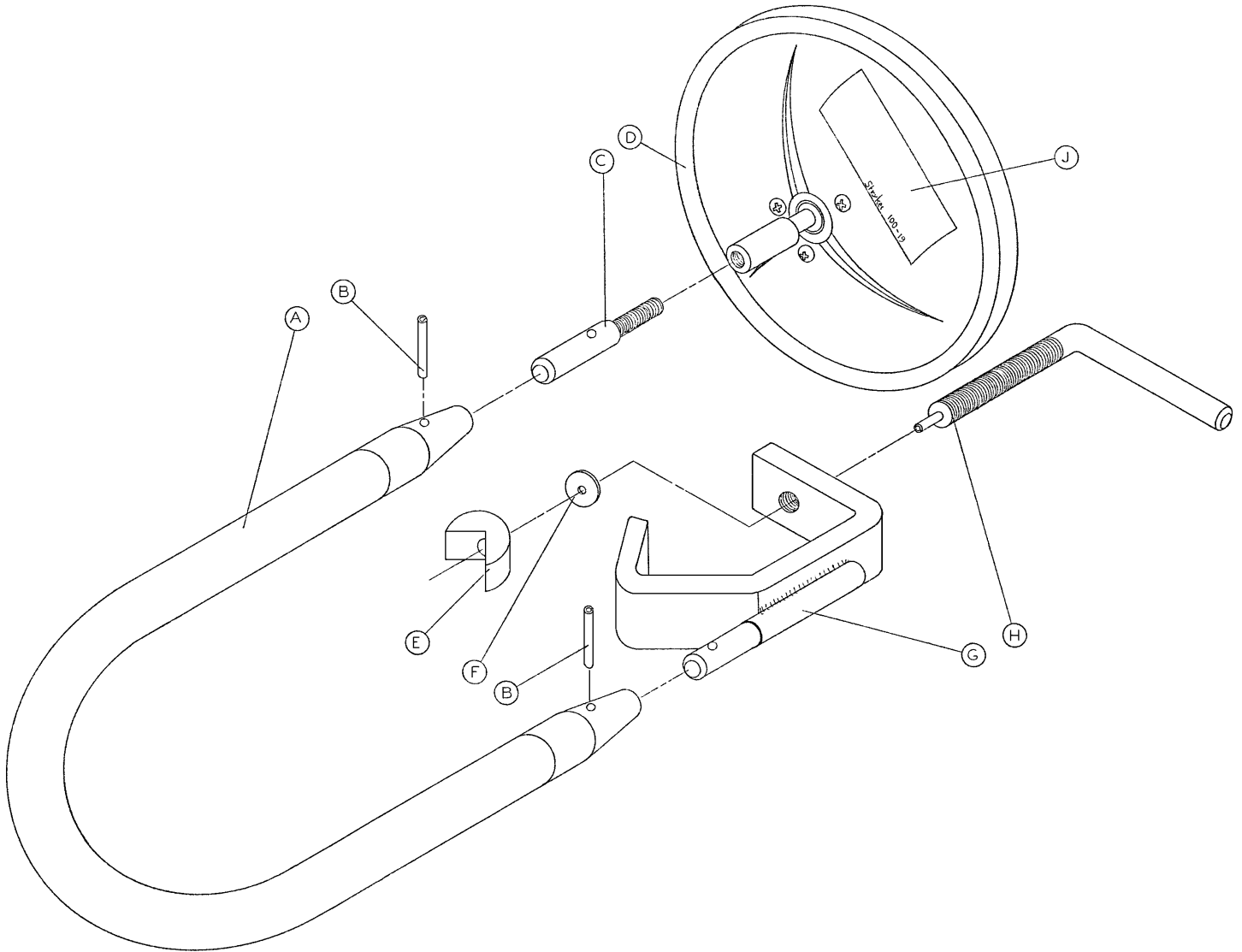
Item	Part No.	Part Name	Qty.
A	100-5-8	Head Support Band	2
B	38-40	Elastic Band Assembly	2
C	460-5-1 15	Anterior Canvas	1
D	38-4	Evertaut Spring	17
E	124-5-3	Frame Assembly	1
F	965-1-31	Knurled Nut Label	2
H	124-1-129	Weight Label	2
J	(page 50)	Knurled Nut	1

965-201-18 Traction Swivel Assembly



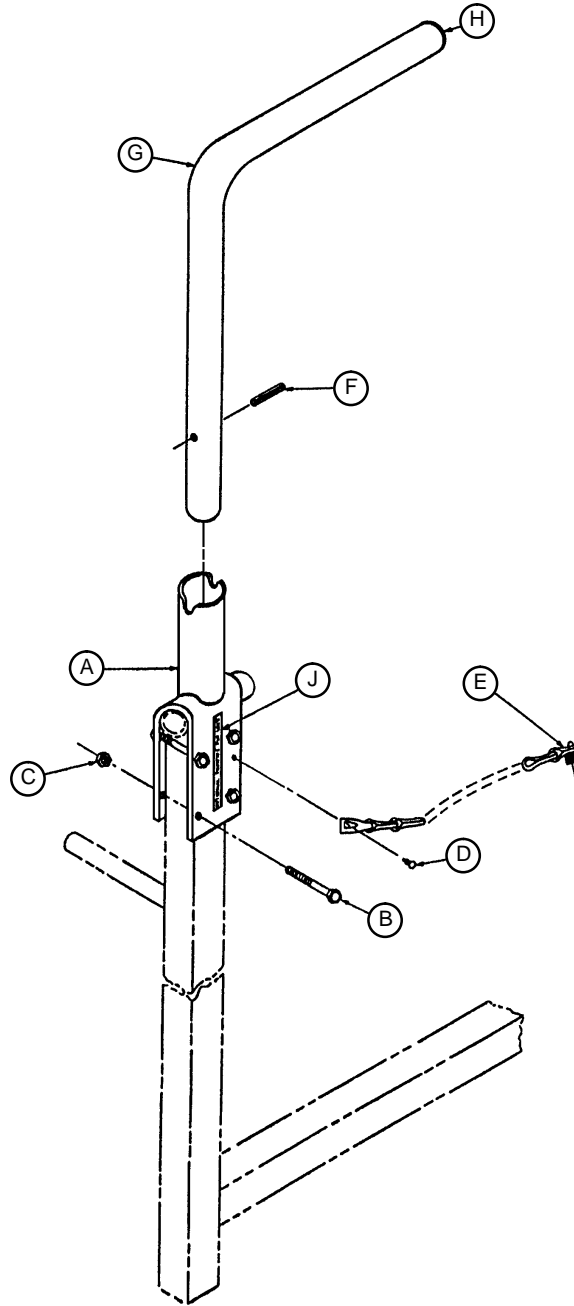
Item	Part No.	Part Name	Qty.
A	41-1	Traction Rope	As Req'd
B	124-1-44	Collar Assembly	1
C	460-61 1-16	Support Tube Assembly	1
D	965-201-19	Traction Bracket Assembly	1

100-19 Optional Mirror Assembly



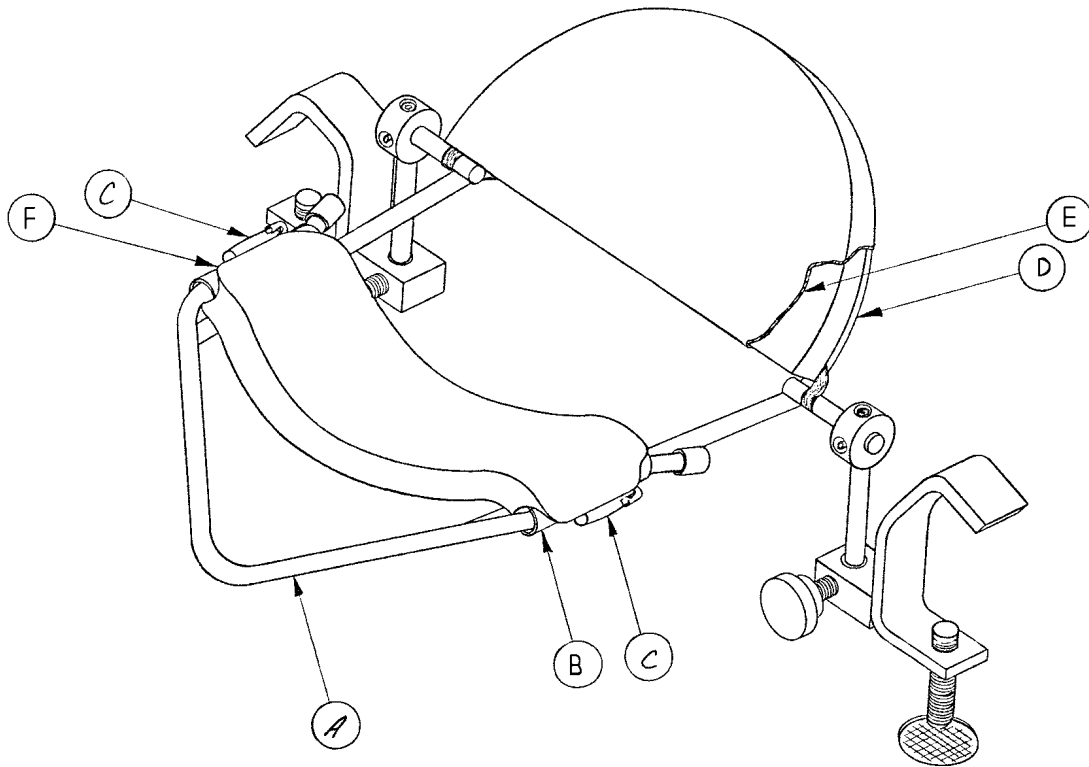
Item	Part No.	Part Name	Qty.
A	100-19-3	Flexible Cable	1
B	26-6	Roll Pin	2
C	100-19-12	Mirror Adaptor	1
D	100-19-7	Mirror	1
E	100-19-15	Swivel Clamp	1
F	11-15	Washer	1
G	100-19-8	C-Clamp Assembly	1
H	100-19-13	L-Screw	1
J	100-19-17	Label	1

124-14 Optional Overhead Grasping Bar Assembly



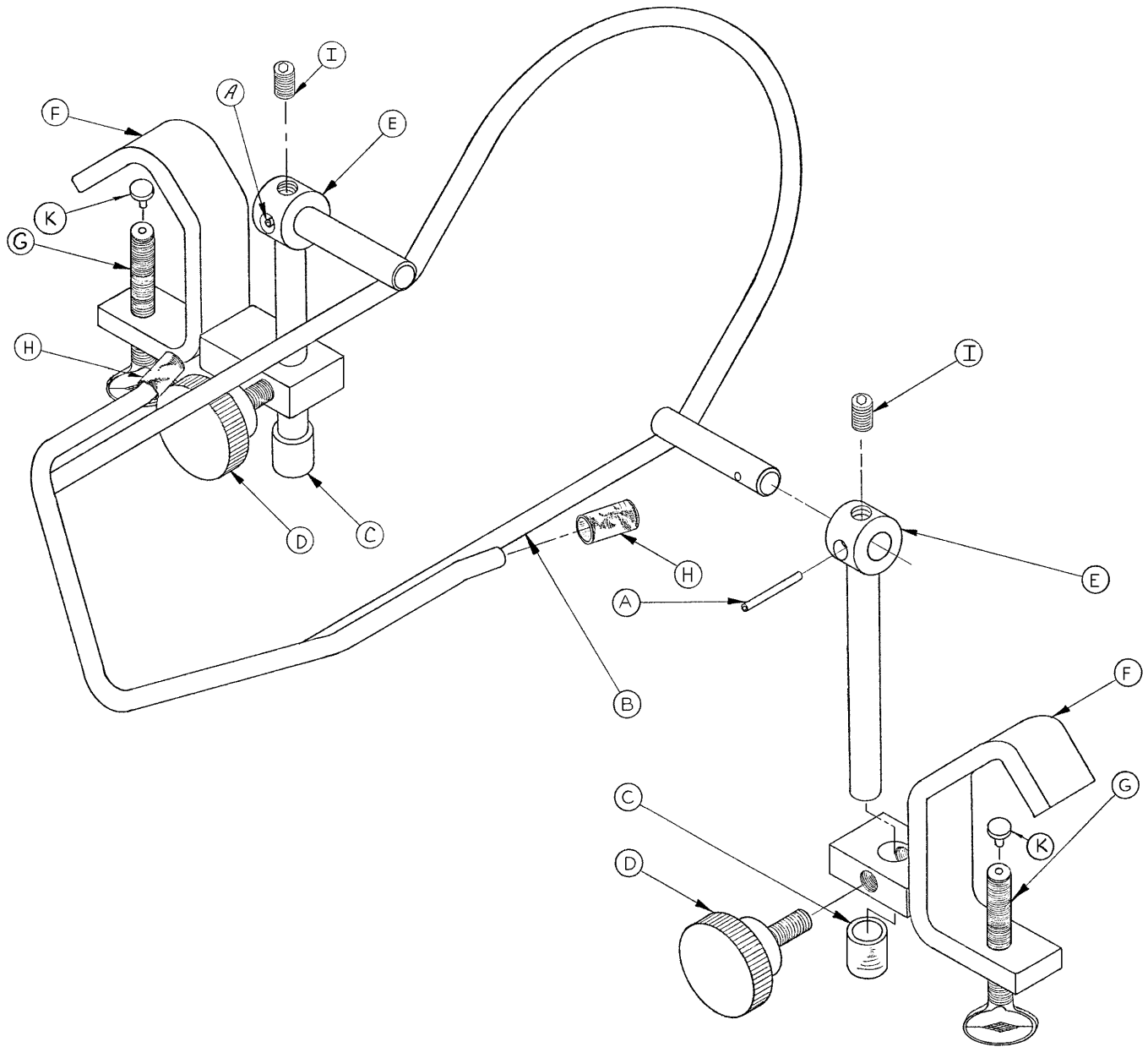
Item	Part No.	Part Name	Qty.
A	124-14-1	Bar Holder	1
B	3-20	Cap Screw	4
C	16-5	Hex Nut	4
D	22-8	Drive Screw	1
E	(page 50)	Pin Assembly	1
F	26-14	Roll Pin	1
G	124-14-4	Overhead Bar	1
H	37-2	Tube Plug	1
J	124-1-35	Label	1

124-1 1 Optional Foam Face Piece Assembly



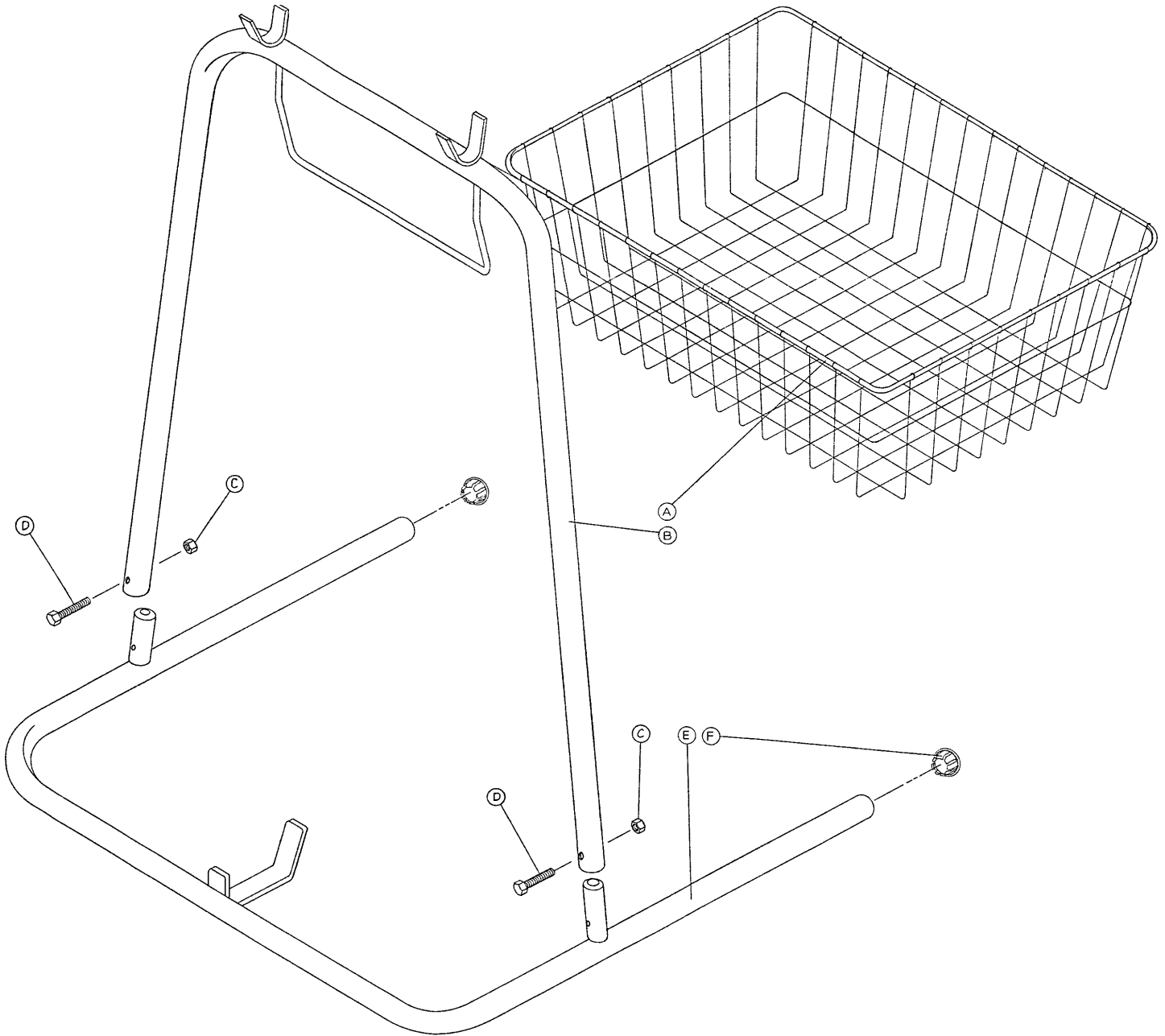
Item	Part No.	Part Name	Qty.
A	(page 60)	Frame Assembly	1
B	124-1 1-25	Chin Strap Cover Ass'y	1
C	100-21-3	Safety Pin	2
D	124-17-14	Forehead Foam Ass'y	1
E	124-1 1-21	Head Canvas	1
F	124-1 1-29	Chin Foam	1

124-1 1-1 Optional Foam Face Piece Frame Assembly



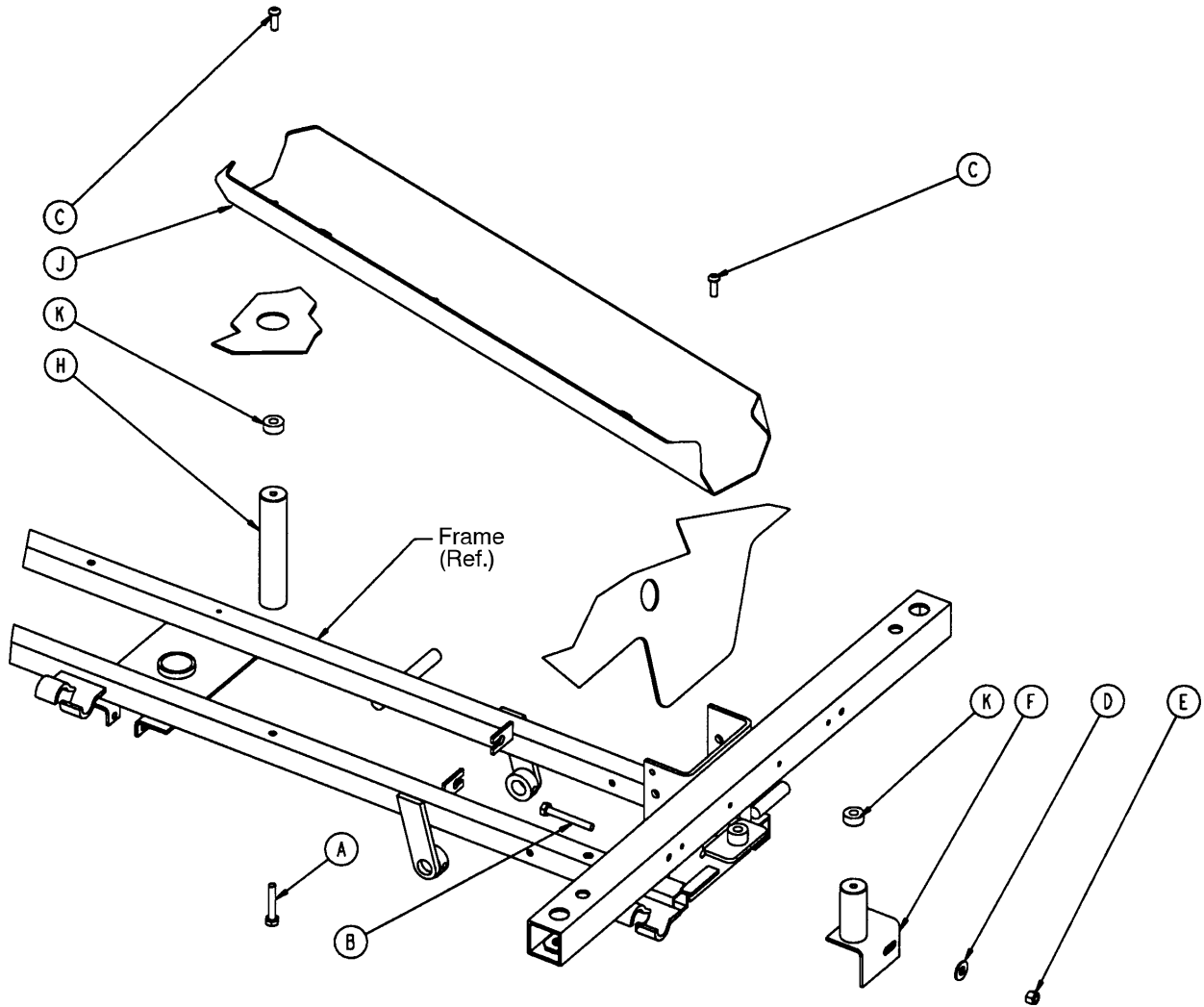
Item	Part No.	Part Name	Qty.
A	26-22	Roll Pin	2
B	124-1 1-2	Frame	1
C	37-4	End Cap	2
D	24-23	Plastic Knob	2
E	124-1 1-6	Vertical Support	2
F	124-1 1-32	C-Clamp Assembly	2
G	24-18-1	Thumb Screw	2
H	37-7	Plastic Protector	2
I	21-40	Allen Set Screw	2
J	1322	Allen Wrench (not shown)	1
K	24-18-2	Plastic Cap	2

124-12 Optional Accessory Stand & Frame Assembly



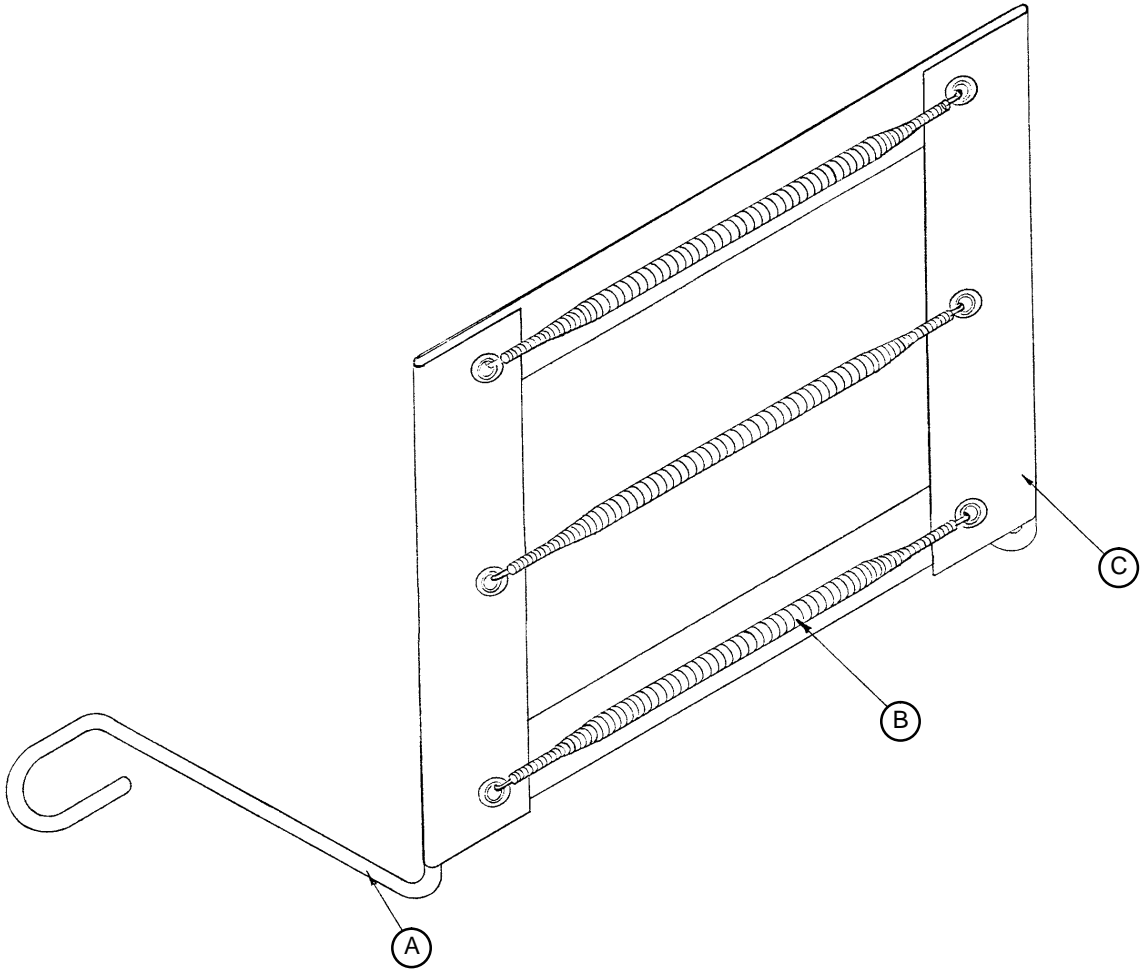
Item	Part No.	Part Name	Qty.
A	390-5-2	Basket	1
B	124-12-4	Vertical Frame Assembly	1
C	16-5	Conelock Nut	2
D	3-4	Hex Hd. Cap Screw	2
E	124-12-1	Base Assembly	1
F	37-2	Hole Plug	2

965-140 Optional Oxygen Bottle Holder Assembly



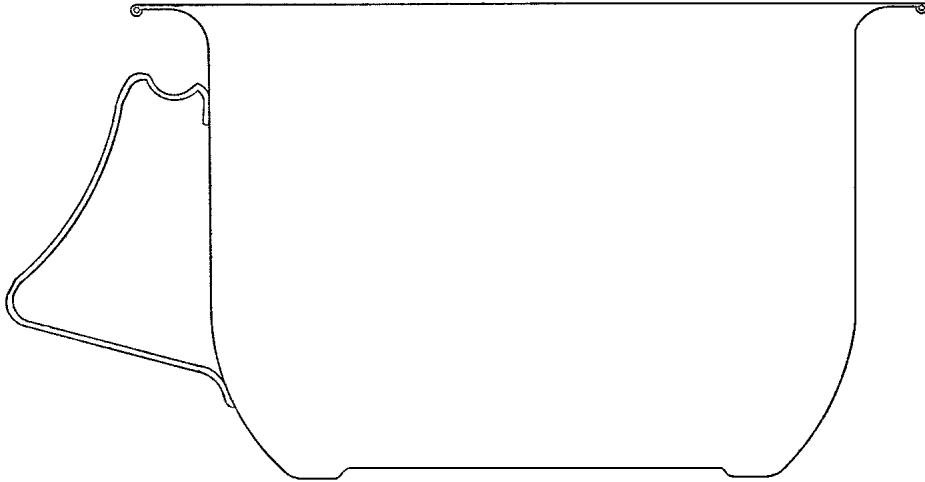
Item	Part No.	Part Name	Qty.
A	3-47	Hex Hd. Cap Screw	1
B	3-76	Hex Hd. Cap Screw	1
C	4-161	But. Hd. Cap Screw	2
D	11-3	Flat Washer	1
E	16-28	Lock Nut	1
F	360-140-43	Pillar Assembly	1
H	360-140-44	Rear Support Pillar	1
J	700-140-45	O2 Bottle Holder	1
K	390-1-1 15	Bumper	2

125-9 Foot Support Assembly



Item	Part No.	Part Name	Qty.
A	125-9-1	Foot Support Frame	1
B	38-4	Short Spring	3
C	125-9-2	Foot Support Canvas	1

460-619-2 Stainless Steel Bed Pan



Warranty

Limited Warranty:

Stryker Medical Division, a division of Stryker Corporation, warrants to the original purchaser that its products should be free from defects in material and workmanship for a period of one (1) year after date of delivery. Stryker's obligation under this warranty is expressly limited to supplying replacement parts and labor for, or replacing, at its option, any product which is, in the sole discretion of Stryker, found to be defective. Stryker warrants to the original purchaser that the frame and welds on its beds will be free from structural defects for as long as the original purchaser owns the bed. If requested by Stryker, products or parts for which a warranty claim is made shall be returned prepaid to Stryker's factory. Any improper use or any alteration or repair by others in such manner as in Stryker's judgement affects the product materially and adversely shall void this warranty. Any repair of Stryker products using parts not provided or authorized by Stryker shall void this warranty. No employee or representative of Stryker is authorized to change this warranty in any way.

Stryker Medical stretchers are designed for a 10 year expected life under normal use conditions and appropriate periodic maintenance as described in the maintenance manual for each device.

This statement constitutes Stryker's entire warranty with respect to the aforesaid equipment. STRYKER MAKES NO OTHER WARRANTY OR REPRESENTATION, EITHER EXPRESSED OR IMPLIED, EXCEPT AS SET FORTH HEREIN. THERE IS NO WARRANTY OF MERCHANTABILITY AND THERE ARE NO WARRANTIES OF FITNESS FOR ANY PARTICULAR PURPOSE. IN NO EVENT SHALL STRYKER BE LIABLE HEREUNDER FOR INCIDENTAL OR CONSEQUENTIAL DAMAGES ARISING FROM OR IN ANY MANNER RELATED TO SALES OR USE OF ANY SUCH EQUIPMENT.

To Obtain Parts and Service:

Stryker products are supported by a nationwide network of dedicated Stryker Field Service Representatives. These representatives are factory trained, available locally, and carry a substantial spare parts inventory to minimize repair time. Simply call your local representative, or call Stryker Customer Service at (800) 327-0770.

Service Contract Coverage:

Stryker has developed a comprehensive program of service contract options designed to keep your equipment operating at peak performance at the same time it eliminates unexpected costs. We recommend that these programs be activated *before* the expiration of the new product warranty to eliminate the potential of additional equipment upgrade charges.

A SERVICE CONTRACT HELPS TO:

- Ensure equipment reliability
- Stabilize maintenance budgets
- Diminish downtime
- Establish documentation for JCAHO
- Increase product life
- Enhance trade-in value
- Address risk management and safety

Warranty

Stryker offers the following service contract programs:

SPECIFICATIONS	GOLD	SILVER	PM* ONLY
Annually scheduled preventative maintenance	X		X
All parts,** labor, and travel	X	X	
Unlimited emergency service calls	X	X	
Priority one contact; two hour phone response	X	X	X
Most repairs will be completed within 3 business days	X	X	
JCAHO documentation	X	X	X
On-site log book w/ preventative maintenance & emergency service records	X		
Factory-trained Stryker Service Technicians	X	X	X
Stryker authorized parts	X	X	X
End of year summary	X		
Stryker will perform all service during regular business hours (9-5)	X	X	X

* Replacement parts and labor for products under PM contract will be discounted.

** Does not include any disposable items, I.V. poles (except for Stryker HD permanent poles), mattresses, or damage resulting from abuse.

Stryker Medical also offers *personalized* service contracts.

Pricing is determined by age, location, model and condition of product.

For more information on our service contracts, please call your local representative or call (800) 327-0770 (option #2).

Return Authorization:

Merchandise cannot be returned without approval from the Stryker Customer Service Department. An authorization number will be provided which must be printed on the returned merchandise. Stryker reserves the right to charge shipping and restocking fees on returned items.

SPECIAL, MODIFIED, OR DISCONTINUED ITEMS NOT SUBJECT TO RETURN.

Damaged Merchandise:

ICC Regulations require that claims for damaged merchandise must be made with the carrier within fifteen (15) days of receipt of merchandise. **DO NOT ACCEPT DAMAGED SHIPMENTS UNLESS SUCH DAMAGE IS NOTED ON THE DELIVERY RECEIPT AT THE TIME OF RECEIPT.** Upon prompt notification, Stryker will file a freight claim with the appropriate carrier for damages incurred. Claim will be limited in amount to the actual replacement cost. In the event that this information is not received by Stryker within the fifteen (15) day period following the delivery of the merchandise, or the damage was not noted on the delivery receipt at the time of receipt, the customer will be responsible for payment of the original invoice in full.

Claims for any short shipment must be made within thirty (30) days of invoice.

International Warranty Clause:

This warranty reflects U.S. domestic policy. Warranty outside the U.S. may vary by country. Please contact your local Stryker Medical representative for additional information.



European Representative

Stryker France
BP 50040-95946 Roissy Ch. de Gaulle
Cedex-France

Phone: 33148632290
Fax: 33148632175

stryker[®]
Medical

6300 Sprinkle Road, Kalamazoo, MI 49001-9799

(800) 327-0770
www.strykermedical.com



DH 10/02 0965-001-233 REV E