
stryker®

IMPORTANT
File in your
maintenance
records



Advantage™ Series Stretchers

Model 1001 Emergency Care
Model 1501 PACU

MAINTENANCE MANUAL

For Parts or Technical Assistance
1-800-327-0770 (Option 2)

Table of Contents

Introduction

Specifications	4
Warning / Caution / Note Definition	4

Preventative Maintenance

Checklist	5
Cleaning	6

Service Information

Caster Cover Installation and Removal	7
Caster Removal	7
Release Pedal Adjustment	8
Brake Rod Removal	8
Side Control Brake Rod Removal	9
Brake Ring Removal	10
Fifth Wheel Assembly Removal	10
Big Wheel Removal	11
Big Wheel Hubcap Removal	11
Big Wheel Carriage Removal	12
Side Control Big Wheel Linkage Assembly Removal	12
Big Wheel Cam Gas Spring Dampener Removal	13
Jack Descent Rate Adjustment	13
Removal of Excess Air from the Hydraulic System	13
Head End Hydraulic Jack Removal	14
Foot End Hydraulic Jack Removal	15, 16
Litter Top Removal	16
Pneumatic Fowler Adjustment	17

Replacement Parts and Kits	18
----------------------------------	----

Assembly Drawings and Parts Lists

Fifth Wheel Base Assembly	19
Fifth Wheel Assembly	20, 21
Base Assembly with Standard Brakes (Fifth Wheel Base)	22, 23

Table of Contents

Assembly Drawings and Parts Lists (Continued)

Brake Rod Assembly	24
Drive Link Assembly	25, 26
Caster Assembly	27
Base Assembly with Four-Sided Brakes	28, 29
Side Control Brake Rod Assembly	30
Brake Rod Assembly	31
Base Assembly with Dual Side Hydraulics (Fifth Wheel Base)	32–34
Release Pedal Assembly	35
Pump Pedal Assembly	36
Base Assembly with Three Side Hydraulics (Fifth Wheel Base)	37–39
Release Pedal Assembly	40
Pump Pedal Assembly	41
Base Labeling Assembly	42–44
Big Wheel Base Assembly	45–47
Base Assembly with Standard Brakes (Big Wheel Base)	48, 49
Drive Link Assembly	50
Brake Rod Assembly	51
Base Assembly with Dual Side Hydraulics (Big Wheel Base)	52–54
Release Pedal Assembly	55
Cam Bracket Assembly	56, 57
Big Wheel Carriage Assembly	58
Side Control Big Wheel Base Assembly	59–61
Side Control Big Wheel Carriage Assembly	62–63
Side Control Big Wheel Linkage Assembly	64
Base Labeling Assembly	65, 66
Variable Descent Hydraulic Jack Option	67
Constant Descent Hydraulic Jack Option	68

Table of Contents

Assembly Drawings and Parts Lists (Continued)

Litter Assembly	69–78
Dual Siderail Latch Assembly	79
Pneumatic Fowler Assembly	80–88
Crank Fowler Assembly	89–91
Stationary Foot Section Assembly	92–94
Knee Gatch Assembly	95–99
Push Handle Assembly	100–102
Removable I.V. Pole Assembly	103
Tethered I.V. Pole Assembly	104, 105
2–Stage I.V. Assembly	106–113
3–Stage I.V. Assembly	114–119
Fowler X–Ray Cassette Assembly	120–123
Foot Board	124
O2 Bottle Holder	124
Foot Extension/Defibrillator Tray Assembly	125
Defibrillator Tray Assembly	126
Heel Stirrup Assembly	127–130
C–Spine Cassette Holder Assembly	131–133
O2 Bottle Retainer Assembly	134
Mattresses and Siderail Pads	135, 136
Warranty	
Obtaining Parts and Service	137
Service Contract Coverage	137
Return Authorization	138
Freight Damage Claims	138

Introduction

INTRODUCTION

This manual is designed to assist you with the maintenance of the Model 1001 Emergency Care Stretcher and the Model 1501 PACU stretcher. Read it thoroughly before using the equipment or beginning any maintenance on it.

SPECIFICATIONS

	1001	1501
Maximum Weight Capacity	500 pounds	500 pounds
Overall Stretcher Length / Width	83" / 31.5"	83" / 34.5"
Minimum / Maximum Bed Height	21.5" / 36"	21.5" / 36"
Fowler Angle	0 to 90 °	0 to 90 °
Knee Gatch Angle	0 to 30 °	0 to 30 °
Trendelenburg / Reverse Trendelenburg	+18 / -18 °	+18 / -18 °

Stryker reserves the right to change specifications without notice.

WARNING / CAUTION / NOTE DEFINITION

The words WARNING, CAUTION and NOTE carry special meanings and should be carefully reviewed.

WARNING

The personal safety of the patient or user may be involved. Disregarding this information could result in injury to the patient or user.

CAUTION

These instructions point out special procedures or precautions that must be followed to avoid damaging the equipment.

NOTE

This provides special information to make maintenance easier or important instructions clearer.

Preventative Maintenance

CHECKLIST

- _____ All fasteners secure
- _____ Siderails move and latch properly
- _____ Engage brake pedal and push on the stretcher to ensure all casters lock securely
- _____ Steer function working properly
- _____ All casters secure and swivel properly
- _____ Body restraints working properly
- _____ I.V. pole intact and operating properly
- _____ Oxygen bottle holder intact and operating properly
- _____ Fowler operates and latches properly
- _____ Knee Gatch operates properly
- _____ Trendelenburg/Reverse Trendelenburg operating properly
- _____ No rips or cracks in mattress cover
- _____ Ground chain intact
- _____ No leaks at hydraulic connections
- _____ Hydraulic jacks holding properly
- _____ Hydraulic drop rate set properly
- _____ Hydraulic oil level sufficient
- _____ Lubricate where required
- _____ Accessories and mounting hardware in good condition and working properly

Serial No. _____

Completed By: _____ Date: _____

NOTE

Preventative maintenance should be performed at a minimum of annually. A preventative maintenance program should be established for all Stryker Medical equipment. Preventative maintenance may need to be performed more frequently based on the usage level of the product.

Cleaning

Hand wash all surfaces of the stretcher with warm water and mild detergent. Dry thoroughly. **DO NOT STEAM CLEAN, PRESSURE WASH, HOSE OFF OR ULTRASONICALLY CLEAN.** Using these methods of cleaning is **not** recommended and may void this product's warranty.

Clean Velcro **AFTER EACH USE**. Saturate Velcro with disinfectant and allow disinfectant to evaporate. (Appropriate disinfectant for nylon Velcro should be determined by the hospital.)

In general, when used in those concentrations recommended by the manufacturer, either phenolic type or quaternary type disinfectants can be used. Iodophor type disinfectants are not recommended for use because staining may result. The following products have been tested and have been found not to have a harmful effect **WHEN USED IN ACCORDANCE WITH MANUFACTURERS RECOMMENDED DILUTION.***

TRADE NAME	DISINFECTANT TYPE	MANUFACTURER	*MANUFACTURER'S RECOMMENDED DILUTION
A33	Quaternary	Airwick (Professional Products Division)	2 ounces/gallon
A33 (dry)	Quaternary	Airwick (Professional Products Division)	1/2 ounce/gallon
Beaucoup	Phenolic	Huntington Laboratories	1 ounce/gallon
Blue Chip	Quaternary	S.C. Johnson	2 ounces/gallon
Elimstaph	Quaternary	Walter G. Legge	1 ounce/gallon
Franklin Phenomysan F2500	Phenolic	Purex Corporation	1 1/4 ounce/gallon
Franklin Sentinel	Quaternary	Purex Corporation	2 ounces/gallon
Galahad	Phenolic	Puritan Churchill Chemical Company	1 ounce/gallon
Hi-Tor	Quaternary	Huntington Laboratories	1/2 ounce/gallon
LPH	Phenolic	Vestal Laboratories	1/2 ounce/gallon
Matar	Phenolic	Huntington Laboratories	1/2 ounce/gallon
Omega	Quaternary	Airwick (Professional Products Division)	1/2 ounce/gallon
Quanto	Quaternary	Huntington Laboratories	1 ounce/gallon
Sanikleen	Quaternary	West Chemical Products	2 ounces/ gallon
Sanimaster II	Quaternary	Service Master	1 ounce/gallon
Vesphene	Phenolic	Vestal Laboratories	1 1/4 ounce/ gallon

Quaternary Germicidal Disinfectants, used as directed, and/or Chlorine Bleach products, typically 5.25% Sodium Hypochlorite in **dilutions ranging between 1 part bleach to 100 parts water, and 2 parts bleach to 100 parts water are not considered mild detergents. These products are corrosive in nature and may cause damage to your stretcher if used improperly.** If these types of products are used to clean Stryker patient handling equipment, measures must be taken to insure the stretchers are rinsed with clean water and thoroughly dried following cleaning. Failure to properly rinse and dry the stretchers will leave a corrosive residue on the surface of the stretcher, possibly causing premature corrosion of critical components.

NOTE

Failure to follow the above directions when using these types of cleaners may void this product's warranty.

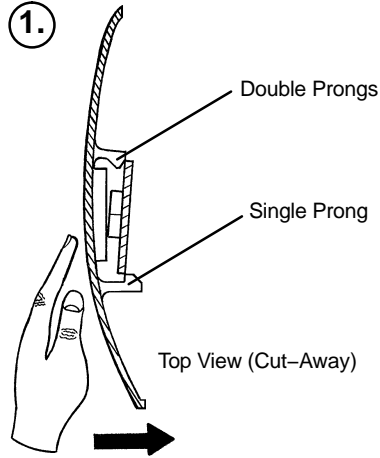
REMOVAL OF IODINE COMPOUNDS

This solution may be used to remove iodine stains from mattress cover surfaces.

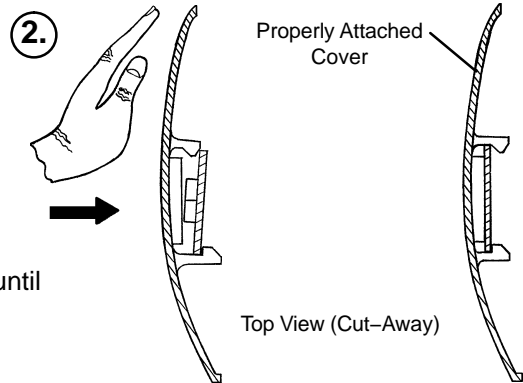
1. Use a solution of 1–2 tablespoons Sodium Thiosulfate in a pint of warm water to clean the stained area. Clean as soon as possible after staining occurs. If stains are not immediately removed, allow solution to soak or stand on the surface.
2. Rinse surfaces which have been exposed to the solution in clear water before returning bed to service.

Service Information

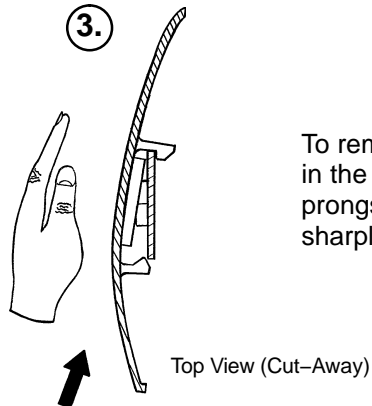
CASTER COVER INSTALLATION AND REMOVAL



Looking through the larger of the two side cut-outs, align the cover with the axle nut or bolt head, as shown. Push down on the opposite side of the cover until the single prong engages the caster horn.



Push on the cover with your palm until the double prongs engage.



To remove the wheel cover, insert a large screwdriver into the cut-out in the side of the wheel cover and into the space between the double prongs. Pry up the cover to disengage the double prongs and push sharply upward to disengage the single prong.

CASTER REMOVAL

Required Tools:

9/16" Open End Wrench

1. Remove the caster cover.
2. While keeping pressure on the caster bolt with your index finger, use a 9/16" open end wrench to remove the nylock hex nut on top of the caster assembly.
3. Using the brake ring, lift up on the base assembly and pull the caster assembly down to remove it.
4. Reverse steps 1-3 to install the new caster.

Service Information

RELEASE PEDAL ADJUSTMENT

1. Manually disengage the release pedal swivel (item K on [page 33](#)) from the release pedal assembly.
2. To increase the release rod engagement with the release valve, turn the release pedal swivel clockwise on the threaded release rod.
3. To decrease the release rod engagement with the release valve, turn the release pedal swivel counter-clockwise on the threaded release rod.

NOTE

If the pedal swivel assembly is threaded too far onto the release rod, the release valve will be partially activated and the jack will drift.

BRAKE ROD REMOVAL

Required Tools:

Hammer

7/32" Punch

String or Bungee Cords

Fifth Wheel Base

1. Pump the litter up to full height.
2. Lift the base hood and support it from the litter using string or bungee cords.
3. Remove the hex head cap screws connecting the brake rod supports to the base frame.
4. Remove the bolt connecting the drive link assembly to the fifth wheel cam.
5. Remove the rue ring cotter and clevis pin connecting the rod end link to the side control link.
6. Remove the rue ring cotter connecting the drive link assembly to the bearing pivot support on the base frame (under the brake ring weldment).
7. Remove the three hex washer head screws holding the brake rod assembly to the base frame.
8. Remove the slotted spring pins connecting the butterfly "V" pedals, drive link assemblies and side control link to the brake rod.
9. Reverse steps 1–8 to reinstall the brake rod. When reinstalling the brake rod supports, torque the hex head cap screws to 12–15 ft.-lbs.

CAUTION

When reattaching the brake rod assembly to the base frame, set the torque specs **no higher** than 15 ft.-lbs. or damage could occur to the bolts.

Big Wheel Base

1. Pump the litter up to full height.
2. Lift the base hood and support it from the litter using string or bungee cords.
3. With the brake/steer pedal in the steer position, remove the clevis pin and rue ring cotter connecting the brake rod to the brake rod drive link at each end of the stretcher.
4. Remove the two clevis pins and rue ring cotters connecting the brake rods to the drive arm at the center of the base near the cam bracket assembly.
5. Pull on the butterfly "V" pedals to remove the brake rods from the base.
6. Reverse steps 1–5 to reinstall the brake rod.

Service Information

SIDE CONTROL BRAKE ROD REMOVAL

Required Tools:

Hammer 7/32" Punch Needle Nose Pliers String or Bungee Cords

Fifth Wheel Base

1. Pump the litter up to full height.
2. Lift the base hood and support it from the litter using string or bungee cords.
3. Remove the rue ring cotter and clevis pin connecting the rod end link to the side control link.
4. Remove the four bolts holding the brake rod assembly to the base frame and remove the entire assembly.
5. Using a hammer and 7/32" punch, drive the slotted spring pin out of the butterfly "V" pedal on the patient's left side and remove the pedal,
6. Using a hammer and 7/32" punch, drive the slotted spring pin out of the hard stop in the center of the support weldment.
7. Using a hammer and 7/32" punch, drive out the slotted spring pin connecting the side control link to the side control brake rod on the patient's right side.
8. Pull on the butterfly "V" pedal on the patient's right side to remove the side control brake rod from the base.
9. Reverse steps 1–8 to reinstall the brake rod. When reinstalling the assembly, torque the hex head cap screws to 12–15 ft.–lbs.

CAUTION

When reattaching the brake rod assembly to the base frame, set the torque specs **no higher** than 15 ft.–lbs. or damage could occur to the bolts.

Big Wheel Base

1. Pump the litter up to full height.
2. Lift the base hood and support it from the litter using string or bungee cords.
3. Using a hammer and 7/32" punch, drive the groove pin out of the butterfly "V" pedal on the patient's left side and remove the pedal.
4. Using a hammer and 7/32" punch, drive out the groove pin connecting the side control link to the side control brake rod.
5. Pull on the butterfly "V" pedal on the patient's right side to remove the side control brake rod from the base.
6. Reverse steps 1–5 to reinstall the brake rod.

Service Information

BRAKE RING REMOVAL

Required Tools:

9/16" Socket w/Extension 3/8" Drive Ratchet Needle–Nose Pliers String or Bungee Cord

1. Pump the litter up to full height.
2. Lift the base hood and support it from the litter using string or bungee cords.
3. Using needle–nose pliers, unhook the extension springs from the top of the base caster tubes.
4. Remove the plastic caster covers.
5. While putting pressure on the caster carriage bolt, use a 9/16" socket and a 3/8" drive ratchet to remove the caster nut on both sides of the stretcher.
6. Remove the casters.
7. Remove the brake rod (see procedure).
8. Remove the cotter pin from the clevis pin in the center of the brake ring weldment.
9. Remove the cotter pin from the bearing pivot support.
10. Remove the 3/4" nylock hex nut from the bearing pivot support.
11. Remove the drive link assembly.
12. Pull the brake ring down and out away from the stretcher base frame.
13. Reverse steps 1–12 to reinstall the brake ring.

FIFTH WHEEL ASSEMBLY REMOVAL

Required Tools:

1/2" Socket 3/8" Drive Ratchet

1. Using a 1/2" socket and 3/8" drive ratchet, remove the 1/2" bolt holding the fifth wheel cam drive link and fifth wheel drive link to the fifth wheel cam.
2. Remove the two 1/2" bolts holding the fifth wheel mounting bracket to the base frame weldment.
3. Remove the fifth wheel assembly.
4. Reverse steps 1 and 2 to reinstall the fifth wheel. When reinstalling the assembly, torque the hex head cap screws to 12–15 ft.–lbs.

CAUTION

When reattaching the fifth wheel assembly to the base frame, set the torque specs **no higher** than 15 ft.–lbs. or damage could occur to the bolts.

Service Information

BIG WHEEL REMOVAL

Required Tools:

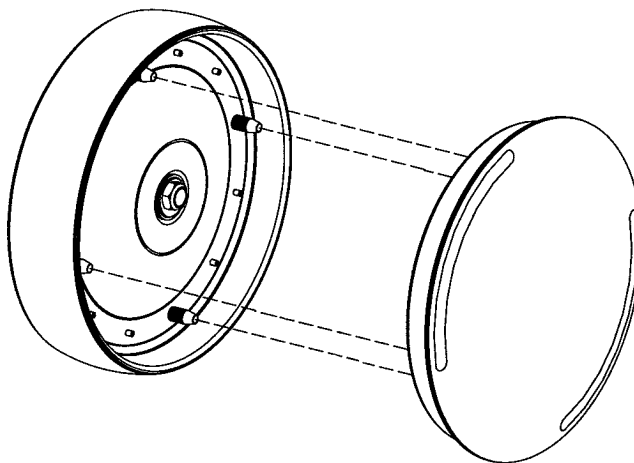
Large Standard Screwdriver Small Standard Screwdriver String or Bungee Cords

1. Lift the base hood and separate the Velcro holding it to the base frame. Support the hood from the litter using bungee cords so it is out of the way.
2. Using a large, standard screwdriver, pop off the big wheel cover.
3. Using a small, standard screwdriver, remove the spiral retaining ring from the groove on the Big Wheel axle.
4. Remove the Big Wheel.
5. Reverse steps 1–4 to reinstall the Big Wheel.

BIG WHEEL HUBCAP REMOVAL

Required Tools:

Large Standard Screwdriver



1. Using a large standard screwdriver, pry evenly around the entire edge of the Big Wheel hubcap until it pops off the mounting studs on the wheel.

CAUTION

Do not attempt to pull off the hubcap after prying up only one side. Damage to the slots on the hubcap or the mounting studs on the wheel could result.

2. To reinstall the hubcap, place it on the wheel, aligning the slots in the hubcap with the mounting studs on the wheel. Press down evenly on the edges of the hubcap until it snaps into place.

Service Information

BIG WHEEL CAM GAS SPRING DAMPENER REMOVAL

Required Tools:

1/2" Socket

3/8" Drive Ratchet

Needle–Nose Pliers

1. Remove the litter top from the stretcher (see [page 16](#)).
2. Lift the base hood off the base frame.
3. Remove the two clevis pins and rue ring cotters connecting the brake rods to the drive arm at the center of the base near the cam bracket assembly.
4. Pull the brake shafts straight out away from the base.
5. Remove the four hex washer head screws holding the cam bracket assembly to the base frame and remove the cam bracket assembly.
6. Remove the rue ring cotter from the dampener mounting pin and remove the pin.
7. Lift up on the (patient) left side of the cam bracket and remove the rue ring cotter holding the dampener to the dampener arm and remove the dampener.
8. Reverse steps 1–7 to install the new dampener.

JACK DESCENT RATE ADJUSTMENT

Required Tools:

Screwdriver

Bungee Cords (or equivalent)

Adjustment Procedure:

1. Pump the litter up to full height.
2. Lift the base hood, separating the hood from the base frame. Support the hood from the litter using bungee cords so it is out of the way.
3. The descent rate needle valve is located on the base of the jack. Turning the needle valve clockwise, with a screwdriver, will decrease the rate of descent. Turning it counterclockwise will increase the rate of descent.

NOTE

The larger percentage of a patient's weight is located in the torso area. Adjust descent rate accordingly.

4. Remove the bungee cords supporting the base hood and secure the hood to the base frame.

NOTE

The jack descent rate is preset at the factory and adjustment is not recommended.

REMOVAL OF EXCESS AIR (VACUUM) FROM THE HYDRAULIC SYSTEM

1. Verify all hydraulic linkages are secure and operating properly.
2. Using the pump pedal, actuate the system several times to force the air through the system. The jack should now raise properly.

Service Information

HEAD END HYDRAULIC JACK REMOVAL

Required Tools:

1/2" Socket w/Extension

3/8" Drive Ratchet

1. Remove the litter top from the stretcher (see [page 16](#)).
2. Using a 1/2" socket with extension and a 3/8" drive ratchet, remove the two hex head screws holding the jack base to the stretcher base frame.
3. Remove the two hex head screws holding the jack reservoir clamp to the base frame and remove the clamps.
4. Lift straight up on the pump connecting rod and disconnect the pump piston from the connecting rod.
5. Disconnect the pump pedal swivel from the release pedal mounting plate.
6. Remove the head end release rod from the release valve assembly.
7. Using a 1/2" socket with extension and a 3/8" drive ratchet, remove the two hex head screws holding the jack base to the stretcher base frame.
8. Lift out the jack assembly.
9. To reinstall the jack, install the bolts on the jack and reservoir clamp but do not tighten them fully.
10. Reinstall the pump connecting rod and release rod.
11. Depress the pump pedal fully (to the floor). This will properly locate the jack onto the base frame.
12. Tighten the bolts on the jack and reservoir clamp.
13. Pump up the litter and apply weight to verify the jacks hold and do not drift.

NOTE

The jack descent rate is preset at the factory and adjustment is not recommended.

Service Information

FOOT END HYDRAULIC JACK REMOVAL (BIG WHEEL BASE WITH 3–SIDED CONTROLS)

Required Tools:

1/2" Socket 3/8" Drive Ratchet Pliers

1. Remove the litter top from the stretcher (see below).
2. Lift the base hood off the base frame.
3. Remove the hair pin cotter and washer connecting the side control Big Wheel linkage toggle pivot plates to the side control Big Wheel carriage weldment.
4. Remove the rue ring cotter and clevis pin connecting the side control Big Wheel rod end link to the yolk weldment on the end control brake rod.
5. Remove the Big Wheel carriage assembly (see [page 12](#)).
6. Remove the two hex washer head screws and washers connecting the pump pedal link to the foot end pump pedal assembly and pump connecting rod.
7. Remove the foot end pump pedal return spring.
8. Remove the cotter pin from the center of the foot end pump pedal assembly and slide out the pivot pin.
9. Slide the foot end pump pedal assembly up and over the foot end mounting bracket.
10. Remove the four hex washer head screws fastening the foot end mounting bracket to the base frame and set the bracket aside.
11. Remove the foot end release rod from the release valve on the jack assembly by dislodging the release pedal swivel from the pins on the release pedal weldment.
12. Dislodge the jack pump piston from the pump connecting rod.
13. Remove the two hex washer head screws holding the reservoir clamp.
14. Remove the jack assembly.
15. Reverse steps 1–11 to install the new jack.

NOTE

The jack descent rate is preset at the factory and adjustment is not recommended.

LITTER TOP REMOVAL

Required Tools:

1/2" Socket w/Extension 3/8" Drive Ratchet Standard Screwdriver

1. Using the foot pedal, pump up the litter top to full height.
2. Remove the stretcher mattress
3. Remove the round, black hole plugs from the jack supports at each end of the litter to expose the jack support tube truss head screws.
4. Using a 1/2" socket, and a 3/8" drive ratchet, remove the truss head screws holding the jack support tubes to the jack shafts.
5. Thread a 7/16–20 fine thread bolt far enough into the top of the jack supports to separate the litter top from the jack shaft.
6. With the assistance of another person, lift the litter straight up to remove it from the jack shafts and set it aside.

Service Information

PNEUMATIC FOWLER ADJUSTMENT (OUTSIDE MOUNTED CYLINDERS)

Required Tools:

5/32" Hex Allen Wrench 1/2" Open End Wrench

Adjustment Procedure:

1. Refer to drawings 1210–31–120 or 1710–31–120 (Pneumatic Fowler Assembly, [page 81](#) or [page 83](#)) for parts reference.
2. For easier access, move Fowler to 75 degrees or higher.
3. Using a 1/2" open end wrench, loosen the nuts (item K) in the actuator arms on the end of the trip bar (F).
4. To adjust the Fowler, use a 5/32" hex Allen wrench to turn the Allen screws (item N) 1 to 2 turns counter-clockwise if the Fowler will not move or 1 to 2 turns clockwise if the Fowler will not hold its position.
5. Retighten the nuts. Be sure the Fowler will travel from flat to 90° and down again and will hold its position when weight is applied before returning the stretcher to service.

PNEUMATIC FOWLER ADJUSTMENT (CENTER MOUNTED CYLINDERS)

Required Tools:

3/32 Hex Allen Wrench	1/2 Socket w/Ratchet	1/8 Hex Allen Wrench
Channel Lock Pliers	5/32 Hex Allen Wrench	Towel or Cloth
7/16 Open End Wrench	Thread "Loctite"	

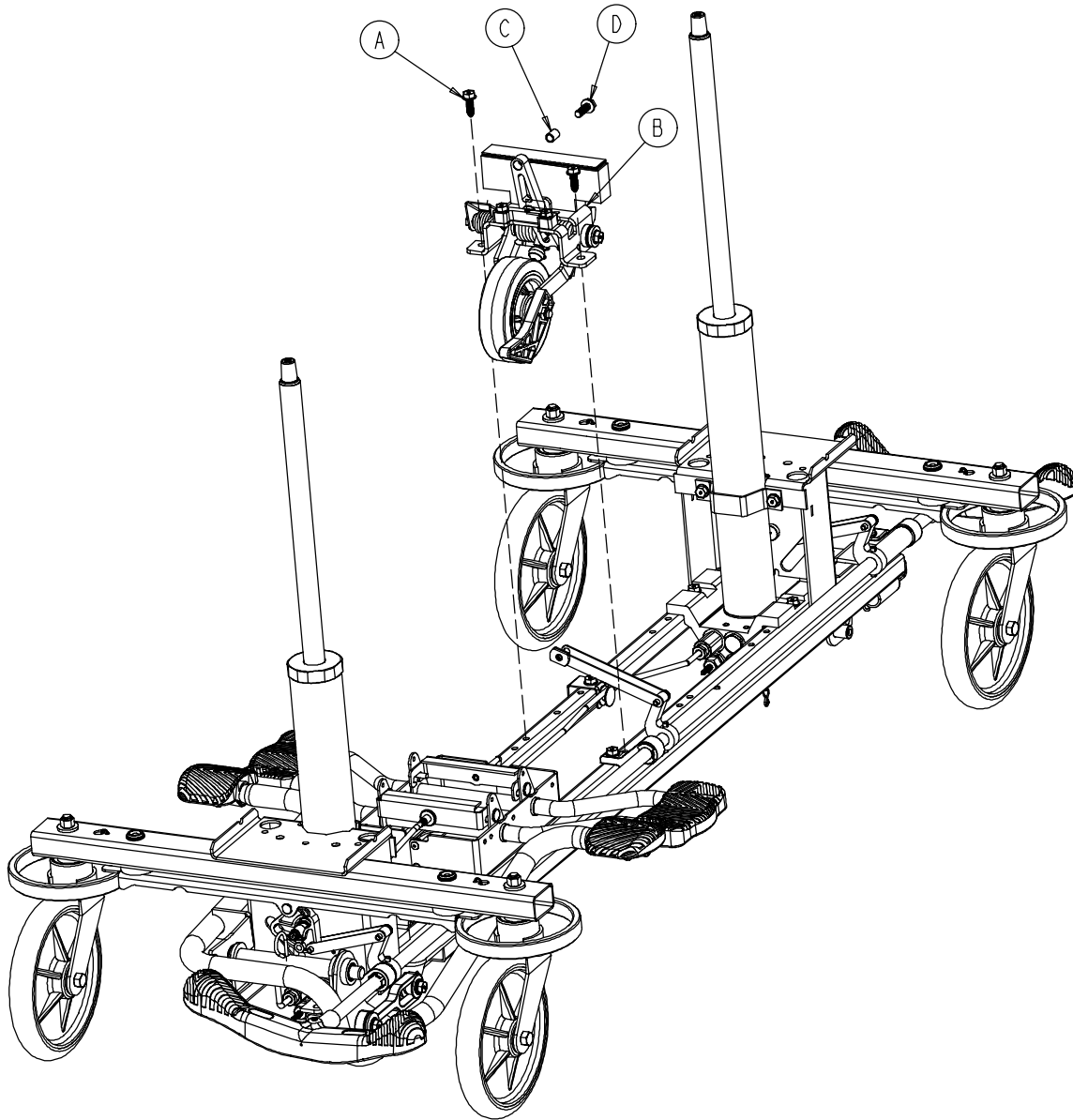
Adjustment Procedure:

1. Refer to drawings 1211–31–10 & 1211–131–20 or 1711–31–10 & 1711–131–20 (Pneumatic Fowler Assembly, [page 85 & 86](#) or [page 87 & 88](#)) for parts reference.
2. For easier access, move Fowler to 75 degrees or higher.
3. Using a 3/32" hex Allen wrench, remove set screws (K on [page 86](#) or [88](#)), located in center of yokes (Y on [page 86](#) or [88](#)).
4. Using a 9/16" box end wrench and 5/16" hex Allen wrench, remove the cap screws (A on [page 85](#) or [87](#)), flat washers (C on p. 85 or 87) and hex nuts (D on p. 85 or 87) holding the gas cylinders (K on p. 85 or 87) to the litter frame.
5. To adjust the Fowler, turn the gas cylinder 1 to 2 turns counterclockwise if the Fowler will not move and 1 to 2 turns clockwise if the Fowler will not hold its position.
6. Replace the cap screws (A) and check the Fowler adjustment. Lower the Fowler approximately 10° to 20°, release the handle and apply weight to the Fowler to assure it will hold its position. If the Fowler will not lower or will not hold its position when weight is applied, repeat step 5.
7. When the Fowler is properly adjusted, replace the washers (C) and hex nuts (D) to secure the pivot bolts.
8. Using thread locktite, reinstall set screws (K).

Replacement Parts

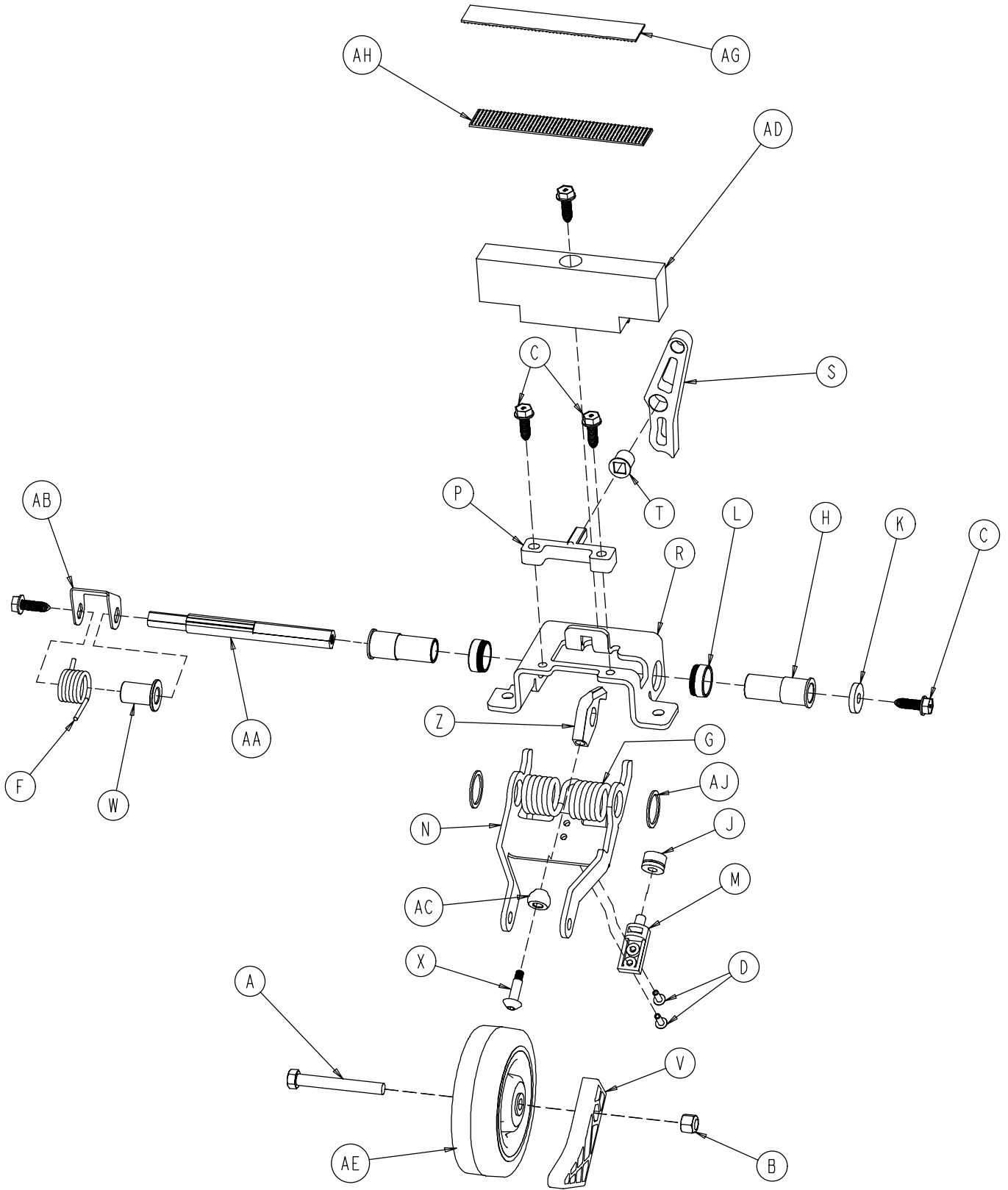
<u>PART NAME</u>	<u>PART NUMBER</u>
Hydraulic Jack, Constant Descent	0753-002-001
Hydraulic Jack, Variable Descent	0753-002-070
Instrument/Serving Tray	1052-129-010
I.V. Caddy	1050-001-100
I.V. Pole, Tethered (1001)	1001-117-000
I.V. Pole, Tethered (1501)	1501-117-000
I.V. Pole, 2-Stage Permanently Attached, Head End (1001)	1001-110-000
I.V. Pole, 2-Stage Permanently Attached, Head End (1501)	1501-110-000
I.V. Pole, 2-Stage Permanently Attached, Foot End (1001)	1001-112-000
I.V. Pole, 2-Stage Permanently Attached, Foot End (1501)	1501-112-000
I.V. Pole, 3-Stage Permanently Attached, Head End (1001)	1001-111-000
I.V. Pole, 3-Stage Permanently Attached, Foot End (1501)	1501-113-000
Mattress, 2" x 26", Standard	1059-226-140
Mattress, 3" x 26" Standard	1059-326-140
Mattress, 3" x 29", Standard	1059-329-140
Mattress, 4" x 26", Standard	1059-426-140
Mattress, 4" x 29", Standard	1059-429-140
Mattress, 3" x 26", Enhanced Comfort	1001-048-106
Mattress, 3" x 29", Enhanced Comfort	1501-048-106
Mattress, 4" x 26", Enhanced Comfort	1001-047-106
Mattress, 4" x 29", Enhanced Comfort	1501-047-106
Mattress, 4" x 26", Ultra Comfort	1210-040-004
Mattress, 5" x 26", Ultra Comfort	1210-040-005
Mattress, 4" x 29", Ultra Comfort	1710-040-004
Mattress, 5" x 29", Ultra Comfort	1710-040-005
Oxygen Bottle Holder Assembly	1020-030-000
Paint, Touch-Up, Gloss Black, Bottle w/Brush	7000-001-322
Paint, Touch-Up, Gloss Black, Spray Can	7000-001-319
Paint, Touch-Up, Gray, Bottle w/Brush	7000-001-320
Paint, Touch-Up, Gray, Spray Can	7000-001-317
Restraint Strap, Ankle	0946-043-100
Restraint Strap, Chest	1010-058-000
Restraint Strap, Wrist	0946-044-100
Restraint Strap, 2 Piece	0390-019-000
Siderail Pads, Glideaway™ Rails	1001-052-000
Wheel Cover Replacement Kit	1010-056-200

0753-006-110 Retractable Fifth Wheel Base Assembly



Item	Part No.	Part Name	Qty.
A	0023-288-000	Hex Washer Hd. Screw	2
B	(page 20)	Fifth Wheel Assembly	1
C	0753-006-148	Cam Bearing	1
D	0023-305-000	Hex Hd. Cap Screw	1

0753-006-130 Fifth Wheel Assembly

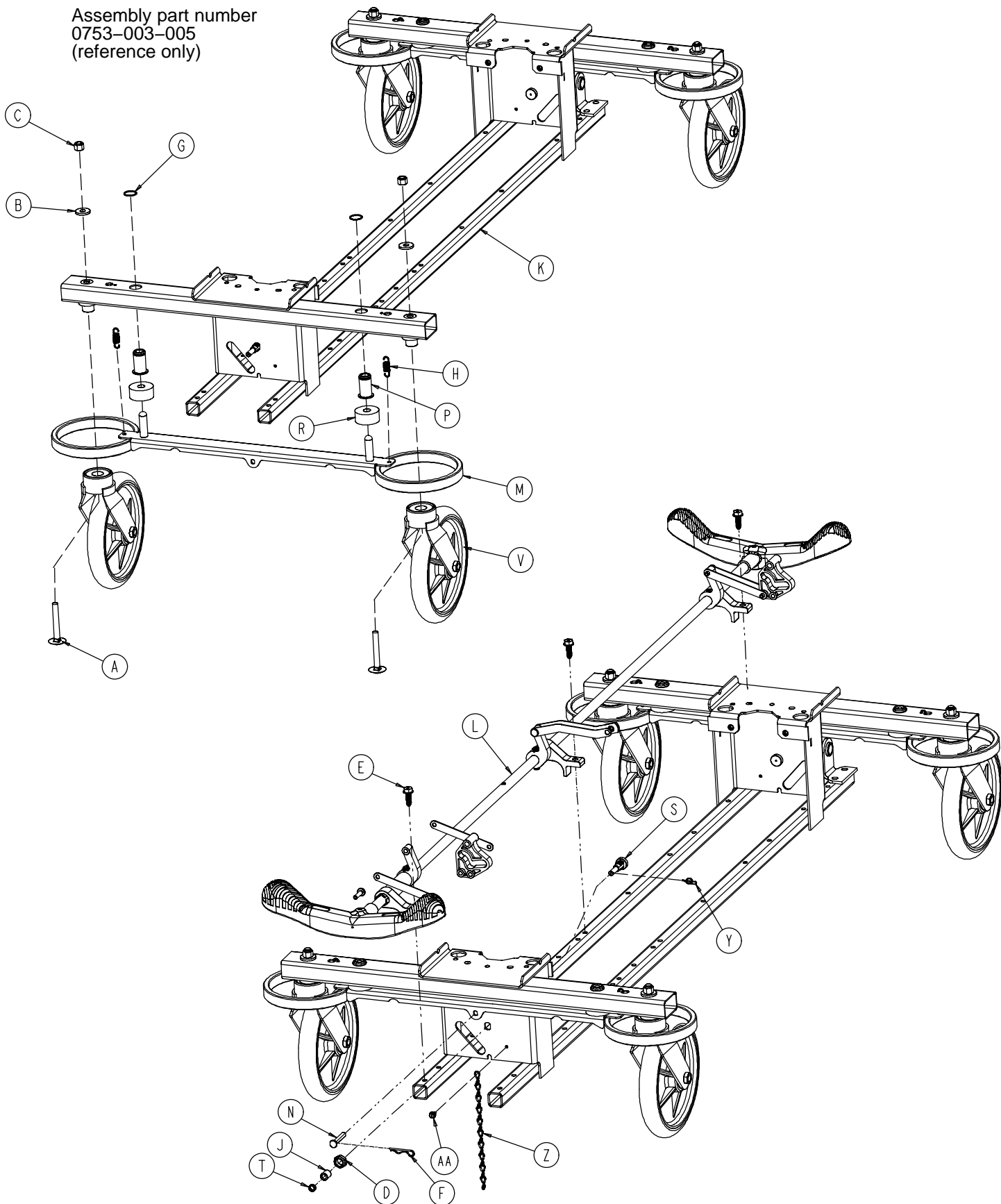


0753-006-130 Fifth Wheel Assembly

Item	Part No.	Part Name	Qty.
A	0003-083-000	Hex Hd. Cap Screw	1
B	0016-035-000	Nylock Hex Nut	1
C	0023-288-000	Hex Washer Hd. Screw	5
D	0025-050-000	Rivet	2
F	0753-006-074	Torsion Spring	1
G	0753-006-075	Torsion Spring	1
H	0753-006-097	Drive Shaft Bearing	2
J	0753-006-106	Dampener	1
K	0753-006-108	Thrust Washer	1
L	0753-006-115	Bearing	2
M	0753-006-120	Bumper Mounting Pin	1
N	0753-006-126	Wheel Bracket	1
P	0753-006-133	Cam Pivot Block	1
R	0753-006-134	Fifth Wheel Mounting Bracket	1
S	0753-006-142	Fifth Wheel Cam	1
T	0753-006-143	Cam Bearing	1
V	0753-006-149	5th Wheel Ramp	1
W	0753-006-152	Spring Spacer	1
X	0753-006-153	Roller Stem	1
Z	0753-006-198	Drive Pin	1
AA	0753-006-223	Drive Shaft	1
AB	0753-006-227	Return Spring Hook	1
AC	0753-006-277	Roller	1
AD	0753-010-045	Hood Standoff	1
AE	1210-001-147	Wheel	1
AG	0753-006-280	Dual Lock	1
AH	0753-006-281	Dual Lock	1
AJ	0011-360-000	Washer	2

Base Assembly w/Standard Brakes (Fifth Wheel Base)

Assembly part number
0753-003-005
(reference only)

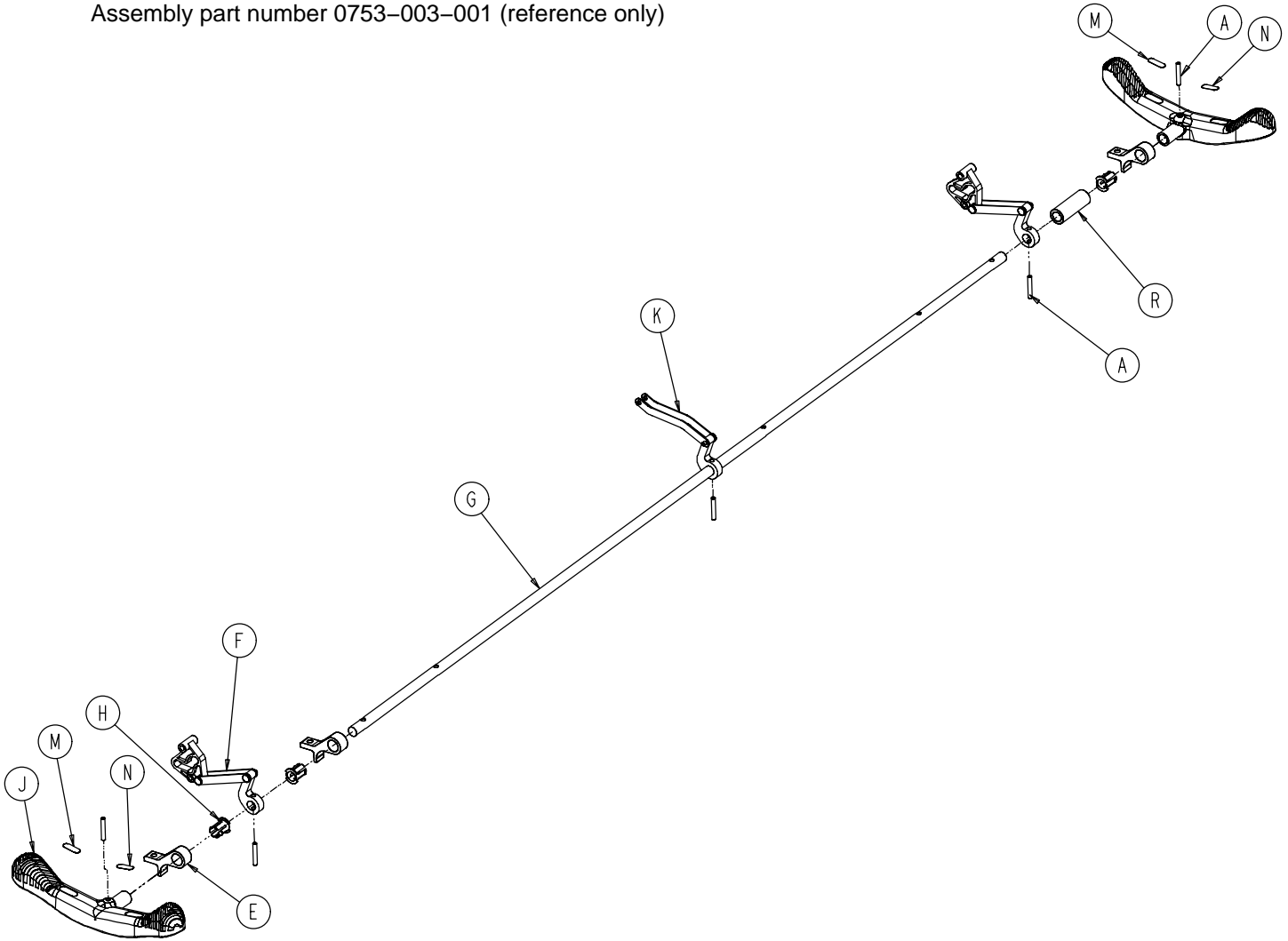


Base Assembly w/Standard Brakes (Fifth Wheel Base)

Item	Part No.	Part Name	Qty.
A	0005-039-000	Step Bolt	4
B	0011-262-000	Washer	4
C	0016-035-000	Nylock Hex Nut	4
D	0016-049-000	Nylock Hex Nut	2
E	0023-288-000	Hex Washer Hd. Screw	3
F	0027-012-000	Hitch Pin	2
G	0028-037-000	External Retaining Ring	4
H	0038-439-000	Extension Spring	4
J	0081-272-000	Roller Bearing	2
K	0753-001-001	Base Frame	1
L	(page 24)	Brake Rod Assembly	1
M	0753-003-006	Brake Ring	2
N	0753-003-066	Clevis Pin	2
P	0753-003-079	Caster Tube Brake Pin Guide	4
R	0753-003-121	Brake Cushion	4
S	0753-003-130	Bearing Pivot Support	2
T	0753-003-131	Spacer	2
V	(page 27)	Caster Assembly	4
Y	0027-019-000	Rue Ring Cotter Pin	2
Z	0753-010-012	Ground Chain	1
AA	0023-025-000	H. Washer Hd. Tapping Screw	1

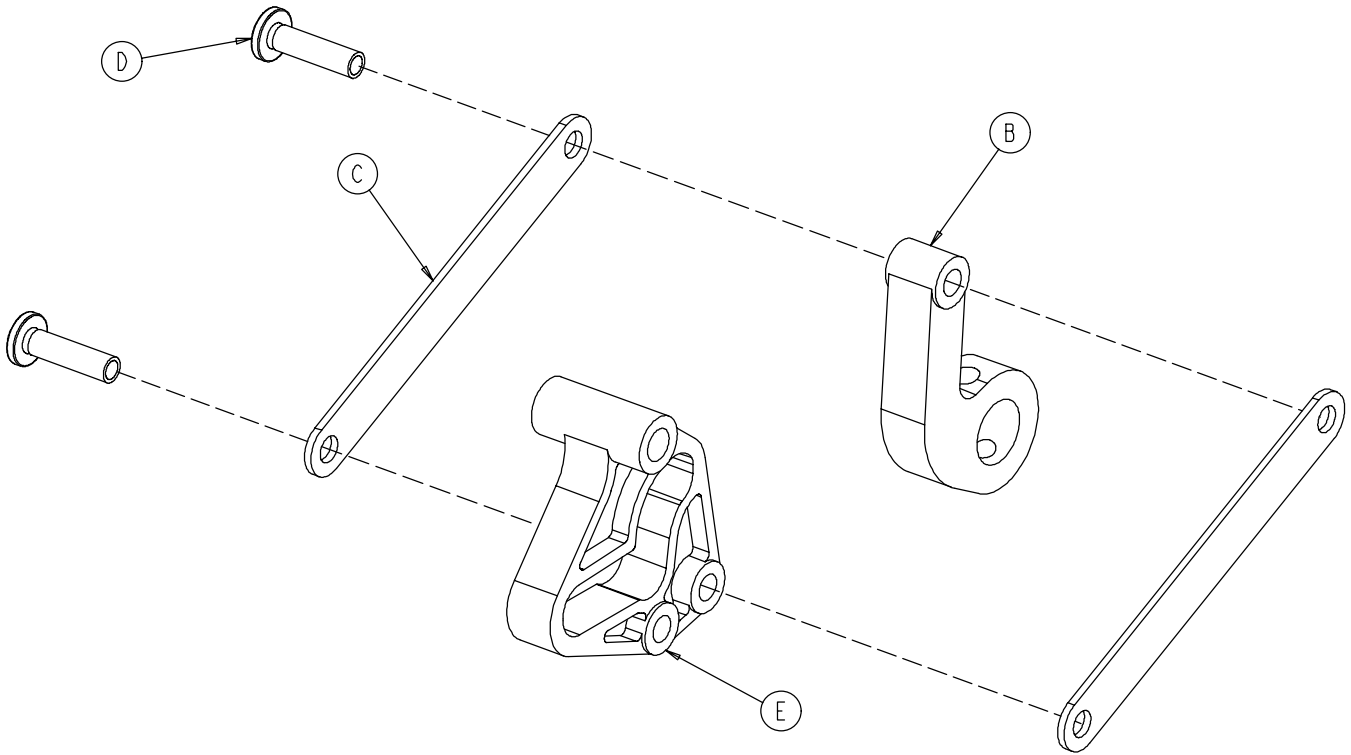
Brake Rod Assembly

Assembly part number 0753-003-001 (reference only)



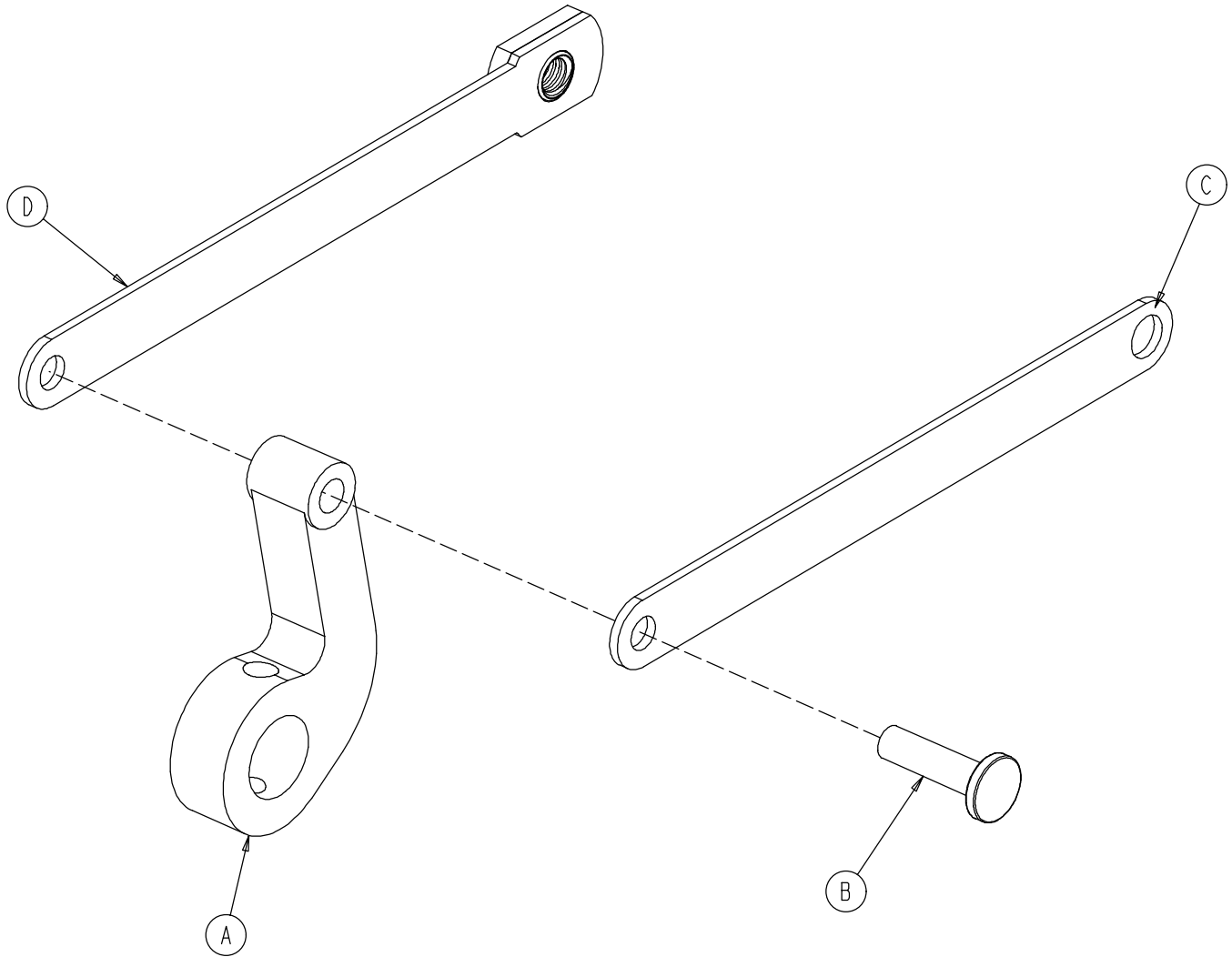
Item	Part No.	Part Name	Qty.
A	0026-067-000	Slotted Spring Pin	2
E	0753-003-004	Brake Rod Support	3
F	(page 25)	Drive Link Assembly	2
G	0753-003-014	Brake Rod	1
H	0753-003-015	Nyliner	3
J	0753-003-099	Butterfly "V" Pedal	2
K	(page 26)	Drive Link Assembly	1
M	1210-201-335	Red Brake Label	2
N	1210-201-336	Green Steer Label	2
R	0753-003-133	Retainment Spacer	1

0753-003-010 Drive Link Assembly



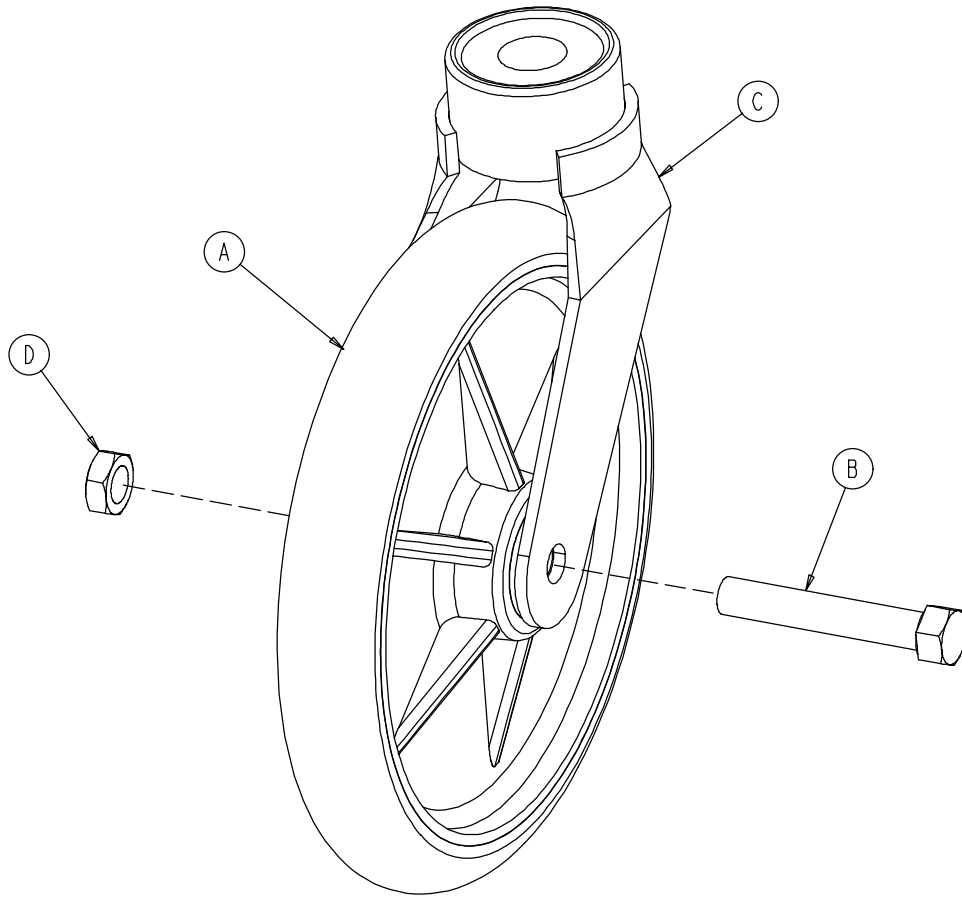
Item	Part No.	Part Name	Qty.
B	0753-003-011	Brake Rod Drive Link	1
C	0753-003-061	Brake Cam Drive Link	2
D	0753-003-098	Flat Hd. Semi-Tubular Rivet	2
E	0753-003-102	Brake Cam	1

0753-006-135 Drive Link Assembly



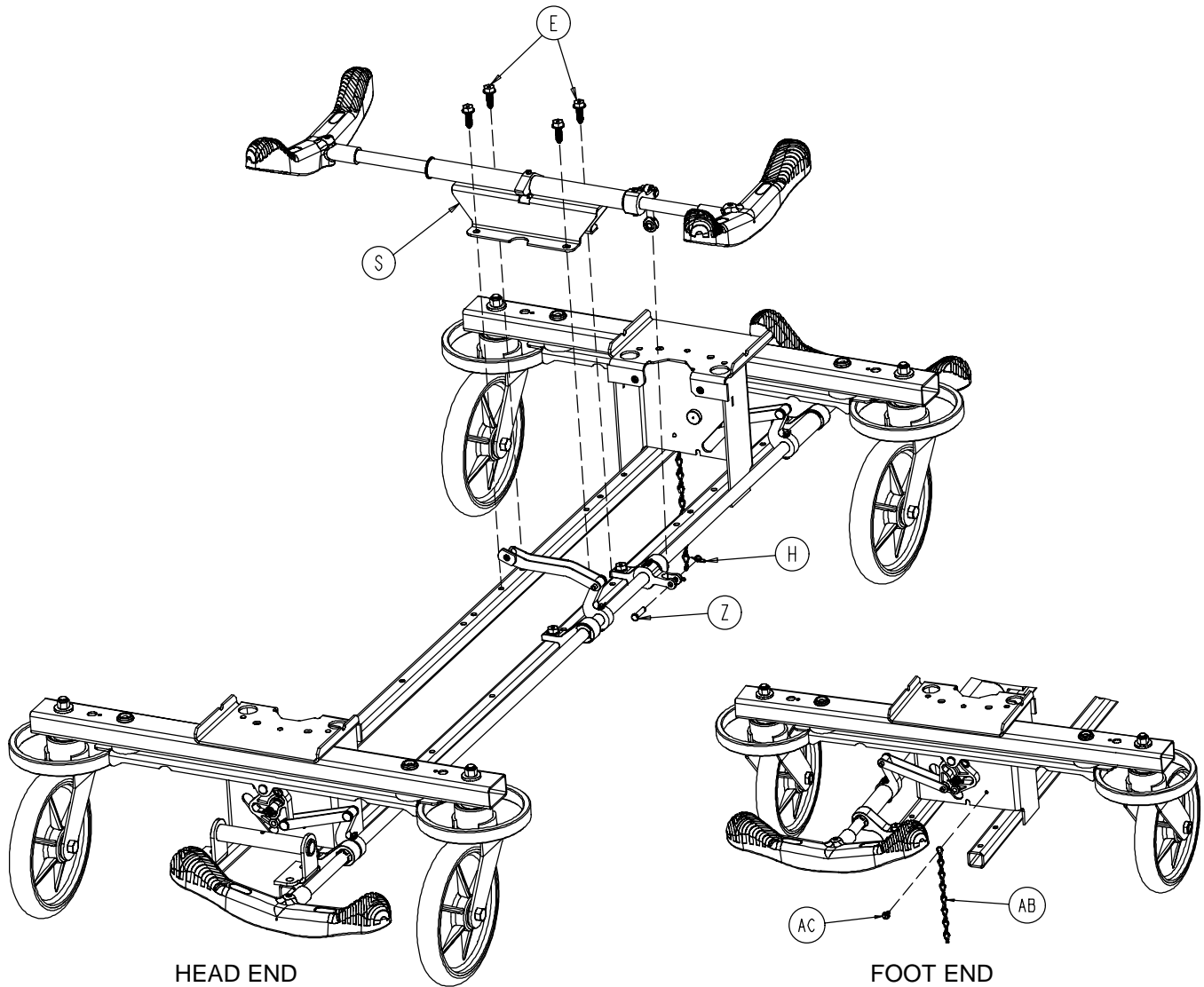
Item	Part No.	Part Name	Qty.
A	0753-003-011	Brake Rod Drive Link	1
B	0753-003-098	Semi-Tubular Rivet	1
C	0753-006-122	5th Wheel Cam Drive Link	1
D	0753-006-147	Fifth Wheel Drive Link	1

0753-010-020 8" Caster Assembly



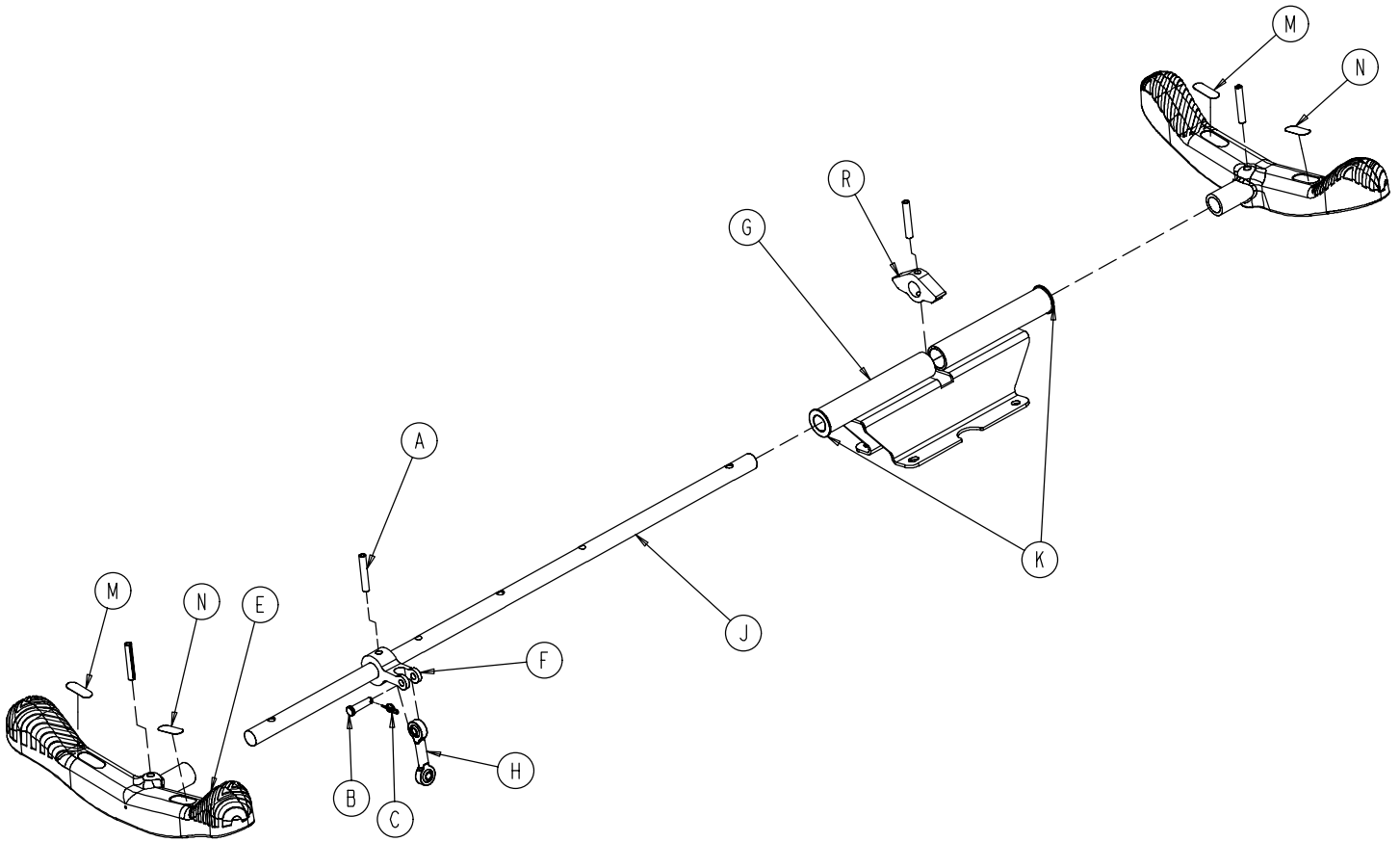
Item	Part No.	Part Name	Qty.
A	0715-002-025	Wheel	1
B	0003-099-000	Hex Hd. Cap Screw	1
C	0753-010-021	Caster Horn w/Bearing	1
D	0016-060-000	Centerlock Nut	1

Base Assembly with 4-Sided Brakes



Item	Part No.	Part Name	Qty.	Item	Part No.	Part Name	Qty.
A	0005-039-000	Step Bolt	4	P	0753-003-066	Clevis Pin	2
B	0011-262-000	Washer	4	R	0753-003-079	Brake Pin Guide	4
C	0016-035-000	Nylock Hex Nut	4	S	(page 30)	Side Brake Rod Ass'y	1
D	0016-049-000	Nylock Hex Nut	2	T	0753-003-121	Brake Cushion	4
E	0023-288-000	Hex Washer Hd. Screw	8	V	(page 31)	Brake Rod Assembly	1
G	0027-012-000	Hitch Pin	2	W	0753-003-130	Bearing Pivot Support	2
H	0027-020-000	Rue Ring Cotter	1	X	0753-003-131	Spacer	2
J	0028-037-000	External Retaining Ring	4	Y	(page 27)	Caster Assembly	4
K	0038-439-000	Extension Spring	4	Z	0026-340-000	Clevis Pin	1
L	0081-272-000	Roller Bearing	2	AA	0027-019-000	Rue Ring Cotter Pin	2
M	0753-001-001	Base Weldment	1	AB	0753-010-012	Ground Chain	1
N	0753-003-006	Brake Ring Weldment	2	AC	0023-025-000	H. Washer Hd. Tap. Scr.	1

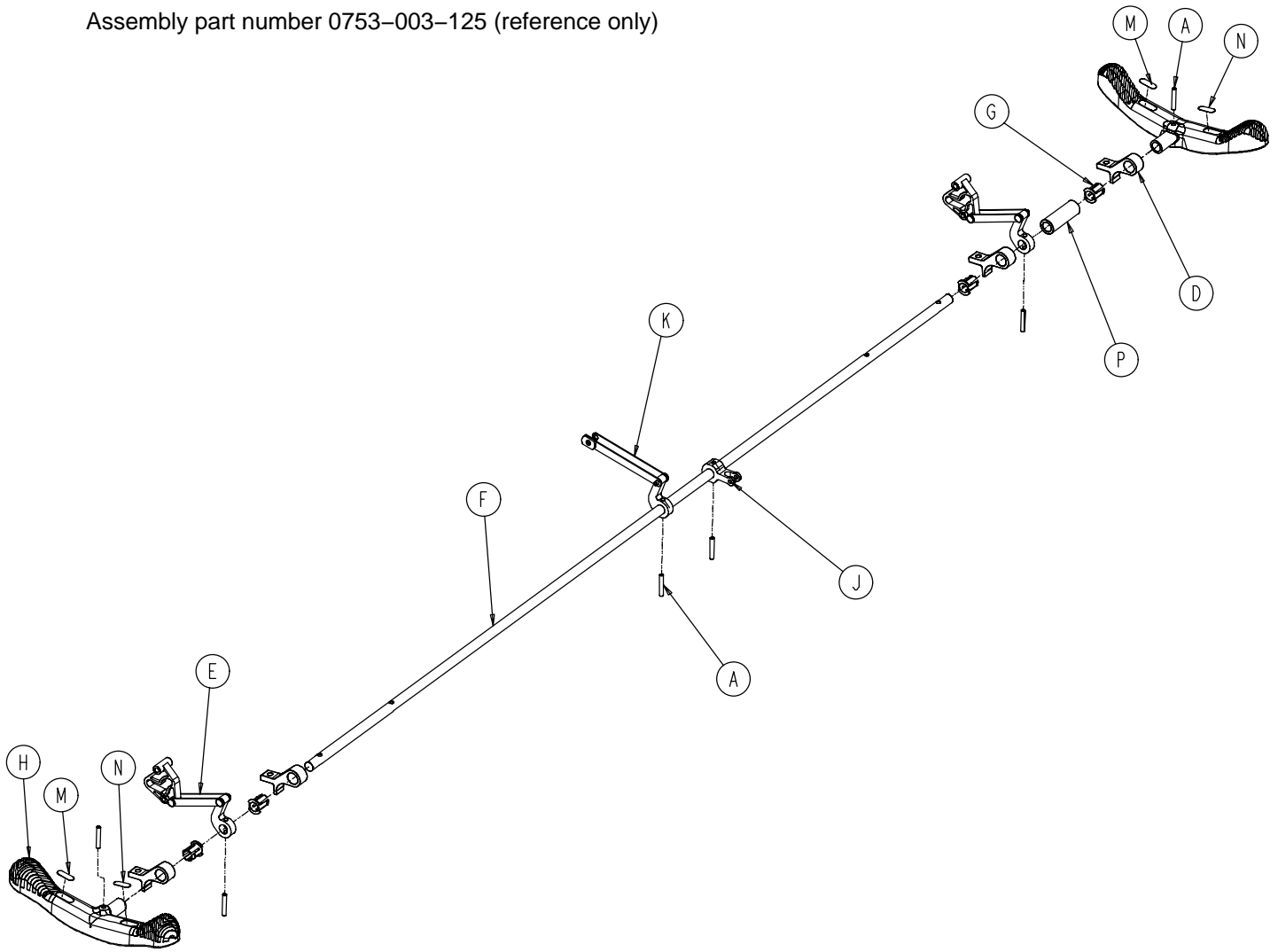
0753-003-110 Side Control Brake Rod Assembly



Item	Part No.	Part Name	Qty.
A	0026-067-000	Slotted Spring Pin	4
B	0026-340-000	Clevis Pin	1
C	0027-020-000	Rue Ring Cotter	1
E	0753-003-099	Butterfly "V" Pedal	2
F	0753-003-112	Side Control Link	1
G	0753-003-114	Support Weldment	1
H	0753-003-117	Rod End Link	1
J	0753-003-119	Side Control Brake Rod	1
K	0753-005-044	Pedal Bushing	2
M	1210-201-335	Red Brake Label	2
N	1210-201-336	Green Steer Label	2
R	0753-003-132	Hard Stop	1

Brake Rod Assembly

Assembly part number 0753-003-125 (reference only)

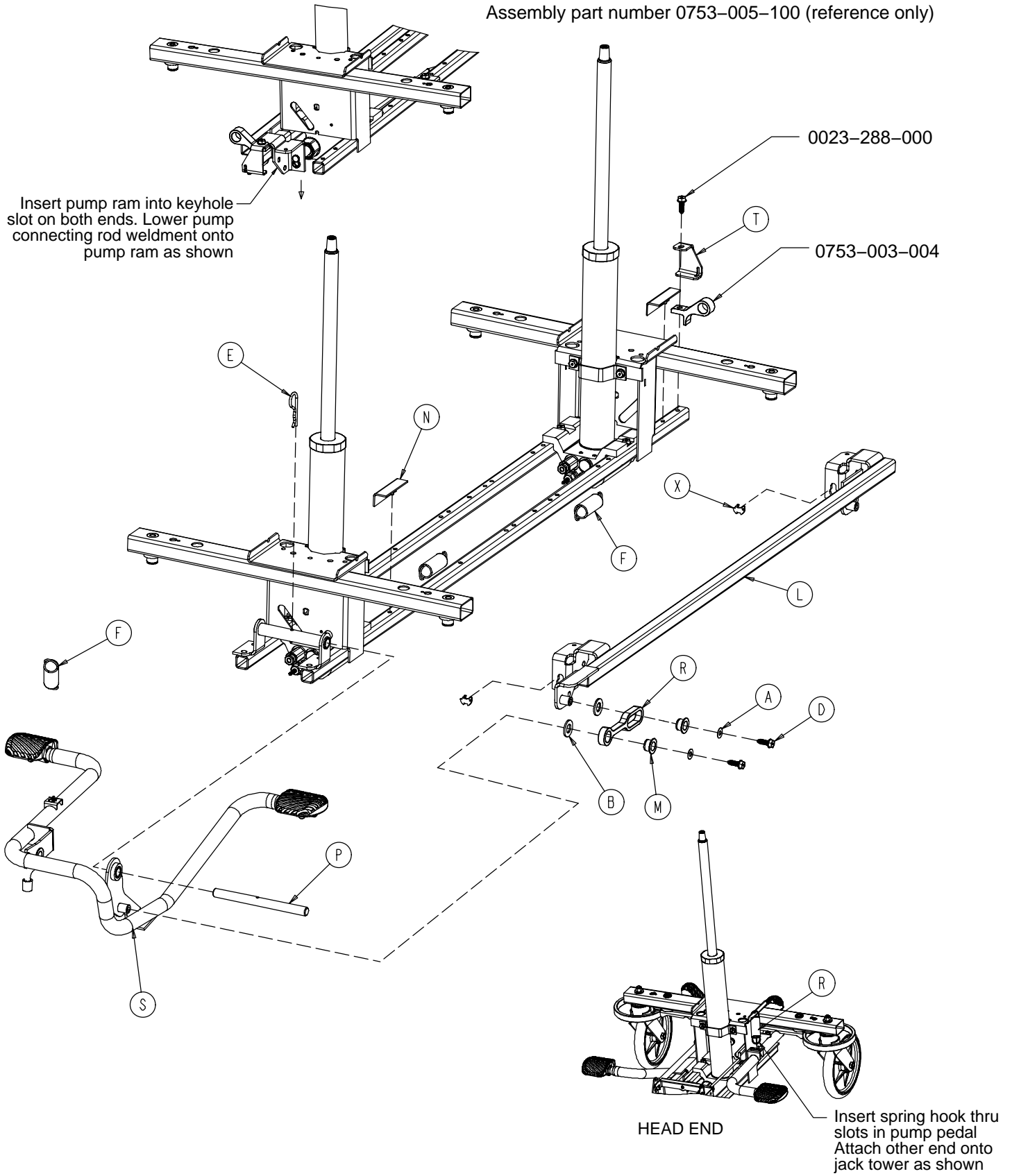


Item	Part No.	Part Name	Qty.
A	0026-067-000	Slotted Spring Pin	6
D	0753-003-004	Brake Rod Support	4
E	(page 25)	Drive Link Assembly	2
F	0753-003-014	Brake Rod	1
G	0753-003-015	Brake Rod Nyliner	4
H	0753-003-099	Butterfly "V" Pedal	2
J	0753-003-112	Side Control Link	1
K	(page 26)	Drive Link Assembly	1
M	1210-201-335	Red Brake Label	2
N	1210-201-336	Green Steer Label	2
P	0753-003-133	Retainment Spacer	1

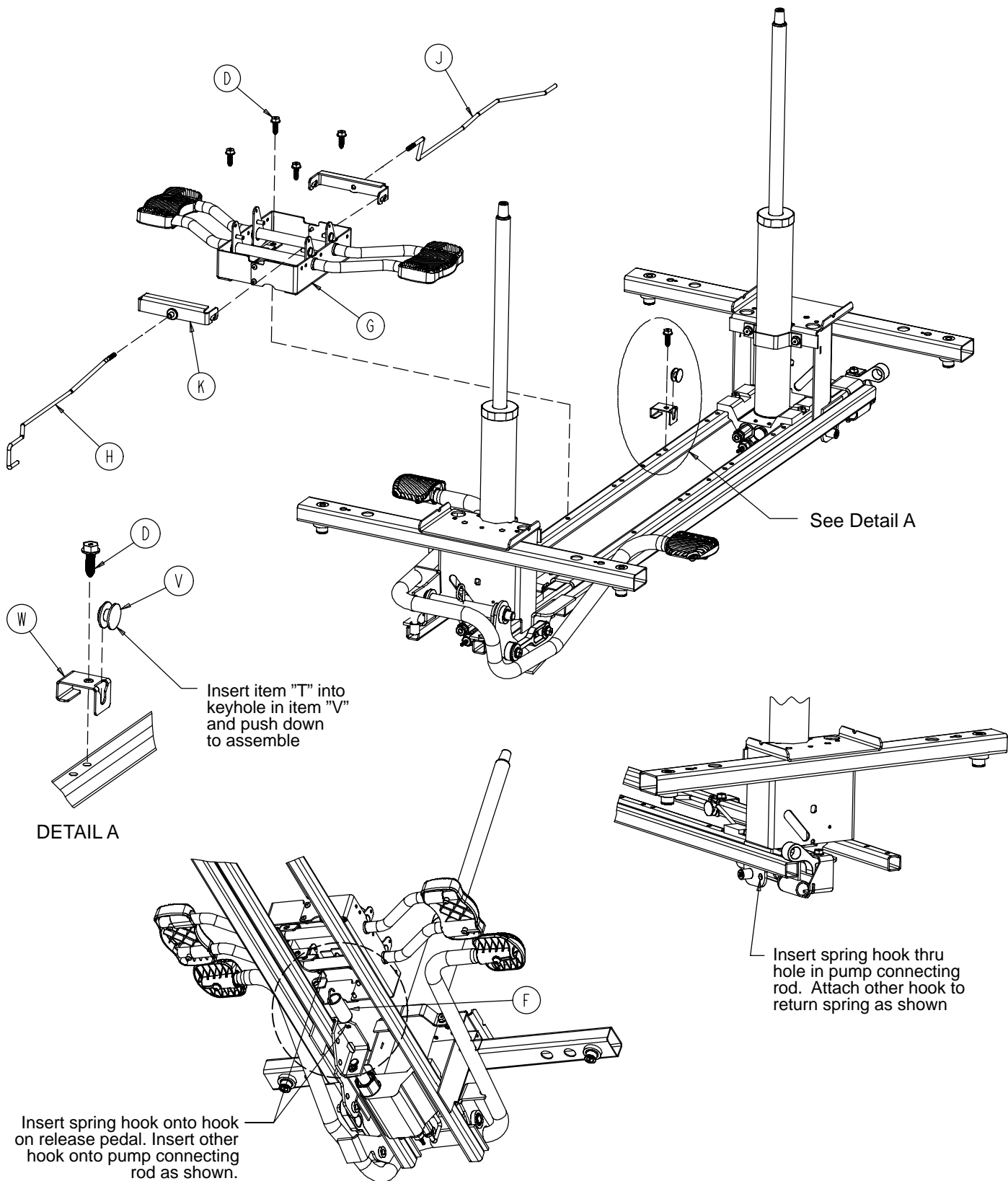
Base with Dual Side Hydraulics (Fifth Wheel Base)

Assembly part number 0753-005-100 (reference only)

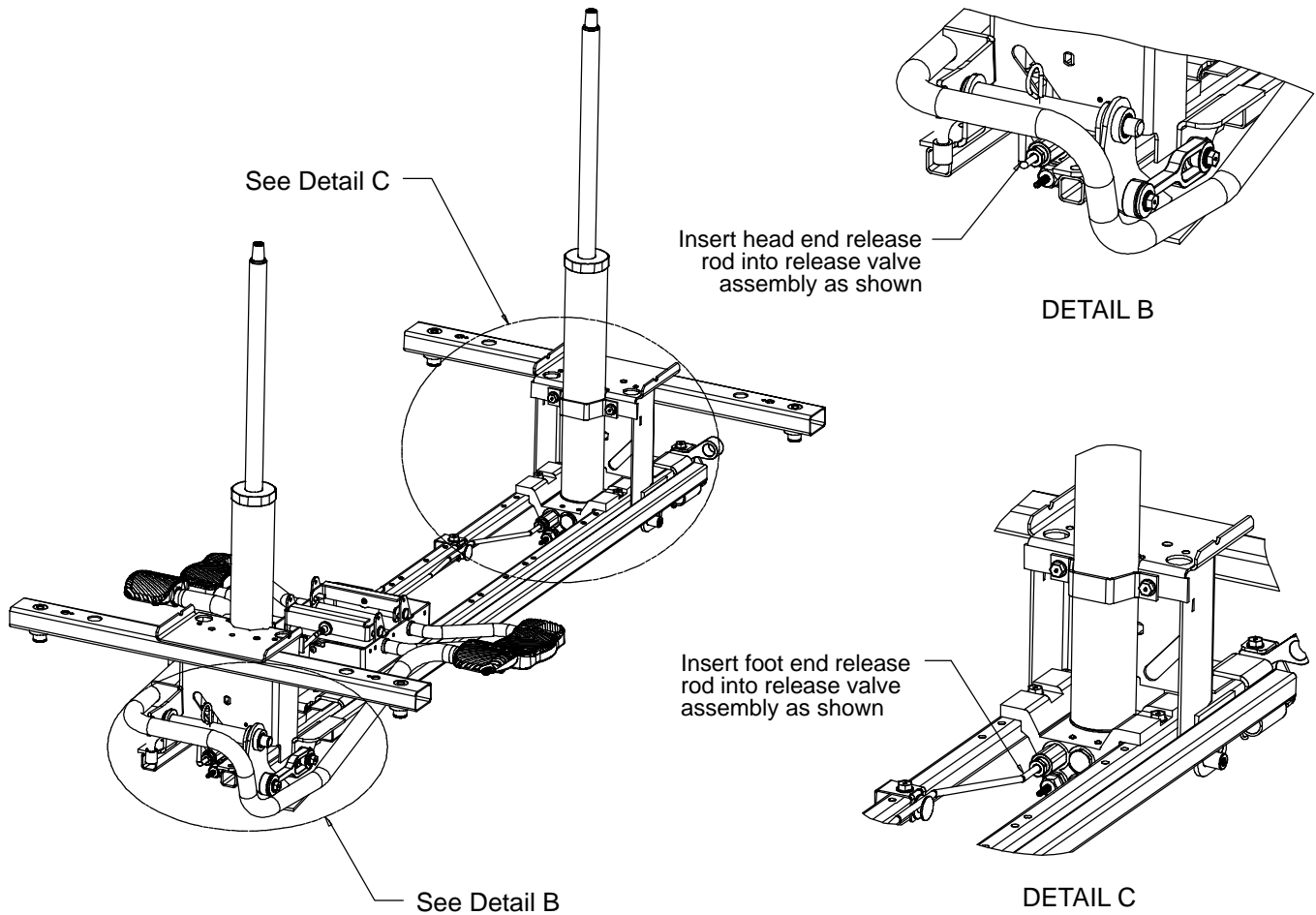
Insert pump ram into keyhole slot on both ends. Lower pump connecting rod weldment onto pump ram as shown



Base with Dual Side Hydraulics (Fifth Wheel Base)

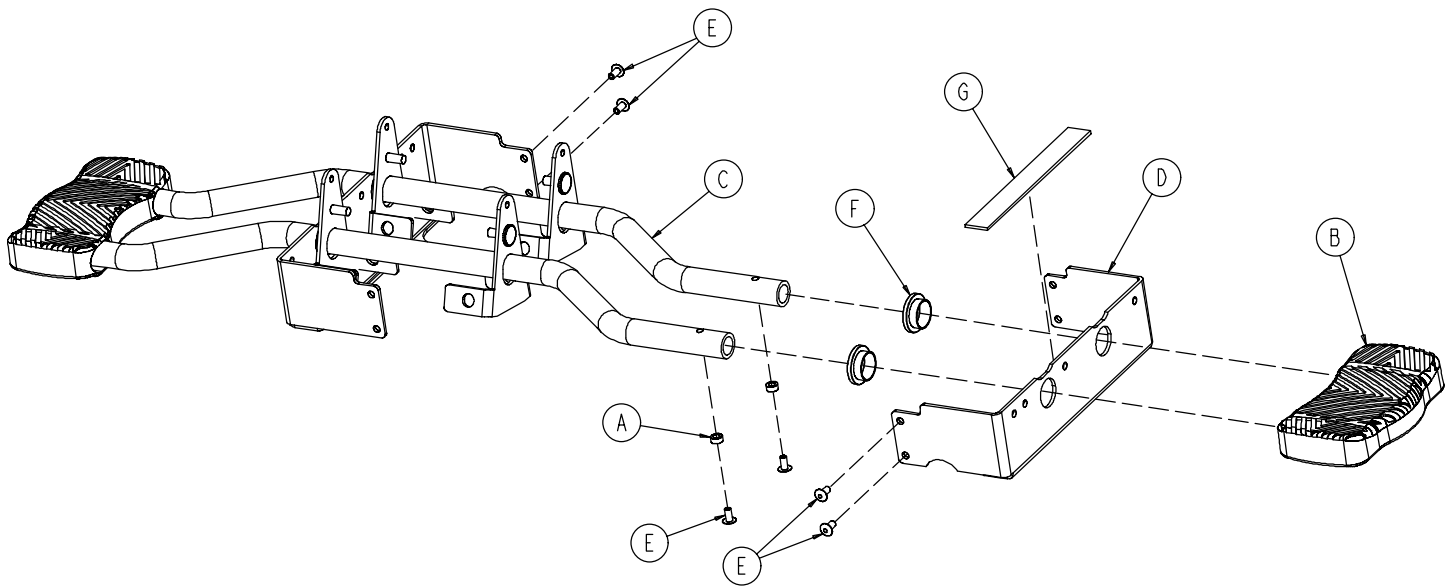


Base with Dual Side Hydraulics (Fifth Wheel Base)



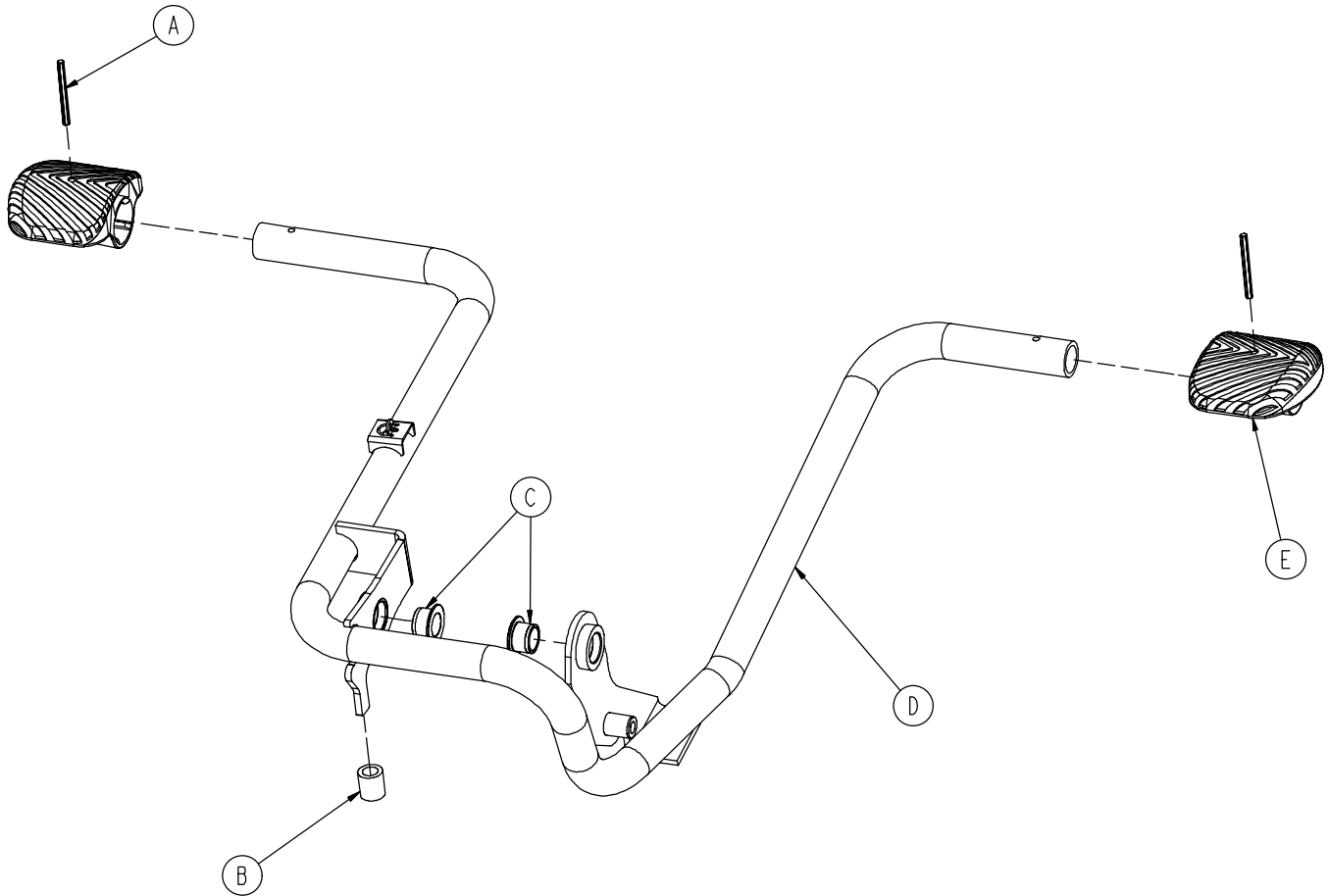
Item	Part No.	Part Name	Qty.
A	0011-023-000	Washer	2
B	0014-071-000	Washer	2
D	0023-288-000	Hex Washer Hd. Screw	7
E	0027-031-000	Hair Pin Cotter	1
F	0038-497-000	Extension Spring	3
G	(page 35)	Release Pedal Assembly	1
H	0753-004-014	Head End Release Rod	1
J	0753-004-015	Foot End Release Rod	1
K	0753-004-032	Release Pedal Swivel	2
L	0753-005-037	Pump Connecting Rod	1
M	0753-005-044	Pump Pedal Bushing	2
N	0753-005-088	Wear Strip	2
P	0753-005-074	Pivot Pin	1
R	0753-005-075	Pump Pedal Link	1
S	(page 36)	Head End Pump Pedal Ass'y	1
T	0753-005-087	Return Spring Hook	1
V	0753-010-015	Release Rod Guide	1
W	0753-010-115	Release Rod Bracket	1
X	0753-005-089	Pump Ram Plug	2

0753-004-001 Release Pedal Assembly



Item	Part No.	Part Name	Qty.
A	0753-004-029	Release Pedal Standoff	4
B	1061-201-127	Short Uni-Pedal	2
C	0753-004-004	Release Pedal Weldment	2
D	0753-004-121	Release Pedal Mtg. Plate	2
E	0025-079-000	Dome Head Rivet	8
F	0753-004-036	Bushing	4
G	0753-004-035	Release Pedal Bumper Strip	2

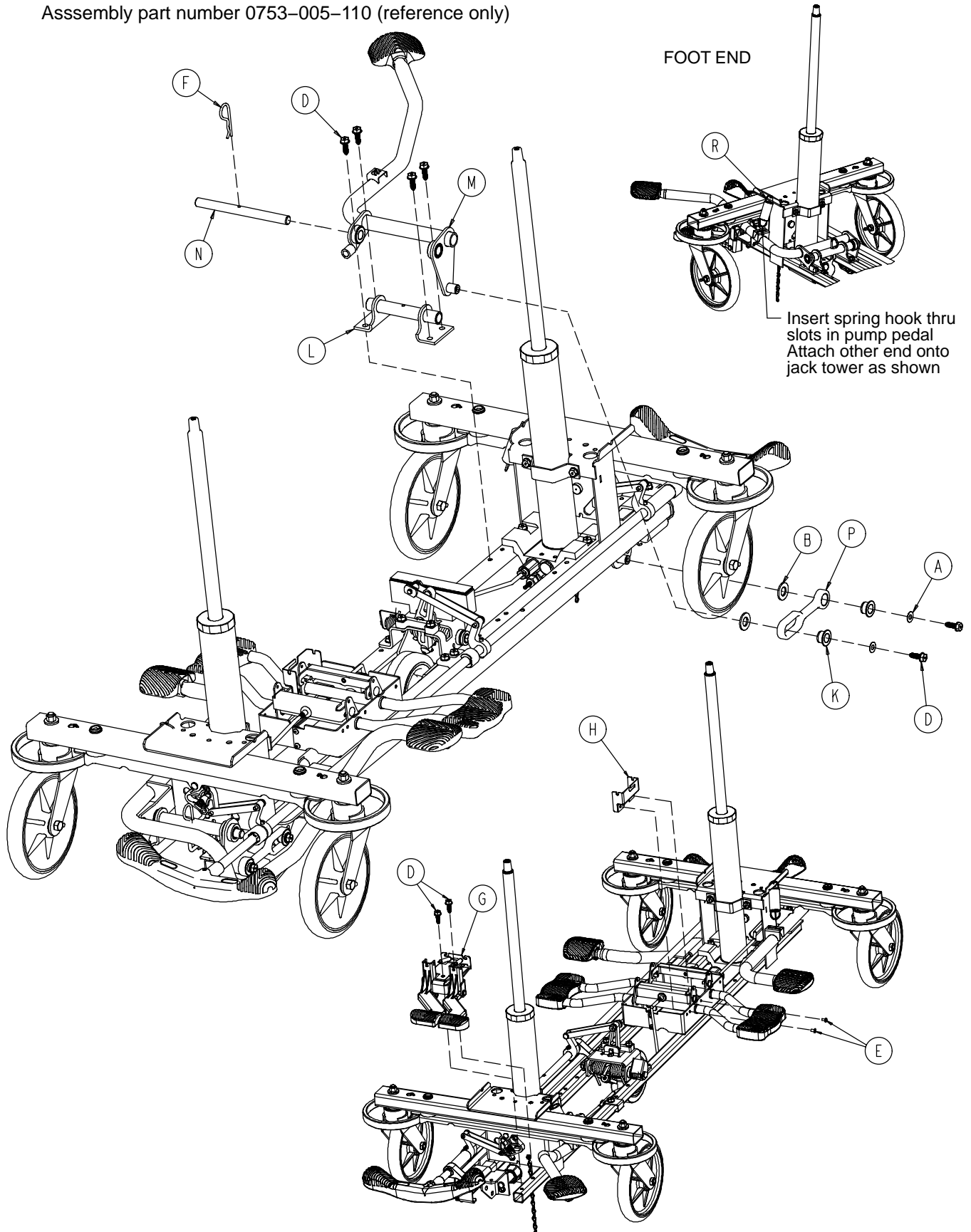
0753-005-185 Head End Pump Pedal Assembly



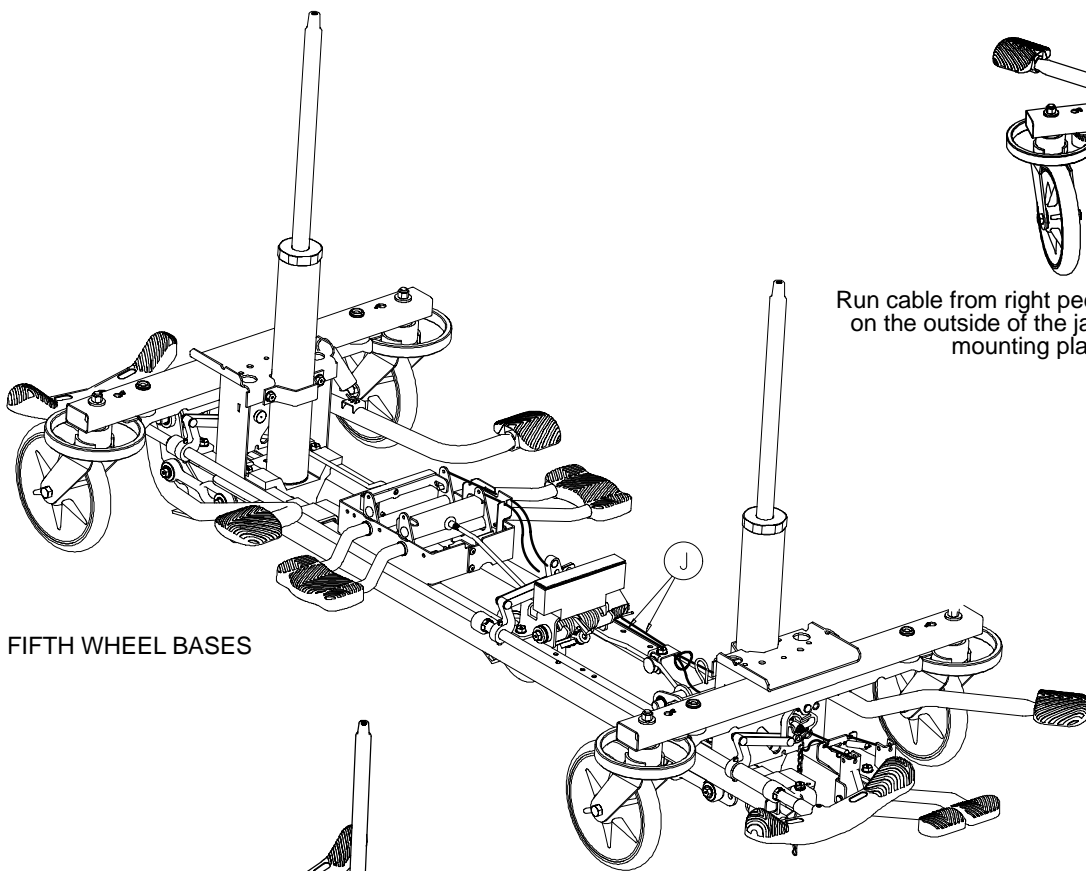
Item	Part No.	Part Name	Qty.
A	0026-343-000	Groove Pin	2
B	0715-001-140	Vinyl Tube	1
C	0753-005-044	Pump Pedal Bushing	2
D	0753-005-180	Head End Pump Pedal Weldment	1
E	0753-201-126	Pump Pedal	2

Base with 3-Side Hydraulics (Fifth Wheel Base)

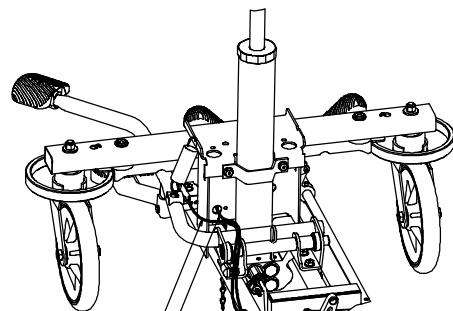
Assembly part number 0753-005-110 (reference only)



Base with 3-Side Hydraulics (Fifth Wheel Base)

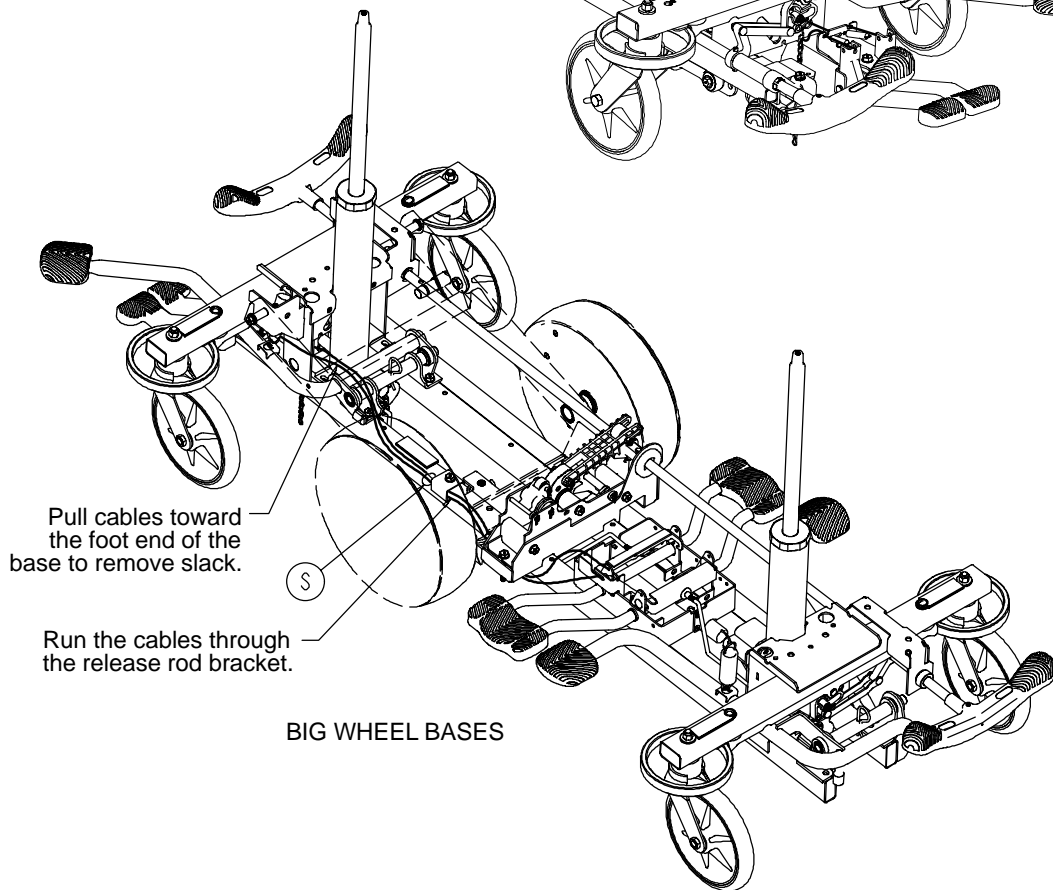


FIFTH WHEEL BASES



Run cable from right pedal on the outside of the jack mounting plate.

Run cable from left pedal through the hole in the jack mounting plate.



Pull cables toward the foot end of the base to remove slack.

Run the cables through the release rod bracket.

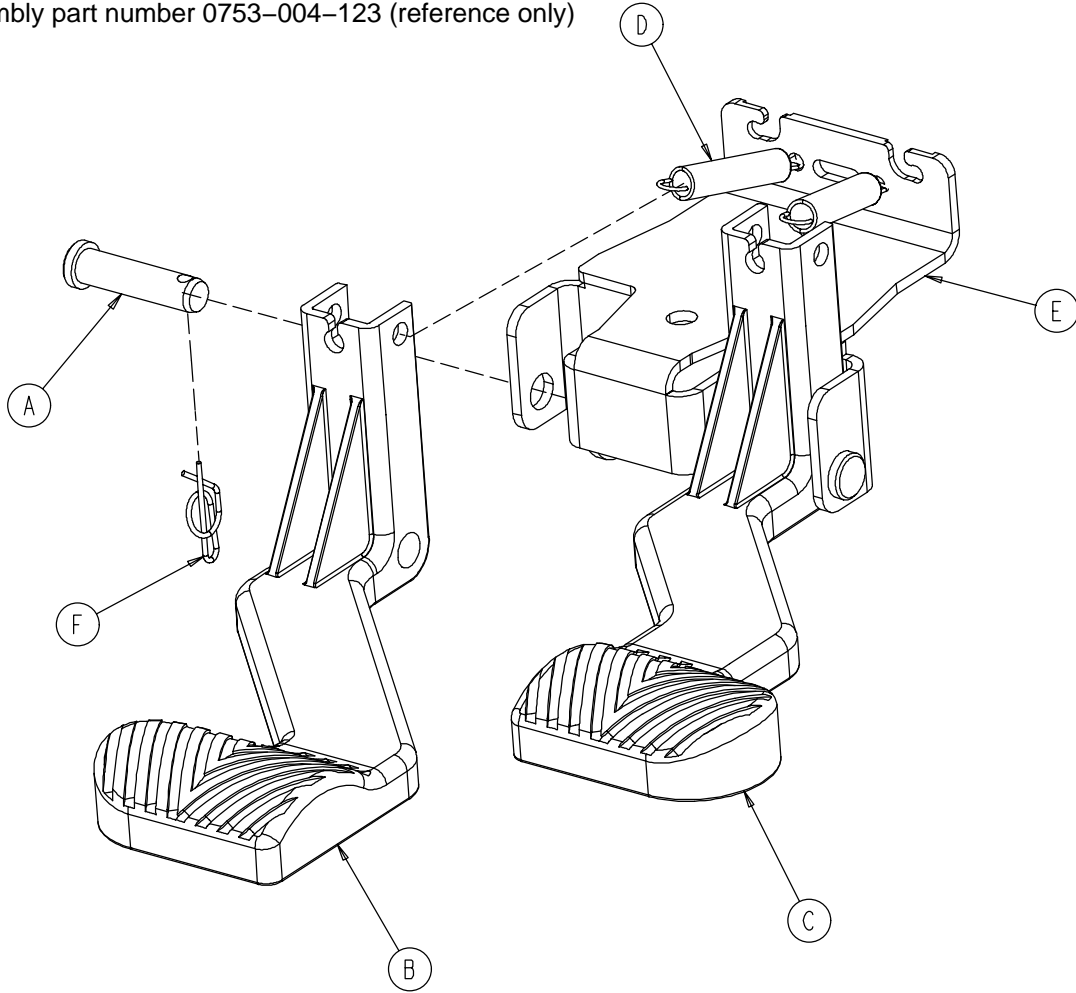
BIG WHEEL BASES

Base with 3-Side Hydraulics (Fifth Wheel Base)

Item	Part No.	Part Name	Qty.
A	0011-023-000	Washer	2
B	0014-071-000	Washer	2
D	0023-288-000	Hex Washer Hd. Screw	8
E	0025-079-000	Rivet	2
F	0027-031-000	Cotter Pin	1
G	(page 40)	Foot End Release Pedal Ass'y	1
H	0753-004-127	Cable Mounting Plate	1
J	0753-004-030	Foot End Release Cable	2
K	0753-005-044	Pump Pedal Bushing	2
L	0753-005-063	Foot End Mtg. Bracket	1
M	(page 41)	Foot End Pedal/Brg. Ass'y	1
N	0753-005-074	Pivot Pin	1
P	0753-005-075	Pump Pedal Link	1
R	0038-497-000	Extension Spring	1
S	8815-029-200	Cable Tie	1

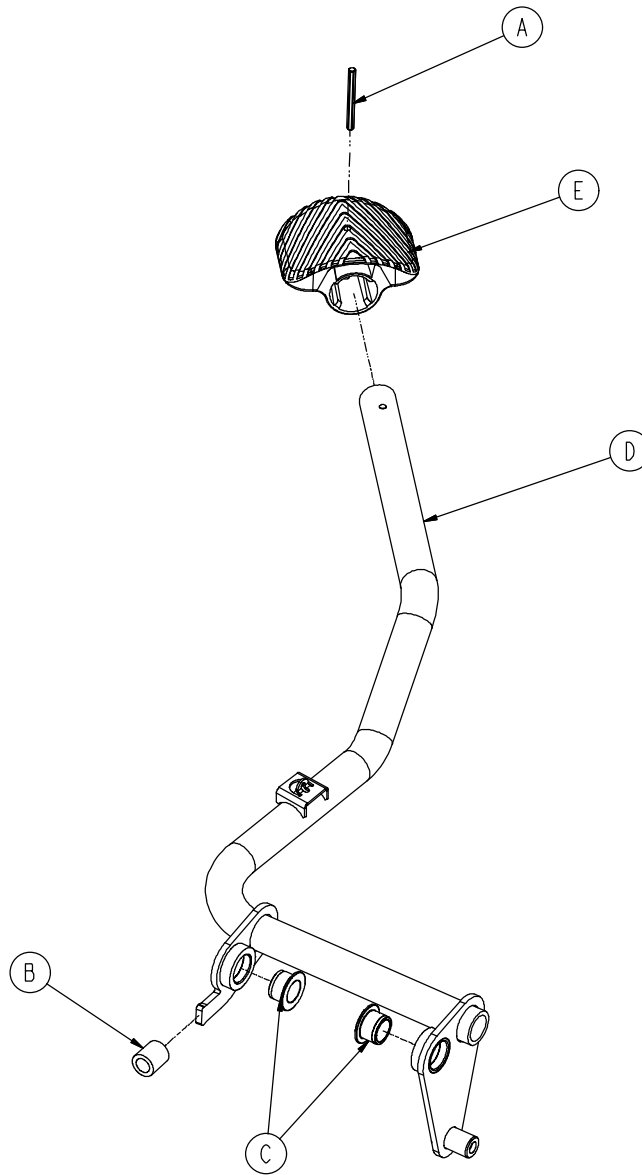
Foot End Release Pedal Assembly

Assembly part number 0753-004-123 (reference only)



Item	Part No.	Part Name	Qty.
A	0026-132-000	Clevis Pin	2
B	0753-004-024	Release Pedal, Foot End, Left	1
C	0753-004-025	Release Pedal, Foot End, Right	1
D	0753-004-028	Release Pedal Return Spring	2
E	0753-004-322	Release Pedal Mtg. Plate	1
F	0027-022-000	Rue Ring Cotter	2

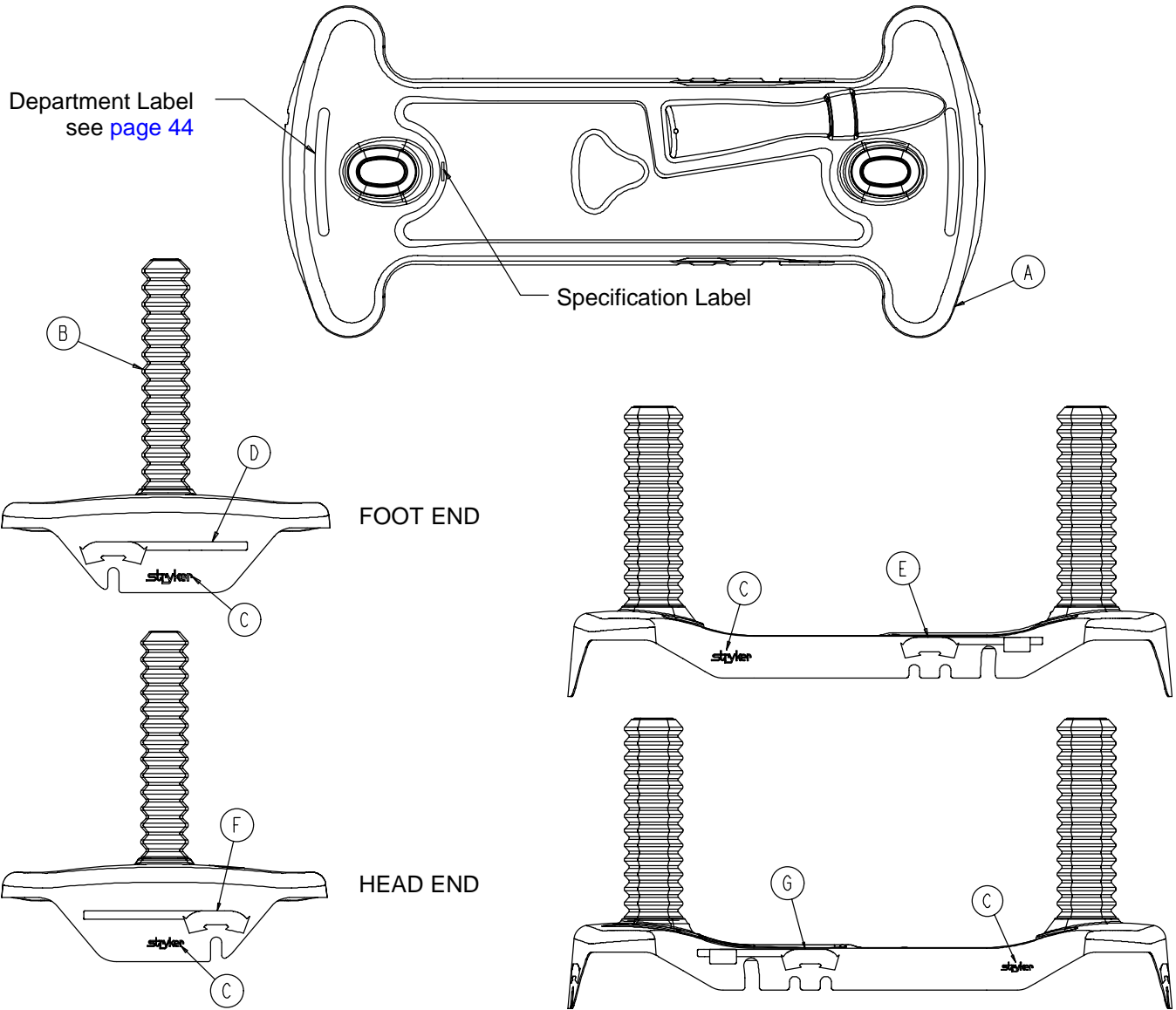
0753-005-173 Foot End Pump Pedal Assembly



Item	Part No.	Part Name	Qty.
A	0026-343-000	Groove Pin	1
B	0715-001-140	Clear Vinyl Tubing	1
C	0753-005-044	Pump Pedal Bushing	2
D	0753-005-171	Foot End Pedal Weldment	1
E	0715-201-126	Plastic Pump Pedal	1

Base Labeling Assembly

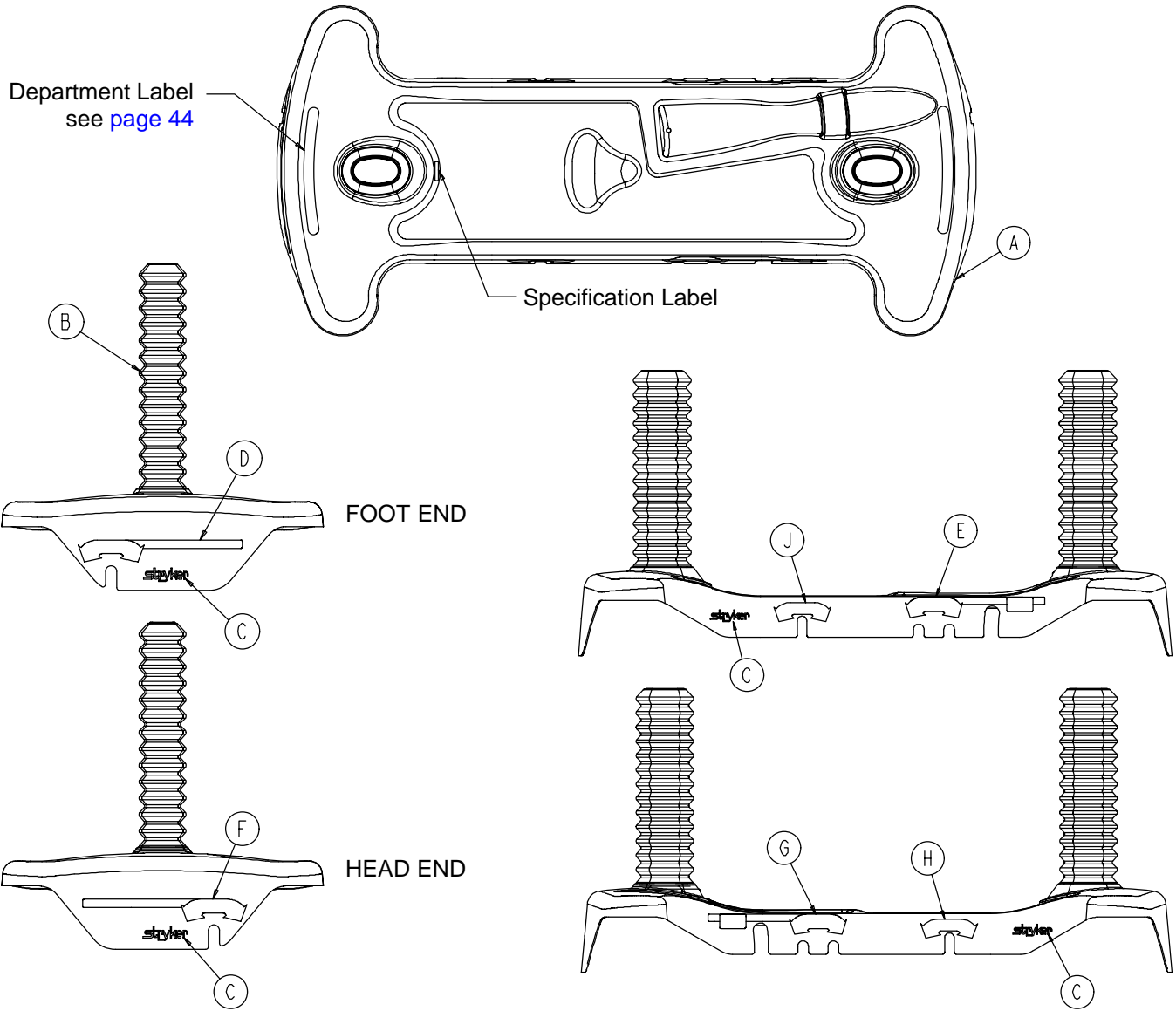
Assembly part number 0753-010-062 (reference only)



Item	Part No.	Part Name	Qty.
A	0753-010-040	Base Hood	1
B	1040-010-134	Bellows	2
C	0946-201-060	Stryker Logo Label	4

Base Labeling Assembly, 4-Sided Brakes

Assembly part number 0753-010-063 (reference only)



Item	Part No.	Part Name	Qty.
A	0753-010-040	Base Hood	1
B	1040-010-134	Bellows	2
C	0946-201-060	Stryker Logo Label	4
H	0753-010-018	Brake/Steer Label, Right	1
J	0753-010-019	Brake/Steer Label, Left	1

Base Labeling Assembly

Color Set P/N	Item D Brake/Steer, Foot End	Item E Lift/Lower, Left	Item F Brake/Steer, Head End	Item G Lift/Lower, Right	Litter Bumper Strip
RED 0753-010-120	0753-010-051	0753-010-055	0753-010-017	0753-010-054	1010-700-015
PURPLE 0753-010-121	0753-010-151	0753-010-155	0753-010-170	0753-010-154	1010-700-025
GREEN 0753-010-122	0753-010-251	0753-010-255	0753-010-270	0753-010-254	1010-700-035
GRAY 0753-010-123	0753-010-351	0753-010-355	0753-010-370	0753-010-354	1010-700-045
TEAL 0753-010-124	0753-010-451	0753-010-455	0753-010-470	0753-010-454	1010-700-055
PINK 0753-010-125	0753-010-551	0753-010-555	0753-010-570	0753-010-554	1010-700-065
BLUE 0753-010-126	0753-010-651	0753-010-655	0753-010-670	0753-010-654	1010-700-075

BASE HOOD DEPARTMENT LABELS

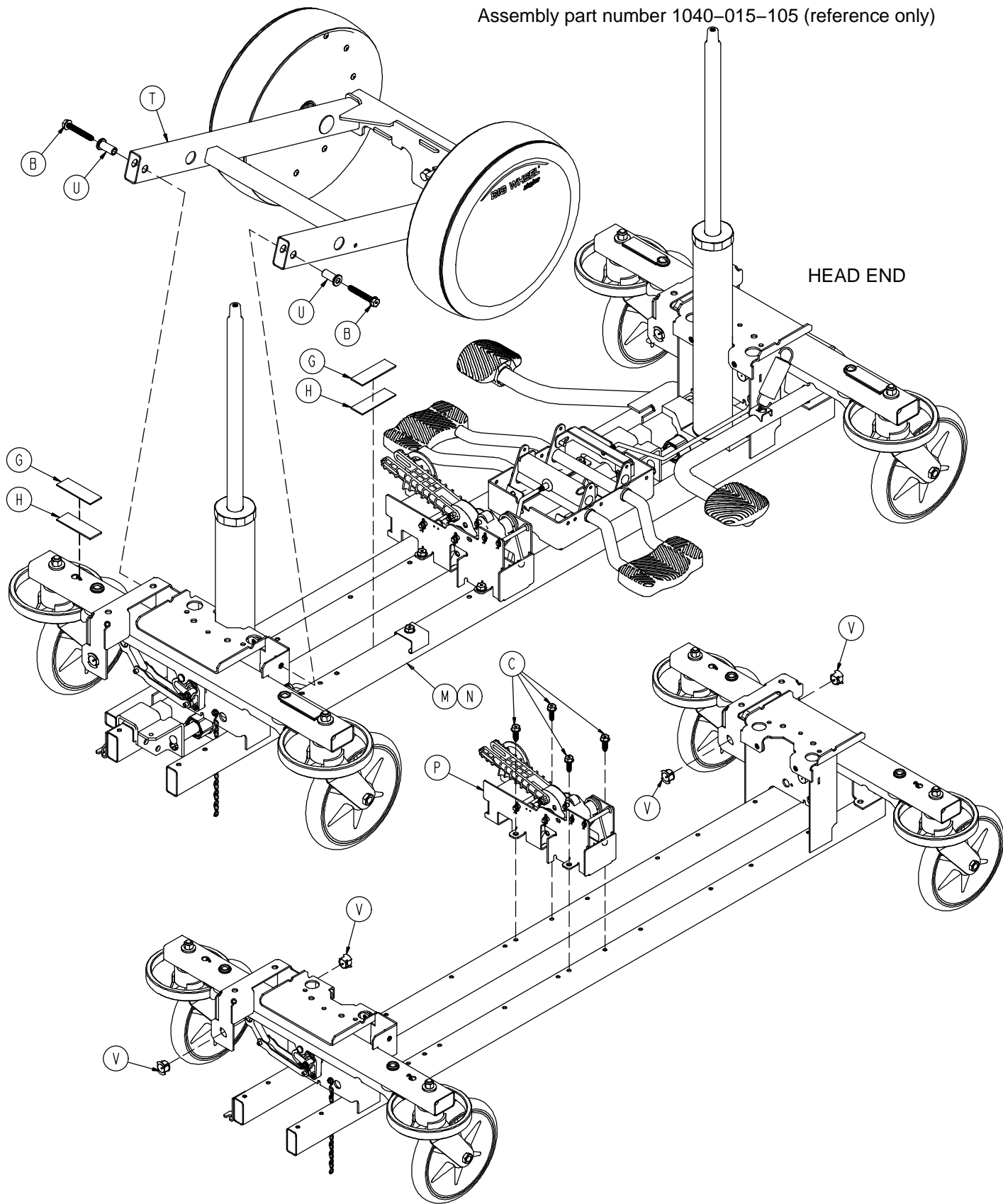
Department	Label Part Number
Emergency	1010-900-215
PACU	1010-900-220
Transport	1010-900-225
Surgery	1010-900-230
Extended Stay	1010-900-235
Maternity	1010-900-240
Endoscopy	1010-900-245
Radiology	1010-900-250
Nuclear Medicine	1010-900-255
Ambulatory Surgery	1010-900-260
G.I. Lab	1010-900-265
Cath. Lab	1010-900-270
Same Day Surgery	1010-900-275
Cardio.	1010-900-280
Ultrasound	1010-900-285

NOTE

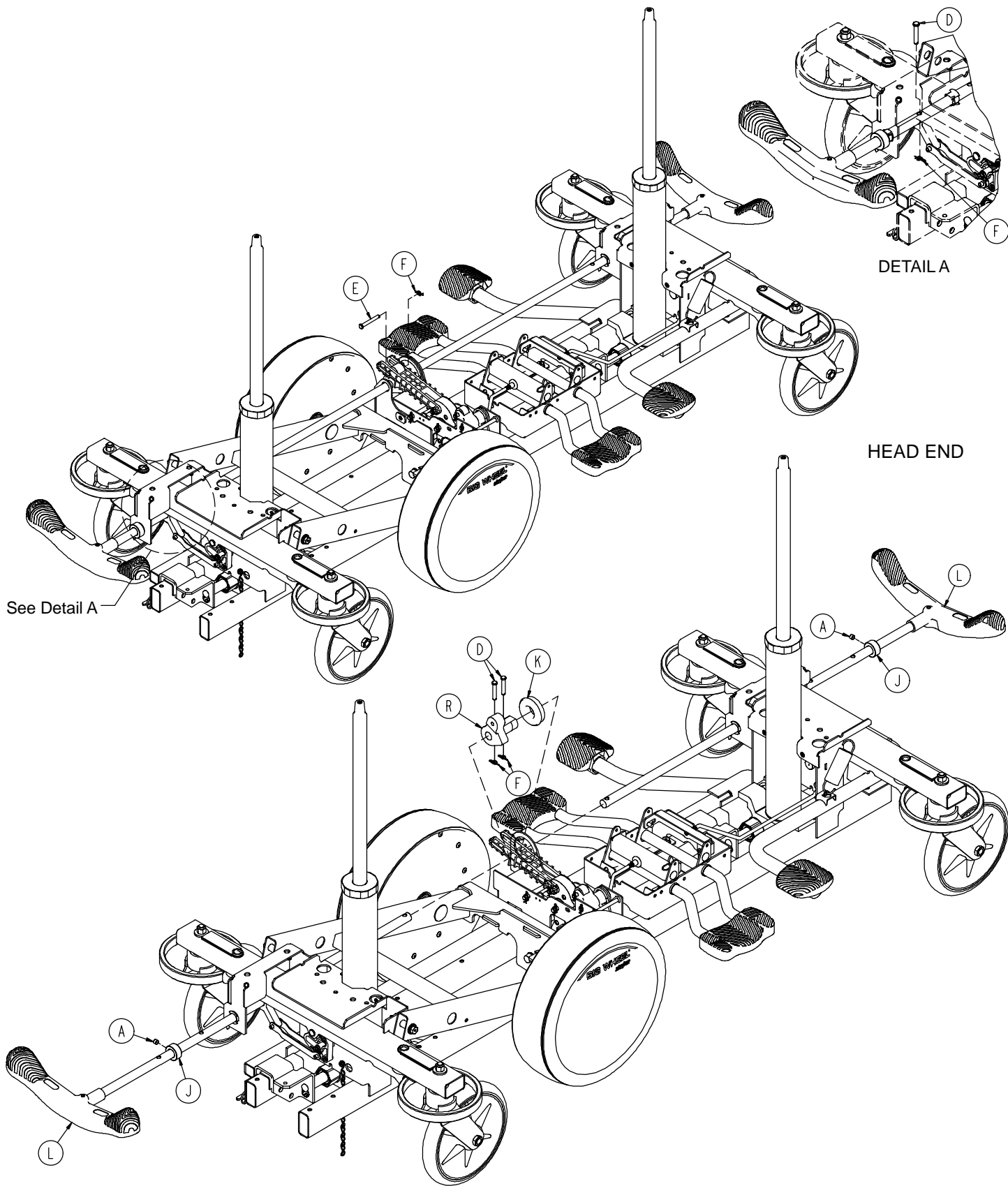
All base hood department labels are quantity of two.

Big Wheel End Control Base Assembly

Assembly part number 1040-015-105 (reference only)



Big Wheel End Control Base Assembly

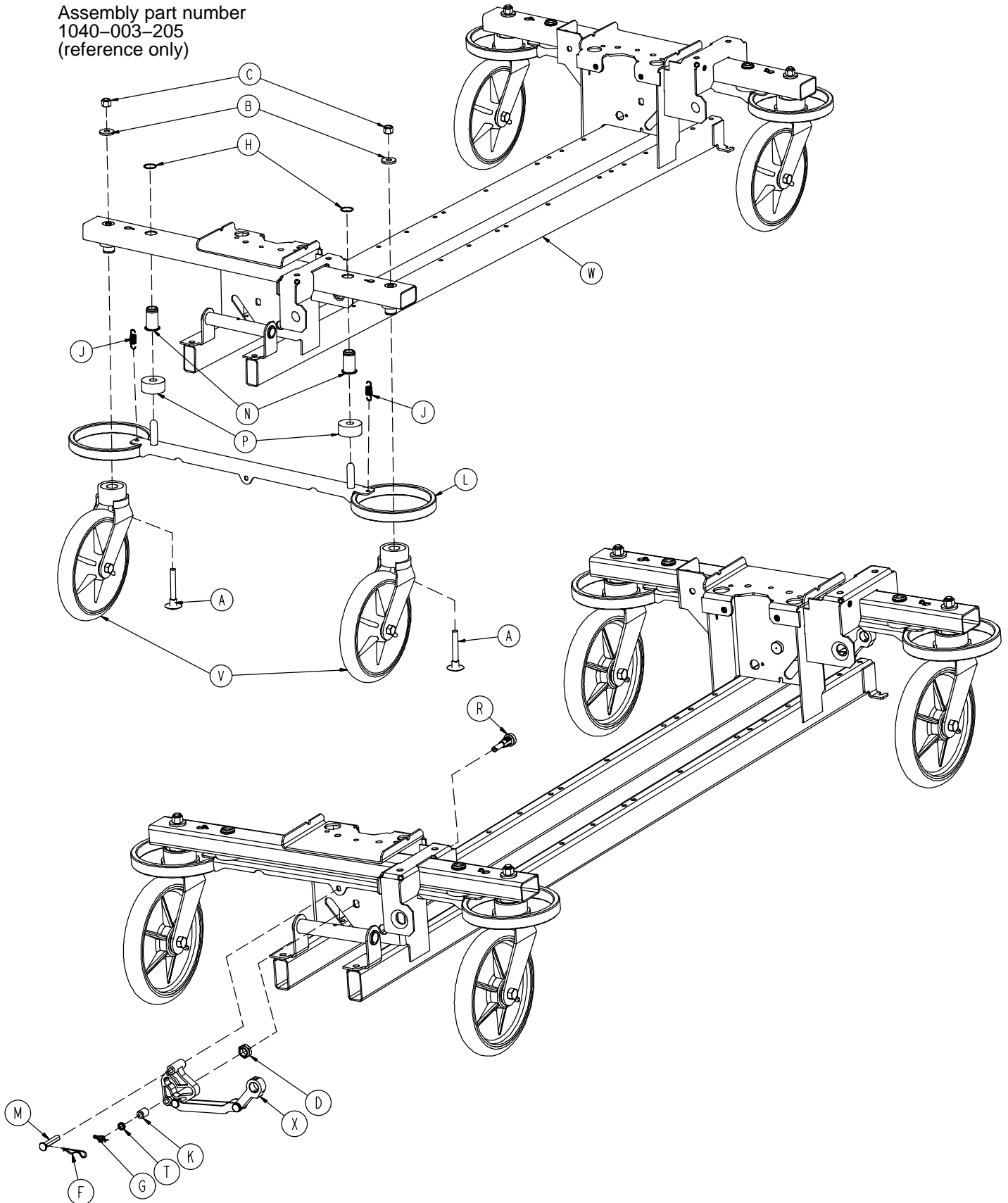


Big Wheel End Control Base Assembly

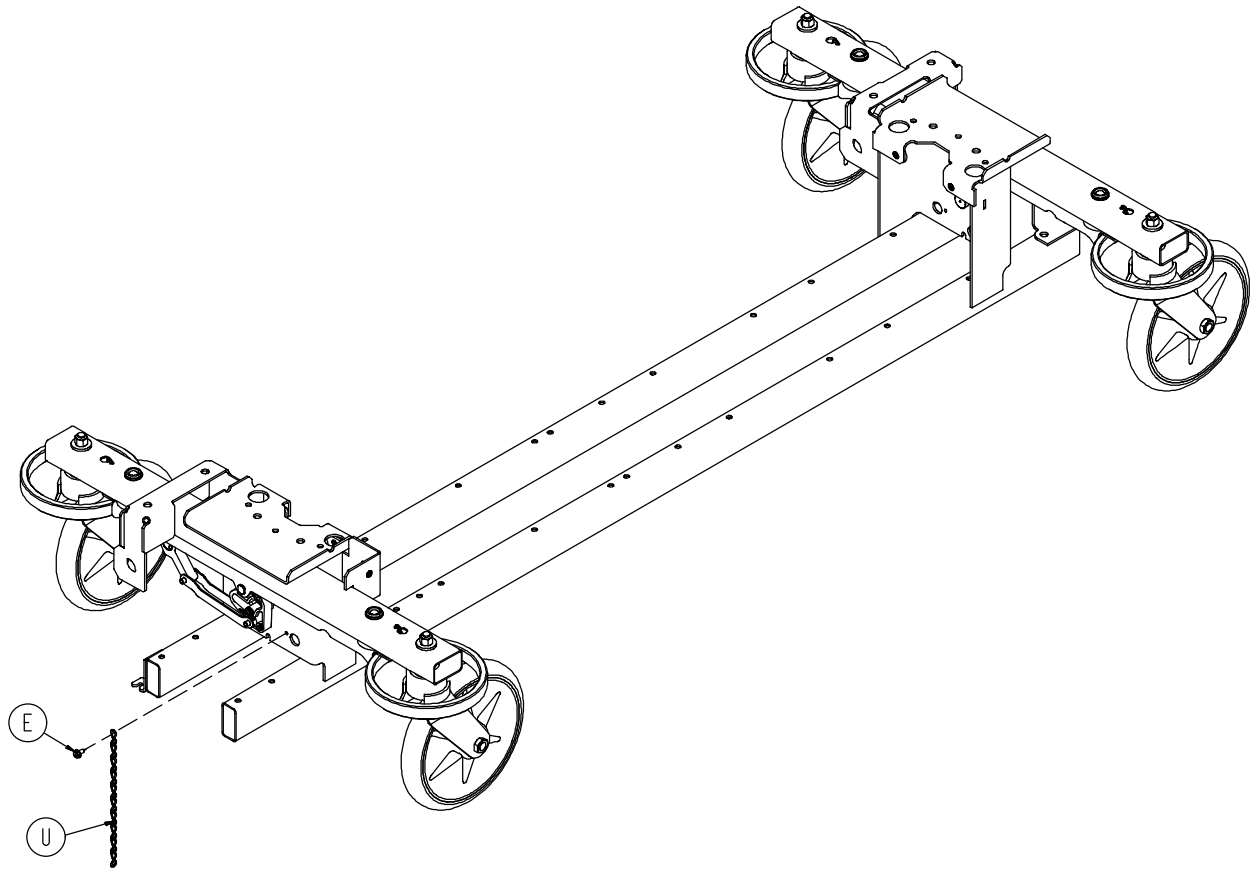
Item	Part No.	Part Name	Qty.
A	0021-166-000	Set Screw	2
B	0023-150-000	Hex Washer Hd. Screw	2
C	0023-288-000	Hex Washer Hd. Screw	4
D	0026-273-000	Clevis Pin	4
E	0025-330-000	Clevis Pin	1
F	0027-020-000	Rue Ring Cotter	5
G	0029-007-000	Dual Lock	5
H	0029-009-000	Dual Lock	5
J	0042-020-000	Collar	2
K	0081-330-000	Radial Bearing	1
L	(page 53)	Brake Rod Assembly	2
M	(page 50)	Base Assembly w/ Standard Brakes	1
N	(page 54)	Dual Sided Hydraulics	1
P	(page 58)	Cam Bracket Assembly	1
R	1040-006-231	Drive Arm	1
T	(page 60)	Big Wheel Carriage Assembly	1
U	1040-015-007	Carriage Pivot Bushing	2
V	1210-201-251	Insert	4

Base Assembly w/Standard Brakes (Big Wheel Base)

Assembly part number
1040-003-205
(reference only)

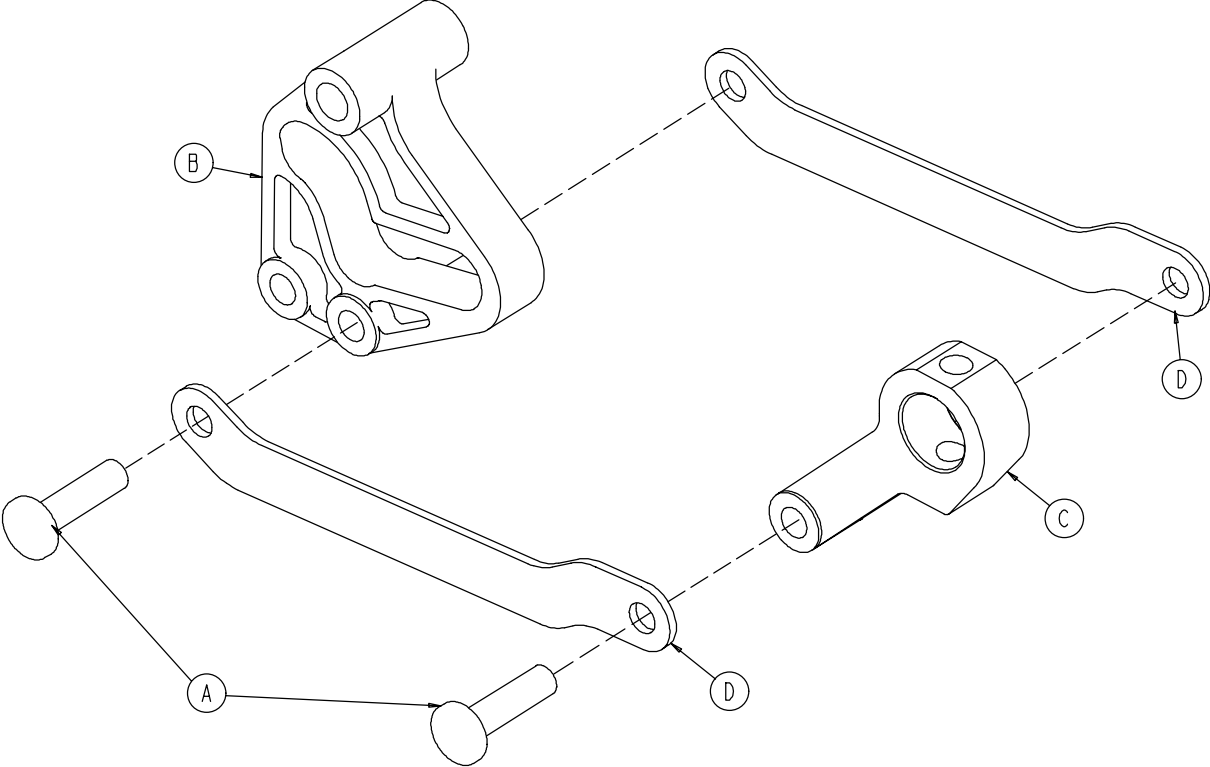


Base Assembly w/Standard Brakes (Big Wheel Base)



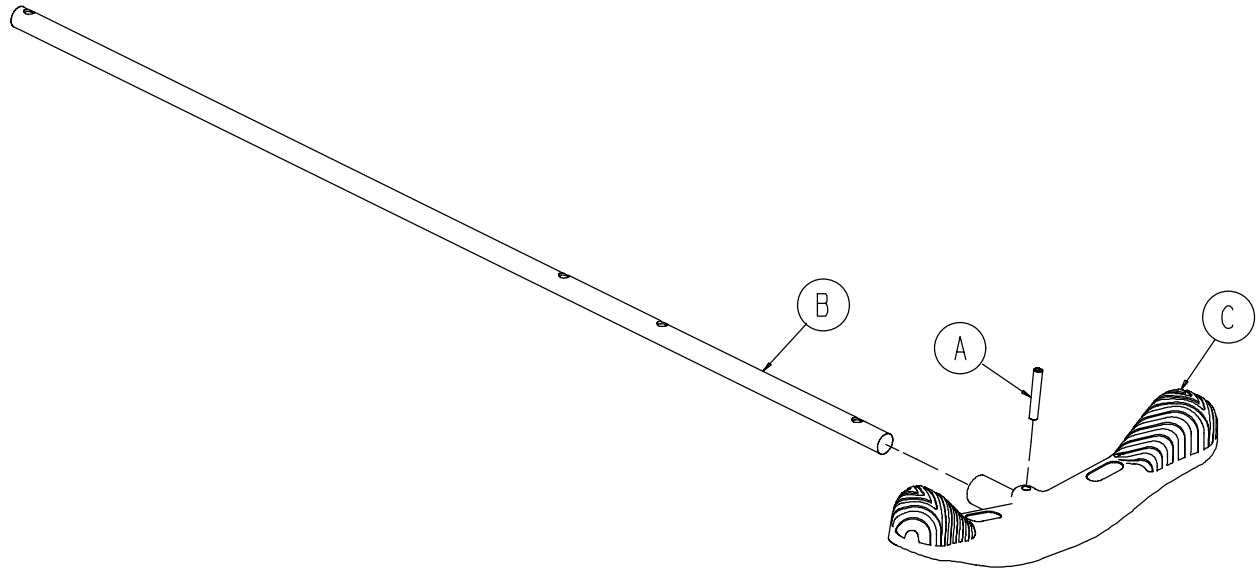
Item	Part No.	Part Name	Qty.
A	0005-039-000	Step Bolt	4
B	0011-262-000	Washer	4
C	0016-035-000	Nylock Hex Nut	4
D	0016-049-000	Nylock Hex Nut	2
E	0023-025-000	Hex Washer Hd. Screw	3
F	0027-012-000	Hitch Pin	2
G	0027-019-000	Rue Ring Cotter Pin	2
H	0028-037-000	External Retaining Ring	4
J	0038-439-000	Extension Spring	4
K	0081-272-000	Roller Bearing	2
L	0753-003-006	Brake Ring	2
M	0753-003-066	Clevis Pin	2
N	0753-003-079	Caster Tube Brake Pin Guide	4
P	0753-003-121	Brake Cushion	4
R	0753-003-130	Bearing Pivot Support	2
T	0753-003-131	Spacer	2
U	0753-010-012	Ground Chain	1
V	(page 27)	Caster Assembly	4
W	1040-001-301	Base Frame	1
X	(page 50)	Drive Link Assembly	2

1040-003-185 Drive Link Assembly



Item	Part No.	Part Name	Qty.
A	0753-003-098	Semi-Tubular Rivet	2
B	0753-003-102	Brake Cam	1
C	1040-003-174	Brake Rod Drive Link	1
D	1040-003-076	Cam Drive Link	2

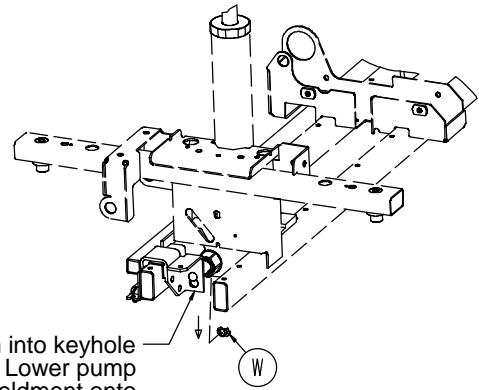
1040-003-191 Brake Rod Assembly (Big Wheel Base)



Item	Part No.	Part Name	Qty.
A	0026-067-000	Slotted Spring Pin	1
B	1040-003-113	Brake Rod	1
C	0753-003-099	Butterfly "V" Pedal	1

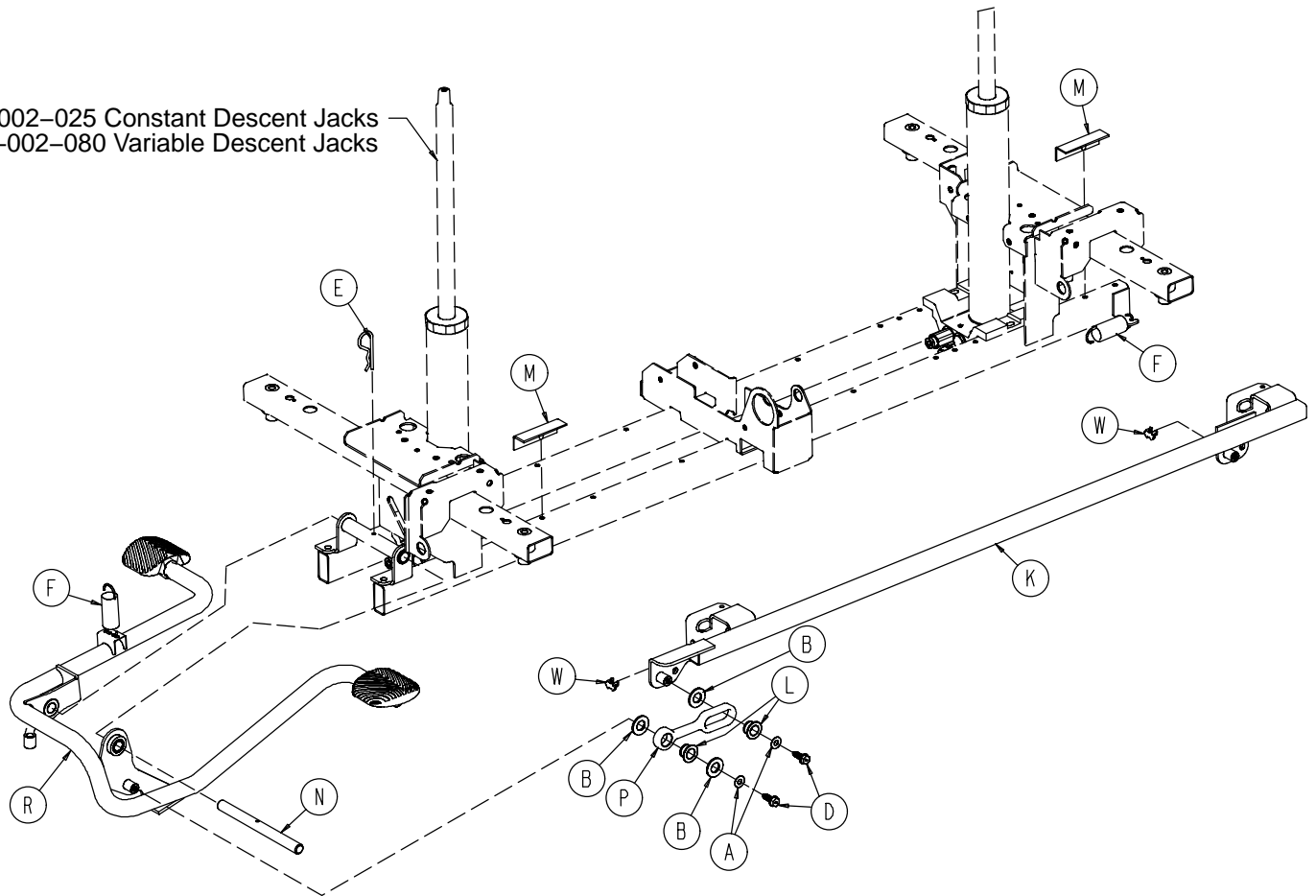
Base with Dual Side Hydraulics (Big Wheel Base)

Assembly part number 1040-005-200 (reference only)

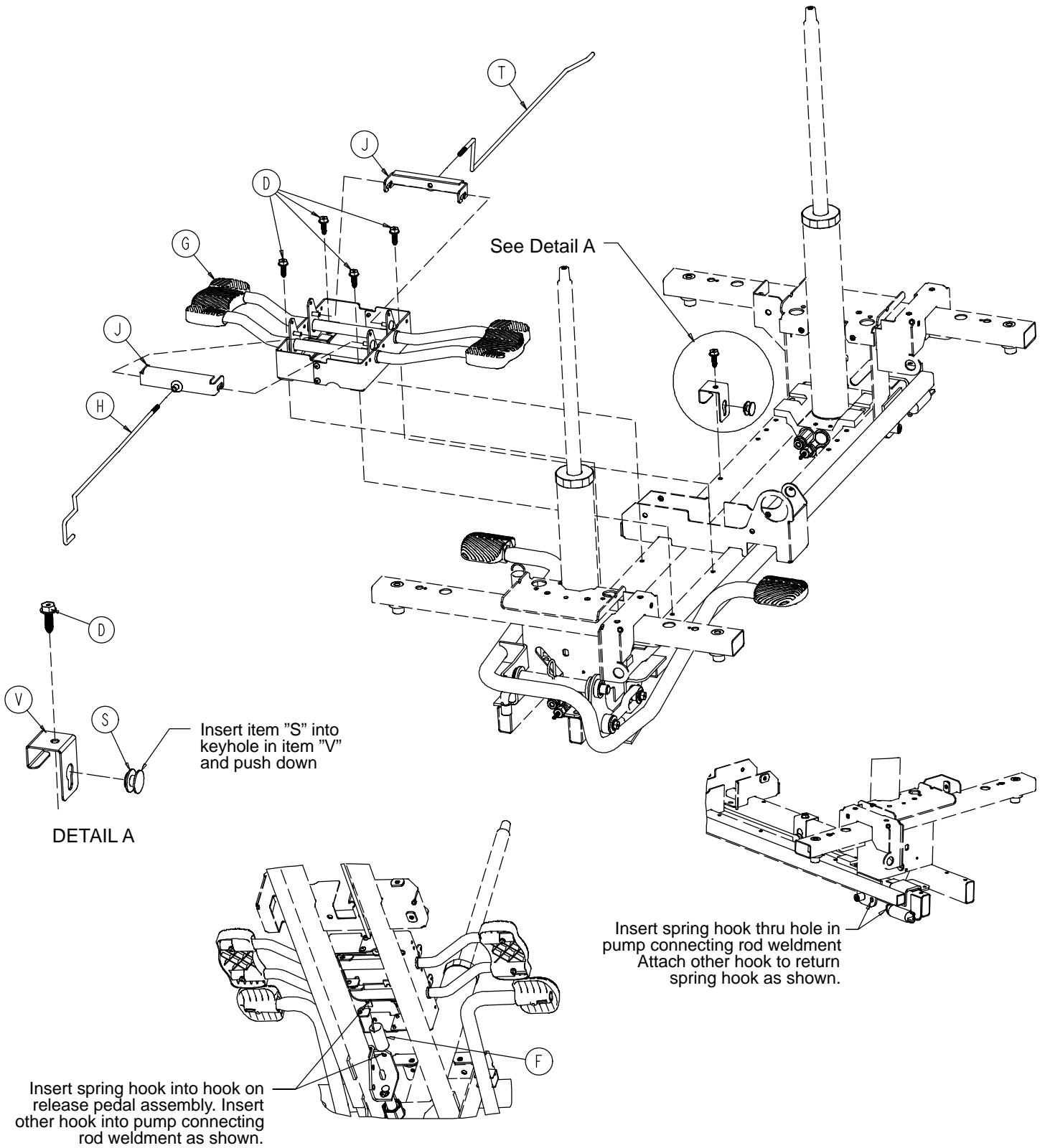


Insert pump ram into keyhole slot on both ends. Lower pump connecting rod weldment onto pump ram as shown. Insert item W to retain pump connecting rod.

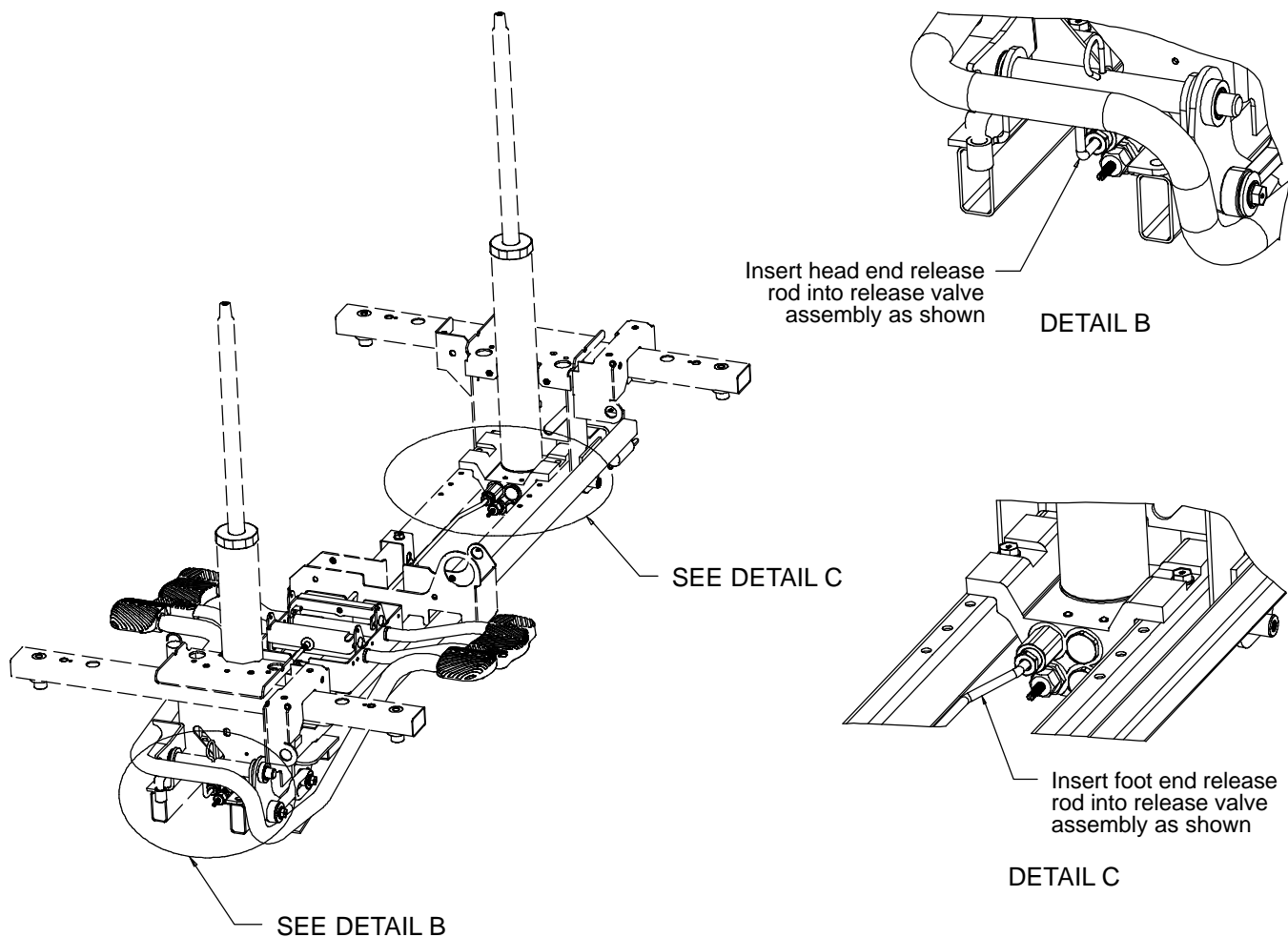
0753-002-025 Constant Descent Jacks
0753-002-080 Variable Descent Jacks



Base with Dual Side Hydraulics (Big Wheel Base)

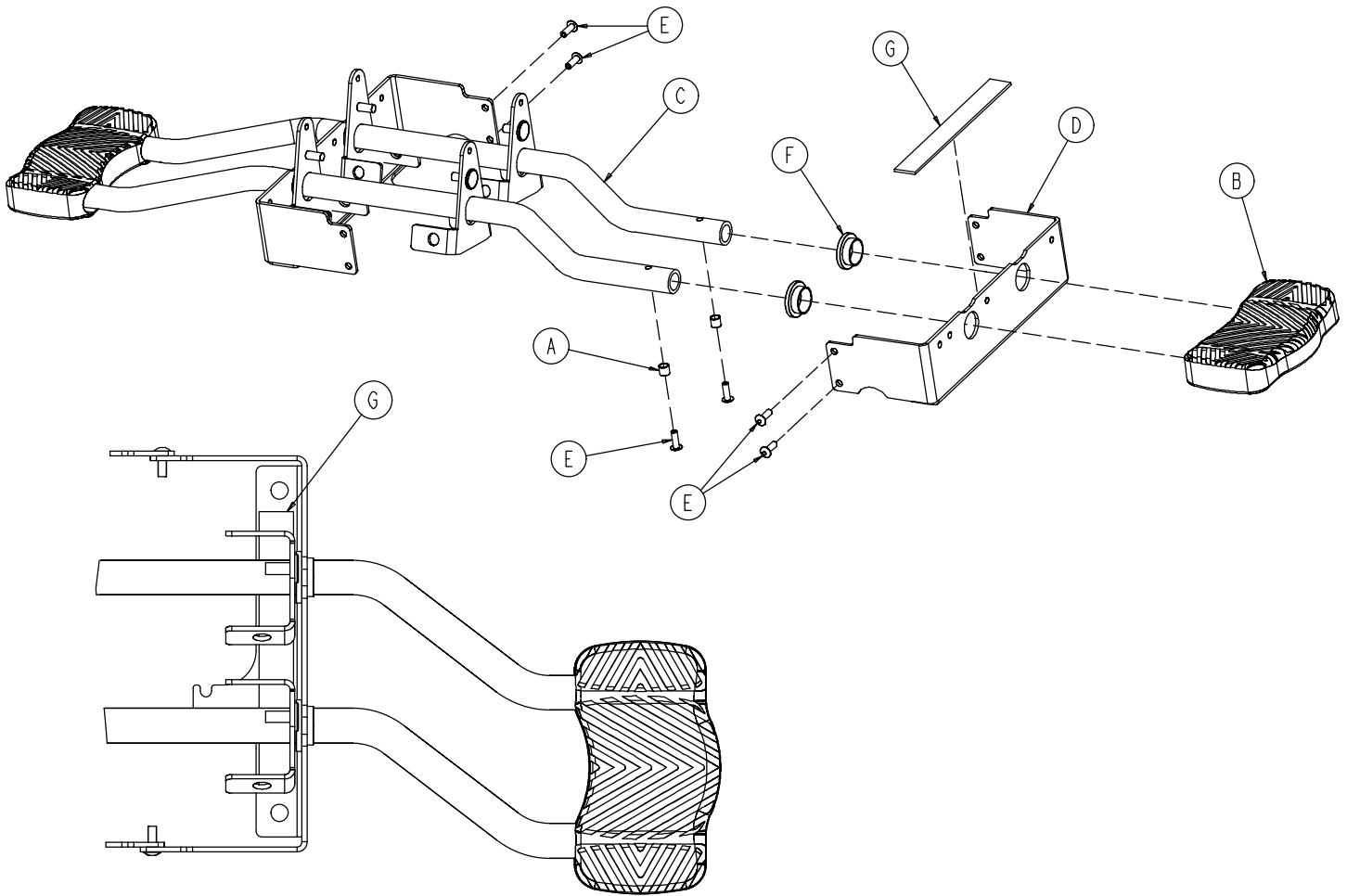


Base with Dual Side Hydraulics (Big Wheel Base)



Item	Part No.	Part Name	Qty.
A	0011-023-000	Washer	2
B	0014-071-000	Washer	2
D	0023-288-000	Hex Washer Hd. Screw	7
E	0027-031-000	Hair Pin Cotter	1
F	0038-497-000	Extension Spring	2
G	(page 55)	Release Pedal Assembly	1
H	0753-004-014	Head End Release Rod	1
J	0753-004-032	Release Pedal Swivel	2
K	0753-005-037	Pump Connecting Rod	1
L	0753-005-044	Pump Pedal Bushing	2
M	0753-005-088	Wear Strip	3
N	0753-005-074	Pivot Pin	1
P	0753-005-075	Pump Pedal Link	1
R	(page 36)	Head End Pump Pedal Ass'y	1
S	0753-010-015	Release Rod Guide	1
T	1040-004-015	Foot End Release Rod	1
V	1040-010-115	Release Rod Bracket	1
W	0753-005-089	Pump Ram Plug	2

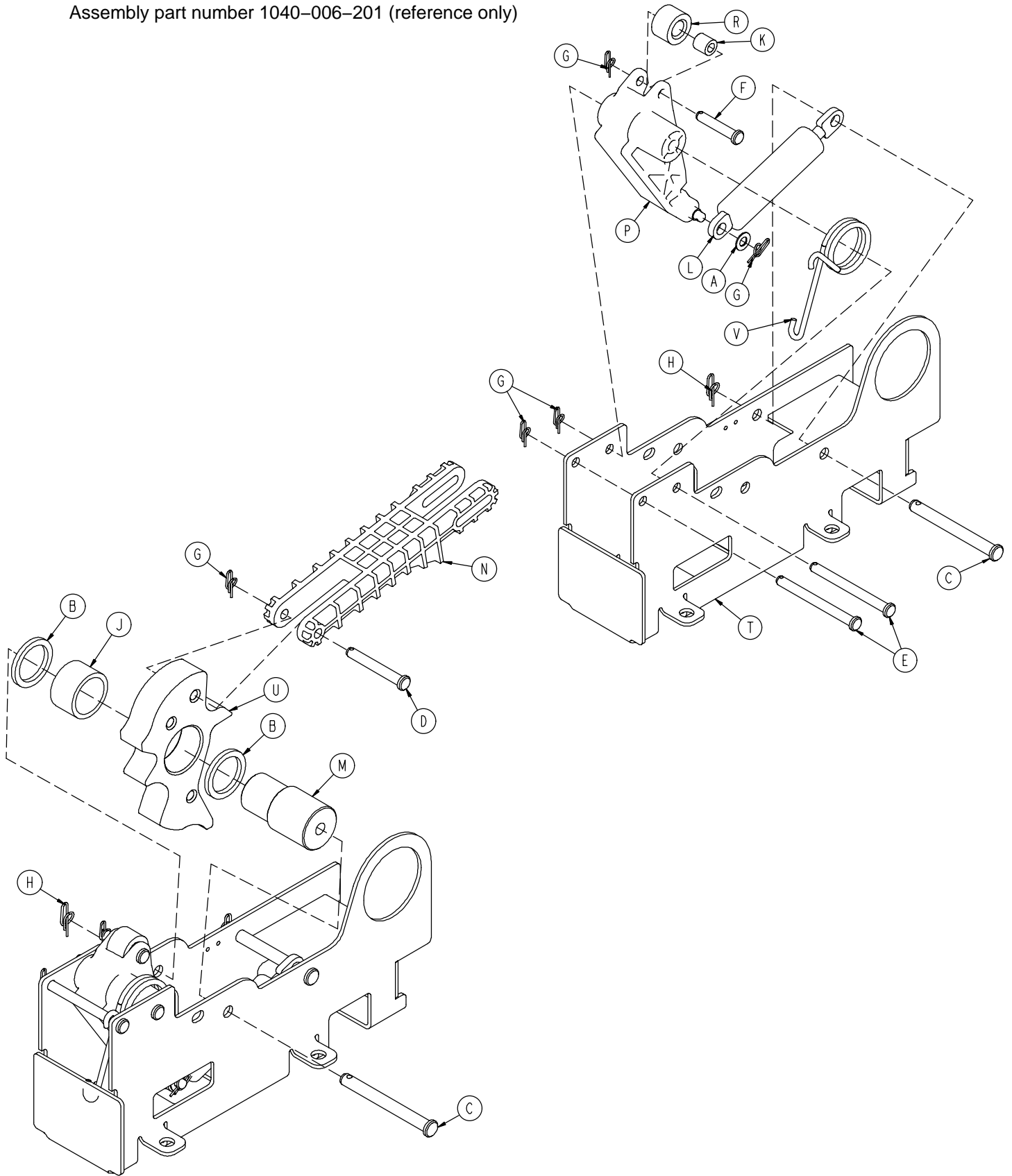
0753-004-001 Release Pedal Assembly



Item	Part No.	Part Name	Qty.
A	0715-001-333	Release Rod Stop Sleeve	4
B	1061-201-127	Short Uni Pedal	2
C	0753-004-004	Release Pedal Weldment	2
D	0753-004-121	Release Pedal Mtg. Plate	2
E	0025-171-000	Blind Rivet	8
F	0753-004-036	Bushing	4
G	0753-004-035	Rel. Pedal Bumper Strip	2

Cam Bracket Assembly

Assembly part number 1040-006-201 (reference only)

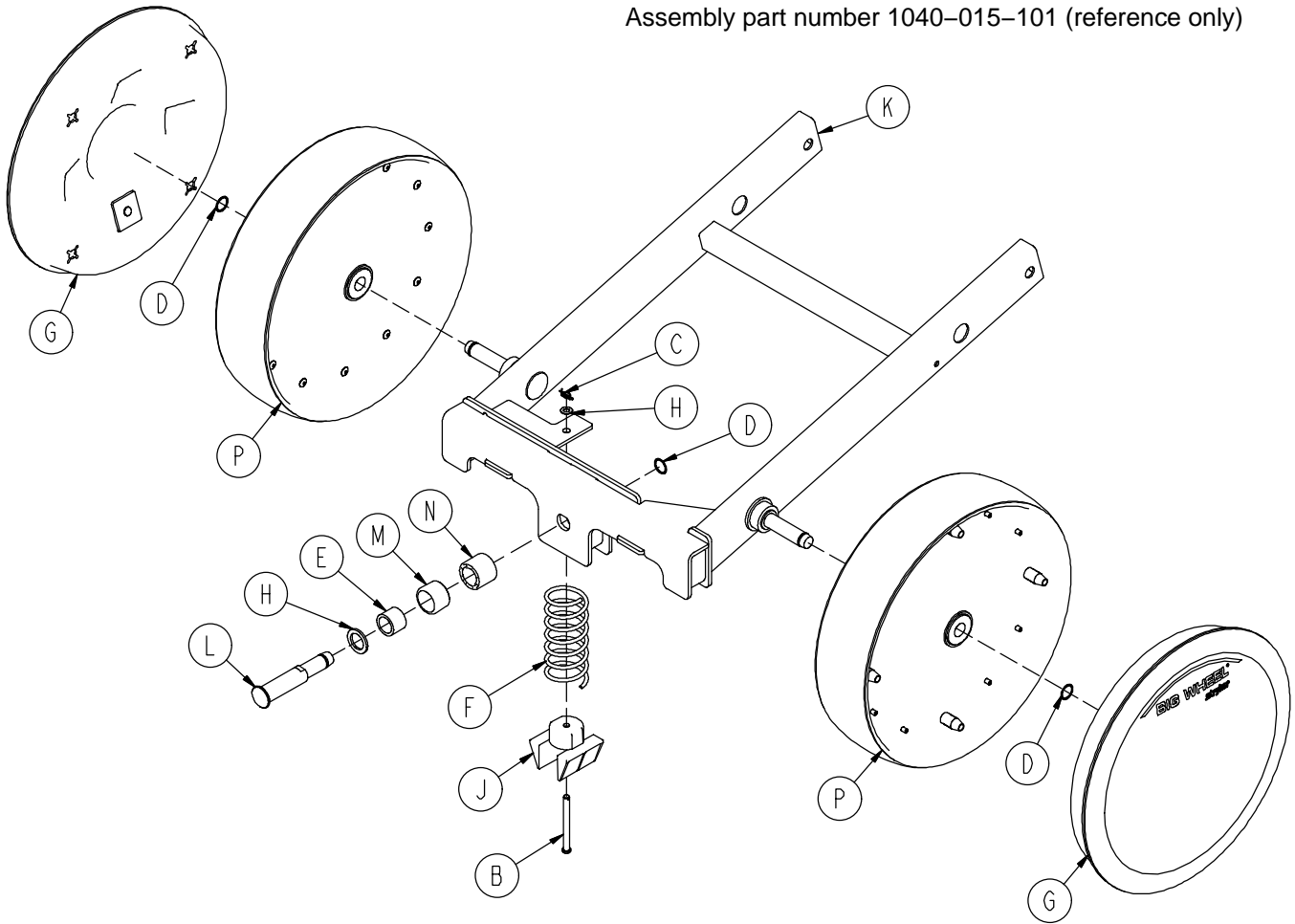


Cam Bracket Assembly

Item	Part No.	Part Name	Qty.
A	0014-004-000	Washer	1
B	0014-063-000	Washer	2
C	0023-262-000	Clevis Pin	2
D	0026-330-000	Clevis Pin	1
E	0026-341-000	Clevis Pin	2
F	0026-349-000	Clevis Pin	1
G	0027-020-000	Rue Ring Cotter	5
H	0027-025-000	Rue Ring Cotter	2
J	0081-400-000	Needle Bearing	1
K	0081-634-000	Needle Bearing	1
L	1040-006-109	Dampener	1
M	1040-006-141	Cam Pivot	1
N	1040-006-144	Drive Link	1
P	1040-006-163	Dampener Arm	1
R	1040-006-171	Dampener Roller	1
T	1040-006-221	Cam Bracket	1
U	1040-006-313	Lift Cam	1
V	1210-001-146	Torsion Spring	1

Big Wheel Carriage Assembly

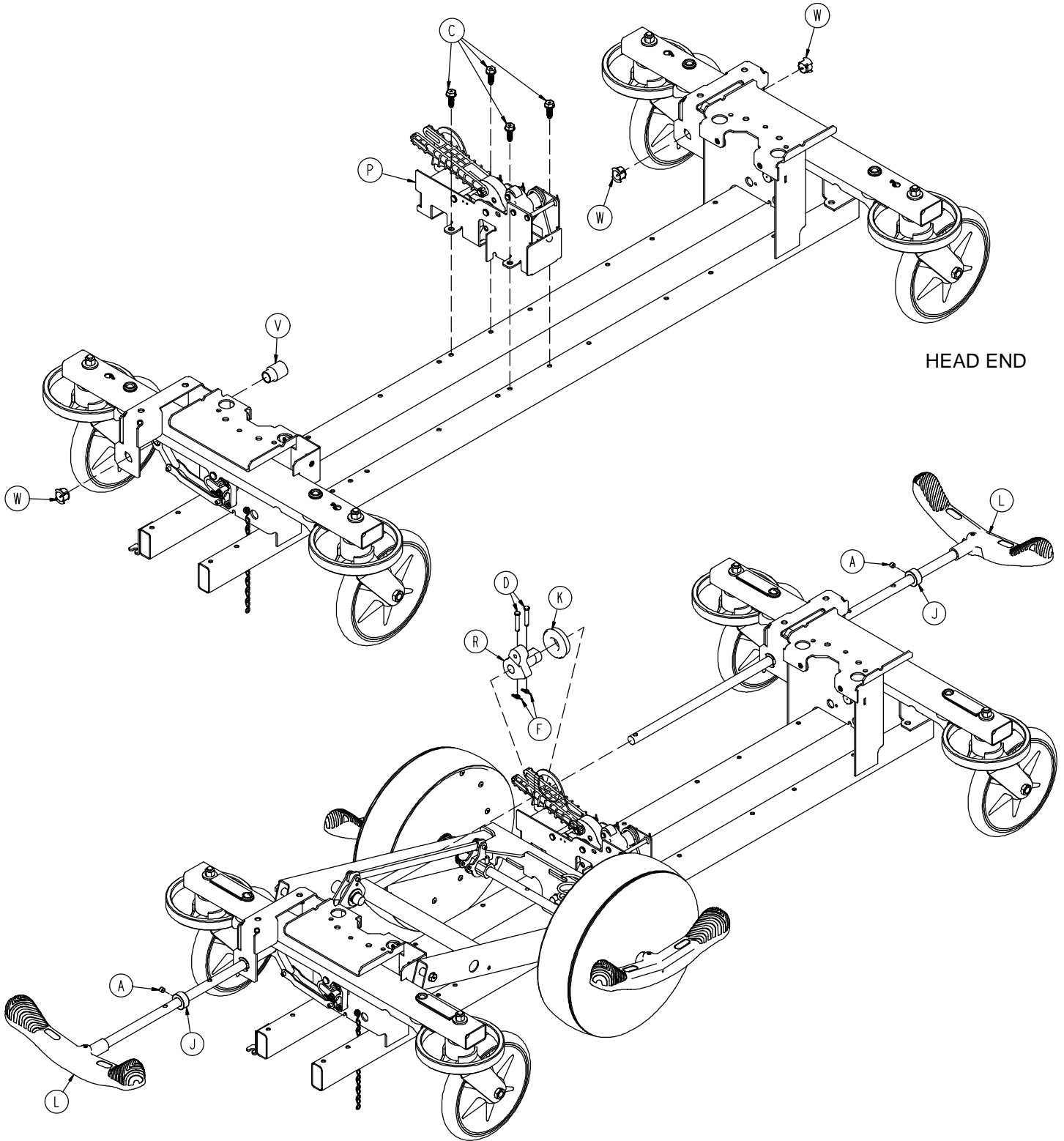
Assembly part number 1040-015-101 (reference only)



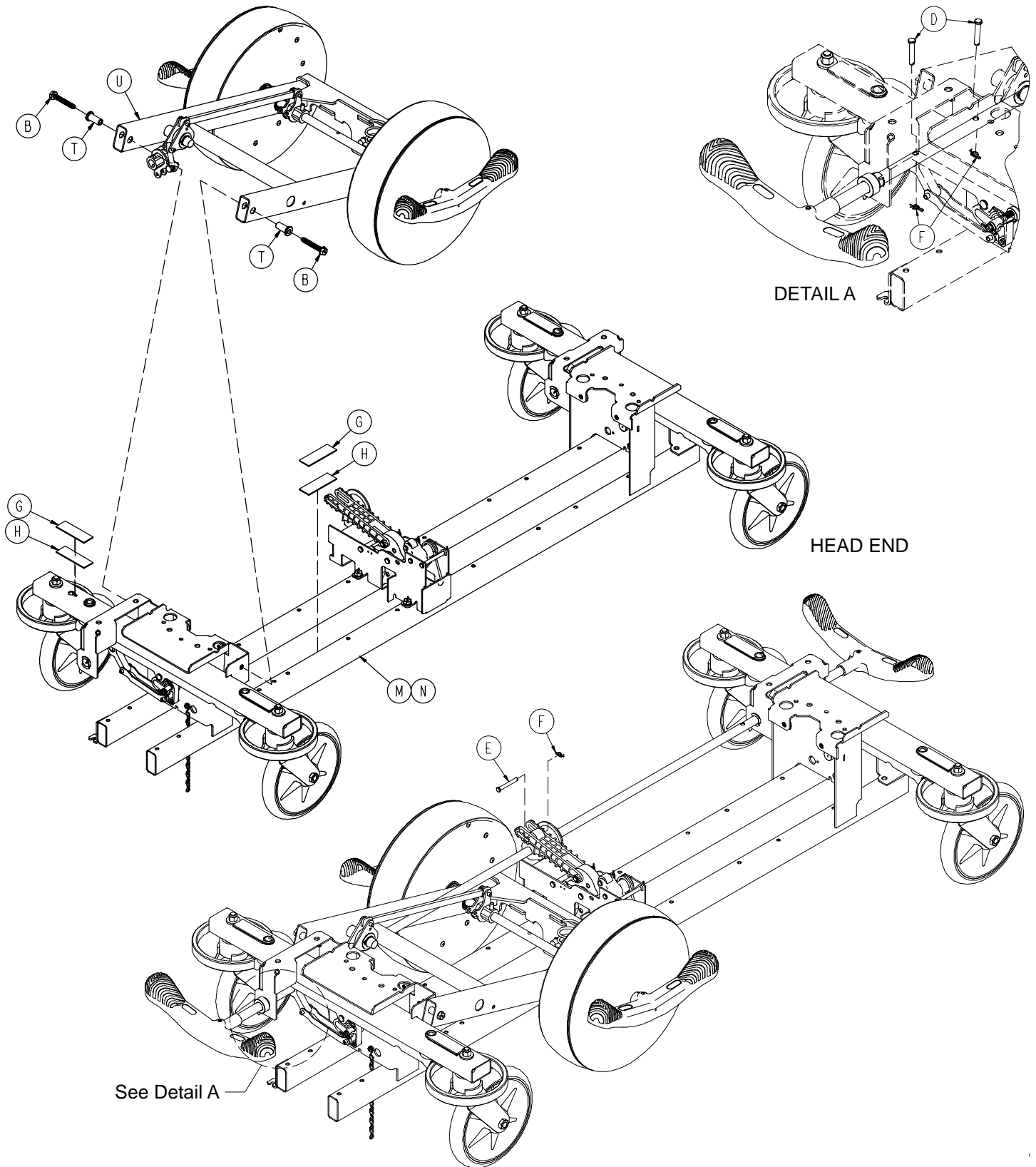
Item	Part No.	Part Name	Qty.
A	0014-004-000	Washer	1
B	0026-341-000	Clevis Pin	1
C	0027-020-000	Rue Ring Cotter	1
D	0028-330-000	Spiral Retaining Ring	3
E	0081-011-000	Needle Bearing	1
F	1040-015-006	Carriage Return Spring	1
G	1040-015-030	Cover w/Counterweight	2
H	1040-015-038	Washer	1
J	1040-015-053	Carriage Spring Retainer	1
K	1040-015-110	Carriage Weldment	1
L	1040-020-122	Cam Follower Pivot Pin	1
M	1040-020-128	Lift Cam Roller	1
N	1040-020-129	Carriage Roller Guide	1
P	1210-301-619	Wheel Assembly	2

Big Wheel 4-Sided Control Base

Assembly part number 1040-025-105 (reference only)



Big Wheel 4-Sided Control Base

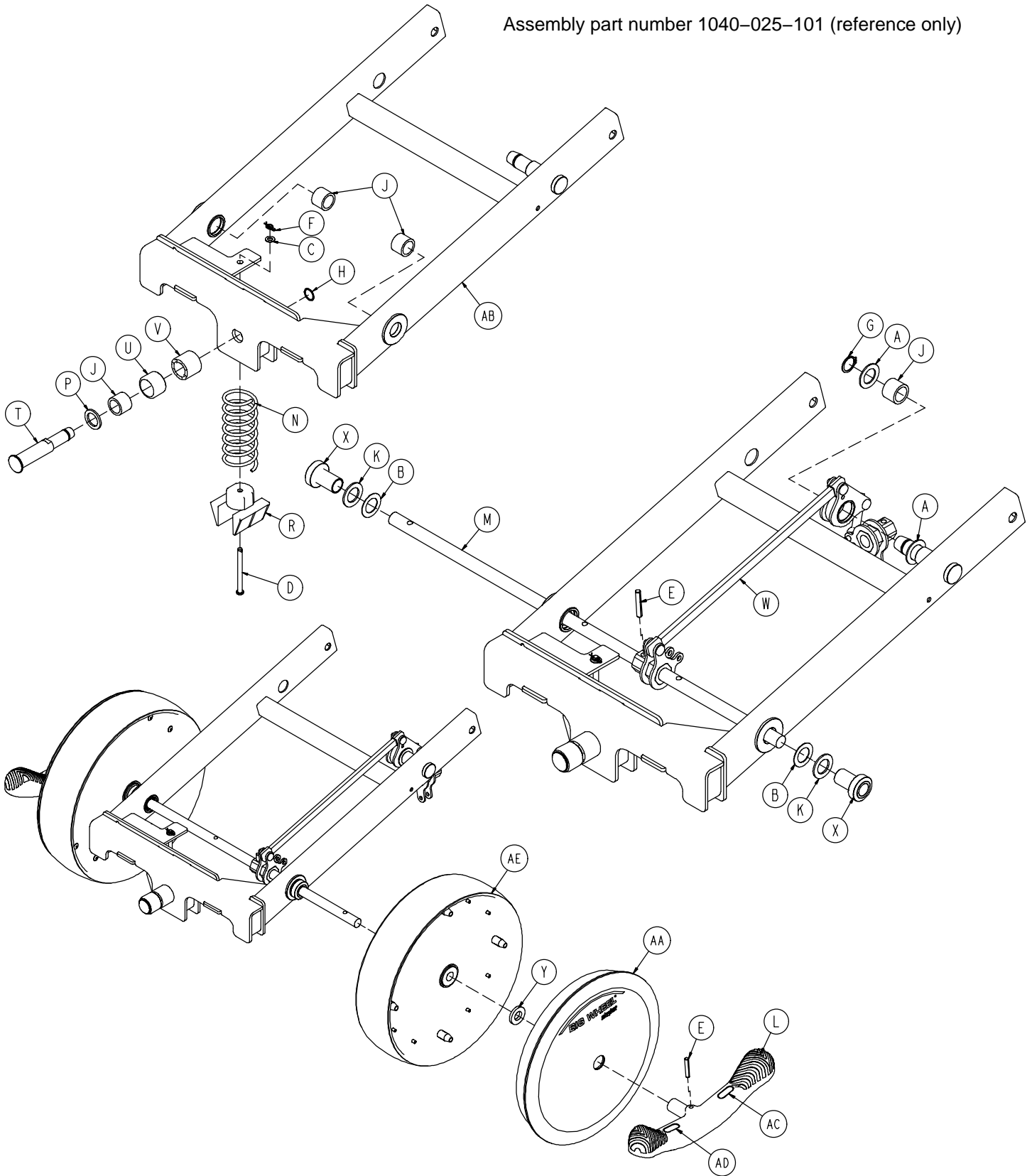


Big Wheel 4-Sided Control Base

Item	Part No.	Part Name	Qty.
A	0021-166-000	Set Screw	2
B	0023-150-000	Hex Washer Hd. Screw	2
C	0023-288-000	Hex Washer Hd. Screw	4
D	0026-273-000	Clevis Pin	5
E	0026-330-000	Clevis Pin	1
F	0027-020-000	Rue Ring Cotter	6
G	0029-007-000	Dual Lock	5
H	0029-009-000	Dual Lock	5
J	0042-020-000	Collar	2
K	0081-330-000	Radial Bearing	1
L	(page 51)	Brake Rod Assembly	2
M	(page 48)	Base Assembly w/ Standard Brakes	1
N	(page 52)	Dual Sided Hydraulics	1
P	(page 56)	Cam Bracket Assembly	1
R	1040-006-231	Drive Arm	1
T	1040-015-007	Carriage Pivot Bushing	2
U	(page 62)	Side Control Big Wheel Carriage Ass'y	1
V	1040-025-026	Brake Rod Bushing	1
W	1210-201-251	Insert	3

Side Control Big Wheel Carriage Assembly

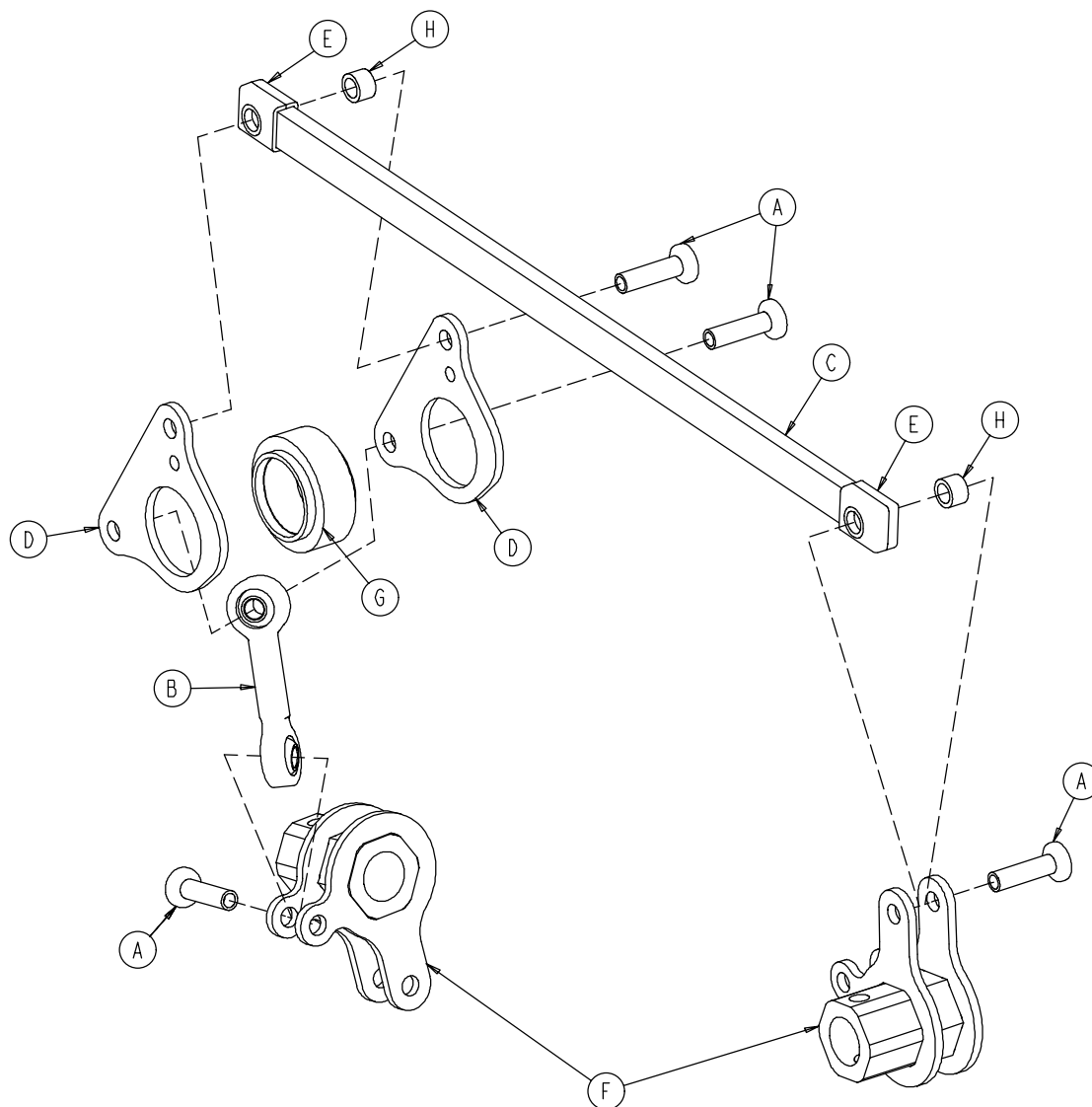
Assembly part number 1040-025-101 (reference only)



Side Control Big Wheel Carriage Assembly

Item	Part No.	Part Name	Qty.
A	0011-148-000	Washer	2
B	0011-525-000	Washer	2
C	0014-004-000	Washer	1
D	0026-341-000	Clevis Pin	1
E	0026-342-000	Groove Pin	3
F	0027-020-000	Rue Ring Cotter	1
G	0028-166-000	External Retaining Ring	1
H	0028-330-000	External Retaining Ring	1
J	0081-011-000	Needle Bearing	4
K	0081-175-000	Thrust Bearing	2
L	0753-003-099	Butterfly "V" Pedal	2
M	0753-003-119	Side Control Brake Rod	1
N	1040-015-006	Carriage Return Spring	1
P	1040-015-038	Washer	1
R	1040-015-053	Carriage Spring Retainer	1
T	1040-020-122	Cam Follower Pivot Pin	1
U	1040-020-128	Lift Cam Roller	1
V	1040-020-129	Carriage Roller Guide	1
W	(page 64)	Side Control Linkage Ass'y	1
X	1040-025-014	Side Control Wheel Spacer	2
Y	1040-025-017	Side Control Pedal Spacer	2
AA	1040-025-030	Cover w/Counterweight	2
AB	1040-025-110	4-Sided Carriage	1
AC	1210-201-335	Red Brake Label	2
AD	1210-201-336	Green Steer Label	2
AE	1210-301-619	Wheel Assembly	2

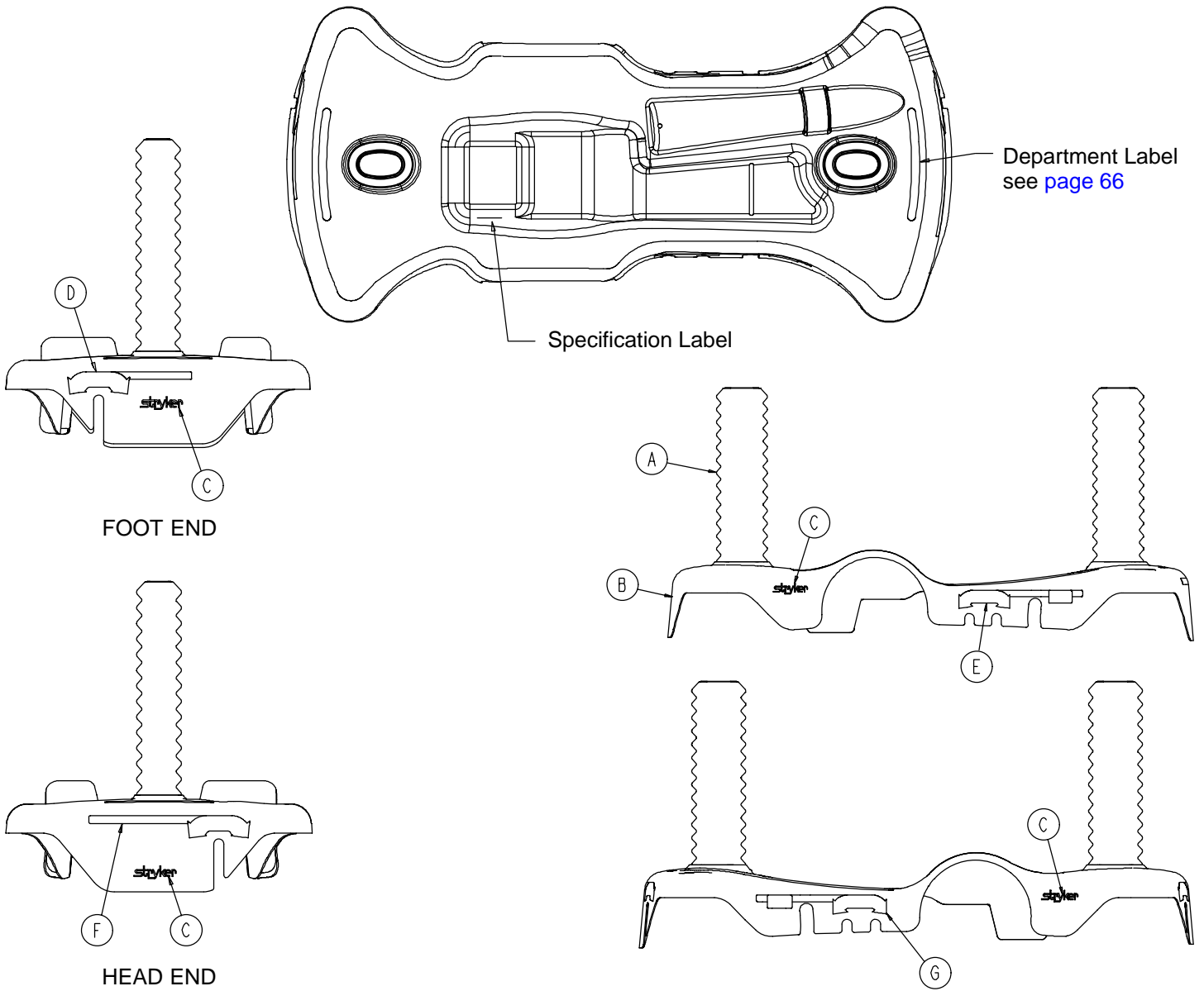
1040-025-010 Side Control Big Wheel Linkage Ass'y



Item	Part No.	Part Name	Qty.
A	0753-003-098	Flat Hd. Semi-Tubular Rivet	4
B	0753-003-117	Rod End Link	1
C	1040-025-011	Main Link	1
D	1040-025-013	Toggle Pivot Plate	2
E	1040-025-016	Main Link Cover	2
F	1040-025-020	Yoke Weldment	2
G	1040-025-018	Toggle Pivot Spacer	1
H	1040-025-027	Link Spacer	2

Base Labeling Assembly – Big Wheel Base

Assembly part number 1040-015-400 (reference only)



Item	Part No.	Part Name	Qty.
A	1040-010-134	Bellows	2
B	1040-015-404	Base Hood	1
C	0946-201-060	Stryker Logo Label	4

Base Labeling Assembly

Color Set P/N	Item D Brake/Steer, Foot End	Item E Lift/Lower, Left	Item F Brake/Steer, Head End	Item G Lift/Lower, Right	Litter Bumper Strip
RED 0753-010-120	0753-010-051	0753-010-055	0753-010-017	0753-010-054	1010-700-015
PURPLE 0753-010-121	0753-010-151	0753-010-155	0753-010-170	0753-010-154	1010-700-025
GREEN 0753-010-122	0753-010-251	0753-010-255	0753-010-270	0753-010-254	1010-700-035
GRAY 0753-010-123	0753-010-351	0753-010-355	0753-010-370	0753-010-354	1010-700-045
TEAL 0753-010-124	0753-010-451	0753-010-455	0753-010-470	0753-010-454	1010-700-055
PINK 0753-010-125	0753-010-551	0753-010-555	0753-010-570	0753-010-554	1010-700-065
BLUE 0753-010-126	0753-010-651	0753-010-655	0753-010-670	0753-010-654	1010-700-075

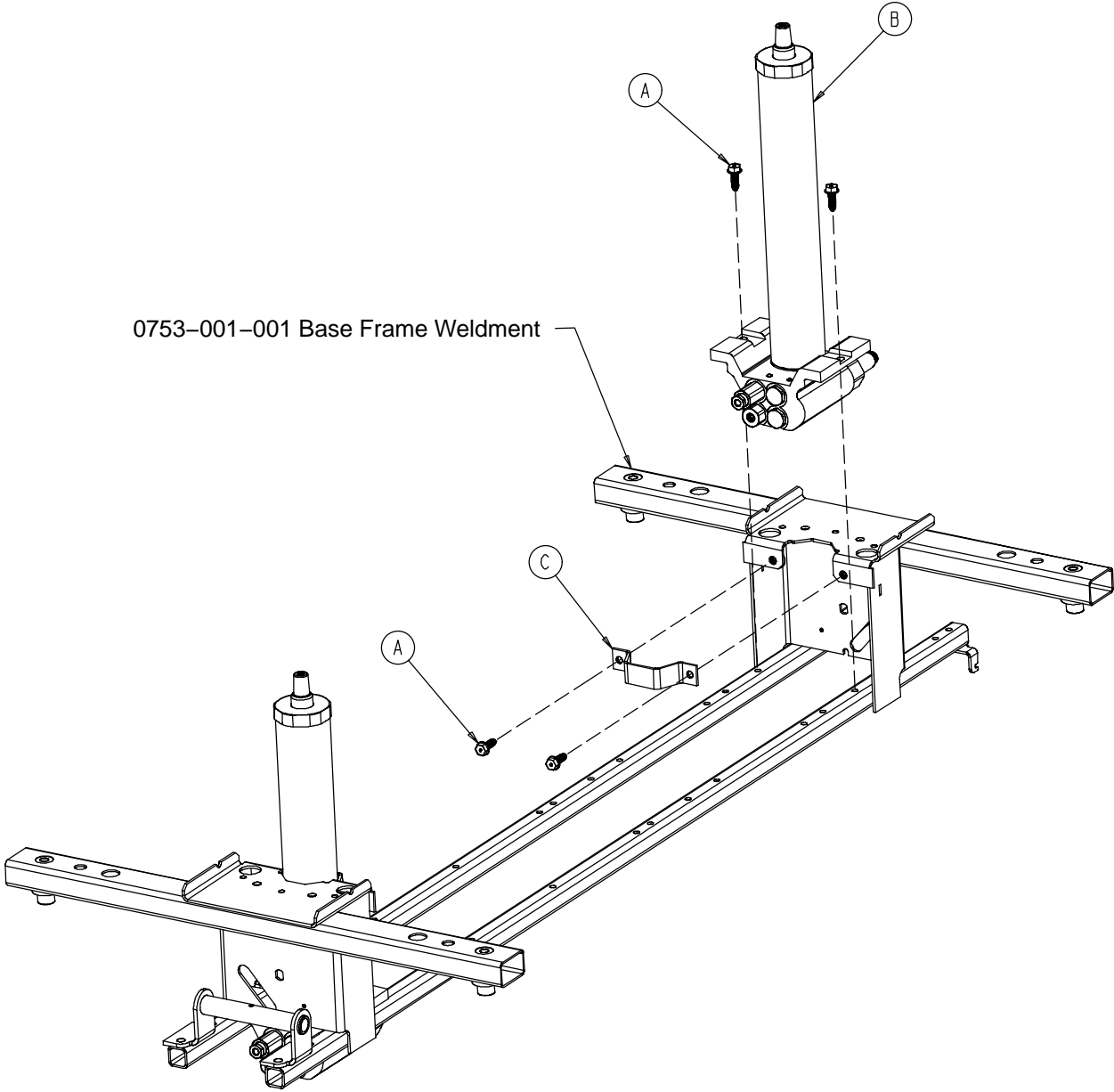
BASE HOOD DEPARTMENT LABELS

Department	Label Part Number
Emergency	1010-900-215
PACU	1010-900-220
Transport	1010-900-225
Surgery	1010-900-230
Extended Stay	1010-900-235
Maternity	1010-900-240
Endoscopy	1010-900-245
Radiology	1010-900-250
Nuclear Medicine	1010-900-255
Ambulatory Surgery	1010-900-260
G.I. Lab	1010-900-265
Cath. Lab	1010-900-270
Same Day Surgery	1010-900-275
Cardio.	1010-900-280
Ultrasound	1010-900-285

NOTE

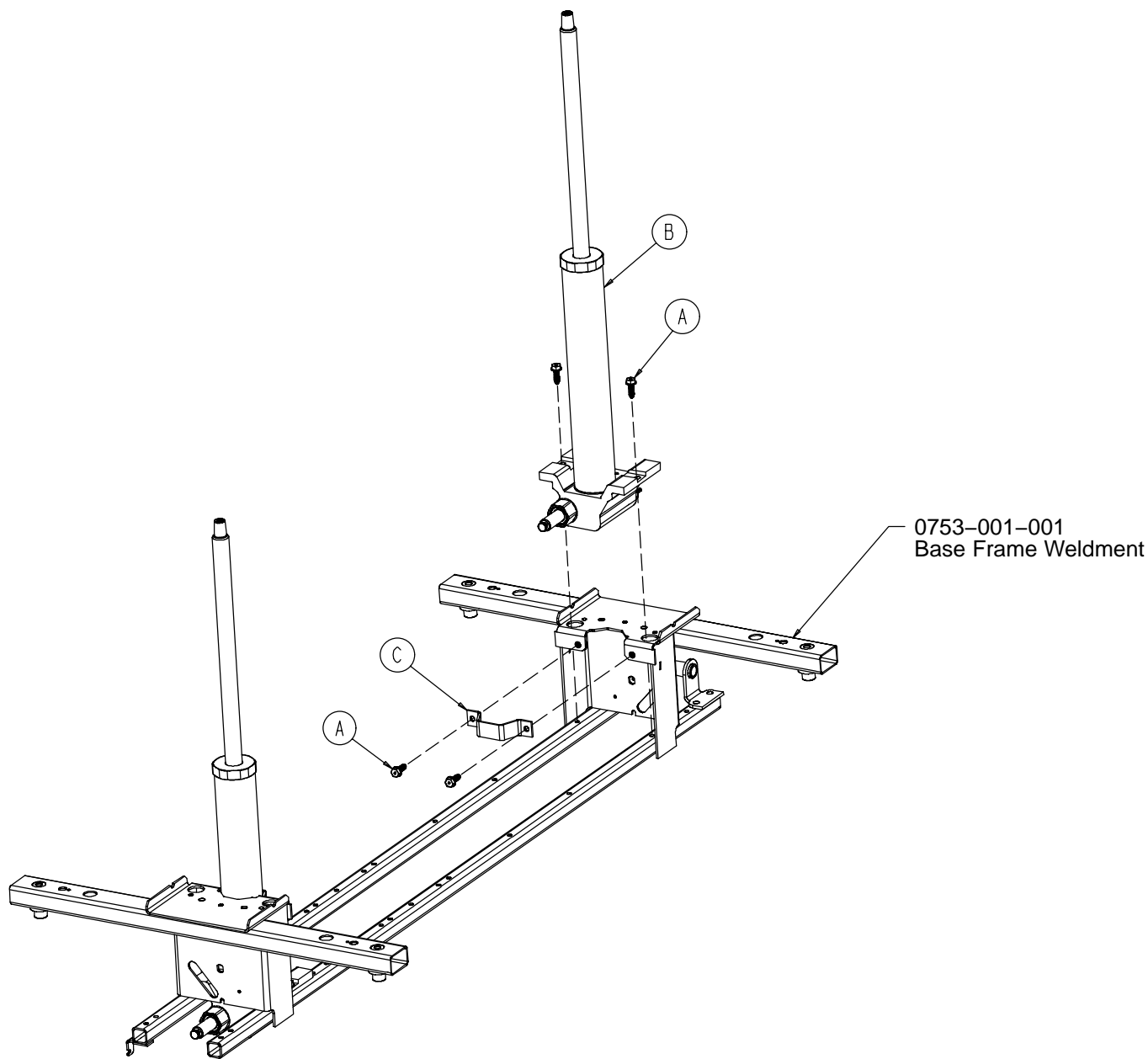
All base hood department labels are quantity of two.

0753-002-080 Variable Descent Hydraulic Jack Option



Item	Part No.	Part Name	Qty.
A	0023-288-000	Hex Washer Hd. Screw	8
B	0753-002-070	Variable Descent Jack Assembly	2
C	0753-010-007	Reservoir Clamp	2

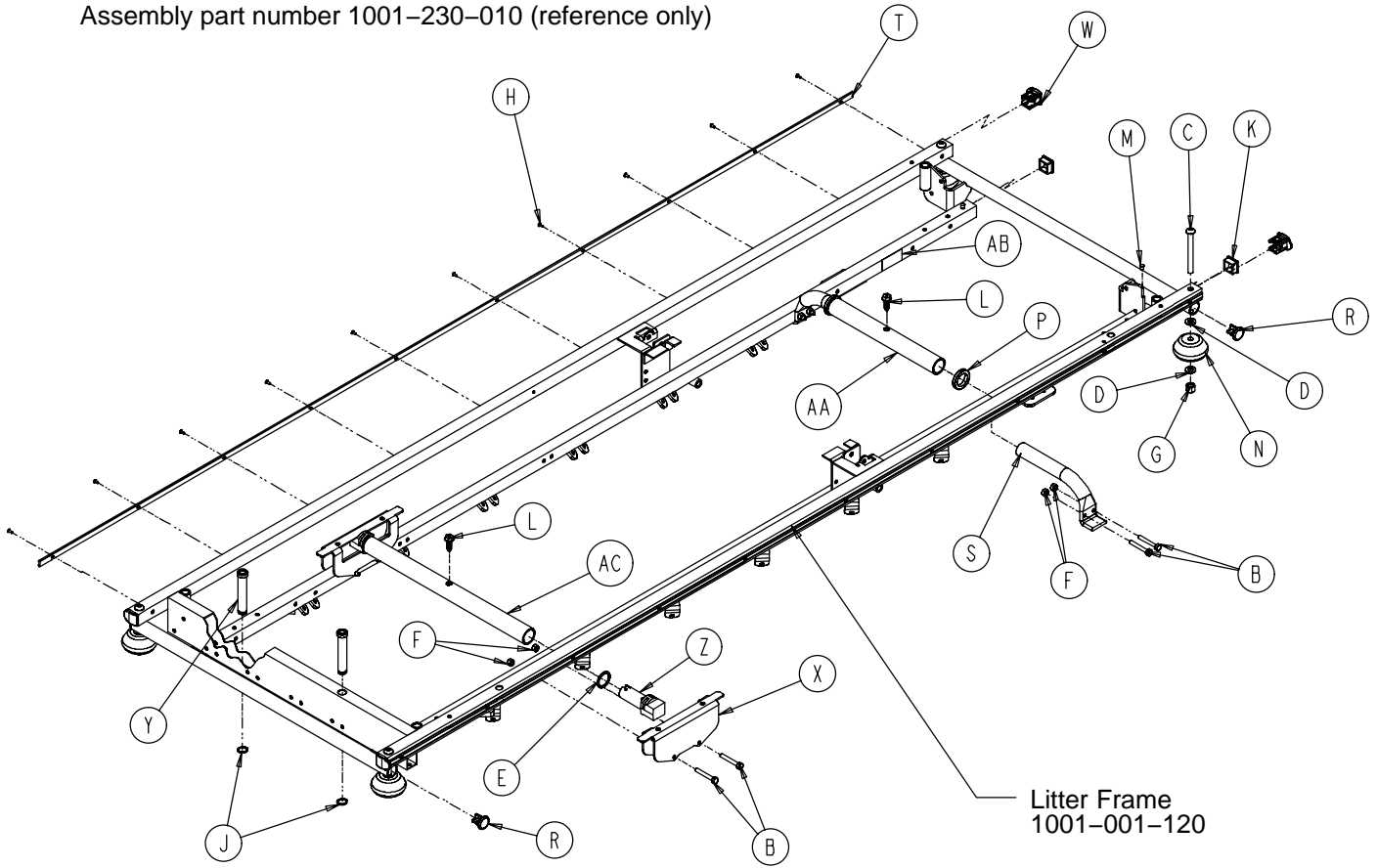
0753-002-025 Constant Descent Hydraulic Jack Option



Item	Part No.	Part Name	Qty.
A	0023-288-000	Hex Washer Hd. Screw	8
B	0753-002-001	Constant Descent Jack Ass'y	2
C	0753-010-007	Reservoir Clamp	2

1001 Litter Assembly, Fold-to-Head Siderails

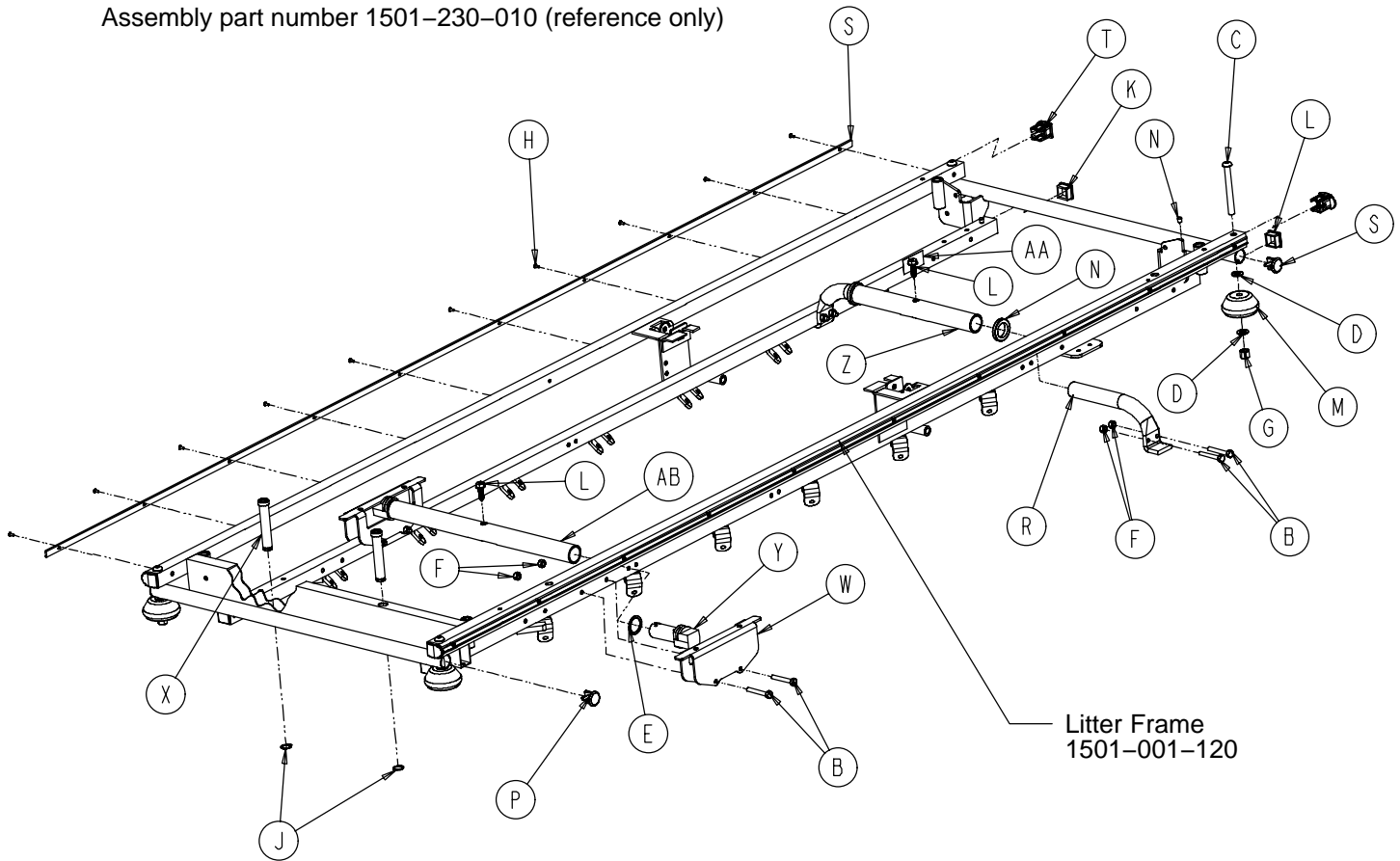
Assembly part number 1001-230-010 (reference only)



Item	Part No.	Part Name	Qty.	Item	Part No.	Part Name	Qty.
B	0003-359-000	Hex Hd. Cap Screw	8	P	0938-001-401	Collar	2
C	0004-181-000	But. Hd. Cap Screw	4	R	1001-001-036	Hole Plug	4
D	0014-021-000	Washer	8	S	1001-001-037	Hd. End Jack Supt. Tube	2
E	0011-360-000	Plastic Spacer	2	T	1001-026-034	Bumper Channel	2
F	0016-118-000	Hex Nut	8	W	1001-030-029	End Plug	4
G	0016-117-000	Hex Nut	4	X	1001-401-030	Trend Slide	2
H	0025-040-000	Rivet	20	Y	1001-040-012	Foot Board Receptacle	2
J	0026-072-000	Retaining Ring	2	Z	1001-201-029	Plastic Insert	2
K	0037-010-000	Hole Plug	4	AA	0753-010-029	Hd. End Jack Supt. Tube	1
L	0023-288-000	Hex Washer Hd. Screw	2	AB	1210-800-008	Patent Label	1
M	0721-031-065	Hole Plug	2	AC	0753-010-022	Ft. End Jack Supt. Tube	1
N	0926-400-142	Bumper Wheel	4				

1501 Litter Assembly, Fold-to-Head Siderails

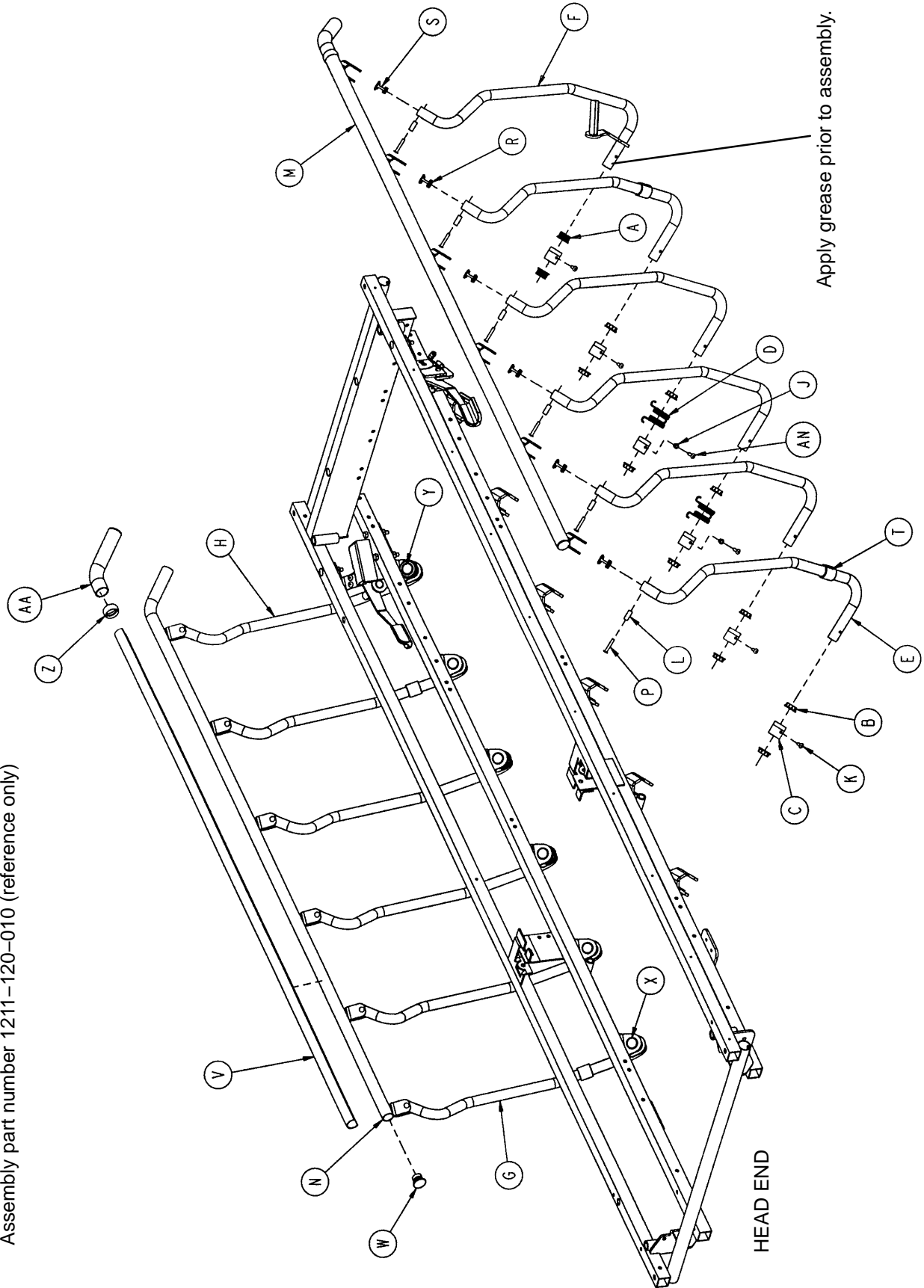
Assembly part number 1501-230-010 (reference only)



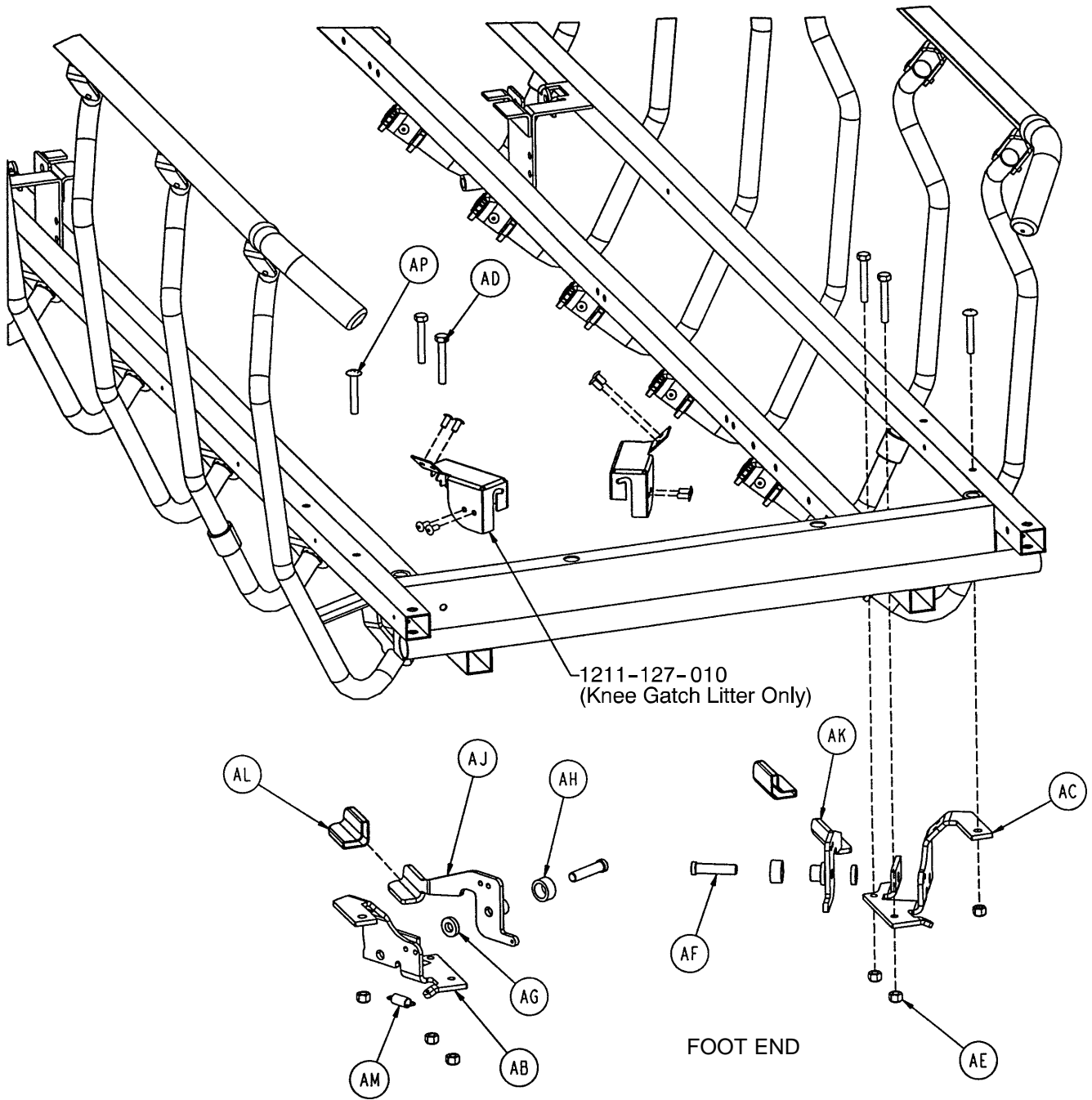
Item	Part No.	Part Name	Qty.	Item	Part No.	Part Name	Qty.
B	0003-359-000	Hex Hd. Cap Screw	8	N	0938-001-401	Collar	2
C	0004-181-000	But. Hd. Cap Screw	4	P	1001-001-036	Hole Plug	4
D	0014-021-000	Washer	8	R	1001-001-037	Hd. End Jack Supt. Tube	2
E	0011-360-000	Plastic Spacer	2	S	1001-026-034	Bumper Channel	2
F	0016-118-000	Hex Nut	8	T	1001-030-029	End Plug	4
G	0016-117-000	Hex Nut	4	W	1001-401-030	Trend Slide	2
H	0025-040-000	Rivet	20	X	1001-040-012	Foot Board Receptacle	2
J	0028-072-000	Retaining Ring	2	Y	1001-201-029	Plastic Insert	2
K	0037-010-000	Hole Plug	4	Z	0753-010-030	Hd. End Jack Supt. Tube	1
L	0023-288-000	Hex Washer Hd. Screw	2	AA	1210-800-008	Patent Label	1
M	0926-400-142	Bumper Wheel	4	AB	0753-010-026	Ft. End Jack Supt. Tube	1

Siderail to Litter Assembly, Fold-to-Head

Assembly part number 1211-120-010 (reference only)



Siderail to Litter Assembly, Fold-to-Head

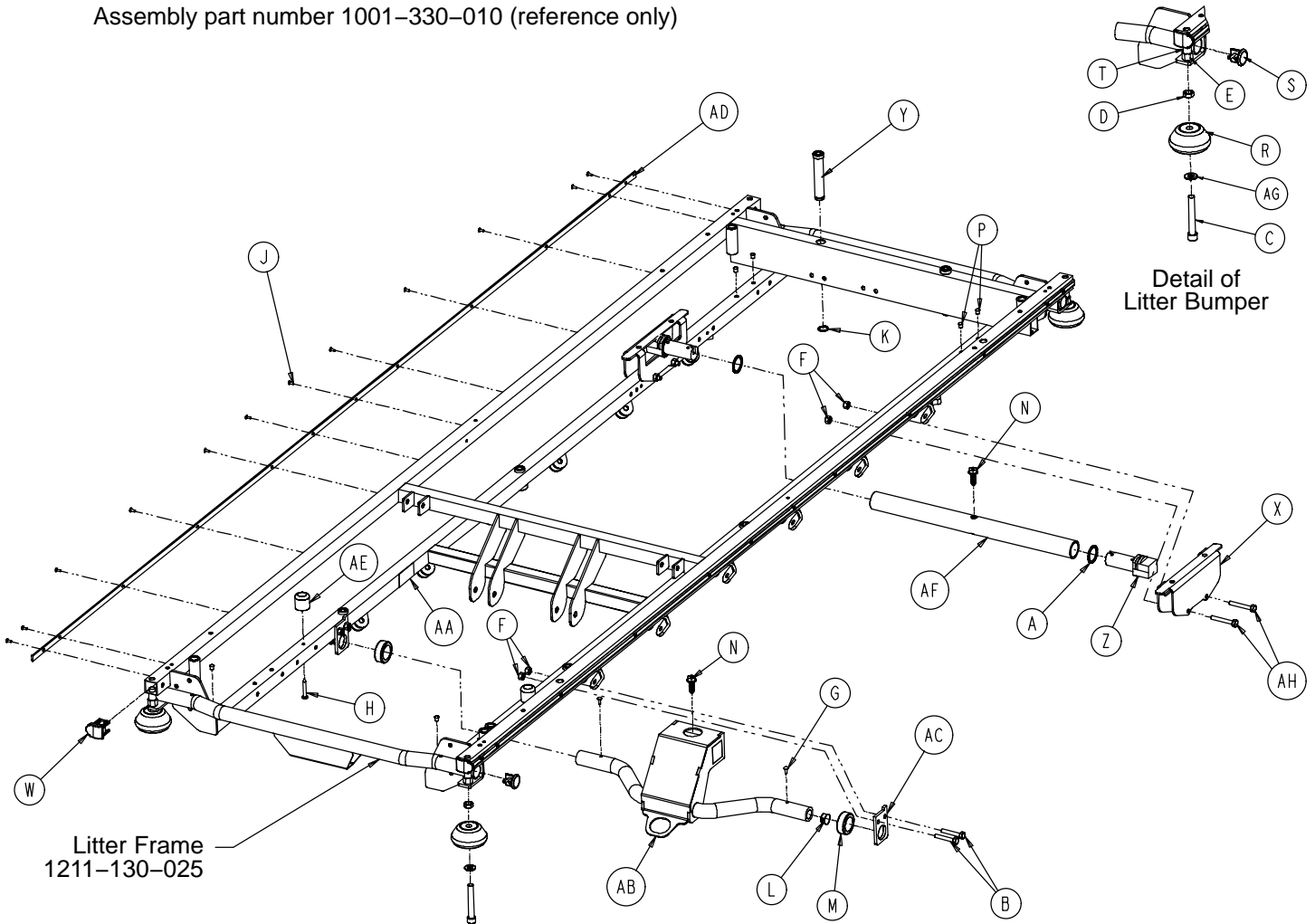


Siderail to Litter Assembly, Fold-to-Head

Item	Part No.	Part Name	Qty.
A	1001-226-116	Pivot Bearing	4
B	1001-226-016	Pivot Bearing	20
C	1001-226-015	Pivot Sleeve	12
D	1001-226-017	Siderail Spring	2
E	1001-326-027	Right Spindle	5
F	1001-326-031	Lock Spindle Weldment, Rt.	1
G	1001-326-028	Left Spindle	5
H	1001-326-033	Lock Spindle Weldment, Lt.	1
J	1001-226-020	Siderail Spring Spacer	2
K	0025-172-000	Rivet	8
L	1010-226-082	Top Rail Bearing	12
M	1001-226-040	Top Rail Weldment, Right	1
N	1001-226-030	Top Rail Weldment, Left	1
P	0025-061-000	Semi-Tubular Rivet	12
R	1001-226-101	Plug Assembly	10
S	1001-226-102	Plug Assembly	2
T	1001-226-019	Rubber Stop	4
V	1001-226-063	Top Rail Cap	2
W	1001-226-100	End Cap Assembly	2
X	0037-215-000	Dome Plug	10
Y	0059-100-000	Dome Plug	2
Z	1001-226-163	Top Rail Retainer	2
AA	1001-226-162	Top Rail Handle	2
AB	1001-226-046	Latch Pivot, Right	1
AC	1001-226-047	Latch Pivot, Left	1
AD	0003-359-000	But. Hd. Cap Screw	4
AE	0016-118-000	Nylock Nut	6
AF	1001-226-142	Latch Pin	2
AG	0052-017-000	Washer	2
AH	1001-226-045	Latch Spacer	2
AJ	1001-226-152	Latch Plate Weldment, Rt.	1
AK	1001-226-153	Latch Plate Weldment, Lt.	1
AL	1001-226-158	Latch Cover	2
AM	0038-422-000	Extension Spring	2
AN	0025-181-000	Blind Rivet	2
AP	0007-070-000	Machine Screw	2

1001 Litter Assembly, Fold-to-Foot Siderails

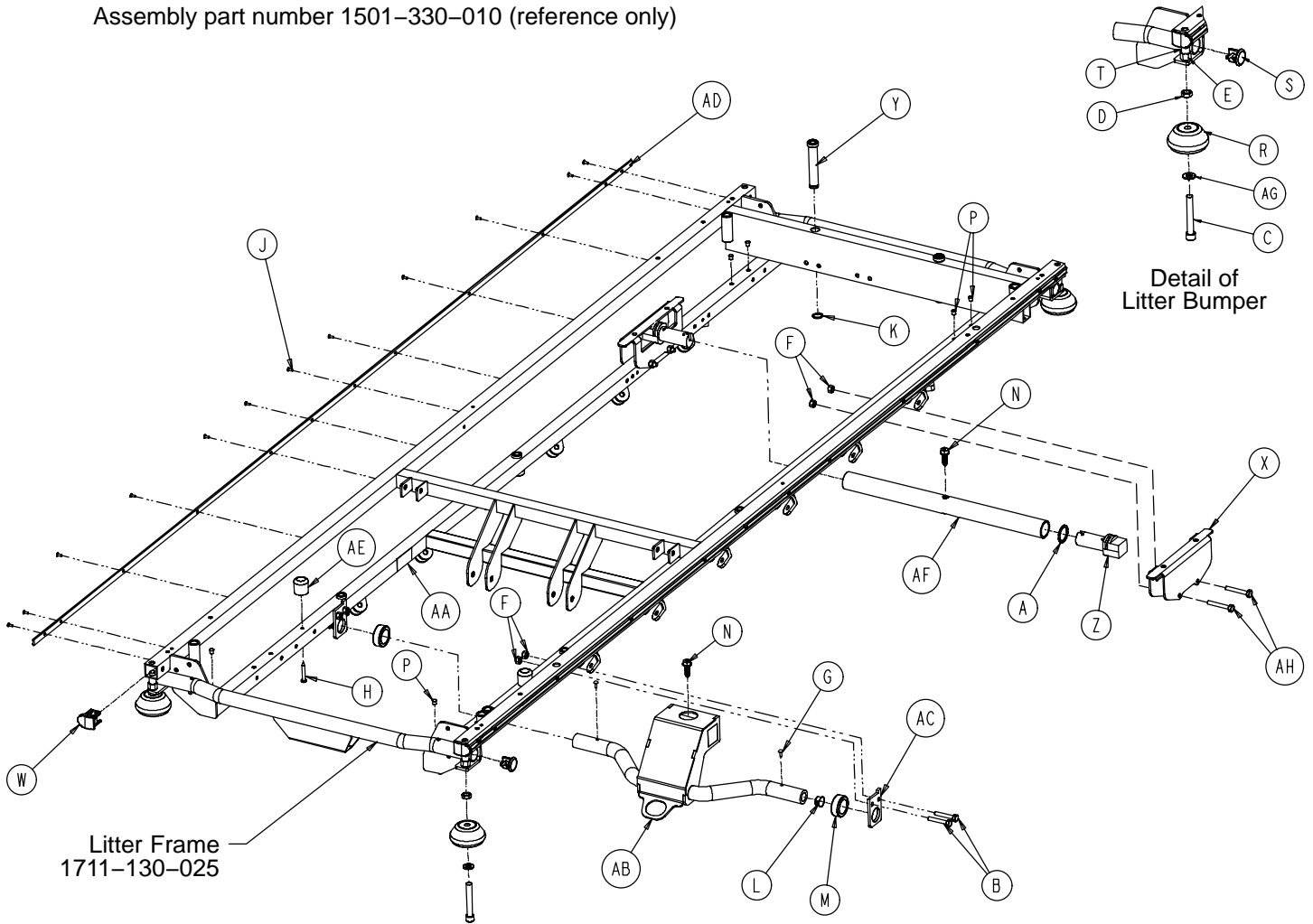
Assembly part number 1001-330-010 (reference only)



Item	Part No.	Part Name	Qty.	Item	Part No.	Part Name	Qty.
A	0011-360-000	Plastic Spacer	2	S	1001-001-036	End Plug	4
B	0003-355-000	Hex Hd. Cap Screw	4	T	1001-030-028	Thread Sleeve	4
C	0004-330-000	Soc. Hd. Cap Screw	4	W	1001-030-029	End Plug	4
D	0015-027-000	Jam Nut	4	X	1001-401-030	Trend Support	2
E	0016-117-000	Nylock Nut	4	Y	1001-040-012	Foot Board Receptacle	2
F	0016-118-000	Nylock Nut	8	Z	1001-201-029	Insert	2
G	0022-010-000	Drive Screw	2	AA	1210-800-008	Patent Label	1
H	0023-283-000	Self Tapping Screw	2	AB	0753-010-024	Hd. End Jack Support	1
J	0025-040-000	Pop Rivet	24	AC	1211-030-018	Jack Support Bracket	2
K	0028-023-000	Retaining Ring	2	AD	1001-030-044	Bumper Channel	2
L	0037-215-000	Hole Plug	2	AE	1211-031-031	Pneumatic Fowler Rest	2
M	0042-007-000	Collar	2	AF	0753-010-022	Ft. End Support Tube	1
N	0023-288-000	Hex Washer Hd. Screw	2	AG	0014-021-000	Nylon Washer	4
P	0721-031-065	Hole Plug	6	AH	0003-359-000	Hex Hd. Cap Screw	4
R	0926-400-142	Bumper Wheel	4				

1501 Litter Assembly, Fold-to-Foot Siderails

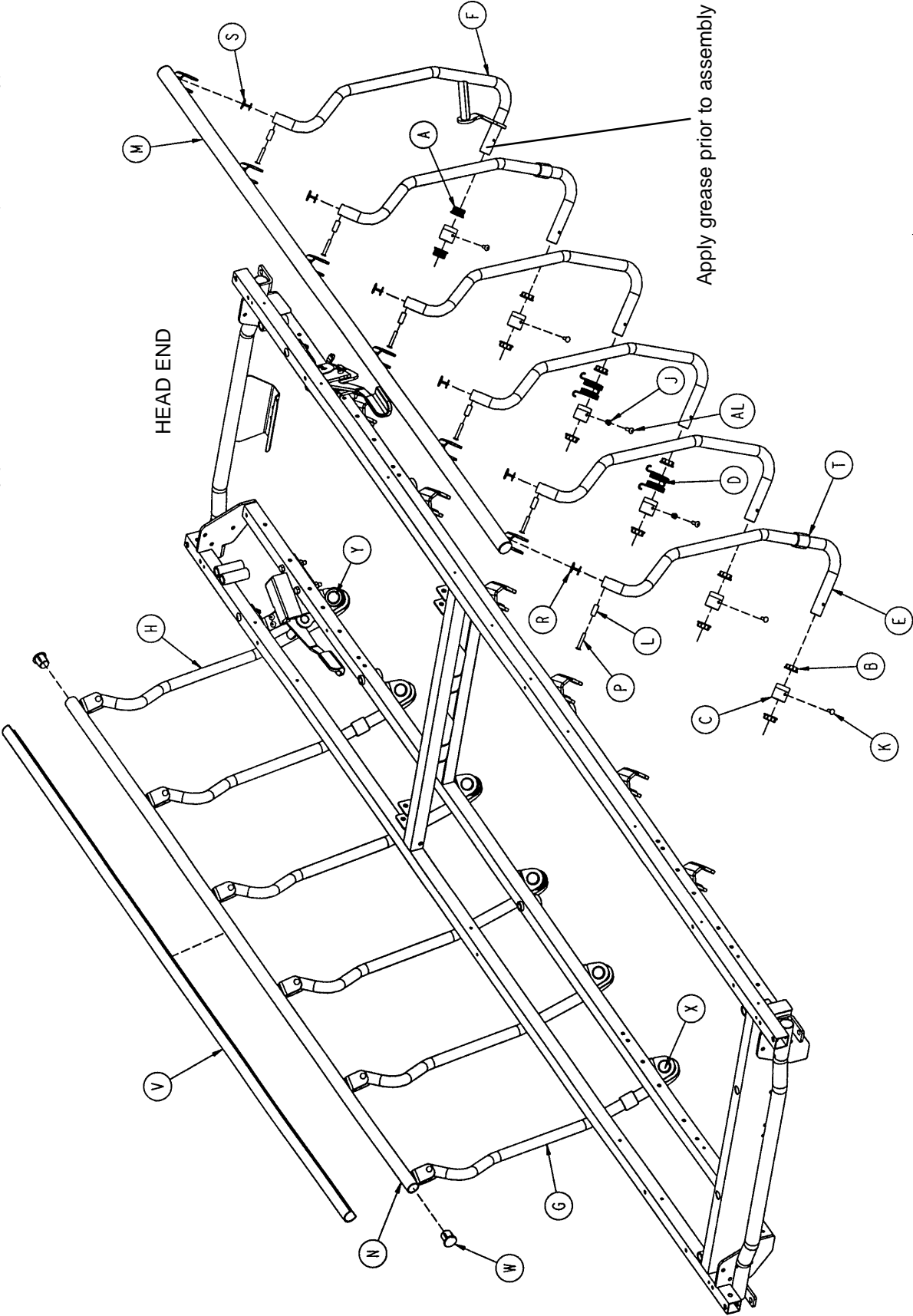
Assembly part number 1501-330-010 (reference only)



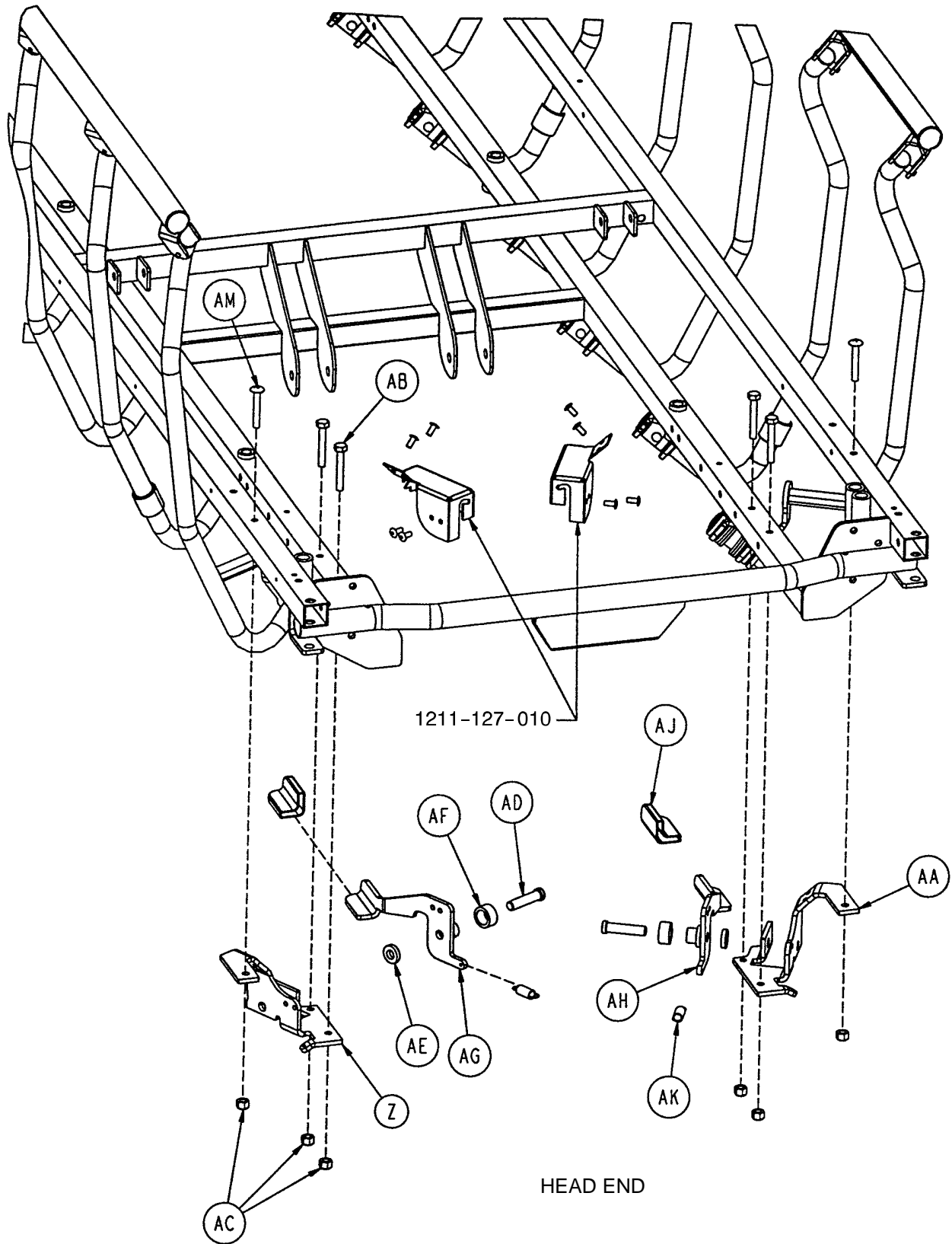
Item	Part No.	Part Name	Qty.	Item	Part No.	Part Name	Qty.
A	0011-360-000	Plastic Spacer	2	S	1001-001-036	End Plug	4
B	0003-355-000	Hex Hd. Cap Screw	4	T	1001-030-028	Thread Sleeve	4
C	0004-330-000	Soc. Hd. Cap Screw	4	W	1001-030-029	End Plug	4
D	0015-027-000	Jam Nut	4	X	1001-401-030	Trend Support	2
E	0016-117-000	Nylock Nut	4	Y	1001-040-012	Ft. Board Receptacle	2
F	0016-118-000	Nylock Nut	8	Z	1001-201-029	Insert	2
G	0022-010-000	Drive Screw	2	AA	1210-800-008	Patent Label	1
H	0023-283-000	Self Tapping Screw	2	AB	0753-010-027	Hd. End Jack Support	1
J	0025-040-000	Pop Rivet	24	AC	1211-030-018	Jack Support Bracket	2
K	0028-023-000	Retaining Ring	2	AD	1001-030-044	Bumper Channel	2
L	0037-215-000	Hole Plug	2	AE	1211-031-031	Pneumatic Fowler Rest	2
M	0042-007-000	Collar	2	AF	0753-010-026	Ft. End Support Tube	1
N	0023-288-000	Hex Washer Hd. Screw	2	AG	0014-021-000	Nylon Washer	4
P	0721-031-065	Hole Plug	6	AH	0003-359-000	Hex Hd. Cap Screw	4
R	0926-400-142	Bumper Wheel	4				

Siderail to Litter Assembly, Fold-to-Foot

Assembly part number 1211-121-010 (reference only)



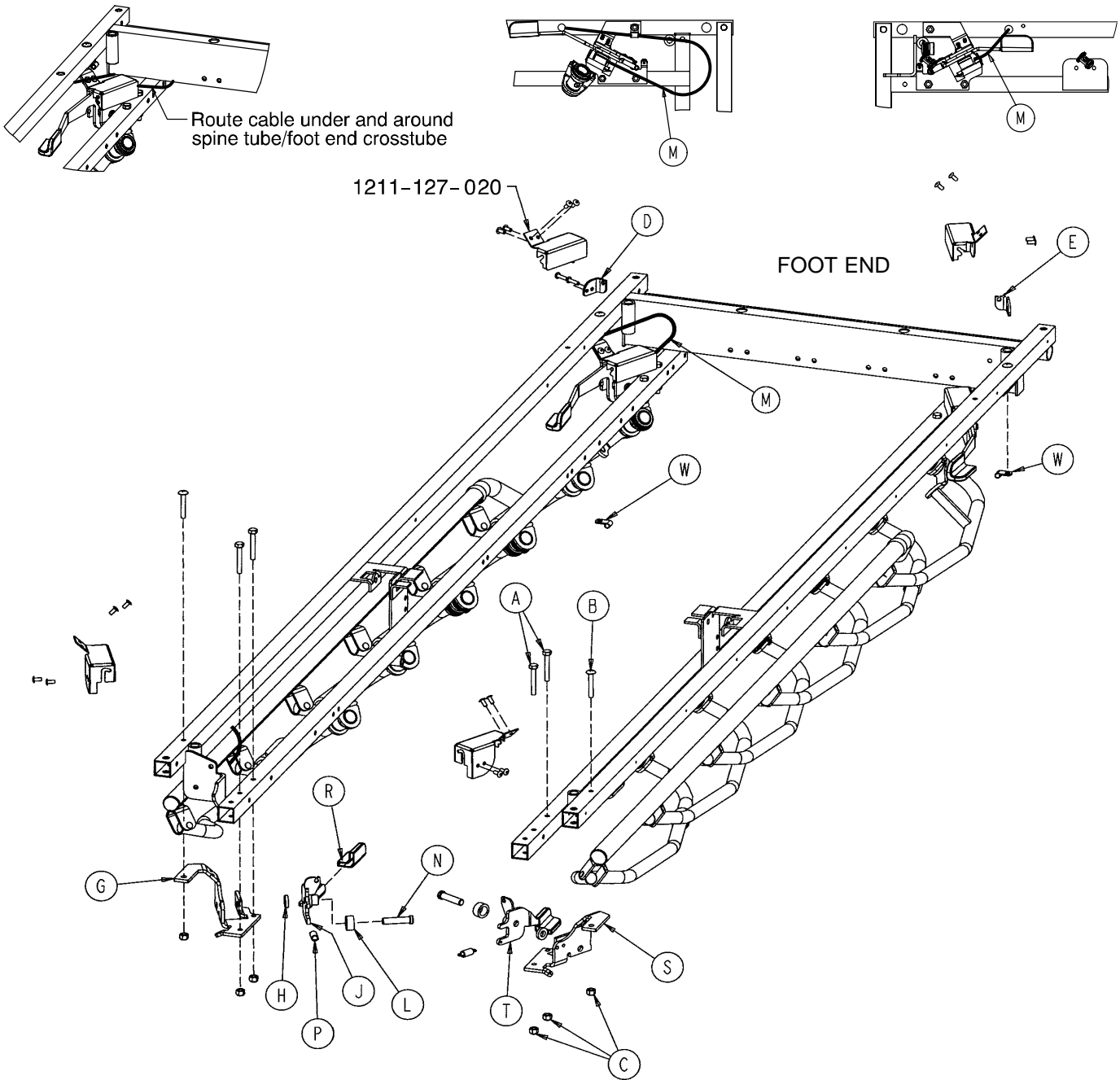
Siderail to Litter Assembly, Fold-to-Foot



Siderail to Litter Assembly, Fold-to-Foot

Item	Part No.	Part Name	Qty.
A	1001-226-116	Pivot Bearing	4
B	1001-226-016	Pivot Bearing	20
C	1001-226-015	Pivot Sleeve	12
D	1001-226-017	Siderail Spring	4
E	1001-326-027	Right Spindle	5
F	1001-326-031	Lock Spindle Weldment, Rt.	1
G	1001-326-028	Left Spindle	5
H	1001-326-033	Lock Spindle Weldment, Lt.	1
J	1001-226-020	Siderail Spring Spacer	4
K	0025-172-000	Semi-Tubular Rivet	8
L	1010-226-082	Top Rail Bearing	12
M	1001-226-140	Top Rail Weldment, Rt., FTF	1
N	1001-226-130	Top Rail Weldment, Lt., FTF	1
P	0025-061-000	Semi-Tubular Rivet	12
R	1001-226-101	Plug Assembly	10
S	1001-226-102	Plug Assembly	2
T	1001-226-019	Rubber Stop	4
V	1001-226-063	Top Rail Cap	2
W	1001-226-100	End Cap Assembly	4
X	0037-215-000	Dome Plug	10
Y	0059-100-000	Dome Plug	2
Z	1001-226-046	Right Latch Pivot	1
AA	1001-226-047	Left Latch Pivot	1
AB	0003-359-000	But. Hd. Cap Screw	4
AC	0016-118-000	Nylock Nut	6
AD	1001-226-142	Latch Pin	2
AE	0052-017-000	Washer	2
AF	1001-226-045	Latch Spacer	2
AG	1001-226-152	Latch Plate Weldment, Rt.	1
AH	1001-226-153	Latch Plate Weldment, Lt.	1
AJ	1001-226-158	Latch Cover	2
AK	0038-422-000	Extension Spring	2
AL	0025-181-000	Rivet	4
AM	0007-070-000	Machine Screw	2

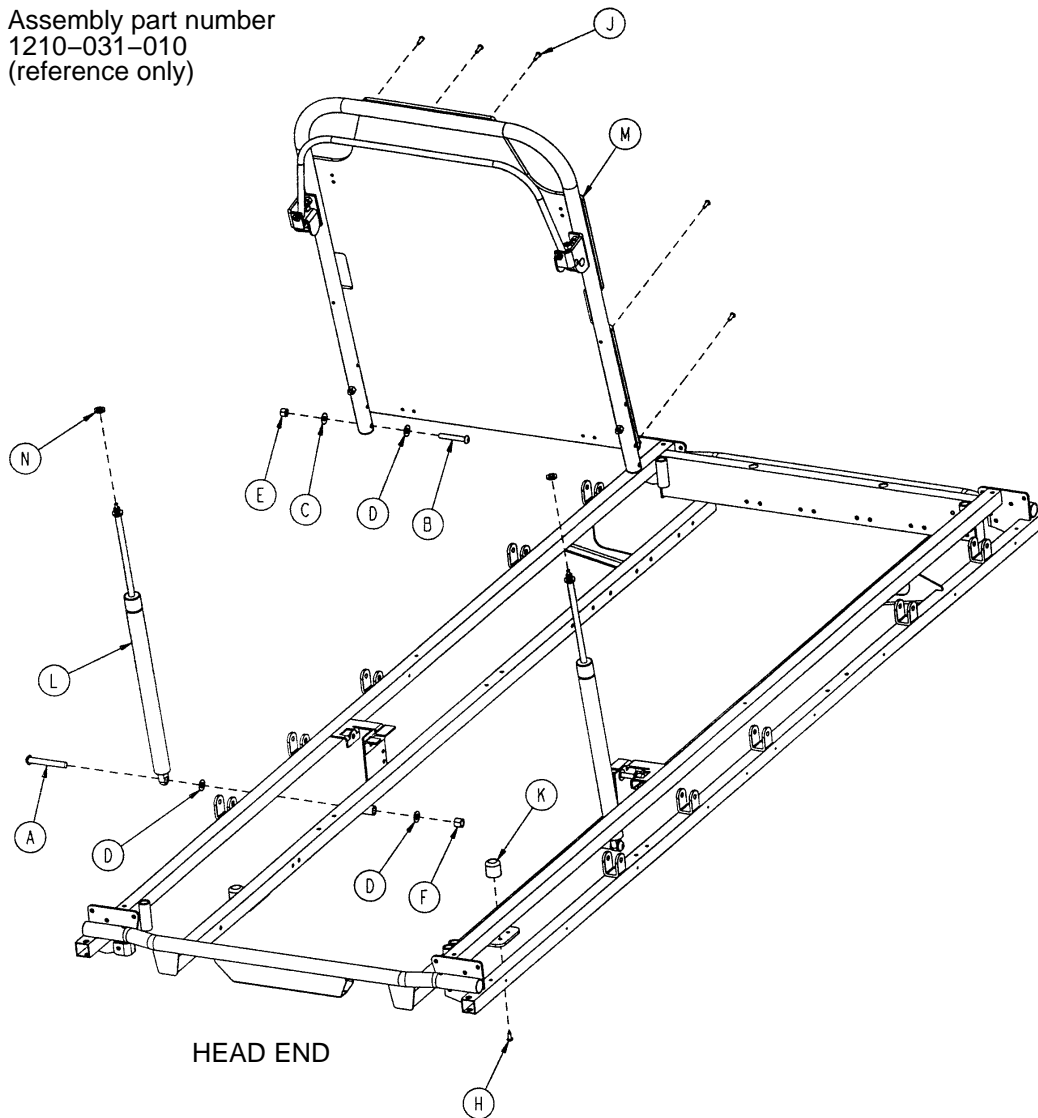
1211-127-000 Optional Dual Siderail Latch Assembly



Item	Part No.	Part Name	Qty.	Item	Part No.	Part Name	Qty.
A	0003-359-000	Hex Hd. Cap Screw	4	L	1001-226-045	Latch Spacer	2
B	0007-070-000	Truss Hd. Mach. Screw	2	M	1001-226-161	Dual Latch Cable Ass'y	2
C	0016-118-000	Nylock Nut	6	N	1001-226-142	Latch Pin	2
D	1001-226-147	Dual Latch Pivot	1	P	0038-222-000	Extension Spring	2
E	1001-226-170	Dual Latch Pivot	1	R	1001-226-158	Latch Cover	2
G	1001-226-46	Latch Pivot, Right	1	S	1001-226-047	Latch Pivot, Left	1
H	0052-017-000	Nylon Washer	2	T	1001-226-157	Dual Latch Wldmt., Left	1
J	1001-226-156	Dual Latch Wldmt., Right	1	W	0059-767-000	Cable Clamp	2

1001 Pneumatic Fowler Assembly Litters with Fold-to-Head Siderails

Assembly part number
1210-031-010
(reference only)

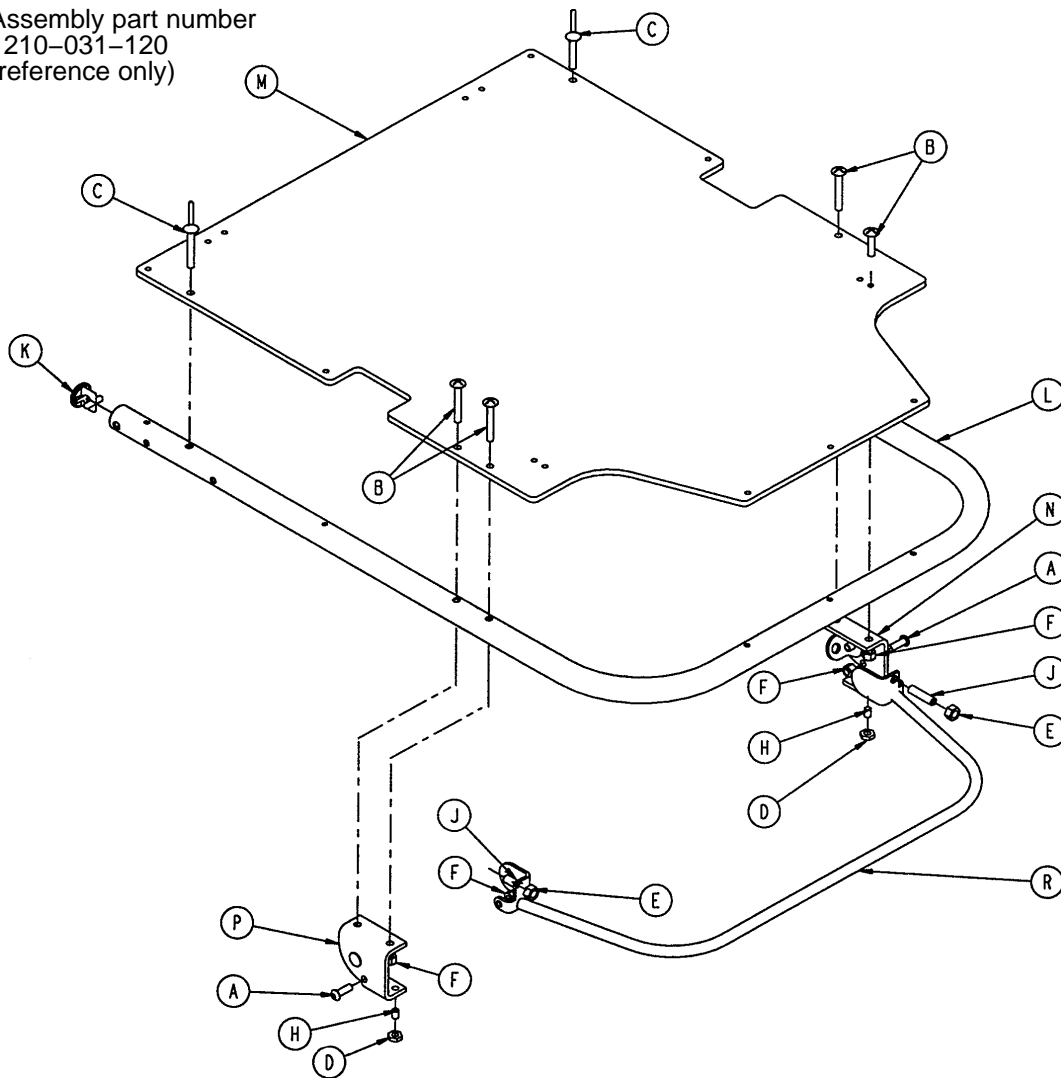


Item	Part No.	Part Name	Qty.
A	0004-182-000	But. Hd. Cap Screw	2
B	0004-104-000	But. Hd. Cap Screw	2
C	0011-179-000	Nylon Washer	2
D	0014-021-000	Nylon Washer	6
E	0016-116-000	Nylock Hex Nut	2
F	0016-117-000	Nylock Hex Nut	2
H	0023-256-000	Self-Tapping Screw	2
J	0025-133-000	Pop Rivet	7
K	1211-031-031	Pneumatic Fowler Rest	2
L	1010-031-078	Gas Cylinder	2
M	(page 81)	Pneumatic Fowler Ass'y	1
N	0015-060-000	Hex Jam Nut	2

1001 Pneumatic Fowler Assembly

Litters with Fold-to-Head Siderails

Assembly part number
1210-031-120
(reference only)

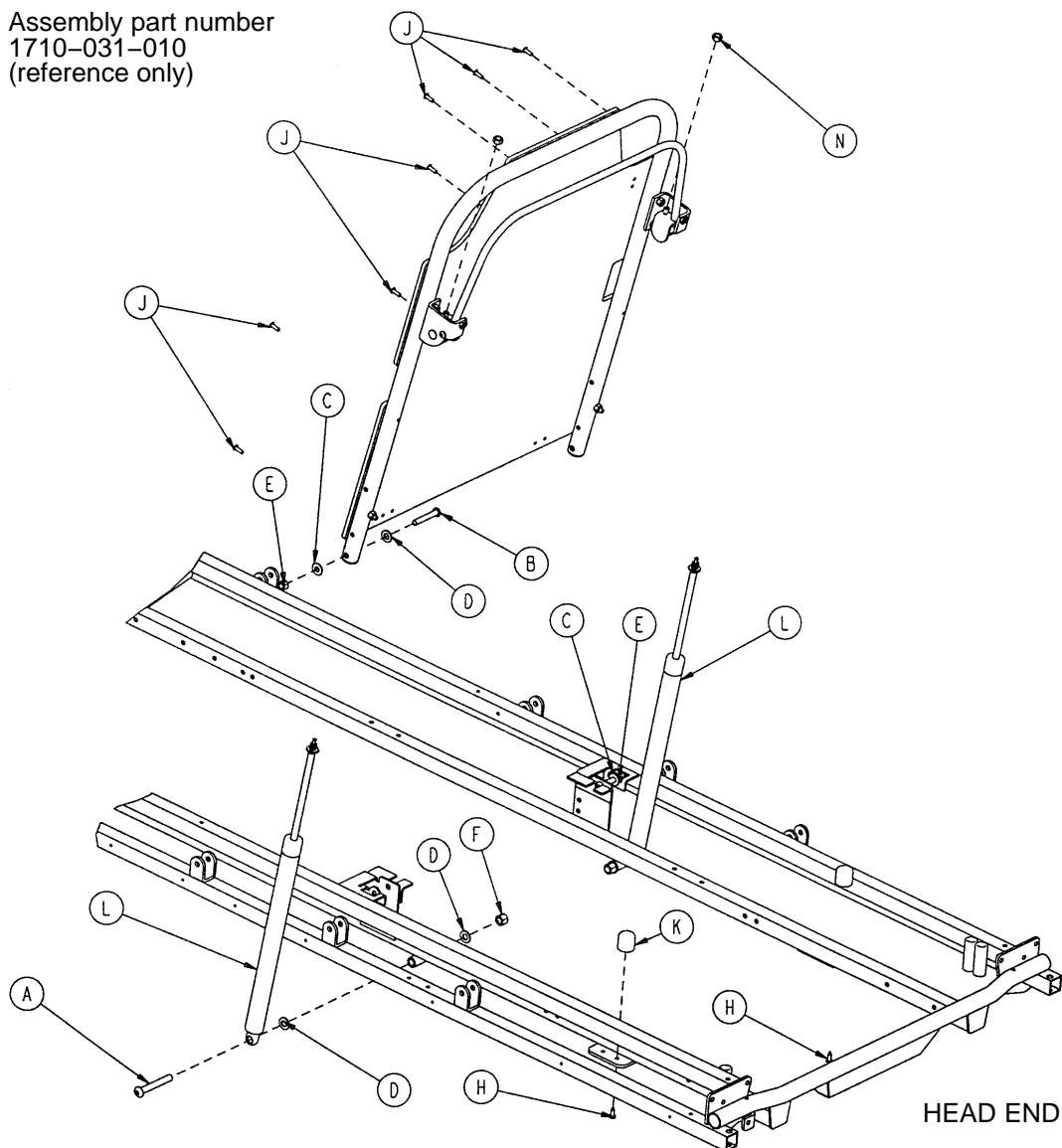


Item	Part No.	Part Name	Qty.
A	0004-161-000	Hex Soc. But. Hd. Cap Screw	2
B	0007-020-000	Truss Hd. Mach. Screw	4
C	0025-124-000	Pop Rivet	2
D	0015-037-000	Jam Nut	2
E	0015-050-000	Hex Nut	2
F	0016-028-000	Nylock Nut	6
H	0021-125-000	Set Screw	2
J	0021-126-000	Set Screw	2
K	1001-001-036	Hole Plug	2
L	1001-031-013	Fowler Tube	1
M	1010-231-012	Fowler Skin (Fiberresin)	1
N	(page 84)	Outer Housing Ass'y, Right	1
P	(page 84)	Outer Housing Ass'y, Left	1
R	1210-031-118	Trip Bar Assembly	1

1501 Pneumatic Fowler Assembly

Litters with Fold-to-Head Siderails

Assembly part number
1710-031-010
(reference only)

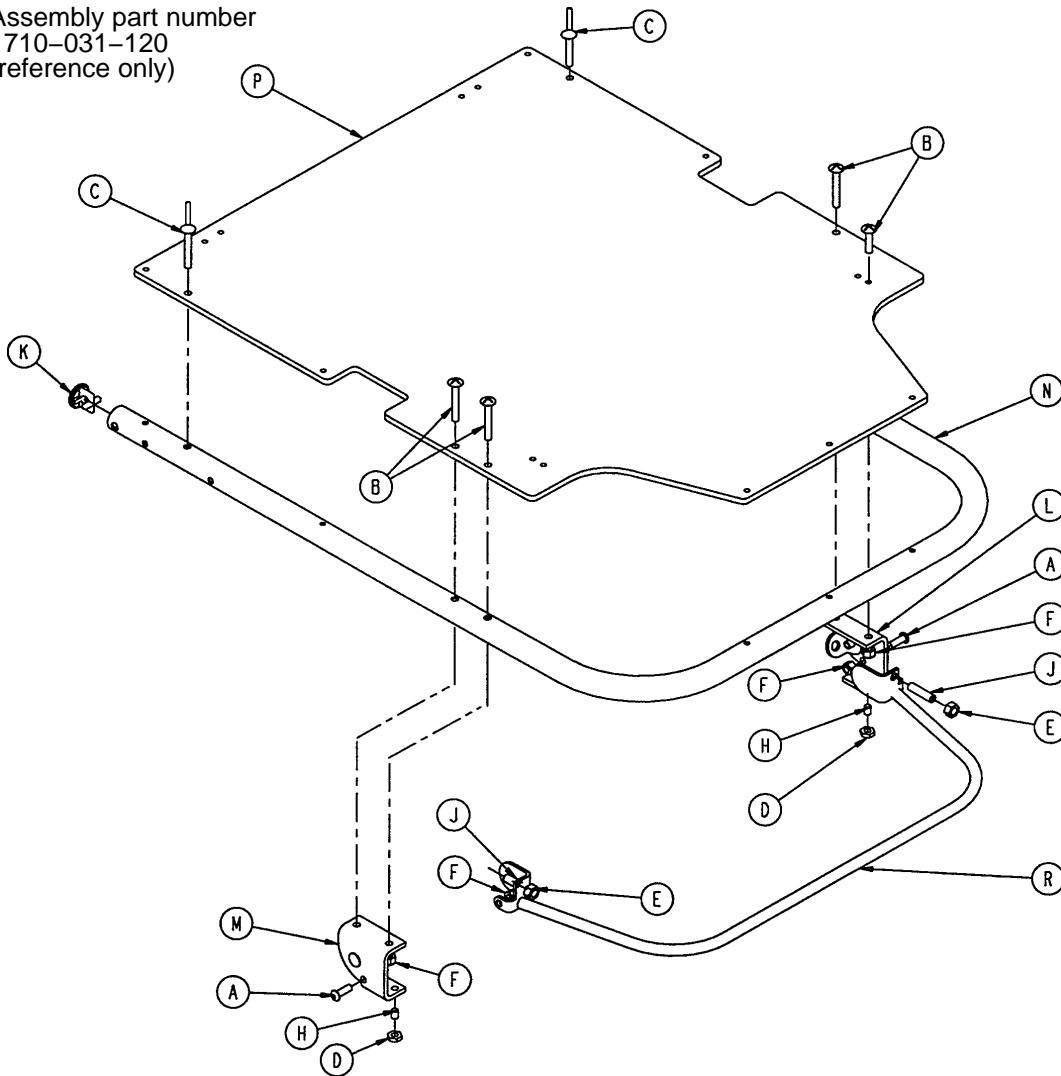


Item	Part No.	Part Name	Qty.
A	0004-182-000	But. Hd. Cap Screw	2
B	0004-104-000	But. Hd. Cap Screw	2
C	0011-179-000	Nylon Washer	4
D	0014-021-000	Nylon Washer	6
E	0016-116-000	Nylock Hex Nut	2
F	0016-117-000	Nylock Hex Nut	2
H	0023-256-000	Self-Tapping Screw	2
J	0025-133-000	Pop Rivet	7
K	1211-031-031	Pneumatic Fowler Rest	2
L	1010-031-078	Gas Cylinder	2
M	(page 83)	Pneumatic Fowler Ass'y	1
N	0015-060-000	Hex Nut	2

1501 Pneumatic Fowler Assembly

Litters with Fold-to-Head Siderails

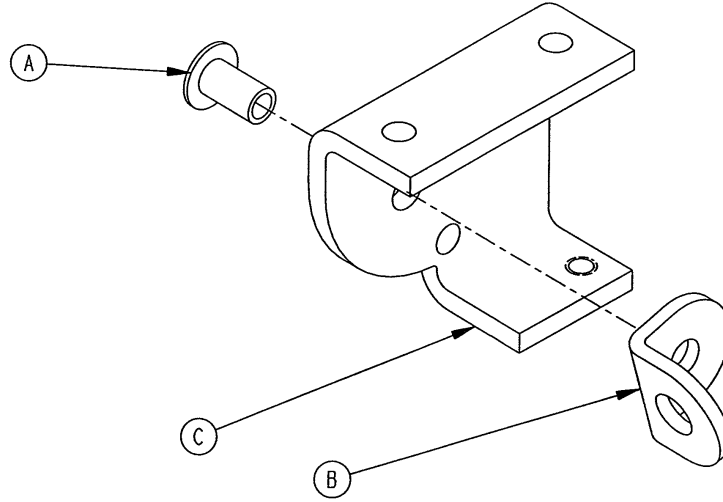
Assembly part number
1710-031-120
(reference only)



Item	Part No.	Part Name	Qty.
A	0004-161-000	But. Hd. Cap Screw	2
B	0007-020-000	Truss Hd. Mach. Screw	4
C	0025-124-000	Pop Rivet	2
D	0015-037-000	Jam Nut	2
E	0015-050-000	Hex Nut	2
F	0016-028-000	Fiberlock Nut	6
H	0021-125-000	Set Screw	2
J	0021-126-000	Set Screw	2
K	1001-001-036	Hole Plug	2
L	(page 84)	Outer Housing Ass'y, Right	1
M	(page 84)	Outer Housing Ass'y, Left	1
N	1501-031-013	Fowler Tube	1
P	1510-231-012	Fowler Skin (Fiberresin)	1
R	1710-031-118	Trip Bar Assembly	1

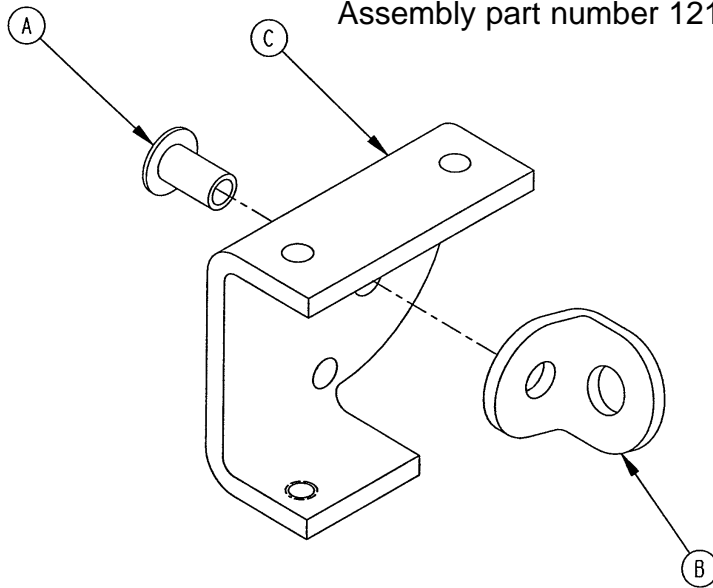
Pneumatic Fowler Outer Housing Assembly

Assembly part number 1210-031-106 (Right)



Item	Part No.	Part Name	Qty.
A	0025-144-000	Semi-Tubular Rivet	1
B	1210-031-103	Pivot Tab	1
C	1210-031-104	Outer Housing, Right	1

Assembly part number 1210-031-107 (Left)

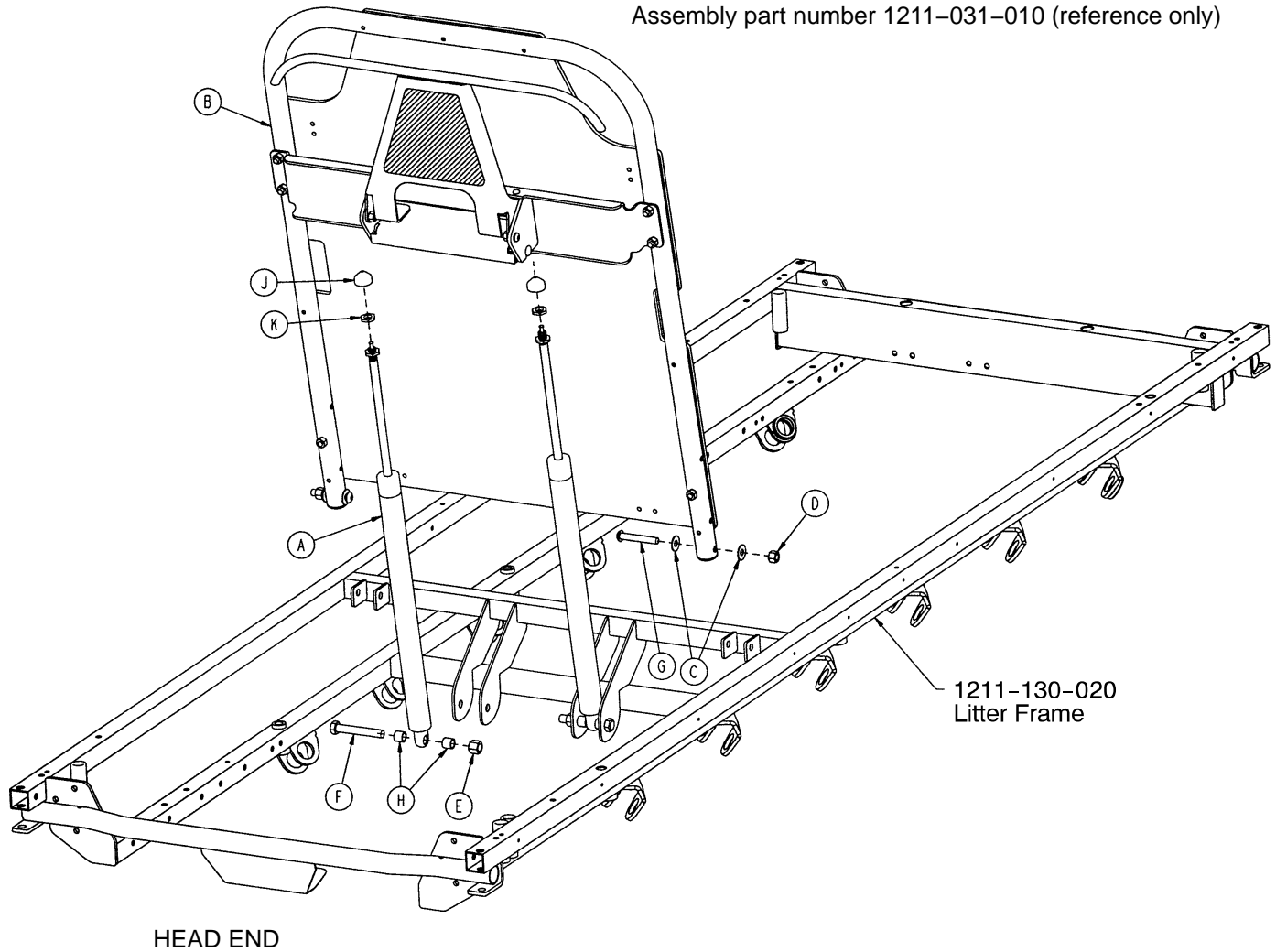


Item	Part No.	Part Name	Qty.
A	0025-144-000	Semi-Tubular Rivet	1
B	1210-031-103	Pivot Tab	1
C	1210-031-105	Outer Housing, Left	1

1001 Pneumatic Fowler Assembly

Litters with Fold-to-Foot Siderails

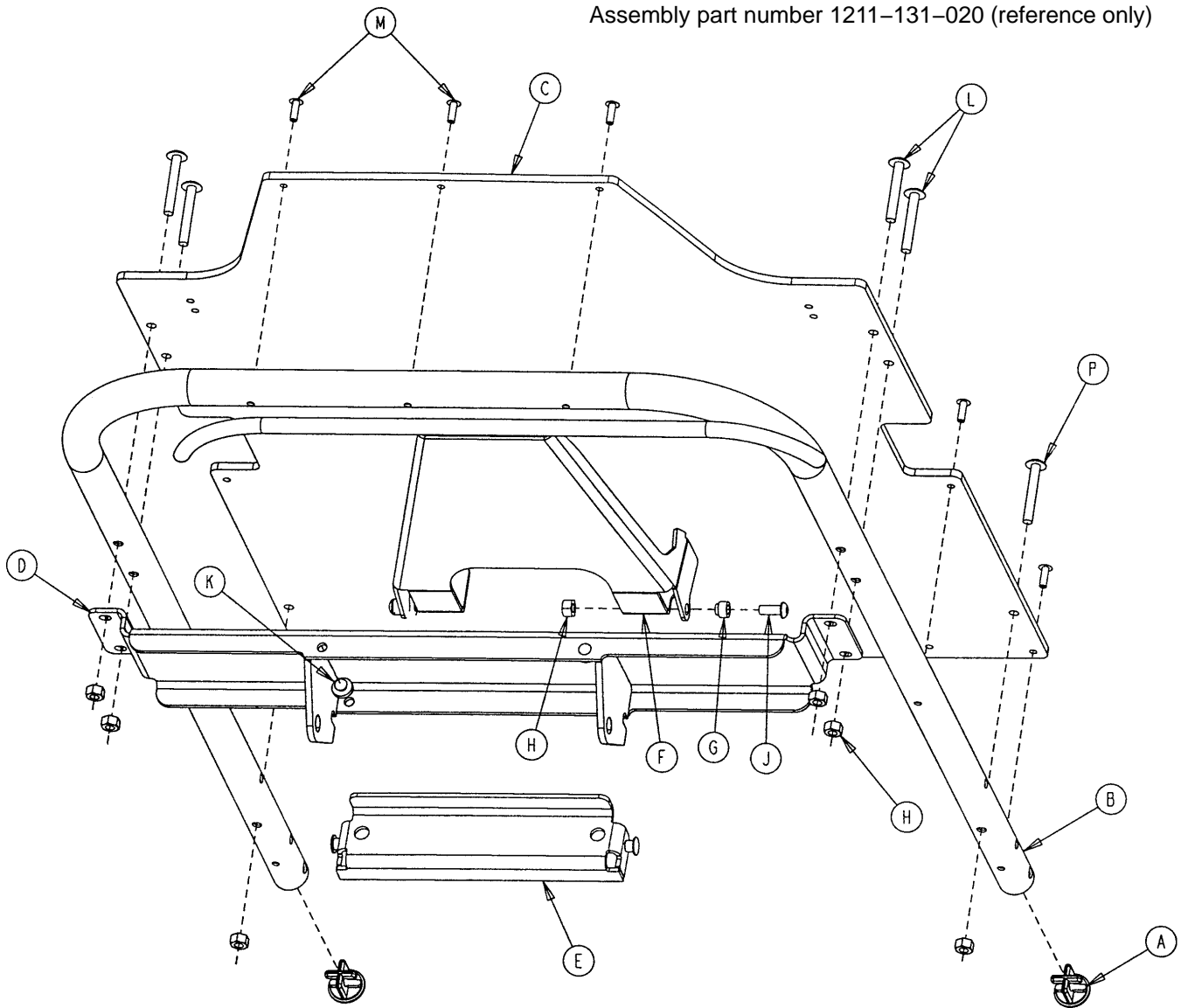
Assembly part number 1211-031-010 (reference only)



Item	Part No.	Part Name	Qty.
A	1010-031-078	Gas Cylinder	2
B	(page 86)	Pneumatic Fowler Ass'y	1
C	0011-179-000	Washer	4
D	0016-116-000	Stover Locknut	2
E	0016-119-000	Stover Locknut	2
F	0003-360-000	Hex Hd. Cap Screw	2
G	0004-103-000	Torx But. Hd. Cap Screw	2
H	0052-306-000	Nylon Spacer	4
J	1211-131-026	Gas Spring Cap	2
K	0015-060-000	Metric Jam Nut	2

1001 Pneumatic Fowler Assembly Litters with Fold-to-Foot Siderails

Assembly part number 1211-131-020 (reference only)

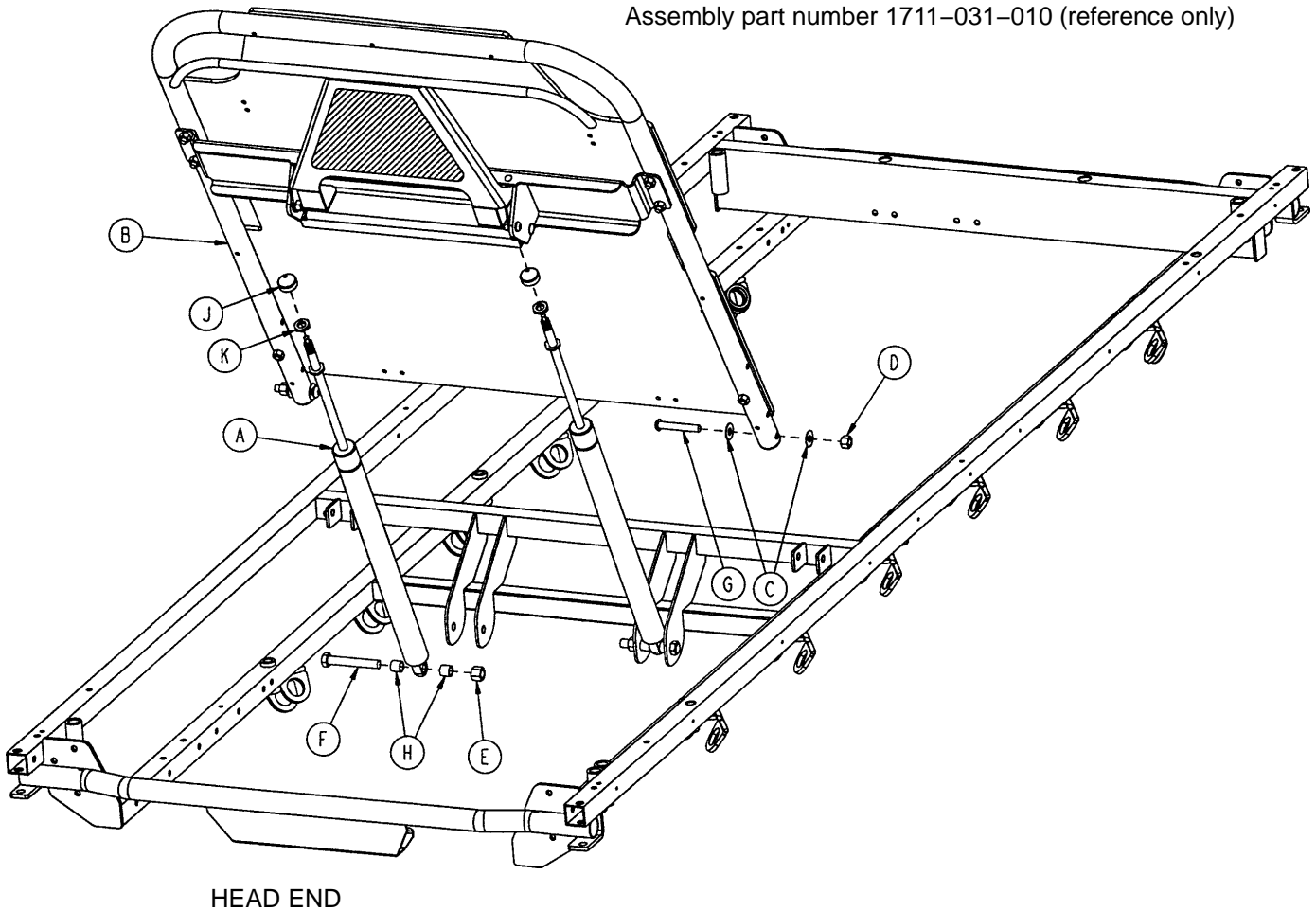


Item	Part No.	Part Name	Qty.	Item	Part No.	Part Name	Qty.
A	1001-001-036	Hole Plug	2	H	0016-118-000	Hex Nut	8
B	1001-031-013	Fowler Tube	1	J	0004-455-000	But. Hd. Cap Screw	2
C	1010-231-012	Fowler Skin	1	K	0037-064-000	Grommet Bumper	2
D	1211-131-014	Pneu. Pivot Bar Weldmt.	1	L	0007-070-000	Truss Hd. Mach. Screw	4
E	1211-231-029	Gas Spring Mount, Weldmt.	1	M	0025-172-000	Blind Rivet	7
F	1211-231-018	Trip Bar Weldment	1	N	1211-131-030	Handle Grip	2
G	1211-231-025	Trip Bar Pivot	2	P	0004-135-000	But. Hd. Cap Screw	2

1501 Pneumatic Fowler Assembly

Litters with Fold-to-Foot Siderails

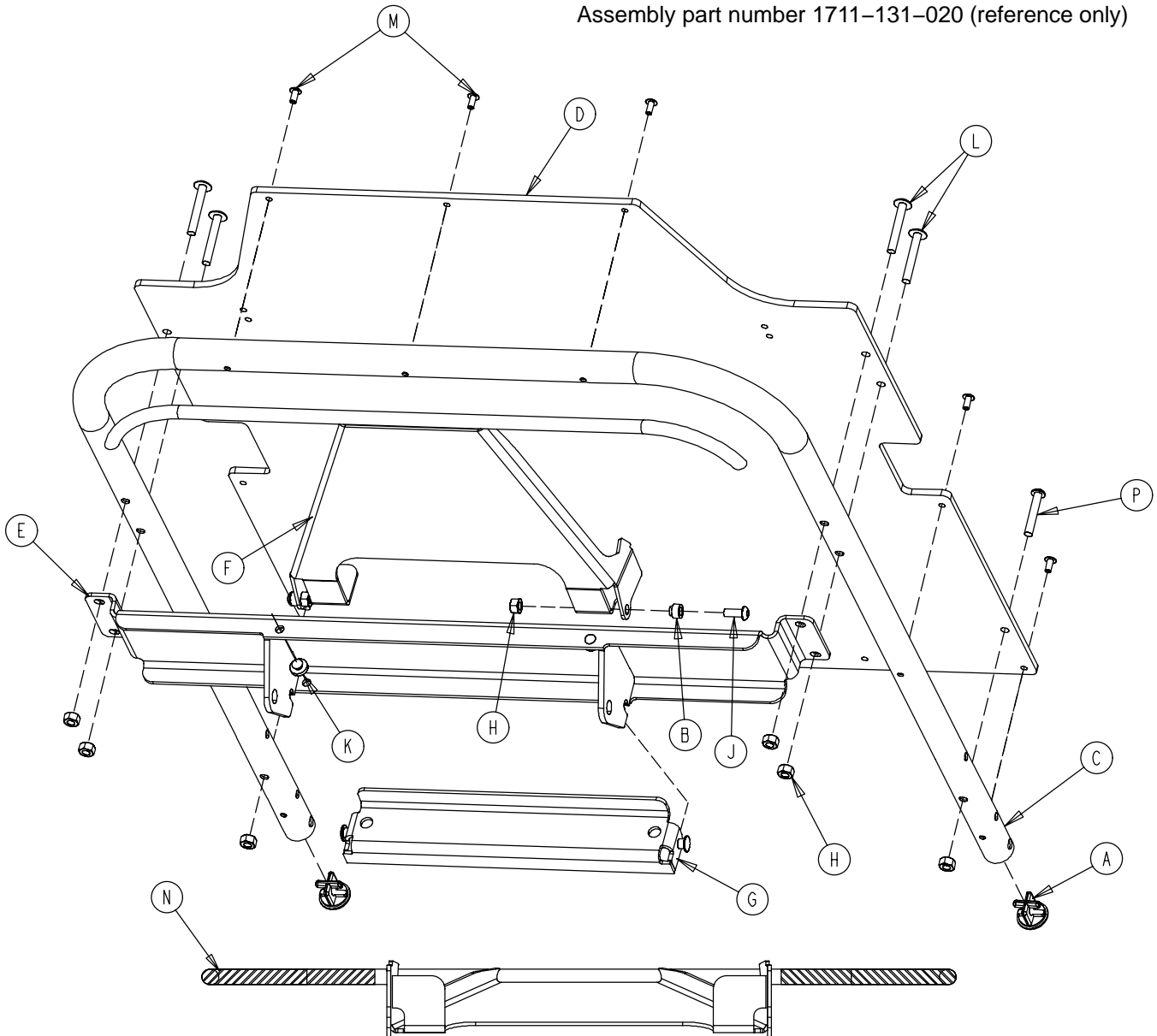
Assembly part number 1711-031-010 (reference only)



Item	Part No.	Part Name	Qty.
A	1010-031-078	Gas Cylinder	2
B	(page 88)	Pneumatic Fowler Ass'y	1
C	0011-179-000	Washer	4
D	0016-116-000	Stover Locknut	2
E	0016-119-000	Stover Locknut	2
F	0003-360-000	Hex Hd. Cap Screw	2
G	0004-103-000	Torx But. Hd. Cap Screw	2
H	0052-306-000	Nylon Spacer	4
J	1211-131-026	Gas Spring Cap	2
K	0015-060-000	Metric Jam Nut	2

1501 Pneumatic Fowler Assembly Litters with Fold-to-Foot Siderails

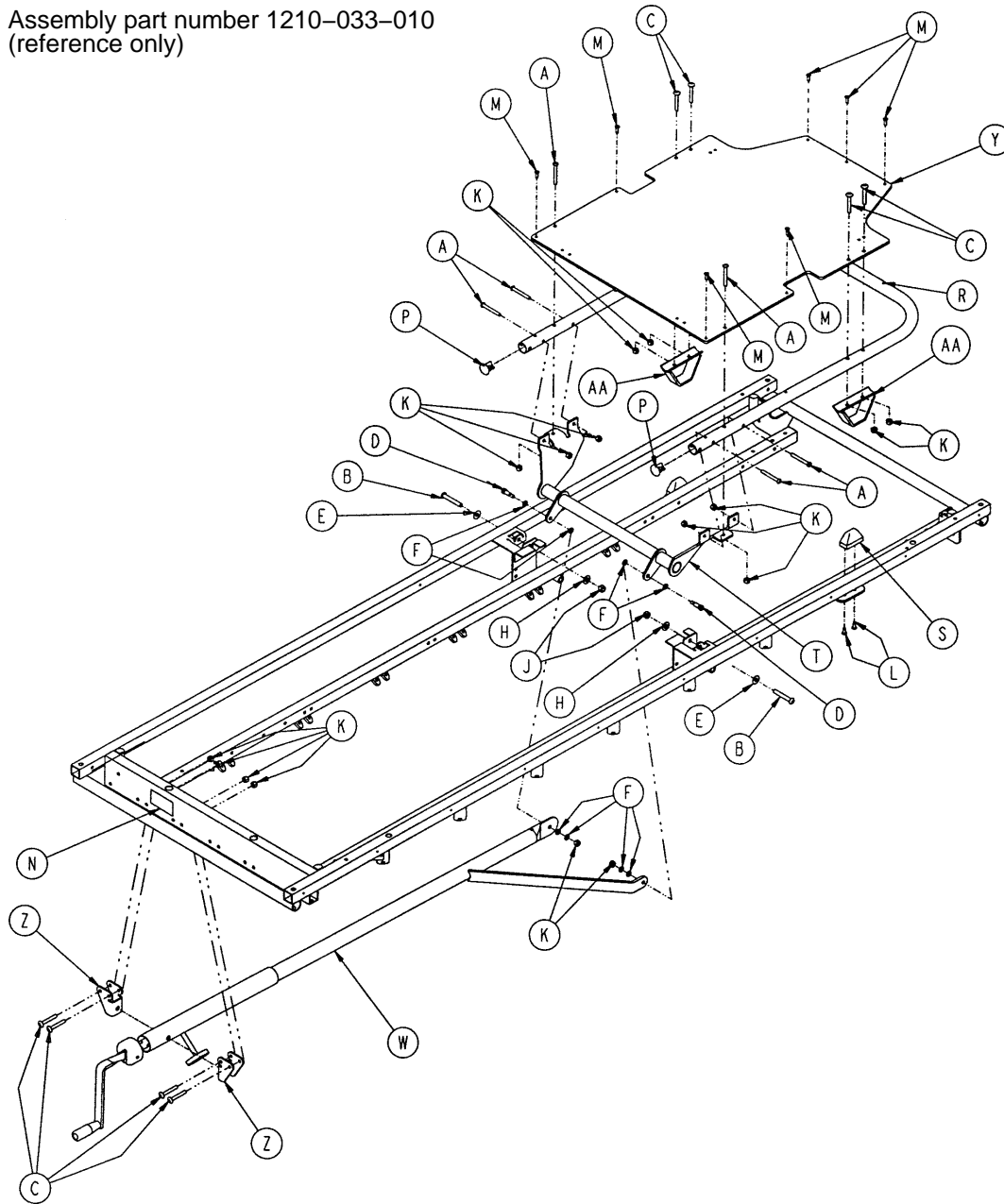
Assembly part number 1711-131-020 (reference only)



Item	Part No.	Part Name	Qty.	Item	Part No.	Part Name	Qty.
A	1001-001-036	Hole Plug	2	H	0016-118-000	Hex Nut	8
B	1211-231-025	Trip Bar Pivot	2	J	0004-455-000	But. Hd. Cap Screw	2
C	1501-031-013	Fowler Tube	1	K	0037-064-000	Grommet Bumper	2
D	1510-231-012	Fowler Skin (Fiberresin)	1	L	0007-070-000	Truss Hd. Mach. Screw	4
E	1711-131-014	Pneu. Pivot Bar Wldmt.	1	M	0025-172-000	Blind Rivet	7
F	1711-231-018	Trip Bar Weldment	1	N	1211-131-030	Handle Grip	2
G	1711-231-029	Gas Spring Mount Wldmt.	1	P	0004-135-000	But. Hd. Cap Screw	2

1001 Crank Fowler Assembly

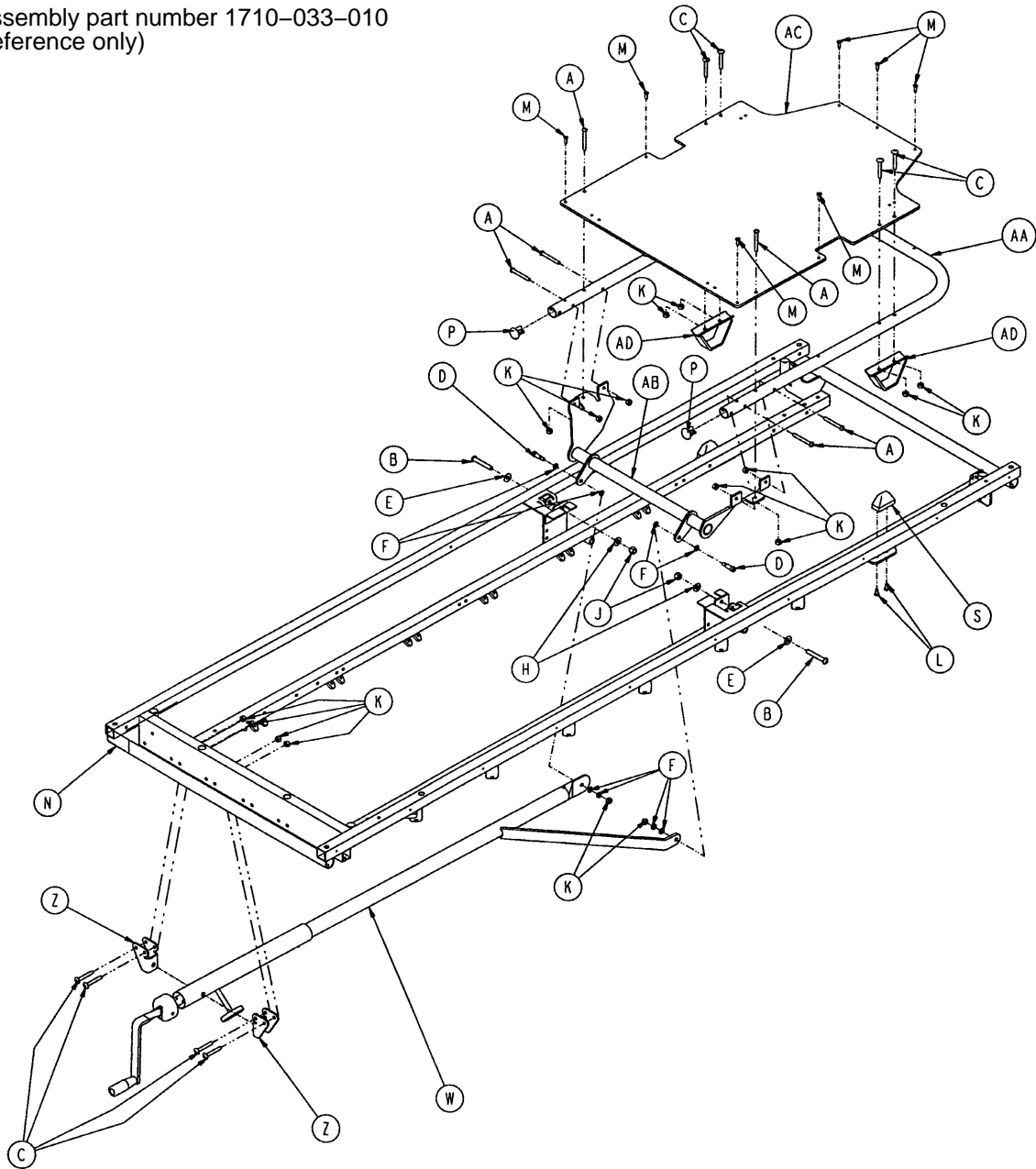
Assembly part number 1210-033-010
(reference only)



Item	Part No.	Part Name	Qty.	Item	Part No.	Part Name	Qty.
A	0004-097-000	Hex But. Hd. Cap Screw	6	M	0025-133-000	Pop Rivet	7
B	0004-104-000	But. Hd. Cap Screw	2	N	0946-001-064	Fowler Operation Label	1
C	0007-070-000	Truss Hd. Mach. Screw	8	P	1001-001-036	Hole Plug	2
D	0008-015-000	Shoulder Bolt	2	R	1001-031-013	Fowler Tube	1
E	0011-179-000	Nylon Washer	4	S	1001-031-031	Pneumatic Fowler Rest	2
F	0014-003-000	Thrust Washer	8	T	1001-033-024	Fowler Lever Assembly	1
H	0014-021-000	Washer	2	W	(page 91)	Crankcrew Assembly	1
J	0016-036-000	Hex Nut	2	Y	1010-231-012	Fowler Skin (Fiberresin)	1
K	0016-118-000	Fiberlock Hex Nut	16	Z	1010-234-015	Mounting Bracket Ass'y	2
L	0023-256-000	Ph. Hd. Self-Tap. Screw	4	AA	1550-033-031	Fowler Support Ass'y	2

1501 Crank Fowler Assembly

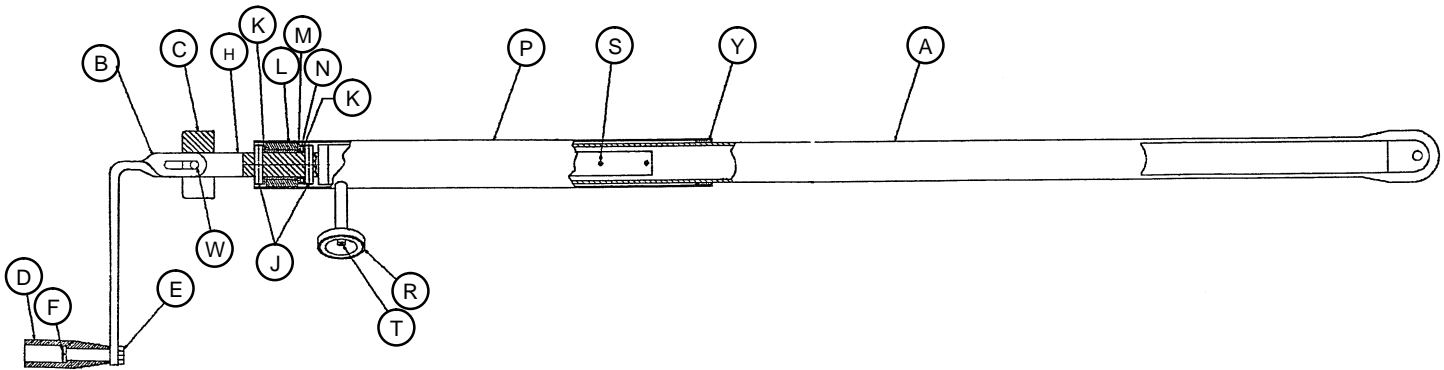
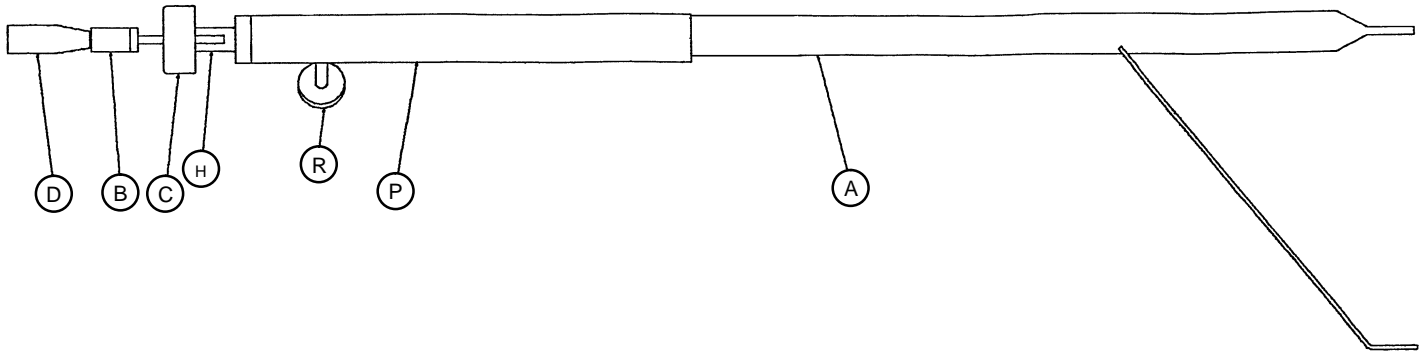
Assembly part number 1710-033-010
(reference only)



Item	Part No.	Part Name	Qty.	Item	Part No.	Part Name	Qty.
A	0004-097-000	Hex But. Hd. Cap Screw	6	M	0025-133-000	Pop Rivet	7
B	0004-104-000	But. Hd. Cap Screw	2	N	0946-001-064	Fowler Operation Label	1
C	0007-070-000	Truss Hd. Mach. Screw	8	P	1001-001-036	Hole Plug	2
D	0008-015-000	Shoulder Bolt	2	S	1001-031-031	Pneumatic Fowler Rest	2
E	0011-179-000	Washer	2	W	(page 91)	Crankscrew Assembly	1
F	0014-003-000	Thrust Washer	8	Z	1010-234-015	Mounting Bracket Ass'y	2
H	0014-021-000	Washer	2	AA	1501-031-013	Fowler Tube	1
J	0016-116-000	Nylock Hex Nut	2	AB	1501-033-024	Fowler Lever Ass'y	1
K	0016-118-000	Fiberlock Nut	16	AC	1510-231-012	Fowler Skin (Fiberresin)	1
L	0023-256-000	Ph. Hd. Self-Tap. Screw	4	AD	1550-033-031	Fowler Support Ass'y	2

1001-033-025 Fowler Crankscrew Assembly

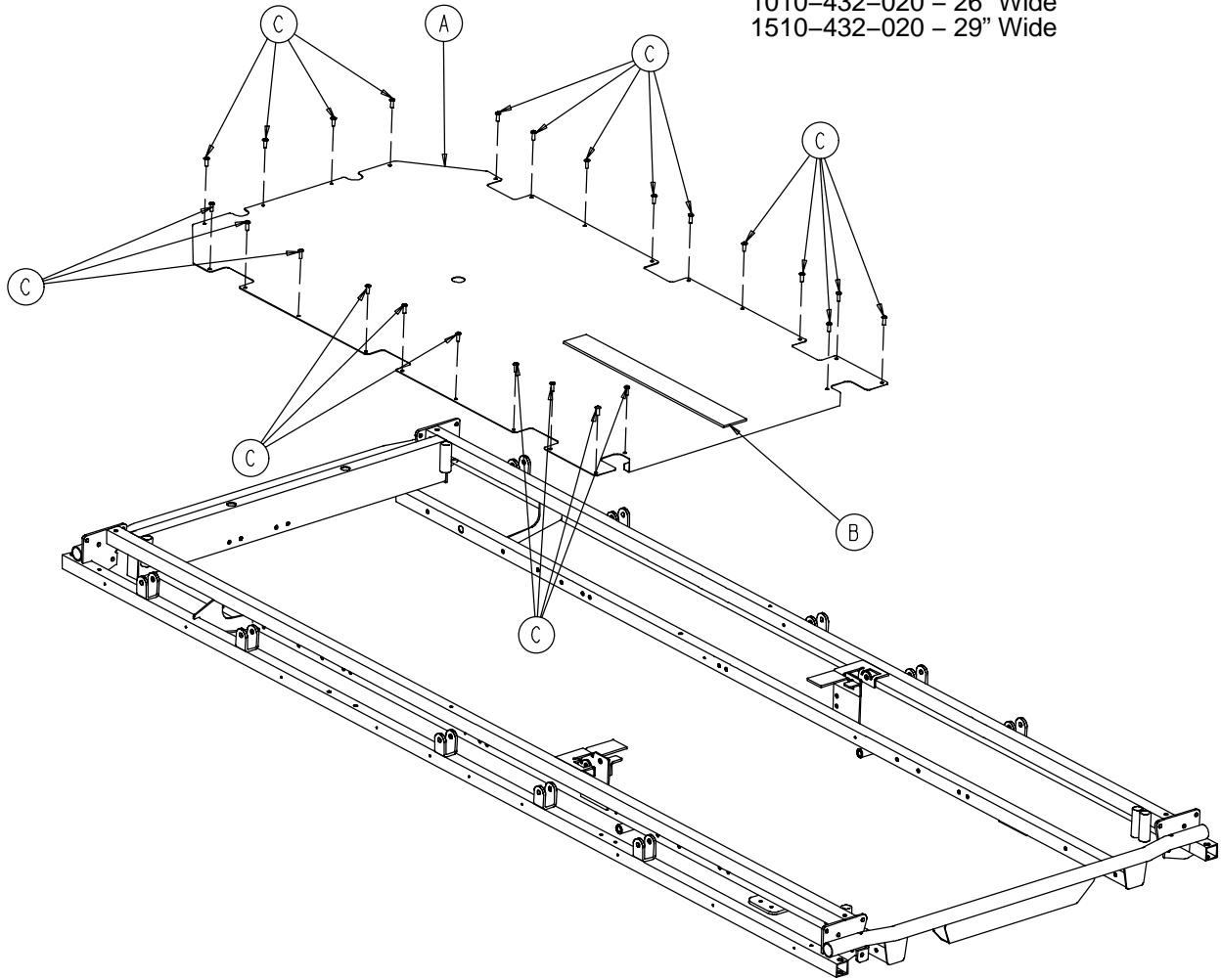
1501-033-025 Fowler Crankscrew Assembly



Item	Part No.	Part Name	Qty.
A	1001-033-026	Drive Bar Assembly	1
	1501-033-026	Drive Bar Assembly	1
B	1550-001-016	Crank Assembly	1
C	0946-033-018	Crank Disc	1
D	0938-001-177	Knob	1
E	0016-102-000	Kep Nut	1
F	0378-124-029	Shoulder Bolt	1
H	0946-033-035	Fowler Screw	1
J	0026-014-000	Roll Pin	2
K	0081-174-000	Thrust Washer	2
L	0938-001-175	Bearing Assembly	1
M	0081-176-000	Thrust Washer	1
N	0081-175-000	Thrust Bearing	1
P	1510-034-084	Screw Cover Assembly	1
R	1550-001-014	Magnet	1
S	0026-118-000	Roll Pin	1
T	0004-107-000	Soc. Hd. Cap Screw	1
W	0026-145-000	Roll Pin	1
Y	7900-001-102	Velcro Pile	1

Steel Stationary Foot Section Assembly

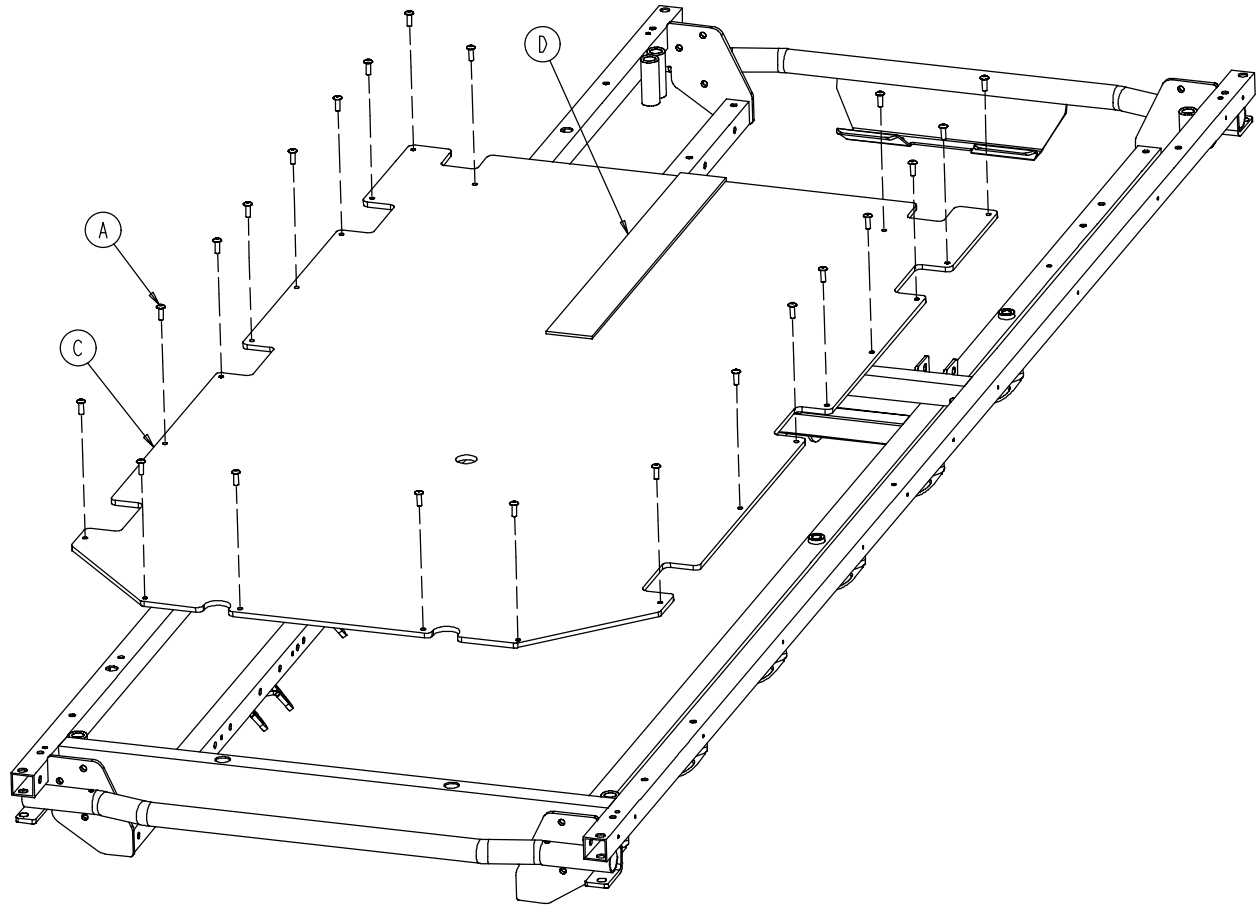
Assembly part numbers (reference only):
 1010-432-020 - 26" Wide
 1510-432-020 - 29" Wide



Item	Part No.	Part Name	Qty.
A	1010-432-021	26" Steel Foot Section Skin	1
	1510-432-021	29" Steel Foot Section Skin	1
B	7900-001-102	Velcro Pile	24 1/2"
C	0025-171-000	Rivet	24

Fiberresin Stationary Foot Section Assembly

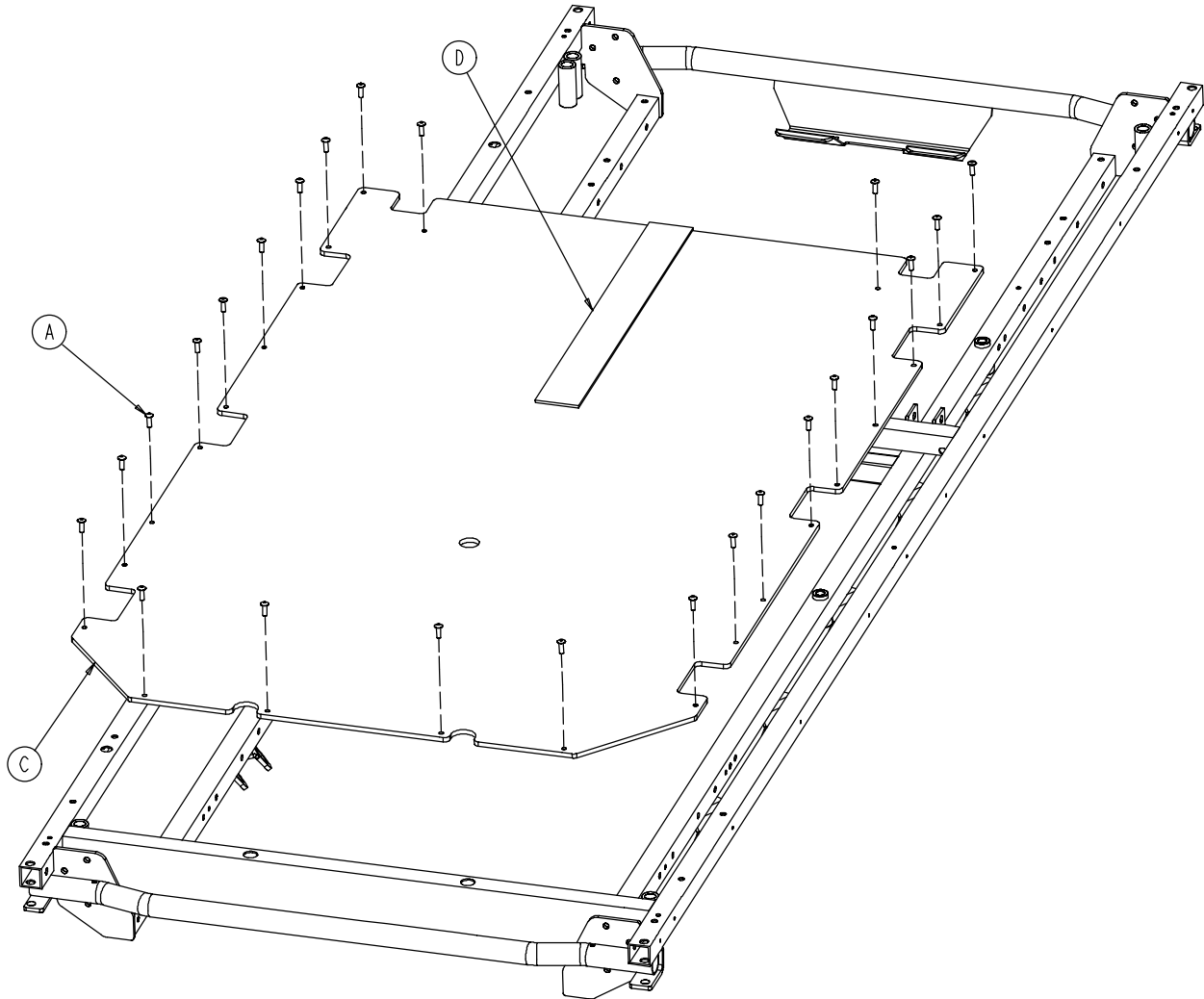
Assembly part number (reference only):
1231-019-001 - 26" Wide



Item	Part No.	Part Name	Qty.
A	0025-171-000	Rivet	22
C	0753-010-031	26" Fiberresin Foot Section Skin	1
D	7900-001-102	Velcro Pile	24 1/2"

Fiberresin Stationary Foot Section Assembly

Assembly part number (reference only):
1731-019-001 – 29" Wide

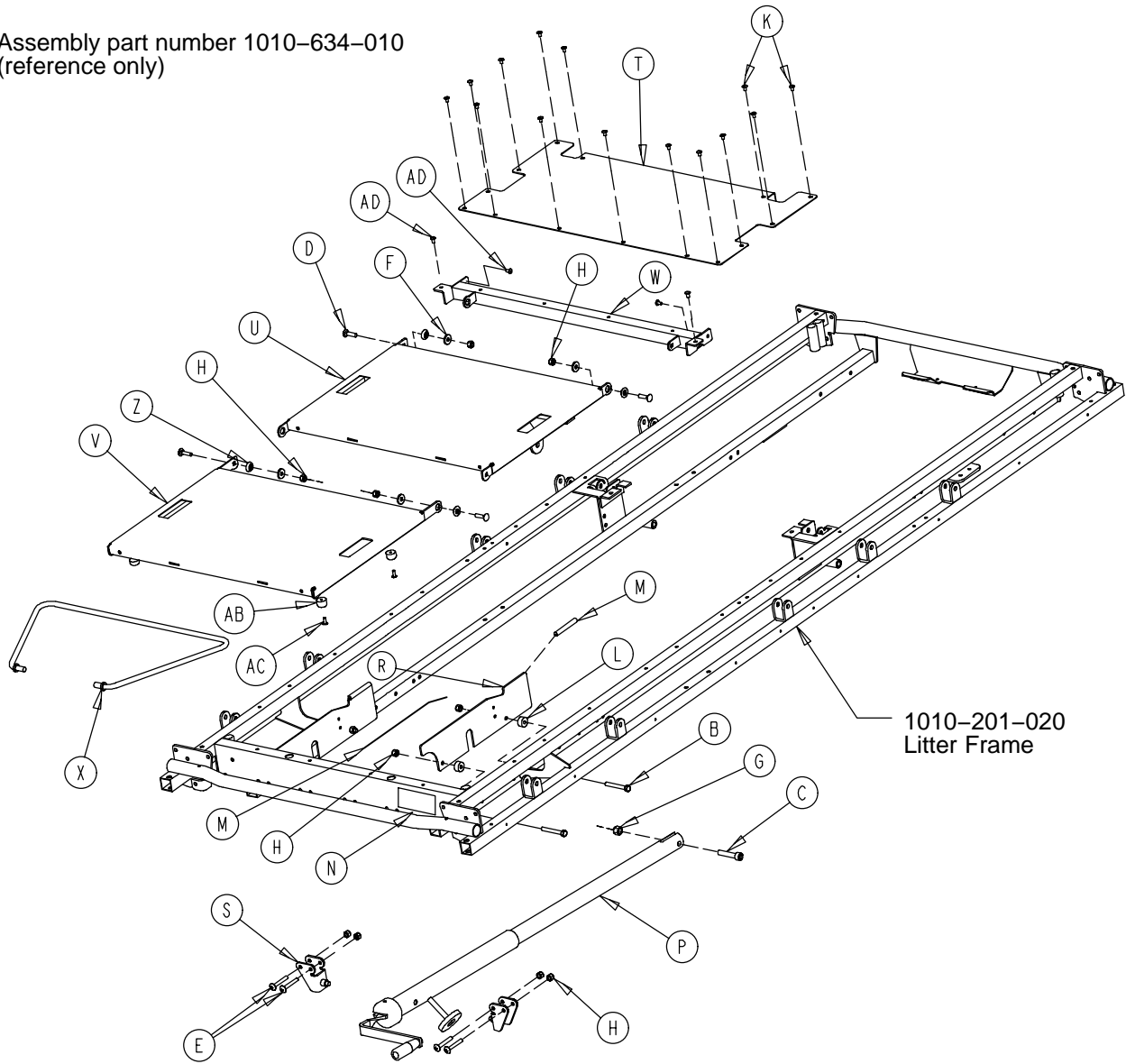


Item	Part No.	Part Name	Qty.
A	0025-171-000	Rivet	24
C	0753-010-032	29" Fiberresin Foot Section Skin	1
D	7900-001-102	Velcro Pile	24 1/2"

1001 Knee Gatch Assembly

Litters with Fold-to-Head Siderails

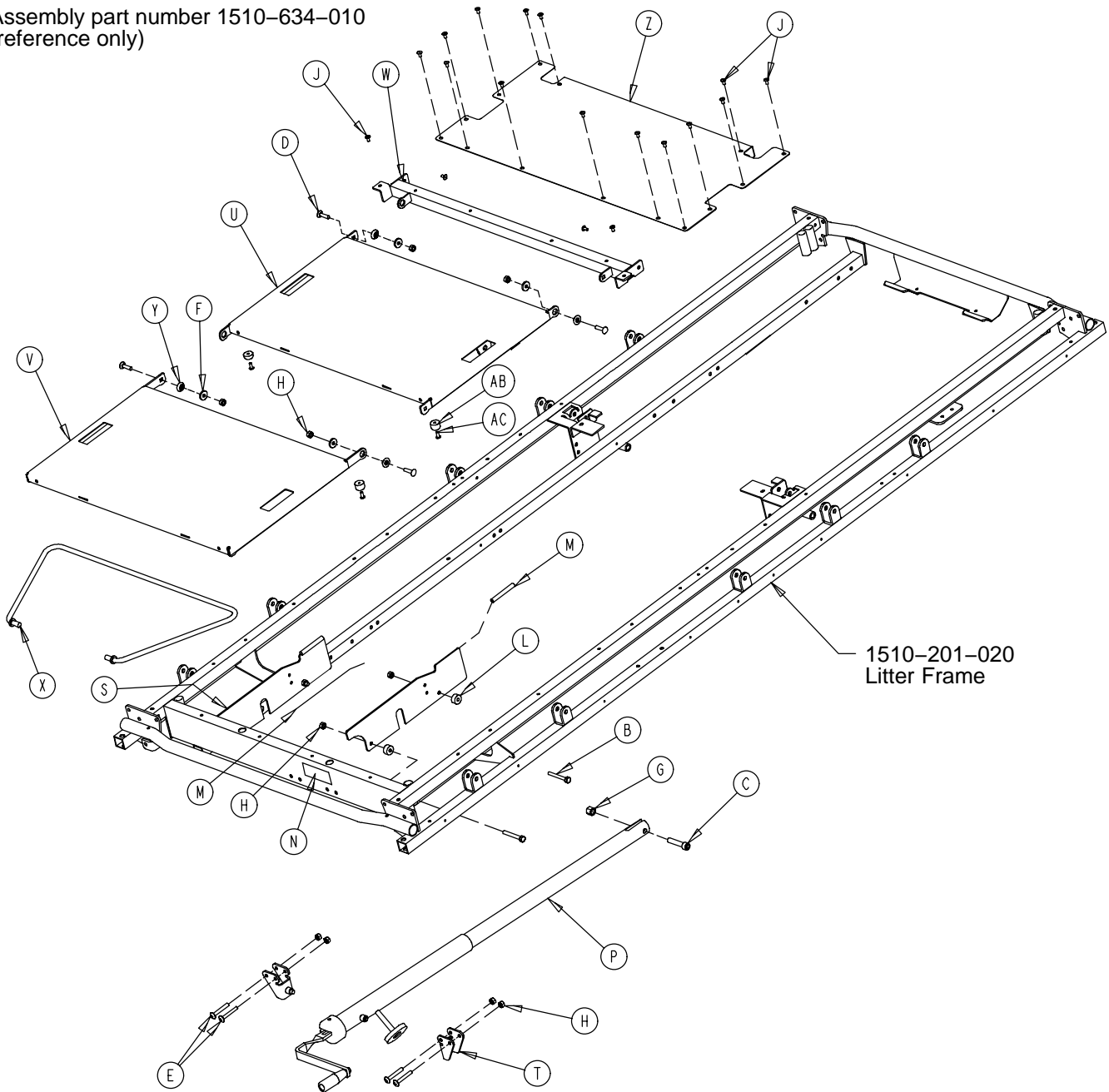
Assembly part number 1010-634-010
(reference only)



Item	Part No.	Part Name	Qty.	Item	Part No.	Part Name	Qty.
B	0003-358-000	Hex Hd. Cap Screw	4	R	1001-034-131	Slider Support	2
C	0004-327-000	Soc. Hd. Cap Screw	1	S	1010-234-015	Mounting Bracket	2
D	0005-034-000	Rd. Hd. Sq. Neck Bolt	4	T	1010-234-027	Midsection Skin	1
E	0007-070-000	Truss Hd. Mach. Screw	4	U	1210-034-011	Thigh Section Weldment	1
F	0011-159-000	Washer	4	V	1210-034-012	Calf Section Weldment	1
G	0016-117-000	Flexlock Nut	1	W	1210-034-023	Midsection Supt. Wldmt.	1
H	0016-118-000	Nylock Nut	12	X	1210-034-027	Calf Stand Bar	1
K	0025-171-000	Blind Rivet	14	Z	3001-300-099	Modified Fowler Bushing	4
L	0052-291-000	Nylon Spacer	4	AB	1070-014-009	Bumper	4
M	0058-056-000	Edge Cover	4	AC	0023-256-000	Pan Hd. Sheet Metal Scr.	4
N	0946-001-065	Knee Gatch Label	1	AD	0025-172-000	Rivet	4
P	(page 99)	Gatch Crankscrew Ass'y	1				

1501 Knee Gatch – Litters with Fold-to-Head Siderails

Assembly part number 1510-634-010
(reference only)

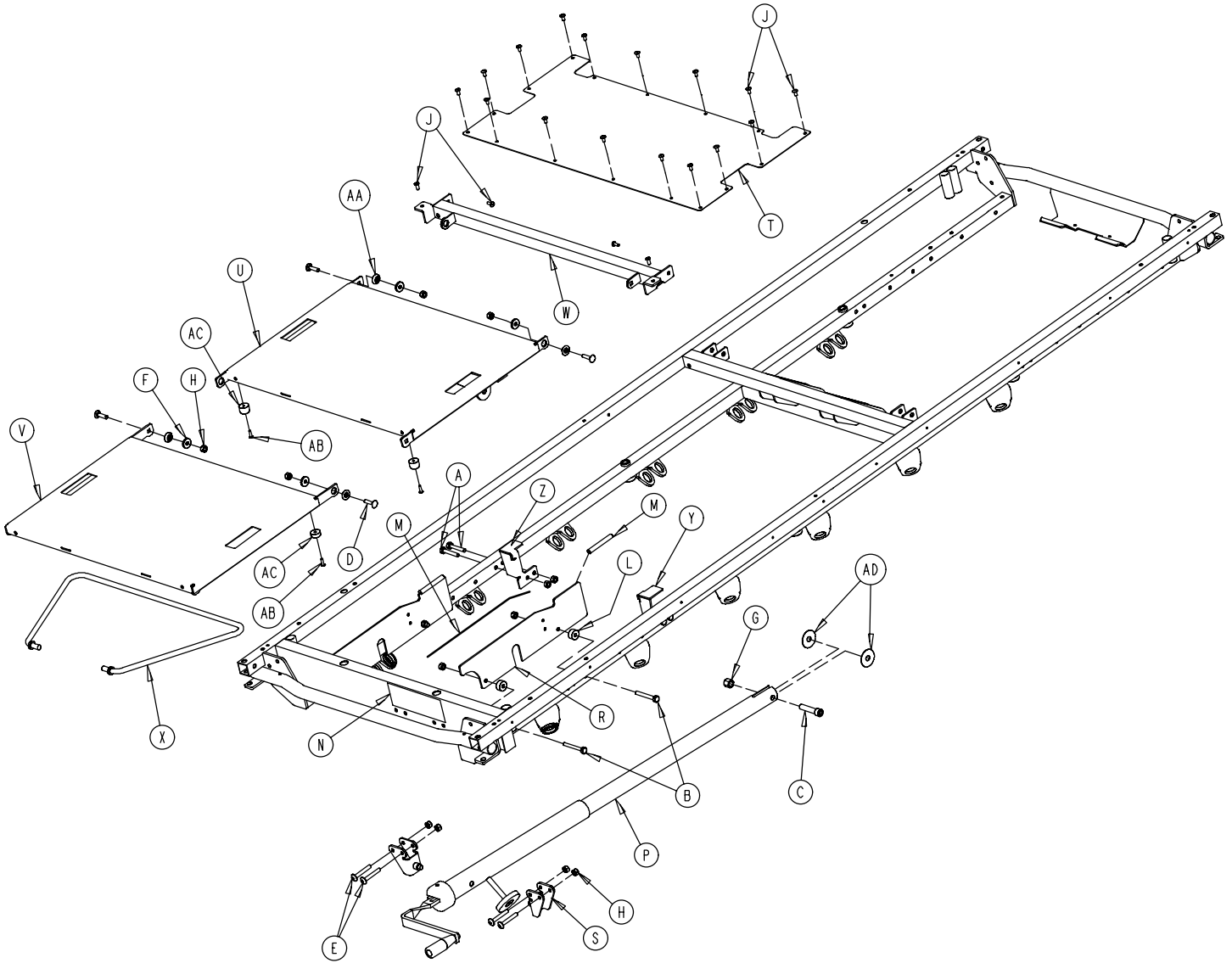


Item	Part No.	Part Name	Qty.	Item	Part No.	Part Name	Qty.
B	0003-358-000	Hex Hd. Cap Screw	4	P	(page 99)	Gatch Crankscrew Ass'y	1
C	0004-327-000	Soc. Hd. Cap Screw	1	S	1001-034-131	Slider Support	2
D	0005-034-000	Rd. Hd. Sq. Neck Bolt	4	T	1010-234-015	Mounting Bracket	2
E	0007-070-000	Truss Hd. Mach. Screw	4	U	1710-034-011	Thigh Section Weldment	1
F	0011-159-000	Washer	4	V	1710-034-012	Calf Section Weldment	1
G	0016-117-000	Lock Nut	1	W	1710-034-023	Midsection Supt. Wldmt.	1
H	0016-118-000	Lock Nut	12	X	1710-034-027	Calf Stand Bar	1
J	0025-079-000	Blind Rivet	18	Y	3001-300-099	Modified Fowler Bushing	4
L	0052-291-000	Nylon Spacer	4	Z	1510-234-027	Midsection Skin	1
M	0058-056-000	Edge Cover	2'	AB	1070-014-009	Bumper	4
N	0946-001-065	Knee Gatch Label	1	AC	0023-256-000	Pan Hd. Sheet Metal Scr.	4

1001 Knee Gatch Assembly

Litters with Fold-to-Foot Siderails

Assembly part number 1211-334-010 (reference only)

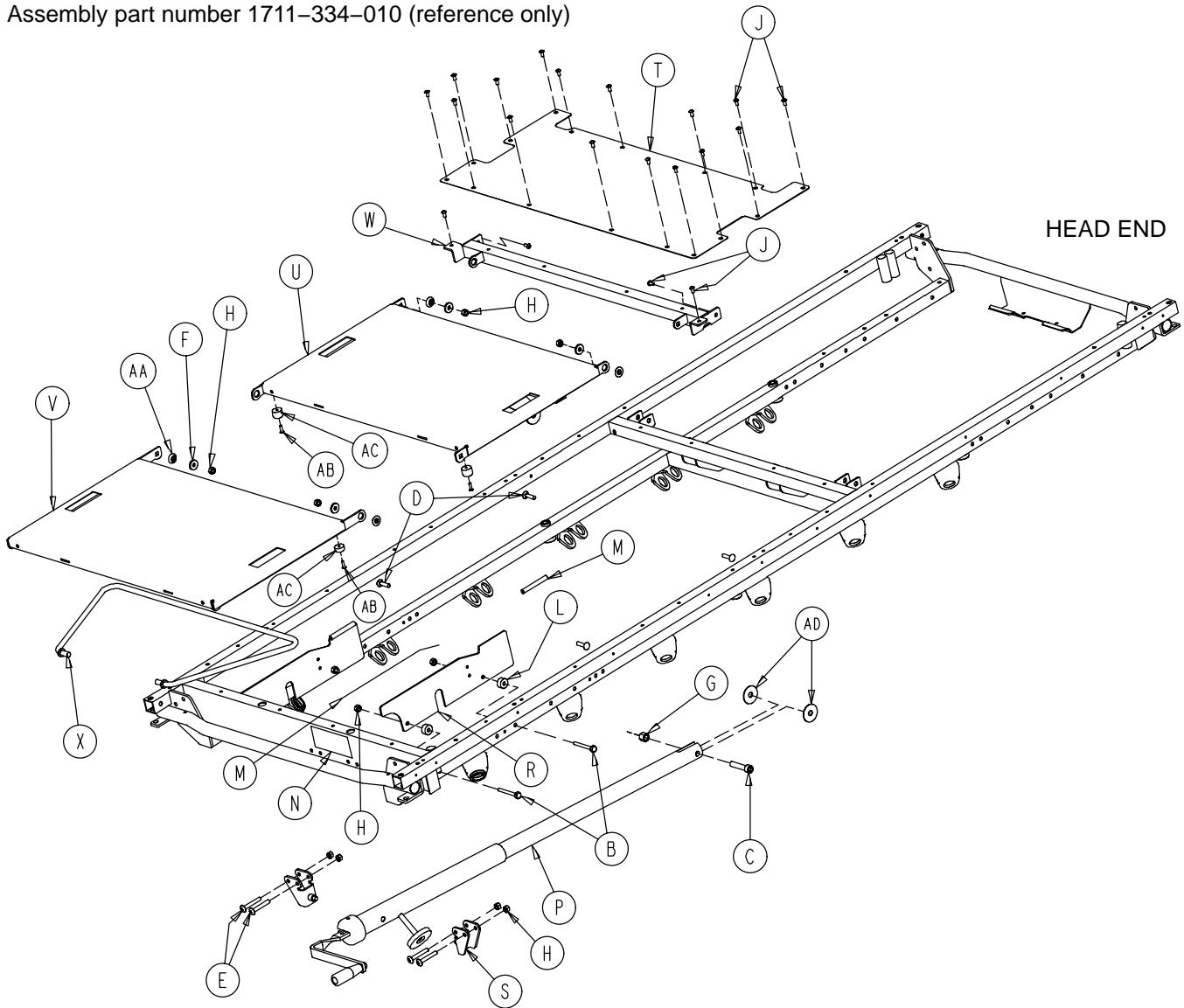


Item	Part No.	Part Name	Qty.	Item	Part No.	Part Name	Qty.
B	0003-358-000	Hex Hd. Cap Screw	4	R	1001-034-131	Slider Support	2
C	0004-327-000	Soc. Hd. Cap Screw	1	S	1010-234-015	Mounting Bracket	2
D	0005-034-000	Rd. Hd. Sq. Neck Bolt	4	T	1001-134-027	Midsection Skin	1
E	0007-070-000	Truss Hd. Mach. Screw	4	U	1210-034-011	Thigh Section Weldment	1
F	0011-159-000	Washer	4	V	1210-034-012	Calf Section Weldment	1
G	0016-117-000	Flexlock Nut	1	W	1210-034-023	Midsection Supt. Wldmt.	1
H	0016-118-000	Nylock Nut	12	X	1210-034-027	Calf Stand Bar	1
J	0025-172-000	Blind Rivet	18	AA	3001-300-099	Modified Fowler Bushing	4
L	0052-291-000	Nylon Spacer	4	AB	0023-256-000	Pan Hd. Sheet Metal Scr.	4
M	0058-056-000	Edge Cover	2	AC	1070-014-009	Bumper	4
N	0946-001-065	Knee Gatch Label	1	AD	0011-351-000	Washer	2
P	(page 99)	Gatch Crankscrew Ass'y	1				

1501 Knee Gatch Assembly

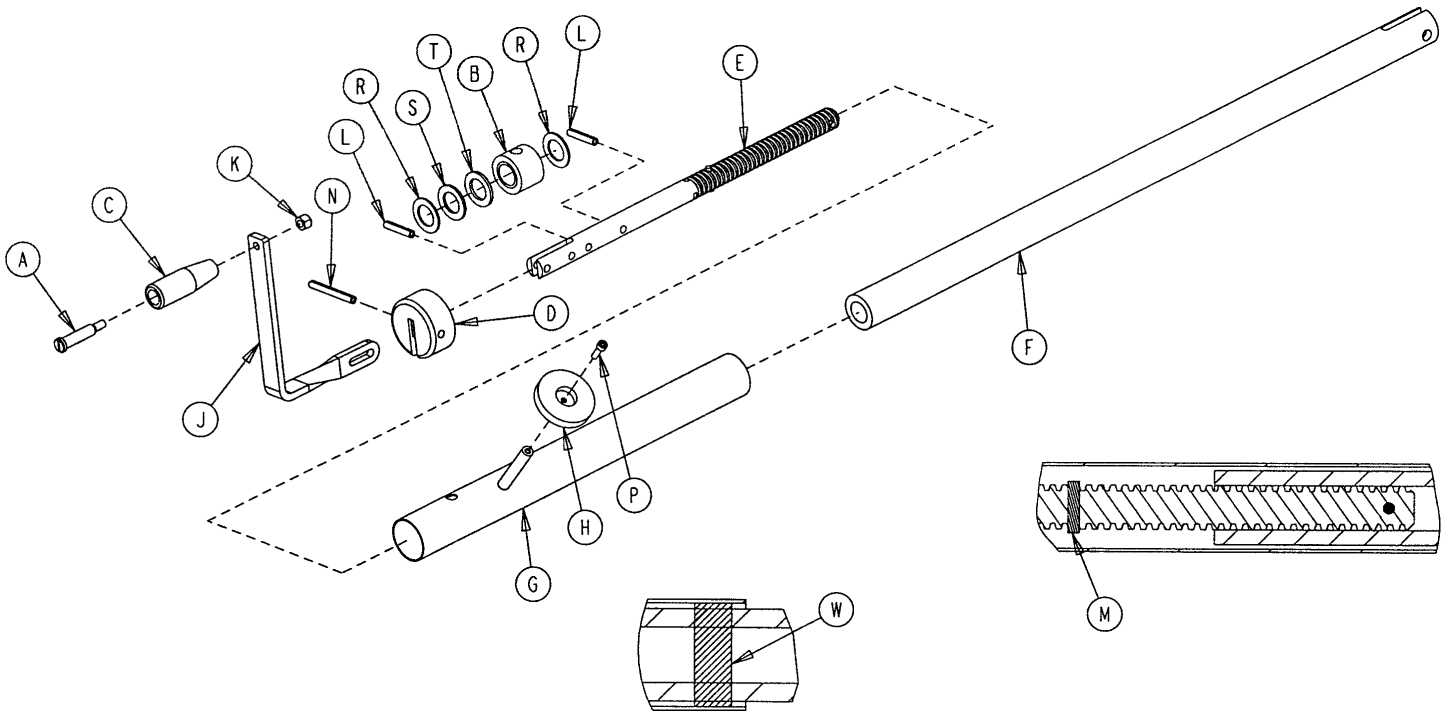
Litters with Fold-to-Foot Siderails

Assembly part number 1711-334-010 (reference only)



Item	Part No.	Part Name	Qty.	Item	Part No.	Part Name	Qty.
B	0003-358-000	Hex Hd. Cap Screw	4	R	1001-034-131	Slider Support	2
C	0004-327-000	Soc. Hd. Cap Screw	1	S	1010-234-015	Mounting Bracket	2
D	0005-034-000	Rd. Hd. Sq. Neck Bolt	4	T	1501-134-027	Midsection Skin	1
E	0007-070-000	Truss Hd. Mach. Screw	4	U	1710-034-011	Thigh Section Weldment	1
F	0011-159-000	Washer	4	V	1710-034-012	Calf Section Weldment	1
G	0016-117-000	Flexlock Nut	1	W	1710-034-023	Midsection Supt. Wldmt.	1
H	0016-118-000	Nylock Nut	12	X	1710-034-027	Calf Stand Bar	1
J	0025-172-000	Blind Rivet	20	AA	3001-300-099	Modified Fowler Bushing	4
L	0052-291-000	Nylon Spacer	4	AB	0023-256-000	Pan Hd. Sheet Metal Scr.	4
M	0058-056-000	Edge Cover	2'	AC	1070-014-009	Bumper	4
N	0946-001-065	Knee Gatch Label	1	AD	0011-351-000	Washer	2
P	(page 99)	Gatch Crankscrew Ass'y	1				

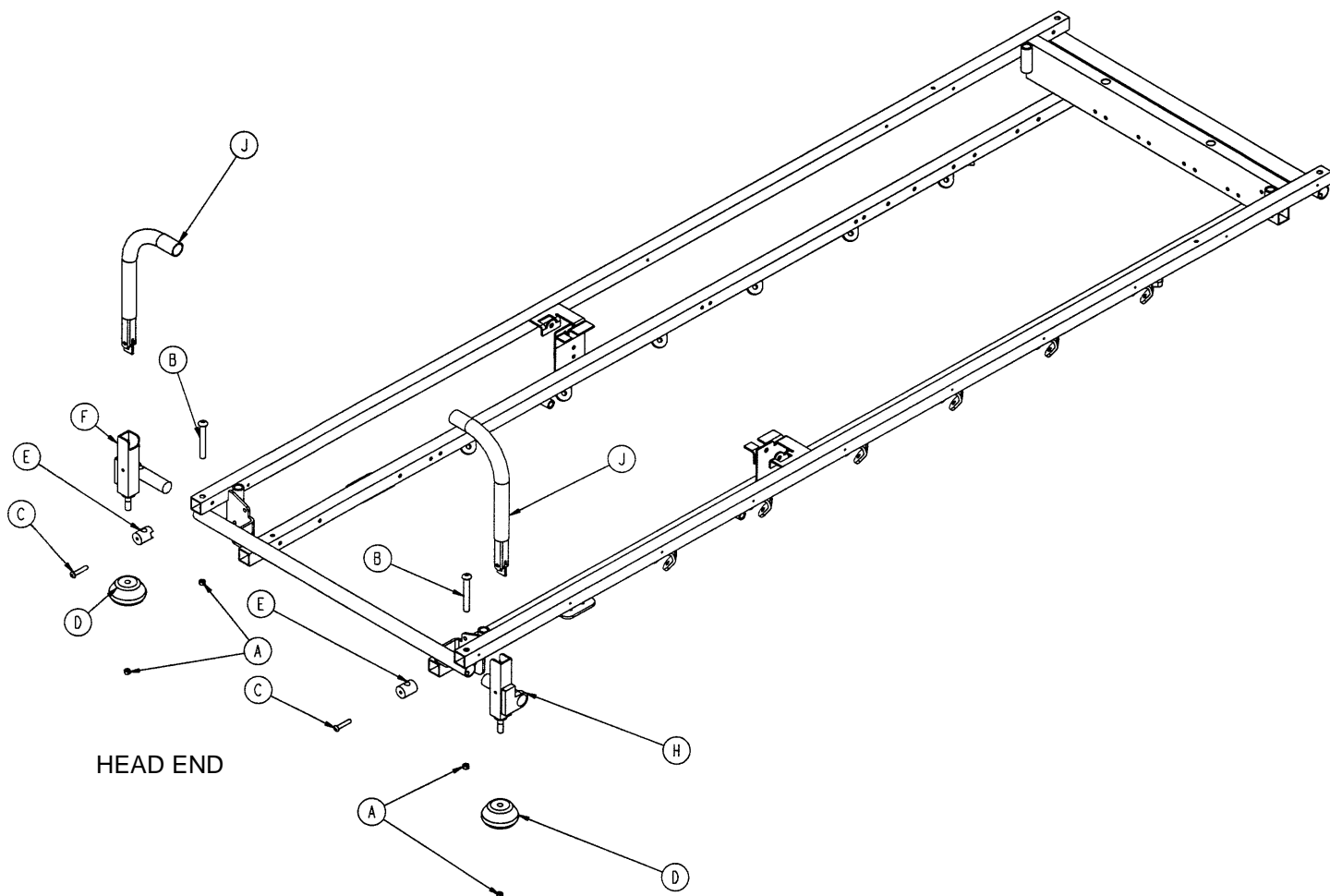
1001-134-019 Knee Gatch Crankscrew Assembly



Item	Part No.	Part Name	Qty.
A	0378-124-029	Shoulder Bolt	1
B	0938-001-175	Bearing Assembly	1
C	0938-001-177	Knob	1
D	0946-033-018	Crank Disk	1
E	1001-134-047	Knee Gatch Screw	1
F	1510-034-055	Gatch Drive Tube Assembly	1
G	1510-034-084	Screw Cover Assembly	1
H	1550-001-014	Magnet	1
J	1550-001-016	Crank Assembly	1
K	0016-118-000	Nylock Nut	1
L	0026-014-000	Spring Pin	2
M	0026-043-000	Spring Pin	2
N	0026-145-000	Spring Pin	1
P	0004-107-000	Soc. Head Cap Screw	1
R	0081-174-000	Thrust Washer	2
S	0081-175-000	Thrust Bearing	1
T	0081-176-000	Thrust Washer	1
W	7900-001-102	Velcro Pile Tape	2

1001-151-000 Head End Push Handles

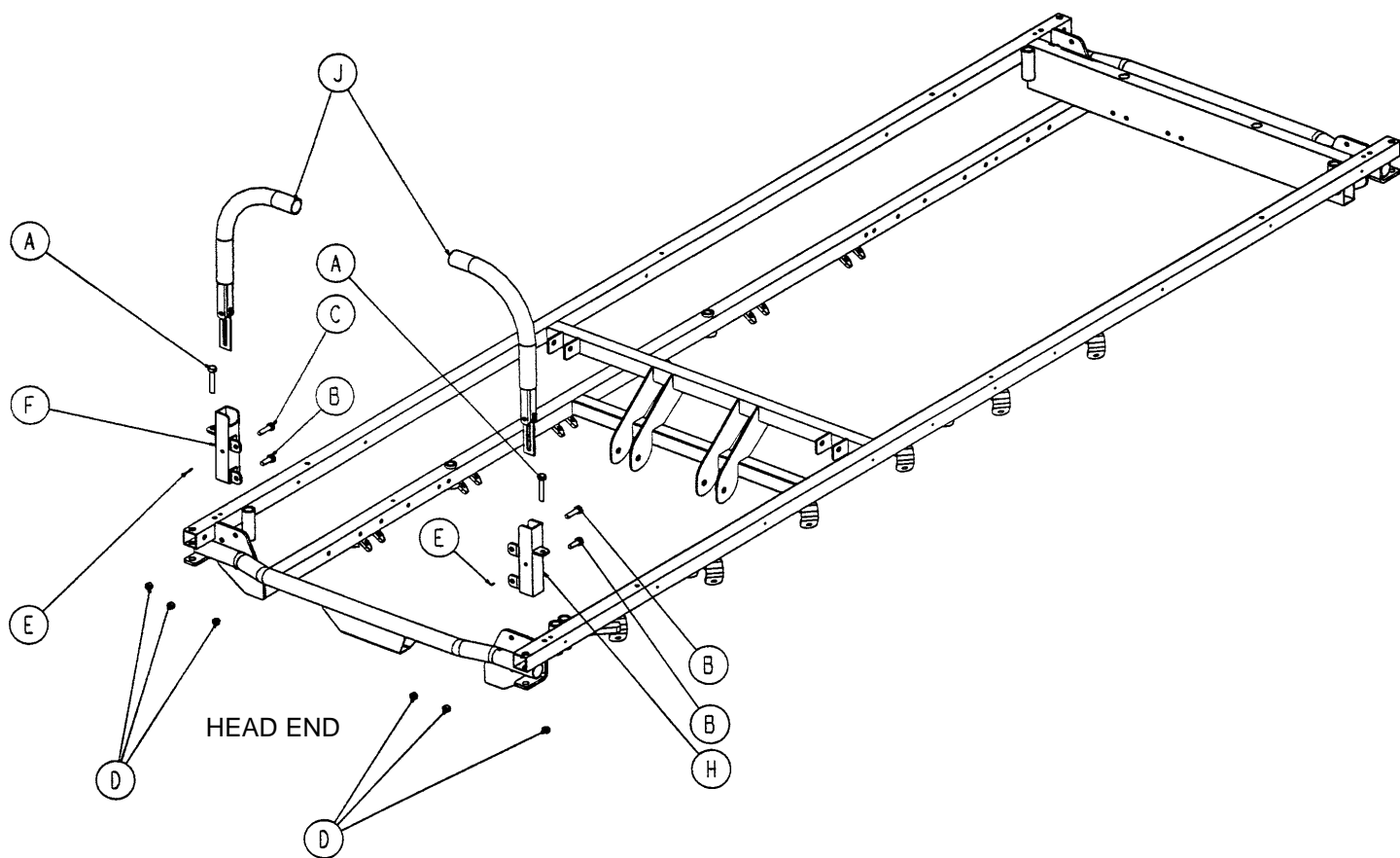
Litters with Fold-to-Head Siderails



Item	Part No.	Part Name	Qty.
A	0016-035-000	Hex Nut	4
B	0004-182-000	Soc. But. Hd. Cap Screw	2
C	0004-198-000	Soc. But. Hd. Cap Screw	2
D	0926-400-142	Bumper	2
E	1001-151-013	Spacer Post	2
F	1001-151-023	Bolt-On Push Handle Socket, Lt.	1
H	1001-151-024	Bolt-On Push Handle Socket, Rt.	1
J	(page 102)	Push Handle Assembly	2

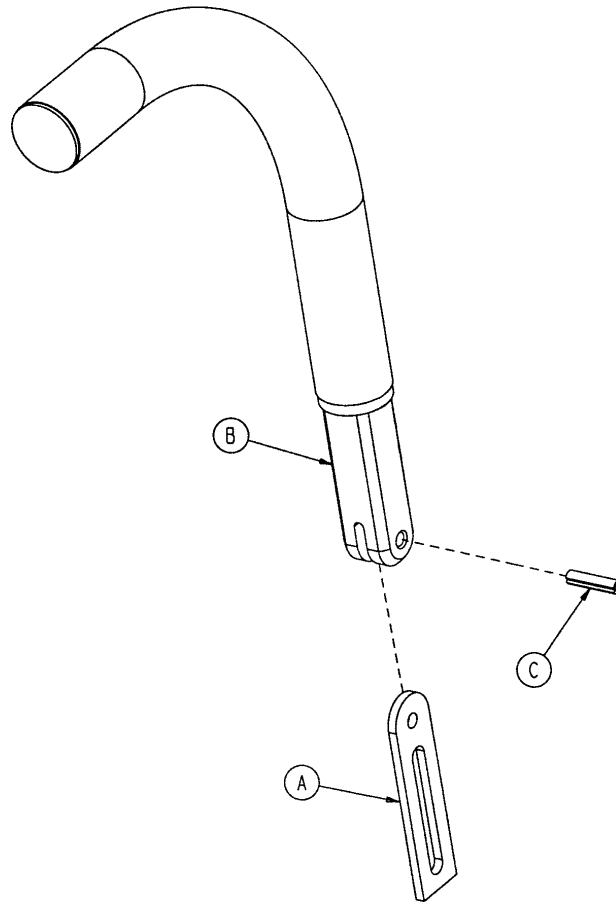
1001-152-000 Head End Push Handles

Litters with Fold-to-Footer Siderails



Item	Part No.	Part Name	Qty.
A	0003-355-000	Hex Hd. Cap Screw	2
B	0003-356-000	Hex Hd. Cap Screw	2
C	0003-357-000	Hex Hd. Cap Screw	2
D	0016-118-000	Hex Nut	6
E	0026-011-000	Spring Pin	2
F	1211-151-004	Receptacle, Left	1
H	1211-151-006	Receptacle, Right	1
J	(page 102)	Push Handle Assembly	2

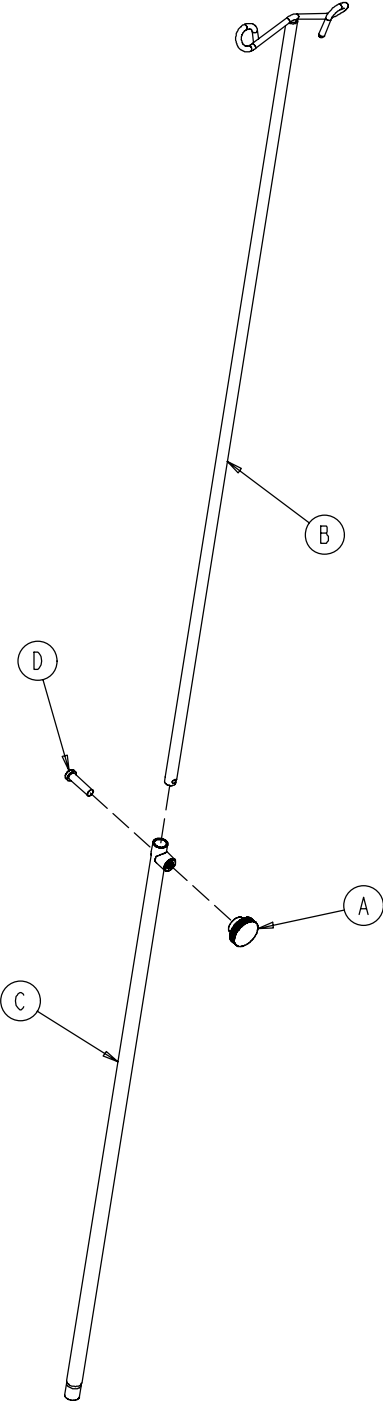
1211-351-010 Push Handle Assembly



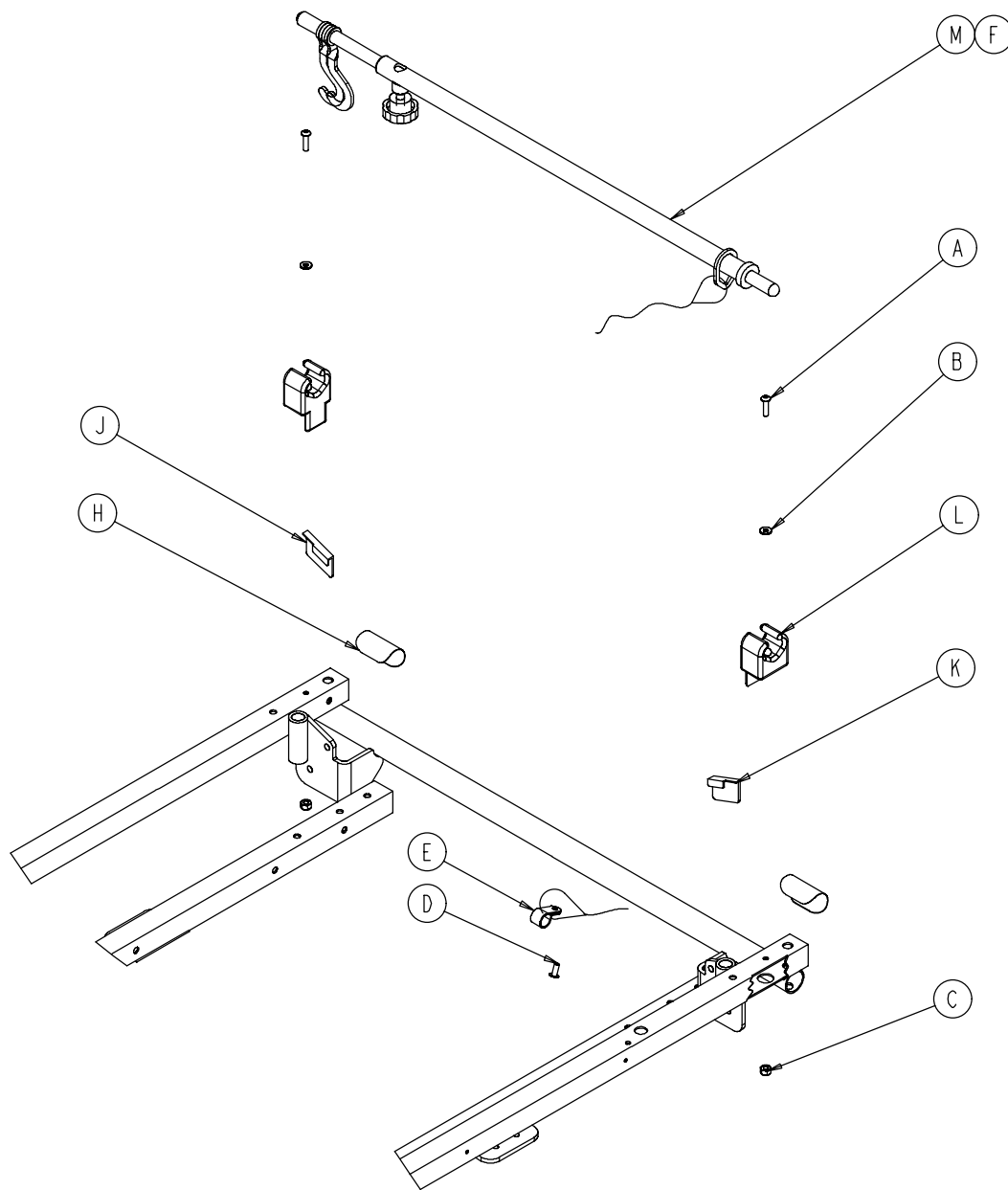
Item	Part No.	Part Name	Qty.
A	1010-354-024	Stop Link	1
B	1211-151-018	Sleeve Assembly	1
C	0026-118-000	Roll Pin	1

0390-025-000 Standard, Removable I.V. Pole Assembly

Item	Part No.	Part Name	Qty.
A	0024-023-000	Plastic Knob	1
B	0390-003-053	Double I.V. Ass'y	1
C	0393-003-043	Tube Assembly	1
D	0004-496-000	Soc. Hd. Cap Screw	1

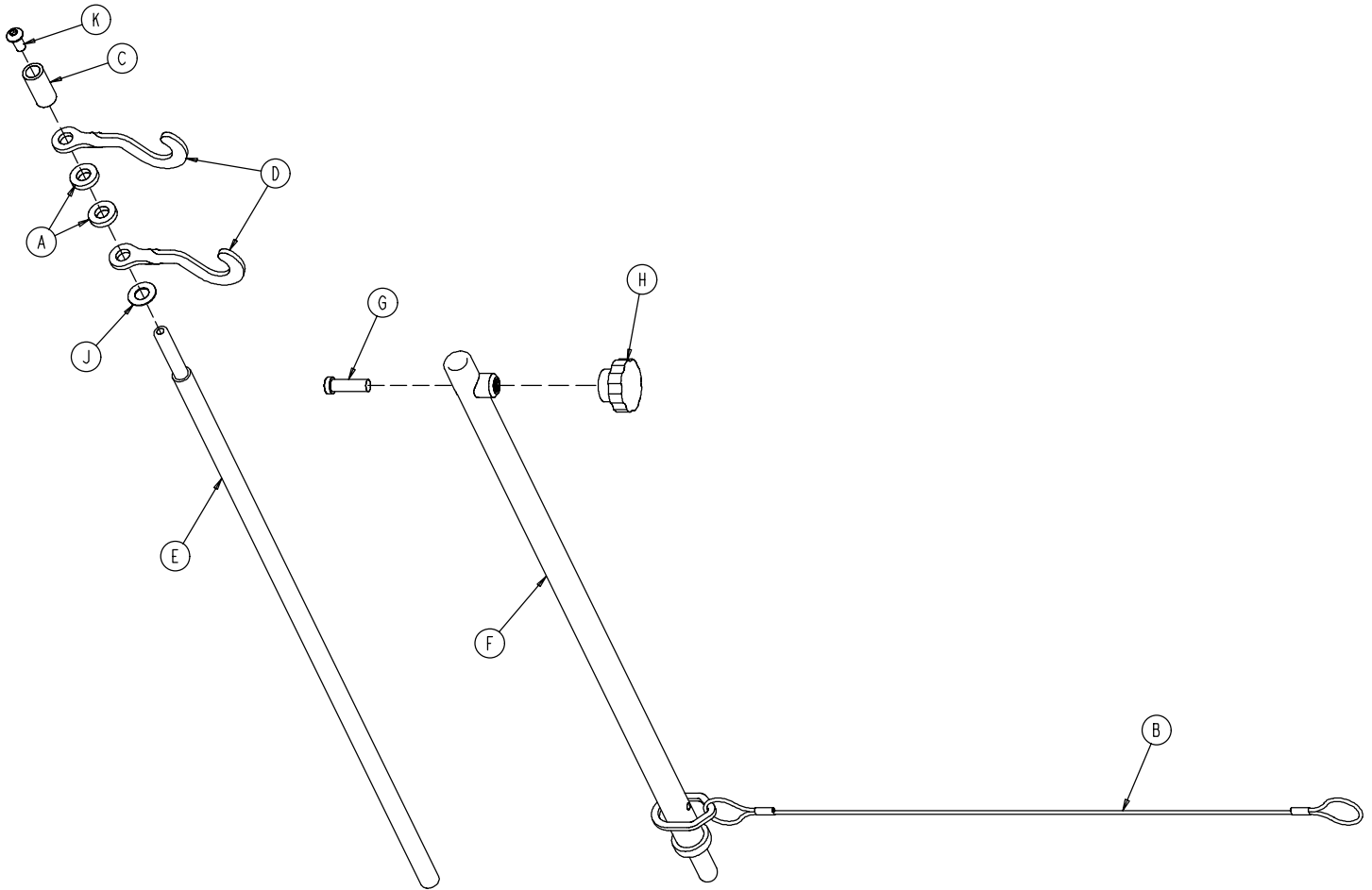


1001-117-000 & 1501-117-000 Optional Tethered I.V.



Item	Part No.	Part Name	Qty.
A	0004-107-000	Soc. Hd. Cap Screw	2
B	0011-062-000	Washer	2
C	0016-003-000	Fiberlock Nut	2
D	0025-179-000	Closed End Rivet	1
E	0034-022-000	Cord Clamp	1
F	0052-015-000	Spacer	1
H	1001-001-056	Round Hook Protector	2
J	1001-001-057	Hook Protector, Left	1
K	1001-001-058	Hook Protector, Right	1
L	1001-059-012	I.V. Clip	2
M	(page 105)	Tethered I.V. Pole Assembly	1

1211-117-010 Tethered I.V. Pole Assembly

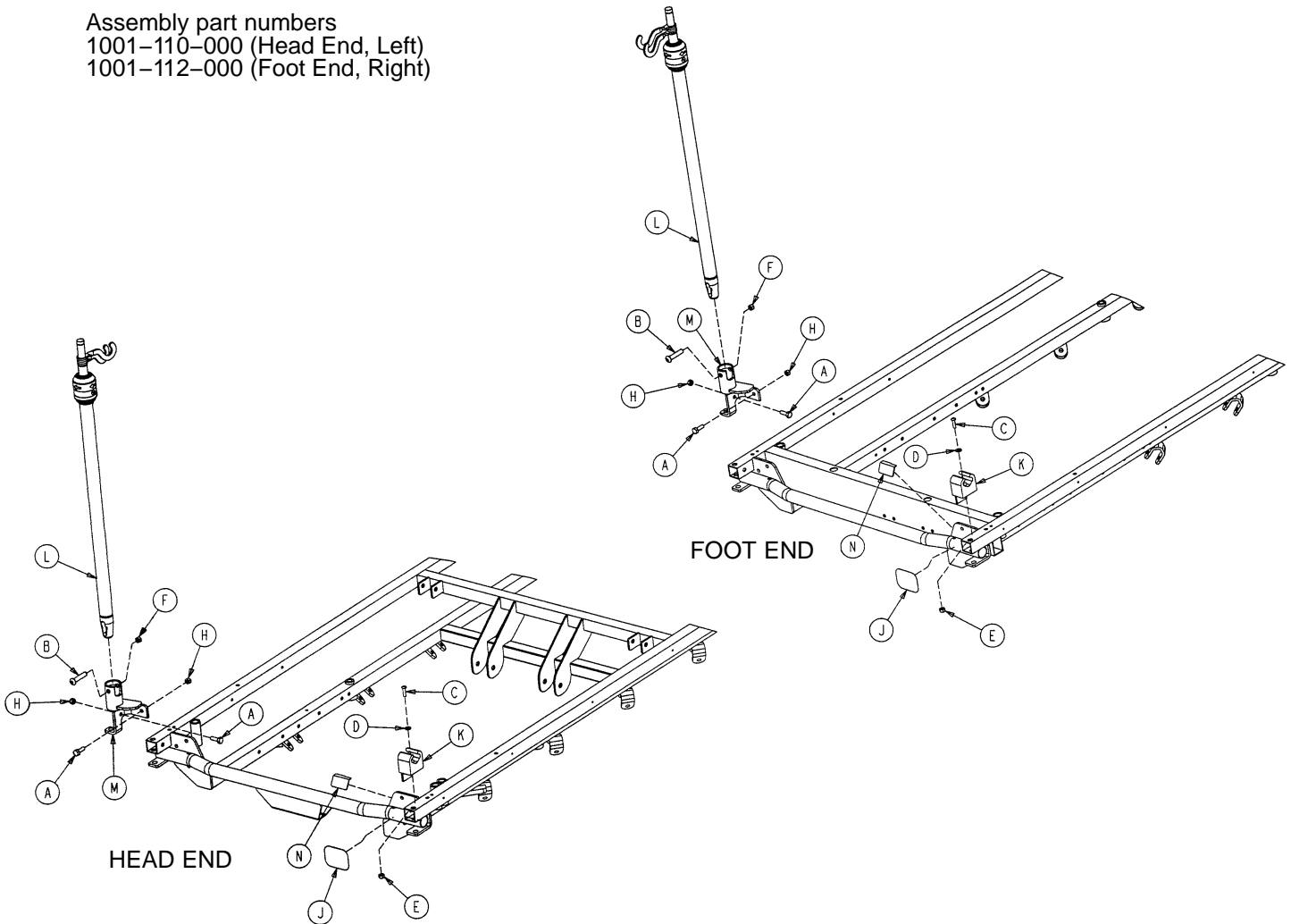


Item	Part No.	Part Name	Qty.
A	0052-017-000	Spacer	2
B	1211-117-020	Cable Assembly	1
C	0926-400-062	Stop Sleeve	1
D	1010-059-016	I.V. Hook	2
E	1211-117-011	Extension Rod	1
F	1211-117-012	Base Tube Weldment	1
G	0004-495-000	Low Hd. Soc. Hd. Cap Screw	1
H	1211-117-016	Knob	1
J	0014-020-000	Nylon Washer	1
K	0004-232-000	Button Hd. Cap Screw	1

1001 Optional 2-Stage I.V. Pole Mounting Assembly

Litters with Fold-to-Foot Siderails

Assembly part numbers
 1001-110-000 (Head End, Left)
 1001-112-000 (Foot End, Right)

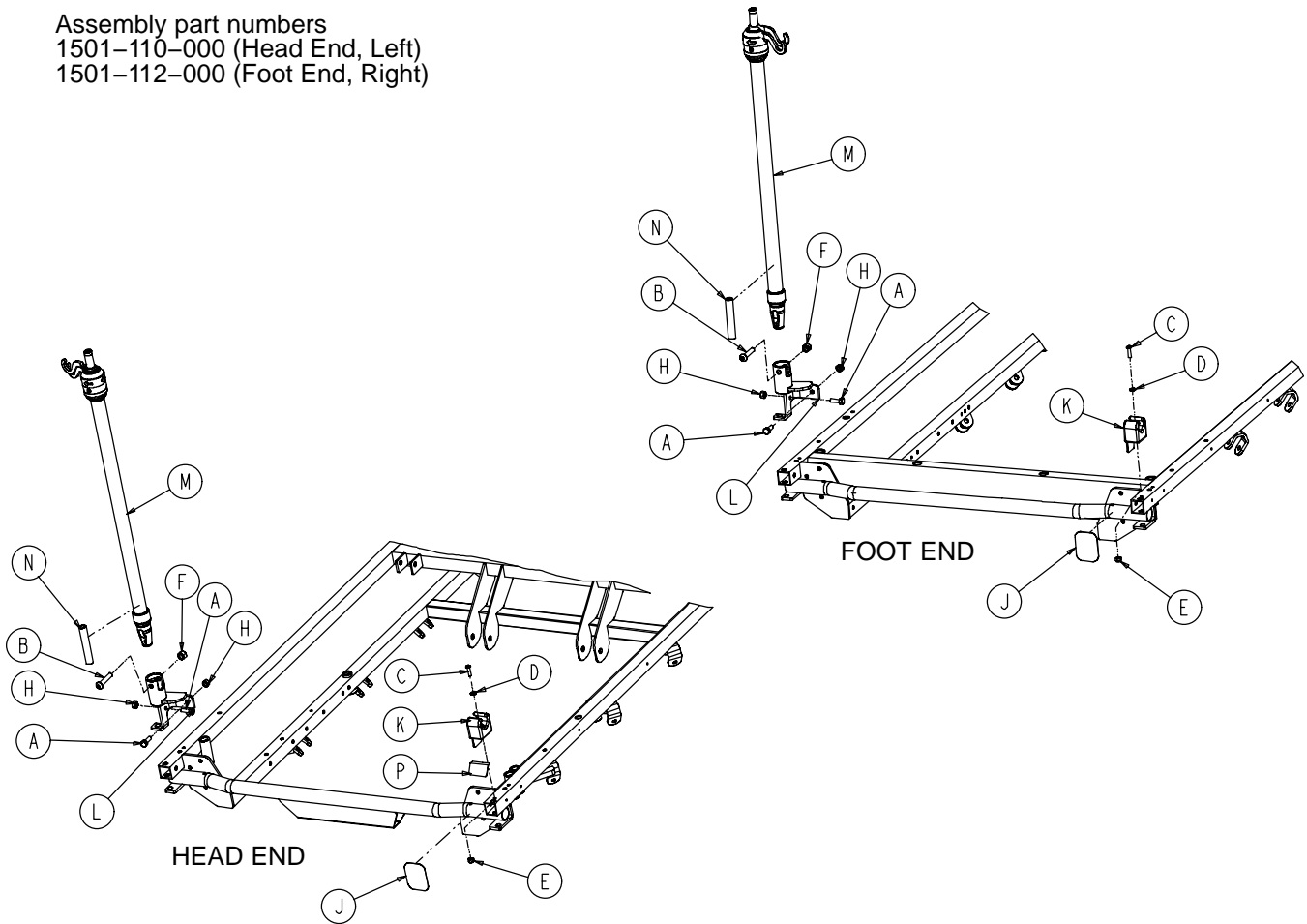


Item	Part No.	Part Name	Qty.
A	0003-356-000	Hex Hd. Cap Screw	2
B	0004-452-000	But. Hd. Cap Screw	1
C	0004-169-000	But. Hd. Cap Screw	1
D	0011-062-000	Washer	1
E	0016-121-000	Fiberlock Nut	1
F	0016-116-000	Center Lock Nut	1
H	0016-118-000	Fiberlock Nut	2
J	1001-001-056	Round Hook Protector	1
K	1001-059-012	I.V. Clip	1
L	(page 112)	I.V. Pole Assembly	1
M	1211-310-112	I.V. Pivot Weldment	1
N	1001-001-058	Hook Protector	1

1501 Optional 2-Stage I.V. Pole Mounting Assembly

Litters with Fold-to-Foot Siderails

Assembly part numbers
 1501-110-000 (Head End, Left)
 1501-112-000 (Foot End, Right)

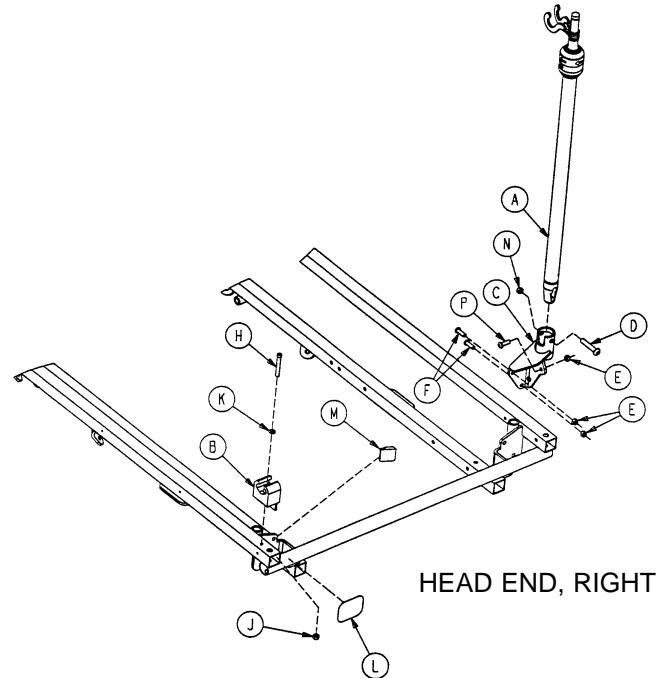
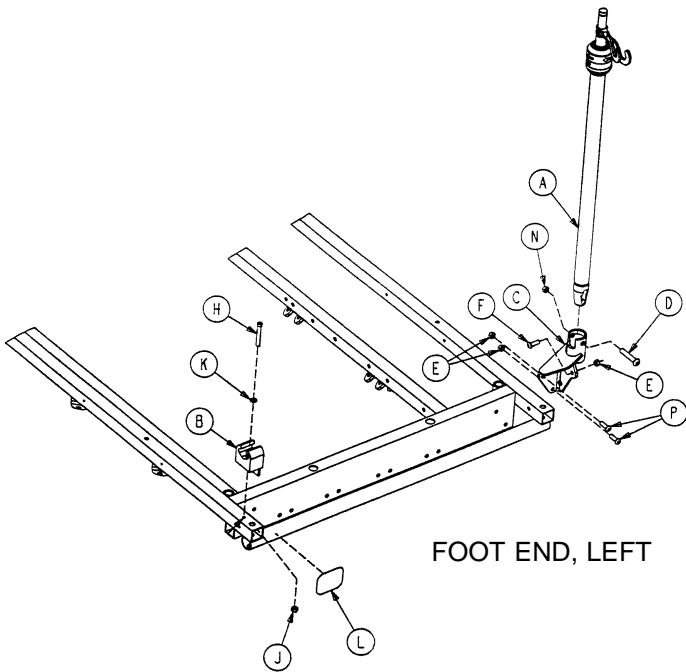


Item	Part No.	Part Name	Qty.
A	0003-356-000	Hex Hd. Cap Screw	2
B	0004-452-000	But. Hd. Cap Screw	1
C	0004-169-000	But. Hd. Cap Screw	1
D	0011-016-000	Washer	1
E	0016-003-000	Fiberlock Nut	1
F	0016-116-000	Center Lock Nut	1
H	0016-118-000	Fiberlock Nut	2
J	1001-001-056	Round Hook Protector	1
K	1001-059-012	I.V. Clip	1
L	1211-310-112	I.V. Pivot Weldment	1
M	(page 112)	I.V. Pole Assembly	1
N	1501-127-019	I.V. Plug	1
P	1001-001-058	Hook Protector, Right	1

1001 Optional 2-Stage I.V. Pole Mounting Assembly

Litters with Fold-to-Head Siderails

Assembly part numbers
 1001-080-000 (Foot End, Left)
 1001-083-000 (Head End, Right)



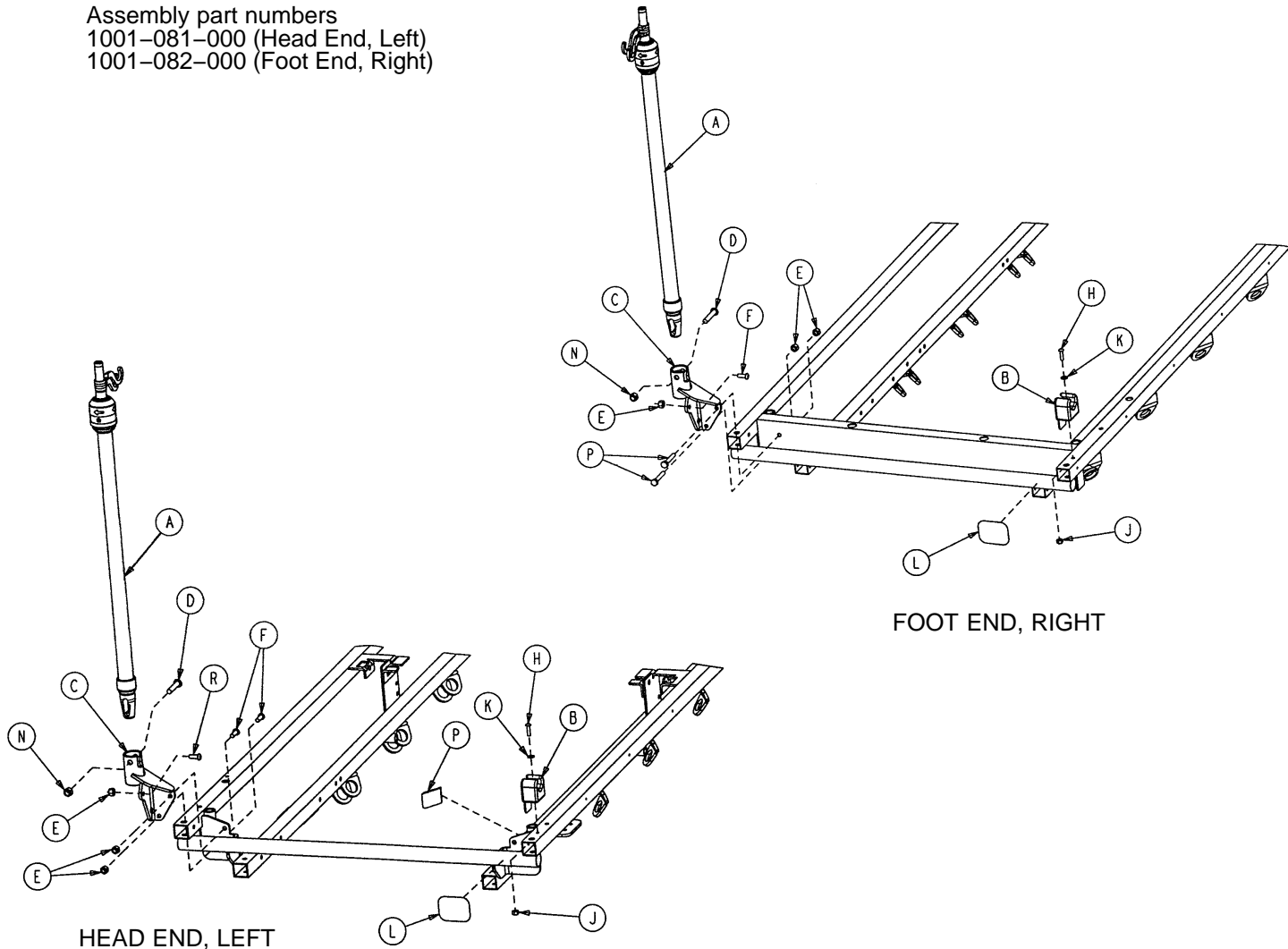
Item	Part No.	Part Name	Qty.
A	(page 112)	I.V. Pole Assembly	1
B	1001-059-012	I.V. Clip	1
C	1001-259-121	Pivot Weldment	1
D	0004-452-000	But. Hd. Cap Screw	1
E	0016-118-000	Nylock Hex Nut	3
F	0004-156-000	But. Hd. Cap Screw	1
H	0004-456-000	Soc. Hd. Cap Screw	1
J	0016-121-000	Fiberlock Hex Nut	1
K	0011-062-000	Washer	1
L	1001-001-056	Round Hook Protector	1
N	0016-116-000	Fiberlock Nut	1
P	0003-355-000	Hex Hd. Cap Screw	2

Item	Part No.	Part Name	Qty.
A	(page 112)	I.V. Pole Assembly	1
B	1001-059-012	I.V. Clip	1
C	1001-259-121	Pivot Weldment	1
D	0004-452-000	But. Hd. Cap Screw	1
E	0016-118-000	Nylock Hex Nut	3
F	0004-161-000	Button Hd. Cap Screw	2
H	0004-456-000	Soc. Hd. Cap Screw	1
J	0016-121-000	Fiberlock Hex Nut	1
K	0011-062-000	Washer	1
L	1001-001-056	Round Hook Protector	1
M	1001-001-057	Hook Protector, Left	1
N	0016-116-000	Fiberlock Nut	1
P	0004-156-000	But. Hd. Cap Screw	1

1001 Optional 2-Stage I.V. Pole Mounting Assembly

Litters with Fold-to-Head Siderails

Assembly part numbers
 1001-081-000 (Head End, Left)
 1001-082-000 (Foot End, Right)

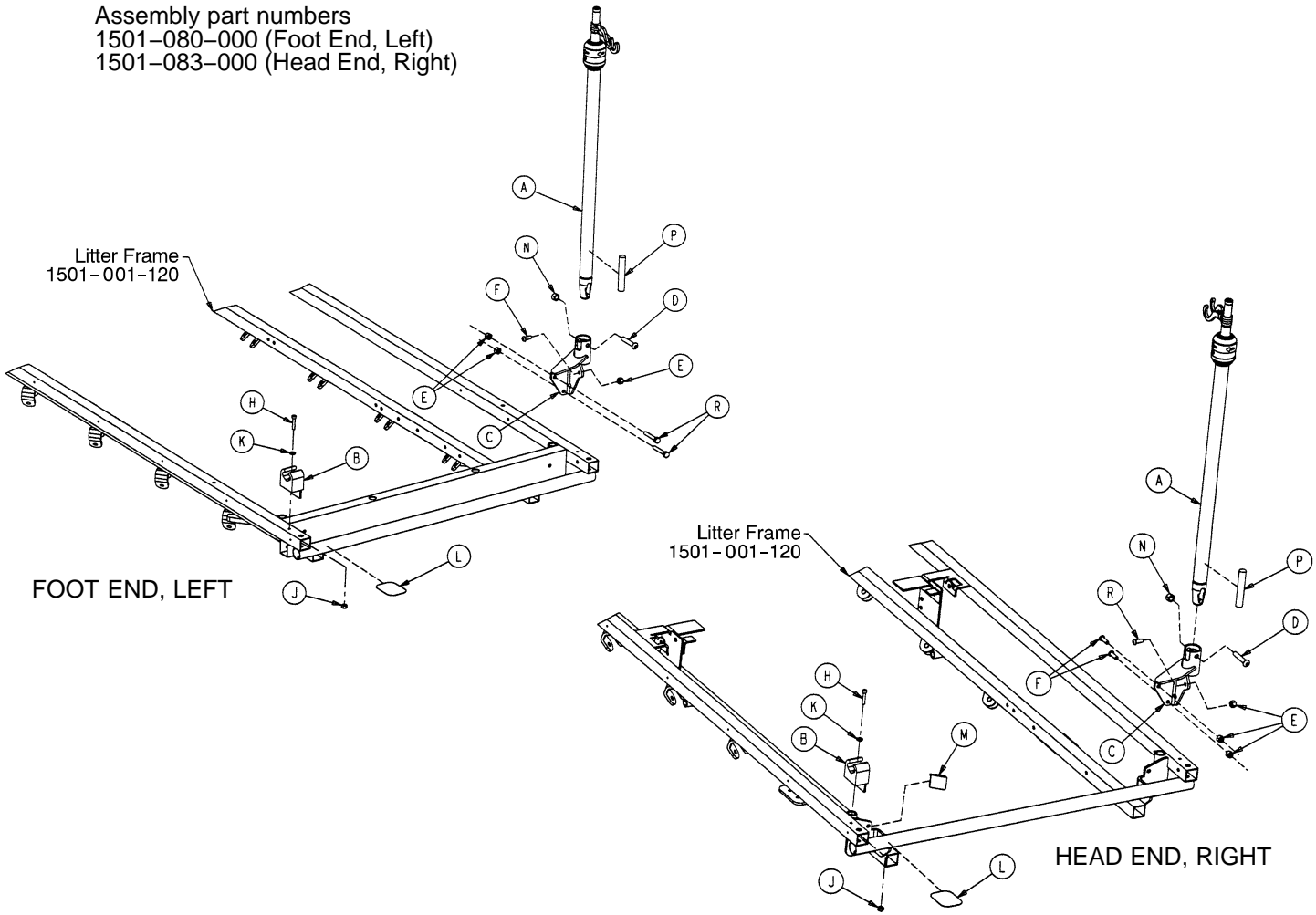


Item	Part No.	Part Name	Qty.	Item	Part No.	Part Name	Qty.
A	(page 112)	I.V. Pole Assembly	1	A	(page 112)	I.V. Pole Assembly	1
B	1001-059-012	I.V. Clip	1	B	1001-059-012	I.V. Clip	1
C	1001-259-122	Pivot Weldment	1	C	1001-259-122	Pivot Weldment	1
D	0004-452-000	But. Hd. Cap Screw	1	D	0004-452-000	But. Hd. Cap Screw	1
E	0016-118-000	Nylock Hex Nut	3	E	0016-118-000	Nylock Hex Nut	3
F	0004-161-000	Button Hd. Cap Screw	2	F	0004-156-000	Button Hd. Cap Screw	1
H	0004-456-000	Soc. Hd. Cap Screw	1	H	0004-456-000	Soc. Hd. Cap Screw	1
J	0016-121-000	Fiberlock Hex Nut	1	J	0016-121-000	Fiberlock Hex Nut	1
K	0011-062-000	Washer	1	K	0011-062-000	Washer	1
L	1001-001-056	Round Hook Protector	1	L	1001-001-056	Round Hook Protector	1
N	0016-116-000	Fiberlock Nut	1	N	0016-116-000	Fiberlock Nut	1
P	1001-001-058	Hook Protector	1	P	0003-355-000	Hex Hd. Cap Screw	2
R	0004-156-000	But. Hd. Cap Screw	1				

1501 Optional 2-Stage I.V. Pole Mounting Assembly

Litters with Fold-to-Head Siderails

Assembly part numbers
 1501-080-000 (Foot End, Left)
 1501-083-000 (Head End, Right)

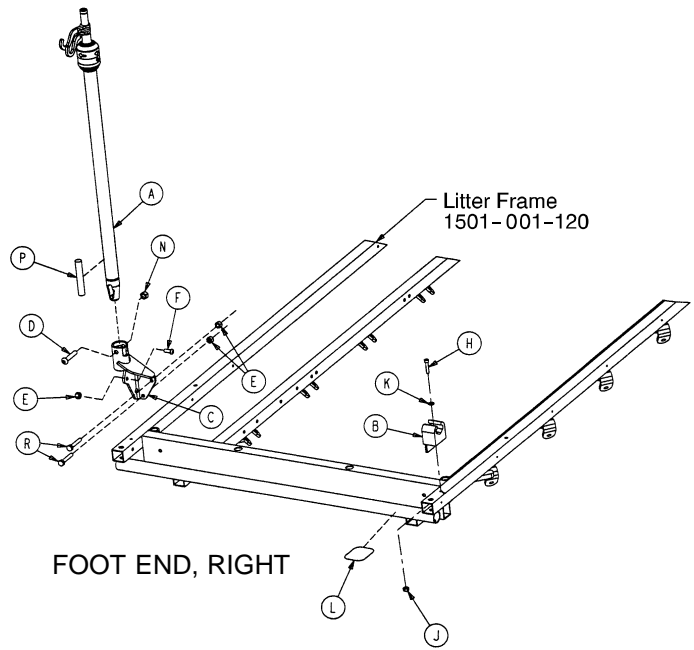
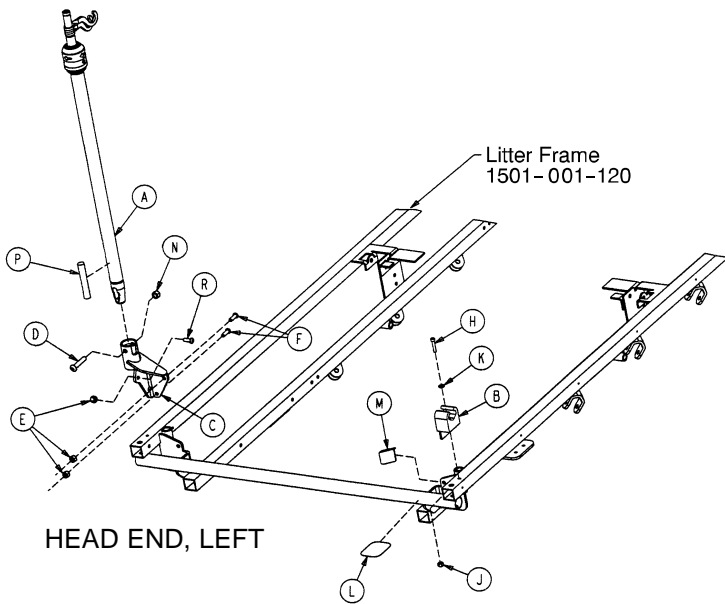


Item	Part No.	Part Name	Qty.	Item	Part No.	Part Name	Qty.
A	(page 112)	I.V. Pole Assembly	1	A	(page 112)	I.V. Pole Assembly	1
B	1001-059-012	I.V. Clip	1	B	1001-059-012	I.V. Clip	1
C	1001-259-121	I.V. Pivot	1	C	1001-259-121	I.V. Pivot	1
D	0004-199-000	But. Hd. Cap Screw	1	D	0004-199-000	But. Hd. Cap Screw	1
E	0016-028-000	Nylock Hex Nut	3	E	0016-028-000	Nylock Hex Nut	3
F	0004-156-000	Button Hd. Cap Screw	3	F	0004-161-000	But. Hd. Cap Screw	2
H	0004-456-000	Soc. Hd. Cap Screw	1	H	0004-456-000	Soc. Hd. Cap Screw	1
J	0016-003-000	Fiberlock Hex Nut	1	J	0016-003-000	Fiberlock Hex Nut	1
K	0011-016-000	Washer	1	K	0011-016-000	Washer	1
L	1001-001-056	Round Hook Protector	1	L	1001-001-056	Round Hook Protector	1
N	0016-011-000	Flexlock Nut	1	M	1001-001-057	Hook Protector, Lt.	1
P	1501-027-019	I.V. Plug	1	N	0016-011-000	Flexlock Nut	1
R	0003-047-000	Hex Hd. Cap Screw	2	P	1501-027-019	I.V. Plug	1
				R	0004-156-000	But. Hd. Cap Screw	2

1501 2-Stage I.V. Pole Mounting Assembly

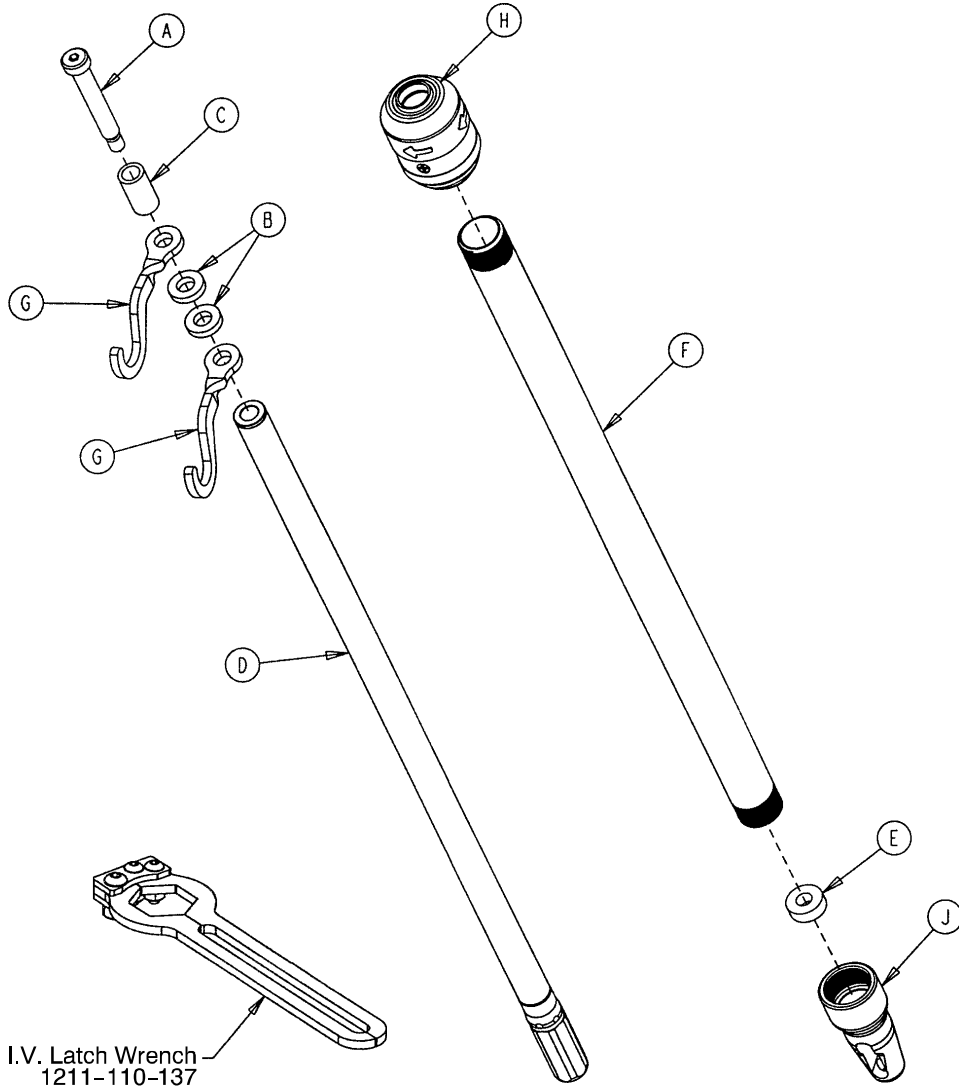
Litters with Fold-to-Head Siderails

Assembly part numbers
 1501-081-000 (Head End, Left)
 1501-082-000 (Foot End, Right)



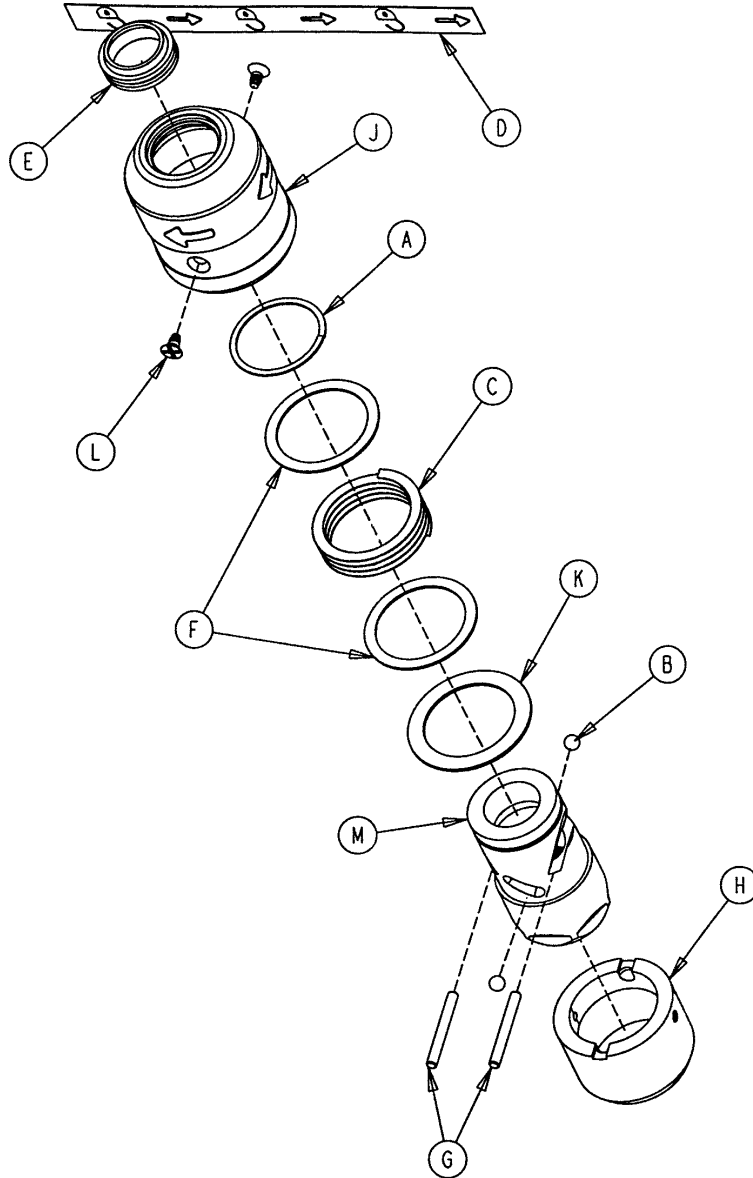
Item	Part No.	Part Name	Qty.	Item	Part No.	Part Name	Qty.
A	(page 112)	I.V. Pole Assembly	1	A	(page 112)	I.V. Pole Assembly	1
B	1001-059-012	I.V. Clip	1	B	1001-059-012	I.V. Clip	1
C	1001-259-122	I.V. Pivot	1	C	1001-259-122	I.V. Pivot	1
D	0004-452-000	But. Hd. Cap Screw	1	D	0004-452-000	But. Hd. Cap Screw	1
E	0016-118-000	Nylock Hex Nut	3	E	0016-118-000	Nylock Hex Nut	3
F	0004-161-000	Button Hd. Cap Screw	2	F	0004-156-000	Button Hd. Cap Screw	1
H	0004-456-000	Soc. Hd. Cap Screw	1	H	0004-456-000	Soc. Hd. Cap Screw	1
J	0016-003-000	Fiberlock Hex Nut	1	J	0016-003-000	Fiberlock Hex Nut	1
K	0011-062-000	Washer	1	K	0011-062-000	Washer	1
L	1001-001-056	Round Hook Protector	1	L	1001-001-056	Round Hook Protector	1
M	1001-001-058	Hook Protector, Rt.	1	N	0016-116-000	Flexlock Nut	1
N	0016-116-000	Flexlock Nut	1	P	1501-127-019	I.V. Plug	1
P	1501-127-019	I.V. Plug	1	R	0003-355-000	Hex Hd. Cap Screw	2
R	0004-156-000	But. Hd. Cap Screw	1				

1211-210-010 Optional 2-Stage I.V. Pole Assembly



Item	Part No.	Part Name	Qty.
A	0008-031-000	Soc. Hd. Cap Screw	1
B	0052-017-000	Washer	2
C	0926-400-162	Spacer	1
D	1211-210-029	2nd Stage Assembly	1
E	1001-359-013	Dampener	1
F	1001-159-028	Base Tube	1
G	1010-059-016	I.V. Hook	2
H	(page 113)	I.V. Pole Latch	1
J	1001-359-112	Pivot	1

1211-210-026 I.V. Pole Latch Assembly

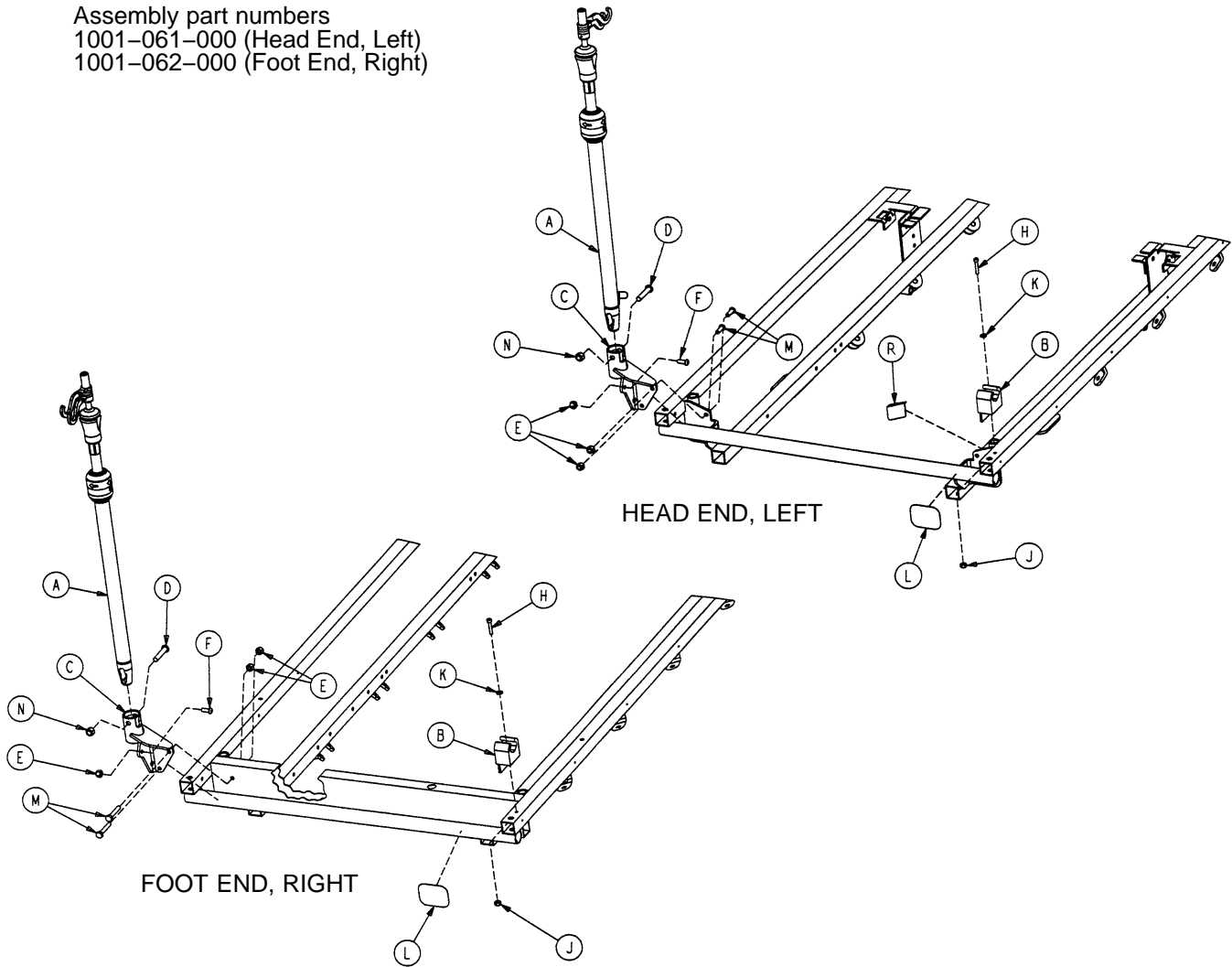


Item	Part No.	Part Name	Qty.
A	0028-167-000	Retaining Ring	1
B	0031-004-000	Steel Ball	2
C	0038-392-000	Crest-to-Crest Spring	1
D	1211-091-034	Release Label	1
E	1211-110-018	I.V. Latch Seal	1
F	1211-110-020	Washer	2
G	1211-110-021	I.V. Latch Locking Pin	2
H	1211-110-022	I.V. Latch Guide	1
J	1211-110-024	I.V. Latch O.D. Housing	1
K	1211-110-035	Washer	1
L	1211-110-036	Self-Tapping Screw	2
M	1211-210-023	I.V. Latch I.D. Housing	1

1001 Optional 3-Stage I.V. Pole Mounting Assembly

Litters with Fold-to-Head Siderails

Assembly part numbers
 1001-061-000 (Head End, Left)
 1001-062-000 (Foot End, Right)

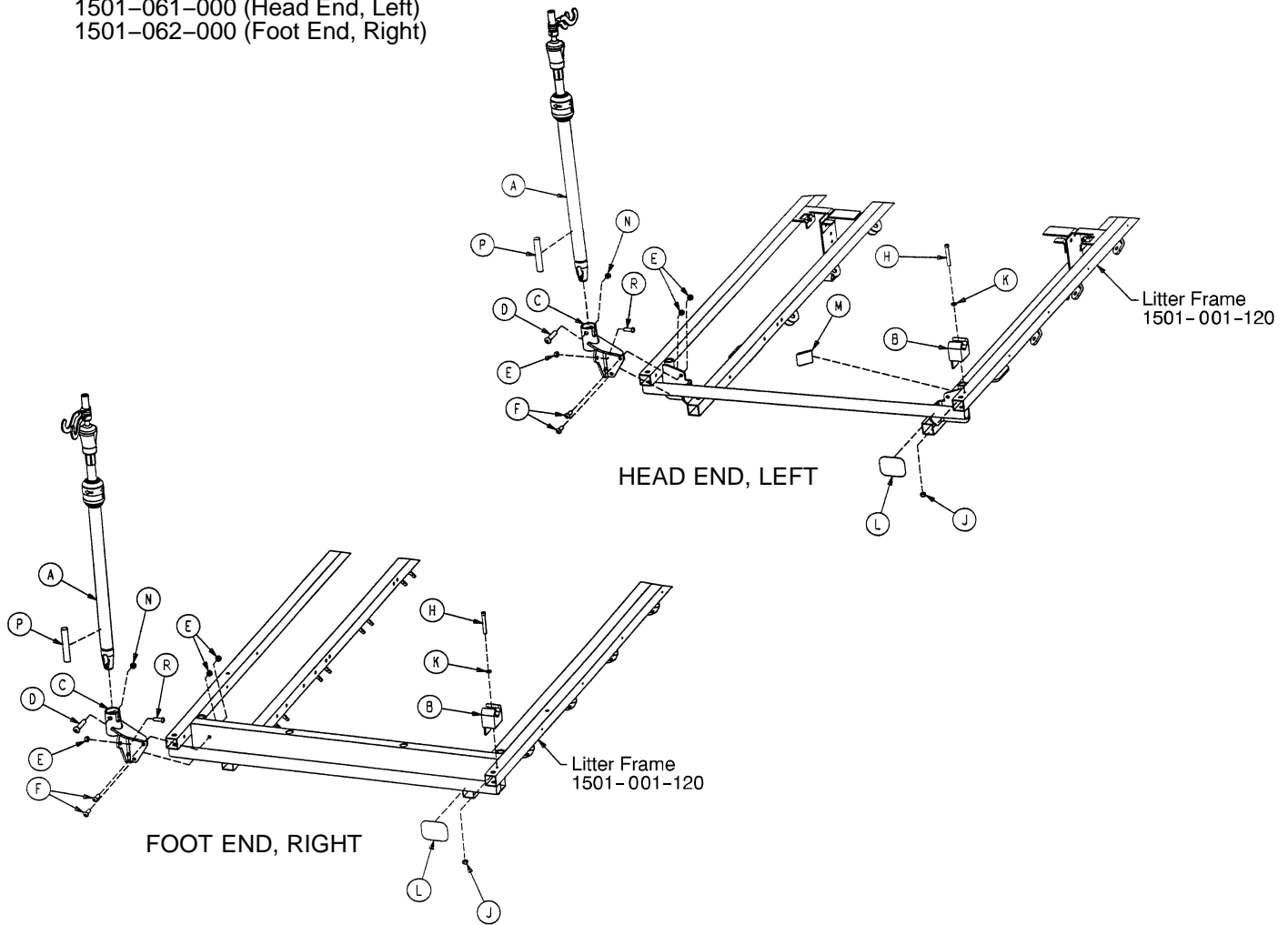


Item	Part No.	Part Name	Qty.	Item	Part No.	Part Name	Qty.
A	(page 118)	I.V. Pole Assembly	1	A	(page 118)	I.V. Pole Assembly	1
B	1001-059-012	I.V. Clip	1	B	1001-059-012	I.V. Clip	1
C	1001-259-122	I.V. Pivot	1	C	1001-259-122	I.V. Pivot	1
D	0004-452-000	But. Hd. Cap Screw	1	D	0004-452-000	But. Hd. Cap Screw	1
E	0016-118-000	Stover Lock Nut	3	E	0016-118-000	Stover Lock Nut	3
F	0004-156-000	But. Hd. Cap Screw	1	F	0004-156-000	Button Hd. Cap Screw	1
H	0004-456-000	Soc. Hd. Cap Screw	1	H	0004-456-000	Soc. Hd. Cap Screw	1
J	0016-121-000	Fiberlock Hex Nut	1	J	0016-121-000	Fiberlock Hex Nut	1
K	0011-062-000	Washer	1	K	0011-062-000	Washer	1
L	1001-001-056	Round Hook Protector	1	L	1001-001-056	Round Hook Protector	1
M	0004-161-000	Button Hd. Cap Screw	2	M	0003-355-000	Hex Hd. Cap Screw	2
N	0016-116-000	Flexlock Nut	1	N	0016-116-000	Flexlock Nut	1
R	1001-001-058	Hook Protector, Right	1				

1501 Optional 3-Stage I.V. Pole Mounting Assembly

Litters with Fold-to-Head Siderails

Assembly part numbers
 1501-061-000 (Head End, Left)
 1501-062-000 (Foot End, Right)

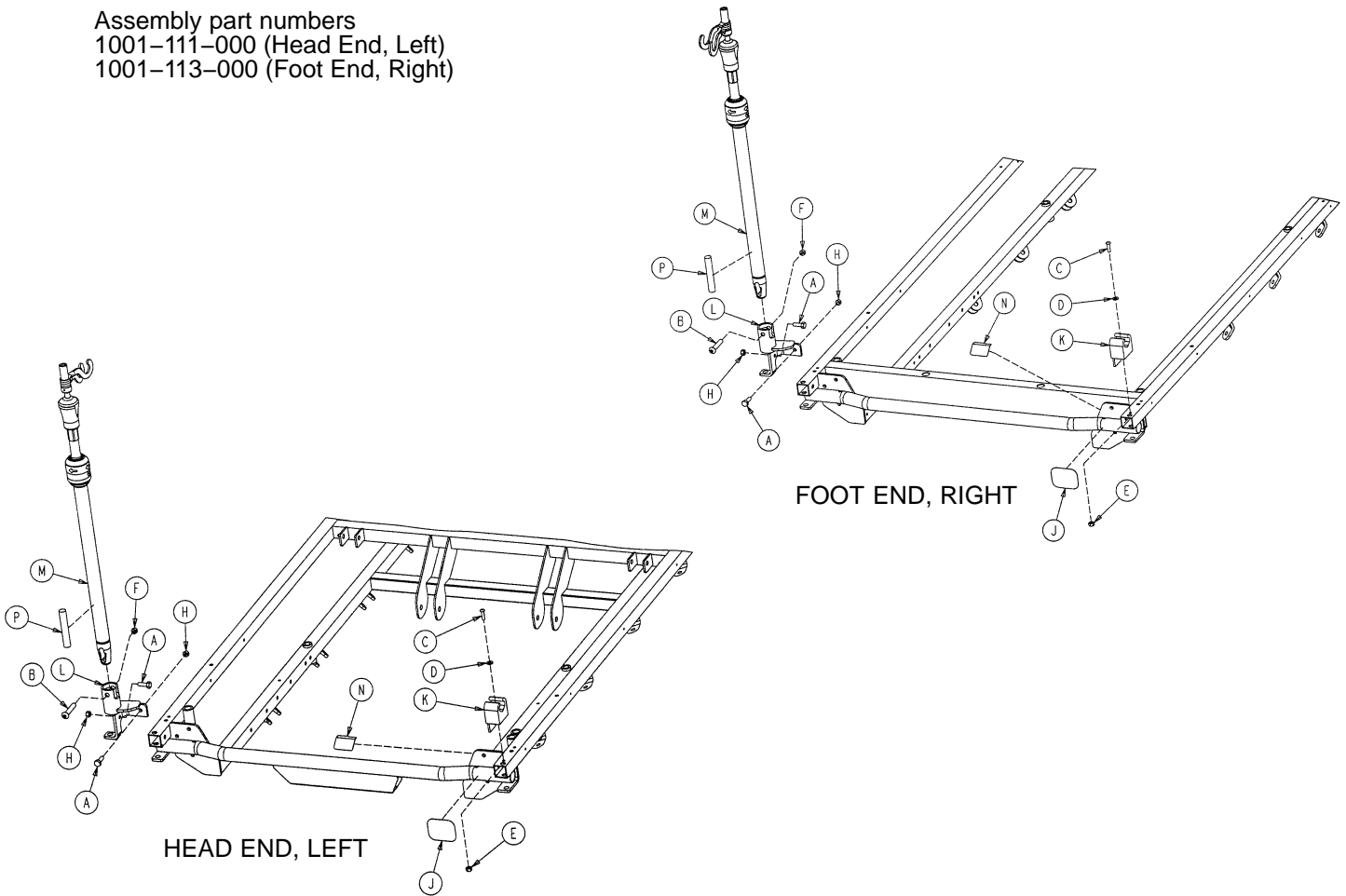


Item	Part No.	Part Name	Qty.
A	(page 118)	I.V. Pole Assembly	1
B	1001-059-012	I.V. Clip	1
C	1001-259-122	I.V. Pivot	1
D	0004-452-000	But. Hd. Cap Screw	1
E	0016-118-000	Nylock Hex Nut	3
F	0004-161-000	Button Hd. Cap Screw	2
H	0004-456-000	Soc. Hd. Cap Screw	1
J	0016-003-000	Fiberlock Hex Nut	1
K	0011-062-000	Washer	1
L	1001-001-056	Round Hook Protector	1
M	1001-001-058	Hook Protector, Right	1
N	0016-116-000	Flexlock Nut	1
P	1501-127-019	Plug	1
R	0004-156-000	Soc. Hd. Cap Screw	1

1001 Optional 3-Stage I.V. Pole Mounting Assembly

Litters with Fold-to-Foot Siderails

Assembly part numbers
 1001-111-000 (Head End, Left)
 1001-113-000 (Foot End, Right)

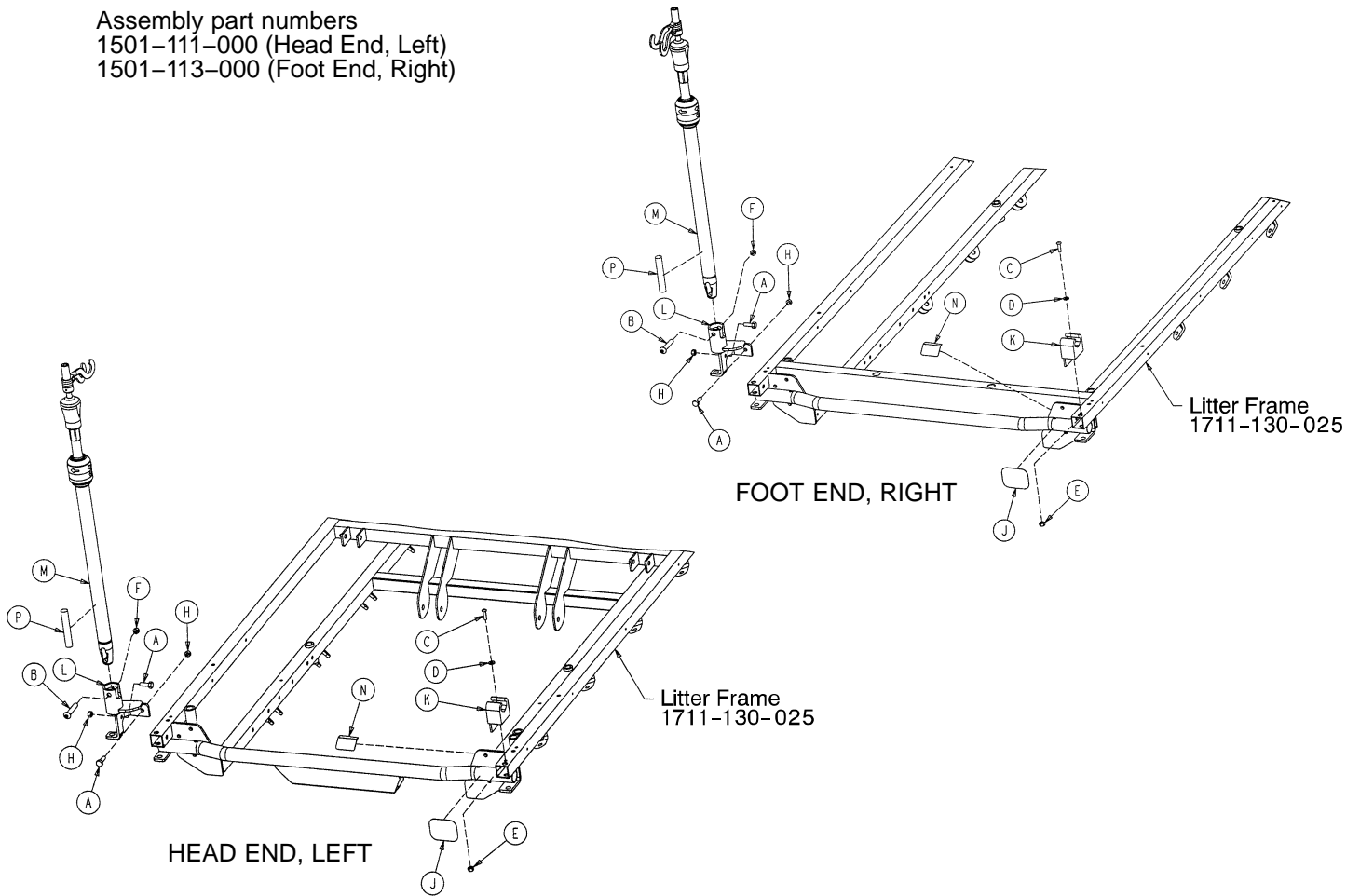


Item	Part No.	Part Name	Qty.
A	0003-356-000	Hex Hd. Cap Screw	2
B	0004-452-000	But. Hd. Cap Screw	1
C	0004-169-000	But. Hd. Cap Screw	1
D	0011-062-000	Washer	1
E	0016-121-000	Fiberlock Nut	1
F	0016-116-000	Flexlock Nut	1
H	0016-118-000	Fiberlock Nut	2
J	1001-001-056	Round Hook Protector	1
K	1001-059-012	I.V. Clip	1
L	1211-310-112	I.V. Pivot	1
M	(page 118)	I.V. Pole Assembly	1
N	1001-001-058	Hook Protector	1

1501 Optional 3-Stage I.V. Pole Mounting Assembly

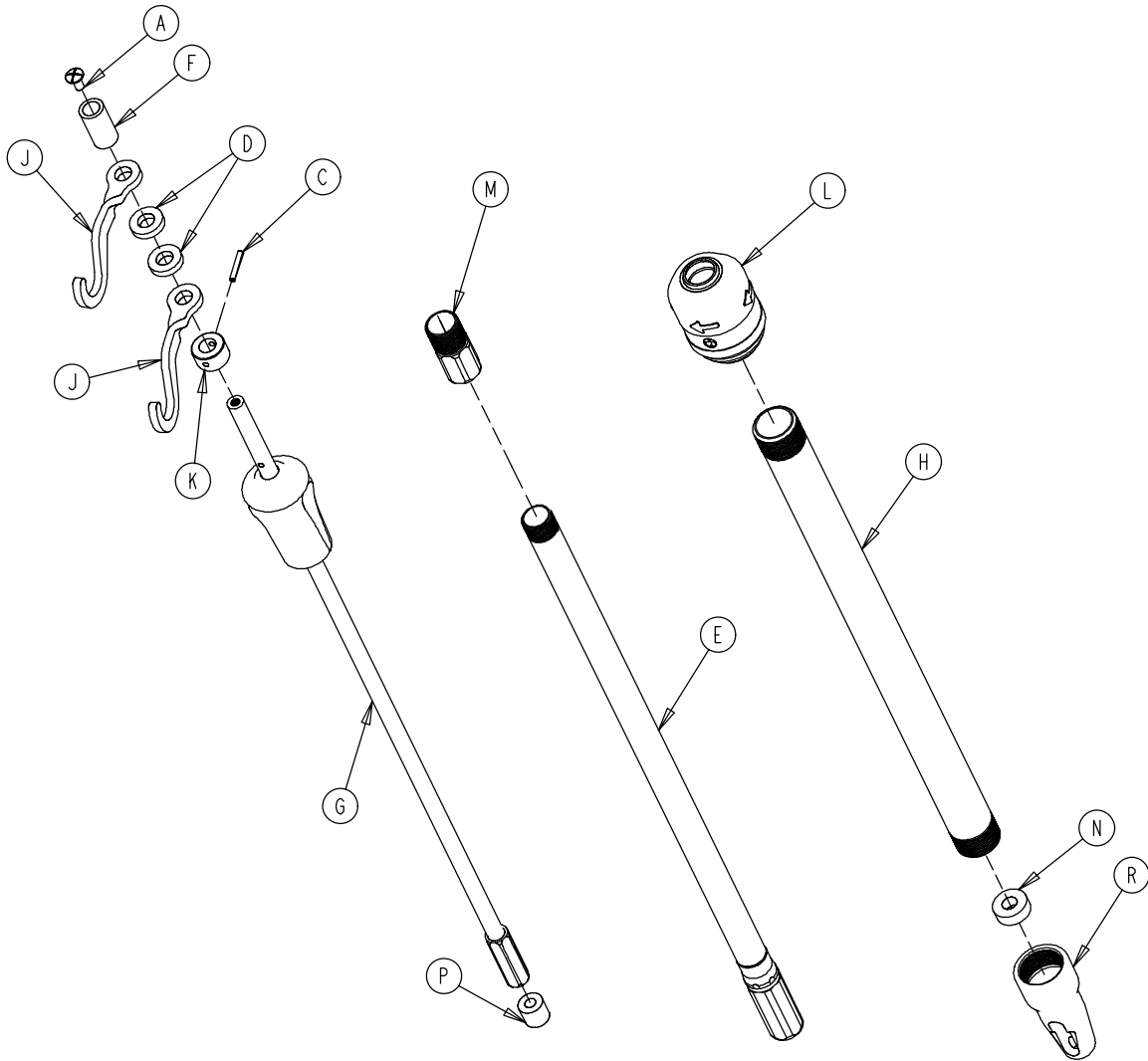
Litters with Fold-to-Foot Siderails

Assembly part numbers
 1501-111-000 (Head End, Left)
 1501-113-000 (Foot End, Right)



Item	Part No.	Part Name	Qty.
A	0003-356-000	Hex Hd. Cap Screw	2
B	0004-452-000	But. Hd. Cap Screw	1
C	0004-169-000	But. Hd. Cap Screw	1
D	0011-016-000	Washer	1
E	0016-003-000	Fiberlock Nut	1
F	0016-116-000	Center Lock Nut	1
H	0016-118-000	Fiberlock Nut	2
J	1001-001-056	Round Hook Protector	1
K	1001-059-012	I.V. Clip	1
L	1211-110-112	I.V. Pivot	1
M	(page 118)	I.V. Pole Assembly	1
N	1001-001-058	Hook Protector	1
P	1501-127-019	Plug	1

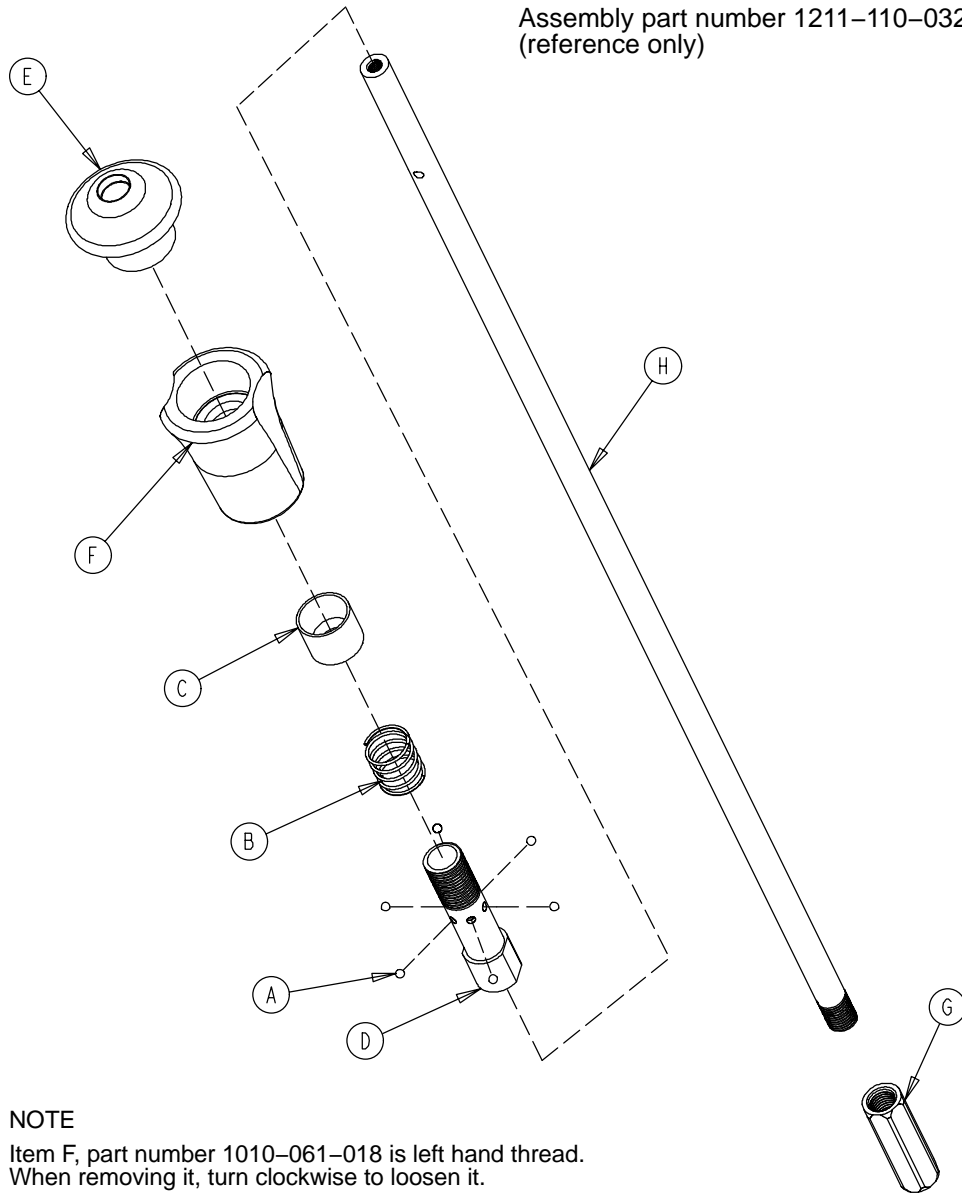
1211-211-010 Optional 3-Stage I.V. Pole Assembly



Item	Part No.	Part Name	Qty.
A	0007-004-000	Truss Hd. Machine Screw	1
C	0026-076-000	Roll Pin	1
D	0052-017-000	Spacer	2
E	1211-210-031	2nd Stage Assembly	1
F	0926-400-162	Spacer	1
G	(page 119)	3rd Stage Assembly	1
H	1001-161-023	Base Tube	1
J	1010-059-016	I.V. Hook	2
K	1010-061-014	Collar	1
L	(page 113)	I.V. Pole Latch	1
M	1211-110-016	Threaded Adaptor	1
N	1001-359-013	Dampener	1
P	1001-359-014	Dampener	1
R	1001-359-112	Pivot	1

3-Stage I.V. Pole 3rd Stage Assembly

Assembly part number 1211-110-032
(reference only)

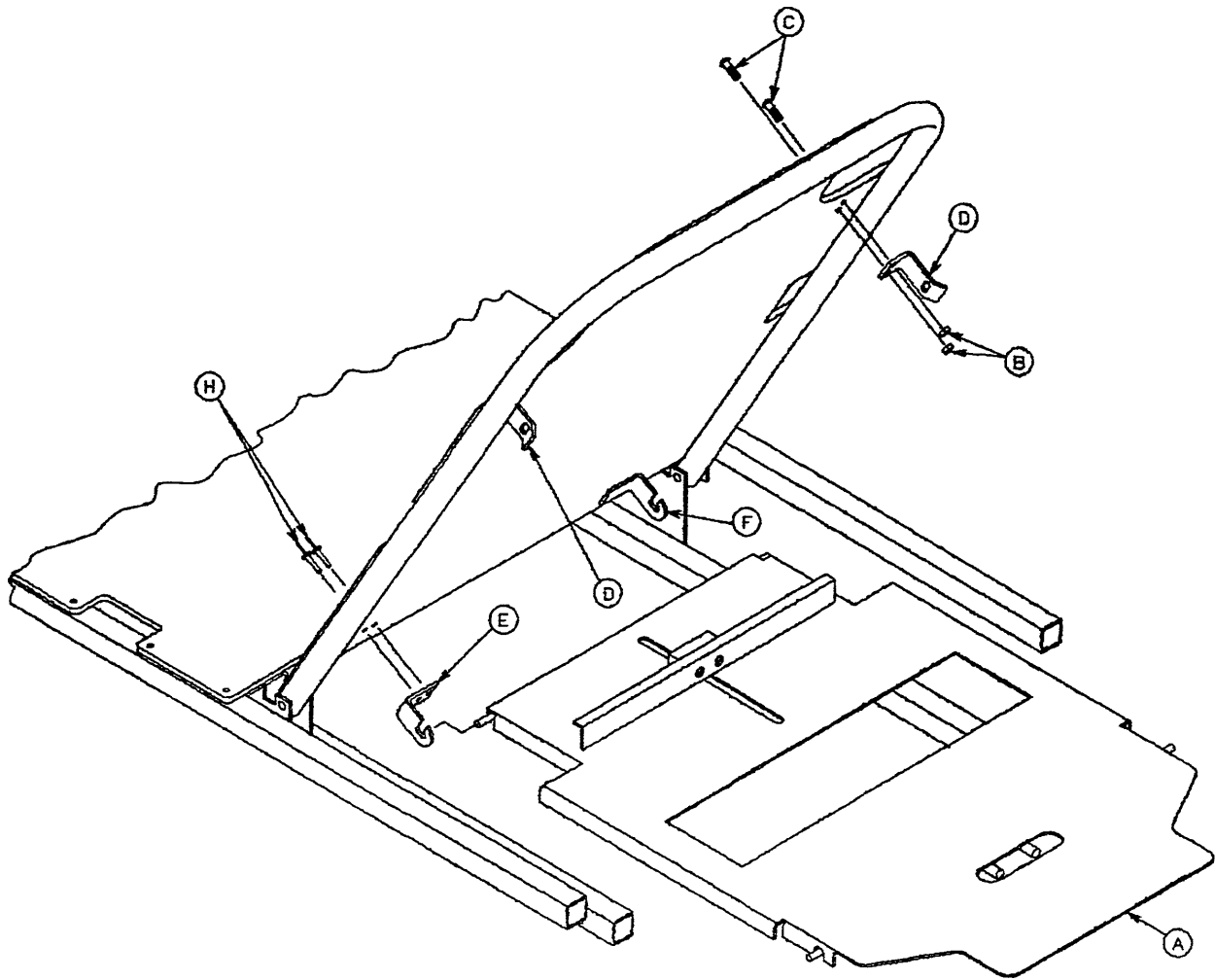


NOTE

Item F, part number 1010-061-018 is left hand thread.
When removing it, turn clockwise to loosen it.

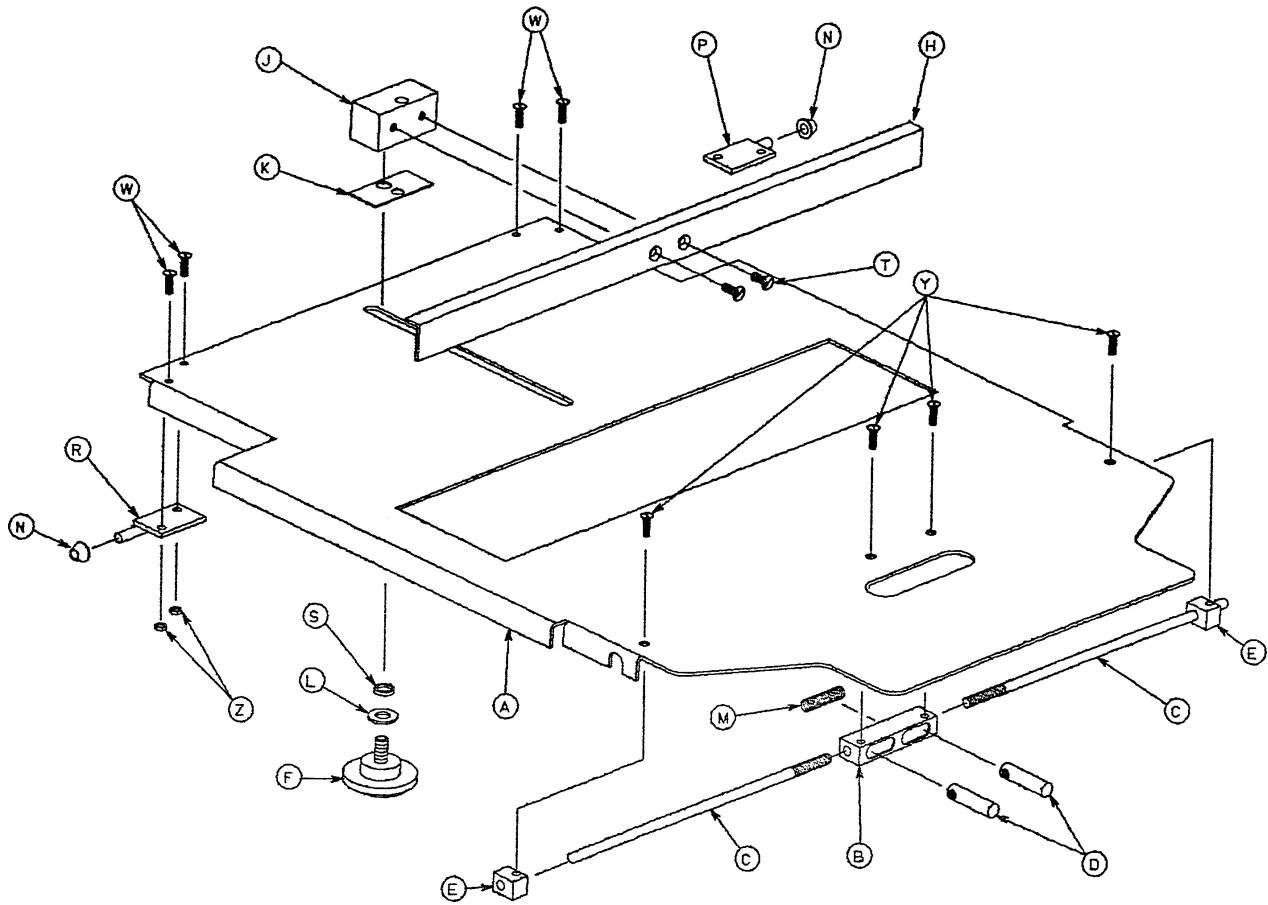
Item	Part No.	Part Name	Qty.
A	0031-021-000	Ball	6
B	0038-303-000	Compression Spring	1
C	1010-061-013	Ball Retainer	1
D	1010-061-016	Retaining Shaft	1
E	1010-061-017	Thumb Knob	1
F	1010-061-018	Hand Guard	1
G	1211-110-117	Nut	1
H	1211-110-033	3rd Extension Rod	1

1001-023-000 Fowler X-Ray Cassette Mounting Ass'y Litters with Fold-to-Head Siderails



Item	Part No.	Part Name	Qty.
A	(page 121)	X-Ray Cassette Ass'y	1
B	0016-121-000	Self-Locking Nut	4
C	0004-456-000	Button Hd. Cap Screw	4
D	1001-023-013	Tray Latch	2
E	1020-023-013	Tray Hinge, Right	1
F	1020-023-012	Tray Hinge, Left	1
H	0025-086-000	Pop Rivet	4

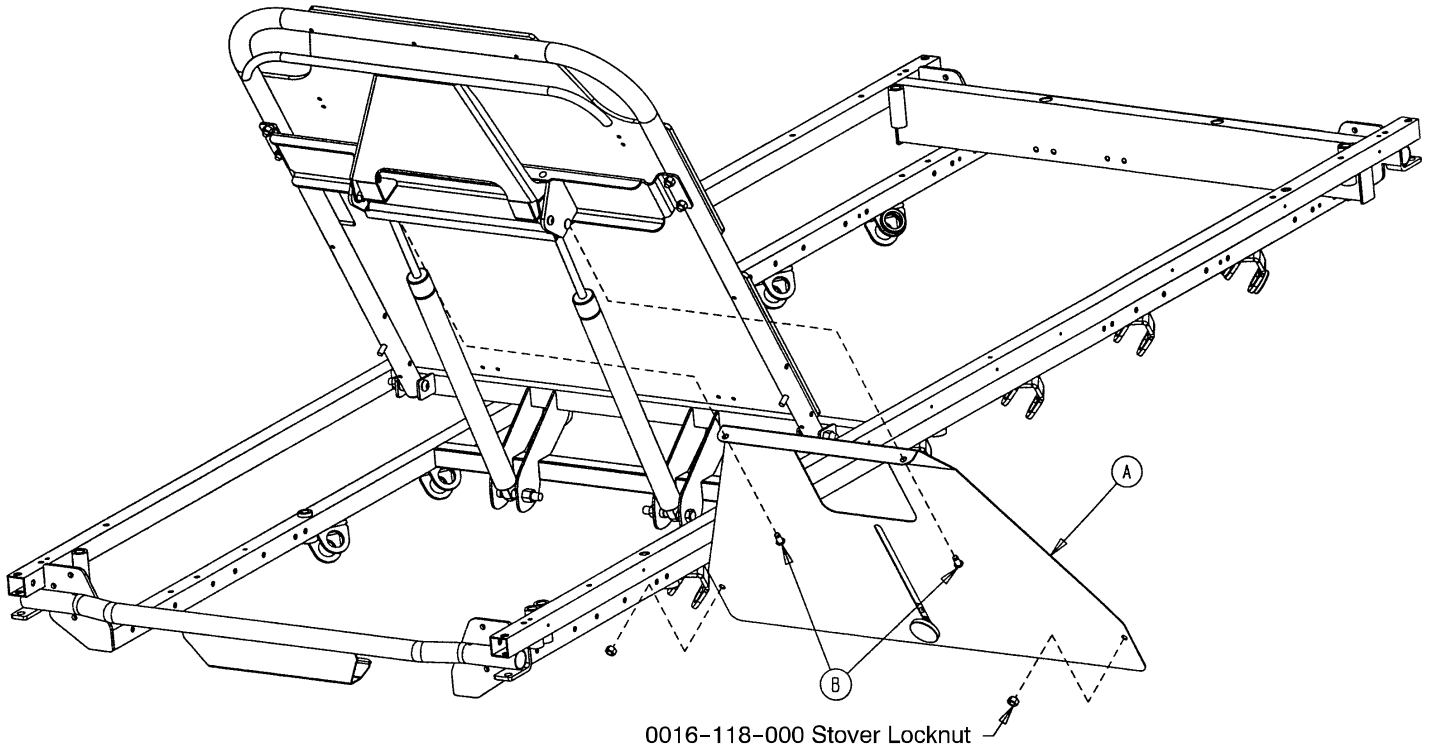
1001-023-010 Fowler X-Ray Cassette Assembly, Litters with Fold-to-Head Siderails



Item	Part No.	Part Name	Qty.
A	1001-023-012	Tray	1
B	1020-023-016	Post Housing	1
C	1001-023-014	Actuating Rod	2
D	0926-023-064	Post	2
E	1010-023-037	Rod Guide	2
F	1020-023-021	Knob	1
H	1010-023-028	Tray Angle	1
J	0926-023-070	Block Assembly	1
K	0926-023-069	Washer	1
L	0014-003-000	Washer	1
M	0038-122-000	Compression Spring	1
N	1020-023-026	Spacer	2
P	1020-023-019	Tray Hinge, Right	1
R	1020-023-020	Tray Hinge, Left	1
S	0926-023-071	Bushing	1
T	0001-020-000	Flat Hd. Mach. Screw	2
W	0004-149-000	Button Hd. Cap Screw	4
Y	0001-022-000	Flat Hd. Mach. Screw	4
Z	0016-003-000	Nylock Hex Nut	4
AA	1010-023-019	Instruction Label	1
AB	1001-023-025	Specification Label	1

Fowler X-Ray Cassette Mounting Assembly, Litters with Fold-to-Foot Siderails

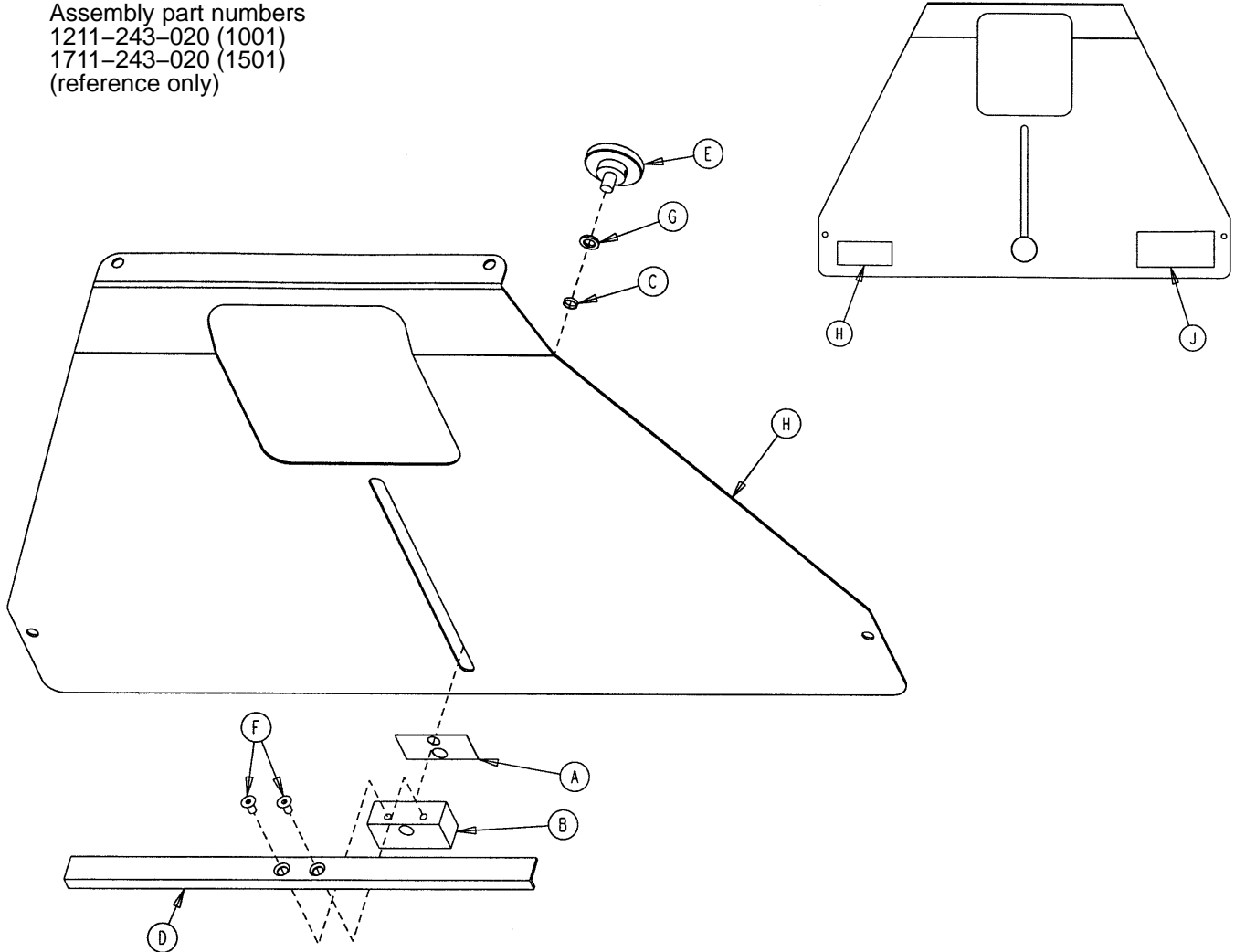
Assembly part numbers 1211-243-010 (1001) & 1711-243-010 (1501)



Item	Part No.	Part Name	Qty.
A	(page 123)	X-Ray Cassette Assembly	1
B	0025-121-000	Rivet	2

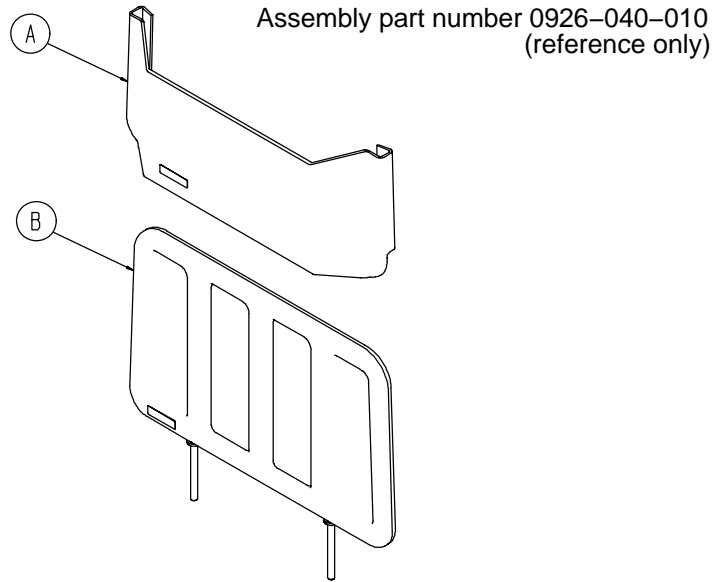
Fowler X-Ray Cassette Assembly, Litters with Fold-to-Foot Siderails

Assembly part numbers
 1211-243-020 (1001)
 1711-243-020 (1501)
 (reference only)



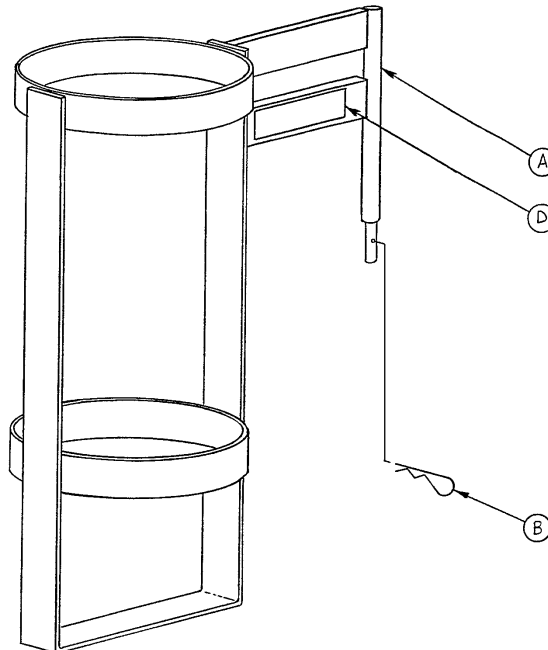
Item	Part No.	Part Name	Qty.
A	0926-023-069	Washer	1
B	0926-023-070	Block Assembly	1
C	0926-023-071	Bushing	1
D	1010-023-028	Tray Angle	1
E	1020-023-021	Knob Assembly	1
F	0001-030-000	Flat Hd. Mach. Screw	2
G	0014-003-000	Thrust Washer	1
H	1211-243-012	X-Ray Cassette Tray	1
J	1711-243-012	X-Ray Cassette Tray	1
K	1010-023-018	Warning Label	1
	1211-243-025	Specification Label	1
	1711-243-025	Specification Label	1

0926-040-100 Foot Board/Chartholder Assembly



Item	Part No.	Part Name	Qty.
A	0946-028-011	Chart Holder	1
B	0946-029-006	Foot Board	1

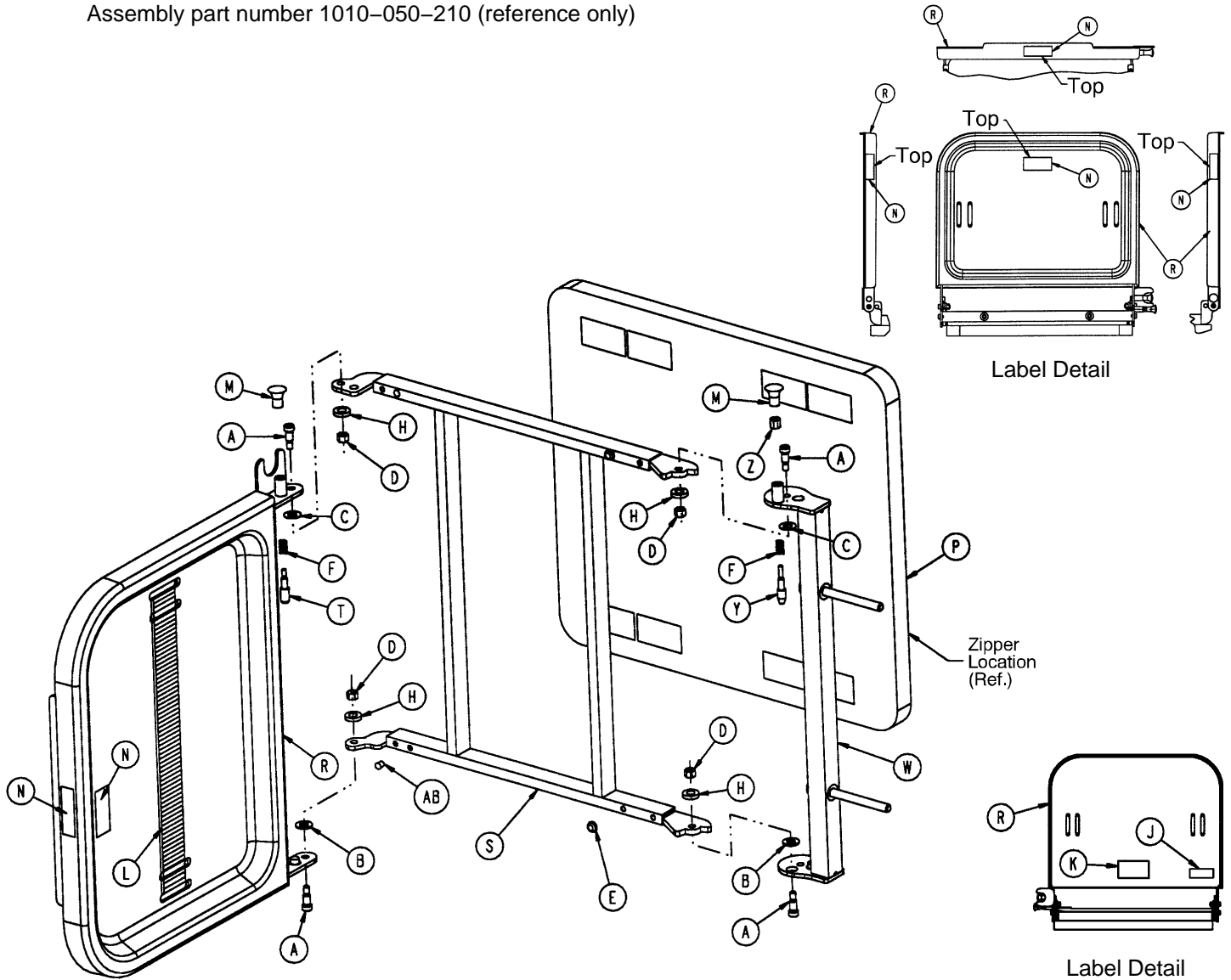
1020-030-000 Upright Oxygen Bottle Holder Ass'y



Item	Part No.	Part Name	Qty.
A	1020-030-011	Upright Bottle Holder	1
B	0027-012-000	Cotter Pin	1
D	1020-030-017	Specification Label	1

1010-050-100 Foot Extension/Defibrillator Tray Ass'y

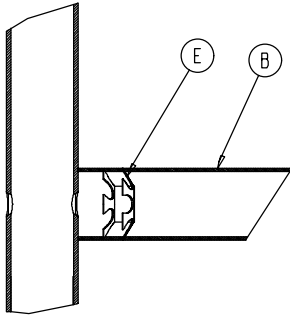
Assembly part number 1010-050-210 (reference only)



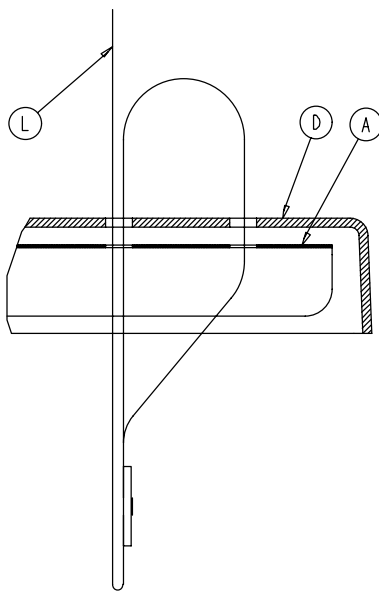
Item	Part No.	Part Name	Qty.	Item	Part No.	Part Name	Qty.
A	0008-049-000	Soc. Hd. Shoulder Bolt	4	M	1010-050-050	Knob	2
B	0014-020-000	Nylon Washer	2	N	1010-050-057	"Max. Weight" Label	4
C	0014-021-000	Nylon Washer	2	P	1010-050-205	Cushion Assembly	1
D	0016-028-000	Fiberlock Nut	4	R	1010-050-218	Foot & Tray Board	1
E	0037-052-000	Rubber Bumper	2	S	1010-050-225	Pivot Frame Weldment	1
F	0038-133-000	Spring	2	T	1010-050-242	Pin Lock	1
H	0052-017-000	Spacer	4	W	1010-050-246	Base Mounting Ass'y	1
J	1010-050-017	Specification Label	1	Y	1010-050-248	Lower Pin Lock	1
K	1010-050-019	"Push/Pull" Label	1	Z	1010-050-250	Pin Adjuster	1
L	1010-050-021	Long Strap	1	AB	0721-031-065	Hole Plug	2

0926-039-000 Optional Defibrillator Tray Assembly

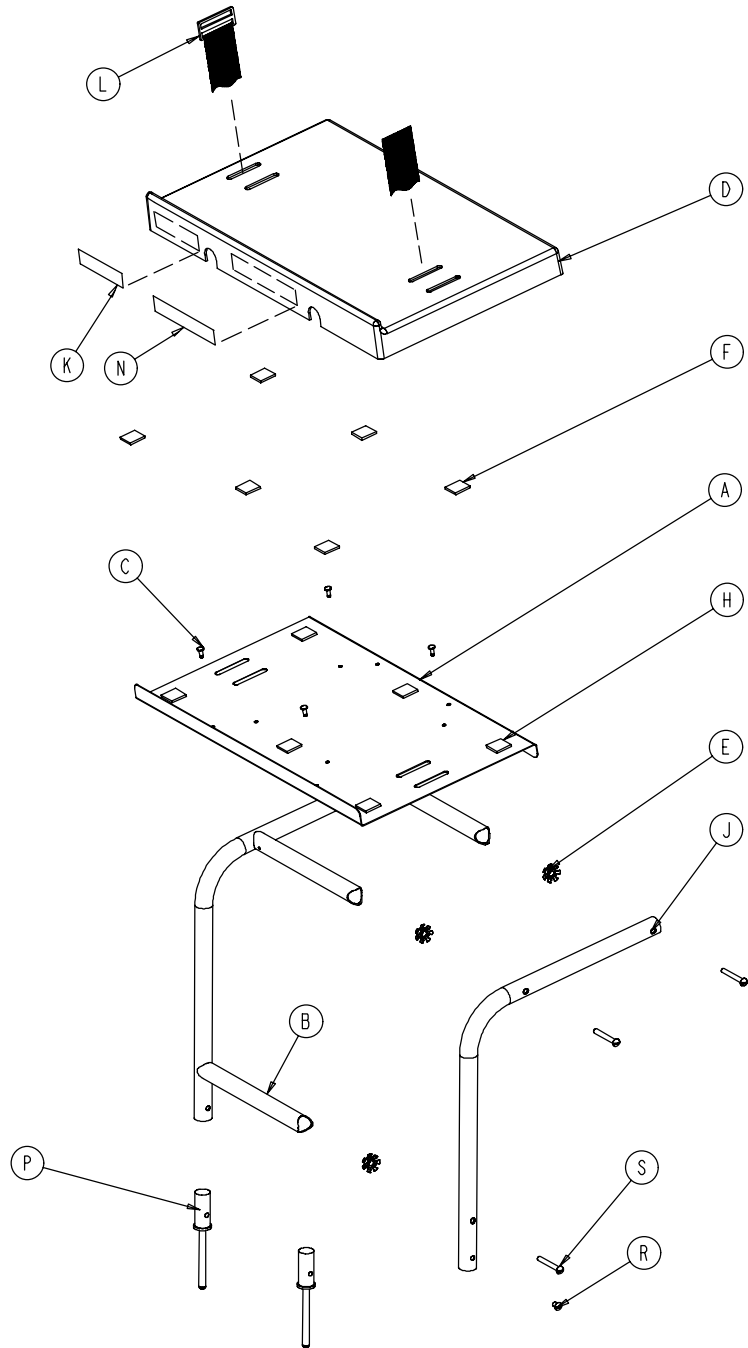
Assembly part number 0926-039-010
(reference only)



Umbrella Nut/Crosstube Detail



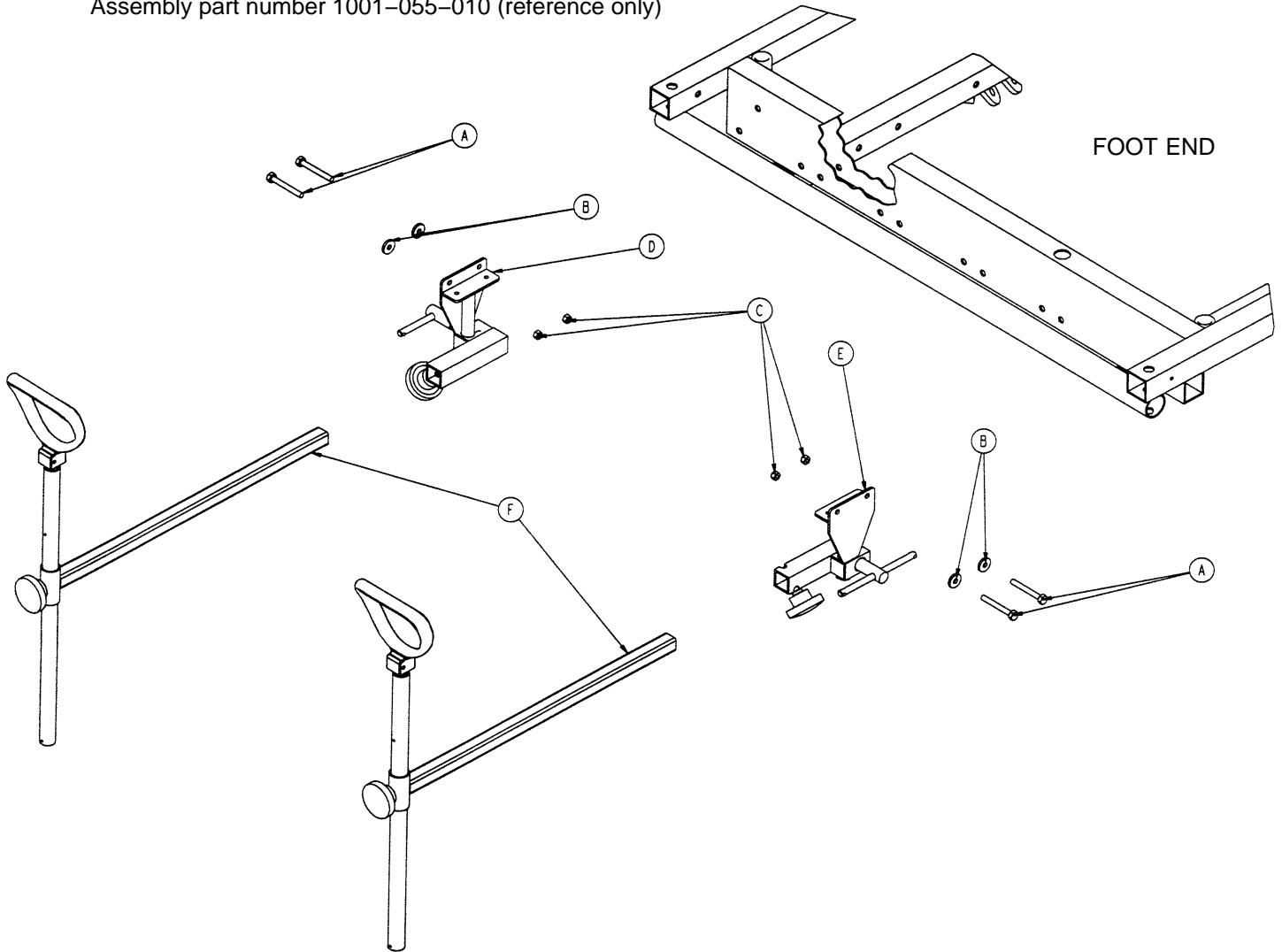
Strap Securing Detail



Item	Part No.	Part Name	Qty.	Item	Part No.	Part Name	Qty.
A	0946-039-004	Tray	1	J	0946-039-003	Support Tube	2
B	0926-039-016	Crosstube	3	K	0926-001-082	Label	1
C	0025-055-000	Rivet	4	L	1010-050-021	Long Strap	1
D	0926-039-009	Cover	1	N	0946-001-283	Label	1
E	0018-006-000	Umbrella Nut	6	P	0926-039-015	Holder	2
F	0029-008-000	Dual Lock	6	R	0002-044-000	Screw	2
H	0029-010-000	Dual Lock	6	S	0002-105-000	Rd. Hd. Mach. Screw	6

1001-055-000 Heel Stirrup and Support Assembly

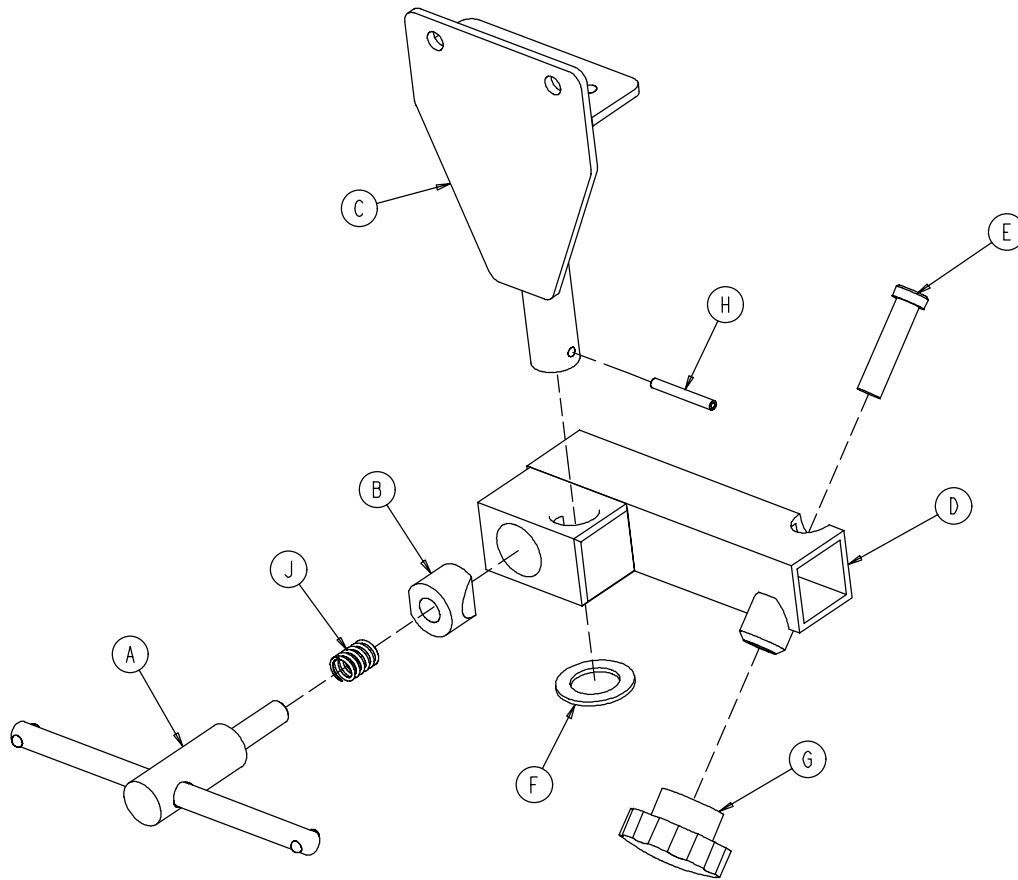
Assembly part number 1001-055-010 (reference only)



Item	Part No.	Part Name	Qty.
A	0003-359-000*	Hex Hd. Cap Screw	4
B	0011-159-000	Flat Washer	4
C	0016-118-000	Nylock Hex Nut	4
D	(page 128)	Stirrup Support Ass'y, Rt.	1
E	(page 129)	Stirrup Support Ass'y, Lt.	1
F	(page 130)	Stirrup Assembly	2

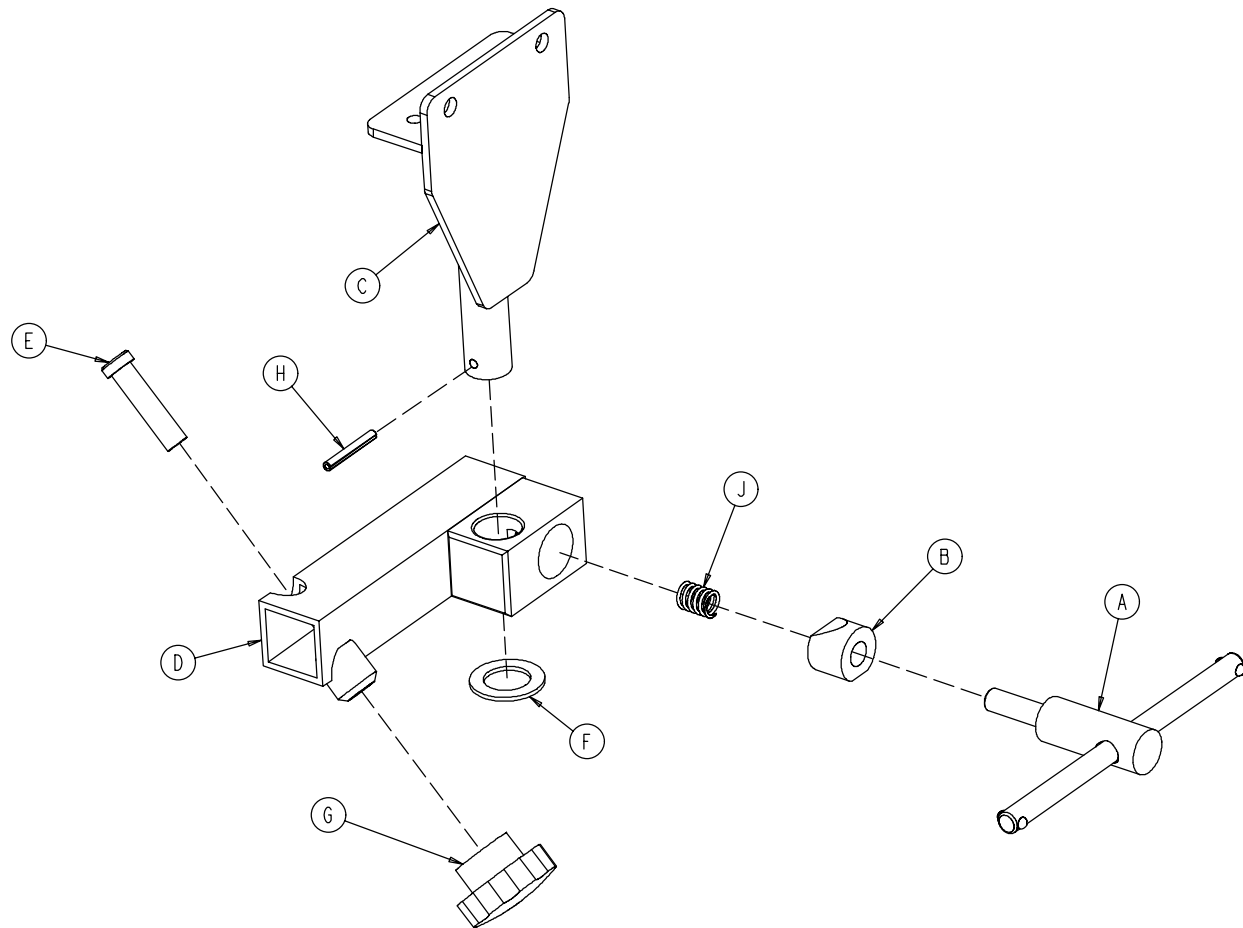
* If the stretcher has the crank Fowler and/or crank Knee Gatch option, (2) 0003-355-000 and (2) 0003-358-000 replace (4) 0003-359-000.

1001-055-015 Right Stirrup Support Assembly



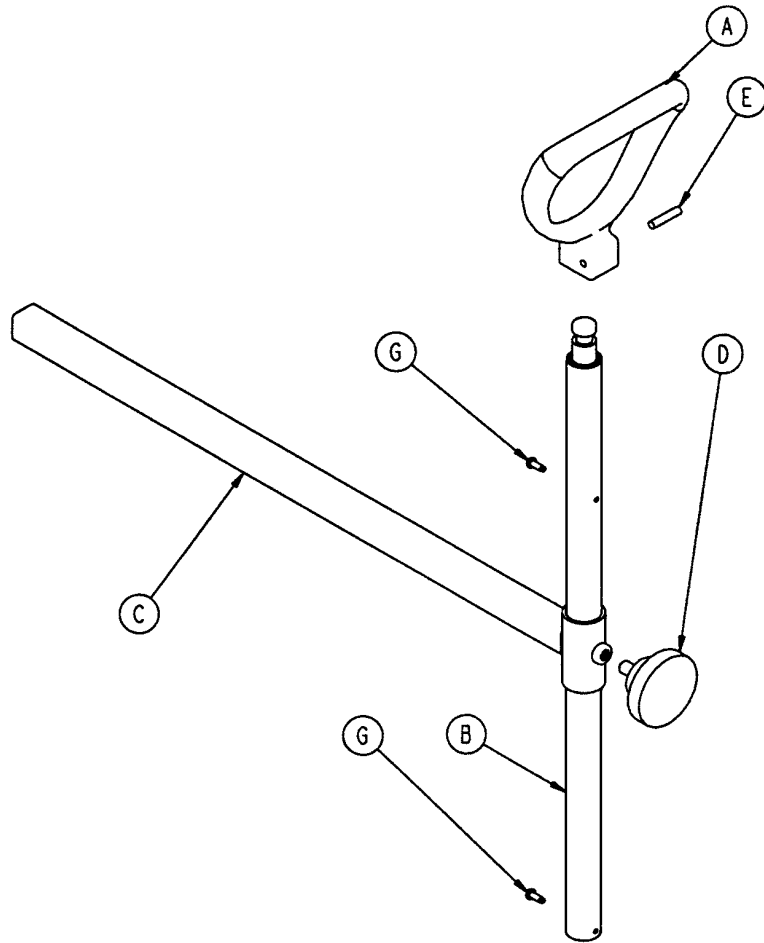
Item	Part No.	Part Name	Qty.
A	0650-002-032	Lock Screw Assembly	1
B	0966-051-019	Wedge Lock, Modified	1
C	1001-055-011	Mounting Bracket	1
D	1010-055-016	Right Support Tube Wldmt.	1
E	0004-494-000	Soc. Hd. Cap Screw	1
F	0011-410-000	Washer	1
G	1211-117-016	Knob	1
H	0026-007-000	Roll Pin	1
J	0038-171-000	Compression Spring	1

1001-055-016 Left Stirrup Support Assembly



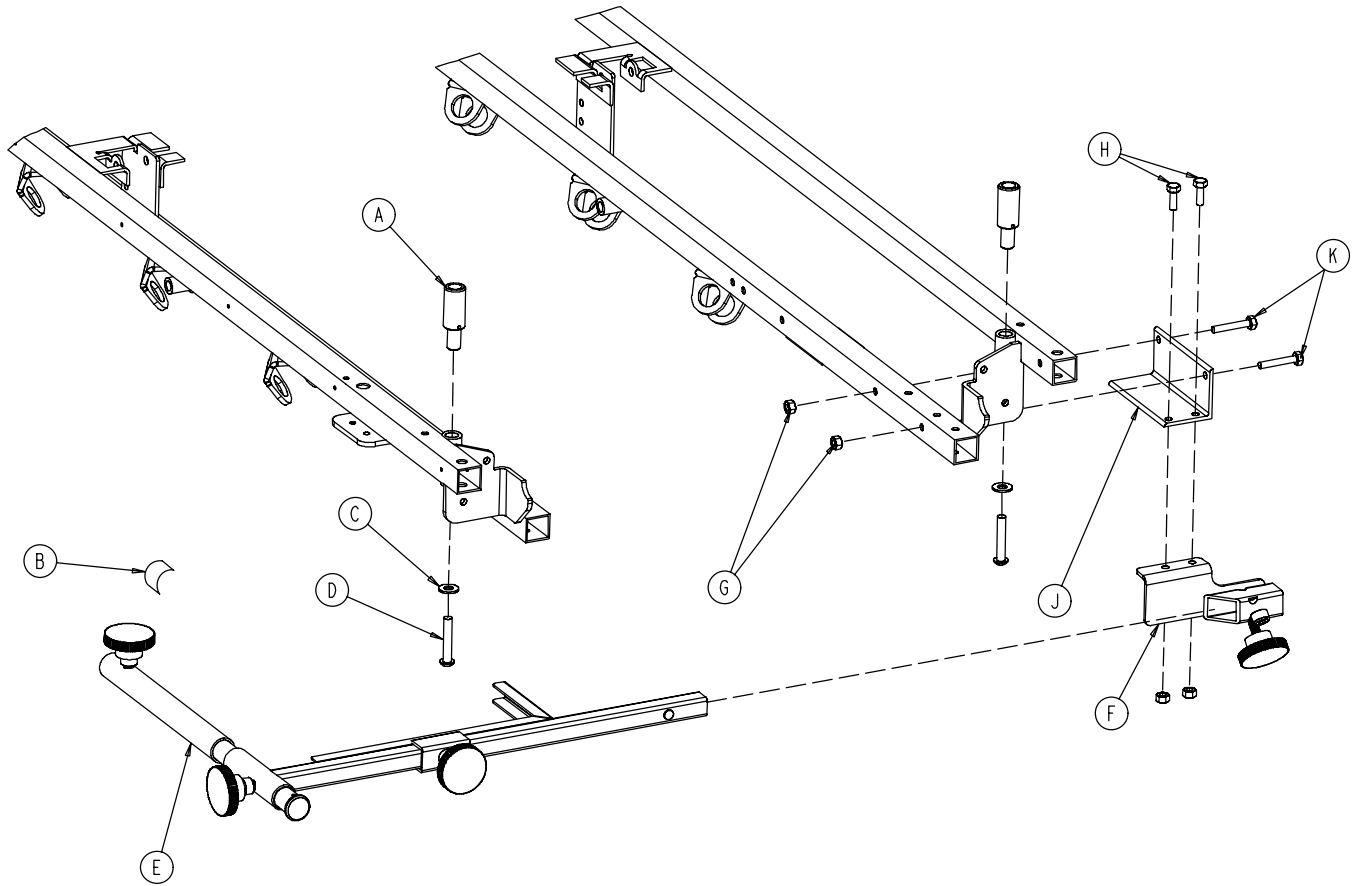
Item	Part No.	Part Name	Qty.
A	0650-002-032	Lock Screw Assembly	1
B	0966-051-019	Wedge Lock, Modified	1
C	1001-055-011	Mounting Bracket	1
D	1010-055-026	Left Support Tube Ass'y	1
E	0004-494-000	Soc. Hd. Cap Screw	1
F	0011-410-000	Washer	1
G	1211-117-016	Knob	1
H	0026-007-000	Roll Pin	1
J	0038-171-000	Compression Spring	1

1010-055-029 Heel Stirrup Assembly



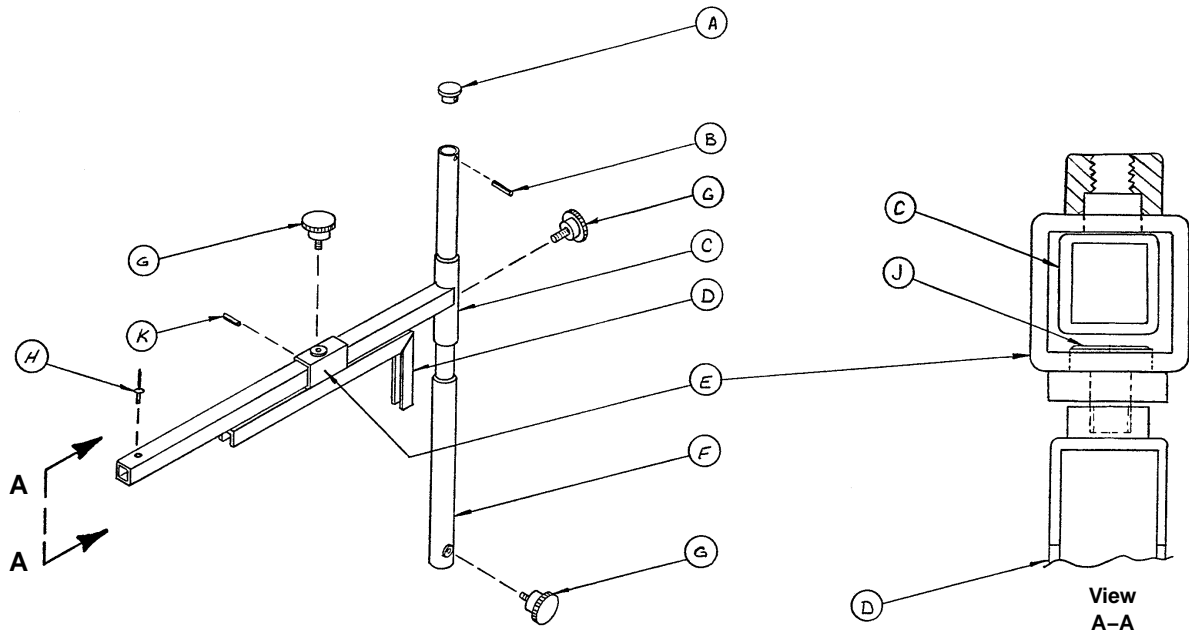
Item	Part No.	Part Name	Qty.
A	0390-020-013	Stirrup	1
B	0390-020-009	Stirrup Holder Assembly	1
C	1010-055-030	Extension Tube Assembly	1
D	0024-011-000	Knob	1
E	0026-043-000	Roll Pin	1
G	0022-008-000	Drive Screw	2

1001-070-000 C-Spine Cassette Holder Assembly



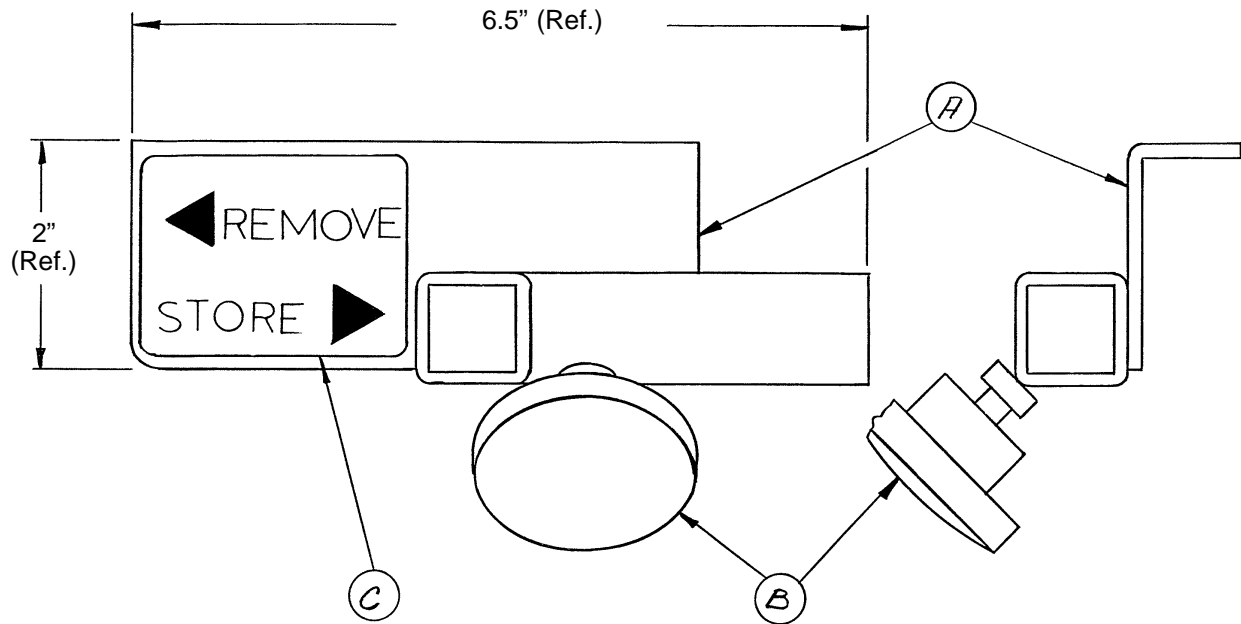
Item	Part No.	Part Name	Qty.
A	1010-070-025	I.V. Adaptor	2
B	1010-070-018	Specification Label	1
C	0011-447-000	Flat Washer	2
D	0004-054-000	But. Hd. Cap Screw	2
E	(page 132)	Support Pole Assembly	1
F	(page 133)	Storage Bracket Ass'y	1
G	0016-118-000	Nylock Nut	4
H	0003-356-000	Hex Hd. Cap Screw	2
J	1001-070-011	Attachment Bracket	1
K	0003-355-000	Hex Hd. Cap Screw	2

1010-070-010 C-Spine Support Pole Assembly



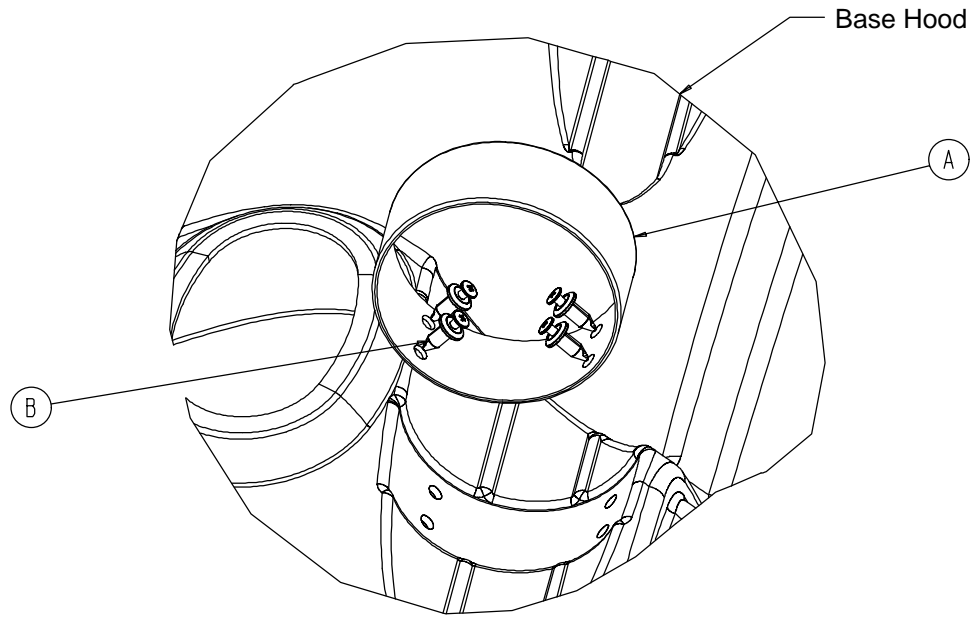
Item	Part No.	Part Name	Qty.
A	1010-070-033	Support Tube Cap	1
B	0026-006-000	Roll Pin	1
C	1010-070-034	Support Arm Weldment	1
D	1010-070-042	Cassette Holder Weldment	1
E	1010-070-050	Adjustment Tube Weldment	1
F	1010-070-030	Base Tube Weldment	1
G	1010-070-045	Knob	3
H	0025-055-000	Pop Rivet	1
J	1010-070-044	Pivot Pin	1
K	0026-005-000	Roll Pin	1

1010-070-019 C-Spine Storage Bracket Assembly



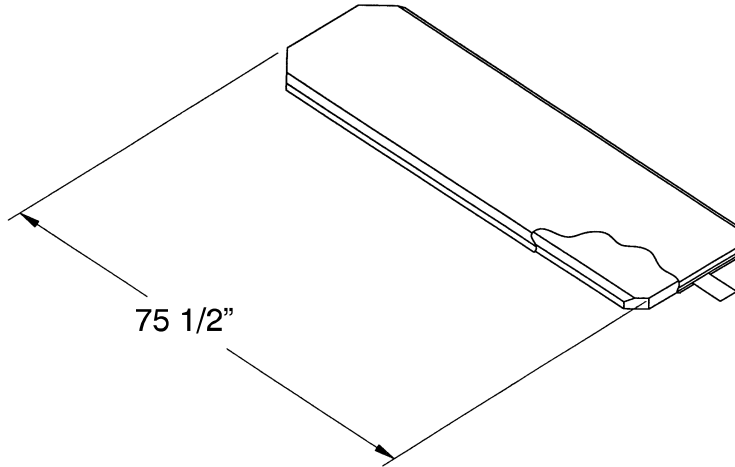
Item	Part No.	Part Name	Qty.
A	1010-070-020	Storage Bracket Weldment	1
B	1010-070-045	Knob	1
C	1010-070-023	Storage Label	1

1040-010-090 Optional O₂ Bottle Retainer Assembly

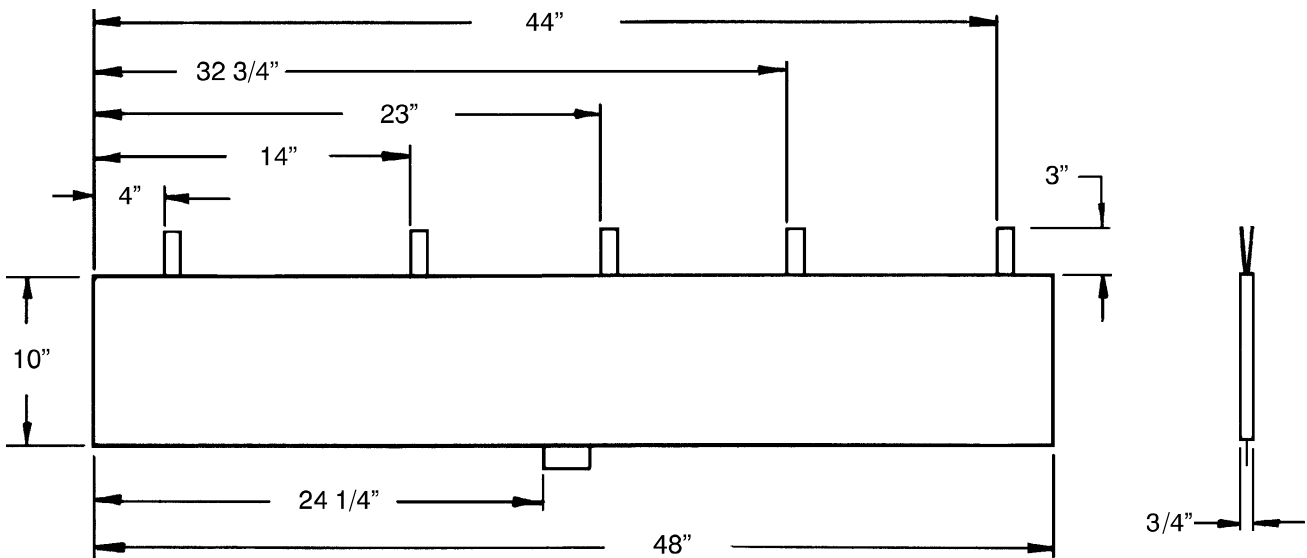


Item	Part No.	Part Name	Qty.
A	1040-010-091	Bottle Retainer	1
B	1040-010-092	Scrulok Fastener	4

Mattresses and Siderail Pads

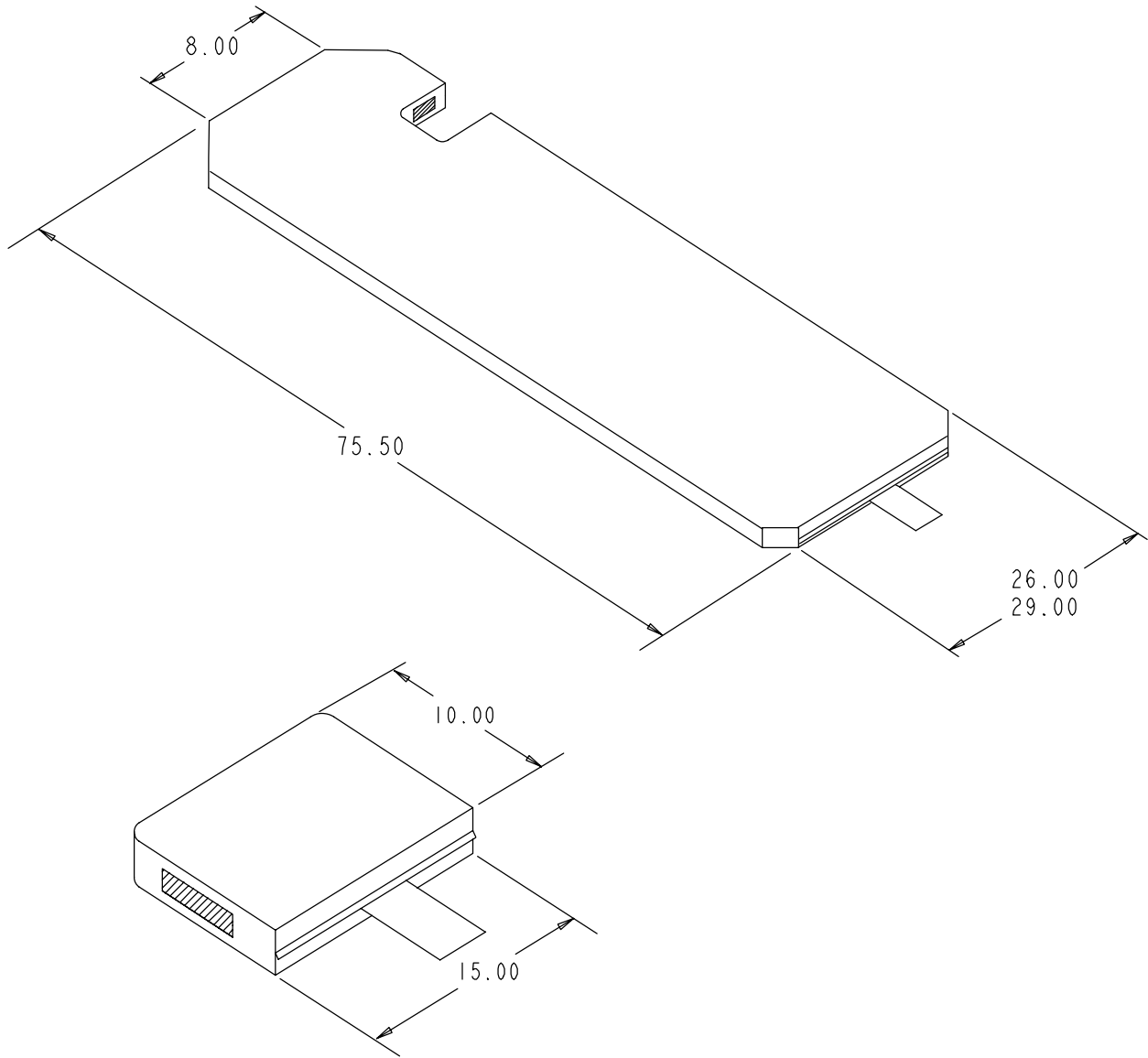


Mattress, 2" Thick x 26" Wide, Standard	part # 1059-226-140
Mattress, 3" Thick x 26" Wide, Standard	part # 1059-326-140
Mattress, 4" Thick x 26" Wide, Standard	part # 1059-426-140
Mattress, 3" Thick x 29" Wide, Standard	part # 1059-329-140
Mattress, 4" Thick x 29" Wide, Standard	part # 1059-429-140
Mattress, 3" Thick x 26" Wide, Enhanced Comfort	part # 1001-048-106
Mattress, 4" Thick x 26" Wide, Enhanced Comfort	part # 1001-047-106
Mattress, 3" Thick x 29" Wide, Enhanced Comfort	part # 1501-048-106
Mattress, 4" Thick x 29" Wide, Enhanced Comfort	part # 1501-047-106
Mattress, 4" Thick x 26" Wide, Ultra Comfort	part # 1210-040-004
Mattress, 5" Thick x 26" Wide, Ultra Comfort	part # 1210-040-005
Mattress, 4" Thick x 29" Wide, Ultra Comfort	part # 1710-040-004
Mattress, 5" Thick x 29" Wide, Ultra Comfort	part # 1710-040-005



Siderail Pad Set	part # 1001-052-000
------------------------	---------------------

Mattresses and Siderail Pads



Mattress, 26" Wide part # 1059-426-010

Mattress, 29" Wide part # 1059-429-010

Warranty

Limited Warranty:

Stryker Medical Division, a division of Stryker Corporation, warrants to the original purchaser that its products should be free from defects in material and workmanship for a period of one (1) year after date of delivery. Stryker's obligation under this warranty is expressly limited to supplying replacement parts and labor for, or replacing, at its option, any product which is, in the sole discretion of Stryker, found to be defective. Stryker warrants to the original purchaser that the frame and welds on its beds will be free from structural defects for as long as the original purchaser owns the bed. If requested by Stryker, products or parts for which a warranty claim is made shall be returned prepaid to Stryker's factory. Any improper use or any alteration or repair by others in such manner as in Stryker's judgement affects the product materially and adversely shall void this warranty. Any repair of Stryker products using parts not provided or authorized by Stryker shall void this warranty. No employee or representative of Stryker is authorized to change this warranty in any way.

Stryker Medical stretchers are designed for a 10 year expected life under normal use conditions and appropriate periodic maintenance as described in the maintenance manual for each device.

This statement constitutes Stryker's entire warranty with respect to the aforesaid equipment. STRYKER MAKES NO OTHER WARRANTY OR REPRESENTATION, EITHER EXPRESSED OR IMPLIED, EXCEPT AS SET FORTH HEREIN. THERE IS NO WARRANTY OF MERCHANTABILITY AND THERE ARE NO WARRANTIES OF FITNESS FOR ANY PARTICULAR PURPOSE. IN NO EVENT SHALL STRYKER BE LIABLE HEREUNDER FOR INCIDENTAL OR CONSEQUENTIAL DAMAGES ARISING FROM OR IN ANY MANNER RELATED TO SALES OR USE OF ANY SUCH EQUIPMENT.

To Obtain Parts and Service:

Stryker products are supported by a nationwide network of dedicated Stryker Field Service Representatives. These representatives are factory trained, available locally, and carry a substantial spare parts inventory to minimize repair time. Simply call your local representative, or call Stryker Customer Service at (800) 327-0770.

Service Contract Coverage:

Stryker has developed a comprehensive program of service contract options designed to keep your equipment operating at peak performance at the same time it eliminates unexpected costs. We recommend that these programs be activated *before* the expiration of the new product warranty to eliminate the potential of additional equipment upgrade charges.

A SERVICE CONTRACT HELPS TO:

- Ensure equipment reliability
- Stabilize maintenance budgets
- Diminish downtime
- Establish documentation for JCAHO
- Increase product life
- Enhance trade-in value
- Address risk management and safety

Warranty

Stryker offers the following service contract programs:

SPECIFICATIONS	GOLD	SILVER	PM* ONLY
Annually scheduled preventative maintenance	X		X
All parts,** labor, and travel	X	X	
Unlimited emergency service calls	X	X	
Priority one contact; two hour phone response	X	X	X
Most repairs will be completed within 3 business days	X	X	
JCAHO documentation	X	X	X
On-site log book w/ preventative maintenance & emergency service records	X		
Factory-trained Stryker Service Technicians	X	X	X
Stryker authorized parts	X	X	X
End of year summary	X		
Stryker will perform all service during regular business hours (9-5)	X	X	X

* Replacement parts and labor for products under PM contract will be discounted.

** Does not include any disposable items, I.V. poles (except for Stryker HD permanent poles), mattresses, or damage resulting from abuse.

Stryker Medical also offers *personalized* service contracts.

Pricing is determined by age, location, model and condition of product.

For more information on our service contracts, please call your local representative or call (800) 327-0770 (option #2).

Return Authorization:

Merchandise cannot be returned without approval from the Stryker Customer Service Department. An authorization number will be provided which must be printed on the returned merchandise. Stryker reserves the right to charge shipping and restocking fees on returned items.

SPECIAL, MODIFIED, OR DISCONTINUED ITEMS NOT SUBJECT TO RETURN.

Damaged Merchandise:

ICC Regulations require that claims for damaged merchandise must be made with the carrier within fifteen (15) days of receipt of merchandise. **DO NOT ACCEPT DAMAGED SHIPMENTS UNLESS SUCH DAMAGE IS NOTED ON THE DELIVERY RECEIPT AT THE TIME OF RECEIPT.** Upon prompt notification, Stryker will file a freight claim with the appropriate carrier for damages incurred. Claim will be limited in amount to the actual replacement cost. In the event that this information is not received by Stryker within the fifteen (15) day period following the delivery of the merchandise, or the damage was not noted on the delivery receipt at the time of receipt, the customer will be responsible for payment of the original invoice in full.

Claims for any short shipment must be made within thirty (30) days of invoice.

International Warranty Clause:

This warranty reflects U.S. domestic policy. Warranty outside the U.S. may vary by country. Please contact your local Stryker Medical representative for additional information.



European Representative

Stryker EMEA RA/QA Director
Stryker France
ZAC Satolas Green Pusignan
Av. De Satolas Green
69881 MEYZIEU Cedex
France

stryker[®]
Medical

6300 S. Sprinkle Road, Kalamazoo, MI 49001-9799

(800) 327-0770
www.strykermedical.com



DH 1/04 1001-109-002 REV A