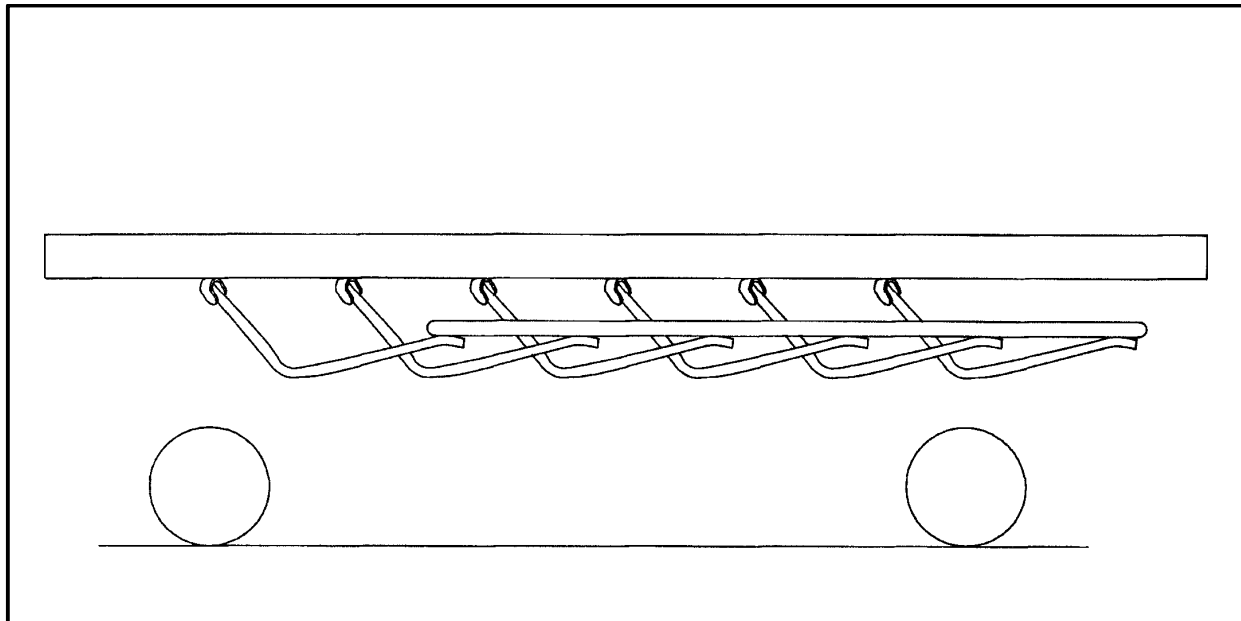

IMPORTANT
File in your
maintenance
records

stryker[®]
Medical



Advantage Series

1001 Emergency Care Stretcher

1501 PACU Stretcher

For stretchers with serial numbers of 9711030538 and above

MAINTENANCE MANUAL

For Parts or Technical Assistance
1-800-327-0770

Table of Contents

Introduction	
Specifications	3
Warning / Caution / Note Definition	3
Preventative Maintenance	
Cleaning	4
Biannual Checklist	4
Service Information	
Pneumatic Fowler Adjustment	5
Pedal Linkage Adjustment – Dual Side Control Base	6
Pedal Linkage Adjustment – Dual End Control Base	7
Caster Assembly Replacement	8
Caster Cover Installation And Removal	9
Hydraulic System Troubleshooting	10
Checking Hydraulic Fluid Level	11
Removal Of Excess Air (Vacuum) From The Hydraulic System	11
Jack Descent Rate Adjustment	12
Hydraulic Check Valve Replacement	
Replacement Of Valve #1	13
Replacement Of Valve #2	14
Replacement Of Valve (Poppet) #3	14
Brake Adjustment	15
Base Lubrication	15
Assembly Drawings and Parts Lists	
Side Control Base Assembly (with Brakes)	16, 17
Brake Adjuster Assembly	18
Brake Cam Assembly	19
End Control Base Assembly (with Brakes)	20, 21
End Control Brake Pedal Assembly	22
Caster Assembly with Steerlock	23
Caster and Caster Cover Replacement Kits	24
Fifth Wheel Assembly	25
Jack Assembly	26
Jack Base Assembly	27
Side Control Base Assembly (with Jacks)	28, 29
Pedal Base Assembly, Pump	30
Pedal Base Assembly	31
End Control Base Assembly (with Jacks)	32, 33
Pump Pedal Assembly	34
End Control Base Labeling Assembly	35
End Control Stretcher Graphics	36
Side Control Stretcher Graphics	37
Side Control Base Labeling Assembly	38
Litter Assembly, Fold-to-Head Siderails	39, 40
Siderail to Litter Assembly, Fold-to-Head	41
Litter Assembly, Fold-to-Foot Siderails	42, 43
Siderail to Litter Assembly, Fold-to-Foot	44

Table of Contents

Assembly Drawings and Parts Lists (Continued)

Siderail Assembly	45, 46
Head End Siderail Latch Assembly	47
Stationary Foot End Assembly	48, 53
Crank Knee Gatch Assembly	54–65
Knee Gatch Crankscrew Assembly	66
Pneumatic Fowler Assembly	67–74
Crank Fowler Assembly	75, 76
Fowler Crankscrew Assembly	77
Head End Push Bar Assembly	78
Foot End Push Bar Assembly	79
2–Stage I.V. Pole Assembly	80–86
3–Stage I.V. Pole Assembly	88–94
Tethered I.V. Pole to Frame Assembly	96
Tethered I.V. Pole Trough Assembly	97
Tethered I.V. Pole Assembly	98
I.V. Holder Assembly	99
X–Ray Cassette Assembly	100–103
Head Board/Push Bar Assembly (1001)	104
Head Board/Push Bar Assembly (1501)	105
Foot Board/Chartholder Assembly	106
Upright Oxygen Bottle Holder Assembly	106
Foot Extension/Defibrillator Tray	107
Defibrillator Tray	108
Stirrup and Support Assembly	109
Right Stirrup Support Assembly	110
Left Stirrup Support Assembly	111
Stirrup Assembly	112
C–Spine Cassette Holder Assembly	113
C–Spine Support Pole Assembly	114
C–Spine Storage Bracket Assembly	115
Warranty	
Obtaining Parts and Service	116
Supplemental Warranty Coverage	116
Return Authorization	117
Freight Damage Claims	117

Introduction

INTRODUCTION

This manual is designed to assist you with the maintenance of the 1001 Emergency Care Stretcher and the 1501 PACU Stretcher. Read it thoroughly before using the equipment or beginning any maintenance on it.

SPECIFICATIONS

	1001	1501
Maximum Weight Capacity	500 pounds	500 pounds
Overall Bed Length \ Width	83 1/2" \ 31 1/2"	83 1/2" \ 34"
Minimum \ Maximum Bed Height	22" \ 35"	22" \ 35"
Fowler Angle	0 to 90 degrees	0 to 90 degrees
Knee Gatch Angle	0 to 35 degrees	0 to 35 degrees
Trendelenberg \ Reverse Trendelenberg	+12 to -18 degrees	+12 to -18 degrees

WARNING / CAUTION / NOTE DEFINITION

The words WARNING, CAUTION and NOTE carry special meanings and should be carefully reviewed.

WARNING

The personal safety of the patient or user may be involved. Disregarding this information could result in injury to the patient or user.

CAUTION

These instructions point out special procedures or precautions that must be followed to avoid damaging the equipment.

NOTE

This provides special information to make maintenance easier or important instructions clearer.

WARNING

Patients should be discouraged from sitting directly on the ends of the stretcher. Excessive weight will cause the litter surface to tip up, possibly causing patient injury.

Always apply the caster brakes when a patient is getting on or off the stretcher. Push on the stretcher to ensure the brakes are securely locked. Always engage the brakes unless the stretcher is being moved. Injury could result if the stretcher moves while a patient is getting on or off the stretcher.

Preventive Maintenance

CHECKLIST (PERFORM A MINIMUM OF BIANNUALLY)

- _____ All fasteners secure (reference all assembly prints)
- _____ Siderails move and latch properly (page 52 & 53)
- _____ Engage brake pedal and push on the stretcher to ensure all casters lock securely (page 15)
- _____ Steer function working properly
- _____ All casters secure and swivel properly
- _____ Body restraints working properly
- _____ I.V. pole intact and operating properly (page 86–99)
- _____ Oxygen bottle holder intact and operating properly (page 106)
- _____ Fowler operates and latches properly
- _____ Knee Gatch operates properly
- _____ Trendelenburg/Reverse Trendelenburg operating properly
- _____ No rips or cracks in mattress cover
- _____ Ground chain intact
- _____ No leaks at hydraulic connections
- _____ Hydraulic jacks holding properly (page 10)
- _____ Hydraulic drop rate set properly (page 12)
- _____ Hydraulic oil level sufficient (page 12)
- _____ Lubricate where required, including the brake adjuster assembly and brake cam (page 15)
- _____ Accessories and mounting hardware in good condition and working properly

Serial No. _____

Completed By: _____

Date: _____

Cleaning

Clean Velcro **AFTER EACH USE**. Saturate Velcro with disinfectant and allow disinfectant to evaporate. (Appropriate disinfectant for nylon Velcro should be determined by the hospital.)

In general, when used in those concentrations recommended by the manufacturer, either phenolic type or quaternary type disinfectants can be used with Staph–Chek fabrics. Iodophor type disinfectants are not recommended for use on Staph–Chek fabrics because staining may result. The following products have been tested by the Herculite Laboratory and have been found not to have a harmful effect on Staph–Chek fabrics WHEN USED IN ACCORDANCE WITH MANUFACTURERS RECOMMENDED DILUTION.*

TRADE NAME	DISINFECTANT TYPE	MANUFACTURER	*MANUFACTURER'S RECOMMENDED DILUTION
A33	Quaternary	Airwick (Professional Products Division)	2 ounces/gallon
A33 (dry)	Quaternary	Airwick (Professional Products Division)	1/2 ounce/gallon
Beaucoup	Phenolic	Huntington Laboratories	1 ounce/gallon
Blue Chip	Quaternary	S.C. Johnson	2 ounces/gallon
Elimstaph	Quaternary	Walter G. Legge	1 ounce/gallon
Franklin Phenomysan F2500	Phenolic	Purex Corporation	1 1/4 ounce/gallon
Franklin Sentinel	Quaternary	Purex Corporation	2 ounces/gallon
Galahad	Phenolic	Puritan Churchill Chemical Company	1 ounce/gallon
Hi–Tor	Quaternary	Huntington Laboratories	1/2 ounce/gallon
LPH	Phenolic	Vestal Laboratories	1/2 ounce/gallon
Matar	Phenolic	Huntington Laboratories	1/2 ounce/gallon
Omega	Quaternary	Airwick (Professional Products Division)	1/2 ounce/gallon
Quanto	Quaternary	Huntington Laboratories	1 ounce/gallon
Sanikleen	Quaternary	West Chemical Products	2 ounces/ gallon
Sanimaster II	Quaternary	Service Master	1 ounce/gallon
Vesphene	Phenolic	Vestal Laboratories	1 1/4 ounce/ gallon

Quaternary Germicidal Disinfectants, used as directed, and/or Chlorine Bleach products, typically 5.25% Sodium Hypochlorite in dilutions ranging between 1 part bleach to 100 parts water, and 2 parts bleach to 100 parts water are not considered mild detergents. These products are corrosive in nature and may cause damage to your stretcher if used improperly. If these types of products are used to clean Stryker patient handling equipment, measures must be taken to insure the stretchers are rinsed with clean water and thoroughly dried following cleaning. Failure to properly rinse and dry the stretchers will leave a corrosive residue on the surface of the stretcher, possibly causing premature corrosion of critical components. Failure to follow the above directions when using these types of cleaners may void this product's warranty.

REMOVAL OF IODINE COMPOUNDS

This solution may be used to remove iodine stains from mattress cover and foam footrest pad surfaces.

1. Use a solution of 1–2 tablespoons Sodium Thiosulfate in a pint of warm water to clean the stained area. Clean as soon as possible after staining occurs. If stains are not immediately removed, allow solution to soak or stand on the surface.
2. Rinse surfaces which have been exposed to the solution in clear water before returning bed to service.

Notes

Service Information

PNEUMATIC FOWLER ADJUSTMENT (OUTSIDE MOUNTED CYLINDERS)

Required Tools:

5/32" Hex Allen Wrench 1/2" Open End Wrench

Adjustment Procedure:

1. Refer to drawings 1210–31–120 or 1710–31–120 (Pneumatic Fowler Assembly, page 68 or page 72) for parts reference.
2. For easier access, move Fowler to 75 degrees or higher.
3. Using a 1/2" open end wrench, loosen the nuts (item K) in the actuator arms on the end of the trip bar (F).
4. To adjust the Fowler, use a 5/32" hex Allen wrench to turn the Allen screws (item N) 1 to 2 turns counter-clockwise if the Fowler will not move or 1 to 2 turns clockwise if the Fowler will not hold its position.
5. Retighten the nuts. Be sure the Fowler will travel from flat to 90° and down again and will hold its position when weight is applied before returning the stretcher to service.

PNEUMATIC FOWLER ADJUSTMENT (CENTER MOUNTED CYLINDERS)

Required Tools:

3/32 Hex Allen Wrench	1/2 Socket w/Ratchet	1/8 Hex Allen Wrench
Channel Lock Pliers	5/32 Hex Allen Wrench	Towel or Cloth
7/16 Open End Wrench	Thread "Loctite"	

Adjustment Procedure:

1. Refer to drawings 1211–31–10 & 1211–131–20 or 1711–31–10 & 1711–131–20 (Pneumatic Fowler Assembly, page 69 & 70 or page 73 & 74) for parts reference.
2. For easier access, move Fowler to 75 degrees or higher.
3. Using a 3/32" hex Allen wrench, remove set screws (K on p. 70 or 74), located in center of yokes (Y on p. 70 or 74).
4. Using a 9/16" box end wrench and 5/16" hex Allen wrench, remove the cap screws (A on p. 69 or 73), flat washers (C on p. 69 or 73) and hex nuts (D on p. 69 or 73) holding the gas cylinders (K on p. 69 or 73) to the litter frame.
5. To adjust the Fowler, turn the gas cylinder 1 to 2 turns counterclockwise if the Fowler will not move and 1 to 2 turns clockwise if the Fowler will not hold its position.
6. Replace the cap screws (A) and check the Fowler adjustment. Lower the Fowler approximately 10° to 20°, release the handle and apply weight to the Fowler to assure it will hold its position. If the Fowler will not lower or will not hold its position when weight is applied, repeat step 5.
7. When the Fowler is properly adjusted, replace the washers (C) and hex nuts (D) to secure the pivot bolts.
8. Using thread locktite, reinstall set screws (K).

Service Information

PEDAL LINKAGE ADJUSTMENT – DUAL SIDE CONTROL BASE

Required Tools:

3/32 Hex Allen Wrench

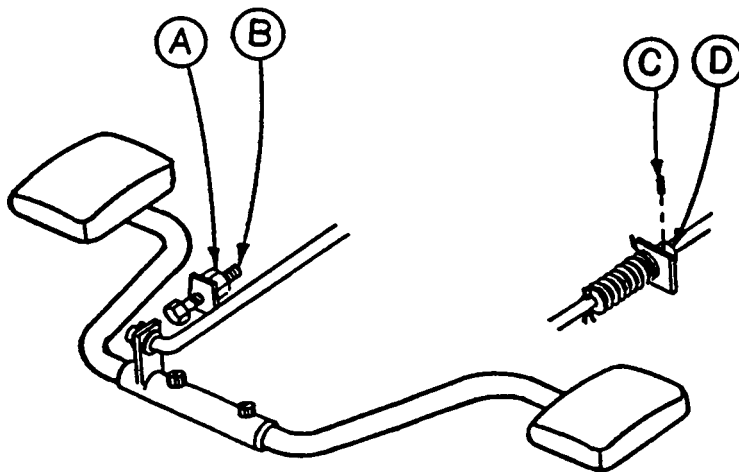
7/16 Open End Wrench

1/2 Open End Wrench

(2) Wooden blocks (10 – 12 inches in length)

Adjustment Procedure:

1. Pump the litter up to full height.
2. Lift the base hood, separating the hood from the base frame. Using the wooden blocks, support the base hood.
3. To adjust the foot end descent pedal, use a 5/32 hex Allen wrench to loosen the set screw (C) in the stop collar (D) on the release rod. Hold the pedal parallel to the floor and slide the collar up to the bracket on the release rod. Tighten the set screw on the stop collar. Be sure the head end and foot end descent pedals are level with each other. Repeat for the head end pedal, if necessary.
4. Once the pedals are level, be sure the paddle on the end of the release rod for the foot end jack is slightly touching the actuating stem on the jack base. If it is not, use a 3/32 hex Allen wrench to loosen the set screw on the paddle hub. Adjust the paddle to **JUST** touch the stem of the jack. Tighten the set screw in the paddle hub. Repeat for the head end jack, if necessary.
5. Depress the pedal for the foot end jack. The jack should start to descend about the same time the paddle on the end of the rod contacts the sleeve on the jack actuating stem. The bracket on the foot pedal body should hit the stop screw (B). Any further movement could cause damage to the stem components inside the jack housing. To adjust the stop screw, use a 1/2 open end wrench to loosen the hex jam nut (A). Turn the screw and re-tighten the hex jam nut. Repeat for the head end jack.
6. Pump the litter up to full height.
7. Step on both descent pedals at the same time. Both ends of the litter should lower with the foot end lowering slightly faster than the head end. If it does not, refer to the procedure for adjusting the jack descent rate.
8. Remove the wooden blocks supporting the base hood. Use the pedal cut-outs on the side of the hood as a guide for proper re-positioning.



Service Information

PEDAL LINKAGE ADJUSTMENT – DUAL END CONTROL BASE

Required Tools:

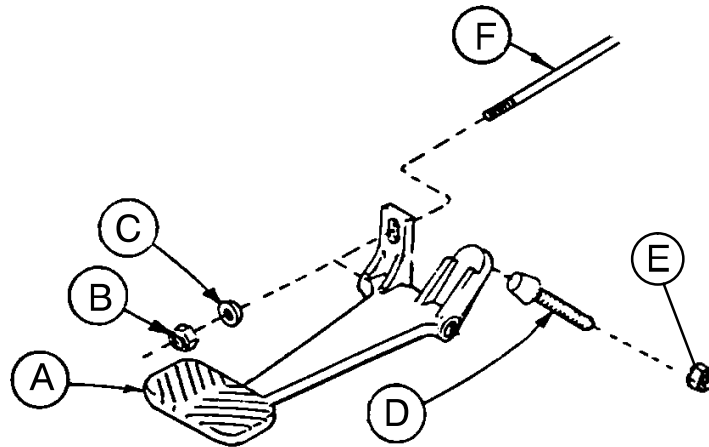
7/16 Open End Wrench

1/2 Open End Wrench

(2) Wooden Blocks (10 – 12 inches in length)

Adjustment Procedure:

1. Pump the litter up to full height.
2. Lift the base hood, separating the hood from the base frame. Using the wooden blocks, support the base hood.
3. The descent pedals should be level with each other and there should be approximately 4 inches between the floor and the bottom of the pedal. To raise the pedal height, use a 1/2 open end wrench to loosen the hex jam nut (E). Using your hand, turn the screw (D) into the bracket. To lower the pedal height, loosen the screw. Tighten the hex jam nut (E) after the correct height is achieved.
4. Once the pedals are level, the release rod can be adjusted. Using a 7/16 wrench, turn nut (B) clockwise to shorten the release length and counterclockwise to increase the length.
5. Depress the pedal and be sure the jack descent is triggered when the pedal is approximately one inch from the floor. The descent should stop when the pedal is released and the jack height should hold. Repeat the above procedures for the descent pedal at the other end of the bed.
6. After adjusting each descent pedal individually, depress both pedals at the same time. Both jacks should start descending when the pedals are approximately one inch from the floor. The foot end should lower slightly faster than the head end. If it does not, see procedure for adjusting the jack descent rate.
7. Remove the wooden blocks supporting the base hood and secure the hood to the base frame.



Service Information

CASTER ASSEMBLY REPLACEMENT*

Required Tools:

1/8 Roll Pin Punch	Drill with 1/8 inch Drill Bit
Flat Punch (any size larger than 1/8)	Hammer
Needle Nose Pliers	Floor Jack
3/4 Inch Wrench	(2) Wooden Blocks (10 – 12 inches in length)
1 Inch Wrench	Torque Wrench (w/ Ft. Lbs. Adjust.)

Replacement Procedure:

1. Pump the litter up to full height.
2. Lift the base hood, separating the hood from the base frame. Using the wooden blocks, support the base hood.
3. Using a 1/8 roll pin punch and hammer, remove roll pin located in center of lug nut holding wheel assembly to base frame.
4. Carefully remove plastic wheel covers.
5. Using a floor jack, lift base frame approximately 4 inches off the ground.
6. While holding cap screw with a 3/4 inch wrench, turn lug nut with a 1 inch wrench to loosen wheel assembly from base frame. Remove wheel.
7. Install the new wheel assembly with new lug nut and tighten down to 60 – 65 foot-pounds torque.

WARNING

Never reuse the old lug nut, cap screw or roll pin once removed from base frame.

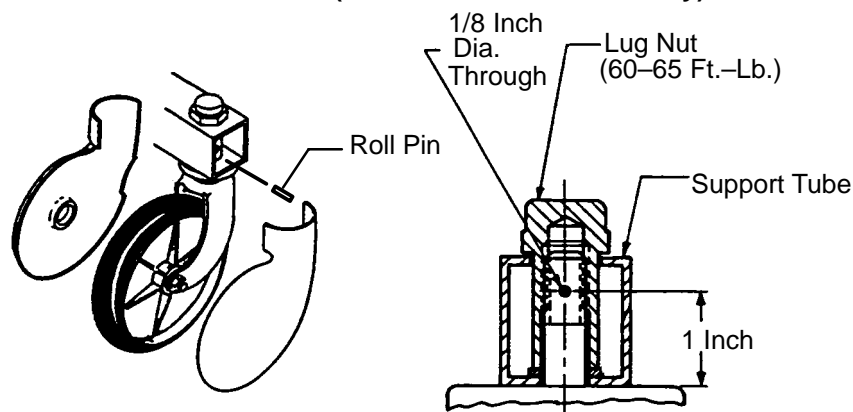
8. Lower the floor jack and set aside to be used, if needed, with another wheel.
9. Drill a 1/8 hole in center of lug nut, going completely through the lug nut.

CAUTION

Be careful not to "oblong" the hole in the lug nut when drilling.

10. Using needle nose pliers, hold on to roll pin and tap into place. Finish driving roll pin with a flat head punch and a hammer until flush with the lug nut.
11. Install plastic wheel covers onto wheel.
12. Remove the wooden blocks supporting the base hood and secure the hood to the base frame.

*Replacement Part Number 715-100-127 (Caster and Cover Assembly)



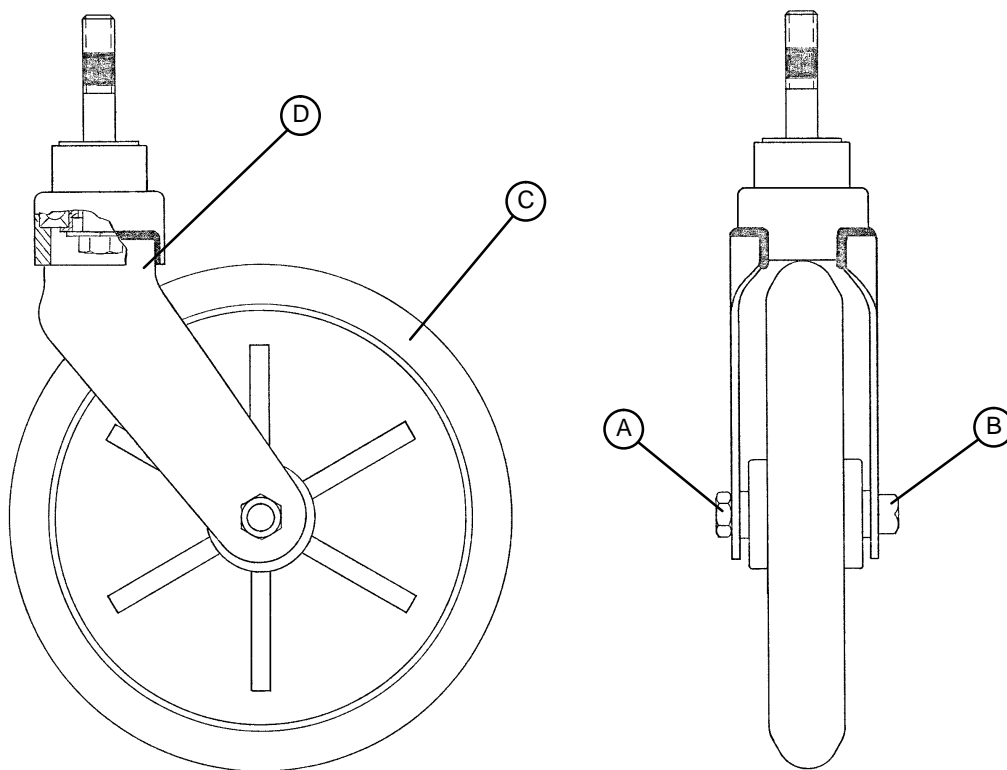
Service Information

CASTER MAINTENANCE

Required Tools:

5/8" Wrench
11/16" Wrench

Maintenance Procedure:



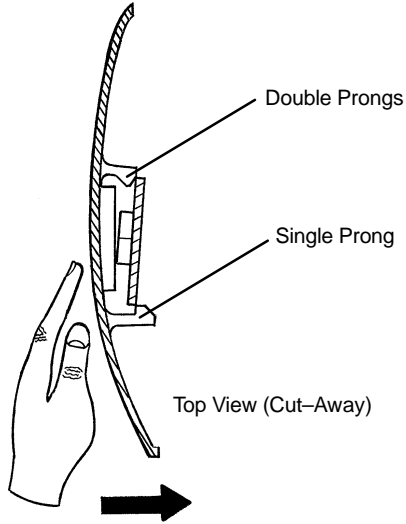
1. Remove the plastic caster cover (see page 9).
2. Using the 5/8" wrench and the 11/16" wrench, remove the centerlock nut (item A) from the through bolt (item B) for the caster wheel.
3. Support the corner of the stretcher where the wheel is being removed and remove the through bolt (item B) and the molded wheel (item C) .
4. Clean the through bolt, molded wheel, and the inside of the caster horn (item D) removing any dirt and debris. Ensure the bearings in the molded wheel spin freely and easily.
5. Replace the molded wheel and the through bolt.
6. Replace the centerlock nut on the through bolt and use the 5/8" and 11/16" wrenches to tighten it securely.

Notes

Service Information

CASTER COVER INSTALLATION AND REMOVAL

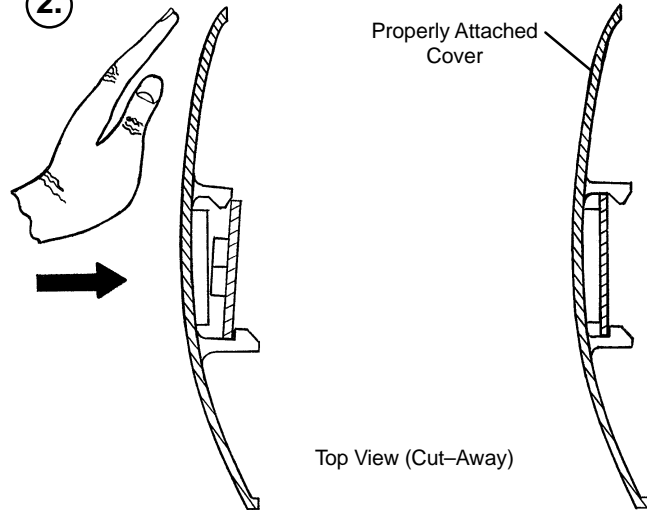
1.



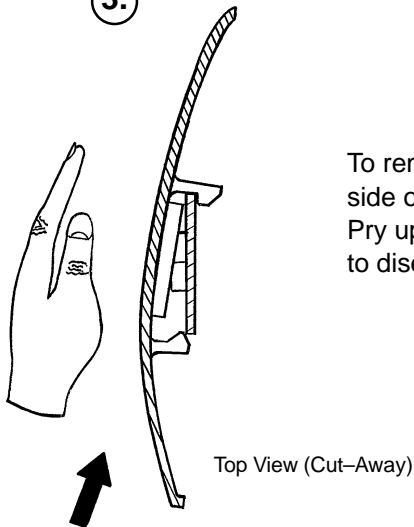
Looking through the larger of the two side cut-outs, align cover with axle nut or bolt head, as shown. Push down on the opposite side of the cover until single prong engages with caster horn.

Push with palm on cover until double prongs engage.

2.



3.



To remove wheel cover, insert large screwdriver into cut-out in side of wheel cover and into the space between the double prongs. Pry up cover to disengage double prongs and push sharply upward to disengage single prong.

Service Information

HYDRAULIC SYSTEM TROUBLESHOOTING

NOTE

Be sure the pedal linkage has been adjusted properly before beginning service on the jacks (see page 6 or page 7).

PROBLEM/SYMPTOM	SOLUTION
Jack will not raise to full height.	Add hydraulic fluid (see p.12). Check for leaks.
Jack will not hold in raised position.	Close the needle valve completely. If the jack holds, replace valve #1 (see p. 14). If the jack does not hold, replace valve #2 (see p. 15).
Jack will not pump up and the jack actuator rod does not move.	Close the needle valve. If the jack will now pump up, replace valve #1. If the jack still will not pump up after closing the needle valve, replace valve #3 (see p. 15).
Jack will not pump up but the jack actuator rod does move when the pump pedal is activated.	Replace valve #2 (see p. 15).
Jack will not pump up and the jack actuator rod may or may not move.	Remove excess air (vacuum) in system (see p. 12).

Contact Stryker technical service at 1-800-327-0770 for further assistance.

Service Information

BRAKE RING REPLACEMENT

Brake Ring Part Number 715-1-61

Required Tools:

Phillips Screwdriver	String or Bungee Cord	Floor Jack, Small Crate (or equiv.)
Large Standard Screwdriver	3/32" Allen Wrench	11/16" Socket & Ratchet
5/8" Wrench	Needle-Nose Pliers	(2) 7/16" Wrenches

Procedure:

1. Remove the four Phillips screws holding the base hood to the frame. Lift and support the base hood using string or bungee cord. Put the brake/steer pedal in the neutral position. Lift the end of the base needing service until the casters are approximately 12" off the floor and support it with a jack or the equivalent.
2. Using a 3/32" Allen wrench, loosen the set screw holding the brake adjuster to the brake ring and turn the adjuster clockwise to remove it.
3. Remove the wheel covers on both casters (see page 9).
4. Remove one of the caster assemblies (see page 8). On the other caster, use an 11/16" socket and ratchet and a 5/8" wrench to remove the nut and bolt holding the wheel on the caster horn and remove only the wheel.
5. Using needle-nose pliers, carefully squeeze and remove the spring between the brake cam and the brake ring.

WARNING

The spring is tightly compressed. Use caution when removing it or personal injury could result.

6. If you are working on an end control base, remove the spring from the pump pedal.
7. Lower the brake ring and remove it from the base. Remove the brake pads and bushings and install them on the new brake ring.
8. Reverse the above steps to install the new brake ring and reinstall the caster and wheel. Apply and release the brakes to ensure they operate properly. If adjustment is required, see page 15. Reinstall the base hood.

BRAKE CAM REPLACEMENT

Brake Cam Part Number 715-1-213

Required Tools:

Phillips Screwdriver	String or Bungee Cord	3/32" Allen Wrench
1/8" Allen Wrench		

Procedure:

1. Remove the four Phillips screws holding the base hood to the frame. Lift and support the base hood using string or bungee cord.
2. Using a 3/32" Allen wrench, loosen the set screw holding the brake adjuster to the brake ring and turn the adjuster clockwise to remove it.
3. Using a 1/8" Allen wrench, remove the shoulder bolt and nut holding the brake link on the cam and remove the cam.
4. Reverse steps 3 and 4 to install the new cam. Apply and release the brakes to ensure they operate properly. If adjustment is required, see page 15. Reinstall the base hood.

Service Information

JACK DESCENT RATE ADJUSTMENT

Required Tools:

Screwdriver Bungee Cords (or equivalent)

Adjustment Procedure:

1. Pump the litter up to full height.
2. Lift the base hood, separating the hood from the base frame. Using the wooden blocks, support the base hood.
3. The descent rate needle valve is located on the base of the jack. Turning the needle valve clockwise, with a screwdriver, will decrease the rate of descent. Turning it counterclockwise will increase the rate of descent.
4. Adjust the needle valve so that the foot end of the stretcher descends slightly faster than the head end.

NOTE

The larger percentage of a patient's weight is located in the torso area. Adjust descent rate accordingly.

5. Remove the wooden blocks supporting the base hood and secure the hood to the base frame.

NOTE

The jack descent rate was preset at the factory to drop the foot end faster than the head. It is recommended that the foot drop faster to avoid patient disorientation.

CHECKING HYDRAULIC FLUID LEVEL

Required Tools:

3/8 Open End Wrench 3/4 Open End Wrench

Procedure:

WARNING

To avoid personal injury or damage to the stretcher, remove the litter and the base hood before beginning service on the jacks.

1. Using a 3/8 open end wrench, remove square head set screws from both head and foot end jack support tubes. Remove litter top and set aside.
 2. Lift base hood off base frame and set aside.
 3. Be sure there are no hydraulic leaks. If there are, jack replacement will be necessary.
 4. Lower the jack to the full down position.
 5. Using a 3/4 open end wrench, slowly turn the fill plug located on the side of the reservoir counterclockwise to allow excess system pressure to vent. Remove the fill plug.
 6. The hydraulic fluid should be visible at the bottom of the fill hole. If it is not, add Mobil Aero HFA hydraulic fluid (Stryker part number 2020-70-475) until the fluid is visible at the bottom of the fill hole. Replace the fill plug.
-

CAUTION

Use of other types of oil may damage hydraulic units.

7. Replace the hood and the litter.

Service Information

HYDRAULIC CHECK VALVE REPLACEMENT

Required Tools:

3/8 Open End Wrench
3/4 Open End Wrench
7/32 Hex Allen Wrench

Stiff Wire (with bent, pointed end)
Torque Wrench (with Ft. Lbs. adjust.)
1/2 Inch Diameter Rod

Small Needle Nose Pliers

Replacement of Valve #1

WARNING

To avoid personal injury or damage to the stretcher, remove the litter and the base hood before beginning service on the stretcher.

1. Using a 3/8 open end wrench, remove square head set screws from both head and foot end jack support tubes. Remove litter top and set aside.
2. Lift base hood off base frame and set aside.
3. Lower the jack to full down position. The actuator must be manually lowered while depressing the appropriate release pedal.
4. Remove the pin body assembly (4) with a 3/4 open end wrench and discard the housing gasket (5).

NOTE

Although the hydraulic fluid is not under pressure, some fluid loss will occur. The fluid loss should be minimal but covering the floor is advisable.

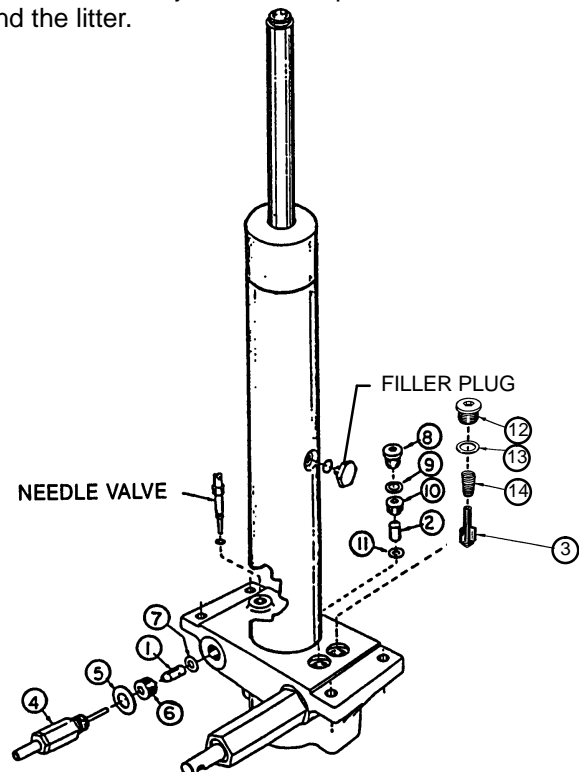
5. Using a 7/32 hex Allen wrench, remove the valve plug (6).
6. Using a stiff wire with a bent, pointed end, remove and discard the valve (1) and the seal (7).
7. Install the new seal (7) flat to the bottom of its hole with a 1/2 inch diameter rod and install the new valve (1) with the beveled end out (as shown in the illustration).
8. Install the valve plug (6) with the countersunk end first and the beveled end out. Tighten to 10 foot pounds torque.
9. Install the pin body assembly (4) with the new housing gasket (5) and tighten to 10 foot pounds torque.
10. Pump up the jack to the maximum height. Apply weight to be sure the jack holds its position and there are no hydraulic leaks before replacing the base hood and the litter.

ITEM	PART NO.	PART NAME
1	926-20-153	Check Valve
2	926-20-153	Check Valve
3	715-1-341	Poppet
4	715-100-312	Pin Housing Assembly*
	715-270-100	Valve Assembly**
5	715-1-330	Housing Gasket
6	715-1-309	Valve Plug
7	926-20-154	Seal
8	715-1-101	Base Plug
9	926-20-156	Seal
10	715-1-309	Valve Plug
11	926-20-154	Seal
12	715-1-301	Base Plug
13	926-20-156	Seal
14	390-2-134	Conical Comp. Spring

* Used on jack part number 715-100-310.

** Used on jack part number 715-270-10.

(see label on side of jack reservoir for jack part number)



Service Information

HYDRAULIC CHECK VALVE REPLACEMENT (CONT'D)

Replacement of Valve #2

WARNING

To avoid personal injury or damage to the stretcher, remove the litter and the base hood before beginning service on the jacks. Lower the jack rod completely to relieve the pressure on the pump piston side of the jack. This will prevent large hydraulic fluid loss and possible damage when the base plugs are removed.

1. Remove the base plug (8) and discard the seal (9).
2. Remove the valve plug (10).
3. Using a stiff wire with a bent, pointed end, remove the valve (2) and the seal (11) and discard the seal.
4. Install the new seal (11) flat to the bottom of its hole with a 1/2" diameter rod.
5. Install the new valve (2) with the beveled end out (as shown in the illustration).
6. Install the valve plug (10) and tighten to 10 foot-pounds torque.
7. Install the new seal (9) with the base plug (8) and tighten to 10 foot-pounds torque.
8. Pump up the jack to the maximum height.
9. Be sure there are no hydraulic leaks before replacing the base hood and the litter.

Replacement of Valve (Poppet) #3

WARNING

To avoid personal injury or damage to the stretcher, remove the litter and the base hood before beginning service on the jacks. Lower the jack rod completely to relieve the pressure on the pump piston side of the jack. This will prevent large hydraulic fluid loss and possible damage when the base plugs are removed.

1. Remove the base plug (12) and discard the seal (13).
2. Remove the compression spring (14).
3. Using a small needle nose pliers, remove the poppet (3).
4. Install the new poppet (3).
5. Install the compression spring (14).
6. Install the new seal (13) and the base plug (12) and tighten to 10 foot-pounds torque.
7. Pump up the jack to the maximum height to check its operation.
8. Check for hydraulic leaks before replacing the base hood and the litter.

REMOVAL OF EXCESS AIR (VACUUM) FROM THE HYDRAULIC SYSTEM

Procedure:

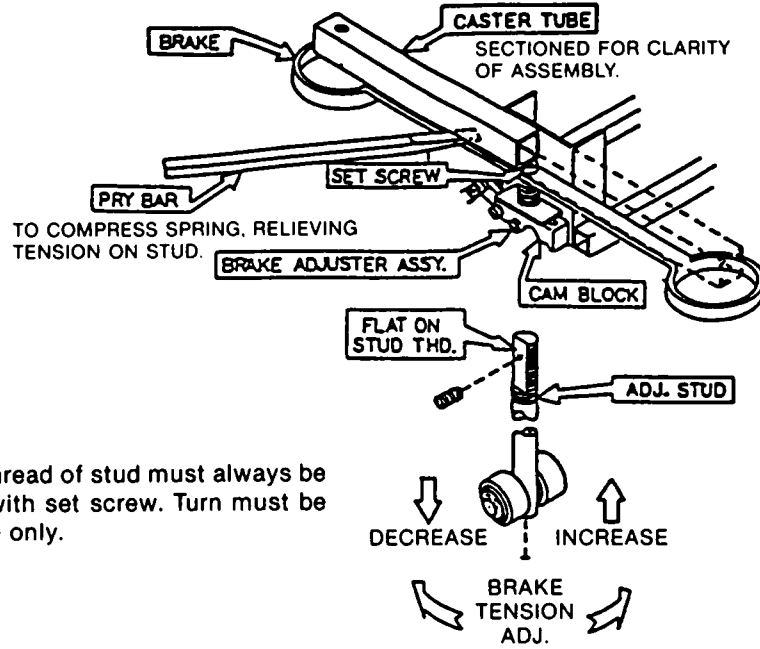
1. Verify all hydraulic linkages are secure and operating properly (see pedal linkage adjustment procedure page 6 or 7).
2. Using pump pedal, actuate system several times. This will force the air through the system and the jack should now pump up.

Service Information

BRAKE ADJUSTMENT

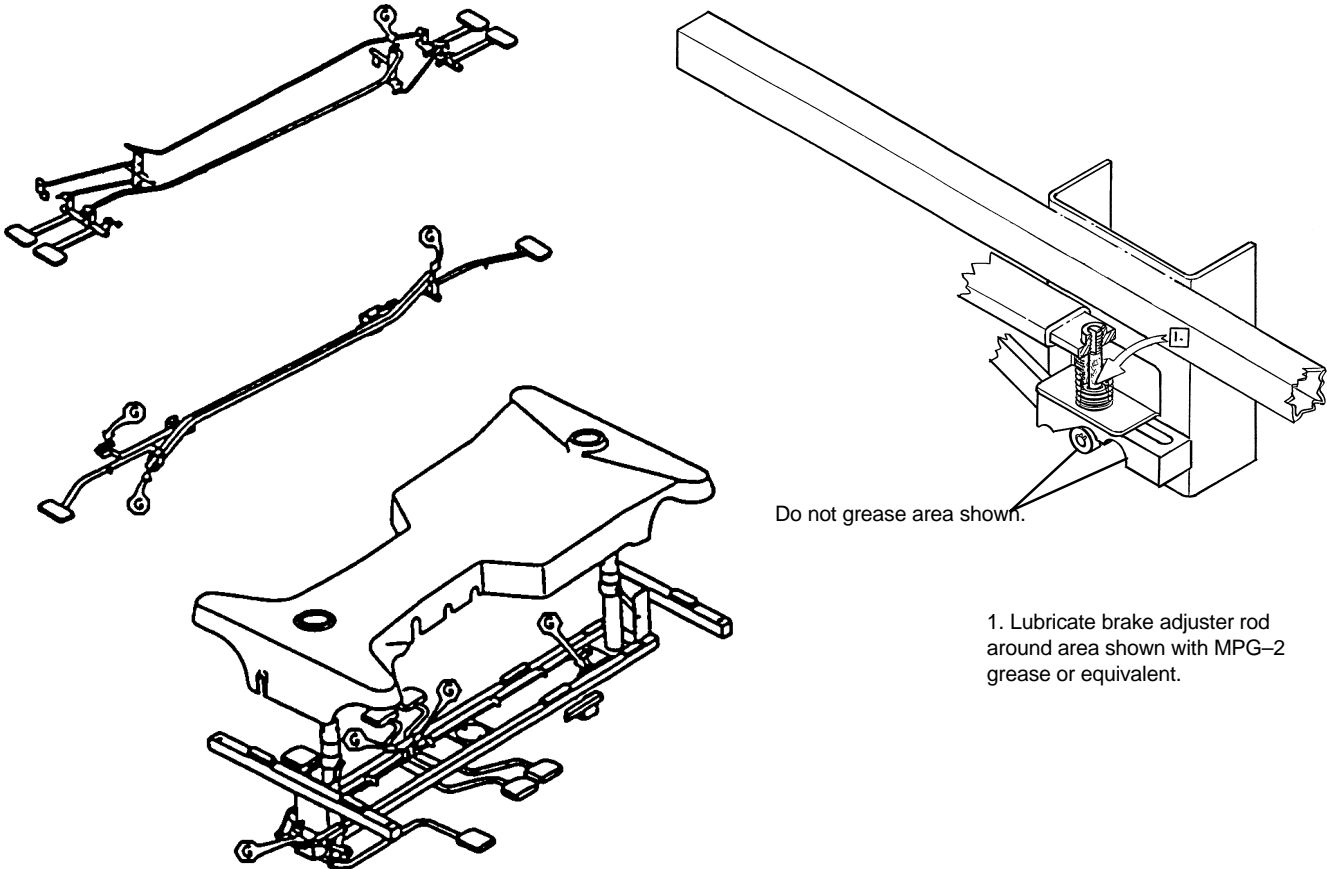
Required Tools:

- 3/32" Hex Allen Wrench
- Pry Bar
- Thread "Locktite"

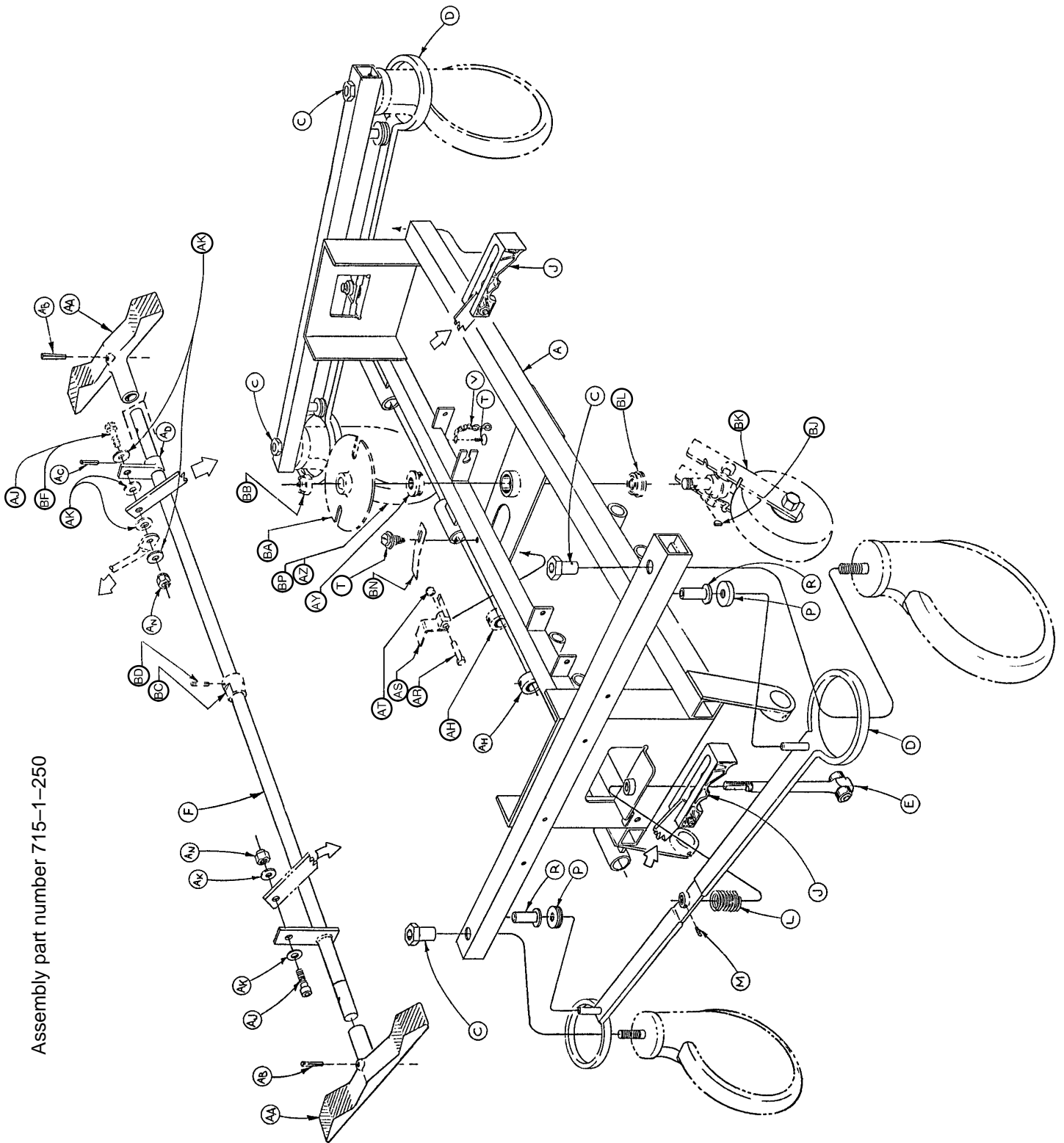


Flat on thread of stud must always be aligned with set screw. Turn must be full circle only.

BASE LUBRICATION



Side Control Base Assembly (with Brakes)



Assembly part number 715-1-250

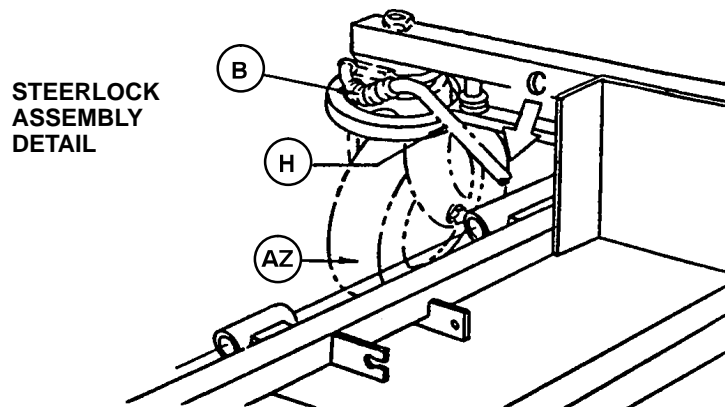
715-1-250 Side Control Base Assembly (with Brakes)

Item	Part No.	Part Name	Qty.
A	715-1-245	Base Weldment Assembly	1
B	38-211	Spring	1
C	715-1-158	Caster Nut	4
D	715-1-61	Caster Brake Assembly	2
E	(Page 18)	Brake Adjuster Assembly	2
F	715-1-231	Brake/Steering Rod Assembly	1
H	1000-10-62	Steering Lock Linkage Bar	1
J	(Page 19)	Brake Cam Assembly	2
L	715-1-94	Compression Spring	2
M	21-50	Set Screw	2
P	715-1-11	Brake Cushion	4
R	946-1-116	Brake Bar Bushing	4
T	23-25	Self-Tapping Screw	2
V	715-1-156	Grounding Chain	1
AA	715-201-201	Brake/Steer Pedal	2
AB	26-261	Groove Pin	2
AC	26-13	Roll Pin	1
AD	715-1-165	Actuator Plate Assembly	1
AH	42-20	Collar w/ Set Screw	2
AJ	8-17	Soc. Hd. Cap Screw	2*
AK	14-2	Nylon Washer	4
AN	16-2	Fiberlock Nut	2
AR	3-20	Hex Hd. Cap Screw	1
AS	715-1-217	Fifth Wheel Latch	1
AT	16-16	Nylock Nut	1
AY	715-1-157	Fifth Wheel Bearing	1
AZ	(Page 23)	Steering Caster Assembly	1**
BA	715-1-337	Fifth Wheel Plate Assembly	1
BB	16-49	Flexlock Nut	1
BC	715-1-161	Fifth Wheel Cam	1
BD	26-8	Roll Pin	1
BF	8-21	Soc. Hd. Cap Screw	1**
BJ	715-1-149	Woodruff Key	1
BK	(Page 25)	Fifth Wheel Assembly	1
BL	81-219	Bearing	1
BN	715-1-136	Fifth Wheel Spring	1
BP	(Page 24)	Caster Wheel Assembly	3***

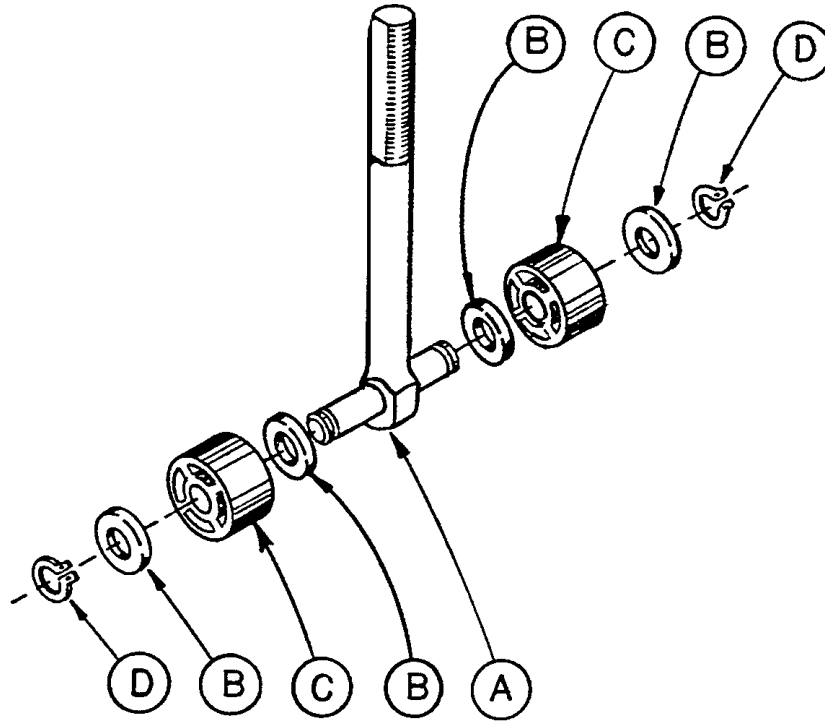
* Item AJ to be used only when fifth wheel is ordered.

**Items AZ and BF to be used only when steerlock caster is ordered.

*** Item BP quantity of four when fifth wheel is ordered.

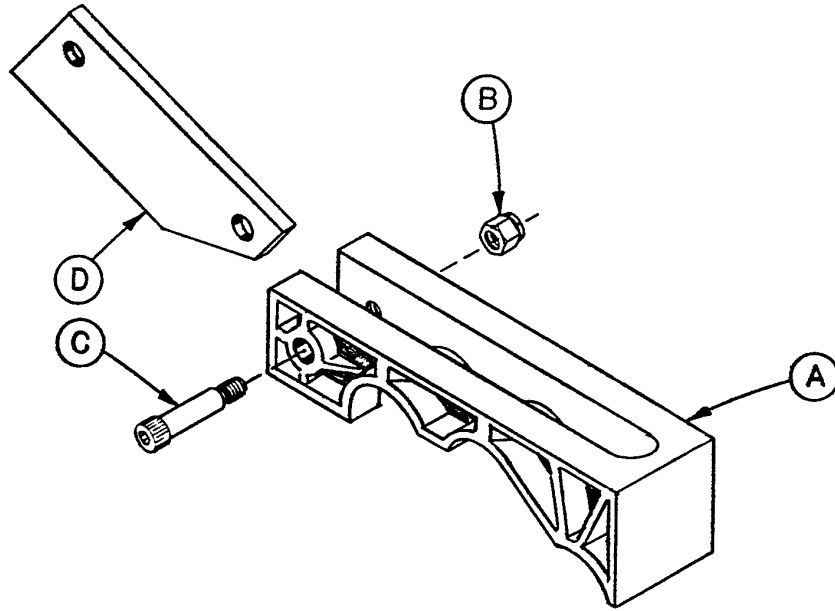


715-1-150 Brake Adjuster Assembly



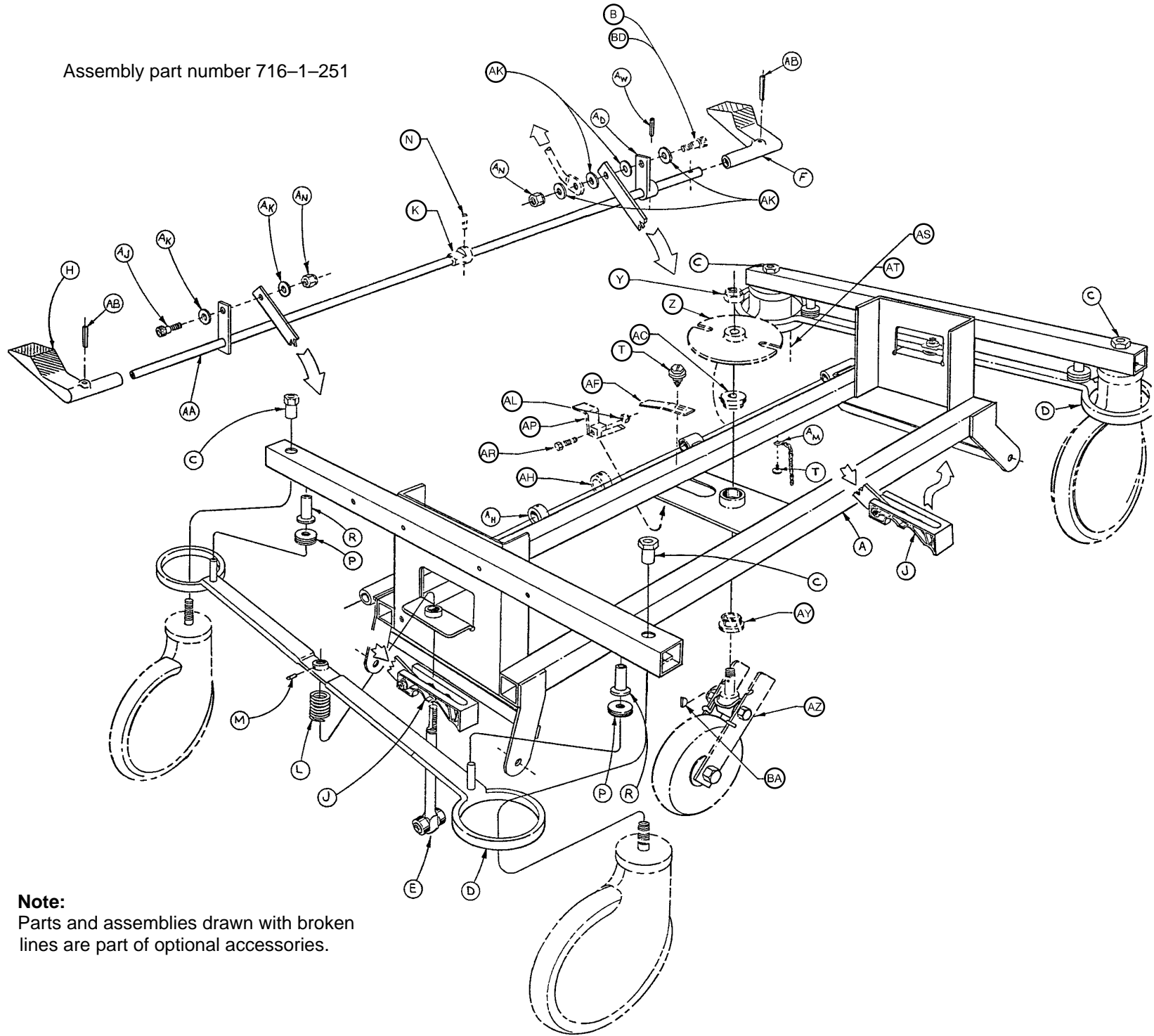
Item	Part No.	Part Name	Qty.
A	715-1-62	Threaded Stud Assembly	1
B	14-4	Nylon Washer	4
C	715-1-180	Bearing	2
D	28-8	Retaining Ring	2

715-1-213 Brake Cam Assembly



Item	Part No.	Part Name	Qty.
A	715-1-221	Brake Cam	1
B	16-59	Fiberlock Nut	1
C	8-21	Soc. Hd. Cap Screw	1
D	715-1-173	Brake Connecting Link	1

Assembly part number 716-1-251

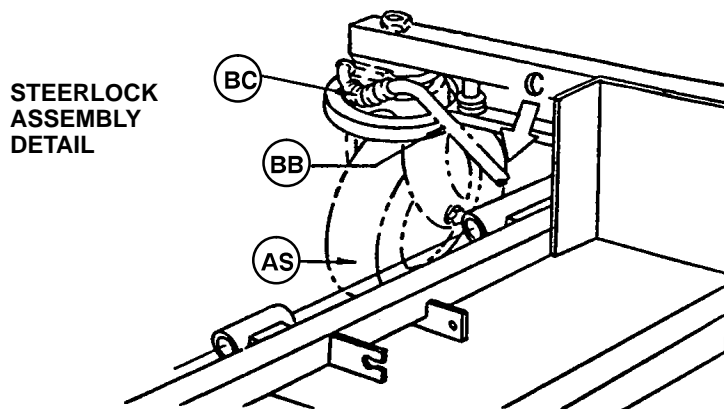


Note:
Parts and assemblies drawn with broken lines are part of optional accessories.

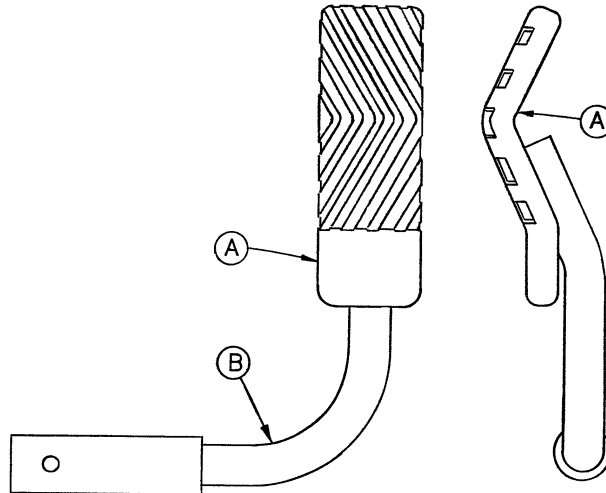
End Control Base Assembly (with Wheels and Brakes)

End Control Base Assembly (with Wheels and Brakes)

Item	Part No.	Part Name	Qty.
A	716-1-246	Base Weldment Ass'y	1
B	8-17	Soc. Hd. Shoulder Bolt	1
C	715-1-158	Caster Nut	4
D	715-1-61	Caster Brake Assembly	2
E	(Page 18)	Brake Adjuster Assembly	2
F	1210-1-345	Brake/Steer Pedal, Ft. End	1
H	1210-1-346	Brake/Steer Pedal, Hd. End	1
J	(Page 19)	Brake Cam Assembly	2
K	26-8	Roll Pin	1
L	715-1-94	Compression Spring	2
M	21-50	Set Screw	2
N	715-1-161	Fifth Wheel Cam	1
P	715-1-11	Brake Cushion	4
R	946-1-116	Brake Bar Bushing	4
T	23-25	Self-Tapping Screw	2
Y	16-49	Flexlock Nut	1
Z	715-1-337	Fifth Wheel Plate Ass'y	1
AA	715-1-231	Brake/Steer Rod Weldment	1
AB	26-261	Clevis Pin	2
AC	715-1-157	Fifth Wheel Bearing	1
AD	715-1-165	Actuator Plate Assembly	1
AF	715-1-136	Fifth Wheel Spring	1
AH	42-20	Collar w/ Set Screw	2
AJ	8-17	Soc. Hd. Shoulder Bolt	1
AK	14-2	Nylon Washer	6
AL	16-16	Nylock Nut	1
AM	715-1-156	Grounding Chain	1
AN	16-2	Fiberlock Nut	2
AP	715-1-217	Fifth Wheel Latch	1
AR	3-20	Hex Hd. Cap Screw	1
AS	(Page 23)	Steering Caster Ass'y	1
AT	(Page 24)	Caster Wheel Ass'y	3
AY	81-219	Bearing	1
AW	26-13	Roll Pin	1
AZ	(Page 25)	Fifth Wheel Ass'y	1
BA	715-1-149	Woodruff Key	1
BB	1000-10-62	Steering Lock Linkage Bar	1
BC	38-211	Spring	1
BD	8-21	Soc. Hd. Shoulder Bolt	1

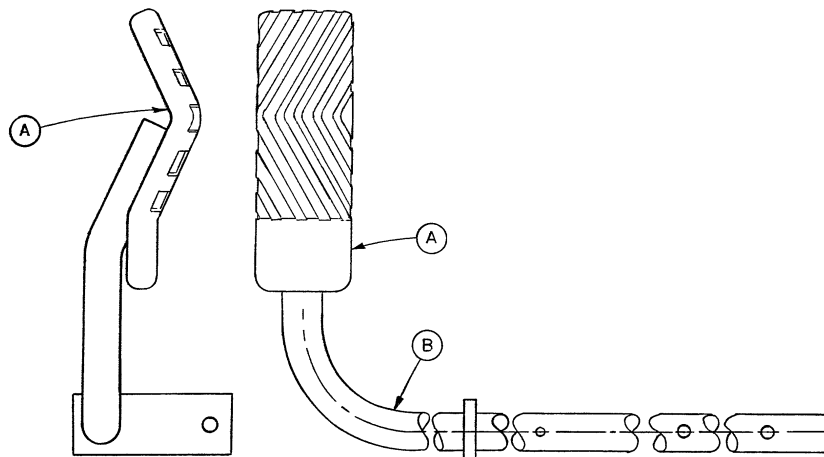


716-1-263 End Control Brake Pedal Assembly, Foot



Item	Part No.	Part Name	Qty.
A	716-1-275	Brake Pedal	1
B	716-1-262	Brake Rod Ass'y, Ft. End	1

716-1-269 End Control Brake Pedal Assembly, Head

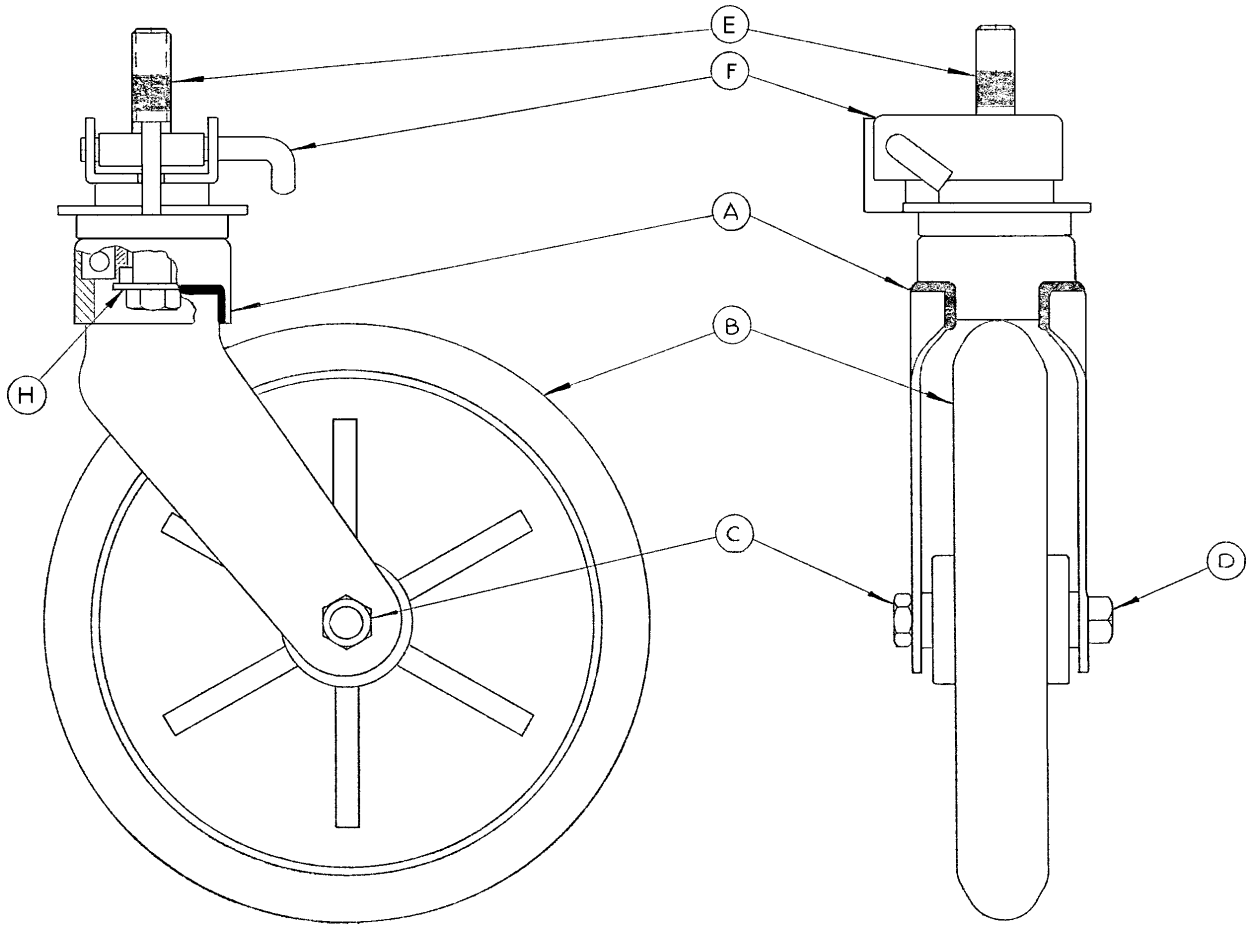


Item	Part No.	Part Name	Qty.
A	716-1-275	Brake Pedal	1
B	716-1-267	Brake Rod Ass'y, Welded	1

NOTE

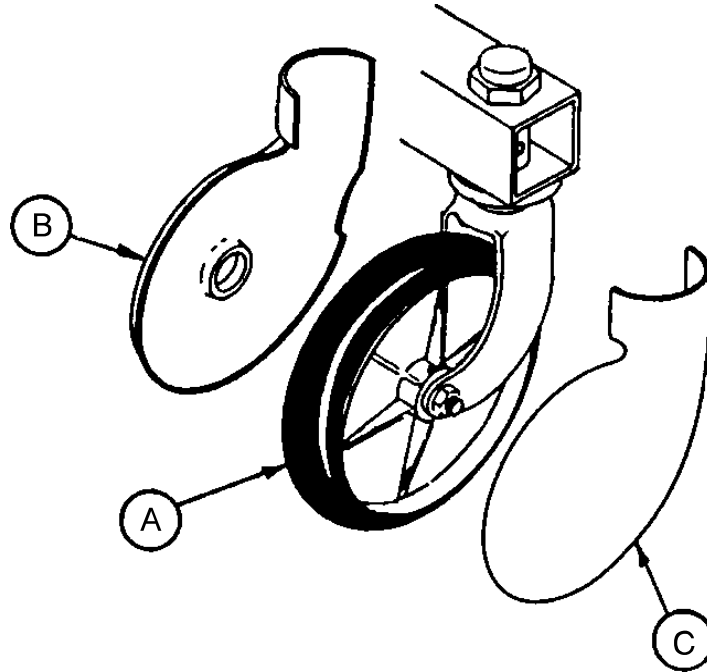
Apply plastic adhesive to the mating surfaces of item A prior to assembly.

715-2-21 Caster Assembly with Steerlock



Item	Part No.	Part Name	Qty.
A	700-10-50	Steer Lock Caster Weldment	1
B	715-2-25	Caster Wheel	1
C	16-60	Hex Nut	1
D	3-99	Hex Bolt	1
E	715-3-96	Hex Bolt	1
F	1000-59-10	Latch Assembly	1
H	11-310	Flat Washer	1

Caster and Caster Cover Replacement Kits



Item	Part No.	Part Name	Qty.
A	715-2-20	Caster Assembly	1
B	715-1-266	Caster Cover, Left	1
C	715-1-265	Caster Cover, Right	1

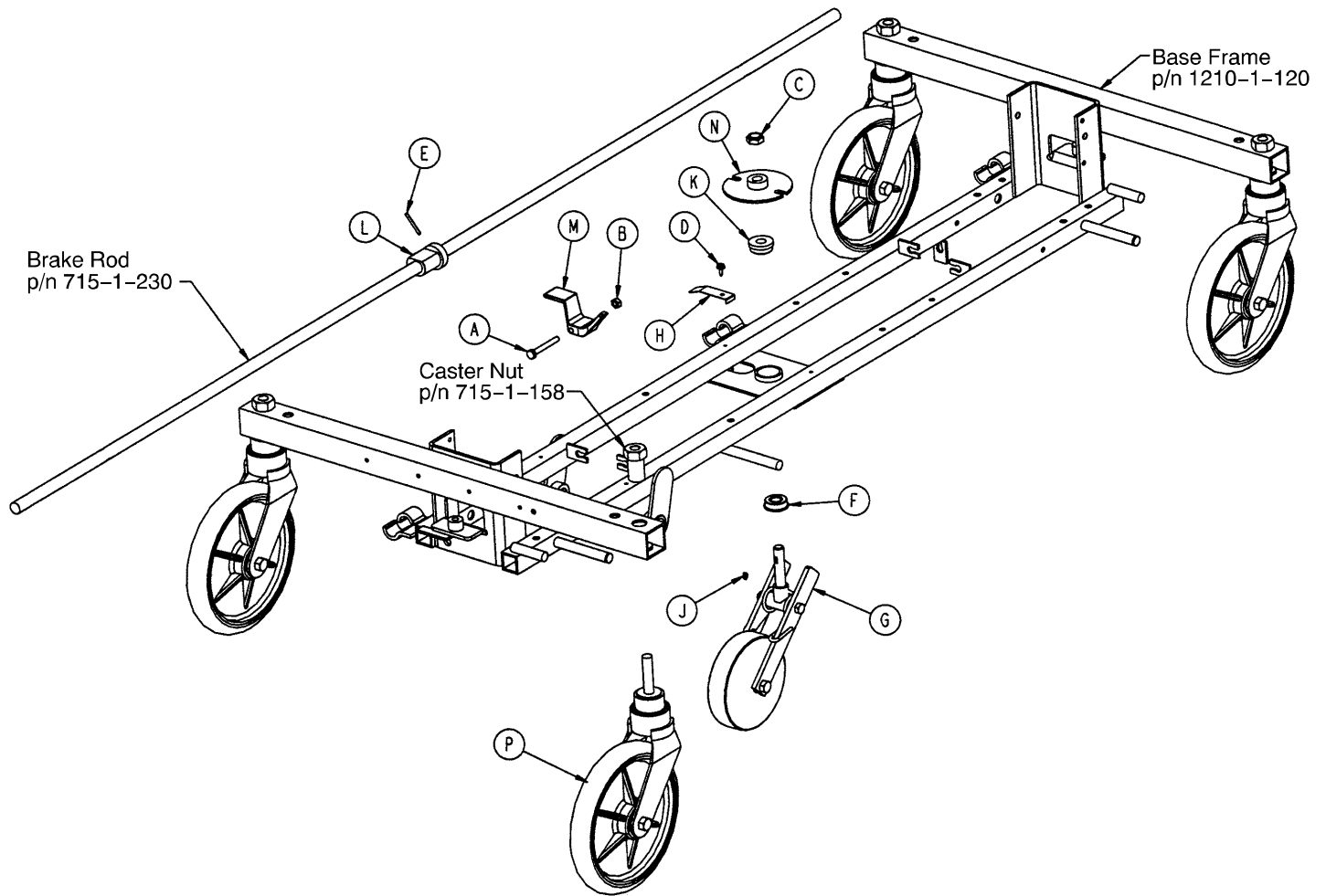
P/N 715-259-400 – Kit to replace 4 standard caster assemblies with necessary hardware – no caster covers.

P/N 715-269-400 – Kit to replace 3 standard caster assemblies and 1 steerlock caster with necessary hardware – no caster covers.

P/N 715-259-100 – Kit to replace 1 standard caster assembly with necessary hardware – no caster covers.

P/N 1010-56-200 – Kit to replace both caster covers on all four wheels.

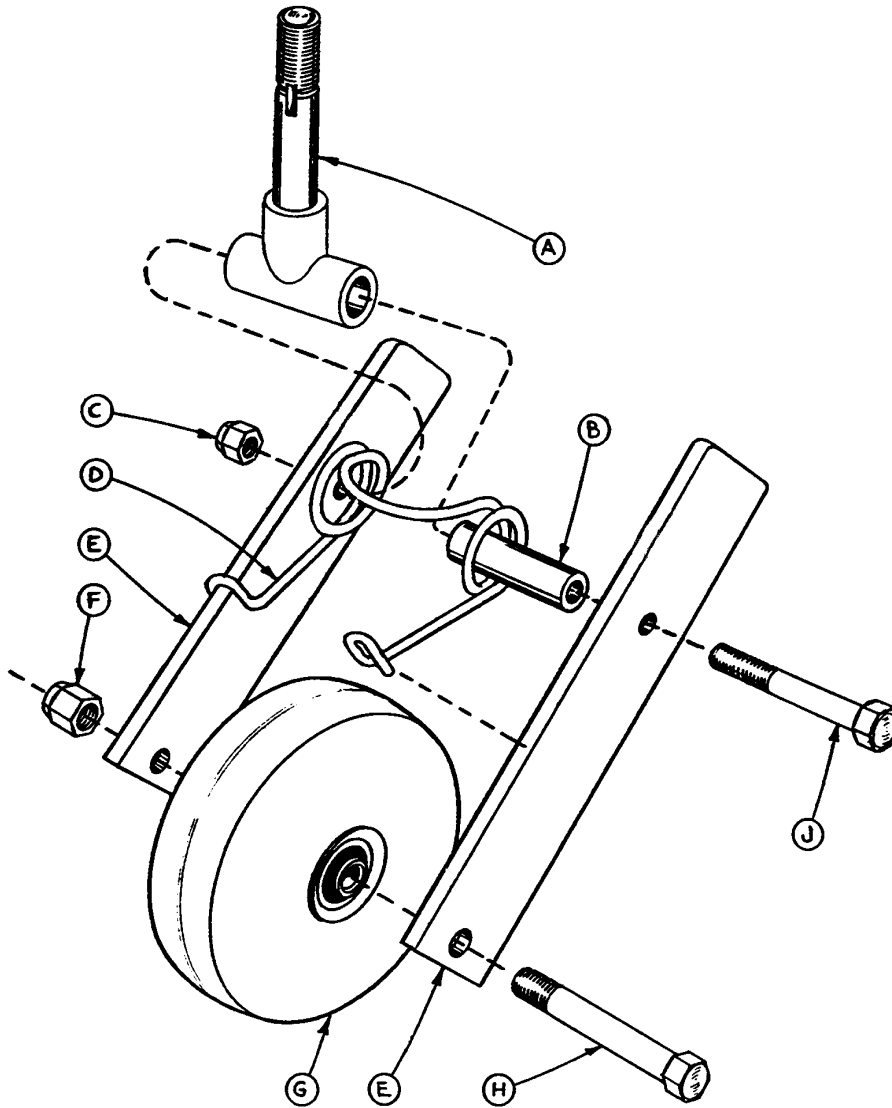
Optional Fifth Wheel Base Assembly



Item	Part No.	Part Name	Qty.
A	3-20	Hex Hd. Cap Screw	1
B	16-16	Fiberlock Nut	1
C	16-49	Nylock Hex Nut	1
D	23-25	Hex Washer Hd. Screw	1
E	26-8	Roll Pin	1
F	81-219	Bearing	1
G	(page 25)	Fifth Wheel Assembly	1
H	715-1-136	Fifth Wheel Spring	1
J	715-1-149	Key	1
K	715-1-157	Fifth Wheel Bearing	1
L	715-1-161	Fifth Wheel Cam	1
M	715-1-217	Fifth Wheel Latch	1
N	715-1-337	Fifth Wheel Plate	1
P	(page 24)	Caster Assembly	4

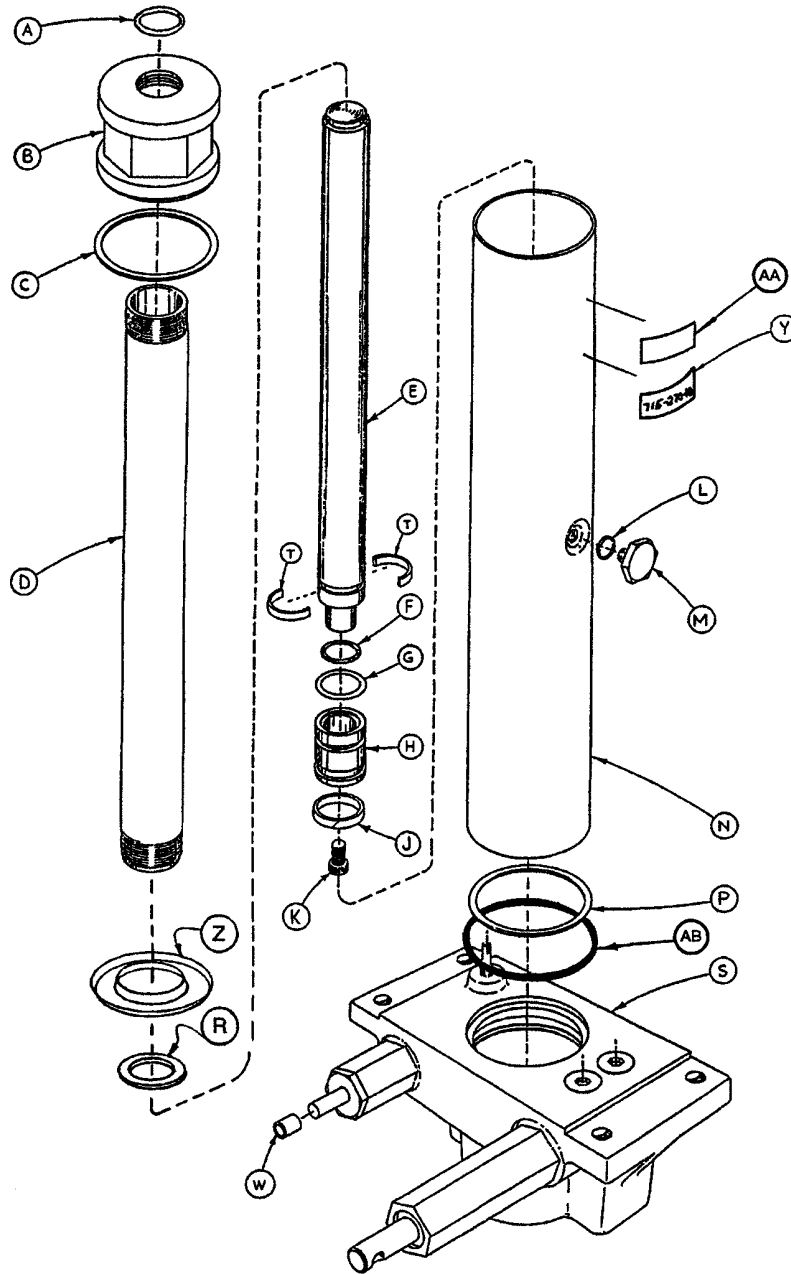
Notes

715-1-25 Fifth Wheel Assembly



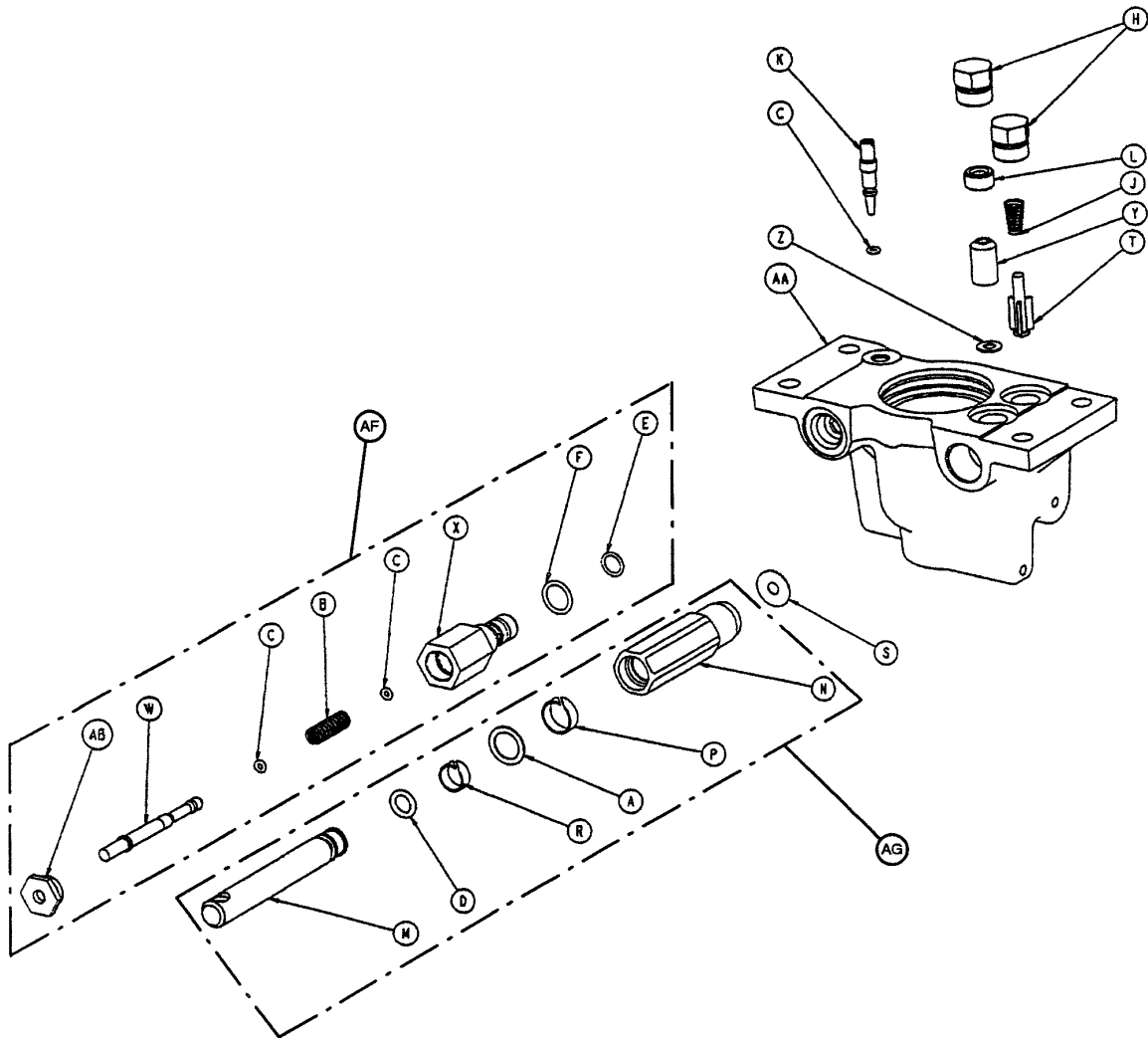
Item	Part No.	Part Name	Qty.
A	715-1-339	Fifth Wheel Pivot Assembly	1
B	715-1-17	Fifth Wheel Bushing	1
C	16-11	Flexlock Nut	1
D	715-1-15	Spring	1
E	715-1-13	Fifth Wheel Bracket	2
F	16-12	Flexlock Nut	1
G	390-1-54	Wheel	1
H	3-31	Hex Head Cap Screw	1
J	3-82	Hex Head Cap Screw	1

715-270-400 Jack Assembly



Item	Part No.	Part Name	Qty.	Item	Part No.	Part Name	Qty.
A	45-904	O-Ring	1	M	388-1-38	Plug	1
B	715-1-340	Cap Assembly	1	N	715-1-322	Reservoir	1
C	390-1-243	Gasket	1	P	390-1-244	Gasket	1
D	715-1-323	Actuator Cylinder	1	R	390-1-238	Gasket, Actuator	1
E	715-1-325	Actuator	1	S	(Page 27)	Jack Base Assembly	1
F	45-14	O-Ring	1	T	390-2-139	Retaining Collar	2
G	926-20-161	Parker Packing	1	W	715-1-333	Rel. Valve Stop Sleeve	1
H	715-1-331	Piston End	1	Y	715-270-11	Label	1
J	926-20-162	Wear Ring	1	Z	715-1-320	Jack Screen	1
K	4-14	Soc. Hd. Cap Screw	1	AA	921-1-252	Serial No. Label	1
L	45-110	O-Ring	1	AB	45-978	O-Ring	1

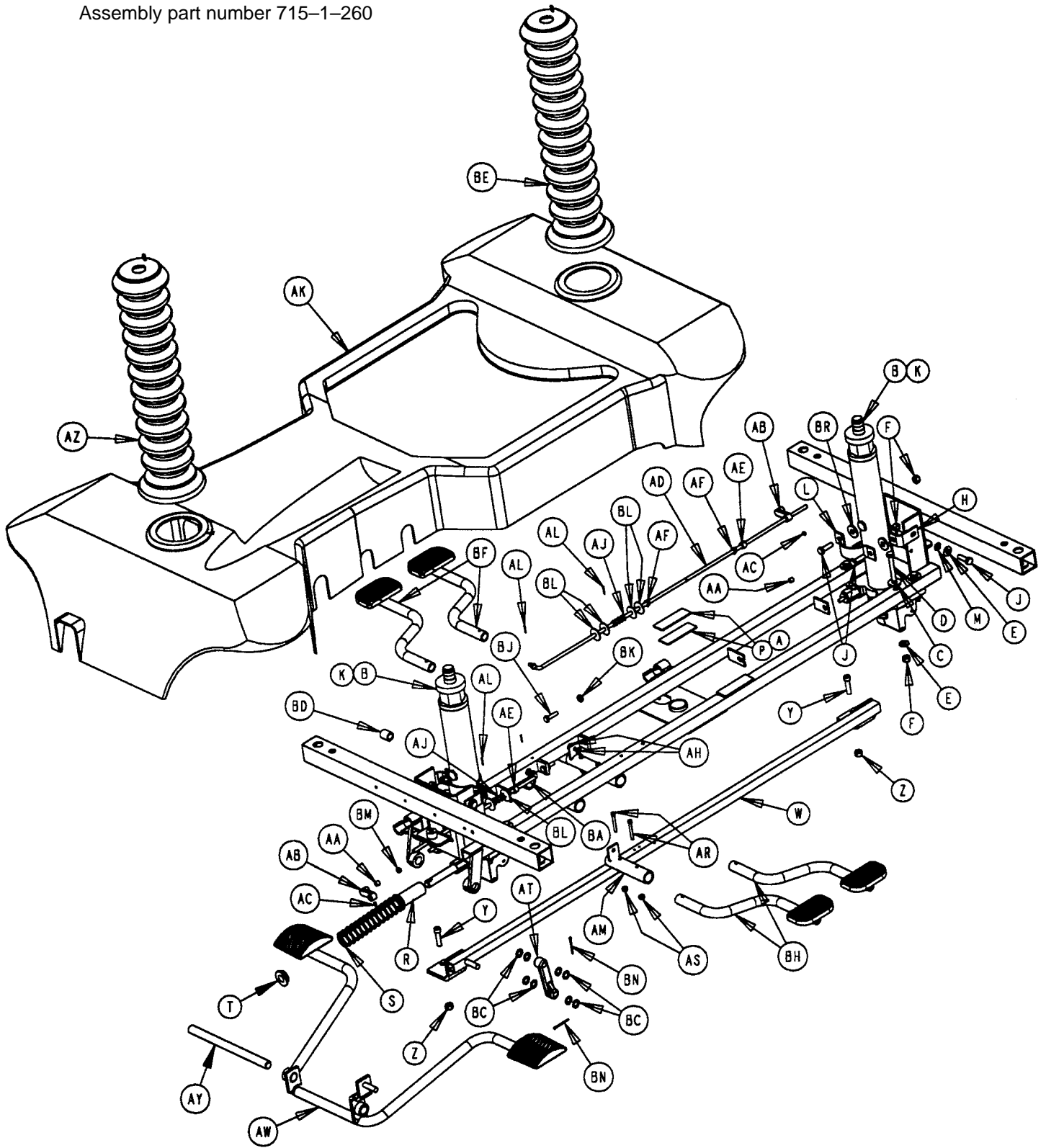
715-1-300 Jack Base Assembly



Item	Part No.	Part Name	Qty.	Item	Part No.	Part Name	Qty.
A	14-50	Bearing Retainer	1	P	715-1-327	Cylinder Wear Ring	1
B	38-311	Compression Spring	1	R	715-1-328	Piston Wear Ring	1
C	45-6	O-Ring	3	S	715-1-329	Pump Seal	1
D	45-110	O-Ring	1	T	715-1-341	Poppet	1
E	45-966	O-Ring	1	W	715-270-1	Pin	1
F	45-967	O-Ring	1	X	715-270-2	Pin Housing	1
H	48-147	Base Plug	2	Y	926-20-153	Check Valve	1
J	390-2-134	Conical Comp. Spring	1	Z	926-20-154	Seal	1
K	715-1-307	Needle Valve	1	AA	1210-70-12	Jack Base	1
L	715-1-309	Valve Plug	1	AB	1210-70-13	Base Plug	1
M	715-1-318	Pump Piston	1	AF	715-270-100	Valve Assembly	1
N	715-1-316	Pump Cylinder	1	AF	715-100-325	Pump Piston Ass'y	1

Side Control Base Assembly (with Jacks)

Assembly part number 715-1-260

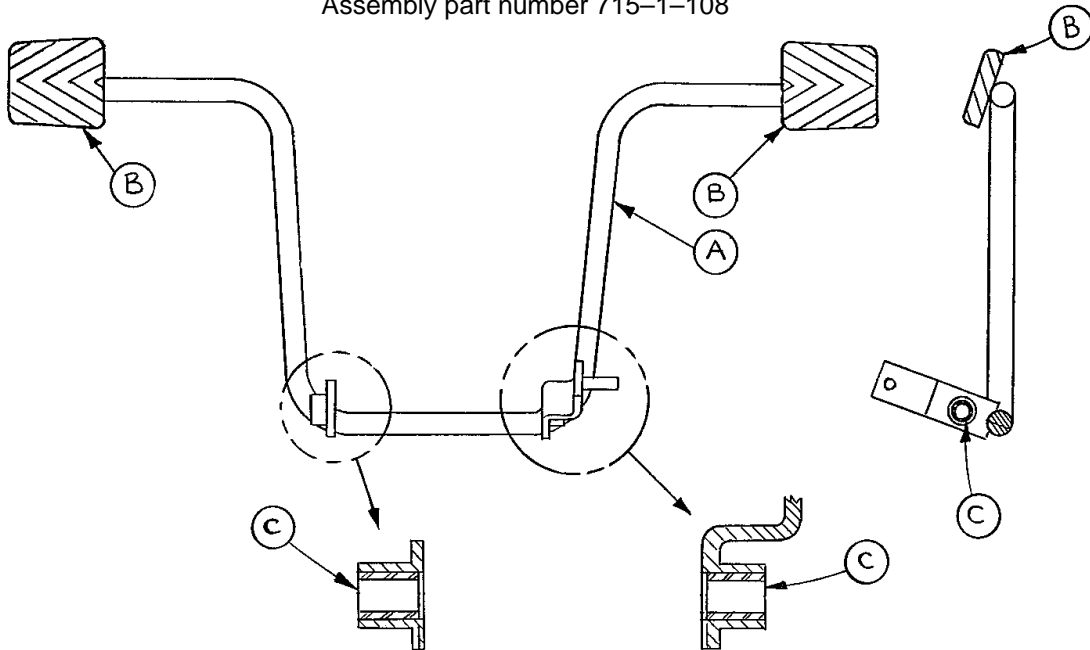


Side Control Base Assembly (with Jacks)

Item	Part No.	Part Name	Qty.
A	29-7	Dual Lock	2
B	(Page 26)	Jack Assembly	2
C	11-262	Flat Washer	8
D	3-62	Hex Hd. Cap Screw	8
E	11-3	Flat Washer	12
F	16-36	Nylock Hex Nut	16
H	715-1-192	Jack Support	2
J	3-85	Hex Hd. Cap Screw	8
L	715-1-193	Jack Support Clamp	2
M	13-38	Ext. Tooth Lock Washer	4
P	29-9	Dual Lock	2
R	763-1-16	Spring Holder	1
S	38-246	Jack Spring	1
T	715-1-133	Collar	1
W	715-1-27	Pump Connect. Rod Ass'y	1
Y	4-146	Hex Socket Hd. Cap Screw	2
Z	16-48	Nylock Hex Nut	2
AA	715-1-333	Release Rod Stop Sleeve	2
AB	715-1-346	Release Paddle	2
AC	21-50	Hex Socket Set Screw	2
AD	715-1-40	Release Rod Ass'y, Ft. End	1
AE	42-13	Shaft Collar w/ Set Screw	2
AF	52-245	Nyliner	2
AH	14-4	Nylon Washer	4
AJ	38-234	Compression Spring	2
AK	(page 38)	Hood	1
AL	27-4	Cotter Pin	3
AM	715-1-187	Rel. Pedal Sleeve Ass'y	2
AR	4-85	Soc. Hd. Cap Screw	4
AS	16-3	Fiberlock Nut	4
AT	715-1-214	Connector Link, Mach'd	1
AW	(Page 30)	Pedal Base Assembly	1
AY	715-1-92	Pump Pedal Shaft	1
AZ	715-1-134	Bellows	2
BA	715-1-46	Rel. Rod Ass'y, Hd. End	1
BC	14-9	Nylon Washer	8
BD	715-1-140	Raufilam Braid Tubing	1
BF	(Page 31)	Pedal Base Ass'y, Hd. Left	2
BH	(Page 31)	Pedal Base Ass'y, Hd. Right	2
BJ	3-3	Hex Hd. Cap Screw	2
BK	15-11	Fiberlock Nut	2
BL	11-53	Washer	8
BM	21-22	Set Screw	2
BN	27-3	Cotter Pin	2
BP	921-1-252	Serial Number Label	1
BR	11-262	Washer	4

Pedal Base Assembly, Pump

Assembly part number 715-1-108

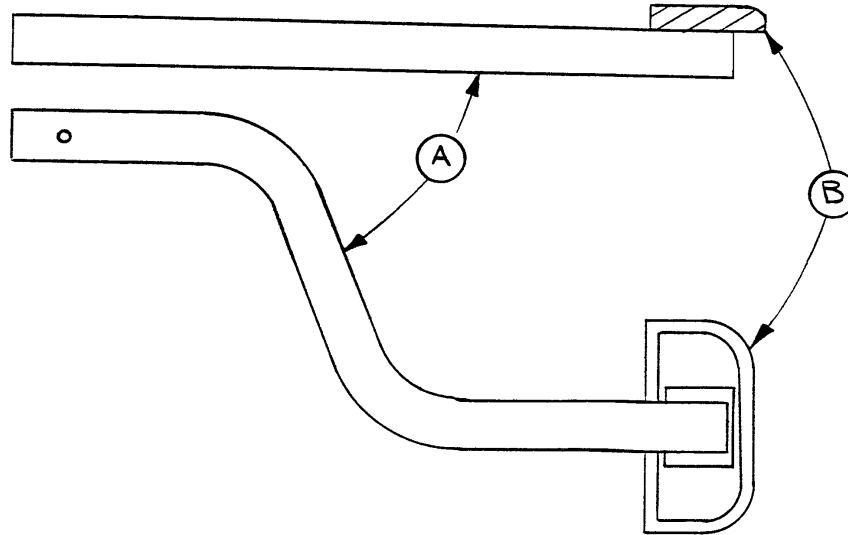


Item	Part No.	Part Name	Qty.
A	715-1-83	Pedal Ass'y Weldm't, Pump	1
B	715-1-126	Side Control Pedal Pad	2
C	81-44	Bearing, Bronze	2

NOTE

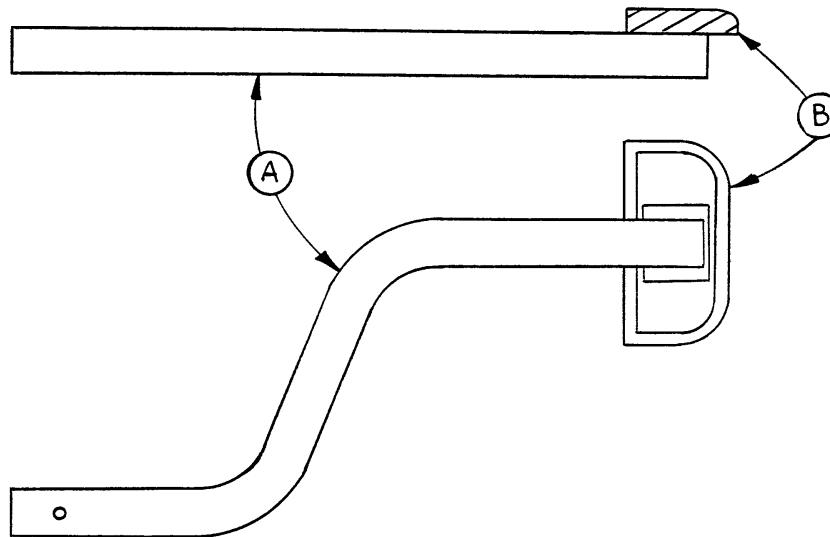
Apply plastic adhesive to the mating surfaces of item B prior to assembly.

715-1-110 Pedal Base Assembly, Head End, Right



Item	Part No.	Part Name	Qty.
A	715-1-97	Release Pedal Weldment	1
B	721-40-25	Pedal	1

715-1-109 Pedal Base Assembly, Head End, Left

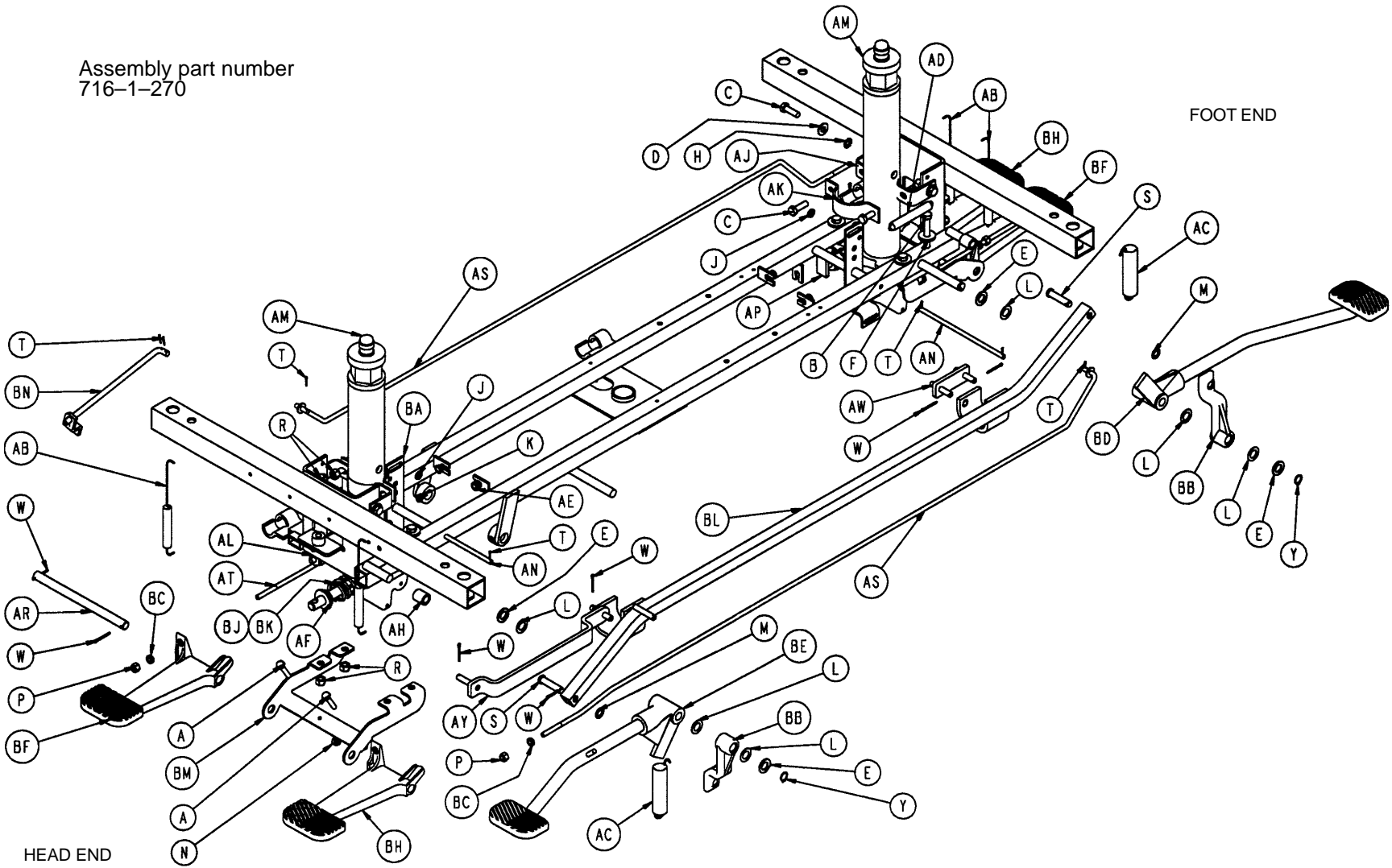


Item	Part No.	Part Name	Qty.
A	715-1-98	Release Ped. Wldmt., Hd. Lt.	1
B	721-40-25	Pedal	1

NOTE

Apply plastic adhesive to the mating surfaces of item B prior to assembly.

Assembly part number
716-1-270

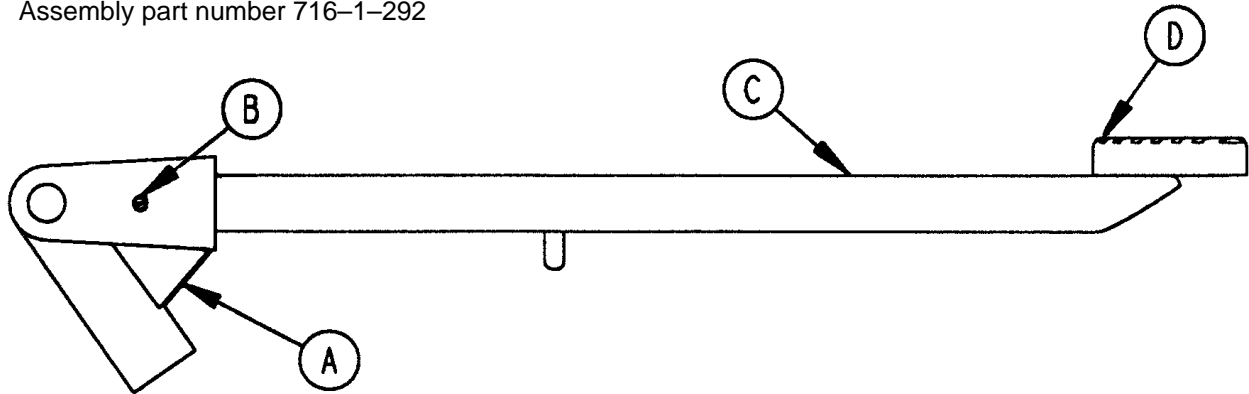


End Control Base Assembly (with Jacks)

Item	Part No.	Part Name	Qty.
A	3-4	Hex Head Cap Screw	4
B	3-62	Hex Hd. Cap Screw	8
C	3-85	Hex Hd. Cap Screw	8
D	11-3	Washer	4
E	11-13	Flat Washer	4
F	11-262	Flat Washer	8
H	13-38	Ext. Tooth Lock Washer	4
J	14-2	Washer	4
K	14-3	Washer	2
L	14-7	Nylon Flat Washer	6
M	14-9	Washer	2
N	15-11	Hex Jam Nut	4
P	16-16	Nylock Nut	4
R	16-36	Nylock Hex Nut	16
S	26-195	Clevis Pin	2
T	27-4	Cotter Pin	10
W	27-3	Cotter Pin	10
Y	28-97	Snap Ring	2
Z	29-7	Dual Lock	3
AA	29-9	Dual Lock	3
AB	38-235	Spring	4
AC	38-251	Spring	2
AD	38-326	Extension Spring	2
AE	52-245	Nyliner	4
AF	715-1-133	Spring Collar	1
AH	715-1-140	PVC Tubing	2
AJ	715-1-192	Jack Support	2
AK	715-1-193	Jack Clamp	2
AL	715-1-333	Release Rod Stop Sleeve	2
AM	(Page 26)	Jack Assembly	2
AN	716-1-15	Release Pivot Bar	2
AP	716-1-52	Pivot Assembly, Foot	1
AR	716-1-61	Pedal Shaft	2
AS	716-1-71	Release Rod Ass'y	2
AT	716-1-75	Release Rod	2
AW	716-1-102	Pump Link Wldmt. Ass'y, Ft.	1
AY	716-1-109	Pump Link Bar Wldmt., Hd.	1
BA	716-1-119	Pivot Assembly, Head End	1
BB	716-1-281	Pump Idler Link	2
BC	716-1-286	Cam, Release Pedal	4
BD	(Page 34)	Pump Pedal Ass'y, Foot	1
BE	(Page 34)	Pump Pedal Ass'y, Head	1
BF	716-1-293	Rel Pedal, Hd. Lt. & Ft. Rt.	2
BH	716-1-294	Rel. Pedal, Hd. Rt. & Ft. Lt.	2
BJ	763-1-15	Spring	1
BK	763-1-16	Spring Guide	1
BL	1210-1-27	Pump Conn. Rod Ass'y	1
BM	1210-1-111	End Release Pedal Bracket	2
BN	1210-1-112	Release Rod Wldmt., Head, Left	1

End Control Pump Pedal Assembly, Head

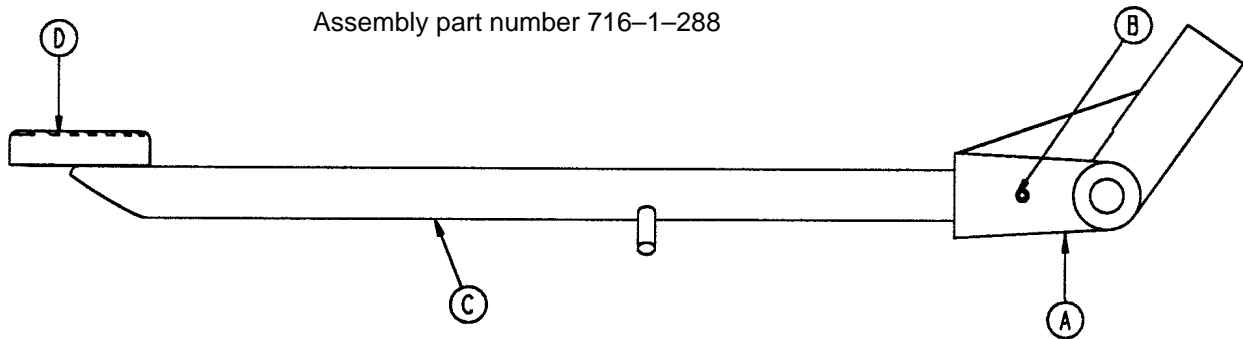
Assembly part number 716-1-292



Item	Part No.	Part Name	Qty.
A	716-1-285	Pump Pivot, Head End	1
B	26-12	Roll Pin	1
C	716-1-290	Pump Ped. Wldmt., Head	1
D	721-40-25	Pedal	1

End Control Pump Pedal Assembly, Foot

Assembly part number 716-1-288

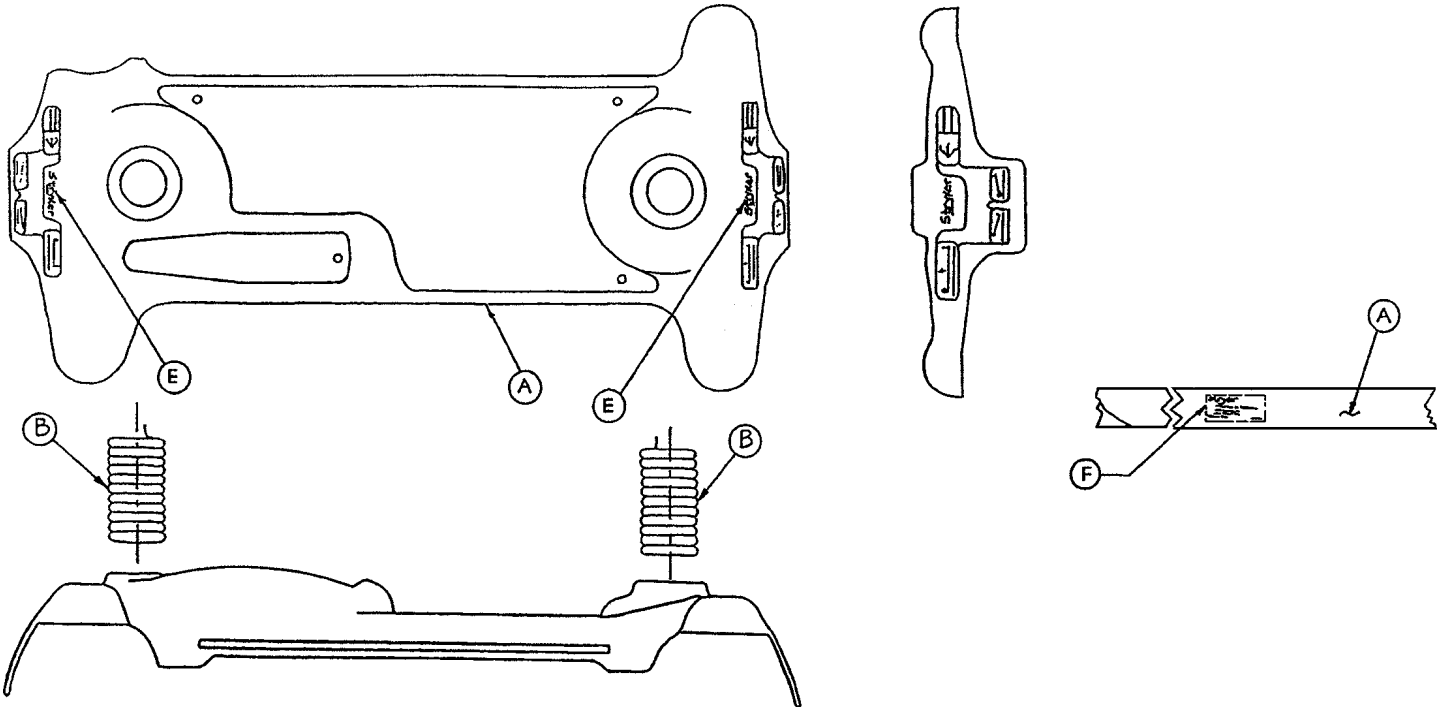


Item	Part No.	Part Name	Qty.
A	716-1-283	Pump Pivot, Foot End	1
B	26-12	Roll Pin	1
C	716-1-289	Pump Ped. Wldmt., Foot	1
D	721-40-25	Pedal	1

NOTE

Apply plastic adhesive to the mating surfaces of item D prior to assembly.

End Control Stretcher Base Labeling Assembly



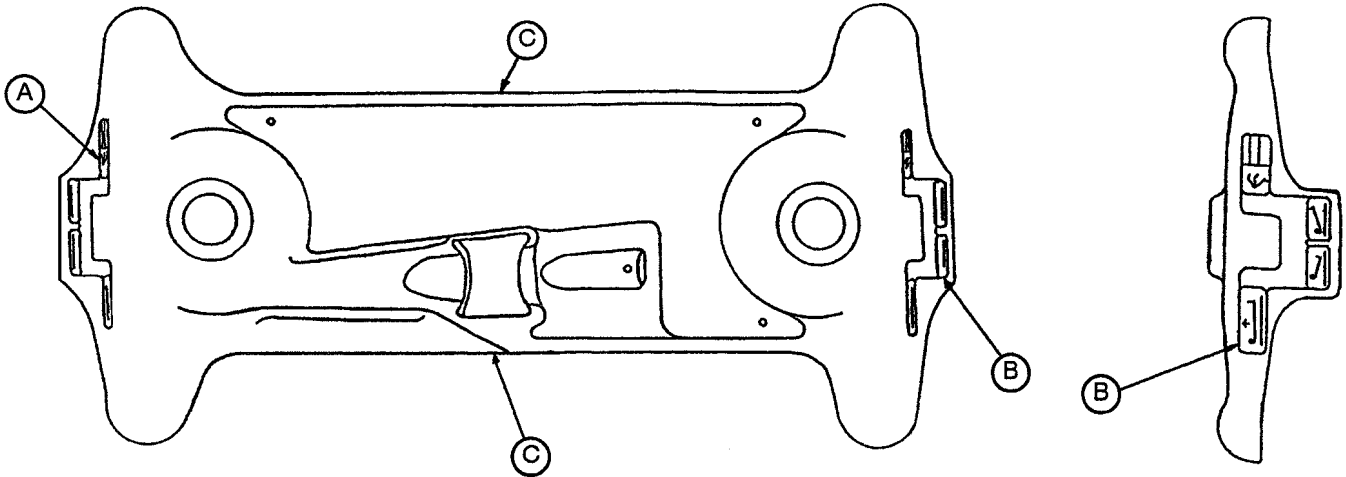
1001

Item	Part No.	Part Name	Qty.
A	1001-100-1	Hood	1
B	715-1-134	Bellows	2
C	29-7	Dual Lock (not shown)	1
D	29-9	Dual Lock (not shown)	1
E	946-1-60	Stryker Logo Label	2
F	1001-44-20	Specification Label	1

1501

Item	Part No.	Part Name	Qty.
A	1001-100-1	Hood	1
B	715-1-134	Bellows	2
C	29-7	Dual Lock (not shown)	1
D	29-9	Dual Lock (not shown)	1
E	946-1-60	Stryker Logo Label	2
F	1501-44-20	Specification Label	1

End Control Graphics



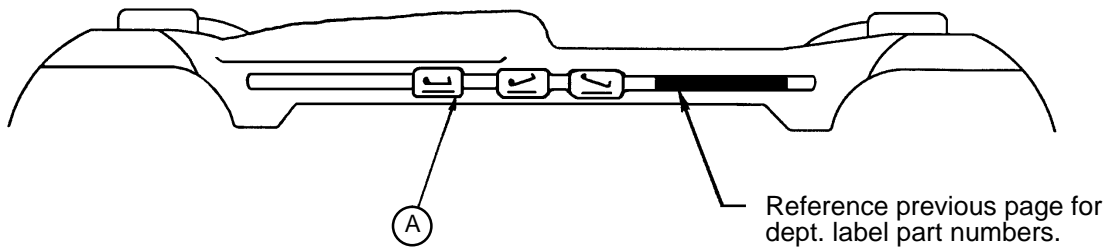
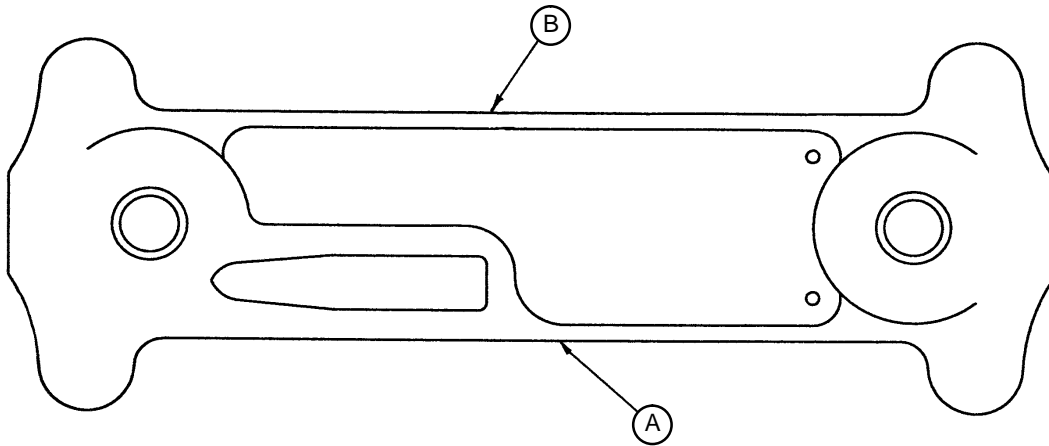
Reference below for dept. label part numbers.

Color	Item A Control Label, Head	Item B Control Label, Foot	Item C Stripe Label	Litter Bumper Strip
RED	1010-800-11	1010-800-12	1010-800-13	1010-700-15
PURPLE	1010-800-21	1010-800-22	1010-800-23	1010-700-25
GREEN	1010-800-31	1010-800-32	1010-800-33	1010-700-35
GRAY	1010-800-41	1010-800-42	1010-800-43	1010-700-45
TEAL	1010-800-51	1010-800-52	1010-800-53	1010-700-55
PINK	1010-800-61	1010-800-62	1010-800-63	1010-700-65
BLUE	1010-800-71	1010-800-72	1010-800-73	1010-700-75

Department	Label Part Number
Emergency	1010-900-1
P.A.C.U.	1010-900-2
Transport	1010-900-3
Surgery	1010-900-4
Extended Stay	1010-900-5
Maternity	1010-900-6

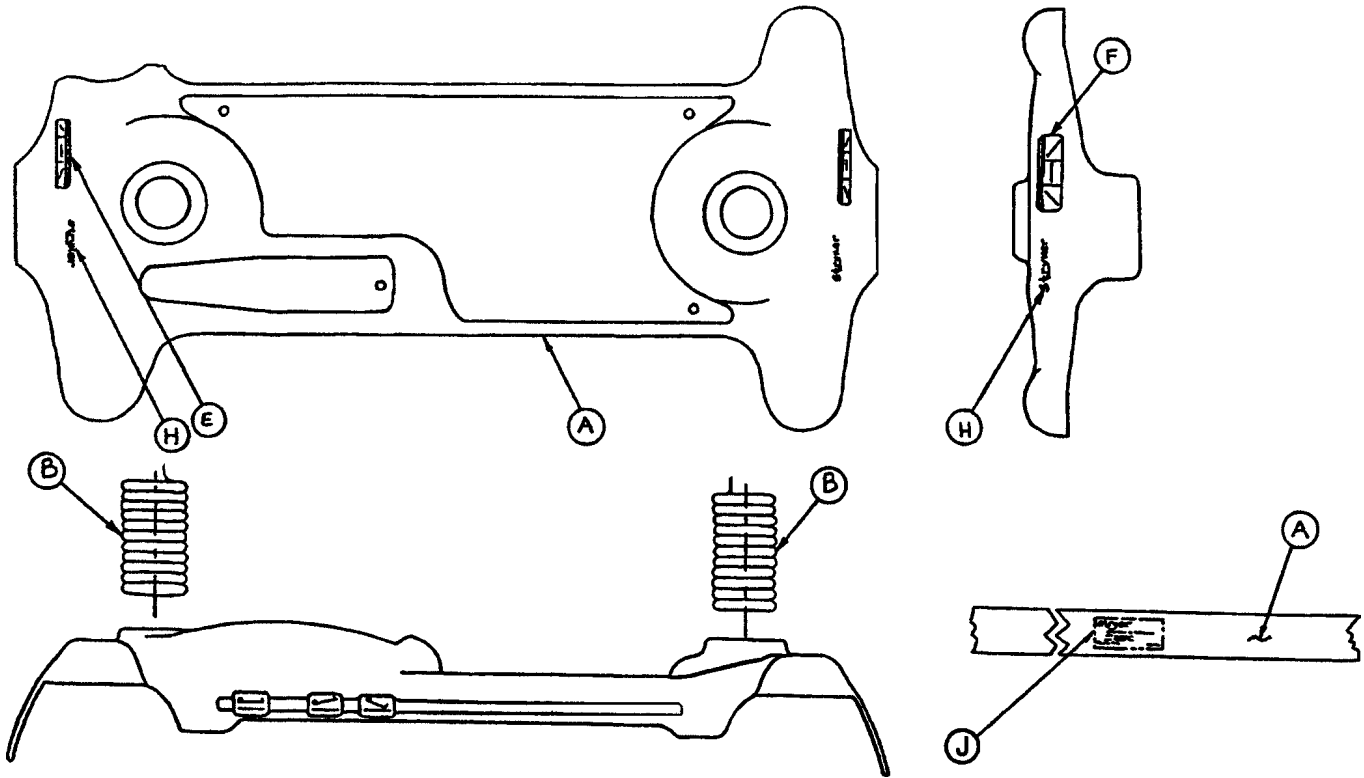
Department	Label Part Number
Endoscopy	1010-900-7
Radiology	1010-900-8
Nuclear Medicine	1010-900-9
Ambulatory Surgery	1010-900-10
G.I. Lab	1010-900-11
Cath. Lab	1010-900-12

Side Control Graphics



Color	Item A Control Label, Right	Item B Control Label, Left	Litter Bumper Strip
RED	1001-700-111	1001-700-112	1010-700-15
PURPLE	1001-700-121	1001-700-122	1010-700-25
GREEN	1001-700-131	1001-700-132	1010-700-35
GRAY	1001-700-141	1001-700-142	1010-700-45
TEAL	1001-700-151	1001-700-152	1010-700-55
PINK	1001-700-161	1001-700-162	1010-700-65
BLUE	1001-700-171	1001-700-172	1010-700-75

Side Control Stretcher Base Labeling Assembly



1001

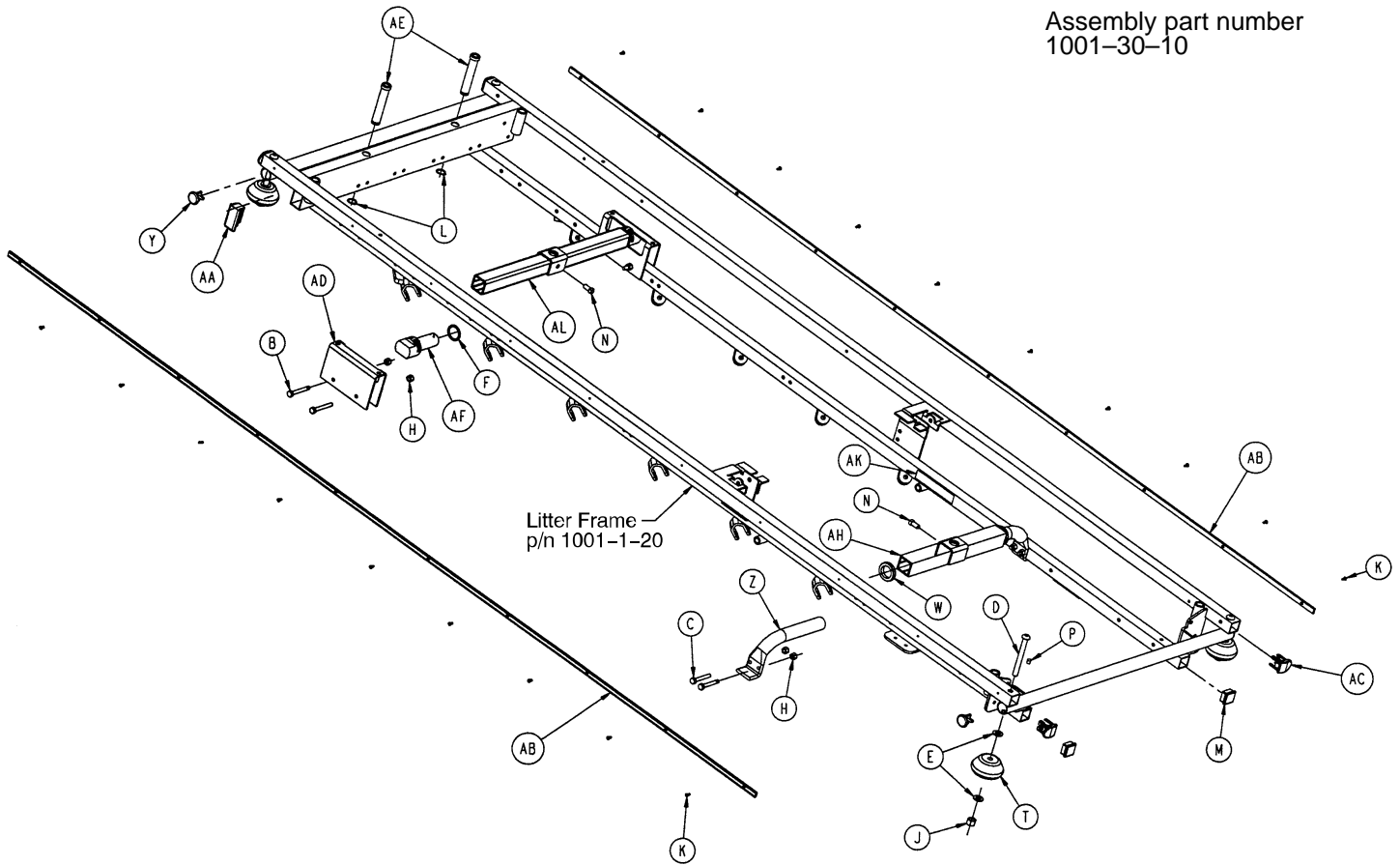
Item	Part No.	Part Name	Qty.
A	1001-100-1	Hood	1
B	715-1-134	Bellows	2
C	29-7	Dual Lock (not shown)	1
D	29-9	Dual Lock (not shown)	1
E	741-1-145	Brake/Steer Label, Hd.	1
F	741-1-146	Brake/Steer Label, Ft.	1
H	946-1-60	Stryker Logo Label	2
J	1001-44-20	Specification Label	1

1501

Item	Part No.	Part Name	Qty.
A	1001-100-1	Hood	1
B	715-1-134	Bellows	2
C	29-7	Dual Lock (not shown)	3
D	29-9	Dual Lock (not shown)	3
E	741-1-145	Brake/Steer Label, Hd.	1
F	741-1-146	Brake/Steer Label, Ft.	1
H	946-1-60	Stryker Logo Label	2
J	1501-44-20	Specification Label	1

Litter Assembly, Fold to Head Siderails

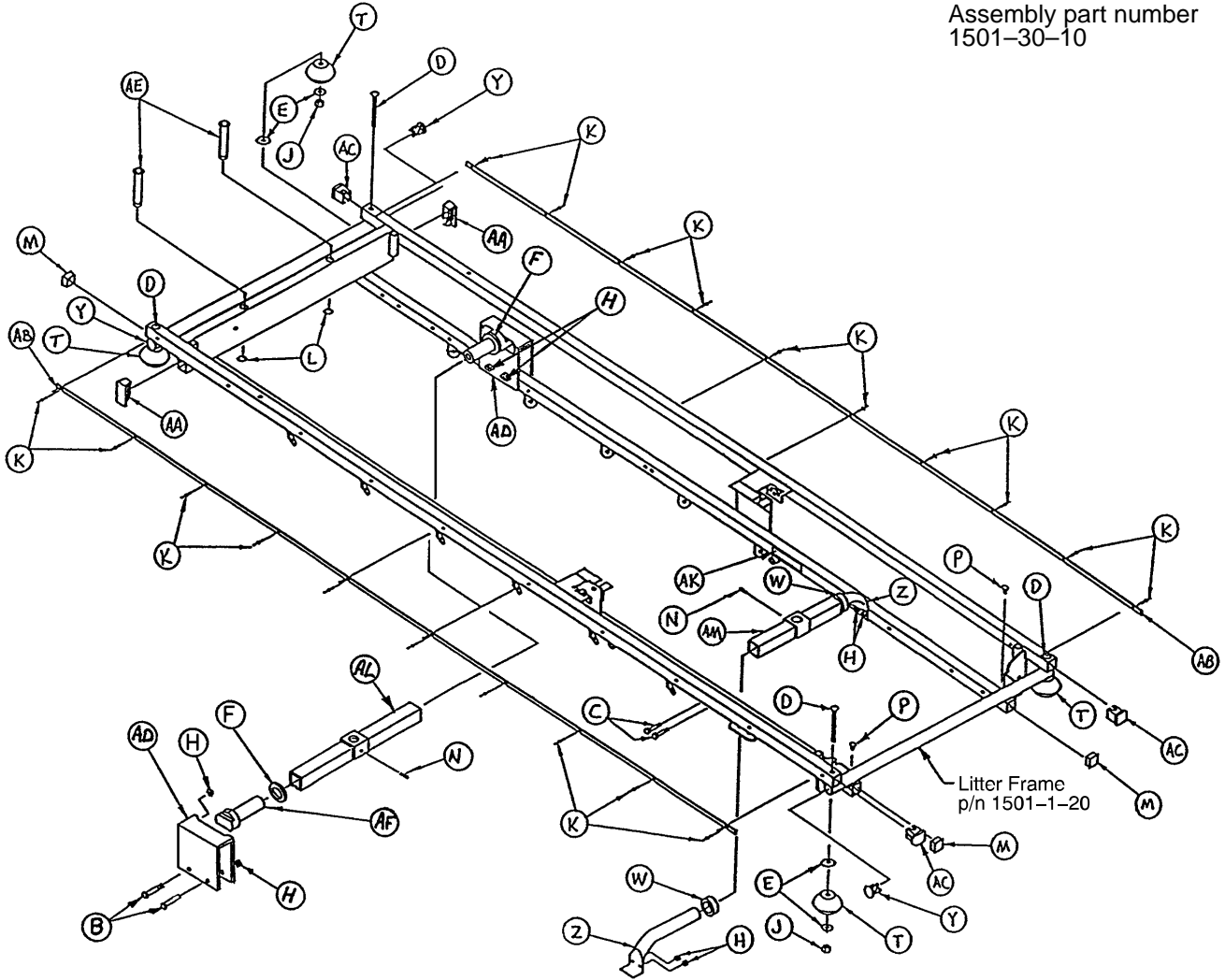
Assembly part number
1001-30-10



Item	Part No.	Part Name	Qty.	Item	Part No.	Part Name	Qty.
B	3-76	Hex Hd. Cap Screw	4	W	938-1-401	Collar	2
C	3-78	Hex Hd. Cap Screw	4	Y	1001-1-36	Hole Plug	4
D	4-181	But. Hd. Cap Screw	4	Z	1001-1-37	Jack Supt. Tube, Hd.	2
E	14-21	Washer	8	AA	1001-1-41	Hole Plug	2
F	11-360	Plastic Spacer	2	AB	1001-26-34	Bumper Channel	2
H	16-28	Fiberlock Nut	8	AC	1001-30-29	End Plug	4
J	16-35	Nylock Nut	4	AD	1001-201-30	Support Stamping	2
K	25-38	Pop Rivet	20	AE	1001-40-12	Foot Board Receptacle	2
L	28-23	Retaining Ring	2	AF	1001-201-29	Plastic Insert	2
M	37-10	Hole Plug	4	AH	1010-32-85	Support Tube Ass'y	1
N	46-1	Set Screw	2	AK	1210-800-8	Patent Label	1
P	721-31-65	Hole Plug	2	AL	1001-201-31	Support Tube Ass'y	1
T	926-400-142	Bumper Wheel	4				

Litter Assembly, Fold to Head Siderails

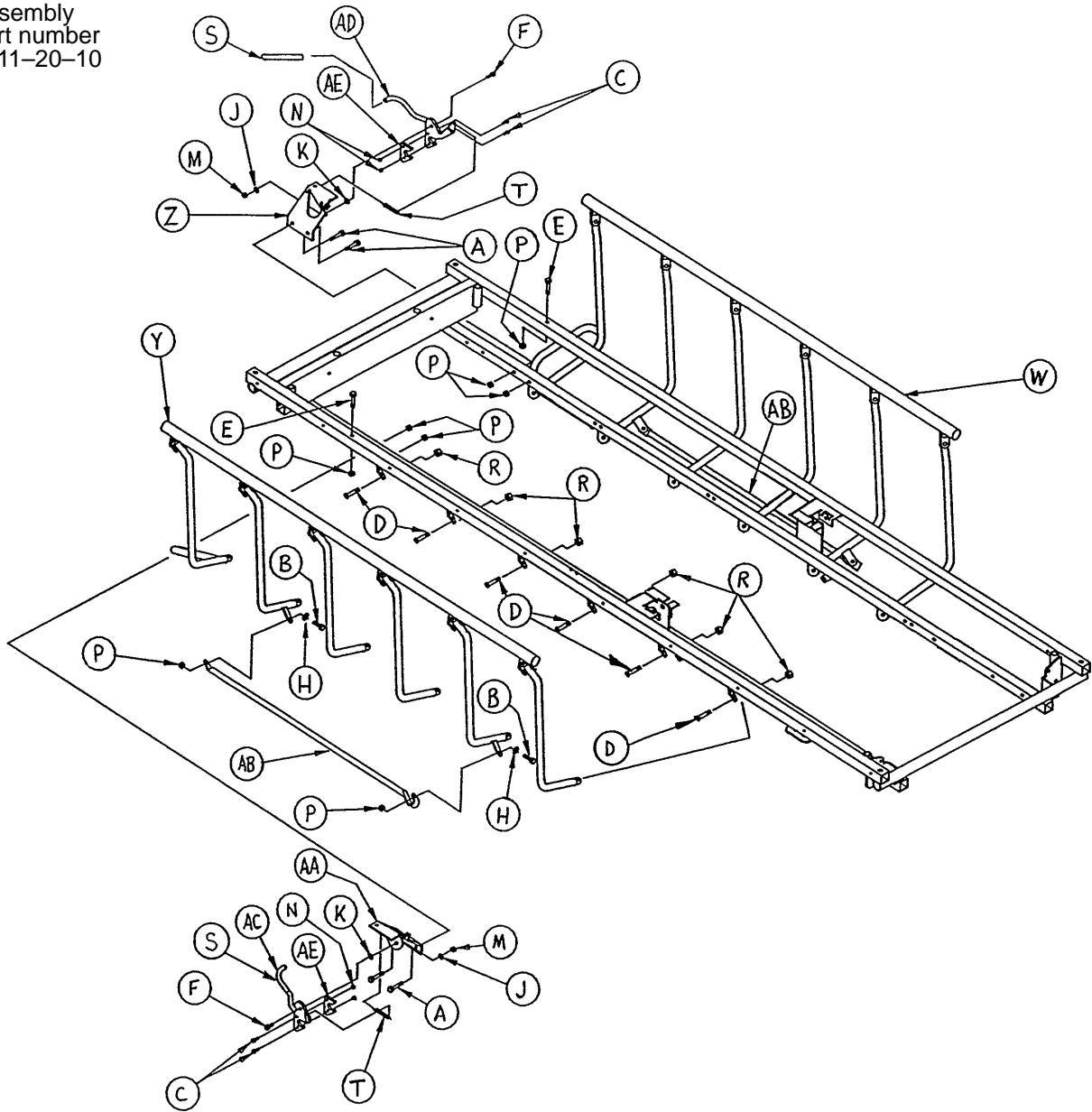
Assembly part number
1501-30-10



Item	Part No.	Part Name	Qty.	Item	Part No.	Part Name	Qty.
B	3-76	Hex Hd. Cap Screw	4	T	926-400-142	Bumper Wheel	4
C	3-78	Hex Hd. Cap Screw	4	W	938-1-401	Collar	2
D	4-181	But. Hd. Cap Screw	4	Y	1001-1-36	Hole Plug	4
E	14-21	Washer	8	Z	1001-1-37	Jack Supt. Tube, Hd.	2
F	11-360	Plastic Spacer	2	AA	1001-1-41	Hole Plug	2
H	16-28	Fiberlock Nut	8	AB	1001-26-34	Bumper Channel	2
J	16-35	Nylock Nut	4	AC	1001-30-29	End Plug	4
K	25-38	Pop Rivet	20	AD	1001-201-30	Support Stamping	2
L	28-23	Retaining Ring	2	AE	1001-40-12	Foot Board Receptacle	2
M	37-10	Hole Plug	4	AF	1001-201-29	Plastic Insert	2
N	46-1	Set Screw	2	AK	1210-800-8	Patent Label	1
P	721-31-65	Hole Plug	2	AL	1501-201-31	Support Tube Ass'y	1
				AM	1510-32-20	Support Tube Ass'y	1

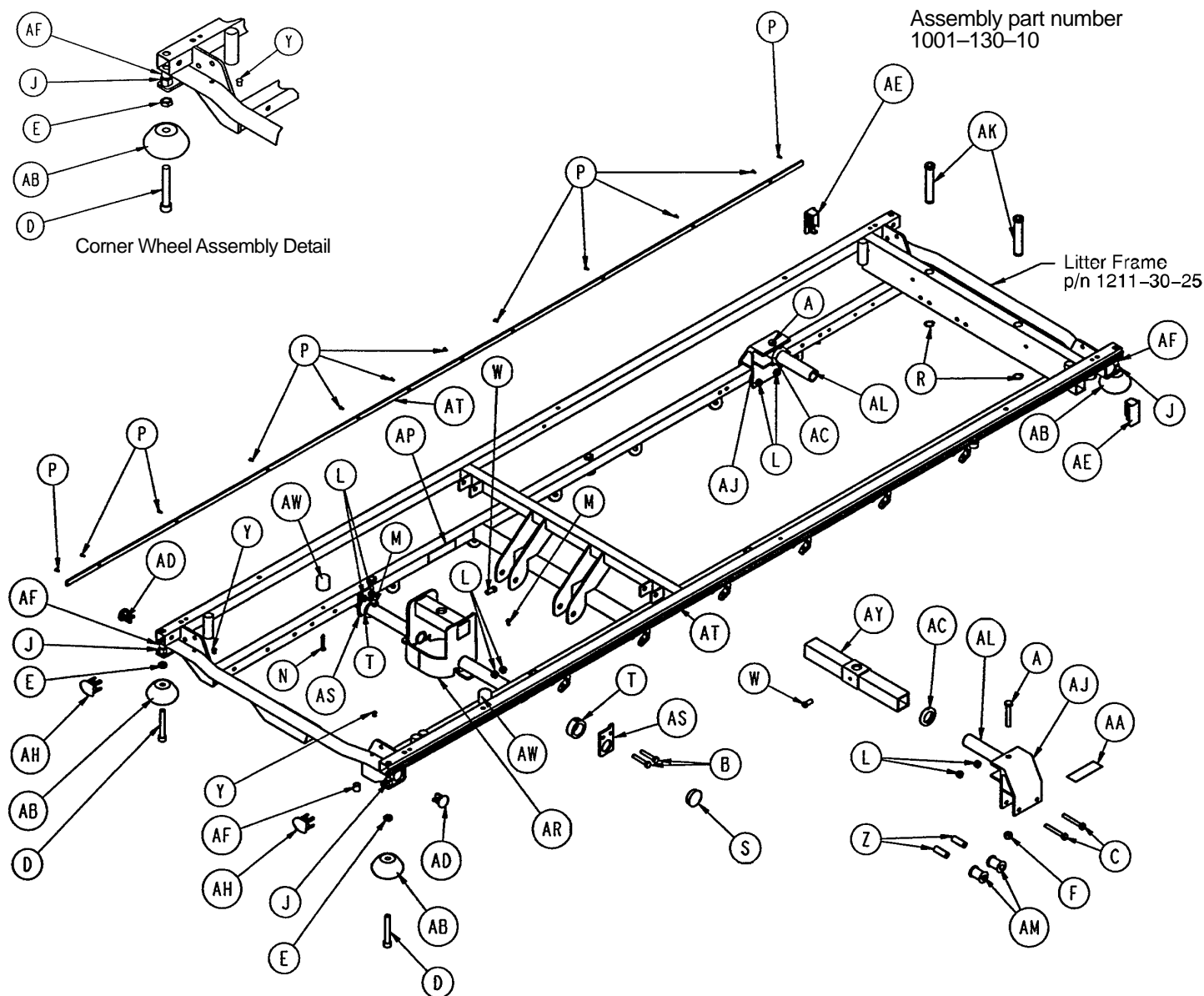
Siderail to Litter Assembly, Fold to Head

Assembly
part number
1211-20-10



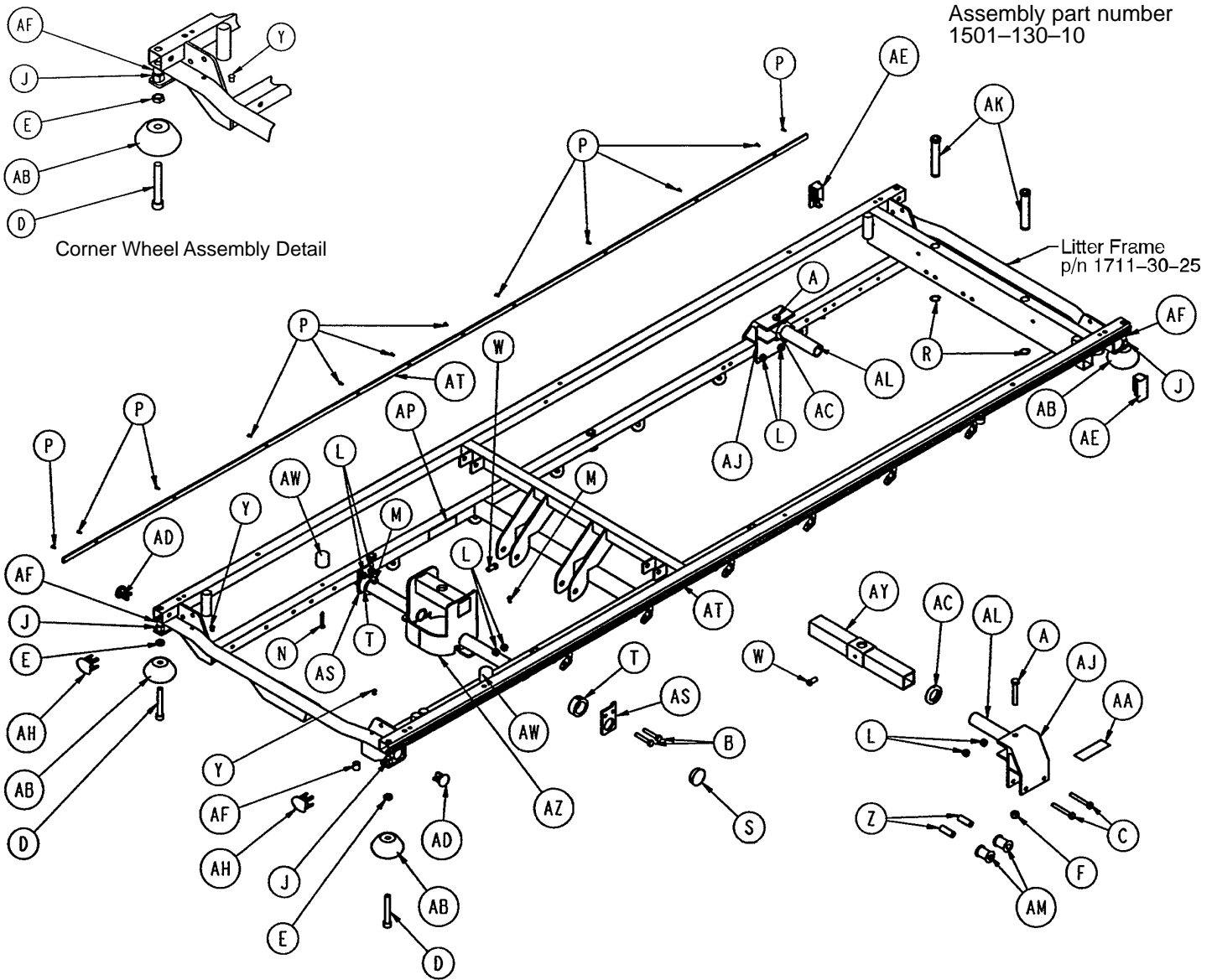
Item	Part No.	Part Name	Qty.	Item	Part No.	Part Name	Qty.
A	3-78	Hex Hd. Cap Screw	4	R	16-36	Nylock Nut	12
B	4-161	But. Hd. Cap Screw	4	S	37-200	Vinyl Sleeve	2
C	4-169	But. Hd. Cap Screw	4	T	38-271	Extension Spring	2
D	4-199	But. Hd. Cap Screw	12	W	(page 45)	Siderail Ass'y, Right	1
E	7-20	Truss Hd. Mach. Screw	2	Y	(page 46)	Siderail Ass'y, Left	1
F	8-7	Shoulder Bolt	2	Z	1001-26-46	Lock Mtg. Plate, Rt.	1
H	11-179	Nylon Washer	4	AA	1001-26-47	Lock Mtg. Plate, Lt.	1
J	14-2	Nylon Washer	2	AB	1001-26-51	Timing Link	2
K	14-19	Nylon Washer	2	AC	1001-26-53	Latch Hook Ass'y, Lt.	1
M	16-2	Fiberlock Nut	2	AD	1001-26-54	Latch Hook Ass'y, Rt.	1
N	16-3	Fiberlock Nut	4	AE	1001-26-55	Latch Guard	2
P	16-28	Fiberlock Nut	10				

Litter Assembly, Fold to Foot Siderails



Item	Part No.	Part Name	Qty.	Item	Part No.	Part Name	Qty.
A	3-40	Hex Hd. Cap Screw	2	AA	919-30-28	Rack Guide	2
B	3-47	Hex Hd. Cap Screw	4	AB	926-400-142	Bumper Wheel	4
C	3-76	Hex Hd. Cap Screw	4	AC	938-1-401	Collar	2
D	4-201	Soc. Hd. Cap Screw	4	AD	1001-1-36	End Plug	4
E	15-27	Jam Nut	4	AE	1001-1-41	Tube Plug	2
F	16-11	Nylock Nut	2	AF	1001-30-28	Thread Sleeve	4
J	16-12	Nylock Nut	4	AH	1001-30-29	End Plug	4
L	16-28	Nylock Nut	8	AJ	1001-32-29	Carrier Tube	2
M	22-10	Drive Screw	2	AK	1001-40-12	Foot Board Receptacle	2
N	23-104	Self-Tapping Screw	2	AL	1010-32-64	Carrier Tube	2
P	25-38	Pop Rivet	24	AM	1010-201-50	Support Roller	4
R	28-23	Retaining Ring	2	AP	1210-800-8	Patent Label	1
S	37-30	Hole Plug	2	AR	1211-30-7	Jack Support Wldmt.	1
T	42-7	Collar	2	AS	1211-30-18	Jack Support Bracket	2
W	46-1	Square Hd. Screw	2	AT	1001-30-44	Bumper Channel	2
Y	721-31-65	Hole Plug	2	AW	1211-31-31	Pneumatic Fowler Rest	2
Z	721-31-107	Roller Sleeve	4	AY	1510-32-20	Support Tube Ass'y	1

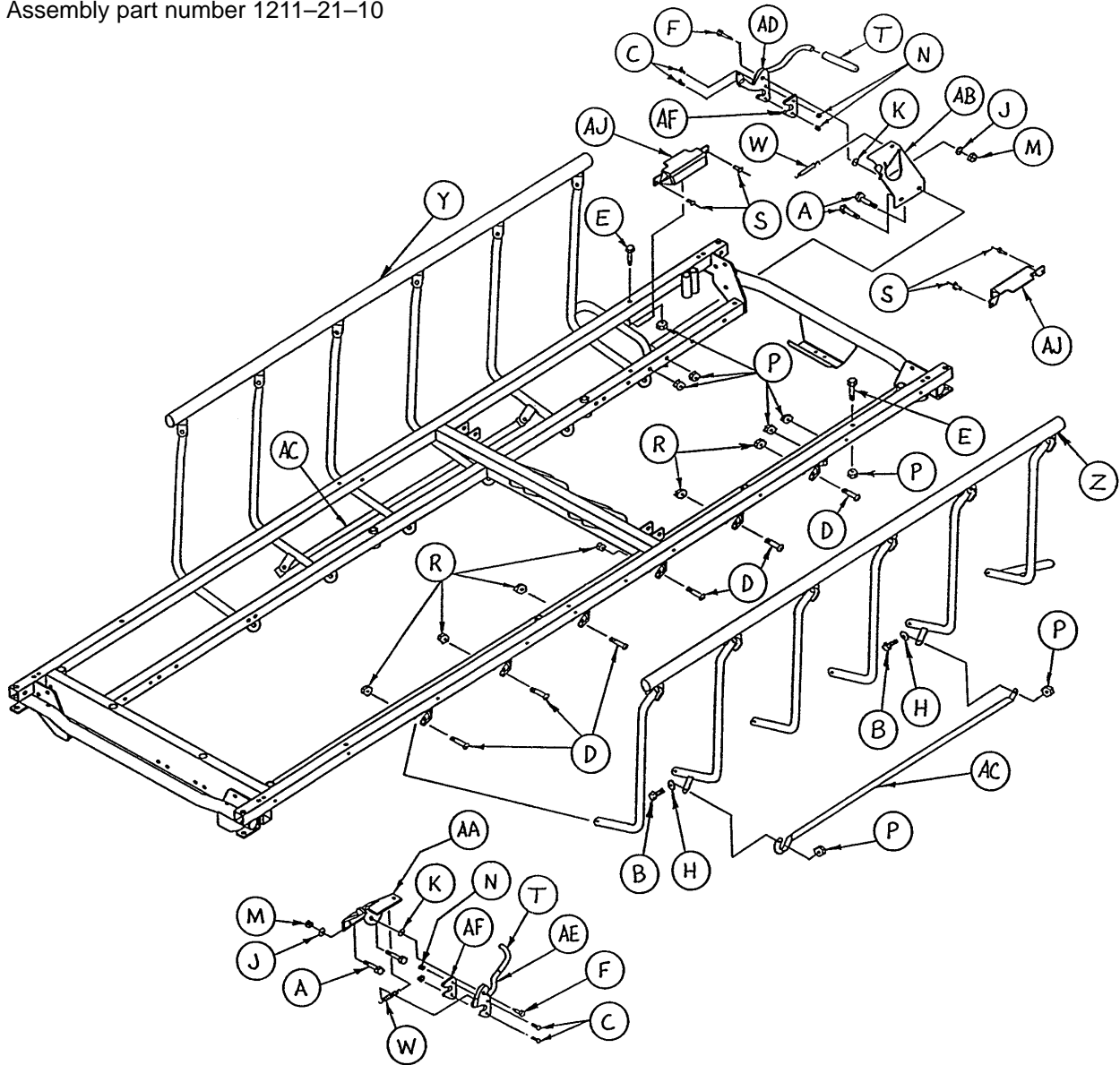
Litter Assembly, Fold to Foot Siderails



Item	Part No.	Part Name	Qty.	Item	Part No.	Part Name	Qty.
A	3-40	Hex Hd. Cap Screw	2	AA	919-30-28	Rack Guide	2
B	3-47	Hex Hd. Cap Screw	4	AB	926-400-142	Bumper Wheel	4
C	3-76	Hex Hd. Cap Screw	4	AC	938-1-401	Collar	2
D	4-201	Soc. Hd. Cap Screw	4	AD	1001-1-36	End Plug	4
E	15-27	Jam Nut	4	AE	1001-1-41	Tube Plug	2
F	16-11	Nylock Nut	2	AF	1001-30-28	Thread Sleeve	4
J	16-12	Nylock Nut	4	AH	1001-30-29	End Plug	4
L	16-28	Nylock Nut	8	AJ	1001-32-29	Carrier Tube	2
M	22-10	Drive Screw	2	AK	1001-40-12	Foot Board Receptacle	2
N	23-104	Self-Tapping Screw	2	AL	1010-32-64	Carrier Tube	2
P	25-38	Pop Rivet	24	AM	1010-201-50	Support Roller	4
R	28-23	Retaining Ring	2	AP	1210-800-8	Patent Label	1
S	37-30	Hole Plug	2	AS	1211-30-18	Jack Support Bracket	2
T	42-7	Collar	2	AT	1001-30-44	Bumper Channel	2
W	46-1	Square Hd. Screw	2	AW	1211-31-31	Pneumatic Fowler Rest	2
Y	721-31-65	Hole Plug	2	AY	1501-27-23	Support Tube Ass'y	1
Z	721-31-107	Roller Sleeve	4	AZ	1711-30-17	Jack Support Wldmt.	1

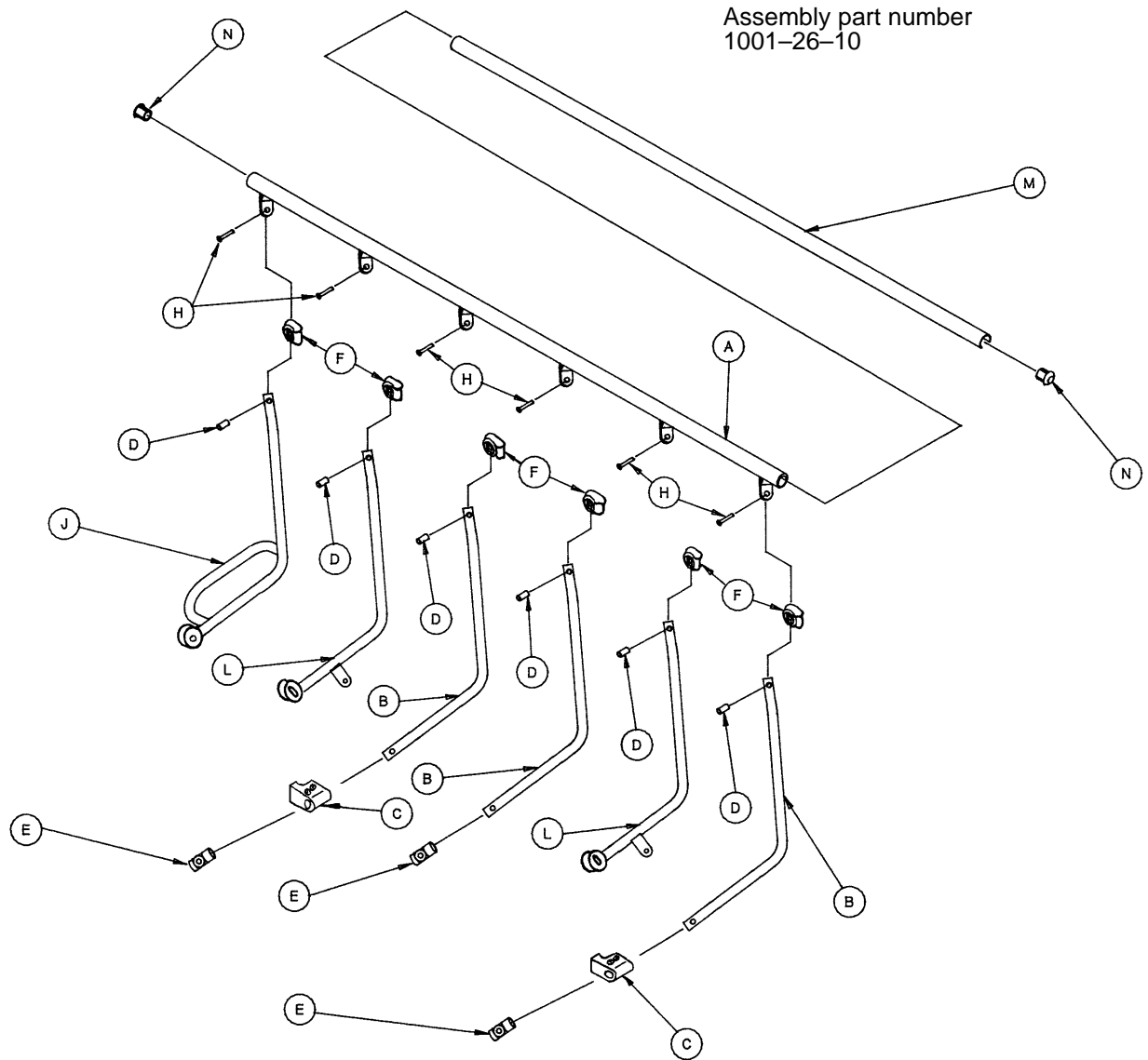
Siderail to Litter Assembly, Fold to Foot

Assembly part number 1211-21-10



Item	Part No.	Part Name	Qty.	Item	Part No.	Part Name	Qty.
A	3-78	Hex Hd. Cap Screw	4	S	25-79	Pop Rivet	4
B	4-161	But. Hd. Cap Screw	4	T	37-200	Vinyl Sleeve	2
C	4-169	But. Hd. Cap Screw	4	W	38-271	Extension Spring	2
D	4-199	But. Hd. Cap Screw	12	Y	(page 45)	Siderail Ass'y, Right	1
E	7-20	Truss Hd. Mach. Screw	2	Z	(page 46)	Siderail Ass'y, Left	1
F	8-7	Shoulder Bolt	2	AA	1001-26-46	Lock Mtg. Plate, Rt.	1
H	11-179	Nylon Washer	8	AB	1001-26-47	Lock Mtg. Plate, Lt.	1
J	14-2	Nylon Washer	2	AC	1001-26-51	Timing Link	2
K	14-19	Nylon Washer	2	AD	1001-26-53	Latch Hook Ass'y, Lt.	1
M	16-2	Fiberlock Nut	2	AE	1001-26-54	Latch Hook Ass'y, Rt.	1
N	16-3	Fiberlock Nut	4	AF	1001-26-55	Latch Guard	2
P	16-28	Fiberlock Nut	10	AJ	1001-34-48	Latch Cover	2
R	16-36	Nylock Nut	12				

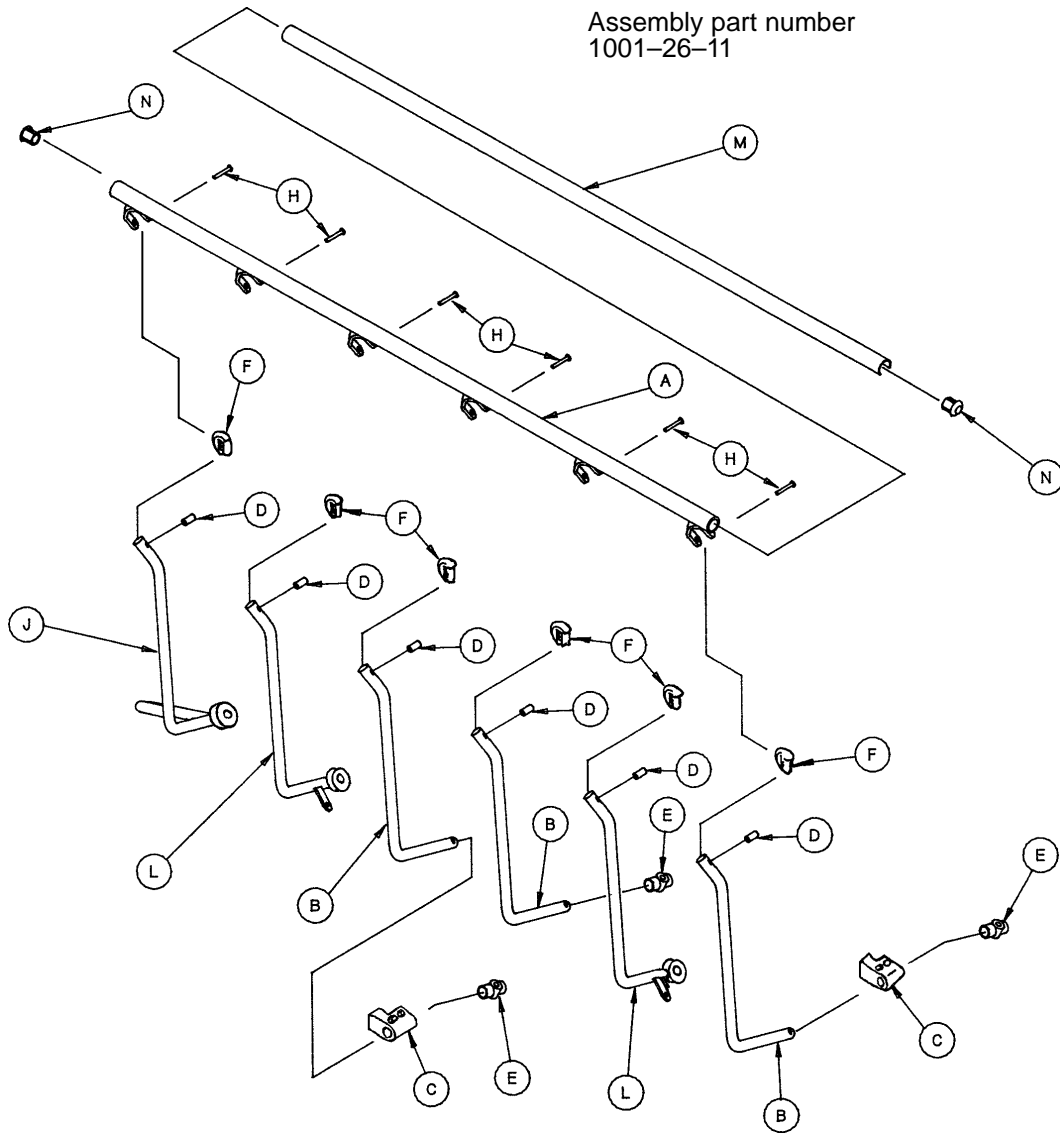
Glideaway Siderail Assembly, Right



Assembly part number
1001-26-10

Item	Part No.	Part Name	Qty.
A	1001-26-40	Top Rail, Right	1
B	1001-226-41	Upright, Plated, Right	3
C	(page 46.1)	Ring Spacer Assembly	2
D	1010-26-82	Sleeve Bearing	6
E	721-26-69	Upright Sleeve	3
F	123-20-52	Spindle Plug	6
H	25-114	Semi-Tubular Rivet	6
J	1001-226-31	Lock Upright Ass'y, Rt.	1
L	1001-226-37	Upright Assembly, Rt.	2
M	1001-26-63	Top Rail Cap	1
N	1001-26-66	End Plug	2

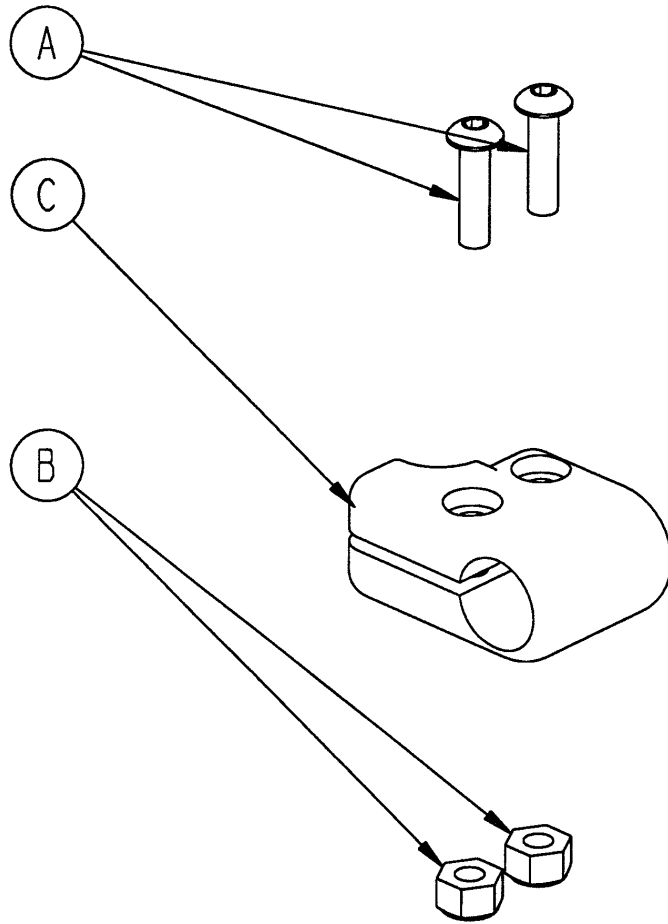
Glideaway Siderail Assembly, Left



Item	Part No.	Part Name	Qty.
A	1001-26-30	Top Rail, Left	1
B	1001-226-42	Upright, Plated, Left	3
C	(page 46.1)	Ring Spacer Assembly	2
D	1010-26-82	Sleeve Bearing	6
E	721-26-69	Upright Sleeve	3
F	123-20-52	Spindle Plug	6
H	25-114	Semi-Tubular Rivet	6
J	1001-226-33	Lock Upright Ass'y, Left	1
L	1001-226-38	Upright Assembly, Left	2
M	1001-26-63	Top Rail Cap	1
N	1001-26-66	End Cap	2

Siderail Ring Spacer Assembly

Assembly part number 1001-26-39

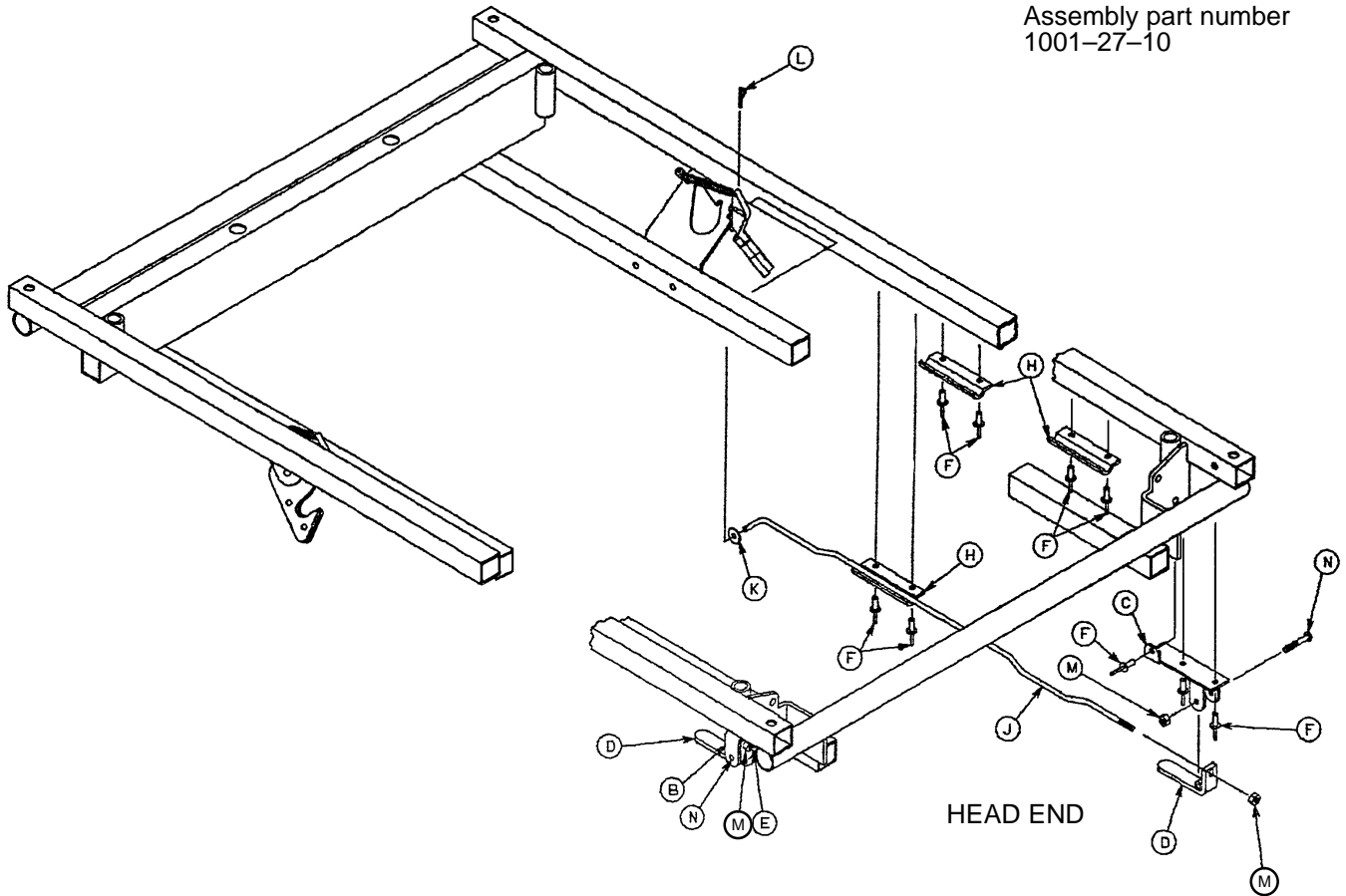


Item	Part No.	Part Name	Qty.
A	4-169	Socket Button Hd. Cap Screw	2
B	16-3	Hex Nut	2
C	1001-26-32	Ring Spacer	1

Notes

Head End Siderail Latch Option Assembly

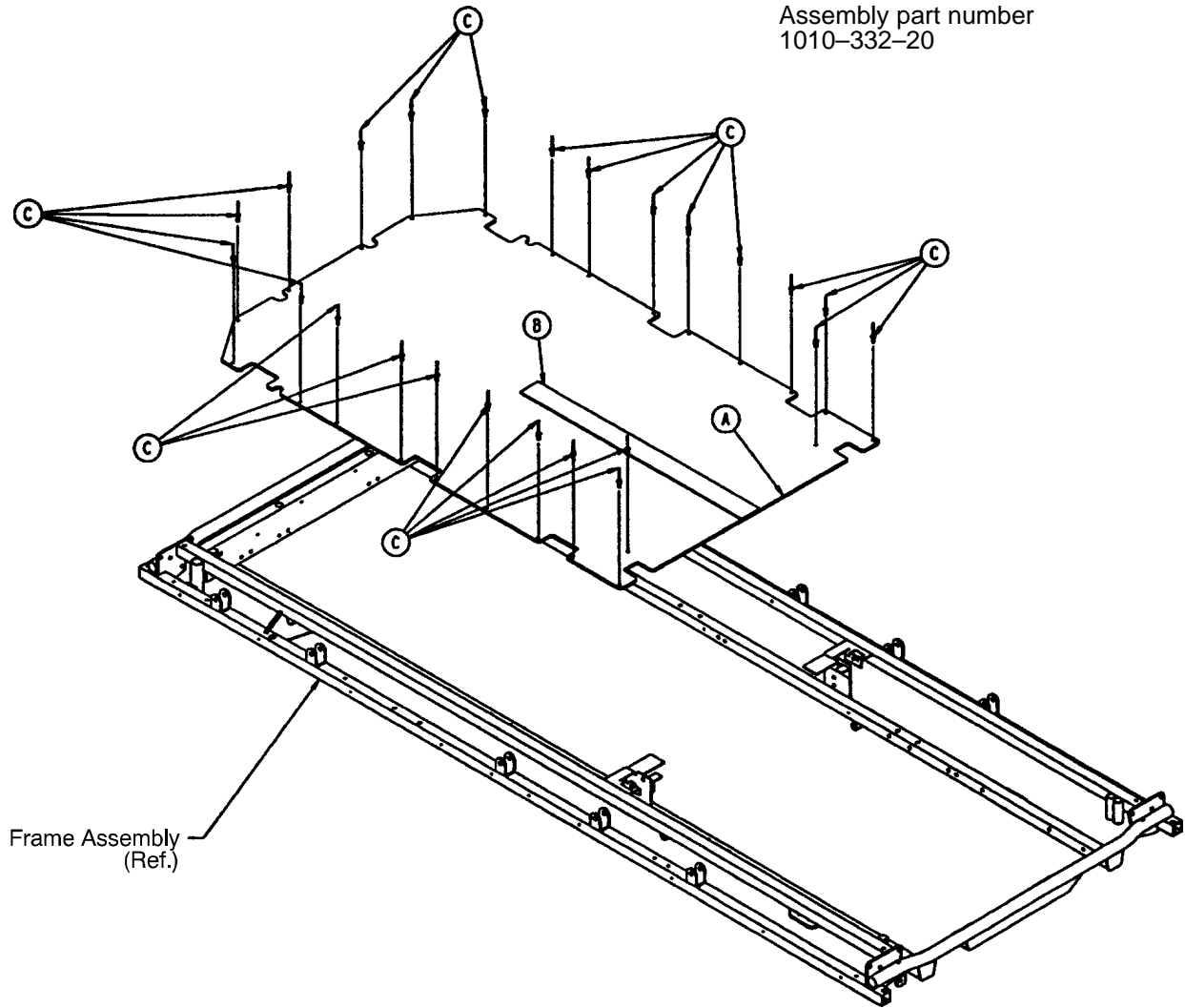
Assembly part number
1001-27-10



Item	Part No.	Part Name	Qty.
B	1001-27-17	Handle Bracket, Left	1
C	1001-27-18	Handle Bracket, Right	1
D	1001-27-15	Handle Weldment	2
E	1001-27-24	Link, Left	1
F	25-79	Pop Rivet	18
H	1001-27-19	Link Channel	6
J	1001-27-23	Link, Right	1
K	11-16	Flat Washer	2
L	27-8	Cotter Pin	2
M	16-3	Nylock Nut	4
N	2-89	Rd. Hd. Machine Screw	2

Stationary Foot End Assembly (Fiberresin)

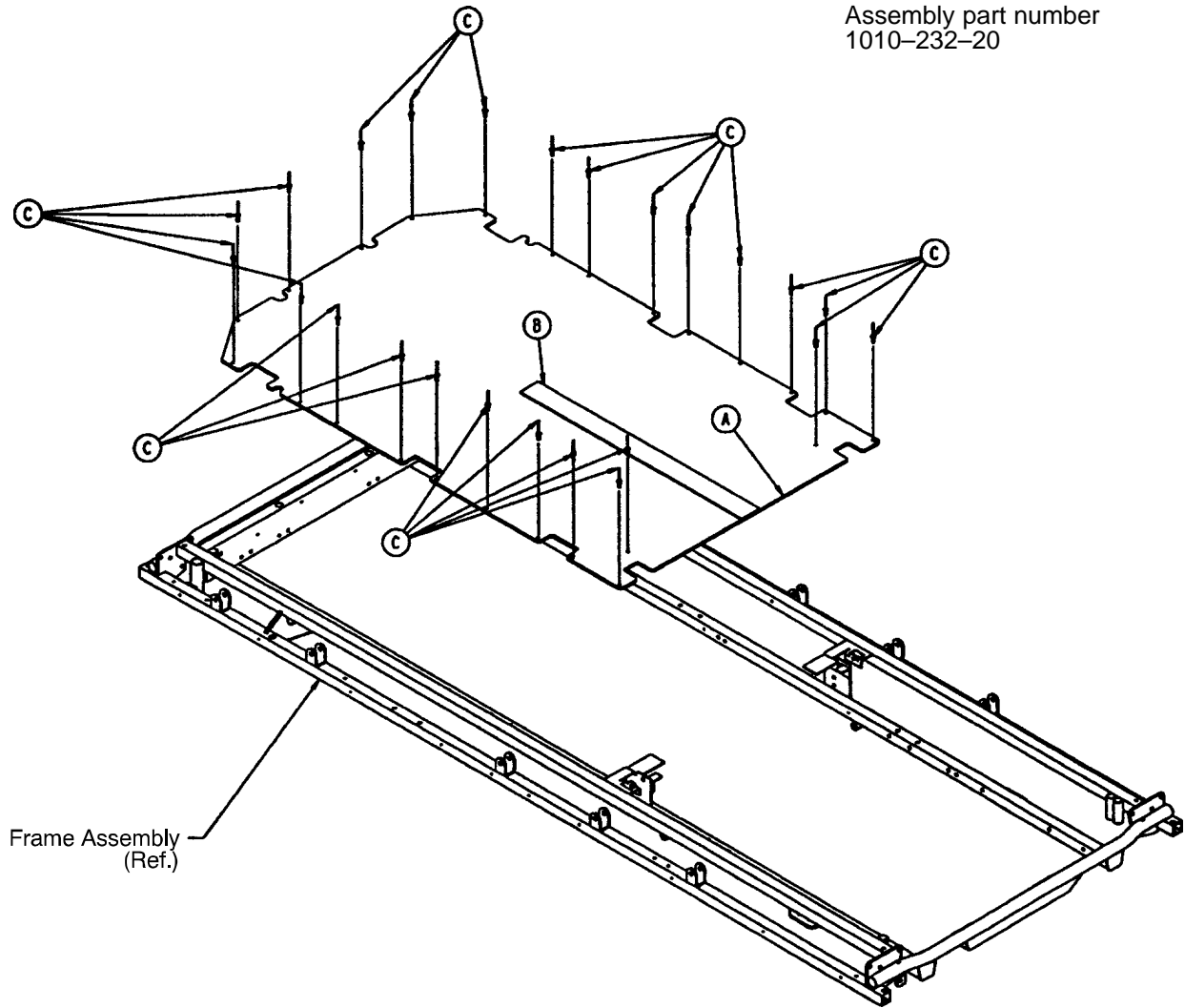
Assembly part number
1010-332-20



Item	Part No.	Part Name	Qty.
A	1010-332-21	Ftsec. Skin, Fiberresin	1
B	7900-1-102	Velcro Pile	24 1/2"
C	25-50	Pop Rivet	24

Stationary Foot End Assembly (Steel)

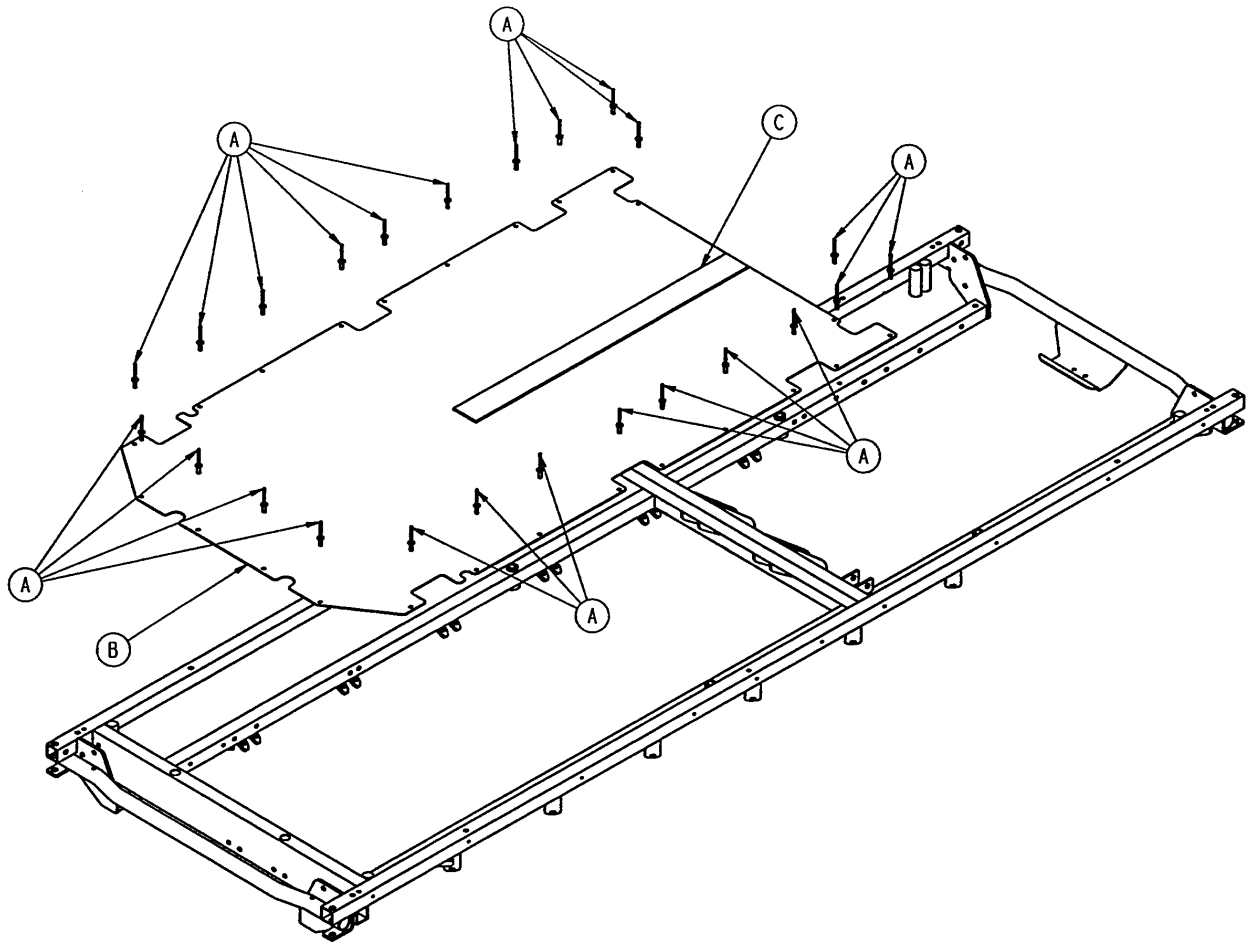
Assembly part number
1010-232-20



Item	Part No.	Part Name	Qty.
A	1010-232-21	Ftsec. Skin, Fiberresin	1
B	7900-1-102	Velcro Pile	24 1/2"
C	25-122	Pop Rivet	24

Stationary Foot End Assembly (Steel)

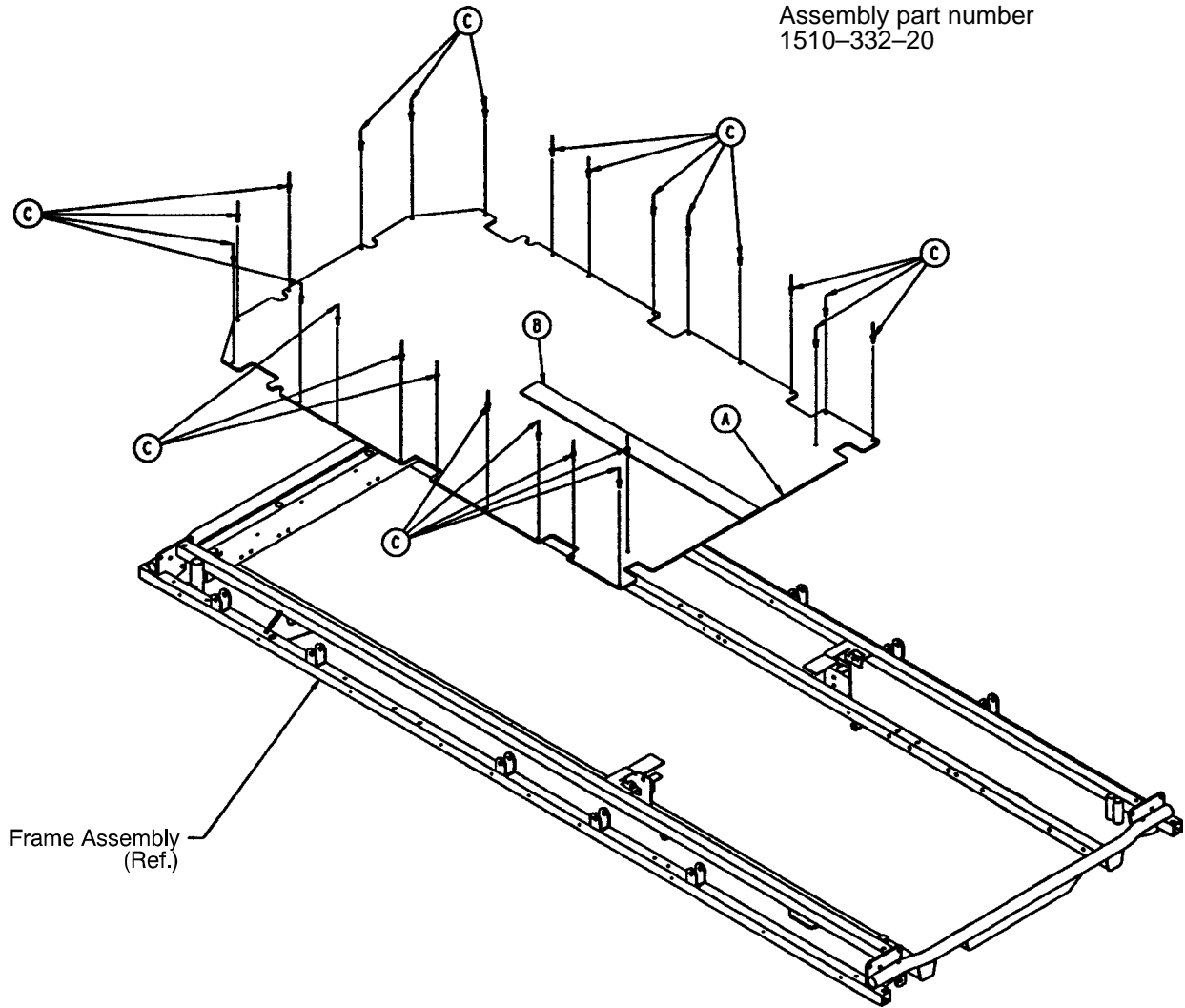
Assembly part number
1001-132-20



Item	Part No.	Part Name	Qty.
A	25-122	Pop Rivet	22
B	1001-132-21	Footsection Skin (Steel)	1
C	7900-1-102	Velcro Pile	24 1/2"

Stationary Foot End Assembly (Fiberresin)

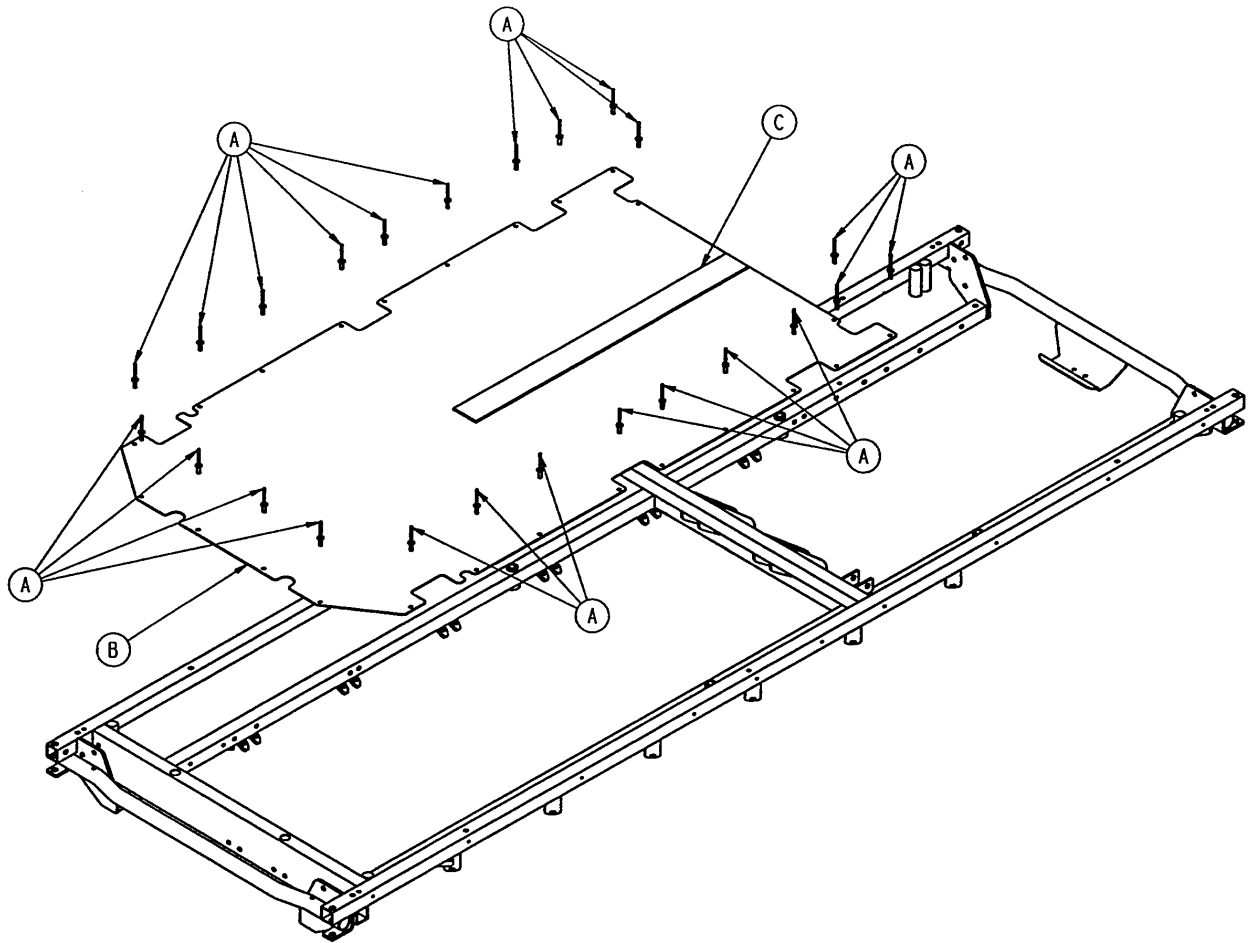
Assembly part number
1510-332-20



Item	Part No.	Part Name	Qty.
A	1510-332-21	Ftsec. Skin, Fiberresin	1
B	7900-1-102	Velcro Pile	24 1/2"
C	25-50	Pop Rivet	24

Stationary Foot End Assembly (Steel)

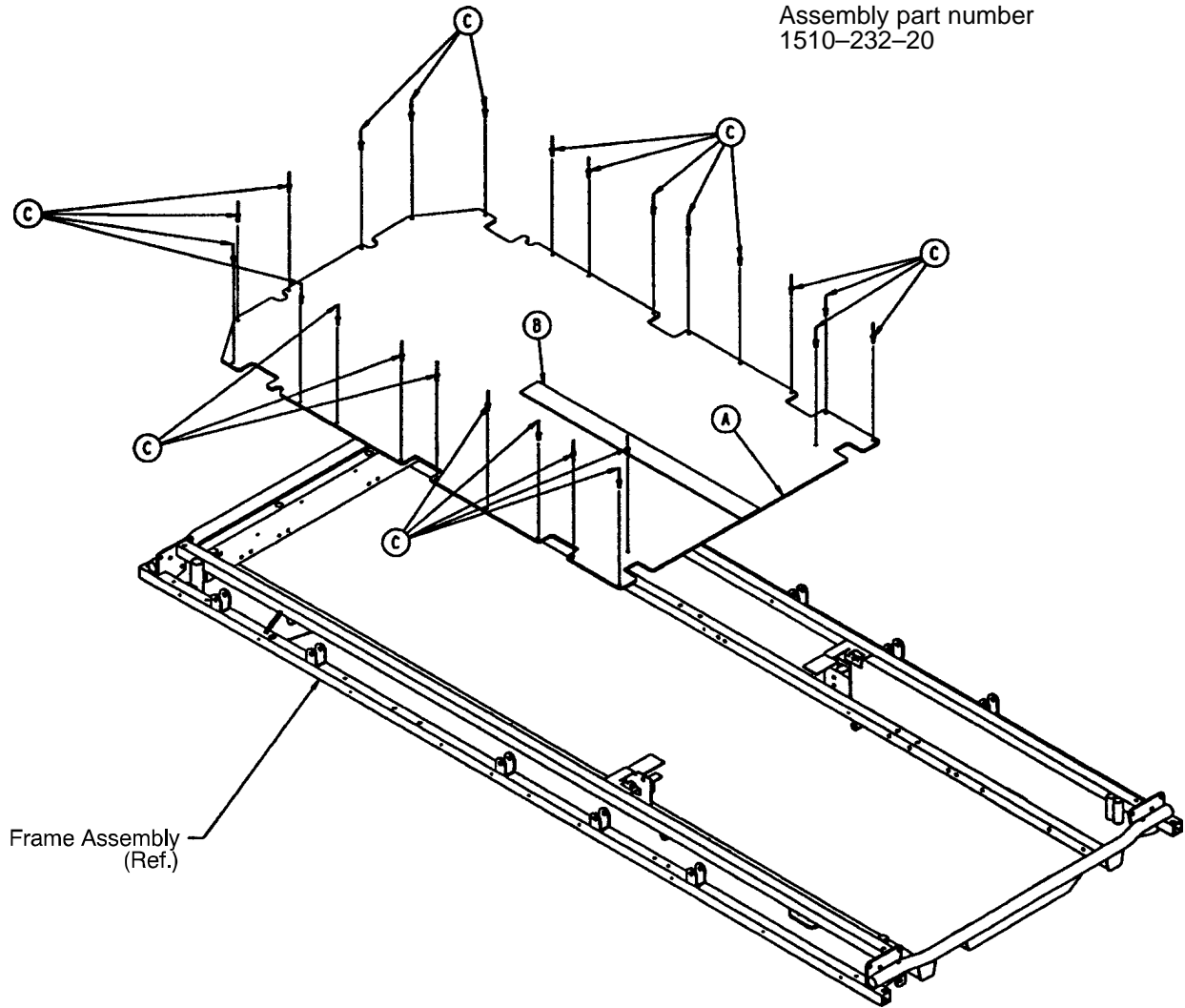
Assembly part number
1501-132-20



Item	Part No.	Part Name	Qty.
A	25-122	Pop Rivet	22
B	1501-132-21	Footsection Skin (Steel)	1
C	7900-1-102	Velcro Pile	24 1/2"

Stationary Foot End Assembly (Steel)

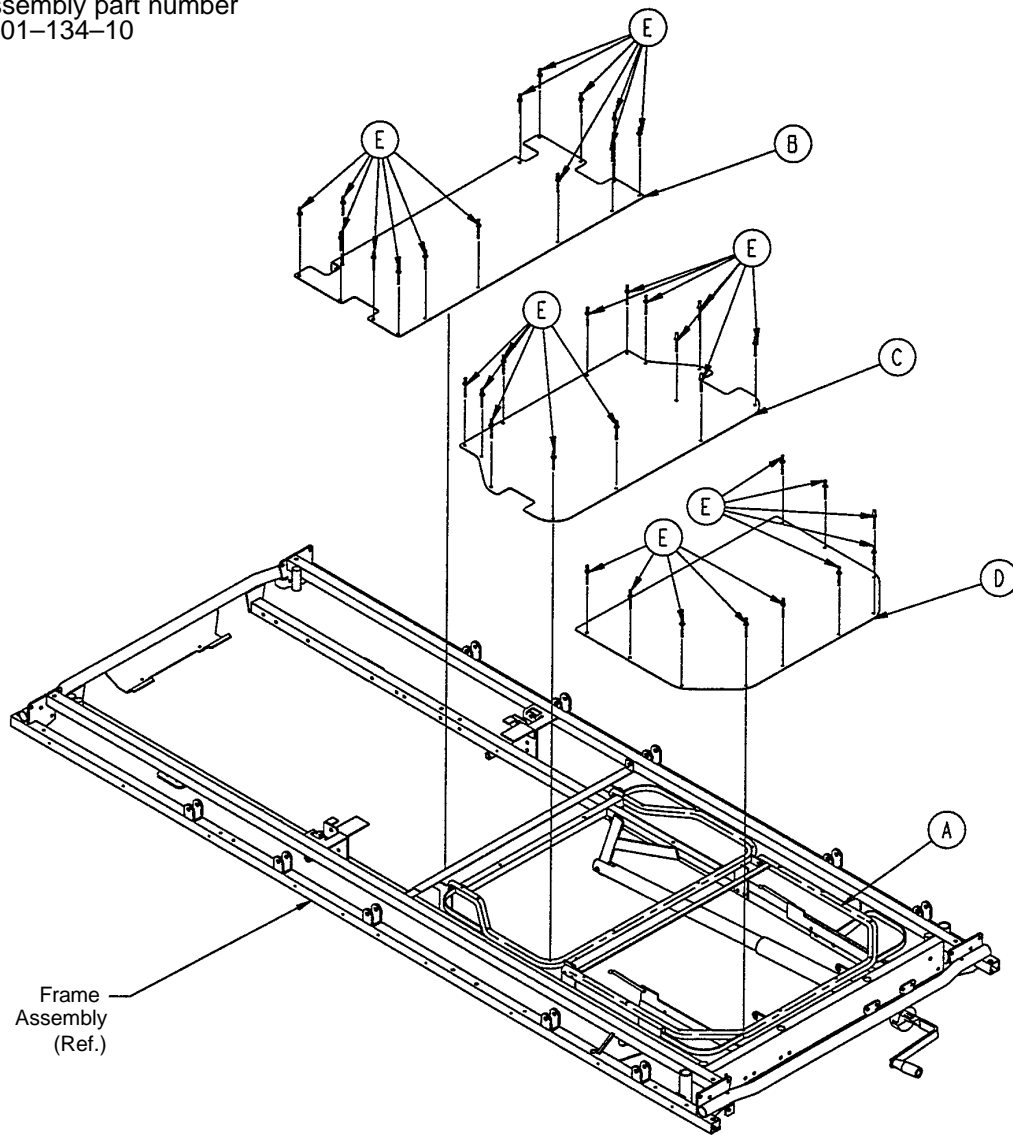
Assembly part number
1510-232-20



Item	Part No.	Part Name	Qty.
A	1510-232-21	Ftsec. Skin, Fiberresin	1
B	7900-1-102	Velcro Pile	24 1/2"
C	25-122	Pop Rivet	24

Crank Knee Gatch Assembly (Steel)

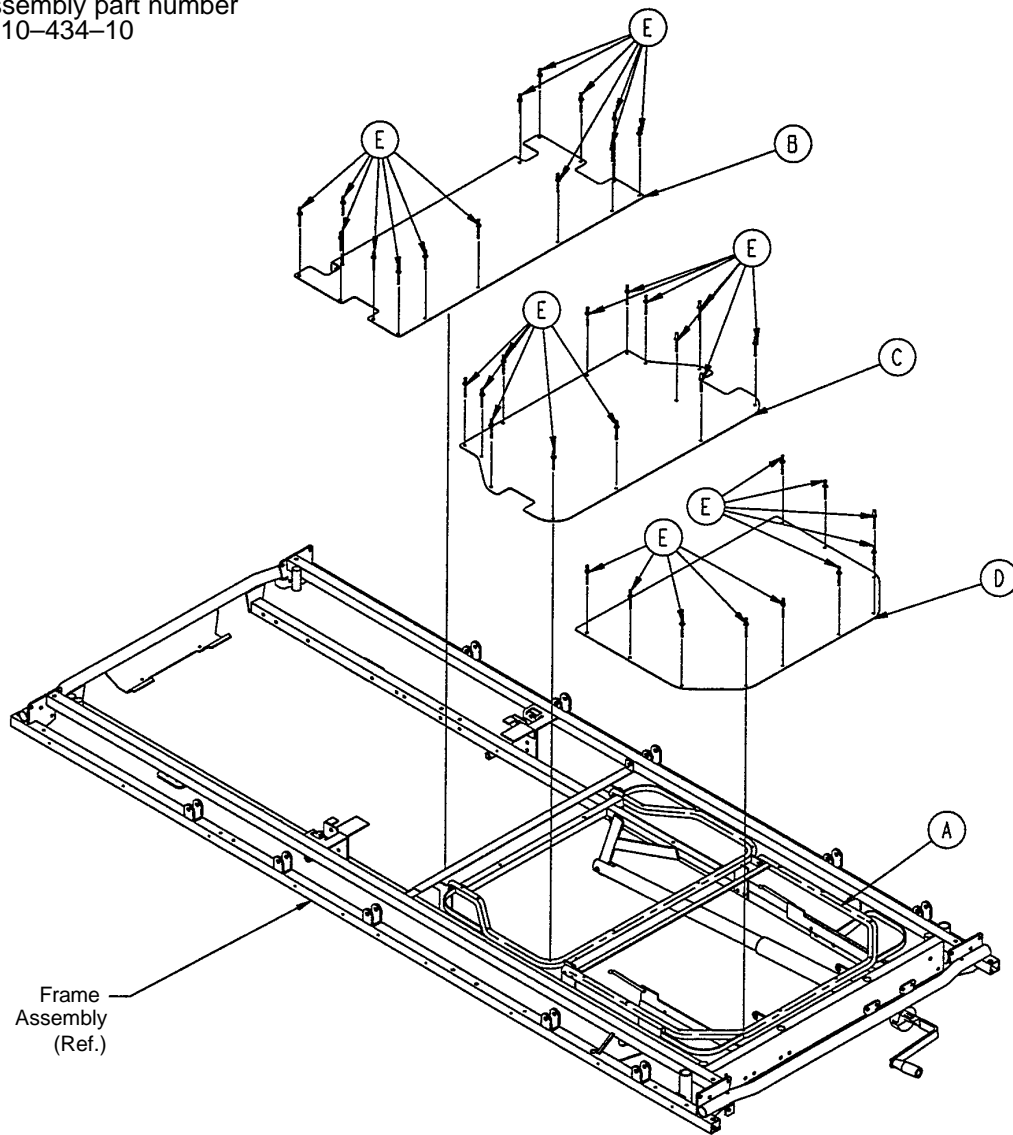
Assembly part number
1001-134-10



Item	Part No.	Part Name	Qty.
A	(page 51.2)	Knee Gatch Assembly	1
B	1001-134-27	Midsection Skin	1
C	1010-234-28	Thigh Skin	1
D	1010-234-126	Calf Skin	1
E	25-122	Pop Rivet	31

Crank Knee Gatch Assembly (Steel)

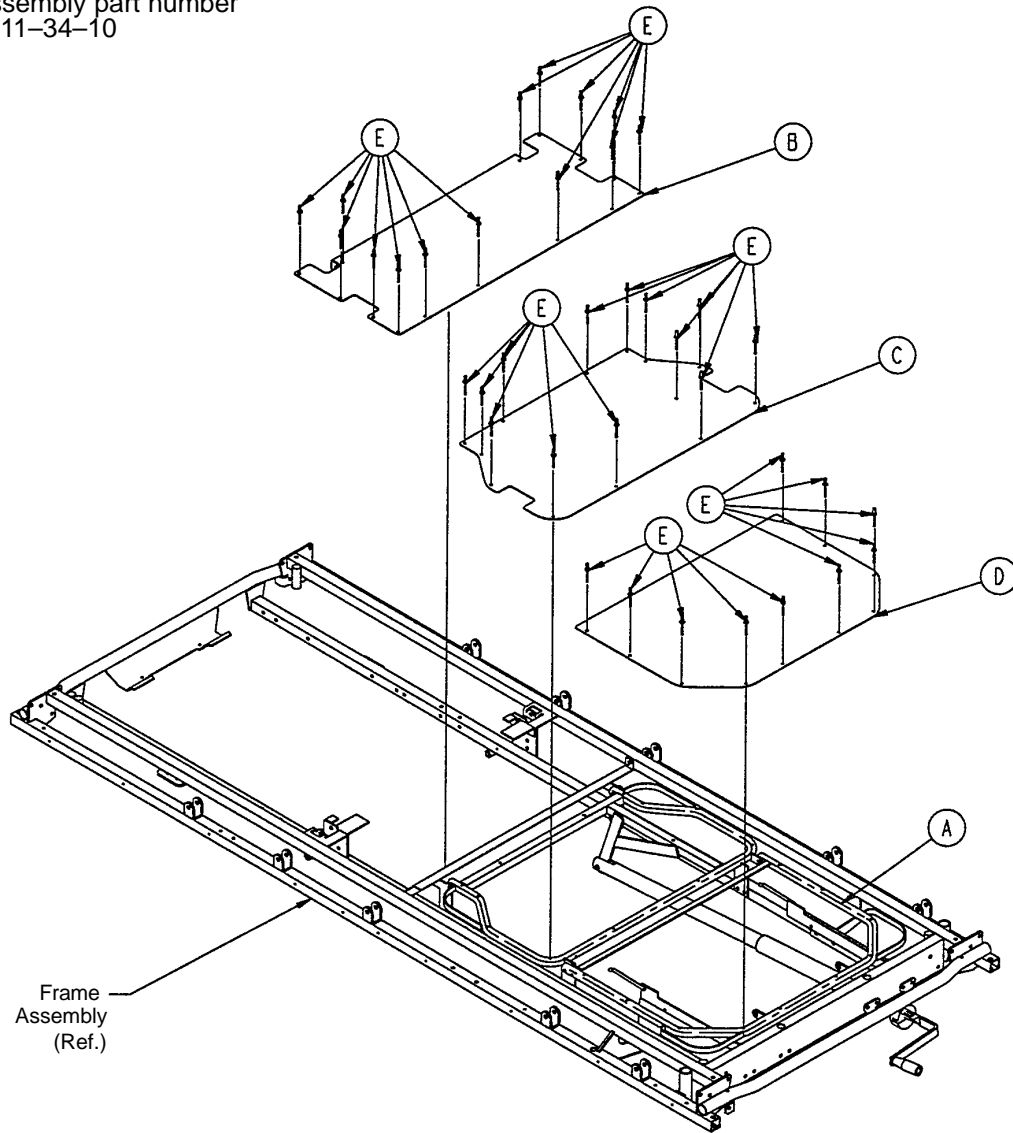
Assembly part number
1010-434-10



Item	Part No.	Part Name	Qty.
A	(page 58)	Knee Gatch Assembly	1
B	1010-234-27	Midsection Skin	1
C	1010-234-28	Thigh Skin	1
D	1010-234-126	Calf Skin	1
E	25-122	Pop Rivet	37

Crank Knee Gatch Assembly (Fiberresin)

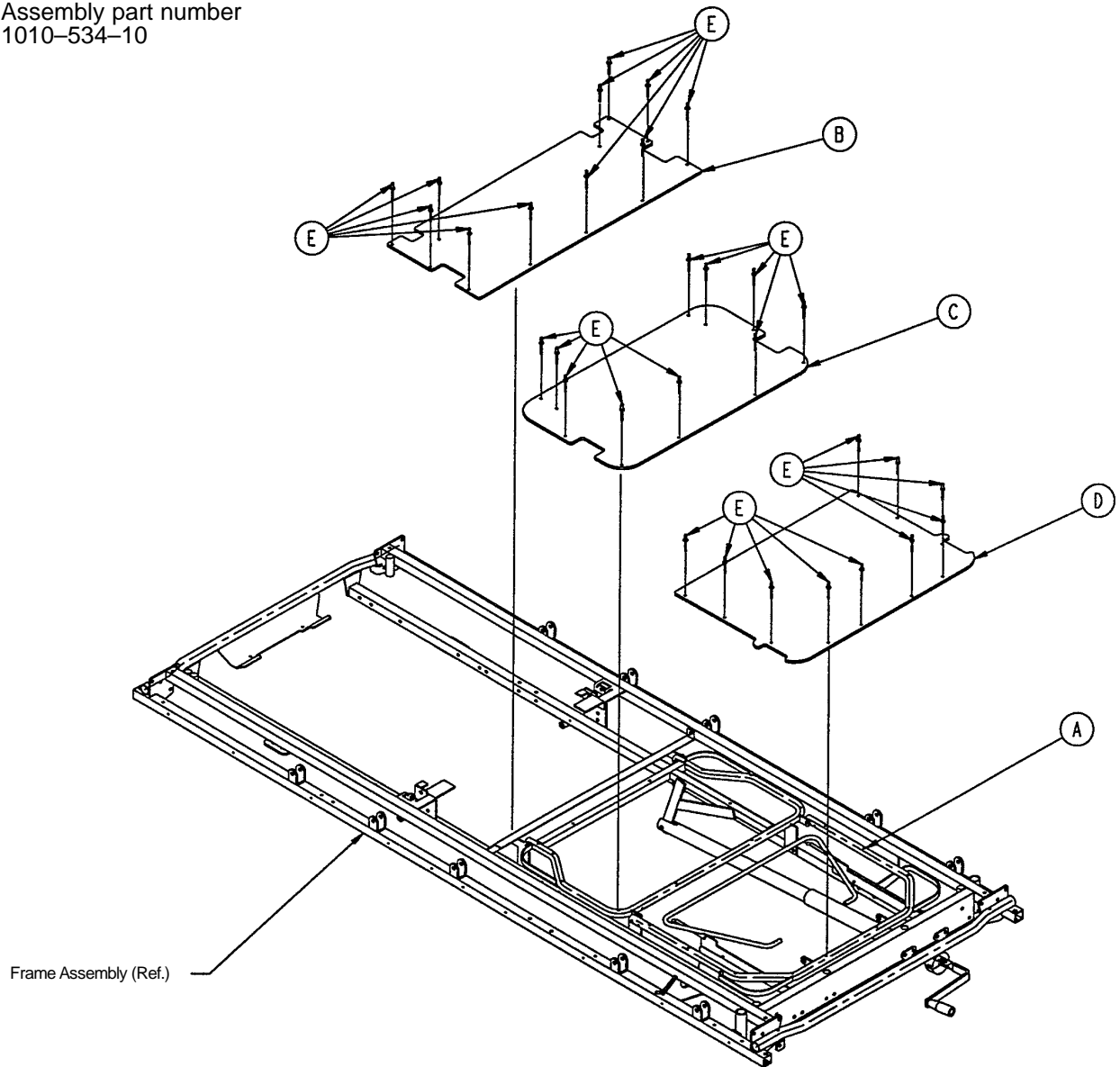
Assembly part number
1211-34-10



Item	Part No.	Part Name	Qty.
A	(page 59)	Knee Gatch Assembly	1
B	1010-334-27	Midsection Skin	1
C	1010-334-28	Thigh Skin	1
D	1010-334-126	Calf Skin	1
E	25-50	Pop Rivet	31

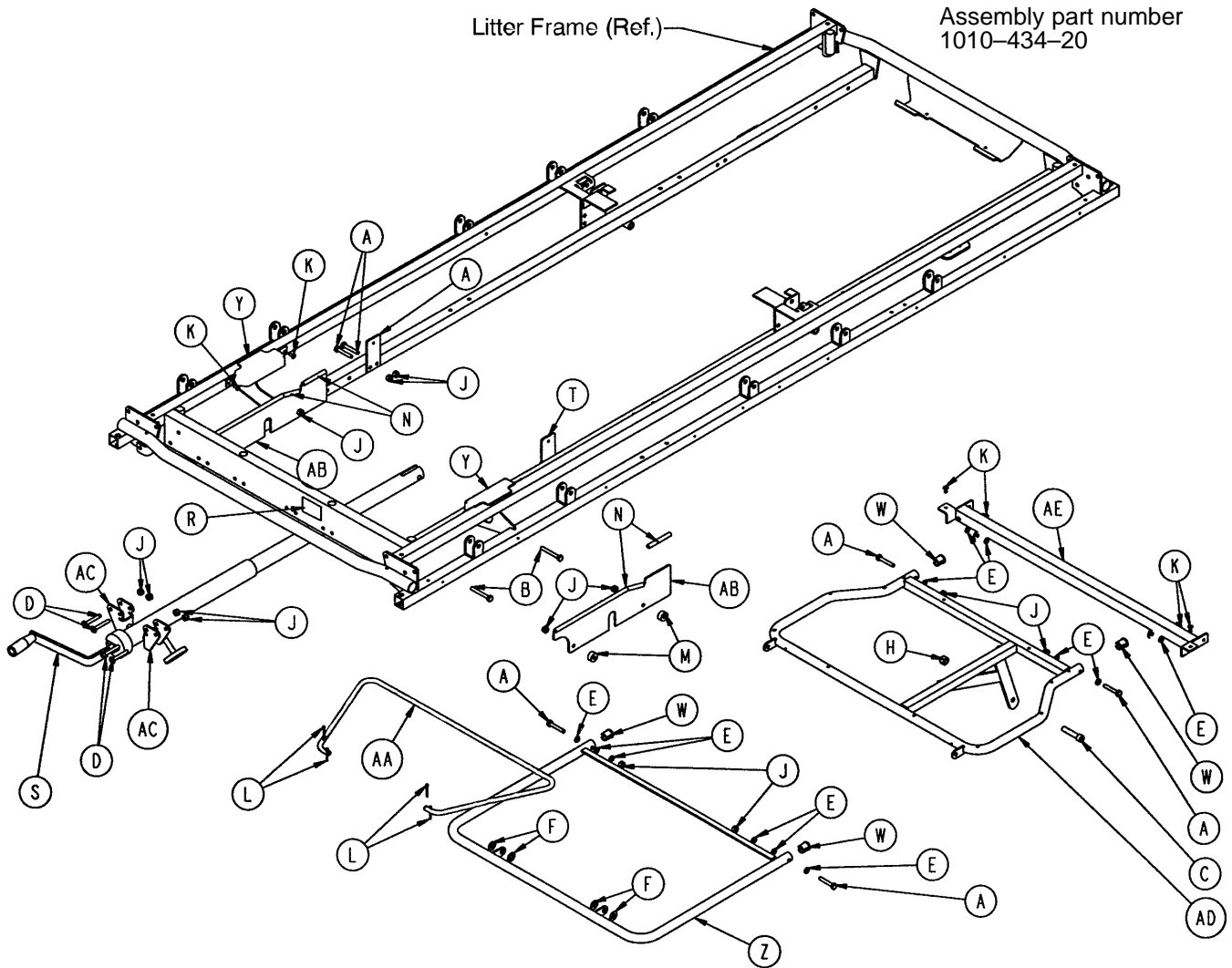
Crank Knee Gatch Assembly (Fiberresin)

Assembly part number
1010-534-10



Item	Part No.	Part Name	Qty.
A	(page 58)	Knee Gatch Assembly	1
B	1010-334-27	Midsection Skin	1
C	1010-334-28	Thigh Skin	1
D	1010-334-126	Calf Skin	1
E	25-50	Pop Rivet	31

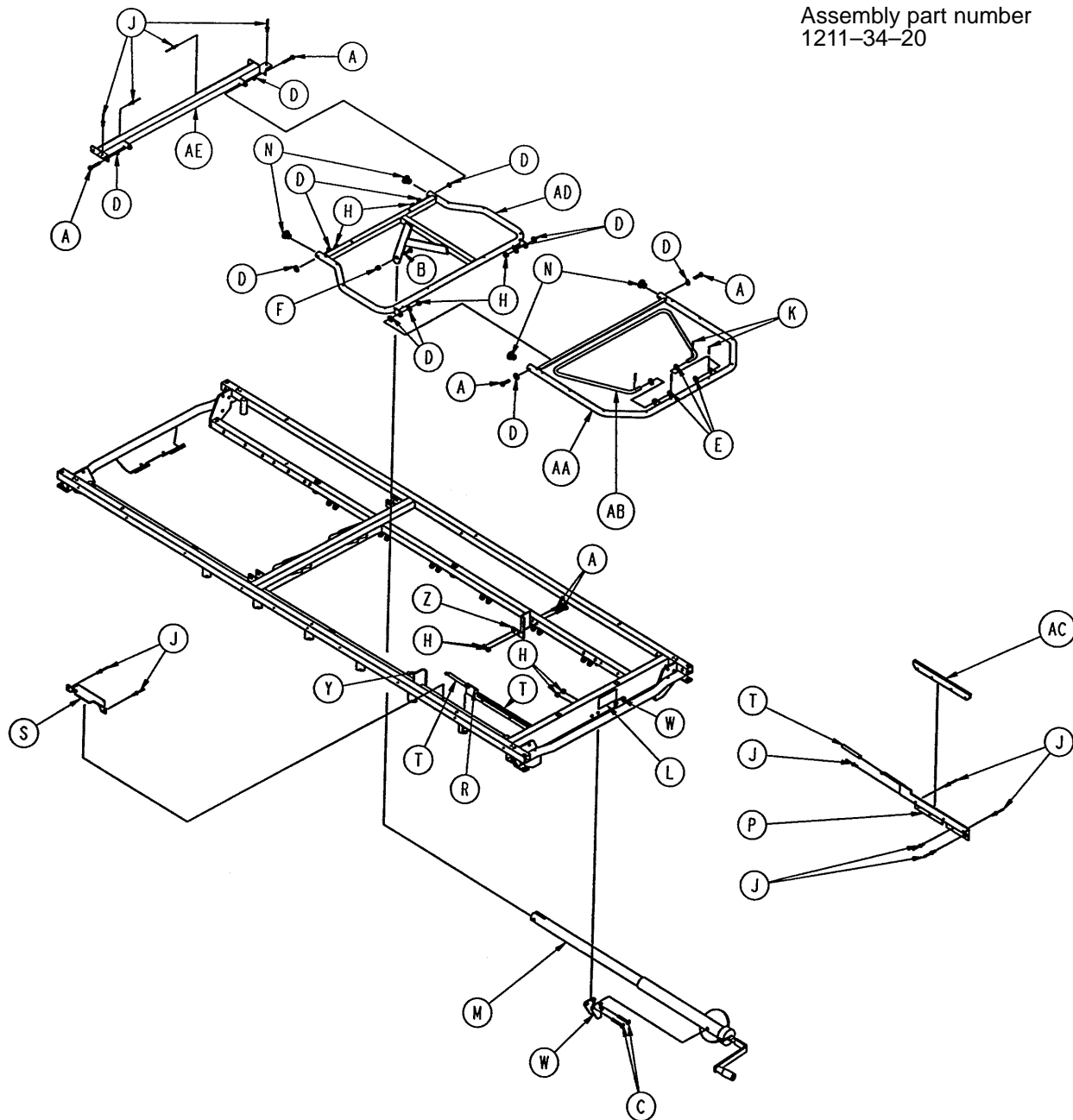
Knee Gatch Assembly



Item	Part No.	Part Name	Qty.	Item	Part No.	Part Name	Qty.
A	3-47	Hex Hd. Cap Screw	8	P	721-31-65	Litter Hole Plug	2
B	3-76	Hex Hd. Cap Screw	4	R	946-1-65	Label, Gatch Symbol	1
C	4-105	Soc. Hd. Cap Screw	1	S	(page 66)	Gatch Crankscrew Ass'y	1
D	7-20	Truss Hd. Cap Screw	4	T	1001-34-24	Thigh Support	2
E	14-2	Flat Washer	12	W	1001-34-25	End Plug	4
F	14-21	Nylon Washer	4	Y	1001-34-48	Latch Cover	2
H	16-12	Flexlock Nut	1	Z	1001-34-112	Calf Frame	1
J	16-28	Nylock Hex Nut	16	AA	1001-34-120	Gatch Riser	1
K	25-79	Pop Rivet	8	AB	1001-34-131	Slider Support	2
L	27-4	Cotter Pin	4	AC	1010-234-15	Mounting Bracket	2
M	52-291	Round Spacer	4	AD	1211-34-11	Thigh Frame	1
N	58-56	Edge Cover	1.3'	AE	1211-34-23	Midsection Supt.	1

Knee Gatch Assembly

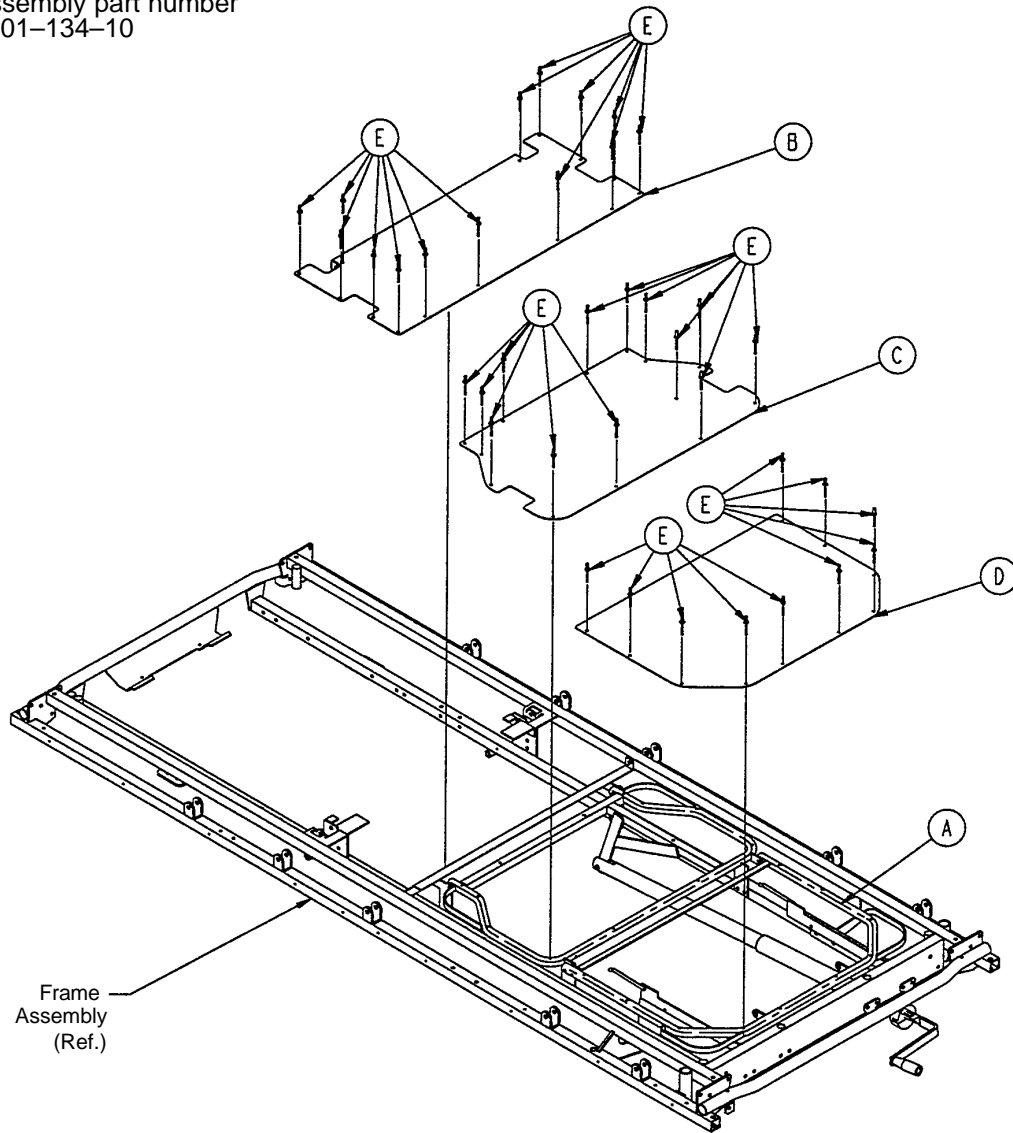
Assembly part number
1211-34-20



Item	Part No.	Part Name	Qty.	Item	Part No.	Part Name	Qty.
A	3-47	Hex Hd. Cap Screw	8	P	1001-34-29	Slider Supt. Wldmt., Lt.	1
B	4-105	Soc. Hd. Cap Screw	1	R	1001-34-30	Slider Supt. Wldmt., Rt.	1
C	7-20	Truss Hd. Cap Screw	4	S	1001-34-48	Latch Cover	2
D	14-2	Flat Washer	12	T	1001-34-49	Slider Support Sleeve	2
E	14-21	Nylon Washer	4	W	1010-234-15	Mounting Bracket	2
F	16-12	Flexlock Nut	1	Y	1211-34-24	Thigh Support, Left	1
H	16-28	Nylock Hex Nut	16	Z	1211-34-25	Thigh Support, Right	1
J	25-79	Pop Rivet	8	AA	1501-34-12	Calf Frame Weldment	1
K	27-7	Cotter Pin	4	AB	1501-34-20	Gatch Riser	1
L	946-1-65	Label, Gatch Symbol	1	AC	1510-34-90	Slider Pad	2
M	(page 66)	Gatch Crankscrew Ass'y	1	AD	1211-34-11	Thigh Frame	1
N	1001-34-25	End Plug	4	AE	1211-34-23	Midsection Supt.	1

Crank Knee Gatch Assembly (Steel)

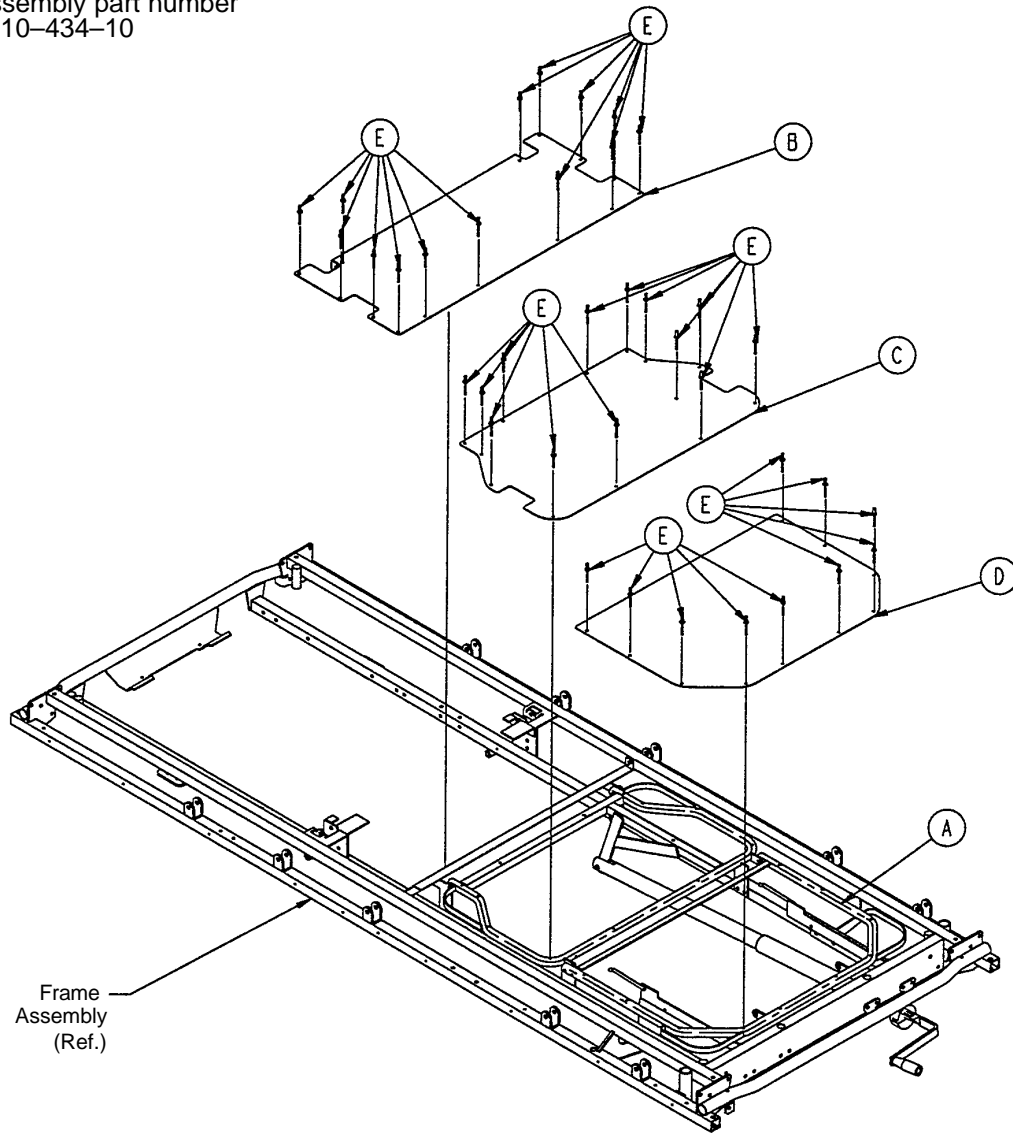
Assembly part number
1501-134-10



Item	Part No.	Part Name	Qty.
A	(page 65)	Knee Gatch Assembly	1
B	1501-134-27	Midsection Skin	1
C	1510-234-28	Thigh Skin	1
D	1510-234-126	Calf Skin	1
E	25-122	Pop Rivet	31

Crank Knee Gatch Assembly (Steel)

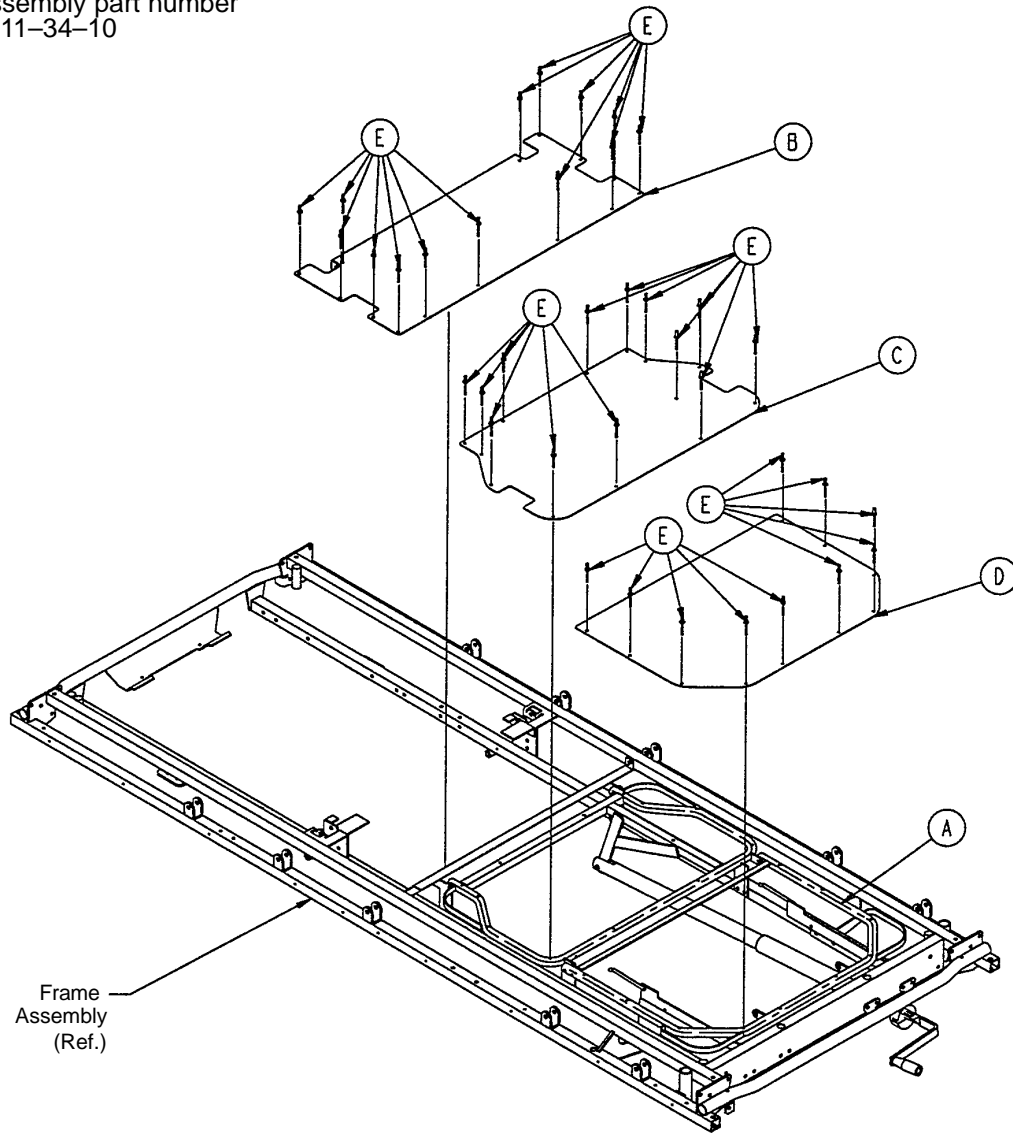
Assembly part number
1510-434-10



Item	Part No.	Part Name	Qty.
A	(page 64)	Knee Gatch Assembly	1
B	1510-234-27	Midsection Skin	1
C	1510-234-28	Thigh Skin	1
D	1510-234-126	Calf Skin	1
E	25-122	Pop Rivet	31

Crank Knee Gatch Assembly (Fiberresin)

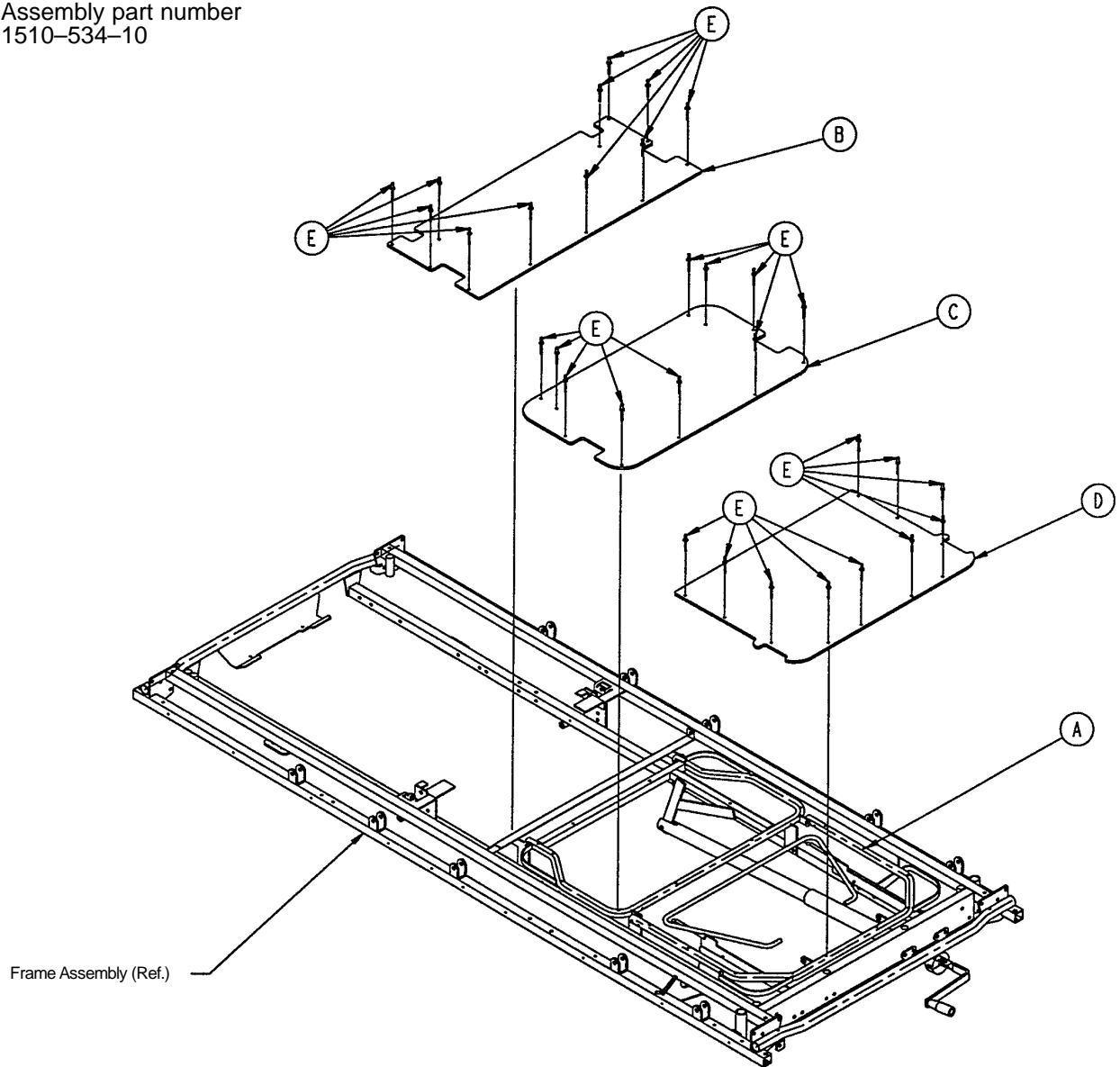
Assembly part number
1711-34-10



Item	Part No.	Part Name	Qty.
A	(page 65)	Knee Gatch Assembly	1
B	1510-334-27	Midsection Skin (Fiberresin)	1
C	1510-334-28	Thigh Skin (Fiberresin)	1
D	1510-334-126	Calf Skin (Fiberresin)	1
E	25-50	Pop Rivet	31

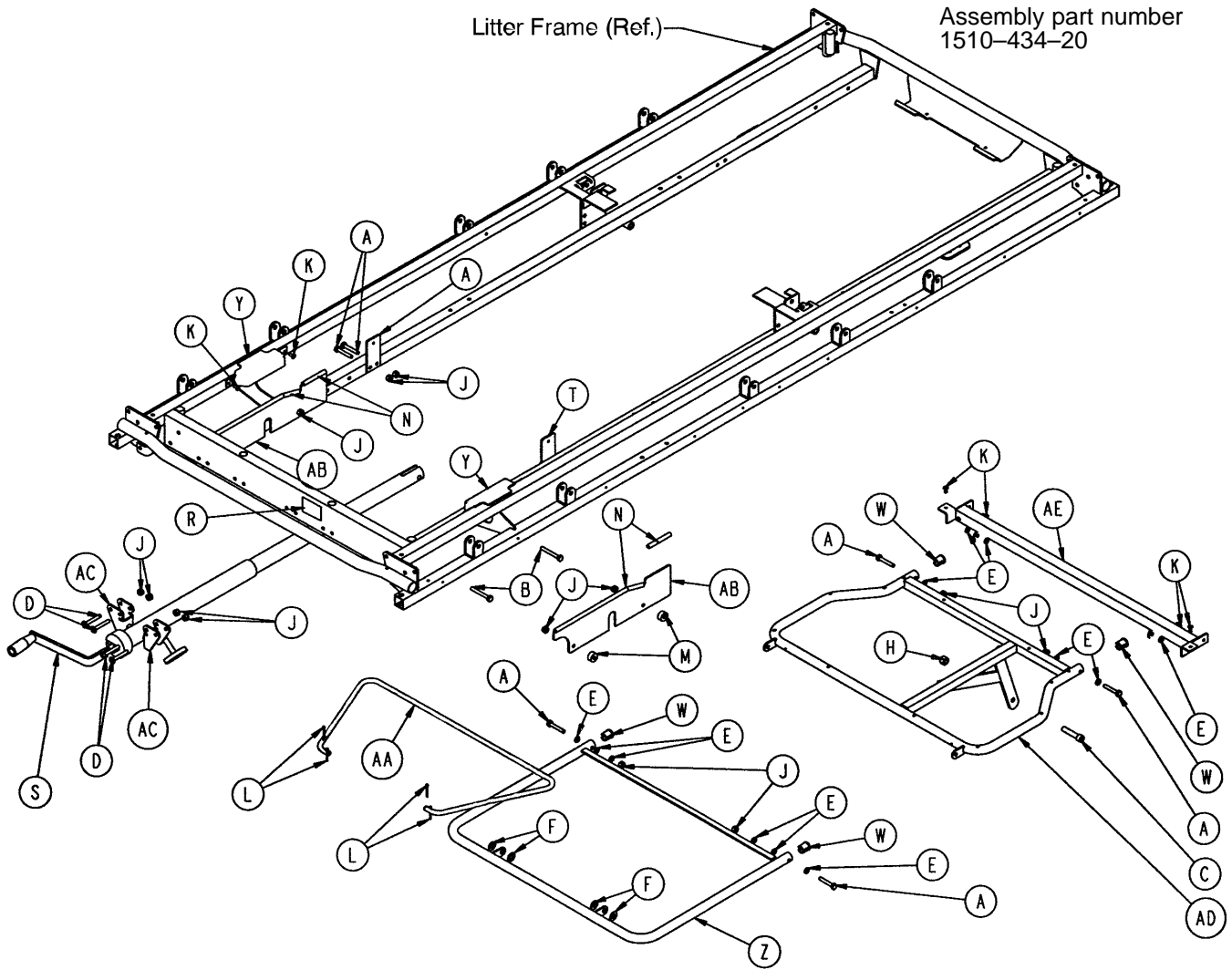
Crank Knee Gatch Assembly (Fiberresin)

Assembly part number
1510-534-10



Item	Part No.	Part Name	Qty.
A	(page 64)	Knee Gatch Assembly	1
B	1510-334-27	Midsection Skin	1
C	1510-334-28	Thigh Skin	1
D	1510-334-126	Calf Skin	1
E	25-50	Pop Rivet	31

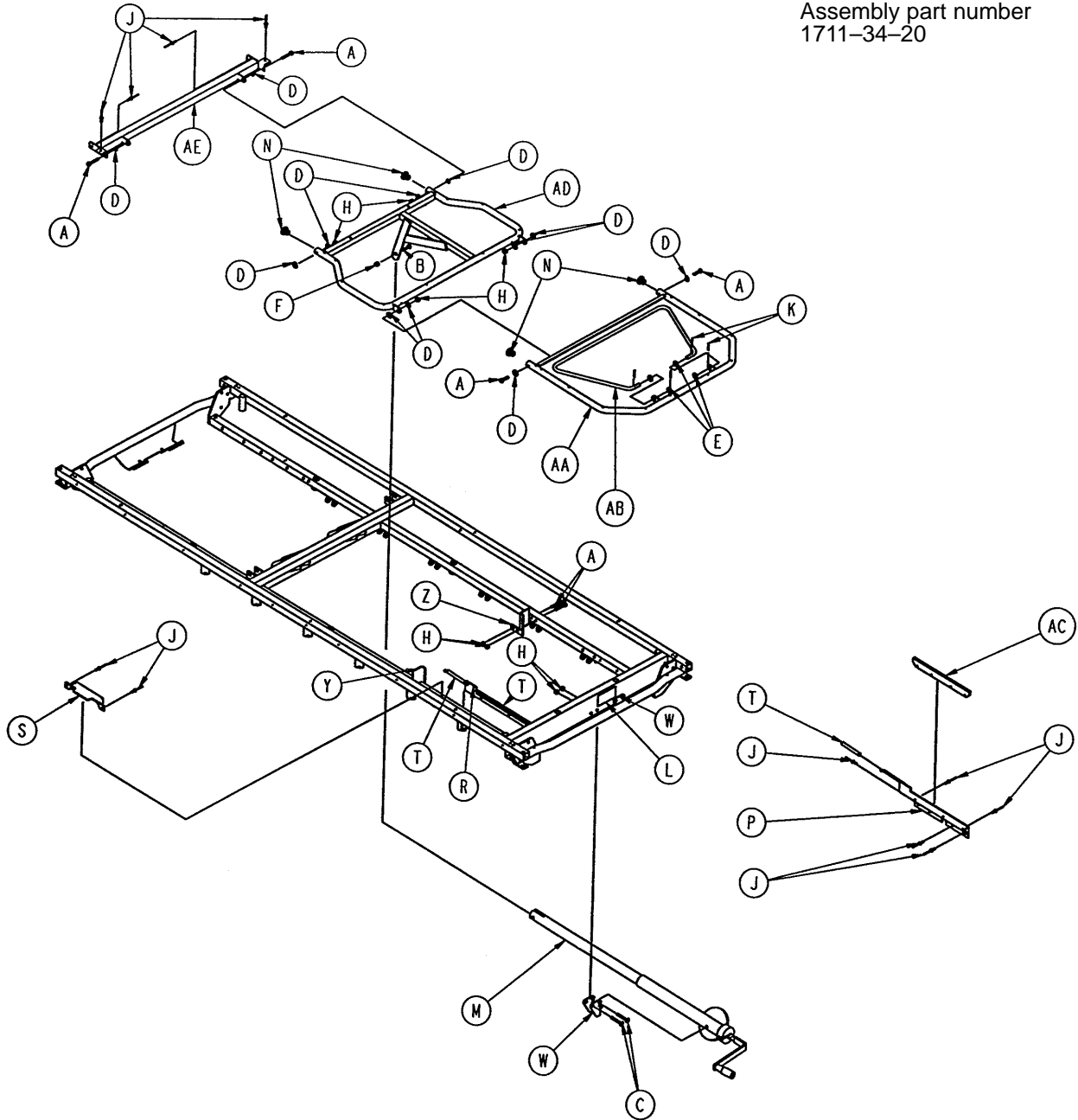
Knee Gatch Assembly



Item	Part No.	Part Name	Qty.	Item	Part No.	Part Name	Qty.
A	3-47	Hex Hd. Cap Screw	8	P	721-31-65	Litter Hole Plug	2
B	3-76	Hex Hd. Cap Screw	4	R	946-1-65	Label, Gatch Symbol	1
C	4-105	Soc. Hd. Cap Screw	1	S	(page 66)	Gatch Crankscrew Ass'y	1
D	7-20	Truss Hd. Cap Screw	4	T	1001-34-24	Thigh Support	2
E	14-2	Flat Washer	12	W	1001-34-25	End Plug	4
F	14-21	Nylon Washer	4	Y	1001-34-48	Latch Cover	2
H	16-12	Flexlock Nut	1	Z	1001-34-131	Slider Support	2
J	16-28	Nylock Hex Nut	16	AA	1010-234-15	Mounting Bracket	2
K	25-79	Pop Rivet	8	AB	1501-34-112	Calf Frame	1
L	27-4	Cotter Pin	4	AC	1501-34-120	Gatch Riser	1
M	52-291	Round Spacer	4	AD	1711-34-11	Thigh Frame	1
N	58-56	Edge Cover	1.3'	AE	1711-34-23	Midsection Supt.	1

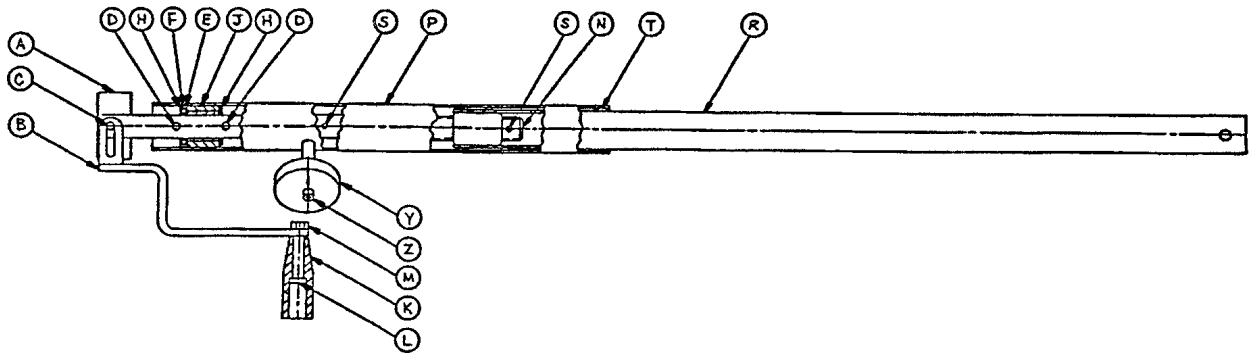
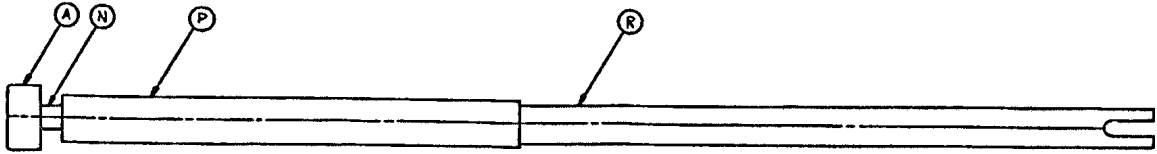
Knee Gatch Assembly

Assembly part number
1711-34-20



Item	Part No.	Part Name	Qty.	Item	Part No.	Part Name	Qty.
A	3-47	Hex Hd. Cap Screw	8	P	1001-34-29	Slider Supt. Wldmt., Lt.	1
B	4-105	Soc. Hd. Cap Screw	1	R	1001-34-30	Slider Supt. Wldmt., Rt.	1
C	7-20	Truss Hd. Cap Screw	4	S	1001-34-48	Latch Cover	2
D	14-2	Flat Washer	12	T	1001-34-49	Slider Support Sleeve	2
E	14-21	Nylon Washer	4	W	1010-234-15	Mounting Bracket	2
F	16-12	Flexlock Nut	1	Y	1211-34-24	Thigh Support, Left	1
H	16-28	Nylock Hex Nut	16	Z	1211-34-25	Thigh Support, Right	1
J	25-79	Pop Rivet	8	AA	1501-34-12	Calf Frame Weldment	1
K	27-7	Cotter Pin	4	AB	1501-34-20	Gatch Riser	1
L	946-1-65	Label, Gatch Symbol	1	AC	1510-34-90	Slider Pad	2
M	(page 66)	Gatch Crankscrew Ass'y	1	AD	1711-34-11	Thigh Frame	1
N	1001-34-25	End Plug	4	AE	1711-34-23	Midsection Supt.	1

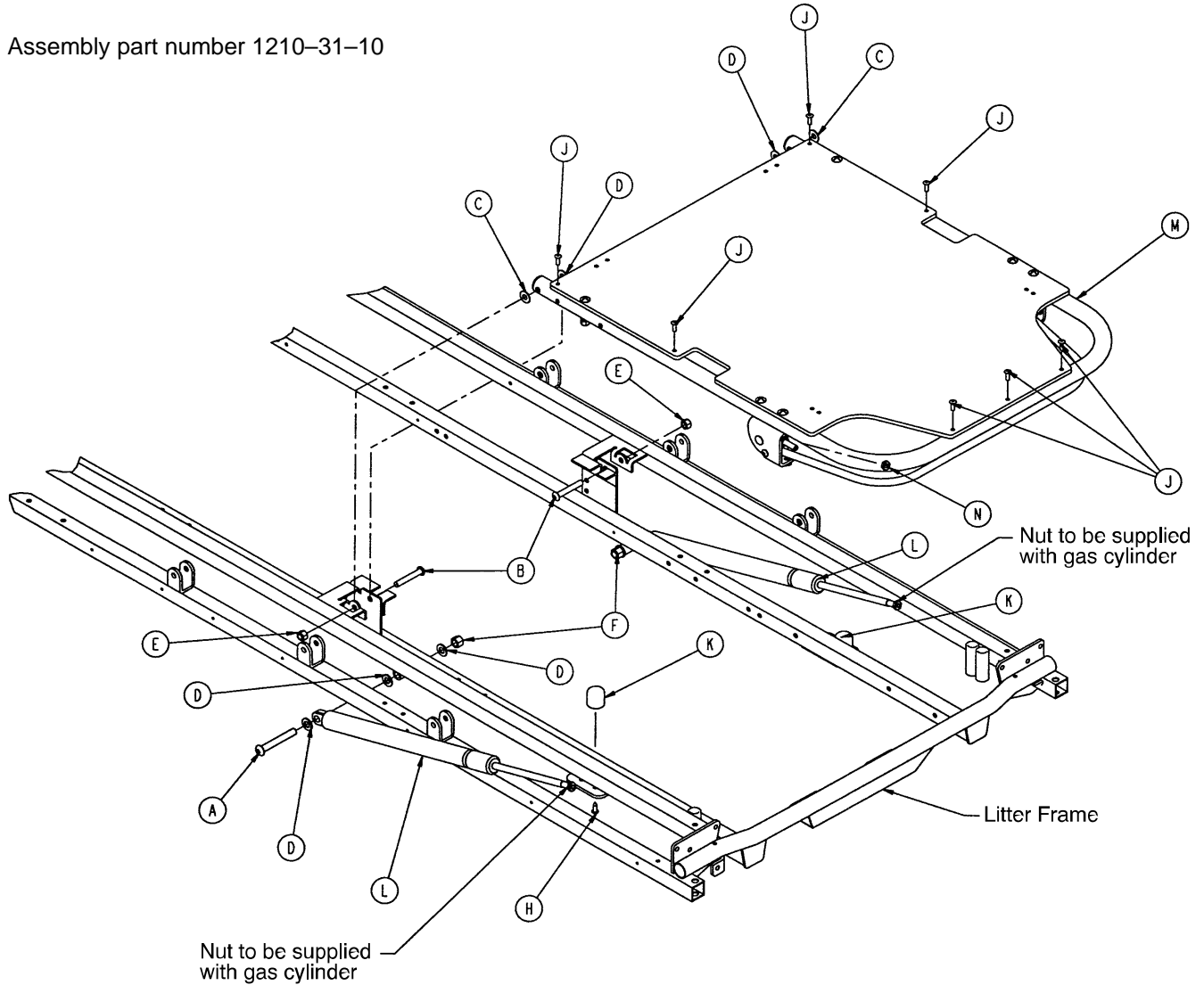
1001-34-19 Knee Gatch Crankscrew Assembly



Item	Part No.	Part Name	Qty.
A	946-33-18	Crank Disc	1
B	1550-1-16	Crank Assembly	1
C	26-45	Roll Pin	1
D	26-14	Roll Pin	2
E	81-176	Thrust Washer	1
F	81-175	Thrust Bearing	1
H	81-174	Thrust Washer	2
J	938-1-175	Bearing Assembly	1
K	938-1-177	Knob	1
L	378-24-29	Shoulder Bolt	1
M	16-5	Conelock Nut	1
N	1001-34-47	Gatch Screw	1
P	1510-34-84	Screw Cover Assembly	1
R	1510-34-55	Gatch Drive Tube Assembly	1
S	26-10	Roll Pin	2
T	7900-1-102	Velcro Pile Tape	1
Y	1550-1-14	Magnet	1
Z	4-7	Soc. Hd. Cap Screw	1

Pneumatic Fowler to Frame Assembly

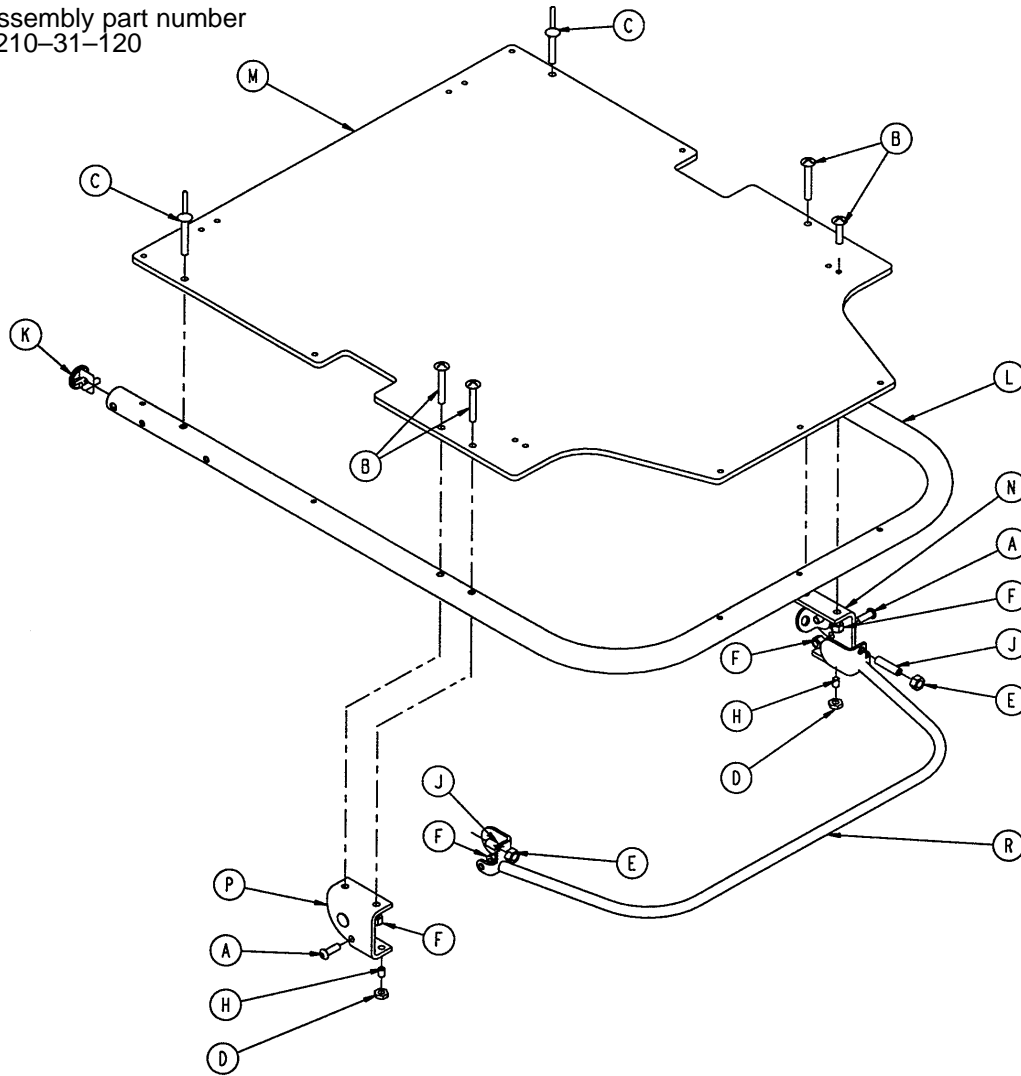
Assembly part number 1210-31-10



Item	Part No.	Part Name	Qty.
A	4-182	But. Hd. Cap Screw	2
B	4-183	But. Hd. Cap Screw	2
C	11-179	Nylon Washer	2
D	14-21	Nylon Washer	8
E	16-11	Nylock Hex Nut	2
F	16-35	Nylock Hex Nut	2
H	23-100	Self-Tapping Screw	2
J	25-50	Pop Rivet	7
K	1211-31-31	Pneumatic Fowler Rest	2
L	1010-31-78	Gas Cylinder	2
M	(page 68)	Pneumatic Fowler Ass'y	1
N	15-59	Hex Jam Nut	2

Pneumatic Fowler Assembly (Fiberresin)

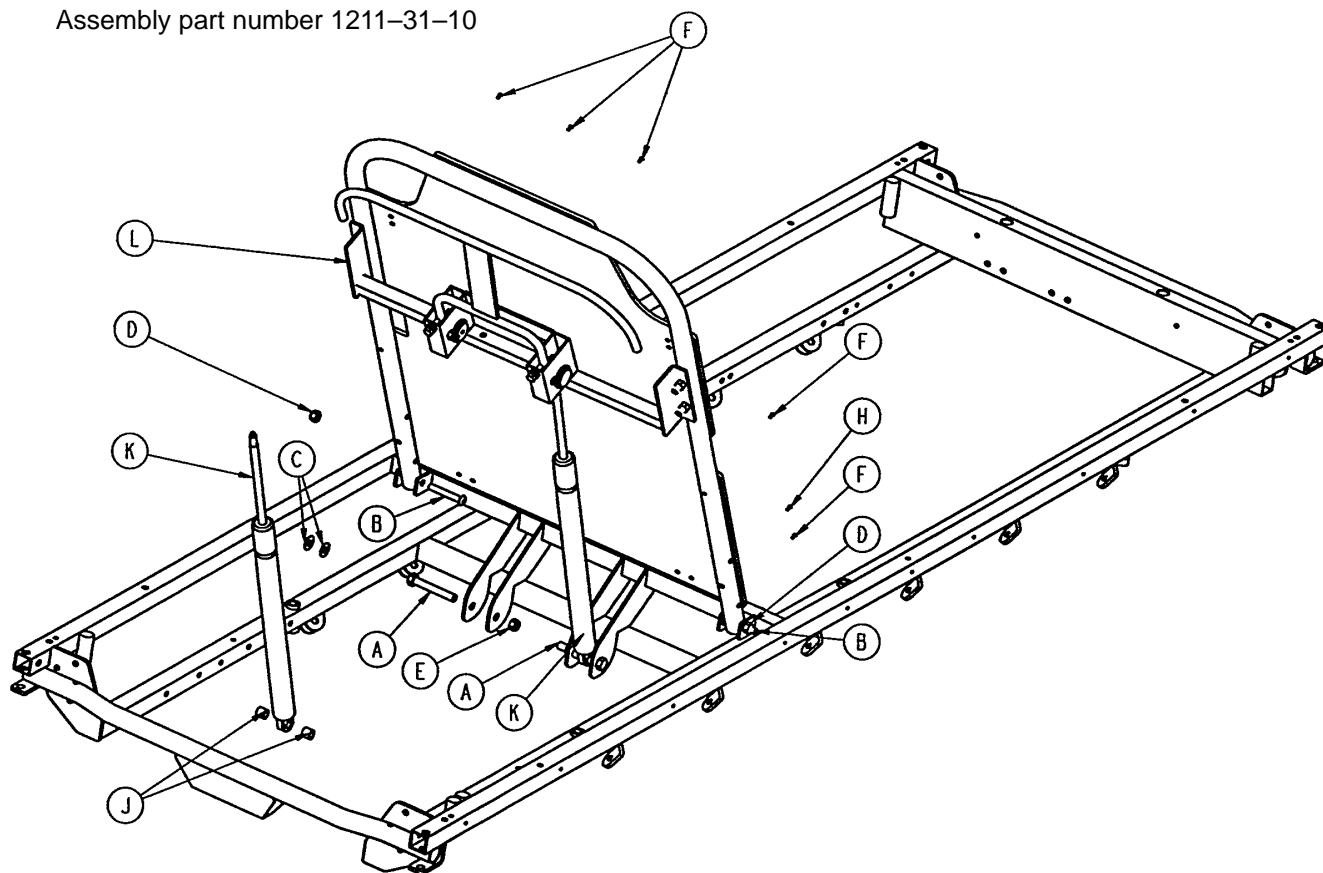
Assembly part number
1210-31-120



Item	Part No.	Part Name	Qty.
A	4-161	Hex Soc. But. Hd. Cap Screw	2
B	7-20	Truss Hd. Mach. Screw	4
C	25-124	Pop Rivet	2
D	15-37	Jam Nut	2
E	15-50	Hex Nut	2
F	16-28	Nylock Nut	6
H	21-125	Set Screw	2
J	21-126	Set Screw	2
K	1001-1-36	Hole Plug	2
L	1001-31-13	Fowler Tube	1
M	1010-231-12	Fowler Skin (Fiberresin)	1
N	(page 72.1)	Outer Housing Ass'y, Right	1
P	(page 72.1)	Outer Housing Ass'y, Left	1
R	1210-31-118	Trip Bar Assembly	1

Pneumatic Fowler to Frame Assembly

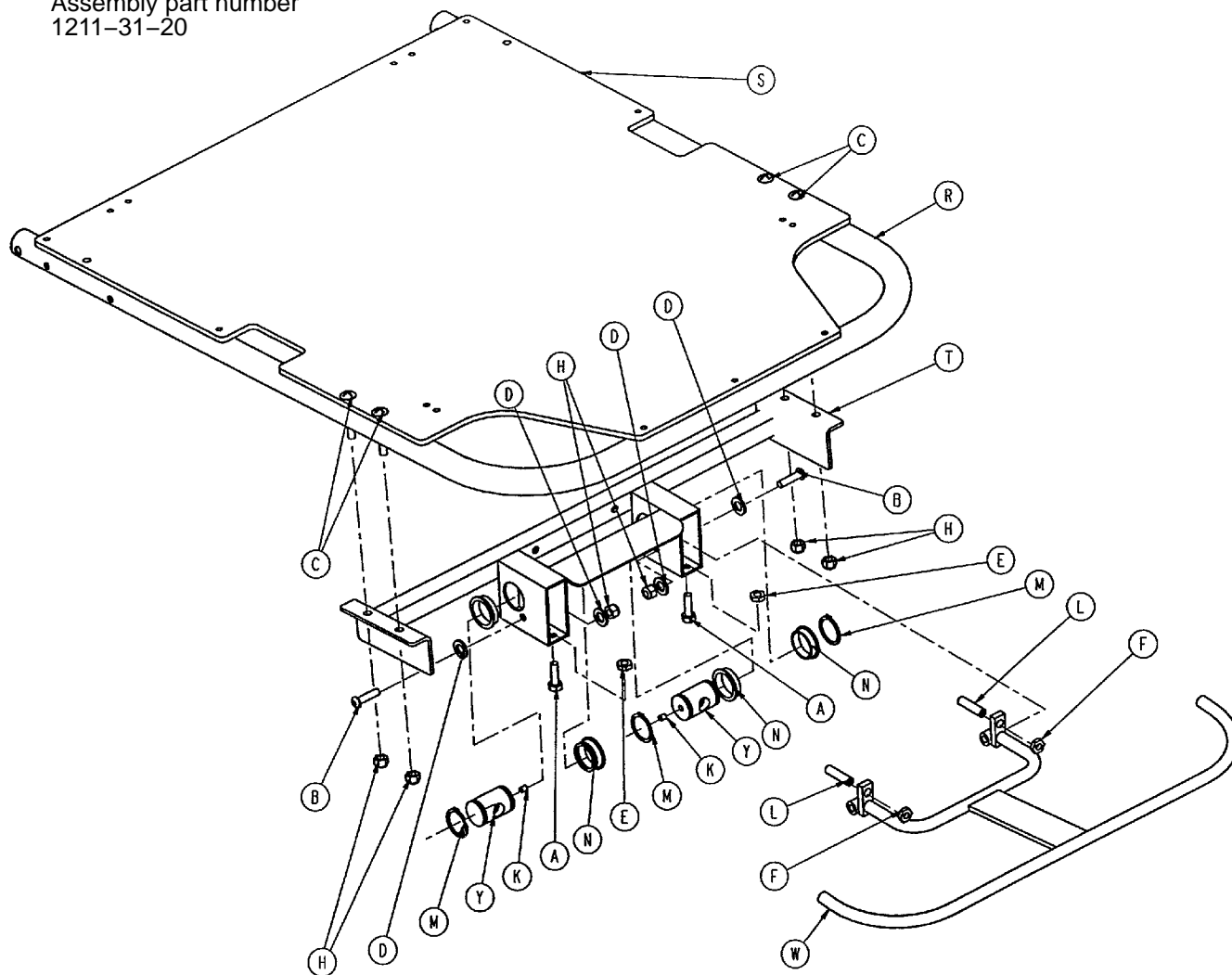
Assembly part number 1211-31-10



Item	Part No.	Part Name	Qty.
A	3-199	Hex Hd. Cap Screw	2
B	4-183	But. Hd. Cap Screw	2
C	11-179	Washer	4
D	16-11	Nylock Hex Nut	2
E	16-86	Nylock Hex Nut	2
F	25-50	Pop Rivet	7
H	25-124	Pop Rivet	2
J	52-284	Nylon Spacer	4
K	1010-31-78	Gas Cylinder	2
L	(page 70)	Pneumatic Fowler Ass'y	1

Pneumatic Fowler Assembly (Fiberresin)

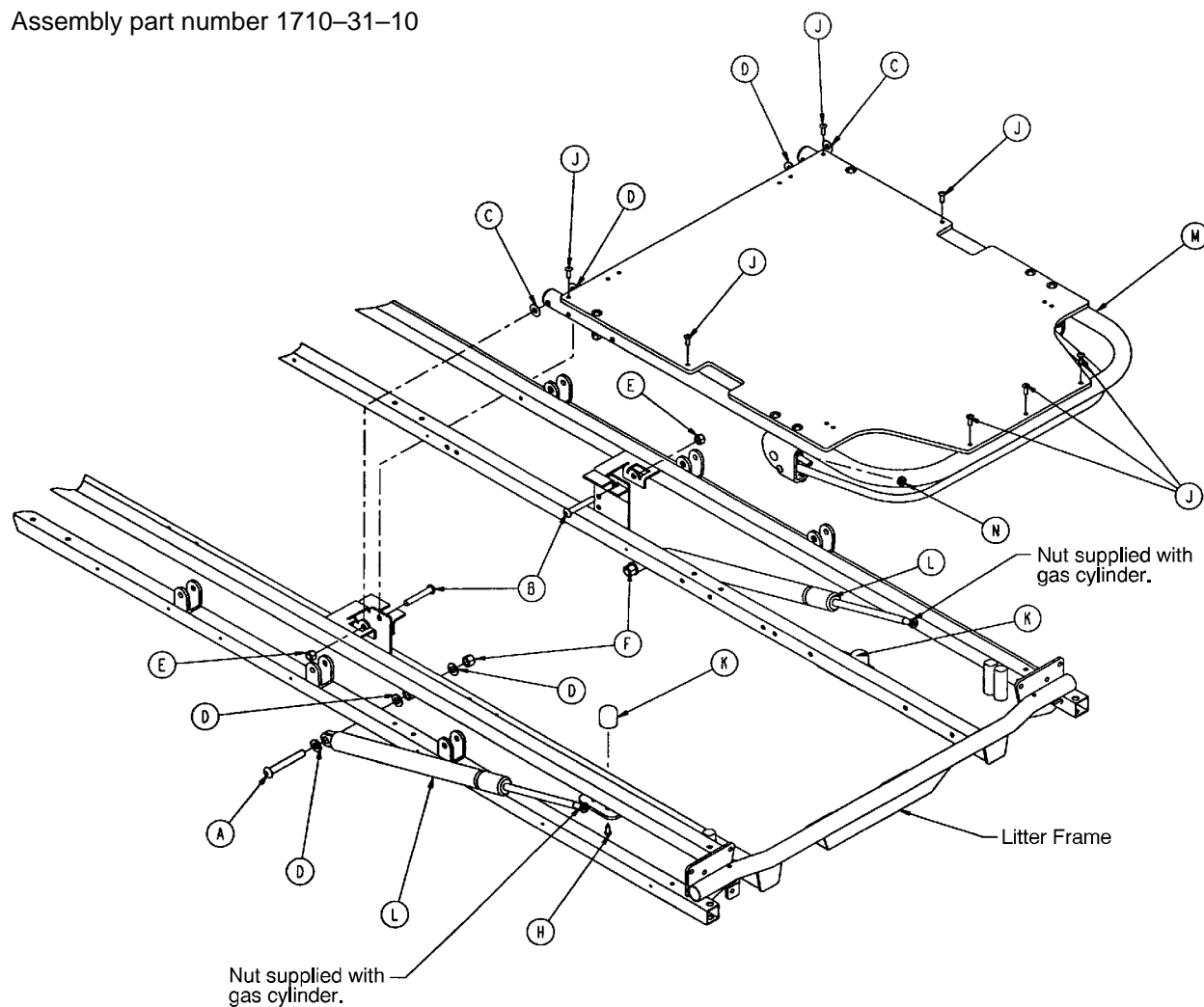
Assembly part number
1211-31-20



Item	Part No.	Part Name	Qty.
A	3-200	Hex Hd. Cap Screw	2
B	4-135	But. Hd. Mach. Screw	2
C	7-20	Truss Hd. Mach. Screw	4
D	11-132	Nylon Washer	4
E	15-37	Jam Nut	2
F	15-50	Hex Nut	2
H	16-28	Nylock Nut	6
K	21-119	Set Screw	2
L	21-126	Set Screw	2
M	28-76	Retaining Ring	4
N	946-35-25	Liner	4
P	1001-1-36	Hole Plug	2
R	1001-31-13	Fowler Tube	1
S	1010-231-12	Fowler Skin (Fiberresin)	1
T	1211-31-14	Pneumatic Pivot Bar Wldmt.	1
W	1211-31-18	Trip Bar Weldment	1
Y	1510-31-28	Yoke	2

Pneumatic Fowler to Frame Assembly

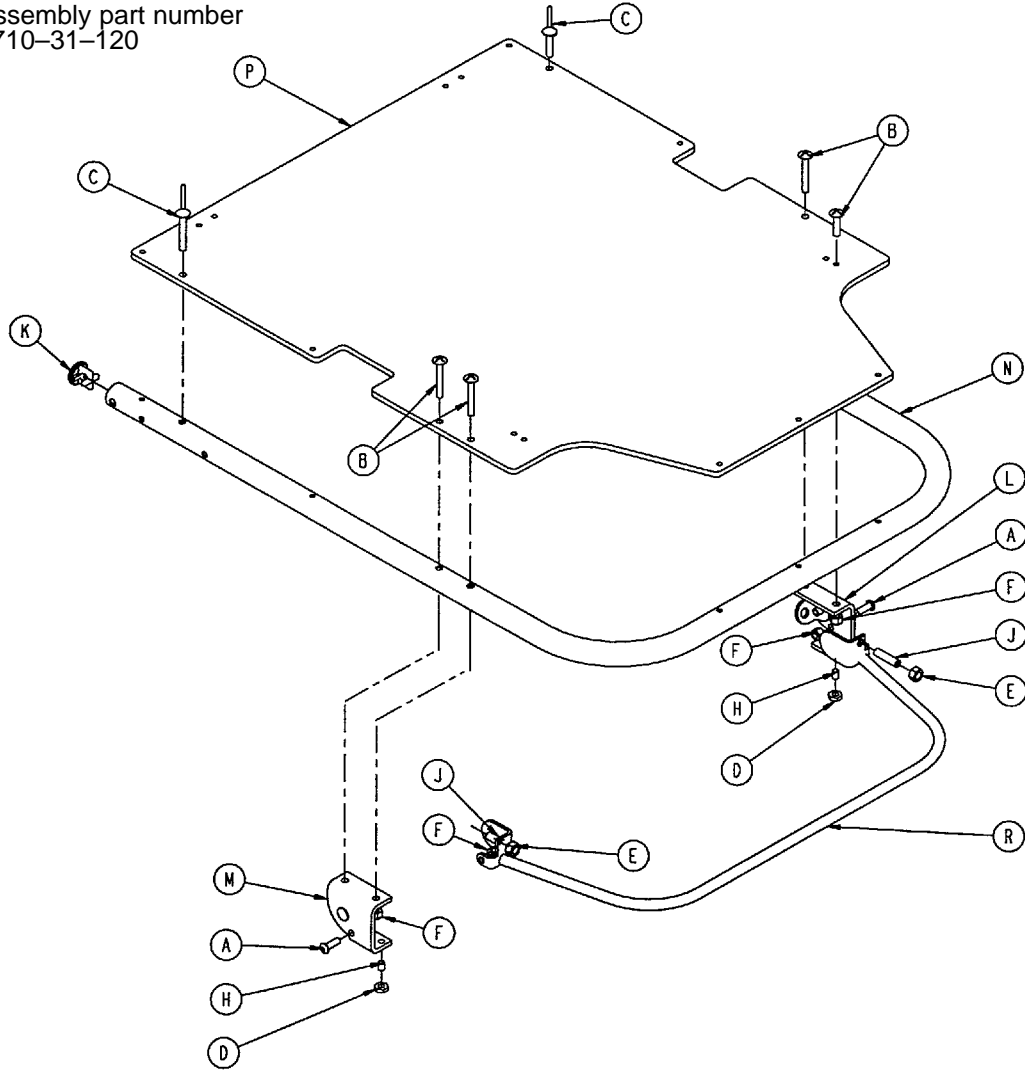
Assembly part number 1710-31-10



Item	Part No.	Part Name	Qty.
A	4-182	But. Hd. Cap Screw	2
B	4-183	But. Hd. Cap Screw	2
C	11-179	Nylon Washer	2
D	14-21	Nylon Washer	8
E	16-11	Nylock Hex Nut	2
F	16-35	Nylock Hex Nut	2
H	23-100	Self-Tapping Screw	2
J	25-50	Pop Rivet	7
K	1211-31-31	Pneumatic Fowler Rest	2
L	1010-31-78	Gas Cylinder	2
M	(page 72)	Pneumatic Fowler Ass'y	1
N	15-59	Hex Jam Nut	2

Pneumatic Fowler Assembly (Fiberresin)

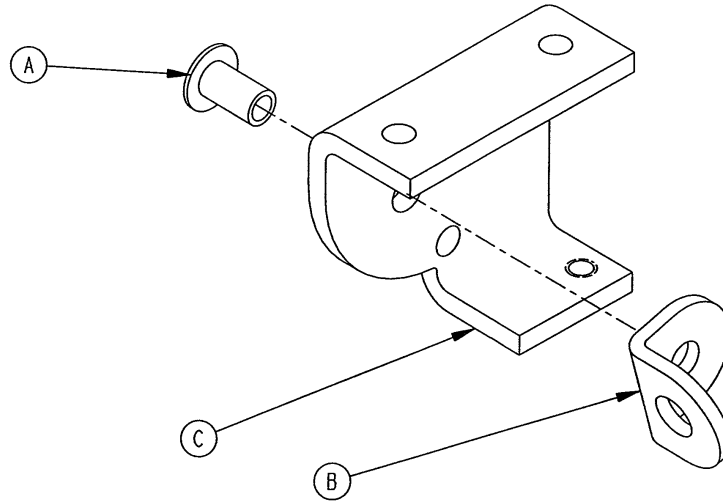
Assembly part number
1710-31-120



Item	Part No.	Part Name	Qty.
A	4-161	Hex Soc. But. Hd. Cap Screw	2
B	7-20	Truss Hd. Mach. Screw	4
C	25-124	Pop Rivet	2
D	15-37	Jam Nut	2
E	15-50	Hex Nut	2
F	16-28	Nylock Nut	6
H	21-125	Set Screw	2
J	21-126	Set Screw	2
K	1001-1-36	Hole Plug	2
L	(page 72.1)	Outer Housing Ass'y, Right	1
M	(page 72.1)	Outer Housing Ass'y, Left	1
N	1501-31-13	Fowler Tube	1
P	1510-231-12	Fowler Skin (Fiberresin)	1
R	1710-31-118	Trip Bar Assembly	1

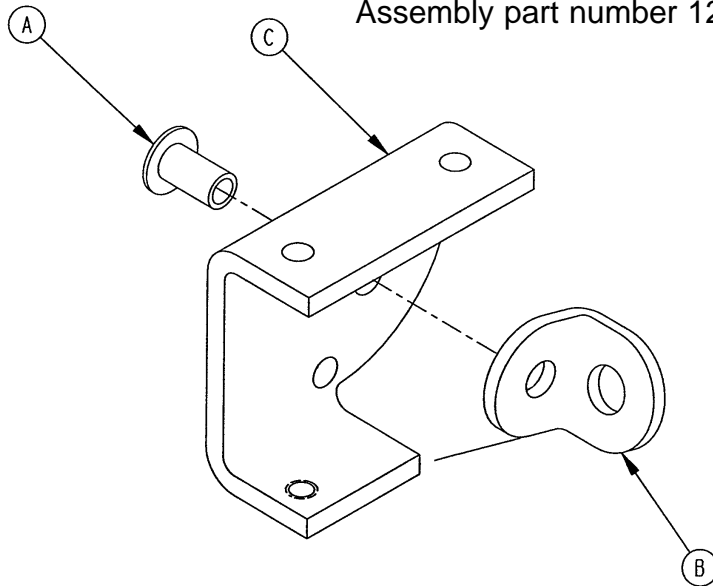
Outer Housing Assembly, Right and Left

Assembly part number 1210-31-106 (Right)



Item	Part No.	Part Name	Qty.
A	25-144	Semi-Tubular Rivet	1
B	1210-31-103	Pivot Tab	1
C	1210-31-104	Outer Housing, Right	1

Assembly part number 1210-31-107 (Left)

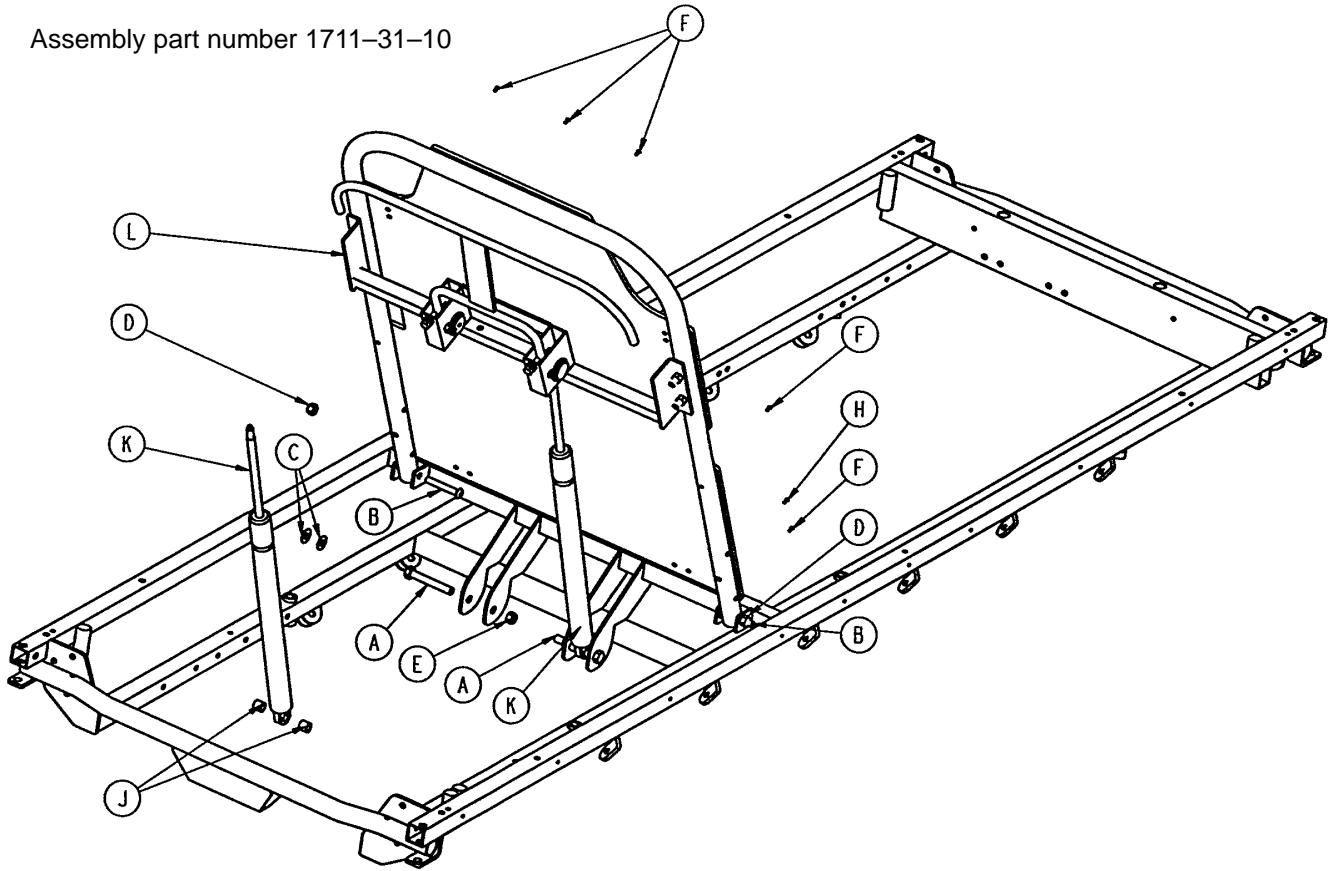


Item	Part No.	Part Name	Qty.
A	25-144	Semi-Tubular Rivet	1
B	1210-31-103	Pivot Tab	1
C	1210-31-105	Outer Housing, Left	1

Notes

Pneumatic Fowler to Frame Assembly

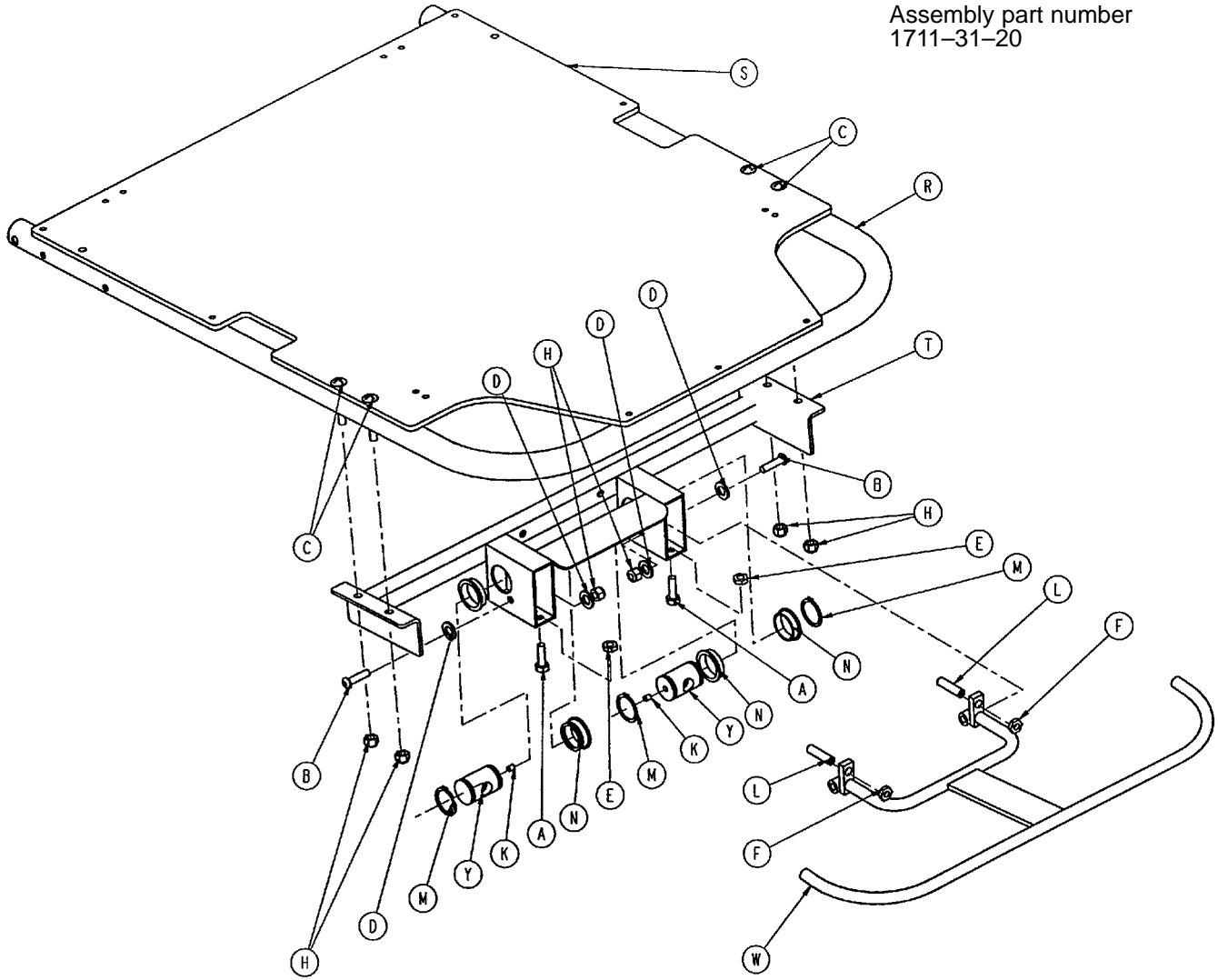
Assembly part number 1711-31-10



Item	Part No.	Part Name	Qty.
A	3-199	Hex Hd. Cap Screw	2
B	4-183	But. Hd. Cap Screw	2
C	11-179	Washer	4
D	16-11	Nylock Hex Nut	2
E	16-86	Nylock Hex Nut	2
F	25-50	Pop Rivet	7
H	25-124	Pop Rivet	2
J	52-284	Nylon Spacer	4
K	1010-31-78	Gas Cylinder	2
L	(page 74)	Pneumatic Fowler Ass'y	1

Pneumatic Fowler Assembly (Fiberresin)

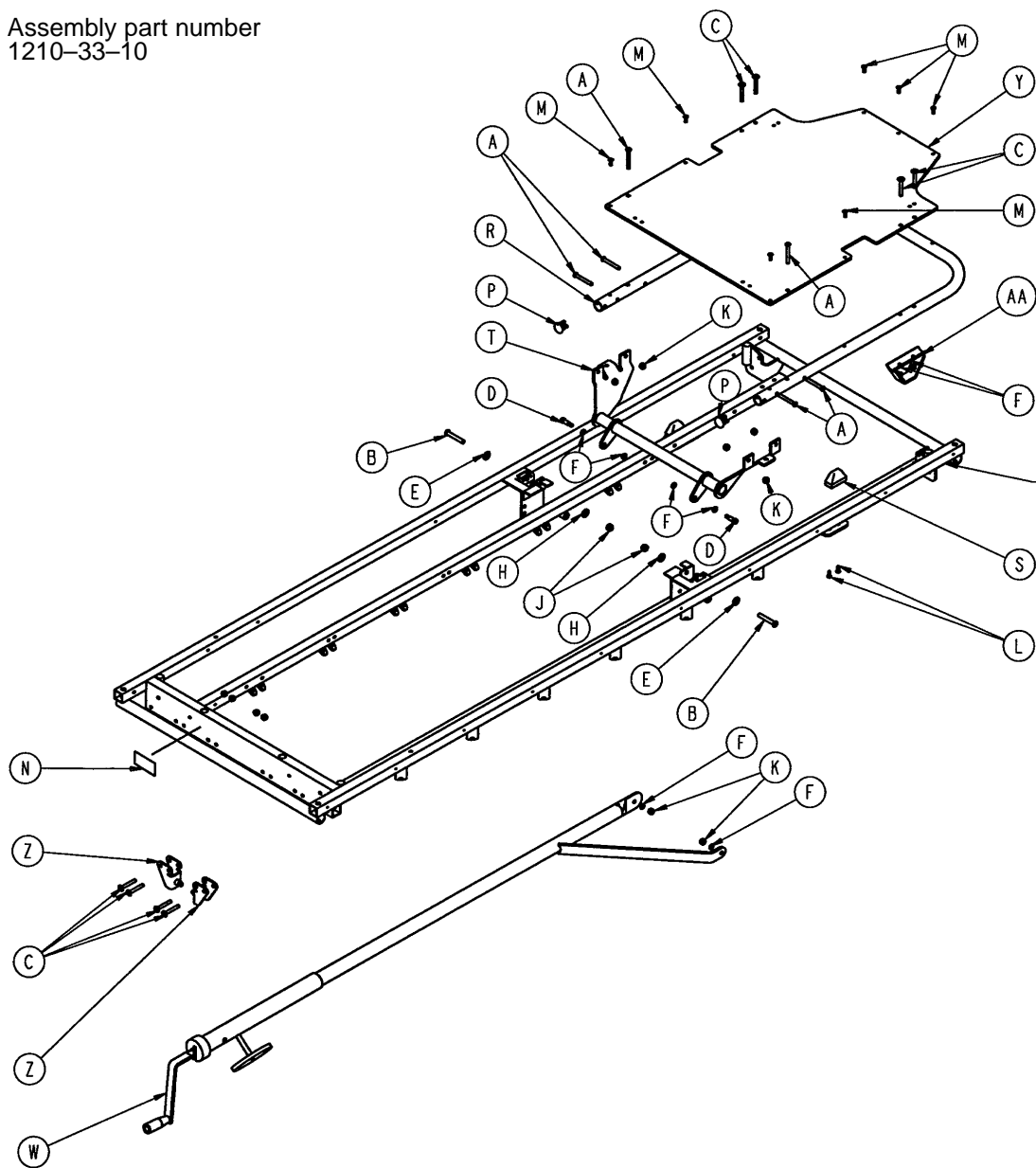
Assembly part number
1711-31-20



Item	Part No.	Part Name	Qty.
A	3-200	Hex Hd. Cap Screw	2
B	4-135	But. Hd. Cap Screw	2
C	7-20	Truss Hd. Mach. Screw	4
D	11-132	Nylon Washer	4
E	15-37	Jam Nut	2
F	15-50	Hex Nut	2
H	16-28	Nylock Nut	6
K	21-119	Set Screw	2
L	21-126	Set Screw	2
M	28-76	Retaining Ring	4
N	946-35-25	Liner	4
P	1001-1-36	Hole Plug	2
R	1501-31-13	Fowler Tube	1
S	1510-231-12	Fowler Skin (Fiberresin)	1
T	1711-31-14	Pneu. Pivot Bar Wldmt.	1
W	1711-31-18	Trip Bar Weldment	1
Y	1510-31-28	Yoke	2

Crank Fowler Assembly (Fiberresin)

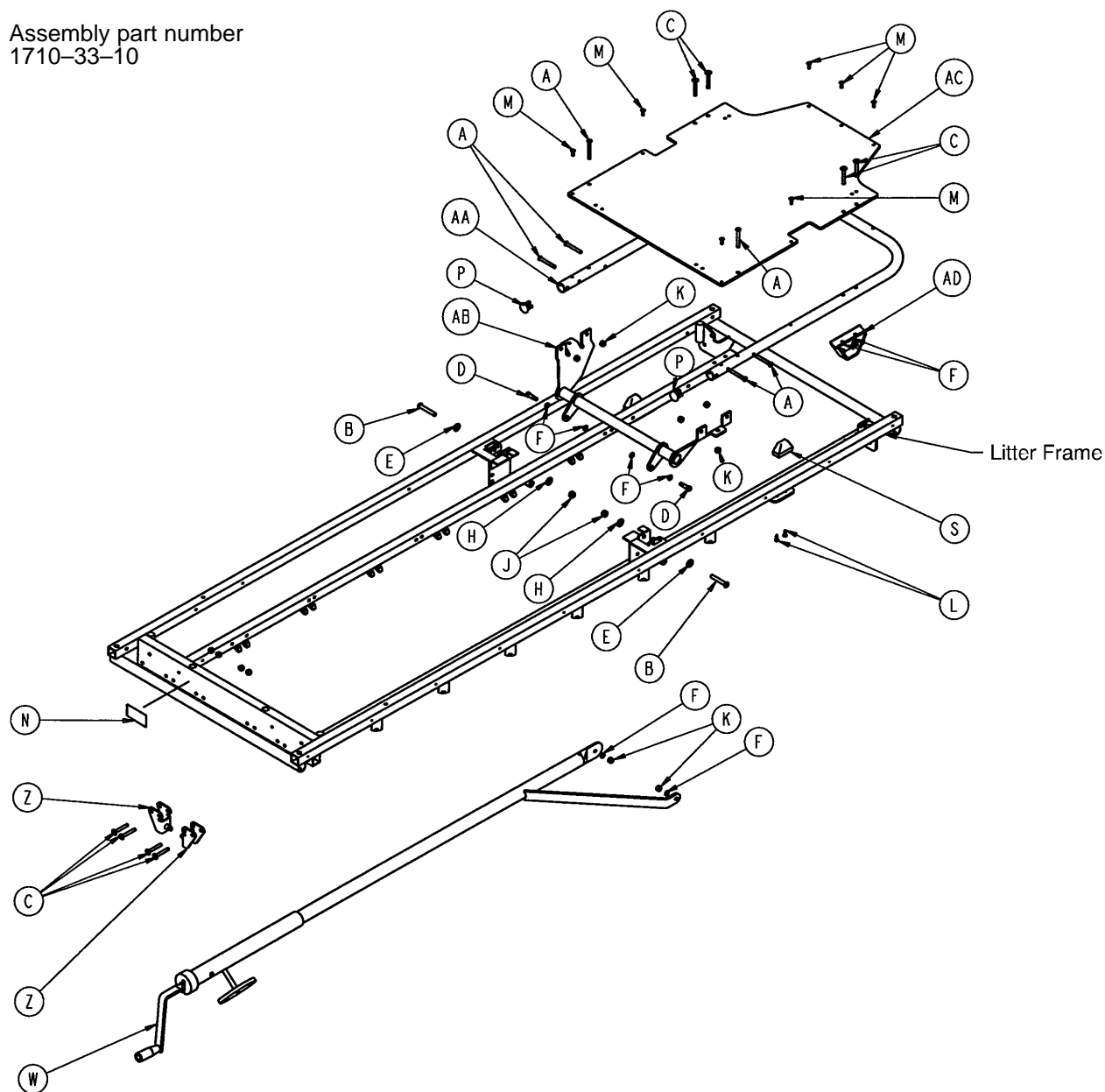
Assembly part number
1210-33-10



Item	Part No.	Part Name	Qty.	Item	Part No.	Part Name	Qty.
A	4-97	Hex But. Hd. Cap Screw	6	M	25-50	Pop Rivet	7
B	4-183	But. Hd. Cap Screw	2	N	946-1-64	Fowler Operation Label	1
C	7-20	Truss Hd. Mach. Screw	8	P	1001-1-36	Hole Plug	2
D	8-15	Shoulder Bolt	2	R	1001-31-13	Fowler Tube	1
E	11-179	Washer	2	S	1001-31-31	Pneumatic Fowler Rest	2
F	14-3	Thrust Washer	8	T	1001-33-24	Fowler Lever Assembly	1
H	14-21	Washer	2	W	(page 77)	Crankscrew Assembly	1
J	16-11	Nylock Hex Nut	2	Y	1010-231-12	Fowler Skin (Fiberresin)	1
K	16-28	Fiberlock Hex Nut	16	Z	1010-234-15	Mounting Bracket Ass'y	2
L	23-100	Ph. Hd. Self-Tap. Screw	4	AA	1550-33-31	Fowler Support Ass'y	2

Crank Fowler Assembly (Fiberresin)

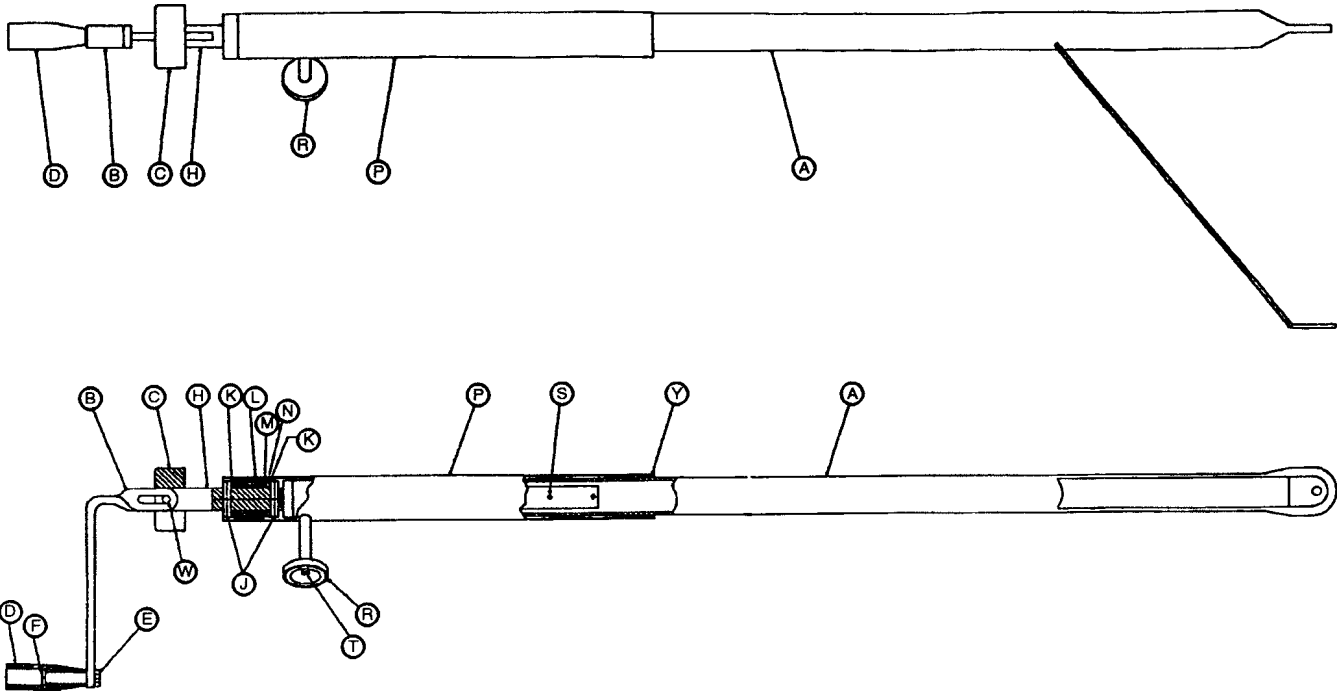
Assembly part number
1710-33-10



Item	Part No.	Part Name	Qty.	Item	Part No.	Part Name	Qty.
A	4-97	Hex But. Hd. Cap Screw	6	M	25-50	Pop Rivet	7
B	4-183	But. Hd. Cap Screw	2	N	946-1-64	Fowler Operation Label	1
C	7-20	Truss Hd. Mach. Screw	8	P	1001-1-36	Hole Plug	2
D	8-15	Shoulder Bolt	2	S	1001-31-31	Pneumatic Fowler Rest	2
E	11-179	Washer	2	W	(page 77)	Crankscrew Assembly	1
F	14-3	Thrust Washer	8	Z	1010-234-15	Mounting Bracket Ass'y	2
H	14-21	Washer	2	AA	1501-31-13	Fowler Tube	1
J	16-11	Nylock Hex Nut	2	AB	1501-33-24	Fowler Lever Ass'y	1
K	16-28	Fiberlock Hex Nut	16	AC	1510-231-12	Fowler Skin (Fiberresin)	1
L	23-100	Ph. Hd. Self-Tap. Screw	4	AD	1550-33-31	Fowler Support Ass'y	2

Fowler Crankscrew Assembly

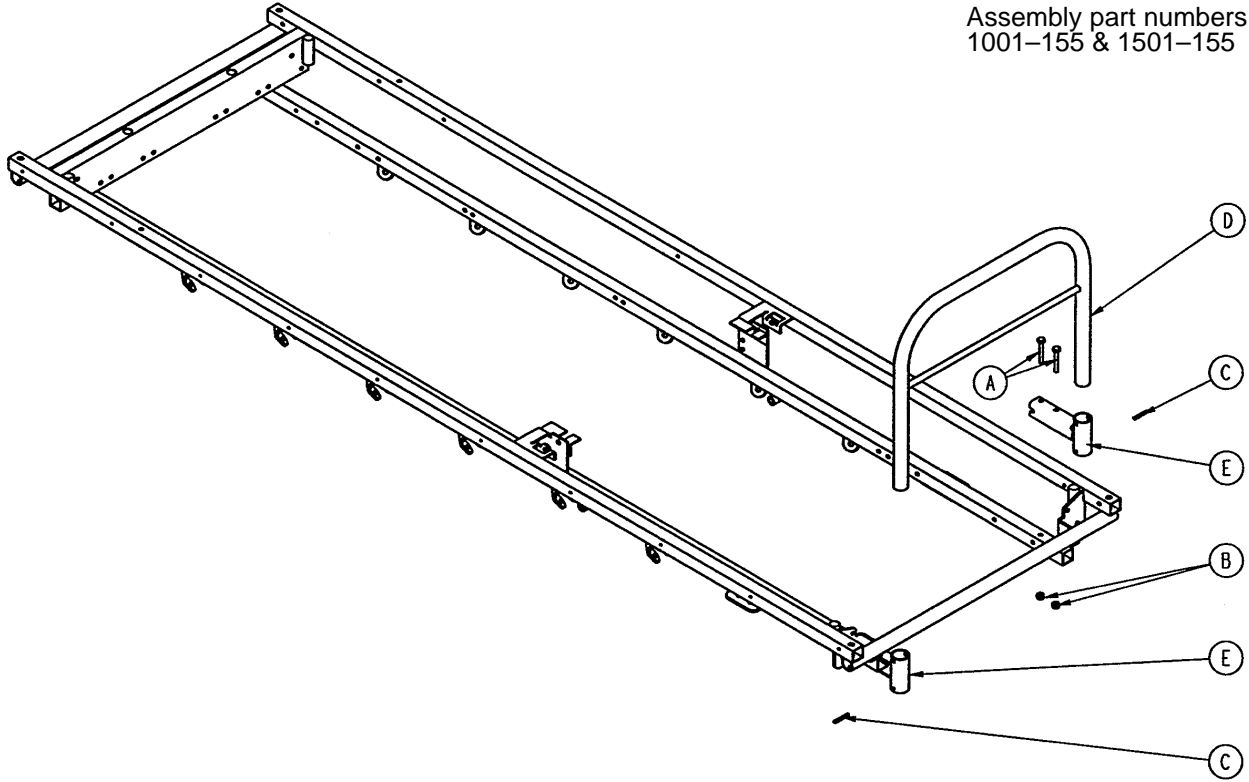
Assembly part numbers 1001-33-25 & 1501-33-25



Item	Part No.	Part Name	Qty.
A	1001-33-26	Drive Bar Assembly	1
	1501-33-26	Drive Bar Assembly	1
B	1550-1-16	Crank Assembly	1
C	946-33-18	Crank Disc	1
D	938-1-177	Knob	1
E	16-5	Kep Nut	1
F	378-24-29	Shoulder Bolt	1
H	946-33-35	Fowler Screw	1
J	26-14	Roll Pin	2
K	81-174	Thrust Washer	2
L	938-1-175	Bearing Assembly	1
M	81-176	Thrust Washer	1
N	81-175	Thrust Bearing	1
P	1510-34-84	Screw Cover Assembly	1
R	1550-1-14	Magnet	1
S	26-10	Roll Pin	1
T	4-7	Soc. Hd. Cap Screw	1
W	26-45	Roll Pin	1
Y	7900-1-102	Velcro Pile	1

Head End Push Bar Assembly

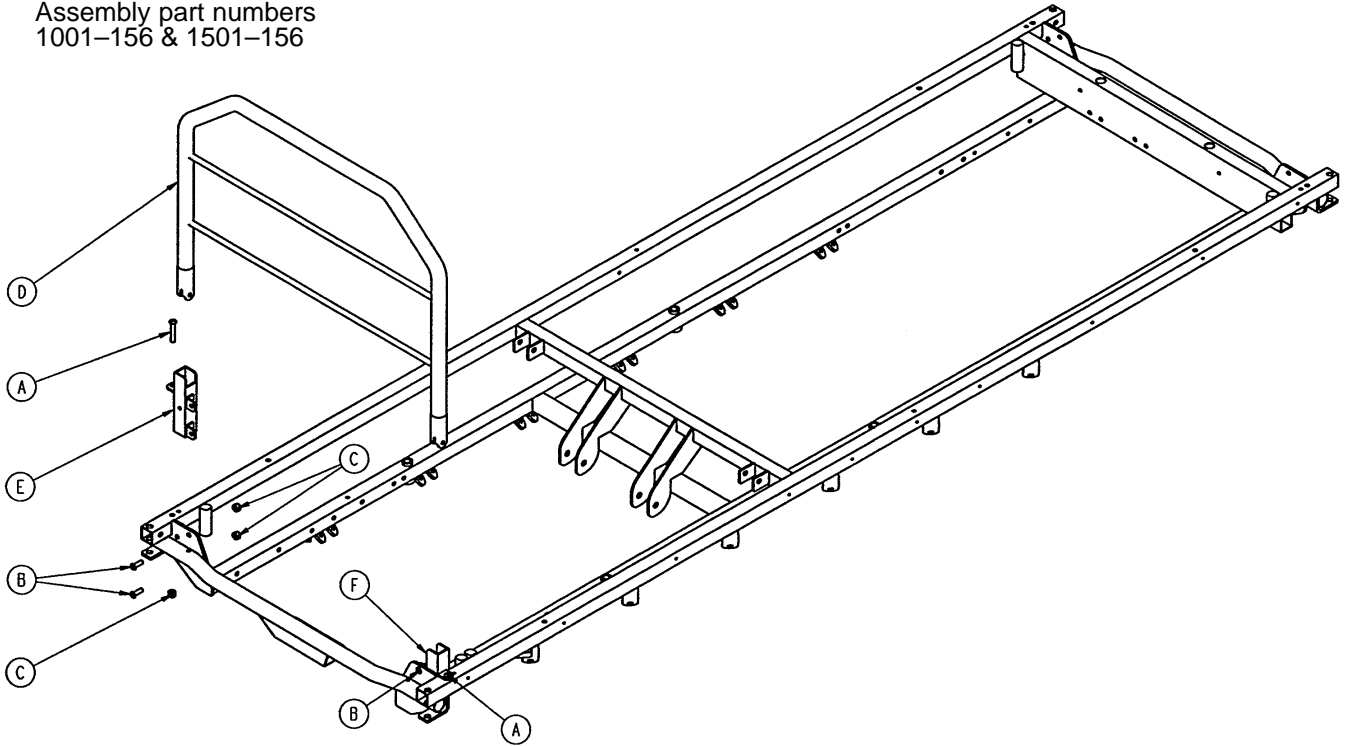
Assembly part numbers
1001-155 & 1501-155



Item	Part No.	Part Name	Qty.
A	3-78	Hex Hd. Cap Screw	4
B	16-28	Fiberlock Nut	4
C	26-12	Roll Pin	2
D	1001-155-10	Push Bar Weldment	1
	1501-155-10	Push Bar Weldment	1
E	1001-155-14	Push Bar Socket Weldment	2

Head End Push Bar Option Assembly

Assembly part numbers
1001-156 & 1501-156

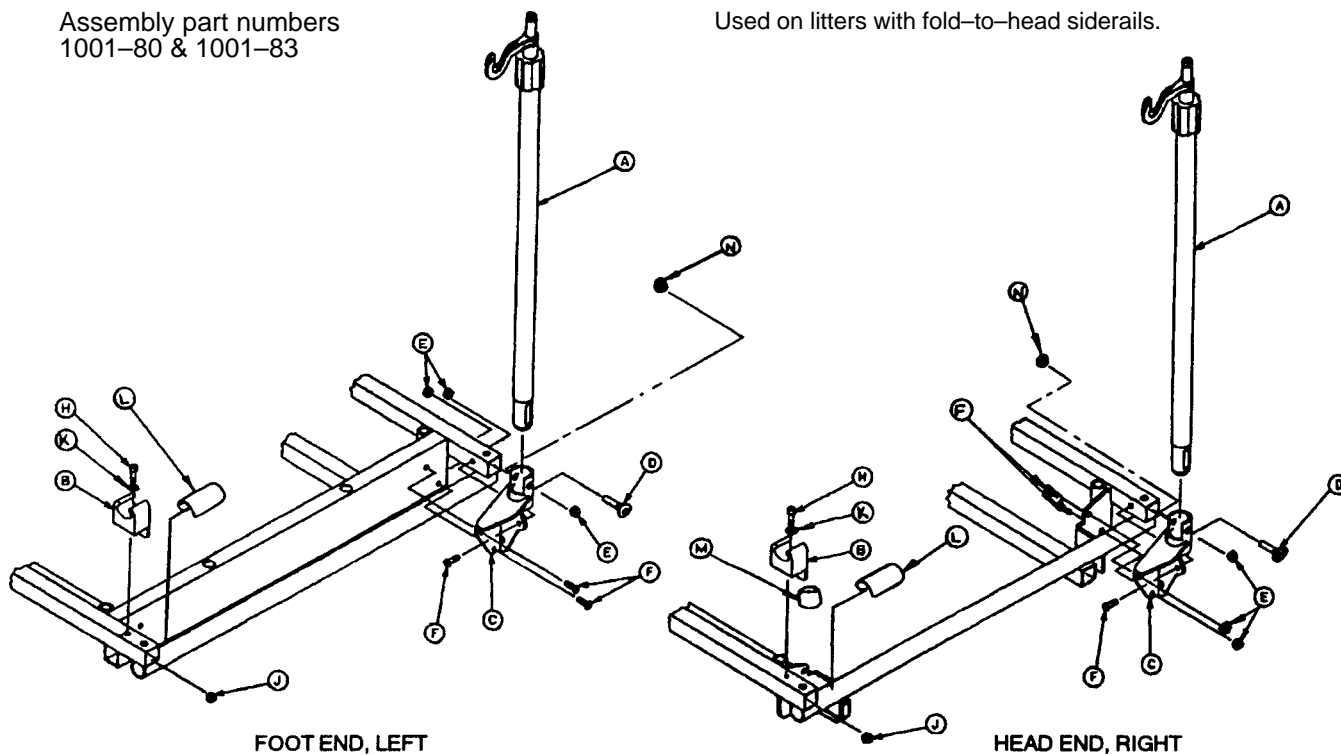


Item	Part No.	Part Name	Qty.
A	3-47	Hex Hd. Cap Screw	2
B	3-50	Hex Hd. Cap Screw	4
C	16-28	Nylock Nut	6
D	1211-139-11	Push Bar Weldment (1001)	1
	1711-139-11	Push Bar Weldment (1501)	1
E	1211-151-4	P.U.P. Receptacle Wldmt., Lt.	1
F	1211-151-6	P.U.P. Receptacle Wldmt., Rt.	1

2-Stage I.V. Ass'y, Foot End, Left & Head End, Right

Assembly part numbers
1001-80 & 1001-83

Used on litters with fold-to-head siderails.



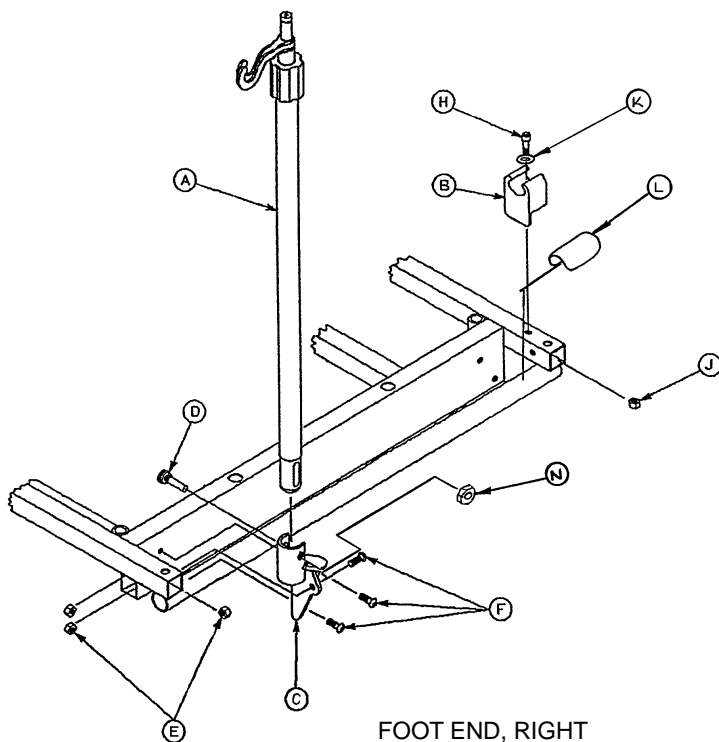
Item	Part No.	Part Name	Qty.
A	(page 86)	I.V. Pole Assembly	1
B	1001-59-12	I.V. Clip	1
C	1001-259-16	Socket Ass'y, Right	1
D	4-91	But. Hd. Cap Screw	1
E	16-28	Nylock Hex Nut	3
F	4-161	Button Hd. Cap Screw	3
H	4-169	Soc. Hd. Cap Screw	1
J	16-3	Fiberlock Hex Nut	1
K	11-16	Washer	1
L	1001-1-56	Round Hook Protector	1
M	1001-1-57	Hook Protector, Lt.	1*
N	16-20	Self-Locking Nut	1
P	52-291	Spacer (not shown)	1

*Used only on 1001-83.

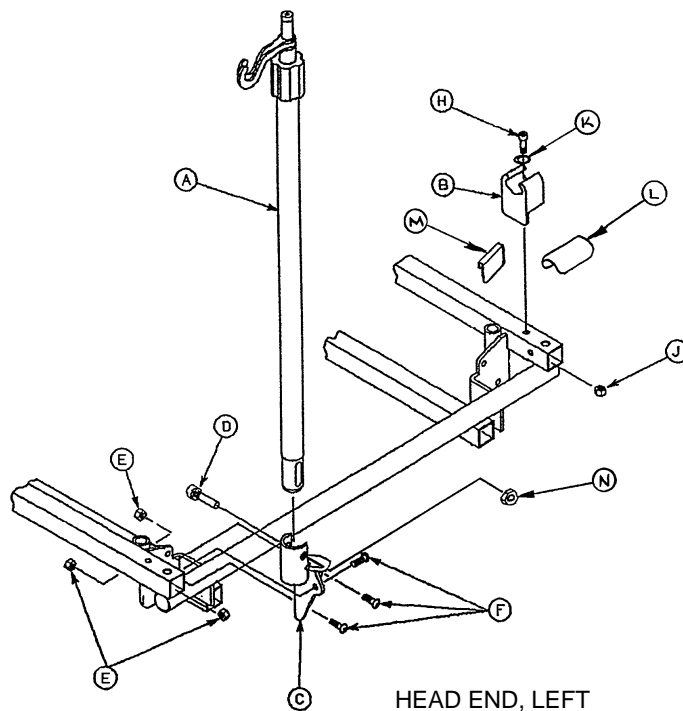
2-Stage I.V. Ass'y, Head End, Left & Foot End, Right

Assembly part number 1001-81 & 1001-82

Used on litters with fold-to-head siderails



FOOT END, RIGHT



HEAD END, LEFT

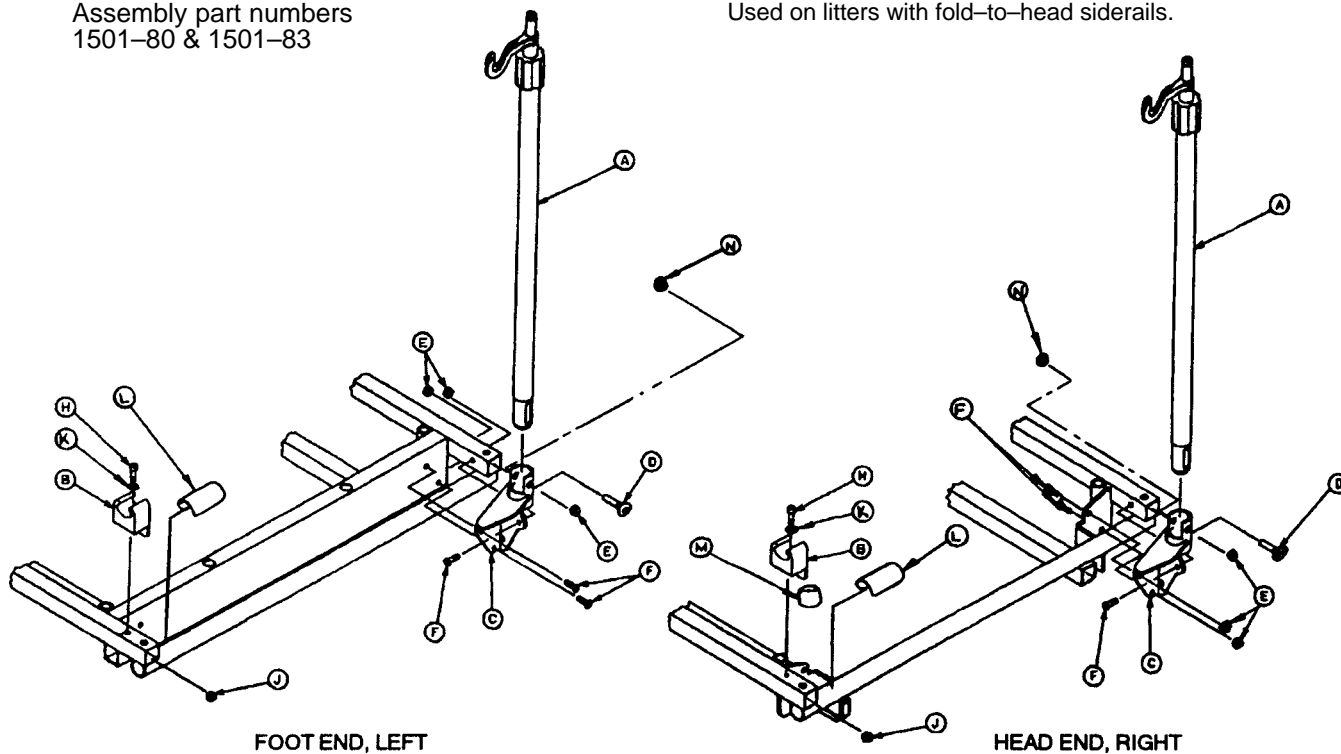
Item	Part No.	Part Name	Qty.
A	(page 86)	I.V. Pole Assembly	1
B	1001-59-12	I.V. Clip	1
C	1001-259-17	Socket Ass'y, Left	1
D	4-91	But. Hd. Cap Screw	1
E	16-28	Nylock Hex Nut	3
F	4-156	Button Hd. Cap Screw	3
H	4-169	Soc. Hd. Cap Screw	1
J	16-3	Fiberlock Hex Nut	1
K	11-16	Washer	1
L	1001-1-56	Round Hook Protector	1
M	1001-1-58	Hook Protector, Rt.	1*
N	16-20	Self-Locking Nut	1
P	52-291	Spacer (not shown)	1

*Used only on 1001-81.

2-Stage I.V. Ass'y, Foot End, Left & Head End, Right

Assembly part numbers
1501-80 & 1501-83

Used on litters with fold-to-head siderails.



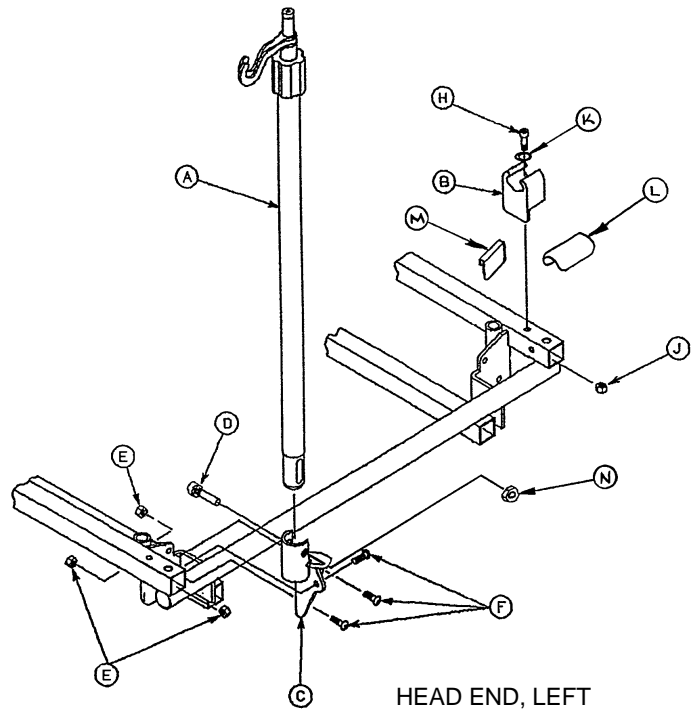
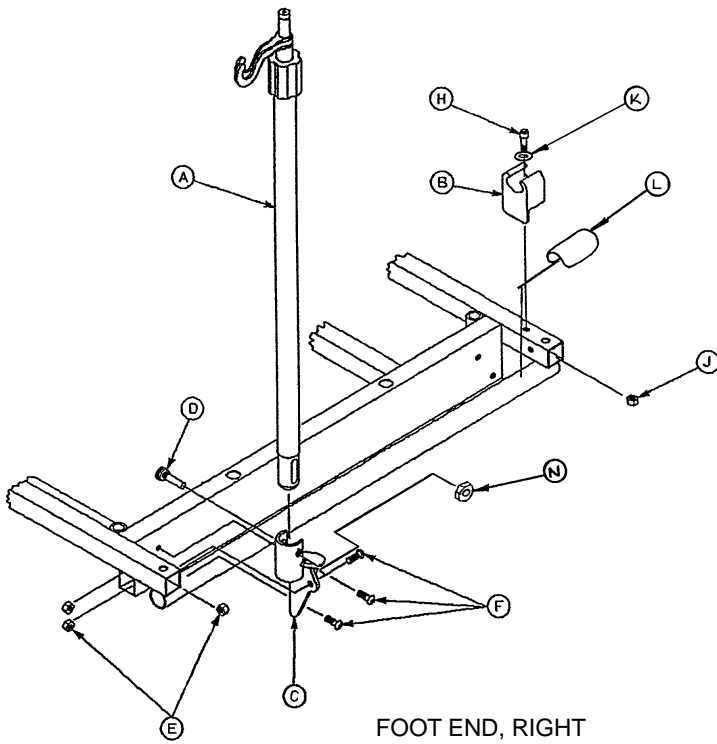
Item	Part No.	Part Name	Qty.
A	(page 86)	I.V. Pole Assembly	1
B	1001-59-12	I.V. Clip	1
C	1001-259-16	Socket Ass'y, Right	1
D	4-91	But. Hd. Cap Screw	1
E	16-28	Nylock Hex Nut	3
F	4-156	Button Hd. Cap Screw	3
H	4-26	Soc. Hd. Cap Screw	1
J	16-3	Fiberlock Hex Nut	1
K	11-16	Washer	1
L	1001-1-56	Round Hook Protector	1
M	1001-1-57	Hook Protector, Lt.	1*
N	16-20	Self-Locking Nut	1
P	52-291	Spacer (not shown)	1
R	1501-27-19	I.V. Plug (not shown)	1

*Used only on 1501-83.

1501-81 & 1501-82 I.V. Ass'y, Ft. End Rt. & Hd. End Lt.

Assembly part number 1501-81 & 1501-82

Used on litters with fold-to-head siderails



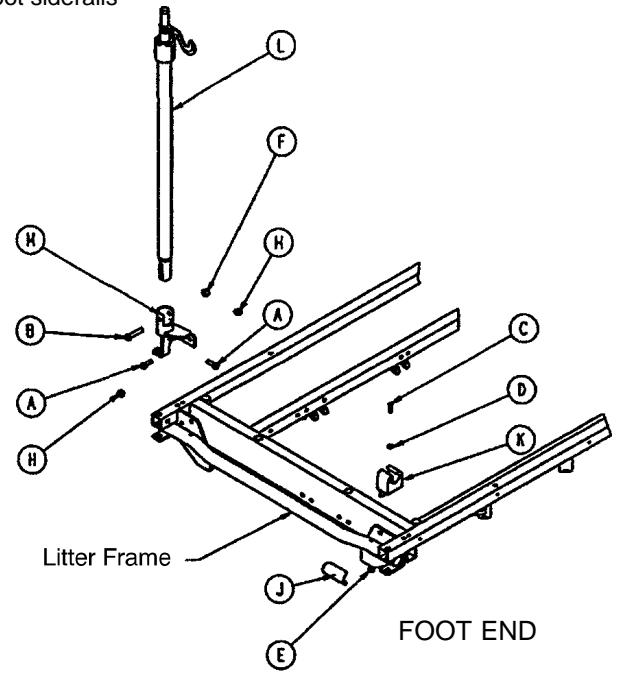
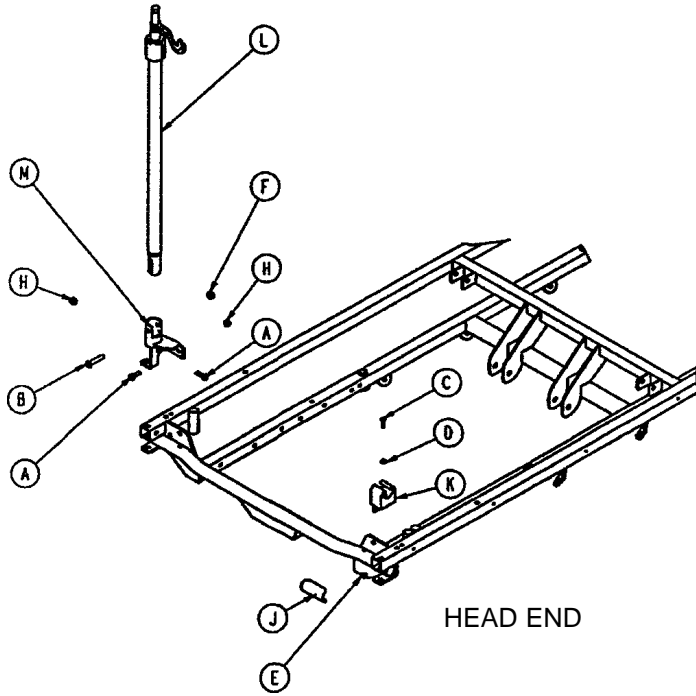
Item	Part No.	Part Name	Qty.
A	(page 86)	I.V. Pole Assembly	1
B	1001-59-12	I.V. Clip	1
C	1001-259-17	Socket Ass'y, Left	1
D	4-91	But. Hd. Cap Screw	1
E	16-28	Nylock Hex Nut	3
F	4-156	Button Hd. Cap Screw	3
H	4-26	Soc. Hd. Cap Screw	1
J	16-3	Fiberlock Hex Nut	1
K	11-16	Washer	1
L	1001-1-56	Round Hook Protector	1
M	1001-1-58	Hook Protector, Rt.	1*
N	16-20	Self-Locking Nut	1
P	1501-27-19	I.V. Plug (not shown)	1
R	52-291	Spacer (not shown)	1

*Used only on 1501-81.

2-Stage I.V. Pole Mounting Assembly

Assembly part numbers
 1001-110 (Head End, Left)
 1001-112 (Foot End, Right)

Used on litters with fold-to-foot siderails

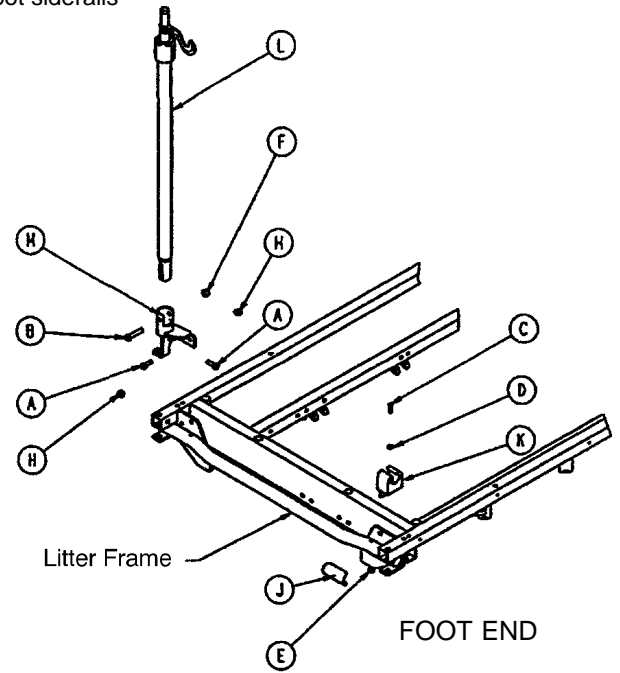
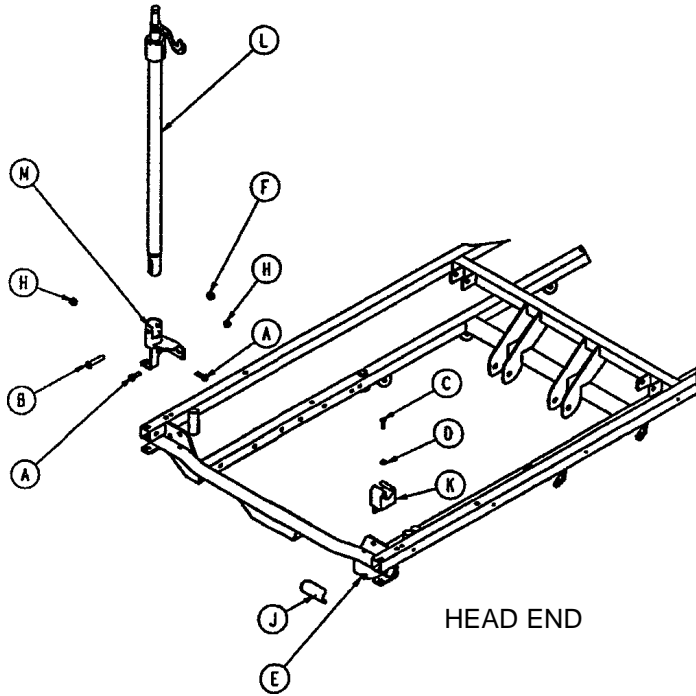


Item	Part No.	Part Name	Qty.
A	3-50	Hex Hd. Cap Screw	2
B	4-91	But. Hd. Cap Screw	1
C	4-169	But. Hd. Cap Screw	1
D	11-16	Washer	1
E	16-3	Fiberlock Nut	1
F	16-120	Center Lock Nut	1
H	16-28	Fiberlock Nut	2
J	1001-1-56	Round Hook Protector	1
K	1001-59-12	I.V. Clip	1
L	(page 86)	I.V. Pole Assembly	1
M	1211-110-15	I.V. Receptacle Weldment	1
N	1001-1-58	Hook Protector	1

2-Stage I.V. Pole Mounting Assembly

Assembly part numbers
 1501-110 (Head End, Left)
 1501-112 (Foot End, Right)

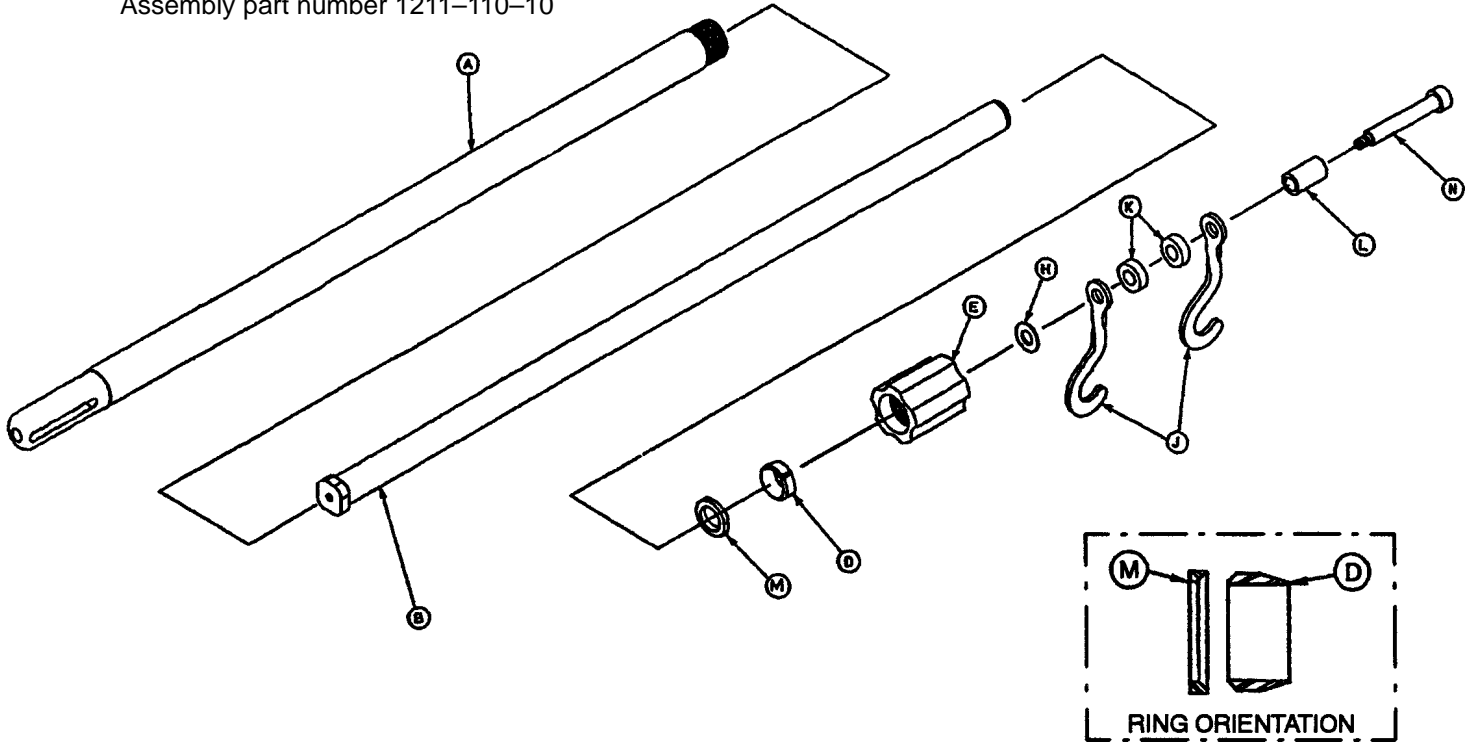
Used on litters with fold-to-foot siderails



Item	Part No.	Part Name	Qty.
A	3-50	Hex Hd. Cap Screw	2
B	4-91	But. Hd. Cap Screw	1
C	4-169	But. Hd. Cap Screw	1
D	11-16	Washer	1
E	16-3	Fiberlock Nut	1
F	16-20	Center Lock Nut	1
H	16-28	Fiberlock Nut	2
J	1001-1-56	Round Hook Protector	1
K	1001-59-12	I.V. Clip	1
L	(page 86)	I.V. Pole Assembly	1
M	1211-110-15	I.V. Receptacle Weldment	1
N	1001-1-58	Hook Protector	1
P	1501-27-19	I.V. Plug (not shown)	1

2-Stage I.V. Pole Assembly

Assembly part number 1211-110-10

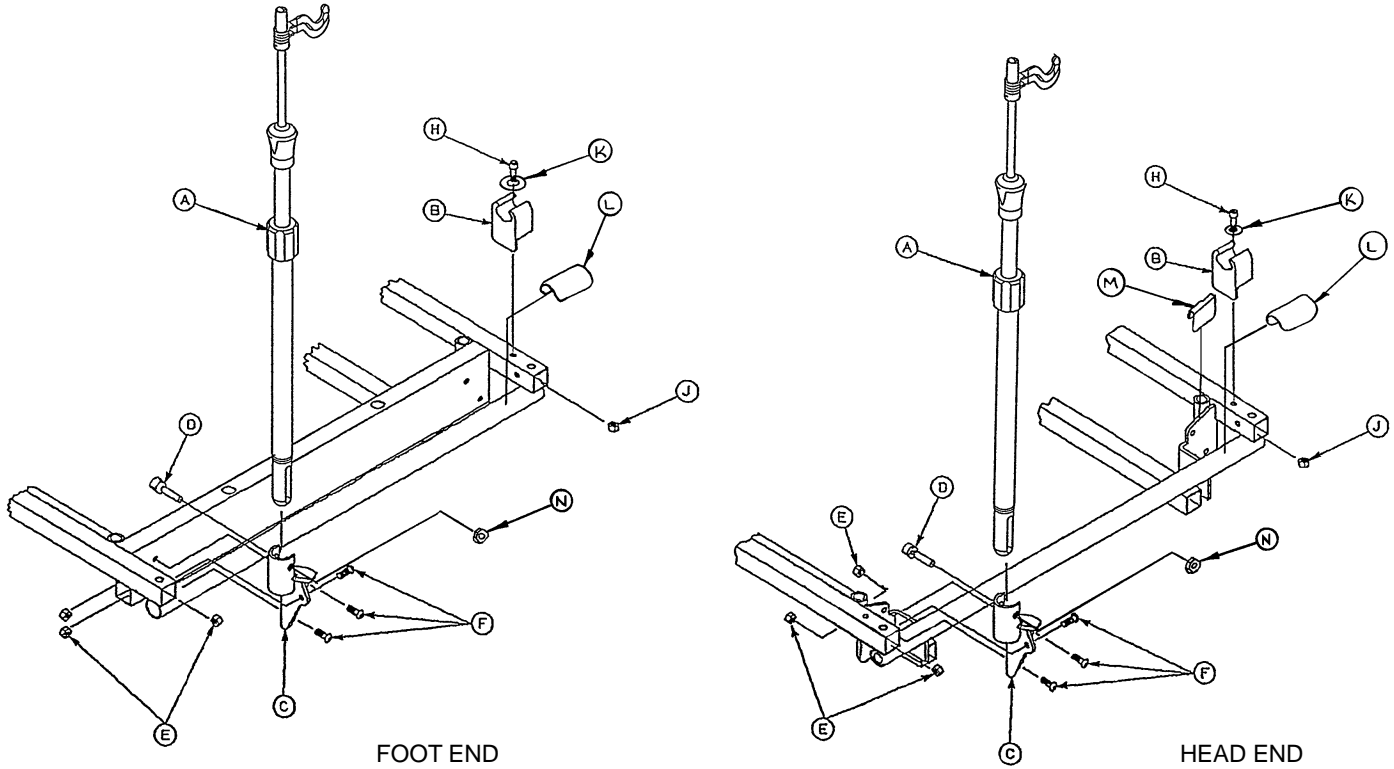


Item	Part No.	Part Name	Qty.
A	1001-59-32	Base Tube Assembly	1
B	1001-59-31	Extension Tube Assembly	1
D	1210-110-47	Lock Ring	1
E	1210-110-49	Lock Actuator	1
H	14-20	Nylon Flat Washer	As Req'd
J	1010-59-16	I.V. Hook	2
K	52-17	Nylon Spacer	2
L	926-400-62	Stop Sleeve	1
M	1210-110-46	Back-Up Ring	1
N	8-31	Shoulder Bolt	1

Notes

3-Stage I.V. Assembly, Head & Foot

Assembly part numbers 1001-61 & 1001-62, 1501-61 & 1501-62

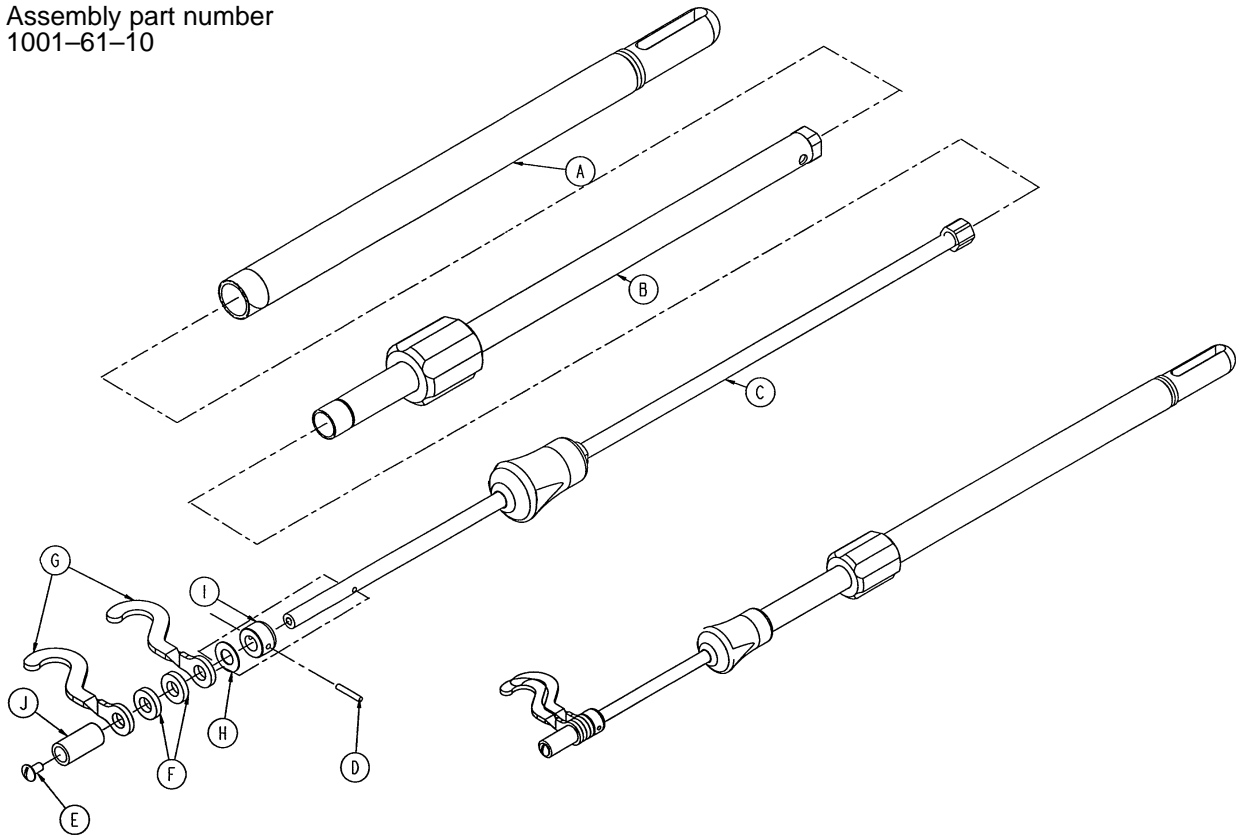


Item	Part No.	Part Name	Qty.
A	(page 89 or 94)	I.V. Pole Assembly	1
B	1001-59-12	I.V. Clip	1
C	1001-259-17	Socket Assembly	1
D	4-91	But. Hd. Cap Screw	1
E	16-28	Nylock Hex Nut	3
F	4-161	Button Hd. Cap Screw	3
H	4-26	Soc. Hd. Cap Screw	1
J	16-3	Fiberlock Hex Nut	1
K	11-16	Washer	1
L	1001-1-56	Round Hook Protector	1
M	1001-1-58	Hook Protector	1*
N	16-20	Self-Locking Nut	1

*Used only on 1001-61 and 1501-61.

3-Stage I.V. Pole Assembly

Assembly part number
1001-61-10

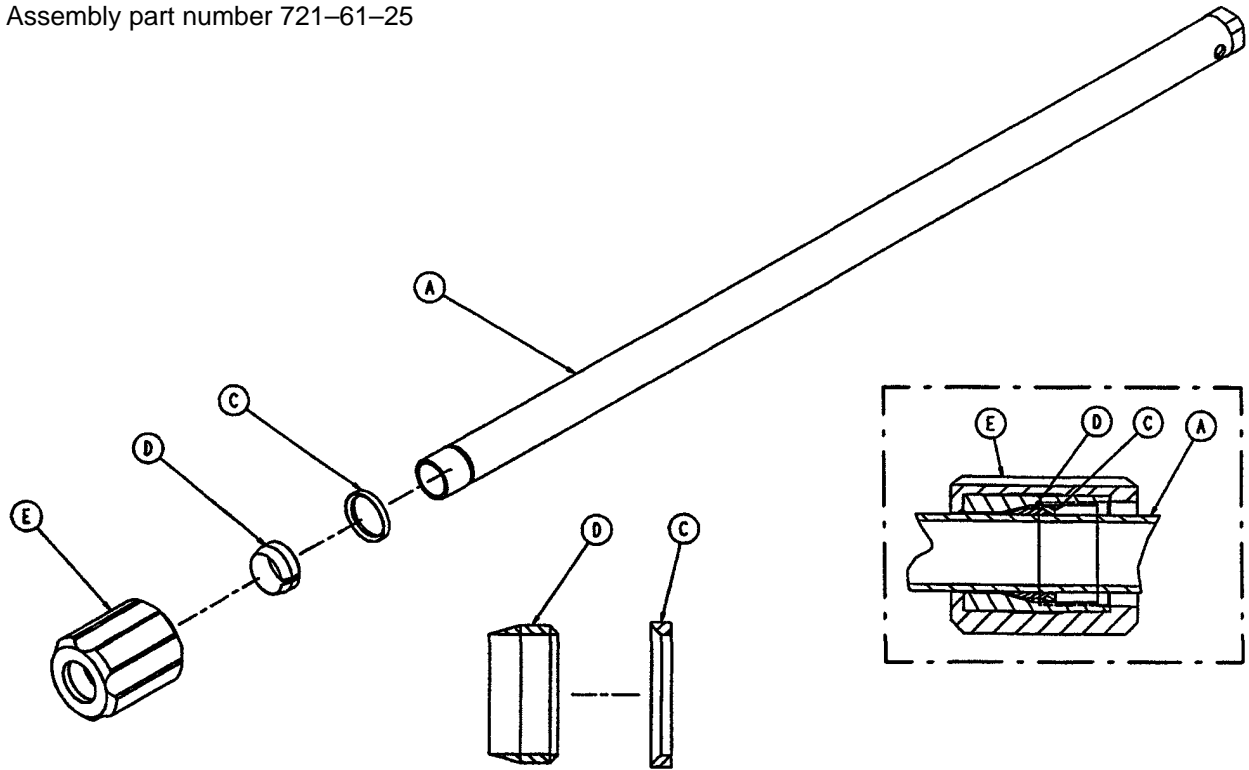


Item	Part No.	Part Name	Qty.
A	1001-61-34	Base Tube Assembly	1
B	(page 91)	2nd Stage Assembly	1
C	(page 92)	3rd Stage Assembly	1
D	26-6	Roll Pin	1
E	7-4	Truss Hd. Mach. Screw	1
F	52-17	Nylon Spacer	2
G	1010-59-16	I.V. Hook	2
H	14-20	Nylon Flat Washer	1
I	1010-61-14	Collar	1
J	926-400-62	Stop Sleeve	1

Notes

2nd Stage Assembly

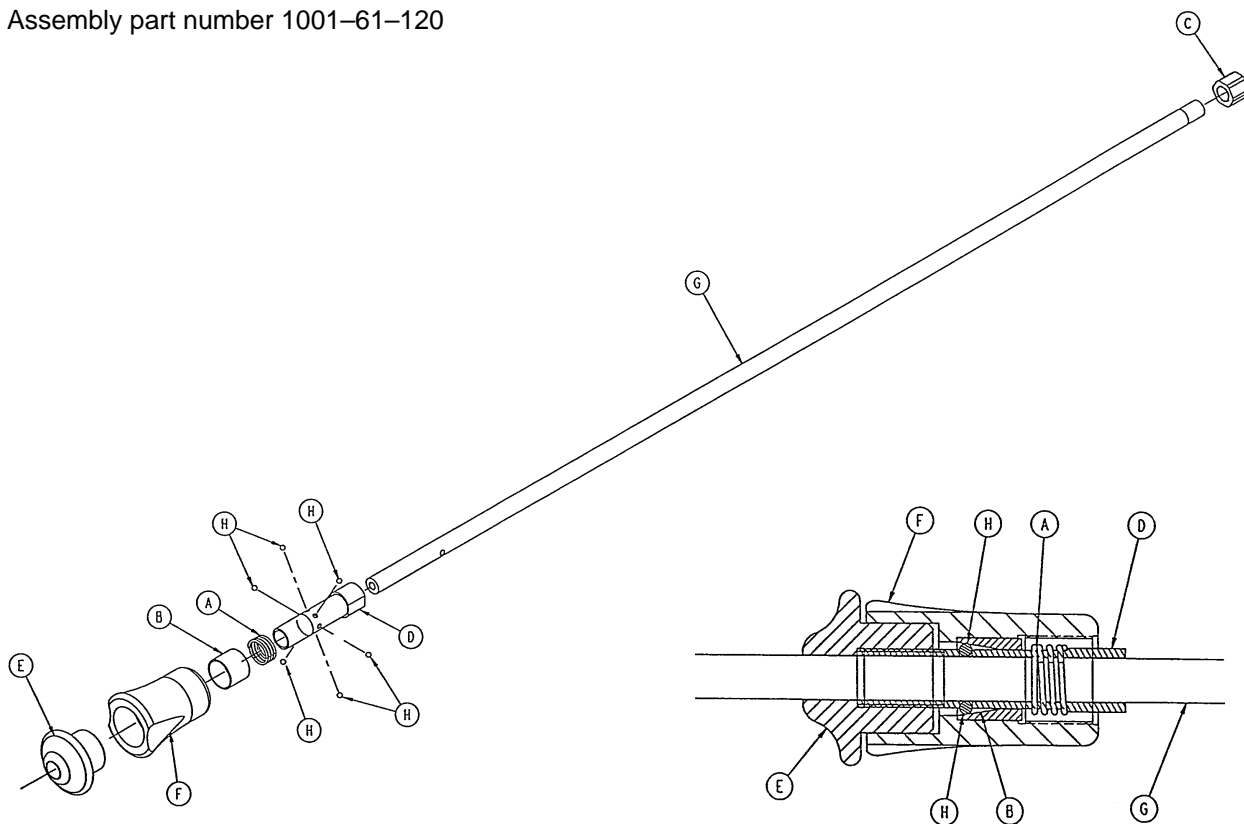
Assembly part number 721-61-25



Item	Part No.	Part Name	Qty.
A	721-61-30	2nd Tube Assembly	1
C	1210-110-46	Back-Up Ring	1
D	1210-110-47	Lock Ring	1
E	1210-110-49	Lock Actuator	1

3rd Stage Assembly

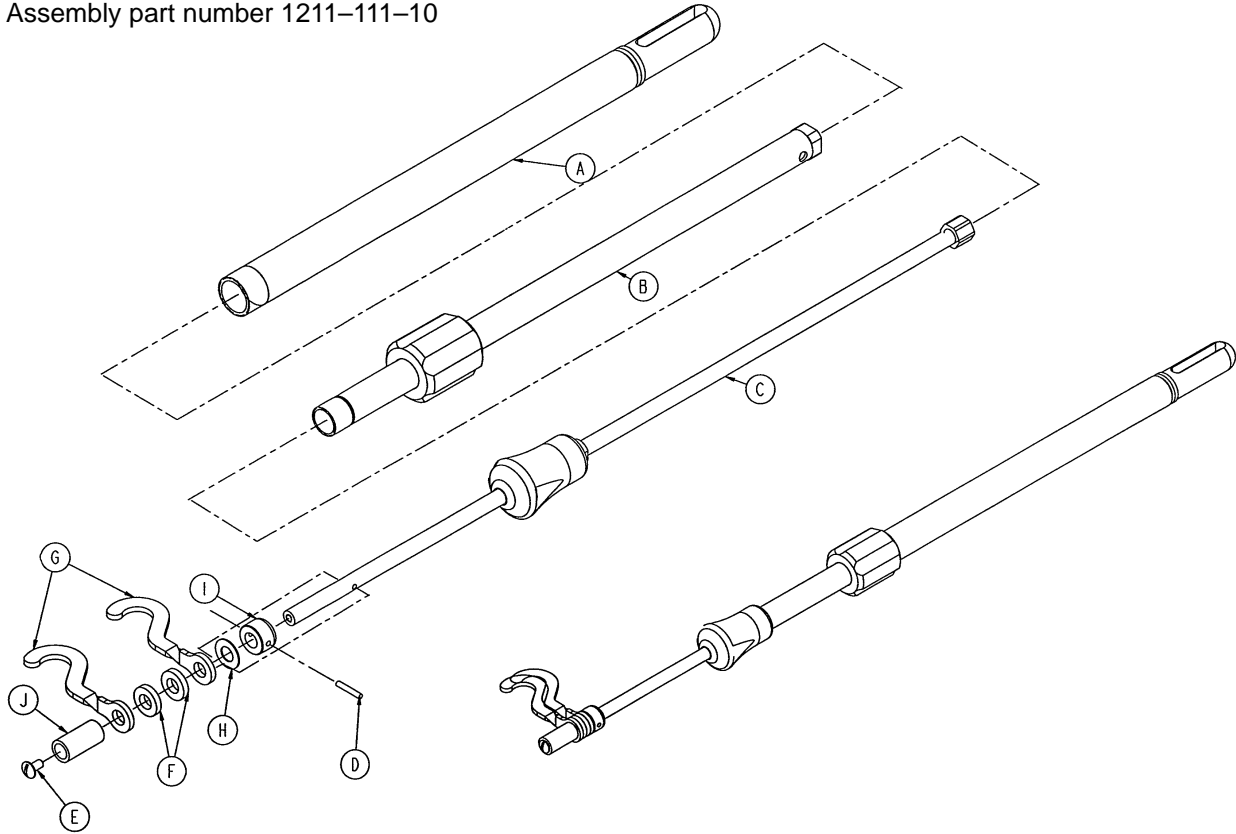
Assembly part number 1001-61-120



Item	Part No.	Part Name	Qty.
A	38-303	Spring	1
B	1010-61-23	Ball Retainer	1
C	1010-61-15	Stop Nut	1
D	1010-61-16	Retaining Shaft	1
E	1010-61-17	Thumb Knob	1
F	1010-61-18	Hand Guard	1
G	1001-61-119	3rd Extension Rod	1
H	31-21	Ball	6

3-Stage I.V. Pole Assembly

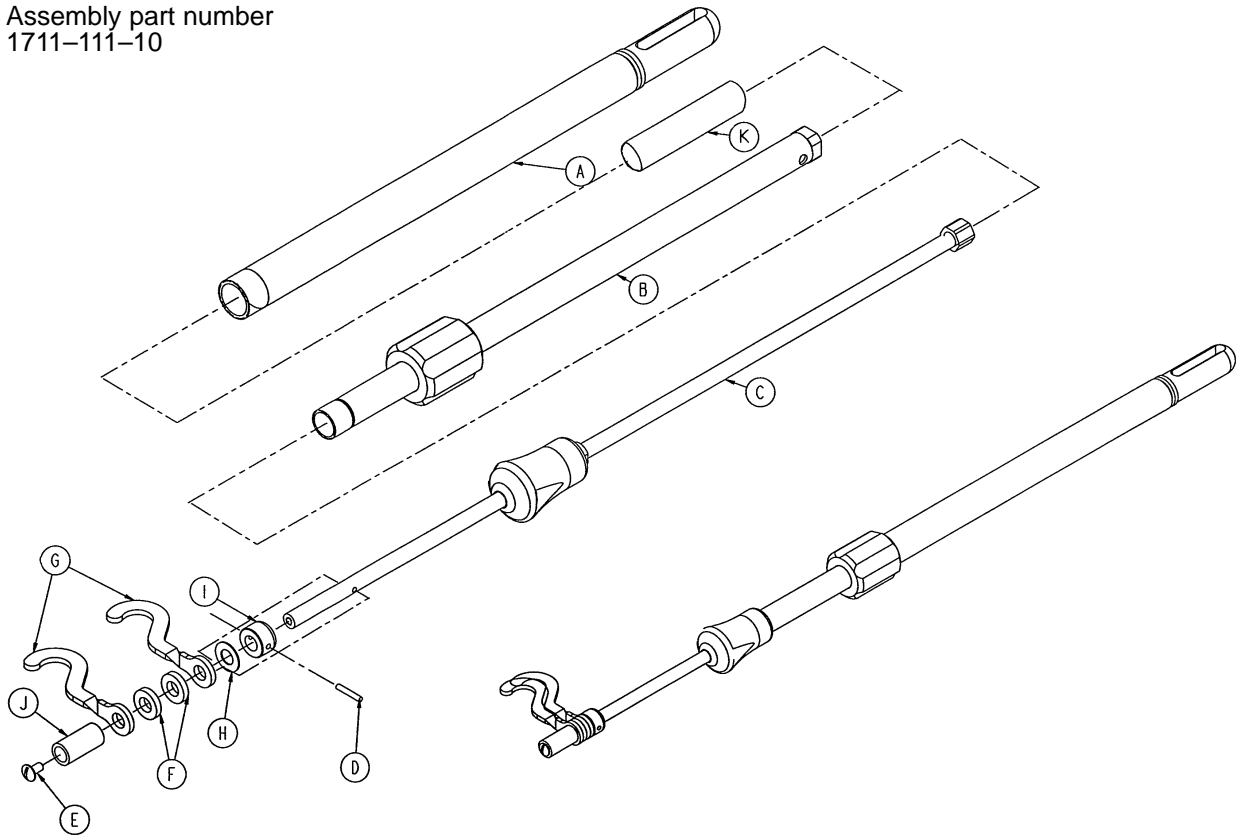
Assembly part number 1211-111-10



Item	Part No.	Part Name	Qty.
A	1001-61-34	Base Tube Assembly	1
B	(page 91)	2nd Stage Assembly	1
C	(page 92)	3rd Stage Assembly	1
D	26-6	Roll Pin	1
E	7-4	Truss Hd. Mach. Screw	1
F	52-17	Nylon Spacer	2
G	1010-59-16	I.V. Hook	2
H	14-20	Nylon Flat Washer	1
I	1010-61-14	Collar	1
J	926-400-62	Stop Sleeve	1

3-Stage I.V. Pole Assembly

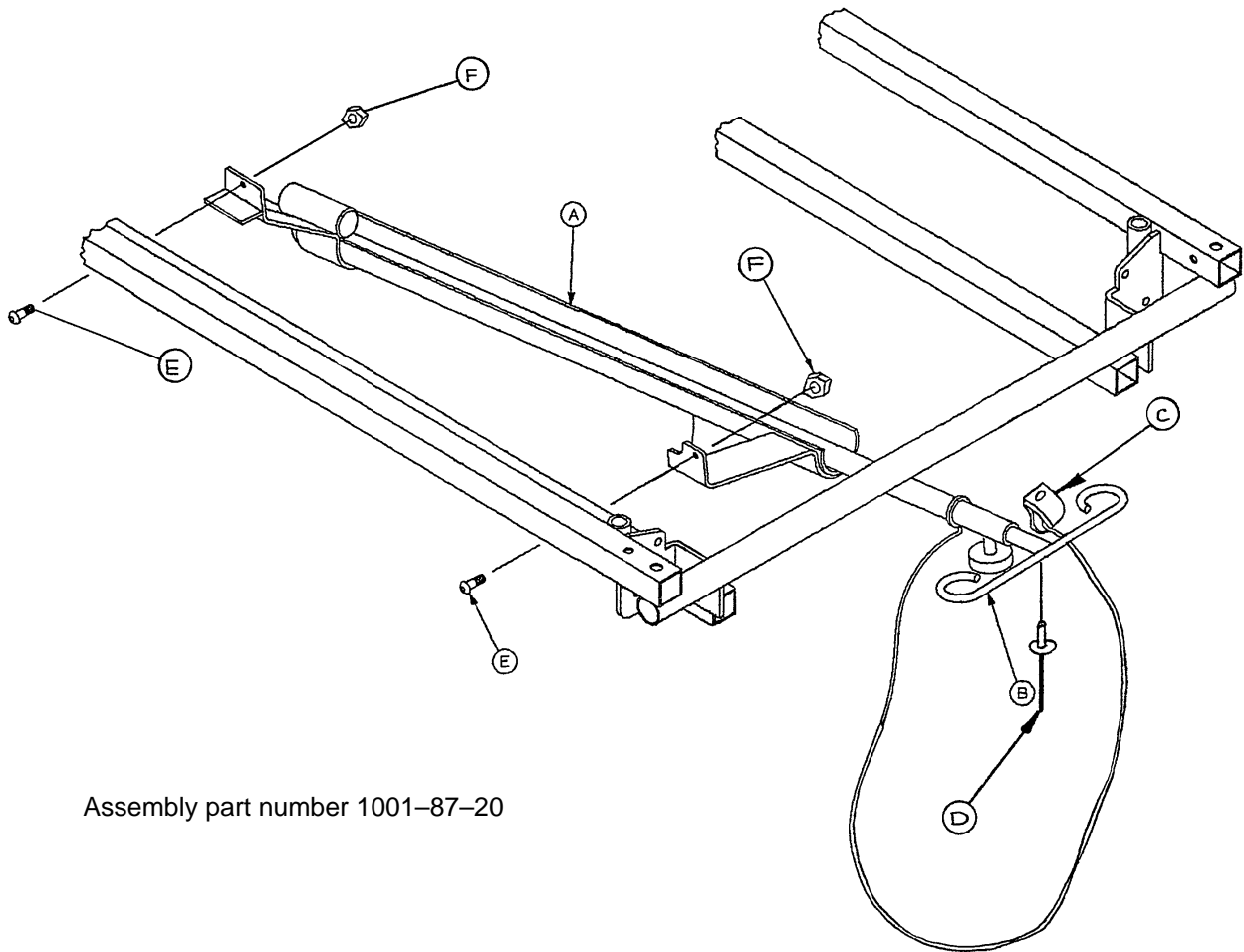
Assembly part number
1711-111-10



Item	Part No.	Part Name	Qty.
A	1010-61-34	Base Tube Assembly	1
B	(page 91)	2nd Stage Assembly	1
C	(page 92)	3rd Stage Assembly	1
D	26-6	Roll Pin	1
E	7-4	Truss Hd. Mach. Screw	1
F	52-17	Nylon Spacer	2
G	1010-59-16	I.V. Hook	2
H	14-20	Nylon Flat Washer	1
I	1010-61-14	Collar	1
J	926-400-62	Stop Sleeve	1
K	1501-27-19	Plug	1

Notes

Tethered I.V. Pole Mounting Assembly

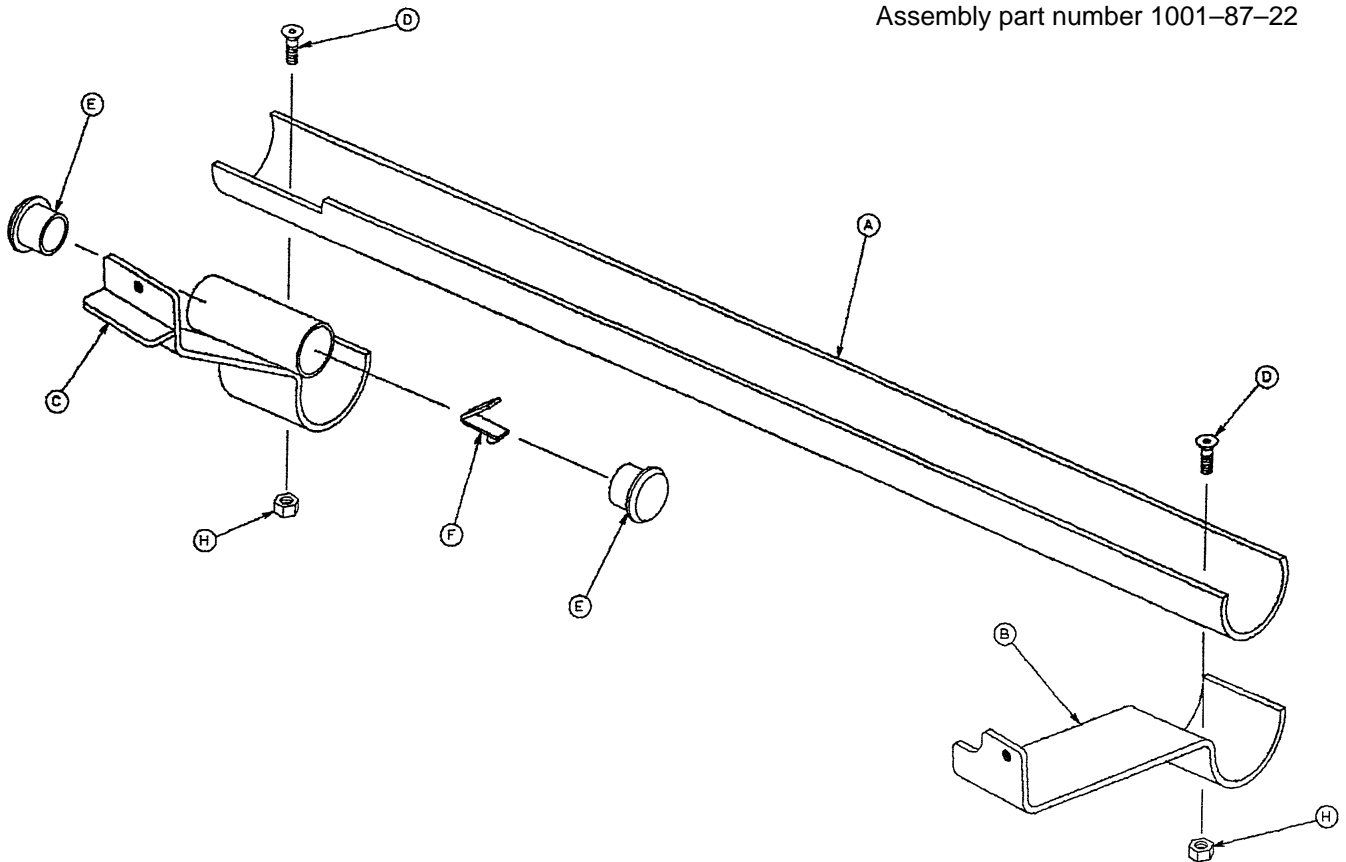


Assembly part number 1001-87-20

Item	Part No.	Part Name	Qty.
A	(page 97)	Trough Assembly	1
B	(page 98)	I.V. Pole Assembly	1
C	34-22	Cord Clamp	1
D	25-79	Pop Rivet	1
E	4-85	Soc. Hd. Cap Screw	2
F	16-3	Nylock Nut	2

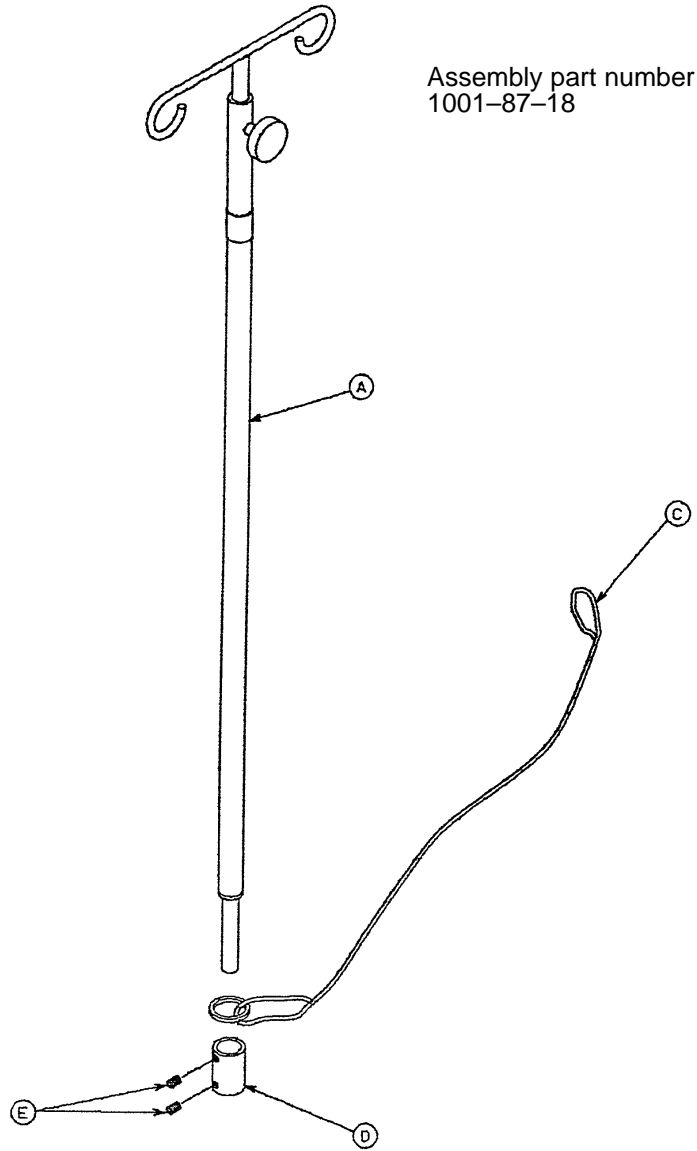
Tethered I.V. Pole Trough Assembly

Assembly part number 1001-87-22



Item	Part No.	Part Name	Qty.
A	1001-87-23	Machined Sleeve	1
B	1001-87-16	Front Mounting Bracket	1
C	1001-87-15	Mounting Bracket Ass'y	1
D	1-22	Flat Hd. Mach Screw	2
E	37-2	Tube Plug	2
F	946-40-110	Lock Clip	1
H	16-14	Dynalock Hex Nut	2

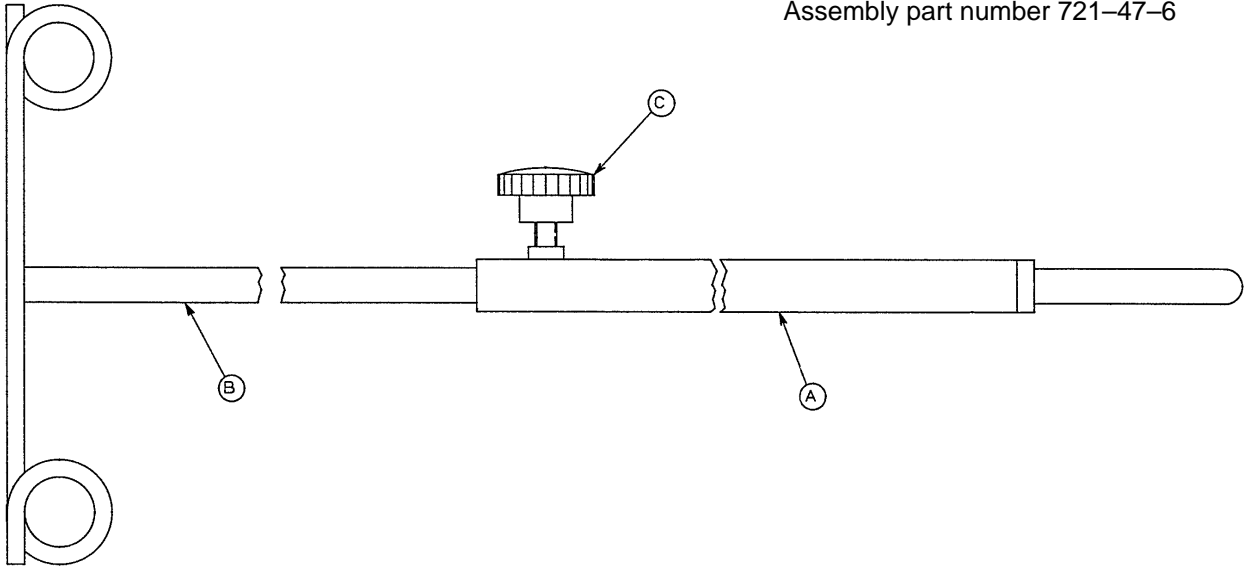
Tethered I.V. Pole Assembly



Item	Part No.	Part Name	Qty.
A	(page 99)	I.V. Holder	1
B	1010-22-27	Specification Label	1
C	1010-22-27	Cable Assembly	1
D	741-47-14	Retainer	1
E	21-16	Set Screw	2

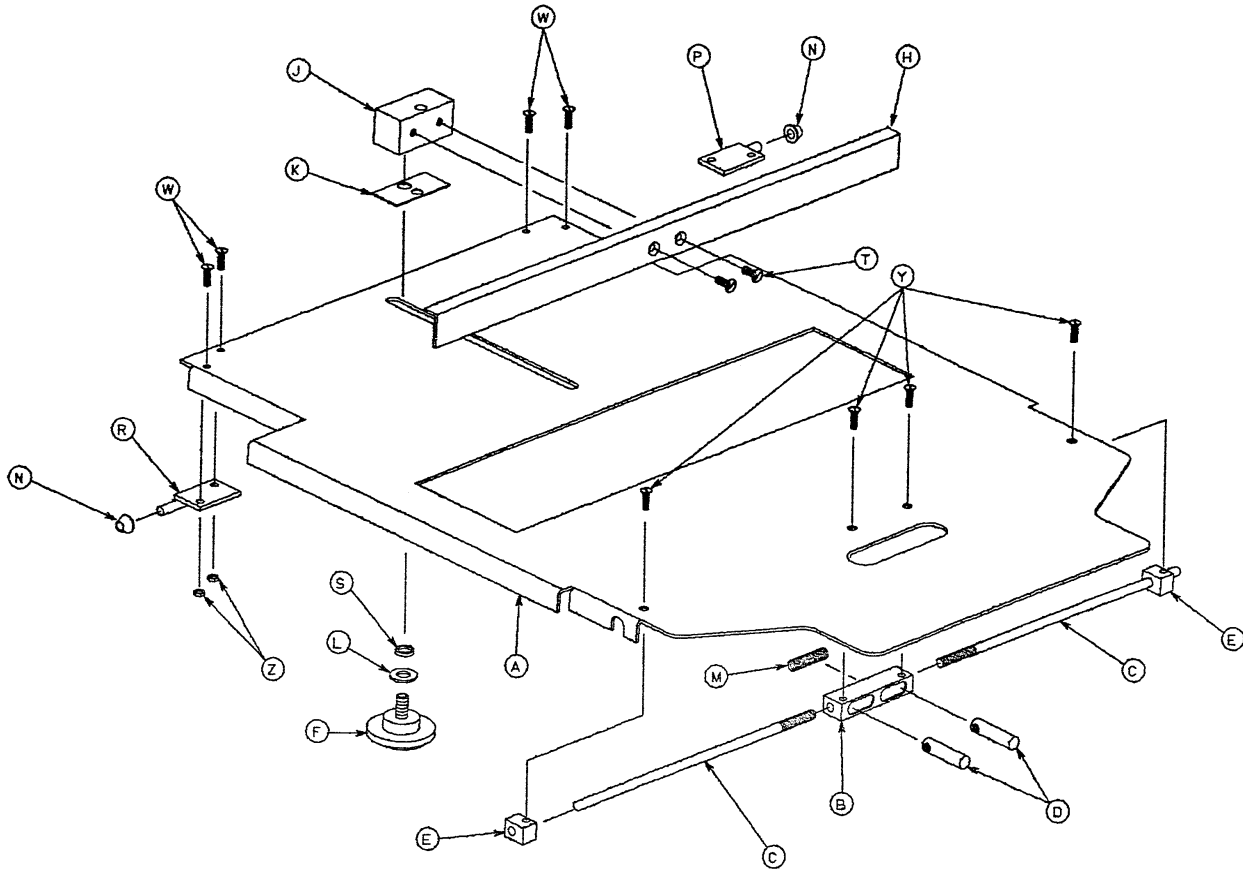
I.V. Holder Assembly

Assembly part number 721-47-6



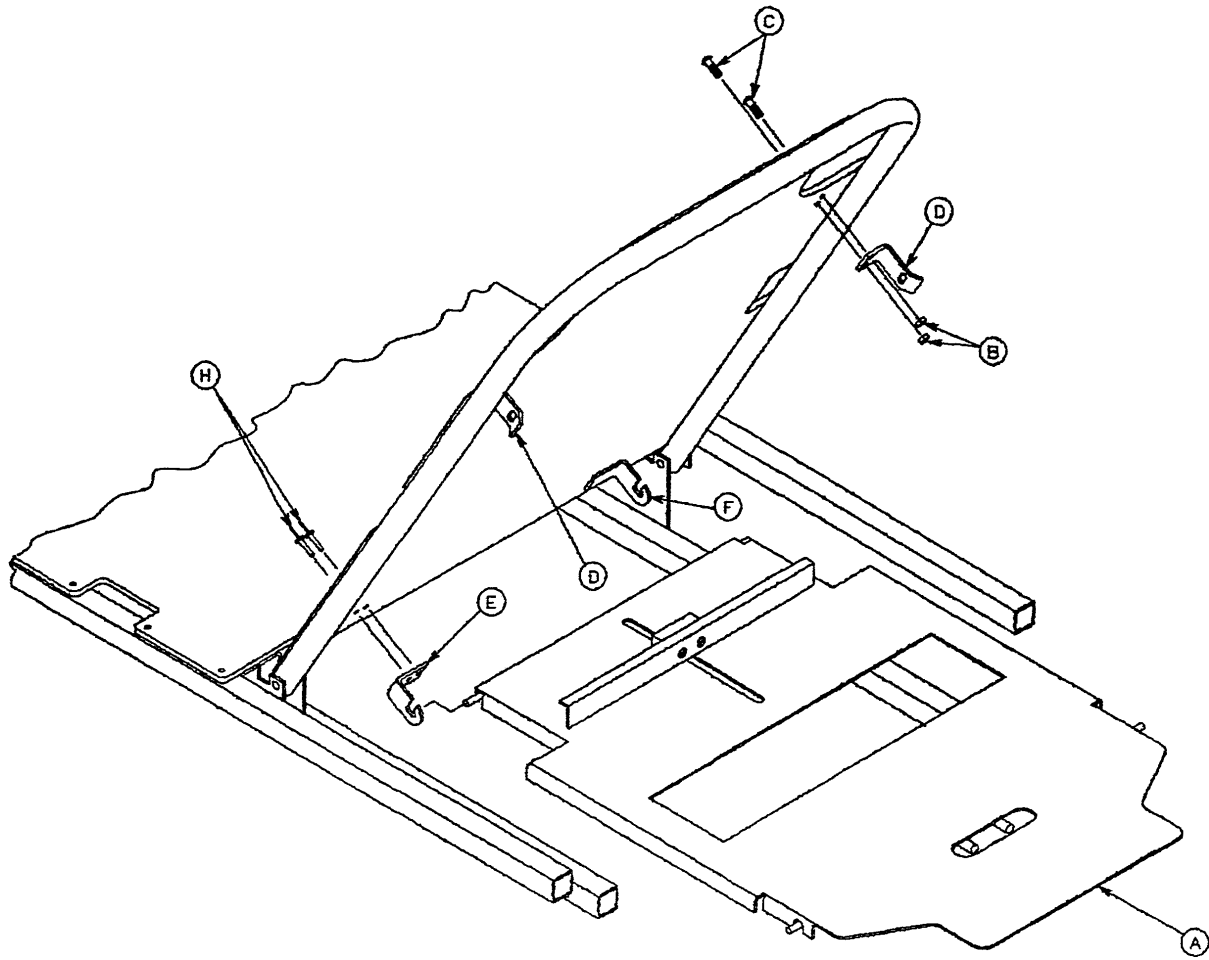
Item	Part No.	Part Name	Qty.
A	938-1-305	Pole Socket Assembly	1
B	938-1-308	Pole Assembly	1
C	24-53	Knob	1

1001-23-10 Fowler X-Ray Cassette Assembly



Item	Part No.	Part Name	Qty.
A	1001-23-12	Tray	1
B	1020-23-16	Post Housing	1
C	1001-23-14	Actuating Rod	2
D	926-23-64	Post	2
E	1010-23-37	Rod Guide	2
F	1020-23-21	Knob	1
H	1010-23-28	Tray Angle	1
J	926-23-70	Block Assembly	1
K	926-23-69	Washer	1
L	14-3	Washer	1
M	38-122	Compression Spring	1
N	1020-23-26	Spacer	2
P	1020-23-19	Tray Hinge, Right	1
R	1020-23-20	Tray Hinge, Left	1
S	926-23-71	Bushing	1
T	1-20	Flat Hd. Mach. Screw	2
W	4-149	Button Hd. Cap Screw	4
Y	1-22	Flat Hd. Mach. Screw	4
Z	16-3	Nylock Hex Nut	4
AA	1010-23-19	Instruction Label	1
AB	1001-23-25	Specification Label	1

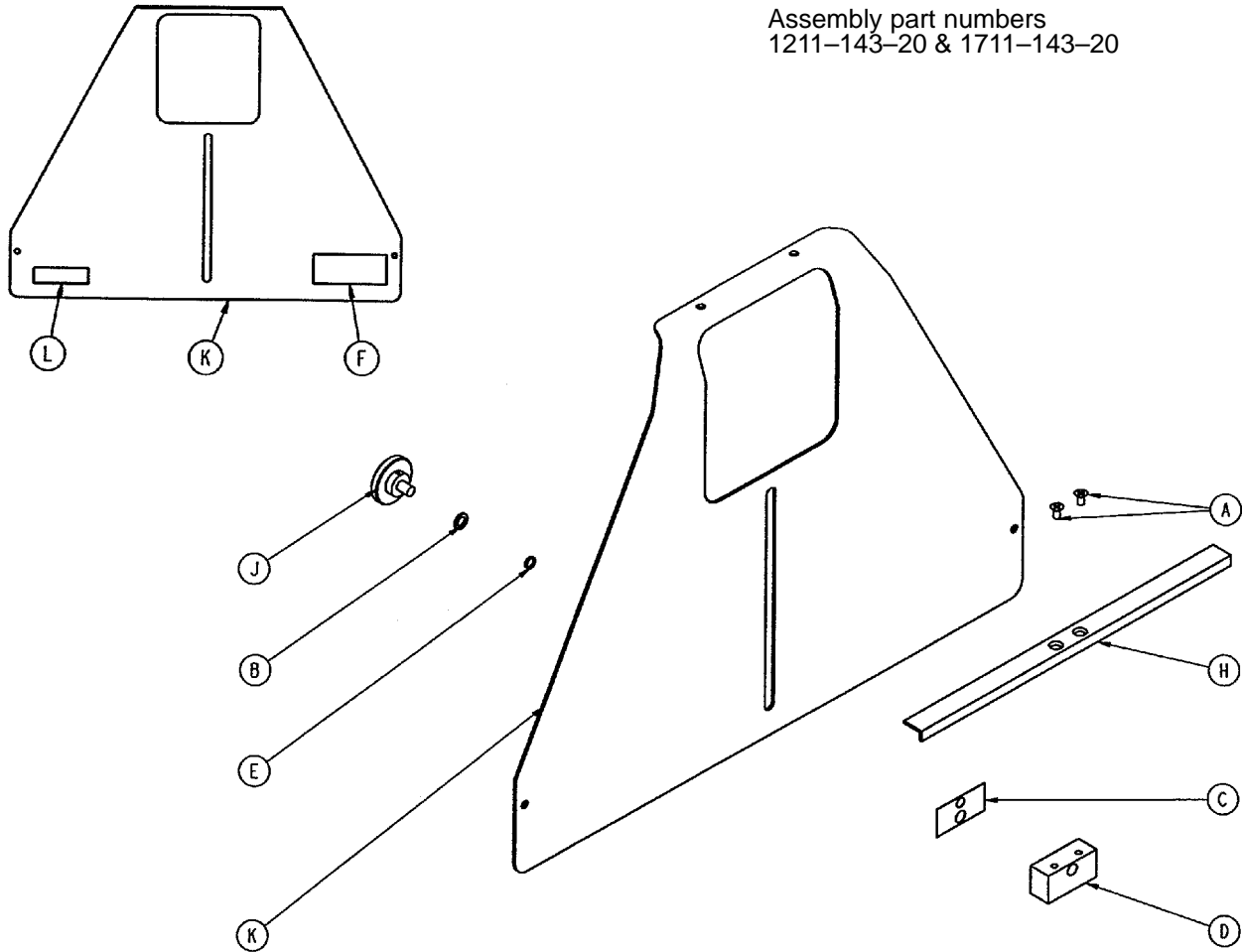
1001-23-11 X-Ray Cassette Installation Assembly



Item	Part No.	Part Name	Qty.
A	(page 100)	X-Ray Cassette Ass'y	1
B	16-3	Self-Locking Nut	4
C	4-147	Button Hd. Cap Screw	4
D	1001-23-13	Tray Latch	2
E	1020-23-13	Tray Hinge, Right	1
F	1020-23-12	Tray Hinge, Left	1
H	25-69	Pop Rivet	4

Fowler X-Ray Cassette Assembly

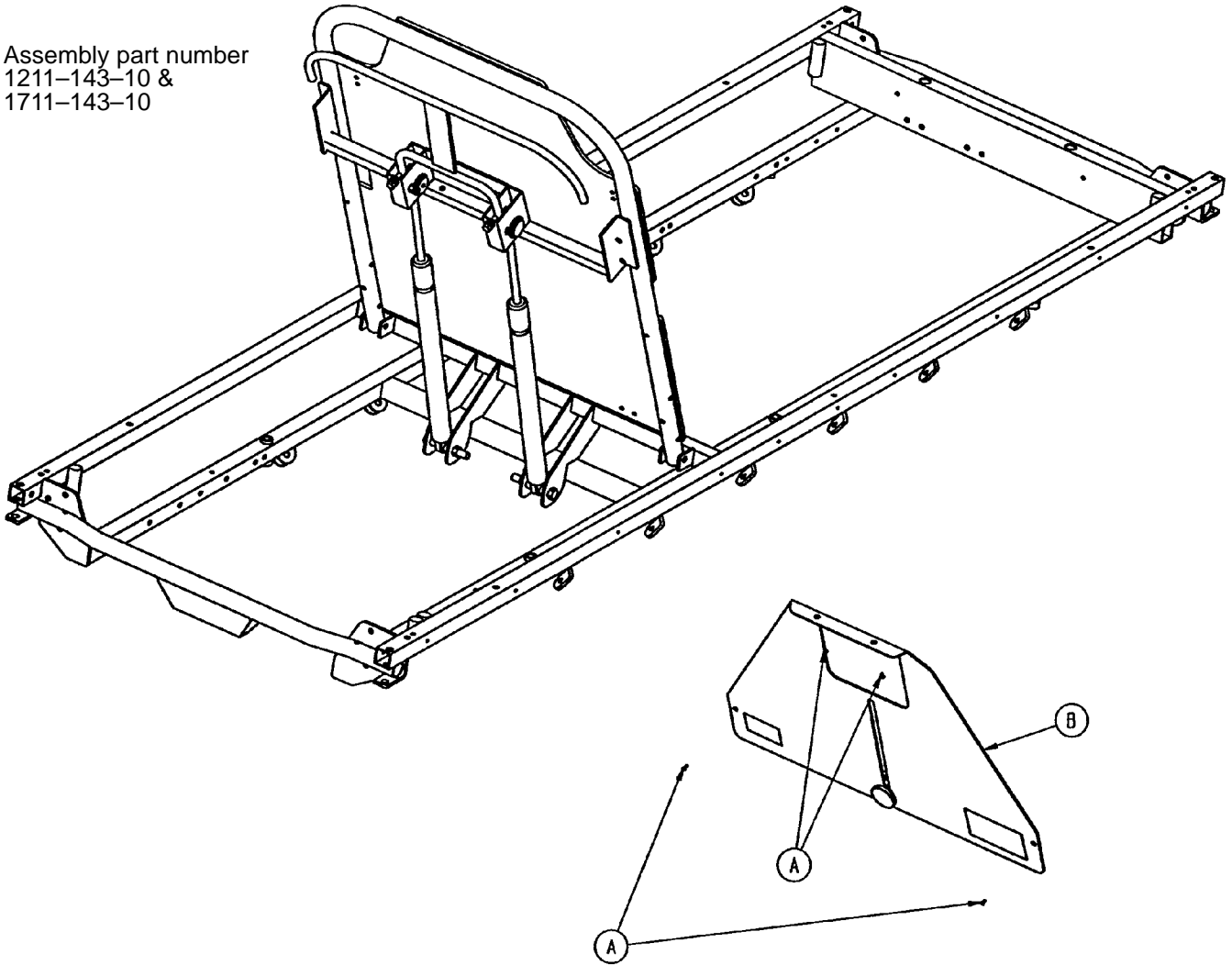
Assembly part numbers
1211-143-20 & 1711-143-20



Item	Part No.	Part Name	Qty.
A	1-20	Flat Hd. Mach. Screw	2
B	14-3	Thrust Washer	1
C	926-23-69	Washer	1
D	926-23-70	Block Assembly	1
E	926-23-71	Bushing	1
F	1010-23-18	Warning Label	1
H	1010-23-28	Tray Angle	1
J	1020-23-21	Knob Assembly	1
K	1211-143-20	X-Ray Cassette Tray	1
	1711-143-12	X-Ray Cassette Tray	1
L	1211-143-25	Specification Label	1
	1711-143-25	Specification Label	1

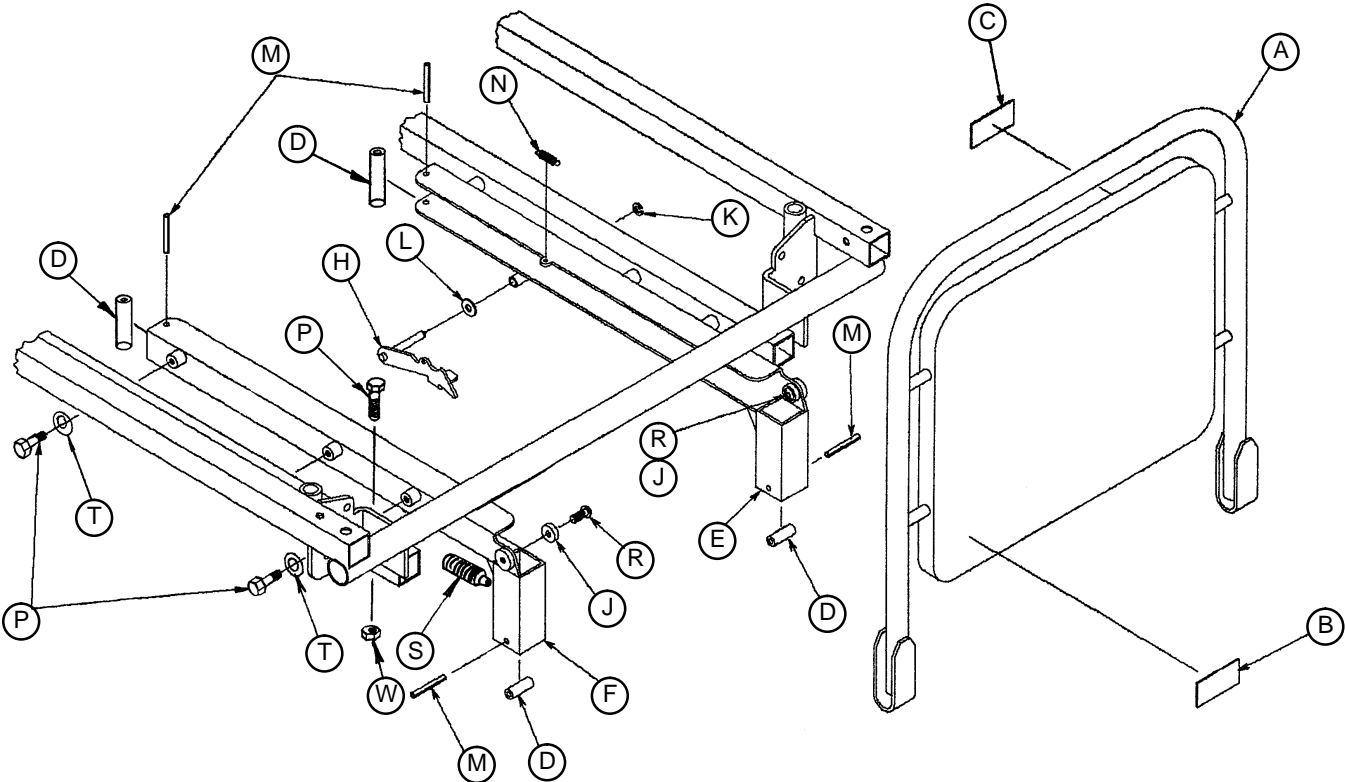
X-Ray Cassette Mounting Assembly

Assembly part number
1211-143-10 &
1711-143-10



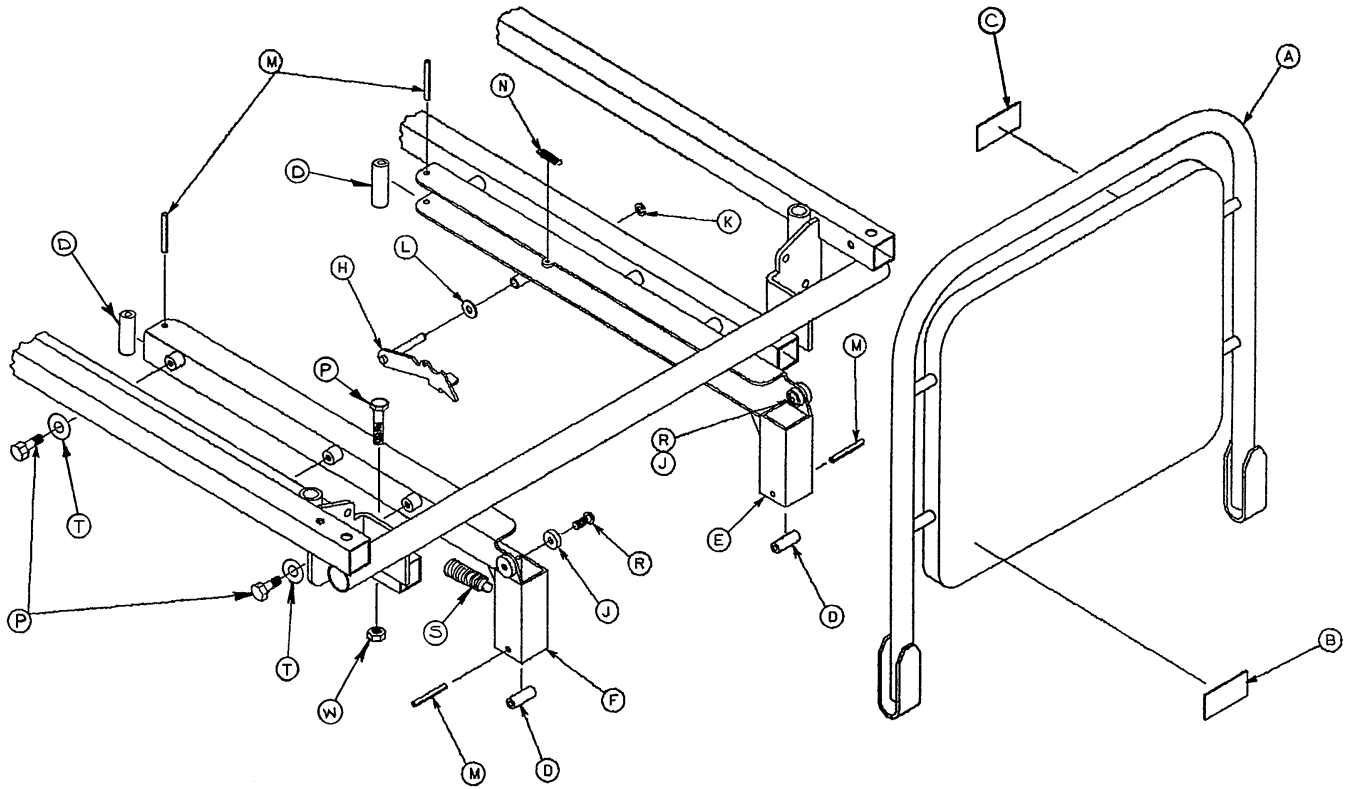
Item	Part No.	Part Name	Qty.
A	25-124	Pop Rivet	4
B	(page 102)	X-Ray Cassette Assembly	1

1001-42-10 Head Board/Pushbar Assembly



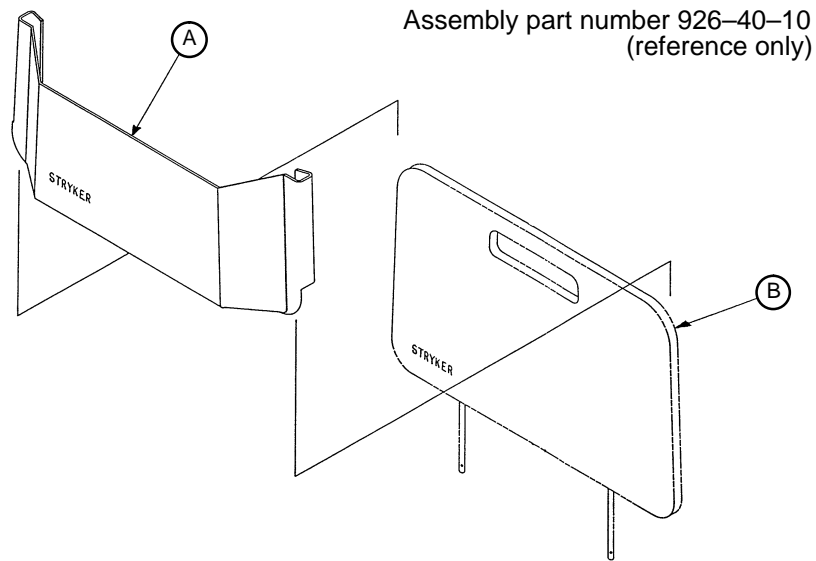
Item	Part No.	Part Name	Qty.
A	1001-42-15	Headboard Assembly	1
B	1001-42-14	Specification Label	1
C	1010-50-57	Weight Limit Label	1
D	1066-1-80	Sound Bumper	4
E	1001-42-25	Channel Weldment, Rt.	1
F	1001-42-26	Channel Weldment, Lt.	1
H	1001-42-30	Lock Assembly	1
J	1001-42-34	Spacer Guide	2
K	28-8	Snap Ring	1
L	14-46	Nylon Washer	1
M	26-12	Roll Pin	4
N	38-274	Extension Spring	1
P	3-5	Hex Hd. Cap Screw	8
R	4-78	Hex Soc. Flat Hd. Screw	2
S	21-132	Spring Plunger	1
T	14-2	Washer	6
W	16-28	Nylock Nut	2

1501-42-10 Head Board/Pushbar Assembly



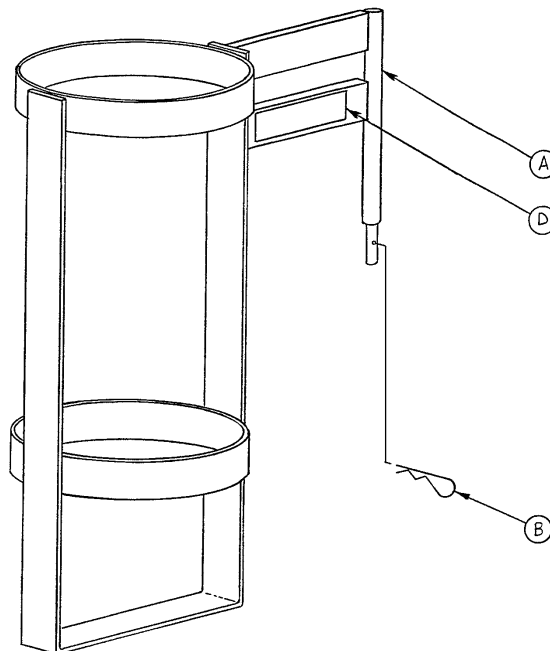
Item	Part No.	Part Name	Qty.
A	1501-42-15	Headboard Assembly	1
B	1501-42-14	Specification Label	1
C	1010-50-57	Weight Limit Label	1
D	1066-1-80	Sound Bumper	4
E	1001-42-25	Channel Weldment, Rt.	1
F	1001-42-26	Channel Weldment, Lt.	1
H	1001-42-30	Lock Assembly	1
J	1001-42-34	Spacer Guide	2
K	28-8	Snap Ring	1
L	14-46	Nylon Washer	1
M	26-12	Roll Pin	4
N	38-274	Extension Spring	1
P	3-5	Hex Hd. Cap Screw	8
R	4-78	Hex Soc. Flat Hd. Screw	2
S	21-132	Spring Plunger	1
T	14-2	Washer	6
W	16-28	Nylock Nut	2

926-40-100 Foot Board/Chartholder Assembly



Item	Part No.	Part Name	Qty.
A	946-28-11	Chart Holder	1
B	946-29-6	Foot Board	1

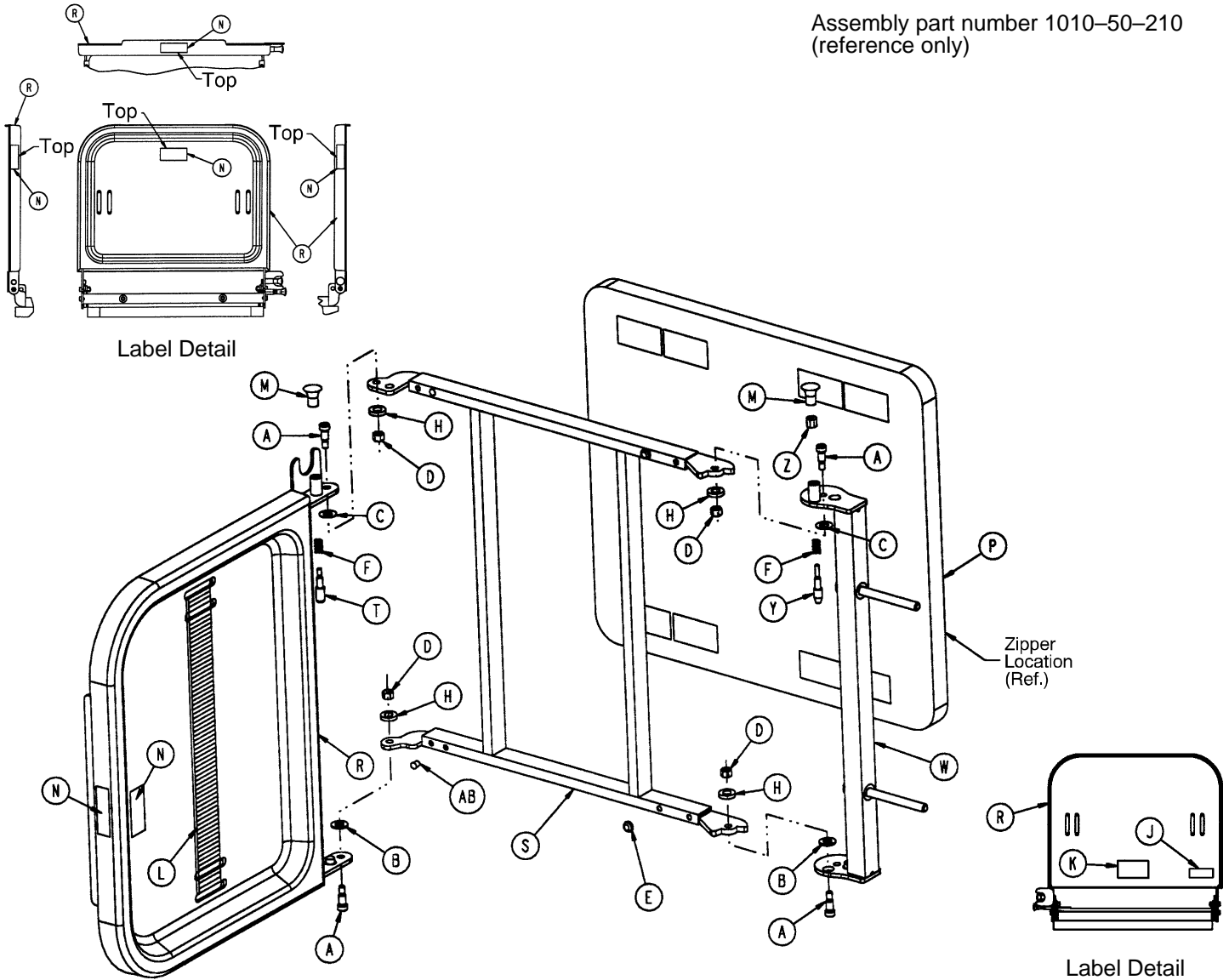
1020-30 Upright Oxygen Bottle Holder Assembly



Item	Part No.	Part Name	Qty.
A	1020-30-11	Upright Bottle Holder	1
B	27-12	Cotter Pin	1
D	1020-30-17	Specification Label	1

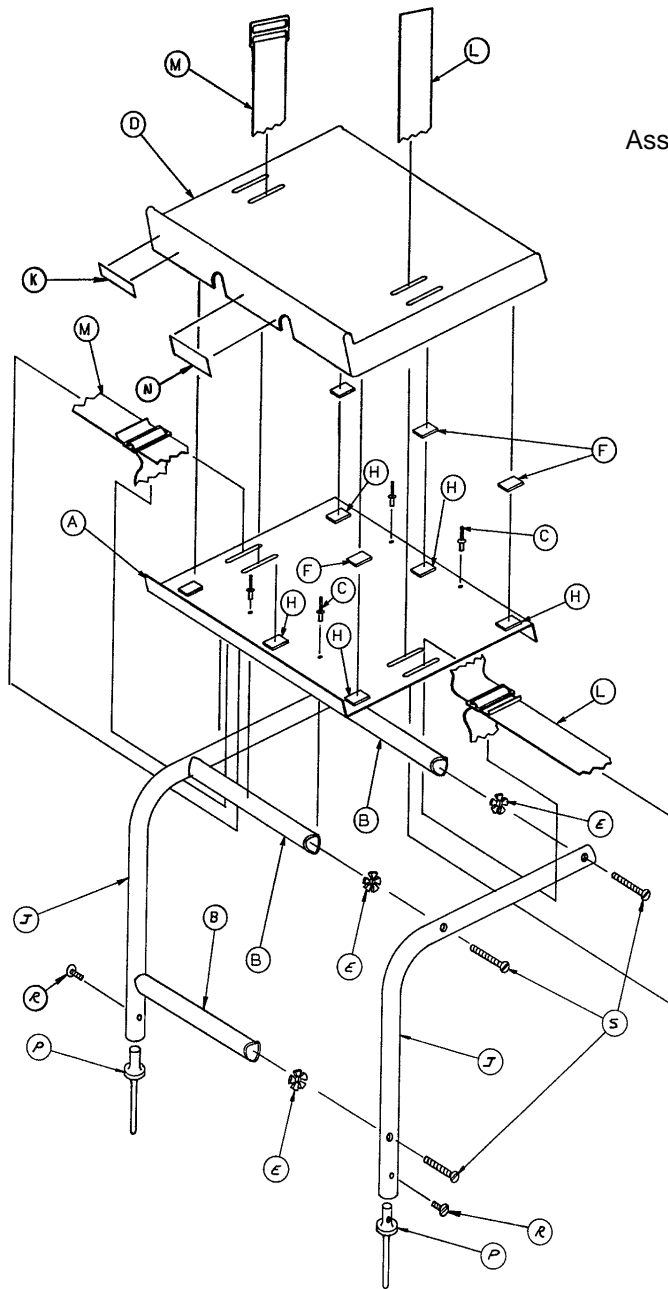
1010-50-100 Foot Extension/Defibrillator Tray Ass'y

Assembly part number 1010-50-210
(reference only)



Item	Part No.	Part Name	Qty.	Item	Part No.	Part Name	Qty.
A	8-49	Socket Hd. Shoulder Bolt	4	M	1010-50-50	Knob	2
B	14-20	Nylon Washer	2	N	1010-50-57	"Max. Weight" Label	4
C	14-21	Nylon Washer	2	P	1010-50-205	Cushion Assembly	1
D	16-28	Fiberlock Nut	4	R	1010-50-218	Foot & Tray Board	1
E	37-52	Rubber Bumper	2	S	1010-50-225	Pivot Frame Weldment	1
F	38-133	Spring	2	T	1010-50-242	Pin Lock	1
H	52-17	Spacer	4	W	1010-50-246	Base Mounting Ass'y	1
J	1010-50-17	Specification Label	1	Y	1010-50-248	Lower Pin Lock	1
K	1010-50-19	"Push/Pull" Label	1	Z	1010-50-250	Pin Adjuster	1
L	1010-50-21	Long Strap	1	AB	721-31-65	Hole Plug	1

Optional Defibrillator Tray Assembly

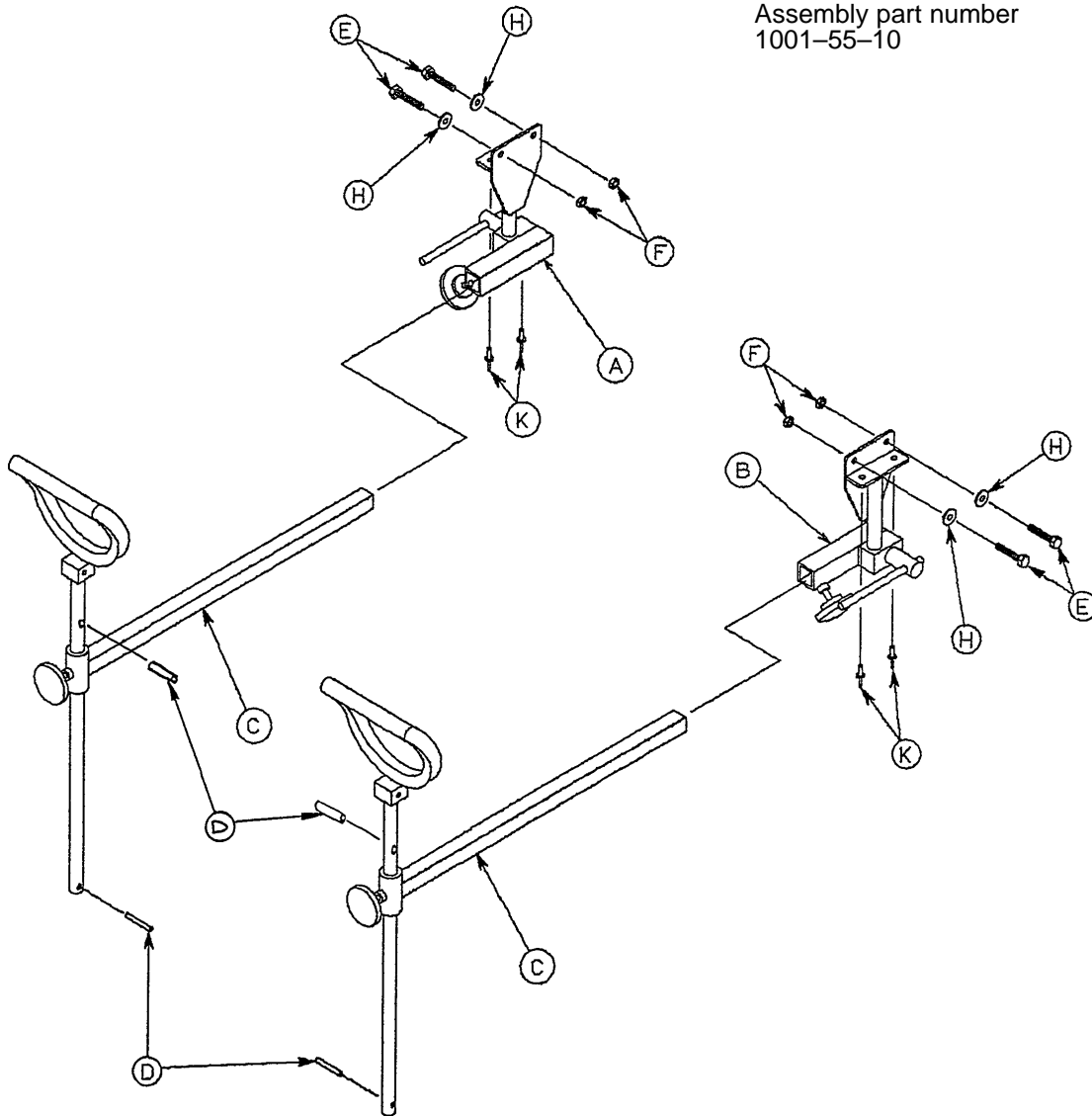


Assembly part number
926-39-10

Item	Part No.	Part Name	Qty.	Item	Part No.	Part Name	Qty.
A	946-39-4	Tray	1	K	926-1-82	Label	1
B	926-39-16	Crosstube	3	L	390-57-12	Long Strap	1
C	25-55	Rivet	4	M	390-57-13	Short Strap	1
D	926-39-9	Cover	1	N	946-1-283	Label	1
E	18-6	Umbrella Nut	6	P	926-39-15	Holder	2
F	7900-1-143	Dual Lock	6	R	2-44	Screw	2
H	7900-1-145	Dual Lock	6	S	2-25	Rd. Hd. Mach. Screw	6
J	946-39-3	Support Tube	2				

Heel Stirrup and Support Assembly

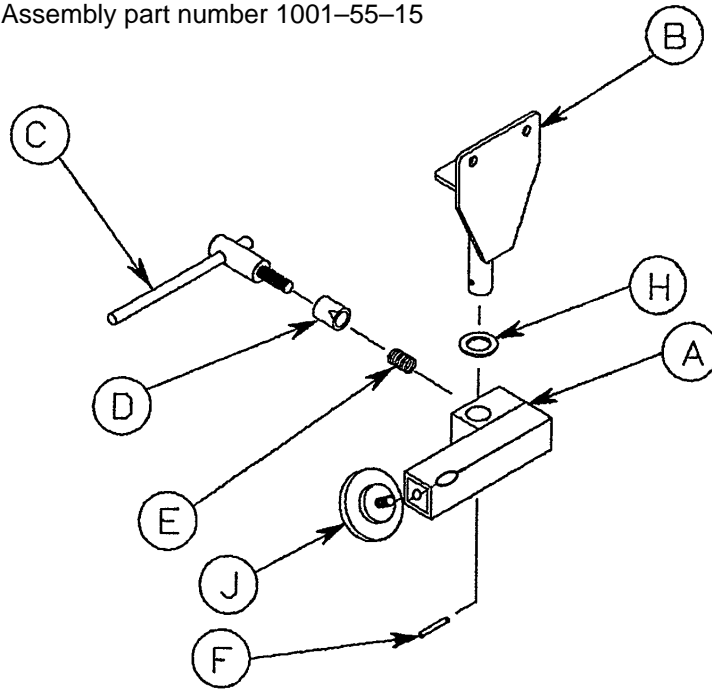
Assembly part number
1001-55-10



Item	Part No.	Part Name	Qty.
A	(Page 110)	Rt. Stirrup Support Ass'y	1
B	(Page 111)	Lt. Stirrup Support Ass'y	1
C	(Page 112)	Stirrup Assembly	2
D	22-8	Drive Screw	4
E	3-78	Hex Head Cap Screw	4
F	16-28	Nylock Hex Nut	4
H	11-158	Flat Washer	4
K	25-79	Pop Rivet	4

Right Stirrup Support Assembly

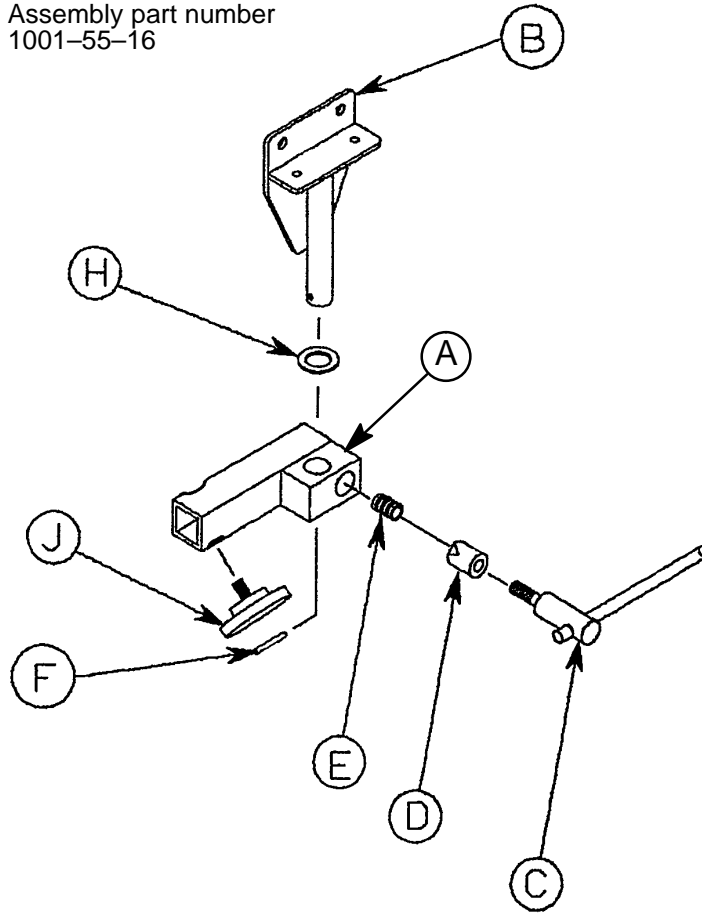
Assembly part number 1001-55-15



Item	Part No.	Part Name	Qty.
A	1010-55-16	Right Support Tube Ass'y	1
B	1001-55-11	Mounting Bracket	1
C	650-2-32	Lock Screw Assembly	1
D	966-51-19	Wedge Lock, Modified	1
E	38-171	Compression Spring	1
F	26-7	Roll Pin	1
H	14-40	Nylon Flat Washer	1
J	24-11	Knob	1

Left Stirrup Support Assembly

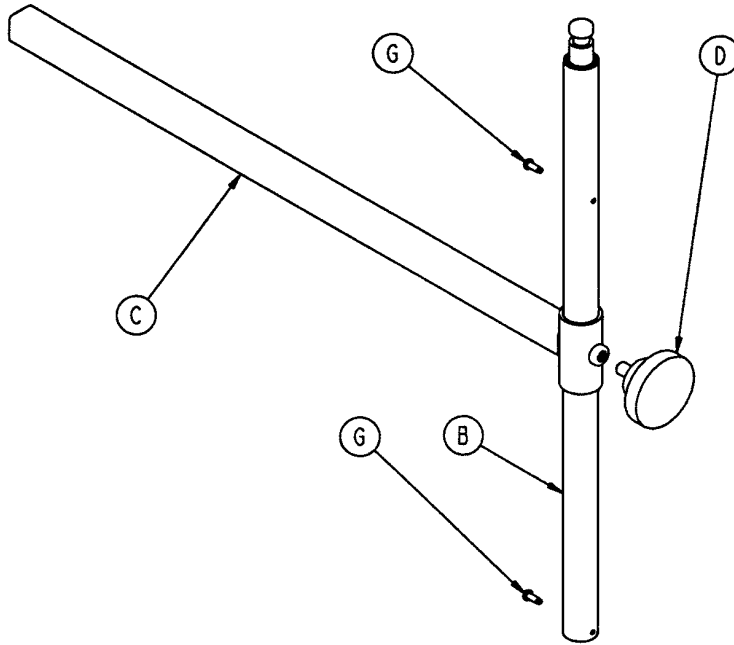
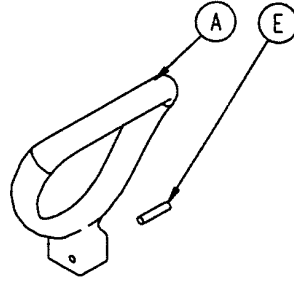
Assembly part number
1001-55-16



Item	Part No.	Part Name	Qty.
A	1010-55-26	Left Support Tube Ass'y	1
B	1001-55-11	Mounting Bracket	1
C	650-2-32	Lock Screw Assembly	1
D	966-51-19	Wedge Lock, Modified	1
E	38-171	Compression Spring	1
F	26-7	Roll Pin	1
H	14-40	Nylon Flat Washer	1
J	24-11	Knob	1

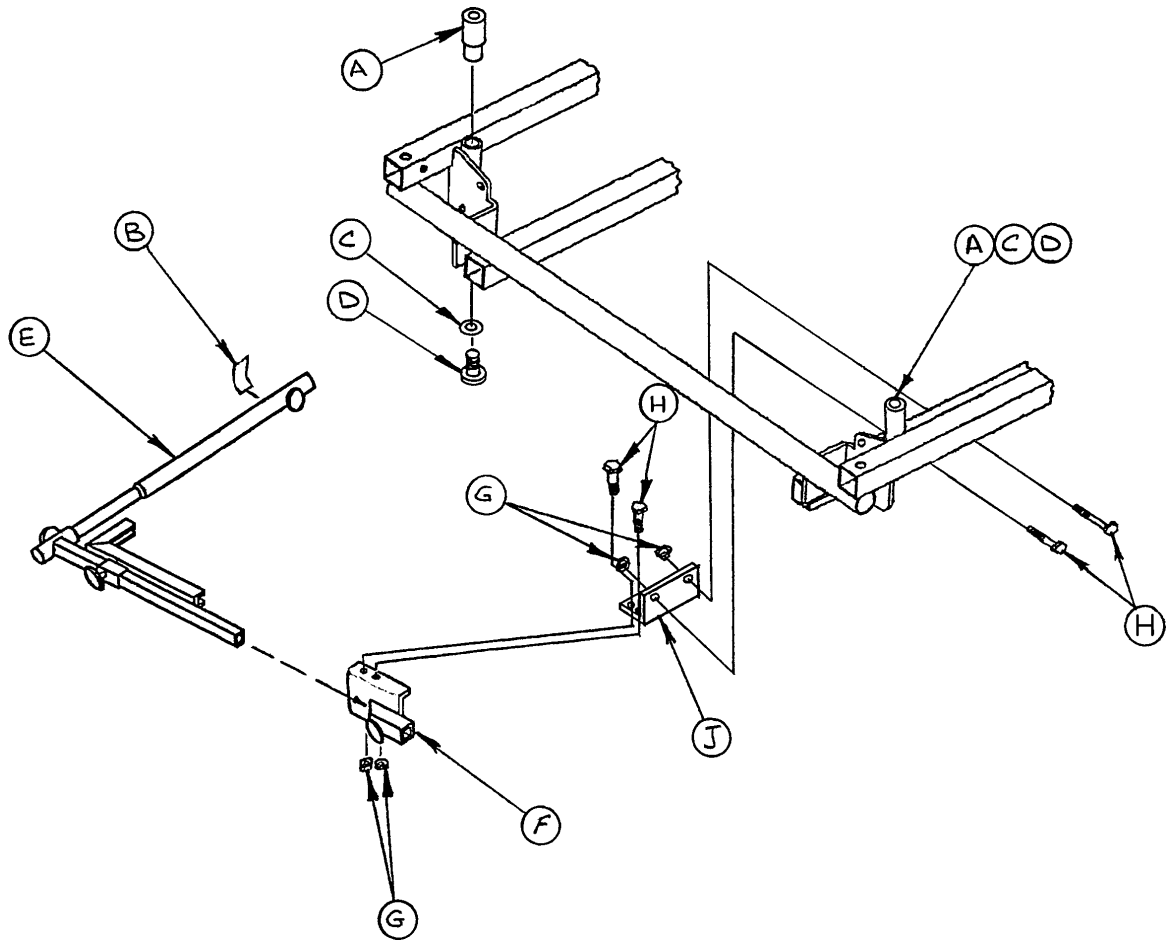
Heel Stirrup Assembly

Assembly part number 1001-55-29



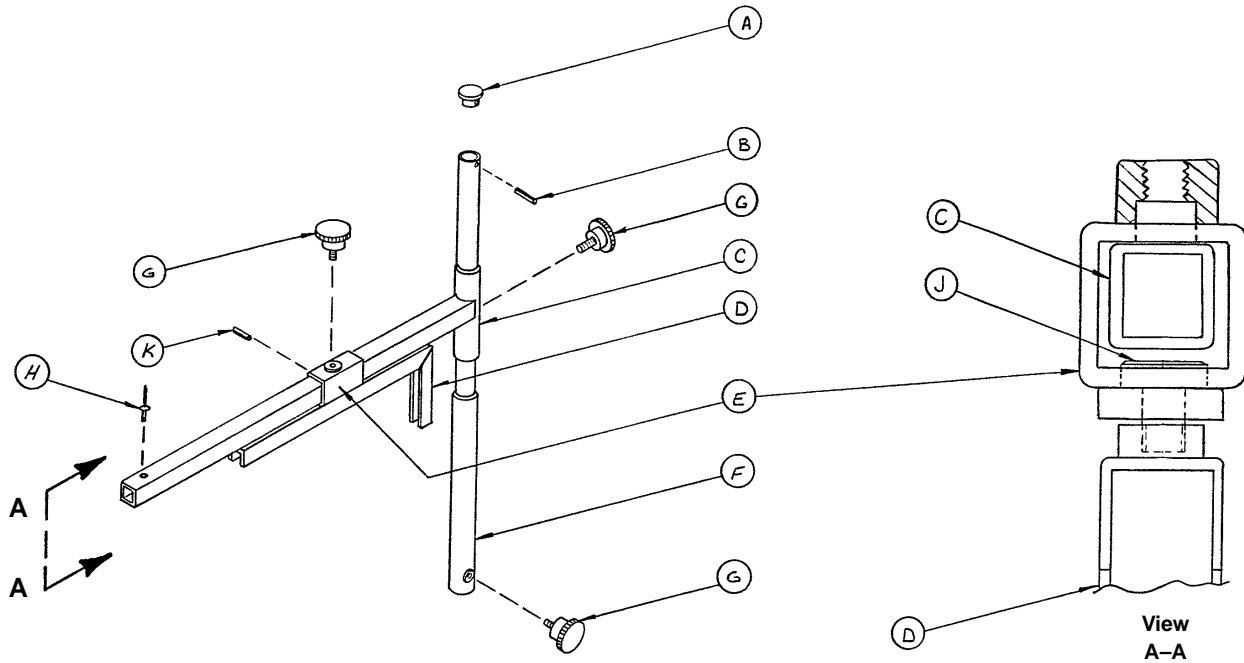
Item	Part No.	Part Name	Qty.
A	390-20-13	Stirrup	1
B	390-20-9	Stirrup Holder Assembly	1
C	1010-55-30	Extension Tube Assembly	1
D	24-11	Knob	1
E	26-43	Roll Pin	1
G	22-8	Drive Screw	2

1001-70-1 C-Spine Cassette Holder Assembly



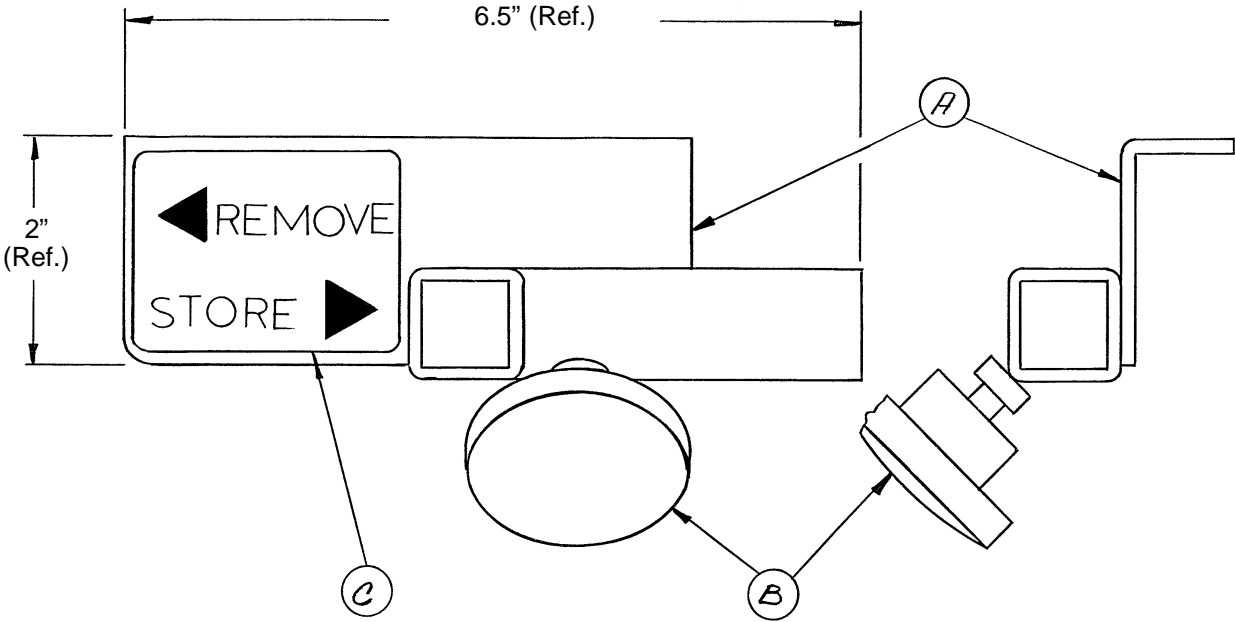
Item	Part No.	Part Name	Qty.
A	1010-70-25	I.V. Adaptor	2
B	1010-70-18	Specification Label	1
C	11-3	Flat Washer	2
D	4-91	Soc. Hd. Cap Screw	2
E	(page 114)	Support Pole Assembly	1
F	(page 115)	Storage Bracket Ass'y	1
G	16-5	Conelock Nut	4
H	3-50	Hex Hd. Cap Screw	4
J	1001-70-11	Attachment Bracket	1

1010-70-10 C-Spine Support Pole Assembly



Item	Part No.	Part Name	Qty.
A	1010-70-33	Support Tube Cap	1
B	26-6	Roll Pin	1
C	1010-70-34	Support Arm Weldment	1
D	1010-70-42	Cassette Holder Weldment	1
E	1010-70-50	Adjustment Tube Weldment	1
F	1010-70-30	Base Tube Weldment	1
G	1010-70-45	Knob	3
H	25-55	Pop Rivet	1
J	1010-70-44	Pivot Pin	1
K	26-5	Roll Pin	1

1010-70-19 C-Spine Storage Bracket Assembly



Item	Part No.	Part Name	Qty.
A	1010-70-20	Storage Bracket Weldment	1
B	1010-70-45	Knob	1
C	1010-70-23	Storage Label	1

Warranty

Limited Warranty:

Stryker Medical Division, a division of Stryker Corporation, warrants to the original purchaser that its products should be free from defects in material and workmanship for a period of one (1) year after date of delivery. Stryker's obligation under this warranty is expressly limited to supplying replacement parts and labor for, or replacing, at its option, any product which is, in the sole discretion of Stryker, found to be defective. Stryker warrants to the original purchaser that the frame and welds on its beds will be free from structural defects for as long as the original purchaser owns the bed. If requested by Stryker, products or parts for which a warranty claim is made shall be returned prepaid to Stryker's factory. Any improper use or any alteration or repair by others in such manner as in Stryker's judgement affects the product materially and adversely shall void this warranty. No employee or representative of Stryker is authorized to change this warranty in any way.

This statement constitutes Stryker's entire warranty with respect to the aforesaid equipment. STRYKER MAKES NO OTHER WARRANTY OR REPRESENTATION, EITHER EXPRESSED OR IMPLIED, EXCEPT AS SET FORTH HEREIN. THERE IS NO WARRANTY OF MERCHANTABILITY AND THERE ARE NO WARRANTIES OF FITNESS FOR ANY PARTICULAR PURPOSE. IN NO EVENT SHALL STRYKER BE LIABLE HEREUNDER FOR INCIDENTAL OR CONSEQUENTIAL DAMAGES ARISING FROM OR IN ANY MANNER RELATED TO SALES OR USE OF ANY SUCH EQUIPMENT.

To Obtain Parts and Service:

Stryker products are supported by a nationwide network of dedicated Stryker Field Service Representatives. These representatives are factory trained, available locally, and carry a substantial spare parts inventory to minimize repair time. Simply call your local representative, or call Stryker Customer Service at (800) 327-0770.

Supplemental Warranty Coverage:

Stryker has developed a comprehensive program of extended warranty options designed to keep your equipment operating at peak performance at the same time it eliminates unexpected costs. We recommend that these programs be activated *before* the expiration of the new product warranty to eliminate the potential of additional equipment upgrade charges. Stryker offers the following Supplemental Warranties:

Extended (Parts and Labor)

- All replacement parts (excluding mattresses and consumable items)
- Labor and travel for *all* scheduled and unscheduled calls
- Annual Preventive Maintenance Inspections and repairs
- JCAHO paperwork for preventive maintenance
- Priority Emergency Service

Standard (Labor Only):

- Labor and travel for *all* scheduled and unscheduled calls
- Biannual Preventive Maintenance Inspections and repairs
- JCAHO paperwork for preventive maintenance
- Priority Emergency Service

Basic (Parts Only):

- All replacement parts (excluding mattresses and consumable items)
- Priority Emergency Service

Please call your local representative, or call (800) 327-0770 for further information

Warranty

Return Authorization:

Merchandise cannot be returned without approval from the Stryker Customer Service Department. An authorization number will be provided which must be printed on the returned merchandise. Stryker reserves the right to charge shipping and restocking fees on returned items.

SPECIAL, MODIFIED, OR DISCONTINUED ITEMS NOT SUBJECT TO RETURN.

Damaged Merchandise:

ICC Regulations require that claims for damaged merchandise must be made with the carrier within fifteen (15) days of receipt of merchandise. **DO NOT ACCEPT DAMAGED SHIPMENTS UNLESS SUCH DAMAGE IS NOTED ON THE DELIVERY RECEIPT AT THE TIME OF RECEIPT.** Upon prompt notification, Stryker will file a freight claim with the appropriate carrier for damages incurred. Claim will be limited in amount to the actual replacement cost. In the event that this information is not received by Stryker within the fifteen (15) day period following the delivery of the merchandise, or the damage was not noted on the delivery receipt at the time of receipt, the customer will be responsible for payment of the original invoice in full.

Claims for any short shipment must be made within thirty (30) days of invoice.



6300 Sprinkle Road, Kalamazoo, MI 49001-9799

(800) 327-0770

DH 11/97 1001-1-49 REV Q