

stryker[®]
Medical

Advantage Series

1009 Emergency Care Stretcher
1509 PACU Stretcher
Maintenance Manual

For Parts or Technical Assistance
800-327-0770

Table of Contents

Introduction	
Specifications	3
Warning / Caution / Note Definition	3
Preventative Maintenance	
Checklist	4
Cleaning	5
Service Information	
Caster Assembly Replacement	6
Fifth Wheel Replacement	6
Caster Cover Installation And Removal	7
Brake Cam Replacement	8
Brake Ring Replacement	8
Brake Adjustment	9
Base Side Control Pedal Linkage Adjustment	9
Base Side Control Brake/Steer Gear Replacement	10
Uni-Pedal Replacement	10
Jack Replacement	11
Jack Torque Specifications	12
Hydraulic Troubleshooting	12
Removal Of Excess Air (Vacuum) From The Hydraulic System	12
Checking Hydraulic Fluid Level	13
Jack Descent Rate Adjustment	13
Hydraulic Check Valve Replacement	14, 15
Base Lubrication	16
Pneumatic Fowler Adjustment	17
Transfer Board Counterbalance Adjustment	17
Siderail Latch Adjustment	17
Replacement Parts	18
Assembly Drawings and Parts Lists	
Side Control Base Assembly	19, 22
End Control Base Assembly	23–26
Brake Adjuster Assembly	27
Brake Cam Assembly	28
Side Control Pump Pedal Assembly	29
End Control Pump Pedal Assembly, Foot End	30
End Control Pump Pedal Assembly, Head End	31
Base Assembly with Steerlock Caster Option	32
Caster Assembly with Steerlock	33
Standard Caster Assembly	34
Base Assembly with Fifth Wheel Option	35
Pivot Rod Assembly	36
Wheel Arm Assembly	37

Table of Contents

Assembly Drawings and Parts Lists (Continued)

Jack Assembly	38
Jack Base Assembly	39
Base Assembly with Side Control Brakes	40, 41
Base Assembly with Uni-Lower Pedal	42
Base Assembly with Dual Lowering Pedals	43
Side Control Stretcher Base Labeling Assembly	44, 45
End Control Stretcher Base Labeling Assembly	46
Litter Assembly	47, 48
Siderail to Litter Assembly, Fold to Head	49
Siderail Assembly, Fold to Head	50
Siderail to Litter Assembly, Fold to Foot	51
Siderail Assembly, Fold to Foot	52
Pneumatic Fowler Assembly	53–57
Crank Fowler Assembly	58, 59
Fowler Crankscrew Assembly	60
Stationary Foot End Assembly	61, 64
Knee Gatch Assembly	65, 70
Knee Gatch Crankscrew Assembly	71
Four Corner Option Assembly	72
Head End Push Bar Option Assembly	73
Head End Push Handles Assembly	74, 75
Push Handle Assembly	76
Removable I.V. Pole Assembly	77
2-Stage I.V. Pole Mounting Assembly	78, 79
2-Stage I.V. Pole Assembly	80
I.V. Pole Latch Assembly	81
3-Stage I.V. Pole Mounting Assembly	82, 83
3-Stage I.V. Pole Assembly	84
3rd Stage Assembly	85
Foot Board/Chartholder Assembly	86
Upright Oxygen Bottle Holder Assembly	86
Foot Extension/ Defibrillator Tray Assembly	87
Defibrillator Tray Assembly	88
Fowler X-Ray Cassette Mounting Assembly	89
Fowler X-Ray Cassette Assembly	90
Heel Stirrup and Support Assembly	91
Right Stirrup Support Assembly	92
Left Stirrup Support Assembly	93
Heel Stirrup Assembly	94
C-Spine Cassette Holder Assembly	95
C-Spine Support Pole Assembly	96
C-Spine Storage Bracket Assembly	97
Mattresses and Siderail Pads	98
Warranty	
Obtaining Parts and Service	99
Supplemental Warranty Coverage	99
Return Authorization	100
Freight Damage Claims	100

Introduction

INTRODUCTION

This manual is designed to assist you with the maintenance of the 1009 Emergency Care Stretcher and the 1509 PACU Bed. Read it thoroughly before using the equipment or beginning any maintenance on it.

SPECIFICATIONS

	1009	1509
Maximum Weight Capacity	500 pounds	500 pounds
Overall Bed Length \ Width	83" \ 31 1/2"	83" \ 34"
Minimum \ Maximum Bed Height	22" \ 35"	22" \ 35"
Fowler Angle	0 to 90°	0 to 90°
Knee Gatch Angle	0 to 35°	0 to 35°
Trendelenburg \ Reverse Trendelenburg	+12° to -18°	+12° to -18°

WARNING / CAUTION / NOTE DEFINITION

The words WARNING, CAUTION and NOTE carry special meanings and should be carefully reviewed.

WARNING

The personal safety of the patient or user may be involved. Disregarding this information could result in injury to the patient or user.

CAUTION

These instructions point out special procedures or precautions that must be followed to avoid damaging the equipment.

NOTE

This provides special information to make maintenance easier or important instructions clearer.

WARNING

Patients should be discouraged from sitting directly on the ends of the stretcher. Excessive weight will cause the litter surface to tip up, possibly causing patient injury.

Always apply the caster brakes when a patient is getting on or off the stretcher. Push on the stretcher to ensure the brakes are securely locked. Always engage the brakes unless the stretcher is being moved. Injury could result if the stretcher moves while a patient is getting on or off the stretcher.

Preventative Maintenance

CHECKLIST

- _____ All fasteners secure (reference all assembly prints)
- _____ Siderails move and latch properly (page 17)
- _____ Engage brake pedal and push on the stretcher to ensure all casters lock securely (page 9)
- _____ Steer function working properly
- _____ All casters secure and swivel properly
- _____ Body restraints working properly
- _____ I.V. pole intact and operating properly (page 77 – 85)
- _____ Oxygen bottle holder intact and operating properly (page 88)
- _____ Fowler operates and latches properly (pneumatic: page 17; crank: page 58 or 59)
- _____ Knee Gatch operates properly (page 67–71)
- _____ Trendelenburg/Reverse Trendelenburg operating properly
- _____ No rips or cracks in mattress cover, warmer sleeves or warmer overlay
- _____ Ground chain intact
- _____ No leaks at hydraulic connections
- _____ Hydraulic jacks holding properly (page 12)
- _____ Hydraulic drop rate set properly (page 13)
- _____ Hydraulic oil level sufficient (page 13)
- _____ Lubricate where required, including the brake adjuster assembly and brake cam (page 16)
- _____ Accessories and mounting hardware in good condition and working properly
- _____ Optional Big Wheel adjusted properly (page 17.1)
- _____ Lubricate Big Wheel roller and linkage

Serial No. _____

Completed By: _____ Date: _____

NOTE

References to the right or left side of the stretcher refer to the right and left sides of a patient lying face up on the stretcher.

Cleaning

Hand wash all surfaces of the stretcher with warm water and mild detergent. Dry thoroughly. **DO NOT STEAM CLEAN, PRESSURE WASH, HOSE OFF OR ULTRASONICALLY CLEAN.** Using these methods of cleaning is **not** recommended and may void this product's warranty.

Clean Velcro **AFTER EACH USE**. Saturate Velcro with disinfectant and allow disinfectant to evaporate. (Appropriate disinfectant for nylon Velcro should be determined by the hospital.)

In general, when used in those concentrations recommended by the manufacturer, either phenolic type or quaternary type disinfectants can be used. Iodophor type disinfectants are not recommended. The following products have been tested and have been found not to have a harmful effect **WHEN USED IN ACCORDANCE WITH MANUFACTURERS RECOMMENDED DILUTION.***

TRADE NAME	DISINFECTANT TYPE	MANUFACTURER	*MANUFACTURER'S RECOMMENDED DILUTION
A33	Quaternary	Airwick (Professional Products Division)	2 ounces/gallon
A33 (dry)	Quaternary	Airwick (Professional Products Division)	1/2 ounce/gallon
Beaucoup	Phenolic	Huntington Laboratories	1 ounce/gallon
Blue Chip	Quaternary	S.C. Johnson	2 ounces/gallon
Elimstaph	Quaternary	Walter G. Legge	1 ounce/gallon
Franklin Phenomysan F2500	Phenolic	Purex Corporation	1 1/4 ounce/gallon
Franklin Sentinel	Quaternary	Purex Corporation	2 ounces/gallon
Galahad	Phenolic	Puritan Churchill Chemical Company	1 ounce/gallon
Hi-Tor	Quaternary	Huntington Laboratories	1/2 ounce/gallon
LPH	Phenolic	Vestal Laboratories	1/2 ounce/gallon
Matar	Phenolic	Huntington Laboratories	1/2 ounce/gallon
Omega	Quaternary	Airwick (Professional Products Division)	1/2 ounce/gallon
Quanto	Quaternary	Huntington Laboratories	1 ounce/gallon
Sanikleen	Quaternary	West Chemical Products	2 ounces/ gallon
Sanimaster II	Quaternary	Service Master	1 ounce/gallon
Vesphene	Phenolic	Vestal Laboratories	1 1/4 ounce/ gallon

Quaternary Germicidal Disinfectants, used as directed, and/or Chlorine Bleach products, typically 5.25% Sodium Hypochlorite in **dilutions ranging between 1 part bleach to 100 parts water, and 2 parts bleach to 100 parts water are not considered mild detergents. These products are corrosive in nature and may cause damage to your stretcher if used improperly.** If these types of products are used to clean Stryker patient handling equipment, measures must be taken to insure the stretchers are rinsed with clean water and thoroughly dried following cleaning. Failure to properly rinse and dry the stretchers will leave a corrosive residue on the surface of the stretcher, possibly causing premature corrosion of critical components.

NOTE

Failure to follow the above directions when using these types of cleaners may void this product's warranty.

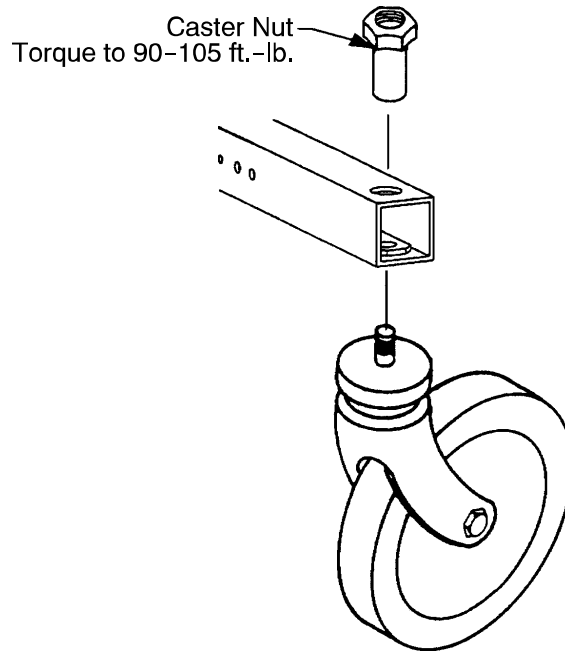
REMOVAL OF IODINE COMPOUNDS

This solution may be used to remove iodine stains from mattress cover and foam footrest pad surfaces.

1. Use a solution of 1–2 tablespoons Sodium Thiosulfate in a pint of warm water to clean the stained area. Clean as soon as possible after staining occurs. If stains are not immediately removed, allow solution to soak or stand on the surface.
2. Rinse surfaces which have been exposed to the solution in clear water before returning bed to service.

Service Information

CASTER ASSEMBLY REPLACEMENT



1. Remove the old caster assembly.
2. Install the replacement caster and caster nut. Tighten the caster nut to 90–105 ft.-lb. with a torque wrench.

NOTE

A new caster assembly with a 3M patch does not require the application of Loctite at assembly. However, the patch is appropriate for only one installation. If the caster is removed and reassembled for any reason, apply Loctite 242 to two or three threads of both the bolt and caster nut and tighten to 90–105 ft.-lb. with a torque wrench.

FIFTH WHEEL REPLACEMENT

Required Tools:

Pliers
(2) 9/16" Box End Wrenches

String or Bungee Cord

3/16" Allen Wrench

Procedure:

1. Apply the stretcher brakes.
2. Pump the litter up to full height.
3. Lift and support the base hood using string or bungee cord.
4. Using pliers, remove the cotter pin from the end of the fifth wheel pivot rod and remove the two washers.
5. Pull up on the fifth wheel arm and pull down on the tension spring to release the pressure on the arm.
6. Using a 3/16" Allen wrench, remove the hex Allen bolt from the center of the pivot rod and pull the pivot rod out of the wheel arm.
7. Reverse the above steps to install a new fifth wheel assembly.

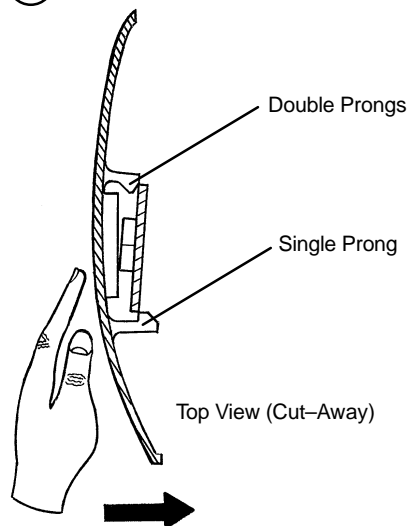
NOTE

To replace the wheel only, use two 9/16" box end wrenches to remove the bolt and nut holding it to the wheel arm.

Service Information

CASTER COVER INSTALLATION AND REMOVAL

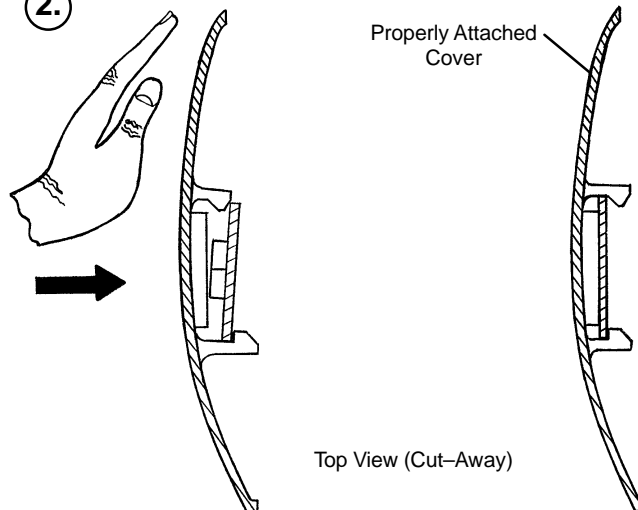
1.



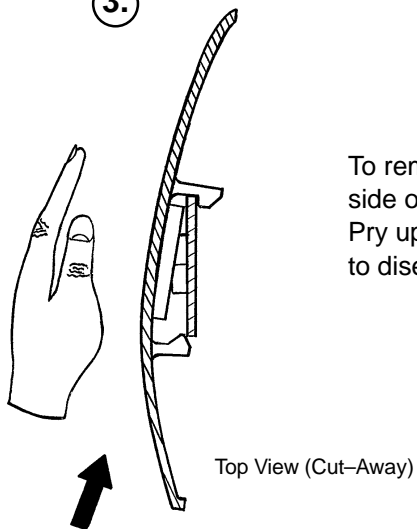
Looking through the larger of the two side cut-outs, align cover with axle nut or bolt head, as shown. Push down on the opposite side of the cover until single prong engages with caster horn.

Push with palm on cover until double prongs engage.

2.



3.



To remove wheel cover, insert large screwdriver into cut-out in side of wheel cover and into the space between the double prongs. Pry up cover to disengage double prongs and push sharply upward to disengage single prong.

Service Information

BRAKE CAM REPLACEMENT

Brake Cam Part Number 715–201–213

Required Tools:

Phillips Screwdriver	String or Bungee Cord	3/32" Allen Wrench
1/8" Allen Wrench		

Procedure:

1. Remove the four Phillips screws holding the base hood to the frame. Lift and support the base hood using string or bungee cord.
2. Using a 3/32" Allen wrench, loosen the set screw holding the brake adjuster to the brake ring and turn the adjuster clockwise to remove it.
3. Using a 1/8" Allen wrench, remove the shoulder bolt and nut holding the brake link on the cam and remove the cam.
4. Reverse steps 3 and 4 to install the new cam. Verify the brakes are operating properly. If adjustment is required, see page 9. Reinstall the base hood.

BRAKE RING REPLACEMENT

Brake Ring Part Number 715–1–61

Required Tools:

Phillips Screwdriver	String or Bungee Cord	Floor Jack, Small Crate (or equiv.)
Large Standard Screwdriver	3/32" Allen Wrench	11/16" Socket & Ratchet
5/8" Wrench	Needle–Nose Pliers	(2) 7/16" Wrenches

Procedure:

1. Remove the four Phillips screws holding the base hood to the frame. Lift and support the base hood using string or bungee cord. Put the brake/steer pedal in the neutral position. Lift the end of the base needing service until the casters are approximately 12" off the floor and support it with a jack or the equivalent.
2. Using a 3/32" Allen wrench, loosen the set screw holding the brake adjuster to the brake ring and turn the adjuster clockwise to remove it.
3. Remove the caster covers on both casters (see page 7).
4. Remove one of the casters (see page 6). On the other caster, use an 11/16" socket and ratchet and a 5/8" wrench to remove the nut and bolt holding the wheel on the caster horn and remove only the wheel.
5. Using needle–nose pliers, carefully squeeze and remove the spring between the brake cam and the brake ring.

WARNING

The spring is tightly compressed. Use caution when removing it or personal injury could result.

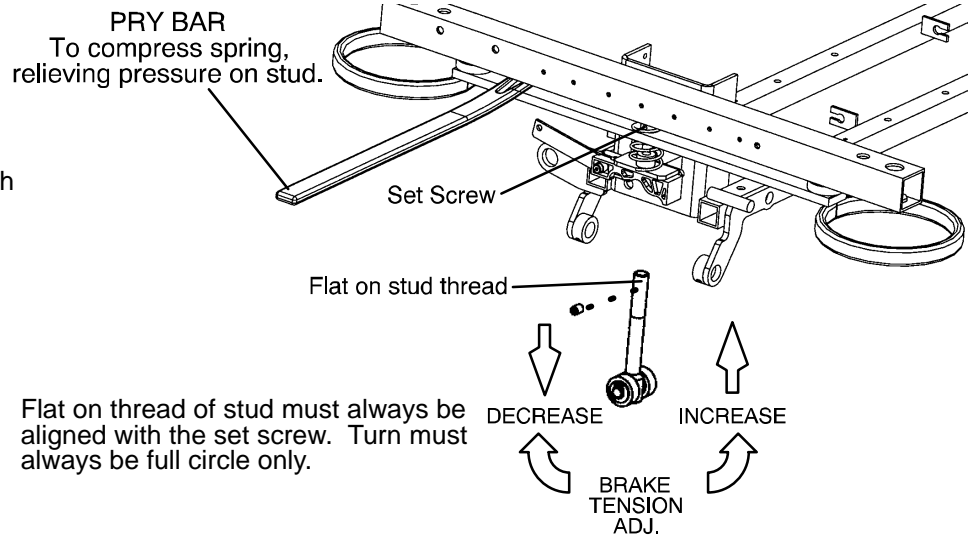
6. If you are working on an end control base, remove the spring from the pump pedal.
7. Lower the brake ring and remove it from the base. Remove the brake pads and bushings and install them on the new brake ring.
8. Reverse the above steps to install the new brake ring and reinstall the caster and wheel. Apply and release the brakes to verify they operate properly. If adjustment is required, see page 9. Reinstall the base hood.

Service Information

BRAKE ADJUSTMENT

Required Tools:

3/32" Hex Allen Wrench
Pry Bar
Thread "Locktite"



BASE SIDE CONTROL PEDAL LINKAGE ADJUSTMENT

Required Tools:

3/8" Wrench

5/32" Hex Allen Wrench

7/16" Wrench

Bungee Cords

Adjustment Procedure:

1. Place 150–200 pounds on the litter and pump the litter up to full height.
2. Lift the base hood, separating the hood from the base frame. Using the bungee cords, support the base hood.
3. Using a 3/8" wrench and a 5/32" hex Allen wrench, loosen the appropriate pedal linkage adjustment nut until the jack stops "drifting". Raise the litter to full up.
4. Tighten the pedal linkage adjustment nut until the jack begins to slowly descend.
5. Using a 7/16" wrench, back the pedal linkage adjustment nut out four full turns. Raise the litter to full up.
6. Loosen the pedal linkage adjustment nut and ensure no drift occurs. If the jack drifts, repeat procedure.

Service Information

BASE SIDE CONTROL BRAKE/STEER GEAR REPLACEMENT

Required Tools:

Pliers	String or Bungee Cord	Floor Jack or Equivalent
1/8" Allen Wrench	5/32" Allen Wrench	3/8" Box End Wrench
(2) 9/16" Box End Wrenches	3/16" Punch	1/4" Punch
Hammer		

Procedure:

1. Apply the stretcher brakes.
2. Pump the litter up to full height.
3. Lift and support the base hood using string or bungee cord.
4. Using pliers, remove the cotter pins from both jack pump pistons and the pump linkage.
5. Using the 9/16" box end wrenches, remove the two bearing plate bolts.
6. Remove the cotter pin on the side brake bar.
7. Remove the bearing plate and pull out the idler gear rod while holding onto the gear. Lift the gear out.
8. Slide the miter gear away from the rod spacer and remove the dowel pin.
9. Using the floor jack, raise the side of the base you are working on approximately four inches.
10. Rotate the brake bar so the pedals are upside down.
11. Using a 1/4" punch and a hammer, remove the groove pin from the side brake rod.
12. Using a 3/16" punch and hammer, remove the 3/16" groove pin from the pedal.
13. Using a 5/32" Allen wrench, remove the set screw from the collar inside the gear box.
14. Remove the brake rod while holding the gear on the rod.
15. Using a 1/8" Allen wrench and a 3/8" box end wrench, remove the nuts and bolts holding the brake link to the rod.
16. Using a 5/32" Allen wrench, remove the set screw from the collar outside of the gear box.
17. Using a 1/4" punch, remove the roll pin from the cam and brake link collar.
18. Reverse the above steps to install the replacement gear.
19. Inspect each gear for wear. Lube with MPG-2 grease or the equivalent if necessary.

UNI-PEDAL REPLACEMENT

Required Tools:

Drill w/3/16" Drill Bit	Floor Jack	Pop Rivet Tool
-------------------------	------------	----------------

Replacement Procedure:

1. Set the stretcher brake and pump the litter up fully.
2. Use the floor jack to raise the side of the base frame off the floor approximately four inches.
3. Using a drill with a 3/16" drill bit, drill out the rivets on the bottom of the pedal to be replaced.
4. Using a pop rivet tool and rivets, install the replacement pedal.
5. Lower the stretcher to the floor. Test the operation of the pedal before returning the stretcher to service.

Service Information

JACK REPLACEMENT (WITHOUT COMPRESSION SPRING)

Required Tools:

3/8" Wrench

1/2" Socket

1/2" Wrench

Needle-Nosed Pliers

Replacement Procedure:

1. Apply stretcher brakes. Raise litter to full up. Raise Fowler to full up and raise siderails.
2. Use a 3/8" wrench to remove the bolt in the litter support tube above black bellows on both ends.
3. With the assistance of another person, lift off the stretcher litter and set it aside, taking care not to damage the siderails, etc.
4. Push down on the jack actuator to put the jack in the full down position.
5. Lift off the plastic base hood, separating the Velcro holding it to the base frame.
6. Using a 1/2" socket and 1/2" wrench, remove the four bolts, washers and nuts holding the jack support straps to the base frame.
7. Using needle-nosed pliers, remove the two cotter keys on the pump link and remove the pump link.
8. Using a 1/2" socket and a 1/2" wrench, remove the four bolts holding the jack base to the base frame (using a 3" extension may be required). Remove the jack from the base frame.
9. Reverse steps 6–8 to install the replacement jack. Reinstall the base hood and the stretcher litter.

JACK REPLACEMENT (WITH COMPRESSION SPRING)

Required Tools:

3/8" Wrench

Needle-Nosed Pliers

Straight Screwdriver

Spring Compression Tool

Replacement Procedure:

1. Apply stretcher brakes. Raise litter to full up. Raise Fowler to full up and raise siderails.
2. Use a 3/8" wrench to remove the bolt in the litter support tube above black bellows on both ends.
3. With the assistance of another person, lift off the stretcher litter and set it aside, taking care not to damage the siderails, etc.
4. Push down on the jack actuator to put the jack in the full down position.
5. Lift off the plastic base hood, separating the Velcro holding it to the base frame.
6. Using needle-nosed pliers, pull cotter pin from pump cylinder.
7. Using a straight screwdriver and pump spring compression tool (available upon request), compress the pump spring and pry the pump link out of the pump cylinder.

CAUTION

Be sure not to let the pump piston come out of the jack or damage may occur.

8. Remove and replace jack as described in the procedure above.
9. Replace pump spring and pump link using the straight screwdriver and the pump compression tool.
10. Reinstall the base hood and the stretcher litter.

Service Information

JACK ASSEMBLY TORQUE SPECIFICATION

Jack Assembly with Threads Oiled

- | | |
|---|----------------------|
| 1. Jack Cap Assembly to Jack Actuator Cylinder | 75 to 85 Foot Pounds |
| 2. Jack Actuator Cylinder to Jack Base Assembly | 55 to 65 Foot Pounds |

Jack Base Assembly with Threads Oiled

- | | |
|---|----------------------|
| 1. Jack Pump Cylinder to Jack Base Machined | 45 to 55 Foot Pounds |
| 2. Jack Pin Housing to Jack Base Machined | 35 to 45 Foot Pounds |
| 3. Jack Base Plugs to Jack Base Machined | 8 to 12 Foot Pounds |
| 4. Jack Valve Plug to Jack Base Machined | 8 to 12 Foot Pounds |

HYDRAULIC TROUBLESHOOTING

PROBLEM/SYMPTOM	SOLUTION
Jack will not raise to full height.	Add hydraulic fluid (see p.13). Check for leaks.
Jack will not hold in raised position.	Close the needle valve completely. If the jack holds, replace the release valve (see p. 15).
Jack will not pump up and the jack actuator rod does not move.	Close the needle valve. If the jack will now pump up, replace the release valve (see p. 15). If the jack still will not pump up after closing the needle valve, replace the poppet valve (see p. 15).
Jack will not pump up but the jack actuator rod does move when the pump pedal is activated.	Replace the check valve (see p. 14).
Jack will not pump up and the jack actuator rod may or may not move.	Remove excess air (vacuum) in system (see below).

Be sure the pedal linkage has been adjusted properly before beginning service on the jacks (see page 9).

Contact Stryker technical service at 1-800-327-0770 for further assistance.

REMOVAL OF EXCESS AIR (VACUUM) FROM THE HYDRAULIC SYSTEM

Procedure:

1. Verify all hydraulic linkages are secure and operating properly (see pedal linkage adjustment procedure page 9).
2. Using pump pedal, actuate system several times. This will force the air through the system and the jack should now pump up.

Service Information

CHECKING HYDRAULIC FLUID LEVEL

Required Tools:

3/8 Open End Wrench

3/4 Open End Wrench

Procedure:

WARNING

To avoid personal injury or damage to the stretcher, remove the litter and the base hood before beginning service on the jacks.

1. Using a 3/8 open end wrench, remove square head set screws from both head and foot end jack support tubes. Remove litter top and set aside.
 2. Lift base hood off base frame and set aside.
 3. Be sure there are no hydraulic leaks. If there are, jack replacement will be necessary.
 4. Lower the jack to the full down position.
 5. Using a 3/4 open end wrench, slowly turn the fill plug located on the side of the reservoir counterclockwise to allow excess system pressure to vent. Remove the fill plug.
 6. The hydraulic fluid should be visible at the bottom of the fill hole. If it is not, add Mobil Aero HFA hydraulic fluid (Stryker part number 2020–70–475) until the fluid is visible at the bottom of the fill hole. Replace the fill plug.
-

CAUTION

Use of other types of oil may damage hydraulic units.

7. Replace the hood and the litter.

JACK DESCENT RATE ADJUSTMENT

Required Tools:

Screwdriver

Bungee Cords (or equivalent)

Adjustment Procedure:

1. Pump the litter up to full height.
2. Lift the base hood, separating the hood from the base frame. Using the bungee cords, support the base hood.
3. The descent rate needle valve is located on the base of the jack. Turning the needle valve clockwise, with a screwdriver, will decrease the rate of descent. Turning it counterclockwise will increase the rate of descent.
4. Adjust the needle valve so that the foot end of the stretcher descends slightly faster than the head end.

NOTE

The larger percentage of a patient's weight is located in the torso area. Adjust descent rate accordingly.

5. Remove the bungee cords supporting the base hood and secure the hood to the base frame.

NOTE

The jack descent rate was preset at the factory to drop the foot end faster than the head. It is recommended that the foot drop faster to avoid patient disorientation.

Service Information

HYDRAULIC CHECK VALVE REPLACEMENT

Required Tools:

3/8 Open End Wrench
3/4 Open End Wrench

Stiff Wire (with bent, pointed end)
Torque Wrench (with Ft. Lbs. adjust.)

Small Needle Nose Pliers
7/32 Hex Allen Wrench

Check Valve Part Number 926-20-153

Replacement of Check Valve

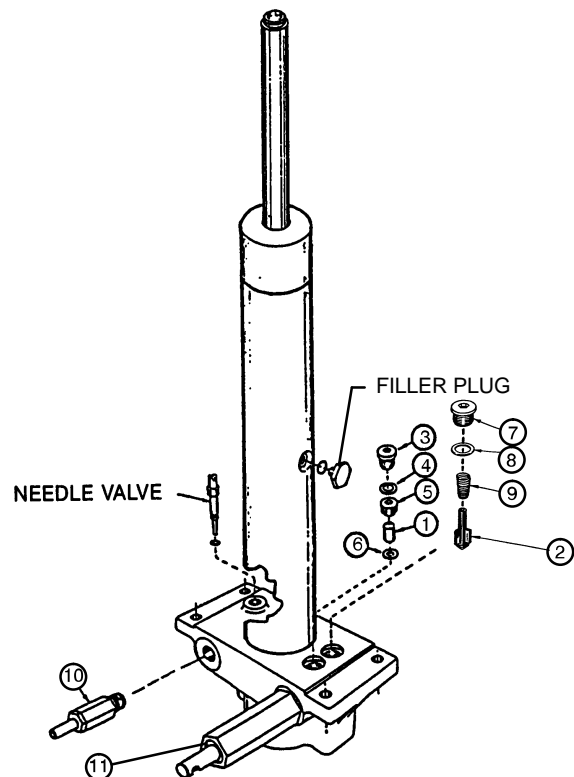
WARNING

To avoid personal injury or damage to the stretcher, remove the litter and the base hood before beginning service on the jacks. Lower the jack rod completely to relieve the pressure on the pump piston side of the jack. This will prevent large hydraulic fluid loss and possible damage when the base plugs are removed.

1. Remove the base plug (3) and the seal (4).
2. Remove the valve plug (5).
3. Using a stiff wire with a bent, pointed end, remove the valve (1).
4. Install the new valve (1) with the beveled end up (as shown in the illustration).
5. Reinstall the valve plug (5) with the beveled end down toward valve (1) and tighten to 10 foot-pounds torque.
6. Reinstall the seal (4) and the base plug (3) and tighten to 10 foot-pounds torque.
7. Pump up the jack to the maximum height.
8. Be sure there are no hydraulic leaks before replacing the base hood and the litter.

ITEM	PART NO.	PART NAME
1	926-20-153	Check Valve
2	715-1-341	Poppet
3	715-1-301	Base Plug
4	926-20-156	Seal
5	715-1-309	Valve Plug
6	926-20-154	Seal
7	715-1-301	Base Plug
8	926-20-156	Seal
9	390-2-134	Con. Comp. Spring
10	1210-70-9	Valve Assembly*
10	715-270-100	Valve Assembly**
11	715-100-325	Pump Piston

* Used on jack part number 1210-70-10.
** Used on jack part number 715-270-10.
(See label on side of jack reservoir for jack part number).



Service Information

HYDRAULIC CHECK VALVE REPLACEMENT (CONTINUED)

Replacement of Release Valve

Release Valve Part Number 715–270–100

WARNING

To avoid personal injury or damage to the stretcher, remove the litter and the base hood before beginning service on the jacks. Lower the jack rod completely to relieve the pressure on the pump piston side of the jack. This will prevent large hydraulic fluid loss and possible damage when the base plugs are removed.

1. Remove the release valve (10).
2. Install the new release valve (10).
3. Pump up the jack to the maximum height.
4. Be sure there are no hydraulic leaks before replacing the base hood and the litter.

Replacement of Poppet Valve

Poppet Valve Part Number 715–1–341

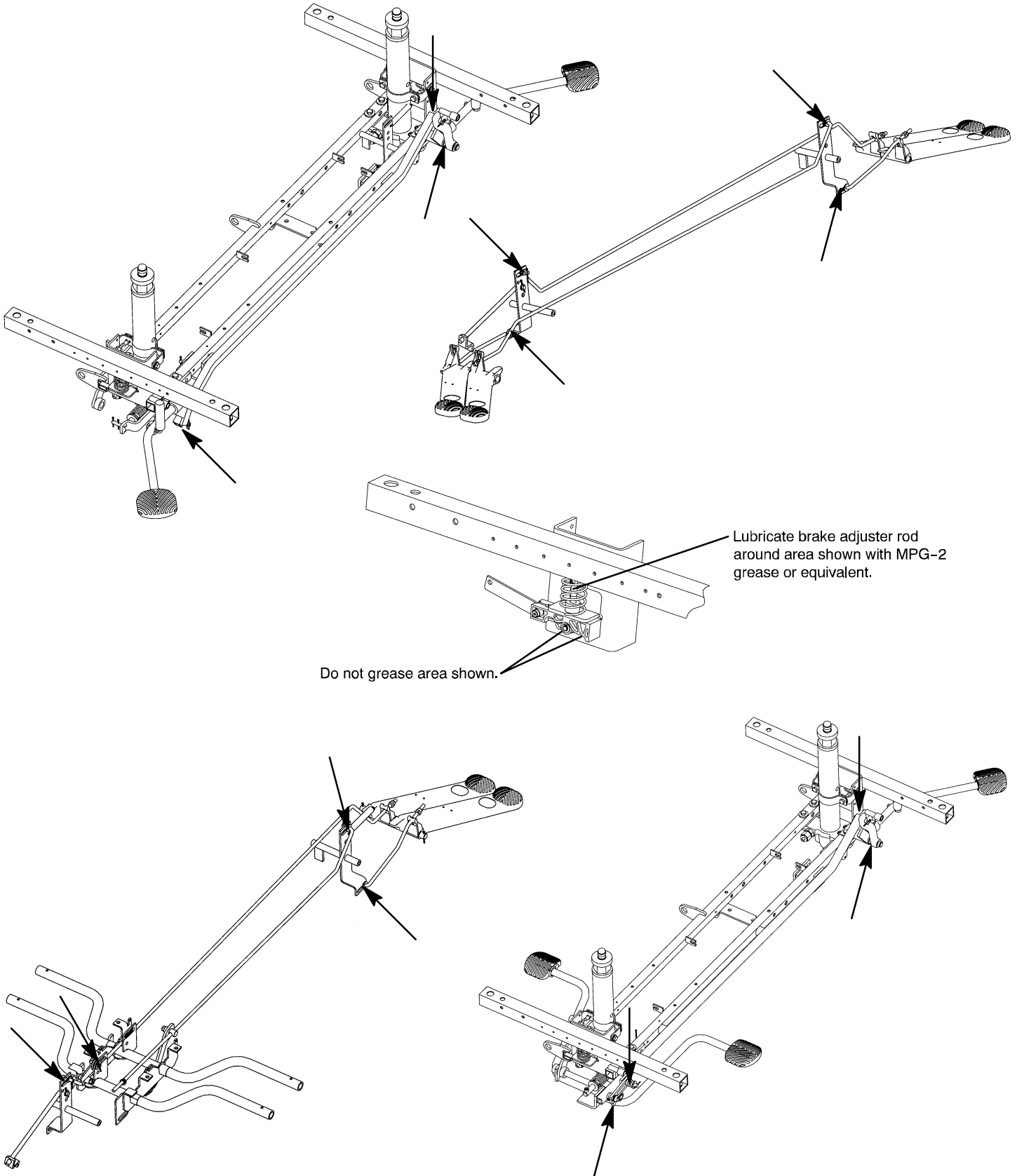
WARNING

To avoid personal injury or damage to the stretcher, remove the litter and the base hood before beginning service on the jacks. Lower the jack rod completely to relieve the pressure on the pump piston side of the jack. This will prevent large hydraulic fluid loss and possible damage when the base plugs are removed.

1. Remove the base plug (7) and the seal (8).
2. Remove the compression spring (9).
3. Using small needle nose pliers, remove the poppet valve (2).
4. Install the new poppet valve (2).
5. Reinstall the compression spring (9).
6. Reinstall the seal (8) and the base plug (7) and tighten to 10 foot–pounds torque.
7. Pump up the jack to the maximum height to check its operation.
8. Check for hydraulic leaks before replacing the base hood and the litter.

Service Information

BASE LUBRICATION



Service Information

PNEUMATIC FOWLER ADJUSTMENT

Required Tools: 5/32" Hex Allen Wrench 1/2" Open End Wrench

Adjustment Procedure:

1. For easier access, move Fowler to 75° or higher.
2. Using a 1/2" open end wrench, loosen the nuts in the actuator arms on the end of the trip bar.
3. To adjust the Fowler, use a 5/32" hex Allen wrench to turn the Allen screws 1 to 2 turns counter-clockwise if the Fowler will not move or 1 to 2 turns clockwise if the Fowler will not hold its position.
4. Retighten the nuts. Be sure the Fowler will travel from flat to 90° and down again and will hold its position when weight is applied before returning the stretcher to service.

TRANSFER BOARD COUNTERBALANCE ADJUSTMENT

Required Tools: 7/16 Open End Wrench

Adjustment Procedure:

1. Raise the transfer board to the full up position.
2. Unhook the extension spring at the eye bolt.
3. Using a 7/16 open end wrench, loosen the jam nut at the eye bolt and adjust the eye bolt to the desired position.
4. Tighten the jam nut.
5. Hook the extension spring to the eye bolt. Allow the transfer board to lower on its own.
6. Repeat until the desired counterbalance is achieved.

SIDERAIL LATCH ADJUSTMENT

Required Tools: 1/8 Hex Allen Wrench

WARNING

The siderail latch adjustment is pre-set at the factory, and should not normally need adjustment. If adjustment must be done, it is important to follow the procedure below. If it is not done properly, injury could occur.

Adjustment Procedure:

1. Using a 1/8 hex Allen wrench, adjust the hex Allen screw located on the latch assembly opposite the latch. Turning the screw clockwise will **DECREASE** the amount of "play" in the latching mechanism. Turning counterclockwise will **INCREASE** the amount.

NOTE

The amount of "play" in the siderail, when in full up engaged position, should be approximately 1/8 to 3/16".

CAUTION

Too much "play" when the siderail is in the full up engaged position will give the siderail the appearance of being unstable and could also cause premature wearing of the latch system.

Too little "play" will obstruct the latch and keep it from engaging completely in the full up position, which may cause damage to the latch and/or injury to the patient or user.

Service Information

BIG WHEEL/BEARING REPLACEMENT

Required Tools:

15/16" Wrench or Socket & Ratchet (2) Bungee Cords Torque Wrench
Small Standard Screwdriver

Procedure:

1. Apply the stretcher brakes.
2. Pump the litter up to full height.
3. Lift the base hood and support it from the litter frame using bungee cords.
4. Using a small standard screwdriver, remove the big wheel hub cap, being careful not to damage the outer surface of the hub cap (see page 37.4 for part reference).
5. Using a 15/16" wrench or socket and ratchet, remove the nut holding the big wheel to the frame. Remove the bearing and sleeve (see page 37.13 for part reference).
6. Install the replacement bearing and the sleeve onto the wheel bolt. Install the big wheel and outer bearing.
7. Install the nut and tighten it to 30 foot-pounds using a torque wrench.
8. Remove the bungee cords and reinstall the base hood.
9. Verify the brake and steer functions are working properly before returning the bed to service.

BIG WHEEL ADJUSTMENT

Required Tools:

9/16" Wrench (2) Bungee Cords Small Ruler or Tape Measure

Procedure:

1. Apply the stretcher brakes.
2. Pump the litter up to full height.
3. Lift the base hood and support it from the litter frame using bungee cords.
4. Using a 9/16" wrench, remove the two side bolts on the cam adjuster block (see page 37.4 for part reference).
5. Release the brakes and engage the big wheel.
6. Adjust the two top bolts on the adjuster block equal amounts so the foot end casters are raised off the floor 1/4". Reinstall the two side bolts on the cam adjuster block after applying Loctite to both bolts.
7. Apply the stretcher brakes.
8. Remove the bungee cords and reinstall the base hood.
9. Verify the brake and steer functions are working properly before returning the bed to service.

Service Information

BIG WHEEL RETURN SPRING ADJUSTMENT

Required Tools:

1/2" Deep Well Socket & Ratchet (2) Bungee Cords

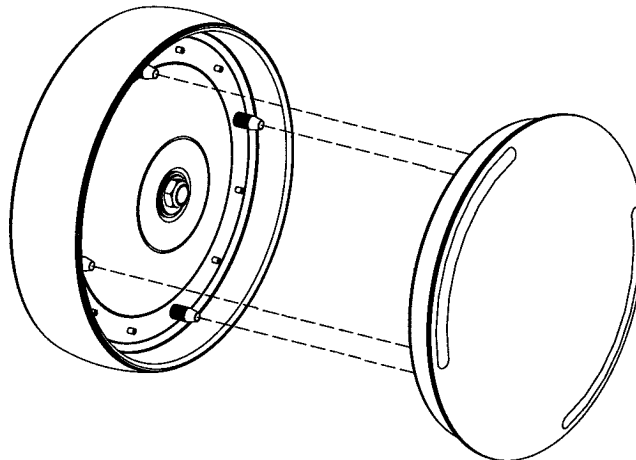
Procedure:

1. Apply the stretcher brakes.
2. Pump the litter up to full height.
3. Lift the base hood and support it from the litter frame using bungee cords.
4. Using a 1/2" deep well socket and ratchet, loosen the nut on the eyebolt to the end of the threads. Remove the spring from the frame and eyebolt (see page 37.4 for part reference).
5. Install the new spring and tighten the nut on the eyebolt.
6. Check for proper operation.
7. Apply the stretcher brakes.
8. Remove the bungee cords and reinstall the base hood.
9. Verify the brake and steer functions are working properly before returning the bed to service.

Big Wheel Hubcap Removal

Required Tools:

Large Standard Screwdriver



Removal Procedure:

1. Using a large standard screwdriver, pry evenly around the entire edge of the Big Wheel hubcap until it pops off the mounting studs on the wheel.

CAUTION

Do not attempt to pull off the hubcap after prying up only one side. Damage to the slots on the hubcap or the mounting studs on the wheel could result.

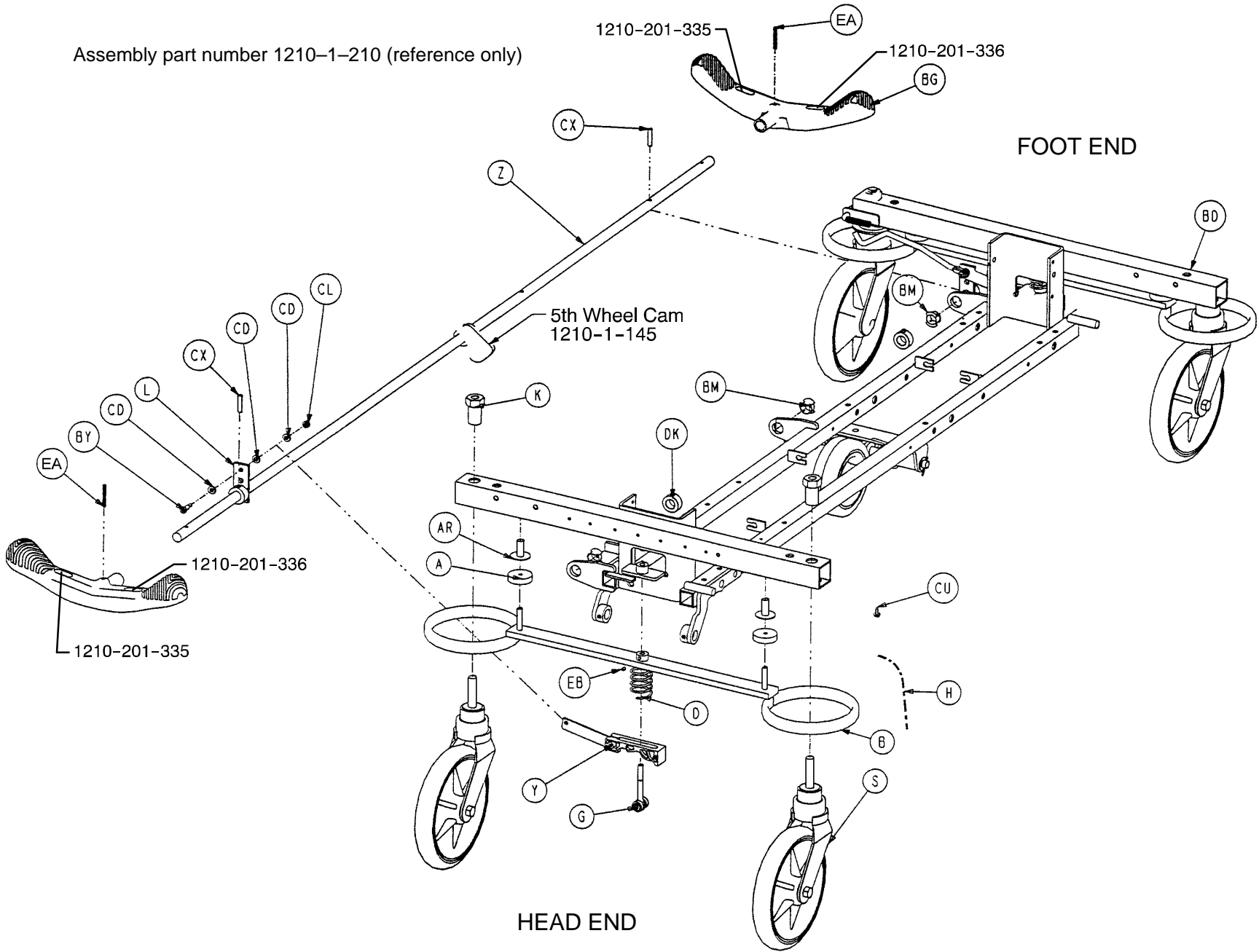
2. To reinstall the hubcap, place it on the wheel, aligning the slots in the hubcap with the mounting studs on the wheel. Press down evenly on the edges of the hubcap until it snaps into place.

Replacement Parts

<u>PART NAME</u>	<u>PART NUMBER</u>
C–Spine Cassette Holder	1001–70
Defibrillator/Equipment Tray	926–39
Foot Board/Chartholder	926–40–100
Foot Extension/Defibrillator Tray Assembly	1010–50–100
Fowler X–Ray Cassette Tray	1211–143–12
Head/Foot Board Assembly (2)	946–29–100
Head Board with Push Bar (Non–Storing)	1009/1509–159
Heel Stirrups	1001–55
Hydraulic Jack, Constant Flow	715–270–210
Hydraulic Jack, Standard	715–270–10
Hydraulic Oil, Mobil Aero HFA – 1 Quart	2020–70–475
Instrument/Serving Tray (1009)	1052–26
Instrument/Serving Tray (1509)	1052–29
I.V. Caddy	1050–1
I.V. Caddy Tool Kit	1050–10
I.V. Pole, Head End, 2–Stage	1009/1509–110
I.V. Pole, Foot End, 2–Stage	1009/1509–112
I.V. Pole, Head End, 3–Stage	1009/1509–111
I.V. Pole, Foot End, 3–Stage	1009/1509–113
I.V. Pole, Removable	390–25
I.V. Pole Tethered	1009/1509–117
Mattress, 3” x 26”, Standard	1059–326–140
Mattress, 4” x 26”, Standard	1059–426–140
Mattress, 3” x 29”, Standard	1059–329–140
Mattress, 4” x 29”, Standard	1059–429–140
Mattress, 2” x 26”, Enhanced Comfort	1059–226–140
Mattress, 3” X 29”, Enhanced Comfort	1501–48–106
Mattress, 4” x 29”, Enhanced Comfort	1501–47–106
Mattress, 3” x 26”, Enhanced Comfort	1001–48–106
Mattress, 4” x 26”, Enhanced Comfort	1001–47–106
Mattress, 4” Thick x 26”, Ultra Comfort	1210–40–4
Mattress, 5” Thick x 26”, Ultra Comfort	1210–40–5
Mattress, 4” Thick x 29”, Ultra Comfort	1710–40–4
Mattress, 5” Thick x 29”, Ultra Comfort	1710–40–5
Oxygen Bottle Holder Assembly	1020–30
Paint, Touch–Up, Gloss Black, Bottle w/Brush	7000–1–322
Paint, Touch–Up, Gloss Black, Spray Can	7000–1–319
Paint, Touch–Up, Gray, Bottle w/Brush	7000–1–320
Paint, Touch–Up, Gray, Spray Can	7000–1–317
Push Bar, Fold to Head	1009/1509–155
Push Bar, Fold to Foot	1009/1509–156
Restraint Straps, Ankle	946–43
Restraint Straps, Body	390–19
Restraint Straps, Full Patient Security Package	1010–77
Restraint Straps, Wrist	946–44
Siderail Pads	1001–52

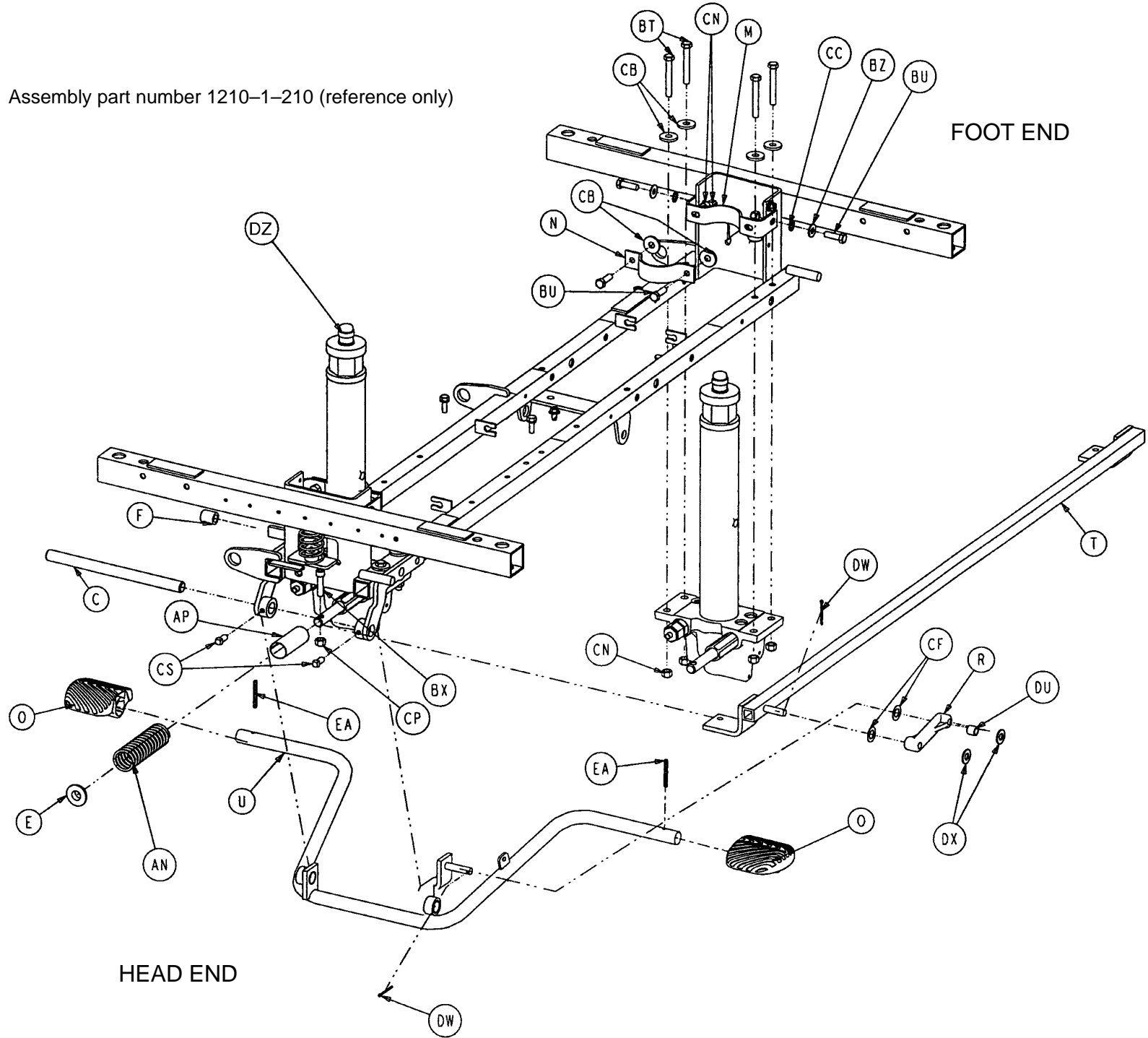
Assembly part number 1210-1-210 (reference only)

19



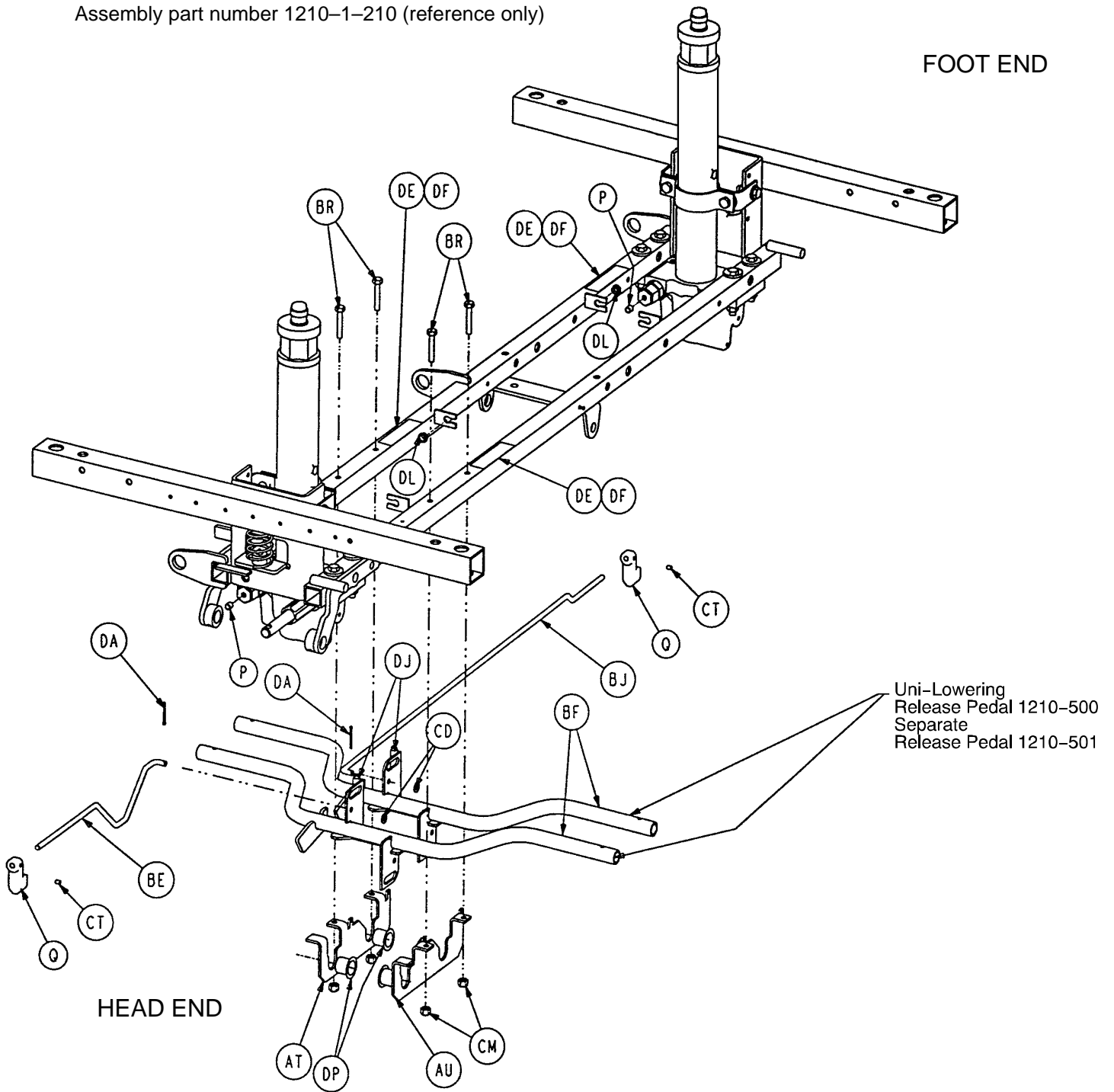
Side Control Base Assembly

Assembly part number 1210-1-210 (reference only)



Side Control Base Assembly

Assembly part number 1210-1-210 (reference only)



Side Control Base Assembly

Item	Part No.	Part Name	Qty.	Item	Part No.	Part Name	Qty.
A	715-1-11	Brake Cushion	4	BR	3-47	Hex Hd. Cap Screw	4
B	715-1-61	Caster Brake Weldment	2	BT	3-62	Hex Hd. Cap Screw	8
C	715-1-92	Pump Pedal Shaft	1	BU	3-85	Hex Hd. Cap Screw	8
D	715-201-94	Compression Spring	2	BX	4-146	Soc. Hd. Cap Screw	2
E	715-1-133	Collar	1	BY	8-17	Shoulder Bolt	2
F	715-1-140	Vinyl Tube	1	BZ	11-3	Washer	12
G	(page 27)	Brake Adjuster	2	CB	11-262	Washer	12
H	715-1-156	Ground Chain	1	CC	13-38	Ext. Tooth Lock Washer	4
K	715-1-158	Caster Nut	4	CD	14-2	Washer	8
L	715-1-165	Actuator Plate Weldment	2	CF	14-9	Washer	2
M	715-1-192	Jack Support	2	CL	16-2	Hex Nut	2
N	715-1-193	Jack Support Clamp	2	CM	16-28	Hex Nut	4
O	715-201-126	Slip-On Pump Pedal	2	CN	16-36	Hex Nut	16
P	715-1-333	Release Rod Stop Sleeve	2	CP	16-48	Hex Nut	2
Q	715-1-346	Release Paddle	2	CS	46-2	Square Hd. Set Screw	2
R	715-1-214	Connecting Link	1	CT	21-50	Set Screw	2
S	(page 34)	Caster Assembly	*	CU	23-25	Self-Tapping Screw	1
T	715-201-27	Pump Rod Assembly	1	CX	26-13	Spring Pin	2
U	(page 29)	Pump Pedal Assembly	1	DA	27-4	Cotter Pin	2
Y	(page 28)	Brake Cam Assembly	2	DE	29-12	Velcro Loop	3
Z	715-201-230	Brake Bar	1	DF	29-14	Velcro Hook	3
AN	38-246	Jack Spring	1	DJ	38-355	Extension Spring	2
AP	763-1-16	Spring Holder	1	DK	42-20	Collar	2
AR	946-1-116	Brake Bar Bushing	4	DL	52-245	Nyliner	2
AT	1210-1-115	Pedal Pivot, Left	1	DP	52-747	Flange Bearing	4
AU	1210-1-114	Pedal Pivot, Right	1	DU	52-284	Spacer Washer	1
BD	1210-201-120	Base Frame Weldment	1	DW	27-3	Cotter Pin	2
BE	1210-201-139	Pull Release Rod, Head	1	DX	11-4	Washer	2
BF	1210-201-152	Release Pedal Weldment	2	DZ	(p. 38)	Jack Assembly	2
BG	1210-201-153	Butterfly "V" Pedal	2	EA	26-143	Groove Pin	4
BJ	1210-201-222	Push Release Rod	1	EB	21-151	Set Screw	2
BM	1210-201-251	Insert	3				

* Caster assembly is quantity of 4 if the fifth wheel option is present on the stretcher and quantity of 3 if the steering caster option is present.

Assembly part number 1210-2-210 (reference only)

1210-201-335

DP

1210-201-336

BG

FOOT END

CX

Z

5th Wheel Cam
1210-1-145

BD

BM

CK

CD

CD

CX

L

CD

BX

DP

K

BM

DK

AR

A

CU

1210-201-336

1210-201-335

CT

D

H

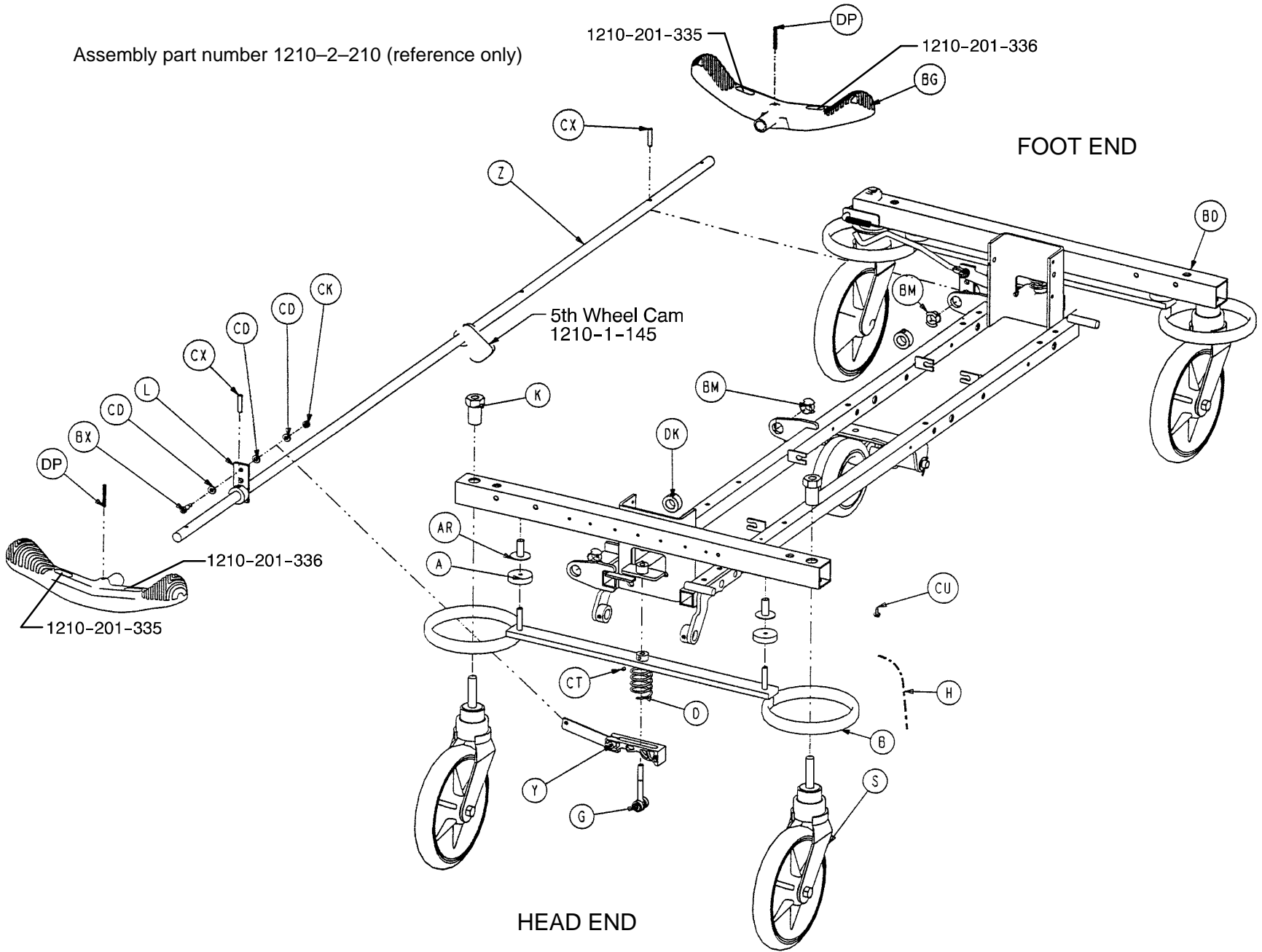
B

HEAD END

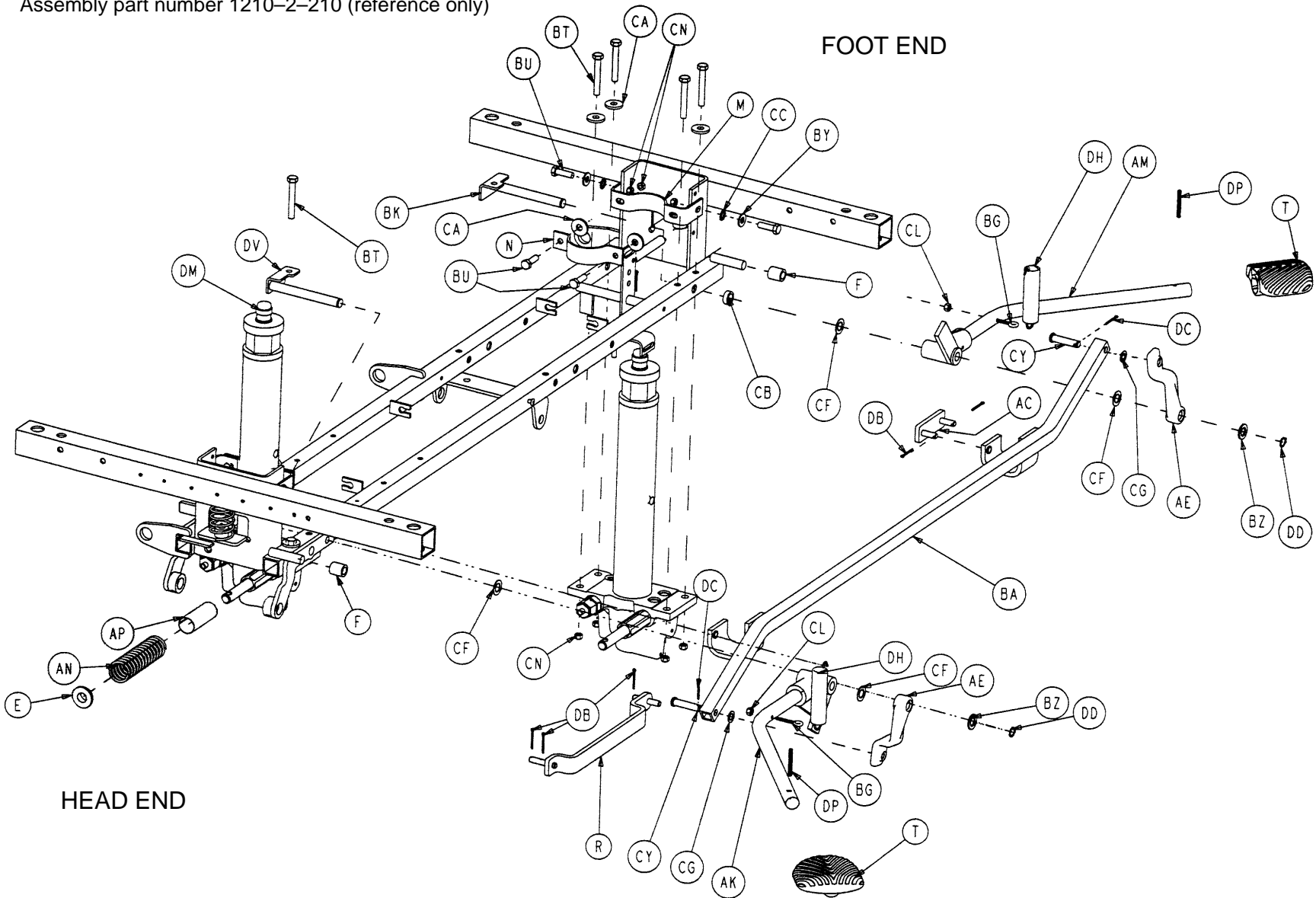
Y

G

S



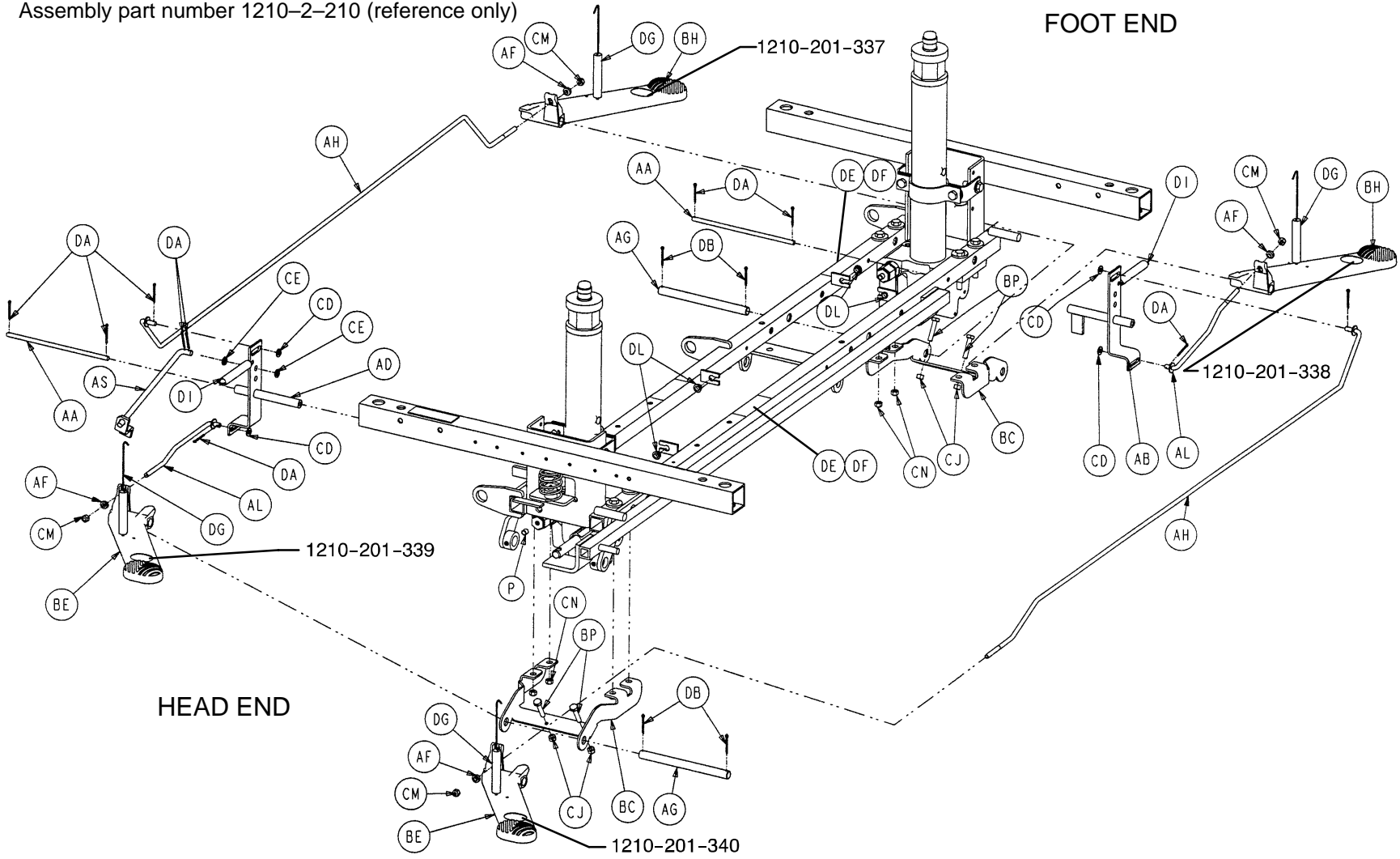
Assembly part number 1210-2-210 (reference only)



24

End Control Base Assembly

Assembly part number 1210-2-210 (reference only)

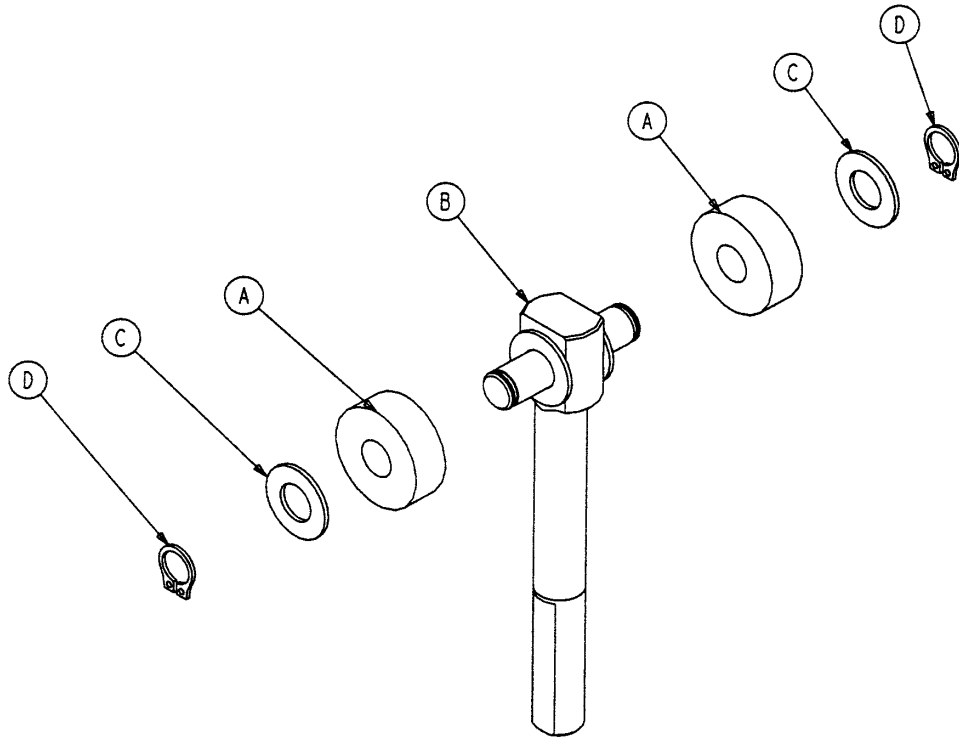


End Control Base Assembly

Item	Part No.	Part Name	Qty.	Item	Part No.	Part Name	Qty.
A	715-1-11	Brake Cushion	4	BH	1210-201-155	Foot Rel. Pedal, Offset, Lt	2
B	715-1-61	Caster Brake Weldment	2	BK	1210-201-201	Pivot Pin Bracket, Foot End	1
D	715-201-94	Compression Spring	2	BM	1210-201-251	Insert	3
E	715-1-133	Collar	2	BP	3-3	Hex Cap Screw	4
F	715-1-140	Vinyl Tube	2	BT	3-62	Hex Hd. Cap Screw	8
G	(page 27)	Brake Adjuster	2	BU	3-85	Hex Hd. Cap Screw	8
H	715-1-156	Ground Chain	1	BX	8-17	Shoulder Bolt	2
K	715-1-158	Caster Nut	4	BY	11-3	Washer	4
L	715-1-165	Actuator Plate Weldment	2	BZ	11-13	Washer	2
M	715-1-192	Jack Support	2	CA	11-262	Washer	10
N	715-1-193	Jack Support Clamp	2	CB	11-350	Spacer Washer	1
P	715-1-333	Release Rod Stop Sleeve	2	CC	13-38	Ext. Tooth Lock Washer	4
R	716-1-109	Head End Pump Link	1	CD	14-2	Washer	10
S	(page 34)	Caster Assembly	*	CE	14-3	Washer	2
T	715-201-26	Slip-On Pump Pedal	2	CF	14-7	Washer	4
Y	(page 28)	Brake Cam Assembly	2	CG	14-9	Washer	2
Z	715-201-230	Brake Bar	1	CJ	15-11	Hex Nut	4
AA	716-1-15	Release Pivot Bar	2	CK	16-2	Hex Nut	2
AB	716-1-52	Pivot Assembly, Foot End	1	CL	16-14	Nylock Nut	2
AC	716-1-102	Pump Link Weldment, Ft.	1	CM	16-28	Hex Nut	4
AD	716-1-119	Pivot Assembly, Head End	1	CN	16-36	Hex Nut	16
AE	716-201-281	Pump Idler Link	2	CT	21-50	Set Screw	2
AF	716-1-286	Release Ball Spacer	4	CU	23-25	Self-Tapping Screw	1
AG	716-201-61	Release Pedal Pivot Rod	2	CX	26-13	Spring Pin	2
AH	716-201-70	Long Release Rod	2	CY	26-195	Clevis Pin	2
AK	(page 31)	Head End Pump Pedal	1	DA	27-4	Cotter Pin	9
AL	716-201-74	Release Rod	2	DB	27-7	Cotter Pin	9
AM	(page 30)	Foot End Pump Pedal	1	DC	27-16	Cotter Pin	2
AN	763-1-15	Jack Spring	1	DD	28-97	Ext. Tooth Retaining Ring	2
AP	763-1-16	Spring Holder	1	DE	29-12	Velcro Loop	3
AR	946-1-116	Brake Bar Bushing	4	DF	29-14	Velcro Hook	3
AS	1210-1-112	Rel. Rod, Head End, Lt.	1	DG	38-235	Desc. Pedal Return Spring	4
BA	1210-201-27	Pump Connecting Rod	1	DH	38-251	Pump Return Spring	2
BC	1210-201-111	End Release Pedal Brkt.	2	DI	38-326	Extension Spring	2
BD	1210-201-120	Base Frame Weldment	1	DK	42-20	Collar	2
BE	1210-201-154	Head Rel. Pedal, Offset, Rt.	2	DL	52-245	Nyliner	4
BF	1210-201-153	Butterfly "V" Pedal	2	DM	(p. 38)	Jack Assembly	2
BG	1210-201-551	Eye Bolt	2	DP	26-143	Groove Pin	4

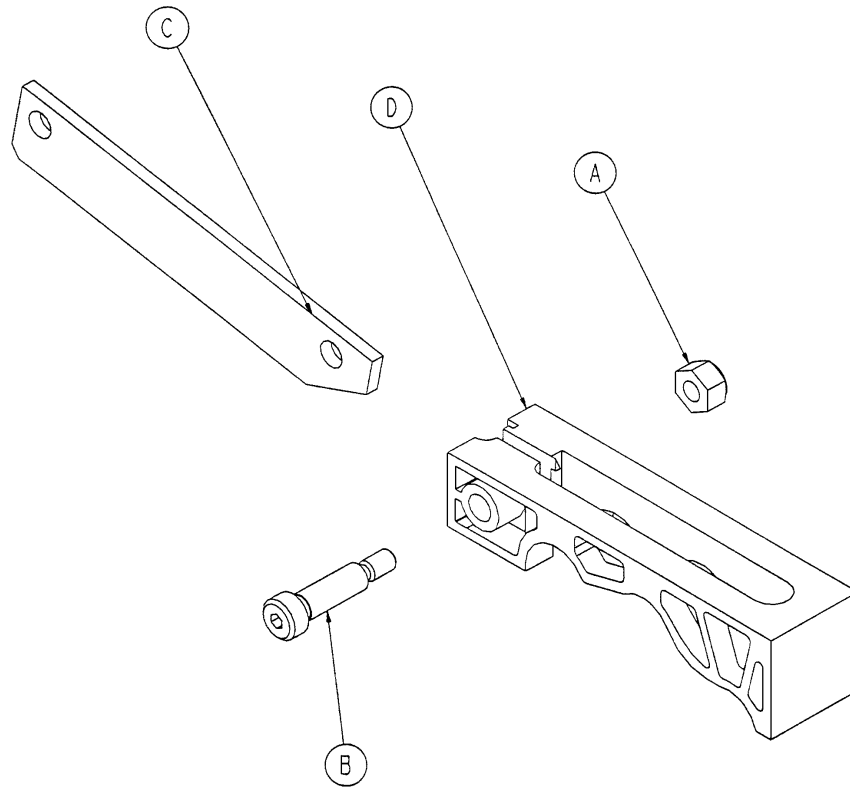
* Caster assembly is quantity of 4 if the fifth wheel option is present on the stretcher and quantity of 3 if the steering caster option is present.

715-201-150 Brake Adjuster Assembly



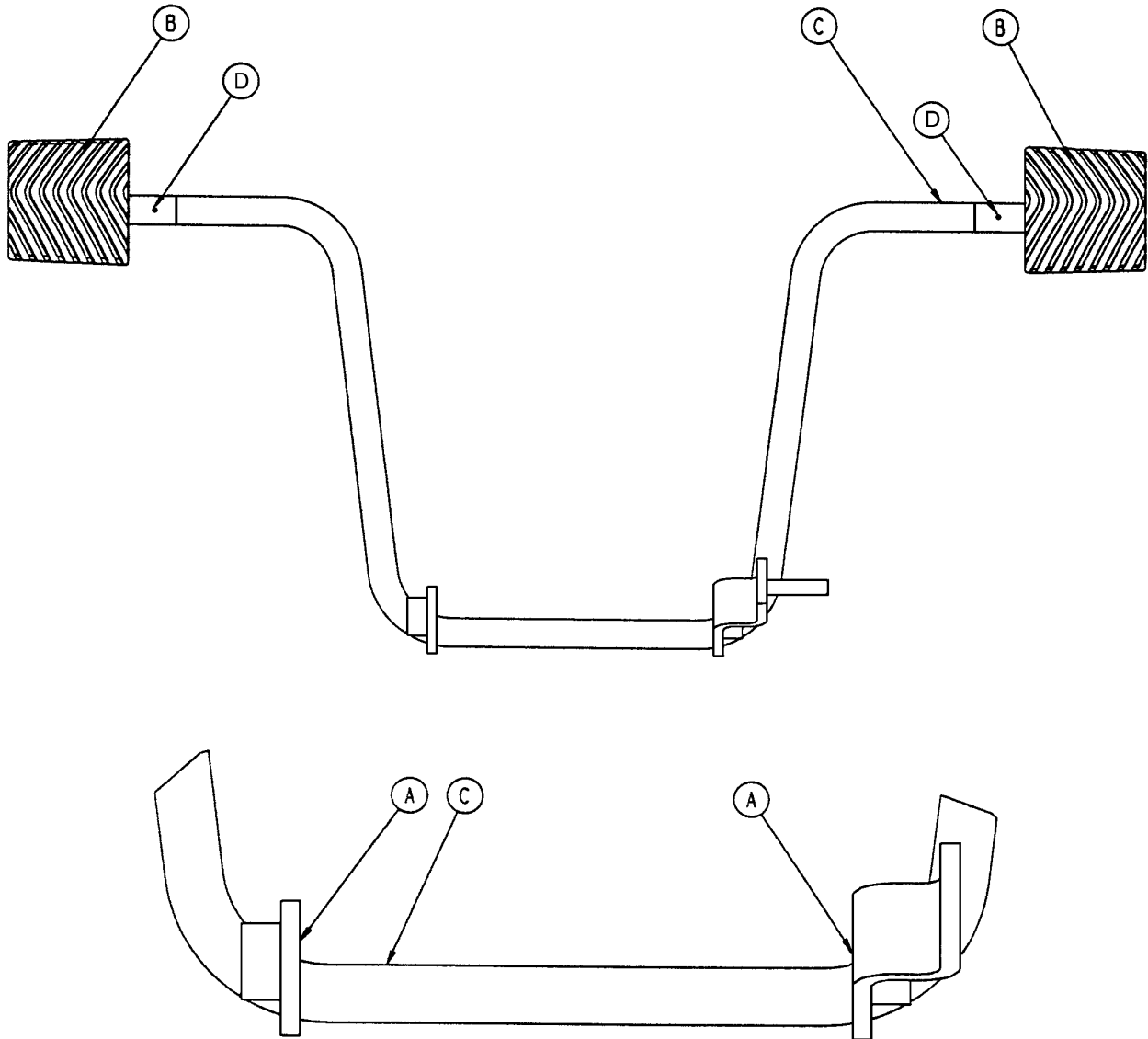
Item	Part No.	Part Name	Qty.
A	715-1-180	Cam Bearing	2
B	715-201-62	Threaded Stud Assembly	1
C	14-4	Nylon Washer	4
D	28-8	External Retaining Ring	2

715-201-213 Brake Cam Assembly



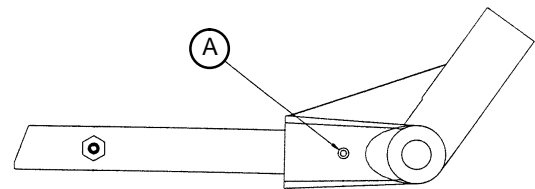
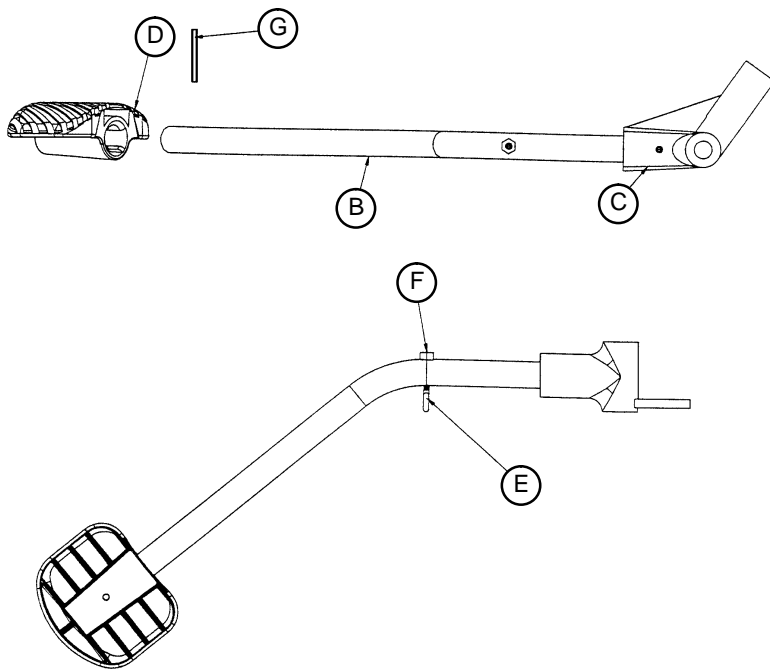
Item	Part No.	Part Name	Qty.
A	16-59	Hex Nut	1
B	8-21	Soc. Hd. Shoulder Screw	1
C	715-201-173	Brake Connecting Link	1
D	715-301-221	Brake Cam	1

Side Control Pump Pedal Assembly



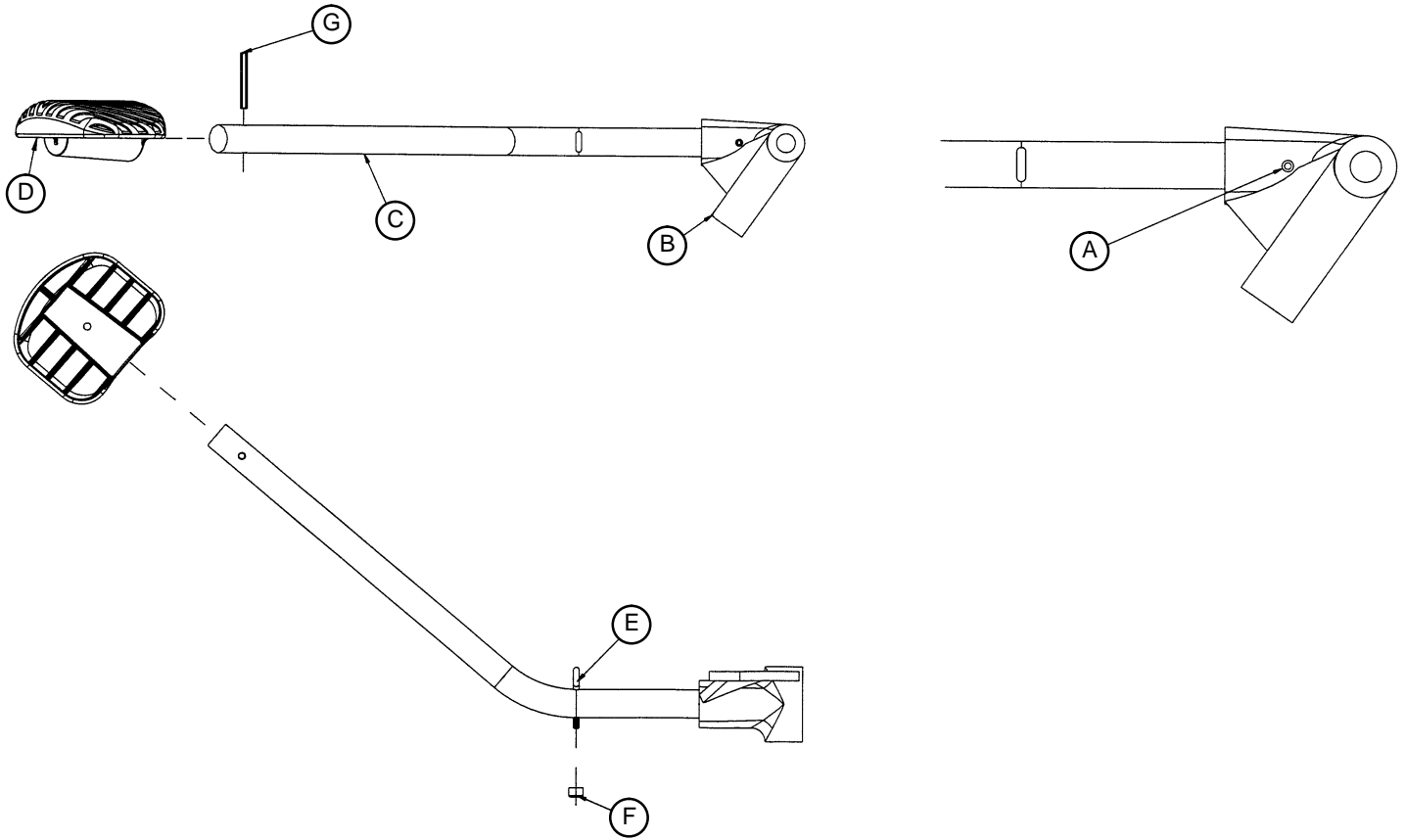
Item	Part No.	Part Name	Qty.
A	81-44	Bronze Bearing	2
B	715-201-126	Slip-On Pedal Pad	2
C	715-201-83	Pump Pedal Weldment	1
D	26-143	Groove Pin	2

716-201-288 Foot End Pump Pedal Assembly



Item	Part No.	Part Name	Qty.
A	26-12	Spring Pin	1
B	716-201-14	Foot End Pump Rod	1
C	716-1-283	Pump Pivot Housing	1
D	715-201-126	Pedal	1
E	1210-201-551	Eye Bolt	1
F	16-14	Nylock Nut	1
G	26-261	Groove Pin	1

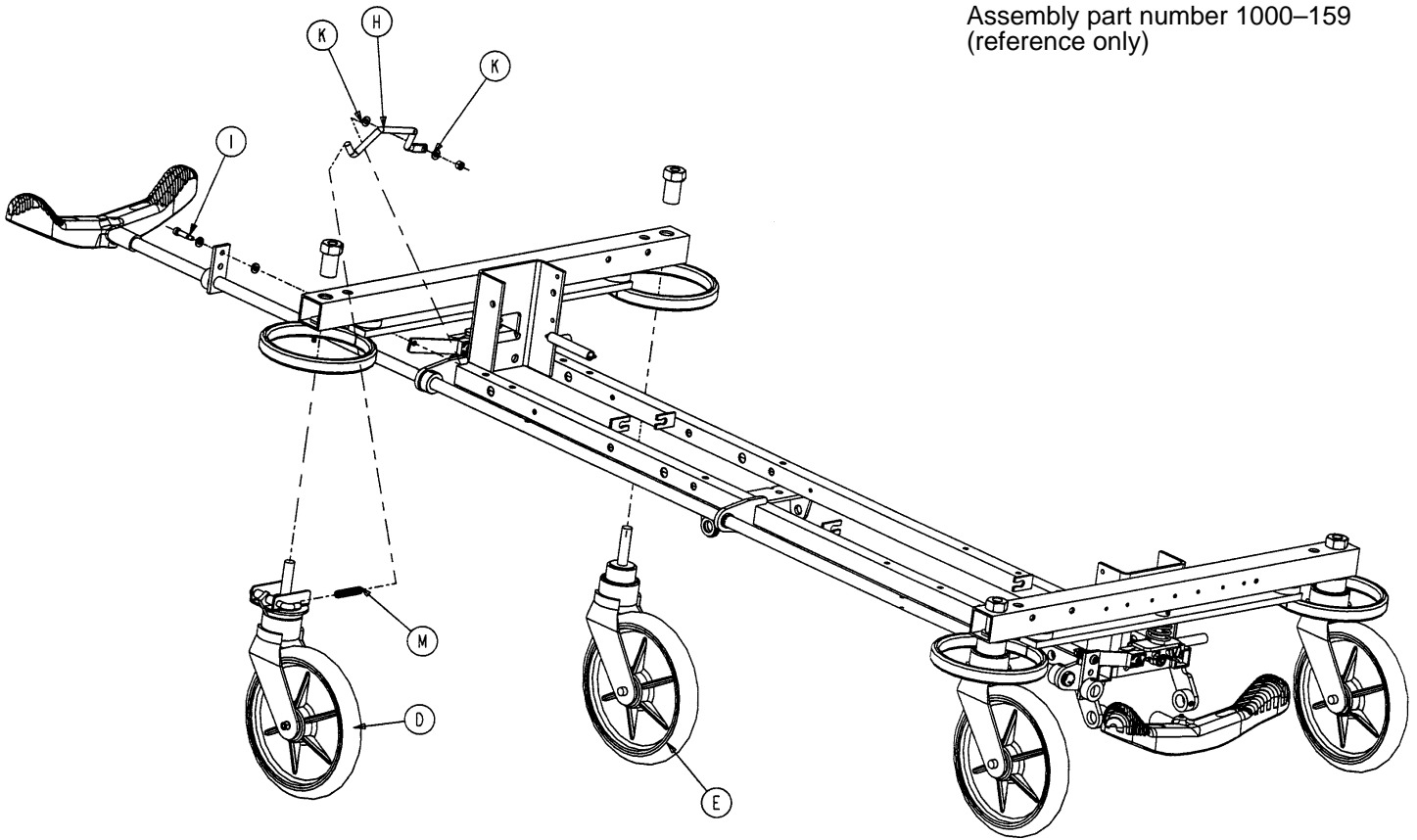
716-201-292 Head End Pump Pedal Assembly



Item	Part No.	Part Name	Qty.
A	26-12	Spring Pin	1
B	716-1-285	Pump Pivot Housing, Hd. End	1
C	716-201-14	Head End Pump Rod	1
D	715-201-126	Pedal	1
E	1210-201-551	Eye Bolt	1
F	16-14	Nylock Nut	1
G	26-261	Groove Pin	1

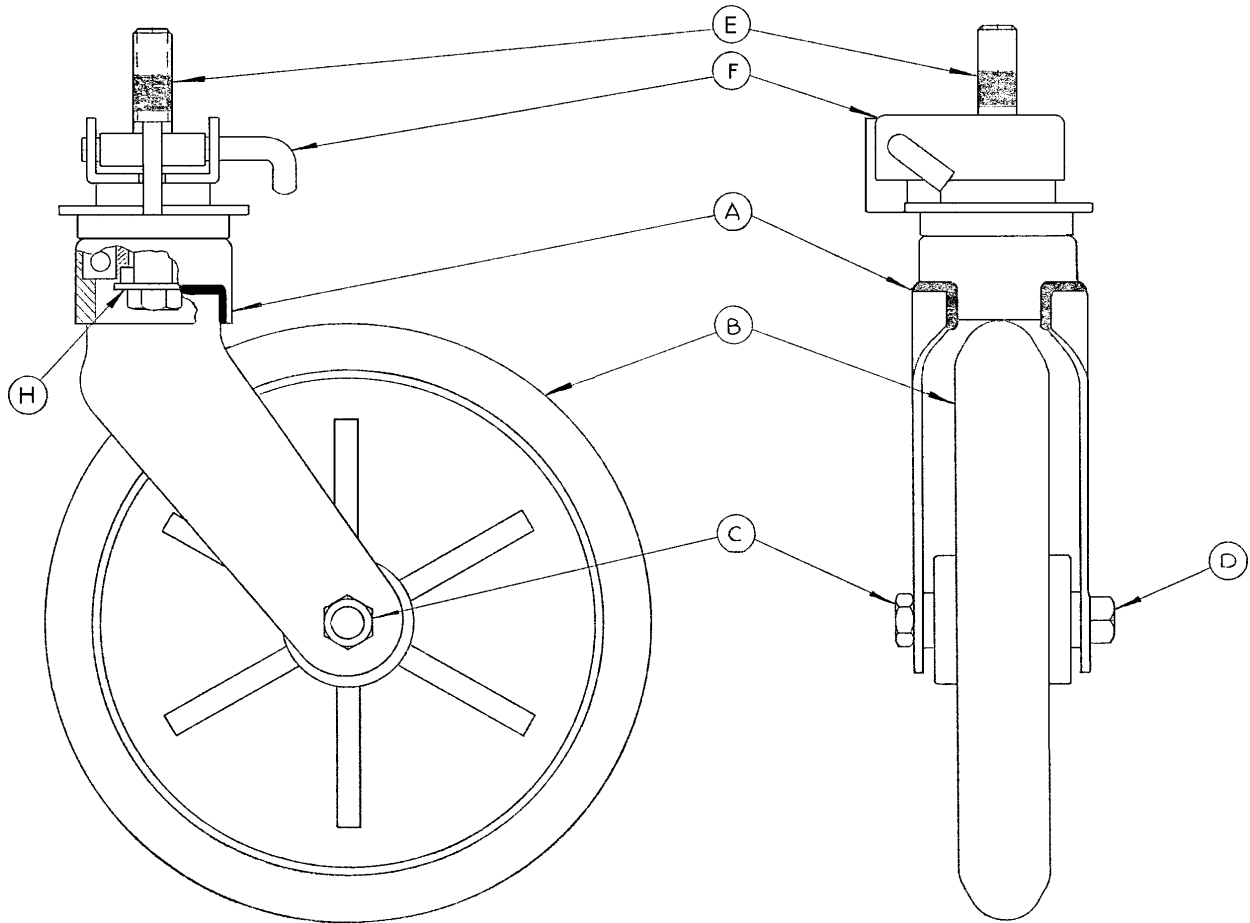
Base Assembly w/Steerlock Caster Option

Assembly part number 1000-159
(reference only)



Item	Part No.	Part Name	Qty.
D	(page 33)	Steer Caster Assembly	1
E	(page 34)	Caster Assembly	3
H	1000-210-62	Steer Lock Linkage Bar	1
I	8-21	Shoulder Bolt	1
K	14-2	Washer	2
M	38-211	Spring	1

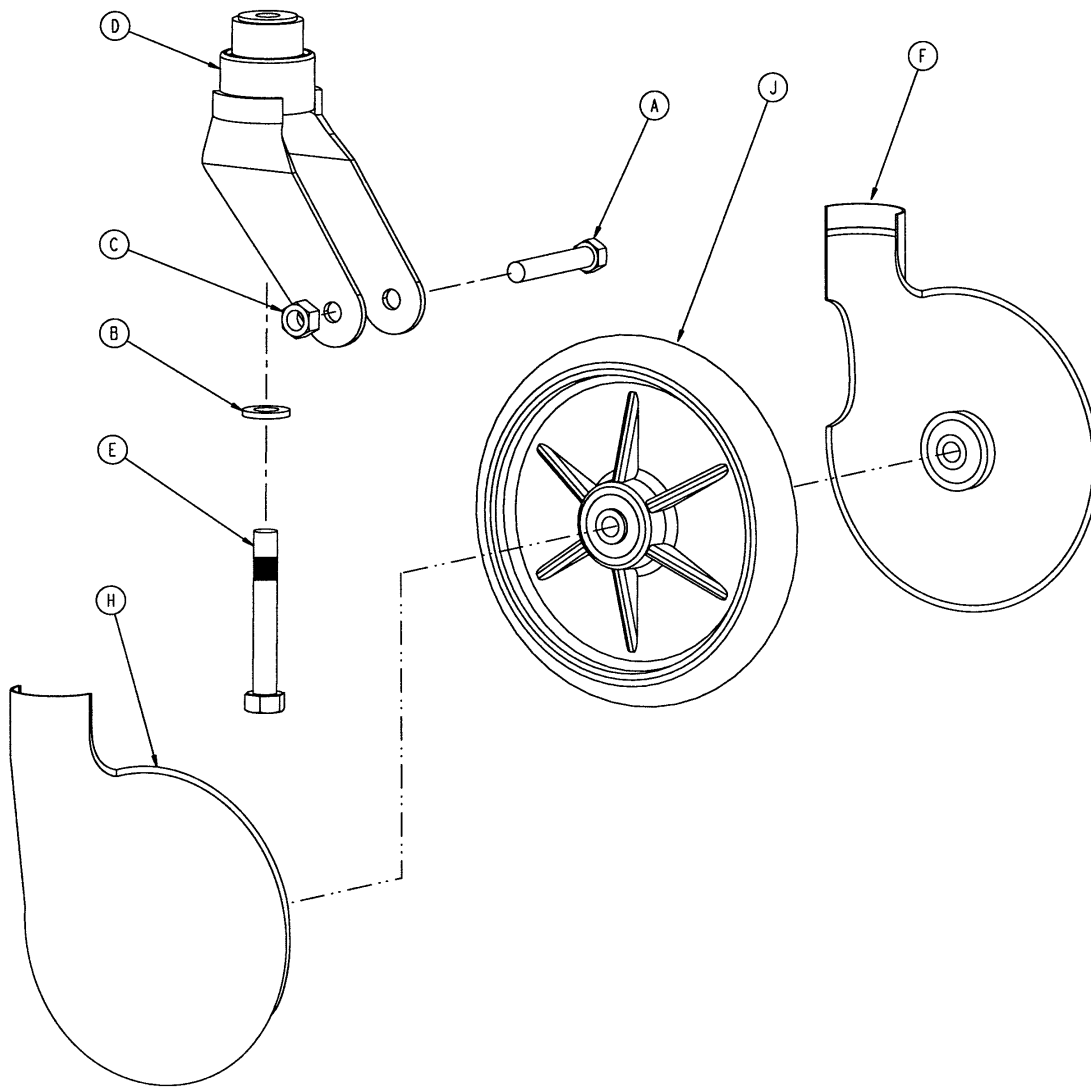
715-269-100 Caster Assembly w/Steerlock



Assembly part number 715-2-21 (reference only)

Item	Part No.	Part Name	Qty.
A	700-10-50	Steer Lock Caster Weldment	1
B	715-2-25	Caster Wheel	1
C	16-60	Hex Nut	1
D	3-99	Hex Bolt	1
E	715-3-96	Hex Bolt	1
F	1000-59-10	Latch Assembly	1
H	11-310	Flat Washer	1

Standard Caster Assembly



Item	Part No.	Part Name	Qty.
A	3-99	Hex Hd. Cap Screw	1
B	11-310	Washer	1
C	16-60	Hex Nut	1
D	715-2-16	Horn Assembly	1
E	715-3-96	Hex Hd. Cap Screw	1
F	715-1-265	Wheel Cover, Right	1
H	715-1-266	Wheel Cover, Left	1
J	715-2-25	Wheel	1
	715-1-158	Caster Nut (not shown)	1

p/n 715-259-400 – Kit to replace 4 standard caster assemblies with hardware – no caster covers.

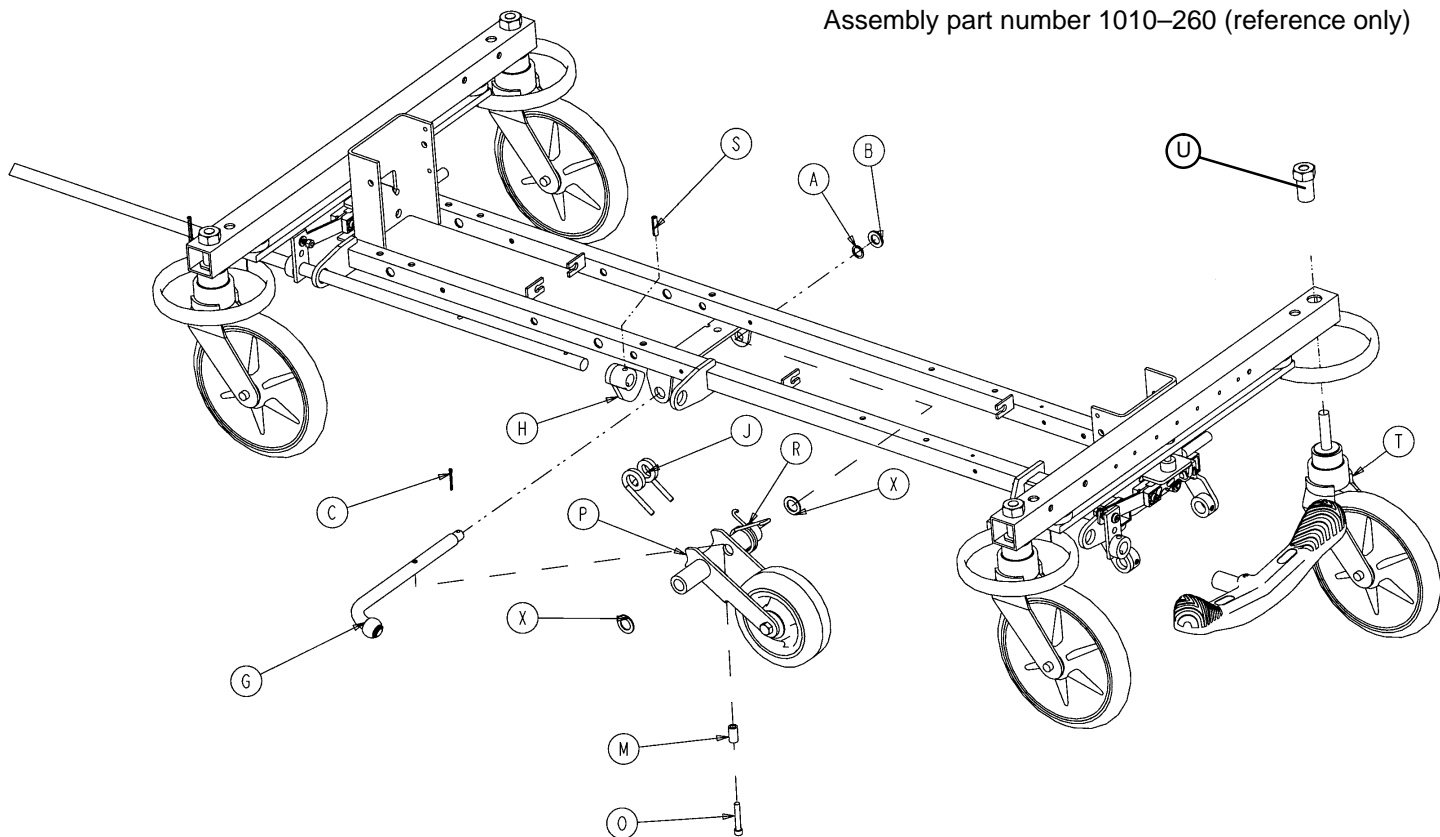
p/n 715-269-400 – Kit to replace 3 standard caster assemblies and 1 steerlock caster with hardware – no caster covers.

p/n 715-259-100 – Kit to replace 1 standard caster assembly with hardware – no caster covers.

p/n 1010-56-200 – Kit to replace both caster covers on all four wheels.

Base Assembly w/Fifth Wheel Option

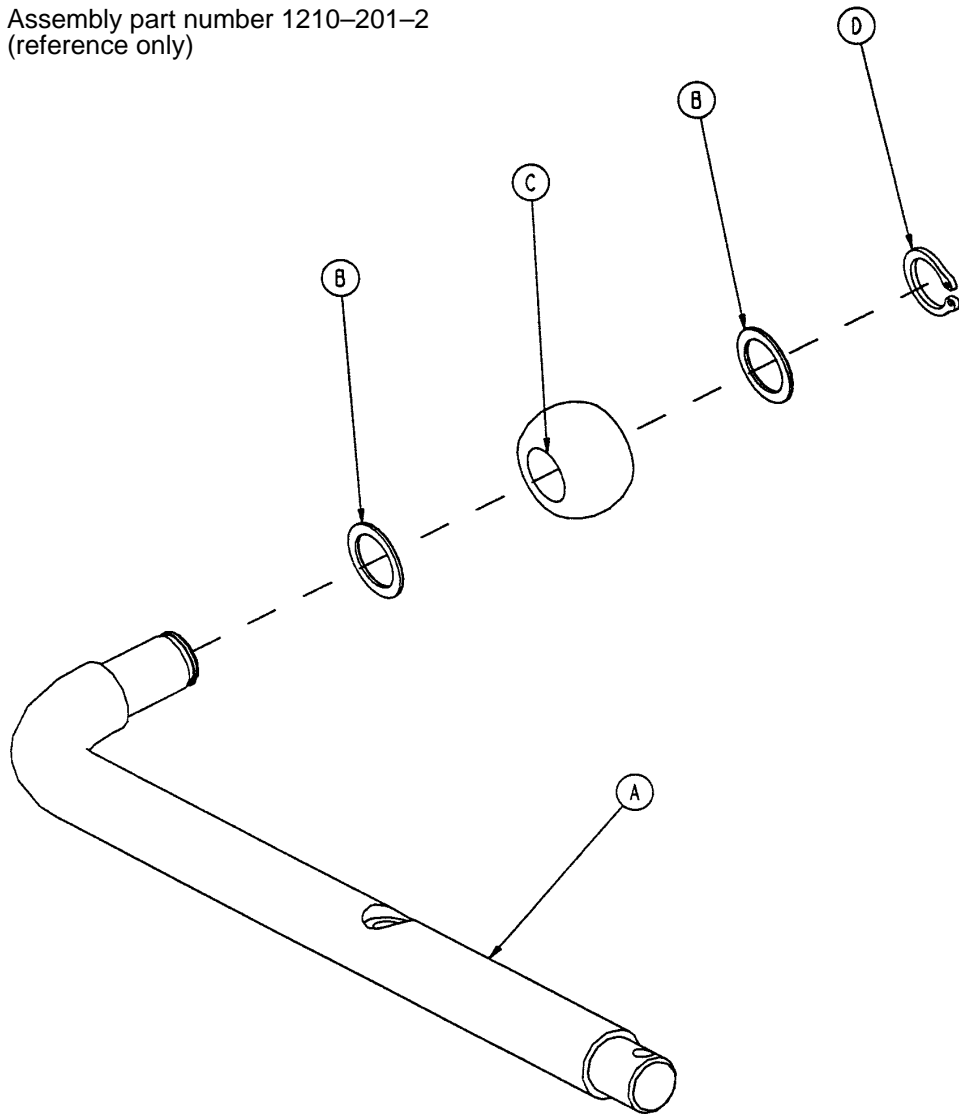
Assembly part number 1010-260 (reference only)



Item	Part No.	Part Name	Qty.
A	14-79	Nylon Washer	1
B	11-13	Washer	1
C	27-16	Cotter Pin	1
G	(page 36)	Pivot Rod Assembly	1
H	1210-1-145	Cam	1
J	1210-1-148	Torsion Spring	1
M	1210-201-149	Spring Spacer	1
O	4-10	Bolt	1
P	(page 37)	Wheel Arm Assembly	1
R	1210-1-146	Torsion Spring	1
S	26-35	Roll Pin	1
T	(page 34)	Caster Assembly	4
U	715-1-158	Caster Nut	4
X	14-80	Nylon Washer	2

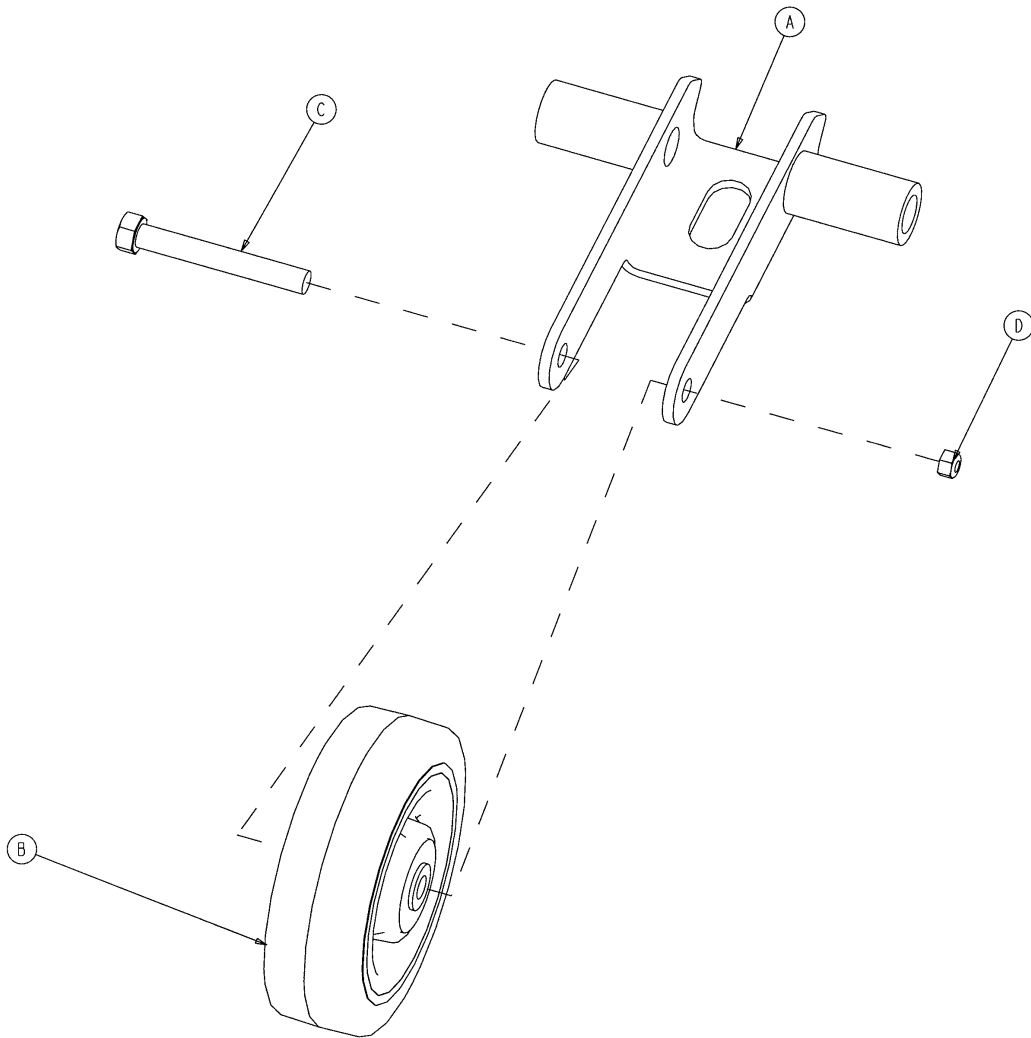
Pivot Rod Assembly

Assembly part number 1210-201-2
(reference only)



Item	Part No.	Part Name	Qty.
A	1210-1-143	Pivot Rod	1
B	14-79	Nylon Washer	2
C	1210-1-144	Roller	1
D	28-131	Snap Ring	1
E	27-16	Cotter Pin	1

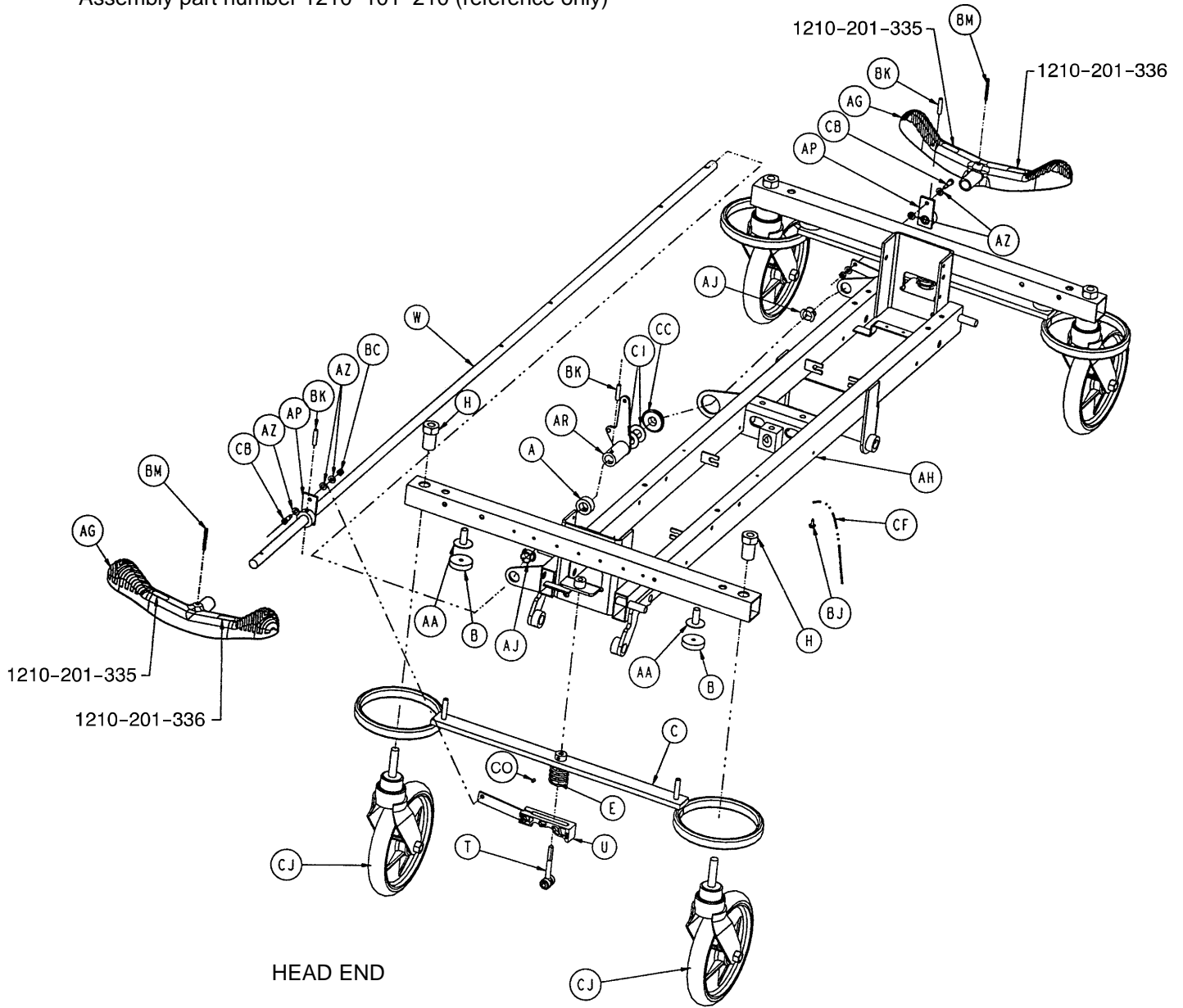
715-201-125 Wheel Arm Assembly



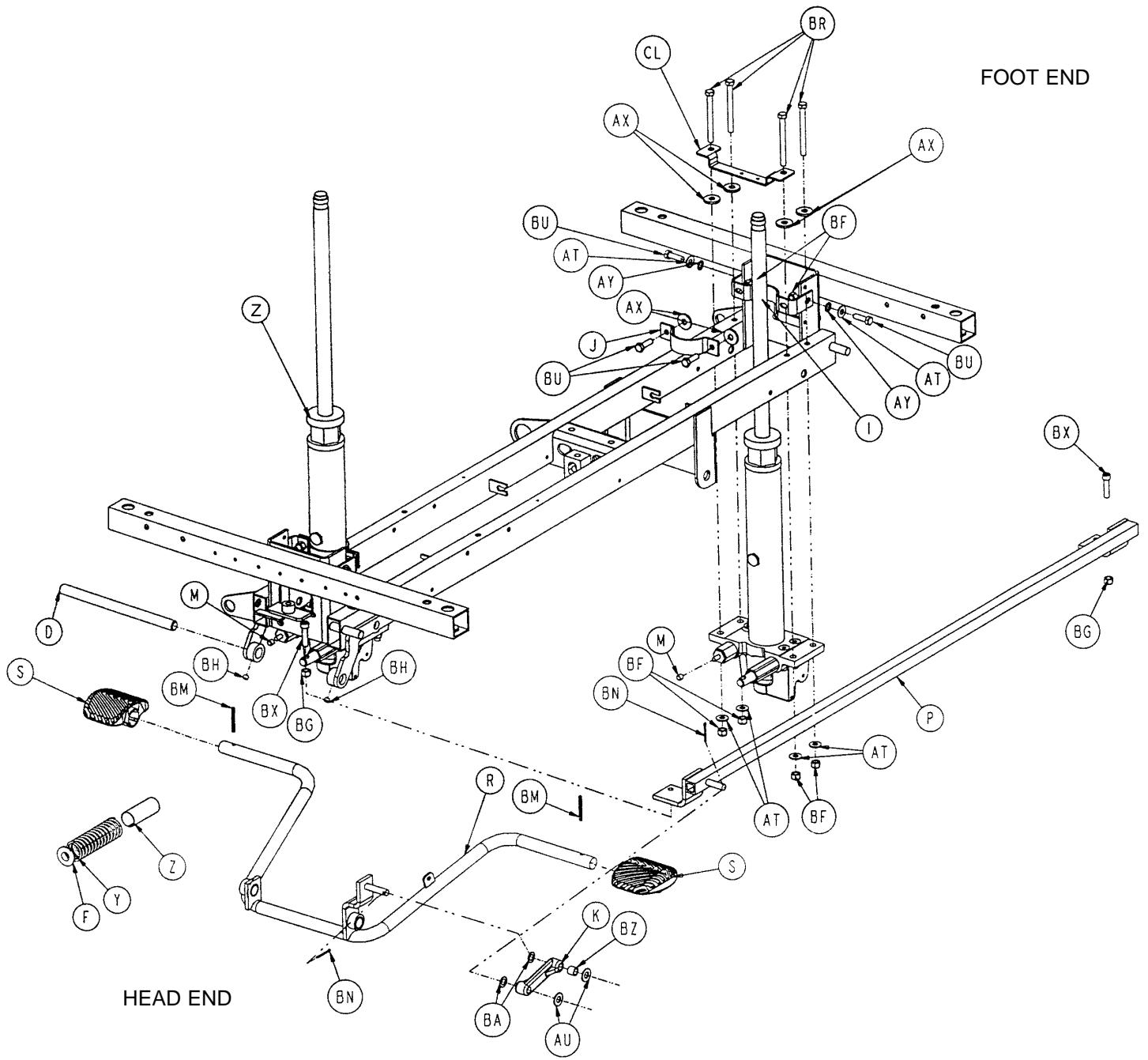
Item	Part No.	Part Name	Qty.
A	1210-201-553	Wheel Arm	1
B	1210-1-147	Fifth Wheel	1
C	3-31	Hex Hd. Cap Screw	1
D	16-12	Nylock Nut	1

Optional Side Control Big Wheel Base Assembly

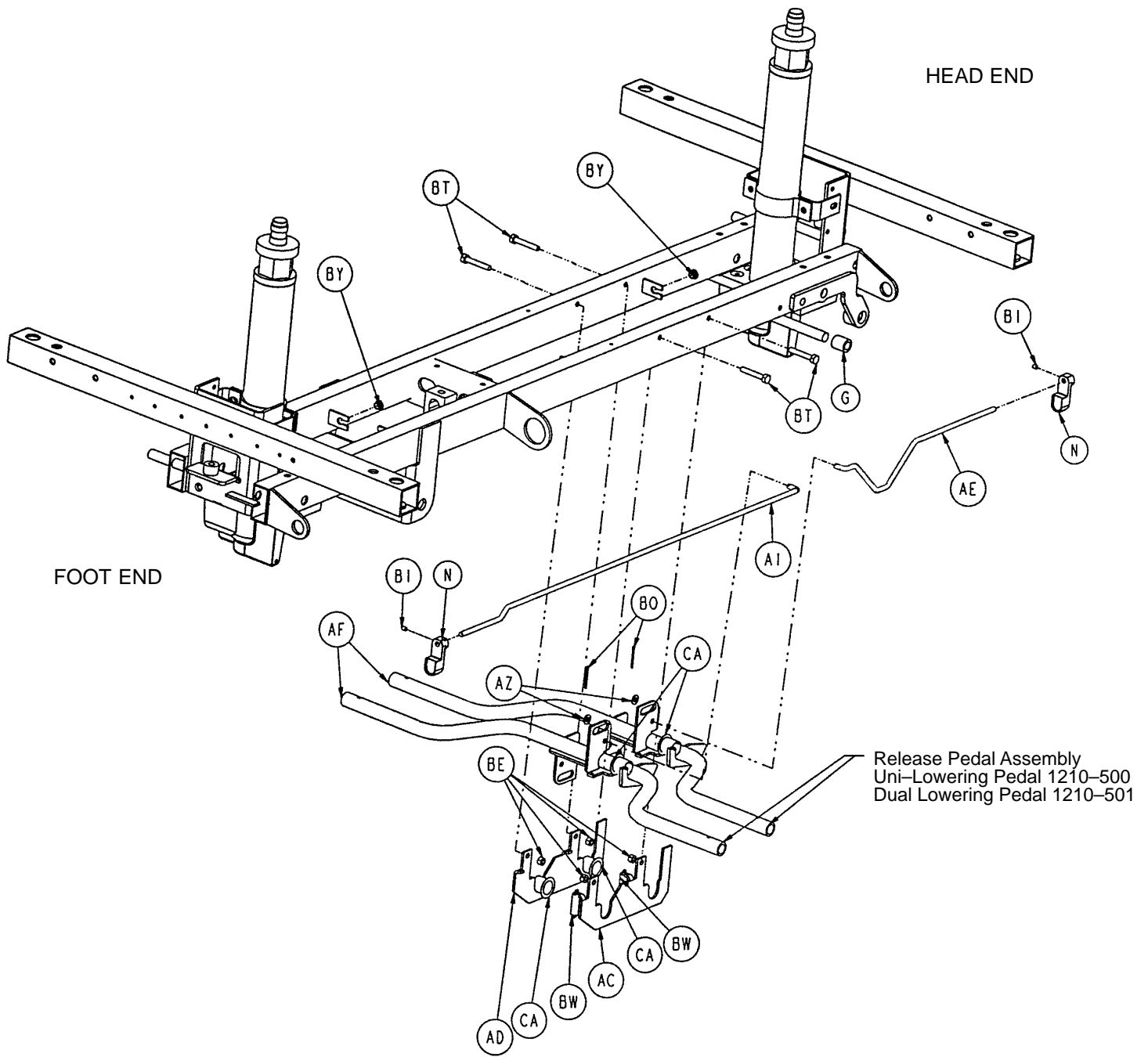
Assembly part number 1210-101-210 (reference only)



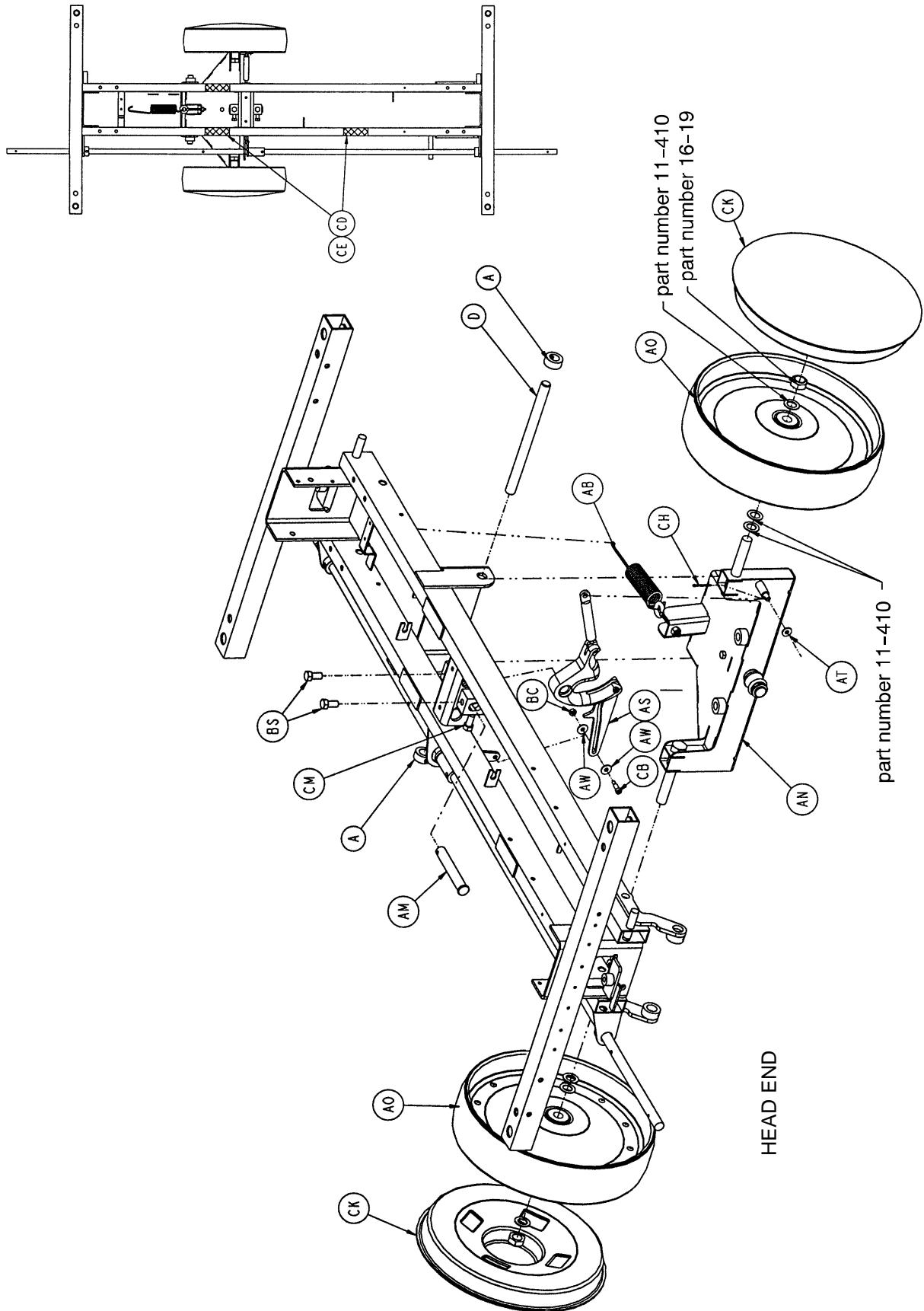
Optional Side Control Big Wheel Base Assembly



Optional Side Control Big Wheel Base Assembly



Optional Side Control Big Wheel Base Assembly

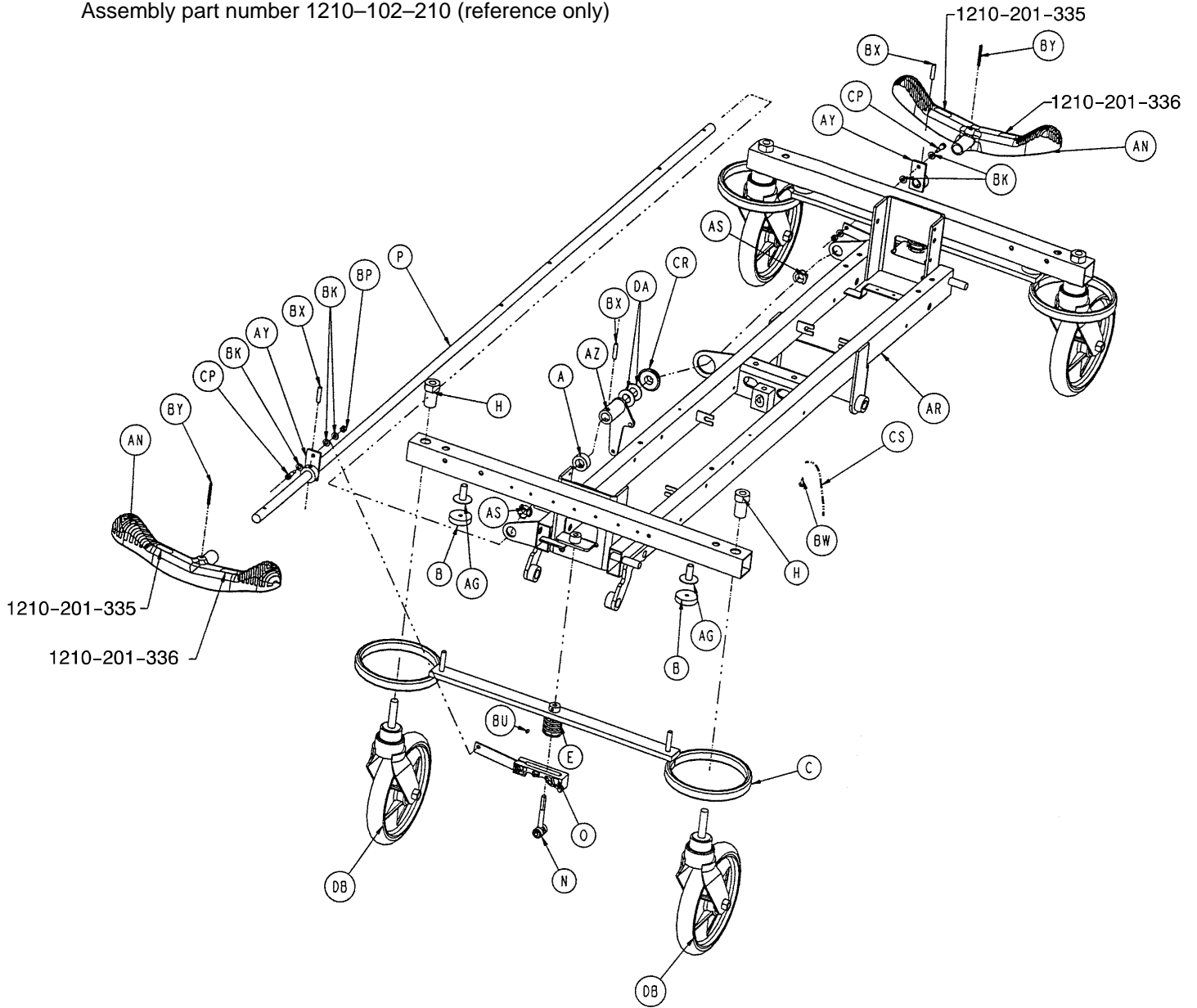


Optional Side Control Big Wheel Base Assembly

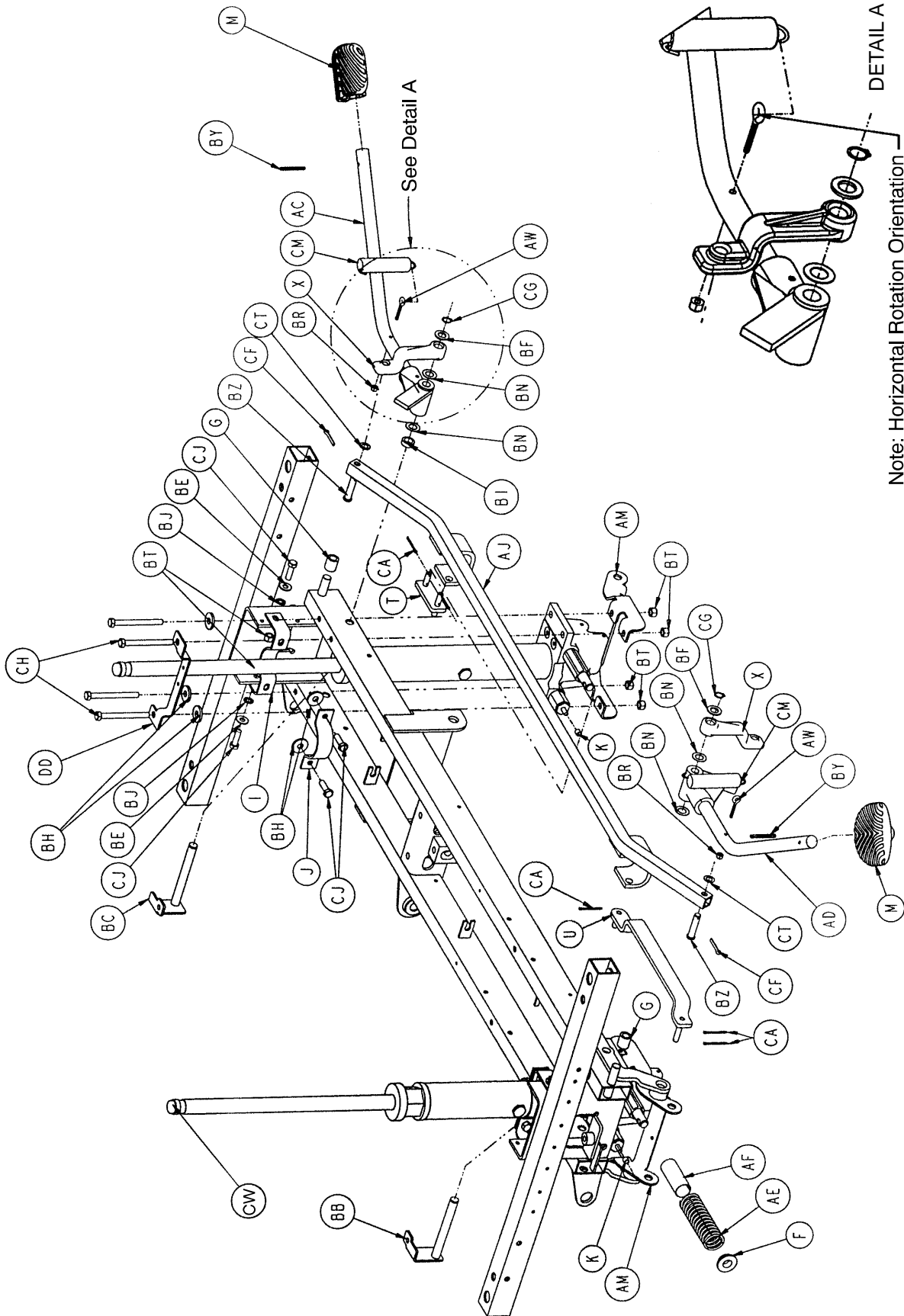
Item	Part No.	Part Name	Qty.	Item	Part No.	Part Name	Qty.
A	42-20	Collar	4	AT	11-3	Washer	13
B	715-1-11	Brake Cushion	4	AU	11-4	Washer	2
C	715-1-61	Caster Brake Weldment	2	AW	11-224	Washer	2
D	715-1-92	Pump Pedal Shaft	2	AX	11-262	Washer	12
E	715-1-94	Compression Spring	2	AY	13-38	Lock Washer	4
F	715-1-133	Jack Spring Collar	1	AZ	14-2	Washer	6
G	715-1-140	Vinyl Tube	2	BA	14-9	Washer	2
H	715-1-158	Caster Nut	4	BC	16-2	Hex Nut	3
I	715-1-192	Jack Support	2	BE	16-28	Hex Nut	4
J	715-1-193	Jack Support Clamp	2	BF	16-36	Hex Nut	16
K	715-1-214	Connecting Link	1	BG	16-48	Hex Nut	2
M	715-1-333	Release Rod Stop Sleeve	2	BI	21-50	Set Screw	2
N	715-1-346	Release Paddle	2	BJ	23-25	Hex Washer Hd. Tap. Screw	1
P	715-201-27	Pump Rod Weldment	1	BK	26-13	Spring Pin	3
R	715-201-108	Pump Pedal	1	BM	26-143	Groove Pin	4
S	715-201-126	Slip On Pump Pedal	2	BN	27-3	Cotter Pin	2
T	(page 27)	Brake Adjuster Assembly	2	BO	27-4	Cotter Pin	2
U	(page 28)	Brake Cam Assembly	2	BR	3-11	Hex Cap Screw	8
W	715-201-230	Brake Rod	1	BS	3-21	Hex Cap Screw	2
X	(page 38)	Jack Assembly	2	BU	3-85	Hex Cap Screw	8
Y	763-1-15	Jack Spring	1	BW	38-355	Extension Spring	2
Z	763-1-16	Spring Guide	1	BX	4-146	Soc. Hd. Cap Screw	2
AA	946-1-116	Brake Bar Bushing	4	BY	52-245	Nyliner	4
AB	1210-1-151	Interface Spring	1	BZ	52-284	Washer	1
AC	1210-201-114	Pedal Pivot, Left	1	CA	52-747	Flange Bearing	4
AD	1210-201-115	Pedal Pivot, Right	1	CB	8-17	Shoulder Bolt	3
AE	1210-201-139	Pull Release Rod, Hd. End	1	CC	81-301	Bearing	1
AF	1210-201-152	Side Release Pedal Wldmt.	2	CD	29-12	Velcro Loop	3
AG	1210-201-153	Butterfly "V" Pedal	2	CE	29-14	Velcro Hook	3
AH	1210-201-220	Base Frame Weldment	1	CF	715-1-156	Ground Chain	1
AI	1210-201-222	Push Release Rod, Hd. End	1	CH	27-13	Cotter Pin	1
AJ	1210-201-151	Insert	2	CI	14-71	Washer	2
AM	1210-201-412	Roller Pin	1	CJ	(page 34)	Caster Assembly	4
AN	(page 37.11)	Interface Assembly	1	CK	1210-201-650	Wheel Cover Assembly	2
AO	(page 37.13)	Wheel Assembly	2	CL	1210-201-330	Spring Support	1
AP	1210-201-620	Actuator Weldment	2	CM	3-351	Hex Hd. Cap Screw	2
AR	1210-201-630	Horn Weldment	1	CN	46-2	Square Hd. Set Screw	2
AS	(page 37.14)	Cam Assembly	1	CO	21-151	Set Screw	2

Optional End Control Big Wheel Base Assembly

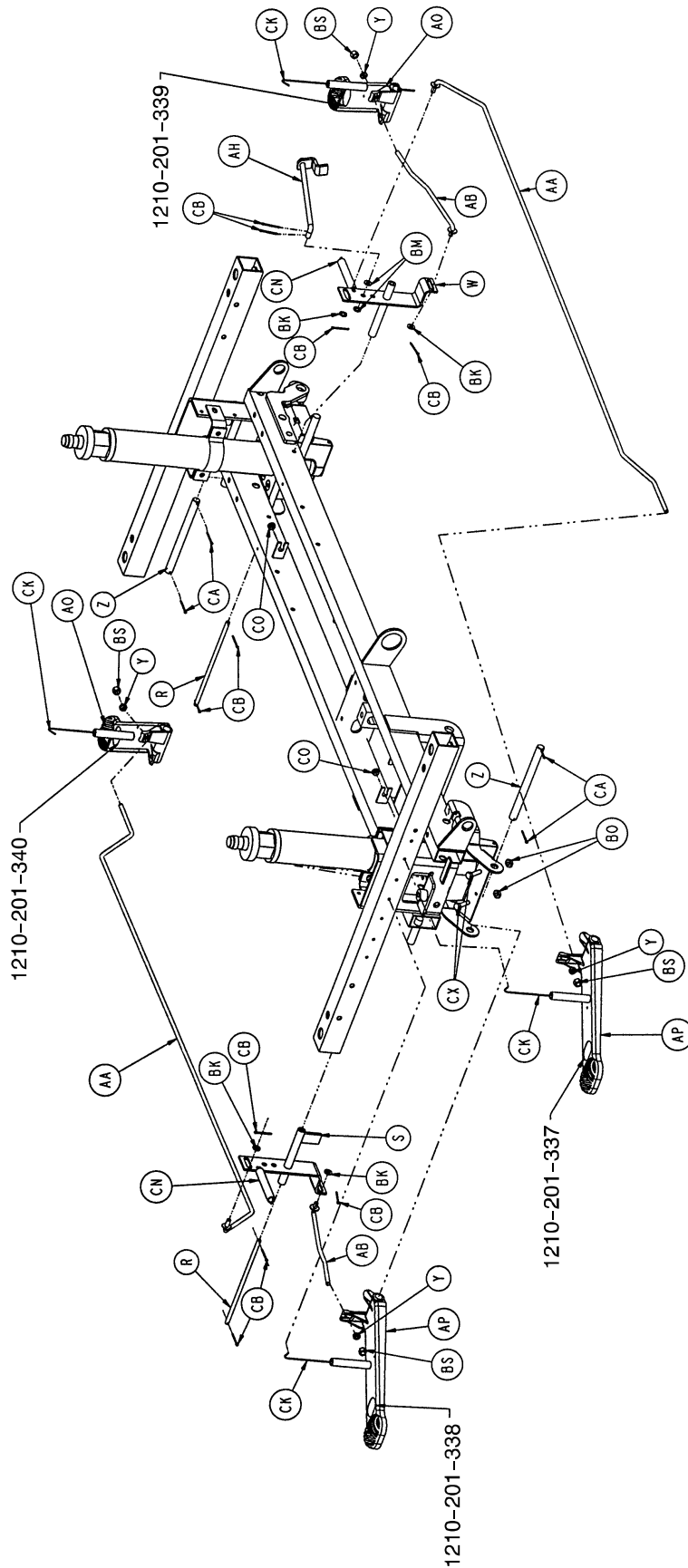
Assembly part number 1210-102-210 (reference only)



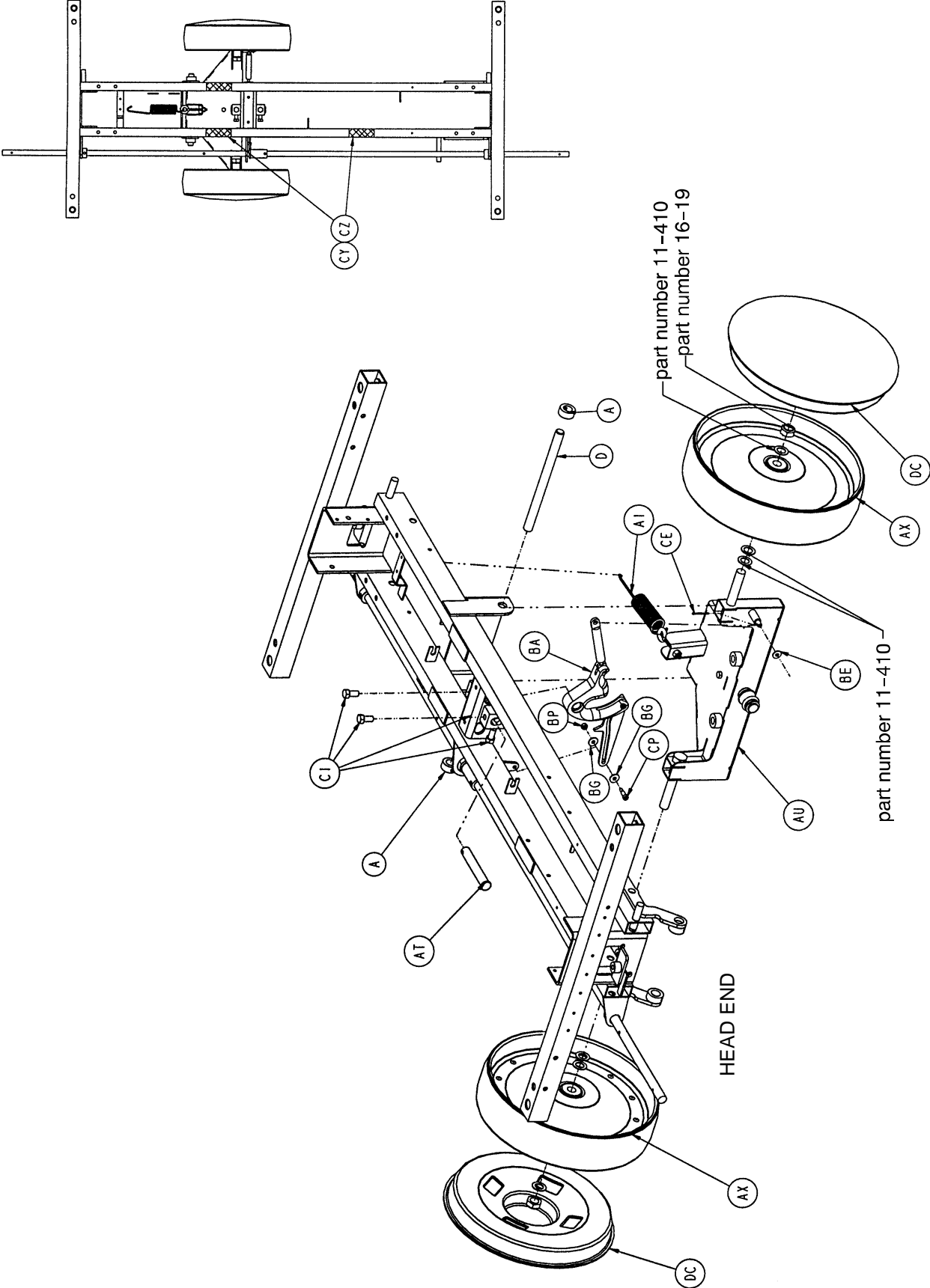
Optional End Control Big Wheel Base Assembly



Optional End Control Big Wheel Base Assembly



Optional End Control Big Wheel Base Assembly

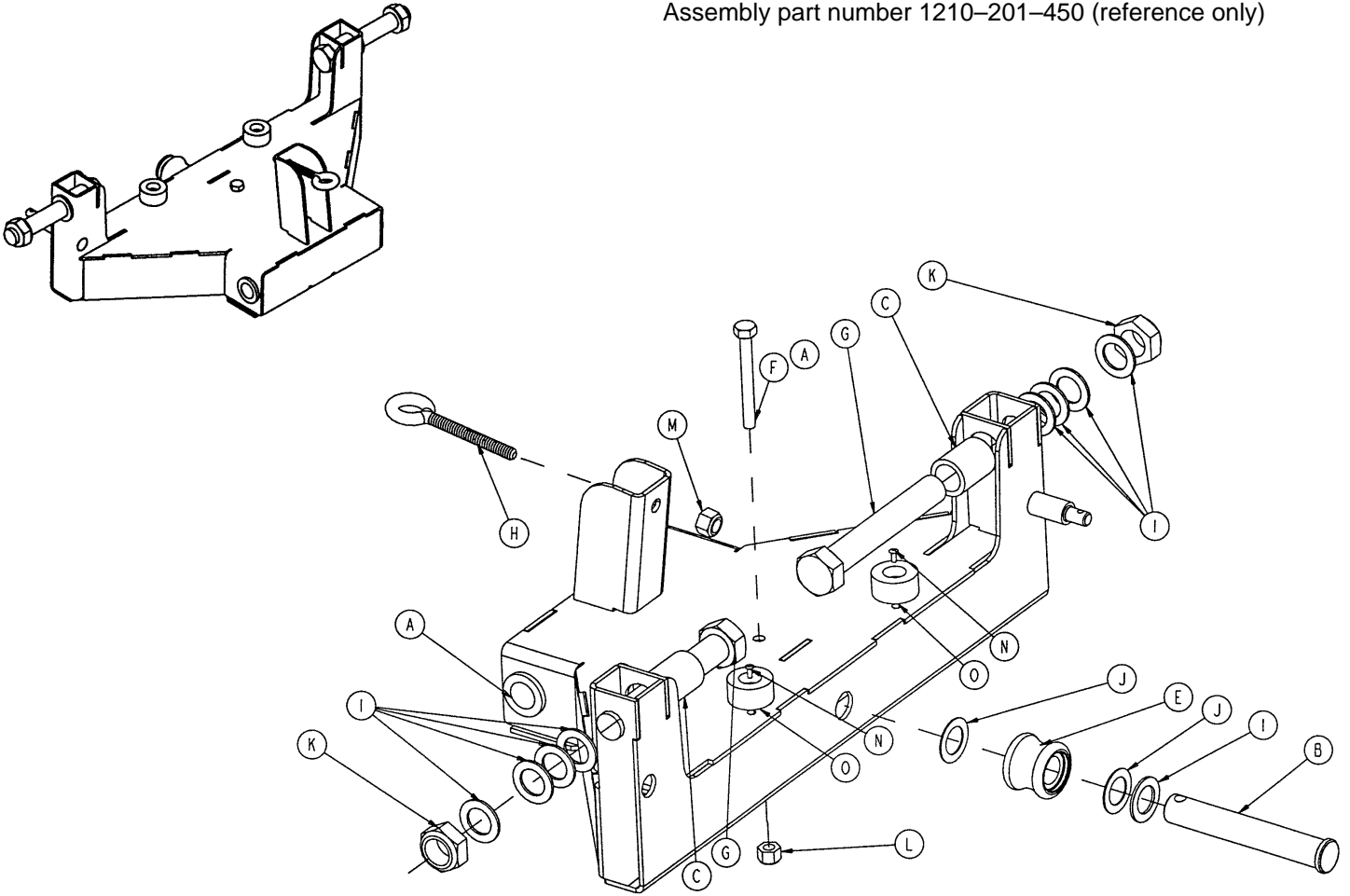


Optional End Control Big Wheel Base Assembly

Item	Part No.	Part Name	Qty.	Item	Part No.	Part Name	Qty.
A	42-20	Collar	4	BB	1210-301-200	Hd. End Pin Brkt. Pivot	1
B	715-1-11	Brake Cushion	4	BC	1210-301-201	Ft. End Pin Brkt. Pivot	1
C	715-1-61	Caster Brake Weldment	2	BE	11-3	Washer	5
D	715-1-92	Pump Pedal Shaft	2	BF	11-13	Washer	2
E	715-1-94	Compression Spring	2	BG	11-224	Washer	2
F	715-1-133	Jack Spring Collar	1	BH	11-262	Washer	10
G	715-1-140	Vinyl Tube	2	BI	11-350	Washer	1
H	715-1-158	Caster Nut	4	BJ	13-38	Lock Washer	4
I	715-1-192	Jack Support	2	BK	14-2	Washer	6
J	715-1-193	Jack Support Clamp	2	BM	14-3	Washer	2
K	715-1-333	Release Rod Stop Sleeve	2	BN	14-7	Washer	4
M	715-201-126	Slip On Pump Pedal	2	BO	15-11	Hex Nut	4
N	(page 27)	Brake Adjuster Assembly	2	BP	16-2	Hex Nut	3
O	(page 28)	Brake Cam Assembly	2	BR	16-14	Hex Nut	2
P	715-201-230	Brake Rod	1	BS	16-28	Hex Nut	4
R	716-1-15	Release Pivot Bar	2	BT	16-36	Hex Nut	16
S	716-1-52	Pivot Assembly, Ft. End	1	BU	21-50	Set Screw	2
T	716-1-102	Pump Link Wldmt., Ft. End	1	BW	23-25	Hex Washer Hd. Tap. Screw	1
U	716-1-109	Pump Link Wldmt., Hd. End	1	BX	26-13	Spring Pin	3
W	716-1-119	Pivot Assembly, Hd. End	1	BY	26-143	Groove Pin	4
X	716-1-281	Pump Idler Link	2	BZ	26-195	Clevis Pin	2
Y	716-1-286	Ball Release Spacer	4	CA	27-3	Cotter Pin	8
Z	716-201-61	Release Pedal Pivot Rod	2	CB	27-4	Cotter Pin	8
AA	716-201-70	Long Release Rod	2	CE	27-13	Cotter Pin	1
AB	716-201-74	Release Rod	2	CF	27-16	Cotter Pin	2
AC	(page 30)	Pump Pedal Ass'y, Ft. End	1	CG	28-97	External Retaining Ring	2
AD	(page 31)	Pump Pedal Ass'y, Hd. End	1	CH	3-11	Hex Cap Screw	8
AE	763-1-15	Jack Spring	1	CI	3-21	Hex Cap Screw	4
AF	763-1-16	Spring Guide	1	CJ	3-85	Hex Cap Screw	8
AG	946-1-116	Brake Bar Bushing	4	CK	38-235	Desc. Pedal Return Spring	4
AH	1210-1-112	Release Rod, Hd. End, Lt.	1	CM	38-251	Pump Return Spring	2
AI	1210-1-151	Interface Spring	1	CN	38-326	Extension Spring	2
AJ	1210-201-27	Pump Rod Ass'y Angle	1	CO	52-245	Nyliner	4
AM	1210-201-111	End Release Pedal Bracket	2	CP	8-17	Shoulder Bolt	3
AN	1210-201-153	Butterfly "V" Pedal	2	CR	81-301	Bearing	1
AO	1210-201-154	Rel. Pedal, Hd., Offset, Rt.	2	CS	715-1-156	Ground Chain	1
AP	1210-201-155	Rel. Pedal, Ft., Offset, Lt.	2	CT	14-9	Washer	2
AR	1210-201-220	Base Frame Weldment	1	CW	(page 38)	Jack Assembly	2
AS	1210-201-251	Insert	2	CX	3-3	Hex Bolt	4
AT	1210-201-412	Roller Pin	1	CY	29-12	Velcro Loop	3
AU	(page 37.11)	Interface Assembly	1	CZ	29-14	Velcro Hook	3
AW	1210-201-551	Eye Bolt	2	DA	14-71	Washer	2
AX	(page 37.13)	Wheel Assembly	2	DB	(page 34)	Caster Assembly	4
AY	1210-201-620	Actuator Weldment	2	DC	1210-201-650	Wheel Cover Assembly	2
AZ	1210-201-630	Horn Weldment	1	DD	1210-201-330	Spring Support	1
BA	(page 37.14)	Cam Assembly	1				

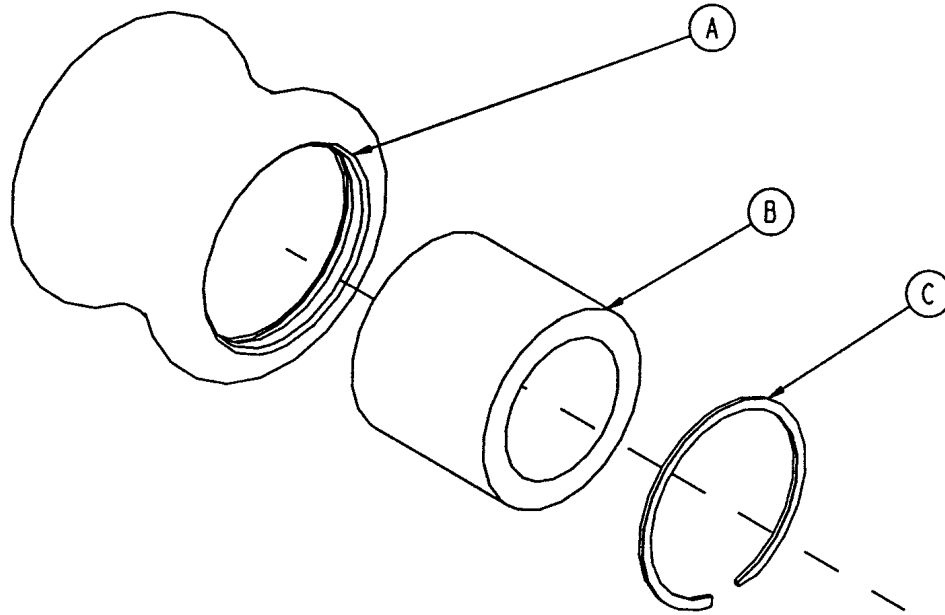
Optional Big Wheel Interface Assembly

Assembly part number 1210-201-450 (reference only)



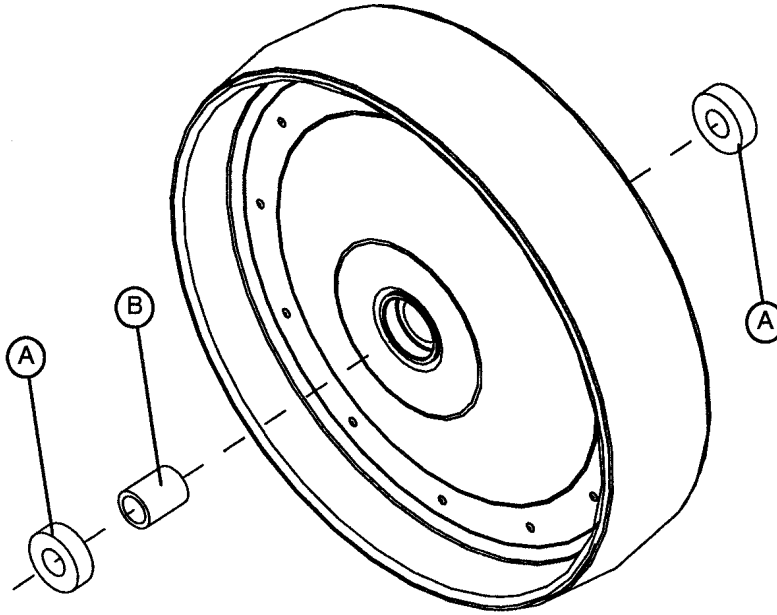
Item	Part No.	Part Name	Qty.
A	81-303	Flange Bushing	2
B	1210-201-412	Roller Pin	1
C	1210-201-625	Interface Sleeve	2
D	1210-201-445	Interface Weldment	1
E	(page 37.12)	Roller Assembly	1
F	3-32	Hex Hd. Cap Screw	1
G	3-345	Hex Hd. Cap Screw	2
H	10-4	Eye Bolt	1
I	11-410	Washer	9
J	14-80	Washer	2
K	16-19	Hex Nut	2
L	16-28	Hex Nut	1
M	16-36	Hex Nut	1
N	25-133	Rivet	2
O	56-16	Bumper Pad	2

1210-201-641 Optional Big Wheel Roller Assembly



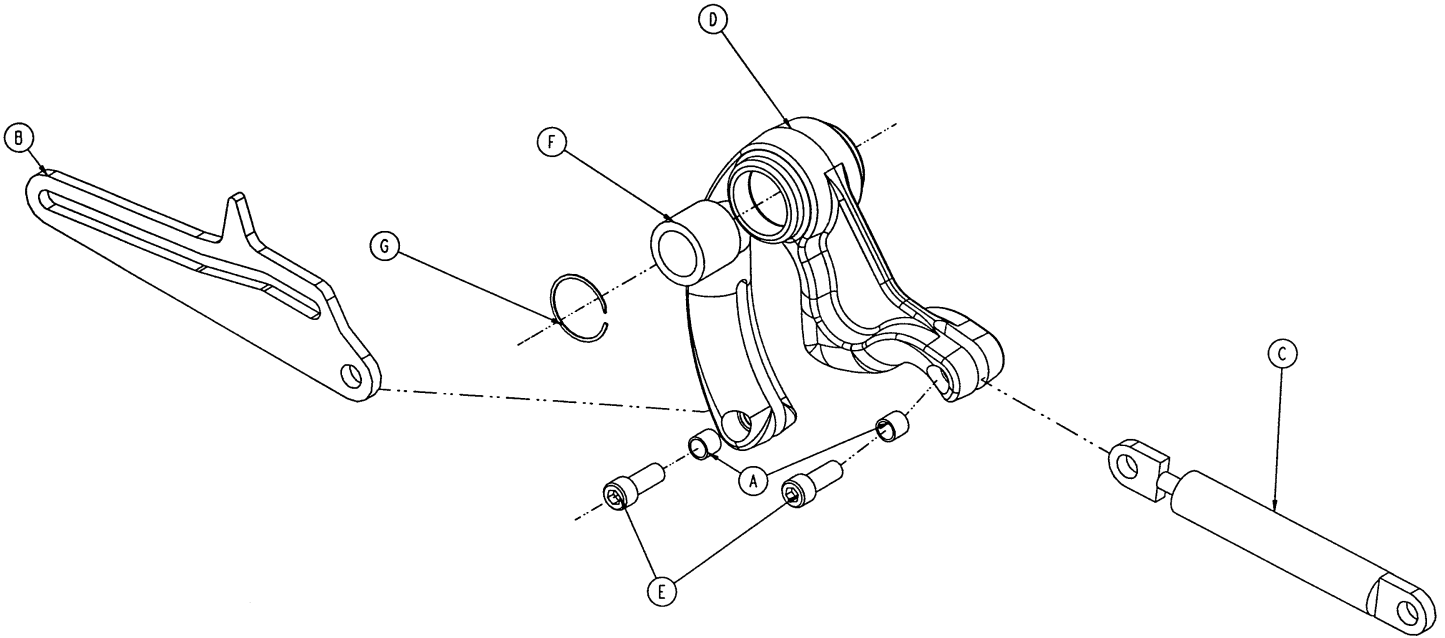
Item	Part No.	Part Name	Qty.
A	1210-201-640	Roller	1
B	81-299	Bearing	1
C	28-184	Snap Ring	1

1210-201-619 Optional Big Wheel Assembly



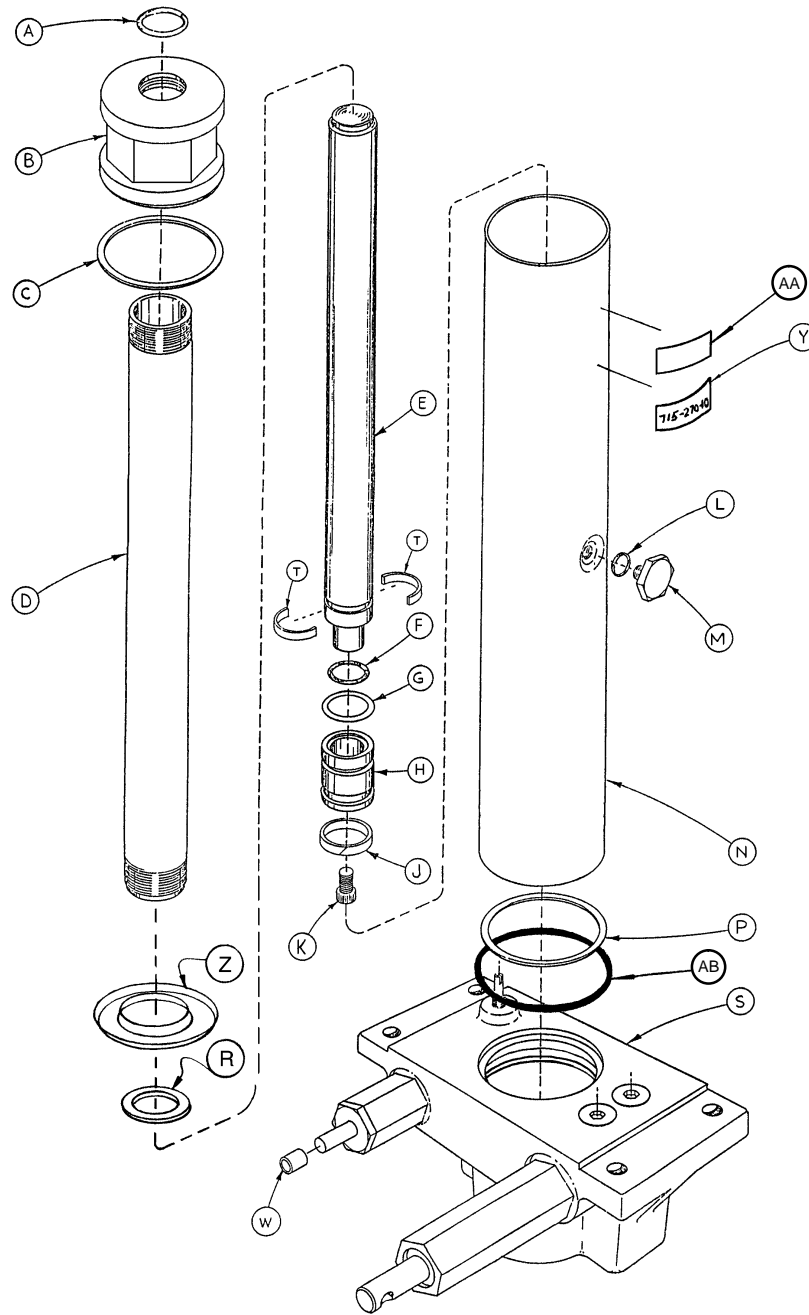
Item	Part No.	Part Name	Qty.
A	81-226	Bearing	2
B	1210-201-625	Wheel Inner Sleeve	1

1210-201-900 Optional Big Wheel Cam Assembly



Item	Part No.	Part Name	Qty.
A	715-1-333	Release Valve Stop Sleeve	2
B	1210-201-610	Connecting Link	1
C	1210-201-671	Dampener	1
D	1210-201-901	Cam	1
E	4-14	Soc. Hd. Cap Screw	2
F	81-299	Needle Bearing	1
G	28-184	Snap Ring	1

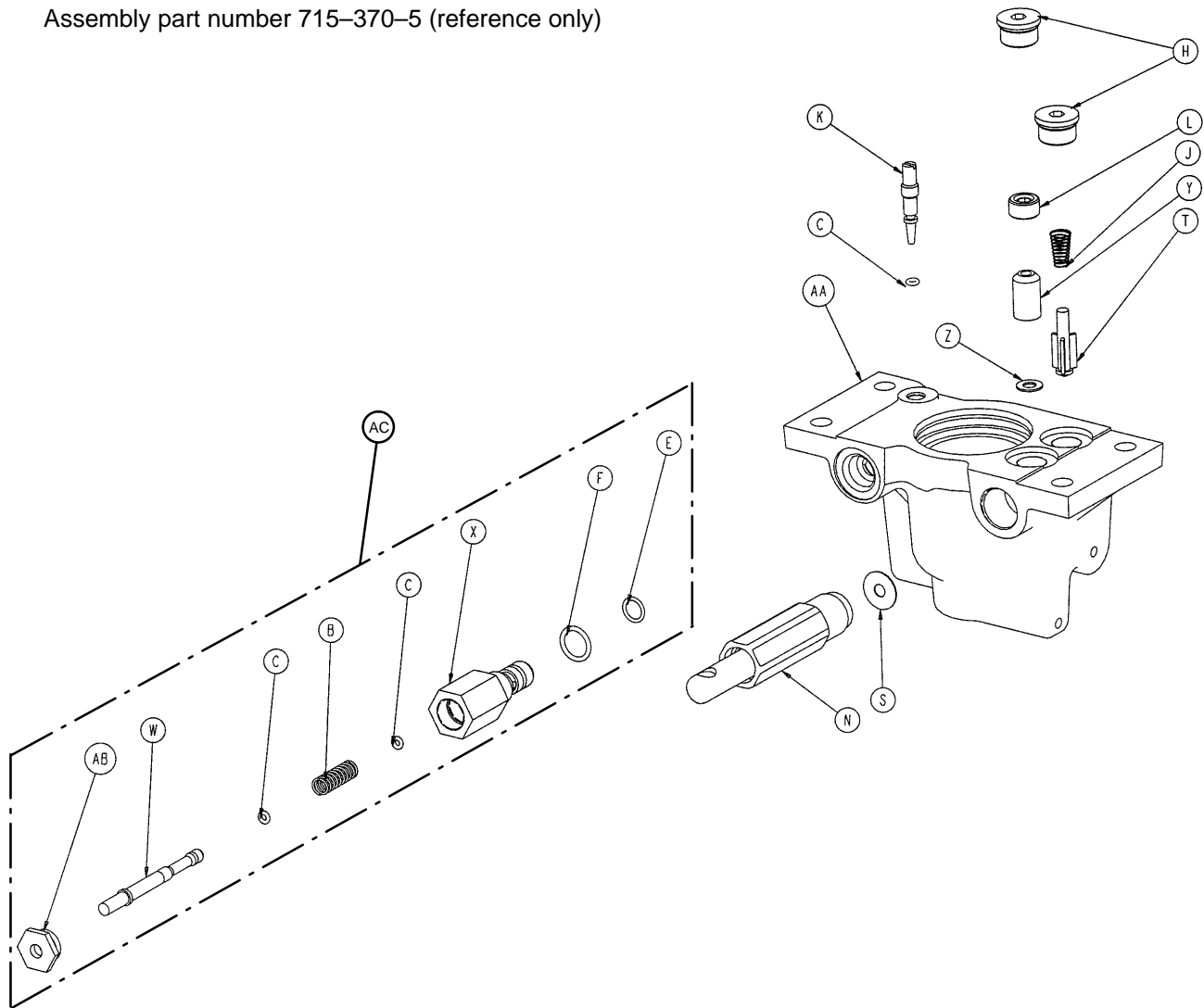
715-270-10 Jack Assembly



Item	Part No.	Part Name	Qty.	Item	Part No.	Part Name	Qty.
A	45-904	O-Ring	1	M	388-1-38	Plug	1
B	715-1-340	Cap Assembly	1	N	715-1-422	Reservoir	1
C	390-1-243	Gasket	1	P	390-1-244	Gasket	1
D	715-1-323	Actuator Cylinder	1	R	390-1-238	Gasket, Actuator	1
E	715-1-325	Actuator	1	S	(page 39)	Jack Base Assembly	1
F	45-14	O-Ring	1	T	390-2-139	Retaining Collar	2
G	926-20-161	Parker Packing	1	W	715-1-333	Rel. Valve Stop Sleeve	1
H	715-1-331	Piston End	1	Y	715-270-11	Label	1
J	926-20-162	Wear Ring	1	Z	715-1-320	Jack Screen	1
K	4-14	Soc. Hd. Cap Screw	1	AA	921-1-252	Serial No. Label	1
L	45-110	O-Ring	1	AB	45-978	O-Ring	1

Jack Base Assembly

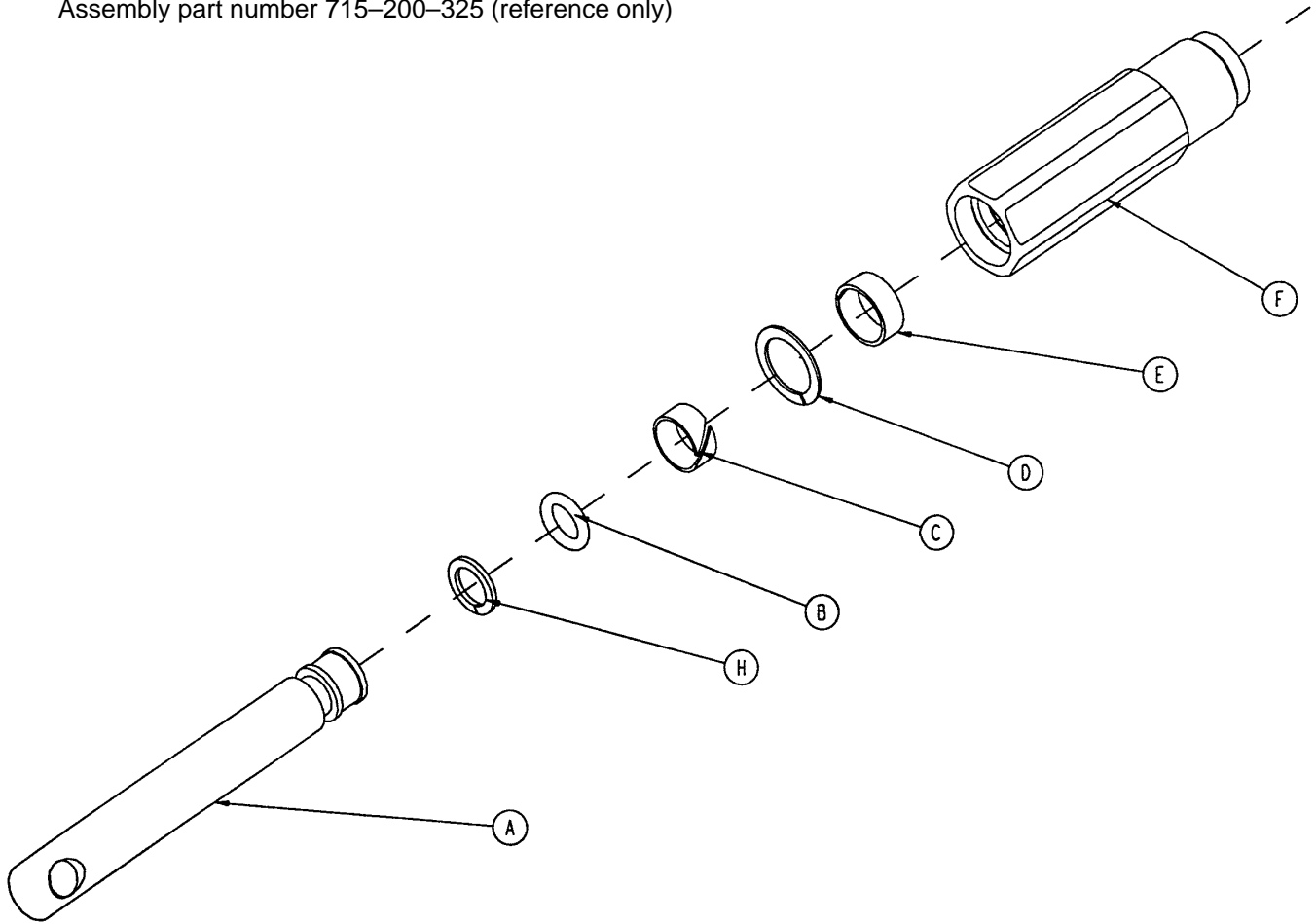
Assembly part number 715-370-5 (reference only)



Item	Part No.	Part Name	Qty.	Item	Part No.	Part Name	Qty.
B	38-311	Compression Spring	1	S	715-1-329	Pump Seal	1
C	45-6	O-Ring	3	T	715-1-341	Poppet	1
E	45-966	O-Ring	1	W	715-270-1	Pin	1
F	45-967	O-Ring	1	X	715-270-2	Pin Housing	1
H	48-147	Base Plug	2	Y	926-20-153	Check Valve	1
J	390-2-134	Conical Comp. Spring	1	Z	926-20-154	Seal	1
K	715-1-307	Needle Valve	1	AA	1210-270-12	Jack Base	1
L	715-1-309	Valve Plug	1	AB	1210-70-13	Base Plug	1
N	(page 39.1)	Pump Piston Assembly	1	AC	715-270-100	Valve Assembly	1

715-100-325 Jack Pump Piston Assembly

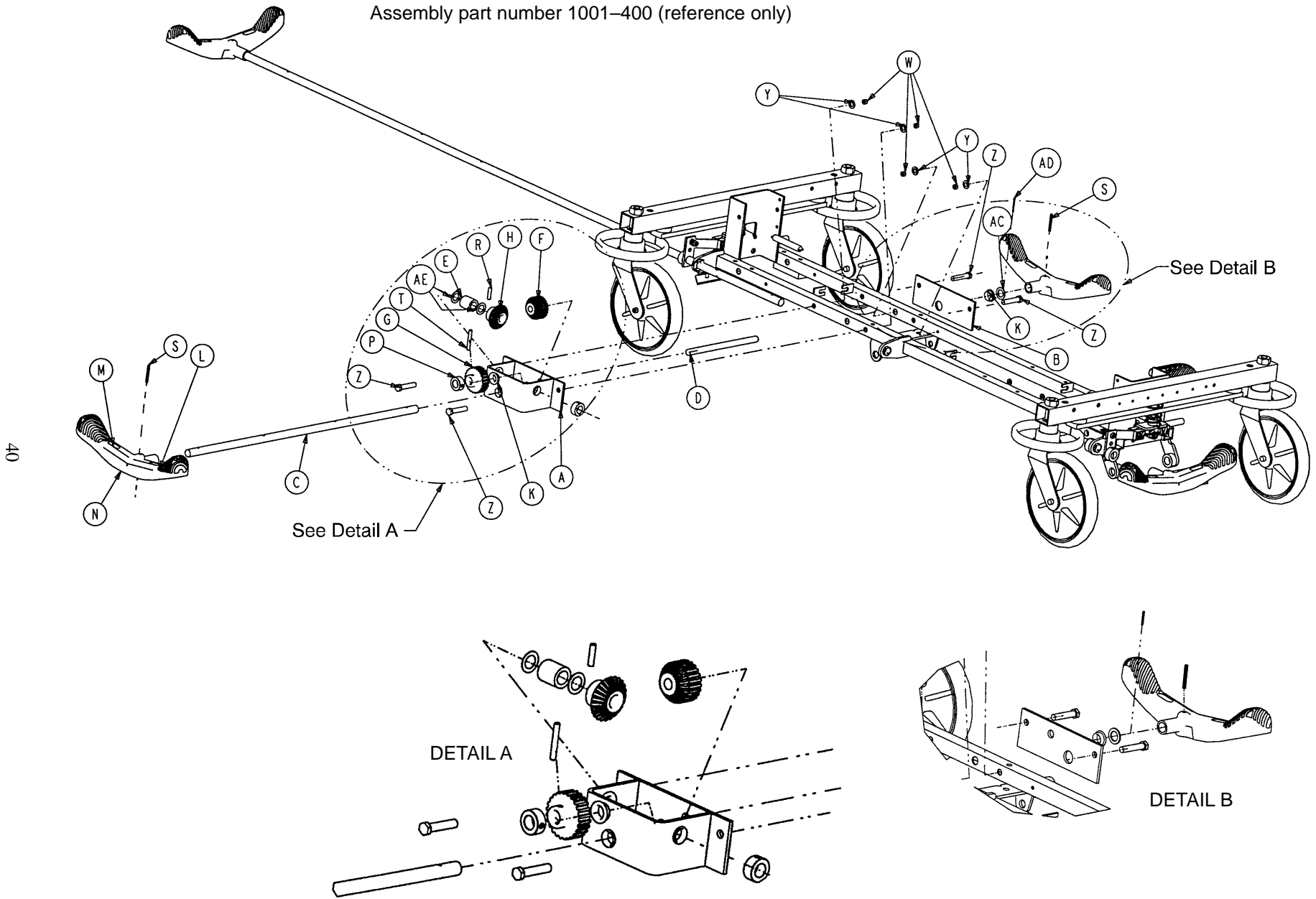
Assembly part number 715-200-325 (reference only)



Item	Part No.	Part Name	Qty.
A	715-201-318	Pump Piston	1
B	45-110	O-Ring	1
C	715-1-328	Piston Wear Ring	1
D	14-50	Bearing Retainer	1
E	715-201-327	Cylinder Wear Ring	1
F	715-1-316	Pump Cylinder	1
H	715-1-400	O-Ring Back Up	1
J	715-1-329	Pump Seal (not shown)	1

Notes

Assembly part number 1001-400 (reference only)



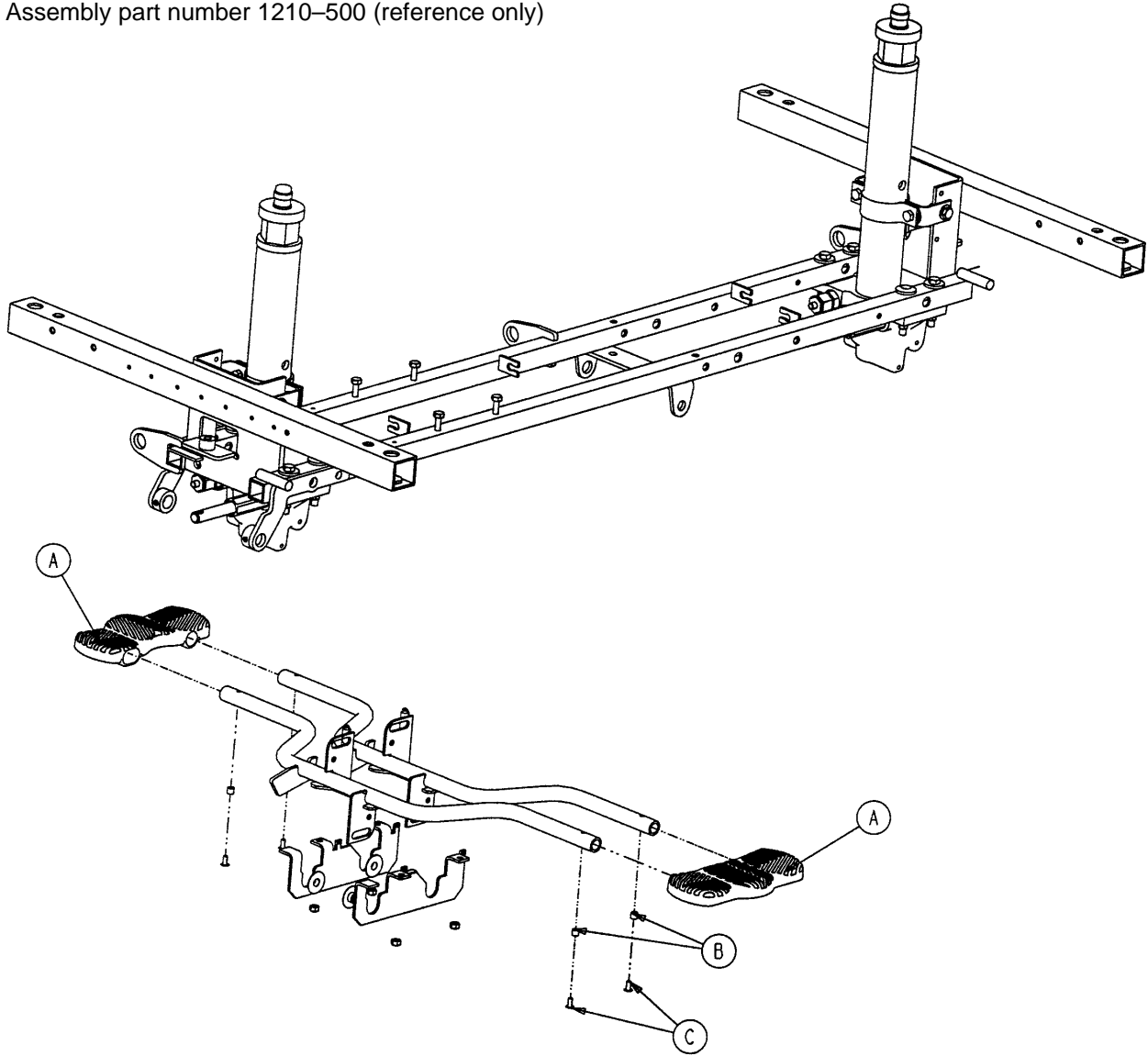
Optional Side Control Brake Assembly

Item	Part No.	Part Name	Qty.
A	1210-301-400	Gear Box Weldment	1
B	1210-301-412	Support	1
C	1210-201-409	Side Control Brake/Steer Rod	1
D	1210-201-407	Pin	1
E	1210-301-406	Spacer	1
F	1210-301-405	Miter/Spur Gear	1
G	1210-301-404	Spur Gear	1
H	1210-301-403	Miter Gear	1
K	1210-201-401	Flange Bearing	5
L	1210-201-336	Steer Label	2
M	1210-201-335	Brake Label	2
N	1210-201-153	Butterfly "V" Pedal	2
P	42-20	Collar	1
R	26-265	Gear Dowel Pin	1
S	26-143	Pedal Dowel Pin	2
T	26-166	Groove Pin	1
W	16-35	Lock Nut	4
Y	11-4	Flat Washer	4
Z	3-45	Hex Hd. Cap Screw	4
AA	1210-201-341	Brake/Steer Label, Right*	1
AB	1210-201-342	Brake/Steer Label, Left*	1
AC	14-71	Washer	1
AD	27-16	Cotter Pin	1
AE	14-80	Washer	2

* Reference hood/label assembly drawing (page 44) for label positioning.

Optional Uni-Lower Pedal Assembly

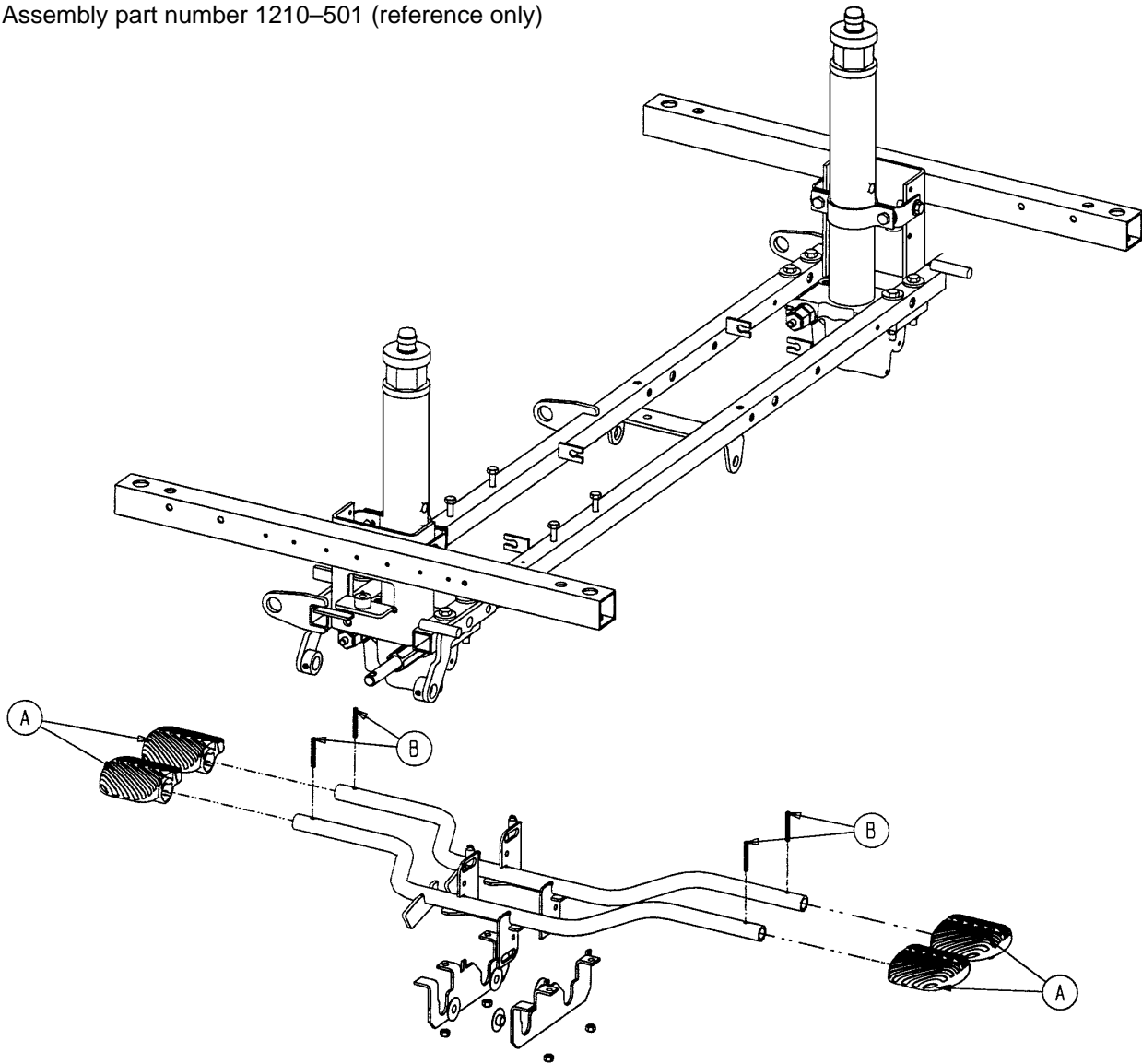
Assembly part number 1210-500 (reference only)



Item	Part No.	Part Name	Qty.
A	715-201-127	Uni-Lowering Pedal	2
B	715-1-333	Release Rod Stop Sleeve	4
C	25-50	Pop Rivet	4

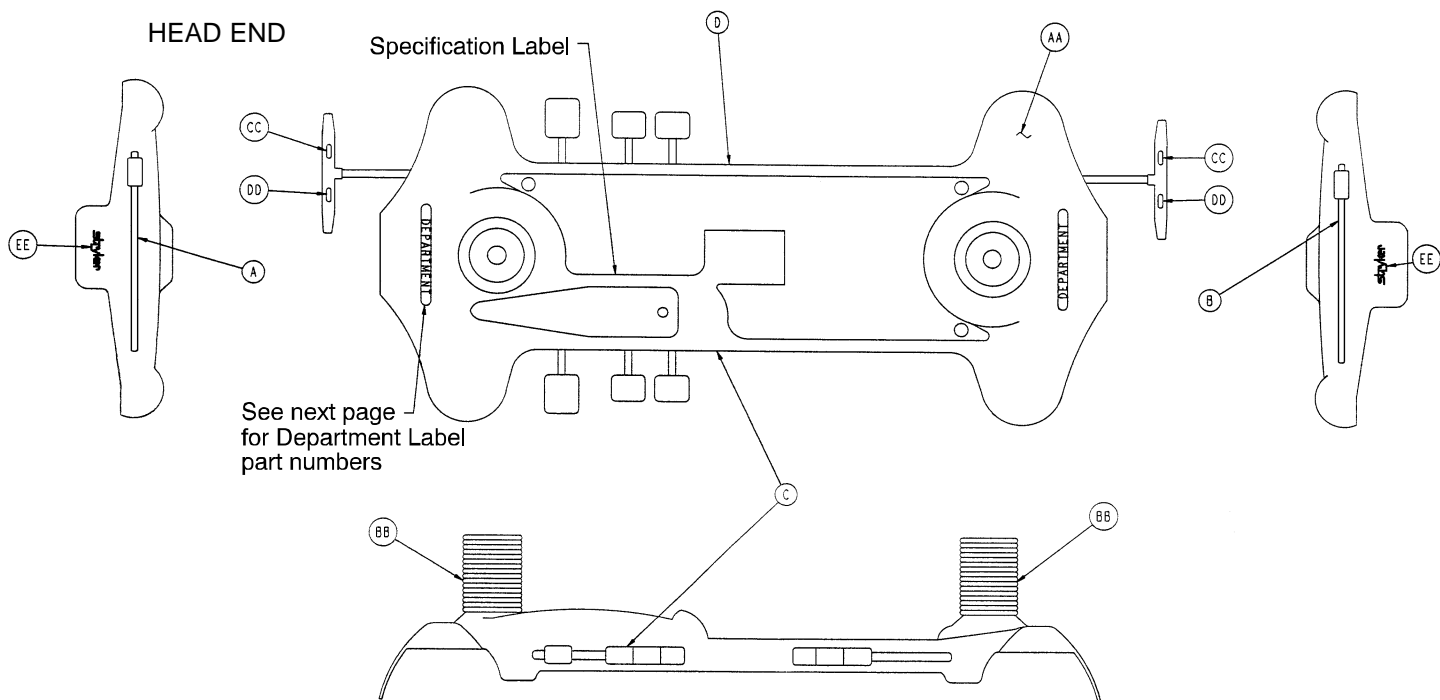
Optional Dual Lowering Pedal Assembly

Assembly part number 1210-501 (reference only)



Item	Part No.	Part Name	Qty.
A	715-201-126	Pump Pedal	4
B	26-143	Groove Pin	4

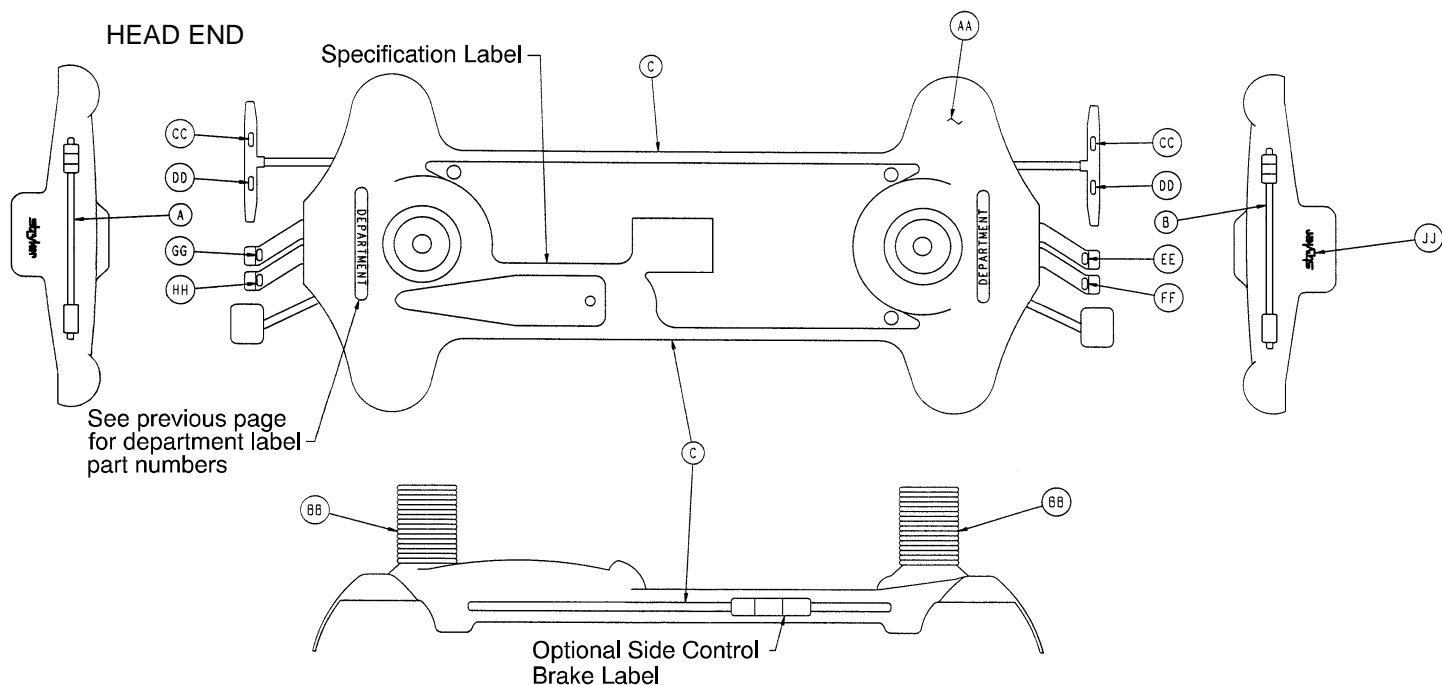
Side Control Base Labeling Assembly



Item	Part No.	Part Name	Qty.
AA	1001-200-1	Base Hood	1
BB	715-1-134	Bellows	2
CC	1210-201-335	Red Brake Label	2
DD	1210-201-336	Green Steer Label	2
EE	946-201-60	Stryker Logo Label	4

Color Set P/N	Item A Control Label, Head End	Item B Control Label, Foot End	Item C Control Label, Right	Item D Control Label, Left	Litter Bumper Strip
RED 1001-700-110	1001-700-113	1001-700-114	1001-700-211	1001-700-212	1010-700-15
PURPLE 1001-700-120	1001-700-123	1001-700-124	1001-700-221	1001-700-222	1010-700-25
GREEN 1001-700-130	1001-700-133	1001-700-134	1001-700-231	1001-700-232	1010-700-35
GRAY 1001-700-140	1001-700-143	1001-700-144	1001-700-241	1001-700-242	1010-700-45
TEAL 1001-700-150	1001-700-153	1001-700-154	1001-700-251	1001-700-252	1010-700-55
PINK 1001-700-160	1001-700-163	1001-700-164	1001-700-261	1001-700-262	1010-700-65
BLUE 1001-700-170	1001-700-173	1001-700-174	1001-700-271	1001-700-272	1010-700-75

End Control Base Labeling Assembly



Item	Part No.	Part Name	Qty.
AA	1001-200-1	Hood	1
BB	715-1-134	Bellows	2
CC	1210-201-335	Brake Label	2
DD	1210-201-336	Steer Label	2
EE	1210-201-337	Head Down Label, Foot End	1
FF	1210-201-338	Foot Down Label, Foot End	1
GG	1210-201-339	Head Down Label, Head End	1
HH	1210-201-340	Foot Down Label, Head End	1
JJ	946-201-6	Stryker Logo Label	2

Color Set P/N	Item A Control Label, Head End	Item B Control Label, Foot End	Item C Side Control Label	Litter Bumper Strip
RED 1001-800-110	1001-800-111	1001-800-112	1001-800-13	1010-700-15
PURPLE 1001-800-120	1001-800-121	1001-800-122	1001-800-23	1010-700-25
GREEN 1001-800-130	1001-800-131	1001-800-132	1001-800-33	1010-700-35
GRAY 1001-800-140	1001-800-141	1001-800-142	1001-800-43	1010-700-45
TEAL 1001-800-150	1001-800-151	1001-800-152	1001-800-53	1010-700-55
PINK 1001-800-160	1001-800-161	1001-800-162	1001-800-63	1010-700-65
BLUE 1001-800-170	1001-800-171	1001-800-172	1001-800-73	1010-700-75

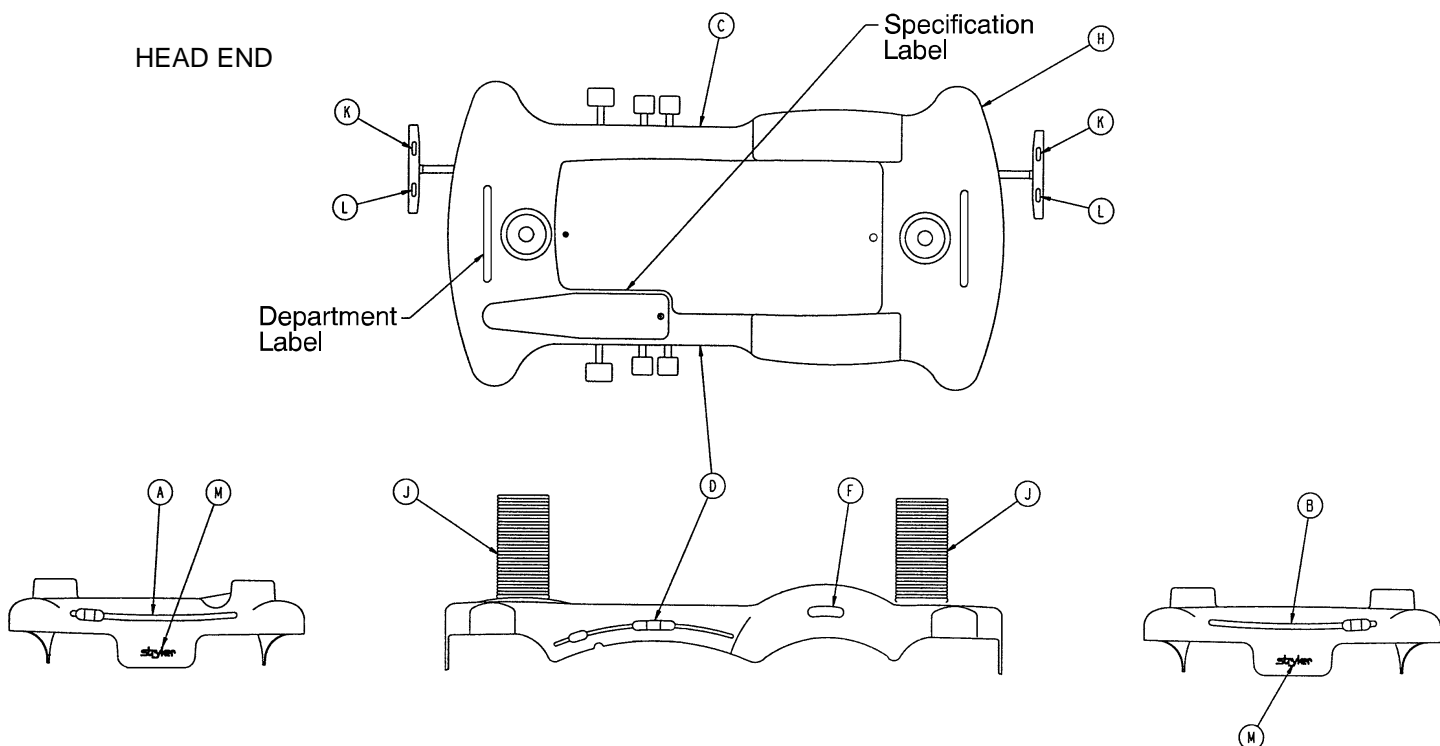
Department Labels

Department	Label Part Number
Emergency	1010-900-215
PACU	1010-900-220
Transport	1010-900-225
Surgery	1010-900-230
Extended Stay	1010-900-235
Maternity	1010-900-240
Endoscopy	1010-900-245
Radiology	1010-900-250
Nuclear Medicine	1010-900-255
Ambulatory Surgery	1010-900-260
G.I. Lab	1010-900-265
Cath. Lab	1010-900-270
Same Day Surgery	1010-900-275
Cardio.	1010-900-280
Ultrasound	1010-900-285

NOTE

All department labels are quantity of two.

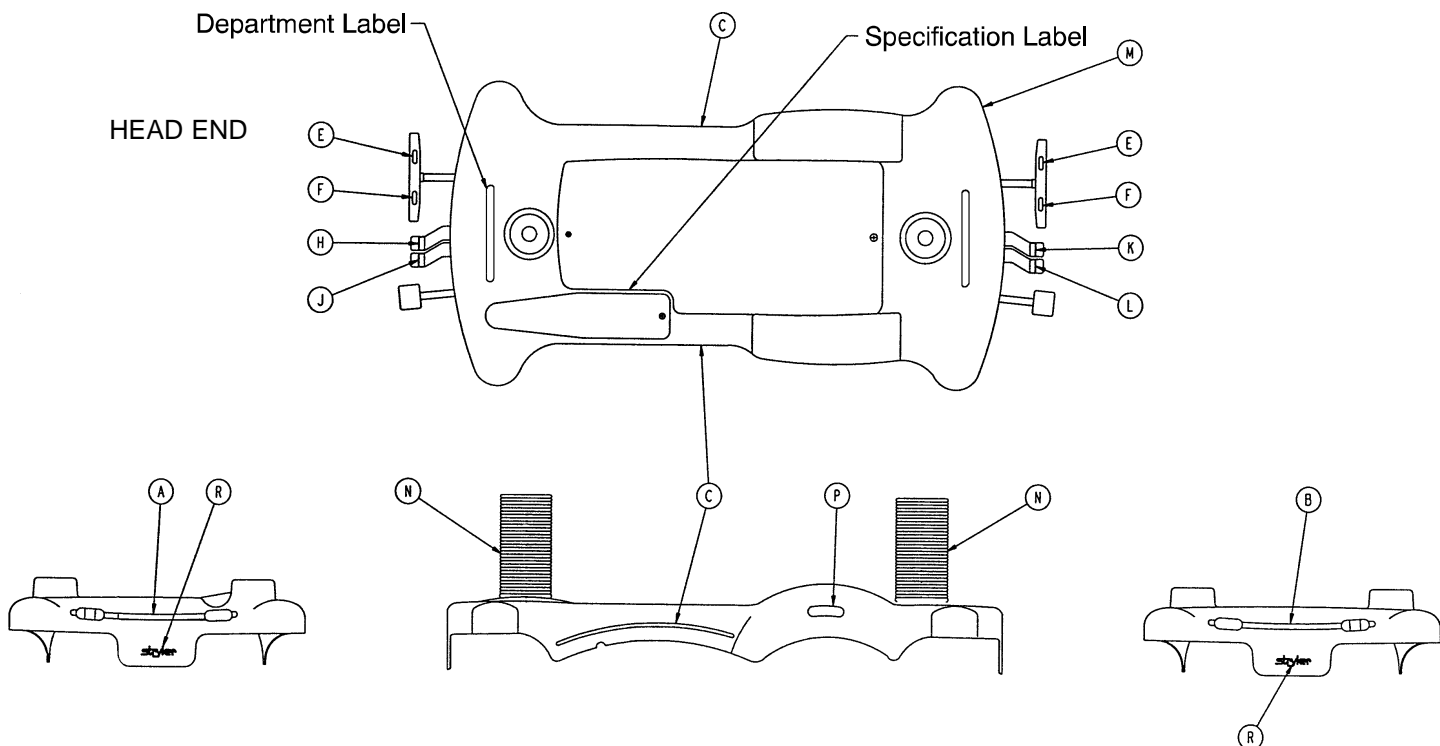
Optional Big Wheel Side Control Base Labeling Ass'y



Color Set P/N	Item A Control Label, Head End	Item B Control Label, Foot End	Item C Control Label, Right	Item D Control Label, Left	Litter Bumper Strip
RED 1001-700-315	1210-800-113	1210-850-116	1210-800-114	1210-800-115	1010-700-15
PURPLE 1001-700-325	1210-800-123	1210-850-126	1210-800-124	1210-800-125	1010-700-25
GREEN 1001-700-335	1210-800-133	1210-850-136	1210-800-134	1210-800-135	1010-700-35
GRAY 1001-700-345	1210-800-143	1210-850-146	1210-800-144	1210-800-145	1010-700-45
TEAL 1001-700-355	1210-800-153	1210-850-156	1210-800-154	1210-800-155	1010-700-55
PINK 1001-700-365	1210-800-163	1210-850-166	1210-800-164	1210-800-165	1010-700-65
BLUE 1001-700-375	1210-800-173	1210-850-176	1210-800-174	1210-800-175	1010-700-75

Item	Part No.	Part Name	Qty.
H	1210-245-25	Base Hood	1
J	715-1-134	Bellows	2
K	1210-201-335	Red Brake Label	2
L	1210-201-336	Green Steer Label	2
M	946-201-60	Stryker Logo Label	4

Optional Big Wheel End Control Base Labeling Ass'y

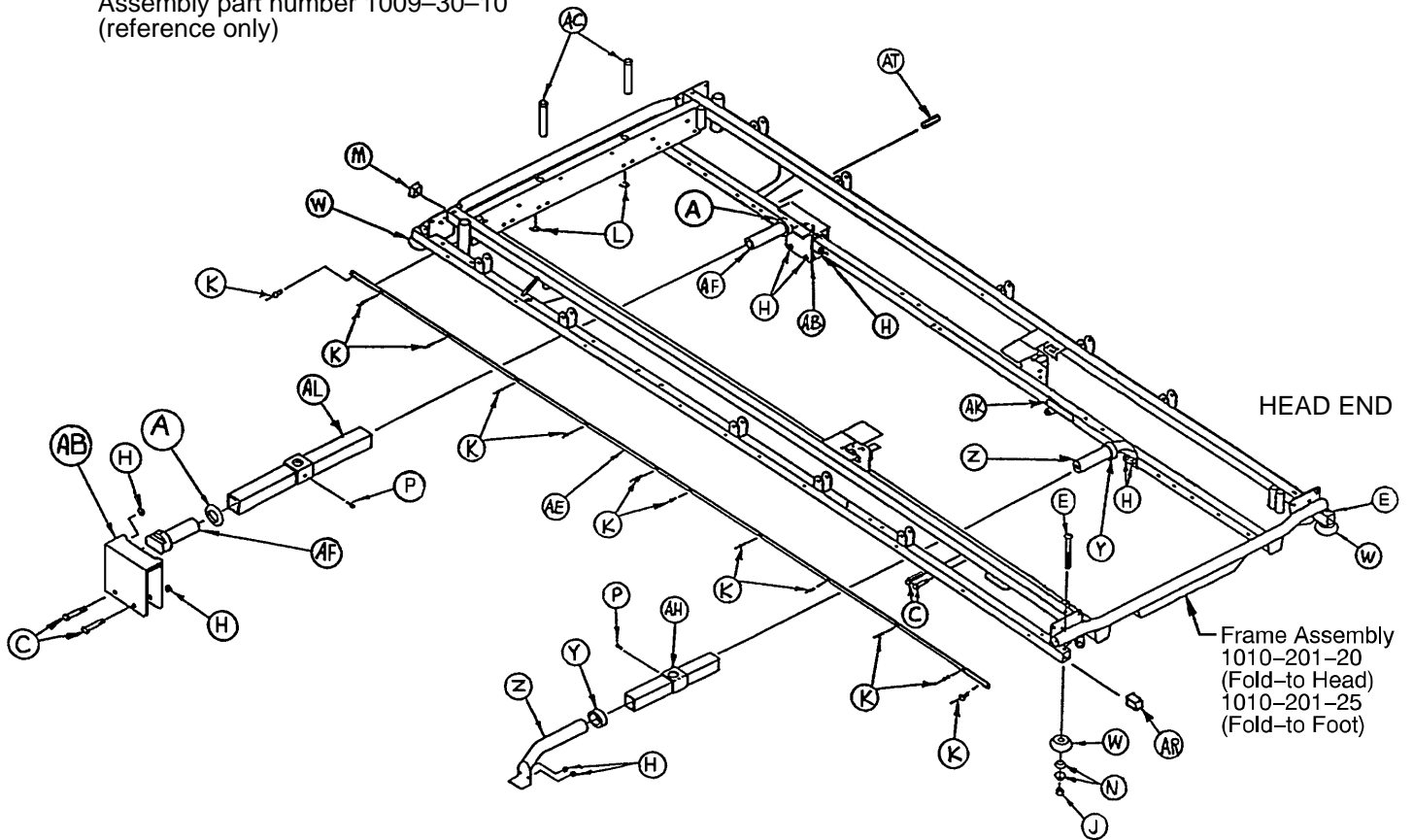


Color Set P/N	Item A Control Label, Head End	Item B Control Label, Foot End	Item C Side Control Label	Litter Bumper Strip
RED 1001-800-315	1210-800-117	1210-850-115	1210-850-113	1010-700-15
PURPLE 1001-800-325	1210-800-127	1210-850-125	1210-850-123	1010-700-25
GREEN 1001-800-335	1210-800-137	1210-850-135	1210-850-133	1010-700-35
GRAY 1001-800-345	1210-800-147	1210-850-145	1210-850-143	1010-700-45
TEAL 1001-800-355	1210-800-157	1210-850-155	1210-850-153	1010-700-55
PINK 1001-800-365	1210-800-167	1210-850-165	1210-850-163	1010-700-65
BLUE 1001-800-375	1210-800-177	1210-850-175	1210-850-173	1010-700-75

Item	Part No.	Part Name	Qty.
E	1210-201-335	Brake Label	2
F	1210-201-336	Steer Label	2
H	1210-201-339	Head Down Label, Head End	1
J	1210-201-340	Foot Down Label, Head End	1
K	1210-201-337	Head Down Label, Foot End	1
L	1210-201-338	Foot Down Label, Foot End	1
M	1210-245-25	Hood	1
N	715-1-134	Bellows	2
R	946-201-60	Stryker Logo Label	4

1009 Litter Assembly

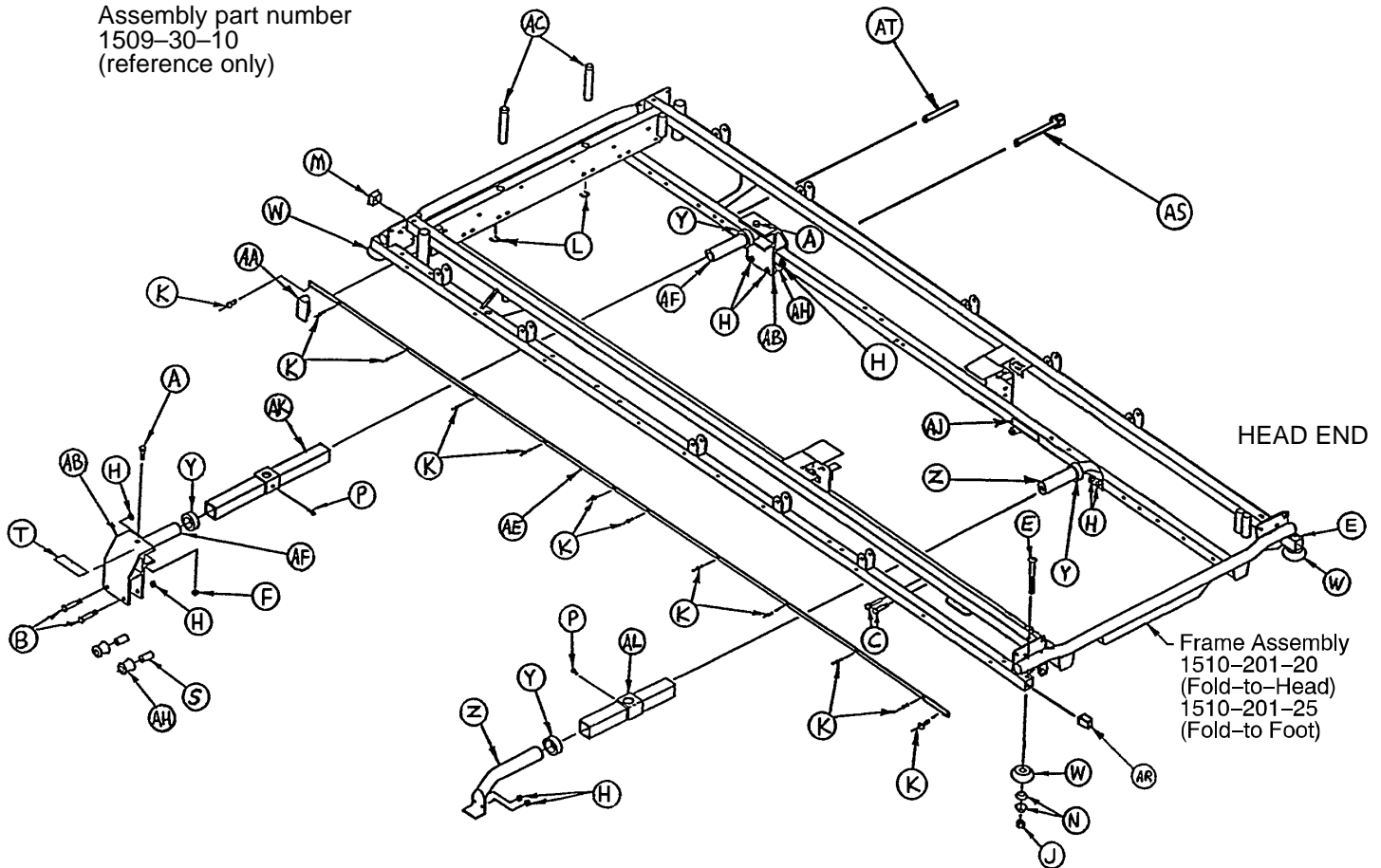
Assembly part number 1009-30-10
(reference only)



Item	Part No.	Part Name	Qty.	Item	Part No.	Part Name	Qty.
A	11-360	Plastic Spacer	2	Z	1001-1-37	Jack Supt. Tube, Hd.	2
C	3-78	Hex Hd. Cap Screw	8	AB	1001-201-30	Trend. Support	2
E	4-201	Soc. Hd. Cap Screw	4	AC	1001-40-12	Foot Board Receptacle	2
H	16-28	Fiberlock Nut	8	AE	1009-30-44	Bumper Channel	2
J	16-35	Nylock Nut	4	AF	1001-201-29	Insert	2
K	25-38	Pop Rivet	24	AH	1010-32-85	Support Tube Ass'y	1
L	28-23	Retaining Ring	2	AK	1210-800-8	Patent Label	1
M	37-10	Hole Plug	2	AL	1001-201-31	Support Tube Ass'y	1
N	14-21	Nylon Flat Washer	8	AM	37-74	Hole Plug (not shown)	10
P	46-1	Square Hd. Screw	2	AP	721-31-65	Hole Plug (not shown)	14
W	926-400-142	Bumper Wheel	4	AR	1001-30-29	End Plug	4
Y	938-1-401	Collar	2				

1509 Litter Assembly

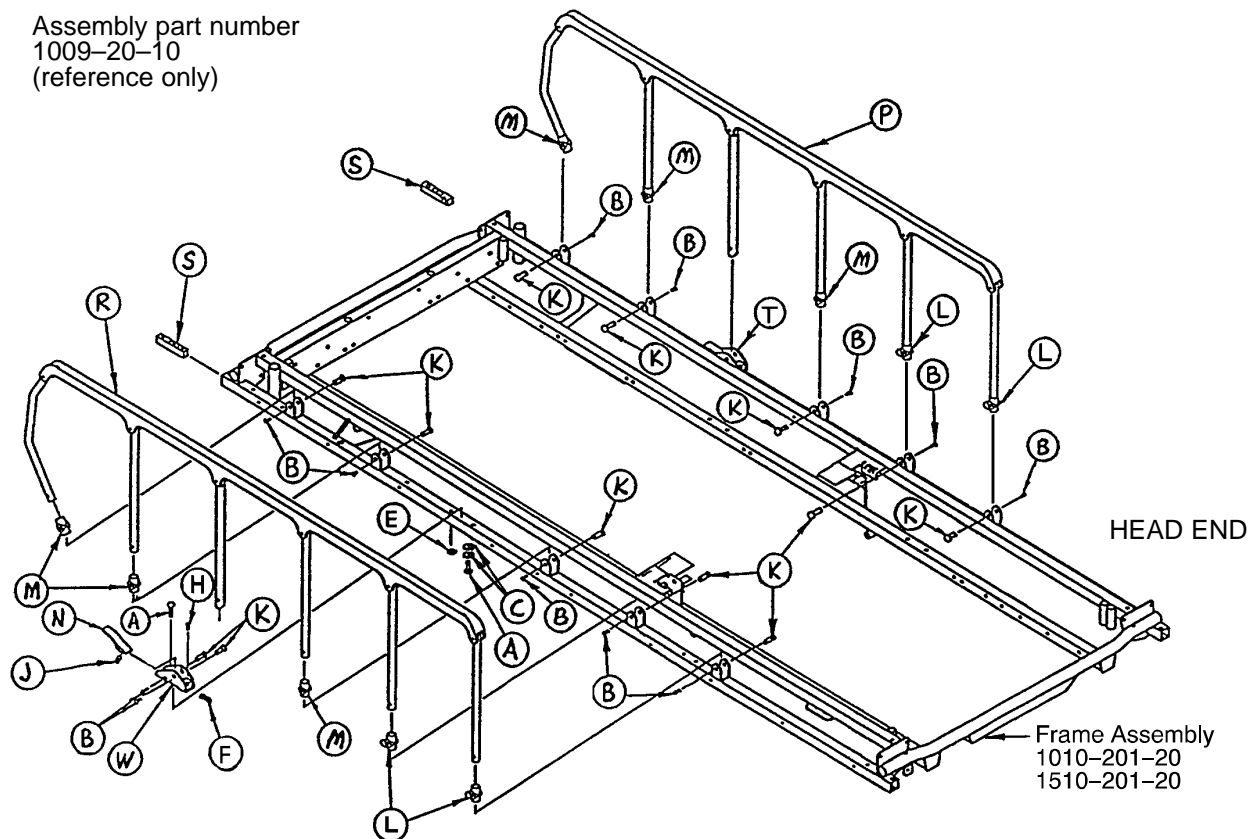
Assembly part number
1509-30-10
(reference only)



Item	Part No.	Part Name	Qty.	Item	Part No.	Part Name	Qty.
A	3-40	Hex Hd. Cap Screw	2	Y	938-1-401	Collar	4
B	3-76	Hex Hd. Cap Screw	4	Z	1001-1-37	Jack Supt. Tube, Hd.	2
C	3-78	Hex Hd. Cap Screw	4	AA	1001-1-41	Hole Plug	2
E	4-201	Soc. Hd. Cap Screw	4	AB	1001-32-29	Carrier Tube	2
F	16-11	Nylock Nut	2	AC	1001-40-12	Foot Board Receptacle	2
H	16-28	Fiberlock Nut	10	AE	1009-30-44	Bumper Channel	2
J	16-35	Nylock Nut	4	AF	1010-32-64	Carrier Tube	2
K	25-38	Pop Rivet	2	AH	1010-201-50	Support Roller	44
L	28-72	Retaining Ring	2	AJ	1210-800-8	Patent Label	1
M	37-10	Hole Plug	2	AK	1501-27-23	Support Tube Ass'y	1
N	14-21	Nylon Flat Washer	8	AL	1510-32-20	Support Tube Ass'y	1
P	46-1	Square Hd. Screw	2	AM	37-74	Hole Plug (not shown)	10
S	721-32-107	Roller Sleeve	4	AP	721-31-65	Hole Plug (not shown)	14
T	919-30-28	Rack Guide	2	AR	1001-30-29	End Plug	4
W	926-400-142	Bumper Wheel	4	AS	3-47	Hex Hd. Cap Screw	2
				AT	26-57	Roll Pin	2

Siderail to Litter Assembly, Fold-to-Head

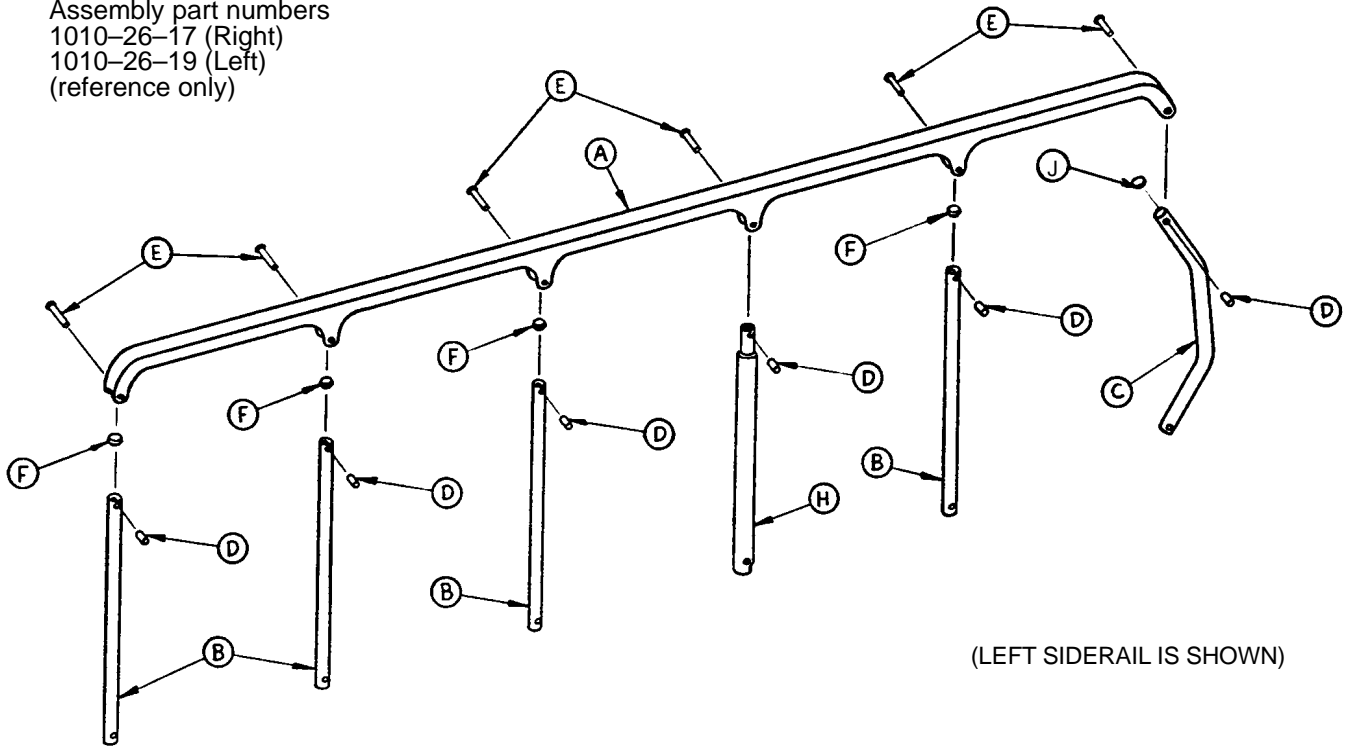
Assembly part number
1009-20-10
(reference only)



Item	Part No.	Part Name	Qty.
A	4-135	But. Hd, Cap Screw	4
B	4-136	But. Hd. Cap Screw	14
C	11-2	Flat Washer	4
E	16-28	Nylock Nut	2
F	21-104	Set Screw	2
H	37-74	Hole Plug	2
J	38-220	Compression Spring	2
K	721-26-66	Pivot Screw	14
L	721-26-68	Upright Cradle	4
M	721-26-69	Upright Sleeve	6
N	721-26-74	Lock Handle, Machined	2
P	(page 50)	Siderail Assembly, Right	1
R	(page 50)	Siderail Assembly, Left	1
S	1010-26-69	Lock Support	2
T	1010-26-80	Lock Housing Ass'y, Right	1
W	1010-26-81	Lock Housing Ass'y, Left	1

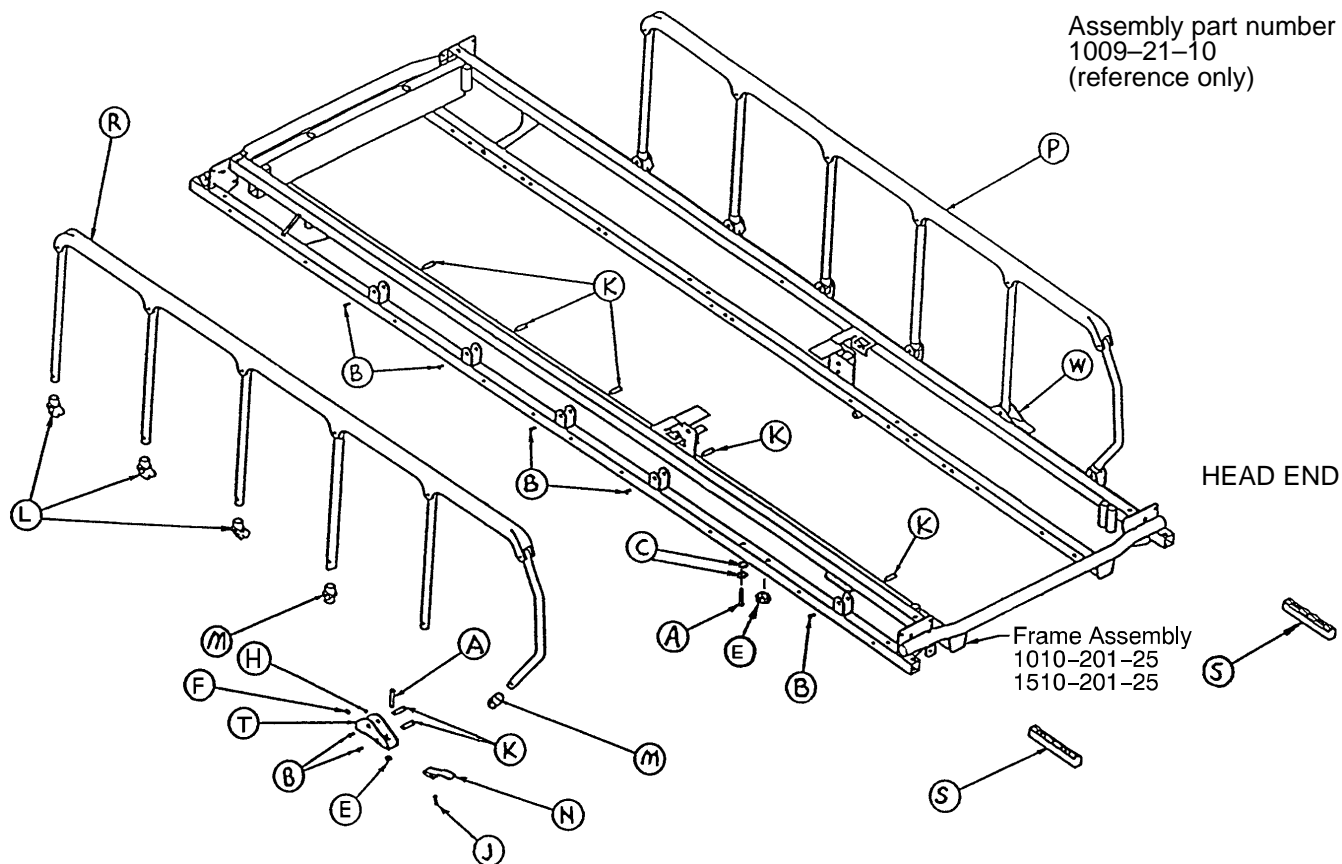
Siderail Assembly, Right & Left, Fold to Head

Assembly part numbers
 1010-26-17 (Right)
 1010-26-19 (Left)
 (reference only)



Item	Part No.	Part Name	Qty.
A	1010-26-15	Top Rail	1
B	1010-26-83	Upright	4
C	1010-26-84	Upright, Bent	1
D	1010-26-82	Sleeve Bearing	6
E	25-106	Semi-Tubular Rivet	6
F	1010-26-10	Round Hole Plug	4
H	1010-26-85	Upright, Latch	1
J	1010-26-12	Bent Spindle Rest	1

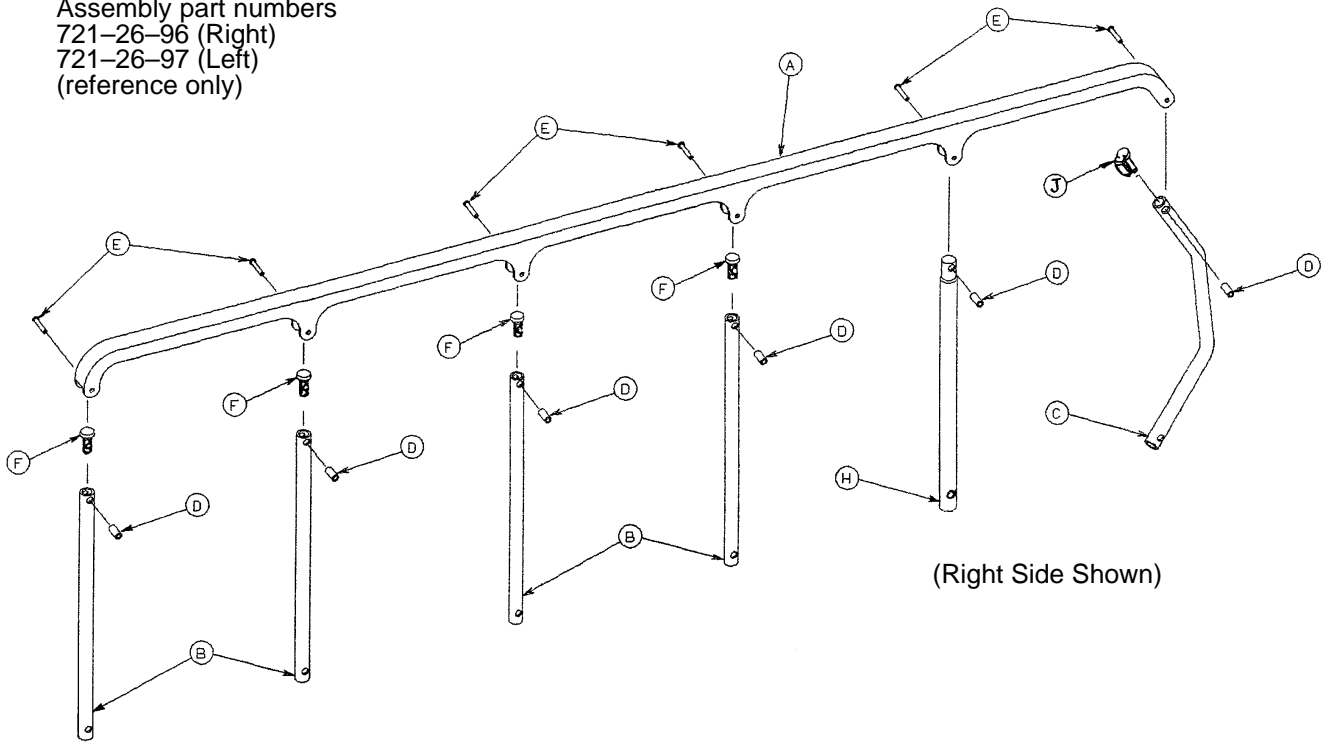
Siderail to Litter Assembly, Fold to Foot



Item	Part No.	Part Name	Qty.
A	4-135	But. Hd, Cap Screw	4
B	4-136	But. Hd. Cap Screw	14
C	11-2	Flat Washer	4
E	16-28	Nylock Nut	2
F	21-104	Set Screw	2
H	37-74	Hole Plug	2
J	38-220	Compression Spring	2
K	721-26-66	Pivot Screw	14
L	721-26-68	Upright Cradle	6
M	721-26-69	Upright Sleeve	4
N	721-26-74	Lock Handle, Machined	2
P	(page 52)	Siderail Assembly, Right	1
R	(page 52)	Siderail Assembly, Left	1
S	1010-26-69	Lock Support	2
T	1010-26-80	Lock Housing Ass'y, Right	1
W	1010-26-81	Lock Housing Ass'y, Left	1

Siderail Assembly, Right & Left, Fold to Foot

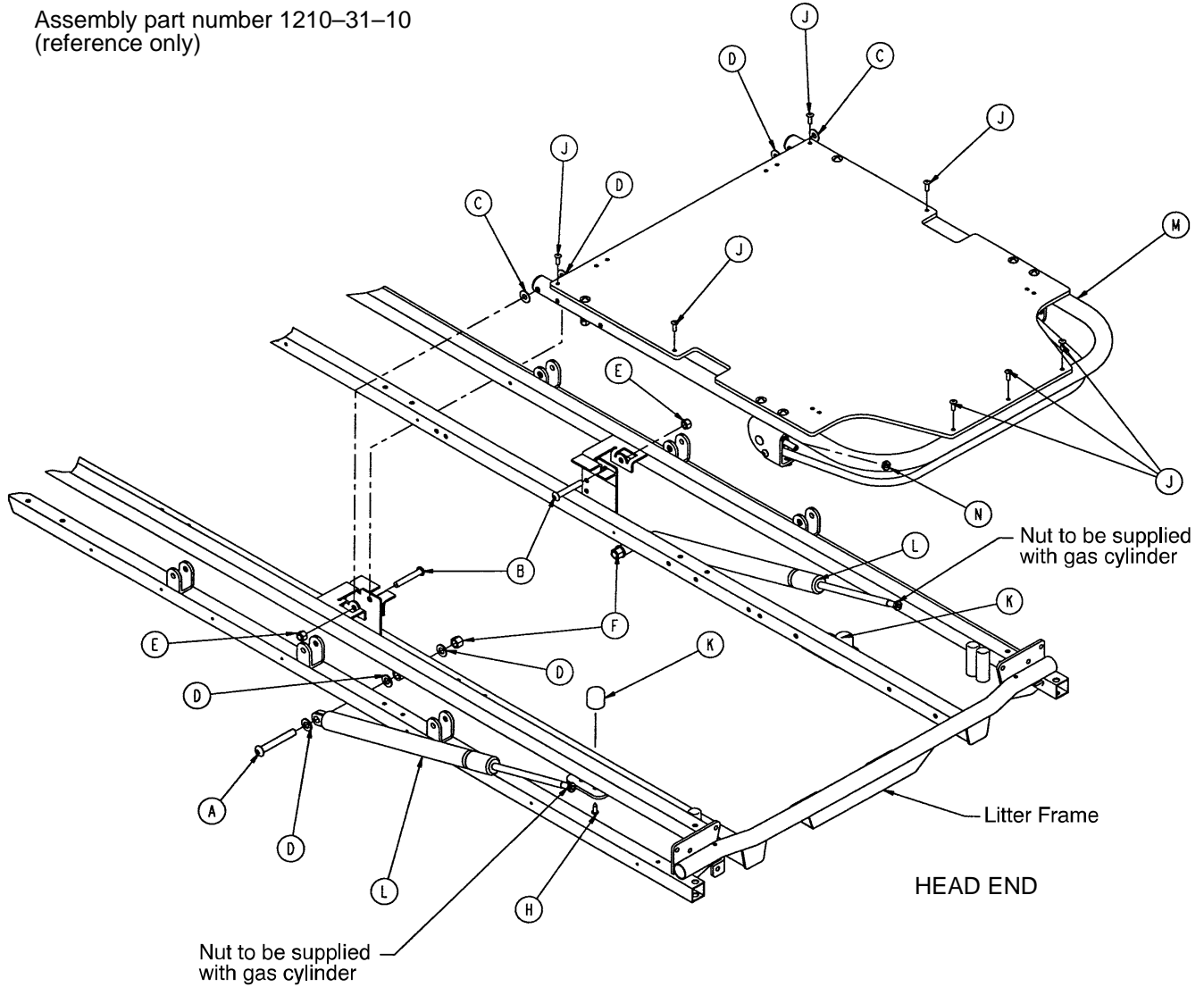
Assembly part numbers
 721-26-96 (Right)
 721-26-97 (Left)
 (reference only)



Item	Part No.	Part Name	Qty.
A	1010-26-15	Top Rail	1
B	1010-26-83	Upright	4
C	1010-26-84	Upright, Bent	1
D	1010-26-82	Spacer	6
E	25-106	Semi-Tubular Rivet	6
F	1010-26-10	Round Hole Plug	4
H	1010-26-85	Upright, Latch	1
J	1010-26-12	Bent Spindle Stop	1

1009 Pneumatic Fowler to Frame Assembly

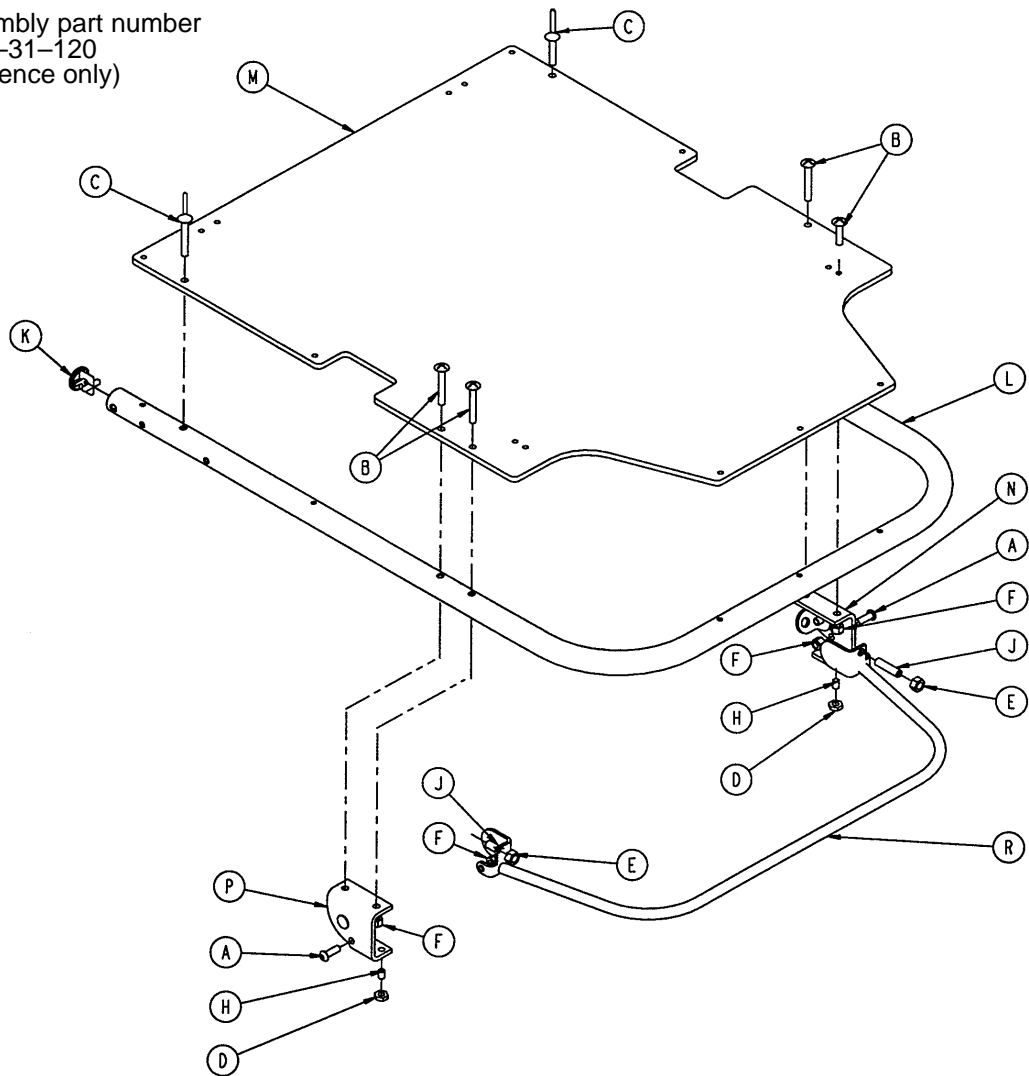
Assembly part number 1210-31-10
(reference only)



Item	Part No.	Part Name	Qty.
A	4-182	But. Hd. Cap Screw	2
B	4-183	But. Hd. Cap Screw	2
C	11-179	Nylon Washer	2
D	14-21	Nylon Washer	8
E	16-11	Nylock Hex Nut	2
F	16-35	Nylock Hex Nut	2
H	23-100	Self-Tapping Screw	2
J	25-50	Pop Rivet	7
K	1211-31-31	Pneumatic Fowler Rest	2
L	1010-31-78	Gas Cylinder	2
M	(page 54)	Pneumatic Fowler Ass'y	1
N	15-59	Hex Jam Nut	2

1009 Pneumatic Fowler Assembly (Fiberresin)

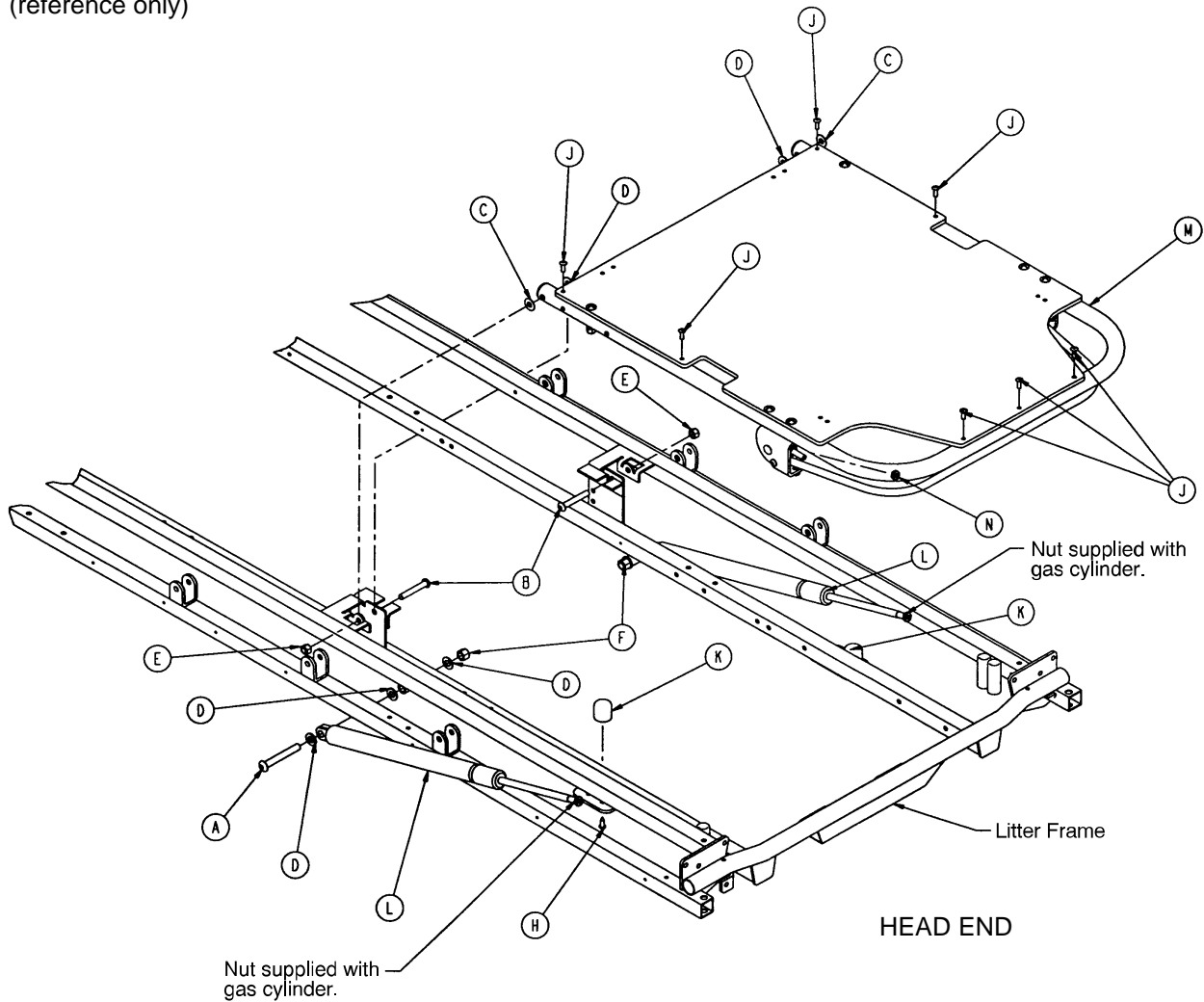
Assembly part number
1210-31-120
(reference only)



Item	Part No.	Part Name	Qty.
A	4-161	Hex Soc. But. Hd. Cap Screw	2
B	7-20	Truss Hd. Mach. Screw	4
C	25-124	Pop Rivet	2
D	15-37	Jam Nut	2
E	15-50	Hex Nut	2
F	16-28	Nylock Nut	6
H	21-125	Set Screw	2
J	21-126	Set Screw	2
K	1001-1-36	Hole Plug	2
L	1001-31-13	Fowler Tube	1
M	1010-231-12	Fowler Skin (Fiberresin)	1
N	(page 57)	Outer Housing Ass'y, Right	1
P	(page 57)	Outer Housing Ass'y, Left	1
R	1210-31-118	Trip Bar Assembly	1

1509 Pneumatic Fowler to Frame Assembly

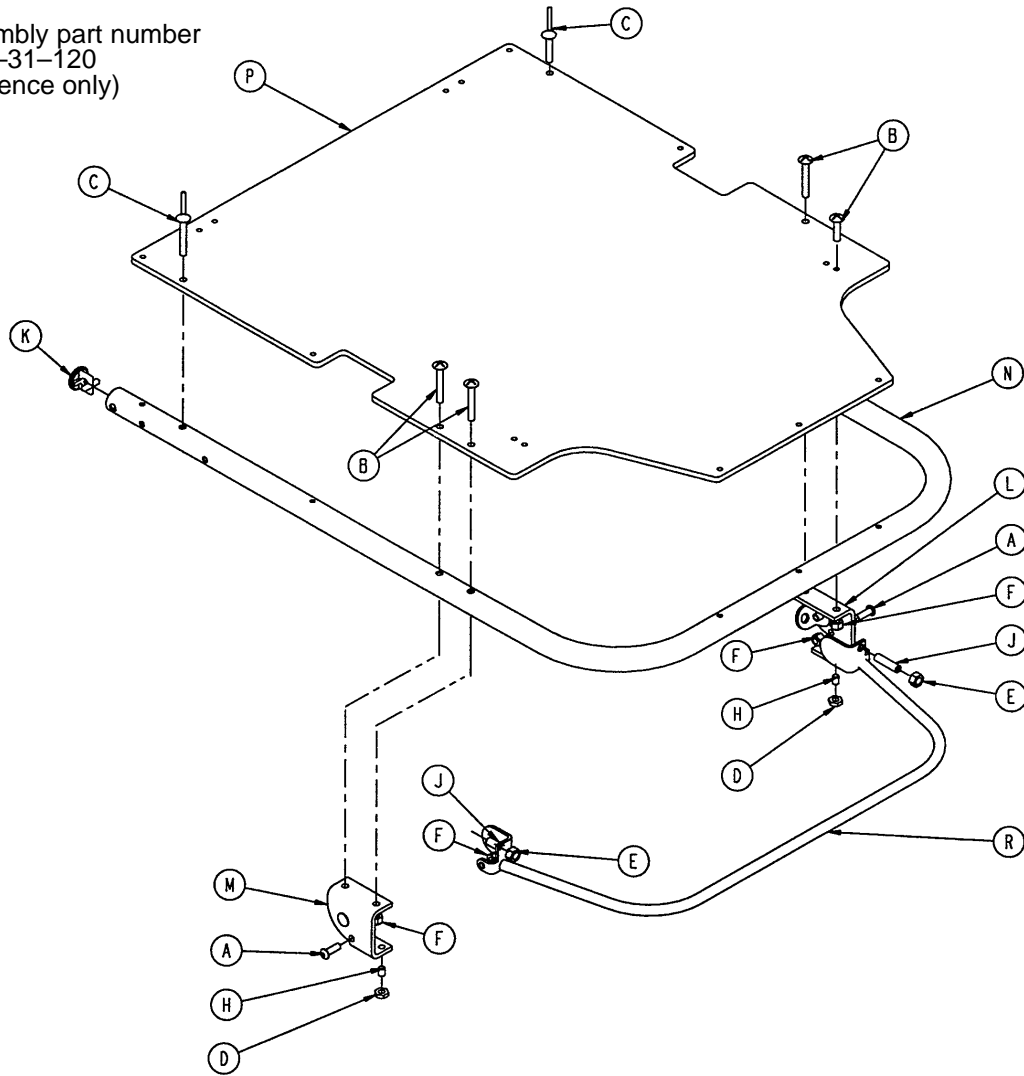
Assembly part number 1710-31-10
(reference only)



Item	Part No.	Part Name	Qty.
A	4-182	But. Hd. Cap Screw	2
B	4-183	But. Hd. Cap Screw	2
C	11-179	Nylon Washer	2
D	14-21	Nylon Washer	8
E	16-11	Nylock Hex Nut	2
F	16-35	Nylock Hex Nut	2
H	23-100	Self-Tapping Screw	2
J	25-50	Pop Rivet	7
K	1211-31-31	Pneumatic Fowler Rest	2
L	1010-31-78	Gas Cylinder	2
M	(page 56)	Pneumatic Fowler Ass'y	1
N	15-59	Hex Jam Nut	2

1509 Pneumatic Fowler Assembly (Fiberresin)

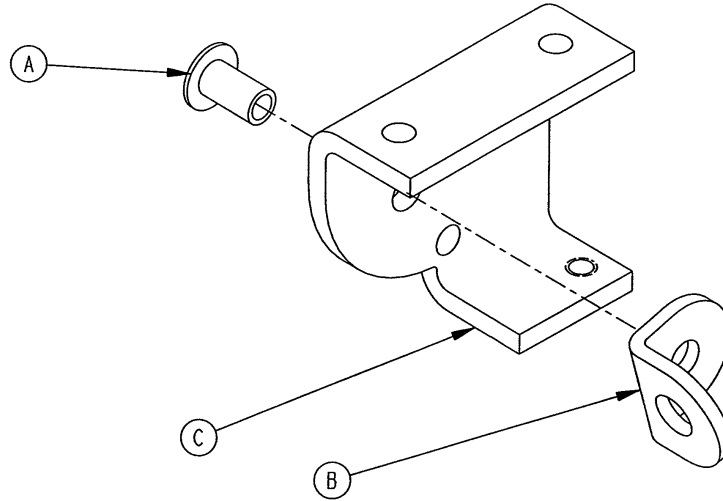
Assembly part number
1710-31-120
(reference only)



Item	Part No.	Part Name	Qty.
A	4-161	But. Hd. Cap Screw	2
B	7-20	Truss Hd. Mach. Screw	4
C	25-124	Pop Rivet	2
D	15-37	Jam Nut	2
E	15-50	Hex Nut	2
F	16-28	Fiberlock Nut	6
H	21-125	Set Screw	2
J	21-126	Set Screw	2
K	1001-1-36	Hole Plug	2
L	(page 57)	Outer Housing Ass'y, Rt.	1
M	(page 57)	Outer Housing Ass'y, Lt.	1
N	1501-31-13	Fowler Tube	1
P	1510-231-12	Fowler Skin (Fiberresin)	1
R	1710-31-118	Trip Bar Assembly	1

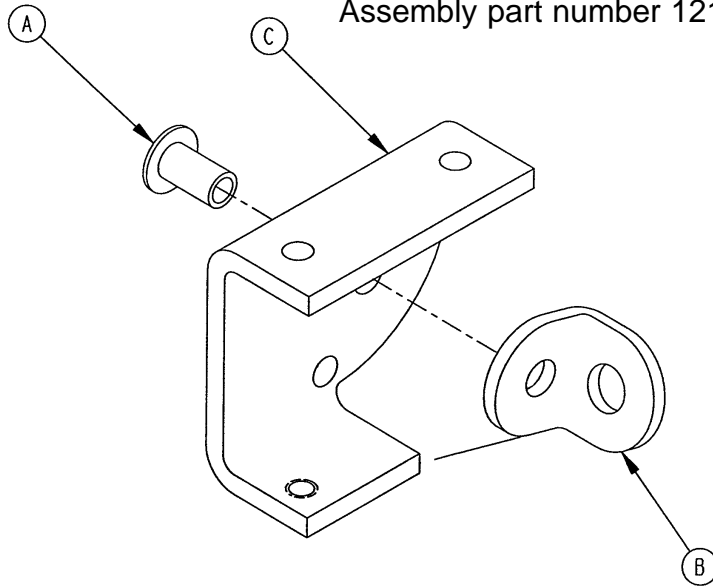
Outer Housing Assembly, Right and Left

Assembly part number 1210-31-106 (Right)



Item	Part No.	Part Name	Qty.
A	25-144	Semi-Tubular Rivet	1
B	1210-31-103	Pivot Tab	1
C	1210-31-104	Outer Housing, Right	1

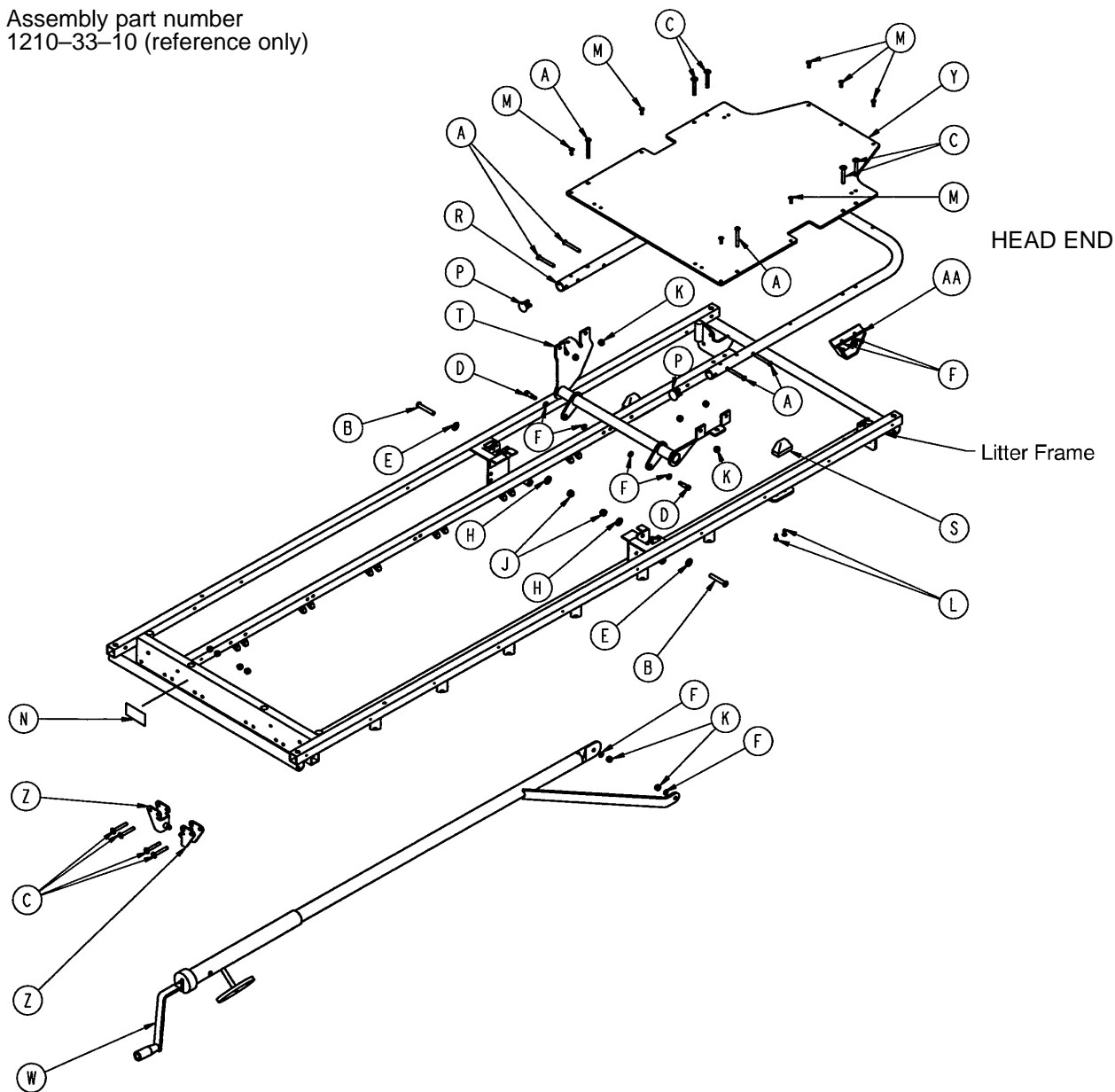
Assembly part number 1210-31-107 (Left)



Item	Part No.	Part Name	Qty.
A	25-144	Semi-Tubular Rivet	1
B	1210-31-103	Pivot Tab	1
C	1210-31-105	Outer Housing, Left	1

1009 Crank Fowler Assembly (Fiberresin)

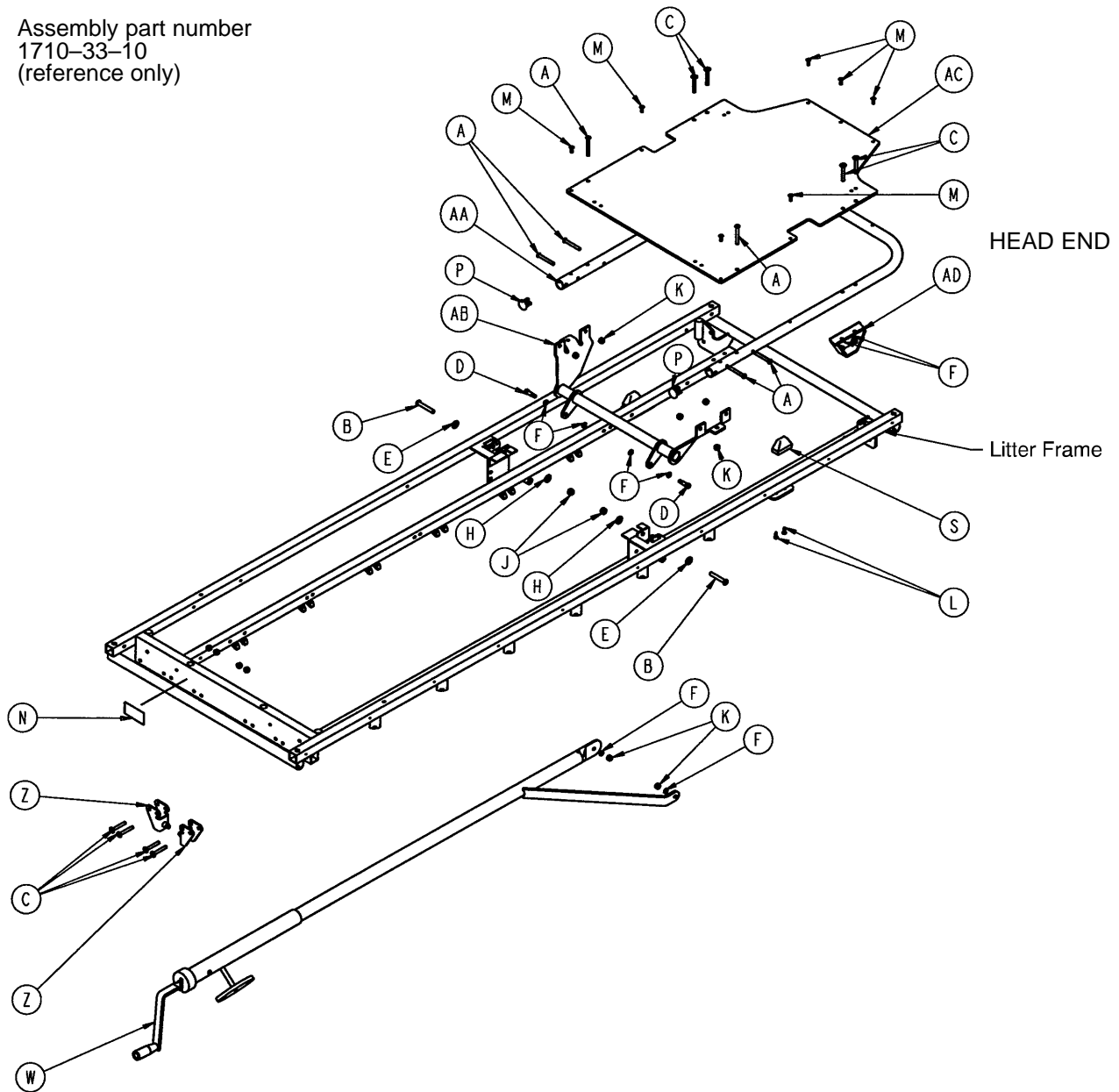
Assembly part number
1210-33-10 (reference only)



Item	Part No.	Part Name	Qty.	Item	Part No.	Part Name	Qty.
A	4-97	Hex But. Hd. Cap Screw	6	M	25-50	Pop Rivet	7
B	4-183	But. Hd. Cap Screw	2	N	946-1-64	Fowler Operation Label	1
C	7-20	Truss Hd. Mach. Screw	8	P	1001-1-36	Hole Plug	2
D	8-15	Shoulder Bolt	2	R	1001-31-13	Fowler Tube	1
E	11-179	Washer	2	S	1001-31-31	Pneumatic Fowler Rest	2
F	14-3	Thrust Washer	8	T	1001-33-24	Fowler Lever Assembly	1
H	14-21	Washer	2	W	(page 60)	Crankscrew Assembly	1
J	16-11	Nylock Hex Nut	2	Y	1010-231-12	Fowler Skin (Fiberresin)	1
K	16-28	Fiberlock Hex Nut	16	Z	1010-234-15	Mounting Bracket Ass'y	2
L	23-100	Ph. Hd. Self-Tap. Screw	4	AA	1550-33-31	Fowler Support Ass'y	2

1509 Crank Fowler Assembly (Fiberresin)

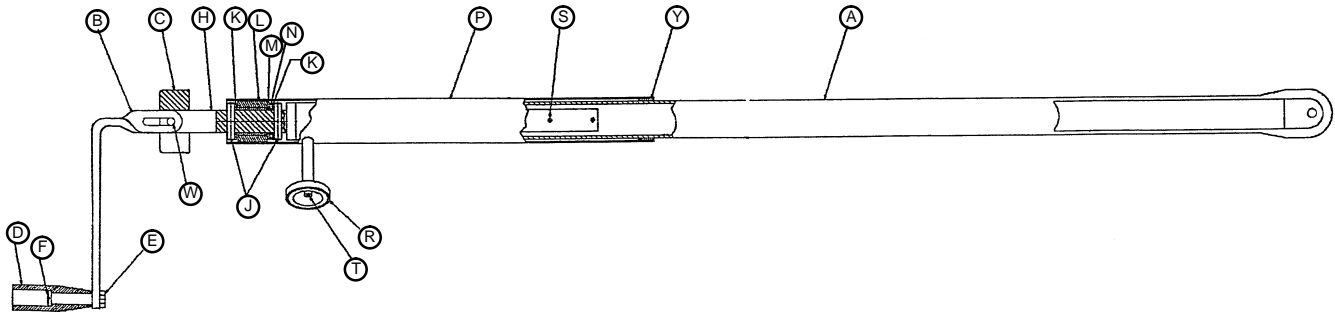
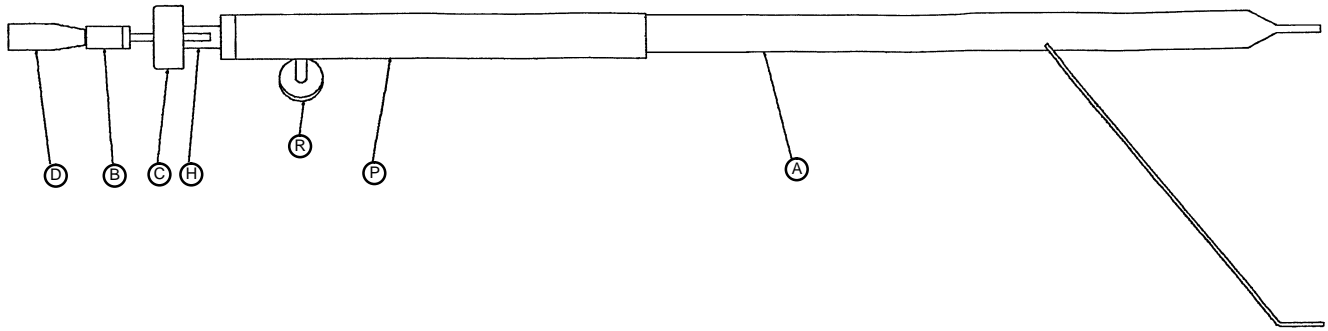
Assembly part number
1710-33-10
(reference only)



Item	Part No.	Part Name	Qty.	Item	Part No.	Part Name	Qty.
A	4-97	Hex But. Hd. Cap Screw	6	M	25-50	Pop Rivet	7
B	4-183	But. Hd. Cap Screw	2	N	946-1-64	Fowler Operation Label	1
C	7-20	Truss Hd. Mach. Screw	8	P	1001-1-36	Hole Plug	2
D	8-15	Shoulder Bolt	2	S	1001-31-31	Pneumatic Fowler Rest	2
E	11-179	Washer	2	W	(page 60)	Crank screw Assembly	1
F	14-3	Thrust Washer	8	Z	1010-234-15	Mounting Bracket Ass'y	2
H	14-21	Washer	2	AA	1501-31-13	Fowler Tube	1
J	16-11	Nylock Hex Nut	2	AB	1501-33-24	Fowler Lever Ass'y	1
K	16-28	Fiberlock Nut	16	AC	1510-231-12	Fowler Skin (Fiberresin)	1
L	23-100	Ph. Hd. Self-Tap. Screw	4	AD	1550-33-31	Fowler Support Ass'y	2

1001-33-25 (1009) Fowler Crankscrew Ass'y

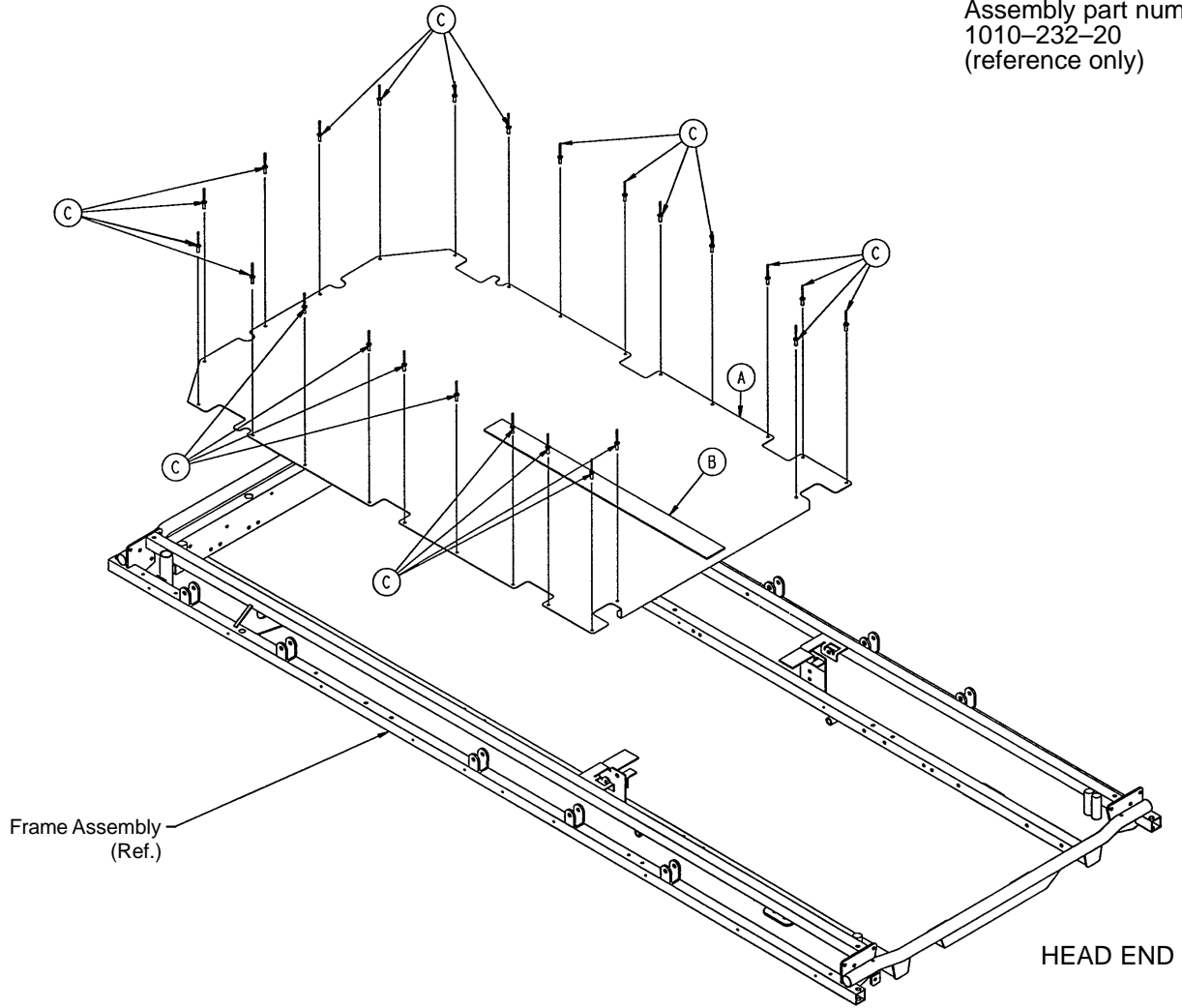
1501-33-25 (1509) Fowler Crankscrew Ass'y



Item	Part No.	Part Name	Qty.
A	1001-33-26	Drive Bar Assembly	1
	1501-33-26	Drive Bar Assembly	1
B	1550-1-16	Crank Assembly	1
C	946-33-18	Crank Disc	1
D	938-1-177	Knob	1
E	16-5	KePinut	1
F	378-24-29	Shoulder Bolt	1
H	946-33-35	Fowler Screw	1
J	26-14	Roll Pin	2
K	81-174	Thrust Washer	2
L	938-1-175	Bearing Assembly	1
M	81-176	Thrust Washer	1
N	81-175	Thrust Bearing	1
P	1510-34-84	Screw Cover Assembly	1
R	1550-1-14	Magnet	1
S	26-10	Roll Pin	1
T	4-7	Soc. Hd. Cap Screw	1
W	26-45	Roll Pin	1
Y	7900-1-102	Velcro Pile	1

1009 Stationary Foot End Assembly (Steel)

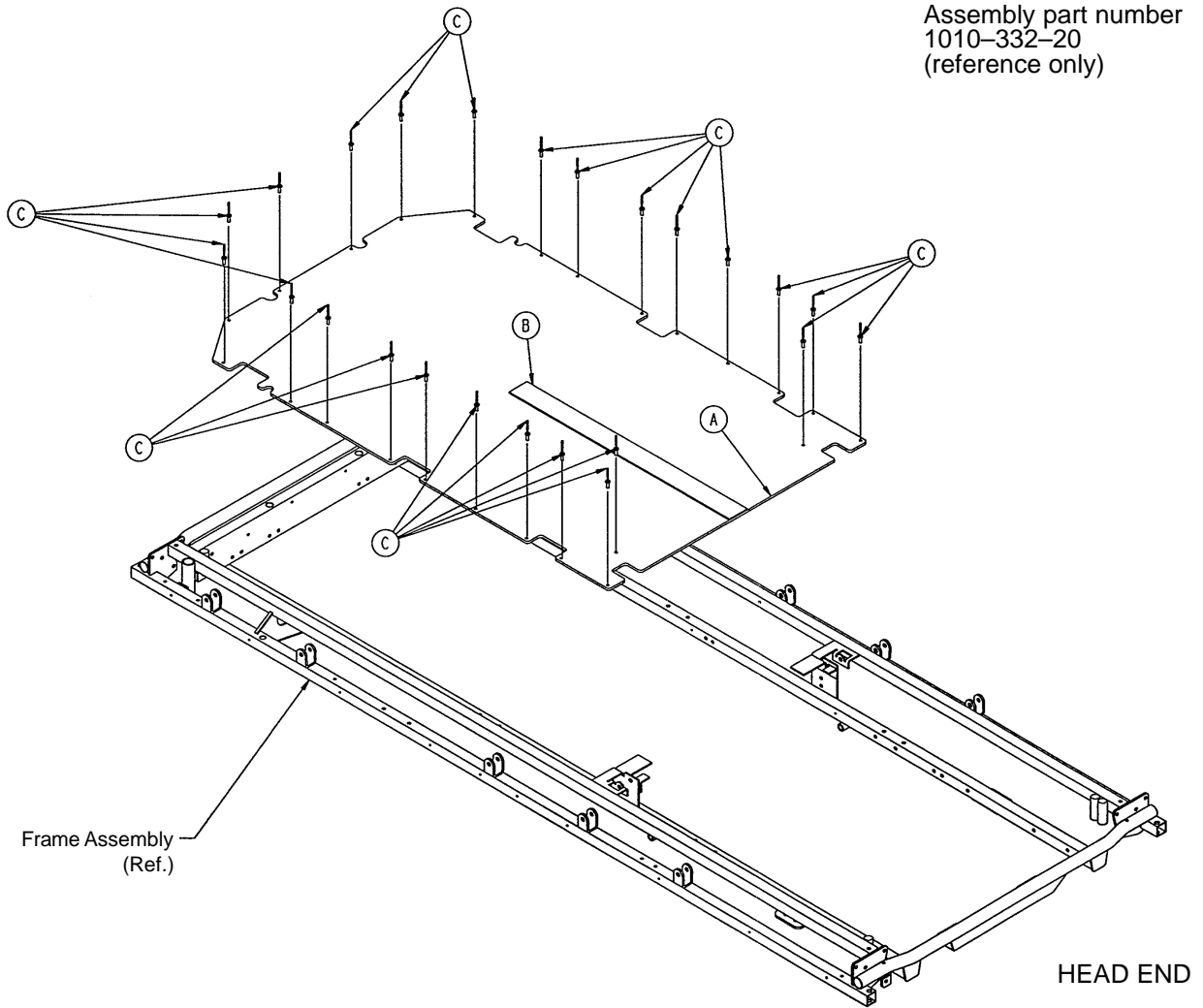
Assembly part number
1010-232-20
(reference only)



Item	Part No.	Part Name	Qty.
A	1010-232-21	Footsection Skin (Steel)	1
B	381-24-7	Velcro Pile	1
C	25-122	Pop Rivet	24

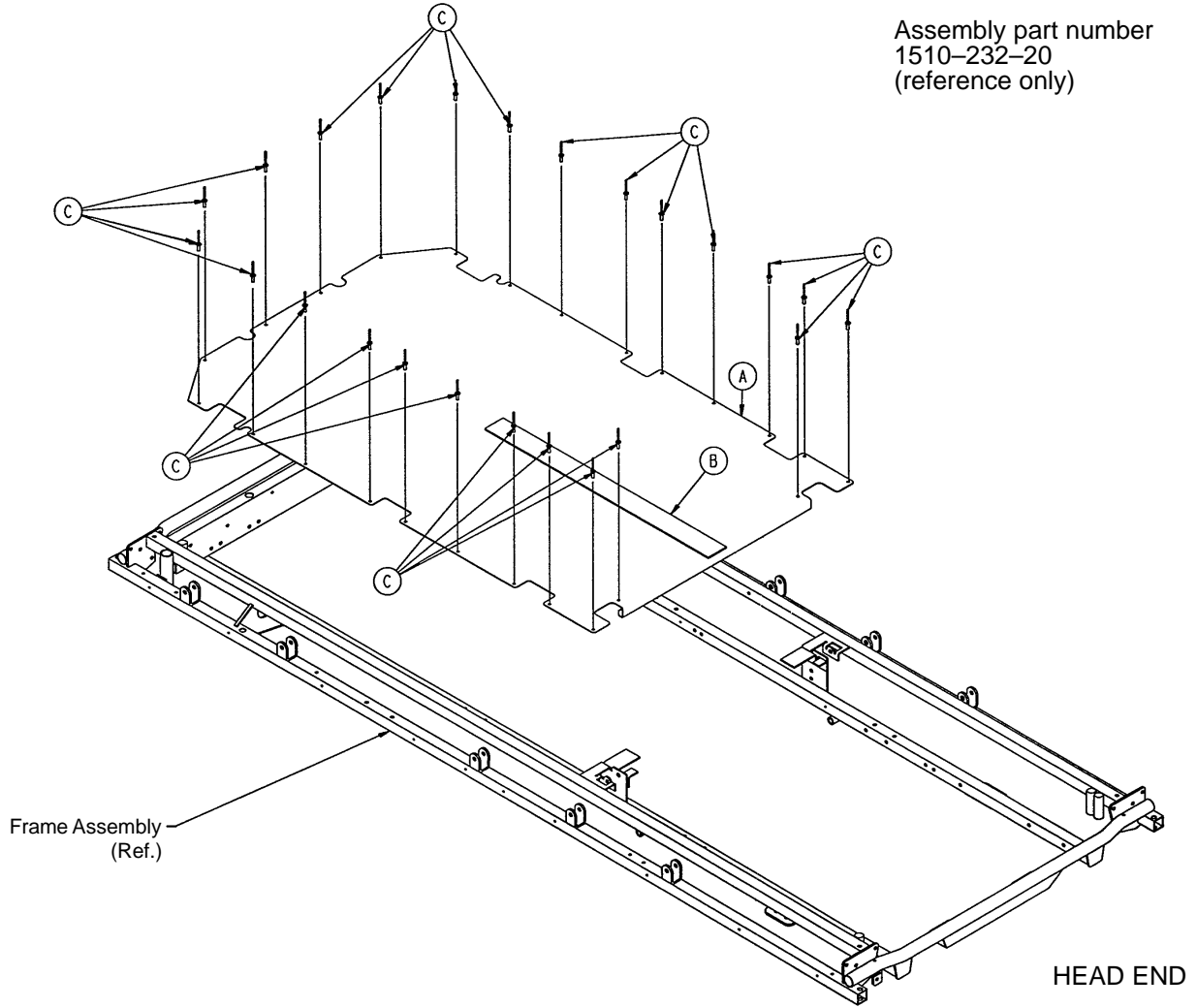
1009 Stationary Foot End Assembly (Fiberresin)

Assembly part number
1010-332-20
(reference only)



Item	Part No.	Part Name	Qty.
A	1010-332-21	Footsection Skin (Fiberresin)	1
B	381-24-7	Velcro Pile	1
C	25-50	Pop Rivet	24

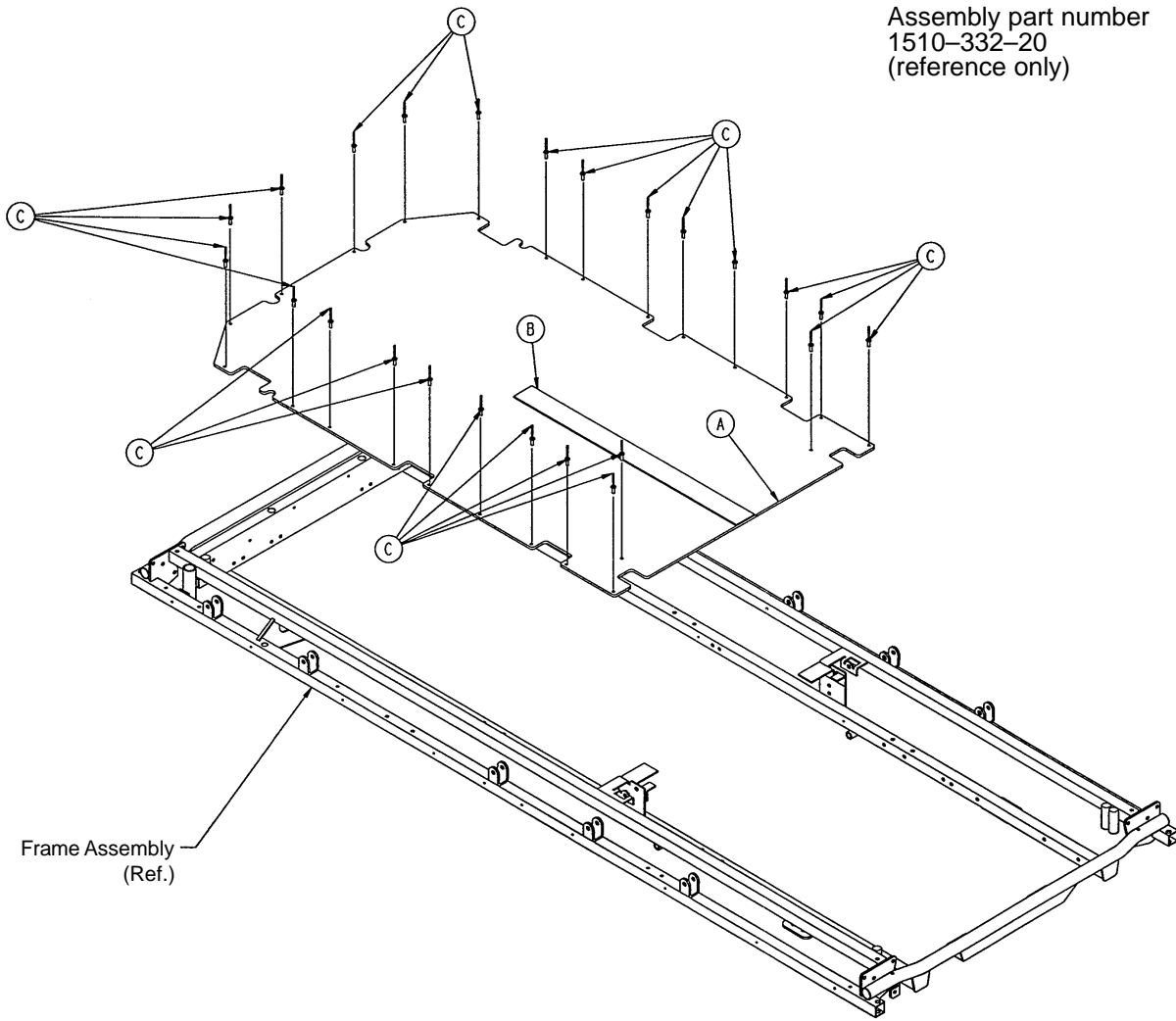
1509 Stationary Foot End Assembly (Steel)



Item	Part No.	Part Name	Qty.
A	1510-232-21	Footsection Skin (Steel)	1
B	381-24-7	Velcro Pile	1
C	25-122	Pop Rivet	24

1509 Stationary Foot End Assembly (Fiberresin)

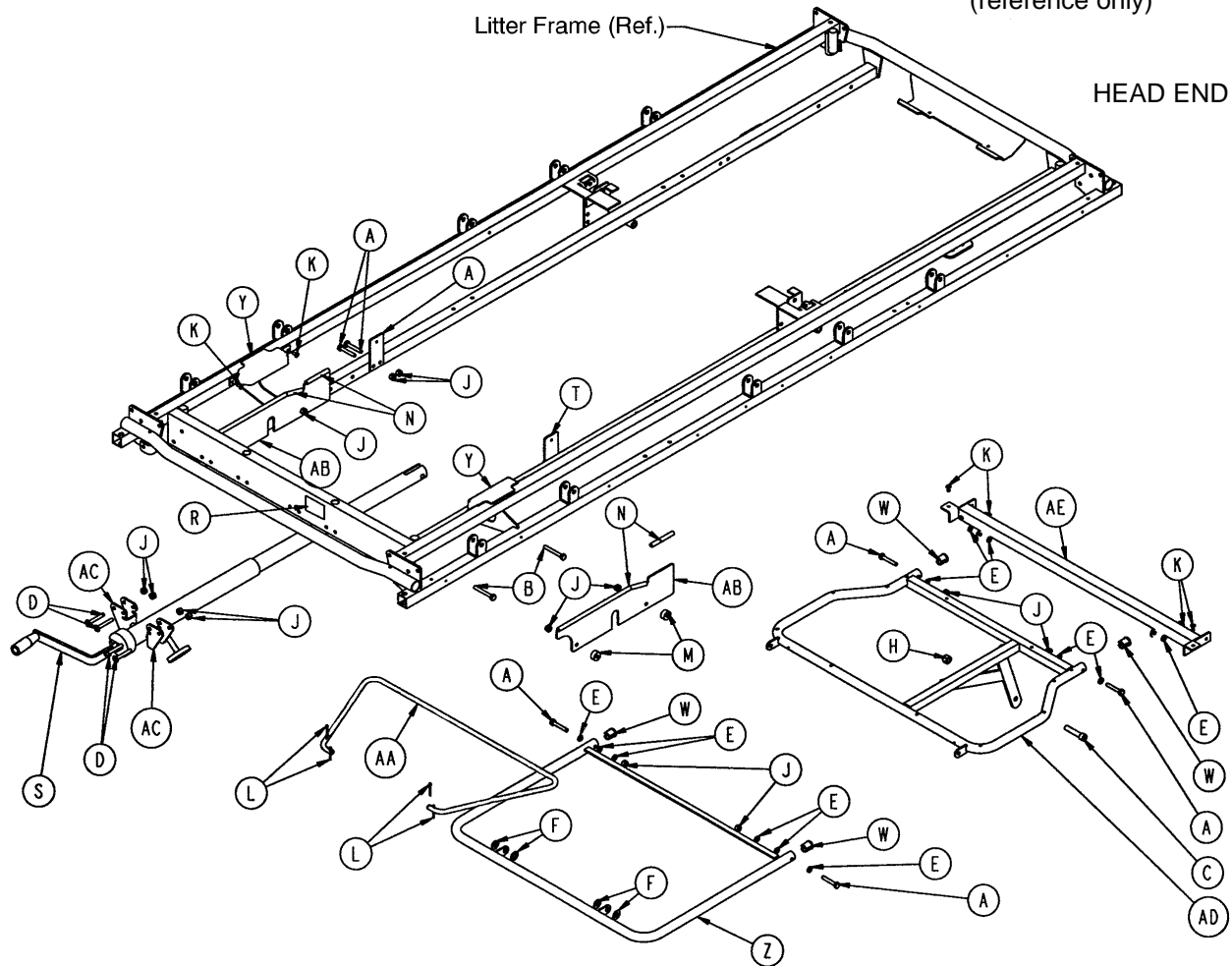
Assembly part number
1510-332-20
(reference only)



Item	Part No.	Part Name	Qty.
A	1510-332-21	Footsection Skin (Fiberresin)	1
B	381-24-7	Velcro Pile	1
C	25-50	Pop Rivet	24

1009 Knee Gatch Assembly

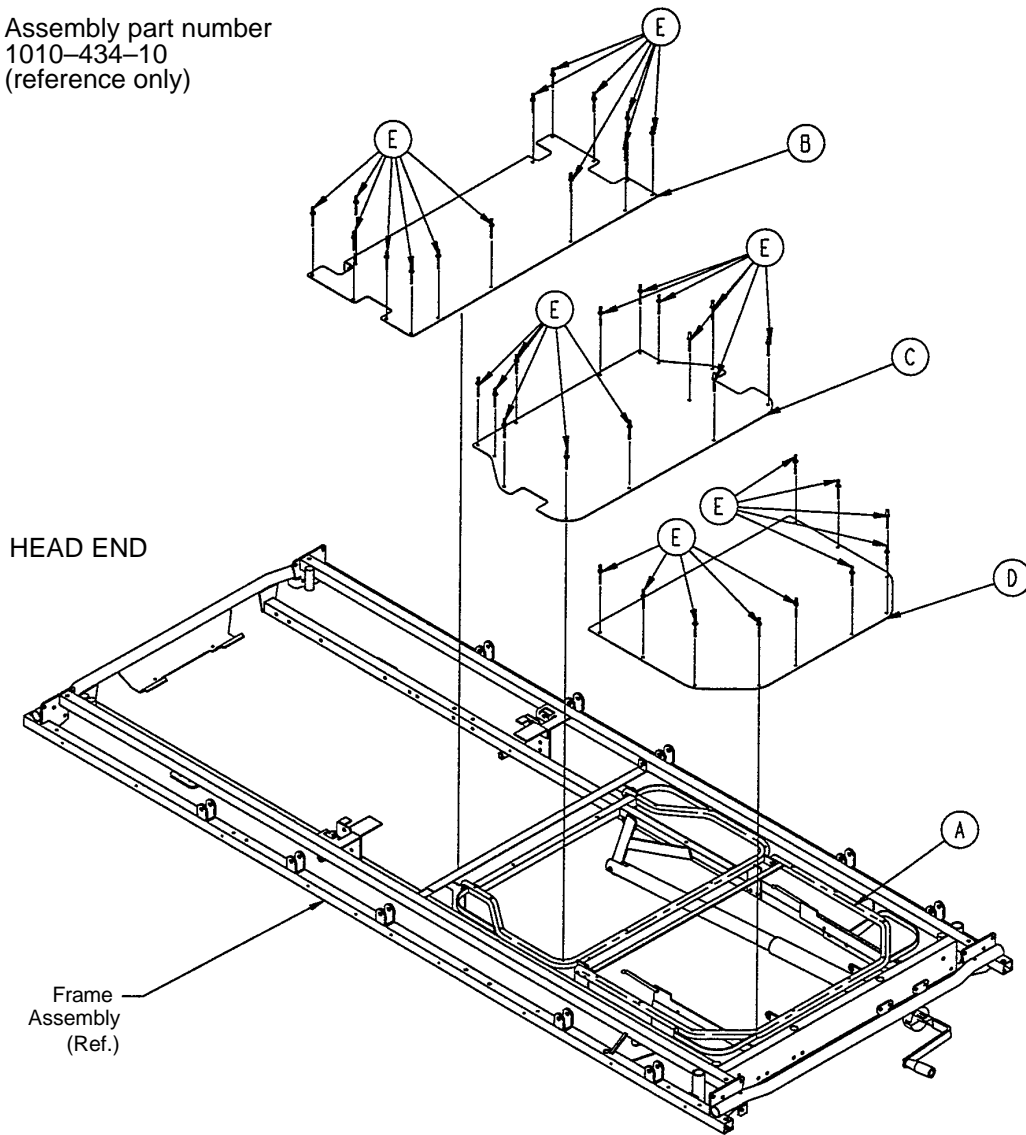
Assembly part number
1010-434-20
(reference only)



Item	Part No.	Part Name	Qty.	Item	Part No.	Part Name	Qty.
A	3-47	Hex Hd. Cap Screw	8	P	721-31-65	Litter Hole Plug (not shown)	2
B	3-76	Hex Hd. Cap Screw	4	R	946-1-65	Label, Gatch Symbol	1
C	4-105	Soc. Hd. Cap Screw	1	S	(page 71)	Gatch Crankscrew Ass'y	1
D	7-20	Truss Hd. Cap Screw	4	T	1001-34-24	Thigh Support	2
E	14-2	Flat Washer	12	W	1001-34-25	End Plug	4
F	14-21	Nylon Washer	4	Y	1001-34-48	Latch Cover	2
H	16-12	Flexlock Nut	1	Z	1001-34-112	Calf Frame	1
J	16-28	Nylock Hex Nut	16	AA	1001-34-120	Gatch Riser	1
K	25-79	Pop Rivet	8	AB	1001-34-131	Slider Support	2
L	27-4	Cotter Pin	4	AC	1010-234-15	Mounting Bracket	2
M	52-291	Round Spacer	4	AD	1211-34-11	Thigh Frame	1
N	58-56	Edge Cover	1.3'	AE	1211-34-23	Midsection Supt.	1

1009 Knee Gatch Assembly, Steel

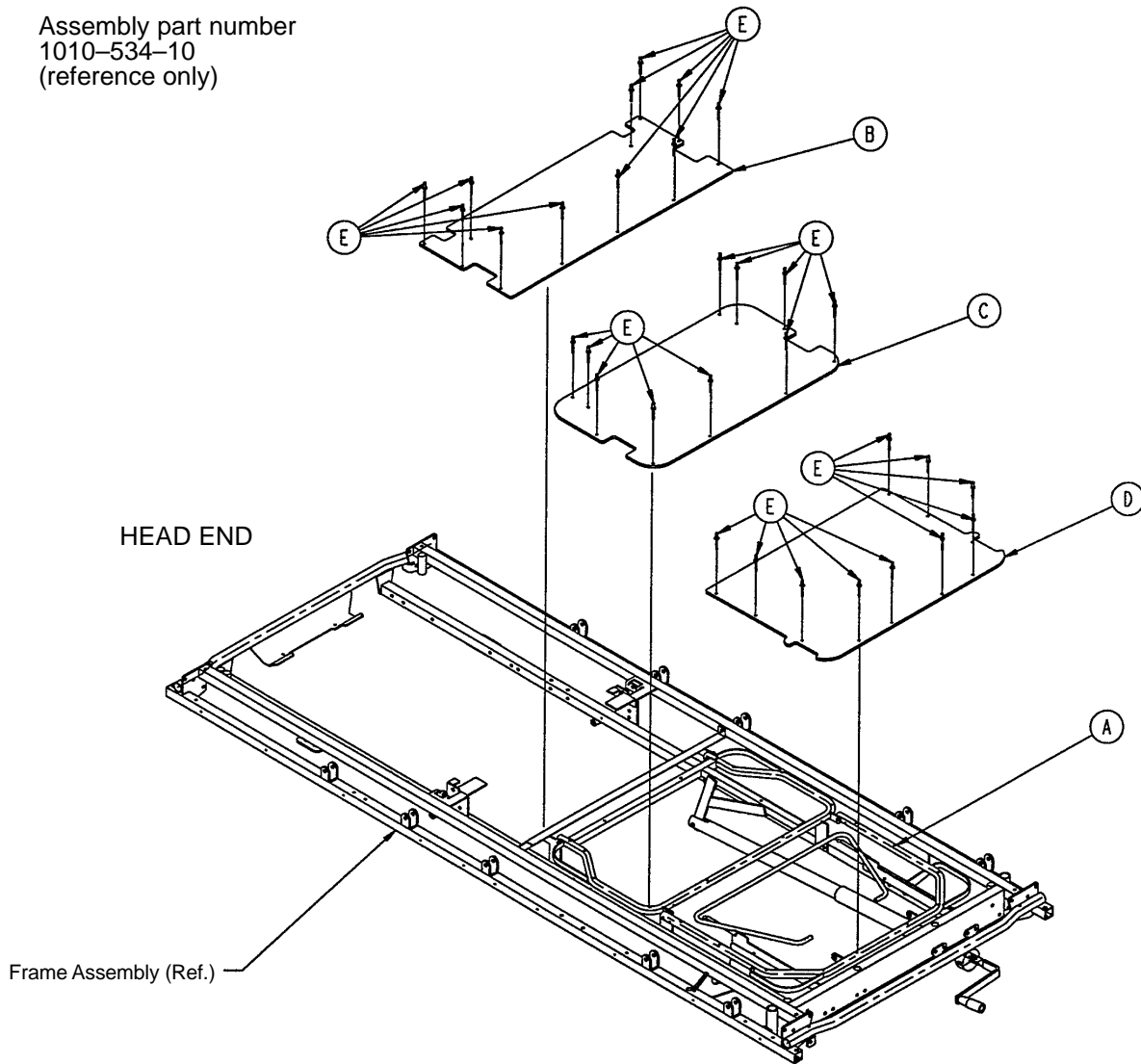
Assembly part number
1010-434-10
(reference only)



Item	Part No.	Part Name	Qty.
A	(page 65)	Knee Gatch Assembly	1
B	1010-234-27	Midsection Skin	1
C	1010-234-28	Thigh Skin	1
D	1010-234-126	Calf Skin	1
E	25-122	Pop Rivet	37
F	381-24-7	Velcro (not shown)	1

1009 Crank Knee Gatch Assembly (Fiberresin)

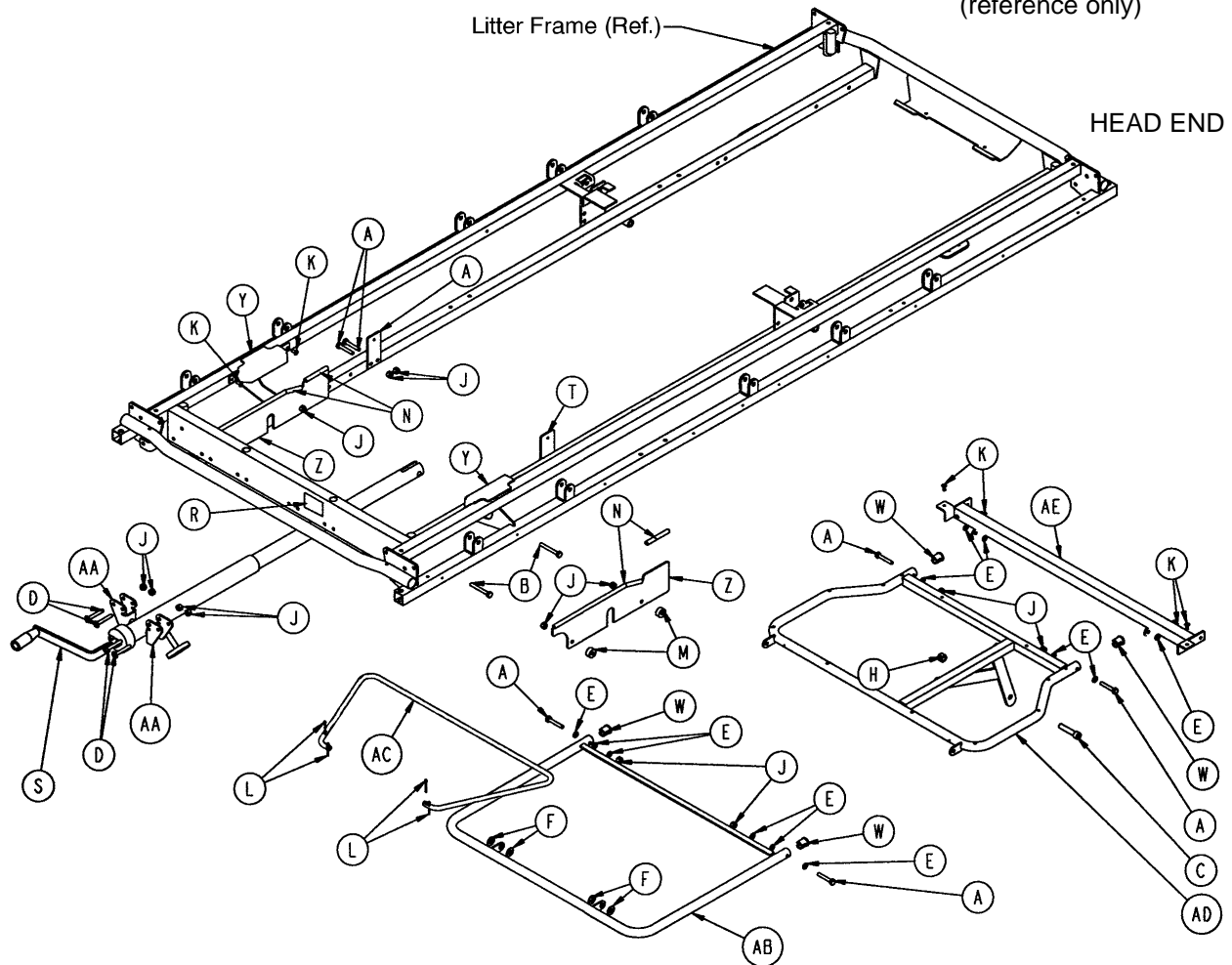
Assembly part number
1010-534-10
(reference only)



Item	Part No.	Part Name	Qty.
A	(page 65)	Knee Gatch Assembly	1
B	1010-334-27	Midsection Skin	1
C	1010-334-28	Thigh Skin	1
D	1010-334-126	Calf Skin	1
E	25-50	Pop Rivet	31

1509 Knee Gatch Assembly

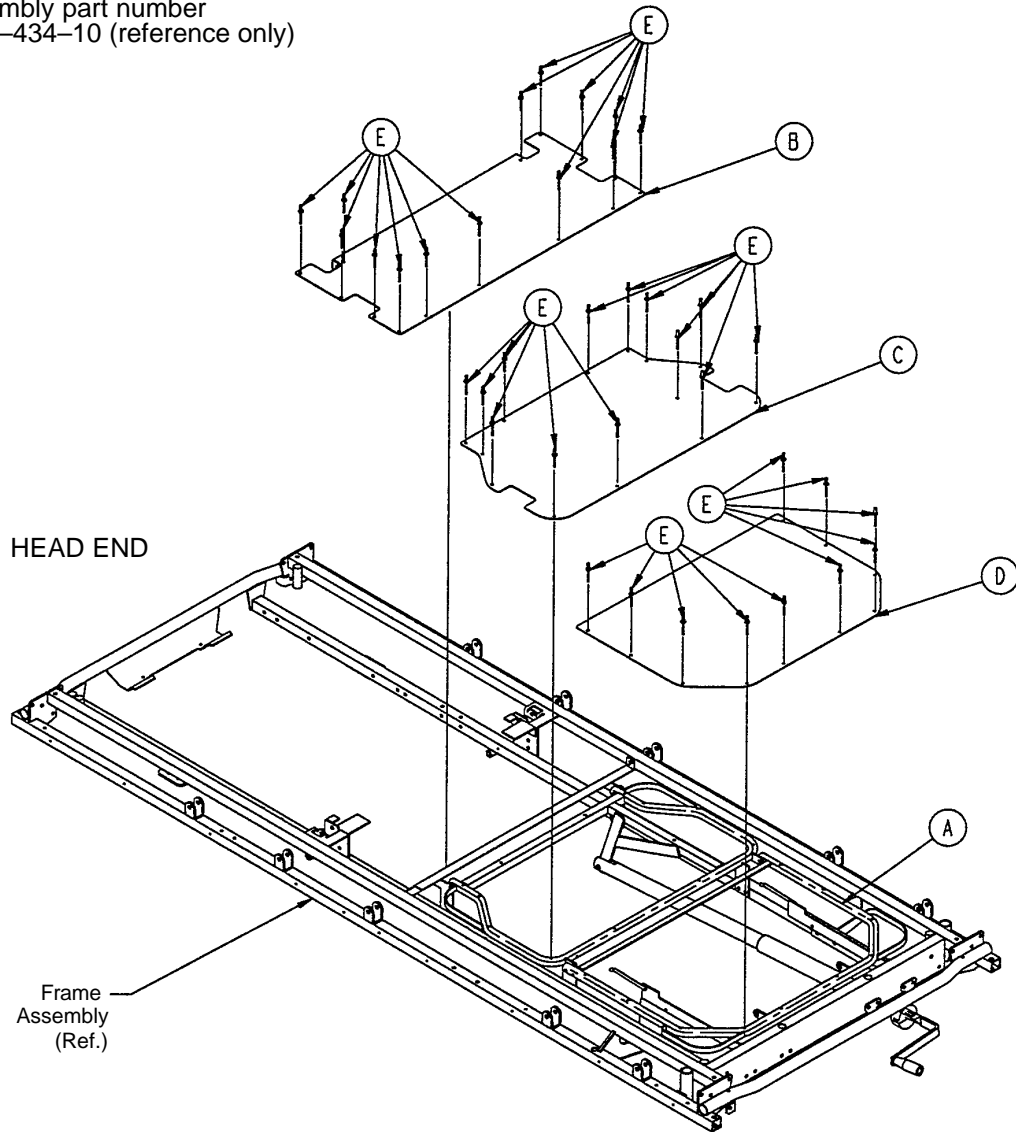
Assembly part number
1510-434-20
(reference only)



Item	Part No.	Part Name	Qty.	Item	Part No.	Part Name	Qty.
A	3-47	Hex Hd. Cap Screw	8	P	721-31-65	Litter Hole Plug (not shown)	2
B	3-76	Hex Hd. Cap Screw	4	R	946-1-65	Label, Gatch Symbol	1
C	4-105	Soc. Hd. Cap Screw	1	S	(page 71)	Gatch Crankscrew Ass'y	1
D	7-20	Truss Hd. Cap Screw	4	T	1001-34-24	Thigh Support	2
E	14-2	Flat Washer	12	W	1001-34-25	End Plug	4
F	14-21	Nylon Washer	4	Y	1001-34-48	Latch Cover	2
H	16-12	Flexlock Nut	1	Z	1001-34-131	Slider Support	2
J	16-28	Nylock Hex Nut	16	AA	1010-234-15	Mounting Bracket Ass'y	2
K	25-79	Pop Rivet	8	AB	1501-34-112	Calf Frame	1
L	27-4	Cotter Pin	4	AC	1501-34-120	Gatch Riser	1
M	52-291	Round Spacer	4	AD	1711-34-11	Thigh Frame	1
N	58-56	Edge Cover	1.3'	AE	1711-34-23	Midsection Support	1

1501 Crank Knee Gatch Assembly, Steel, Fold-to-Head

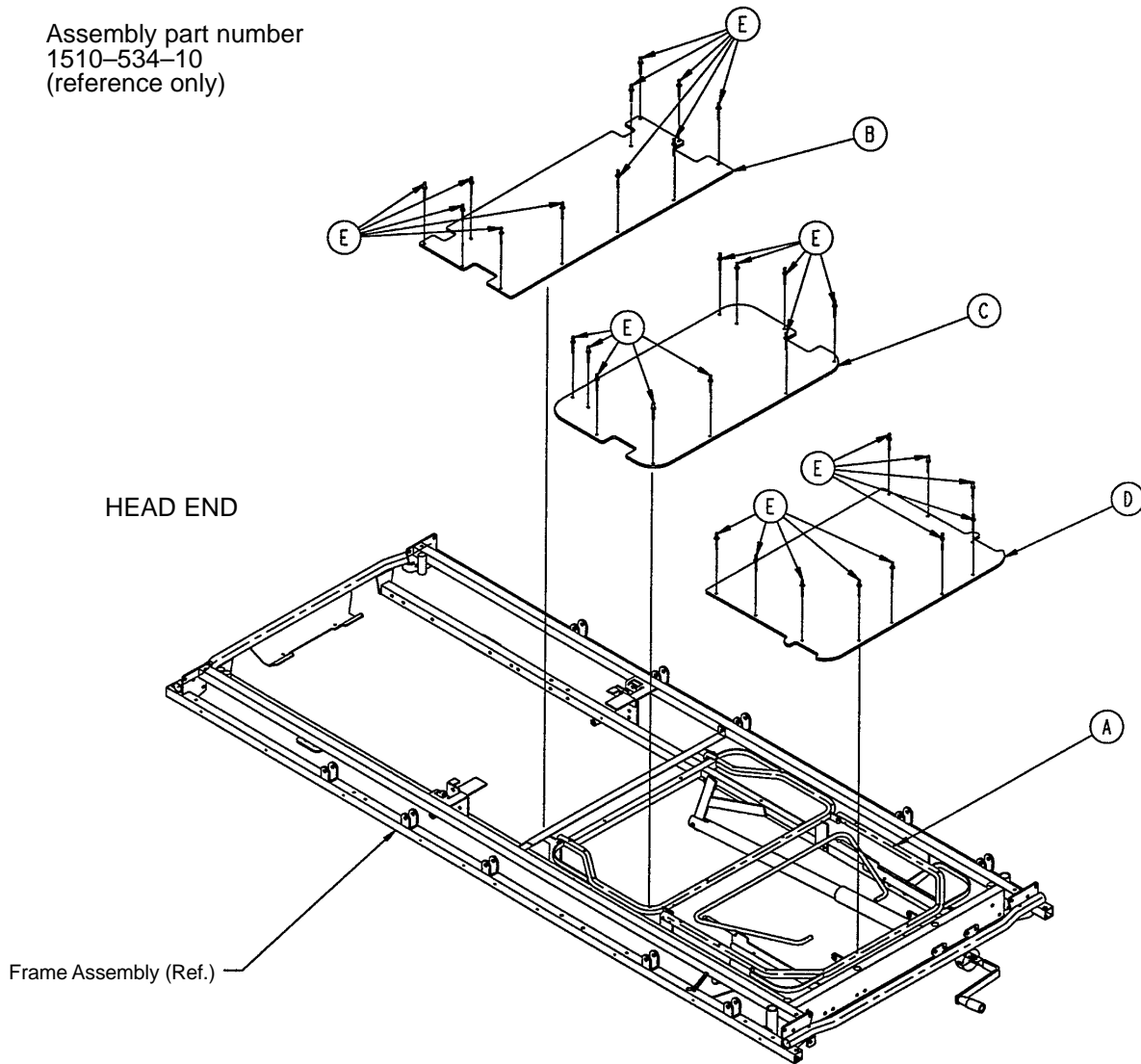
Assembly part number
1510-434-10 (reference only)



Item	Part No.	Part Name	Qty.
A	(page 68)	Knee Gatch Assembly	1
B	1510-234-27	Midsection Skin	1
C	1510-234-28	Thigh Skin	1
D	1510-234-126	Calf Skin	1
E	25-122	Pop Rivet	37
F	381-24-7	Velcro (not shown)	1

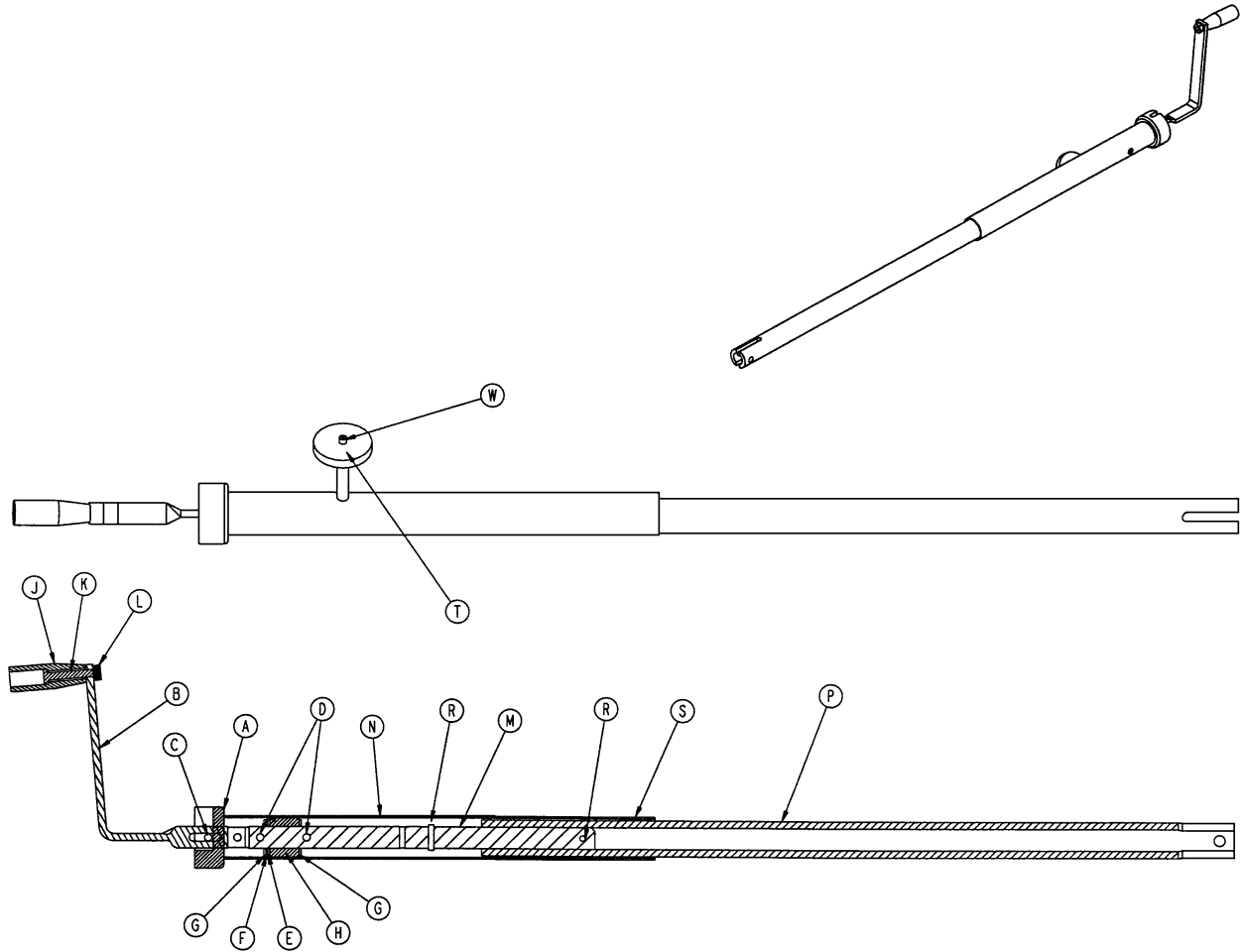
1509 Knee Gatch Assembly (Fiberresin)

Assembly part number
1510-534-10
(reference only)



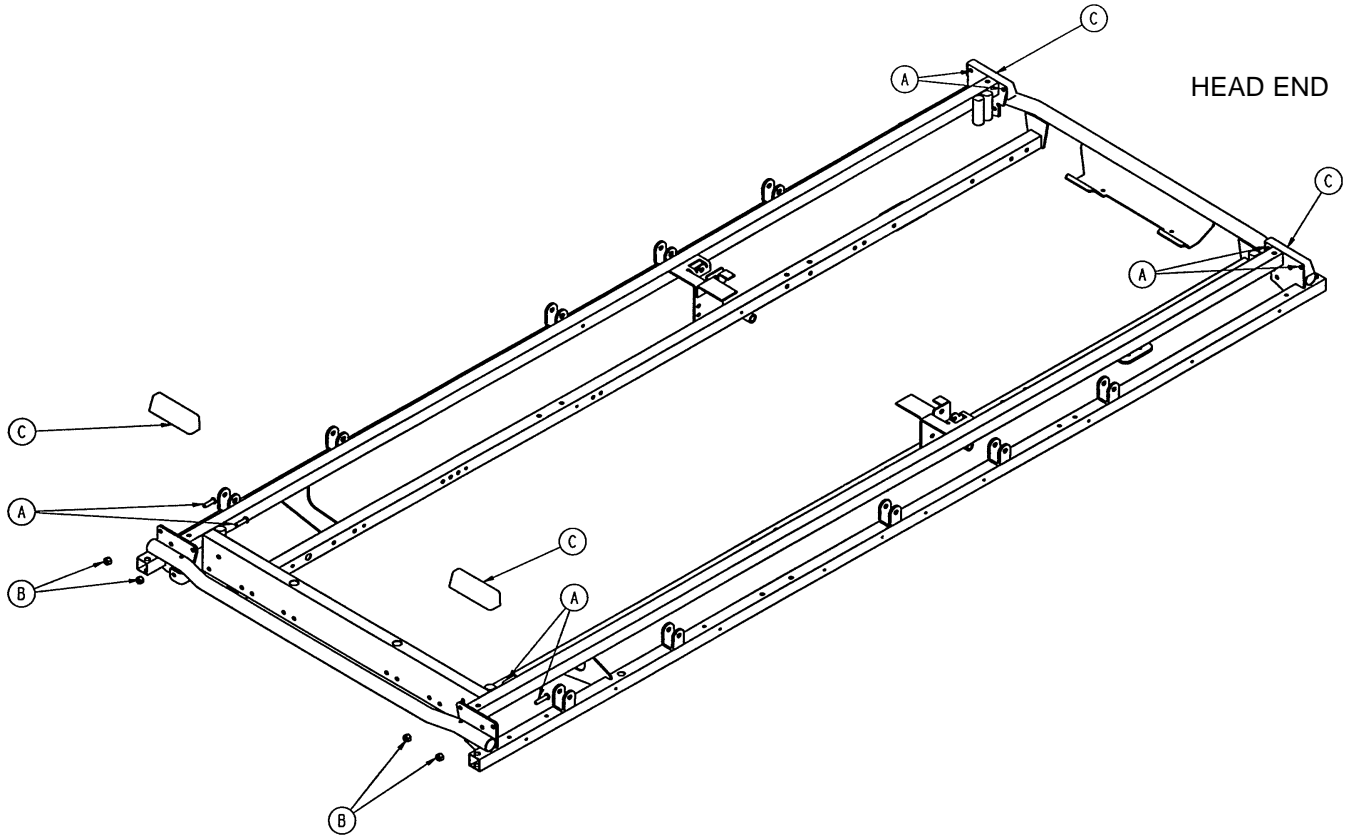
Item	Part No.	Part Name	Qty.
A	(page 68)	Knee Gatch Assembly	1
B	1510-334-27	Midsection Skin (Fiberresin)	1
C	1510-334-28	Thigh Skin (Fiberresin)	1
D	1510-334-126	Calf Skin (Fiberresin)	1
E	25-50	Pop Rivet	31
F	381-24-7	Velcro Pile (not shown)	

1001-34-19 Knee Gatch Crankscrew Assembly



Item	Part No.	Part Name	Qty.
A	946-33-18	Crank Disk	1
B	1550-1-16	Crank Assembly	1
C	26-45	Roll Pin	1
D	26-14	Roll Pin	2
E	81-176	Thrust Washer	1
F	81-175	Thrust Bearing	1
G	81-174	Thrust Washer	2
H	938-1-175	Bearing Assembly	1
J	938-1-177	Knob	1
K	378-24-29	Shoulder Bolt	1
L	16-5	Conelock Nut	1
M	1001-34-47	Knee Gatch Screw	1
N	1510-34-84	Screw Cover Assembly	1
P	1510-34-55	Gatch Drive Tube Assembly	1
R	26-10	Roll Pin	2
S	7900-1-102	Velcro Pile Tape	1
T	1550-1-14	Magnet	1
W	4-7	Soc. Head Cap Screw	1

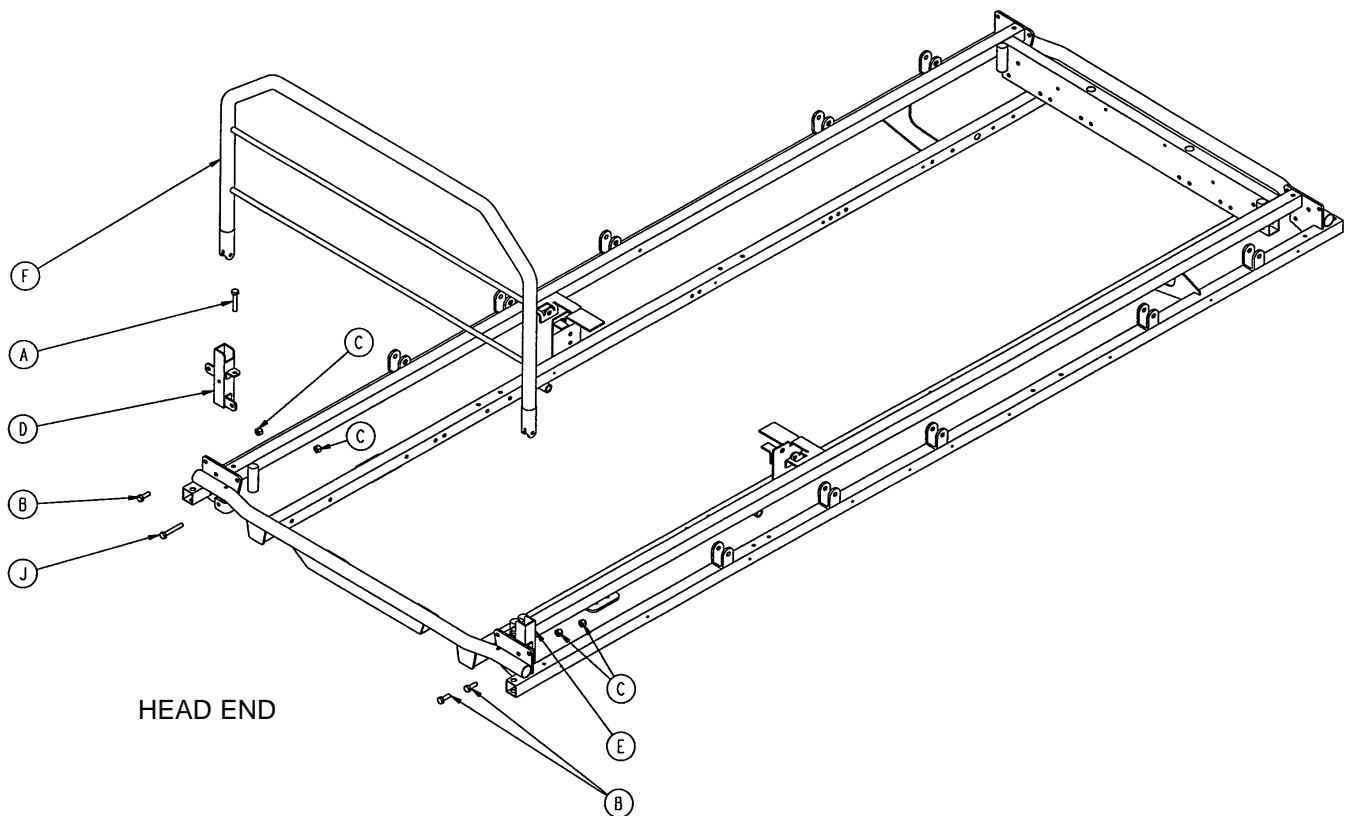
1009-153 Four Corner Option Assembly



Item	Part No.	Part Name	Qty.
A	4-156	But. Hd. Cap Screw	8
B	16-6	Kep Nut	8
C	1009-30-36	Corner Cover	4

1009–155 Head End Push Bar Option Assembly

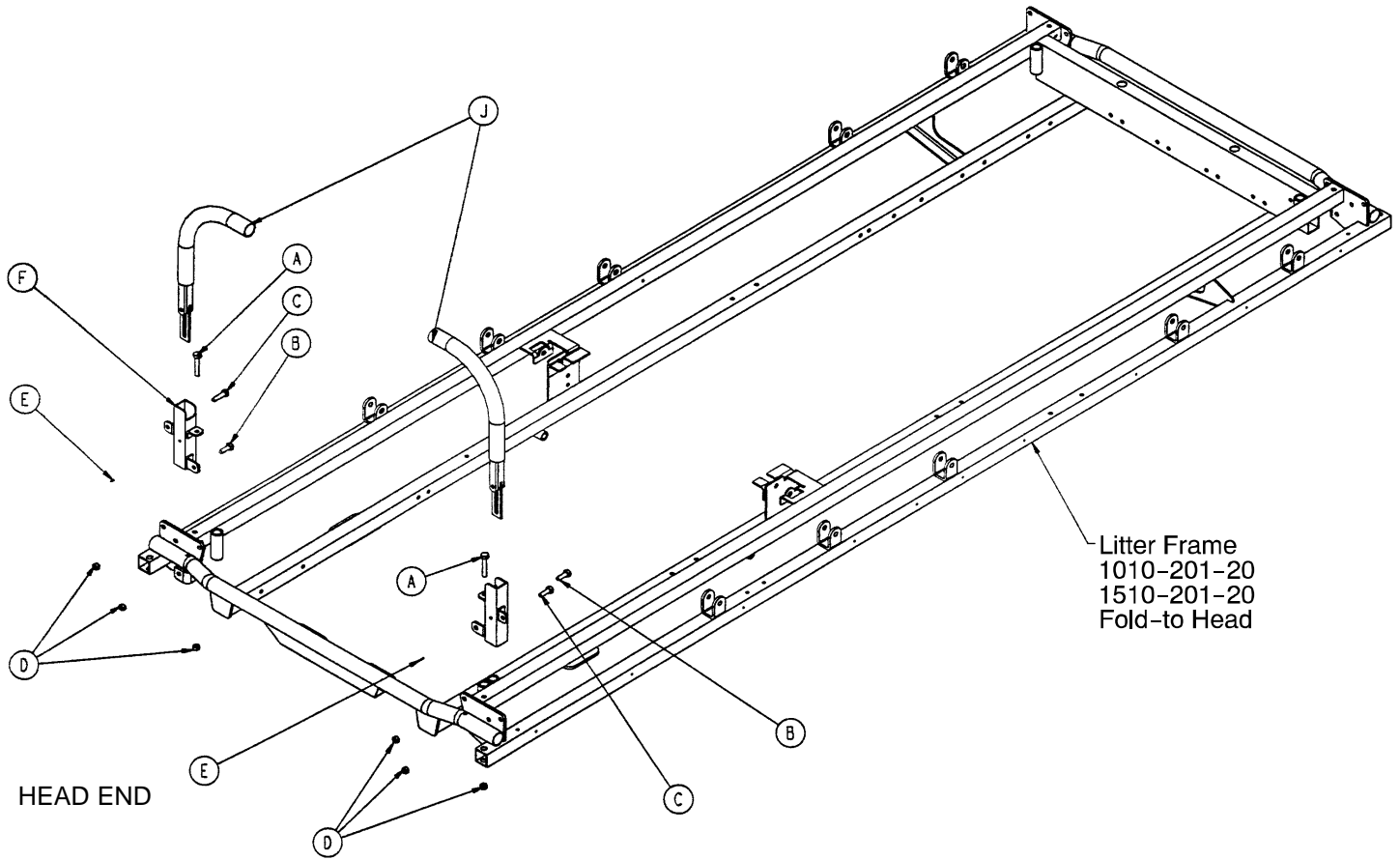
1509–155 Head End Push Bar Option Assembly



Item	Part No.	Part Name	Qty.
A	3-47	Hex Hd. Cap Screw	2
B	3-50	Hex Hd. Cap Screw	3
C	16-28	Nylock Nut	6
D	1010-254-4	P.U.P. Receptacle Wldmt., Lt.	1
E	1010-254-6	P.U.P. Receptacle Wldmt., Rt.	1
F	1010-289-11	Push Bar Weldment (1009)	1
	1510-289-11	Push Bar Weldment (1509)	1
*H	3-15	Hex Hd. Cap Screw	1
J	3-78	Hex Hd. Cap Screw	1

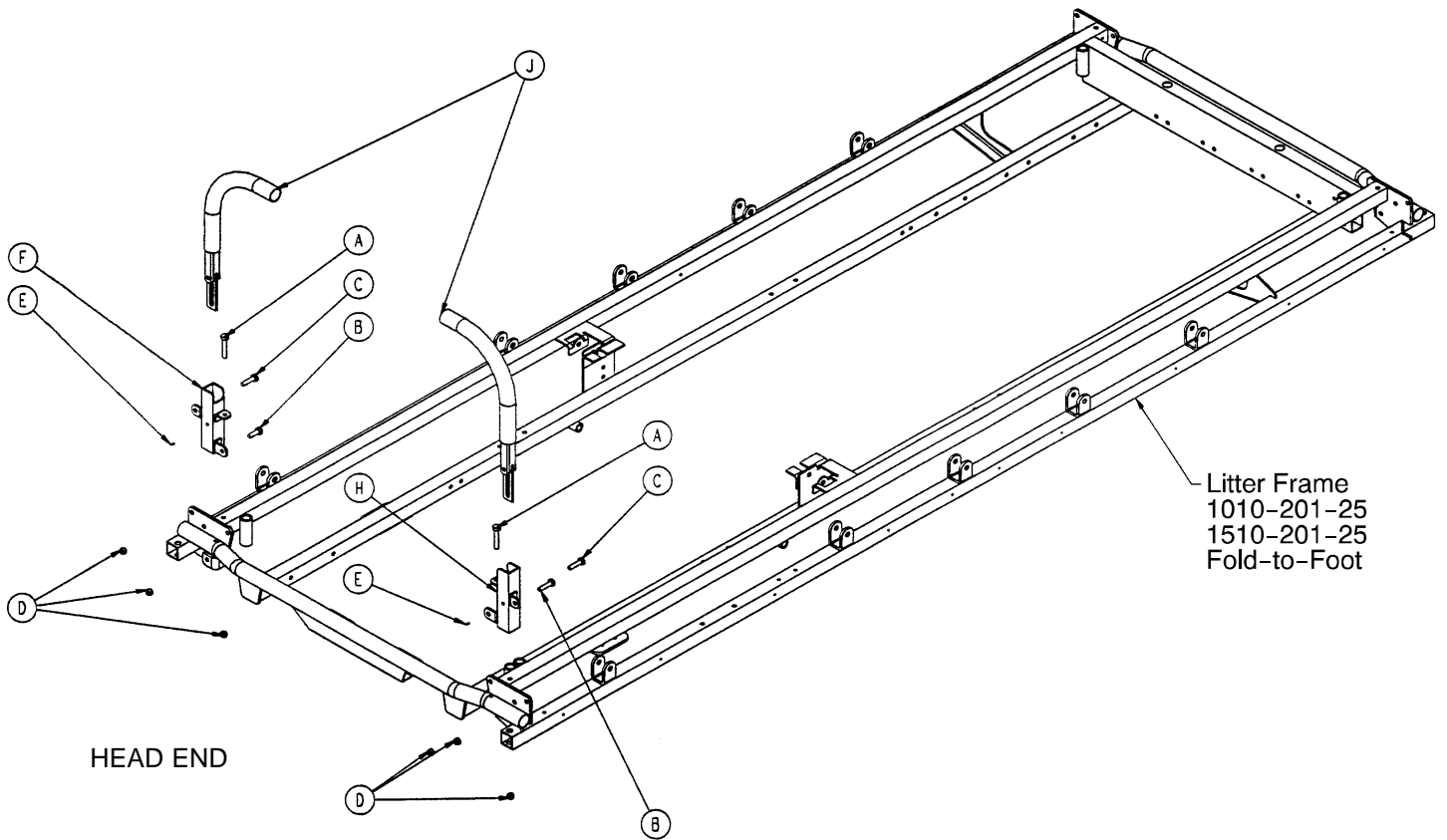
* Item H replaces item B when the head end permanently attached I.V. pole option is present.

1009-151 Head End Push Handles/Fold-to-Hd. Siderails



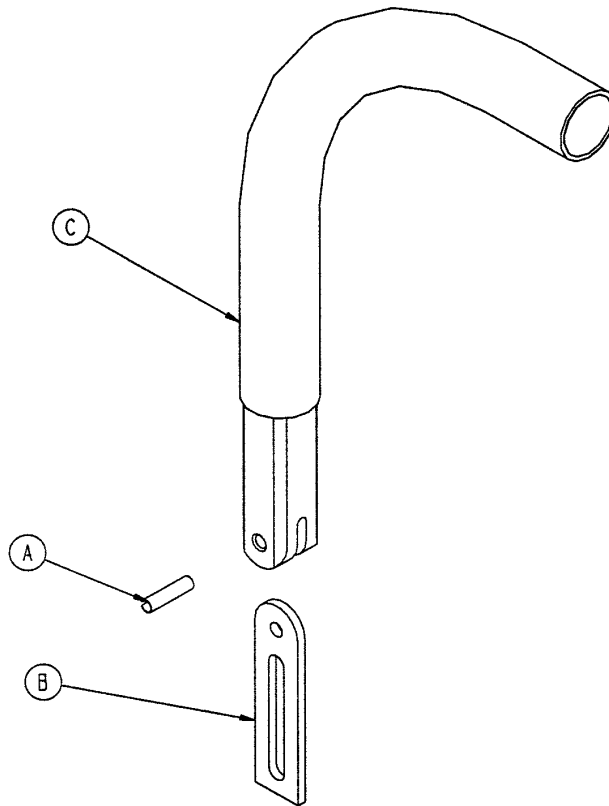
Item	Part No.	Part Name	Qty.
A	3-47	Hex Hd. Cap Screw	2
B	3-50	Hex Hd. Cap Screw	2
C	3-54	Hex Hd. Cap Screw	2
D	16-28	Hex Nut	6
E	26-11	Spring Pin	2
F	1010-254-4	Receptacle, Left	1
H	1010-254-6	Receptacle, Right	1
J	(page 76)	Push Handle Assembly	2

1009-152 Head End Push Handles/Fold-To-Ft. Siderails



Item	Part No.	Part Name	Qty.
A	3-47	Hex Hd. Cap Screw	2
B	3-50	Hex Hd. Cap Screw	2
C	3-54	Hex Hd. Cap Screw	2
D	16-28	Hex Nut	6
E	26-11	Spring Pin	2
F	1010-254-4	Receptacle, Left	1
H	1010-254-6	Receptacle, Right	1
J	(page 76)	Push Handle Assembly	2

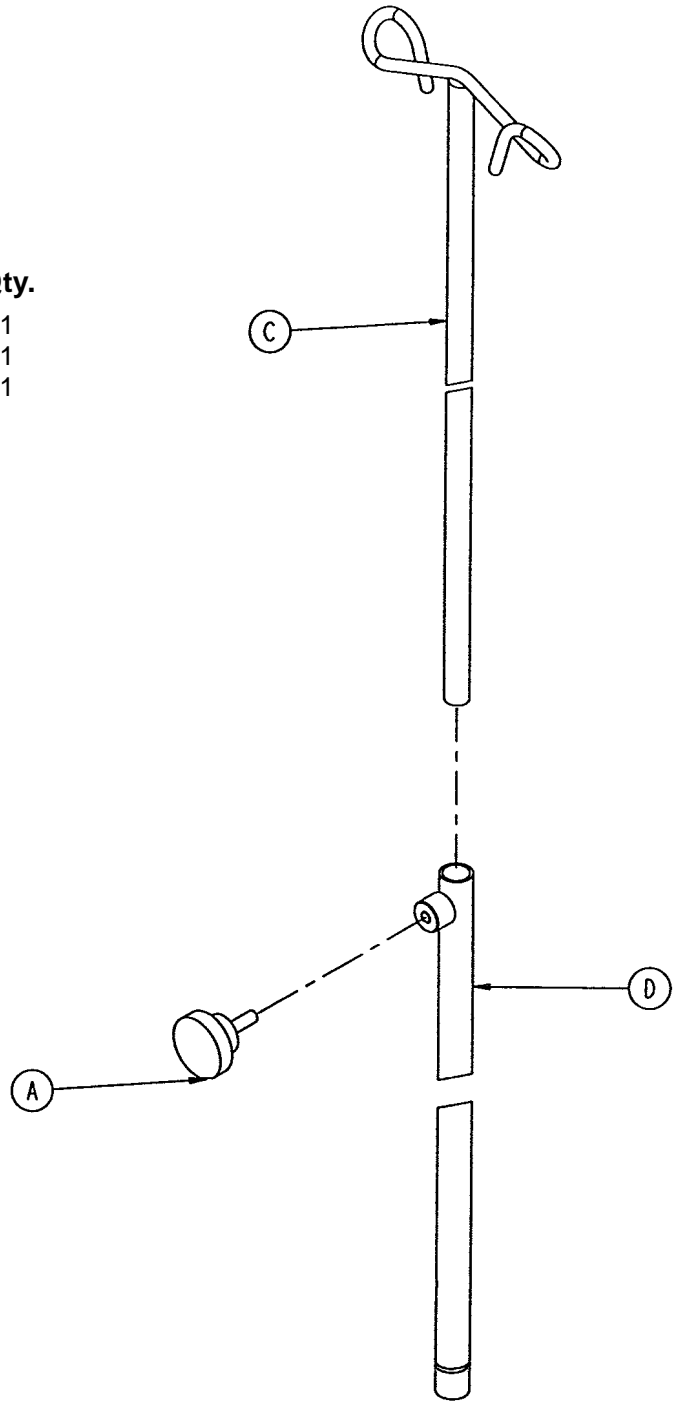
1211-351-10 Push Handle Assembly



Item	Part No.	Part Name	Qty.
A	26-10	Roll Pin	1
B	1010-354-24	Stop Link	1
C	1211-151-18	Sleeve Assembly	1

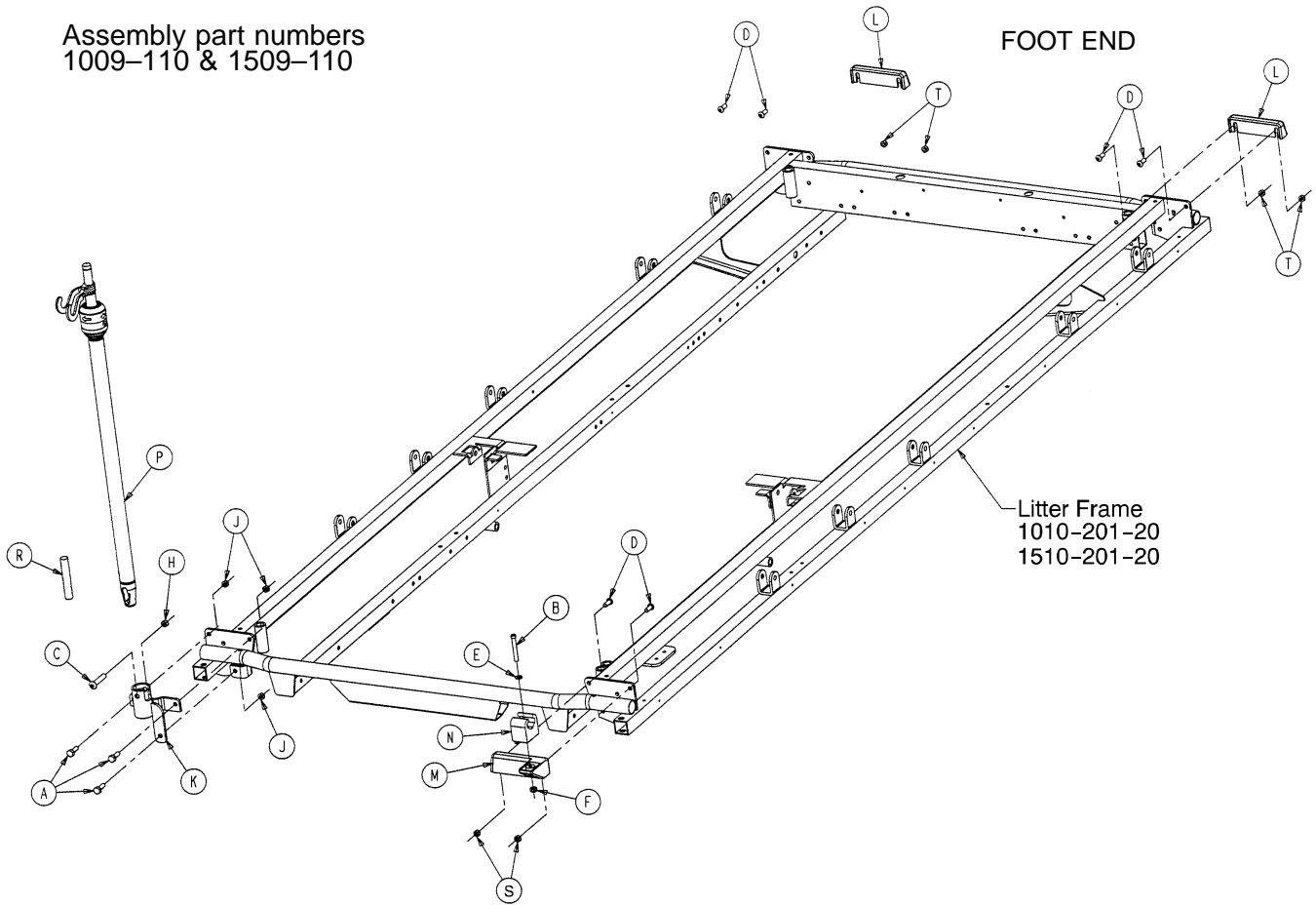
390-25 Standard, Removable I.V. Pole Assembly

Item	Part No.	Part Name	Qty.
A	24-23	Plastic Knob	1
C	390-3-53	Double I.V. Ass'y	1
D	393-3-43	Tube Assembly	1



2-Stage I.V. Pole Mounting Assembly, Head End

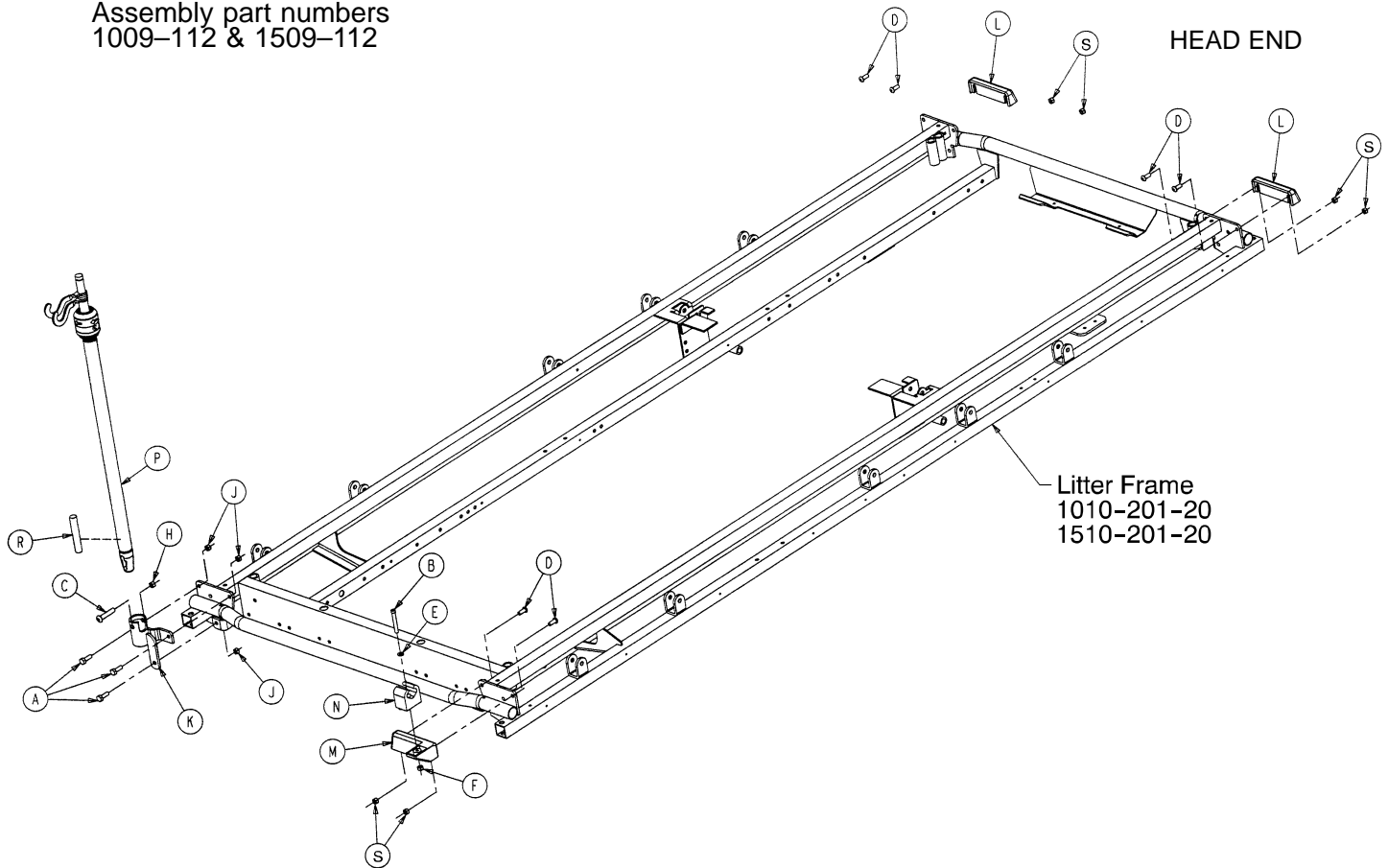
Assembly part numbers
1009-110 & 1509-110



Item	Part No.	Part Name	Qty.
A	3-50	Hex Hd. Cap Screw	3
B	4-66	Soc. Hd. Cap Screw	1
C	4-199	But. Hd. Cap Screw	1
D	4-156	Hex Soc. But. Hd. Cap Screw	6
E	11-16	Washer	1
F	16-3	Fiberlock Nut	1
H	16-11	Fiberlock Nut	1
J	16-28	Fiberlock Nut	2
K	1001-259-103	I.V. Pivot Weldment	1
L	1009-30-36	Corner Cover	2
M	1009-30-37	Corner Cover	1
N	1009-110-12	I.V. Clip	1
P	(page 80)	I.V. Pole Assembly	1
R	1501-27-19	I.V. Plug	1
S	16-6	Kep Nut	6

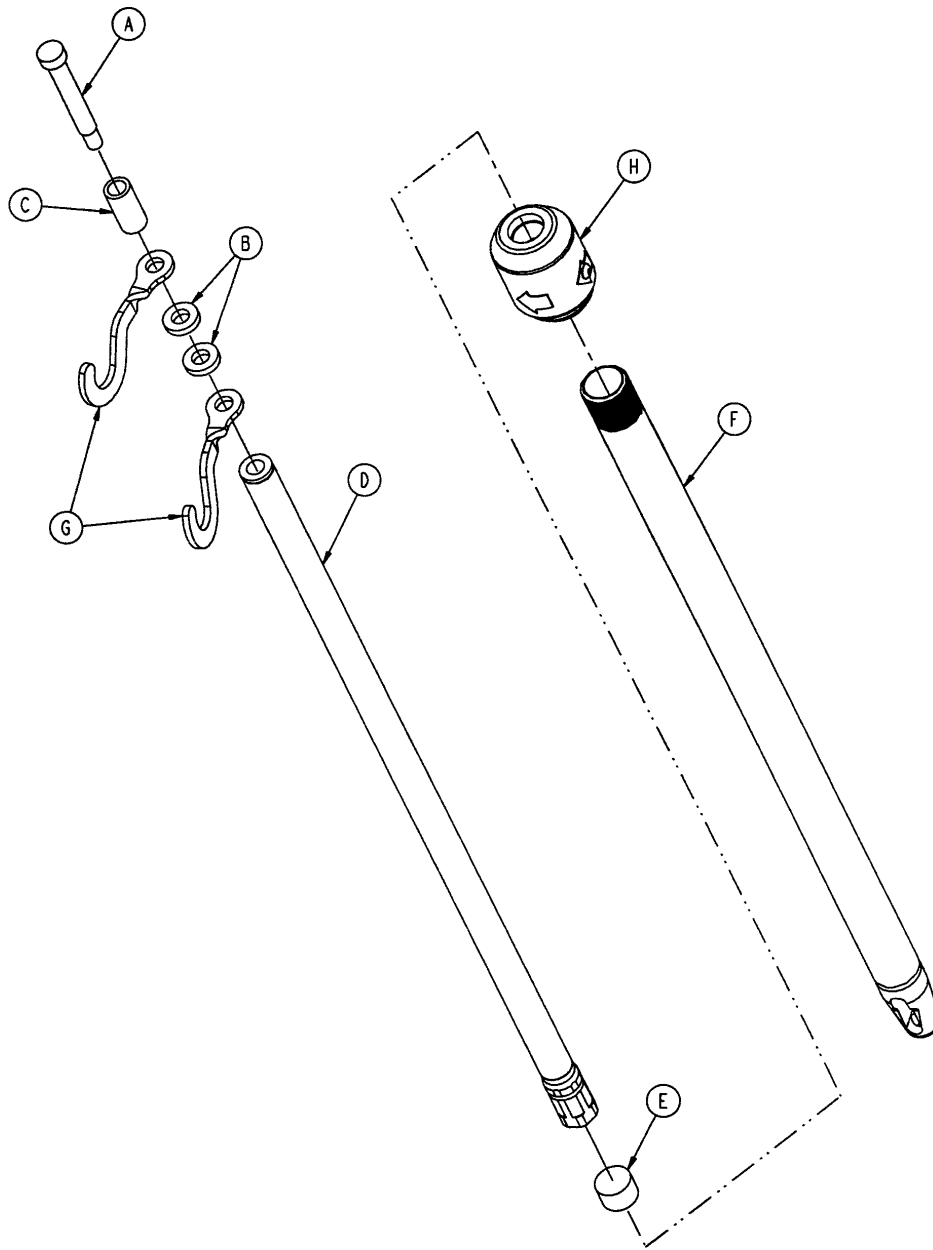
2-Stage I.V. Pole Mounting Assembly, Foot End

Assembly part numbers
1009-112 & 1509-112



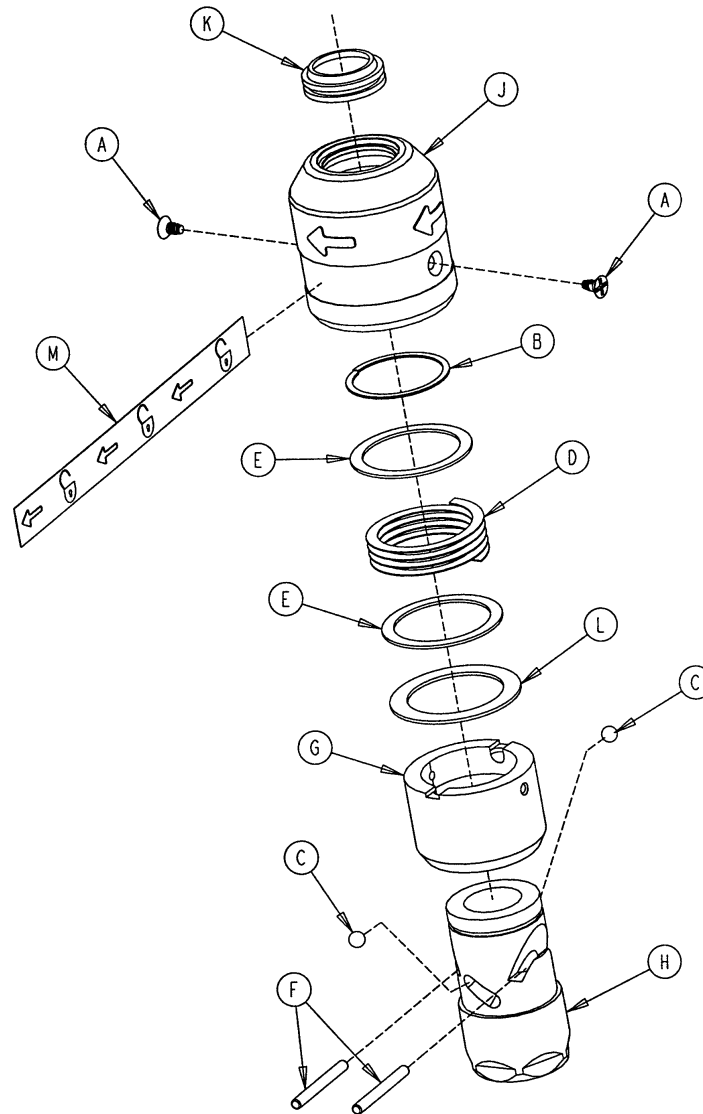
Item	Part No.	Part Name	Qty.
A	3-50	Hex Hd. Cap Screw	3
B	4-66	Soc. Hd. Cap Screw	1
C	4-199	But. Hd. Cap Screw	1
D	4-156	Hex Soc. But. Hd. Cap Screw	6
E	11-16	Washer	1
F	16-3	Fiberlock Nut	1
H	16-11	Flexlock Nut	1
J	16-28	Fiberlock Nut	3
K	1001-259-103	I.V. Pivot	1
L	1009-30-36	Corner Cover	2
M	1009-30-37	Corner Cover	1
N	1009-110-12	I.V. Clip	1
P	(page 80)	I.V. Pole Assembly	1
R	1001-59-41	I.V. Plug (1009)	1
	1501-27-19	I.V. Plug (1509)	1
S	16-6	Kep Nut	6

1211-210-10 Optional 2-Stage I.V. Pole Assembly



Item	Part No.	Part Name	Qty.
A	8-31	Soc. Hd. Cap Screw	1
B	52-17	Washer	2
C	926-400-162	Spacer	1
D	1211-110-29	2nd Stage Assembly	1
E	1001-259-13	Dampener	1
F	1001-259-32	Base Tube Weldment	1
G	1010-259-16	I.V. Hook	2
H	(page 81)	I.V. Pole Latch	1

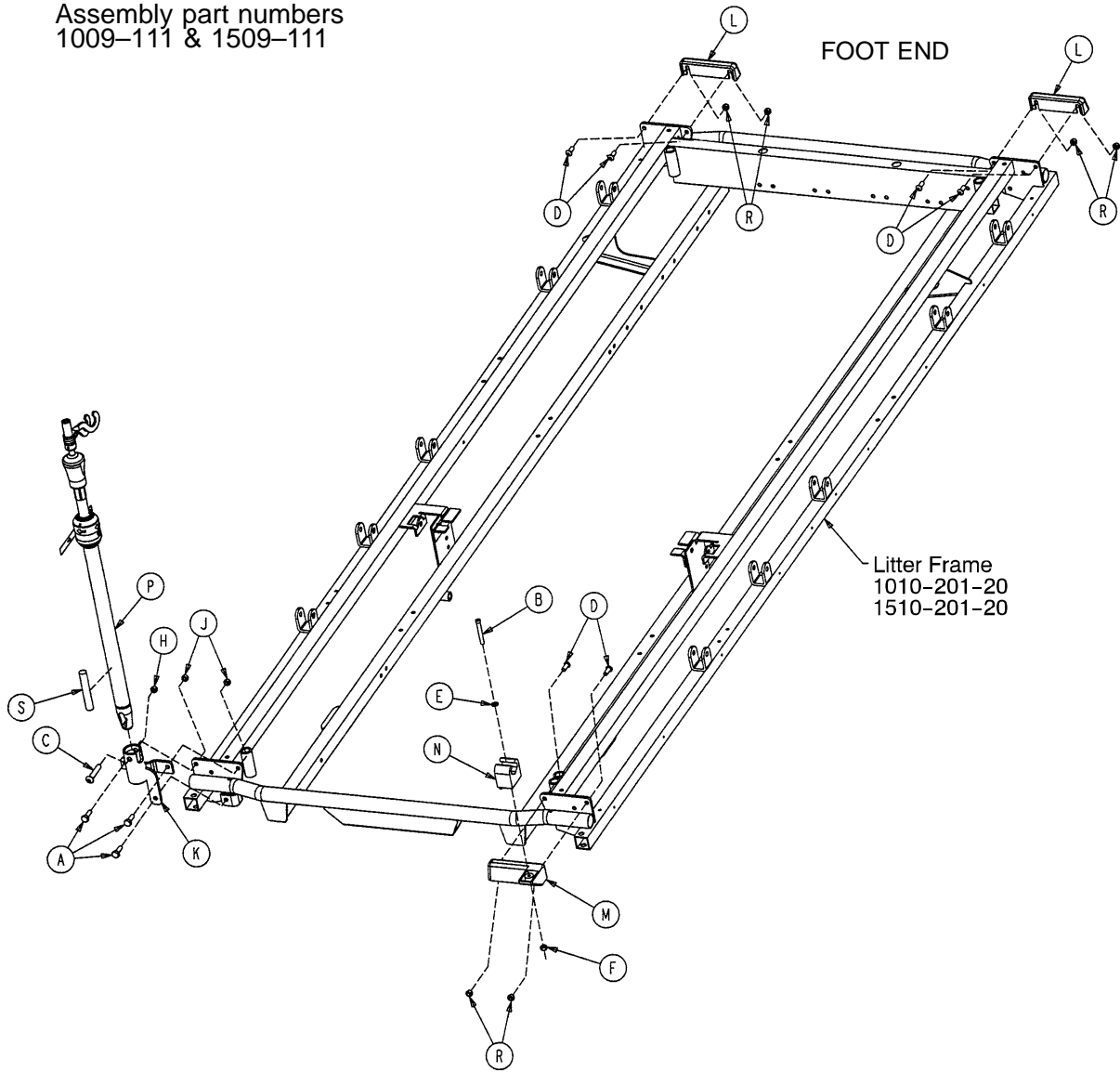
1211-110-26 I.V. Pole Latch Assembly



Item	Part No.	Part Name	Qty.
A	1211-110-36	Self-Tapping Screw	2
B	28-167	External Retaining Ring	1
C	31-4	Steel Ball	2
D	38-392	Crest-to Crest Spring	1
E	1211-110-20	Washer	2
F	1211-110-21	Locking Pin	2
G	1211-110-22	Guide	1
H	1211-110-23	I. D. Housing	1
J	1211-110-24	O. D. Housing	1
K	1211-110-18	I.V. Latch Seal	1
L	1211-110-35	Washer	1
M	1211-91-34	Release Label	1

3-Stage I.V. Pole Mounting Assembly, Head End

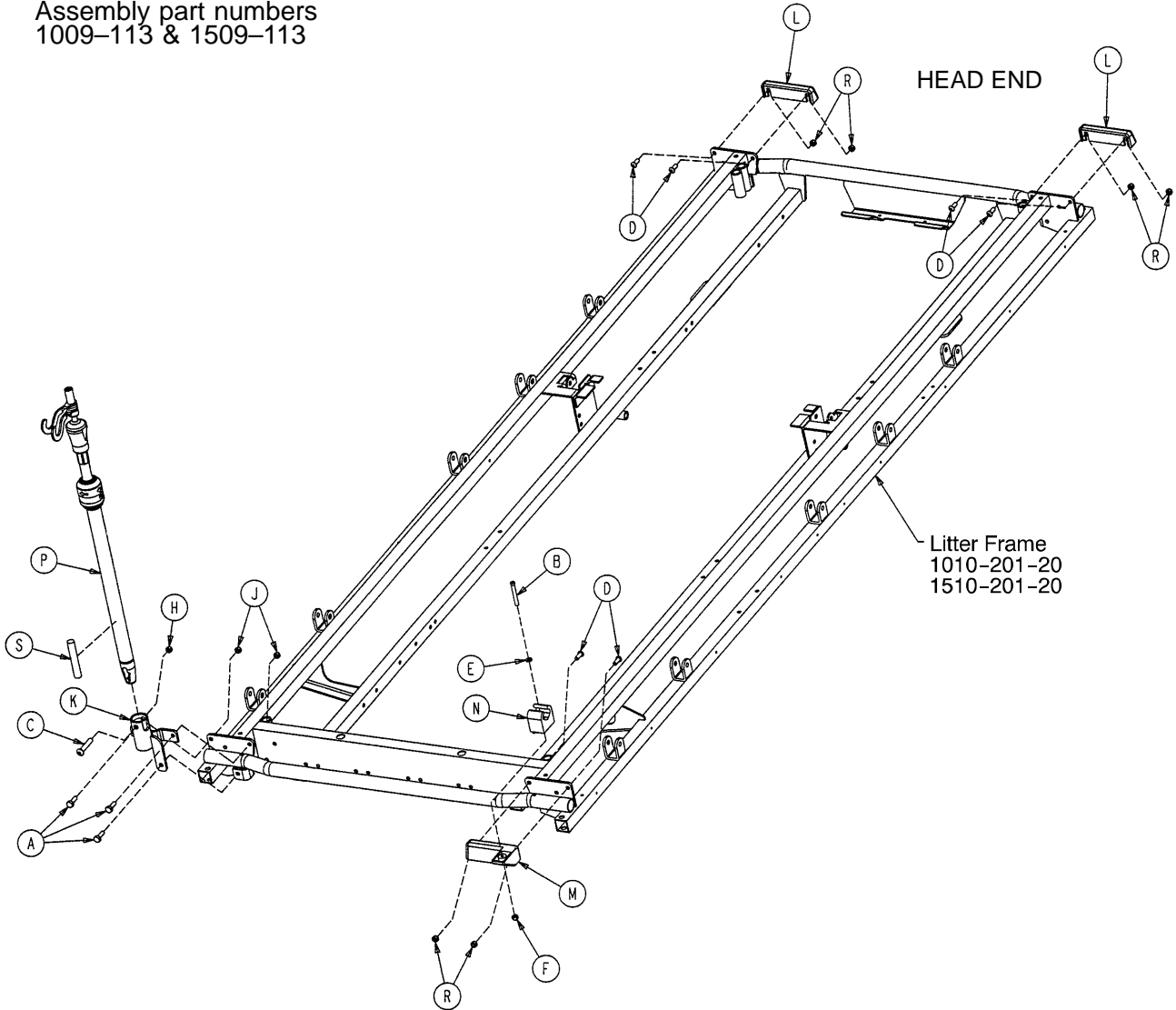
Assembly part numbers
1009-111 & 1509-111



Item	Part No.	Part Name	Qty.
A	3-50	Hex Hd. Cap Screw	3
B	4-66	Soc. Hd. Cap Screw	1
C	4-199	But. Hd. Cap Screw	1
D	4-156	Hex Soc. But. Hd. Cap Screw	6
E	11-16	Washer	1
F	16-3	Fiberlock Nut	1
H	16-11	Flexlock Nut	1
J	16-28	Fiberlock Nut	2
K	1001-259-103	I.V. Pivot	1
L	1009-30-36	Corner Cover	2
M	1009-30-37	Corner Cover	1
N	1009-110-12	I.V. Clip	1
P	(page 84)	I.V. Pole Assembly	1
R	16-16	Kep Nut	6
S	1501-27-19	Plug	1

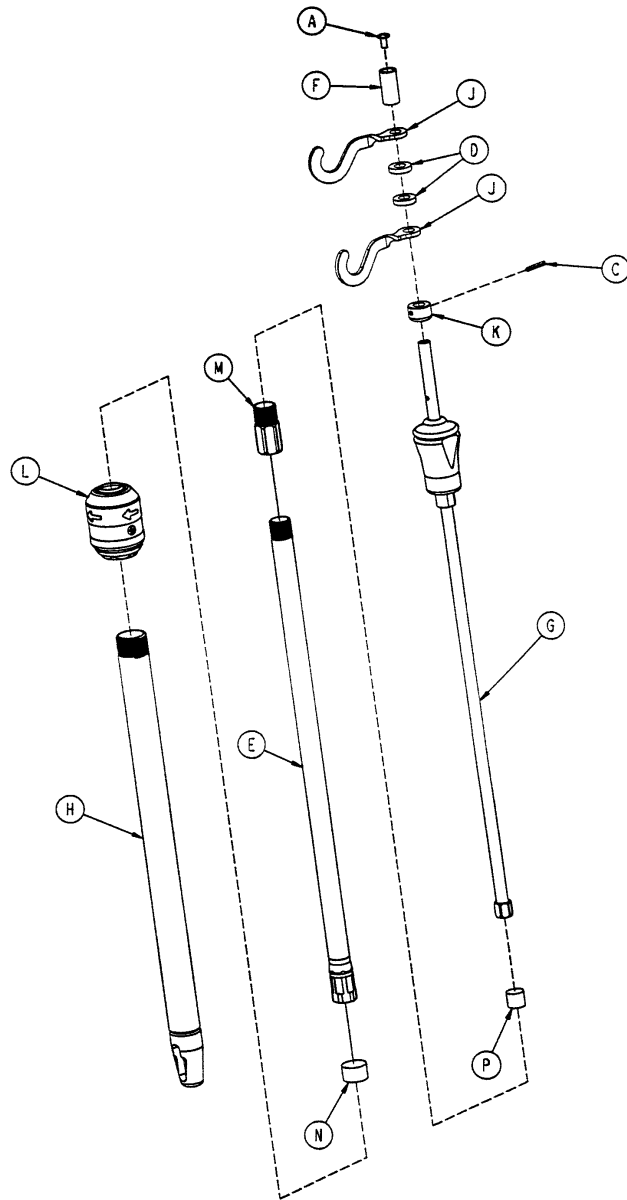
3-Stage I.V. Pole Mounting Assembly, Foot End

Assembly part numbers
1009-113 & 1509-113



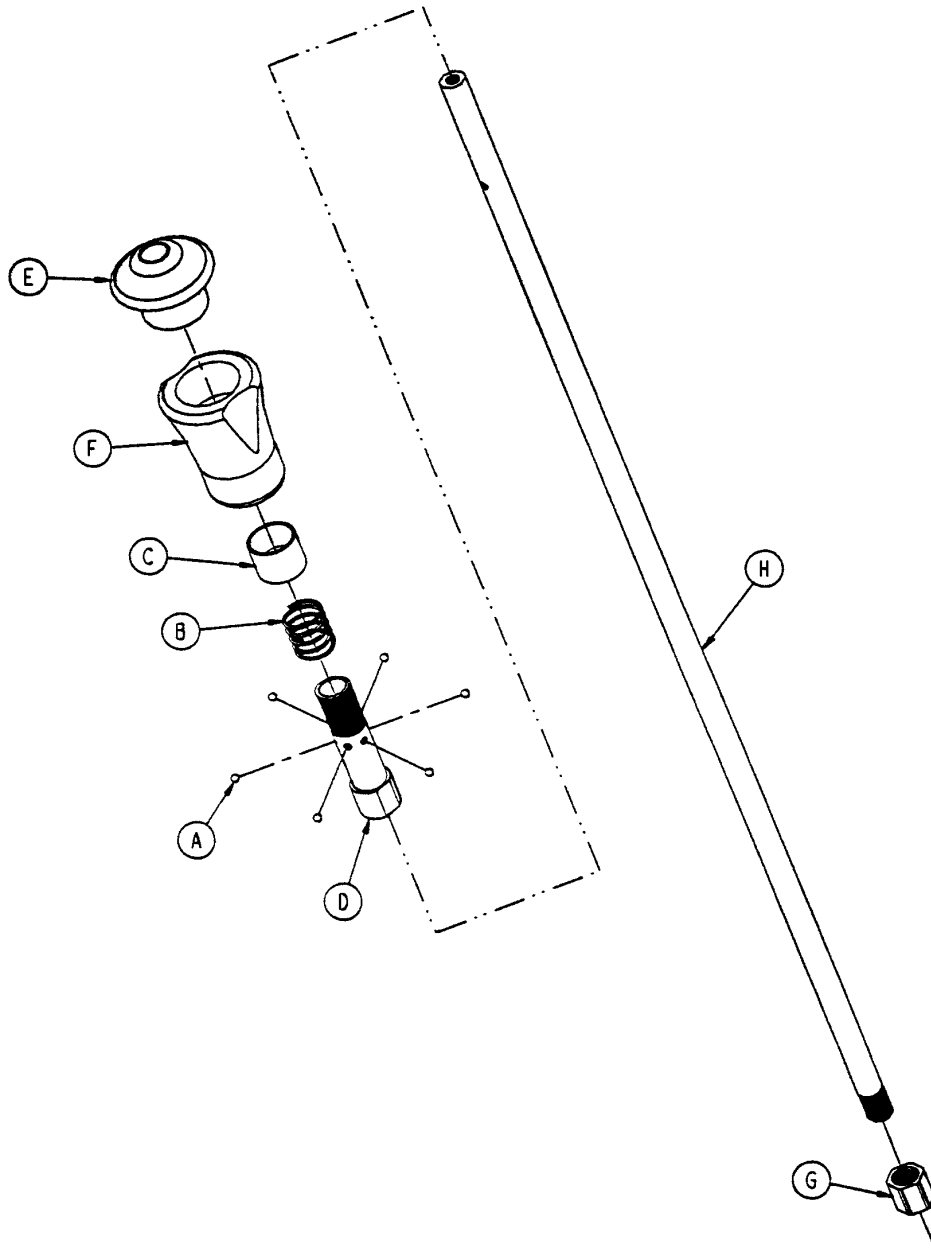
Item	Part No.	Part Name	Qty.
A	3-50	Hex Hd. Cap Screw	3
B	4-66	Soc. Hd. Cap Screw	1
C	4-199	But. Hd. Cap Screw	1
D	4-156	Hex Soc. But. Hd. Cap Screw	6
E	11-16	Washer	1
F	16-3	Fiberlock Nut	1
H	16-11	Flexlock Nut	1
J	16-28	Fiberlock Nut	2
K	1001-259-103	I.V. Pivot	1
L	1009-30-36	Corner Cover	2
M	1009-30-37	Corner Cover	1
N	1009-110-12	I.V. Clip	1
P	(page 84)	I.V. Pole Assembly	1
R	16-6	Kep Nut	6
S	1501-27-19	Plug	1

1211-211-10 Optional 3-Stage I.V. Pole Assembly



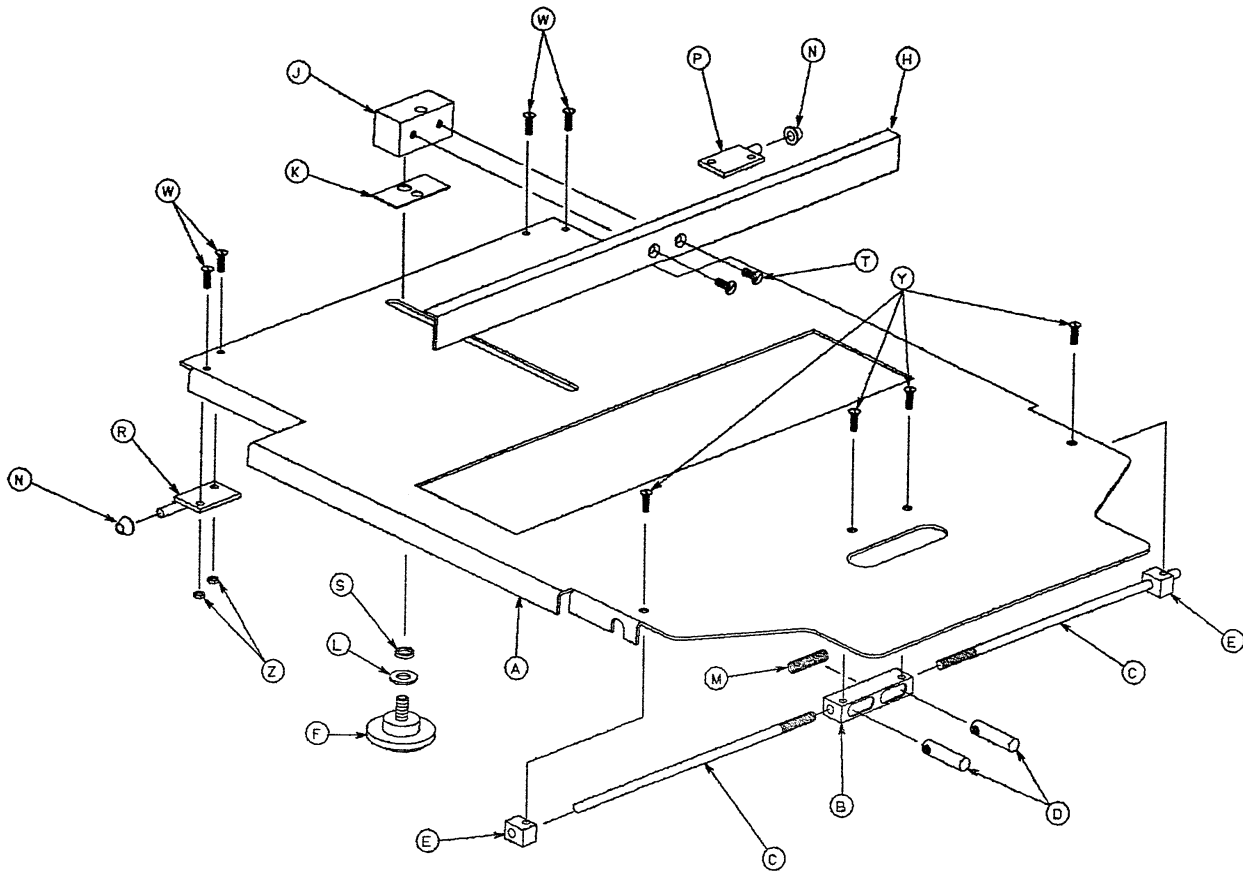
Item	Part No.	Part Name	Qty.
A	7-4	Truss Hd. Machine Screw	1
C	26-6	Roll Pin	1
D	52-17	Spacer	2
E	1211-110-31	2nd Stage Assembly	1
F	926-400-162	Spacer	1
G	(page 85)	3rd Stage Assembly	1
H	1001-161-34	Base Tube Weldment	1
J	1010-259-16	I.V. Hook	2
K	1010-61-14	Collar	1
L	(page 81)	I.V. Pole Latch	1
M	1211-110-16	Threaded Adaptor	1
N	1001-259-13	Dampener	1
P	1001-259-14	Dampener	1

1211-110-32 Optional 3rd Stage Assembly



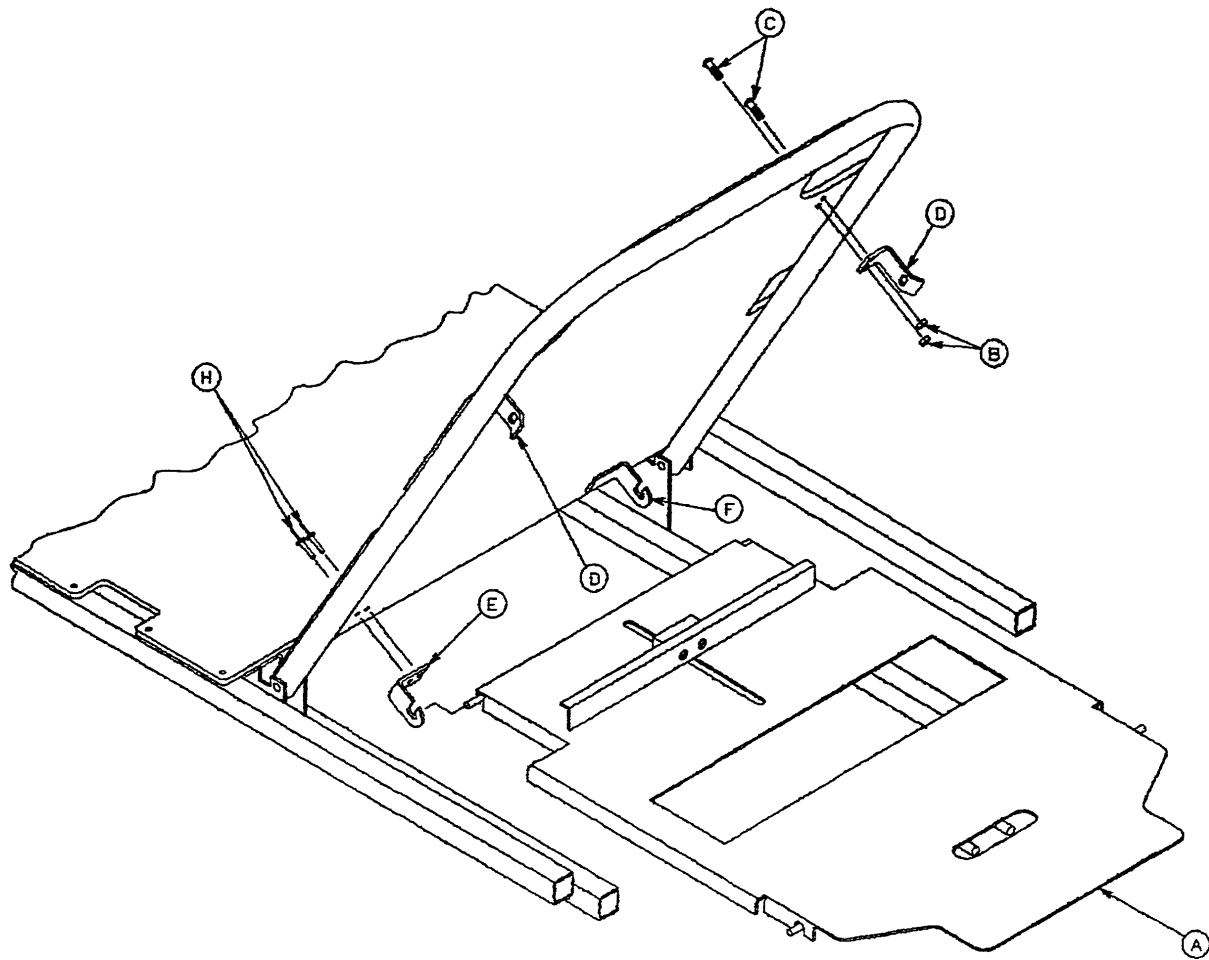
Item	Part No.	Part Name	Qty.
A	31-21	Ball	6
B	38-303	Compression Spring	1
C	1010-61-13	Ball Retainer	1
D	1010-61-16	Retaining Shaft	1
E	1010-61-17	Thumb Knob	1
F	1010-61-18	Hand Guard	1
G	1211-110-17	Nut	1
H	1211-110-33	3rd Extension Rod	1

1001-23-10 Fowler X-Ray Cassette Assembly



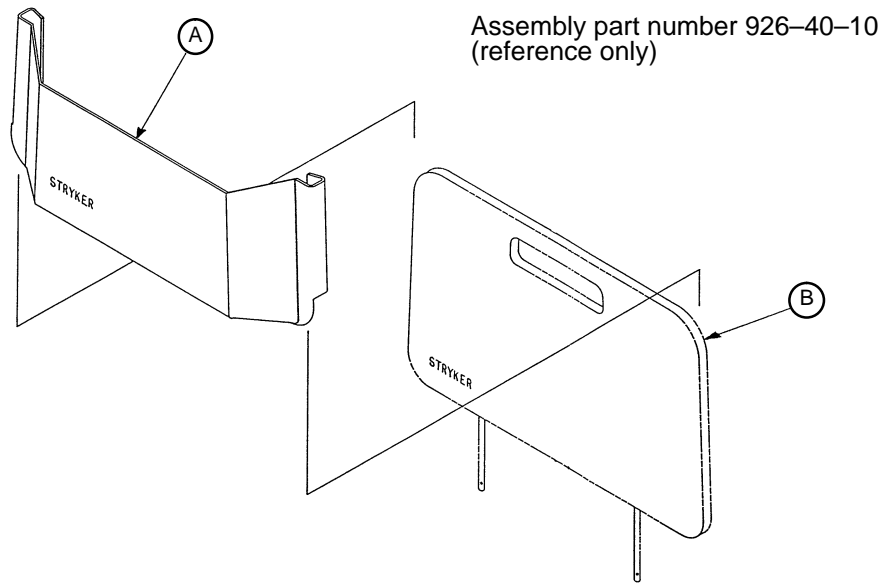
Item	Part No.	Part Name	Qty.
A	1001-23-12	Tray	1
B	1020-23-16	Post Housing	1
C	1001-23-14	Actuating Rod	2
D	926-23-64	Post	2
E	1010-23-37	Rod Guide	2
F	1020-23-21	Knob	1
H	1010-23-28	Tray Angle	1
J	926-23-70	Block Assembly	1
K	926-23-69	Washer	1
L	14-3	Washer	1
M	38-122	Compression Spring	1
N	1020-23-26	Spacer	2
P	1020-23-19	Tray Hinge, Right	1
R	1020-23-20	Tray Hinge, Left	1
S	926-23-71	Bushing	1
T	1-20	Flat Hd. Mach. Screw	2
W	4-149	Button Hd. Cap Screw	4
Y	1-22	Flat Hd. Mach. Screw	4
Z	16-3	Nylock Hex Nut	4
AA	1010-23-19	Instruction Label	1
AB	1001-23-25	Specification Label	1

1001-23 Fowler X-Ray Cassette Mounting Assembly



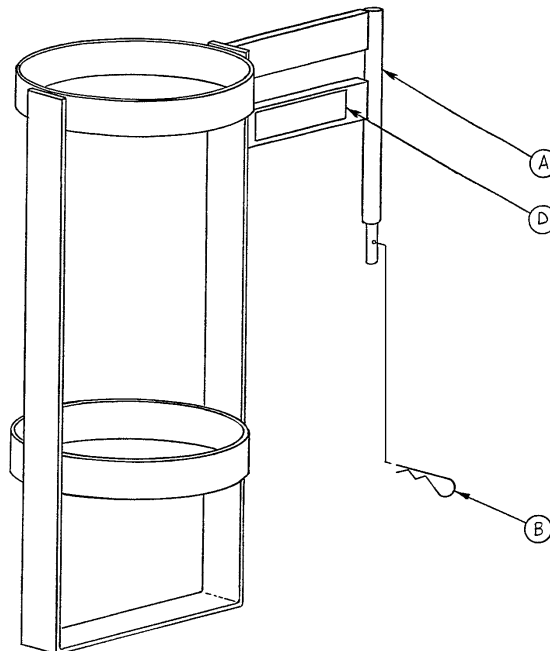
Item	Part No.	Part Name	Qty.
A	(page 86)	X-Ray Cassette Ass'y	1
B	16-3	Self-Locking Nut	4
C	4-149	Button Hd. Cap Screw	4
D	1001-23-13	Tray Latch	2
E	1020-23-13	Tray Hinge, Right	1
F	1020-23-12	Tray Hinge, Left	1
H	25-69	Pop Rivet	4

926-40-100 Foot Board/Chartholder Assembly



Item	Part No.	Part Name	Qty.
A	946-28-11	Chart Holder	1
B	946-29-6	Foot Board	1

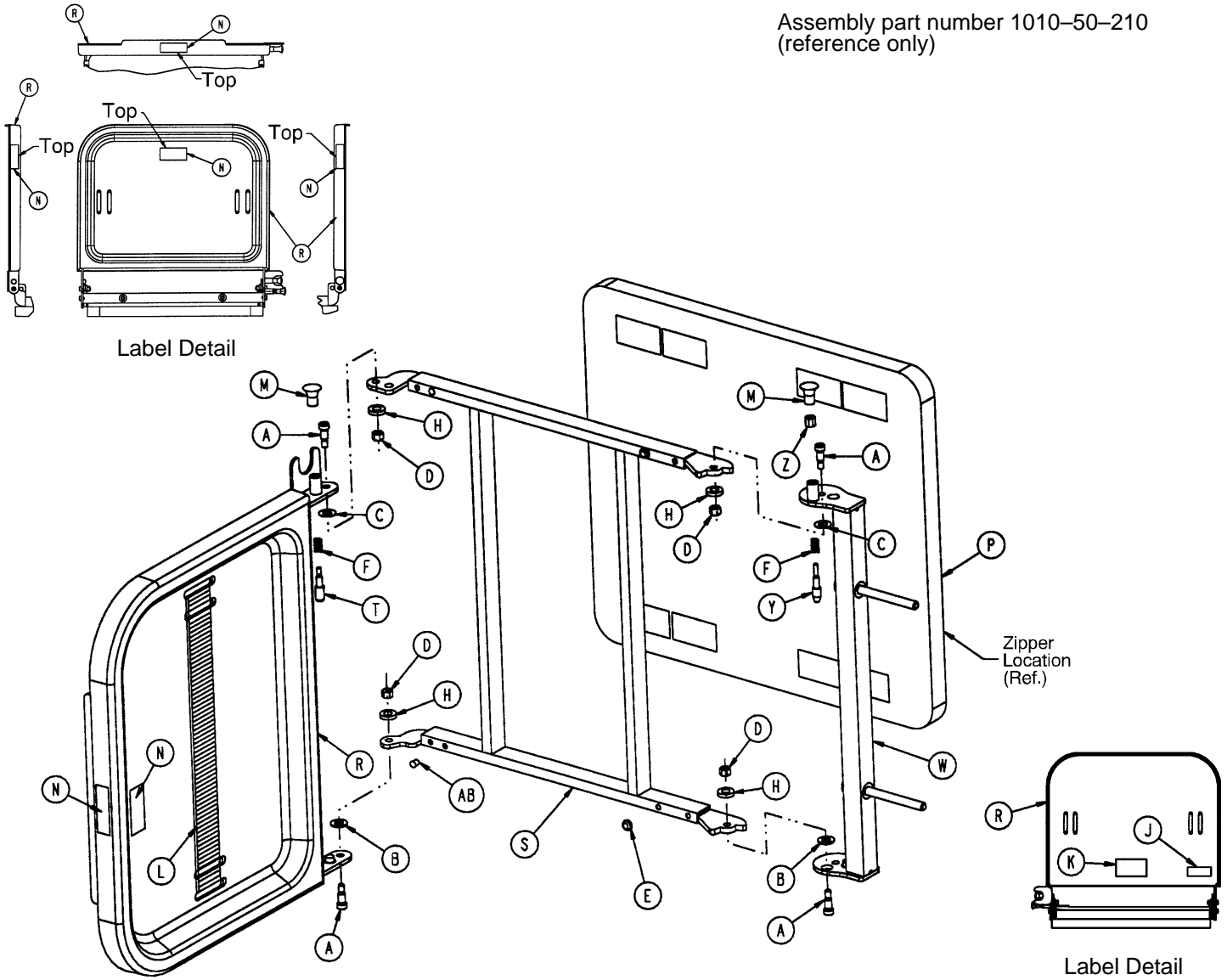
1020-30 Upright Oxygen Bottle Holder Assembly



Item	Part No.	Part Name	Qty.
A	1020-30-11	Upright Bottle Holder	1
B	27-12	Cotter Pin	1
D	1020-30-17	Specification Label	1

1010-50-100 Foot Extension/Defibrillator Tray Ass'y

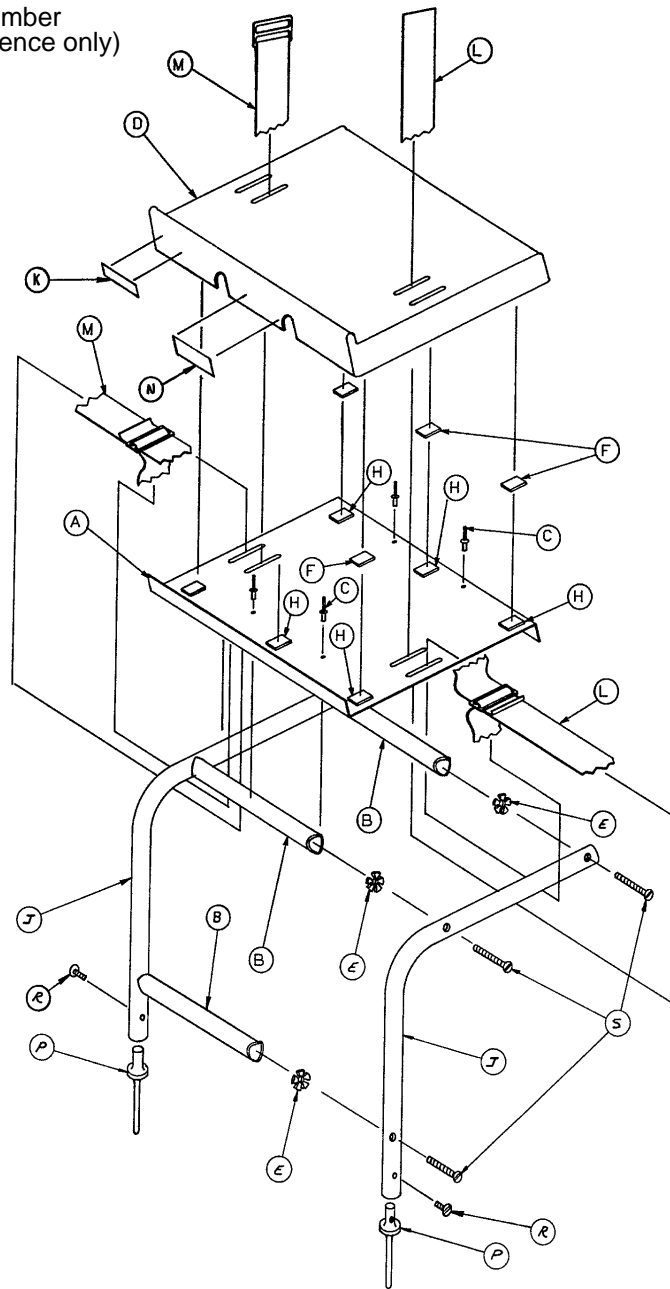
Assembly part number 1010-50-210
(reference only)



Item	Part No.	Part Name	Qty.	Item	Part No.	Part Name	Qty.
A	8-49	Socket Hd. Shoulder Bolt	4	M	1010-50-50	Knob	2
B	14-20	Nylon Washer	2	N	1010-50-57	"Max. Weight" Label	4
C	14-21	Nylon Washer	2	P	1010-50-205	Cushion Assembly	1
D	16-28	Fiberlock Nut	4	R	1010-50-218	Foot & Tray Board	1
E	37-52	Rubber Bumper	2	S	1010-50-225	Pivot Frame Weldment	1
F	38-133	Spring	2	T	1010-50-242	Pin Lock	1
H	52-17	Spacer	4	W	1010-50-246	Base Mounting Ass'y	1
J	1010-50-17	Specification Label	1	Y	1010-50-248	Lower Pin Lock	1
K	1010-50-19	"Push/Pull" Label	1	Z	1010-50-250	Pin Adjuster	1
L	1010-50-21	Long Strap	1	AB	721-31-65	Hole Plug	2

926-39 Optional Defibrillator Tray Assembly

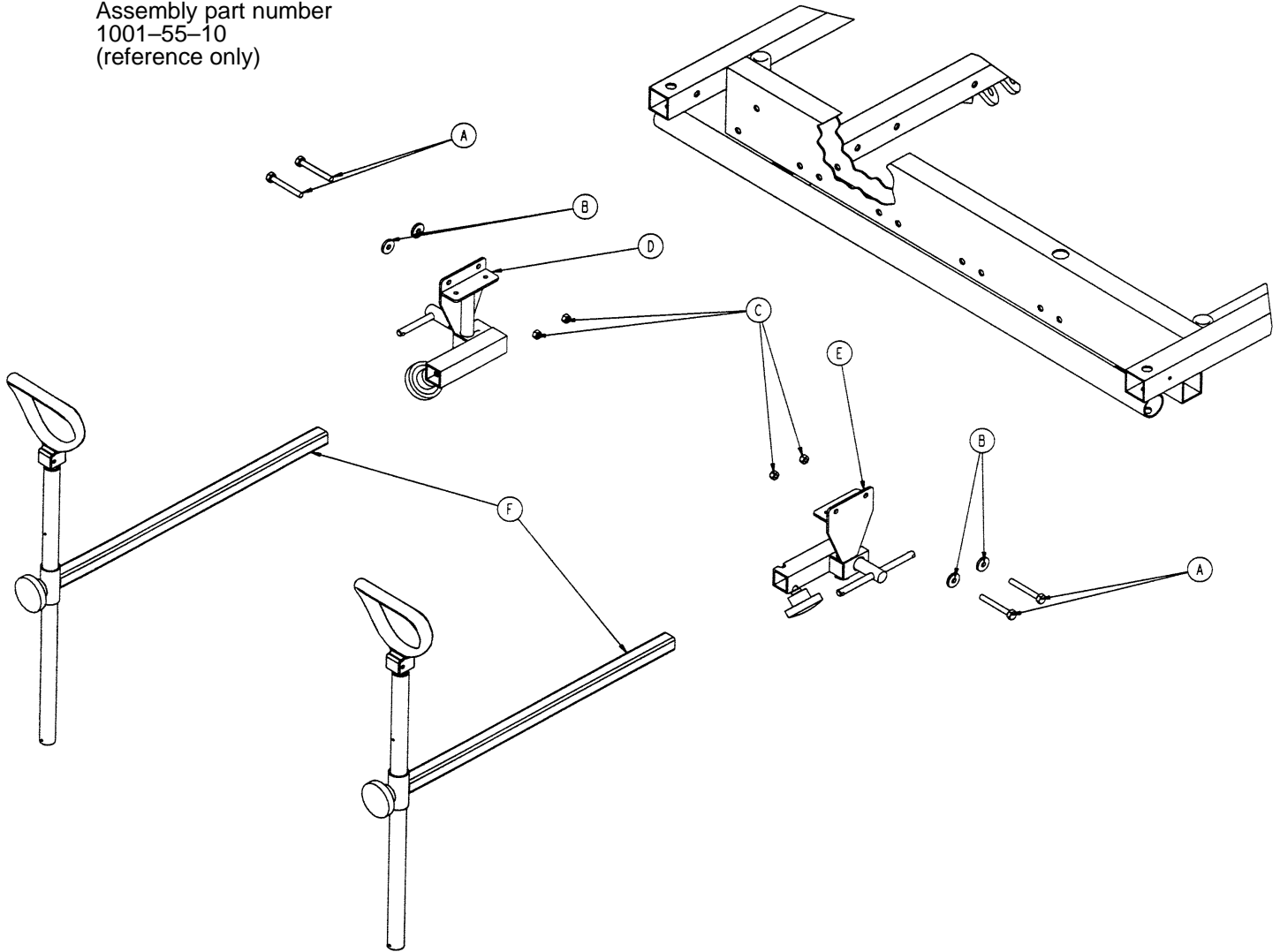
Assembly part number
926-39-10 (reference only)



Item	Part No.	Part Name	Qty.	Item	Part No.	Part Name	Qty.
A	946-39-4	Tray	1	K	926-1-82	Label	1
B	926-39-16	Crosstube	3	L	390-57-12	Long Strap	1
C	25-55	Rivet	4	M	390-57-13	Short Strap	1
D	926-39-9	Cover	1	N	946-1-283	Label	1
E	18-6	Umbrella Nut	6	P	926-39-15	Holder	2
F	29-8	Dual Lock	6	R	2-44	Screw	2
H	29-10	Dual Lock	6	S	2-105	Rd. Hd. Mach. Screw	6
J	946-39-3	Support Tube	2				

1001-55 Heel Stirrup and Support Assembly

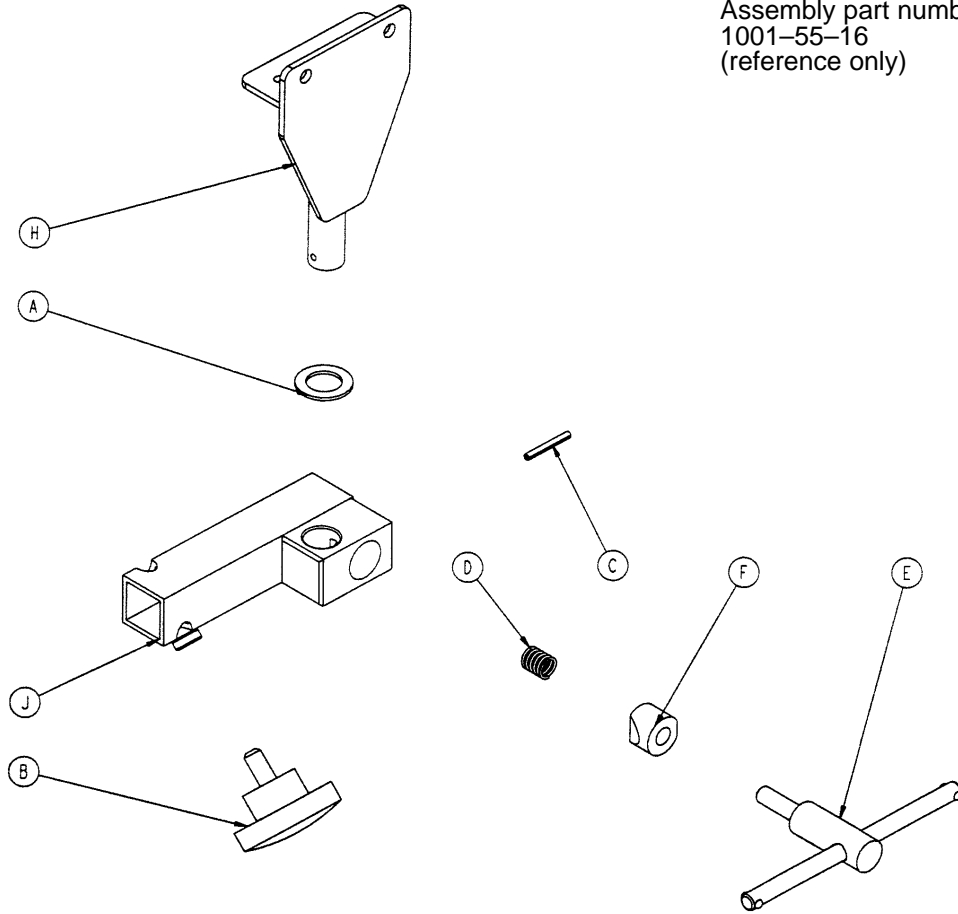
Assembly part number
1001-55-10
(reference only)



Item	Part No.	Part Name	Qty.
A	3-76	Hex Hd. Cap Screw	4
B	11-158	Flat Washer	4
C	16-28	Nylock Hex Nut	4
D	(page 93)	Stirrup Support Ass'y, Rt.	1
E	(page 92)	Stirrup Support Ass'y, Lt.	1
F	(page 94)	Stirrup Assembly	2

Left Stirrup Support Assembly

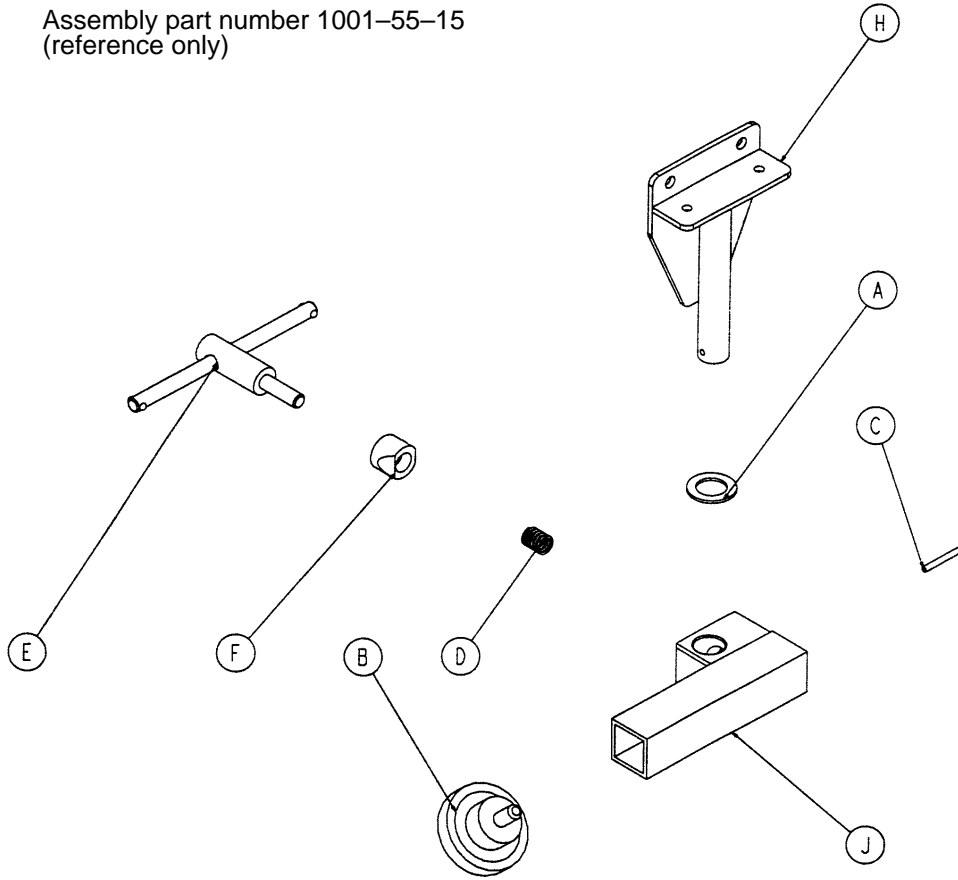
Assembly part number
1001-55-16
(reference only)



Item	Part No.	Part Name	Qty.
A	14-40	Nylon Flat Washer	1
B	24-11	Knob	1
C	26-7	Roll Pin	1
D	38-171	Compression Spring	1
E	650-2-32	Lock Screw Assembly	1
F	966-51-19	Wedge Lock, Modified	1
H	1001-55-11	Mounting Bracket	1
J	1010-55-26	Left Support Tube Ass'y	1

Right Stirrup Support Assembly

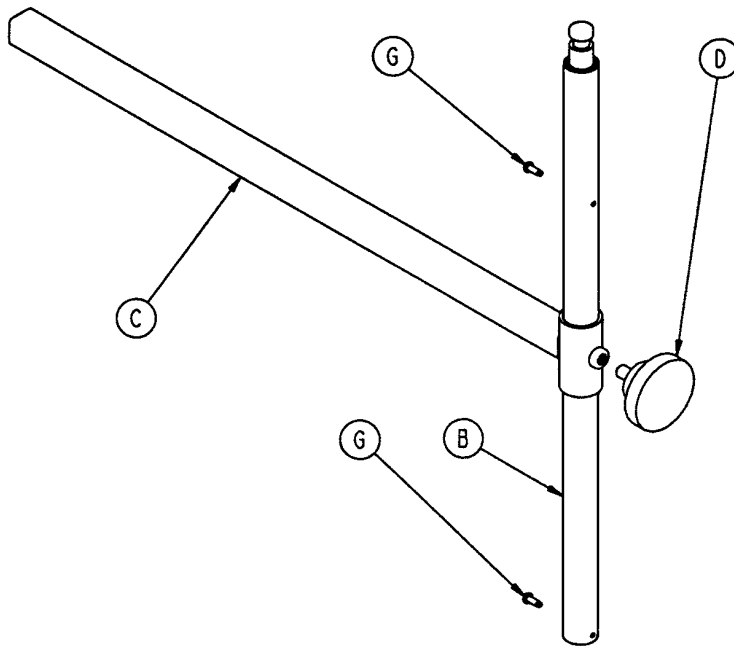
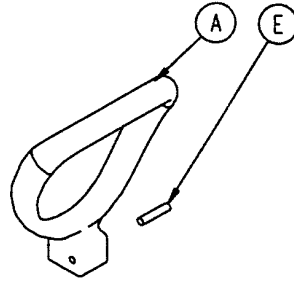
Assembly part number 1001-55-15
(reference only)



Item	Part No.	Part Name	Qty.
A	14-40	Nylon Flat Washer	1
B	24-11	Knob	1
C	26-7	Roll Pin	1
D	38-171	Compression Spring	1
E	650-2-32	Lock Screw Assembly	1
F	966-51-19	Wedge Lock, Modified	1
H	1001-55-11	Mounting Bracket	1
J	1010-55-16	Right Support Tube Ass'y	1

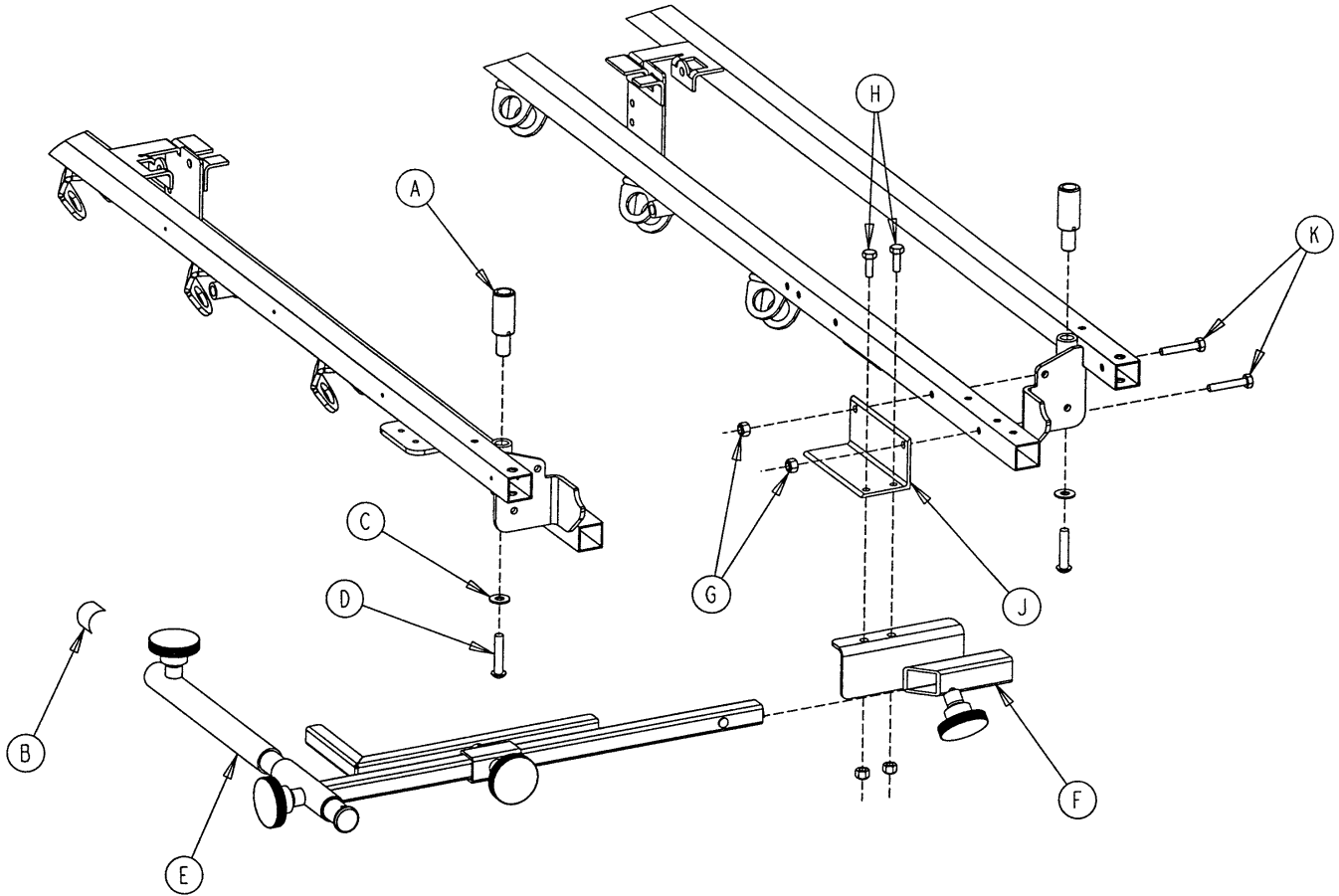
Heel Stirrup Assembly

Assembly part number 1010-55-29
(reference only)



Item	Part No.	Part Name	Qty.
A	390-20-13	Stirrup	1
B	390-20-9	Stirrup Holder Assembly	1
C	1010-55-30	Extension Tube Assembly	1
D	24-11	Knob	1
E	26-43	Roll Pin	1
G	22-8	Drive Screw	2

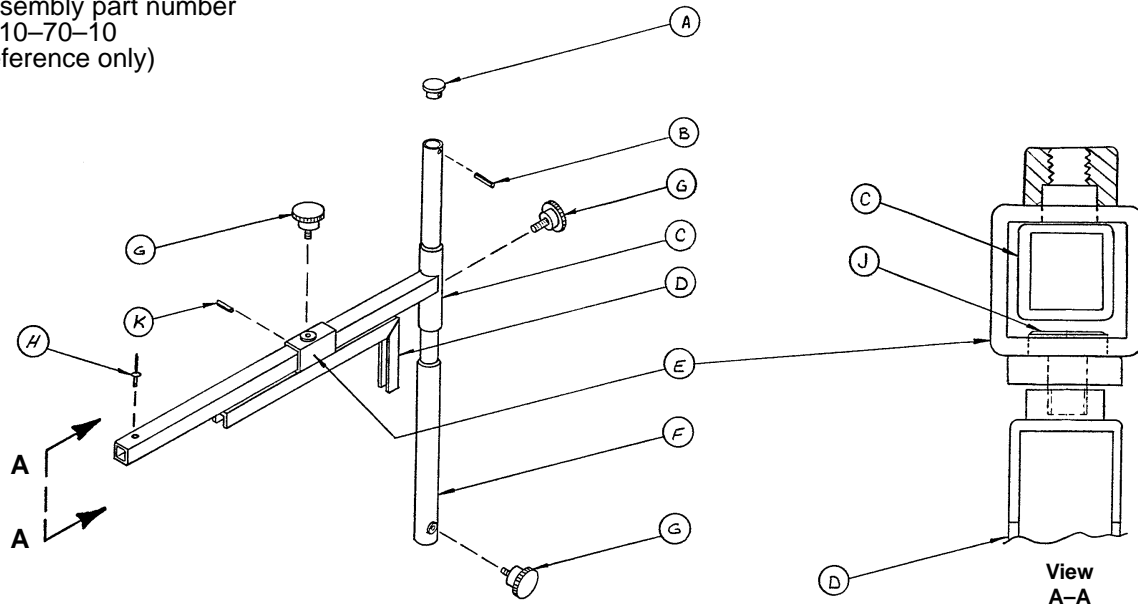
1001-70 C-Spine Cassette Holder Assembly



Item	Part No.	Part Name	Qty.
A	1010-70-25	I.V. Adaptor	2
B	1010-70-18	Specification Label	1
C	11-3	Flat Washer	2
D	4-91	But. Hd. Cap Screw	2
E	(page 96)	Support Pole Assembly	1
F	(page 97)	Storage Bracket Ass'y	1
G	16-28	Nylock Nut	4
H	3-50	Hex Hd. Cap Screw	2
J	1001-70-11	Attachment Bracket	1
K	3-47	Hex Hd. Cap Screw	2

C–Spine Support Pole Assembly

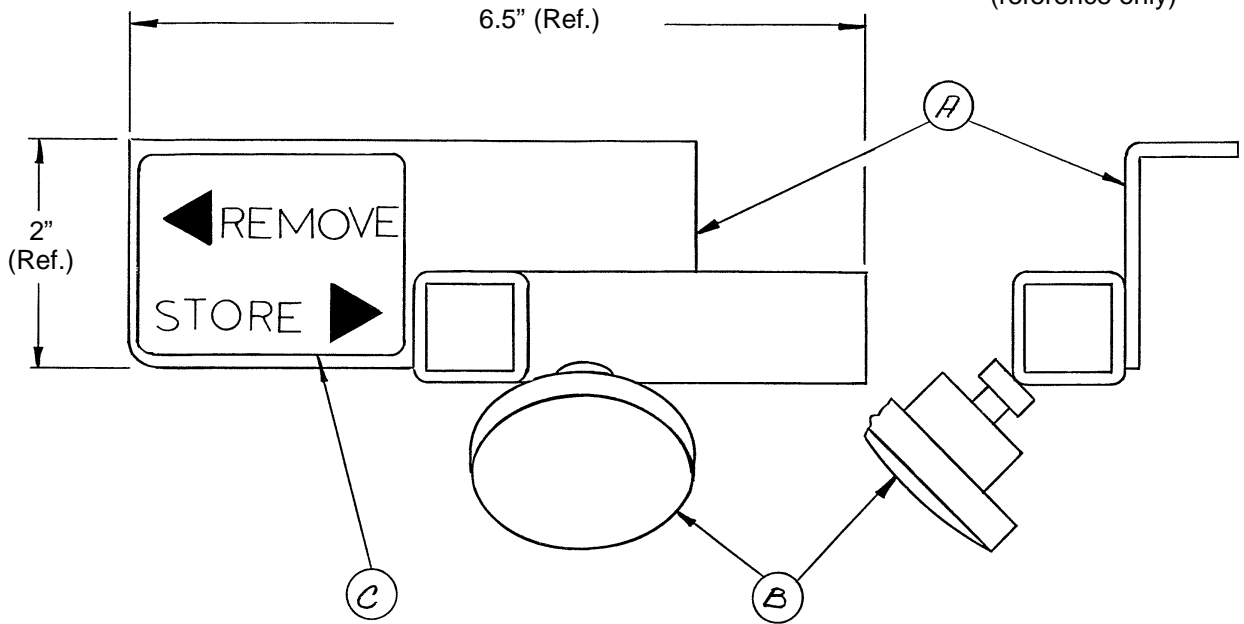
Assembly part number
1010–70–10
(reference only)



Item	Part No.	Part Name	Qty.
A	1010–70–33	Support Tube Cap	1
B	26–6	Roll Pin	1
C	1010–70–34	Support Arm Weldment	1
D	1010–70–42	Cassette Holder Weldment	1
E	1010–70–50	Adjustment Tube Weldment	1
F	1010–70–30	Base Tube Weldment	1
G	1010–70–45	Knob	3
H	25–55	Pop Rivet	1
J	1010–70–44	Pivot Pin	1
K	26–5	Roll Pin	1

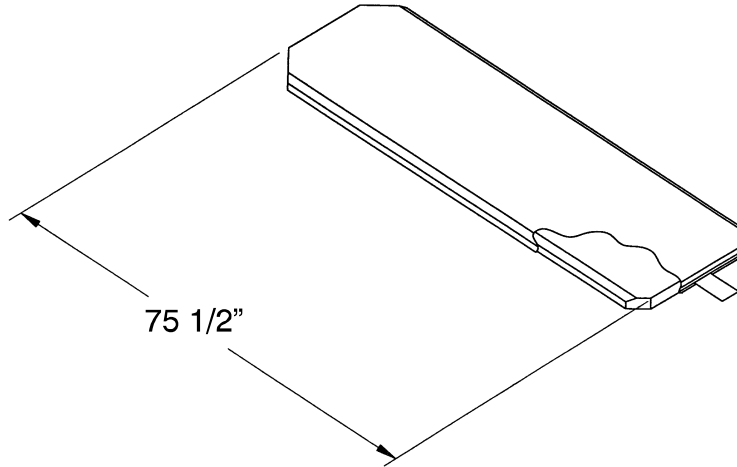
C-Spine Storage Bracket Assembly

Assembly part number
1010-70-19
(reference only)

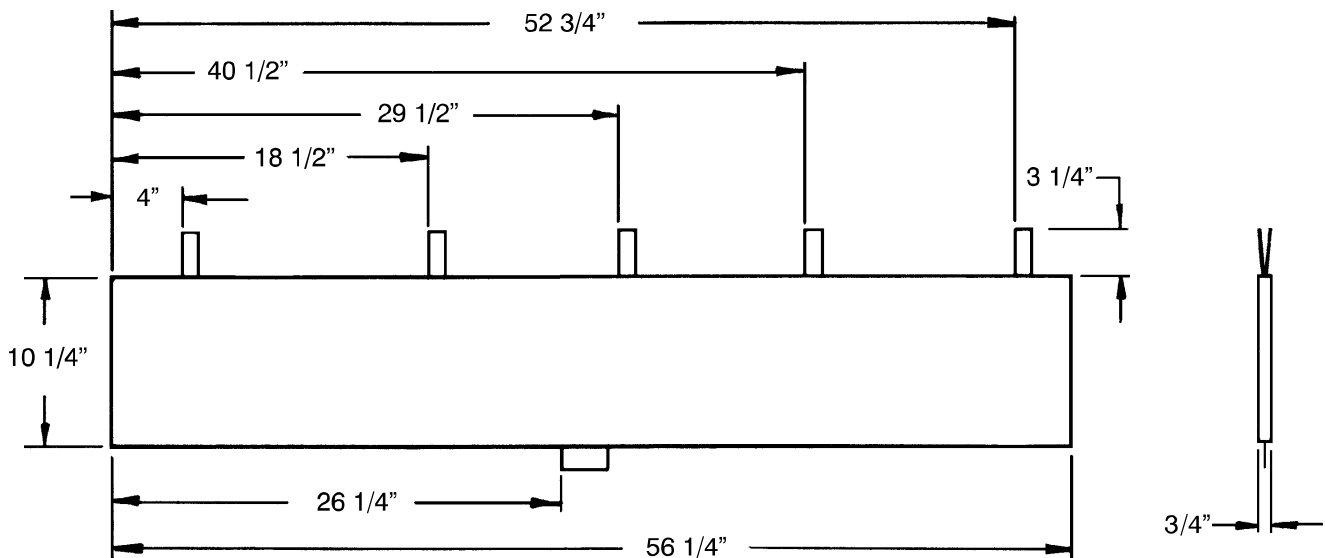


Item	Part No.	Part Name	Qty.
A	1010-70-20	Storage Bracket Weldment	1
B	1010-70-45	Knob	1
C	1010-70-23	Storage Label	1

Mattresses and Siderail Pads



Mattress, 3" Thick x 26" Wide, Enhanced Comfort	part # 1001-48-106
Mattress, 4" Thick x 26" Wide, Enhanced Comfort	part # 1001-47-106
Mattress, 4" Thick x 29" Wide, Enhanced Comfort	part # 1501-47-106
Mattress, 3" Thick x 29" Wide, Enhanced Comfort	part # 1501-48-106
Mattress, 2" Thick x 26" Wide, Standardr	part # 1059-226-140
Mattress, 3" Thick x 26" Wide, Standard	part # 1059-326-140
Mattress, 4" Thick x 26" Wide, Standard	part # 1059-426-140
Mattress, 3" Thick x 29" Wide, Standard	part # 1059-329-140
Mattress, 4" Thick x 29" Wide, Standard	part # 1059-429-140
Mattress, 4" Thick x 26" Wide, Ultra Comfort	part # 1210-40-4
Mattress, 5" Thick x 26" Wide, Ultra Comfort	part # 1210-40-5
Mattress, 4" Thick x 29" Wide, Ultra Comfort	part # 1710-40-4
Mattress, 5" Thick x 29" Wide, Ultra Comfort	part # 1710-40-5



Siderail Pad Set	part # 1010-52
------------------------	----------------

Warranty

Limited Warranty:

Stryker Medical Division, a division of Stryker Corporation, warrants to the original purchaser that its products should be free from defects in material and workmanship for a period of one (1) year after date of delivery. Stryker's obligation under this warranty is expressly limited to supplying replacement parts and labor for, or replacing, at its option, any product which is, in the sole discretion of Stryker, found to be defective. Stryker warrants to the original purchaser that the frame and welds on its beds will be free from structural defects for as long as the original purchaser owns the bed. If requested by Stryker, products or parts for which a warranty claim is made shall be returned prepaid to Stryker's factory. Any improper use or any alteration or repair by others in such manner as in Stryker's judgement affects the product materially and adversely shall void this warranty. No employee or representative of Stryker is authorized to change this warranty in any way.

Stryker Medical stretchers are designed for a 10 year expected life under normal use conditions and appropriate periodic maintenance as described in the maintenance manual for each device.

This statement constitutes Stryker's entire warranty with respect to the aforesaid equipment. STRYKER MAKES NO OTHER WARRANTY OR REPRESENTATION, EITHER EXPRESSED OR IMPLIED, EXCEPT AS SET FORTH HEREIN. THERE IS NO WARRANTY OF MERCHANTABILITY AND THERE ARE NO WARRANTIES OF FITNESS FOR ANY PARTICULAR PURPOSE. IN NO EVENT SHALL STRYKER BE LIABLE HEREUNDER FOR INCIDENTAL OR CONSEQUENTIAL DAMAGES ARISING FROM OR IN ANY MANNER RELATED TO SALES OR USE OF ANY SUCH EQUIPMENT.

To Obtain Parts and Service:

Stryker products are supported by a nationwide network of dedicated Stryker Field Service Representatives. These representatives are factory trained, available locally, and carry a substantial spare parts inventory to minimize repair time. Simply call your local representative, or call Stryker Customer Service at (800) 327-0770.

Supplemental Warranty Coverage:

Stryker has developed a comprehensive program of extended warranty options designed to keep your equipment operating at peak performance at the same time it eliminates unexpected costs. We recommend that these programs be activated *before* the expiration of the new product warranty to eliminate the potential of additional equipment upgrade charges. Stryker offers the following Supplemental Warranties:

Extended (Parts and Labor)

- All replacement parts (excluding mattresses and consumable items)
- Labor and travel for *all* scheduled and unscheduled calls
- Annual Preventive Maintenance Inspections and repairs
- JCAHO paperwork for preventive maintenance
- Priority Emergency Service

Standard (Labor Only):

- Labor and travel for *all* scheduled and unscheduled calls
- Annual Preventive Maintenance Inspections and repairs
- JCAHO paperwork for preventive maintenance
- Priority Emergency Service

Basic (Parts Only):

- All replacement parts (excluding mattresses and consumable items)
- Priority Emergency Service

Please call your local representative, or call (800) 327-0770 for further information

Warranty

Return Authorization:

Merchandise cannot be returned without approval from the Stryker Customer Service Department. An authorization number will be provided which must be printed on the returned merchandise. Stryker reserves the right to charge shipping and restocking fees on returned items.

SPECIAL, MODIFIED, OR DISCONTINUED ITEMS NOT SUBJECT TO RETURN.

Damaged Merchandise:

ICC Regulations require that claims for damaged merchandise must be made with the carrier within fifteen (15) days of receipt of merchandise. **DO NOT ACCEPT DAMAGED SHIPMENTS UNLESS SUCH DAMAGE IS NOTED ON THE DELIVERY RECEIPT AT THE TIME OF RECEIPT.** Upon prompt notification, Stryker will file a freight claim with the appropriate carrier for damages incurred. Claim will be limited in amount to the actual replacement cost. In the event that this information is not received by Stryker within the fifteen (15) day period following the delivery of the merchandise, or the damage was not noted on the delivery receipt at the time of receipt, the customer will be responsible for payment of the original invoice in full.

Claims for any short shipment must be made within thirty (30) days of invoice.

International Warranty Clause:

This warranty reflects U.S. domestic policy. Warranty outside the U.S. may vary by country. Please contact your local Stryker Medical representative for additional information.



European Representative

Stryker France
BP 50040-95946 Roissy Ch. de Gaulle
Cedex-France

Phone: 33148632290
Fax: 33148632175

stryker[®]
Medical

6300 Sprinkle Road, Kalamazoo, MI 49001-9799

(800) 327-0770