



Gynnie® OB\GYN Stretcher Model 1061  
Civière De 1061 OB/GYN  
1061 OB/GYN Bahre  
1061 Brancard OB/GYN  
Una Barella Di 1061 OB/GYN  
Ensanchador De 1061 OB/GYN  
Esticador De 1061 OB/GYN

# stryker®

## Parts Manual

Pour des pièces ou l'appel d'assistance technique:  
Für Teile oder technische Unterstützung Anruf:  
Voor delen of technische bijstandvraag:  
Per le parti o la chiamata di assistenza tecnica:  
Para las piezas o la llamada de la asistencia técnica:  
Para as peças ou a chamada do auxílio técnico:  
USA: 1-800-327-0770  
USA: 1-269-324-6500

Manuel relatif aux pièces  
Teilekatalog  
Onderdelenhandleiding  
Manuale delle schematizzazioni dei componenti  
Manual de componentes  
Manual de peças



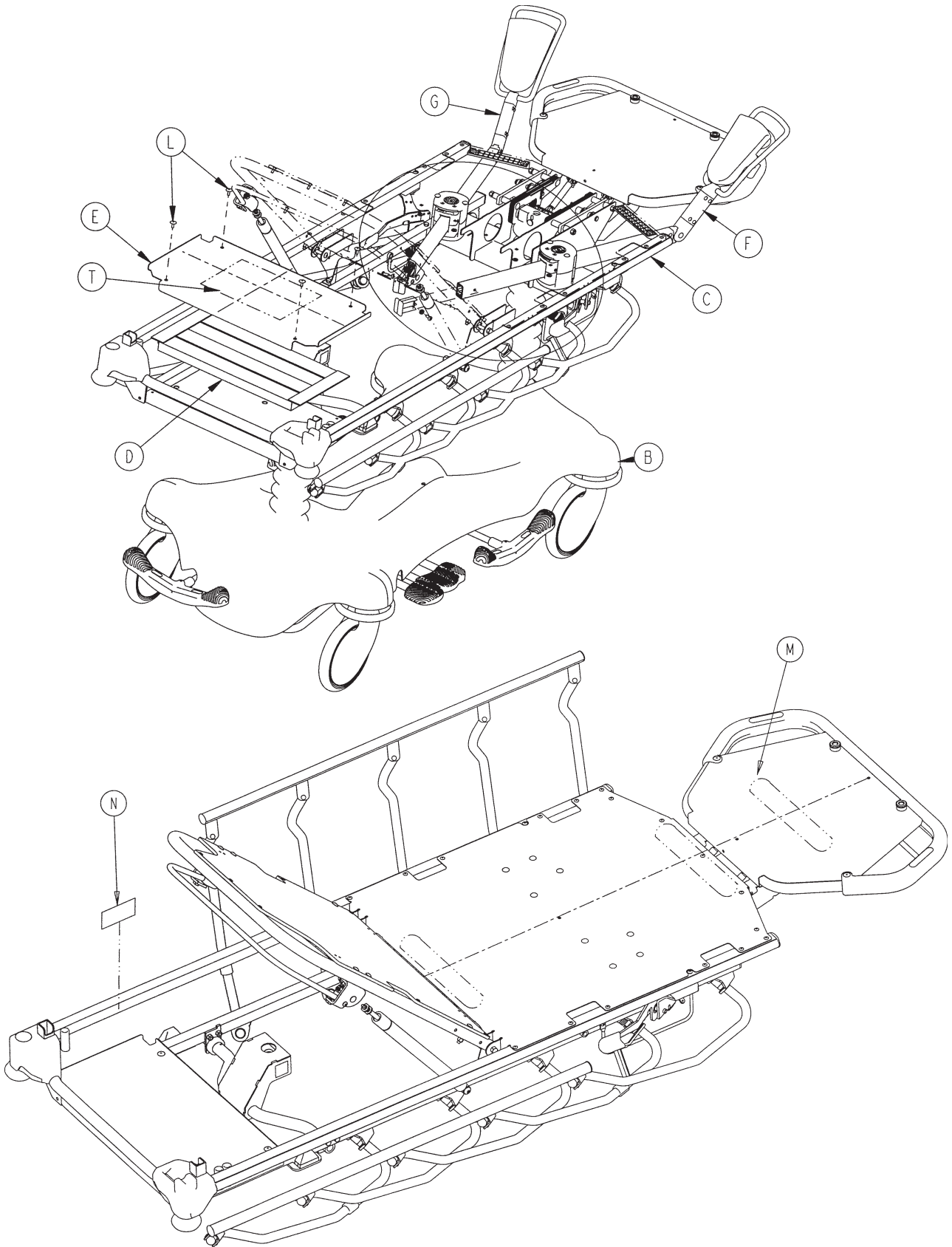


# Table of Contents

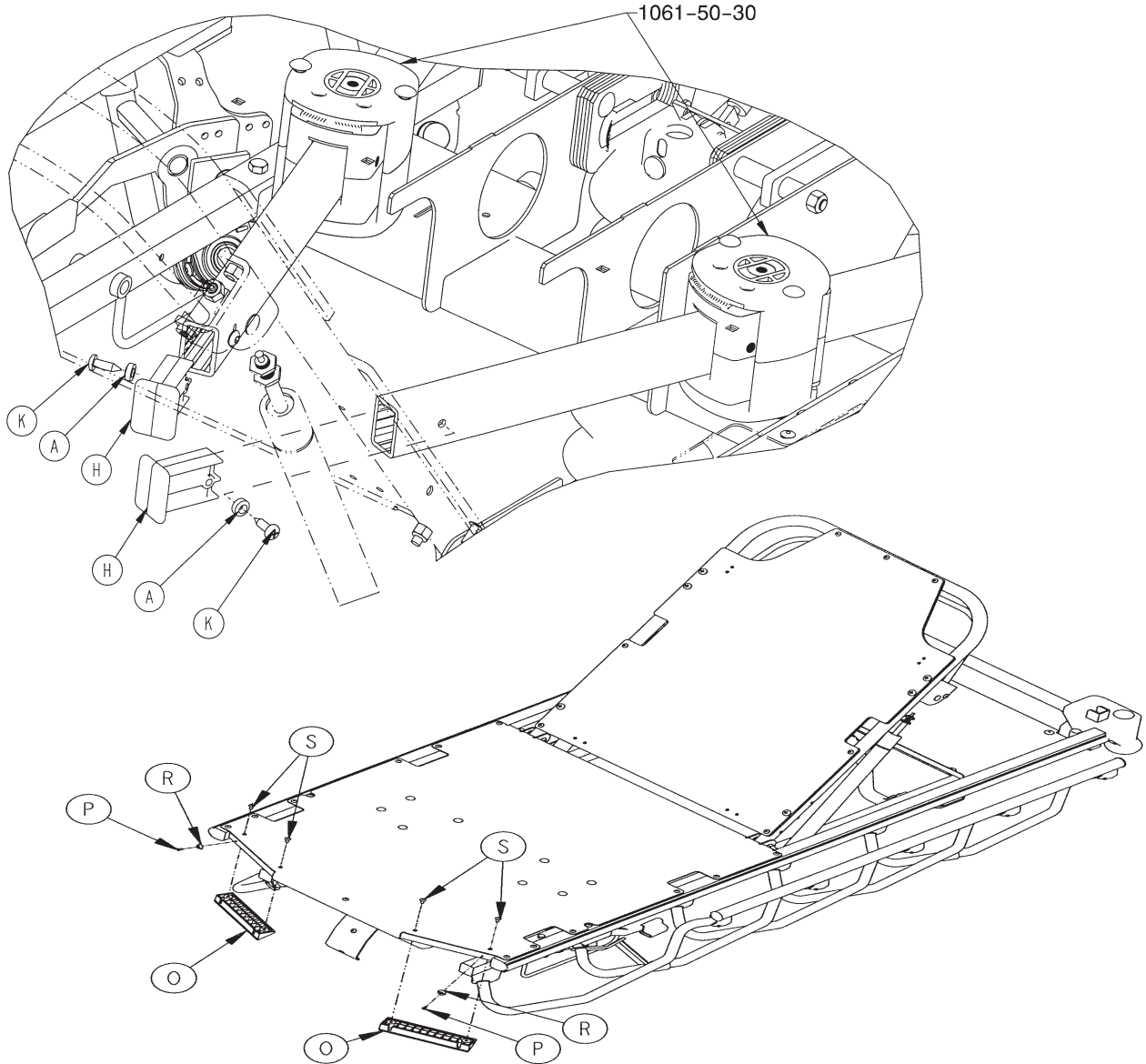
---

## Assembly Drawings and Part Lists

1061-000-000 .....	4	1211-210-026 .....	43
1061-000-000 .....	5	1061-110-001 .....	44
1061-001-010 .....	6	1211-211-010 .....	45
1061-001-010 .....	7	1211-110-032 .....	46
1061-001-010 .....	8	1061-023-010 .....	47
1061-001-010 .....	9	1020-130-000 .....	48
0715-201-150 .....	10	0785-045-500 .....	49
0715-201-213 .....	10	1061-070-000 .....	50
1061-500-000 .....	11	1010-070-010 .....	51
1231-070-210 .....	12	1061-070-019 .....	51
5050-370-100 .....	13	1061-700-001 .....	52
0715-100-325 .....	14	1061-700-001 .....	53
1000-159-000 .....	15	1061-120-032 .....	54
0715-269-100 .....	16	1061-130-000 .....	55
0715-259-100 .....	17	1061-130-001 .....	56
1010-260-000 .....	18	1061-040-036 .....	57
1210-201-002 .....	19	1061-040-035 .....	58
0715-201-125 .....	20	0785-045-200 .....	59
1061-030-010 .....	22	0785-045-700 .....	60
1061-030-010 .....	23	0785-045-800 .....	61
1061-030-010 .....	24	1040-010-090 .....	62
1061-040-010 .....	25	International Addresses .....	63
1061-040-010 .....	26		
1061-050-030 .....	27		
1061-050-030 .....	28		
1061-050-010 .....	29		
1061-050-011 .....	29		
1061-050-010 & 1061-050-011 .....	30		
1061-120-010 .....	31		
1061-120-010 .....	32		
1061-131-100 .....	33		
1210-031-120 .....	34		
1210-031-106 .....	35		
1210-031-107 .....	35		
1711-151-000 .....	36		
1211-351-010 .....	37		
0390-025-000 .....	38		
1061-117-000 .....	39		
1211-117-010 .....	40		
1061-110-000 .....	41		
1211-210-010 .....	42		



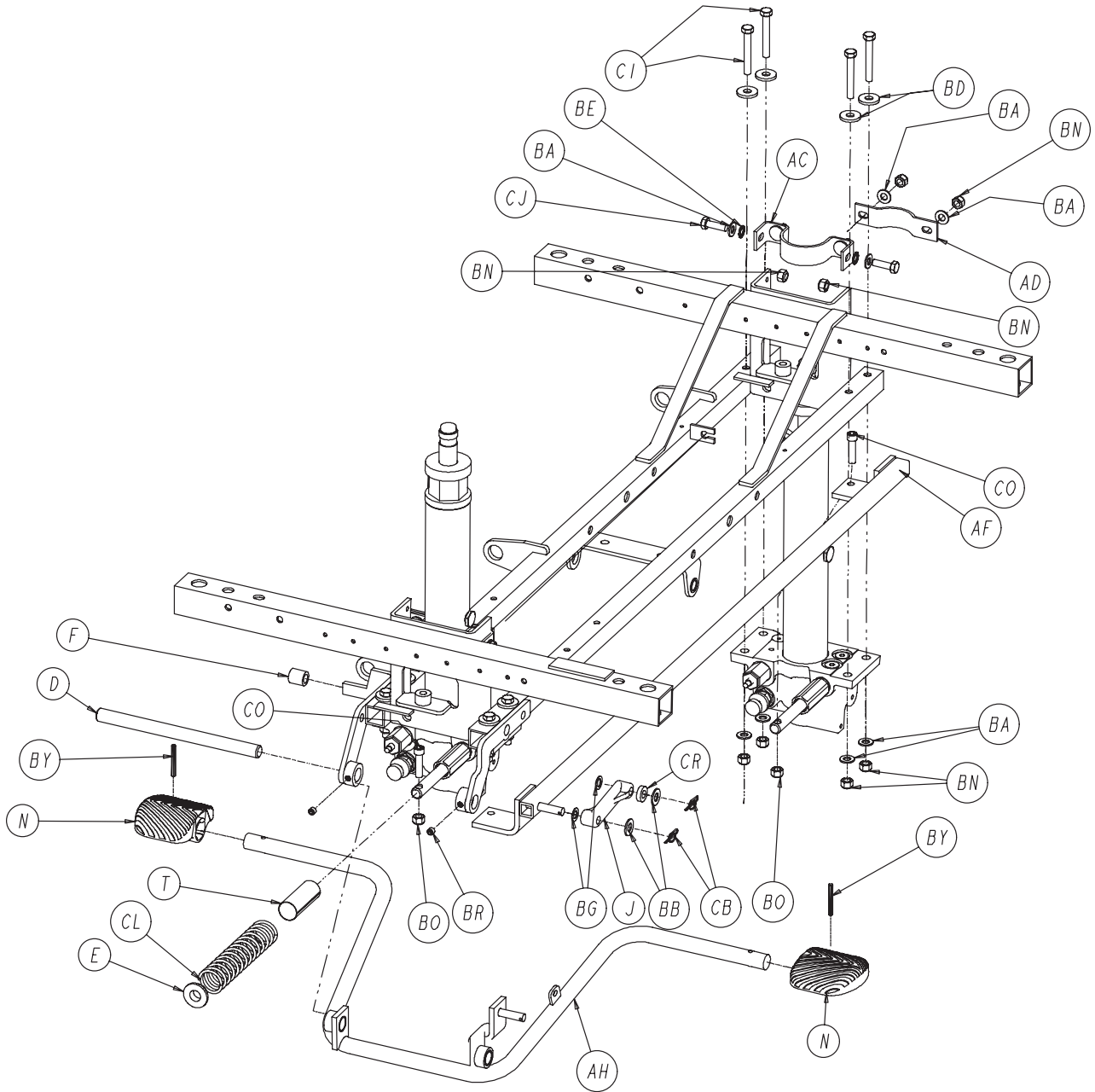
# 1061-000-000

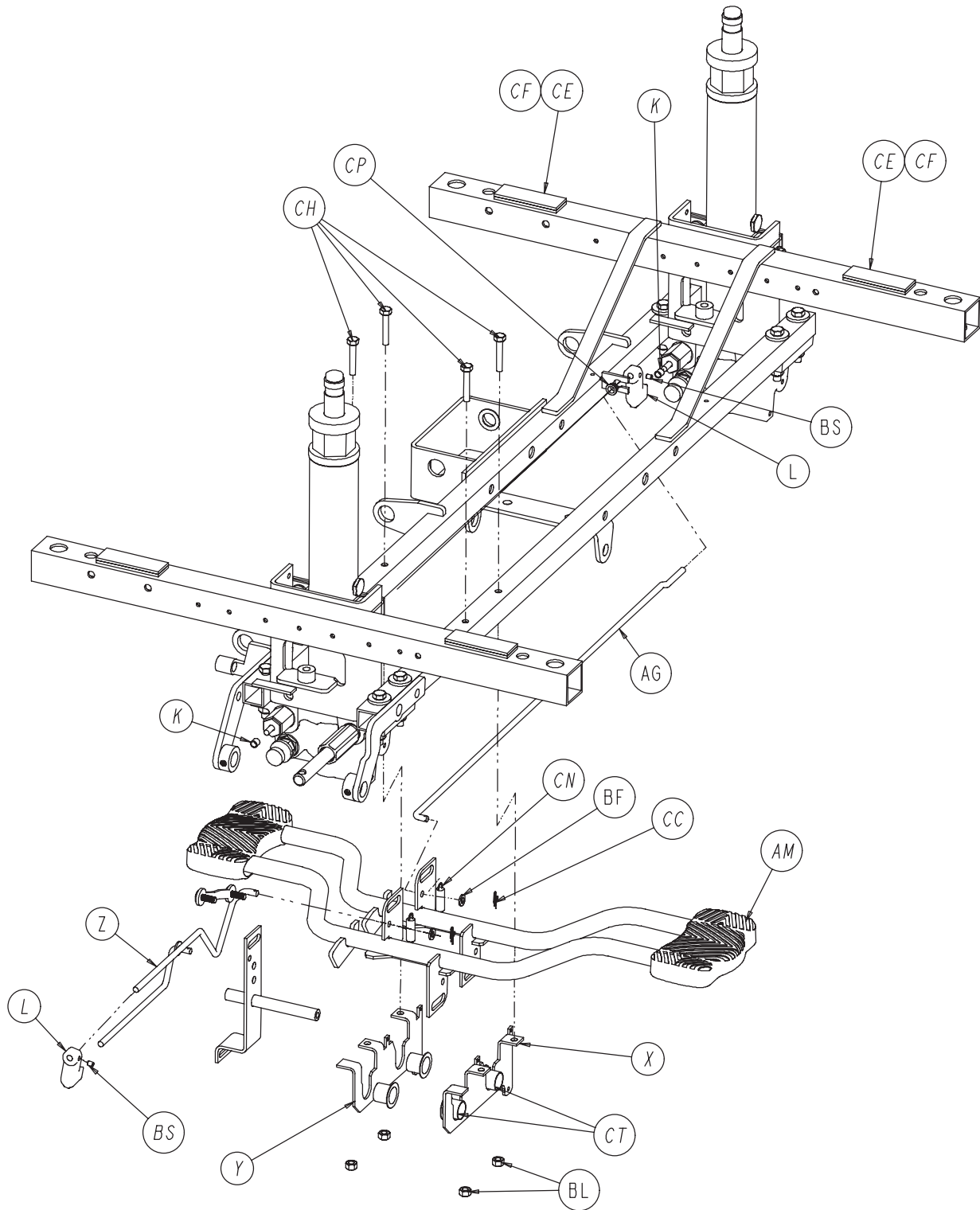


A	0716-001-286	2	K	0023-059-000	2
B	1061-001-010	1	L	0025-132-000	4
C	1061-030-010	1	M	7900-001-102	3
D	1061-031-010	1	N	1210-800-008	1
E	1061-031-014	1	O	1061-050-162	2
F	1061-050-010	1	P	0025-040-000	2
G	1061-050-011	1	R	0029-003-000	2
H	1061-050-055	2	S	0025-172-000	4
			T	1061-200-002	1

[Return To Table of Contents](#)







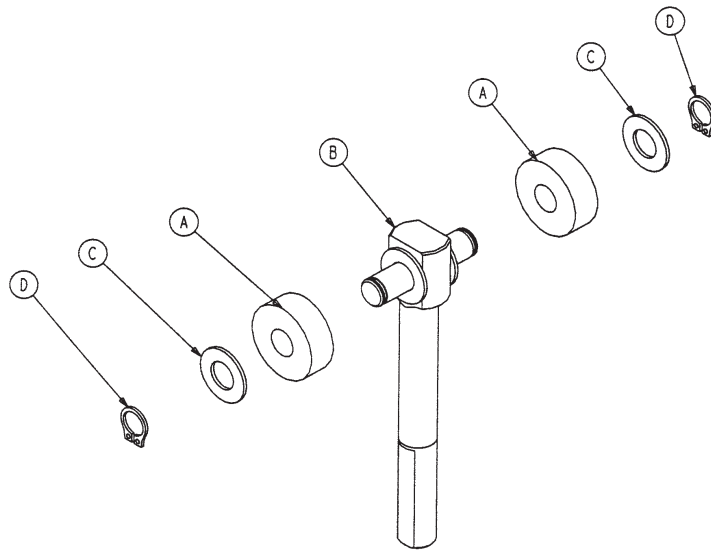


# 1061-001-010

---

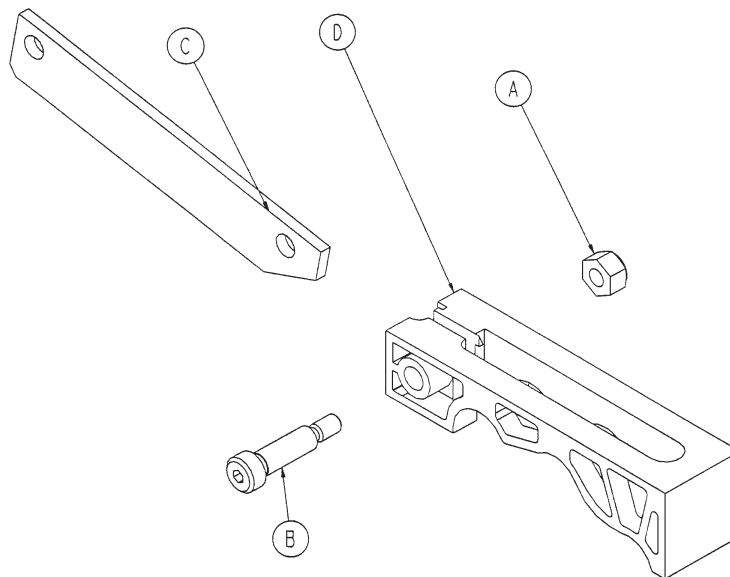
A	0042-020-000	3	AX	1210-301-403	1
B	0715-001-011	4	AY	1210-301-404	1
C	0715-001-061	2	AZ	1210-301-405	1
D	0715-001-092	1	BA	0011-003-000	16
E	0715-001-133	1	BB	0011-004-000	4
F	0715-001-140	1	BD	0011-262-000	8
G	3001-200-052	1	BE	0013-038-000	4
H	0715-001-158	4	BF	0014-002-000	16
I	0715-001-165	2	BG	0014-009-000	2
J	0715-001-214	1	BJ	0014-080-000	2
K	0715-001-333	2	BK	0016-115-000	2
L	0715-001-346	2	BL	0016-118-000	2
M	0715-201-094	2	BM	0016-035-000	4
N	0715-201-126	2	BN	0016-036-000	16
O	0715-201-150	2	BO	0016-048-000	2
P	0715-201-213	2	BP	0016-049-000	1
T	0763-001-016	1	BR	0021-022-000	2
U	0946-001-116	4	BS	0021-050-000	3
X	1061-001-114	1	BT	0003-364-000	1
Y	1061-001-115	1	BW	0026-013-000	2
Z	1061-001-139	1	BY	0026-143-000	5
AA	1061-001-120	1	BZ	0026-166-000	1
AB	1061-001-140	1	CA	0026-265-000	1
AC	1061-001-192	2	CB	0027-022-000	2
AD	1061-001-193	2	CC	0027-020-000	7
AE	1061-700-300	1	CE	0029-007-000	4
AF	1061-201-027	1	CF	0029-009-000	4
AG	1061-201-222	1	CG	0003-045-000	4
AH	1061-201-108	1	CH	0003-355-000	4
AJ	1061-201-230	1	CI	0003-062-000	8
AK	1061-301-400	1	CJ	0003-085-000	4
AL	1061-301-412	1	CL	0038-246-000	1
AM	1061-500-000	1	CN	0038-355-000	2
AR	1210-201-153	3	CO	0004-146-000	2
AS	1210-201-251	3	CP	0052-245-000	2
AT	1210-201-401	6	CR	0052-284-000	1
AU	1210-201-407	1	CS	0052-302-000	1
AW	1210-201-409	1	CT	0052-747-000	4
			CU	0008-010-000	2
			CV	0013-018-000	1

## 0715-201-150

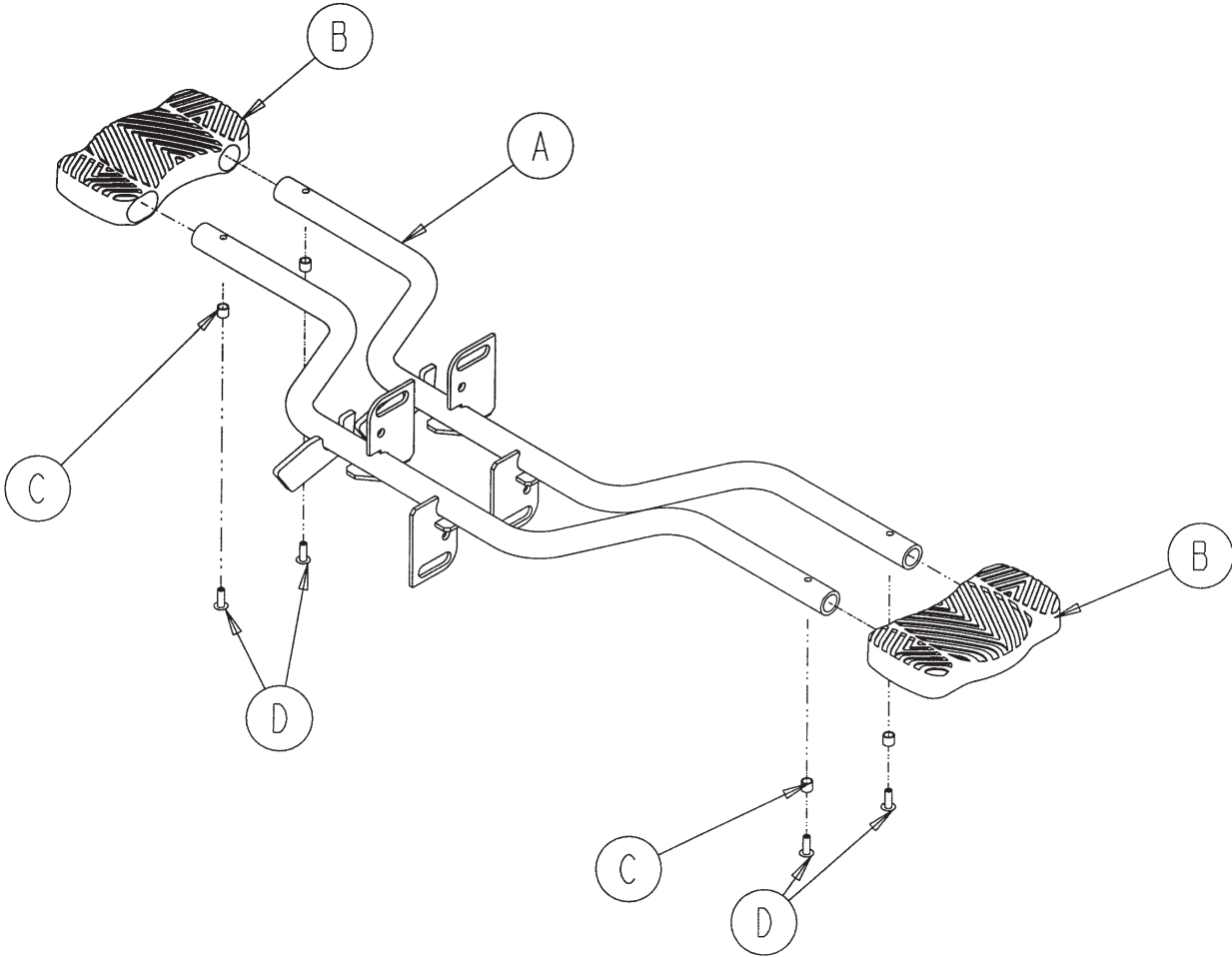


A	0715-001-180	2
B	0715-201-062	1
C	0014-004-000	4
D	0028-008-000	2

## 0715-201-213

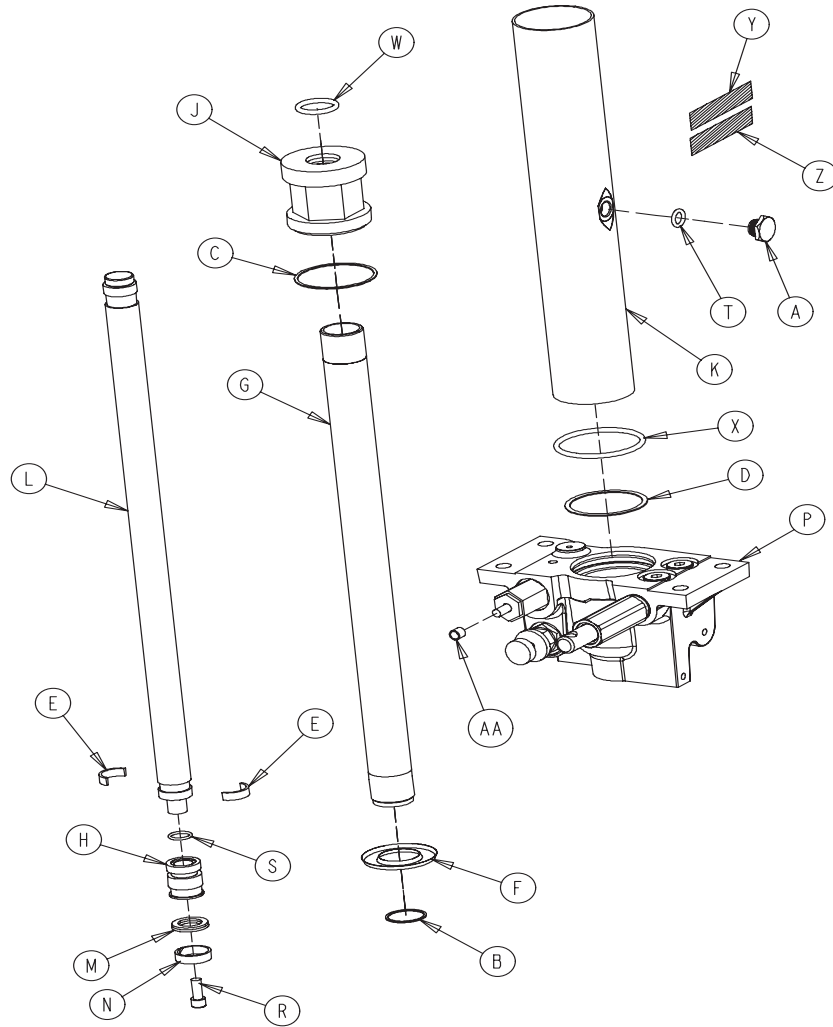


A	0008-021-000	1
B	0016-059-000	1
C	0715-201-173	1
D	0715-301-221	1



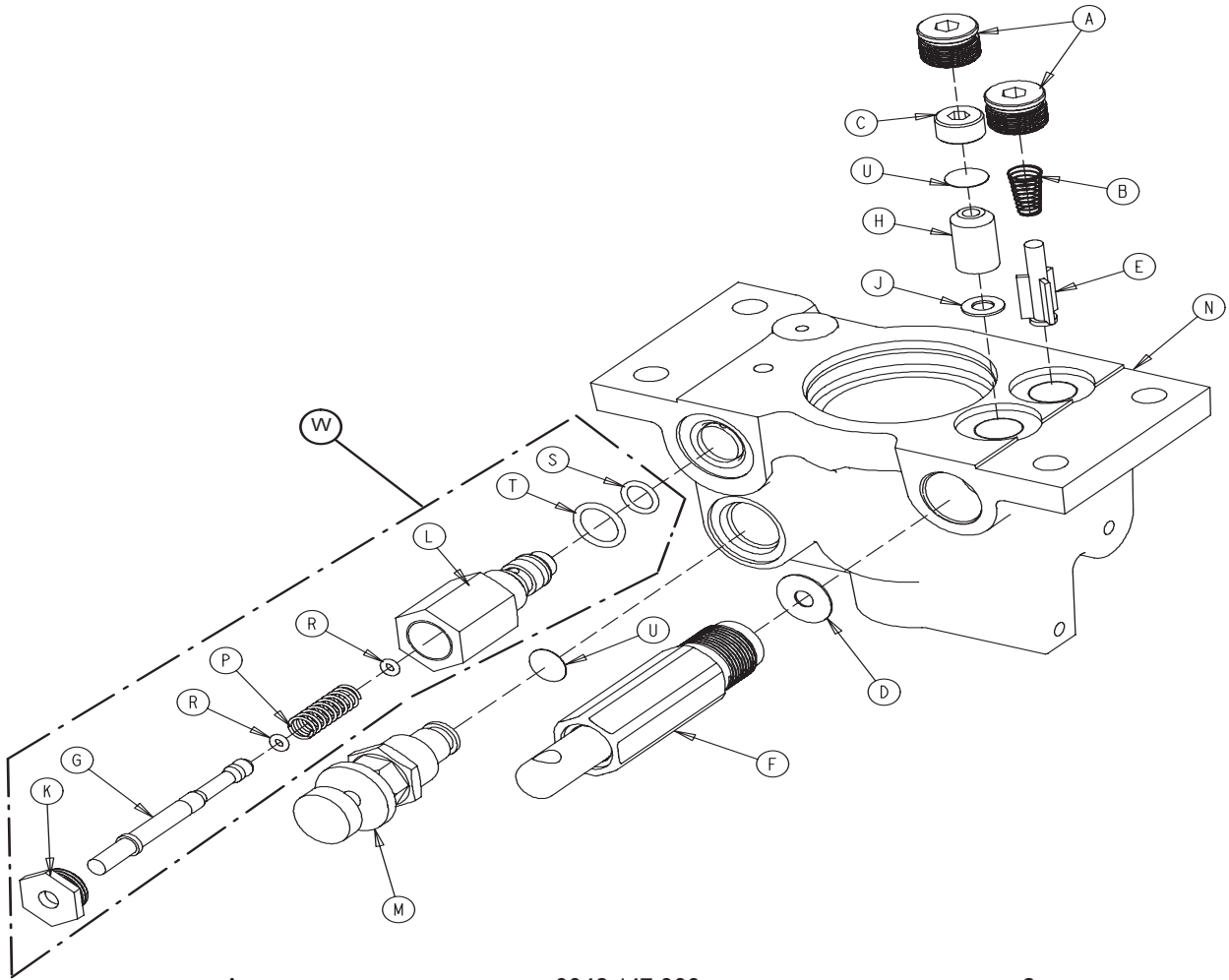
A	1210-201-152	2
B	1061-201-127	2
C	0715-001-333	4
D	0025-050-000	4

# 1231-070-210



A	0388-100-038	1	M	0926-020-161	1
B	0390-001-238	1	N	0926-020-162	1
C	0390-001-243	1	P	5050-370-100	1
D	0390-001-244	1	R	0004-014-000	1
E	0390-002-139	2	S	0045-014-000	1
F	0715-001-320	1	T	045-110-000	1
G	0715-001-323	1	W	045-904-000	1
H	0715-001-331	1	X	045-978-000	1
J	0715-001-340	1	Y	1231-070-211	1
K	0715-001-422	1	Z	0921-001-252	1
L	0715-001-325	1	AA	0715-001-333	1

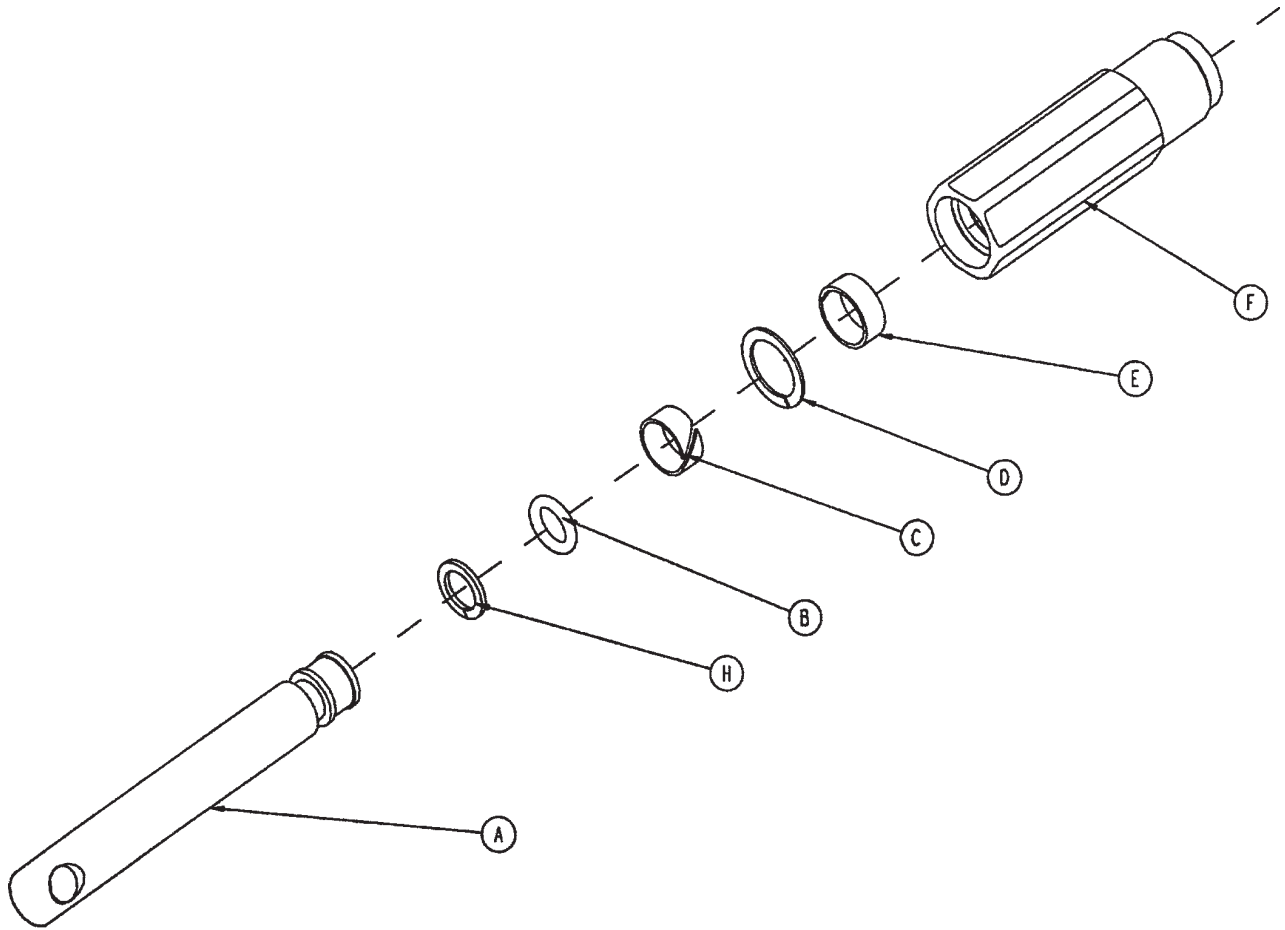
# 5050-370-100



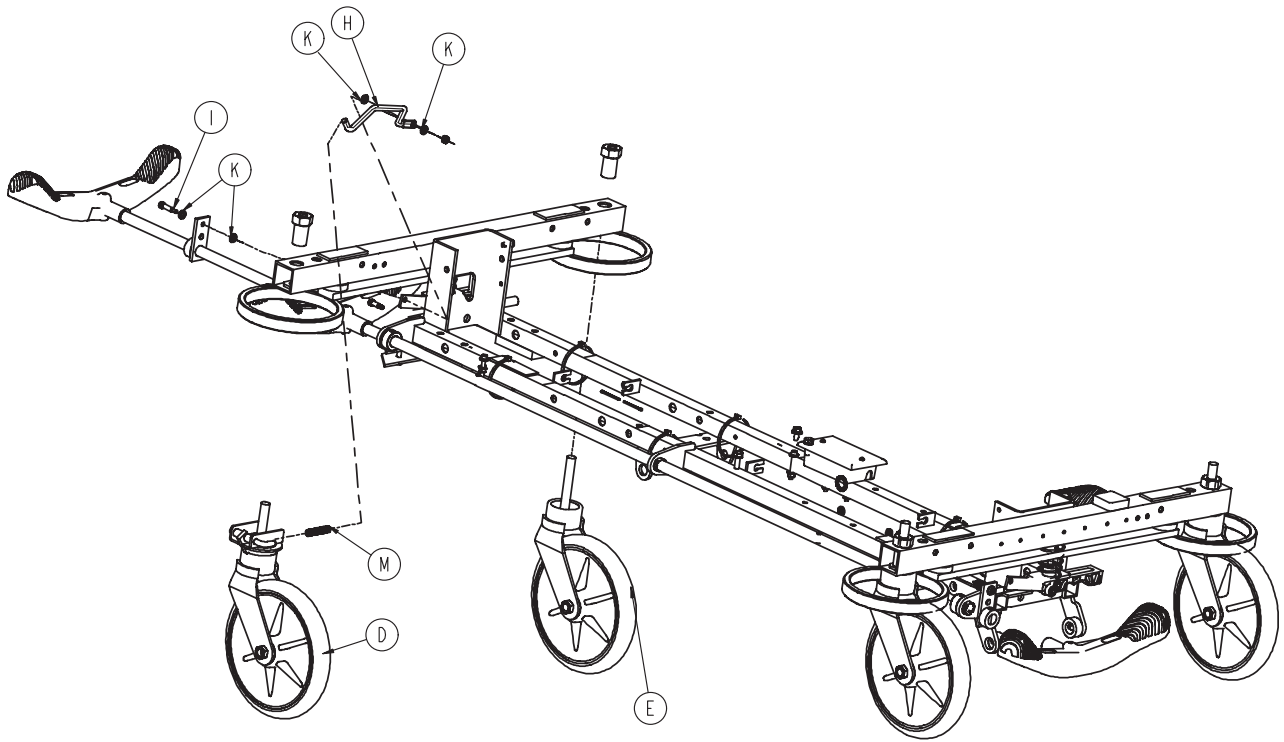
A	0048-147-000	2
B	0390-002-134	1
C	0715-001-309	1
D	0715-001-329	1
E	0715-001-341	1
F	0715-100-325	1
G	0715-270-001	1
H	0926-020-153	1
J	0926-020-154	1
K	1210-170-013	1
L	2025-075-087	1
M	5050-070-050	1
N	5050-370-110	1
P	0038-311-000	1
R	0045-006-000	2
S	0045-966-000	1
T	0045-967-000	1
U	0715-001-321	2
W	2025-700-026	1

[Return To Table of Contents](#)

# 0715-100-325

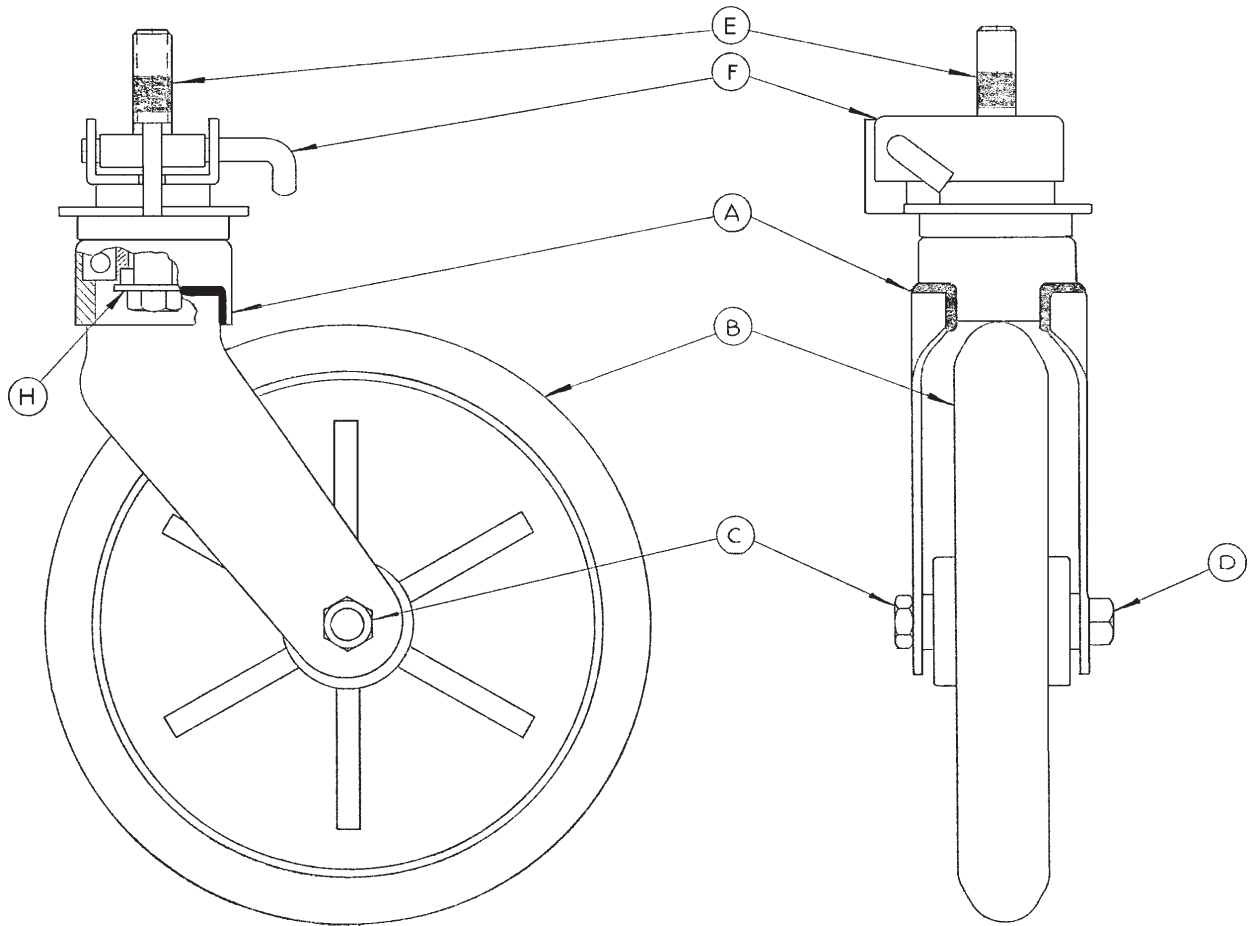


A	0715-201-318	1
B	0045-110-000	1
C	0715-001-328	1
D	0014-050-000	1
E	0715-201-327	1
F	0715-001-316	1
H	0715-001-400	1



D	0715-269-100	1
E	0715-259-100	3
H	1000-210-062	1
I	0008-021-000	1
K	0014-002-000	4
M	0038-211-000	1

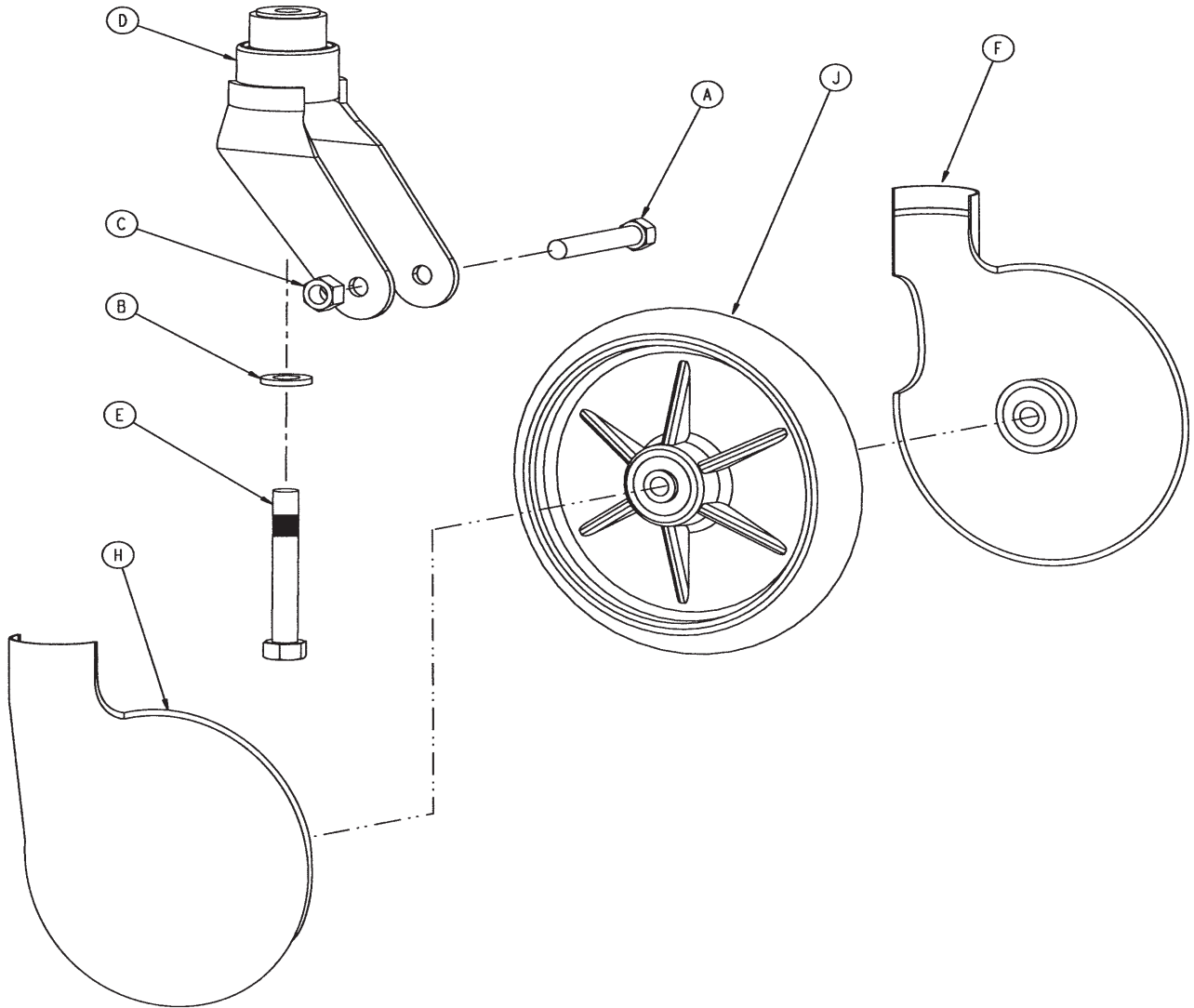
# 0715-269-100



A	0700-010-050	1
B	0715-002-025	1
C	0016-060-000	1
D	0003-099-000	1
E	0715-003-096	1
F	1000-059-010	1
H	0011-310-000	1



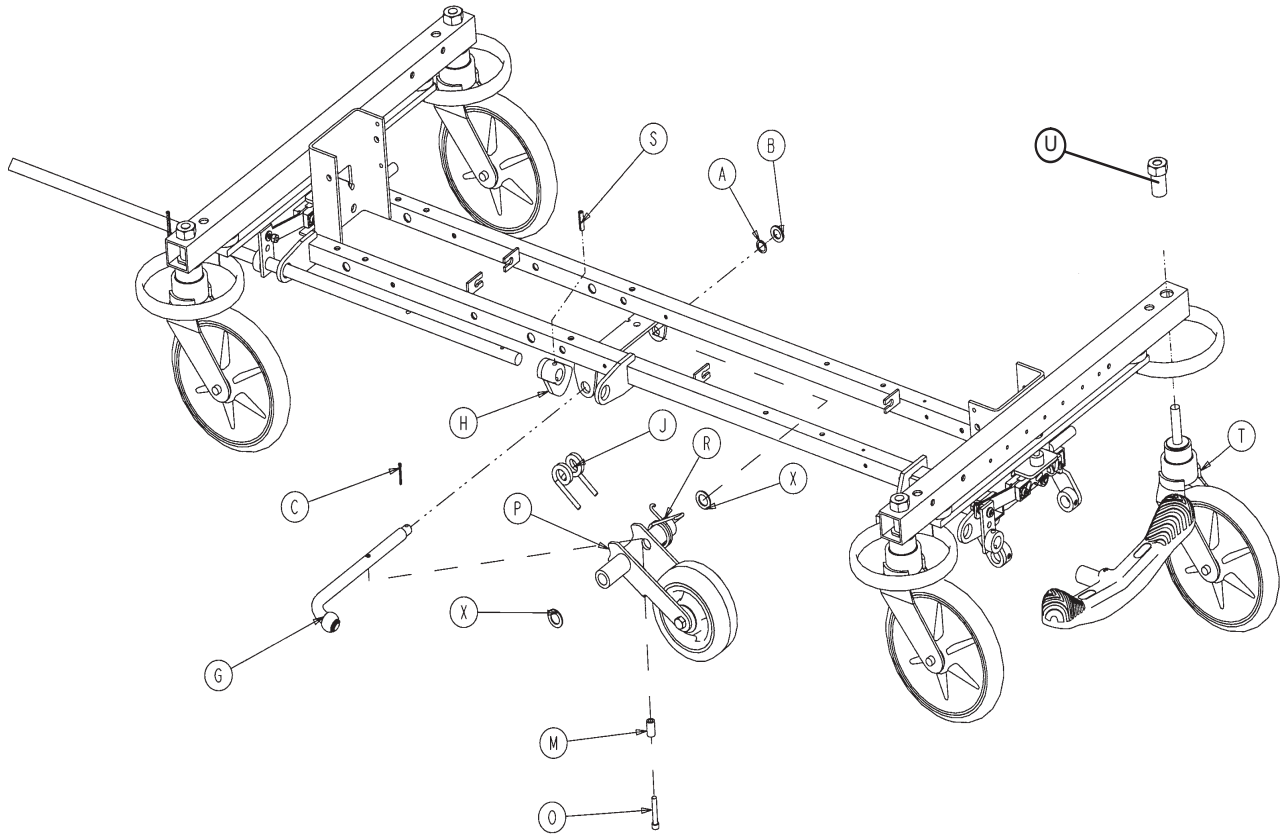
# 0715-259-100



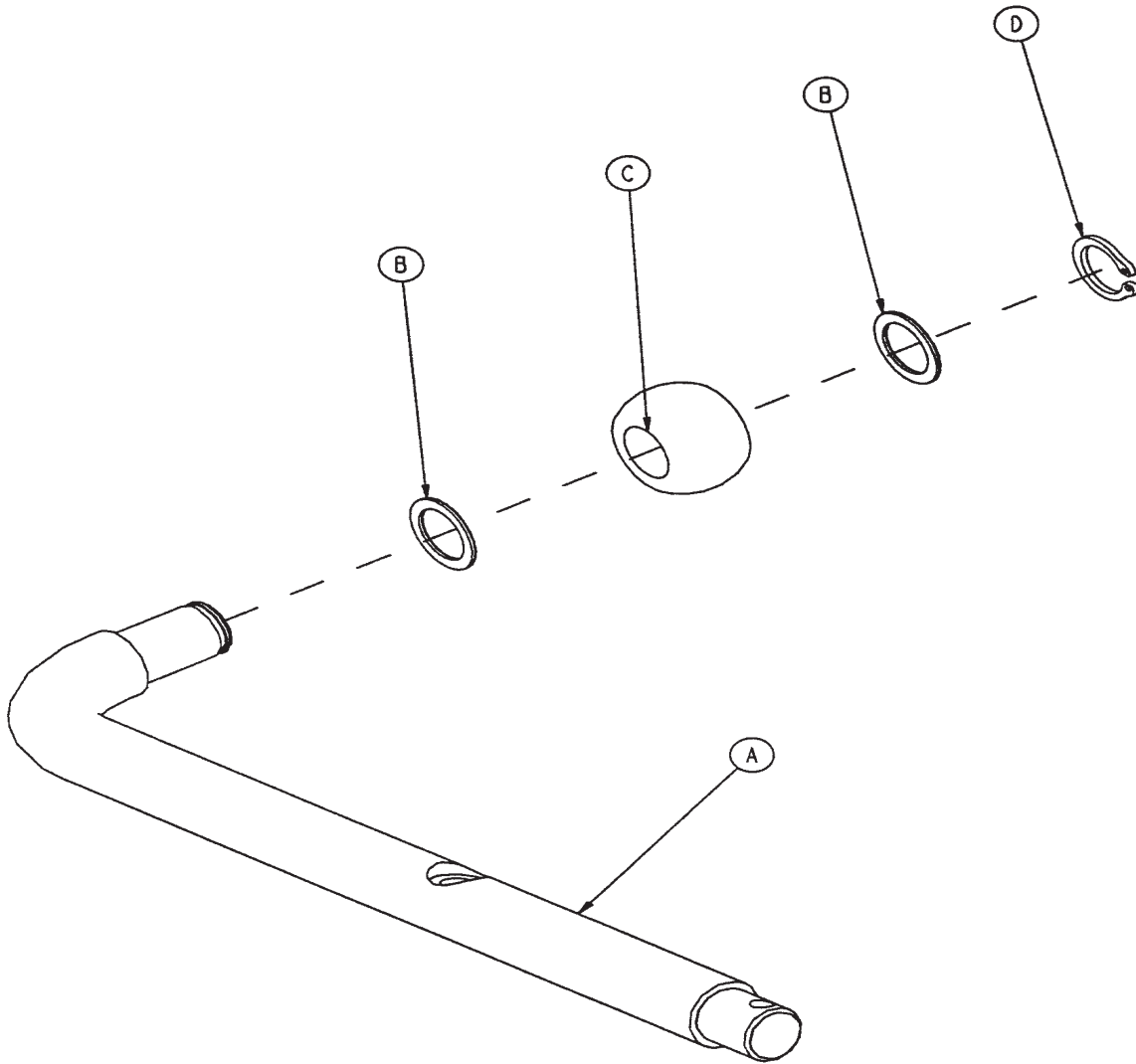
A	0003-099-000	1
B	0011-310-000	1
C	0016-060-000	1
D	0715-002-016	1
E	0715-003-096	1
F	0715-001-265	1
H	0715-001-266	1
J	0715-002-025	1

[Return To Table of Contents](#)

# 1010-260-000

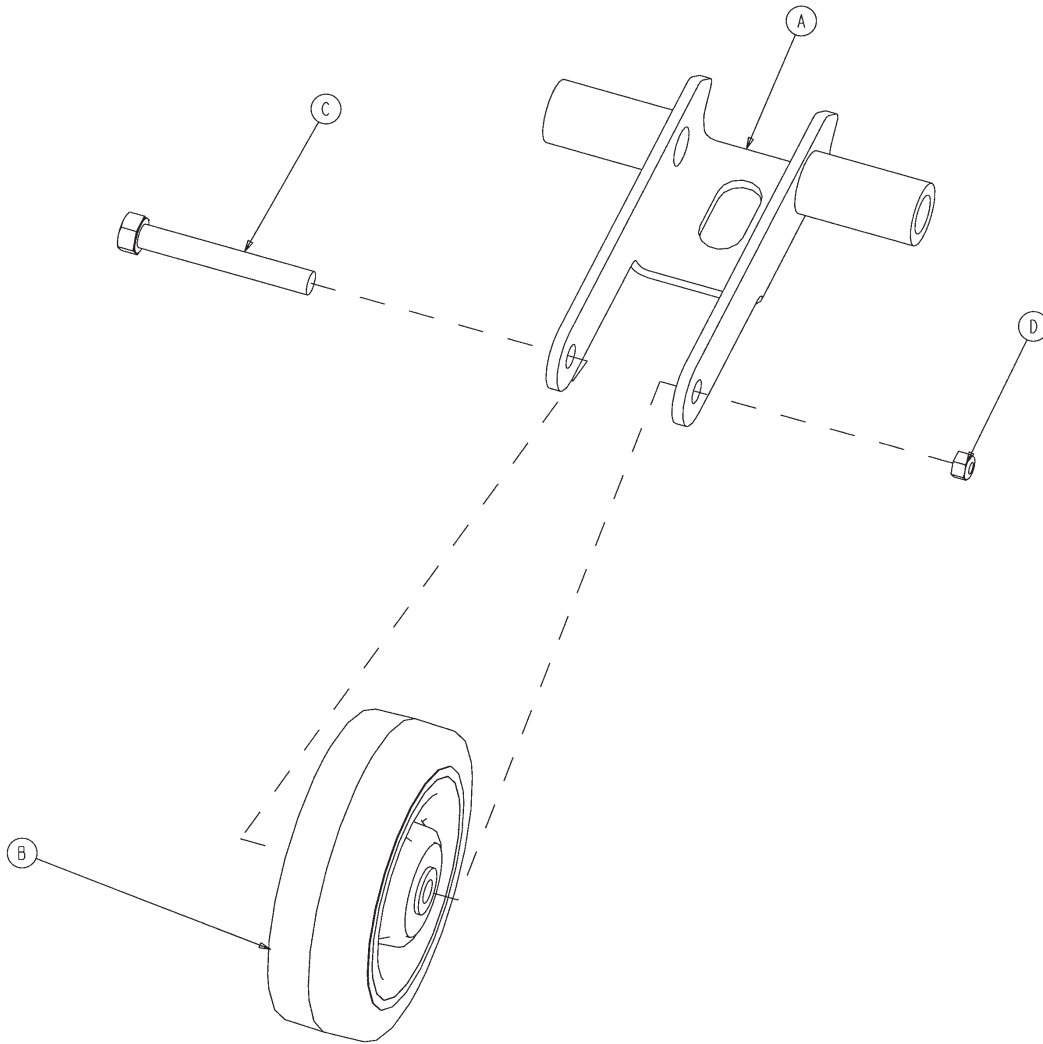


A	0014-079-000	1
B	0011-013-000	1
C	0027-016-000	1
G	1210-201-002	1
H	1210-001-145	1
J	1210-001-148	1
M	1210-201-149	1
O	0004-10-000	1
P	0715-201-125	1
R	1210-001-146	1
S	0026-035-000	1
T	0715-259-100	4
U	0715-001-158	4
X	0014-080-000	2

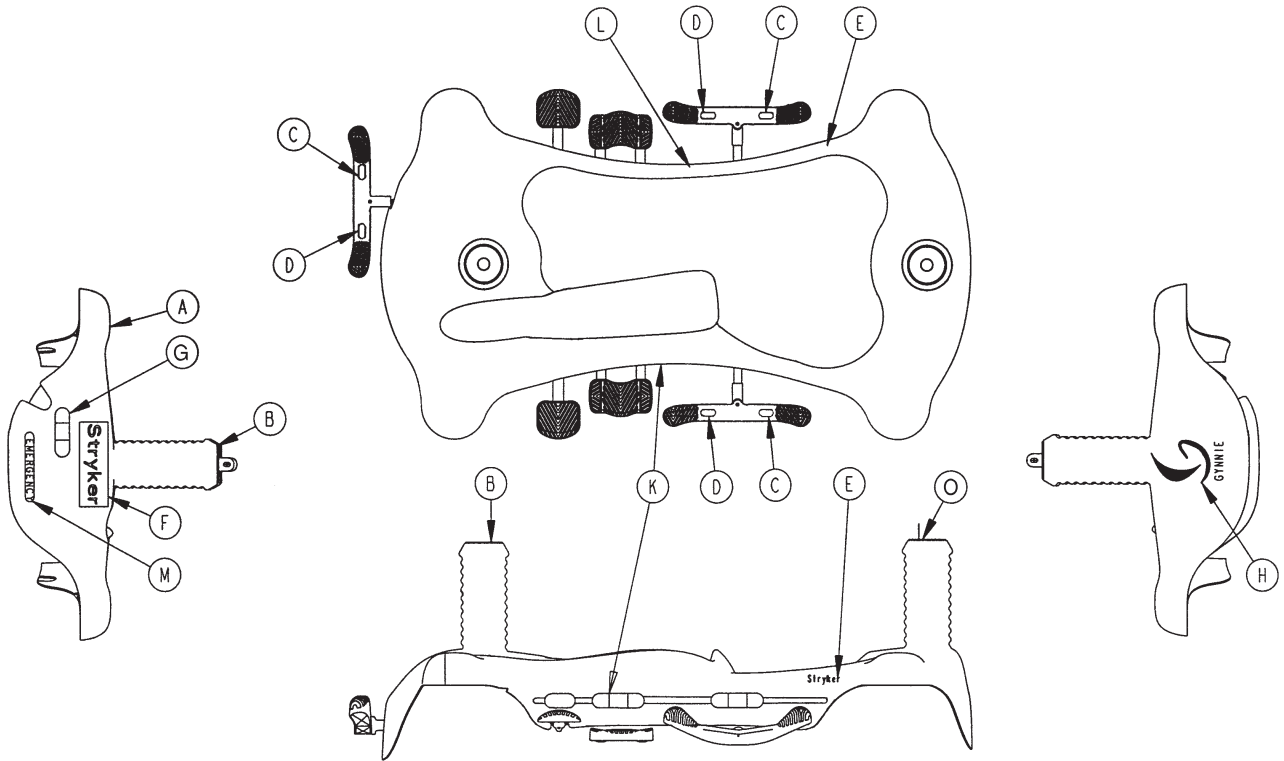


A	1210-001-143	1
B	0014-079-000	2
C	1210-001-144	1
D	0028-131-000	1
E	0027-016-000	1

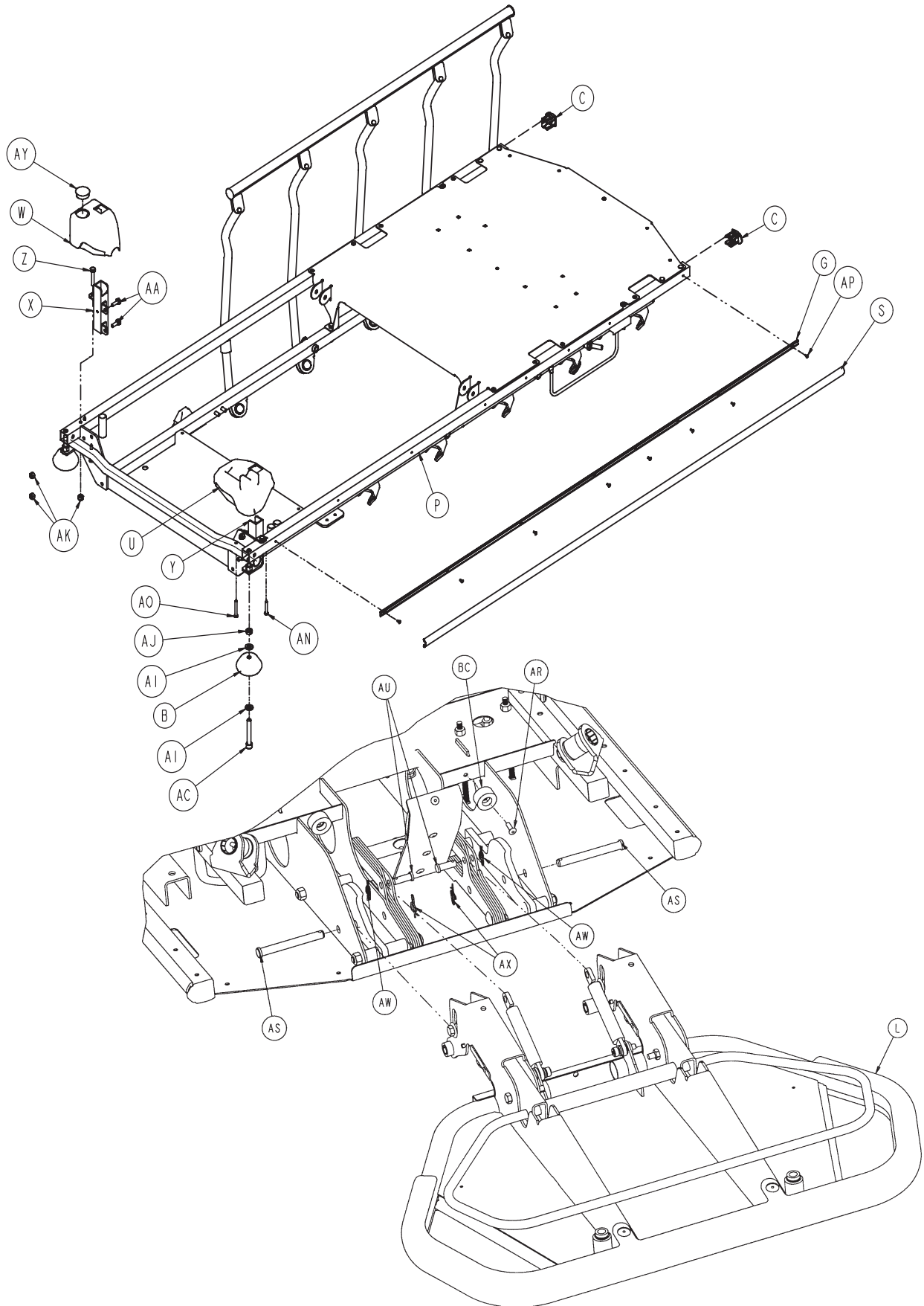
# 0715-201-125

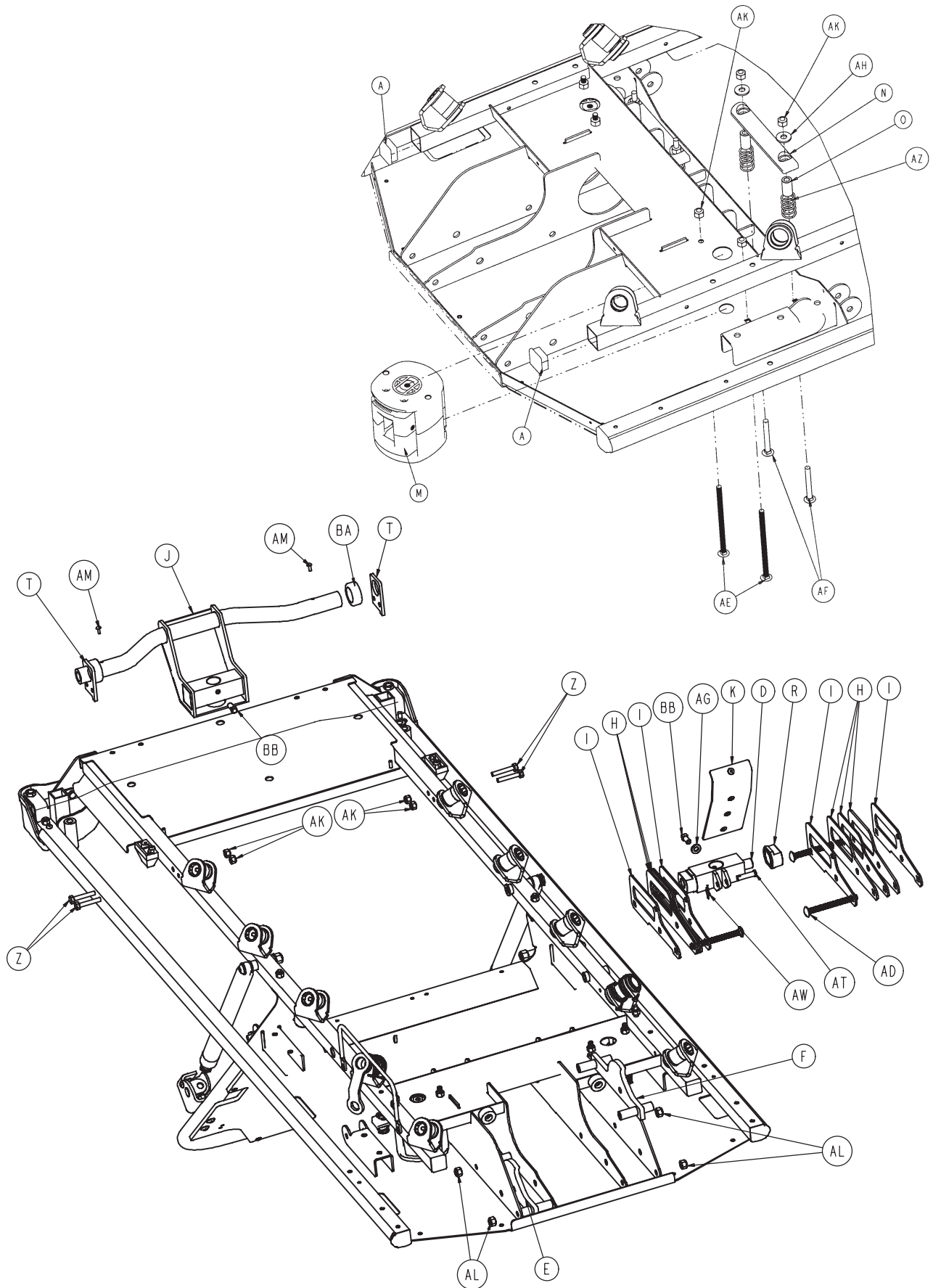


A	1210-201-553	1
B	1210-001-147	1
C	0003-031-000	1
D	0016-035-000	1



A	1061-200-001	1
B	0715-001-134	1
C	1210-201-335	3
D	1210-201-336	3
E	0946-201-060	2
F	1061-201-060	1
G	1061-700-123	1
H	1061-200-002	1
K	1061-700-221	1
L	1061-700-222	1
M	1010-900-115	1
O	1061-001-034	1





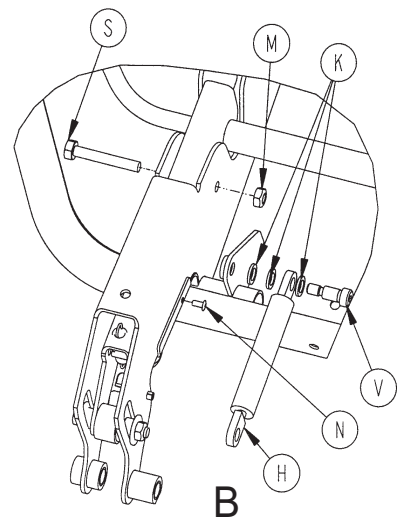
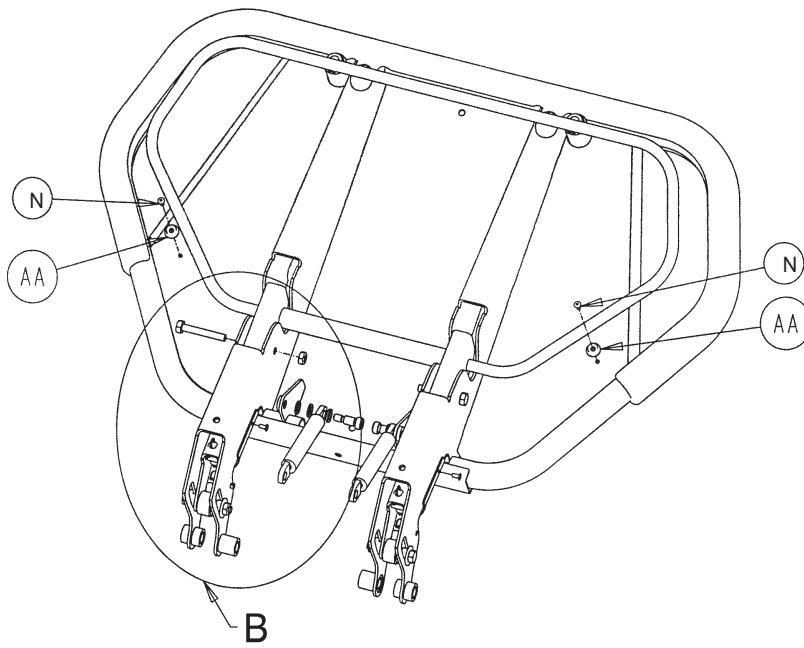
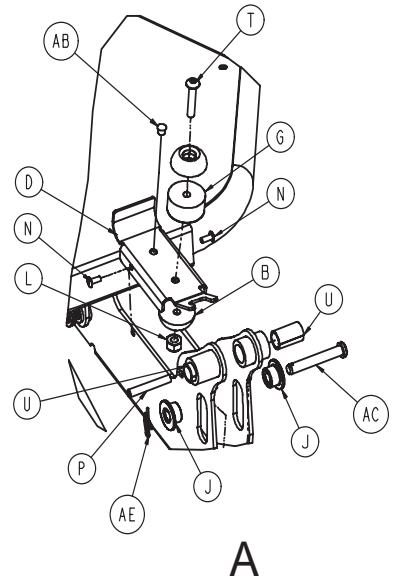
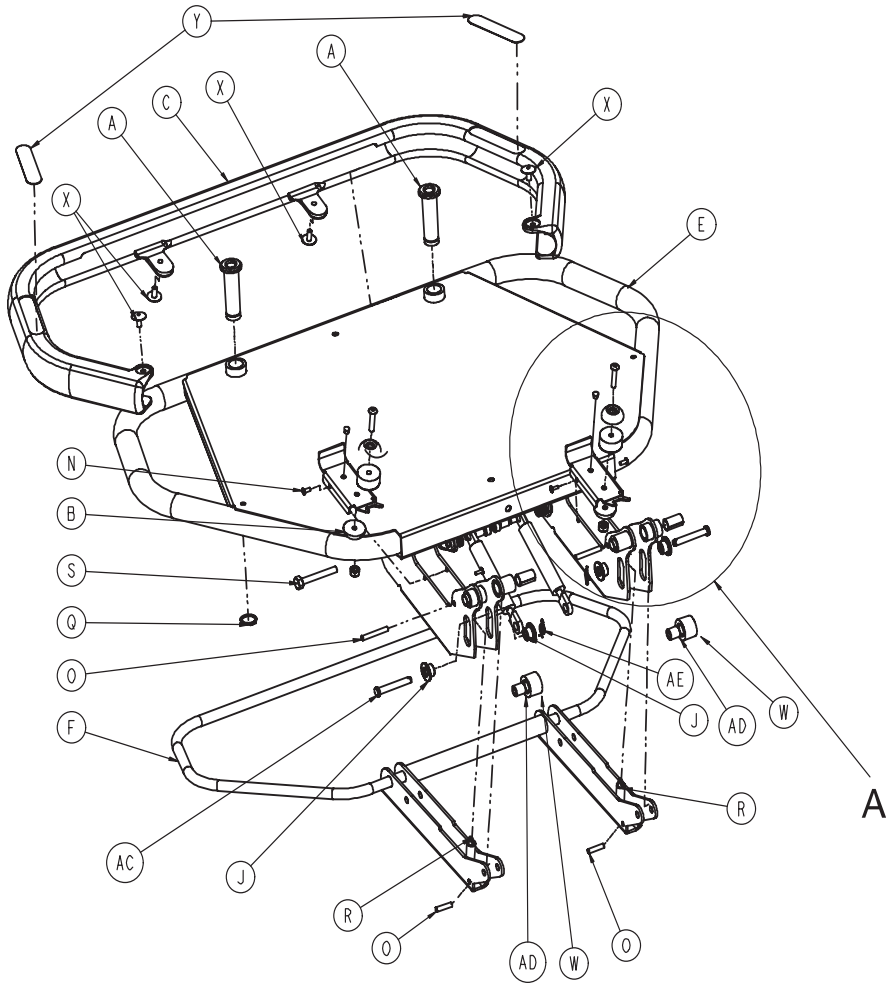
[Return To Table of Contents](#)

# 1061-030-010

---

A	0037-010-000	2
B	0926-400-142	2
C	1001-030-029	2
D	1061-001-121	1
E	1061-030-036	1
F	1061-030-039	1
G	1061-030-044	2
H	1061-030-055	6
I	1061-030-056	4
J	1061-030-130	1
K	1061-035-005	1
L	1061-040-010	1
M	1061-050-030	2
N	1061-050-145	2
O	1061-050-146	4
P	1061-120-010	1
R	1061-201-129	2
S	1061-700-025	2
T	1211-030-018	2
U	1211-030-034	1
W	1211-030-037	1
X	1211-351-004	1
Y	1211-351-006	1
Z	0003-347-000	8
AA	0003-050-000	4
AC	0004-330-000	2
AD	0005-032-000	4
AE	0005-033-000	4
AF	0005-024-000	4
AG	0011-004-000	1
AH	0011-077-000	4
AI	0014-021-000	10
AJ	0015-0027-00	2
AK	0016-028-000	14
AL	0016-036-000	6
AM	0022-010-000	2
AN	0023-282-000	2
AO	0023-283-000	2
AP	0025-038-000	16
AR	0025-133-000	2
AS	0026-279-000	2
AT	0026-299-000	1
AU	0026-300-000	2
AW	0027-019-000	3
AX	0027-022-000	2
AY	0037-059-000	1
AZ	0038-455-000	4
BA	0042-007-000	2
BB	0046-003-000	2
BC	0056-016-000	2

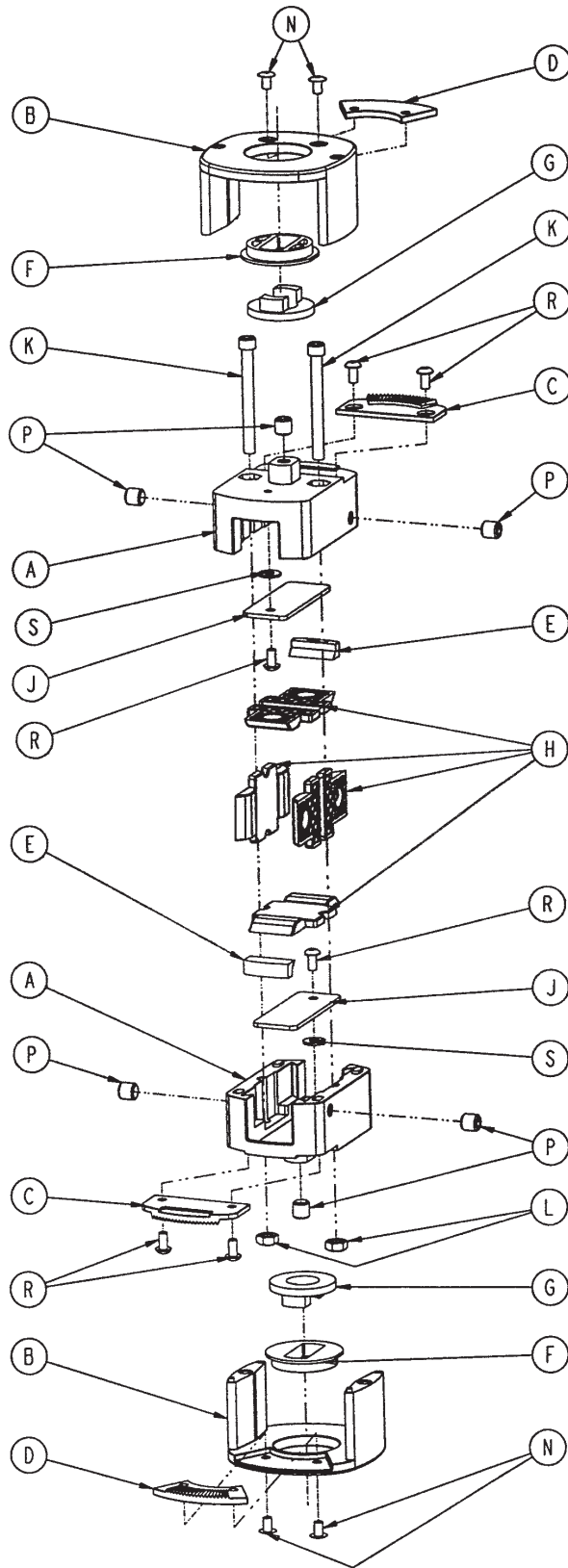




# 1061-040-010

---

A	0721-040-026	2
B	0946-001-155	6
C	1061-040-018	1
D	1061-040-019	2
E	1061-040-020	1
F	1061-040-030	1
G	1210-201-550	2
H	1210-201-671	2
J	3000-300-099	4
K	0014-003-000	6
L	0016-003-000	2
M	0016-028-000	2
N	0025-040-000	6
O	0026-118-000	2
P	0026-012-000	2
Q	0008-023-000	2
R	0038-355-000	2
S	0003-078-000	2
T	0004-222-000	2
U	0052-312-000	4
V	0008-049-000	2
W	1040-006-171	2
X	0025-132-000	4
Y	1061-600-040	2
AA	0029-003-000	2
AB	0037-074-000	2
AC	0026-377-000	2
AD	0081-634-000	2
AE	0027-020-000	2



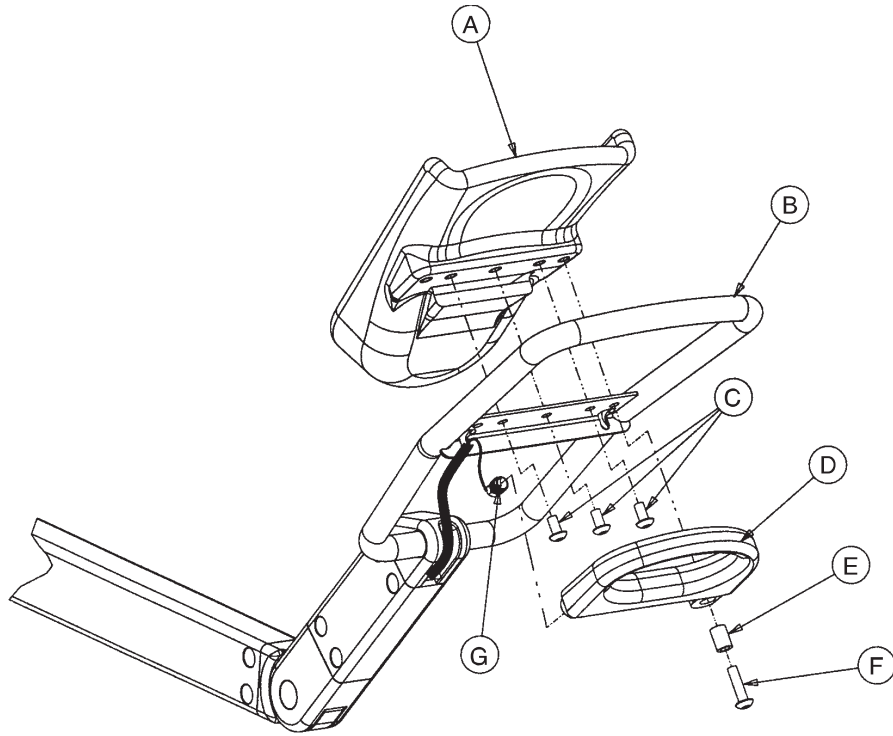
# 1061-050-030

---

A	1061-050-045	2
B	1061-050-150	2
C	1061-050-160	2
D	1061-050-161	2
E	1061-050-031	2
F	1061-050-051	2
G	1061-050-052	2
H	1061-050-056	4
J	1061-050-057	2
K	0004-102-000	2
L	0016-118-000	2
N	0025-122-000	4
P	0021-155-000	6
R	0004-442-000	6
S	0011-180-000	2

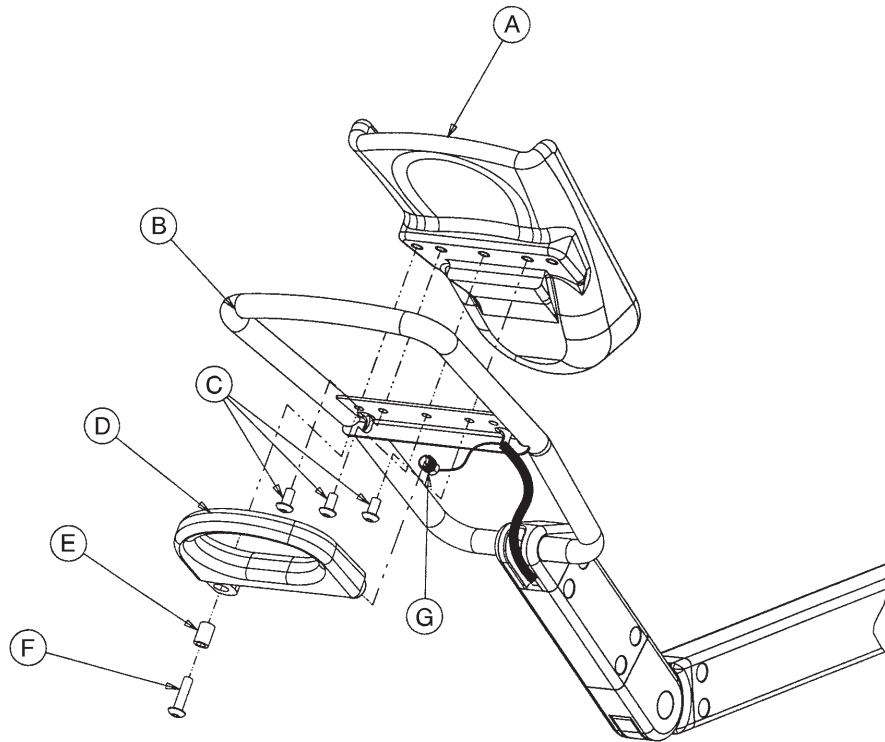
# 1061-050-010

---



# 1061-050-011

---

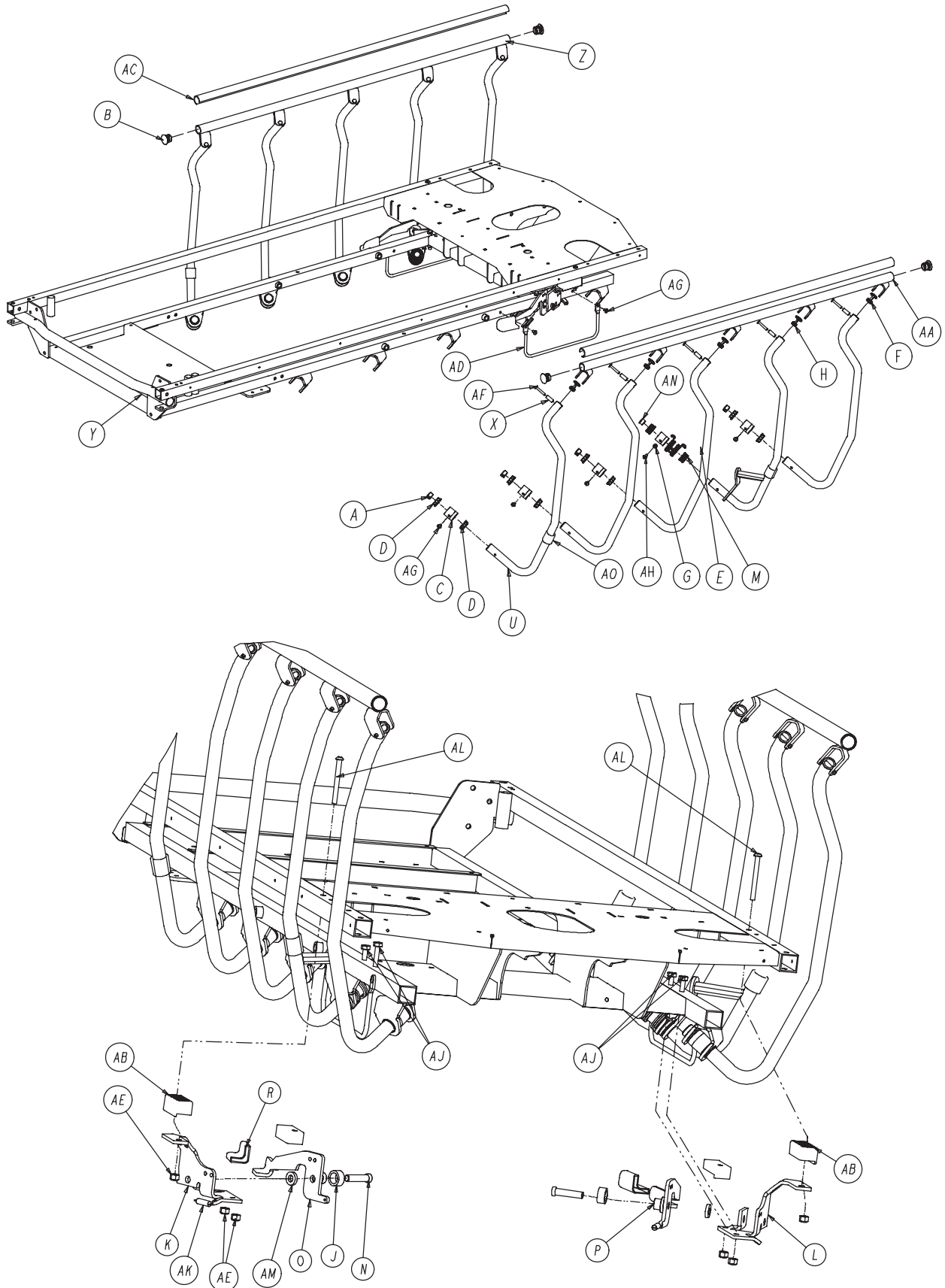


[Return To Table of Contents](#)

# 1061-050-010 & 1061-050-011

---

A	1061-050-042	1
B	1061-050-012	1
C	0004-442-000	3
D	1061-050-035	1
E	1061-050-054	1
F	0004-443-000	1
G	1061-050-044	1



[Return To Table of Contents](#)

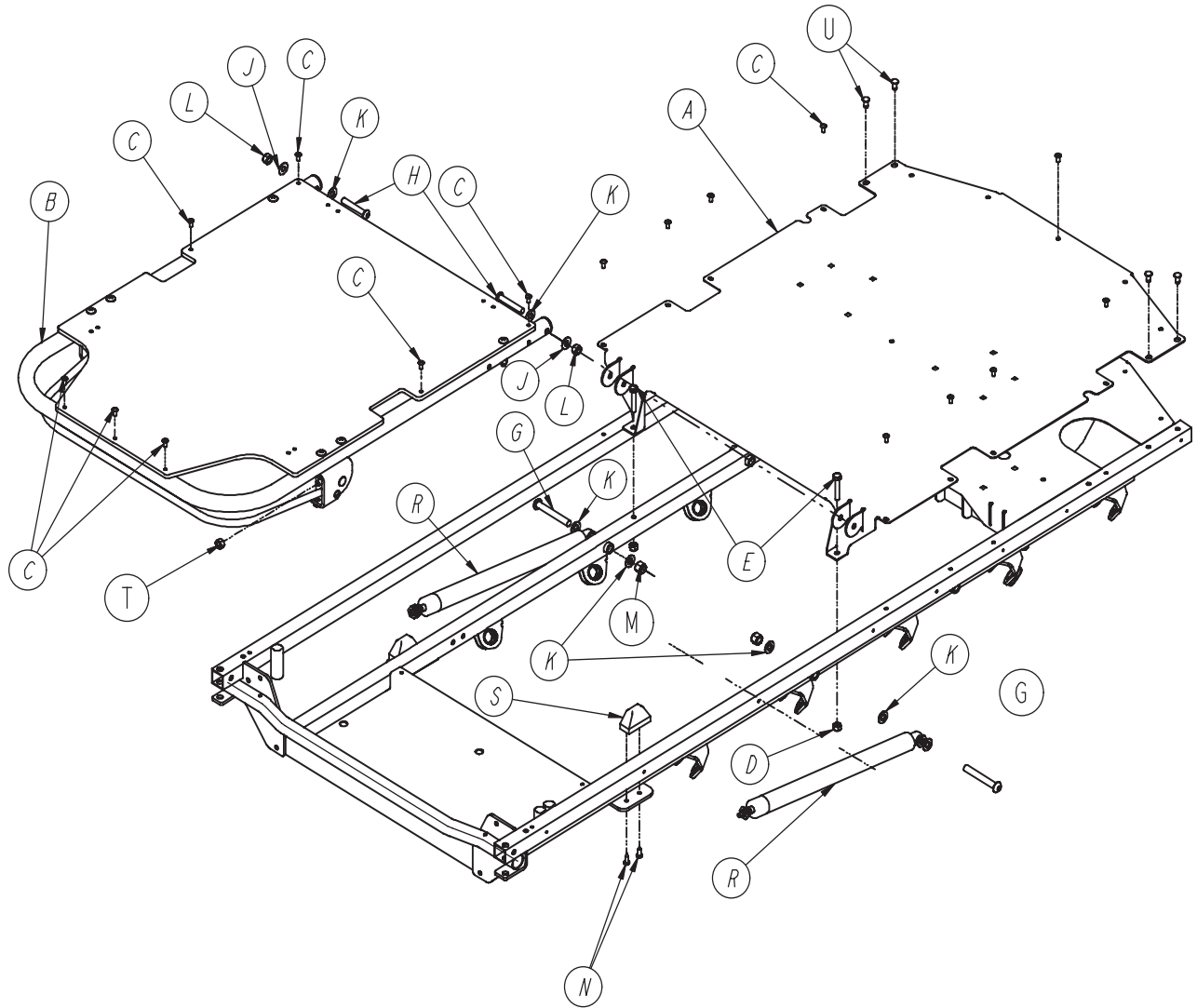
# 1061-120-010

---

A	0037-215-000	8
B	1001-226-100	4
C	1001-226-015	10
D	1001-226-016	16
E	1001-226-017	2
F	1001-226-101	2
G	1001-226-020	2
H	1001-226-102	2
J	1001-226-045	2
K	1001-226-046	1
L	1001-226-047	1
M	1001-226-116	4
N	1001-226-142	2
O	1001-226-152	1
P	1001-226-153	1
R	1001-226-158	2
S	1001-326-031	1
T	1001-326-033	1
U	1001-326-027	4
W	1001-326-028	4
X	1010-226-082	10
Y	1061-030-020	1
Z	1061-226-030	1
AA	1061-226-040	1
AB	1061-226-050	2
AC	1061-226-063	2
AD	1211-030-046	2
AE	0016-028-000	6
AF	0025-061-000	10
AG	0025-079-000	12
AH	0025-086-000	2
AJ	0003-078-000	4
AK	0038-422-000	2
AL	0004-451-000	2
AM	0052-017-000	2
AN	0059-100-000	2
AO	1001-226-019	4



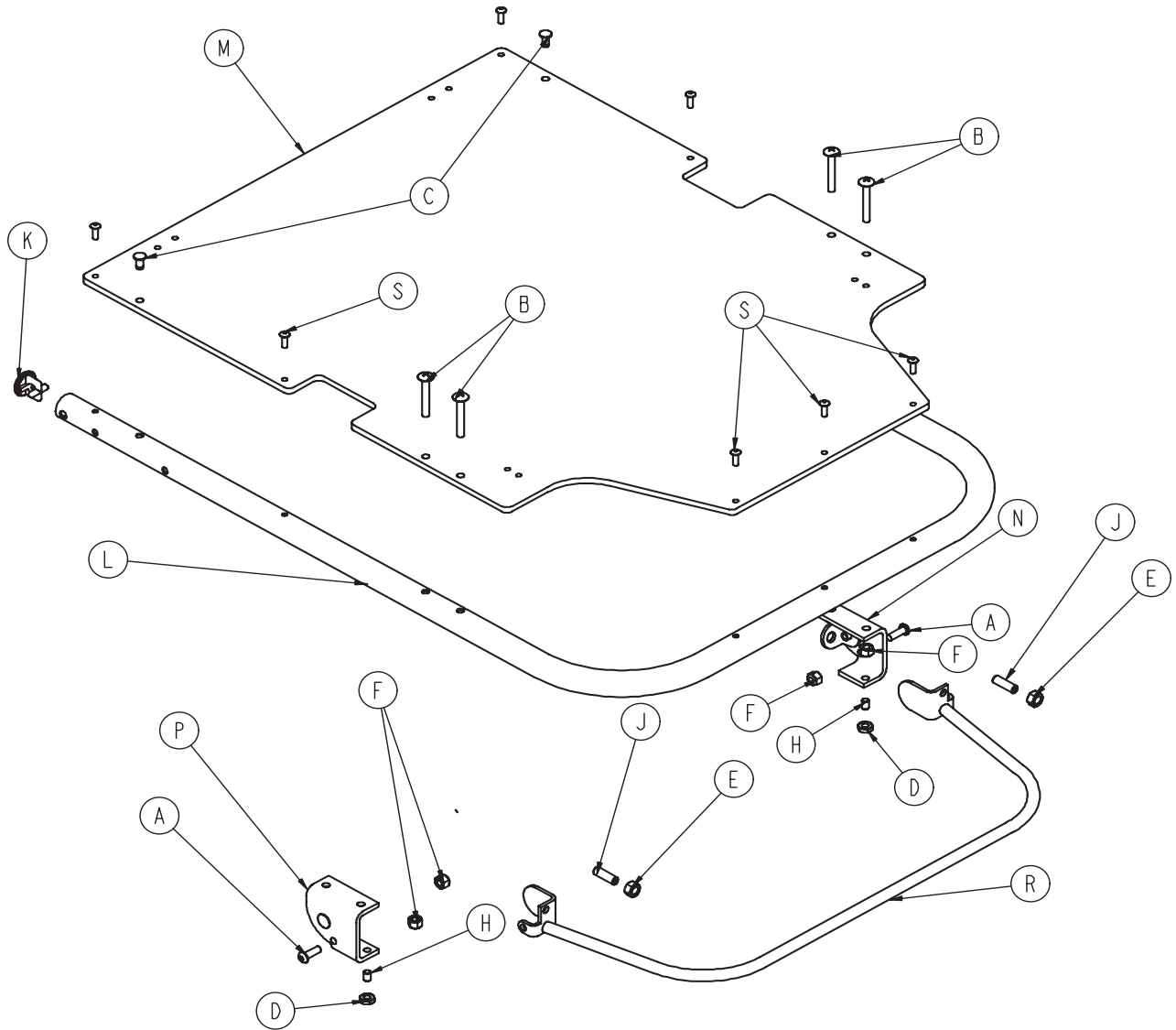
# 1061-131-100



A	1061-230-120	1
B	1210-031-120	1
C	0025-172-000	15
D	0016-028-000	2
E	0003-047-000	2
F	1061-001-007	1
G	0004-182-000	2
H	0004-183-000	2
J	0014-020-000	2
K	0014-021-000	8
L	0016-036-000	2
M	0016-035-000	2
N	0023-256-000	4
R	1010-031-078	2
S	1001-031-031	2
T	0015-060-000	2
U	0025-120-000	4

[Return To Table of Contents](#)

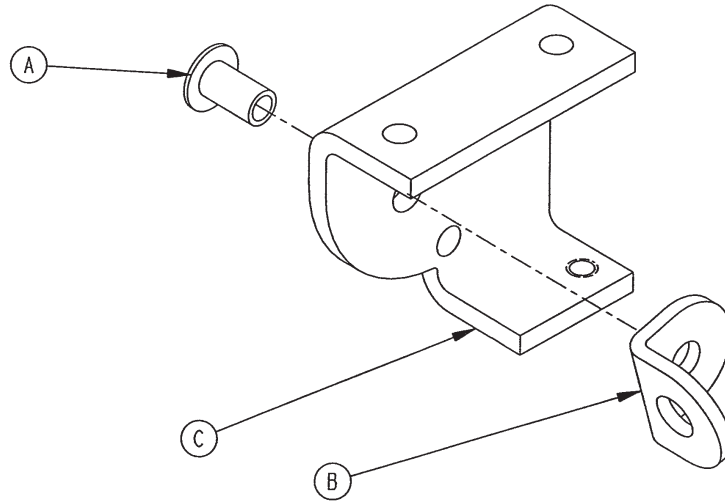
# 1210-031-120



A	0004-161-000	2
B	0007-071-000	4
C	0025-120-000	2
D	0015-037-000	2
E	0015-050-000	2
F	0016-028-000	6
H	0021-125-000	2
J	0021-126-000	2
K	1001-001-036	2
L	1001-031-013	1
M	1010-231-012	1
N	1210-031-106	1
P	1210-031-107	1
R	1210-031-118	1
S	0025-171-000	7

## 1210-031-106

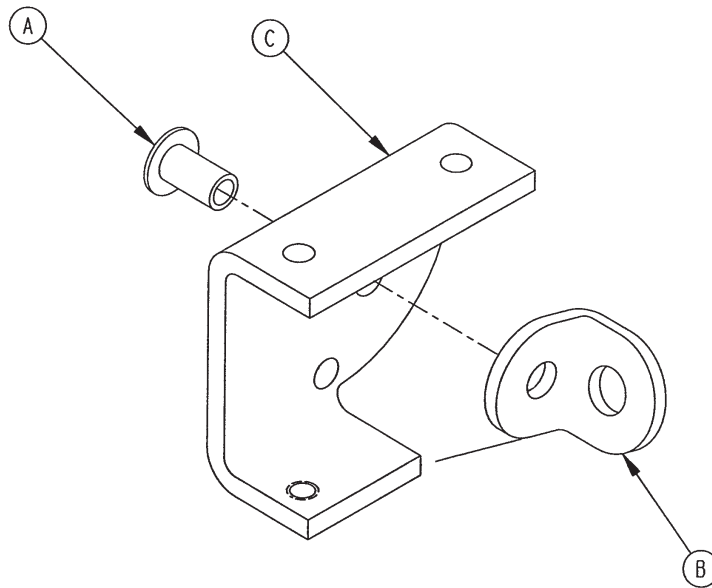
---



A	0025-174-000	1
B	1210-031-103	1
C	1210-031-104	1

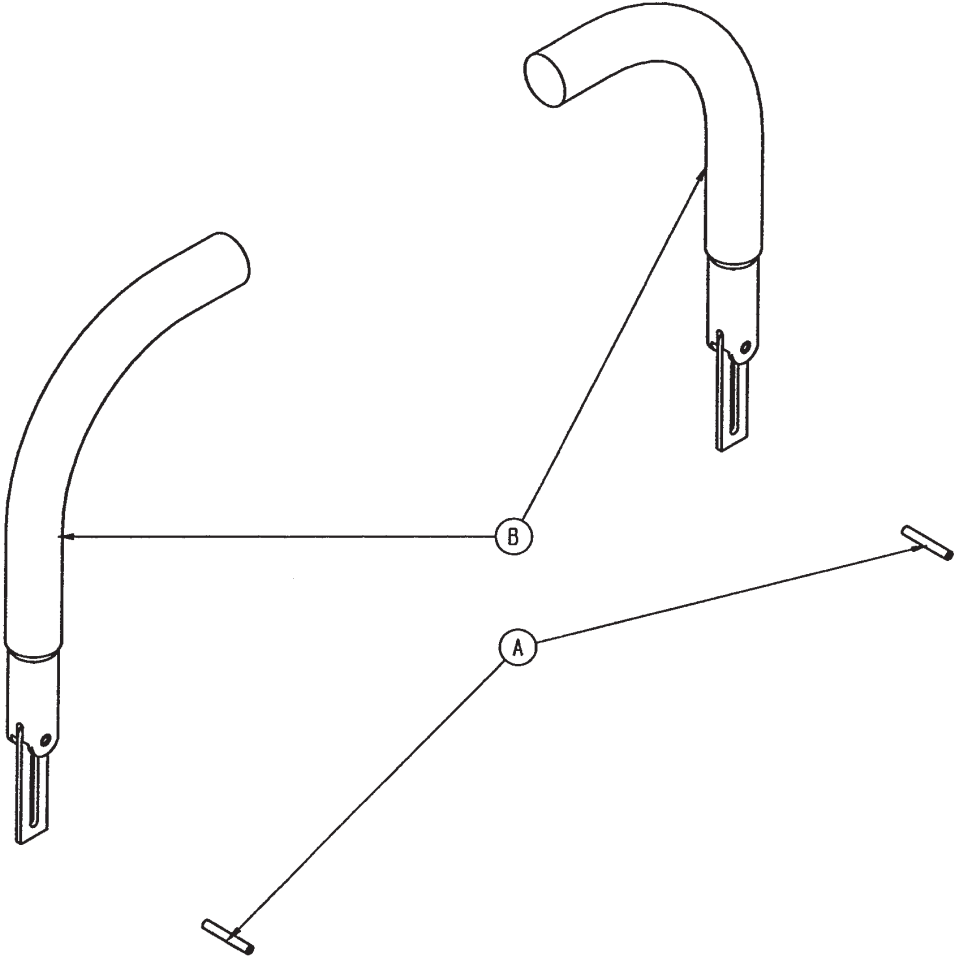
## 1210-031-107

---



A	0025-174-000	1
B	1210-031-103	1
C	1210-031-105	1

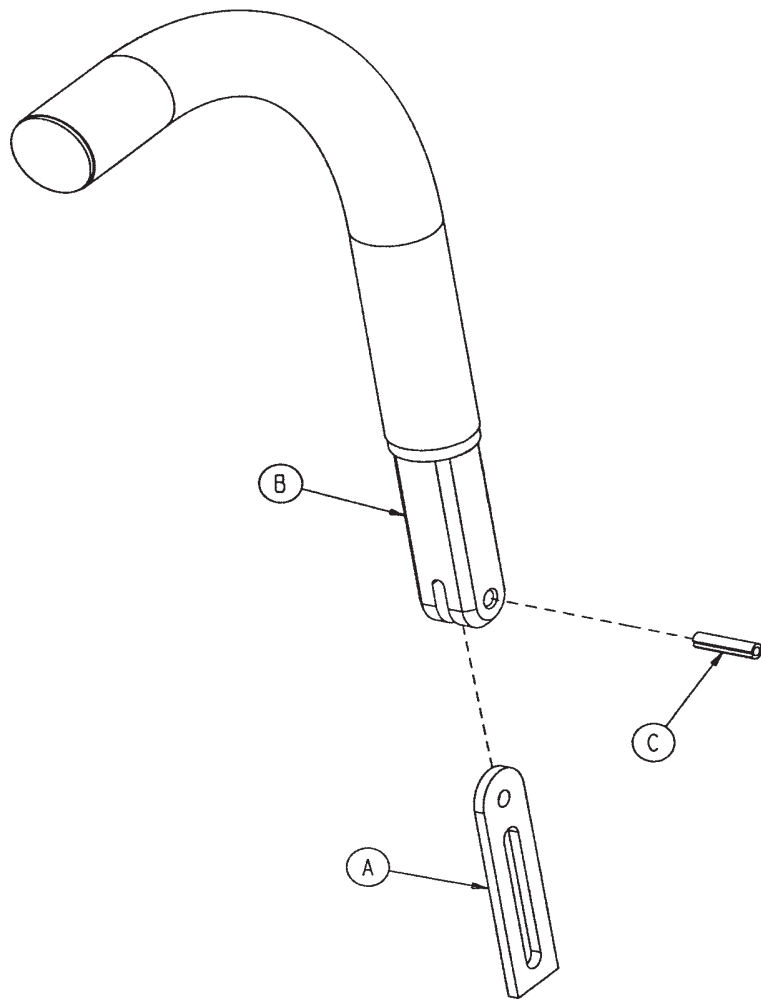
[Return To Table of Contents](#)



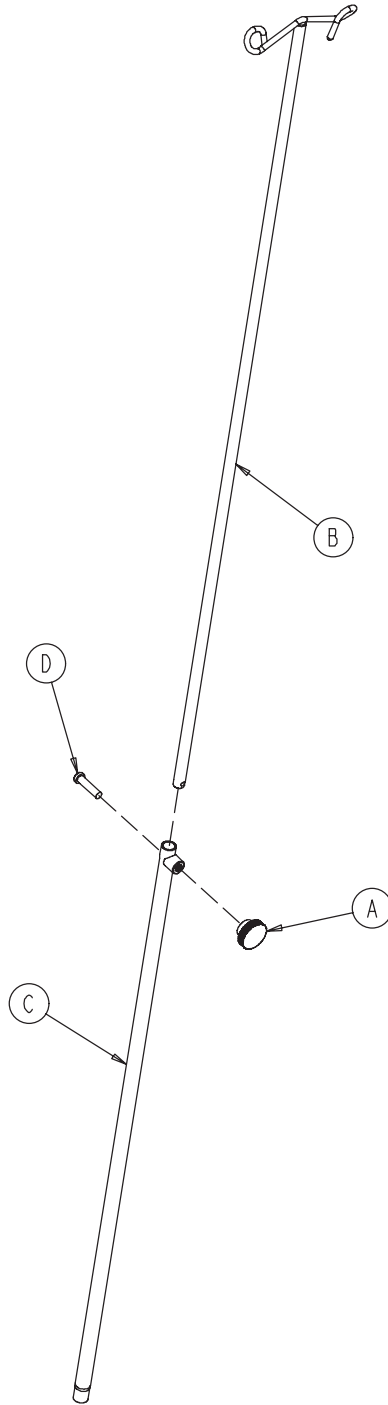
A  
B

0026-114-000  
1211-351-010

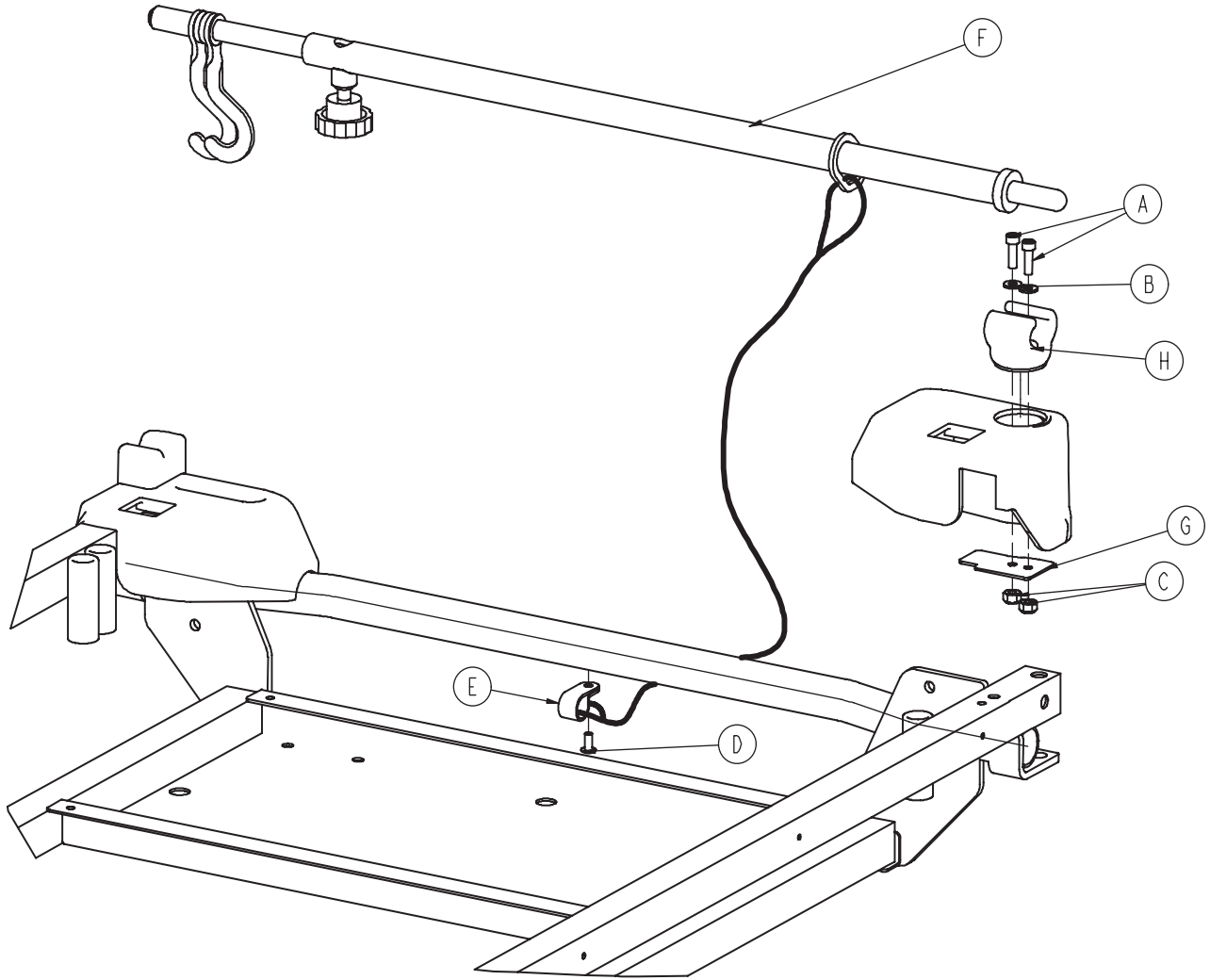
2  
2



A	1010-354-024	1
B	1211-151-018	1
C	0026-118-000	1

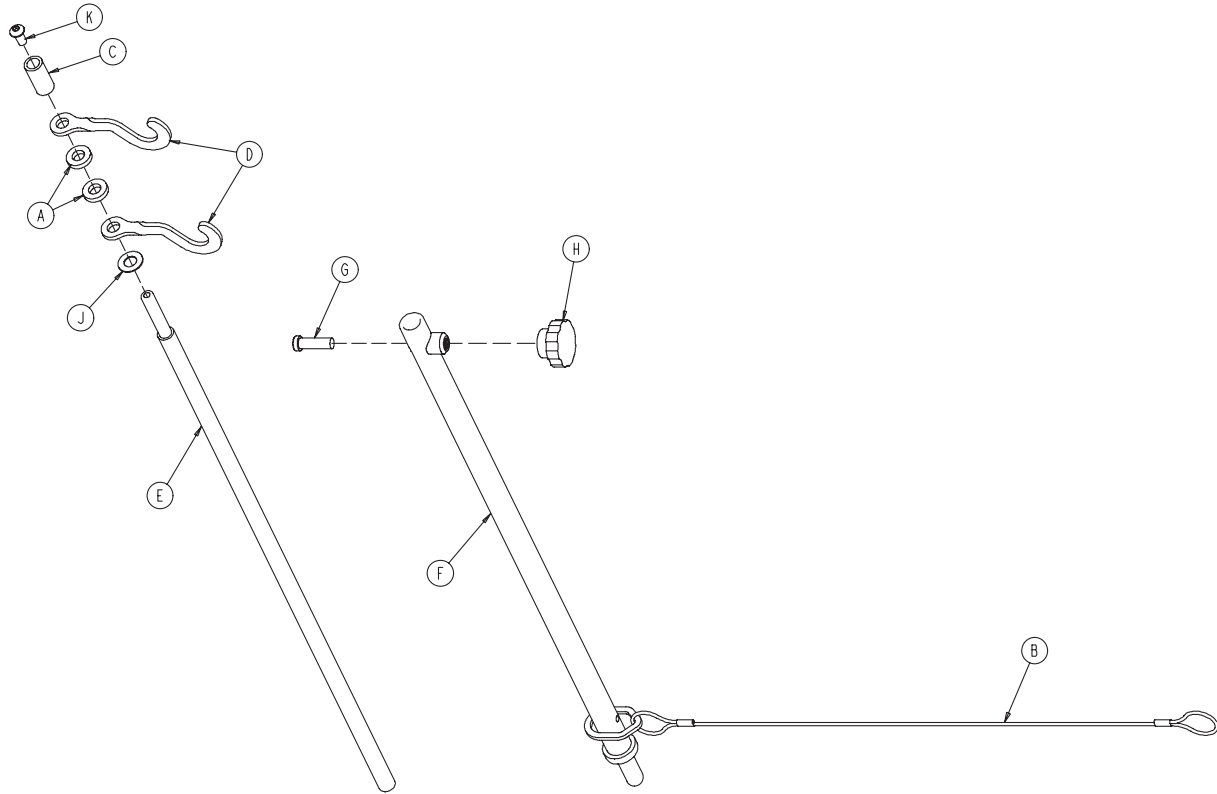


A	0024-023-000	1
B	0390-003-053	1
C	0393-003-043	1
D	0004-496-000	1



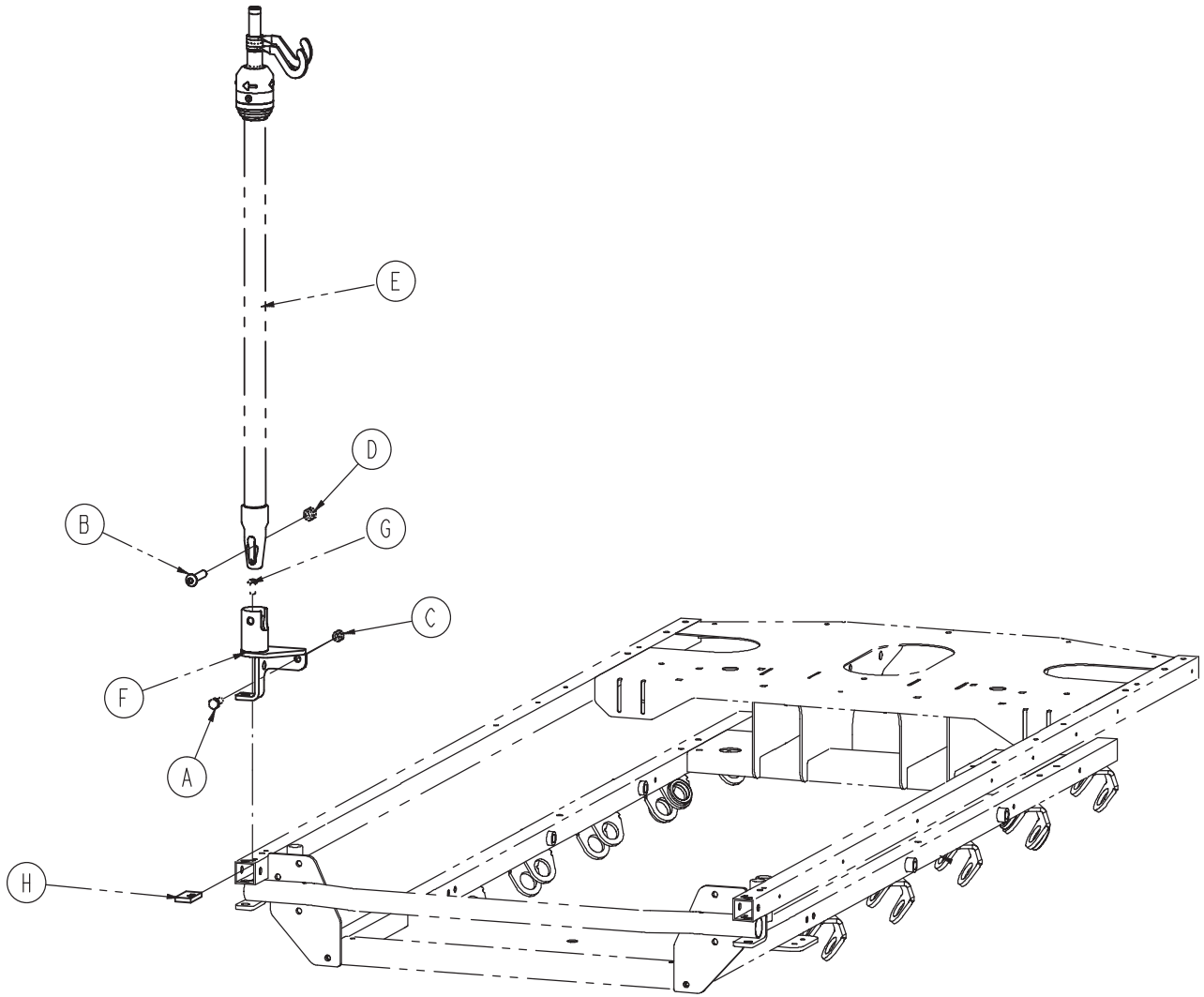
A	0004-107-000	2
B	0011-062-000	2
C	0016-003-00	2
D	0025-172-000	1
E	0034-022-000	1
F	1211-117-010	1
G	1211-117-021	1
H	1211-117-022	1

# 1211-117-010



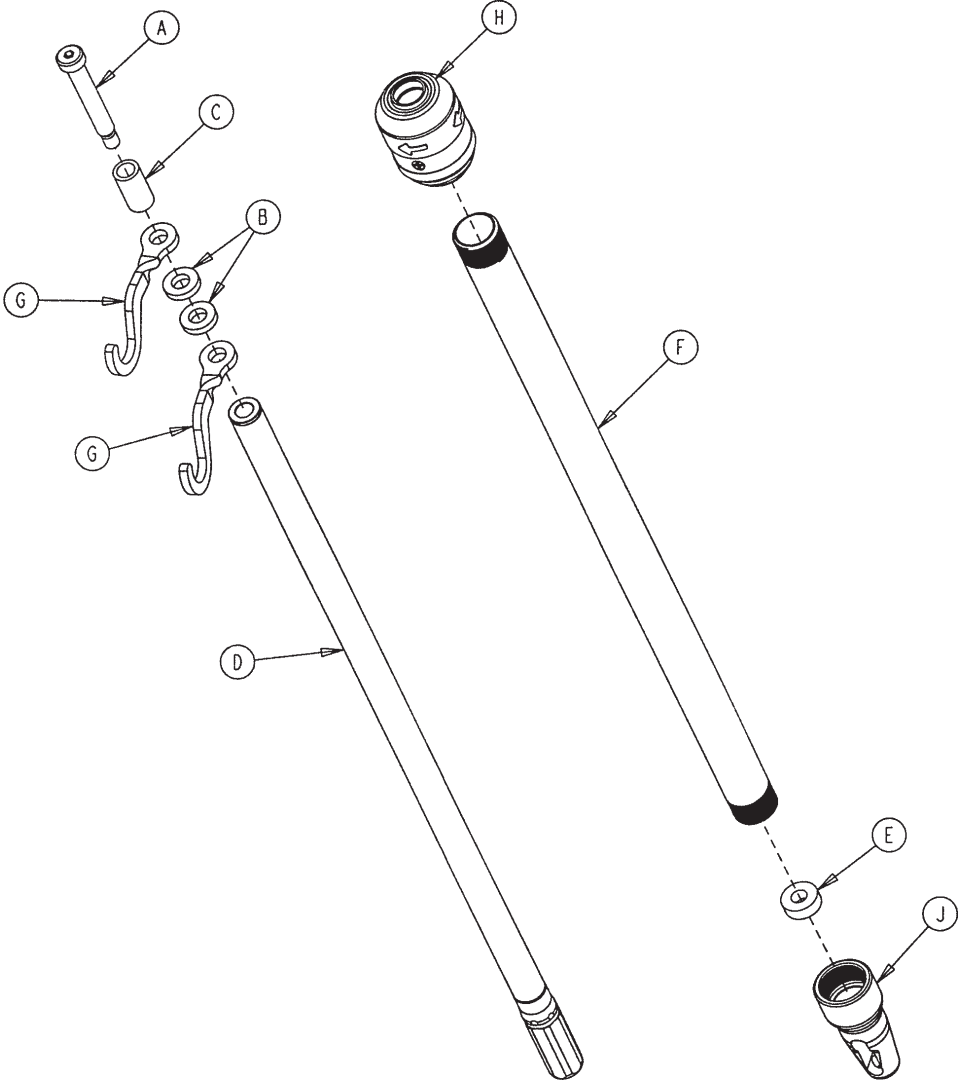
A	0052-017-000	2
B	1211-117-020	1
C	0926-400-062	1
D	1010-059-016	2
E	1211-117-011	1
F	1211-117-012	1
G	0004-495-000	1
H	1211-117-016	1
J	0014-020-000	1
K	0004-232-000	1



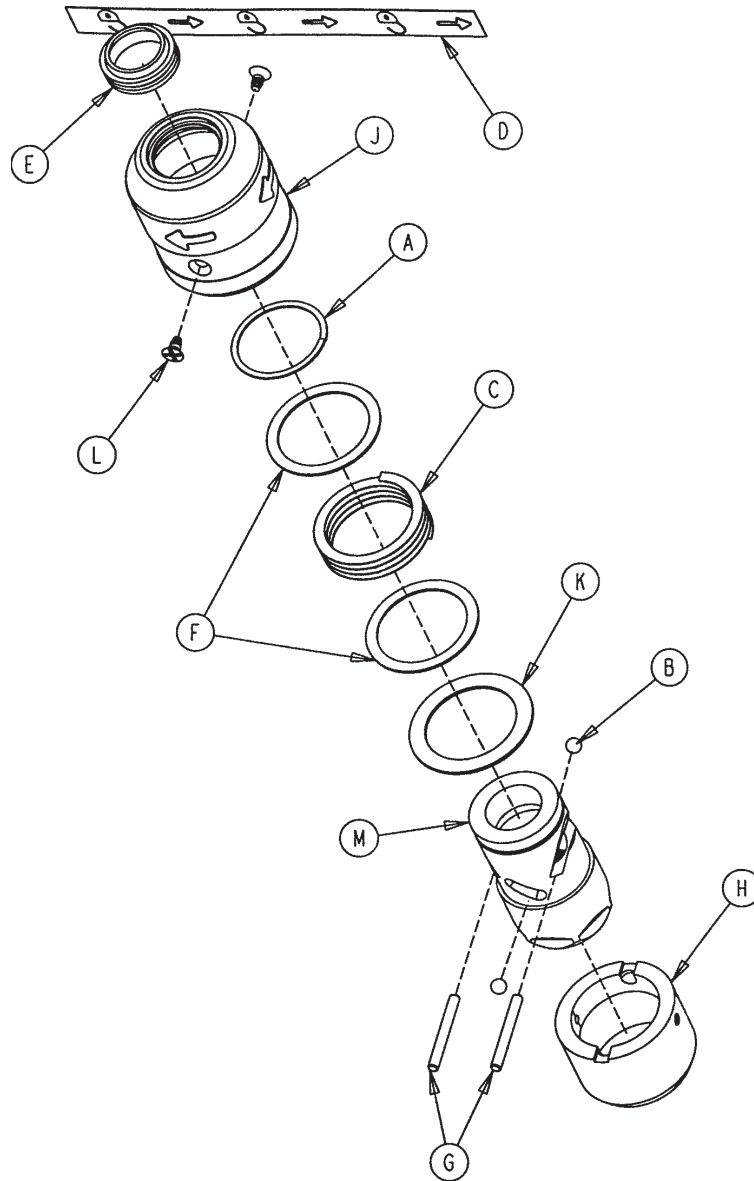


A	0003-050-000	1
B	0004-199-000	1
C	0016-028-000	1
D	0016-036-000	1
E	1211-210-010	1
F	1211-410-112	1
G	0004-325-000	1
H	1001-459-017	1

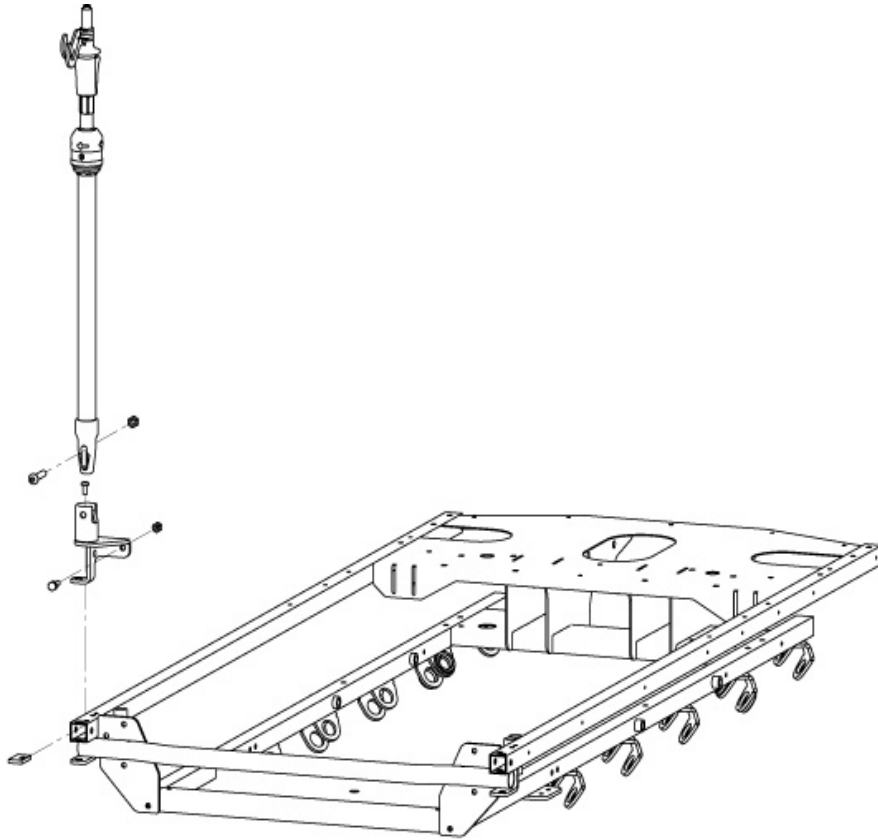
# 1211-210-010



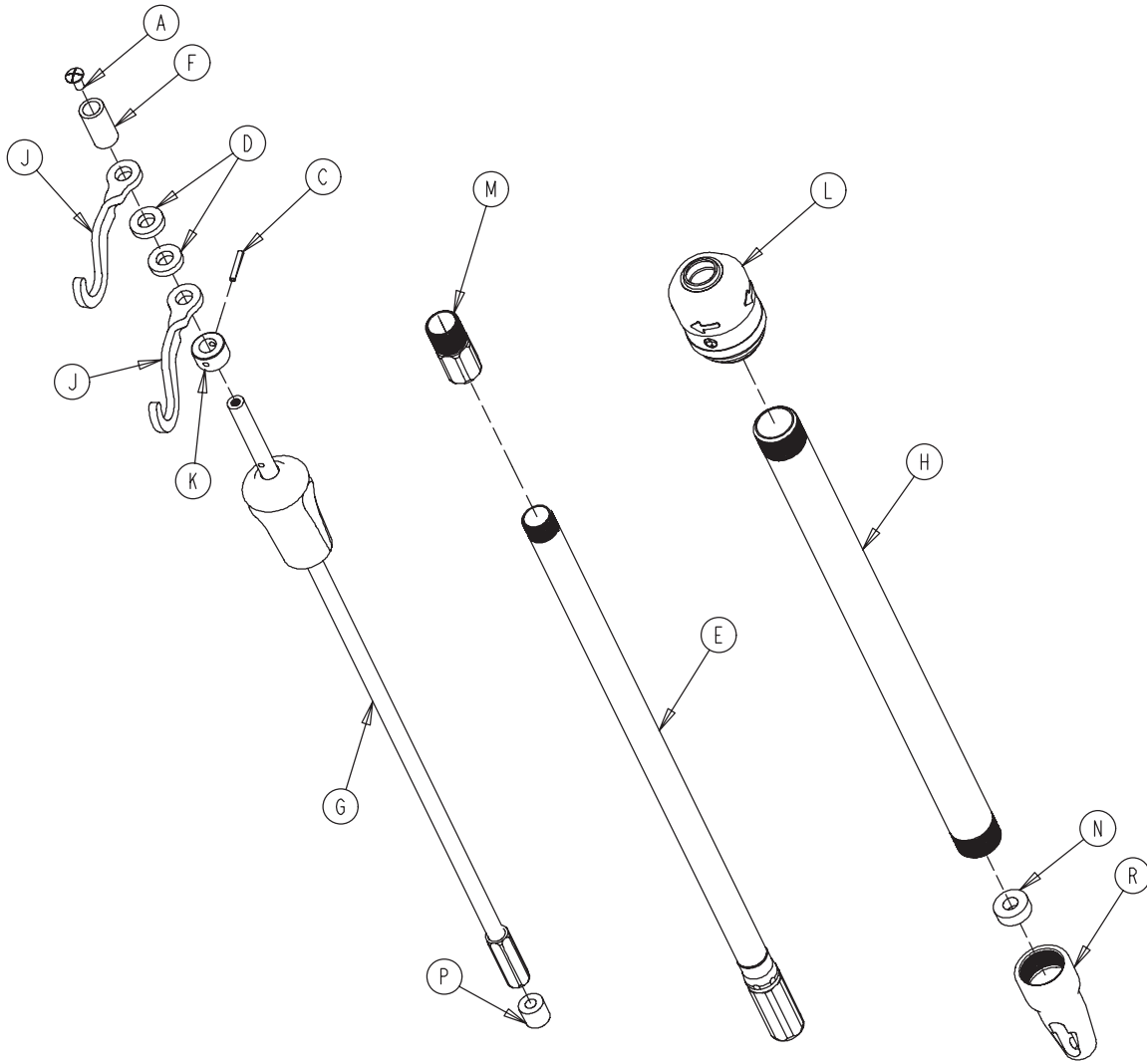
A	0008-031-000	1
B	0052-017-000	2
C	0926-400-162	1
D	1211-210-029	1
E	1001-359-013	1
F	1001-159-028	1
G	1010-059-016	2
H	1211-210-026	1
J	1001-359-112	1



A	0028-167-000	1
B	0031-004-000	2
C	0038-392-000	1
D	1211-091-034	1
E	1211-110-018	1
F	1211-110-020	2
G	1211-110-021	2
H	1211-110-022	1
J	1211-110-024	1
K	1211-110-035	1
L	1211-110-036	2
M	1211-210-023	1

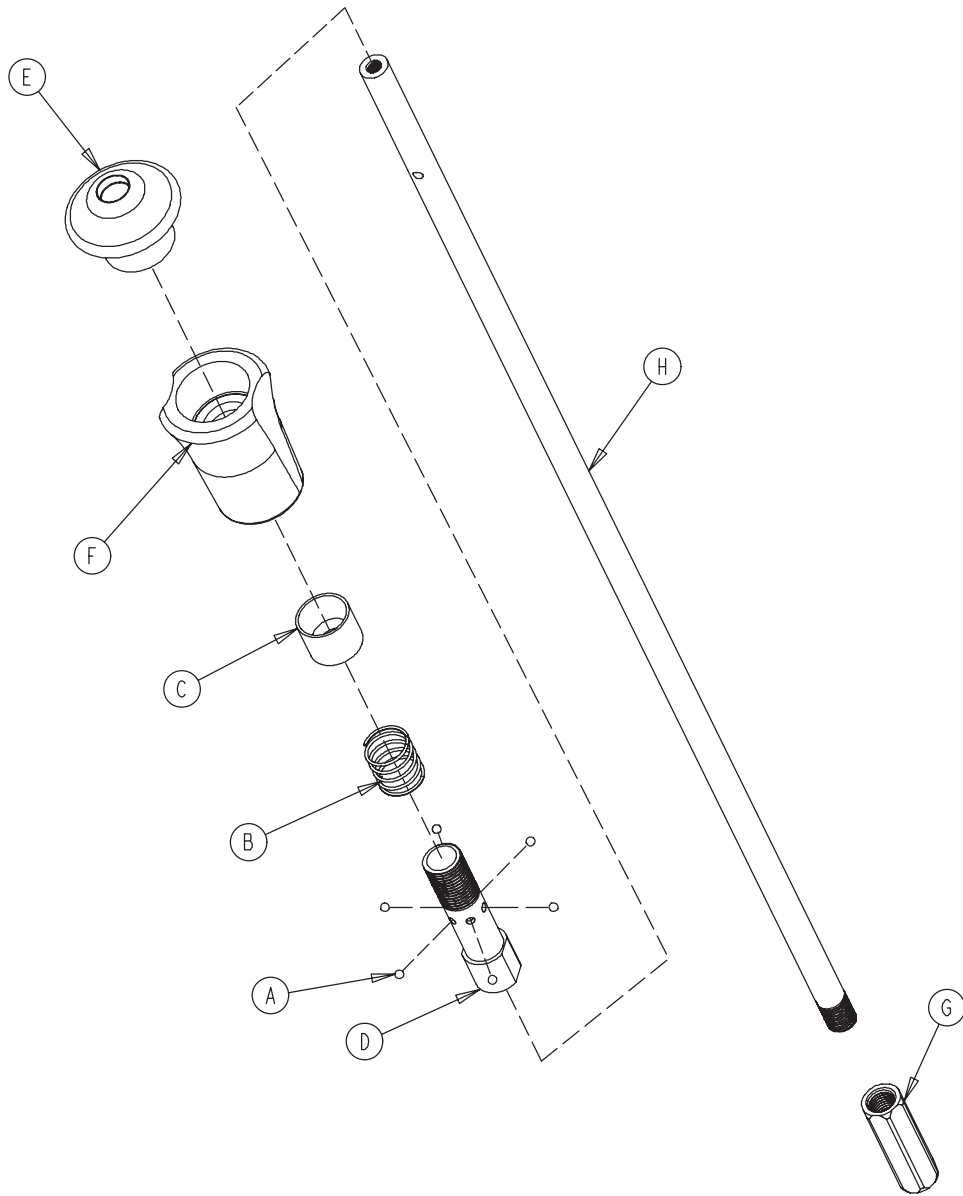


A	0003-050-000	2
B	0004-199-000	1
C	0016-028-000	2
D	0016-036-000	1
E	1211-211-010	1
F	1211-310-112	1
G	0004-325-000	1
H	1001-459-017	1



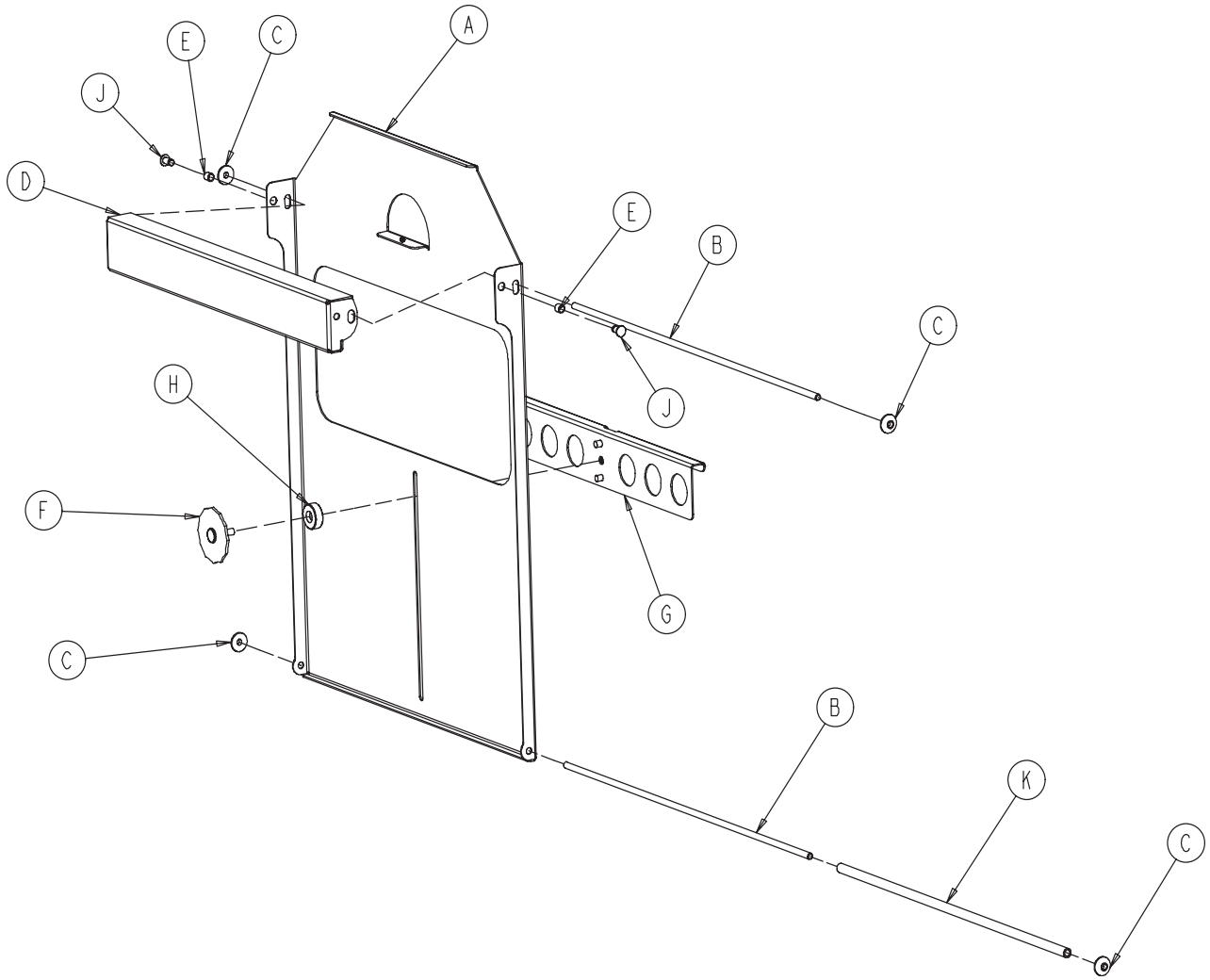
A	0007-004-000	1
C	0026-076-000	1
D	0052-017-000	2
E	1211-210-031	1
F	0926-400-162	1
G	1211-110-032	1
H	1001-161-023	1
J	1010-059-016	2
K	1010-061-014	1
L	1211-210-026	1
M	1211-110-016	1
N	1001-359-013	1
P	1001-359-014	1
R	1001-359-0112	1

# 1211-110-032



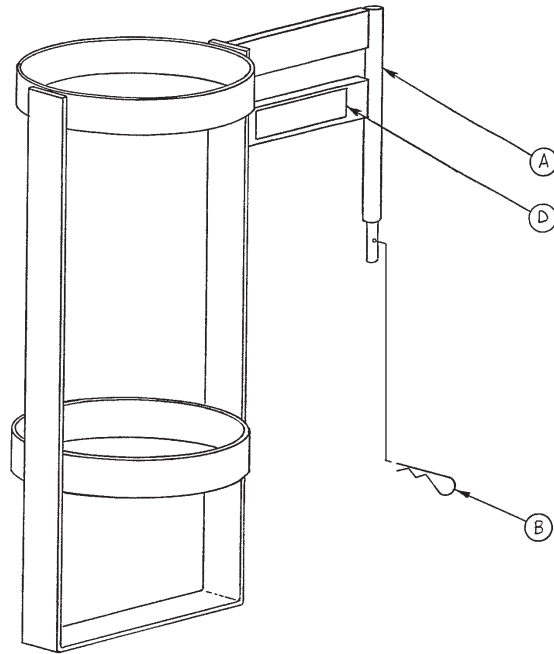
A	0031-021-000	6
B	0038-303-000	1
C	1010-061-013	1
D	1010-061-016	1
E	1010-061-017	1
F	1010-061-018	1
G	1211-110-117	1
H	1211-110-033	1

# 1061-023-010



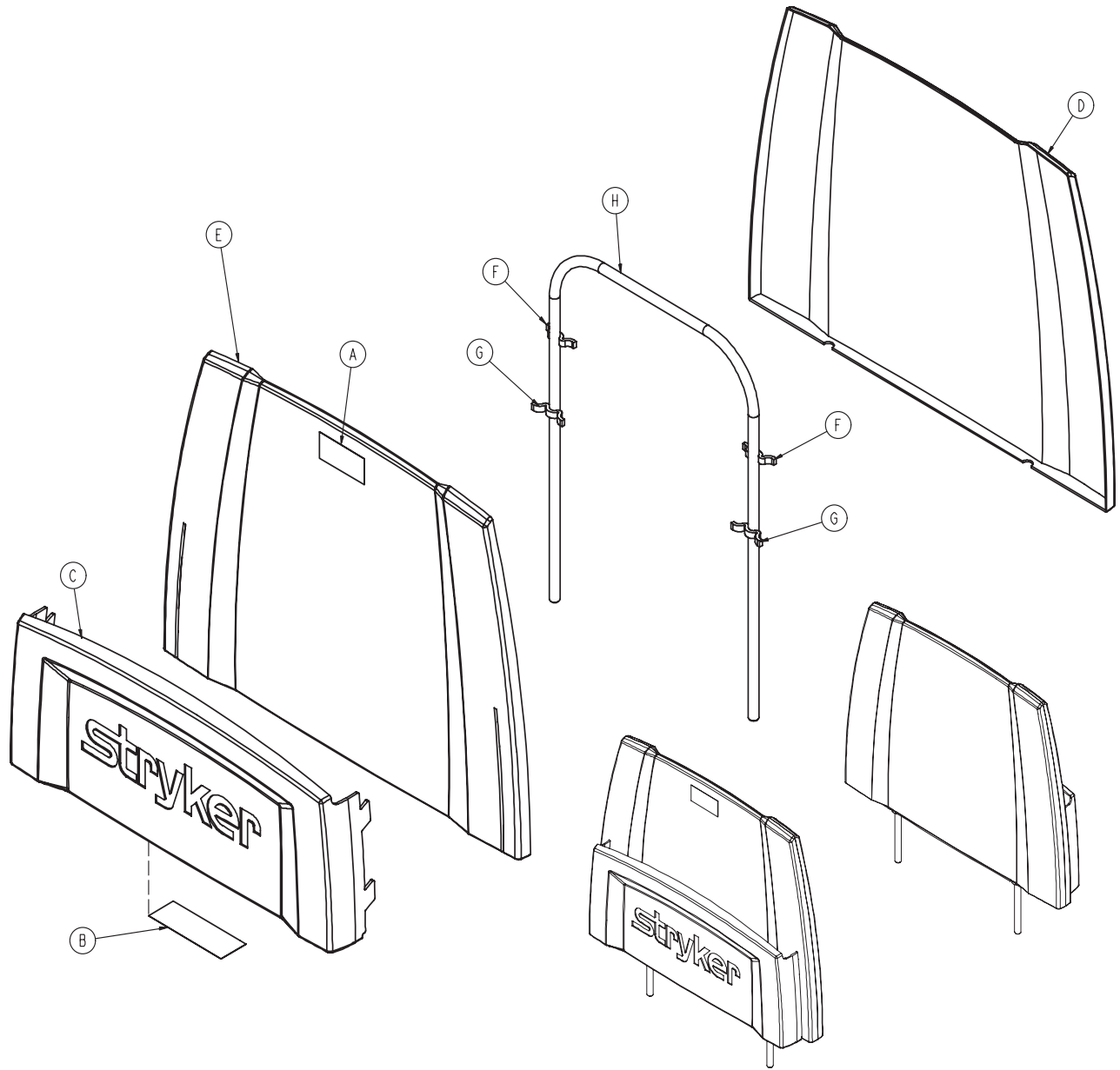
A	1061-023-012	1
B	1061-023-021	2
C	1020-023-026	4
D	1061-023-024	1
E	0715-001-333	2
F	1061-023-019	1
G	1061-023-018	1
H	1061-023-015	1
J	0025-120-000	2
K	1061-023-027	1

[Return To Table of Contents](#)



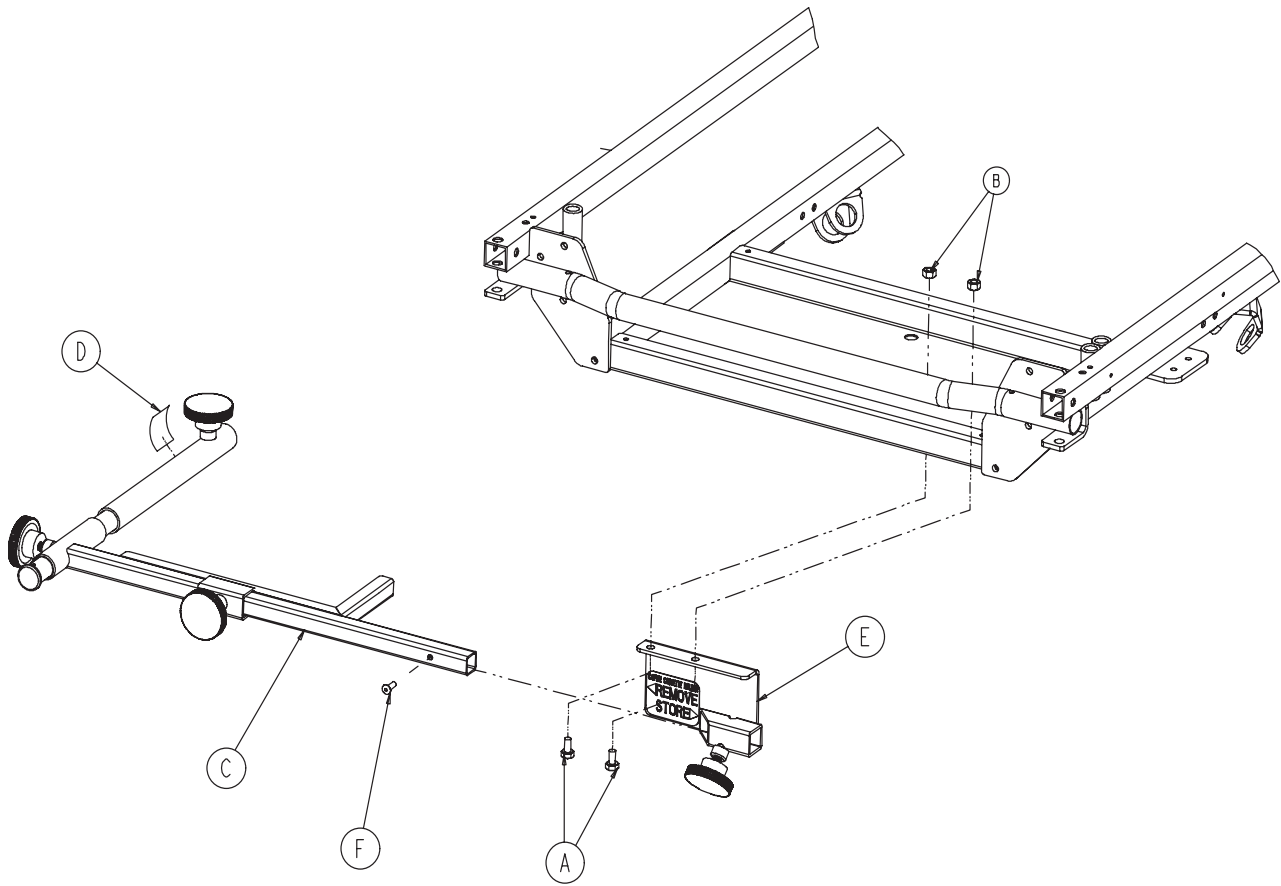
A	1020-030-011	1
B	0027-012-000	1
D	1020-030-017	1





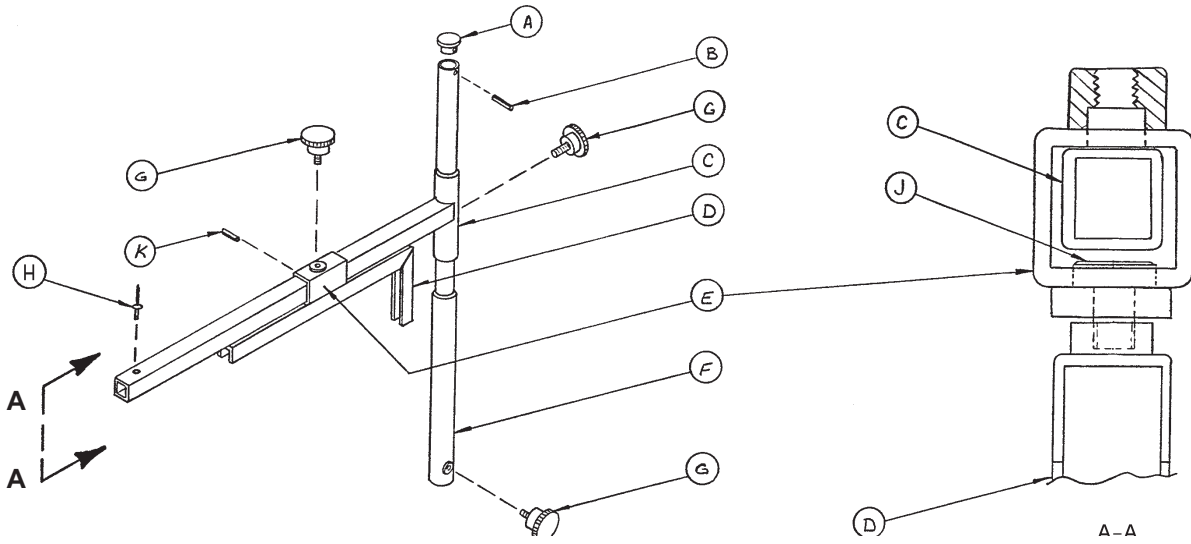
A	0785-045-402	1
B	0785-045-501	1
C	0785-045-511	1
D	0785-045-512	1
E	0785-045-513	1
F	0785-045-514	2
G	0785-045-515	2
H	0946-029-010	1

# 1061-070-000



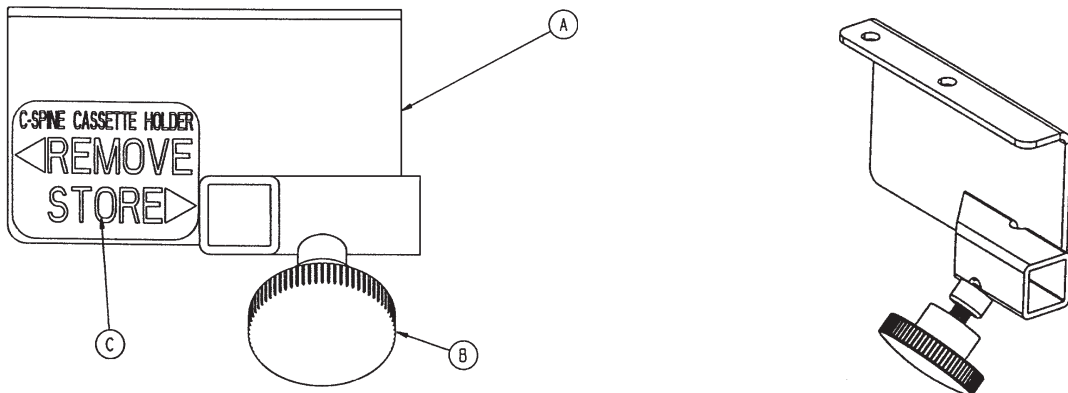
A	0003-041-000	2
B	0016-118-000	2
C	1010-070-010	1
D	1061-070-018	1
E	1061-070-019	1
F	0025-181-000	1

# 1010-070-010



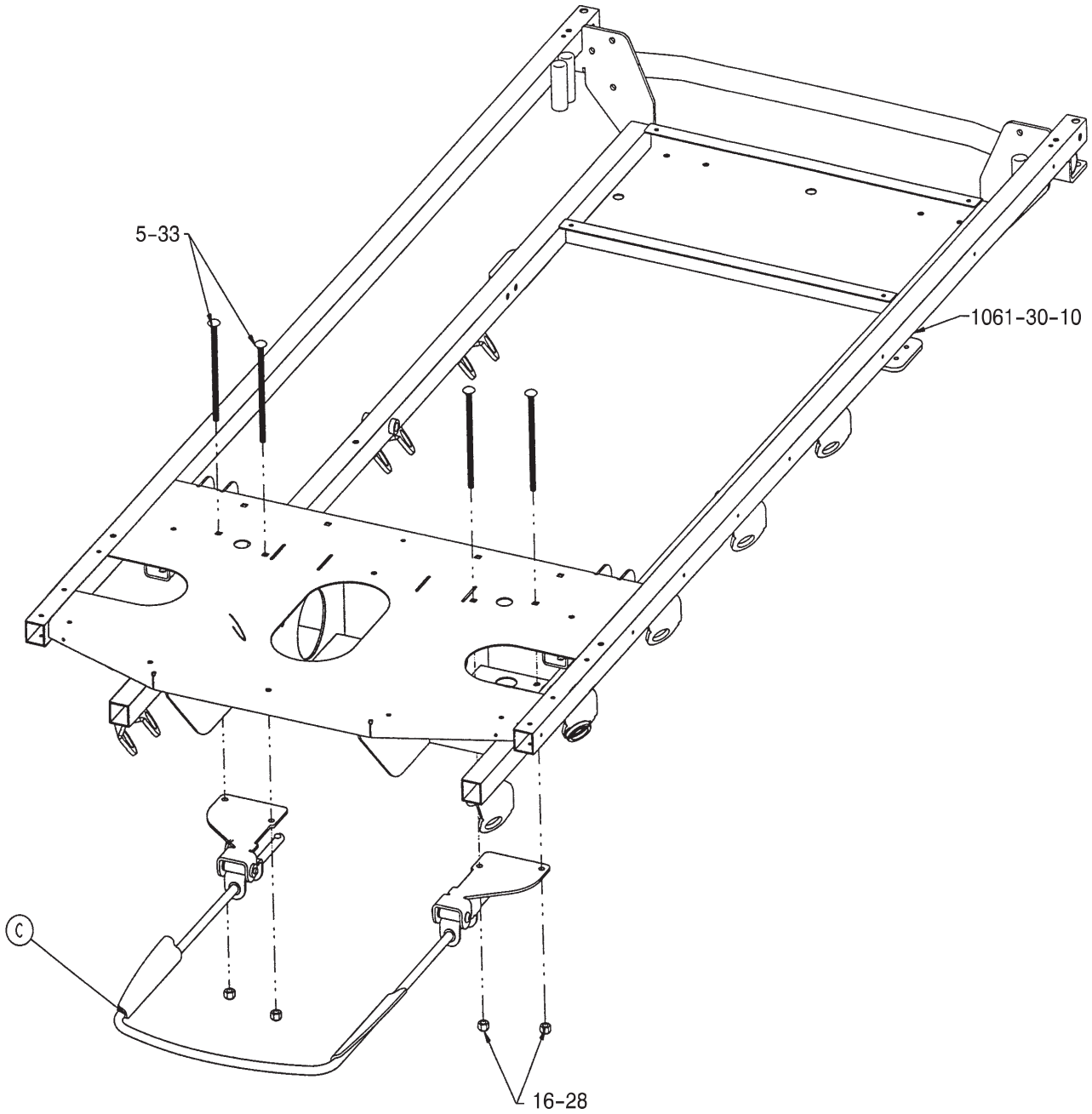
A	1010-070-033	1
B	0026-006-000	1
C	1010-070-034	1
D	1010-070-042	1
E	1010-070-050	1
F	1010-070-030	1
G	1010-070-045	3
H	0025-055-000	1
J	1010-070-044	1
K	0026-005-000	1

# 1061-070-019

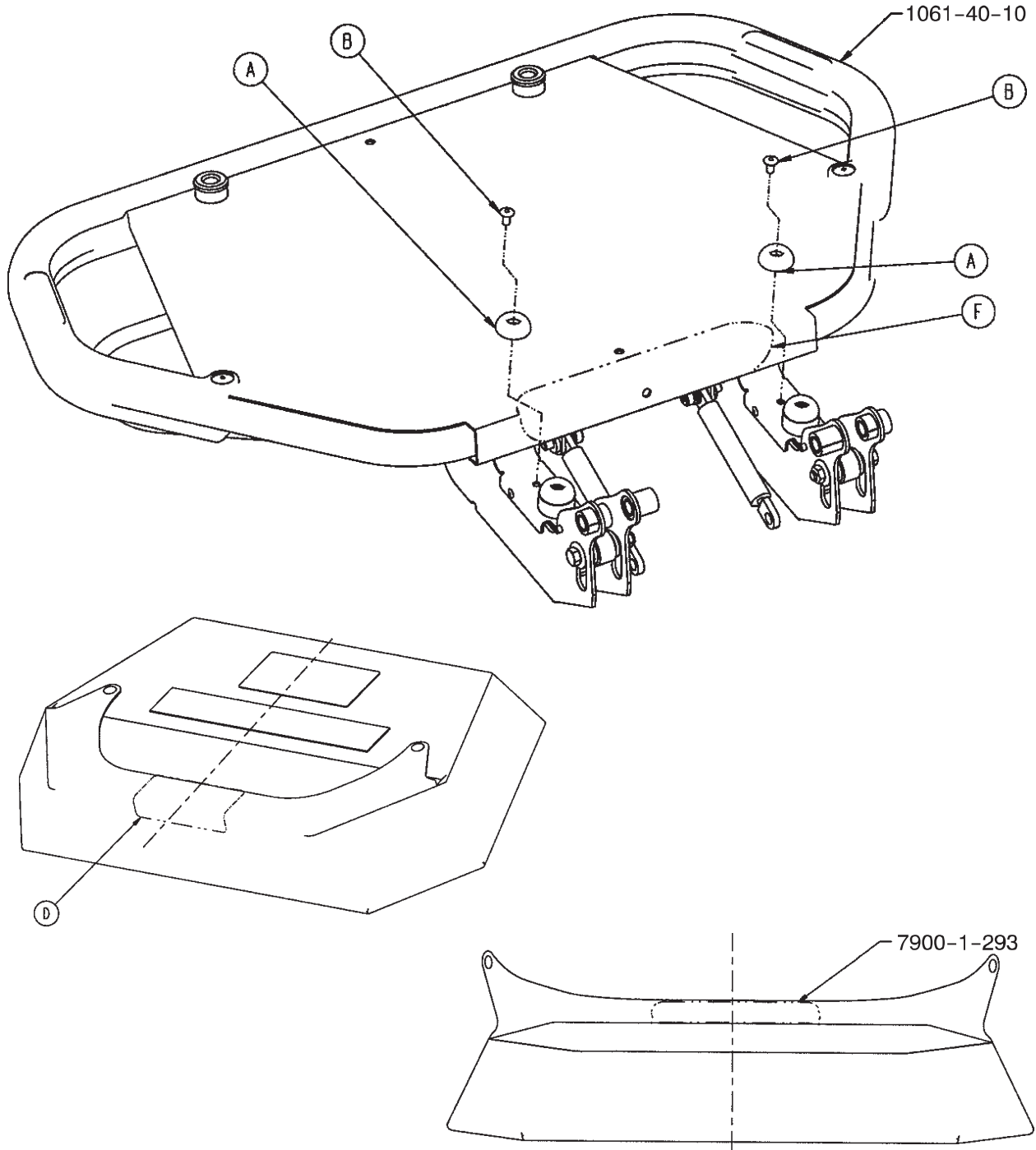


A	1061-070-020	1
B	1010-070-045	1
C	1010-070-023	1

[Return To Table of Contents](#)



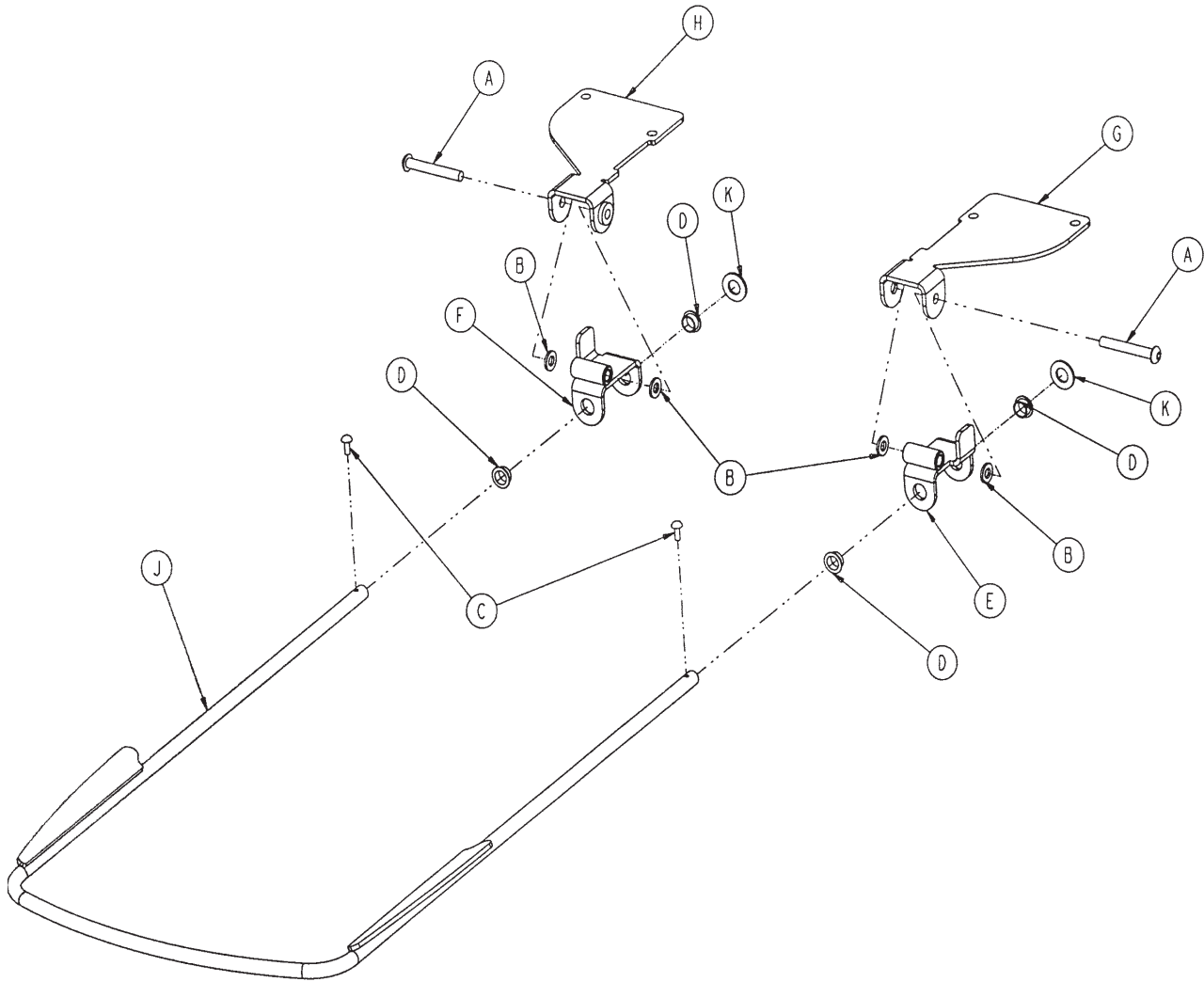
# 1061-700-001



A	0946-001-155	2
B	0025-079-000	2
C	1061-120-032	1
D	1061-120-033	1
F	7900-001-102	6 in.

[Return To Table of Contents](#)

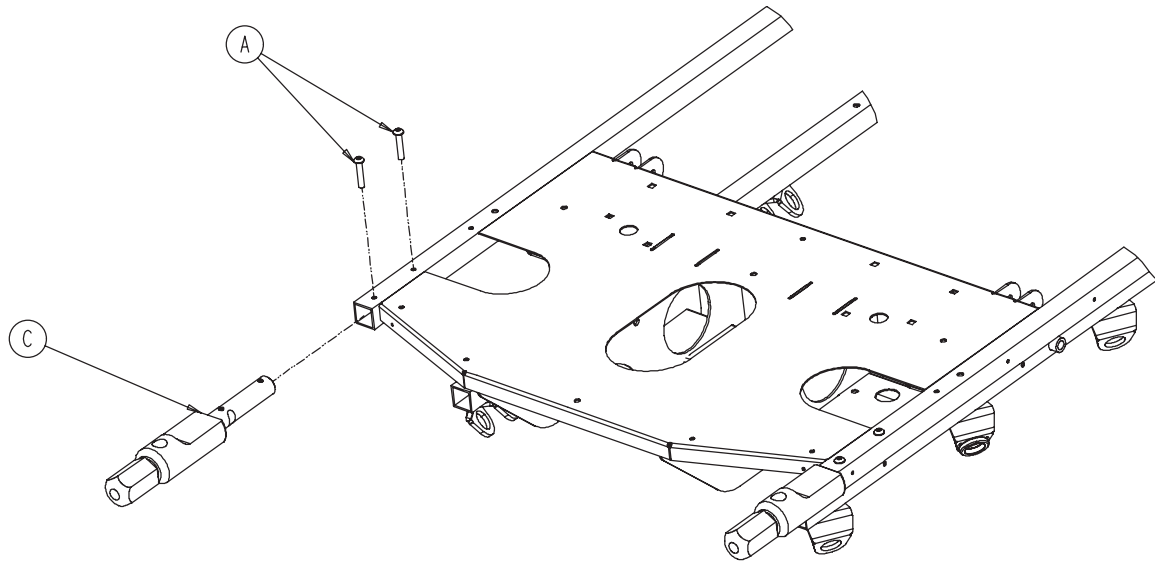
# 1061-120-032



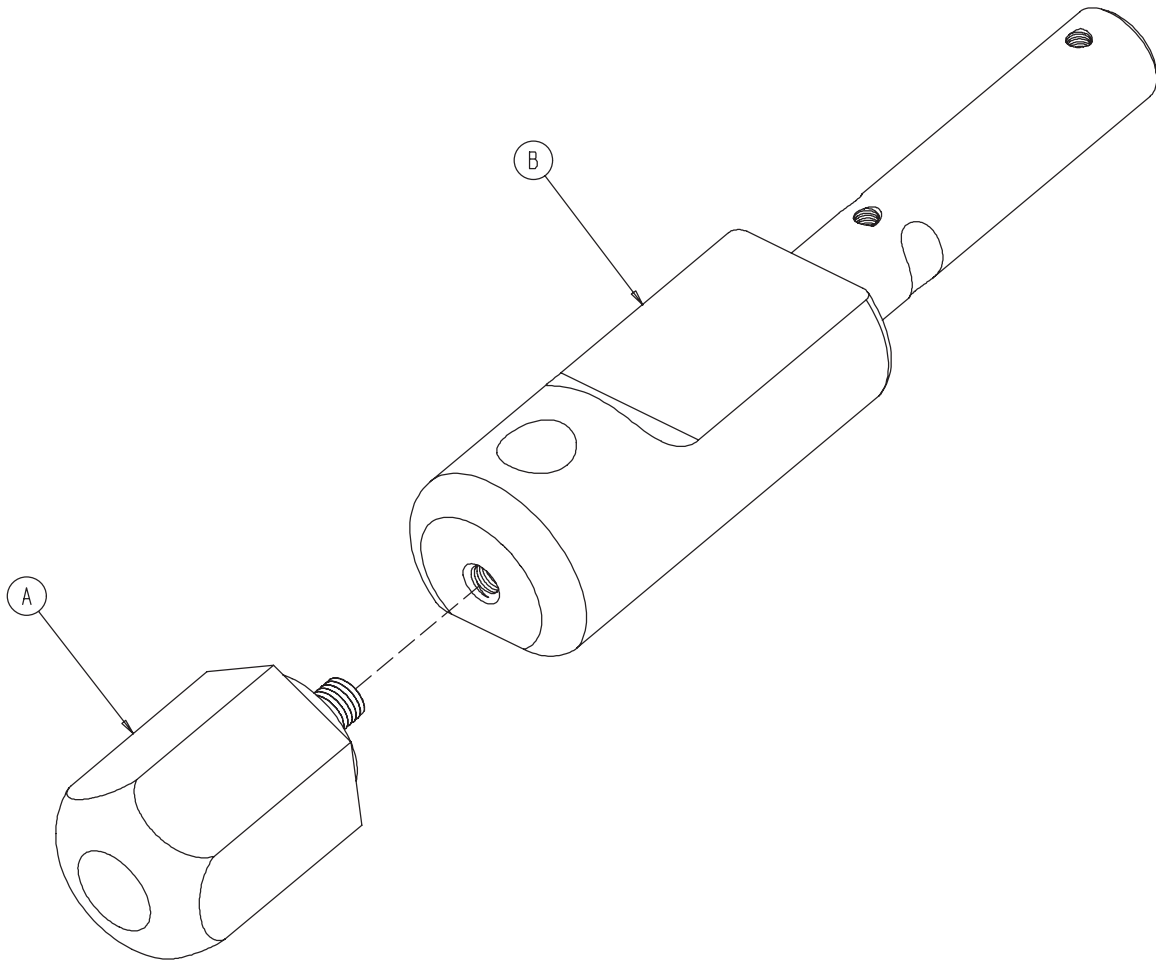
A	0004-204-000	2
B	0014-002-000	4
C	0022-010-000	2
D	0052-824-000	4
E	1061-120-024	1
F	1061-120-025	1
G	1061-120-029	1
H	1061-120-030	1
J	1061-120-020	1
K	0014-021-000	2

# 1061-130-000

---

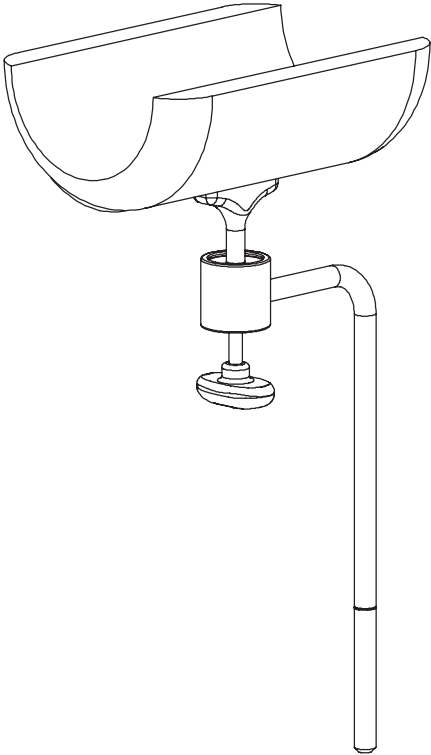
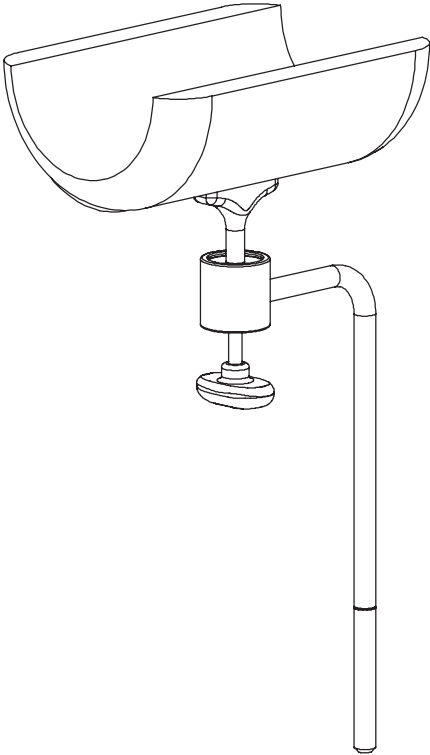


A	0004-198-000	4
C	1061-130-001	2

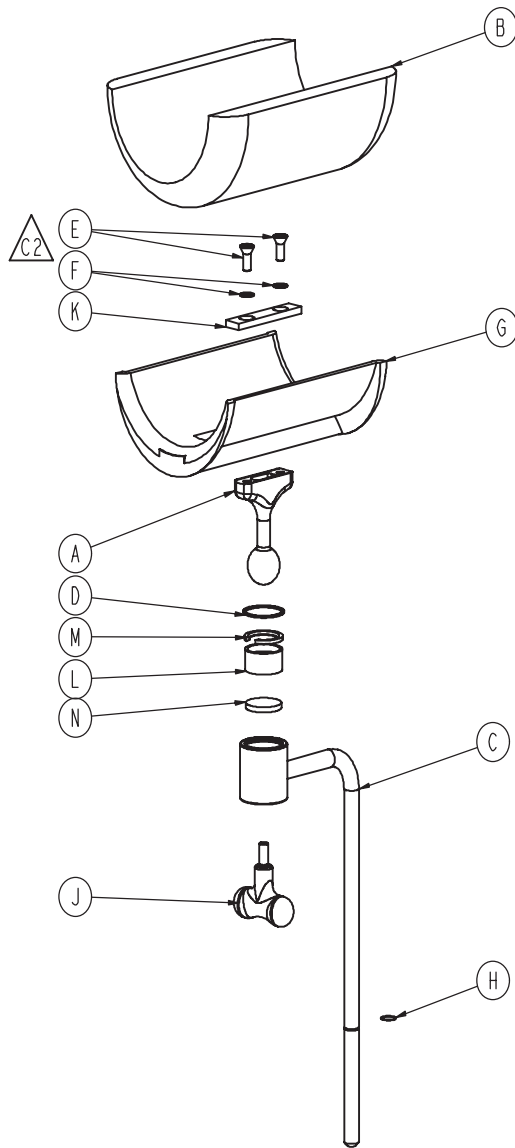


A	1061-120-002	1
B	1061-120-001	1

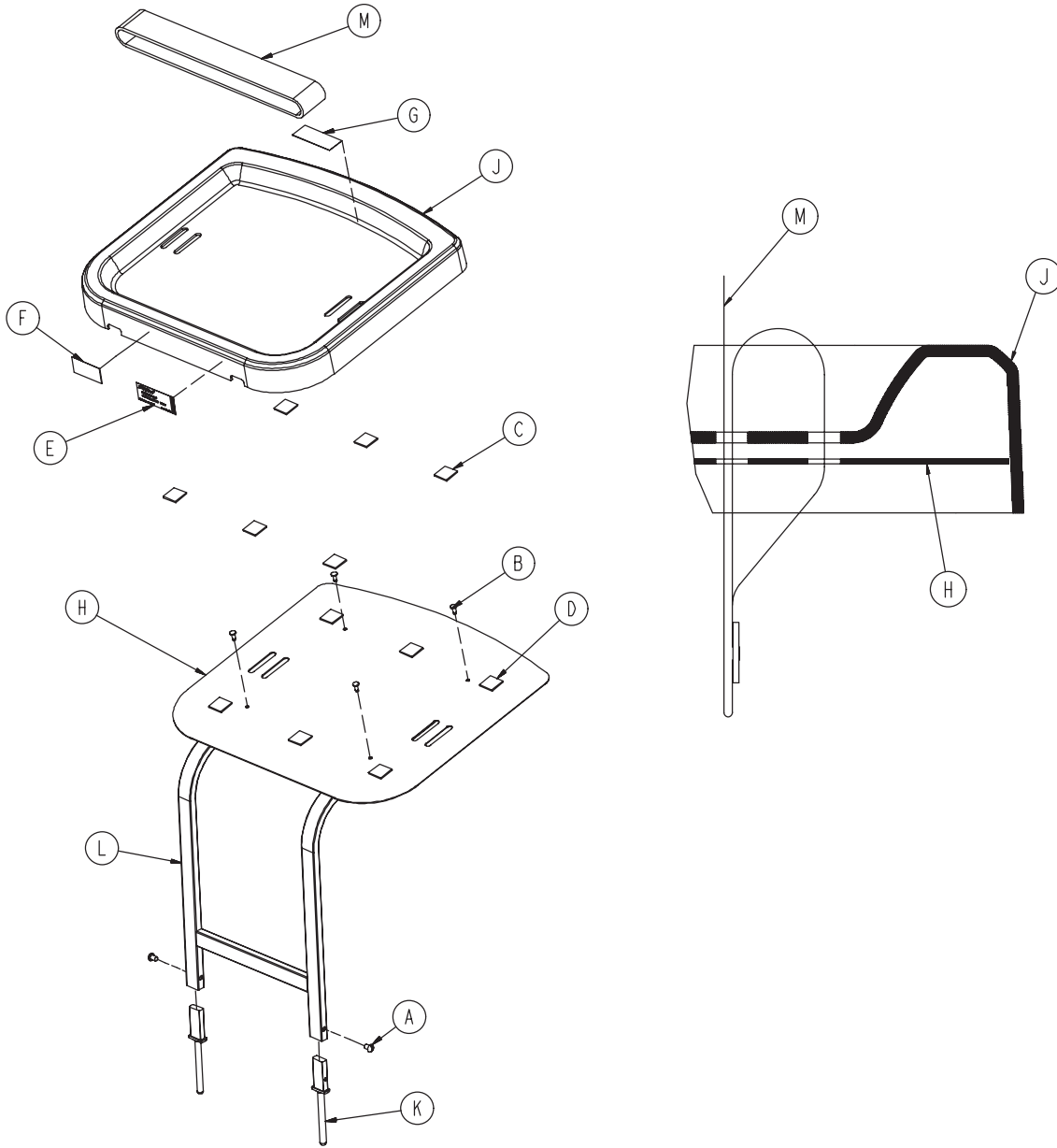




# 1061-040-035



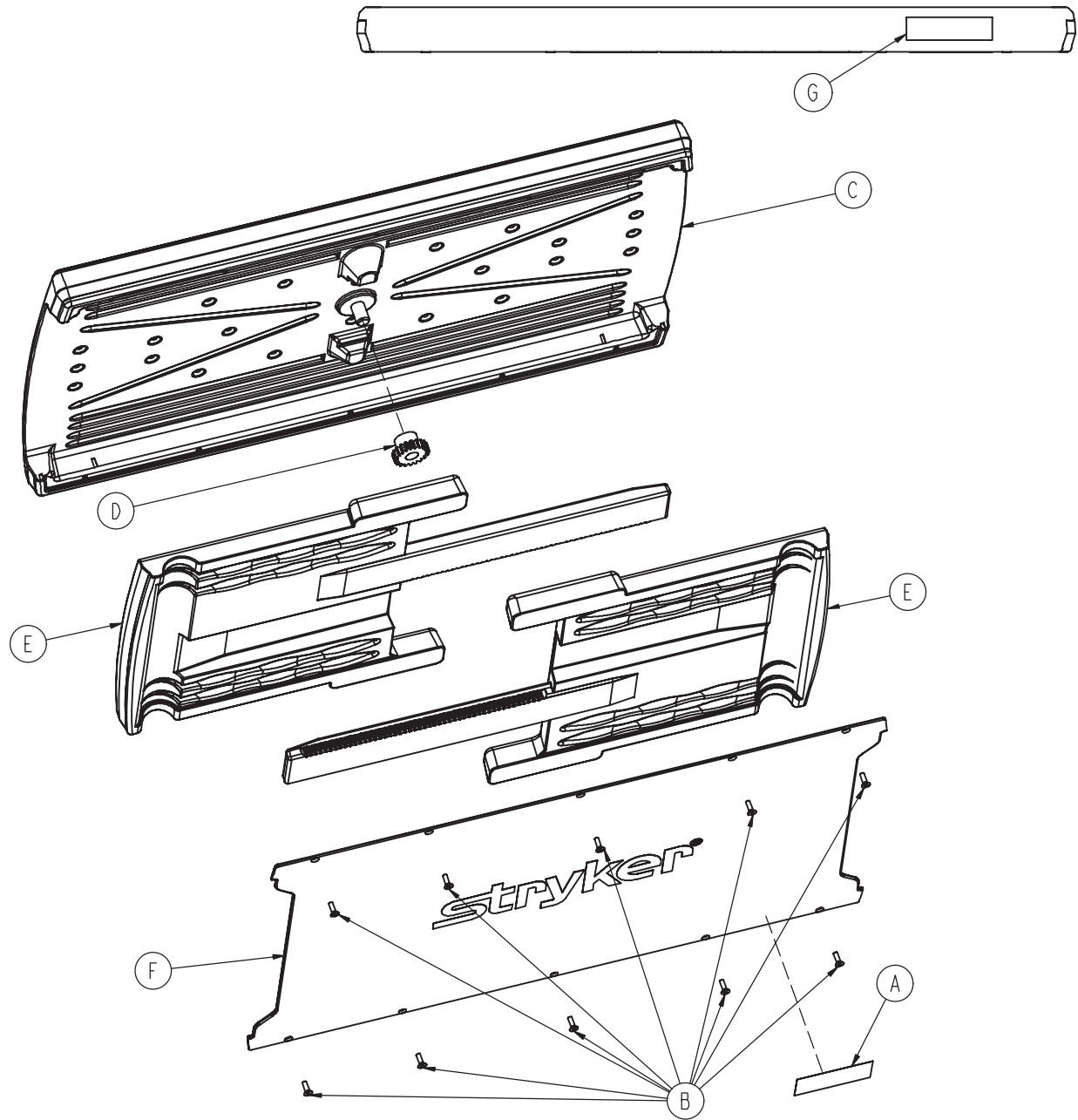
A	1060-001-155	1
B	4700-041-010	1
C	5000-240-171	1
D	8800-200-800	1
E	0001-097-000	2
F	0013-024-000	2
G	8805-906-900	1
H	8806-124-800	1
J	0024-044-000	1
K	1060-001-157	1
L	8812-670-000	1
M	8812-680-000	1
N	8812-690-000	1



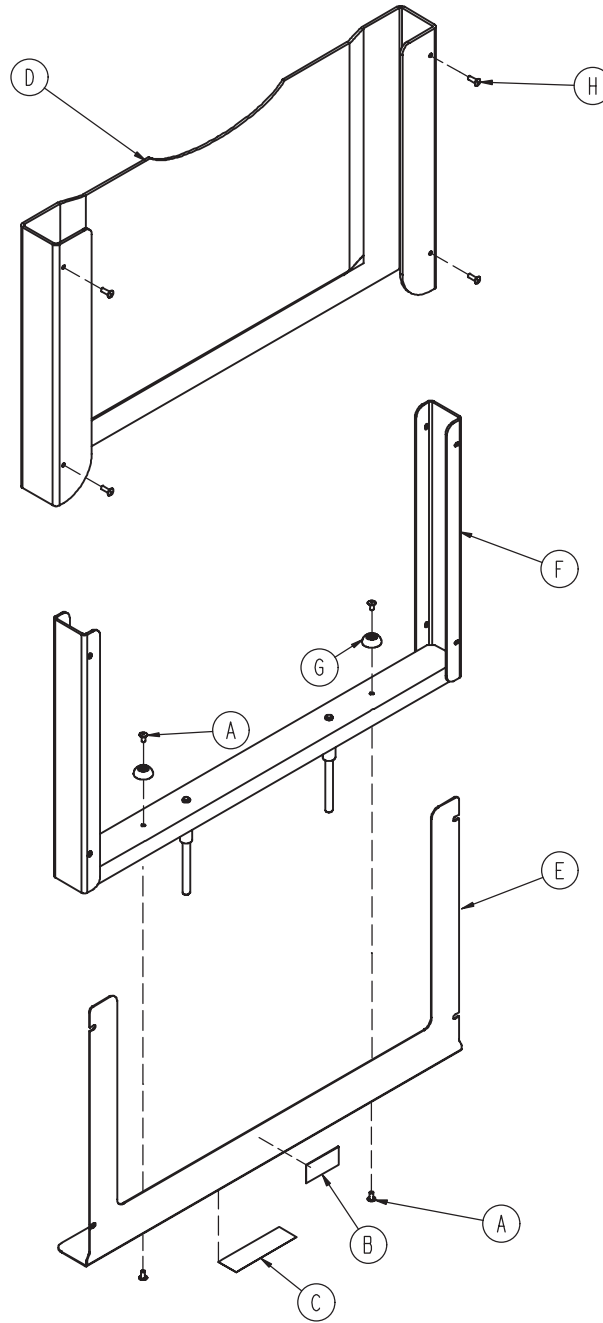
A	0002-044-000	2
B	0025-055-000	4
C	0029-008-000	6
D	0029-010-000	6
E	0785-045-201	1
F	0785-045-402	1
G	0785-045-403	1
H	0785-045-204	1
J	0785-045-207	1
K	0785-045-208	1
L	0785-045-210	1
M	1010-050-021	1

[Return To Table of Contents](#)

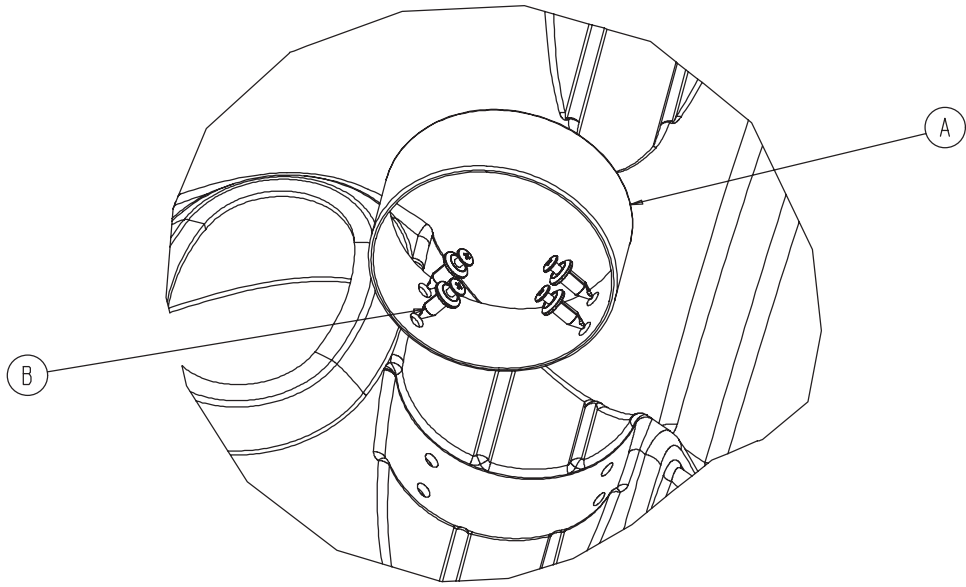
# 0785-045-700



A	0785-045-701	1
B	0785-045-704	10
C	0785-045-705	1
D	0785-045-706	1
E	0785-045-710	2
F	0785-045-715	1
G	0785-045-403	1



A	0025-079-000	4
B	0785-045-402	1
C	0785-045-801	1
D	0785-045-805	1
E	0785-045-806	1
F	0785-045-810	1
G	0946-001-155	2
H	0025-133-000	4



A	1040-010-091	1
B	1040-010-092	4

# International Addresses



## EUROPE HEADQUARTERS

### Stryker SA

Cite-Centre, Grand-Rue 90  
P.O. Box 1568  
1820 Montreux, Switzerland  
Phone: 011-41-21-966-12-01  
Fax: 011-41-21-966-12-00

## EASTERN EUROPE

### Stryker SA - Export Business

Grand-Rue 90  
P.O. Box 1567  
1820 Montreux, Switzerland  
Phone: 011-41-21-966-14-00  
Fax: 011-41-21-966-14-01

## AUSTRIA

### Stryker-Howmedica Osterreich GmbH

Millenium Tower  
Handelskai 94-96  
120 Wien  
Austria  
Phone: 011-43-1-240-27-6400  
Fax: 011-43-1-240-27-6410

## BELGIUM

### NV Stryker SA

Ikaros Business Park- Fase III  
Ikaroslaan 12  
1930 Zaventem, Brussels  
Belgium  
Phone: 011-32-2-717-9210  
Fax: 011-32-2-717-9249

## DENMARK

### Stryker Denmark

Filial of Stryker AB  
Postbox 772  
1532 Copenhagen  
Denmark  
Phone: 011-45-33-93-6099  
Fax: 011-45-33-93-2069

## ENGLAND

### Stryker UK Limited

Stryker House  
Hambridge Road  
Newbury, Berkshire  
RG14 5EG, England  
Phone: 011-44-1635-556-500  
Phone: 011-44-1635-262-400  
Fax: 011-44-1635-580-300

## FINLAND

### Stryker AB, Finland

PO 80 Makelankatu 2  
00501 Helsinki  
Finland  
Phone: 011-35-89-774-4680  
Fax: 011-35-89-774-46820

## FRANCE

### Stryker France SA

ZAC - Avenue de Satolas Green  
69330 Pusignan  
France  
Phone: 011-33-472-45-36-00  
Fax: 011-33-472-45-36-99

## GERMANY

### Stryker Howmedica GmbH

Dr. Homer Stryker Platz 1  
47228 Duisburg  
Germany  
Phone: 011-49-2065-837-0  
Fax: 011-49-2065-837-837

## GREECE

### Stryker Hellas EPE

455 Messogion ave  
153 43 Agia Paraskevi  
Athens, Greece  
Phone: 011-30-2-10-600-32-22  
Fax: 011-30-2-10-600-48-12

## ITALY

### Stryker Italia Srl

Via Ghisalba 15B  
00188 Roma  
Italy  
Phone: 011-39-06-33-05-41  
Fax: 011-39-06-33-614-067

## MIDDLE EAST / NORTH AFRICA

### Stryker Osteonics SA

Twin Towers  
11th Floor, Suite 1101 & 1102  
P.O. Box 41446  
Baniyas Road  
Dubai, Deira, UAE  
Phone: 011-97-14-222-2842  
Fax: 011-97-14-224-7381

## NEDERLANDS

### Stryker Nederlands BV

(P.O. Box 13, 4180 BA Waardenburg)  
4181 CD Waardenburg  
The Netherlands  
Phone: 011-31-418-569-700  
Fax: 011-31-418-569-777

## NORWAY

### Stryker Norway

Norsk Filial  
Nedre Vollgate 3  
0158 Oslo  
Norway  
Phone: 011-47-22-42-22-44  
Fax: 011-47-22-42-22-54

## POLAND

### Stryker Polska Sp. ZO.O

Kolejowa 5/7  
01-217 Warszawa  
Poland  
Phone: 011-48-22-434-88-50  
Fax: 011-48-22-434-88-60

## PORTUGAL

### Stryker Portugal Produtos Medicos, LTDA.

Avenida Marechal Gomes  
da Costa, 35  
1800-255 Lisboa  
Portugal  
Phone: 011-35-1-21-839-49-10  
Fax: 011-35-1-21-839-49-19

## ROMANIA

### Stryker Osteonics Romania S.R.L.

19, Leonida Str.  
District 2  
7000 Bucharest  
Romania  
Phone: 011-40-2-12-12-11-22  
Fax: 011-40-2-12-12-11-33

## SOUTH AFRICA

### Stryker Osteonics PTY. LTD.

3 Susan Street  
Strydom Park  
Johannesburg, 2194 - South Africa  
Mailing Address:  
P.O. Box 48039  
2129 Roosevelt Park  
Johannesburg, South Africa  
Phone: 011-27-11-791-4644  
Fax: 011-27-11-791-4696

## SPAIN

### Stryker Howmedica Iberica S.L.U.

Manual Tovar, 35  
28034 Madrid  
Spain  
Phone: 011-34-91-728-35-00  
Phone: 011-34-91-358-20-44  
Fax: 011-34-91-358-07-48

## SWEDEN

### Stryker AB/Scandinavia

Box 50425  
SE-204 14 Malmo  
Sweden  
Phone: 011-46-40-691-81-00  
Fax: 011-46-40-691-81-91

[Return To Table of Contents](#)

English Equivalence Part Number: 1061-090-002 REV R

UNITED STATES  
Stryker Medical  
3800 E. Centre Ave.,  
Portage, Michigan USA  
49002

CANADA  
Stryker Canada  
45 Innovation Drive  
Hamilton, Ontario Canada  
L9H 7L8

EC	REP
----	-----

**European Representative**  
Stryker France  
ZAC Satolas Green Pusignan  
Av. De Satolas Green  
69881 MEYZIEU Cedex  
France

**stryker**<sup>®</sup>