



---

## *Head/Neck Surgery Series*

---

### *1067 Head/Neck Surgery Stretcher Operations Manual*

*For Parts or Technical Assistance  
800-327-0770*

# Table of Contents

---

|   |     |
|---|-----|
| Introduction .....  | 2   |
| Specifications .....  | 2   |
| Warning / Caution / Note Definition .....                     | 2   |
| Operating Base Controls .....                                 | 3–5 |
| Raising And Lowering Litter Height .....                      | 6   |
| Trendelenburg/Reverse Trendelenburg Positioning .....         | 7   |
| Applying The Brake System .....                               | 8   |
| Operating Directional Steering Caster/5th Wheel Options ..... | 8   |
| Operating The Fowler .....                                    | 9   |
| Operating The Articulating Fowler .....                       | 9   |
| Operating The Knee Gatch .....                                | 9   |
| Operating Siderails .....                                     | 10  |
| Operating The Optional Wrist Rest Assembly .....              | 10  |
| Operating Permanently Attached I.V. Pole .....                | 10  |
| Preventative Maintenance Checklist .....                      | 11  |
| Cleaning .....  | 12  |
| Limited Warranty  |     |
| Obtaining Parts and Service .....                             | 13  |
| Supplemental Warranty Coverage .....                          | 13  |
| Return Authorization .....                                    | 14  |
| Freight Damage Claims .....                                   | 14  |

# Introduction

---

## INTRODUCTION

This manual is designed to assist you with the operation of the 1067 Head/Neck Surgery Stretcher. Read it thoroughly before using the equipment or beginning any maintenance on it.

## SPECIFICATIONS

|                                       |                    |
|---------------------------------------|--------------------|
| Maximum Weight Capacity               | 500 pounds         |
| Overall Bed Length \ Width            | 84"/28.25"         |
| Minimum \ Maximum Bed Height          | 24.5" \ 37.5"      |
| Fowler Angle                          | 0 to 90 degrees    |
| Knee Gatch Angle                      | 0 to 35 degrees    |
| Trendelenburg \ Reverse Trendelenburg | +12 to -18 degrees |

## WARNING / CAUTION / NOTE DEFINITION

The words WARNING, CAUTION and NOTE carry special meanings and should be carefully reviewed.

---

### WARNING

The personal safety of the patient or user may be involved. Disregarding this information could result in injury to the patient or user.

---

### CAUTION

These instructions point out special procedures or precautions that must be followed to avoid damaging the equipment.

---

### NOTE

This provides special information to make maintenance easier or important instructions clearer.

---

Before operating this stretcher, it is important to read and understand all information in this manual. Carefully read and strictly follow the warnings listed on this page.

---

### WARNING

Be sure to move any equipment that may be in the way before raising or lowering the litter height.

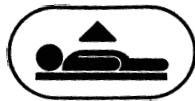
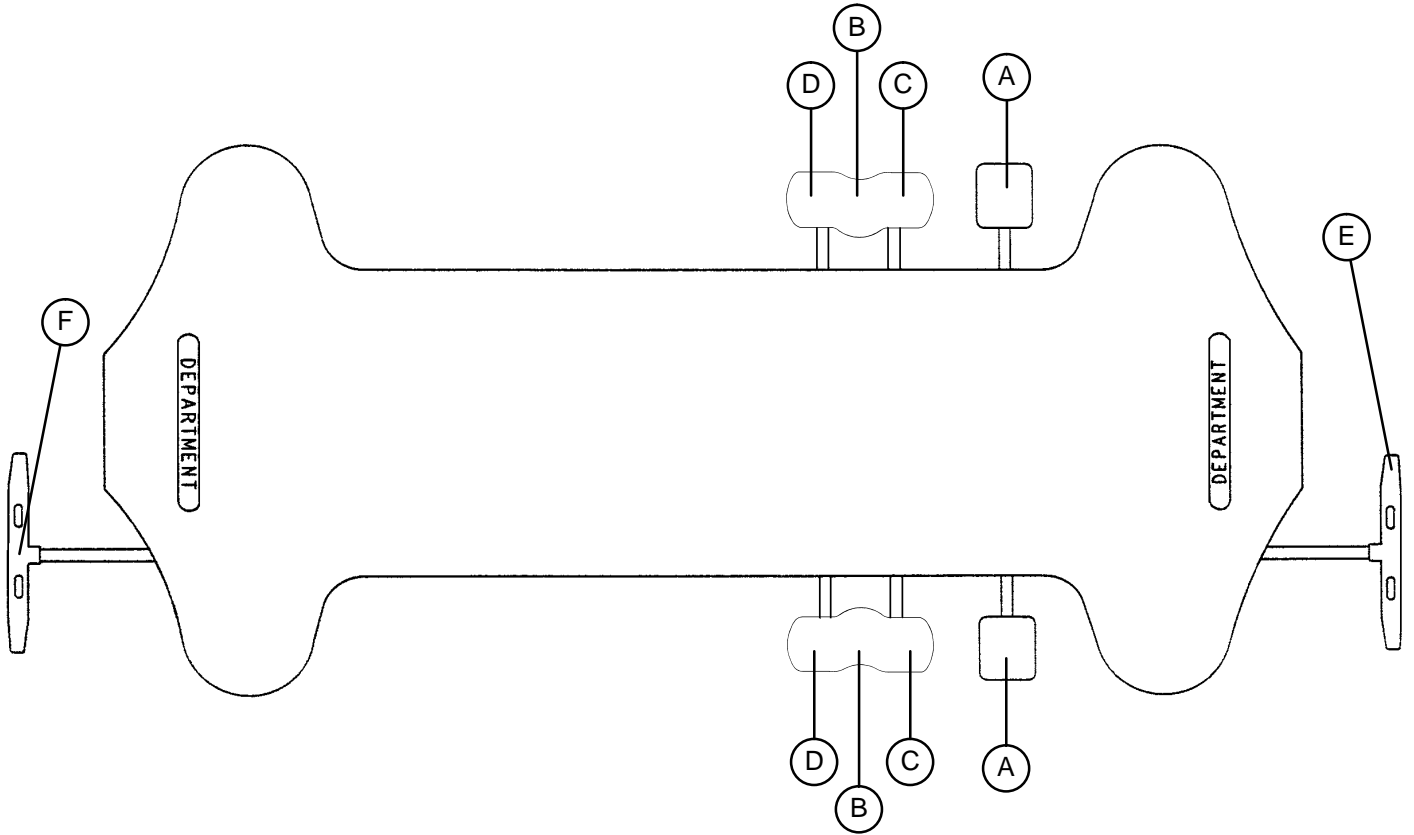
Always apply the caster brakes when a patient is getting on or off the stretcher. Push on the stretcher to ensure the brakes are securely locked. Always engage the brakes unless the stretcher is being moved. Injury could result if the stretcher moves while a patient is getting on or off the stretcher. If brakes do not hold properly, refer to your stretcher maintenance manual for a brake adjustment procedure.

The weight of the I.V. bags should not exceed 40 pounds.

---

# Stretcher Operation

## OPERATING BASE CONTROLS – SIDE CONTROL WITH UNI-LOWER PEDAL



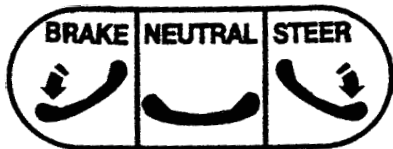
(A) Pump to raise litter.



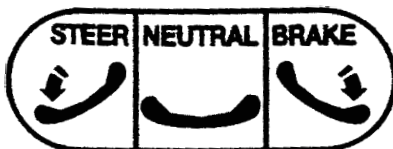
(B) Depress in the center of pedal (B) to lower both ends of the stretcher together.

(C) Depress the side of pedal (B) closest to the foot end of the stretcher to lower the foot end.

(D) Depress the side of pedal (B) closest to the head end of the stretcher to lower the head end.



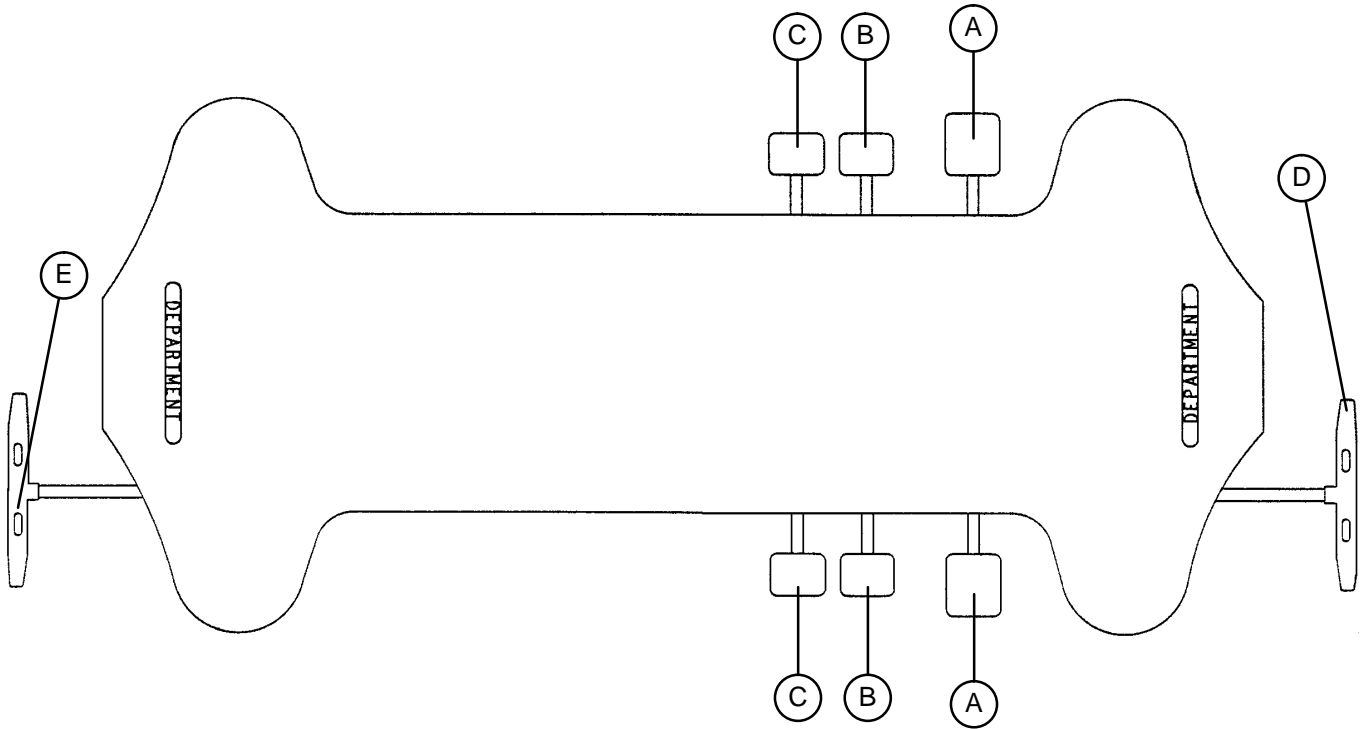
(E) Brake and Steer functions (foot end)



(F) Brake and Steer functions (head end)

# Stretcher Operation

## OPERATING BASE CONTROLS – SIDE CONTROL WITH DUAL LOWERING PEDALS



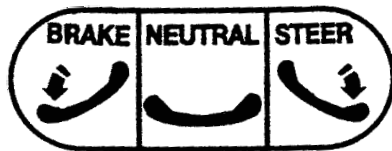
(A) Pump to raise litter.



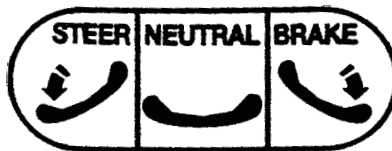
(B) Depress to lower head end.

(C) Depress to lower foot end.

Note: Depress B & C together to lower both ends of the litter simultaneously.



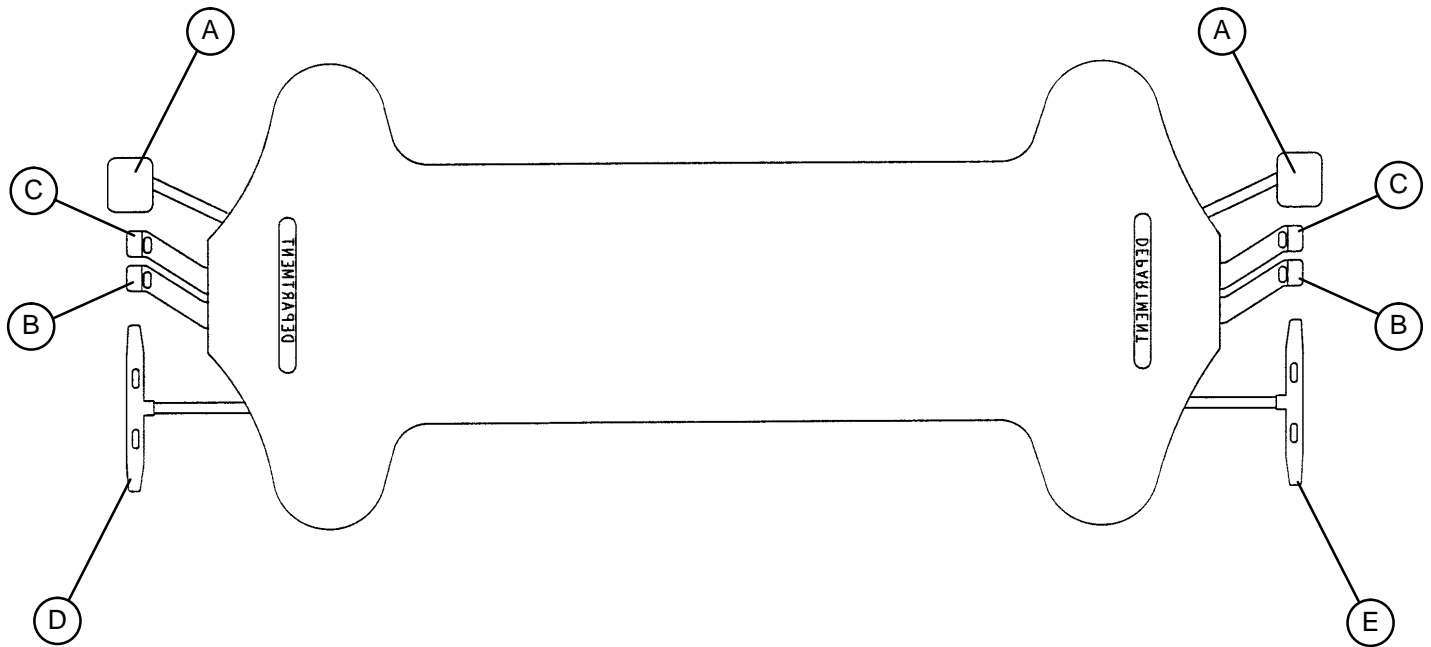
(D) Brake and Steer functions (foot end)



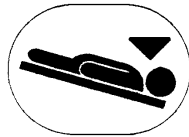
(E) Brake and Steer functions (head end)

# Stretcher Operation

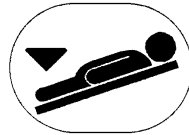
## OPERATING BASE CONTROLS – END CONTROL



(A) Pump to raise litter.

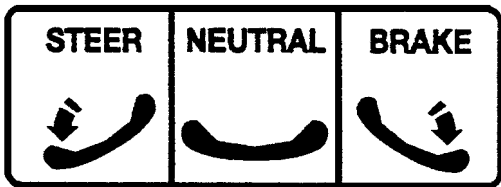


(B) Depress to lower head end.

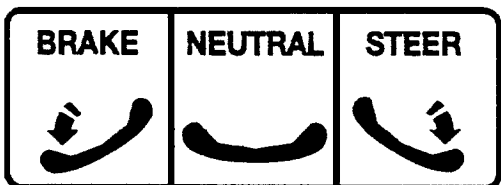


(C) Depress to lower foot end.

Note: Depress B & C together to lower both ends of the litter simultaneously.



(D) Brake and Steer functions (foot end)



(E) Brake and Steer functions (head end)

# Stretcher Operation

---

## RAISING AND LOWERING LITTER HEIGHT – SIDE CONTROL/UNI-LOWER PEDAL

---

### CAUTION

---

Be sure to move any equipment that may be in the way before raising or lowering the litter height.

To **raise** the litter height, pump pedal (A) repeatedly until the desired height is achieved (see illustration on page 3).

To **lower** both ends of the litter together, depress the center of pedal (B). To lower only the head end of the litter, depress the side of pedal (B) closest to the head end. To lower only the foot end of the litter, depress the side of pedal (B) closest to the foot end. The base may be equipped with optional variable descent controls. With variable descent controls, the farther you press down on the pedal, the faster the litter will lower.

## RAISING AND LOWERING LITTER HEIGHT – SIDE CONTROL/DUAL LOWERING PEDALS

---

### CAUTION

---

Be sure to move any equipment that may be in the way before raising or lowering the litter height.

To **raise** the litter height, pump pedal (A) repeatedly until the desired height is achieved (see illustration on page 4).

To **lower** both ends of the litter simultaneously, depress pedal (B) and (C) together using the same foot.. To lower only the head end of the litter, depress pedal (B). To lower only the foot end of the stretcher, depress pedal (C) (see illustration on page 4). The base may be equipped with optional variable descent controls. With variable descent controls, the farther you press down on the pedal, the faster the litter will lower.

## RAISING AND LOWERING LITTER HEIGHT – END CONTROL

To **raise** the litter height, pump pedal (A) repeatedly until the desired height is achieved (see illustration on page 5).

To **lower** both ends of the litter simultaneously, depress pedal (B) and (C) together using the same foot.. To lower only the head end of the litter, depress pedal (B). To lower only the foot end of the stretcher, depress pedal (C) (see illustration on page 5).

# Stretcher Operation

---

## TRENDELENBURG/REVERSE TRENDELENBURG – SIDE CONTROL/UNI-LOWER PEDAL

### NOTE

Litter height must be raised first in order to achieve a trend. or reverse trend. position.

---

### CAUTION

---

Be sure to remove any equipment that may be in the way before lowering stretcher.

For **Trendelenburg** positioning (head down), depress the side of pedal (B) closest to the head end of the stretcher (see illustration, page 3).

For **Reverse Trendelenburg** positioning (foot down), depress the side of pedal (B) closest to the foot end.

### NOTE

The higher the litter is before pedal (B) is activated, the greater the trend. or reverse trend. angle will be. (Maximum trend. angle is  $+18^\circ$ . Maximum reverse trend. angle is  $-18^\circ$ ).

---

## TRENDELENBURG/REVERSE TRENDELENBURG – SIDE CONTROL/DUAL LOWERING PEDALS

### NOTE

Litter height must be raised first in order to achieve a trend. or reverse trend. position.

---

### CAUTION

---

Be sure to remove any equipment that may be in the way before lowering stretcher.

For **Trendelenburg** positioning (head down), depress pedal (B) (see illustration, page 4).

For **Reverse Trendelenburg** positioning (foot down), depress pedal (C) (see illustration on page 4).

---

## TRENDELENBURG/REVERSE TRENDELENBURG – END CONTROL

### NOTE

Litter height must be raised first in order to achieve a trend. or reverse trend. position.

---

### CAUTION

---

Be sure to remove any equipment that may be in the way before lowering stretcher.

For **Trendelenburg** positioning (head down), depress pedal (B) (see illustration, page 5).

For **Reverse Trendelenburg** positioning (foot down), depress pedal (C) (see illustration on page 5).

---



# Stretcher Operation

---

## APPLYING THE BRAKE SYSTEM

### NOTE

For user convenience, the brake/steer pedal is located on both ends of the stretcher.

---

### WARNING

Always apply the caster brakes when a patient is getting on or off the stretcher. Push on the stretcher to ensure the brakes are securely locked. Always engage the brakes unless the stretcher is being moved. Injury could result if the stretcher moves while a patient is getting on or off the stretcher. If brakes do not hold properly, refer to your stretcher maintenance manual for a brake adjustment procedure.

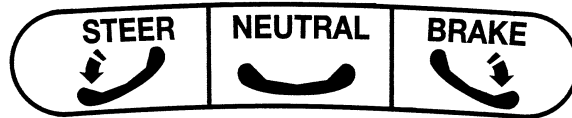
---

To engage the brakes on the head end, push fully down on pedal (E) (see page 4).

To engage the brakes on the foot end, push fully down on the right side of pedal (D) (see page 4).

### NOTE

Your stretcher may be equipped with optional side control brake and steer functions in addition to the standard head and foot end controls. The side control brakes operate the same as the head and foot end versions. They are indicated by a label on each side of the stretcher base.



RIGHT SIDE



LEFT SIDE

OPTIONAL SIDE CONTROL BRAKE/STEER

## OPERATING DIRECTIONAL STEERING CASTER/5TH WHEEL OPTIONS

The purpose of the steer wheel and 5th wheel options are to help guide the stretcher when transporting a patient along a straight line and also for pivoting at corners.

To engage the steer wheel/5th wheel, push the proper side of the brake/steer pedal to the full down position.

### NOTE

Stretchers cannot be equipped with both steering caster and fifth wheel options. The choice was made at the time the stretcher was purchased.

The steer wheel is located at the foot end of the stretcher on the patient's left. The 5th wheel is located underneath the center of the base assembly.

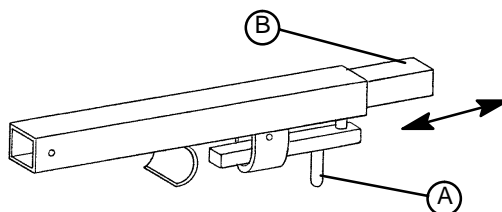
# Stretcher Operation

---

## OPERATING THE FOWLER

The stretcher will be equipped with one of two Fowler options: manual or crank.

To operate the manual Fowler, grasp and pull down the tab (A) at the back of the Fowler to release. The tab will engage in the holes in the Fowler support slide (B) as the Fowler is raised or lowered.



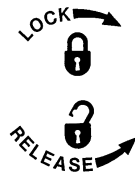
The crank Fowler is represented by this symbol at the foot end of the stretcher:



Turn the crank clockwise to raise the Fowler or counterclockwise to lower the Fowler.

## OPERATING THE OPTIONAL ARTICULATING FOWLER

The Fowler may also have an articulating head section that can be pivoted by turning the knob under the head section marked with this symbol:



Turn the knob counterclockwise to release the head section. Adjust to desired angle and turn the knob clockwise and tighten securely to hold the head section in place.

## OPERATING THE OPTIONAL KNEE GATCH

The stretcher may be equipped with a crank Knee Gatch, represented by this symbol at the foot end of the stretcher:

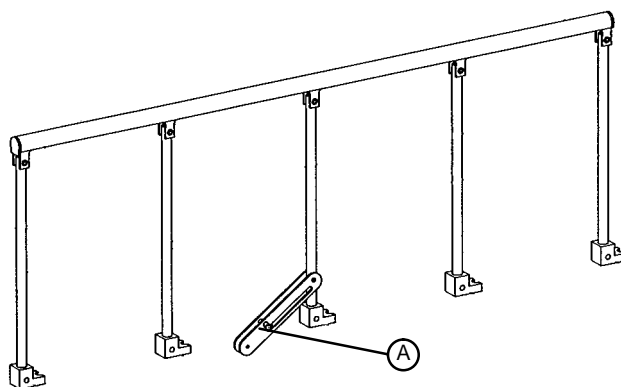


Turn the crank clockwise to raise the Knee Gatch or counterclockwise to lower the Knee Gatch.

# Stretcher Operation

## OPERATING SIDERAILS

There is a bolt in the fold-down siderail latch (A) that holds the siderail in the upright position. Lift up on the siderail and be sure the bolt engages and the siderail is securely latched. To lower the siderail, push up on the latch (A) until the bolt disengages and guide the siderail down.

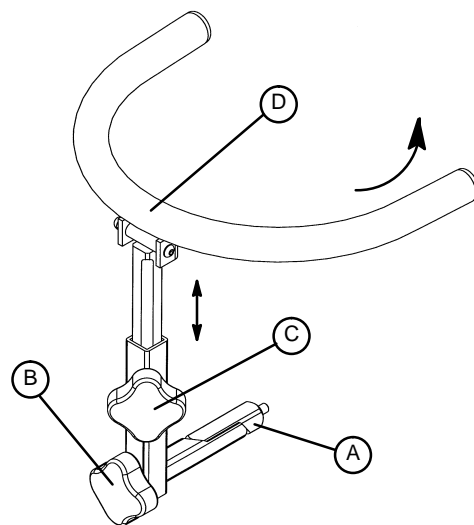


## OPERATING THE OPTIONAL WRIST REST ASSEMBLY

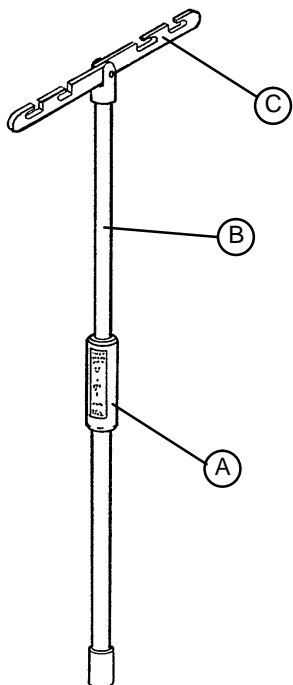
To use the wrist rest, insert the support tube (A) into the mounting tube on the Fowler assembly. Turn knob (B) clockwise to secure the wrist rest assembly.

To adjust the height of the wrist rest, turn knob (C) counterclockwise to loosen it. Raise or lower the wrist rest to the desired height, and turn the knob clockwise to tighten it and hold the wrist rest in place.

The "U" shaped rest (D) can be pivoted up and away from the patient when the wrist rest is not in use.



## OPERATING THE OPTIONAL PERMANENTLY ATTACHED I.V. POLE



1. Lift and pivot the pole from the storage position and push down until it is locked into receptacle.
2. To raise the height of the pole, turn the lock actuator (A) counterclockwise and pull up on the telescoping portion (B) of the pole to raise it to the desired height.
3. Turn the lock actuator (A) clockwise to lock the telescoping portion in place.
4. Hang I.V. bags on hangers (C).

### CAUTION

The weight of the I.V. bags should not exceed 40 pounds.

# Preventative Maintenance

---

## CHECKLIST

- \_\_\_\_\_ All fasteners secure
- \_\_\_\_\_ Siderails move and latch properly
- \_\_\_\_\_ Engage brake pedal and push on the stretcher to ensure all casters lock securely
- \_\_\_\_\_ Steer function working properly
- \_\_\_\_\_ All casters secure and swivel properly
- \_\_\_\_\_ Body restraints working properly
- \_\_\_\_\_ I.V. pole intact and operating properly
- \_\_\_\_\_ Oxygen bottle holder intact and operating properly
- \_\_\_\_\_ Fowler operates and latches properly
- \_\_\_\_\_ Knee Gatch operates properly
- \_\_\_\_\_ Trendelenburg/Reverse Trendelenburg operating properly
- \_\_\_\_\_ No rips or cracks in mattress cover
- \_\_\_\_\_ Ground chain intact
- \_\_\_\_\_ No leaks at hydraulic connections
- \_\_\_\_\_ Hydraulic jacks holding properly
- \_\_\_\_\_ Hydraulic drop rate set properly
- \_\_\_\_\_ Hydraulic oil level sufficient
- \_\_\_\_\_ Lubricate where required, including the brake adjuster assembly and brake cam

Serial No. \_\_\_\_\_  
\_\_\_\_\_  
\_\_\_\_\_  
\_\_\_\_\_  
\_\_\_\_\_

Completed By: \_\_\_\_\_

Date: \_\_\_\_\_

# Cleaning

Hand wash all surfaces of the stretcher with warm water and mild detergent. Dry thoroughly. **DO NOT STEAM CLEAN, PRESSURE WASH, HOSE OFF OR ULTRASONICALLY CLEAN.** Using these methods of cleaning is **not** recommended and may void this product's warranty.

Clean Velcro **AFTER EACH USE**. Saturate Velcro with disinfectant and allow disinfectant to evaporate. (Appropriate disinfectant for nylon Velcro should be determined by the hospital.)

In general, when used in those concentrations recommended by the manufacturer, either phenolic type or quaternary type disinfectants can be used. Iodophor type disinfectants are not recommended for use because staining may result. The following products have been tested and have been found not to have a harmful effect **WHEN USED IN ACCORDANCE WITH MANUFACTURERS RECOMMENDED DILUTION.\***

| TRADE NAME                | DISINFECTANT TYPE | MANUFACTURER                             | *MANUFACTURER'S RECOMMENDED DILUTION |
|---------------------------|-------------------|--|--------------------------------------|
| A33                       | Quaternary        | Airwick (Professional Products Division) | 2 ounces/gallon                      |
| A33 (dry)                 | Quaternary        | Airwick (Professional Products Division) | 1/2 ounce/gallon                     |
| Beaucoup                  | Phenolic          | Huntington Laboratories                  | 1 ounce/gallon                       |
| Blue Chip                 | Quaternary        | S.C. Johnson                             | 2 ounces/gallon                      |
| Elimstaph                 | Quaternary        | Walter G. Legge                          | 1 ounce/gallon                       |
| Franklin Phenomysan F2500 | Phenolic          | Purex Corporation                        | 1 1/4 ounce/gallon                   |
| Franklin Sentinel         | Quaternary        | Purex Corporation                        | 2 ounces/gallon                      |
| Galahad                   | Phenolic          | Puritan Churchill Chemical Company       | 1 ounce/gallon                       |
| Hi-Tor                    | Quaternary        | Huntington Laboratories                  | 1/2 ounce/gallon                     |
| LPH                       | Phenolic          | Vestal Laboratories                      | 1/2 ounce/gallon                     |
| Matar                     | Phenolic          | Huntington Laboratories                  | 1/2 ounce/gallon                     |
| Omega                     | Quaternary        | Airwick (Professional Products Division) | 1/2 ounce/gallon                     |
| Quanto                    | Quaternary        | Huntington Laboratories                  | 1 ounce/gallon                       |
| Sanikleen                 | Quaternary        | West Chemical Products                   | 2 ounces/ gallon                     |
| Sanimaster II             | Quaternary        | Service Master                           | 1 ounce/gallon                       |
| Vesphene                  | Phenolic          | Vestal Laboratories                      | 1 1/4 ounce/ gallon                  |

Quaternary Germicidal Disinfectants, used as directed, and/or Chlorine Bleach products, typically 5.25% Sodium Hypochlorite in dilutions ranging between 1 part bleach to 100 parts water, and 2 parts bleach to 100 parts water are not considered mild detergents. These products are corrosive in nature and may cause damage to your stretcher if used improperly. If these types of products are used to clean Stryker patient handling equipment, measures must be taken to insure the stretchers are rinsed with clean water and thoroughly dried following cleaning. Failure to properly rinse and dry the stretchers will leave a corrosive residue on the surface of the stretcher, possibly causing premature corrosion of critical components. Failure to follow the above directions when using these types of cleaners may void this product's warranty.

## REMOVAL OF IODINE COMPOUNDS

This solution may be used to remove iodine stains from mattress cover and foam footrest pad surfaces.

1. Use a solution of 1–2 tablespoons Sodium Thiosulfate in a pint of warm water to clean the stained area. Clean as soon as possible after staining occurs. If stains are not immediately removed, allow solution to soak or stand on the surface.
2. Rinse surfaces which have been exposed to the solution in clear water before returning bed to service.

# Warranty

---

## Limited Warranty:

Stryker Medical Division, a division of Stryker Corporation, warrants to the original purchaser that its products should be free from defects in material and workmanship for a period of one (1) year after date of delivery. Stryker's obligation under this warranty is expressly limited to supplying replacement parts and labor for, or replacing, at its option, any product which is, in the sole discretion of Stryker, found to be defective. Stryker warrants to the original purchaser that the frame and welds on its beds will be free from structural defects for as long as the original purchaser owns the bed. If requested by Stryker, products or parts for which a warranty claim is made shall be returned prepaid to Stryker's factory. Any improper use or any alteration or repair by others in such manner as in Stryker's judgement affects the product materially and adversely shall void this warranty. No employee or representative of Stryker is authorized to change this warranty in any way.

This statement constitutes Stryker's entire warranty with respect to the aforesaid equipment. STRYKER MAKES NO OTHER WARRANTY OR REPRESENTATION, EITHER EXPRESSED OR IMPLIED, EXCEPT AS SET FORTH HEREIN. THERE IS NO WARRANTY OF MERCHANTABILITY AND THERE ARE NO WARRANTIES OF FITNESS FOR ANY PARTICULAR PURPOSE. IN NO EVENT SHALL STRYKER BE LIABLE HEREUNDER FOR INCIDENTAL OR CONSEQUENTIAL DAMAGES ARISING FROM OR IN ANY MANNER RELATED TO SALES OR USE OF ANY SUCH EQUIPMENT.

## To Obtain Parts and Service:

Stryker products are supported by a nationwide network of dedicated Stryker Field Service Representatives. These representatives are factory trained, available locally, and carry a substantial spare parts inventory to minimize repair time. Simply call your local representative, or call Stryker Customer Service at (800) 327-0770.

## Supplemental Warranty Coverage:

Stryker has developed a comprehensive program of extended warranty options designed to keep your equipment operating at peak performance at the same time it eliminates unexpected costs. We recommend that these programs be activated *before* the expiration of the new product warranty to eliminate the potential of additional equipment upgrade charges. Stryker offers the following Supplemental Warranties:

### **Extended (Parts and Labor)**

- All replacement parts (excluding mattresses and consumable items)
- Labor and travel for *all* scheduled and unscheduled calls
- Annual Preventive Maintenance Inspections and repairs
- JCAHO paperwork for preventive maintenance
- Priority Emergency Service

### **Standard (Labor Only):**

- Labor and travel for *all* scheduled and unscheduled calls
- Annual Preventive Maintenance Inspections and repairs
- JCAHO paperwork for preventive maintenance
- Priority Emergency Service

### **Basic (Parts Only):**

- All replacement parts (excluding mattresses and consumable items)
- Priority Emergency Service

**Please call your local representative, or call (800) 327-0770 for further information**

# Warranty

---

## **Return Authorization:**

Merchandise cannot be returned without approval from the Stryker Customer Service Department. An authorization number will be provided which must be printed on the returned merchandise. Stryker reserves the right to charge shipping and restocking fees on returned items.

SPECIAL, MODIFIED, OR DISCONTINUED ITEMS NOT SUBJECT TO RETURN.

## **Damaged Merchandise:**

ICC Regulations require that claims for damaged merchandise must be made with the carrier within fifteen (15) days of receipt of merchandise. **DO NOT ACCEPT DAMAGED SHIPMENTS UNLESS SUCH DAMAGE IS NOTED ON THE DELIVERY RECEIPT AT THE TIME OF RECEIPT.** Upon prompt notification, Stryker will file a freight claim with the appropriate carrier for damages incurred. Claim will be limited in amount to the actual replacement cost. In the event that this information is not received by Stryker within the fifteen (15) day period following the delivery of the merchandise, or the damage was not noted on the delivery receipt at the time of receipt, the customer will be responsible for payment of the original invoice in full.

Claims for any short shipment must be made within thirty (30) days of invoice.

## **International Warranty Clause:**

This warranty reflects U.S. domestic policy. Warranty outside the U.S. may vary by country. Please contact your local Stryker Medical representative for additional information.



## European Representative

Stryker France  
BP 50040-95946 Roissy Ch. de Gaulle  
Cedex-France

Phone: 33148632290  
Fax: 33148632175

**stryker**<sup>®</sup>  
Medical

6300 Sprinkle Road, Kalamazoo, MI 49001-9799

(800) 327-0770



---

DH 3/98 1067-1-115 REV\_\_