

Prime Series Stretcher

















Operations Manual




















Fifth Wheel

- REF** 1105
- REF** 1105MHT1
- REF** 1105-000-026
- REF** 1105-000-030
- REF** 1105-000-000X
- REF** 1105-000-000E
- REF** 1105-000-000XE
- REF** 1105-000-000C



Symbols

	Refer to instruction manual/booklet
	Consult instructions for use
	General warning
	Caution
	Warning; crushing of hands
	Warning; non-ionizing radiation
	No pushing
	Do not store the oxygen bottle
	Do not lubricate
	Telecommunications and Digital Government Regulatory Authority logo for United Arab Emirates
	Australia/New Zealand Regulatory Compliance Mark (RCM)
R-NZ	New Zealand radio compliance mark
	US (FCC) wireless conformity mark
	CE mark
	Authorized representative in the European Community
	European medical device
	Importer

	UK Conformity Assessment mark
	Unique device identifier
	Authorized representative in Switzerland
	Catalogue number
	Lot (batch) code
	Serial number
	For US Patents see www.stryker.com/patents
	Manufacturer
	Date of manufacture
	Safe working load
	Maximum patient weight
	Mass of equipment with safe working load
	Direct current
	Alternating current
	Dangerous voltage
	Protective earth ground
	Protection from powerful water jets
	Type B applied part
	<p>Prime and Prime X: Medical Equipment Classified by Underwriters Laboratories Inc. With Respect to Electric Shock, Fire, and Mechanical Hazards Only in Accordance with ANSI/AAMI ES60601-1: 2005 and A1:2012, CAN/CSA-C22.2 No. 60601-1:14. For Prime X option, Associated Equipment of X-ray Equipment IEC 60601-2-54.</p> <p>Prime Connect: Medical Equipment Classified by Underwriters Laboratories Inc. With Respect to Electric Shock, Fire, and Mechanical Hazards Only in Accordance with ANSI/AAMI ES60601-1:2005, A1:2012, and A2:2021, CAN/CSA-C22.2 No. 60601-1:14 and A2:2022 (R2022).</p>



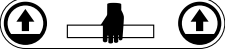




	<p>In accordance with European Directive 2012/19/EU on Waste Electrical and Electronic Equipment (WEEE) as amended, this symbol indicates that the product should be collected separately for recycling. Do not dispose of as unsorted municipal waste. Contact local distributor for disposal information. Ensure infected equipment is decontaminated prior to recycling.</p>
	<p>Lubricate</p>
	<p>Lift here</p>
	<p>This way up</p>
	<p>Keep dry</p>
	<p>Fragile, handle with care</p>
	<p>Stacking limit by number</p>

Table of Contents

Warning/Caution/Note Definition	3
Summary of safety precautions	3
Pinch points	6
Introduction	7
Product description	7
Intended use	7
Indications for use	7
Intended users	8
Clinical benefits	8
Contraindications	8
Expected service life	8
Disposal/recycle	8
Specifications	8
Wi-Fi radio specifications, Prime Connect	10
Product illustration, Prime and Prime Connect	12
Product illustration, Prime X	13
Applied parts, electric litter	14
Applied parts, Prime X	14
Contact information	15
Serial number location	15
Setup	16
Setting up bed exit over wired nurse call, Prime Connect	16
Setting up iBed Locator, Prime Connect	17
Operation	18
Product features	18
Applying and releasing the brakes	18
Base controls	19
Raising the product	19
Lowering the product	20
Positioning the product in Trendelenburg	20
Positioning the product in reverse Trendelenburg	20
Transporting a patient with the retractable fifth wheel	21
Positioning or stowing the head end push handles	21
Positioning or stowing the foot end push handles option	22
Raising the siderail	23
Lowering the siderail	23
Positioning the product with the siderail patient control panel, electric litter	24
Operator control panel, electric litter	24
Locking and unlocking the patient control panel lockout, electric litter	25
Raising or lowering the Fowler backrest, non-electric litter	26
Raising or lowering the Fowler backrest, electric litter	26
Raising or lowering the Gatch, non-electric litter	27
Raising or lowering the Gatch, electric litter	27
Positioning the recovery chair	28
Storing objects in the base hood	29
Hanging devices with the pump rack option	29
Extending or retracting the power cord with the retractable cord reel	30
Scale system and bed exit	30
Operator keypad icon/button identification	31
Weighing a patient, Prime and Prime X	32
Weighing a patient, Prime Connect	33
Locking the scale unit of measure, Prime and Prime X	33
Arming or disarming bed exit, Prime	34
Arming or disarming bed exit, Prime Connect	34
Changing the bed exit alarm pattern, Prime	35

Changing the bed exit alarm pattern, Prime Connect	35
Changing the bed exit alarm volume, Prime	35
Changing the bed exit alarm volume, Prime Connect	36
Charging the battery pack	36
Replacing the batteries for the scale system, non-electric litter	37
Accessories and parts	37
Attaching the defibrillator tray	40
Converting the defibrillator tray/foot extender to a defibrillator tray	41
Converting the defibrillator tray/foot extender to a foot extender	41
Attaching the footboard/chart holder	42
Attaching the IV caddy	42
Positioning or stowing the foot supports, Prime	43
Positioning the two-stage permanently attached IV pole	44
Positioning the three-stage permanently attached IV pole	45
Attaching and positioning the removable IV pole	46
Attaching the upright oxygen bottle holder	47
Extending or stowing the serving tray holder/footboard	47
Attaching the siderail pads	48
Locating the patient restraint strap tie-ins	48
Positioning the upright X-ray cassette holder, Prime X	48
Positioning the lateral X-ray cassette holder, Prime X	49
Inserting or removing X-ray cassettes, Prime X	50
Cleaning and disinfecting with SideKick	52
Cleaning	53
Cleaning the product	53
Cleaning the product using a cart washer	53
Cleaning the mattress	54
Remove iodine	55
Special instructions	55
Disinfecting	56
Disinfecting the product	56
Disinfecting the mattress	56
Preventive maintenance	58
Retractable fifth wheel lubrication	59
Wireless notifications	61
Wireless coexistence notifications	61
EMC information	62

Warning/Caution/Note Definition

The words **WARNING**, **CAUTION**, and **NOTE** carry special meanings and should be carefully reviewed.

WARNING

Alerts the reader about a situation which, if not avoided, could result in death or serious injury. It may also describe potential serious adverse reactions and safety hazards.

CAUTION

Alerts the reader of a potentially hazardous situation which, if not avoided, may result in minor or moderate injury to the user or patient or damage to the product or other property. This includes special care necessary for the safe and effective use of the device and the care necessary to avoid damage to a device that may occur as a result of use or misuse.

Note - Provides special information to make maintenance easier or important instructions clearer.

Summary of safety precautions

Always read and strictly follow the warnings and cautions listed on this page. Service only by qualified personnel.

WARNING

- Always allow the product to reach room temperature before you set up the product or test functional operations. Permanent product damage may occur.
- Always operate the product when all operators are clear of the mechanisms.
- Always use care when you handle the power cord. Entanglement, damage to the power cord, or potential shock hazards may occur. If the power cord is damaged, remove the product from service and contact the appropriate maintenance personnel.
- Always plug the product into a grounded, hospital grade wall outlet. You can only achieve grounding reliability when you use a hospital grade wall outlet. This product is equipped with a hospital grade plug to protect against electric shock hazard.
- Always apply the brakes when a patient is getting on the product or off the product or when the product is not moving. Injury could result if the product moves while a patient is getting on the product or off the product.
- Always position the patient in the center of the product.
- Always lock the siderails in the highest height position and lower the product to the lowest height position when you leave a patient unattended.
- Always remove any devices that may be in the way before you raise or lower the litter.
- Do not sit on the end of the product. The product may tip.
- Always unplug the power cord from the wall outlet before you transport or clean the product if your product is equipped with the electric lift or electric litter option.
- Always lock the siderails in the highest height position with the sleep surface horizontal and lower the product to the lowest height position when you transport a patient.
- Do not transport the product laterally on inclines greater than 5.7 degrees (10% grade) to avoid product tipping.
- Always keep hands and fingers clear of the foot end push handles when you lower the Gatch.
- Always keep hands and fingers clear of the foot end push handles when you use the defibrillator tray, foot extender, chart holder, or upright oxygen bottle holder.
- Always use extra caution when you use a mattress thicker than 2.5 in. or a mattress overlay with **Prime X**.
- Always keep the patient's limbs away from the siderail spindles when you raise or lower the siderail.
- Do not allow the siderails to lower on their own.
- Always keep hands and fingers clear of the Fowler backrest release handles and the Fowler backrest frame when you lower the Fowler backrest.
- Always use caution when you raise and lower the Fowler backrest while a patient is on the product. Use proper lifting techniques and get help, if necessary.
- Always keep device lines on the pump rack away from the Gatch handles.
- Always make sure that devices on the pump rack can pass through door openings.

- Do not lift the product by the pump rack.
- Always unplug the power cord from the wall outlet before you transport or clean the product.
- Always use the retractable cord reel to store the power cord inside the base when you transport the product.
- Do not use the scale system, electric lift, or electric litter options adjacent to or stacked with other devices. If adjacent or stacked use is necessary, the scale system, electric lift, or electric litter options should be observed to make sure that all devices operate in the configuration in which they will be used.
- Do not place items that weigh more than 30 lb (14 kg) on the defibrillator tray. Always strap down all devices that you place on the defibrillator tray.
- Always use caution if the defibrillator tray/foot extender, footboard/chart holder, or upright oxygen bottle holder is attached to avoid pinching your fingers when you position the foot end push handle option.
- Do not place items that weigh more than 30 lb (14 kg) on the defibrillator tray/foot extender. Always strap down all devices that you place on the defibrillator tray.
- Always secure the IV pole to the IV caddy when you transport the product.
- Always store the IV caddy when not in use to avoid product damage.
- Do not sit on the foot supports. This may cause the product to tip.
- Always clear your fingers from the mechanisms when you operate the foot supports.
- Always stow the foot supports when you transport a patient with the product.
- Always tighten the foot supports before you use the foot supports.
- Do not operate the scale system with the foot supports. Inaccurate readings may occur.
- Do not operate bed exit with the foot supports. Inaccurate readings may occur.
- Do not use the IV pole as a push/pull device. Product damage may occur.
- Do not place objects that exceed 40 lb (18 kg) in the upright oxygen bottle holder.
- Do not place objects that exceed 30 lb (14 kg) on the serving tray.
- Always use caution when you attach restraint straps. Patient or operator injury may occur. Physical restraints, even if secured, may result in serious harm to patients and operators, including entanglement, entrapment, physical injury, or death.
- Always attach restraint straps or devices only at the identified attachment points of the product. Failure to do so may result in patient or operator injury. Do not attach restraint straps to the siderail.
- Always refer to the applicable state and federal restrictions and regulations and the appropriate facility protocols before you use any restraint strap or device.
- Always take protective measures when you use the upright or lateral X-ray cassette holder. The X-ray cassette holder does not protect against radiation.
- Always refer to local, state, and federal guidelines in addition to facility protocols for safety before you use **Prime X** with radiation generating devices. Radiation generating devices may produce residual, stray, or scattered radiation.
- Always follow the *Positioning the upright X-ray cassette holder - Prime X option* instructions to insert the X-ray cassette.
- Always use caution when you take X-rays with the Fowler backrest in the upright position or when you use a lateral cassette.
- Always follow the *Positioning the lateral X-ray cassette holder - Prime X option* instructions to insert the X-ray cassette.
- Do not clean, service, or perform maintenance while the product is in use.
- Do not immerse the mattress in cleaning or disinfectant solutions. Excess moisture could cause product malfunction that results in product damage or patient injury.
- Do not allow fluid to pool on the mattress. Fluids can cause corrosion of components and may cause the safety and performance of this product to become unpredictable.
- Always inspect mattress covers for tears, punctures, excessive wear, and misaligned zippers every time you clean the covers. Remove and replace a damaged mattress to prevent cross-contamination.
- Do not steam clean, pressure wash, hose off, or ultrasonically clean mattresses. These methods of cleaning may void the product's warranty.
- Do not steam clean, hose off, or ultrasonically clean the product. Use of these methods of cleaning is not recommended and may void the product's warranty.
- Always disinfect the mattress between patients. Failure to do so could result in cross-contamination and infection.
- Portable RF communications equipment, including peripherals such as antenna cables and external antennas, should be no closer than 12 inches (30 cm) to any part of the **Prime Series** stretcher, including cables specified by the manufacturer.

- Avoid stacking or placing equipment adjacent with other equipment to prevent improper operation of the product. If such use is necessary, carefully observe stacked or adjacent equipment to make sure that they operate properly.
 - The use of accessories, transducers, and cables, other than those specified or provided by the manufacturer, could result in increased electromagnetic emissions or decreased electromagnetic immunity and result in improper operation.
-

CAUTION

- Improper usage of the product can cause injury to the patient or operator. Operate the product only as described in this manual.
 - Do not modify the product or any components of the product. Modifying the product can cause unpredictable operation resulting in injury to patient or operator. Modifying the product also voids its warranty.
 - Do not use the hydraulics on the base to raise the product with a patient lift under the product.
 - Do not exceed the 200 lb (90.7 kg) weight capacity of the Gatch.
 - Always make sure that the Gatch prop rod is secure before you raise or lower the Gatch.
 - Do not sit or stand on the Gatch.
 - Always use caution when you attempt to lower the Gatch while the product is unpowered. Gravity may cause a rapid drop of the Gatch.
 - Do not place objects that exceed 60 lb (27 kg) in the base hood.
 - Do not sit, step, or stand on the base hood.
 - Do not exceed the 40 lb (18 kg) weight capacity of the pump rack.
 - Do not use the pump rack as a push/pull device. Product damage may occur.
 - Do not use the scale for patients under 50 lb (22.7 kg).
 - Do not use the scale system reading as a reference for medical treatment.
 - Always raise the IV pole before you attach the defibrillator tray/foot extender to the product. If you do not raise the IV pole, the foot extender will not operate.
 - Do not use the IV pole as a push/pull device. Product damage may occur.
 - Do not hang IV bags that exceed 40 lb (18 kg) on the IV pole.
 - Always make sure that the IV pole is at a low height to pass through door openings when you transport a patient.
 - Do not use abrasive cleaners to clean the display enclosure for the scale system option. Do not allow cleaning solutions or other fluids to pool on the display unit. Dry all surfaces after spills or cleaning.
-

Pinch points

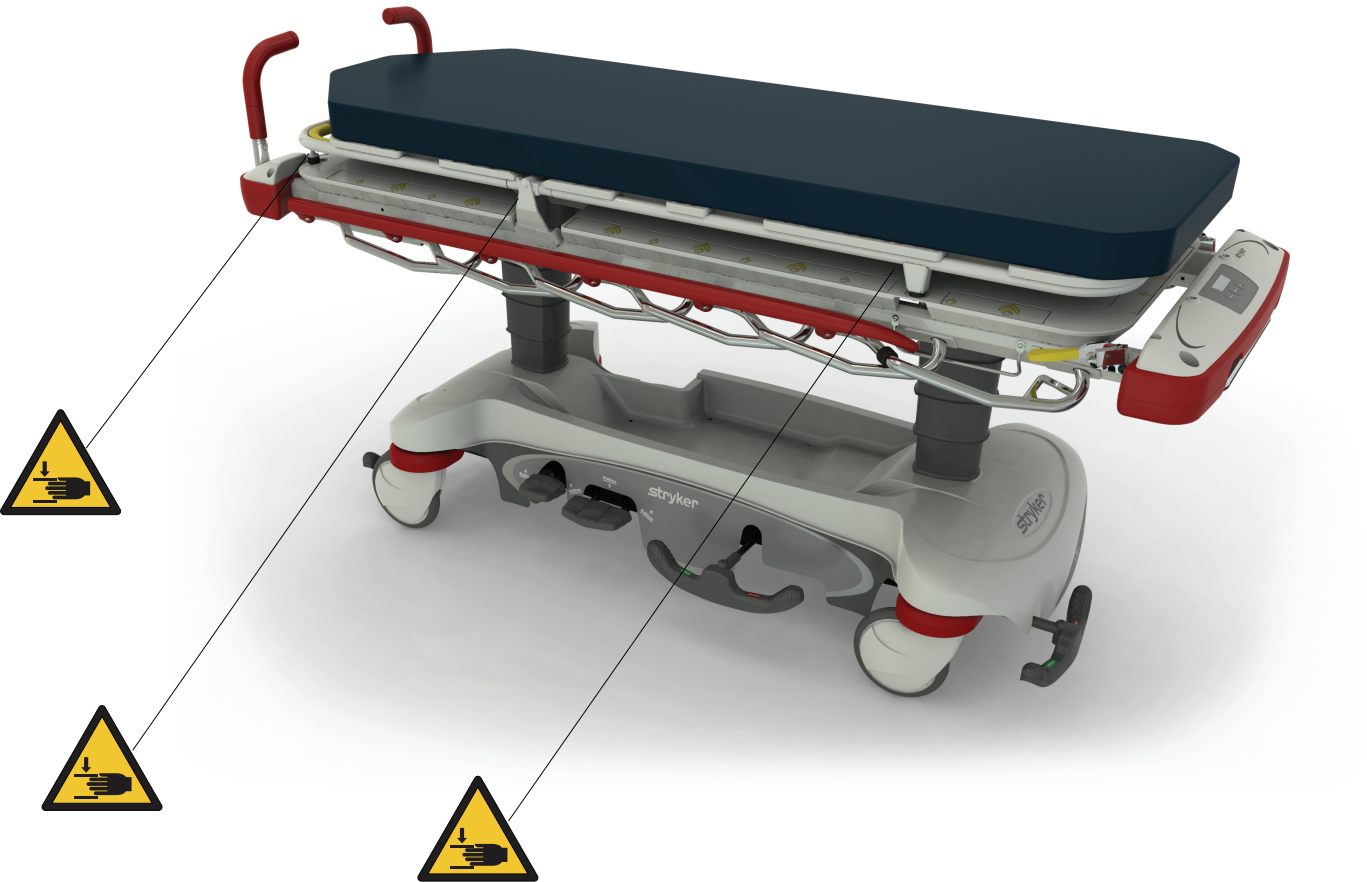


Figure 1 – Prime X

Introduction

This manual assists you with the operation or maintenance of your Stryker product. Read this manual before operating or maintaining this product. Set methods and procedures to educate and train your staff on the safe operation or maintenance of this product.

CAUTION

- Improper usage of the product can cause injury to the patient or operator. Operate the product only as described in this manual.
 - Do not modify the product or any components of the product. Modifying the product can cause unpredictable operation resulting in injury to patient or operator. Modifying the product also voids its warranty.
-

Note

- This manual is a permanent part of the product and should remain with the product even if the product is sold.
- Stryker continually seeks advancements in product design and quality. This manual contains the most current product information available at the time of printing. There may be minor discrepancies between your product and this manual. If you have any questions, contact Stryker Customer Service or Technical Support at 1-800-327-0770.

Product description

The Stryker **Prime Series** stretcher is a wheeled device which consists of a platform mounted on a wheeled frame that is designed to support patients in a horizontal position. A stretcher provides the operator with a method of transporting patients within the interior of a healthcare facility by health professionals or trained representatives of the facility.

The device has siderails and has the option available to support the temporary or permanent placement of IV poles, along with various other options and accessories to assist with the transport of the patient. The Stryker Model 1105 **Prime Series** stretcher with the retractable fifth wheel optimizes traction and cornering to improve overall mobility.

The Stryker **Prime Series** stretcher with bed exit aids in patient safety by detecting when the patient's center of gravity moves beyond the healthcare provider's selected zone and activating an audible and visible alarm at bedside. The Stryker **Prime Connect** stretcher provides an additional alarm at the nurse station through nurse call. Alarm signal transmission can be wired or for **Prime Connect** stretchers, equipped with both a wireless module and connected to the **iBed** Locator, sent wirelessly to a remote dashboard.

The Stryker **Prime Connect** stretcher equipped with a wireless module can facilitate wireless communication of multiple stretcher data parameters, such as bed exit on and off status, patient weight when equipped with a scale, and location. Each stretcher is associated with a particular room or bay location enabled by an **iBed** Locator; a battery powered module that mounts to the hospital wall in a fixed location and communicates to applicable stretchers using Infrared (IR) light-emitting diode (LED) technology as a required component for overall wireless connectivity. The stretcher data parameters can be integrated with various systems within the healthcare facility, such as the healthcare facility's electronic health record (EHR) system, nurse call, and mobile communication devices.

Intended use

The **Prime Series** stretcher provides a method of transporting patients within a healthcare facility by healthcare professionals or trained personnel.

Indications for use

The **Prime Series** stretcher with the retractable fifth wheel is intended to steer the stretcher along a straight line during transport and pivot the stretcher around corners.

The **Prime Series** stretcher may be used as a short-term outpatient clinical evaluation, treatment, minor procedure, and short-term outpatient recovery platform. The stretcher may include use in, but is not limited to:

- Emergency department (ED)
- Trauma area

- Post-anesthesia care unit (PACU)

The **Prime Series** stretcher may be used for minor procedures and short-term stay (treatment and recovery).

The **Prime Series** stretcher is not for use for long-term inpatient treatment and recovery.

The **Prime Series** stretcher has a safe working load up to 700 lb (318 kg) and is intended to be used with all patients, including those mildly to critically ill. The stretcher may also be used to transport deceased patients within an enclosed healthcare facility.

The **Prime X** option provides an articulating radiographic patient support surface and a platform below the patient support surface for X-ray cassette placement. **Prime X** option is intended to allow the capture of clinical X-rays (AP full body, optional full body lateral, and optional upright chest) when used with a medical X-ray system.

Intended users

Intended operators of this product are healthcare professionals (nurses, nurses aids, doctors) and transporters.

Clinical benefits

Patient transport, facilitate treatment, and diagnostic

Contraindications

None known



Expected service life

The **Prime Series** stretchers have a 10 year expected life under normal use conditions and with appropriate periodic maintenance.

Disposal/recycle

Always follow the current local recommendations and/or regulations governing environmental protection and the risks associated with recycling or disposing of the equipment at the end of its useful life.

Specifications

	26 in. width		30 in. width		30 in. width	
	Prime manual only				Prime X only	
 <p>Note - Safe working load indicates the sum of the patient, mattress, and accessory weight.</p>	700 lb	318 kg	700 lb	318 kg	700 lb	318 kg
 <p>Maximum patient weight</p>	675 lb	306 kg	675 lb	306 kg	675 lb	306 kg

		26 in. width Prime manual only		30 in. width		30 in. width Prime X only	
Overall length		85 in. (± 0.5 in.)	215.9 cm	85 in. (± 0.5 in.)	215.9 cm	85 in. (± 0.5 in.)	215.9 cm
Overall length (litter extension option)		89.9 in. (± .75 in.)	228.3 cm	89.9 in. (± .75 in.)	228.3 cm	N/A	N/A
Overall width (siderails up)		34 in. (± 1 in.)	86.4 cm	38 in. (± 1 in.)	96.5 cm	38 in. (± 1 in.)	96.5 cm
Overall width (siderails down)		26 in. (± .5 in.)	66 cm	30.5 in. (± .5 in.)	77.5 cm	30.5 in. (± .5 in.)	77.5 cm
Minimum height		20.75 in. (± 1 in.)	52.7 cm	20.75 in. (± 1 in.)	52.7 cm	23.25 in.	59.1 cm
Maximum height		34 in. (± 1 in.)	86.4 cm	34 in. (± 1 in.)	86.4 cm	36.5 in. (± 1 in.)	92.7 cm
Maximum cassette dimension	Side	Not applicable				19.87 in.	50.5 cm
	Head end	Not applicable				21 in.	53.3 cm
Fowler backrest angle		0° to 90° (± 5°)					
Gatch height		5.5 in. (14 cm) minimum				Not applicable	
Trendelenburg/reverse Trendelenburg		± 17° (± 3°)					
Minimum clearance		5.75 in. nominal	14.6 cm	5.75 in. nominal	14.6 cm	5.75 in. nominal	14.6 cm
		1.75 in. under the hydraulic jacks and fifth wheel	4.5 cm	1.75 in. under the hydraulic jacks and fifth wheel	4.5 cm	1.75 in. under the hydraulic jacks and fifth wheel	4.5 cm
Attenuation equivalent (aluminum equivalence)		Not applicable				Maximum value allowed is 1.7 mm Al	
Scale system option weight operating range		50 lb (22.7 kg) to 700 lb (318 kg)					
Scale system option accuracy		±3 lb (1.3 kg) for weights less than 100 lb (45 kg) and ±3% for weights greater than or equal to 100 lb (45 kg) *					
*To meet the scale system accuracy claim, the patient surface must be in the flat position (Fowler backrest and Gatch down) and the product cannot exceed 5 degrees of Trendelenburg/reverse Trendelenburg.							

Electric	Electric litter	Electric lift
Electrical requirements	120 VAC, 60Hz, 10A	120 VAC, 60Hz, 10A
	240 VAC, 50/60 Hz, 5A	240 VAC, 50/60 Hz, 5A
Duty cycle	Continuous operation with intermittent loading is 1 min. ON/20 min. OFF	Continuous operation with intermittent loading is 1 min. ON/20 min. OFF

Scale system	Non-electric litter	Electric lift
Battery type	4 x AA battery (4 X 1.5 VDC) alkaline type (LR6)	4 x AA battery (4 X 1.5 VDC) alkaline type (LR6)
Battery voltage	6.0 VDC	6.0 VDC

Scale system	Electric litter	Electric lift
Battery type	1 x rechargeable lithium ion battery pack (0058-135-000)	Not applicable
Battery voltage	10.8 VDC, 2.4Ah	Not applicable

Scale system with bed exit	Electric litter	Electric lift
Battery type	1 x rechargeable lithium ion battery pack (0058-134-000)	Not applicable
Battery voltage	10.8 VDC, 4.8Ah	Not applicable

Stryker reserves the right to change specifications without notice.

Note - This product is not suitable for use in the presence of a flammable anesthetic mixture with air or with oxygen or nitrous oxide.

Environmental conditions	Operation		Storage and transportation
Temperature	Prime and Prime X 	Prime Connect 	
Relative humidity			
Atmospheric pressure			

Note - The scale system/bed exit operation temperature range is 61 °F (16 °C) to 79 °F (26 °C).

Specifications listed are approximate and may vary from product to product or by power supply fluctuations.

For product feature availability for your model, see *Product features* (page 18).

Wi-Fi radio specifications, Prime Connect

For **Prime Connect** models with Wi-Fi enabled wireless communication.

For product feature availability for your model, see *Product features* (page 18).

Hereby, Stryker Medical declares that the radio equipment type wireless LAN device is in compliance with Directive 2014/53/EU. The full text of the EU declaration of conformity is available at the following internet address: techweb.stryker.com/Stretcher/index.html.

Note

- **Prime Connect** security white paper available upon request.
- **Prime Connect** MDS2 form available upon request.

- **Prime Connect** software bill of materials available upon request.

Customer WLAN environment	
Microwave ovens	Avoid using microwave ovens near Stryker wireless products as this will cause degradation of service or no service due to electromagnetic or radio-frequency (RF) interference. See <i>Wireless coexistence notifications</i> (page 61).
LTE-LAA cellular band	LTE-LAA introduces a new cellular band (B46) that coexist with 5GHz Wi-Fi (5150 MHz - 5925 MHz). Any cellular devices/repeaters should have this cellular band (B46) disabled to prevent degradation of service or no service due to electromagnetic or radio-frequency (RF) interference. See <i>Wireless coexistence notifications</i> (page 61).

Manufacturer/model	Silex SX-SDMAC-2832S+
Chipset	QCA9377-3
IEEE 802.11	a/b/g/n/ac
RF bands	2.4 GHz, 5 GHz
Encryption	AES and TKIP Note - TKIP is not supported with WPA2.
Authentication	WPA Personal/Enterprise and WPA2 Personal/Enterprise
802.1X	PEAP-MSCHAP v2
Client certificates	Cannot accept or upload certificates
Supported data rates	IEEE 802.11b: 1-11 Mbps IEEE 802.11a/g: 6-54 Mbps IEEE 802.11n: MCS 0-7 (1x1) IEEE 802.11ac: MCS 0-9 (1x1)
Hash function compatibility	SHA-1 and SHA-2 server-side certificate recognition for PEAP-MSCHAP v2
Channel plan	2.4 GHz: All channels supported 5 GHz: All channels supported Note - Stryker recommends against the use of DFS and ISM channels.
Other	Leverage hospital SSID Supports fast roaming (802.11r and CCKM)

Item	Specification - Chipset QCA9377-3				Unit
	Band	Mode	Min	Max	
Operating frequencies	2.4GHz	11b	2412	2472	MHz
		11g/n/ac 20 MHz	2412	2472	MHz
	5GHz	11a/n/ac 20MHz	5180	5825	MHz
		11n/ac 40MHz	5190	5795	MHz
Frequency steps	2.4GHz	11b/g/n/ac 20MHz	5		MHz
	5GHz	11a/n/ac 20MHz	20		MHz

Item	Specification - Chipset QCA9377-3				Unit
	Band	Mode	Min	Max	
		11n/ac 40MHz	40		MHz
Modulation types	Not applicable	11b	DSSS (DBPSK, DQPSK, CCK)		Not applicable
	Not applicable	11a/g/n	OFDM (BPSK, QPSK, 16QAM, 64QAM)		Not applicable
	Not applicable	11ac	OFDM (BPSK, QPSK, 16QAM, 64QAM, 256QAM)		Not applicable
Maximum ERP	Not applicable	Not applicable	-8.648/21.352		dBW/dBm

Product illustration, Prime and Prime Connect

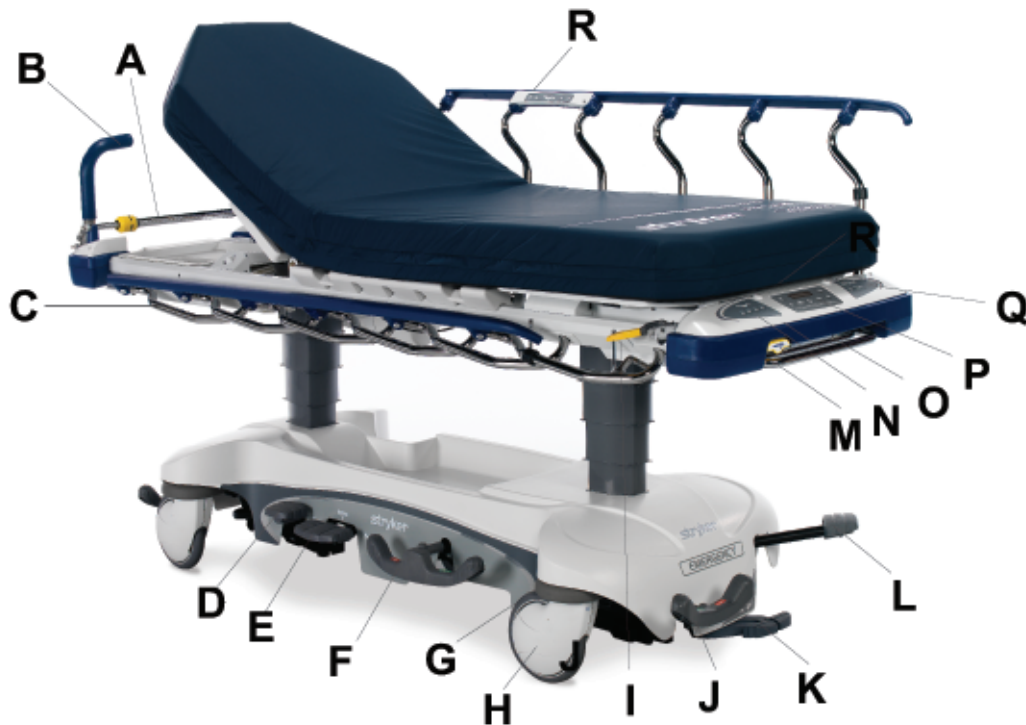


Figure 2 – Prime and Prime Connect

A	IV pole	J	Brake/steer pedal
B	Head end push handle	K	Hydraulic release pedal
C	Glideaway siderail	L	Pump pedal
D	Pump pedal	M	Gatch release handle
E	Uni-lower pedal	N	BackSmart operator control panel
F	Brake/steer pedal	O	Pump rack

G	Bumper, integrated	P	Operator keypad
H	Caster with integrated wheel cover	Q	Patient control panel lockout
I	Siderail latch	R	BackSmart siderail patient control panel

For product feature availability for your model, see *Product features* (page 18).

Product illustration, Prime X

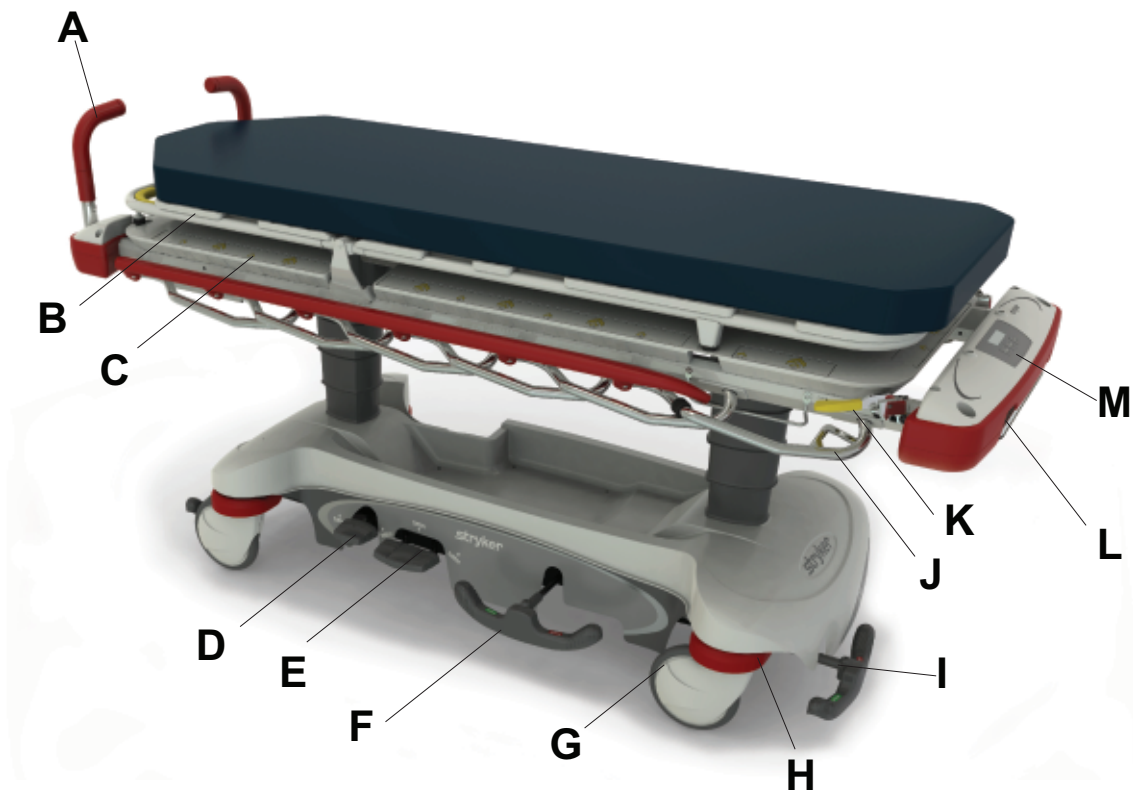


Figure 3 – Prime X

A	Head end push handle	H	Bumper, integrated
B	Patient surface with Clearview Technology deck	I	Brake/steer pedal
C	Cassette tray	J	Glideaway siderail
D	Pump pedal	K	Siderail latch
E	Uni-lower pedal	L	Pump rack
F	Brake/steer pedal	M	Operator keypad
G	Caster with integrated wheel cover		

For product feature availability for your model, see *Product features* (page 18).

Applied parts, electric litter



Figure 4 – Type B applied parts - electric litter

For product feature availability for your model, see *Product features* (page 18).

Applied parts, Prime X

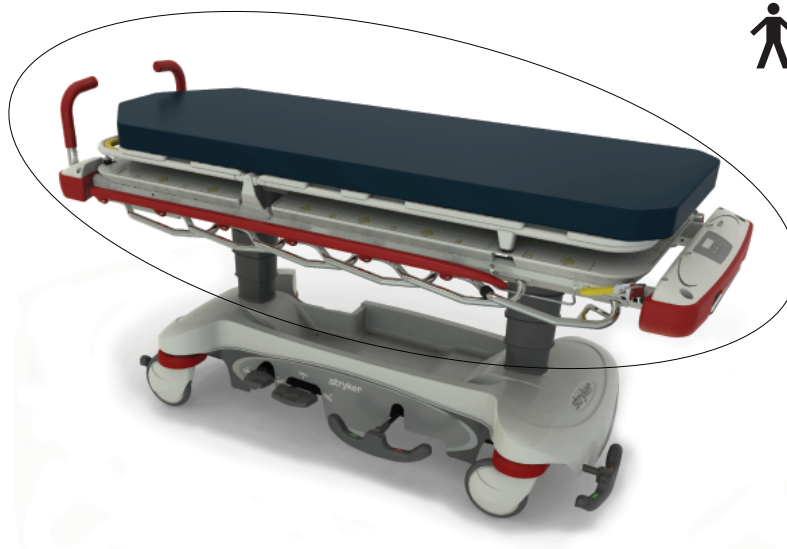


Figure 5 – Type B applied parts - Prime X

For product feature availability for your model, see *Product features* (page 18).

Contact information

Contact Stryker Customer Service or Technical Support at: 1-800-327-0770.

Stryker Medical
3800 E. Centre Avenue
Portage, MI 49002
USA

Note - The user and/or the patient should report any serious product-related incident to both the manufacturer and the Competent authority of the European Member State where the user and/or patient is established.

To view your operations or maintenance manual online, see <https://techweb.stryker.com/>.

Have the serial number (A) of your Stryker product available when calling Stryker Customer Service or Technical Support. Include the serial number in all written communication.

Serial number location

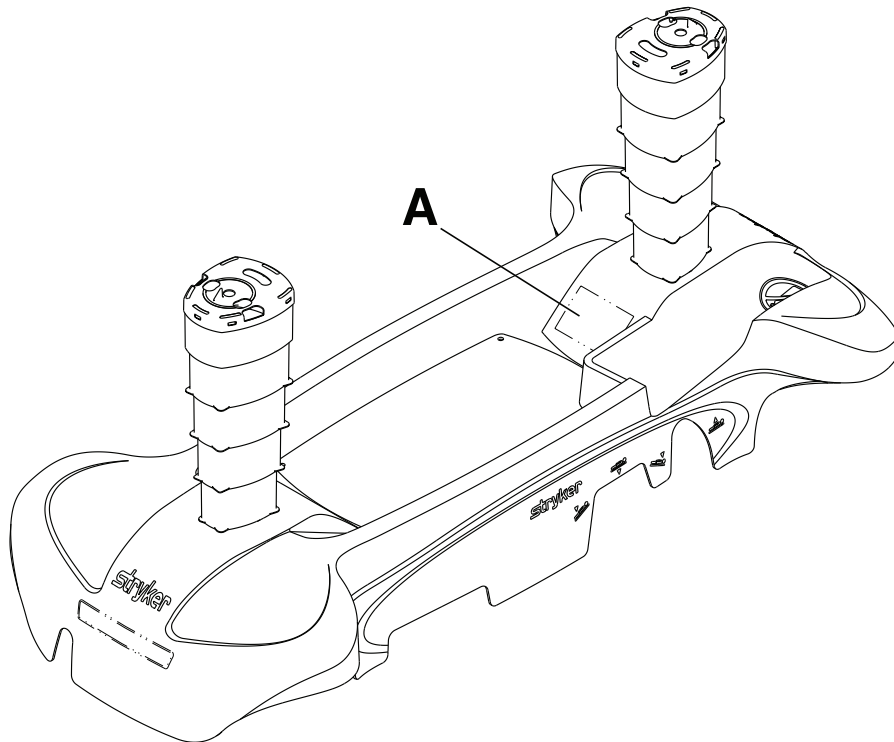


Figure 6 – Serial number location

Setup

To unpack your product, see the unpacking instructions that are attached to the product inside of the shipping crate.

WARNING

- Always allow the product to reach room temperature before you set up the product or test functional operations. Permanent product damage may occur.
 - Always operate the product when all operators are clear of the mechanisms.
 - Always use care when you handle the power cord. Entanglement, damage to the power cord, or potential shock hazards may occur. If the power cord is damaged, remove the product from service and contact the appropriate maintenance personnel.
 - Always plug the product into a grounded, hospital grade wall outlet. You can only achieve grounding reliability when you use a hospital grade wall outlet. This product is equipped with a hospital grade plug to protect against electric shock hazard.
-

Make sure that the product functions before you put the product into service.

For product feature availability for your model, see *Product features* (page 18).

1. Apply the brake. Push on the product to make sure that all four casters lock.
2. Release the brake. Push on the product to make sure that all four casters unlock.
3. Raise and lower the litter with the hydraulic lift system.
4. Raise the product to the highest height position and put the product in the Trendelenburg position. See *Positioning the product in Trendelenburg* (page 20). Make sure that the head end lowers to the lowest height position.
5. Raise the product to the highest height position and put the product in the reverse Trendelenburg position. See *Positioning the product in reverse Trendelenburg* (page 20). Make sure that the foot end lowers to the lowest height position.
6. Apply the fifth wheel and make sure that it guides and pivots the product.
7. Make sure that the siderails raise, lower, and lock in place.
8. Raise and lower the manual Fowler backrest.
9. Raise and lower the manual Gatch.

For products with electric lift or electric litter:

1. Complete the setup checklist above.
2. Always plug the product into a grounded, hospital grade wall outlet. Make sure that the LED lights illuminate on the keypads.
3. Make sure that each function on the siderail patient control panel works.
4. Make sure that each function on the operator control panel, operator keypad, and patient control panel lockout works.
5. Raise and lower the electric Fowler backrest.
6. Raise and lower the electric Gatch.

For products with battery backup:

1. Complete the setup checklist above.
2. Charge the battery. See *Charging the battery pack* (page 36).

Setting up bed exit over wired nurse call, Prime Connect

Note

- The nurse call interface connects to nurse call systems designed to comply with appropriate standards (i.e. IEC 60601-1, IEC 60950, UL 1069) and rated for a maximum of 42.4Vrms, 60VDC 1.5A.
- The product is equipped with an input that accepts a 1/4" nurse call cable.

For product feature availability for your model, see *Product features* (page 18).

To setup nurse call communication:

1. Plug the nurse call cable into the 1/4" nurse call cable connector on the litter frame at the head end of the product.
2. Plug the nurse call cable into the applicable connection (patient station, head wall, or docker station).

Note - Do not wrap the nurse call cable around the head end push handles or other objects to avoid the risk of product, cable, or head wall damage.

Setting up iBed Locator, Prime Connect

For instructions about how to mount and connect to the **iBed** Locator, see the **iBed** Locator Operations and Installation Manual.

For product feature availability for your model, see *Product features* (page 18).

The **Location** icon (A) illuminates green when the product is connected to the **iBed** Locator (Figure 7).

The **Location** icon illuminates amber when the product is not connected to the **iBed** Locator.

Note - The **Location** icon only illuminates if the wireless option is enabled and the power cord is plugged into a wall outlet.

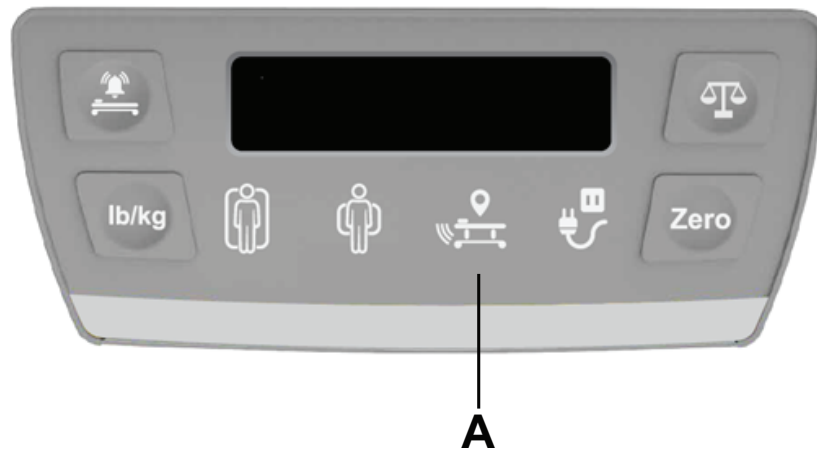


Figure 7 – Location icon

Operation

Product features

Product feature availability depends on your **Prime Series** stretcher model, configuration, and region. To confirm availability, call Stryker Customer Service: 1-800-327-0770.

Feature	Prime manual	Prime electric	Prime Connect	Prime X
Electric lift	Not available	Option ¹	Option ¹	Option ¹
Electric litter	Not available	Standard	Standard	Not available
Bed exit	Not available	Option	Standard	Not available
Wireless communication	Not available	Not available	Standard ²	Not available
Scale system	Option ²	Option ²	Standard ²	Option ²
Bed exit over wired nurse call	Not available	Not available	Standard	Not available
Power cord with retractable cord reel	Not available	Option ²	Standard ²	Option ²
Head end push handles	Option	Option	Standard	Option
Side brake/steer pedal	Option ¹	Option ¹	Standard ¹	Option ¹
Lift Assist/recovery chair position	Option	Standard	Standard	Not available
Adjustable Gatch	Standard	Standard	Standard	Not available

¹ Product feature not available for Stryker Model 1125 **Prime Series** stretcher with **Zoom** Motorized Drive.

² Product feature not available in all regions.

Applying and releasing the brakes

WARNING - Always apply the brakes when a patient is getting on the product or off the product or when the product is not moving. Injury could result if the product moves while a patient is getting on the product or off the product.

To apply the brakes, push down on the brake (red) side of the brake/steer pedal. Push on the product to make sure that the brakes work.

To release the brakes, push down on the steer (green) side of the brake/steer pedal.

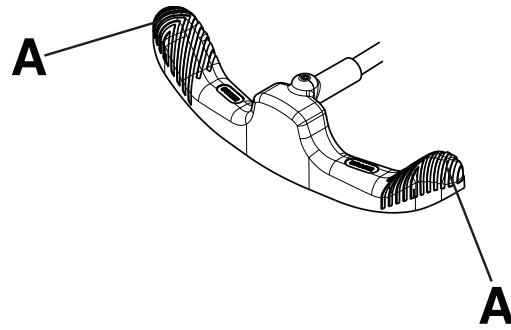


Figure 8 – Operating the brake/steer pedal

Note - Do not push down on the center of the brake/steer pedal. Always push down on the outer side (A) of the brake/steer pedal (Figure 8).

Base controls

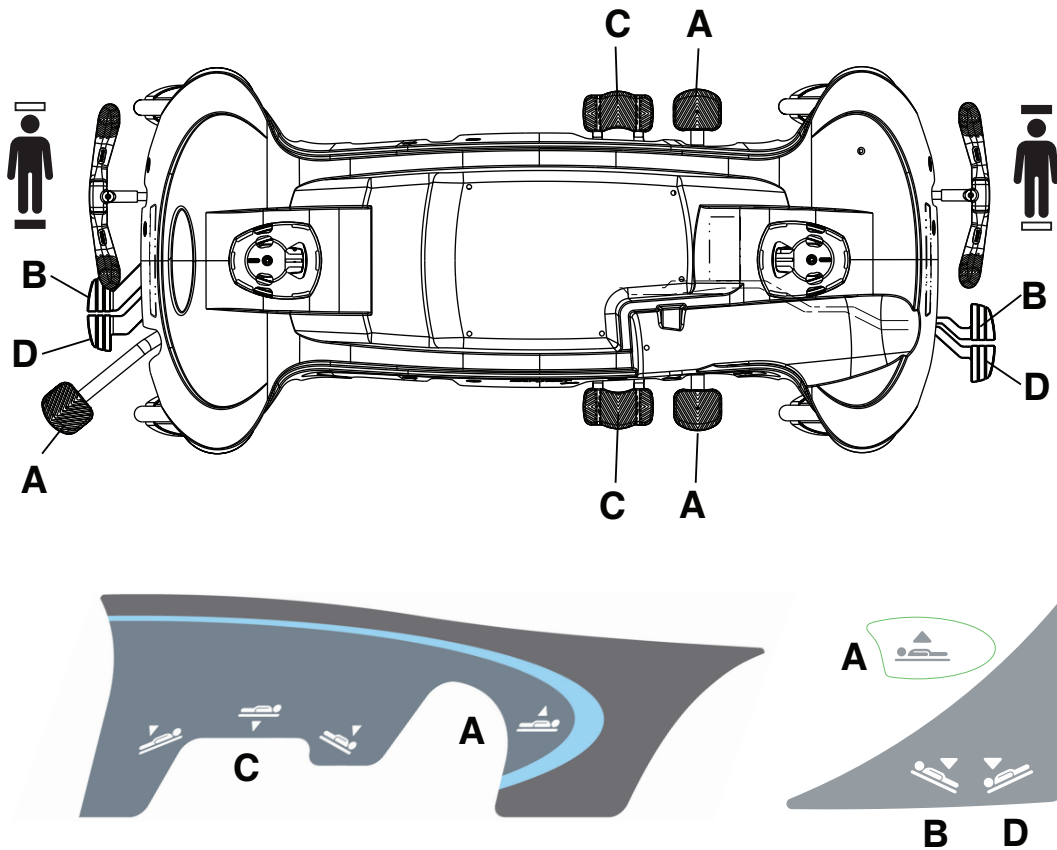


Figure 9 – Base controls and labels

Raising the product

WARNING

- Always position the patient in the center of the product.
- Always lock the siderails in the highest height position and lower the product to the lowest height position when you leave a patient unattended.

- Always remove any devices that may be in the way before you raise or lower the litter.
 - Do not sit on the end of the product. The product may tip.
-

CAUTION - Do not use the hydraulics on the base to raise the product with a patient lift under the product.

For product feature availability for your model, see *Product features* (page 18).

For products with an electric lift, press down on the pump pedal (A) until you achieve the desired height (*Base controls* (page 19)).

For products with a non-electric lift, pump the pump pedal (A) until you achieve the desired height.

Lowering the product

WARNING

- Always position the patient in the center of the product.
 - Always lock the siderails in the highest height position and lower the product to the lowest height position when you leave a patient unattended.
 - Always remove any devices that may be in the way before you raise or lower the litter.
 - Do not sit on the end of the product. The product may tip.
-

CAUTION - Do not use the hydraulics on the base to raise the product with a patient lift under the product.

For product feature availability for your model, see *Product features* (page 18).

To lower the entire product, press down on the center of the uni-lower pedal (C) (*Base controls* (page 19)).

To lower the head end, press down on the pedal (B) or on the side of the uni-lower pedal (C) closest to the head end of the product.

To lower the foot end, press down on the pedal (D) or press down on the side of the uni-lower pedal (C) closest to the foot end of the product.

Positioning the product in Trendelenburg

WARNING - Always remove any devices that may be in the way before you raise or lower the litter.

CAUTION - Do not use the hydraulics on the base to raise the product with a patient lift under the product.

To position the product in the Trendelenburg position (head down), raise the product to the highest height position. See *Raising the product* (page 19).

Note - Raise the product to the highest height position for a greater Trendelenburg angle.

To lower the head end of the product, push down on the head end or foot end release pedal (D) or push down on the side of the uni-lower pedal (C) closest to the head end (*Base controls* (page 19)).

To lower the product from Trendelenburg position, push down on the head end and foot end release pedals (B and D) at the same time or push down on the center of the uni-lower pedal (C) until the litter is flat.

Positioning the product in reverse Trendelenburg

WARNING - Always remove any devices that may be in the way before you raise or lower the litter.

CAUTION - Do not use the hydraulics on the base to raise the product with a patient lift under the product.

To position the product in the reverse Trendelenburg position (foot down), raise the product to the highest height position. See *Raising the product* (page 19).

Note - Raise the product to the highest height position for a greater Trendelenburg angle.

To lower the foot end of the product, push down on the head end or foot end release pedal (B) or push down on the side of the uni-lower pedal (C) closest to the foot end (*Base controls* (page 19)).

To lower the product from reverse Trendelenburg position, push down on the head end and foot end release pedals (B and D) at the same time or push down on the center of the uni-lower pedal (C) until the litter is flat.

Transporting a patient with the retractable fifth wheel

WARNING

- Always position the patient in the center of the product.
 - Always remove any devices that may be in the way before you raise or lower the litter.
 - Always unplug the power cord from the wall outlet before you transport or clean the product if your product is equipped with the electric lift or electric litter option.
 - Always lock the siderails in the highest height position with the sleep surface horizontal and lower the product to the lowest height position when you transport a patient.
 - Do not transport the product laterally on inclines greater than 5.7 degrees (10% grade) to avoid product tipping.
-

CAUTION - Do not use the hydraulics on the base to raise the product with a patient lift under the product.

Note

- Always make sure that you secure, lower, or stow accessories before you transport a patient to avoid the risk of product damage.
- For **Prime** electric and **Prime Connect** models, always unplug the power cord from the wall outlet before you transport a patient to avoid the risk of product damage.
- For **Prime Connect** models, always disconnect the nurse call cable from the stretcher before you transport a patient to avoid the risk of product, cable, or head wall damage.

For product feature availability for your model, see *Product features* (page 18).

To transport a patient with the retractable fifth wheel:

1. Raise the siderails to the highest height position. Pull to make sure that the siderail is latched.
2. Lower the product to the lowest height position.
3. Release the brakes. See *Applying and releasing the brakes* (page 18). Keep the brake/steer pedal in the neutral (horizontal) position to move the product laterally.

Note - Do not attempt to move the product laterally with the retractable fifth wheel applied.

4. Push down on the steer (green) side of the brake/steer pedal to apply the fifth wheel.
5. Move the product with the push handles.
6. Apply the brakes to lock the product in place.

Positioning or stowing the head end push handles

For product feature availability for your model, see *Product features* (page 18).

To position or stow the head end push handles:

1. Pivot the push handles (A) up from the head end of the product (Figure 10).

2. Push down on the push handles to lock into position.

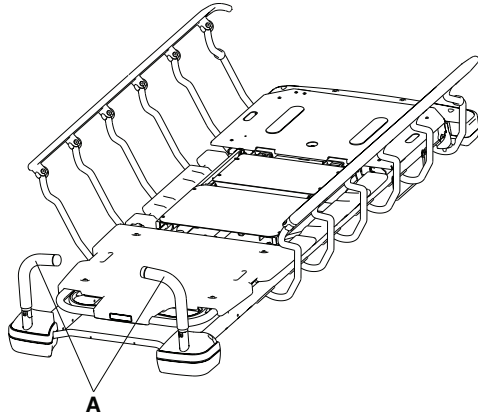


Figure 10 – Positioning the head end push handles

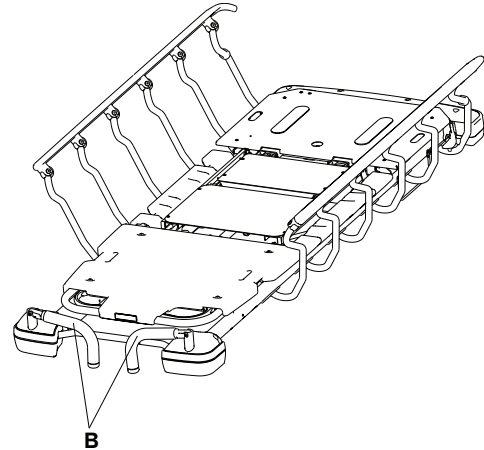


Figure 11 – Stowing the head end push handles

3. Reverse steps to stow the push handles (B) (Figure 11).

Note - Only use the push handles as push/pull devices unless otherwise specified to avoid product damage.

Positioning or stowing the foot end push handles option

WARNING

- Always keep hands and fingers clear of the foot end push handles when you lower the Gatch.
 - Always keep hands and fingers clear of the foot end push handles when you use the defibrillator tray, foot extender, chart holder, or upright oxygen bottle holder.
-

To position the foot end push handles:

1. Pivot the push handles (A) up from the foot end of the product (Figure 12).
2. Push down on the push handles to lock into position.

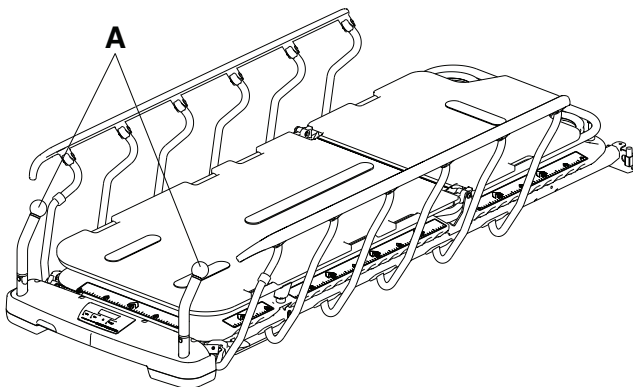


Figure 12 – Positioning the foot end push handles

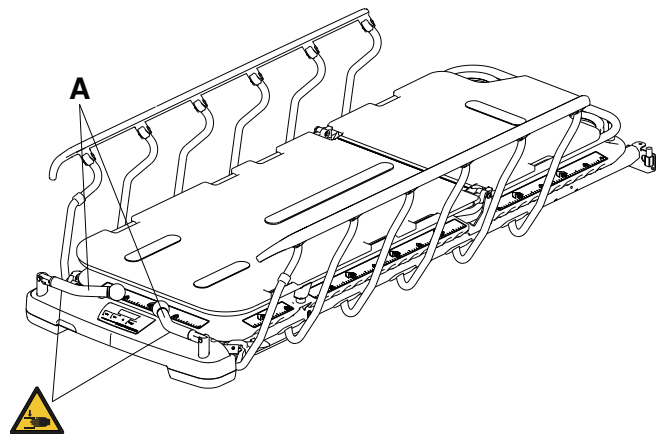


Figure 13 – Stowing the foot end push handles

3. Reverse steps to stow the push handles (A) (Figure 13).

Note

- Always raise the foot end push handles when you use accessories that attach to the foot end of the product.
- Only use the push handles as push or pull devices unless otherwise specified to avoid product damage.

Raising the siderail

WARNING

- Always use extra caution when you use a mattress thicker than 2.5 in. or a mattress overlay with **Prime X**.
 - Always lock the siderails in the highest height position and lower the product to the lowest height position when you leave a patient unattended.
 - Always lock the siderails in the highest height position with the sleep surface horizontal and lower the product to the lowest height position when you transport a patient.
 - Always keep the patient's limbs away from the siderail spindles when you raise or lower the siderail.
 - Do not allow the siderails to lower on their own.
-

To raise the siderail:

1. Use two hands to grasp the siderail.
2. Lift the siderail toward the foot end of the product until the yellow release latch clicks into place. Pull to make sure that the siderail is latched.

Note

- There is a dual siderail release latch option available with latches on both ends of the product.
- Do not use siderails as restraint devices to keep the patient from exiting the product. The siderails keep the patient from rolling off the product. The operator must determine how much restraint is needed to make sure that the patient is safe.
- You can use the foot end of the siderail top rail as a push/pull device.
- Siderails only lock in the highest height position.

Lowering the siderail

WARNING

- Always use extra caution when you use a mattress thicker than 2.5 in. or a mattress overlay with **Prime X**.
 - Always lock the siderails in the highest height position and lower the product to the lowest height position when you leave a patient unattended.
 - Always lock the siderails in the highest height position with the sleep surface horizontal and lower the product to the lowest height position when you transport a patient.
 - Always keep the patient's limbs away from the siderail spindles when you raise or lower the siderail.
 - Do not allow the siderails to lower on their own.
-

To lower the siderail:

1. Use one hand to grasp the siderail.
2. Use the other hand to pull up on the yellow release latch.
3. Lift and guide the siderail toward the head end of the product until the yellow release latch clicks into place. Pull to make sure that the siderail is latched.

Note

- There is a dual siderail release latch option available with latches on both ends of the product.
- Do not use siderails as restraint devices to keep the patient from exiting the product. The siderails keep the patient from rolling off the product. The operator must determine how much restraint is needed to make sure that the patient is safe.
- You can use the foot end of the siderail top rail as a push/pull device.
- Siderails only lock in the highest height position.

Positioning the product with the siderail patient control panel, electric litter

WARNING - Always operate the product when all operators are clear of the mechanisms.

For product feature availability for your model, see *Product features* (page 18).

Use the siderail patient control panel to position the Fowler backrest and Gatch (Figure 14).

Healthcare professionals must instruct patients how to operate the patient controls.

Note

- Always plug the power cord into a grounded, hospital grade wall outlet.
- The siderail patient control panel is positioned in a staggered location on each side of the product for easy patient access.
- Each siderail has backlit controls to allow the patient to position the Fowler backrest and Gatch. When the product is plugged in and the patient control panel is unlocked, the white buttons are illuminated.

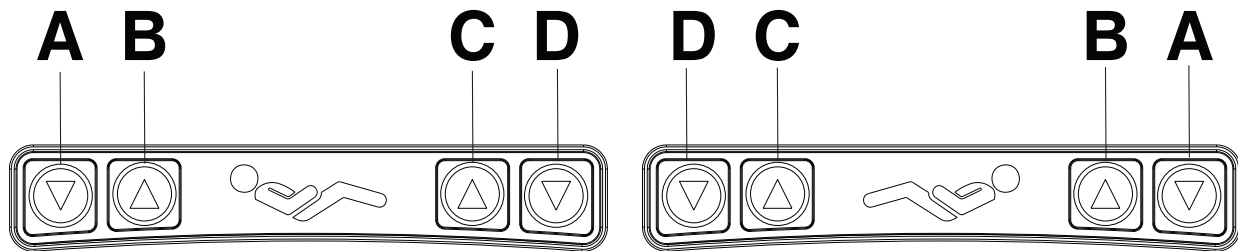


Figure 14 – Siderail patient control panel

A	Fowler down	Lowers the Fowler backrest
B	Fowler up	Raises the Fowler backrest
C	Gatch up	Raises the Gatch
D	Gatch down	Lowers the Gatch

Operator control panel, electric litter

WARNING - Always operate the product when all operators are clear of the mechanisms.

For product feature availability for your model, see *Product features* (page 18).

Use the operator control panel to adjust the position of the patient on the product (Figure 15).

Note - Always plug the power cord into a grounded, hospital grade wall outlet.

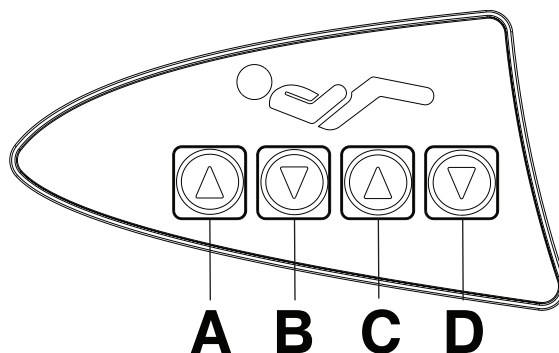


Figure 15 – Operator control panel - electric litter

A	Fowler up	Raises the Fowler backrest
B	Fowler down	Lowers the Fowler backrest
C	Gatch up	Raises the Gatch
D	Gatch down	Lowers the Gatch

Locking and unlocking the patient control panel lockout, electric litter

WARNING - Always operate the product when all operators are clear of the mechanisms.

For product feature availability for your model, see *Product features* (page 18).

To lock the siderail patient control panel, press **Unlock/Lock** (A) once (Figure 16).

Note - The lock icon (C) illuminates amber when the patient controls are locked.

To unlock the siderail patient control panel, press **Unlock/Lock** (A) a second time.

Note - The unlock icon (B) illuminates green when the patient controls are unlocked.

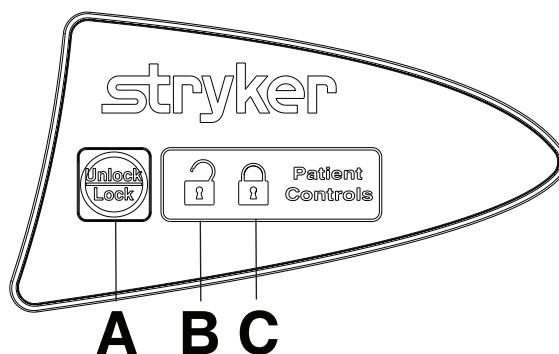


Figure 16 – Patient control panel lockout

Note

- Always plug the power cord into a grounded, hospital grade wall outlet.
- You can lock the patient control panel to prevent the patient from moving the Fowler backrest and Gatch.
- The siderail patient control panel is not backlit when you lock the patient control panel.

Raising or lowering the Fowler backrest, non-electric litter

WARNING

- Always operate the product when all operators are clear of the mechanisms.
 - Always keep hands and fingers clear of the Fowler backrest release handles and the Fowler backrest frame when you lower the Fowler backrest.
 - Always use caution when you raise and lower the Fowler backrest while a patient is on the product. Use proper lifting techniques and get help, if necessary.
-

For product feature availability for your model, see *Product features* (page 18).

To raise the Fowler backrest:

1. Squeeze and hold one or both of the Fowler backrest release handles (A) while you pull the Fowler backrest up to the desired position (0° to 90°) (Figure 17).

Note - The **Lift Assist** backrest uses patient weight to assist in patient positioning. The **Lift Assist** backrest also helps to keep the patient from sliding toward the foot end of the product when you raise the Fowler backrest.

2. Release the Fowler backrest release handle to lock the Fowler backrest in position.

To lower the Fowler backrest:

1. Squeeze and hold one or both of the Fowler backrest release handles (A) while you push the Fowler backrest down to the desired position (90° to 0°) (Figure 17).
2. Release the Fowler backrest release handle to lock the Fowler backrest in position.

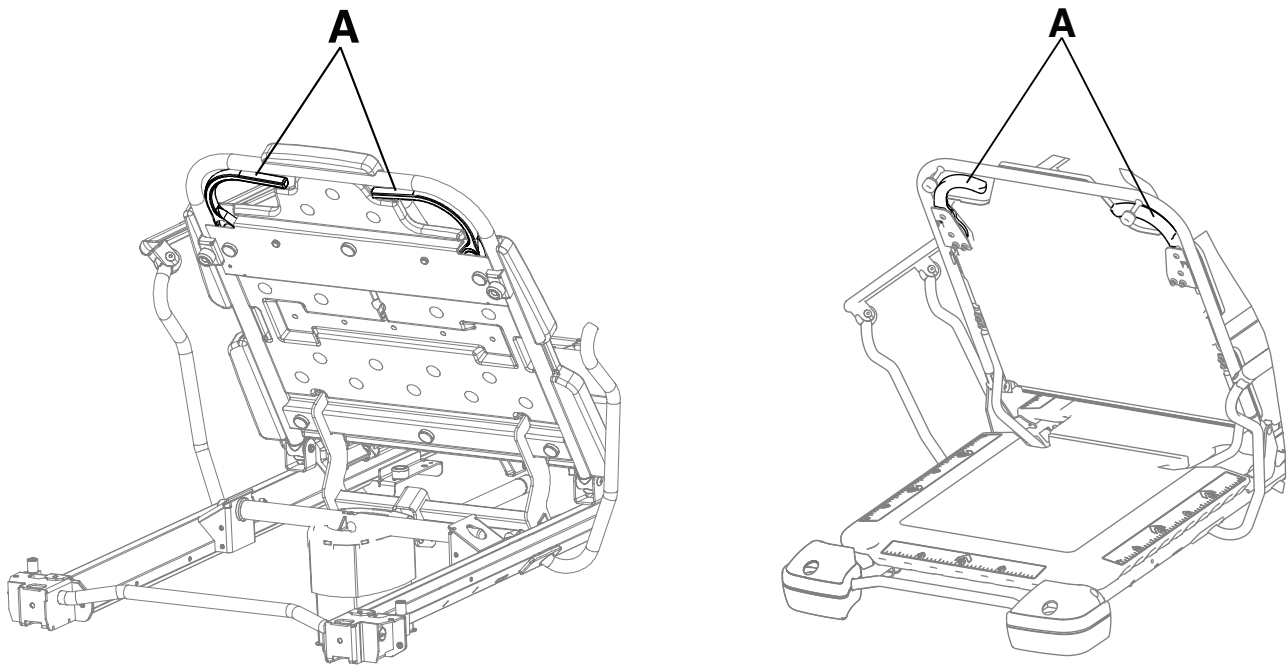


Figure 17 – Raising or lowering the Fowler backrest

Raising or lowering the Fowler backrest, electric litter

WARNING

- Always operate the product when all operators are clear of the mechanisms.
- Always keep hands and fingers clear of the Fowler backrest release handles and the Fowler backrest frame when you lower the Fowler backrest.

- Always use caution when you raise and lower the Fowler backrest while a patient is on the product. Use proper lifting techniques and get help, if necessary.
-

Note

- Always plug the power cord into a grounded, hospital grade wall outlet.
- Healthcare professionals must instruct patients how to operate the patient controls.

For product feature availability for your model, see *Product features* (page 18).

To raise the Fowler backrest:

1. Press and hold the **Fowler up** button (B) on the siderail patient control panel (*Positioning the product with the siderail patient control panel, electric litter* (page 24)) or the **Fowler up** button (A) on the operator control panel (*Operator control panel, electric litter* (page 24)).
2. Release the button when the Fowler backrest reaches the desired angle.

Note - The **Lift Assist** backrest uses patient weight to assist in patient positioning. The **Lift Assist** backrest also helps to keep the patient from sliding toward the foot end of the product when you raise the Fowler backrest.

To lower the Fowler backrest:

1. Press and hold the **Fowler down** button (A) on the siderail patient control panel (*Positioning the product with the siderail patient control panel, electric litter* (page 24)) or the **Fowler down** button (B) on the operator control panel (*Operator control panel, electric litter* (page 24)).
2. Release the button when the Fowler backrest reaches the desired angle.

Raising or lowering the Gatch, non-electric litter

WARNING - Always keep hands and fingers clear of the foot end push handles when you lower the Gatch.

CAUTION

- Do not exceed the 200 lb (90.7 kg) weight capacity of the Gatch.
 - Always make sure that the Gatch prop rod is secure before you raise or lower the Gatch.
 - Do not sit or stand on the Gatch.
-

Note - You cannot raise the Gatch manually if the product has an electric litter.

For product feature availability for your model, see *Product features* (page 18).

To raise the Gatch:

1. Pump the Gatch pump handle until you achieve the desired position.
2. Lift up on the end of the Gatch and secure the Gatch prop rod in the bracket.

To lower the Gatch:

1. Lift up on the end of the Gatch, swing the prop rod toward the head end of the product, and lower the foot end.
2. Pull the Gatch release handle until you achieve the desired position.

Raising or lowering the Gatch, electric litter

WARNING

- Always keep hands and fingers clear of the foot end push handles when you lower the Gatch.
 - Always operate the product when all operators are clear of the mechanisms.
-

CAUTION

- Do not exceed the 200 lb (90.7 kg) weight capacity of the Gatch.
 - Do not sit or stand on the Gatch.
 - Always use caution when you attempt to lower the Gatch while the product is unpowered. Gravity may cause a rapid drop of the Gatch.
-

Note

- Always plug the power cord into a grounded, hospital grade wall outlet.
- Healthcare professionals must instruct patients how to operate the patient controls.

For product feature availability for your model, see *Product features* (page 18).

To raise the Gatch:

1. Press and hold the **Gatch up** button (C) on the siderail patient control panel (*Positioning the product with the siderail patient control panel, electric litter* (page 24)) or the operator control panel (*Operator control panel, electric litter* (page 24)).
2. Release the button when the Gatch reaches the desired angle.

To lower the Gatch:

1. Press and hold the **Gatch down** button (D) on the siderail patient control panel (*Positioning the product with the siderail patient control panel, electric litter* (page 24)) or the operator control panel (*Operator control panel, electric litter* (page 24)).
2. Release the button when the Gatch reaches the desired angle.

Positioning the recovery chair

WARNING - Always operate the product when all operators are clear of the mechanisms.

Note - To place the product in the recovery chair position, the product must have the **Lift Assist** Fowler backrest and Gatch options.

For product feature availability for your model, see *Product features* (page 18).

To place the product in the recovery chair position (Figure 18):

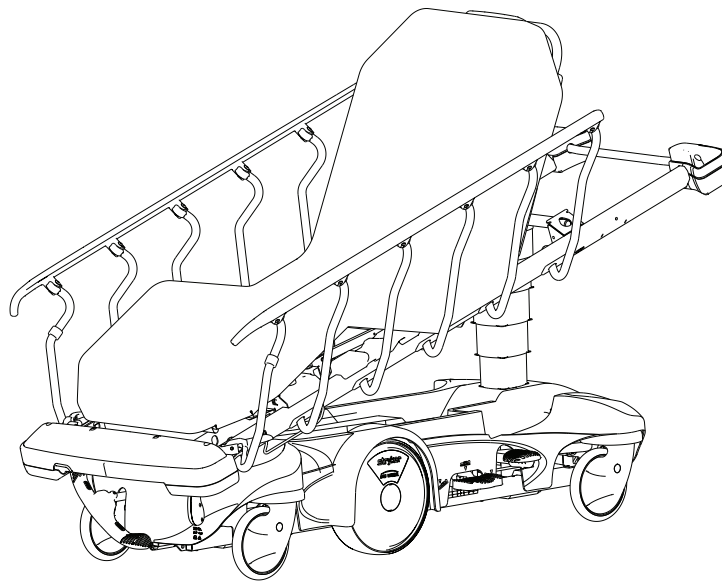


Figure 18 – Recovery chair (Model 1115 shown)

1. Raise the Fowler backrest to a seated position. See *Raising or lowering the Fowler backrest, non-electric litter* (page 26) or *Raising or lowering the Fowler backrest, electric litter* (page 26).
2. Raise the Gatch to the highest height position. See *Raising or lowering the Gatch, non-electric litter* (page 27) or *Raising or lowering the Gatch, electric litter* (page 27).
3. Raise the product to the highest height position. See *Raising the product* (page 19).
4. Place the product into the reverse Trendelenburg position. See *Positioning the product in reverse Trendelenburg* (page 20).
5. Reverse steps to return the product to a horizontal position.

Storing objects in the base hood

CAUTION

- Do not place objects that exceed 60 lb (27 kg) in the base hood.
 - Do not sit, step, or stand on the base hood.
-

You can store patient belongings in the base hood. Do not use the oxygen bottle holder cutout to store oxygen bottles or patient belongings.

Hanging devices with the pump rack option

WARNING

- Always keep device lines on the pump rack away from the Gatch handles.
 - Always remove any devices that may be in the way before you raise or lower the litter.
 - Always make sure that devices on the pump rack can pass through door openings.
 - Do not lift the product by the pump rack.
-

CAUTION

- Do not exceed the 40 lb (18 kg) weight capacity of the pump rack.
 - Do not use the pump rack as a push/pull device. Product damage may occur.
-

You can store or hang additional devices on the pump rack that is located on the foot end of the product.

Note - You must select the pump rack option at the time of purchase.

Extending or retracting the power cord with the retractable cord reel

WARNING

- Always unplug the power cord from the wall outlet before you transport or clean the product.
 - Always use the retractable cord reel to store the power cord inside the base when you transport the product.
-

Note - Always unplug the power cord from the wall outlet before you transport a patient to avoid the risk of product damage.

For product feature availability for your model, see *Product features* (page 18).

To extend the power cord, pull the power cord out from the retractable cord reel (A) to the desired length (Figure 19).

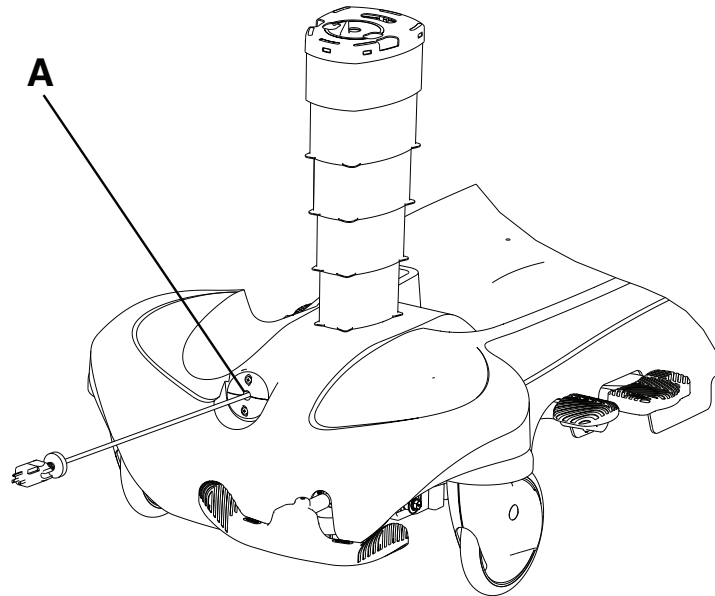


Figure 19 – Retractable cord reel

To retract the power cord:

1. Unplug the power cord from the wall outlet.
2. Tug lightly on the power cord.
3. Guide the power cord into the retractable cord reel.

Scale system and bed exit

WARNING - Do not use the scale system, electric lift, or electric litter options adjacent to or stacked with other devices. If adjacent or stacked use is necessary, the scale system, electric lift, or electric litter options should be observed to make sure that all devices operate in the configuration in which they will be used.

CAUTION - Do not use the scale for patients under 50 lb (22.7 kg).

For product feature availability for your model, see *Product features* (page 18).

Bed exit allows you to set zone controls to alert an operator when a patient moves from the selected zone.

The scale system allows you to weigh a patient. For **Prime** electric and **Prime Connect** models, the scale system has a battery backup. See *Charging the battery pack* (page 36).

Use the operator keypad to operate the scale system or bed exit. See *Operator keypad icon/button identification* (page 31).

Operator keypad icon/button identification

For product feature availability for your model, see *Product features* (page 18).

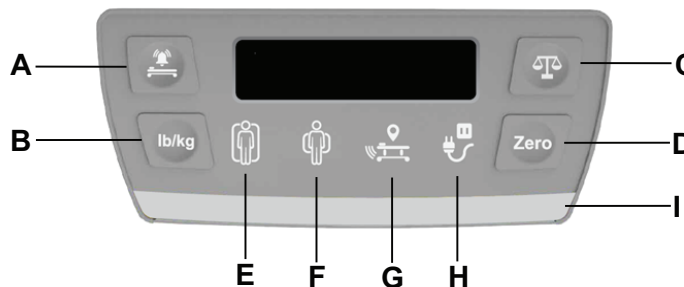


Figure 20 – Prime Connect keypad, with bed exit and scale

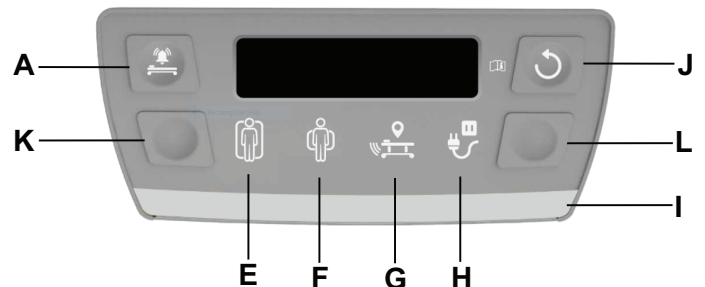


Figure 21 – Prime Connect keypad, with bed exit, without scale

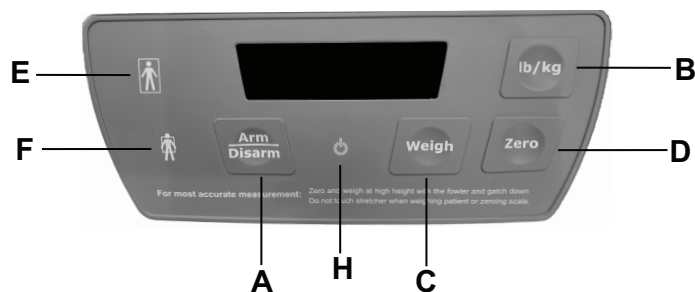


Figure 22 – Prime keypad, with bed exit and scale

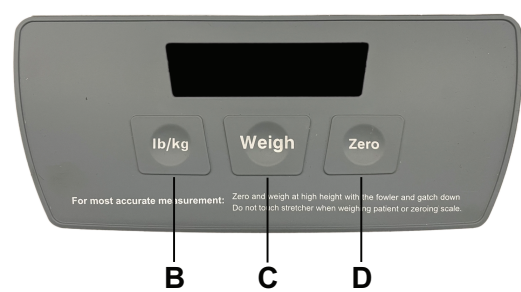


Figure 23 – Prime and Prime X keypad, without bed exit, with scale

Button/icon	Name	Description
A	Arm/Disarm	Arms and disarms bed exit
B	lb/kg	Changes the displayed unit of measure
C	Weigh	Weighs the patient
D	Zero	Zeroes/tares the scale
E	Zone 1	Least sensitive setting for bed exit The larger zone gives the patient greater freedom of movement on the product before the bed exit alarm activates
F	Zone 2	Most sensitive setting for bed exit The smaller zone gives the patient less freedom of movement on the product and activates the bed exit alarm when the patient moves away from the centralized zone

Button/icon	Name	Description
G	Location ¹	<p>Illuminates green when the product is connected to the iBed Locator</p> <p>Illuminates amber when the product is not connected to the iBed Locator</p>
H	Power/Standby	<p>Illuminates green when the power cord is plugged into a wall outlet and battery backup is charging</p> <p>Illuminates amber when the power cord is unplugged from the wall outlet and the stretcher is in standby mode and using the battery backup</p>
I	Strip light ²	<p>Illuminates green when bed exit is armed</p> <p>Illuminates red when bed exit alarm is triggered</p> <p>The center illuminates amber when the power cord is unplugged from the wall outlet and the stretcher is in standby mode and using the battery backup</p>
J	Patient reset	Tares the stretcher so you can set bed exit
K	Bottom left button	Unlabeled button used for the bed exit alarm volume and pattern menus
L	Bottom right button	Unlabeled button used for the bed exit alarm volume and pattern menus

¹ The **Location** icon only illuminates for **Prime Connect** models if the wireless option is enabled and the power cord is plugged into a wall outlet.

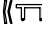
² In standby mode, the center amber light dims to a low light then increase to bright light. This cycle repeats.

Weighing a patient, Prime and Prime X

CAUTION

- Do not use the scale system reading as a reference for medical treatment.
- Do not use the scale for patients under 50 lb (22.7 kg).

Note

- To meet the scale system accuracy claim, the patient surface must be in the horizontal position (Fowler backrest and Gatch down) and the product cannot exceed 5 degrees of Trendelenburg or reverse Trendelenburg.
-  displays on the screen if there is a loose connection or if the scale is not operating. If you attempt to operate the scale again and the error appears, contact Stryker Technical Support.
- For products with foot end push handles, make sure that you raise the foot end push handles before you operate the scale system.

For product feature availability for your model, see *Product features* (page 18).

To weigh a patient:

1. Press and hold **Zero** until **rEL** displays on the screen to zero the scale. Do not place the patient on the product until **000.0** stops flashing.

Note - Do not touch the product while you zero the scale system.

2. Place the patient on the product.
3. Press **Weigh** to obtain the patient's weight.

Note - Make sure that the patient remains still and you do not touch the product while you weigh the patient. If the patient moves, the scale system will try for 20 seconds to get a stable weight then **⏏** displays on the screen.

4. Press **lb/kg** to toggle and select the scale system unit of measure (lb or kg).

Weighing a patient, Prime Connect

CAUTION

- Do not use the scale system reading as a reference for medical treatment.
 - Do not use the scale for patients under 50 lb (22.7 kg).
-

Note

- To meet the scale system accuracy claim, the patient surface must be in the horizontal position (Fowler backrest and Gatch down) and the product cannot exceed 5 degrees of Trendelenburg or reverse Trendelenburg.
- For products with foot end push handles, make sure that you raise the foot end push handles before you operate the scale system.
- **Zeroing failed** or **Zeroing unstable** may display on the screen when you zero the scale. If you are unable to zero the scale, contact Stryker Technical Support.
- **Weighing failed** or **Weighing unstable** may display on the screen if the scale is not operating. If you attempt to operate the scale again and **Set Zero** appears, contact Stryker Technical Support.

For product feature availability for your model, see *Product features* (page 18).

To weigh a patient:

1. Press and hold **Zero** until **Release** displays on the screen. Do not place the patient on the product until **0.0 kg** displays on the screen.

Note - Do not touch the product while you zero the scale system.

2. Place the patient on the product.
3. Press the **Weigh** button (C) to obtain the patient's weight (*Operator keypad icon/button identification* (page 31)). The patient's weight displays on the screen in kg.

Note - Make sure that the patient remains still and you do not touch the product while you weigh the patient. If the patient moves, the scale system will try for 20 seconds to get a stable weight then **Weighing unstable** displays on the screen.

4. Press and hold **lb/kg** to view the patient weight in lb.

Note - The scale system unit of measure is locked in kg. When you release **lb/kg**, the scale system unit of measure returns to kg.

Locking the scale unit of measure, Prime and Prime X

For product feature availability for your model, see *Product features* (page 18).

Note - You cannot lock the scale unit of measure for **Prime Connect**. **Prime Connect** defaults to display weight in kg. When you weigh a patient, you must press and hold **lb/kg** to view the patient weight in lb. See *Weighing a patient, Prime Connect* (page 33).

To lock the scale unit of measure:

1. Press and hold **Weigh**, **lb/kg**, and **Zero** until **diag** displays on the screen.
2. Press **lb/kg** or **Zero** to toggle to **Unit Loc**.
 - a. For scale systems with bed exit, press and hold **lb/kg** and **Zero** to select **Unit Loc**.
 - b. For scale systems without bed exit, press and hold **lb/kg** and **Zero** until **rEL** displays on the screen to select **Unit Loc**.
3. Press **lb/kg** or **Zero** to toggle to **lb**, **kg**, or **Any**.
4. Press and release **lb/kg** and **Zero**. **Only** and the selected unit of measure displays on the screen.

Note - Only will not display on the screen if you select **Any**.

5. Press and hold **Weigh** until **quit** displays on the screen.
6. Press and hold **Zero** until **rEL** displays on the screen. **000.0** flashes then stops flashing.

Note - You can use the scale system when **000.0** stops flashing.

Arming or disarming bed exit, Prime

Bed exit monitors the patient's position on the product using zone controls. If the patient moves outside the limits of the selected zone, bed exit triggers an audible alarm and an amber light illuminates from the bottom of the product litter.

For product feature availability for your model, see *Product features* (page 18).

To arm bed exit:

1. Press and hold **Zero** until **rEL** displays on the screen to zero the scale system. Do not place the patient on the product until **000.0** stops flashing.
2. Place the patient on the product.
3. Press **Arm/Disarm** to arm zone 1. Press **Arm/Disarm** again within 3 seconds to select and arm zone 2.

Note

- The **Zone 1** icon (E) or **Zone 2** icon (F) illuminates to show which zone you selected (*Operator keypad icon/button identification* (page 31)).
- You do not need to zero the scale system to change the zone or arm the bed exit again for the same patient.

To disarm bed exit, press and hold **Arm/Disarm** until **rEL** displays on the screen.

Arming or disarming bed exit, Prime Connect

Bed exit monitors the patient's position on the product using zone controls. If the patient moves outside the limits of the selected zone, bed exit triggers an audible alarm, the strip light flashes red, and an amber light flashes from the bottom of the product litter.

Note

- **Zeroing failed** or **Zeroing unstable** may display on the screen when you zero the scale. **Patient reset failed** or **Litter unstable** may appear on the screen when you reset the patient information. If you are unable to zero the scale or reset the patient information, contact Stryker Technical Support.
- **Bed exit failed**, **Set Zero**, or **Patient reset required** may display on the screen when you arm bed exit. If you are unable to arm bed exit, contact Stryker Technical Support.

For product feature availability for your model, see *Product features* (page 18).

To arm bed exit:

1. Zero the scale system for **Prime Connect** with scale or reset the patient information for **Prime Connect** without scale.
 - a. For **Prime Connect** with scale, press and hold **Zero** until **Release** displays on the screen. Do not place the patient on the product until **0.0 kg** displays on the screen.
 - b. For **Prime Connect** without scale, press and hold the **Patient reset** button (J) until **Release** displays on the screen (*Operator keypad icon/button identification* (page 31)).
2. Place the patient on the product.
3. Press the **Arm/Disarm** button (A) to arm zone 1 (*Operator keypad icon/button identification* (page 31)). Press the **Arm/Disarm** button again within 3 seconds to select and arm zone 2.

Note

- The strip light illuminates green when you arm bed exit. The **Zone 1** icon (E) or **Zone 2** icon (F) illuminates to show which zone you selected.
- You do not need to zero the scale system or reset the patient information to change the zone or arm the bed exit again for the same patient.

To disarm bed exit, press and hold the **Arm/Disarm** button until **Release** displays on the screen.

Changing the bed exit alarm pattern, Prime

For product feature availability for your model, see *Product features* (page 18).

To change the bed exit alarm pattern:

1. Press and hold **Arm/Disarm** and **Weigh** for at least six seconds. Ignore all screen messages until **Ptrn** displays on the screen.
2. Release **Arm/Disarm** and **Weigh**.

Note - The pattern options **P (1-10)** display on the screen.

3. Press **Arm/Disarm** or **Weigh** to scroll through the pattern options.

Note - A brief sample of the pattern plays as you scroll through the pattern options.

4. Press and hold **Arm/Disarm** and **Weigh** for at least six seconds until **SEt** displays on the screen to save your selected pattern.
5. Release **Arm/Disarm** and **Weigh**.

Note - The pattern option you selected displays on the screen. A brief sample of the bed exit alarm confirms your pattern setting.

Changing the bed exit alarm pattern, Prime Connect

For product feature availability for your model, see *Product features* (page 18).

To change the bed exit alarm pattern:

1. Enter the alarm pattern screen.
 - a. For **Prime Connect** with scale, press and hold the **Arm/Disarm** and **Weigh** buttons (A and C) for at least six seconds (*Operator keypad icon/button identification* (page 31)).
 - b. For **Prime Connect** without scale, press and hold the **Arm/Disarm** and **Patient reset** buttons (A and J) for at least six seconds.
2. Release the buttons when the loading bar displays on the screen.

Note - The pattern options **(1-10)** display on the screen.

3. Scroll through the pattern options.

a. For **Prime Connect** with scale, press the **Arm/Disarm** or **Weigh** button to scroll through the pattern options.

b. For **Prime Connect** without scale, press the **Arm/Disarm** or **Patient reset** button to scroll through the pattern options.

Note - A brief sample of the pattern plays as you scroll through the pattern options.

4. Select the pattern option.

a. For **Prime Connect** with scale, press **lb/kg** to select the pattern option.

b. For **Prime Connect** without scale, press the **bottom left** button (K) to select the pattern option.

Note - **Set** displays on the screen. A brief sample of the bed exit alarm confirms your pattern setting.

Changing the bed exit alarm volume, Prime

For product feature availability for your model, see *Product features* (page 18).

To change the bed exit alarm volume:

1. Press and hold **Zero** and **lb/kg** until **vol** displays on the screen.

2. Release **Zero** and **lb/kg**.

Note - The volume levels **L (1-4)** display on the screen.

3. Press **Zero** or **lb/kg** to scroll through the volume levels.

Note - A brief sample of the volume plays as you scroll through the volume options.

4. Press and hold **Zero** and **lb/kg** for six seconds until **SEt** displays on the screen to save your selected volume setting.

5. Release **Zero** and **lb/kg**.

Note - The volume option you selected displays on the screen. A brief sample of the bed exit alarm confirms your volume setting.

Changing the bed exit alarm volume, Prime Connect

For product feature availability for your model, see *Product features* (page 18).

To change the bed exit alarm volume:

1. Enter the alarm volume screen.

- a. For **Prime Connect** with scale, press and hold **lb/kg** and **Zero** for at least six seconds.
- b. For **Prime Connect** without scale, press and hold the **bottom left** and **bottom right** buttons (K and L) for at least six seconds (*Operator keypad icon/button identification* (page 31)).

2. Release the buttons when the loading bar displays on the screen.

Note - The volume options **(1-4)** display on the screen.

3. Scroll through the volume options.

- a. For **Prime Connect** with scale, press the **Arm/Disarm** or **Weigh** button (A or C) to scroll through the volume options.
- b. For **Prime Connect** without scale, press the **Arm/Disarm** or **Patient reset** button (A or J) to scroll through the volume options.

Note - A brief sample of the volume plays as you scroll through the volume options.

4. Select the volume option.

- a. For **Prime Connect** with scale, press **lb/kg** to select the volume option.
- b. For **Prime Connect** without scale, press the **bottom left** button (K) to select the volume option.

Note - **Set** displays on the screen. A brief sample of the bed exit alarm confirms your volume setting.

Charging the battery pack

For product feature availability for your model, see *Product features* (page 18).

Prime Connect models require one 10.8V Li-ION battery pack (0058-134-000).

Prime electric models with a scale system require one 10.8V Li-ION battery pack, without bed exit (0058-135-000) or with bed exit (0058-134-000).

Charge the battery pack when the battery charge indicator displays one unit remains. This prevents the scale system from shutting down due to drained batteries.

To charge the scale system Li-ION battery pack, always plug the power cord into a grounded, hospital grade wall outlet. The battery pack fully charges in approximately three hours.

Note - Always charge the battery pack when not in use. This helps the battery to maintain a sufficient charge and maximizes product performance while on battery power.

Replacing the batteries for the scale system, non-electric litter

For product feature availability for your model, see *Product features* (page 18).

Replace the batteries when the battery charge indicator on the screen shows one unit remains. This prevents the scale system from shutting down due to drained batteries.

When **Lo batt** flashes on the screen, the batteries are at the lowest charge and the scale system is disabled.

Tools required:

- Phillips screwdriver
- Four AA batteries (Alkaline type (LR6))

To replace the batteries:

1. Using a Phillips screwdriver, remove the screws that hold the battery compartment cover to the display assembly. Save the screws.

2. Remove and discard all four AA batteries.

Note - Always dispose of old batteries in accordance with local regulations.

3. Insert four new AA batteries as indicated in the battery holder.

Note - Never mix old batteries with new batteries.

4. Using a Phillips screwdriver, replace the screws removed in step 1 to reinstall the battery compartment cover on the display assembly.

Accessories and parts

These accessories may be available for use with your product. Confirm availability for your configuration or region. Call Stryker Customer Service: 1-800-327-0770.

Name	Part number
Cable, 1/4" nurse call	100800380879
Cable, 1/4" nurse call splitter	100800380877
Defibrillator tray	1105-045-200
Defibrillator tray/foot extender	1105-045-400
Footboard/chart holder	1105-045-500
Heel pad assembly	1105-045-022
IV caddy	0785-155-000
Havasu IV pole, removable	0390-025-000
IV pole, three-stage, foot end, left, 26"	1105-035-644
IV pole, three-stage, foot end, right, 26"	1105-035-639
IV pole, three-stage, foot end, left, 30"	1105-035-344
IV pole, three-stage, foot end, right, 30"	1105-035-339
IV pole, three-stage, foot end, left, 30" (Prime X)	1105-035-364
IV pole, three-stage, foot end, right, 30" (Prime X)	1105-035-361
IV pole, three-stage, head end, left, 26"	1105-035-642

Name	Part number
IV pole, three-stage, head end, right, 26"	1105-035-637
IV pole, three-stage, head end, left, 30"	1105-035-342
IV pole, three-stage, head end, right, 30"	1105-035-337
IV pole, three-stage, head end, left, 30" (Prime X)	1105-035-369
IV pole, three-stage, head end, right, 30" (Prime X)	1105-035-366
IV pole, two-stage, foot end, left, 26"	1105-035-640
IV pole, two-stage, foot end, right, 26"	1105-035-643
IV pole, two-stage, foot end, left, 30"	1105-035-340
IV pole, two-stage, foot end, right, 30"	1105-035-343
IV pole, two-stage, foot end, left, 30" (Prime X)	1105-035-362
IV pole, two-stage, foot end, right, 30" (Prime X)	1105-035-363
IV pole, two-stage, head end, left, 26"	1105-035-638
IV pole, two-stage, head end, right, 26"	1105-035-641
IV pole, two-stage, head end, left, 30"	1105-035-341
IV pole, two-stage, head end, right, 30"	1105-035-338
IV pole, two-stage, head end, left, 30" (Prime X)	1105-035-367
IV pole, two-stage, head end, right, 30" (Prime X)	1105-035-368
Mattress, ComfortGel SE, fire barrier, 26"	1805-034-601
Mattress, ComfortGel SE, fire barrier, 30"	1805-034-301
Mattress, ComfortGel SE, without fire barrier, 26"	1805-034-600
Mattress, ComfortGel SE, without fire barrier, 30"	1805-034-300
Mattress, Enhanced Comfort, 3" x 26"	0785-034-613
Mattress, Enhanced Comfort, 3" x 30"	0785-034-313
Mattress, Enhanced Comfort, 4" x 26"	0785-034-623
Mattress, Enhanced Comfort, 4" x 30"	0785-034-323
Mattress, IsoFlex SE, fire barrier, 30"	1806-034-300
Mattress, IsoFlex SE, without fire barrier, international, 30"	1806-034-301
Mattress, Ultra Comfort, 4" x 26"	0785-034-603
Mattress, Ultra Comfort, 4" x 30"	0785-034-303
Mattress, Ultra Comfort, 5" x 26"	0785-034-633
Mattress, Ultra Comfort, 5" x 30"	0785-034-333
Mattress, Ultra Comfort SE, 4" x 26"	1704-034-600
Mattress, Ultra Comfort SE, fire barrier, international, 4" x 26"	1704-034-601

Name	Part number
Mattress, Ultra Comfort, stretcher extender, 4" x 26"	1105-034-609
Mattress, Ultra Comfort, stretcher extender, 4" x 30"	1105-034-309
Mattress, Ultra Comfort SE, 3" x 30"	1703-034-300
Mattress, Ultra Comfort SE, fire barrier, 3" x 30"	1703-034-301
Mattress, Ultra Comfort SE, 4" x 30"	1704-034-300
Mattress, Ultra Comfort SE, fire barrier, 4" x 30"	1704-034-301
Oxygen bottle holder, upright	1115-130-000
Pump bar option, 30"	1105-045-035
Push handle assembly, foot end, 30"	1105-048-030
Push handle assembly, head end, 30"	1105-048-060
Restraint strap package	0785-045-010
Restraint strap, ankle	0785-045-020
Restraint strap, body	0785-045-015
Restraint strap, wrist	0946-044-000
Restraint strap, chest	1010-058-000
Serving tray	1105-045-700
Serving tray holder/footboard	1105-045-800
Siderail pads	1001-052-000
X-ray cassette holder, lateral	1105-045-100
X-ray cassette holder, upright	1105-045-300

Electrical components

Name	Number
Actuator, Fowler	1008-012-020
Actuator, Gatch	1008-014-020
Battery, Li-ION Smart battery pack (Prime electric with scale system only)	0058-135-000
Battery, Li-ION Smart battery pack (Prime Connect or Prime electric with scale system and bed exit)	0058-134-000
Board, DC control PCB assembly	1008-116-800
Board, non-lift AC assembly	1008-002-800
Board, lift control PCB assembly	1008-002-810
Board, scale control assembly (scale system only)	1008-237-850
Board, scale and bed exit control assembly	1008-237-840
Capacitor, 440 VAC, 35 MFD	0059-087-000

Name	Number
Keypad, scale control (non-electric litter)	1008-037-820
Keypad, siderail control, left	1008-011-017
Keypad, siderail control, right	1008-011-016
Keypad, operator control	1008-015-800
Load cell (scale system)	1008-037-057
Motor, pump	1008-002-015
Power cord, standard	1028-146-060
Power cord, international, Type E	1125-060-170
Power cord, international, Type F	1125-060-180
Power cord, international, Type G	1125-060-160
Power cord, international, Type I	1125-060-200
Scale box assembly (non-electric litter)	1070-237-020
Transformer	1008-014-857
Transformer, international	1008-014-877
Kit, IR/nurse call normally open assembly, non- Zoom	110507000212
Kit, IR/nurse call normally closed assembly, non- Zoom	110507000213
Kit, keypad assembly, scale	110507000214
Kit, keypad assembly, non-scale	110507000215
Kit, wireless module, US/CAN	110507000219
Kit, wireless module, UAE/SA	110507000220
Kit, wireless module, AUS/NZ	110507000221

Attaching the defibrillator tray

WARNING

- Do not place items that weigh more than 30 lb (14 kg) on the defibrillator tray. Always strap down all devices that you place on the defibrillator tray.
- Always use caution if the defibrillator tray/foot extender, footboard/chart holder, or upright oxygen bottle holder is attached to avoid pinching your fingers when you position the foot end push handle option.

To attach the defibrillator tray:

1. Insert the defibrillator tray pins into the sockets at the foot end of the product.
2. Use the strap to secure devices to the defibrillator tray.

Note

- Do not use the defibrillator tray as a push/pull device. Product damage may occur.
- Always raise the foot end push handles when you use accessories (such as the defibrillator tray/foot extender, footboard/chart holder, upright oxygen bottle holder) or the accessories will not function.

Converting the defibrillator tray/foot extender to a defibrillator tray

WARNING

- Do not place items that weigh more than 30 lb (14 kg) on the defibrillator tray/foot extender. Always strap down all devices that you place on the defibrillator tray.
 - Always use caution if the defibrillator tray/foot extender, footboard/chart holder, or upright oxygen bottle holder is attached to avoid pinching your fingers when you position the foot end push handle option.
-

CAUTION - Always raise the IV pole before you attach the defibrillator tray/foot extender to the product. If you do not raise the IV pole, the foot extender will not operate.

To convert the defibrillator tray/foot extender to a defibrillator tray:

1. Pull out the top knob (A) (Figure 24).
2. Pivot the defibrillator tray (B) until the tray is flat over the foot end of the product. Release the top knob (A). Make sure that the defibrillator tray is locked in place.
3. Use the strap to secure devices to the defibrillator tray.

Note

- Do not use the defibrillator tray/foot extender as a push/pull device. Product damage may occur.
- Do not attach items to the foot extender.

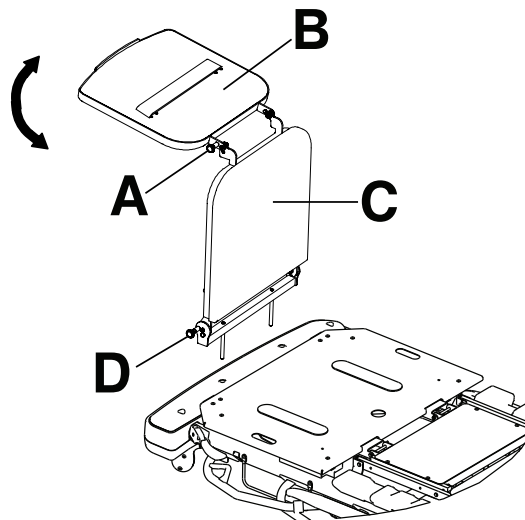


Figure 24 – Defibrillator tray/foot extender

Converting the defibrillator tray/foot extender to a foot extender

WARNING

- Do not place items that weigh more than 30 lb (14 kg) on the defibrillator tray/foot extender. Always strap down all devices that you place on the defibrillator tray.
 - Always use caution if the defibrillator tray/foot extender, footboard/chart holder, or upright oxygen bottle holder is attached to avoid pinching your fingers when you position the foot end push handle option.
-

CAUTION - Always raise the IV pole before you attach the defibrillator tray/foot extender to the product. If you do not raise the IV pole, the foot extender will not operate.

To convert the defibrillator tray/foot extender to a foot extender (Figure 24):

1. Pull out the top knob (A).

2. Pivot the defibrillator tray (B) until the tray locks against the foot extender.
3. Pull out the bottom knob (D) while you hold the defibrillator tray/foot extender assembly.
4. Lower the foot extender (C) until the foot extender is flat.
5. Release the bottom knob (D). Push on the foot extender to make sure that the foot extender is locked in place.

Note

- Do not use the defibrillator tray/foot extender as a push/pull device. Product damage may occur.
- Do not attach items to the foot extender.

Attaching the footboard/chart holder

WARNING - Always use caution if the defibrillator tray/foot extender, footboard/chart holder, or upright oxygen bottle holder is attached to avoid pinching your fingers when you position the foot end push handle option.

To attach the footboard/chart holder, insert the footboard/chart holder pins into the sockets at the foot end of the product.

Note - Do not use the footboard/chart holder as a push/pull device. Product damage may occur.

Attaching the IV caddy

WARNING

- Always secure the IV pole to the IV caddy when you transport the product.
 - Always store the IV caddy when not in use to avoid product damage.
-

To attach the IV caddy (Figure 25):

1. Lift the IV caddy out of the storage tray or from the storage clip.
2. Pivot the IV caddy to the desired position.
3. Turn the knob (A) counterclockwise to loosen the pole clamp (C).
4. Pivot the knob (A) away from the arm connection assembly (B).
5. Open the clamp (C).
6. Place the IV pole into the clamp (C).
7. Close the clamp (C) around the IV pole and pivot the knob (A) into position.
8. Turn the knob (A) clockwise to tighten the knob.
9. Reverse steps to disconnect the IV caddy from the product.

To store the IV caddy, place the IV caddy in the storage tray or secure the caddy in the storage clip.

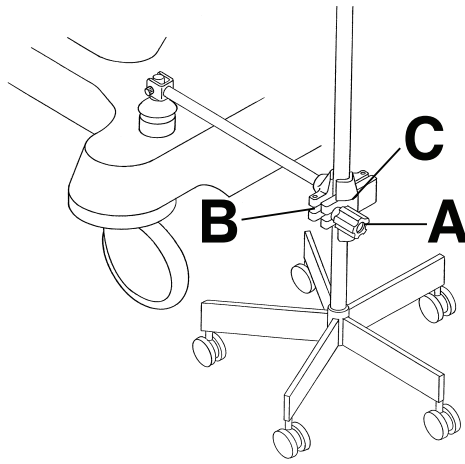


Figure 25 – IV caddy

Positioning or stowing the foot supports, Prime

WARNING

- Do not sit on the foot supports. This may cause the product to tip.
- Always clear your fingers from the mechanisms when you operate the foot supports.
- Always stow the foot supports when you transport a patient with the product.
- Always tighten the foot supports before you use the foot supports.
- Do not operate the scale system with the foot supports. Inaccurate readings may occur.
- Do not operate bed exit with the foot supports. Inaccurate readings may occur.

To position or stow the foot supports:

1. Loosen the knee knob (A) at the top of the foot supports to adjust the side-to-side angle of the foot supports (Figure 26).
2. Tighten the knee knob (A) to lock the foot supports in the desired position.

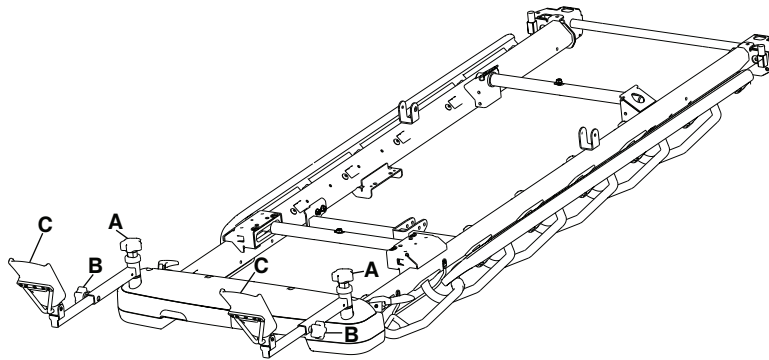


Figure 26 – Positioning the foot supports

3. Loosen the leg knob (B) on the side of the foot supports to adjust the length.
4. Tighten the leg knob (B) to lock the foot supports in the desired position.
5. Flip the foot supports (C) up before you position the patient.
6. Reverse steps to stow the foot supports (Figure 27).

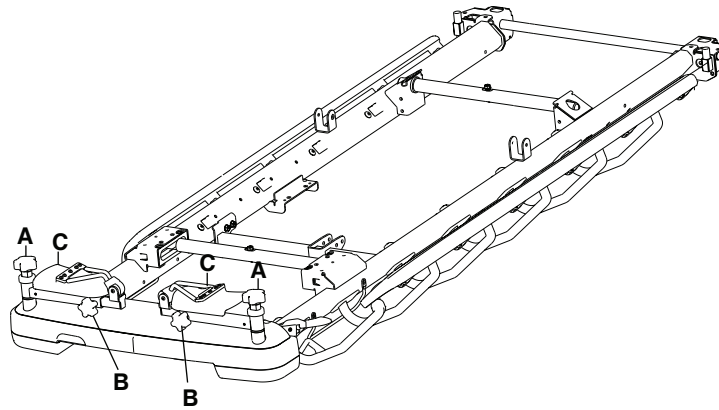


Figure 27 – Stowing the foot supports

You cannot purchase the following options and accessories if you select the foot support:

- Foot end push handles
- Defibrillator tray
- Defibrillator tray/foot extender
- Serving tray holder/footboard
- Footboard/chart holder
- Foot end IV poles

Note

- Do not use the foot supports to store patient belongings.
- Do not use the foot supports as a push/pull device. Product damage may occur.
- Always apply the brakes when you use the foot supports to avoid instability.
- Do not use the Fowler backrest or Gatch with the foot supports.

Positioning the two-stage permanently attached IV pole

WARNING - Do not use the IV pole as a push/pull device. Product damage may occur.

You can purchase the product with the two-stage IV pole option permanently attached at the head end, foot end, or both ends of the product. The IV pole is equipped with a telescopic pole that extends to provide a second height position. You can fold and store the IV pole when not in use.

To position the two-stage IV pole (Figure 28):

1. Lift and pivot the pole from the storage position.
2. Push the IV pole down until the IV pole locks in place.
3. To raise the height of the IV pole, pull up on the telescoping portion (A) until the pole locks in place at the fully raised position.
4. Rotate the IV hangers (B) to the desired position and hang the IV bags.
5. To lower the IV pole, hold the telescoping portion of the IV pole, turn the latch (C), and lower the telescoping portion.

Note

- Do not hang IV bags that exceed 40 lb (18 kg) on the IV pole.
- Always make sure that the IV pole is at a low height to pass safely through door openings when you transport a patient.

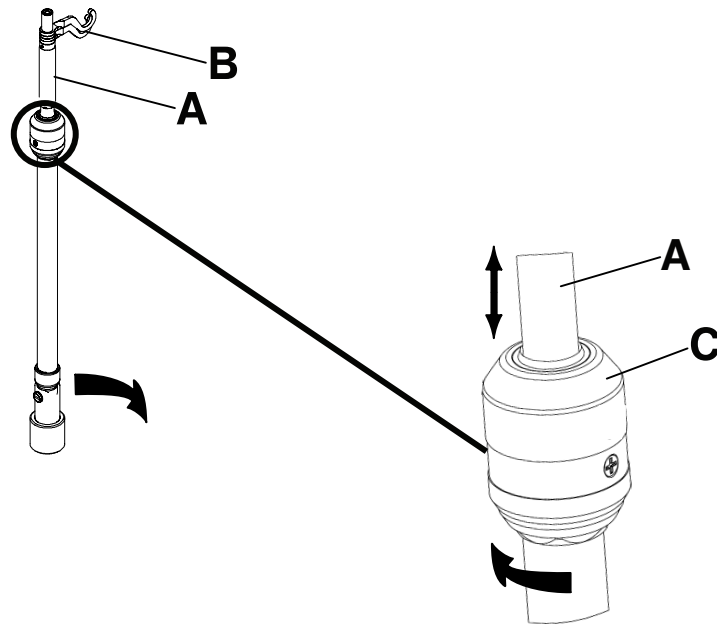


Figure 28 – Positioning the 2 stage permanently attached IV pole

Positioning the three-stage permanently attached IV pole

WARNING - Do not use the IV pole as a push/pull device. Product damage may occur.

You can purchase the product with the three-stage IV pole option permanently attached at the head end, foot end, or both ends of the product. The IV pole is equipped with a telescopic pole that extends to provide a second and third height position. You can also fold and store the IV pole when not in use.

To position the three-stage IV pole (Figure 29):

1. Lift and pivot the pole from the storage position.
2. Push the IV pole down until the pole locks in place.
3. To raise the height of the IV pole, pull up on the telescoping portion (A) until the pole locks into place at the fully raised position.
4. For a higher IV pole, pull up on section (B). Release section (B) at any desired height to lock the pole in place.
5. Rotate the IV hangers (C) to the desired position and hang the IV bags.
6. To lower the IV pole, push up on the yellow portion of the grip (D) while holding on to section (B) until the pole lowers.
7. Turn the latch (E) and lower the IV pole telescoping portion.

Note

- Do not hang IV bags that exceed 12 lb (5 kg) total for all bags on the IV pole.
- Do not hang IV bags that exceed 9.3 lb (4.2 kg) on a single IV hanger.
- Always make sure that the IV pole is at a low height to allow the pole to pass safely through door openings when you transport a patient.

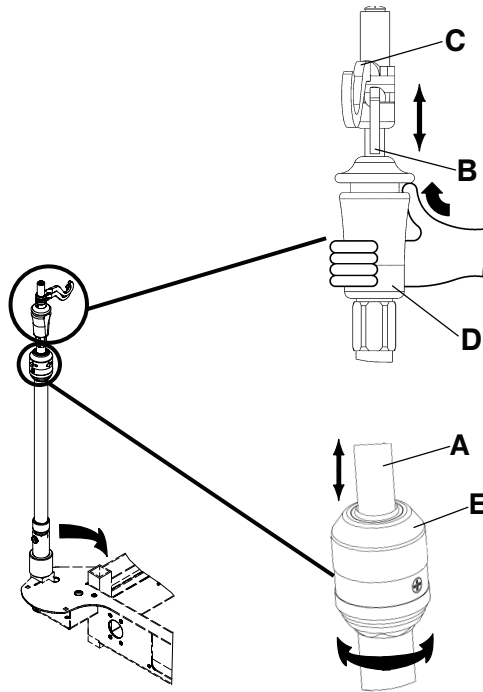


Figure 29 – Positioning the three-stage permanently attached IV pole

Attaching and positioning the removable IV pole

CAUTION

- Do not use the IV pole as a push/pull device. Product damage may occur.
 - Do not hang IV bags that exceed 40 lb (18 kg) on the IV pole.
 - Always make sure that the IV pole is at a low height to pass through door openings when you transport a patient.
-

To attach and position the removable IV pole (Figure 30):

1. Insert the IV pole into a socket at the head end or foot end of the product.
2. Turn the knob (A) counterclockwise and pull up on the telescoping portion (B) until you reach the desired height.
3. Turn the knob (A) clockwise to lock the telescoping portion in place.

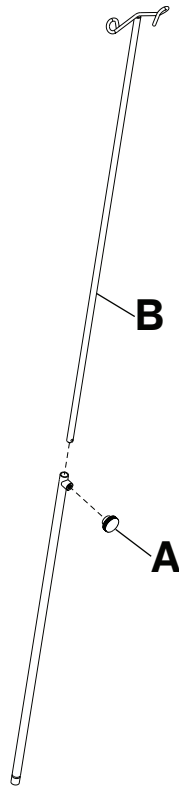


Figure 30 – Removable IV pole

Attaching the upright oxygen bottle holder

WARNING

- Do not place objects that exceed 40 lb (18 kg) in the upright oxygen bottle holder.
 - Always use caution if the defibrillator tray/foot extender, footboard/chart holder, or upright oxygen bottle holder is attached to avoid pinching your fingers when you position the foot end push handle option.
-

The upright oxygen bottle holder supports an oxygen bottle in a vertical position.

To attach the upright oxygen bottle holder:

1. Insert the support bar into any of the IV sockets.
2. Insert the cotter pin through the hole in the support bar to secure the bottle holder to the product.

Note - Do not use the upright oxygen bottle holder as a push/pull device. Product damage may occur.

Extending or stowing the serving tray holder/footboard

WARNING - Do not place objects that exceed 30 lb (14 kg) on the serving tray.

To fit the serving tray on the siderail, pull out on both sides of the serving tray and position the tray over the siderails.

To stow the serving tray:

1. Remove the serving tray from the siderails.
2. Push in the sides of the serving tray.
3. Store the serving tray in the footboard.

Note - Do not use the serving tray/footboard as a push/pull device. Product damage may occur.

Attaching the siderail pads

To attach the siderail pads:

1. Tuck the siderail pad between the mattress and the siderail.
2. Attach the hook and loop fastener straps around the top of the siderail to secure the siderail pad.

Locating the patient restraint strap tie-ins

WARNING

- Always use caution when you attach restraint straps. Patient or operator injury may occur. Physical restraints, even if secured, may result in serious harm to patients and operators, including entanglement, entrapment, physical injury, or death.
 - Always attach restraint straps or devices only at the identified attachment points of the product. Failure to do so may result in patient or operator injury. Do not attach restraint straps to the siderail.
 - Always refer to the applicable state and federal restrictions and regulations and the appropriate facility protocols before you use any restraint strap or device.
-

There are eight patient restraint strap tie-in locations on the litter assembly for attaching patient restraint straps (Figure 31 or Figure 32).

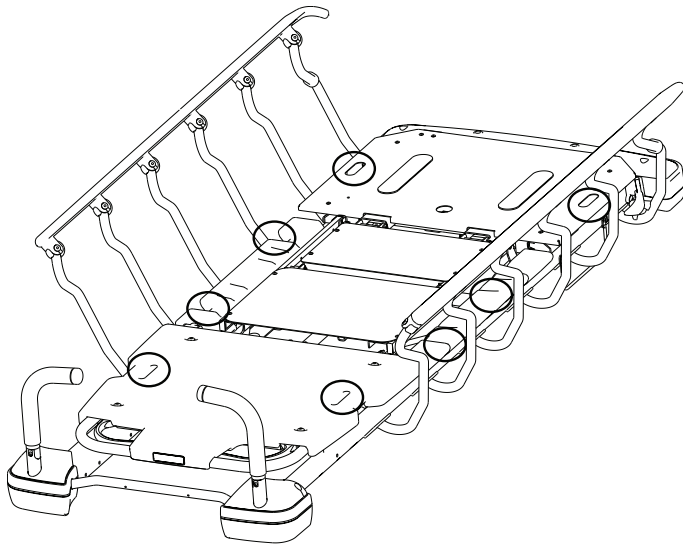


Figure 31 – Prime restraint strap locations

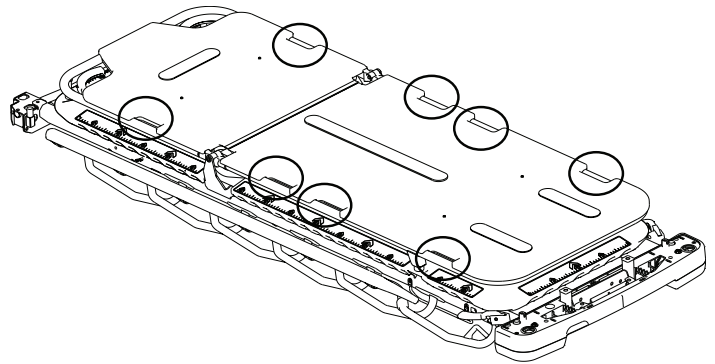


Figure 32 – Prime X restraint strap locations

Note - Restraint straps are Type B applied parts.

Positioning the upright X-ray cassette holder, Prime X

WARNING

- Always take protective measures when you use the upright or lateral X-ray cassette holder. The X-ray cassette holder does not protect against radiation.
 - Always refer to local, state, and federal guidelines in addition to facility protocols for safety before you use **Prime X** with radiation generating devices. Radiation generating devices may produce residual, stray, or scattered radiation.
 - Always use extra caution when you use a mattress thicker than 2.5 in. or a mattress overlay with **Prime X**.
 - Always follow the *Positioning the upright X-ray cassette holder - Prime X option* instructions to insert the X-ray cassette.
-

The X-ray cassette holder attaches to the Fowler backrest weldment to support X-ray cassettes. You can take X-rays while a patient is on the product. You can also adjust the cassette's position before you take an X-ray.

To position the X-ray cassette holder:

1. Apply the brakes. Push on the product to make sure that the brakes work.
2. Raise the Fowler backrest to the highest height position.
3. Insert the lower retainer guides (A) under the Fowler backrest weldment bar (Figure 33).
4. Raise the cassette holder until the retainer guides latch onto the Fowler backrest weldment. Make sure that the cassette holder is secure.

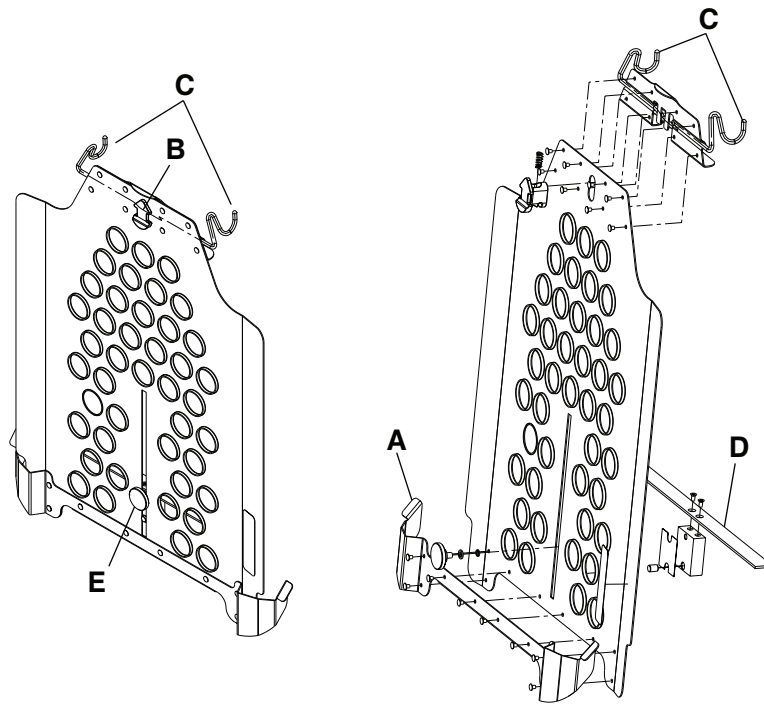


Figure 33 – X-ray cassette holder

5. Insert an X-ray cassette from either side of the cassette holder or pull the slider release arrow (B) to release the cassette holder from the Fowler backrest, position the cassette, and secure the cassette holder in the Fowler backrest weldment.
6. To adjust the height of the cassette, loosen the knob (E) and move the cassette support rail (D) up or down until you reach the desired height.
7. Tighten the knob (E) to secure the cassette support rail in place.
8. When the X-ray process is complete, pull up on the slider release arrow (B) to release the cassette holder from the Fowler backrest weldment.
9. Remove the X-ray cassette from the cassette holder.
10. Close and stow the cassette holder.

Positioning the lateral X-ray cassette holder, Prime X

WARNING

- Always take protective measures when you use the upright or lateral X-ray cassette holder. The X-ray cassette holder does not protect against radiation.
 - Always refer to local, state, and federal guidelines in addition to facility protocols for safety before you use **Prime X** with radiation generating devices. Radiation generating devices may produce residual, stray, or scattered radiation.
 - Always use caution when you take X-rays with the Fowler backrest in the upright position or when you use a lateral cassette.
 - Always use extra caution when you use a mattress thicker than 2.5 in. or a mattress overlay with **Prime X**.
 - Always follow the *Positioning the lateral X-ray cassette holder - Prime X option* instructions to insert the X-ray cassette.
-

To position the lateral X-ray cassette holder:

1. Apply the brakes. Push on the product to make sure that the brakes work.

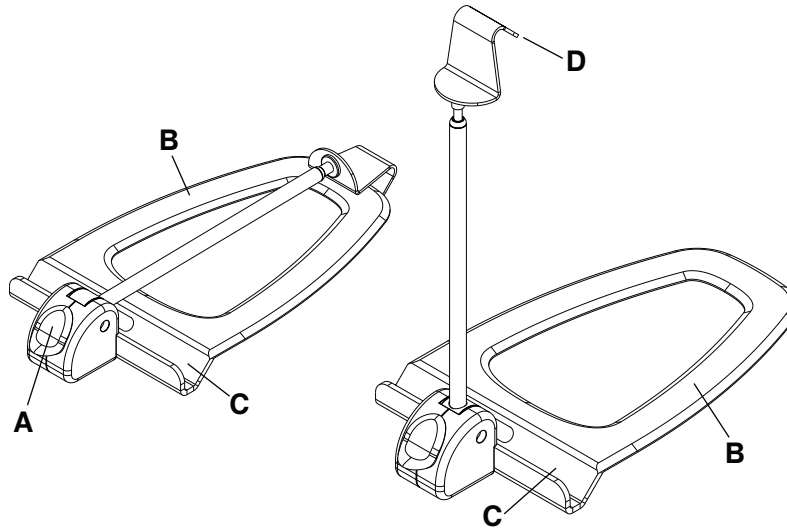


Figure 34 – Lateral X-ray cassette holder

2. Press down on the yellow release button (A) to open the lateral cassette holder (Figure 34).
3. Slide the flat base (B) between the mattress and the patient platform.
4. Position the lateral cassette holder in the desired location.
5. Place the X-ray cassette in the cassette canal (C).
6. Pull up on the cassette hook (D) to adjust the height of the arm to fit over the X-ray cassette to hold the cassette in place.
7. Reverse steps to remove the cassette and stow the lateral cassette holder.

Inserting or removing X-ray cassettes, Prime X

WARNING

- Always refer to local, state, and federal guidelines in addition to facility protocols for safety before you use **Prime X** with radiation generating devices. Radiation generating devices may produce residual, stray, or scattered radiation.
 - Always use caution when you take X-rays with the Fowler backrest in the upright position or when you use a lateral cassette.
-

Prime X provides both an articulating radiographic support surface and a platform below the patient support surface for X-ray cassette placement. Working with medical X-ray systems, the radiographic support surface allows the capture of clinical X-rays (AP full body, full body lateral option, and upright chest option) while the patient is on the product. You can insert cassettes from the head end, foot end, and either side of the product.

To insert an X-ray cassette:

1. Center the patient on the product with the position indicator labels located on all sides of the product (Figure 35).
2. Insert an X-ray cassette below the patient surface. Use the cassette guides to assist in positioning the X-ray cassette.

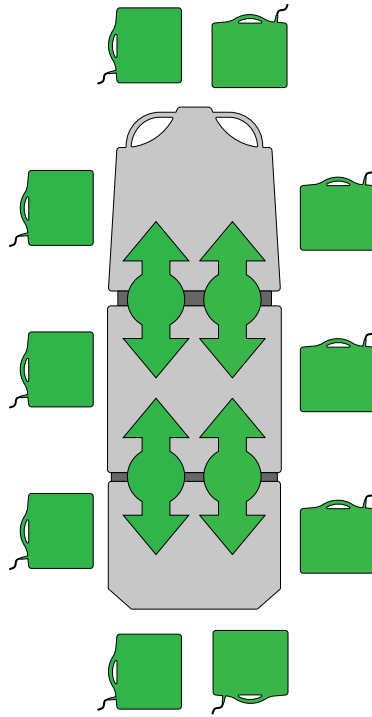


Figure 35 – Inserting or removing X-ray cassettes on Prime X

Note

- Do not use a mattress with a thickness greater than four inches with **Prime X**.
- Do not use a C-Arm with **Prime X**. **Prime X** is not compatible with a C-Arm.

Cleaning and disinfecting with SideKick

For United States only. Confirm availability for your configuration or region. Call Stryker Customer Service: 1-800-327-0770.

Stryker's preferred spray (2070-000-001) and 6" x 10" wipes (2060-000-001) include the following active ingredients:

- n-Alkyl (60% C14, 30% C16, 5% C12, 5% C18) dimethyl benzyl ammonium chloride - 0.154%
- n-Alkyl (68% C12, 32% C14) dimethyl ethylbenzyl ammonium chloride - 0.154%
- Isopropanol - 21.000%

Non-active ingredient: Ethylene Glycol Monobutyl Ether – < 3%

Note - For safety information, read the product label.

To clean or disinfect the external product surface with SideKick wipe:

To clean:

1. Wipe down the external product surface with a fresh, clean wipe to remove all visible soils.
2. Repeat as necessary until the external product surface is visibly clean.
3. Wipe dry with a cloth or allow the external product surface to air dry before you return the product to service.

Note - Use as many wipes as necessary.

To disinfect:

1. Clean first.
2. Wipe down the external product surface with a fresh, clean wipe until wet.
3. Allow the external product surface to remain wet for two minutes at room temperature.
4. Wipe dry with a cloth or allow the external product surface to air dry before you return the product to service.

To clean or disinfect the external product surface with SideKick spray:

To clean:

1. Spray **SideKick** on a mop, sponge, paper cloth, or cloth towel.
2. Wipe down the external product surface with a fresh, clean mop, sponge, paper cloth, or cloth towel to remove all visible soils.
3. Repeat as necessary until the external product surface is visibly clean.
4. Wipe dry with a cloth or allow the external product surface to air dry before you return the product to service.

To disinfect:

1. Clean first.
2. Spray **SideKick** on a mop, sponge, paper cloth, or cloth towel.
3. Wipe down the external product surface with a fresh, clean mop, sponge, paper cloth, or cloth towel until wet.
4. Allow the external product surface to remain wet for two minutes at room temperature.
5. Wipe dry with a cloth or allow the external product surface to air dry before you return the product to service.

Note - Follow your hospital protocols to launder cloth towels or dispose of wipes or paper cloths.

Cleaning

Cleaning the product

CAUTION - Do not use abrasive cleaners to clean the display enclosure for the scale system option. Do not allow cleaning solutions or other fluids to pool on the display unit. Dry all surfaces after spills or cleaning.

These instructions provide recommended cleaning methods for the **Prime Series** stretcher.

This product is power washable. The product may show some signs of oxidation or discoloration from continuous washing. However, no degradation of the product's performance characteristics or functionality will occur due to power washing as long as the proper procedures are followed.

Recommended cleaning method:

1. If the product is equipped with the electric litter or electric lift option, unplug the power cord from the wall outlet before you transport or clean the product.
2. Remove the mattress from the product.
3. Follow the cleaning solution manufacturer's dilution recommendations.
4. Stryker recommends the standard hospital cart washer for power washing.
5. Dry the product. Do not place the mattress on the product until the product is dry.
6. Check functionality before you return the product to service.
 - Raise and lower the product.
 - Lock and unlock the brake/steer pedal in both positions.
 - Latch and unlatch the siderails.
 - Raise and lower the Fowler backrest.
 - Raise and lower the Gatch.
 - Make sure all components have proper lubrication.
 - Make sure all labels are intact.

Note

- Direct skin contact with visibly soiled, permeable material may increase the risk of infection.
- Do not steam clean the product.
- Clean the base hood storage area.
- Clean the bottom of the brake pads to prevent wax or floor remnant buildup.
- Some cleaning agents are corrosive in nature and may cause damage to the product. If you do not rinse and dry the product, a corrosive residue may be left on the surface of the product that could cause premature corrosion of critical components. Failure to follow these cleaning instructions may void your warranty.

Cleaning the product using a cart washer

Stryker recommends using a standard hospital cart washer to wash the stretcher a maximum of once per year for the life of the product.

To clean the product with a cart washer:

1. If the product is equipped with the electric litter or electric lift option, unplug the power cord from the wall outlet before you transport or clean the product.
2. Remove the mattress prior to washing the product. Do not wash the mattress with the product.
3. Position the Fowler backrest at 45°.
4. Place the product in the full reverse Trendelenburg position.

5. Raise the siderails.
6. Place the IV poles and push handles in the up position.
7. Clean the product with a maximum water temperature of 82° C (180° F) and a maximum water pressure of 103.5 bar / 1500 psi.
8. Air dry the product with a maximum temperature of 93° C (240° F) for eight minutes.
9. Dry the product. Do not place the mattress on the product until the product is dry.
10. Check functionality before you return the product to service.
 - Raise and lower the product.
 - Lock and unlock the brake/steer pedal in both positions.
 - Latch and unlatch the siderails.
 - Raise and lower the Fowler backrest.
 - Make sure all components have proper lubrication.
 - Make sure all labels are intact and legible.

Note

- Do not steam clean the product.
- Some cleaning agents are corrosive in nature and may cause damage to the product. If you do not rinse and dry the product, a corrosive residue may be left on the surface of the product that could cause premature corrosion of critical components. Failure to follow these cleaning instructions may void your warranty.

Cleaning the mattress

WARNING

- Do not clean, service, or perform maintenance while the product is in use.
 - Do not immerse the mattress in cleaning or disinfectant solutions. Excess moisture could cause product malfunction that results in product damage or patient injury.
 - Do not allow fluid to pool on the mattress. Fluids can cause corrosion of components and may cause the safety and performance of this product to become unpredictable.
 - Always inspect mattress covers for tears, punctures, excessive wear, and misaligned zippers every time you clean the covers. Remove and replace a damaged mattress to prevent cross-contamination.
 - Do not steam clean, pressure wash, hose off, or ultrasonically clean mattresses. These methods of cleaning may void the product's warranty.
-

The life of the mattress can be affected by an increase in frequency of usage, which might include more frequent cleaning and disinfection.

Recommended cleaning method:

1. Use a clean, soft cloth to wipe down the entire mattress with a mild soap and water solution to remove foreign material.
2. Wipe down the mattress with a clean, dry cloth to remove any excess liquid or cleaning agents.
3. Rinse and dry covers after cleaning.
4. Disinfect as needed with a hospital grade disinfectant after cleaning has been completed. See *Disinfecting the mattress* (page 56).

Note

- Do not iron, dry-clean, or tumble dry the mattress, as this will cause malfunction and damage the product.
- The mattress cover must be completely dry before you store, add linens, or place a patient on the mattress to prevent impairment of the product performance.
- Avoid over-exposure to alcohol or hydrogen peroxide. The cover material will swell.
- Do not allow liquid to seep into the zipper area and watershed cover barrier. Fluids allowed to come in contact with the zipper may leak into the mattress which could impair the product performance.

- Some cleaning agents are corrosive in nature and may cause damage to the product. If you do not rinse and dry the product well, a corrosive residue may be left on the surface of the product that could cause premature corrosion of critical components. Failure to follow these cleaning instructions may void your warranty.

Remove iodine

1. Make a solution of 1 to 2 tablespoons of sodium thiosulfate in a pint of warm water. Use the solution to wipe down the stained area.
2. Clean the stain as soon as possible after the stain occurs.
3. If stains are not immediately removed, allow solution to soak or stand on the mattress before you wipe the mattress.
4. Rinse the mattresses which have been exposed to the solution with clear water before you return the mattresses to service.

Note - Failure to follow these directions when you use these types of cleaners may void this product's warranty.

Special instructions

Hook and loop fasteners	Saturate with disinfectant, rinse with water, and allow the solution to evaporate.
Solids or stains	Use neutral soaps and warm water. Do not use harsh cleansers, solvents, or abrasive cleaners.
Hard-to-clean spots	Use standard household cleansers or vinyl cleansers and a soft bristle brush on troublesome spots or stains. Pre-soak dried-on soil.
Laundering	Laundering is not recommended. Laundering may decrease the useful life of the mattress.

Disinfecting

Disinfecting the product

WARNING

- Do not clean, service, or perform maintenance while the product is in use.
 - Do not steam clean, hose off, or ultrasonically clean the product. Use of these methods of cleaning is not recommended and may void the product's warranty.
-

Recommended disinfectants:

- Quaternaries (active ingredient - ammonium chloride) that contain less than 3% glycol ether
- Phenolic disinfectant (active ingredient - o-phenylphenol)
- Chlorinated bleach solution (5.25% bleach diluted 1 part bleach to 100 parts water which equals 520 ppm available chlorine (40 mL of a 5.25% bleach solution per 4000 mL water))
- 70% isopropyl alcohol

Recommended disinfection method:

1. Follow the disinfectant solution manufacturer's dilution recommendations.
2. Hand wash all surfaces of the product with a disinfectant solution.
3. Avoid oversaturation and make sure that the product does not stay wet longer than the chemical manufacturer's guidelines for proper disinfecting.
4. Dry the product. Do not place the mattress on the product until the product is dry.
5. Disinfect the hook and loop fasteners after every use. Saturate the hook and loop fasteners with disinfectant, rinse with water, and allow the disinfectant to evaporate (appropriate disinfectant is determined by the facility).
6. Check functionality before you return the product to service.
 - Raise and lower the product.
 - Lock and unlock the brake/steer pedal in both positions.
 - Latch and unlatch the siderails.
 - Raise and lower the Fowler backrest.
 - Raise and lower the Gatch.
 - Make sure all components have proper lubrication.
 - Make sure all labels are intact.

Note

- Direct skin contact with visibly soiled, permeable material may increase the risk of infection.
- Some cleaning agents are corrosive in nature and may cause damage to the product. If you do not rinse and dry the product well, a corrosive residue may be left on the surface of the product that could cause premature corrosion of critical components. Failure to follow these cleaning instructions may void your warranty.

Disinfecting the mattress

WARNING - Always disinfect the mattress between patients. Failure to do so could result in cross-contamination and infection.

Recommended disinfectants:

- Quaternaries (active ingredient - ammonium chloride) that contain less than 3% glycol ether
- Phenolic disinfectant (active ingredient - o-phenylphenol)

- Chlorinated bleach solution (5.25% bleach diluted 1 part bleach to 100 parts water which equals 520 ppm available chlorine (40 mL of a 5.25% bleach solution per 4000 mL water))
- 70% isopropyl alcohol

Recommended disinfection method:

1. Make sure that the mattress is clean and dry before you apply disinfectants.
2. Wipe down the mattress with a clean, dry cloth to remove any excess liquid or disinfectant.
3. Rinse and dry covers after disinfection.

Note

- The mattress cover must be dry before you store or add linens. Failure to remove excess disinfectant could cause degradation of the cover material.
- Some cleaning agents are corrosive in nature and may cause damage to the product if you use them improperly. If you do not rinse and dry the product well, a corrosive residue may be left on the surface of the product that could cause premature corrosion of critical components. Failure to follow these cleaning instructions may void your warranty.
- Frequent or prolonged exposure to higher concentrations of disinfectant solutions may prematurely age the cover fabric.
- The use of accelerated hydrogen peroxides or quaternaries that contain glycol ethers may damage the cover.

Preventive maintenance

Remove the product from service before you perform the preventive maintenance inspection. Check all items listed during annual preventive maintenance for all Stryker Medical products. You may need to perform preventive maintenance checks more often based on your level of product usage. Service only by qualified personnel.

For product feature availability for your model, see *Product features* (page 18).

Note - Clean and disinfect the exterior of the mattress before inspection, if applicable.

Inspect the following items:

- _____ All fasteners are secure
- _____ Siderails move and latch
- _____ Casters lock with brake pedal applied
- _____ Casters are secure and swivel
- _____ Casters are free of wax and debris
- _____ Brake mechanism works
- _____ Steer function works
- _____ Check skins for cracks
- _____ Fowler raises, lowers, and latches in place
- _____ Gatch option raises, lowers, and secures in place
- _____ Trendelenburg/reverse Trendelenburg operates from all locations
- _____ Ground chain intact
- _____ No leaks at hydraulic connections
- _____ Hydraulic jacks hold
- _____ Lubricate where required
- _____ Body restraints option latch and are secure
- _____ IV pole option is intact, adjusts, and latches in all positions
- _____ Oxygen bottle holder option is intact and opens and closes
- _____ No rips or cracks in the mattress cover
- _____ Accessories and mounting hardware are in good condition
- _____ Battery backup works and powers features
- _____ Cables are not worn or pinched
- _____ Power cord option and plug are free of damage
- _____ All electrical connection options are tight
- _____ All grounds options secure to the frame
- _____ Ground impedance not more than 200 mΩ (milliohms), option
- _____ Current leakage not more than 300 μA (microamps) (per UL 60606-1-1), option
- _____ Batteries backup option charges
- _____ Display housing option is intact and not damaged
- _____ Load cell option is intact and not damaged
- _____ For foot support option, knee knob mechanism functions and you can secure in place
- _____ For foot support option, leg knob mechanism functions and you can secure in place
- _____ For foot support option, extends to the full extended position and stops in the correct position

- _____ For foot support option, self-tapping screws (6) are secured and not stripped
- _____ Scale option calibrated, recalibrate if necessary
- _____ Bed exit functions
- _____ Bed exit over wired nurse call functions (**Prime Connect**)
- _____ Wireless module is intact and wireless icon displays on screen if the wireless option is enabled (**Prime Connect**)
- _____ Location icon illuminates and product connects to the **iBed** Locator if the wireless option is enabled (**Prime Connect**)
- _____ All icons and buttons on operator keypad, operator control panel, patient control panel lockout, and siderail patient control panel work
- _____ Upright X-ray cassette holder is in good working condition and can be adjusted to fit all X-ray cassettes (**Prime X**)
- _____ No damage to the Fowler skin and foot skin (**Prime X**)
- _____ No damage to the head and foot trays (**Prime X**)
- _____ Bolt and nut through each Fowler pivot is not loose (**Prime X**)

Product serial number:
Completed by:
Date:

Retractable fifth wheel lubrication

Tools required:

- MPG-3 grease
- Bungee cords

Procedure:

1. Raise the product to the highest position.

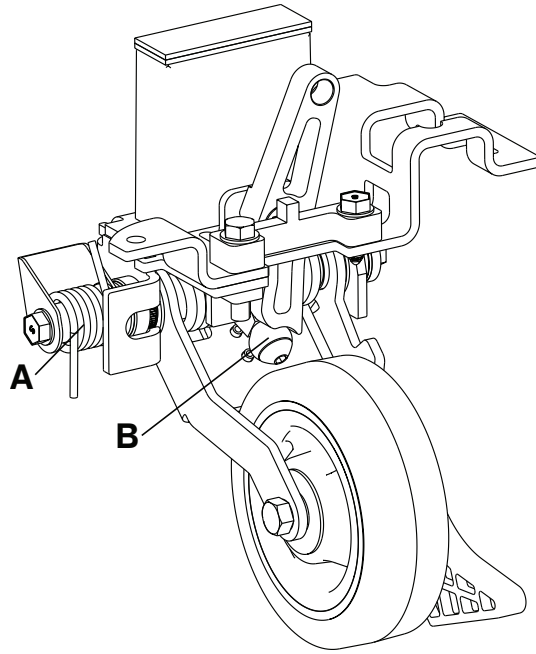


Figure 36 – Retractable fifth wheel lubrication

2. Raise the base hood and support the hood with bungee cords.
3. Apply MPG-3 grease to the spring (A) and roller (B) (Figure 36).
4. Remove the bungee cords and lower the hood.
5. Verify proper operation before you return the product to service.

Wireless notifications

For products equipped with optional wireless communication technology, these statements apply to the countries as indicated:

Country	Notification
Canada	<p>Contains IC: 4919E-SDMACP</p> <p>This device complies with Innovation, Science and Economic Development Canada's license-exempt RSSs. Operation is subject to the following two conditions: (1) this device may not cause interference, and (2) this device must accept any interference, including interference that may cause undesired operation of the device.</p> <p>Le présent appareil est conforme aux CNR d'Industrie Canada applicables aux appareils radio exempts de licence. L'exploitation est autorisée aux deux conditions suivantes : (1) l'appareil ne doit pas produire de brouillage, et (2) l'utilisateur de l'appareil doit accepter tout brouillage radioélectrique subi, même si le brouillage est susceptible d'en compromettre le fonctionnement.</p>
United States	<p>Contains FCC ID: Z7A-SDMACP</p> <p>This device complies with Part 15 of the FCC Rules. Operation is subject to the following two conditions: (1) this device may not cause harmful interference, and (2) this device must accept any interference received, including interference that may cause undesired operation.</p> <p>Changes or modifications not expressly approved by the party responsible for compliance could void the user's authority to operate the equipment.</p> <p>Frequency Tolerance: +/-20 ppm</p>

Wireless coexistence notifications

Microwaves are regulated by the federal government through 21CFR1030.10 such that the amount of power that can leak from a microwave oven over its lifetime is very small, such as 5mW/cmsq @ 2" from the plane of the microwave surface. This radiation will roll off rapidly as the distance between the microwave and the measurement point increases. Other radiation in this band can be generated from unintentional radiators and from the control and source circuitry in the microwave. The level of this radiation is also controlled via federal regulations from the FCC and is not of a high magnitude. These two sources of noise are both contained inside the microwave oven which is shielded and designed to minimize this radiation. In general, the user of the medical device will not be in close proximity to the microwave oven when using the medical device.

Coexistence between IEEE802.11 (Wi-Fi) 5GHz band devices and LTE-U Cellular Band (B46) devices is well established and well vetted by regulatory bodies. In high congestion environments (such as the intended environment of this device) these overlapping frequencies can degrade performance of both devices. It is highly recommended to disable customer infrastructure utilizing LTE-U Cellular Band (B46) to avoid any degradation of performance. Doing so will increase 5GHz capacity and reduce performance degradation resulting from frequency congestion.

EMC information

WARNING

- Portable RF communications equipment, including peripherals such as antenna cables and external antennas, should be no closer than 12 inches (30 cm) to any part of the **Prime Series** stretcher, including cables specified by the manufacturer.
- Avoid stacking or placing equipment adjacent with other equipment to prevent improper operation of the product. If such use is necessary, carefully observe stacked or adjacent equipment to make sure that they operate properly.
- The use of accessories, transducers, and cables, other than those specified or provided by the manufacturer, could result in increased electromagnetic emissions or decreased electromagnetic immunity and result in improper operation.

The **Prime Series** stretcher was evaluated using the following cables:

Cable	Length (m)
AC mains input cable	4.1
Nurse call (1/4" jack cable) Model 1105, 1115, and 1125 Prime Connect stretchers only	3.8

Guidance and manufacturer's declaration - electromagnetic emissions

The **Prime Series** stretcher is intended for use in the electromagnetic environment specified below. The customer or the user of the **Prime Series** stretcher should assure that it is used in such an environment.

Emissions test	Compliance	Electromagnetic environment
RF Emissions CISPR 11	Group 1	Note - The emissions characteristics of this equipment make it suitable for use in industrial areas and hospitals (CISPR 11 class A). If it is used in a residential environment (for which CISPR 11 class B is normally required) this equipment might not offer adequate protection to radio-frequency communication services. The user might need to take mitigation measures, such as relocating or re-orienting the equipment.
RF Emissions CISPR 11	Class A	
Harmonic Emissions IEC 61000-3-2	Class A	
Voltage Fluctuations Flicker Emissions IEC 61000-3-3	Complies	

Guidance and manufacturer's declaration - electromagnetic immunity


The **Prime Series** stretcher is suitable for use in a professional healthcare facility environment and not in environments exceeding immunity test conditions that the product was evaluated to, such as near high frequency (HF) surgical equipment and inside of the radio frequency (RF) shielded room of magnetic resonance imaging (MRI) equipment. The customer or the user of the **Prime Series** stretcher should assure that it is used in such an environment and that the electromagnetic environment guidance listed below is followed.

Immunity test	IEC 60601 test level	Compliance level	Electromagnetic environment-guidance
Electrostatic Discharge (ESD) IEC 61000-4-2	±8 kV contact ±15 kV air	±8 kV contact ±15 kV air	Floors should be wood, concrete, or ceramic tile. If floors are covered with synthetic material, the relative humidity should be at least 30%.

Guidance and manufacturer's declaration - electromagnetic immunity

Electrostatic fast transient/ burst IEC 61000-4-4	±2 kV for power supply lines ±1 kV for input/output lines	±2 kV for power supply lines ±1 kV for input/output lines	Main power quality should be that of a typical commercial or hospital environment.
Surge IEC 61000-4-5	±0.5 kV, ±1 kV lines to lines ±0.5 kV, ±1 kV, ±2 kV lines to earth	±0.5 kV, ±1 kV lines to lines ±0.5 kV, ±1 kV, ±2 kV lines to earth	Main power quality should be that of a typical commercial or hospital environment.
Voltage dips, voltage variations and short interruptions on power supply input lines IEC 61000-4-11	0%U _T for 0.5 cycle at 0°, 45°, 90°, 135°, 180°, 225°, 270°, and 315° 0%U _T for 1 cycle 70%U _T (30% dip in U _T) for 25/30 cycles 0% U _T for 250/300 cycles	0%U _T for 0.5 cycle at 0°, 45°, 90°, 135°, 180°, 225°, 270°, and 315° 0%U _T for 1 cycle 70%U _T (30% dip in U _T) for 25/30 cycles 0% U _T for 250/300 cycles	Main power quality should be that of a typical commercial or hospital environment. If the user of the Prime Series stretcher requires continued operation during power main interruptions, it is recommended that the device be powered from an uninterrupted power supply or a battery.
Power frequency (50/60 Hz) magnetic field IEC 61000-4-8	30 A/m	30 A/m	Power frequency magnetic fields should be at levels characteristic of a typical location in a typical commercial or hospital environment.

Note - U_T is the a.c. mains voltage before applications of the test level.

<p>Conducted RF IEC 61000- 4-6</p> <p>Radiated RF IEC 61000-4-3</p>	<p>3 Vrms 150 kHz to 80 MHz 3 V/m 80 MHz to 2.7 GHz</p>	<p>3 Vrms 3 V/m</p>	<p>Portable and mobile RF communications equipment should follow the guidance in the table titled “Recommended separation distances between portable and mobile RF communication equipment and the Prime Series stretcher.” If the mobile service is not listed in the table, the recommended separation distance should be calculated from the equation appropriate for the frequency of the transmitter.</p> <p>Recommended separation distance $D=(2) (\sqrt{P})$ where P is the maximum output power rating of the transmitter in watts (W) according to the transmitter manufacturer and d is the recommended separation distance in meters (m).</p> <p>Field strengths from fixed RF transmitters, as determined by an electromagnetic site survey^a, should be less than the compliance level in each frequency range^b.</p> <p>Interference may occur in the vicinity of equipment marked with the following symbol: </p>
<p>Proximity Magnetic Fields IEC 61000-4-39</p>	<p>65 A/m 134.2 kHz</p>	<p>65 A/m</p>	<p>RFID readers and similar generators of magnetic fields should not be operated closer than 50 mm from the electronics or cables of the Prime Series stretcher.</p>
<p>7.5 A/m 13.56 MHz</p>	<p>7.5 A/m</p>		
<p>Note - These guidelines may not apply in all situations. Electromagnetic propagation is affected by absorption and reflection from structures, objects and people.</p> <p>Note - The ISM (Industrial, Scientific, and Medical) bands between 0.15 MHz and 80 MHz are 6.765 MHz to 6.795 MHz; 13.553 MHz to 13.567 MHz; 26.957 MHz to 27.283 MHz; and 40.66 MHz to 40.70 MHz.</p>			

^aField strengths from fixed transmitters, such as base stations for radio (cellular/cordless) telephones and land mobile radios, amateur radio, AM and FM radio broadcast, and TV broadcast cannot be predicted theoretically with accuracy. To assess the electromagnetic environment due to fixed RF transmitters, an electromagnetic site survey should be considered. If the measured field strength in the location in which the **Prime Series** stretcher is used exceeds the applicable RF compliance level above, the **Prime Series** stretcher should be observed to verify normal operation. If abnormal performance is observed, additional measures may be necessary, such as reorienting or relocating the **Prime Series** stretcher.

^bOver the frequency range 150 kHz to 80 MHz, field strengths are less than 3 Vrms.

Recommended separation distances between portable and mobile RF communication equipment and the Prime Series stretcher

The **Prime Series** stretcher is intended for use in an electromagnetic environment in which radiated RF disturbances are controlled. The customer or the user of the **Prime Series** stretcher can help prevent electromagnetic interferences by maintaining a minimum distance between portable and mobile RF communications equipment (transmitters) and the **Prime Series** stretcher, including cables, as recommended below, according to the maximum output power of the communications equipment.

Band (MHz)	Service	Maximum power (W)	Minimum separation distance (m)
380-390	TETRA 400	1.8	0.3
430-470	GMRS 460; FRS 460	2.0	0.3
704-787	LTE Band 13, 17	0.2	0.3
800-960	GSM 800/900; TETRA 800; iDEN 820; CDMA 850; LTE Band 5	2.0	0.3
1,700-1,990	GSM 1800; CDMA 1900; GSM 1900; DECT; LTE Band 1, 3, 4, 25; UMTS	2.0	0.3
2,400-2,570	Bluetooth; WLAN; 802.11 b/g/n; RFID 2450; LTE Band 7	2.0	0.3
5,100-5,800	WLAN 802.11 a/n	0.2	0.3

For transmitters rated at a maximum output power not listed above, the recommended separation distance d in meters (m) can be estimated using the equation applicable to the frequency of the transmitter, where P is the maximum output power rating of the transmitter in watts (W) according to the transmitter manufacturer.

Note - These guidelines may not apply in all situations. Electromagnetic propagation is affected by absorption and reflection from structures, objects and people.



Stryker Corporation or its divisions or other corporate affiliated entities own, use or have applied for the following trademarks or service marks: **BackSmart, Clearview Technology, ComfortGel, Glideaway, Havasu, iBed, IsoFlex, Lift Assist, Prime Connect, Prime Series, Prime X, SideKick, Stryker, Zoom**. All other trademarks are trademarks of their respective owners or holders.



Stryker Medical
3800 E. Centre Avenue
Portage, MI 49002
USA