

## Prime Series® Stretcher

### Operations Manual













REF 1115












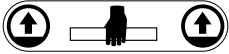




Big Wheel®





# Symbols

	Refer to instruction manual/booklet
	Consult instructions for use
	General warning
	Caution
	Warning; crushing of hands
	Warning; non-ionizing radiation
	No pushing
	Do not store the oxygen bottle
	Do not lubricate
<b>REF</b>	Catalogue number
<b>LOT</b>	Lot (batch) code
<b>SN</b>	Serial number
<b>US Patents</b>	For US Patents see <a href="http://www.stryker.com/patents">www.stryker.com/patents</a>
<b>CE</b>	CE mark
<b>EC REP</b>	Authorized representative in the European Community
<b>MD</b>	European medical device
	Manufacturer
	Date of manufacture
	Importer

	Safe working load
	Maximum patient weight
	Mass of equipment with safe working load
	Direct current
	Alternating current
	Dangerous voltage
	Protective earth ground
IPX6	Protection from powerful water jets
	Type B applied part
	Medical Equipment Classified by Underwriters Laboratories Inc. With Respect to Electric Shock, Fire, and Mechanical Hazards Only in Accordance with ANSI/AAMI ES60601-1: 2005 and CAN/CSA-C22.2 No. 60601-1:08. *For <b>Prime X</b> option, Associated Equipment of X-ray Equipment IEC 60601-2-54
	In accordance with European Directive 2012/19/EU on Waste Electrical and Electronic Equipment (WEEE) as amended, this symbol indicates that the product should be collected separately for recycling. Do not dispose of as unsorted municipal waste. Contact local distributor for disposal information. Ensure infected equipment is decontaminated prior to recycling.
	Lubricate
	Lift here
	This way up
	Keep dry
	Fragile, handle with care
	Stacking limit by number

# Table of Contents

Warning/Caution/Note Definition .....	3
Summary of safety precautions .....	3
Pinch points .....	6
Introduction .....	7
Product description .....	7
Indications for use .....	7
Clinical benefits .....	7
Contraindications .....	8
Expected service life .....	8
Disposal/recycle .....	8
Specifications .....	8
Product illustration - Prime .....	10
Product illustration - Prime X option .....	11
Applied parts - electric litter option .....	12
Applied parts - Prime X option .....	12
Contact information .....	13
Serial number location .....	13
Setup .....	14
Operation .....	15
Applying and releasing the brakes .....	15
Prime base controls .....	16
Raising the non-electric litter .....	16
Lowering the non-electric litter .....	16
Raising the electric litter option .....	17
Lowering the electric litter option .....	17
Positioning the product in Trendelenburg .....	17
Positioning the product in Reverse Trendelenburg .....	18
Transporting a patient .....	18
Transporting a patient without Big Wheel .....	18
Transporting a patient with Big Wheel .....	19
Positioning or stowing the head end push handles option .....	20
Raising the siderail .....	21
Lowering the siderail .....	21
Positioning the product with the siderail patient control panel - electric litter option- Prime only .....	22
Operator control panel - electric litter option - Prime only .....	22
Locking and unlocking the patient control panel lockout - electric litter option - Prime only .....	23
Raising or lowering the Fowler backrest - non-electric litter .....	24
Raising or lowering the Fowler backrest - electric litter option .....	25
Raising or lowering the Gatch - non-electric litter - Prime only .....	26
Raising or lowering the Gatch - electric litter option - Prime only .....	26
Positioning the recovery chair - Prime only .....	26
Storing objects in the base hood .....	27
Hanging devices with the pump rack option .....	27
Extending or retracting the power cord with the retractable cord reel option - electric lift option or electric litter option .....	28
Scale system option .....	28
Scale icon/button identification .....	29
Weighing a patient .....	29
Locking the scale unit of measure .....	30
Arming or disarming the Chaperone option .....	30
Setting the Chaperone option alert pattern .....	30
Setting the Chaperone option alert volume .....	31
Charging the scale system battery pack option - electric litter option or electric litter option with Chaperone option - Prime only .....	31
Replacing the batteries for the scale system option - non-electric litter .....	31

Accessories and parts .....	32
Attaching the defibrillator tray .....	35
Converting the defibrillator tray/foot extender to a defibrillator tray .....	35
Converting the defibrillator tray/foot extender to a foot extender .....	36
Attaching the footboard/chart holder .....	36
Attaching the IV caddy .....	37
Positioning or stowing the foot supports - Prime only .....	37
Positioning the two-stage permanently attached IV pole .....	38
Positioning the three-stage permanently attached IV pole .....	39
Attaching and positioning the removable IV pole .....	40
Attaching the upright oxygen bottle holder .....	41
Extending or stowing the serving tray holder/footboard .....	41
Attaching the siderail pads .....	42
Locating the patient restraint strap tie-ins .....	42
Positioning the upright X-ray cassette holder - Prime X option .....	42
Positioning the lateral X-ray cassette holder - Prime X option .....	43
Inserting or removing X-ray cassettes - Prime X option .....	44
Cleaning and disinfecting with wipes .....	46
Cleaning .....	47
Cleaning the product .....	47
Cleaning the product using a cart washer .....	47
Cleaning the mattress .....	48
Remove iodine .....	49
Special instructions .....	49
Disinfecting .....	50
Disinfecting the product .....	50
Disinfecting the mattress .....	50
Preventive maintenance .....	52
EMC information .....	54

# Warning/Caution/Note Definition

The words **WARNING**, **CAUTION**, and **NOTE** carry special meanings and should be carefully reviewed.

## **WARNING**

Alerts the reader about a situation which, if not avoided, could result in death or serious injury. It may also describe potential serious adverse reactions and safety hazards.

## **CAUTION**

Alerts the reader of a potentially hazardous situation which, if not avoided, may result in minor or moderate injury to the user or patient or damage to the product or other property. This includes special care necessary for the safe and effective use of the device and the care necessary to avoid damage to a device that may occur as a result of use or misuse.

**Note** - Provides special information to make maintenance easier or important instructions clearer.

## Summary of safety precautions

Always read and strictly follow the warnings and cautions listed on this page. Service only by qualified personnel.

---

### **WARNING**

- Always allow the product to reach room temperature before you set up the product or test functional operations. Permanent product damage may occur.
- Always operate the product when all operators are clear of the mechanisms.
- Always use care when handling the power cord. Entanglement, damage to the power cord, or potential shock hazards may occur. If the power cord is damaged, immediately remove the product from service and contact the appropriate maintenance personnel.
- Always plug the product directly into a grounded, hospital grade wall outlet. You can only achieve grounding reliability when you use a hospital grade outlet. This product is equipped with a hospital grade plug to protect against electric shock hazard.
- Always apply the brakes when a patient is getting on the product or off the product or when the product is not moving. Injury could result if the product moves while a patient is getting on the product or off the product.
- Always position the patient in the center of the product.
- Always put the product in the lowest position with the siderails up and latched when you leave a patient unattended. Do not leave the product at a higher height.
- Always remove any devices that may be in the way before you raise or lower the litter.
- Do not sit on the end of the product. The product may tip.
- Always lock the siderails in the full up position with the sleep surface horizontal and in the lowest position when you transport a patient.
- Do not transport the product laterally on inclines greater than 5.7 degrees (10% grade) to avoid product tipping.
- Always use extra caution when you use a mattress thicker than 2.5 in. or a mattress overlay with **Prime X** option.
- Always lock the siderails in the full up position with the sleep surface flat and in the lowest position when you transport a patient.
- Always keep the patient's limbs away from the siderail spindles when you raise or lower the siderail.
- Do not allow the siderails to lower on their own.
- Always keep hands and fingers clear of the Fowler backrest release handles and the Fowler backrest frame when you lower the Fowler backrest.
- Always use caution when you raise a the Fowler backrest while a patient is on the product. Use proper lifting techniques and get help, if necessary.
- Always keep hands and fingers clear of the foot end push handles when you lower the Gatch.
- Always keep device lines on the pump rack away from the Gatch handles.
- Always make sure that devices on the pump rack can pass safely through door openings.
- Do not lift the product by the pump rack.
- Always unplug the power cord from the wall outlet before you transport or clean the product.

- Always use the retractable cord reel to store the power cord inside the base when you transport the product.
- Do not use the scale system option or electric lift option or electric litter option adjacent to or stacked with other devices. If adjacent or stacked use is necessary, the scale system option or electric lift option or electric litter option should be observed to make sure that all devices are operating normally in the configuration in which they will be used.
- Do not place items that weigh more than 30 lb (14 kg) on the defibrillator tray. Always strap down all devices that you place on the defibrillator tray.
- Always use caution if the defibrillator tray/foot extender, footboard/chart holder, or upright oxygen bottle holder is attached to avoid pinching your fingers when you position the foot end push handle option.
- Do not place items that weigh more than 30 lb (14 kg) on the defibrillator tray/foot extender. Always strap down all devices that you place on the defibrillator tray.
- Always secure the IV pole to the IV caddy when you transport the product.
- Always store the IV caddy when not in use to avoid product damage.
- Do not sit on the foot supports. This may cause the product to tip.
- Always clear your fingers from the mechanisms when you operate the foot supports.
- Always stow the foot supports when you transport a patient with the product.
- Always tighten the foot supports before you use the foot supports.
- Do not operate the scale system with the foot supports. Inaccurate readings may occur.
- Do not operate the **Chaperone** option with the foot supports. Inaccurate readings may occur.
- Do not use the IV pole as a push/pull device. Product damage may occur.
- Do not place objects that exceed 40 lb (18 kg) in the upright oxygen bottle holder.
- Do not place objects that exceed 30 lb (14 kg) on the serving tray.
- Always use caution when you attach restraint straps. Patient or operator injury may occur. Physical restraints, even if secured, may result in serious harm to patients and operators, including entanglement, entrapment, physical injury, or death.
- Always attach restraint straps or devices only at the identified attachment points of the product. Failure to do so may result in patient or operator injury. Do not attach restraint straps to the siderail.
- Always refer to the applicable state and federal restrictions and regulations and the appropriate facility protocols before you use any restraint strap or device.
- Always take protective measures when you use the upright or lateral X-ray cassette holder. The X-ray cassette holder does not protect against radiation.
- Always refer to local, state, and federal guidelines in addition to facility protocols for safety before you use **Prime X** option with radiation generating devices. Radiation generating devices may produce residual, stray, or scattered radiation.
- Always follow the *Positioning the upright X-ray cassette holder - Prime X option* instructions to insert the X-ray cassette.
- Always use caution when you take X-rays with the Fowler backrest in the upright position or when you use a lateral cassette.
- Always follow the *Positioning the lateral X-ray cassette holder - Prime X option* instructions to insert the X-ray cassette.
- Do not clean, service, or perform maintenance while the product is in use.
- Do not immerse the mattress in cleaning or disinfectant solutions. Excess moisture could cause product malfunction that results in product damage or patient injury.
- Do not allow fluid to pool on the mattress. Fluids can cause corrosion of components and may cause the safety and performance of this product to become unpredictable.
- Always inspect mattress covers for tears, punctures, excessive wear, and misaligned zippers every time you clean the covers. Remove and replace a damaged mattress to prevent cross-contamination.
- Do not steam clean, pressure wash, hose off, or ultrasonically clean mattresses. These methods of cleaning may void the product's warranty.
- Do not steam clean, hose off, or ultrasonically clean the product. Use of these methods of cleaning is not recommended and may void the product's warranty.
- Always disinfect the mattress between patients. Failure to do so could result in cross-contamination and infection.

---

## CAUTION

- Improper usage of the product can cause injury to the patient or operator. Operate the product only as described in this manual.



- Do not modify the product or any components of the product. Modifying the product can cause unpredictable operation resulting in injury to patient or operator. Modifying the product also voids its warranty.
  - Do not use the hydraulics on the base to raise the product with a patient lift under the product.
  - Do not apply the steer pedal when **Big Wheel** is resting on a threshold or other raised area. The force required to apply **Big Wheel** will be higher than normal which may cause product damage.
  - The weight capacity of the Gatch is 200 lb (90.7 kg).
  - Always make sure that the Gatch prop rod is secure before use.
  - Do not sit or stand on the Gatch.
  - Always use caution when you attempt to lower the Gatch while the product is unpowered. Gravity may cause a rapid drop of the Gatch.
  - Do not place objects that exceed 60 lb (27 kg) in the base hood.
  - Do not sit, step, or stand on the base hood.
  - The weight capacity of the pump rack is 40 lb (18 kg).
  - Do not use the pump rack as a push/pull device. Product damage may occur.
  - Do not use the scale for patients under 50 lb.
  - Do not use the scale system reading as a reference for medical treatment.
  - Always raise the IV pole before you attach the defibrillator tray/foot extender to the product. If you do not raise the IV pole, the foot extender will not operate.
  - Do not use the IV pole as a push/pull device. Product damage may occur.
  - Do not hang IV bags that exceed 40 lb (18 kg) on the IV pole.
  - Always make sure that the IV pole is at a low height to pass through door openings when you transport a patient.
  - Do not use abrasive cleaners to clean the display enclosure for the scale system option. Do not allow cleaning solutions or other fluids to pool on the display unit. Dry all surfaces after spills or cleaning.
  - The use of accessories, transducers, and cables, other than those specified or provided by the manufacturer, could result in increased electromagnetic emissions or decreased electromagnetic immunity and result in improper operation.
  - The emissions characteristics of this equipment make it suitable for use in industrial areas and hospitals (CISPR 11 class A). If it is used in a residential environment, for which CISPR 11 class B is normally required, this equipment might not offer adequate protection to radio frequency communication services. The user might need to take mitigation measures, such as relocating or reorienting the equipment.
  - Portable RF communications equipment, including peripherals such as antenna cables and external antennas, should be used no closer than 12 inches (30 cm) to any part of the **Prime** stretcher, including cables specified by the manufacturer.
  - Avoid stacking or placing other equipment adjacent with other equipment to prevent improper operation of the products. If such use is necessary, carefully observe stacked or adjacent equipment to make sure that they are operating properly.
-

## Pinch points



Figure 1 – Prime X option

# Introduction

This manual assists you with the operation or maintenance of your Stryker product. Read this manual before operating or maintaining this product. Set methods and procedures to educate and train your staff on the safe operation or maintenance of this product.

---

## CAUTION

- Improper usage of the product can cause injury to the patient or operator. Operate the product only as described in this manual.
  - Do not modify the product or any components of the product. Modifying the product can cause unpredictable operation resulting in injury to patient or operator. Modifying the product also voids its warranty.
- 

## Note

- This manual is a permanent part of the product and should remain with the product even if the product is sold.
- Stryker continually seeks advancements in product design and quality. This manual contains the most current product information available at the time of printing. There may be minor discrepancies between your product and this manual. If you have any questions, contact Stryker Customer Service or Technical Support at 1-800-327-0770.

## Product description

The Stryker Model 1115 **Prime Series**® stretcher with **Big Wheel**® is a wheeled device which consists of a platform mounted on a wheeled frame to support patients in a horizontal position. A stretcher provides the operator with a method of transporting patients within the interior of a healthcare facility by health professionals or trained representatives of the facility. The Stryker Model 1115 **Prime Series** stretcher with **Big Wheel** decreases start-up force and steering effort to reduce physical strain.

## Indications for use

The **Prime Series** stretcher with **Big Wheel** has two big wheels to reduce the startup force required to move the stretcher.

The **Prime Series** stretcher may be used as a short-term outpatient clinical evaluation, treatment, minor procedure, and short-term outpatient recovery platform. The stretcher may include use in, but is not limited to:

- Emergency department (ED)
- Trauma area
- Post-anesthesia care unit (PACU)

The **Prime Series** stretcher may be used for minor procedures and short-term stay (treatment and recovery). See the specifications table for the intended environmental conditions.

The **Prime Series** stretcher is not for use for long-term inpatient treatment and recovery.

The **Prime Series** stretcher has a safe working load up to 700 lb (318 kg) and is intended to be used with all patients, including those mildly to critically ill. The stretcher may also be used to transport deceased patients within an enclosed healthcare facility.

The **Prime X**® option provides an articulating radiographic patient support surface and a platform below the patient support surface for X-ray cassette placement. **Prime X** option is intended to allow the capture of clinical X-rays (AP full body, optional full body lateral, and optional upright chest) when used with a medical X-ray system.

## Clinical benefits

Patient transport, facilitate treatment, and diagnostic

## Contraindications

The **Prime X** option is not recommended for use with a mattress with a thickness greater than four inches.

The **Prime X** option is not compatible for use with a C-Arm.

The **Prime X** option is intended for use in all establishments other than home healthcare, domestic, and those directly connected to the public low voltage power supply network that supplies buildings used for domestic purposes.


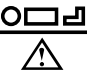
## Expected service life

The **Prime Series** stretcher and the **Prime Series** stretcher with **Prime X** option have a 10 year expected service life under normal use conditions and with appropriate periodic maintenance.

## Disposal/recycle

Always follow the current local recommendations and/or regulations governing environmental protection and the risks associated with recycling or disposing of the equipment at the end of its useful life.

## Specifications

	Prime Series 26 in. width		Prime Series 30 in. width Prime Series HT Packs		Prime X option 30 in. width	
 <b>Note</b> - Safe working load indicates the sum of the patient, mattress, and accessory weight.	700 lb	318 kg	700 lb	318 kg	700 lb	318 kg
 Maximum patient weight	675 lb	306 kg	675 lb	306 kg	675 lb	306 kg
Overall length	85 in. (± 0.5 in.)	215.9 cm	85 in. (± 0.5 in.)	215.9 cm	85 in. (± 0.5 in.)	215.9 cm
Overall length (litter extension option)	89.9 in. (± .75 in.)	228.3 cm	89.9 in. (± .75 in.)	228.3 cm	NA	NA
Overall width (siderails up)	34 in. (± 1 in.)	86.4 cm	38 in. (± 1 in.)	96.5 cm	38 in. (± 1 in.)	96.5 cm
Overall width (siderails down)	30.25 in. (± 0.5 in.)	76.8 cm	30.5 in (± 0.5 in.)	77.5 cm	30.5 in. (± 0.5 in.)	77.5 cm
Minimum height	20.75 in.	52.7 cm	20.75 in.	52.7 cm	23.25 in.	59.1 cm
Maximum height	34 in. (± 1 in.)	86.4 cm	34 in. (± 1 in.)	86.4 cm	36.5 in. (± 1 in.)	92.7 cm
Fowler backrest angle	0° to 90° (± 5°)					
Gatch height	5.5 in. (14 cm) minimum				Not applicable	

	Prime Series 26 in. width		Prime Series 30 in. width Prime Series HT Packs		Prime X option 30 in. width	
Trendelenburg/Reverse Trendelenburg	+17° to -17° (± 3°)					
Minimum clearance	2.5 in. nominal	6.4 cm	2.5 in. nominal	6.4 cm	2.5 in. nominal	6.4 cm
	1.75 in. under the hydraulic jacks	4.5 cm	1.75 in. under the hydraulic jacks	4.5 cm	1.75 in. under the hydraulic jacks	4.5 cm
	1 in. under <b>Big Wheel</b>	2.5 cm	1 in. under <b>Big Wheel</b>	2.5 cm	1 in. under <b>Big Wheel</b>	2.5 cm
Attenuation equivalent (aluminum equivalence)	Not applicable				Maximum value allowed is 1.7 mm Al	
Optional scale system weight operating range	50 lb (22.7 kg) to 700 lb (318 kg)					
Optional scale system accuracy	±3 lb (1.3 kg) for weights less than 100 lb (45 kg) and ±3% for weights greater than or equal to 100 lb (45 kg)*					
*To meet the scale system accuracy claim, the patient surface must be in the flat position (Fowler backrest and Gatch down) and the product cannot exceed 5 degrees of Trendelenburg/Reverse Trendelenburg.						

Electric options	Optional electric litter (available on Prime only)	Optional electric lift (available on Prime and Prime X option)
Electrical requirements	120 VAC, 60Hz, 10A 240 VAC, 50/60 Hz, 5A	120 VAC, 60Hz, 10A 240 VAC, 50/60 Hz, 5A
Duty cycle	Continuous operation with intermittent loading is 1 min. ON/20 min. OFF	Continuous operation with intermittent loading is 1 min. ON/20 min. OFF

Optional scale system	Non-electric litter (available on Prime and Prime X option)	Optional electric lift (available on Prime and Prime X option)
Battery type	4 x AA battery (4 X 1.5 VDC) alkaline type (LR6)	4 x AA battery (4 X 1.5 VDC) alkaline type (LR6)
Battery voltage	6.0 VDC	6.0 VDC

Optional scale system	Optional electric litter (available on Prime only)	Optional electric lift
Battery type	1 x rechargeable lithium ion battery pack (0058-135-000)	Not applicable
Battery voltage	10.8 VDC, 2.4Ah	Not applicable

Optional scale system with Chaperone® (stretcher exit)	Optional electric litter (available on Prime only)	Optional electric lift
Battery type	1 x rechargeable lithium ion battery pack (0058-134-000)	Not applicable
Battery voltage	10.8 VDC, 4.8Ah	Not applicable

Stryker reserves the right to change specifications without notice.

**Note** - This product is not suitable for use in the presence of a flammable anesthetic mixture with air or with oxygen or nitrous oxide.

Environmental conditions	Operation	Storage and transportation
Temperature		
Relative humidity		
Atmospheric pressure		

**Note** - The optional scale system (non-electric litter/electric litter option) operation temperature range is 61 °F (16 °C) to 79 °F (26 °C).

Specifications listed are approximate and may vary slightly from product to product or by power supply fluctuations.

### Product illustration - Prime

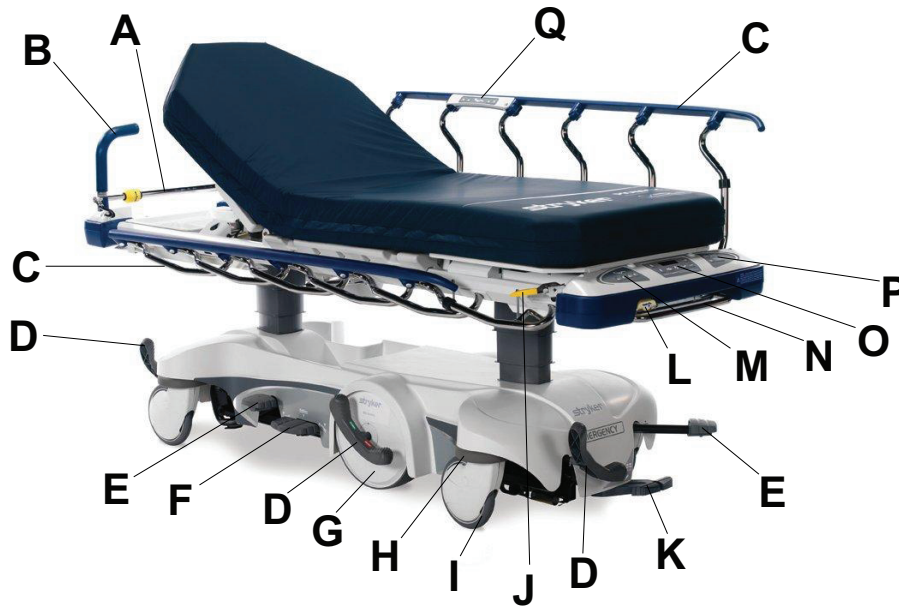


Figure 2 – Prime

A	IV pole	J	Siderail latch
B	<b>BackSmart®</b> pop up push handle, optional	K	Hydraulic release pedal
C	<b>BackSmart</b> siderail	L	Gatch release handle
D	Brake/steer pedal	M	<b>BackSmart</b> foot end operator control panel, optional
E	Pump pedal	N	Pump rack, optional

F	Uni-lower pedal	O	<b>BackSmart</b> scale system, optional
G	<b>Big Wheel</b>	P	Patient control panel lockout, optional
H	Bumper, integrated	Q	Siderail patient control panel, optional
I	Caster with integrated wheel cover		

## Product illustration - Prime X option

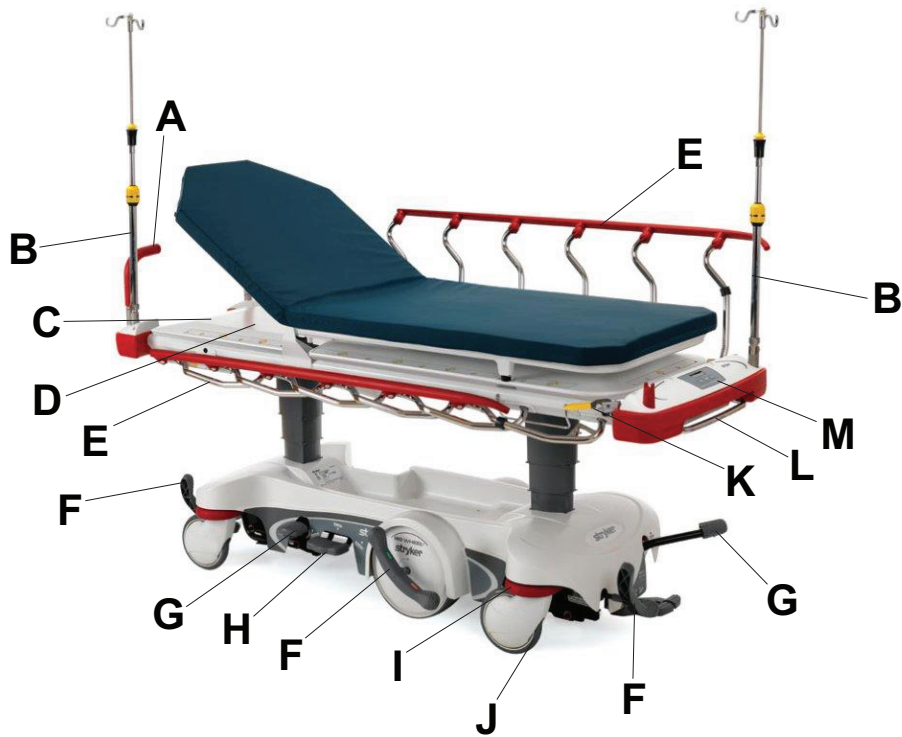


Figure 3 – Prime X option

A	<b>BackSmart®</b> pop up push handle, optional	H	Uni-lower pedal
B	IV pole	I	Bumper, integrated
C	Cassette tray	J	Caster with integrated wheel cover
D	Patient surface with <b>Clearview Technology®</b> deck	K	Siderail latch
E	<b>BackSmart</b> siderail	L	Pump rack, optional
F	Brake/steer control pedal	M	<b>BackSmart</b> scale system, optional
G	Pump pedal		

## Applied parts - electric litter option



Figure 4 – Type B applied parts - electric litter option

## Applied parts - Prime X option



Figure 5 – Type B applied parts - Prime X option



## Contact information

Contact Stryker Customer Service or Technical Support at: 1-800-327-0770.

Stryker Medical  
3800 E. Centre Avenue  
Portage, MI 49002  
USA

**Note** - The user and/or the patient should report any serious product-related incident to both the manufacturer and the Competent authority of the European Member State where the user and/or patient is established.

To view your operations or maintenance manual online, see <https://techweb.stryker.com/>.

Have the serial number (A) of your Stryker product available when calling Stryker Customer Service or Technical Support. Include the serial number in all written communication.

## Serial number location

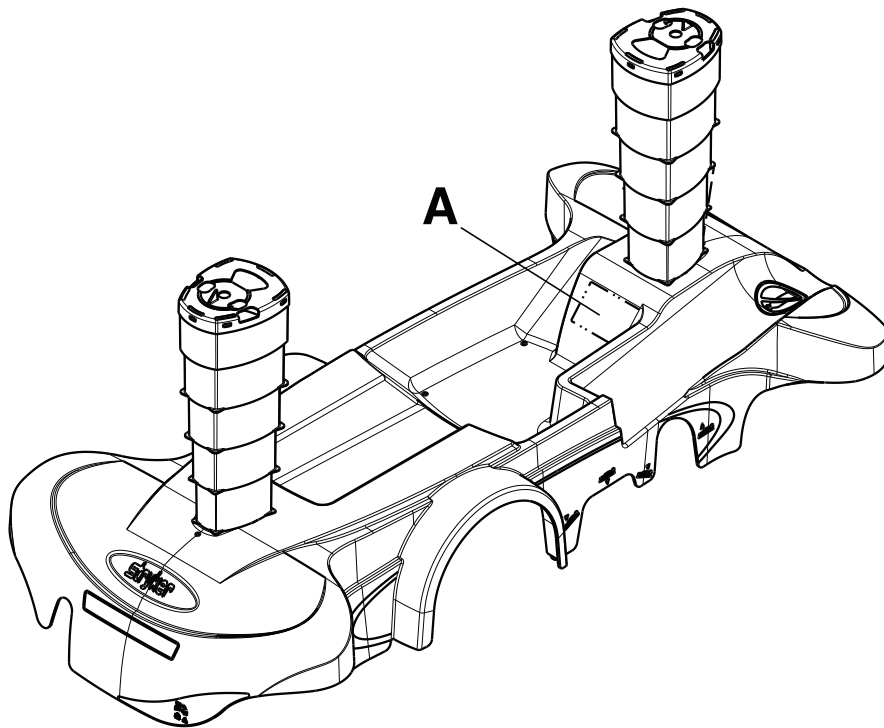


Figure 6 – Serial number location

# Setup

To unpack your product, see the unpacking instructions that are attached to the product inside of the shipping crate.

---

## WARNING

- Always allow the product to reach room temperature before you set up the product or test functional operations. Permanent product damage may occur.
  - Always operate the product when all operators are clear of the mechanisms.
  - Always use care when handling the power cord. Entanglement, damage to the power cord, or potential shock hazards may occur. If the power cord is damaged, immediately remove the product from service and contact the appropriate maintenance personnel.
  - Always plug the product directly into a grounded, hospital grade wall outlet. You can only achieve grounding reliability when you use a hospital grade outlet. This product is equipped with a hospital grade plug to protect against electric shock hazard.
- 

Make sure that the product functions before you put the product into service.

1. Apply the brake. Push on the product to make sure that all four casters are locked.
2. Release the brake. Push on the product to make sure that all four casters are unlocked.
3. Raise and lower the litter with the hydraulic lift system.
4. Raise the product to the highest position and put the product in the Trendelenburg position (see *Positioning the product in Trendelenburg* (page 17)). Make sure that the head end lowers to the full down position.
5. Raise the product to the highest position and put the product in the Reverse Trendelenburg position (see *Positioning the product in Reverse Trendelenburg* (page 18)). Make sure that the foot end lowers to the full down position.
6. Apply **Big Wheel** and make sure that it is working.
7. Make sure that the siderails raise, lower, and lock in place.
8. Raise and lower the manual Fowler backrest (head end).
9. Raise and lower the manual Gatch (foot end).

For product with the electric lift or electric litter option:

1. Complete the setup checklist above.
2. Plug the product into a grounded, hospital grade wall outlet. Make sure that the LED lights illuminate on the lockout keypad.
3. Make sure that each function on the optional siderail patient control panel works.
4. Make sure that each function on the optional foot end operator control panel works.
5. Raise and lower the electric Fowler backrest (head end).
6. Raise and lower the electric Gatch (foot end).

For product with the scale system option-electric litter option (with or without **Chaperone** option):

1. Complete the setup checklist above.
2. Charge the batteries (*Charging the scale system battery pack option - electric litter option or electric litter option with Chaperone option - Prime only* (page 31)).

# Operation

## Applying and releasing the brakes

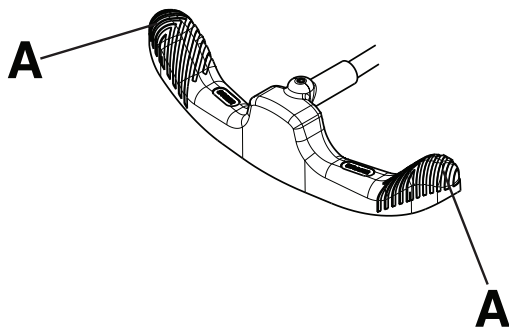
---

**WARNING** - Always apply the brakes when a patient is getting on the product or off the product or when the product is not moving. Injury could result if the product moves while a patient is getting on the product or off the product.

---

To apply the brakes, push down on the brake (red) side of the brake/steer pedal. Push on the product to make sure that the brakes work.

To release the brakes, push down on the steer (green) side of the brake/steer pedal.



**Figure 7 – Operating the brake/steer pedal**

**Note** - Do not push down on the center of the brake/steer pedal. Always push down on the outer side (A) of the brake/steer pedal (Figure 7).

## Prime base controls

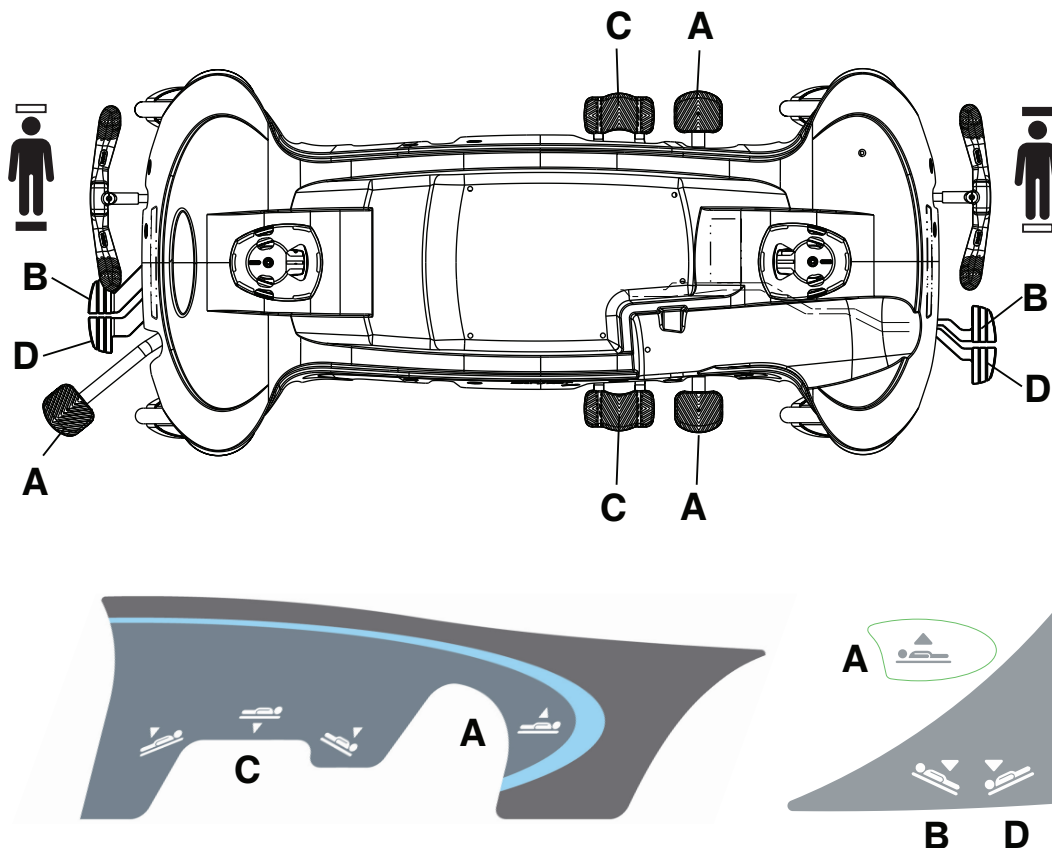


Figure 8 – Prime base controls and label

## Raising the non-electric litter

### WARNING

- Always position the patient in the center of the product.
- Always put the product in the lowest position with the siderails up and latched when you leave a patient unattended. Do not leave the product at a higher height.
- Always remove any devices that may be in the way before you raise or lower the litter.
- Do not sit on the end of the product. The product may tip.

**CAUTION** - Do not use the hydraulics on the base to raise the product with a patient lift under the product.

To raise the litter, press down on the pump pedal (A) until you achieve the desired height (*Prime base controls* (page 16)).

## Lowering the non-electric litter

### WARNING

- Always position the patient in the center of the product.
- Always put the product in the lowest position with the siderails up and latched when you leave a patient unattended. Do not leave the product at a higher height.
- Always remove any devices that may be in the way before you raise or lower the litter.
- Do not sit on the end of the product. The product may tip.

---

**CAUTION** - Do not use the hydraulics on the base to raise the product with a patient lift under the product.

---

To lower the entire litter, press down on the center of the uni-lower pedal (C) (*Prime base controls* (page 16)).

To lower the head end of the litter, press down on the pedal (B) or on side of the uni-lower pedal (C) closest to the head end of the product.

To lower the foot end of the litter, press down on the pedal (D) or press down on the side of the uni-lower pedal (C) closest to the foot end of the product.

## Raising the electric litter option

---

### WARNING

- Always position the patient in the center of the product.
  - Always put the product in the lowest position with the siderails up and latched when you leave a patient unattended. Do not leave the product at a higher height.
  - Always remove any devices that may be in the way before you raise or lower the litter.
  - Do not sit on the end of the product. The product may tip.
- 

---

**CAUTION** - Do not use the hydraulics on the base to raise the product with a patient lift under the product.

---

To raise the electric litter, press down on the pump pedal (A) until you achieve the desired height (*Prime base controls* (page 16)).

## Lowering the electric litter option

---

### WARNING

- Always position the patient in the center of the product.
  - Always put the product in the lowest position with the siderails up and latched when you leave a patient unattended. Do not leave the product at a higher height.
  - Always remove any devices that may be in the way before you raise or lower the litter.
  - Do not sit on the end of the product. The product may tip.
- 

---

**CAUTION** - Do not use the hydraulics on the base to raise the product with a patient lift under the product.

---

To lower the entire electric litter, press on the center of the uni-lower pedal (C) (*Prime base controls* (page 16)).

To lower the head end of the litter, press down on the pedal (B) or push down on the side of the uni-lower pedal (C) closest to the head end of the product.

To lower the foot end of the litter, press down on the pedal (D) or push down on the side of the uni-lower pedal (C) closest to the foot end of the product.

## Positioning the product in Trendelenburg

---

**WARNING** - Always remove any devices that may be in the way before you raise or lower the litter.

---

---

**CAUTION** - Do not use the hydraulics on the base to raise the product with a patient lift under the product.

---

To position the product in the Trendelenburg position (head down), raise the litter to the highest height (*Raising the non-electric litter* (page 16) or *Raising the electric litter option* (page 17)).

**Note** - Raise the litter to the highest height for a greater Trendelenburg angle.

To lower the head end of the product, push down on the head end or foot end release pedal (D) or push down on the side of the uni-lower pedal (C) closest to the head end (*Prime base controls* (page 16)).

To lower the product from Trendelenburg position, push down on the head end and foot end release pedals (B and D) at the same time or push down on the center of the uni-lower pedal (C) until the litter is flat.

## Positioning the product in Reverse Trendelenburg

---

**WARNING** - Always remove any devices that may be in the way before you raise or lower the litter.

---

**CAUTION** - Do not use the hydraulics on the base to raise the product with a patient lift under the product.

---

To position the product in the Reverse Trendelenburg position (foot down), raise the litter to the highest height (*Raising the non-electric litter* (page 16) or *Raising the electric litter option* (page 17)).

**Note** - Raise the litter to the highest height for a greater Trendelenburg angle.

To lower the foot end of the product, push down on the head end or foot end release pedal (B) or push down on the side of the uni-lower pedal (C) closest to the foot end (*Prime base controls* (page 16)).

To lower the product from Reverse Trendelenburg position, push down on the head end and foot end release pedals (B and D) at the same time or push down on the center of the uni-lower pedal (C) until the litter is flat.

## Transporting a patient

---

### WARNING

- Always position the patient in the center of the product.
  - Always lock the siderails in the full up position with the sleep surface horizontal and in the lowest position when you transport a patient.
  - Do not transport the product laterally on inclines greater than 5.7 degrees (10% grade) to avoid product tipping.
- 

To transport a patient:

1. Raise the siderails to the highest position. Pull on the siderail to make sure that it is latched.
2. Lower the litter to the lowest position.
3. Unplug the power cord from the wall outlet if your product is equipped with the electric lift or electric litter option.
4. Push down on the steer (green) side of the brake/steer pedal.
5. Use the push handles to push the product.
6. Apply the brakes to lock the product in place.

**Note** - Always make sure that the brake is released before you move the product to avoid operator or patient injury.

## Transporting a patient without Big Wheel

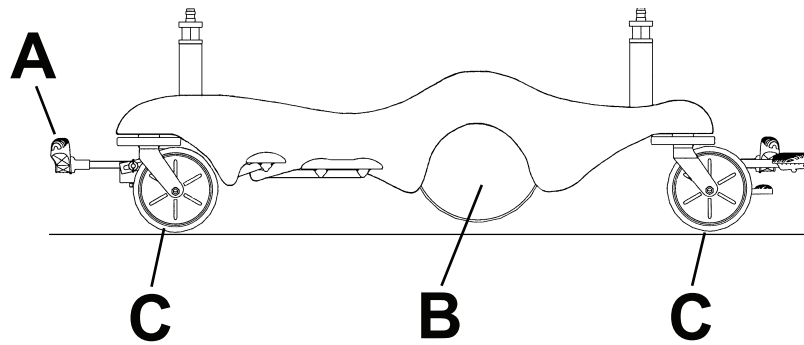
---

### WARNING

- Always position the patient in the center of the product.
  - Always lock the siderails in the full up position with the sleep surface horizontal and in the lowest position when you transport a patient.
- 

To transport a patient without **Big Wheel**:

1. Put the brake/steer pedal (A) in the neutral position (Figure 9).



**Figure 9 – Transporting without Big Wheel**

2. Lower the litter to the lowest position.
3. For Model 1125 only, make sure that the On/Drive-Off/Manual switch is in the Off position.
4. Unplug the power cord from the hospital grade wall outlet if your product is equipped with the electric lift option or electric litter option.
5. Use the push handles to push the product.
6. Apply the brakes to lock the product in place.

**Note**

- Always make sure that the brake is released before you move the product to avoid operator or patient injury.
- With the product in the neutral position, **Big Wheel** (B) is elevated and the product rests on all four casters (C) (Figure 9). In this position, you can move the product in any direction, including sideways.

## Transporting a patient with Big Wheel

---

**WARNING**

- Always position the patient in the center of the product.
  - Always lock the siderails in the full up position with the sleep surface horizontal and in the lowest position when you transport a patient.
- 

**CAUTION** - Do not apply the steer pedal when **Big Wheel** is resting on a threshold or other raised area. The force required to apply **Big Wheel** will be higher than normal which may cause product damage.

---

To transport a patient with **Big Wheel**:

1. Raise the siderails to the highest position. Pull on each siderail to make sure it is latched.
2. Lower the litter to the lowest position.
3. For Model 1125 only, make sure that the On/Drive-Off/Manual switch is in the Off position.
4. Unplug the power cord from the hospital grade wall outlet if your product is equipped with the electric lift option or electric litter option.
5. Put the brake/steer pedal (A) in the steer position (Figure 10).

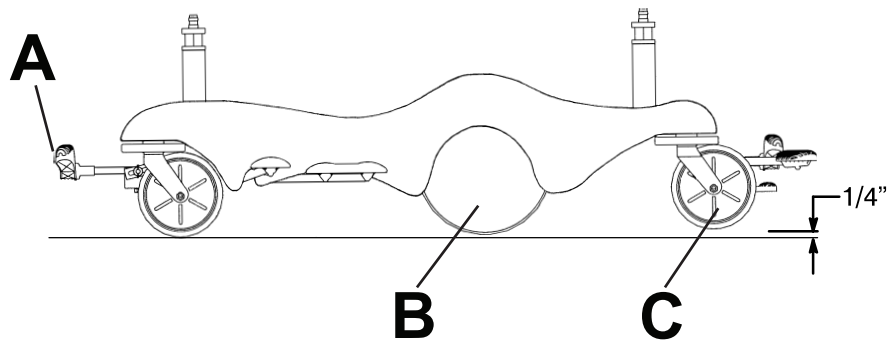


Figure 10 – Transporting with Big Wheel

6. Use the push handles to push the product.
7. Apply the brakes to lock the product in place.

**Note**

- Always make sure that the brake is released before you attempt to move the product. Attempting to move the product with the brakes applied may result in operator or patient injury.
- The **Big Wheel** (B) does not pivot. You cannot move the product sideways when you apply **Big Wheel**.
- When you apply **Big Wheel** (B), the product is raised and the foot end casters (C) are elevated. The product rests on the head end casters and **Big Wheel** makes the product easier to steer (Figure 10).

### Positioning or stowing the head end push handles option

To position or stow the head end push handles:

1. Pivot the handles (A) up from the head end of the product (Figure 11).
2. Push down on the handles to lock them into position.

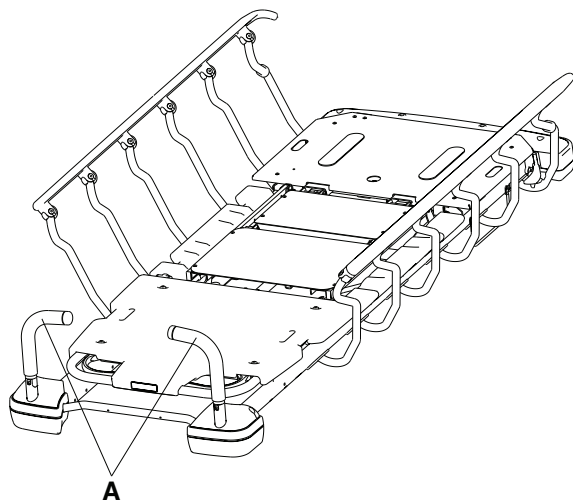


Figure 11 – Positioning the head end push handles

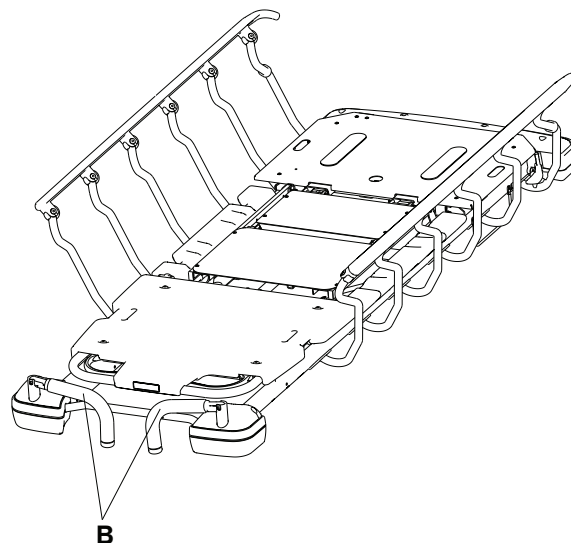


Figure 12 – Stowing the head end push handles

3. Reverse steps to stow the head end push handles (B) (Figure 12).

**Note** - Only use the push handles as push/pull devices unless otherwise specified to avoid product damage.



## Raising the siderail

---

### WARNING

- Always use extra caution when you use a mattress thicker than 2.5 in. or a mattress overlay with **Prime X** option.
  - Always put the product in the lowest position with the siderails up and latched when you leave a patient unattended. Do not leave the product at a higher height.
  - Always lock the siderails in the full up position with the sleep surface flat and in the lowest position when you transport a patient.
  - Always keep the patient's limbs away from the siderail spindles when you raise or lower the siderail.
  - Do not allow the siderails to lower on their own.
- 

To raise the siderail:

1. Use two hands to grasp the siderail.
2. Lift the siderail toward the foot end of the product until the yellow release latch clicks into place. Pull on the siderail to make sure that the siderail is latched.

### Note

- There is a dual siderail release latch option available with latches on both ends of the product.
- Do not use siderails as restraint devices to keep the patient from exiting the product. The siderails keep the patient from rolling off the product. The operator must determine how much restraint is needed to make sure that the patient is safe.
- You can use the foot end of the siderail top rail as a push/pull device.
- Siderails only lock in the full up position.

## Lowering the siderail

---

### WARNING

- Always use extra caution when you use a mattress thicker than 2.5 in. or a mattress overlay with **Prime X** option.
  - Always put the product in the lowest position with the siderails up and latched when you leave a patient unattended. Do not leave the product at a higher height.
  - Always lock the siderails in the full up position with the sleep surface flat and in the lowest position when you transport a patient.
  - Always keep the patient's limbs away from the siderail spindles when you raise or lower the siderail.
  - Do not allow the siderails to lower on their own.
- 

To lower the siderail:

1. Use one hand to grasp the siderail.
2. Use the other hand to pull up on the yellow release latch.
3. Lift and guide the siderail toward the head end of the product until the yellow release latch clicks into place. Pull on the siderail to make sure that the siderail is latched.

### Note

- There is a dual siderail release latch option available with latches on both ends of the product.
- Do not use siderails as restraint devices to keep the patient from exiting the product. The siderails keep the patient from rolling off the product. The operator must determine how much restraint is needed to make sure that the patient is safe.
- You can use the foot end of the siderail top rail as a push/pull device.
- Siderails only lock in the full up position.

## Positioning the product with the siderail patient control panel - electric litter option- Prime only

**WARNING** - Always operate the product when all operators are clear of the mechanisms.

Use the siderail patient control panel to position the Fowler backrest and Gatch (Figure 13).

Healthcare professionals must instruct patients how to operate the patient controls.

### Note

- Always plug the power cord into a grounded, hospital grade wall outlet.
- The siderail patient control panel is positioned in a staggered location on each side of the product for easy patient access.
- Each siderail has backlit controls to allow the patient to position the Fowler backrest and Gatch. When the product is plugged in and the patient control panel is unlocked, the white buttons are illuminated.

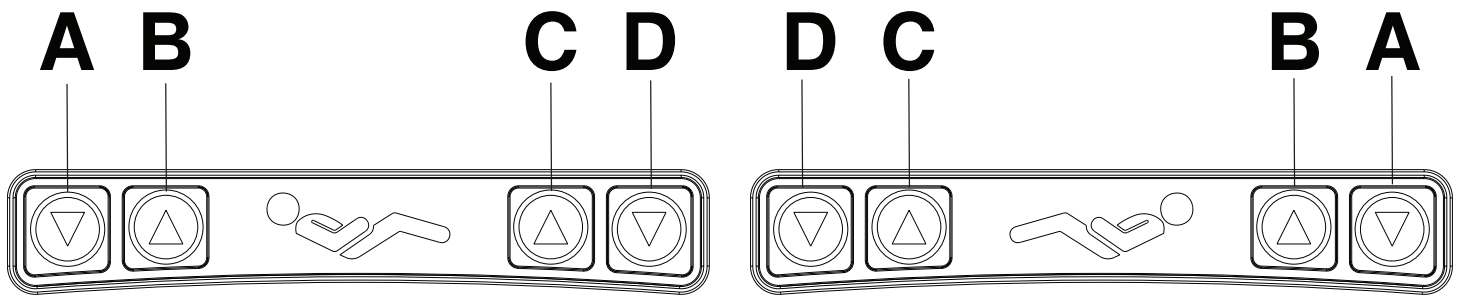


Figure 13 – Siderail patient control panel

A	Fowler down	Lowers the Fowler (head section)
B	Fowler up	Raises the Fowler (head section)
C	Gatch up	Raises the Gatch (foot section)
D	Gatch down	Lowers the Gatch (foot section)

## Operator control panel - electric litter option - Prime only

**WARNING** - Always operate the product when all operators are clear of the mechanisms.

Use the operator control panel to adjust the position of the patient on the product (Figure 14).

**Note** - Always plug the power cord into a grounded, hospital grade wall outlet.

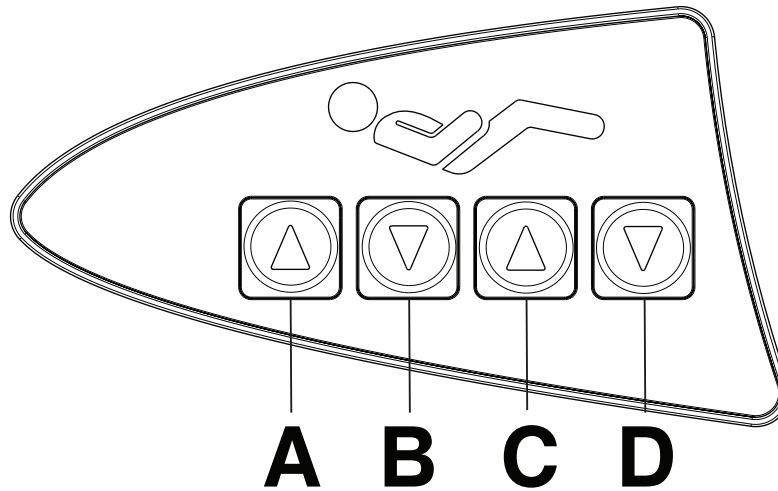


Figure 14 – Operator control panel - electric litter option

A	Fowler up	Raises the Fowler backrest
B	Fowler down	Lowers the Fowler backrest
C	Gatch up	Raises the Gatch
D	Gatch down	Lowers the Gatch

## Locking and unlocking the patient control panel lockout - electric litter option - Prime only

**WARNING** - Always operate the product when all operators are clear of the mechanisms.

To lock the siderail patient control panel, press **Unlock/Lock** (A) once (Figure 15).

**Note** - The lock icon (C) illuminates amber when the patient controls are locked.

To unlock the siderail patient control panel, press **Unlock/Lock** (A) a second time.

**Note** - The unlock icon (B) illuminates green when the patient controls are unlocked.

### Note

- Always plug the power cord into a grounded, hospital grade wall outlet.
- You can lock the patient control panel to prevent the patient from moving the backrest and the Gatch.
- The siderail patient control panel is not backlit when you lock the patient control panel.

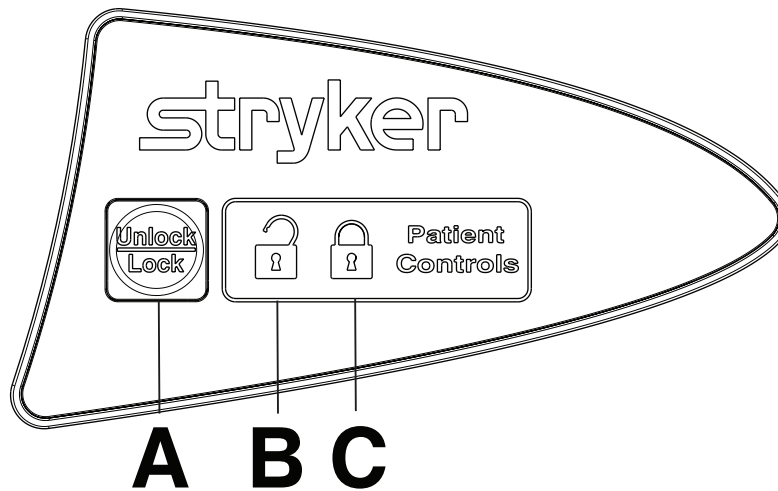


Figure 15 – Patient control panel lockout

## Raising or lowering the Fowler backrest - non-electric litter

---

### WARNING

- Always operate the product when all operators are clear of the mechanisms.
  - Always keep hands and fingers clear of the Fowler backrest release handles and the Fowler backrest frame when you lower the Fowler backrest.
  - Always use caution when you raise a the Fowler backrest while a patient is on the product. Use proper lifting techniques and get help, if necessary.
- 

To raise the Fowler backrest, squeeze one or both of the Fowler backrest release handles (A) and pull the Fowler backrest up to the desired position (0° to 90°) (Figure 16).

**Note** - The **Lift Assist**® backrest uses patient weight to assist in patient positioning. The **Lift Assist** backrest also helps to keep the patient from sliding toward the foot end of the product when you raise the Fowler backrest.

To lower the Fowler backrest, squeeze one or both of the Fowler backrest release handles (A) and push the Fowler backrest down to the desired position (90° to 0°) (Figure 16).

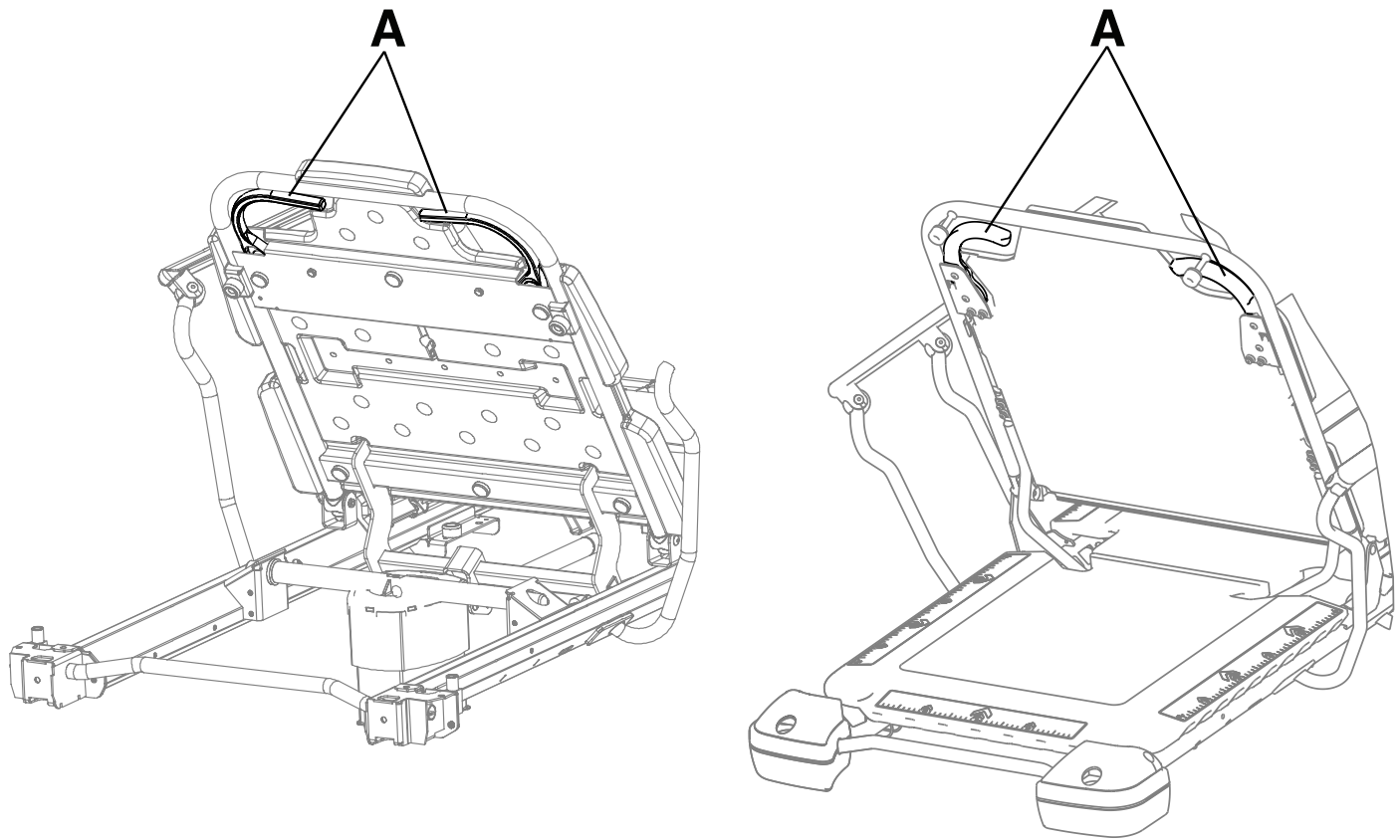


Figure 16 – Raising or lowering the Fowler backrest (Prime / Prime X)

## Raising or lowering the Fowler backrest - electric litter option

---

### WARNING

- Always operate the product when all operators are clear of the mechanisms.
  - Always keep hands and fingers clear of the Fowler backrest release handles and the Fowler backrest frame when you lower the Fowler backrest.
  - Always use caution when you raise a the Fowler backrest while a patient is on the product. Use proper lifting techniques and get help, if necessary.
- 

To raise the Fowler backrest, press the **up** button on the Fowler backrest side of the siderail patient control panel (*Positioning the product with the siderail patient control panel - electric litter option- Prime only* (page 22)) or foot end operator control panel (*Operator control panel - electric litter option - Prime only* (page 22)) until the Fowler backrest has reached the desired angle (0° to 70°).

**Note** - The **Lift Assist** backrest uses patient weight to assist in patient positioning. The **Lift Assist** backrest also helps to keep the patient from sliding toward the foot end of the product when you raise the Fowler backrest.

To lower the Fowler backrest, press the **down** button on the Fowler backrest side of the siderail patient control panel (*Positioning the product with the siderail patient control panel - electric litter option- Prime only* (page 22)) or foot end operator control panel (*Operator control panel - electric litter option - Prime only* (page 22)) until the Fowler backrest has reached the desired angle (70° to 0°).

**Note** - Always plug the power cord into a grounded, hospital grade wall outlet.

Healthcare professionals must instruct patients how to operate the patient controls.

## Raising or lowering the Gatch - non-electric litter - Prime only

---

**WARNING** - Always keep hands and fingers clear of the foot end push handles when you lower the Gatch.

---

### CAUTION

- The weight capacity of the Gatch is 200 lb (90.7 kg).
  - Always make sure that the Gatch prop rod is secure before use.
  - Do not sit or stand on the Gatch.
- 

To raise the non-electric Gatch, pump the Gatch pump handle to the left until you achieve the desired position (see *Product illustration - Prime litter*).

Lift up on the end of the Gatch and secure the prop rod in the bracket.

To release the prop rod, lift up on the end of the Gatch, swing the prop rod toward the head end of the product, and lower the foot end.

To lower the Gatch, pull the Gatch release handle until you achieve the desired position (see *Product illustration - Prime litter*).

**Note** - You cannot raise the Gatch manually if the product has the electric litter option.

## Raising or lowering the Gatch - electric litter option - Prime only

---

### WARNING

- Always keep hands and fingers clear of the foot end push handles when you lower the Gatch.
  - Always operate the product when all operators are clear of the mechanisms.
- 

### CAUTION

- The weight capacity of the Gatch is 200 lb (90.7 kg).
  - Do not sit or stand on the Gatch.
  - Always use caution when you attempt to lower the Gatch while the product is unpowered. Gravity may cause a rapid drop of the Gatch.
- 

To raise the Gatch, press **up** on the Gatch side of the siderail patient control panel or the foot end operator control panel.

To lower the Gatch, press **down** on the Gatch side of the siderail patient control panel or on the foot end operator control panel.

**Note** - Always plug the power cord into a grounded, hospital grade wall outlet.

Healthcare professionals must instruct patients how to operate the patient controls.

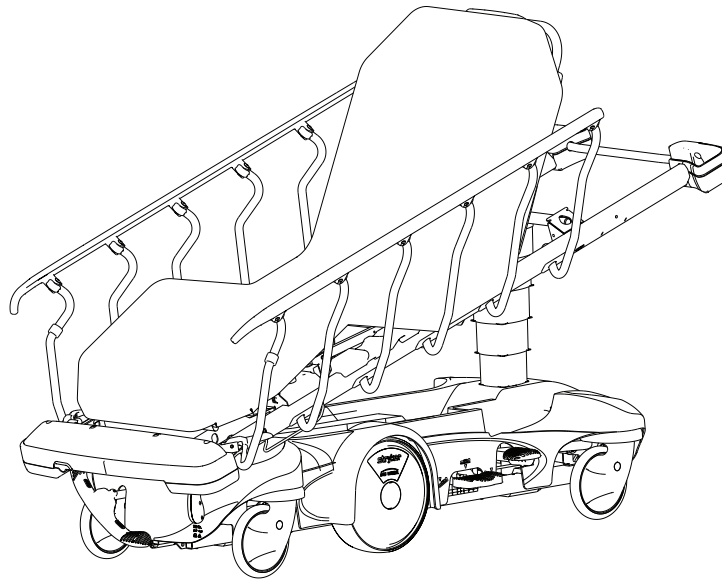
## Positioning the recovery chair - Prime only

---

**WARNING** - Always operate the product when all operators are clear of the mechanisms.

---

To place the product in the recovery chair position (Figure 17):



**Figure 17 – Recovery chair (Model 1115 shown)**

1. Raise the Fowler backrest to a seated position (*Raising or lowering the Fowler backrest - non-electric litter (page 24) or Raising or lowering the Fowler backrest - electric litter option (page 25)*).

**Note** - To position the recovery chair, the product must have the **Lift Assist** backrest option and the Gatch option.

2. Raise the Gatch to the full up position (*Raising or lowering the Gatch - non-electric litter - Prime only (page 26) or Raising or lowering the Gatch - electric litter option - Prime only (page 26)*).
3. Raise the litter to the highest height (*Raising the non-electric litter (page 16) or Raising the electric litter option (page 17)*).
4. Place the product into the Reverse Trendelenburg position (*Positioning the product in Reverse Trendelenburg (page 18)*).
5. Reverse steps to lower the product to the flat position.

## Storing objects in the base hood

---

### CAUTION

- Do not place objects that exceed 60 lb (27 kg) in the base hood.
  - Do not sit, step, or stand on the base hood.
- 

You can store patient belongings in the base hood. Do not use the oxygen bottle holder cutout to store oxygen bottles or patient belongings.

## Hanging devices with the pump rack option

---

### WARNING

- Always keep device lines on the pump rack away from the Gatch handles.
  - Always remove any devices that may be in the way before you raise or lower the litter.
  - Always make sure that devices on the pump rack can pass safely through door openings.
  - Do not lift the product by the pump rack.
-

---

**CAUTION**

- The weight capacity of the pump rack is 40 lb (18 kg).
  - Do not use the pump rack as a push/pull device. Product damage may occur.
- 

You can store or hang additional devices on the pump rack that is located on the foot end of the product.

**Note** - You must select the pump rack option at the time of purchase.

---

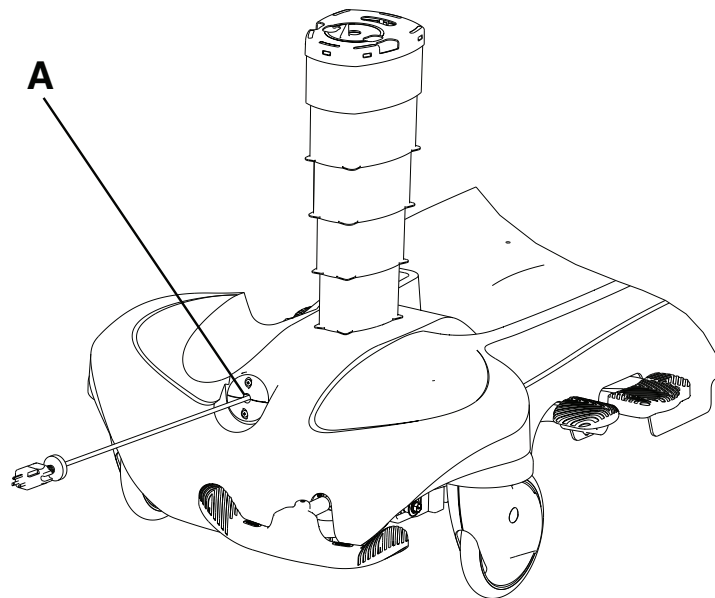
**Extending or retracting the power cord with the retractable cord reel option - electric lift option or electric litter option**

---

**WARNING**

- Always unplug the power cord from the wall outlet before you transport or clean the product.
  - Always use the retractable cord reel to store the power cord inside the base when you transport the product.
- 

To extend the power cord, pull the power cord out from the retractable cord reel (A) to the desired length (Figure 18).



**Figure 18 – Retractable cord reel**

To retract the power cord:

1. Unplug the power cord from the wall outlet.
2. Tug lightly on the power cord.
3. Guide the power cord into the retractable cord reel.

**Scale system option**

---

**WARNING** - Do not use the scale system option or electric lift option or electric litter option adjacent to or stacked with other devices. If adjacent or stacked use is necessary, the scale system option or electric lift option or electric litter option should be observed to make sure that all devices are operating normally in the configuration in which they will be used.

---

**CAUTION** - Do not use the scale for patients under 50 lb.

---

The scale system option is available for products with or without the electric litter option. The scale system option has a battery backup option. The standby icon indicates when the product is using the battery backup.



The **Chaperone** option allows you to set zone controls to alert an operator when a patient may be attempting to exit the product. The **Chaperone** option is available for products with the electric litter option and the scale system option. The scale system option with **Chaperone** option has a battery backup option. The standby icon indicates when the product is using the battery backup.

Raise the foot end push handles before you attempt to operate the scale system option.

Use the scale system control panel to operate the scale system option (*Scale icon/button identification* (page 29)).

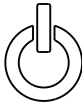






Do not touch the product while you weigh or zero the scale system option.

The patient must remain still while the system is weighing. If the patient is moving, the scale system will try for 20 seconds to get a stable weight or zero value before displaying the error message (⏏).

The error (⏏) appears in the display if there is a loose connection or if the scale is not operating. If you attempt to operate the scale again and the error appears, contact Stryker Technical Support.

**Note** - To meet the scale system accuracy claim, the patient surface must be in the flat position (Fowler backrest and Gatch down) and the product cannot exceed 5 degrees of Trendelenburg/Reverse Trendelenburg.

### Scale icon/button identification

Item	Icon/button	Name	Description
A		Stand by icon	Illuminates green when you plug the power cord into a wall outlet. Illuminates amber when you unplug the power cord from the wall outlet. Battery backup functionality will turn on.
B		Zone 1 icon	The patient can move freely, but the alarm sounds when the patient attempts to leave the product.
C		Zone 2 icon	The patient can move with limited movement. The alarm sounds when the patient approaches the siderails or moves toward the foot end.
D		Arm/Disarm button	Arms and disarms the <b>Chaperone</b> option (stretcher exit). See <i>Arming or disarming the Chaperone option</i> (page 30).
E		Weigh button	Weighs the patient. See <i>Weighing a patient</i> (page 29).
F		lb/kg button	Changes the displayed unit of measure. See <i>Locking the scale unit of measure</i> (page 30).
G		Zero button	Zeros the scale settings. See <i>Locking the scale unit of measure</i> (page 30).

### Weighing a patient

---

**CAUTION** - Do not use the scale system reading as a reference for medical treatment.

---

1. Raise the foot end push handles before you operate the scale system option.
2. Press and hold **Zero** until **rel** displays on the screen to zero the scale. **000.0** flashes and then stops flashing.

**Note** - The scale is not ready for use until the **000.0** stops flashing.

3. Place the patient on the product.
4. Press **lb/kg** to select the unit of measure (lb or kg).
5. Press **Weigh** to obtain the patient's weight.

**Note** - The patient's weight displays for 40 seconds.

## Locking the scale unit of measure

1. Press and hold **Weigh**, **lb/kg**, and **Zero** until **diag** displays.
2. Press **lb/kg** or **Zero** to toggle to **Unit Loc**.
3. For scale without Chaperone, press and hold **lb/kg** and **Zero** until **rel** displays to select **Unit Loc**.
4. For scale with **Chaperone**, press and hold **lb/kg** and **Zero** to select **Unit Loc**.
5. Press **lb/kg** or **Zero** to toggle to **lb**, **kg**, or **Any**.
6. Press and release **lb/kg** and **Zero**. **Only** and the selected unit of measure displays.

**Note** - **Only** will not appear if you select **Any**.

7. Press and hold **Weigh** until **quit** displays.
8. Press and hold **Zero** until **rel** displays. **000.0** flashes and then stops flashing.

**Note** - The scale is not ready for use until the **000.0** stops flashing.

## Arming or disarming the Chaperone option

When armed, the **Chaperone** option monitors the patient's position on the product.

To arm and disarm the **Chaperone** option:

1. With the patient on the product, press **Arm/Disarm**.

**Note** - This arms Zone 1. Zone 1 illuminates amber when applied.

2. To arm Zone 2, press **Arm/Disarm** twice within 3 seconds.

**Note** - This arms Zone 2. Zone 2 illuminates amber when applied.

3. To disarm the **Chaperone** option, press and hold **Arm/Disarm**.

**Note** - You must zero the scale before you arm the **Chaperone** option.

**Note** - If the patient moves outside of the limits of the selected zone, an amber light flashes, **Alrt** flashes in the scale system option display, and a sound alarm is triggered.

## Setting the Chaperone option alert pattern

To change the **Chaperone** option alert pattern:

1. Press and hold both **Arm/Disarm** and **Weigh** together for approximately 6 seconds. Ignore all display messages until **Ptrn** appears on the display (*Scale icon/button identification* (page 29)).
2. Release the **Arm/Disarm** and **Weigh** buttons.

**Note** - The pattern setting **P (1-10)** appears on the display.

3. Press **Arm/Disarm** or **Weigh** to scroll through the pattern options.

**Note** - A brief sample of the pattern plays as you scroll through the pattern options.

4. Press and hold both **Arm/Disarm** and **Weigh** together for 6 seconds until **set** appears on the display to save your selected pattern.
5. Release **Arm/Disarm** and **Weigh**.

**Note** - The pattern setting you selected appears on the display. A brief sample of the pattern confirms your pattern setting.

## Setting the Chaperone option alert volume

To change the **Chaperone** option alert volume:

1. Press and hold both **Zero** and **lb/kg** together until **vol** appears on the display (*Scale icon/button identification (page 29)*).
2. Release **Zero** and **lb/kg**.

**Note** - The volume levels **L (1-4)** appear on the display.

3. Press **Zero** or **lb/kg** to scroll through the volume levels.

**Note** - A brief sample of the volume plays as you scroll through the volume levels.

4. Press and hold both **Zero** and **lb/kg** together for 6 seconds until **set** appears on the display to save your selected volume level.
5. Release **Zero** and **lb/kg**.

**Note** - The volume level you selected appears on the display. A brief sample of the volume level confirms your volume level setting.

## Charging the scale system battery pack option - electric litter option or electric litter option with Chaperone option - Prime only

The scale system with the electric litter option requires one 10.8V Li-ION battery pack (0058-135-000 without the **Chaperone** option; 0058-134-000 with the **Chaperone** option). Recharge the battery pack when the battery charge indicator displays one unit remaining. This prevents the scale system option from shutting down due to drained batteries.

To recharge the scale system Li-ION battery pack, plug the power cord into a grounded, hospital grade wall outlet. The battery pack fully charges in approximately three hours.

**Note** - Always plug the product into a grounded, hospital grade wall outlet when not in use. This helps the battery to maintain a sufficient charge and maximizes product performance while on battery power.

## Replacing the batteries for the scale system option - non-electric litter

Replace the batteries when the battery charge indicator displays one unit remaining. This prevents the scale system option from shutting down due to drained batteries.

When the display flashes **Lo batt**, the batteries are at their lowest charge and the scale system option is disabled.

### Tools required:

- Phillips screwdriver
- Four AA batteries (Alkaline type (LR6))

To replace the batteries:

1. Using a Phillips screwdriver, the screws that hold the battery compartment cover to the display assembly.
2. Remove and discard all four AA batteries.

**Note** - Always dispose of old batteries in accordance with local regulations.

3. Place four new AA batteries as indicated in the battery holder.

**Note** - Never mix old batteries with new batteries.

4. Use the screws removed in step 1 to reinstall the battery compartment cover on the display assembly.

## Accessories and parts

These accessories may be available for use with your product. Confirm availability for your configuration or region. Call Stryker Customer Service: 1-800-327-0770.

Name	Part number
Defibrillator tray	1105-045-200
Defibrillator tray/foot extender	1105-045-400
Footboard/chart holder	1105-045-500
Heel pad assembly	1105-045-022
IV caddy	0785-155-000
<b>HAVASU™</b> IV pole, removable	0390-025-000
IV pole, three-stage, foot end, left, 26"	1105-035-644
IV pole, three-stage, foot end, right, 26"	1105-035-639
IV pole, three-stage, foot end, left, 30"	1105-035-344
IV pole, three-stage, foot end, right, 30"	1105-035-339
IV pole, three-stage, foot end, left, 30" ( <b>Prime X</b> option)	1105-035-364
IV pole, three-stage, foot end, right, 30" ( <b>Prime X</b> option)	1105-035-361
IV pole, three-stage, head end, left, 26"	1105-035-642
IV pole, three-stage, head end, right, 26"	1105-035-637
IV pole, three-stage, head end, left, 30"	1105-035-342
IV pole, three-stage, head end, right, 30"	1105-035-337
IV pole, three-stage, head end, left, 30" ( <b>Prime X</b> option)	1105-035-369
IV pole, three-stage, head end, right, 30" ( <b>Prime X</b> option)	1105-035-366
IV pole, two-stage, foot end, left, 26"	1105-035-640
IV pole, two-stage, foot end, right, 26"	1105-035-643
IV pole, two-stage, foot end, left, 30"	1105-035-340
IV pole, two-stage, foot end, right, 30"	1105-035-343
IV pole, two-stage, foot end, left, 30" ( <b>Prime X</b> option)	1105-035-362
IV pole, two-stage, foot end, right, 30" ( <b>Prime X</b> option)	1105-035-363
IV pole, two-stage, head end, left, 26"	1105-035-638
IV pole, two-stage, head end, right, 26"	1105-035-641
IV pole, two-stage, head end, left, 30"	1105-035-341
IV pole, two-stage, head end, right, 30"	1105-035-338
IV pole, two-stage, head end, left, 30" ( <b>Prime X</b> option)	1105-035-367

<b>Name</b>	<b>Part number</b>
IV pole, two-stage, head end, right, 30" (Prime X option)	1105-035-368
Mattress, <b>ComfortGel SE™</b> , fire barrier, 26"	1805-034-601
Mattress, <b>ComfortGel SE</b> , fire barrier, 30"	1805-034-301
Mattress, <b>ComfortGel SE</b> , without fire barrier, 26"	1805-034-600
Mattress, <b>ComfortGel SE</b> , without fire barrier, 30"	1805-034-300
Mattress, Enhanced Comfort, 3" x 26"	0785-034-613
Mattress, Enhanced Comfort, 3" x 30"	0785-034-313
Mattress, Enhanced Comfort, 4" x 26"	0785-034-623
Mattress, Enhanced Comfort, 4" x 30"	0785-034-323
Mattress, <b>IsoFlex SE™</b> , fire barrier, 30"	1806-034-300
Mattress, <b>IsoFlex SE</b> , without fire barrier, international, 30"	1806-034-301
Mattress, Ultra Comfort, 4" x 26"	0785-034-603
Mattress, Ultra Comfort, 4" x 30"	0785-034-303
Mattress, Ultra Comfort, 5" x 26"	0785-034-633
Mattress, Ultra Comfort, 5" x 30"	0785-034-333
Mattress, <b>Ultra Comfort SE™</b> , 4" x 26"	1704-034-600
Mattress, <b>Ultra Comfort SE</b> , fire barrier, international, 4" x 26"	1704-034-601
Mattress, Ultra Comfort, stretcher extender, 4" x 26"	1105-034-609
Mattress, Ultra Comfort, stretcher extender, 4" x 30"	1105-034-309
Mattress, <b>Ultra Comfort SE</b> , 3" x 30"	1703-034-300
Mattress, <b>Ultra Comfort SE</b> , fire barrier, 3" x 30"	1703-034-301
Mattress, <b>Ultra Comfort SE</b> , 4" x 30"	1704-034-300
Mattress, <b>Ultra Comfort SE</b> , fire barrier, 4" x 30"	1704-034-301
Oxygen bottle holder, upright	1115-130-000
Pump bar option, 30"	1105-045-035
Push handle assembly, foot end, 30"	1105-048-030
Push handle assembly, head end, 30"	1105-048-060
Restraint strap package	0785-045-010
Restraint strap, ankle	0785-045-020
Restraint strap, body	0785-045-015
Restraint strap, wrist	0946-044-000
Restraint strap, chest	1010-058-000
Serving tray	1105-045-700

Name	Part number
Serving tray holder/footboard	1105-045-800
Siderail pads	1001-052-000
X-ray cassette holder, lateral	1105-045-100
X-ray cassette holder, upright	1105-045-300

### Electrical components

Name	Number
Actuator, Fowler	1008-012-020
Actuator, Gatch	1008-014-020
Battery, Li-ION Smart battery pack (scale only)	0058-135-000
Battery, Li-ION Smart battery pack (scale and <b>Chaperone</b> )	0058-134-000
Board, DC control PCB assembly	1008-116-800
Board, non-lift AC assembly	1008-002-800
Board, lift control PCB assembly	1008-002-810
Board, scale control assembly (scale only)	1008-237-850
Board, scale and <b>Chaperone</b> control assembly	1008-237-840
Capacitor, 440 VAC, 35 MFD	0059-087-000
Keypad, scale control (non-electric litter)	1008-037-820
Keypad, siderail control, left	1008-011-017
Keypad, siderail control, right	1008-011-016
Keypad, operator control	1008-015-800
Load cell (optional scale system)	1008-037-057
Motor, pump	1008-002-015
Power cord, standard	1028-146-060
Power cord, international, Type, E	1125-060-170
Power cord, international, Type, F	1125-060-180
Power cord, international, Type, G	1125-060-160
Power cord, international, Type, I	1125-060-200
Scale box assembly (non-electric litter)	1070-237-020
Transformer	1008-014-857
Transformer, international	1008-014-877

## Attaching the defibrillator tray

---

### WARNING

- Do not place items that weigh more than 30 lb (14 kg) on the defibrillator tray. Always strap down all devices that you place on the defibrillator tray.
  - Always use caution if the defibrillator tray/foot extender, footboard/chart holder, or upright oxygen bottle holder is attached to avoid pinching your fingers when you position the foot end push handle option.
- 

To attach the defibrillator tray:

1. Insert the defibrillator tray pins into the sockets at the foot end of the product.
2. Use the strap to secure devices to the defibrillator tray.

### Note

- Do not use the defibrillator tray as a push/pull device. Product damage may occur.
- Always raise the foot end push handles when you use accessories (such as the defibrillator tray/foot extender, footboard/chart holder, upright oxygen bottle holder) or the accessories will not function.

## Converting the defibrillator tray/foot extender to a defibrillator tray

---

### WARNING

- Do not place items that weigh more than 30 lb (14 kg) on the defibrillator tray/foot extender. Always strap down all devices that you place on the defibrillator tray.
  - Always use caution if the defibrillator tray/foot extender, footboard/chart holder, or upright oxygen bottle holder is attached to avoid pinching your fingers when you position the foot end push handle option.
- 

**CAUTION** - Always raise the IV pole before you attach the defibrillator tray/foot extender to the product. If you do not raise the IV pole, the foot extender will not operate.

---

To convert the defibrillator tray/foot extender to a defibrillator tray:

1. Pull out the top knob (A) (Figure 19).
2. Pivot the defibrillator tray (B) until the tray is flat over the foot end of the product. Release the top knob (A). Make sure that the defibrillator tray is locked in place.
3. Use the strap to secure devices to the defibrillator tray.

### Note

- Do not use the defibrillator tray/foot extender as a push/pull device. Product damage may occur.
- Do not attach items to the foot extender.

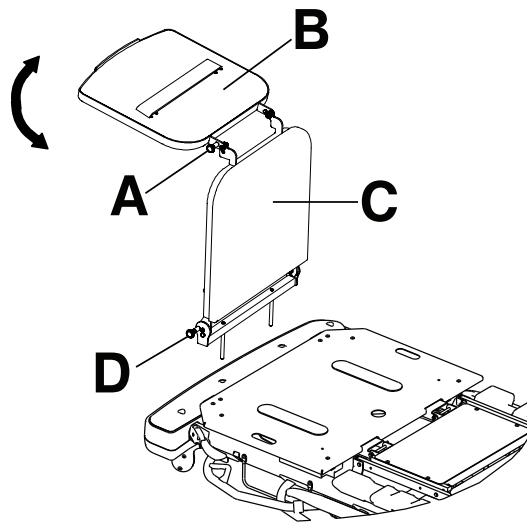


Figure 19 – Defibrillator tray/foot extender

## Converting the defibrillator tray/foot extender to a foot extender

---

### WARNING

- Do not place items that weigh more than 30 lb (14 kg) on the defibrillator tray/foot extender. Always strap down all devices that you place on the defibrillator tray.
  - Always use caution if the defibrillator tray/foot extender, footboard/chart holder, or upright oxygen bottle holder is attached to avoid pinching your fingers when you position the foot end push handle option.
- 

**CAUTION** - Always raise the IV pole before you attach the defibrillator tray/foot extender to the product. If you do not raise the IV pole, the foot extender will not operate.

---

To convert the defibrillator tray/foot extender to a foot extender (Figure 19):

1. Pull out the top knob (A).
2. Pivot the defibrillator tray (B) until the tray locks against the foot extender.
3. Pull out the bottom knob (D) while you hold the defibrillator tray/foot extender assembly.
4. Lower the foot extender (C) until the foot extender is flat.
5. Release the bottom knob (D). Push on the foot extender to make sure that the foot extender is locked in place.

### Note

- Do not use the defibrillator tray/foot extender as a push/pull device. Product damage may occur.
- Do not attach items to the foot extender.

## Attaching the footboard/chart holder

---

**WARNING** - Always use caution if the defibrillator tray/foot extender, footboard/chart holder, or upright oxygen bottle holder is attached to avoid pinching your fingers when you position the foot end push handle option.

---

To attach the footboard/chart holder, insert the footboard/chart holder pins into the sockets at the foot end of the product.

**Note** - Do not use the footboard/chart holder as a push/pull device. Product damage may occur.



## Attaching the IV caddy

---

### WARNING

- Always secure the IV pole to the IV caddy when you transport the product.
  - Always store the IV caddy when not in use to avoid product damage.
- 

To attach the IV caddy (Figure 20):

1. Lift the IV caddy out of the storage tray or from the storage clip.
2. Pivot the IV caddy to the desired position.
3. Turn the knob (A) counterclockwise to loosen the pole clamp (C).
4. Pivot the knob (A) away from the arm connection assembly (B).
5. Open the clamp (C).
6. Place the IV pole into the clamp (C).
7. Close the clamp (C) around the IV pole and pivot the knob (A) into position.
8. Turn the knob (A) clockwise to tighten the knob.
9. Reverse steps to disconnect the IV caddy from the product.

To store the IV caddy, place the IV caddy in the storage tray or secure the caddy in the storage clip.

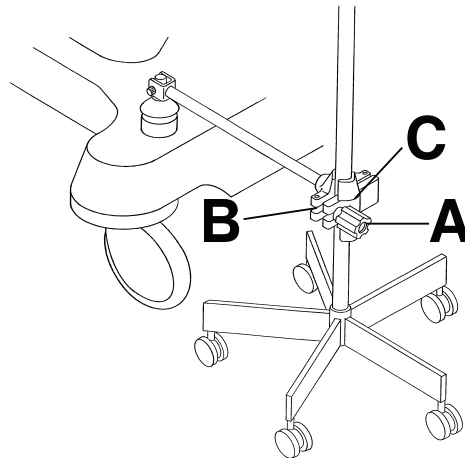


Figure 20 – IV caddy

## Positioning or stowing the foot supports - Prime only

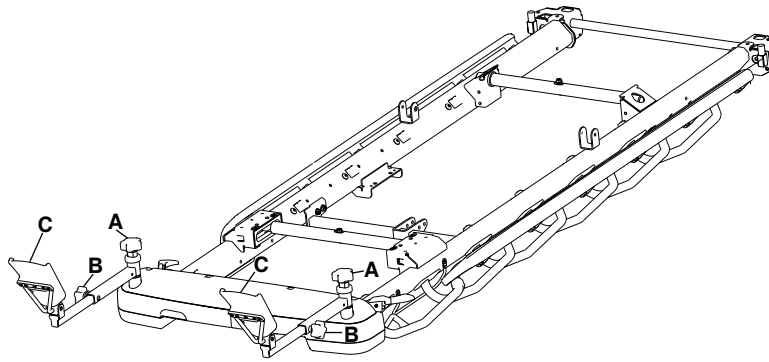
---

### WARNING

- Do not sit on the foot supports. This may cause the product to tip.
  - Always clear your fingers from the mechanisms when you operate the foot supports.
  - Always stow the foot supports when you transport a patient with the product.
  - Always tighten the foot supports before you use the foot supports.
  - Do not operate the scale system with the foot supports. Inaccurate readings may occur.
  - Do not operate the **Chaperone** option with the foot supports. Inaccurate readings may occur.
- 

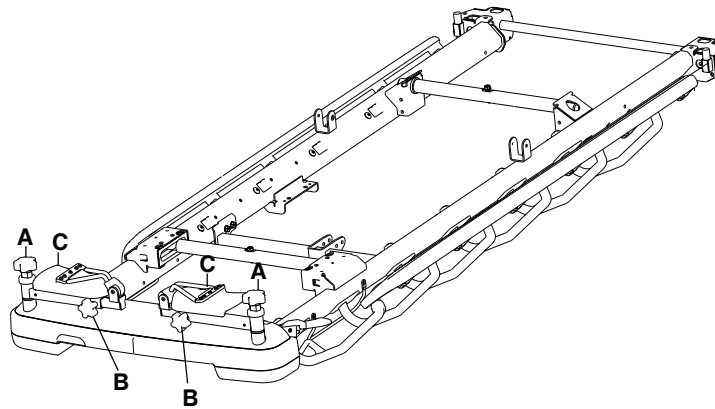
To position or stow the foot supports:

1. Loosen the knee knob (A) at the top of the foot supports to adjust the side-to-side angle of the foot supports (Figure 21).
2. Tighten the knee knob (A) to lock the foot supports in the desired position.



**Figure 21 – Positioning the foot supports**

3. Loosen the leg knob (B) on the side of the foot supports to adjust the length.
4. Tighten the leg knob (B) to lock the foot supports in the desired position.
5. Flip the foot supports (C) up before you position the patient.
6. Reverse steps to stow the foot supports (Figure 22).



**Figure 22 – Stowing the foot supports**

You cannot purchase the following options and accessories if you select the foot support:

- Foot end push handles
- Defibrillator tray
- Defibrillator tray/foot extender
- Serving tray holder/footboard
- Footboard/chart holder
- Foot end IV poles

**Note**

- Do not use the foot supports to store patient belongings.
- Do not use the foot supports as a push/pull device. Product damage may occur.
- Always apply the brakes when you use the foot supports to avoid instability.
- Do not use the backrest or Gatch with the foot supports.

**Positioning the two-stage permanently attached IV pole**

---

**WARNING** - Do not use the IV pole as a push/pull device. Product damage may occur.

You can purchase the product with the two-stage IV pole option permanently attached at the head end, foot end, or both ends of the product. The IV pole is equipped with a telescopic pole that extends to provide a second height position. You can fold and store the IV pole when not in use.

To position the two-stage IV pole (Figure 23):

1. Lift and pivot the pole from the storage position.
2. Push the IV pole down until the IV pole locks in place.
3. To raise the height of the IV pole, pull up on the telescoping portion (A) until the pole locks in place at the fully raised position.
4. Rotate the IV hangers (B) to the desired position and hang the IV bags.
5. To lower the IV pole, hold the telescoping portion of the IV pole, turn the latch (C), and lower the telescoping portion.

**Note**

- Do not hang IV bags that exceed 40 lb (18 kg) on the IV pole.
- Always make sure that the IV pole is at a low height to pass safely through door openings when you transport a patient.

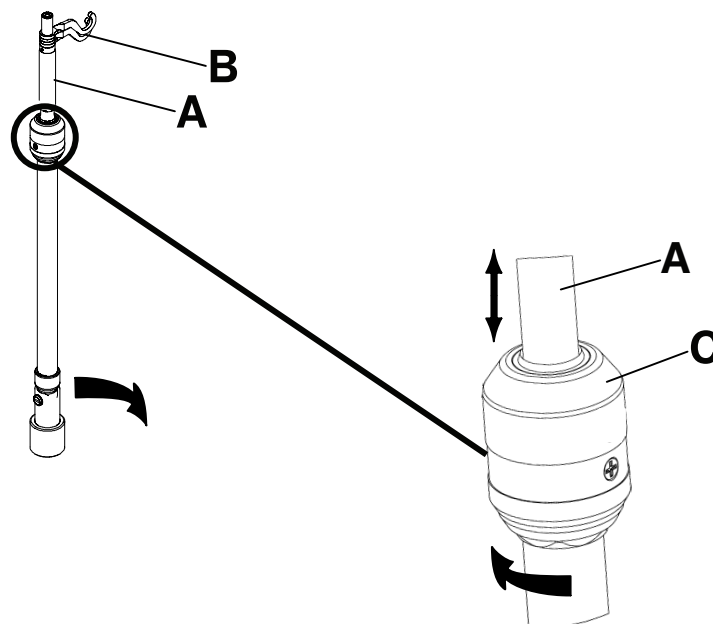


Figure 23 – Positioning the 2 stage permanently attached IV pole

### Positioning the three-stage permanently attached IV pole

---

**WARNING** - Do not use the IV pole as a push/pull device. Product damage may occur.

---

You can purchase the product with the three-stage IV pole option permanently attached at the head end, foot end, or both ends of the product. The IV pole is equipped with a telescopic pole that extends to provide a second and third height position. You can also fold and store the IV pole when not in use.

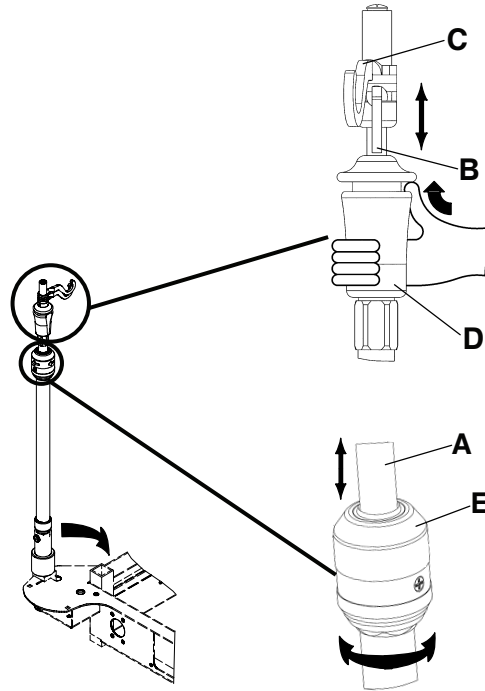
To position the three-stage IV pole (Figure 24):

1. Lift and pivot the pole from the storage position.
2. Push the IV pole down until the pole locks in place.
3. To raise the height of the IV pole, pull up on the telescoping portion (A) until the pole locks into place at the fully raised position.
4. For a higher IV pole, pull up on section (B). Release section (B) at any desired height to lock the pole in place.
5. Rotate the IV hangers (C) to the desired position and hang the IV bags.

- To lower the IV pole, push up on the yellow portion of the grip (D) while holding on to section (B) until the pole lowers.
- Turn the latch (E) and lower the IV pole telescoping portion.

**Note**

- Do not hang IV bags that exceed 12 lb (5 kg) total for all bags on the IV pole.
- Do not hang IV bags that exceed 9.3 lb (4.2 kg) on a single IV hanger.
- Always make sure that the IV pole is at a low height to allow the pole to pass safely through door openings when you transport a patient.



**Figure 24 – Positioning the three-stage permanently attached IV pole**

### Attaching and positioning the removable IV pole

**CAUTION**

- Do not use the IV pole as a push/pull device. Product damage may occur.
- Do not hang IV bags that exceed 40 lb (18 kg) on the IV pole.
- Always make sure that the IV pole is at a low height to pass through door openings when you transport a patient.

To attach and position the removable IV pole (Figure 25):

- Insert the IV pole into a socket at the head end or foot end of the product.
- Turn the knob (A) counterclockwise and pull up on the telescoping portion (B) until you reach the desired height.
- Turn the knob (A) clockwise to lock the telescoping portion in place.

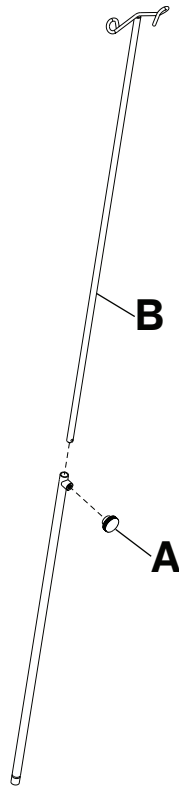


Figure 25 – Removable IV pole

## Attaching the upright oxygen bottle holder

---

### WARNING

- Do not place objects that exceed 40 lb (18 kg) in the upright oxygen bottle holder.
  - Always use caution if the defibrillator tray/foot extender, footboard/chart holder, or upright oxygen bottle holder is attached to avoid pinching your fingers when you position the foot end push handle option.
- 

The upright oxygen bottle holder supports an oxygen bottle in a vertical position.

To attach the upright oxygen bottle holder:

1. Insert the support bar into any of the IV sockets.
2. Insert the cotter pin through the hole in the support bar to secure the bottle holder to the product.

**Note** - Do not use the upright oxygen bottle holder as a push/pull device. Product damage may occur.

## Extending or stowing the serving tray holder/footboard

---

**WARNING** - Do not place objects that exceed 30 lb (14 kg) on the serving tray.

---

To fit the serving tray on the siderail, pull out on both sides of the serving tray and position the tray over the siderails.

To stow the serving tray:

1. Remove the serving tray from the siderails.
2. Push in the sides of the serving tray.
3. Store the serving tray in the footboard.

**Note** - Do not use the serving tray/footboard as a push/pull device. Product damage may occur.

## Attaching the siderail pads

To attach the siderail pads:

1. Tuck the siderail pad between the mattress and the siderail.
2. Fasten the **Velcro®** straps around the top of the siderail to secure the siderail pad.

## Locating the patient restraint strap tie-ins

---

### WARNING

- Always use caution when you attach restraint straps. Patient or operator injury may occur. Physical restraints, even if secured, may result in serious harm to patients and operators, including entanglement, entrapment, physical injury, or death.
  - Always attach restraint straps or devices only at the identified attachment points of the product. Failure to do so may result in patient or operator injury. Do not attach restraint straps to the siderail.
  - Always refer to the applicable state and federal restrictions and regulations and the appropriate facility protocols before you use any restraint strap or device.
- 

There are eight patient restraint strap tie-in locations on the litter assembly for attaching patient restraint straps (Figure 26 or Figure 27).

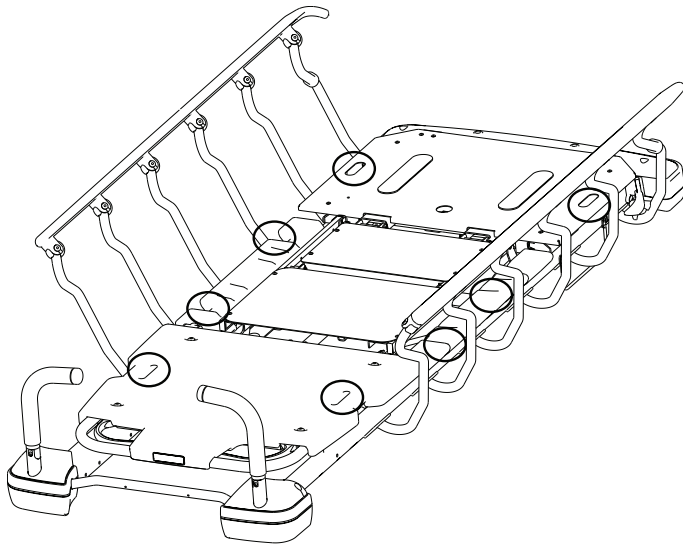


Figure 26 – Prime restraint strap locations

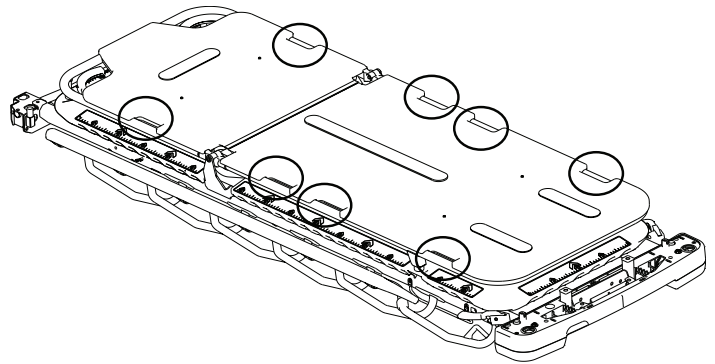


Figure 27 – Prime X option restraint strap locations

**Note** - Restraint straps are Type B applied parts.

## Positioning the upright X-ray cassette holder - Prime X option

---

### WARNING

- Always take protective measures when you use the upright or lateral X-ray cassette holder. The X-ray cassette holder does not protect against radiation.
  - Always refer to local, state, and federal guidelines in addition to facility protocols for safety before you use **Prime X** option with radiation generating devices. Radiation generating devices may produce residual, stray, or scattered radiation.
  - Always use extra caution when you use a mattress thicker than 2.5 in. or a mattress overlay with **Prime X** option.
  - Always follow the *Positioning the upright X-ray cassette holder - Prime X option* instructions to insert the X-ray cassette.
-

The X-ray cassette holder attaches to the Fowler backrest weldment to support X-ray cassettes. You can take X-rays while a patient is on the product. You can also adjust the cassette's position before you take an X-ray.

To position the X-ray cassette holder:

1. Apply the brakes. Push on the product to make sure that the brakes are working.
2. Raise the Fowler backrest section to full height.
3. Insert the lower retainer guides (A) under the Fowler backrest weldment bar (Figure 28).
4. Raise the cassette holder until the retainer guides latch onto the Fowler backrest weldment. Make sure that the cassette holder is secure.

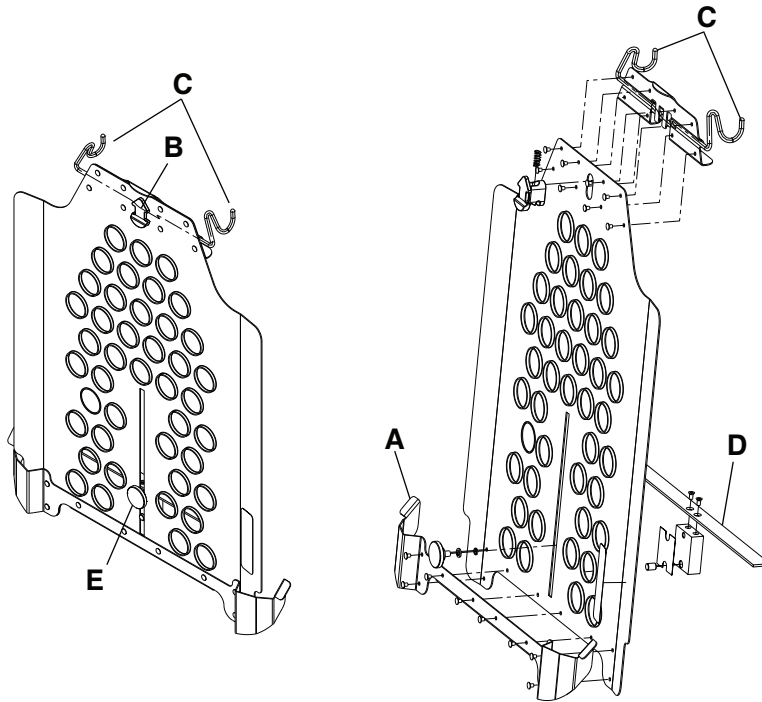


Figure 28 – X-ray cassette holder

5. Insert an X-ray cassette from either side of the cassette holder or pull the slider release arrow (B) to release the cassette holder from the Fowler, position the cassette, and secure the cassette holder in the Fowler backrest weldment.
6. To adjust the height of the cassette, loosen the knob (E) and move the cassette support rail (D) up or down until you reach the desired height.
7. Tighten the knob (E) to secure the cassette support rail in place.
8. When the X-ray process is complete, pull up on the slider release arrow (B) to release the cassette holder from the Fowler backrest weldment.
9. Remove the X-ray cassette from the cassette holder.
10. Close and stow the cassette holder.

## Positioning the lateral X-ray cassette holder - Prime X option

---

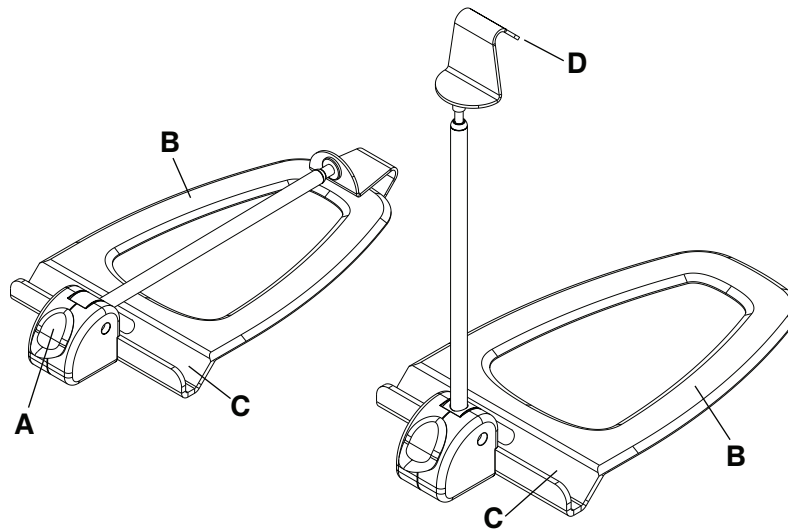
### WARNING

- Always take protective measures when you use the upright or lateral X-ray cassette holder. The X-ray cassette holder does not protect against radiation.
- Always refer to local, state, and federal guidelines in addition to facility protocols for safety before you use **Prime X** option with radiation generating devices. Radiation generating devices may produce residual, stray, or scattered radiation.

- Always use caution when you take X-rays with the Fowler backrest in the upright position or when you use a lateral cassette.
- Always use extra caution when you use a mattress thicker than 2.5 in. or a mattress overlay with **Prime X** option.
- Always follow the *Positioning the lateral X-ray cassette holder - Prime X option* instructions to insert the X-ray cassette.

To position the lateral X-ray cassette holder:

1. Apply the brakes. Push on the product to make sure that the brakes are working.



**Figure 29 – Lateral X-ray cassette holder**

2. Press down on the yellow release button (A) to open the lateral cassette holder (Figure 29).
3. Slide the flat base (B) between the mattress and the patient platform.
4. Position the lateral cassette holder in the desired location.
5. Place the X-ray cassette in the cassette canal (C).
6. Pull up on the cassette hook (D) to adjust the height of the arm to fit over the X-ray cassette to hold the cassette in place.
7. Reverse steps to remove the cassette and stow the lateral cassette holder.

## Inserting or removing X-ray cassettes - Prime X option

### WARNING

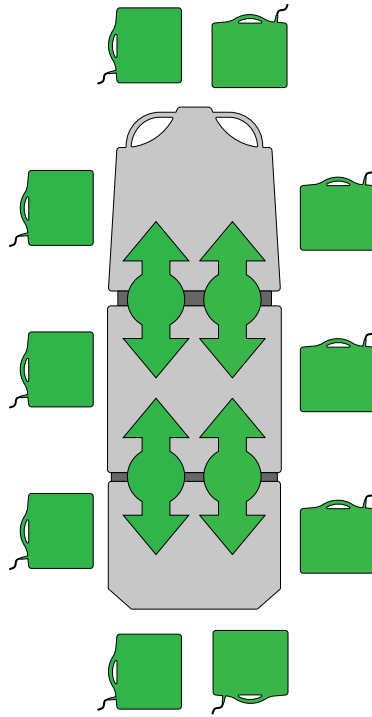
- Always refer to local, state, and federal guidelines in addition to facility protocols for safety before you use **Prime X** option with radiation generating devices. Radiation generating devices may produce residual, stray, or scattered radiation.
- Always use caution when you take X-rays with the Fowler backrest in the upright position or when you use a lateral cassette.

**Prime X** option provides both an articulating radiographic support surface and a platform below the patient support surface for X-ray cassette placement. Working with medical X-ray systems, the radiographic support surface allows the capture of clinical X-rays (AP full body, optional full body lateral, and optional upright chest) while the patient is on the product. You can insert cassettes from the head end, foot end, and either side of the product.

To insert an X-ray cassette:

1. Center the patient on the product with the position indicator labels located on all sides of the product (Figure 30).
2. Insert an X-ray cassette below the patient surface. Use the cassette guides to assist in positioning the X-ray cassette.





**Figure 30 – Inserting or removing X-ray cassettes on Prime X option**

**Note**

- Do not use a mattress with a thickness greater than four inches with the **Prime X** option.
- Do not use a C-Arm with **Prime X** option. **Prime X** option is not compatible with a C-Arm.

## Cleaning and disinfecting with wipes

For United States only. Confirm availability for your configuration or region. Call Stryker Customer Service: 1-800-327-0770.

Stryker's preferred wipes (2060-000-001 6" x 10" or 2060-000-002 9" x 12") include the following active ingredients:

- n-Alkyl (60% C14, 30% C16, 5% C12, 5% C18) dimethyl benzyl ammonium chloride - 0.154%
- n-Alkyl (68% C12, 32% C14) dimethyl ethylbenzyl ammonium chloride - 0.154%
- Isopropanol - 21.000%

Non-active ingredient: Ethylene Glycol Monobutyl Ether – < 3%

**Note** - For safety information, read the product label.

To clean or disinfect the external product surface:

1. To clean, wipe external surfaces with a fresh, clean wipe to remove all visible soils. Repeat as necessary until the product is clean.

**Note**

- Use as many wipes as necessary.
  - Complete step 1 before you disinfect.
2. To disinfect, wipe external surfaces with a fresh, clean wipe until wet. Allow the external surface to remain wet for two minutes at room temperature.
  3. Allow the product to dry before you return it to service.

# Cleaning

## Cleaning the product

---

**CAUTION** - Do not use abrasive cleaners to clean the display enclosure for the scale system option. Do not allow cleaning solutions or other fluids to pool on the display unit. Dry all surfaces after spills or cleaning.

---

These instructions provide recommended cleaning methods for the **Prime Series** stretcher.

This product is power washable. The product may show some signs of oxidation or discoloration from continuous washing. However, no degradation of the product's performance characteristics or functionality will occur due to power washing as long as the proper procedures are followed.

Recommended cleaning method:

1. If the product is equipped with the electric litter or electric lift option, unplug the power cord from the wall outlet before you transport or clean the product.
2. Remove the mattress from the product.
3. Follow the cleaning solution manufacturer's dilution recommendations.
4. Stryker recommends the standard hospital cart washer for power washing.
5. Dry the product. Do not place the mattress on the product until the product is dry.
6. Check functionality before you return the product to service.
  - Raise and lower the product
  - Lock and unlock the brake/steer pedal in both positions
  - Latch and unlatch the siderails
  - Raise and lower the Fowler backrest
  - Raise and lower the Gatch
  - Make sure all components have proper lubrication
  - Make sure all labels are intact

### Note

- Direct skin contact with visibly soiled, permeable material may increase the risk of infection.
- Do not steam clean the product.
- Clean the base hood storage area.
- Clean the bottom of the brake pads to prevent wax or floor remnant buildup.
- Some cleaning agents are corrosive in nature and may cause damage to the product if you use them improperly. If you do not rinse and dry the product well, a corrosive residue may be left on the surface of the product that could cause premature corrosion of critical components. Failure to follow these cleaning instructions may void your warranty.

## Cleaning the product using a cart washer

Stryker recommends using a standard hospital surgical cart washer to wash the stretcher a maximum of once per year for the life of the product.

To clean the product with a cart washer:

1. If the product is equipped with the electric litter or electric lift option, unplug the power cord from the wall outlet before you transport or clean the product.
2. Remove the mattress prior to washing the product. Do not wash the mattress with the product.
3. Position the Fowler backrest at 45°.
4. Place the product in the full Reverse Trendelenburg position (foot end down).

5. Raise the siderails.
6. Place the IV poles and push handles in the up position.
7. Clean the product with a maximum water temperature of 82° C (180° F) and a maximum water pressure of 103.5 bar / 1500 psi.
8. Air dry the product with a maximum temperature of 93° C (240° F) for eight minutes.
9. Dry the product. Do not place the mattress on the product until the product is dry.
10. Check functionality before you return the product to service.
  - Raise and lower the product
  - Lock and unlock the brake/steer pedal in both positions
  - Latch and unlatch the siderails
  - Raise and lower the Fowler backrest
  - Make sure all components have proper lubrication
  - Make sure all labels are intact and legible

**Note**

- Do not steam clean the product.
- Some cleaning agents are corrosive in nature and may cause damage to the product if you use them improperly. If you do not rinse and dry the product well, a corrosive residue may be left on the surface of the product that could cause premature corrosion of critical components. Failure to follow these cleaning instructions may void your warranty.

## Cleaning the mattress

---

**WARNING**

- Do not clean, service, or perform maintenance while the product is in use.
  - Do not immerse the mattress in cleaning or disinfectant solutions. Excess moisture could cause product malfunction that results in product damage or patient injury.
  - Do not allow fluid to pool on the mattress. Fluids can cause corrosion of components and may cause the safety and performance of this product to become unpredictable.
  - Always inspect mattress covers for tears, punctures, excessive wear, and misaligned zippers every time you clean the covers. Remove and replace a damaged mattress to prevent cross-contamination.
  - Do not steam clean, pressure wash, hose off, or ultrasonically clean mattresses. These methods of cleaning may void the product's warranty.
- 

The life of the mattress can be affected by an increase in frequency of usage, which might include more frequent cleaning and disinfection.

Recommended cleaning method:

1. Use a clean, soft cloth to wipe down the entire mattress with a mild soap and water solution to remove foreign material.
2. Wipe down the mattress with a clean, dry cloth to remove any excess liquid or cleaning agents.
3. Rinse and dry covers after cleaning.
4. Disinfect as needed with a hospital grade disinfectant after cleaning has been completed (see *Disinfecting the mattress*).

**Note**

- Do not iron, dry-clean, or tumble dry the mattress, as this will cause malfunction and damage the product.
- The mattress cover must be completely dry before you store, add linens, or place a patient on the mattress to prevent impairment of the product performance.
- Avoid over-exposure to alcohol or hydrogen peroxide. The cover material will swell.

- Do not allow liquid to seep into the zipper area and watershed cover barrier. Fluids allowed to come in contact with the zipper may leak into the mattress which could impair the product performance.
- Some cleaning agents are corrosive in nature and may cause damage to the product if you use them improperly. If you do not rinse and dry the product well, a corrosive residue may be left on the surface of the product that could cause premature corrosion of critical components. Failure to follow these cleaning instructions may void your warranty.

## Remove iodine

1. Make a solution of 1 to 2 tablespoons of sodium thiosulfate in a pint of warm water. Use the solution to wipe down the stained area.
2. Clean the stain as soon as possible after the stain occurs.
3. If stains are not immediately removed, allow solution to soak or stand on the mattress before you wipe the mattress.
4. Rinse the mattresses which have been exposed to the solution with clear water before you return the mattresses to service.

**Note** - Failure to follow these directions when you use these types of cleaners may void this product's warranty.

## Special instructions

Velcro®	Saturate with disinfectant, rinse with water, and allow the solution to evaporate.
Solids or stains	Use neutral soaps and warm water. Do not use harsh cleansers, solvents, or abrasive cleaners.
Hard-to-clean spots	Use standard household cleansers or vinyl cleansers and a soft bristle brush on troublesome spots or stains. Pre-soak dried-on soil.
Laundering	Laundering is not recommended. Laundering may substantially decrease the useful life of the mattress.

# Disinfecting

## Disinfecting the product

---

### WARNING

- Do not clean, service, or perform maintenance while the product is in use.
  - Do not steam clean, hose off, or ultrasonically clean the product. Use of these methods of cleaning is not recommended and may void the product's warranty.
- 

### Recommended disinfectants:

- Quaternaries (active ingredient - ammonium chloride) that contain less than 3% glycol ether
- Phenolic disinfectant (active ingredient - o-phenylphenol)
- Chlorinated bleach solution (5.25% bleach diluted 1 part bleach to 100 parts water which equals 520 ppm available chlorine (40 mL of a 5.25% bleach solution per 4000 mL water))
- 70% isopropyl alcohol

### Recommended disinfection method:

1. Follow the disinfectant solution manufacturer's dilution recommendations.
2. Hand wash all surfaces of the product with a disinfectant solution.
3. Avoid over-saturation and make sure that the product does not stay wet longer than the chemical manufacturer's guidelines for proper disinfecting.
4. Dry the product. Do not place the mattress on the product until the product is dry.
5. Disinfect the **Velcro®** after every use. Saturate the **Velcro®** with disinfectant, rinse with water, and allow the disinfectant to evaporate (appropriate disinfectant is determined by the facility).
6. Check functionality before you return the product to service.
  - Raise and lower the product
  - Lock and unlock the brake/steer pedal in both positions
  - Latch and unlatch the siderails
  - Raise and lower the Fowler backrest
  - Raise and lower the Gatch
  - Make sure all components have proper lubrication
  - Make sure all labels are intact

### Note

- Direct skin contact with visibly soiled, permeable material may increase the risk of infection.
- Some cleaning agents are corrosive in nature and may cause damage to the product if you use them improperly. If you do not rinse and dry the product well, a corrosive residue may be left on the surface of the product that could cause premature corrosion of critical components. Failure to follow these cleaning instructions may void your warranty.

## Disinfecting the mattress

---

**WARNING** - Always disinfect the mattress between patients. Failure to do so could result in cross-contamination and infection.

---

### Recommended disinfectants:

- Quaternaries (active ingredient - ammonium chloride) that contain less than 3% glycol ether

- Phenolic disinfectant (active ingredient - o-phenylphenol)
- Chlorinated bleach solution (5.25% bleach diluted 1 part bleach to 100 parts water which equals 520 ppm available chlorine (40 mL of a 5.25% bleach solution per 4000 mL water))
- 70% isopropyl alcohol

Recommended disinfection method:

1. Make sure that the mattress is clean and dry before you apply disinfectants.
2. Wipe down the mattress with a clean, dry cloth to remove any excess liquid or disinfectant.
3. Rinse and dry covers after disinfection.

**Note**

- The mattress cover must be dry before you store or add linens. Failure to remove excess disinfectant could cause degradation of the cover material.
- Some cleaning agents are corrosive in nature and may cause damage to the product if you use them improperly. If you do not rinse and dry the product well, a corrosive residue may be left on the surface of the product that could cause premature corrosion of critical components. Failure to follow these cleaning instructions may void your warranty.
- Frequent or prolonged exposure to higher concentrations of disinfectant solutions may prematurely age the cover fabric.
- The use of accelerated hydrogen peroxides or quaternaries that contain glycol ethers may damage the cover.

# Preventive maintenance

Remove product from service before you perform the preventive maintenance inspection. Check all items listed during annual preventive maintenance for all Stryker Medical products. You may need to perform preventive maintenance checks more often based on your level of product usage. Service only by qualified personnel.

**Note** - Clean and disinfect the exterior of the mattress before inspection, if applicable.

Inspect the following items:

- \_\_\_\_\_ All fasteners are secure
- \_\_\_\_\_ Siderails move and latch
- \_\_\_\_\_ Casters lock with brake pedal applied
- \_\_\_\_\_ Casters are secure and swivel
- \_\_\_\_\_ Casters are free of wax and debris
- \_\_\_\_\_ Brake mechanism works
- \_\_\_\_\_ Steer function works
- \_\_\_\_\_ Check skins for cracks
- \_\_\_\_\_ Fowler raises, lowers, and latches in place
- \_\_\_\_\_ Gatch raises, lowers, and secures in place (option)
- \_\_\_\_\_ Trendelenburg/Reverse Trendelenburg operates from all locations
- \_\_\_\_\_ Ground chain intact
- \_\_\_\_\_ No leaks at hydraulic connections
- \_\_\_\_\_ Hydraulic jacks are holding
- \_\_\_\_\_ Body restraints latch and are secure (option)
- \_\_\_\_\_ IV pole is intact and adjusts and latches in all positions (option)
- \_\_\_\_\_ Oxygen bottle holder is intact and opens and closes (option)
- \_\_\_\_\_ No rips or cracks in the mattress cover
- \_\_\_\_\_ Accessories and mounting hardware are in good condition
- \_\_\_\_\_ Battery powered functionality (option)
- \_\_\_\_\_ Cables are not worn or pinched (option)
- \_\_\_\_\_ Power cord and plug are free of damage (option)
- \_\_\_\_\_ All electrical connections are tight (option)
- \_\_\_\_\_ All grounds secure to the frame (option)
- \_\_\_\_\_ Ground impedance not more than 200 mΩ (milliohms) (option)
- \_\_\_\_\_ Current leakage not more than 300 μA (microamps) (per UL 60606-1-1) (option)
- \_\_\_\_\_ Batteries charged (scale system option)
- \_\_\_\_\_ Display housing is intact and not damaged (scale system option)
- \_\_\_\_\_ Load cells are intact and not damaged (scale system option)
- \_\_\_\_\_ Foot support knee knob mechanism functions and you can secure in place (option)
- \_\_\_\_\_ Foot support leg knob mechanism functions and you can secure in place (option)
- \_\_\_\_\_ Foot support extends to the full extended position and stops in the correct position (option)
- \_\_\_\_\_ Foot support self-tapping screws (6) are secured and are not stripped (option)
- \_\_\_\_\_ Scale calibrated. Recalibrate if necessary (scale system option)



- \_\_\_\_\_ Upright X-ray cassette holder is in good working condition and can be adjusted to fit all X-ray cassettes (**Prime X** option)
- \_\_\_\_\_ No damage to the Fowler skin and foot skin (**Prime X** option)
- \_\_\_\_\_ No damage to the head and foot trays (**Prime X** option)
- \_\_\_\_\_ Bolt and nut through each Fowler pivot is not loose (**Prime X** option)

Product serial number:
Completed by:
Date:

# EMC information

## CAUTION

- The use of accessories, transducers, and cables, other than those specified or provided by the manufacturer, could result in increased electromagnetic emissions or decreased electromagnetic immunity and result in improper operation.
- The emissions characteristics of this equipment make it suitable for use in industrial areas and hospitals (CISPR 11 class A). If it is used in a residential environment, for which CISPR 11 class B is normally required, this equipment might not offer adequate protection to radio frequency communication services. The user might need to take mitigation measures, such as relocating or reorienting the equipment.

### Guidance and manufacturer's declaration - electromagnetic emissions

The electric lift option, electric litter option, or scale system option is intended for use in an electromagnetic environment specified below. The operator of the electric lift option, electric litter option, or scale system option should make sure that it is used in such an environment.

Emissions test	Compliance	Electromagnetic environment
RF Emissions CISPR 11	Group 1	The electric lift option, electric litter option, or scale system option uses RF energy only for its internal function. Therefore, its RF emissions are very low and are not likely to cause any interference in nearby electronic equipment.
RF Emissions CISPR 11	Class A	The electric lift option, electric litter option, or scale system option is suitable for use in all establishments other than domestic and those directly connected to the public low voltage power supply network that supplies buildings used for domestic purposes.
Harmonic Emissions IEC 61000-3-2 *	Class A	
Voltage Fluctuations Flicker Emissions IEC 61000-3-3 *	Complies	

\* Applies to electric lift option or electric litter option only.

## CAUTION

- Portable RF communications equipment, including peripherals such as antenna cables and external antennas, should be used no closer than 12 inches (30 cm) to any part of the **Prime** stretcher, including cables specified by the manufacturer.
- Avoid stacking or placing other equipment adjacent with other equipment to prevent improper operation of the products. If such use is necessary, carefully observe stacked or adjacent equipment to make sure that they are operating properly.

### Recommended separation distances between portable and mobile RF communications equipment and the electric lift option, electric litter option, or scale system option.

The electric lift option, electric litter option, or scale system option is intended for use in an electromagnetic environment in which radiated RF disturbances are controlled. The customer or the user of the electric lift option, electric litter option, or scale system option can help prevent electromagnetic interferences by maintaining a minimum distance between portable and mobile RF communications equipment (transmitters) and the electric lift option, electric litter option, or scale system option as recommended below, according to the maximum output power of the communications equipment.

Rated maximum output power of transmitter  W	Separation distance according to frequency of transmitter  m		
	150 kHz to 80 MHz  $D=(1.2) (\sqrt{P})$	80 MHz to 800 MHz  $D=(1.2) (\sqrt{P})$	800 MHz to 2.7 GHz  $D=(2.3) (\sqrt{P})$
0.01	0.12	0.12	0.23

0.1	0.38	0.38	0.73
1	1.2	1.2	2.3
10	3.8	3.8	7.3
100	12	12	23

For transmitters rated at a maximum output power not listed above, the recommended separation distance (D) in meters (m) can be determined using the equation applicable to the frequency of the transmitter, where  $P$  is the maximum output power rating of the transmitter in watts (W) according to the transmitter manufacturer.

**Note 1** - At 80 MHz and 800 MHz, the separation distance for the higher frequency range applies.

**Note 2** - These guidelines may not apply in all situations. Electromagnetic propagation is affected by absorption and reflection from structures, objects, and people.

### Guidance and manufacturer's declaration - electromagnetic immunity

The electric lift option, electric litter option, or scale system option is intended for use in the electromagnetic environment specified below. The customer or the user of the electric lift option, electric litter option, or scale system option should assure that it is used in such an environment.


Immunity test	IEC 60601 test level	Compliance level	Electromagnetic environment guidance
Electrostatic Discharge (ESD) IEC 61000-4-2	±8 kV contact ±15 kV air	±8 kV contact ±15 kV air	Floors should be wood, concrete, or ceramic tile. If floors are covered with synthetic material, the relative humidity should be at least 30%.
Electrostatic fast transient/burst IEC 61000-4-4*	±2 kV for power supply lines ±1 kV for input/output lines	±2 kV for power supply lines ±1 kV for input/output lines	Mains power quality should be that of a typical commercial or hospital environment.
Surge IEC 61000-4-5*	±1 kV line(s) to line(s) ±2 kV line(s) to earth	±1 kV line(s) to line(s) ±2 kV line(s) to earth	Mains power quality should be that of a typical commercial or hospital environment.
Voltage dips, voltage variations and short interruptions on power supply input lines IEC 61000-4-11*	0% $U_T$ for 0.5 cycle at 0°, 45°, 90°, 135°, 180°, 225°, 270°, and 315°  0% $U_T$ for 1 cycle  70% $U_T$ (30% dip in $U_T$ ) for 25 cycles  0% $U_T$ for 250 cycles	0% $U_T$ for 0.5 cycle at 0°, 45°, 90°, 135°, 180°, 225°, 270°, and 315°  0% $U_T$ for 1 cycle  70% $U_T$ (30% dip in $U_T$ ) for 25 cycles  0% $U_T$ for 250 cycles	Mains power quality should be that of a typical commercial or hospital environment. If the user of the electric lift option or electric litter option requires continued operation during power mains interruptions, it is recommended that the device be powered from an uninterrupted power supply or a battery.
Power frequency (50/60 Hz) magnetic field IEC 61000-4-8	30 A/m	30 A/m	Power frequency magnetic fields should be at levels characteristic of a typical location in a typical commercial or hospital environment.

Note:  $U_t$  is the AC mains voltage before application of the test level.

\*Applies to the electric lift option or electric litter option only.

**Guidance and manufacturer's declaration - electromagnetic immunity**

The electric lift option, electric litter option, or scale system option is intended for use in the electromagnetic environment specified below. The customer or user of the electric lift option, electric litter option, or scale system option should assure that it is used in such an environment.

Immunity test	IEC 60601 test level	Compliance level	Electromagnetic environment guidance
<p>Conducted RF IEC 61000- 4-6*</p> <p>Radiated RF IEC 61000-4-3</p>	<p>3 Vrms</p> <p>6 Vrms in ISM and amateur radio bands 150kHz to 80MHz</p> <p>3 V/m 80 MHz to 2.7 GHz</p>	<p>3 Vrms</p> <p>6 Vrms in ISM and amateur radio bands</p> <p>3 V/m</p>	<p>Portable and mobile RF communications equipment should be used no closer to any part of the electric lift option, electric litter option, or scale system option, including cables, than the recommended separation distance calculated from the equation appropriate for the frequency of the transmitter.</p> <p>Recommended separation distance</p> $D=(1.2) (\sqrt{P})$ $D=(1.2) (\sqrt{P})$ <p>80 MHz to 800 MHz</p> $D=(2.3) (\sqrt{P})$ <p>800 MHz to 2.7 GHz</p> <p>where <i>P</i> is the maximum output power rating of the transmitter in watts (W) according to the transmitter manufacturer and D is the recommended separation distance in meters (m).</p> <p>Field strengths from fixed RF transmitters, as determined by an electromagnetic site survey <sup>a</sup>, should be less than the compliance level in each frequency range <sup>b</sup>.</p> <p>Interference may occur in the vicinity of equipment marked with the following symbol:</p> 

**Note 1:** At 80 MHz and 800 MHz, the higher frequency range applies.

**Note 2:** These guidelines may not apply in all situations. Electromagnetic propagation is affected by absorption and reflection from structures, objects, and people.

**Note 3:** The ISM (industrial, scientific and medical) bands between 0.15 MHz and 80 MHz are 6.765 MHz to 6.795 MHz; 13.553 MHz to 13.567 MHz; 26.957 MHz to 27.283 MHz; and 40.66 MHz to 40.70 MHz.

<sup>a</sup> Field strengths from fixed transmitters, such as base stations for radio (cellular/cordless) telephones and land mobile radios, amateur radio, AM and FM radio broadcast, and TV broadcast cannot be predicted theoretically with accuracy. To assess the electromagnetic environment due to fixed RF transmitters, an electromagnetic site survey should be considered. If the measured field strength in the location in which the electric lift option, electric litter option, or scale system option is used exceeds the applicable RF compliance level above, the electric lift option, electric litter option, or scale system option should be observed to verify normal operation. If abnormal performance is observed, additional measures may be necessary, such as reorienting or relocating the electric lift option, electric litter option, or scale system option.

<sup>b</sup> Over the frequency range 150 kHz to 80 MHz, field strengths are less than 3 V/m.

\*Applies to electric litter option only.



# stryker



Stryker Medical  
3800 E. Centre Avenue  
Portage, MI 49002  
USA