

Prime Series® Stretcher

Operations Manual













REF 1115

Big Wheel®



EN	FR	PT
CS	HU	RO
DA	IT	RU
DE	KO	SK
EL	LT	SV
ES	LV	TH
ET	NL	TR
FI	PL	ZH

Symbols

	Refer to instruction manual/booklet
	Consult instructions for use
	General warning
	Caution
	Warning; crushing of hands
	Warning; non-ionizing radiation
	No pushing
	Do not store the oxygen bottle
	Do not lubricate
REF	Catalogue number
LOT	Lot (batch) code
SN	Serial number
US Patents	For US Patents see www.stryker.com/patents
CE	CE mark
EC REP	Authorized representative in the European Community
MD	European medical device
	Manufacturer
	Date of manufacture
	Importer



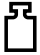













	Safe working load
	Maximum patient weight
	Mass of equipment with safe working load
	Direct current
	Alternating current
	Dangerous voltage
	Protective earth ground
IPX6	Protection from powerful water jets
	Type B applied part
	Medical Equipment Classified by Underwriters Laboratories Inc. With Respect to Electric Shock, Fire, and Mechanical Hazards Only in Accordance with ANSI/AAMI ES60601-1: 2005 and CAN/CSA-C22.2 No. 60601-1:08. *For Prime X option, Associated Equipment of X-ray Equipment IEC 60601-2-54
	In accordance with European Directive 2012/19/EU on Waste Electrical and Electronic Equipment (WEEE) as amended, this symbol indicates that the product should be collected separately for recycling. Do not dispose of as unsorted municipal waste. Contact local distributor for disposal information. Ensure infected equipment is decontaminated prior to recycling.
	Lubricate
	Lift here
	This way up
	Keep dry
	Fragile, handle with care
	Stacking limit by number

Table of Contents

Warning/Caution/Note Definition	3
Summary of safety precautions	3
Pinch points	6
Introduction	7
Product description	7
Indications for use	7
Clinical benefits	8
Contraindications	8
Expected service life	8
Disposal/recycle	8
Specifications	8
Product illustration - Prime	11
Product illustration - Prime X option	12
Applied parts - electric litter option	13
Applied parts - Prime X option	13
Contact information	14
Serial number location	14
Setup	15
Operation	16
Applying and releasing the brakes	16
Prime base controls	17
Raising the non-electric litter	17
Lowering the non-electric litter	17
Raising the electric litter option	18
Lowering the electric litter option	18
Positioning the product in Trendelenburg	18
Positioning the product in Reverse Trendelenburg	19
Transporting a patient	19
Transporting a patient without Big Wheel	19
Transporting a patient with Big Wheel	20
Positioning or stowing the head end push handles option	21
Raising the siderail	22
Lowering the siderail	22
Positioning the product with the siderail patient control panel - electric litter option- Prime only	23
Operator control panel - electric litter option - Prime only	23
Locking and unlocking the patient control panel lockout - electric litter option - Prime only	24
Raising or lowering the Fowler backrest - non-electric litter	25
Raising or lowering the Fowler backrest - electric litter option	26
Raising or lowering the Gatch - non-electric litter - Prime only	27
Raising or lowering the Gatch - electric litter option - Prime only	27
Positioning the recovery chair - Prime only	27
Storing objects in the base hood	28
Hanging devices with the pump rack option	28
Extending or retracting the power cord with the retractable cord reel option - electric lift option or electric litter option	29
Scale system option	29
Scale icon/button identification	30
Weighing a patient	30
Locking the scale unit of measure	31
Arming or disarming the Chaperone option	31
Setting the Chaperone option alert pattern	31
Setting the Chaperone option alert volume	32
Charging the scale system battery pack option - electric litter option or electric litter option with Chaperone option - Prime only	32
Replacing the batteries for the scale system option - non-electric litter	32
Accessories and parts	33
Attaching the defibrillator tray	36
Converting the defibrillator tray/foot extender to a defibrillator tray	36
Converting the defibrillator tray/foot extender to a foot extender	37
Attaching the footboard/chart holder	37

Attaching the IV caddy	38
Positioning or stowing the foot supports - Prime only	38
Positioning the two-stage permanently attached IV pole	39
Positioning the three-stage permanently attached IV pole	40
Attaching and positioning the removable IV pole	41
Attaching the upright oxygen bottle holder	42
Extending or stowing the serving tray holder/footboard	42
Attaching the siderail pads	43
Locating the patient restraint strap tie-ins	43
Positioning the upright X-ray cassette holder - Prime X option	43
Positioning the lateral X-ray cassette holder - Prime X option	44
Inserting or removing X-ray cassettes - Prime X option	45
Cleaning	47
Cleaning the product	47
Cleaning the product using a cart washer	47
Cleaning the mattress	48
Remove iodine	49
Special instructions	49
Disinfecting	50
Disinfecting the product	50
Disinfecting the mattress	50
Preventive maintenance	52
EMC information	54

Warning/Caution/Note Definition

The words **WARNING**, **CAUTION**, and **NOTE** carry special meanings and should be carefully reviewed.

WARNING

Alerts the reader about a situation which, if not avoided, could result in death or serious injury. It may also describe potential serious adverse reactions and safety hazards.

CAUTION

Alerts the reader of a potentially hazardous situation which, if not avoided, may result in minor or moderate injury to the user or patient or damage to the product or other property. This includes special care necessary for the safe and effective use of the device and the care necessary to avoid damage to a device that may occur as a result of use or misuse.

Note - Provides special information to make maintenance easier or important instructions clearer.

Summary of safety precautions

Always read and strictly follow the warnings and cautions listed on this page. Service only by qualified personnel.

WARNING

- Always allow the product to reach room temperature before you set up the product or test functional operations. Permanent product damage may occur.
- Always operate the product when all operators are clear of the mechanisms.
- Always use care when handling the power cord. Entanglement, damage to the power cord, or potential shock hazards may occur. If the power cord is damaged, immediately remove the product from service and contact the appropriate maintenance personnel.
- Always plug the product directly into a grounded, hospital grade wall outlet. You can only achieve grounding reliability when you use a hospital grade outlet. This product is equipped with a hospital grade plug to protect against electric shock hazard.
- Always apply the brakes when a patient is getting on the product or off the product or when the product is not moving. Injury could result if the product moves while a patient is getting on the product or off the product.
- Always position the patient in the center of the product.
- Always put the product in the lowest position with the siderails up and latched when you leave a patient unattended. Do not leave the product at a higher height.
- Always remove any devices that may be in the way before you raise or lower the litter.
- Do not sit on the end of the product. The product may tip.
- Always lock the siderails in the full up position with the sleep surface horizontal and in the lowest position when you transport a patient.
- Do not transport the product laterally on inclines greater than 5.7 degrees (10% grade) to avoid product tipping.
- Always use extra caution when you use a mattress thicker than 2.5 in. or a mattress overlay with **Prime X** option.
- Always lock the siderails in the full up position with the sleep surface flat and in the lowest position when you transport a patient.
- Always keep the patient's limbs away from the siderail spindles when you raise or lower the siderail.
- Do not allow the siderails to lower on their own.
- Always keep hands and fingers clear of the Fowler backrest release handles and the Fowler backrest frame when you lower the Fowler backrest.
- Always use caution when you raise a the Fowler backrest while a patient is on the product. Use proper lifting techniques and get help, if necessary.
- Always keep hands and fingers clear of the foot end push handles when you lower the Gatch.
- Always keep device lines on the pump rack away from the Gatch handles.
- Always make sure that devices on the pump rack can pass safely through door openings.
- Do not lift the product by the pump rack.
- Always unplug the power cord from the wall outlet before you transport or clean the product.

- Always use the retractable cord reel to store the power cord inside the base when you transport the product.
- Do not use the scale system option or electric lift option or electric litter option adjacent to or stacked with other devices. If adjacent or stacked use is necessary, the scale system option or electric lift option or electric litter option should be observed to make sure that all devices are operating normally in the configuration in which they will be used.
- Do not place items that weigh more than 30 lb (14 kg) on the defibrillator tray. Always strap down all devices that you place on the defibrillator tray.
- Always use caution if the defibrillator tray/foot extender, footboard/chart holder, or upright oxygen bottle holder is attached to avoid pinching your fingers when you position the foot end push handle option.
- Do not place items that weigh more than 30 lb (14 kg) on the defibrillator tray/foot extender. Always strap down all devices that you place on the defibrillator tray.
- Always secure the IV pole to the IV caddy when you transport the product.
- Always store the IV caddy when not in use to avoid product damage.
- Do not sit on the foot supports. This may cause the product to tip.
- Always clear your fingers from the mechanisms when you operate the foot supports.
- Always stow the foot supports when you transport a patient with the product.
- Always tighten the foot supports before you use the foot supports.
- Do not operate the scale system with the foot supports. Inaccurate readings may occur.
- Do not operate the **Chaperone** option with the foot supports. Inaccurate readings may occur.
- Do not use the IV pole as a push/pull device. Product damage may occur.
- Do not place objects that exceed 40 lb (18 kg) in the upright oxygen bottle holder.
- Do not place objects that exceed 30 lb (14 kg) on the serving tray.
- Always use caution when you attach restraint straps. Patient or operator injury may occur. Physical restraints, even if secured, may result in serious harm to patients and operators, including entanglement, entrapment, physical injury, or death.
- Always attach restraint straps or devices only at the identified attachment points of the product. Failure to do so may result in patient or operator injury. Do not attach restraint straps to the siderail.
- Always refer to the applicable state and federal restrictions and regulations and the appropriate facility protocols before you use any restraint strap or device.
- Always take protective measures when you use the upright or lateral X-ray cassette holder. The X-ray cassette holder does not protect against radiation.
- Always refer to local, state, and federal guidelines in addition to facility protocols for safety before you use **Prime X** option with radiation generating devices. Radiation generating devices may produce residual, stray, or scattered radiation.
- Always follow the *Positioning the upright X-ray cassette holder - Prime X option* instructions to insert the X-ray cassette.
- Always use caution when you take X-rays with the Fowler backrest in the upright position or when you use a lateral cassette.
- Always follow the *Positioning the lateral X-ray cassette holder - Prime X option* instructions to insert the X-ray cassette.
- Do not clean, service, or perform maintenance while the product is in use.
- Do not immerse the mattress in cleaning or disinfectant solutions. Excess moisture could cause product malfunction that results in product damage or patient injury.
- Do not allow fluid to pool on the mattress. Fluids can cause corrosion of components and may cause the safety and performance of this product to become unpredictable.
- Always inspect mattress covers for tears, punctures, excessive wear, and misaligned zippers every time you clean the covers. Remove and replace a damaged mattress to prevent cross-contamination.
- Do not steam clean, pressure wash, hose off, or ultrasonically clean mattresses. These methods of cleaning may void the product's warranty.
- Do not steam clean, hose off, or ultrasonically clean the product. Use of these methods of cleaning is not recommended and may void the product's warranty.
- Always disinfect the mattress between patients. Failure to do so could result in cross-contamination and infection.

CAUTION

- Improper usage of the product can cause injury to the patient or operator. Operate the product only as described in this manual.

- Do not modify the product or any components of the product. Modifying the product can cause unpredictable operation resulting in injury to patient or operator. Modifying the product also voids its warranty.
 - Do not use the hydraulics on the base to raise the product with a patient lift under the product.
 - Do not apply the steer pedal when **Big Wheel** is resting on a threshold or other raised area. The force required to apply **Big Wheel** will be higher than normal which may cause product damage.
 - The weight capacity of the Gatch is 200 lb (90.7 kg).
 - Always make sure that the Gatch prop rod is secure before use.
 - Do not sit or stand on the Gatch.
 - Always use caution when you attempt to lower the Gatch while the product is unpowered. Gravity may cause a rapid drop of the Gatch.
 - Do not place objects that exceed 60 lb (27 kg) in the base hood.
 - Do not sit, step, or stand on the base hood.
 - The weight capacity of the pump rack is 40 lb (18 kg).
 - Do not use the pump rack as a push/pull device. Product damage may occur.
 - Do not use the scale for patients under 50 lb.
 - Do not use the scale system reading as a reference for medical treatment.
 - Always raise the IV pole before you attach the defibrillator tray/foot extender to the product. If you do not raise the IV pole, the foot extender will not operate.
 - Do not use the IV pole as a push/pull device. Product damage may occur.
 - Do not hang IV bags that exceed 40 lb (18 kg) on the IV pole.
 - Always make sure that the IV pole is at a low height to pass through door openings when you transport a patient.
 - Do not use abrasive cleaners to clean the display enclosure for the scale system option. Do not allow cleaning solutions or other fluids to pool on the display unit. Dry all surfaces after spills or cleaning.
 - The use of accessories, transducers, and cables, other than those specified or provided by the manufacturer, could result in increased electromagnetic emissions or decreased electromagnetic immunity and result in improper operation.
 - The emissions characteristics of this equipment make it suitable for use in industrial areas and hospitals (CISPR 11 class A). If it is used in a residential environment, for which CISPR 11 class B is normally required, this equipment might not offer adequate protection to radio frequency communication services. The user might need to take mitigation measures, such as relocating or reorienting the equipment.
 - Portable RF communications equipment, including peripherals such as antenna cables and external antennas, should be used no closer than 12 inches (30 cm) to any part of the **Prime** stretcher, including cables specified by the manufacturer.
 - Avoid stacking or placing other equipment adjacent with other equipment to prevent improper operation of the products. If such use is necessary, carefully observe stacked or adjacent equipment to make sure that they are operating properly.
-

Pinch points



Figure 1 – Prime X option

Introduction

This manual assists you with the operation or maintenance of your Stryker product. Read this manual before operating or maintaining this product. Set methods and procedures to educate and train your staff on the safe operation or maintenance of this product.

CAUTION

- Improper usage of the product can cause injury to the patient or operator. Operate the product only as described in this manual.
 - Do not modify the product or any components of the product. Modifying the product can cause unpredictable operation resulting in injury to patient or operator. Modifying the product also voids its warranty.
-

Note

- This manual is a permanent part of the product and should remain with the product even if the product is sold.
- Stryker continually seeks advancements in product design and quality. This manual contains the most current product information available at the time of printing. There may be minor discrepancies between your product and this manual. If you have any questions, contact Stryker Customer Service or Technical Support at 1-800-327-0770.

Product description

The Stryker Model 1115 **Prime Series**® stretcher with **Big Wheel**® is a wheeled device which consists of a platform mounted on a wheeled frame to support patients in a horizontal position. A stretcher provides the operator with a method of transporting patients within the interior of a healthcare facility by health professionals or trained representatives of the facility. The Stryker Model 1115 **Prime Series** stretcher with **Big Wheel** decreases start-up force and steering effort to reduce physical strain.

Indications for use

The **Prime Series** stretcher with **Big Wheel** has two big wheels to reduce the startup force required to move the stretcher.

The **Prime Series** stretcher may be used as a short-term outpatient clinical evaluation, treatment, minor procedure, and short-term outpatient recovery platform. The stretcher may include use in, but is not limited to:

- Emergency department (ED)
- Trauma area
- Post-anesthesia care unit (PACU)

The **Prime Series** stretcher may be used for minor procedures and short-term stay (treatment and recovery). See the specifications table for the intended environmental conditions.

The Stryker **Prime Series** stretcher has not been evaluated for compliance to bed standard BS EN 50637. This product is not intended for use for short term stay with pediatric patients or adult patients with atypical anatomy in markets that recognize this bed standard for market authorization

The **Prime Series** stretcher is not for use for long-term inpatient treatment and recovery.

The **Prime Series** stretcher has a safe working load up to 700 lb (318 kg) and is intended to be used with all patients, including those mildly to critically ill. The stretcher may also be used to transport deceased patients within an enclosed healthcare facility.

The **Prime X**® option provides an articulating radiographic patient support surface and a platform below the patient support surface for X-ray cassette placement. **Prime X** option is intended to allow the capture of clinical X-rays (AP full body, optional full body lateral, and optional upright chest) when used with a medical X-ray system.

Clinical benefits

Patient transport, facilitate treatment, and diagnostic

Contraindications

The **Prime X** option is not recommended for use with a mattress with a thickness greater than four inches.

The **Prime X** option is not compatible for use with a C-Arm.

The **Prime X** option is intended for use in all establishments other than home healthcare, domestic, and those directly connected to the public low voltage power supply network that supplies buildings used for domestic purposes.



Expected service life

The **Prime Series** stretcher and the **Prime Series** stretcher with **Prime X** option have a 10 year expected service life under normal use conditions and with appropriate periodic maintenance.

Disposal/recycle

Always follow the current local recommendations and/or regulations governing environmental protection and the risks associated with recycling or disposing of the equipment at the end of its useful life.

Specifications

	Prime Series 26 in. width		Prime Series 30 in. width Prime Series HT Packs		Prime X option 30 in. width	
 Note - Safe working load indicates the sum of the patient, mattress, and accessory weight.	700 lb	318 kg	700 lb	318 kg	700 lb	318 kg
 Maximum patient weight	675 lb	306 kg	675 lb	306 kg	675 lb	306 kg
Overall length	85 in. (± 0.5 in.)	215.9 cm	85 in. (± 0.5 in.)	215.9 cm	85 in. (± 0.5 in.)	215.9 cm
Overall length (litter extension option)	89.9 in. (± .75 in.)	228.3 cm	89.9 in. (± .75 in.)	228.3 cm	NA	NA
Overall width (siderails up)	34 in. (± 1 in.)	86.4 cm	38 in. (± 1 in.)	96.5 cm	38 in. (± 1 in.)	96.5 cm
Overall width (siderails down)	30.25 in. (± 0.5 in.)	76.8 cm	30.5 in (± 0.5 in.)	77.5 cm	30.5 in. (± 0.5 in.)	77.5 cm
Minimum height	20.75 in.	52.7 cm	20.75 in.	52.7 cm	23.25 in.	59.1 cm
Maximum height	34 in. (± 1 in.)	86.4 cm	34 in. (± 1 in.)	86.4 cm	36.5 in. (± 1 in.)	92.7 cm

	Prime Series 26 in. width	Prime Series 30 in. width Prime Series HT Packs		Prime X option 30 in. width		
Fowler backrest angle	0° to 90° (± 5°)					
Gatch height	5.5 in. (14 cm) minimum			Not applicable		
Trendelenburg/Reverse Trendelenburg	+17° to -17° (± 3°)					
Minimum clearance	2.5 in. nominal	6.4 cm	2.5 in. nominal	6.4 cm	2.5 in. nominal	6.4 cm
	1.75 in. under the hydraulic jacks	4.5 cm	1.75 in. under the hydraulic jacks	4.5 cm	1.75 in. under the hydraulic jacks	4.5 cm
	1 in. under Big Wheel	2.5 cm	1 in. under Big Wheel	2.5 cm	1 in. under Big Wheel	2.5 cm
Attenuation equivalent (aluminum equivalence)	Not applicable			Maximum value allowed is 1.7 mm Al		
Optional scale system weight operating range	50 lb (22.7 kg) to 700 lb (318 kg)					
Optional scale system accuracy	±3 lb (1.3 kg) for weights less than 100 lb (45 kg) and ±3% for weights greater than or equal to 100 lb (45 kg)*					
*To meet the scale system accuracy claim, the patient surface must be in the flat position (Fowler backrest and Gatch down) and the product cannot exceed 5 degrees of Trendelenburg/Reverse Trendelenburg.						

Electric options	Optional electric litter (available on Prime only)	Optional electric lift (available on Prime and Prime X option)
Electrical requirements	120 VAC, 60Hz, 10A 240 VAC, 50/60 Hz, 5A	120 VAC, 60Hz, 10A 240 VAC, 50/60 Hz, 5A
Duty cycle	Continuous operation with intermittent loading is 1 min. ON/20 min. OFF	Continuous operation with intermittent loading is 1 min. ON/20 min. OFF

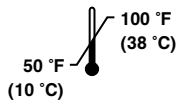
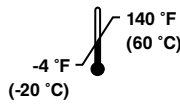
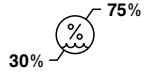
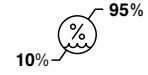
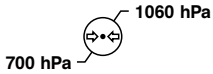
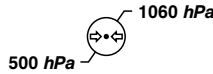
Optional scale system	Non-electric litter (available on Prime and Prime X option)	Optional electric lift (available on Prime and Prime X option)
Battery type	4 x AA battery (4 X 1.5 VDC) alkaline type (LR6)	4 x AA battery (4 X 1.5 VDC) alkaline type (LR6)
Battery voltage	6.0 VDC	6.0 VDC

Optional scale system	Optional electric litter (available on Prime only)	Optional electric lift
Battery type	1 x rechargeable lithium ion battery pack (0058-135-000)	Not applicable
Battery voltage	10.8 VDC, 2.4Ah	Not applicable

Optional scale system with Chaperone® (stretcher exit)	Optional electric litter (available on Prime only)	Optional electric lift
Battery type	1 x rechargeable lithium ion battery pack (0058-134-000)	Not applicable
Battery voltage	10.8 VDC, 4.8Ah	Not applicable

Stryker reserves the right to change specifications without notice.

Note - This product is not suitable for use in the presence of a flammable anesthetic mixture with air or with oxygen or nitrous oxide.

Environmental conditions	Operation	Storage and transportation
Temperature		
Relative humidity		
Atmospheric pressure		

Note - The optional scale system (non-electric litter/electric litter option) operation temperature range is 61 °F (16 °C) to 79 °F (26 °C).

Specifications listed are approximate and may vary slightly from product to product or by power supply fluctuations.

Product illustration - Prime

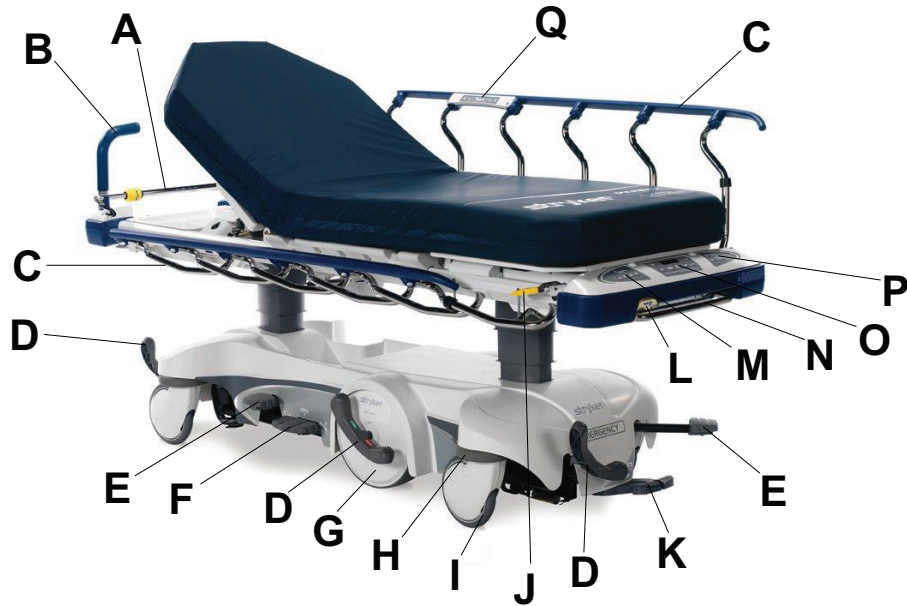


Figure 2 – Prime

A	IV pole	J	Siderail latch
B	BackSmart ® pop up push handle, optional	K	Hydraulic release pedal
C	BackSmart siderail	L	Gatch release handle
D	Brake/steer pedal	M	BackSmart foot end operator control panel, optional
E	Pump pedal	N	Pump rack, optional
F	Uni-lower pedal	O	BackSmart scale system, optional
G	Big Wheel	P	Patient control panel lockout, optional
H	Bumper, integrated	Q	Siderail patient control panel, optional
I	Caster with integrated wheel cover		

Product illustration - Prime X option

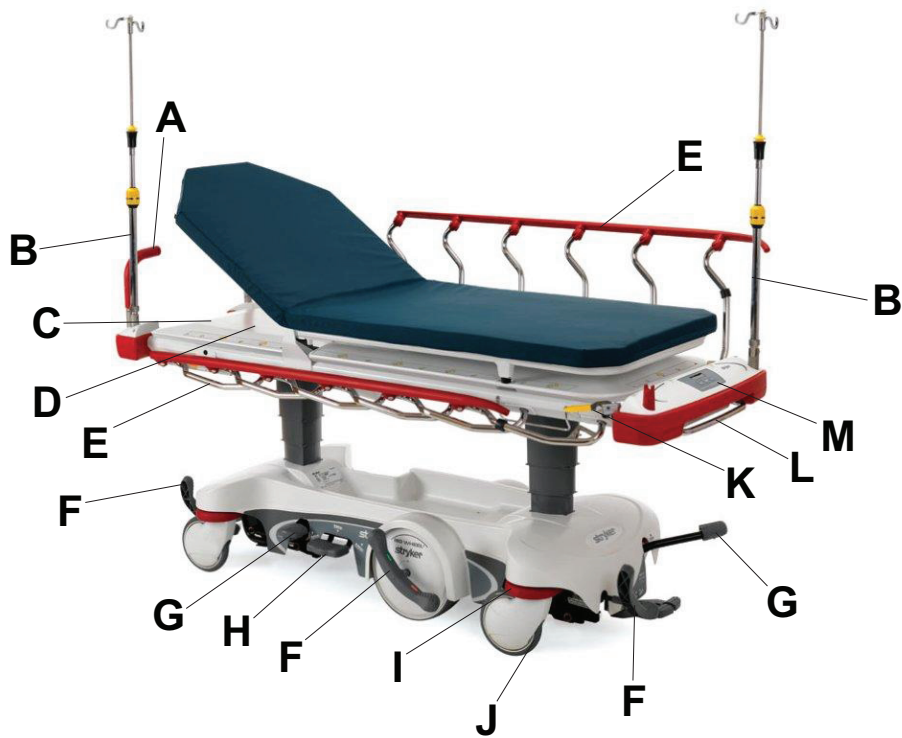


Figure 3 – Prime X option

A	BackSmart® pop up push handle, optional	H	Uni-lower pedal
B	IV pole	I	Bumper, integrated
C	Cassette tray	J	Caster with integrated wheel cover
D	Patient surface with Clearview Technology® deck	K	Siderail latch
E	BackSmart siderail	L	Pump rack, optional
F	Brake/steer control pedal	M	BackSmart scale system, optional
G	Pump pedal		

Applied parts - electric litter option



Figure 4 – Type B applied parts - electric litter option

Applied parts - Prime X option



Figure 5 – Type B applied parts - Prime X option

Contact information

Contact Stryker Customer Service or Technical Support at: 1-800-327-0770.

Stryker Medical
3800 E. Centre Avenue
Portage, MI 49002
USA

Note - The user and/or the patient should report any serious product-related incident to both the manufacturer and the Competent authority of the European Member State where the user and/or patient is established.

To view your operations or maintenance manual online, see <https://techweb.stryker.com/>.

Have the serial number (A) of your Stryker product available when calling Stryker Customer Service or Technical Support. Include the serial number in all written communication.

Serial number location

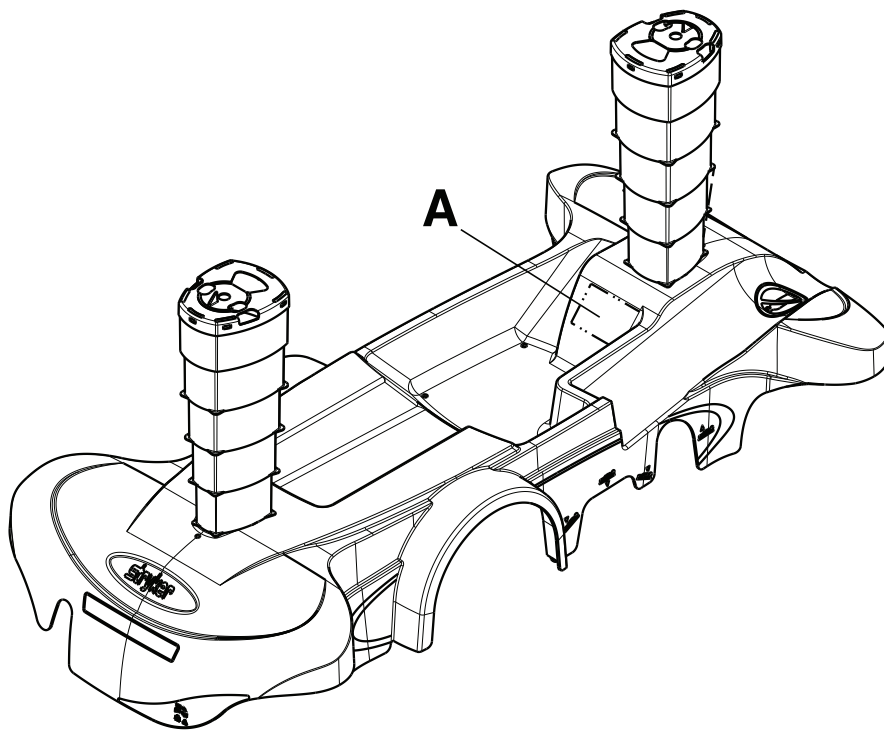


Figure 6 – Serial number location

Setup

To unpack your product, see the unpacking instructions that are attached to the product inside of the shipping crate.

WARNING

- Always allow the product to reach room temperature before you set up the product or test functional operations. Permanent product damage may occur.
 - Always operate the product when all operators are clear of the mechanisms.
 - Always use care when handling the power cord. Entanglement, damage to the power cord, or potential shock hazards may occur. If the power cord is damaged, immediately remove the product from service and contact the appropriate maintenance personnel.
 - Always plug the product directly into a grounded, hospital grade wall outlet. You can only achieve grounding reliability when you use a hospital grade outlet. This product is equipped with a hospital grade plug to protect against electric shock hazard.
-

Make sure that the product functions before you put the product into service.

1. Apply the brake. Push on the product to make sure that all four casters are locked.
2. Release the brake. Push on the product to make sure that all four casters are unlocked.
3. Raise and lower the litter with the hydraulic lift system.
4. Raise the product to the highest position and put the product in the Trendelenburg position (see *Positioning the product in Trendelenburg* (page 18)). Make sure that the head end lowers to the full down position.
5. Raise the product to the highest position and put the product in the Reverse Trendelenburg position (see *Positioning the product in Reverse Trendelenburg* (page 19)). Make sure that the foot end lowers to the full down position.
6. Apply **Big Wheel** and make sure that it is working.
7. Make sure that the siderails raise, lower, and lock in place.
8. Raise and lower the manual Fowler backrest (head end).
9. Raise and lower the manual Gatch (foot end).

For product with the electric lift or electric litter option:

1. Complete the setup checklist above.
2. Plug the product into a grounded, hospital grade wall outlet. Make sure that the LED lights illuminate on the lockout keypad.
3. Make sure that each function on the optional siderail patient control panel works.
4. Make sure that each function on the optional foot end operator control panel works.
5. Raise and lower the electric Fowler backrest (head end).
6. Raise and lower the electric Gatch (foot end).

For product with the scale system option-electric litter option (with or without **Chaperone** option):

1. Complete the setup checklist above.
2. Charge the batteries (*Charging the scale system battery pack option - electric litter option or electric litter option with Chaperone option - Prime only* (page 32)).

Operation

Applying and releasing the brakes

WARNING - Always apply the brakes when a patient is getting on the product or off the product or when the product is not moving. Injury could result if the product moves while a patient is getting on the product or off the product.

To apply the brakes, push down on the brake (red) side of the brake/steer pedal. Push on the product to make sure that the brakes work.

To release the brakes, push down on the steer (green) side of the brake/steer pedal.

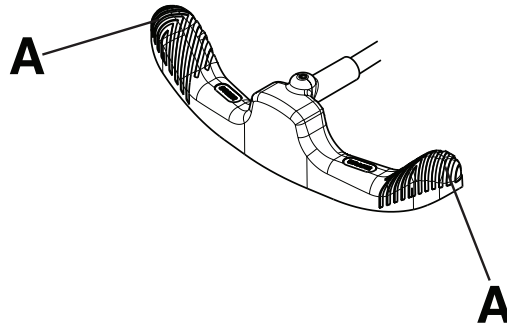


Figure 7 – Operating the brake/steer pedal

Note - Do not push down on the center of the brake/steer pedal. Always push down on the outer side (A) of the brake/steer pedal (Figure 7).

Prime base controls

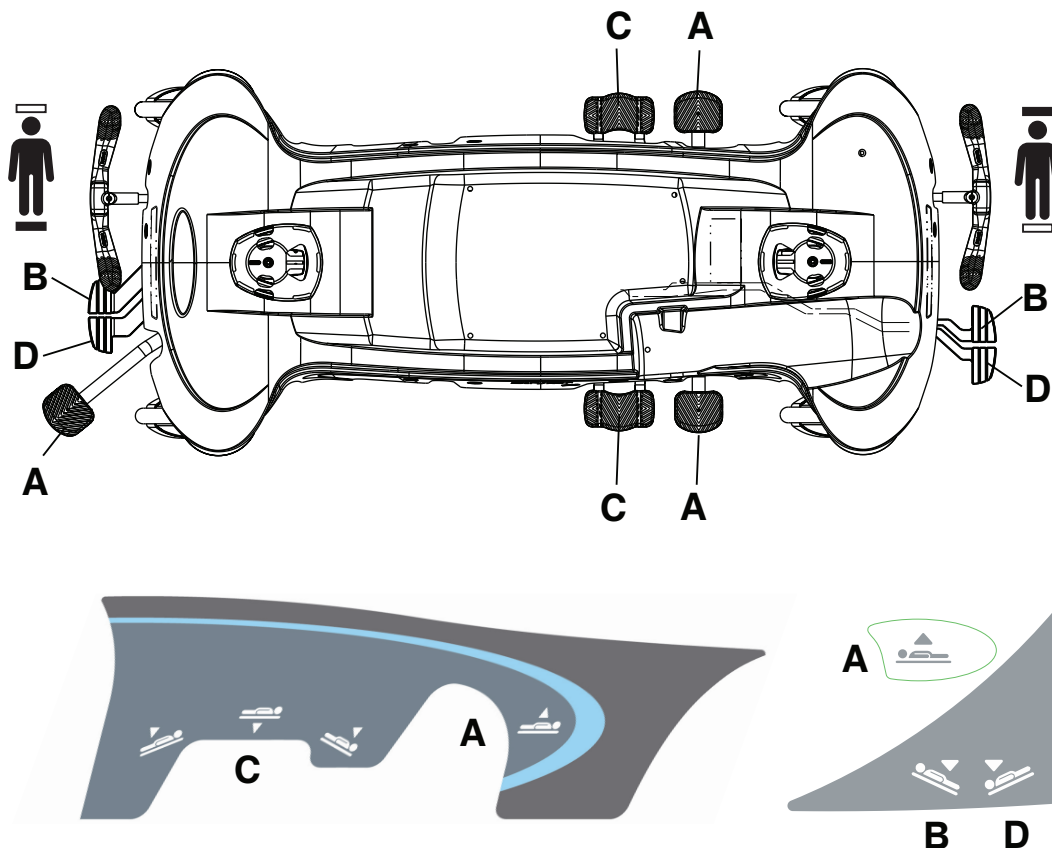


Figure 8 – Prime base controls and label

Raising the non-electric litter

WARNING

- Always position the patient in the center of the product.
- Always put the product in the lowest position with the siderails up and latched when you leave a patient unattended. Do not leave the product at a higher height.
- Always remove any devices that may be in the way before you raise or lower the litter.
- Do not sit on the end of the product. The product may tip.

CAUTION - Do not use the hydraulics on the base to raise the product with a patient lift under the product.

To raise the litter, press down on the pump pedal (A) until you achieve the desired height (*Prime base controls* (page 17)).

Lowering the non-electric litter

WARNING

- Always position the patient in the center of the product.
- Always put the product in the lowest position with the siderails up and latched when you leave a patient unattended. Do not leave the product at a higher height.
- Always remove any devices that may be in the way before you raise or lower the litter.
- Do not sit on the end of the product. The product may tip.

CAUTION - Do not use the hydraulics on the base to raise the product with a patient lift under the product.

To lower the entire litter, press down on the center of the uni-lower pedal (C) (*Prime base controls* (page 17)).

To lower the head end of the litter, press down on the pedal (B) or on side of the uni-lower pedal (C) closest to the head end of the product.

To lower the foot end of the litter, press down on the pedal (D) or press down on the side of the uni-lower pedal (C) closest to the foot end of the product.

Raising the electric litter option

WARNING

- Always position the patient in the center of the product.
 - Always put the product in the lowest position with the siderails up and latched when you leave a patient unattended. Do not leave the product at a higher height.
 - Always remove any devices that may be in the way before you raise or lower the litter.
 - Do not sit on the end of the product. The product may tip.
-

CAUTION - Do not use the hydraulics on the base to raise the product with a patient lift under the product.

To raise the electric litter, press down on the pump pedal (A) until you achieve the desired height (*Prime base controls* (page 17)).

Lowering the electric litter option

WARNING

- Always position the patient in the center of the product.
 - Always put the product in the lowest position with the siderails up and latched when you leave a patient unattended. Do not leave the product at a higher height.
 - Always remove any devices that may be in the way before you raise or lower the litter.
 - Do not sit on the end of the product. The product may tip.
-

CAUTION - Do not use the hydraulics on the base to raise the product with a patient lift under the product.

To lower the entire electric litter, press on the center of the uni-lower pedal (C) (*Prime base controls* (page 17)).

To lower the head end of the litter, press down on the pedal (B) or push down on the side of the uni-lower pedal (C) closest to the head end of the product.

To lower the foot end of the litter, press down on the pedal (D) or push down on the side of the uni-lower pedal (C) closest to the foot end of the product.

Positioning the product in Trendelenburg

WARNING - Always remove any devices that may be in the way before you raise or lower the litter.

CAUTION - Do not use the hydraulics on the base to raise the product with a patient lift under the product.

To position the product in the Trendelenburg position (head down), raise the litter to the highest height (*Raising the non-electric litter* (page 17) or *Raising the electric litter option* (page 18)).

Note - Raise the litter to the highest height for a greater Trendelenburg angle.

To lower the head end of the product, push down on the head end or foot end release pedal (D) or push down on the side of the uni-lower pedal (C) closest to the head end (*Prime base controls* (page 17)).

To lower the product from Trendelenburg position, push down on the head end and foot end release pedals (B and D) at the same time or push down on the center of the uni-lower pedal (C) until the litter is flat.

Positioning the product in Reverse Trendelenburg

WARNING - Always remove any devices that may be in the way before you raise or lower the litter.

CAUTION - Do not use the hydraulics on the base to raise the product with a patient lift under the product.

To position the product in the Reverse Trendelenburg position (foot down), raise the litter to the highest height (*Raising the non-electric litter* (page 17) or *Raising the electric litter option* (page 18)).

Note - Raise the litter to the highest height for a greater Trendelenburg angle.

To lower the foot end of the product, push down on the head end or foot end release pedal (B) or push down on the side of the uni-lower pedal (C) closest to the foot end (*Prime base controls* (page 17)).

To lower the product from Reverse Trendelenburg position, push down on the head end and foot end release pedals (B and D) at the same time or push down on the center of the uni-lower pedal (C) until the litter is flat.

Transporting a patient

WARNING

- Always position the patient in the center of the product.
 - Always lock the siderails in the full up position with the sleep surface horizontal and in the lowest position when you transport a patient.
 - Do not transport the product laterally on inclines greater than 5.7 degrees (10% grade) to avoid product tipping.
-

To transport a patient:

1. Raise the siderails to the highest position. Pull on the siderail to make sure that it is latched.
2. Lower the litter to the lowest position.
3. Unplug the power cord from the wall outlet if your product is equipped with the electric lift or electric litter option.
4. Push down on the steer (green) side of the brake/steer pedal.
5. Use the push handles to push the product.
6. Apply the brakes to lock the product in place.

Note - Always make sure that the brake is released before you move the product to avoid operator or patient injury.

Transporting a patient without Big Wheel

WARNING

- Always position the patient in the center of the product.
 - Always lock the siderails in the full up position with the sleep surface horizontal and in the lowest position when you transport a patient.
-

To transport a patient without **Big Wheel**:

1. Put the brake/steer pedal (A) in the neutral position (Figure 9).

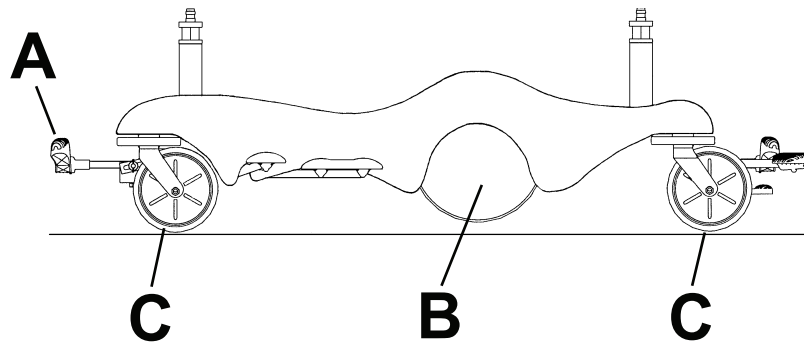


Figure 9 – Transporting without Big Wheel

2. Lower the litter to the lowest position.
3. For Model 1125 only, make sure that the On/Drive-Off/Manual switch is in the Off position.
4. Unplug the power cord from the hospital grade wall outlet if your product is equipped with the electric lift option or electric litter option.
5. Use the push handles to push the product.
6. Apply the brakes to lock the product in place.

Note

- Always make sure that the brake is released before you move the product to avoid operator or patient injury.
- With the product in the neutral position, **Big Wheel** (B) is elevated and the product rests on all four casters (C) (Figure 9). In this position, you can move the product in any direction, including sideways.

Transporting a patient with Big Wheel

WARNING

- Always position the patient in the center of the product.
 - Always lock the siderails in the full up position with the sleep surface horizontal and in the lowest position when you transport a patient.
-

CAUTION - Do not apply the steer pedal when **Big Wheel** is resting on a threshold or other raised area. The force required to apply **Big Wheel** will be higher than normal which may cause product damage.

To transport a patient with **Big Wheel**:

1. Raise the siderails to the highest position. Pull on each siderail to make sure it is latched.
2. Lower the litter to the lowest position.
3. For Model 1125 only, make sure that the On/Drive-Off/Manual switch is in the Off position.
4. Unplug the power cord from the hospital grade wall outlet if your product is equipped with the electric lift option or electric litter option.
5. Put the brake/steer pedal (A) in the steer position (Figure 10).

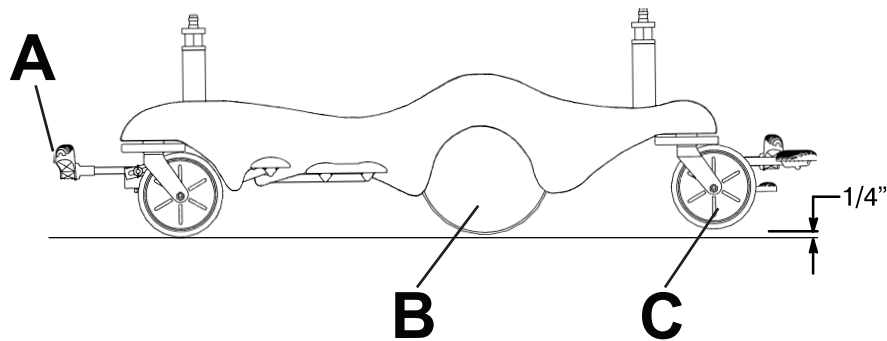


Figure 10 – Transporting with Big Wheel

6. Use the push handles to push the product.
7. Apply the brakes to lock the product in place.

Note

- Always make sure that the brake is released before you attempt to move the product. Attempting to move the product with the brakes applied may result in operator or patient injury.
- The **Big Wheel** (B) does not pivot. You cannot move the product sideways when you apply **Big Wheel**.
- When you apply **Big Wheel** (B), the product is raised and the foot end casters (C) are elevated. The product rests on the head end casters and **Big Wheel** makes the product easier to steer (Figure 10).

Positioning or stowing the head end push handles option

To position or stow the head end push handles:

1. Pivot the handles (A) up from the head end of the product (Figure 11).
2. Push down on the handles to lock them into position.

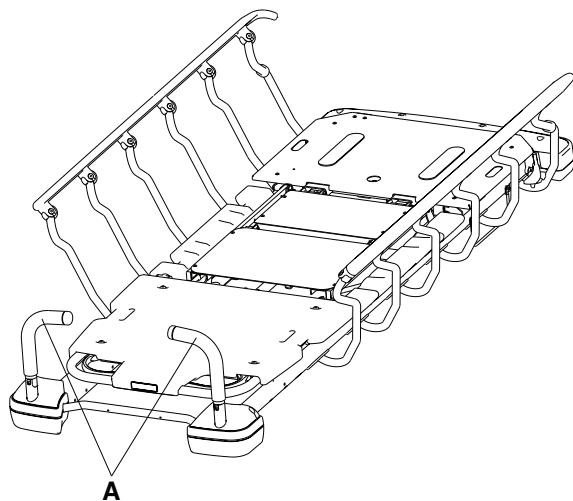


Figure 11 – Positioning the head end push handles

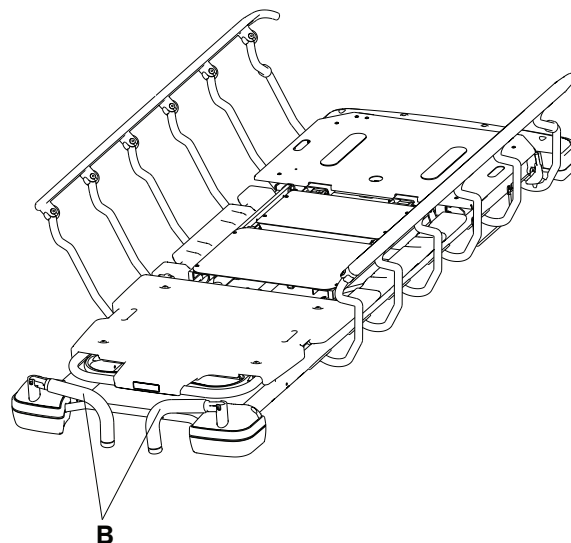


Figure 12 – Stowing the head end push handles

3. Reverse steps to stow the head end push handles (B) (Figure 12).

Note - Only use the push handles as push/pull devices unless otherwise specified to avoid product damage.

Raising the siderail

WARNING

- Always use extra caution when you use a mattress thicker than 2.5 in. or a mattress overlay with **Prime X** option.
 - Always put the product in the lowest position with the siderails up and latched when you leave a patient unattended. Do not leave the product at a higher height.
 - Always lock the siderails in the full up position with the sleep surface flat and in the lowest position when you transport a patient.
 - Always keep the patient's limbs away from the siderail spindles when you raise or lower the siderail.
 - Do not allow the siderails to lower on their own.
-

To raise the siderail:

1. Use two hands to grasp the siderail.
2. Lift the siderail toward the foot end of the product until the yellow release latch clicks into place. Pull on the siderail to make sure that the siderail is latched.

Note

- There is a dual siderail release latch option available with latches on both ends of the product.
- Do not use siderails as restraint devices to keep the patient from exiting the product. The siderails keep the patient from rolling off the product. The operator must determine how much restraint is needed to make sure that the patient is safe.
- You can use the foot end of the siderail top rail as a push/pull device.
- Siderails only lock in the full up position.

Lowering the siderail

WARNING

- Always use extra caution when you use a mattress thicker than 2.5 in. or a mattress overlay with **Prime X** option.
 - Always put the product in the lowest position with the siderails up and latched when you leave a patient unattended. Do not leave the product at a higher height.
 - Always lock the siderails in the full up position with the sleep surface flat and in the lowest position when you transport a patient.
 - Always keep the patient's limbs away from the siderail spindles when you raise or lower the siderail.
 - Do not allow the siderails to lower on their own.
-

To lower the siderail:

1. Use one hand to grasp the siderail.
2. Use the other hand to pull up on the yellow release latch.
3. Lift and guide the siderail toward the head end of the product until the yellow release latch clicks into place. Pull on the siderail to make sure that the siderail is latched.

Note

- There is a dual siderail release latch option available with latches on both ends of the product.
- Do not use siderails as restraint devices to keep the patient from exiting the product. The siderails keep the patient from rolling off the product. The operator must determine how much restraint is needed to make sure that the patient is safe.
- You can use the foot end of the siderail top rail as a push/pull device.
- Siderails only lock in the full up position.

Positioning the product with the siderail patient control panel - electric litter option- Prime only

WARNING - Always operate the product when all operators are clear of the mechanisms.

Use the siderail patient control panel to position the Fowler backrest and Gatch (Figure 13).

Healthcare professionals must instruct patients how to operate the patient controls.

Note

- Always plug the power cord into a grounded, hospital grade wall outlet.
- The siderail patient control panel is positioned in a staggered location on each side of the product for easy patient access.
- Each siderail has backlit controls to allow the patient to position the Fowler backrest and Gatch. When the product is plugged in and the patient control panel is unlocked, the white buttons are illuminated.

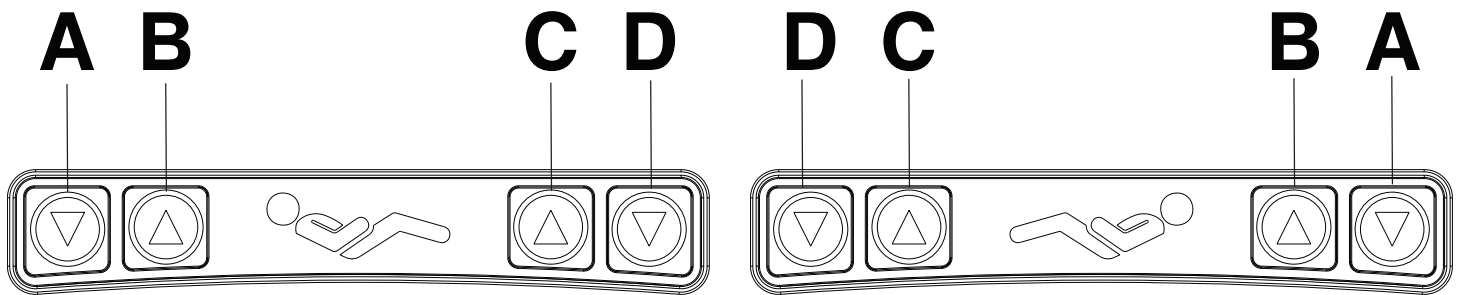


Figure 13 – Siderail patient control panel

A	Fowler down	Lowers the Fowler (head section)
B	Fowler up	Raises the Fowler (head section)
C	Gatch up	Raises the Gatch (foot section)
D	Gatch down	Lowers the Gatch (foot section)

Operator control panel - electric litter option - Prime only

WARNING - Always operate the product when all operators are clear of the mechanisms.

Use the operator control panel to adjust the position of the patient on the product (Figure 14).

Note - Always plug the power cord into a grounded, hospital grade wall outlet.

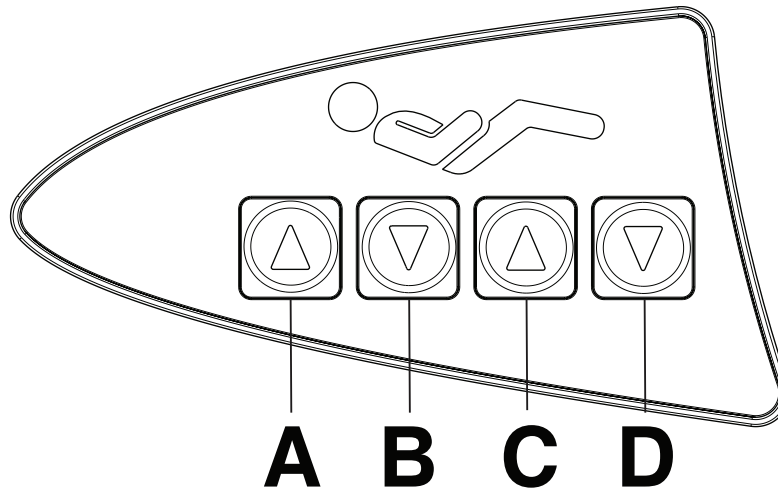


Figure 14 – Operator control panel - electric litter option

A	Fowler up	Raises the Fowler backrest
B	Fowler down	Lowers the Fowler backrest
C	Gatch up	Raises the Gatch
D	Gatch down	Lowers the Gatch

Locking and unlocking the patient control panel lockout - electric litter option - Prime only

WARNING - Always operate the product when all operators are clear of the mechanisms.

To lock the siderail patient control panel, press **Unlock/Lock (A)** once (Figure 15).

Note - The lock icon (C) illuminates amber when the patient controls are locked.

To unlock the siderail patient control panel, press **Unlock/Lock (A)** a second time.

Note - The unlock icon (B) illuminates green when the patient controls are unlocked.

Note

- Always plug the power cord into a grounded, hospital grade wall outlet.
- You can lock the patient control panel to prevent the patient from moving the backrest and the Gatch.
- The siderail patient control panel is not backlit when you lock the patient control panel.

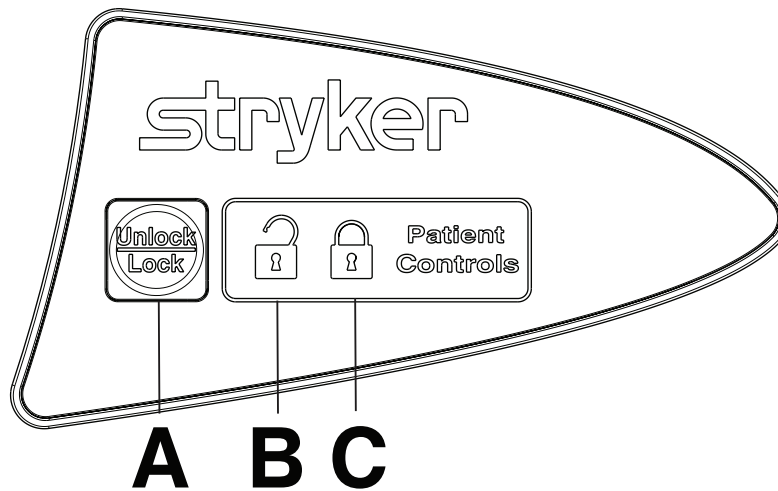


Figure 15 – Patient control panel lockout

Raising or lowering the Fowler backrest - non-electric litter

WARNING

- Always operate the product when all operators are clear of the mechanisms.
 - Always keep hands and fingers clear of the Fowler backrest release handles and the Fowler backrest frame when you lower the Fowler backrest.
 - Always use caution when you raise a the Fowler backrest while a patient is on the product. Use proper lifting techniques and get help, if necessary.
-

To raise the Fowler backrest, squeeze one or both of the Fowler backrest release handles (A) and pull the Fowler backrest up to the desired position (0° to 90°) (Figure 16).

Note - The **Lift Assist**® backrest uses patient weight to assist in patient positioning. The **Lift Assist** backrest also helps to keep the patient from sliding toward the foot end of the product when you raise the Fowler backrest.

To lower the Fowler backrest, squeeze one or both of the Fowler backrest release handles (A) and push the Fowler backrest down to the desired position (90° to 0°) (Figure 16).

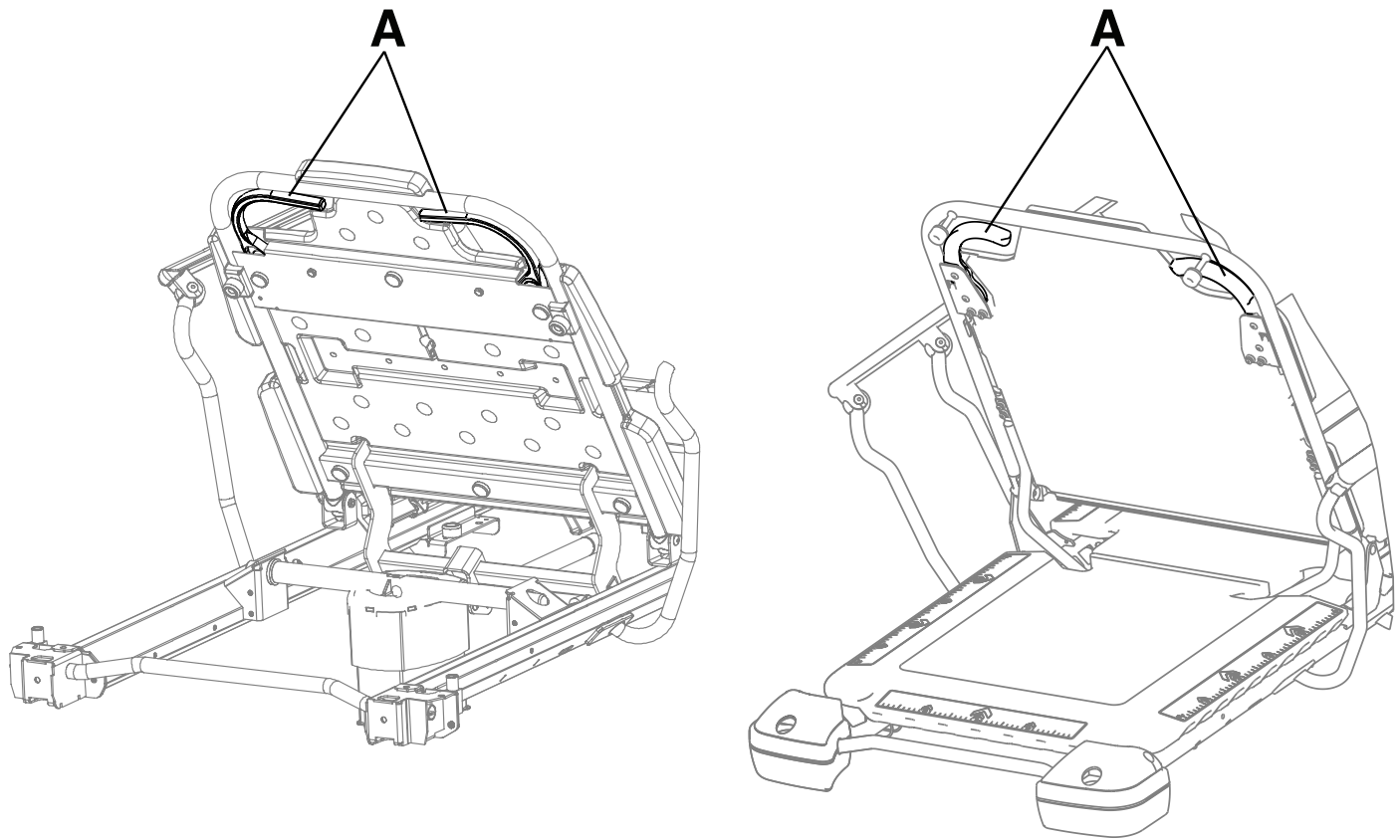


Figure 16 – Raising or lowering the Fowler backrest (Prime / Prime X)

Raising or lowering the Fowler backrest - electric litter option

WARNING

- Always operate the product when all operators are clear of the mechanisms.
- Always keep hands and fingers clear of the Fowler backrest release handles and the Fowler backrest frame when you lower the Fowler backrest.
- Always use caution when you raise a the Fowler backrest while a patient is on the product. Use proper lifting techniques and get help, if necessary.

To raise the Fowler backrest, press the **up** button on the Fowler backrest side of the siderail patient control panel (*Positioning the product with the siderail patient control panel - electric litter option- Prime only* (page 23)) or foot end operator control panel (*Operator control panel - electric litter option - Prime only* (page 23)) until the Fowler backrest has reached the desired angle (0° to 70°).

Note - The **Lift Assist** backrest uses patient weight to assist in patient positioning. The **Lift Assist** backrest also helps to keep the patient from sliding toward the foot end of the product when you raise the Fowler backrest.

To lower the Fowler backrest, press the **down** button on the Fowler backrest side of the siderail patient control panel (*Positioning the product with the siderail patient control panel - electric litter option- Prime only* (page 23)) or foot end operator control panel (*Operator control panel - electric litter option - Prime only* (page 23)) until the Fowler backrest has reached the desired angle (70° to 0°).

Note - Always plug the power cord into a grounded, hospital grade wall outlet.

Healthcare professionals must instruct patients how to operate the patient controls.

Raising or lowering the Gatch - non-electric litter - Prime only

WARNING - Always keep hands and fingers clear of the foot end push handles when you lower the Gatch.

CAUTION

- The weight capacity of the Gatch is 200 lb (90.7 kg).
 - Always make sure that the Gatch prop rod is secure before use.
 - Do not sit or stand on the Gatch.
-

To raise the non-electric Gatch, pump the Gatch pump handle to the left until you achieve the desired position (see *Product illustration - Prime litter*).

Lift up on the end of the Gatch and secure the prop rod in the bracket.

To release the prop rod, lift up on the end of the Gatch, swing the prop rod toward the head end of the product, and lower the foot end.

To lower the Gatch, pull the Gatch release handle until you achieve the desired position (see *Product illustration - Prime litter*).

Note - You cannot raise the Gatch manually if the product has the electric litter option.

Raising or lowering the Gatch - electric litter option - Prime only

WARNING

- Always keep hands and fingers clear of the foot end push handles when you lower the Gatch.
 - Always operate the product when all operators are clear of the mechanisms.
-

CAUTION

- The weight capacity of the Gatch is 200 lb (90.7 kg).
 - Do not sit or stand on the Gatch.
 - Always use caution when you attempt to lower the Gatch while the product is unpowered. Gravity may cause a rapid drop of the Gatch.
-

To raise the Gatch, press **up** on the Gatch side of the siderail patient control panel or the foot end operator control panel.

To lower the Gatch, press **down** on the Gatch side of the siderail patient control panel or on the foot end operator control panel.

Note - Always plug the power cord into a grounded, hospital grade wall outlet.

Healthcare professionals must instruct patients how to operate the patient controls.

Positioning the recovery chair - Prime only

WARNING - Always operate the product when all operators are clear of the mechanisms.

To place the product in the recovery chair position (Figure 17):

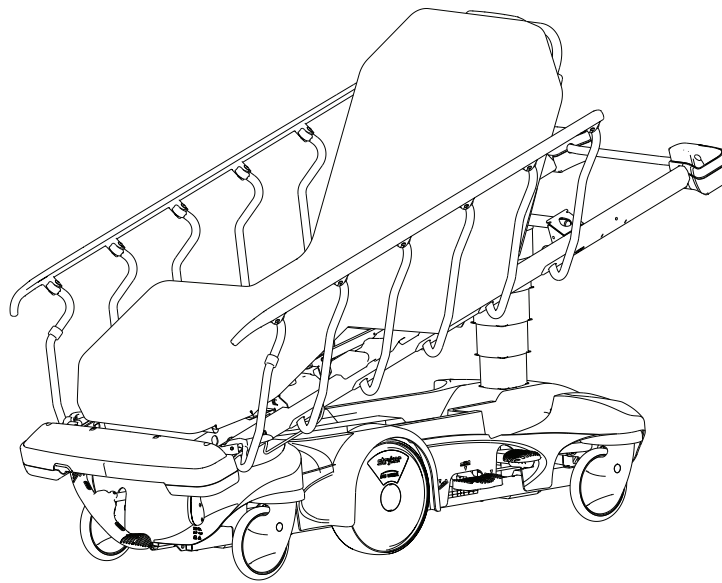


Figure 17 – Recovery chair (Model 1115 shown)

1. Raise the Fowler backrest to a seated position (*Raising or lowering the Fowler backrest - non-electric litter (page 25) or Raising or lowering the Fowler backrest - electric litter option (page 26)*).

Note - To position the recovery chair, the product must have the **Lift Assist** backrest option and the Gatch option.

2. Raise the Gatch to the full up position (*Raising or lowering the Gatch - non-electric litter - Prime only (page 27) or Raising or lowering the Gatch - electric litter option - Prime only (page 27)*).
3. Raise the litter to the highest height (*Raising the non-electric litter (page 17) or Raising the electric litter option (page 18)*).
4. Place the product into the Reverse Trendelenburg position (*Positioning the product in Reverse Trendelenburg (page 19)*).
5. Reverse steps to lower the product to the flat position.

Storing objects in the base hood

CAUTION

- Do not place objects that exceed 60 lb (27 kg) in the base hood.
 - Do not sit, step, or stand on the base hood.
-

You can store patient belongings in the base hood. Do not use the oxygen bottle holder cutout to store oxygen bottles or patient belongings.

Hanging devices with the pump rack option

WARNING

- Always keep device lines on the pump rack away from the Gatch handles.
 - Always remove any devices that may be in the way before you raise or lower the litter.
 - Always make sure that devices on the pump rack can pass safely through door openings.
 - Do not lift the product by the pump rack.
-

CAUTION

- The weight capacity of the pump rack is 40 lb (18 kg).
 - Do not use the pump rack as a push/pull device. Product damage may occur.
-

You can store or hang additional devices on the pump rack that is located on the foot end of the product.

Note - You must select the pump rack option at the time of purchase.

Extending or retracting the power cord with the retractable cord reel option - electric lift option or electric litter option

WARNING

- Always unplug the power cord from the wall outlet before you transport or clean the product.
 - Always use the retractable cord reel to store the power cord inside the base when you transport the product.
-

To extend the power cord, pull the power cord out from the retractable cord reel (A) to the desired length (Figure 18).

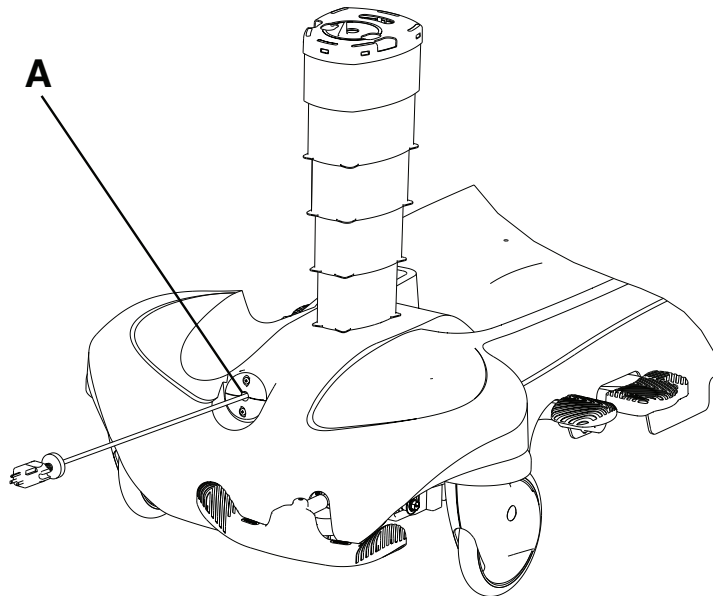


Figure 18 – Retractable cord reel

To retract the power cord:

1. Unplug the power cord from the wall outlet.
2. Tug lightly on the power cord.
3. Guide the power cord into the retractable cord reel.

Scale system option

WARNING - Do not use the scale system option or electric lift option or electric litter option adjacent to or stacked with other devices. If adjacent or stacked use is necessary, the scale system option or electric lift option or electric litter option should be observed to make sure that all devices are operating normally in the configuration in which they will be used.

CAUTION - Do not use the scale for patients under 50 lb.

The scale system option is available for products with or without the electric litter option. The scale system option has a battery backup option. The standby icon indicates when the product is using the battery backup.

The **Chaperone** option allows you to set zone controls to alert an operator when a patient may be attempting to exit the product. The **Chaperone** option is available for products with the electric litter option and the scale system option. The scale system option with **Chaperone** option has a battery backup option. The standby icon indicates when the product is using the battery backup.

Raise the foot end push handles before you attempt to operate the scale system option.

Use the scale system control panel to operate the scale system option (*Scale icon/button identification* (page 30)).

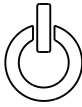






Do not touch the product while you weigh or zero the scale system option.

The patient must remain still while the system is weighing. If the patient is moving, the scale system will try for 20 seconds to get a stable weight or zero value before displaying the error message (⏏).

The error (⏏) appears in the display if there is a loose connection or if the scale is not operating. If you attempt to operate the scale again and the error appears, contact Stryker Technical Support.

Note - To meet the scale system accuracy claim, the patient surface must be in the flat position (Fowler backrest and Gatch down) and the product cannot exceed 5 degrees of Trendelenburg/Reverse Trendelenburg.

Scale icon/button identification

Item	Icon/button	Name	Description
A		Stand by icon	Illuminates green when you plug the power cord into a wall outlet. Illuminates amber when you unplug the power cord from the wall outlet. Battery backup functionality will turn on.
B		Zone 1 icon	The patient can move freely, but the alarm sounds when the patient attempts to leave the product.
C		Zone 2 icon	The patient can move with limited movement. The alarm sounds when the patient approaches the siderails or moves toward the foot end.
D		Arm/Disarm button	Arms and disarms the Chaperone option (stretcher exit). See <i>Arming or disarming the Chaperone option</i> (page 31).
E		Weigh button	Weighs the patient. See <i>Weighing a patient</i> (page 30).
F		lb/kg button	Changes the displayed unit of measure. See <i>Locking the scale unit of measure</i> (page 31).
G		Zero button	Zeros the scale settings. See <i>Locking the scale unit of measure</i> (page 31).

Weighing a patient

CAUTION - Do not use the scale system reading as a reference for medical treatment.

1. Raise the foot end push handles before you operate the scale system option.
2. Press and hold **Zero** until **rel** displays on the screen to zero the scale. **000.0** flashes and then stops flashing.

Note - The scale is not ready for use until the **000.0** stops flashing.

3. Place the patient on the product.
4. Press **lb/kg** to select the unit of measure (lb or kg).
5. Press **Weigh** to obtain the patient's weight.

Note - The patient's weight displays for 40 seconds.

Locking the scale unit of measure

1. Press and hold **Weigh**, **lb/kg**, and **Zero** until **diag** displays.
2. Press **lb/kg** or **Zero** to toggle to **Unit Loc**.
3. For scale without Chaperone, press and hold **lb/kg** and **Zero** until **rel** displays to select **Unit Loc**.
4. For scale with **Chaperone**, press and hold **lb/kg** and **Zero** to select **Unit Loc**.
5. Press **lb/kg** or **Zero** to toggle to **lb**, **kg**, or **Any**.
6. Press and release **lb/kg** and **Zero**. **Only** and the selected unit of measure displays.

Note - **Only** will not appear if you select **Any**.

7. Press and hold **Weigh** until **quit** displays.
8. Press and hold **Zero** until **rel** displays. **000.0** flashes and then stops flashing.

Note - The scale is not ready for use until the **000.0** stops flashing.

Arming or disarming the Chaperone option

When armed, the **Chaperone** option monitors the patient's position on the product.

To arm and disarm the **Chaperone** option:

1. With the patient on the product, press **Arm/Disarm**.

Note - This arms Zone 1. Zone 1 illuminates amber when applied.

2. To arm Zone 2, press **Arm/Disarm** twice within 3 seconds.

Note - This arms Zone 2. Zone 2 illuminates amber when applied.

3. To disarm the **Chaperone** option, press and hold **Arm/Disarm**.

Note - You must zero the scale before you arm the **Chaperone** option.

Note - If the patient moves outside of the limits of the selected zone, an amber light flashes, **Alrt** flashes in the scale system option display, and a sound alarm is triggered.

Setting the Chaperone option alert pattern

To change the **Chaperone** option alert pattern:

1. Press and hold both **Arm/Disarm** and **Weigh** together for approximately 6 seconds. Ignore all display messages until **Ptrn** appears on the display (*Scale icon/button identification* (page 30)).
2. Release the **Arm/Disarm** and **Weigh** buttons.

Note - The pattern setting **P (1-10)** appears on the display.

3. Press **Arm/Disarm** or **Weigh** to scroll through the pattern options.

Note - A brief sample of the pattern plays as you scroll through the pattern options.

4. Press and hold both **Arm/Disarm** and **Weigh** together for 6 seconds until **set** appears on the display to save your selected pattern.
5. Release **Arm/Disarm** and **Weigh**.

Note - The pattern setting you selected appears on the display. A brief sample of the pattern confirms your pattern setting.

Setting the Chaperone option alert volume

To change the **Chaperone** option alert volume:

1. Press and hold both **Zero** and **lb/kg** together until **vol** appears on the display (*Scale icon/button identification (page 30)*).
2. Release **Zero** and **lb/kg**.

Note - The volume levels **L (1-4)** appear on the display.

3. Press **Zero** or **lb/kg** to scroll through the volume levels.

Note - A brief sample of the volume plays as you scroll through the volume levels.

4. Press and hold both **Zero** and **lb/kg** together for 6 seconds until **set** appears on the display to save your selected volume level.
5. Release **Zero** and **lb/kg**.

Note - The volume level you selected appears on the display. A brief sample of the volume level confirms your volume level setting.

Charging the scale system battery pack option - electric litter option or electric litter option with Chaperone option - Prime only

The scale system with the electric litter option requires one 10.8V Li-ION battery pack (0058-135-000 without the **Chaperone** option; 0058-134-000 with the **Chaperone** option). Recharge the battery pack when the battery charge indicator displays one unit remaining. This prevents the scale system option from shutting down due to drained batteries.

To recharge the scale system Li-ION battery pack, plug the power cord into a grounded, hospital grade wall outlet. The battery pack fully charges in approximately three hours.

Note - Always plug the product into a grounded, hospital grade wall outlet when not in use. This helps the battery to maintain a sufficient charge and maximizes product performance while on battery power.

Replacing the batteries for the scale system option - non-electric litter

Replace the batteries when the battery charge indicator displays one unit remaining. This prevents the scale system option from shutting down due to drained batteries.

When the display flashes **Lo batt**, the batteries are at their lowest charge and the scale system option is disabled.

Tools required:

- Phillips screwdriver
- Four AA batteries (Alkaline type (LR6))

To replace the batteries:

1. Using a Phillips screwdriver, the screws that hold the battery compartment cover to the display assembly.
2. Remove and discard all four AA batteries.

Note - Always dispose of old batteries in accordance with local regulations.

3. Place four new AA batteries as indicated in the battery holder.

Note - Never mix old batteries with new batteries.

4. Use the screws removed in step 1 to reinstall the battery compartment cover on the display assembly.

Accessories and parts

These accessories may be available for use with your product. Confirm availability for your configuration or region. Call Stryker Customer Service: 1-800-327-0770.

Name	Part number
Defibrillator tray	1105-045-200
Defibrillator tray/foot extender	1105-045-400
Footboard/chart holder	1105-045-500
Heel pad assembly	1105-045-022
IV caddy	0785-155-000
HAVASU™ IV pole, removable	0390-025-000
IV pole, three-stage, foot end, left, 26"	1105-035-644
IV pole, three-stage, foot end, right, 26"	1105-035-639
IV pole, three-stage, foot end, left, 30"	1105-035-344
IV pole, three-stage, foot end, right, 30"	1105-035-339
IV pole, three-stage, foot end, left, 30" (Prime X option)	1105-035-364
IV pole, three-stage, foot end, right, 30" (Prime X option)	1105-035-361
IV pole, three-stage, head end, left, 26"	1105-035-642
IV pole, three-stage, head end, right, 26"	1105-035-637
IV pole, three-stage, head end, left, 30"	1105-035-342
IV pole, three-stage, head end, right, 30"	1105-035-337
IV pole, three-stage, head end, left, 30" (Prime X option)	1105-035-369
IV pole, three-stage, head end, right, 30" (Prime X option)	1105-035-366
IV pole, two-stage, foot end, left, 26"	1105-035-640
IV pole, two-stage, foot end, right, 26"	1105-035-643
IV pole, two-stage, foot end, left, 30"	1105-035-340
IV pole, two-stage, foot end, right, 30"	1105-035-343
IV pole, two-stage, foot end, left, 30" (Prime X option)	1105-035-362
IV pole, two-stage, foot end, right, 30" (Prime X option)	1105-035-363
IV pole, two-stage, head end, left, 26"	1105-035-638
IV pole, two-stage, head end, right, 26"	1105-035-641
IV pole, two-stage, head end, left, 30"	1105-035-341
IV pole, two-stage, head end, right, 30"	1105-035-338
IV pole, two-stage, head end, left, 30" (Prime X option)	1105-035-367

Name	Part number
IV pole, two-stage, head end, right, 30" (Prime X option)	1105-035-368
Mattress, ComfortGel SE™ , fire barrier, 26"	1805-034-601
Mattress, ComfortGel SE , fire barrier, 30"	1805-034-301
Mattress, ComfortGel SE , without fire barrier, 26"	1805-034-600
Mattress, ComfortGel SE , without fire barrier, 30"	1805-034-300
Mattress, Enhanced Comfort, 3" x 26"	0785-034-613
Mattress, Enhanced Comfort, 3" x 30"	0785-034-313
Mattress, Enhanced Comfort, 4" x 26"	0785-034-623
Mattress, Enhanced Comfort, 4" x 30"	0785-034-323
Mattress, IsoFlex SE™ , fire barrier, 30"	1806-034-300
Mattress, IsoFlex SE , without fire barrier, international, 30"	1806-034-301
Mattress, Ultra Comfort, 4" x 26"	0785-034-603
Mattress, Ultra Comfort, 4" x 30"	0785-034-303
Mattress, Ultra Comfort, 5" x 26"	0785-034-633
Mattress, Ultra Comfort, 5" x 30"	0785-034-333
Mattress, Ultra Comfort SE™ , 4" x 26"	1704-034-600
Mattress, Ultra Comfort SE , fire barrier, international, 4" x 26"	1704-034-601
Mattress, Ultra Comfort, stretcher extender, 4" x 26"	1105-034-609
Mattress, Ultra Comfort, stretcher extender, 4" x 30"	1105-034-309
Mattress, Ultra Comfort SE , 3" x 30"	1703-034-300
Mattress, Ultra Comfort SE , fire barrier, 3" x 30"	1703-034-301
Mattress, Ultra Comfort SE , 4" x 30"	1704-034-300
Mattress, Ultra Comfort SE , fire barrier, 4" x 30"	1704-034-301
Oxygen bottle holder, upright	1115-130-000
Pump bar option, 30"	1105-045-035
Push handle assembly, foot end, 30"	1105-048-030
Push handle assembly, head end, 30"	1105-048-060
Restraint strap package	0785-045-010
Restraint strap, ankle	0785-045-020
Restraint strap, body	0785-045-015
Restraint strap, wrist	0946-044-000
Restraint strap, chest	1010-058-000
Serving tray	1105-045-700

Name	Part number
Serving tray holder/footboard	1105-045-800
Siderail pads	1001-052-000
X-ray cassette holder, lateral	1105-045-100
X-ray cassette holder, upright	1105-045-300

Electrical components

Name	Number
Actuator, Fowler	1008-012-020
Actuator, Gatch	1008-014-020
Battery, Li-ION Smart battery pack (scale only)	0058-135-000
Battery, Li-ION Smart battery pack (scale and Chaperone)	0058-134-000
Board, DC control PCB assembly	1008-116-800
Board, non-lift AC assembly	1008-002-800
Board, lift control PCB assembly	1008-002-810
Board, scale control assembly (scale only)	1008-237-850
Board, scale and Chaperone control assembly	1008-237-840
Capacitor, 440 VAC, 35 MFD	0059-087-000
Keypad, scale control (non-electric litter)	1008-037-820
Keypad, siderail control, left	1008-011-017
Keypad, siderail control, right	1008-011-016
Keypad, operator control	1008-015-800
Load cell (optional scale system)	1008-037-057
Motor, pump	1008-002-015
Power cord, standard	1028-146-060
Power cord, international, Type, E	1125-060-170
Power cord, international, Type, F	1125-060-180
Power cord, international, Type, G	1125-060-160
Power cord, international, Type, I	1125-060-200
Scale box assembly (non-electric litter)	1070-237-020
Transformer	1008-014-857
Transformer, international	1008-014-877

Attaching the defibrillator tray

WARNING

- Do not place items that weigh more than 30 lb (14 kg) on the defibrillator tray. Always strap down all devices that you place on the defibrillator tray.
 - Always use caution if the defibrillator tray/foot extender, footboard/chart holder, or upright oxygen bottle holder is attached to avoid pinching your fingers when you position the foot end push handle option.
-

To attach the defibrillator tray:

1. Insert the defibrillator tray pins into the sockets at the foot end of the product.
2. Use the strap to secure devices to the defibrillator tray.

Note

- Do not use the defibrillator tray as a push/pull device. Product damage may occur.
- Always raise the foot end push handles when you use accessories (such as the defibrillator tray/foot extender, footboard/chart holder, upright oxygen bottle holder) or the accessories will not function.

Converting the defibrillator tray/foot extender to a defibrillator tray

WARNING

- Do not place items that weigh more than 30 lb (14 kg) on the defibrillator tray/foot extender. Always strap down all devices that you place on the defibrillator tray.
 - Always use caution if the defibrillator tray/foot extender, footboard/chart holder, or upright oxygen bottle holder is attached to avoid pinching your fingers when you position the foot end push handle option.
-

CAUTION - Always raise the IV pole before you attach the defibrillator tray/foot extender to the product. If you do not raise the IV pole, the foot extender will not operate.

To convert the defibrillator tray/foot extender to a defibrillator tray:

1. Pull out the top knob (A) (Figure 19).
2. Pivot the defibrillator tray (B) until the tray is flat over the foot end of the product. Release the top knob (A). Make sure that the defibrillator tray is locked in place.
3. Use the strap to secure devices to the defibrillator tray.

Note

- Do not use the defibrillator tray/foot extender as a push/pull device. Product damage may occur.
- Do not attach items to the foot extender.

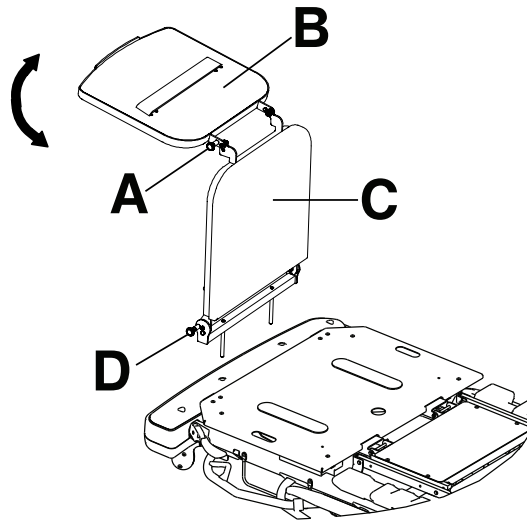


Figure 19 – Defibrillator tray/foot extender

Converting the defibrillator tray/foot extender to a foot extender

WARNING

- Do not place items that weigh more than 30 lb (14 kg) on the defibrillator tray/foot extender. Always strap down all devices that you place on the defibrillator tray.
 - Always use caution if the defibrillator tray/foot extender, footboard/chart holder, or upright oxygen bottle holder is attached to avoid pinching your fingers when you position the foot end push handle option.
-

CAUTION - Always raise the IV pole before you attach the defibrillator tray/foot extender to the product. If you do not raise the IV pole, the foot extender will not operate.

To convert the defibrillator tray/foot extender to a foot extender (Figure 19):

1. Pull out the top knob (A).
2. Pivot the defibrillator tray (B) until the tray locks against the foot extender.
3. Pull out the bottom knob (D) while you hold the defibrillator tray/foot extender assembly.
4. Lower the foot extender (C) until the foot extender is flat.
5. Release the bottom knob (D). Push on the foot extender to make sure that the foot extender is locked in place.

Note

- Do not use the defibrillator tray/foot extender as a push/pull device. Product damage may occur.
- Do not attach items to the foot extender.

Attaching the footboard/chart holder

WARNING - Always use caution if the defibrillator tray/foot extender, footboard/chart holder, or upright oxygen bottle holder is attached to avoid pinching your fingers when you position the foot end push handle option.

To attach the footboard/chart holder, insert the footboard/chart holder pins into the sockets at the foot end of the product.

Note - Do not use the footboard/chart holder as a push/pull device. Product damage may occur.

Attaching the IV caddy

WARNING

- Always secure the IV pole to the IV caddy when you transport the product.
 - Always store the IV caddy when not in use to avoid product damage.
-

To attach the IV caddy (Figure 20):

1. Lift the IV caddy out of the storage tray or from the storage clip.
2. Pivot the IV caddy to the desired position.
3. Turn the knob (A) counterclockwise to loosen the pole clamp (C).
4. Pivot the knob (A) away from the arm connection assembly (B).
5. Open the clamp (C).
6. Place the IV pole into the clamp (C).
7. Close the clamp (C) around the IV pole and pivot the knob (A) into position.
8. Turn the knob (A) clockwise to tighten the knob.
9. Reverse steps to disconnect the IV caddy from the product.

To store the IV caddy, place the IV caddy in the storage tray or secure the caddy in the storage clip.

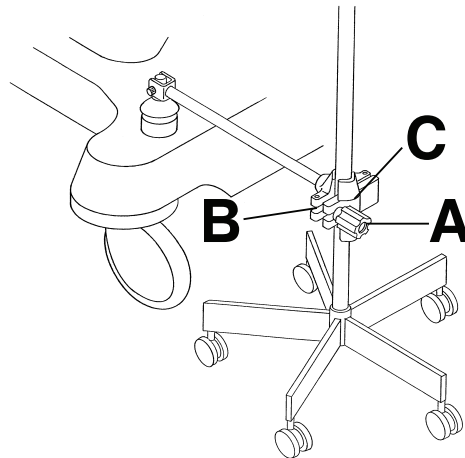


Figure 20 – IV caddy

Positioning or stowing the foot supports - Prime only

WARNING

- Do not sit on the foot supports. This may cause the product to tip.
 - Always clear your fingers from the mechanisms when you operate the foot supports.
 - Always stow the foot supports when you transport a patient with the product.
 - Always tighten the foot supports before you use the foot supports.
 - Do not operate the scale system with the foot supports. Inaccurate readings may occur.
 - Do not operate the **Chaperone** option with the foot supports. Inaccurate readings may occur.
-

To position or stow the foot supports:

1. Loosen the knee knob (A) at the top of the foot supports to adjust the side-to-side angle of the foot supports (Figure 21).
2. Tighten the knee knob (A) to lock the foot supports in the desired position.

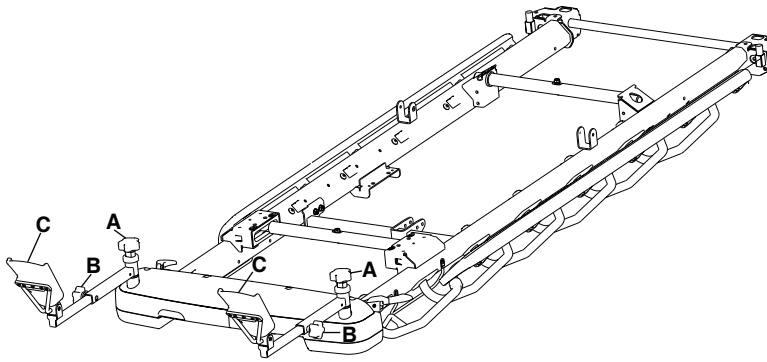


Figure 21 – Positioning the foot supports

3. Loosen the leg knob (B) on the side of the foot supports to adjust the length.
4. Tighten the leg knob (B) to lock the foot supports in the desired position.
5. Flip the foot supports (C) up before you position the patient.
6. Reverse steps to stow the foot supports (Figure 22).

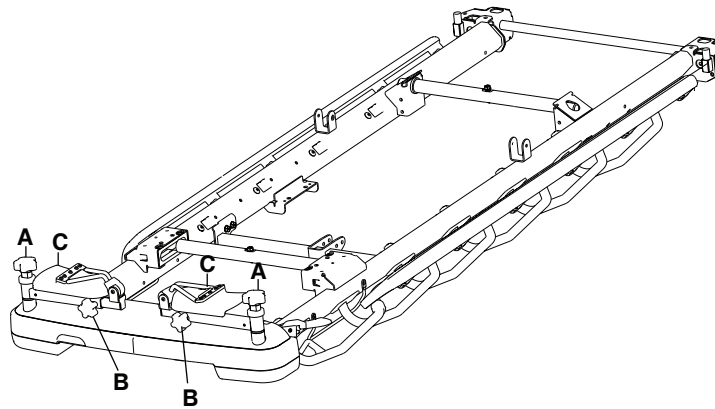


Figure 22 – Stowing the foot supports

You cannot purchase the following options and accessories if you select the foot support:

- Foot end push handles
- Defibrillator tray
- Defibrillator tray/foot extender
- Serving tray holder/footboard
- Footboard/chart holder
- Foot end IV poles

Note

- Do not use the foot supports to store patient belongings.
- Do not use the foot supports as a push/pull device. Product damage may occur.
- Always apply the brakes when you use the foot supports to avoid instability.
- Do not use the backrest or Gatch with the foot supports.

Positioning the two-stage permanently attached IV pole

WARNING - Do not use the IV pole as a push/pull device. Product damage may occur.

You can purchase the product with the two-stage IV pole option permanently attached at the head end, foot end, or both ends of the product. The IV pole is equipped with a telescopic pole that extends to provide a second height position. You can fold and store the IV pole when not in use.

To position the two-stage IV pole (Figure 23):

1. Lift and pivot the pole from the storage position.
2. Push the IV pole down until the IV pole locks in place.
3. To raise the height of the IV pole, pull up on the telescoping portion (A) until the pole locks in place at the fully raised position.
4. Rotate the IV hangers (B) to the desired position and hang the IV bags.
5. To lower the IV pole, hold the telescoping portion of the IV pole, turn the latch (C), and lower the telescoping portion.

Note

- Do not hang IV bags that exceed 40 lb (18 kg) on the IV pole.
- Always make sure that the IV pole is at a low height to pass safely through door openings when you transport a patient.

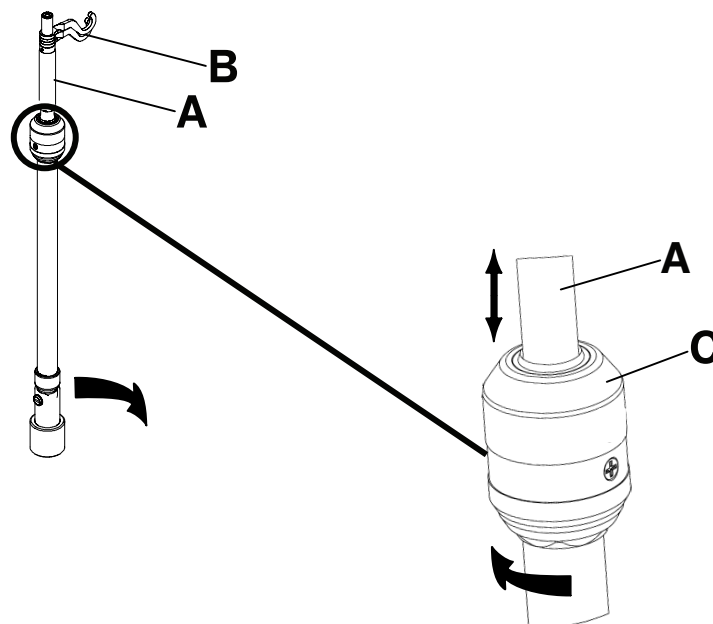


Figure 23 – Positioning the 2 stage permanently attached IV pole

Positioning the three-stage permanently attached IV pole

WARNING - Do not use the IV pole as a push/pull device. Product damage may occur.

You can purchase the product with the three-stage IV pole option permanently attached at the head end, foot end, or both ends of the product. The IV pole is equipped with a telescopic pole that extends to provide a second and third height position. You can also fold and store the IV pole when not in use.

To position the three-stage IV pole (Figure 24):

1. Lift and pivot the pole from the storage position.
2. Push the IV pole down until the pole locks in place.
3. To raise the height of the IV pole, pull up on the telescoping portion (A) until the pole locks into place at the fully raised position.
4. For a higher IV pole, pull up on section (B). Release section (B) at any desired height to lock the pole in place.
5. Rotate the IV hangers (C) to the desired position and hang the IV bags.

- To lower the IV pole, push up on the yellow portion of the grip (D) while holding on to section (B) until the pole lowers.
- Turn the latch (E) and lower the IV pole telescoping portion.

Note

- Do not hang IV bags that exceed 12 lb (5 kg) total for all bags on the IV pole.
- Do not hang IV bags that exceed 9.3 lb (4.2 kg) on a single IV hanger.
- Always make sure that the IV pole is at a low height to allow the pole to pass safely through door openings when you transport a patient.

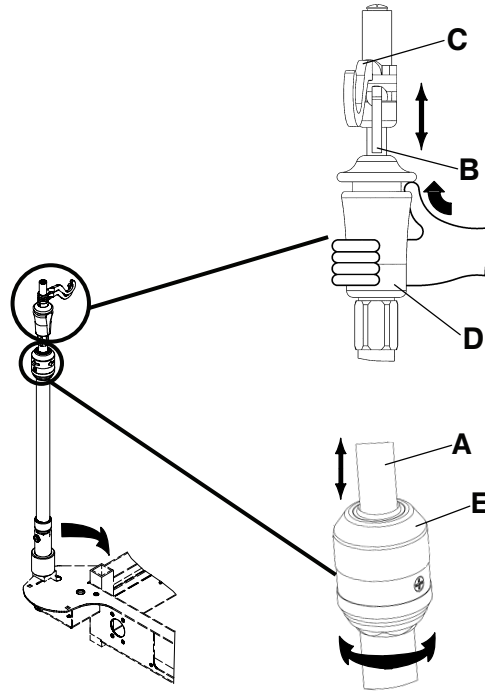


Figure 24 – Positioning the three-stage permanently attached IV pole

Attaching and positioning the removable IV pole

CAUTION

- Do not use the IV pole as a push/pull device. Product damage may occur.
- Do not hang IV bags that exceed 40 lb (18 kg) on the IV pole.
- Always make sure that the IV pole is at a low height to pass through door openings when you transport a patient.

To attach and position the removable IV pole (Figure 25):

- Insert the IV pole into a socket at the head end or foot end of the product.
- Turn the knob (A) counterclockwise and pull up on the telescoping portion (B) until you reach the desired height.
- Turn the knob (A) clockwise to lock the telescoping portion in place.

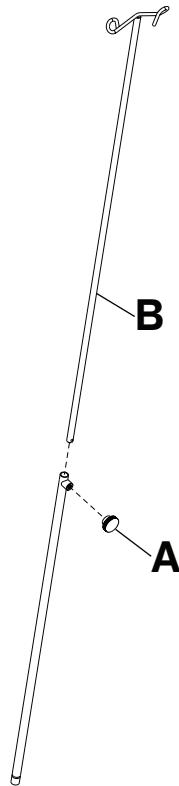


Figure 25 – Removable IV pole

Attaching the upright oxygen bottle holder

WARNING

- Do not place objects that exceed 40 lb (18 kg) in the upright oxygen bottle holder.
 - Always use caution if the defibrillator tray/foot extender, footboard/chart holder, or upright oxygen bottle holder is attached to avoid pinching your fingers when you position the foot end push handle option.
-

The upright oxygen bottle holder supports an oxygen bottle in a vertical position.

To attach the upright oxygen bottle holder:

1. Insert the support bar into any of the IV sockets.
2. Insert the cotter pin through the hole in the support bar to secure the bottle holder to the product.

Note - Do not use the upright oxygen bottle holder as a push/pull device. Product damage may occur.

Extending or stowing the serving tray holder/footboard

WARNING - Do not place objects that exceed 30 lb (14 kg) on the serving tray.

To fit the serving tray on the siderail, pull out on both sides of the serving tray and position the tray over the siderails.

To stow the serving tray:

1. Remove the serving tray from the siderails.
2. Push in the sides of the serving tray.
3. Store the serving tray in the footboard.

Note - Do not use the serving tray/footboard as a push/pull device. Product damage may occur.

Attaching the siderail pads

To attach the siderail pads:

1. Tuck the siderail pad between the mattress and the siderail.
2. Fasten the **Velcro®** straps around the top of the siderail to secure the siderail pad.

Locating the patient restraint strap tie-ins

WARNING

- Always use caution when you attach restraint straps. Patient or operator injury may occur. Physical restraints, even if secured, may result in serious harm to patients and operators, including entanglement, entrapment, physical injury, or death.
 - Always attach restraint straps or devices only at the identified attachment points of the product. Failure to do so may result in patient or operator injury. Do not attach restraint straps to the siderail.
 - Always refer to the applicable state and federal restrictions and regulations and the appropriate facility protocols before you use any restraint strap or device.
-

There are eight patient restraint strap tie-in locations on the litter assembly for attaching patient restraint straps (Figure 26 or Figure 27).

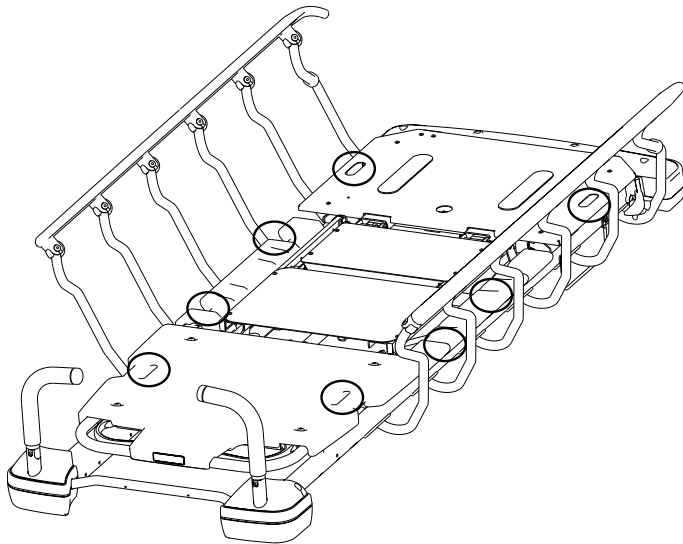


Figure 26 – Prime restraint strap locations

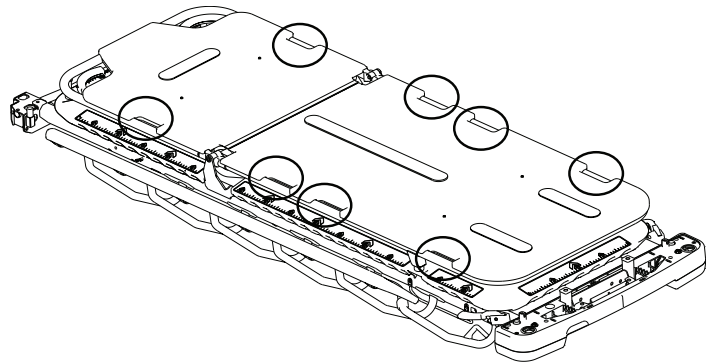


Figure 27 – Prime X option restraint strap locations

Note - Restraint straps are Type B applied parts.

Positioning the upright X-ray cassette holder - Prime X option

WARNING

- Always take protective measures when you use the upright or lateral X-ray cassette holder. The X-ray cassette holder does not protect against radiation.
 - Always refer to local, state, and federal guidelines in addition to facility protocols for safety before you use **Prime X** option with radiation generating devices. Radiation generating devices may produce residual, stray, or scattered radiation.
 - Always use extra caution when you use a mattress thicker than 2.5 in. or a mattress overlay with **Prime X** option.
 - Always follow the *Positioning the upright X-ray cassette holder - Prime X option* instructions to insert the X-ray cassette.
-

The X-ray cassette holder attaches to the Fowler backrest weldment to support X-ray cassettes. You can take X-rays while a patient is on the product. You can also adjust the cassette's position before you take an X-ray.

To position the X-ray cassette holder:

1. Apply the brakes. Push on the product to make sure that the brakes are working.
2. Raise the Fowler backrest section to full height.
3. Insert the lower retainer guides (A) under the Fowler backrest weldment bar (Figure 28).
4. Raise the cassette holder until the retainer guides latch onto the Fowler backrest weldment. Make sure that the cassette holder is secure.

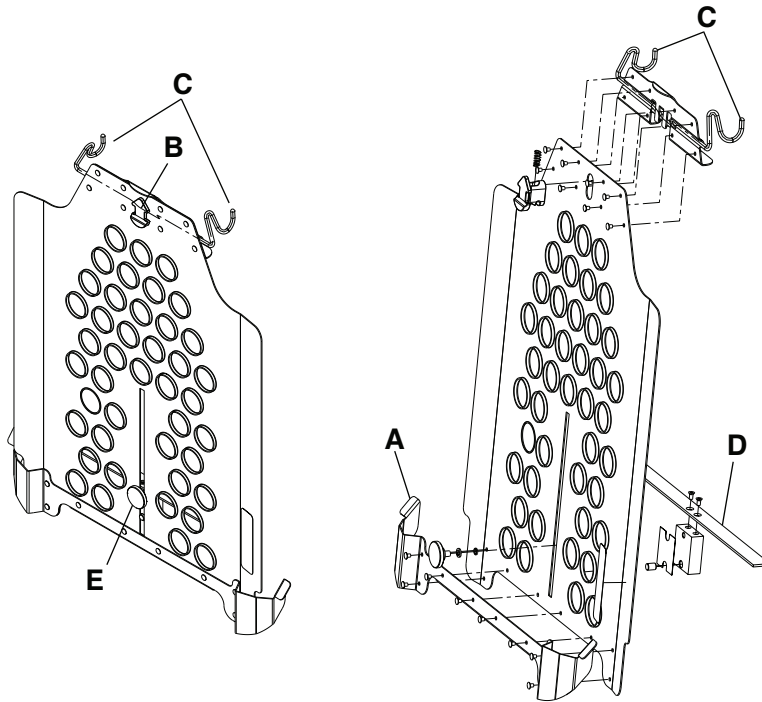


Figure 28 – X-ray cassette holder

5. Insert an X-ray cassette from either side of the cassette holder or pull the slider release arrow (B) to release the cassette holder from the Fowler, position the cassette, and secure the cassette holder in the Fowler backrest weldment.
6. To adjust the height of the cassette, loosen the knob (E) and move the cassette support rail (D) up or down until you reach the desired height.
7. Tighten the knob (E) to secure the cassette support rail in place.
8. When the X-ray process is complete, pull up on the slider release arrow (B) to release the cassette holder from the Fowler backrest weldment.
9. Remove the X-ray cassette from the cassette holder.
10. Close and stow the cassette holder.

Positioning the lateral X-ray cassette holder - Prime X option

WARNING

- Always take protective measures when you use the upright or lateral X-ray cassette holder. The X-ray cassette holder does not protect against radiation.
- Always refer to local, state, and federal guidelines in addition to facility protocols for safety before you use **Prime X** option with radiation generating devices. Radiation generating devices may produce residual, stray, or scattered radiation.

- Always use caution when you take X-rays with the Fowler backrest in the upright position or when you use a lateral cassette.
- Always use extra caution when you use a mattress thicker than 2.5 in. or a mattress overlay with **Prime X** option.
- Always follow the *Positioning the lateral X-ray cassette holder - Prime X option* instructions to insert the X-ray cassette.

To position the lateral X-ray cassette holder:

1. Apply the brakes. Push on the product to make sure that the brakes are working.

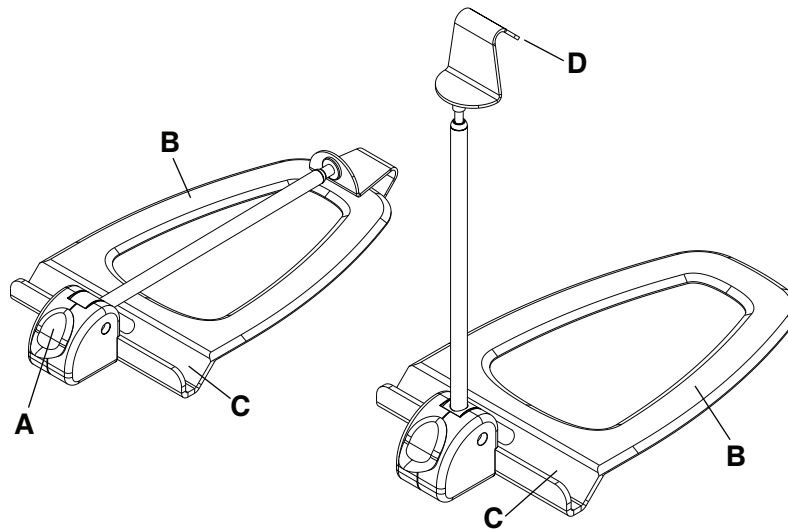


Figure 29 – Lateral X-ray cassette holder

2. Press down on the yellow release button (A) to open the lateral cassette holder (Figure 29).
3. Slide the flat base (B) between the mattress and the patient platform.
4. Position the lateral cassette holder in the desired location.
5. Place the X-ray cassette in the cassette canal (C).
6. Pull up on the cassette hook (D) to adjust the height of the arm to fit over the X-ray cassette to hold the cassette in place.
7. Reverse steps to remove the cassette and stow the lateral cassette holder.

Inserting or removing X-ray cassettes - Prime X option

WARNING

- Always refer to local, state, and federal guidelines in addition to facility protocols for safety before you use **Prime X** option with radiation generating devices. Radiation generating devices may produce residual, stray, or scattered radiation.
- Always use caution when you take X-rays with the Fowler backrest in the upright position or when you use a lateral cassette.

Prime X option provides both an articulating radiographic support surface and a platform below the patient support surface for X-ray cassette placement. Working with medical X-ray systems, the radiographic support surface allows the capture of clinical X-rays (AP full body, optional full body lateral, and optional upright chest) while the patient is on the product. You can insert cassettes from the head end, foot end, and either side of the product.

To insert an X-ray cassette:

1. Center the patient on the product with the position indicator labels located on all sides of the product (Figure 30).
2. Insert an X-ray cassette below the patient surface. Use the cassette guides to assist in positioning the X-ray cassette.

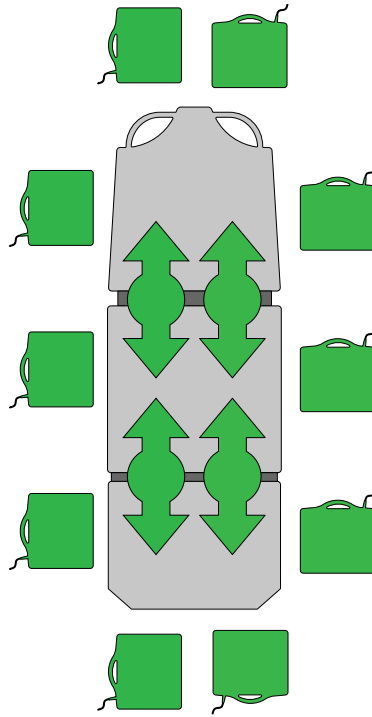


Figure 30 – Inserting or removing X-ray cassettes on Prime X option

Note

- Do not use a mattress with a thickness greater than four inches with the **Prime X** option.
- Do not use a C-Arm with **Prime X** option. **Prime X** option is not compatible with a C-Arm.

Cleaning

Cleaning the product

CAUTION - Do not use abrasive cleaners to clean the display enclosure for the scale system option. Do not allow cleaning solutions or other fluids to pool on the display unit. Dry all surfaces after spills or cleaning.

These instructions provide recommended cleaning methods for the **Prime Series** stretcher.

This product is power washable. The product may show some signs of oxidation or discoloration from continuous washing. However, no degradation of the product's performance characteristics or functionality will occur due to power washing as long as the proper procedures are followed.

Recommended cleaning method:

1. If the product is equipped with the electric litter or electric lift option, unplug the power cord from the wall outlet before you transport or clean the product.
2. Remove the mattress from the product.
3. Follow the cleaning solution manufacturer's dilution recommendations.
4. Stryker recommends the standard hospital cart washer for power washing.
5. Dry the product. Do not place the mattress on the product until the product is dry.
6. Check functionality before you return the product to service.
 - Raise and lower the product
 - Lock and unlock the brake/steer pedal in both positions
 - Latch and unlatch the siderails
 - Raise and lower the Fowler backrest
 - Raise and lower the Gatch
 - Make sure all components have proper lubrication
 - Make sure all labels are intact

Note

- Direct skin contact with visibly soiled, permeable material may increase the risk of infection.
- Do not steam clean the product.
- Clean the base hood storage area.
- Clean the bottom of the brake pads to prevent wax or floor remnant buildup.
- Some cleaning agents are corrosive in nature and may cause damage to the product if you use them improperly. If you do not rinse and dry the product well, a corrosive residue may be left on the surface of the product that could cause premature corrosion of critical components. Failure to follow these cleaning instructions may void your warranty.

Cleaning the product using a cart washer

Stryker recommends using a standard hospital surgical cart washer to wash the stretcher a maximum of once per year for the life of the product.

To clean the product with a cart washer:

1. If the product is equipped with the electric litter or electric lift option, unplug the power cord from the wall outlet before you transport or clean the product.
2. Remove the mattress prior to washing the product. Do not wash the mattress with the product.
3. Position the Fowler backrest at 45°.
4. Place the product in the full Reverse Trendelenburg position (foot end down).

5. Raise the siderails.
6. Place the IV poles and push handles in the up position.
7. Clean the product with a maximum water temperature of 82° C (180° F) and a maximum water pressure of 103.5 bar / 1500 psi.
8. Air dry the product with a maximum temperature of 93° C (240° F) for eight minutes.
9. Dry the product. Do not place the mattress on the product until the product is dry.
10. Check functionality before you return the product to service.
 - Raise and lower the product
 - Lock and unlock the brake/steer pedal in both positions
 - Latch and unlatch the siderails
 - Raise and lower the Fowler backrest
 - Make sure all components have proper lubrication
 - Make sure all labels are intact and legible

Note

- Do not steam clean the product.
- Some cleaning agents are corrosive in nature and may cause damage to the product if you use them improperly. If you do not rinse and dry the product well, a corrosive residue may be left on the surface of the product that could cause premature corrosion of critical components. Failure to follow these cleaning instructions may void your warranty.

Cleaning the mattress

WARNING

- Do not clean, service, or perform maintenance while the product is in use.
 - Do not immerse the mattress in cleaning or disinfectant solutions. Excess moisture could cause product malfunction that results in product damage or patient injury.
 - Do not allow fluid to pool on the mattress. Fluids can cause corrosion of components and may cause the safety and performance of this product to become unpredictable.
 - Always inspect mattress covers for tears, punctures, excessive wear, and misaligned zippers every time you clean the covers. Remove and replace a damaged mattress to prevent cross-contamination.
 - Do not steam clean, pressure wash, hose off, or ultrasonically clean mattresses. These methods of cleaning may void the product's warranty.
-

The life of the mattress can be affected by an increase in frequency of usage, which might include more frequent cleaning and disinfection.

Recommended cleaning method:

1. Use a clean, soft cloth to wipe down the entire mattress with a mild soap and water solution to remove foreign material.
2. Wipe down the mattress with a clean, dry cloth to remove any excess liquid or cleaning agents.
3. Rinse and dry covers after cleaning.
4. Disinfect as needed with a hospital grade disinfectant after cleaning has been completed (see *Disinfecting the mattress*).

Note

- Do not iron, dry-clean, or tumble dry the mattress, as this will cause malfunction and damage the product.
- The mattress cover must be completely dry before you store, add linens, or place a patient on the mattress to prevent impairment of the product performance.
- Avoid over-exposure to alcohol or hydrogen peroxide. The cover material will swell.

- Do not allow liquid to seep into the zipper area and watershed cover barrier. Fluids allowed to come in contact with the zipper may leak into the mattress which could impair the product performance.
- Some cleaning agents are corrosive in nature and may cause damage to the product if you use them improperly. If you do not rinse and dry the product well, a corrosive residue may be left on the surface of the product that could cause premature corrosion of critical components. Failure to follow these cleaning instructions may void your warranty.

Remove iodine

1. Make a solution of 1 to 2 tablespoons of sodium thiosulfate in a pint of warm water. Use the solution to wipe down the stained area.
2. Clean the stain as soon as possible after the stain occurs.
3. If stains are not immediately removed, allow solution to soak or stand on the mattress before you wipe the mattress.
4. Rinse the mattresses which have been exposed to the solution with clear water before you return the mattresses to service.

Note - Failure to follow these directions when you use these types of cleaners may void this product's warranty.

Special instructions

Velcro®	Saturate with disinfectant, rinse with water, and allow the solution to evaporate.
Solids or stains	Use neutral soaps and warm water. Do not use harsh cleansers, solvents, or abrasive cleaners.
Hard-to-clean spots	Use standard household cleansers or vinyl cleansers and a soft bristle brush on troublesome spots or stains. Pre-soak dried-on soil.
Laundering	Laundering is not recommended. Laundering may substantially decrease the useful life of the mattress.

Disinfecting

Disinfecting the product

WARNING

- Do not clean, service, or perform maintenance while the product is in use.
 - Do not steam clean, hose off, or ultrasonically clean the product. Use of these methods of cleaning is not recommended and may void the product's warranty.
-

Recommended disinfectants:

- Quaternaries (active ingredient - ammonium chloride) that contain less than 3% glycol ether
- Phenolic disinfectant (active ingredient - o-phenylphenol)
- Chlorinated bleach solution (5.25% bleach diluted 1 part bleach to 100 parts water which equals 520 ppm available chlorine (40 mL of a 5.25% bleach solution per 4000 mL water))
- 70% isopropyl alcohol

Recommended disinfection method:

1. Follow the disinfectant solution manufacturer's dilution recommendations.
2. Hand wash all surfaces of the product with a disinfectant solution.
3. Avoid over-saturation and make sure that the product does not stay wet longer than the chemical manufacturer's guidelines for proper disinfecting.
4. Dry the product. Do not place the mattress on the product until the product is dry.
5. Disinfect the **Velcro®** after every use. Saturate the **Velcro®** with disinfectant, rinse with water, and allow the disinfectant to evaporate (appropriate disinfectant is determined by the facility).
6. Check functionality before you return the product to service.
 - Raise and lower the product
 - Lock and unlock the brake/steer pedal in both positions
 - Latch and unlatch the siderails
 - Raise and lower the Fowler backrest
 - Raise and lower the Gatch
 - Make sure all components have proper lubrication
 - Make sure all labels are intact

Note

- Direct skin contact with visibly soiled, permeable material may increase the risk of infection.
- Some cleaning agents are corrosive in nature and may cause damage to the product if you use them improperly. If you do not rinse and dry the product well, a corrosive residue may be left on the surface of the product that could cause premature corrosion of critical components. Failure to follow these cleaning instructions may void your warranty.

Disinfecting the mattress

WARNING - Always disinfect the mattress between patients. Failure to do so could result in cross-contamination and infection.

Recommended disinfectants:

- Quaternaries (active ingredient - ammonium chloride) that contain less than 3% glycol ether

- Phenolic disinfectant (active ingredient - o-phenylphenol)
- Chlorinated bleach solution (5.25% bleach diluted 1 part bleach to 100 parts water which equals 520 ppm available chlorine (40 mL of a 5.25% bleach solution per 4000 mL water))
- 70% isopropyl alcohol

Recommended disinfection method:

1. Make sure that the mattress is clean and dry before you apply disinfectants.
2. Wipe down the mattress with a clean, dry cloth to remove any excess liquid or disinfectant.
3. Rinse and dry covers after disinfection.

Note

- The mattress cover must be dry before you store or add linens. Failure to remove excess disinfectant could cause degradation of the cover material.
- Some cleaning agents are corrosive in nature and may cause damage to the product if you use them improperly. If you do not rinse and dry the product well, a corrosive residue may be left on the surface of the product that could cause premature corrosion of critical components. Failure to follow these cleaning instructions may void your warranty.
- Frequent or prolonged exposure to higher concentrations of disinfectant solutions may prematurely age the cover fabric.
- The use of accelerated hydrogen peroxides or quaternaries that contain glycol ethers may damage the cover.

Preventive maintenance

Remove product from service before you perform the preventive maintenance inspection. Check all items listed during annual preventive maintenance for all Stryker Medical products. You may need to perform preventive maintenance checks more often based on your level of product usage. Service only by qualified personnel.

Note - Clean and disinfect the exterior of the mattress before inspection, if applicable.

Inspect the following items:

- _____ All fasteners are secure
- _____ Siderails move and latch
- _____ Casters lock with brake pedal applied
- _____ Casters are secure and swivel
- _____ Casters are free of wax and debris
- _____ Brake mechanism works
- _____ Steer function works
- _____ Check skins for cracks
- _____ Fowler raises, lowers, and latches in place
- _____ Gatch raises, lowers, and secures in place (option)
- _____ Trendelenburg/Reverse Trendelenburg operates from all locations
- _____ Ground chain intact
- _____ No leaks at hydraulic connections
- _____ Hydraulic jacks are holding
- _____ Body restraints latch and are secure (option)
- _____ IV pole is intact and adjusts and latches in all positions (option)
- _____ Oxygen bottle holder is intact and opens and closes (option)
- _____ No rips or cracks in the mattress cover
- _____ Accessories and mounting hardware are in good condition
- _____ Battery powered functionality (option)
- _____ Cables are not worn or pinched (option)
- _____ Power cord and plug are free of damage (option)
- _____ All electrical connections are tight (option)
- _____ All grounds secure to the frame (option)
- _____ Ground impedance not more than 200 m Ω (milliohms) (option)
- _____ Current leakage not more than 300 μ A (microamps) (per UL 60606-1-1) (option)
- _____ Batteries charged (scale system option)
- _____ Display housing is intact and not damaged (scale system option)
- _____ Load cells are intact and not damaged (scale system option)
- _____ Foot support knee knob mechanism functions and you can secure in place (option)
- _____ Foot support leg knob mechanism functions and you can secure in place (option)
- _____ Foot support extends to the full extended position and stops in the correct position (option)
- _____ Foot support self-tapping screws (6) are secured and are not stripped (option)
- _____ Scale calibrated. Recalibrate if necessary (scale system option)

_____ Upright X-ray cassette holder is in good working condition and can be adjusted to fit all X-ray cassettes (**Prime X** option)

_____ No damage to the Fowler skin and foot skin (**Prime X** option)

_____ No damage to the head and foot trays (**Prime X** option)

_____ Bolt and nut through each Fowler pivot is not loose (**Prime X** option)

Product serial number:
Completed by:
Date:

EMC information

CAUTION

- The use of accessories, transducers, and cables, other than those specified or provided by the manufacturer, could result in increased electromagnetic emissions or decreased electromagnetic immunity and result in improper operation.
- The emissions characteristics of this equipment make it suitable for use in industrial areas and hospitals (CISPR 11 class A). If it is used in a residential environment, for which CISPR 11 class B is normally required, this equipment might not offer adequate protection to radio frequency communication services. The user might need to take mitigation measures, such as relocating or reorienting the equipment.

Guidance and manufacturer's declaration - electromagnetic emissions

The electric lift option, electric litter option, or scale system option is intended for use in an electromagnetic environment specified below. The operator of the electric lift option, electric litter option, or scale system option should make sure that it is used in such an environment.

Emissions test	Compliance	Electromagnetic environment
RF Emissions CISPR 11	Group 1	The electric lift option, electric litter option, or scale system option uses RF energy only for its internal function. Therefore, its RF emissions are very low and are not likely to cause any interference in nearby electronic equipment.
RF Emissions CISPR 11	Class A	The electric lift option, electric litter option, or scale system option is suitable for use in all establishments other than domestic and those directly connected to the public low voltage power supply network that supplies buildings used for domestic purposes.
Harmonic Emissions IEC 61000-3-2 *	Class A	
Voltage Fluctuations Flicker Emissions IEC 61000-3-3 *	Complies	

* Applies to electric lift option or electric litter option only.

CAUTION

- Portable RF communications equipment, including peripherals such as antenna cables and external antennas, should be used no closer than 12 inches (30 cm) to any part of the **Prime** stretcher, including cables specified by the manufacturer.
- Avoid stacking or placing other equipment adjacent with other equipment to prevent improper operation of the products. If such use is necessary, carefully observe stacked or adjacent equipment to make sure that they are operating properly.

Recommended separation distances between portable and mobile RF communications equipment and the electric lift option, electric litter option, or scale system option.

The electric lift option, electric litter option, or scale system option is intended for use in an electromagnetic environment in which radiated RF disturbances are controlled. The customer or the user of the electric lift option, electric litter option, or scale system option can help prevent electromagnetic interferences by maintaining a minimum distance between portable and mobile RF communications equipment (transmitters) and the electric lift option, electric litter option, or scale system option as recommended below, according to the maximum output power of the communications equipment.

Rated maximum output power of transmitter W	Separation distance according to frequency of transmitter m		
	150 kHz to 80 MHz $D=(1.2) (\sqrt{P})$	80 MHz to 800 MHz $D=(1.2) (\sqrt{P})$	800 MHz to 2.7 GHz $D=(2.3) (\sqrt{P})$
0.01	0.12	0.12	0.23

0.1	0.38	0.38	0.73
1	1.2	1.2	2.3
10	3.8	3.8	7.3
100	12	12	23

For transmitters rated at a maximum output power not listed above, the recommended separation distance (D) in meters (m) can be determined using the equation applicable to the frequency of the transmitter, where P is the maximum output power rating of the transmitter in watts (W) according to the transmitter manufacturer.

Note 1 - At 80 MHz and 800 MHz, the separation distance for the higher frequency range applies.

Note 2 - These guidelines may not apply in all situations. Electromagnetic propagation is affected by absorption and reflection from structures, objects, and people.

Guidance and manufacturer's declaration - electromagnetic immunity

The electric lift option, electric litter option, or scale system option is intended for use in the electromagnetic environment specified below. The customer or the user of the electric lift option, electric litter option, or scale system option should assure that it is used in such an environment.


Immunity test	IEC 60601 test level	Compliance level	Electromagnetic environment guidance
Electrostatic Discharge (ESD) IEC 61000-4-2	±8 kV contact ±15 kV air	±8 kV contact ±15 kV air	Floors should be wood, concrete, or ceramic tile. If floors are covered with synthetic material, the relative humidity should be at least 30%.
Electrostatic fast transient/burst IEC 61000-4-4*	±2 kV for power supply lines ±1 kV for input/output lines	±2 kV for power supply lines ±1 kV for input/output lines	Mains power quality should be that of a typical commercial or hospital environment.
Surge IEC 61000-4-5*	±1 kV line(s) to line(s) ±2 kV line(s) to earth	±1 kV line(s) to line(s) ±2 kV line(s) to earth	Mains power quality should be that of a typical commercial or hospital environment.
Voltage dips, voltage variations and short interruptions on power supply input lines IEC 61000-4-11*	0% U_T for 0.5 cycle at 0°, 45°, 90°, 135°, 180°, 225°, 270°, and 315° 0% U_T for 1 cycle 70% U_T (30% dip in U_T) for 25 cycles 0% U_T for 250 cycles	0% U_T for 0.5 cycle at 0°, 45°, 90°, 135°, 180°, 225°, 270°, and 315° 0% U_T for 1 cycle 70% U_T (30% dip in U_T) for 25 cycles 0% U_T for 250 cycles	Mains power quality should be that of a typical commercial or hospital environment. If the user of the electric lift option or electric litter option requires continued operation during power mains interruptions, it is recommended that the device be powered from an uninterrupted power supply or a battery.
Power frequency (50/60 Hz) magnetic field IEC 61000-4-8	30 A/m	30 A/m	Power frequency magnetic fields should be at levels characteristic of a typical location in a typical commercial or hospital environment.

Note: U_t is the AC mains voltage before application of the test level.

*Applies to the electric lift option or electric litter option only.

Guidance and manufacturer's declaration - electromagnetic immunity

The electric lift option, electric litter option, or scale system option is intended for use in the electromagnetic environment specified below. The customer or user of the electric lift option, electric litter option, or scale system option should assure that it is used in such an environment.

Immunity test	IEC 60601 test level	Compliance level	Electromagnetic environment guidance
<p>Conducted RF IEC 61000- 4-6*</p> <p>Radiated RF IEC 61000-4-3</p>	<p>3 Vrms</p> <p>6 Vrms in ISM and amateur radio bands 150kHz to 80MHz</p> <p>3 V/m 80 MHz to 2.7 GHz</p>	<p>3 Vrms</p> <p>6 Vrms in ISM and amateur radio bands</p> <p>3 V/m</p>	<p>Portable and mobile RF communications equipment should be used no closer to any part of the electric lift option, electric litter option, or scale system option, including cables, than the recommended separation distance calculated from the equation appropriate for the frequency of the transmitter.</p> <p>Recommended separation distance</p> $D=(1.2) (\sqrt{P})$ $D=(1.2) (\sqrt{P})$ <p>80 MHz to 800 MHz</p> $D=(2.3) (\sqrt{P})$ <p>800 MHz to 2.7 GHz</p> <p>where <i>P</i> is the maximum output power rating of the transmitter in watts (W) according to the transmitter manufacturer and D is the recommended separation distance in meters (m).</p> <p>Field strengths from fixed RF transmitters, as determined by an electromagnetic site survey ^a, should be less than the compliance level in each frequency range ^b.</p> <p>Interference may occur in the vicinity of equipment marked with the following symbol:</p> 

Note 1: At 80 MHz and 800 MHz, the higher frequency range applies.

Note 2: These guidelines may not apply in all situations. Electromagnetic propagation is affected by absorption and reflection from structures, objects, and people.

Note 3: The ISM (industrial, scientific and medical) bands between 0.15 MHz and 80 MHz are 6.765 MHz to 6.795 MHz; 13.553 MHz to 13.567 MHz; 26.957 MHz to 27.283 MHz; and 40.66 MHz to 40.70 MHz.

^a Field strengths from fixed transmitters, such as base stations for radio (cellular/cordless) telephones and land mobile radios, amateur radio, AM and FM radio broadcast, and TV broadcast cannot be predicted theoretically with accuracy. To assess the electromagnetic environment due to fixed RF transmitters, an electromagnetic site survey should be considered. If the measured field strength in the location in which the electric lift option, electric litter option, or scale system option is used exceeds the applicable RF compliance level above, the electric lift option, electric litter option, or scale system option should be observed to verify normal operation. If abnormal performance is observed, additional measures may be necessary, such as reorienting or relocating the electric lift option, electric litter option, or scale system option.

^b Over the frequency range 150 kHz to 80 MHz, field strengths are less than 3 V/m.

*Applies to electric litter option only.

Lehátko Prime Series®













Příručka pro obsluhu












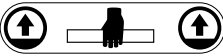




REF 1115

Big Wheel®



Symbols

	Prostudujte si příručku / brožuru s pokyny
	Přečtěte si návod k použití
	Obecné varování
	Upozornění
	Varování; rozdrčení rukou
	Varování; neionizující záření
	Netlačte
	Neskladujte kyslíkovou láhev
	Nepromazávejte
REF	Katalogové číslo
LOT	Číslo šarže
SN	Sériové číslo
US Patents	Patenty USA viz www.stryker.com/patents
CE	Značka CE
EC REP	Zplnomocněný zástupce pro Evropské společenství
MD	Evropský zdravotnický prostředek
	Výrobce
	Datum výroby
	Dovozce

	Bezpečná pracovní zátěž
	Maximální hmotnost pacienta
	Hmotnost výrobku včetně bezpečné pracovní zátěže
	Stejnoseměrný proud
	Střídavý proud
	Nebezpečné napětí
	Ochranné uzemnění
IPX6	Ochrana proti silnému proudu vody
	Příložná část typu B
	Zdravotnické vybavení klasifikované společností Underwriters Laboratories Inc., pouze pokud jde o nebezpečí zásahu elektrickým proudem, nebezpečí požáru nebo mechanická nebezpečí, podle norem ANSI/AAMI ES60601-1:2005 a CAN/CSA-C22.2 č. 60601-1:08. *Pro volitelný doplněk Prime X viz Příslušenství RTG zařízení, IEC 60601-2-54
	Podle směrnice Evropského parlamentu a Rady 2012/19/EU o odpadních elektrických a elektronických zařízeních (OEEZ) ve znění pozdějších předpisů tento symbol označuje, že výrobek se musí sbírat k recyklaci odděleně. Nelikvidujte s běžným netříděným odpadem. Informace o likvidaci si vyžádejte od místního distributora. Před recyklací zajistěte dekontaminaci infikovaných prostředků.
	Lubrikovat
	Zvedat zde
	Touto stranou nahoru
	Uchovávejte v suchu
	Křehké, manipulujte opatrně
	Limit stohování podle počtu

Obsah

Definice varování/upozornění/poznámky	3
Přehled bezpečnostních opatření	3
Místa, kde hrozí skřípnutí	6
Úvod	7
Popis výrobku	7
Indikace k použití	7
Klinické přínosy	8
Kontraindikace	8
Očekávaná životnost	8
Likvidace / recyklace	8
Technické parametry	8
Obrázek výrobku – Prime	11
Ilustrace produktu - možnost Prime X	12
Příložené části – Elektricky ovládaná ložná plocha nosítek (volitelný doplněk)	13
Příložené části – Volitelný doplněk Prime X	13
Kontaktní informace	14
Umístění sériového čísla	14
Příprava	15
Provoz	16
Zabrzdnění a odbrzdění brzd	16
Ovládání podvozku Prime	17
Zvýšení nosítek bez elektrického mechanismu	17
Snížení nosítek bez elektrického mechanismu	17
Zvýšení elektricky ovládané ložné plochy nosítek (volitelný doplněk)	18
Snížení volitelné elektricky ovládané ložné plochy nosítek	18
Umístění výrobku do Trendelenburgovy polohy	19
Umístění výrobku do obrácené Trendelenburgovy polohy	19
Přeprava pacienta	19
Přeprava pacienta bez použití kola Big Wheel	20
Přeprava pacienta za použití kola Big Wheel	20
Nastavení a odstranění volitelných tlačných rukojetí na horním konci	21
Zvednutí postranice	22
Spuštění postranice	23
Nastavení polohy výrobku s ovládacím panelem pro pacienta na postranici – varianta s elektricky ovládanou ložnou plochou nosítek – pouze Prime	23
Ovládací panel pro obsluhu – volitelná elektricky ovládaná ložná plocha nosítek – pouze Prime	24
Zablokování a odblokování funkcí ovládacího panelu pro pacienta – volitelná elektricky ovládaná ložná plocha nosítek – pouze Prime	25
Zvednutí nebo snížení zádové části – nosítka bez elektrického mechanismu	25
Zvednutí nebo snížení zádové části – varianta s elektricky ovládanou ložnou plochou nosítek	26
Zvedání a sklápění podkolenní části – nosítka bez elektrického mechanismu – pouze Prime	27
Zvedání a sklápění podkolenní části – nosítka s elektrickým mechanismem – pouze Prime	27
Poloha zotavovacího křesla – pouze Prime	27
Ukládání předmětů do krytu podvozku	28
Zavěšování zdravotnických prostředků při použití volitelné konzoly pro pumpu	28
Vytažení a zatažení napájecího kabelu pomocí volitelného navijáku na kabel – pouze u volitelného elektrického zvedacího mechanismu nebo volitelné elektricky ovládané ložné plochy nosítek	29
Systém váhy (volitelný doplněk)	29
Identifikace ikon/tlačítek váhy	30
Vážení pacienta	31
Uzamknutí měrné jednotky na váze	31
Aktivace a deaktivace funkce Chaperone	31
Nastavení alarmů pro funkci Chaperone	32
Nastavení hlasitosti alarmu pro funkci Chaperone	32
Nabíjení sady baterií systému váhy (volitelný doplněk) – elektricky ovládaná ložná plocha nosítek (volitelný doplněk) nebo elektricky ovládaná ložná plocha nosítek s funkcí Chaperone (volitelný doplněk) – pouze Prime	32
Výměna baterií volitelného systému váhy – nosítka bez elektrického mechanismu	32
Doplňky a součásti	33

Přípevnění desky pro defibrilátor	36
Přeměna desky pro defibrilátor / nožní nástavec v desku pro defibrilátor	37
Přeměna desky pro defibrilátor / nožní nástavec v nožní nástavec.....	37
Přípevnění dolní pelesti / držáku dokumentů	38
Přípevnění IV podstavce	38
Nastavení nebo uložení opěrek pro nohy – pouze Prime.....	39
Umístění dvoudílného trvale přípevněného IV stojanu	40
Umístění trojdílného trvale přípevněného IV stojanu	41
Přípevnění a úprava polohy snímatelného IV stojanu.....	42
Připojení svislého držáku kyslíkové láhve	43
Vytažení nebo odstranění držáku servírovacího podnosu / dolní pelesti.....	43
Přípevnění podložek postranice	44
Umístění vázání pro patientské upínací pásy	44
Umístění svislého držáku RTG kazety – volitelný doplněk Prime X	44
Umístění bočního držáku RTG kazety – volitelný doplněk Prime X.....	45
Vložení nebo vyjmutí RTG kazety – volitelný doplněk Prime X.....	46
Čištění	48
Čištění výrobku	48
Čištění výrobku myčkou vozíků	48
Čištění matrace.....	49
Odstraňte jódové skvrny	50
Zvláštní pokyny	50
Desinfekce	51
Desinfekce výrobku	51
Dezinfekce matrace.....	51
Preventivní údržba	53
Informace o elektromagnetické kompatibilitě.....	55

Definice varování/upozornění/poznámky

Text uvedený slovy **VAROVÁNÍ**, **UPOZORNĚNÍ** a **POZNÁMKA** má důležitý význam a je nutno si jej pečlivě přečíst.

VAROVÁNÍ

Upozorňuje čtenáře na situaci, jež by mohla vést k úmrtí nebo vážnému poranění, pokud se jí nevyvarujete. Může také popisovat možné vážné nežádoucí reakce a bezpečnostní rizika.

UPOZORNĚNÍ

Upozorňuje čtenáře na možnou nebezpečnou situaci, jež by mohla mít za následek menší nebo středně vážné poranění uživatele nebo pacienta, nebo poškození výrobku či jiného majetku, pokud se jí nevyvarujete. To zahrnuje zvláštní péči nezbytnou pro bezpečné a efektivní používání prostředku a péči nutnou k tomu, aby nedošlo k poškození prostředku, které by mohlo nastat v důsledku jeho používání nebo nesprávného používání.

Poznámka - Poskytuje speciální informace pro usnadnění údržby nebo objasnění důležitých pokynů.

Přehled bezpečnostních opatření

Pečlivě si přečtěte a vždy přísně dodržujte varování a upozornění uvedená na této straně. Servis smí provádět pouze kvalifikovaný personál.

VAROVÁNÍ

- Než budete provádět nastavení nebo testovat funkčnost, vždy nechte výrobek dosáhnout pokojové teploty. Může dojít k nevratnému poškození výrobku.
- Výrobek provozujte, pouze když jsou všichni pracovníci obsluhy mimo dosah mechanismů.
- Při manipulaci s napájecím kabelem vždy postupujte opatrně. Hrozí nebezpečí zapletení, poškození napájecího kabelu nebo úrazu elektrickým proudem. Při poškození napájecího kabelu ihned vyřaďte výrobek z provozu a kontaktujte příslušné pracovníky údržby.
- Výrobek musí být vždy zapojený přímo do uzemněné zásuvky nemocničního typu. Uzemnění je spolehlivé pouze při zapojení do zásuvky nemocničního typu. Tento výrobek je opatřen zástrčkou nemocničního typu za účelem ochrany před zásahem elektrickým proudem.
- Při přesunu pacienta na lehátko nebo z něj, případně pokud se lehátko nepohybuje, vždy zabrzděte brzdu. Při přesunu pacienta na lehátko nebo z něho může dojít ke zranění, pokud se lehátko pohne.
- Pacienta vždy umístěte doprostřed výrobku.
- Když pacienta ponecháváte bez dozoru, vždy výrobek dejte do nejnižší polohy se zvednutými a zajištěnými postranicemi. Nenechávejte výrobek ve zvýšené poloze.
- Před zvednutím nebo snížením ložné plochy nosítek vždy odstraňte všechny překážky.
- Nesedejte na konec výrobku. Mohlo by dojít k převrácení výrobku.
- Při přepravě pacienta vždy uzamkněte postranice v nejvyšší poloze, přičemž ložná plocha musí být vodorovně a v nejnižší poloze.
- Nepřepravujte výrobek laterálně na svahu větším než 5,7 stupňů (10 %), aby se výrobek nepřevrátil.
- Pokud s volitelným doplňkem **Prime X** používáte matraci silnější než 2,5 palce (6,35 cm) nebo krycí matraci, buďte obzvláště opatrní.
- Při přepravě pacienta vždy uzamkněte postranice v nejvyšší poloze, přičemž ložná plocha musí být vodorovně a v nejnižší poloze.
- Při zvedání a spouštění postranic se nesmí pacientovy končetiny nikdy nacházet mezi příčkami postranic.
- Nedopusťte, aby se postranice sklopily samovolně.
- Při sklápění zádové části mějte ruce a prsty mimo odjišťovací rukojeti zádové části a rám zádové části.
- Při zvedání zádové části s pacientem na lehátko vždy postupujte opatrně. Použijte správné techniky zvedání a případně požádejte o pomoc.
- Při sklápění podkolenní části vždy mějte ruce a prsty mimo tlačné rukojeti dolního konce.
- Hadičky zdravotnických prostředků na konzole pro pumpu vždy udržujte mimo rukojeti podkolenní části.
- Vždy dávejte pozor, aby prostředky zavěšené na konzole pro pumpu bezpečně prošly dveřmi.

- Nezvedejte výrobek za konzolu pro pumpu.
- Před přepravou nebo čištěním výrobku vždy vytáhněte napájecí kabel ze zásuvky ve zdi.
- Při přepravě výrobku vždy používejte k uschování napájecího kabelu naviják uvnitř podvozku.
- Nepoužívejte volitelný systém váhy, volitelný elektrický zvedací mechanismus nebo volitelnou elektricky ovládanou ložnou plochu nosítek těsně vedle jiných zařízení nebo na sobě. Pokud je použití těsně vedle sebe nebo na sobě nezbytné, volitelný systém váhy, volitelný elektrický zvedací mechanismus nebo volitelnou elektricky ovládanou ložnou plochu nosítek je nutno pozorovat, aby se ověřilo, že v použité konfiguraci fungují normálně.
- Na desku pro defibrilátor nepokládejte předměty těžší než 30 lb (14 kg). Všechny předměty uložené na desku pro defibrilátor vždy zajistěte pásy.
- Pokud je připevněna deska pro defibrilátor / nožní nástavec, dolní pelest/ držák dokumentů nebo svislý držák kyslíkové láhve, postupujte opatrně při změnách polohy tlačné rukojeti na dolním konci, abyste si neskřípli prsty.
- Na desku pro defibrilátor / nožní nástavec nepokládejte předměty těžší než 30 lb (14 kg). Všechny předměty uložené na desku pro defibrilátor vždy zajistěte pásy.
- Při přepravě výrobku vždy upevněte IV stojan k IV podstavci.
- Pokud se IV podstavec nepoužívá, uložte jej, aby nedošlo k poškození.
- Na opěrky pro nohy nesedejte. Mohlo by dojít k převrácení výrobku.
- Při zacházení s opěrkami nohou dávejte pozor, abyste měli prsty mimo mechanismy.
- Pokud přeppravujete pacienta, opěrky nohou musí být vždy odstraněny.
- Před použitím opěrek nohou opěrky vždy dobře utáhněte.
- Nepoužívejte systém váhy zároveň s opěrkami nohou. Navážené hodnoty nemusí být přesné.
- Nepoužívejte funkci **Chaperone** zároveň s opěrkami nohou. Navážené hodnoty nemusí být přesné.
- IV stojan nepoužívejte jako tlačné nebo tažné zařízení. Může dojít k poškození výrobku.
- Do svislého držáku kyslíkové láhve neukládejte předměty těžší než 40 liber (18 kg).
- Na servírovací podnos nepokládejte předměty těžší než 30 liber (14 kg).
- Při použití upínacích pásů vždy postupujte opatrně. Mohlo by dojít k poranění pacienta nebo pracovníka obsluhy. Prostředky fyzické zábrany, i když budou zajištěné, mohou způsobit vážné zranění pacienta a obsluhy, jako je uvíznutí, zachycení, tělesné zranění nebo smrt.
- Upínací pásy a podobné pomůcky vždy připevňujte ve stanovených úchytných bodech výrobku. Nedodržení tohoto pokynu může způsobit poranění pacienta nebo pracovníka obsluhy. Upínací pásy nepřipevňujte k postranicím.
- Před použitím upínacích pásů a podobných zábran se vždy seznamte s celostátními předpisy a pokyny a příslušnými směrnici zdravotnického zařízení.
- Při používání svislého nebo bočního držáku RTG kazety vždy přijměte příslušná bezpečnostní opatření. Držák RTG kazety nechrání proti záření.
- Před použitím volitelného doplňku **Prime X** spolu s vybavením produkujícím záření se vždy seznamte s místními a celostátními bezpečnostními předpisy a směrnici zdravotnického zařízení. Přístroje produkující záření mohou vysílat reziduální, unikající nebo odrážené záření.
- Při zasouvání RTG kazety vždy postupujte podle návodu pro *umístění svislého držáku RTG kazety – volitelný doplněk Prime X*.
- Při pořizování RTG snímků za použití boční kazety nebo se zárovňovací částí ve vzpřímené poloze vždy postupujte opatrně.
- Při zasouvání RTG kazety vždy postupujte podle návodu pro *umístění bočního držáku RTG kazety – volitelný doplněk Prime X*.
- Pokud se výrobek používá, neprovádějte jeho čištění, servis ani údržbu.
- Matraci neponořujte do čisticích nebo dezinfekčních roztoků. Přílišná vlhkost může způsobit poruchu výrobku a vést k jeho poškození nebo zranění pacienta.
- Nedovolte, aby se na matraci shromažďovaly kapaliny. Kapaliny mohou způsobit korozi součástí a vést k nepředvídatelnému fungování výrobku, a to rovněž i z hlediska bezpečnosti.
- Při každém čištění potahů vždy zkontrolujte, zda nejsou potahy matrace protřené, děravé, nadměrně opotřebené nebo zda nejsou zipy špatně zapnuté. Poškozenou matraci vyřaďte z používání a vyměňte, aby nedošlo ke křížové kontaminaci.
- Nečistěte matraci parou, tlakovou vodou, hadicí ani ultrazvukem. Tyto metody čištění mohou vést ke ztrátě platnosti záruky výrobku.
- Výrobek nečistěte parou, hadicí ani ultrazvukem. Tyto metody čištění se nedoporučují a mohou vést k zániku platnosti záruky výrobku.

- Mezi jednotlivými pacienty matraci vždy vydezinfikujte. Jinak může dojít ke křížové kontaminaci a přenosu infekce.
-

UPOZORNĚNÍ

- Nesprávné používání výrobku může způsobit poranění pacienta nebo obsluhy. Výrobek používejte pouze tak, jak popisuje tato příručka.
 - Výrobek ani žádné jeho součásti neupravujte. Úpravy výrobku mohou způsobit nepředvídatelné fungování a způsobit poranění pacienta nebo obsluhy. Úprava výrobku má také za následek zánik platnosti záruky.
 - Nepoužívejte hydrauliku podvozku ke zvednutí výrobku, pokud je mechanismus pro zvednutí pacienta pod výrobkem.
 - Neaktivujte pedál řízení, když je systém **Big Wheel** na prahu nebo jiném zvýšeném povrchu. Síla nutná k aplikaci systému **Big Wheel** bude vyšší než normálně a může způsobit poškození výrobku.
 - Nosnost podkolenní části je 200 lb (90,7 kg).
 - Před použitím se vždy ujistěte, že je opěrná tyč podkolenní části zajištěna.
 - Na podkolenní části se nesmí sedět ani stát, ani na ni šlapat.
 - Při sklápění podkolenní části v době, kdy není výrobek napájen, vždy postupujte opatrně. Síla gravitace může způsobit rychlé sklopení podkolenní části.
 - Do krytu podvozku neukládejte předměty těžší než 60 liber (27 kg).
 - Na krytu podvozku se nesmí sedět ani stát, ani na něj šlapat.
 - Nosnost konzoly pro pumpu je 40 lb (18 kg).
 - Konzolu pro pumpu nepoužívejte jako tlačné ani tažné zařízení. Může dojít k poškození výrobku.
 - Nepoužívejte pro pacienty o hmotnosti nižší než 50 lb (22,7 kg).
 - Údaje váhového systému nepoužívejte jako podklad pro lékařské ošetření.
 - Před připevněním desky pro defibrilátor / nožního nástavce k výrobku vždy zvedněte IV stojan. Pokud IV stojan nezvednete, nožní nástavec nebude fungovat.
 - IV stojan nepoužívejte jako tlačné nebo tažné zařízení. Může dojít k poškození výrobku.
 - Na IV stojan se nesmí věšet IV vaky těžší než 40 liber (18 kg).
 - Při přepravě pacienta se vždy ujistěte, že je IV stojan zasunutý v nízké poloze, aby prošel dveřmi.
 - Na čištění displeje volitelného systému váhy nepoužívejte abrazivní čisticí prostředky. Nedovolte, aby se na displeji vytvořily loužičky čisticího roztoku nebo jiných kapalin. Po čištění nebo rozlití kapalin všechny povrchy osušte.
 - Použití jiného příslušenství, snímačů a kabelů, než které jsou specifikovány nebo dodány výrobcem, může vést ke zvýšení elektromagnetických emisí nebo snížení elektromagnetické odolnosti a způsobit nesprávnou funkci výrobku.
 - Emisní vlastnosti tohoto přístroje jej činí vhodným pro použití v průmyslových prostorech a nemocnicích (CISPR 11, třída A). Pokud se použije v obytném prostředí (ve kterém se normálně vyžaduje CISPR 11 třídy B), tento výrobek nemusí poskytovat dostatečnou ochranu radiofrekvenčním komunikačním službám. Může být nutné, aby uživatel provedl nápravná opatření, např. přístroj přemístil nebo otočil.
 - Nepoužívejte přenosná komunikační VF zařízení (včetně periferních zařízení, jako jsou kabely antén a externí antény) blíže než 12 palců (30 cm) od jakékoli části lehátka **Prime**, včetně výrobcem specifikovaných kabelů.
 - Neumísťujte žádná zařízení na jiná zařízení ani do jejich těsné blízkosti, aby se předešlo nesprávné funkci výrobků. Pokud je takové použití nezbytné, přístroje, které jsou umístěny na sebe nebo vedle sebe, pečlivě pozorujte a ověřte, že správně fungují.
-

Místa, kde hrozí skřípnutí



Obrázek 1 – Volitelný doplněk Prime X

Úvod

Tato příručka vám pomáhá s provozem a údržbou vašeho výrobku Stryker. Tuto příručku si přečtěte dříve, než budete pracovat s tímto výrobkem nebo provádět jeho údržbu. Zaveďte metody a postupy výuky a školení zaměstnanců v oblasti bezpečného provozu a údržby tohoto výrobku.

UPOZORNĚNÍ

- Nesprávné používání výrobku může způsobit poranění pacienta nebo obsluhy. Výrobek používejte pouze tak, jak popisuje tato příručka.
 - Výrobek ani žádné jeho součásti neupravujte. Úpravy výrobku mohou způsobit nepředvídatelný provoz a způsobit poranění pacienta nebo operátora. Úprava výrobku také zruší jeho záruku.
-

Poznámka

- Tuto příručku je třeba považovat za trvalou součást výrobku a musí zůstat s výrobkem i v případě, že dojde k jeho prodeji.
- Společnost Stryker trvale usiluje o zlepšení konstrukce a kvality výrobku. Tato příručka obsahuje aktuální informace o výrobku dostupné v době tisku. Mezi vaším výrobkem a touto příručkou mohou být malé rozdíly. V případě jakýchkoli dotazů kontaktujte zákaznický servis nebo technickou podporu společnosti Stryker na čísle +1-800-327-0770.

Popis výrobku

Lehátko Stryker Model 1115 **Prime Series**® s kolem **Big Wheel**® je lehátko s kolečky, které se skládá z platformy namontované na rámu s kolečky k uložení pacienta ve vodorovné poloze. Lehátko umožňuje uživatelům (profesionálním zdravotníkům nebo vyškolenému personálu) převážet pacienty uvnitř zdravotnického zařízení. Lehátko Stryker Model 1115 **Prime Series** s kolem **Big Wheel** snižuje sílu potřebnou k rozjetí a řízení a vyžaduje tak menší fyzickou námahu.

Indikace k použití

Lehátko **Prime Series** s kolečky **Big Wheel** má dvě velká kolečka, což snižuje sílu potřebnou k rozjetí lehátka.

Lehátko **Prime Series** lze použít jako krátkodobé řešení při klinickém vyšetření ambulantního pacienta, ošetření, pro malé výkony a krátkodobé zotavení ambulantního pacienta. Lehátko lze použít mimo jiné v následujících prostředích:

- Lékařská pohotovost
- Traumatologická ambulance
- Oddělení pooperační péče

Lehátko **Prime Series** lze použít pro malé zákroky a krátkodobý pobyt (ošetření a zotavení). Požadované podmínky prostředí uvádí tabulka specifikací.

Lehátko Stryker **Prime Series** nebylo hodnoceno z hlediska shody s normou BS EN 50637 určující parametry lůžek. Tento produkt není určen ke krátkodobému pobytu dětských pacientů nebo dospělých pacientů s atypickou anatomii na trzích, které pro udělení registrace vyžadují shodu s touto normou určující parametry lůžek.

Lehátko **Prime Series** není určeno k dlouhodobému použití při ošetření a zotavení hospitalizovaných pacientů.

Bezpečná pracovní zátěž lehátka **Prime Series** je 700 lb (318 kg) a lehátko je určeno k použití u všech typů pacientů, od nezávažných až po kritické stavy. Lze jej také použít k přepravě zemřelých pacientů uvnitř zdravotnického zařízení.

Volitelný doplněk **Prime X**® poskytuje kloubovou ložnou plochu pro pacienta pro RTG snímkování a také platformu pro umístění RTG kazety pod ložnou plochu, na které spočívá pacient. Volitelný doplněk **Prime X** umožňuje pořizovat klinické RTG snímky (AP projekce celého těla, možnost laterálního snímku celého těla a snímku hrudníku vsedě) zdravotnickými RTG přístroji.

Klinické přínosy

Přeprava pacientů a usnadnění léčby a diagnostikování

Kontraindikace

Varianta **Prime X** se nedoporučuje pro použití s matrací o tloušťce větší než 4 palce (10 centimetrů).

Volitelný doplněk **Prime X** není kompatibilní s C ramenem.

Volitelný doplněk **Prime X** je určen k použití ve všech zařízeních kromě prostředí domácího ošetřování, domácností a míst přímo připojených k veřejné nízkonapěťové rozvodné síti, která napájí obytné budovy.



Očekávaná životnost

Lehátka řady **Prime Series** a lehátka řady **Prime Series** s volitelným doplňkem **Prime X** mají očekávanou životnost 10 let při normálním používání a řádné pravidelné údržbě.

Likvidace / recyklace

Vždy dodržujte aktuální místní doporučení, popř. nařízení týkající se ochrany životního prostředí a rizik spojených s recyklací nebo likvidací prostředku na konci jeho životnosti.

Technické parametry

	Prime Series, šířka 26 palců (66 cm)		Prime Series, šířka 30 palců (76 cm) Sady Prime Series HT		Volitelná možnost Prime X, šířka 30 palců (76 cm)	
 Poznámka - Pracovní zátěž představuje souhrn hmotnosti pacienta, matrace a doplňků.	700 liber	318 kg	700 liber	318 kg	700 liber	318 kg
 Maximální hmotnost pacienta	675 liber	306 kg	675 liber	306 kg	675 liber	306 kg
Celková délka	85 palců (±0,5 palce)	215,9 cm	85 palců (±0,5 palce)	215,9 cm	85 palců (±0,5 palce)	215,9 cm
Celková délka (volitelné prodloužení nosítek)	89,9 palce (±0,75 palce)	228,3 cm	89,9 palce (±0,75 palce)	228,3 cm	—	—
Celková šířka (se zvednutými postranicemi)	34 palců (±1 palec)	86,4 cm	38 palců (±1 palec)	96,5 cm	38 palců (±1 palec)	96,5 cm
Celková šířka (se sklopenými postranicemi)	30,25 palce (±0,5 palce)	76,8 cm	30,5 palce (±0,5 palce)	77,5 cm	30,5 palce (±0,5 palce)	77,5 cm
Minimální výška	20,75 palce	52,7 cm	20,75 palce	52,7 cm	23,25 palce	59,1 cm

	Prime Series, šířka 26 palců (66 cm)		Prime Series, šířka 30 palců (76 cm) Sady Prime Series HT		Volitelná možnost Prime X, šířka 30 palců (76 cm)	
Maximální výška	34 palců (±1 palec)	86,4 cm	34 palců (±1 palec)	86,4 cm	36,5 palce (±1 palec)	92,7 cm
Úhel zádové části (Fowler)	0° až 90° (±5°)					
Výška podkolenní části	5,5 palce (14 cm) minimálně				—	
Trendelenburgova poloha / obrácená Trendelenburgova poloha	+17° až -17° (±3°)					
Minimální světlost	2,5 palce (nominální)	6,4 cm	2,5 palce (nominální)	6,4 cm	2,5 palce (nominální)	6,4 cm
	1,75 palce pod hydraulickými zvedáky	4,5 cm	1,75 palce pod hydraulickými zvedáky	4,5 cm	1,75 palce pod hydraulickými zvedáky	4,5 cm
	1 palec pod kolem Big Wheel	2,5 cm	1 palec pod kolem Big Wheel	2,5 cm	1 palec pod kolem Big Wheel	2,5 cm
Ekvivalent útlumu (ekvivalent hliníku)	—				Maximální povolená hodnota je 1,7 mm Al	
Volitelný systém váhy – váživost	50 liber (22,7 kg) až 700 liber (318 kg)					
Volitelný systém váhy – přesnost	±3 lb (1,3 kg) u hmotnosti menší než 100 lb (45 kg) a ±3 % u hmotnosti 100 lb (45 kg) a vyšší*					
*Aby přesnost systému váhy odpovídala udávaným parametrům, musí být ložná plocha, na které spočívá pacient, vodorovná (zádová a podkolenní část ve sklopené poloze) a v nejvyšší poloze a Trendelenburgova / obrácená Trendelenburgova poloha nesmí přesáhnout 5 stupňů.						

Elektrické volitelné doplňky	Volitelná elektricky ovládaná ložná plocha nosítek (k dispozici pouze u řady Prime)	Volitelné elektricky ovládané zvedání (k dispozici u řady Prime a Prime X)
Elektrické požadavky	120 V stř., 60 Hz, 10 A 240 V stř., 50/60 Hz, 5 A	120 V stř., 60 Hz, 10 A 240 V stř., 50/60 Hz, 5 A
Pracovní cyklus	Nepřetržitý provoz s přerušovaným zatížením: 1 minuta ZAPNUTO / 20 minut VYPNUTO	Nepřetržitý provoz s přerušovaným zatížením: 1 minuta ZAPNUTO / 20 minut VYPNUTO

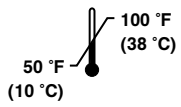
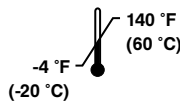
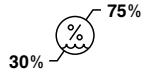
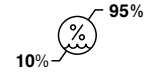
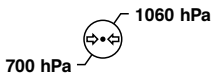
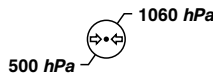
Systém váhy (volitelný doplněk)	Ložná plocha nosítek bez elektrického ovládaní (k dispozici u řady Prime a Prime X)	Volitelné elektricky ovládané zvedání (k dispozici u řady Prime a Prime X)
Typ baterie	4 články AA (4 x 1,5 V ss), alkalické (LR6)	4 články AA (4 x 1,5 V ss), alkalické (LR6)
Napětí baterie	6,0 V ss	6,0 V ss

Systém váhy (volitelný doplněk)	Volitelná elektricky ovládaná ložná plocha nosítek (k dispozici pouze u řady Prime)	Volitelné elektrické zvedání
Typ baterie	1x sada nabíjecích lithium-iontových baterií (0058-135-000)	—
Napětí baterie	10,8 V ss, 2,4 Ah	—

Volitelný systém váhy s funkcí Chaperone® (výstup z lehátka)	Volitelná elektricky ovládaná ložná plocha nosítek (k dispozici pouze u řady Prime)	Volitelné elektrické zvedání
Typ baterie	1x sada nabíjecích lithium-iontových baterií (0058-134-000)	—
Napětí baterie	10,8 V ss., 4,8 Ah	—

Společnost Stryker si vyhrazuje právo změnit technické parametry bez předchozího upozornění.

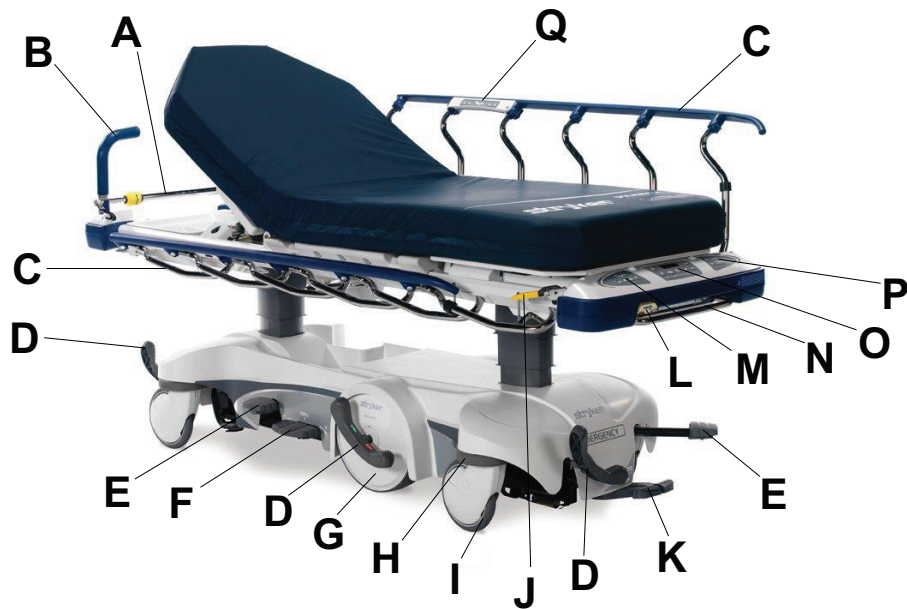
Poznámka - Tento výrobek není vhodný pro použití v přítomnosti hořlavých anestetických směsí se vzduchem nebo s kyslíkem nebo oxidem dusným.

Podmínky prostředí	Provoz	Skladování a přeprava
Teplota		
Relativní vlhkost		
Atmosférický tlak		

Poznámka - Provozní teplotní rozsah volitelného váhového systému (varianta s neelektrickou ložnou plochou / elektricky ovládanou ložnou plochou) je od 61 °F (16 °C) do 79 °F (26 °C).

Uvedené technické parametry jsou přibližné a mohou se mírně lišit u jednotlivých výrobků nebo podle výkyvů v dodávce elektrického proudu.

Obrázek výrobku – Prime



Obrázek 2 – Prime

A	IV stojan	J	Západka postranice
B	Vyklápěcí tlačné rukojeti BackSmart® , volitelné	K	Hydraulický uvolňovací pedál
C	Postranice BackSmart	L	Odjišťovací rukojeť podkolenní části
D	Pedál brzd/řízení	M	Ovládací panel obsluhy BackSmart na dolním konci, volitelný
E	Pedál pumpy	N	Stojan na čerpadlo, volitelný
F	Pedál uni-lower	O	Váhový systém BackSmart , volitelný
G	Big Wheel	P	Funkce zablokování ovladače pro pacienta, volitelná
H	Nárazník, vestavěný	Q	Ovládací panel postranice pro pacienta, volitelný
I	Kolečko se zabudovaným krytem		

Ilustrace produktu - možnost Prime X



Obrázek 3 – Volitelný doplněk Prime X

A	Vyklápěcí tlačné rukojeti BackSmart® , volitelné	H	Pedál uni-lower
B	IV stojan	I	Nárazník, vestavěný
C	Zásuvka na kazetu	J	Kolečko se zabudovaným krytem
D	Ložná plocha pro pacienta s Clearview Technology®	K	Západka postranice
E	Postranice BackSmart	L	Stojan na čerpadlo, volitelný
F	Pedál ovládání brzd/řízení	M	Váhový systém BackSmart , volitelný
G	Pedál pumpy		

Příložné části – Elektricky ovládaná ložná plocha nosítek (volitelný doplněk)



Obrázek 4 – Příložné části typu B – volitelná elektricky ovládaná ložná plocha nosítek

Příložné části – Volitelný doplněk Prime X



Obrázek 5 – Příložné části typu B – Volitelný doplněk Prime X

Kontaktní informace

Kontaktujte zákaznický servis Stryker nebo technickou podporu na čísle: 1-800-327-0770.

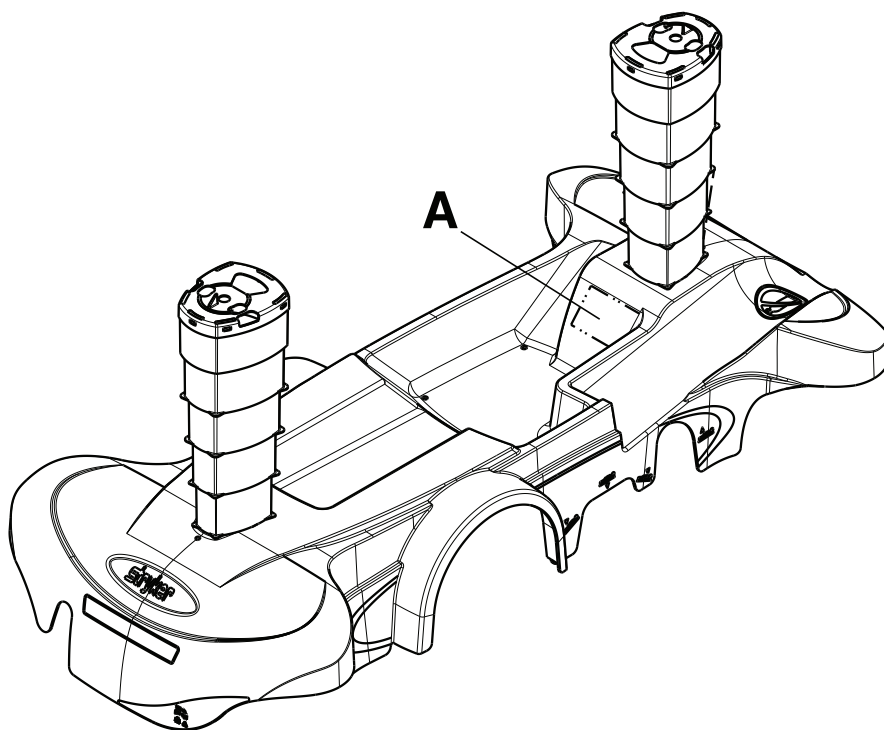
Stryker Medical
3800 E. Centre Avenue
Portage, MI 49002
USA

Poznámka - Uživatel a/nebo pacient by měl nahlásit jakýkoli závažný incident související s výrobkem, a to jak výrobcí, tak příslušnému orgánu členského státu, v němž uživatel a/nebo pacient sídlí.

Příručka k provozu a údržbě je k dispozici online na adrese <https://techweb.stryker.com/>.

Při volání zákaznickému servisu nebo technické podpoře společnosti Stryker si připravte sériové číslo (A) vašeho výrobku Stryker. Sériové číslo uveďte ve veškeré písemné komunikaci.

Umístění sériového čísla



Obrázek 6 – Umístění sériového čísla

Příprava

Před vybalením výrobku si přečtete pokyny pro vybalení připevněné na výrobku uvnitř přepravní bedny.

VAROVÁNÍ

- Než budete provádět nastavení nebo testovat funkčnost, vždy nechte výrobek dosáhnout pokojové teploty. Může dojít k nevratnému poškození výrobku.
 - Výrobek provozujte, pouze když jsou všichni pracovníci obsluhy mimo dosah mechanismů.
 - Při manipulaci s napájecím kabelem vždy postupujte opatrně. Hrozí nebezpečí zapletení, poškození napájecího kabelu nebo úrazu elektrickým proudem. Při poškození napájecího kabelu ihned vyřadte výrobek z provozu a kontaktujte příslušné pracovníky údržby.
 - Výrobek musí být vždy zapojený přímo do uzemněné zásuvky nemocničního typu. Uzemnění je spolehlivé pouze při zapojení do zásuvky nemocničního typu. Tento výrobek je opatřen zástrčkou nemocničního typu za účelem ochrany před zásahem elektrickým proudem.
-

Před uvedením výrobku do provozu zkontrolujte, zda funguje.

1. Zabrzděte brzdy. Na výrobek zatlačte, abyste se ujistili, že všechna čtyři kolečka jsou zablokována.
2. Uvolněte brzdy. Na výrobek zatlačte, abyste se ujistili, že všechna čtyři kolečka jsou odblokována.
3. Pomocí hydraulického systému zvedněte a sklopte nosítka.
4. Zvedněte výrobek na nejvyšší úroveň a umístěte jej do Trendelenburgovy polohy (viz *Umístění výrobku do Trendelenburgovy polohy* (straně 19)). Ověřte, že horní konec klesl zcela dolů.
5. Zvedněte výrobek na nejvyšší úroveň a umístěte jej do obrácené Trendelenburgovy polohy (viz *Umístění výrobku do obrácené Trendelenburgovy polohy* (straně 19)). Ověřte, že dolní konec klesl zcela dolů.
6. Použijte kolo **Big Wheel** a přesvědčte se, zda funguje.
7. Ověřte, že se postranice zvedají, snižují a uzamknou na místě.
8. Zvedněte a sklopte manuální zádovou část (horní konec).
9. Zvedněte a sklopte manuální podkolenní část (dolní konec).

Pouze pro výrobek s volitelným elektrickým zvedacím mechanismem a volitelnou elektricky ovládanou ložnou plochou nosítek:

1. Proved'te úkony kontrolního seznamu nastavení.
2. Zapojte výrobek do uzemněné zásuvky nemocničního typu. Ověřte, že kontrolky na klávesnici pro uzamčení svítí.
3. Ověřte, zda všechny funkce volitelného ovládání postranic pacientem řádně fungují.
4. Ověřte, zda všechny funkce volitelného ovládání dolního konce zdravotníkem řádně fungují.
5. Zvedněte a sklopte elektricky ovládanou zádovou část (horní konec).
6. Zvedněte a sklopte elektricky ovládanou podkolenní část (dolní konec).

Pro výrobky s volitelným systémem váhy / elektricky ovládané ložné plochy nosítek (s volitelnou možností **Chaperone** nebo bez ní):

1. Proved'te úkony kontrolního seznamu nastavení.
2. Nabijte baterie (*Nabíjení sady baterií systému váhy (volitelný doplněk) – elektricky ovládaná ložná plocha nosítek (volitelný doplněk) nebo elektricky ovládaná ložná plocha nosítek s funkcí Chaperone (volitelný doplněk) – pouze Prime (straně 32))*).

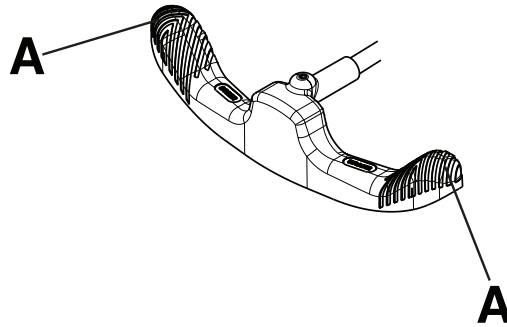
Provoz

Zabrzdění a odbrzdění brzd

VAROVÁNÍ - Při přesunu pacienta na lehátko nebo z něj, případně pokud se lehátko nepohybuje, vždy zabrzděte brzdu. Při přesunu pacienta na lehátko nebo z něho může dojít ke zranění, pokud se lehátko pohne.

Stisknutím brzdové (červené) strany brzdového/řídícího pedálu zabrzdíte. Na výrobek zatlačte, abyste se ujistili, že brzdy fungují.

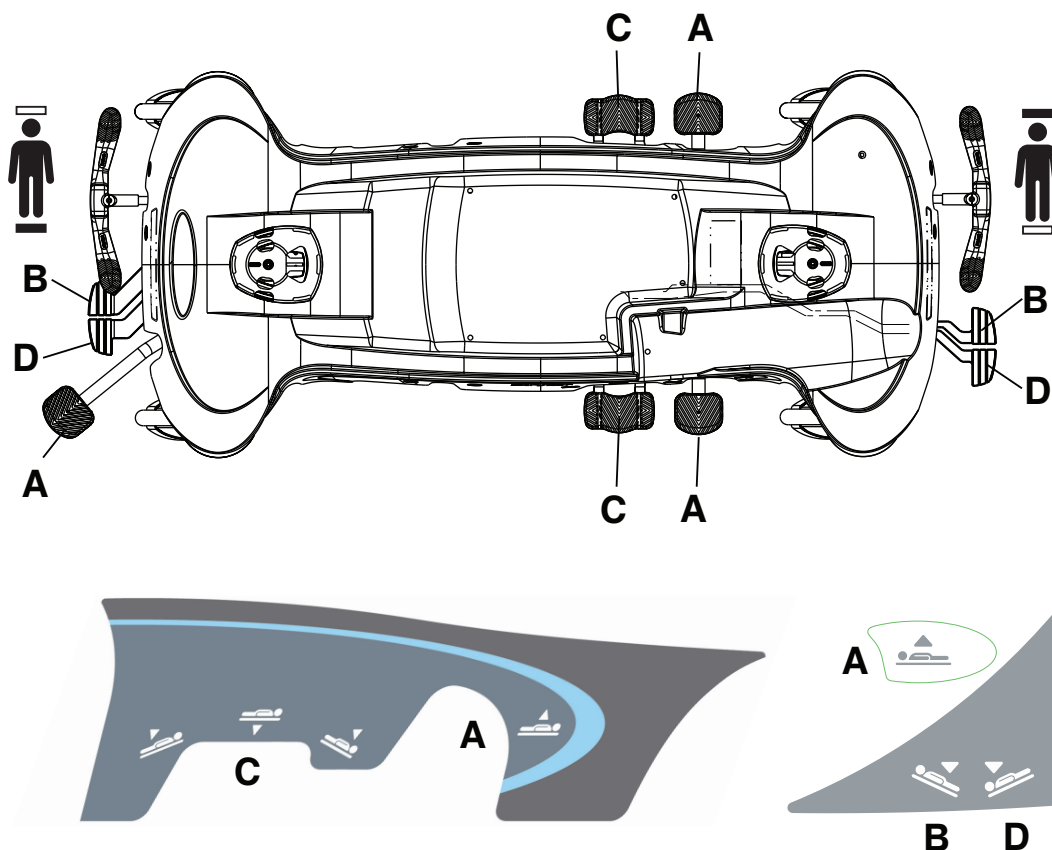
Stisknutím řídící (zelené) strany brzdového/řídícího pedálu brzdy uvolníte.



Obrázek 7 – Používání pedálu brzdy/řízení

Poznámka - Netlačte na střední část pedálu brzdy/řízení. Vždy zatlačte na vnější stranu (A) pedálu brzdy/řízení (Obrázek 7).

Ovládání podvozku Prime



Obrázek 8 – Ovládací prvky a štítek podvozku Prime

Zvýšení nosítek bez elektrického mechanismu

VAROVÁNÍ

- Pacienta vždy umístěte doprostřed výrobku.
- Když pacienta ponecháváte bez dozoru, vždy výrobek dejte do nejnižší polohy se zvednutými a zajištěnými postranicemi. Nenechávejte výrobek ve zvýšené poloze.
- Před zvednutím nebo snížením ložné plochy nosítek vždy odstraňte všechny překážky, které mohou být v cestě.
- Nesedějte na konec výrobku. Mohlo by dojít k převrácení výrobku.

UPOZORNĚNÍ - Nepoužívejte hydrauliku podvozku ke zvednutí výrobku, pokud je zvedací mechanismus pacienta pod výrobkem.

Chcete-li zvýšit ložnou plochu nosítek, podržte stisknutý pedál pumpy (A), dokud nedosáhnete požadované výšky (*Ovládání podvozku Prime* (straně 17)).

Snížení nosítek bez elektrického mechanismu

VAROVÁNÍ

- Pacienta vždy umístěte doprostřed výrobku.
- Když pacienta ponecháváte bez dozoru, vždy výrobek dejte do nejnižší polohy se zvednutými a zajištěnými postranicemi. Nenechávejte výrobek ve zvýšené poloze.
- Před zvednutím nebo snížením ložné plochy nosítek vždy odstraňte všechny překážky, které mohou být v cestě.

- Nesedejte na konec výrobku. Mohlo by dojít k převrácení výrobku.
-

UPOZORNĚNÍ - Nepoužívejte hydrauliku podvozku ke zvednutí výrobku, pokud je zvedací mechanismus pacienta pod výrobkem.

Chcete-li snížit celou ložnou plochu nosítek, zatlačte na střed univerzálního pedálu (C) (*Ovládání podvozku Prime* (straně 17)).

Chcete-li snížit horní konec nosítek, sešlápněte pedál (B) nebo zatlačte na stranu univerzálního pedálu (C) nejbližší k hornímu konci výrobku.

Chcete-li snížit dolní konec nosítek, sešlápněte pedál (D) nebo zatlačte na stranu univerzálního pedálu (C) nejbližší k dolnímu konci výrobku.

Zvýšení elektricky ovládané ložné plochy nosítek (volitelný doplněk)

VAROVÁNÍ

- Pacienta vždy umístěte doprostřed výrobku.
 - Když pacienta ponecháváte bez dozoru, vždy výrobek dejte do nejnižší polohy se zvednutými a zajištěnými postranicemi. Nenechávejte výrobek ve zvýšené poloze.
 - Před zvednutím nebo snížením ložné plochy nosítek vždy odstraňte všechny překážky, které mohou být v cestě.
 - Nesedejte na konec výrobku. Mohlo by dojít k převrácení výrobku.
-

UPOZORNĚNÍ - Nepoužívejte hydrauliku podvozku ke zvednutí výrobku, pokud je zvedací mechanismus pacienta pod výrobkem.

Chcete-li zvýšit elektricky ovládanou ložnou plochu nosítek, podržte stisknutý pedál pumpy (A), dokud nedosáhnete požadované výšky (*Ovládání podvozku Prime* (straně 17)).

Snížení volitelné elektricky ovládané ložné plochy nosítek

VAROVÁNÍ

- Pacienta vždy umístěte doprostřed výrobku.
 - Když pacienta ponecháváte bez dozoru, vždy výrobek dejte do nejnižší polohy se zvednutými a zajištěnými postranicemi. Nenechávejte výrobek ve zvýšené poloze.
 - Před zvednutím nebo snížením ložné plochy nosítek vždy odstraňte všechny překážky, které mohou být v cestě.
 - Nesedejte na konec výrobku. Mohlo by dojít k převrácení výrobku.
-

UPOZORNĚNÍ - Nepoužívejte hydrauliku podvozku ke zvednutí výrobku, pokud je zvedací mechanismus pacienta pod výrobkem.

Chcete-li snížit celou elektricky ovládanou ložnou plochu nosítek, stiskněte střed univerzálního pedálu (C) (*Ovládání podvozku Prime* (straně 17)).

Chcete-li snížit horní konec nosítek, sešlápněte pedál (B) nebo zatlačte na stranu univerzálního pedálu (C) nejbližší k hornímu konci výrobku.

Chcete-li snížit dolní konec nosítek, sešlápněte pedál (D) nebo zatlačte na stranu univerzálního pedálu (C) nejbližší k dolnímu konci výrobku.

Umístění výrobku do Trendelenburgovy polohy

VAROVÁNÍ - Před zvednutím nebo snížením ložné plochy nosítek vždy odstraňte všechny překážky, které mohou být v cestě.

UPOZORNĚNÍ - Nepoužívejte hydrauliku podvozku ke zvednutí výrobku, pokud je zvedací mechanismus pacienta pod výrobkem.

Chcete-li výrobek umístit do Trendelenburgovy polohy (hlavou dolů), zvedněte ložnou plochu na nejvyšší úroveň (*Zvýšení nosítek bez elektrického mechanismu* (straně 17) nebo *Zvýšení elektricky ovládané ložné plochy nosítek (volitelný doplněk)* (straně 18)).

Poznámka - Zvedněte ložnou plochu na nejvyšší úroveň k dosažení strmější Trendelenburgovy polohy.

Chcete-li snížit horní konec výrobku, sešlápněte odjišťovací pedál na horním nebo dolním konci (D) nebo zatlačte na stranu univerzálního pedálu (C) nejbližší k hornímu konci (*Ovládání podvozku Prime* (straně 17)).

Chcete-li snížit výrobek z Trendelenburgovy polohy sešlápněte odjišťovací pedály na horním a dolním konci (B a D) zároveň nebo zatlačte na střed univerzálního pedálu (C), až bude ložná plocha nosítek vodorovná.

Umístění výrobku do obrácené Trendelenburgovy polohy

VAROVÁNÍ - Před zvednutím nebo snížením ložné plochy nosítek vždy odstraňte všechny překážky, které mohou být v cestě.

UPOZORNĚNÍ - Nepoužívejte hydrauliku podvozku ke zvednutí výrobku, pokud je zvedací mechanismus pacienta pod výrobkem.

Chcete-li výrobek umístit do obrácené Trendelenburgovy polohy (nohama dolů), zvedněte ložnou plochu na nejvyšší úroveň (*Zvýšení nosítek bez elektrického mechanismu* (straně 17) nebo *Zvýšení elektricky ovládané ložné plochy nosítek (volitelný doplněk)* (straně 18)).

Poznámka - Zvedněte ložnou plochu na nejvyšší úroveň k dosažení strmější Trendelenburgovy polohy.

Chcete-li snížit dolní konec výrobku, sešlápněte odjišťovací pedál na horním nebo dolním konci (B) nebo zatlačte na stranu univerzálního pedálu (C) nejbližší k dolnímu konci (*Ovládání podvozku Prime* (straně 17)).

Chcete-li snížit výrobek z obrácené Trendelenburgovy polohy, sešlápněte odjišťovací pedály na horním a dolním konci (B a D) zároveň nebo zatlačte na střed univerzálního pedálu (C), až bude ložná plocha vodorovná.

Převaha pacienta

VAROVÁNÍ

- Pacienta vždy umístěte doprostřed výrobku.
 - Při přepravě pacienta vždy uzamkněte postranice v nejvyšší poloze, přičemž ložná plocha musí být vodorovně a v nejnižší poloze.
 - Nepřepravujte výrobek laterálně na svahu větším než 5,7 stupňů (10 %), aby se výrobek nepřevrátil.
-

Jak pacienta přepravovat:

1. Zvedněte postranice do nejvyšší polohy. Zatáhněte za postranici a ověřte, že je v uzamčené poloze.
2. Ložnou plochu umístěte do nejnižší polohy.
3. Pokud je výrobek vybaven elektrickým zvedacím mechanismem nebo elektricky ovládanou ložnou plochou nosítek, vypojte napájecí kabel ze zásuvky ve zdi.
4. Stiskněte řídicí (zelenou) stranu brzdového/řídicího pedálu.

5. Výrobek tlačte pomocí rukojetí k tomu určených.
6. Zabrzděte brzdy, aby výrobek zůstal na místě.

Poznámka - Než uvedete výrobek do pohybu, zkontrolujte, že je brzda uvolněná, aby nedošlo ke zranění obsluhy nebo pacienta.

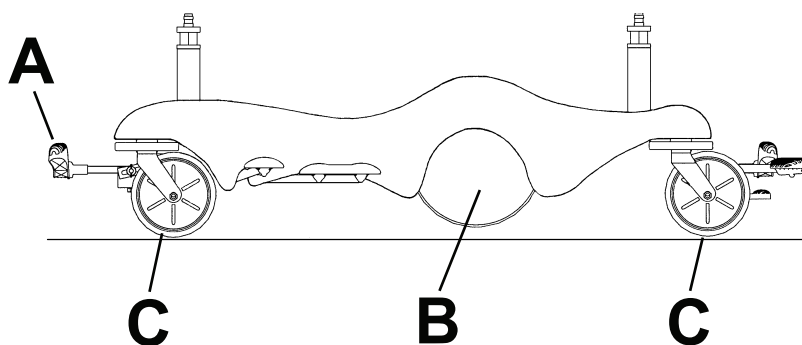
Přeprava pacienta bez použití kola Big Wheel

VAROVÁNÍ

- Pacienta vždy umístěte doprostřed výrobku.
- Při přepravě pacienta vždy uzamkněte postranice v nejvyšší poloze, přičemž ložná plocha musí být vodorovně a v nejnižší poloze.

Postup přepravy pacienta bez použití kola **Big Wheel**:

1. Přesuňte pedál brzd/řízení (A) do neutrální polohy (Obrázek 9).



Obrázek 9 – Přeprava pacienta bez použití kola Big Wheel

2. Ložnou plochu umístěte do nejnižší polohy.
3. Pouze u modelu 1125: ověřte, že přepínač / manuální vypínač je ve vypnuté poloze.
4. Pokud je výrobek vybaven elektrickým zvedacím mechanismem nebo elektricky ovládanou ložnou plochou nosítek, vypojte napájecí kabel ze sít'ové zásuvky nemocniční kategorie.
5. Výrobek tlačte pomocí rukojetí k tomu určených.
6. Zabrzděte brzdy, aby výrobek zůstal na místě.

Poznámka

- Než uvedete výrobek do pohybu, zkontrolujte, že je brzda uvolněná, aby nedošlo ke zranění obsluhy nebo pacienta.
- Když je produkt v neutrální poloze, kolo **Big Wheel** (B) je zvednuté a produkt spočívá na všech čtyřech kolečkách (C) (Obrázek 9). V této poloze můžete produktem pohybovat v jakémkoli směru, i do stran.

Přeprava pacienta za použití kola Big Wheel

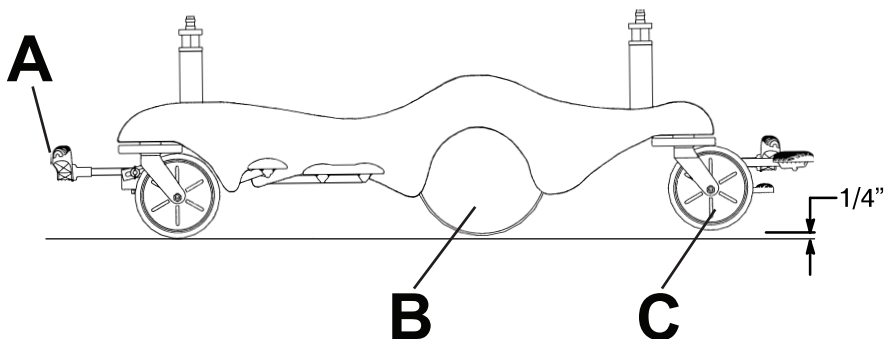
VAROVÁNÍ

- Pacienta vždy umístěte doprostřed výrobku.
- Při přepravě pacienta vždy uzamkněte postranice v nejvyšší poloze, přičemž ložná plocha musí být vodorovně a v nejnižší poloze.

UPOZORNĚNÍ - Neaktivujte pedál řízení, když je kolo **Big Wheel** na prahu nebo jiném zvýšeném povrchu. Síla nutná k aplikaci kola **Big Wheel** bude vyšší než normálně a může způsobit poškození výrobku.

Postup přepravy pacienta za použití kola **Big Wheel**:

1. Zvedněte postranice do nejvyšší polohy. Zatáhněte za každou postranici a ověřte, že je v uzamčené poloze.
2. Ložnou plochu umístěte do nejnižší polohy.
3. Pouze u modelu 1125: ověřte, že přepínač / manuální vypínač je ve vypnuté poloze.
4. Pokud je výrobek vybaven elektrickým zvedacím mechanismem nebo elektricky ovládanou ložnou plochou nosítek, vypojte napájecí kabel ze sít'ové zásuvky nemocniční kategorie.
5. Přesuňte pedál brzdy/řízení (A) do polohy pro řízení (Obrázek 10).



Obrázek 10 – Přeprava pacienta pomocí kola **Big Wheel**

6. Výrobek tlačte pomocí rukojetí k tomu určených.
7. Zabrzděte brzdy, aby výrobek zůstal na místě.

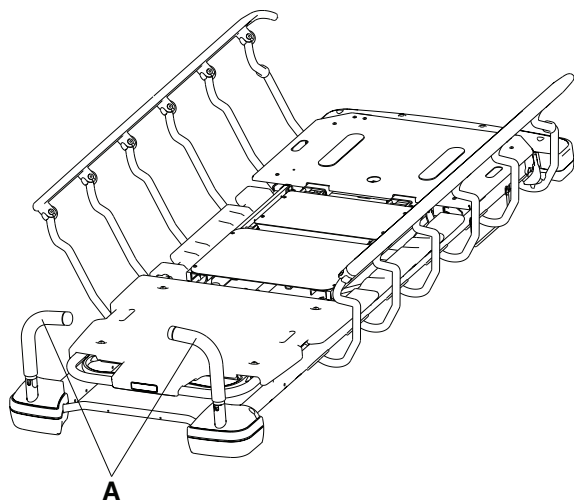
Poznámka

- Před rozjetím se vždy ujistěte, že je brzda uvolněna. Pokus o pohyb s výrobkem v zabrzděném stavu může vést ke zranění obsluhy nebo pacienta.
- Kolo **Big Wheel** (B) není otočné. Když je aktivováno kolo **Big Wheel**, výrobkem nemůžete pohybovat do stran.
- Když je aplikováno kolo **Big Wheel** (B), výrobek je nadzvednutý a kolečka na dolním konci (C) jsou zvednuta. Výrobek spočívá na kolečkách horního konce a díky kolu **Big Wheel** se dá snadněji řídit (Obrázek 10).

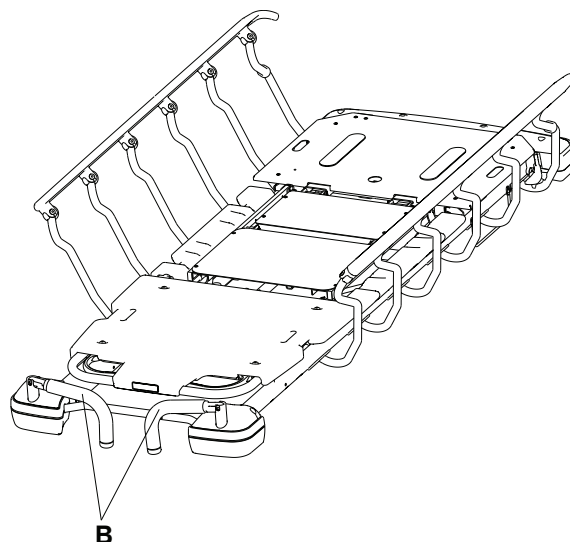
Nastavení a odstranění volitelných tlačných rukojetí na horním konci

Postup nastavení a odstranění tlačných rukojetí na horním konci:

1. Otočte rukojeti (A) nahoru od horního konce výrobku (Obrázek 11).
2. Zatlačením na rukojeti směrem dolů je zajistěte v příslušné poloze.



Obrázek 11 – Nastavení tlačných rukojetí na horním konci



Obrázek 12 – Odstranění tlačných rukojetí na horním konci

3. Obráceným postupem tlačné rukojeti (B) horního konce odstraňte (Obrázek 12).

Poznámka - Aby nedošlo k poškození výrobku, jako tlačné nebo tažné zařízení používejte pouze tlačné rukojeti, pokud není uvedeno jinak.

Zvednutí postranice

VAROVÁNÍ

- Pokud s volitelným doplňkem **Prime X** používáte matraci silnější než 2,5 palce (6,35 cm) nebo krycí matraci, buďte obzvláště opatrní.
- Když pacienta ponecháváte bez dozoru, vždy výrobek dejte do nejnižší polohy se zvednutými a zajištěnými postranicemi. Nenechávejte výrobek ve zvýšené poloze.
- Při přepravě pacienta vždy uzamkněte postranice v nejvyšší poloze, přičemž ložná plocha musí být vodorovně a v nejnižší poloze.
- Při zvedání a spouštění postranic nesmí pacientovy končetiny nikdy být mezi příčkami postranic.
- Nedopustěte, aby se postranice sklopily samovolně.

Postup zvednutí postranice:

1. Uchopte postranici oběma rukama.
2. Zvedněte postranici a zatlačte ji směrem k dolnímu konci výrobku, až zaklapne na místo žlutá odjišťovací západka. Zatahněte za postranici, abyste se ujistili, že je v uzamčené poloze.

Poznámka

- Je k dispozici varianta se dvěma odjišťovacími západkami postranic umístěnými na obou koncích výrobku.
- Postranice nepoužívejte jako zádržný systém k udržení pacienta na výrobku. Postranice zabraňují tomu, aby se pacient svalil z výrobku. Obsluha musí určit stupeň omezení potřebný k zajištění bezpečnosti pacienta.
- Dolní konec horní kolejnice postranice můžete použít jako tlačné nebo tažné zařízení.
- Postranice lze uzamknout pouze v nejvyšší poloze.

Spuštění postranice

VAROVÁNÍ

- Pokud s volitelným doplňkem **Prime X** používáte matraci silnější než 2,5 palce (6,35 cm) nebo krycí matraci, buďte obzvláště opatrní.
 - Když pacienta ponecháváte bez dozoru, vždy výrobek dejte do nejnižší polohy se zvednutými a zajištěnými postranicemi. Nenechávejte výrobek ve zvýšené poloze.
 - Při přepravě pacienta vždy uzamkněte postranice v nejvyšší poloze, přičemž ložná plocha musí být vodorovně a v nejnižší poloze.
 - Při zvedání a spouštění postranic nesmí pacientovy končetiny nikdy být mezi příčkami postranic.
 - Nedopusťte, aby se postranice sklopily samovolně.
-

Postup spuštění postranice:

1. Uchopte postranici jednou rukou.
2. Druhou rukou zatáhněte za žlutou odjišťovací západku.
3. Zvedněte postranici a zatlačte ji směrem k hornímu konci výrobku, až zaklapne na místo žlutá odjišťovací západka. Zatáhněte za postranici, abyste se ujistili, že je v uzamčené poloze.

Poznámka

- Je k dispozici varianta se dvěma odjišťovacími západkami postranic umístěnými na obou koncích výrobku.
- Postranice nepoužívejte jako zádržný systém k udržení pacienta na výrobku. Postranice zabraňují tomu, aby se pacient svalil z výrobku. Obsluha musí určit stupeň omezení potřebný k zajištění bezpečnosti pacienta.
- Dolní konec horní kolejnice postranice můžete použít jako tlačné nebo tažné zařízení.
- Postranice lze uzamknout pouze v nejvyšší poloze.

Nastavení polohy výrobku s ovládacím panelem pro pacienta na postranici – varianta s elektricky ovládanou ložnou plochou nosítek – pouze Prime

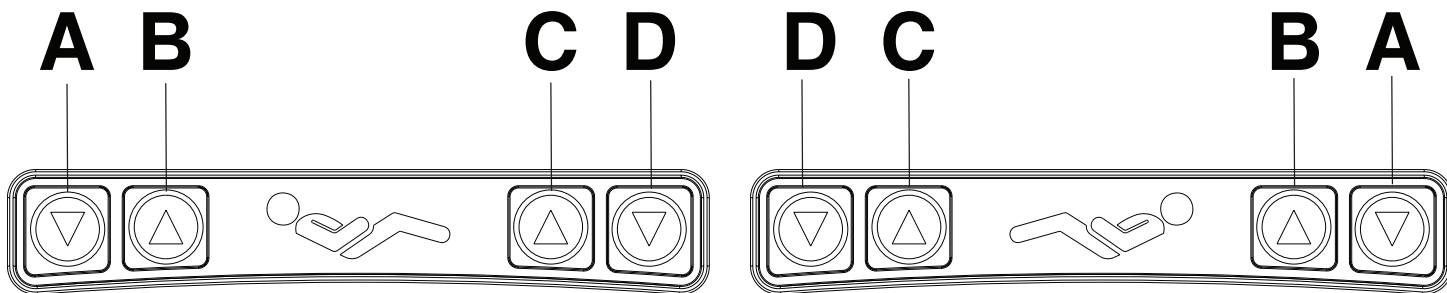
VAROVÁNÍ - Výrobek provozujte, pouze když jsou všichni pracovníci obsluhy mimo dosah mechanismů.

K nastavení polohy zádové části a podkolenní části použijte ovládací panel pro pacienta na postranici (Obrázek 13).

Zdravotničtí pracovníci musí pacienty poučit, jak mají obsluhovat ovládací prvky pacienta.

Poznámka

- Napájecí kabel vždy zapojte do řádně uzemněné zásuvky nemocničního typu.
- Ovládací panel pro pacienta na postranici je umístěn na každé straně tak, aby k němu měl pacient dobrý přístup.
- Na každé postranici je podsvícený ovladač, který pacientovi umožňuje nastavovat zádovou a podkolenní část. Když je výrobek zapojen do napájení a ovládací panel pacienta je odblokován, bílá tlačítka svítí.



Obrázek 13 – Ovládací panel pacienta na postranici

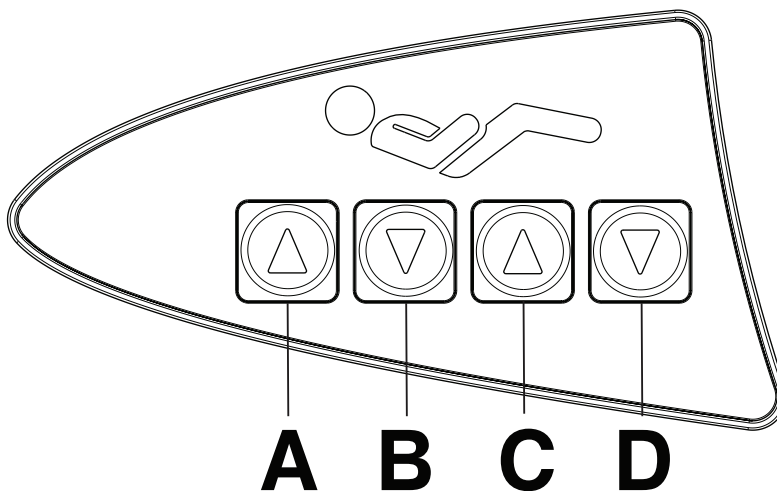
A	Zádová část dolů	Snižuje zádovou část (horní část)
B	Zádová část nahoru	Zvedá zádovou část (horní část)
C	Podkolenní část nahoru	Zvedá podkolenní část (dolní část)
D	Podkolenní část dolů	Snižuje podkolenní část (dolní část)

Ovládací panel pro obsluhu – volitelná elektricky ovládaná ložná plocha nosítek – pouze Prime

VAROVÁNÍ - Výrobek provozujte, pouze když jsou všichni pracovníci obsluhy mimo dosah mechanismů.

Ovládací panel pro obsluhu používejte k úpravě polohy pacienta na výrobku (Obrázek 14).

Poznámka - Napájecí kabel vždy zapojte do řádně uzemněné zásuvky nemocničního typu.



Obrázek 14 – Ovládací panel pro obsluhu – volitelná elektricky ovládaná ložná plocha nosítek

A	Zádová část nahoru	Opěradlo zádové části zvedá
B	Zádová část dolů	Opěradlo zádové části snižuje
C	Podkolenní část nahoru	Podkolenní část zvedá
D	Podkolenní část dolů	Podkolenní část snižuje

Zablokování a odblokování funkcí ovládacího panelu pro pacienta – volitelná elektricky ovládaná ložná plocha nosítek – pouze Prime

VAROVÁNÍ - Výrobek provozujte, pouze když jsou všichni pracovníci obsluhy mimo dosah mechanismů.

Chcete-li zablokovat ovládací panel pro pacienta na postranici, jednou stiskněte tlačítko **Unlock/Lock (A)** (odblokovat/zablokovat) (Obrázek 15).

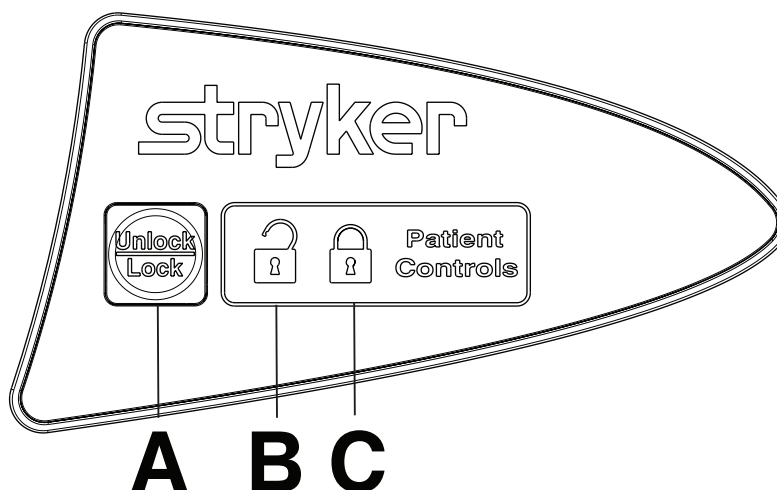
Poznámka - Když jsou ovládací prvky pacienta uzamčeny, ikona zámku (C) svítí oranžově.

Chcete-li odblokovat ovládací panel pro pacienta na postranici, stiskněte tlačítko **Unlock/Lock (A)** (odblokovat/zablokovat) (A) podruhé.

Poznámka - Když jsou ovládací prvky pacienta odemčeny, ikona odemknutí (B) svítí zeleně.

Poznámka

- Napájecí kabel vždy zapojte do řádně uzemněné zásuvky nemocničního typu.
- Ovládací panel pro pacienta můžete zablokovat tak, aby pacient nemohl pohybovat opěrkou zad ani podkolenní částí.
- Když ovládací panel pro pacienta na postranici zablokujete, nebude podsvícen.



Obrázek 15 – Uzamčení ovládacího panelu pacienta

Zvednutí nebo snížení zádové části – nosítka bez elektrického mechanismu

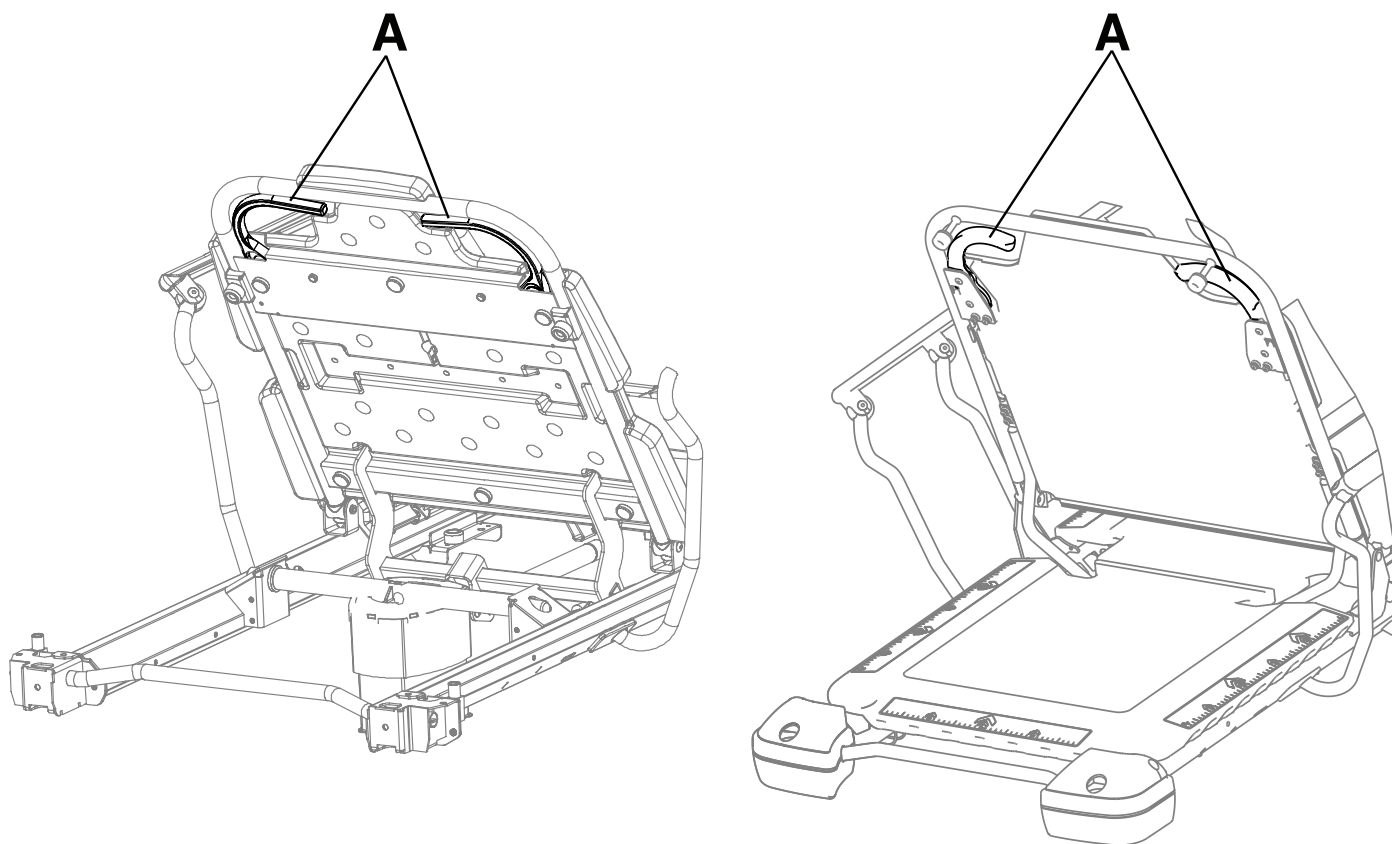
VAROVÁNÍ

- Výrobek provozujte, pouze když jsou všichni pracovníci obsluhy mimo dosah mechanismů.
- Při sklápění zádové části mějte ruce a prsty mimo odjišťovací rukojeti zádové části a rám zádové části.
- Při zvedání zádové části s pacientem na lehátku vždy postupujte opatrně. Použijte správné techniky zvedání a případně požádejte o pomoc.

Ke zvednutí zádové části stiskněte jednu nebo obě odjišťovací rukojeti zádové části (A) a vytáhněte zádovou část do požadované polohy (0° až 90°) (Obrázek 16).

Poznámka - Funkce opěrky zad **Lift Assist®** pro snížení sedáku využívá váhu pacienta jako další pomoc při úpravě polohy pacienta. Funkce opěrky zad **Lift Assist** také pomáhá zamezit sklouznutí pacienta směrem k dolnímu konci v době, kdy zvedáte zádovou část.

Chcete-li zádovou část sklopit níže, stiskněte jednu nebo obě odjišťovací rukojeti zádové části (A) a stlačte zádovou část do požadované polohy (90° až 0°) (Obrázek 16).



Obrázek 16 – Zvednutí nebo snížení zádové části (Prime / Prime X)

Zvednutí nebo snížení zádové části – varianta s elektricky ovládanou ložnou plochou nosítek

VAROVÁNÍ

- Výrobek provozujte, pouze když jsou všichni pracovníci obsluhy mimo dosah mechanismů.
- Při sklápění zádové části mějte ruce a prsty mimo odjišťovací rukojeti zádové části a rám zádové části.
- Při zvedání zádové části s pacientem na lehátku vždy postupujte opatrně. Použijte správné techniky zvedání a případně požádejte o pomoc.

Chcete-li zvednout zádovou část, podržte stisknuté tlačítko **up** (nahoru) na zádové straně ovládacího panelu pro pacienta na postranici (*Nastavení polohy výrobku s ovládacím panelem pro pacienta na postranici – varianta s elektricky ovládanou ložnou plochou nosítek – pouze Prime (straně 23)*) nebo na ovládacím panelu pro obsluhu na dolním konci (*Ovládací panel pro obsluhu – volitelná elektricky ovládaná ložná plocha nosítek – pouze Prime (straně 24)*), dokud zádová část nedosáhne požadované polohy (0° až 70°).

Poznámka - Funkce opěrky zad **Lift Assist** pro snížení sedáku využívá váhu pacienta jako další pomoc při úpravě polohy pacienta. Funkce opěrky zad **Lift Assist** také pomáhá zamezit sklouznutí pacienta směrem k dolnímu konci v době, kdy zvedáte zádovou část.

Chcete-li snížit zádovou část, podržte stisknuté tlačítko **down** (dolů) na zádové straně ovládacího panelu pro pacienta na postranici (*Nastavení polohy výrobku s ovládacím panelem pro pacienta na postranici – varianta s elektricky ovládanou ložnou plochou nosítek – pouze Prime (straně 23)*) nebo na ovládacím panelu pro obsluhu na dolním konci (*Ovládací panel pro obsluhu – volitelná elektricky ovládaná ložná plocha nosítek – pouze Prime (straně 24)*), dokud zádová část nedosáhne požadované polohy (70° až 0°).

Poznámka - Napájecí kabel vždy zapojte do řádně uzemněné zásuvky nemocničního typu.

Zdravotníčtí pracovníci musí pacienty poučit, jak mají obsluhovat ovládací prvky pacienta.

Zvedání a sklápění podkolenní části – nosítka bez elektrického mechanismu – pouze Prime

VAROVÁNÍ - Při sklápění podkolenní části vždy mějte ruce a prsty mimo tlačné rukojeti dolního konce.

UPOZORNĚNÍ

- Nosnost podkolenní části je 200 lb (90,7 kg).
 - Před použitím se vždy ujistěte, že je opěrná tyč podkolenní části zajištěna.
 - Na podkolenní části se nesmí sedět ani stát, ani na ni šlapat.
-

Chcete-li zvednout podkolenní část bez elektrického mechanismu, pumpujte pumpovací rukojeti podkolenní části, dokud nedosáhnete požadované polohy (viz *Obrázek výrobku – nosítka Prime*).

Zvedněte konec podkolenní části a zajištěte opěrnou tyč v úchytu.

Opěrnou tyč uvolníte tak, že zvednete konec podkolenní části, otočíte opěrnou tyč směrem k hornímu konci výrobku a sklopíte dolní konec.

Chcete-li podkolenní část sklopit, zatáhněte za odjišťovací rukojeť a držte, dokud nedosáhnete požadované polohy (viz *Obrázek výrobku – nosítka Prime*).

Poznámka - Podkolenní část nelze zvednout manuálně, pokud má výrobek elektricky ovládanou ložnou plochu nosítek.

Zvedání a sklápění podkolenní části – nosítka s elektrickým mechanismem – pouze Prime

VAROVÁNÍ

- Při sklápění podkolenní části vždy mějte ruce a prsty mimo tlačné rukojeti dolního konce.
 - Výrobek provozujte, pouze když jsou všichni pracovníci obsluhy mimo dosah mechanismů.
-

UPOZORNĚNÍ

- Nosnost podkolenní části je 200 lb (90,7 kg).
 - Na podkolenní části se nesmí sedět ani stát, ani na ni šlapat.
 - Při sklápění podkolenní části v době, kdy není výrobek napájen, vždy postupujte opatrně. Síla gravitace může způsobit rychlé sklopení podkolenní části.
-

Chcete-li zvednout podkolenní část, stiskněte tlačítko **up** (nahoru) na ovládacím panelu pro pacienta na postranici nebo na ovládacím panelu pro obsluhu na dolním konci.

Chcete-li podkolenní část sklopit, stiskněte tlačítko **down** (dolů) na ovládacím panelu pro pacienta na postranici nebo na ovládacím panelu pro obsluhu na dolním konci.

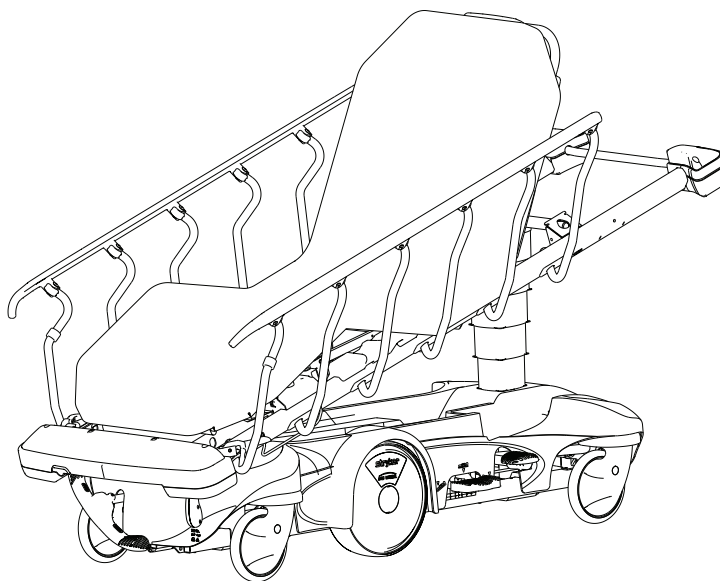
Poznámka - Napájecí kabel vždy zapojte do řádně uzemněné zásuvky nemocničního typu.

Zdravotníčtí pracovníci musí pacienty poučit, jak mají obsluhovat ovládací prvky pacienta.

Poloha zotavovacího křesla – pouze Prime

VAROVÁNÍ - Výrobek provozujte, pouze když jsou všichni pracovníci obsluhy mimo dosah mechanismů.

Postup nastavení výrobku do polohy zotavovacího křesla (Obrázek 17):



Obrázek 17 – Zotavovací křeslo (zobrazen model 1115)

1. Zvedněte zadovou část do polohy vsedě (*Zvednutí nebo snížení zadové části – nosítka bez elektrického mechanismu (straně 25) nebo Zvednutí nebo snížení zadové části – varianta s elektricky ovládanou ložnou plochou nosítek (straně 26)*).
- Poznámka** - Pro nastavení do polohy zotavovacího křesla musí mít výrobek funkci **Lift Assist** u opěrky zad a volitelnou podkolenní částí.
2. Zvedněte podkolenní část do nejvyšší polohy (*Zvedání a sklápění podkolenní části – nosítka bez elektrického mechanismu – pouze Prime (straně 27) nebo Zvedání a sklápění podkolenní části – nosítka s elektrickým mechanismem – pouze Prime (straně 27)*).
3. Zvedněte nosítka do nejvyšší polohy (*Zvýšení nosítek bez elektrického mechanismu (straně 17) nebo Zvýšení elektricky ovládané ložné plochy nosítek (volitelný doplněk) (straně 18)*).
4. Umístěte výrobek do obrácené Trendelenburgovy polohy (*Umístění výrobku do obrácené Trendelenburgovy polohy (straně 19)*).
5. Obráceným postupem výrobek vraťte do vodorovné polohy.

Ukládání předmětů do krytu podvozku

UPOZORNĚNÍ

- Do krytu podvozku neukládejte předměty těžší než 60 libry (27 kg).
- Na krytu podvozku se nesmí sedět ani stát, ani na něj šlapat.

V krytu podvozku mohou být uloženy pacientovy věci. Výřez v držáku kyslíkové láhve se nesmí používat k ukládání kyslíkových lahví nebo věcí pacienta.

Zavěšování zdravotnických prostředků při použití volitelné konzoly pro pumpu

VAROVÁNÍ

- Hadičky zdravotnických prostředků na konzole pro pumpu vždy udržujte mimo rukojeti podkolenní části.
- Před zvednutím nebo snížením ložné plochy nosítek vždy odstraňte všechny překážky, které mohou být v cestě.
- Vždy dávejte pozor, aby prostředky zavěšené na konzole pro pumpu bezpečně prošly dveřmi.
- Nezvedejte výrobek za konzolu pro pumpu.

UPOZORNĚNÍ

- Nosnost konzoly pro pumpu je 40 lb (18 kg).
 - Konzolu pro pumpu nepoužívejte jako tlačné ani tažné zařízení. Může dojít k poškození výrobku.
-

Na konzolu pro pumpu umístěnou na dolním konci výrobku můžete ukládat nebo věšet další zdravotnické prostředky.

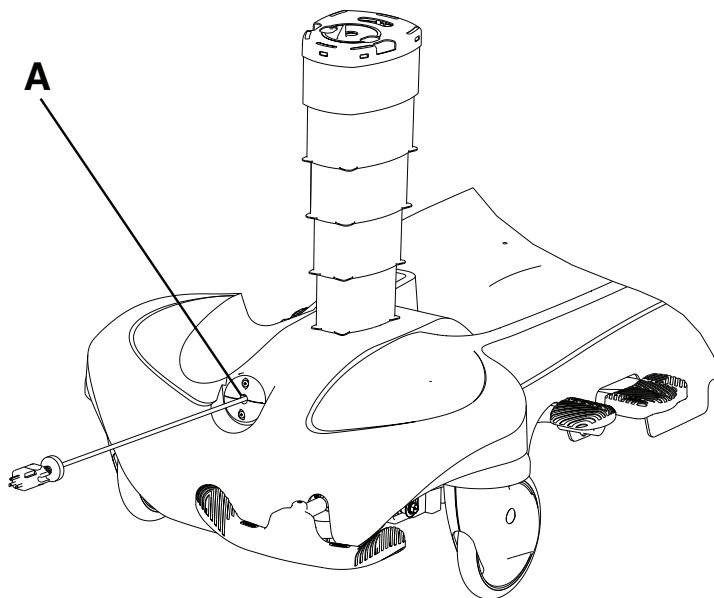
Poznámka - Konzolu pro pumpu (volitelný doplněk) musíte zvolit při nákupu.

Vytažení a zatažení napájecího kabelu pomocí volitelného navijáku na kabel – pouze u volitelného elektrického zvedacího mechanismu nebo volitelné elektricky ovládané ložné plochy nosítek

VAROVÁNÍ

- Před přepravou nebo čištěním výrobku vždy vytáhněte napájecí kabel ze zásuvky ve zdi.
 - Při přepravě výrobku vždy používejte k uschování napájecího kabelu naviják uvnitř podvozku.
-

Pokud potřebujete větší délku kabelu, vytáhněte potřebnou délku kabelu z navijáku (A) (Obrázek 18).



Obrázek 18 – Naviják napájecího kabelu

Postup zatažení napájecího kabelu:

1. Vypojte napájecí kabel ze zásuvky ve zdi.
2. Lehce za napájecí kabel zatáhněte.
3. Zaveďte napájecí kabel do navijáku.

System váhy (volitelný doplněk)

VAROVÁNÍ - Nepoužívejte volitelný systém váhy, volitelný elektrický zvedací mechanismus nebo volitelnou elektricky ovládanou ložnou plochu nosítek těsně vedle jiných zařízení nebo na sobě. Pokud je použití těsně vedle sebe nebo na sobě nezbytné, volitelný systém váhy, volitelný elektrický zvedací mechanismus nebo volitelnou elektricky ovládanou ložnou plochu nosítek je nutno pozorovat, aby se ověřilo, že v použité konfiguraci fungují normálně.

UPOZORNĚNÍ - Nepoužívejte pro pacienty o hmotnosti nižší než 50 liber (22,7 kg).

Volitelný systém váhy je dostupný pro výrobky bez volitelné elektricky ovládané ložné plochy nosítek. Volitelný systém váhy má funkci záložního bateriového napájení. Ikona záložního režimu signalizuje, když výrobek používá záložní bateriové napájení.

Volitelná funkce **Chaperone** umožňuje nastavit kontrolní zóny, aby systém upozornil obsluhu v případě, že se pacient pokouší z výrobku vystoupit. Volitelná funkce **Chaperone** je dostupná pro výrobky s volitelnou elektricky ovládanou ložnou plochou nosítek a volitelným systémem váhy. Volitelný systém váhy s funkcí **Chaperone** má funkci záložního bateriového napájení. Ikona záložního režimu signalizuje, když výrobek používá záložní bateriové napájení.

Před použitím volitelného systému váhy zvedněte tlačné rukojeti na dolním konci.

Systém váhy se ovládá na ovládacím panelu systému váhy (*Identifikace ikon/tlačítek váhy (straně 30)*).

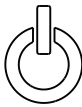






Nedotýkejte se výrobku v době, kdy v systému váhy provádíte vážení nebo nulování.

Pacient se při vážení nesmí hýbat. Pokud se pacient pohne, systém váhy se bude po dobu 20 sekund snažit získat stabilní hodnotu hmotnosti nebo nulovou hodnotu a poté zobrazí chybovou zprávu (⚠).

Pokud je nějaký spoj uvolněný nebo váha nefunguje, objeví se chybová zpráva (⚠). Pokud se při dalším pokusu použít váhu objeví chybová zpráva znovu, kontaktujte technickou podporu společnosti Stryker.

Poznámka - Aby přesnost systému váhy odpovídala udávaným parametrům, musí být ložná plocha, na které spočívá pacient, vodorovná (zádová a podkolenní část ve sklopené poloze) a v nejvyšší poloze a Trendelenburgova / obrácená Trendelenburgova poloha nesmí přesáhnout 5 stupňů.

Identifikace ikon/tlačítek váhy

Položka	Ikona/tlačítko	Název	Popis
A		Ikona Pohotovostní režim	Svítil zeleně, když zapojíte napájecí kabel do zásuvky ve zdi. Svítil žlutě, když vypojíte napájecí kabel ze zásuvky ve zdi. Zapne se záložní fungování na baterie.
B		Ikona Zóna 1	Pacient se může volně pohybovat, ale pokud se pokusí výrobek opustit, zazní zvuková výstraha.
C		Ikona Zóna 2	Pacient se může pohybovat v omezeném rozsahu. Pokud se pacient přiblíží k postranicím nebo dolnímu konci, zazní zvuková výstraha.
D		Tlačítko Arm/Disarm (zapnutí/vypnutí)	Zapíná a vypíná volitelnou funkci Chaperone (opuštění lehátka). Viz <i>Aktivace a deaktivace funkce Chaperone (straně 31)</i> .
E		Tlačítko Weigh (Vážení)	Slouží ke zvážení pacienta. Viz <i>Vážení pacienta (straně 31)</i> .
F		Tlačítko lb/kg	Mění zobrazené jednotky hmotnosti. Viz <i>Uzamknutí měrné jednotky na váze (straně 31)</i> .
G		Tlačítko Zero (Nula)	Vynuluje váhu. Viz <i>Uzamknutí měrné jednotky na váze (straně 31)</i> .

Vážení pacienta

UPOZORNĚNÍ - Údaje váhového systému nepoužívejte jako podklad pro lékařské ošetření.

1. Před použitím volitelného systému váhy zvedněte tlačné rukojeti na dolním konci.
2. Stiskněte a podržte tlačítko **Zero** (Nula), dokud se na obrazovce s vynulováním váhy nezobrazí pokyn **rel** (uvolnit). **000.0** zabliká a poté přestane blikat.

Poznámka - Váha není připravena k použití, dokud **000.0** nepřestane blikat.

3. Položte pacienta na výrobek.
4. Stisknutím možnosti **lb/kg** zvolíte měrnou jednotku (lb nebo kg).
5. Stisknutím možnosti **Weigh** (Vážení) získáte hmotnost pacienta.

Poznámka - Hmotnost pacienta se zobrazuje 40 sekund.

Uzamknutí měrné jednotky na váze

1. Stiskněte a podržte tlačítka **Weigh** (Vážení), **lb/kg** a **Zero** (Nula), dokud se nezobrazí pokyn **diag**.
2. Stisknutím tlačítka **lb/kg** nebo **Zero** (Nula) přepnete na možnost **Unit Loc** (Uzamknutí jednotky).
3. U váhy bez možnosti **Chaperone** stiskněte a podržte tlačítko **lb/kg** a **Zero** (Nula), dokud se nezobrazí pokyn **rel** (uvolnit), a poté zvolte možnost **Unit Loc** (Uzamknutí jednotky).
4. U váhy s možností **Chaperone** stiskněte a podržte tlačítko **lb/kg** a **Zero** (Nula) a zvolte možnost **Unit Loc** (Uzamknutí jednotky).

5. Stisknutím tlačítek **lb/kg** nebo **Zero** (Nula) přepínáte na možnosti **lb**, **kg**, nebo **Any** (Libovolná).
6. Stiskněte a uvolněte tlačítko **lb/kg** a **Zero** (Nula). Zobrazí se **only** (pouze) a zvolená měrná jednotka.

Poznámka - Nezobrazí se **only** (pouze), pokud zvolíte možnost **Any** (Libovolná).

7. Stiskněte a podržte tlačítko **Weigh** (Vážení), dokud se nezobrazí pokyn **quit** (odejít).
8. Stiskněte a podržte tlačítko **Zero** (Nula), dokud se nezobrazí pokyn **rel** (uvolnit). **000.0** zabliká a poté přestane blikat.

Poznámka - Váha není připravena k použití, dokud **000.0** nepřestane blikat.

Aktivace a deaktivace funkce Chaperone

Aktivovaná funkce **Chaperone** monitoruje polohu pacienta na výrobku.

Postup aktivace a deaktivace funkce **Chaperone**:

1. Když je pacient na výrobku, stiskněte tlačítko **Arm/Disarm** (aktivovat/deaktivovat).

Poznámka - Tím se aktivuje zóna 1. Při aktivaci se zóna 1 rozsvítí žlutě.

2. Chcete-li aktivovat zónu 2, stiskněte tlačítko **Arm/Disarm** (aktivovat/deaktivovat) dvakrát během 3 sekund.

Poznámka - Tím se aktivuje zóna 2. Při aktivaci se zóna 2 rozsvítí žlutě.

3. Chcete-li funkci **Chaperone** deaktivovat, stiskněte a podržte tlačítko **Arm/Disarm** (aktivovat/deaktivovat).

Poznámka - Před aktivací funkce **Chaperone** musíte vynulovat váhu.

Poznámka - Pokud se pacient pohne mimo hranice zvolené zóny, žluté světlo začne blikat, na displeji systému váhy (volitelný doplněk) začne blikat upozornění **Alert** (výstraha) a rozezní se zvuková výstraha.

Nastavení alarmů pro funkci Chaperone

Postup změny nastavení alarmů pro funkci **Chaperone**:

1. Stiskněte a podržte zároveň tlačítka **Arm/Disarm** (aktivovat/deaktivovat) a **Weigh** (Vážení) na dobu přibližně 6 sekund. Ignorujte všechny zprávy na displeji, dokud se na displeji neobjeví **Ptrn** (*Identifikace ikon/tlačítek váhy* (straně 30)).
2. Uvolněte tlačítka **Arm/Disarm** (aktivovat/deaktivovat) a **Weigh** (Vážení).

Poznámka - Na displeji se zobrazí možnosti nastavení **P (1–10)**.

3. Stisknutím tlačítek **Arm/Disarm** (aktivovat/deaktivovat) nebo **Weigh** (Vážení) můžete procházet možnostmi nastavení.

Poznámka - Při procházení vždy uslyšíte krátký vzorek možností alarmů.

4. Zvolený alarm uložíte tak, že stisknete a podržíte zároveň tlačítka **Arm/Disarm** (aktivovat/deaktivovat) a **Weigh** (Vážení) na dobu přibližně 6 sekund, dokud se na displeji neobjeví **set**.

5. Uvolněte tlačítka **Arm/Disarm** (aktivovat/deaktivovat) a **Weigh** (Vážení).

Poznámka - Zvolené nastavení alarmu se zobrazí na displeji. Krátký vzorek alarmu váš výběr nastavení potvrdí.

Nastavení hlasitosti alarmu pro funkci Chaperone

Postup změny hlasitosti alarmu pro funkci **Chaperone**:

1. Stiskněte a podržte zároveň tlačítka **Zero** (Nula) a **lb/kg**, dokud se na displeji neobjeví **vol** (hlasitost) (*Identifikace ikon/tlačítek váhy* (straně 30)).

2. Uvolněte tlačítka **Zero** (Nula) a **lb/kg**.

Poznámka - Na displeji se zobrazí stupnice hlasitosti **L (1–4)**.

3. Stisknutím tlačítka **Zero** (Nula) nebo **lb/kg** můžete procházet stupnicí hlasitosti.

Poznámka - Při procházení vždy uslyšíte krátký vzorek úrovní hlasitosti.

4. Zvolenou úroveň hlasitosti uložíte tak, že stisknete a podržíte zároveň tlačítka **Zero** (Nula) a **lb/kg** na dobu přibližně 6 sekund, dokud se na displeji neobjeví **set**.

5. Uvolněte tlačítka **Zero** (Nula) a **lb/kg**.

Poznámka - Zvolená úroveň hlasitosti se zobrazí na displeji. Krátký zvuk alarmu váš výběr nastavení hlasitosti potvrdí.

Nabíjení sady baterií systému váhy (volitelný doplněk) – elektricky ovládaná ložná plocha nosítek (volitelný doplněk) nebo elektricky ovládaná ložná plocha nosítek s funkcí Chaperone (volitelný doplněk) – pouze Prime

Systém váhy s elektricky ovládanou ložnou plochou nosítek (volitelný doplněk) vyžaduje jednu sadu 10,8 V Li-ION baterií (0058-135-000 bez volitelné funkce **Chaperone**; 0058-134-000 s funkcí **Chaperone**). Sadu baterií musíte dobít, jakmile na indikátoru úrovně nabití baterií zbývá už jen jeden dílek. To zamezuje, aby se systém váhy vypnul kvůli vybitým bateriím.

Chcete-li dobít sadu Li-ION baterií pro systém váhy, zapojte napájecí kabel do uzemněné elektrické zásuvky nemocničního typu. Sada baterií se plně nabije přibližně za tři hodiny.

Poznámka - Pokud se výrobek nepoužívá, musí být vždy zapojený do uzemněné zásuvky nemocničního typu. Pomáhá to udržovat dostatečnou úroveň nabití baterií a maximalizovat výkon výrobku, až bude fungovat na baterie.

Výměna baterií volitelného systému váhy – nosítka bez elektrického mechanismu

Baterie musíte vyměnit, jakmile na indikátoru nabití baterií zbývá už jen jeden dílek. To zamezuje, aby se systém váhy vypnul kvůli vybitým bateriím.

Když na displeji bliká nápis **Lo batt** (nízká úroveň nabití baterie), baterie je na nejnižším stupni nabití a systém váhy nefunguje.

Potřebné nástroje:

- Křížový šroubovák
- Čtyři baterie AA (alkalický typ (LR6))

Postup výměny baterií:

1. Křížovým šroubovákem odšroubujte šrouby, které přidrží kryt přihrádky na baterie na sestavě displeje.
2. Vyjměte a zlikvidujte všechny čtyři tužkové baterie velikosti AA.

Poznámka - Baterie likvidujte v souladu s místními předpisy.

3. Vložte čtyři nové baterie AA, jak je uvedeno v držáku baterií.

Poznámka - Nikdy nepoužívejte staré a nové baterie společně.

4. Pomocí šroubů, které jste odšroubovali v kroku 1, připevněte kryt přihrádky na baterie na sestavu displeje.

Doplňky a součásti

Tyto doplňky mohou být k dispozici k použití s výrobkem. Ověřte si dostupnost pro vaši konfiguraci nebo region. Volejte zákaznický servis Stryker: 1-800-327-0770.

Název	Číslo součásti
Deska pro defibrilátor	1105-045-200
Deska pro defibrilátor / nožní nástavec	1105-045-400
Dolní pelest / držák dokumentů	1105-045-500
Sestava polstrů pod patami	1105-045-022
IV podstavec	0785-155-000
HAVASU™ IV stojan, odnímatelný	0390-025-000
IV stojan, trojdílný, dolní konec, levý, 26 palců (66 cm)	1105-035-644
IV stojan, trojdílný, dolní konec, pravý, 26 palců (66 cm)	1105-035-639
IV stojan, trojdílný, dolní konec, levý, 30 palců (76 cm)	1105-035-344
IV stojan, trojdílný, dolní konec, pravý, 30 palců (76 cm)	1105-035-339
IV stojan, trojdílný, dolní konec, levý, 30 palců (76 cm), (volitelný doplněk Prime X)	1105-035-364
IV stojan, trojdílný, dolní konec, pravý, 30 palců (76 cm), (volitelný doplněk Prime X)	1105-035-361
IV stojan, trojdílný, horní konec, levý, 26 palců (66 cm)	1105-035-642
IV stojan, trojdílný, horní konec, pravý, 26 palců (66 cm)	1105-035-637
IV stojan, trojdílný, horní konec, levý, 30 palců (76 cm)	1105-035-342
IV stojan, trojdílný, horní konec, pravý, 30 palců (76 cm)	1105-035-337
IV stojan, trojdílný, horní konec, levý, 30 palců (76 cm), (volitelný doplněk Prime X)	1105-035-369
IV stojan, trojdílný, horní konec, pravý, 30 palců (76 cm), (volitelný doplněk Prime X)	1105-035-366

Název	Číslo součásti
IV stojan, dvoudílný, dolní konec, levý, 26 palců (66 cm)	1105-035-640
IV stojan, dvoudílný, dolní konec, pravý, 26 palců (66 cm)	1105-035-643
IV stojan, dvoudílný, dolní konec, levý, 30 palců (76 cm)	1105-035-340
IV stojan, dvoudílný, dolní konec, pravý, 30 palců (76 cm)	1105-035-343
IV stojan, dvoudílný, dolní konec, levý, 30 palců (76 cm), (volitelný doplněk Prime X)	1105-035-362
IV stojan, dvoudílný, dolní konec, pravý, 30 palců (76 cm), (volitelný doplněk Prime X)	1105-035-363
IV stojan, dvoudílný, horní konec, levý, 26 palců (66 cm)	1105-035-638
IV stojan, dvoudílný, horní konec, pravý, 26 palců (66 cm)	1105-035-641
IV stojan, dvoudílný, horní konec, levý, 30 palců (76 cm)	1105-035-341
IV stojan, dvoudílný, horní konec, pravý, 30 palců (76 cm)	1105-035-338
IV stojan, dvoudílný, horní konec, levý, 30 palců (76 cm), (volitelný doplněk Prime X)	1105-035-367
IV stojan, dvoudílný, horní konec, pravý, 30 palců (76 cm), (volitelný doplněk Prime X)	1105-035-368
Matrace, ComfortGel SE™ , protipožární bariéra, 26 palců (66 cm)	1805-034-601
Matrace, ComfortGel SE , protipožární bariéra, 30 palců (76 cm)	1805-034-301
Matrace, ComfortGel SE , bez protipožární bariéry, 26 palců (66 cm)	1805-034-600
Matrace, ComfortGel SE , bez protipožární bariéry, 30 palců (76 cm)	1805-034-300
Matrace, Enhanced Comfort, 3 palce x 26 palců (8 cm x 66 cm)	0785-034-613
Matrace, Enhanced Comfort, 3 palce x 30 palců (8 cm x 76 cm)	0785-034-313
Matrace, Enhanced Comfort, 4 palce x 26 palců (10 cm x 66 cm)	0785-034-623
Matrace, Enhanced Comfort, 4 palce x 30 palců (10 cm x 76 cm)	0785-034-323
Matrace, IsoFlex SE™ , protipožární bariéra, 30 palců (76 cm)	1806-034-300
Matrace, IsoFlex SE , bez protipožární bariéry, mezinárodní, 30 palců (76 cm)	1806-034-301
Matrace, Ultra Comfort, 4 palce x 26 palců (10 cm x 66 cm)	0785-034-603
Matrace, Ultra Comfort, 4 palce x 30 palců (10 cm x 76 cm)	0785-034-303
Matrace, Ultra Comfort, 5 palců x 26 palců (13 cm x 66 cm)	0785-034-633

Název	Číslo součásti
Matrace, Ultra Comfort, 5 palců x 30 palců (13 cm x 76 cm)	0785-034-333
Matrace, Ultra Comfort SE™ , 4 palce x 26 palců (10 cm x 66 cm)	1704-034-600
Matrace, Ultra Comfort SE , protipožární bariéra, mezinárodní, 4 palce x 26 palců (10 cm x 66 cm)	1704-034-601
Matrace, nástavec lehátka Ultra Comfort, 4 palce x 26 palců (10 cm x 66 cm)	1105-034-609
Matrace, nástavec lehátka Ultra Comfort, 4 palce x 30 palců (10 cm x 76 cm)	1105-034-309
Matrace, Ultra Comfort SE , 3 palce x 30 palců (8 cm x 76 cm)	1703-034-300
Matrace, Ultra Comfort SE , protipožární bariéra, 3 palce x 30 palců (8 cm x 76 cm)	1703-034-301
Matrace, Ultra Comfort SE , 4 palce x 30 palců (10 cm x 76 cm)	1704-034-300
Matrace, Ultra Comfort SE , protipožární bariéra, 4 palce x 30 palců (10 cm x 76 cm)	1704-034-301
Držák kyslíkové láhve, svislý	1115-130-000
Volitelný sloupek čerpadla, 30 palců (76 cm)	1105-045-035
Sestava tlačné rukojeti, dolní konec, 30 palců (76 cm)	1105-048-030
Sestava tlačné rukojeti, horní konec, 30 palců (76 cm)	1105-048-060
Balení upínacích pásů	0785-045-010
Upínací pás na kotník	0785-045-020
Upínací pás na tělo	0785-045-015
Upínací pás na zápěstí	0946-044-000
Upínací pás na hrudník	1010-058-000
Servírovací podnos	1105-045-700
Držák servírovacího podnosu/dolní pelest	1105-045-800
Podložky postranice	1001-052-000
Držák RTG kazety, boční	1105-045-100
Držák RTG kazety, svislý	1105-045-300

Elektrické součásti

Název	Číslo
Pohon, záďová část	1008-012-020
Pohon, podkolenní část	1008-014-020
Baterie, Li-ION Smart baterie (pouze váha)	0058-135-000

Název	Číslo
Baterie, Li-ION Smart baterie (váha i Chaperone)	0058-134-000
Deska, jednotka PCB stejnosměrného ovládání	1008-116-800
Deska, jednotka střídavého napájení bez zdvihu	1008-002-800
Deska, jednotka PCB ovládání zdvihu	1008-002-810
Deska, jednotka ovládání váhy (pouze váha)	1008-237-850
Deska, ovládací jednotka váhy i Chaperone	1008-237-840
Kondenzátor, 440 V stř., 35 MFD	0059-087-000
Klávesnice, ovládání váhy (neelektrická nosítka)	1008-037-820
Klávesnice, ovládání na postranici, vlevo	1008-011-017
Klávesnice, ovládání na postranici, vpravo	1008-011-016
Klávesnice, ovládání pro obsluhu	1008-015-800
Snímač zatížení (volitelný systém váhy)	1008-037-057
Motor, čerpadlo	1008-002-015
Napájecí kabel, standardní	1028-146-060
Napájecí kabel, mezinárodní, typ, E	1125-060-170
Napájecí kabel, mezinárodní, typ, F	1125-060-180
Napájecí kabel, mezinárodní, typ, G	1125-060-160
Napájecí kabel, mezinárodní, typ, I	1125-060-200
Jednotka váhy (neelektrická nosítka)	1070-237-020
Transformátor	1008-014-857
Transformátor, mezinárodní	1008-014-877

Přípevnění desky pro defibrilátor

VAROVÁNÍ

- Na desku pro defibrilátor nepokládejte předměty těžší než 14 kg. Všechny předměty uložené na desku pro defibrilátor vždy zajistěte pásy.
- Pokud je připevněna deska pro defibrilátor - nožní nástavec, dolní pelest - držák dokumentů nebo svislý držák kyslíkové láhve, postupujte opatrně při změnách polohy tlačné rukojeti na dolním konci, abyste si neskřípli prsty.

Postup připevnění desky pro defibrilátor:

1. Zasuňte kolíky desky pro defibrilátor do otvorů na dolním konci výrobku.
2. Přístroje na desce pro defibrilátor zajistěte pásem.

Poznámka

- Desku pro defibrilátor nepoužívejte jako tlačné ani tažné zařízení. Může dojít k poškození výrobku.
- Pokud používáte příslušenství (jako je deska pro defibrilátor / nožní nástavec, dolní pelest / držák dokumentů nebo svislý držák kyslíkové láhve), musíte vždy zvednout tlačné rukojeti na dolním konci, jinak příslušenství nebude fungovat.

Přeměna desky pro defibrilátor / nožní nástavec v desku pro defibrilátor

VAROVÁNÍ

- Na desku pro defibrilátor - nožní nástavec nepokládejte předměty těžší než 14 kg. Všechny předměty uložené na desku pro defibrilátor vždy zajistěte pásy.
- Pokud je připevněna deska pro defibrilátor - nožní nástavec, dolní pelest - držák dokumentů nebo svislý držák kyslíkové láhve, postupujte opatrně při změnách polohy tlačné rukojeti na dolním konci, abyste si neskřípli prsty.

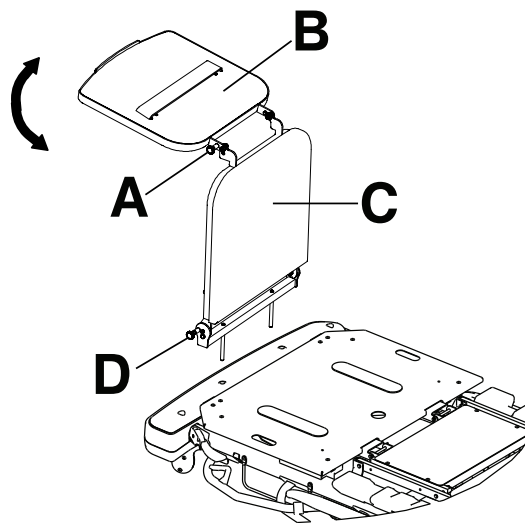
UPOZORNĚNÍ - Před připevněním desky pro defibrilátor - nožního nástavce k výrobku vždy zvedněte IV stojan. Pokud IV stojan nezvednete, nožní nástavec nebude fungovat.

Postup přeměny desky pro defibrilátor - nožního nástavce v desku pro defibrilátor:

1. Vytáhněte horní knoflík (A) (Obrázek 19).
2. Otočte desku pro defibrilátor (B) tak, aby byla vodorovně nad dolním koncem výrobku. Uvolněte horní knoflík (A). Ujistěte se, že je deska pro defibrilátor pevně zajištěná na svém místě.
3. Přístroje na desce pro defibrilátor zajistěte pásem.

Poznámka

- Desku pro defibrilátor - nožní nástavec nepoužívejte jako tlačné nebo tažné zařízení. Může dojít k poškození výrobku.
- Na nožní nástavec nic nepřipevňujte.



Obrázek 19 – Deska pro defibrilátor / nožní nástavec

Přeměna desky pro defibrilátor / nožní nástavec v nožní nástavec

VAROVÁNÍ

- Na desku pro defibrilátor - nožní nástavec nepokládejte předměty těžší než 14 kg. Všechny předměty uložené na desku pro defibrilátor vždy zajistěte pásy.
- Pokud je připevněna deska pro defibrilátor - nožní nástavec, dolní pelest - držák dokumentů nebo svislý držák kyslíkové láhve, postupujte opatrně při změnách polohy tlačné rukojeti na dolním konci, abyste si neskřípli prsty.

UPOZORNĚNÍ - Před připevněním desky pro defibrilátor - nožního nástavce k výrobku vždy zvedněte IV stojan. Pokud IV stojan nezvednete, nožní nástavec nebude fungovat.

Postup přeměny desky pro defibrilátor - nožního nástavce v nožní nástavec (Obrázek 19):

1. Vytáhněte horní knoflík (A).

2. Otočte desku pro defibrilátor (B), až se zajistí k nožnímu nastavci.
3. Podržte sestavu desky pro defibrilátor - nožního nastavce a vytáhněte spodní knoflík (D).
4. Sklopte nožní nastavce (D) do vodorovné polohy.
5. Uvolněte spodní knoflík (D). Zatlačením na nožní nastavce se ujistěte, že je pevně zajištěný na svém místě.

Poznámka

- Desku pro defibrilátor - nožní nastavce nepoužívejte jako tlačné nebo tažné zařízení. Může dojít k poškození výrobku.
- Na nožní nastavce nic nepřipevňujte.

Přípevnění dolní pelesti / držáku dokumentů

VAROVÁNÍ - Pokud je připevněna deska pro defibrilátor - nožní nastavce, dolní pelest - držák dokumentů nebo svislý držák kyslíkové láhve, postupujte opatrně při změnách polohy tlačné rukojeti na dolním konci, abyste si neskřípli prsty.

Chcete-li připevnit dolní pelest - držák dokumentů, zasuňte kolíky dolní pelesti - držáku dokumentů do otvorů na dolním konci výrobku.

Poznámka - Dolní pelest / držák dokumentů nepoužívejte jako tlačné nebo tažné zařízení. Může dojít k poškození výrobku.

Přípevnění IV podstavce

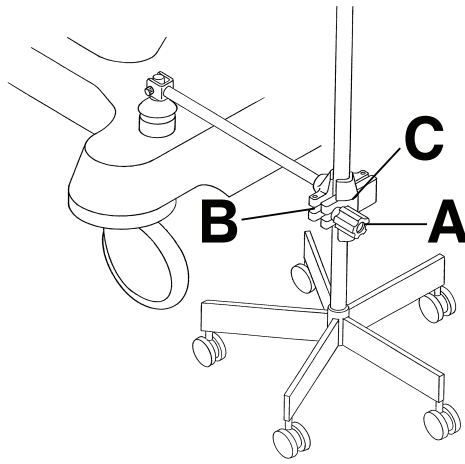
VAROVÁNÍ

- Při přepravě výrobku vždy upevněte IV stojan k IV podstavci.
 - Pokud se IV podstavec nepoužívá, uložte jej, aby nedošlo k poškození.
-

Postup přípevnění IV podstavce (Obrázek 20):

1. Vyjměte IV podstavec z úložné zásuvky nebo z úložného úchytu.
2. Nastavte IV podstavec do požadované polohy.
3. Svorku stojanu (C) uvolněte otáčením knoflíku (A) proti směru hodinových ručiček.
4. Knoflík (A) odkloňte od sestavy při připevnění ramene (B).
5. Otevřete svorku (C).
6. Vložte IV stojan do svorky (C).
7. Utáhněte svorku (C) kolem IV stojanu a knoflík (A) vraťte do původní polohy.
8. Otáčením po směru hodinových ručiček knoflík (A) utáhněte.
9. Obráceným postupem IV podstavec od výrobku odpojte.

IV podstavec skladujte v úložné zásuvce nebo jej připněte do úložného úchytu.



Obrázek 20 – IV podstavec

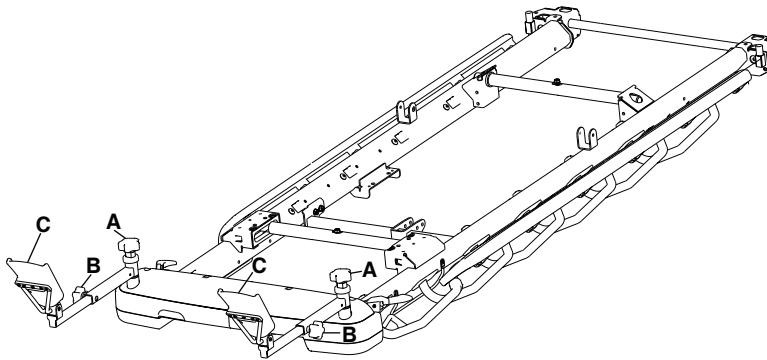
Nastavení nebo uložení opěrek pro nohy – pouze Prime

VAROVÁNÍ

- Na opěrky pro nohy nesedejte. Mohlo by dojít k převrácení výrobku.
- Při zacházení s opěrkami nohou dávejte pozor, abyste měli prsty mimo mechanismy.
- Pokud přepravujete pacienta, opěrky nohou musí být vždy odstraněny.
- Před použitím opěrek nohou opěrky vždy dobře utáhněte.
- Nepoužívejte systém váhy zároveň s opěrkami nohou. Navážené hodnoty nemusí být přesné.
- Nepoužívejte funkci **Chaperone** zároveň s opěrkami nohou. Navážené hodnoty nemusí být přesné.

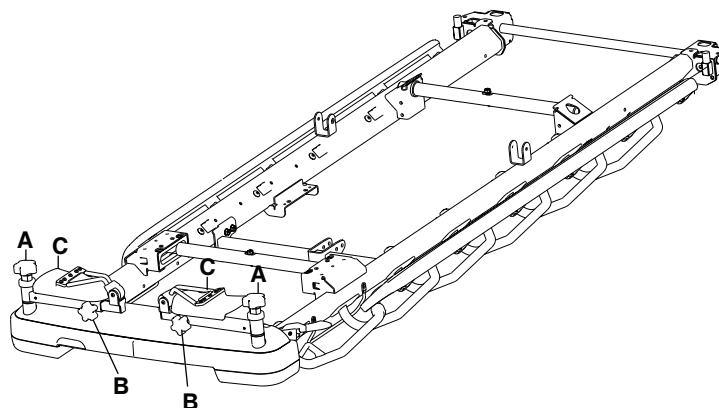
Postup nastavení a odstranění opěrek chodidel:

1. Uvolněte kolenní knoflík (A) na horní straně opěrky nohou, abyste mohli změnit náklon opěrek nohou (Obrázek 21).
2. Utažením kolenního knoflíku (A) zajistíte opěrky nohou v požadované poloze.



Obrázek 21 – Nastavení opěrek chodidel

3. Uvolněte nožní knoflík (B) na straně opěrek pro nohy a tak upravte délku opěrek.
4. Utažením nožního knoflíku (B) zajistíte opěrky nohou v požadované poloze.
5. Opěrky nohou (C) sklopte, než umístíte pacienta.
6. Obráceným postupem opěrky nohou odstraňte (Obrázek 22).



Obrázek 22 – Odstranění opěrek chodidel

Pokud zvolíte opěrky nohou, nemůžete zakoupit následující volitelné doplňky a příslušenství:

- Tlačné rukojeti na dolní konec
- Deska pro defibrilátor
- Deska pro defibrilátor / nožní nástavec
- Držák servírovacího podnosu / dolní pelest
- Dolní pelest / držák dokumentů
- IV stojany na dolní konec

Poznámka

- Nepoužívejte opěrky nohou k ukládání věcí pacienta.
- Opěrky nohou nepoužívejte jako tlačné ani tažné zařízení. Může dojít k poškození výrobku.
- Při použití opěrek nohou musíte vždy zabrzdit brzdy, abyste předešli nestabilitě.
- S opěrkami nohou nepoužívejte opěrku zad a podkolenní část.

Umístění dvoudílného trvale připevněného IV stojanu

VAROVÁNÍ - IV stojan nepoužívejte jako tlačné nebo tažné zařízení. Může dojít k poškození výrobku.

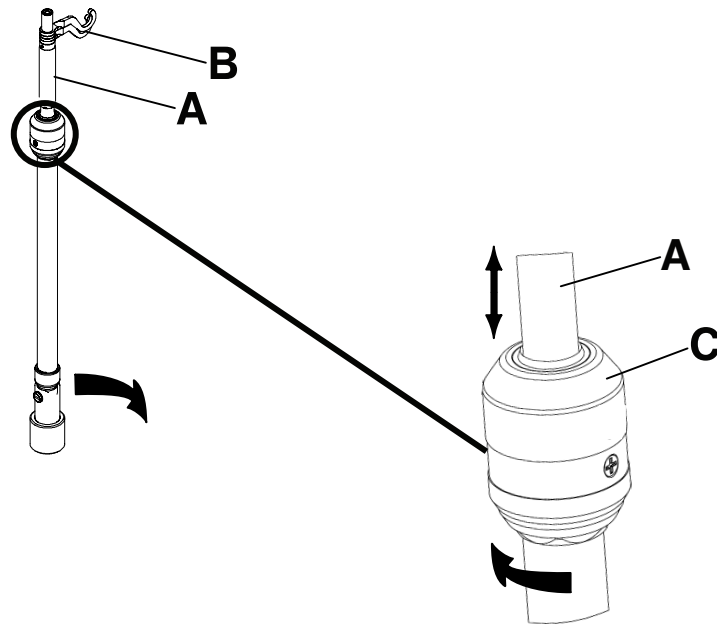
Výrobek můžete zakoupit s dvoudílným IV stojanem (volitelný doplněk) trvale připojeným na horním konci, na dolním konci nebo na obou koncích výrobku. IV stojan má teleskopickou tyč, kterou lze vytáhnout na druhý stupeň výšky. Pokud IV stojan nepoužíváte, můžete jej složit a uskladnit.

Umístění dvoudílného IV stojanu (Obrázek 23):

1. Stojan nadzvedněte a otočením vysuňte ze skladovací polohy.
2. Zatlačte na IV stojan směrem dolů, až zapadne na místo.
3. Chcete-li IV stojan zvýšit, zatáhněte za teleskopickou část (A), až stojan zaklapne na místo v plně vytažené poloze.
4. Otočte věšáky na IV vaky (B) do požadované polohy a pověste na ně IV vaky.
5. Chcete-li IV stojan snížit, podržte teleskopickou část stojanu, otočte západku (C) a teleskopickou část zasuňte.

Poznámka

- Na IV stojan se nesmí věšet IV vaky těžší než 40 liber (18 kg).
- Při přepravě pacienta se vždy ujistěte, že je IV stojan zasunutý v nízké poloze, aby prošel dveřmi.



Obrázek 23 – Umístění dvoudílného trvale připevněného IV stojanu

Umístění trojdílného trvale připevněného IV stojanu

VAROVÁNÍ - IV stojan nepoužívejte jako tlačné nebo tažné zařízení. Může dojít k poškození výrobku.

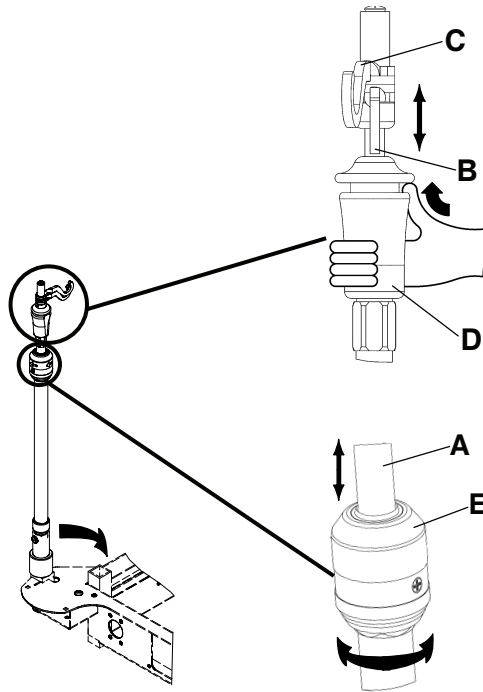
Výrobek můžete zakoupit s trojdílným IV stojanem (volitelný doplněk) trvale připojeným na horním konci, na dolním konci nebo na obou koncích výrobku. IV stojan má teleskopickou tyč, kterou lze vytáhnout na druhý a třetí stupeň výšky. Pokud IV stojan nepoužíváte, můžete jej složit a uskladnit.

Umístění trojdílného IV stojanu (Obrázek 24):

1. Stojan nadzvedněte a otočením vysuňte ze skladovací polohy.
2. Zatlačte na IV stojan směrem dolů, až zapadne na místo.
3. Chcete-li IV stojan zvýšit, zatáhněte za teleskopickou část (A), až stojan zaklapne na místě v plně vytažené poloze.
4. Chcete-li stojan zvýšit ještě více, zatáhněte za část (B). Část (B) můžete uvolnit v jakékoli požadované výšce, a tím stojan zajistit.
5. Otočte věšáky na IV vaky (C) do požadované polohy a pověste na ně IV vaky.
6. Chcete-li IV stojan snížit, zatlačte na žlutou část úchopu (D) směrem nahoru a zároveň podržte část (B), až se stojan sníží.
7. Otočte západku (E) a snižte teleskopickou část IV stojanu.

Poznámka

- Na IV stojan se nesmí věšet IV vaky o celkové váze všech vaků vyšší než 12 liber (5 kg).
- Na jeden IV háček se nesmí věšet IV vaky těžší než 9,3 liber (4,2 kg).
- Při přepravě pacienta se vždy ujistěte, že je IV stojan zasunutý v nízké poloze, aby prošel dveřmi.



Obrázek 24 – Umístění trojdílného trvale připevněného IV stojanu

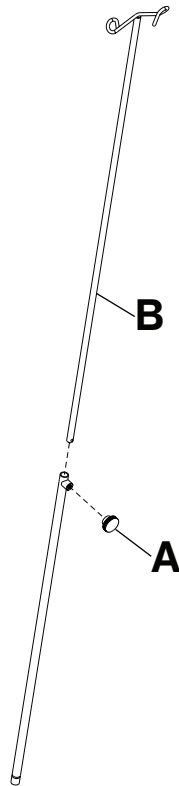
Připevnění a úprava polohy snímatelného IV stojanu

UPOZORNĚNÍ

- IV stojan nepoužívejte jako tlačné nebo tažné zařízení. Může dojít k poškození výrobku.
- Na IV stojan se nesmí věšet IV vaky těžší než 40 lb (18 kg).
- Při přepravě pacienta se vždy ujistěte, že je IV stojan zasunutý v nízké poloze, aby prošel dveřmi.

Postup připevnění a nastavení polohy snímatelného IV stojanu (Obrázek 25):

1. Zasuňte IV stojan do otvoru na horním nebo dolním konci výrobku.
2. Otáčejte knoflíkem (A) proti směru hodinových ručiček a táhněte za teleskopickou část (B), dokud nedosáhnete požadované výšky.
3. Otočením knoflíku (A) po směru hodinových ručiček zajistěte teleskopickou část ve zvolené poloze.



Obrázek 25 – Snímatelný IV stojan

Připojení svislého držáku kyslíkové láhve

VAROVÁNÍ

- Do svislého držáku kyslíkové láhve neukládejte předměty těžší než 40 liber (18 kg).
- Pokud je připevněna deska pro defibrilátor – nožní nástavec, dolní pelest/ držák dokumentů nebo svislý držák kyslíkové láhve, postupujte opatrně při změnách polohy tlačné rukojeti na dolním konci, abyste si neskřípli prsty.

Svislý držák kyslíkové láhve drží kyslíkovou láhev ve vertikální poloze.

Postup připojení svislého držáku kyslíkové láhve:

1. Zasuňte opěrnou tyč do kteréhokoli z otvorů pro IV stojan.
2. Protáhnutím závlačky otvorem opěrné tyče přichyťte držák láhve k výrobku.

Poznámka - Svislý držák kyslíkové láhve nepoužívejte jako tlačné nebo tažné zařízení. Může dojít k poškození výrobku.

Vytažení nebo odstranění držáku servírovacího podnosu / dolní pelesti

VAROVÁNÍ - Na servírovací podnos nepokládejte předměty těžší než 30 liber (14 kg).

Chcete-li servírovací podnos nasadit na postranici, vytáhněte obě strany servírovacího podnosu a umístěte podnos na postranice.

Postup odstranění servírovacího podnosu:

1. Sejměte servírovací podnos z postranic.
2. Zatlačte zpět strany servírovacího podnosu.
3. Uložte servírovací podnos do pelesti.

Poznámka - Servírovací podnos / pelest nepoužívejte jako tlačné nebo tažné zařízení. Může dojít k poškození výrobku.

Přípevnění podložek postranice

Postup přípevnění podložek postranice:

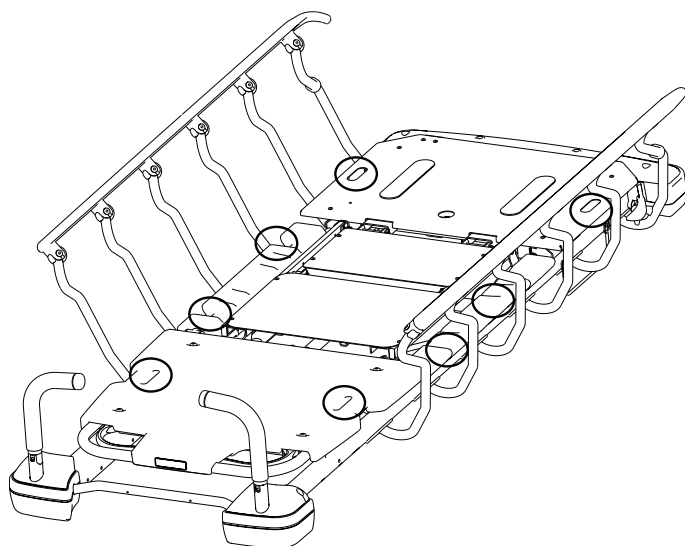
1. Zastrčte podložku postranice mezi matrací a postranicí.
2. Podložku zajistíte upevněním suchých zipů **Velcro®** kolem horní části postranice.

Umístění vázání pro patientské upínací pásy

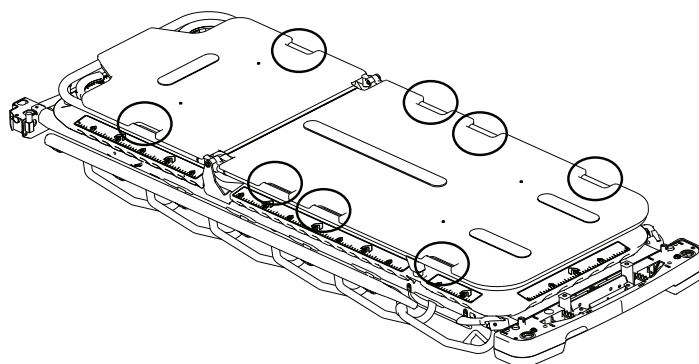
VAROVÁNÍ

- Při použití upínacích pásů vždy postupujte opatrně. Mohlo by dojít k poranění pacienta nebo pracovníka obsluhy. Prostředky fyzické zábrany, i když budou zajištěné, mohou způsobit vážné zranění pacienta a obsluhy, jako je uvíznutí, zachycení, tělesné zranění nebo smrt.
- Upínací pásy a podobné pomůcky vždy připevňujte ve stanovených úchytných bodech výrobku. Nedodržení tohoto pokynu může způsobit poranění pacienta nebo pracovníka obsluhy. Upínací pásy nepřipevňujte k postranicím.
- Před použitím upínacích pásů a podobných zábran se vždy seznamte s celostátními předpisy a pokyny a příslušnými směrnici zdravotnického zařízení.

Na sestavě ložné plochy nosítek je osm míst, kde se připevňují patientské upínací pásy (Obrázek 26 nebo Obrázek 27).



Obrázek 26 – Umístění upínacích pásů Prime



Obrázek 27 – Umístění volitelných upínacích pásů Prime X

Poznámka - Upínací pásy jsou příložná část typu B.

Umístění svislého držáku RTG kazety – volitelný doplněk Prime X

VAROVÁNÍ

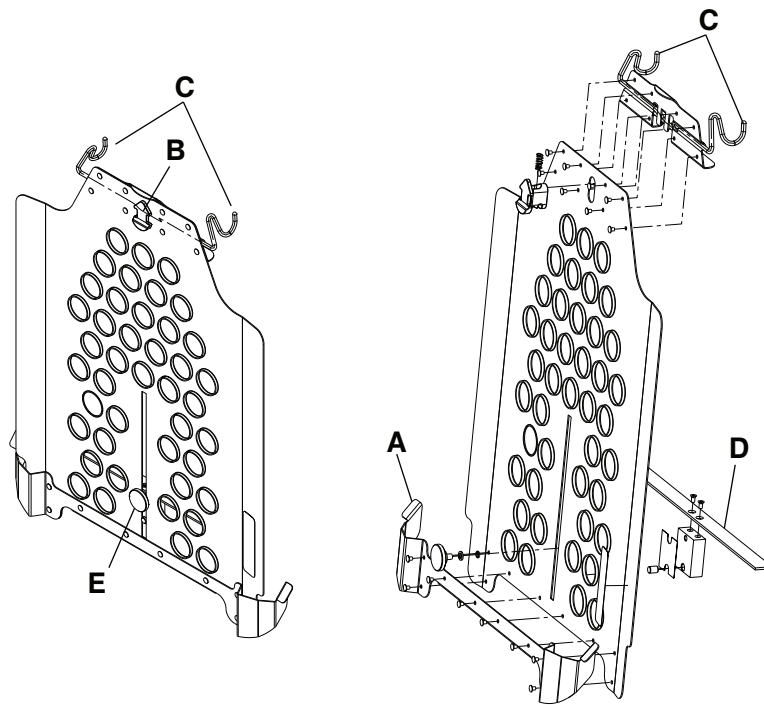
- Při používání svislého nebo bočního držáku RTG kazety vždy přijměte příslušná bezpečnostní opatření. Držák RTG kazety nechrání proti záření.
- Před použitím volitelného doplňku **Prime X** spolu s vybavením produkujícím záření se vždy seznamte s místními a celostátními bezpečnostními předpisy a směrnici zdravotnického zařízení. Přístroje produkující záření mohou vysílat reziduální, unikající nebo odrážené záření.
- Pokud s volitelným doplňkem **Prime X** používáte matraci silnější než 2,5 palce (6,35 cm) nebo krycí matraci, buďte obzvláště opatrní.

- Při zasouvání RTG kazety vždy postupujte podle návodu pro *umístění svislého držáku RTG kazety – volitelný doplněk Prime X*.

Držák RTG kazety se připevňuje ke svařenci zádové části a poskytuje opěru RTG kazetám. Když je pacient umístěn na výrobku, můžete provádět RTG snímkování. Před pořízením rentgenového snímku také můžete polohu kazety upravit.

Postup umístění držáku RTG kazety:

1. Zabrzděte brzdy. Na výrobek zatlačte, abyste se ujistili, že brzdy fungují.
2. Zcela zvedněte zádovou část.
3. Zasuňte spodní vodítka (A) pod tyč svařence zádové části (Obrázek 28).
4. Posuňte držák kazety nahoru, až vodítka zapadnou do svařence zádové části. Ověřte, že držák kazety je zajištěný.



Obrázek 28 – Držák RTG kazety

5. Zasuňte RTG kazetu do držáku z jedné nebo druhé strany, nebo zatažením za posuvnou uvolňovací šipku (B) uvolněte držák kazety ze zádové části, vložte do něj kazetu a pak držák zajištěte ve svařenci zádové části.
6. Výšku kazety lze upravit uvolněním knoflíku (E) a posunutím opěrné kolejničky pro kazetu (D) nahoru nebo dolů na požadovanou úroveň.
7. Utažením knoflíku (E) opěrnou kolejničku kazety zajištěte na místě.
8. Po pořízení rentgenového snímku zatažením za posuvnou uvolňovací šipku (B) uvolněte držák kazety ze svařence zádové části.
9. Vyjměte RTG kazetu z držáku kazety.
10. Držák zavřete a uložte.

Umístění bočního držáku RTG kazety – volitelný doplněk Prime X

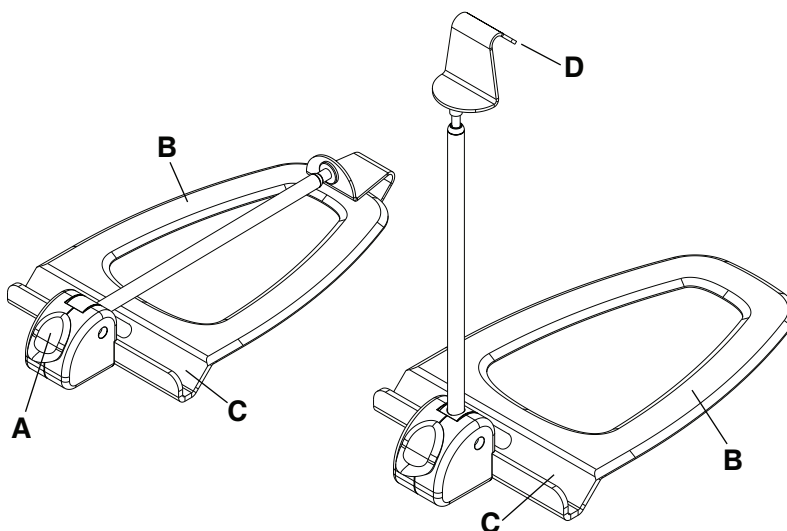
VAROVÁNÍ

- Při používání svislého nebo bočního držáku RTG kazety vždy přijměte příslušná bezpečnostní opatření. Držák RTG kazety nechrání proti záření.

- Před použitím volitelného doplňku **Prime X** spolu s vybavením produkujícím záření se vždy seznamte s místními a celostátními bezpečnostními předpisy a směrnicemi zdravotnického zařízení. Přístroje produkující záření mohou vysílat reziduální, unikající nebo odrážené záření.
- Při pořizování RTG snímků za použití boční kazety nebo se zádovou částí ve vzpřímené poloze vždy postupujte opatrně.
- Pokud s volitelným doplňkem **Prime X** používáte matraci silnější než 2,5 palce (6,35 cm) nebo krycí matraci, buďte obzvláště opatrní.
- Při zasouvání RTG kazety vždy postupujte podle návodu pro *umístění bočního držáku RTG kazety – volitelný doplněk Prime X*.

Postup umístění bočního držáku RTG kazety:

1. Zabrzděte brzdy. Na výrobek zatlačte, abyste se ujistili, že brzdy fungují.



Obrázek 29 – Boční držák RTG kazety

2. Stisknutím žlutého odjišťovacího knoflíku (A) otevřete boční držák kazety (Obrázek 29).
3. Zasuňte plochou základnu (B) mezi matraci a ložnou plochu.
4. Umístěte boční držák kazety do požadované polohy.
5. Zasuňte RTG kazetu do kanálu pro kazetu (C).
6. Zatažením za háček kazety (D) upravte výšku ručky tak, aby seděla na RTG kazetě a udržovala ji na místě.
7. Obráceným postupem boční držák kazety můžete vyjmout a uschovat jej.

Vložení nebo vyjmutí RTG kazety – volitelný doplněk Prime X

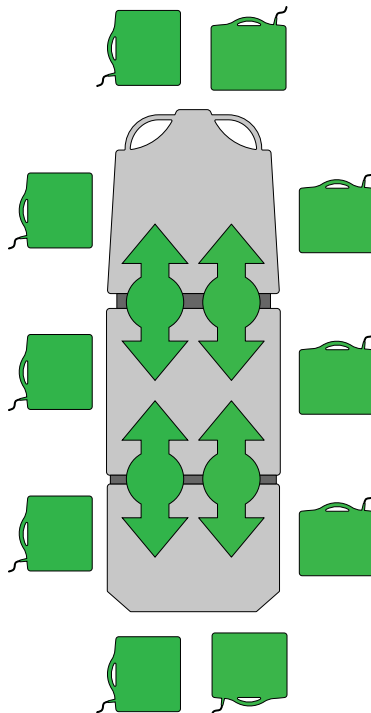
VAROVÁNÍ

- Před použitím volitelného doplňku **Prime X** spolu s vybavením produkujícím záření se vždy seznamte s místními a celostátními bezpečnostními předpisy a směrnicemi zdravotnického zařízení. Přístroje produkující záření mohou vysílat reziduální, unikající nebo odrážené záření.
- Při pořizování RTG snímků za použití boční kazety nebo se zádovou částí ve vzpřímené poloze vždy postupujte opatrně.

Volitelný doplněk **Prime X** poskytuje kloubovou opěrnou plochu pro RTG snímkování a také rovinu pro umístění RTG kazety pod ložnou plochu, na které spočívá pacient. Při práci se zdravotnickými RTG přístroji opěrná plocha pro RTG snímkování umožňuje pořizovat klinické RTG snímky (AP projekce celého těla, možnost laterálního snímku celého těla a snímku hrudníku vsedě), zatímco pacient spočívá na výrobku. Kazety můžete vkládat z horního i dolního konce a z obou stran výrobku.

Postup vložení RTG kazety:

1. Vycentrujte pacienta na výrobku pomocí polohových značek na všech stranách výrobku (Obrázek 30).
2. Zasuňte kazetu pod ložnou plochu, na které spočívá pacient. Při umísťování RTG kazety použijte vodítka na kazetě jako pomůcku.



Obrázek 30 – Vložení nebo vyjmutí RTG kazety u volitelného doplňku Prime X

Poznámka

- Volitelný doplněk **Prime X** nepoužívejte s matrací silnější než 4 palce (10 cm).
- S volitelným doplňkem **Prime X** nepoužívejte C rameno. Volitelný doplněk **Prime X** není kompatibilní s C ramenem.

Čištění

Čištění výrobku

UPOZORNĚNÍ - Na čištění displeje volitelného systému váhy nepoužívejte abrazivní čisticí prostředky. Nedovolte, aby se na displeji vytvořily loužičky čisticího roztoku nebo jiných kapalin. Po čištění nebo rozlití kapalin všechny povrchy osušte.

Tyto pokyny představují doporučené metody čištění pro lehátka řady **Prime Series**.

Výrobek lze čistit tlakovou myčkou. Při častém čištění může výrobek jevit známky oxidace nebo ztráty barev. Při dodržení správných postupů však čištění vodou pod tlakem nezpůsobí zhoršení výkonnostních charakteristik výrobku ani jeho funkcí.

Doporučená metoda čištění:

1. Pokud je výrobek vybaven elektrickým zvedacím mechanismem nebo elektricky ovládanou ložnou plochou nosítek, před přepravou nebo čištěním výrobku vypojte napájecí kabel ze zásuvky ve zdi.
2. Sejměte matraci z výrobku.
3. Přesně dodržujte doporučení výrobce k ředění čisticích prostředků.
4. Společnost Stryker doporučuje pro tlakové mytí standardní nemocniční myčku vozíků.
5. Výrobek osušte. Neumísťujte na výrobek matraci, dokud není zcela suchý.
6. Zkontrolujte fungování výrobku, než se bude znovu používat.
 - Výrobek zvedněte a snižte.
 - V obou polohách zabrzděte a odbrzděte pedál brzd/řízení.
 - Zajistěte a odjistěte postranice.
 - Zvedněte a sklopte zádovou část.
 - Podkolenní část zvedněte a sklopte.
 - Zajistěte dobré promazání všech komponent.
 - Ověřte, že všechny štítky jsou neporušené.

Poznámka

- Přímý kontakt pokožky s viditelně znečištěným, propustným materiálem může zvýšit riziko infekce.
- Výrobek nečistěte parou.
- Vyčistěte úložnou část krytu podvozku.
- Očistěte spodní část brzdových destiček, aby se tam neshromažďoval vosk nebo částičky podlahové krytiny.
- Některé čisticí prostředky jsou svým charakterem žíraviny a při nesprávném použití mohou způsobit poškození výrobku. Pokud výrobek řádně neopláchnete a neосуšíte, na jeho povrchu mohou zůstat korozivní zbytky, které mohou způsobit předčasnou korozi důležitých součástí. Nedodržení těchto pokynů k čištění může vést k zániku platnosti záruky.

Čištění výrobku myčkou vozíků

Společnost Stryker doporučuje pro mytí lehátka použít standardní nemocniční myčku chirurgických vozíků maximálně jednou za rok po celou dobu životnosti.

Postup čištění výrobku myčkou vozíků:

1. Pokud je výrobek vybaven elektrickým zvedacím mechanismem nebo elektricky ovládanou ložnou plochou nosítek, před přepravou nebo čištěním výrobku vypojte napájecí kabel ze zásuvky ve zdi.
2. Před čištěním výrobku sejměte matraci. Nečistěte matraci zároveň s výrobkem.
3. Zvedněte zádovou část do polohy 45°.
4. Umístěte výrobek do plné obrácené Trendelenburgovy polohy (dolní konec dolů).

5. Zvedněte postranice.
6. Dejte IV stojany a tlačné rukojeti do horní polohy.
7. Čistěte výrobek vodou o maximální teplotě 82 °C (180 °F) při maximálním tlaku vody 103,5 baru / 1500 psi.
8. Sušte výrobek vzduchem o maximální teplotě 93 °C (200 °F) po dobu osmi minut.
9. Výrobek osušte. Neumísťujte na výrobek matraci, dokud není zcela suchý.
10. Zkontrolujte fungování výrobku, než se bude znovu používat.

- Výrobek zvedněte a snižte.
- V obou polohách zabrzděte a odbrzděte pedál brzd/řízení.
- Zajistěte a odjistěte postranice.
- Zvedněte a sklopte zárovňovací část.
- Zajistěte dobré promazání všech komponent.
- Ověřte, že všechny štítky jsou neporušené a čitelné.

Poznámka

- Výrobek nečistěte parou.
- Některé čisticí prostředky jsou svým charakterem žíraviny a při nesprávném použití mohou způsobit poškození výrobku. Pokud výrobek řádně neopláchnete a neосуšíte, na jeho povrchu mohou zůstat korozivní zbytky, které mohou způsobit předčasnou korozi důležitých součástí. Nedodržení těchto pokynů k čištění může vést k zániku platnosti záruky.

Čištění matrace

VAROVÁNÍ

- Pokud se výrobek používá, neprovádějte jeho čištění, servis ani údržbu.
- Matraci neponořujte do čisticích nebo dezinfekčních roztoků. Přílišná vlhkost může způsobit poruchu výrobku a vést k jeho poškození nebo zranění pacienta.
- Nedovolte, aby se na matraci shromažďovaly kapaliny. Kapaliny mohou způsobit korozi součástí a vést k nepředvídatelnému fungování výrobku, a to rovněž i z hlediska bezpečnosti.
- Při každém čištění potahů vždy zkontrolujte, zda nejsou potahy matrace protržené, děravé, nadměrně opotřebené nebo zda nejsou zipy špatně zapnuté. Poškozenou matraci vyřadte z používání a vyměňte, aby nedošlo ke křížové kontaminaci.
- Nečistěte matraci parou, tlakovou vodou, hadicí ani ultrazvukem. Tyto metody čištění mohou vést ke ztrátě platnosti záruky výrobku.

Zvýšená četnost používání, které může zahrnovat častější čištění a dezinfekci, může ovlivnit životnost matrace.

Doporučená metoda čištění:

1. Otřete potah matrace čistým měkkým hadříkem navlhčeným v roztoku jemného saponátu a vody, aby se odstranily cizorodé materiály.
2. Matraci otřete čistým suchým hadříkem, aby se odstranily veškeré přebytečné kapaliny nebo čisticí prostředky.
3. Po vyčištění potahy opláchněte a usušte.
4. Po vyčištění podle potřeby vydezinfikujte dezinfekčním prostředkem nemocničního typu (viz část *Dezinfekce matrace*).

Poznámka

- Matraci nežehlete, nečistěte chemicky a nesušte v sušičce prádla, může to narušit funkci a poškodit výrobek.
- Před uskladněním, povlečením nebo uložením pacienta na matraci musí být potah matrace zcela suchý, aby nedošlo k narušení fungování výrobku.
- Zamezte nadměrnému vystavení alkoholu nebo peroxidu vodíku. Materiál potahu nabobtná.
- Nedovolte, aby do oblasti zipu a přepážky proti stékajícím kapalinám prosákly kapaliny. Kapaliny, které se dostanou do kontaktu se zipem, mohou prosáknout dovnitř matrace a narušit fungování výrobku.

- Některé čisticí prostředky jsou svým charakterem žíraviny a při nesprávném použití mohou způsobit poškození výrobku. Pokud výrobek řádně neopláchnete a neосуšíte, na jeho povrchu mohou zůstat korozivní zbytky, které mohou způsobit předčasnou korozi důležitých součástí. Nedodržení těchto pokynů k čištění může vést k zániku platnosti záruky.

Odstraňte jódové skvrny

1. Připravte roztok 1 až 2 lžic thiosíranu sodného v půl litru teplé vody. Potřete skvrny tímto roztokem.
2. Skvrny čistěte co nejdříve poté, kdy se objevily.
3. Pokud skvrny nezmizí ihned, nechte roztok na povrchu matrace určitou dobu působit, a pak jej otřete.
4. Matrace, na které jste roztok použili, opláchněte před používáním čistou vodou.

Poznámka - Nedodržení výše uvedených pokynů při používání těchto typů čisticích prostředků může vést k zániku platnosti záruky na tento výrobek.

Zvláštní pokyny

Velcro®	Namočte dezinfekčním prostředkem, opláchněte vodou a nechte roztok odpařit.
Pevné látky a skvrny	Používejte neutrální saponát a teplou vodu. Nepoužívejte silné čisticí prostředky, rozpouštědla a abrazivní prostředky.
Obtížně čistitelná místa	Na problematická místa nebo skvrny použijte standardní čisticí prostředky pro domácnost nebo čisticí prostředky na vinyl spolu s měkkým kartáčem. Zaschlé nečistoty předem namočte.
Praní v pračce	Praní v pračce se nedoporučuje. Praní v pračce může značně zkrátit životnost matrace.

Desinfekce

Desinfekce výrobku

VAROVÁNÍ

- Pokud se výrobek používá, neprovádějte jeho čištění, servis ani údržbu.
 - Výrobek nečistěte parou, hadicí ani ultrazvukem. Tyto metody čištění se nedoporučují a mohou vést k zániku platnosti záruky výrobku.
-

Doporučené dezinfekční prostředky:

- Čtyřsložkové prostředky (aktivní složkou je chlorid amonný), které obsahují méně než 3 % glykoléteru
- Fenolový dezinfekční prostředek (aktivní složka o-fenylfenol)
- Roztok chlorového bělidla [5,25 % roztok chlornanu sodného a vody v poměru 1:100, což se rovná 520 ppm aktivního chloru (40 ml 5,25% roztoku chlornanu sodného na 4 000 ml vody)]
- 70% izopropylalkohol

Doporučené dezinfekční metody:

1. Přesně dodržujte doporučení výrobce k ředění dezinfekčních prostředků.
2. Ručně omyjte všechny povrchy výrobku roztokem dezinfekčního prostředku.
3. Zamezte promočení a zajistěte, aby výrobek nezůstal mokrý déle, než vyžadují pokyny výrobce chemikálie pro řádnou desinfekci.
4. Výrobek osušte. Neumísťujte na výrobek matraci, dokud není zcela suchý.
5. Suché zipy **Velcro®** dezinfikujte po každém použití. Nasyt'te suchý zip **Velcro®** dezinfekčním prostředkem, opláchněte vodou a nechte dezinfekční roztok odpařit (o vhodném dezinfekčním prostředku rozhoduje zdravotnické zařízení).
6. Zkontrolujte fungování výrobku, než se bude znovu používat.
 - Výrobek zvedněte a snižte.
 - V obou polohách zabrzděte a odbrzděte pedál brzd/řízení.
 - Zajistěte a odjistěte postranice.
 - Zvedněte a sklopte zádovou část.
 - Podkolenní část zvedněte a sklopte.
 - Zajistěte dobré promazání všech komponent.
 - Ověřte, že všechny štítky jsou neporušené.

Poznámka

- Přímý kontakt pokožky s viditelně znečištěným, propustným materiálem může zvýšit riziko infekce.
- Některé čisticí prostředky jsou svým charakterem žíraviny a při nesprávném použití mohou způsobit poškození výrobku. Pokud výrobek řádně neopláchnete a neосуšíte, na jeho povrchu mohou zůstat korozivní zbytky, které mohou způsobit předčasnou korozi důležitých součástí. Nedodržení těchto pokynů k čištění může vést k zániku platnosti záruky.

Dezinfekce matrace

VAROVÁNÍ - Mezi jednotlivými pacienty matraci vždy vydezinfikujte. Jinak může dojít ke křížové kontaminaci a přenosu infekce.

Doporučené dezinfekční prostředky:

- Čtyřsložkové prostředky (aktivní složkou je chlorid amonný), které obsahují méně než 3 % glykoléteru

- Fenolový dezinfekční prostředek (aktivní složka o-fenylfenol)
- Roztok chlorového bělidla [5,25% roztok chlornanu sodného a vody v poměru 1:100, což se rovná 520 ppm aktivního chloru (40 ml 5,25% roztoku chlornanu sodného na 4 000 ml vody)]
- 70% izopropylalkohol

Doporučené dezinfekční metody:

1. Před nanesením dezinfekčních prostředků se ujistěte, že je matrace čistá a suchá.
2. Matraci otřete čistým suchým hadříkem, aby se odstranily veškeré přebytečné kapaliny a dezinfekční činidla.
3. Po dezinfekci potahy opláchněte a usušte.

Poznámka

- Potah matrace musí být suchý, než matraci uložíte nebo na ni dáte povlečení. Pokud není přebytečný dezinfekční prostředek odstraněn, může dojít k degradaci materiálu potahu.
- Některé čisticí prostředky jsou svým charakterem žíraviny a při nesprávném použití mohou způsobit poškození výrobku. Pokud výrobek řádně neopláchnete a neосуšíte, na jeho povrchu mohou zůstat korozivní zbytky, které mohou způsobit předčasnou korozi důležitých součástí. Nedodržení těchto pokynů k čištění může vést k zániku platnosti záruky.
- Časté nebo dlouhodobé vystavení vysoce koncentrovaným dezinfekčním roztokům může způsobit předčasné stárnutí potahové látky.
- Nepoužívejte AHP peroxidy nebo kvarterní sloučeniny s obsahem glykol etherů, protože mohou potah poškodit.

Preventivní údržba

Před zahájením kontroly preventivní údržby vyřadte výrobek z provozu. Všechny uvedené položky všech výrobků Stryker Medical zkontrolujte při preventivní roční údržbě. Podle míry používání výrobku bude možná nutné provádět preventivní kontroly a údržbu častěji. Servis smí provádět pouze kvalifikovaný personál.

Poznámka - Pokud je to třeba, před kontrolou očistěte a dezinfikujte vnější povrch matrace.

Zkontrolujte níže uvedené položky:

- ___ Všechny upínací prvky pevně drží
- ___ Pohyb a západka postranic
- ___ Kolečka se zablokují při sešlápnutí brzdového pedálu
- ___ Kolečka jsou řádně upevněná a otáčejí se
- ___ Na kolečkách nejsou nečistoty a maz
- ___ Brzdový mechanismus funguje
- ___ Řízení je funkční
- ___ Zkontrolujte, zda na površích nejsou praskliny
- ___ Zádová část se zvedá, snižuje a zajišťuje na místě
- ___ Podkolenní část se zvedá, snižuje a zajišťuje na místě (volitelné)
- ___ Ze všech míst funguje Trendelenburgova a obrácená Trendelenburgova poloha
- ___ Zemnicí řetízek je neporušený
- ___ Všechny hydraulické spoje dobře těsní
- ___ Hydraulické zvedáky drží polohu
- ___ Upínací pásy se zapnou a pevně drží (volitelné)
- ___ Infuzní stojan je neporušený a lze jej nastavit a aretovat ve všech polohách (volitelné)
- ___ Držák kyslíkové láhve je nepoškozený a správně se otvírá a zavírá (volitelné)
- ___ Kryt matrace nemá trhliny nebo praskliny
- ___ Příslušenství a montážní materiál jsou v dobrém stavu
- ___ Funkce napájené z baterie (volitelné)
- ___ Kabely nejsou opotřebované nebo přiskřípnuté (volitelné)
- ___ Napájecí kabel a zástrčka nejsou poškozené (volitelné)
- ___ Všechna elektrická spojení jsou pevná (volitelné)
- ___ Všechny uzemňovací prvky jsou řádně připojeny k rámu (volitelné)
- ___ Odpor uzemnění nepřesahuje 200 mΩ (miliohmů) (volitelné)
- ___ Svodový proud nepřesahuje 300 μA (mikroampérů) (podle UL 60606-1-1) (volitelné)
- ___ Baterie nabité (varianta s váhovým systémem)
- ___ Kryt displeje je neporušený a není poškozený (volitelný váhový systém)
- ___ Snímače zatížení jsou neporušené a nejsou poškozené (volitelný váhový systém)
- ___ Mechanismus kolenního knoflíku opěrky nohou funguje a lze jej zajistit na místě (volitelné)
- ___ Mechanismus nožního knoflíku opěrky nohou funguje a lze jej zajistit na místě (volitelné)
- ___ Opěrka nohou se vysune do zcela vysunuté polohy a zastaví se ve správné poloze (volitelné)
- ___ Samořezné šrouby (6) opěrky nohou pevně drží a nemají stržený závit (volitelné)
- ___ Váha je kalibrovaná. V případě potřeby proveďte recalibraci (volitelný váhový systém)

- _____ Svislý držák RTG kazety je v dobrém pracovním stavu a lze jej upravit pro zasunutí všech RTG kazet (volitelný doplněk **Prime X**)
- _____ Potahy zádové části a opěrky nohou nejsou poškozeny (volitelný doplněk **Prime X**)
- _____ Zásuvky na horním a dolním konci nejsou poškozeny (volitelný doplněk **Prime X**)
- _____ Šrouby s matkami v pantech zádové části nejsou uvolněné (volitelný doplněk **Prime X**)

Sériové číslo výrobku:
Vypracoval:
Datum:

Informace o elektromagnetické kompatibilitě

UPOZORNĚNÍ

- Použití jiného příslušenství, snímačů a kabelů, než které jsou specifikovány nebo dodány výrobcem, může vést ke zvýšení elektromagnetických emisí nebo snížení elektromagnetické odolnosti a způsobit nesprávnou funkci výrobku.
- Emisní vlastnosti tohoto přístroje jej činí vhodným pro použití v průmyslových prostorech a nemocnicích (CISPR 11, třída A). Pokud se použije v obytném prostředí (ve kterém se normálně vyžaduje CISPR 11 třídy B), tento výrobek nemusí poskytovat dostatečnou ochranu radiofrekvenčním komunikačním službám. Může být nutné, aby uživatel provedl nápravná opatření, např. přístroj přemístil nebo otočil.

Pokyny a prohlášení výrobce – elektromagnetické emise

Elektrický zvedací mechanismus, elektricky ovládaná ložná plocha nosítek a systém váhy (volitelné doplňky) jsou určeny k použití v níže specifikovaném elektromagnetickém prostředí. Obsluha elektrického zvedacího mechanismu, elektricky ovládané ložné plochy nosítek a systému váhy (volitelné doplňky) musí zajistit, aby v takovém prostředí byly používány.

Emisní test	Shoda	Elektromagnetické prostředí
Emise VF energie CISPR 11	Skupina 1	Elektrický zvedací mechanismus, elektricky ovládaná ložná plocha nosítek a systém váhy (volitelné doplňky) používají VF energii pouze pro své vnitřní funkce. VF emise systému jsou proto velmi nízké a není pravděpodobné, že by způsobily rušení elektronického zařízení v blízkosti.
Emise VF energie CISPR 11	Třída A	Elektrický zvedací mechanismus, elektricky ovládaná ložná plocha nosítek a elektrická váha (volitelné doplňky) jsou vhodné k použití ve všech prostorách kromě domácností a prostor přímo připojených k veřejné nízkonapěťové rozvodné síti, která napájí budovy používané jako domácnosti.
Emise harmonických proudů IEC 61000-3-2 *	Třída A	
Kolísání napětí Emise flikru IEC 61000-3-3 *	Vyhovuje	

* Vztahuje se pouze na volitelný elektrický zvedací mechanismus a volitelnou elektricky ovládanou ložnou plochu nosítek.

UPOZORNĚNÍ

- Nepoužívejte přenosná komunikační VF zařízení (včetně periferních zařízení, jako jsou kabely antén a externí antény) blíže než 12 palců (30 cm) od jakékoli části lehátka **Prime**, včetně výrobcem specifikovaných kabelů.
- Neumísťujte žádná zařízení na jiná zařízení ani do jejich těsné blízkosti, aby se předešlo nesprávné funkci výrobků. Pokud je takové použití nezbytné, přístroje, které jsou umístěny na sebe nebo vedle sebe, pečlivě pozorujte a ověřte, že správně fungují.

Doporučené vzdálenosti odstupů mezi přenosnými a mobilními VF komunikačními zařízeními a možností elektricky ovládané ložné plochy nosítek a možností systému váhy.

Elektrický zvedací mechanismus, elektricky ovládaná ložná plocha nosítek a systém váhy (volitelné doplňky) jsou určeny pro použití v elektromagnetickém prostředí, kde je vyzařované VF rušení omezeno. Zákazník nebo uživatel elektrického zvedacího mechanismu, elektricky ovládané ložné plochy nosítek a systému váhy (volitelné doplňky) může přispět k prevenci elektromagnetického rušení udržováním minimální požadované vzdálenosti mezi přenosným a mobilním VF komunikačním zařízením (vysílači) a elektrickým zvedacím mechanismem, elektricky ovládanou ložnou plochou nosítek a systémem váhy (volitelné doplňky), jak je doporučeno níže, podle maximálního výstupního výkonu komunikačního zařízení.

Jmenovitý maximální výstupní výkon vysílače	Vzdálenost odstupů v závislosti na frekvenci vysílače
W	m

	150 kHz až 80 MHz $D=(1,2) (\sqrt{P})$	80 MHz až 800 MHz $D=(1,2) (\sqrt{P})$	800 MHz až 2,7 GHz $D=(2,3) (\sqrt{P})$
0,01	0,12	0,12	0,23
0,1	0,38	0,38	0,73
1	1,2	1,2	2,3
10	3,8	3,8	7,3
100	12	12	23

Pro vysílače s maximální hodnotou jmenovitého výstupního výkonu neuvedenou výše lze doporučenou vzdálenost odstupu (D) v metrech (m) určit pomocí rovnice příslušné pro frekvenci vysílače, kde P je maximální jmenovitý výstupní výkon vysílače ve wattch (W) udaný výrobcem vysílače.

Poznámka 1 – Při 80 MHz a 800 MHz platí vzdálenost odstupu pro vyšší frekvenční pásmo.

Poznámka 2 – Tyto pokyny nemusí platit pro všechny situace. Šíření elektromagnetických vln je ovlivněno absorpcí stavbami, předměty a osobami a odrazem od nich.

Pokyny a prohlášení výrobce – elektromagnetická odolnost

Elektrický zvedací mechanismus, elektricky ovládaná ložná plocha nosítek a systém váhy (volitelné doplňky) jsou určeny k použití v níže specifikovaném elektromagnetickém prostředí. Zákazník nebo obsluha elektrického zvedacího mechanismu, elektricky ovládané ložné plochy nosítek a systému váhy (volitelné doplňky) musí zajistit, aby v takovém prostředí byly používány.

Test odolnosti	Úroveň testu podle IEC 60601	Úroveň shody	Pokyny pro elektromagnetické prostředí
Elektrostatický výboj IEC 61000-4-2	± 8 kV při kontaktním svodu ± 15 kV při svodu vzduchem	± 8 kV při kontaktním svodu ± 15 kV při svodu vzduchem	Podlahy musí být dřevěné, betonové nebo kachlíkové. Pokud je podlahová krytina ze syntetického materiálu, relativní vlhkost vzduchu musí být alespoň 30 %.
Rychlé elektrostatické přechodové jevy a impulsy IEC 61000-4-4*	± 2 kV pro napájecí vedení ± 1 kV pro vstupní a výstupní vodiče	± 2 kV pro napájecí vedení ± 1 kV pro vstupní a výstupní vodiče	Kvalita napájení ze sítě musí být na úrovni běžného komerčního nebo nemocničního prostředí.
Přepětí IEC 61000-4-5*	± 1 kV mezi vodiči ± 2 kV mezi vodiči a zemí	± 1 kV mezi vodiči ± 2 kV mezi vodiči a zemí	Kvalita napájení ze sítě musí být na úrovni běžného komerčního nebo nemocničního prostředí.


<p>Poklesy napětí, kolísání napětí a krátká přerušení v dodávce elektrického proudu v napájecích vodičích IEC 61000-4-11*</p>	<p>0 % U_T na 0,5 cyklu při 0°, 45°, 90°, 135°, 180°, 225°, 270° a 315°</p> <p>0 % U_T na 1 cyklus</p> <p>70 % U_T (30% pokles v U_T) na 25 cyklů</p> <p>0 % U_T na 250 cyklů</p>	<p>0 % U_T na 0,5 cyklu při 0°, 45°, 90°, 135°, 180°, 225°, 270° a 315°</p> <p>0 % U_T na 1 cyklus</p> <p>70 % U_T (30% pokles v U_T) na 25 cyklů</p> <p>0 % U_T na 250 cyklů</p>	<p>Kvalita napájení ze sítě musí být na úrovni běžného komerčního nebo nemocničního prostředí. Pokud uživatel elektrického zvedacího mechanismu nebo elektricky ovládané ložné plochy nosítek (volitelné doplňky) vyžaduje nepřetržitý provoz výrobku při přerušení dodávky proudu, doporučuje se napájet výrobek z nepřerušitelného zdroje napájení nebo z baterie.</p>
<p>Elektromagnetické pole se sítovou frekvencí (50/60 Hz) IEC 61000-4-8</p>	<p>30 A/m</p>	<p>30 A/m</p>	<p>Magnetická pole síťového kmitočtu musí mít intenzitu charakteristickou pro typické komerční či zdravotnické prostředí.</p>

Poznámka: U_t je střídavé napětí elektrické sítě před aplikací testovací úrovně.

*Vztahuje se pouze na elektrický zvedací mechanismus a elektricky ovládanou ložnou plochu nosítek (volitelné doplňky).

Pokyny a prohlášení výrobce – elektromagnetická odolnost

Elektrický zvedací mechanismus, elektricky ovládaná ložná plocha nosítek a systém váhy (volitelné doplňky) jsou určeny k použití v níže specifikovaném elektromagnetickém prostředí. Obsluha elektrického zvedacího mechanismu, elektricky ovládané ložné plochy nosítek a systému váhy (volitelné doplňky) musí zajistit, aby v takovém prostředí byly používány.

Test odolnosti	Úroveň testu podle IEC 60601	Úroveň shody	Pokyny pro elektromagnetické prostředí
<p>Vedený VF signál IEC 61000- 4-6*</p> <p>Vyzařovaný VF signál IEC 61000-4-3</p>	<p>3 Vrms</p> <p>6 Vrms v pásmech ISM a amatérských radiovysílaček</p> <p>150 kHz až 80 MHz</p> <p>3 V/m</p> <p>80 MHz až 2,7 GHz</p>	<p>3 Vrms</p> <p>6 Vrms v pásmech ISM a amatérských radiovysílaček</p> <p>3 V/m</p>	<p>Přenosná a mobilní vysokofrekvenční komunikační zařízení se nesmí používat ve větší blízkosti k jakékoli části elektrického zvedacího mechanismu, elektricky ovládané ložné plochy nosítek a systému váhy (volitelné doplňky) včetně kabelů, než je doporučená vzdálenost odstavu vypočítaná podle rovnice příslušné k frekvenci vysílače.</p> <p>Doporučená vzdálenost odstavu</p> $D=(1,2) (\sqrt{P})$ $D=(1,2) (\sqrt{P})$ <p>80 MHz až 800 MHz</p> $D=(2,3) (\sqrt{P})$ <p>800 MHz až 2,7 GHz</p> <p>kde P je maximální jmenovitý výstupní výkon vysílače ve watttech (W) udaný výrobcem vysílače, a D je doporučená vzdálenost odstavu v metrech (m).</p> <p>Intenzita polí pevných VF vysílačů určená elektromagnetickou studií lokality^a musí být nižší než úroveň shody v každém z frekvenčních pásem.^b</p> <p>Rušení se může vyskytnout v blízkosti zařízení označených následujícím symbolem:</p> 
<p>Poznámka 1: Při 80 MHz a 800 MHz platí vyšší frekvenční pásmo.</p> <p>Poznámka 2: Tyto pokyny nemusí platit pro všechny situace. Šíření elektromagnetických vln je ovlivněno absorpcí stávkami, předměty a osobami a odrazem od nich.</p> <p>Poznámka 3: Pásmo ISM (průmyslová, vědecká a zdravotnická) v rozmezích 0,15 MHz a 80 MHz jsou 6,765 MHz až 6,795 MHz, 13,553 MHz až 13,567 MHz, 26,957 MHz až 27,283 MHz a 40,66 MHz až 40,70 MHz.</p>			
<p>^a Sílu polí pevných vysílačů, jako jsou základní stanice pro radiotelefony (mobilní/bezdrátové) a pozemní mobilní rádia, amatérská rádia, AM a FM rádiové vysílání a TV vysílání, nelze s přesností teoreticky odhadnout. Pro zhodnocení elektromagnetického prostředí s pevnými VF vysílači by měla být uvážena elektromagnetická studie lokality. Pokud naměřená intenzita pole v místě, kde se elektrický zvedací mechanismus, elektricky ovládaná ložná plocha nosítek a systém váhy (volitelné doplňky) používají, překračuje výše uvedenou platnou úroveň shody pro vysokofrekvenční zařízení, je nutno elektrický zvedací mechanismus, elektricky ovládanou ložnou plochu nosítek a systém váhy (volitelné doplňky) sledovat a ověřit jejich normální provoz. Pokud funkce elektrického zvedacího mechanismu, elektricky ovládané ložné plochy nosítek a systému váhy (volitelné doplňky) není normální, možná bude nutno provést další opatření, např. zařízení přemístit či otočit.</p> <p>^b V rozsahu frekvence mezi 150 kHz a 80 MHz by síla pole neměla být vyšší než 3 V/m.</p> <p>*Vztahuje se pouze na elektricky ovládané ložné plochy nosítek (volitelný doplněk).</p>			

Prime Series® bære













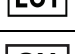






Betjeningsvejledning












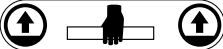




REF 1115

Big Wheel®



Symboler

	Se betjeningsvejledningen/-brochuren
	Se brugsanvisningen
	Generel advarsel
	Forsigtig
	Advarsel – hænder kan knuses
	Advarsel – ikke-ioniserende stråling
	Må ikke skubbes
	Stil ikke iltflasken til opbevaring
	Må ikke smøres
	Katalognummer
	Partikode
	Serienummer
	Se www.stryker.com/patents vedrørende patenter i USA
	CE-mærke
	Autoriseret repræsentant i Det Europæiske Fællesskab
	Europæisk medicinsk udstyr
	Fabrikant
	Fremstillingsdato
	Importør

	Sikker arbejdsbelastning
	Maks. patientvægt
	Udstyrets masse med sikker arbejdsbelastning
	Jævnstrøm
	Vekselstrøm
	Farlig spænding
	Beskyttende jordforbindelse
IPX6	Beskyttet mod kraftige vandstråler
	Type B anvendt del
	Medicinsk udstyr klassificeret af Underwriters Laboratories Inc. udelukkende med hensyn til elektrisk stød, brand og mekaniske risici i overensstemmelse med ANSI/AAMI ES60601-1: 2005 og CAN/CSA-C22.2 nr. 60601-1:08. *For Prime X -tilvalget, gælder standarden for tilbehør til røntgenstyr IEC 60601-2-54
	Ifølge kravene i EU-direktiv 2012/19/EU om affald af elektrisk og elektronisk udstyr (WEEE), som ændret, angiver dette symbol, at produktet skal indsamles separat med henblik på genbrug. Må ikke bortskaffes som usorteret husholdningsaffald. Kontakt nærmeste forhandler vedrørende information om bortskaffelse. Sørg for, at inficeret udstyr dekontamineres før genbrug.
	Smøres
	Løft her
	Opad
	Holdes tør
	Skrøbelig, håndteres forsigtigt
	Stablingsgrænse efter antal

Indholdsfortegnelse

Definition af betegnelserne Advarsel/Forsigtig/Bemærk	3
Oversigt over sikkerhedsforanstaltninger	3
Klempunkter	6
Indledning	7
Produktbeskrivelse	7
Indikationer	7
Kliniske fordele	8
Kontraindikationer	8
Forventet levetid	8
Bortskaffelse/genanvendelse	8
Specifikationer	8
Produktillustration - Prime	11
Produktillustration - Prime X, tilvalg	12
Anvendte dele - elektrisk bæreleje, tilvalg	13
Anvendte dele - Prime X, tilvalg	13
Kontaktinformation	14
Serienummerets placering	14
Opsætning	15
Betjening	16
Aktivering og udløsning af bremserne	16
Kontroller på Prime-bund	17
Hævning af det ikke-elektriske bæreleje	17
Sænkning af det ikke-elektriske bæreleje	17
Hævning af det valgfrie elektriske bæreleje	18
Sænkning af det valgfrie elektriske bæreleje	18
Placering af produktet i Trendelenburg	18
Placering af produktet i anti-Trendelenburg	19
Transport af en patient	19
Transport af en patient uden Big Wheel	19
Transport af patient med Big Wheel	20
Placering eller opbevaring af skubbehåndtag i hovedenden	21
Hævning af sengehesten	22
Sænkning af sengehesten	22
Placering af produktet med sengehestens patientkontrolpanel – elektrisk bæreleje, tilvalg – kun Prime	23
Operatørens kontrolpanel – elektrisk bæreleje, tilvalg – kun Prime	23
Fastlåsning og oplåsning af patientens kontrolpanellås – elektrisk bæreleje, tilvalg – kun Prime	24
Hævning eller sænkning af ryglænet – ikke-elektrisk bæreleje	25
Hævning eller sænkning af ryglænet – elektrisk bæreleje, tilvalg	26
Hævning eller sænkning af den bevægelige sektion – ikke-elektrisk bæreleje – kun Prime	27
Hævning eller sænkning af den bevægelige sektion – elektrisk bæreleje, tilvalg – kun Prime	27
Placering af bedringsstolen – kun Prime	27
Opbevaring af genstande i bundstykkekeppe	28
Ophængning af udstyr med det valgfri pumpestativ	28
Forlængelse eller oprækning af elledningen ved hjælp af elledningsspolen (tilvalg) – den elektriske lift (tilvalg) eller det elektriske bæreleje (tilvalg)	29
Vægtskalasystem, tilvalg	29
Identifikation af vægtskalaikoner/-knapper	30
Vejning af en patient	31
Låsning af vægtskalaens måleenhed	31
Aktivering eller deaktivering af Chaperone tilvalget	31
Indstilling af Chaperone funktionens (tilvalg) advarselsmønster	32
Indstilling af Chaperone-funktionens (tilvalg) advarselsvolumen	32
Opladning af den valgfrie batteripakke til vægtskalasystemet – tilvalgsmulighederne elektrisk bæreleje eller elektrisk bæreleje med Chaperone – kun Prime	32
Udskiftning af batterier til vægtskalasystem, tilvalg – ikke-elektrisk bæreleje	32
Tilbehør og dele	33
Fastgørelse af defibrillatorbakken	36
Konvertering af defibrillatorbakken/fodstøtteforlænger til en defibrillatorbakke	37
Konvertering af defibrillatorbakken/fodstøtteforlænger til en fodstøtteforlænger	37

Fastgørelse af fodplade/journalholder	38
Fastgørelse af i.v.-holderen	38
Placering eller opbevaring af fodstøtter – kun Prime	39
Placering af det permanent fastgjorte, todelte dropstativ	40
Placering af det permanent fastgjorte, tredelte dropstativ	41
Montering og placering af det aftagelige dropstativ	42
Montering af den lodrette iltflaskeholder	43
Forlængelse eller opbevaring af serveringsbakkeholderen/fodpladen	43
Fastgørelse af sengehestpuder	44
Lokalisering af fikseringspunkterne til patientselelerne	44
Placering af den opretstående røntgenkassetteholder – Prime X tilvalg	44
Placering af den laterale røntgenkassetteholder – Prime X tilvalg	45
Indsættelse eller fjernelse af røntgenkassetter – Prime X, tilvalg	46
Rengøring	48
Rengøring af produktet	48
Rengøring af produktet vha. en vognvasker	48
Rengøring af madras	49
Fjern jod	50
Særlige instruktioner	50
Desinfektion	51
Desinficering af produktet	51
Desinficering af madrassen	51
Forebyggende vedligeholdelse	53
Oplysninger om EMC	55

Definition af betegnelserne Advarsel/Forsigtig/Bemærk

Betegnelserne **ADVARSEL**, **FORSIGTIG** og **BEMÆRK** benyttes med særlige betydninger og skal læses omhyggeligt.

ADVARSEL

Gør læseren opmærksom på en situation, der kan medføre død eller alvorlig personskade, hvis situationen ikke undgås. Den kan også beskrive potentielle alvorlige hændelser og sikkerhedsfarer.

FORSIGTIG

Gør læseren opmærksom på en potentielt farlig situation, der kan medføre mindre eller moderat personskade på bruger eller patient eller beskadige produktet eller andre genstande, hvis situationen ikke undgås. Dette omfatter særlig omhu, der er nødvendig for sikker og effektiv brug af udstyret og den omhu, der er nødvendig for at undgå beskadigelse af udstyr, som kan opstå som et resultat af brug eller misbrug.

Bemærk - Her gives særlige oplysninger, der letter vedligeholdelse eller uddyber vigtige anvisninger.

Oversigt over sikkerhedsforanstaltninger

Læs altid advarslerne og forholdsreglerne på denne side omhyggeligt, og følg dem nøje. Service må kun foretages af kvalificeret personale.

ADVARSEL

- Lad altid produktet nå stuetemperatur, før produktet opstilles, eller før de forskellige funktioner afprøves. Der kan opstå permanent produktskade.
- Produktet må kun betjenes, når ingen operatører er tæt på mekanismerne.
- Vær altid forsigtig ved håndtering af elledningen. Elledningen kan vikle sig ind i noget eller blive beskadiget, eller der kan opstå risiko for elektrisk stød. Hvis elledningen er beskadiget, skal produktet straks tages ud af brug, og det relevante vedligeholdelsespersonale kontaktes.
- Forbind altid produktet direkte til en jordet stikkontakt af hospitalskvalitet. Du kan kun opnå en pålidelig jording, når du bruger en stikkontakt af hospitalskvalitet. Dette produkt er udstyret med en stikkontakt i hospitalskvalitet, der beskytter mod elektrisk stød.
- Brug altid bremserne, når en patient lægger sig på produktet eller stiger ud, eller når produktet ikke er i bevægelse. Der kan opstå personskade, hvis produktet bevæger sig, mens en patient er i færd med at stige af eller på produktet.
- Placer altid patienten midt på produktet.
- Sæt altid produktet i laveste position med sengehestene oppe og låst, når en patient skal være uden opsyn. Efterlad ikke produktet hævet til et højt niveau.
- Fjern altid genstande eller dele, der kan være i vejen, før bærelejet hæves eller sænkes.
- Sid ikke på enden af produktet. Produktet kan tippe over.
- Ved transport af en patient skal sengehestene altid være låst i den øverste position, mens sovefladen er vandret i den laveste position.
- Produktet må ikke transporteres sidelæns i områder, der hælder mere end 5,7 grader (10 % hældningsvinkel), for at undgå, at produktet vælter.
- Vær altid ekstra forsigtig, når der bruges en madras, som er tykkere end (2,5 tommer) 6,35 mm, eller et sengeunderlag med **Prime X**-tilvalget.
- Ved transport af en patient skal sengehestene altid være låst i den øverste position, mens sovefladen er flad i den laveste position.
- Sørg for, at patientens arme og ben til enhver tid holdes væk fra sengehestens spindler, når sengehesten hæves eller sænkes.
- Lad ikke sengehestene sænke sig på egen hånd.
- Hold altid hænder og fingre fri af ryglænets udløsergreb og ryglænsrammen, når ryglænet sænkes.
- Vær altid forsigtig, når et ryglæn hæves, mens en patient befinder sig på produktet. Brug korrekt løfteteknik, og bed om hjælp, hvis det er nødvendigt.
- Hold altid hænder og fingre fri af skubbehåndtagene i fodenden, når den bevægelige sektion sænkes.

- Hold altid enhedens ledninger på pumpestativet væk fra håndtagene til den bevægelige sektion.
- Sørg altid for, at enheder på pumpestativet kan passere sikkert gennem døråbninger.
- Løft ikke produktet i pumpestativet.
- Træk altid elledningen ud af stikkontakten, før en patient skal transporteres, eller produktet skal rengøres.
- Brug altid rullen med den oprækkelige ledning til at opbevare elledningen inde i bunden, når produktet transporteres.
- Brug ikke det valgfrie vægtskalasystem eller den elektriske løfteindstilling eller det valgfrie elektriske bæreleje ved siden af eller stakket med andre enheder. Hvis det er nødvendigt at bruge instrumentet ved siden af eller stakket, bør enten det valgfrie skalasystem eller den elektriske løfteindstilling eller det elektriske bæreleje anvendes for at sikre, at alle enheder fungerer normalt i den konfiguration, hvor de vil blive anvendt.
- Der må ikke placeres genstande, som vejer mere end 30 pund (14 kg), på defibrillatorbakken. Sørg til enhver tid for, at alle enheder på defibrillatorbakken er fastgjort korrekt.
- Udvis altid forsigtighed, hvis defibrillatorbakken-fodstøtteforlænger, fodplade-journalholderen eller den opretstående iltflaskeholder er tilsluttet for ikke at klemme fingrene, når det valgfrie skubbehåndtag i fodenden indstilles.
- Der må ikke placeres genstande, som vejer mere end 30 pund (14 kg), på defibrillatorbakken-fodstøtteforlænger. Sørg til enhver tid for, at alle enheder på defibrillatorbakken er fastgjort korrekt.
- Sørg altid for, at dropstativet er sikkert fastgjort til i.v.-holderen, når produktet transporteres.
- I.v.-holderen skal altid stilles til opbevaring, når den ikke er i brug for at undgå skader på produktet.
- Sid ikke på fodstøtterne. Det kan få sengen til at vippe.
- Sørg altid for, at fingrene er fri af mekanismerne, når fodstøtterne betjenes.
- Gem altid fodstøtterne væk, når en patient transporteres på produktet.
- Sørg altid for at stramme fodstøtterne, inden de tages i brug.
- Brug ikke vægtskalasystemet, mens fodstøtterne anvendes. Det kan give anledning til forkerte aflæsninger.
- Betjen ikke tilvalget **Chaperone**, mens fodstøtterne bruges. Det kan give anledning til forkerte aflæsninger.
- Dropstativet må ikke benyttes som en skubbe- eller trækkeenhed. Der kan opstå skade på produktet.
- Anbring ikke genstande, som vejer mere end 40 pund (18 kg) i den opretstående holder til iltflasken.
- Anbring ikke genstande, som vejer mere end 30 pund (14 kg), på serveringsbakken.
- Udvis altid forsigtighed, når seler monteres. Patienten eller operatøren kan komme til skade. Anordninger til fiksering kan – selv om de er fastgjort – forårsage alvorlig skade på patienter og operatører, herunder indvikling, fastklemning, fysisk skade eller død.
- Montér kun seler eller enheder ved de markerede fastgørelsespunkter på produktet. Ellers kan det medføre, at patienten eller operatøren kommer til skade. Selerne må ikke fastgøres til sengehesten.
- Se altid de gældende regionale og nationale restriktioner og bestemmelser og de relevante protokoller på hospitalet/ klinikken, før der bruges nogen form for sele eller anordning.
- Træf altid de nødvendige forsigtighedsforanstaltninger, når den opretstående eller laterale røntgenkassetteholder bruges. Røntgenkassetteholderen beskytter ikke mod stråling.
- Ud over hospitalets eller klinikens protokoller skal lokale, regionale og nationale retningslinjer altid overholdes før ibrugtagningen af hensyn til sikkerheden, inden **Prime X**-tilvalget anvendes sammen med udstyr, der afgiver stråling. Udstyr, der afgiver stråling, kan producere residual, sprednings- eller spredt stråling.
- Følg altid anvisningerne i *Placering af den opretstående røntgenkassetteholder – Prime X-tilvalg*, når røntgenkassetten indsættes.
- Udvis altid forsigtighed, når der tages røntgenbilleder med ryglænet i lodret stilling, eller hvis der bruges en lateral kassette.
- Følg altid anvisningerne i *Placering af den laterale røntgenkassetteholder – Prime X-tilvalg*, når røntgenkassetten indsættes.
- Der må ikke foretages rengøring, service eller vedligeholdelse, mens produktet er i brug.
- Madrassen må ikke nedsænkes i rengørings- eller desinfektionsmidler. For stor fugtighed kan få produktet til at fejle, så produktet beskadiges, eller patienten kommer til skade.
- Sørg for, at der ikke samler sig væske på madrassen. Væsker kan forårsage korrosion af komponenter og kan gøre dette produkts sikkerhed og ydeevne uforudsigelig.
- Inspicér altid madrasovertræk for tegn på rifter, huller, kraftigt slid og ikke-fungerende lynlåse, hver gang overtrækkene rengøres. Fjern og udskift en beskadiget madras for at forhindre krydskontaminering.
- Madrasser må ikke rengøres med damprens, højtryksrensning, oversprøjtning eller ultralyd. Disse rengøringsmetoder kan ugyldiggøre produktets garanti.

- Produktet må ikke rengøres med damprens, spules eller rengøres med ultralyd. Disse rengøringsmetoder anbefales ikke, og de kan ugyldiggøre produktets garanti.
 - Desinficer altid madrassen mellem patienter. Hvis dette undlades, kan det give anledning til krydskontaminering og infektion.
-

FORSIGTIG

- Forkert brug af produktet kan medføre, at patienten eller operatøren kommer til skade. Produktet må kun betjenes som beskrevet i denne vejledning.
 - Hverken produktet eller dets komponenter må ændres. Ændring af produktet kan forårsage uforudsigelig drift, hvilket kan medføre personskeade på patient eller operatør. Garantien ugyldiggøres også, hvis produktet ændres.
 - Brug ikke hydraulik på bunden til at hæve produktet med en patientlift under produktet.
 - Brug ikke styrepedalen, når **Big Wheel** hviler på en tærskel eller et andet hævet område. Den kraft, der skal til for at anvende **Big Wheel**, vil være højere end normalt, hvilket kan beskadige produktet.
 - Vægtkapaciteten for den bevægelige sektion er 200 pund (90,7 kg).
 - Sørg altid for, at støttestangen til den bevægelige sektion er sikker før brug.
 - Undlad at sidde eller stå på den bevægelige sektion.
 - Udvis altid forsigtighed, når der gøres forsøg på at sænke den bevægelige del, når produktet er uden strøm. Den bevægelige sektion kan falde hurtigt på grund af tyngdekraften.
 - Anbring ikke genstande, som vejer mere end 60 pund (27 kg), i bundstykketappen.
 - Undlad at sidde, træde eller stå på bundstykketappen.
 - Pumpestativets vægtkapacitet er (40 lb) 18 kg.
 - Pumpestativet må ikke benyttes som en skubbe- eller trækkeenhed. Der kan opstå skade på produktet.
 - Brug ikke vægten til patienter på under (50 lb) 23 kg.
 - Brug ikke vægtsystemets måling som reference for lægelig behandling.
 - Løft altid dropstativet, før defibrillatorbakken-fodstøtteforlængeren fastgøres til produktet. Hvis dropstativet ikke hæves, vil fodstøtteforlængeren ikke fungere.
 - Dropstativet må ikke benyttes som en skubbe- eller trækkeenhed. Der kan opstå skade på produktet.
 - Hæng ikke infusionsposer, der overstiger 40 pund (18 kg), på dropstativet.
 - Sørg altid for, at dropstativet sidder i en lav højde, så det kan passere uhindret gennem døråbninger, når patienten transporteres.
 - Brug ikke slibende rengøringsmidler til at rengøre skærmmkabinettet, hvis det valgfrie vægtskalasystem vælges. Lad ikke rengøringsopløsninger eller andre væsker samle sig på displayenheden. Tør alle overflader af efter spild eller rengøring.
 - Brugen af andet ekstraudstyr, andre transducere og kabler end dem, der er angivet eller leveret af fabrikanten, kan resultere i øget elektromagnetiske emissioner eller reduceret elektromagnetisk immunitet og resultere i fejlfunktion.
 - Dette udstyrs emissionskarakteristika gør det egnet til brug i industriområder og på hospitaler (CISPR 11 klasse A). Hvis det bruges i et boligmiljø, der almindeligvis kræver CISPR 11 klasse B, er det ikke sikkert, at dette udstyr vil yde tilstrækkelig beskyttelse for RF-kommunikationstjenester. Brugeren kan blive nødt til at træffe afhjælpende foranstaltninger, som f.eks. at flytte eller vende udstyret.
 - Bærbart RF-kommunikationsudstyr, herunder ydre enheder som f.eks. antennekabler og eksterne antenner, må ikke bruges tættere end 12 tommer (30 cm) på nogen del af **Prime**-båren, herunder kabler angivet af producenten.
 - Undgå at stable udstyr oven på hinanden eller anbringe udstyr op ad andet udstyr for at undgå forkert betjening af produkterne. Hvis brug på denne måde er nødvendigt, skal det stablede udstyr eller udstyr, der står tæt på hinanden, observeres nøje for at sikre, at alle dele fungerer korrekt.
-

Klempunkter



Figur 1 – Prime X, tilvalg

Indledning

Denne manual er en hjælp til betjening eller vedligeholdelse af dit Stryker-produkt. Læs manualen igennem, før du betjener eller vedligeholder produktet. Fastlæg metoder og procedurer til uddannelse og optræning af personalet med henblik på sikker betjening eller vedligeholdelse af dette produkt.

FORSIGTIG

- Forkert brug af produktet kan medføre, at patienten eller operatøren kommer til skade. Produktet må kun betjenes som beskrevet i denne manual.
 - Hverken produktet eller dets komponenter må ændres. Ændring af produktet kan forårsage uforudsigelig drift, hvilket kan medføre personskeade på patient eller operatør. Ændring af produktet vil også ugyldiggøre garantien.
-

Bemærk

- Denne manual er en permanent del af produktet, og den skal opbevares sammen med produktet, selv hvis dette senere sælges.
- Stryker tilstræber hele tiden forbedringer i produktdesign og -kvalitet. Manualen indeholder de seneste tilgængelige produktoplysninger på trykningstidspunktet. Der kan være mindre uoverensstemmelser mellem dit produkt og denne manual. Hvis du har spørgsmål, bedes du kontakte Stryker kundeservice eller teknisk support på +1-800-327-0770.

Produktbeskrivelse

Stryker Model 1115 **Prime Series**® bære med **Big Wheel**® er en enhed på hjul, som består af en platform monteret på en ramme med hjul for at støtte patienter i en vandret position. En bære giver operatøren en metode, hvorved sundhedspersonale eller optrænede medarbejdere på et hospital eller en klinik kan transportere patienter rundt. Stryker Model 1115 **Prime Series** bæren med **Big Wheel** sænker opstarts- og styrekraften for at reducere den fysiske belastning.

Indikationer

Prime Series-bæren med **Big Wheel**-bæren har to store hjul til at reducere den opstartskraft, der skal til for at bevæge bæren.

Prime Series-bæren kan anvendes som et leje til kortsigtet ambulat klinisk evaluering, behandling, mindre procedurer og kortvarig ambulat bedring. Bæren kan omfatte brug i, men er ikke begrænset til:

- Skadestue
- Traumeområde
- Postoperative observations- og terapiafsnit (POTA)

Prime Series-bæren kan anvendes til mindre procedurer og kortvarige ophold (behandling og bedring). Se tabellen med specifikationer for information om tiltænkte miljøforhold.

Stryker **Prime Series**-bæren er ikke blevet evalueret for overensstemmelse med sengestandard BS EN 50637. Dette produkt er ikke beregnet til brug ved kortvarige ophold for pædiatriske patienter eller voksne patienter med atypisk anatomi på markeder, der anerkender denne sengestandard til markedsgodkendelse.

Prime Series-bæren er ikke beregnet til langsigtet indlæggelse med behandling og bedring.

Prime Series-bæren har en sikker arbejdsbelastning på op til 700 pund (318 kg) og er beregnet til brug med alle patienter, herunder mildt til kritisk syge. Bæren kan også anvendes til at transportere afdøde patienter inden for et hospital eller en klinik.

Prime X®-tilvalget omfatter både en artikulerende radiografisk patientstøtteflade og en platform under patientens støtteflade til placering af røntgenkassette. **Prime X**-tilvalget er beregnet til at muliggøre registrering af kliniske røntgenbilleder (AP hele kroppen, hele kroppen lateralt (valgfrit) og opretstående bryst (valgfrit)), når det anvendes med et medicinsk røntgensystem.

Kliniske fordele

Transport af patienter, faciliterer behandling og diagnosticering

Kontraindikationer

Det anbefales ikke at bruge **Prime X** tilvalget med en madras med en tykkelse på over fire tommer (10 cm).

Prime X tilvalget er ikke kompatibelt med en C-Arm.

Prime X tilvalget er beregnet til brug i alle bygninger med undtagelse af hjemmepleje, private hjem og andre bygninger, der er tilsluttet det offentlige lavspændingsnetværk, som forsyner bygninger, der anvendes til husholdningsbrug.



Forventet levetid

Prime Series båren og **Prime Series** båren med **Prime X** tilvalg har en forventet levetid på 10 år ved normal anvendelse og med passende periodisk vedligeholdelse.

Bortskaffelse/genanvendelse

Følg altid gældende, lokale anbefalinger og/eller forordninger for beskyttelse af miljøet og risici ved genbrug eller bortskaffelse af udstyret ved afslutningen af dets levetid.

Specifikationer

	Prime Series 26 tommer (66 cm) bredde		Prime Series 30 tommer (76 cm) bredde Prime Series HT-pakker		Prime X, 30 tommer (76 cm) bredde, tilvalg	
 Bemærk - Sikker arbejdsbelastning angiver summen af patientens, madrassens og tilbehørets vægt.	700 pund	318 kg	700 pund	318 kg	700 pund	318 kg
 Maks. patientvægt	675 pund	306 kg	675 pund	306 kg	675 pund	306 kg
Samlet længde	85 tommer (± 0,5 tomme)	215,9 cm	85 tommer (± 0,5 tomme)	215,9 cm	85 tommer (± 0,5 tomme)	215,9 cm
Samlet længde (tilvalgt bærelejeforlænger)	89,9 tommer (± 0,75 tomme)	228,3 cm	89,9 tommer (± 0,75 tomme)	228,3 cm	IR	IR
Samlet bredde (sengeheste oppe)	34 tommer (± 1 tomme)	86,4 cm	38 tommer (± 1 tomme)	96,5 cm	38 tommer (± 1 tomme)	96,5 cm

	Prime Series 26 tommer (66 cm) bredde		Prime Series 30 tommer (76 cm) bredde Prime Series HT-pakker		Prime X, 30 tommer (76 cm) bredde, tilvalg	
Samlet bredde (sengeheste nede)	30,25 tommer (± 0,5 tomme)	76,8 cm	30,5 tommer (±0,5 tomme)	77,5 cm	30,5 tommer (± 0,5 tomme)	77,5 cm
Minimumshøjde	20,75 tommer	52,7 cm	20,75 tommer	52,7 cm	23,25 tommer	59,1 cm
Maksimumshøjde	34 tommer (± 1 tomme)	86,4 cm	34 tommer (± 1 tomme)	86,4 cm	36,5 tommer (± 1 tomme)	92,7 cm
Ryglænets vinkel	0 ° til 90 ° (± 5 °)					
Knæbøjsersektion, højde	5,5 tommer (14 cm) minimum				Ikke relevant	
Trendelenburg/anti-Trendelenburg	+17 ° til -17 ° (±3 °)					
Mindste friafstand	2,5 tommer nominelt	6,4 cm	2,5 tommer nominelt	6,4 cm	2,5 tommer nominelt	6,4 cm
	1,75 tommer under de hydrauliske donkrafte	4,5 cm	1,75 tommer under de hydrauliske donkrafte	4,5 cm	1,75 tommer under de hydrauliske donkrafte	4,5 cm
	1 tomme under Big Wheel	2,5 cm	1 tomme under Big Wheel	2,5 cm	1 tomme under Big Wheel	2,5 cm
Dæmpningsækvivalent (aluminiumsækvivalent)	Ikke relevant				Maksimalt tilladte værdi er 1,7 mm Al	
Driftsområde for vægt for valgfrit vægtskalasystem	50 pund (22,7 kg) til 700 pund (318 kg)					
Nøjagtighed af valgfrit vægtskalasystem	± 3 pund (1,3 kg) for vægte under 100 pund (45 kg) og ± 3 % for vægte, der er større end eller lig 100 pund (45 kg) *					
*For at opfylde vægtskalasystemets krav til nøjagtighed skal patientoverfladen være i den flade position (ryglæn og knæbøjsersektionen nede), og produktet kan ikke overstige 5 grader med Trendelenburg/anti-Trendelenburg.						

El, tilvalg	Tilvalgt, elektrisk bæreleje (kun tilgængeligt på Prime)	Tilvalgt, elektrisk lift (tilgængelig med tilvalgene Prime og Prime X)
Elektriske krav	120 VAC, 60 Hz, 10 A 240 VAC, 50/60 Hz, 5 A	120 VAC, 60 Hz, 10 A 240 VAC, 50/60 Hz, 5 A
Driftsperiode	Kontinuerlig drift med intermitterende indlæsning er 1 min. ON (tændt)/20 min. OFF (slukket)	Kontinuerlig drift med intermitterende indlæsning er 1 min. ON (tændt)/20 min. OFF (slukket)

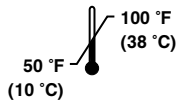
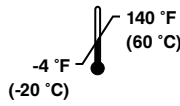
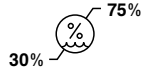
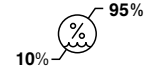
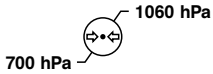
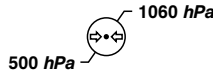
Tilvalgt vægtskalasystem	Ikke-elektrisk bæreleje (tilgængelig med tilvalgene Prime og Prime X)	Tilvalgt, elektrisk lift (tilgængelig med tilvalgene Prime og Prime X)
Batteritype	4 x AA batterier (4 x 1,5 VDC) alkaline batterier (LR6)	4 x AA batterier (4 x 1,5 VDC) alkaline batterier (LR6)
Batterispænding	6,0 VDC	6,0 VDC

Tilvalgt vægtskalasystem	Tilvalgt, elektrisk bæreleje (kun tilgængeligt på Prime)	Tilvalgt, elektrisk lift
Batteritype	1 x genopladelig lithium ion-batteripakke (0058-135-000)	Ikke relevant
Batterispænding	10,8 VDC, 2,4 Ah	Ikke relevant

Tilvalgt vægtskalasystem med Chaperone® (båreudgang)	Tilvalgt, elektrisk bæreleje (kun tilgængeligt på Prime)	Tilvalgt, elektrisk lift
Batteritype	1 x genopladelig lithium ion-batteripakke (0058-134-000)	Ikke relevant
Batterispænding	10,8 VDC, 4,8 Ah	Ikke relevant

Stryker forbeholder sig retten til at ændre specifikationerne uden varsel.

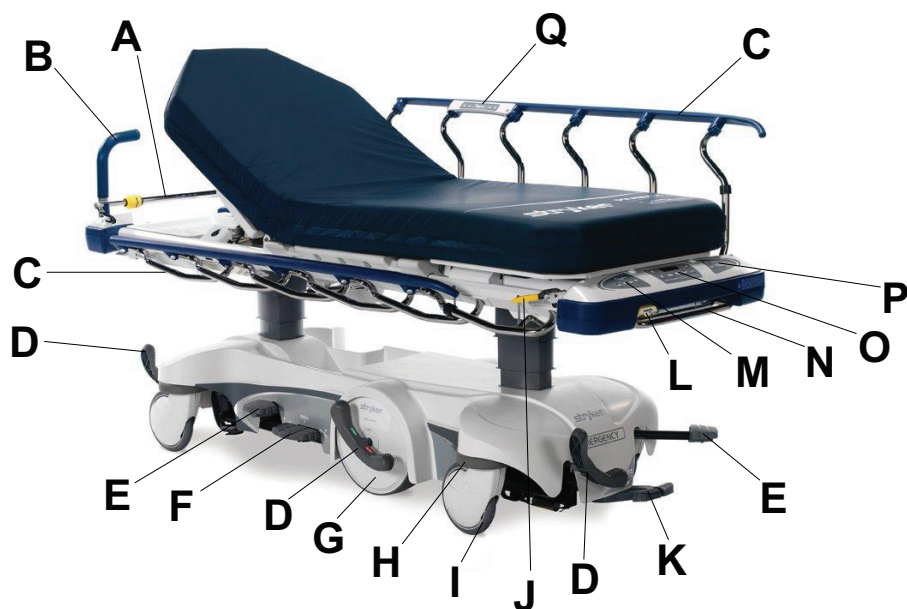
Bemærk - Dette produkt er ikke egnet til brug i nærheden af brændbare anæstesiblandinger med luft eller ilt eller lattergas.

Miljøforhold	Betjening	Opbevaring og transport
Temperatur		
Relativ luftfugtighed		
Atmosfærisk tryk		

Bemærk - Driftstemperaturområdet for det tilvalgte vægtskalasystem (tilvalget ikke-elektrisk bæreleje/elektrisk bæreleje) er 61 °F (16 °C) til 79 °F (26 °C).

De viste specifikationer er omtrentlige og kan variere en smule mellem produkter eller på grund af udsving i strømforsyningen.

Produktillustration - Prime



Figur 2 – Prime

A	Dropstativ	J	Lås til sengehest
B	BackSmart® pop op-skubbehåndtag, tilvalg	K	Pedal med hydraulisk udløser
C	BackSmart sengehest	L	Udløsergreb til bevægelig sektion
D	Bremse-/styrepedal	M	BackSmart kontrolpanel til fodende for operatøren, tilvalg
E	Pumpepedal	N	Pumpestativ, tilvalg
F	Uni-sænkepedal	O	BackSmart vægtskalasystem, tilvalg
G	Big Wheel	P	Patientens kontrolpanellås, valgfri
H	Kofanger, indbygget	Q	Patientens kontrolpanel til sengehest, tilvalg
I	Svinghjul med indbygget hjuldæksel		

Produktillustration - Prime X, tilvalg



Figur 3 – Prime X, tilvalg

A	BackSmart® pop op-skubbehåndtag, tilvalg	H	Uni-sænkepedal
B	Dropstativ	I	Kofanger, indbygget
C	Kassettebakke	J	Svinghjul med indbygget hjuldæksel
D	Patientoverflade med Clearview Technology® dæk	K	Lås til sengehest
E	BackSmart sengehest	L	Pumpestativ, tilvalg
F	Bremse-/styrepedal	M	BackSmart vægtskalasystem, tilvalg
G	Pumpepedal		

Anvendte dele - elektrisk bæreleje, tilvalg



Figur 4 – Type B anvendte dele - elektrisk bæreleje, tilvalg

Anvendte dele - Prime X, tilvalg



Figur 5 – Type B anvendte dele - Prime X-tilvalg

Kontaktinformation

Kontakt Stryker kundeservice eller teknisk support på: 1-800-327-0770.

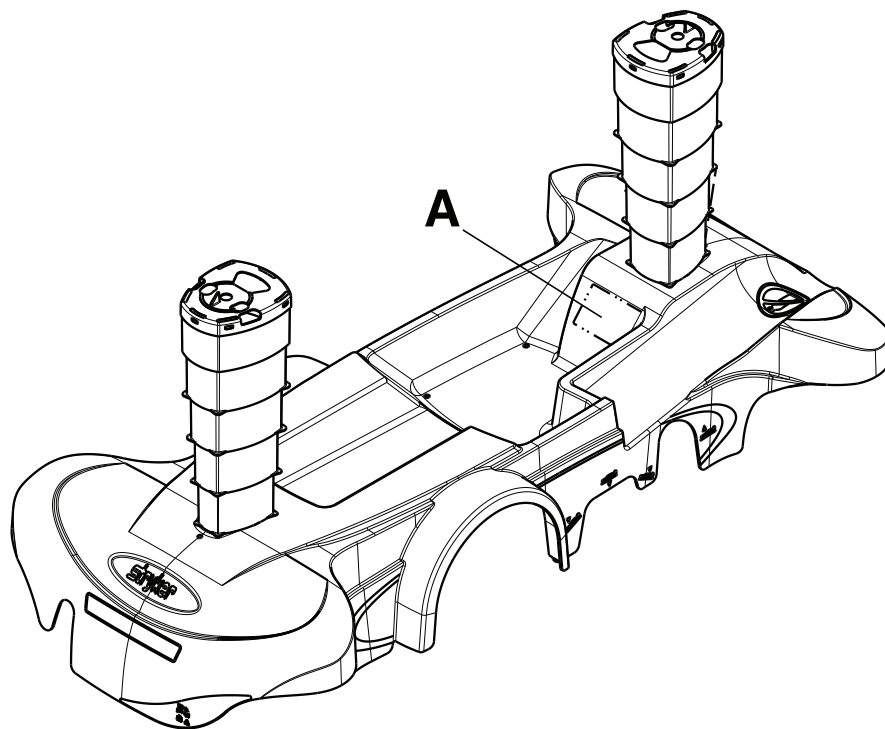
Stryker Medical
3800 E. Centre Avenue
Portage, MI 49002
USA

Bemærk - Brugeren og/eller patienten bør rapportere enhver alvorlig produktrelateret hændelse til såvel producenten som til den kompetente myndighed i den EU-medlemsstat, hvor brugeren og/eller patienten er bosiddende.

Du finder betjenings- eller vedligeholdelsesvejledningen online ved at gå ind på <https://techweb.stryker.com/>.

Hav serienummeret (A) på dit Stryker-produkt klart, når du ringer til Stryker kundeservice eller teknisk support. Inkluder serienummeret i al skriftlig kommunikation.

Serienummerets placering



Figur 6 – Serienummerets placering

Opsætning

Information om udpakning af dit produkt findes i de udpakningsinstruktioner, der er vedføjet produktet inde i forsendelseskassen.

ADVARSEL

- Lad altid produktet nå stuetemperatur, før produktet opstilles, eller før de forskellige funktioner afprøves. Der kan opstå permanent produktskade.
 - Produktet må kun betjenes, når ingen operatører er tæt på mekanismerne.
 - Vær altid forsigtig ved håndtering af elledningen. Elledningen kan vikke sig ind i noget eller blive beskadiget, eller der kan opstå risiko for elektrisk stød. Hvis elledningen er beskadiget, skal produktet straks tages ud af brug, og det relevante vedligeholdelsespersonale kontaktes.
 - Forbind altid produktet direkte til en jordet stikkontakt af hospitalskvalitet. Du kan kun opnå en pålidelig jording, når du bruger en stikkontakt af hospitalskvalitet. Dette produkt er udstyret med en stikkontakt i hospitalskvalitet, der beskytter mod elektrisk stød.
-

Kontrollér, at produktet virker, inden det tages i brug.

1. Aktivér bremsen. Tryk på produktet for at sikre, at alle fire svinghjul er låst.
2. Udløs bremsen. Tryk på produktet for at sikre, at ingen af de fire svinghjul er låst.
3. Hæv og sænk bærelejet med det hydrauliske løftesystem.
4. Hæv produktet til den højeste position, og sæt produktet i Trendelenburg-positionen (se *Placering af produktet i Trendelenburg* (side 18)). Sørg for, at hovedenden kan sænkes helt ned i bundpositionen.
5. Hæv produktet til den højeste position, og sæt produktet i anti-Trendelenburg-positionen (se *Placering af produktet i anti-Trendelenburg* (side 19)). Sørg for, at fodenden kan sænkes helt ned i bundpositionen.
6. Anvend **Big Wheel** og kontrollér, at det fungerer.
7. Sørg for, at alle sengeheste kan hæves, sænkes og låses på plads.
8. Hæv og sænk det manuelle ryglæn (hovedende).
9. Hæv og sænk den manuelle bevægelige sektion (fodende).

For produkt med valgfri(t) elektrisk lift eller elektrisk bæreleje:

1. Gennemfør ovenstående tjekliste for opsætning.
2. Forbind produktet til en jordet stikkontakt af hospitalskvalitet. Sørg for, at LED-indikatorerne lyser op på fastlåsningsstaturet.
3. Sørg for, at alle funktioner på patientens tilvalgte kontrolpanel til sengehesten fungerer.
4. Sørg for, at alle funktioner på operatørens tilvalgte kontrolpanel til fodenden fungerer.
5. Hæv og sænk det elektriske ryglæn (hovedende).
6. Hæv og sænk den elektriske bevægelige sektion (fodende).

For produkt med valgfrit vægtskalasystem-elektrisk bæreleje (med eller uden **Chaperone**-tilvalget):

1. Gennemfør ovenstående tjekliste for opsætning.
2. Oplad batterierne (*Opladning af den valgfrie batteripakke til vægtskalasystemet – tilvalgsmulighederne elektrisk bæreleje eller elektrisk bæreleje med Chaperone – kun Prime* (side 32)).

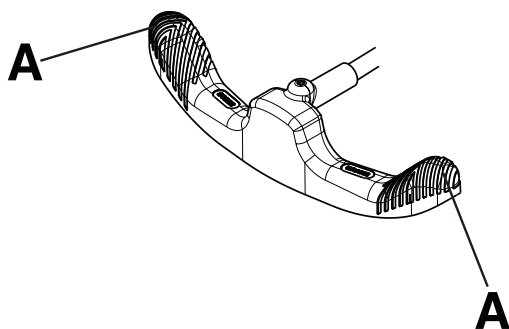
Betjening

Aktivering og udløsning af bremserne

ADVARSEL - Brug altid bremserne, når en patient lægger sig på produktet eller stiger ud, eller når produktet ikke er i bevægelse. Der kan opstå personskade, hvis produktet bevæger sig, mens en patient er i færd med at stige af eller på produktet.

Bremserne aktiveres ved at trykke ned på bremsesiden (rød) af bremse-/styrepedalen. Skub til produktet for at kontrollere, at bremserne fungerer.

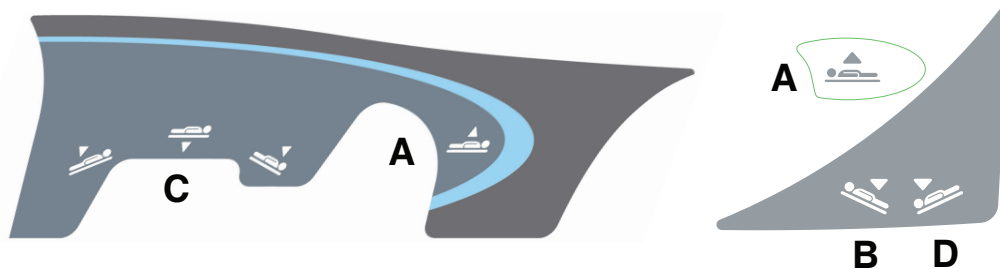
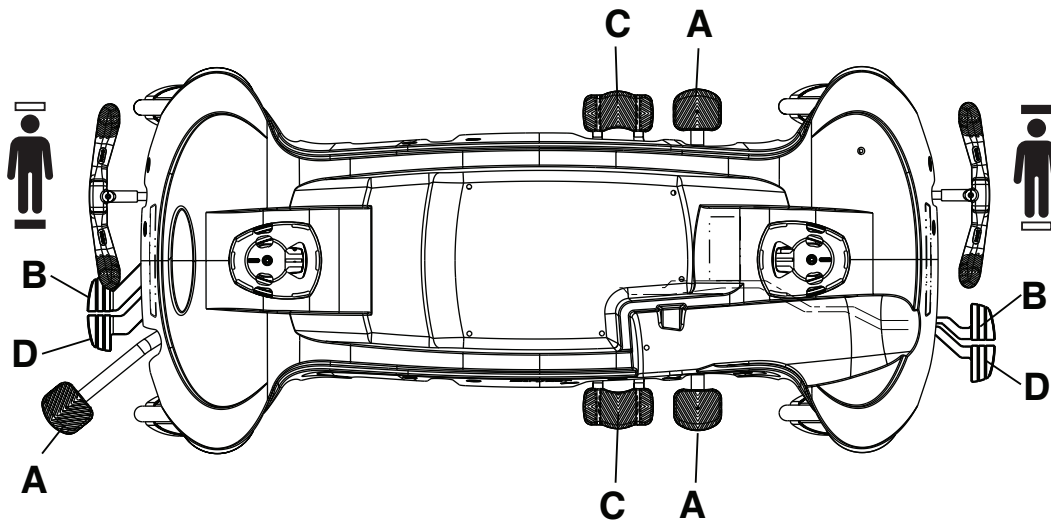
Bremserne udløses ved at trykke ned på styresiden (grøn) af bremse-/styrepedalen.



Figur 7 – Betjening af bremse-/styrepedal

Bemærk - Tryk ikke ned midt på bremse-/styrepedalen. Tryk altid ned på ydersiden (A) af bremse-/styrepedalen. (Figur 7).

Kontroller på Prime-bund



Figur 8 – Prime bundkontroller og mærkning

Hævning af det ikke-elektriske bæreleje

ADVARSEL

- Placer altid patienten midt på produktet.
- Sæt altid produktet i laveste position med sengehestene oppe og låst, når en patient skal være uden opsyn. Efterlad ikke produktet hævet til et højt niveau.
- Fjern altid genstande eller dele, der kan være i vejen, før bærelejet hæves eller sænkes.
- Sid ikke på enden af produktet. Produktet kan tippe over.

FORSIGTIG - Brug ikke hydraulik på bunden til at hæve produktet med en patientlift under produktet.

Bærelejet hæves ved at trykke ned på pumpepedalen (A), indtil den ønskede højde er nået (*Kontroller på Prime-bund (side 17)*)).

Sænkning af det ikke-elektriske bæreleje

ADVARSEL

- Placer altid patienten midt på produktet.
- Sæt altid produktet i laveste position med sengehestene oppe og låst, når en patient skal være uden opsyn. Efterlad ikke produktet hævet til et højt niveau.
- Fjern altid genstande eller dele, der kan være i vejen, før bærelejet hæves eller sænkes.

- Sid ikke på enden af produktet. Produktet kan tippe over.
-

FORSIGTIG - Brug ikke hydraulik på bunden til at hæve produktet med en patientlift under produktet.

Hele bærelejet sænkes ved at trykke ned midt på uni-sænkepedalen (C) (*Kontroller på Prime-bund (side 17)*).

Bærelejets hovedende sænkes ved at trykke ned på pedal (B) eller på siden af uni-sænkepedalen (C), der er nærmest produktets hovedende.

Bærelejets fodende sænkes ved at trykke ned på pedal (D) eller trykke ned på siden af uni-sænkepedalen (C), der er nærmest produktets fodende.

Hævning af det valgfrie elektriske bæreleje

ADVARSEL

- Placer altid patienten midt på produktet.
 - Sæt altid produktet i laveste position med sengehestene oppe og låst, når en patient skal være uden opsyn. Efterlad ikke produktet hævet til et højt niveau.
 - Fjern altid genstande eller dele, der kan være i vejen, før bærelejet hæves eller sænkes.
 - Sid ikke på enden af produktet. Produktet kan tippe over.
-

FORSIGTIG - Brug ikke hydraulik på bunden til at hæve produktet med en patientlift under produktet.

Det elektriske bæreleje hæves ved at trykke ned på pumpepedalen (A), indtil den ønskede højde er nået (*Kontroller på Prime-bund (side 17)*).

Sænkning af det valgfrie elektriske bæreleje

ADVARSEL

- Placer altid patienten midt på produktet.
 - Sæt altid produktet i laveste position med sengehestene oppe og låst, når en patient skal være uden opsyn. Efterlad ikke produktet hævet til et højt niveau.
 - Fjern altid genstande eller dele, der kan være i vejen, før bærelejet hæves eller sænkes.
 - Sid ikke på enden af produktet. Produktet kan tippe over.
-

FORSIGTIG - Brug ikke hydraulik på bunden til at hæve produktet med en patientlift under produktet.

Hele det elektriske bæreleje sænkes ved at trykke midt på uni-sænkepedalen (C) (*Kontroller på Prime-bund (side 17)*).

Bærelejets hovedende sænkes ved at trykke ned på pedal (B) eller trykke ned på siden af uni-sænkepedalen (C), der er nærmest produktets hovedende.

Bærelejets fodende sænkes ved at trykke ned på pedal (D) eller trykke ned på siden af uni-sænkepedalen (C), der er nærmest produktets fodende.

Placering af produktet i Trendelenburg

ADVARSEL - Fjern altid genstande eller dele, der kan være i vejen, før bærelejet hæves eller sænkes.

FORSIGTIG - Brug ikke hydraulik på bunden til at hæve produktet med en patientlift under produktet.

Produktet placeres i Trendelenburg-position (hovedet nedad) ved at hæve bærelejet så højt som muligt (*Hævning af det ikke-elektriske bæreleje* (side 17) eller (*Hævning af det valgfrie elektriske bæreleje* (side 18))).

Bemærk - Hæv bærelejet så højt som muligt for at få en større Trendelenburg-vinkel.

Produktets hovedende sænkes ved at trykke ned på udløserpedalen (D) i hovedenden eller fodenden eller trykke ned på siden af uni-sænkepedalen (C), der er nærmest hovedenden (*Kontroller på Prime-bund* (side 17)).

Produktet sænkes fra Trendelenburg-positionen ved at trykke ned på udløserpedalerne (B og D) i hovedenden og fodenden samtidigt eller trykke ned på midten af uni-sænkepedalen (C), indtil bærelejet ligger fladt.

Placering af produktet i anti-Trendelenburg

ADVARSEL - Fjern altid genstande eller dele, der kan være i vejen, før bærelejet hæves eller sænkes.

FORSIGTIG - Brug ikke hydraulik på bunden til at hæve produktet med en patientlift under produktet.

Produktet placeres i anti-Trendelenburg position (fødderne nedad) ved at hæve bærelejet så højt det kan (*Hævning af det ikke-elektriske bæreleje* (side 17) eller *Hævning af det valgfrie elektriske bæreleje* (side 18))).

Bemærk - Hæv bærelejet så højt som muligt for at få en større Trendelenburg-vinkel.

Produktets fodende sænkes ved at trykke ned på udløserpedalen (B) i hovedenden eller fodenden, eller trykke ned på siden af den uni-sænkepedal (C), der er nærmest fodenden (*Kontroller på Prime-bund* (side 17)).

Produktet sænkes fra anti-Trendelenburg-positionen ved at trykke ned på udløserpedalerne (B og D) i hovedenden og fodenden samtidigt eller trykke ned på midten af uni-sænkepedalen (C), indtil bærelejet ligger fladt.

Transport af en patient

ADVARSEL

- Placer altid patienten midt på produktet.
 - Ved transport af en patient skal sengehestene altid være låst i den øverste position, mens sovefladen er vandret i den laveste position.
 - Produktet må ikke transporteres sidelæns i områder, der hælder mere end 5,7 grader (10 % hældningsvinkel), for at undgå, at produktet vælter.
-

Sådan transporteres en patient:

1. Hæv sengehestene til højeste position. Træk i sengehesten for at kontrollere, at den er låst.
2. Sænk bærelejet til den laveste position.
3. Træk elledningen ud af stikkontakten, hvis produktet er udstyret med den valgfrie elektriske lift eller det valgfrie elektriske bæreleje.
4. Tryk ned på styre- (grøn) siden af bremse-/styrepædalen.
5. Brug skubbehandtagene til at skubbe produktet.
6. Aktivér bremsene for at fastlåse produktet i stillingen.

Bemærk - Sørg til enhver tid for, at bremsen er udløst, før det forsøges at flytte produktet for at undgå, at operatøren eller patienten kommer til skade.

Transport af en patient uden Big Wheel

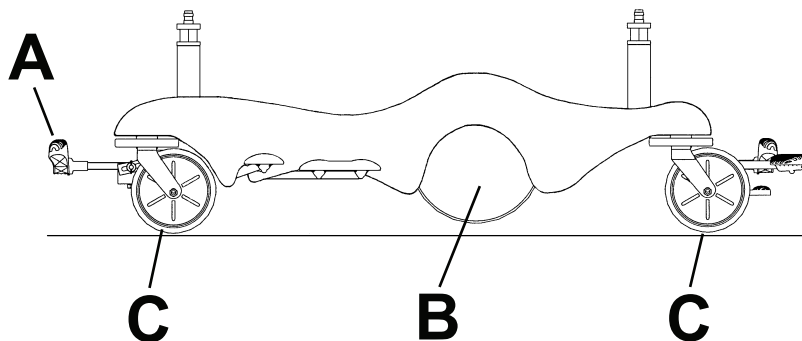
ADVARSEL

- Placer altid patienten midt på produktet.

- Ved transport af en patient skal sengehestene altid være låst i den øverste position, mens sovefladen er vandret i den laveste position.
-

Sådan transporteres en patient uden **Big Wheel**:

1. Sæt bremse-/styrepedalen (A) i den neutrale position (Figur 9).



Figur 9 – Transport uden Big Wheel

2. Sænk bærelejet til den laveste position.
3. Kun for Model 1125: Sørg for, at Til/Drev-Fra/Manuel (On Drive-Off Manual)-kontakten er i Fra (Off)-positionen.
4. Træk elledningen ud af stikkontakten af hospitalskvalitet, hvis produktet er udstyret med den valgfrie elektriske lift eller det valgfrie elektriske bæreleje.
5. Brug skubbehåndtagene til at skubbe produktet.
6. Aktivér bremsene for at fastlåse produktet i stillingen.

Bemærk

- Sørg til enhver tid for, at bremsen er udløst, før det forsøges at flytte produktet for at undgå, at operatøren eller patienten kommer til skade.
- Mens produktet befinder sig i den neutrale position, løftes **Big Wheel** (B), og produktet hviler på alle fire svinghjul (C) (Figur 9). I denne position kan du bevæge produktet i en hvilken som helst retning, inklusive sidelæns.

Transport af patient med Big Wheel

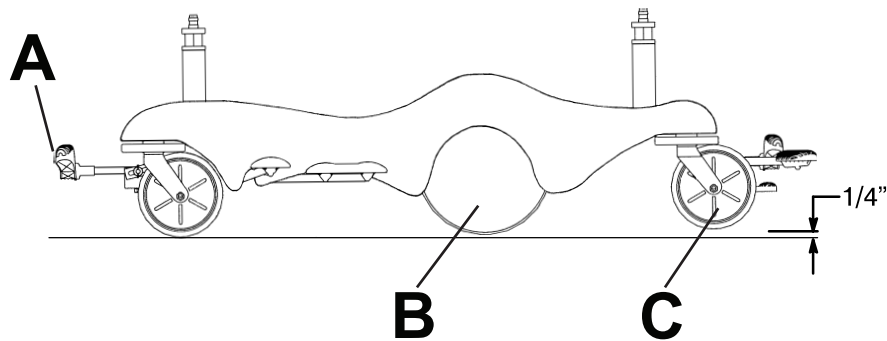
ADVARSEL

- Placer altid patienten midt på produktet.
 - Ved transport af en patient skal sengehestene altid være låst i den øverste position, mens sovefladen er vandret i den laveste position.
-

FORSIGTIG - Brug ikke styrepedalen, når **Big Wheel** hviler på en tærskel eller et andet hævet område. Den kraft, der kræves for at anvende **Big Wheel**, vil være højere end normalt, hvilket kan forårsage skade på produktet.

Sådan transporteres en patient med **Big Wheel**:

1. Hæv sengehestene til højeste position. Træk i hver sengehest for at kontrollere, at den er låst.
2. Sænk bærelejet til den laveste position.
3. Kun for Model 1125: Sørg for, at Til/Drev-Fra/Manuel (On Drive-Off Manual)-kontakten er i Fra (Off)-positionen.
4. Træk elledningen ud af stikkontakten af hospitalskvalitet, hvis produktet er udstyret med den valgfrie elektriske lift eller det valgfrie elektriske bæreleje.
5. Sæt bremse-/styrepedalen (A) i styrepositionen (Figur 10).



Figur 10 – Transport med Big Wheel

6. Brug skubbehåndtagene til at skubbe produktet.
7. Aktivér bremsene for at fastlåse produktet i stillingen.

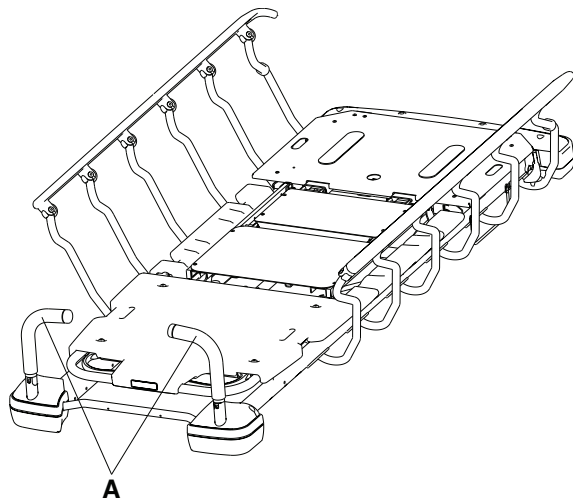
Bemærk

- Sørg til enhver tid for, at bremsen er udløst helt, før det forsøges at flytte produktet. Hvis produktet flyttes med bremsene aktiveret, kan det medføre, at operatøren og/eller patienten kommer til skade.
- **Big Wheel (B)** drejer ikke. Produktet kan ikke bevæges sidelæns, når du anvender **Big Wheel**.
- Når du anvender **Big Wheel (B)**, hæves produktet, og svinghjulene i fodenden (C) løftes. Produktet hviler på svinghjulene i hovedenden, og **Big Wheel** gør det lettere at styre produktet (Figur 10).

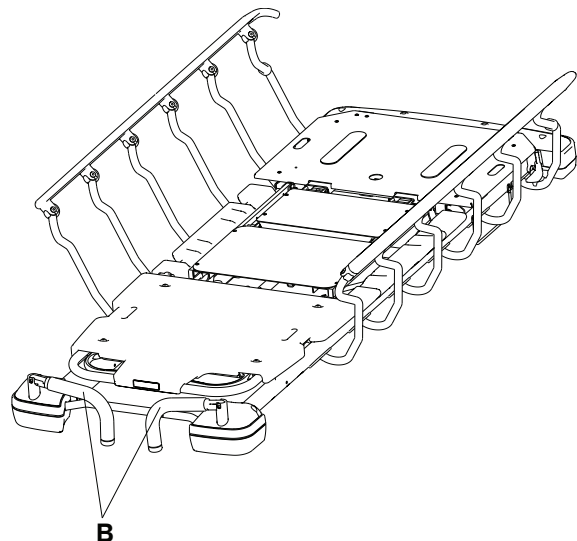
Placering eller opbevaring af skubbehåndtag i hovedenden

Placering eller opbevaring af skubbehåndtag i hovedenden:

1. Drej håndtagene (A) op fra produktets hovedende (Figur 11).
2. Tryk håndtagene ned for at låse dem i stilling.



Figur 11 – Placering af skubbehåndtag i hovedenden



Figur 12 – Opbevaring af skubbehåndtagene i hovedenden

3. Udføre trinene i omvendt rækkefølge for at opbevare skubbehåndtagene i hovedenheden (B) (Figur 12).

Bemærk - Brug kun skubbehåndtagene som skubbe-/trækkeanordninger, medmindre andet er angivet for at undgå produktskade.

Hævning af sengehesten

ADVARSEL

- Vær altid ekstra forsigtig, når der bruges en madras, som er tykkere end 2,5 in. (6,35 cm), eller et sengeunderlag med **Prime X**-tilvalget.
 - Sæt altid produktet i laveste position med sengehestene oppe og låst, når en patient skal være uden opsyn. Efterlad ikke produktet hævet til et højt niveau.
 - Ved transport af en patient skal sengehestene altid være låst i den øverste position, mens sovefladen er flad i den laveste position.
 - Sørg for, at patientens arme og ben til enhver tid holdes væk fra sengehestens spindler, når sengehesten hæves eller sænkes.
 - Lad ikke sengehestene sænke sig på egen hånd.
-

Sådan hæves sengehesten:

1. Brug to hænder til at gribe fat i sengehesten.
2. Løft sengehesten og før den mod produktets fodende, indtil det gule udløsergreb klikker på plads. Træk i sengehesten for at sikre, at den er låst.

Bemærk

- Der findes et dobbelt udløsergreb til sengehesten med låse i begge ender af produktet.
- Sengehestene må ikke benyttes til fiksering for at forhindre patienten i at stige ud af sengen. Sengehestene forhindrer patienten i at rulle af produktet. Operatøren skal bestemme, hvilken grad af fastgøring er nødvendig for at sikre, at patienten er sikret.
- Fodenden af sengehestenes topskinne kan bruges som en trække-/skubbeanordning.
- Sengehestene låser kun i øverste position.

Sænkning af sengehesten

ADVARSEL

- Vær altid ekstra forsigtig, når der bruges en madras, som er tykkere end 2,5 in. (6,35 cm), eller et sengeunderlag med **Prime X**-tilvalget.
 - Sæt altid produktet i laveste position med sengehestene oppe og låst, når en patient skal være uden opsyn. Efterlad ikke produktet hævet til et højt niveau.
 - Ved transport af en patient skal sengehestene altid være låst i den øverste position, mens sovefladen er flad i den laveste position.
 - Sørg for, at patientens arme og ben til enhver tid holdes væk fra sengehestens spindler, når sengehesten hæves eller sænkes.
 - Lad ikke sengehestene sænke sig på egen hånd.
-

Sådan sænkes sengehesten:

1. Brug den ene hånd til at gribe fat i sengehesten.
2. Brug den anden hånd til at trække op i det gule udløsergreb.
3. Løft og før sengehesten mod produktets hovedende, indtil det gule udløsergreb klikker på plads. Træk i sengehesten for at sikre, at den er låst.

Bemærk

- Der findes et dobbelt udløsergreb til sengehesten med låse i begge ender af produktet.
- Sengehestene må ikke benyttes til fiksering for at forhindre patienten i at stige ud af sengen. Sengehestene forhindrer patienten i at rulle af produktet. Operatøren skal bestemme, hvilken grad af fastgøring er nødvendig for at sikre, at patienten er sikret.
- Fodenden af sengehestenes topskinne kan bruges som en trække-/skubbeanordning.
- Sengehestene låser kun i øverste position.

Placering af produktet med sengehestens patientkontrolpanel – elektrisk bæreleje, tilvalg – kun Prime

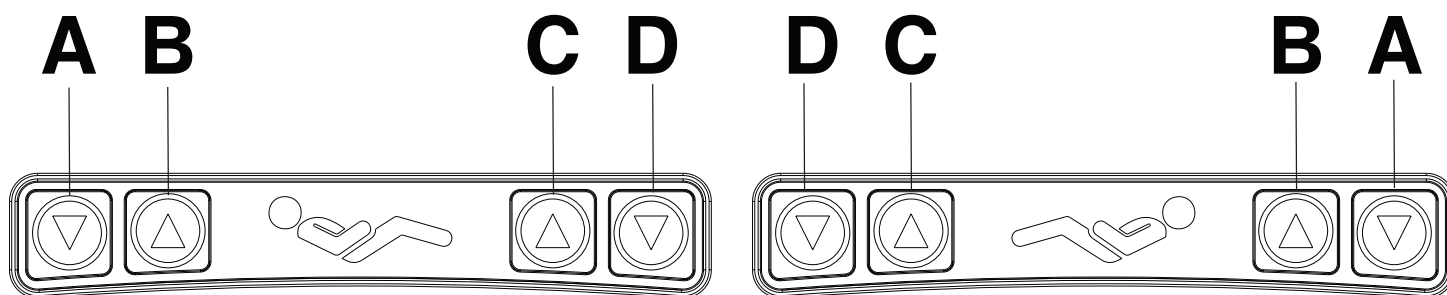
ADVARSEL - Produktet må kun betjenes, når ingen operatører er tæt på mekanismerne.

Brug sengehestens patientkontrolpanel til at placere ryglænet og den bevægelige sektion (Figur 13).

Sundhedspersonale skal instruere patienterne i, hvordan de skal betjene patientkontroldataktionerne.

Bemærk

- Kobl altid elledningen til en jordet stikkontakt af hospitalskvalitet.
- Sengehestens patientkontrolpanel sidder forskudt på produktets sider for at give patienten lettere adgang.
- Hver sengehest har baggrundsbelyste dataktioner, hvormed patienten kan anbringe ryglænet og den bevægelige sektion. Når produktet er tilsluttet, og patientkontrolpanelet er låst op, er de hvide knapper oplyst.



Figur 13 – Sengehest, patientens styrefunktioner

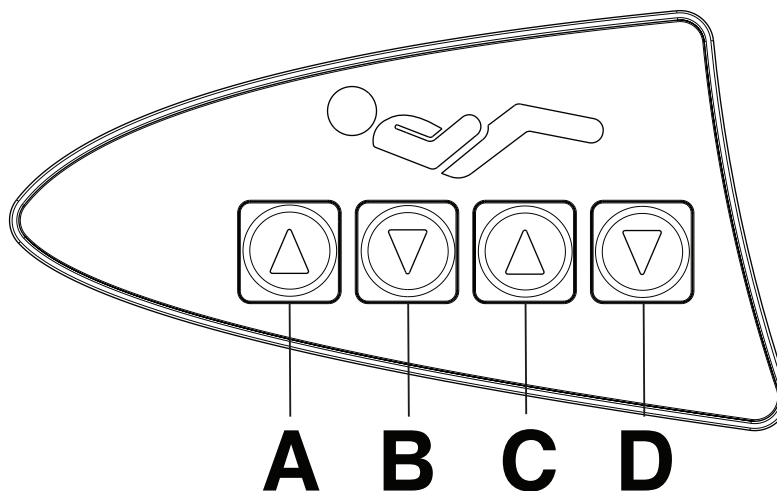
A	Ryglæn ned	Sænker ryglænet (hovedsektion)
B	Ryglæn op	Hæver ryglænet (hovedsektion)
C	Bevægelig sektion oppe	Hæver den bevægelige sektion (fodsektion)
D	Bevægelig sektion nede	Sænker den bevægelige sektion (fodsektion)

Operatørens kontrolpanel – elektrisk bæreleje, tilvalg – kun Prime

ADVARSEL - Produktet må kun betjenes, når ingen operatører er tæt på mekanismerne.

Brug operatørens kontrolpanel til at justere patientens placering på produktet (Figur 14).

Bemærk - Kobl altid elledningen til en jordet stikkontakt af hospitalskvalitet.



Figur 14 – Operatørens kontrolpanel – elektrisk bårleje, tilvalg

A	Ryglæn op	Hæver ryglænet
B	Ryglæn ned	Sænker ryglænet
C	Bevægelig sektion oppe	Hæver den bevægelige sektion
D	Bevægelig sektion nede	Sænker den bevægelige sektion

Fastlåsning og oplåsning af patientens kontrolpanellås – elektrisk bårleje, tilvalg – kun Prime

ADVARSEL - Produktet må kun betjenes, når ingen operatører er tæt på mekanismerne.

Lås patientens kontrolpanel på sengehesten ved at trykke på **Unlock/Lock** (lås op/lås) (A) én gang (Figur 15).

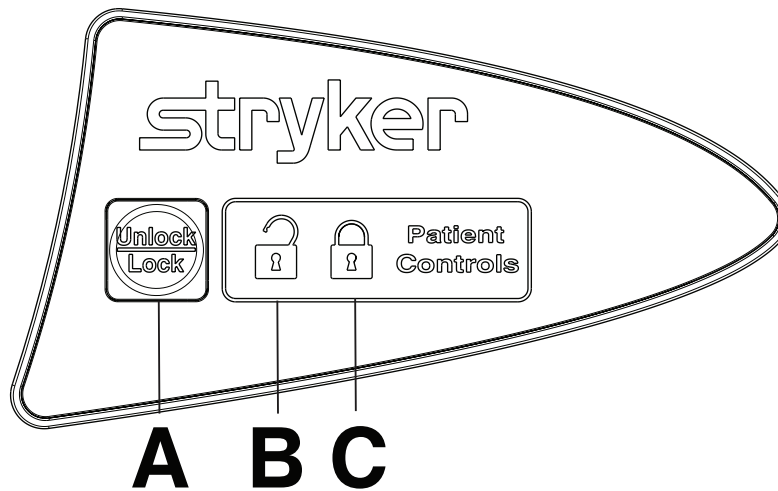
Bemærk - Låseikonet (C) lyser ravgult, når patientkontrofunktionerne er låst.

Lås op for patientens kontrolpanel på sengehesten ved at trykke på **Unlock/Lock** (lås op/lås) (A) en gang til.

Bemærk - Oplåsningssikonet (B) lyser grønt, når patientkontrofunktionerne er låst op.

Bemærk

- Kobl altid elledningen til en jordet stikkontakt af hospitalskvalitet.
- Du kan låse patientens kontrolpanel for at forhindre patienten i at bevæge ryglænet og den bevægelige sektion.
- Sengehestens patientkontrolpanel har ingen baggrundsbelysning, når patientens kontrolpanel låses.



Figur 15 – Patientens kontrolpanellås

Hævning eller sænkning af ryglænet – ikke-elektrisk bæreleje

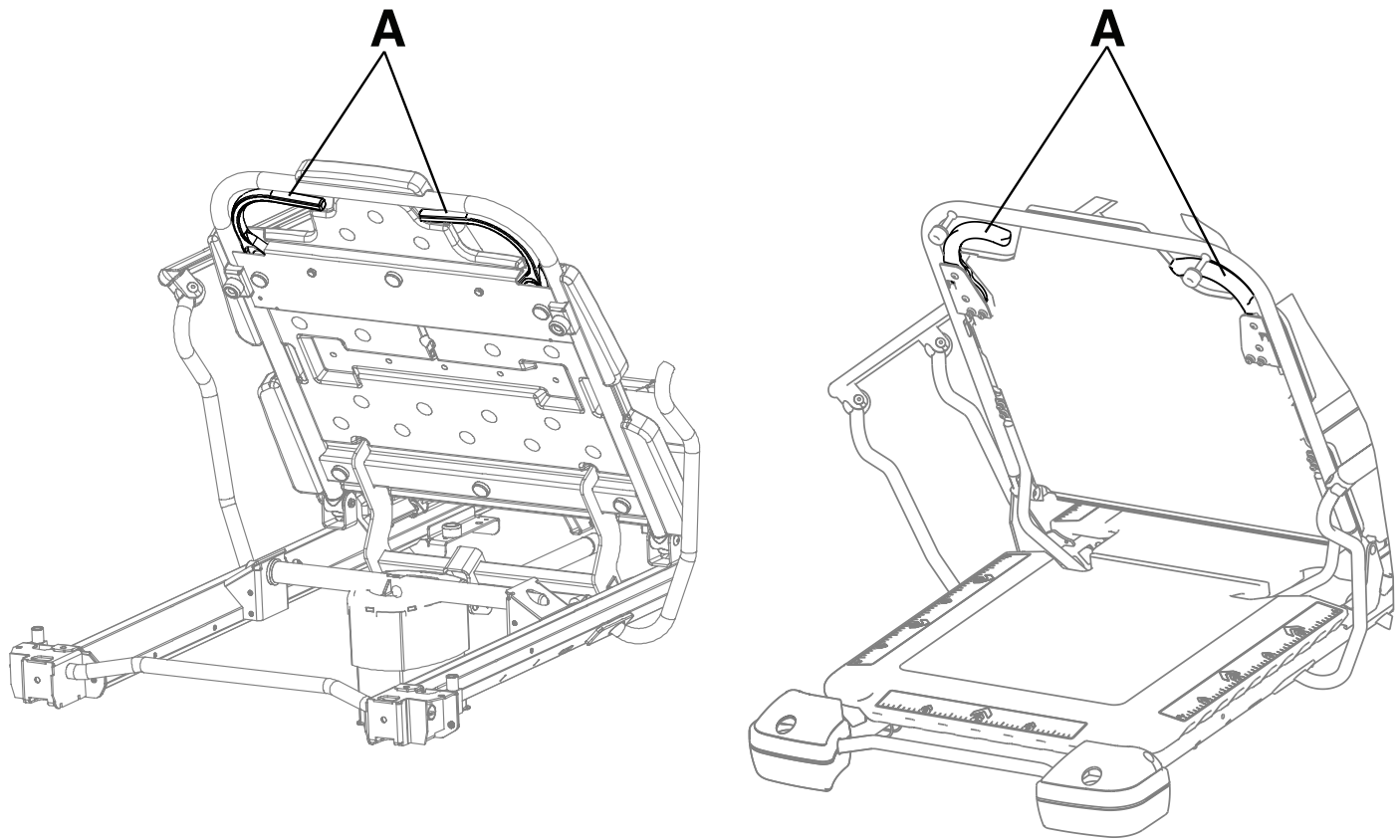
ADVARSEL

- Produktet må kun betjenes, når ingen operatører er tæt på mekanismerne.
 - Hold altid hænder og fingre fri af ryglænets udløsergreb og ryglænsrammen, når ryglænet sænkes.
 - Vær altid forsigtig, når et ryglæn hæves, mens en patient befinder sig på produktet. Brug korrekt løfteteknik og bed om hjælp, hvis det er nødvendigt.
-

Ryglænet hæves ved at sammenpresse én eller begge ryglænets udløsergreb (A) og trække ryglænet op i den ønskede stilling (0° til 90°) (Figur 16).

Bemærk - Lift Assist® ryglænet bruger patientens vægt til at bistå med placeringen af patienten. **Lift Assist** ryglænet hjælper også med at forhindre patienten i at glide ned mod fodenden af produktet, når ryglænet hæves.

Ryglænet sænkes ved at sammenpresse én eller begge af ryglænets udløsergreb (A) og skubbe ryglænet ned i den ønskede stilling (90° til 0°) (Figur 16).



Figur 16 – Hævning og sænkning af ryglænet (Prime / Prime X)

Hævning eller sænkning af ryglænet – elektrisk bæreleje, tilvalg

ADVARSEL

- Produktet må kun betjenes, når ingen operatører er tæt på mekanismerne.
- Hold altid hænder og fingre fri af ryglænets udløsergreb og ryglænsrammen, når ryglænet sænkes.
- Vær altid forsigtig, når et ryglæn hæves, mens en patient befinder sig på produktet. Brug korrekt løfteteknik og bed om hjælp, hvis det er nødvendigt.

Ryglænet hæves ved at trykke på **up** (op-knappen) på ryglæns siden af patientkontrolpanelet (*Placering af produktet med sengehestens patientkontrolpanel – elektrisk bæreleje, tilvalg – kun Prime (side 23)*) på sengehesten eller på operatørens kontrolpanel i fodenden (*Operatørens kontrolpanel – elektrisk bæreleje, tilvalg – kun Prime (side 23)*), indtil ryglænet har nået den ønskede vinkel (0° til 70°).

Bemærk - Lift Assist ryglænet bruger patientens vægt til at bistå med placeringen af patienten. **Lift Assist** ryglænet hjælper også med at forhindre patienten i at glide ned mod fodenden af produktet, når ryglænet hæves.

Ryglænet sænkes ved at trykke på **down** (ned-knappen) på ryglæns siden af patientkontrolpanelet på sengehesten (*Placering af produktet med sengehestens patientkontrolpanel – elektrisk bæreleje, tilvalg – kun Prime (side 23)*) eller på operatørens kontrolpanel (*Operatørens kontrolpanel – elektrisk bæreleje, tilvalg – kun Prime (side 23)*) i fodenden, indtil ryglænet har nået den ønskede vinkel (70° til 0°).

Bemærk - Kobl altid elledningen til en jordet stikkontakt af hospitalskvalitet.

Sundhedspersonale skal instruere patienterne i, hvordan de skal betjene patientkontrollfunktionerne.

Hævning eller sænkning af den bevægelige sektion – ikke-elektrisk bæreleje – kun Prime

ADVARSEL - Hold altid hænder og fingre fri af skubbehåndtagene i fodenden, når den bevægelige sektion sænkes.

FORSIGTIG

- Vægtkapaciteten for den bevægelige sektion er 200 pund (90,7 kg).
 - Sørg altid for, at støttestangen til den bevægelige sektion er sikker før brug.
 - Undlad at sidde eller stå på den bevægelige sektion.
-

Den ikke-elektriske bevægelige sektion hæves ved at pumpe den bevægelige sektionens pumpehåndtag mod venstre, indtil den ønskede position er nået (se *Produktillustration - Prime bæreleje*).

Løft enden af den bevægelige sektion op, og fastgør støttestangen i holderen.

Frigør støttestangen ved at løfte enden af den bevægelige sektion op, svinge støttestangen mod hovedenden af produktet, og sænke fodenden.

Den bevægelige sektion sænkes ved at trække i den bevægelige sektionens udløsergreb, indtil den ønskede position er nået (se *Produktillustration - Prime bæreleje*).

Bemærk - Den bevægelige sektion kan ikke hæves manuelt, hvis produktet har det valgfrie elektriske bæreleje.

Hævning eller sænkning af den bevægelige sektion – elektrisk bæreleje, tilvalg – kun Prime

ADVARSEL

- Hold altid hænder og fingre fri af skubbehåndtagene i fodenden, når den bevægelige sektion sænkes.
 - Produktet må kun betjenes, når ingen operatører er tæt på mekanismerne.
-

FORSIGTIG

- Vægtkapaciteten for den bevægelige sektion er 200 pund (90,7 kg).
 - Undlad at sidde eller stå på den bevægelige sektion.
 - Udvis altid forsigtighed, når det forsøges at sænke den bevægelige sektion, når produktet er uden strøm. Den bevægelige sektion kan på grund af tyngdekraften falde hurtigt.
-

Den bevægelige sektion hæves ved at trykke på **up** (op) på knæsektionens side af sengehestens patientkontrolpanel eller på operatørens kontrolpanel i fodenden.

Den bevægelige sektion sænkes ved at trykke på **down** (ned) på knæsektionens side af sengehestens patientkontrolpanel eller på operatørens kontrolpanel i fodenden.

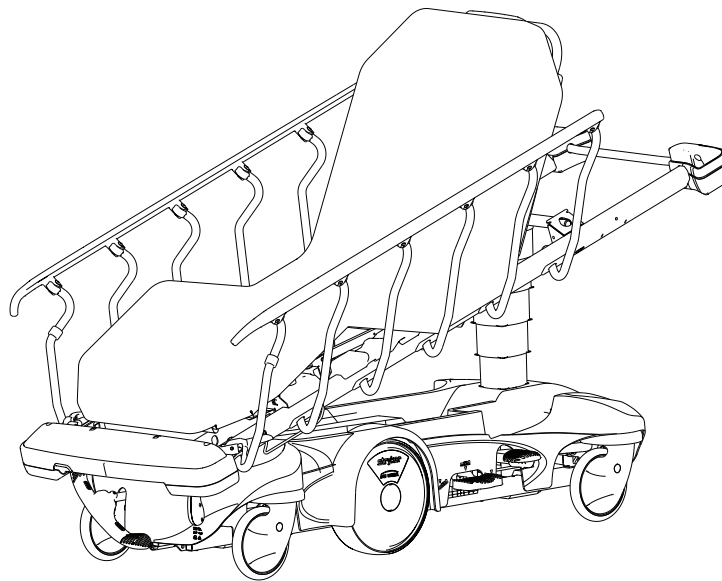
Bemærk - Kobl altid elledningen til en jordet stikkontakt af hospitalskvalitet.

Sundhedspersonale skal instruere patienterne i, hvordan de skal betjene patientkontrollfunktionerne.

Placering af bedringsstolen – kun Prime

ADVARSEL - Produktet må kun betjenes, når ingen operatører er tæt på mekanismerne.

Sådan sættes produktet i stillingen bedringsstol (Figur 17):



Figur 17 – Bedringsstol (Model 1115 vist)

1. Hæv ryglænet til en siddende stilling (*Hævning eller sænkning af ryglænet – ikke-elektrisk bæreleje (side 25) eller Hævning eller sænkning af ryglænet – elektrisk bæreleje, tilvalg (side 26)*).

Bemærk - For at kunne montere bedringsstolen skal produktet have **Lift Assist** ryglænstilvalget og tilvalget for en bevægelig sektion.

2. Hæv den bevægelige sektion helt op til dens øverste stilling (*Hævning eller sænkning af den bevægelige sektion – ikke-elektrisk bæreleje – kun Prime (side 27) eller Hævning eller sænkning af den bevægelige sektion – elektrisk bæreleje, tilvalg – kun Prime (side 27)*).
3. Hæv bærelejet til den højeste højde (*Hævning af det ikke-elektriske bæreleje (side 17) eller Hævning af det valgfrie elektriske bæreleje (side 18)*).
4. Sæt produktet i anti-Trendelenburg-positionen (*Placering af produktet i anti-Trendelenburg (side 19)*).
5. Udfør trinene i modsat rækkefølge for at sænke produktet til den flade stilling.

Opbevaring af genstande i bundstykkekappe

FORSIGTIG

- Anbring ikke genstande, som vejer mere end 27 kg, i bundstykkekappen.
- Undlad at sidde, træde eller stå på bundstykkekappen.

Patientens ejendele kan opbevares i bundstykkekappen. Brug ikke udskæringen til iltflaskeholderen til at opbevare iltflasker eller patientens personlige ejendele.

Ophængning af udstyr med det valgfri pumpestativ

ADVARSEL

- Hold altid enhedens ledninger på pumpestativet væk fra håndtagene til den bevægelige sektion.
- Fjern altid genstande eller dele, der kan være i vejen, før bærelejet hæves eller sænkes.
- Sørg altid for, at enheder på pumpestativet kan passere sikkert gennem døråbninger.
- Løft ikke produktet i pumpestativet.

FORSIGTIG

- Pumpestativets vægtkapacitet er 40 pund (18 kg).
 - Pumpestativet må ikke benyttes som en skubbe- eller trækkeenhed. Der kan opstå skade på produktet.
-

Yderligere enheder kan opbevares eller ophænges på pumpestativet, der er placeret i fodenden af produktet.

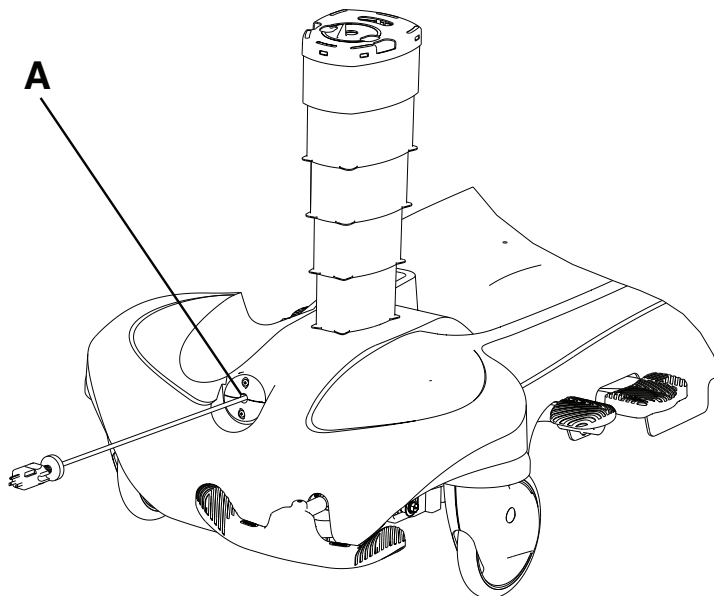
Bemærk - Tilvalget af et pumpestativ skal vælges på købstidspunktet.

Forlængelse eller optrækning af elledningen ved hjælp af elledningsspolen (tilvalg) – den elektriske lift (tilvalg) eller det elektriske bæreleje (tilvalg)

ADVARSEL

- Træk altid elledningen ud af stikkontakten, før en patient skal transporteres, eller produktet skal rengøres.
 - Brug altid rullen med den optrækkelige ledning til at opbevare elledningen inde i bunden, når produktet transporteres.
-

Elledningen forlænges ved at trække den ud fra spolen (A) til den ønskede længde (Figur 18).



Figur 18 – Elledningsspole

Sådan trækkes elledningen op:

1. Tag elledningen ud af vægstikkontakten.
2. Træk forsigtigt i elledningen.
3. Før elledningen langsomt ind i spolen.

Vægtskalasystem, tilvalg

ADVARSEL - Brug ikke det valgfrie vægtskalasystem eller den elektriske løfteindstilling eller det valgfrie elektriske bæreleje ved siden af eller stakket med andre enheder. Hvis det er nødvendigt at bruge instrumentet ved siden af eller stakket, bør enten det valgfrie skalasystem eller den elektriske løfteindstilling eller det elektriske bæreleje anvendes for at sikre, at alle enheder fungerer normalt i den konfiguration, hvor de vil blive anvendt.

FORSIGTIG - Brug ikke vægten til patienter på under (50 lb) 23 kg.

Vægtskalasystemtilvalget er tilgængeligt for produkter med eller uden det valgfrie elektriske bæreleje. Det valgfrie vægtskalasystem har valgfri batteribackup. Standbyikonet angiver, hvornår produktet bruger batteribackup.

Chaperone tilvalget gør det muligt at indstille Zone Control for at advare en operatør, når en patient forsøger at stige ud af produktet. **Chaperone** tilvalget er tilgængeligt for produkter med det valgfrie elektriske bæreleje og det valgfrie vægtskalasystem. Det valgfrie vægtskalasystem med **Chaperone** tilvalg har valgfri batteribackup. Standbyikonet angiver, hvornår produktet bruger batteribackup.

Hæv skubbehåndtagene i fodenden, inden det forsøges at betjene det valgfrie vægtskalasystem.

Brug vægtskalasystemets kontrolpanel til at betjene det valgfrie vægtskalasystem (*Identifikation af vægtskalaikoner/-knapper* (side 30)).

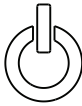





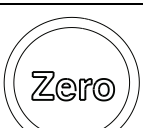
Rør ikke ved produktet, mens du vejer eller nulstiller det valgfrie vægtskalasystem.

Patienten skal ligge stille, mens systemet vejer. Hvis patienten bevæger sig, vil vægtskalasystemet i 20 sekunder forsøge at få en stabil vægt- eller nulværdi, før fejlmeddelelsen vises (⏏).

Fejlen (⏏) vises i displayet, hvis der er en løs forbindelse, eller hvis vægten ikke fungerer. Hvis det forsøges at betjene vægten igen, og fejlen dukker op, skal man kontakte Stryker teknisk support.

Bemærk - For at opfylde vægtskalasystemets krav til nøjagtighed skal patientlejet være i den flade position (ryglæn og bevægelig sektion nede), og produktet kan ikke overstige 5 graders Trendelenburg/anti-Trendelenburg.

Identifikation af vægtskalaikoner/-knapper

Artikel	Ikon/knap	Navn	Beskrivelse
A		Standby-ikon	Lyser grønt, når elledningen sættes i en stikkontakt. Lyser ravgult, når elledningen trækkes ud af stikkontakten. Batteriets backupfunktionalitet tændes.
B		Zone 1-ikon	Patienten kan bevæge sig frit, men alarmen lyder, når patienten forsøger at forlade produktet.
C		Zone 2-ikon	Patienten kan bevæge sig med begrænset bevægelsesfrihed. Alarmen lyder, når patienten kommer tæt på sengehestene eller bevæger sig mod fodenden.
D		Knappen Arm/ Disarm (aktiver/ deaktiver)	Aktiverer og deaktiverer Chaperone funktionen (båreudgang) (tilvalg). Se <i>Aktivering eller deaktivering af Chaperone tilvalget</i> (side 31).
E		Knappen Weigh (vægt)	Vejer patienten. Se <i>Vejning af en patient</i> (side 31).
F		Knappen lb/kg (pund/kg)	Ændrer den viste måleenhed. Se <i>Låsning af vægtskalaens måleenhed</i> (side 31).
G		Knappen Zero (nul)	Nulstiller vægtens skalaindstillinger. Se <i>Låsning af vægtskalaens måleenhed</i> (side 31).

Vejning af en patient

FORSIGTIG - Brug ikke vægtsystemets måling som reference for lægelig behandling.

1. Hæv skubbehåndtagene i fodenden, inden det det valgfrie vægtskalasystem betjenes.
2. Tryk og hold **Zero** (nul) nede, indtil **rel** vises på displayet for at nulstille vægtskalaen. **000.0** blinker og holder derefter op med at blinke.

Bemærk - Skalaen er ikke klar til brug, før **000.0** holder op med at blinke.

3. Anbring patienten på produktet.
4. Tryk på **lb/kg** for at vælge måleenheden (pund eller kg).
5. Tryk på **Weigh** (vægt) for at få oplyst patientens vægt.

Bemærk - Patientens vægt vises i 40 sekunder.

Låsning af vægtskalaens måleenhed

1. Tryk og hold **Weigh** (vægt), **lb/kg** (pund/kg) og **Zero** (nul) nede, indtil **diag** (diagnostik) vises.
2. Tryk på **lb/kg** (pund/kg) eller **Zero** (nul) for at skifte til **Unit Loc** (enhedslås).
3. For en skala uden Chaperone trykkes og holdes **lb/kg** (pund/kg) og **Zero** (nul) nede, indtil **rel** (lås op) vises, og **Unit Loc** (enhedslås) vælges.
4. For en skala med **Chaperone** trykkes og holdes **lb/kg** (pund/kg) og **Zero** (nul) nede for at vælge **Unit Loc** (enhedslås).
5. Tryk på **lb/kg** (pund/kg) eller **Zero** (nul) for at skifte til **lb** (pund), **kg** eller **Any** (enhver).
6. Tryk på og slip **lb/kg** (pund/kg) og **Zero** (nul). **Only** (kun) og den valgte måleenhed vises.

Bemærk - **Only** vises ikke, hvis du vælger **Any** (enhver).

7. Tryk og hold **Weigh** (vægt) nede, indtil **quit** (afslut) vises.
8. Tryk og hold **Zero** (nul) nede, indtil **rel** (lås op) vises. **000.0** blinker og holder derefter op med at blinke.

Bemærk - Skalaen er ikke klar til brug, før **000.0** holder op med at blinke.

Aktivering eller deaktivering af Chaperone tilvalget

Når **Chaperone** funktionen (tilvalg) er aktiveret, holder den øje med patientens placering på produktet.

Sådan aktiveres og deaktiveres **Chaperone** funktionen:

1. Tryk på **Arm-Disarm** (aktivér-deaktivér), mens patienten befinder sig på produktet.

Bemærk - Dette aktiverer Zone 1. Zone 1 lyser ravgult, når den aktiveres.

2. Tryk 2 gange på **Arm-Disarm** (aktivér-deaktivér) inden for 3 sekunder for at aktivere Zone 2.

Bemærk - Dette aktiverer Zone 2. Zone 2 lyser ravgult, når den aktiveres.

3. Den valgfrie **Chaperone** funktion deaktiveres ved at trykke på og holde **Arm-Disarm** (aktivér-deaktivér) nede.

Bemærk - Vægten skal nulstilles, før **Chaperone** funktionen aktiveres.

Bemærk - Hvis patienten bevæger sig uden for grænserne for det valgte område, blinker et ravgult lys, **Alrt** (alarm) på vægtskalasystemets display, og der lyder en alarm.

Indstilling af Chaperone funktionens (tilvalg) advarselsmønster

Sådan ændres **Chaperone** funktionens (tilvalg) advarselsmønster:

1. Tryk og hold på **Arm-Disarm** (aktivér-deaktivér) og **Weigh** (vægt) samtidigt i cirka 6 sekunder. Ignorer alle displaymeddelelser, indtil der står **Ptrn** (mønster) på displayet (*Identifikation af vægtskalaikoner/-knapper* (side 30)).
2. Udløs knapperne **Arm-Disarm** (aktivér-deaktivér) og **Weigh** (vægt).
Bemærk - Mønsterindstillingen **P (1-10)** ses på displayet.
3. Tryk på **Arm-Disarm** (aktivér-deaktivér) eller **Weigh** (vægt) for at bladre gennem de forskellige mønstre.
Bemærk - En kort mønsterprøve afspilles, når der bladres gennem mønstervalgene.
4. Tryk og hold på både **Arm-Disarm** (aktivér-deaktivér) og **Weigh** (vægt) samtidigt i 6 sekunder, indtil **set** (indstil) vises på displayet for at gemme det valgte mønster.
5. Udløs **Arm-Disarm** (aktivér og deaktivér) og **Weigh** (vægt).
Bemærk - Den valgte mønsterindstilling vises på displayet. En kort mønsterprøve vises som bekræftelse på din mønsterindstilling.

Indstilling af Chaperone-funktionens (tilvalg) advarselsvolumen

Sådan ændres **Chaperone** funktionens (tilvalg) advarselsvolumen:

1. Tryk og hold på **Zero** (nul) og **lb/kg** (pund/kg) samtidigt, indtil **vol** (volumen) vises på displayet (*Identifikation af vægtskalaikoner/-knapper* (side 30)).
2. Slip **Zero** (nul) og **lb/kg** (pund/kg).
Bemærk - Volumenniveauerne **L (1-4)** vises på displayet.
3. Tryk på **Zero** (nul) eller **lb/kg** (pund/kg) for at bladre gennem volumenniveauerne.
Bemærk - En kort prøve på volumen afspilles, når der bladres gennem volumenniveauerne.
4. Tryk og hold på både **Zero** (nul) og **lb/kg** (pund/kg) samtidigt i 6 sekunder, indtil **set** (indstil) vises på displayet for at gemme det valgte volumenniveau.
5. Slip **Zero** (nul) og **lb/kg** (pund/kg).
Bemærk - Det valgte volumenniveau vises på displayet. En kort prøve på volumenniveauet afspilles som bekræftelse på volumenniveauindstillingen.

Opladning af den valgfrie batteripakke til vægtskalasystemet – tilvalgsmulighederne elektrisk bæreleje eller elektrisk bæreleje med Chaperone – kun Prime

Vægtskalasystemet med det valgfrie elektriske bæreleje kræver én 10,8 V Li-ION batteripakke (0058-135-000 uden **Chaperone** (tilvalg), 0058-134-000 med **Chaperone** (tilvalg)). Oplad batteripakken, når batteriets opladningsindikator viser, at der er én enhed tilbage. Derved undgås det, at vægtskalasystemet lukker ned på grund af afladede batterier.

Vægtskalasystemets Li-ION-batteripakke genoplades ved at sætte elledningen i en jordet stikkontakt af hospitalskvalitet. Batteripakken vil være fuldt opladet efter cirka tre timer.

Bemærk - Forbind produktet til en jordet stikkontakt af hospitalskvalitet, når den ikke er i brug. Dette hjælper batteriet med at opretholde en tilstrækkelig ladning og optimere produktets ydeevne, mens det kører på batteri.

Udskiftning af batterier til vægtskalasystem, tilvalg – ikke-elektrisk bæreleje

Udskift batteripakken, når batteriets opladningsindikator viser, at der er én enhed tilbage. Derved undgås det, at vægtskalasystemet lukker ned på grund af afladede batterier.

Når displayet blinker **Lo batt** (lavt batteri), er batterierne på deres laveste ladeniveau, og vægtskalasystemfunktionen er frakoblet.

Påkrævet værktøj:

- Stjerneskruestrækker
- Fire AA-batterier (alkalisk type (LR6)).

Sådan udskiftes batterierne:

1. Brug en stjerneskruestrækker til at fjerne Phillips-skruer, der holder batterirummets dæksel på displaysamlingen.
2. Fjern og bortskaf alle fire AA-batterier.

Bemærk - Bortskaf altid gamle batterier i overensstemmelse med lokale forskrifter.

3. Isæt fire nye AA-batterier som angivet på batteriholderen.

Bemærk - Bland aldrig gamle batterier med nye batterier.

4. Brug de skruer, der blev fjernet i trin 1, til at geninstallere batterirummets dæksel på displaysamlingen.

Tilbehør og dele

Dette tilbehør fås muligvis til brug med dit produkt. Bekræft tilgængelighed for din konfiguration eller dit område. Kontakt Stryker kundeservice: 1-800-327-0770.

Navn	Varenummer
Defibrillatorbakke	1105-045-200
Defibrillatorbakke/fodstøtteforlænger	1105-045-400
Fodplade/journalholder	1105-045-500
Hælpudesamling	1105-045-022
Dropstativholder	0785-155-000
HAVASU™ dropstativ, aftageligt	0390-025-000
Tredelt dropstativ, fodende, venstre, 26 tommer (66 cm)	1105-035-644
Tredelt dropstativ, fodende, højre, 26 tommer (66 cm)	1105-035-639
Tredelt dropstativ, fodende, venstre, 30 tommer (76 cm)	1105-035-344
Tredelt dropstativ, fodende, højre, 30 tommer (76 cm)	1105-035-339
Tredelt dropstativ, fodende, venstre, 30 tommer (76 cm) (Prime X -tilvalg)	1105-035-364
Tredelt dropstativ, fodende, højre, 30 tommer (76 cm) (Prime X -tilvalg)	1105-035-361
Tredelt dropstativ, hovedende, venstre, 26 tommer (66 cm)	1105-035-642
Tredelt dropstativ, hovedende, højre, 26 tommer (66 cm)	1105-035-637
Tredelt dropstativ, hovedende, venstre, 30 tommer (76 cm)	1105-035-342
Tredelt dropstativ, hovedende, højre, 30 tommer (76 cm)	1105-035-337
Tredelt dropstativ, hovedende, venstre, 30 tommer (76 cm) (Prime X -tilvalg)	1105-035-369
Tredelt dropstativ, hovedende, højre, 30 tommer (76 cm) (Prime X -tilvalg)	1105-035-366

Navn	Varenummer
Todelt dropstativ, fodende, venstre, 26 tommer (66 cm)	1105-035-640
Todelt dropstativ, fodende, højre, 26 tommer (66 cm)	1105-035-643
Todelt dropstativ, fodende, venstre, 30 tommer (76 cm)	1105-035-340
Todelt dropstativ, fodende, højre, 30 tommer (76 cm)	1105-035-343
Todelt dropstativ, fodende, venstre, 30 tommer (76 cm) (Prime X -tilvalg)	1105-035-362
Todelt dropstativ, fodende, højre, 30 tommer (76 cm) (Prime X -tilvalg)	1105-035-363
Todelt dropstativ, hovedende, venstre, 26 tommer (66 cm)	1105-035-638
Todelt dropstativ, hovedende, højre, 26 tommer (66 cm)	1105-035-641
Todelt dropstativ, hovedende, venstre, 30 tommer (76 cm)	1105-035-341
Todelt dropstativ, hovedende, højre, 30 tommer (76 cm)	1105-035-338
Todelt dropstativ, hovedende, venstre, 30 tommer (76 cm) (Prime X -tilvalg)	1105-035-367
Todelt dropstativ, hovedende, højre, 30 tommer (76 cm) (Prime X -tilvalg)	1105-035-368
Madras, ComfortGel SE ™, brandsikringsbetræk, 26 tommer (66 cm)	1805-034-601
Madras, ComfortGel SE , brandsikringsbetræk, 30 tommer (76 cm)	1805-034-301
Madras, ComfortGel SE , uden brandsikringsbetræk, 26 tommer (66 cm)	1805-034-600
Madras, ComfortGel SE , uden brandsikringsbetræk, 30 tommer (76 cm)	1805-034-300
Madras, Enhanced Comfort, 3 tommer x 26 tommer (8 cm x 66 cm)	0785-034-613
Madras, Enhanced Comfort, 3 tommer x 30 tommer (8 cm x 76 cm)	0785-034-313
Madras, Enhanced Comfort, 4 tommer x 26 tommer (10 cm x 66 cm)	0785-034-623
Madras, Enhanced Comfort, 4 tommer x 30 tommer (10 cm x 76 cm)	0785-034-323
Madras, IsoFlex SE ™, brandsikringsbetræk, 30 tommer (76 cm)	1806-034-300
Madras, IsoFlex SE , uden brandsikringsbetræk, international, 30 tommer (76 cm)	1806-034-301
Madras, Ultra Comfort, 4 tommer x 26 tommer (10 cm x 66 cm)	0785-034-603
Madras, Ultra Comfort, 4 tommer x 30 tommer (10 cm x 76 cm)	0785-034-303

Navn	Varenummer
Madras, Ultra Comfort, 5 tommer x 26 tommer (12,5 cm x 66 cm)	0785-034-633
Madras, Ultra Comfort, 5 tommer x 30 tommer (12,5 cm x 76 cm)	0785-034-333
Madras, Ultra Comfort SE™ , 4 tommer x 26 tommer (10 cm x 66 cm)	1704-034-600
Madras, Ultra Comfort SE , brandsikringsbetræk, international, 4 tommer x 26 tommer (10 cm x 66 cm)	1704-034-601
Madras, Ultra Comfort, båretforlænger, 4 tommer x 26 tommer (10 cm x 66 cm)	1105-034-609
Madras, Ultra Comfort, båretforlænger, 4 tommer x 30 tommer (10 cm x 76 cm)	1105-034-309
Madras, Ultra Comfort SE , 3 tommer x 30 tommer (8 cm x 76 cm)	1703-034-300
Madras, Ultra Comfort SE , brandsikringsbetræk, 3 tommer x 30 tommer (8 cm x 76 cm)	1703-034-301
Madras, Ultra Comfort SE , 4 tommer x 30 tommer (10 cm x 76 cm)	1704-034-300
Madras, Ultra Comfort SE , brandsikringsbetræk, 4 tommer x 30 tommer (10 cm x 76 cm)	1704-034-301
Iltflaskeholder, lodret	1115-130-000
Pumpestat, tilvalg, 30 tommer (76 cm)	1105-045-035
Skubbehåndtagssamling, fodende, 30 tommer (76 cm)	1105-048-030
Skubbehåndtagssamling, hovedende, 30 tommer (76 cm)	1105-048-060
Sele, pakke	0785-045-010
Sele, ankel	0785-045-020
Sele, krop	0785-045-015
Sele, håndled	0946-044-000
Sele, bryst	1010-058-000
Serveringsbakke	1105-045-700
Serveringsbakkeholder/fodplade	1105-045-800
Sengehestpuder	1001-052-000
Røntgenkassetteholder, lateral	1105-045-100
Røntgenkassetteholder, lodret	1105-045-300

Elektriske komponenter

Navn	Nummer
Aktuator, ryglæn	1008-012-020
Aktuator, knæbøjsersektion	1008-014-020
Batteri, Li-ION Smart-batteripakke (kun vægtskala)	0058-135-000
Batteri, Li-ION Smart-batteripakke (vægtskala og Chaperone)	0058-134-000
Printkort, jævnstrømskontrol, PCB-samling	1008-116-800
Printkort, ikke-lift, AC-samling	1008-002-800
Printkort, liftkontrol, PCB-samling	1008-002-810
Printkort, vægtskalakontrolsamling (kun vægtskala)	1008-237-850
Printkort, vægtskala- og Chaperone -kontrolsamling	1008-237-840
Kondensator, 440 VAC, 35 MFD	0059-087-000
Tastatur, vægtskalakontrol (ikke-elektrisk bæreleje)	1008-037-820
Tastatur, sengehestkontrol, venstre	1008-011-017
Tastatur, sengehestkontrol, højre	1008-011-016
Tastatur, operatørkontrol	1008-015-800
Belastningscelle (vægtskalasystem, tilvalg)	1008-037-057
Motor, pumpe	1008-002-015
Elledning, standard	1028-146-060
Elledning, international, type E	1125-060-170
Elledning, international, type F	1125-060-180
Elledning, international, type G	1125-060-160
Elledning, international, type I	1125-060-200
Vægtskalabokssamling (ikke-elektrisk bæreleje)	1070-237-020
Transformer	1008-014-857
Transformer, international	1008-014-877

Fastgørelse af defibrillatorbakken

ADVARSEL

- Der må ikke placeres genstande, som vejer mere end 14 kg, på defibrillatorbakken. Sørg til enhver tid for, at alle enheder på defibrillatorbakken er fastgjort korrekt.
- Udvis altid forsigtighed, hvis defibrillatorbakken-fodstøtteforlængerens, fodplade-journalholderen eller den opretstående itflaskeholder er tilsluttet for ikke at klemme fingrene, når det valgfrie skubbehåndtag placeres i fodenden.

Sådan monteres defibrillatorbakken:

1. Sæt defibrillatorbakkens ben ind i stikkene i fodenden af produktet.
2. Brug selen til at fastgøre dele til defibrillatorbakken.

Bemærk

- Brug ikke defibrillatorbakken som en trække-/skubbeanordning. Der kan opstå skade på produktet.
- Løft altid skubbehåndtagene i fodenden, når der bruges tilbehør (såsom defibrillatorbakke/fodstøtteforlænger, fodplade/journalholder, opretstående iltflaskeholder), da tilbehøret ellers ikke vil fungere, som det skal.

Konvertering af defibrillatorbakken/fodstøtteforlænger til en defibrillatorbakke

ADVARSEL

- Der må ikke placeres genstande, som vejer mere end 14 kg, på defibrillatorbakken-fodstøtteforlænger. Sørg til enhver tid for, at alle enheder på defibrillatorbakken er fastgjort korrekt.
- Udvis altid forsigtighed, hvis defibrillatorbakken-fodstøtteforlænger, fodplade-journalholderen eller den opretstående iltflaskeholder er tilsluttet for ikke at klemme fingrene, når det valgfrie skubbehåndtag placeres i fodenden.

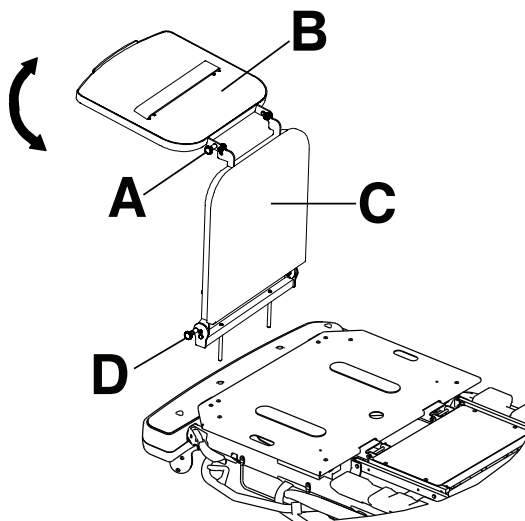
FORSIGTIG - Løft altid dropstativet, før defibrillatorbakken-fodstøtteforlænger fastgøres til produktet. Hvis dropstativet ikke hæves, vil fodstøtteforlænger ikke fungere.

Sådan konverteres defibrillatorbakken-fodstøtteforlænger til en defibrillatorbakke:

1. Træk den øverste knap ud (A) (Figur 19).
2. Drej defibrillatorbakken (B), indtil bakken ligger fladt over fodenden af produktet. Slip den øverste knap (A). Sørg for, at defibrillatorbakken er låst på plads.
3. Brug selen til at fastgøre dele til defibrillatorbakken.

Bemærk

- Brug ikke defibrillatorbakken-fodstøtteforlænger som en skubbe- eller trækkeenhed. Der kan opstå skade på produktet.
- Fastgør ikke komponenter til fodstøtteforlænger.



Figur 19 – Defibrillatorbakke/fodstøtteforlænger

Konvertering af defibrillatorbakken/fodstøtteforlænger til en fodstøtteforlænger

ADVARSEL

- Der må ikke placeres genstande, som vejer mere end 14 kg, på defibrillatorbakken-fodstøtteforlænger. Sørg til enhver tid for, at alle enheder på defibrillatorbakken er fastgjort korrekt.
 - Udvis altid forsigtighed, hvis defibrillatorbakken-fodstøtteforlænger, fodplade-journalholderen eller den opretstående iltflaskeholder er tilsluttet for ikke at klemme fingrene, når det valgfrie skubbehåndtag placeres i fodenden.
-

FORSIGTIG - Løft altid dropstativet, før defibrillatorbakken-fodstøtteforlængerens fastgøres til produktet. Hvis dropstativet ikke hæves, vil fodstøtteforlængerens ikke fungere.

Sådan konverteres defibrillatorbakken-fodstøtteforlængerens til en fodstøtteforlænger (Figur 19):

1. Træk den øverste knap ud (A).
2. Drej defibrillatorbakken (B), indtil bakken låser ind mod fodstøtteforlængerens.
3. Træk den nederste knap ud (D), mens der holdes defibrillatorbakken-fodstøtteforlængerens.
4. Sænk fodstøtteforlængerens (C), indtil fodstøtteforlængerens er flad.
5. Slip den nederste knap (D). Skub til fodstøtteforlængerens for at sikre, at fodstøtteforlængerens er låst i stilling.

Bemærk

- Brug ikke defibrillatorbakken-fodstøtteforlængerens som en skubbe- eller trækkeenhed. Der kan opstå skade på produktet.
- Fastgør ikke komponenter til fodstøtteforlængerens.

Fastgørelse af fodplade/journalholder

ADVARSEL - Udvis altid forsigtighed, hvis defibrillatorbakken-fodstøtteforlængerens, fodplade-journalholderens eller den opretstående iltflaskeholder er tilsluttet for ikke at klemme fingrene, når det valgfrie skubbehåndtag placeres i fodenden.

Fodplade-journalholderens fastgøres ved at indsætte fodplade-journalholderens stifter i stikkene i fodenden af produktet.

Bemærk - Brug ikke fodpladen/journalholderens som en trække-/skubbeanordning. Der kan opstå skade på produktet.

Fastgørelse af i.v.-holderens

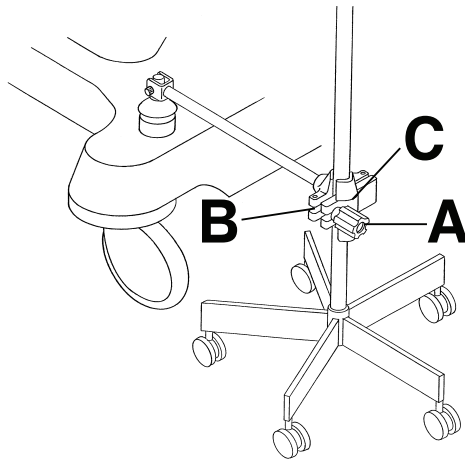
ADVARSEL

- Sørg altid for, at dropstativet er sikkert fastgjort til i.v.-holderens, når produktet transporteres.
 - I.v.-holderens skal altid stilles til opbevaring, når den ikke er i brug for at undgå skader på produktet.
-

Sådan fastgøres i.v.-holderens (Figur 20):

1. Løft i.v.-holderens ud af opbevaringsbakken eller tag den fra opbevaringsklemmen.
2. Drej i.v.-holderens til den ønskede position.
3. Drej knappen (A) mod uret for at løsne stativklemmen (C).
4. Drej knappen (A) væk fra armforbindelsessamlingen (B).
5. Åbn klemmen (C).
6. Sæt dropstativet i klemmen (C).
7. Luk klemmen (C) omkring dropstativet og drej knappen (A) i stilling.
8. Drej knappen (A) med uret for at stramme knappen.
9. Udfør trinene i modsat rækkefølge for at koble i.v.-holderens fra produktet.

I.v.-holderens lægges til opbevaring ved at placere det i opbevaringsbakken eller fastgøre holderens i opbevaringsklemmen.



Figur 20 – Dropstativholder

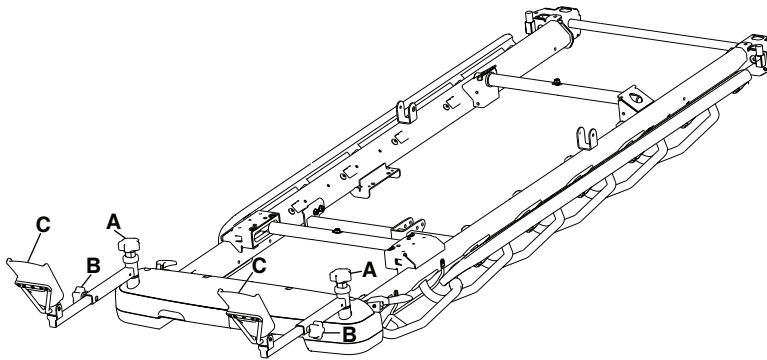
Placering eller opbevaring af fodstøtter – kun Prime

ADVARSEL

- Sid ikke på fodstøtterne. Det kan få sengen til at vippe.
- Sørg altid for, at fingre er fri af mekanismerne, når fodstøtterne betjenes.
- Gem altid fodstøtterne væk, når en patient transporteres på produktet.
- Sørg altid for at stramme fodstøtterne, inden de tages i brug.
- Brug ikke vægtskalasystemet, mens fodstøtterne anvendes. Det kan give anledning til forkerte aflæsninger.
- Betjen ikke tilvalget **Chaperone**, mens fodstøtterne bruges. Det kan give anledning til forkerte aflæsninger.

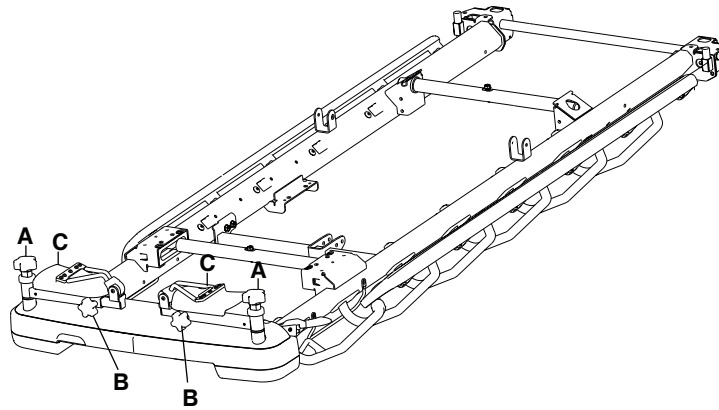
Sådan anbringes fodstøtterne:

1. Løsgør knæknappen (A) i toppen af fodstøtten for at justere fodstøttens sidelæns vinkel (Figur 21).
2. Stram knæknappen (A) for at låse fodstøtten i den ønskede position.



Figur 21 – Sådan anbringes fodstøtterne

3. Løsgør benknappen (B) på siden af fodstøtten for at justere længden.
4. Stram benknappen (B) for at låse fodstøtten i den ønskede position.
5. Skub fodstøtten (C) op, inden patienten placeres.
6. Udfør trinene i modsat rækkefølge for at gemme fodstøtterne væk (Figur 22).



Figur 22 – Opbevaring af fodstøtter

Følgende tilvalgsmuligheder og tilbehør kan ikke tilkøbes, hvis fodstøtten vælges:

- Skubbehåndtag i fodenden
- Defibrillatorbakke
- Defibrillatorbakke/fodstøtteforlænger
- Serveringsbakkeholder/fodplade
- Fodplade/journalholder
- Dropstativer i fodenden

Bemærk

- Fodstøtterne må ikke bruges til at opbevare patientens ejendele.
- Fodstøtterne må ikke bruges som skubbe- eller trækkeanordning. Der kan opstå skade på produktet.
- Aktivér altid bremserne, når fodstøtterne bruges for at undgå manglende stabilitet.
- Brug ikke ryglænet eller den bevægelige sektion sammen med fodstøtterne.

Placering af det permanent fastgjorte, todelte dropstativ

ADVARSEL - Dropstativet må ikke benyttes som en skubbe- eller trækkeenhed. Der kan opstå skade på produktet.

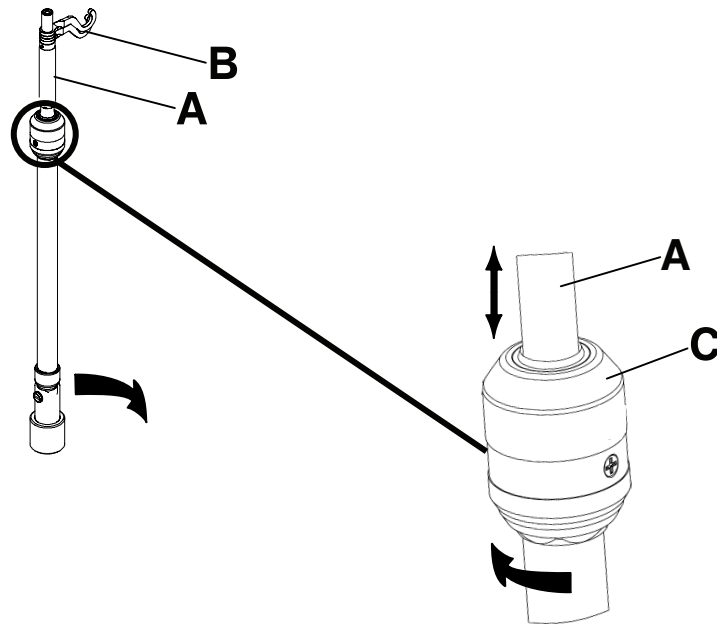
Produktet kan købes med det todelte, tilvalgte dropstativ permanent fastgjort i hovedenden, fodenden eller for begge ender af produktet. Dropstativet er udstyret med en teleskopstang, der kan udtrækkes, så der opnås en yderligere højdeindstilling. Dropstativet kan sammenfoldes og lægges til opbevaring, når det ikke er brug.

Placering af det todelte dropstativ (Figur 23):

1. Løft, og drej stativet nedad fra opbevaringspositionen.
2. Skub dropstativet ned, indtil dropstativet går i låsestilling.
3. Dropstativet hæves ved at trække op i den teleskopiske del (A), indtil stativet går i låsestillingen i den fuldt hævede position.
4. Drej dropstativets kroge (B) over i den ønskede position, og hæng infusionsposerne op.
5. Dropstativet sænkes ved at holde i dropstativets teleskopdel, dreje låsegrebet (C) og sænke teleskopdelen.

Bemærk

- Hæng ikke infusionsposer, der overstiger 40 pund (18 kg), på dropstativet.
- Sørg altid for, at dropstativet sidder i en lav højde, så det kan passere uhindret gennem døråbninger, når patienten transporteres.



Figur 23 – Placering af det permanent fastgjorte dropstativ i 2 niveauer

Placering af det permanent fastgjorte, tredelte dropstativ

ADVARSEL - Dropstativet må ikke benyttes som en skubbe- eller trækkeenhed. Der kan opstå skade på produktet.

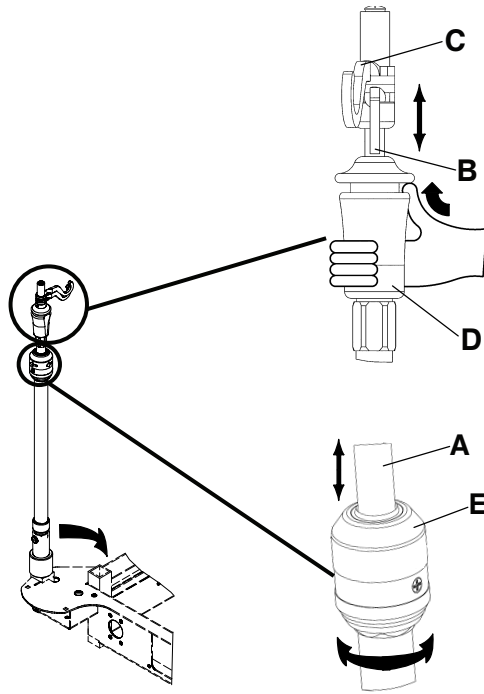
Produktet kan købes med det tilvalgte tredelte dropstativ, permanent fastgjort i hovedenden, fodenden eller begge ender af produktet. Dropstativet er udstyret med en teleskopstang, der kan udtrækkes, så der opnås en anden og tredje højdeindstilling. Desuden kan dropstativet sammenfoldes og lægges til opbevaring, når det ikke er brugt.

Placering af det tredelte dropstativ (Figur 24):

1. Løft, og drej stativet nedad fra opbevaringspositionen.
2. Skub dropstativet ned, indtil stativet går i låsestilling.
3. Dropstativets højde øges ved at trække op i den teleskopiske del (A), indtil stativet låser på plads i sin fuldt hævede position.
4. For et højere dropstativ trækkes der op i sektion (B). Frigør sektion (B) i en vilkårligt ønsket højde for at låse stativet på plads.
5. Drej dropstativbøjlerne (C) over i den ønskede position, og hæng infusionsposerne op.
6. Sænk dropstativet ved at skubbe op på den gule del af grebet (D), mens der holdes fast i sektion (B), indtil stativet sænkes.
7. Drej låsegrebet (E), og sænk dropstativets teleskopdel.

Bemærk

- Hæng ikke infusionsposer, der overstiger 12 pund (5 kg) i alt for alle poser, på dropstativet.
- Hæng ikke infusionsposer, der overstiger 9,3 pund (4,2 kg), på en enkelt dropstativbøjle.
- Sørg altid for, at dropstativet sidder i en lav højde, så det kan passere uhindret gennem døråbninger, når patienten transporteres.



Figur 24 – Placering af det permanent fastgjorte, tredelte dropstativ

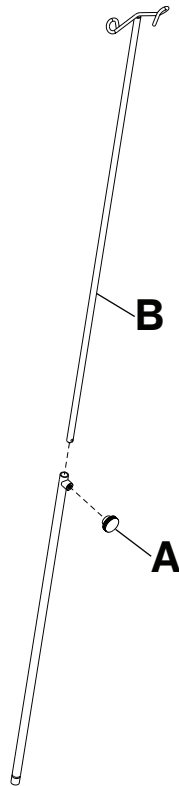
Montering og placering af det aftagelige dropstativ

FORSIGTIG

- Dropstativet må ikke benyttes som en skubbe- eller trækkeenhed. Der kan opstå skade på produktet.
- Hæng ikke infusionsposer, der overstiger 40 lb (18 kg), på dropstativet.
- Sørg altid for, at dropstativet sidder i en lav højde, så det kan passere uhindret gennem døråbninger, når patienten transporteres.

Sådan monteres og placeres det aftagelige dropstativ (Figur 25):

1. Sæt dropstativet i et stik i hoved- eller fodenden af produktet.
2. Drej knappen (A) mod uret og træk op i den udtrækkelige del (B), indtil den ønskede højde er nået.
3. Drej knappen (A) mod uret for at låse den udtrækkelige del på plads.



Figur 25 – Dropstativ, flytbart

Montering af den lodrette iltflaskeholder

ADVARSEL

- Anbring ikke genstande, som vejer mere end 40 pund (18 kg) i den opretstående holder til iltflasken.
 - Udvis altid forsigtighed, hvis defibrillatorbakken-fodstøtteforlænger, fodplade-journalholderen eller den opretstående iltflaskeholder er tilsluttet for ikke at klemme fingrene, når det valgfrie skubbehåndtag i fodenden indstilles.
-

Den lodrette iltflaskeholder holder en iltflaske i en lodret stilling.

Sådan monteres den lodrette iltflaskeholder:

1. Sæt støttestængerne ind i en vilkårlig af dropstativstikkene.
2. Sæt splitterstiften gennem hullet i støttestangen for at holde flaskeholderen fast på produktet.

Bemærk - Den lodrette iltflaskeholder må ikke benyttes som en skubbe- eller trækkeenhed. Der kan opstå skade på produktet.

Forlængelse eller opbevaring af serveringsbakkeholderen/fodpladen

ADVARSEL - Anbring ikke genstande, som vejer mere end 30 pund (14 kg), på serveringsbakken.

Serveringsbakken monteres på sengehesten ved at trække begge sider af serveringsbakken ud og placere bakken hen over sengehestene.

Sådan lægges serveringsbakken til opbevaring:

1. Tag serveringsbakken af sengehestene.
2. Skub siderne af serveringsbakken ind.
3. Stil serveringsbakken ind i fodpladen.

Bemærk - Brug ikke serveringsbakken/fodpladen som en skubbe- eller trækkeenhed. Der kan opstå skade på produktet.

Fastgørelse af sengehestpuder

Sådan fastgøres sengehestpuder:

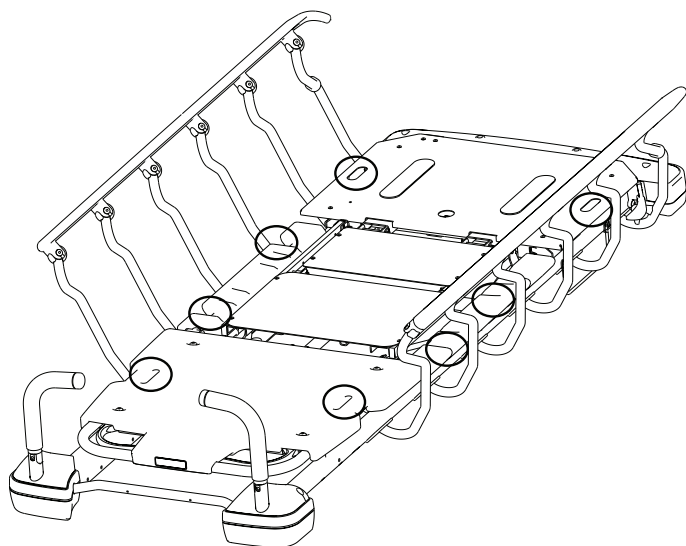
1. Skub sengehestpuderne ind mellem madrassen og sengehesten:
2. Fastgør **Velcro®** bånd omkring toppen af sengehesten for at fastgøre sengehestpuden.

Lokalisering af fikseringspunkterne til patientselerne

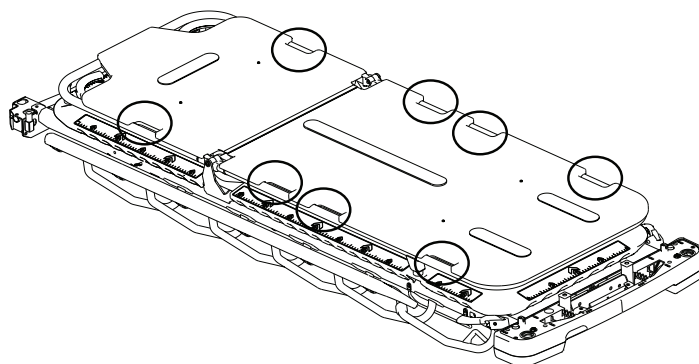
ADVARSEL

- Udvis altid forsigtighed, når seler monteres. Patienten eller operatøren kan komme til skade. Anordninger til fiksering – selv om de er fastgjort – kan forårsage alvorlig skade på patienter og operatører, herunder indvikling, fastklemning, fysisk skade eller død.
- Monter kun seler eller enheder ved de markerede fastgørelsespunkter på produktet. Hvis dette ikke gøres, kan det medføre, at patienten eller operatøren kommer til skade. Selerne må ikke fastgøres til sengehesten.
- Se altid de gældende regionale og nationale restriktioner og bestemmelser og de relevante protokoller på hospitalet/ klinikken, før der bruges nogen form for sele eller anordning.

Der er otte fastgørelsespunkter på bæreløjet til lukning af patientselerne (Figur 26 eller Figur 27).



Figur 26 – Placering af Prime-seler



Figur 27 – Valgmulighed for placering af Prime X-seler

Bemærk - Selerne er Type B anvendte dele.

Placering af den opretstående røntgenkassetteholder – Prime X tilvalg

ADVARSEL

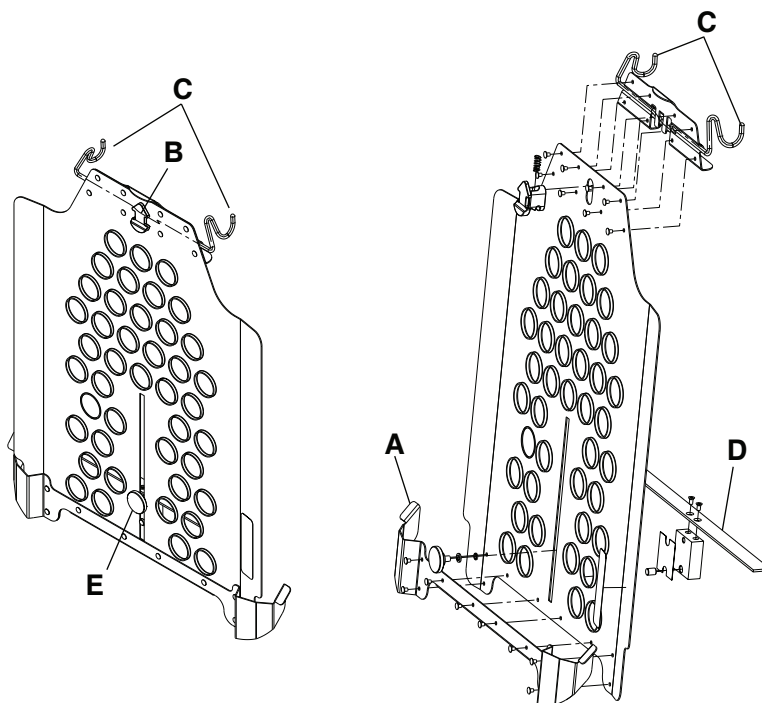
- Træf altid de nødvendige forsigtighedsforanstaltninger, når den opretstående eller laterale røntgenkassetteholder bruges. Røntgenkassetteholderen beskytter ikke mod stråling.
- Ud over hospitalets eller klinikens protokoller skal man altid overholde lokale, regionale og nationale retningslinjer for brugen af hensyn til sikkerheden, inden **Prime X** tilvalget anvendes sammen med strålingsdannende udstyr. Strålingsdannende udstyr kan producere residual-, sprednings- eller spredt stråling.
- Vær altid ekstra forsigtig, når der bruges en madras, som er tykkere end 2,5 in. (6,35 cm), eller et sengeunderlag med **Prime X**-tilvalget.

- Følg altid anvisningerne i *Placering af den opretstående røntgenkassetteholder – Prime X tilvalg*, når røntgenkassetten indsættes.

Røntgenkassetteholderen fastgøres til ryglænet for at understøtte røntgenkassetter. Der kan tages røntgenbilleder, mens en patient befinder sig på produktet. Kassetten position kan også justeres, før der tages et røntgenbillede.

Sådan anbringes røntgenkassetteholderen:

1. Aktivér bremserne. Skub til produktet for at kontrollere, at bremserne fungerer.
2. Hæv ryglænssektionen til fuld højde.
3. Indsæt de lave holdestyre (A) under ryglænsstangen (Figur 28).
4. Hæv kassetteholderen, indtil holdestyret fastlåses på ryglænet. Kontrollér, at kassetteholderen sidder forsvarligt.



Figur 28 – Røntgenkassetteholder

5. Indsæt en røntgenkassette fra hver side af kassetteholderen, eller træk i udløserpilen (B) for at frigøre kassetteholderen fra ryglænet, sæt kassetten på plads, og fastgør kassetteholderen i ryglænet.
6. Kassetten højde justeres ved at løsgøre knappen (E) og bevæge kassetten støtteskinne (D) op eller ned, indtil den ønskede højde er nået.
7. Stram knappen (E) for at fastgøre kassetten støtteskinne i denne stilling.
8. Når røntgenundersøgelsen er færdig, skal der trækkes op i udløserpilen (B) for at frigøre kassetteholderen fra ryglænet.
9. Tag røntgenkassetten ud af kassetteholderen.
10. Luk kassetteholderen og gem den ad vejen.

Placering af den laterale røntgenkassetteholder – Prime X tilvalg

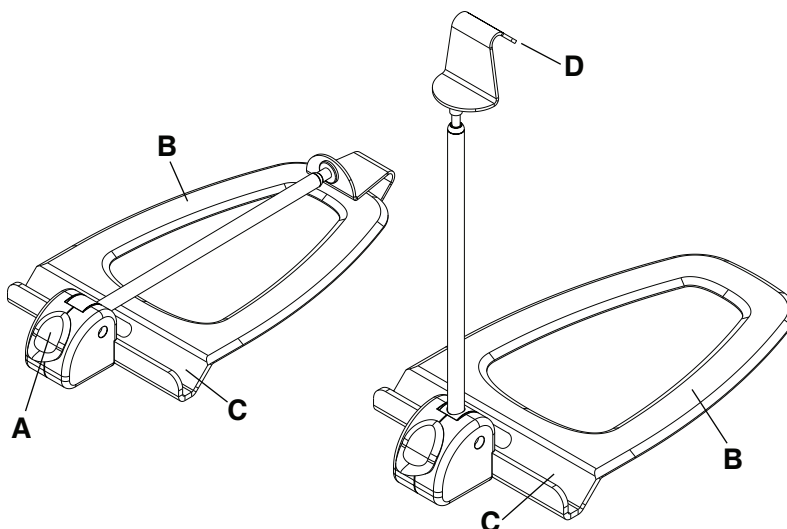
ADVARSEL

- Træf altid de nødvendige forsigtighedsforanstaltninger, når den opretstående eller laterale røntgenkassetteholder bruges. Røntgenkassetteholderen beskytter ikke mod stråling.
- Ud over hospitalets eller klinikens protokoller skal man altid overholde lokale, regionale og nationale retningslinjer før brugen af hensyn til sikkerheden, inden **Prime X** tilvalget anvendes sammen med strålingsdannende udstyr. Strålingsdannende udstyr kan producere residual-, sprednings- eller spredt stråling.

- Udvis altid forsigtighed, når der tages røntgenbilleder med ryglænet i lodret stilling, eller hvis der bruges en lateral kassette.
- Vær altid ekstra forsigtig, når der bruges en madras, som er tykkere end 2,5 in. (6,35 cm), eller et sengeunderlag med **Prime X**-tilvalget.
- Følg altid anvisningerne i *Placering af den laterale røntgenkassetteholder – Prime X tilvalg*, når røntgenkassetten indsættes.

Sådan anbringes den laterale røntgenkassetteholder:

1. Aktivér bremserne. Skub til produktet for at kontrollere, at bremserne fungerer.



Figur 29 – Lateral røntgenkassetteholder

2. Tryk på den gule udløserknop (A) for at åbne den laterale kassetteholder (Figur 29).
3. Skub den flade bund (B) ind mellem madrassen og patientplatformen.
4. Anbring den laterale kassetteholder det ønskede sted.
5. Anbring røntgenkassetten i kassettekanalen (C).
6. Træk op i kassettekrogen (D) for at justere armens højde, så den passer over røntgenkassetten og kan holde kassetten på plads.
7. Udfør trinene i modsat rækkefølge for at fjerne kassetten og gemme den laterale kassetteholder af vejen.

Indsættelse eller fjernelse af røntgenkassetter – Prime X, tilvalg

ADVARSEL

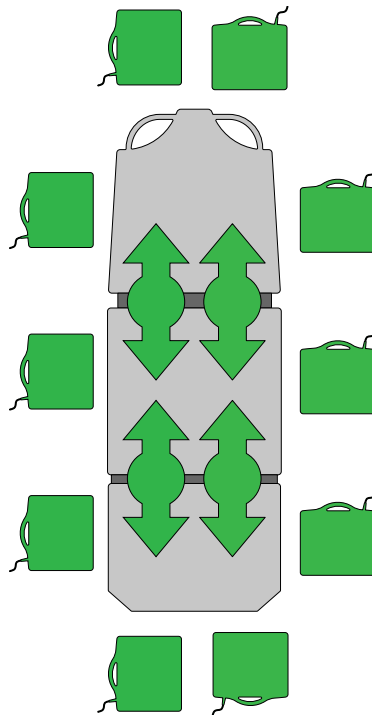
- Ud over hospitalets eller klinikens protokoller skal man altid overholde lokale, regionale og nationale retningslinjer for brugen af hensyn til sikkerheden, inden **Prime X** tilvalget anvendes sammen med strålingsdannende udstyr. Strålingsdannende udstyr kan producere residual-, sprednings- eller spredt stråling.
- Udvis altid forsigtighed, når der tages røntgenbilleder med ryglænet i lodret stilling, eller hvis der bruges en lateral kassette.

Prime X tilvalget omfatter både en artikulerende radiografisk madras og en platform under patientens madras til placering af røntgenkassetter. Den radiografiske madras anvendes sammen med medicinske røntgensystemer og gør det muligt at optage kliniske røntgenbilleder (AP hele kroppen, hele kroppen lateralt (ekstraudstyr) og lodret bryst (ekstraudstyr)), mens patienten befinder sig på produktet. Kassetterne kan indsættes fra hovedenden, fodenden og begge sider af produktet.

Isætning af en røntgenkassette:

1. Centrér patienten på produktet ved hjælp af de positionsindikatormærkater, der findes på alle sider af produktet (Figur 30).

2. Indsæt en røntgenkassette under patientoverfladen. Brug kassettestyr til at bistå med at placere røntgenkassetten.



Figur 30 – Indsættelse eller fjernelse af røntgenkassetter på Prime X tilvalget

Bemærk

- Brug ikke en madras med en tykkelse på over fire tommer (10 cm) med **Prime X** tilvalget.
- Brug ikke en C-arm med **Prime X** tilvalget. **Prime X** tilvalget er ikke kompatibelt med en C-arm.

Rengøring

Rengøring af produktet

FORSIGTIG - Brug ikke slibende rengøringsmidler til at rengøre skærmerkabinettet, hvis det valgfrie vægtskalasystem vælges. Lad ikke rengøringsopløsninger eller andre væsker samle sig på displayenheden. Tør alle overflader af efter spild eller rengøring.

Disse anvisninger beskriver anbefalede rengøringsmetoder til **Prime Series** båren.

Dette produkt kan højtryksrenses. Produktet kan vise tegn på oxidering eller misfarvning pga. kontinuerlig vask. Der vil imidlertid ikke ske forringelse af produktets egenskaber eller funktion som et resultat af højtryksrensningen, så længe de korrekte procedurer følges.

Anbefalet rengøringsmetode:

1. Hvis produktet er udstyret med det valgfrie elektriske bæreleje eller den valgfrie elektriske lift, skal elledningen trækkes ud af stikkontakten, inden produktet transporteres eller rengøres.
2. Fjern madrassen fra produktet.
3. Følg producentens anbefalinger vedr. fortynding af rengøringsmidlet.
4. Stryker anbefaler at bruge en standard vognvasker af hospitalskvalitet til højtryksrensning.
5. Tør produktet. Anbring ikke madrassen på produktet, før produktet er tørt.
6. Kontrollér funktionaliteten, før produktet tages i brug igen.
 - Hæv og sænk produktet
 - Lås og lås op for bremse-/styrepedalen i begge positioner
 - Lås og udløs sengehestene
 - Hæv og sænk ryglænet
 - Hæv og sænk den bevægelige sektion
 - Kontrollér, at alle komponenter er smurt
 - Kontrollér, at alle mærkater er intakte

Bemærk

- Direkte hudkontakt med synligt tilsmudset, permeabelt materiale kan øge risikoen for infektion.
- Produktet må ikke rengøres med damp.
- Rengør bundstykkekkappens opbevaringsområde.
- Rengør bremseklodsernes underside for at forhindre ophobning af voks eller rester fra gulvet.
- Nogle rengøringsmidler er ætsende og kan forårsage skade på produktet, hvis de anvendes forkert. Hvis produktet ikke skylles og tørres grundigt, kan ætsende rester blive siddende på produktets overflader, og disse kan forårsage førtidig korrosion af kritiske komponenter. Manglende overholdelse af disse rengøringsanvisninger kan ugyldiggøre garantien.

Rengøring af produktet vha. en vognvasker

Stryker anbefaler at bruge en standard kirurgisk vognvasker til hospitalsbrug til højtryksrensning af båren højst én gang om året i løbet af produktets levetid.

Sådan rengøres produktet vha. en vognvasker:

1. Hvis produktet er udstyret med det valgfrie elektriske bæreleje eller den valgfrie elektriske lift, skal elledningen trækkes ud af stikkontakten, inden produktet transporteres eller rengøres.
2. Fjern madrassen inden produktet vaskes. Vask ikke madrassen sammen med produktet.
3. Placér ryglænet i en 45° vinkel.

4. Placér produktet i fuld anti-Trendelenburg-positionen (fodenden nedad).
5. Hæv sengehestene.
6. Anbring dropstativer og skubbehåndtag i øverste position.
7. Rengør produktet med en vandtemperatur på maks. 82 °C (180 °F) og et maksimalt vandtryk på 103,5 bar/1500 psi.
8. Lufttør produktet med maks. temperatur på 93 °C (200 °F) i otte minutter.
9. Tør produktet. Anbring ikke madrassen på produktet, før produktet er tørt.
10. Kontrollér funktionaliteten, før produktet tages i brug igen.
 - Hæv og sænk produktet
 - Lås og lås op for bremse-/styrepedalen i begge positioner
 - Lås og udløs sengehestene
 - Hæv og sænk ryglænet
 - Kontrollér, at alle komponenter er smurt
 - Kontrollér, at alle mærkater er intakte og læsbare

Bemærk

- Produktet må ikke rengøres med damp.
- Nogle rengøringsmidler er ætsende og kan forårsage skade på produktet, hvis de anvendes forkert. Hvis produktet ikke skylles og tørres grundigt, kan ætsende rester blive siddende på produktets overflader, og disse kan forårsage førtidig korrosion af kritiske komponenter. Manglende overholdelse af disse rengøringsanvisninger kan ugyldiggøre garantien.

Rengøring af madras

ADVARSEL

- Der må ikke foretages rengøring, service eller vedligeholdelse, mens produktet er i brug.
 - Madrassen må ikke nedsænkes i rengørings- eller desinfektionsmidler. For stor fugtighed kan få produktet til at fejle, så produktet beskadiges, eller patienten kommer til skade.
 - Sørg for, at der ikke samler sig væske på madrassen. Væsker kan forårsage korrosion af komponenter og kan gøre dette produkts sikkerhed og ydeevne uforudsigelig.
 - Inspicér altid madrasovertræk for tegn på rifter, huller, kraftigt slid og ikke-fungerende lynlåse, hver gang overtrækkene rengøres. Fjern og udskift en beskadiget madras for at forhindre krydskontaminering.
 - Madrasser må ikke rengøres med damprens, højtryksrensning, oversprøjtning eller ultralyd. Disse rengøringsmetoder kan ugyldiggøre produktets garanti.
-

Madrassens levetid kan blive påvirket af hyppigere brug, hvilket muligvis omfatter hyppigere rengøring og desinfektion.

Anbefalet rengøringsmetode:

1. Brug en ren, blød klud til at aftørre hele madrassen ved brug af en mild sæbevandsopløsning for at fjerne fremmedlegemer.
2. Tør madrasovertrækket af med en ren og tør klud for at fjerne eventuel overskydende væske eller rengøringsmiddel.
3. Skyl og tør overtrækket efter rengøring.
4. Desinficer efter behov med et desinfektionsmiddel af hospitalskvalitet, når rensningen er færdig (se *Desinfektion af madrassen*).

Bemærk

- Madrassen må ikke stryges, kemisk renses eller tørretumbles, da dette vil medføre funktionsfejl og beskadige produktet.
- Madrassens betræk skal være helt tørt, før det lægges væk, før der lægges sengetøj på eller en patient anbringes på madrassen for at forhindre, at produktets ydeevne forringes.
- Undgå for stor eksponering for alkohol eller hydrogenperoxid. Det vil medføre, at overtræksmaterialet svulmer op.

- Sørg for, at der ikke trænger væske ind i området omkring lynlåsen eller overlappningen over lynlåsen. Væsker, der kommer i kontakt med lynlåsen, kan trænge ind i madrassen, hvilket kan svække produktets ydeevne.
- Nogle rengøringsmidler er ætsende og kan forårsage skade på produktet, hvis de anvendes forkert. Hvis produktet ikke skylles og tørres grundigt, kan ætsende rester blive siddende på produktets overflader, og disse kan forårsage førtidig korrosion af kritiske komponenter. Manglende overholdelse af disse rengøringsanvisninger kan ugyldiggøre garantien.

Fjern jod

1. Lav en opløsning af 1 til 2 spiseskefulde natriumthiosulfat i en halv liter varmt vand. Brug denne opløsning til at aftørre det misfarvede område.
2. Rens pletten hurtigst muligt efter, at den forekommer.
3. Hvis pletter ikke fjernes med det samme, skal opløsningen gennemvæde eller ligge på madrassen, før den tørres af.
4. Skyl madrasser, der har haft kontakt med opløsningen med rent vand, inden madrassen tages i brug igen.

Bemærk - Undladelse af at følge disse anvisninger, når disse typer rengøringsmidler anvendes, kan dette ugyldiggøre produktets garanti.

Særlige instruktioner

Velcro®	Gennemvæd med desinfektionsmiddel, skyl med vand og lad opløsningen fordampe.
Faste stoffer eller pletter	Brug neutrale sæber og varmt vand. Brug ikke grove rengøringsmidler, opløsningsmidler eller slibende rengøringsmidler.
Pletter der er svære at rengøre	Brug almindelige rensemidler eller vinylrensemidler og en blød børste på vanskelige pletter. Indtørret snavs opløses først.
Brug af vaskemaskine	Brug af vaskemaskine anbefales ikke. Madrassens levetid kan blive betydeligt forkortet ved brug af vaskemaskine.

Desinfektion

Desinficering af produktet

ADVARSEL

- Der må ikke foretages rengøring, service eller vedligeholdelse, mens produktet er i brug.
 - Produktet må ikke rengøres med damprens, spules eller rengøres med ultralyd. Disse rengøringsmetoder anbefales ikke, og de kan ugyldiggøre produktets garanti.
-

Anbefalede desinfektionsmidler:

- Kvaternære forbindelser (aktivt stof – ammoniumklorid), der indeholder mindre end 3 % glykolæter
- Fenolholdige desinfektionsmidler (aktivt stof – o-fenylfenol)
- Klorholdig blegemiddelopløsning (5,25 % blegemiddel fortyndet med 1 del blegemiddel til 100 dele vand svarende til 520 ppm tilgængeligt klor (40 ml af en 5,25 % blegemiddelopløsning pr. 4000 ml vand))
- 70 % isopropylalkohol

Anbefalet desinfektionsmetode:

1. Følg producentens anbefalinger ved fortynding af desinfektionsmidlet.
2. Vask alle produktets overflader af i hånden med en desinfektionsmiddelopløsning.
3. Undgå at gennemvæde produktets overflader, og sørg for at produktet ikke er vådt i længere tid, end retningslinjerne fra kemikaliets producent anbefaler for at opnå korrekt desinfektion.
4. Tør produktet. Anbring ikke madrassen på produktet, før produktet er tørt.
5. Desinficer **Velcro®** efter hver brug. Gennemvæd **Velcro®** med desinfektionsmiddel, skyl med vand, og lad desinfektionsmidlet fordampe (hospitalet/klinikken træffer beslutning om et velegnet desinfektionsmiddel).
6. Kontrollér funktionaliteten, før produktet tages i brug igen.
 - Hæv og sænk produktet
 - Lås og lås op for bremse-/styrepedalen i begge positioner
 - Lås og udløs sengehestene
 - Hæv og sænk ryglænet
 - Hæv og sænk den bevægelige sektion
 - Kontrollér, at alle komponenter er smurt
 - Kontrollér, at alle mærkater er intakte

Bemærk

- Direkte hudkontakt med synligt tilsmudset, permeabelt materiale kan øge risikoen for infektion.
- Nogle rengøringsmidler er ætsende og kan forårsage skade på produktet, hvis de anvendes forkert. Hvis produktet ikke skylles og tørres grundigt, kan ætsende rester blive siddende på produktets overflader, og disse kan forårsage førtidig korrosion af kritiske komponenter. Manglende overholdelse af disse rengøringsanvisninger kan ugyldiggøre garantien.

Desinficering af madrassen

ADVARSEL - Desinficer altid madrassen mellem patienter. Hvis dette undlades, kan det give anledning til krydskontaminering og infektion.

Anbefalede desinfektionsmidler:

- Kvaternære forbindelser (aktivt stof – ammoniumklorid), der indeholder mindre end 3 % glykolæter

- Fenolholdige desinfektionsmidler (aktivt stof – o-fenylfenol)
- Klorholdig blegemiddelopløsning (5,25 % blegemiddel fortyndet med 1 del blegemiddel til 100 dele vand svarende til 520 ppm tilgængeligt klor (40 ml af en 5,25 % blegemiddelopløsning pr. 4000 ml vand))
- 70 % isopropylalkohol

Anbefalet desinfektionsmetode:

1. Sørg for, at madrassen er ren og tør, før du kommer desinfektionsmiddel på.
2. Tør madrassen af med en ren, tør klud for at fjerne overskydende væske eller desinfektionsmiddel.
3. Skyl og tør overtrækkene efter desinfektion.

Bemærk

- Madrasovertrækket skal være tørt inden opbevaring, eller før der lægges sengetøj på. Hvis overskydende desinfektionsmiddel ikke fjernes, risikerer man, at overtræksmaterialet degraderes.
- Nogle rengøringsmidler er ætsende og kan forårsage skade på produktet, hvis de anvendes forkert. Hvis produktet ikke skylles og tørres grundigt, kan ætsende rester blive siddende på produktets overflader, og disse kan forårsage førtidig korrosion af kritiske komponenter. Manglende overholdelse af disse rengøringsanvisninger kan ugyldiggøre garantien.
- Hyppig eller langvarig udsættelse for høje koncentrationer af desinfektionsmidler kan medføre, at stoffets materiale ældes før tiden.
- Anvendelsen af accelererede hydrogenperoxider eller kvarternære forbindelser, som indeholder glycolætere, kan beskadige overtrækket.

Forebyggende vedligeholdelse

Produktet skal tages ud af brug, inden der udføres den forebyggende vedligeholdelsesinspektion. Kontrollér alle punkter på listen under den årlige forebyggende vedligeholdelse af alle produkter fra Stryker Medical. Du vil muligvis være nødt til at udføre forebyggende vedligeholdelseskontroller oftere, afhængigt af hyppigheden af brugen af produktet. Service må kun foretages af kvalificeret personale.

Bemærk - Rengør og desinficér madrassens ydersider før inspektion, hvis det er relevant.

Efterse følgende:

- _____ Alle fastgørelsesmekanismer er forsvarligt fastgjort
- _____ Sengehestene kan bevæges og låses
- _____ Svinghjul låser, når bremsepedalen er aktiveret
- _____ Svinghjulene er forsvarligt fastgjort og drejer korrekt
- _____ At svinghjulene er fri for voks og snavs
- _____ Bremserne virker
- _____ Styrefunktionen virker
- _____ Undersøg overtrækkene for revner
- _____ Ryglænsrammen hæver, sænker og låser på plads
- _____ Bevægelig sektion hæver, sænker og fastholder (tilvalg)
- _____ Trendelenburg/anti-Trendelenburg fungerer fra alle steder
- _____ Gulvkæde intakt
- _____ Ingen lækager ved hydrauliske forbindelser
- _____ Hydrauliske donkrafte holder
- _____ Kropsselerne låser og er forsvarligt fastgjort (tilvalg)
- _____ Dropstativ er intakt og justerer og låser i alle positioner (tilvalg)
- _____ Iltflaskeholderen er intakt og åbner og lukker (tilvalg)
- _____ Der ikke er rifter eller revner i madrasovertrækket
- _____ Tilbehør og monteringsdele er i god stand og virker efter hensigten
- _____ Batteridrevet funktionalitet (tilvalg)
- _____ At kablerne ikke er slidte eller ligger klemt (tilvalg)
- _____ Elledning og stik er ubeskadigede (tilvalg)
- _____ Alle elektriske forbindelser er stramme (tilvalg)
- _____ Alle jordforbindelser er sikret til rammen (tilvalg)
- _____ Jordimpedans er ikke over 200 mΩ (milliohm) (tilvalg)
- _____ Aktuell lækage overstiger ikke 300 µA (mikroampere) (pr. UL 60606-1-1) (tilvalg)
- _____ Batterier er opladet (vægtskalasystem, tilvalg)
- _____ Displayhus er intakt og ikke beskadiget (vægtskalasystem, tilvalg)
- _____ Belastningsceller er intakte og ikke beskadigede (vægtskalasystem, tilvalg)
- _____ Knæknapsmekanisme til fodstøtten fungerer og kan fastgøres (tilvalg)
- _____ Benknapsmekanisme til fodstøtten fungerer og kan fastgøres (tilvalg)
- _____ Fodstøtten kan trækkes ud i hele den udtrukne position og stopper i den korrekte position (tilvalg)
- _____ Selvskærende skruer til fodstøtte (6) er fastgjort og ikke strippet (tilvalg)
- _____ Skala kalibreret. Genkalibrer om nødvendigt (vægtskalasystem, tilvalg)

_____ Opretstående røntgenkassetteholder er i god driftsmæssig stand og kan justeres, så den passer til alle røntgenkassetter (**Prime X**, tilvalg)

_____ Ingen skader på ryglænsrammens materiale eller huden på foden (**Prime X**-tilvalg)

_____ Ingen skade på hoved og fodbakker (**Prime X**-tilvalg)

_____ Bolte og møtrikker er ikke løse, efter at ryglænsrammen er drejet (**Prime X**-tilvalg)

Produktets serienummer:
Udfyldt af:
Dato:

Oplysninger om EMC

FORSIGTIG

- Brugen af andet ekstraudstyr, andre transducere og kabler end dem, der er angivet eller leveret af producenten, kan resultere i øget elektromagnetiske emissioner eller reduceret elektromagnetisk immunitet og resultere i ukorrekt funktion.
- Dette udstyrs emissionskarakteristika gør det egnet til brug i industriområder og på hospitaler (CISPR 11 klasse A). Hvis det bruges i et boligmiljø, der almindeligvis kræver CISPR 11 klasse B, er det ikke sikkert, at dette udstyr vil yde tilstrækkelig beskyttelse for RF-kommunikationstjenester. Brugeren kan blive nødt til at træffe afhjælpende foranstaltninger, som f.eks. at flytte eller vende udstyret.

Vejledning og producentens erklæring - elektromagnetiske emissioner

Den valgfrie elektriske lift, det valgfrie elektriske bæreleje eller det valgfrie vægtskalasystem er beregnet til brug i et elektromagnetisk miljø som beskrevet nedenfor. Operatøren af den elektriske lift (tilvalg), det elektriske bæreleje (tilvalg) eller vægtskalasystemet (tilvalg) skal sikre sig, at det bruges i et sådant miljø.

Emissionstest	Overensstemmelse	Elektromagnetisk miljø
RF-emissioner CISPR 11	Gruppe 1	Den elektriske lift (tilvalg), det elektriske bæreleje (tilvalg) eller vægtskalasystemet (tilvalg) bruger kun RF-energi til sin interne funktion. Produktets RF-emissioner er derfor meget lave og burde ikke forårsage interferens med andet elektronisk udstyr i nærheden.
RF-emissioner CISPR 11	Klasse A	Den elektriske lift (tilvalg), det elektriske bæreleje (tilvalg) eller vægtskalasystemet (tilvalg) er egnet til brug i alle bygninger med undtagelse af private hjem og andre bygninger, der er tilsluttet det offentlige lavspændingsnetværk, som forsyner bygninger, der anvendes til husholdningsbrug.
Harmoniske emissioner IEC 61000-3-2*	Klasse A	
Spændingsudsving Flimmeremissioner IEC 61000-3-3*	Overholder	

*Gælder kun for den elektriske lift (tilvalg) eller det elektriske bæreleje (tilvalg).

FORSIGTIG

- Bærbart RF-kommunikationsudstyr, herunder ydre enheder som f.eks. antennekabler og eksterne antenner, må ikke bruges tættere end 12 tommer (30 cm) på nogen del af **Prime** baren, herunder kabler angivet af producenten.
- Undgå at stable udstyr oven på hinanden eller anbringe udstyr op ad andet udstyr for at undgå forkert betjening af produkterne. Hvis brug på denne måde er nødvendigt, skal det stablede udstyr eller udstyr, der står tæt på hinanden, observeres nøje for at sikre, at alle dele fungerer korrekt.

Anbefalede separationsafstande mellem bærbart og mobilt RF-kommunikationsudstyr og den elektriske lift (tilvalg), det elektriske bæreleje (tilvalg) og vægtskalasystemet (tilvalg).

Den elektriske lift (tilvalg), det elektriske bæreleje (tilvalg) eller vægtskalasystemet (tilvalg) er beregnet til brug i et elektromagnetisk miljø, hvor udstrålede RF-forstyrrelser kontrolleres. Kunden eller brugeren af den elektriske lift (tilvalg), det elektriske bæreleje (tilvalg) eller vægtskalasystemet (tilvalg) kan bidrage til at forhindre elektromagnetisk interferens ved at opretholde en minimumsafstand mellem bærbart og mobilt RF-kommunikationsudstyr (sendere) og den elektriske lift (tilvalg), det elektriske bæreleje (tilvalg) og vægtskalasystemet (tilvalg) som anbefalet nedenfor, i henhold til kommunikationsudstyrets maksimale udgangseffekt.

Senderens maksimale nominelle udgangseffekt	Separationsafstand ifølge senderfrekvensen
W	m

	150 kHz til 80 MHz $D = (1,2) (\sqrt{P})$	80 MHz til 800 MHz $D = (1,2) (\sqrt{P})$	800 MHz til 2,7 GHz $D=(2,3) (\sqrt{P})$
0,01	0,12	0,12	0,23
0,1	0,38	0,38	0,73
1	1,2	1,2	2,3
10	3,8	3,8	7,3
100	12	12	23

Den anbefalede separationsafstand (D) i meter (m) for sendere med en maksimal udgangseffekt, der ikke er angivet ovenfor, kan beregnes ved hjælp af den ligning, der gælder for den pågældende senders frekvens, hvor P er senderens maksimale nominelle udgangseffekt i watt (W) i henhold til senderens producent.

Bemærkning 1 - Ved 80 MHz og 800 MHz gælder separationsafstanden for de højere frekvensområder.

Bemærkning 2 - Disse retningslinjer gælder muligvis ikke i alle situationer. Elektromagnetisk transmission påvirkes af absorption og refleksion fra strukturer, genstande og mennesker.

Vejledning og producentens erklæring - elektromagnetisk immunitet

Den valgfrie elektriske lift, det valgfrie elektriske bæreleje eller det valgfrie vægtskalasystem er beregnet til brug i det nedenfor angivne elektromagnetiske miljø. Kunden eller brugeren af den valgfrie elektriske lift, det valgfrie elektriske bæreleje eller det valgfrie vægtskalasystem skal sikre sig, at det bruges i et sådant miljø.

Immunitetstest	IEC 60601-testniveau	Overensstemmelsesniveau	Elektromagnetisk miljø – vejledning
Elektrostatisk udladning (ESD) IEC 61000-4-2	±8 kV kontakt ±15 kV luft	±8 kV kontakt ±15 kV luft	Gulve bør være af træ, beton eller keramiske fliser. Hvis gulvene er belagt med syntetisk materiale, bør den relative luftfugtighed være mindst 30 %.
Hurtig elektrostatisk transient/burst IEC 61000-4-4*	±2 kV til forsyningslinjer ±1 kV til input/output-linjer	±2 kV til forsyningslinjer ±1 kV til input/output-linjer	Elforsyningen via elnettet skal være af en kvalitet, som er normal for et erhvervs- eller hospitalsmiljø.
Overspænding IEC 61000-4-5*	±1 kV linje(r) til linje(r) ±2 kV linje(r) til jord	±1 kV linje(r) til linje(r) ±2 kV linje(r) til jord	Elforsyningen via elnettet skal være af en kvalitet, som er normal for et erhvervs- eller hospitalsmiljø.
Spændingsfald, spændingsvariationer og korte afbrydelser i strømforsyningsledninger IEC 61000-4-11*	0 % U_T i 0,5 cyklus ved 0°, 45°, 90°, 135°, 180°, 225°, 270° og 315° 0 % U_T i 1 cyklus 70 % U_T (30 % fald i U_T) i 25 cykler 0 % U_T i 250 cyklusser	0 % U_T i 0,5 cyklus ved 0°, 45°, 90°, 135°, 180°, 225°, 270° og 315° 0 % U_T i 1 cyklus 70 % U_T (30 % fald i U_T) i 25 cykler 0 % U_T i 250 cyklusser	Elforsyningen via elnettet skal være af en kvalitet, som er normal for et erhvervs- eller hospitalsmiljø. Hvis brugeren af den elektriske lift (tilvalg) eller det elektriske bæreleje (tilvalg) kræver uafbrudt drift under strømafbrydelser, anbefales det, at enheden tilsluttes en nødstrømsforsyning eller et batteri.


Netfrekvens (50/60 Hz) magnetfelt IEC 61000-4-8	30 A/m	30 A/m	Magnetfelter for netfrekvens bør være på samme niveau som ved anvendelse i et typisk erhvervs- eller hospitalsmiljø.
---	--------	--------	--

Bemærk: U_t er vekselsstrømsspændingen før anvendelse af testniveauet.

*Gælder kun for den elektriske lift (tilvalg) eller det elektriske bæreleje (tilvalg).

Vejledning og producentens erklæring - elektromagnetisk immunitet

Den valgfrie elektriske lift, det valgfrie elektriske bæreleje eller det valgfrie vægtskalasystem er beregnet til brug i det nedenfor angivne elektromagnetiske miljø. Kunden eller brugeren af den elektriske lift (tilvalg), det elektriske bæreleje (tilvalg) eller vægtskalasystemtilvalget skal sikre sig, at det bruges i et sådant miljø.

Immunitetstest	IEC 60601-testniveau	Overensstemmelsesniveau	Elektromagnetisk miljø – vejledning
Ledningsbåren RF IEC 61000-4-6* Feltbåren RF IEC 61000-4-3	3 Vrms 6 Vrms i ISM- og amatørradiobånd 150 kHz til 80 MHz 3 V/m 80 MHz til 2,7 GHz	3 Vrms 6 Vrms i ISM- og amatørradiobånd 3 V/m	<p>Bærbart og mobilt RF-kommunikationsudstyr bør ikke anvendes nærmere nogen del af den elektriske lift (tilvalg), det elektriske bæreleje (tilvalg) eller vægtskalasystemet (tilvalg), inklusive ledninger, end den anbefalede separationsafstand, der er beregnet ud fra ligningen, som gælder for senderens frekvens.</p> <p>Anbefalet separationsafstand</p> $D=(1,2) (\sqrt{P})$ $D=(1,2) (\sqrt{P})$ 80 MHz til 800 MHz $D=(2,3) (\sqrt{P})$ 800 MHz til 2,7 GHz hvor P er senderens maksimale nominelle udgangseffekt i watt (W) ifølge senderens producent, og D er den anbefalede separationsafstand i meter (m). Feltstyrker fra faste RF-sendere, bestemt ved en elektromagnetisk måling på stedet ^a , bør ligge under overensstemmelsesniveauet i alle frekvensområder ^b . Der kan forekomme interferens i nærheden af udstyr, der er mærket med følgende symbol: 

Bemærk 1: Ved 80 MHz og 800 MHz gælder de høje frekvensområder.

Bemærk 2: Disse retningslinjer gælder ikke nødvendigvis i alle situationer. Elektromagnetisk transmission påvirkes af absorption og refleksion fra strukturer, genstande og mennesker.

Bemærk 3: ISM (Industrial, Scientific and Medical) bånd mellem 0,15 MHz og 80 MHz er 6,765 MHz til 6,795 MHz, 13,553 MHz til 13,567 MHz, 26,957 MHz til 27,283 MHz og 40,66 MHz til 40,70 MHz.

^a Feltstyrker fra stationære sendere, som f.eks. basestationer til radiotelefoner (mobile/trådløse) og landmobilradioer, amatørradioer, AM- og FM-radiosignaler og tv-signaler kan ikke forudsiges teoretisk med nøjagtighed. En undersøgelse af de elektromagnetiske forhold bør overvejes for at bestemme det elektromagnetiske miljø som følge af stationære RF-sendere. Hvis den målte feltstyrke på det sted, hvor den elektriske lift (tilvalg), det elektriske bæreleje (tilvalg) og vægtskalasystemet (tilvalg) anvendes, overstiger det gældende RF-niveau, skal der føres tilsyn med den elektriske lift (tilvalg), det elektriske bæreleje (tilvalg) eller vægtskalasystemet (tilvalg) for at kontrollere, at de fungerer, som de skal. Hvis der observeres unormal funktion, kan yderligere foranstaltninger være nødvendige, som f.eks. at vende eller flytte den elektriske lift (tilvalg), det elektriske bæreleje (tilvalg) eller vægtskalasystemet (tilvalg).

^bI frekvensområdet 150 kHz til 80 MHz bør feltstyrken være mindre end 3 V/m.

*Gælder kun for det elektriske bæreleje (tilvalg).

Stretcher der Prime Series®












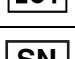


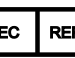




Bedienungsanleitung












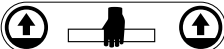



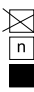
REF 1115

Big Wheel®



Symbole

	Siehe Bedienungsanleitung
	Gebrauchsanweisung beachten
	Allgemeine Warnung
	Vorsicht
	Warnung: Hände können gequetscht werden
	Warnung: nichtionisierende Strahlung
	Nicht schieben
	Sauerstoffflasche nicht lagern
	Nicht schmieren
	Bestellnummer
	Chargennummer
	Seriennummer
	Für Informationen zu US-Patenten siehe www.stryker.com/patents
	CE-Kennzeichnung
	Bevollmächtigter in der Europäischen Gemeinschaft
	Europäisches Medizinprodukt
	Hersteller
	Herstellungsdatum
	Importeur

	Sichere Arbeitslast
	Maximales Patientengewicht
	Gerätemasse mit sicherer Arbeitslast
	Gleichstrom
	Wechselstrom
	Vorsicht: Hochspannung
	Schutzerde
IPX6	Schutz gegen starkes Strahlwasser
	Anwendungsteil vom Typ B
	Medizinisches Gerät, klassifiziert von Underwriters Laboratories Inc. nur bezüglich Stromschlag-, Brand- und mechanischen Gefahren gemäß ANSI/AAMI ES60601-1:2005 und CAN/CSA-C22.2 Nr. 60601-1:08. *Für die Option Prime X , mit Röntgengeräten verbundene Geräte IEC 60601-2-54
	Gemäß der europäischen Richtlinie 2012/19/EU über Elektro- und Elektronik-Altgeräte (WEEE) in der jeweils geltenden Fassung gibt dieses Symbol an, dass das Produkt getrennt gesammelt werden muss. Nicht als unsortierten Hausmüll entsorgen. Zwecks Informationen zur Entsorgung bitte beim örtlichen Händler nachfragen. Mit infektiösem Material kontaminierte Geräte müssen vor dem Recycling dekontaminiert werden.
	Schmierstelle
	Hier anheben
	Oben
	Vor Nässe schützen
	Vorsicht, zerbrechlich
	Max. Stapelhöhe nach Stück

Inhaltsverzeichnis

Definition von Warnung/Vorsicht/Hinweis.....	3
Zusammenfassung der Vorsichtsmaßnahmen.....	3
Quetschpunkte.....	6
Einführung.....	7
Produktbeschreibung.....	7
Anwendungsgebiete.....	7
Klinischer Nutzen.....	8
Kontraindikationen.....	8
Erwartete Einsatzdauer.....	8
Entsorgung/Recycling.....	8
Technische Daten.....	8
Produktabbildung – Prime.....	11
Produktabbildung – Option Prime X.....	12
Anwendungsteile – optionale elektrische Liegefläche.....	13
Anwendungsteile – Option Prime X.....	13
Kontaktinformationen.....	14
Position der Seriennummer.....	14
Einrichtung.....	15
Betrieb.....	16
Aktivieren und Lösen der Bremsen.....	16
Steuerungen am Prime-Untergestell.....	17
Hochfahren der nicht-elektrischen Liegefläche.....	17
Absenken der nicht-elektrischen Liegefläche.....	17
Hochfahren der optionalen elektrischen Liegefläche.....	18
Absenken der optionalen elektrischen Liegefläche.....	18
Positionierung des Produkts in der Trendelenburg-Position.....	18
Positionierung des Produkts in der Anti-Trendelenburg-Position.....	19
Transport eines Patienten.....	19
Transportieren eines Patienten ohne Big Wheel.....	20
Transportieren eines Patienten mithilfe des Big Wheel.....	20
Positionieren oder Verstauen der optionalen Kopfende-Schiebegriffe.....	21
Hochstellen des Seitengitters.....	22
Absenken des Seitengitters.....	23
Positionieren des Produkts mithilfe der Patienten-Bedienkonsole am Seitengitter – optionale elektrische Liegefläche – nur mit Prime.....	23
Bediener-Bedienkonsole – optionale elektrische Liegefläche – nur mit Prime.....	24
Sperrern und Entsperren der Sperre der Patienten-Bedienkonsole – optionale elektrische Liegefläche – nur mit Prime.....	25
Hochfahren oder Absenken der Rückenlehne (Fowler) – nicht-elektrische Liegefläche.....	25
Hochfahren oder Absenken der Rückenlehne (Fowler) – optionale elektrische Liegefläche.....	26
Anheben oder Absenken der Knieteilverstellung – nicht-elektrische Liegefläche – nur mit Prime.....	27
Anheben oder Absenken der Knieteilverstellung – optionale elektrische Liegefläche – nur mit Prime.....	27
Positionieren des Erholungsstuhls – nur mit Prime.....	28
Aufbewahrung von Gegenständen unter der Untergestellhaube.....	28
Aufhängen von Produkten mit dem optionalen Pumpengestell.....	29
Aus- bzw. Einrollen des Netzkabels mit der optionalen einziehbaren Netzkabeltrommel – optionale elektrische Hebefunktion oder optionale elektrische Liegefläche.....	29
Optionales Wiegesystem.....	30
Identifizierung des Symbols bzw. der Taste für das Wiegesystem.....	30
Wiegen eines Patienten.....	31
Arretieren der Waagen-Maßeinheit.....	31
Aktivieren und Deaktivieren der Chaperone-Option.....	32
Festlegen des Alarmmusters der Chaperone-Option.....	32
Festlegen der Alarmlautstärke der Chaperone-Option.....	32
Laden des optionalen Akkus des Wiegesystems – optionale elektrische Liegefläche oder optionale elektrische Liegefläche mit optionaler Chaperone-Funktion – nur mit Prime.....	33
Ersetzen der Batterien für das optionale Wiegesystem – nicht elektrische Liegefläche.....	33
Zubehör- und Ersatzteile.....	33
Anbringen des Defibrillator-Tabletts.....	37

Umwandlung der Defibrillator-Tablett-/Fußteilverlängerung in ein Defibrillator-Tablett.....	37
Umwandlung der Defibrillator-Tablett-/Fußteilverlängerung in eine Fußteilverlängerung	38
Anbringen des Fußteils/Krankenaktenhalters.....	38
Anbringen der Infusionsständer-Halterung.....	39
Positionieren oder Verstauen der Fußstützen – nur mit Prime	39
Positionieren des zweistufigen, permanent angebrachten Infusionsständers.....	41
Positionieren des dreistufigen, permanent angebrachten Infusionsständers.....	41
Anbringen und Positionieren des abnehmbaren Infusionsständers	42
Befestigung des aufrechten Sauerstoffflaschenhalters	43
Herausziehen oder Verstauen des Tablethalters/der Fußstütze.....	43
Anbringen der Seitengitter-Polster	44
Auffinden der Verbindungen der Patientenhaltegurte.....	44
Positionieren des aufrechten Röntgenkassettenhalters – Option Prime X.....	45
Positionieren des seitlichen Röntgenkassettenhalters – Option Prime X.....	46
Einlegen oder Herausnehmen von Röntgenkassetten – Option Prime X	47
Reinigung.....	48
Reinigen des Produkts.....	48
Reinigen des Produkts mithilfe eines Rollwagen-Waschgeräts	48
Reinigen der Matratze	49
Jod entfernen	50
Spezielle Anweisungen	50
Desinfektion	51
Desinfizieren des Produkts	51
Desinfektion der Matratze	51
Vorbeugende Wartung	53
EMV-Informationen	55

Definition von Warnung/Vorsicht/Hinweis

Die Begriffe **WARNUNG**, **VORSICHT** und **HINWEIS** haben eine besondere Bedeutung und müssen sorgfältig durchgelesen werden.

WARNUNG

Warnt den Leser vor einer Situation, welche bei Nichtvermeiden zu schwerer Verletzung oder zum Tod führen könnte. Hierunter können auch mögliche schwere Nebenwirkungen oder Sicherheitsrisiken beschrieben werden.

VORSICHT

Warnt den Leser vor einer möglichen gefährlichen Situation, welche bei Nichtvermeiden zu leichten oder mittelschweren Verletzungen des Benutzers oder des Patienten oder zu Beschädigung des Produkts oder anderer Gegenstände führen könnte. Dies beinhaltet auch die nötigen besonderen Vorsichtsmaßnahmen zur sicheren und effektiven Benutzung des Geräts und die nötigen Vorsichtsmaßnahmen, um Beschädigungen des Geräts zu vermeiden, die als Ergebnis des Gebrauchs oder der unsachgemäßen Benutzung auftreten könnten.

Hinweis - Hinweise enthalten Informationen, die die Wartung erleichtern oder wichtige Anweisungen verdeutlichen.

Zusammenfassung der Vorsichtsmaßnahmen

Die auf dieser Seite aufgelisteten Warn- und Vorsichtshinweise stets streng befolgen. Nur durch qualifiziertes Personal warten lassen.

WARNUNG

- Stets sicherstellen, dass das Produkt Raumtemperatur erreicht hat, bevor das Produkt eingerichtet oder die Funktion getestet wird. Andernfalls können permanente Produktschäden auftreten.
- Das Produkt stets nur dann benutzen, wenn sich alle Bedienpersonen in angemessenem Abstand zu den Mechaniken befinden.
- Bei der Handhabung des Netzkabels immer vorsichtig vorgehen. Andernfalls kann es zu Verwicklung, Schäden oder Stromschlag kommen. Wenn das Netzkabel beschädigt ist, das Produkt unverzüglich außer Betrieb nehmen und das entsprechende Wartungspersonal benachrichtigen.
- Das Produkt immer direkt an einer geerdeten, für den Krankenhausbetrieb zugelassenen Wandsteckdose anschließen. Eine Erdungszuverlässigkeit lässt sich nur bei Verwendung einer für den Krankenhausbetrieb zugelassenen Wandsteckdose erzielen. Dieses Produkt ist mit einem Krankenhausbetrieb zugelassenen Stecker ausgerüstet, um Stromschlag zu vermeiden.
- Stets die Bremsen aktivieren, wenn sich ein Patient auf das oder vom Produkt begibt oder wenn das Produkt nicht bewegt wird. Wenn sich das Produkt bewegt, während sich ein Patient auf das oder vom Produkt begibt, kann es zu Verletzungen kommen.
- Den Patienten immer in der Mitte des Produkts positionieren.
- Das Produkt immer in die unterste Position mit hochgestellten und eingerasteten Seitengittern stellen, wenn der Patient unbeaufsichtigt ist. Das Produkt nicht in einer höheren Position belassen.
- Vor dem Anheben oder Absenken der Liegefläche immer alle evtl. störenden Geräte wegräumen.
- Nicht auf das Ende des Produkts setzen. Dadurch kann das Produkt kippen.
- Die Seitengitter immer in der höchsten Position und die Schlafoberfläche waagrecht in der niedrigsten Position feststellen, wenn ein Patient transportiert wird.
- Das Produkt bei einem um mehr als 5,7 Grad (10 %) geneigten Untergrund nicht seitlich transportieren, um zu verhindern, dass es umkippt.
- Stets mit besonderer Vorsicht vorgehen, wenn eine Matratze verwendet wird, die dicker als 2,5 Zoll (6,35 cm) ist, oder wenn eine Matratzenauflage mit der Option **Prime X** verwendet wird.
- Die Seitengitter stets in der höchsten Position und die Schlafoberfläche flach und in der niedrigsten Position feststellen, wenn ein Patient transportiert wird.
- Beim Aufrichten oder Absenken des Seitengitters immer die Extremitäten des Patienten von den Spindeln des Seitengitters fernhalten.
- Nicht zulassen, dass die Seitengitter selbsttätig herabgleiten.

- Stets die Hände und Finger von den Entriegelungsgriffen und dem Rahmen der Rückenlehne (Fowler) fernhalten, wenn die Rückenlehne (Fowler) abgesenkt wird.
- Beim Anheben der Rückenlehne (Fowler) stets mit Vorsicht vorgehen, während sich ein Patient auf dem Produkt befindet. Geeignete Hebetechniken verwenden und ggf. Hilfe hinzuziehen.
- Beim Absenken der Knieteilverstellung stets Hände und Finger von den Fußende-Schiebegriffen fernhalten.
- Stets die Produktleitungen am Pumpengestell von den Griffen der Knieteilverstellung fernhalten.
- Stets sicherstellen, dass die Produkte auf dem Pumpengestell sicher durch Türöffnungen passen.
- Das Produkt nicht am Pumpengestell anheben.
- Vor dem Transportieren eines Patienten oder dem Reinigen des Produkts stets das Netzkabel von der Wandsteckdose trennen.
- Stets die einziehbare Kabeltrommel verwenden, um das Netzkabel während des Produkttransports im Untergestell zu verstauen.
- Das optionale Wiegesystem oder die optionale elektrische Hebefunktion oder die optionale elektrische Liegefläche nicht neben oder gestapelt auf anderen Geräten verwenden. Falls der Betrieb neben oder gestapelt auf anderen Geräten unvermeidlich ist, sind das optionale Wiegesystem oder die optionale elektrische Hebefunktion oder die optionale elektrische Liegefläche zu überwachen um sicherzustellen, dass alle Geräte normal in der Konfiguration betrieben werden, in der sie verwendet werden.
- Keine Gegenstände mit einem Gewicht von über 30 Pfd. (14 kg) auf das Defibrillator-Tablett legen. Alle auf dem Defibrillator-Tablett abgelegten Gegenstände immer festschnallen.
- Stets Vorsicht walten lassen, wenn die Defibrillator-Tablett-/Fußteilverlängerung, der Fußteil-Krankenaktenhalter oder der aufrechte Sauerstoffflaschenhalter angebracht ist, um ein Einklemmen der Finger zu vermeiden, wenn der optionale Schiebegriff am Fußende positioniert wird.
- Keine Gegenstände mit einem Gewicht von über 30 Pfd. (14 kg) auf die Defibrillator-Tablett-/Fußteilverlängerung legen. Alle auf dem Defibrillator-Tablett abgelegten Gegenstände immer festschnallen.
- Beim Transport des Produkts stets den Infusionsständer an der Infusionsständer-Halterung befestigen.
- Die Infusionsständer-Halterung bei Nichtgebrauch immer verstauen, um Produktschäden zu vermeiden.
- Nicht auf die Fußstützen setzen. Dadurch kann das Produkt kippen.
- Stets die Finger von den Mechanismen fernhalten, wenn die Fußstützen bedient werden.
- Beim Transportieren eines Patienten mit dem Produkt stets die Fußstützen verstauen.
- Stets darauf achten, dass die Fußstützen befestigt sind, bevor sie verwendet werden.
- Während der Verwendung der Fußstützen nicht das Wiegesystem verwenden. Andernfalls kann es zu falschen Messanzeigen kommen.
- Während der Verwendung der Fußstützen nicht die optionale **Chaperone**-Option bedienen. Andernfalls kann es zu falschen Messanzeigen kommen.
- Den Infusionsständer nicht als Schub- oder Zugvorrichtung verwenden. Andernfalls können Produktschäden auftreten.
- Keine Gegenstände mit einem Gewicht von mehr als 40 Pfd. (18 kg) in den aufrechten Sauerstoffflaschenhalter legen.
- Keine Gegenstände mit einem Gewicht von mehr als 30 Pfd. (14 kg) auf das Tablett legen.
- Beim Anbringen von Haltegurten immer Vorsicht walten lassen. Es kann zu Verletzungen des Patienten oder der Bedienperson kommen. Haltegurte können, auch wenn sie gesichert sind, zu schweren Verletzungen bei Patienten und Bedienperson führen, darunter Verwicklung, Einklemmen, Verletzungen oder Tod.
- Haltegurte oder Produkte nur an den ausgewiesenen Befestigungsstellen des Produkts anbringen. Andernfalls kann es zu Verletzungen des Patienten oder der Bedienperson kommen. Die Haltegurte nicht am Seitengitter anbringen.
- Stets die geltenden Beschränkungen und Bestimmungen sowie die entsprechenden Einrichtungsprotokolle beachten, bevor ein Haltegurt oder eine Haltevorrichtung verwendet wird.
- Bei der Verwendung des aufrechten oder seitlichen Röntgenkassettenhalters stets Schutzmaßnahmen ergreifen. Der Röntgenkassettenhalter bietet keinen Schutz vor Strahlen.
- Vor der Verwendung der Option **Prime X** mit strahlengenerierenden Produkten stets alle geltenden Richtlinien sowie die Sicherheitsprotokolle der Einrichtung beachten. Strahlengenerierende Produkte können Reststrahlung, Störstrahlung oder Streustrahlung erzeugen.
- Stets die Anweisungen zum Einlegen der Röntgenkassette befolgen – *Positionieren des aufrechten Röntgenkassettenhalters – Option Prime X.*
- Bei der Durchführung von Röntgenaufnahmen mit der Rückenlehne (Fowler) in aufrechter Position oder bei Verwendung einer seitlichen Kassette stets Vorsicht walten lassen.
- Stets die Anweisungen zum Einlegen der Röntgenkassette befolgen – *Positionieren des seitlichen Röntgenkassettenhalters – Option Prime X.*

- Keine Reinigungs-, Instandhaltungs- oder Wartungsarbeiten durchführen, während das Produkt verwendet wird.
 - Die Matratze nicht in Reinigungs- oder Desinfektionslösungen tauchen. Übermäßige Flüssigkeit kann zu einer Fehlfunktion und somit zu Produktschäden oder Verletzungen des Patienten führen.
 - Keine Flüssigkeit auf der Matratze ansammeln lassen. Flüssigkeit kann Korrosion von Komponenten verursachen und dazu führen, dass die Sicherheits- und Leistungseigenschaften dieses Produkts unvorhersehbar werden.
 - Die Matratzenbezüge bei jeder Reinigung auf Risse, Löcher, übermäßigen Verschleiß und falsch ausgerichtete Reißverschlüsse prüfen. Beschädigte Matratzen außer Gebrauch nehmen und ersetzen, um Kreuzkontaminationen zu verhindern.
 - Die Matratzen nicht mit Dampf, Hochdruck, einem Schlauch oder mit Ultraschall reinigen. Diese Reinigungsmethoden können zum Erlöschen der Produktgarantie führen.
 - Das Produkt nicht mit Dampf, einem Schlauch oder mit Ultraschall reinigen. Diese Reinigungsmethoden werden nicht empfohlen und können zum Erlöschen der Produktgarantie führen.
 - Die Matratze immer nach jedem Patienten desinfizieren. Eine Nichtbeachtung kann zu Kreuzkontamination und Infektion führen.
-

VORSICHT

- Der unsachgemäße Gebrauch des Produkts kann zu Verletzungen des Patienten oder des Bedieners führen. Das Produkt nur wie in diesem Handbuch beschrieben einsetzen.
- Das Produkt oder die Bestandteile des Produkts nicht verändern. Eine Modifizierung des Produkts kann zu unvorhersagbarem Betrieb führen und somit Verletzungen des Patienten oder des Bedieners verursachen. Veränderungen am Produkt lassen außerdem die Garantieansprüche erlöschen.
- Die Hydraulik am Untergestell nicht verwenden, um das Produkt mit einer Patientenhebefunktion unter dem Produkt hochzufahren.
- Das Steuerpedal nicht betätigen, wenn das **Big Wheel** auf einer Schwelle oder einer anderen erhöhten Stelle ruht. Die zum Betätigen des **Big Wheel** erforderliche Kraft ist größer als normal, was Produktschäden verursachen kann.
- Die Traglast der Knieteilverstellung beträgt 200 Pfd. (90,7 kg).
- Vor Gebrauch immer sicherstellen, dass die Stützstange der Knieteilverstellung gesichert ist.
- Nicht auf die Knieteilverstellung setzen oder stellen.
- Stets mit Vorsicht vorgehen, wenn versucht wird, die Knieteilverstellung abzusenken, während das Produkt nicht mit Strom versorgt wird. Die Knieteilverstellung kann aufgrund von Schwerkraft herunterschnellen.
- Keine Gegenstände mit einem Gewicht von mehr als 60 Pfd. (27 kg) in die Untergestellhaube legen.
- Nicht auf die Untergestellhaube setzen, steigen oder stellen.
- Die Traglast des Pumpengestells beträgt 40 Pfd. (18 kg).
- Das Pumpengestell nicht als Schub-/Zugvorrichtung verwenden. Andernfalls können Produktschäden auftreten.
- Das Wiegesystem nicht für Patienten unter 50 Pfd. (22,5 kg) verwenden.
- Den Wert des Wiegesystems nicht als Referenz für eine medizinische Behandlung verwenden.
- Vor dem Anbringen der Defibrillator-Tablett-/Fußteilverlängerung am Produkt immer den Infusionsständer ausfahren. Wenn der Infusionsständer nicht ausgefahren wird, funktioniert die Fußteilverlängerung nicht.
- Den Infusionsständer nicht als Schub- oder Zugvorrichtung verwenden. Andernfalls können Produktschäden auftreten.
- Keine Infusionsbeutel mit einem Gewicht von mehr als 40 Pfd. (18 kg) am Infusionsständer aufhängen.
- Stets sicherstellen, dass sich der Infusionsständer beim Transport eines Patienten in einer niedrigen Position befindet, damit er sicher durch Türöffnungen transportiert werden kann.
- Das Displaygehäuse für das optionale Wiegesystem nicht mit scheuernden Reinigern reinigen. Keine Reinigungslösung oder andere Flüssigkeit auf dem Display ansammeln lassen. Nach Verschüttungen oder nach der Reinigung alle Oberflächen trocken wischen.
- Werden andere Zubehörteile, Wandler oder Kabel verwendet als vom Hersteller angegeben oder geliefert, kann dies zu einer erhöhten elektromagnetischen Emission oder einer Verminderung der elektromagnetischen Störfestigkeit sowie zu einem unsachgemäßen Betrieb führen.
- Die Emissionseigenschaften dieses Geräts bedeuten, dass es sich für den Betrieb in Gewerbegebieten und Krankenhäusern (CISPR 11 Klasse A) eignet. Bei Verwendung in einer Wohnumgebung (für die normalerweise CISPR 11 Klasse B erforderlich ist) bietet dieses Gerät u. U. keinen ausreichenden Schutz gegenüber hochfrequenten Kommunikationsdiensten. Eventuell muss der Benutzer Abhilfemaßnahmen treffen, z. B. durch eine andere Aufstellung oder Ausrichtung des Geräts.

- Tragbare HF-Kommunikationsgeräte (einschließlich peripherer Teile wie z. B. Antennenkabel und externe Antennen) dürfen nicht näher als im Abstand von 12 Zoll (30 cm) zu allen Teilen der **Prime** Trage, einschließlich der vom Hersteller angegebenen Kabel, betrieben werden.
 - Die Aufstellung anderer Geräte auf, unter oder neben dem Gerät vermeiden, um einen unsachgemäßen Betrieb der Produkte zu verhindern. Wenn ein derartiger Betrieb unvermeidbar ist, sollten die auf, unter oder neben dem Gerät aufgestellten Geräte beobachtet werden, um die normale Funktion zu bestätigen.
-

Quetschpunkte



Abbildung 1 – Option Prime X

Einführung

Dieses Handbuch hilft dem Anwender beim Einsatz bzw. bei der Wartung des Stryker-Produkts. Dieses Handbuch vor dem Einsatz bzw. der Wartung dieses Produkts durchlesen. Es sind Methoden und Verfahren festzulegen, um das Personal über den sicheren Einsatz bzw. die sichere Wartung dieses Produkts zu informieren und zu schulen.

VORSICHT

- Unsachgemäßer Gebrauch des Produkts kann zu Verletzungen des Patienten oder des Anwenders führen. Das Produkt nur wie in diesem Handbuch beschrieben bedienen.
 - Das Produkt oder Bestandteile des Produkts nicht verändern. Eine Modifizierung des Produkts kann zu unvorhergesehenem Betrieb führen und somit Verletzungen des Patienten oder der Bedienperson verursachen. Veränderungen am Produkt lassen außerdem die Garantieansprüche erlöschen.
-

Hinweis

- Dieses Handbuch ist ein fester Bestandteil des Produkts und sollte beim Produkt verbleiben, auch wenn das Produkt verkauft wird.
- Stryker strebt kontinuierlich nach Verbesserungen der Ausführung und Qualität des Produkts. Dieses Handbuch enthält die zum Zeitpunkt der Drucklegung aktuellsten Produktinformationen. Es können geringe Abweichungen zwischen dem Produkt und diesem Handbuch vorliegen. Bei Fragen den Stryker-Kundendienst oder den technischen Support unter +1-800-327-0770 (gebührenfrei in den USA) kontaktieren.

Produktbeschreibung

Die Trage Modell 1115 der Stryker **Prime Series**® mit **Big Wheel**® ist eine Fahrtrage für den Transport von Patienten in horizontaler Position, die aus einer Liegefläche besteht, die an einem mit Rädern versehenen Gestell befestigt ist. Eine Trage gibt dem Bediener eine Möglichkeit zum Transport von Patienten innerhalb einer Gesundheitseinrichtung durch medizinische Fachkräfte oder geschulte Bevollmächtigte der Einrichtung. Die Trage Modell 1115 der Stryker **Prime Series** mit **Big Wheel** reduziert die beim ersten Anschieben der Trage erforderliche Kraft und den Lenkaufwand, um die physische Belastung zu reduzieren.

Anwendungsgebiete

Die **Prime Series** Trage mit **Big Wheel** weist zwei große Räder auf, um die Kraft zu reduzieren, die beim ersten Anschieben der Trage erforderlich ist.

Die **Prime Series** Trage kann bei der kurzzeitigen ambulanten klinischen Beurteilung, Behandlung, kleinen Eingriffen und für die kurzzeitige ambulante Erholung eingesetzt werden. Die Trage kann u. a. in folgenden Umgebungen eingesetzt werden:

- Notaufnahme
- Traumabereich
- Aufwachraum

Die **Prime Series** Trage kann für kleinere Eingriffe und kurzzeitige Aufenthalte (Behandlung und Erholung) eingesetzt werden. Die Umgebungsbedingungen sind der Tabelle mit den technischen Daten zu entnehmen.

Die Stryker **Prime Series** Trage wurde nicht auf Übereinstimmung mit der Bettennorm BS EN 50637 geprüft. Dieses Produkt ist nicht zur Verwendung für den kurzzeitigen Aufenthalt bei pädiatrischen Patienten oder erwachsenen Patienten mit atypischer Anatomie in Märkten bestimmt, die diesen Bettenstandard für die Marktzulassung anerkennen.

Die **Prime Series** Trage ist nicht für die Verwendung bei der langzeitigen stationären Behandlung und Erholung vorgesehen.

Die sichere Arbeitslast der **Prime Series** Trage beträgt bis zu 700 lbs (318 kg) und sie kann für alle Patienten verwendet werden, einschließlich leicht und schwer erkrankter Patienten. Außerdem kann die Trage zum Transportieren verstorbener Patienten innerhalb einer geschlossenen medizinischen Einrichtung verwendet werden.

Die Option **Prime X**® bietet eine artikulierende radiografische Patienten-Bettauflage und eine Plattform unter der Patienten-Bettauflage für die Platzierung der Röntgenkassette. Bei Verwendung mit einem medizinischen Röntgengerät ermöglicht die Option **Prime X** die Aufnahme klinischer Röntgenbilder (AP ganzer Körper, optionaler ganzer Körper seitlich und optionale aufrechte Brust).

Klinischer Nutzen

Patiententransport, Erleichterung der Behandlung und Diagnostik

Kontraindikationen

Die Option **Prime X** wird für die Verwendung mit einer Matratze mit einer Dicke von mehr als vier Zoll (10 cm) nicht empfohlen.

Die Option **Prime X** ist nicht für die Verwendung mit einem C-Arm kompatibel.

Die Option **Prime X** eignet sich zum Einsatz in allen Einrichtungen; ausgenommen ist die Verwendung bei der ambulanten Pflege im häuslichen Bereich oder in Einrichtungen, die direkt mit einem öffentlichen Niederspannungsnetz verbunden sind, das Gebäude versorgt, die für Wohnzwecke genutzt werden.



Erwartete Einsatzdauer

Die erwartete Einsatzdauer der **Prime Series** Trage und der **Prime Series** Trage mit Option **Prime X** unter normalen Nutzungsbedingungen und mit angemessener regelmäßiger Wartung beträgt 10 Jahre.

Entsorgung/Recycling

Stets die aktuellen lokalen Empfehlungen und/oder gesetzlichen Vorschriften zum Umweltschutz und zu den Risiken befolgen, die mit dem Recycling oder der Entsorgung der Geräte am Ende ihrer Nutzungsdauer verbunden sind.

Technische Daten

	Prime Series, Breite: 26 Zoll (66 cm)		Prime Series, Breite: 30 Zoll (76 cm) HT-Pakete der Prime Series		Option Prime X, Breite: 30 Zoll (76 cm)	
 Hinweis - Die sichere Arbeitslast setzt sich aus dem Gewicht von Patient, Matratze und Zubehör zusammen.	700 Pfd.	318 kg	700 Pfd.	318 kg	700 Pfd.	318 kg
 Maximales Patientengewicht	675 Pfd.	306 kg	675 Pfd.	306 kg	675 Pfd.	306 kg
Gesamtlänge	85 Zoll (± 0,5 Zoll)	215,9 cm	85 Zoll (± 0,5 Zoll)	215,9 cm	85 Zoll (± 0,5 Zoll)	215,9 cm

	Prime Series, Breite: 26 Zoll (66 cm)		Prime Series, Breite: 30 Zoll (76 cm) HT-Pakete der Prime Series		Option Prime X, Breite: 30 Zoll (76 cm)	
Gesamtlänge (mit optionaler Liegeflächenverlängerung)	89,9 Zoll (± 0,75 Zoll)	228,3 cm	89,9 Zoll (± 0,75 Zoll)	228,3 cm	n. z.	n. z.
Gesamtbreite (Seitengitter oben)	34 Zoll (± 1 Zoll)	86,4 cm	38 Zoll (± 1 Zoll)	96,5 cm	38 Zoll (± 1 Zoll)	96,5 cm
Gesamtbreite (Seitengitter unten)	30,25 Zoll (± 0,5 Zoll)	76,8 cm	30,5 Zoll (± 0,5 Zoll)	77,5 cm	30,5 Zoll (± 0,5 Zoll)	77,5 cm
Mindesthöhe	20,75 Zoll	52,7 cm	20,75 Zoll	52,7 cm	23,25 Zoll	59,1 cm
Max. Höhe	34 Zoll (± 1 Zoll)	86,4 cm	34 Zoll (± 1 Zoll)	86,4 cm	36,5 Zoll (± 1 Zoll)	92,7 cm
Winkel der Rückenlehne (Fowler)	0° bis 90° (± 5°)					
Höhe der Knie teilverstellung	mindestens 5,5 Zoll (14 cm)				Nicht zutreffend	
Trendelenburg/Anti-Trendelenburg	+17° bis -17° (± 3°)					
Mindestabstand	2,5 Zoll nominal	6,4 cm	2,5 Zoll nominal	6,4 cm	2,5 Zoll nominal	6,4 cm
	1,75 Zoll unter den hydraulischen Hebern	4,5 cm	1,75 Zoll unter den hydraulischen Hebern	4,5 cm	1,75 Zoll unter den hydraulischen Hebern	4,5 cm
	1 Zoll unter dem Big Wheel	2,5 cm	1 Zoll unter dem Big Wheel	2,5 cm	1 Zoll unter dem Big Wheel	2,5 cm
Schwächungsäquivalent (Aluminiumäquivalenz)	Nicht zutreffend				Maximal zulässiger Wert: 1,7 mm Al	
Gewicht-Einsatzbereich des optionalen Wiegesystems	50 Pfd. (22,7 kg) bis 700 Pfd. (318 kg)					
Genauigkeit des optionalen Wiegesystems	± 3 Pfd. (1,3 kg) für Gewichte von weniger als 100 Pfd. (45 kg) und ±3 % für Gewichte von mehr oder gleich 100 Pfd. (45 kg) *					
*Um die Genauigkeitsleistung des Wiegesystems zu erfüllen, muss sich die Patientenoberfläche in der flachen Position (Rückenlehne (Fowler) und Knie teilverstellung unten) befinden, und das Produkt darf 5° Trendelenburg oder Anti-Trendelenburg nicht überschreiten.						

Elektrische Optionen	Optionale elektrische Liegefläche (nur auf Prime verfügbar)	Optionale elektrische Hebefunktion (auf Prime und Option Prime X verfügbar)
Elektrische Anforderungen	120 V~, 60 Hz, 10 A 240 V~, 50/60 Hz, 5 A	120 V~, 60 Hz, 10 A 240 V~, 50/60 Hz, 5 A
Arbeitszyklus	Dauerbetrieb mit Aussetzbelastung beträgt 1 Min EIN und 20 Min AUS	Dauerbetrieb mit Aussetzbelastung beträgt 1 Min EIN und 20 Min AUS

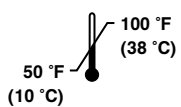
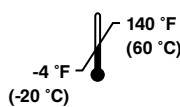
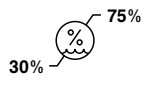
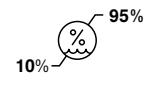
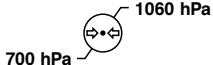
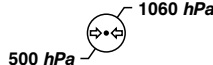
Optionales Wiegesystem	Nicht-elektrische Liegefläche (auf Prime und Option Prime X verfügbar)	Optionale elektrische Hebefunktion (auf Prime und Option Prime X verfügbar)
Batterietyp	4 x AA-Batterie (4 x 1,5 V=), Alkali-Typ (LR6)	4 x AA-Batterie (4 x 1,5 V=), Alkali-Typ (LR6)
Batteriespannung	6,0 V=	6,0 V=

Optionales Wiegesystem	Optionale elektrische Liegefläche (nur auf Prime verfügbar)	Optionale elektrische Hebefunktion
Batterietyp	1 x aufladbarer Lithium-Ionen-Akkupack (0058-135-000)	Nicht zutreffend
Batteriespannung	10,8 V=, 2,4 Ah	Nicht zutreffend

Optionales Wiegesystem mit Chaperone® (Trage-Ausstieg)	Optionale elektrische Liegefläche (nur auf Prime verfügbar)	Optionale elektrische Hebefunktion
Batterietyp	1 x aufladbarer Lithium-Ionen-Akkupack (0058-134-000)	Nicht zutreffend
Batteriespannung	10,8 V=, 4,8 Ah	Nicht zutreffend

Stryker behält sich das Recht vor, technische Daten ohne Vorankündigung zu ändern.

Hinweis - Dieses Produkt eignet sich nicht für den Einsatz im Beisein von entzündlichen Narkosegemischen mit Luft oder Sauerstoff oder Lachgas.

Umweltbedingungen	Betrieb	Aufbewahrung und Transport
Temperatur		
Relative Luftfeuchtigkeit		
Luftdruck		

Hinweis - Die Betriebstemperatur des optionalen Wiegesystems (nicht-elektrische Liegefläche / optionale elektrische Liegefläche) beträgt 61 °F (16 °C) bis 79 °F (26 °C).

Die angegebenen technischen Daten sind Näherungswerte. Geringfügige Abweichungen zwischen Produkten oder aufgrund von Netzspannungsschwankungen sind möglich.

Produktabbildung – Prime

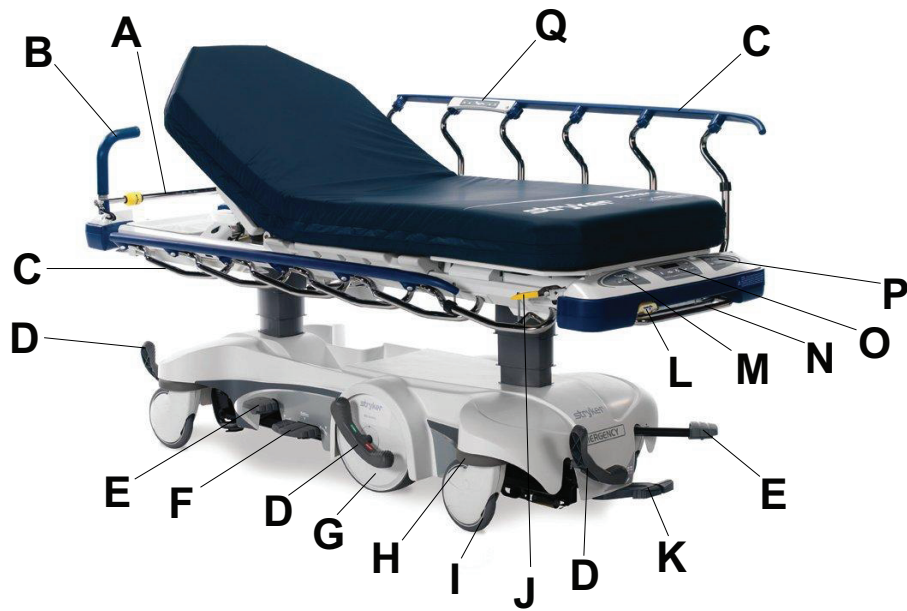


Abbildung 2 – Prime

A	Infusionsständer	J	Seitengitter-Arretierung
B	BackSmart® optionaler hochklappbarer Schiebegriff	K	Hydraulisches Freigabepedal
C	BackSmart Seitengitter	L	Knieteilverstellungs-Entriegelungsgriff
D	Brems-/Steuerpedal	M	BackSmart Bediener-Bedienkonsolen am Fußende, optional
E	Pumppedal	N	Pumpengestell, optional
F	Universal-Absenkpedal	O	BackSmart Wiegesystem, optional
G	Big Wheel	P	Patienten-Bedienkonsolen-Sperre, optional
H	Stoßfänger, integriert	Q	Seitengitter-Patienten-Bedienkonsole, optional
I	Laufrolle mit integrierter Radabdeckung		

Produktabbildung – Option Prime X

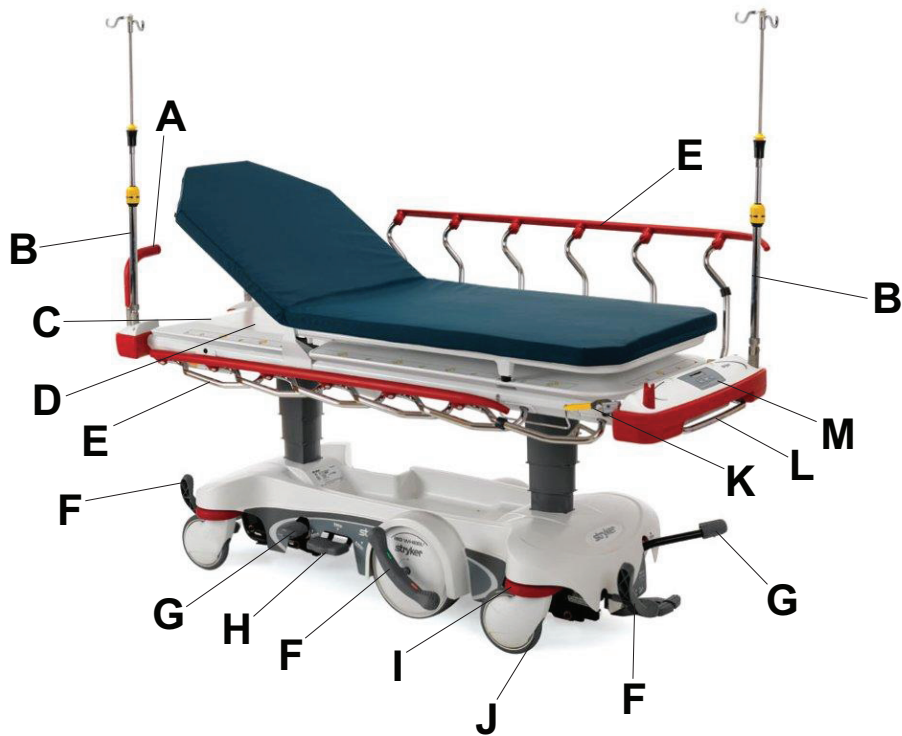


Abbildung 3 – Option Prime X

A	BackSmart® optionaler hochklappbarer Schiebegriff	H	Universal-Absenpedal
B	Infusionsständer	I	Stoßfänger, integriert
C	Kassettenfach	J	Laufrolle mit integrierter Radabdeckung
D	Patientenoberfläche mit Clearview Technology®	K	Seitengitter-Arretierung
E	BackSmart Seitengitter	L	Pumpengestell, optional
F	Brems-/Lenkpedal	M	BackSmart Wiegesystem, optional
G	Pumppedal		

Anwendungsteile – optionale elektrische Liegefläche



Abbildung 4 – Anwendungsteile vom Typ B – optionale elektrische Liegefläche

Anwendungsteile – Option Prime X



Abbildung 5 – Anwendungsteile vom Typ B – Option Prime X

Kontaktinformationen

Der Stryker-Kundendienst bzw. technische Support ist telefonisch erreichbar unter: 1-800-327-0770.

Stryker Medical
3800 E. Centre Avenue
Portage, MI 49002
USA

Hinweis - Der Benutzer und/oder der Patient sollte schwere produktbezogene Vorfälle sowohl dem Hersteller als auch der zuständigen Behörde des europäischen Mitgliedstaats melden, in dem sich der Benutzer und/oder der Patient befindet.

Die Betriebsanleitung bzw. das Wartungshandbuch steht unter der folgenden Adresse im Internet zur Verfügung: <https://techweb.stryker.com/>.

Bei Anrufen beim Stryker-Kundendienst oder technischen Support bitte die Seriennummer (A) des jeweiligen Stryker-Produkts bereithalten. Seriennummer bei allen schriftlichen Mitteilungen angeben.

Position der Seriennummer

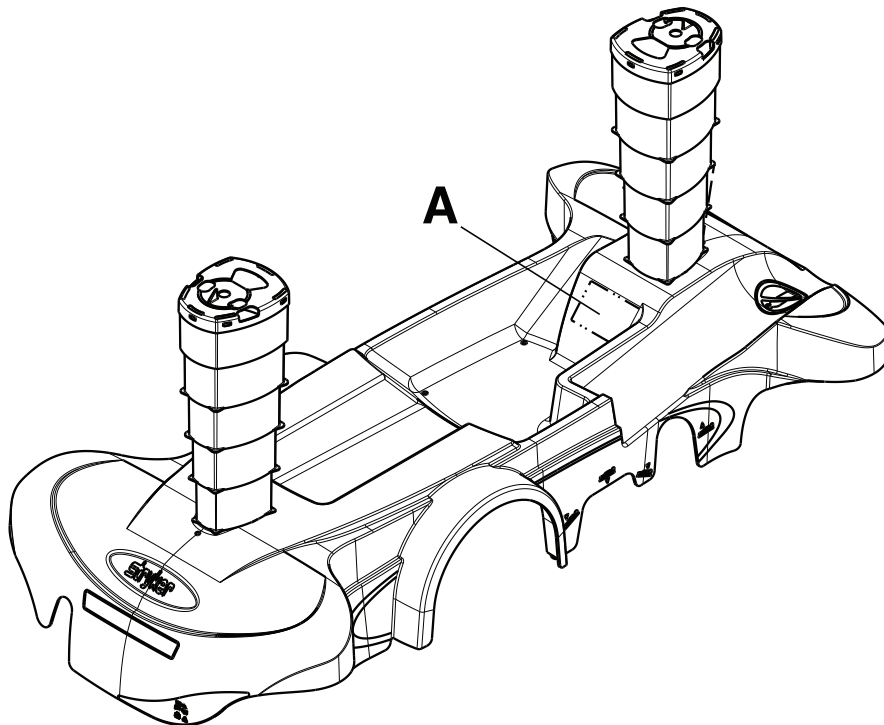


Abbildung 6 – Position der Seriennummer

Einrichtung

Beim Auspacken des Produkts die Auspackanweisungen beachten, die an dem im Lieferkarton befindlichen Produkt angebracht sind.

WARNUNG

- Stets sicherstellen, dass das Produkt Raumtemperatur erreicht hat, bevor das Produkt eingerichtet oder die Funktion getestet wird. Andernfalls können permanente Produktschäden auftreten.
 - Das Produkt stets nur dann benutzen, wenn sich alle Bediener in angemessenem Abstand zu den Mechaniken befinden.
 - Bei der Handhabung des Netzkabels immer vorsichtig vorgehen. Andernfalls kann es zu Verwicklung, Schäden oder Stromschlag kommen. Wenn das Netzkabel beschädigt ist, das Produkt unverzüglich außer Betrieb nehmen und das entsprechende Wartungspersonal benachrichtigen.
 - Das Produkt immer direkt an einer geerdeten, für den Krankenhausbetrieb zugelassenen Wandsteckdose anschließen. Eine Erdungszuverlässigkeit lässt sich nur bei Verwendung einer für den Krankenhausbetrieb zugelassenen Wandsteckdose erzielen. Dieses Produkt ist mit einem Krankenhausbetrieb zugelassenen Stecker ausgerüstet, um Stromschlag zu vermeiden.
-

Vor der Inbetriebnahme sicherstellen, dass das Produkt funktioniert.

1. Bremse betätigen. Das Produkt anschieben um sicherzustellen, dass alle vier Laufrollen festgestellt sind.
2. Die Bremse lösen. Das Produkt anschieben um sicherzustellen, dass alle vier Laufrollen gelöst sind.
3. Die Liegefläche mithilfe des hydraulischen Hebeseystems hochfahren und absenken.
4. Das Produkt in die höchste Position und dann in die Trendelenburg-Position bringen (siehe *Positionierung des Produkts in der Trendelenburg-Position* (Seite 18)). Sicherstellen, dass sich das Kopfende in die unterste Position absenken lässt.
5. Das Produkt in die höchste Position und dann in die Anti-Trendelenburg-Position bringen (siehe *Positionierung des Produkts in der Anti-Trendelenburg-Position* (Seite 19)). Sicherstellen, dass sich das Fußende in die unterste Position absenken lässt.
6. Das **Big Wheel** aktivieren und sicherstellen, dass es funktioniert.
7. Sicherstellen, dass sich die Seitengitter hochstellen, absenken und in Position einrasten lassen.
8. Die manuelle Rückenlehne (Fowler) (Kopfende) anheben und absenken.
9. Die manuelle Knieteilverstellung (Fußende) aufrichten und absenken.

Für Produkte mit der optionalen elektrischen Hebefunktion oder optionalen elektrischen Liegefläche:

1. Die Checkliste für die Installation durcharbeiten.
2. Das Produkt an einer geerdeten, für den Krankenhausbetrieb zugelassenen Wandsteckdose anschließen. Sicherstellen, dass die LED-Lichter am Aussperrungstastenfeld leuchten.
3. Sicherstellen, dass die einzelnen Funktionen an der optionalen Seitengitter-Bedienkonsole für den Patienten funktionieren.
4. Sicherstellen, dass die einzelnen Funktionen an der optionalen Fußende-Bedienkonsole für das Pflegepersonal funktionieren.
5. Die elektrische Rückenlehne (Fowler) (Kopfende) aufrichten und absenken.
6. Die Knieteilverstellung (Fußende) aufrichten und absenken.

Für Produkte mit dem optionalen Wiegesystem – optionale elektrische Liegefläche (mit oder ohne optionaler **Chaperone**-Funktion):

1. Die Checkliste für die Installation durcharbeiten.
2. Die Akkus laden (*Laden des optionalen Akkus des Wiegesystems – optionale elektrische Liegefläche oder optionale elektrische Liegefläche mit optionaler Chaperone-Funktion – nur mit Prime* (Seite 33)).

Betrieb

Aktivieren und Lösen der Bremsen

WARNUNG - Stets die Bremsen aktivieren, wenn sich ein Patient auf das oder vom Produkt begibt oder wenn das Produkt nicht bewegt wird. Wenn sich das Produkt bewegt, während sich ein Patient auf das oder vom Produkt begibt, kann es zu Verletzungen kommen.

Zum Aktivieren der Bremsen die Bremsenseite (rot) des Brems-/Steuerpedals herunterdrücken. Das Produkt anschieben, um sicherzustellen, dass die Bremsen funktionieren.

Zum Lösen der Bremsen die Lenkseite (grün) des Brems-/Steuerpedals herunterdrücken.

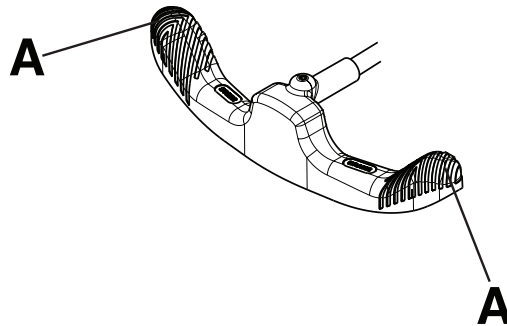


Abbildung 7 – Betrieb des Brems-/Steuerpedals

Hinweis - Nicht auf die Mitte des Brems-/Steuerpedals drücken. Immer auf die Außenseite (A) des Brems-/Steuerpedals (Abbildung 7) drücken.

Steuerungen am Prime-Untergestell

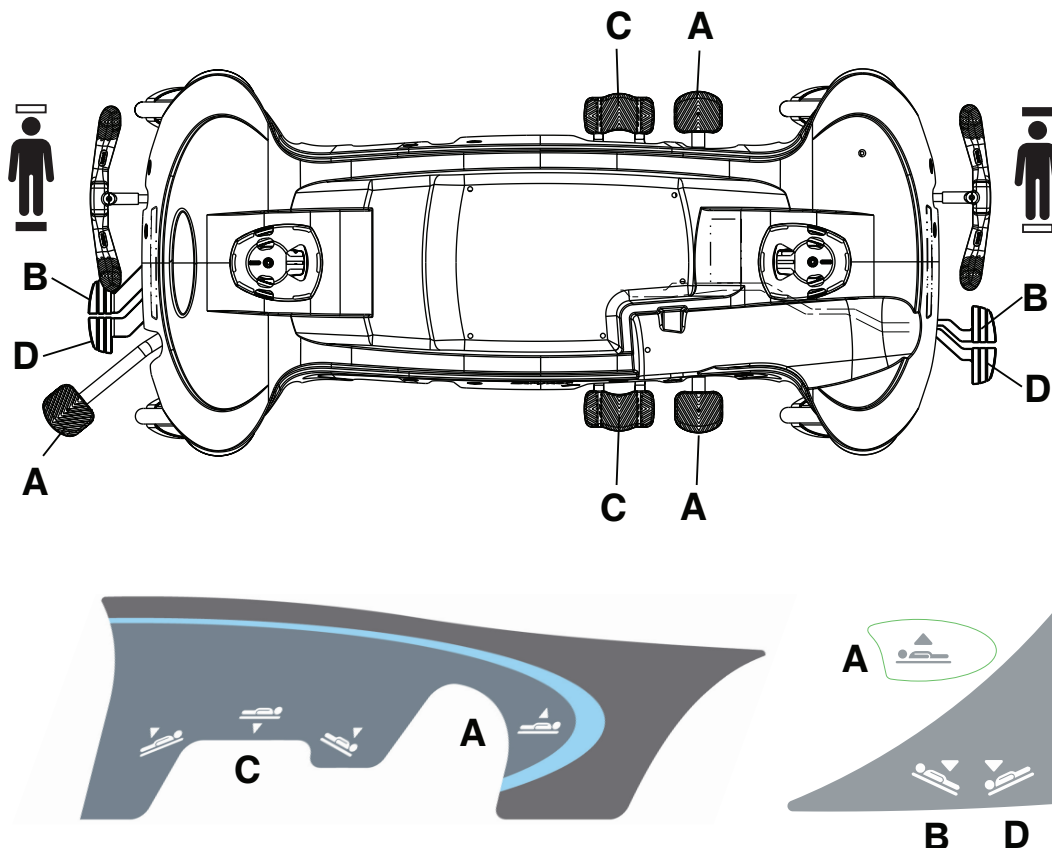


Abbildung 8 – Steuerungen und Etiketten am Prime-Untergestell

Hochfahren der nicht-elektrischen Liegefläche

WARNUNG

- Den Patienten immer in der Mitte des Produkts positionieren.
- Das Produkt immer in die unterste Position mit hochgestellten und eingerasteten Seitengittern stellen, wenn der Patient unbeaufsichtigt ist. Das Produkt nicht in einer höheren Position belassen.
- Vor dem Anheben oder Absenken der Liegefläche immer alle evtl. störenden Geräte wegräumen.
- Nicht auf das Ende des Produkts setzen. Dadurch kann das Produkt kippen.

VORSICHT - Die Hydraulik am Untergestell nicht verwenden, um das Produkt mit einer Patientenhebefunktion unter dem Produkt hochzufahren.

Zum Anheben der Liegefläche das Pumppedal (A) nach unten drücken, bis die gewünschte Höhe erreicht ist (*Steuerungen am Prime-Untergestell* (Seite 17)).

Absenken der nicht-elektrischen Liegefläche

WARNUNG

- Den Patienten immer in der Mitte des Produkts positionieren.
- Das Produkt immer in die unterste Position mit hochgestellten und eingerasteten Seitengittern stellen, wenn der Patient unbeaufsichtigt ist. Das Produkt nicht in einer höheren Position belassen.
- Vor dem Anheben oder Absenken der Liegefläche immer alle evtl. störenden Geräte wegräumen.

- Nicht auf das Ende des Produkts setzen. Dadurch kann das Produkt kippen.
-

VORSICHT - Die Hydraulik am Untergestell nicht verwenden, um das Produkt mit einer Patientenhebefunktion unter dem Produkt hochzufahren.

Zum Absenken der gesamten Liegefläche in der Mitte des Universal-Absenkpedals (C) nach unten drücken (*Steuerungen am Prime-Untergestell* (Seite 17)).

Um das Kopfende der Liegefläche abzusenken, das Pedal (B) herunterdrücken oder die Seite des Universal-Absenkpedals (C), das sich am nächsten zum Kopfende des Produkts befindet, herunterdrücken.

Um das Fußende der Liegefläche abzusenken, das Pedal (D) herunterdrücken oder die Seite des Universal-Absenkpedals (C), das sich am nächsten zum Fußende des Produkts befindet, herunterdrücken.

Hochfahren der optionalen elektrischen Liegefläche

WARNUNG

- Den Patienten immer in der Mitte des Produkts positionieren.
 - Das Produkt immer in die unterste Position mit hochgestellten und eingerasteten Seitengittern stellen, wenn der Patient unbeaufsichtigt ist. Das Produkt nicht in einer höheren Position belassen.
 - Vor dem Anheben oder Absenken der Liegefläche immer alle evtl. störenden Geräte wegräumen.
 - Nicht auf das Ende des Produkts setzen. Dadurch kann das Produkt kippen.
-

VORSICHT - Die Hydraulik am Untergestell nicht verwenden, um das Produkt mit einer Patientenhebefunktion unter dem Produkt hochzufahren.

Zum Anheben der elektrischen Liegefläche das Pumpedal (A) nach unten drücken, bis die gewünschte Höhe erreicht ist (*Steuerungen am Prime-Untergestell* (Seite 17)).

Absenken der optionalen elektrischen Liegefläche

WARNUNG

- Den Patienten immer in der Mitte des Produkts positionieren.
 - Das Produkt immer in die unterste Position mit hochgestellten und eingerasteten Seitengittern stellen, wenn der Patient unbeaufsichtigt ist. Das Produkt nicht in einer höheren Position belassen.
 - Vor dem Anheben oder Absenken der Liegefläche immer alle evtl. störenden Geräte wegräumen.
 - Nicht auf das Ende des Produkts setzen. Dadurch kann das Produkt kippen.
-

VORSICHT - Die Hydraulik am Untergestell nicht verwenden, um das Produkt mit einer Patientenhebefunktion unter dem Produkt hochzufahren.

Zum Absenken der gesamten elektrischen Liegefläche in der Mitte auf das Universal-Absenkpedal (C) drücken (*Steuerungen am Prime-Untergestell* (Seite 17)).

Um das Kopfende der Liegefläche abzusenken, das Pedal (B) herunterdrücken oder die Seite des Universal-Absenkpedals (C), das sich am nächsten zum Kopfende des Produkts befindet, herunterdrücken.

Um das Fußende der Liegefläche abzusenken, das Pedal (D) herunterdrücken oder die Seite des Universal-Absenkpedals (C), das sich am nächsten zum Fußende des Produkts befindet, herunterdrücken.

Positionierung des Produkts in der Trendelenburg-Position

WARNUNG - Vor dem Anheben oder Absenken der Liegefläche immer alle evtl. störenden Geräte wegräumen.

VORSICHT - Die Hydraulik am Untergestell nicht verwenden, um das Produkt mit einer Patientenhebefunktion unter dem Produkt hochzufahren.

Zum Positionieren des Produkts in der Trendelenburg-Position (Kopfende unten) die Liegefläche in die höchste Position anheben (*Hochfahren der nicht-elektrischen Liegefläche* (Seite 17) oder *Hochfahren der optionalen elektrischen Liegefläche* (Seite 18)).

Hinweis - Das Anheben der Liegefläche in die höchste Position ermöglicht einen größeren Trendelenburg-Winkel.

Um das Kopfende des Produkts abzusenken, das Freigabepedal (D) am Kopf- oder Fußende herunterdrücken oder die Seite des Universal-Absenkpedals (C), das sich am nächsten zum Kopfende befindet, herunterdrücken (*Steuerungen am Prime-Untergestell* (Seite 17)).

Um das Produkt aus der Trendelenburg-Position abzusenken, die Freigabepedale (B und D) am Kopf- und Fußende gleichzeitig herunterdrücken oder auf die Mitte des Universal-Absenkpedals (C) drücken, bis die Liegefläche flach ist.

Positionierung des Produkts in der Anti-Trendelenburg-Position

WARNUNG - Vor dem Anheben oder Absenken der Liegefläche immer alle evtl. störenden Geräte wegräumen.

VORSICHT - Die Hydraulik am Untergestell nicht verwenden, um das Produkt mit einer Patientenhebefunktion unter dem Produkt hochzufahren.

Zum Positionieren des Produkts in der Anti-Trendelenburg-Position (Fußende unten) die Liegefläche in die höchste Position anheben (*Hochfahren der nicht-elektrischen Liegefläche* (Seite 17) oder *Hochfahren der optionalen elektrischen Liegefläche* (Seite 18)).

Hinweis - Das Anheben der Liegefläche in die höchste Position ermöglicht einen größeren Trendelenburg-Winkel.

Um das Fußende des Produkts abzusenken, das Freigabepedal (B) am Kopf- oder Fußende herunterdrücken oder die Seite des Universal-Absenkpedals (C), das sich am nächsten zum Fußende befindet, herunterdrücken (*Steuerungen am Prime-Untergestell* (Seite 17)).

Um das Produkt aus der Anti-Trendelenburg-Position abzusenken, die Freigabepedale (B und D) am Kopf- und Fußende gleichzeitig herunterdrücken oder auf die Mitte des Universal-Absenkpedals (C) drücken, bis die Liegefläche flach ist.

Transport eines Patienten

WARNUNG

- Den Patienten immer in der Mitte des Produkts positionieren.
 - Die Seitengitter immer in der höchsten Position und die Schlafoberfläche waagrecht in der niedrigsten Position feststellen, wenn ein Patient transportiert wird.
 - Das Produkt bei einem um mehr als 5,7 Grad (10 %) geneigten Untergrund nicht seitlich transportieren, um zu verhindern, dass es umkippt.
-

Zum Transport eines Patienten wie folgt vorgehen:

1. Die Seitengitter in die höchste Position bringen. Am Seitengitter ziehen, um zu überprüfen, ob es eingerastet ist.
2. Die Liegefläche in die niedrigste Position absenken.
3. Wenn das Produkt mit der optionalen elektrischen Liegefläche oder der optionalen elektrischen Hebefunktion ausgestattet ist, das Netzkabel von der Steckdose trennen.
4. Die Lenkseite (grün) des Brems-/Lenkpedals betätigen.
5. Das Produkt mithilfe der Schiebegriffe schieben.
6. Die Bremsen feststellen, um das Produkt einzurasten.

Hinweis - Zur Vermeidung von Verletzungen des Bedieners oder Patienten stets sicherstellen, dass die Bremse gelöst ist, bevor versucht wird, das Produkt zu bewegen.

Transportieren eines Patienten ohne Big Wheel

WARNUNG

- Den Patienten immer in der Mitte des Produkts positionieren.
 - Die Seitengitter immer in der höchsten Position und die Schlafoberfläche waagrecht in der niedrigsten Position feststellen, wenn ein Patient transportiert wird.
-

Transportieren eines Patienten ohne **Big Wheel**:

1. Das Brems-/Steuerpedal (A) in die neutrale Position (Abbildung 9) bringen.

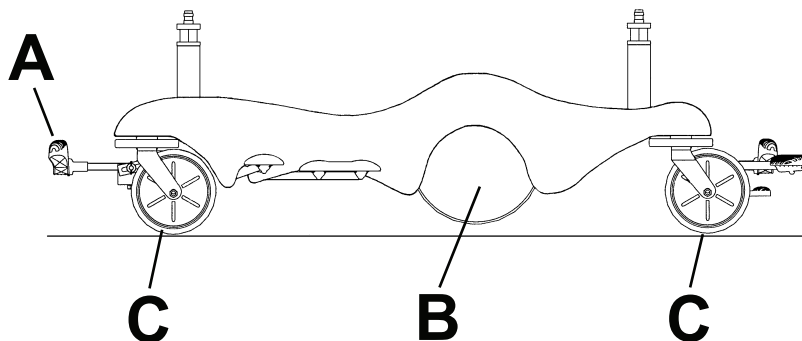


Abbildung 9 – Transportieren ohne Big Wheel

2. Die Liegefläche in die niedrigste Position absenken.
3. Nur für Modell 1125: Sicherstellen, dass der Schalter „On/Drive-Off/Manual“ (Ein/Fahren-Aus/Manuell) in der Off-Position steht.
4. Wenn das Produkt mit der optionalen elektrischen Liegefläche oder der optionalen elektrischen Hebefunktion ausgestattet ist, das Netzkabel von der für den Krankenhausbetrieb zugelassenen Steckdose trennen.
5. Das Produkt mithilfe der Schiebegriffe schieben.
6. Die Bremsen feststellen, um das Produkt einzurasten.

Hinweis

- Zur Vermeidung von Verletzungen des Bedieners oder Patienten stets sicherstellen, dass die Bremse gelöst ist, bevor versucht wird, das Produkt zu bewegen.
- Wenn sich das Produkt in der neutralen Position befindet ist das **Big Wheel** (B) erhöht und das Produkt ruht auf allen vier Laufrollen (C) (Abbildung 9). In dieser Position kann das Produkt in jede Richtung bewegt werden, auch seitwärts.

Transportieren eines Patienten mithilfe des Big Wheel

WARNUNG

- Den Patienten immer in der Mitte des Produkts positionieren.
 - Die Seitengitter immer in der höchsten Position und die Schlafoberfläche waagrecht in der niedrigsten Position feststellen, wenn ein Patient transportiert wird.
-

VORSICHT - Das Steuerpedal nicht betätigen, wenn das **Big Wheel** auf einer Schwelle oder einer anderen erhöhten Stelle ruht. Die zum Betätigen des **Big Wheel** erforderliche Kraft ist größer als normal, was Produktschäden verursachen kann.

Transportieren eines Patienten mithilfe des **Big Wheel**:

1. Die Seitengitter in die höchste Position bringen. An allen Seitengittern ziehen, um zu überprüfen, ob sie eingerastet sind.
2. Die Liegefläche in die niedrigste Position absenken.
3. Nur für Modell 1125: Sicherstellen, dass der Schalter „On/Drive-Off/Manual“ (Ein/Fahren-Aus/Manuell) in der Off-Position steht.
4. Wenn das Produkt mit der optionalen elektrischen Liegefläche oder der optionalen elektrischen Hebefunktion ausgestattet ist, das Netzkabel von der für den Krankenhausbetrieb zugelassenen Steckdose trennen.
5. Das Brems-/Steuerpedal (A) in die Lenkposition (Abbildung 10) bringen.

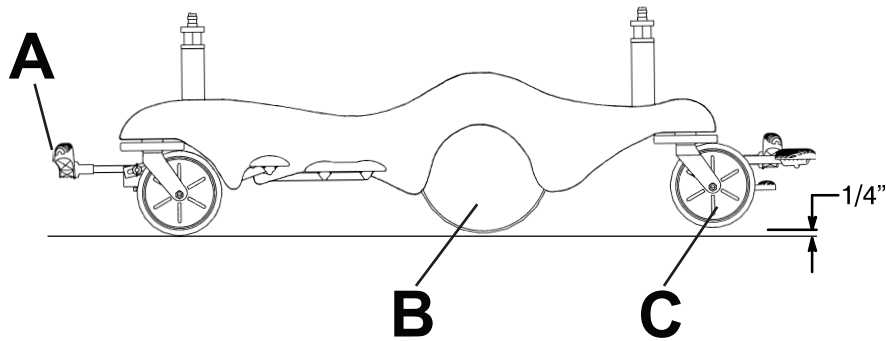


Abbildung 10 – Transportieren mithilfe des Big Wheel

6. Das Produkt mithilfe der Schiebegriffe schieben.
7. Die Bremsen feststellen, um das Produkt einzurasten.

Hinweis

- Vor dem Versuch, das Produkt zu bewegen stets sicherstellen, dass die Bremse gelöst ist. Der Versuch, das Produkt mit festgestellten Bremsen zu bewegen, kann zur Verletzung des Bedieners oder des Patienten führen.
- Das **Big Wheel** (B) lässt sich nicht schwenken. Wenn das **Big Wheel** aktiviert ist, lässt sich das Produkt nicht seitwärts bewegen.
- Wenn das **Big Wheel** (B) betätigt wird, werden das Produkt und die Laufrollen (C) des Fußendes hochgefahren. Das Produkt ruht auf den Laufrollen des Kopfendes und dem **Big Wheel**, wodurch sich das Produkt leichter lenken lässt (Abbildung 10).

Positionieren oder Verstauen der optionalen Kopfende-Schiebegriffe

Positionieren oder Verstauen der Kopfende-Schiebegriffe:

1. Die Griffe (A) vom Kopfende des Produkts nach oben schwenken (Abbildung 11).
2. Die Griffe nach unten drücken, um sie einzurasten.

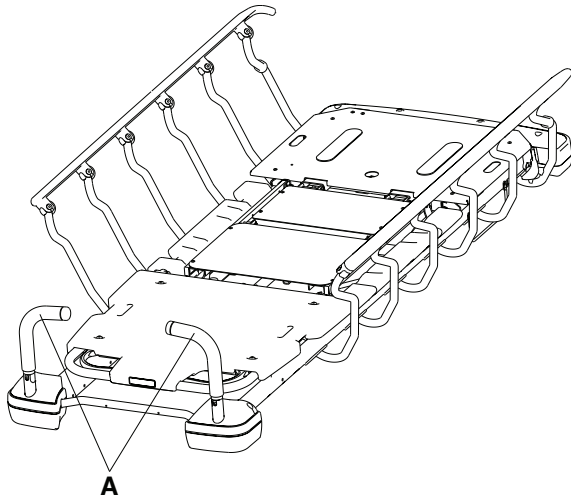


Abbildung 11 – Positionieren der Kopfende-Schiebegriffe

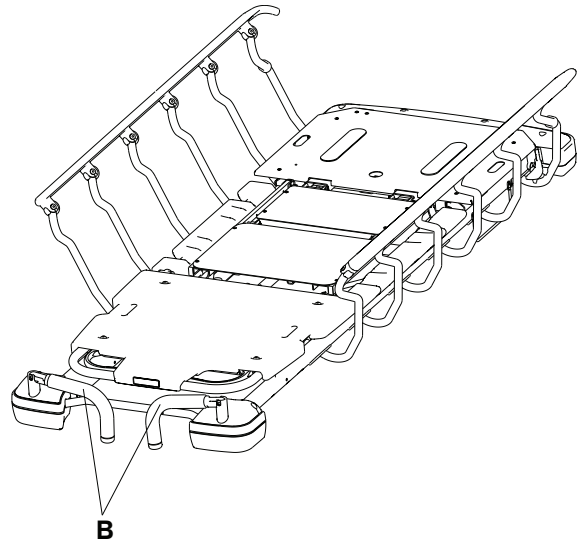


Abbildung 12 – Verstauen der Kopfende-Schiebegriffe

- Um die Kopfende-Schiebegriffe (B) in die Parkposition zu bringen, die Schritte in umgekehrter Reihenfolge ausführen (Abbildung 12).

Hinweis - Nur die Schiebegriffe als Schub-/Zugvorrichtung verwenden, sofern nicht anderweitig angegeben, um Produktschäden zu vermeiden.

Hochstellen des Seitengitters

WARNUNG

- Stets mit besonderer Vorsicht vorgehen, wenn eine Matratze verwendet wird, die dicker als 2,5 Zoll (6,35 cm) ist, oder wenn eine Matratzenauflage mit der Option **Prime X** verwendet wird.
- Das Produkt immer in die unterste Position mit hochgestellten und eingerasteten Seitengittern stellen, wenn der Patient unbeaufsichtigt ist. Das Produkt nicht in einer höheren Position belassen.
- Die Seitengitter stets in der höchsten Position und die Schlafoberfläche flach und in der niedrigsten Position feststellen, wenn ein Patient transportiert wird.
- Beim Aufrichten oder Absenken des Seitengitters immer die Extremitäten des Patienten von den Spindeln des Seitengitters fernhalten.
- Nicht zulassen, dass die Seitengitter selbsttätig herabgleiten.

Hochstellen des Seitengitters:

1. Das Seitengitter mit zwei Händen fassen.
2. Das Seitengitter anheben und zum Fußende des Produkts führen, bis der gelbe Freigabehebel einrastet. Am Seitengitter ziehen um zu überprüfen, ob es eingerastet ist.

Hinweis

- Für beide Enden des Produkts ist ein optionaler zweiter Seitengitter-Freigabehebel verfügbar.
- Die Seitengitter dürfen nicht als Fixierungsvorrichtung verwendet werden, um den Patienten daran zu hindern, aus dem Produkt zu steigen. Die Seitengitter verhindern, dass der Patient vom Produkt herunterfällt. Der Bediener muss das Maß an Fixierung bestimmen, das erforderlich ist, um die Sicherheit des Patienten zu gewährleisten.
- Das Fußende der oberen Schiene des Seitengitters kann als Schub-/Zugvorrichtung verwendet werden.
- Die Seitengitter rasten nur in der höchsten Position ein.

Absenken des Seitengitters

WARNUNG

- Stets mit besonderer Vorsicht vorgehen, wenn eine Matratze verwendet wird, die dicker als 2,5 Zoll (6,35 cm) ist, oder wenn eine Matratzenauflage mit der Option **Prime X** verwendet wird.
 - Das Produkt immer in die unterste Position mit hochgestellten und eingerasteten Seitengittern stellen, wenn der Patient unbeaufsichtigt ist. Das Produkt nicht in einer höheren Position belassen.
 - Die Seitengitter stets in der höchsten Position und die Schlafoberfläche flach und in der niedrigsten Position feststellen, wenn ein Patient transportiert wird.
 - Beim Aufrichten oder Absenken des Seitengitters immer die Extremitäten des Patienten von den Spindeln des Seitengitters fernhalten.
 - Nicht zulassen, dass die Seitengitter selbsttätig herabgleiten.
-

Absenken des Seitengitters:

1. Das Seitengitter mit einer Hand fassen.
2. Mit der anderen Hand den gelben Freigabehebel nach oben ziehen.
3. Das Seitengitter anheben und zum Kopfende des Produkts führen, bis der gelbe Freigabehebel einrastet. Am Seitengitter ziehen um zu überprüfen, ob es eingerastet ist.

Hinweis

- Für beide Enden des Produkts ist ein optionaler zweiter Seitengitter-Freigabehebel verfügbar.
- Die Seitengitter dürfen nicht als Fixierungsvorrichtung verwendet werden, um den Patienten daran zu hindern, aus dem Produkt zu steigen. Die Seitengitter verhindern, dass der Patient vom Produkt herunterfällt. Der Bediener muss das Maß an Fixierung bestimmen, das erforderlich ist, um die Sicherheit des Patienten zu gewährleisten.
- Das Fußende der oberen Schiene des Seitengitters kann als Schub-/Zugvorrichtung verwendet werden.
- Die Seitengitter rasten nur in der höchsten Position ein.

Positionieren des Produkts mithilfe der Patienten-Bedienkonsole am Seitengitter – optionale elektrische Liegefläche – nur mit Prime

WARNUNG - Das Produkt stets nur dann benutzen, wenn sich alle Bediener in angemessenem Abstand zu den Mechaniken befinden.

Die Rückenlehne (Fowler) und Knieteilverstellung mithilfe der Patienten-Bedienkonsole am Seitengitter positionieren (Abbildung 13).

Medizinische Fachkräfte müssen Patienten in die Bedienung der Patientenbedienelemente einweisen.

Hinweis

- Das Netzkabel stets an eine geerdete, für den Krankenhausbetrieb zugelassene Wandsteckdose anschließen.
- Die Patienten-Bedienkonsole am Seitengitter ist in einer versetzten Position an beiden Seiten des Produkts positioniert, um den Zugriff auf den Patienten zu erleichtern.
- Jedes Seitengitter verfügt über beleuchtete Steuerelemente, damit der Patient die Rückenlehne (Fowler) und Knieteilverstellung positionieren kann. Wenn das Produkt angeschlossen und die Patienten-Bedienkonsole entsperrt ist, leuchten die weißen Tasten auf.

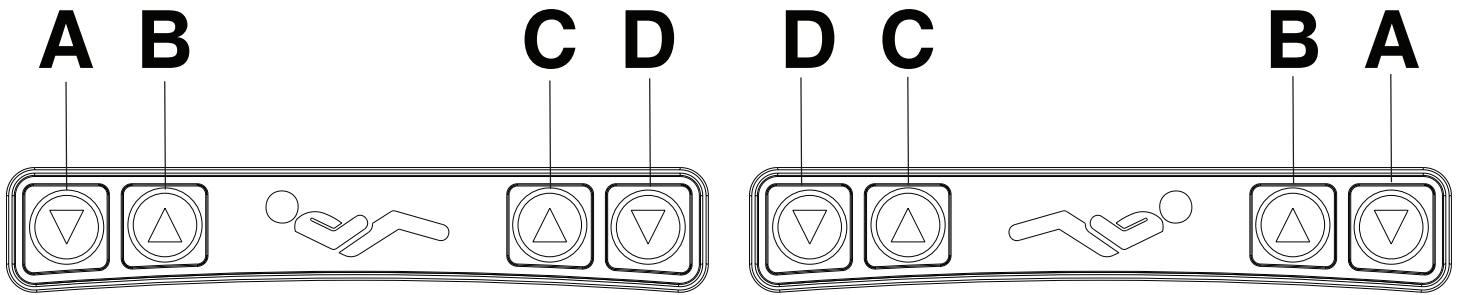


Abbildung 13 – Seitengitter-Patienten-Bedienkonsole

A	Rückenlehne (Fowler) unten	Senkt die Rückenlehne (Fowler) (Kopfteil) ab
B	Rückenlehne (Fowler) oben	Hebt die Rückenlehne (Fowler) (Kopfteil) an
C	Knieteilverstellung oben	Hebt die Knieteilverstellung (Fußteil) an
D	Knieteilverstellung unten	Senkt die Knieteilverstellung (Fußteil) ab

Bediener-Bedienkonsole – optionale elektrische Liegefläche – nur mit Prime

WARNUNG - Das Produkt stets nur dann benutzen, wenn sich alle Bediener in angemessenem Abstand zu den Mechaniken befinden.

Die Bedienkonsole des Personals verwenden, um die Position des Patienten auf dem Produkt anzupassen (Abbildung 14).

Hinweis - Das Netzkabel stets an eine geerdete, für den Krankenhausbetrieb zugelassene Wandsteckdose anschließen.

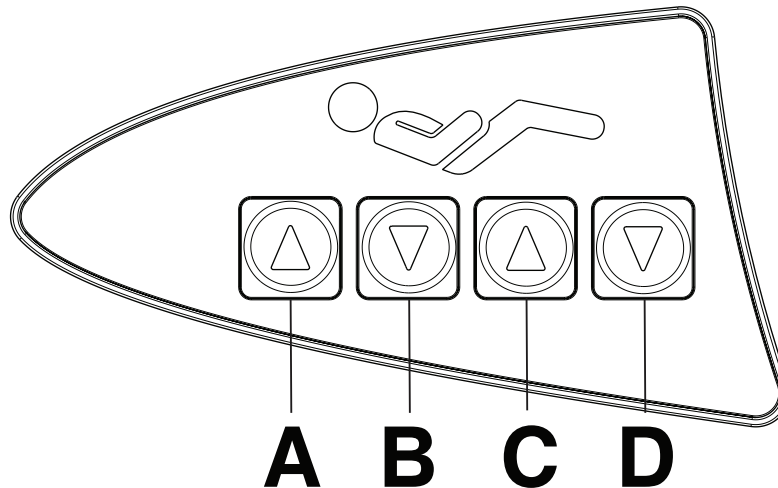


Abbildung 14 – Bediener-Bedienkonsole – optionale elektrische Liegefläche

A	Rückenlehne (Fowler) oben	Hebt die Rückenlehne (Fowler) an
B	Rückenlehne (Fowler) unten	Senkt die Rückenlehne (Fowler) ab
C	Knieteilverstellung oben	Hebt die Knieteilverstellung an
D	Knieteilverstellung unten	Senkt die Knieteilverstellung ab

Sperrn und Entsperrn der Sperre der Patienten-Bedienkonsole – optionale elektrische Liegefläche – nur mit Prime

WARNUNG - Das Produkt stets nur dann benutzen, wenn sich alle Bediener in angemessenem Abstand zu den Mechaniken befinden.

Zum Sperren der Patienten-Bedienkonsole am Seitengitter einmal auf **Unlock/Lock** (Sperrn/Entsperrn) (A) drücken (Abbildung 15).

Hinweis - Das Sperrsymbol (C) leuchtet gelb, wenn die Patientenbedienelemente gesperrt sind.

Zum Entsperrn der Patienten-Bedienkonsole am Seitengitter ein zweites Mal auf **Unlock/Lock** (Sperrn/Entsperrn) (A) drücken.

Hinweis - Das Entsperrsymbol (B) leuchtet grün, wenn die Patientenbedienelemente entsperrt sind.

Hinweis

- Das Netzkabel stets an eine geerdete, für den Krankenhausbetrieb zugelassene Wandsteckdose anschließen.
- Die Patienten-Bedienkonsole kann gesperrt werden, um zu verhindern, dass der Patient die Rückenlehne und Knieeilverstellung verstellt.
- Die Patienten-Bedienkonsole am Seitengitter ist nicht beleuchtet, wenn die Patienten-Bedienkonsole gesperrt ist.

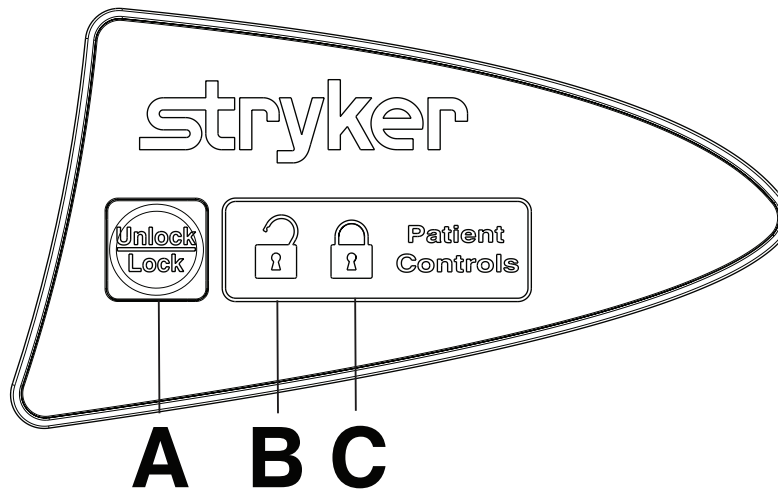


Abbildung 15 – Patienten-Bedienkonsolen-Sperre

Hochfahren oder Absenken der Rückenlehne (Fowler) – nicht-elektrische Liegefläche

WARNUNG

- Das Produkt stets nur dann benutzen, wenn sich alle Bediener in angemessenem Abstand zu den Mechaniken befinden.
 - Stets die Hände und Finger von den Entriegelungsgriffen und dem Rahmen der Rückenlehne (Fowler) fernhalten, wenn die Rückenlehne (Fowler) abgesenkt wird.
 - Beim Anheben einer Rückenlehne (Fowler) stets mit Vorsicht vorgehen, während sich ein Patient auf dem Produkt befindet. Geeignete Hebetekniken verwenden und ggf. Hilfe hinzuziehen.
-

Zum Hochfahren der Rückenlehne (Fowler) einen oder beide Freigabegriffe (A) der Rückenlehne (Fowler) drücken und die Rückenlehne (Fowler) nach oben in die gewünschte Position ziehen (0° bis 90°) (Abbildung 16).

Hinweis - Die optionale **Lift Assist**® Rückenlehne nutzt das Patientengewicht zur Unterstützung bei der Positionierung des Patienten. Die **Lift Assist** Rückenlehne hilft zu verhindern, dass der Patient zum Fußende des Produkts hin rutscht, wenn die Rückenlehne (Fowler) angehoben wird.

Zum Absenken der Rückenlehne (Fowler) einen oder beide Entriegelungsgriffe (A) der Rückenlehne (Fowler) drücken und die Rückenlehne (Fowler) nach unten in die gewünschte Position schieben (90° bis 0°) (Abbildung 16).

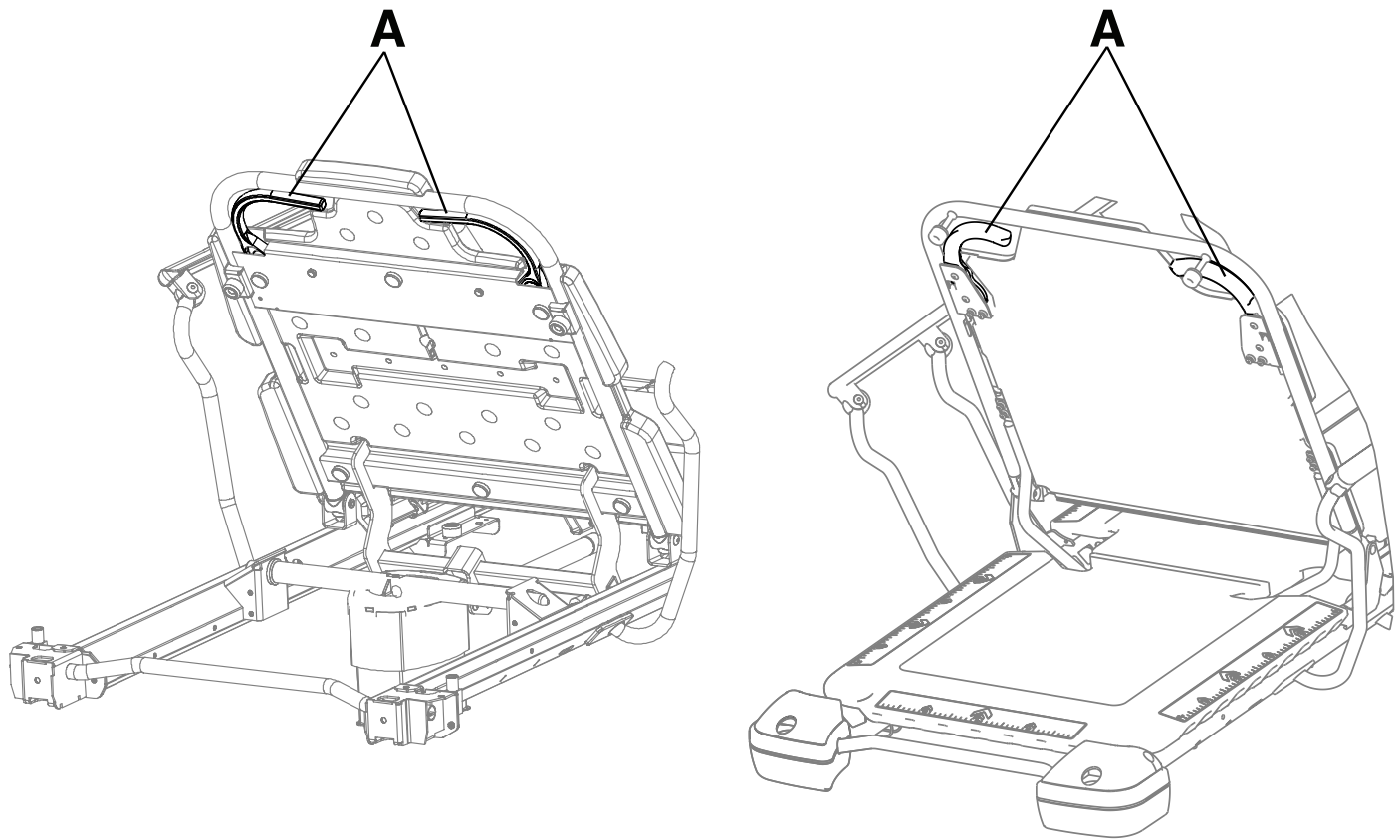


Abbildung 16 – Heben und Senken der Rückenlehne (Fowler) (Prime/Prime X)

Hochfahren oder Absenken der Rückenlehne (Fowler) – optionale elektrische Liegefläche

WARNUNG

- Das Produkt stets nur dann benutzen, wenn sich alle Bediener in angemessenem Abstand zu den Mechaniken befinden.
- Stets die Hände und Finger von den Entriegelungsgriffen und dem Rahmen der Rückenlehne (Fowler) fernhalten, wenn die Rückenlehne (Fowler) abgesenkt wird.
- Beim Anheben einer Rückenlehne (Fowler) stets mit Vorsicht vorgehen, während sich ein Patient auf dem Produkt befindet. Geeignete Hebetechniken verwenden und ggf. Hilfe hinzuziehen.

Zum Anheben der Rückenlehne (Fowler) die **up** (Aufwärts-Taste) an der Rückenlehnenseite (Fowler) der Patienten-Bedienkonsole am Seitengitter (*Positionieren des Produkts mithilfe der Patienten-Bedienkonsole am Seitengitter – optionale elektrische Liegefläche – nur mit Prime* (Seite 23)) oder der Bediener-Bedienkonsole am Fußende (*Bediener-Bedienkonsole – optionale elektrische Liegefläche – nur mit Prime* (Seite 24)) drücken, bis die Rückenlehne (Fowler) den gewünschten Winkel (0° bis 70°) erreicht hat.

Hinweis - Die **Lift Assist** Rückenlehne nutzt das Patientengewicht zur Unterstützung bei der Positionierung des Patienten. Die **Lift Assist** Rückenlehne hilft zu verhindern, dass der Patient zum Fußende des Produkts hin rutscht, wenn die Rückenlehne (Fowler) angehoben wird.

Zum Absenken der Rückenlehne (Fowler) die **down** (Abwärts-Taste) an der Rückenlehenseite (Fowler) der Patienten-Bedienkonsole am Seitengitter (*Positionieren des Produkts mithilfe der Patienten-Bedienkonsole am Seitengitter – optionale elektrische Liegefläche – nur mit Prime* (Seite 23)) oder der Bediener-Bedienkonsole am Fußende (*Bediener-Bedienkonsole – optionale elektrische Liegefläche – nur mit Prime* (Seite 24)) drücken, bis die Rückenlehne (Fowler) den gewünschten Winkel (70° bis 0°) erreicht hat.

Hinweis - Das Netzkabel stets an eine geerdete, für den Krankenhausbetrieb zugelassene Wandsteckdose anschließen. Medizinische Fachkräfte müssen Patienten in die Bedienung der Patientenbedienelemente einweisen.

Anheben oder Absenken der Knieteilverstellung – nicht-elektrische Liegefläche – nur mit Prime

WARNUNG - Beim Absenken der Knieteilverstellung stets Hände und Finger von den Schiebegriffen am Fußende fernhalten.

VORSICHT

- Die Traglast der Knieteilverstellung beträgt 200 US-Pfund (90,7 kg).
 - Vor Gebrauch immer sicherstellen, dass die Stützstange der Knieteilverstellung gesichert ist.
 - Nicht auf die Knieteilverstellung setzen oder stellen.
-

Zum Anheben der nicht-elektrischen Knieteilverstellung den Pumpgriff der Knieteilverstellung nach links pumpen, bis die gewünschte Position erreicht ist (siehe *Produktabbildung – Prime Liegefläche*).

Das Ende der Knieteilverstellung und die Stützstange in der Halterung sichern.

Zur Freigabe der Stützstange das Ende der Fußteilverstellung anheben, die Stützstange in Richtung Kopfende des Produkts schwingen und das Fußende absenken.

Zum Absenken der Knieteilverstellung den Knieteilverstellungs-Entriegelungsgriff ziehen, bis die gewünschte Position erreicht ist (siehe *Produktabbildung – Prime Liegefläche*).

Hinweis - Wenn das Produkt die optionale elektrische Liegefläche aufweist, kann die Knieteilverstellung nicht manuell aufgerichtet werden.

Anheben oder Absenken der Knieteilverstellung – optionale elektrische Liegefläche – nur mit Prime

WARNUNG

- Beim Absenken der Knieteilverstellung stets Hände und Finger von den Schiebegriffen am Fußende fernhalten.
 - Das Produkt stets nur dann benutzen, wenn sich alle Bediener in angemessenem Abstand zu den Mechaniken befinden.
-

VORSICHT

- Die Traglast der Knieteilverstellung beträgt 200 US-Pfund (90,7 kg).
 - Nicht auf die Knieteilverstellung setzen oder stellen.
 - Stets mit Vorsicht vorgehen, wenn versucht wird, die Knieteilverstellung abzusenken, während das Produkt nicht mit Strom versorgt wird. Die Knieteilverstellung kann aufgrund von Schwerkraft herunterschnellen.
-

Zum Anheben der Knieteilverstellung den **up** (Aufwärts-Taste) an der Knieteilverstellungsseite der Patienten-Bedienkonsole am Seitengitter oder der Bediener-Bedienkonsole am Fußende drücken.

Zum Absenken der Knieteilverstellung den **down** (Abwärts-Taste) an der Knieteilverstellungsseite der Patienten-Bedienkonsole am Seitengitter oder der Bediener-Bedienkonsole am Fußende drücken.

Hinweis - Das Netzkabel stets an eine geerdete, für den Krankenhausbetrieb zugelassene Wandsteckdose anschließen.

Medizinische Fachkräfte müssen Patienten in die Bedienung der Patientenbedienelemente einweisen.

Positionieren des Erholungsstuhls – nur mit Prime

WARNUNG - Das Produkt stets nur dann benutzen, wenn sich alle Bediener in angemessenem Abstand zu den Mechaniken befinden.

Platzieren des Produkts in die Erholungsstuhl-Position (Abbildung 17):

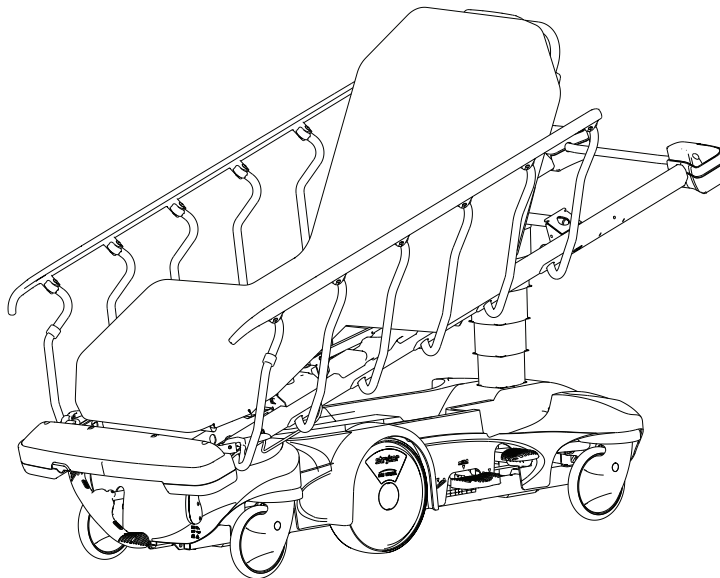


Abbildung 17 – Erholungsstuhl (Modell 1115 abgebildet)

1. Die Rückenlehne (Fowler) in die Sitzposition (*Hochfahren oder Absenken der Rückenlehne (Fowler) – nicht-elektrische Liegefläche (Seite 25) oder Hochfahren oder Absenken der Rückenlehne (Fowler) – optionale elektrische Liegefläche (Seite 26)*) anheben.

Hinweis - Zum Positionieren des Erholungsstuhls muss das Produkt über die optionale **Lift Assist** Rückenlehne und die optionale Knie teilverstellung verfügen.

2. Die Knie teilverstellung in die höchste Position bringen (siehe *Anheben oder Absenken der Knie teilverstellung – nicht-elektrische Liegefläche – nur mit Prime (Seite 27) oder Anheben oder Absenken der Knie teilverstellung – optionale elektrische Liegefläche – nur mit Prime (Seite 27)*).
3. Die Liegefläche in die höchste Position bringen (*Hochfahren der nicht-elektrischen Liegefläche (Seite 17) oder Hochfahren der optionalen elektrischen Liegefläche (Seite 18)*).
4. Das Produkt in die Anti-Trendelenburg-Position bringen (*Positionierung des Produkts in der Anti-Trendelenburg-Position (Seite 19)*).
5. Um das Produkt in die flache Position zu bringen, die Schritte in umgekehrter Reihenfolge ausführen.

Aufbewahrung von Gegenständen unter der Untergestellhaube

VORSICHT

- Keine Gegenstände mit einem Gewicht von mehr als 27 kg unter die Untergestellhaube legen.
 - Nicht auf die Untergestellhaube setzen, steigen oder stellen.
-

Persönliche Gegenstände der Patienten können unter der Untergestellhaube aufbewahrt werden. Die Sauerstoffflaschenhalter-Aussparung nicht zur Aufbewahrung von Sauerstoffflaschen oder den persönlichen Gegenständen des Patienten verwenden.

Aufhängen von Produkten mit dem optionalen Pumpengestell

WARNUNG

- Stets die Produktleitungen am Pumpengestell von den Griffen der Knieeinstellung fernhalten.
- Vor dem Anheben oder Absenken der Liegefläche immer alle evtl. störenden Geräte wegräumen.
- Stets sicherstellen, dass die Produkte auf dem Pumpengestell sicher durch Türöffnungen passen.
- Das Produkt nicht am Pumpengestell anheben.

VORSICHT

- Die Traglast des Pumpengestells beträgt 40 US-Pfund (18 kg).
- Das Pumpengestell nicht als Schub-/Zugvorrichtung verwenden. Andernfalls können Produktschäden auftreten.

Sie können weitere Geräte an das Pumpengestell am Fußende des Produkts hängen.

Hinweis - Das optionale Pumpengestell muss zum Zeitpunkt des Kaufs ausgewählt werden.

Aus- bzw. Einrollen des Netzkabels mit der optionalen einziehbaren Netzkabeltrommel – optionale elektrische Hebefunktion oder optionale elektrische Liegefläche

WARNUNG

- Vor dem Transportieren eines Patienten oder dem Reinigen des Produkts stets das Netzkabel von der Wandsteckdose trennen.
- Stets die einziehbare Kabeltrommel verwenden, um das Netzkabel während des Produkttransports im Untergestell zu verstauen.

Um das Netzkabel auszurollen, muss dies bis zur gewünschten Länge von der einziehbaren Kabeltrommel (A) abgezogen werden (Abbildung 18).

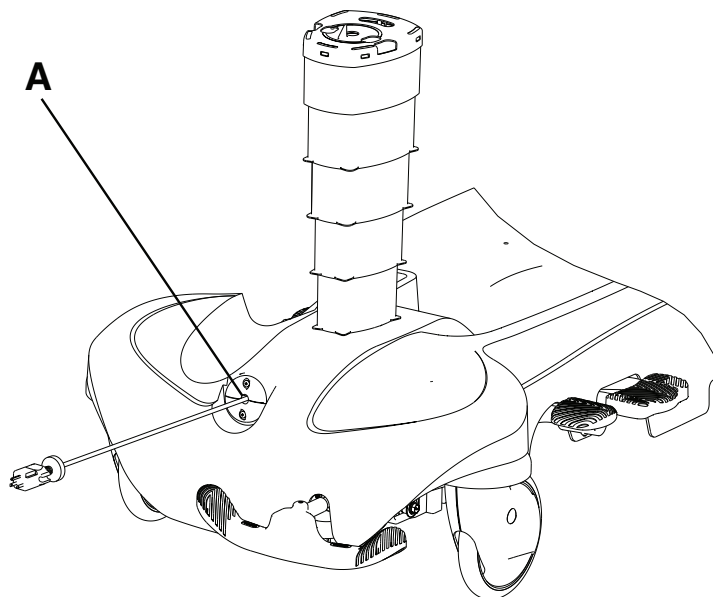


Abbildung 18 – Einziehbare Kabeltrommel

Einrollen des Netzkabels:

1. Das Netzkabel aus der Wandsteckdose ziehen.
2. Leicht am Netzkabel ziehen.

3. Das Netzkabel in die einziehbare Kabeltrommel führen.

Optionales Wiegesystem

WARNUNG - Das optionale Wiegesystem oder die optionale elektrische Hebefunktion oder die optionale elektrische Liegefläche nicht neben oder gestapelt auf anderen Geräten verwenden. Falls der Betrieb neben oder gestapelt auf anderen Geräten unvermeidlich ist, sind das optionale Wiegesystem oder die optionale elektrische Hebefunktion oder die optionale elektrische Liegefläche zu überwachen um sicherzustellen, dass alle Geräte normal in der Konfiguration betrieben werden, in der sie verwendet werden.

VORSICHT - Das Wiegesystem nicht für Patienten unter 50 Pfd. (22,5 kg) verwenden.

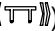
Das optionale Wiegesystem ist für Produkte mit oder ohne optionale elektrische Liegefläche verfügbar. Das optionale Wiegesystem verfügt über eine optionale Notstrombatterie. Das Standby-Symbol weist darauf hin, wenn das Produkt die Notstrombatterie verwendet.


Mit der optionalen **Chaperone**-Funktion können Zonenregelungen so eingestellt werden, dass ein Bediener einen Alarm erhält, wenn ein Patient versucht, vom Produkt zu steigen. Die optionale **Chaperone**-Funktion ist für Produkte mit der optionalen elektrischen Liegefläche und dem optionalen Wiegesystem verfügbar. Das optionale Wiegesystem mit **Chaperone**-Option verfügt über eine optionale Notstrombatterie. Das Standby-Symbol weist darauf hin, wenn das Produkt die Notstrombatterie verwendet.

Die Fußende-Schiebegriffe aufrichten, bevor versucht wird, das optionale Wiegesystem zu bedienen.

Das optionale Wiegesystem über die Wiegesystem-Bedienkonsole bedienen (*Identifizierung des Symbols bzw. der Taste für das Wiegesystem* (Seite 30)).

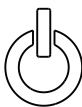


Das Produkt nicht berühren, während das optionale Wiegesystem eine Wiegung oder Nullstellung durchführt.




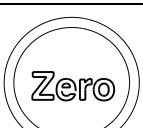
Der Patient muss sich ruhig verhalten, während das System wiegt. Wenn sich der Patient bewegt, versucht das Wiegesystem 20 Sekunden lang, ein stabiles Gewicht oder einen Nullwert zu erhalten, bevor es die Fehlermeldung () anzeigt.

Der Fehler () erscheint auf dem Display, wenn die Verbindung verloren geht oder das Wiegesystem nicht funktioniert. Wenn erneut versucht wird, das Wiegesystem zu bedienen, und der Fehler erneut erscheint, den technischen Support von Stryker kontaktieren.

Hinweis - Um die Genauigkeitsleistung des Wiegesystems zu erfüllen, muss sich die Patientenoberfläche in der flachen Position (Rückenlehne (Fowler) und Knieteilverstellung unten) befinden, und das Produkt darf 5° Trendelenburg oder Anti-Trendelenburg nicht überschreiten.

Identifizierung des Symbols bzw. der Taste für das Wiegesystem

Artikel	Symbol/ Taste	Name	Beschreibung
A		Standby-Symbol	Leuchtet grün, wenn das Netzkabel an eine Wandsteckdose angeschlossen wird. Leuchtet gelb, wenn das Netzkabel aus der Wandsteckdose gezogen wird. Notstromversorgung mit Batterien wird eingeschaltet.
B		Symbol für Zone 1	Der Patient kann sich frei bewegen, aber der Signalton erklingt, wenn der Patient versucht, das Produkt zu verlassen.
C		Symbol für Zone 2	Der Patient kann sich mit eingeschränkter Bewegung bewegen. Der Alarm ertönt, wenn der Patient an die Seitengitter oder in Richtung Fußende rückt.

Artikel	Symbol/ Taste	Name	Beschreibung
D		Taste Arm/Disarm (Aktivieren/ Deaktivieren)	Aktiviert und deaktiviert die Chaperone -Option (Trage-Ausstieg). Siehe <i>Aktivieren und Deaktivieren der Chaperone-Option</i> (Seite 32).
E		Taste Weigh (Wiegen)	Wiegt den Patienten. Siehe <i>Wiegen eines Patienten</i> (Seite 31).
F		Taste lb/kg (US- Pfund/kg)	Ändert die angezeigte Maßeinheit. Siehe <i>Arretieren der Waagen- Maßeinheit</i> (Seite 31).
G		Taste Zero (Null)	Stellt die Wiegesystem-Einstellungen auf null. Siehe <i>Arretieren der Waagen-Maßeinheit</i> (Seite 31).

Wiegen eines Patienten

VORSICHT - Die vom Wiegesystem angezeigten Werte nicht als Referenz für die medizinische Behandlung verwenden.

1. Die Fußende-Schiebegriffe aufrichten, bevor das optionale Wiegesystem bedient wird.
2. **Zero** (Null) drücken und halten, bis auf der Anzeige **rel** (Loslassen) angezeigt wird, um die Waage auf null zu stellen. **000.0** blinkt und hört dann auf zu blinken.

Hinweis - Die Waage ist erst betriebsbereit, wenn **000.0** nicht mehr blinkt.

3. Den Patienten auf dem Produkt positionieren.
4. Auf **lb/kg** drücken, um die Maßeinheit (US-Pfund oder kg) auszuwählen.
5. Auf **Weigh** (Wiegen) drücken, um den Patienten zu wiegen.

Hinweis - Das Gewicht des Patienten wird 40 Sekunden lang angezeigt.

Arretieren der Waagen-Maßeinheit

1. **Weigh** (Wiegen), **lb/kg** (US-Pfund/kg) und **Zero** (Null) drücken und halten, bis **diag** angezeigt wird.
2. Auf **lb/kg** (US-Pfund/kg) oder **Zero** (Null) drücken, um auf **Unit Loc** (Einheitensperre) umzuschalten.
3. Bei Waagen ohne Chaperone-Funktion **lb/kg** (US-Pfund/kg) und **Zero** (Null) drücken und halten, bis **rel** (Loslassen) angezeigt wird, um **Unit Loc** (Einheitensperre) auszuwählen.
4. Bei Waagen mit **Chaperone**-Funktion **lb/kg** (US-Pfund/kg) und **Zero** (Null) drücken und halten, um **Unit Loc** (Einheitensperre) auszuwählen.
5. Auf **lb/kg** (US-Pfund/kg) oder **Zero** (Null) drücken, um auf **lb** (US-Pfund), **kg** oder **Any** (Beliebig) umzuschalten.
6. Auf **lb/kg** (US-Pfund/kg) und **Zero** (Null) drücken und loslassen. **Only** (Nur) zusammen mit der ausgewählten Maßeinheit wird angezeigt.

Hinweis - **Only** (Nur) wird nicht angezeigt, wenn **Any** (Beliebig) ausgewählt wurde.

7. **Weigh** (Wiegen) drücken und halten, bis **quit** (Beenden) angezeigt wird.
8. **Zero** (Null) drücken und halten, bis **rel** angezeigt wird. **000.0** blinkt und hört dann auf zu blinken.

Hinweis - Die Waage ist erst betriebsbereit, wenn **000.0** nicht mehr blinkt.

Aktivieren und Deaktivieren der Chaperone-Option

Wenn die **Chaperone**-Option aktiviert ist, wird die Position des Patienten auf dem Produkt überwacht.

Aktivieren und Deaktivieren der **Chaperone**-Option:

1. Auf **Arm/Disarm** (Aktivieren/Deaktivieren) drücken, während sich der Patient auf dem Produkt befindet.

Hinweis - Dadurch wird Zone 1 aktiviert. Zone 1 leuchtet gelb, wenn sie aktiviert ist.

2. Zum Aktivieren von Zone 2 zweimal innerhalb von 3 Sekunden auf **Arm/Disarm** (Aktivieren/Deaktivieren) drücken.

Hinweis - Dadurch wird Zone 2 aktiviert. Zone 2 leuchtet gelb, wenn sie aktiviert ist.

3. Zum Deaktivieren der **Chaperone**-Option **Arm/Disarm** (Aktivieren/Deaktivieren) drücken und halten.

Hinweis - Vor der Aktivierung der **Chaperone**-Option muss das Wiegesystem auf Null gestellt werden.

Hinweis - Wenn sich der Patient außerhalb der Grenzen der ausgewählten Zone bewegt, blinkt ein gelbes Licht, auf dem Display des optionalen Wiegesystems blinkt **Alrt** (Alarm), und es wird ein Signalton ausgegeben.

Festlegen des Alarmmusters der Chaperone-Option

Ändern des Alarmmusters der **Chaperone**-Funktion:

1. Ungefähr 6 Sekunden lang gleichzeitig **Arm/Disarm** (Aktivieren/Deaktivieren) und **Weigh** (Wiegen) drücken. Alle Meldungen auf dem Display ignorieren, bis auf dem Display (**Ptrn** erscheint (*Identifizierung des Symbols bzw. der Taste für das Wiegesystem* (Seite 30))).

2. Den Knopf **Arm/Disarm** (Aktivieren/Deaktivieren) und **Weigh** (Wiegen) loslassen.

Hinweis - Die Mustereinstellung **P (1-10)** erscheint auf dem Display.

3. **Arm/Disarm** (Aktivieren/Deaktivieren) oder **Weigh** (Wiegen) drücken, um durch die Musteroptionen zu scrollen.

Hinweis - Beim Scrollen durch die Musteroptionen ertönt ein kurzes Beispiel des Musters.

4. Um das ausgewählte Muster zu speichern, **Arm/Disarm** (Aktivieren/Deaktivieren) und **Weigh** (Wiegen) gleichzeitig 6 Sekunden lang drücken und halten, bis auf dem Display **set** (Einstellen) erscheint.

5. **Arm/Disarm** (Aktivieren/Deaktivieren) und **Weigh** (Wiegen) loslassen.

Hinweis - Die ausgewählte Mustereinstellung erscheint auf dem Display. Ein kurzes Beispiel des Musters bestätigt die Mustereinstellung.

Festlegen der Alarmlautstärke der Chaperone-Option

Ändern der Alarmlautstärke der **Chaperone**-Funktion:

1. **Zero** (Null) und **Ib/kg** (US-Pfund/kg) gleichzeitig drücken und halten, bis auf dem Display **vol** (Lautstärke) erscheint (*Identifizierung des Symbols bzw. der Taste für das Wiegesystem* (Seite 30))).

2. **Zero** (Null) und **Ib/kg** (US-Pfund/kg) loslassen.

Hinweis - Die Lautstärkepegel **L (1-4)** erscheinen auf dem Display.

3. **Zero** (Null) oder **Ib/kg** (US-Pfund/kg) drücken, um durch die Lautstärkepegel zu scrollen.

Hinweis - Beim Scrollen durch die Lautstärkepegel ertönt ein kurzes Beispiel der Lautstärke.

4. Um den ausgewählten Lautstärkepegel zu speichern, **Zero** (Null) und **Ib/kg** (US-Pfund/kg) gleichzeitig 6 Sekunden lang drücken und halten, bis auf dem Display **set** (Einstellen) erscheint.

5. **Zero** (Null) und **Ib/kg** (US-Pfund/kg) loslassen.

Hinweis - Der ausgewählte Lautstärkepegel erscheint auf dem Display. Ein kurzes Beispiel des Lautstärkepegels bestätigt die Einstellung des Lautstärkepegels.

Laden des optionalen Akkus des Wiegesystems – optionale elektrische Liegefläche oder optionale elektrische Liegefläche mit optionaler Chaperone-Funktion – nur mit Prime

Das Wiegesystem mit der optionalen elektrischen Liegefläche erfordert einen 10,8-V-Li-Ionen-Akku (0058-135-000 ohne **Chaperone**-Option; 0058-134-000 mit der **Chaperone**-Option). Den Akku aufladen, wenn die Ladeanzeige nur noch eine verbleibende Einheit anzeigt. Dadurch wird verhindert, dass das optionale Wiegesystem aufgrund von leeren Batterien abgeschaltet wird.

Zum Aufladen des Li-ION-Akkus für das Wiegesystem das Netzkabel an einer für den Krankenhausbetrieb zugelassenen Steckdose anschließen. Der Akku ist innerhalb von ca. drei Stunden vollständig aufgeladen.

Hinweis - Das Produkt immer an einer geerdeten, für den Krankenhausbetrieb zugelassenen Wandsteckdose anschließen, wenn es nicht in Gebrauch ist. Dadurch wird eine ausreichende Batterieladung aufrechterhalten und die Produktleistung maximiert, während das Produkt bei Batteriestrom verwendet wird.

Ersetzen der Batterien für das optionale Wiegesystem – nicht elektrische Liegefläche

Die Batterien ersetzen, wenn die Ladeanzeige nur noch eine verbleibende Einheit anzeigt. Dadurch wird verhindert, dass das optionale Wiegesystem aufgrund von leeren Batterien abgeschaltet wird.

Wenn auf dem Display **Lo batt** (Akku schwach) blinkt, weisen die Batterien die niedrigste Ladung auf und das optionale Wiegesystem wird deaktiviert.

Erforderliches Werkzeug:

- Kreuzschlitz-Schraubendreher
- Vier AA-Batterien (Alkali-Typ [LR6])

Auswechseln der Batterien:

1. Die Schrauben, mit der die Abdeckung des Akkufachs an der Display-Baugruppe befestigt ist, mit einem Kreuzschlitzschraubendreher entfernen.
2. Alle vier AA-Batterien herausnehmen und entsorgen.

Hinweis - Alte Batterien stets gemäß den vor Ort geltenden Vorschriften entsorgen.

3. Vier neue AA-Batterien, wie in der Batteriehalterung angezeigt, in das Fach einlegen.

Hinweis - Niemals alte und neue Batterien mischen.

4. Die Abdeckung des Batteriefachs mit den in Schritt 1 entfernten Schrauben an der Display-Baugruppe anbringen.

Zubehör- und Ersatzteile

Diese Zubehörteile sind möglicherweise für die Verwendung mit Ihrem Produkt verfügbar. Bestätigen Sie die Verfügbarkeit für Ihre Konfiguration oder Region. Fragen zu Verfügbarkeit und Preisen beantwortet gerne der Stryker-Kundendienst unter der Nummer 1-800-327-0770.

Name	Teilenummer
Defibrillator-Tablett	1105-045-200
Defibrillator-Tablett-/Fußteilverlängerung	1105-045-400
Fußteil/Krankenaktenhalter	1105-045-500
Fersenspolster-Baugruppe	1105-045-022
Infusionsständer-Halterung	0785-155-000
HAVASU™ Infusionsständer, abnehmbar	0390-025-000
Infusionsständer, 3-stufig, Fußende, links, 26 Zoll (66 cm)	1105-035-644

Name	Teilenummer
Infusionsständer, 3-stufig, Fußende, rechts, 26 Zoll (66 cm)	1105-035-639
Infusionsständer, 3-stufig, Fußende, links, 30 Zoll (76 cm)	1105-035-344
Infusionsständer, 3-stufig, Fußende, rechts, 30 Zoll (76 cm)	1105-035-339
Infusionsständer, 3-stufig, Fußende, links, 30 Zoll (76 cm) (Option Prime X)	1105-035-364
Infusionsständer, 3-stufig, Fußende, rechts, 30 Zoll (76 cm) (Option Prime X)	1105-035-361
Infusionsständer, 3-stufig, Kopfende, links, 26 Zoll (66 cm)	1105-035-642
Infusionsständer, 3-stufig, Kopfende, rechts, 26 Zoll (66 cm)	1105-035-637
Infusionsständer, 3-stufig, Kopfende, links, 30 Zoll (76 cm)	1105-035-342
Infusionsständer, 3-stufig, Kopfende, rechts, 30 Zoll (76 cm)	1105-035-337
Infusionsständer, 3-stufig, Kopfende, links, 30 Zoll (76 cm) (Option Prime X)	1105-035-369
Infusionsständer, 3-stufig, Kopfende, rechts, 30 Zoll (76 cm) (Option Prime X)	1105-035-366
Infusionsständer, 2-stufig, Fußende, links, 26 Zoll (66 cm)	1105-035-640
Infusionsständer, 2-stufig, Fußende, rechts, 26 Zoll (66 cm)	1105-035-643
Infusionsständer, 2-stufig, Fußende, links, 30 Zoll (76 cm)	1105-035-340
Infusionsständer, 2-stufig, Fußende, rechts, 30 Zoll (76 cm)	1105-035-343
Infusionsständer, 2-stufig, Fußende, links, 30 Zoll (76 cm) (Option Prime X)	1105-035-362
Infusionsständer, 2-stufig, Fußende, rechts, 30 Zoll (76 cm) (Option Prime X)	1105-035-363
Infusionsständer, 2-stufig, Kopfende, links, 26 Zoll (66 cm)	1105-035-638
Infusionsständer, 2-stufig, Kopfende, rechts, 26 Zoll (66 cm)	1105-035-641
Infusionsständer, 2-stufig, Kopfende, links, 30 Zoll (76 cm)	1105-035-341
Infusionsständer, 2-stufig, Kopfende, rechts, 30 Zoll (76 cm)	1105-035-338
Infusionsständer, 2-stufig, Kopfende, links, 30 Zoll (76 cm) (Option Prime X)	1105-035-367
Infusionsständer, 2-stufig, Kopfende, rechts, 30 Zoll (76 cm) (Option Prime X)	1105-035-368
Matratze, ComfortGel SE™ , Flammenschutz, 26 Zoll (66 cm)	1805-034-601
Matratze, ComfortGel SE™ , Flammenschutz, 30 Zoll (76 cm)	1805-034-301

Name	Teilenummer
Matratze, ComfortGel SE™ , ohne Flammenschutz, 26 Zoll (66 cm)	1805-034-600
Matratze, ComfortGel SE™ , ohne Flammenschutz, 30 Zoll (76 cm)	1805-034-300
Matratze, Enhanced Comfort, 3 Zoll x 26 Zoll (8 cm x 66 cm)	0785-034-613
Matratze, Enhanced Comfort, 3 Zoll x 30 Zoll (8 cm x 76 cm)	0785-034-313
Matratze, Enhanced Comfort, 4 Zoll x 26 Zoll (10 cm x 66 cm)	0785-034-623
Matratze, Enhanced Comfort, 4 Zoll x 30 Zoll (10 cm x 76 cm)	0785-034-323
Matratze, IsoFlex SE™ , Flammenschutz, 30 Zoll (76 cm)	1806-034-300
Matratze, IsoFlex SE , ohne Flammenschutz, international, 30 Zoll (76 cm)	1806-034-301
Matratze, Ultra Comfort, 4 Zoll x 26 Zoll (10 cm x 66 cm)	0785-034-603
Matratze, Ultra Comfort, 4 Zoll x 30 Zoll (10 cm x 66 cm)	0785-034-303
Matratze, Ultra Comfort, 5 Zoll x 26 Zoll (13 cm x 66 cm)	0785-034-633
Matratze, Ultra Comfort, 5 Zoll x 30 Zoll (13 cm x 76 cm)	0785-034-333
Matratze, Ultra Comfort SE™ , 4 Zoll x 26 Zoll (10 cm x 66 cm)	1704-034-600
Matratze, Ultra Comfort SE , Flammenschutz, international, 4 Zoll x 26 Zoll (10 cm x 66 cm)	1704-034-601
Matratze, Ultra Comfort-Tragenverlängerung, 4 Zoll x 26 Zoll (10 cm x 66 cm)	1105-034-609
Matratze, Ultra Comfort-Tragenverlängerung, 4 Zoll x 30 Zoll (10 cm x 76 cm)	1105-034-309
Matratze, Ultra Comfort SE , 3 Zoll x 30 Zoll (8 cm x 76 cm)	1703-034-300
Matratze, Ultra Comfort SE , Flammenschutz, 3 Zoll x 30 Zoll (8 cm x 76 cm)	1703-034-301
Matratze, Ultra Comfort SE , 4 Zoll x 30 Zoll (10 cm x 76 cm)	1704-034-300
Matratze, Ultra Comfort SE , Flammenschutz, 4 Zoll x 30 Zoll (10 cm x 76 cm)	1704-034-301
Sauerstoffflaschenhalter, aufrecht	1115-130-000
Optionaler Pumpensteg, 30 Zoll (76 cm)	1105-045-035
Schiebegriff-Baugruppe, Fußende, 30 Zoll (76 cm)	1105-048-030
Schiebegriff-Baugruppe, Kopfende, 30 Zoll (76 cm)	1105-048-060
Haltegurt, Komplettpaket	0785-045-010

Name	Teilenummer
Haltegurt für Sprunggelenk	0785-045-020
Haltegurt für Rumpf	0785-045-015
Haltegurt für Handgelenk	0946-044-000
Haltegurt für Brust	1010-058-000
Tablett	1105-045-700
Tabletthalter/Fußteil	1105-045-800
Seitengitter-Polster	1001-052-000
Röntgenkassettenhalter, seitlich	1105-045-100
Röntgenkassettenhalter, aufrecht	1105-045-300

Elektrische Komponenten

Name	Nummer
Stellantrieb, Rückenlehne	1008-012-020
Stellantrieb, Knieteilverstellung	1008-014-020
Akku, smarter Li-Ionen-Akkupack (nur Waage)	0058-135-000
Akku, smarter Li-Ionen-Akkupack (Waage und Chaperone)	0058-134-000
Bedientafel, DC-Steuerungsleiterplattenbaugruppe	1008-116-800
Bedientafel, nichthebende AC-Baugruppe	1008-002-800
Bedientafel, Leiterplattenbaugruppe zur Hebezeugsteuerung	1008-002-810
Bedientafel, Waagenkontrollbaugruppe (nur Waage)	1008-237-850
Bedientafel, Steuerungsbaugruppe für Waage und Chaperone	1008-237-840
Kondensator, 440 V~, 35 µF	0059-087-000
Tastenfeld, Waagenkontrolle (nicht-elektrische Liegefläche)	1008-037-820
Tastenfeld, Seitengittersteuerung, links	1008-011-017
Tastenfeld, Seitengittersteuerung, rechts	1008-011-016
Tastenfeld, Bedienersteuerung	1008-015-800
Wägezelle (optionales Wiegesystem)	1008-037-057
Motor, Pumpe	1008-002-015
Netzkabel, Standard	1028-146-060
Netzkabel, international, Typ E	1125-060-170
Netzkabel, international, Typ F	1125-060-180
Netzkabel, international, Typ G	1125-060-160

Name	Nummer
Netzkabel, international, Typ I	1125-060-200
Waagenkastenbaugruppe (nicht-elektrische Liegefläche)	1070-237-020
Transformator	1008-014-857
Transformator, international	1008-014-877

Anbringen des Defibrillator-Tabletts

WARNUNG

- Keine Gegenstände mit einem Gewicht von über 14 kg (30 lb) auf das Defibrillator-Tablett legen. Alle auf dem Defibrillator-Tablett abgelegten Gegenstände immer festschnallen.
- Stets Vorsicht walten lassen, wenn die Defibrillator-Tablett-/Fußteilverlängerung, der Fußteil-Krankenaktenhalter oder der aufrechte Sauerstoffflaschenhalter angebracht ist, um ein Einklemmen der Finger zu vermeiden, wenn der optionale Schiebegriff am Fußende positioniert wird.

Anbringen des Defibrillator-Tabletts:

- Die Stifte des Defibrillator-Tabletts in die Öffnungen am Fußende des Produkts einführen.
- Die Geräte mit dem Gurt am Defibrillator-Tablett befestigen.

Hinweis

- Das Defibrillator-Tablett nicht als Schub-/Zugvorrichtung verwenden. Andernfalls können Produktschäden auftreten.
- Bei der Verwendung von Zubehör (z. B. Defibrillator-Tablett-/Fußteilverlängerung, Fußteil/Krankenaktenhalter, aufrechter Sauerstoffflaschenhalter) immer die Fußende-Schiebegriffe aufrichten; andernfalls funktioniert das Zubehör nicht.

Umwandlung der Defibrillator-Tablett-/Fußteilverlängerung in ein Defibrillator-Tablett

WARNUNG

- Keine Gegenstände mit einem Gewicht von über 14 kg (30 lb) auf die Defibrillator-Tablett-/Fußteilverlängerung legen. Alle auf dem Defibrillator-Tablett abgelegten Gegenstände immer festschnallen.
- Stets Vorsicht walten lassen, wenn die Defibrillator-Tablett-/Fußteilverlängerung, der Fußteil-Krankenaktenhalter oder der aufrechte Sauerstoffflaschenhalter angebracht ist, um ein Einklemmen der Finger zu vermeiden, wenn der optionale Schiebegriff am Fußende positioniert wird.

VORSICHT - Vor dem Anbringen der Defibrillator-Tablett-/Fußteilverlängerung am Produkt immer den Infusionsständer ausfahren. Wenn der Infusionsständer nicht ausgefahren wird, funktioniert die Fußteilverlängerung nicht.

Umwandlung der Defibrillator-Tablett-/Fußteilverlängerung in ein Defibrillator-Tablett

- Den oberen Knopf (A) herausziehen (Abbildung 19).
- Das Defibrillator-Tablett (B) drehen, bis sich das Tablett flach über dem Fußende des Produkts befindet. Den oberen Knopf (A) lösen. Sicherstellen, dass das Defibrillator-Tablett arretiert ist.
- Die Geräte mit dem Gurt am Defibrillator-Tablett befestigen.

Hinweis

- Die Defibrillator-Tablett-/Fußteilverlängerung nicht als Schub- oder Zugvorrichtung verwenden. Andernfalls können Produktschäden auftreten.
- Keine Gegenstände an der Fußteilverlängerung anbringen.

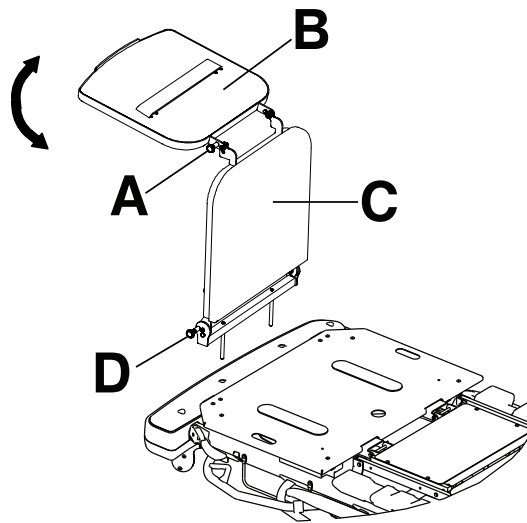


Abbildung 19 – Defibrillator-Tablett-/Fußteilverlängerung

Umwandlung der Defibrillator-Tablett-/Fußteilverlängerung in eine Fußteilverlängerung

WARNUNG

- Keine Gegenstände mit einem Gewicht von über 14 kg (30 lb) auf die Defibrillator-Tablett-/Fußteilverlängerung legen. Alle auf dem Defibrillator-Tablett abgelegten Gegenstände immer festschnallen.
- Stets Vorsicht walten lassen, wenn die Defibrillator-Tablett-/Fußteilverlängerung, der Fußteil-Krankenaktenhalter oder der aufrechte Sauerstoffflaschenhalter angebracht ist, um ein Einklemmen der Finger zu vermeiden, wenn der optionale Schiebegriff am Fußende positioniert wird.

VORSICHT - Vor dem Anbringen der Defibrillator-Tablett-/Fußteilverlängerung am Produkt immer den Infusionsständer ausfahren. Wenn der Infusionsständer nicht ausgefahren wird, funktioniert die Fußteilverlängerung nicht.

Umwandlung der Defibrillator-Tablett-/Fußteilverlängerung in eine Fußteilverlängerung (Abbildung 19):

1. Den oberen Knopf (A) herausziehen.
2. Das Defibrillator-Tablett (B) drehen, bis das Tablett an der Fußteilverlängerung arretiert ist.
3. Den unteren Knopf (D) herausziehen, während die Defibrillator-Tablett-/Fußteilverlängerungsbaugruppe festgehalten wird.
4. Die Fußteilverlängerung (C) absenken, bis diese flach ist.
5. Den unteren Knopf (D) lösen. An der Fußteilverlängerung schieben, um sicherzustellen, dass sie arretiert ist.

Hinweis

- Die Defibrillator-Tablett-/Fußteilverlängerung nicht als Schub- oder Zugvorrichtung verwenden. Andernfalls können Produktschäden auftreten.
- Keine Gegenstände an der Fußteilverlängerung anbringen.

Anbringen des Fußteils/Krankenaktenhalters

WARNUNG - Stets Vorsicht walten lassen, wenn die Defibrillator-Tablett-/Fußteilverlängerung, der Fußteil-Krankenaktenhalter oder der aufrechte Sauerstoffflaschenhalter angebracht ist, um ein Einklemmen der Finger zu vermeiden, wenn der optionale Schiebegriff am Fußende positioniert wird.

Zum Anbringen des Fußteil-Krankenaktenhalters die Stifte für den Fußteil-Krankenaktenhalter in die Öffnungen am Fußende des Produkts einführen.

Hinweis - Den Fußteil-Krankenaktenhalter nicht als Schub-/Zugvorrichtung verwenden. Andernfalls können Produktschäden auftreten.

Anbringen der Infusionsständer-Halterung

WARNUNG

- Beim Transport des Produkts stets den Infusionsständer an der Infusionsständer-Halterung befestigen.
 - Die Infusionsständer-Halterung bei Nichtgebrauch immer verstauen, um Produktschäden zu vermeiden.
-

Anbringen der Infusionsständer-Halterung (Abbildung 20):

1. Die Infusionsständer-Halterung aus der Ablageschale oder vom Ablageclip heben.
2. Die Infusionsständer-Halterung in die gewünschte Position drehen.
3. Den Knopf (A) gegen den Uhrzeigersinn drehen, um die Klemme (C) des Ständers zu lösen.
4. Den Knopf (A) von der Armverbindungsbaugruppe (B) wegdrehen.
5. Die Klemme (C) öffnen.
6. Den Infusionsständer in die Klemme (C) platzieren.
7. Die Klemme (C) um den Infusionsständer schließen und den Knopf (A) in Position drehen.
8. Den Knopf (A) im Uhrzeigersinn drehen, um ihn festzuziehen.
9. Zum Trennen der Infusionsständer-Halterung vom Produkt die Schritte in umgekehrter Reihenfolge durchführen.

Zum Verstauen der Infusionsständer-Halterung die Infusionsständer-Halterung in die Aufbewahrungsschale legen oder die Halterung im Aufbewahrungsclip sichern.

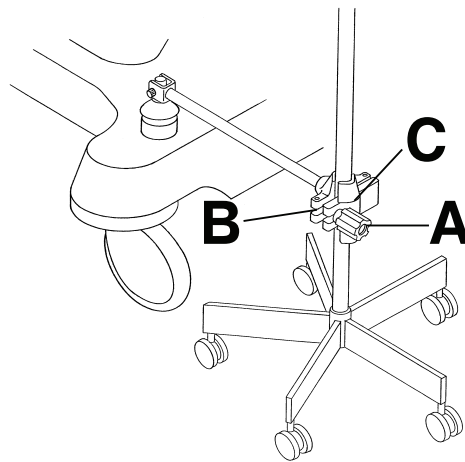


Abbildung 20 – Infusionsständer-Halterung

Positionieren oder Verstauen der Fußstützen – nur mit Prime

WARNUNG

- Nicht auf die Fußstützen setzen. Dadurch kann das Produkt kippen.
 - Stets die Finger von den Mechanismen fernhalten, wenn die Fußstützen bedient werden.
 - Beim Transportieren eines Patienten mit dem Produkt stets die Fußstützen verstauen.
 - Stets darauf achten, dass die Fußstützen befestigt sind, bevor sie verwendet werden.
 - Während der Verwendung der Fußstützen nicht das Wiegesystem verwenden. Andernfalls kann es zu falschen Messanzeigen kommen.
 - Während der Verwendung der Fußstützen nicht die optionale **Chaperone**-Option bedienen. Andernfalls kann es zu falschen Messanzeigen kommen.
-

Positionieren oder Verstauen der Fußstützen:

1. Den Knieknopf (A) oben an den Fußstützen lösen, um den seitlichen Winkel der Fußstützen einzustellen (Abbildung 21).
2. Den Knieknopf (A) festdrehen, um die Fußstütze in der gewünschten Position zu verriegeln.

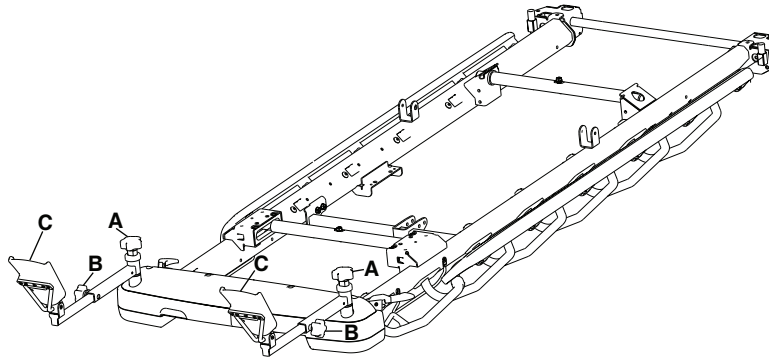


Abbildung 21 – Positionieren der Fußstützen

3. Den Beinknopf (B) an der Seite der Fußstützen lösen, um die Länge einzustellen.
4. Den Beinknopf (B) festdrehen, um die Fußstützen in der gewünschten Position zu sperren.
5. Vor dem Positionieren des Patienten die Fußstützen (C) hochklappen.
6. Zum Einklappen der Fußstützen die Schritte in umgekehrter Reihenfolge ausführen (Abbildung 22).

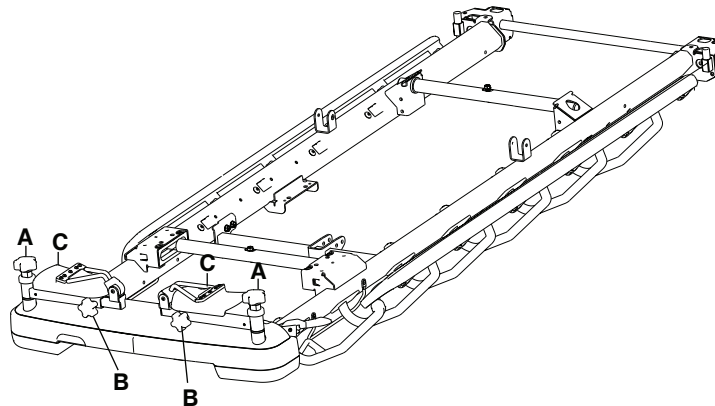


Abbildung 22 – Einklappen der Fußstützen

Bei der Auswahl der Fußstütze können die folgenden Optionen und Zubehörteile nicht erworben werden:

- Schiebegriffe, Fußende
- Defibrillator-Tablett
- Defibrillator-Tablett-/Fußteilverlängerung
- Tablethalter/Fußteil
- Fußteil/Krankenaktenhalter
- Infusionsständer, Fußende

Hinweis

- Die Fußstützen nicht zur Aufbewahrung der persönlichen Gegenstände des Patienten verwenden.
- Die Fußstützen nicht als Schub- oder Zugvorrichtung verwenden. Andernfalls können Produktschäden auftreten.
- Stets die Bremsen feststellen, wenn die Fußstützen verwendet werden, um Instabilität zu vermeiden.
- Die Rückenlehne bzw. die Knieeilverstellung nicht mit den Fußstützen verwenden.

Positionieren des zweistufigen, permanent angebrachten Infusionsständers

WARNUNG - Den Infusionsständer nicht als Schub- oder Zugvorrichtung verwenden. Andernfalls können Produktschäden auftreten.

Sie können das Produkt mit dem optionalen zweistufigen Infusionsständer permanent am Kopfende, Fußende oder an beiden Enden des Produkts angebracht kaufen. Der Infusionsständer weist eine Teleskopstange auf, die herausgefahren werden kann, um eine zweite Höhenposition bereitzustellen. Der Infusionsständer kann zusammengeklappt und verstaut werden, wenn er nicht gebraucht wird.

Positionieren des zweistufigen Infusionsständers (Abbildung 23):

1. Den Ständer anheben und aus der Verstauposition herausdrehen.
2. Den Infusionsständer herunterdrücken, bis er einrastet.
3. Um den Infusionsständer hochzufahren, am Teleskopteil (A) nach oben ziehen, bis der Ständer in seiner höchsten Position arretiert ist.
4. Die Infusionshalter (B) in die gewünschte Position drehen und die Infusionsbeutel aufhängen.
5. Um den Infusionsständer abzusenken, den Teleskopteil des Infusionsständers festhalten, den Hebel (C) drehen und den Teleskopteil absenken.

Hinweis

- Keine Infusionsbeutel mit einem Gewicht von mehr als 40 Pfd. (18 kg) am Infusionsständer aufhängen.
- Stets sicherstellen, dass sich der Infusionsständer beim Transport eines Patienten in einer niedrigen Position befindet, damit er sicher durch Türöffnungen transportiert werden kann.

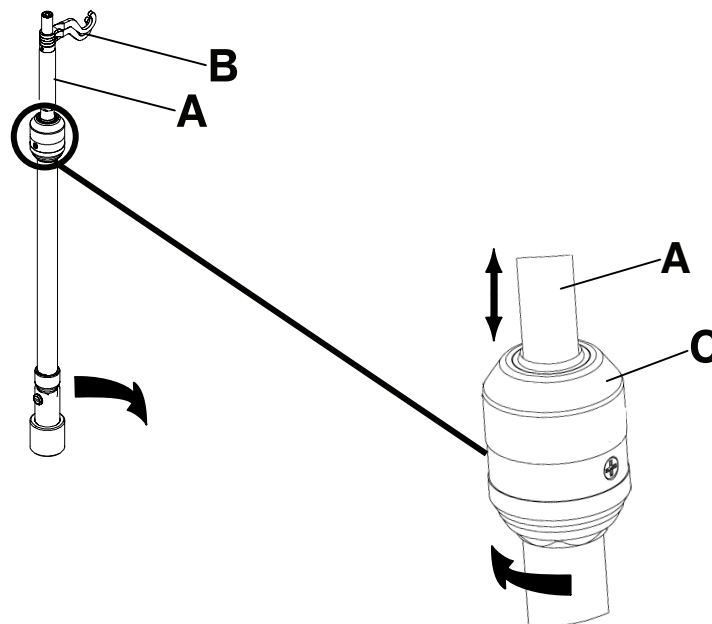


Abbildung 23 – Positionieren des zweistufigen, permanent angebrachten Infusionsständers

Positionieren des dreistufigen, permanent angebrachten Infusionsständers

WARNUNG - Den Infusionsständer nicht als Schub- oder Zugvorrichtung verwenden. Andernfalls können Produktschäden auftreten.

Sie können das Produkt mit dem optionalen dreistufigen Infusionsständer permanent am Kopfende, Fußende oder an beiden Enden des Produkts angebracht kaufen. Der Infusionsständer weist eine Teleskopstange auf, die herausgefahren werden kann, um eine dritte Höhenposition bereitzustellen. Außerdem kann der Infusionsständer zusammengeklappt und verstaut werden, wenn er nicht gebraucht wird.

Positionieren des optionalen dreistufigen Infusionsständers (Abbildung 24):

1. Den Ständer anheben und aus der Verstauposition herausdrehen.
2. Den Infusionsständer herunterdrücken, bis er einrastet.
3. Um den Infusionsständer anzuheben, am Teleskopteil (A) nach oben ziehen, bis der Ständer in seiner höchsten Position arretiert ist.
4. Um den Infusionsständer weiter anzuheben, den Teleskopteil (B) nach oben ziehen. Den Teil (B) in der gewünschten Höhe loslassen, um den Ständer einrasten zu lassen.
5. Die Infusionshalter (C) in die gewünschte Position drehen und die Infusionsbeutel aufhängen.
6. Zum Absenken des Infusionsständers den gelben Teil des Griffs (D) nach oben schieben, während Teil (B) festgehalten wird, bis sich der Ständer absenkt.
7. Den Hebel (E) drehen und den Infusionsständer abzusenken.

Hinweis

- Keine Infusionsbeutel mit einem Gesamtgewicht von mehr als 12 Pfd. (5 kg) (alle Beutel) am Infusionsständer aufhängen.
- Keine Infusionsbeutel mit einem Gewicht von mehr als 9,3 Pfd. (4,2 kg) an einem einzelnen Infusionshalter aufhängen.
- Stets sicherstellen, dass sich der Infusionsständer beim Transport eines Patienten in einer niedrigen Position befindet, damit er sicher durch Türöffnungen transportiert werden kann.

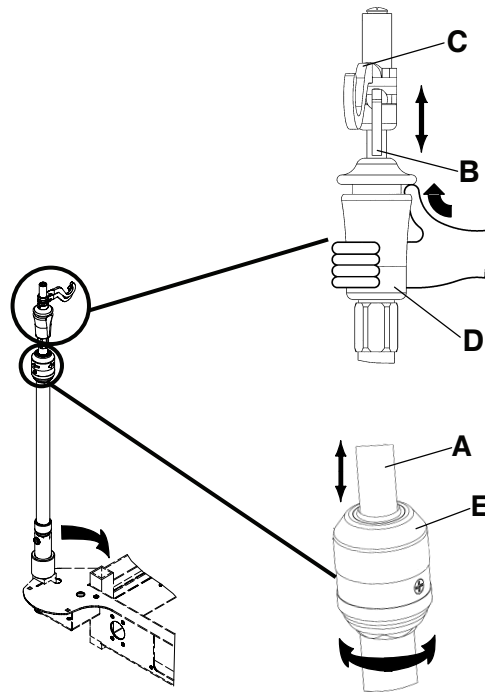


Abbildung 24 – Positionieren des dreistufigen, permanent angebrachten Infusionsständers

Anbringen und Positionieren des abnehmbaren Infusionsständers

VORSICHT

- Den Infusionsständer nicht als Schub- oder Zugvorrichtung verwenden. Andernfalls können Produktschäden auftreten.
 - Keine Infusionsbeutel mit einem Gewicht von mehr als 40 lb (18 kg) am Infusionsständer aufhängen.
 - Stets sicherstellen, dass sich der Infusionsständer beim Transport eines Patienten in einer niedrigen Position befindet, damit er sicher durch Türöffnungen transportiert werden kann.
-

Zum Anbringen und Positionieren des abnehmbaren Infusionsständers (Abbildung 25):

1. Den Infusionsständer in eine Öffnung am Kopf- oder Fußende des Produkts einstecken.
2. Den Knopf (A) gegen den Uhrzeigersinn drehen und am Teleskopteil (B) nach oben ziehen, bis die gewünschte Höhe erreicht ist.
3. Den Knopf (A) im Uhrzeigersinn drehen, um den Teleskopteil zu arretieren.

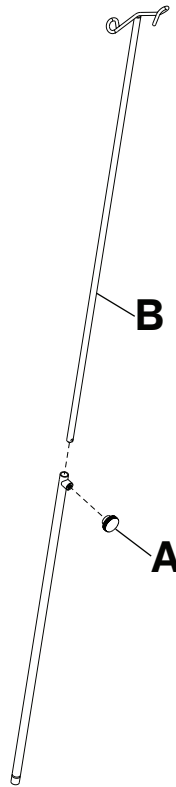


Abbildung 25 – Abnehmbarer Infusionsständer

Befestigung des aufrechten Sauerstoffflaschenhalters

WARNUNG

- Keine Gegenstände mit einem Gewicht von mehr als 40 Pfd. (18 kg) in den aufrechten Sauerstoffflaschenhalter legen.
- Stets Vorsicht walten lassen, wenn die Defibrillator-Tablett-/Fußteilverlängerung, der Fußteil-Krankenaktenhalter oder der aufrechte Sauerstoffflaschenhalter angebracht ist, um ein Einklemmen der Finger zu vermeiden, wenn der optionale Schiebegriff am Fußende positioniert wird.

Der aufrechte Sauerstoffflaschenhalter hält eine Sauerstoffflasche in der vertikalen Position.

Befestigung des aufrechten Sauerstoffflaschenhalters:

1. Die Stützstange in eine der Infusionsstangenöffnungen einführen.
2. Den Federstecker durch das Loch in der Stützstange einführen, um den Flaschenhalter am Produkt zu sichern.

Hinweis - Den aufrechten Sauerstoffflaschenhalter nicht als Schub- oder Zugvorrichtung verwenden. Andernfalls können Produktschäden auftreten.

Herausziehen oder Verstauen des Tablethalters/der Fußstütze

WARNUNG - Keine Gegenstände mit einem Gewicht von mehr als 30 Pfd. (14 kg) auf das Tablett legen.

Um das Tablett auf das Seitengitter zu setzen, beide Seiten des Tablett herausziehen und über die Seitengitter positionieren.

Verstauen des Tablett:

1. Das Tablett von den Seitengittern entfernen.
2. Die Seiten des Tablett nach innen drücken.
3. Das Tablett im Fußteil verstauen.

Hinweis - Das Tablett/Fußteil nicht als Schub- oder Zugvorrichtung verwenden. Andernfalls können Produktschäden auftreten.

Anbringen der Seitengitter-Polster

Anbringen der Seitengitter-Polster:

1. Das Seitengitter-Polster zwischen Matratze und Seitengitter einstecken.
2. Die **Velcro®**-Klettänder oben um das Seitengitter anbringen, um das Seitengitter-Polster zu befestigen.

Auffinden der Verbindungen der Patiententhaltegurte

WARNUNG

- Beim Anbringen von Haltegurten immer Vorsicht walten lassen. Verletzungen des Patienten oder der Bedienperson können eintreten. Haltegurte können, auch wenn sie gesichert sind, zu schweren Verletzungen bei Patienten und Bediener führen, darunter Verwicklung, Einklemmen, Verletzungen oder Tod.
- Haltegurte oder Produkte nur an den ausgewiesenen Befestigungsstellen des Produkts anbringen. Andernfalls kann es zu Verletzungen des Patienten oder der Bedienperson kommen. Die Haltegurte nicht am Seitengitter anbringen.
- Stets die geltenden Beschränkungen und Bestimmungen sowie die entsprechenden Einrichtungsprotokolle beachten, bevor ein Haltegurt oder eine Haltevorrichtung verwendet wird.

Es gibt acht Befestigungspositionen für die Patiententhaltegurte bei der Liegeflächenbaugruppe zum Anbringen von Patiententhaltegurten (Abbildung 26 oder Abbildung 27).

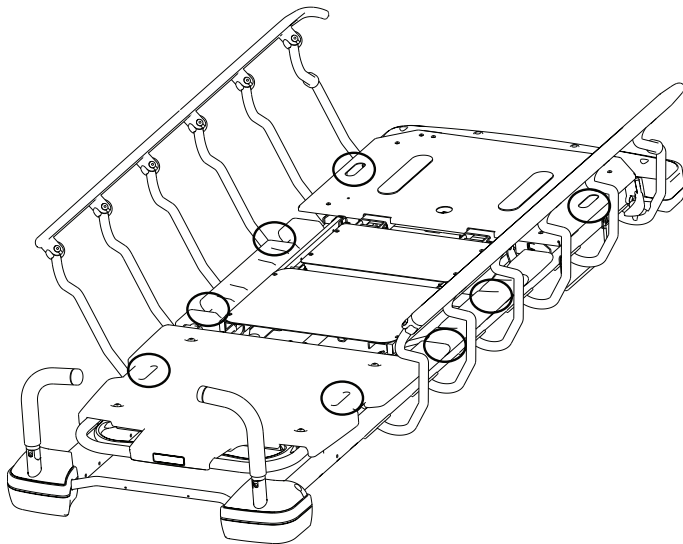


Abbildung 26 – Befestigungspositionen der Prime-Haltegurte

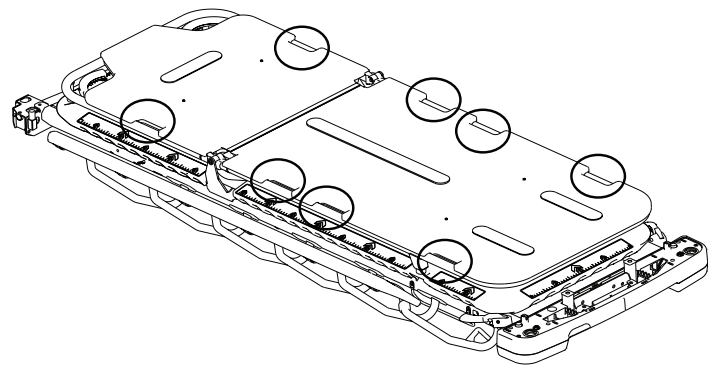


Abbildung 27 – Befestigungspositionen der Option Prime X-Haltegurte

Hinweis - Die Haltegurte sind ein Anwendungsteil vom Typ B.

Positionieren des aufrechten Röntgenkassettenhalters – Option Prime X

WARNUNG

- Bei der Verwendung des aufrechten oder seitlichen Röntgenkassettenhalters stets Schutzmaßnahmen ergreifen. Der Röntgenkassettenhalter bietet keinen Schutz vor Strahlen.
- Vor der Verwendung der Option **Prime X** mit strahlengenerierenden Produkten stets alle geltenden Richtlinien sowie die Sicherheitsprotokolle der Einrichtung beachten. Strahlengenerierende Produkte können Reststrahlung, Störstrahlung oder Streustrahlung erzeugen.
- Stets mit besonderer Vorsicht vorgehen, wenn eine Matratze verwendet wird, die dicker als 2,5 Zoll (6,35 cm) ist, oder wenn eine Matratzenauflage mit der Option **Prime X** verwendet wird.
- Stets die Anweisungen zum Einlegen der Röntgenkassette befolgen: *Positionieren des aufrechten Röntgenkassettenhalters – Option Prime X*.

Der Röntgenkassettenhalter wird am Schweißteil der Rückenlehne (Fowler) befestigt, um Röntgenkassetten zu halten. Es können Röntgenbilder aufgenommen werden, während sich ein Patient auf dem Produkt befindet. Die Position der Kassette kann verändert werden, bevor ein Röntgenbild aufgenommen wird.

Positionieren des Röntgenkassettenhalters:

1. Die Bremsen betätigen. Das Produkt anschieben um sicherzustellen, dass die Bremsen funktionieren.
2. Den Rückenlehnenabschnitt (Fowler) in die oberste Position hochfahren.
3. Die unteren Halteführungen (A) unter der Schweißteilstange der Rückenlehne (Fowler) einführen (Abbildung 28).
4. Den Kassettenhalter hochstellen, bis die Halteführungen auf dem Schweißteil der Rückenlehne (Fowler) einrasten. Sicherstellen, dass der Kassettenhalter sicher eingerastet ist.

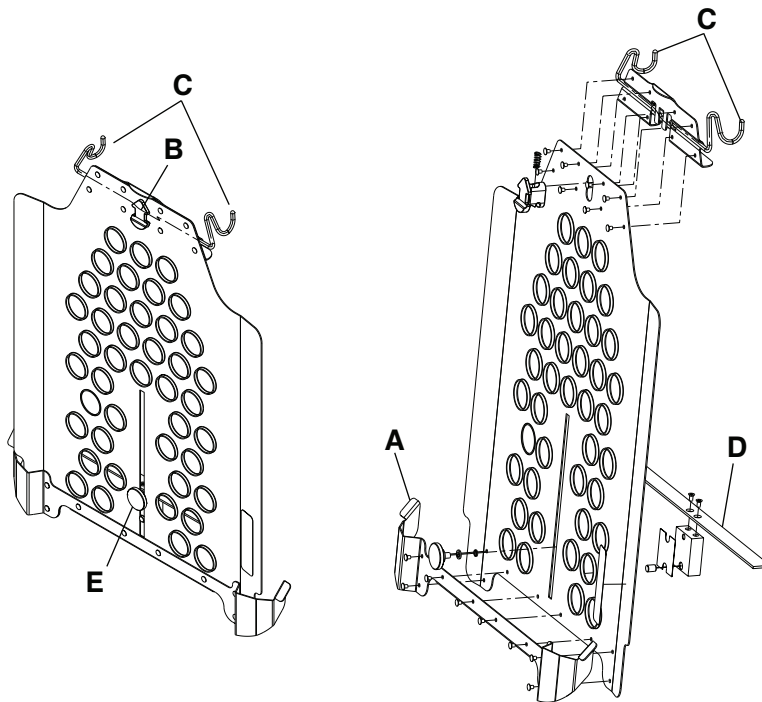


Abbildung 28 – Röntgenkassettenhalter

5. Eine Röntgenkassette von einer der beiden Seiten des Kassettenhalters einführen oder am Pfeil-Freigabeschieber ziehen, um den Kassettenhalter von der Rückenlehne (Fowler) zu lösen, die Kassette positionieren und den Kassettenhalter im Schweißteil der Rückenlehne (Fowler) sichern.
6. Zum Einstellen der Höhe der Kassette den Knopf (E) lösen und die Kassetten-Tragschiene (D) nach oben oder unten bewegen, bis die gewünschte Höhe erreicht ist.
7. Den Knopf (E) festdrehen, um die Kassetten-Tragschiene zu sichern.

8. Wenn die Röntgenaufnahmen abgeschlossen sind, am Pfeil-Freigabeschieber (B) ziehen, um den Kassettenhalter vom Schweißteil der Rückenlehne (Fowler) zu lösen.
9. Die Röntgenkassette aus dem Röntgenkassettenhalter nehmen.
10. Den Kassettenhalter schließen und verstauen.

Positionieren des seitlichen Röntgenkassettenhalters – Option Prime X

WARNUNG

- Bei der Verwendung des aufrechten oder seitlichen Röntgenkassettenhalters stets Schutzmaßnahmen ergreifen. Der Röntgenkassettenhalter bietet keinen Schutz vor Strahlen.
- Vor der Verwendung der Option **Prime X** mit strahlengenerierenden Produkten stets alle geltenden Richtlinien sowie die Sicherheitsprotokolle der Einrichtung beachten. Strahlengenerierende Produkte können Reststrahlung, Störstrahlung oder Streustrahlung erzeugen.
- Bei der Durchführung von Röntgenaufnahmen mit der Rückenlehne (Fowler) in aufrechter Position oder bei Verwendung einer seitlichen Kassette stets Vorsicht walten lassen.
- Stets mit besonderer Vorsicht vorgehen, wenn eine Matratze verwendet wird, die dicker als 2,5 Zoll (6,35 cm) ist, oder wenn eine Matratzenauflage mit der Option **Prime X** verwendet wird.
- Stets die Anweisungen zum Einlegen der Röntgenkassette befolgen: *Positionieren des seitlichen Röntgenkassettenhalters – Option Prime X*.

Positionieren des seitlichen Röntgenkassettenhalters:

1. Die Bremsen betätigen. Das Produkt anschieben um sicherzustellen, dass die Bremsen funktionieren.

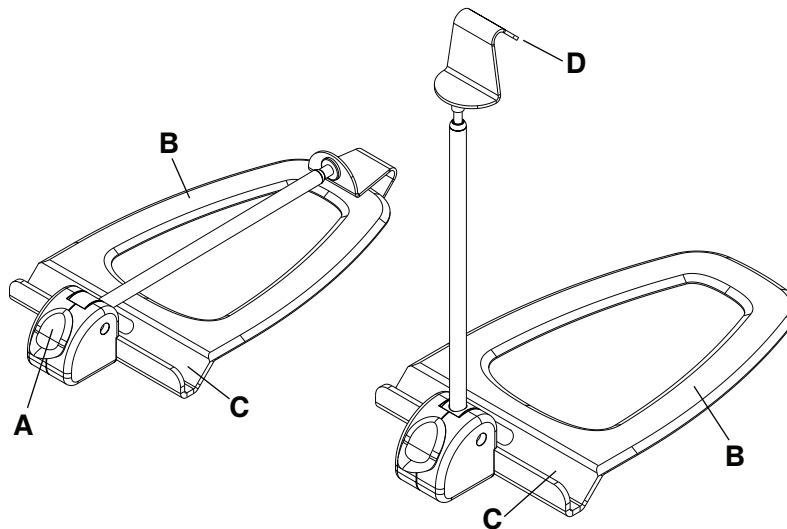


Abbildung 29 – Seitlicher Röntgenkassettenhalter

2. Den gelben Freigabeknopf (A) herunterdrücken, um den seitlichen Kassettenhalter (Abbildung 29) zu öffnen.
3. Den flachen Sockel (B) zwischen Matratze und Patientenplattform schieben.
4. Den seitlichen Kassettenhalter in die gewünschte Position bringen.
5. Die Röntgenkassette im Kassettenkanal (C) platzieren.
6. Den Kassettenhaken (D) nach oben ziehen, um die Höhe des Arms so einzustellen, dass er über die Röntgenkassette passt, um die Kassette in Position zu halten.
7. Zum Herausnehmen der Kassette und Verstauen des seitlichen Kassettenhalters die Schritte in umgekehrter Reihenfolge durchführen.

Einlegen oder Herausnehmen von Röntgenkassetten – Option Prime X

WARNUNG

- Vor der Verwendung der Option **Prime X** mit strahlengenerierenden Produkten stets alle geltenden Richtlinien sowie die Sicherheitsprotokolle der Einrichtung beachten. Strahlengenerierende Produkte können Reststrahlung, Störstrahlung oder Streustrahlung erzeugen.
- Bei der Durchführung von Röntgenaufnahmen mit der Rückenlehne (Fowler) in aufrechter Position oder bei Verwendung einer seitlichen Kasette stets Vorsicht walten lassen.

Die Option **Prime X** bietet sowohl eine artikulierende radiografische Betauflage als auch eine Plattform unter der Patienten-Betauflage für die Platzierung der Röntgenkassette. Die radiografische Betauflage ermöglicht – gemeinsam mit den medizinischen Röntgensystemen – die Erfassung von klinischen Röntgenaufnahmen (AP Ganzkörper, Ganzkörper lateral [optional] und aufrecht Brust [optional]), während sich der Patient auf dem Produkt befindet. Kassetten vom Kopfende, Fußende und beiden Seiten des Produkts können eingeführt werden.

Einlegen einer Röntgenkassette:

1. Den Patienten mithilfe der Positionsanzeigeaufkleber an allen Seiten des Produkts (siehe Abbildung 30) mittig auf dem Produkt positionieren.
2. Eine Röntgenkassette unter der Patientenoberfläche einlegen. Bei der Positionierung der Röntgenkassette die Kassettenführungen zu Hilfe nehmen.

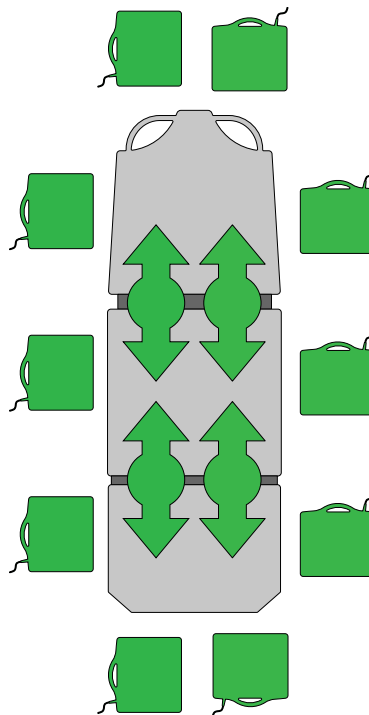


Abbildung 30 – Einlegen oder Herausnehmen von Röntgenkassetten – Option Prime X

Hinweis

- Die Option **Prime X** nicht mit Matratzen mit einer Dicke von mehr als vier Zoll (10 cm) verwenden.
- Keinen C-Arm mit der Option **Prime X** verwenden. Die Option **Prime X** ist nicht mit einem C-Arm kompatibel.

Reinigung

Reinigen des Produkts

VORSICHT - Das Displaygehäuse für das optionale Wiegesystem nicht mit scheuernden Reinigern reinigen. Keine Reinigungslösung oder andere Flüssigkeit auf dem Display ansammeln lassen. Nach Verschüttungen oder nach der Reinigung alle Oberflächen trocken wischen.

Diese Anleitung erläutert die empfohlenen Reinigungsmethoden für die **Prime Series** Trage.

Diese Produkt können mit Hochdruck gewaschen werden. Nach wiederholtem Reinigen kann das Produkt Anzeichen von Oxidation oder Verfärbung aufweisen. Durch die Hochdruckreinigung wird jedoch keine Beeinträchtigung der Leistungsfähigkeit oder Funktionalität des Produkts verursacht, sofern die ordnungsgemäßen Verfahren eingehalten werden.

Empfohlene Reinigungsmethode:

1. Wenn das Produkt mit der optionalen elektrischen Hebefunktion/Liegefläche ausgestattet ist, das Netzkabel vor der Reinigung oder dem Transport des Produkts von der Steckdose trennen.
2. Die Matratze vom Produkt entfernen.
3. Die Angaben des Herstellers der Reinigungslösung bzgl. der empfohlenen Verdünnung einhalten.
4. Stryker empfiehlt zur Hochdruckreinigung das standardmäßige Rollwagen-Waschgerät des Krankenhauses.
5. Das Produkt trocknen. Die Matratze erst dann auf das Produkt legen, wenn sie vollständig trocken ist.
6. Die Funktionstüchtigkeit prüfen, bevor das Produkt wieder in Betrieb genommen wird.
 - Das Produkt anheben und absenken
 - Das Brems-/Steuerpedal in beiden Positionen feststellen und lösen
 - Die Seitengitter arretieren und lösen
 - Die Rückenlehne (Fowler) anheben und absenken
 - Die Knieteilverstellung aufrichten oder absenken
 - Sicherstellen, dass alle Komponenten ordnungsgemäß geschmiert sind
 - Sicherstellen, dass alle Etiketten intakt sind

Hinweis

- Direkter Hautkontakt mit sichtbar verschmutztem, durchlässigem Material kann das Infektionsrisiko erhöhen.
- Das Produkt nicht mit Dampf reinigen.
- Den Stauraum unter der Untergestellhaube regelmäßig reinigen.
- Die Unterseite der Bremsbeläge reinigen, um Ablagerungen von Wachs oder Bodenbelag zu vermeiden.
- Manche Reinigungsmittel sind ätzend und können das Produkt bei unsachgemäßer Anwendung beschädigen. Wenn das Produkt nicht gründlich abgespült und getrocknet wird, kann ein korrodierender Rückstand auf der Oberfläche des Produkts verbleiben, der möglicherweise zur vorzeitigen Korrosion von kritischen Komponenten führt. Wenn diese Reinigungsanweisungen nicht befolgt werden, kann es zum Verlust von Garantieansprüchen kommen.

Reinigen des Produkts mithilfe eines Rollwagen-Waschgeräts

Stryker empfiehlt die Verwendung eines standardmäßigen chirurgischen Krankenhaus-Rollwagen-Waschgeräts, um die Trage maximal einmal im Jahr zu waschen.

Reinigen des Produkts mithilfe eines Rollwagen-Waschgeräts:

1. Wenn das Produkt mit der optionalen elektrischen Hebefunktion/Liegefläche ausgestattet ist, das Netzkabel vor der Reinigung oder dem Transport des Produkts von der Steckdose trennen.
2. Vor dem Waschen des Produkts die Matratze entfernen. Die Matratze nicht mit dem Produkt waschen.

3. Die Rückenlehne (Fowler) in die 45°-Lage positionieren.
4. Das Produkt in der kompletten Anti-Trendelenburg-Position (Fußende unten) platzieren.
5. Die Seitengitter hochstellen.
6. Die Infusionsständer und Schiebegriffe in die aufrechte Position bringen.
7. Das Produkt mit einer maximalen Wassertemperatur von 82 °C (180 °F) und einem maximalen Wasserdruck von 103,5 bar (1500 psi) reinigen.
8. Das Produkt mit einer maximalen Temperatur von 93 °C (200 °F) an der Luft trocknen lassen.
9. Das Produkt trocknen. Die Matratze erst dann auf das Produkt legen, wenn sie vollständig trocken ist.
10. Die Funktionstüchtigkeit prüfen, bevor das Produkt wieder in Betrieb genommen wird.
 - Das Produkt anheben und absenken
 - Das Brems-/Steuerpedal in beiden Positionen feststellen und lösen
 - Die Seitengitter arretieren und lösen
 - Die Rückenlehne (Fowler) anheben und absenken
 - Sicherstellen, dass alle Komponenten ordnungsgemäß geschmiert sind
 - Sicherstellen, dass alle Etiketten intakt und lesbar sind

Hinweis

- Das Produkt nicht mit Dampf reinigen.
- Manche Reinigungsmittel sind ätzend und können das Produkt bei unsachgemäßer Anwendung beschädigen. Wenn das Produkt nicht gründlich abgespült und getrocknet wird, kann ein korrodierender Rückstand auf der Oberfläche des Produkts verbleiben, der möglicherweise zur vorzeitigen Korrosion von kritischen Komponenten führt. Wenn diese Reinigungsanweisungen nicht befolgt werden, kann es zum Verlust von Garantieansprüchen kommen.

Reinigen der Matratze

WARNUNG

- Keine Reinigungs-, Instandhaltungs- oder Wartungsarbeiten durchführen, während das Produkt verwendet wird.
 - Die Matratze nicht in Reinigungs- oder Desinfektionslösungen tauchen. Übermäßige Flüssigkeit kann zu einer Fehlfunktion und somit zu Produktschäden oder Verletzungen des Patienten führen.
 - Keine Flüssigkeit auf der Matratze ansammeln lassen. Flüssigkeit kann Korrosion von Komponenten verursachen und dazu führen, dass die Sicherheits- und Leistungseigenschaften dieses Produkts unvorhersehbar werden.
 - Die Matratzenbezüge bei jeder Reinigung auf Risse, Löcher, übermäßigen Verschleiß und falsch ausgerichtete Reißverschlüsse prüfen. Beschädigte Matratzen außer Gebrauch nehmen und ersetzen, um Kreuzkontaminationen zu verhindern.
 - Die Matratzen nicht dampf-, hochdruck-, mit einem Schlauch oder ultraschallreinigen. Diese Reinigungsmethoden können zum Erlöschen der Produktgarantie führen.
-

Eine häufigere Nutzung mit eventuell häufigerer Reinigung und Desinfektion kann die Einsatzdauer der Matratze verkürzen.

Empfohlene Reinigungsmethode:

1. Die gesamte Matratze mit einem sauberen, weichen Tuch und milder Seifenlauge abwischen, um Fremdkörper zu entfernen.
2. Die Matratze mit einem sauberen, trockenen Tuch abwischen, um ggf. überschüssige Flüssigkeit oder Reinigungsmittel zu entfernen.
3. Die Bezüge nach der Reinigung abspülen und trocknen.
4. Nach der Reinigung bei Bedarf mit einem krankenhausblichen Desinfektionsmittel desinfizieren (siehe *Desinfizieren der Matratze*).

Hinweis

- Die Matratze nicht bügeln, chemisch reinigen oder im Trockner trocknen, da dies Funktionsstörungen und Produktschäden verursachen kann.
- Der Matratzenbezug muss komplett trocken sein, bevor die Matratze gelagert, mit Laken überzogen oder ein Patient auf die Matratze gelegt wird, um eine Beeinträchtigung der Produktleistung zu vermeiden.
- Nicht mit übermäßigen Mengen Alkohol oder Wasserstoffperoxid behandeln, da dies zum Aufquellen des Bezugmaterials führt.
- Keine Flüssigkeit in den Bereich des Reißverschlusses oder in die wasserabweisende Barriere eindringen lassen. In den Reißverschluss eindringende Flüssigkeiten können in die Matratze gelangen und die Produktleistung beeinträchtigen.
- Manche Reinigungsmittel sind ätzend und können das Produkt bei unsachgemäßer Anwendung beschädigen. Wenn das Produkt nicht gründlich abgespült und getrocknet wird, kann ein korrodierender Rückstand auf der Oberfläche des Produkts verbleiben, der möglicherweise zur vorzeitigen Korrosion von kritischen Komponenten führt. Wenn diese Reinigungsanweisungen nicht befolgt werden, kann es zum Verlust von Garantieansprüchen kommen.

Jod entfernen

1. Eine Lösung aus 1/4 l warmem Wasser und ein bis zwei Esslöffeln Natriumthiosulfat vorbereiten. Den verschmutzten Bereich mit der Lösung abwischen.
2. Die Verschmutzung möglichst umgehend beseitigen.
3. Wenn Verschmutzungen nicht umgehend entfernt werden, vor dem Abwischen der Matratze die Lösung auf der Matratze einweichen oder stehen lassen.
4. Die Matratzen, die der Lösung ausgesetzt waren, mit klarem Wasser abspülen, bevor sie erneut verwendet werden.

Hinweis - Werden die oben genannten Anweisungen bei der Verwendung dieser Arten von Reinigungsmitteln nicht befolgt, kann die Garantie des Produkts hinfällig werden.

Spezielle Anweisungen

Velcro®-Klettbander	In Desinfektionsmittel einweichen, mit Wasser abspülen und die Lösung verdunsten lassen.
Festkörper oder Flecken	Eine neutrale Seife und warmes Wasser verwenden. Keine scharfen Reinigungsmittel, Lösungsmittel oder scheuernden Reiniger verwenden.
Schwer zu reinigende Flecken	Bei hartnäckigen Flecken oder Verschmutzungen standardmäßige Haushaltsreiniger oder Vinylreiniger und eine weiche Bürste verwenden. Festgetrocknete Verunreinigungen einweichen.
Maschinenwäsche	Eine Maschinenwäsche wird nicht empfohlen. Eine Maschinenwäsche kann die Einsatzdauer der Matratze erheblich verkürzen.

Desinfektion

Desinfizieren des Produkts

WARNUNG

- Keine Reinigungs-, Instandhaltungs- oder Wartungsarbeiten durchführen, während das Produkt verwendet wird.
 - Das Produkt nicht mit Dampf, einem Schlauch oder mit Ultraschall reinigen. Diese Reinigungsmethoden werden nicht empfohlen und können zum Erlöschen der Produktgarantie führen.
-

Empfohlene Desinfektionsmittel:

- Quartäre Reiniger (aktiver Bestandteil: Ammoniumchlorid), die weniger als 3 % Glycoether enthalten
- Phenolische Desinfektionsmittel (Wirkstoff: o-Phenylphenol)
- Chlorbleichelösung (5,25%ige Bleichmittellösung, 1 Teil Bleichmittellösung gelöst in 100 Teilen Wasser, entsprechend 520 ppm verfügbarem Chlor [40 ml einer 5,25%igen Bleichmittellösung pro 4000 ml Wasser])
- 70%iges Isopropanol

Empfohlene Desinfektionsmethode:

1. Die Angaben des Herstellers der Desinfektionslösung bzgl. der empfohlenen Verdünnung einhalten.
2. Alle Produktoberflächen von Hand mit einem Desinfektionsmittel reinigen.
3. Das Produkt nicht übermäßig mit der Lösung tränken und darauf achten, dass es nur so lange nass bleibt, wie in den Richtlinien zur ordnungsgemäßen Desinfektion des Herstellers der Chemikalie angegeben ist.
4. Das Produkt trocknen. Die Matratze erst dann auf das Produkt legen, wenn sie vollständig trocken ist.
5. Die **Velcro®**-Klettbänder nach jedem Gebrauch desinfizieren. Die **Velcro®**-Klettbänder in Desinfektionsmittel einweichen, mit Wasser abspülen und das Desinfektionsmittel verdunsten lassen (das zu verwendende Desinfektionsmittel liegt im Ermessen der Einrichtung).
6. Die Funktionstüchtigkeit prüfen, bevor das Produkt wieder in Betrieb genommen wird.
 - Das Produkt anheben und absenken
 - Das Brems-/Steuerpedal in beiden Positionen feststellen und lösen
 - Die Seitengitter arretieren und lösen
 - Die Rückenlehne (Fowler) anheben und absenken
 - Die Knieteilverstellung aufrichten oder absenken
 - Sicherstellen, dass alle Komponenten ordnungsgemäß geschmiert sind
 - Sicherstellen, dass alle Etiketten intakt sind

Hinweis

- Direkter Hautkontakt mit sichtbar verschmutztem, durchlässigem Material kann das Infektionsrisiko erhöhen.
- Manche Reinigungsmittel sind ätzend und können das Produkt bei unsachgemäßer Anwendung beschädigen. Wenn das Produkt nicht gründlich abgespült und getrocknet wird, kann ein korrodierender Rückstand auf der Oberfläche des Produkts verbleiben, der möglicherweise zur vorzeitigen Korrosion von kritischen Komponenten führt. Wenn diese Reinigungsanweisungen nicht befolgt werden, kann es zum Verlust von Garantieansprüchen kommen.

Desinfektion der Matratze

WARNUNG - Die Matratze immer nach jedem Patienten desinfizieren. Eine Nichtbeachtung kann zu Kreuzkontamination und Infektion führen.

Empfohlene Desinfektionsmittel:

- Quartäre Reiniger (aktiver Bestandteil: Ammoniumchlorid), die weniger als 3 % Glycoether enthalten
- Phenolische Desinfektionsmittel (Wirkstoff: o-Phenylphenol)
- Chlorbleichlösung (5,25%ige Bleichmittellösung, 1 Teil Bleichmittellösung gelöst in 100 Teilen Wasser, entsprechend 520 ppm verfügbarem Chlor [40 ml einer 5,25%igen Bleichmittellösung pro 4000 ml Wasser])
- 70%iges Isopropanol

Empfohlene Desinfektionsmethode:

1. Sicherstellen, dass die Matratze sauber und trocken ist, bevor Desinfektionsmittel aufgetragen werden.
2. Den Matratzenbezug mit einem sauberen, trockenen Tuch abwischen, um überschüssige Flüssigkeit oder Desinfektionsmittel zu entfernen.
3. Die Bezüge nach der Desinfektion abspülen und trocknen.

Hinweis

- Der Matratzenbezug muss trocken sein, bevor er wieder benutzt oder mit Laken überzogen wird. Wenn überschüssiges Desinfektionsmittel nicht entfernt wird, kann es zu einer Materialzersetzung des Bezugs kommen.
- Manche Reinigungsmittel sind ätzend und können das Produkt bei unsachgemäßer Anwendung beschädigen. Wenn das Produkt nicht gründlich abgespült und getrocknet wird, kann ein korrodierender Rückstand auf der Oberfläche des Produkts verbleiben, der möglicherweise zur vorzeitigen Korrosion von kritischen Komponenten führt. Wenn diese Reinigungsanweisungen nicht befolgt werden, kann es zum Verlust von Garantieansprüchen kommen.
- Häufiger oder längerer Kontakt mit hochkonzentrierten Desinfektionsmittellösungen kann zu einer vorzeitigen Alterung des Bezugmaterials führen.
- Die Verwendung von Wasserstoffperoxiden mit Beschleunigern oder quartären Reinigern mit Glykolethergehalt können die Abdeckung beschädigen.

Vorbeugende Wartung

Bevor die vorbeugende Wartung vorgenommen wird, muss das Produkt außer Betrieb genommen werden. Alle aufgeführten Punkte müssen bei allen Produkten von Stryker Medical im Rahmen der jährlichen vorbeugenden Wartung überprüft werden. Je nach Ausmaß der Produktnutzung können auch häufigere vorbeugende Wartungsprüfungen erforderlich sein. Nur durch qualifiziertes Personal warten lassen.

Hinweis - Die Außenflächen der Matratze ggf. vor der Inspektion reinigen und desinfizieren.

Die folgenden Punkte sind zu überprüfen:

- _____ Alle Befestigungen sind fest angezogen
- _____ Seitengitter lassen sich bewegen und feststellen
- _____ Laufrollen sperren bei betätigtem Bremspedal
- _____ Laufrollen sind sicher befestigt und lassen sich schwenken
- _____ Kein Wachs und keine Rückstände auf den Schwenkrollen
- _____ Bremsmechanismus funktioniert
- _____ Lenkung funktioniert
- _____ Bezüge auf Risse prüfen
- _____ Rückenlehne (Fowler) lässt sich aufrichten, absenken und einrasten
- _____ Knieteilverstellung lässt sich aufrichten, absenken und sicher einrasten (optional)
- _____ Trendelenburg/Anti-Trendelenburg funktioniert von allen Positionen
- _____ Erdungskette intakt
- _____ Keine Lecks an den Hydraulikverbindungen
- _____ Die hydraulischen Heber halten
- _____ Rumpfhaltergurte lassen sich schließen und sind sicher (optional)
- _____ Infusionsständer ist intakt und lässt sich verstellen und in allen Positionen feststellen (optional)
- _____ Sauerstoffflaschenhalter ist intakt und lässt sich öffnen und schließen (optional)
- _____ Matratzenbezug weist keine Risse auf
- _____ Zubehör und Montageteile in gutem Zustand und einwandfrei funktionierend
- _____ Batteriebetriebene Funktionalität (optional)
- _____ Kabel sind nicht abgenutzt oder eingeklemmt (optional)
- _____ Netzkabel und -stecker sind nicht beschädigt (optional)
- _____ Alle elektrischen Anschlüsse sind sicher verbunden (optional)
- _____ Alle Erdungen sind sicher am Rahmen befestigt (optional)
- _____ Erdungsimpedanz beträgt nicht mehr als 200 mΩ (Milliohm) (optional)
- _____ Kriechstrom beträgt nicht mehr als 300 µA (Mikroampere) (gemäß UL 60606-1-1) (optional)
- _____ Batterien sind aufgeladen (optionales Wiegesystem)
- _____ Displaygehäuse ist intakt und nicht beschädigt (optionales Wiegesystem)
- _____ Wägezellen sind intakt und nicht beschädigt (optionales Wiegesystem)
- _____ Knie-Knopfmechanismus für Fußstütze funktioniert und kann sicher in Position gesperrt werden (optional)
- _____ Bein-Knopfmechanismus für Fußstütze funktioniert und kann sicher in Position gesperrt werden (optional)
- _____ Fußstütze lässt sich vollständig herausziehen und stoppt in der richtigen Position (optional)
- _____ Die selbstschneidenden Schrauben (6) der Fußstütze sind gesichert und deren Gewinde sind nicht beschädigt (optional)

- _____ Waage ist kalibriert. Ggf. erneut kalibrieren (optionales Wiegesystem)
- _____ Der aufrechte Röntgenkassettenhalter ist in einwandfreiem Zustand und kann an alle Röntgenkassetten angepasst werden (Option **Prime X**)
- _____ Bezug der Rückenlehne (Fowler) und Fußstütze ist nicht beschädigt (Option **Prime X**)
- _____ Kopf- und Fußauflagen nicht beschädigt (Option **Prime X**)
- _____ Schraube und Mutter durch jedes einzelne Schwenkgelenk der Rückenlehne (Fowler) sind nicht locker (Option **Prime X**)

Produktseriennummer:
Durchgeführt von:
Datum:

EMV-Informationen

VORSICHT

- Werden andere Zubehörteile, Sender oder Kabel verwendet als vom Hersteller angegeben oder geliefert, kann dies zu einer erhöhten elektromagnetischen Abstrahlung oder einer Verminderung der elektromagnetischen Störfestigkeit sowie zu einem unsachgemäßen Betrieb führen.
- Die Emissionseigenschaften dieses Geräts bedeuten, dass es sich für den Betrieb in Gewerbegebieten und Krankenhäusern (CISPR 11 Klasse A) eignet. Bei Verwendung in einer Wohnumgebung (für die normalerweise CISPR 11 Klasse B erforderlich ist) bietet dieses Gerät u. U. keinen ausreichenden Schutz gegenüber hochfrequenten Kommunikationsdiensten. Eventuell muss der Benutzer Abhilfemaßnahmen treffen, z. B. durch eine andere Aufstellung oder Ausrichtung des Geräts.

Leitlinie und Herstellererklärung – elektromagnetische Emissionen

Die optionale elektrische Hebefunktion, die optionale elektrische Liegefläche oder das optionale Wiegesystem sind für den Gebrauch in einer wie nachfolgend spezifizierten elektromagnetischen Umgebung bestimmt. Der Bediener der optionalen elektrischen Hebefunktion, der optionalen elektrischen Liegefläche oder des optionalen Wiegesystems hat dafür zu sorgen, dass sie in einer solchen Umgebung verwendet wird.

Emissionstest	Konformität	Elektromagnetische Umgebung
HF-Emissionen CISPR 11	Gruppe 1	Die optionale elektrische Hebefunktion, die optionale elektrische Liegefläche oder das optionale Wiegesystem verwenden HF-Energie ausschließlich für ihre internen Funktionen. Daher sind ihre HF-Emissionen sehr gering und dürften keine Störung bei in der Nähe befindlichen elektronischen Geräten verursachen.
HF-Emissionen CISPR 11	Klasse A	Die optionale elektrische Hebefunktion, die optionale elektrische Liegefläche oder das optionale Wiegesystem eignen sich zum Einsatz in allen Einrichtungen, außer in Wohngebieten und bei direktem Niederspannungsanschluss an ein öffentliches Versorgungsnetz für Wohngebiete.
Oberwellenemissionen nach IEC 61000-3-2 *	Klasse A	
Spannungsschwankungen Flickeremissionen nach IEC 61000-3-3 *	Konform	

*Gilt nur für die optionale elektrische Hebefunktion oder die optionale elektrische Liegefläche.

VORSICHT

- Tragbare HF-Kommunikationsgeräte (einschließlich peripherer Teile wie z. B. Antennenkabel und externe Antennen) dürfen nicht näher als im Abstand von 12 Zoll (30 cm) zu allen Teilen der **Prime** Trage, einschließlich der vom Hersteller angegebenen Kabel, betrieben werden.
- Die Aufstellung anderer Geräte auf, unter oder neben dem Gerät vermeiden, um einen unsachgemäßen Betrieb der Produkte zu verhindern. Wenn ein derartiger Betrieb unvermeidbar ist, sollten die auf, unter oder neben dem Gerät aufgestellten Geräte beobachtet werden, um die normale Funktion zu bestätigen.

Empfohlene Abstände zwischen tragbaren und mobilen HF-Kommunikationsgeräten und der optionalen elektrischen Hebefunktion, der optionalen elektrischen Liegefläche oder dem optionalen Wiegesystem.

Die optionale elektrische Hebefunktion, die optionale elektrische Liegefläche oder das optionale Wiegesystem sind für den Betrieb in einer elektromagnetischen Umgebung bestimmt, in der gestrahlte HF-Störgrößen kontrolliert sind. Der Kunde oder Anwender der optionalen elektrischen Hebefunktion, der optionalen elektrischen Liegefläche oder des optionalen Wiegesystems kann zur Vermeidung von elektromagnetischen Störungen beitragen, indem zwischen tragbaren und mobilen HF-Kommunikationsgeräten (Sendern) und der optionalen elektrischen Hebefunktion, der optionalen elektrischen Liegefläche oder dem optionalen Wiegesystem entsprechend der maximalen Ausgangsleistung der Kommunikationsgeräte ein Mindestabstand eingehalten wird (siehe nachstehende Empfehlungen).

Maximale Nennausgangsleistung des Senders W	Abstand entsprechend der Frequenz des Senders m		
	150 kHz bis 80 MHz D=(1,2) (\sqrt{P})	80 MHz bis 800 MHz D=(1,2) (\sqrt{P})	800 MHz bis 2,7 GHz D=(2,3) (\sqrt{P})
	0,01	0,12	0,12
0,1	0,38	0,38	0,73
1	1,2	1,2	2,3
10	3,8	3,8	7,3
100	12	12	23

Für Sender, deren maximale Nennausgangsleistung oben nicht angegeben ist, kann der empfohlene Abstand (D) in Metern (m) anhand einer für die Frequenz des Senders anwendbaren Gleichung ermittelt werden, wobei P die maximale Nennausgangsleistung des Senders in Watt (W) nach Angaben des Senderherstellers ist.

Hinweis 1 - Bei 80 MHz und 800 MHz gilt der Abstand für den höheren Frequenzbereich.

Hinweis 2 - Diese Richtlinien treffen eventuell nicht in allen Situationen zu. Die Ausbreitung elektromagnetischer Größen wird durch Absorption und Reflexion der Gebäude, Gegenstände und Menschen beeinflusst.

Leitlinie und Herstellererklärung – elektromagnetische Störfestigkeit


Die optionale elektrische Hebefunktion, die optionale elektrische Liegefläche oder das optionale Wiegesystem sind für den Gebrauch in der nachfolgend spezifizierten elektromagnetischen Umgebung bestimmt. Der Kunde oder Benutzer der optionalen elektrischen Hebefunktion, der optionalen elektrischen Liegefläche oder des optionalen Wiegesystems hat dafür zu sorgen, dass sie in einer solchen Umgebung verwendet werden.

Test zur Störfestigkeit	Testpegel nach IEC 60601	Übereinstimmungspegel	Elektromagnetische Umgebung – Leitlinie
Elektrostatische Entladung (ESD) nach IEC 61000-4-2	± 8 kV Kontaktentladung ± 15 kV Luftentladung	± 8 kV Kontaktentladung ± 15 kV Luftentladung	Der Fußboden sollte aus Holz, Beton oder Keramikfliesen bestehen. Bei Fußböden mit Abdeckung aus Synthetikmaterial sollte eine relative Luftfeuchtigkeit von mindestens 30 % herrschen.
Schnelle transiente elektrische Störgrößen/ Burst nach IEC 61000-4-4*	± 2 kV für Spannungsversorgung ± 1 kV für Eingangs-/ Ausgangsleitungen	± 2 kV für Spannungsversorgung ± 1 kV für Eingangs-/ Ausgangsleitungen	Die Qualität der Netzversorgung sollte einer typischen kommerziellen oder Krankenhaus-Umgebung entsprechen.
Spannungsschübe nach IEC 61000-4-5*	± 1 kV zwischen Leitungen ± 2 kV zwischen Leitungen und Erde	± 1 kV zwischen Leitungen ± 2 kV zwischen Leitungen und Erde	Die Qualität der Netzversorgung sollte einer typischen kommerziellen oder Krankenhaus-Umgebung entsprechen.

Spannungseinbrüche, Spannungsschwankungen und Kurzzeitunterbrechungen der Versorgungsspannung nach IEC 61000-4-11*	<p>0 % U_T für 0,5 Zyklen bei 0°, 45°, 90°, 135°, 180°, 225°, 270° und 315°</p> <p>0 % U_T für 1 Zyklus</p> <p>70 % U_T (30 % Einbruch in U_T) für 25 Zyklen</p> <p>0 % U_T für 250 Zyklen</p>	<p>0 % U_T für 0,5 Zyklen bei 0°, 45°, 90°, 135°, 180°, 225°, 270° und 315°</p> <p>0 % U_T für 1 Zyklus</p> <p>70 % U_T (30 % Einbruch in U_T) für 25 Zyklen</p> <p>0 % U_T für 250 Zyklen</p>	Die Qualität der Netzversorgung sollte einer typischen kommerziellen oder Krankenhaus-Umgebung entsprechen. Wenn der Benutzer der optionalen elektrischen Hebefunktion oder der optionalen elektrischen Liegefläche einen fortgesetzten Betrieb des Produkts auch beim Auftreten von Unterbrechungen der Energieversorgung benötigt, sollte das Produkt über eine unterbrechungsfreie Stromversorgung oder Batterie betrieben werden.
Magnetfeld bei der Versorgungsfrequenz (50/60 Hz) nach IEC 61000-4-8	30 A/m	30 A/m	Die Stärke von Magnetfeldern aufgrund der Netzfrequenz sollte die übliche Stärke an einem typischen Ort in einer typischen kommerziellen oder Krankenhaus-Umgebung nicht überschreiten.
Hinweis: U_t ist die Netzwechselfrequenz vor Anwendung des Prüfpegels.			
*Gilt nur für die optionale elektrische Hebefunktion oder die optionale elektrische Liegefläche.			

Leitlinie und Herstellererklärung – elektromagnetische Störfestigkeit

Die optionale elektrische Hebefunktion, die optionale elektrische Liegefläche oder das optionale Wiegesystem sind für den Gebrauch in der nachfolgend spezifizierten elektromagnetischen Umgebung bestimmt. Der Kunde oder Benutzer der optionalen elektrischen Hebefunktion, der optionalen elektrischen Liegefläche oder des optionalen Wiegesystems hat dafür zu sorgen, dass sie in einer solchen Umgebung verwendet werden.

Test zur Störfestigkeit	Testpegel nach IEC 60601	Übereinstimmungspegel	Elektromagnetische Umgebung – Leitlinie
<p>Leitungsgeführte HF IEC 61000-4-6*</p> <p>Abgestrahlte HF IEC 61000-4-3</p>	<p>3 Vrms</p> <p>6 Vrms in den ISM- und Amateurfunk-Frequenzbändern</p> <p>150 kHz bis 80 MHz</p> <p>3 V/m</p> <p>80 MHz bis 2,7 GHz</p>	<p>3 Vrms</p> <p>6 Vrms in den ISM- und Amateurfunk-Frequenzbändern</p> <p>3 V/m</p>	<p>Tragbare und mobile HF-Kommunikationsgeräte sollten nicht näher zu irgendeinem Teil der optionalen elektrischen Hebefunktion, der optionalen elektrischen Liegefläche oder dem optionalen Wiegesystem, einschließlich Kabeln, als im empfohlenen Abstand benutzt werden, der sich anhand der für die Frequenz des Senders anwendbaren Gleichung errechnet.</p> <p>Empfohlener Trennabstand</p> <p>$D=(1,2) (\sqrt{P})$</p> <p>$D=(1,2) (\sqrt{P})$</p> <p>80 MHz bis 800 MHz</p> <p>$D=(2,3) (\sqrt{P})$</p> <p>800 MHz bis 2,7 GHz</p> <p>Dabei ist P die maximale Nennausgangsleistung des Senders in Watt (W) laut Hersteller des Senders und D der empfohlene Trennabstand in Metern (m).</p> <p>Von stationären HF-Sendern erzeugte Feldstärken, wie sie im Rahmen einer elektromagnetischen Standortvermessung^a bestimmt wurden, müssen in jedem Frequenzbereich unterhalb des Übereinstimmungspegels liegen.^b</p> <p>In der Nähe von Geräten, die mit dem folgenden Symbol gekennzeichnet sind, können Störungen auftreten:</p> 

Hinweis 1: Bei 80 MHz und 800 MHz gilt der jeweils höhere Frequenzbereich.

Hinweis 2: Diese Richtlinien treffen eventuell nicht in allen Situationen zu. Die elektromagnetische Ausbreitung wird durch Absorption und Reflexion an Gebäuden, Gegenständen und Personen beeinflusst.

Hinweis 3: Die ISM-Frequenzbänder (Industrial, Scientific, Medical) zwischen 0,15 MHz und 80 MHz sind 6,765 MHz bis 6,795 MHz, 13,553 MHz bis 13,567 MHz; 26,957 MHz bis 27,283 MHz und 40,66 MHz bis 40,70 MHz.

^a Von stationären Sendern wie z. B. Basisstationen von Funktelefonen (Handys, schnurlose Telefone) und öffentlichen beweglichen Landfunkgeräten sowie Amateurfunkgeräten, MW- und UKW-Radiosendern oder Fernsehsendern erzeugte Feldstärken lassen sich theoretisch nicht präzise vorhersagen. Zur Beurteilung der durch stationäre HF-Sender geschaffenen elektromagnetischen Umgebung sollte eine elektromagnetische Standortvermessung erwogen werden. Wenn die gemessene Feldstärke am Anwendungsort der optionalen elektrischen Hebefunktion, der optionalen elektrischen Liegefläche oder des optionalen Wiegesystems den oben erwähnten zutreffenden HF-Übereinstimmungspegel übersteigt, sollten die optionale elektrische Hebefunktion, die optionale elektrische Liegefläche oder das optionale Wiegesystem beobachtet werden, um die normale Funktion zu bestätigen. Wenn Funktionsstörungen beobachtet werden, sind ggf. zusätzliche Maßnahmen erforderlich, wie z. B. eine Neuausrichtung oder ein Standortwechsel der optionalen elektrischen Hebefunktion, der optionalen elektrischen Liegefläche oder des optionalen Wiegesystems.

^b Im Frequenzbereich von 150 kHz bis 80 MHz darf die Feldstärke maximal 3 V/m betragen.

*Gilt nur für die optionale elektrische Liegefläche.

Φορείο Prime Series®













Εγχειρίδιο λειτουργιών












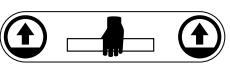




REF 1115

Big Wheel®



Σύμβολα

	Ανατρέξτε στο εγχειρίδιο/φυλλάδιο οδηγιών
	Συμβουλευτείτε τις οδηγίες χρήσης
	Γενική προειδοποίηση
	Προσοχή
	Προειδοποίηση, σύνθλιψη των χεριών
	Προειδοποίηση, μη ιονίζουσα ακτινοβολία
	Μην σπρώχνετε
	Μην αποθηκεύετε τη φιάλη οξυγόνου
	Μη λιπαίνετε
REF	Αριθμός καταλόγου
LOT	Κωδικός παρτίδας
SN	Αριθμός σειράς
US Patents	Για διπλώματα ευρεσιτεχνίας Η.Π.Α. βλ. www.stryker.com/patents
CE	Σήμανση CE
EC REP	Εξουσιοδοτημένος αντιπρόσωπος στην Ευρωπαϊκή Κοινότητα
MD	Ευρωπαϊκό ιατροτεχνολογικό προϊόν
	Κατασκευαστής
	Ημερομηνία κατασκευής
	Εισαγωγέας

	Ασφαλές φορτίο λειτουργίας
	Μέγιστο βάρος ασθενούς
	Μάζα εξοπλισμού με ασφαλές φορτίο λειτουργίας
	Συνεχές ρεύμα
	Εναλλασσόμενο ρεύμα
	Επικίνδυνη τάση
	Προστατευτική γείωση
IPX6	Προστασία από ισχυρούς πίδακες νερού
	Εφαρμοζόμενο εξάρτημα τύπου B
	Ιατρικός εξοπλισμός που έχει ταξινομηθεί από την Underwriters Laboratories Inc. σε σχέση με κινδύνους ηλεκτροπληξίας, πυρκαγιάς και μηχανικούς κινδύνους μόνο, σύμφωνα με τα πρότυπα ANSI/AAMI ES60601-1:2005 και CAN/CSA-C22.2 αριθ. 60601-1:08. *Για τον προαιρετικό εξοπλισμό Prime X , τον σχετιζόμενο εξοπλισμό του ακτινολογικού εξοπλισμού IEC 60601-2-54
	Σύμφωνα με την Ευρωπαϊκή Οδηγία 2012/19/ΕΕ σχετικά με τα απόβλητα ηλεκτρικού και ηλεκτρονικού εξοπλισμού (ΑΗΗΕ), όπως τροποποιήθηκε, το σύμβολο αυτό υποδεικνύει ότι το προϊόν πρέπει να συλλέγεται ξεχωριστά για ανακύκλωση. Μην το απορρίπτετε μαζί με αδιαχώριστα αστικά απόβλητα. Επικοινωνήστε με τον τοπικό διανομέα για πληροφορίες σχετικά με την απόρριψη. Φροντίστε να απολυμάνετε τον εξοπλισμό που έχει μολυνθεί πριν από την ανακύκλωση.
	Λιπάντε
	Ανυψώστε εδώ
	Αυτή η πλευρά προς τα πάνω
	Να διατηρείται στεγνό
	Εύθραυστο, χειριστείτε με προσοχή
	Όριο στοιβαξης κατά αριθμό

Πίνακας περιεχομένων

Ορισμός προειδοποίησης/προσοχής/σημείωσης	3
Σύνοψη προφυλάξεων ασφαλείας	3
Σημεία που μπορεί να τραυματίσουν	6
Εισαγωγή	7
Περιγραφή του προϊόντος	7
Ενδείξεις χρήσης	7
Κλινικά οφέλη	8
Αντενδείξεις	8
Αναμενόμενη διάρκεια ζωής	8
Απόρριψη/ανακύκλωση	8
Προδιαγραφές	8
Απεικόνιση του προϊόντος - Prime	11
Απεικόνιση του προϊόντος - προαιρετικός εξοπλισμός Prime X	12
Εφαρμοζόμενα εξαρτήματα - προαιρετικό ηλεκτρικό φορείο	13
Εφαρμοζόμενα εξαρτήματα - προαιρετικός εξοπλισμός Prime X	13
Στοιχεία επικοινωνίας	14
Θέση αριθμού σειράς	14
Θέση σε υπηρεσία	15
Λειτουργία	16
Εφαρμογή και απελευθέρωση των φρένων	16
Χειριστήρια βάσης Prime	17
Ανύψωση του μη ηλεκτρικού φορείου	17
Χαμήλωμα του μη ηλεκτρικού φορείου	17
Ανύψωση του προαιρετικού ηλεκτρικού φορείου	18
Χαμήλωμα του προαιρετικού ηλεκτρικού φορείου	18
Τοποθέτηση του προϊόντος σε θέση Trendelenburg	19
Τοποθέτηση του προϊόντος σε ανάστροφη θέση Trendelenburg	19
Μεταφορά ασθενούς	19
Μεταφορά ασθενούς χωρίς τροχό Big Wheel	20
Μεταφορά ασθενούς με τροχό Big Wheel	21
Άνοιγμα ή κλείσιμο των προαιρετικών λαβών ώθησης της πλευράς κεφαλής	21
Ανύψωση του πλαινού κιγκλιδώματος	22
Χαμήλωμα του πλαινού κιγκλιδώματος	23
Τοποθέτηση του προϊόντος με τον πίνακα ελέγχου ασθενούς του πλαινού κιγκλιδώματος - προαιρετικό ηλεκτρικό φορείο - μόνο για το Prime	23
Πίνακας ελέγχου χειριστή - προαιρετικό ηλεκτρικό φορείο - μόνο για το Prime	24
Ασφάλιση και απασφάλιση του κλειδώματος του πίνακα ελέγχου ασθενούς - προαιρετικό ηλεκτρικό φορείο - μόνο για το Prime	25
Ανύψωση ή χαμήλωμα του στηρίγματος πλάτης - μη ηλεκτρικό φορείο	25
Ανύψωση ή χαμήλωμα του στηρίγματος πλάτης - προαιρετικό ηλεκτρικό φορείο	26
Ανύψωση ή χαμήλωμα του καθίσματος - μη ηλεκτρικό φορείο - μόνο για το Prime	27
Ανύψωση ή χαμήλωμα του καθίσματος - προαιρετικό ηλεκτρικό φορείο - μόνο για το Prime	27
Τοποθέτηση της καρέκλας ανάληψης - μόνο για το Prime	28
Φύλαξη αντικειμένων στο κάλυμμα της βάσης	28
Ανάρτηση συσκευών με το προαιρετικό ράφι της αντλίας	29
Προέκταση ή μάζεμα του καλωδίου ρεύματος με το προαιρετικό καρούλι ανασυρόμενου καλωδίου - προαιρετικός ηλεκτρικός ανυψωτής ή ηλεκτρικό φορείο	29
Προαιρετικό σύστημα ζυγού	30
Αναγνώριση εικονιδίων/κουμπιών ζυγού	30
Ζύγιση ασθενούς	31
Κλειδίωμα της μονάδας μέτρησης του ζυγού	31
Ενεργοποίηση ή απενεργοποίηση της επιλογής Chaperone	32
Ρύθμιση του μοτίβου ειδοποίησης της επιλογής Chaperone	32
Ρύθμιση έντασης ήχου ειδοποίησης της επιλογής Chaperone	32
Φόρτιση του πακέτου μπαταριών του προαιρετικού συστήματος ζυγού - προαιρετικό ηλεκτρικό φορείο ή προαιρετικό ηλεκτρικό φορείο με την επιλογή Chaperone - μόνο για το Prime	33
Αντικατάσταση των μπαταριών του προαιρετικού συστήματος ζυγού - μη ηλεκτρικό φορείο	33
Παρελκόμενα και εξαρτήματα	33
Προσάρτηση του δίσκου του απινιδωτή	37
Μετατροπή του δίσκου του απινιδωτή/της προέκτασης ποδιών σε δίσκο απινιδωτή	37

Μετατροπή του δίσκου του απινιδωτή/της προέκτασης ποδιών σε προέκταση ποδιών	38
Προσάρτηση της πλάκας ποδιών/θήκης φακέλου	39
Προσάρτηση της ράβδου μεταφοράς στατό ορού	39
Τοποθέτηση ή αποθήκευση των στηριγμάτων ποδιών - μόνο για το Prime	40
Τοποθέτηση του μόνιμα προσαρτημένου στατό ορού δύο θέσεων	41
Τοποθέτηση του μόνιμα προσαρτημένου στατό ορού τριών θέσεων	42
Προσάρτηση και τοποθέτηση του αφαιρούμενου στατό ορού	43
Προσάρτηση της κατακόρυφης βάσης φιάλης οξυγόνου	44
Προέκταση ή αποθήκευση της βάσης δίσκου σερβιρίσματος/πλάκας ποδιών	44
Προσάρτηση των επιθεμάτων των πλαϊνών κιγκλιδωμάτων	45
Εντοπισμός των σημείων πρόσδεσης των ιμάντων συγκράτησης ασθενούς	45
Τοποθέτηση της κατακόρυφης θήκης ακτινογραφικής κασέτας - προαιρετικός εξοπλισμός Prime X	46
Τοποθέτηση της πλευρικής θήκης ακτινογραφικής κασέτας - προαιρετικός εξοπλισμός Prime X	47
Εισαγωγή ή αφαίρεση ακτινογραφικών κασετών - προαιρετικός εξοπλισμός Prime X	48
Καθαρισμός	49
Καθαρισμός του προϊόντος	49
Καθαρισμός του προϊόντος με τη χρήση πλυντηρίου τροχήλατων	49
Καθαρισμός του στρώματος	50
Αφαιρέστε το ιώδιο	51
Ειδικές οδηγίες	51
Απολύμανση	52
Απολύμανση του προϊόντος	52
Απολύμανση του στρώματος	52
Προληπτική συντήρηση	54
Πληροφορίες περί ηλεκτρομαγνητικής συμβατότητας (ΗΜΣ)	56

Ορισμός προειδοποίησης/προσοχής/σημείωσης

Οι λέξεις ΠΡΟΕΙΔΟΠΟΙΗΣΗ, ΠΡΟΣΟΧΗ και ΣΗΜΕΙΩΣΗ έχουν ιδιαίτερη σημασία και θα πρέπει να τους δίνεται ιδιαίτερη προσοχή.

ΠΡΟΕΙΔΟΠΟΙΗΣΗ

Προειδοποιεί τον αναγνώστη για κατάσταση, η οποία, εάν δεν αποφευχθεί, θα μπορούσε να καταλήξει σε θάνατο ή σοβαρό τραυματισμό. Μπορεί επίσης να περιγράψει ενδεχόμενες σοβαρές ανεπιθύμητες αντιδράσεις και κινδύνους για την ασφάλεια.

ΠΡΟΣΟΧΗ

Προειδοποιεί τον αναγνώστη για ενδεχομένως επικίνδυνη κατάσταση, η οποία, εάν δεν αποφευχθεί, μπορεί να οδηγήσει σε ελαφρύ ή μέτριο τραυματισμό του χρήστη ή του ασθενούς ή στην πρόκληση ζημιάς στο προϊόν ή σε άλλο περιουσιακό στοιχείο. Συμπεριλαμβάνει την ιδιαίτερη προσοχή που απαιτείται για την ασφαλή και αποτελεσματική χρήση του προϊόντος και την προσοχή που απαιτείται για την αποφυγή ζημιάς σε προϊόν, η οποία μπορεί να προκληθεί ως αποτέλεσμα της χρήσης ή της εσφαλμένης χρήσης.

Σημείωση - Παρέχει ειδικές πληροφορίες που διευκολύνουν τη συντήρηση ή διασαφηνίζουν σημαντικές οδηγίες.

Σύνοψη προφυλάξεων ασφαλείας

Πάντοτε να διαβάζετε και να ακολουθείτε αυστηρά τις προειδοποιήσεις και συστάσεις προσοχής που αναφέρονται σε αυτήν τη σελίδα. Η συντήρηση πρέπει να γίνεται μόνο από αρμόδιο προσωπικό.

ΠΡΟΕΙΔΟΠΟΙΗΣΗ

- Να αφήνετε πάντοτε το προϊόν να φθάσει σε θερμοκρασία δωματίου πριν από την προετοιμασία του προϊόντος για χρήση ή τη δοκιμή των λειτουργιών του. Μπορεί να προκληθεί μόνιμη ζημιά του προϊόντος.
- Να χειρίζεστε πάντοτε το προϊόν όταν όλοι οι χειριστές βρίσκονται σε ασφαλή απόσταση από τους μηχανισμούς.
- Να είστε πάντοτε προσεκτικοί κατά τον χειρισμό του καλωδίου ρεύματος. Μπορεί να προκληθεί εμπλοκή, ζημιά στο καλώδιο ρεύματος ή δυνητικοί κίνδυνοι ηλεκτροπληξίας. Εάν το καλώδιο ρεύματος έχει υποστεί ζημιά, διακόψτε αμέσως τη χρήση του προϊόντος και επικοινωνήστε με το κατάλληλο προσωπικό του τμήματος συντήρησης.
- Να συνδέετε πάντοτε το προϊόν απευθείας σε γειωμένη επιτοίχια πρίζα νοσοκομειακού τύπου. Μπορείτε να επιτύχετε αξιόπιστη γείωση μόνο όταν χρησιμοποιείτε πρίζα νοσοκομειακού τύπου. Αυτό το προϊόν διαθέτει βύσμα νοσοκομειακού τύπου, για προστασία έναντι τυχόν κινδύνου ηλεκτροπληξίας.
- Να εφαρμόζετε πάντοτε τα φρένα όταν ο ασθενής ανεβαίνει ή κατεβαίνει από το προϊόν ή όταν το προϊόν δεν κινείται. Θα μπορούσε να προκληθεί τραυματισμός εάν μετακινηθεί το προϊόν ενόσω ο ασθενής ανεβαίνει ή κατεβαίνει από το προϊόν.
- Να τοποθετείτε πάντοτε τον ασθενή στο κέντρο του προϊόντος.
- Να τοποθετείτε πάντοτε το προϊόν στη χαμηλότερη θέση, με τα πλαϊνά κιγκλιδώματα ανεβασμένα και ασφαλισμένα, όταν αφήνετε ασθενή χωρίς επιτήρηση. Μην αφήνετε το προϊόν σε μεγαλύτερο ύψος.
- Να αφαιρείτε πάντοτε τυχόν συσκευές που μπορεί να εμποδίζουν προτού ανυψώσετε ή χαμηλώσετε το φορείο.
- Μην κάθεστε στην άκρη του προϊόντος. Το προϊόν μπορεί να ανατραπεί.
- Να ασφαλίσετε πάντοτε τα πλαϊνά κιγκλιδώματα στην πλήρως επάνω θέση, με την επιφάνεια ύπνου οριζόντια και στη χαμηλότερη θέση, κατά τη μεταφορά ενός ασθενούς.
- Μη μεταφέρετε το προϊόν πλαγίως σε επιφάνειες με κλίση μεγαλύτερη από 5,7 μοίρες (κλίση 10%) για να αποφευχθεί το ενδεχόμενο ανατροπής του προϊόντος.
- Να είστε πάντοτε ιδιαίτερα προσεκτικοί όταν χρησιμοποιείτε στρώμα με πάχος μεγαλύτερο από 2,5 ίντσες (6,35 εκ.) ή επίστρωμα με τον προαιρετικό εξοπλισμό **Prime X**.
- Να ασφαλίσετε πάντοτε τα πλαϊνά κιγκλιδώματα στην πλήρως ανυψωμένη θέση, με την επιφάνεια ύπνου επίπεδη και στη χαμηλότερη θέση, κατά τη μεταφορά ασθενούς.
- Να διατηρείτε πάντοτε τα άκρα του ασθενούς μακριά από τις ράβδους των πλαϊνών κιγκλιδωμάτων όταν ανυψώνετε ή χαμηλώνετε το πλαϊνό κιγκλιδωμά.
- Μην αφήνετε τα πλαϊνά κιγκλιδώματα να χαμηλώσουν από μόνα τους.

- Κατά το χαμήλωμα του στηρίγματος πλάτης, να διατηρείτε πάντοτε τα χέρια και τα δάκτυλά σας μακριά από τις λαβές απελευθέρωσης του στηρίγματος πλάτης και το πλαίσιο του στηρίγματος πλάτης.
- Να είστε ιδιαίτερα προσεκτικοί κατά την ανύψωση του στηρίγματος πλάτης, ενόσω βρίσκεται ασθενής επάνω στο προϊόν. Χρησιμοποιήστε κατάλληλες τεχνικές ανύψωσης και ζητήστε βοήθεια, εάν είναι απαραίτητο.
- Κατά το χαμήλωμα του καθίσματος, να διατηρείτε πάντοτε τα χέρια και τα δάκτυλά σας μακριά από τις λαβές ώθησης για την πλευρά ποδιών.
- Να διατηρείτε πάντοτε τις γραμμές της συσκευής στο ράφι της αντλίας μακριά από τις λαβές του καθίσματος.
- Να φροντίζετε πάντοτε οι συσκευές στο ράφι της αντλίας να μπορούν να περνούν με ασφάλεια από τα ανοίγματα των θυρών.
- Μην ανυψώνετε το προϊόν χρησιμοποιώντας το ράφι της αντλίας.
- Να αποσυνδέετε πάντοτε το καλώδιο ρεύματος από την επιτοίχια πρίζα πριν από τη μεταφορά ή τον καθαρισμό του προϊόντος.
- Να χρησιμοποιείτε πάντοτε το καρούλι του ανασυρόμενου καλωδίου για να αποθηκεύσετε το καλώδιο ρεύματος μέσα στη βάση, κατά τη μεταφορά του προϊόντος.
- Μη χρησιμοποιείτε το προαιρετικό σύστημα ζυγού, ηλεκτρικού ανυψωτή ή ηλεκτρικού φορείου δίπλα σε άλλες συσκευές ή στοιβαγμένα μαζί με άλλες συσκευές. Εάν είναι απαραίτητη η χρήση δίπλα σε άλλες συσκευές ή στοιβαγμένα με άλλες συσκευές, ο προαιρετικός εξοπλισμός συστήματος ζυγού, ηλεκτρικού ανυψωτή ή ηλεκτρικού φορείου θα πρέπει να παρακολουθείται για να επιβεβαιωθεί ότι όλες οι συσκευές λειτουργούν κανονικά στη διαμόρφωση στην οποία θα χρησιμοποιηθούν.
- Μην τοποθετείτε αντικείμενα με βάρος μεγαλύτερο από 30 λίβρες (14 κιλά) στον δίσκο του απινιδωτή. Να δένετε πάντοτε όλες τις συσκευές που τοποθετείτε στον δίσκο του απινιδωτή.
- Να είστε πάντοτε προσεκτικοί εάν ο δίσκος του απινιδωτή/η προέκταση ποδιών, η πλάκα ποδιών/θήκη φακέλου ή η κατακόρυφη βάση φιάλης οξυγόνου είναι προσαρτημένα, για να αποφύγετε τυχόν σύνθλιψη των δακτύλων σας κατά τη τοποθέτηση της προαιρετικής λαβής ώθησης της πλευράς ποδιών.
- Μην τοποθετείτε αντικείμενα με βάρος μεγαλύτερο από 30 λίβρες (14 κιλά) στον δίσκο του απινιδωτή/στην προέκταση ποδιών. Να δένετε πάντοτε όλες τις συσκευές που τοποθετείτε στον δίσκο του απινιδωτή.
- Να ασφαρίζετε πάντοτε το στατό ορού στη ράβδο μεταφοράς στατό ορού κατά τη μεταφορά του προϊόντος.
- Να αποθηκεύετε πάντοτε τη ράβδο μεταφοράς στατό ορού όταν δεν χρησιμοποιείται, για να αποτραπεί τυχόν ζημιά στο προϊόν.
- Μην κάρτε στα στηρίγματα ποδιών. Αυτό μπορεί να προκαλέσει την ανατροπή του προϊόντος.
- Να απομακρύνετε πάντοτε τα δάκτυλά σας από τους μηχανισμούς, κατά τον χειρισμό των στηριγμάτων ποδιών.
- Να αποθηκεύετε πάντοτε τα στηρίγματα ποδιών κατά τη μεταφορά ασθενούς με το προϊόν.
- Να σφίγγετε πάντοτε τα στηρίγματα ποδιών πριν από τη χρήση των στηριγμάτων ποδιών.
- Μη χρησιμοποιείτε το σύστημα ζυγού με τα στηρίγματα ποδιών. Μπορεί να προκληθούν ανακριβείς ενδείξεις.
- Μη χρησιμοποιείτε τον προαιρετικό εξοπλισμό **Chaperone** με τα στηρίγματα ποδιών. Μπορεί να προκληθούν ανακριβείς ενδείξεις.
- Μη χρησιμοποιείτε το στατό ορού ως συσκευή ώθησης/έλξης. Μπορεί να προκληθεί ζημιά του προϊόντος.
- Μην τοποθετείτε αντικείμενα με βάρος μεγαλύτερο από 40 λίβρες (18 κιλά) στην κατακόρυφη βάση φιάλης οξυγόνου.
- Μην τοποθετείτε αντικείμενα με βάρος μεγαλύτερο από 30 λίβρες (14 κιλά) στον δίσκο σερβιρίσματος.
- Να είστε πάντοτε προσεκτικοί κατά την προσάρτηση ιμάντων συγκράτησης. Μπορεί να προκληθεί τραυματισμός του ασθενούς ή του χειριστή. Οι διατάξεις συγκράτησης σώματος, ακόμη και εάν είναι στερεωμένες, μπορεί να προκαλέσουν σοβαρή βλάβη σε ασθενείς και χειριστές, συμπεριλαμβανομένης της εμπλοκής, της παγίδευσης, του σωματικού τραυματισμού ή του θανάτου.
- Να προσαρτάτε πάντοτε ιμάντες ή διατάξεις συγκράτησης μόνο στα καθορισμένα σημεία πρόσδεσης του προϊόντος. Σε αντίθετη περίπτωση ενδέχεται να προκληθεί τραυματισμός του ασθενούς ή του χειριστή. Μην προσαρτάτε ιμάντες συγκράτησης στο πλαϊνό κιγκλίδωμα.
- Να ανατρέχετε πάντοτε στους ισχύοντες περιφερειακούς και εθνικούς περιορισμούς και κανονισμούς, καθώς και στα κατάλληλα πρωτόκολλα του ιδρύματος, προτού χρησιμοποιήσετε οποιονδήποτε ιμάντα ή διάταξη συγκράτησης.
- Να λαμβάνετε πάντοτε μέτρα προστασίας όταν χρησιμοποιείτε την κατακόρυφη ή την πλευρική θήκη ακτινογραφικής κασέτας. Η θήκη ακτινογραφικής κασέτας δεν παρέχει προστασία από την ακτινοβολία.
- Να ανατρέχετε πάντοτε στις τοπικές, κρατικές και ομοσπονδιακές κατευθυντήριες οδηγίες, εκτός από τα πρωτόκολλα του ιδρύματος, για την ασφάλεια πριν από τη χρήση του προαιρετικού εξοπλισμού **Prime X** με συσκευές που εκπέμπουν ακτινοβολία. Οι συσκευές που εκπέμπουν ακτινοβολία μπορεί να δημιουργήσουν υπολειπόμενη ακτινοβολία, παράσιτη ακτινοβολία ή σκεδαζόμενη ακτινοβολία.
- Να ακολουθείτε πάντοτε τις οδηγίες της ενότητας *Τοποθέτηση της κατακόρυφης θήκης ακτινογραφικής κασέτας - προαιρετικός εξοπλισμός Prime X* για την εισαγωγή της ακτινογραφικής κασέτας.

- Να είστε πάντοτε προσεκτικοί κατά τη λήψη ακτινογραφιών με το στήριγμα πλάτης στην κατακόρυφη θέση ή κατά τη χρήση πλευρικής κασέτας.
- Να ακολουθείτε πάντοτε τις οδηγίες της ενότητας *Τοποθέτηση της πλευρικής θήκης ακτινογραφικής κασέτας - προαιρετικός εξοπλισμός Prime X* για την εισαγωγή της ακτινογραφικής κασέτας.
- Μην καθαρίζετε και μην πραγματοποιείτε σέρβις ή συντήρηση ενώ το προϊόν χρησιμοποιείται.
- Μην εμβαπτίζετε το στρώμα σε καθαριστικά ή απολυμαντικά διαλύματα. Η υπερβολική υγρασία θα μπορούσε να προκαλέσει δυσλειτουργία του προϊόντος, με αποτέλεσμα την πρόκληση ζημιάς στο προϊόν ή τον τραυματισμό του ασθενούς.
- Μην επιτρέπτε τη λίμναση υγρού στο στρώμα. Τα υγρά μπορούν να προκαλέσουν διάβρωση των εξαρτημάτων και ενδέχεται να γίνουν αιτία μη προβλέψιμης ασφάλειας και απόδοσης αυτού του προϊόντος.
- Να επιθεωρείτε πάντοτε τα καλύμματα του στρώματος για σχισμές, τρυπήματα, υπερβολική φθορά και κακή ευθυγράμμιση των φερμουάρ, κάθε φορά που καθαρίζετε τα καλύμματα. Αφαιρέστε και αντικαταστήστε ένα στρώμα που έχει υποστεί ζημιά για την αποφυγή διασταυρούμενης μόλυνσης.
- Μην καθαρίζετε με ατμό, μην πλένετε με νερό υπό πίεση, μην πλένετε με λάστιχο ή με υπερήχους το στρώμα. Αυτές οι μέθοδοι καθαρισμού ενδέχεται να καταστήσουν άκυρη την εγγύηση του προϊόντος.
- Μην καθαρίζετε το προϊόν με ατμό, με πλύσιμο με λάστιχο ή με υπερήχους. Η χρήση αυτών των μεθόδων καθαρισμού δεν συνιστάται και ενδέχεται να καταστήσει άκυρη την εγγύηση του προϊόντος.
- Να απολυμαίνετε πάντοτε το στρώμα μεταξύ της χρήσης από διαφορετικούς ασθενείς. Σε αντίθετη περίπτωση θα μπορούσε να προκληθεί διασταυρούμενη μόλυνση και λοίμωξη.

ΠΡΟΣΟΧΗ

- Η ακατάλληλη χρήση του προϊόντος μπορεί να προκαλέσει τραυματισμό του ασθενούς ή του χειριστή. Ο χειρισμός του προϊόντος πρέπει να γίνεται μόνο όπως περιγράφεται στο παρόν εγχειρίδιο.
- Μην τροποποιείτε το προϊόν ή οποιαδήποτε εξαρτήματα του προϊόντος. Τυχόν τροποποίηση του προϊόντος μπορεί να προκαλέσει απρόβλεπτη λειτουργία, με αποτέλεσμα τον τραυματισμό του ασθενούς ή του χειριστή. Επίσης, η τροποποίηση του προϊόντος ακυρώνει την εγγύησή του.
- Μη χρησιμοποιείτε τα υδραυλικά συστήματα στη βάση για την ανύψωση του προϊόντος με σύστημα ανύψωσης ασθενούς κάτω από το προϊόν.
- Μην εφαρμόζετε τον ποδομοχλό καθοδήγησης όταν ο τροχός **Big Wheel** ακουμπά σε κατώφλι ή σε άλλη ανυψωμένη επιφάνεια. Η δύναμη που θα απαιτηθεί για την εφαρμογή του τροχού **Big Wheel** θα είναι υψηλότερη από τη φυσιολογική, η οποία μπορεί να προκαλέσει ζημιά του προϊόντος.
- Το μέγιστο επιτρεπόμενο βάρος του καθίσματος είναι 200 λίβρες (90,7 κιλά).
- Να επιβεβαιώνετε πάντοτε ότι η ράβδος υποστήριξης του καθίσματος είναι ασφαλισμένη πριν από τη χρήση.
- Μην κάθεστε και μη στέκεστε πάνω στο κάθισμα.
- Να είστε πάντοτε προσεκτικοί όταν επιχειρείτε να χαμηλώσετε το κάθισμα όταν το προϊόν δεν τροφοδοτείται με ρεύμα. Η βαρύτητα μπορεί να προκαλέσει ταχεία πτώση του καθίσματος.
- Μην τοποθετείτε αντικείμενα με βάρος μεγαλύτερο από 60 λίβρες (27 κιλά) στο κάλυμμα της βάσης.
- Μην κάθεστε, μην πατάτε και μη στέκεστε επάνω στο κάλυμμα της βάσης.
- Το μέγιστο επιτρεπόμενο βάρος του ραφιού της αντλίας είναι 40 λίβρες (18 κιλά).
- Μη χρησιμοποιείτε το ράφι της αντλίας ως συσκευή ώθησης/έλξης. Μπορεί να προκληθεί ζημιά του προϊόντος.
- Μη χρησιμοποιείτε τον ζυγό για ασθενείς με βάρος κάτω από 50 λίβρες (22,7 κιλά).
- Μη χρησιμοποιείτε την ένδειξη του συστήματος ζυγού ως αναφορά για την ιατρική θεραπεία.
- Να ανυψώνετε πάντοτε το στατό ορού προτού προσαρτήσετε τον δίσκο του απινιδωτή/την προέκταση ποδιών στο προϊόν. Εάν δεν ανυψώσετε το στατό ορού, η προέκταση ποδιών δεν θα λειτουργεί.
- Μη χρησιμοποιείτε το στατό ορού ως συσκευή ώθησης/έλξης. Μπορεί να προκληθεί ζημιά του προϊόντος.
- Μην αναρτάτε ασκούς ενδοφλέβιων υγρών με βάρος μεγαλύτερο από 40 λίβρες (18 κιλά) στο στατό ορού.
- Να επιβεβαιώνετε πάντοτε ότι το στατό ορού βρίσκεται σε χαμηλό ύψος, για να περνά από τα ανοίγματα θυρών κατά τη μεταφορά ασθενούς.
- Μη χρησιμοποιείτε αποξεστικά καθαριστικά για τον καθαρισμό του περιβλήματος της οθόνης για το προαιρετικό σύστημα ζυγού. Μην αφήνετε διαλύματα καθαρισμού ή άλλα υγρά να λιμνάσουν πάνω στη μονάδα της οθόνης. Στεγνώστε όλες τις επιφάνειες εάν έχουν διαβραχεί ή μετά από καθαρισμό.
- Η χρήση διαφορετικών παρελκομένων, μορφοτροπέων και καλωδίων εκτός από εκείνα που συνιστώνται ή παρέχονται από τον κατασκευαστή θα μπορούσε να οδηγήσει σε αυξημένες ηλεκτρομαγνητικές εκπομπές ή μειωμένη ηλεκτρομαγνητική ατρωσία και να προκαλέσει εσφαλμένη λειτουργία.

- Τα χαρακτηριστικά εκπομπών αυτού του εξοπλισμού τον καθιστούν κατάλληλο για χρήση σε βιομηχανικές περιοχές και νοσοκομεία (CISPR 11 κατηγορία A). Εάν χρησιμοποιείται σε οικιακό περιβάλλον, όπου συνήθως απαιτείται κατηγορία B κατά CISPR 11, αυτός ο εξοπλισμός ενδέχεται να μην παρέχει επαρκή προστασία της λειτουργίας υπηρεσιών επικοινωνίας με ραδιοσυχνότητες. Ο χρήστης ίσως χρειαστεί να λάβει διορθωτικά μέτρα, π.χ. να αλλάξει τον προσανατολισμό ή τη θέση του εξοπλισμού.
- Δεν θα πρέπει να χρησιμοποιείται φορητός εξοπλισμός επικοινωνίας με ραδιοσυχνότητες (συμπεριλαμβανομένων περιφερειακών, όπως καλώδια κεραίας και εξωτερικές κεραίες) σε απόσταση μικρότερη από 12 ίντσες (30 εκ.) από οποιοδήποτε τμήμα του φορείου **Prime**, συμπεριλαμβανομένων των καλωδίων που καθορίζονται από τον κατασκευαστή.
- Αποφύγετε τη στοίβαξη ή την τοποθέτηση άλλου εξοπλισμού δίπλα στη συσκευή, για να αποτρέψετε την ακατάλληλη λειτουργία των προϊόντων. Εάν είναι απαραίτητη η χρήση σε τέτοια διάταξη, παρακολουθείτε προσεκτικά τον εξοπλισμό που έχει τοποθετηθεί δίπλα ή σε στοίβαξη, για να βεβαιωθείτε ότι λειτουργεί σωστά.

Σημεία που μπορεί να τραυματίσουν



Σχήμα 1 – Προαιρετικός εξοπλισμός Prime X

Εισαγωγή

Αυτό το εγχειρίδιο σας βοηθά με τη λειτουργία ή τη συντήρηση του προϊόντος της Stryker που διαθέτετε. Διαβάστε αυτό το εγχειρίδιο πριν από τον χειρισμό ή τη συντήρηση αυτού του προϊόντος. Καθορίστε μεθόδους και διαδικασίες για την εκπαίδευση και επιμόρφωση του προσωπικού σας στην ασφαλή λειτουργία και συντήρηση αυτού του προϊόντος.

ΠΡΟΣΟΧΗ

- Η ακατάλληλη χρήση του προϊόντος μπορεί να προκαλέσει τραυματισμό του ασθενούς ή του χειριστή. Ο χειρισμός του προϊόντος πρέπει να γίνεται μόνο όπως περιγράφεται στο παρόν εγχειρίδιο.
- Μην τροποποιείτε το προϊόν ή οποιαδήποτε εξαρτήματα του προϊόντος. Τυχόν τροποποίηση του προϊόντος μπορεί να προκαλέσει απρόβλεπτη λειτουργία, με αποτέλεσμα τον τραυματισμό του ασθενούς ή του χειριστή. Τροποποίηση του προϊόντος ακυρώνει, επίσης, την εγγύησή του.

Σημείωση

- Αυτό το εγχειρίδιο είναι αναπόσπαστο μέρος του προϊόντος και θα πρέπει να συνοδεύει το προϊόν, ακόμα και αν το προϊόν πωληθεί.
- Η Stryker αναζητά συνεχώς τρόπους βελτίωσης της σχεδίασης και της ποιότητας του προϊόντος. Αυτό το εγχειρίδιο περιέχει τις πιο πρόσφατες πληροφορίες του προϊόντος που είναι διαθέσιμες κατά τον χρόνο της εκτύπωσης. Μπορεί να υπάρχουν ήσσονος σημασίας ανακολουθίες ανάμεσα στο προϊόν και το παρόν εγχειρίδιο. Αν έχετε οποιεσδήποτε ερωτήσεις, επικοινωνήστε με το τμήμα εξυπηρέτησης πελατών ή με το τμήμα τεχνικής υποστήριξης της Stryker στο: +1-800-327-0770.

Περιγραφή του προϊόντος

Το μοντέλο 1115 του φορείου **Prime Series®** της Stryker με τροχό **Big Wheel®** είναι μια τροχήλατη συσκευή που αποτελείται από μια πλατφόρμα στερεωμένη σε τροχήλατο πλαίσιο για την υποστήριξη ασθενών σε οριζόντια θέση. Τα φορεία παρέχουν στο χειριστή μια μέθοδο μεταφοράς ασθενών στο εσωτερικό ενός υγειονομικού ιδρύματος από επαγγελματίες υγείας ή εκπαιδευμένους εκπροσώπους του ιδρύματος. Το μοντέλο 1115 του φορείου **Prime Series** της Stryker με τροχό **Big Wheel** ελαττώνει την απαιτούμενη ισχύ για την εκκίνηση και την προσπάθεια καθοδήγησης, μειώνοντας τη σωματική καταπόνηση.

Ενδείξεις χρήσης

Το φορείο **Prime Series** με τροχό **Big Wheel** διαθέτει δύο μεγάλους τροχούς για τη μείωση της ισχύος εκκίνησης που απαιτείται για τη μετακίνηση του φορείου.

Το φορείο **Prime Series** μπορεί να χρησιμοποιηθεί ως πλατφόρμα για βραχυχρόνια κλινική αξιολόγηση, θεραπεία, ελάσσονα επέμβαση και βραχυχρόνια ανάνηψη εξωτερικών ασθενών. Στις χρήσεις του φορείου μπορεί να συγκαταλέγονται, μεταξύ άλλων, οι εξής:

- Τμήμα επειγόντων περιστατικών (ΤΕΠ)
- Κέντρο τραύματος
- Μονάδα μεταναισθητικής φροντίδας (ΜΜΑΦ)

Το φορείο **Prime Series** μπορεί να χρησιμοποιηθεί για ελάσσονες επεμβάσεις και βραχυχρόνια παραμονή (θεραπεία και ανάνηψη). Δείτε τον πίνακα των προδιαγραφών για τις συνθήκες περιβάλλοντος για τις οποίες προορίζεται.

Το φορείο **Prime Series** της Stryker δεν έχει αξιολογηθεί ως προς τη συμμόρφωση με το πρότυπο για κλίνες BS EN 50637. Αυτό το προϊόν δεν προορίζεται για χρήση για τη βραχυχρόνια παραμονή παιδιατρικών ασθενών ή ενηλίκων ασθενών με άτυπη ανατομία, σε αγορές που αναγνωρίζουν αυτό το πρότυπο για κλίνες για τη λήψη άδειας κυκλοφορίας

Το φορείο **Prime Series** δεν προορίζεται για χρήση στη μακροχρόνια θεραπεία και ανάνηψη ενδοσκομομειακών ασθενών.

Το φορείο **Prime Series** έχει ασφαλές φορτίο λειτουργίας έως και 700 λίβρες (318 κιλά) και προορίζεται για χρήση σε όλους τους ασθενείς, συμπεριλαμβανομένων όσων πάσχουν από ήπια νόσο έως όσους βρίσκονται σε κρίσιμη κατάσταση. Το φορείο μπορεί επίσης να χρησιμοποιηθεί για τη μεταφορά αποθανόντων ασθενών εντός του χώρου του νοσοκομειακού ιδρύματος.

Ο προαιρετικός εξοπλισμός **Prime X®** παρέχει ένα αρθρωτό ακτινογραφικό στρώμα κατάκλισης και μια πλατφόρμα κάτω από το στρώμα κατάκλισης του ασθενούς για την τοποθέτηση ακτινογραφικής κασέτας. Ο προαιρετικός εξοπλισμός **Prime X** προορίζεται για να επιτρέψει τη λήψη κλινικών ακτινογραφιών (προσθιοπίσθια ολόκληρου του σώματος, προαιρετική πλάγια ολόκληρου του σώματος και προαιρετική θώρακα σε όρθια θέση) όταν χρησιμοποιείται με ιατρικό ακτινογραφικό σύστημα.

Κλινικά οφέλη

Μεταφορά ασθενών και διευκόλυνση θεραπείας και εκτέλεσης διαγνωστικών διαδικασιών

Αντενδείξεις

Δεν συνιστάται η χρήση του προαιρετικού εξοπλισμού **Prime X** με στρώμα πάχους μεγαλύτερου από τέσσερις ίντσες (10 εκ.).

Ο προαιρετικός εξοπλισμός **Prime X** δεν είναι συμβατός για χρήση με βραχίονα C.

Ο προαιρετικός εξοπλισμός **Prime X** προορίζεται για χρήση σε όλες τις εγκαταστάσεις, εκτός των εγκαταστάσεων κατ' οίκον φροντίδας υγείας, των οικιακών εγκαταστάσεων και εκείνων που συνδέονται απευθείας με το δημόσιο δίκτυο παροχής ρεύματος χαμηλής τάσης, το οποίο τροφοδοτεί τα κτίρια που χρησιμοποιούνται ως κατοικίες.

Αναμενόμενη διάρκεια ζωής

Το φορείο **Prime Series** και το φορείο **Prime Series** με τον προαιρετικό εξοπλισμό **Prime X** έχουν αναμενόμενη διάρκεια ζωής 10 έτη, υπό φυσιολογικές συνθήκες χρήσης και με την κατάλληλη περιοδική συντήρηση.

Απόρριψη/ανακύκλωση

Θα πρέπει πάντοτε τις ισχύουσες τοπικές συστάσεις ή/και κανονισμούς σχετικά με την προστασία του περιβάλλοντος και τους κινδύνους που αφορούν την ανακύκλωση και την απόρριψη του εξοπλισμού στο τέλος της ωφέλιμης διάρκειας ζωής του.

Προδιαγραφές

	Prime Series πλάτους 26 ιντσών (66 εκ.)		Prime Series πλάτους 30 ιντσών (76 εκ.) Συσκευασίες Prime Series HT		Προαιρετικός εξοπλισμός Prime X πλάτους 30 ιντσών (76 εκ.)	
 Σημείωση - Το ασφαλές φορτίο λειτουργίας περιλαμβάνει το συνολικό βάρος ασθενούς, στρώματος και παρελκομένων.	700 λίβρες	318 κιλά	700 λίβρες	318 κιλά	700 λίβρες	318 κιλά
 Μέγιστο βάρος ασθενούς	675 λίβρες	306 κιλά	675 λίβρες	306 κιλά	675 λίβρες	306 κιλά
Συνολικό μήκος	85 ίντσες (± 0,5 ίντσες)	215,9 εκ.	85 ίντσες (± 0,5 ίντσες)	215,9 εκ.	85 ίντσες (± 0,5 ίντσες)	215,9 εκ.

	Prime Series πλάτους 26 ιντσών (66 εκ.)		Prime Series πλάτους 30 ιντσών (76 εκ.) Συσκευασίες Prime Series HT		Προαιρετικός εξοπλισμός Prime X πλάτους 30 ιντσών (76 εκ.)	
Συνολικό μήκος (με την προαιρετική προέκταση του φορείου)	89,9 ίντσες (± 0,75 ίντσες)	228,3 εκ.	89,9 ίντσες (± 0,75 ίντσες)	228,3 εκ.	Δ/Ε	Δ/Ε
Συνολικό πλάτος (με τα πλαϊνά κιγκλιδώματα ανεβασμένα)	34 ίντσες (± 1 ίντσα)	86,4 εκ.	38 ίντσες (± 1 ίντσα)	96,5 εκ.	38 ίντσες (± 1 ίντσα)	96,5 εκ.
Συνολικό πλάτος (με τα πλαϊνά κιγκλιδώματα κατεβασμένα)	30,25 ίντσες (± 0,5 ίντσες)	76,8 εκ.	30,5 ίντσες (± 0,5 ίντσες)	77,5 εκ.	30,5 ίντσες (± 0,5 ίντσες)	77,5 εκ.
Ελάχιστο ύψος	20,75 ίντσες	52,7 εκ.	20,75 ίντσες	52,7 εκ.	23,25 ίντσες	59,1 εκ.
Μέγιστο ύψος	34 ίντσες (± 1 ίντσα)	86,4 εκ.	34 ίντσες (± 1 ίντσα)	86,4 εκ.	36,5 ίντσες (± 1 ίντσα)	92,7 εκ.
Γωνία στηρίγματος πλάτης	0° έως 90° (± 5°)					
Ύψος ανύψωσης γονάτων	Ελάχιστο 5,5 ίντσες (14 εκ.)				Δεν εφαρμόζεται	
Θέση Trendelenburg/ανάστροφη θέση Trendelenburg	+17° έως -17° (± 3°)					
Ελάχιστο διάκενο	Ονομαστική τιμή 2,5 ίντσες	6,4 εκ.	Ονομαστική τιμή 2,5 ίντσες	6,4 εκ.	Ονομαστική τιμή 2,5 ίντσες	6,4 εκ.
	1,75 ίντσες κάτω από τους υδραυλικούς γρύλους	4,5 εκ.	1,75 ίντσες κάτω από τους υδραυλικούς γρύλους	4,5 εκ.	1,75 ίντσες κάτω από τους υδραυλικούς γρύλους	4,5 εκ.
	1 ίντσα κάτω από τον τροχό Big Wheel	2,5 εκ.	1 ίντσα κάτω από τον τροχό Big Wheel	2,5 εκ.	1 ίντσα κάτω από τον τροχό Big Wheel	2,5 εκ.
Ισοδύναμο εξασθένησης (ισοδυναμία αλουμινίου)	Δεν εφαρμόζεται				Η μέγιστη επιτρεπόμενη τιμή είναι 1,7 mm Al	
Εύρος λειτουργίας βάρους του προαιρετικού συστήματος ζυγού	50 λίβρες (22,7 κιλά) έως 700 λίβρες (318 κιλά)					
Ακρίβεια του προαιρετικού συστήματος ζυγού	± 3 λίβρες (1,3 κιλά) για βάρη κάτω από 100 λίβρες (45 κιλά) και ± 3% για βάρη μεγαλύτερα από ή ίσα με 100 λίβρες (45 κιλά) *					
*Για να ικανοποιηθεί η δήλωση ακρίβειας του συστήματος ζυγού, η επιφάνεια του ασθενούς πρέπει να βρίσκεται σε επίπεδη θέση (με το στηρίγμα πλάτης και το κάθισμα κατεβασμένα) και το προϊόν δεν μπορεί να υπερβαίνει τις 5 μοίρες σε θέση Trendelenburg/ανάστροφη θέση Trendelenburg.						

Ηλεκτρικός προαιρετικός εξοπλισμός	Προαιρετικό ηλεκτρικό φορείο (διαθέσιμο μόνο στο Prime)	Προαιρετικός ηλεκτρικός ανυψωτής (διαθέσιμος στον προαιρετικό εξοπλισμό Prime και Prime X)
Ηλεκτρικές απαιτήσεις	120 V AC, 60 Hz, 10 A 240 V AC, 50/60 Hz, 5 A	120 V AC, 60 Hz, 10 A 240 V AC, 50/60 Hz, 5 A
Κύκλος εργασίας	Η συνεχής λειτουργία με διαλείπον φορτίο είναι 1 λεπτό ΕΝΕΡΓΟΠΟΙΗΣΗ/20 λεπτά ΑΠΕΝΕΡΓΟΠΟΙΗΣΗ	Η συνεχής λειτουργία με διαλείπον φορτίο είναι 1 λεπτό ΕΝΕΡΓΟΠΟΙΗΣΗ/20 λεπτά ΑΠΕΝΕΡΓΟΠΟΙΗΣΗ

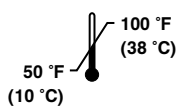
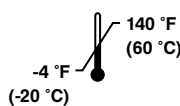
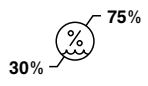
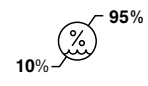
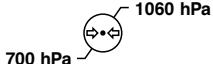
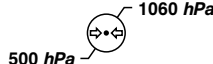
Προαιρετικό σύστημα ζυγού	Μη ηλεκτρικό φορείο (διαθέσιμο στον προαιρετικό εξοπλισμό Prime και Prime X)	Προαιρετικός ηλεκτρικός ανυψωτής (διαθέσιμος στον προαιρετικό εξοπλισμό Prime και Prime X)
Τύπος μπαταρίας	4 μπαταρίες AA (4 X 1,5 V DC) αλκαλικού τύπου (LR6)	4 μπαταρίες AA (4 X 1,5 V DC) αλκαλικού τύπου (LR6)
Τάση μπαταρίας	6,0 VDC	6,0 VDC

Προαιρετικό σύστημα ζυγού	Προαιρετικό ηλεκτρικό φορείο (διαθέσιμο μόνο στο Prime)	Προαιρετικός ηλεκτρικός ανυψωτής
Τύπος μπαταρίας	1 συστοιχία επαναφορτιζόμενων μπαταριών ιόντων λιθίου (0058-135-000)	Δεν εφαρμόζεται
Τάση μπαταρίας	10,8 VDC, 2,4 Ah	Δεν εφαρμόζεται

Προαιρετικό σύστημα ζυγού με Chargeone® (έξοδος από το φορείο)	Προαιρετικό ηλεκτρικό φορείο (διαθέσιμο μόνο στο Prime)	Προαιρετικός ηλεκτρικός ανυψωτής
Τύπος μπαταρίας	1 συστοιχία επαναφορτιζόμενων μπαταριών ιόντων λιθίου (0058-134-000)	Δεν εφαρμόζεται
Τάση μπαταρίας	10,8 VDC, 4,8 Ah	Δεν εφαρμόζεται

Η Stryker διατηρεί το δικαίωμα αλλαγής των προδιαγραφών χωρίς ειδοποίηση.

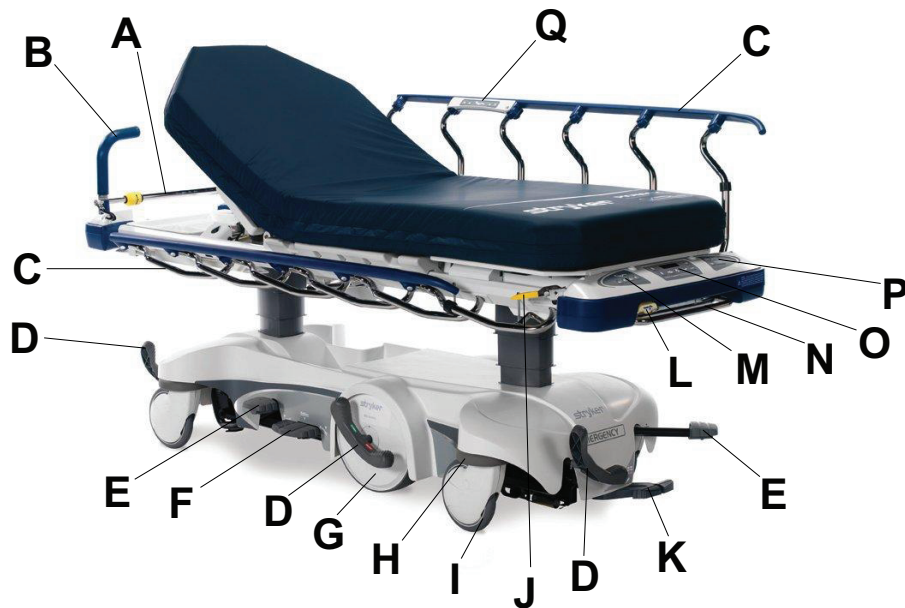
Σημείωση - Αυτό το προϊόν δεν είναι κατάλληλο για χρήση παρουσία μίγματος εύφλεκτου αναισθητικού με αέρα, με οξυγόνο ή με υποξειδίο του αζώτου.

Συνθήκες περιβάλλοντος	Λειτουργία	Αποθήκευση και μεταφορά
Θερμοκρασία		
Σχετική υγρασία		
Ατμοσφαιρική πίεση		

Σημείωση - Το εύρος θερμοκρασιών λειτουργίας του προαιρετικού συστήματος ζυγού (μη ηλεκτρικό φορείο/προαιρετικό ηλεκτρικό φορείο) είναι 61 °F (16 °C) έως 79 °F (26 °C).

Οι προδιαγραφές που αναφέρονται είναι κατά προσέγγιση και ενδέχεται να ποικίλουν ελαφρά από προϊόν σε προϊόν ή βάσει των διακυμάνσεων της τροφοδοσίας.

Απεικόνιση του προϊόντος - Prime



Σχήμα 2 – Prime

A	Στατό ορού	J	Ασφάλεια πλαϊνού κιγκλιδώματος
B	Πτυσσόμενη λαβή ώθησης BackSmart® , προαιρετική	K	Ποδομοχλός υδραυλικής απελευθέρωσης
C	Πλαϊνό κιγκλιδωμά BackSmart	L	Λαβή απελευθέρωσης καθίσματος
D	Ποδομοχλός φρένου/καθοδήγησης	M	Πίνακας ελέγχου χειριστή της πλευράς ποδιών BackSmart , προαιρετικός
E	Ποδομοχλός αντλίας	N	Ράφι αντλίας, προαιρετικό
F	Ποδομοχλός αμφίπλευρου χαμηλώματος	O	Σύστημα ζυγού BackSmart , προαιρετικό
G	Big Wheel	P	Κλειδώμα πίνακα ελέγχου ασθενούς, προαιρετικό
H	Προστατευτικό, ενσωματωμένο	Q	Πίνακας ελέγχου ασθενούς του πλαϊνού κιγκλιδώματος, προαιρετικός
I	Τροχίσκος με ενσωματωμένο κάλυμμα τροχών		

Απεικόνιση του προϊόντος - προαιρετικός εξοπλισμός Prime X



Σχήμα 3 – Προαιρετικός εξοπλισμός Prime X

A	Πτυσσόμενη λαβή ώθησης BackSmart® , προαιρετική	H	Ποδομοχλός αμφίπλευρου χαμηλώματος
B	Στατό ορού	I	Προστατευτικό, ενσωματωμένο
C	Δίσκος κασέτας	J	Τροχίσκος με ενσωματωμένο κάλυμμα τροχών
D	Επιφάνεια ασθενούς με πλατφόρμα Clearview Technology®	K	Ασφάλεια πλαινού κιγκλιδώματος
E	Πλαινό κιγκλιδωμά BackSmart	L	Ράφι αντλίας, προαιρετικό
F	Ποδομοχλός χειριστηρίου φρένου/καθοδήγησης	M	Σύστημα ζυγού BackSmart , προαιρετικό
G	Ποδομοχλός αντλίας		

Εφαρμοζόμενα εξαρτήματα - προαιρετικό ηλεκτρικό φορείο



Σχήμα 4 – Εφαρμοζόμενα εξαρτήματα τύπου Β - προαιρετικό ηλεκτρικό φορείο

Εφαρμοζόμενα εξαρτήματα - προαιρετικός εξοπλισμός Prime X



Σχήμα 5 – Εφαρμοζόμενα εξαρτήματα τύπου Β - προαιρετικός εξοπλισμός Prime X

Στοιχεία επικοινωνίας

Επικοινωνήστε με το τμήμα εξυπηρέτησης πελατών ή με το τμήμα τεχνικής υποστήριξης της Stryker στο: 1-800-327-0770.

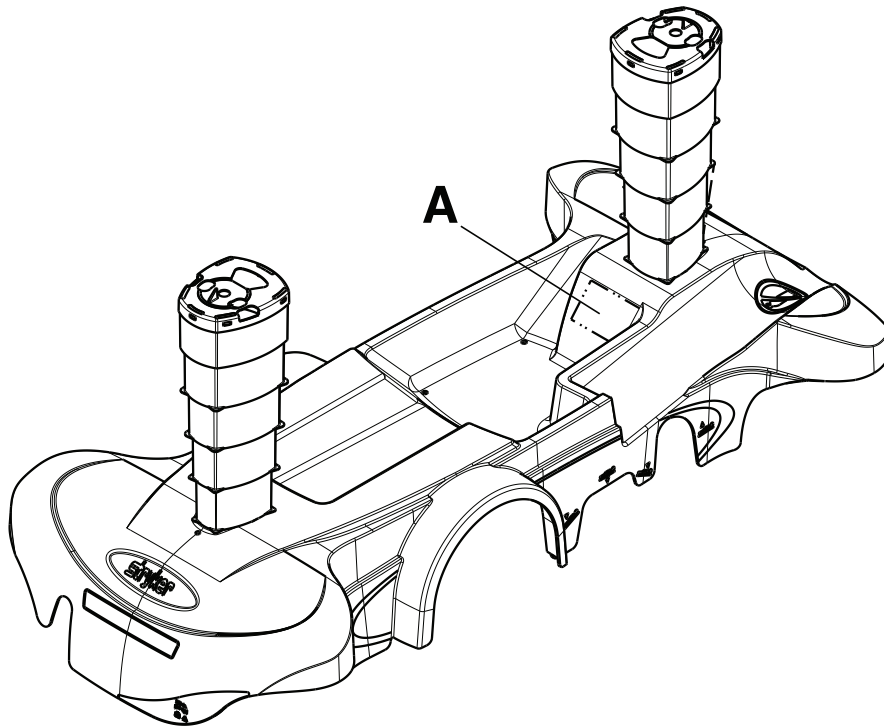
Stryker Medical
3800 E. Centre Avenue
Portage, MI 49002
Η.Π.Α.

Σημείωση - Ο χρήστης ή/και ο ασθενής θα πρέπει να αναφέρουν τυχόν σοβαρά περιστατικά που σχετίζονται με το προϊόν τόσο στον κατασκευαστή όσο και στην αρμόδια αρχή του ευρωπαϊκού κράτους μέλους όπου είναι εγκατεστημένος ο χρήστης ή/και ο ασθενής.

Για να δείτε το εγχειρίδιο λειτουργιών ή συντήρησης στο διαδίκτυο, πηγαίστε στη διεύθυνση <https://techweb.stryker.com/>.

Έχετε πρόχειρο τον αριθμό σειράς (A) του προϊόντος της Stryker όταν καλείτε το τμήμα εξυπηρέτησης πελατών ή το τμήμα τεχνικής υποστήριξης της Stryker. Σε κάθε γραπτή επικοινωνία πρέπει να συμπεριλαμβάνεται ο αριθμός σειράς.

Θέση αριθμού σειράς



Σχήμα 6 – Θέση αριθμού σειράς

Θέση σε υπηρεσία

Για την αποσυσκευασία του προϊόντος σας, δείτε τις οδηγίες αποσυσκευασίας που επισυνάπτονται στο προϊόν, μέσα στο κιβώτιο αποστολής.

ΠΡΟΕΙΔΟΠΟΙΗΣΗ

- Να αφήνετε πάντοτε το προϊόν να φθάσει σε θερμοκρασία δωματίου πριν από την προετοιμασία του προϊόντος για χρήση ή τη δοκιμή των λειτουργιών του. Μπορεί να προκληθεί μόνιμη ζημιά του προϊόντος.
 - Να χειρίζεστε πάντοτε το προϊόν όταν όλοι οι χειριστές βρίσκονται σε ασφαλή απόσταση από τους μηχανισμούς.
 - Να είστε πάντοτε προσεκτικοί κατά τον χειρισμό του καλωδίου ρεύματος. Μπορεί να προκληθεί εμπλοκή, ζημιά στο καλώδιο ρεύματος ή δυνητικοί κίνδυνοι ηλεκτροπληξίας. Εάν το καλώδιο ρεύματος έχει υποστεί ζημιά, διακόψτε αμέσως τη χρήση του προϊόντος και επικοινωνήστε με το κατάλληλο προσωπικό του τμήματος συντήρησης.
 - Να συνδέετε πάντοτε το προϊόν απευθείας σε γειωμένη επιτοίχια πρίζα νοσοκομειακού τύπου. Μπορείτε να επιτύχετε αξιόπιστη γείωση μόνο όταν χρησιμοποιείτε πρίζα νοσοκομειακού τύπου. Αυτό το προϊόν διαθέτει βύσμα νοσοκομειακού τύπου, για προστασία έναντι τυχόν κινδύνου ηλεκτροπληξίας.
-

Βεβαιωθείτε ότι το προϊόν λειτουργεί προτού το θέσετε σε χρήση.

1. Εφαρμόστε το φρένο. Σπρώξτε το προϊόν για να βεβαιωθείτε ότι και οι τέσσερις τροχίσκοι είναι ασφαλισμένοι.
2. Απελευθερώστε το φρένο. Σπρώξτε το προϊόν για να βεβαιωθείτε ότι και οι τέσσερις τροχίσκοι είναι απασφαλισμένοι.
3. Ανυψώστε και χαμηλώστε το φορείο με το υδραυλικό σύστημα ανύψωσης.
4. Ανυψώστε το προϊόν στην υψηλότερη θέση και τοποθετήστε το προϊόν στη θέση Trendelenburg (βλ. *Τοποθέτηση του προϊόντος σε θέση Trendelenburg* (σελίδα 19)). Βεβαιωθείτε ότι η πλευρά κεφαλής χαμηλώνει έως την πλήρως χαμηλωμένη θέση.
5. Ανυψώστε το προϊόν μέχρι την υψηλότερη θέση και τοποθετήστε το προϊόν στην ανάστροφη θέση Trendelenburg (βλ. *Τοποθέτηση του προϊόντος σε ανάστροφη θέση Trendelenburg* (σελίδα 19)). Βεβαιωθείτε ότι η πλευρά ποδιών χαμηλώνει μέχρι την πλήρως χαμηλωμένη θέση.
6. Ενεργοποιήστε τον τροχό **Big Wheel** και βεβαιωθείτε ότι λειτουργεί.
7. Βεβαιωθείτε ότι τα πλαϊνά κιγκλιδώματα ανυψώνονται, χαμηλώνουν και ασφαλίζουν στη θέση τους.
8. Ανυψώστε και χαμηλώστε το χειροκίνητο στήριγμα πλάτης (πλευρά κεφαλής).
9. Ανυψώστε και χαμηλώστε το χειροκίνητο κάθισμα (πλευρά ποδιών).

Για προϊόν με τον προαιρετικό ηλεκτρικό ανυψωτή ή το ηλεκτρικό φορείο:

1. Συμπληρώστε την παραπάνω λίστα ελέγχου ρύθμισης.
2. Συνδέστε το προϊόν σε γειωμένη επιτοίχια πρίζα νοσοκομειακού τύπου. Βεβαιωθείτε ότι οι λυχνίες LED ανάβουν στο πληκτρολόγιο κλειδώματος.
3. Βεβαιωθείτε ότι όλες οι λειτουργίες στον προαιρετικό πίνακα ελέγχου ασθενούς του πλαϊνού κιγκλιδώματος λειτουργούν.
4. Βεβαιωθείτε ότι όλες οι λειτουργίες στον προαιρετικό πίνακα ελέγχου χειριστή της πλευράς ποδιών λειτουργούν.
5. Ανυψώστε και χαμηλώστε το ηλεκτρικό στήριγμα πλάτης (πλευρά κεφαλής).
6. Ανυψώστε και χαμηλώστε το ηλεκτρικό κάθισμα (πλευρά ποδιών).

Για προϊόν με την προαιρετική επιλογή του συστήματος ζυγού-ηλεκτρικού φορείου (με ή χωρίς την επιλογή **Chaperone**):

1. Συμπληρώστε την παραπάνω λίστα ελέγχου ρύθμισης.
2. Φορτίστε τις μπαταρίες (*Φόρτιση του πακέτου μπαταριών του προαιρετικού συστήματος ζυγού - προαιρετικό ηλεκτρικό φορείο ή προαιρετικό ηλεκτρικό φορείο με την επιλογή Chaperone - μόνο για το Prime* (σελίδα 33)).

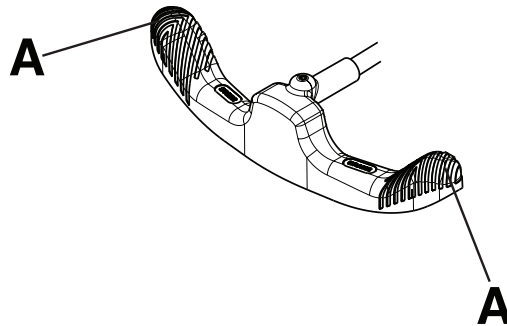
Λειτουργία

Εφαρμογή και απελευθέρωση των φρένων

ΠΡΟΕΙΔΟΠΟΙΗΣΗ - Να εφαρμόζετε πάντοτε τα φρένα όταν ο ασθενής ανεβαίνει ή κατεβαίνει από το προϊόν ή όταν το προϊόν δεν κινείται. Θα μπορούσε να προκληθεί τραυματισμός εάν μετακινηθεί το προϊόν ενόσω ο ασθενής ανεβαίνει ή κατεβαίνει από το προϊόν.

Για να εφαρμόσετε τα φρένα, πατήστε την πλευρά φρένου (κόκκινη) του ποδομοχλού φρένου/καθοδήγησης. Σπρώξτε το προϊόν για να βεβαιωθείτε ότι τα φρένα λειτουργούν.

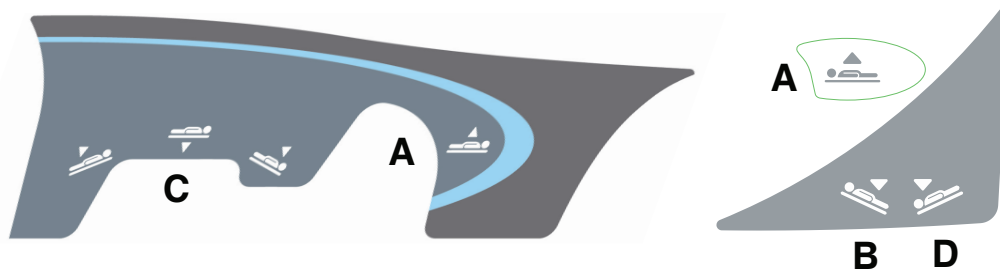
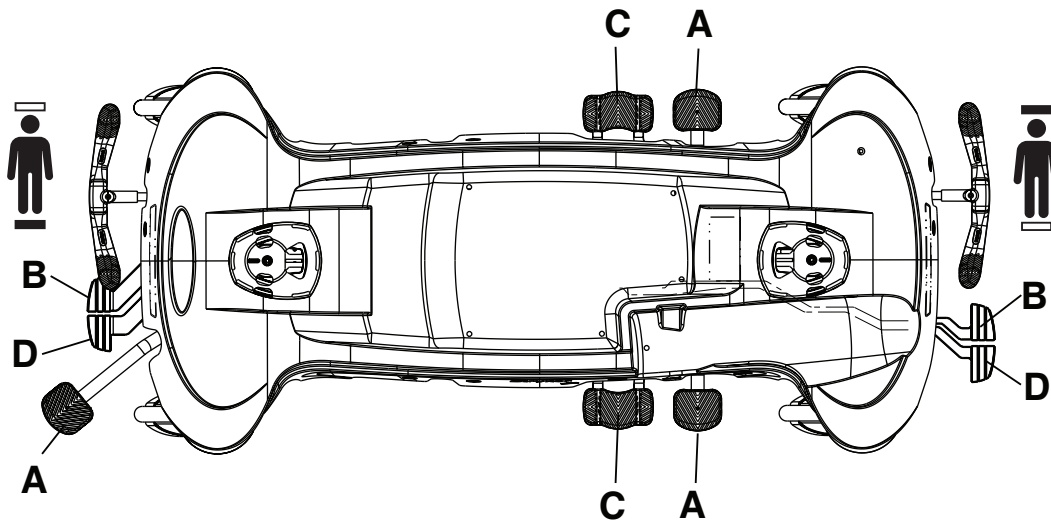
Για να απελευθερώσετε τα φρένα, πατήστε την πλευρά καθοδήγησης (πράσινη) του ποδομοχλού φρένου/καθοδήγησης.



Σχήμα 7 – Λειτουργία του ποδομοχλού φρένου/καθοδήγησης

Σημείωση - Μην πιέζετε προς τα κάτω το κεντρικό τμήμα του ποδομοχλού φρένου/καθοδήγησης. Πιέζετε πάντα προς τα κάτω από την εξωτερική πλευρά (A) του ποδομοχλού φρένου/καθοδήγησης (Σχήμα 7).

Χειριστήρια βάσης Prime



Σχήμα 8 – Χειριστήρια και επισήμανση βάσης Prime

Ανύψωση του μη ηλεκτρικού φορείου

ΠΡΟΕΙΔΟΠΟΙΗΣΗ

- Να τοποθετείτε πάντοτε τον ασθενή στο κέντρο του προϊόντος.
- Να τοποθετείτε πάντοτε το προϊόν στη χαμηλότερη θέση, με τα πλαϊνά κιγκλιδώματα ανεβασμένα και ασφαλισμένα, όταν αφήνετε ασθενή χωρίς επιτήρηση. Μην αφήνετε το προϊόν σε μεγαλύτερο ύψος.
- Να αφαιρείτε πάντοτε τυχόν συσκευές που μπορεί να εμποδίζουν προτού ανυψώσετε ή χαμηλώσετε το φορείο.
- Μην κάθεστε στην άκρη του προϊόντος. Το προϊόν μπορεί να ανατραπεί.

ΠΡΟΣΟΧΗ - Μη χρησιμοποιείτε τα υδραυλικά συστήματα στη βάση για την ανύψωση του προϊόντος με σύστημα ανύψωσης ασθενούς κάτω από το προϊόν.

Για να ανυψώσετε το φορείο, πιέστε προς τα κάτω τον ποδομοχλό της αντλίας (A) μέχρι να φθάσετε στο επιθυμητό ύψος (Χειριστήρια βάσης Prime (σελίδα 17)).

Χαμήλωμα του μη ηλεκτρικού φορείου

ΠΡΟΕΙΔΟΠΟΙΗΣΗ

- Να τοποθετείτε πάντοτε τον ασθενή στο κέντρο του προϊόντος.
- Να τοποθετείτε πάντοτε το προϊόν στη χαμηλότερη θέση, με τα πλαϊνά κιγκλιδώματα ανεβασμένα και ασφαλισμένα, όταν αφήνετε ασθενή χωρίς επιτήρηση. Μην αφήνετε το προϊόν σε μεγαλύτερο ύψος.
- Να αφαιρείτε πάντοτε τυχόν συσκευές που μπορεί να εμποδίζουν προτού ανυψώσετε ή χαμηλώσετε το φορείο.

- Μην κάθεστε στην άκρη του προϊόντος. Το προϊόν μπορεί να ανατραπεί.
-

ΠΡΟΣΟΧΗ - Μη χρησιμοποιείτε τα υδραυλικά συστήματα στη βάση για την ανύψωση του προϊόντος με σύστημα ανύψωσης ασθενούς κάτω από το προϊόν.

Για να χαμηλώσετε ολόκληρο το φορείο, πιέστε προς τα κάτω το κεντρικό τμήμα του ποδομοχλού αμφίπλευρου χαμηλώματος (C) (*Χειριστήρια βάσης Prime* (σελίδα 17)).

Για να χαμηλώσετε την πλευρά κεφαλής του φορείου, πιέστε προς τα κάτω τον ποδομοχλό (B) ή το πλευρικό τμήμα του ποδομοχλού αμφίπλευρου χαμηλώματος (C) που βρίσκεται πιο κοντά στην πλευρά κεφαλής του προϊόντος.

Για να χαμηλώσετε την πλευρά ποδιών του φορείου, πιέστε προς τα κάτω τον ποδομοχλό (D) ή πιέστε προς τα κάτω το πλευρικό τμήμα του ποδομοχλού αμφίπλευρου χαμηλώματος (C) που βρίσκεται πιο κοντά στην πλευρά ποδιών του προϊόντος.

Ανύψωση του προαιρετικού ηλεκτρικού φορείου

ΠΡΟΕΙΔΟΠΟΙΗΣΗ

- Να τοποθετείτε πάντοτε τον ασθενή στο κέντρο του προϊόντος.
 - Να τοποθετείτε πάντοτε το προϊόν στη χαμηλότερη θέση, με τα πλαϊνά κιγκλιδώματα ανεβασμένα και ασφαλισμένα, όταν αφήνετε ασθενή χωρίς επιτήρηση. Μην αφήνετε το προϊόν σε μεγαλύτερο ύψος.
 - Να αφαιρείτε πάντοτε τυχόν συσκευές που μπορεί να εμποδίζουν προτού ανυψώσετε ή χαμηλώσετε το φορείο.
 - Μην κάθεστε στην άκρη του προϊόντος. Το προϊόν μπορεί να ανατραπεί.
-

ΠΡΟΣΟΧΗ - Μη χρησιμοποιείτε τα υδραυλικά συστήματα στη βάση για την ανύψωση του προϊόντος με σύστημα ανύψωσης ασθενούς κάτω από το προϊόν.

Για την ανύψωση του ηλεκτρικού φορείου, πιέστε προς τα κάτω τον ποδομοχλό της αντλίας (A) μέχρι να φθάσετε στο επιθυμητό ύψος (*Χειριστήρια βάσης Prime* (σελίδα 17)).

Χαμήλωμα του προαιρετικού ηλεκτρικού φορείου

ΠΡΟΕΙΔΟΠΟΙΗΣΗ

- Να τοποθετείτε πάντοτε τον ασθενή στο κέντρο του προϊόντος.
 - Να τοποθετείτε πάντοτε το προϊόν στη χαμηλότερη θέση, με τα πλαϊνά κιγκλιδώματα ανεβασμένα και ασφαλισμένα, όταν αφήνετε ασθενή χωρίς επιτήρηση. Μην αφήνετε το προϊόν σε μεγαλύτερο ύψος.
 - Να αφαιρείτε πάντοτε τυχόν συσκευές που μπορεί να εμποδίζουν προτού ανυψώσετε ή χαμηλώσετε το φορείο.
 - Μην κάθεστε στην άκρη του προϊόντος. Το προϊόν μπορεί να ανατραπεί.
-

ΠΡΟΣΟΧΗ - Μη χρησιμοποιείτε τα υδραυλικά συστήματα στη βάση για την ανύψωση του προϊόντος με σύστημα ανύψωσης ασθενούς κάτω από το προϊόν.

Για χαμήλωμα ολόκληρου του ηλεκτρικού φορείου, πιέστε το κεντρικό τμήμα του ποδομοχλού αμφίπλευρου χαμηλώματος (C) (*Χειριστήρια βάσης Prime* (σελίδα 17)).

Για να χαμηλώσετε την πλευρά κεφαλής του φορείου, πιέστε προς τα κάτω τον ποδομοχλό (B) ή πιέστε προς τα κάτω το πλευρικό τμήμα του ποδομοχλού αμφίπλευρου χαμηλώματος (C) που βρίσκεται πιο κοντά στην πλευρά κεφαλής του προϊόντος.

Για να χαμηλώσετε την πλευρά ποδιών του φορείου, πιέστε προς τα κάτω τον ποδομοχλό (D) ή πιέστε προς τα κάτω το πλευρικό τμήμα του ποδομοχλού αμφίπλευρου χαμηλώματος (C) που βρίσκεται πιο κοντά στην πλευρά ποδιών του προϊόντος.

Τοποθέτηση του προϊόντος σε θέση Trendelenburg

ΠΡΟΕΙΔΟΠΟΙΗΣΗ - Να αφαιρείτε πάντοτε τυχόν συσκευές που μπορεί να εμποδίζουν προτού ανυψώσετε ή χαμηλώσετε το φορείο.

ΠΡΟΣΟΧΗ - Μη χρησιμοποιείτε τα υδραυλικά συστήματα στη βάση για την ανύψωση του προϊόντος με σύστημα ανύψωσης ασθενούς κάτω από το προϊόν.

Για να τοποθετήσετε το προϊόν στη θέση Trendelenburg (το κεφάλι προς τα κάτω), ανυψώστε το φορείο στην υψηλότερη θέση του (*Ανύψωση του μη ηλεκτρικού φορείου* (σελίδα 17) ή *Ανύψωση του προαιρετικού ηλεκτρικού φορείου* (σελίδα 18)).

Σημείωση - Ανυψώστε το φορείο στην υψηλότερη θέση του, για μεγαλύτερη γωνία Trendelenburg.

Για να χαμηλώσετε την πλευρά κεφαλής του προϊόντος, πιέστε προς τα κάτω τον ποδομοχλό απελευθέρωσης της πλευράς κεφαλής ή της πλευράς ποδιών (D) ή πιέστε προς τα κάτω το πλευρικό τμήμα του ποδομοχλού αμφίπλευρου χαμηλώματος (C) που βρίσκεται πιο κοντά στην πλευρά κεφαλής (*Χειριστήρια βάσης Prime* (σελίδα 17)).

Για να χαμηλώσετε το προϊόν από τη θέση Trendelenburg, πιέστε προς τα κάτω τους ποδομοχλούς απελευθέρωσης της πλευράς κεφαλής και της πλευράς ποδιών (B και D) ταυτόχρονα ή πιέστε προς τα κάτω το κεντρικό τμήμα του ποδομοχλού αμφίπλευρου χαμηλώματος (C) μέχρι το φορείο να γίνει επίπεδο.

Τοποθέτηση του προϊόντος σε ανάστροφη θέση Trendelenburg

ΠΡΟΕΙΔΟΠΟΙΗΣΗ - Να αφαιρείτε πάντοτε τυχόν συσκευές που μπορεί να εμποδίζουν προτού ανυψώσετε ή χαμηλώσετε το φορείο.

ΠΡΟΣΟΧΗ - Μη χρησιμοποιείτε τα υδραυλικά συστήματα στη βάση για την ανύψωση του προϊόντος με σύστημα ανύψωσης ασθενούς κάτω από το προϊόν.

Για να τοποθετήσετε το προϊόν στην ανάστροφη θέση Trendelenburg (τα πόδια προς τα κάτω), ανυψώστε το φορείο στην υψηλότερη θέση του (*Ανύψωση του μη ηλεκτρικού φορείου* (σελίδα 17) ή *Ανύψωση του προαιρετικού ηλεκτρικού φορείου* (σελίδα 18)).

Σημείωση - Ανυψώστε το φορείο στην υψηλότερη θέση του, για μεγαλύτερη γωνία Trendelenburg.

Για να χαμηλώσετε την πλευρά ποδιών του προϊόντος, πιέστε προς τα κάτω τον ποδομοχλό απελευθέρωσης της πλευράς κεφαλής ή της πλευράς ποδιών (B) ή πιέστε προς τα κάτω το πλευρικό τμήμα του ποδομοχλού αμφίπλευρου χαμηλώματος (C) που βρίσκεται πιο κοντά στην πλευρά ποδιών (*Χειριστήρια βάσης Prime* (σελίδα 17)).

Για να χαμηλώσετε το προϊόν από την ανάστροφη θέση Trendelenburg, πιέστε προς τα κάτω τους ποδομοχλούς απελευθέρωσης της πλευράς κεφαλής και της πλευράς ποδιών (B και D) ταυτόχρονα ή πιέστε προς τα κάτω το κεντρικό τμήμα του ποδομοχλού αμφίπλευρου χαμηλώματος (C) μέχρι το φορείο να γίνει επίπεδο.

Μεταφορά ασθενούς

ΠΡΟΕΙΔΟΠΟΙΗΣΗ

- Να τοποθετείτε πάντοτε τον ασθενή στο κέντρο του προϊόντος.
 - Να ασφαρίζετε πάντοτε τα πλαϊνά κιγκλιδώματα στην πλήρως επάνω θέση, με την επιφάνεια ύπνου οριζόντια και στη χαμηλότερη θέση, κατά τη μεταφορά ενός ασθενούς.
 - Μη μεταφέρετε το προϊόν πλαγίως σε επιφάνειες με κλίση μεγαλύτερη από 5,7 μοίρες (κλίση 10%) για να αποφευχθεί το ενδεχόμενο ανατροπής του προϊόντος.
-

Για τη μεταφορά ασθενούς:

1. Ανασηκώστε τα πλαϊνά κιγκλιδώματα μέχρι την υψηλότερη θέση. Τραβήξτε το πλαϊνό κιγκλίδωμα για να βεβαιωθείτε ότι έχει ασφαλίσει.

2. Χαμηλώστε το φορείο στη χαμηλότερη θέση.
3. Βγάλτε το καλώδιο ρεύματος από την επιτοίχια πρίζα εάν το προϊόν σας διαθέτει τον προαιρετικό ηλεκτρικό ανυψωτή ή το προαιρετικό ηλεκτρικό φορείο.
4. Σπρώξτε προς τα κάτω την πλευρά καθοδήγησης (πράσινη) του ποδομοχλού φρένων/καθοδήγησης.
5. Χρησιμοποιήστε τις λαβές ώθησης για να ωθήσετε το προϊόν.
6. Εφαρμόστε τα φρένα για να ασφαλίσετε το προϊόν στη θέση του.

Σημείωση - Πριν μετακινήσετε το προϊόν, να επιβεβαιώνετε πάντοτε ότι τα φρένα έχουν απελευθερωθεί πλήρως, για να αποτρέψετε τυχόν τραυματισμό του χειριστή ή του ασθενούς.

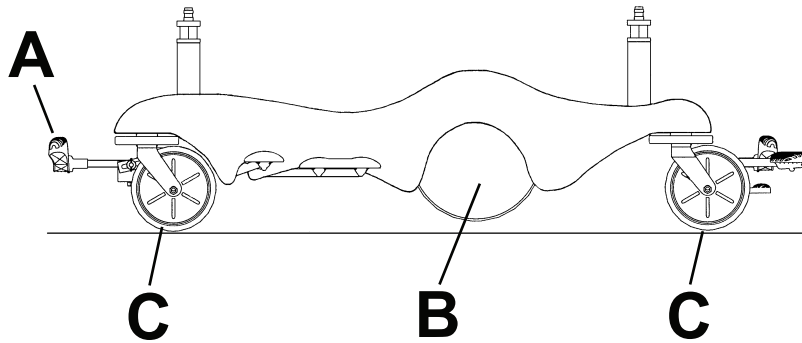
Μεταφορά ασθενούς χωρίς τροχό Big Wheel

ΠΡΟΕΙΔΟΠΟΙΗΣΗ

- Να τοποθετείτε πάντοτε τον ασθενή στο κέντρο του προϊόντος.
- Να ασφαρίζετε πάντοτε τα πλαϊνά κιγκλιδώματα στην πλήρως επάνω θέση, με την επιφάνεια ύπνου οριζόντια και στη χαμηλότερη θέση, κατά τη μεταφορά ενός ασθενούς.

Για τη μεταφορά ασθενούς χωρίς τροχό **Big Wheel**:

1. Θέστε τον ποδομοχλό φρένου/καθοδήγησης (A) στην ουδέτερη θέση (Σχήμα 9).



Σχήμα 9 – Μεταφορά χωρίς τροχό Big Wheel

2. Χαμηλώστε το φορείο στη χαμηλότερη θέση.
3. Για το μοντέλο 1125 μόνο, βεβαιωθείτε ότι ο διακόπτης ενεργοποίησης για υποβοήθηση κίνησης-απενεργοποίησης για χειροκίνητη μετακίνηση (On/Drive-Off/Manual) βρίσκεται στη θέση απενεργοποίησης (Off).
4. Βγάλτε το καλώδιο ρεύματος από την επιτοίχια πρίζα νοσοκομειακού τύπου, εάν το προϊόν σας διαθέτει τον προαιρετικό ηλεκτρικό ανυψωτή ή το προαιρετικό ηλεκτρικό φορείο.
5. Χρησιμοποιήστε τις λαβές ώθησης για να ωθήσετε το προϊόν.
6. Εφαρμόστε τα φρένα για να ασφαλίσετε το προϊόν στη θέση του.

Σημείωση

- Πριν μετακινήσετε το προϊόν, να επιβεβαιώνετε πάντοτε ότι τα φρένα έχουν απελευθερωθεί πλήρως, για να αποτρέψετε τυχόν τραυματισμό του χειριστή ή του ασθενούς.
- Με το προϊόν στην ουδέτερη θέση, ο τροχός **Big Wheel** (B) είναι ανυψωμένος και το προϊόν στηρίζεται και στους τέσσερις τροχίσκους (C) (Σχήμα 9). Σε αυτήν τη θέση, μπορείτε να μετακινήσετε το προϊόν προς οποιαδήποτε κατεύθυνση, και πλευρικά.

Μεταφορά ασθενούς με τροχό Big Wheel

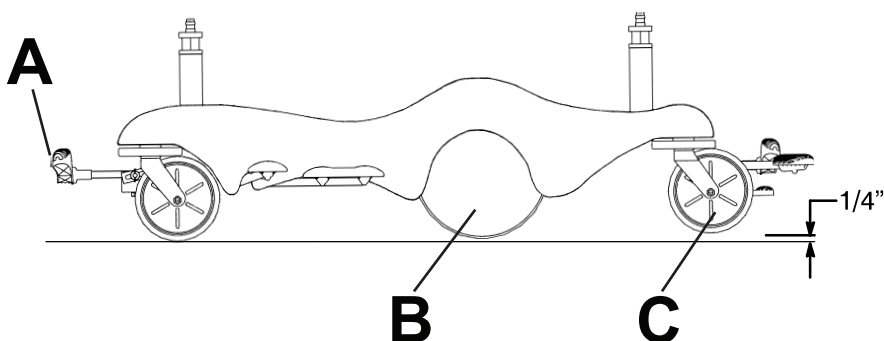
ΠΡΟΕΙΔΟΠΟΙΗΣΗ

- Να τοποθετείτε πάντοτε τον ασθενή στο κέντρο του προϊόντος.
- Να ασφαρίζετε πάντοτε τα πλαϊνά κιγκλιδώματα στην πλήρως επάνω θέση, με την επιφάνεια ύπνου οριζόντια και στη χαμηλότερη θέση, κατά τη μεταφορά ενός ασθενούς.

ΠΡΟΣΟΧΗ - Μην εφαρμόζετε τον ποδομοχλό καθοδήγησης όταν ο τροχός **Big Wheel** ακουμπά σε κατώφλι ή σε άλλη ανυψωμένη επιφάνεια. Η δύναμη που θα απαιτηθεί για την εφαρμογή του τροχού **Big Wheel** θα είναι υψηλότερη από τη φυσιολογική, η οποία μπορεί να προκαλέσει ζημιά του προϊόντος.

Για τη μεταφορά ασθενούς με τροχό **Big Wheel**:

1. Ανασηκώστε τα πλαϊνά κιγκλιδώματα μέχρι την υψηλότερη θέση. Τραβήξτε και τα δύο πλαϊνά κιγκλιδώματα για να βεβαιωθείτε ότι έχουν ασφαλίσει.
2. Χαμηλώστε το φορείο στη χαμηλότερη θέση.
3. Για το μοντέλο 1125 μόνο, βεβαιωθείτε ότι ο διακόπτης ενεργοποίησης για υποβοήθηση κίνησης-απενεργοποίησης για χειροκίνητη μετακίνηση (On/Drive-Off/Manual) βρίσκεται στη θέση απενεργοποίησης (Off).
4. Βγάλτε το καλώδιο ρεύματος από την επιτοίχια πρίζα νοσοκομειακού τύπου, εάν το προϊόν σας διαθέτει τον προαιρετικό ηλεκτρικό ανυψωτή ή το προαιρετικό ηλεκτρικό φορείο.
5. Θέστε τον ποδομοχλό φρένου/καθοδήγησης (A) στη θέση καθοδήγησης (Σχήμα 10).



Σχήμα 10 – Μεταφορά με τροχό Big Wheel

6. Χρησιμοποιήστε τις λαβές ώθησης για να ωθήσετε το προϊόν.
7. Εφαρμόστε τα φρένα για να ασφαλίσετε το προϊόν στη θέση του.

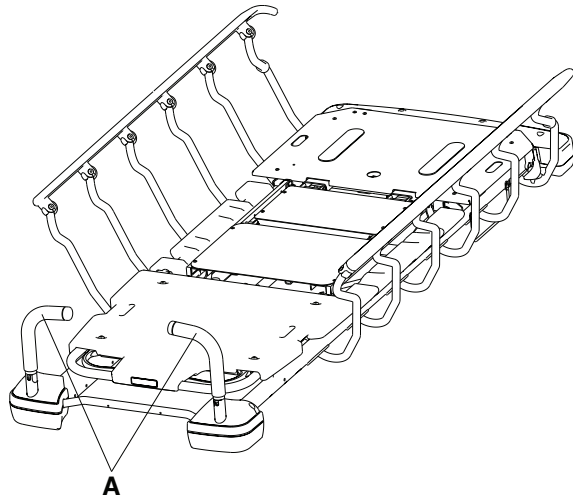
Σημείωση

- Πριν επιχειρήσετε να μετακινήσετε το προϊόν, να επιβεβαιώνετε πάντοτε ότι τα φρένα έχουν απελευθερωθεί. Εάν επιχειρήσετε να μετακινήσετε το προϊόν με τα φρένα ενεργοποιημένα, μπορεί να προκληθεί τραυματισμός του χειριστή ή του ασθενούς.
- Ο τροχός **Big Wheel** (B) δεν περιστρέφεται. Δεν μπορείτε να μετακινήσετε πλευρικά το προϊόν με τον τροχό **Big Wheel** ενεργοποιημένο.
- Όταν ο τροχός **Big Wheel** (B) είναι ενεργοποιημένος, το προϊόν είναι ανασηκωμένο και οι τροχίσκοι της πλευράς ποδιών (C) είναι ανυψωμένοι. Το προϊόν στηρίζεται πάνω στους τροχίσκους της πλευράς κεφαλής και ο τροχός **Big Wheel** διευκολύνει την καθοδήγηση του προϊόντος (Σχήμα 10).

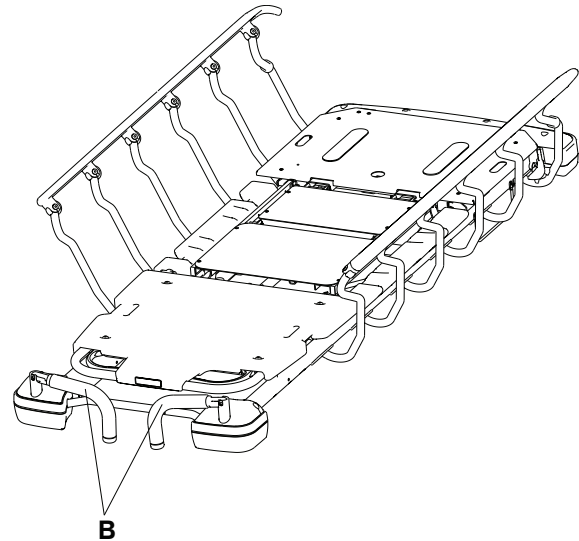
Άνοιγμα ή κλείσιμο των προαιρετικών λαβών ώθησης της πλευράς κεφαλής

Για να ανοίξετε ή να κλείσετε τις λαβές ώθησης της πλευράς κεφαλής:

1. Περιστρέψτε τις λαβές προς τα επάνω (A) από την πλευρά κεφαλής του προϊόντος (Σχήμα 11).
2. Πιέστε προς τα κάτω τις λαβές για να τις ασφαλίσετε στη θέση τους.



Σχήμα 11 – Άνοιγμα των λαβών ώθησης της πλευράς κεφαλής



Σχήμα 12 – Κλείσιμο των λαβών ώθησης της πλευράς κεφαλής

3. Ακολουθήστε τα βήματα με την αντίστροφη σειρά για να αποθηκεύσετε τις λαβές ώθησης της πλευράς κεφαλής (B) (Σχήμα 12).

Σημείωση - Να χρησιμοποιείτε τις λαβές ώθησης μόνο ως συσκευές ώθησης/έλξης, εκτός εάν καθορίζεται κάτι διαφορετικό, για να αποτρέψετε τυχόν ζημιά του προϊόντος.

Ανύψωση του πλαινού κιγκλιδώματος

ΠΡΟΕΙΔΟΠΟΙΗΣΗ

- Να είστε πάντοτε ιδιαίτερα προσεκτικοί όταν χρησιμοποιείτε στρώμα με πάχος μεγαλύτερο από 2,5 ίντσες (6,35 εκ.) ή επίστρωμα με τον προαιρετικό εξοπλισμό **Prime X**.
- Να τοποθετείτε πάντοτε το προϊόν στη χαμηλότερη θέση, με τα πλαϊνά κιγκλιδώματα ανεβασμένα και ασφαλισμένα, όταν αφήνετε ασθενή χωρίς επιτήρηση. Μην αφήνετε το προϊόν σε μεγαλύτερο ύψος.
- Να ασφαρίζετε πάντοτε τα πλαϊνά κιγκλιδώματα στην πλήρως ανυψωμένη θέση, με την επιφάνεια ύπνου επίπεδη και στη χαμηλότερη θέση, κατά τη μεταφορά ασθενούς.
- Να διατηρείτε τα άκρα του ασθενούς μακριά από τις ράβδους των πλαϊνών κιγκλιδωμάτων όταν ανυψώνετε ή χαμηλώνετε το πλαϊνό κιγκλιδωμά.
- Μην αφήνετε τα πλαϊνά κιγκλιδώματα να χαμηλώσουν από μόνα τους.

Για να ανασηκώσετε το πλαϊνό κιγκλιδωμά:

1. Χρησιμοποιήστε τα δύο χέρια για να πιάσετε το πλαϊνό κιγκλιδωμά.
2. Ανασηκώστε το πλαϊνό κιγκλιδωμά προς την πλευρά ποδιών του προϊόντος, μέχρι η κίτρινη ασφάλεια απελευθέρωσης να κουμπώσει στη θέση της. Τραβήξτε το πλαϊνό κιγκλιδωμά για να βεβαιωθείτε ότι το πλαϊνό κιγκλιδωμά είναι ασφαλισμένο.

Σημείωση

- Υπάρχουν δύο επιλογές για την ασφάλεια απελευθέρωσης του πλαϊνού κιγκλιδώματος, τόσο στο πάνω όσο και στο κάτω τμήμα του προϊόντος.
- Μη χρησιμοποιείτε τα πλαϊνά κιγκλιδώματα ως διατάξεις συγκράτησης για να αποτρέψετε την έξοδο του ασθενούς από το προϊόν. Τα πλαϊνά κιγκλιδώματα αποτρέπουν την κύλιση του ασθενούς έξω από το προϊόν. Ο χειριστής πρέπει να προσδιορίσει τον βαθμό της συγκράτησης που είναι απαραίτητος ώστε να είναι βέβαιο ότι ο ασθενής είναι ασφαλής.
- Μπορείτε να χρησιμοποιήσετε την πλευρά ποδιών της επάνω ράγας του πλαϊνού κιγκλιδώματος ως συσκευή ώθησης/έλξης.

- Τα πλαϊνά κιγκλιδώματα ασφαλίζουν μόνο στην πλήρως ανυψωμένη θέση τους.

Χαμήλωμα του πλαϊνού κιγκλιδώματος

ΠΡΟΕΙΔΟΠΟΙΗΣΗ

- Να είστε πάντοτε ιδιαίτερα προσεκτικοί όταν χρησιμοποιείτε στρώμα με πάχος μεγαλύτερο από 2,5 ίντσες (6,35 εκ.) ή επίστρωμα με τον προαιρετικό εξοπλισμό **Prime X**.
 - Να τοποθετείτε πάντοτε το προϊόν στη χαμηλότερη θέση, με τα πλαϊνά κιγκλιδώματα ανεβασμένα και ασφαλισμένα, όταν αφήνετε ασθενή χωρίς επιτήρηση. Μην αφήνετε το προϊόν σε μεγαλύτερο ύψος.
 - Να ασφαλίσετε πάντοτε τα πλαϊνά κιγκλιδώματα στην πλήρως ανυψωμένη θέση, με την επιφάνεια ύπνου επίπεδη και στη χαμηλότερη θέση, κατά τη μεταφορά ασθενούς.
 - Να διατηρείτε τα άκρα του ασθενούς μακριά από τις ράβδους των πλαϊνών κιγκλιδωμάτων όταν ανυψώνετε ή χαμηλώνετε το πλαϊνό κιγκλιδώμα.
 - Μην αφήνετε τα πλαϊνά κιγκλιδώματα να χαμηλώσουν από μόνα τους.
-

Για να χαμηλώσετε το πλαϊνό κιγκλιδώμα:

1. Χρησιμοποιήστε το ένα χέρι για να πιάσετε το πλαϊνό κιγκλιδώμα.
2. Χρησιμοποιήστε το άλλο χέρι για να τραβήξετε προς τα πάνω την κίτρινη ασφάλεια απελευθέρωσης.
3. Ανασηκώστε και καθοδηγήστε το πλαϊνό κιγκλιδώμα προς την πλευρά κεφαλής του προϊόντος μέχρι η κίτρινη ασφάλεια απελευθέρωσης να κουμπώσει στη θέση της. Τραβήξτε το πλαϊνό κιγκλιδώμα για να βεβαιωθείτε ότι το πλαϊνό κιγκλιδώμα είναι ασφαλισμένο.

Σημείωση

- Υπάρχουν δύο επιλογές για την ασφάλεια απελευθέρωσης του πλαϊνού κιγκλιδώματος, τόσο στο πάνω όσο και στο κάτω τμήμα του προϊόντος.
- Μη χρησιμοποιείτε τα πλαϊνά κιγκλιδώματα ως διατάξεις συγκράτησης για να αποτρέψετε την έξοδο του ασθενούς από το προϊόν. Τα πλαϊνά κιγκλιδώματα αποτρέπουν την κύλιση του ασθενούς έξω από το προϊόν. Ο χειριστής πρέπει να προσδιορίσει τον βαθμό της συγκράτησης που είναι απαραίτητος ώστε να είναι βέβαιο ότι ο ασθενής είναι ασφαλής.
- Μπορείτε να χρησιμοποιήσετε την πλευρά ποδιών της επάνω ράγας του πλαϊνού κιγκλιδώματος ως συσκευή ώθησης/έλξης.
- Τα πλαϊνά κιγκλιδώματα ασφαλίζουν μόνο στην πλήρως ανυψωμένη θέση τους.

Τοποθέτηση του προϊόντος με τον πίνακα ελέγχου ασθενούς του πλαϊνού κιγκλιδώματος - προαιρετικό ηλεκτρικό φορείο - μόνο για το Prime

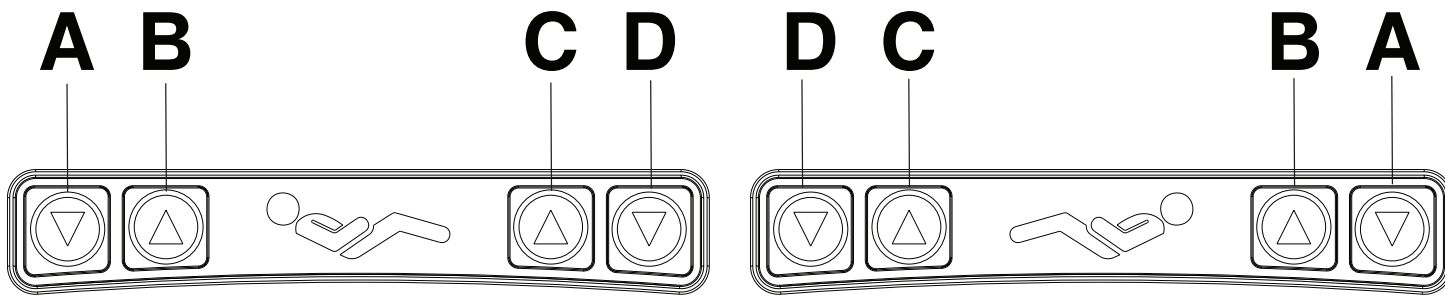
ΠΡΟΕΙΔΟΠΟΙΗΣΗ - Να χειρίζεστε πάντοτε το προϊόν όταν όλοι οι χειριστές βρίσκονται σε ασφαλή απόσταση από τους μηχανισμούς.

Χρησιμοποιήστε τον πίνακα ελέγχου ασθενούς του πλαϊνού κιγκλιδώματος για να τοποθετήσετε το στήριγμα πλάτης και το κάθισμα (Σχήμα 13).

Οι επαγγελματίες του τομέα της υγείας πρέπει να δώσουν οδηγίες στους ασθενείς σχετικά με τον τρόπο λειτουργίας των χειριστηρίων ασθενούς.

Σημείωση

- Να συνδέετε πάντοτε το καλώδιο ρεύματος σε γειωμένη επιτοίχια πρίζα νοσοκομειακού τύπου.
- Ο πίνακας ελέγχου ασθενούς του πλαϊνού κιγκλιδώματος είναι τοποθετημένος σε διαφορετική θέση σε κάθε πλευρά του προϊόντος ώστε ο ασθενής να έχει εύκολη πρόσβαση σε αυτόν από οποιαδήποτε θέση.
- Κάθε πλαϊνό κιγκλιδώμα έχει φωτιζόμενα χειριστήρια που επιτρέπουν στον ασθενή να τοποθετήσει το στήριγμα πλάτης και το κάθισμα. Όταν το προϊόν είναι συνδεδεμένο στο ρεύμα και ο πίνακας ελέγχου ασθενούς είναι ξεκλειδωτός, τα λευκά κουμπιά φωτίζονται.



Σχήμα 13 – Πίνακας ελέγχου ασθενούς του πλαϊνού κιγκλιδώματος

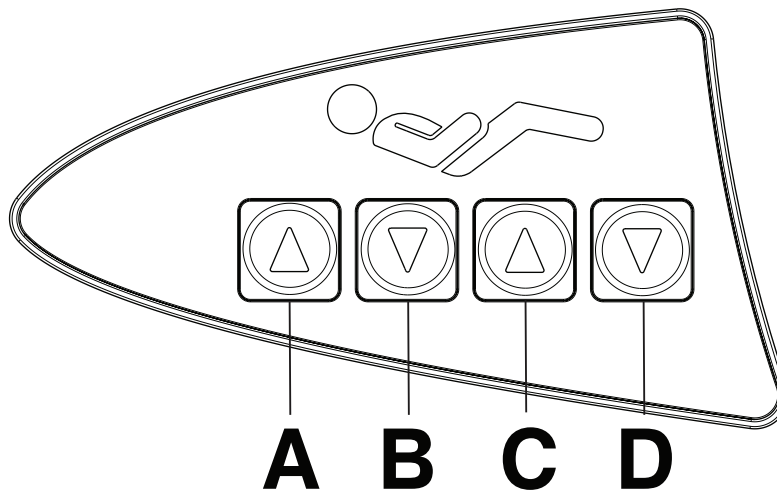
A	Χαμήλωμα πλάτης	Χαμηλώνει την πλάτη (τμήμα κεφαλής)
B	Ανύψωση πλάτης	Ανυψώνει την πλάτη (τμήμα κεφαλής)
C	Ανύψωση καθίσματος	Ανυψώνει το κάθισμα (τμήμα ποδιών)
D	Χαμήλωμα καθίσματος	Χαμηλώνει το κάθισμα (τμήμα ποδιών)

Πίνακας ελέγχου χειριστή - προαιρετικό ηλεκτρικό φορείο - μόνο για το Prime

ΠΡΟΕΙΔΟΠΟΙΗΣΗ - Να χειρίζεστε πάντοτε το προϊόν όταν όλοι οι χειριστές βρίσκονται σε ασφαλή απόσταση από τους μηχανισμούς.

Χρησιμοποιήστε τον πίνακα ελέγχου χειριστή για να προσαρμόσετε τη θέση του ασθενούς επάνω στο προϊόν (Σχήμα 14).

Σημείωση - Να συνδέετε πάντοτε το καλώδιο ρεύματος σε γειωμένη επιτοίχια πρίζα νοσοκομειακού τύπου.



Σχήμα 14 – Πίνακας ελέγχου χειριστή - προαιρετικό ηλεκτρικό φορείο

A	Ανύψωση πλάτης	Ανυψώνει το στήριγμα πλάτης
B	Χαμήλωμα πλάτης	Χαμηλώνει το στήριγμα πλάτης
C	Ανύψωση καθίσματος	Ανυψώνει το κάθισμα
D	Χαμήλωμα καθίσματος	Χαμηλώνει το κάθισμα

Ασφάλιση και απασφάλιση του κλειδώματος του πίνακα ελέγχου ασθενούς - προαιρετικό ηλεκτρικό φορείο - μόνο για το Prime

ΠΡΟΕΙΔΟΠΟΙΗΣΗ - Να χειρίζεστε πάντοτε το προϊόν όταν όλοι οι χειριστές βρίσκονται σε ασφαλή απόσταση από τους μηχανισμούς.

Για να κλειδώσετε τον πίνακα ελέγχου ασθενούς του πλαϊνού κιγκλιδώματος, πατήστε το **Unlock/Lock** (Ξεκλείδωμα/Κλείδωμα) (A) μία φορά (Σχήμα 15).

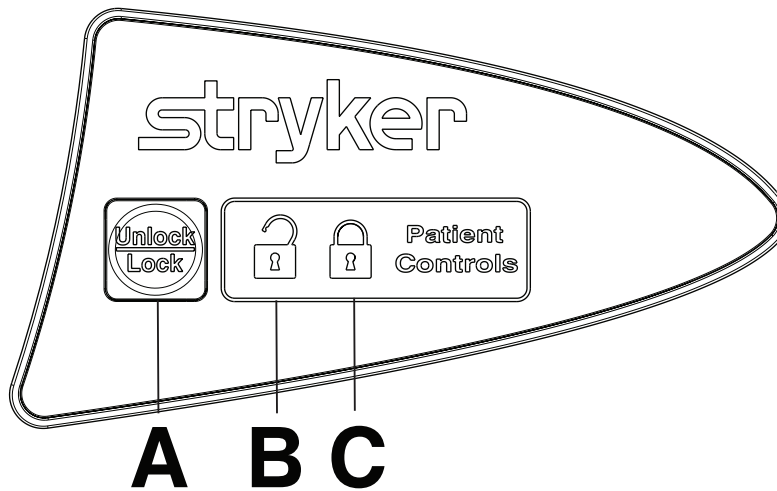
Σημείωση - Το εικονίδιο κλειδώματος (C) ανάβει με πορτοκαλί χρώμα όταν είναι κλειδωμένα τα χειριστήρια ασθενούς.

Για να ξεκλειδώσετε τον πίνακα ελέγχου ασθενούς του πλαϊνού κιγκλιδώματος, πατήστε το **Unlock/Lock** (Ξεκλείδωμα/Κλείδωμα) για δεύτερη φορά.

Σημείωση - Το εικονίδιο ξεκλειδώματος (B) ανάβει με πράσινο χρώμα όταν είναι ξεκλειδωμένα τα χειριστήρια ασθενούς.

Σημείωση

- Να συνδέετε πάντοτε το καλώδιο ρεύματος σε γειωμένη επιτοίχια πρίζα νοσοκομειακού τύπου.
- Μπορείτε να κλειδώσετε τον πίνακα ελέγχου ασθενούς για να αποτρέψετε τη μετακίνηση του στηρίγματος πλάτης και του καθίσματος από τον ασθενή.
- Ο πίνακας ελέγχου ασθενούς του πλαϊνού κιγκλιδώματος δεν φωτίζεται όταν κλειδώσετε τον πίνακα ελέγχου ασθενούς.



Σχήμα 15 – Κλείδωμα πίνακα ελέγχου ασθενούς

Ανύψωση ή χαμήλωμα του στηρίγματος πλάτης - μη ηλεκτρικό φορείο

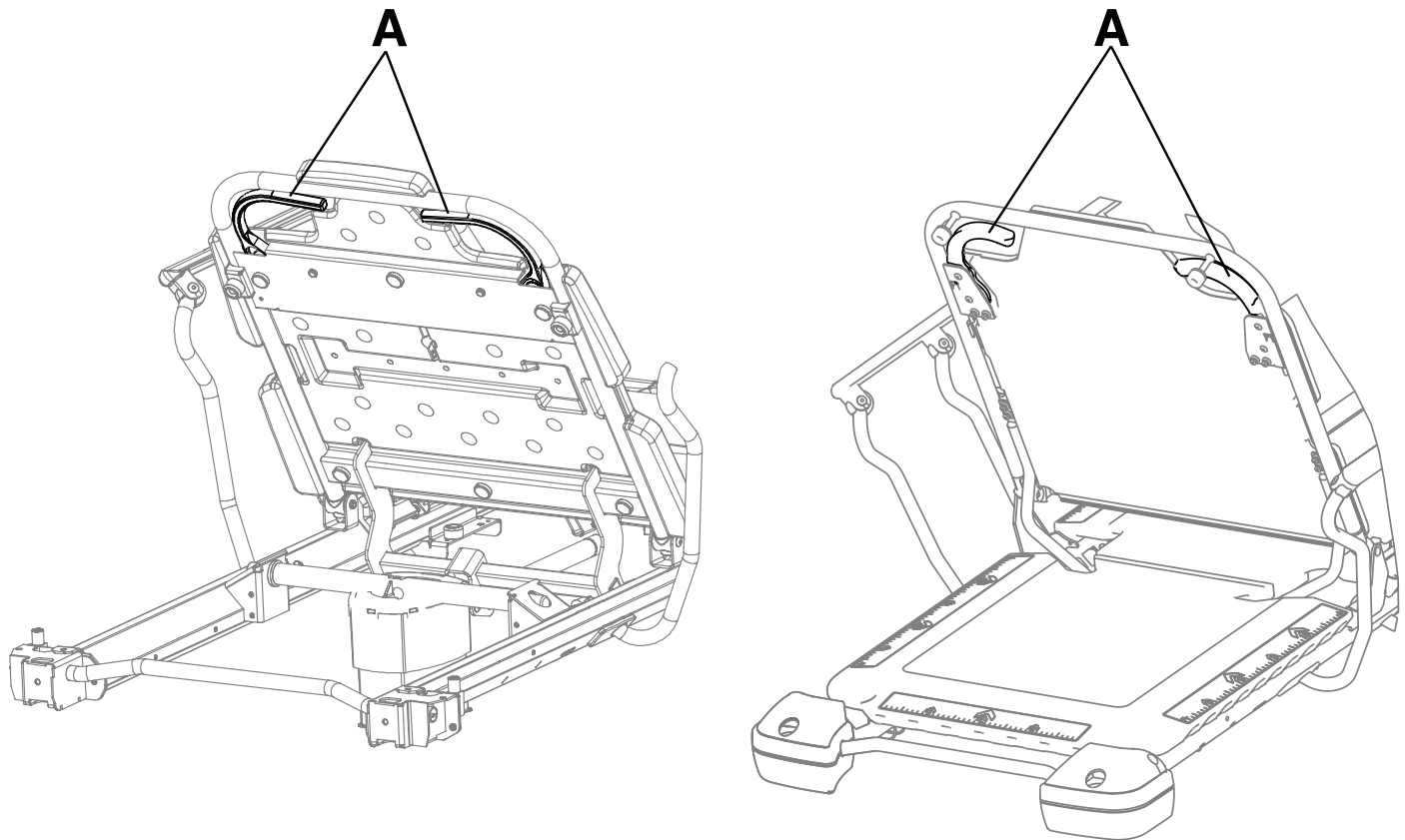
ΠΡΟΕΙΔΟΠΟΙΗΣΗ

- Να χειρίζεστε πάντοτε το προϊόν όταν όλοι οι χειριστές βρίσκονται σε ασφαλή απόσταση από τους μηχανισμούς.
- Κατά το χαμήλωμα του στηρίγματος πλάτης, να διατηρείτε πάντοτε τα χέρια και τα δάκτυλά σας μακριά από τις λαβές απελευθέρωσης του στηρίγματος πλάτης και το πλαίσιο του στηρίγματος πλάτης.
- Να είστε πάντοτε ιδιαίτερα προσεκτικοί κατά την ανύψωση του στηρίγματος πλάτης, ενόσω βρίσκεται ασθενής επάνω στο προϊόν. Χρησιμοποιήστε κατάλληλες τεχνικές ανύψωσης και ζητήστε βοήθεια, εάν είναι απαραίτητο.

Για ανύψωση του στηρίγματος πλάτης, πιέστε τη μία ή και τις δύο λαβές απελευθέρωσης του στηρίγματος πλάτης (A) και τραβήξτε το στήριγμα πλάτης προς τα επάνω, έως την επιθυμητή θέση (0° έως 90°) (Σχήμα 16).

Σημείωση - Το στήριγμα πλάτης **Lift Assist®** χρησιμοποιεί το βάρος του ασθενούς για την υποβοήθηση της τοποθέτησης του ασθενούς. Το στήριγμα πλάτης **Lift Assist** συμβάλλει επίσης στην αποτροπή της ολισθησης του ασθενούς προς την πλευρά ποδιών του προϊόντος κατά την ανύψωση του στηρίγματος πλάτης.

Για χαμήλωμα του στηρίγματος πλάτης, πιέστε τη μία ή και τις δύο λαβές απελευθέρωσης του στηρίγματος πλάτης (A) και ωθήστε το στήριγμα πλάτης προς τα κάτω, έως την επιθυμητή θέση (90° έως 0°) (Σχήμα 16).



Σχήμα 16 – Ανύψωση ή χαμήλωμα του στηρίγματος πλάτης (Prime / Prime X)

Ανύψωση ή χαμήλωμα του στηρίγματος πλάτης - προαιρετικό ηλεκτρικό φορείο

ΠΡΟΕΙΔΟΠΟΙΗΣΗ

- Να χειρίζεστε πάντοτε το προϊόν όταν όλοι οι χειριστές βρίσκονται σε ασφαλή απόσταση από τους μηχανισμούς.
- Κατά το χαμήλωμα του στηρίγματος πλάτης, να διατηρείτε πάντοτε τα χέρια και τα δάκτυλά σας μακριά από τις λαβές απελευθέρωσης του στηρίγματος πλάτης και το πλαίσιο του στηρίγματος πλάτης.
- Να είστε πάντοτε ιδιαίτερα προσεκτικοί κατά την ανύψωση του στηρίγματος πλάτης, ενόσω βρίσκεται ασθενής επάνω στο προϊόν. Χρησιμοποιήστε κατάλληλες τεχνικές ανύψωσης και ζητήστε βοήθεια, εάν είναι απαραίτητο.

Για ανύψωση του στηρίγματος πλάτης, πιέστε το **επάνω** κουμπί στην πλευρά του στηρίγματος πλάτης στον πίνακα ελέγχου ασθενούς του πλαϊνού κιγκλιδώματος (*Τοποθέτηση του προϊόντος με τον πίνακα ελέγχου ασθενούς του πλαϊνού κιγκλιδώματος - προαιρετικό ηλεκτρικό φορείο - μόνο για το Prime (σελίδα 23)*) ή στον πίνακα ελέγχου χειριστή της πλευράς ποδιών (*Πίνακας ελέγχου χειριστή - προαιρετικό ηλεκτρικό φορείο - μόνο για το Prime (σελίδα 24)*), μέχρι να φθάσει το στήριγμα πλάτης στην επιθυμητή γωνία (0° έως 70°).

Σημείωση - Το στήριγμα πλάτης **Lift Assist** χρησιμοποιεί το βάρος του ασθενούς για την υποβοήθηση της τοποθέτησης του ασθενούς. Το στήριγμα πλάτης **Lift Assist** συμβάλλει επίσης στην αποτροπή της ολίσθησης του ασθενούς προς την πλευρά ποδιών του προϊόντος κατά την ανύψωση του στηρίγματος πλάτης.

Για χαμήλωμα του στηρίγματος πλάτης, πιέστε το **κάτω** κουμπί στην πλευρά του στηρίγματος πλάτης στον πίνακα ελέγχου ασθενούς του πλαϊνού κιγκλιδώματος (*Τοποθέτηση του προϊόντος με τον πίνακα ελέγχου ασθενούς του πλαϊνού κιγκλιδώματος - προαιρετικό ηλεκτρικό φορείο - μόνο για το Prime (σελίδα 23)*) ή στον πίνακα ελέγχου χειριστή της πλευράς ποδιών (*Πίνακας ελέγχου χειριστή - προαιρετικό ηλεκτρικό φορείο - μόνο για το Prime (σελίδα 24)*), μέχρι να φθάσει το στήριγμα πλάτης στην επιθυμητή γωνία (70° έως 0°).

Σημείωση - Να συνδέετε πάντοτε το καλώδιο ρεύματος σε γειωμένη επιτοίχια πρίζα νοσοκομειακού τύπου.

Οι επαγγελματίες του τομέα της υγείας πρέπει να δώσουν οδηγίες στους ασθενείς σχετικά με τον τρόπο λειτουργίας των χειριστηρίων ασθενούς.

Ανύψωση ή χαμήλωμα του καθίσματος - μη ηλεκτρικό φορείο - μόνο για το Prime

ΠΡΟΕΙΔΟΠΟΙΗΣΗ - Κατά το χαμήλωμα του καθίσματος, να διατηρείτε πάντοτε τα χέρια και τα δάκτυλά σας μακριά από τις λαβές ώθησης για την πλευρά ποδιών.

ΠΡΟΣΟΧΗ

- Το μέγιστο επιτρεπόμενο βάρος του καθίσματος είναι 200 λίβρες (90,7 κιλά).
- Να επιβεβαιώνετε πάντοτε ότι η ράβδος υποστήριξης του καθίσματος είναι ασφαλισμένη πριν από τη χρήση.
- Μην κάθεστε και μη στέκεστε πάνω στο κάθισμα.

Για να ανυψώσετε το μη ηλεκτρικό κάθισμα, πατήστε συνεχόμενα τη λαβή της αντλίας του καθίσματος προς τα αριστερά, μέχρι να επιτύχετε την επιθυμητή θέση (βλ. *Απεικόνιση του προϊόντος - Φορείο Prime*).

Ανασηκώστε το άκρο του καθίσματος και ασφαλίστε τη ράβδο υποστήριξης στο πλαίσιο.

Για να απελευθερώσετε τη ράβδο υποστήριξης, ανασηκώστε το άκρο του καθίσματος, περιστρέψτε τη ράβδο υποστήριξης προς την πλευρά κεφαλής του προϊόντος και χαμηλώστε την πλευρά ποδιών.

Για να χαμηλώσετε το κάθισμα, τραβήξτε τη λαβή απελευθέρωσης καθίσματος, μέχρι να επιτύχετε την επιθυμητή θέση (βλ. *Απεικόνιση του προϊόντος - Φορείο Prime*).

Σημείωση - Δεν μπορείτε να ανυψώσετε το κάθισμα χειροκίνητα εάν το προϊόν διαθέτει το προαιρετικό ηλεκτρικό φορείο.

Ανύψωση ή χαμήλωμα του καθίσματος - προαιρετικό ηλεκτρικό φορείο - μόνο για το Prime

ΠΡΟΕΙΔΟΠΟΙΗΣΗ

- Κατά το χαμήλωμα του καθίσματος, να διατηρείτε πάντοτε τα χέρια και τα δάκτυλά σας μακριά από τις λαβές ώθησης για την πλευρά ποδιών.
- Να χειρίζεστε πάντοτε το προϊόν όταν όλοι οι χειριστές βρίσκονται σε ασφαλή απόσταση από τους μηχανισμούς.

ΠΡΟΣΟΧΗ

- Το μέγιστο επιτρεπόμενο βάρος του καθίσματος είναι 200 λίβρες (90,7 κιλά).
- Μην κάθεστε και μη στέκεστε πάνω στο κάθισμα.
- Να είστε προσεκτικοί όταν επιχειρείτε να χαμηλώσετε το κάθισμα όταν το προϊόν δεν τροφοδοτείται με ρεύμα. Η βαρύτητα μπορεί να προκαλέσει ταχεία πτώση του καθίσματος.

Για ανύψωση του καθίσματος, πιέστε το **επάνω** κουμπί στην πλευρά του καθίσματος του πίνακα ελέγχου ασθενούς του πλαινίου κιγκλιδώματος ή του πίνακα ελέγχου χειριστή της πλευράς ποδιών.

Για χαμήλωμα του καθίσματος, πιέστε το **κάτω** κουμπί στην πλευρά του καθίσματος του πίνακα ελέγχου ασθενούς του πλαινίου κιγκλιδώματος ή του πίνακα ελέγχου χειριστή της πλευράς ποδιών.

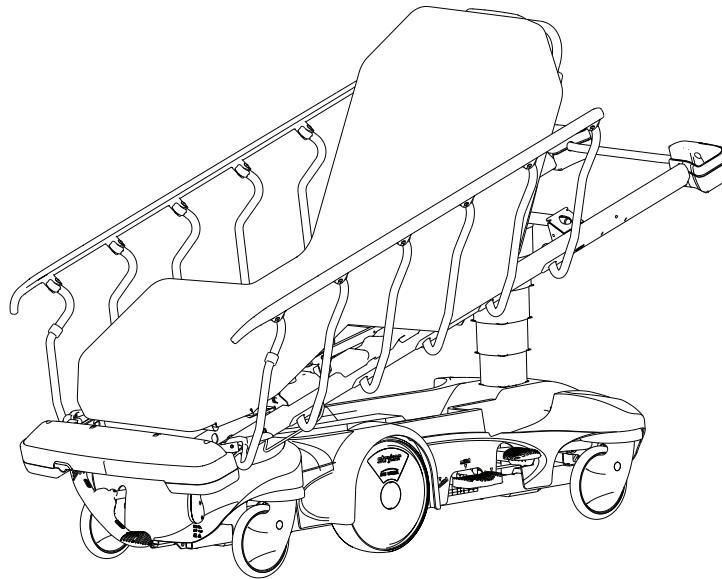
Σημείωση - Να συνδέετε πάντοτε το καλώδιο ρεύματος σε γειωμένη επιτοίχια πρίζα νοσοκομειακού τύπου.

Οι επαγγελματίες του τομέα της υγείας πρέπει να δώσουν οδηγίες στους ασθενείς σχετικά με τον τρόπο λειτουργίας των χειριστηρίων ασθενούς.

Τοποθέτηση της καρέκλας ανάνηψης - μόνο για το Prime

ΠΡΟΕΙΔΟΠΟΙΗΣΗ - Να χειρίζεστε πάντοτε το προϊόν όταν όλοι οι χειριστές βρίσκονται σε ασφαλή απόσταση από τους μηχανισμούς.

Για να τοποθετήσετε το προϊόν στη θέση καρέκλας ανάνηψης (Σχήμα 17):



Σχήμα 17 – Καρέκλα ανάνηψης (εμφανίζεται το μοντέλο 1115)

1. Ανυψώστε το στήριγμα πλάτης σε καθιστή θέση (Ανύψωση ή χαμύλωμα του στηρίγματος πλάτης - μη ηλεκτρικό φορείο (σελίδα 25) ή Ανύψωση ή χαμύλωμα του στηρίγματος πλάτης - προαιρετικό ηλεκτρικό φορείο (σελίδα 26)).

Σημείωση - Για τοποθέτηση της καρέκλας ανάνηψης, το προϊόν πρέπει να διαθέτει το προαιρετικό στήριγμα πλάτης **Lift Assist** και το προαιρετικό κάθισμα.

2. Ανυψώστε το κάθισμα στην πλήρως επάνω θέση (Ανύψωση ή χαμύλωμα του καθίσματος - μη ηλεκτρικό φορείο - μόνο για το *Prime* (σελίδα 27) ή Ανύψωση ή χαμύλωμα του καθίσματος - προαιρετικό ηλεκτρικό φορείο - μόνο για το *Prime* (σελίδα 27)).
3. Ανυψώστε το φορείο στην υψηλότερη θέση του (Ανύψωση του μη ηλεκτρικού φορείου (σελίδα 17) ή Ανύψωση του προαιρετικού ηλεκτρικού φορείου (σελίδα 18)).
4. Τοποθετήστε το προϊόν σε ανάστροφη θέση Trendelenburg (Τοποθέτηση του προϊόντος σε ανάστροφη θέση Trendelenburg (σελίδα 19)).
5. Ακολουθήστε τα βήματα με την αντίστροφη σειρά για να χαμηλώσετε το προϊόν στην επίπεδη θέση.

Φύλαξη αντικειμένων στο κάλυμμα της βάσης

ΠΡΟΣΟΧΗ

- Μην τοποθετείτε αντικείμενα με βάρος μεγαλύτερο από 60 λίβρες (27 κιλά) στο κάλυμμα της βάσης.
- Μην κάθεστε, μην πατάτε και μη στέκεστε επάνω στο κάλυμμα της βάσης.

Μπορείτε να φυλάξετε τα προσωπικά αντικείμενα του ασθενούς στο κάλυμμα της βάσης. Μη χρησιμοποιείτε το άνοιγμα για τη βάση της φιάλης οξυγόνου για τη φύλαξη φιαλών οξυγόνου ή προσωπικών αντικειμένων του ασθενούς.

Ανάρτηση συσκευών με το προαιρετικό ράφι της αντλίας

ΠΡΟΕΙΔΟΠΟΙΗΣΗ

- Να διατηρείτε πάντοτε τις γραμμές της συσκευής στο ράφι της αντλίας μακριά από τις λαβές του καθίσματος.
- Να αφαιρείτε πάντοτε τυχόν συσκευές που μπορεί να εμποδίζουν προτού ανυψώσετε ή χαμηλώσετε το φορείο.
- Να φροντίζετε πάντοτε οι συσκευές στο ράφι της αντλίας να μπορούν να περνούν με ασφάλεια από τα ανοίγματα των θυρών.
- Μην ανυψώνετε το προϊόν χρησιμοποιώντας το ράφι της αντλίας.

ΠΡΟΣΟΧΗ

- Το μέγιστο επιτρεπόμενο βάρος του ραφιού της αντλίας είναι 40 λίβρες (18 κιλά).
- Μη χρησιμοποιείτε το ράφι της αντλίας ως συσκευή ώθησης/έλξης. Μπορεί να προκληθεί ζημιά του προϊόντος.

Μπορείτε να αποθηκεύσετε ή να αναρτήσετε πρόσθετες συσκευές στο ράφι της αντλίας που βρίσκεται στην πλευρά ποδιών του προϊόντος.

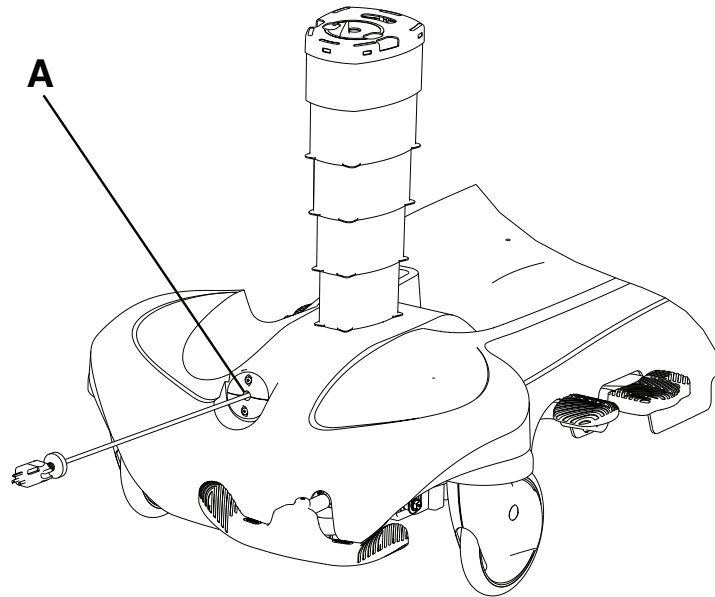
Σημείωση - Πρέπει να επιλέξετε το προαιρετικό ράφι αντλίας κατά τον χρόνο της αγοράς.

Προέκταση ή μάζεμα του καλωδίου ρεύματος με το προαιρετικό καρούλι ανασυρόμενου καλωδίου - προαιρετικός ηλεκτρικός ανυψωτής ή ηλεκτρικό φορείο

ΠΡΟΕΙΔΟΠΟΙΗΣΗ

- Να αποσυνδέετε πάντοτε το καλώδιο ρεύματος από την επιτοίχια πρίζα πριν από τη μεταφορά ή τον καθαρισμό του προϊόντος.
- Να χρησιμοποιείτε πάντοτε το καρούλι του ανασυρόμενου καλωδίου για να αποθηκεύσετε το καλώδιο ρεύματος μέσα στη βάση, κατά τη μεταφορά του προϊόντος.

Για να προεκτείνετε το καλώδιο ρεύματος, τραβήξτε το καλώδιο ρεύματος από το καρούλι του ανασυρόμενου καλωδίου (A) μέχρι το επιθυμητό μήκος (Σχήμα 18).



Σχήμα 18 – Καρούλι ανασυρόμενου καλωδίου

Για να μαζέψετε το καλώδιο ρεύματος:

1. Αποσυνδέστε το καλώδιο ρεύματος από την επιτοίχια πρίζα.

2. Τραβήξτε ήπια το καλώδιο ρεύματος.
3. Καθοδηγήστε το καλώδιο ρεύματος μέσα στο καρούλι του ανασυρόμενου καλωδίου.

Προαιρετικό σύστημα ζυγού

ΠΡΟΕΙΔΟΠΟΙΗΣΗ - Μη χρησιμοποιείτε το προαιρετικό σύστημα ζυγού, ηλεκτρικού ανυψωτή ή ηλεκτρικού φορείου δίπλα σε άλλες συσκευές ή στοιβαγμένα μαζί με άλλες συσκευές. Εάν είναι απαραίτητη η χρήση δίπλα σε άλλες συσκευές ή στοιβαγμένα με άλλες συσκευές, ο προαιρετικός εξοπλισμός συστήματος ζυγού, ηλεκτρικού ανυψωτή ή ηλεκτρικού φορείου θα πρέπει να παρακολουθείται για να επιβεβαιωθεί ότι όλες οι συσκευές λειτουργούν κανονικά στη διαμόρφωση στην οποία θα χρησιμοποιηθούν.

ΠΡΟΣΟΧΗ - Μη χρησιμοποιείτε τον ζυγό για ασθενείς με βάρος κάτω από 50 λίβρες (22,7 κιλά).

Το προαιρετικό σύστημα ζυγού διατίθεται για προϊόντα με ή χωρίς το προαιρετικό ηλεκτρικό φορείο. Το προαιρετικό σύστημα ζυγού διαθέτει επιλογή εφεδρικής μπαταρίας. Το εικονίδιο αναμονής υποδεικνύει τότε το προϊόν χρησιμοποιεί την εφεδρική μπαταρία.

Η επιλογή **Chaperone** σας επιτρέπει να ορίζετε έλεγχο ζωνών, ώστε να ειδοποιείται ο χειριστής κάθε φορά που ένας ασθενής ενδέχεται να επιχειρεί να εξέλθει από το προϊόν. Η επιλογή **Chaperone** διατίθεται για προϊόντα με το προαιρετικό ηλεκτρικό φορείο και το προαιρετικό σύστημα ζυγού. Το προαιρετικό σύστημα ζυγού με την επιλογή **Chaperone** διαθέτει επιλογή εφεδρικής μπαταρίας. Το εικονίδιο αναμονής υποδεικνύει τότε το προϊόν χρησιμοποιεί την εφεδρική μπαταρία.

Ανασηκώστε τις λαβές ώθησης της πλευράς ποδιών προτού επιχειρήσετε να χρησιμοποιήσετε το προαιρετικό σύστημα ζυγού.

Χρησιμοποιήστε τον πίνακα ελέγχου του συστήματος ζυγού για να χειριστείτε το προαιρετικό σύστημα ζυγού (*Αναγνώριση εικονιδίων/κουμπιών ζυγού* (σελίδα 30)).

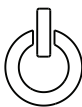


Μην αγγίζετε το προϊόν ενόσω το προαιρετικό σύστημα ζυγού ζυγίζει ή μηδενίζεται.




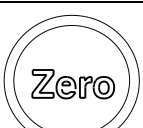
Ο ασθενής πρέπει να παραμείνει ακίνητος ενόσω το σύστημα ζυγίζει. Εάν ο ασθενής μετακινηθεί, το σύστημα ζυγού θα επιχειρήσει επί 20 δευτερόλεπτα να καταγράψει μια σταθερή τιμή βάρους ή μηδενική τιμή προτού εμφανίσει το μήνυμα σφάλματος (⚠).

Το σφάλμα (⚠) εμφανίζεται στην οθόνη εάν υπάρχει χαλαρή σύνδεση ή εάν ο ζυγός δεν λειτουργεί. Εάν επιχειρήσετε να ξαναχρησιμοποιήσετε τον ζυγό και το σφάλμα εμφανιστεί, επικοινωνήστε με το τμήμα τεχνικής υποστήριξης της Stryker.

Σημείωση - Για να ικανοποιηθεί η αξίωση ακρίβειας του συστήματος ζυγού, η επιφάνεια του ασθενούς πρέπει να βρίσκεται σε επίπεδη θέση (με το στήριγμα πλάτης και το κάθισμα κατεβασμένα) και το προϊόν δεν μπορεί να υπερβαίνει τις 5 μοίρες σε θέση Trendelenburg/ανάστροφη θέση Trendelenburg.

Αναγνώριση εικονιδίων/κουμπιών ζυγού

Εξάρτημα	Εικονίδιο/κουμπί	Ονομασία	Περιγραφή
A		Εικονίδιο αναμονής	Ανάβει με πράσινο χρώμα όταν συνδέετε το καλώδιο ρεύματος σε επιτοίχια πρίζα. Ανάβει με πορτοκαλί χρώμα όταν αποσυνδέετε το καλώδιο ρεύματος από την επιτοίχια πρίζα. Η λειτουργία εφεδρικής μπαταρίας θα ενεργοποιηθεί.
B		Εικονίδιο ζώνης 1	Ο ασθενής μπορεί να μετακινηθεί ελεύθερα, αλλά ηχεί συναγερμός όταν ο ασθενής επιχειρήσει να φύγει από το προϊόν.
C		Εικονίδιο ζώνης 2	Ο ασθενής μπορεί να κάνει περιορισμένες κινήσεις. Ο συναγερμός ηχεί όταν ο ασθενής πλησιάζει στα πλαϊνά κιγκλιδώματα ή μετακινείται προς την πλευρά ποδιών.

Εξάρτημα	Εικονίδιο/κουμπί	Ονομασία	Περιγραφή
D		Κουμπί Arm/Disarm (Ενεργοποίηση/Απενεργοποίηση)	Ενεργοποιεί και απενεργοποιεί την επιλογή Chaperone (έξοδος από το φορείο). Βλ. <i>Ενεργοποίηση ή απενεργοποίηση της επιλογής Chaperone</i> (σελίδα 32).
E		Κουμπί Weigh (Ζύγισμα)	Ζυγίζει τον ασθενή. Βλ. <i>Ζύγιση ασθενούς</i> (σελίδα 31).
F		Κουμπί lb/kg (λίβρες/κιλά)	Αλλάζει τη μονάδα μέτρησης που εμφανίζεται. Βλ. <i>Κλείδωμα της μονάδας μέτρησης του ζυγού</i> (σελίδα 31).
G		Κουμπί Zero (Μηδενισμός)	Μηδενίζει τις ρυθμίσεις του ζυγού. Βλ. <i>Κλείδωμα της μονάδας μέτρησης του ζυγού</i> (σελίδα 31).

Ζύγιση ασθενούς

ΠΡΟΣΟΧΗ - Μη χρησιμοποιείτε την ένδειξη του συστήματος ζυγού ως αναφορά για την ιατρική θεραπεία.

1. Ανασηκώστε τις λαβές ώθησης της πλευράς ποδιών προτού χρησιμοποιήσετε το προαιρετικό σύστημα ζυγού.
2. Πατήστε και κρατήστε πατημένο το κουμπί **Zero** (Μηδενισμός) μέχρι να εμφανιστεί η ένδειξη **rel** (Αφήστε) στην οθόνη για να μηδενίσετε τον ζυγό. Αναβοσβήνει η ένδειξη **000.0** και κατόπιν σταματά να αναβοσβήνει.

Σημείωση - Ο ζυγός δεν είναι έτοιμος για χρήση μέχρι να σταματήσει να αναβοσβήνει η ένδειξη **000.0**.

3. Τοποθετήστε τον ασθενή επάνω στο προϊόν.
4. Πατήστε **lb/kg** (λίβρες/κιλά) για να επιλέξετε τη μονάδα μέτρησης (lb ή kg).
5. Πατήστε το κουμπί **Weigh** (Ζύγισμα) για να λάβετε το βάρος του ασθενούς.

Σημείωση - Το βάρος του ασθενούς εμφανίζεται για 40 δευτερόλεπτα.

Κλείδωμα της μονάδας μέτρησης του ζυγού

1. Πατήστε και κρατήστε πατημένα τα κουμπιά **Weigh** (Ζύγισμα), **lb/kg** (λίβρες/κιλά) και **Zero** (Μηδενισμός) μέχρι να εμφανιστεί η ένδειξη **diag** (διαγνωστικός έλεγχος).
2. Πατήστε το κουμπί **lb/kg** (λίβρες/κιλά) ή **Zero** (Μηδενισμός) για μετάβαση στο **Unit Loc** (Κλείδωμα μονάδων).
3. Για ζυγό χωρίς **Chaperone**, πατήστε και κρατήστε πατημένα τα κουμπιά **lb/kg** (λίβρες/κιλά) και **Zero** (Μηδενισμός) μέχρι να εμφανιστεί η ένδειξη **rel** (Αφήστε) για να επιλέξετε **Unit Loc** (Κλείδωμα μονάδων).
4. Για ζυγό με **Chaperone**, πατήστε και κρατήστε πατημένα τα κουμπιά **lb/kg** (λίβρες/κιλά) και **Zero** (Μηδενισμός) για να επιλέξετε **Unit Loc** (Κλείδωμα μονάδων).
5. Πατήστε **lb/kg** (λίβρες/κιλά) ή **Zero** (Μηδενισμός) για να επιλέξετε εναλλάξ **lb** (λίβρες), **kg** (κιλά) ή **Any** (Οποιαδήποτε).
6. Πατήστε και αφήστε τα κουμπιά **lb/kg** (λίβρες/κιλά) και **Zero** (Μηδενισμός). Εμφανίζεται η ένδειξη **Only** (Μόνο) και η επιλεγμένη μονάδα μέτρησης.

Σημείωση - Η ένδειξη **Only** (Μόνο) δεν θα εμφανιστεί εάν επιλέξετε **Any** (Οποιαδήποτε).

7. Πατήστε και κρατήστε πατημένο το κουμπί **Weigh** (Ζύγισμα) μέχρι να εμφανιστεί η ένδειξη **quit** (Εξοδος).

8. Πατήστε και κρατήστε πατημένο το κουμπί **Zero** (Μηδενισμός) μέχρι να εμφανιστεί η ένδειξη **rel** (Αφήστε). Αναβοσβήνει η ένδειξη **000.0** και κατόπιν σταματά να αναβοσβήνει.

Σημείωση - Ο ζυγός δεν είναι έτοιμος για χρήση μέχρι να σταματήσει να αναβοσβήνει η ένδειξη **000.0**.

Ενεργοποίηση ή απενεργοποίηση της επιλογής **Chaperone**

Όταν είναι ενεργοποιημένη, η επιλογή **Chaperone** παρακολουθεί τη θέση του ασθενούς στο προϊόν.

Για ενεργοποίηση και απενεργοποίηση της επιλογής **Chaperone**:

1. Με τον ασθενή επάνω στο προϊόν, πατήστε το κουμπί **Arm/Disarm** (Ενεργοποίηση/Απενεργοποίηση).

Σημείωση - Με αυτόν τον τρόπο ενεργοποιείται η ζώνη 1. Η ζώνη 1 ανάβει με πορτοκαλί χρώμα όταν είναι ενεργοποιημένη.

2. Για ενεργοποίηση της ζώνης 2, πατήστε το κουμπί **Arm/Disarm** (Ενεργοποίηση/Απενεργοποίηση) δύο φορές μέσα σε 3 δευτερόλεπτα.

Σημείωση - Με αυτόν τον τρόπο ενεργοποιείται η ζώνη 2. Η ζώνη 2 ανάβει με πορτοκαλί χρώμα όταν είναι ενεργοποιημένη.

3. Για να απενεργοποιήσετε την επιλογή **Chaperone**, πατήστε και κρατήστε πατημένο το κουμπί **Arm/Disarm** (Ενεργοποίηση/Απενεργοποίηση).

Σημείωση - Πρέπει να μηδενίσετε τον ζυγό πριν από την ενεργοποίηση της επιλογής **Chaperone**.

Σημείωση - Εάν ο ασθενής μετακινηθεί εκτός των ορίων της επιλεγμένης ζώνης, θα αναβοσβήνει μια πορτοκαλί λυχνία, θα αναβοσβήνει η ένδειξη **Alert** (Ειδοποίηση) στην οθόνη του προαιρετικού συστήματος ζυγού και θα ενεργοποιηθεί ένας ηχητικός συναγερμός.

Ρύθμιση του μοτίβου ειδοποίησης της επιλογής **Chaperone**

Για να αλλάξετε το μοτίβο ειδοποίησης της επιλογής **Chaperone**:

1. Πατήστε και κρατήστε πατημένα τα κουμπιά **Arm/Disarm** (Ενεργοποίηση/Απενεργοποίηση) και **Weigh** (Ζύγισμα) ταυτόχρονα για 6 δευτερόλεπτα περίπου. Αγνοήστε όλα τα μηνύματα της οθόνης, μέχρι να εμφανιστεί στην οθόνη το μήνυμα **Pttn** (Μοτίβο) (*Αναγνώριση εικονιδίων/κουμπιών ζυγού* (σελίδα 30)).

2. Αφήστε τα κουμπιά **Arm/Disarm** (Ενεργοποίηση/Απενεργοποίηση) και **Weigh** (Ζύγισμα).

Σημείωση - Η ρύθμιση του μοτίβου **P (1-10)** εμφανίζεται στην οθόνη.

3. Πατήστε το κουμπί **Arm/Disarm** (Ενεργοποίηση/Απενεργοποίηση) ή το κουμπί **Weigh** (Ζύγισμα) για να μεταβείτε διαδοχικά στις επιλογές μοτίβου.

Σημείωση - Γίνεται αναπαραγωγή ενός σύντομου δείγματος του μοτίβου καθώς μεταβαίνετε διαδοχικά μεταξύ των επιλογών μοτίβου.

4. Πατήστε και κρατήστε πατημένα ταυτόχρονα τα κουμπιά **Arm/Disarm** (Ενεργοποίηση/Απενεργοποίηση) και **Weigh** (Ζύγισμα) για 6 δευτερόλεπτα, μέχρι να εμφανιστεί η ένδειξη **set** (Ρύθμιση) στην οθόνη, για να αποθηκεύσετε το επιλεγμένο μοτίβο.

5. Αφήστε τα κουμπιά **Arm/Disarm** (Ενεργοποίηση/Απενεργοποίηση) και **Weigh** (Ζύγισμα).

Σημείωση - Η ρύθμιση του μοτίβου που επιλέξατε εμφανίζεται στην οθόνη. Ένα σύντομο δείγμα του μοτίβου επιβεβαιώνει τη ρύθμιση του μοτίβου που επιλέξατε.

Ρύθμιση έντασης ήχου ειδοποίησης της επιλογής **Chaperone**

Για να αλλάξετε την ένταση ήχου ειδοποίησης της επιλογής **Chaperone**:

1. Πατήστε και κρατήστε πατημένα ταυτόχρονα τα κουμπιά **Zero** (Μηδενισμός) και **lb/kg** (λίβρες/κιλά), μέχρι να εμφανιστεί η ένδειξη **vol** (Ένταση ήχου) στην οθόνη (*Αναγνώριση εικονιδίων/κουμπιών ζυγού* (σελίδα 30)).

2. Αφήστε τα κουμπιά **Zero** (Μηδενισμός) και **lb/kg** (λίβρες/κιλά).

Σημείωση - Τα επίπεδα έντασης ήχου **L (1-4)** εμφανίζονται στην οθόνη.

3. Πατήστε το κουμπί **Zero** (Μηδενισμός) ή το κουμπί **lb/kg** (λίβρες/κιλά) για να μεταβείτε διαδοχικά στα επίπεδα έντασης ήχου.

Σημείωση - Γίνεται αναπαραγωγή ενός σύντομου δείγματος της έντασης ήχου καθώς μεταβαίνετε διαδοχικά μεταξύ των επιπέδων έντασης ήχου.

4. Πατήστε και κρατήστε πατημένα ταυτόχρονα τα κουμπιά **Zero** (Μηδενισμός) και **lb/kg** (λίβρες/κιλά) για 6 δευτερόλεπτα, μέχρι να εμφανιστεί η ένδειξη **set** (Ρύθμιση) στην οθόνη, για να αποθηκεύσετε το επιλεγμένο επίπεδο έντασης ήχου.
5. Αφήστε τα κουμπιά **Zero** (Μηδενισμός) και **lb/kg** (λίβρες/κιλά).

Σημείωση - Το επίπεδο έντασης ήχου που επιλέξατε εμφανίζεται στην οθόνη. Ένα σύντομο δείγμα του επιπέδου έντασης ήχου επιβεβαιώνει τη ρύθμιση του επιπέδου έντασης ήχου που επιλέξατε.

Φόρτιση του πακέτου μπαταριών του προαιρετικού συστήματος ζυγού - προαιρετικό ηλεκτρικό φορείο ή προαιρετικό ηλεκτρικό φορείο με την επιλογή Chaperone - μόνο για το Prime

Για το σύστημα ζυγού με το προαιρετικό ηλεκτρικό φορείο απαιτείται ένα πακέτο μπαταριών ιόντων λιθίου των 10,8 V (0058-135-000 χωρίς την επιλογή **Chaperone**, 0058-134-000 με την επιλογή **Chaperone**). Επαναφορτίστε το πακέτο μπαταριών όταν η ένδειξη φόρτισης μπαταριών εμφανίζει ότι απομένει μία μονάδα. Αυτό αποτρέπει τον τερματισμό λειτουργίας του προαιρετικού συστήματος ζυγού, λόγω εξάντλησης των μπαταριών.

Για να επαναφορτίσετε το πακέτο μπαταριών ιόντων λιθίου του συστήματος ζυγού, συνδέστε το καλώδιο ρεύματος σε μια γειωμένη επιτοίχια πρίζα, νοσοκομειακού τύπου. Το πακέτο μπαταριών φορτίζεται πλήρως σε περίπου τρεις ώρες.

Σημείωση - Να συνδέετε πάντοτε το προϊόν σε γειωμένη επιτοίχια πρίζα νοσοκομειακού τύπου όταν δεν χρησιμοποιείται. Αυτό βοηθά στη διατήρηση επαρκούς φορτίου στην μπαταρία και μεγιστοποιεί την απόδοση του προϊόντος όταν λειτουργεί με μπαταρία.

Αντικατάσταση των μπαταριών του προαιρετικού συστήματος ζυγού - μη ηλεκτρικό φορείο

Αντικαταστήστε τις μπαταρίες όταν η ένδειξη φόρτισης μπαταριών εμφανίζει ότι απομένει μία μονάδα. Αυτό αποτρέπει τον τερματισμό λειτουργίας του προαιρετικού συστήματος ζυγού, λόγω εξάντλησης των μπαταριών.

Όταν στην οθόνη αναβοσβήνει η ένδειξη **Lo batt** (Χαμηλή ισχύς μπαταριών), οι μπαταρίες βρίσκονται στο χαμηλότερο επίπεδο φόρτισης και το προαιρετικό σύστημα ζυγού απενεργοποιείται.

Απαιτούμενα εργαλεία:

- Κατσαβίδι Phillips
- Τέσσερις μπαταρίες AA [αλκαλικού τύπου (LR6)]

Για να αντικαταστήσετε τις μπαταρίες:

1. Χρησιμοποιώντας κατσαβίδι Phillips, αφαιρέστε τις βίδες που συγκρατούν το κάλυμμα του διαμερίσματος μπαταριών στη διάταξη της οθόνης.
2. Αφαιρέστε και απορρίψτε και τις τέσσερις μπαταρίες AA.

Σημείωση - Να απορρίπτετε πάντοτε τις παλαιές μπαταρίες σύμφωνα με τους τοπικούς κανονισμούς.

3. Τοποθετήστε τέσσερις νέες μπαταρίες AA, όπως υποδεικνύεται στη θήκη μπαταριών.

Σημείωση - Μη χρησιμοποιείτε ταυτόχρονα παλιές και νέες μπαταρίες.

4. Χρησιμοποιήστε τις βίδες που αφαιρέσατε στο βήμα 1 για να επανατοποθετήσετε το κάλυμμα του διαμερίσματος μπαταριών στη διάταξη της οθόνης.

Παρελκόμενα και εξαρτήματα

Αυτά τα παρελκόμενα μπορούν να διατεθούν για χρήση με το συγκεκριμένο προϊόν. Ελέγξτε αν είναι διαθέσιμα για τη συγκεκριμένη διαμόρφωση ή την περιοχή σας. Καλέστε την υπηρεσία εξυπηρέτησης πελατών της Stryker: 1-800-327-0770.

Όνομασία	Κωδικός ανταλλακτικού
Δίσκος απινιδωτή	1105-045-200
Δίσκος απινιδωτή/προέκταση ποδιών	1105-045-400
Πλάκα ποδιών/θήκη φακέλου	1105-045-500
Διάταξη επιθέματος πτέρνας	1105-045-022
Ράβδος μεταφοράς στατό ορού	0785-155-000
Στατό ορού HAVASU™ , αφαιρούμενο	0390-025-000
Στατό ορού, τριών θέσεων, πλευρά ποδιών, αριστερό, 26" (66 εκ.)	1105-035-644
Στατό ορού, τριών θέσεων, πλευρά ποδιών, δεξί, 26" (66 εκ.)	1105-035-639
Στατό ορού, τριών θέσεων, πλευρά ποδιών, αριστερό, 30" (76 εκ.)	1105-035-344
Στατό ορού, τριών θέσεων, πλευρά ποδιών, δεξί, 30" (76 εκ.)	1105-035-339
Στατό ορού, τριών θέσεων, πλευρά ποδιών, αριστερό, 30" (76 εκ.) (προαιρετικός εξοπλισμός Prime X)	1105-035-364
Στατό ορού, τριών θέσεων, πλευρά ποδιών, δεξί, 30" (76 εκ.) (προαιρετικός εξοπλισμός Prime X)	1105-035-361
Στατό ορού, τριών θέσεων, πλευρά κεφαλής, αριστερό, 26" (66 εκ.)	1105-035-642
Στατό ορού, τριών θέσεων, πλευρά κεφαλής, δεξί, 26" (66 εκ.)	1105-035-637
Στατό ορού, τριών θέσεων, πλευρά κεφαλής, αριστερό, 30" (76 εκ.)	1105-035-342
Στατό ορού, τριών θέσεων, πλευρά κεφαλής, δεξί, 30" (76 εκ.)	1105-035-337
Στατό ορού, τριών θέσεων, πλευρά κεφαλής, αριστερό, 30" (76 εκ.) (προαιρετικός εξοπλισμός Prime X)	1105-035-369
Στατό ορού, τριών θέσεων, πλευρά κεφαλής, δεξί, 30" (76 εκ.) (προαιρετικός εξοπλισμός Prime X)	1105-035-366
Στατό ορού, δύο θέσεων, πλευρά ποδιών, αριστερό, 26" (66 εκ.)	1105-035-640
Στατό ορού, δύο θέσεων, πλευρά ποδιών, δεξί, 26" (66 εκ.)	1105-035-643
Στατό ορού, δύο θέσεων, πλευρά ποδιών, αριστερό, 30" (76 εκ.)	1105-035-340
Στατό ορού, δύο θέσεων, πλευρά ποδιών, δεξί, 30" (76 εκ.)	1105-035-343
Στατό ορού, δύο θέσεων, πλευρά ποδιών, αριστερό, 30" (76 εκ.) (προαιρετικός εξοπλισμός Prime X)	1105-035-362
Στατό ορού, δύο θέσεων, πλευρά ποδιών, δεξί, 30" (76 εκ.) (προαιρετικός εξοπλισμός Prime X)	1105-035-363

Όνομασία	Κωδικός ανταλλακτικού
Στατό ορού, δύο θέσεων, πλευρά κεφαλής, αριστερό, 26" (66 εκ.)	1105-035-638
Στατό ορού, δύο θέσεων, πλευρά κεφαλής, δεξί, 26" (66 εκ.)	1105-035-641
Στατό ορού, δύο θέσεων, πλευρά κεφαλής, αριστερό, 30" (76 εκ.)	1105-035-341
Στατό ορού, δύο θέσεων, πλευρά κεφαλής, δεξί, 30" (76 εκ.)	1105-035-338
Στατό ορού, δύο θέσεων, πλευρά κεφαλής, αριστερό, 30" (76 εκ.) (προαιρετικός εξοπλισμός Prime X)	1105-035-367
Στατό ορού, δύο θέσεων, πλευρά κεφαλής, δεξί, 30" (76 εκ.) (προαιρετικός εξοπλισμός Prime X)	1105-035-368
Στρώμα, ComfortGel SE™ , πυρίμαχο κάλυμμα, 26" (66 εκ.)	1805-034-601
Στρώμα, ComfortGel SE , πυρίμαχο κάλυμμα, 30" (76 εκ.)	1805-034-301
Στρώμα, ComfortGel SE , χωρίς πυρίμαχο κάλυμμα, 26" (66 εκ.)	1805-034-600
Στρώμα, ComfortGel SE , χωρίς πυρίμαχο κάλυμμα, 30" (76 εκ.)	1805-034-300
Στρώμα, Enhanced Comfort , 3" x 26" (8 εκ. x 66 εκ.)	0785-034-613
Στρώμα, Enhanced Comfort , 3" x 30" (8 εκ. x 76 εκ.)	0785-034-313
Στρώμα, Enhanced Comfort , 4" x 26" (10 εκ. x 66 εκ.)	0785-034-623
Στρώμα, Enhanced Comfort , 4" x 30" (10 εκ. x 76 εκ.)	0785-034-323
Στρώμα, IsoFlex SE™ , πυρίμαχο κάλυμμα, 30" (76 εκ.)	1806-034-300
Στρώμα, IsoFlex SE , χωρίς πυρίμαχο κάλυμμα, διεθνές, 30" (76 εκ.)	1806-034-301
Στρώμα, Ultra Comfort , 4" x 26" (10 εκ. x 66 εκ.)	0785-034-603
Στρώμα, Ultra Comfort , 4" x 30" (10 εκ. x 76 εκ.)	0785-034-303
Στρώμα, Ultra Comfort , 5" x 26" (13 εκ. x 66 εκ.)	0785-034-633
Στρώμα, Ultra Comfort , 5" x 30" (13 εκ. x 76 εκ.)	0785-034-333
Στρώμα, Ultra Comfort SE™ , 4" x 26" (10 εκ. x 66 εκ.)	1704-034-600
Στρώμα, Ultra Comfort SE , πυρίμαχο κάλυμμα, διεθνές, 4" x 26" (10 εκ. x 66 εκ.)	1704-034-601
Στρώμα, Ultra Comfort προέκταση φορείου, 4" x 26" (10 εκ. x 66 εκ.)	1105-034-609
Στρώμα, Ultra Comfort προέκταση φορείου, 4" x 30" (10 εκ. x 76 εκ.)	1105-034-309
Στρώμα, Ultra Comfort SE , 3" x 30" (8 εκ. x 76 εκ.)	1703-034-300
Στρώμα, Ultra Comfort SE , πυρίμαχο κάλυμμα, 3" x 30" (8 εκ. x 76 εκ.)	1703-034-301

Όνομασία	Κωδικός ανταλλακτικού
Στρώμα, Ultra Comfort SE , 4" x 30" (10 εκ. x 76 εκ.)	1704-034-300
Στρώμα, Ultra Comfort SE , πυρίμαχο κάλυμμα, 4" x 30" (10 εκ. x 76 εκ.)	1704-034-301
Βάση φιάλης οξυγόνου, κατακόρυφη	1115-130-000
Προαιρετικός εξοπλισμός ράβδου αντλίας, 30" (76 εκ.)	1105-045-035
Διάταξη λαβής ώθησης, πλευρά ποδιών, 30" (76 εκ.)	1105-048-030
Διάταξη λαβής ώθησης, πλευρά κεφαλής, 30" (76 εκ.)	1105-048-060
Συσκευασία ιμάντων συγκράτησης	0785-045-010
Ιμάντας συγκράτησης, αστράγαλος	0785-045-020
Ιμάντας συγκράτησης, σώμα	0785-045-015
Ιμάντας συγκράτησης, καρπός	0946-044-000
Ιμάντας συγκράτησης, θώρακας	1010-058-000
Δίσκος σερβιρίσματος	1105-045-700
Βάση δίσκου σερβιρίσματος/πλάκα ποδιών	1105-045-800
Επιθέματα πλαϊνών κιγκλιδωμάτων	1001-052-000
Θήκη ακτινογραφικής κασέτας, πλευρική	1105-045-100
Θήκη ακτινογραφικής κασέτας, κατακόρυφη	1105-045-300

Ηλεκτρικά εξαρτήματα

Όνομασία	Αριθμός
Ενεργοποιητής, πλάτη	1008-012-020
Ενεργοποιητής, κάθισμα	1008-014-020
Μπαταρία, πακέτο έξυπνης μπαταρίας ιόντων λιθίου (ζυγός μόνο)	0058-135-000
Μπαταρία, πακέτο έξυπνης μπαταρίας ιόντων λιθίου (ζυγός και Chaperone)	0058-134-000
Πλάκα, συγκρότημα πλακέτας τυπωμένου κυκλώματος ελέγχου συνεχούς ρεύματος	1008-116-800
Πλάκα, συγκρότημα εναλλασσόμενου ρεύματος χωρίς ανυψωτή	1008-002-800
Πλάκα, συγκρότημα πλακέτας τυπωμένου κυκλώματος ελέγχου ανυψωτή	1008-002-810
Πλάκα, συγκρότημα ελέγχου ζυγού (ζυγός μόνο)	1008-237-850
Πλάκα, συγκρότημα ελέγχου ζυγού και Chaperone	1008-237-840
Πυκνωτής, 440 VAC, 35 MFD	0059-087-000
Πληκτρολόγιο, χειριστήριο ζυγού (μη ηλεκτρικό φορείο)	1008-037-820

Όνομασία	Αριθμός
Πληκτρολόγιο, χειριστήριο πλαϊνού κιγκλιδώματος, αριστερό	1008-011-017
Πληκτρολόγιο, χειριστήριο πλαϊνού κιγκλιδώματος, δεξί	1008-011-016
Πληκτρολόγιο, χειριστήριο χειριστή	1008-015-800
Δυναμομετρικός αισθητήρας (προαιρετικό σύστημα ζυγού)	1008-037-057
Μοτέρ, αντλία	1008-002-015
Καλώδιο ρεύματος, τυπικό	1028-146-060
Καλώδιο ρεύματος, διεθνές, τύπου E	1125-060-170
Καλώδιο ρεύματος, διεθνές, τύπου F	1125-060-180
Καλώδιο ρεύματος, διεθνές, τύπου G	1125-060-160
Καλώδιο ρεύματος, διεθνές, τύπου I	1125-060-200
Διάταξη πλαισίου ζυγού (μη ηλεκτρικό φορείο)	1070-237-020
Μετασχηματιστής	1008-014-857
Μετασχηματιστής, διεθνής	1008-014-877

Προσάρτηση του δίσκου του απινιδωτή

ΠΡΟΕΙΔΟΠΟΙΗΣΗ

- Μην τοποθετείτε αντικείμενα με βάρος μεγαλύτερο από 30 λίβρες (14 κιλά) στον δίσκο του απινιδωτή. Να δένετε πάντοτε όλες τις συσκευές που τοποθετείτε στον δίσκο του απινιδωτή.
- Να είστε πάντοτε προσεκτικοί εάν ο δίσκος του απινιδωτή/η προέκταση ποδιών, η πλάκα ποδιών/θήκη φακέλου ή η κατακόρυφη βάση φιάλης οξυγόνου είναι προσαρτημένα, για να αποφύγετε τυχόν σύνθλιψη των δακτύλων σας κατά την τοποθέτηση της προαιρετικής λαβής ώθησης του κάτω τμήματος.

Για προσάρτηση του δίσκου απινιδωτή:

- Εισάγετε τους πείρους του δίσκου του απινιδωτή στις υποδοχές στο κάτω τμήμα του προϊόντος.
- Χρησιμοποιήστε τον ιμάντα για να ασφαλίσετε συσκευές στον δίσκο του απινιδωτή.

Σημείωση

- Μη χρησιμοποιείτε τον δίσκο του απινιδωτή ως συσκευή ώθησης/έλξης. Μπορεί να προκληθεί ζημιά του προϊόντος.
- Να ανασηκώνετε πάντοτε τις λαβές ώθησης του κάτω τμήματος κατά τη χρήση παρελκομένων (όπως ο δίσκος του απινιδωτή/η προέκταση ποδιών, η πλάκα ποδιών/θήκη φακέλου, η κατακόρυφη βάση φιάλης οξυγόνου), διαφορετικά τα παρελκόμενα δεν θα λειτουργούν.

Μετατροπή του δίσκου του απινιδωτή/της προέκτασης ποδιών σε δίσκο απινιδωτή

ΠΡΟΕΙΔΟΠΟΙΗΣΗ

- Μην τοποθετείτε αντικείμενα με βάρος μεγαλύτερο από 30 λίβρες (14 κιλά) στον δίσκο του απινιδωτή/στην προέκταση ποδιών. Να δένετε πάντοτε όλες τις συσκευές που τοποθετείτε στον δίσκο του απινιδωτή.
- Να είστε πάντοτε προσεκτικοί εάν ο δίσκος του απινιδωτή/η προέκταση ποδιών, η πλάκα ποδιών/θήκη φακέλου ή η κατακόρυφη βάση φιάλης οξυγόνου είναι προσαρτημένα, για να αποφύγετε τυχόν σύνθλιψη των δακτύλων σας κατά την τοποθέτηση της προαιρετικής λαβής ώθησης του κάτω τμήματος.

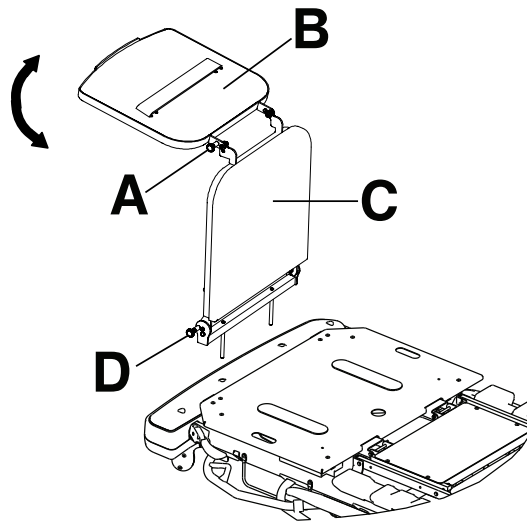
ΠΡΟΣΟΧΗ - Να ανυψώνετε πάντοτε το στατό ορού προτού προσαρτήσετε τον δίσκο του απινιδωτή/την προέκταση ποδιών στο προϊόν. Εάν δεν ανυψώσετε το στατό ορού, η προέκταση ποδιών δεν θα λειτουργεί.

Για τη μετατροπή του δίσκου του απινιδωτή/της προέκτασης ποδιών σε δίσκο απινιδωτή:

1. Τραβήξτε προς τα έξω το πάνω περιστρεφόμενο κουμπί (A) (Σχήμα 19).
2. Περιστρέψτε τον δίσκο απινιδωτή (B) μέχρι ο δίσκος να είναι επίπεδος πάνω από το κάτω τμήμα του προϊόντος. Αφήστε το επάνω περιστρεφόμενο κουμπί (A). Βεβαιωθείτε ότι ο δίσκος του απινιδωτή είναι ασφαλισμένος στη θέση του.
3. Χρησιμοποιήστε τον ιμάντα για να ασφαλίσετε συσκευές στον δίσκο του απινιδωτή.

Σημείωση

- Μη χρησιμοποιείτε τον δίσκο του απινιδωτή/την προέκταση ποδιών ως συσκευή ώθησης/έλξης. Μπορεί να προκληθεί ζημιά του προϊόντος.
- Μην προσαρτάτε αντικείμενα στην προέκταση ποδιών.



Σχήμα 19 – Δίσκος απινιδωτή/προέκταση ποδιών

Μετατροπή του δίσκου του απινιδωτή/της προέκτασης ποδιών σε προέκταση ποδιών

ΠΡΟΕΙΔΟΠΟΙΗΣΗ

- Μην τοποθετείτε αντικείμενα με βάρος μεγαλύτερο από 30 λίβρες (14 κιλά) στον δίσκο του απινιδωτή/στην προέκταση ποδιών. Να δένετε πάντοτε όλες τις συσκευές που τοποθετείτε στον δίσκο του απινιδωτή.
- Να είστε πάντοτε προσεκτικοί εάν ο δίσκος του απινιδωτή/η προέκταση ποδιών, η πλάκα ποδιών/θήκη φακέλου ή η κατακόρυφη βάση φιάλης οξυγόνου είναι προσαρτημένα, για να αποφύγετε τυχόν σύνθλιψη των δακτύλων σας κατά την τοποθέτηση της προαιρετικής λαβής ώθησης του κάτω τμήματος.

ΠΡΟΣΟΧΗ - Να ανυψώνετε πάντοτε το στατό ορού προτού προσαρτήσετε τον δίσκο του απινιδωτή/την προέκταση ποδιών στο προϊόν. Εάν δεν ανυψώσετε το στατό ορού, η προέκταση ποδιών δεν θα λειτουργεί.

Για τη μετατροπή του δίσκου του απινιδωτή/της προέκτασης ποδιών σε προέκταση ποδιών (Σχήμα 19):

1. Τραβήξτε προς τα έξω το πάνω περιστρεφόμενο κουμπί (A).
2. Περιστρέψτε τον δίσκο του απινιδωτή (B) μέχρι ο δίσκος να ασφαλιστεί επάνω στην προέκταση ποδιών.
3. Τραβήξτε προς τα έξω το κάτω περιστρεφόμενο κουμπί (D) ενώ κρατάτε τη διάταξη δίσκου απινιδωτή/προέκτασης ποδιών.
4. Χαμηλώστε την προέκταση ποδιών (C) μέχρι να επιπεδωθεί η προέκταση ποδιών.
5. Αφήστε το κάτω περιστρεφόμενο κουμπί (D). Πιέστε την προέκταση ποδιών, για να βεβαιωθείτε ότι η προέκταση ποδιών είναι ασφαλισμένη στη θέση της.

Σημείωση

- Μη χρησιμοποιείτε τον δίσκο του απινιδωτή/την προέκταση ποδιών ως συσκευή ώθησης/έλξης. Μπορεί να προκληθεί ζημιά του προϊόντος.
- Μην προσαρτάτε αντικείμενα στην προέκταση ποδιών.

Προσάρτηση της πλάκας ποδιών/θήκης φακέλου

ΠΡΟΕΙΔΟΠΟΙΗΣΗ - Να είστε πάντοτε προσεκτικοί εάν ο δίσκος του απινιδωτή/η προέκταση ποδιών, η πλάκα ποδιών/θήκη φακέλου ή η κατακόρυφη βάση φιάλης οξυγόνου είναι προσαρτημένα, για να αποφύγετε τυχόν σύνθλιψη των δακτύλων σας κατά την τοποθέτηση της προαιρετικής λαβής ώθησης του κάτω τμήματος.

Για να προσαρτήσετε την πλάκα ποδιών/θήκη φακέλου, εισαγάγετε τους πείρους της πλάκας ποδιών/θήκης φακέλου στις υποδοχές στο κάτω τμήμα του προϊόντος.

Σημείωση - Μη χρησιμοποιείτε την πλάκα ποδιών/θήκη φακέλου ως συσκευή ώθησης/έλξης. Μπορεί να προκληθεί ζημιά του προϊόντος.

Προσάρτηση της ράβδου μεταφοράς στατό ορού

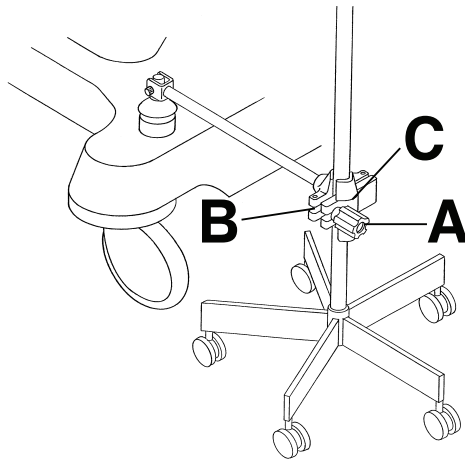
ΠΡΟΕΙΔΟΠΟΙΗΣΗ

- Να ασφαρίζετε πάντοτε το στατό ορού στη ράβδο μεταφοράς στατό ορού κατά τη μεταφορά του προϊόντος.
 - Να αποθηκεύετε πάντοτε τη ράβδο μεταφοράς στατό ορού όταν δεν χρησιμοποιείται, για να αποτραπεί τυχόν ζημιά στο προϊόν.
-

Για να προσαρτήσετε τη ράβδο μεταφοράς στατό ορού (Σχήμα 20):

1. Ανασηκώστε τη ράβδο μεταφοράς στατό ορού για να τη βγάλετε από τον δίσκο φύλαξης ή από το κλιπ φύλαξης.
2. Περιστρέψτε τη ράβδο μεταφοράς στατό ορού στην επιθυμητή θέση.
3. Περιστρέψτε το περιστρεφόμενο κουμπί (A) αριστερόστροφα, για να χαλαρώσετε τον σφιγκτήρα του στατό (C).
4. Περιστρέψτε το περιστρεφόμενο κουμπί (A) μακριά από τη διάταξη σύνδεσης βραχίονα (B).
5. Ανοίξτε τον σφιγκτήρα (C).
6. Τοποθετήστε το στατό ορού μέσα στον σφιγκτήρα (C).
7. Κλείστε τον σφιγκτήρα (C) γύρω από το στατό ορού και περιστρέψτε το περιστρεφόμενο κουμπί (A) στη θέση του.
8. Περιστρέψτε το περιστρεφόμενο κουμπί (A) δεξιόστροφα για να σφίξετε το περιστρεφόμενο κουμπί.
9. Ακολουθήστε τα βήματα με την αντίστροφη φορά για να αποσυνδέσετε τη ράβδο μεταφοράς στατό ορού από το προϊόν.

Για να αποθηκεύσετε τη ράβδο μεταφοράς στατό ορού, τοποθετήστε τη ράβδο μεταφοράς στατό ορού στον δίσκο φύλαξης ή ασφαλίστε τη ράβδο μεταφοράς στατό ορού στο κλιπ φύλαξης.



Σχήμα 20 – Ράβδος μεταφοράς στατό ορού

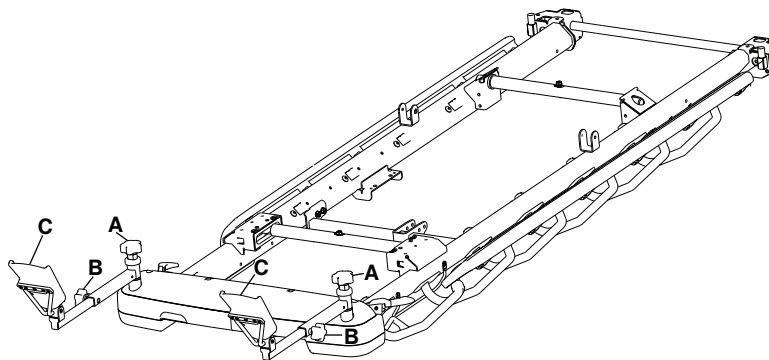
Τοποθέτηση ή αποθήκευση των στηριγμάτων ποδιών - μόνο για το Prime

ΠΡΟΕΙΔΟΠΟΙΗΣΗ

- Μην κάθεστε στα στηρίγματα ποδιών. Αυτό μπορεί να προκαλέσει την ανατροπή του προϊόντος.
- Να απομακρύνετε πάντοτε τα δάκτυλά σας από τους μηχανισμούς, κατά τον χειρισμό των στηριγμάτων ποδιών.
- Να αποθηκεύετε πάντοτε τα στηρίγματα ποδιών κατά τη μεταφορά ασθενούς με το προϊόν.
- Να σφίγγετε πάντοτε τα στηρίγματα ποδιών πριν από τη χρήση των στηριγμάτων ποδιών.
- Μη χρησιμοποιείτε το σύστημα ζυγού με τα στηρίγματα ποδιών. Μπορεί να προκληθούν ανακριβείς ενδείξεις.
- Μη χρησιμοποιείτε την επιλογή **Chaperone** με τα στηρίγματα ποδιών. Μπορεί να προκληθούν ανακριβείς ενδείξεις.

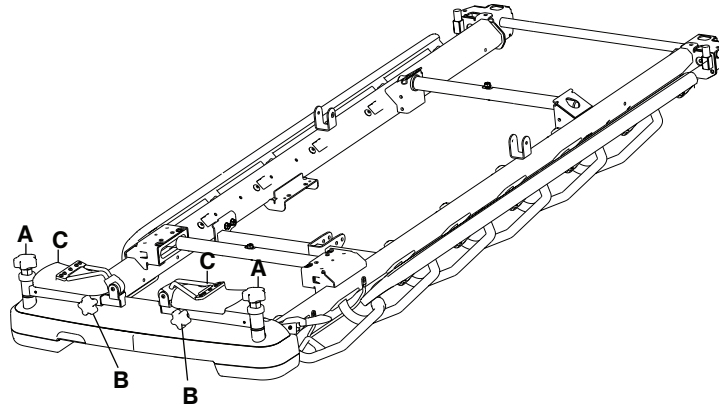
Για να τοποθετήσετε ή να αποθηκεύσετε τα στηρίγματα ποδιών:

1. Χαλαρώστε το περιστρεφόμενο κουμπί για τα γόνατα (A) στο επάνω μέρος των στηριγμάτων ποδιών για να προσαρμόσετε την πλευρική γωνία των στηριγμάτων ποδιών (Σχήμα 21).
2. Σφίξτε το περιστρεφόμενο κουμπί για τα γόνατα (A) για να ασφαλίσετε τα στηρίγματα ποδιών στην επιθυμητή θέση.



Σχήμα 21 – Τοποθέτηση των στηριγμάτων ποδιών

3. Χαλαρώστε το περιστρεφόμενο κουμπί για την κνήμη (B) στο πλάι των στηριγμάτων ποδιών για να προσαρμόσετε το μήκος.
4. Σφίξτε το περιστρεφόμενο κουμπί για την κνήμη (B) για να ασφαλίσετε τα στηρίγματα ποδιών στην επιθυμητή θέση.
5. Περιστρέψτε τα στηρίγματα ποδιών (C) προς τα επάνω πριν από την τοποθέτηση του ασθενούς.
6. Ακολουθήστε τα βήματα με την αντίστροφη σειρά για να αποθηκεύσετε τα στηρίγματα ποδιών (Σχήμα 22).



Σχήμα 22 – Αποθήκευση των στηριγμάτων ποδιών

Δεν μπορείτε να αγοράσετε τον παρακάτω προαιρετικό εξοπλισμό και παρελκόμενα εάν επιλέξετε το στήριγμα ποδιών:

- Λαβές ώθησης για την πλευρά ποδιών
- Δίσκος απινιδωτή
- Δίσκος απινιδωτή/προέκταση ποδιών
- Βάση δίσκου σερβιρίσματος/πλάκα ποδιών
- Πλάκα ποδιών/θήκη φακέλου
- Στατό ορού για την πλευρά ποδιών

Σημείωση

- Μη χρησιμοποιείτε τα στηρίγματα ποδιών για τη φύλαξη προσωπικών αντικειμένων του ασθενούς.
- Μη χρησιμοποιείτε τα στηρίγματα ποδιών ως συσκευή ώθησης/έλξης. Μπορεί να προκληθεί ζημιά του προϊόντος.
- Να εφαρμόζετε πάντοτε τα φρένα κατά τη χρήση των στηριγμάτων ποδιών, για να αποφύγετε τυχόν αστάθεια.
- Μη χρησιμοποιείτε το στήριγμα πλάτης ή το κάθισμα με τα στηρίγματα ποδιών.

Τοποθέτηση του μόνιμα προσαρτημένου στατό ορού δύο θέσεων

ΠΡΟΕΙΔΟΠΟΙΗΣΗ - Μη χρησιμοποιείτε το στατό ορού ως συσκευή ώθησης/έλξης. Μπορεί να προκληθεί ζημιά του προϊόντος.

Μπορείτε να αγοράσετε το προϊόν με το προαιρετικό στατό ορού δύο θέσεων μόνιμα προσαρτημένο στην πλευρά ποδιών, στην πλευρά κεφαλής ή και στα δύο άκρα του προϊόντος. Το στατό ορού διαθέτει έναν τηλεσκοπικό ορθοστάτη που προεκτείνεται παρέχοντας μια δεύτερη θέση ύψους. Μπορείτε να διπλώσετε και να αποθηκεύσετε το στατό ορού όταν δεν το χρησιμοποιείτε.

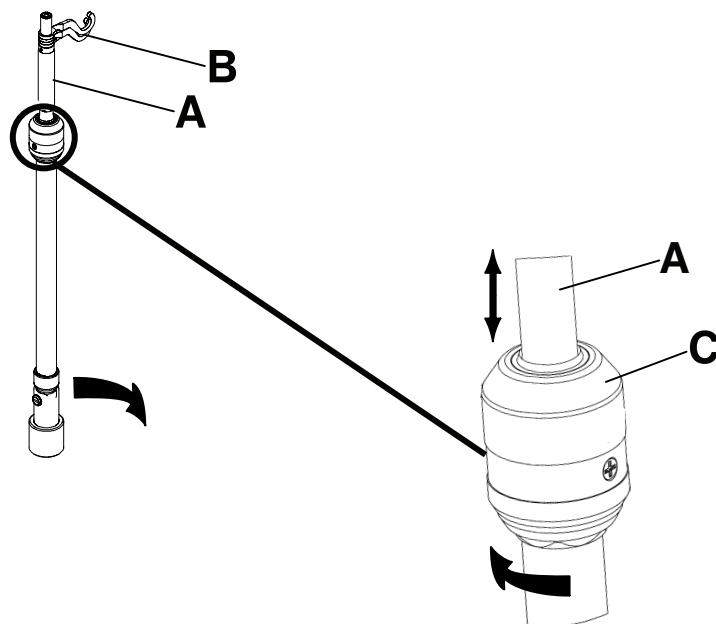
Για να τοποθετήσετε το στατό ορού δύο θέσεων (Σχήμα 23):

1. Ανασηκώστε και περιστρέψτε το στατό από τη θέση φύλαξης.
2. Πιέστε το στατό ορού προς τα κάτω, μέχρι να ασφαλίσει στη θέση του.
3. Για να αυξήσετε το ύψος του στατό ορού, τραβήξτε προς τα επάνω το τηλεσκοπικό τμήμα (A) έως ότου το στατό ασφαλίσει στην πλήρως ανυψωμένη θέση του.
4. Περιστρέψτε τους αναρτήρες ενδοφλέβιων υγρών (B) στην επιθυμητή θέση και αναρτήστε τους ασκούς ενδοφλέβιων υγρών.
5. Για να χαμηλώσετε το στατό ορού, κρατήστε το τηλεσκοπικό τμήμα του στατό ορού, περιστρέψτε την ασφάλεια (C) και χαμηλώστε το τηλεσκοπικό τμήμα.

Σημείωση

- Μην αναρτάτε ασκούς ενδοφλέβιων υγρών με βάρος μεγαλύτερο από 40 λίβρες (18 κιλά) στο στατό ορού.

- Να επιβεβαιώνετε πάντοτε ότι το στατό ορού βρίσκεται σε χαμηλό ύψος, για να περνά με ασφάλεια από τα ανοίγματα θυρών κατά τη μεταφορά ασθενούς.



Σχήμα 23 – Τοποθέτηση του μόνιμα προσαρτημένου στατό ορού 2 θέσεων

Τοποθέτηση του μόνιμα προσαρτημένου στατό ορού τριών θέσεων

ΠΡΟΕΙΔΟΠΟΙΗΣΗ - Μη χρησιμοποιείτε το στατό ορού ως συσκευή ώθησης/έλξης. Μπορεί να προκληθεί ζημιά του προϊόντος.

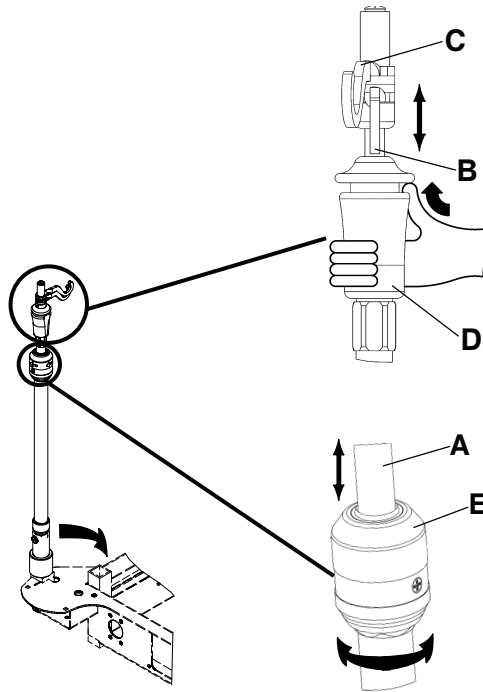
Μπορείτε να αγοράσετε το προϊόν με το προαιρετικό στατό ορού τριών θέσεων μόνιμα προσαρτημένο στην πλευρά ποδιών, στην πλευρά κεφαλής ή και στα δύο άκρα του προϊόντος. Το στατό ορού διαθέτει έναν τηλεσκοπικό ορθοστάτη που προεκτείνεται παρέχοντας μια δεύτερη και μια τρίτη θέση ύψους. Μπορείτε επίσης να διπλώσετε και να αποθηκεύσετε το στατό ορού όταν δεν το χρησιμοποιείτε.

Για να τοποθετήσετε το στατό ορού τριών θέσεων (Σχήμα 24):

1. Ανασηκώστε και περιστρέψτε το στατό από τη θέση φύλαξης.
2. Πιέστε το στατό ορού προς τα κάτω, μέχρι να ασφαλίσει το στατό στη θέση του.
3. Για να αυξήσετε το ύψος του στατό ορού, τραβήξτε προς τα επάνω το τηλεσκοπικό τμήμα (A) έως ότου το στατό ασφαλίσει στην πλήρως ανυψωμένη θέση του.
4. Για να αυξήσετε το ύψος του στατό ορού, τραβήξτε το τμήμα (B). Απελευθερώστε το τμήμα (B) σε οποιοδήποτε επιθυμητό ύψος για να ασφαλίσετε το στατό στη θέση του.
5. Περιστρέψτε τους αναρτήρες ενδοφλέβιων υγρών (C) στην επιθυμητή θέση και αναρτήστε τους ασκούς ενδοφλέβιων υγρών.
6. Για να χαμηλώσετε το στατό ορού, ωθήστε προς τα επάνω το κίτρινο τμήμα της λαβής (D) ενόσω κρατάτε το τμήμα (B) μέχρι να χαμηλώσει το στατό.
7. Γυρίστε την ασφάλεια (E) και χαμηλώστε το τηλεσκοπικό τμήμα του στατό ορού.

Σημείωση

- Μην αναρτάτε ασκούς ενδοφλέβιων υγρών με βάρος μεγαλύτερο από 12 λίβρες (5 κιλά) συνολικά για όλους τους ασκούς στο στατό ορού.
- Μην αναρτάτε ασκούς ενδοφλέβιων υγρών με βάρος μεγαλύτερο από 9,3 λίβρες (4,2 κιλά) σε έναν αναρτήρα ενδοφλέβιων υγρών.
- Να επιβεβαιώνετε πάντοτε ότι το στατό ορού βρίσκεται σε χαμηλό ύψος, για να περνά με ασφάλεια από τα ανοίγματα θυρών κατά τη μεταφορά ασθενούς.



Σχήμα 24 – Τοποθέτηση του μόνιμα προσαρτημένου στατό ορού τριών θέσεων

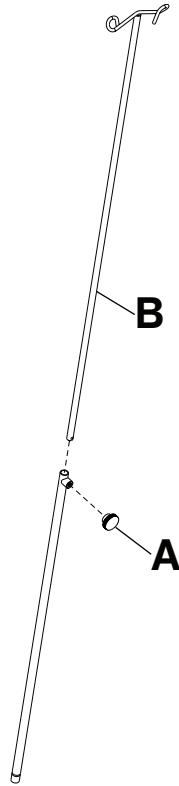
Προσάρτηση και τοποθέτηση του αφαιρούμενου στατό ορού

ΠΡΟΣΟΧΗ

- Μη χρησιμοποιείτε το στατό ορού ως συσκευή ώθησης/έλξης. Μπορεί να προκληθεί ζημιά του προϊόντος.
- Μην αναρτάτε ασκούς ενδοφλέβιων υγρών με βάρος μεγαλύτερο από 40 λίβρες (18 κιλά) στο στατό ορού.
- Να επιβεβαιώνετε πάντοτε ότι το στατό ορού βρίσκεται σε χαμηλό ύψος, για να περνά από τα ανοίγματα θυρών κατά τη μεταφορά ασθενούς.

Για προσάρτηση και τοποθέτηση του αφαιρούμενου στατό ορού (Σχήμα 25):

1. Εισαγάγετε το στατό ορού σε μια υποδοχή στο πάνω τμήμα ή στο κάτω τμήμα του προϊόντος.
2. Περιστρέψτε το περιστρεφόμενο κουμπί (A) αριστερόστροφα και τραβήξτε προς τα πάνω το τηλεσκοπικό τμήμα (B) μέχρι να φθάσετε στο επιθυμητό ύψος.
3. Περιστρέψτε το περιστρεφόμενο κουμπί (A) δεξιόστροφα για να ασφαλίσετε το τηλεσκοπικό τμήμα στη θέση του.



Σχήμα 25 – Αφαιρούμενο στατό ορού

Προσάρτηση της κατακόρυφης βάσης φιάλης οξυγόνου

ΠΡΟΕΙΔΟΠΟΙΗΣΗ

- Μην τοποθετείτε αντικείμενα με βάρος μεγαλύτερο από 40 λίβρες (18 κιλά) στην κατακόρυφη βάση φιάλης οξυγόνου.
- Να είστε πάντοτε προσεκτικοί εάν ο δίσκος του απινιδωτή/η προέκταση ποδιών, η πλάκα ποδιών/θήκη φακέλου ή η κατακόρυφη βάση φιάλης οξυγόνου είναι προσαρτημένα, για να αποφύγετε τυχόν σύνθλιψη των δακτύλων σας κατά την τοποθέτηση της προαιρετικής λαβής ώθησης της πλευράς ποδιών.

Η κατακόρυφη βάση φιάλης οξυγόνου συγκρατεί μια φιάλη οξυγόνου σε κατακόρυφη θέση.

Για να προσαρτήσετε την κατακόρυφη βάση φιάλης οξυγόνου:

1. Εισαγάγετε τη ράβδο υποστήριξης σε οποιαδήποτε από τις υποδοχές ενδοφλέβιων διαλυμάτων.
2. Εισαγάγετε την κοπίλια μέσα στην οπή στη ράβδο υποστήριξης, για να ασφαλίσετε τη βάση της φιάλης στο προϊόν.

Σημείωση - Μη χρησιμοποιείτε την κατακόρυφη βάση φιάλης οξυγόνου ως συσκευή ώθησης/έλξης. Μπορεί να προκληθεί ζημιά του προϊόντος.

Προέκταση ή αποθήκευση της βάσης δίσκου σερβιρίσματος/πλάκας ποδιών

ΠΡΟΕΙΔΟΠΟΙΗΣΗ - Μην τοποθετείτε αντικείμενα με βάρος μεγαλύτερο από 30 λίβρες (14 κιλά) στον δίσκο σερβιρίσματος.

Για να εφαρμόσετε τον δίσκο σερβιρίσματος στο πλαϊνό κιγκλιδώμα, τραβήξτε προς τα έξω και τις δύο πλευρές του δίσκου σερβιρίσματος και τοποθετήστε τον επάνω από τα πλαϊνά κιγκλιδώματα.

Για να αποθηκεύσετε τον δίσκο σερβιρίσματος:

1. Αφαιρέστε τον δίσκο σερβιρίσματος από τα πλαϊνά κιγκλιδώματα.
2. Πιέστε προς τα μέσα τις πλευρές του δίσκου σερβιρίσματος.

3. Φυλάξτε τον δίσκο σερβιρίσματος μέσα στην πλάκα των ποδιών.

Σημείωση - Μη χρησιμοποιείτε τον δίσκο σερβιρίσματος/την πλάκα ποδιών ως συσκευή ώθησης/έλξης. Μπορεί να προκληθεί ζημιά του προϊόντος.

Προσάρτηση των επιθεμάτων των πλαϊνών κιγκλιδωμάτων

Για να προσαρτήσετε τα επιθέματα των πλαϊνών κιγκλιδωμάτων:

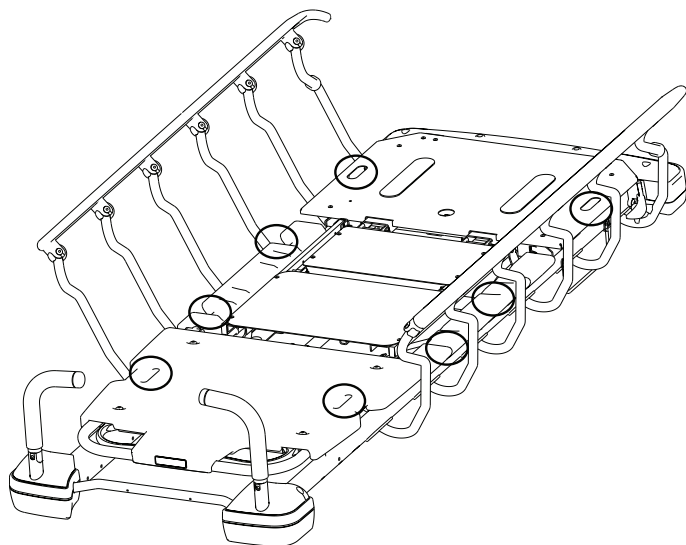
1. Βάλτε το επίθεμα του πλαϊνού κιγκλιδώματος ανάμεσα στο στρώμα και στο πλαϊνό κιγκλίδωμα.
2. Σφίξτε τους ιμάντες **Velcro®** γύρω από το επάνω μέρος του πλαϊνού κιγκλιδώματος για να ασφαλίσετε το επίθεμα του πλαϊνού κιγκλιδώματος.

Εντοπισμός των σημείων πρόσδεσης των ιμάντων συγκράτησης ασθενούς

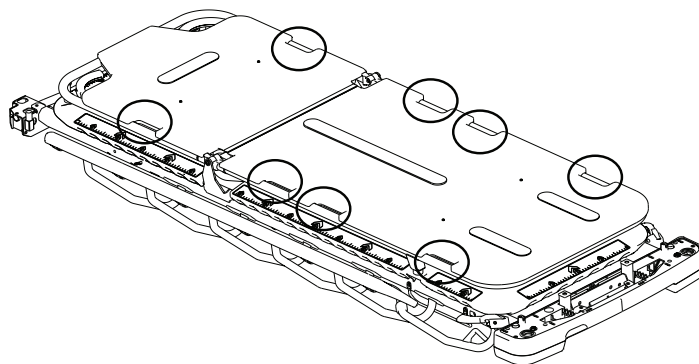
ΠΡΟΕΙΔΟΠΟΙΗΣΗ

- Να είστε πάντοτε προσεκτικοί κατά την προσάρτηση ιμάντων συγκράτησης. Μπορεί να προκληθεί τραυματισμός του ασθενούς ή του χειριστή. Οι διατάξεις συγκράτησης σώματος, ακόμη και εάν είναι στερεωμένες, μπορεί να προκαλέσουν σοβαρή βλάβη σε ασθενείς και χειριστές, συμπεριλαμβανομένης της εμπλοκής, της παγίδευσης, του σωματικού τραυματισμού ή του θανάτου.
- Να προσαρτάτε πάντοτε ιμάντες ή διατάξεις συγκράτησης μόνο στα καθορισμένα σημεία πρόσδεσης του προϊόντος. Σε αντίθετη περίπτωση ενδέχεται να προκληθεί τραυματισμός του ασθενούς ή του χειριστή. Μην προσαρτάτε ιμάντες συγκράτησης στο πλαϊνό κιγκλίδωμα.
- Να ανατρέχετε πάντοτε στους ισχύοντες περιφερειακούς και εθνικούς περιορισμούς και κανονισμούς, καθώς και στα κατάλληλα πρωτόκολλα του ιδρύματος, προτού χρησιμοποιήσετε οποιονδήποτε ιμάντα ή διάταξη συγκράτησης.

Υπάρχουν οκτώ θέσεις για συνδετήρες ιμαντών συγκράτησης ασθενών στη διάταξη του φορείου για την προσάρτηση ιμαντών συγκράτησης ασθενών (Σχήμα 26 ή Σχήμα 27).



Σχήμα 26 – Θέσεις ιμαντών συγκράτησης Prime



Σχήμα 27 – Θέσεις ιμαντών συγκράτησης προαιρετικού εξοπλισμού Prime X

Σημείωση - Οι ιμάντες συγκράτησης είναι εφαρμοζόμενα εξαρτήματα τύπου B.

Τοποθέτηση της κατακόρυφης θήκης ακτινογραφικής κασέτας - προαιρετικός εξοπλισμός Prime X

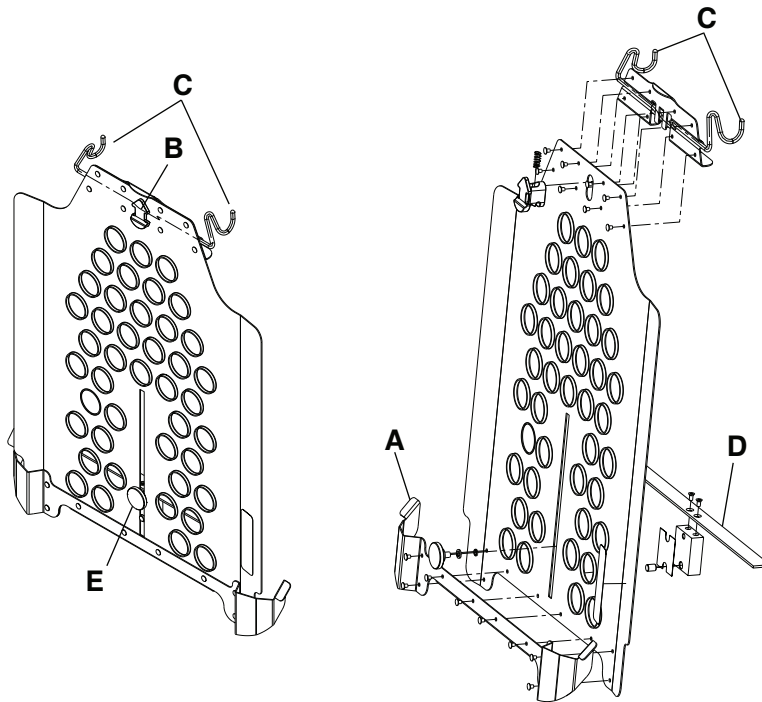
ΠΡΟΕΙΔΟΠΟΙΗΣΗ

- Να λαμβάνετε πάντοτε μέτρα προστασίας όταν χρησιμοποιείτε την κατακόρυφη ή την πλευρική θήκη ακτινογραφικής κασέτας. Η θήκη ακτινογραφικής κασέτας δεν παρέχει προστασία από την ακτινοβολία.
- Να ανατρέχετε πάντοτε στις τοπικές, κρατικές και ομοσπονδιακές κατευθυντήριες οδηγίες, εκτός από τα πρωτόκολλα του ιδρύματος, για την ασφάλεια πριν από τη χρήση του προαιρετικού εξοπλισμού **Prime X** με συσκευές που εκπέμπουν ακτινοβολία. Οι συσκευές που εκπέμπουν ακτινοβολία μπορεί να δημιουργήσουν υπολειπόμενη ακτινοβολία, παράσιτη ακτινοβολία ή σκεδαζόμενη ακτινοβολία.
- Να είστε πάντοτε ιδιαίτερα προσεκτικοί όταν χρησιμοποιείτε στρώμα με πάχος μεγαλύτερο από 2,5 ίντσες (6,35 εκ.) ή επίστρωμα με τον προαιρετικό εξοπλισμό **Prime X**.
- Να ακολουθείτε πάντοτε τις οδηγίες της ενότητας *Τοποθέτηση της κατακόρυφης θήκης ακτινογραφικής κασέτας - προαιρετικός εξοπλισμός Prime X* για την εισαγωγή της ακτινογραφικής κασέτας.

Η θήκη ακτινογραφικής κασέτας προσαρτάται στη βάση του στηρίγματος πλάτης, για την υποστήριξη ακτινογραφικών κασετών. Μπορείτε να κάνετε ακτινογραφίες ενόσω ο ασθενής βρίσκεται επάνω στο προϊόν. Μπορείτε επίσης να προσαρμόσετε τη θέση της κασέτας προτού κάνετε μια ακτινογραφία.

Για να τοποθετήσετε τη θήκη ακτινογραφικής κασέτας:

1. Εφαρμόστε τα φρένα. Σπρώξτε το προϊόν για να βεβαιωθείτε ότι τα φρένα λειτουργούν.
2. Ανασηκώστε το τμήμα του στηρίγματος πλάτης στην υψηλότερη θέση.
3. Εισάγετε τους κάτω οδηγούς συγκράτησης (A) κάτω από τη ράβδο της βάσης του στηρίγματος πλάτης (Σχήμα 28).
4. Ανασηκώστε τη θήκη της κασέτας μέχρι οι οδηγοί συγκράτησης να ασφαλίσουν στη βάση του στηρίγματος πλάτης. Βεβαιωθείτε ότι η θήκη της κασέτας είναι ασφαλισμένη.



Σχήμα 28 – Θήκη ακτινογραφικής κασέτας

5. Εισάγετε μια ακτινογραφική κασέτα από οποιαδήποτε πλευρά της θήκης κασέτας ή τραβήξτε το συρόμενο βέλος απελευθέρωσης (B) για να απελευθερώσετε τη θήκη της κασέτας από την πλάτη, τοποθετήστε την κασέτα και ασφαλίστε τη θήκη της κασέτας στη βάση του στηρίγματος της πλάτης.
6. Για να προσαρμόσετε το ύψος της κασέτας, χαλαρώστε το περιστρεφόμενο κουμπί (E) και μετακινήστε τη ράγα στήριξης της κασέτας (D) προς τα επάνω ή προς τα κάτω, μέχρι να φθάσετε στο επιθυμητό ύψος.

7. Σφίξτε το περιστρεφόμενο κουμπί (E) για να ασφαλίσετε τη ράγα στήριξης της κασέτας στη θέση της.
8. Όταν ολοκληρωθεί η διαδικασία ακτινογραφίας, τραβήξτε το συρόμενο βέλος απελευθέρωσης (B) για να απελευθερώσετε τη θήκη της κασέτας από τη βάση του στηρίγματος πλάτης.
9. Αφαιρέστε την ακτινογραφική κασέτα από τη θήκη της κασέτας.
10. Κλείστε και αποθηκεύστε τη θήκη της κασέτας.

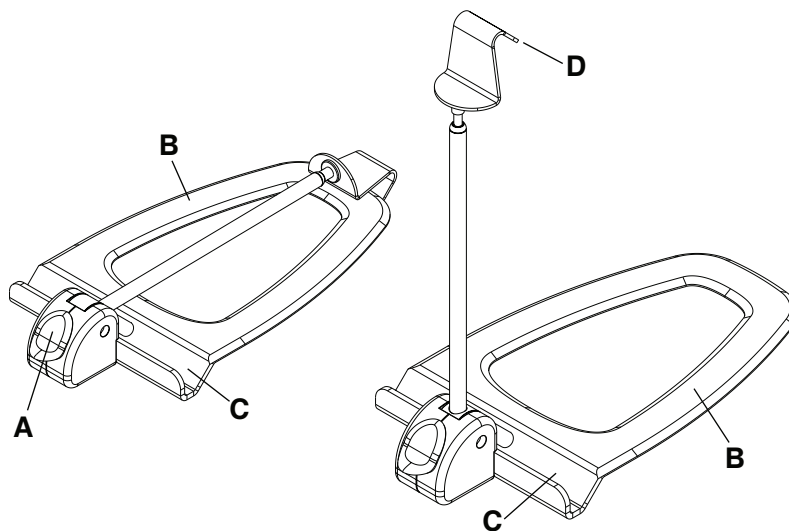
Τοποθέτηση της πλευρικής θήκης ακτινογραφικής κασέτας - προαιρετικός εξοπλισμός Prime X

ΠΡΟΕΙΔΟΠΟΙΗΣΗ

- Να λαμβάνετε πάντοτε μέτρα προστασίας όταν χρησιμοποιείτε την κατακόρυφη ή την πλευρική θήκη ακτινογραφικής κασέτας. Η θήκη ακτινογραφικής κασέτας δεν παρέχει προστασία από την ακτινοβολία.
- Να ανατρέχετε πάντοτε στις τοπικές, κρατικές και ομοσπονδιακές κατευθυντήριες οδηγίες, εκτός από τα πρωτόκολλα του ιδρύματος, για την ασφάλεια πριν από τη χρήση του προαιρετικού εξοπλισμού **Prime X** με συσκευές που εκπέμπουν ακτινοβολία. Οι συσκευές που εκπέμπουν ακτινοβολία μπορεί να δημιουργήσουν υπολειπόμενη ακτινοβολία, παράσιτη ακτινοβολία ή σκεδαζόμενη ακτινοβολία.
- Να είστε πάντοτε προσεκτικοί κατά τη λήψη ακτινογραφιών με το στηρίγμα πλάτης στην κατακόρυφη θέση ή κατά τη χρήση πλάγιας κασέτας.
- Να είστε πάντοτε ιδιαίτερα προσεκτικοί όταν χρησιμοποιείτε στρώμα με πάχος μεγαλύτερο από 2,5 ίντσες (6,35 εκ.) ή επίστρωμα με τον προαιρετικό εξοπλισμό **Prime X**.
- Να ακολουθείτε πάντοτε τις οδηγίες της ενότητας *Τοποθέτηση της πλευρικής θήκης ακτινογραφικής κασέτας - προαιρετικός εξοπλισμός Prime X* για την εισαγωγή της ακτινογραφικής κασέτας.

Για να τοποθετήσετε την πλευρική θήκη ακτινογραφικής κασέτας:

1. Εφαρμόστε τα φρένα. Σπρώξτε το προϊόν για να βεβαιωθείτε ότι τα φρένα λειτουργούν.



Σχήμα 29 – Πλευρική θήκη ακτινογραφικής κασέτας

2. Πιέστε προς τα κάτω το κίτρινο κουμπί απελευθέρωσης (A) για να ανοίξετε την πλευρική θήκη της κασέτας (Σχήμα 29).
3. Σύρετε την επίπεδη βάση (B) ανάμεσα από το στρώμα και την πλατφόρμα του ασθενούς.
4. Τοποθετήστε την πλευρική θήκη κασέτας στην επιθυμητή θέση.
5. Τοποθετήστε την ακτινογραφική κασέτα στο κανάλι της κασέτας (C).
6. Τραβήξτε το άγκιστρο της κασέτας (D) για να προσαρμόσετε το ύψος του βραχίονα ώστε να εφαρμόσει επάνω από την ακτινογραφική κασέτα και να συγκρατήσει την κασέτα στη θέση της.
7. Ακολουθήστε τα βήματα με την αντίστροφη σειρά για να αφαιρέσετε την κασέτα και να αποθηκεύσετε την πλευρική θήκη κασέτας.

Εισαγωγή ή αφαίρεση ακτινογραφικών κασετών - προαιρετικός εξοπλισμός Prime X

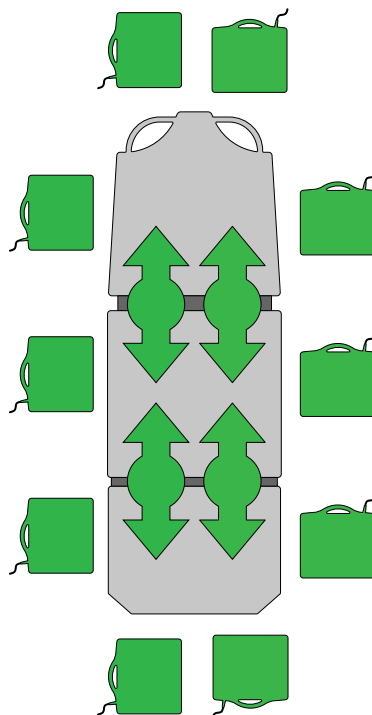
ΠΡΟΕΙΔΟΠΟΙΗΣΗ

- Να ανατρέχετε πάντοτε στις τοπικές, κρατικές και ομοσπονδιακές κατευθυντήριες οδηγίες, εκτός από τα πρωτόκολλα του ιδρύματος, για την ασφάλεια πριν από τη χρήση του προαιρετικού εξοπλισμού **Prime X** με συσκευές που εκπέμπουν ακτινοβολία. Οι συσκευές που εκπέμπουν ακτινοβολία μπορεί να δημιουργήσουν υπολειπόμενη ακτινοβολία, παράσιτη ακτινοβολία ή σκεδαζόμενη ακτινοβολία.
- Να είστε πάντοτε προσεκτικοί κατά τη λήψη ακτινογραφιών με το στήριγμα πλάτης στην κατακόρυφη θέση ή κατά τη χρήση πλάγιας κασέτας.

Ο προαιρετικός εξοπλισμός **Prime X** παρέχει τόσο ένα αρθρωτό ακτινογραφικό στρώμα κατάκλισης όσο και μια πλατφόρμα κάτω από το στρώμα κατάκλισης του ασθενούς για την τοποθέτηση ακτινογραφικής κασέτας. Κατά τη χρήση με ιατρικά ακτινογραφικά συστήματα, το ακτινογραφικό στρώμα κατάκλισης επιτρέπει τη λήψη κλινικών ακτινογραφιών (προσθιοπίσθια ολόκληρου του σώματος, προαιρετική πλάγια ολόκληρου του σώματος και προαιρετική θώρακα σε όρθια θέση) ενόσω ο ασθενής βρίσκεται επάνω στο προϊόν. Μπορείτε να εισάγετε κασέτες από την πλευρά κεφαλής, την πλευρά ποδιών και από οποιαδήποτε πλευρά του προϊόντος.

Για να εισαγάγετε μια ακτινογραφική κασέτα:

1. Κεντράρετε τον ασθενή επάνω στο προϊόν με βάση τις επισημάνσεις ένδειξης θέσης που βρίσκονται σε όλες τις πλευρές του προϊόντος (Σχήμα 30).
2. Εισαγάγετε μια ακτινογραφική κασέτα κάτω από την επιφάνεια του ασθενούς. Χρησιμοποιήστε τους οδηγούς κασετών ως βοήθεια στην τοποθέτηση της ακτινογραφικής κασέτας.



Σχήμα 30 – Εισαγωγή ή αφαίρεση ακτινογραφικών κασετών στον προαιρετικό εξοπλισμό Prime X

Σημείωση

- Μη χρησιμοποιείτε στρώμα πάχους μεγαλύτερου από τέσσερις ίντσες (10 εκ.) σε συνδυασμό με τον προαιρετικό εξοπλισμό **Prime X**.
- Μη χρησιμοποιείτε βραχίονα C με τον προαιρετικό εξοπλισμό **Prime X**. Ο προαιρετικός εξοπλισμός **Prime X** δεν είναι συμβατός με βραχίονα C.

Καθαρισμός

Καθαρισμός του προϊόντος

ΠΡΟΣΟΧΗ - Μη χρησιμοποιείτε αποξεστικά καθαριστικά για τον καθαρισμό του περιβλήματος της οθόνης για το προαιρετικό σύστημα ζυγού. Μην αφήνετε διαλύματα καθαρισμού ή άλλα υγρά να λιμνάσουν πάνω στη μονάδα της οθόνης. Στεγνώστε όλες τις επιφάνειες εάν έχουν διαβραχεί ή μετά από καθαρισμό.

Αυτές οι οδηγίες παρέχουν τις συνιστώμενες μεθόδους καθαρισμού του φορείου **Prime Series**.

Αυτό το προϊόν μπορεί να πλυθεί με νερό υπό πίεση. Το προϊόν μπορεί να εμφανίσει ίχνη οξειδωσης ή χρωματικής αλλοίωσης από τις συνεχείς πλύσεις. Δεν πρόκειται, όμως, να υπάρξει καμία υποβάθμιση των χαρακτηριστικών απόδοσης ή της λειτουργικότητας του προϊόντος από τις πλύσεις υπό πίεση, εφόσον ακολουθούνται οι σωστές διαδικασίες.

Συνιστώμενη μέθοδος καθαρισμού:

1. Εάν το προϊόν διαθέτει ηλεκτρικό φορείο ή προαιρετικό ηλεκτρικό ανυψωτή, αποσυνδέστε το καλώδιο ρεύματος από την επιτοίχια πρίζα προτού μεταφέρετε ή καθαρίσετε το προϊόν.
2. Αφαιρέστε το στρώμα από το προϊόν.
3. Ακολουθήστε τις συστάσεις αραίωσης του παρασκευαστή του διαλύματος καθαρισμού.
4. Η Stryker συνιστά το τυπικό πλυντήριο τροχήλατων του νοσοκομείου για πλύσιμο υπό πίεση.
5. Στεγνώστε το προϊόν. Μην τοποθετείτε το στρώμα στο προϊόν μέχρι να στεγνώσει το προϊόν.
6. Ελέγχετε τη λειτουργικότητα προτού ξαναχρησιμοποιήσετε το προϊόν.
 - Ανυψώστε και χαμηλώστε το προϊόν
 - Ασφαλίστε και απασφαλίστε τον ποδομοχλό φρένου/καθοδήγησης και στις δύο θέσεις
 - Ασφαλίστε και απασφαλίστε τα πλαϊνά κικκλιδώματα
 - Ανυψώστε και χαμηλώστε το στήριγμα πλάτης
 - Ανυψώστε και χαμηλώστε το κάθισμα
 - Βεβαιωθείτε ότι όλα τα εξαρτήματα έχουν λιπανθεί σωστά
 - Βεβαιωθείτε ότι όλες οι επισημάνσεις είναι άθικτες

Σημείωση

- Η άμεση επαφή του δέρματος με εμφανώς λερωμένο, διαπερατό υλικό μπορεί να αυξήσει τον κίνδυνο λοίμωξης.
- Η καρέκλα δεν πρέπει να καθαρίζεται με ατμοκαθαρισμό.
- Καθαρίζετε την περιοχή φύλαξης του καλύμματος της βάσης.
- Καθαρίζετε τα τακάκια των φρένων στο κάτω μέρος τους για να αποτρέψετε τυχόν συσσώρευση κεριού ή υπολειμμάτων από το δάπεδο.
- Ορισμένα καθαριστικά είναι εκ φύσεως διαβρωτικά και μπορούν να προκαλέσουν ζημιά στο προϊόν αν δεν χρησιμοποιηθούν σωστά. Αν δεν εκπλύνετε και δεν στεγνώσετε καλά το προϊόν, μπορεί να παραμείνουν διαβρωτικά υπολείμματα στην επιφάνεια του προϊόντος, τα οποία μπορούν να προκαλέσουν πρόωρη διάβρωση κρίσιμων εξαρτημάτων. Αν δεν ακολουθήσετε αυτές τις οδηγίες καθαρισμού, μπορεί να ακυρωθεί η εγγύησή σας.

Καθαρισμός του προϊόντος με τη χρήση πλυντηρίου τροχήλατων

Η Stryker συνιστά τη χρήση του τυπικού πλυντηρίου χειρουργικών τροχήλατων του νοσοκομείου για το πλύσιμο του φορείου το μέγιστο μία φορά τον χρόνο για τη διάρκεια ζωής του προϊόντος.

Για τον καθαρισμό του προϊόντος με τη χρήση πλυντηρίου τροχήλατων:

1. Εάν το προϊόν διαθέτει ηλεκτρικό φορείο ή προαιρετικό ηλεκτρικό ανυψωτή, αποσυνδέστε το καλώδιο ρεύματος από την επιτοίχια πρίζα προτού μεταφέρετε ή καθαρίσετε το προϊόν.
2. Αφαιρέστε το στρώμα πριν από το πλύσιμο του προϊόντος. Μην πλένετε το στρώμα μαζί με το προϊόν.

3. Τοποθετήστε το στήριγμα πλάτης στις 45°.
4. Τοποθετήστε το προϊόν στην πλήρη ανάστροφη θέση Trendelenburg (η πλευρά ποδιών προς τα κάτω).
5. Ανασηκώστε τα πλαϊνά κιγκλιδώματα.
6. Τοποθετήστε τα στατό ορού και τις λαβές ώθησης στην επάνω θέση.
7. Καθαρίστε το προϊόν με μέγιστη θερμοκρασία νερού 82 °C (180 °F) και μέγιστη πίεση νερού 103,5 bar / 1.500 psi.
8. Στεγνώστε το προϊόν με αέρα μέγιστης θερμοκρασίας 93° C (200° F) για οκτώ λεπτά.
9. Στεγνώστε το προϊόν. Μην τοποθετείτε το στρώμα στο προϊόν μέχρι να στεγνώσει το προϊόν.
10. Ελέγχετε τη λειτουργικότητα προτού ξαναχρησιμοποιήσετε το προϊόν.
 - Ανυψώστε και χαμηλώστε το προϊόν
 - Ασφαλίστε και απασφαλίστε τον ποδομοχλό φρένου/καθοδήγησης και στις δύο θέσεις
 - Ασφαλίστε και απασφαλίστε τα πλαϊνά κιγκλιδώματα
 - Ανυψώστε και χαμηλώστε το στήριγμα πλάτης
 - Βεβαιωθείτε ότι όλα τα εξαρτήματα έχουν λιπανθεί σωστά
 - Βεβαιωθείτε ότι όλες οι επισημάνσεις είναι άθικτες και ευανάγνωστες

Σημείωση

- Η καρέκλα δεν πρέπει να καθαρίζεται με ατμοκαθαρισμό.
- Ορισμένα καθαριστικά είναι εκ φύσεως διαβρωτικά και μπορούν να προκαλέσουν ζημιά στο προϊόν αν δεν χρησιμοποιηθούν σωστά. Αν δεν εκπλύνετε και δεν στεγνώσετε καλά το προϊόν, μπορεί να παραμείνουν διαβρωτικά υπολείμματα στην επιφάνεια του προϊόντος, τα οποία μπορούν να προκαλέσουν πρόωρη διάβρωση κρίσιμων εξαρτημάτων. Αν δεν ακολουθήσετε αυτές τις οδηγίες καθαρισμού, μπορεί να ακυρωθεί η εγγύησή σας.

Καθαρισμός του στρώματος

ΠΡΟΕΙΔΟΠΟΙΗΣΗ

- Μην καθαρίζετε και μην πραγματοποιείτε σέρβις ή συντήρηση ενώ το προϊόν χρησιμοποιείται.
 - Μην εμβαπτίζετε το στρώμα σε καθαριστικά ή απολυμαντικά διαλύματα. Η υπερβολική υγρασία θα μπορούσε να προκαλέσει δυσλειτουργία του προϊόντος, με αποτέλεσμα την πρόκληση ζημιάς στο προϊόν ή τον τραυματισμό του ασθενούς.
 - Μην επιτρέπεται η λίμναση υγρού στο στρώμα. Τα υγρά μπορούν να προκαλέσουν διάβρωση των εξαρτημάτων και ενδέχεται να γίνουν αιτία μη προβλέψιμης ασφάλειας και απόδοσης αυτού του προϊόντος.
 - Να επιθεωρείτε πάντοτε τα καλύμματα του στρώματος για σχισμές, τρυπήματα, υπερβολική φθορά και κακή ευθυγράμμιση των φερμουάρ, κάθε φορά που καθαρίζετε τα καλύμματα. Αφαιρέστε και αντικαταστήστε ένα κατεστραμμένο στρώμα για την αποφυγή διασταυρούμενης μόλυνσης.
 - Μην καθαρίζετε με ατμό, μην πλένετε με νερό υπό πίεση, μην πλένετε με λάστιχο ή με υπερήχους το στρώμα. Αυτές οι μέθοδοι καθαρισμού ενδέχεται να καταστήσουν άκυρη την εγγύηση του προϊόντος.
-

Η διάρκεια ζωής του στρώματος μπορεί να επηρεαστεί από εντατικότερη χρήση, που μπορεί να περιλαμβάνει συχνότερο καθαρισμό και απολύμανση.

Συνιστώμενη μέθοδος καθαρισμού:

1. Χρησιμοποιήστε καθαρό, μαλακό πανί για να σκουπίσετε όλο το στρώμα, με ήπιο διάλυμα σαπουνιού σε νερό για να αφαιρέσετε τις ξένες ουσίες.
2. Σκουπίστε το στρώμα με καθαρό, στεγνό πανί για να αφαιρέσετε την περίσσεια υγρού ή καθαριστικών.
3. Ξεπλύνετε και στεγνώστε τα καλύμματα μετά τον καθαρισμό.
4. Απολυμάνετε, όποτε απαιτείται, με απολυμαντικό νοσοκομειακού τύπου μετά την ολοκλήρωση του καθαρισμού (βλ. *Απολύμανση του στρώματος*).

Σημείωση

- Μη σιδερώνετε, μη χρησιμοποιείτε στεγνό καθάρισμα και μη χρησιμοποιείτε στεγνωτήριο για το στρώμα, καθώς αυτό μπορεί να προκαλέσει δυσλειτουργία και ζημιά του προϊόντος.
- Το κάλυμμα του στρώματος πρέπει να έχει στεγνώσει πλήρως πριν από τη φύλαξη, την προσθήκη σεντονιών ή την τοποθέτηση ασθενούς στο στρώμα, για να αποτραπεί τυχόν μείωση της απόδοσης του προϊόντος.
- Αποφύγετε την υπερβολική έκθεση σε αλκοόλη ή υπεροξειδίο του υδρογόνου. Θα διογκωθεί το υλικό του καλύμματος.
- Μην επιτρέψετε να εισχωρήσει υγρό στην περιοχή του φερμουάρ και στο αδιάβροχο πέτασμα. Αν το φερμουάρ έρθει σε επαφή με υγρά, υπάρχει κίνδυνος να εισχωρήσουν υγρά μέσα στο στρώμα, κάτι που θα μπορούσε να μειώσει την απόδοση του προϊόντος.
- Ορισμένα καθαριστικά είναι εκ φύσεως διαβρωτικά και μπορούν να προκαλέσουν ζημιά στο προϊόν αν δεν χρησιμοποιηθούν σωστά. Αν δεν εκπλύνετε και δεν στεγνώσετε καλά το προϊόν, μπορεί να παραμείνουν διαβρωτικά υπολείμματα στην επιφάνεια του προϊόντος, τα οποία μπορούν να προκαλέσουν πρόωρη διάβρωση κρίσιμων εξαρτημάτων. Αν δεν ακολουθήσετε αυτές τις οδηγίες καθαρισμού, μπορεί να ακυρωθεί η εγγύησή σας.

Αφαιρέστε το ιώδιο

1. Παρασκευάστε ένα διάλυμα με 1 έως 2 κουταλιές της σούπας θειοθειικό νάτριο σε περίπου 500 ml ζεστού νερού. Χρησιμοποιήστε το διάλυμα για να σκουπίσετε τη λεκιασμένη περιοχή.
2. Καθαρίστε τον λεκέ το συντομότερο δυνατόν μετά την εμφάνισή του.
3. Εάν οι λεκέδες δεν αφαιρεθούν αμέσως, αφήστε το διάλυμα να εμποτίσει ή να παραμείνει πάνω στο στρώμα, προτού σκουπίσετε το στρώμα.
4. Εκπλύνετε τα στρώματα που έχουν εκτεθεί στο διάλυμα με καθαρό νερό προτού αρχίσετε πάλι τη χρήση των στρωμάτων.

Σημείωση - Εάν δεν ακολουθήσετε αυτές τις οδηγίες κατά τη χρήση αυτών των τύπων καθαριστικών, ενδέχεται να καταστεί άκυρη η εγγύηση του προϊόντος αυτού.

Ειδικές οδηγίες

Velcro®	Διαποτίστε με απολυμαντικό, εκπλύνετε με νερό και αφήστε το διάλυμα να εξατμιστεί.
Ακαθαρσίες ή λεκέδες	Χρησιμοποιήστε σαπούνια ουδέτερου pH και ζεστό νερό. Μη χρησιμοποιείτε ισχυρά καθαριστικά, διαλύτες ή αποξεστικά καθαριστικά.
Κηλίδες που καθαρίζονται δύσκολα	Χρησιμοποιήστε τυπικά οικιακά καθαριστικά ή καθαριστικά βινυλίου και βούρτσα με μαλακές τρίχες σε δύσκολες κηλίδες ή λεκέδες. Προεμποτίστε τους ξεραμένους λεκέδες.
Πλύσιμο	Δεν συνιστάται πλύσιμο. Το πλύσιμο μπορεί να μειώσει σημαντικά την ωφέλιμη διάρκεια ζωής του στρώματος.

Απολύμανση

Απολύμανση του προϊόντος

ΠΡΟΕΙΔΟΠΟΙΗΣΗ

- Μην καθαρίζετε και μην πραγματοποιείτε σέρβις ή συντήρηση ενώ το προϊόν χρησιμοποιείται.
 - Μην καθαρίζετε το προϊόν με ατμό, με πλύσιμο με λάστιχο ή με υπερήχους. Η χρήση αυτών των μεθόδων καθαρισμού δεν συνιστάται και ενδέχεται να καταστήσει άκυρη την εγγύηση του προϊόντος.
-

Συνιστώμενα απολυμαντικά:

- Τεταρτοταγή (δραστικό συστατικό – χλωριούχο αμμώνιο) που περιέχουν λιγότερο από 3% αιθέρα γλυκόλης
- Φαινολικό απολυμαντικό (δραστικό συστατικό - ορθοφαινολοφαινόλη)
- Χλωριωμένο λευκαντικό διάλυμα [λευκαντικό διάλυμα 5,25% σε αραιώση 1 μέρος λευκαντικού σε 100 μέρη νερού, το οποίο ισούται με 520 ppm διαθέσιμου χλωρίου (40 ml λευκαντικού διαλύματος 5,25% ανά 4.000 ml νερού)]
- Ισοπροπυλική αλκοόλη 70%

Συνιστώμενη μέθοδος απολύμανσης:

1. Ακολουθήστε τις συστάσεις αραιώσης του παρασκευαστή του απολυμαντικού διαλύματος.
2. Πλύνετε με το χέρι όλες τις επιφάνειες του προϊόντος με απολυμαντικό διάλυμα.
3. Αποφύγετε την υπερβολική διαβροχή και βεβαιωθείτε ότι το προϊόν δεν παραμένει νωπό για χρονικό διάστημα μεγαλύτερο από αυτό που αναφέρεται στις κατευθυντήριες οδηγίες του παρασκευαστή της χημικής ουσίας για να επιτευχθεί σωστή απολύμανση.
4. Στεγνώστε το προϊόν. Μην τοποθετείτε το στρώμα στο προϊόν μέχρι να στεγνώσει το προϊόν.
5. Να απολυμαίνετε τους ιμάντες **Velcro®** μετά από κάθε χρήση. Διαποτίστε τους ιμάντες **Velcro®** με απολυμαντικό, εκπλύνετε με νερό και αφήστε το απολυμαντικό να εξατμιστεί (το κατάλληλο απολυμαντικό προσδιορίζεται από το ίδρυμα).
6. Ελέγχετε τη λειτουργικότητα προτού ξαναχρησιμοποιήσετε το προϊόν.
 - Ανυψώστε και χαμηλώστε το προϊόν
 - Ασφαλίστε και απασφαλίστε τον ποδομοχλό φρένου/καθοδήγησης και στις δύο θέσεις
 - Ασφαλίστε και απασφαλίστε τα πλαϊνά κιγκλιδώματα
 - Ανυψώστε και χαμηλώστε το στήριγμα πλάτης
 - Ανυψώστε και χαμηλώστε το κάθισμα
 - Βεβαιωθείτε ότι όλα τα εξαρτήματα έχουν λιπανθεί σωστά
 - Βεβαιωθείτε ότι όλες οι ετικέτες είναι άθικτες

Σημείωση

- Η άμεση επαφή του δέρματος με εμφανώς λερωμένο, διαπερατό υλικό μπορεί να αυξήσει τον κίνδυνο λοίμωξης.
- Ορισμένα καθαριστικά είναι εκ φύσεως διαβρωτικά και μπορούν να προκαλέσουν ζημιά στο προϊόν αν δεν χρησιμοποιηθούν σωστά. Αν δεν εκπλύνετε και δεν στεγνώσετε καλά το προϊόν, μπορεί να παραμείνουν διαβρωτικά υπολείμματα στην επιφάνεια του προϊόντος, τα οποία μπορούν να προκαλέσουν πρόωρη διάβρωση κρίσιμων εξαρτημάτων. Αν δεν ακολουθήσετε αυτές τις οδηγίες καθαρισμού, μπορεί να ακυρωθεί η εγγύησή σας.

Απολύμανση του στρώματος

ΠΡΟΕΙΔΟΠΟΙΗΣΗ - Να απολυμαίνετε πάντοτε το στρώμα μεταξύ της χρήσης από διαφορετικούς ασθενείς. Σε αντίθετη περίπτωση θα μπορούσε να προκληθεί διασταυρούμενη μόλυνση και λοίμωξη.

Συνιστώμενα απολυμαντικά:

- Τεταρτοταγή (δραστικό συστατικό – χλωριούχο αμμώνιο) που περιέχουν λιγότερο από 3% αιθέρα γλυκόλης
- Φαινολικό απολυμαντικό (δραστικό συστατικό - ορθοφαινυλοφαινόλη)
- Χλωριωμένο λευκαντικό διάλυμα [λευκαντικό διάλυμα 5,25% σε αραιώση 1 μέρος λευκαντικού σε 100 μέρη νερού, το οποίο ισούται με 520 ppm διαθέσιμου χλωρίου (40 ml λευκαντικού διαλύματος 5,25% ανά 4.000 ml νερού)]
- Ισοπροπυλική αλκοόλη 70%

Συνιστώμενη μέθοδος απολύμανσης:

1. Βεβαιωθείτε ότι το στρώμα είναι καθαρό και στεγνό προτού εφαρμόσετε τα απολυμαντικά.
2. Σκουπίστε το στρώμα με καθαρό, στεγνό πανί για να αφαιρέσετε την περίσσεια υγρού ή απολυμαντικού.
3. Ξεπλύνετε και στεγνώστε τα καλύμματα μετά την απολύμανση.

Σημείωση

- Το κάλυμμα του στρώματος πρέπει να έχει στεγνώσει πριν από τη φύλαξη ή την προσθήκη σεντονιών. Εάν δεν αφαιρέσετε την περίσσεια του απολυμαντικού θα μπορούσε να προκληθεί φθορά του υλικού του καλύμματος.
- Ορισμένα καθαριστικά είναι εκ φύσεως διαβρωτικά και μπορούν να προκαλέσουν ζημιά στο προϊόν αν δεν χρησιμοποιηθούν σωστά. Αν δεν εκπλύνετε και δεν στεγνώσετε καλά το προϊόν, μπορεί να παραμείνουν διαβρωτικά υπολείμματα στην επιφάνεια του προϊόντος, τα οποία μπορούν να προκαλέσουν πρόωρη διάβρωση κρίσιμων εξαρτημάτων. Αν δεν ακολουθήσετε αυτές τις οδηγίες καθαρισμού, μπορεί να ακυρωθεί η εγγύησή σας.
- Η συχνή ή παρατεταμένη έκθεση σε υψηλότερες συγκεντρώσεις απολυμαντικών διαλυμάτων μπορεί να προκαλέσει πρόωρη παλαίωση του υφάσματος του καλύμματος.
- Η χρήση υπεροξειδίων του υδρογόνου επιταχυνόμενης δράσης ή τεταρτοταγών ενώσεων που περιέχουν γλυκολαιθέρες μπορεί να προκαλέσει ζημιά στο κάλυμμα.

Προληπτική συντήρηση

Διακόψτε τη χρήση του προϊόντος πριν εκτελέσετε έλεγχο προληπτικής συντήρησης. Κατά την ετήσια προληπτική συντήρηση όλων των προϊόντων της Stryker Medical ελέγξτε όλα τα σημεία τα οποία αναφέρονται. Μπορεί να χρειαστεί να κάνετε ελέγχους προληπτικής συντήρησης συχνότερα, ανάλογα με τη χρήση του προϊόντος. Η συντήρηση πρέπει να γίνεται μόνο από αρμόδιο προσωπικό.

Σημείωση - Πριν από την επιθεώρηση, καθαρίστε και απολυμάνετε εξωτερικά το στρώμα, εάν απαιτείται.

Ελέγξτε τα εξής σημεία:

- _____ Ελέγξτε ότι όλα τα εξαρτήματα στερέωσης είναι σφιγμένα
- _____ Ότι τα πλαϊνά κιγκλιδώματα μετακινούνται και ασφαλίζονται
- _____ Ότι οι τροχίσκοι ασφαλίζουν όταν εφαρμόζεται ο ποδομοχλός εφαρμογής φρένου
- _____ Ότι οι τροχίσκοι είναι σταθεροί και περιστρέφονται
- _____ Αν οι τροχίσκοι είναι καθαροί από ρυπαρά και άλλα κατάλοιπα
- _____ Ότι ο μηχανισμός φρένου λειτουργεί
- _____ Ότι η λειτουργία καθοδήγησης λειτουργεί
- _____ Ελέγξτε την επιφάνεια του στρώματος για ρωγμές
- _____ Ότι η πλάτη ανυψώνεται, χαμηλώνει και ασφαλίζει στη θέση της
- _____ Ότι το κάθισμα ανυψώνεται, χαμηλώνει και ασφαλίζει στη θέση του (προαιρετικό)
- _____ Ότι η θέση Trendelenburg/η ανάστροφη θέση Trendelenburg λειτουργεί από όλες τις θέσεις
- _____ Ότι η αλυσίδα γείωσης είναι άθικτη
- _____ Ότι δεν υπάρχουν διαρροές στις υδραυλικές συνδέσεις
- _____ Ότι οι υδραυλικές κολόνες αντέχουν
- _____ Ότι οι διατάξεις συγκράτησης του σώματος κουμπώνουν και είναι σταθερές (προαιρετικό)
- _____ Ότι το στατό ορού είναι άθικτο, προσαρμόζεται και ασφαλίζει σε όλες τις θέσεις (προαιρετικό)
- _____ Ότι η βάση της φιάλης οξυγόνου είναι άθικτη και ανοίγει και κλείνει (προαιρετικό)
- _____ Ότι δεν υπάρχουν σχισμές ή ρωγμές στο κάλυμμα του στρώματος
- _____ Ότι τα παρελκόμενα και ο υλικός εξοπλισμός στερέωσης είναι σε καλή κατάσταση
- _____ Τη λειτουργικότητα των συστημάτων που τροφοδοτούνται από μπαταρία (προαιρετικό)
- _____ Ότι τα καλώδια δεν έχουν φθαρεί ή συμπιεστεί (προαιρετικό)
- _____ Ότι το καλώδιο ρεύματος και το βύσμα δεν έχουν υποστεί ζημιά (προαιρετικό)
- _____ Ότι όλες οι ηλεκτρικές συνδέσεις είναι καλά σφιγμένες (προαιρετικό)
- _____ Ότι όλες οι γειώσεις είναι ασφαλισμένες στο πλαίσιο (προαιρετικό)
- _____ Ότι η σύνθετη αντίσταση γείωσης δεν είναι υψηλότερη από 200 mΩ (milliohm) (προαιρετικό)
- _____ Ότι η ένταση του ρεύματος διαρροής δεν είναι υψηλότερη από 300 μΑ (microamp) (σύμφωνα με το πρότυπο UL 60606-1-1) (προαιρετικό)
- _____ Ότι οι μπαταρίες είναι φορτισμένες (προαιρετικό σύστημα ζυγού)
- _____ Ότι το περίβλημα της οθόνης είναι άθικτο και δεν έχει υποστεί ζημιά (προαιρετικό σύστημα ζυγού)
- _____ Ότι οι κυψέλες φόρτισης είναι άθικτες και δεν έχουν υποστεί ζημιά (προαιρετικό σύστημα ζυγού)
- _____ Ότι ο μηχανισμός του περιστρεφόμενου κουμπιού για τα γόνατα του στηρίγματος ποδιών λειτουργεί και μπορεί να ασφαλιστεί στη θέση του (προαιρετικό)
- _____ Ότι ο μηχανισμός του περιστρεφόμενου κουμπιού για την κνήμη του στηρίγματος ποδιών λειτουργεί και μπορεί να ασφαλιστεί στη θέση του (προαιρετικό)
- _____ Ότι το στηρίγμα ποδιών προεκτείνεται έως την πλήρως εκτεταμένη θέση και σταματά στη σωστή θέση (προαιρετικό)

- _____ Ότι οι βίδες αυτοκοχλιοτόμησης του στηρίγματος ποδιών (6) είναι καλά στερεωμένες και ότι το σπείρωμά τους δεν έχει φθαρεί (προαιρετικό)
- _____ Ότι ο ζυγός είναι βαθμονομημένος. Επαναβαθμονομήστε, εάν είναι απαραίτητο (προαιρετικό σύστημα ζυγού)
- _____ Ότι η κατακόρυφη θήκη ακτινογραφικής κασέτας είναι σε καλή κατάσταση λειτουργίας και μπορεί να προσαρμοστεί ώστε να δέχεται όλες τις ακτινογραφικές κασέτες (προαιρετικός εξοπλισμός **Prime X**)
- _____ Ότι δεν έχει υποστεί ζημιά το δέρμα της πλάτης και το δέρμα των ποδιών (προαιρετικός εξοπλισμός **Prime X**)
- _____ Ότι δεν έχει προκληθεί ζημιά στους δίσκους της κεφαλής και των ποδιών (προαιρετικός εξοπλισμός **Prime X**)
- _____ Ότι οι βίδες και τα παξιμάδια σε όλες τις αρθρώσεις της πλάτης δεν έχουν χαλαρώσει (προαιρετικός εξοπλισμός **Prime X**)

Αριθμός σειράς προϊόντος:
Συμπληρώθηκε από:
Ημερομηνία:

Πληροφορίες περί ηλεκτρομαγνητικής συμβατότητας (ΗΜΣ)

ΠΡΟΣΟΧΗ

- Η χρήση διαφορετικών παρελκομένων, μορφοτροπέων και καλωδίων εκτός από εκείνα που συνιστώνται ή παρέχονται από τον κατασκευαστή θα μπορούσε να οδηγήσει σε αυξημένες ηλεκτρομαγνητικές εκπομπές ή μειωμένη ηλεκτρομαγνητική ατρωσία και να προκαλέσει εσφαλμένη λειτουργία.
- Τα χαρακτηριστικά εκπομπών αυτού του εξοπλισμού τον καθιστούν κατάλληλο για χρήση σε βιομηχανικές περιοχές και νοσοκομεία (CISPR 11, κατηγορία A). Εάν χρησιμοποιείται σε οικιακό περιβάλλον, όπου συνήθως απαιτείται κατηγορία B κατά CISPR 11, αυτός ο εξοπλισμός ενδέχεται να μην παρέχει επαρκή προστασία της λειτουργίας υπηρεσιών επικοινωνίας με ραδιοσυχνότητες. Ο χρήστης ίσως χρειαστεί να λάβει διορθωτικά μέτρα, π.χ. να αλλάξει τον προσανατολισμό ή τη θέση του εξοπλισμού.

Κατευθυντήριες γραμμές και δήλωση του κατασκευαστή - ηλεκτρομαγνητικές εκπομπές

Ο προαιρετικός ηλεκτρικός ανυψωτής, το προαιρετικό ηλεκτρικό φορείο ή το προαιρετικό σύστημα ζυγού προορίζονται για χρήση σε ηλεκτρομαγνητικό περιβάλλον που καθορίζεται παρακάτω. Ο χειριστής του προαιρετικού ηλεκτρικού ανυψωτή, του προαιρετικού ηλεκτρικού φορείου ή του προαιρετικού συστήματος ζυγού πρέπει να διασφαλίσει ότι χρησιμοποιείται σε τέτοιου είδους περιβάλλον.

Δοκιμή εκπομπών	Συμμόρφωση	Ηλεκτρομαγνητικό περιβάλλον
Εκπομπές ραδιοσυχνοτήτων κατά CISPR 11	Ομάδα 1	Ο προαιρετικός ηλεκτρικός ανυψωτής, το προαιρετικό ηλεκτρικό φορείο ή το προαιρετικό σύστημα ζυγού χρησιμοποιεί ενέργεια ραδιοσυχνοτήτων μόνο για την εσωτερική λειτουργία του. Επομένως, οι εκπομπές ραδιοσυχνοτήτων είναι πολύ χαμηλές και δεν είναι πιθανό να προκαλέσουν παρεμβολές σε παρακείμενο ηλεκτρονικό εξοπλισμό.
Εκπομπές ραδιοσυχνοτήτων κατά CISPR 11	Κατηγορία A	Ο προαιρετικός ηλεκτρικός ανυψωτής, το προαιρετικό ηλεκτρικό φορείο ή το προαιρετικό σύστημα ζυγού ενδείκνυται για χρήση σε όλες τις εγκαταστάσεις, εκτός από τις οικιακές καθώς και αυτές που συνδέονται άμεσα με το δημόσιο δίκτυο παροχής ρεύματος χαμηλής τάσης, το οποίο τροφοδοτεί κτίρια που χρησιμοποιούνται ως κατοικίες.
Αρμονικές εκπομπές IEC 61000-3-2 *	Κατηγορία A	
Διακυμάνσεις τάσης εκπομπές τρεμοσβήματος IEC 61000-3-3 *	Συμμορφώνεται	

* Ισχύει μόνο για τον προαιρετικό ηλεκτρικό ανυψωτή ή το προαιρετικό ηλεκτρικό φορείο.

ΠΡΟΣΟΧΗ

- Δεν θα πρέπει να χρησιμοποιείται φορητός εξοπλισμός επικοινωνίας με ραδιοσυχνότητες (συμπεριλαμβανομένων περιφερειακών, όπως καλώδια κεραίας και εξωτερικές κεραίες) σε απόσταση μικρότερη από 12 ίντσες (30 εκ.) από οποιοδήποτε τμήμα του φορείου **Prime**, συμπεριλαμβανομένων των καλωδίων που καθορίζονται από τον κατασκευαστή.
- Αποφύγετε τη στοίβαξη ή την τοποθέτηση άλλου εξοπλισμού δίπλα στη συσκευή, για να αποτρέψετε την ακατάλληλη λειτουργία των προϊόντων. Εάν είναι απαραίτητη η χρήση σε τέτοια διάταξη, παρακολουθείτε προσεκτικά τον εξοπλισμό που έχει τοποθετηθεί δίπλα ή σε στοίβαξη, για να βεβαιωθείτε ότι λειτουργεί σωστά.

Συνιστώμενες αποστάσεις διαχωρισμού μεταξύ φορητών και κινητών συσκευών επικοινωνίας ραδιοσυχνότητας και του προαιρετικού ηλεκτρικού ανυψωτή, του προαιρετικού ηλεκτρικού φορείου ή του προαιρετικού συστήματος ζυγού.

Ο προαιρετικός ηλεκτρικός ανυψωτής, το προαιρετικό ηλεκτρικό φορείο ή το προαιρετικό σύστημα ζυγού προορίζονται για χρήση σε ηλεκτρομαγνητικό περιβάλλον, στο οποίο οι διαταραχές λόγω ακτινοβολούμενων ραδιοσυχνότητας βρίσκονται υπό έλεγχο. Ο πελάτης ή ο χρήστης του προαιρετικού ηλεκτρικού ανυψωτή, του προαιρετικού ηλεκτρικού φορείου ή του προαιρετικού συστήματος ζυγού μπορεί να βοηθήσει στην πρόληψη τυχόν ηλεκτρομαγνητικών παρεμβολών διατηρώντας μια ελάχιστη απόσταση μεταξύ του φορητού και κινητού εξοπλισμού επικοινωνίας με ραδιοσυχνότητες (πομποί) και του προαιρετικού ηλεκτρικού ανυψωτή, του προαιρετικού ηλεκτρικού φορείου ή του προαιρετικού συστήματος ζυγού όπως συνιστάται παρακάτω, ανάλογα με τη μέγιστη τιμή ισχύος εξόδου του εξοπλισμού επικοινωνίας.

Μέγιστη ονομαστική τιμή ισχύος εξόδου του πομπού W	Απόσταση διαχωρισμού, ανάλογα με τη συχνότητα του πομπού m		
	150 kHz έως 80 MHz D=(1,2) (√P)	80 MHz έως 800 MHz D=(1,2) (√P)	800 MHz έως 2,7 GHz D=(2,3) (√P)
0,01	0,12	0,12	0,23
0,1	0,38	0,38	0,73
1	1,2	1,2	2,3
10	3,8	3,8	7,3
100	12	12	23

Για πομπούς με μέγιστη ονομαστική τιμή ισχύος εξόδου διαφορετική από τις τιμές που παρατίθενται παραπάνω, η συνιστώμενη απόσταση διαχωρισμού (D) σε μέτρα (m) μπορεί να υπολογιστεί μέσω της εξίσωσης που ισχύει για τη συχνότητα του πομπού, όπου P είναι η μέγιστη ονομαστική τιμή ισχύος εξόδου του πομπού σε Watt (W), σύμφωνα με τον κατασκευαστή του πομπού.

Σημείωση 1 - Στα 80 MHz και 800 MHz, εφαρμόζεται η απόσταση διαχωρισμού για το υψηλότερο εύρος συχνοτήτων.

Σημείωση 2 - Αυτές οι κατευθυντήριες οδηγίες ενδέχεται να μην ισχύουν σε όλες τις περιπτώσεις. Η διάδοση της ηλεκτρομαγνητικής ακτινοβολίας επηρεάζεται από την απορρόφηση και την ανάκλαση από δομές, αντικείμενα και άτομα.

Κατευθυντήριες γραμμές και δήλωση του κατασκευαστή – ηλεκτρομαγνητική ατρωσία


Ο προαιρετικός ηλεκτρικός ανυψωτής, το προαιρετικό ηλεκτρικό φορείο ή το προαιρετικό σύστημα ζυγού προορίζονται για χρήση στο ηλεκτρομαγνητικό περιβάλλον που καθορίζεται παρακάτω. Ο πελάτης ή ο χρήστης του προαιρετικού ηλεκτρικού ανυψωτή, του προαιρετικού ηλεκτρικού φορείου ή του προαιρετικού συστήματος ζυγού πρέπει να διασφαλίσει ότι χρησιμοποιείται σε τέτοιου είδους περιβάλλον.

Έλεγχος ατρωσίας	Επίπεδο δοκιμής IEC 60601	Επίπεδο συμμόρφωσης	Κατευθυντήριες γραμμές σχετικά με το ηλεκτρομαγνητικό περιβάλλον
Ηλεκτροστατική εκφόρτιση (ESD) IEC 61000-4-2	±8 kV μέσω επαφής ±15 kV μέσω αέρα	±8 kV μέσω επαφής ±15 kV μέσω αέρα	Τα δάπεδα πρέπει να είναι κατασκευασμένα από ξύλο, μπετόν ή κεραμικό πλακάκι. Εάν τα δάπεδα καλύπτονται από συνθετικό υλικό, η σχετική υγρασία θα πρέπει να είναι τουλάχιστον 30%.

Ηλεκτροστατικό ταχύ μετάβασμα/ριπή ηλεκτρικού ρεύματος IEC 61000-4-4*	± 2 kV για γραμμές παροχής ισχύος ± 1 kV για γραμμές εισόδου/εξόδου	± 2 kV για γραμμές παροχής ισχύος ± 1 kV για γραμμές εισόδου/εξόδου	Η ποιότητα του ρεύματος τροφοδοσίας θα πρέπει να είναι κατάλληλη για τις συνήθεις επαγγελματικές ή νοσοκομειακές εγκαταστάσεις.
Υπέρταση IEC 61000-4-5*	± 1 kV από γραμμή(-ές) σε γραμμή(-ές) ± 2 kV από γραμμή(-ές) σε γείωση	± 1 kV από γραμμή(-ές) σε γραμμή(-ές) ± 2 kV από γραμμή(-ές) σε γείωση	Η ποιότητα του ρεύματος τροφοδοσίας θα πρέπει να είναι κατάλληλη για τις συνήθεις επαγγελματικές ή νοσοκομειακές εγκαταστάσεις.
Πτώσεις τάσης, διακυμάνσεις τάσης και σύντομες διακοπές στις γραμμές παροχής ρεύματος εισόδου IEC 61000-4-11*	0% U_T για 0,5 κύκλο στις 0°, 45°, 90°, 135°, 180°, 225°, 270° και 315° 0% U_T για 1 κύκλο 70% U_T (30% πτώση της U_T) για 25 κύκλους 0% U_T για 250 κύκλους	0% U_T για 0,5 κύκλο στις 0°, 45°, 90°, 135°, 180°, 225°, 270° και 315° 0% U_T για 1 κύκλο 70% U_T (30% πτώση της U_T) για 25 κύκλους 0% U_T για 250 κύκλους	Η ποιότητα του ρεύματος τροφοδοσίας θα πρέπει να είναι κατάλληλη για τις συνήθεις επαγγελματικές ή νοσοκομειακές εγκαταστάσεις. Εάν ο χρήστης του προαιρετικού ηλεκτρικού ανυψωτή ή του προαιρετικού ηλεκτρικού φορείου χρειάζεται συνεχή λειτουργία κατά τη διάρκεια των διακοπών ρεύματος, συνιστάται η τροφοδοσία της συσκευής από τροφοδοτικό αδιάλειπτης παροχής ρεύματος (UPS) ή από μπαταρία.
Μαγνητικό πεδίο συχνότητας ισχύος (50/60 Hz) IEC 61000-4-8	30 A/m	30 A/m	Τα μαγνητικά πεδία συχνότητας ισχύος θα πρέπει να βρίσκονται στα χαρακτηριστικά επίπεδα μιας τυπικής θέσης σε ένα τυπικό εμπορικό ή νοσοκομειακό περιβάλλον.
Σημείωση: U_i είναι η τάση δικτύου εναλλασσόμενου ρεύματος πριν από την εφαρμογή του επιπέδου δοκιμής.			
*Ισχύει μόνο για τον προαιρετικό ηλεκτρικό ανυψωτή και το προαιρετικό ηλεκτρικό φορείο.			

Κατευθυντήριες γραμμές και δήλωση του κατασκευαστή – ηλεκτρομαγνητική ατρωσία

Ο προαιρετικός ηλεκτρικός ανυψωτής, το προαιρετικό ηλεκτρικό φορείο ή το προαιρετικό σύστημα ζυγού προορίζονται για χρήση στο ηλεκτρομαγνητικό περιβάλλον που καθορίζεται παρακάτω. Ο πελάτης ή ο χρήστης του προαιρετικού ηλεκτρικού ανυψωτή, του προαιρετικού ηλεκτρικού φορείου ή του προαιρετικού συστήματος ζυγού πρέπει να διασφαλίσει ότι χρησιμοποιείται σε τέτοιου είδους περιβάλλον.

Έλεγχος ατρωσίας	Επίπεδο δοκιμής IEC 60601	Επίπεδο συμμόρφωσης	Κατευθυντήριες γραμμές σχετικά με το ηλεκτρομαγνητικό περιβάλλον
<p>Αγόμενες ραδιοσυχνότητες IEC 61000- 4-6*</p> <p>Ακτινοβολούμενες ραδιοσυχνότητες IEC 61000-4-3</p>	<p>3 Vrms</p> <p>6 Vrms σε ζώνες συχνοτήτων ISM και ζώνες ερασιτεχνικών ραδιοφωνικών σταθμών</p> <p>150 kHz έως 80 MHz</p> <p>3 V/m</p> <p>80 MHz έως 2,7 GHz</p>	<p>3 Vrms</p> <p>6 Vrms σε ζώνες συχνοτήτων ISM και ζώνες ερασιτεχνικών ραδιοφωνικών σταθμών</p> <p>3 V/m</p>	<p>Ο φορητός και ο κινητός εξοπλισμός επικοινωνίας με ραδιοσυχνότητες δεν θα πρέπει να χρησιμοποιείται σε απόσταση από οποιοδήποτε τμήμα του προαιρετικού ηλεκτρικού ανυψωτή, του προαιρετικού ηλεκτρικού φορείου ή του προαιρετικού συστήματος ζυγού, συμπεριλαμβανομένων των καλωδίων, μικρότερη από τη συνιστώμενη απόσταση διαχωρισμού, όπως αυτή υπολογίζεται από την εξίσωση που ισχύει για τη συχνότητα του πομπού.</p> <p>Συνιστώμενη απόσταση διαχωρισμού</p> <p>$D = (1,2) (\sqrt{P})$</p> <p>$D = (1,2) (\sqrt{P})$</p> <p>80 MHz έως 800 MHz</p> <p>$D = (2,3) (\sqrt{P})$</p> <p>800 MHz έως 2,7 GHz</p> <p>όπου P είναι η μέγιστη ονομαστική ισχύς εξόδου του πομπού σε Watt (W) σύμφωνα με τον κατασκευαστή του πομπού και D είναι η συνιστώμενη απόσταση διαχωρισμού σε μέτρα (m).</p> <p>Η τιμή έντασης πεδίου από σταθερούς πομπούς ραδιοσυχνοτήτων, όπως αυτή ορίζεται από μια επιτόπια ηλεκτρομαγνητική μελέτη ^α, θα πρέπει να είναι μικρότερη από το επίπεδο συμμόρφωσης σε κάθε εύρος συχνοτήτων ^β.</p> <p>Παρεμβολές ενδέχεται να προκύψουν κοντά σε εξοπλισμό που επισημαίνεται με το παρακάτω σύμβολο:</p> 

Σημείωση 1: Στα 80 MHz και 800 MHz, εφαρμόζεται το υψηλότερο εύρος συχνοτήτων.

Σημείωση 2: Αυτές οι κατευθυντήριες οδηγίες ενδέχεται να μην ισχύουν σε όλες τις περιπτώσεις. Η διάδοση της ηλεκτρομαγνητικής ακτινοβολίας επηρεάζεται από την απορρόφηση και την ανάκλαση από δομές, αντικείμενα και άτομα.

Σημείωση 3: Οι ζώνες συχνοτήτων ISM (βιομηχανική, επιστημονική και ιατρική) μεταξύ 0,15 MHz και 80 MHz είναι 6,765 MHz έως 6,795 MHz, 13,553 MHz έως 13,567 MHz, 26,957 MHz έως 27,283 MHz και 40,66 MHz έως 40,70 MHz.

^α Οι τιμές έντασης πεδίου από σταθερούς πομπούς, όπως π.χ. σταθμοί βάσης για τηλέφωνα (κινητά/ασύρματα) που λειτουργούν με ραδιοσυχνότητες και για κινητούς ραδιοπομπούς ξηράς, ερασιτεχνικούς ραδιοφωνικούς σταθμούς, ραδιοφωνικές εκπομπές AM και FM και τηλεοπτικές μεταδόσεις, δεν είναι δυνατό να προβλεφθούν θεωρητικά με ακρίβεια. Για την εκτίμηση του ηλεκτρομαγνητικού περιβάλλοντος από σταθερούς πομπούς ραδιοσυχνοτήτων, θα πρέπει να εξεταστεί το ενδεχόμενο διεξαγωγής επιτόπιας ηλεκτρομαγνητικής μελέτης. Εάν η μετρούμενη ένταση πεδίου στη θέση στην οποία χρησιμοποιείται ο προαιρετικός ηλεκτρικός ανυψωτής, το προαιρετικό ηλεκτρικό φορείο ή το προαιρετικό σύστημα ζυγού υπερβαίνει το ισχύον επίπεδο συμμόρφωσης ραδιοσυχνοτήτων που αναφέρεται παραπάνω, ο προαιρετικός ηλεκτρικός ανυψωτής, το προαιρετικό ηλεκτρικό φορείο ή το προαιρετικό σύστημα ζυγού θα πρέπει να τεθούν υπό παρακολούθηση για την επαλήθευση της κανονικής λειτουργίας τους. Εάν παρατηρηθεί μη φυσιολογική λειτουργία, ενδέχεται να χρειαστεί η λήψη επιπλέον μέτρων, όπως επαναπροσανατολισμός ή αλλαγή της θέσης του προαιρετικού ηλεκτρικού ανυψωτή, του προαιρετικού ηλεκτρικού φορείου ή του προαιρετικού συστήματος ζυγού.

^β Στο εύρος συχνοτήτων 150 kHz έως 80 MHz, οι τιμές έντασης πεδίου είναι μικρότερες από 3 V/m.

*Ισχύει μόνο για το προαιρετικό ηλεκτρικό φορείο.

Camilla Prime Series®

Manual de uso

REF 1115













Big Wheel®












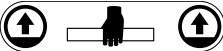






CE

ES

Símbolos

	Consultar el manual/folleto de instrucciones
	Consultar las instrucciones de uso
	Advertencia general
	Precaución
	Advertencia: aplastamiento de las manos
	Advertencia: radiación no ionizante
	No empujar
	No almacenar la botella de oxígeno
	No lubricar
REF	Número de catálogo
LOT	Código de lote
SN	Número de serie
US Patents	Para ver las patentes estadounidenses, visite www.stryker.com/patents
CE	Marca CE
EC REP	Representante autorizado en la Comunidad Europea
MD	Producto sanitario europeo
	Fabricante
	Fecha de fabricación
	Importador

	Carga de trabajo segura
	Peso máximo del paciente
	Masa del equipo con una carga de trabajo segura
	Corriente continua
	Corriente alterna
	Tensión peligrosa
	Puesta a tierra protectora
IPX6	Protección frente a chorros de agua potentes
	Pieza aplicada de tipo B
	Equipo médico clasificado por Underwriters Laboratories Inc. con respecto a peligros de descargas eléctricas, de incendio y mecánicos solo de acuerdo con las normas ANSI/AAMI ES60601-1: 2005 y CAN/CSA-C22.2 n.º 60601-1:08. *Para la opción Prime X , Equipo asociado de equipo radiológico IEC 60601-2-54
	De acuerdo con la modificación de la Directiva europea 2012/19/UE sobre residuos de aparatos eléctricos y electrónicos (RAEE), este símbolo indica que el producto debe desecharse por separado para su reciclaje. No lo deseche como residuo municipal sin clasificar. Póngase en contacto con el distribuidor local para obtener información sobre la eliminación. Asegúrese de descontaminar los equipos contaminados antes del reciclaje.
	Lubricar
	Levantar por aquí
	Este lado hacia arriba
	Mantener seco
	Frágil, tratar con cuidado
	Límite de apilamiento por número

Índice

Definición de advertencia, precaución y nota	3
Resumen de las precauciones de seguridad	3
Puntos de pinzamiento.....	6
Introducción	7
Descripción del producto	7
Indicaciones de uso.....	7
Beneficios clínicos.....	8
Contraindicaciones.....	8
Vida útil prevista.....	8
Eliminación/reciclado.....	8
Especificaciones	8
Ilustración del producto: Prime	11
Ilustración del producto: opción Prime X	12
Piezas aplicadas: opción mesa eléctrica	13
Piezas aplicadas: opción Prime X.....	13
Información de contacto.....	14
Ubicación del número de serie	14
Instalación.....	15
Funcionamiento	16
Aplicación y liberación de los frenos	16
Controles de la base Prime	17
Elevación de la mesa no eléctrica.....	17
Descenso de la mesa no eléctrica	17
Elevación de la opción de mesa eléctrica	18
Descenso de la opción de mesa eléctrica.....	18
Colocación del producto en la posición de Trendelenburg	18
Colocación del producto en la posición de Trendelenburg invertida.....	19
Transporte de un paciente	19
Transporte de un paciente sin Big Wheel	20
Transporte de un paciente con Big Wheel	20
Colocación o almacenamiento de la opción de asas de empuje del extremo de la cabeza	21
Elevación de la barra lateral	22
Descenso de las barras laterales.....	23
Colocación del producto con el panel de control del paciente de las barras laterales - opción de mesa eléctrica - solo Prime.....	23
Panel de control del operador - opción de mesa eléctrica - solo Prime.....	24
Activación y desactivación del bloqueo del panel de control del paciente - opción de mesa eléctrica - solo Prime.....	25
Elevación o descenso del respaldo Fowler - mesa no eléctrica	25
Elevación o descenso del respaldo Fowler - opción de mesa eléctrica.....	26
Elevación o descenso de la elevación de las rodillas - mesa no eléctrica - solo Prime.....	27
Elevación o descenso de la elevación de las rodillas - opción de mesa eléctrica - solo en Prime	27
Colocación de la silla de recuperación - solo Prime.....	27
Almacenamiento de objetos en la cubierta de protección de la base.....	28
Suspensión de dispositivos con la opción de bastidor de la bomba	28
Extensión o retracción del cable de alimentación con la opción de carrete retráctil - opción de elevador eléctrico o de mesa eléctrica.....	29
Opción de sistema de báscula.....	29
Identificación de los iconos/botones de la báscula.....	30
Peso de un paciente	31
Bloqueo de la unidad de escala de medida	31
Activación o desactivación de la opción Chaperone	31
Configuración del patrón de alerta de la opción Chaperone	32
Configuración del volumen de la alerta de la opción Chaperone.....	32
Carga de la opción de paquete de baterías para sistema de báscula - opción mesa eléctrica u opción mesa eléctrica con Chaperone - solo Prime.....	33
Sustitución de las baterías para la opción del sistema de báscula - mesa no eléctrica.....	33
Accesorios y piezas.....	33
Fijación de la bandeja para desfibrilador.....	37

Conversión de la bandeja para desfibrilador/extensión para los pies en una bandeja para desfibrilador	37
Conversión de la bandeja para desfibrilador/extensión para los pies en extensión para los pies	38
Fijación del pie de cama/soporte de historias	39
Fijación del carrito para percha i.v.	39
Colocación o almacenamiento de los soportes de los pies - solo Prime.....	40
Colocación de la percha i.v. de dos fases de fijación permanente	41
Colocación de la percha i.v. de tres fases de fijación permanente.....	42
Fijación y colocación de la percha i.v. desmontable.....	43
Fijación del soporte vertical para la botella de oxígeno	44
Extensión o almacenamiento del soporte de la bandeja de servir/pie de cama	44
Fijación de las almohadillas de las barras laterales	45
Localización de los puntos de amarre de las correas de sujeción del paciente.....	45
Colocación del soporte vertical del chasis radiográfico - opción Prime X	45
Colocación del soporte lateral del chasis radiográfico - opción Prime X.....	47
Inserción o retirada de chasis radiográficos - opción Prime X.....	47
Limpieza	49
Limpieza del producto	49
Limpieza del producto con un lavador de carros	49
Limpieza del colchón	50
Eliminación del yodo	51
Instrucciones especiales	51
Desinfección	52
Desinfección del producto	52
Desinfección del colchón	52
Mantenimiento preventivo.....	54
Información de compatibilidad electromagnética	56

Definición de advertencia, precaución y nota

Las palabras **ADVERTENCIA**, **PRECAUCIÓN** y **NOTA** tienen un significado especial y deberán considerarse detenidamente.

ADVERTENCIA

Advierten al lector sobre situaciones que, si no se evitan, podrían producir la muerte o lesiones graves. También pueden describir posibles reacciones adversas graves y peligros para la seguridad.

PRECAUCIÓN

Advierten al lector sobre situaciones potencialmente peligrosas que, si no se evitan, pueden producir lesiones leves o moderadas al usuario o al paciente, o daños al producto u otras propiedades. Incluyen cuidados especiales necesarios para el uso seguro y eficaz del dispositivo, y para evitar dañarlo con el uso o el mal uso.

Nota - Ofrecen información especial que facilita el mantenimiento o aclara instrucciones importantes.

Resumen de las precauciones de seguridad

Lea siempre las advertencias y precauciones indicadas en esta página, y sígalas escrupulosamente. Las reparaciones solo puede realizarlas personal cualificado.

ADVERTENCIA

- Deje siempre que el producto alcance la temperatura ambiente antes de instalarlo o de realizar pruebas de funcionamiento. En caso contrario, el producto puede sufrir daños permanentes.
- Accione siempre el producto únicamente cuando todos los operadores estén apartados de los mecanismos.
- Manipule siempre con cuidado el cable de alimentación. Pueden producirse enredos, daños en el cable de alimentación o riesgos de posible electrocución. Si el cable de alimentación está dañado, retire inmediatamente el producto del servicio y póngase en contacto con el personal de mantenimiento adecuado.
- Enchufe siempre el producto directamente a una toma de pared de grado hospitalario con conexión a tierra. Una conexión a tierra fiable solo es posible cuando se utiliza una toma de grado hospitalario. Este producto está equipado con una clavija de grado hospitalario para proteger contra el riesgo de electrocución.
- Aplique siempre los frenos cuando un paciente vaya a subir o bajar del producto, o cuando el producto no se esté moviendo. Pueden producirse lesiones si el producto se mueve mientras un paciente está subiendo o bajando del producto.
- Coloque siempre al paciente en el centro del producto.
- Ponga siempre el producto en la posición más baja, con las barras laterales subidas y bloqueadas, cuando deje a un paciente sin supervisión. No deje el producto a una altura mayor.
- Retire siempre cualquier dispositivo que pueda interponerse antes de subir o bajar la mesa.
- No se sienta en el extremo del producto. El producto podría volcar.
- Cuando transporte a un paciente, bloquee siempre las barras laterales en la posición más alta, con la superficie de descanso horizontal y en la posición más baja.
- No transporte el producto en sentido lateral en pendientes de más de 5,7° (inclinación del 10 %) para evitar que vuelque.
- Tenga siempre un cuidado especial cuando utilice un colchón de más de 2,5 in (6,35 cm) de grosor o un protector de colchón con la opción **Prime X**.
- Bloquee siempre las barras laterales en la posición más alta, con la superficie de descanso horizontal y en la posición más baja, al transportar a un paciente.
- Mantenga siempre las extremidades del paciente lejos de los ejes de la barra lateral cuando suba o baje la barra lateral.
- No permita que las barras laterales bajen por sí solas.
- Mantenga siempre las manos y los dedos alejados de las asas liberadoras y del bastidor del respaldo Fowler cuando lo baje.
- Actúe siempre con precaución cuando suba el respaldo Fowler mientras un paciente esté en el producto. Utilice técnicas de elevación adecuadas y pida ayuda si es necesario.

- Mantenga siempre las manos y los dedos alejados de los mangos de empuje del extremo de los pies cuando baje la elevación de las rodillas.
- Mantenga siempre los cables del dispositivo en el bastidor de la bomba, lejos de los mangos de elevación de las rodillas.
- Asegúrese de que los dispositivos en el bastidor de la bomba puedan pasar de forma segura por las puertas.
- No levante el producto por el bastidor de la bomba.
- Desenchufe siempre el cable de alimentación de la toma de pared antes de transportar o limpiar el producto.
- Utilice siempre el carrete retráctil para guardar el cable de alimentación dentro de la base al transportar el producto.
- No utilice la opción del sistema de báscula, la opción de elevador eléctrico ni la opción de mesa eléctrica con el dispositivo adyacente o apilado con otros dispositivos. Si fuera necesario utilizar el dispositivo adyacente o apilado con otros productos, deben observarse las opciones de sistema de báscula, elevador eléctrico o mesa eléctrica para asegurarse de que todos los dispositivos funcionen normalmente en la configuración en que se utilizarán.
- No coloque artículos que pesen más de 30 lb (14 kg) en la bandeja para desfibrilador. Sujete siempre con una correa todos los dispositivos que coloque en la bandeja para desfibrilador.
- Tenga siempre precaución si la bandeja para desfibrilador/extensión para los pies, el pie de cama/soporte de historias o el soporte vertical para la botella de oxígeno están acoplados, para evitar pillarse los dedos al colocar la opción de los mangos de empuje del extremo de los pies.
- No coloque elementos que pesen más de 30 lb (14 kg) sobre la bandeja para desfibrilador/extensión para los pies. Sujete siempre con una correa todos los dispositivos que coloque en la bandeja para desfibrilador.
- Asegure siempre la percha i.v. al carrito para percha i.v. cuando transporte el producto.
- Guarde siempre el carrito para percha i.v. cuando no esté en uso para evitar daños en el producto.
- No se sienta en los soportes de los pies. Esto podría hacer que el producto vuelque.
- Asegúrese siempre de mantener los dedos alejados de los mecanismos cuando accione los soportes de los pies.
- Guarde siempre los soportes de los pies cuando transporte a un paciente con el producto.
- Apriete siempre los soportes de los pies antes de utilizarlos.
- No utilice el sistema de báscula con los soportes de los pies. Podrían obtenerse lecturas inexactas.
- No utilice la opción **Chaperone** con los soportes de los pies. Podrían obtenerse lecturas inexactas.
- No utilice la percha i.v. como dispositivo de empuje o tracción. Podría ocasionar daños en el producto.
- No coloque objetos que superen las 40 lb (18 kg) en el soporte vertical para la botella de oxígeno.
- No coloque objetos que superen las 30 lb (14 kg) en la bandeja de servir.
- Actúe siempre con precaución al fijar las correas de sujeción. El paciente o el operador podrían sufrir lesiones. Las sujeciones físicas, incluso correctamente aseguradas, pueden ocasionar lesiones graves en pacientes y operadores, como enredos, pinzamientos, lesiones físicas o la muerte.
- Fije siempre las correas o los dispositivos de sujeción únicamente en los puntos de fijación identificados como tales en el producto. De no hacerlo así, el paciente o el operador podrían sufrir lesiones. No fije las correas de sujeción a la barra lateral.
- Consulte siempre las restricciones y normativas regionales y nacionales, y los protocolos adecuados del centro antes de utilizar una correa o dispositivo de sujeción.
- Tome siempre medidas de protección cuando utilice los soportes vertical o lateral del chasis radiográfico. El soporte del chasis radiográfico no protege de la radiación.
- Consulte siempre las directrices de seguridad locales, regionales y nacionales, además de los protocolos del centro, antes de utilizar la opción **Prime X** con dispositivos que generen radiación. Los dispositivos que generan radiación pueden producir radiación residual, parásita o dispersa.
- Siga siempre las instrucciones de *Colocación del soporte vertical del chasis radiográfico, opción Prime X*, para insertar el chasis radiográfico.
- Actúe siempre con precaución cuando realice una radiografía con el respaldo Fowler en posición vertical o cuando utilice un chasis lateral.
- Siga siempre las instrucciones de *Colocación del soporte lateral del chasis radiográfico, opción Prime X*, para insertar el chasis radiográfico.
- No limpie el producto, no lo repare ni le realice el mantenimiento mientras se esté utilizando.
- No sumerja el colchón en soluciones de limpieza o desinfectantes. Un exceso de humedad podría provocar un funcionamiento deficiente del producto que causara daños al producto o lesiones al paciente.
- No deje que se acumule líquido sobre el colchón. Los líquidos pueden provocar la corrosión de los componentes, y alterar la estabilidad del funcionamiento y la seguridad de este producto.

- Siempre que limpie las fundas del colchón, inspecciónelas para detectar desgarros, perforaciones, desgaste excesivo y cremalleras mal alineadas. Si el colchón está dañado, retírelo y sustitúyalo para evitar la contaminación cruzada.
 - No limpie los colchones con vapor, a presión, con manguera ni con ultrasonidos. Estos métodos de limpieza podrían anular la garantía del producto.
 - No limpie el producto con vapor, con manguera ni con ultrasonidos. El uso de estos métodos de limpieza no se recomienda y podría anular la garantía del producto.
 - Desinfecte siempre el colchón entre un paciente y otro. No hacerlo así podría dar lugar a contaminación cruzada e infección.
-

PRECAUCIÓN

- El uso inadecuado del producto puede provocar lesiones al paciente o al operador. Utilice el producto únicamente como se describe en este manual.
 - No modifique el producto ni ninguno de sus componentes. La modificación del producto puede provocar un funcionamiento impredecible que, a su vez, cause lesiones al paciente o al operador. La modificación del producto también anula su garantía.
 - No utilice el sistema hidráulico de la base para subir el producto con un elevador del paciente bajo el producto.
 - No aplique el pedal de dirección cuando **Big Wheel** esté descansando sobre un umbral u otra zona elevada. La fuerza requerida para aplicar **Big Wheel** será mayor de lo normal, lo que podría causar daños en el producto.
 - El peso máximo admitido por la elevación de las rodillas es de 200 lb (90,7 kg).
 - Asegúrese siempre de que el vástago de soporte de la elevación de las rodillas esté bien fijo antes del uso.
 - No se siente ni se ponga de pie sobre la elevación de las rodillas.
 - Tenga siempre cuidado al intentar bajar la elevación de las rodillas cuando el producto no esté conectado a la alimentación eléctrica. La gravedad puede hacer que la elevación de las rodillas descienda rápidamente.
 - No coloque objetos que superen las 60 lb (27 kg) en la cubierta de protección de la base.
 - No se siente, no pise ni se ponga de pie sobre la cubierta de protección de la base.
 - El peso máximo admitido por el bastidor de la bomba es de 40 lb (18 kg).
 - No utilice el bastidor de la bomba como dispositivo de empuje/tracción. Podría ocasionar daños en el producto.
 - No utilice la báscula para pacientes de menos de 50 lb (22,7 kg).
 - No utilice la lectura del sistema de báscula como referencia para el tratamiento médico.
 - Suba siempre la percha i.v. antes de fijar la bandeja para desfibrilador/extensión para los pies al producto. Si no sube la percha i.v., la extensión para los pies no funcionará.
 - No utilice la percha i.v. como dispositivo de empuje o tracción. Podría ocasionar daños en el producto.
 - No cuelgue bolsas i.v. de más de 40 lb (18 kg) en la percha i.v.
 - Asegúrese siempre de que la percha i.v. esté a una altura baja para pasar por las puertas cuando transporte a un paciente.
 - No utilice limpiadores abrasivos para limpiar la carcasa de la pantalla para la opción del sistema de báscula. No deje que se acumule solución de limpieza ni otros líquidos sobre la unidad de visualización. Seque todas las superficies después de la limpieza o de un derrame.
 - El uso de accesorios, transductores y cables distintos de los especificados o facilitados por el fabricante puede producir un incremento de las emisiones electromagnéticas, o reducir la inmunidad electromagnética y provocar un funcionamiento inadecuado.
 - Las características de emisión de este equipo lo hacen adecuado para utilizarse en zonas industriales y hospitales (CISPR 11 clase A). Si se utiliza en entornos residenciales, para los que normalmente se requiere CISPR 11 clase B, este equipo podría no ofrecer una protección adecuada frente a los servicios de comunicaciones por radiofrecuencia. El usuario podría tener que adoptar medidas paliativas, como reubicar o reorientar el equipo.
 - Los equipos portátiles de comunicaciones por RF, incluidos los periféricos como los cables de antena y las antenas externas, no deben utilizarse a menos de 12 in (30 cm) de ninguna parte de la camilla **Prime**, incluidos los cables especificados por el fabricante.
 - No apile ni coloque el equipo junto a otros equipos para evitar el funcionamiento incorrecto de los productos. Si es necesario utilizar los equipos dispuestos de este modo, observe detenidamente el equipo apilado o adyacente para asegurarse de que funciona correctamente.
-

Puntos de pinzamiento



Figura 1 – Opción Prime X

Introducción

Este manual le ayudará a utilizar o mantener su producto de Stryker. Lea este manual antes de utilizar este producto o de realizar su mantenimiento. Establezca métodos y procedimientos para formar a su personal en el uso o el mantenimiento seguros de este producto.

PRECAUCIÓN

- El uso inadecuado del producto puede provocar lesiones al paciente o al operador. Utilice el producto únicamente como se describe en este manual.
 - No modifique el producto ni ninguno de sus componentes. La modificación del producto puede provocar un funcionamiento impredecible que a su vez cause lesiones al paciente o al operador. La modificación del producto también anula su garantía.
-

Nota

- Este manual es un componente permanente del producto y debe permanecer con él si se vende.
- Stryker busca continuamente el avance en el diseño y la calidad de sus productos. Este manual contiene la información sobre el producto más actualizada disponible en el momento de la impresión. Puede haber ligeras discrepancias entre su producto y este manual. Si tiene preguntas, póngase en contacto con el Servicio de Atención al Cliente o con el Servicio de Asistencia Técnica de Stryker, en el +1-800-327-0770 (llamada gratuita en EE. UU.).

Descripción del producto

La camilla **Prime Series**® modelo 1115 con **Big Wheel**® de Stryker es un dispositivo con ruedas que consiste en una plataforma montada sobre una estructura con ruedas para soportar pacientes en posición horizontal. Una camilla proporciona a los profesionales sanitarios o a representantes del centro con la formación necesaria una forma de transportar a los pacientes en el interior de un centro sanitario. La camilla **Prime Series** modelo 1115 con **Big Wheel** de Stryker disminuye la fuerza de arranque y el esfuerzo de dirección, para reducir el esfuerzo físico.

Indicaciones de uso

La camilla **Prime Series** con la función **Big Wheel** tiene dos ruedas grandes para reducir la fuerza de arranque requerida para mover la mesa.

La camilla **Prime Series** puede utilizarse como plataforma temporal para la evaluación clínica ambulatoria de corta duración, tratamiento, procedimientos menores y recuperación ambulatoria de corta duración. La camilla puede utilizarse, entre otros, en:

- Servicio de urgencias
- Servicio de traumatología
- Unidad de recuperación postanestésica (URPA)

La camilla **Prime Series** puede utilizarse para procedimientos menores y estancias cortas (tratamiento y recuperación). Consulte en la tabla de especificaciones las condiciones ambientales previstas.

No se ha evaluado si la camilla **Prime Series** de Stryker cumple la norma para camas BS EN 50637. Este producto no está concebido para estancias cortas de pacientes pediátricos ni de pacientes adultos con una anatomía atípica, en mercados que utilicen esta norma para camas para la autorización de comercialización

La camilla **Prime Series** no debe utilizarse para el tratamiento y la recuperación a largo plazo de pacientes ingresados.

La camilla **Prime Series** tiene una carga de trabajo segura de 700 lb (318 kg) como máximo y está diseñada para ser utilizada con todos los pacientes, incluidos aquellos de leve a gravemente enfermos. La camilla puede utilizarse también para transportar a pacientes fallecidos en un centro sanitario cerrado.

La opción **Prime X**® proporciona tanto una superficie de soporte de paciente radiográfica articulada como una plataforma bajo la superficie de soporte del paciente para la colocación de chasis radiográficos. La opción **Prime X** ha sido diseñada para permitir la obtención de radiografías clínicas (cuerpo entero AP, cuerpo entero lateral opcional y tórax erguido opcional) cuando se utiliza con un sistema radiográfico médico.

Beneficios clínicos

Facilita el transporte de pacientes, así como su tratamiento y diagnóstico

Contraindicaciones

No se recomienda utilizar un colchón de más de 4 in (10 cm) de grosor con la opción **Prime X**.

La opción **Prime X** no es compatible con un arco quirúrgico.

La opción **Prime X** se diseñó para ser utilizada en todo tipo de establecimientos, salvo en la atención domiciliaria, los domésticos y los conectados directamente a la red pública de suministro eléctrico de bajo voltaje que abastece a los edificios utilizados con fines domésticos.



Vida útil prevista

La camilla **Prime Series** y la camilla **Prime Series** con la opción **Prime X** tienen una vida útil estimada de 10 años en condiciones normales de uso y con el mantenimiento periódico adecuado.

Eliminación/reciclado

Siga siempre las recomendaciones locales más recientes o los reglamentos sobre protección medioambiental y los riesgos asociados con el reciclado o la eliminación del equipo al final de su vida útil.

Especificaciones

	Prime Series con 26 in (66 cm) de ancho		Prime Series con 30 in (76 cm) de ancho Paquetes HT Prime Series		Opción Prime X con 30 in (76 cm) de ancho	
 Nota - La carga de trabajo segura indica la suma del peso del paciente, el colchón y los accesorios.	700 libras	318 kg	700 libras	318 kg	700 libras	318 kg
 Peso máximo del paciente	675 libras	306 kg	675 libras	306 kg	675 libras	306 kg
Longitud total	85 in (± 0,5 in)	215,9 cm	85 in (± 0,5 in)	215,9 cm	85 in (± 0,5 in)	215,9 cm
Longitud total (opción con extensión de mesa)	89,9 in (± 0,75 in)	228,3 cm	89,9 in (± 0,75 in)	228,3 cm	NA	NA
Anchura total (barras laterales subidas)	34 in (± 1 in)	86,4 cm	38 in (± 1 in)	96,5 cm	38 in (± 1 in)	96,5 cm
Anchura total (barras laterales bajadas)	30,25 in (± 0,5 in)	76,8 cm	30,5 in (± 0,5 in)	77,5 cm	30,5 in (± 0,5 in)	77,5 cm

	Prime Series con 26 in (66 cm) de ancho		Prime Series con 30 in (76 cm) de ancho Paquetes HT Prime Series		Opción Prime X con 30 in (76 cm) de ancho	
Altura mínima	20,75 in	52,7 cm	20,75 in	52,7 cm	23,25 in	59,1 cm
Altura máxima	34 in (± 1 in)	86,4 cm	34 in (± 1 in)	86,4 cm	36,5 in (± 1 in)	92,7 cm
Ángulo del respaldo Fowler	De 0° a 90° (±5°)					
Altura de la elevación de las rodillas	5,5 in (14 cm) mínimo				No aplicable	
Trendelenburg/Trendelenburg invertida	De +17° a -17° (±3°)					
Espacio libre mínimo	2,5 in nominal	6,4 cm	2,5 in nominal	6,4 cm	2,5 in nominal	6,4 cm
	1,75 in bajo los gatos hidráulicos	4,5 cm	1,75 in bajo los gatos hidráulicos	4,5 cm	1,75 in bajo los gatos hidráulicos	4,5 cm
	1 in bajo Big Wheel	2,5 cm	1 in bajo Big Wheel	2,5 cm	1 in bajo Big Wheel	2,5 cm
Atenuación equivalente (equivalencia en aluminio)	No aplicable				El valor máximo permitido es 1,7 mm Al	
Intervalo de peso durante el funcionamiento del sistema opcional de báscula	De 50 lb (22,7 kg) a 700 lb (318 kg)					
Exactitud del sistema opcional de báscula	±3 lb (1,3 kg) para pesos inferiores a 100 lb (45 kg) y ±3 % para pesos superiores o iguales a 100 lb (45 kg)*					
*Para ofrecer la exactitud anunciada del sistema de báscula, la superficie del paciente debe estar en posición plana (respaldo Fowler y elevación de las rodillas bajados), y el producto no puede superar los 5 grados de Trendelenburg/Trendelenburg invertida.						

Opciones eléctricas	Mesa eléctrica opcional (solo disponible en Prime)	Elevador eléctrico opcional (disponible en las opciones Prime y Prime X)
Requisitos eléctricos	120 V CA, 60 Hz, 10 A 240 V CA, 50/60 Hz, 5 A	120 V CA, 60 Hz, 10 A 240 V CA, 50/60 Hz, 5 A
Ciclo de trabajo	El funcionamiento continuo con carga intermitente es 1 min ON (Activado)-20 min OFF (Desactivado)	El funcionamiento continuo con carga intermitente es 1 min ON (Activado)-20 min OFF (Desactivado)

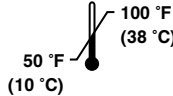
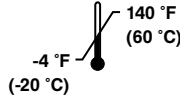
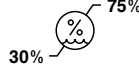
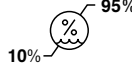

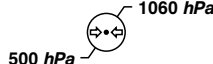
Sistema opcional de báscula	Mesa no eléctrica (disponible en las opciones Prime y Prime X)	Elevador eléctrico opcional (disponible en las opciones Prime y Prime X)
Tipo de baterías	4 baterías AA (4 x 1,5 V CC) de tipo alcalino (LR6)	4 baterías AA (4 x 1,5 V CC) de tipo alcalino (LR6)
Voltaje de la batería	6,0 V CC	6,0 V CC

Sistema opcional de báscula	Mesa eléctrica opcional (solo disponible en Prime)	Elevador eléctrico opcional
Tipo de baterías	1 paquete de baterías de iones de litio recargables (0058-135-000)	No aplicable
Voltaje de la batería	10,8 V CC, 2,4 Ah	No aplicable

Sistema opcional de báscula con Chaperone® (salida de mesa)	Mesa eléctrica opcional (solo disponible en Prime)	Elevador eléctrico opcional
Tipo de baterías	1 paquete de baterías de iones de litio recargables (0058-134-000)	No aplicable
Voltaje de la batería	10,8 V CC, 4,8 Ah	No aplicable

Stryker se reserva el derecho a cambiar las especificaciones sin previo aviso.

Nota - Este producto no es adecuado para ser utilizado en presencia de mezclas de anestésicos inflamables con aire, oxígeno u óxido nitroso.

Condiciones ambientales	Funcionamiento	Almacenamiento y transporte
Temperatura		
Humedad relativa		
Presión atmosférica		

Nota - El intervalo de temperatura de funcionamiento del sistema de báscula opcional (opción de mesa no eléctrica/mesa eléctrica) es de 61 °F (16 °C) a 79 °F (26 °C).

Las especificaciones indicadas son aproximadas y pueden variar ligeramente de un producto a otro, o con las fluctuaciones del suministro eléctrico.

Ilustración del producto: Prime

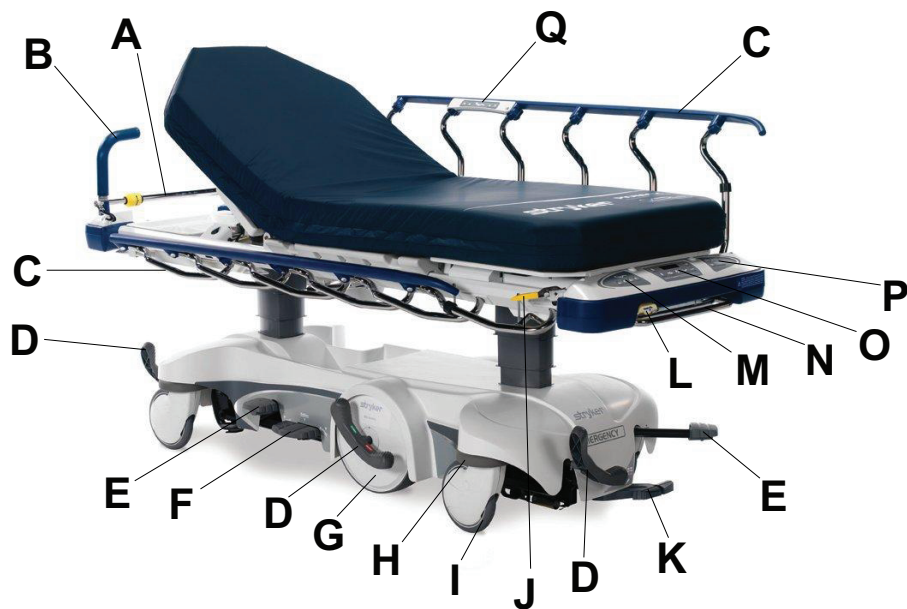


Figura 2 – Prime

A	Percha i.v.	J	Pasador de la barra lateral
B	Mango de empuje desplegable BackSmart® , opcional	K	Pedal de liberación hidráulico
C	Barra lateral BackSmart	L	Asa liberadora de la elevación de las rodillas
D	Pedal de freno/dirección	M	Panel de control del operador en el extremo de los pies BackSmart , opcional
E	Pedal de bombeo	N	Bastidor de la bomba, opcional
F	Pedal uni-lower	O	Sistema de báscula BackSmart , opcional
G	Big Wheel	P	Bloqueo del panel de control del paciente, opcional
H	Parachoques, integrado	Q	Panel de control del paciente de la barra lateral, opcional
I	Rueda giratoria con cubreruedas integrado		

Ilustración del producto: opción Prime X

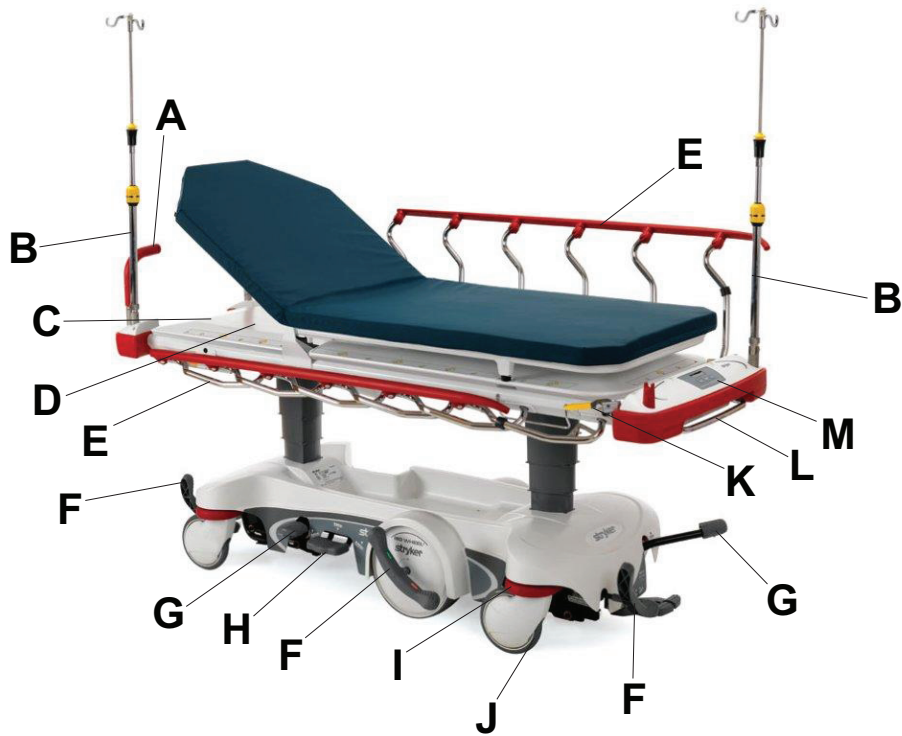


Figura 3 – Opción Prime X

A	Mango de empuje desplegable BackSmart® , opcional	H	Pedal uni-lower
B	Percha i.v.	I	Parachoques, integrado
C	Bandeja de chasis	J	Rueda giratoria con cubreruedas integrado
D	Superficie de paciente con plataforma Clearview Technology®	K	Pasador de la barra lateral
E	Barra lateral BackSmart	L	Bastidor de la bomba, opcional
F	Pedal de control de frenos y dirección	M	Sistema de báscula BackSmart , opcional
G	Pedal de bombeo		

Piezas aplicadas: opción mesa eléctrica



Figura 4 – Piezas aplicadas de tipo B: opción mesa eléctrica

Piezas aplicadas: opción Prime X



Figura 5 – Piezas aplicadas de tipo B: opción Prime X

Información de contacto

Póngase en contacto con el Servicio de Atención al Cliente o con el Servicio de Asistencia Técnica de Stryker llamando al: 1-800-327-0770.

Stryker Medical
3800 E. Centre Avenue
Portage, MI 49002
EE. UU.

Nota - El usuario o el paciente deberán comunicar cualquier incidente grave relacionado con el producto tanto al fabricante como a la autoridad competente del estado miembro europeo en el que el usuario o el paciente estén establecidos.

Para ver en línea el manual de uso o de mantenimiento de su producto, visite <https://techweb.stryker.com/>.

Tenga a mano el número de serie (A) del producto de Stryker cuando llame al Servicio de Atención al Cliente o al Servicio de Asistencia Técnica de Stryker. Incluya el número de serie en todas las comunicaciones escritas.

Ubicación del número de serie

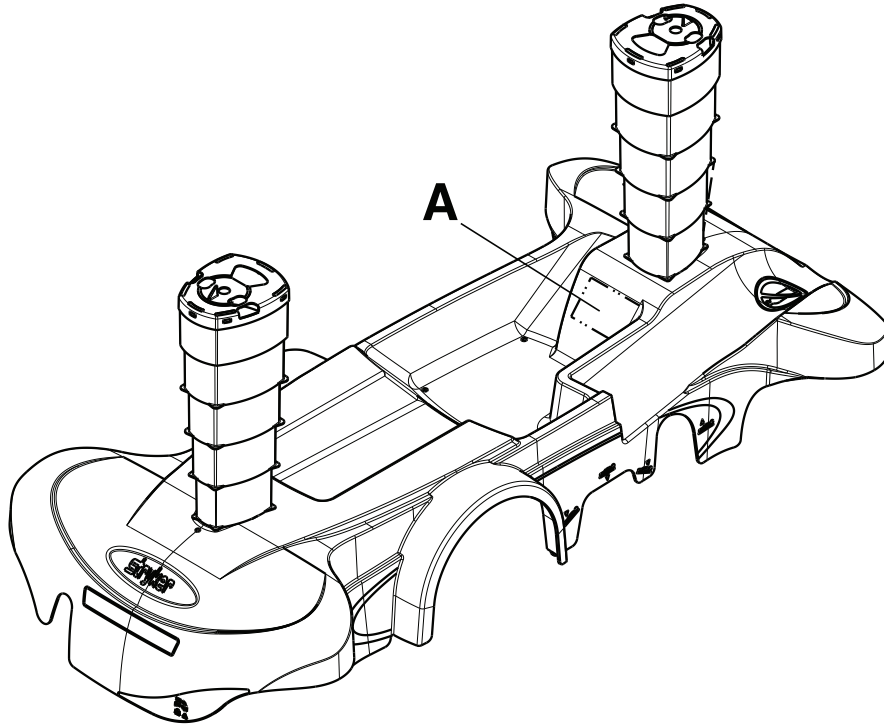


Figura 6 – Ubicación del número de serie

Instalación

Para desembalar el producto, consulte las instrucciones de desempaqueado que acompañan al producto en el interior del cajón de embalaje.

ADVERTENCIA

- Deje siempre que el producto alcance la temperatura ambiente antes de instalarlo o de realizar pruebas de funcionamiento. En caso contrario, el producto puede sufrir daños permanentes.
 - Accione siempre el producto únicamente cuando todos los operadores estén apartados de los mecanismos.
 - Manipule siempre con cuidado el cable de alimentación. Pueden producirse enredos, daños en el cable de alimentación o riesgos de posible electrocución. Si el cable de alimentación está dañado, retire inmediatamente el producto del servicio y póngase en contacto con el personal de mantenimiento adecuado.
 - Enchufe siempre el producto directamente a una toma de pared de grado hospitalario con conexión a tierra. Una conexión a tierra fiable solo es posible cuando se utiliza una toma de grado hospitalario. Este producto está equipado con una clavija de grado hospitalario para proteger contra el riesgo de electrocución.
-

Antes de poner el producto en servicio, asegúrese de que funcione.

1. Aplique el freno. Empuje el producto para asegurarse de que las cuatro ruedas giratorias estén bloqueadas.
2. Libere el freno. Empuje el producto para asegurarse de que las cuatro ruedas giratorias estén desbloqueadas.
3. Suba y baje la mesa con el sistema hidráulico de elevación.
4. Levante el producto hasta la posición más alta y póngalo en posición de Trendelenburg (consulte *Colocación del producto en la posición de Trendelenburg* (página 18)). Asegúrese de que el extremo de la cabeza descienda hasta la posición más baja.
5. Levante el producto hasta la posición más alta y póngalo en la posición de Trendelenburg invertida (consulte *Colocación del producto en la posición de Trendelenburg invertida* (página 19)). Asegúrese de que el extremo de los pies descienda hasta la posición más baja.
6. Aplique **Big Wheel** y asegúrese de que funciona.
7. Asegúrese de que las barras laterales suban, bajen y queden fijas en su sitio.
8. Suba y baje el respaldo Fowler manual (extremo de la cabeza).
9. Suba y baje la elevación de las rodillas manual (extremo de los pies).

Para los productos con la opción de elevador eléctrico o de mesa eléctrica:

1. Complete la lista de verificación para la instalación que aparece más arriba.
2. Enchufe el producto a una toma de pared de grado hospitalario con puesta a tierra. Asegúrese de que se enciendan las luces LED en el teclado de bloqueo.
3. Asegúrese de que respondan todas las funciones en el panel de control del paciente de las barras laterales opcional.
4. Asegúrese de que respondan todas las funciones en el panel de control del operador del extremo de los pies opcional.
5. Suba y baje el respaldo Fowler eléctrico (extremo de la cabeza).
6. Suba y baje la elevación de las rodillas eléctrica (extremo de los pies).

Para los productos con la opción del sistema de báscula-opción de mesa eléctrica (con o sin la opción **Chaperone**):

1. Complete la lista de verificación para la instalación que aparece más arriba.
2. Cargue las baterías (*Carga de la opción de paquete de baterías para sistema de báscula - opción mesa eléctrica u opción mesa eléctrica con Chaperone - solo Prime* (página 33)).

Funcionamiento

Aplicación y liberación de los frenos

ADVERTENCIA - Aplique siempre los frenos cuando un paciente vaya a subir o bajar del producto, o cuando el producto no se esté moviendo. Pueden producirse lesiones si el producto se mueve mientras un paciente está subiendo o bajando del producto.

Para aplicar los frenos, empuje hacia abajo en el lado del freno (rojo) del pedal de freno/dirección. Empuje el producto para asegurarse de que los frenos funcionan.

Para liberar los frenos, empuje hacia abajo en el lado de la dirección (verde) del pedal de freno/dirección.

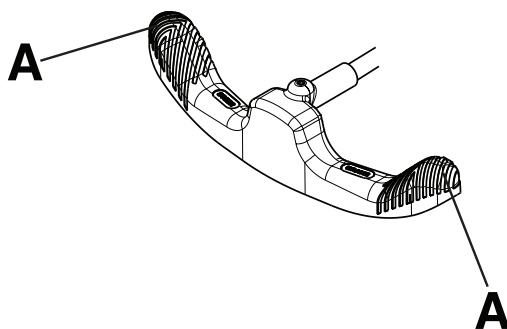


Figura 7 – Uso del pedal de freno/dirección

Nota - No presione el centro del pedal de freno/dirección. Presione siempre el extremo exterior (A) del pedal de freno/dirección (Figura 7).

Controles de la base Prime

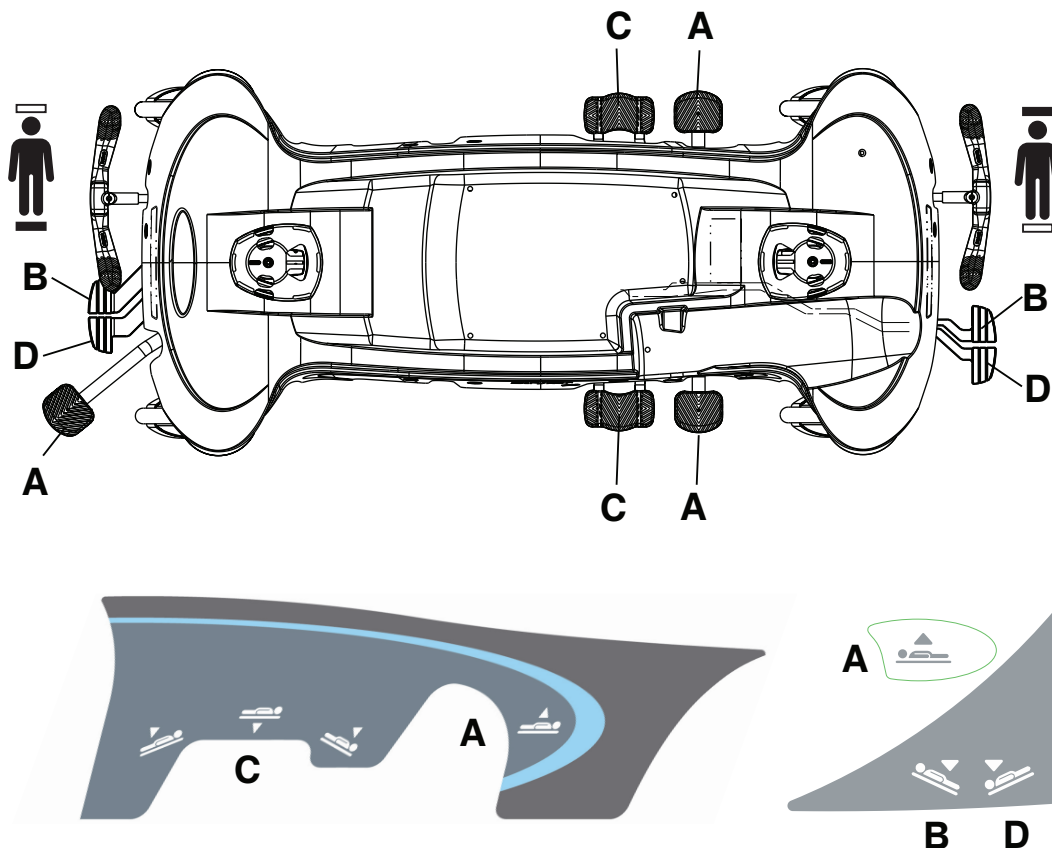


Figura 8 – Controles y etiqueta de la base Prime

Elevación de la mesa no eléctrica

ADVERTENCIA

- Coloque siempre al paciente en el centro del producto.
- Ponga siempre el producto en la posición más baja, con las barras laterales subidas y bloqueadas, cuando deje a un paciente sin supervisión. No deje el producto a una altura mayor.
- Retire siempre cualquier dispositivo que pueda interponerse antes de subir o bajar la mesa.
- No se sienta en el extremo del producto. El producto podría volcar.

PRECAUCIÓN - No utilice el sistema hidráulico de la base para subir el producto con un elevador del paciente bajo el producto.

Para subir la mesa, presione hacia abajo el pedal de la bomba (A) hasta que se alcance la altura deseada (*Controles de la base Prime* (página 17)).

Descenso de la mesa no eléctrica

ADVERTENCIA

- Coloque siempre al paciente en el centro del producto.
- Ponga siempre el producto en la posición más baja, con las barras laterales subidas y bloqueadas, cuando deje a un paciente sin supervisión. No deje el producto a una altura mayor.
- Retire siempre cualquier dispositivo que pueda interponerse antes de subir o bajar la mesa.

- No se siente en el extremo del producto. El producto podría volcar.
-

PRECAUCIÓN - No utilice el sistema hidráulico de la base para subir el producto con un elevador del paciente bajo el producto.

Para bajar toda la mesa, presione hacia abajo en el centro del pedal uni-lower (C) (*Controles de la base Prime* (página 17)).

Para bajar el extremo de la cabeza de la mesa, empuje hacia abajo el pedal (B) o empuje hacia abajo en el lado del pedal uni-lower (C) más próximo al extremo de la cabeza del producto.

Para bajar solo el extremo de los pies de la mesa, presione hacia abajo el pedal (D) o presione hacia abajo en el lado del pedal uni-lower (C) más próximo al extremo de los pies del producto.

Elevación de la opción de mesa eléctrica

ADVERTENCIA

- Coloque siempre al paciente en el centro del producto.
 - Ponga siempre el producto en la posición más baja, con las barras laterales subidas y bloqueadas, cuando deje a un paciente sin supervisión. No deje el producto a una altura mayor.
 - Retire siempre cualquier dispositivo que pueda interponerse antes de subir o bajar la mesa.
 - No se siente en el extremo del producto. El producto podría volcar.
-

PRECAUCIÓN - No utilice el sistema hidráulico de la base para subir el producto con un elevador del paciente bajo el producto.

Para subir la mesa eléctrica, presione hacia abajo el pedal de la bomba (A) hasta que se alcance la altura deseada (*Controles de la base Prime* (página 17)).

Descenso de la opción de mesa eléctrica

ADVERTENCIA

- Coloque siempre al paciente en el centro del producto.
 - Ponga siempre el producto en la posición más baja, con las barras laterales subidas y bloqueadas, cuando deje a un paciente sin supervisión. No deje el producto a una altura mayor.
 - Retire siempre cualquier dispositivo que pueda interponerse antes de subir o bajar la mesa.
 - No se siente en el extremo del producto. El producto podría volcar.
-

PRECAUCIÓN - No utilice el sistema hidráulico de la base para subir el producto con un elevador del paciente bajo el producto.

Para bajar toda la mesa eléctrica, presione en el centro del pedal uni-lower (C) (*Controles de la base Prime* (página 17)).

Para bajar el extremo de la cabeza de la mesa, presione hacia abajo el pedal (B) o empuje hacia abajo en el lado del pedal uni-lower (C) más próximo al extremo de la cabeza del producto.

Para bajar el extremo de los pies de la mesa, presione hacia abajo el pedal (D) o empuje hacia abajo en el lado del pedal uni-lower (C) más próximo al extremo de los pies del producto.

Colocación del producto en la posición de Trendelenburg

ADVERTENCIA - Retire siempre cualquier dispositivo que pueda interponerse antes de subir o bajar la mesa.

PRECAUCIÓN - No utilice el sistema hidráulico de la base para subir el producto con un elevador del paciente bajo el producto.

Para colocar el producto en la posición de Trendelenburg (cabeza abajo), suba la mesa hasta la altura máxima (*Elevación de la mesa no eléctrica* (página 17) o *Elevación de la opción de mesa eléctrica* (página 18)).

Nota - Suba la mesa hasta su altura máxima para conseguir un mayor ángulo de Trendelenburg.

Para bajar el extremo de la cabeza del producto, empuje hacia abajo el pedal de liberación del extremo de la cabeza o del extremo de los pies (D), o empuje hacia abajo en el lado del pedal uni-lower (C) más próximo al extremo de la cabeza (*Controles de la base Prime* (página 17)).

Para bajar el producto desde la posición de Trendelenburg, empuje hacia abajo los pedales de liberación del extremo de la cabeza y del extremo de los pies (B y D) al mismo tiempo, o empuje hacia abajo en el centro del pedal uni-lower (C) hasta que la mesa esté plana.

Colocación del producto en la posición de Trendelenburg invertida

ADVERTENCIA - Retire siempre cualquier dispositivo que pueda interponerse antes de subir o bajar la mesa.

PRECAUCIÓN - No utilice el sistema hidráulico de la base para subir el producto con un elevador del paciente bajo el producto.

Para colocar el producto en la posición de Trendelenburg invertida (pies abajo), suba la mesa hasta la altura máxima (*Elevación de la mesa no eléctrica* (página 17) o *Elevación de la opción de mesa eléctrica* (página 18)).

Nota - Suba la mesa hasta su altura máxima para conseguir un mayor ángulo de Trendelenburg.

Para bajar el extremo de los pies del producto, empuje hacia abajo el pedal de liberación del extremo de la cabeza o del extremo de los pies (B), o empuje hacia abajo en el lado del pedal uni-lower (C) más próximo al extremo de los pies (*Controles de la base Prime* (página 17)).

Para bajar el producto desde la posición de Trendelenburg invertida, empuje hacia abajo los pedales de liberación del extremo de la cabeza y del extremo de los pies (B y D) al mismo tiempo, o empuje hacia abajo en el centro del pedal uni-lower (C) hasta que la mesa esté plana.

Transporte de un paciente

ADVERTENCIA

- Coloque siempre al paciente en el centro del producto.
 - Cuando transporte a un paciente, bloquee siempre las barras laterales en la posición más alta, con la superficie de descanso horizontal y en la posición más baja.
 - No transporte el producto en sentido lateral en pendientes de más de 5,7° (categoría del 10 %) para evitar que vuelque.
-

Para transportar un paciente:

1. Levante las barras laterales hasta la posición más alta. Tire de la barra lateral para asegurarse de que esté bloqueada.
2. Baje la mesa a la posición más baja.
3. Si el producto está equipado con la opción de elevador eléctrico o de mesa eléctrica, desenchufe el cable de alimentación de la toma de pared.
4. Empuje hacia abajo la parte de dirección (verde) del pedal de freno/dirección.
5. Utilice los mangos de empuje para empujar el producto.
6. Aplique los frenos para bloquear el producto en su sitio.

Nota - Asegúrese siempre de que los frenos estén desactivados antes de intentar mover el producto para evitar lesiones al operador o al paciente.

Transporte de un paciente sin Big Wheel

ADVERTENCIA

- Coloque siempre al paciente en el centro del producto.
 - Cuando transporte a un paciente, bloquee siempre las barras laterales en la posición más alta, con la superficie de descanso horizontal y en la posición más baja.
-

Para transportar a un paciente sin **Big Wheel**:

1. Ponga el pedal de freno/dirección (A) en la posición neutra (Figura 9).

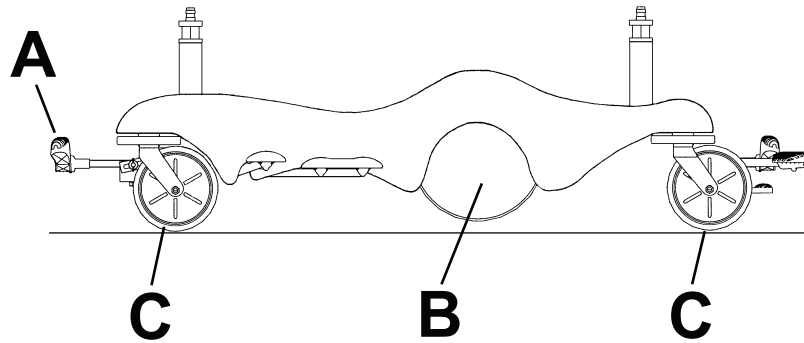


Figura 9 – Transporte de un paciente sin Big Wheel

2. Baje la mesa a la posición más baja.
3. En el caso del modelo 1125 solamente, asegúrese de que el interruptor On/Drive-Off/Manual (Activado/Zoom-Desactivado/Manual) esté en la posición Off (Manual).
4. Si el producto está equipado con la opción de elevador eléctrico o la opción de mesa eléctrica, desenchufe el cable de alimentación de la toma de pared de grado hospitalario.
5. Utilice los mangos de empuje para empujar el producto.
6. Aplique los frenos para bloquear el producto en su sitio.

Nota

- Asegúrese siempre de que los frenos estén desactivados antes de intentar mover el producto para evitar lesiones al operador o al paciente.
- Con el producto en posición neutra, **Big Wheel** (B) está elevada y el producto descansa sobre las cuatro ruedas giratorias (C) (Figura 9). En esta posición, puede mover el producto en cualquier dirección, también lateralmente.

Transporte de un paciente con Big Wheel

ADVERTENCIA

- Coloque siempre al paciente en el centro del producto.
 - Cuando transporte a un paciente, bloquee siempre las barras laterales en la posición más alta, con la superficie de descanso horizontal y en la posición más baja.
-

PRECAUCIÓN - No aplique el pedal de dirección cuando **Big Wheel** esté descansando sobre un umbral u otra zona elevada. La fuerza requerida para aplicar **Big Wheel** será mayor de lo normal, lo que podría causar daños en el producto.

Para transportar a un paciente con **Big Wheel**:

1. Levante las barras laterales hasta la posición más alta. Tire de cada barra lateral para asegurarse de que esté bloqueada.
2. Baje la mesa a la posición más baja.

3. En el caso del modelo 1125 solamente, asegúrese de que el interruptor On/Drive-Off/Manual (Activado/Zoom-Desactivado/Manual) esté en la posición Off (Manual).
4. Si el producto está equipado con la opción de elevador eléctrico o la opción de mesa eléctrica, desenchufe el cable de alimentación de la toma de pared de grado hospitalario.
5. Ponga el pedal de freno/dirección (A) en la posición de dirección (Figura 10).

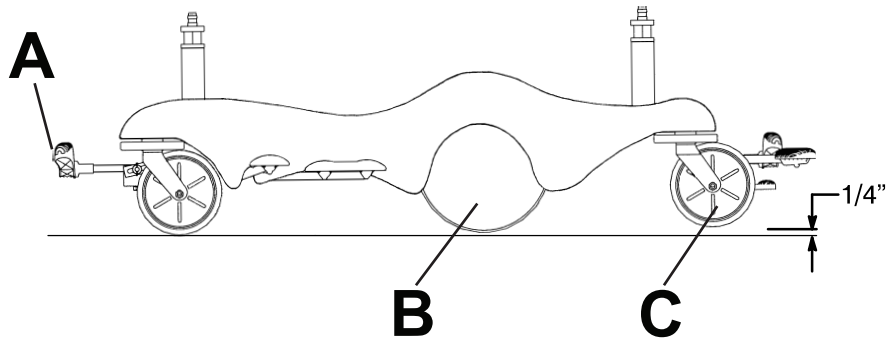


Figura 10 – Transporte con Big Wheel

6. Utilice los mangos de empuje para empujar el producto.
7. Aplique los frenos para bloquear el producto en su sitio.

Nota

- Asegúrese siempre de que los frenos estén desactivados antes de intentar mover el producto. Si se intenta mover el producto con los frenos activados, el operador o el paciente podrían sufrir lesiones.
- **Big Wheel** (B) no gira. Cuando se aplica **Big Wheel**, el producto no puede moverse lateralmente.
- Cuando se aplica **Big Wheel** (B), el producto está elevado y las ruedas giratorias del extremo de los pies (C) están elevadas. El producto descansa sobre las ruedas giratorias del extremo de la cabeza y **Big Wheel** hace que el producto sea más fácil de dirigir (Figura 10).

Colocación o almacenamiento de la opción de asas de empuje del extremo de la cabeza

Para colocar o almacenar las asas de empuje del extremo de la cabeza:

1. Gire los mangos (A) hacia arriba desde el extremo de la cabeza del producto (Figura 11).
2. Empuje las asas hacia abajo para bloquearlas en posición.

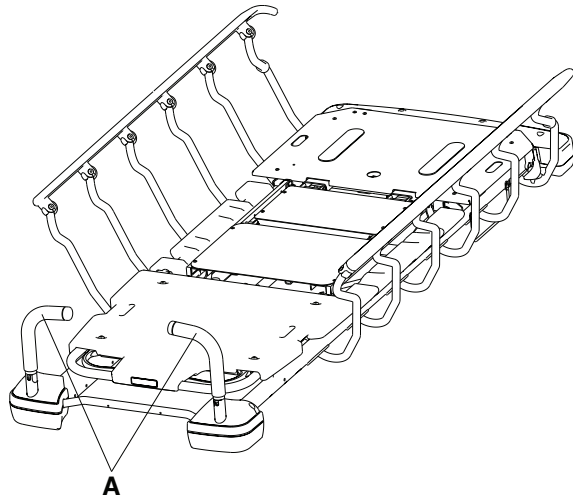


Figura 11 – Colocación de los mangos de empuje en el extremo de la cabeza

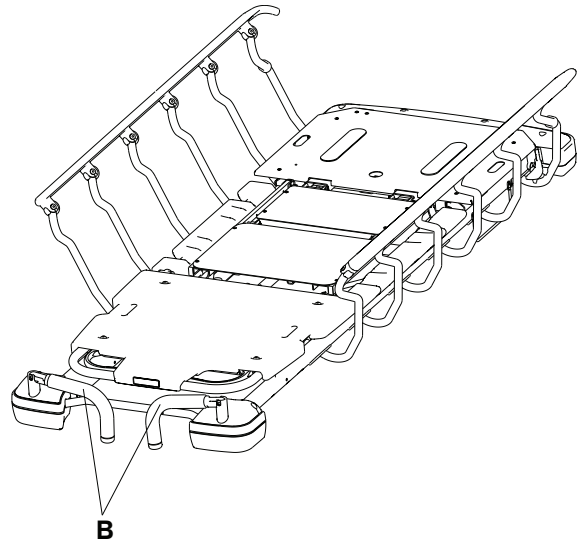


Figura 12 – Almacenamiento de los mangos de empuje del extremo de la cabeza

3. Invierta los pasos para guardar los mangos de empuje del extremo de la cabeza (B) (Figura 12).

Nota - Para evitar daños en el producto, utilice únicamente las asas de empuje como dispositivo de empuje o tracción a menos que se indique otra cosa.

Elevación de la barra lateral

ADVERTENCIA

- Tenga siempre un cuidado especial cuando utilice un colchón de más de 2,5 in (6,35 cm) de grosor o un protector de colchón con la opción **Prime X**.
- Ponga siempre el producto en la posición más baja, con las barras laterales subidas y bloqueadas, cuando deje a un paciente sin supervisión. No deje el producto a una altura mayor.
- Bloquee siempre las barras laterales en la posición más alta, con la superficie de descanso horizontal y en la posición más baja, al transportar a un paciente.
- Mantenga siempre las extremidades del paciente lejos de los ejes de la barra lateral cuando suba o baje la barra lateral.
- No permita que las barras laterales bajen por sí solas.

Para subir la barra lateral:

1. Sujete la barra lateral con las dos manos.
2. Levante la barra lateral hacia el extremo de los pies del producto hasta que el pasador de liberación amarillo encaje con un clic en su sitio. Tire de la barra lateral para asegurarse de que esté bloqueada.

Nota

- Hay una opción de pasador de liberación doble disponible para las barras laterales, con pasadores en ambos extremos del producto.
- No utilice las barras laterales como dispositivos de sujeción para impedir que el paciente salga del producto. Las barras laterales evitan que el paciente ruede fuera del producto. El operador debe determinar el grado de sujeción necesario para asegurarse de que el paciente esté seguro.
- Puede utilizar el extremo de los pies del raíl superior de las barras laterales como dispositivo de empuje/tracción.
- Las barras laterales solamente se bloquean en la posición más alta.

Descenso de las barras laterales

ADVERTENCIA

- Tenga siempre un cuidado especial cuando utilice un colchón de más de 2,5 in (6,35 cm) de grosor o un protector de colchón con la opción **Prime X**.
 - Ponga siempre el producto en la posición más baja, con las barras laterales subidas y bloqueadas, cuando deje a un paciente sin supervisión. No deje el producto a una altura mayor.
 - Bloquee siempre las barras laterales en la posición más alta, con la superficie de descanso horizontal y en la posición más baja, al transportar a un paciente.
 - Mantenga siempre las extremidades del paciente lejos de los ejes de la barra lateral cuando suba o baje la barra lateral.
 - No permita que las barras laterales bajen por sí solas.
-

Para bajar la barra lateral:

1. Utilice una mano para agarrar la barra lateral.
2. Utilice la otra mano para tirar hacia arriba del pasador de liberación amarillo.
3. Levante y guíe la barra lateral hacia el extremo de la cabeza del producto hasta que el pasador de liberación amarillo encaje con un clic en su sitio. Tire de la barra lateral para asegurarse de que esté bloqueada.

Nota

- Hay una opción de pasador de liberación doble disponible para las barras laterales, con pasadores en ambos extremos del producto.
- No utilice las barras laterales como dispositivos de sujeción para impedir que el paciente salga del producto. Las barras laterales evitan que el paciente ruede fuera del producto. El operador debe determinar el grado de sujeción necesario para asegurarse de que el paciente esté seguro.
- Puede utilizar el extremo de los pies del raíl superior de las barras laterales como dispositivo de empuje/tracción.
- Las barras laterales solamente se bloquean en la posición más alta.

Colocación del producto con el panel de control del paciente de las barras laterales - opción de mesa eléctrica - solo Prime

ADVERTENCIA - Accione siempre el producto únicamente cuando todos los operadores estén apartados de los mecanismos.

Utilice el panel de control del paciente de las barras laterales para modificar la posición del respaldo Fowler y de la elevación de las rodillas (Figura 13).

Los profesionales sanitarios deben enseñar a los pacientes cómo utilizar los controles del paciente.

Nota

- Enchufe siempre el cable de alimentación a una toma de pared de tipo hospitalario con puesta a tierra.
- El panel de control del paciente de las barras laterales se encuentra desfasado a cada lado del producto para facilitar su acceso por el paciente.
- Cada barra lateral tiene controles retroiluminados para permitir al paciente modificar la posición del respaldo Fowler y de la elevación de las rodillas. Cuando el producto está enchufado y el panel de control del paciente está desbloqueado, los botones blancos están iluminados.

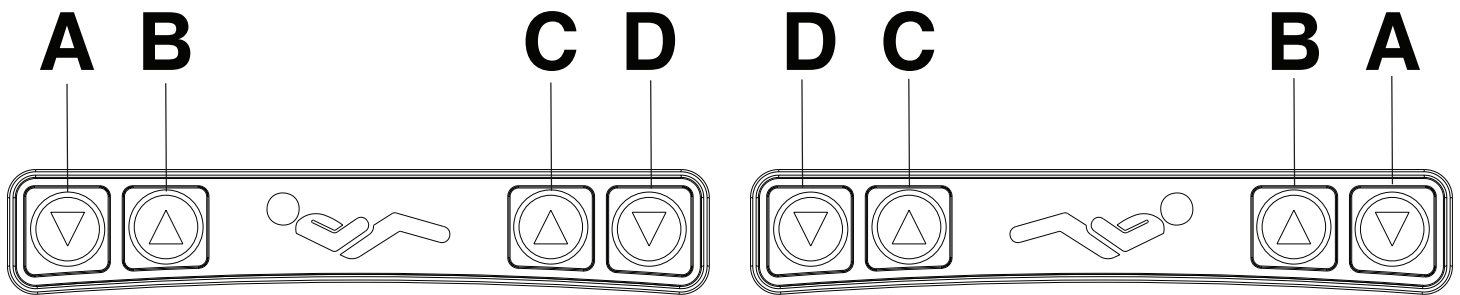


Figura 13 – Panel de control del paciente de la barra lateral

A	Bajar el respaldo Fowler	Baja el respaldo Fowler (sección de la cabeza)
B	Subir el respaldo Fowler	Sube el respaldo Fowler (sección de la cabeza)
C	Subir la elevación de las rodillas	Sube la elevación de las rodillas (sección de los pies)
D	Bajar la elevación de las rodillas	Baja la elevación de las rodillas (sección de los pies)

Panel de control del operador - opción de mesa eléctrica - solo Prime

ADVERTENCIA - Accione siempre el producto únicamente cuando todos los operadores estén apartados de los mecanismos.

Utilice el panel de control del operador para ajustar la posición del paciente en el producto (Figura 14).

Nota - Enchufe siempre el cable de alimentación a una toma de pared de tipo hospitalario con puesta a tierra.

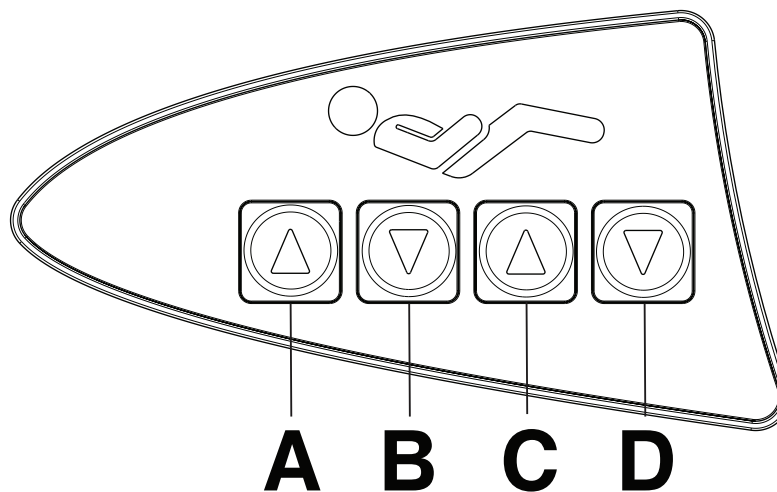


Figura 14 – Panel de control del operador - opción de mesa eléctrica

A	Subir el respaldo Fowler	Sube el respaldo Fowler
B	Bajar el respaldo Fowler	Baja el respaldo Fowler
C	Subir la elevación de las rodillas	Sube la elevación de las rodillas
D	Bajar la elevación de las rodillas	Baja la elevación de las rodillas

Activación y desactivación del bloqueo del panel de control del paciente - opción de mesa eléctrica - solo Prime

ADVERTENCIA - Accione siempre el producto únicamente cuando todos los operadores estén apartados de los mecanismos.

Para bloquear el panel de control del paciente de las barras laterales, pulse **Unlock/Lock** (Desbloquear/Bloquear) (A) una vez (Figura 15).

Nota - El icono de bloqueo (C) se ilumina en ámbar cuando los controles del paciente están bloqueados.

Para desbloquear el panel de control del paciente de las barras laterales, pulse **Unlock/Lock** (Desbloquear/Bloquear) (A) una segunda vez.

Nota - El icono de desbloqueo (B) se ilumina en verde cuando los controles del paciente están desbloqueados.

Nota

- Enchufe siempre el cable de alimentación a una toma de pared de tipo hospitalario con puesta a tierra.
- Puede bloquear el panel de control del paciente para evitar que el paciente mueva el respaldo y la elevación de las rodillas.
- El panel de control del paciente de las barras laterales no se retroilumina cuando está bloqueado.

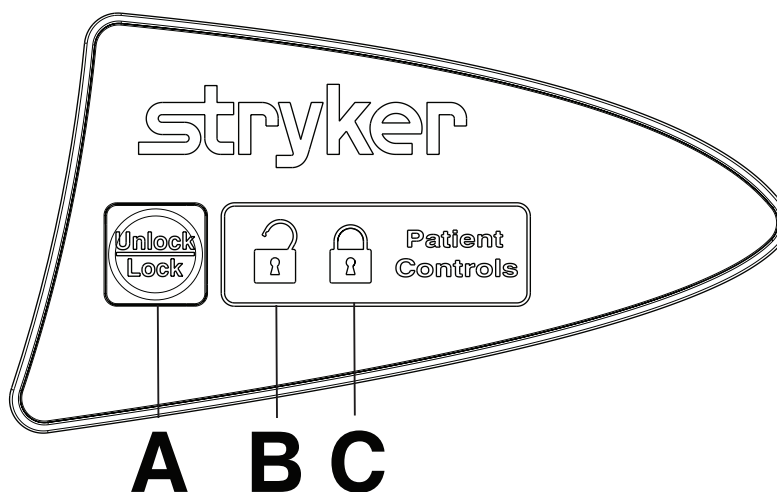


Figura 15 – Bloqueo del panel de control del paciente

Elevación o descenso del respaldo Fowler - mesa no eléctrica

ADVERTENCIA

- Accione siempre el producto únicamente cuando todos los operadores estén apartados de los mecanismos.
 - Mantenga siempre las manos y los dedos alejados de las asas liberadoras y del bastidor del respaldo Fowler cuando lo baje.
 - Actúe siempre con precaución cuando suba el respaldo Fowler mientras un paciente esté en el producto. Utilice técnicas de elevación adecuadas y pida ayuda si es necesario.
-

Para subir el respaldo Fowler, apriete una o ambas asas liberadoras del respaldo Fowler (A) y tire hacia arriba del respaldo Fowler hasta la posición deseada (de 0° a 90°) (Figura 16).

Nota - El respaldo **Lift Assist**® utiliza el peso del paciente como ayuda para la colocación del paciente. El respaldo **Lift Assist** ayuda también a evitar que el paciente resbale hacia el extremo de los pies del producto al subir el respaldo Fowler.

Para bajar el respaldo Fowler, apriete una o ambas asas liberadoras del respaldo Fowler (A) y empuje hacia abajo el respaldo Fowler hasta la posición deseada (de 90° a 0°) (Figura 16).

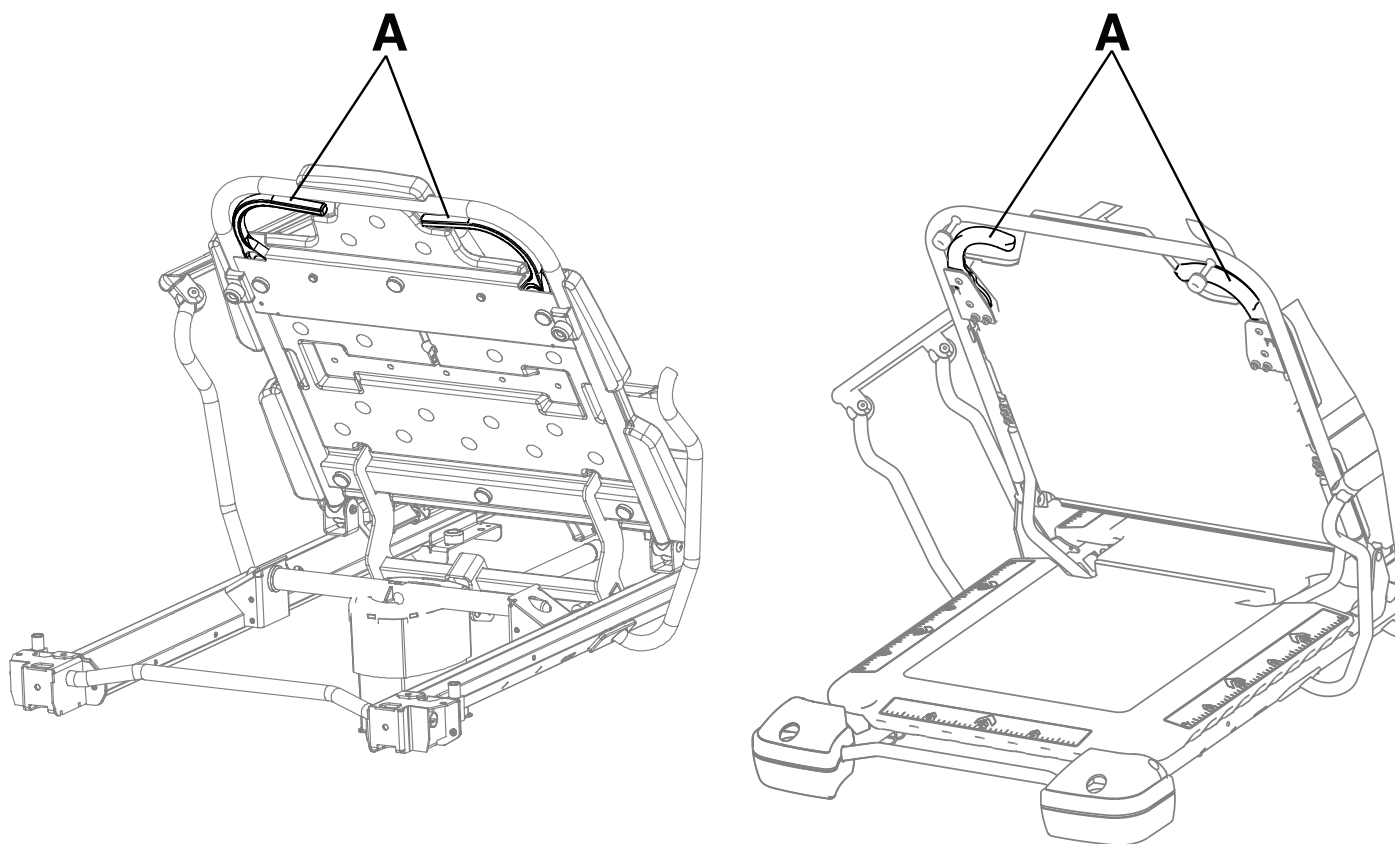


Figura 16 – Elevación o descenso del respaldo Fowler (Prime/Prime X)

Elevación o descenso del respaldo Fowler - opción de mesa eléctrica

ADVERTENCIA

- Accione siempre el producto únicamente cuando todos los operadores estén apartados de los mecanismos.
- Mantenga siempre las manos y los dedos alejados de las asas liberadoras y del bastidor del respaldo Fowler cuando lo baje.
- Actúe siempre con precaución cuando suba el respaldo Fowler mientras un paciente esté en el producto. Utilice técnicas de elevación adecuadas y pida ayuda si es necesario.

Para subir el respaldo Fowler, pulse el botón **up** (arriba) en el panel de control del paciente de las barras laterales del lado del respaldo Fowler (*Colocación del producto con el panel de control del paciente de las barras laterales - opción de mesa eléctrica - solo Prime* (página 23)) o en el panel de control del operador en el extremo de los pies (*Panel de control del operador - opción de mesa eléctrica - solo Prime* (página 24)) hasta que el respaldo Fowler alcance el ángulo deseado (de 0° a 70°).

Nota - El respaldo **Lift Assist** utiliza el peso del paciente como ayuda para la colocación del paciente. El respaldo **Lift Assist** ayuda también a evitar que el paciente resbale hacia el extremo de los pies del producto al subir el respaldo Fowler.

Para bajar el respaldo Fowler, pulse el botón **down** (abajo) en el panel de control del paciente de las barras laterales del lado del respaldo Fowler (*Colocación del producto con el panel de control del paciente de las barras laterales - opción de mesa eléctrica - solo Prime* (página 23)) o en el panel de control del operador en el extremo de los pies (*Panel de control del operador - opción de mesa eléctrica - solo Prime* (página 24)) hasta que el respaldo Fowler alcance el ángulo deseado (de 70° a 0°).

Nota - Enchufe siempre el cable de alimentación a una toma de pared de tipo hospitalario con puesta a tierra.

Los profesionales sanitarios deben enseñar a los pacientes cómo utilizar los controles del paciente.

Elevación o descenso de la elevación de las rodillas - mesa no eléctrica - solo Prime

ADVERTENCIA - Mantenga siempre las manos y los dedos alejados de los mangos de empuje del extremo de los pies cuando baje la elevación de las rodillas.

PRECAUCIÓN

- El peso máximo admitido por la elevación de las rodillas es de 200 lb (90,7 kg).
 - Asegúrese siempre de que el vástago de soporte de la elevación de las rodillas esté bien fijo antes del uso.
 - No se siente ni se ponga de pie sobre la elevación de las rodillas.
-

Para subir la elevación de las rodillas no eléctrica, bombee hacia la izquierda con el mango de la bomba de la elevación de las rodillas hasta alcanzar la posición deseada (consulte *Ilustración del producto: mesa Prime*).

Levante el extremo de la elevación de las rodillas y asegure el vástago de soporte en el soporte.

Para liberar el vástago de soporte, levante el extremo de la elevación de las rodillas, incline el vástago de soporte hacia el extremo de la cabeza del producto y baje el extremo de los pies.

Para bajar la elevación de las rodillas, tire del asa liberadora de la elevación de las rodillas hasta alcanzar la posición deseada (consulte *Ilustración del producto: mesa Prime*).

Nota - No puede subir la elevación de las rodillas manualmente si el producto tiene la opción de mesa eléctrica.

Elevación o descenso de la elevación de las rodillas - opción de mesa eléctrica - solo en Prime

ADVERTENCIA

- Mantenga siempre las manos y los dedos alejados de los mangos de empuje del extremo de los pies cuando baje la elevación de las rodillas.
 - Accione siempre el producto únicamente cuando todos los operadores estén apartados de los mecanismos.
-

PRECAUCIÓN

- El peso máximo admitido por la elevación de las rodillas es de 200 lb (90,7 kg).
 - No se siente ni se ponga de pie sobre la elevación de las rodillas.
 - Tenga siempre cuidado al intentar bajar la elevación de las rodillas cuando el producto no esté conectado a la alimentación eléctrica. La gravedad puede hacer que la elevación de las rodillas descienda rápidamente.
-

Para subir la elevación de las rodillas, pulse **up** (arriba) en el panel de control del paciente de las barras laterales del lado de la elevación de las rodillas o en el panel de control del operador en el extremo de los pies.

Para bajar la elevación de las rodillas, pulse **down** (abajo) en el panel de control del paciente de las barras laterales del lado de la elevación de las rodillas o en el panel de control del operador en el extremo de los pies.

Nota - Enchufe siempre el cable de alimentación a una toma de pared de tipo hospitalario con puesta a tierra.

Los profesionales sanitarios deben enseñar a los pacientes cómo utilizar los controles del paciente.

Colocación de la silla de recuperación - solo Prime

ADVERTENCIA - Accione siempre el producto únicamente cuando todos los operadores estén apartados de los mecanismos.

Para colocar el producto en la posición de silla de recuperación (Figura 17):

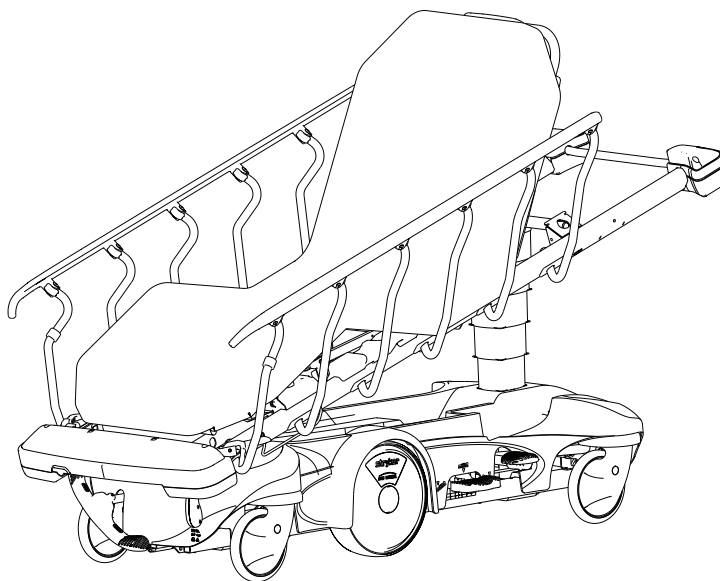


Figura 17 – Silla de recuperación (se muestra el modelo 1115)

1. Suba el respaldo Fowler a una posición sentada (*Elevación o descenso del respaldo Fowler - mesa no eléctrica* (página 25) o *Elevación o descenso del respaldo Fowler - opción de mesa eléctrica* (página 26)).

Nota - Para colocar la silla de recuperación, el producto debe tener la opción del respaldo **Lift Assist** y la opción de elevación de las rodillas.

2. Suba la elevación de las rodillas hasta la posición más alta (*Elevación o descenso de la elevación de las rodillas - mesa no eléctrica - solo Prime* (página 27) o *Elevación o descenso de la elevación de las rodillas - opción de mesa eléctrica - solo en Prime* (página 27)).
3. Suba la mesa hasta su altura máxima (*Elevación de la mesa no eléctrica* (página 17) o *Elevación de la opción de mesa eléctrica* (página 18)).
4. Coloque el producto en la posición de Trendelenburg invertida (*Colocación del producto en la posición de Trendelenburg invertida* (página 19)).
5. Invierta los pasos para bajar el producto a la posición plana.

Almacenamiento de objetos en la cubierta de protección de la base

PRECAUCIÓN

- No coloque objetos que superen los 27 kg en la cubierta de protección de la base.
- No se siente, no pise ni se ponga de pie sobre la cubierta de protección de la base.

Puede almacenar las pertenencias del paciente en la cubierta de protección de la base. No utilice el hueco del soporte para la botella de oxígeno para almacenar botellas de oxígeno ni las pertenencias del paciente.

Suspensión de dispositivos con la opción de bastidor de la bomba

ADVERTENCIA

- Mantenga siempre los cables del dispositivo en el bastidor de la bomba, lejos de los mangos de elevación de las rodillas.
- Retire siempre cualquier dispositivo que pueda interponerse antes de subir o bajar la mesa.
- Asegúrese de que los dispositivos en el bastidor de la bomba puedan pasar de forma segura por las puertas.
- No levante el producto por el bastidor de la bomba.

PRECAUCIÓN

- El peso máximo admitido por el bastidor de la bomba es de 40 lb (18 kg).
 - No utilice el bastidor de la bomba como dispositivo de empuje/tracción. Podría ocasionar daños en el producto.
-

Puede almacenar o colgar dispositivos adicionales en el bastidor de la bomba situado en el extremo de los pies del producto.

Nota - Debe seleccionar la opción de bastidor de la bomba en el momento de la compra.

Extensión o retracción del cable de alimentación con la opción de carrete retráctil - opción de elevador eléctrico o de mesa eléctrica

ADVERTENCIA

- Desenchufe siempre el cable de alimentación de la toma de pared antes de transportar o limpiar el producto.
 - Utilice siempre el carrete retráctil para guardar el cable de alimentación dentro de la base al transportar el producto.
-

Para extender el cable de alimentación, saque la longitud deseada de cable del carrete retráctil (A) (Figura 18).

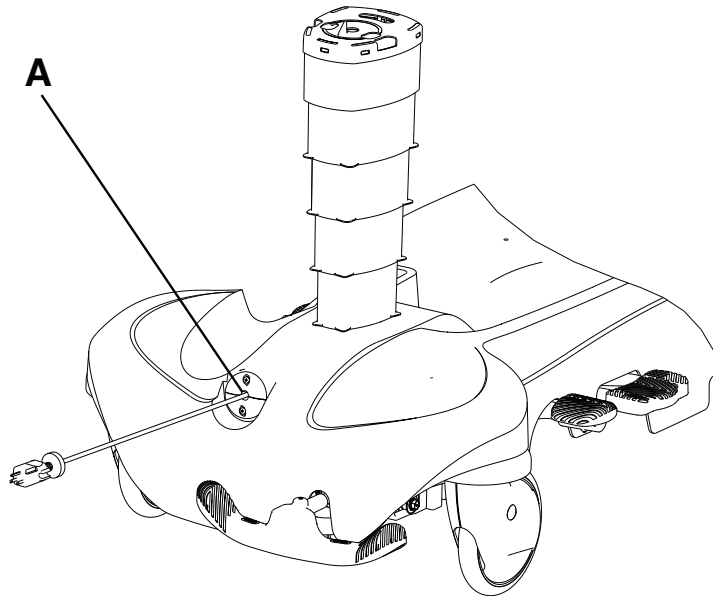


Figura 18 – Carrete retráctil

Para retraer el cable de alimentación:

1. Desenchufe el cable de alimentación de la toma de pared.
2. Tire suavemente del cable de alimentación.
3. Guíe el cable de alimentación al interior del carrete retráctil.

Opción de sistema de báscula

ADVERTENCIA - No utilice la opción del sistema de báscula, la opción de elevador eléctrico ni la opción de mesa eléctrica con el dispositivo adyacente o apilado con otros dispositivos. Si fuera necesario utilizar el dispositivo adyacente o apilado con otros productos, deben observarse las opciones de sistema de báscula, elevador eléctrico o mesa eléctrica para asegurarse de que todos los dispositivos funcionen normalmente en la configuración en que se utilizarán.

PRECAUCIÓN - No utilice la báscula para pacientes de menos de 50 lb (22,7 kg).

La opción del sistema de báscula está disponible para los productos con o sin la opción de mesa eléctrica. La opción del sistema de báscula tiene una opción de alimentación de reserva con batería. El icono de reserva indica cuándo está utilizando el producto la alimentación de reserva con batería.

La opción **Chaperone** le permite fijar controles de zona para alertar al operador cuando el paciente pueda estar intentando salir del producto. La opción **Chaperone** está disponible para los productos con la opción de mesa eléctrica y la opción del sistema de báscula. La opción del sistema de báscula con la opción **Chaperone** tiene una opción de alimentación de reserva con batería. El icono de reserva indica cuándo está utilizando el producto la alimentación de reserva con batería.

Suba los mangos de empuje del extremo de los pies antes de intentar utilizar la opción del sistema de báscula.

Use el panel de control del sistema de báscula para controlar la opción del sistema de báscula (*Identificación de los iconos/botones de la báscula* (página 30)).

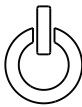




No toque el producto mientras pesa o pone a cero la opción de sistema de báscula.



El paciente debe permanecer inmóvil mientras el sistema lo pesa. Si el paciente se mueve, el sistema de báscula intentará durante 20 segundos obtener un peso estable o un valor cero antes de mostrar en pantalla el mensaje de error (E11).

El error (E11) aparece en pantalla si alguna conexión está suelta o si la báscula no funciona. Si intenta utilizar de nuevo la báscula y aparece el error, póngase en contacto con el Servicio de Asistencia Técnica de Stryker.

Nota - Para ofrecer la exactitud anunciada, la superficie del paciente debe estar en posición plana (respaldo Fowler y elevación de las rodillas bajados) y el producto no puede superar los 5 grados de Trendelenburg o Trendelenburg invertida.

Identificación de los iconos/botones de la báscula

Elemento	Icono/botón	Nombre	Descripción
A		Icono de espera	Se enciende de color verde al enchufar el cable de alimentación a una toma de pared. Se enciende de color ámbar al desenchufar el cable de alimentación de la toma de pared. Se activa la función de alimentación de reserva con batería.
B		Icono de zona 1	El paciente puede moverse libremente, pero suena la alarma si el paciente intenta abandonar el producto.
C		Icono de zona 2	El paciente puede moverse de forma limitada. La alarma suena cuando el paciente se acerca a las barras laterales o se mueve hacia el extremo de los pies.
D		Botón Arm/Disarm (Activar/Desactivar)	Activa y desactiva la opción Chaperone (abandono de la camilla). Consulte <i>Activación o desactivación de la opción Chaperone</i> (página 31).
E		Botón Weigh (Pesar)	Pesa al paciente. Consulte <i>Peso de un paciente</i> (página 31).

Elemento	Icono/botón	Nombre	Descripción
F		Botón lb/kg	Cambia la unidad de medida mostrada en la pantalla. Consulte <i>Bloqueo de la unidad de escala de medida</i> (página 31).
G		Botón Zero (Poner a cero)	Pone a cero los ajustes de la báscula. Consulte <i>Bloqueo de la unidad de escala de medida</i> (página 31).

Peso de un paciente

PRECAUCIÓN - No utilice la lectura del sistema de báscula como referencia para el tratamiento médico.

1. Suba los mangos de empuje del extremo de los pies antes de utilizar la opción del sistema de báscula.
2. Mantenga pulsado **Zero** (Poner a cero) hasta que se muestre **rel** (soltar) en la pantalla para poner la báscula a cero. **000.0** parpadea y después deja de parpadear.

Nota - La báscula estará lista para usar cuando **000.0** deje de parpadear.

3. Coloque el paciente en el producto.
4. Pulse **lb/kg** para seleccionar la unidad de medida (lb o kg).
5. Pulse **Weigh** (Pesar) para obtener el peso del paciente.

Nota - El peso del paciente se muestra durante 40 segundos.

Bloqueo de la unidad de escala de medida

1. Mantenga pulsado **Weigh** (Pesar), **lb/kg** y **Zero** (Poner a cero) hasta que se muestre **diag**.
2. Pulse **lb/kg** o **Zero** (Poner a cero) para cambiar a **Unit Loc** (Bloqueo de unidad).
3. Para una báscula sin **Chaperone**, mantenga pulsado **lb/kg** y **Zero** (Poner a cero) hasta que se muestre **rel** (soltar) para seleccionar **Unit Loc** (Bloqueo de unidad).
4. Para una báscula con **Chaperone**, mantenga pulsado **lb/kg** y **Zero** (Poner a cero) para seleccionar **Unit Loc** (Bloqueo de unidad).
5. Pulse **lb/kg** o **Zero** (Poner a cero) para cambiar a **lb**, **kg** o **Any** (Cualquiera).
6. Pulse y suelte **lb/kg** y **Zero** (Poner a cero). **Only** (Solo) y se muestra la unidad de medida seleccionada.

Nota - **Only** (Solo) no se mostrará si selecciona **Any** (Cualquiera).

7. Mantenga pulsado **Weigh** (Pesar) hasta que se muestre **quit** (detener).
8. Mantenga pulsado **Zero** (Poner a cero) hasta que se muestre **rel** (soltar). **000.0** parpadea y después deja de parpadear.

Nota - La báscula estará lista para usar cuando **000.0** deje de parpadear.

Activación o desactivación de la opción Chaperone

Cuando está activada, la opción **Chaperone** vigila la posición del paciente en el producto.

Para activar o desactivar la opción **Chaperone**:

1. Con el paciente en el producto, pulse **Arm-Disarm** (Activar-Desactivar).

Nota - Esto activará la zona 1. La zona 1 se ilumina en ámbar cuando está activada.

2. Para activar la zona 2, pulse **Arm-Disarm** (Activar-Desactivar) dos veces en tres segundos.

Nota - Esto activará la zona 2. La zona 2 se ilumina en ámbar cuando está activada.

3. Para desactivar la opción **Chaperone**, mantenga pulsado **Arm-Disarm** (Activar-Desactivar).

Nota - Debe poner a cero la báscula antes de activar la opción **Chaperone**.

Nota - Si el paciente se mueve fuera de los límites de la zona seleccionada, parpadea una luz ámbar, parpadea **Alrt** (Alerta) en la pantalla de la opción del sistema de báscula y se activa una alarma acústica.

Configuración del patrón de alerta de la opción Chaperone

Para cambiar el patrón de alerta de la opción **Chaperone**:

1. Mantenga pulsados a la vez **Arm-Disarm** (Activar-Desactivar) y **Weigh** (Pesar) durante aproximadamente 6 segundos. Ignore todos los mensajes en pantalla hasta que aparezca **Ptrn** (Patrón) (*Identificación de los iconos/botones de la báscula* (página 30)).

2. Suelte **Arm-Disarm** (Activar-Desactivar) y **Weigh** (Pesar).

Nota - El ajuste del patrón **P (1-10)** aparece en la pantalla.

3. Pulse **Arm-Disarm** (Activar-Desactivar) o **Weigh** (Pesar) para desplazarse por las opciones de patrones.

Nota - A medida que se desplaza por las opciones de patrones, se reproduce una breve muestra del patrón.

4. Mantenga pulsados a la vez **Arm-Disarm** (Activar-Desactivar) y **Weigh** (Pesar) durante 6 segundos hasta que aparezca **set** (Establecer) en la pantalla para guardar el patrón seleccionado.

5. Suelte **Arm-Disarm** (Activar-Desactivar) y **Weigh** (Pesar).

Nota - El ajuste de patrón seleccionado aparece en la pantalla. Una breve muestra del patrón confirma el ajuste.

Configuración del volumen de la alerta de la opción Chaperone

Para cambiar el volumen de la alerta de la opción **Chaperone**:

1. Mantenga pulsados a la vez **Zero** (Poner a cero) y **lb/kg** hasta que aparezca **vol** en la pantalla (*Identificación de los iconos/botones de la báscula* (página 30)).

2. Suelte **Zero** (Poner a cero) y **lb/kg**.

Nota - Los niveles de volumen **L (1-4)** aparecerán en la pantalla.

3. Pulse **Zero** (Poner a cero) o **lb/kg** para desplazarse por los niveles de volumen.

Nota - A medida que se desplaza por los niveles de volumen, se reproduce una breve muestra del volumen.

4. Mantenga pulsados a la vez **Zero** (Poner a cero) y **lb/kg** durante 6 segundos hasta que aparezca **set** (Establecer) en la pantalla para guardar el nivel de volumen seleccionado.

5. Suelte **Zero** (Poner a cero) y **lb/kg**.

Nota - El nivel de volumen seleccionado aparece en la pantalla. Una breve muestra del nivel de volumen confirma el ajuste.

Carga de la opción de paquete de baterías para sistema de báscula - opción mesa eléctrica u opción mesa eléctrica con Chaperone - solo Prime

El sistema de báscula con la opción de mesa eléctrica requiere un paquete de baterías de iones de litio de 10,8 V (0058-135-000 sin la opción **Chaperone**; 0058-134-000 con la opción **Chaperone**). Recargue el paquete de baterías cuando el indicador de carga de la batería muestre que solo queda una unidad. Esto evita que la opción del sistema de báscula se apague debido a que las baterías se han agotado.

Para recargar el paquete de baterías de iones de litio del sistema de báscula, enchufe el cable de alimentación a una toma de pared de tipo hospitalario con puesta a tierra. El paquete de baterías se carga completamente en aproximadamente tres horas.

Nota - Enchufe siempre el producto a una toma de pared de tipo hospitalario con puesta a tierra cuando no esté en uso. Esto ayuda a que la batería mantenga una carga suficiente y maximiza el rendimiento del producto cuando funciona con batería.

Sustitución de las baterías para la opción del sistema de báscula - mesa no eléctrica

Sustituya las baterías cuando el indicador de carga de la batería muestre que solo queda una unidad. Esto evita que la opción del sistema de báscula se apague debido a que las baterías se han agotado.

Cuando la pantalla muestra **Lo batt** (Batería baja) de forma intermitente, las baterías están en su nivel de carga más bajo y la opción del sistema de báscula se desactiva.

Herramientas necesarias:

- Destornillador Phillips
- Cuatro baterías AA (alcalinas [LR6])

Para sustituir las baterías:

1. Con un destornillador Phillips, retire los tornillos que fijan la cubierta del compartimento de baterías a la unidad de pantalla.
2. Extraiga y deseche las cuatro baterías AA.

Nota - Deseche siempre las baterías viejas de acuerdo con las normativas locales.

3. Coloque cuatro baterías AA nuevas tal como se indica en el soporte de las baterías.

Nota - No mezcle nunca baterías viejas con baterías nuevas.

4. Utilice los tornillos que se retiraron en el paso 1 para volver a fijar la cubierta del compartimento de las baterías en la unidad de pantalla.

Accesorios y piezas

Estos accesorios pueden estar disponibles para su uso con el producto. Confirme la disponibilidad para su configuración o región. Llame al Servicio de Atención al Cliente de Stryker: 1-800-327-0770.

Nombre	Número de referencia
Bandeja para desfibrilador	1105-045-200
Bandeja para desfibrilador/extensión para los pies	1105-045-400
Pie de cama/soporte de historias	1105-045-500
Unidad de almohadillas para los talones	1105-045-022
Carrito para percha i.v.	0785-155-000
Percha i.v. HAVASU™ , extraíble	0390-025-000

Nombre	Número de referencia
Percha i.v., de tres fases, extremo de los pies, izquierda, 26 in (66 cm)	1105-035-644
Percha i.v., de tres fases, extremo de los pies, derecha, 26 in (66 cm)	1105-035-639
Percha i.v., de tres fases, extremo de los pies, izquierda, 30 in (76 cm)	1105-035-344
Percha i.v., de tres fases, extremo de los pies, derecha, 30 in (76 cm)	1105-035-339
Percha i.v., de tres fases, extremo de los pies, izquierda, 30 in (76 cm) (opción Prime X)	1105-035-364
Percha i.v., de tres fases, extremo de los pies, derecha, 30 in (76 cm) (opción Prime X)	1105-035-361
Percha i.v., de tres fases, extremo de la cabeza, izquierda, 26 in (66 cm)	1105-035-642
Percha i.v., de tres fases, extremo de la cabeza, derecha, 26 in (66 cm)	1105-035-637
Percha i.v., de tres fases, extremo de la cabeza, izquierda, 30 in (76 cm)	1105-035-342
Percha i.v., de tres fases, extremo de la cabeza, derecha, 30 in (76 cm)	1105-035-337
Percha i.v., de tres fases, extremo de la cabeza, izquierda, 30 in (76 cm) (opción Prime X)	1105-035-369
Percha i.v., de tres fases, extremo de la cabeza, derecha, 30 in (76 cm) (opción Prime X)	1105-035-366
Percha i.v., de dos fases, extremo de los pies, izquierda, 26 in (66 cm)	1105-035-640
Percha i.v., de dos fases, extremo de los pies, derecha, 26 in (66 cm)	1105-035-643
Percha i.v., de dos fases, extremo de los pies, izquierda, 30 in (76 cm)	1105-035-340
Percha i.v., de dos fases, extremo de los pies, derecha, 30 in (76 cm)	1105-035-343
Percha i.v., de dos fases, extremo de los pies, izquierda, 30 in (76 cm) (opción Prime X)	1105-035-362
Percha i.v., de dos fases, extremo de los pies, derecha, 30 in (76 cm) (opción Prime X)	1105-035-363
Percha i.v., de dos fases, extremo de la cabeza, izquierda, 26 in (66 cm)	1105-035-638
Percha i.v., de dos fases, extremo de la cabeza, derecha, 26 in (66 cm)	1105-035-641
Percha i.v., de dos fases, extremo de la cabeza, izquierda, 30 in (76 cm)	1105-035-341

Nombre	Número de referencia
Percha i.v., de dos fases, extremo de la cabeza, derecha, 30 in (76 cm)	1105-035-338
Percha i.v., de dos fases, extremo de la cabeza, izquierda, 30 in (76 cm) (opción Prime X)	1105-035-367
Percha i.v., de dos fases, extremo de la cabeza, derecha, 30 in (76 cm) (opción Prime X)	1105-035-368
Colchón, ComfortGel SE™ , barrera ignífuga, 26 in (66 cm)	1805-034-601
Colchón, ComfortGel SE , barrera ignífuga, 30 in (76 cm)	1805-034-301
Colchón, ComfortGel SE , sin barrera ignífuga, 26 in (66 cm)	1805-034-600
Colchón, ComfortGel SE , sin barrera ignífuga, 30 in (76 cm)	1805-034-300
Colchón, Enhanced Comfort, 3 in x 26 in (8 cm x 66 cm)	0785-034-613
Colchón, Enhanced Comfort, 3 in x 30 in (8 cm x 76 cm)	0785-034-313
Colchón, Enhanced Comfort, 4 in x 26 in (10 cm x 66 cm)	0785-034-623
Colchón, Enhanced Comfort, 4 in x 30 in (10 cm x 76 cm)	0785-034-323
Colchón, IsoFlex SE™ , barrera ignífuga, 30 in (76 cm)	1806-034-300
Colchón, IsoFlex SE , sin barrera ignífuga, internacional, 30 in (76 cm)	1806-034-301
Colchón, Ultra Comfort, 4 in x 26 in (10 cm x 66 cm)	0785-034-603
Colchón, Ultra Comfort, 4 in x 30 in (10 cm x 76 cm)	0785-034-303
Colchón, Ultra Comfort, 5 in x 26 in (13 cm x 66 cm)	0785-034-633
Colchón, Ultra Comfort, 5 in x 30 in (13 cm x 76 cm)	0785-034-333
Colchón, Ultra Comfort SE™ , 4 in x 26 in (10 cm x 66 cm)	1704-034-600
Colchón, Ultra Comfort SE , barrera ignífuga, internacional, 4 in x 26 in (10 cm x 66 cm)	1704-034-601
Colchón, extensor de camilla Ultra Comfort, 4 in x 26 in (10 cm x 66 cm)	1105-034-609
Colchón, extensor de camilla Ultra Comfort, 4 in x 30 in (10 cm x 76 cm)	1105-034-309
Colchón, Ultra Comfort SE , 3 in x 30 in (8 cm x 76 cm)	1703-034-300
Colchón, Ultra Comfort SE , barrera ignífuga, 3 in x 30 in (8 cm x 76 cm)	1703-034-301
Colchón, Ultra Comfort SE , 4 in x 30 in (10 cm x 76 cm)	1704-034-300
Colchón, Ultra Comfort SE , barrera ignífuga, 4 in x 30 in (10 cm x 76 cm)	1704-034-301
Soporte para la botella de oxígeno, vertical	1115-130-000
Opción de barra de la bomba, 30 in (76 cm)	1105-045-035

Nombre	Número de referencia
Conjunto de mangos de empuje, extremo de los pies, 30 in (76 cm)	1105-048-030
Conjunto de mangos de empuje, extremo de la cabeza, 30 in (76 cm)	1105-048-060
Correa de sujeción, paquete	0785-045-010
Correa de sujeción, tobillo	0785-045-020
Correa de sujeción, cuerpo	0785-045-015
Correa de sujeción, muñeca	0946-044-000
Correa de sujeción, tórax	1010-058-000
Bandeja de servir	1105-045-700
Soporte de la bandeja de servir/pie de cama	1105-045-800
Almohadillas de las barras laterales	1001-052-000
Soporte del chasis radiográfico, lateral	1105-045-100
Soporte del chasis radiográfico, vertical	1105-045-300

Componentes eléctricos

Nombre	Número
Accionador, respaldo Fowler	1008-012-020
Accionador, elevación de las rodillas	1008-014-020
Batería, paquete de baterías inteligentes de iones de litio (solo báscula)	0058-135-000
Batería, paquete de baterías inteligentes de iones de litio (báscula y Chaperone)	0058-134-000
Placa, conjunto de PCI control de CC	1008-116-800
Placa, conjunto de CA sin elevación	1008-002-800
Placa, conjunto de PCI control de la elevación	1008-002-810
Placa, conjunto de control de la báscula (solo báscula)	1008-237-850
Placa, conjunto de control de la báscula y el Chaperone	1008-237-840
Capacitador, 440 V CA, 35 MFD	0059-087-000
Teclado, control de la báscula (mesa no eléctrica)	1008-037-820
Teclado, control de la barra lateral, izquierda	1008-011-017
Teclado, control de la barra lateral, derecha	1008-011-016
Teclado, control del operador	1008-015-800
Célula de carga (sistema de báscula opcional)	1008-037-057
Motor, bomba	1008-002-015
Cable de alimentación, estándar	1028-146-060

Nombre	Número
Cable de alimentación, internacional, tipo, E	1125-060-170
Cable de alimentación, internacional, tipo, F	1125-060-180
Cable de alimentación, internacional, tipo, G	1125-060-160
Cable de alimentación, internacional, tipo, I	1125-060-200
Conjunto de caja de báscula (mesa no eléctrica)	1070-237-020
Transformador	1008-014-857
Transformador, internacional	1008-014-877

Fijación de la bandeja para desfibrilador

ADVERTENCIA

- No coloque artículos que pesen más de 14 kg en la bandeja para desfibrilador. Sujete siempre con una correa todos los dispositivos que coloque en la bandeja para desfibrilador.
- Tenga siempre precaución si la bandeja para desfibrilador/extensión para los pies, el pie de cama/soporte de historias o el soporte vertical para la botella de oxígeno están acoplados, para evitar pillarse los dedos al colocar la opción de los mangos de empuje del extremo de los pies.

Para fijar la bandeja para desfibrilador:

1. Inserte las clavijas de la bandeja para desfibrilador en los orificios del extremo de los pies del producto.
2. Utilice la correa para asegurar dispositivos a la bandeja para desfibrilador.

Nota

- No utilice la bandeja para desfibrilador como dispositivo de empuje o tracción. Podría ocasionar daños en el producto.
- Suba siempre los mangos de empuje del extremo de los pies cuando utilice accesorios (como la bandeja para desfibrilador/extensión para los pies, pie de cama/soporte de historias, soporte vertical para la botella de oxígeno); de lo contrario, los accesorios no funcionarán.

Conversión de la bandeja para desfibrilador/extensión para los pies en una bandeja para desfibrilador

ADVERTENCIA

- No coloque elementos que pesen más de 14 kg sobre la bandeja para desfibrilador/extensión para los pies. Sujete siempre con una correa todos los dispositivos que coloque en la bandeja para desfibrilador.
- Tenga siempre precaución si la bandeja para desfibrilador/extensión para los pies, el pie de cama/soporte de historias o el soporte vertical para la botella de oxígeno están acoplados, para evitar pillarse los dedos al colocar la opción de los mangos de empuje del extremo de los pies.

PRECAUCIÓN - Suba siempre la percha i.v. antes de fijar la bandeja para desfibrilador/extensión para los pies al producto. Si no sube la percha i.v., la extensión para los pies no funcionará.

Para convertir la bandeja para desfibrilador/extensión para los pies en una bandeja para desfibrilador:

1. Tire hacia fuera del mando superior (A) (Figura 19).
2. Gire la bandeja para desfibrilador (B) hasta que esté plana sobre el extremo de los pies del producto. Suelte el mando superior (A). Asegúrese de que la bandeja para desfibrilador esté bloqueada en su sitio.
3. Utilice la correa para asegurar dispositivos a la bandeja para desfibrilador.

Nota

- No utilice la bandeja para desfibrilador/extensión para los pies como dispositivo de empuje o tracción. Podría ocasionar daños en el producto.
- No fije elementos a la extensión para los pies.

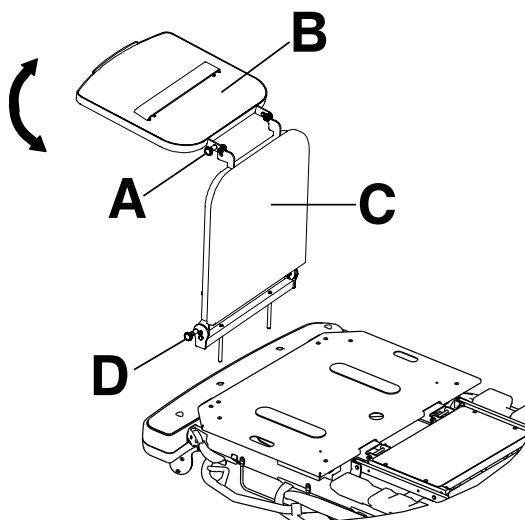


Figura 19 – Bandeja para desfibrilador/extensión para los pies

Conversión de la bandeja para desfibrilador/extensión para los pies en extensión para los pies

ADVERTENCIA

- No coloque elementos que pesen más de 14 kg sobre la bandeja para desfibrilador/extensión para los pies. Sujete siempre con una correa todos los dispositivos que coloque en la bandeja para desfibrilador.
- Tenga siempre precaución si la bandeja para desfibrilador/extensión para los pies, el pie de cama/soporte de historias o el soporte vertical para la botella de oxígeno están acoplados, para evitar pillarse los dedos al colocar la opción de los mangos de empuje del extremo de los pies.

PRECAUCIÓN - Suba siempre la percha i.v. antes de fijar la bandeja para desfibrilador/extensión para los pies al producto. Si no sube la percha i.v., la extensión para los pies no funcionará.

Para convertir la bandeja para desfibrilador/extensión para los pies en una extensión para los pies (Figura 19):

1. Tire hacia fuera del mando superior (A).
2. Gire la bandeja para desfibrilador (B) hasta que se bloquee contra la extensión para los pies.
3. Tire hacia fuera del mando inferior (D) mientras sujeta el conjunto de bandeja para desfibrilador/extensión para los pies.
4. Baje la extensión para los pies (C) hasta que quede plana.
5. Suelte el mando de botón (D). Empuje sobre la extensión para los pies para asegurarse de que esté bloqueada en posición.

Nota

- No utilice la bandeja para desfibrilador/extensión para los pies como dispositivo de empuje o tracción. Podría ocasionar daños en el producto.
- No fije elementos a la extensión para los pies.

Fijación del pie de cama/soporte de historias

ADVERTENCIA - Tenga siempre precaución si la bandeja para desfibrilador/extensión para los pies, el pie de cama/soporte de historias o el soporte vertical para la botella de oxígeno están acoplados, para evitar pillarse los dedos al colocar la opción de los mangos de empuje del extremo de los pies.

Para fijar el pie de cama/soporte de historias, inserte las clavijas del pie de cama/soporte de historias en los orificios situados en el extremo de los pies del producto.

Nota - No utilice el pie de cama/soporte de historias como dispositivo de empuje o tracción. Podría ocasionar daños en el producto.

Fijación del carrito para percha i.v.

ADVERTENCIA

- Asegure siempre la percha i.v. al carrito para percha i.v. cuando transporte el producto.
 - Guarde siempre el carrito para percha i.v. cuando no esté en uso para evitar daños en el producto.
-

Para fijar el carrito para percha i.v. (Figura 20):

1. Saque el carrito para percha i.v. de la bandeja o sujeción de almacenamiento.
2. Gire el carrito para percha i.v. a la posición deseada.
3. Gire el mando (A) en sentido antihorario para aflojar la pinza de la percha (C).
4. Gire el mando (A) para alejarlo de la unidad de conexión del brazo (B).
5. Abra la pinza (C).
6. Coloque la percha i.v. en la pinza (C).
7. Cierre la pinza (C) en torno a la percha i.v. y gire el mando (A) a su sitio.
8. Gire el mando (A) en sentido horario para apretarlo.
9. Invierta los pasos para desconectar el carrito para percha i.v. del producto.

Para guardar el carrito para percha i.v., colóquelo en la bandeja de almacenamiento o asegúrelo en la sujeción de almacenamiento.

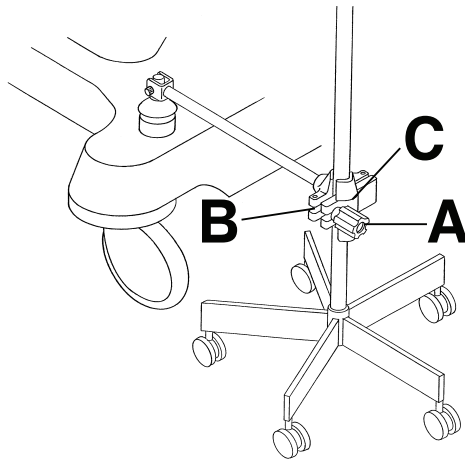


Figura 20 – Carrito para percha i.v.

Colocación o almacenamiento de los soportes de los pies - solo Prime

ADVERTENCIA

- No se sienta en los soportes de los pies. Esto podría hacer que el producto vuelque.
- Asegúrese siempre de mantener los dedos alejados de los mecanismos cuando accione los soportes de los pies.
- Guarde siempre los soportes de los pies cuando transporte a un paciente con el producto.
- Apriete siempre los soportes de los pies antes de utilizarlos.
- No utilice el sistema de báscula con los soportes de los pies. Podrían obtenerse lecturas inexactas.
- No utilice la opción **Chaperone** con los soportes de los pies. Podrían obtenerse lecturas inexactas.

Para colocar en posición o guardar los soportes de los pies:

1. Afloje el mando de la rodilla (A) situado en la parte de arriba de los soportes de los pies para ajustar el ángulo de lado a lado de los soportes de los pies (Figura 21).
2. Apriete el mando de la rodilla (A) para bloquear los soportes de los pies en la posición deseada.

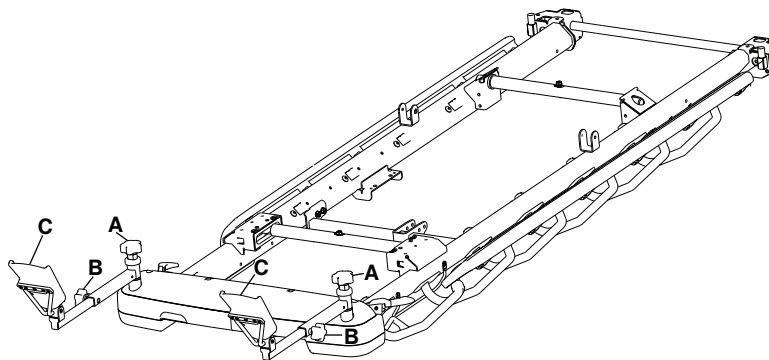


Figura 21 – Colocación de los soportes de los pies

3. Afloje el mando de la pierna (B) situado en el lateral de los soportes de los pies para ajustar la longitud.
4. Apriete el mando de la pierna (B) para bloquear los soportes de los pies en la posición deseada.
5. Levante los soportes de los pies (C) antes de colocar al paciente.
6. Invierta los pasos para almacenar los soportes de los pies (Figura 22).

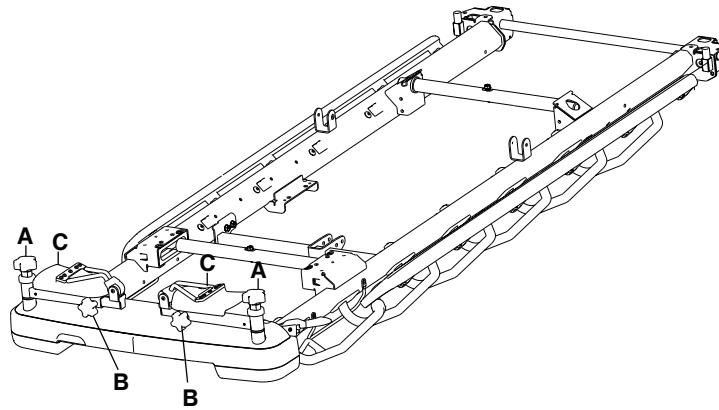


Figura 22 – Almacenamiento de los soportes de los pies

No puede adquirir las siguientes opciones y accesorios si selecciona el soporte de los pies:

- Mangos de empuje del extremo de los pies
- Bandeja para desfibrilador
- Bandeja para desfibrilador/extensión para los pies
- Soporte de la bandeja de servir/pie de cama
- Pie de cama/soporte de historias
- Perchas i.v. en el extremo de los pies

Nota

- No utilice los soportes de los pies para almacenar las pertenencias de los pacientes.
- No utilice los soportes de los pies como dispositivo de empuje o tracción. Podría ocasionar daños en el producto.
- Aplique siempre los frenos cuando utilice los soportes de los pies para evitar la inestabilidad.
- No use el respaldo ni la elevación de las rodillas con los soportes de los pies.

Colocación de la percha i.v. de dos fases de fijación permanente

ADVERTENCIA - No utilice la percha i.v. como dispositivo de empuje o tracción. Podría ocasionar daños en el producto.

Puede adquirir el producto con la opción de percha i.v. de dos fases fijada de forma permanente en el extremo de la cabeza, en el extremo de los pies o en ambos extremos del producto. La percha i.v. está equipada con una barra telescópica que se extiende para ofrecer una segunda posición de altura. Puede plegar y almacenar la percha i.v. cuando no esté en uso.

Para colocar la percha i.v. de dos fases (Figura 23):

1. Levante y gire la percha desde la posición de almacenamiento.
2. Empuje la percha i.v. hacia abajo hasta que se bloquee en su sitio.
3. Para desplegar la percha i.v. en toda su altura, tire hacia arriba de la parte telescópica (A) hasta que la barra se bloquee en la posición totalmente desplegada.
4. Gire los colgadores i.v. (B) hasta la posición deseada y cuelgue las bolsas i.v.
5. Para bajar la percha i.v., sujete la parte telescópica de la percha i.v., gire el cierre (C) y baje la parte telescópica.

Nota

- No cuelgue bolsas i.v. de más de 40 lb (18 kg) en la percha i.v.
- Asegúrese siempre de que la percha i.v. esté a una altura baja para pasar de manera segura por las puertas cuando transporte a un paciente.

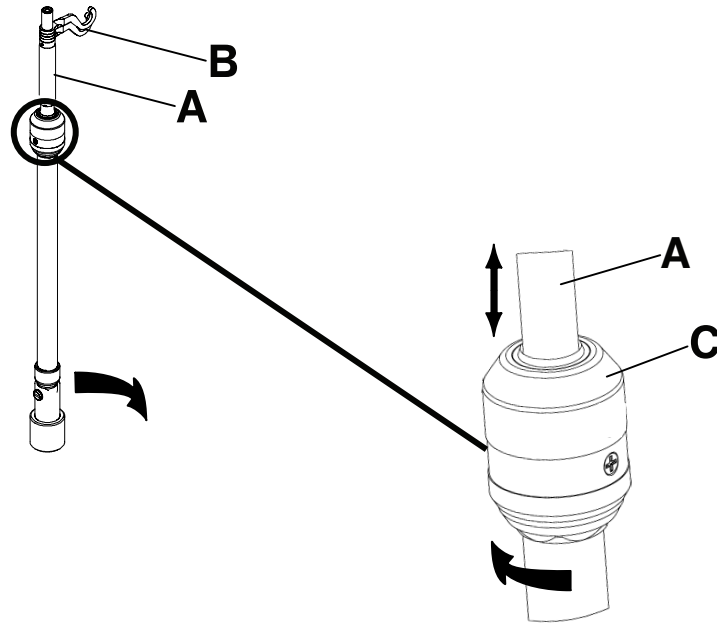


Figura 23 – Colocación de la percha i.v. de dos fases de fijación permanente

Colocación de la percha i.v. de tres fases de fijación permanente

ADVERTENCIA - No utilice la percha i.v. como dispositivo de empuje o tracción. Podría ocasionar daños en el producto.

Puede adquirir el producto con la opción de percha i.v. de tres fases fijada de forma permanente en el extremo de la cabeza, en el extremo de los pies o en ambos extremos del producto. La percha i.v. está equipada con una barra telescópica que se extiende para ofrecer una segunda y una tercera posición de altura. También puede plegar y almacenar la percha i.v. cuando no esté en uso.

Para colocar la percha i.v. de tres fases (Figura 24):

1. Levante y gire la percha desde la posición de almacenamiento.
2. Empuje la percha i.v. hacia abajo hasta que se bloquee en su sitio.
3. Para aumentar la altura de la percha i.v., tire hacia arriba de la parte telescópica (A) hasta que la barra se bloquee en la posición totalmente desplegada.
4. Para una percha i.v. más alta, tire hacia arriba de la sección (B). Suelte la sección (B) a la altura que desee para bloquear la barra en el sitio.
5. Gire los colgadores i.v. (C) hasta la posición deseada y cuelgue las bolsas i.v.
6. Para bajar la percha i.v., empuje hacia arriba en la parte amarilla del agarre (D) mientras sujeta la sección (B) hasta que la barra descienda.
7. Gire el cierre (E) y baje la parte telescópica de la percha i.v.

Nota

- No cuelgue bolsas i.v. de más de 12 lb (5 kg) en total en la percha i.v.
- No cuelgue bolsas i.v. que superen los 9,3 lb (4,2 kg) en un solo colgador i.v.
- Asegúrese siempre de que la percha i.v. esté a una altura baja para que la percha pueda pasar con seguridad por las puertas cuando transporte a un paciente.

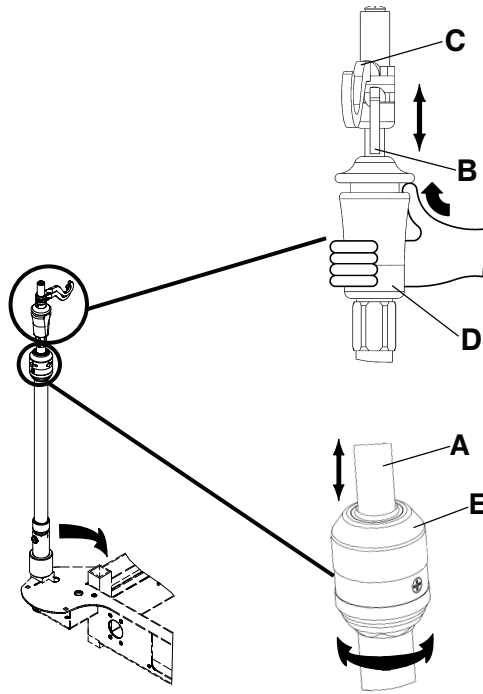


Figura 24 – Colocación de la percha i.v. de tres fases de fijación permanente

Fijación y colocación de la percha i.v. desmontable

PRECAUCIÓN

- No utilice la percha i.v. como dispositivo de empuje o tracción. Podría ocasionar daños en el producto.
- No cuelgue bolsas i.v. de más de 40 libras (18 kg) en la percha i.v.
- Asegúrese siempre de que la percha i.v. esté a una altura baja para pasar por las puertas cuando transporte a un paciente.

Para fijar y colocar la percha i.v. desmontable (Figura 25):

1. Inserte la percha i.v. en un orificio del extremo de la cabeza o del extremo de los pies del producto.
2. Gire el mando (A) en sentido antihorario y tire hacia arriba de la parte telescópica (B) hasta que alcance la altura deseada.
3. Gire el mando (A) en sentido horario para bloquear la parte telescópica en su sitio.

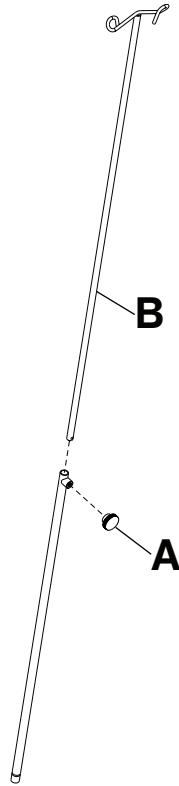


Figura 25 – Percha i.v. desmontable

Fijación del soporte vertical para la botella de oxígeno

ADVERTENCIA

- No coloque objetos que superen las 40 lb (18 kg) en el soporte vertical para la botella de oxígeno.
- Tenga siempre precaución si la bandeja para desfibrilador/extensión para los pies, el pie de cama/soporte de historias o el soporte vertical para la botella de oxígeno están acoplados, para evitar pillarse los dedos al colocar la opción de los mangos de empuje del extremo de los pies.

El soporte vertical para la botella de oxígeno admite una botella de oxígeno en posición vertical.

Para fijar el soporte vertical para la botella de oxígeno:

1. Inserte la barra de soporte en cualquiera de los orificios i.v.
2. Inserte el pasador de retención a través del orificio en la barra de soporte para fijar el soporte de la botella al producto.

Nota - No utilice el soporte vertical para la botella de oxígeno como dispositivo de empuje o tracción. Podría ocasionar daños en el producto.

Extensión o almacenamiento del soporte de la bandeja de servir/pie de cama

ADVERTENCIA - No coloque objetos que superen las 30 lb (14 kg) en la bandeja de servir.

Para ajustar la bandeja de servir en la barra lateral, tire hacia fuera de ambos lados de la bandeja de servir y colóquela sobre las barras laterales.

Para guardar la bandeja de servir:

1. Retire la bandeja de servir de las barras laterales.
2. Empuje hacia dentro en los laterales de la bandeja de servir.

3. Guarde la bandeja de servir en el pie de cama.

Nota - No utilice la bandeja de servir/pie de cama como dispositivo de empuje o tracción. Podría ocasionar daños en el producto.

Fijación de las almohadillas de las barras laterales

Para fijar las almohadillas de las barras laterales:

1. Coloque las almohadillas de las barras laterales entre el colchón y la barra lateral.
2. Ajuste las tiras de **Velcro®** en torno a la parte de arriba de las barras laterales para sujetar las almohadillas.

Localización de los puntos de amarre de las correas de sujeción del paciente

ADVERTENCIA

- Actúe siempre con precaución al fijar las correas de sujeción. El paciente o el operador podrían sufrir lesiones. Las sujeciones físicas, incluso correctamente aseguradas, pueden ocasionar lesiones graves en pacientes y operadores, como enredos, pinzamientos, lesiones físicas o la muerte.
- Fije siempre las correas o los dispositivos de sujeción únicamente en los puntos de fijación identificados como tales en el producto. De no hacerlo así, el paciente o el operador podrían sufrir lesiones. No fije las correas de sujeción a la barra lateral.
- Consulte siempre las restricciones y normativas regionales y nacionales, y los protocolos adecuados del centro antes de utilizar una correa o dispositivo de sujeción.

Hay ocho ubicaciones de amarre de correas de sujeción para pacientes en la estructura de la mesa (Figura 26 o Figura 27).

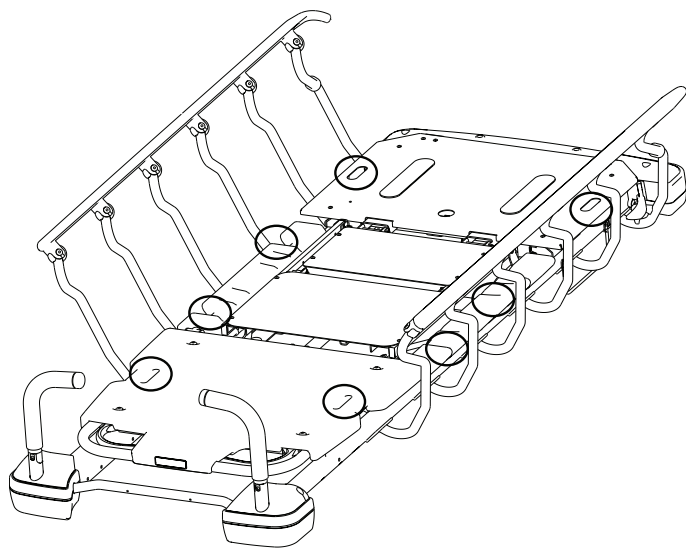


Figura 26 – Ubicación de las correas de sujeción en Prime

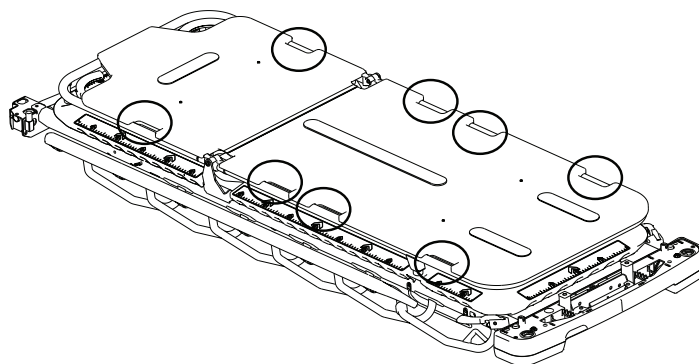


Figura 27 – Ubicación de las correas de sujeción en opción Prime X

Nota - Las correas de sujeción son piezas aplicadas de tipo B.

Colocación del soporte vertical del chasis radiográfico - opción Prime X

ADVERTENCIA

- Tome siempre medidas de protección cuando utilice los soportes vertical o lateral del chasis radiográfico. El soporte del chasis radiográfico no protege de la radiación.

- Consulte siempre las directrices de seguridad locales, regionales y nacionales, además de los protocolos del centro, antes de utilizar la opción **Prime X** con dispositivos que generen radiación. Los dispositivos que generan radiación pueden producir radiación residual, parásita o dispersa.
- Tenga siempre un cuidado especial cuando utilice un colchón de más de 2,5 in (6,35 cm) de grosor o un protector de colchón con la opción **Prime X**.
- Siga siempre las instrucciones del apartado *Colocación del soporte vertical del chasis radiográfico - opción Prime X* para insertar el chasis radiográfico.

El soporte del chasis radiográfico se fija a la barra soldada del respaldo Fowler para soportar los chasis radiográficos. Puede obtener radiografías mientras un paciente está en el producto. También puede ajustar la posición del chasis antes de obtener una radiografía.

Para colocar el soporte del chasis radiográfico:

1. Aplique los frenos. Empuje el producto para asegurarse de que los frenos funcionan.
2. Suba la sección del respaldo Fowler hasta la altura máxima.
3. Inserte las guías de retención inferiores (A) bajo la barra soldada del respaldo Fowler (Figura 28).
4. Suba el soporte del chasis hasta que las guías de retención se fijen a la barra soldada del respaldo Fowler. Asegúrese de que el soporte del chasis esté seguro.

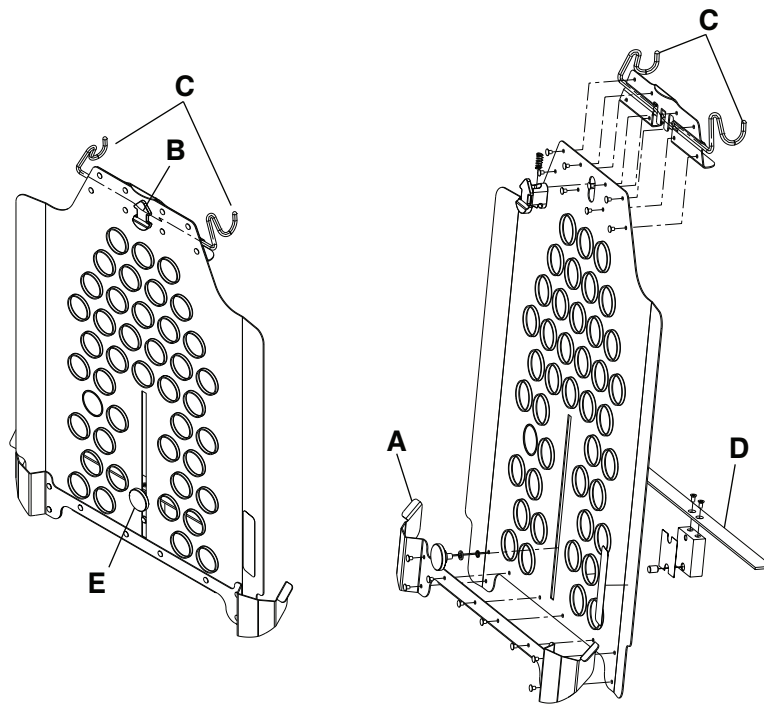


Figura 28 – Soporte del chasis radiográfico

5. Inserte un chasis radiográfico desde cualquier lado del soporte del chasis o tire de la flecha de liberación del deslizador (B) para liberar el soporte del chasis del respaldo Fowler, colocar el chasis y asegurar el soporte del chasis en la barra soldada del respaldo Fowler.
6. Para ajustar la altura del chasis, afloje el mando (E) y mueva el raíl de soporte del chasis (D) arriba o abajo hasta que alcance la altura deseada.
7. Apriete el mando (E) para fijar el raíl de soporte del chasis en su sitio.
8. Cuando haya finalizado el proceso radiográfico, tire hacia arriba de la flecha de liberación del deslizador (B) para liberar el soporte del chasis de la barra soldada del respaldo Fowler.
9. Retire el chasis radiográfico del soporte del chasis.
10. Cierre y guarde el soporte del chasis.

Colocación del soporte lateral del chasis radiográfico - opción Prime X

ADVERTENCIA

- Tome siempre medidas de protección cuando utilice los soportes vertical o lateral del chasis radiográfico. El soporte del chasis radiográfico no protege de la radiación.
- Consulte siempre las directrices de seguridad locales, regionales y nacionales, además de los protocolos del centro, antes de utilizar la opción **Prime X** con dispositivos que generen radiación. Los dispositivos que generan radiación pueden producir radiación residual, parásita o dispersa.
- Actúe siempre con precaución cuando realice una radiografía con el respaldo Fowler en posición vertical o cuando utilice un chasis lateral.
- Tenga siempre un cuidado especial cuando utilice un colchón de más de 2,5 in (6,35 cm) de grosor o un protector de colchón con la opción **Prime X**.
- Siga siempre las instrucciones del apartado *Colocación del soporte lateral del chasis radiográfico - opción Prime X* para insertar el chasis radiográfico.

Para colocar el soporte lateral del chasis radiográfico:

1. Aplique los frenos. Empuje el producto para asegurarse de que los frenos funcionan.

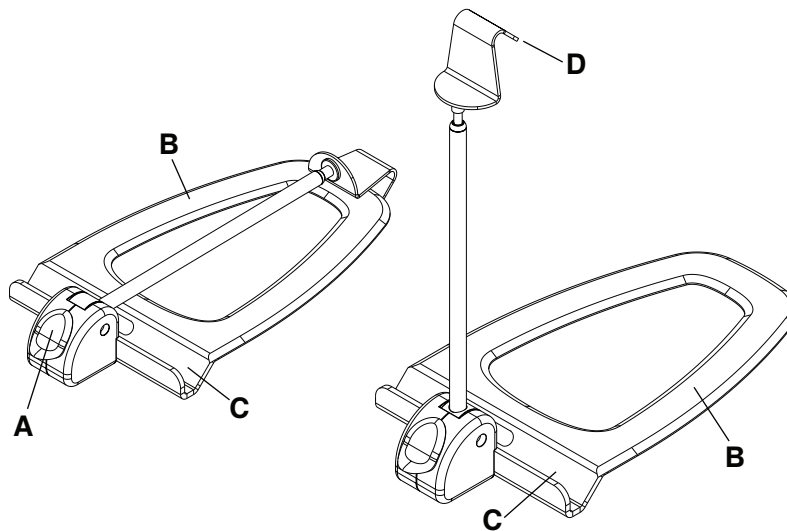


Figura 29 – Soporte lateral del chasis radiográfico

2. Pulse el botón de liberación amarillo (A) para abrir el soporte lateral del chasis (Figura 29).
3. Deslice la base plana (B) entre el colchón y la plataforma del paciente.
4. Coloque el soporte lateral del chasis en la ubicación deseada.
5. Coloque el chasis radiográfico en el canal para el chasis (C).
6. Tire hacia arriba del gancho del chasis (D) para ajustar la altura del brazo de modo que quede sobre el chasis radiográfico para sujetarlo en su sitio.
7. Invierta los pasos para retirar el chasis y guardar el soporte lateral del chasis.

Inserción o retirada de chasis radiográficos - opción Prime X

ADVERTENCIA

- Consulte siempre las directrices de seguridad locales, regionales y nacionales, además de los protocolos del centro, antes de utilizar la opción **Prime X** con dispositivos que generen radiación. Los dispositivos que generan radiación pueden producir radiación residual, parásita o dispersa.

- Actúe siempre con precaución cuando realice una radiografía con el respaldo Fowler en posición vertical o cuando utilice un chasis lateral.

La opción **Prime X** proporciona tanto una superficie de soporte radiográfica articulada como una plataforma bajo la superficie de soporte del paciente para la colocación de chasis radiográficos. Al trabajar con sistemas radiográficos médicos, la superficie de soporte radiográfica permite obtener radiografías clínicas (cuerpo entero AP, cuerpo entero lateral opcional y tórax erguido opcional) mientras el paciente está en el producto. Puede insertar chasis desde el extremo de la cabeza, el extremo de los pies y ambos lados del producto.

Para insertar un chasis radiográfico:

1. Centre al paciente en el producto utilizando las etiquetas indicadoras de posición situadas en todos los laterales del producto (Figura 30).
2. Inserte un chasis radiográfico bajo la superficie del paciente. Utilice las guías de chasis como ayuda para colocar el chasis radiográfico.

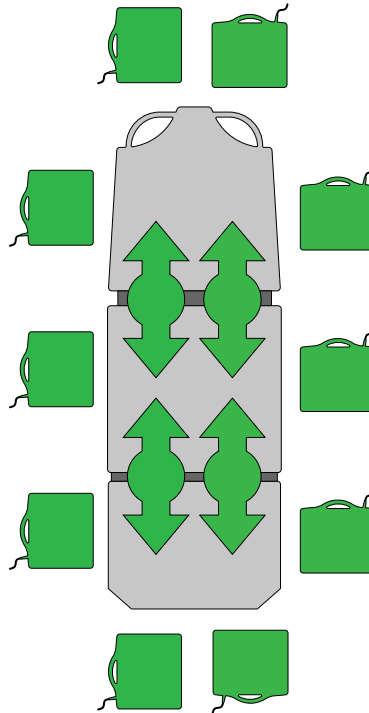


Figura 30 – Inserción o retirada de chasis radiográficos en la opción Prime X

Nota

- No utilice colchones de más de 4 in (10 cm) de grosor con la opción **Prime X**.
- No utilice arcos de radioscopia con la opción **Prime X**. La opción **Prime X** no es compatible con arcos de radioscopia.

Limpieza

Limpieza del producto

PRECAUCIÓN - No utilice limpiadores abrasivos para limpiar la carcasa de la pantalla para la opción del sistema de báscula. No deje que se acumule solución de limpieza ni otros líquidos sobre la unidad de visualización. Seque todas las superficies después de la limpieza o de un derrame.

Estas instrucciones proporcionan los métodos de limpieza recomendados para la camilla **Prime Series**.

Este producto se puede lavar a presión. El producto puede mostrar indicios de oxidación o decoloración debidos al lavado continuo. No obstante, siempre que se sigan los procedimientos adecuados, el lavado a presión no producirá ninguna degradación de las características de rendimiento o del funcionamiento del producto.

Método de limpieza recomendado:

1. Si el producto está equipado con la opción de mesa eléctrica o de elevador eléctrico, desenchufe el cable de alimentación de la toma de pared antes de transportar o limpiar el producto.
2. Retire el colchón del producto.
3. Siga las recomendaciones de dilución del fabricante de la solución de limpieza.
4. Stryker recomienda utilizar el lavador de carros estándar del hospital para el lavado a presión.
5. Seque el producto. No coloque el colchón en el producto hasta que este esté seco.
6. Compruebe las funciones antes de volver a poner el producto en servicio.
 - Suba y baje el producto
 - Bloquee y desbloquee el pedal de freno/dirección en ambas posiciones
 - Bloquee y desbloquee las barras laterales
 - Suba y baje el respaldo Fowler
 - Suba y baje la elevación de las rodillas
 - Asegúrese de que todos los componentes estén lubricados adecuadamente
 - Asegúrese de que todas las etiquetas estén intactas

Nota

- El contacto directo de la piel con material permeable y visiblemente sucio puede aumentar el riesgo de infección.
- No limpie el producto con vapor.
- Limpie la zona de almacenamiento en la cubierta de protección de la base.
- Limpie la parte inferior de las almohadillas de los frenos para evitar la acumulación de cera o de restos del suelo.
- Algunos productos de limpieza son corrosivos por naturaleza y pueden provocar daños al producto si los utiliza de forma incorrecta. Si no enjuaga y seca bien el producto, puede quedar un residuo corrosivo en su superficie que podría provocar la corrosión prematura de componentes esenciales. Si no se siguen estas instrucciones de limpieza, se podría anular la garantía del producto.

Limpieza del producto con un lavador de carros

Stryker recomienda utilizar un lavador de carros quirúrgicos hospitalario estándar para lavar la camilla como máximo una vez al año durante la vida útil del producto.

Para limpiar el producto con un lavador de carros:

1. Si el producto está equipado con la opción de mesa eléctrica o de elevador eléctrico, desenchufe el cable de alimentación de la toma de pared antes de transportar o limpiar el producto.
2. Retire el colchón antes de lavar el producto. No lave el colchón con el producto.
3. Coloque el respaldo Fowler a 45°.

4. Coloque el producto en la posición de Trendelenburg invertida (extremo de los pies abajo).
5. Suba las barras laterales.
6. Coloque las perchas i.v. y los mangos de empuje en la posición subida.
7. Limpie el producto con agua a una temperatura máxima de 82 °C (180 °F) y una presión máxima de 103,5 bar/1500 psi.
8. Seque el producto con aire a una temperatura máxima de 93 °C (200 °F) durante ocho minutos.
9. Seque el producto. No coloque el colchón en el producto hasta que este esté seco.
10. Compruebe las funciones antes de volver a poner el producto en servicio.
 - Suba y baje el producto
 - Bloquee y desbloquee el pedal de freno/dirección en ambas posiciones
 - Bloquee y desbloquee las barras laterales
 - Suba y baje el respaldo Fowler
 - Asegúrese de que todos los componentes estén lubricados adecuadamente
 - Asegúrese de que todas las etiquetas estén intactas y puedan leerse

Nota

- No limpie el producto con vapor.
- Algunos productos de limpieza son corrosivos por naturaleza y pueden provocar daños al producto si los utiliza de forma incorrecta. Si no enjuaga y seca bien el producto, puede quedar un residuo corrosivo en su superficie que podría provocar la corrosión prematura de componentes esenciales. Si no se siguen estas instrucciones de limpieza, se podría anular la garantía del producto.

Limpieza del colchón

ADVERTENCIA

- No limpie el producto, no lo repare ni le realice el mantenimiento mientras se esté utilizando.
 - No sumerja el colchón en soluciones de limpieza o desinfectantes. Un exceso de humedad podría provocar un funcionamiento deficiente del producto que causara daños al producto o lesiones al paciente.
 - No deje que se acumule líquido sobre el colchón. Los líquidos pueden provocar la corrosión de los componentes, y alterar la estabilidad del funcionamiento y la seguridad de este producto.
 - Siempre que limpie las fundas del colchón, inspecciónelas para detectar desgarros, perforaciones, desgaste excesivo y cremalleras mal alineadas. Si el colchón está dañado, retírelo y sustitúyalo para evitar la contaminación cruzada.
 - No limpie los colchones con vapor, a presión, con manguera ni con ultrasonidos. Estos métodos de limpieza podrían anular la garantía del producto.
-

La vida útil del colchón puede verse afectada por un aumento de la frecuencia de uso, lo que puede incluir una mayor frecuencia de limpiezas y desinfecciones.

Método de limpieza recomendado:

1. Use un paño suave y limpio para limpiar todo el colchón con una solución de agua y un jabón suave, y retirar los materiales extraños.
2. Pase un paño limpio y seco sobre el colchón para eliminar cualquier exceso de líquido o productos de limpieza.
3. Enjuague y seque las fundas tras la limpieza.
4. Desinfecte según sea necesario con un desinfectante de tipo hospitalario después de haber terminado la limpieza (consulte *Desinfección del colchón*).

Nota

- No planche, limpie en seco ni seque en secadora el colchón, ya que esto ocasionaría un mal funcionamiento y dañaría el producto.
- La funda del colchón debe estar completamente seca antes de guardarla, de añadir ropa de cama o de colocar a un paciente sobre el colchón, para evitar un funcionamiento deficiente del producto.

- Evite la sobreexposición al alcohol o al agua oxigenada. El material de la funda se hinchará.
- No permita que se filtre líquido por la zona de la cremallera ni por la barrera de la funda que protege a la cremallera de la entrada de líquidos. Los líquidos que entren en contacto con la cremallera podrían pasar al colchón, lo que podría afectar al funcionamiento del producto.
- Algunos productos de limpieza son corrosivos por naturaleza y pueden provocar daños al producto si los utiliza de forma incorrecta. Si no enjuaga y seca bien el producto, puede quedar un residuo corrosivo en su superficie que podría provocar la corrosión prematura de componentes esenciales. Si no se siguen estas instrucciones de limpieza, se podría anular la garantía del producto.

Eliminación del yodo

1. Prepare una solución con 1 a 2 cucharadas soperas de tiosulfato de sodio en medio litro de agua templada. Utilice la solución para limpiar la zona manchada.
2. Limpie la mancha lo antes posible tras haberse producido.
3. Si las manchas no se eliminan inmediatamente, deje que la solución empape el colchón o permanezca sobre él antes de limpiarlo.
4. Antes de poner de nuevo en servicio los colchones, enjuague con agua limpia aquellos que hayan sido expuestos a la solución.

Nota - La garantía de este producto puede quedar anulada si no se siguen estas instrucciones al utilizar estos tipos de productos de limpieza.

Instrucciones especiales

Velcro®	Satúrelo con desinfectante, enjuáguelo con agua y deje que la solución se evapore.
Sólidos o manchas	Utilice jabón neutro y agua templada. No utilice limpiadores fuertes, disolventes ni limpiadores abrasivos.
Puntos de difícil limpieza	Utilice limpiadores domésticos convencionales o limpiadores de vinilo, y un cepillo de cerdas suaves en puntos o manchas difíciles. Remoje previamente la suciedad reseca.
Lavado y planchado	No se recomienda lavar ni planchar. Lavar y planchar puede reducir significativamente la vida útil del colchón.

Desinfección

Desinfección del producto

ADVERTENCIA

- No limpie el producto, no lo repare ni le realice el mantenimiento mientras se esté utilizando.
 - No limpie el producto con vapor, con manguera ni con ultrasonidos. El uso de estos métodos de limpieza no se recomienda y podría anular la garantía del producto.
-

Desinfectantes recomendados:

- Compuestos cuaternarios (principio activo: cloruro de amonio) que contengan menos de un 3 % de éter de glicol
- Desinfectante fenólico (ingrediente activo: o-fenilfenol)
- Solución de lejía clorada (1 parte de solución de lejía [hipoclorito de sodio al 5,25 %] por 100 partes de agua, lo que equivale a 520 ppm de cloro disponible [40 ml de una solución de lejía al 5,25 % por 4000 ml de agua])
- Alcohol isopropílico al 70 %

Método de desinfección recomendado:

1. Siga las recomendaciones de dilución del fabricante de la solución desinfectante.
2. Limpie a mano todas las superficies del producto con una solución desinfectante.
3. Evite la sobresaturación y asegúrese de que el producto no permanezca mojado durante más tiempo del indicado en las directrices del fabricante del producto químico para una desinfección adecuada.
4. Seque el producto. No coloque el colchón en el producto hasta que este esté seco.
5. Desinfecte el **Velcro®** después de cada uso. Sature el **Velcro®** con desinfectante, enjuague con agua y deje que el desinfectante se evapore (el desinfectante adecuado lo determina el centro).
6. Compruebe las funciones antes de volver a poner el producto en servicio.
 - Suba y baje el producto
 - Bloquee y desbloquee el pedal de freno/dirección en ambas posiciones
 - Bloquee y desbloquee las barras laterales
 - Suba y baje el respaldo Fowler
 - Suba y baje la elevación de las rodillas
 - Asegúrese de que todos los componentes estén lubricados adecuadamente
 - Asegúrese de que todas las etiquetas estén intactas

Nota

- El contacto directo de la piel con material permeable y visiblemente sucio puede aumentar el riesgo de infección.
- Algunos productos de limpieza son corrosivos por naturaleza y pueden provocar daños al producto si los utiliza de forma incorrecta. Si no enjuaga y seca bien el producto, puede quedar un residuo corrosivo en su superficie que podría provocar la corrosión prematura de componentes esenciales. Si no se siguen estas instrucciones de limpieza, se podría anular la garantía del producto.

Desinfección del colchón

ADVERTENCIA - Desinfecte siempre el colchón entre un paciente y otro. No hacerlo así podría dar lugar a contaminación cruzada e infección.

Desinfectantes recomendados:

- Compuestos cuaternarios (principio activo: cloruro de amonio) que contengan menos de un 3 % de éter de glicol

- Desinfectante fenólico (ingrediente activo: o-fenilfenol)
- Solución de lejía clorada (1 parte de solución de lejía [hipoclorito de sodio al 5,25 %] por 100 partes de agua, lo que equivale a 520 ppm de cloro disponible [40 mL de una solución de lejía al 5,25 % por 4000 mL de agua])
- Alcohol isopropílico al 70 %

Método de desinfección recomendado:

1. Asegúrese de que el colchón esté limpio y seco antes de aplicar desinfectantes.
2. Pase un paño limpio y seco sobre el colchón para eliminar cualquier exceso de líquido o de desinfectante.
3. Enjuague y seque las fundas después de la desinfección.

Nota

- La funda del colchón debe estar seca antes de guardarla o de añadir ropa de cama. Si no se elimina el exceso de desinfectante, el material de la funda podría degradarse.
- Algunos productos de limpieza son corrosivos por naturaleza y pueden provocar daños al producto si los utiliza de forma incorrecta. Si no enjuaga y seca bien el producto, puede quedar un residuo corrosivo en su superficie que podría provocar la corrosión prematura de componentes esenciales. Si no se siguen estas instrucciones de limpieza, se podría anular la garantía del producto.
- La exposición frecuente o prolongada a soluciones desinfectantes a mayores concentraciones puede envejecer prematuramente el tejido de la funda.
- El uso de peróxidos de hidrógeno acelerados o de compuestos cuaternarios que contengan éteres de glicol puede dañar la funda.

Mantenimiento preventivo

Retire el producto del servicio antes de realizar la inspección de mantenimiento preventivo. Revise todos los componentes incluidos en la lista durante el mantenimiento preventivo anual de todos los productos de Stryker Medical. Es posible que deba realizar revisiones de mantenimiento preventivo con más frecuencia en función de su nivel de uso del producto. Las reparaciones solo puede realizarlas personal cualificado.

Nota - Si es necesario, limpie y desinfecte el exterior del colchón antes de la inspección.

Revise lo siguiente:

- _____ Todas las sujeciones son seguras
- _____ Movimiento y fijación de las barras laterales
- _____ Bloqueo de las ruedas giratorias al utilizar el pedal de freno
- _____ Las ruedas giratorias están seguras y giran
- _____ Ruedas giratorias sin cera ni residuos
- _____ El mecanismo de freno funciona
- _____ El mecanismo de dirección funciona
- _____ Ausencia de grietas en las cubiertas
- _____ Elevación, descenso y fijación segura del respaldo Fowler
- _____ Elevación, descenso y fijación en su sitio de la elevación de las rodillas (opción)
- _____ Funcionamiento correcto de las funciones de posición Trendelenburg y Trendelenburg invertida desde todas las ubicaciones
- _____ La cadena de puesta a tierra está intacta
- _____ Las conexiones hidráulicas no presentan fugas
- _____ Los gatos hidráulicos se mantienen
- _____ Las sujeciones para el cuerpo pueden fijarse y quedan firmes (opción)
- _____ La percha i.v. está intacta, y se ajusta y se fija en todas las posiciones (opción)
- _____ El soporte para la botella de oxígeno está intacto, y puede abrirse y cerrarse (opción)
- _____ La funda del colchón no presenta desgarros ni grietas
- _____ Los accesorios y el material de montaje están en buenas condiciones
- _____ Funcionalidad de la alimentación con baterías (opción)
- _____ Los cables no están desgastados ni pinzados (opción)
- _____ Ausencia de daños en el cable de alimentación y la clavija (opción)
- _____ Todas las conexiones eléctricas están apretadas (opción)
- _____ Todas las conexiones de puesta a tierra están fijadas al bastidor (opción)
- _____ Impedancia de la puesta a tierra no superior a 200 mΩ (miliohmios) (opción)
- _____ Corriente de fuga no superior a 300 μA (microamperios) (según UL 60606-1-1) (opción)
- _____ Baterías cargadas (opción de sistema de báscula)
- _____ Carcasa de la pantalla intacta y sin daños (opción de sistema de báscula)
- _____ Celdas de carga intactas y sin daños (opción de sistema de báscula)
- _____ Funcionamiento del mecanismo del mando de la rodilla del soporte del pie y fijación correcta en su sitio (opción)
- _____ Funcionamiento del mecanismo del mando de la pierna del soporte del pie y fijación correcta en su sitio (opción)
- _____ Extensión completa del soporte del pie, con tope en la posición correcta (opción)
- _____ Tornillos autorroscantes (6) del soporte del pie bien fijos, con la rosca en buen estado (opción)

- _____ Báscula calibrada. Calibrar de nuevo en caso necesario (opción de sistema de báscula)
- _____ Soporte vertical para chasis radiográfico en buenas condiciones de uso y se ajusta para aceptar todos los chasis radiográficos (opción **Prime X**)
- _____ Ausencia de daños en la funda del respaldo Fowler y en la funda de los pies (opción **Prime X**)
- _____ Ausencia de daños en las bandejas de cabeza y pies (opción **Prime X**)
- _____ Fijación correcta del perno y la tuerca en cada punto de giro del respaldo Fowler (opción **Prime X**)

Número de serie del producto:
Cumplimentado por:
Fecha:

Información de compatibilidad electromagnética

PRECAUCIÓN

- El uso de accesorios, transductores y cables distintos de los especificados o facilitados por el fabricante puede producir un incremento de las emisiones electromagnéticas, o reducir la inmunidad electromagnética y provocar un funcionamiento inadecuado.
- Las características de emisión de este equipo lo hacen adecuado para utilizarse en zonas industriales y hospitales (CISPR 11 clase A). Si se utiliza en entornos residenciales, para los que normalmente se requiere CISPR 11 clase B, este equipo podría no ofrecer una protección adecuada frente a los servicios de comunicaciones por radiofrecuencia. El usuario podría tener que adoptar medidas paliativas, como reubicar o reorientar el equipo.

Guía y declaración del fabricante sobre emisiones electromagnéticas

La opción de elevador eléctrico, la opción de mesa eléctrica y la opción de sistema de báscula están concebidas para utilizarse en el entorno electromagnético que se especifica a continuación. El operador de la opción de elevador eléctrico, la opción de mesa eléctrica o la opción de sistema de báscula, debe asegurarse de que se utilicen en dicho entorno.

Prueba de emisiones	Conformidad	Entorno electromagnético
Emisiones de RF CISPR 11	Grupo 1	La opción de elevador eléctrico, la opción de mesa eléctrica o la opción de sistema de báscula solo utilizan energía de radiofrecuencia para su funcionamiento interno. Por lo tanto, sus emisiones de RF son muy bajas y no es probable que produzcan interferencias en los equipos electrónicos cercanos.
Emisiones de RF CISPR 11	Clase A	La opción de elevador eléctrico, la opción de mesa eléctrica o la opción de sistema de báscula son adecuadas para su uso en todo tipo de establecimientos, salvo los domésticos y los conectados directamente a la red pública de suministro eléctrico de bajo voltaje que abastece a los edificios utilizados con fines domésticos.
Emisiones armónicas IEC 61000-3-2 *	Clase A	
Fluctuaciones de tensión y flicker IEC 61000-3-3 *	Cumple lo especificado	

* Solo se aplica a la opción de elevador eléctrico o la opción de mesa eléctrica.

PRECAUCIÓN

- Los equipos portátiles de comunicaciones por RF, incluidos los periféricos como los cables de antena y las antenas externas, no deben utilizarse a menos de 12 in (30 cm) de ninguna parte de la camilla **Prime**, incluidos los cables especificados por el fabricante.
- No apile ni coloque el equipo junto a otros equipos para evitar el funcionamiento incorrecto de los productos. Si es necesario utilizar los equipos dispuestos de este modo, observe detenidamente el equipo apilado o adyacente para asegurarse de que funciona correctamente.

Distancias de separación recomendadas entre los equipos portátiles y móviles de comunicación por radiofrecuencia, y la opción de elevador eléctrico, la opción de mesa eléctrica o la opción de sistema de báscula.

La opción de elevador eléctrico, la opción de mesa eléctrica o la opción de sistema de báscula han sido diseñadas para utilizarse en un entorno electromagnético en el que las perturbaciones por radiofrecuencia radiada estén controladas. El cliente o el usuario de la opción de elevador eléctrico, la opción de mesa eléctrica o la opción de sistema de báscula pueden ayudar a prevenir las interferencias electromagnéticas manteniendo una distancia mínima entre los equipos portátiles y móviles de comunicación por radiofrecuencia (transmisores) y la opción de elevador eléctrico, la opción de mesa eléctrica o la opción de sistema de báscula como se recomienda posteriormente, de acuerdo con la potencia de salida nominal máxima del equipo de comunicaciones.

Potencia nominal de salida máxima del transmisor W	Distancia de separación según la frecuencia del transmisor m		
	De 150 kHz a 80 MHz D = (1,2) (\sqrt{P})	De 80 MHz a 800 MHz D = (1,2) (\sqrt{P})	De 800 MHz a 2,7 GHz D=(2,3) (\sqrt{P})
0,01	0,12	0,12	0,23
0,1	0,38	0,38	0,73
1	1,2	1,2	2,3
10	3,8	3,8	7,3
100	12	12	23

Para transmisores con potencias de salida nominales máximas no incluidas en la lista anterior, la distancia de separación recomendada (D) en metros (m) puede calcularse utilizando la ecuación correspondiente a la frecuencia del transmisor, donde P es la potencia de salida nominal máxima del transmisor en vatios (W), según el fabricante del transmisor.

Nota 1: A 80 MHz y 800 MHz, se aplica la distancia de separación del intervalo de frecuencia más alto.

Nota 2: Estas normas no se aplican necesariamente en todas las situaciones. La propagación electromagnética se ve afectada por la absorción y la reflexión provenientes de estructuras, objetos y personas.

Guía y declaración del fabricante sobre inmunidad electromagnética

La opción de elevador eléctrico, la opción de mesa eléctrica y la opción de sistema de báscula están concebidas para utilizarse en el entorno electromagnético que se especifica a continuación. El cliente o el usuario de la opción de elevador eléctrico, la opción de mesa eléctrica o la opción de sistema de báscula deben asegurarse de que se utilicen en dicho entorno.

Prueba de inmunidad	Nivel de prueba IEC 60601	Nivel de conformidad	Guía de entorno electromagnético
Descarga electrostática (DES) IEC 61000-4-2	±8 kV contacto ±15 kV aire	±8 kV contacto ±15 kV aire	Los suelos deben ser de madera, cemento o baldosas de cerámica. Si los pisos están cubiertos con material sintético, la humedad relativa mínima debe ser del 30 %.
Transitorios electrostáticos rápidos/en ráfagas IEC 61000-4-4*	±2 kV para las líneas de alimentación eléctrica ±1 kV para las líneas de entrada/salida	±2 kV para las líneas de alimentación eléctrica ±1 kV para las líneas de entrada/salida	La calidad de la red eléctrica debe ser equivalente a la de un entorno comercial u hospitalario típico.
Sobretensión IEC 61000-4-5*	±1 kV de línea a línea ±2 kV de línea a tierra	±1 kV de línea a línea ±2 kV de línea a tierra	La calidad de la red eléctrica debe ser equivalente a la de un entorno comercial u hospitalario típico.


<p>Caídas de voltaje, variaciones de tensión e interrupciones breves en las líneas de entrada de suministro eléctrico IEC 61000-4-11*</p>	<p>0 % de U_T durante 0,5 ciclos a 0°, 45°, 90°, 135°, 180°, 225°, 270° y 315°</p> <p>0 % de U_T durante 1 ciclo</p> <p>70 % de U_T (bajada del 30 % en U_T) durante 25 ciclos</p> <p>0 % de U_T durante 250 ciclos</p>	<p>0 % de U_T durante 0,5 ciclos a 0°, 45°, 90°, 135°, 180°, 225°, 270° y 315°</p> <p>0 % de U_T durante 1 ciclo</p> <p>70 % de U_T (bajada del 30 % en U_T) durante 25 ciclos</p> <p>0 % de U_T durante 250 ciclos</p>	<p>La calidad de la red eléctrica debe ser equivalente a la de un entorno comercial u hospitalario típico. Si el usuario de la opción de elevador eléctrico o de la opción de mesa eléctrica necesita un funcionamiento continuo en caso de interrupción del suministro eléctrico, se recomienda alimentar el dispositivo desde un sistema de alimentación ininterrumpida o una batería.</p>
<p>Campo magnético de la frecuencia eléctrica (50/60 Hz) IEC 61000-4-8</p>	<p>30 A/m</p>	<p>30 A/m</p>	<p>Las intensidades de los campos magnéticos a frecuencia industrial deben ser las normales de un entorno comercial u hospitalario típico.</p>

Nota: U_t es el voltaje de la red eléctrica de corriente alterna antes de aplicar el nivel de prueba.

* Solo se aplica a la opción de elevador eléctrico y a la opción de mesa eléctrica.

Guía y declaración del fabricante sobre inmunidad electromagnética

La opción de elevador eléctrico, la opción de mesa eléctrica y la opción de sistema de báscula están concebidas para utilizarse en el entorno electromagnético que se especifica a continuación. El cliente o el usuario de la opción de elevador eléctrico, la opción de mesa eléctrica o la opción de sistema de báscula deben asegurarse de que se utilicen en dicho entorno.

Prueba de inmunidad	Nivel de prueba IEC 60601	Nivel de conformidad	Guía de entorno electromagnético
<p>RF conducida IEC 61000-4-6*</p> <p>RF radiada IEC 61000-4-3</p>	<p>3 Vrms</p> <p>6 Vrms en bandas ISM y de radioaficionados</p> <p>De 150 kHz a 80 MHz</p> <p>3 V/m</p> <p>De 80 MHz a 2,7 GHz</p>	<p>3 Vrms</p> <p>6 Vrms en bandas ISM y de radioaficionados</p> <p>3 V/m</p>	<p>La distancia de separación entre los equipos de comunicaciones por radiofrecuencia móviles o portátiles y cualquier componente de la opción de elevador eléctrico, la opción de mesa eléctrica o la opción de sistema de báscula, incluidos los cables, no debe ser menor que la distancia de separación recomendada, calculada mediante la ecuación correspondiente a la frecuencia del transmisor.</p> <p>Distancia de separación recomendada</p> $D = (1,2) (\sqrt{P})$ $D = (1,2) (\sqrt{P})$ <p>De 80 MHz a 800 MHz</p> $D=(2,3) (\sqrt{P})$ <p>De 800 MHz a 2,7 GHz</p> <p>donde P es la potencia de salida nominal máxima del transmisor en vatios (W) según el fabricante del transmisor y D es la distancia de separación recomendada en metros (m).</p> <p>Las intensidades de campo procedentes de transmisores de RF fijos, determinadas mediante un sondeo electromagnético del lugar,^a deben ser inferiores al nivel de conformidad en cada intervalo de frecuencias.^b</p> <p>Se pueden producir interferencias en las proximidades de los equipos marcados con el siguiente símbolo:</p> 

Nota 1: A 80 MHz y 800 MHz se aplica el intervalo de frecuencias más amplio.

Nota 2: Estas normas no se aplican necesariamente en todas las situaciones. La propagación electromagnética se ve afectada por la absorción y la reflexión provenientes de estructuras, objetos y personas.

Note 3: Las bandas ISM (industriales, científicas y médicas) entre 0,15 MHz y 80 MHz son: de 6,765 MHz a 6,795 MHz, de 13,553 MHz a 13,567 MHz, de 26,957 MHz a 27,283 MHz y de 40,66 MHz a 40,70 MHz.

^a Las intensidades de campo de transmisores fijos, como las estaciones base de radioteléfonos (móviles e inalámbricos) y radiotransmisores terrestres, los equipos de radioaficionados, las emisoras de radio AM y FM, y las emisoras de televisión no pueden predecirse de forma teórica con exactitud. Para evaluar el entorno electromagnético generado por transmisores de RF fijos, debe considerarse la posibilidad de hacer un estudio electromagnético del lugar. Si la intensidad de campo medida en el sitio donde se utiliza la opción de elevador eléctrico, la opción de mesa eléctrica o la opción de sistema de báscula, excede el nivel de conformidad de radiofrecuencia aplicable mencionado anteriormente, debe observarse la opción de elevador eléctrico, la opción de mesa eléctrica o la opción de sistema de báscula, para verificar que funcionan normalmente. Si se observa un funcionamiento anómalo, es posible que deban tomarse otras medidas, como reorientar o reubicar la opción de elevador eléctrico, la opción de mesa eléctrica o la opción de sistema de báscula.

^b En el intervalo de frecuencias de 150 kHz a 80 MHz, las intensidades de campo son inferiores a 3 V/m.

* Solo se aplica a la opción de mesa eléctrica.

Prime Series® kandraam

Kasutusjuhend

REF 1115












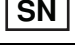
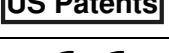






Big Wheel®












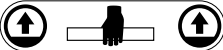






CE

ET

Sümbolid

	Vt kasutusjuhendist/brošüürist
	Vt kasutusjuhendit
	Üldhoiatus
	Ettevaatust
	Hoiatus: käte muljumine
	Hoiatus: mitteioniseeriv kiirgus
	Mitte tõugata
	Mitte hoiustada hapnikuballooni
	Mitte määrida
	Katalooginumber
	Partii kood
	Seerianumber
	USA patente vt www.stryker.com/patents
	CE-märgis
	Volitatud esindaja Euroopa Ühenduses
	Euroopa meditsiiniseade
	Tootja
	Valmistamiskuupäev
	Importija

	Ohutu töökoormus
	Patsiendi maksimaalne kaal
	Ohutu töökoormusega seadme kaal
	Alalisvool
	Vahelduvvool
	Ohtlik pinge
	Kaitsemaandus
IPX6	Kaitse tugevate veejugade eest
	B-tüüpi kontaktosa
	Ettevõtte Underwriters Laboratories Inc elektrilöögi, süttimise ja mehaaniliste ohtude suhtes klassifitseeritud meditsiiniseadmed ainult vastavuses standarditele ANSI/AAMI ES60601-1:2005 ja CAN/CSA-C22.2 nr 60601-1:08. *Valikulise Prime X jaoks kaasnevad röntgenseadmed vastavalt standardile IEC 60601-2-54
	Kooskõlas Euroopa direktiiviga 2012/19/EL koos muudatustega elektri- ja elektroonikaseadmete jäätmete (WEEE) kohta näitab see märk, et toode tuleb koguda eraldi ringlussevõtuks. Ärge kõrvaldage sorteerimata olmejäätmena. Teavet kõrvaldamise kohta küsige kohalikult edasimüüjalt. Veenduge, et saastunud seade on puhastatud enne ringlussevõttu.
	Määrida
	Tõsta siit
	See külg üleval
	Hoida kuivana
	Habras, käsitseda hoolikalt
	Virnastamispiir arvuna

Sisukord

Hoiatuse/ettevaatuslause/märkuse määratlus	3
Ohutusalaste ettevaatusabinõude kokkuvõte	3
Näpistuspunktid.....	6
Sissejuhatus.....	7
Toote kirjeldus	7
Kasutusnäidustused	7
Kliinilised eelised.....	8
Vastunäidustused	8
Eeldatav kasutusaeg	8
Kõrvaldamine/taasringlus	8
Tehnilised andmed.....	8
Toote illustratsioon – Prime	11
Toote illustratsioon – Prime X variant	12
Kokkupuutuvad osad – valikuline elektriagamiga alusmatt.....	13
Kokkupuutuvad osad – Prime X variant	13
Kontaktandmed.....	14
Seerianumbri asukoht.....	14
Seadistus	15
Kasutamine	16
Pidurite rakendamine ja vabastamine	16
Prime alusraami juhtseadised	17
Elektriagamita alusmati tõstmine	17
Elektriagamita alusmati langetamine.....	17
Valikulise elektriagamiga alusmati tõstmine.....	18
Valikulise elektriagamiga alusmati langetamine	18
Toote Trendelenburgi asendi seadmine	18
Toote anti-Trendelenburgi asendi seadmine.....	19
Patsiendi transportimine	19
Patsiendi transportimine ilma Big Wheelita	19
Patsiendi transportimine Big Wheeli kasutades.....	20
Peatsi tõukekäepidemete võimaluse asendi seadmine või hoiale panek	21
Küljepiirde tõstmine	22
Küljepiirde langetamine	22
Toote asendi seadmine küljepiirdel asuva patsiendi juhtpaneeliga – valikuline elektriagamiga alusmatt – ainult variandil Prime.....	23
Kasutaja juhtpaneel – valikuline elektriagamiga alusmatt – ainult variandil Prime.....	23
Patsiendi juhtpaneeli lukustamise sisse- ja väljalülitamine – valikuline elektriagamiga alusmatt – ainult Prime	24
Fowleri seljatoe tõstmine ja langetamine – elektriagamita alusmatt.....	25
Fowleri seljatoe tõstmine ja langetamine – elektriagamiga alusmatiga variant	26
Põlvetõsturi tõstmine või langetamine – elektriagamita alusmatt – ainult variandil Prime	27
Põlvetõsturi tõstmine või langetamine – valikuline elektriagamiga alusmatt – ainult variandil Prime	27
Taastumistooli asendisse seadmine – ainult variandil Prime	27
Esemete hoidmine aluse panipaigas.....	28
Seadmete riputamine pumbaraamiga versioonide puhul	28
Toitejuhtme välja- või sissetõmbamine valikulise sissetõmmatava juhtmepooli korral – valikuline elektriagamiga tõstuk/alusmatt.....	29
Valikuline kaalusüsteem	29
Kaalü ikoon / nuppude tähistus	30
Patsiendi kaalumise.....	30
Kaalü mõõtühiku lukustamine	31
Valikulise Chaperone-funktsiooni sisse-väljalülitamine	31
Chaperone-funktsiooni alarmimustrite seadistamine	31
Chaperone-funktsiooni helitugevuse seadistamine.....	32
Valikulise kaalusüsteemi akukomplekti laadimine – valikuline elektriagamiga alusmatt või valikuline elektriagamiga alusmatt koos valikulise Chaperone-funktsiooniga – ainult variandil Prime	32
Valikulise kaalusüsteemi akude vahetamine – elektriagamita alusmatt.....	32
Tarvikud ja osad.....	33
Defibrillaatori kandiku kinnitamine.....	36

Defibrillaatori kandiku / jalaosa pikenduse teisendamine defibrillaatori kandikuks	36
Defibrillaatori kandiku / jalaosa pikenduse teisendamine jalaosa pikenduseks	37
Jalutsiplaadi/kaardihoidiku kinnitamine	38
Tilgutijala kanduri kinnitamine	38
Jalatugede paigaldamine või kokkupanemine – ainult variandil Prime	38
Kaheosalise püsikinnitusega tilgutijala asendi seadmine	40
Kolmeosalise püsikinnitusega tilgutijala asendi seadmine	40
Eemaldatava tilgutijala kinnitamine ja asendi seadmine	41
Püstise hapnikuballooni hoidiku kinnitamine	42
Serveerimiskandiku hoidiku / jalutsiplaadi pikendamine või hoiale panemine	42
Küljepiirete padjad	43
Patsiendi kinnitusrühmade kinnituskohtade leidmine	43
Püstise röntgenikasseti hoidiku paigaldamine variandi Prime X puhul	44
Külgmise röntgenikasseti hoidiku paigaldamine variandi Prime X puhul	45
Röntgenikassettide sisestamine või eemaldamine – Prime X-i variant	46
Puhastamine	47
Toote puhastamine	47
Toote pesemine kärupesuriga	47
Madratsi puhastamine	48
Eemaldage jood	49
Erijuhised	49
Desinfitseerimine	50
Toote desinfitseerimine	50
Madratsi desinfitseerimine	50
Ennetav hooldus	52
Elektromagnetilise ühilduvuse teave	54

Hoiatuse/ettevaatuslause/märkuse määratlus

Sõnadel HOIATUS, ETTEVAATUST ja MÄRKUS on eritähendus ja neid tuleb hoolikalt silmas pidada.

HOIATUS

Teavitab lugejat olukorrast, mis selle eiramisel võib põhjustada surma või tõsiseid vigastusi. See võib samuti kirjeldada võimalikke kõrvaltoimeid ja turvariske.

ETTEVAATUST

Teavitab lugejat potentsiaalselt ohtlikust olukorrast, mis selle eiramisel võib põhjustada kasutaja või patsiendi väiksemaid või mõõdukaid vigastusi või seadmete või muu vara kahjustusi. Siia kuulub seadme ohutuks ja tõhusaks kasutamiseks nõutav eriline ettevaatus ning ettevaatus seadme kahjustamise vältimiseks selle kasutuse või väärkasutuse tulemusena.

Märkus - Sisaldab eriteavet hooldamise hõlbustamiseks või oluliste juhiste selgitamiseks.

Ohutusalaste ettevaatusabinõude kokkuvõte

Lugege hoolikalt ja järgige alati rangelt sellel leheküljel esitatud hoiatusi ja ettevaatusabinõusid. Laske teenindada ainult kvalifitseeritud personalil.

HOIATUS

- Enne toote seadistamist või funktsioonide toimivuse kontrollimist laske tootel alati soojeneda toatemperatuurini. Toode võib saada püsivaid kahjustusi.
- Toodet võib reguleerida ainult siis, kui kõik kasutajad on mehhanismidest eemal.
- Toitejuhtme käsitlemisel olge alati ettevaatlik. Toitejuhe võib kinni jääda või saada vigastusi ja see võib tekitada elektrilööke. Toitejuhtme vigastuse korral kõrvaldage toode kohe kasutuselt ja võtke ühendust sobiva hooldustöötajaga.
- Ühendage see alati otse haiglaklassi maandatud pistikupesaga. Töökindla maanduse võib saavutada ainult haiglaklassi pistikupesaga. Toode on elektrilöögiohu eest kaitsmiseks varustatud haiglaklassi pistikuga.
- Rakendage alati pidurid, kui patsient läheb tootele või tootelt maha või kui toode ei liigu. Toote liikumine ajal, mil patsient läheb tootele või sellelt maha, võib põhjustada vigastusi.
- Paigutage patsient alati toote keskele.
- Patsiendi järelevalveta jätmisel seadke toode alati madalaimasse asendisse, küljepiirded ülal ja riivi pandud. Ärge jätke toodet kõrgemasse asendisse.
- Eemaldage enne alusmati tõstmist või langetamist kõik seadmed, mis võivad ette jääda.
- Ärge istuge toote otsale. Toode võib ümber minna.
- Patsiendi transportimisel fikseerige küljepiirded alati kõrgeimas asendis, seades magamispinna horisontaalseks ja alumisse asendisse.
- Toote ümbermineku vältimiseks ärge transportige toodet küljesuunas kallakul, mis ületab 5,7 kraadi (10% kallak).
- Üle 2,5 tolli (6,35 cm) paksuse madrati või pealismadrati kasutamisel valikulise **Prime X**-ga tuleb alati olla eriti ettevaatlik.
- Patsiendi vedamisel lukustage küljepiirded alati kõrgeimas asendis madalaimas asendis oleva tasase magamispinna.
- Küljepiirde tõstmisel või langetamisel hoidke patsiendi jäsemed küljepiirete võllidest alati eemal.
- Ärge laske küljepiiretel iseeneslikult alla langeda.
- Fowleri seljatoe langetamisel hoidke käed ja sõrmed Fowleri seljatoe vabastuskäepidemeist ning Fowleri seljatoe raamist alati eemal.
- Olge alati ettevaatlik Fowleri seljatoe tõstmisel, kui patsient on toote peal. Kasutage õigeid tõstmisvõtteid ja vajaduse korral abi.
- Põlvetõsturi langetamisel hoidke alati käed ja sõrmed jalaosa lükkamiskäepidemetest eemal.
- Seadme voolikud hoidke alati pumbaraamil, põlvetõsturi käepidemetest eemal.
- Veenduge alati, et pumbaraamil olevad seadmed mahuvad ohutult läbi ukseavade.
- Ärge tõstke toodet pumbaraamist.
- Enne toote transportimist või puhastamist eemaldage toitekaabel alati seinakontaktist.

- Toote transportimisel kasutage toitejuhtme hoidmiseks alusraamis sissetõmmatavat juhtmepooli.
- Ärge kasutage valikulist kaalusüsteemi ega valikulist elektriajamiga tõstukit/alusmatti teiste seadmete kõrval, peal ega all. Külgneva või virnastatud kasutamise vajaduse korral tuleb valikulist kaalusüsteemi või valikulist elektriajamiga tõstukit/alusmatti kontrollida, et tagada kõikide seadmete nõuetekohane töö kasutatavas konfiguratsioonis.
- Ärge asetage defibrillaatori kandikule üle 30 naela (14 kg) kaaluvaid esemeid. Kinnitage kõik defibrillaatori kandikule asetatavad seadmed alati rihmaga.
- Kui on kinnitatud defibrillaatori kandik / jalaosa pikendus, jalutsiplaat/kaardihooldik või püstine hapnikuballooni hooldik, olge valikulise jalgadepoolse lükkamiskäepideme seadmisel alati ettevaatlik, et vältida sõrmede vahelejäämist.
- Ärge asetage defibrillaatori kandikule / jalaosa pikendusele üle 30 naela (14 kg) kaaluvaid esemeid. Kinnitage kõik defibrillaatori kandikule asetatavad seadmed alati rihmaga.
- Toote transportimisel kinnitage tilgutijalg alati tilguti kanduri külge.
- Kui tilgutijala kandurit ei kasutata, pange see alati hoiule, et vältida toote vigastamist.
- Ärge istuge jalatugedel. See võib põhjustada toote ümberminekut.
- Jalatugede liigutamisel hoidke sõrmed alati mehhanismidest eemal.
- Toote transportimisel pange jalatoed alati kokku.
- Enne jalatugede kasutamist kinnitage jalatoed.
- Jalatugede kasutamisel ärge kasutage kaalusüsteemi. Võite saada ebatäpsed näidud.
- Jalatugede kasutamisel ärge kasutage **Chaperone**-funktsiooni. Võite saada ebatäpsed näidud.
- Ärge kasutage tilgutijalga tõmbamis- või lükkamisvahendina. See võib toodet kahjustada.
- Ärge pange püstisesse hapnikuballooni hooldikusse esemeid kaaluga üle 40 naela (18 kg).
- Ärge pange serveerimiskandikule esemeid kaaluga üle 30 naela (14 kg).
- Kinnitusrühmade kinnitamisel olge alati ettevaatlik. Need võivad tekitada patsiendil või kasutajal vigastusi. Füüsilised kinnitused, isegi kui need on kindlustatud, võivad põhjustada patsientidel ja kasutajatel tõsiseid kahjustusi, sealhulgas takerdumist, kinnijäämist, kehavigastusi või surma.
- Kinnitusrühmad või -seadmed tuleb kinnitada ainult toote selleks määratud kinnituskohtadesse. Selle nõude eiramine võib põhjustada patsiendil või kasutajal vigastusi. Ärge kinnitage kinnitusrühmu küljepiirdele.
- Enne kinnitusrühmade või -seadmete kasutamist tutvuge alati kohalduvate osariigi ning föderaalsete piirangute ja eeskirjadega ning raviasutuse vastavate eeskirjadega.
- Püstist või külgmist röntgenikasseti hooldikut kasutades rakendage alati kaitsemeetmeid. Röntgenikasseti hooldik ei kaitse röntgenkiirguse eest.
- Valikulise **Prime X** kasutamisel koos kiirgust tekitavate seadmetega tutvuge peale raviasutuse ohutuseeskirjade ka kohalike, osariigi ja föderaaltasandi eeskirjadega. Kiirgust tekitavad seadmed võivad anda jääk-, juhu- või hajukiirgust.
- Röntgenikasseti sisestamisel järgige alati *valikulise Prime X püstise röntgenikasseti hooldiku paigaldamise* juhiseid.
- Olge alati ettevaatlik, kui teete röntgenuuringut püstiasendis Fowleri seljatoega või külgmist kassetti kasutades.
- Röntgenikasseti sisestamisel järgige alati *valikulise Prime X külgmise röntgenikasseti hooldiku paigaldamise* juhiseid.
- Ärge puhastage, parandage ega hooldage toodet selle kasutamise ajal.
- Ärge kastke madratsit puhastus- või desinfitseerimislahustesse. Liigniiskus võib põhjustada toote talitlushäireid, mis tekitavad tootel kahjustusi või patsiendil vigastusi.
- Ärge laske vedelikul madratsil loikudesse koguneda. Vedelikud võivad põhjustada komponentide korrosiooni ning muuta ettearvamatult toote ohutust ja tööomadusi.
- Katete puhastamisel vaadake madratsi katted alati üle rebendite, torkeaukude, liigkulumise ja valesti ühendatud tõmblukkude suhtes. Ristsaastumise vältimiseks eemaldage kahjustatud madrats kohe ja vahetage see välja.
- Ärge puhastage madratseid auru, survejoa, vooliku ega ultraheliga. Nende puhastusmeetodite kasutamine võib tühistada toote garantii.
- Ärge puhastage toodet auru, vooliku ega ultraheliga. Nende puhastusmeetodite kasutamine ei ole soovitatav ja võib tühistada toote garantii.
- Patsiendi vahetumisel desinfitseerige madrats alati. Selle tegematajätmine võib põhjustada ristsaastumist ja nakkust.

ETTEVAATUST

- Toote mittenõuetekohane kasutamine võib patsienti või kasutajat vigastada. Kasutage toodet ainult käesolevas juhendis kirjeldatud viisil.
- Ärge muutke toodet ega ühtegi selle osa. Toote muutmine võib selle kasutamist ettenägematult muuta, põhjustades patsiendi või kasutaja vigastusi. Toote muutmine muudab kehtetuks ka selle garantii.
- Ärge kasutage toote tõstmiseks aluse hüdraulikasüsteemi, kui patsiendi tõstuk on toote all.

- Ärge vajutage sõidupedaali, kui **Big Wheel**-i rattad toetuvad ukسلävele või muule kõrgendatud alale. **Big Wheel**-i rakendamiseks vajalik jõud on tavalisest suurem, mis võib toodet kahjustada.
 - Põlvetõsturi kandevõime on 200 naela (90,7 kg).
 - Enne kasutamist veenduge alati, et põlvetõsturi toetusvarras on kindlalt kinnitatud.
 - Ärge istuge ega seiske põlvetõsturil.
 - Kui tootel pole elektritoidet, olge põlvetõsturit langetades alati ettevaatlik. Põlvetõstur võib raskusjõu toimele kiirelt kukkuda.
 - Ärge asetage aluse panipaika esemeid kaaluga üle 60 naela (27 kg).
 - Ärge istuge ega seiske aluse panipaigal ega astuge selle peale.
 - Pumbaraami kandevõime on 40 naela (18 kg).
 - Ärge kasutage pumbaraami lükkamis- või tõmbamisvahendina. See võib toodet kahjustada.
 - Ärge kasutage kaalu patsientidel kehakaaluga alla 50 naela (23 kg).
 - Ärge kasutage kaalusüsteemi näitu meditsiinilise ravi määramiseks.
 - Enne defibrillaatori kandiku / jalaosa pikenduse kinnitamist toote külge tõstke alati tilgutijalg üles. Kui te tilgutijalga üles ei tõsta, siis jalaosa pikendus ei toimi.
 - Ärge kasutage tilgutijalga tõmbamis- või lükkamisvahendina. See võib toodet kahjustada.
 - Ärge riputage tilgutijalale infusioonikotte kaaluga üle 40 naela (18 kg).
 - Patsienti vedades veenduge alati, et tilgutijalg on madalal ja mahub ohutult läbi ukseavade.
 - Ärge kasutage valikulise kaalusüsteemi kuvarikorpuse puhastamiseks abrasiivseid puhastusvahendeid. Vältige puhastuslahuste või muude vedelike kuvarile loikudesse kogunemist. Kuivatage kõik pinnad pärast peale valgumist või puhastamist.
 - Selliste tarvikute, muundurite ja kaablite kasutamine, mida tootja ei ole ette näinud või tarninud, võib põhjustada elektromagnetkiirguse tugevnemist või vähendada elektromagnetilist häirekindlust ning häirida seadme talitlust.
 - Seade on kiirgusnäitajate poolest sobiv kasutamiseks tööstuskeskkonnas ja haiglas (CISPR 11 A-klass). Kasutamisel elamus, mille puhul on tavaliselt nõutav CISPR 11 B-klass, ei pruugi seadme kaitse vastata raadiosideteenuste nõuetele. Kasutajal võib olla vaja rakendada meetmeid selle leevendamiseks, näiteks seade ümber paigutada või ümber suunata.
 - Kaasaskantavaid raadiosideseadmeid, sealhulgas välisseadmeid, nagu antennikaablid ja välisantennid ei tohi kasutada kandraami **Prime** ühelegi osale, k.a tootja poolt ettenähtud kaablid, lähemal kui 12 tolli (30 cm).
 - Vältige seadmete virnastamist või teiste seadmetega kõrvuti paigutamist toodete mittenõuetekohase töö vältimiseks. Kui selline kasutamine on vajalik, jälgige hoolikalt virna või kõrvuti seatud seadmete õiget toimimist.
-

Näpistuspunktid



Joonis 1 – Prime X-i variant

Sissejuhatus

See juhend abistab teid teie Strykeri toote kasutamisel või hooldamisel. Enne toote kasutamist või hooldamist tutvuge põhjalikult selle juhendiga. Kehtestage meetodid ja kord personali teavitamiseks ja väljaõppeks toote ohutu kasutamise ja hooldamise osas.

ETTEVAATUST

- Toote mittenouetekohane kasutamine võib põhjustada patsiendil või kasutajal vigastusi. Kasutage toodet ainult käesolevas juhendis kirjeldatud viisil.
- Ärge muutke toodet ega ühtegi selle osa. Toote muutmise võib selle kasutamist ettenägematult muuta, põhjustades patsiendil või kasutajal vigastusi. Toote muutmise tühistab ka selle garantii.

Märkus

- Käesolevat juhendit tuleb vaadelda kui toote püsivat osa ning see peab tootega kaasas olema ka selle edasimüümisel.
- Stryker tegeleb pidevalt toote konstruktsiooni ja kvaliteedi täiustamisega. See juhend sisaldab toote kohta kõige värskemate teavete, mis trükkimise ajal on kättesaadav. Toote ja selle juhendi vahel võib olla väikesi lahknevusi. Küsimate korral pöörduge Strykeri klienditeenindusse või tehnilise toe poole telefonil +1-800-327-0770.

Toote kirjeldus

Stryker mudel 1115 **Prime Series**® kandraam koos **Big Wheel**®-iga on ratastega seade, mis koosneb ratastel raamile paigaldatud platvormist patsientide toetamiseks horisontaalasendis. Kandraam võimaldab tervishoiutöötajatel või tervishoiuasutuse väljaõppega töötajatel transportida patsiente tervishoiuasutuses. Strykeri mudel 1115 **Prime Series** kandraam koos **Big Wheel**-iga vajab liikumahakkamiseks ja juhtimiseks väiksemat jõudu, vähendades sellega füüsilist pingutust.

Kasutusnäidustused

Prime Series kandraamil koos **Big Wheel**-iga on kaks suurt ratast, mis vähendavad kandraami paigalt liigutamiseks vajaminevat jõudu.

Prime Series kandraami võib kasutada ambulatoorsete haigete lühiajaliseks kliiniliseks hindamiseks, raviks, väiksemateks protseduurideks ja ambulatoorsete haigete lühiajalise taastumise platvormina. Kandraami võib kasutada muu hulgas:

- erakorralise meditsiini osakonnas;
- traumaosakonnas;
- anesteesiajärgse hoolduse osakonnas.

Prime Series kandraami saab samuti kasutada väiksemateks protseduurideks ja lühiajaliseks haiglas viibimiseks (raviks ning taastumiseks). Eeldatavaid keskkonnatingimusi vt tehniliste andmete tabelist.

Stryker **Prime Series** kandraami vastavust voodi standardile BS EN 50637 ei ole hinnatud. See toode pole ette nähtud kasutamiseks lühiajaliselt laste või ebatüüpilise anatoomiaga täiskasvanud patsientide jaoks turgudel, mis tunnustavad seda voodi standardit müügiloo saamiseks

Prime Series kandraam ei ole ette nähtud kasutamiseks pikaajaliseks haiglaraviks ja taastumiseks.

Prime Series kandraami ohutu töökoormus on kuni 700 naela (318 kg) ja see on mõeldud kasutamiseks kõikide patsientidega, k.a kerges kuni kriitilises seisundis haiged. Kandraami võib kasutada ka elutute patsientide veoks piiratud ligipääsuga tervishoiuasutuse piires.

Prime X® variandil on liigendatav patsiendi röntgenuuringu tugipind ja platvorm patsiendi tugipinna all röntgenikasseti paigutamiseks. **Prime X** variant võimaldab teha meditsiiniliste röntgenuuringu süsteemiga töötamisel kliinilisi röntgenpilte (AP kogu keha, valikuline kogu keha külgmise ja valikuline püstiasendis rindkere uuring).

Kliinilised eelised

Patsientide transportimine ning ravi ja diagnoosimise hõlbustamine

Vastunäidustused

Prime X varianti ei soovitata kasutada koos üle nelja tolli paksuse madratsiga.

Prime X variant ei sobi kasutamiseks koos C-õlaga.

Prime X variant on ette nähtud kasutamiseks kõikides asutustes peale koduse ravi, olmetingimuste ja otsese ühendamisega elamuid varustavasse üldkasutatavasse madalpinge elektrivõrku.


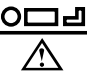
Eeldatav kasutusaeg

Prime Series kanderaami ja **Prime Series** kanderaami koos **Prime X**-ga eeldatav kasutusiga normaalsetes kasutamistingimustes ja nõuetekohase perioodilise hoolduse korral on 10 aastat.

Kõrvaldamine/taasringlus

Järgige alati kohalikke soovitusi ja/või eeskirju keskkonnakaitse ning seadmestiku taasringluse või kõrvaldamise suhtes selle kasutusea lõppemisel.

Tehnilised andmed

	Prime Series, laius 26 tolli (66 cm)		Prime Series, laius 30 tolli (76 cm) Prime Series HT-paketid		Prime X, valikuline, laius 30 tolli (76 cm)	
 Märkus - Ohutu töökoormus näitab patsiendi, madratsi ja tarvikute kogukaalu.	700 naela	318 kg	700 naela	318 kg	700 naela	318 kg
 Patsiendi maksimaalne kaal	675 naela	306 kg	675 naela	306 kg	675 naela	306 kg
Kogupikkus	85 tolli (± 0,5 tolli)	215,9 cm	85 tolli (± 0,5 tolli)	215,9 cm	85 tolli (± 0,5 tolli)	215,9 cm
Kogupikkus (valikulise alusmati pikendusega)	89,9 tolli (± 0,75 tolli)	228,3 cm	89,9 tolli (± 0,75 tolli)	228,3 cm	–	–
Kogulaius (küljepiirded ülal)	34 tolli (± 1 tolli)	86,4 cm	38 tolli (± 1 tolli)	96,5 cm	38 tolli (± 1 tolli)	96,5 cm
Kogulaius (küljepiirded all)	30,25 tolli (± 0,5 tolli)	76,8 cm	30,5 tolli (± 0,5 tolli)	77,5 cm	30,5 tolli (± 0,5 tolli)	77,5 cm
Vähim kõrgus	20,75 tolli	52,7 cm	20,75 tolli	52,7 cm	23,25 tolli	59,1 cm

	Prime Series, laius 26 tolli (66 cm)		Prime Series, laius 30 tolli (76 cm) Prime Series HT-paketid		Prime X, valikuline, laius 30 tolli (76 cm)	
Suurim kõrgus	34 tolli (± 1 tolli)	86,4 cm	34 tolli (± 1 tolli)	86,4 cm	36,5 tolli (± 1 tolli)	92,7 cm
Fowleri seljatoe nurk	0° kuni 90° ($\pm 5^\circ$)					
Põlvetõsturi kõrgus	5,5 tolli (14 cm) minimaalselt				Ei kohaldu	
Trendelenburgi/anti-Trendelenburgi asend	+17° kuni -17° ($\pm 3^\circ$)					
Vähim vahe	2,5 tolli nominaalne	6,4 cm	2,5 tolli nominaalne	6,4 cm	2,5 tolli nominaalne	6,4 cm
	1,75 tolli hüdrauliliste tungrauda-de all	4,5 cm	1,75 tolli hüdrauliliste tungrauda-de all	4,5 cm	1,75 tolli hüdrauliliste tungrauda-de all	4,5 cm
	1 toll Big Wheeli all	2,5 cm	1 toll Big Wheeli all	2,5 cm	1 toll Big Wheeli all	2,5 cm
Kaotegur (alumiiniumiga võrreldes)	Ei kohaldu				Maksimaalne lubatud väärtus on 1,7 mm Al	
Valikulise kaalusüsteemi kaalu töövahemik	50 naela (22,7 kg) kuni 700 naela (318 kg)					
Valikulise kaalusüsteemi täpsus	± 3 naela (1,3 kg) kaalu puhul alla 100 naela (45 kg) ja $\pm 3\%$ kaalu 100 naela (45 kg) või rohkem puhul *					
*Kaalusüsteemi nimitäpsuse tagamiseks peab patsiendipind paiknema rõhtsalt (Fowleri seljatugi ja põlvetõstur on langetatud) ning toote Trendelenburgi/anti-Trendelenburgi asendi nurk ei tohi ületada 5 kraadi.						

Valikulisel elektriagamid	Valikuline elektriagamiga alusmatt (saadaval ainult valikulisel Prime'il)	Valikuline elektriagamiga tõstuk (saadaval valikulisel Prime'il ja Prime X-il)
Nõuded elektrisüsteemile	120 VAC, 60 Hz, 10 A 240 VAC, 50/60 Hz, 5 A	120 VAC, 60 Hz, 10 A 240 VAC, 50/60 Hz, 5 A
Töötüsükkel	Pidev töö koos vahepealse laadimisega on 1 min SEES / 20 min VÄLJAS	Pidev töö koos vahepealse laadimisega on 1 min SEES / 20 min VÄLJAS

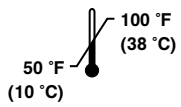
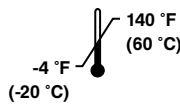
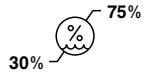
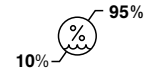
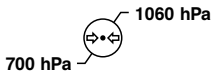
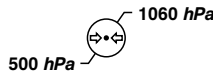
Valikuline kaalusüsteem	Elektriagamita alusraam (saadaval valikulisel Prime'il ja Prime X-il)	Valikuline elektriagamiga tõstuk (saadaval valikulisel Prime'il ja Prime X-il)
Aku tüüp	4 x AA-tüüpi patarei (4 x 1,5 VDC) leelistüüpi (LR6)	4 x AA-tüüpi patarei (4 x 1,5 VDC) leelistüüpi (LR6)
Akupinge	6,0 VDC	6,0 VDC

Valikuline kaalusüsteem	Valikuline elektriagamiga alusmatt (saadaval ainult valikulisel Prime'il)	Valikuline elektriagamiga tõstuk
Aku tüüp	1 liitiumioonakupakk (0058-135-000)	Ei kohaldu
Akupinge	10,8 VDC, 2,4 Ah	Ei kohaldu

Valikuline kaalusüsteem koos Chaperone®-funktsiooniga (kanderaamilt mahatulek)	Valikuline elektriagamiga alusmatt (saadaval ainult valikulisel Prime'il)	Valikuline elektriagamiga tõstuk
Aku tüüp	1 liitiumioonakupakk (0058-134-000)	Ei kohaldu
Akupinge	10,8 VDC, 4,8 Ah	Ei kohaldu

Stryker jätab endale õiguse muuta tehnilisi andmeid ilma ette teatamata.

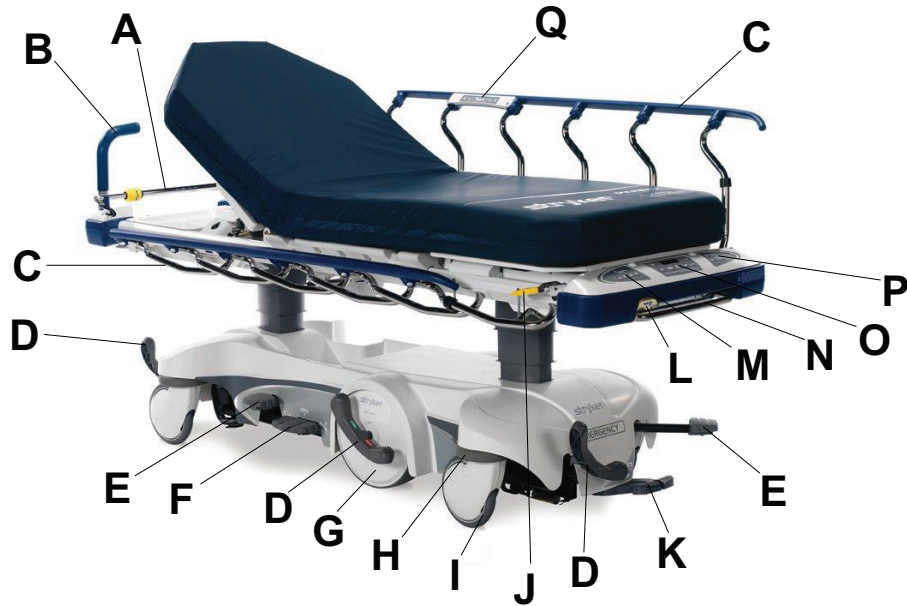
Märkus - Toode ei sobi kasutamiseks tuleohtliku anesteetikumi ja õhu või hapniku segu ega dilämmastikoksiidi läheduses.

Keskkonningimused	Kasutamine	Hoiustamine ja vedu
Temperatuur		
Suhteline niiskus		
Õhurõhk		

Märkus - Valikuline kaalusüsteem (elektriagamita / valikulise elektriagamiga alusmatiga) töötemperatuuri vahemik 61 °F (16 °C) kuni 79 °F (26 °C).

Siintoodud tehnilised andmed on ligikaudsed ning võivad olenevalt tootest või toitepinge kõikumise tõttu veidi muutuda.

Toote illustratsioon – Prime



Joonis 2 – Prime

A	Tilgutijalg	J	Küljereelingu riiv
B	BackSmart® hüplik-tõukekäepide, valikuline	K	Hüdrauliline vabastamispedaal
C	BackSmart küljepiire	L	Põlvetõsturi vabastuskäepide
D	Piduri-/sõidupedaal	M	BackSmarti kasutaja juhtseadised jalaosal, valikulised
E	Pumba pedaal	N	Pumbaraam, valikuline
F	Üldlangetuspedaal	O	BackSmart kaalusüsteem, valikuline
G	Big Wheel	P	Patsiendi juhtpaneeli lukustamine, valikuline
H	Kaitserauad, integreeritud	Q	Patsiendi juhtpaneel külgpiirdel, valikuline
I	Integreeritud kattega ratas		

Toote illustratsioon – Prime X variant



Joonis 3 – Prime X-i variant

A	BackSmart® hüpik-tõukekäepide, valikuline	H	Üldlangetuspedaal
B	Tilgutijalg	I	Kaitserauad, integreeritud
C	Kassetikandik	J	Integreeritud kattega ratas
D	Patsiendipind koos Clearview Technology® lauaga	K	Küljereelingu riiv
E	BackSmart küljepiire	L	Pumbaraam, valikuline
F	Piduri-/juhtpedaal	M	BackSmart kaalusüsteem, valikuline
G	Pumba pedaal		

Kokkupuutuvad osad – valikuline elektriajamiga alusmatt



Joonis 4 – B-tüüpi kokkupuutuvad osad – valikuline elektriajamiga alusmatt

Kokkupuutuvad osad – Prime X variant



Joonis 5 – B-tüüpi kokkupuutuvad osad – Prime X variant

Kontaktandmed

Pöörduge Strykeri klienditeeninduse või tehnilise toe poole tel. 1-800-327-0770.

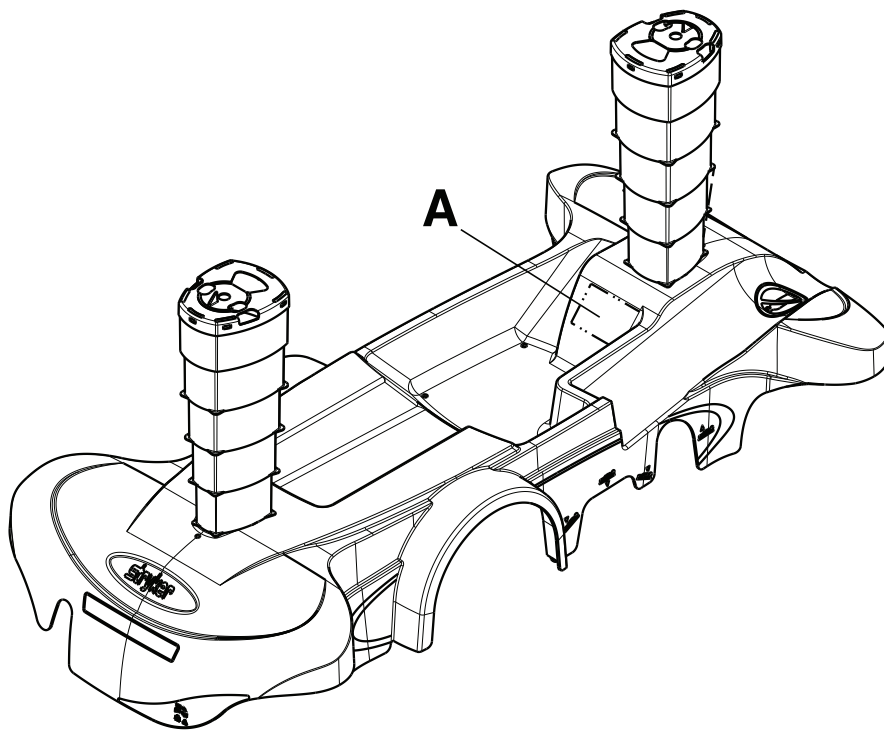
Stryker Medical
3800 E. Centre Avenue
Portage, MI 49002
USA

Märkus - Kasutajal ja/või patsiendil tuleb kõikidest tõsistest antud tootega seotud intsidentidest teatada nii tootjale kui ka vastavale pädevale asutusele kasutaja ja/või patsiendi asukoha Euroopa liikmesriigis.

Toote kasutus- või hooldusjuhendit võite veebis lugeda aadressil <https://techweb.stryker.com/>.

Strykeri klienditeenindusele või tehnilisele toele helistamisel hoidke käepärast oma Strykeri toote seerianumber (A). Lisage see seerianumber kogu kirjavahetusele.

Seerianumbri asukoht



Joonis 6 – Seerianumbri asukoht

Seadistus

Toote lahtipakkimiseks vt lahtipakkimise juhiseid, mis on kinnitatud saatepakendis toote külge.

HOIATUS

- Enne toote seadistamist või funktsioonide toimivuse kontrollimist laske tootel alati soojeneda toatemperatuurini. Toode võib saada püsivaid kahjustusi.
 - Toodet võib reguleerida ainult siis, kui kõik kasutajad on mehhanismidest eemal.
 - Toitejuhtme käsitlemisel olge alati ettevaatlik. Toitejuhe võib kinni jääda või saada vigastusi ja see võib tekitada elektrilööke. Toitejuhtme vigastuse korral kõrvaldage toode kohe kasutuselt ja võtke ühendust sobiva hooldustöötajaga.
 - Ühendage see alati otse haiglatingimustes kasutamiseks ettenähtud maandatud pistikupessa. Töökindla maanduse võib saavutada ainult haiglatingimustes kasutamiseks ettenähtud pistikupesaga. Toode on elektrilöögiohu eest kaitsmiseks varustatud haiglatingimustes kasutamiseks ettenähtud pistikuga.
-

Enne toote kasutusele võtmist veenduge, et see on töökorras.

1. Rakendage pidur. Lükake toodet, et veenduda, et kõik neli ratast on lukustatud.
2. Vabastage pidur. Lükake toodet, et veenduda, et kõik neli ratast on vabad.
3. Tõstke ja langetage alusmatti hüdraulilise tõstesüsteemi abil.
4. Tõstke toode kõrgeimasse asendisse ja seadke toode Trendelenburgi asendisse (vt *Toote Trendelenburgi asendi seadmine* (lk 18)). Veenduge, et peats langeb täielikult langetatud asendisse.
5. Tõstke toode kõrgeimasse asendisse ja seadke toode anti-Trendelenburgi asendisse (vt *Toote anti-Trendelenburgi asendi seadmine* (lk 19)). Veenduge, et jaluts langeb täielikult langetatud asendisse.
6. Rakendage **Big Wheel** ja veenduge, et see on töökorras.
7. Veenduge, et küljepiirde tõusevad, langevad ja lukustuvad paigale.
8. Tõstke ja langetage Fowleri seljatuge (peaosa).
9. Tõstke ja langetage põlvetõsturit (jalaosa).

Valikulise elektriajamiga tõstuki/alusmatiga tootel.

1. Läbige seadistuse eeltoodud kontroll-loend.
2. Ühendage toitejuhe haiglatingimustes kasutamiseks sobivasse maandatud seinakontakti. Veenduge, et lukustuse klahvistikul põleksid LED-tuled.
3. Veenduge, et patsiendi küljepiirde valikulise juhtploki kõik funktsioonid on töökorras.
4. Veenduge, et jalaosa valikulise juhtpaneeli kõik funktsioonid on töökorras.
5. Tõstke ja langetage elektriajamiga Fowleri seljatuge (peaosa).
6. Tõstke ja langetage elektriajamiga põlvetõsturit (jalutsis).

Valikulise kaalusüsteemiga – valikulise elektriajamiga alusmatiga (valikulise **Chaperone**-funktsiooniga või ilma) toote korral toimige järgmiselt.

1. Läbige seadistuse eeltoodud kontroll-loend.
2. Laadige akusid (*Valikulise kaalusüsteemi akukomplekti laadimine – valikuline elektriajamiga alusmatt või valikuline elektriajamiga alusmatt koos valikulise Chaperone-funktsiooniga – ainult variandil Prime* (lk 32)).

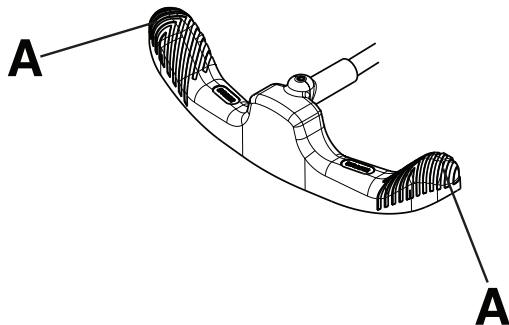
Kasutamine

Pidurite rakendamine ja vabastamine

HOIATUS - Rakendage alati pidurid, kui patsient läheb tootele või tootelt maha või kui toode ei liigu. Toote liikumine ajal, mil patsient läheb tootele või sellelt maha, võib põhjustada vigastusi.

Pidurite rakendamiseks vajutage alla piduri-/juhtpedaali piduripool (punane). Lükake toodet, et veenduda pidurite toimivuses.

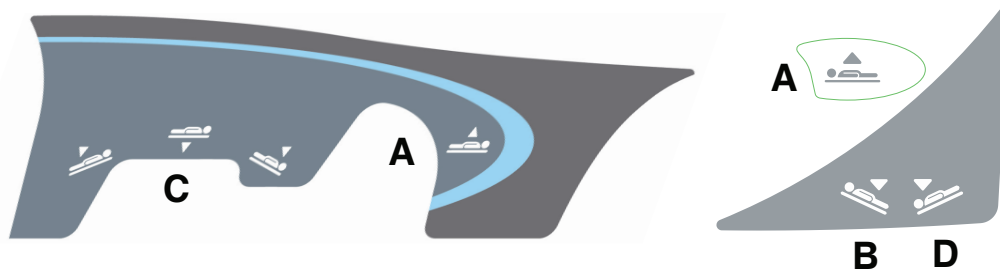
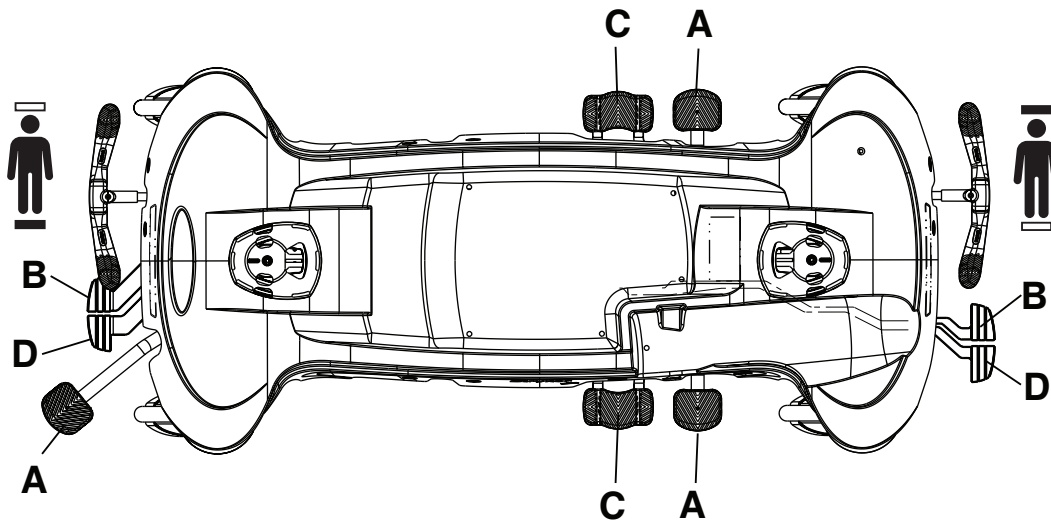
Pidurite vabastamiseks vajutage alla piduri-/juhtpedaali juhtpool (roheline).



Joonis 7 – Piduri-/juhtpedaali kasutamine

Märkus - Ärge vajutage alla piduri-/juhtpedaali keskosa. Alati vajutage alla piduri-/juhtpedaali väliskülg (A) (Joonis 7).

Prime alusraami juhtseadised



Joonis 8 – Prime alusraami juhtseadised ja silt

Elektrijamita alusmati tõstmine

HOIATUS

- Paigutage patsient alati toote keskele.
- Patsiendi järelevalveta jätmisel seadke toode alati madalaimasse asendisse, küljepiirded ülal ja riivi pandud. Ärge jätke toodet kõrgemasse asendisse.
- Eemaldage enne alusmati tõstmist või langetamist kõik seadmed, mis võivad ette jääda.
- Ärge istuge toote otsale. Toode võib ümber minna.

ETTEVAATUST - Ärge kasutage toote tõstmiseks aluse hüdraulikasüsteemi, kui patsiendi tõstuk on toote all.

Alusmati tõstmiseks vajutage alla pumba pedaali (A) kuni soovitud kõrguse saavutamiseni (*Prime alusraami juhtseadised* (lk 17)).

Elektrijamita alusmati langetamine

HOIATUS

- Paigutage patsient alati toote keskele.
- Patsiendi järelevalveta jätmisel seadke toode alati madalaimasse asendisse, küljepiirded ülal ja riivi pandud. Ärge jätke toodet kõrgemasse asendisse.
- Eemaldage enne alusmati tõstmist või langetamist kõik seadmed, mis võivad ette jääda.

- Ärge istuge toote otsale. Toode võib ümber minna.
-

ETTEVAATUST - Ärge kasutage toote tõstmiseks aluse hüdraulikasüsteemi, kui patsiendi tõstuk on toote all.

Kogu alusmati langetamiseks vajutage universaalse langetamispedaali (C) keskele (*Prime alusraami juhtseadised* (lk 17)).

Alusmati peaosa langetamiseks vajutage pedaalile (B) või universaalse langetamispedaali (C) toote peaosapoolsele küljele.

Alusmati jalaosa langetamiseks vajutage pedaalile (D) või universaalse langetamispedaali (C) toote jalaosapoolsele küljele.

Valikulise elektriajamiga alusmati tõstmine

HOIATUS

- Paigutage patsient alati toote keskele.
 - Patsiendi järelevalveta jätmisel seadke toode alati madalaimasse asendisse, küljepiirded ülal ja riivi pandud. Ärge jätke toodet kõrgemasse asendisse.
 - Eemaldage enne alusmati tõstmist või langetamist kõik seadmed, mis võivad ette jääda.
 - Ärge istuge toote otsale. Toode võib ümber minna.
-

ETTEVAATUST - Ärge kasutage toote tõstmiseks aluse hüdraulikasüsteemi, kui patsiendi tõstuk on toote all.

Elektriajamiga alusmati tõstmiseks vajutage pumba pedaal (A) kuni soovitud kõrguse saavutamiseni (*Prime alusraami juhtseadised* (lk 17)).

Valikulise elektriajamiga alusmati langetamine

HOIATUS

- Paigutage patsient alati toote keskele.
 - Patsiendi järelevalveta jätmisel seadke toode alati madalaimasse asendisse, küljepiirded ülal ja riivi pandud. Ärge jätke toodet kõrgemasse asendisse.
 - Eemaldage enne alusmati tõstmist või langetamist kõik seadmed, mis võivad ette jääda.
 - Ärge istuge toote otsale. Toode võib ümber minna.
-

ETTEVAATUST - Ärge kasutage toote tõstmiseks aluse hüdraulikasüsteemi, kui patsiendi tõstuk on toote all.

Kogu elektriajamiga alusmati langetamiseks vajutage universaalse langetamispedaali (C) keskele (*Prime alusraami juhtseadised* (lk 17)).

Ainult alusmati peaosa langetamiseks vajutage pedaalile (B) või universaalse langetamispedaali (C) toote peaosapoolsele küljele.

Toote jalaosa langetamiseks vajutage pedaal (D) alla või vajutage universaalse langetamispedaali (C) jalaosapoolsele küljele.

Toote Trendelenburgi asendi seadmine

HOIATUS - Eemaldage enne alusmati tõstmist või langetamist kõik seadmed, mis võivad ette jääda.

ETTEVAATUST - Ärge kasutage toote tõstmiseks aluse hüdraulikasüsteemi, kui patsiendi tõstuk on toote all.

Toote viimiseks Trendelenburgi asendisse (peaosas all) tõstke alusmatt kõrgeimasse asendisse (*Elektrijamita alusmati tõstmine* (lk 17) või *Valikulise elektrijamiga alusmati tõstmine* (lk 18)).

Märkus - Suurema Trendelenburgi nurga saavutamiseks tõstke alusmatt kõrgeimasse asendisse.

Toote peaosas langetamiseks vajutage pea- või jalaosa vabastamise pedaal (D) alla või vajutage universaalse langetamispedaali (C) peaosapoolsele küljele (vt *Prime alusraami juhtseadised* (lk 17)).

Toote langetamiseks Trendelenburgi asendist lükake pea- ja jalaosa vabastamispedaalid (B ja D) korruga alla või vajutage universaalse langetamispedaali (C) keskele, kuni alusmatt on horisontaalne.

Toote anti-Trendelenburgi asendi seadmine

HOIATUS - Eemaldage enne alusmati tõstmist või langetamist kõik seadmed, mis võivad ette jääda.

ETTEVAATUST - Ärge kasutage toote tõstmiseks aluse hüdraulikasüsteemi, kui patsiendi tõstuk on toote all.

Toote viimiseks anti-Trendelenburgi asendisse (jalaosa all) tõstke alusmatt kõrgeimasse asendisse (*Elektrijamita alusmati tõstmine* (lk 17) või *Valikulise elektrijamiga alusmati tõstmine* (lk 18)).

Märkus - Suurema Trendelenburgi nurga saavutamiseks tõstke alusmatt kõrgeimasse asendisse.

Toote jalaosa langetamiseks vajutage pea- või jalaosa vabastamise pedaal (B) alla või vajutage universaalse langetamispedaali (C) jalaosapoolsele küljele (vt *Prime alusraami juhtseadised* (lk 17)).

Toote langetamiseks anti-Trendelenburgi asendist lükake pea- ja jalaosa vabastamispedaalid (B ning D) korruga alla või vajutage universaalse langetamispedaali (C) keskele, kuni alusmatt on horisontaalne.

Patsiendi transportimine

HOIATUS

- Paigutage patsient alati toote keskele.
 - Patsiendi transportimisel fikseerige küljepiirded alati kõrgeimas asendis, seades magamispinna horisontaalseks ja alumisse asendisse.
 - Toote ümbermineku vältimiseks ärge transportige toodet küljesuunas kallakul, mis ületab 5,7 kraadi (10% kallak).
-

Patsiendi transportimiseks:

1. Tõstke küljepiirded kõige kõrgemasse asendisse. Tõmmake küljepiiret, et veenduda, et see on riivistatud.
2. Langetage alusmatt kõige alumisse asendisse.
3. Valikulise elektrijamiga tõstuki/alusmatiga varustatud tootel lahutage toitekaabel enne seadme transportimist või puhastamist seinakontaktist.
4. Vajutage piduri-/juhtpedaali juhtimise (roheline) pool alla.
5. Kasutage toote lükkamiseks lükkamiskäepidemeid.
6. Rakendage pidurid toote paigale lukustamiseks.

Märkus - Enne kui püüate toodet liigutada veenduge alati, et pidur on vabastatud, et vältida kasutaja või patsiendi vigastusi.

Patsiendi transportimine ilma Big Wheelita

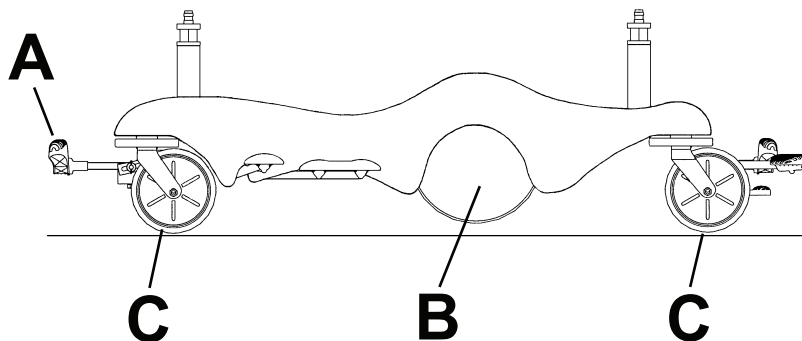
HOIATUS

- Paigutage patsient alati toote keskele.

- Patsiendi transportimisel fikseerige küljepiirded alati kõrgeimas asendis, seades magamispinna horisontaalseks ja alumisse asendisse.
-

Patsiendi transportimiseks ilma **Big Wheelita** tehke järgmist:

1. Viige piduri-/sõidupedaal (A) neutraalasendisse (Joonis 9).



Joonis 9 – Transportimine ilma Big Wheelita

2. Langetage alusmatt kõige alumisse asendisse.
3. Mudeli 1125 puhul veenduge, et sisse-/väljalülitamise lüliti (On/Drive-Off/Manual) oleks väljas.
4. Valikulise elektriajamiga tõstuki/alusmatiga varustatud tootel eemaldage toitekaabel enne seadme transportimist või puhastamist haiglaklassi seinakontaktist.
5. Kasutage toote lükkamiseks lükkamiskäepidemeid.
6. Rakendage pidurid toote paigale lukustamiseks.

Märkus

- Enne kui püüate toodet liigutada veenduge alati, et pidur on vabastatud, et vältida kasutaja või patsiendi vigastusi.
- Kui toode on neutraalasendis, on **Big Wheel** (B) üles tõstetud ja toode toetub kõigile neljale rattale (C) (Joonis 9). Selles asendis saate toodet liigutada igas suunas, sealhulgas külgsuunas.

Patsiendi transportimine Big Wheeli kasutades

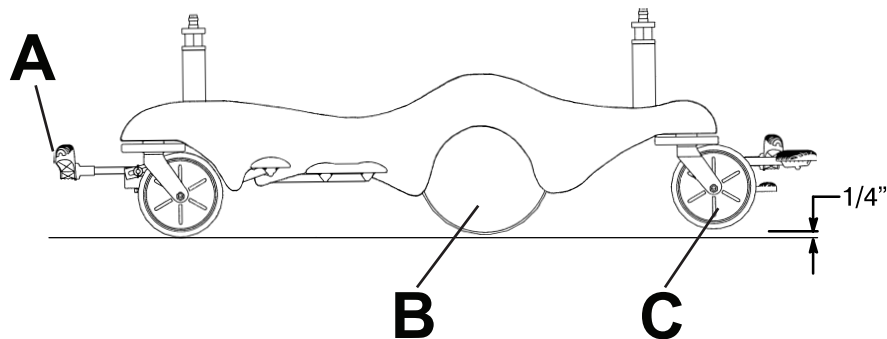
HOIATUS

- Paigutage patsient alati toote keskele.
 - Patsiendi transportimisel fikseerige küljepiirded alati kõrgeimas asendis, seades magamispinna horisontaalseks ja alumisse asendisse.
-

ETTEVAATUST - Ärge vajutage sõidupedaali, kui **Big Wheeli** rattad toetuvad ukسلävele või muule kõrgendatud alale. **Big Wheeli** rakendamiseks vajalik jõud on tavalisest suurem, mis võib toodet kahjustada.

Patsiendi transportimine **Big Wheeli** kasutades:

1. Tõstke küljepiirded kõige kõrgemasse asendisse. Tõmmake kumbagi küljepiiret ja veenduge, et need on riivistatud.
2. Langetage alusmatt kõige alumisse asendisse.
3. Mudeli 1125 puhul veenduge, et sisse-/väljalülitamise lüliti (On/Drive-Off/Manual) oleks väljas.
4. Valikulise elektriajamiga tõstuki/alusmatiga varustatud tootel eemaldage toitekaabel enne seadme transportimist või puhastamist haiglaklassi seinakontaktist.
5. Viige piduri-/sõidupedaal (A) sõiduasendisse (Joonis 10).



Joonis 10 – Transportimine Big Wheeliga

6. Kasutage toote lükkamiseks lükkamiskäepidemeid.
7. Rakendage pidurid toote paigale lukustamiseks.

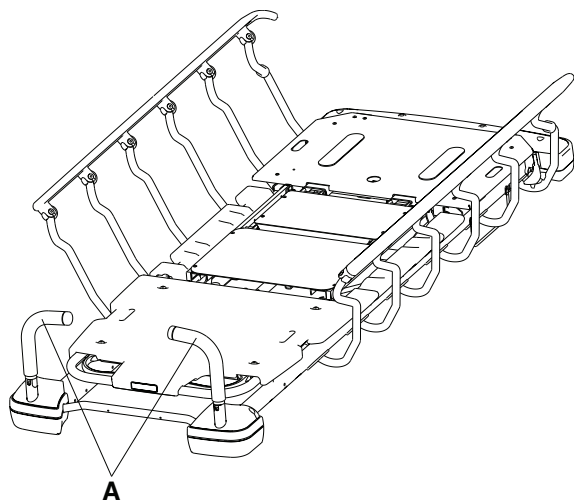
Märkus

- Enne toote liigutamist veenduge alati, et pidur oleks vabastatud. Rakendatud piduritega toote liigutamine võib põhjustada kasutajal või patsiendil vigastusi.
- **Big Wheel** (B) ei pöörle ümber oma telje. Kui **Big Wheel** on rakendatud, ei saa toodet külgsuunas liigutada.
- Kui **Big Wheel** (B) rakendatakse, tõuseb toode kõrgemale ja jalapoolsed rattad (C) on üleval. Toode toetub peasa ratastele ja **Big Wheel** hõlbustab toote juhtimist (Joonis 10).

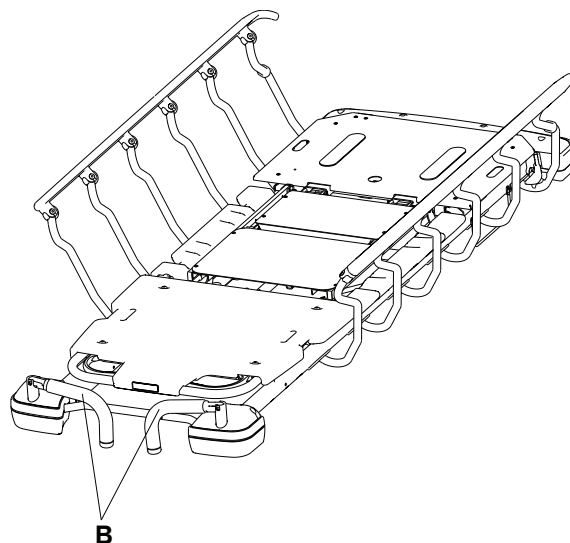
Peatsi tõukekäepidemete võimaluse asendi seadmine või hoiule panek

Peatsi tõukekäepidemete paigutamiseks või hoiule panemiseks:

1. Pöörake käepidemed (A) toote peasa juurest üles (Joonis 11).
2. Suruge käepidemed alla nende paigale fikseerimiseks.



Joonis 11 – Peasa lükkamiskäepidemete paigaldamine



Joonis 12 – Peasa lükkamiskäepidemete hoiule panemine

3. Peasa lükkamiskäepidemete (B) hoiule panemiseks järgige neid samme vastupidises järjekorras (Joonis 12).

Märkus - Toote kahjustamise vältimiseks kasutage tõukekäepidemeid ainult lükkamis-/tõmbamisvahendina, kui ei ole teisiti märgitud.

Küljepiirde tõstmine

HOIATUS

- Üle 2,5 tolli (6,35 cm) paksuse madrati või pealismadrati kasutamisel variandiga **Prime X** tuleb alati olla eriti ettevaatlik.
 - Patsiendi järelevalveta jätmisel seadke toode alati madalaimasse asendisse, küljepiirded ülal ja riivi pandud. Ärge jätke toodet kõrgemasse asendisse.
 - Patsiendi vedamisel lukustage madalaimas asendis oleva tasase magamispinna küljepiirded alati kõrgeimas asendis.
 - Küljepiirde tõstmisel või langetamisel hoidke patsiendi jäsemed küljepiirete võllidest alati eemal.
 - Ärge laske küljepiiretel iseeneslikult alla langeda.
-

Küljepiirde tõstmiseks:

1. Haarake kahe käega küljepiirdest.
2. Tõstke küljepiiret toote jalaosa poole, kuni kollane vabastusriiv klõpsuga fikseerub. Tõmmake küljepiiret, et veenduda, et see on riivi pandud.

Märkus

- Saadaval on valikuline kahepoolne küljepiirde vabasti riividega toote mõlemas otsas.
- Ärge kasutage küljepiirdeid kinni hoidmise vahendina patsiendi tootelt lahkumise takistamisel. Küljepiirded takistavad patsienti tootelt maha veeremast. Kasutaja peab määrama kinni hoidmise astme, et tagada patsiendi ohutus.
- Võite küljepiirde ülemise reelingu jalutsiosa kasutada lükkamis-/tõmbamisvahendina.
- Küljepiirded lukustuvad üksnes kõrgeimas asendis.

Küljepiirde langetamine

HOIATUS

- Üle 2,5 tolli (6,35 cm) paksuse madrati või pealismadrati kasutamisel variandiga **Prime X** tuleb alati olla eriti ettevaatlik.
 - Patsiendi järelevalveta jätmisel seadke toode alati madalaimasse asendisse, küljepiirded ülal ja riivi pandud. Ärge jätke toodet kõrgemasse asendisse.
 - Patsiendi vedamisel lukustage madalaimas asendis oleva tasase magamispinna küljepiirded alati kõrgeimas asendis.
 - Küljepiirde tõstmisel või langetamisel hoidke patsiendi jäsemed küljepiirete võllidest alati eemal.
 - Ärge laske küljepiiretel iseeneslikult alla langeda.
-

Küljepiirde langetamine:

1. Haarake ühe käega küljepiirdest.
2. Tõmmake teise käega kollane vabastusriiv üles.
3. Tõstke küljepiire üles ja suunake see toote peaosa poole, kuni kollane vabastusriiv klõpsuga fikseerub. Tõmmake küljepiiret, et veenduda, et see on riivi pandud.

Märkus

- Saadaval on valikuline kahepoolne küljepiirde vabasti riividega toote mõlemas otsas.
- Ärge kasutage küljepiirdeid kinni hoidmise vahendina patsiendi tootelt lahkumise takistamisel. Küljepiirded takistavad patsienti tootelt maha veeremast. Kasutaja peab määrama kinni hoidmise astme, et tagada patsiendi ohutus.
- Võite küljepiirde ülemise reelingu jalutsiosa kasutada lükkamis-/tõmbamisvahendina.
- Küljepiirded lukustuvad üksnes kõrgeimas asendis.

Toote asendi seadmine küljepiiridel asuva patsiendi juhtpaneeliga – valikuline elektriajamiga alusmatt – ainult variandil Prime

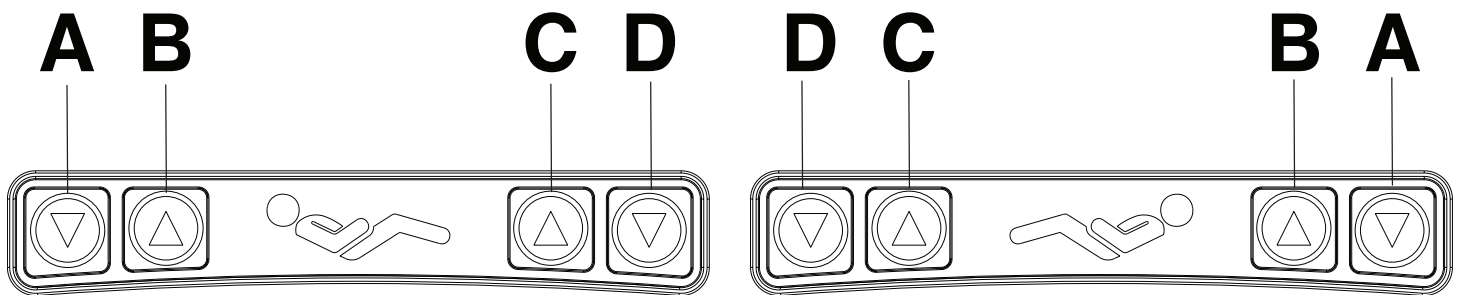
HOIATUS - Toodet võib reguleerida ainult siis, kui kõik kasutajad on mehhanismidest eemal.

Kasutage Fowleri seljatoe ja põlvetõsturi asendi seadmiseks küljepiiridel asuvat patsiendi juhtpaneeli (Joonis 13).

Tervishoiutöötajad peavad patsiente juhendama patsiendi juhtseadiste kasutamise asjus.

Märkus

- Ühendage toitejuhe alati nõuetekohaselt maandatud haiglaklassi seinakontakti.
- Patsiendi küljepiirde juhtpaneel on paigutatud vahelduvalt toote mõlemale küljele patsiendile juurdepääsu kergendamiseks.
- Mõlemal küljepiiridel on taustvalgustusega juhtseadised, mis võimaldavad patsiendil Fowleri seljatoe ja põlvetõsturi asendit muuta. Kui toode on elektrikontakti ühendatud ja patsiendi juhtpaneeli lukustus avatud, on valged nupud valgustatud.



Joonis 13 – Patsiendi küljepiirde juhtpaneel

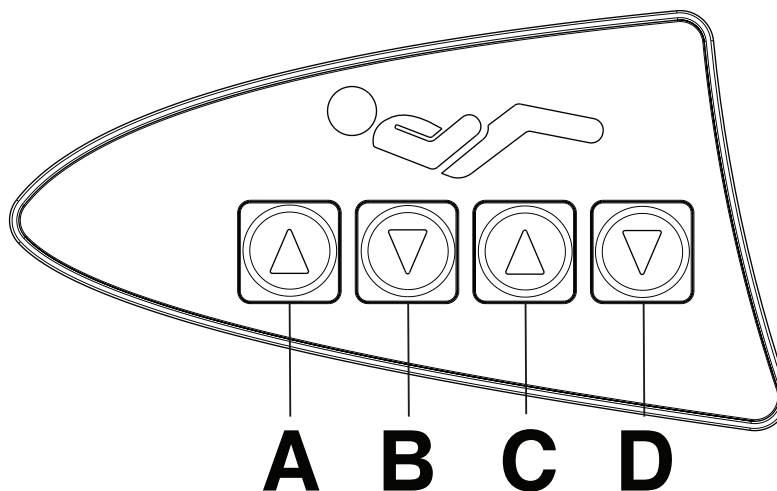
A	Fowler alla	Langetab Fowlerit (peatsis)
B	Fowler üles	Tõstab Fowlerit (peatsis)
C	Põlvetõstur üles	Tõstab põlvetõsturit (jalutsis)
D	Põlvetõstur alla	Langetab põlvetõsturit (jalutsis)

Kasutaja juhtpaneel – valikuline elektriajamiga alusmatt – ainult variandil Prime

HOIATUS - Toodet võib reguleerida ainult siis, kui kõik kasutajad on mehhanismidest eemal.

Kasutage kasutaja juhtpaneeli patsiendi asendi reguleerimiseks tootel (Joonis 14).

Märkus - Ühendage toitejuhe alati nõuetekohaselt maandatud haiglaklassi seinakontakti.



Joonis 14 – Kasutaja juhtpaneel – valikuline elektriajamiga alusmatt

A	Fowler üles	Tõstab Fowleri seljatuge
B	Fowler alla	Langetab Fowleri seljatuge
C	Põlvetõstur üles	Tõstab põlvetõsturit
D	Põlvetõstur alla	Langetab põlvetõsturit

Patsiendi juhtpaneeli lukustamise sisse- ja väljalülitamine – valikuline elektriajamiga alusmatt – ainult Prime

HOIATUS - Toodet võib reguleerida ainult siis, kui kõik kasutajad on mehhanismidest eemal.

Küljepiirde patsiendi juhtpaneeli lukustamiseks vajutage üks kord **Unlock (Ava) / Lock (Lukusta)** (A) (Joonis 15).

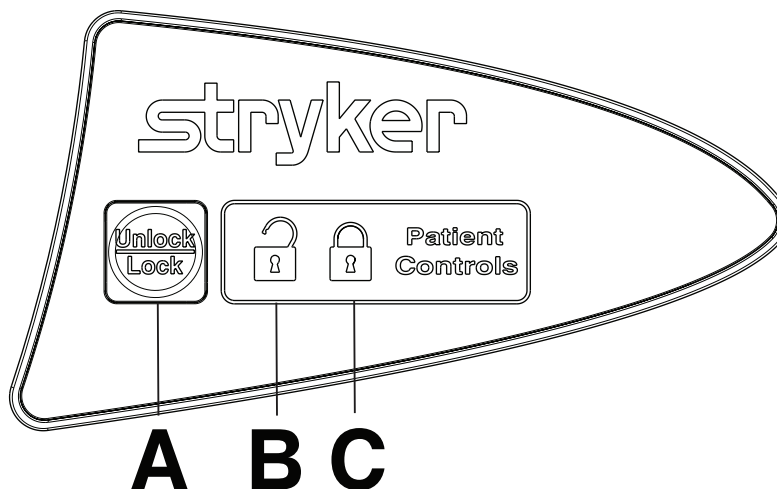
Märkus - Kui patsiendi juhtseadised on lukustatud, põleb ikoon (C) merevaikkollasena.

Küljepiirde patsiendi juhtpaneeli avamiseks vajutage teist korda **Unlock (Ava) / Lock (Lukusta)** (A).

Märkus - Patsiendi juhtseadiste lahtilukustamise korral põleb lahtilukustuse ikoon (B) roheliselt.

Märkus

- Ühendage toitejuhe alati nõuetekohaselt maandatud haiglaklassi seinakontakti.
- Patsiendi juhtpaneeli saab lukustada, et takistada patsiendil seljatoe ja põlvetõsturi liigutamist.
- Kui lukustate patsiendi juhtpaneeli, ei ole küljepiirde patsiendi juhtpaneelil taustvalgust.



Joonis 15 – Patsiendi juhtpaneeli blokeerimine

Fowleri seljatoe tõstmine ja langetamine – elektriajamita alusmatt

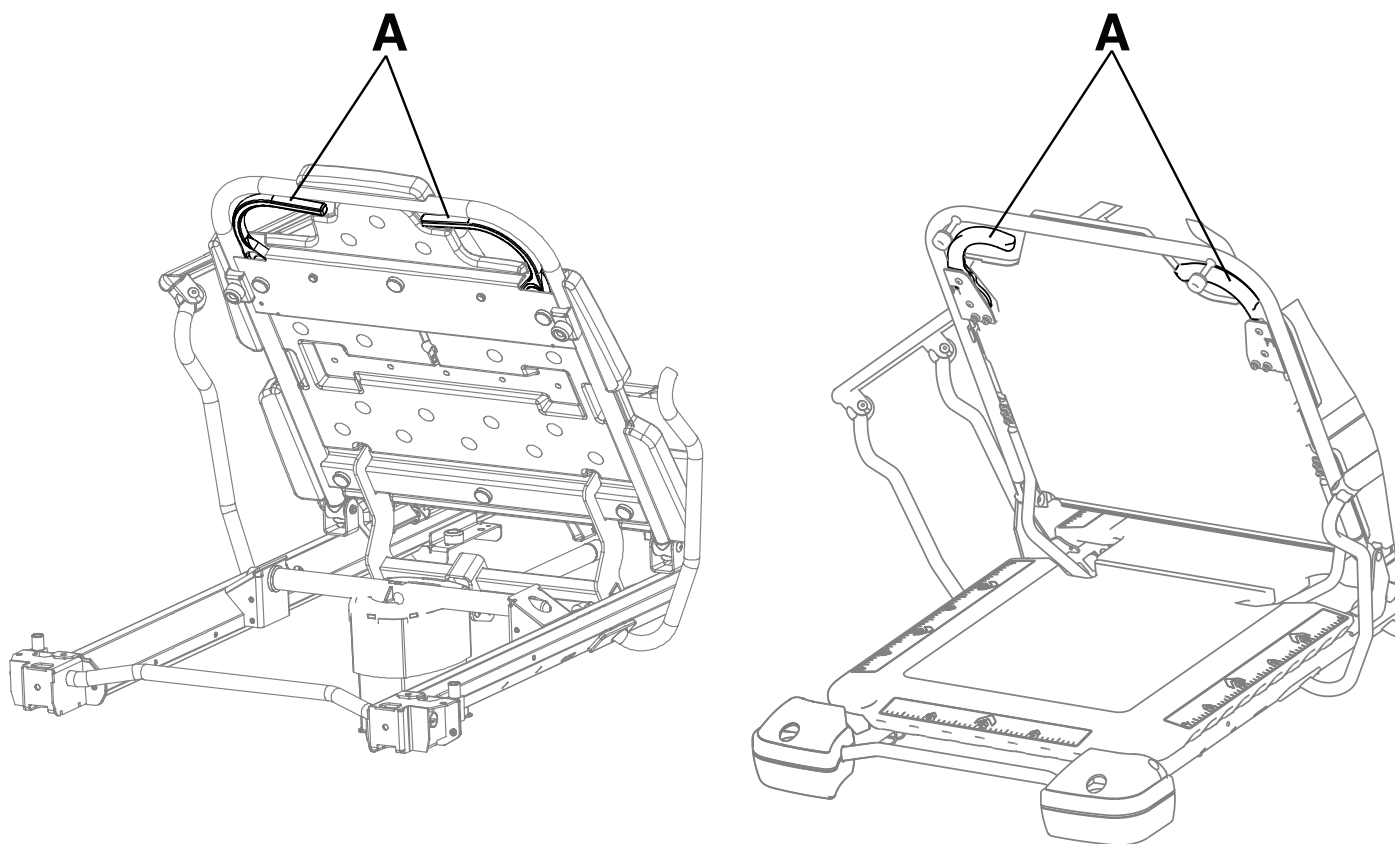
HOIATUS

- Toodet võib reguleerida ainult siis, kui kõik kasutajad on mehhanismidest eemal.
- Fowleri seljatoe langetamisel hoidke käed ja sõrmed Fowleri seljatoe vabastuskäepidemeist ning Fowleri seljatoe raamist alati eemal.
- Olge alati ettevaatlik Fowleri seljatoe tõstmisel, kui patsient on toote peal. Kasutage õigeid tõstmisvõtteid ja vajaduse korral abi.

Fowleri seljatoe tõstmiseks pigistage üht või mõlemat Fowleri seljatoe vabastuskäepidet (A) ja tõmmake Fowleri seljatugi üles soovitud asendisse (0° kuni 90°) (Joonis 16).

Märkus - Seljatoel **Lift Assist**® kasutatakse patsiendi asendi saavutamisel abina patsiendi raskust. Seljatugi **Lift Assist** aitab ka vältida Fowleri seljatoe tõstmisel patsiendi libisemist toote jalaosa poole.

Fowleri seljatoe langetamiseks pigistage üht või mõlemat Fowleri seljatoe vabastuskäepidet (A) ja lükake Fowleri seljatugi alla soovitud asendisse (90° kuni 0°) (Joonis 16).



Joonis 16 – Fowleri seljatoe tõstmine ja langetamine (Prime / Prime X)

Fowleri seljatoe tõstmine ja langetamine – elektriajamiga alusmatiga variant

HOIATUS

- Toodet võib reguleerida ainult siis, kui kõik kasutajad on mehhanismidest eemal.
- Fowleri seljatoe langetamisel hoidke käed ja sõrmed Fowleri seljatoe vabastuskäepidemeist ning Fowleri seljatoe raamist alati eemal.
- Olge alati ettevaatlik Fowleri seljatoe tõstmisel, kui patsient on toote peal. Kasutage õigeid tõstmisvõtteid ja vajaduse korral abi.

Fowleri seljatoe tõstmiseks vajutage nuppu **up** (üles) Fowleri seljatoe poolse küljepiirde patsiendi juhtpaneelil (*Toote asendi seadmine küljepiirdel asuva patsiendi juhtpaneeliga – valikuline elektriajamiga alusmatt – ainult variandil Prime (lk 23)*) või jalaosal asuval kasutaja juhtpaneelil (*Kasutaja juhtpaneel – valikuline elektriajamiga alusmatt – ainult variandil Prime (lk 23)*), kuni Fowleri seljatugi on saavutanud soovitud nurga (0° kuni 70°).

Märkus - Seljatoel **Lift Assist** kasutatakse patsiendi asendi saavutamisel abina patsiendi raskust. Seljatugi **Lift Assist** aitab ka vältida Fowleri seljatoe tõstmisel patsiendi libisemist toote jalaosa poole.

Fowleri seljatoe langetamiseks vajutage nuppu **down** (alla) Fowleri seljatoe poolse küljepiirde patsiendi juhtpaneelil (*Toote asendi seadmine küljepiirdel asuva patsiendi juhtpaneeliga – valikuline elektriajamiga alusmatt – ainult variandil Prime (lk 23)*) või jalaosal asuval kasutaja juhtpaneelil (*Kasutaja juhtpaneel – valikuline elektriajamiga alusmatt – ainult variandil Prime (lk 23)*), kuni Fowleri seljatugi on saavutanud soovitud nurga (70° kuni 0°).

Märkus - Ühendage toitejuhe alati nõuetekohaselt maandatud haiglaklassi seinakontakti.

Tervishoiutöötajad peavad patsiente juhendama patsiendi juhtseadiste kasutamise asjus.

Põlvetõsturi tõstmine või langetamine – elektriajamita alusmatt – ainult variandil Prime

HOIATUS - Põlvetõsturi langetamisel hoidke alati käed ja sõrmed jalaosa lükkamiskäepidemetest eemal.

ETTEVAATUST

- Põlvetõsturi kandevõime on 200 naela (90,7 kg).
 - Enne kasutamist veenduge alati, et põlvetõsturi tugivarras on kindlalt kinnitatud.
 - Ärge istuge ega seiske põlvetõsturile.
-

Elektriajamita põlvetõsturi tõstmiseks pumbake korduvalt põlvetõsturi pumba käepidet vasakule kuni soovitud asendi saavutamiseni (vt *Toote illustratsioon – alusmatt Prime*).

Kergitage põlvetõsturi otsa ja kinnitage tugivarras toendisse.

Tugivarda vabastamiseks kergitage põlvetõsturi otsa, pöörake tugivarras toote peaosa poole ja langetage jalaosa.

Põlvetõsturi langetamiseks tõmmake põlvetõsturi vabastamise käepidet kuni soovitud asendi saavutamiseni (vt *Toote illustratsioon – alusmatt Prime*).

Märkus - Põlvetõsturit ei saa manuaalselt tõsta, kui tootel on valikuline elektriajamiga alusmatt.

Põlvetõsturi tõstmine või langetamine – valikuline elektriajamiga alusmatt – ainult variandil Prime

HOIATUS

- Põlvetõsturi langetamisel hoidke alati käed ja sõrmed jalaosa lükkamiskäepidemetest eemal.
 - Toodet võib reguleerida ainult siis, kui kõik kasutajad on mehhanismidest eemal.
-

ETTEVAATUST

- Põlvetõsturi kandevõime on 200 naela (90,7 kg).
 - Ärge istuge ega seiske põlvetõsturile.
 - Kui tootel pole elektritoidet, olge põlvetõsturit langetades alati ettevaatlik. Põlvetõstur võib raskusjõu toimel kiirelt kukkuda.
-

Põlvetõsturi tõstmiseks vajutage nuppu **up** (üles) põlvetõsturi poolse küljepiirde patsiendi juhtpaneelil või jalaosal asuval kasutaja juhtpaneelil.

Põlvetõsturi langetamiseks vajutage nuppu **down** (alla) põlvetõsturi poolse küljepiirde patsiendi juhtpaneelil või jalaosal asuval kasutaja juhtpaneelil.

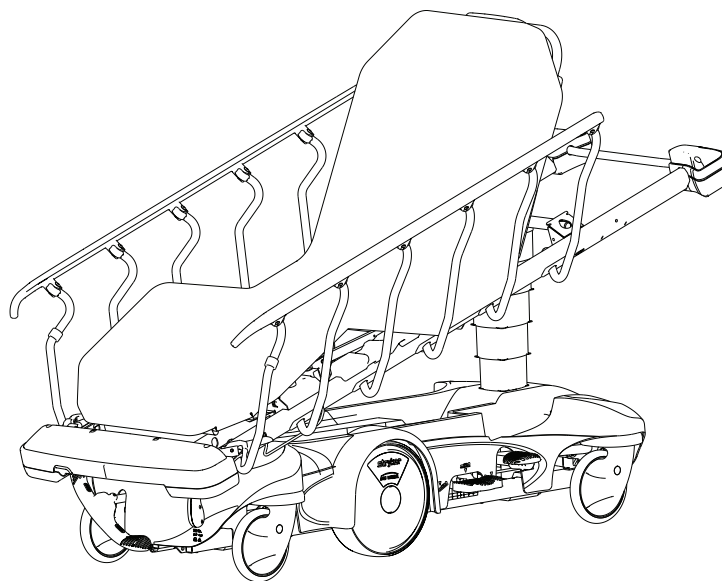
Märkus - Ühendage toitejuhe alati nõuetekohaselt maandatud haiglaklassi seinakontakti.

Tervishoiutöötajad peavad patsiente juhendama patsiendi juhtseadiste kasutamise asjus.

Taastumistooli asendisse seadmine – ainult variandil Prime

HOIATUS - Toodet võib reguleerida ainult siis, kui kõik kasutajad on mehhanismidest eemal.

Toote seadmine taastumistooli asendisse (Joonis 17):



Joonis 17 – Taastumistool (näidatud mudel 1115)

1. Tõstke Fowleri seljatugi isteasendisse (*Fowleri seljatoe tõstmine ja langetamine – elektriajamita alusmatt (lk 25) või Fowleri seljatoe tõstmine ja langetamine – elektriajamiga alusmatiga variant (lk 26)*).

Märkus - Taastumistooli asendisse seadmiseks peab tootel olema valikuline seljatugi **Lift Assist** ja valikuline põlvetõstur.

2. Tõstke põlvetõstur kõrgeimasse asendisse (*Põlvetõsturi tõstmine või langetamine – elektriajamita alusmatt – ainult variandil Prime (lk 27) või Põlvetõsturi tõstmine või langetamine – valikuline elektriajamiga alusmatt – ainult variandil Prime (lk 27)*).
3. Tõstke alusmatt kõrgeimasse asendisse (*Elektriajamita alusmatti tõstmine (lk 17) või Valikulise elektriajamiga alusmatti tõstmine (lk 18)*).
4. Seadke toode anti-Trendelenburgi asendisse (*Toote anti-Trendelenburgi asendi seadmine (lk 19)*).
5. Toote langetamiseks horisontaalasendisse järgige neid samme vastupidises järjekorras.

Esemete hoidmine aluse panipaigas

ETTEVAATUST

- Ärge asetage aluse panipaika esemeid kaaluga üle 60 lb (27 kg).
- Ärge istuge ega seiske aluse panipaigal ega astuge selle peale.

Patsiendi isiklike esemeid võite hoida aluse panipaigas. Ärge kasutage hapnikuballooni hoidiku süvendit hapnikuballoonide või patsiendi isiklike asjade hoidmiseks.

Seadmete riputamine pumbaraamiga versioonide puhul

HOIATUS

- Hoidke seadme voolikud alati pumbaraamil, põlvetõsturi käepidemetest eemal.
- Eemaldage enne alusmatti tõstmist või langetamist kõik seadmed, mis võivad ette jääda.
- Veenduge alati, et pumbaraamil oleval seadmed mahuvad ohutult läbi ukseavade.
- Ärge tõstke toodet pumbaraamist.

ETTEVAATUST

- Pumbaraami kandevõime on 40 naela (18 kg).
 - Ärge kasutage pumbaraami lükkamis- või tõmbamisvahendina. See võib toodet kahjustada.
-

Toote jalaosas asuval pumbaraamil võite hoida või selle külge riputada lisaseadmeid.

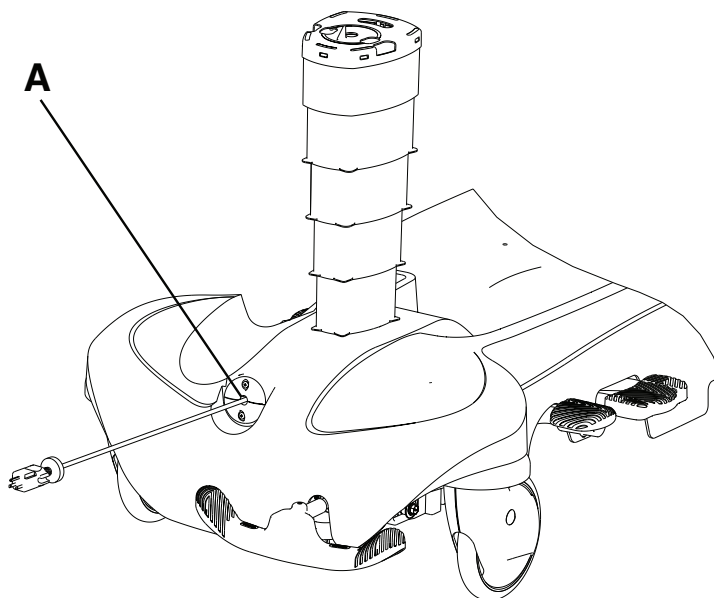
Märkus - Pumbaraamiga variant tuleb valida toote ostmisel.

Toitejuhtme välja- või sissetõmbamine valikulise sissetõmmatava juhtmepooli korral – valikuline elektriajamiga tõstuk/alusmatt

HOIATUS

- Enne toote transportimist või puhastamist lahutage toitejuhe alati seinakontaktist.
 - Toote transportimisel kasutage toitejuhtme hoidmiseks alusraamis sissetõmmatavat juhtmepooli.
-

Toitejuhtme väljatõmbamiseks tõmmake toitejuhe sissetõmmatavast juhtmepoolist (A) soovitud pikkuses välja (Joonis 18).



Joonis 18 – Sissetõmmatav juhtmepool

Toitejuhtme sissetõmbamiseks:

1. Lahutage toitejuhe seinakontaktist.
2. Tõmmake toitejuhet kergelt.
3. Juhtige toitejuhe sissetõmmatavale juhtmepoolile.

Valikuline kaalusüsteem

HOIATUS - Ärge kasutage valikulist kaalusüsteemi ega valikulist elektriajamiga tõstuki/alusmatti teiste seadmete kõrval, peal ega all. Külgneva või virnastatud kasutamise vajaduse korral tuleb valikulist kaalusüsteemi või valikulist elektriajamiga tõstuki/alusmatti kontrollida, et tagada kõikide seadmete nõuetekohane töö kasutatavas konfiguratsioonis.

ETTEVAATUST - Ärge kasutage kaalu patsientidel kehakaaluga alla 50 naela (23 kg).

Valikuline kaalusüsteem on saadaval valikulise elektriajamiga või elektriajamita alusmatiga toodetele. Valikulisel kaalusüsteemil on valikuline varuaku. Ooterežiimi ikoon näitab, kui toode kasutab varuakut.

Valikuline **Chaperone**-funktsioon võimaldab samuti tsooni juhtseadiste seadmist kasutaja teavitamiseks, kui patsient võib üritada tootelt maha tulla. Valikuline **Chaperone**-funktsioon on saadaval valikulise elektriagamiga alusmatiga ja valikulise kaalusüsteemiga toodetel. **Chaperone**-funktsiooniga valikulisel kaalusüsteemil on valikuline varuaku. Ooterežiimi ikoon näitab, kui toode kasutab varuakut.

Enne kui püüate valikulist kaalusüsteemi kasutada, tõstke jalaosa lükkamiskäepidemed üles.

Kasutage valikulise kaalusüsteemi käitamiseks kaalusüsteemi juhtpaneeli (*Kaalu ikoon / nuppude tähistus* (lk 30)).

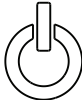






Ärge puudutage toodet, kui kasutate valikulist kaalusüsteemi kaalumiseks või seda nullite.

Kui süsteem kaalub, peab patsient olema liikumatu. Patsiendi liikumisel üritab süsteem 20 sekundi jooksul mõõta stabiilset kaalu või nullib selle väärtuse ja kuvab veateate (⟨⟨⏏⟩⟩).

Kui ühendus on halb või kaal ei tööta, kuvatakse viga (⟨⟨⏏⟩⟩). Kui püüate kaalu uuesti kasutada ja tekib taas viga, võtke ühendust Strykeri tehnilise toega.

Märkus - Kaalusüsteemi nimitäpsuse tagamiseks peab patsiendipind paiknema rõhtsalt (Fowleri seljatugi ja põlvetõstuk langetatud) ning kandraami Trendelenburgi/anti-Trendelenburgi asendi nurk ei tohi ületada 5 kraadi.

Kaalu ikoon / nuppude tähistus

Osa	Ikon/nupp	Nimetus	Kirjeldus
A		Ooterežiimi ikoon	Toitejuhtme ühendamisel seinakontakti süttib roheline tuli. Toitejuhtme seinakontaktist lahutamisel süttib merevaikkollane tuli. Lülitub sisse varuaku funktsioon.
B		Tsooni 1 ikoon	Patsient võib end vabalt liigutada, kuid kui patsient püüab tootelt lahkuda, kostub alarmsignaali.
C		Tsooni 2 ikoon	Patsiendi liigutused on piiratud. Kui patsient läheneb küljepiiretele või liigub jalutsi poole, kostub alarmsignaali.
D		Aktiveerimise/ desaktiveerimise nupp	Chaperone -funktsiooni aktiveerimine ja desaktiveerimine (kandraamilt lahkumine). Vt <i>Valikulise Chaperone-funktsiooni sisseväljalülitamine</i> (lk 31).
E		Kaalu nupp	Kaalub patsienti. Vt <i>Patsiendi kaalumine</i> (lk 30).
F		Nupp nael/kg	Muudab kuvatavat mõõtühikut. Vt <i>Kaalu mõõtühiku lukustamine</i> (lk 31).
G		Nullimisnupp	Nullib kaalu seaded. Vt <i>Kaalu mõõtühiku lukustamine</i> (lk 31).

Patsiendi kaalumine

ETTEVAATUST - Ärge kasutage kaalusüsteemi näitu meditsiinilise ravi määramise jaoks.

1. Enne valikulise kaalusüsteemi kasutamist tõstke jalaosa lükkamiskäepidemed üles.
2. Kaalu nullimiseks hoidke all nuppu **Zero** (null), kuni ekraanile kuvatakse **rel** (vabastus). **000.0** vilgub ja lõpetab vilkumise.

Märkus - Kaal ei ole kasutamiseks valmis enne, kui **000.0** vilkumine lõpeb.

3. Paigutage patsiendi tootele.
4. Vajutage **lb/kg**, et valida mõõtühik (nael või kg).
5. Vajutage **Weigh** (kaal), et patsienti kaaluda.

Märkus - Patsiendi kaal kuvatakse 40 sekundiks.

Kaalu mõõtühiku lukustamine

1. Hoidke all nuppe **Weigh** (kaal), **lb/kg** ja **Zero** (null), kuni kuvatakse **diag** (diagnostika).
2. Vajutage **lb/kg** või **Zero** (null), et kuvada **Unit Loc** (mõõtühiku lukustus).
3. Ilma Chaperone'ita kaalu korral hoidke all nuppe **lb/kg** ja **Zero** (null), kuni kuvatakse **rel** (vabastus), et saaksite valida **Unit Loc** (mõõtühiku lukustus).
4. **Chaperone**'iga kaalu korral hoidke all nuppe **lb/kg** ja **Zero** (null), et valida **Unit Loc** (mõõtühiku lukustus).
5. Vajutage nuppe **lb/kg** või **Zero** (null), et valida **lb**, **kg** või **Any** (kumbki).
6. Vajutage korra nuppe **lb/kg** ja **Zero** (null). **Only** (ainult) ja valitud mõõtühik kuvatakse ekraanile.

Märkus - Näitu **Only** (ainult) ei kuvata, kui te valite **Any** (kumbki).

7. Hoidke all nuppu **Weigh** (kaal), kuni kuvatakse **quit** (lõpeta).
8. Hoidke all nuppu **Zero** (null), kuni kuvatakse **rel** (vabastus). **000.0** vilgub ja lõpetab vilkumise.

Märkus - Kaal ei ole kasutamiseks valmis enne, kui **000.0** vilkumine lõpeb.

Valikulise Chaperone-funktsiooni sisse-väljalülitamine

Chaperone-funktsiooni sisselülitamisel jälgib see patsiendi asendit tootel.

Chaperone-funktsiooni sisse- ja väljalülitamine:

1. Kui patsient on tootel, vajutage **Arm (Sees) / Disarm (Väljas)**.

Märkus - See lülitab 1. tsooni sisse. 1. tsooni sisselülitamisel süttib see merevaikkollase tulena.

2. 2. tsooni sisselülitamiseks vajutage lülitit **Arm (Sees) / Disarm (Väljas)** kaks korda 3 sekundi jooksul.

Märkus - See lülitab 2. tsooni sisse. 2. tsooni sisselülitamisel süttib see merevaikkollase tulena.

3. **Chaperone**-funktsiooni väljalülitamiseks vajutage lülitit **Arm (Sees) / Disarm (Väljas)** alla ja hoidke seda all.

Märkus - Enne **Chaperone**-funktsiooni sisselülitamist peate kaalunäidu nulli viima.

Märkus - Kui patsient liigub valitud tsoonist välja, hakkab merevaikkollane tuli vilkuma, valikulise kaalusüsteemi ekraanil vilgub **Alrt** ja kostub alarmsignaal.

Chaperone-funktsiooni alarmimustrite seadistamine

Chaperone-funktsiooni alarmimustrite muutmise:

1. Vajutage nupud **Arm (Sees) / Disarm (Väljas)** ja **Weigh (Kaal)** koos alla ning hoidke ligikaudu 6 sekundit all. Ignoreerige kõiki kuvasõnumeid kuni teksti **Ptrn** ilmumiseni (vt *Kaalu ikoon / nuppude tähistus* (lk 30)).
2. Vabastage nupud **Arm (Sees) / Disarm (Väljas)** ja **Weigh (Kaal)**.

Märkus - Kuvale ilmub mustri seadistus **P (1-10)**.

3. Vajutage **Arm (Sees) / Disarm (Väljas)** või **Weigh (Kaal)** muustrite valikutes kerimiseks.

Märkus - Alarmide valikute kerimisel kostub alarm lühidalt prooviks.

4. Vajutage **Arm (Sees) / Disarm (Väljas)** ja **Weigh (Kaal)** mõlemad alla ning hoidke ligikaudu 6 sekundit all, kuni kuvale ilmub **set** (seatud) teie valitud mustri salvestamiseks.

5. Vabastage **Arm (Sees) / Disarm (Väljas)** ja **Weigh (Kaal)**.

Märkus - Kuvatakse teie valitud alarmi seadistus. Teie alarmi seadistust kinnitatakse lühidalt alarmi prooviga.

Chaperone-funktsiooni helitugevuse seadistamine

Chaperone-funktsiooni helitugevuse muutmine:

1. Vajutage ja hoidke nuppe **Zero** ning **lb/kg** koos all, kuni kuvatakse **vol** (Kaalul ikoon / nuppude tähistus (lk 30)).

2. Vabastage nupud **Zero** ja **lb/kg**.

Märkus - Kuvatakse helitugevuse tasemed **L (1–4)**.

3. Vajutage **Zero** või **lb/kg** helitugevuste tasemetes kerimiseks.

Märkus - Helitugevuse tasemetes kerimisel kostub helitugevus lühidalt prooviks.

4. Vajutage **Zero** ja **lb/kg** mõlemad alla ning hoidke ligikaudu 6 sekundit all, kuni kuvale ilmub **set** (seatud) teie valitud helitugevuse salvestamiseks.

5. Vabastage nupud **Zero** ja **lb/kg**.

Märkus - Kuvatakse teie valitud helitugevuse tase. Teie helitugevuse taseme seadistust kinnitatakse lühidalt helitugevuse taseme prooviga.

Valikulise kaalusüsteemi akukomplekti laadimine – valikuline elektriagamiga alusmatt või valikuline elektriagamiga alusmatt koos valikulise Chaperone-funktsiooniga – ainult variandil Prime

Kaalusüsteem valikulise elektriagamiga alusmatiga vajab üht 10,8 V liitiumioon-akukomplekti (0058-135-000 ilma Chaperone-funktsioonita; 0058-134-000 Chaperone-funktsiooniga). Kui aku laetuse indikaator näitab üht järelejäänud ühikut, laadige akukomplekt uuesti. Sel juhul ei lülitu valikuline kaalusüsteem akude tühjenemise tõttu välja.

Kaalusüsteemi liitiumioon-akukomplekti laadimiseks ühendage toitejuhe maandatud haiglaklassi seinakontakti. Akukomplekti täislaadimisele kulub ligikaudu kolm tundi.

Märkus - Kui toodet ei kasutata, ühendage toitejuhe alati maandatud haiglaklassi seinakontakti. See aitab akul hoida piisavat laetuse taset ja saavutada akutoitel toote maksimaalse jõudluse.

Valikulise kaalusüsteemi akude vahetamine – elektriagamita alusmatt

Kui aku laetuse indikaator näitab üht järelejäänud ühikut, vahetage akud. Sel juhul ei lülitu valikuline kaalusüsteem akude tühjenemise tõttu välja.

Kui kuval vilgub **Lo batt** (Tühjenevad akud), on akud nende madalaima laetusel ning valikuline kaalusüsteem ei toimi.

Vajalikud tööriistad:

- Phillipsi ristkruvits
- Neli AA-patareid (leelistüüpi, LR6).

Patareide vahetamiseks:

1. Eemaldage Phillipsi ristkruvitsa abil akupesade katet kuvarikoostule kinnitavad kruvid.
2. Võtke kõik neli AA-patareid välja ja kõrvaldage.

Märkus - Kõrvaldage vanad patareid alati nõuetekohaselt kohalike eeskirjade järgi.

3. Paigaldage neli uut AA-patareid, nagu näidatud akuhoidikul.

Märkus - Ärge kunagi kasutage vanu patareisid koos uutega.

4. Kasutage 1. sammus eemaldatud kruvisid akupesa katte tagasi paigaldamiseks kuvarikoostule.

Tarvikud ja osad

Teie tootega kasutamiseks võivad olla saadaval järgmised tarvikud. Kinnitage saadavus oma konfiguratsiooni või piirkonna jaoks. Helistage Strykeri klienditeenindusse, tel. 1-800-327-0770.

Nimetus	Osa number
Defibrillaatori kandik	1105-045-200
Defibrillaatori kandik / jalaosa pikendus	1105-045-400
Jalutsiplaat/kaardihoidja	1105-045-500
Kannatõe komplekt	1105-045-022
Tilgutijala kandur	0785-155-000
HAVASU™ tilgutijalg, eemaldatav	0390-025-000
Tilgutijalg, kolmeosaline, jalutsipoolne, vasak, 26 tolli (66 cm)	1105-035-644
Tilgutijalg, kolmeosaline, jalutsipoolne, parem, 26 tolli (66 cm)	1105-035-639
Tilgutijalg, kolmeosaline, jalutsipoolne, vasak, 30 tolli (76 cm)	1105-035-344
Tilgutijalg, kolmeosaline, jalutsipoolne, parem, 30 tolli (76 cm)	1105-035-339
Tilgutijalg, kolmeosaline, jalutsipoolne, vasak, 30 tolli (76 cm) (valikuline Prime X)	1105-035-364
Tilgutijalg, kolmeosaline, jalutsipoolne, parem, 30 tolli (76 cm) (valikuline Prime X)	1105-035-361
Tilgutijalg, kolmeosaline, peapoolne, vasak, 26 tolli (66 cm)	1105-035-642
Tilgutijalg, kolmeosaline, peapoolne, parem, 26 tolli (66 cm)	1105-035-637
Tilgutijalg, kolmeosaline, peapoolne, vasak, 30 tolli (76 cm)	1105-035-342
Tilgutijalg, kolmeosaline, peapoolne, parem, 30 tolli (76 cm)	1105-035-337
Tilgutijalg, kolmeosaline, peapoolne, vasak, 30 tolli (76 cm) (valikuline Prime X)	1105-035-369
Tilgutijalg, kolmeosaline, peapoolne, parem, 30 tolli (76 cm) (valikuline Prime X)	1105-035-366
Tilgutijalg, kaheosaline, jalutsipoolne, vasak, 26 tolli (66 cm)	1105-035-640
Tilgutijalg, kaheosaline, jalutsipoolne, parem, 26 tolli (66 cm)	1105-035-643

Nimetus	Osa number
Tilgutijalg, kaheosaline, jalutsipoolne, vasak, 30 tolli (76 cm)	1105-035-340
Tilgutijalg, kaheosaline, jalutsipoolne, parem, 30 tolli (76 cm)	1105-035-343
Tilgutijalg, kaheosaline, jalutsipoolne, vasak, 30 tolli (76 cm) (valikuline Prime X)	1105-035-362
Tilgutijalg, kaheosaline, jalutsipoolne, parem, 30 tolli (76 cm) (valikuline Prime X)	1105-035-363
Tilgutijalg, kaheosaline, peapoolne, vasak, 26 tolli (66 cm)	1105-035-638
Tilgutijalg, kaheosaline, peapoolne, parem, 26 tolli (66 cm)	1105-035-641
Tilgutijalg, kaheosaline, peapoolne, vasak, 30 tolli (76 cm)	1105-035-341
Tilgutijalg, kaheosaline, peapoolne, parem, 30 tolli (76 cm)	1105-035-338
Tilgutijalg, kaheosaline, peapoolne, vasak, 30 tolli (76 cm) (valikuline Prime X)	1105-035-367
Tilgutijalg, kaheosaline, peapoolne, parem, 30 tolli (76 cm) (valikuline Prime X)	1105-035-368
Madrats, ComfortGel SE™ , tuletökkega, 26 tolli (66 cm)	1805-034-601
Madrats, ComfortGel SE , tuletökkega, 30 tolli (76 cm)	1805-034-301
Madrats, ComfortGel SE , tuletökkega, 26 tolli (66 cm)	1805-034-600
Madrats, ComfortGel SE , tuletökkega, 30 tolli (76 cm)	1805-034-300
Madrats, Enhanced Comfort, 3 tolli x 26 tolli (8 cm x 66 cm)	0785-034-613
Madrats, Enhanced Comfort, 3 tolli x 30 tolli (8 cm x 76 cm)	0785-034-313
Madrats, Enhanced Comfort, 4 tolli x 26 tolli (10 cm x 66 cm)	0785-034-623
Madrats, Enhanced Comfort, 4 tolli x 30 tolli (10 cm x 76 cm)	0785-034-323
Madrats, IsoFlex SE™ , tuletökkega, 30 tolli (76 cm)	1806-034-300
Madrats, IsoFlex SE , tuletökkega, 30 tolli (76 cm)	1806-034-301
Madrats, Ultra Comfort, 4 tolli x 26 tolli (10 cm x 66 cm)	0785-034-603
Madrats, Ultra Comfort, 4 tolli x 30 tolli (10 cm x 76 cm)	0785-034-303
Madrats, Ultra Comfort, 5 tolli x 26 tolli (13 cm x 66 cm)	0785-034-633
Madrats, Ultra Comfort, 5 tolli x 30 tolli (13 cm x 76 cm)	0785-034-333
Madrats, Ultra Comfort SE™ , 4 tolli x 26 tolli (10 cm x 66 cm)	1704-034-600
Madrats, Ultra Comfort SE , tuletökkega, rahvusvaheline, 4 tolli x 26 tolli (10 cm x 66 cm)	1704-034-601
Madrats, Ultra Comfort kandraami pikendi, 4 tolli x 26 tolli (10 cm x 66 cm)	1105-034-609

Nimetus	Osa number
Madrats, Ultra Comfort kandraami pikendi, 4 tolli x 30 tolli (10 cm x 76 cm)	1105-034-309
Madrats, Ultra Comfort SE , 3 tolli x 30 tolli (8 cm x 76 cm)	1703-034-300
Madrats, Ultra Comfort SE , tuletõkkega, 3 tolli x 30 tolli (8 cm x 76 cm)	1703-034-301
Madrats, Ultra Comfort SE , 4 tolli x 30 tolli (10 cm x 76 cm)	1704-034-300
Madrats, Ultra Comfort SE , tuletõkkega, 4 tolli x 30 tolli (10 cm x 76 cm)	1704-034-301
Püstine hapnikuballooni hoidja	1115-130-000
Valikuline pumbakang, 30 tolli (76 cm)	1105-045-035
Lükkamiskäepideme koost, jalaosas, 30 tolli (76 cm)	1105-048-030
Lükkamiskäepideme koost, peaosas, 30 tolli (76 cm)	1105-048-060
Kinnitusrihmade pakk	0785-045-010
Kinnitusrihm, pahkluu	0785-045-020
Kinnitusrihm, keha	0785-045-015
Kinnitusrihm, ranne	0946-044-000
Kinnitusrihm, rindkere	1010-058-000
Serveerimiskandik	1105-045-700
Serveerimiskandiku hoidik/jalutsiplaat	1105-045-800
Küljepiirde padjad	1001-052-000
Külgmine röntgenikasseti hoidik	1105-045-100
Püstine röntgenikasseti hoidik	1105-045-300

Elektrikomponendid

Nimetus	Number
Ajam, seljaosa	1008-012-020
Ajam, põlvetoostur	1008-014-020
Aku, akupakk Li-ION Smart (ainult kaal)	0058-135-000
Aku, akupakk Li-ION Smart (kaal ja Chaperone)	0058-134-000
Plaat, alalisvooljuhtimise trükkplaadikoost	1008-116-800
Plaat, tõstmisega mitteseotud vahelduvvooljuhtimise koost	1008-002-800
Plaat, tõstmise juhtimise trükkplaadikoost	1008-002-810
Plaat, kaalu juhtimiskoost (ainult kaal)	1008-237-850
Plaat, kaalu ja Chaperone 'i juhtimiskoost	1008-237-840
Kondensaator, 440 VAC, 35 MFD	0059-087-000

Nimetus	Number
Klaviatuur, kaalu juhtseadis (mitte-elektriline alusmatt)	1008-037-820
Klaviatuur, küljepiirde juhtseadis, vasakpoolne	1008-011-017
Klaviatuur, küljepiirde juhtseadis, parempoolne	1008-011-016
Klaviatuur, kasutaja juhtseadis	1008-015-800
Koormusandur (valikuline kaalusüsteem)	1008-037-057
Mootor, pump	1008-002-015
Toitekaabel, standardne	1028-146-060
Toitekaabel, rahvusvaheline, tüüp E	1125-060-170
Toitekaabel, rahvusvaheline, tüüp F	1125-060-180
Toitekaabel, rahvusvaheline, tüüp G	1125-060-160
Toitekaabel, rahvusvaheline, tüüp I	1125-060-200
Kaalukarbi koost (mitte-elektriline alusmatt)	1070-237-020
Trafo	1008-014-857
Trafo, rahvusvaheline	1008-014-877

Defibrillaatori kandiku kinnitamine

HOIATUS

- Ärge asetage defibrillaatori kandikule esemeid, mis on raskemad kui 14 kg. Kinnitage kõik defibrillaatori kandikule asetatavad seadmed alati rihmaga.
- Kui on kinnitatud defibrillaatori kandik / jalaosa pikendus, jalutsiplaat/kaardihoidik või püstine hapnikuballooni hoidik, olge valikulise jalgadepoolse lükkamiskäepideme seadmisel alati ettevaatlik, et vältida sõrmede vahelejäämist.

Defibrillaatori kandiku ühendamine:

1. Sisestage defibrillaatori kandiku sõrmed toote jalaosa pesadesse.
2. Kasutage rihma seadmete kinnitamiseks defibrillaatori kandikule.

Märkus

- Ärge kasutage defibrillaatori kandikut lükkamis- või tõmbamisvahendina. See võib toodet kahjustada.
- Tarvikute (nt defibrillaatori kandiku / jalaosa pikenduse, jalutsiplaadi/kaardihoidiku, püstise hapnikuballooni hoidiku) kasutamisel tõstke alati jalaosa lükkamiskäepidemed üles, muidu tarvikud ei toimi.

Defibrillaatori kandiku / jalaosa pikenduse teisendamine defibrillaatori kandikuks

HOIATUS

- Ärge asetage defibrillaatori kandikule / jalaosa pikendusele esemeid, mis on raskemad kui 14 kg. Kinnitage kõik defibrillaatori kandikule asetatavad seadmed alati rihmaga.
- Kui on kinnitatud defibrillaatori kandik / jalaosa pikendus, jalutsiplaat/kaardihoidik või püstine hapnikuballooni hoidik, olge valikulise jalgadepoolse lükkamiskäepideme seadmisel alati ettevaatlik, et vältida sõrmede vahelejäämist.

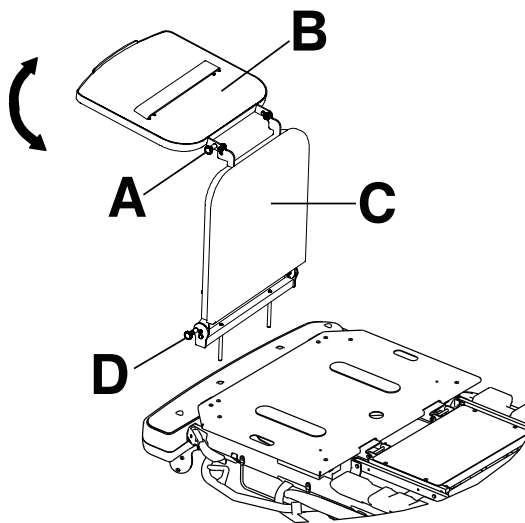
ETTEVAATUST - Enne defibrillaatori kandiku / jalaosa pikenduse kinnitamist toote külge tõstke alati tilgutijalg üles. Kui te tilgutijalga üles ei tõsta, siis jalaosa pikendus ei toimi.

Defibrillaatori kandiku / jalaosa pikenduse teisendamine defibrillaatori kandikuks:

1. Tõmmake pealmine nupp välja (A) (Joonis 19).
2. Pöörake defibrillaatori kandikut (B), kuni kandik on horisontaalselt toote jalaosa peal. Vabastage nupp (A). Veenduge, et defibrillaatori kandik on paigale fikseerunud.
3. Kasutage rihma seadmete kinnitamiseks defibrillaatori kandikule.

Märkus

- Ärge kasutage defibrillaatori kandikut / jalaosa pikendust lükkamis- või tõmbamisvahendina. See võib toodet kahjustada.
- Ärge ühendage jalaosa pikendusega mingeid esemeid.



Joonis 19 – Defibrillaatori kandik / jalaosa pikendus

Defibrillaatori kandiku / jalaosa pikenduse teisendamine jalaosa pikenduseks

HOIATUS

- Ärge asetage defibrillaatori kandikule / jalaosa pikendusele esemeid, mis on raskemad kui 14 kg. Kinnitage kõik defibrillaatori kandikule asetatavad seadmed alati rihmaga.
 - Kui on kinnitatud defibrillaatori kandik / jalaosa pikendus, jalutsiplaat/kaardihoidik või püstine hapnikuballooni hoidik, olge valikulise jalgadepoolse lükkamiskäepideme seadmisel alati ettevaatlik, et vältida sõrmede vahelejäämist.
-

ETTEVAATUST - Enne defibrillaatori kandiku / jalaosa pikenduse kinnitamist toote külge tõstke alati tilgutijalg üles. Kui te tilgutijalga üles ei tõsta, siis jalaosa pikendus ei toimi.

Defibrillaatori kandiku / jalaosa pikenduse teisendamine jalaosa pikenduseks (Joonis 19):

1. Tõmmake pealmine nupp välja (A).
2. Pöörake defibrillaatori kandikut (B), kuni kandik lukustub vastu jalaosa pikendust.
3. Tõmmake alumine nupp (D) välja, hoides samal ajal kinni defibrillaatori kandiku / jalaosa pikenduse koostust.
4. Langetage jalaosa pikendust (C), kuni jalaosa pikendus on rõhtsalt.
5. Vabastage alumine nupp (D). Vajutage jalaosa pikendusele, et tagada jalaosa pikenduse paigale fikseerumine.

Märkus

- Ärge kasutage defibrillaatori kandikut / jalaosa pikendust lükkamis- või tõmbamisvahendina. See võib toodet kahjustada.
- Ärge ühendage jalaosa pikendusega mingeid esemeid.

Jalutsiplaadi/kaardihoidiku kinnitamine

HOIATUS - Kui on kinnitatud defibrillaatori kandik / jalaosa pikendus, jalutsiplaat/kaardihoidik või püstine hapnikuballooni hoidik, olge valikulise jalgadepoolse lükkamiskäepideme seadmisel alati ettevaatlik, et vältida sõrmede vahelejäämist.

Jalutsiplaadi/kaardihoidiku kinnitamiseks sisestage jalutsiplaadi/kaardihoidiku sõrmed toote jalaosas olevatesse pesadesse.

Märkus - Ärge kasutage jalutsiplaati/kaardihoidikut lükkamis- või tõmbamisvahendina. See võib toodet kahjustada.

Tilgutijala kanduri kinnitamine

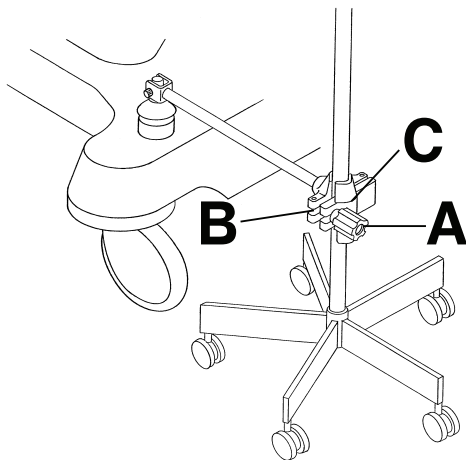
HOIATUS

- Toote transportimisel kinnitage tilgutijalg alati tilguti kanduri külge.
- Kui tilgutijala kandurit ei kasutata, pange see alati hoiule, et vältida toote vigastamist.

Tilgutijala kanduri kinnitamine (Joonis 20):

1. Tõstke tilgutijala kandur hoiualuselt või hoiuklambrist välja.
2. Pöörake tilgutijala kandur soovitud asendisse.
3. Keerake nuppu (A) vastupäeva jala klambri (C) lõdvendamiseks.
4. Pöörake nupp (A) õla ühendussõlmelt (B) eemale.
5. Avage klamber (C).
6. Paigaldage tilgutijalg klambrisse (C).
7. Sulgege klamber (C) ümber tilgutijala ja pöörake nupp (A) tagasi kohale.
8. Pöörake nuppu (A) selle pingutamiseks päripäeva.
9. Tilgutijala kanduri lahutamiseks tootest järgige samme vastupidises järjekorras.

Tilgutijala kanduri hoiule panemiseks seadke tilgutijala kandur hoiualusele või kinnitage see hoiuklambriga.



Joonis 20 – Tilgutijala kandur

Jalatugede paigaldamine või kokkupanemine – ainult variandil Prime

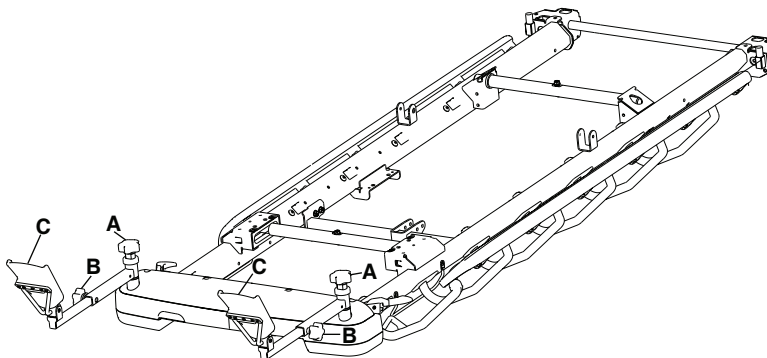
HOIATUS

- Ärge istuge jalatugedel. See võib põhjustada toote ümberminekut.
- Jalatugede liigutamisel hoidke sõrmed alati mehhanismidest eemal.

- Toote transportimisel pange jalatoed alati kokku.
- Enne jalatugede kasutamist kinnitage jalatoed.
- Jalatugede kasutamisel ärge kasutage kaalusüsteemi. Võite saada ebatäpsed näidud.
- Jalatugede kasutamisel ärge kasutage **Chaperone**-funktsiooni. Võite saada ebatäpsed näidud.

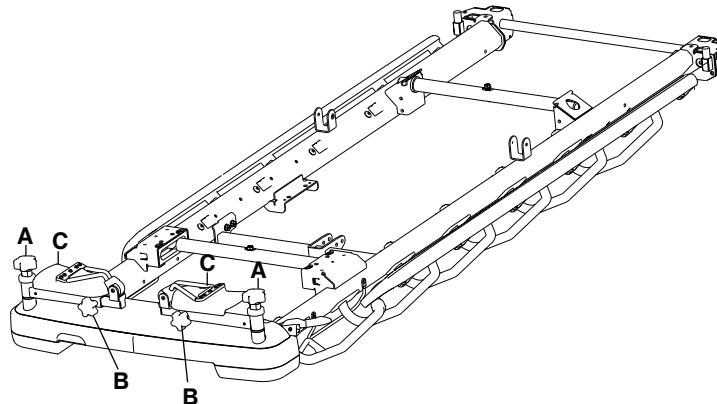
Jalatugede paigaldamine või kokkupanek:

1. Lõdvendage põlvenuppu (A) jalatugede peal, et reguleerida jalatugede külgnurka (Joonis 21).
2. Pingutage põlvenuppu (A) jalatugede soovitud asendisse lukustamiseks.



Joonis 21 – Jalatugede paigaldamine

3. Lõdvendage jalanuppu (B) jalatugede küljel, et pikkust reguleerida.
4. Pingutage põlvenuppu (B) jalatugede soovitud asendisse lukustamiseks.
5. Pöörake jalatoed (C) enne patsiendi paigutamist üles.
6. Jalatugede kokkupanekuks täitke sammud vastupidises järjekorras (Joonis 22).



Joonis 22 – Jalatugede kokkupanek

Kui valite jalatoed, ei saa osta järgmisi valikseadmeid ja tarvikuid.

- Jalapoolsed lükkamiskäepidemed
- Defibrillaatori kandik
- Defibrillaatori kandik / jalaosa pikendus
- Serveerimiskandiku hoidik/jalutsiplaat
- Jalutsiplaat/kaardihoija
- Jalutsi tilgutijalad

Märkus

- Ärge kasutage jalatugesid patsiendi esemete hoidmiseks.
- Ärge kasutage jalatugesid lükkamis- või tõmbamisvahendina. See võib toodet kahjustada.
- Jalatugede kasutamisel rakendage alati pidureid, et vältida ebastabiilsust.
- Jalatugede kasutamisel ärge kasutage seljatuge ega põlvetõsturit.

Kaheosalise püsikinnitusega tilgutijala asendi seadmine

HOIATUS - Ärge kasutage tilgutijalga tõmbamis- või lükkamisvahendina. See võib toodet kahjustada.

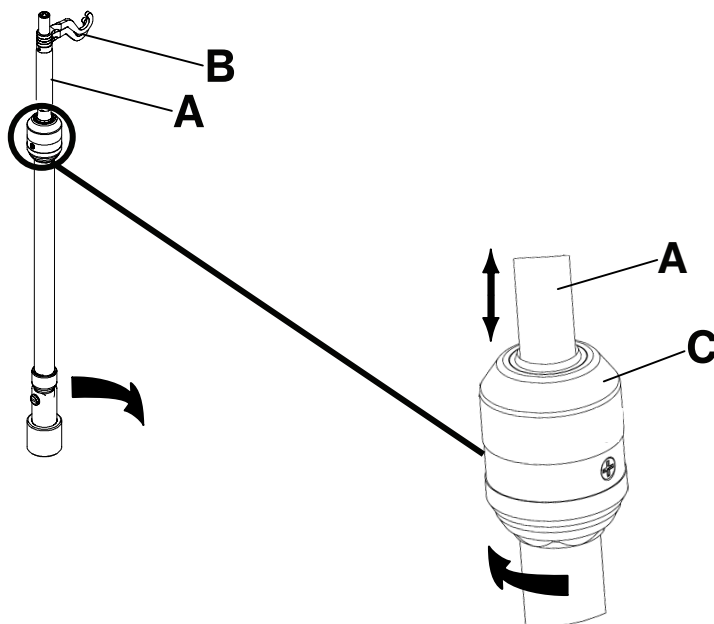
Võite osta toote koos peaossa, jalaossa või toote mõlema otsa külge püsivalt kinnitatud valikulise kaheosalise tilgutijalaga. Tilgutijalal on pikendatav teleskooppost, võimaldades teist kõrgusasendit. Kui tilgutijalga ei kasutata, saab selle kokku lükata ja hoiule panna.

Kaheastmelise tilgutijala asendi seadmiseks (Joonis 23):

1. Tõstke ja pöörake jalga hoiuasendist välja.
2. Lükake tilgutijalga alla, kuni tilgutijalg lukustub paigale.
3. Tilgutijala kõrguse suurendamiseks tõmmake teleskooposa (A) üles, kuni tilgutijalg täielikult tõstetud asendis kohale lukustub.
4. Pöörake tilgutijala konksud (B) soovitud asendisse ja riputage neile infusioonikotid.
5. Tilgutijala langetamiseks hoidke kinni tilgutijala teleskooposast, pöörake riivi (C) ja langetage teleskooposa.

Märkus

- Ärge riputage tilgutijalale infusioonikotte kaaluga üle 40 naela (18 kg).
- Patsienti transportides veenduge alati, et tilgutijalg on madalal kõrgusel ja mahub ohutult läbi ukseavade.



Joonis 23 – Kaheosalise püsikinnitusega tilgutijala paigaldamine

Kolmeosalise püsikinnitusega tilgutijala asendi seadmine

HOIATUS - Ärge kasutage tilgutijalga tõmbamis- või lükkamisvahendina. See võib toodet kahjustada.

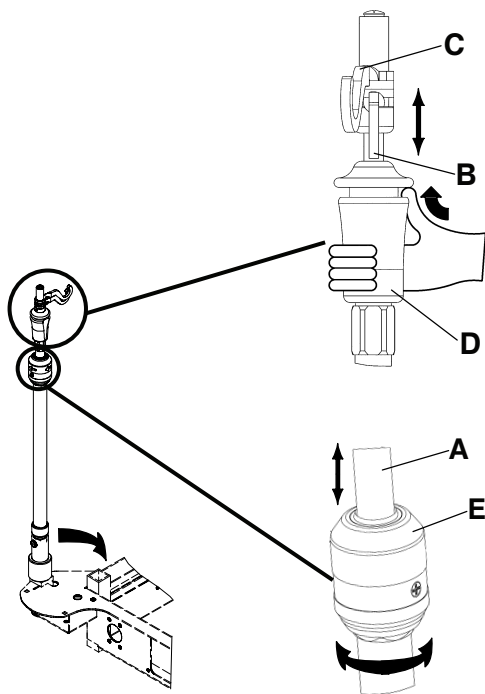
Võite osta toote koos peaossa, jalaossa või toote mõlema otsa külge püsivalt kinnitatud valikulise kolmeosalise tilgutijalaga. Tilgutijalg on teleskoopjalaga, mis on pikendatav ja annab teise ja kolmanda kõrgusvariandi. Kui tilgutijalga ei kasutata, saab selle kokku ja hoiule panna.

Kolmeosalise tilgutijala asendi seadmiseks (Joonis 24):

1. Tõstke ja pöörake jalga hoiuasendist välja.
2. Lükake tilgutijalga alla, kuni tilgutijalg kohale fikseerub.
3. Tilgutijala kõrguse suurendamiseks tõmmake teleskooposa (A) üles, kuni tilgutijalg täielikult tõstetud asendis kohale lukustub.
4. Kõrgema tilgutijala moodustamiseks tõmmake üles sektsioonist (B). Vabastage sektsioon (B) soovitud kõrgusel ja see lukustub kohale.
5. Pöörake tilgutijala konksud (C) soovitud asendisse ja riputage neile infusioonikotid.
6. Tilgutijala langetamiseks lükake üles pideme (D) kollasest osast, hoides samal ajal sektsioonist (B) kuni tilgutijala allalangemiseni.
7. Pöörake riivi (E) ja langetage tilgutijala teleskooposa.

Märkus

- Ärge riputage tilgutijalale infusioonikotte kogukaaluga üle 12 naela (5 kg).
- Ärge riputage ühele tilgutijala konksule infusioonikotte kaaluga üle 9,3 naela (4,2 kg).
- Patsienti transportides veenduge alati, et tilgutijalg on madalal kõrgusel ja mahub ohutult läbi ukseavade.



Joonis 24 – Kolmeosalise püsikinnitusega tilgutijala asendi seadmine

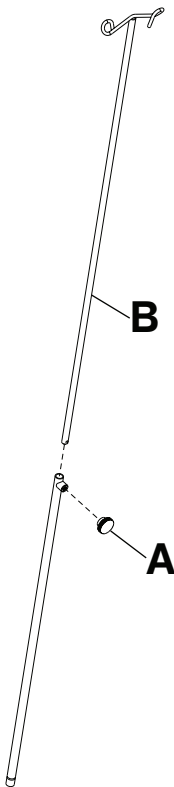
Eemaldatava tilgutijala kinnitamine ja asendi seadmine

ETTEVAATUST

- Ärge kasutage tilgutijalga tõmbamis- või lükkamisvahendina. See võib toodet kahjustada.
- Ärge riputage tilgutijalale infusioonikotte kaaluga üle 40 naela (18 kg).
- Patsienti vedades veenduge alati, et tilgutijalg on madal ja mahub ohutult läbi ukseavade.

Eemaldatava tilgutijala ühendamine ja paigutamine (Joonis 25):

1. Sisestage tilgutijalg toote peatsis või jalutsis asuvasse pesa.
2. Pöörake nuppu (A) vastupäeva ja tõmmake teleskooposa (B) üles, kuni saavutate soovitud kõrguse.
3. Teleskooposa kohale lukustamiseks pöörake nuppu (A) päripäeva.



Joonis 25 – Eemaldatav tilgutijalg

Püstise hapnikuballooni hoidiku kinnitamine

HOIATUS

- Ärge pange püstisesse hapnikuballooni hoidikusse esemeid kaaluga üle 40 naela (18 kg).
 - Kui on kinnitatud defibrillaatori kandik / jalaosa pikendus, jalutsiplaat/kaardihoidik või püstine hapnikuballooni hoidik, olge valikulise jalgadepoolse lükkamiskäepideme seadmisel alati ettevaatlik, et vältida sõrmede vahelejäämist.
-

Püstine hapnikuballooni hoidik toetab püstiasendis olevat hapnikuballooni.

Püstise hapnikuballooni hoidiku kinnitamine:

1. Sisestage tilgutijala pesadesse tugilatt.
2. Balloonihoidiku kinnitamiseks toote külge sisestage splint läbi tugilati ava.

Märkus - Ärge kasutage püstist hapnikuballooni hoidikut lükkamis- või tõmbamisvahendina. See võib toodet kahjustada.

Serveerimiskandiku hoidiku / jalutsiplaadi pikendamine või hoiule panemine

HOIATUS - Ärge pange serveerimiskandikule esemeid kaaluga üle 30 naela (14 kg).

Serveerimiskandiku küljepiirdele paigaldamiseks tõmmake serveerimiskandiku mõlemad küljed välja ja asetage kandik küljepiiretele.

Serveerimiskandiku hoiule panemine:

1. Eemaldage serverimiskandik küljepiiretelt.
2. Lükake serverimiskandiku küljed sisse.
3. Hoidke serverimiskandikut jalutsiplaadis.

Märkus - Ärge kasutage serverimiskandikut/jalutsiplaati lükkamis- või tõmbamisvahendina. See võib toodet kahjustada.

Küljepiirete padjad

Küljepiirete patjade kinnitamine:

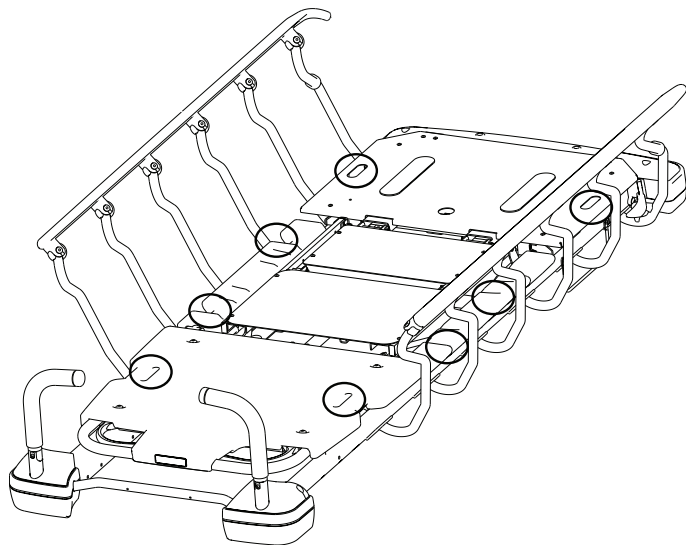
1. Toppige küljepiirde padi matrasi ja küljepiirde vahele.
2. Seejärel kinnitage **Velcro®**-takjarahmad padja küljepiirdele kinnitamiseks ümber küljepiirde ülaserava.

Patsiendi kinnitusrihmade kinnituskohtade leidmine

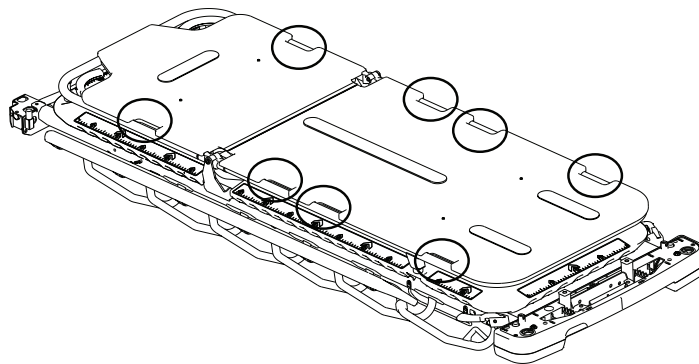
HOIATUS

- Kinnitusrihmade kinnitamisel olge alati ettevaatlik. Need võivad tekitada patsiendil või kasutajal vigastusi. Füüsilised kinnitused, isegi kui need on kindlustatud, võivad põhjustada patsientidel ja kasutajatel tõsiseid kahjustusi, sealhulgas takerdumist, kinnijäämist, kehavigastusi või surma.
- Kinnitusrihmad või -seadmed tuleb kinnitada ainult toote selleks määratud kinnituskohtadesse. Selle nõude eiramine võib põhjustada patsiendil või kasutajal vigastusi. Ärge kinnitage kinnitusrihmu küljepiirdele.
- Enne kinnitusrihmade või -seadmete kasutamist tutvuge alati kohalduvate osariigi ning föderaalsete piirangute ja eeskirjadega ning raviasutuse vastavate eeskirjadega.

Alusmati komplektil on kaheksa patsiendi kinnitusrihmade kinnituskohta (Joonis 26 või Joonis 27).



Joonis 26 – Kinnitusrihmade asukohad



Joonis 27 – Kinnitusrihmade asukohad – Prime X variant

Märkus - Kinnitusrihmad on B-tüüpi kontaktosad.

Püstise röntgenikasseti hoidiku paigaldamine variandi Prime X puhul

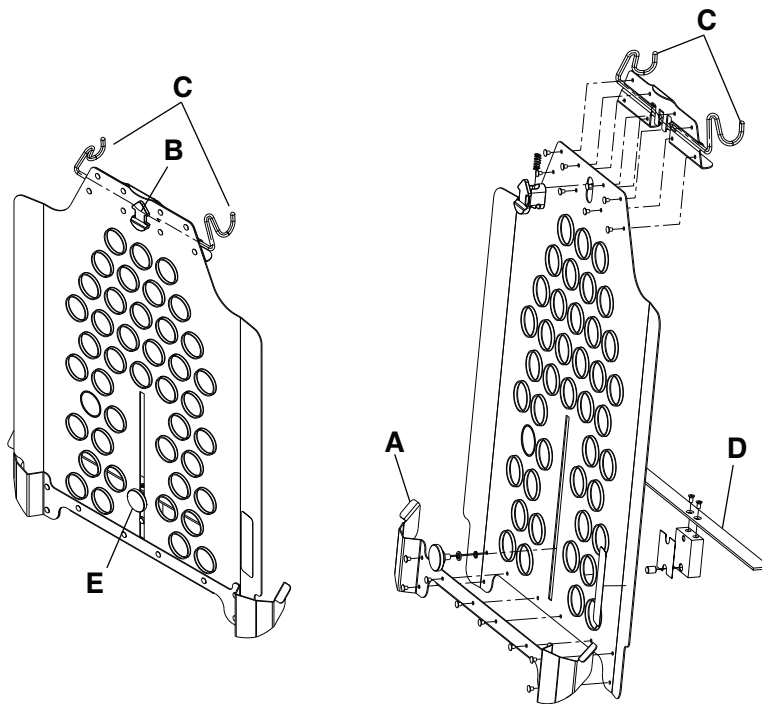
HOIATUS

- Püstist või külgmist röntgenikasseti hoidikut kasutades rakendage alati kaitsemeetmeid. Röntgenikasseti hoidik ei kaitse röntgenkiirguse eest.
- **Prime X** variandi kasutamisel koos kiirgust tekitavate seadmetega tutvuge peale raviasutuse ohutuseeskirjade ka kohalike, osariigi ja föderaaltasandi eeskirjadega. Kiirgust tekitavad seadmed võivad tekitada jääk-, juhu- või hajukiirgust.
- Üle 2,5 tolli (6,35 cm) paksuse madratsi või pealismadratsi kasutamisel variandiga **Prime X** tuleb alati olla eriti ettevaatlik.
- Röntgenikasseti sisestamisel järgige juhiseid jaotisest *Püstise röntgenikasseti hoidiku paigaldamine variandi Prime X puhul*.

Röntgenikasseti hoidik kinnitub Fowleri seljatoe keevisvarvale ja toetab röntgenikassette. Võite teha röntgenipilte, kui patsient on tootel. Enne röntgenipildi tegemist võite ka kohandada kasseti asendit.

Röntgenikasseti hoidiku paigaldamine:

1. Rakendage pidurid. Lükake toodet veendumaks, et pidurid toimivad.
2. Tõstke Fowleri seljatoe osa täiesti üles.
3. Sisestage Fowleri seljatoe keevisvarva alla alumised kinnitusjuhikud (A) (Joonis 28).
4. Tõstke röntgenikasseti hoidikut üles, kuni kinnitusjuhikud kinnituvad Fowleri seljatoe keevisvarvale. Veenduge, et kassetihoidik oleks kindlalt kinnitunud.



Joonis 28 – Röntgenikasseti hoidik

5. Sisestage röntgenikassett kassetihoidiku kummaltki küljelt või tõmmake liuguri vabastamisnoolt (B) kassetihoidiku vabastamiseks Fowleri seljatoe küljest, paigaldage kassett ja kinnitage kassetihoidik Fowleri seljatoe keevisvarvale.
6. Kasseti kõrguse reguleerimiseks lödvendage nuppu (E) ja viige kasseti tugisiini (D) üles või alla kuni soovitud kõrguse saavutamiseni.
7. Pingutage nuppu (E) kasseti tugisiini kohale kinnitamiseks.
8. Pärast röntgenipildi tegemist tõmmake liuguri vabastamisnoolt (B) kassetihoidiku vabastamiseks Fowleri seljatoe keevisvarvalt.

9. Võtke röntgenikassett kassetihoidikust välja.
10. Sulgege kassetihoidik ja pange hoiule.

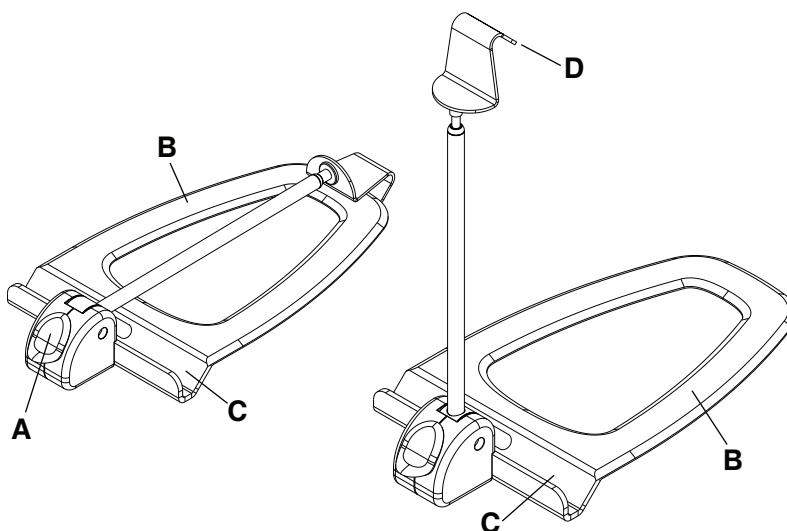
Külgmise röntgenikasseti hoidiku paigaldamine variandi Prime X puhul

HOIATUS

- Püstist või külgmist röntgenikasseti hoidikut kasutades rakendage alati kaitsemeetmeid. Röntgenikasseti hoidik ei kaitse röntgenkiirguse eest.
- **Prime X** variandi kasutamisel koos kiirgust tekitavate seadmetega tutvuge peale raviasutuse ohutuseeskirjade ka kohalike, osariigi ja föderaaltasandi eeskirjadega. Kiirgust tekitavad seadmed võivad tekitada jääk-, juhu- või hajukiirgust.
- Olge alati ettevaatlik, kui teete röntgenuuringut püstiasendis Fowleri seljatoega või külgmist kassetti kasutades.
- Üle 2,5 tolli (6,35 cm) paksuse madratsi või pealismadratsi kasutamisel variandiga **Prime X** tuleb alati olla eriti ettevaatlik.
- Röntgenikasseti sisestamisel järgige alati juhiseid jaotisest *Külgmise röntgenikasseti hoidiku paigaldamine variandi Prime X puhul*.

Külgmise röntgenikasseti hoidiku paigaldamine:

1. Rakendage pidurid. Lükake toodet veendumaks, et pidurid toimivad.



Joonis 29 – Külgmine röntgenikasseti hoidik

2. Vajutage külgmise kassetihoidiku avamiseks alla kollane vabastusnupp (A) (Joonis 29).
3. Libistage horisontaalne alusraam (B) madratsi ja patsiendi platvormi vahele.
4. Paigutage külgmine kassetihoidja soovitud asukohta.
5. Asetage röntgenikassett kassetikanalisse (C).
6. Tõmmake kassetikonksu (D) üles kangi kõrguse reguleerimiseks, et see kasseti kohalhoidmiseks tihedalt röntgenikassetile asetuks.
7. Kasseti eemaldamiseks ja külgmise kassetihoidiku hoiule panemiseks järgige neid samme vastupidises järjekorras.

Röntgenikassettide sisestamine või eemaldamine – Prime X-i variant

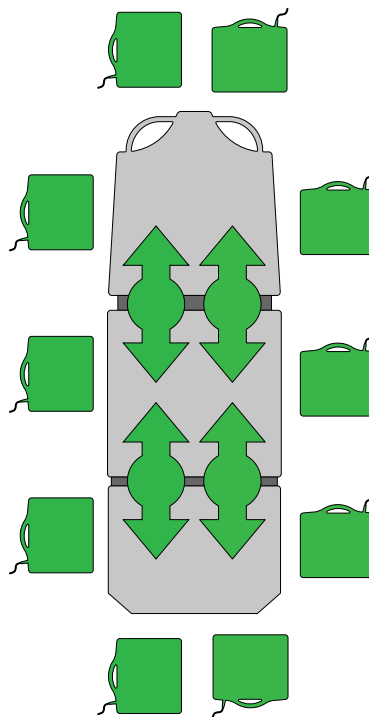
HOIATUS

- **Prime X** variandi kasutamisel koos kiirgust tekitavate seadmetega tutvuge peale raviasutuse ohutuseeskirjade ka kohalike, osariigi ja föderaaltasandi eeskirjadega. Kiirgust tekitavad seadmed võivad tekitada jääk-, juhu- või hajukiirgust.
- Olge alati ettevaatlik, kui teete röntgenuuringut püstiasendis Fowleri seljatoega või külgmist kassetti kasutades.

Prime X variandil on liigendatav röntgenuuringu tugipind ja platvorm patsiendi tugipinna all röntgenikasseti paigutamiseks. Meditsiiniliste röntgenuuringu süsteemidega töötamisel võimaldab röntgenuuringu tugipind teha kliinilisi röntgenpilte (AP kogu keha, valikuline kogu keha külgmise ja valikuline püstiasendis rindkere uuring), kui patsient on tootel. Kassette võite sisestada toote peatsist, jalutsist ja mõlemalt küljelt.

Röntgenikasseti sisestamine:

1. Seadke patsient toote keskele, asendimärgiste siltidega toote igal küljel (Joonis 30).
2. Sisestage röntgenikassett patsiendi pinna alla. Röntgenikasseti paigutamisel kasutage abiks kassetijuhikuid.



Joonis 30 – Röntgenikassettide sisestamine või eemaldamine variandi Prime X puhul

Märkus

- **Prime X** variandi ei tohi kasutada üle neljatollise paksuse madratsiga.
- **Prime X** variandiga ei tohi kasutada C-õlga. **Variand Prime X** ei ühildu C-õlaga.

Puhastamine

Toote puhastamine

ETTEVAATUST - Ärge kasutage valikulise kaalusüsteemi kuvarikorpuse puhastamiseks abrasiivseid puhastusvahendeid. Vältige puhastuslahuste või muude vedelike kuvarile loikudesse kogunemist. Pärast lekkeid või pesemist kuivatage kõik pinnad.

Nendes juhistes on toodud soovitatavad puhastusmeetodid **Prime Series** kandraamidele.

See toode sobib survepesuriga pesemiseks. Pideva pesemise tulemusena võib tootel ilmneda mõningaid oksüdeerumis- või pleekimisjälgi. Sellele vaatamata ei põhjusta survepesu nõuetekohaste protseduuride järgimisel toote töönäitajate ega kasutusomaduste halvenemist.

Soovitatav puhastusmeetod:

1. Elektriajamiga alusmati/tõsturiga varustatud tootel lahutage toitejuhe enne seadme transportimist või puhastamist seinakontaktist.
2. Eemaldage madrats tootelt.
3. Järgige puhastuslahuse tootja lahjendamisjuhiseid.
4. Stryker soovib kasutada survepesuks standardset haigla kärupesurit.
5. Kuivatage toode. Ärge paigutage madratsit tootele enne, kui toode on kuiv.
6. Enne toote uuesti kasutamist kontrollige selle toimivust.
 - Toote tõstmine ja langetamine
 - Lukustage ja vabastage piduri-/juhtpedaal mõlemas asendis
 - Pange küljepiirded riivi ja vabastage
 - Tõstke ja langetage Fowleri seljatuge
 - Tõstke ja langetage põlvetõsturit
 - Veenduge, et kõiki osi on piisavalt määritud
 - Veenduge, et kõik sildid on paigas

Märkus

- Naha otsene kokkupuude nähtavalt määrdunud, läbilaskva materjaliga võib suurendada nakkusohtu.
- Ärge puhastage toodet auruga.
- Puhastage aluse panipaika.
- Piduriklotside põhja tuleb puhastada vaha või põrandajääkide kogunemise vältimiseks.
- Mõned puhastusvahendid on söövitava toimega ning võivad vääral kasutamisel toodet kahjustada. Toote nõuetekohaselt loputamata ja kuivatamata jätmisel võib selle pinnale jääda söövitav jääk, mis võib põhjustada tähtsate osade enneaegse korrosiooni. Nende puhastusjuhiste eiramine võib tühistada teie garantii.

Toote pesemine kärupesuriga

Stryker soovib kasutada kandraami survepesuks standardset haigla kirurgilist kärupesurit mitte rohkem kui üks kord aastas toote kasutusea vältel.

Toote pesemine kärupesuriga:

1. Elektriajamiga alusmati/tõsturiga varustatud tootel lahutage toitejuhe enne seadme transportimist või puhastamist seinakontaktist.
2. Enne toote pesemist eemaldage madrats. Ärge peske madratsit koos tootega.
3. Seadke Fowleri seljatugi 45-kraadise nurga alla.
4. Seadke toode täielikku anti-Trendelenburgi asendisse (jalaosa all).

5. Tõstke küljepiirded.
6. Tõstke tilgutijalad ja lükkamiskäepidemed ülemisse asendisse.
7. Puhastage toodet veega maksimaalse temperatuuriga 82 °C (180 °F) ja maksimaalse veesurvega 103,5 baari / 1500 psi.
8. Laske tootel maksimaalsel temperatuuril 93 °C (200 °F) kaheksa minutit õhu käes kuivada.
9. Kuivatage toode. Ärge paigutage madratsit tootele enne, kui toode on kuiv.
10. Enne toote uuesti kasutamist kontrollige selle toimivust.
 - Toote tõstmine ja langetamine
 - Lukustage ja vabastage piduri-/juhtpedaal mõlemas asendis
 - Pange küljepiirded riivi ja vabastage
 - Tõstke ja langetage Fowleri seljatuge
 - Veenduge, et kõiki osi on piisavalt määratud
 - Veenduge, et kõik sildid on kahjustamata ja loetavad

Märkus

- Ärge puhastage toodet auruga.
- Mõned puhastusvahendid on söövitava toimega ning võivad vääral kasutamisel toodet kahjustada. Toote nõuetekohaselt loputamata ja kuivatamata jätmisel võib selle pinnale jääda söövitav jääk, mis võib põhjustada tähtsate osade enneaegse korrosiooni. Nende puhastusjuhiste eiramine võib tühistada teie garantii.

Madratsi puhastamine

HOIATUS

- Ärge puhastage, teenindage ega hooldage kasutusel olevat toodet.
- Ärge kastke madratsit puhastus- või desinfitseerimislahustesse. Liigniiskus võib põhjustada toote talitlushäireid, mis tekitavad tootel kahjustusi või patsiendil vigastusi.
- Ärge laske vedelikul madratsil loikudesse koguneda. Vedelikud võivad põhjustada komponentide korrosiooni ning muuta ettearvamatult toote ohutust ja tööomadusi.
- Katete puhastamisel vaadake madratsi katted alati üle rebendite, torkeaukude, liigkulumise ja valesti ühendatud tõmblukkude suhtes. Ristsaastumise vältimiseks eemaldage kahjustatud madratsi kohe ja vahetage see välja.
- Ärge puhastage madratseid auru, survejoa, vooliku ega ultraheliga. Nende puhastusmeetodite kasutamine võib tühistada toote garantii.

Madratsi kasutamisega võib mõjutada kasutussageduse suurendamine, millega võib kaasneda sagedasem puhastamine ja desinfitseerimine.

Soovitav puhastusmeetod:

1. Pühkige kogu madratsit kõrvalise materjali eemaldamiseks puhta pehme lapi ning pehme seebi ja vee lahusega.
2. Pühkige madratsit puhta kuiva lapiga kogu liigse vedeliku või puhastusvahendi eemaldamiseks.
3. Pärast puhastamist loputage katted ja kuivatage.
4. Pärast puhastamise lõpetamist desinfitseerige vajaduse järgi haiglas kasutamiseks ettenähtud desinfitseerimisvahendiga (vt *Madratsi desinfitseerimine*).

Märkus

- Ärge madratsit triikige, keemiliselt puhastage ega pesukuivatis kuivatage, sest see põhjustab talitlushäireid ja kahjustab toodet.
- Toote tööomaduste halvenemise vältimiseks peab madratsi kate olema enne hoiustamist, linade lisamist või sellele patsiendi paigutamist täiesti kuiv.
- Vältige liigset kokkupuudet alkoholi või vesinikperoksiidiga. See põhjustab katematerjali pundumist.

- Vältige vedeliku valgumist tõmbelukuga piirkonda ja katte veetõkkesse. Tõmbelukuga kokkupuutuvad vedelikud võivad madratsisse lekkida ja toote tööomadusi kahjustada.
- Mõned puhastusvahendid on söövitava toimega ning võivad vääral kasutamisel toodet kahjustada. Toote nõuetekohaselt loputamata ja kuivatamata jätmisel võib selle pinnale jääda söövitav jääk, mis võib põhjustada tähtsate osade enneaegse korrosiooni. Nende puhastusjuhiste eiramine võib tühistada teie garantii.

Eemaldage jood

1. Valmistage lahus 1–2 supilusikatäie naatriumtiosulfaadiga poole liitri sooja vee kohta. Kasutage saadud lahust plekiala hõõrumiseks.
2. Puhastage plekk võimalikult kiiresti pärast selle tekkimist.
3. Kui plekid jäid kohe eemaldamata, laske lahusel enne pühkimist madratsi pinnal liguneda või seista.
4. Enne madratsite uuesti kasutusele võtmist loputage lahusega kokkupuutunud madratseid puhta veega.

Märkus - Ülaltoodud juhiste eiramine seda tüüpi puhastusvahendite kasutamisel võib tühistada toote garantii.

Erijuhised

Velcro®	Immutage desinfitseerimisvahendiga, loputage veega ning laske lahusel auruda.
Tahke materjal või plekid	Kasutage neutraalseid seepe ja sooja vett. Ärge kasutage karedaid puhasteid, lahusteid ega abrasiivseid puhastusvahendeid.
Raskesti puhastatavad plekid	Rasketest plekkidest või aladest puhastamiseks kasutage standardseid majapidamis-/vinüüli puhasteid ja pehmete harjastega harja. Leotage enne pealekuivanud mustuse eemaldamist.
Masinpesu	Masinpesu ei ole soovitatav. Masinpesu võib lühendada madratsi kasutusiga suurel määral.

Desinfitseerimine

Toote desinfitseerimine

HOIATUS

- Ärge puhastage, teenindage ega hooldage kasutusel olevat toodet.
 - Ärge puhastage toodet auru, voolava vee ega ultraheliga. Nende puhastusmeetodite kasutamine ei ole soovitatav ja võib tühistada toote garantii.
-

Soovitatavad desinfitseerimisvahendid:

- Kvaternaarsed (toimeaine ammoniumkloriid), mis sisaldavad vähem kui 3% glükoolieetrit
- Fenoolsed desinfitseerimisvahendid (toimeaine – o-fenüülfenool)
- Klooritud valgendilahus (5,25% valgendi lahjendatud suhtes 1 osa valgendit 100 osa vee kohta, mis vastab vaba kloori sisaldusele 520 ppm (40 mL 5,25% valgendilahust 4000 mL vee kohta))
- 70% isopropüülalkohol

Soovitatav desinfitseerimisviis:

1. Järgige desinfitseerimislahuse tootja lahjendamisjuhiseid.
2. Peske käsitsi toote kõiki pindu soovitud desinfitseerimiskahusega.
3. Vältige üleimmutamist ja jälgige, et toode ei jääks märjaks kauemaks, kui kemikaali tootja juhendites nõuetekohaseks desinfitseerimiseks soovitatav aeg.
4. Kuivatage toode. Ärge paigutage madratsit tootele enne, kui toode on kuiv.
5. Desinfitseerige **Velcro®**-takjarahmad iga kord pärast kasutamist. Immutage **Velcro®**-takjarahmu desinfitseerimisvahendiga, loputage veega ja laske desinfitseerimisvahendil aurustuda (desinfitseerimisvahendi sobivuse otsustab raviasutus).
6. Enne toote uuesti kasutamist kontrollige selle toimivust.
 - Toote tõstmise ja langetamine
 - Lukustage ja vabastage piduri-/juhtpedaal mõlemas asendis
 - Pange küljepiirded riivi ja vabastage
 - Tõstke ja langetage Fowleri seljatuge
 - Tõstke ja langetage põlvetoeturit
 - Veenduge, et kõiki osi on piisavalt määritud
 - Veenduge, et kõik sildid on paigas

Märkus

- Naha otsene kokkupuude nähtavalt määrdunud, läbilaskva materjaliga võib suurendada nakkusohtu.
- Mõned puhastusvahendid on söövitava toimega ning võivad vääral kasutamisel toodet kahjustada. Toote nõuetekohaselt loputamata ja kuivatamata jätmisel võib selle pinnale jääda söövitav jääk, mis võib põhjustada tähtsate osade enneaegse korrosiooni. Nende puhastusjuhiste eiramine võib tühistada teie garantii.

Madratsi desinfitseerimine

HOIATUS - Patsiendi vahetumisel desinfitseerige madrats alati. Selle tegematajätmine võib põhjustada ristsaastumist ja nakkust.

Soovitatavad desinfitseerimisvahendid:

- Kvaternaarsed (toimeaine ammoniumkloriid), mis sisaldavad vähem kui 3% glükoolieetrit

- Fenoolsed desinfitseerimisvahendid (toimeaine – o-fenüülfenool)
- Klooritud valgendilahus (1 osa valgendilahust (5,25% naatriumhüpokloritit) 100 osa vee kohta, mis vastab vaba kloori sisaldusele 520 ppm (40 ml 5,25% valgendilahust 4000 ml vee kohta))
- 70% isopropüülalkohol

Soovitav desinfitseerimisviis:

1. Enne desinfitseerimisvahendite kasutamist veenduge, et madrats oleks puhas ja kuiv.
2. Pühkige madratsit liigse vedeliku või desinfitseerimisvahendi eemaldamiseks puhta kuiva lapiga.
3. Loputage ja kuivatage katted pärast desinfitseerimist.

Märkus

- Madratsi kate peab olema enne voodipesu hoiustamist või linade lisamist kuiv. Liigse desinfitseerimisvahendi eemaldamata jätmise võib põhjustada kattematerjali halvenemist.
- Mõned puhastusvahendid on söövitava toimega ning võivad vääral kasutamisel toodet kahjustada. Toote nõuetekohaselt loputamata ja kuivatamata jätmisel võib selle pinnale jääda söövitav jääk, mis võib põhjustada tähtsate osade enneaegset korrosiooni. Nende puhastusjuhiste eiramine võib tühistada teie garantii.
- Sagedane või pikaajaline kokkupuude suurema kontsentratsiooniga desinfitseerimislahustega võib põhjustada kattedekanga enneaegset vananemist.
- Kiirendatud vesinikperoksiidide või kvaternaarse, glükoolietrit sisaldavate pesuvahendite kasutamine võib katet kahjustada.

Ennetav hooldus

Kõrvaldage toode kasutuselt enne ennetava hoolduse kontrolli teostamist. Kontrollige kõiki loetletud esemeid kõikide Stryker Medicali toodete iga-aastase ennetava hoolduse käigus. Olenevalt toote kasutamise pingsusest võivad osutuda vajalikuks sagedasemad ennetava hoolduse kontrollitoimingud. Laske teenindada ainult kvalifitseeritud personalil.

Märkus - Vajaduse korral puhastage ja desinfitseerige enne ülevaatust madratsi väliskülg.

Kontrollige järgmisi punkte:

- Kõik kinnitid on kindlalt kinni
- Küljepiirete käik ja riiv
- Rattad lukustuvad piduripedaali rakendamisel
- Rattad on turvaliselt kinni ja pöörlevad korralikult
- Rattad on puhtad vahast ja prügist
- Pidurimehhanism töötab
- Juhtfunktsioon töötab
- Kontrollige katteid pragude suhtes
- Fowlerit on võimalik tõsta, langetada ja riivi panna
- Põlvetõsturit saab tõsta, langetada ja paigale kinnitada (valikuline)
- Trendelenburgi/anti-Trendelenburgi asend toimib kõikidest asukohtadest
- Maanduskett on terve
- Hüdroühendused ei leki
- Hüdraulilised tungrauad hoiavad paigal
- Keha kinnitusrihmad kinnituvad riiviga ja on turvalised (valikuline)
- Tilgutijalg on terve ja reguleeritav ning fikseeritav igas asendis (valikuline)
- Hapnikuballooni hoidik on kahjustamata ning avatav ja suletav (valikuline)
- Madratsi kate ei ole rebenenud ega pragunenud
- Tarvikud ja paigaldusvahendid on heas seisukorras
- Akutoitel töötavad seadmed (valikuline)
- Kaablid ei ole kulunud ega kinni pitsitatud (valikuline)
- Toitekaabel ja pistik on kahjustamata (valikuline)
- Kõik elektriühendused on tihedad (valikuline)
- Kõik maandusjuhid on raamiga ühendatud (valikuline)
- Maandustakistus ei ole suurem kui 200 mΩ (millioomi) (valikuline)
- Lekkevool ei ole tugevam kui 300 µA (mikroamprit) (vastavalt UL 60606-1-1) (valikuline)
- Akud on laetud (valikuline kaalusüsteem)
- Kuvari korpus on terve ja kahjustamata (valikuline kaalusüsteem)
- Koormusandurid on terved ja kahjustamata (valikuline kaalusüsteem)
- Jalatõe põlvenupu mehhanism töötab ja tuge saab paigale kinnitada (valikuline)
- Jalatõe säärenupu mehhanism töötab ja tuge saab paigale kinnitada (valikuline)
- Jalatugi pikeneb täisasendisse ja peatub õiges asendis (valikuline)
- Jalatõe isekeermestavad kruvid (6) on kindlalt kinnitatud ega ole üle keeratud (valikuline)
- Kaal on kalibreeritud. Vajadusel kalibreerige uuesti (valikuline kaalusüsteem)

- _____ Püstine röntgenikasseti hoidik on heas korras ja seda võib kohandada kõikide röntgenikassettide mahutamiseks (variant **Prime X**)
- _____ Fowleri seljatoe ja jalaosa kate on kahjustamata (variant **Prime X**)
- _____ Pea- ja jalaosa kandik on kahjustamata (variant **Prime X**)
- _____ Fowleri seljatoe kõikide pöördetelgede poldid ja mutrid on kindlalt kinnitatud (variant **Prime X**)

Toote seerianumber:
Täitja:
Kuupäev:

Elektromagnetilise ühilduvuse teave

ETTEVAATUST

- Selliste tarvikute, muundurite ja kaablite kasutamine, mida tootja ei ole ette näinud või tarninud, võib põhjustada elektromagnetkiirguse tugevnemist või vähendada elektromagnetilist häirekindlust ning häirida seadme talitlust.
- Seade on kiirgusnäitajate poolest sobiv kasutamiseks tööstuskeskkonnas ja haiglas (CISPR 11 A-klass). Kasutamisel elamus, mille puhul on tavaliselt nõutav CISPR 11 B-klass, ei pruugi seadme kaitse vastata raadiosideteenuste nõuetele. Kasutajal võib olla vaja kasutada leevendavaid meetmeid, näiteks seade ümber paigutada või ümber suunata.

Juhend ja tootja deklaratsioon – elektromagnetkiirgus		
Valikuline elektriline tõstur, valikuline elektriavamiga alusmatt või valikuline kaalusüsteem on mõeldud kasutamiseks allpool kirjeldatud elektromagnetilises keskkonnas. Valikulise elektriavamiga tõsturi, valikulise elektriavamiga alusmati ja valikulise kaalusüsteemi kliendil või kasutajal tuleb tagada selle kasutamine sellises keskkonnas.		
Kiirguskatse	Vastavus	Elektromagnetiline keskkond
Raadiosageduskiirgus CISPR 11	1. grupp	Valikulises elektriavamiga tõsturis, valikulises elektriavamiga alusmatis ja valikulises kaalusüsteemis kasutatakse raadiosageduslikku energiat ainult siseotstarbeks. Seetõttu on selle raadiosageduslikud emissioonid väga väikesed ja tõenäoliselt ei põhjusta häireid lähedal asuvates elektroonikaseadmetes.
Raadiosageduskiirgus CISPR 11	Klass A	Valikuline elektriavamiga tõstuk, valikuline elektriavamiga alusmatt ja valikuline kaalusüsteem sobivad kasutamiseks kõikides asutustes peale elamute ning nende, mis on ühendatud otse elamuid varustava üldkasutatava madalpingeelektrivõrguga.
Harmooniline kiirgus IEC 61000-3-2 *	Klass A	
Pingekõikumised Väreluskiirgus IEC 61000-3-3 *	Vastab	

* Kohaldatav ainult valikulisele elektriavamiga tõsturile või valikulisele elektriavamiga alusmatile.

ETTEVAATUST

- Kaasaskantavaid raadiosideseadmeid, sealhulgas väliseadmeid, nagu antennikaablid ja välisantennid, sealhulgas tootja poolt ettenähtud kaablid, ei tohi kasutada kandraami **Prime** üheleegi osale lähemal kui 12 tolli (30 cm).
- Vältige seadmete teiste seadmete peale või kõrvale paigutamist, et vältida toodete valet liikumist. Kui selline kasutamine on vajalik, jälgige hoolikalt virma või kõrvuti seatud seadmete õiget toimimist.

Soovitavad eralduskaugused teisaldatavate ja mobiilsete raadioside seadmete ning valikulise elektrilise tõsturi, valikulise elektriavamiga alusmati ja valikulise kaalusüsteemi vahel.			
Valikuline elektriavamiga tõstur, valikuline elektriavamiga alusmatt ja valikuline kaalusüsteem on mõeldud kasutamiseks kontrollitavate raadiokiirgushäiretega elektromagnetilises keskkonnas. Valikulise elektriavamiga tõsturi, valikulise elektriavamiga alusmati ja valikulise kaalusüsteemi klient või kasutaja saab aidata vältida elektromagnetilisi häireid, hoides allpool soovitatud minimaalset vahekaugust teisaldatavate ning mobiilsete raadioside seadmete (saatjate) ja valikulise elektriavamiga tõsturi, valikulise elektriavamiga alusmati ja valikulise kaalusüsteemi vahel sideseadmete maksimaalse väljundvõimsuse kohaselt.			
Saatja maksimaalne nimiväljundvõimsus W	Eralduskaugus vastavalt saatja sagedusele m		
	150 kHz kuni 80 MHz D=(1,2) (√P)	80 MHz kuni 800 MHz D=(1,2) (√P)	800 MHz kuni 2,7 GHz D=(2,3) (√P)

0,01	0,12	0,12	0,23
0,1	0,38	0,38	0,73
1	1,2	1,2	2,3
10	3,8	3,8	7,3
100	12	12	23

Ülalpool mitteleetletud maksimaalse väljundvõimusega saatjate puhul saab soovitatavat vahemaad (D) meetrites (m) määrata saatja sagedusele vastava võrrandi abil, kus P on saatja maksimaalne nimiväljundvõimsus vattides (W) saatja tootja andmetel.

Märkus 1 - 80 MHz ja 800 MHz juures rakendatakse kõrgemale sagedusvahemikule vastavat vahekaugust.

Märkus 2 - Need suunised ei pruugi kehtida kõikides olukordades. Elektromagnetilist levi mõjutab neeldumine ja peegeldumine ehitistelt, objektidelt ning inimestelt.

Juhend ja tootja deklaratsioon – elektromagnetiline häirekindlus

Valikuline elektriline tõstur, valikuline elektriagamiga alusmatt või valikuline kaalusüsteem on mõeldud kasutamiseks allpool kirjeldatud elektromagnetilises keskkonnas. Valikulise elektrilise tõsturi, valikulise elektriagamiga alusmati ja valikulise kaalusüsteemi kliendil või kasutajal tuleb tagada selle kasutamine sellises keskkonnas.


Häirekindluse test	IEC 60601 testitase	Vastavustase	Elektromagnetilise keskkonna suunis
Elektrostaatiline lahendus (ESD) IEC 61000-4-2	±8 kV kontakt ±15 kV õhk	±8 kV kontakt ±15 kV õhk	Põrandad peavad olema puidust, betoonist või kaetud keraamiliste plaatidega. Sünteetilise põrandakatte korral peab suhteline õhuniiskus olema vähemalt 30%.
Elektrostaatiline kiire siirde-/sööstpinge IEC 61000-4-4*	±2 kV toitevõrgu liinid ±1 kV sisend-/väljundliinid	±2 kV toitevõrgu liinid ±1 kV sisend-/väljundliinid	Toitevõrgu kvaliteet peab vastama tüüpilistele äri- või haiglakeskkonna nõuetele.
Pingemuhk IEC 61000-4-5*	±1 kV liini(de)lt liini(de)le ±2 kV liini(de)lt maandusele	±1 kV liini(de)lt liini(de)le ±2 kV liini(de)lt maandusele	Toitevõrgu kvaliteet peab vastama tüüpilistele äri- või haiglakeskkonna nõuetele.
Ülekandeliinide pingelohud, pingemuutused ja lühikatkestused IEC 61000-4-11*	0% U_T 0,5 tsükli kohta 0°, 45°, 90°, 135°, 180°, 225°, 270° ja 315° korral 0% U_T 1 tsükli kohta 70% U_T (30% U_T langus) 25 tsükli kohta 0% U_T 250 tsükli kohta	0% U_T 0,5 tsükli kohta 0°, 45°, 90°, 135°, 180°, 225°, 270° ja 315° korral 0% U_T 1 tsükli kohta 70% U_T (30% U_T langus) 25 tsükli kohta 0% U_T 250 tsükli kohta	Toitevõrgu kvaliteet peab vastama tüüpilistele äri- või haiglakeskkonna nõuetele. Kui valikulise elektriagamiga tõsturi või valikulise elektriagamiga alusmati kasutaja vajab töö jätkamist voolukatkestuste ajal, on soovitatav seade ühendada katkematu toiteallika või akuga.
Võrgusageduse (50/60 Hz) magnetväli IEC 61000-4-8	30 A/m	30 A/m	Toitepinge sageduse magnetväljad peavad jääma tasemele, mis on omane tüüpilisele äri- või haiglakeskkonnale.

Märkus: U_T on vahelduvvooluvõrgu pinge enne katsetaseme rakendamist.

*Kohaldatav ainult valikulisele elektriagamiga tõsturile või valikulisele elektriagamiga alusmatile.

Juhend ja tootja deklaratsioon – elektromagnetiline häirekindlus

Valikuline elektriline tõstur, valikuline elektriajamiga alusmatt või valikuline kaalusüsteem on mõeldud kasutamiseks allpool kirjeldatud elektromagnetilises keskkonnas. Valikulise elektrilise tõsturi, valikulise elektriajamiga alusmati ja valikulise kaalusüsteemi kliendil või kasutajal tuleb tagada selle kasutamine sellises keskkonnas.

Häirekindluse test	IEC 60601 testitase	Vastavustase	Elektromagnetilise keskkonna suunis
<p>Juhtivus-raadiosagedus IEC 61000- 4-6*</p> <p>Kiirgus-raadiosagedus IEC 61000-4-3</p>	<p>3 Vrms</p> <p>6 Vrms ISM ja amatööradio sagedustel</p> <p>150 kHz kuni 80 MHz</p> <p>3 V/m</p> <p>80 MHz kuni 2,7 GHz</p>	<p>3 Vrms</p> <p>6 Vrms ISM ja amatööradio sagedustel</p> <p>3 V/m</p>	<p>Teisaldatavaid ja mobiilseid raadiosideseadmeid ei tohi kasutada valikulise elektriajamiga tõsturi, valikulise elektriajamiga alusmati ning valikulise kaalusüsteemi mis tahes osale, k.a kaablid, lähemal kui soovitatav vahemaa, mis arvutatakse saatja sagedusele vastavast võrrandist.</p> <p>Soovitatav vahemaa</p> <p>$D = (1,2) (\sqrt{P})$</p> <p>$D = (1,2) (\sqrt{P})$</p> <p>80 MHz kuni 800 MHz</p> <p>$D = (2,3) (\sqrt{P})$</p> <p>800 MHz kuni 2,7 GHz</p> <p>kus P on saatja suurim nimiväljundvõimsus vattides (W) saatja tootja andmeil ja D soovitatav vahemaa meetrites (m).</p> <p>Statsionaarsete raadiosaatjate tekitatav väljatugevus objekti elektromagnetilise uuringu kohaselt^a peab olema väiksem vastavustasemest igas sagedusvahemikus^b.</p> <p>Häired võivad tekkida järgmise märgiga seadmete läheduses.</p> 

Märkus 1. Sageduste 80 MHz ja 800 MHz korral kohaldatakse kõrgemat sagedusvahemikku.

Märkus 2. Neid juhiseid ei saa rakendada kõikides olukordades. Elektromagnetilist levi mõjutab neeldumine ja peegeldumine ehitistelt, objektidelt ning inimestelt.

Märkus 3. TTM (tehniline, teaduslik ja meditsiiniaparatuur) sagedusalad 0,15 MHz kuni 80 MHz on 6,765 MHz kuni 6,795 MHz; 13,553 MHz kuni 13,567 MHz; 26,957 MHz kuni 27,283 MHz; ja 40,66 MHz kuni 40,70 MHz.

^a Püsisaatjate, nagu näiteks radiotelefonide (mobiil/juhtmeta) baasjaamade ja maaside radiote, amatööradiote, AM ja FM raadiosaatjate ja TV saatjate väljatugevust ei saa teoreetiliselt täpselt ennustada. Püsiraadiosaatjate põhjustatud elektromagnetilise keskkonna hindamisel tuleb kaaluda asukoha elektromagnetilise uuringu läbiviimise vajadust. Kui mõõdetud väljatugevus valikulise elektriajamiga tõsturi, valikulise elektriajamiga alusmati ja valikulise kaalusüsteemi kasutuskohas ületab ülaltoodud kohalduvat raadiosageduslikku vastavustaset, tuleb valikulist elektriajamiga tõsturit, valikulist elektriajamiga alusmatti ning valikulist kaalusüsteemi jälgida nende nõuetekohase töö kontrolliks. Ebanormaalse talitluse ilmnemisel võib osutada vajalikuks rakendada lisameetmeid, näiteks valikulise elektriajamiga tõsturi, valikulise elektriajamiga alusmati ja valikulise kaalusüsteemi suuna või asukoha muutmist.

^b Sagedusvahemikus 150 kHz kuni 80 MHz on väljatugevused alla 3 V/m.

*Kohaldub ainult valikulisele elektriajamiga alusmatile.

Prime Series® -paarit















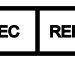




Toimintakäsikirja












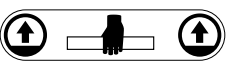




REF 1115

Big Wheel®



Symbolit

	Katso ohjekirjaa/-lehtistä
	Perehdy käyttöohjeisiin
	Yleinen varoitus
	Huomautus
	Varoitus: käsien murskaantuminen
	Varoitus: ionisoimaton säteily
	Ei saa työntää
	Älä säilytä happipulloa
	Ei saa voidella
	Luettelonumero
	Eräkoodi
	Sarjanumero
	Yhdysvaltalaiset patentit ovat verkkosivuilla www.stryker.com/patents
	CE-merkintä
	Valtuutettu edustaja Euroopan yhteisössä
	Eurooppalainen lääkinällinen laite
	Valmistaja
	Valmistuspäivämäärä
	Maahantuoja

	Turvallinen käyttökuormitus
	Potilaan enimmäispaino
	Laitteen massa turvallisella käyttökuormituksella
	Tasavirta
	Vaihtovirta
	Vaarallinen jännite
	Suojamaadoitus
IPX6	Suoja voimakkaita vesisuihkuja vastaan
	Tyypin B liityntäosa
	Lääkinnällinen laite, jonka Underwriters Laboratories Inc. on luokitellut ainoastaan sähköiskun, tulipalon ja mekaanisten vaarojen perusteella ANSI/AAMI ES60601-1: 2005- ja CAN/CSA-C22.2 No. 60601-1:08 -standardien mukaisesti. *Prime X -lisävaruste, röntgenlaitteistoon liittyvä laite IEC 60601-2-54
	Sähkö- ja elektroniikkalaiteromusta (WEEE) annetun eurooppalaisen direktiivin 2012/19/EU (muutoksineen) mukaisesti tämä symboli osoittaa, että tuote tulee kerätä erikseen kierrätystä varten. Älä hävitä sekajätteiden mukana. Hävittämistä koskevia tietoja saa ottamalla yhteyttä paikalliseen jakelijaan. Varmista, että infektioitunut laitteisto dekontaminoidaan ennen kierrättämistä.
	Voitele
	Nostetaan tästä
	Tämä puoli ylöspäin
	Säilytettävä kuivana
	Helposti särkyvä, käsittele varoen
	Pinottavien tuotteiden enimmäismäärä

Sisällysluettelo

Käsitteiden varoitus, varotoimi ja huomautus määritelmät	3
Tiivistelmä turvallisuusvaroitoimenpiteistä	3
Puristumiskohdat	6
Johdanto	7
Tuotteen kuvaus	7
Käyttötarkoitus	7
Kliiniset edut	8
Vasta-aiheet	8
Odotettu käyttöikä	8
Hävittäminen/kierrätys	8
Tekniset tiedot	8
Tuotteen kuva - Prime	11
Tuotteen kuva - Prime X -lisävaruste	12
Liityntäosat - sähköinen lisävarustealusta	13
Liityntäosat - Prime X -lisävaruste	13
Yhteystiedot	14
Sarjanumeron sijainti	14
Käyttöönotto	15
Käyttö	16
Jarrujen kytkeminen ja vapauttaminen	16
Prime-pohjan säätimet	17
Ei-sähköisen alustan nostaminen	17
Ei-sähköisen alustan laskeminen alas	17
Valinnaisen sähköisen alustan nostaminen	18
Valinnaisen sähköisen alustan laskeminen alas	18
Tuotteen asettaminen Trendelenburg-asentoon	18
Tuotteen asettaminen käänteiseen Trendelenburg-asentoon	19
Potilaan kuljettaminen	19
Potilaan kuljettaminen ilman Big Wheel -yksikköä	19
Potilaan kuljettaminen Big Wheel -yksikön kanssa	20
Pääpuolen työntökahvojen asettaminen tai säilytykseen asettaminen	21
Sivukaiteen nostaminen	22
Sivukaiteen laskeminen alas	22
Tuotteen asettaminen sivukaiteessa sijaitsevan potilaan ohjauspaneelin avulla – sähköinen alusta -vaihtoehto – vain Prime	23
Käyttäjän ohjauspaneeli - sähköinen alusta -vaihtoehto - vain Prime	23
Potilaan ohjauspaneelin lukituksen avaaminen ja lukitseminen - sähköinen alusta -vaihtoehto - vain Prime	24
Fowler-selkänöjan nostaminen tai laskeminen - ei-sähköinen alusta	25
Fowler-selkänöjan nostaminen tai laskeminen - sähköinen alusta -vaihtoehto	26
Polvituen nostaminen tai laskeminen - ei-sähköinen alusta - vain Prime	27
Polvituen nostaminen tai laskeminen - sähköinen alusta –vaihtoehto - vain Prime	27
Toipumistuolin asettaminen - vain Prime	27
Esineiden säilyttäminen pohjan säilytystilassa	28
Laitteiden ripustaminen valinnaisen pumpun telineen avulla	28
Virtajohdon vetäminen ulos tai sisään sisäänvedettävän johdon kelan avulla - valinnainen sähköinen nostin tai sähköinen alusta	29
Vaakajärjestelmälisävaruste	29
Vaa'an kuvakkeen/painikkeen tunnistaminen	30
Potilaan punnitseminen	31
Vaa'an mittayksikön lukitseminen	31
Chaperone-vaihtoehdon ottaminen käyttöön tai poistaminen käytöstä	31
Chaperone-vaihtoehdon häilytyksen asettaminen	32
Chaperone-vaihtoehdon häilytyksen äänenvoimakkuuden asettaminen	32
Vaakajärjestelmän akkuyksikön lataaminen - sähköinen alusta tai sähköinen alusta Chaperone- vaihtoehdolla - vain Prime	32
Valinnaisen vaakajärjestelmän paristojen vaihtaminen - ei-sähköinen alusta	32
Lisävarusteet ja -osat	33
Defibrillaattorin alustan kiinnittäminen	36
Debrillaattorin alustan / jalkopään jatkeen muuntaminen defibrillaattorin alustaksi	37

Defibrillaattorin alustan / jalkopään jatkeen muuntaminen jalkopään jatkeeksi	37
Jalkopään päätylevyn / asiakirjatelineen kiinnittäminen.....	38
Tippatelineen kantolaitteen kiinnittäminen	38
Jalkatukien asettaminen tai siirtäminen säilytysasentoon - vain Prime	39
Kaksivaiheisen pysyvästi kiinnitetyn tippatelineen sijoittaminen.....	40
Kolmivaiheisen pysyvästi kiinnitetyn tippatelineen sijoittaminen.....	41
Irrotettavan tippatelineen kiinnittäminen ja paikalleen asettaminen	42
Happipullon pystypidikkeen kiinnittäminen.....	43
Jalkopään tarjottimen ojentaminen tai säilytykseen asettaminen	43
Sivukaiteen tyynyjen kiinnittäminen.....	44
Potilaan kiinnityshihnojen liitäntäkohtien paikantaminen	44
Pystysuuntaisen röntgenkasetin pidikkeen asettaminen - Prime X -vaihtoehto.....	44
Sivusuuntaisen röntgenkasetin pidikkeen asettaminen - Prime X -vaihtoehto	45
Röntgenkasettien sijoittaminen tai poistaminen - Prime X -vaihtoehto	46
Puhdistus	48
Tuotteen puhdistaminen	48
Tuotteen puhdistaminen vaunupesulaitteen avulla	48
Patjan puhdistaminen	49
Jodin poistaminen	50
Erytisyshjeet	50
Desinfiointi	51
Tuotteen desinfiointi	51
Patjan desinfiointi	51
Määräaikaishuolto.....	53
Sähkömagneettisen yhteensopivuuden tiedot	55

Käsitteiden varoitus, varotoimi ja huomautus määritelmät

Sanoilla **VAROITUS**, **VAROTOIMI** ja **HUOMAUTUS** on erityismerkityksensä, ja niillä merkityt kohdat on luettava huolellisesti.

VAROITUS

Varoittaa lukijaa tilanteesta, joka voi johtaa kuolemaan tai vakavaan loukkaantumiseen, jos tilannetta ei vältetä. Varoitus voi myös kuvata mahdollisia vakavia haittavaikutuksia ja vaaratilanteita.

VAROTOIMI

Varoittaa lukijaa mahdollisesti vaarallisesta tilanteesta, joka voi johtaa lievään tai kohtalaiseen käyttäjän tai potilaan loukkaantumiseen tai tuotteen tai muun omaisuuden vaurioitumiseen, jos tilannetta ei vältetä. Näitä ovat laitteen turvalliseen ja tehokkaaseen käyttöön liittyvät välttämättömät erityistoimet ja käytöstä tai väärinkäytöstä johtuvan laitteen vaurioitumisen välttämiseksi tehtävät välttämättömät toimet.

Huomautus - Tässä annetaan erityistietoja, jotka helpottavat kunnossapitoa tai selventävät tärkeitä käyttöohjeita.

Tiivistelmä turvallisuusvaroitoimenpiteistä

Tutustu aina tällä sivulla lueteltuihin varoituksiin ja huomioihin huolellisesti ja noudata niitä tarkasti. Laitteen saa huoltaa ainoastaan koulutettu henkilökunta.

VAROITUS

- Anna tuotteen asettua aina huoneenlämpötilaan ennen käyttöönottoa tai toimintojen testaamista. Muuten parit voivat vaurioitua pysyvästi.
- Tuotetta käytettäessä on kaikkien käyttäjien oltava etäällä mekanismeista.
- Virtajohtoa on käsiteltävä aina varoen. Muuten siihen voi sotkeutua, se voi vaurioitua tai siitä saada mahdollisesti sähköiskun. Jos virtajohto on vaurioitunut, tuote on heti poistettava käytöstä ja on otettava yhteys asianmukaiseen huoltohenkilöstöön.
- Tuote on aina kytkettävä maadoitettuun, sairaalakäyttöön tarkoitettuun pistorasiaan. Luotettava maadoitus aikaansaadaan vain käyttämällä sairaalakäyttöön tarkoitettua pistorasiaa. Tässä tuotteessa on sairaalakäyttöön tarkoitettu pistoke, joka suojaa sähköiskulta.
- Kytke jarrut aina päälle, kun potilas on siirtymässä tuotteelle tai tuotteelta pois tai kun tuote ei liiku. Jos tuote liikkuu potilaan noustessa tuotteelle tai tuotteelta pois, voi tapahtua potilasvahinko.
- Asettele potilas aina tuotteen keskelle.
- Laske tuote aina alimpaan asentoon, sivukaiteet ylhäällä ja lukittuina, kun jätät potilaan ilman valvontaa. Tuotetta ei saa jättää korkeampaan korkeuteen.
- Poista aina kaikki laitteet, jotka voivat olla tiellä, ennen alustan nostamista tai laskemista.
- Älä istu tuotteen päädyssä. Tuote voi kallistua.
- Lukitse potilasta kuljetettaessa aina sivukaiteet kokonaan ylös lepopinta vaakatasossa matalimmassa asennossa.
- Älä kuljeta tuotetta sivusuunnassa yli 5,7 asteen kaltevalla pinnalla (10 %:n kaltevuus), jotta tuote ei kallistu.
- Ole aina erityisen varovainen, kun käytät patjaa, joka on paksumpi kuin 2,5 tuumaa (6,35 cm), tai patjan päällistä **Prime X** -lisävarusteen kanssa.
- Lukitse potilasta kuljetettaessa aina sivukaiteet kokonaan ylös, lepopinta vaakatasossa ja matalimmassa asennossa.
- Pidä potilaan raajat aina etäällä sivukaiteen pystytapeista, kun nostat tai lasket sivukaidetta.
- Älä päästä sivukaiteita laskeutumaan alas itsestään.
- Pidä aina kädet ja sormet etäällä Fowler-selkänöjan vapautuskahvoista ja Fowler-selkänöjan rungosta, kun lasket Fowler-selkänöjaa alaspäin.
- Ole aina varovainen, kun nostat Fowler-selkänöjaa potilaan ollessa tuotteen päällä. Käytä asianmukaisia nostotekniikoita ja pyydä tarvittaessa apua.
- Pidä aina kädet ja sormet etäällä jalkopään työntökahvoista polvitukea laskettaessa.
- Pidä aina pumpun telineellä olevat laitteen letkut erillään polvituen kahvoista.
- Varmista aina, että pumpun telineellä olevat laitteet mahtuvat turvallisesti oviaukkojen läpi.

- Älä nosta tuotetta pumpun telineestä.
- Irrota virtajohto aina pistorasiasta ennen potilaan kuljettamista tai tuotteen puhdistamista.
- Säilytä virtajohto aina pohjassa sijaitsevassa sisäänvedettävässä johdon kelassa tuotteen kuljetuksen aikana.
- Älä käytä vaakajärjestelmälisävarustetta tai sähköistä lisävarustenosintaa tai sähköistä lisävarustealustaa muiden laitteiden vieressä tai pinossa niiden kanssa. Jos vieressä tai pinossa käyttöä ei voida välttää, vaakajärjestelmälisävarustetta tai sähköistä lisävarustenosintaa tai sähköistä lisävarustealustaa on valvottava sen varmistamiseksi, että kaikki laitteet toimivat normaalisti siinä kokoonpanossa, jossa niitä käytetään.
- Defibrillaattorin alustan päälle ei saa asettaa yli 30 paunaa (14 kg) painavia esineitä. Kiinnitä aina kaikki defibrillaattorin alustalle asetetut laitteet paikalleen hihnalla.
- Ole aina varovainen, jos paareihin on kiinnitetty defibrillaattorin alusta / jalkopään jatke, jalkopään päätylevy / asiakirjateline tai happipullon pystypidike, jotta sormesi eivät jää puristuksiin jalkopään valinnaista työntökahvaa käytettäessä.
- Defibrillaattorin alustan / jalkopään jatkeen päälle ei saa asettaa yli 30 paunaa (14 kg) painavia esineitä. Kiinnitä aina kaikki defibrillaattorin alustalle asetetut laitteet paikalleen hihnalla.
- Varmista aina, että tippateline on kiinnitetty hyvin kantolaitteeseen tuotetta kuljetettaessa.
- Aseta aina tippatelineen kantolaitteeseen säilytykseen, kun sitä ei käytetä, jotta tuote ei vaurioitu.
- Älä istu jalkopään tukien päällä. Se voi aiheuttaa tuotteen kaatumisen.
- Varmista aina, että sormet ovat etäällä mekanismeista, kun käytät jalkopään tukia.
- Kiinnitä aina jalkopään tuet, kun kuljetat potilasta tuotteen päällä.
- Varmista aina, että jalkopään tuet on kiristetty ennen niiden käyttämistä.
- Älä käytä vaakajärjestelmää jalkopään tukien kanssa. Lukemat voivat olla epätarkkoja.
- Älä käytä **Chaperone**-lisävarustetta jalkopään tukien kanssa. Lukemat voivat olla epätarkkoja.
- Tippatelinettä ei saa käyttää työntämiseen tai vetämiseen. Tuote voi vaurioitua.
- Älä aseta yli 40 paunan (18 kg:n) painoisia esineitä happipullon pystypidikkeeseen.
- Älä aseta yli 30 paunan (14 kg:n) painoisia esineitä tarjottimelle.
- Kiinnitä kiinnityshihnat aina varovaisuutta noudattaen. Muuten potilas tai käyttäjä voi loukkaantua. Turvallisestikin kiinnitetty kiinnittimet voivat aiheuttaa vakavan vamman potilaille ja käyttäjille, kuten kiinnittimiin sotkeentumisen tai tarttumisen, fyysisen vamman tai kuoleman.
- Kiinnitä aina kiinnityshihnat ja/tai -laitteet vain niille osoitettuihin kiinnityskohtiin tuotteessa. Muuten seurauksena voi olla potilaan tai käyttäjän loukkaantuminen. Älä kiinnitä kiinnityshihnoja sivukaiteeseen.
- Noudata aina soveltuvia kansallisia lakeja ja säädöksiä ja asianmukaisia laitoksen menettelytapoja kaikkia kiinnityshihnoja tai laitteita käytettäessä.
- Noudata aina suojaavia varotoimia, kun käytät pystysuuntaista tai sivusuuntaista röntgenkasetin pidikettä. Röntgenkasetin pidike ei suojaa säteilyltä.
- Perehdy aina turvallisuuden vuoksi paikallisiin ja kansallisiin suosituksiin laitoksen menettelytapojen lisäksi, ennen kuin käytät **Prime X**-lisävarustetta säteilyä tuottavien laitteiden kanssa. Säteilyä tuottavat laitteet voivat tuottaa jäännössäteilyä, hajasäteilyä tai sirontaa.
- Noudata aina ohjeita kohdasta *Pystysuuntaisen röntgenkasetin pidikkeen asettaminen - Prime X -lisävaruste*, kun asetat röntgenkasettia.
- On aina oltava varovainen, kun röntgenkuvia otetaan Fowler-selkänöjan ollessa pystyasennossa tai kun käytetään sivusuuntaista kasettia.
- Noudata aina ohjeita kohdasta *Sivusuuntaisen röntgenkasetin pidikkeen asettaminen - Prime X -lisävaruste*, kun asetat röntgenkasettia.
- Kun tuote on käytössä, sitä ei saa puhdistaa tai huoltaa eikä siihen saa tehdä kunnossapitotoimia.
- Patjaa ei saa upottaa puhdistus- tai desinfiointiliuoksiin. Liiallinen kosteus voi aiheuttaa laitevian, joka johtaa tuotevaurioon tai potilasvamman.
- Nesteiden ei saa antaa kertyä patjalle. Nesteet voivat syövyttää osia ja tämän tuotteen turvallisuus ja toiminta voi muuttua odottamattomalla tavalla.
- Tarkasta aina patjan suojuksien puhdistamisen yhteydessä, onko niissä repeämiä, reikiä tai liiallista kulumaa tai onko vetoketju kohdistettu väärin. Poista vaurioitunut patja käytöstä ja vaihda uuteen ristikontaminaation estämiseksi.
- Patjoja ei saa puhdistaa höyryllä, painepesulla, letkulla tai ultraäänellä. Nämä puhdistusmenetelmät voivat mitätöidä tuotetakuun.
- Tuotetta ei saa puhdistaa höyryllä, letkulla tai ultraäänellä. Näitä puhdistusmenetelmiä ei suositella, ja ne saattavat mitätöidä tuotetakuun.

- Desinfioi patja aina potilaskäyttöjen välillä. Muuten tuloksena saattaa olla ristikontaminaatio ja infektiio.
-

HUOMIO

- Tuotteen väärä käyttö voi aiheuttaa potilaan tai käyttäjän vamman. Käytä tuotetta vain tässä käyttöoppaassa kuvatulla tavalla.
 - Tuotetta tai mitään tuotteen osia ei saa muuttaa. Jos tuotetta muutetaan, se voi toimia odottamattomalla tavalla ja aiheuttaa joko potilaan tai käyttäjän vamman. Lisäksi tuotteen muuttaminen mitätöi sen takuun.
 - Älä käytä pohjan hydraulikkaa tuotteen nostamiseen, kun tuotteen alla on potilaan nostin.
 - Älä käytä ohjauspoljinta, kun **Big Wheel** -yksikkö on kynnyksellä tai muun koholla olevan kohdan päällä. **Big Wheel** -yksikön käyttöön tarvitaan tavallista enemmän voimaa, mikä voi aiheuttaa tuotteen vaurioitumisen.
 - Polvituen painorajoitus on 200 paunaa (90,7 kg).
 - Varmista aina, että polvituen kannatintanko on tukevasti kiinni ennen käyttöä.
 - Älä istu tai seiso polvituen päällä.
 - Ole aina varovainen, kun yrität laskea polvitukea, kun tuote ei ole kytketty sähkövirtaan. Painovoima voi saada polvituen putoamaan alas nopeasti.
 - Älä aseta yli 60 paunaa (27 kg:n) painoisia esineitä pohjan säilytystilaan.
 - Älä istu tai seiso pohjan säilytystilan päällä tai astu sen päälle.
 - Pumpun telineen painorajoitus on 40 paunaa (18 kg).
 - Pumpun telinettä ei saa käyttää työntämiseen/vetämiseen. Tuote voi vaurioitua.
 - Vaakaa ei saa käyttää alle 50 paunan (22,7 kg:n) painoisilla potilailla.
 - Älä käytä vaakajärjestelmän lukemaa referenssinä lääketieteellistä hoitoa varten.
 - Nosta aina tippatelinettä ennen kuin kiinnität defibrillaattorin alustan / jalkopään jatkeen tuotteeseen. Jos et nosta tippatelinettä, jalkopään jatke ei toimi.
 - Tippatelinettä ei saa käyttää työntämiseen tai vetämiseen. Tuote voi vaurioitua.
 - Älä aseta yli 40 paunaa (18 kg:n) tippapusseja tippatelineeseen.
 - Varmista aina, että tippateline on tarpeeksi matalalla, jotta se mahtuu oviaukoista, kun kuljetat potilasta.
 - Älä puhdista valinnaisen vaakajärjestelmän näytön kotelo hankaavilla puhdistusaineilla. Älä päästä puhdistusliuoksia tai muita nesteitä kerääntymään näyttöyksikköön. Kuivaa kaikki pinnat roiskeiden tai puhdistamisen jälkeen.
 - Muiden kuin valmistajan nimeämien tai toimittamien lisävarusteiden, anturien ja kaapelien käyttäminen voi lisätä sähkömagneettisia päästöjä tai heikentää sähkömagneettista häiriönsietoa sekä aiheuttaa virheellistä toimintaa.
 - Tämän laitteiston päästöominaisuudet tekevät siitä sopivan käytettäväksi teollisissa ympäristöissä ja sairaaloissa (CISPR 11, luokka A). Jos sitä käytetään asuinrakennusympäristössä (johon tarvitaan yleensä CISPR 11, luokka B), tämä laitteisto ei ehkä anna riittävää suojaa radiotaajuisia viestintäpalveluja vastaan. Käyttäjän täytyy ehkä tehdä korjaavia toimenpiteitä, kuten sijoittaa laitteisto toiseen paikkaan tai suunnata laitteisto uudelleen.
 - Kannettavia radiotaajuisia viestintälaitteita (oheislaitteet kuten antennijohdot ja ulkoiset antennit mukaan luettuina) on käytettävä vähintään 12 tuuman (30 cm:n) etäisyydellä mistä tahansa **Prime**-parien osasta (valmistajan nimeämät kaapelit mukaan luettuina).
 - Tuotteiden virheellistä toimintaa estetään välttämällä laitteiden pinoamista tai asettamista muiden laitteiden läheisyyteen. Jos tällainen käyttö on välttämätöntä, tarkkaile pinottuja tai toistensa lähelle asetettuja laitteita niiden asianmukaisen toiminnan todentamiseksi.
-

Puristumiskohdat



Kuva 1 – Prime X -lisävaruste

Johdanto

Tämä opas auttaa Stryker-tuotteesi käyttämisestä tai kunnossapitoa. Lue tämä opas ennen tämän tuotteen käyttöä tai kunnossapitoa. Luo menetelmät ja menettelytavat, joiden avulla henkilökuntaa voidaan opettaa ja perehdyttää tämän tuotteen turvalliseen käyttöön ja kunnossapitoon.

HUOMIO

- Tuotteen väärä käyttö voi aiheuttaa potilaan tai käyttäjän loukkaantumisen. Käytä tuotetta vain tässä käyttöoppaassa kuvatulla tavalla.
 - Tuotetta tai mitään tuotteen osia ei saa muuttaa. Jos tuotetta muutetaan, se voi toimia odottamattomalla tavalla ja aiheuttaa joko potilaan tai käyttäjän loukkaantumisen. Lisäksi tuotteen muuttaminen mitätöi sen takuun.
-

Huomautus

- Tätä opasta on pidettävä tuotteen pysyvänä osana, ja oppaan on pysyttävä tuotteen mukana jopa silloin, jos tuote myöhemmin myydään.
- Stryker kehittää jatkuvasti tuotteen suunnittelua ja laatua. Tässä oppaassa on viimeisin käytettävissä oleva tuotetieto painohetkellä. Tuotteesi ja tämän oppaan välillä voi esiintyä pieniä eroavaisuuksia. Jos sinulla on kysyttävää, ota yhteyttä Strykerin asiakaspalveluun tai tekniseen tukeen numerossa +1 800 327 0770.

Tuotteen kuvaus

Strykerin mallin 1115 **Prime Series**® -parit, joissa on **Big Wheel**® -yksikkö, on pyörillä varustettu laite, jossa on pyörälliseen runkoon kiinnitetty, potilaita vaaka-asennossa tukeva alusta. Parien avulla käyttäjä pystyy siirtämään potilaita terveydenhuoltolaitoksen sisällä. Käyttäjä voi olla terveydenhuollon ammattilainen tai laitoksen koulutettu edustaja. Strykerin mallin 1115 **Prime Series** -parit, joissa on **Big Wheel** -yksikkö, vähentävät liikkeelle lähtöön tarvittavaa voimaa ja ohjaamiseen tarvittavaa voimaa fyysisen rasituksen pienentämiseksi.

Käyttötarkoitus

Prime Series -parit, joissa on **Big Wheel** -yksikkö, sisältävät kaksi isoa pyörää, joiden ansiosta liikkeelle lähtöön tarvitaan vähemmän voimaa.

Prime Series -paareja voidaan käyttää lyhytaikaisessa poliklinikalla tehtävässä arvioinnissa, hoidossa, pienessä toimenpiteessä ja lyhytaikaisena poliklinikan toipumisalustana. Paareja voidaan käyttää mm. seuraavilla alueilla:

- ensiapuosasto
- trauma-alue
- heräämö.

Prime Series -paareja voidaan käyttää pieniä toimenpiteitä varten ja lyhytaikaista hoitoa varten (hoito ja toipuminen). Määritetyt ympäristöolosuhteet annetaan teknisten tietojen taulukossa.

Strykerin **Prime Series** -paareja ei ole arvioitu sen suhteen, noudattavatko ne BS EN 50637 -standardia. Tuotetta ei ole tarkoitettu lapsipotilaiden lyhytaikaiseen hoitoon niillä markkina-alueilla, joilla mainittu standardi tunnustetaan myyntiluvan myöntämisprosessissa. Paareja ei ole myöskään tarkoitettu anatomialtaan epätyypillisten aikuispotilaiden lyhytaikaiseen hoitoon näillä markkina-alueilla.

Prime Series -paareja ei ole tarkoitettu pitkäaikaiseen potilaan hoitoon ja toipumiseen sairaalassa.

Prime Series -parien turvallinen käyttökuormitus on enintään 700 paunaa (318 kg), ja niitä on tarkoitettu käyttää kaikilla potilailla sairauden vakavuudesta riippumatta. Paareja voidaan myös käyttää kuljettamaan kuolleita potilaita terveydenhuoltolaitoksen sisällä.

Prime X® -lisävaruste tarjoaa potilaan nivelletyn radiografisen tukipinnan sekä alustan potilaan tukipinnan alla röntgenkasetin sijoittamista varten. **Prime X** -lisävaruste mahdollistaa kliinisen röntgenkuvauksen (AP koko keho, valinnainen koko kehon lateraalinen ja valinnainen keuhkoröntgen pystyasennossa), kun tuotetta käytetään lääketieteellisen röntgenkuvausjärjestelmän kanssa.

Kliiniset edut

Potilaan kuljetus, helpompi hoito ja diagnosointi

Vasta-aiheet

Prime X -vaihtoehtoa ei suositella käytettäväksi patjan kanssa, joka on yli neljän tuuman (10 cm) paksuinen.

Prime X -vaihtoehto ei ole yhteensopiva käyttöön C-kaaren kanssa.

Prime X -vaihtoehto soveltuu käytettäväksi kaikissa muissa kuin asuinkäyttöön tarkoitetuissa rakennuksissa sekä asuinrakennuksiin virtaa syöttävään julkiseen pienjänniteverkkoon suoraan liitetyissä rakennuksissa.



Odotettu käyttöikä

Prime Series -paareilla ja Prime Series -paareilla, joissa on Prime X -lisävaruste, on 10 vuoden odotettu käyttöikä tavallisessa käytössä ja tavallisissa käyttöolosuhteissa, kun niitä huolletaan säännöllisesti huolto-oppaan mukaisesti.

Hävittäminen/kierrätys

Noudata aina ympäristönsuojelua ja laitteiston kierrättämiseen tai hävittämiseen liittyviä vaaroja koskevia voimassaolevia paikallisia suosituksia ja/tai säännöksiä, kun käyttöikä päättyy.

Tekniset tiedot

	Prime Series, leveys 26 tuumaa (66 cm)		Prime Series, leveys 30 tuumaa (76 cm) Prime Series, HT-pakkaukset		Prime X -lisävaruste, leveys 30 tuumaa (76 cm)	
 Huomautus - Turvallinen käyttökuormitus osoittaa potilaan, patjan ja lisävarusteiden yhteispainon.	700 paunaa	318 kg	700 paunaa	318 kg	700 paunaa	318 kg
 Potilaan enimmäispaino	675 paunaa	306 kg	675 paunaa	306 kg	675 paunaa	306 kg
Kokonaispituus	85 tuumaa (± 0,5 tuumaa)	215,9 cm	85 tuumaa (± 0,5 tuumaa)	215,9 cm	85 tuumaa (± 0,5 tuumaa)	215,9 cm
Kokonaispituus (alustan jatkeen kanssa)	89,9 tuumaa (± 0,75 tuumaa)	228,3 cm	89,9 tuumaa (± 0,75 tuumaa)	228,3 cm	Ei sovellu	Ei sovellu
Kokonaisleveys (sivukaiteet ylhäällä)	34 tuumaa (± 1 tuuma)	86,4 cm	38 tuumaa (± 1 tuuma)	96,5 cm	38 tuumaa (± 1 tuuma)	96,5 cm

	Prime Series, leveys 26 tuumaa (66 cm)		Prime Series, leveys 30 tuumaa (76 cm) Prime Series, HT-pakkaukset		Prime X -lisävaruste, leveys 30 tuumaa (76 cm)	
Kokonaisleveys (sivukaiteet alhaalla)	30,25 tuumaa (± 0,5 tuumaa)	76,8 cm	30,5 (± 0,5) tuumaa	77,5 cm	30,5 tuumaa (± 0,5 tuumaa)	77,5 cm
Minimikorkeus	20,75 tuumaa	52,7 cm	20,75 tuumaa	52,7 cm	23,25 tuumaa	59,1 cm
Maksimikorkeus	34 tuumaa (± 1 tuuma)	86,4 cm	34 tuumaa (± 1 tuuma)	86,4 cm	36,5 tuumaa (± 1 tuuma)	92,7 cm
Fowler-selkänojan kulma	0° – 90° / ± 5°					
Polvituen korkeus	Vähintään 5,5 tuumaa (14 cm)				Ei sovellu	
Trendelenburg / käänteinen Trendelenburg	+17° – -17° (± 3°)					
Minimiväli	2,5 tuumaa nimellinen	6,4 cm	2,5 tuumaa nimellinen	6,4 cm	2,5 tuumaa nimellinen	6,4 cm
	1,75 tuumaa hydraulisten nostimien alla	4,5 cm	1,75 tuumaa hydraulisten nostimien alla	4,5 cm	1,75 tuumaa hydraulisten nostimien alla	4,5 cm
	1 tuuma Big Wheel -yksikön alla	2,5 cm	1 tuuma Big Wheel -yksikön alla	2,5 cm	1 tuuma Big Wheel -yksikön alla	2,5 cm
Vaimennusekvivalentti (alumiiniekvivalentti)	Ei sovellu				Hyväksytty enimmäisarvo on 1,7 mm Al	
Valinnaisen vaakajärjestelmän käyttöalue	50 paunaa (22,7 kg) – 700 paunaa (318 kg)					
Valinnaisen vaakajärjestelmän tarkkuus	±3 paunaa (1,3 kg), kun paino on alle 100 paunaa (45 kg), ja ±3 %, kun paino on vähintään 100 paunaa (45 kg)*					
*Jotta vaakajärjestelmän tarkkuus on tuotetietojen mukainen, potilaspinna on oltava tasainen (Fowler-selkänoja ja polvituki alhaalla) eikä tuote voi ylittää 5 astetta Trendelenburg- tai käänteisessä Trendelenburg-asennossa.						

Sähköiset lisävarusteet	Valinnainen sähköinen alusta (saatavilla vain Prime-lisävarusteissa)	Valinnainen sähköinen nostin (saatavilla Prime- ja Prime X -lisävarusteissa)
Sähkövaatimukset	120 VAC, 60 Hz, 10 A 240 VAC, 50/60 Hz, 5 A	120 VAC, 60 Hz, 10 A 240 VAC, 50/60 Hz, 5 A
Toimintajakso	Jatkuva toiminta, jaksottainen kuormitus 1 min PÄÄLLÄ ja 20 min POIS PÄÄLTÄ	Jatkuva toiminta, jaksottainen kuormitus 1 min PÄÄLLÄ ja 20 min POIS PÄÄLTÄ

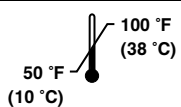
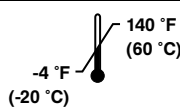
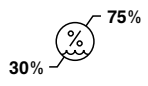
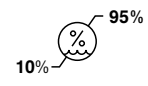
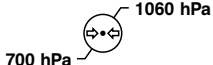
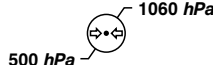
Valinnainen vaakajärjestelmä	Ei-sähköinen alusta (saatavilla Prime- ja Prime X -lisävarusteissa)	Valinnainen sähköinen nostin (saatavilla Prime- ja Prime X -lisävarusteissa)
Akkutyyppe	4 x AA-paristo (4 x 1,5 VDC), alkalityyppinen (LR6)	4 x AA-paristo (4 x 1,5 VDC), alkalityyppinen (LR6)
Akkujännite	6,0 VDC	6,0 VDC

Valinnainen vaakajärjestelmä	Valinnainen sähköinen alusta (saatavilla vain Prime-lisävarusteissa)	Valinnainen sähköinen nostin
Akkutyyppe	1 x ladattava litiumioniakkuyksikkö (0058-135-000)	Ei sovellu
Akkujännite	10,8 VDC, 2,4 Ah	Ei sovellu

Valinnainen vaakajärjestelmä, jossa Chaperone®-lisävaruste (paareilta poistuminen)	Valinnainen sähköinen alusta (saatavilla vain Prime-lisävarusteissa)	Valinnainen sähköinen nostin
Akkutyyppe	1 x ladattava litiumioniakkuyksikkö (0058-134-000)	Ei sovellu
Akkujännite	10,8 VDC, 4,8 Ah	Ei sovellu

Stryker pidättää oikeuden teknisten tietojen muuttamiseen ilman ennakoilmoitusta.

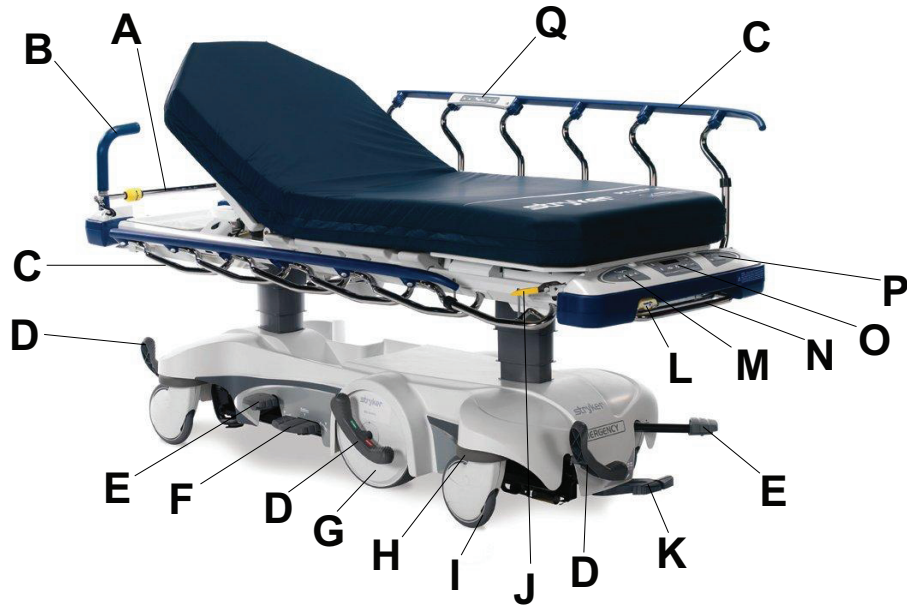
Huomautus - Tämä tuote ei sovellu käytettäväksi anesteettien ja ilman tai happi- tai typpioksiduulin tulenaran seoksen kanssa.

Ympäristöolosuhteet	Käyttö	Säilytys ja kuljetus
Lämpötila		
Suhteellinen kosteus		
Ilmanpaine		

Huomautus - Valinnaisen vaakajärjestelmän (ei-sähköinen alusta / sähköinen lisävarustealusta) käyttölämpötila-alue on 61–79 °F (16–26 °C).

Annetut tekniset tiedot ovat likimääräisiä ja saattavat vaihdella hieman tuotekohtaisesti tai virransyötön vaihtelujen mukaisesti.

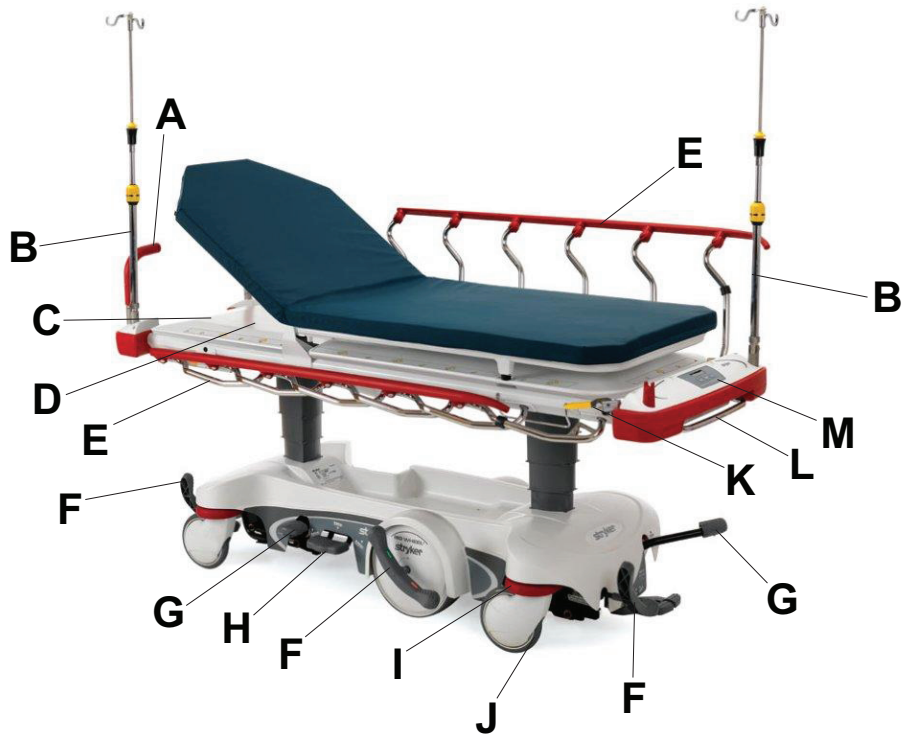
Tuotteen kuva - Prime



Kuva 2 – Prime

A	Tippateline	J	Sivukaiteen salpa
B	BackSmart® -ponnahdustyöntökahvat, valinnaiset	K	Hydraulinen vapautuspoljin
C	BackSmart -sivukaide	L	Polvituen vapautuskahva
D	Jarru-/ohjauspoljin	M	Jalkopään käyttäjän BackSmart -ohjauspaneeli, valinnainen
E	Pumpun poljin	N	Pumpputeline, valinnainen
F	Alustan säätämiseen käytettävä monitoimipoljin	O	BackSmart -vaakajärjestelmä, valinnainen
G	Big Wheel	P	Potilaan ohjauspaneelin lukitus, valinnainen
H	Puskuri, sisäänrakennettu	Q	Sivukaiteessa sijaitseva potilaan ohjauspaneeli, valinnainen
I	Rullapyörä, jossa on sisäänrakennettu pyörän suojuus		

Tuotteen kuva - Prime X -lisävaruste



Kuva 3 – Prime X -lisävaruste

A	BackSmart® -ponnahdustyöntökahvat, valinnaiset	H	Alustan säätämiseen käytettävä monitoimipoljin
B	Tippateline	I	Puskuri, sisäänrakennettu
C	Kasettialusta	J	Rullapyörä, jossa on sisäänrakennettu pyörän suojuus
D	Potilaspinta, jossa on Clearview Technology® -tuki	K	Sivukaiteen salpa
E	BackSmart -sivukaide	L	Pumpputeline, valinnainen
F	Jarru-/ohjauspoljin	M	BackSmart -vaakajärjestelmä, valinnainen
G	Pumpun poljin		

Liityntäosat - sähköinen lisävarustealusta



Kuva 4 – Tyypin B liityntäosat - sähköinen lisävarustealusta

Liityntäosat - Prime X -lisävaruste



Kuva 5 – Tyypin B liityntäosat - Prime X -lisävaruste

Yhteystiedot

Ota yhteys Strykerin asiakaspalveluun tai tekniseen tukeen, numero: 1 800 327 0770.

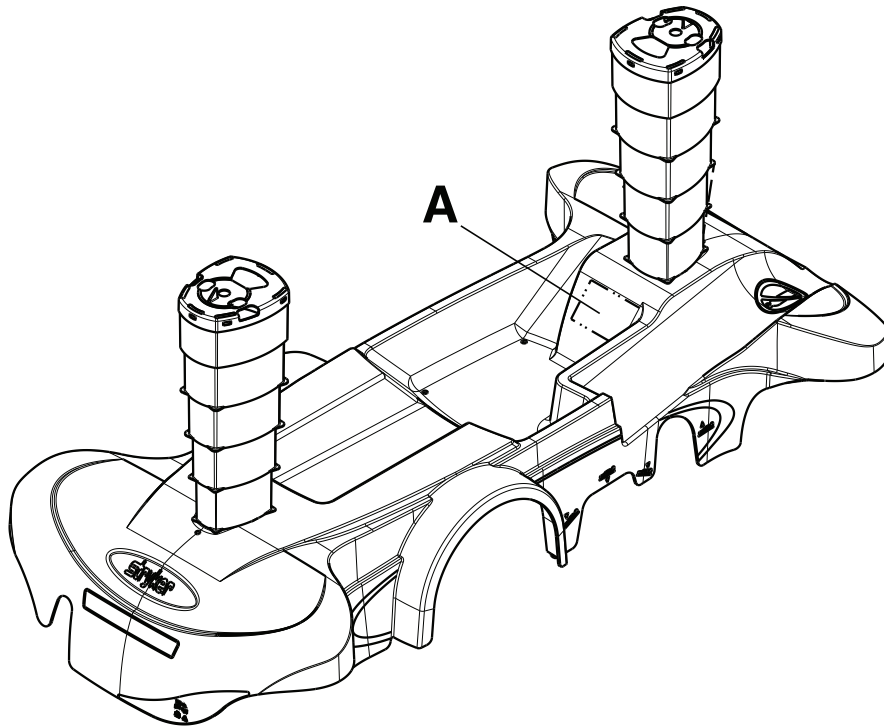
Stryker Medical
3800 E. Centre Avenue
Portage, MI 49002
USA

Huomautus - Käyttäjän ja/tai potilaan on ilmoitettava mahdollinen tuotteeseen liittyvä vakava onnettomuus sekä valmistajalle että sen Euroopan jäsenvaltion toimivaltaiselle viranomaiselle, jossa käyttäjä ja/tai potilas sijaitsee.

Voit nähdä online-käyttöoppaan tai -huolto-oppaan verkkosivustolla <https://techweb.stryker.com/>.

Pidä Stryker-tuotteen sarjanumero (A) saatavilla, kun soitat Strykerin asiakaspalveluun tai tekniseen tukeen. Mainitse sarjanumero kaikessa kirjallisessa yhteydenpidossa.

Sarjanumeron sijainti



Kuva 6 – Sarjanumeron sijainti

Käyttöönotto

Ota tuote pakkauksesta noudattamalla kuljetuslaatikon sisällä olevaan tuotteeseen kiinnitettyjä ohjeita.

VAROITUS

- Anna tuotteen asettua aina huoneenlämpötilaan ennen käyttöönottoa tai toimintojen testaamista. Muuten parit voivat vaurioitua pysyvästi.
 - Tuotetta käytettäessä on kaikkien käyttäjien oltava etäällä mekanismeista.
 - Virtajohtoa on käsiteltävä aina varoen. Muuten siihen voi sotkeutua, se voi vaurioitua tai siitä saada mahdollisesti sähköiskun. Jos virtajohto on vaurioitunut, tuote on heti poistettava käytöstä ja on otettava yhteys asianmukaiseen huoltohenkilöstöön.
 - Tuote on aina kytkettävä maadoitettuun, sairaalakäyttöön tarkoitettuun pistorasiaan. Luotettava maadoitus aikaansaadaan vain käyttämällä sairaalakäyttöön tarkoitettua pistorasiaa. Tässä tuotteessa on sairaalakäyttöön tarkoitettu pistoke, joka suojaa sähköiskulta.
-

Varmista, että tuote toimii, ennen kuin otat sen käyttöön.

1. Kytke jarru päälle. Varmista, että kaikki neljä rullapyörää on lukittu työntämällä paareja.
2. Vapauta jarru. Varmista, että kaikki neljän rullapyörää liikkuvat työntämällä paareja.
3. Nosta ja laske alustaa hydraulisella nostimella.
4. Nosta parit korkeimpaan asentoon ja aseta ne Trendenburg-asentoon (ks. *Tuotteen asettaminen Trendenburg-asentoon* (sivulla 18)). Varmista, että pääpuoli laskeutuu kokonaan alas.
5. Nosta parit korkeimpaan asentoon ja aseta ne käänteiseen Trendenburg-asentoon (ks. *Tuotteen asettaminen käänteiseen Trendenburg-asentoon* (sivulla 19)). Varmista, että jalkopää laskeutuu kokonaan alas.
6. Ota käyttöön **Big Wheel** -yksikkö ja varmista, että se toimii.
7. Varmista, että sivukaiteet nousevat, laskeutuvat ja lukittuvat paikalleen.
8. Nosta ja laske manuaalinen Fowler-selkänöja (pääpuoli).
9. Nosta ja laske manuaalinen polvituki (jalkopää).

Jos tuotteessa on sähköinen nostin tai sähköinen alusta lisävarusteena:

1. Tee edellä luetellut käyttöönottovaiheet.
2. Kytke tuote maadoitettuun, sairaalakäyttöön tarkoitettuun pistorasiaan. Varmista, että lukituspaneelin merkkivalot palavat.
3. Varmista, että kumpikin toiminto valinnaisessa sivukaiteessa sijaitsevassa potilaan ohjauspaneelissa toimii.
4. Varmista, että kumpikin toiminto valinnaisessa jalkopään käyttäjän ohjauspaneelissa toimii.
5. Nosta ja laske sähköinen Fowler-selkänöja (pääpuoli).
6. Nosta ja laske sähköinen polvituki (jalkopää).

Jos tuotteessa on vaakajärjestelmä-lisävaruste tai sähköinen lisävarustealusta (joko **Chaperone**-lisävarusteella tai ilman):

1. Tee edellä luetellut käyttöönottovaiheet.
2. Lataa akut (*Vaakajärjestelmän akkuyksikön lataaminen - sähköinen alusta tai sähköinen alusta Chaperone-vaihtoehdolla - vain Prime* (sivulla 32)).

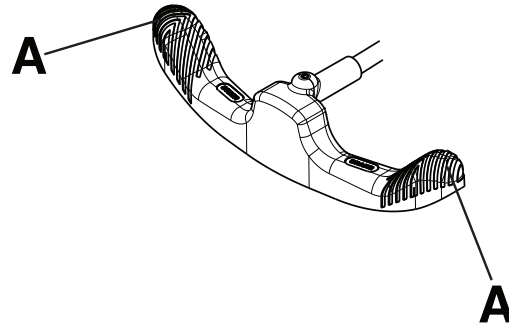
Käyttö

Jarrujen kytkeminen ja vapauttaminen

VAROITUS - Kytke jarrut aina päälle, kun potilas on siirtymässä tuotteelle tai tuotteelta pois tai kun tuote ei liiku. Jos tuote liikkuu potilaan noustessa tuotteelle tai tuotteelta pois, voi tapahtua potilasvahinko.

Kytke jarrut painamalla jarru-/ohjauspolkimen jarrun (punainen) puolta. Varmista jarrujen toimivuus työntämällä tuotetta.

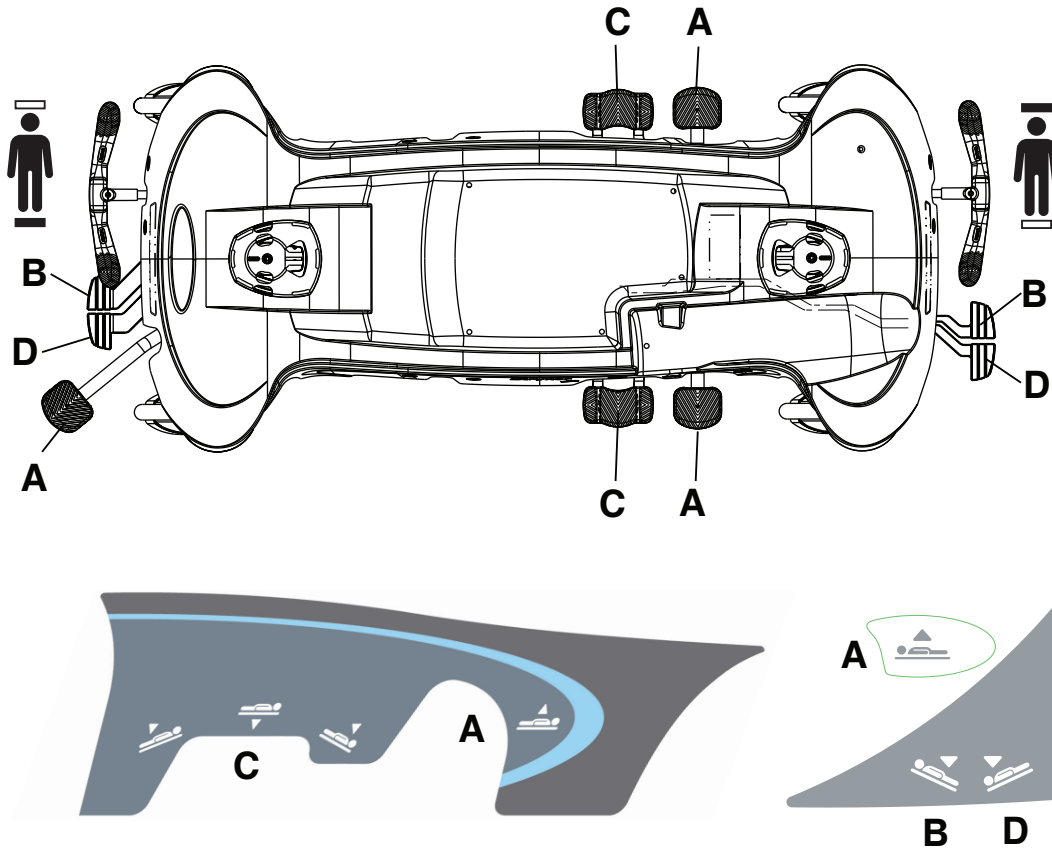
Vapauta jarrut painamalla jarru-/ohjauspolkimen ohjauksen (vihreä) puolta.



Kuva 7 – Jarru-/ohjauspolkimen käyttö

Huomautus - Älä paina jarru-/ohjauspoljinta sen keskiosasta. Paina jarru-/ohjauspoljinta aina sen ulkoreunasta (A) (Kuva 7).

Prime-pohjan säätimet



Kuva 8 – Prime-pohjan säätimet ja tarra

Ei-sähköisen alustan nostaminen

VAROITUS

- Asettele potilas aina tuotteen keskelle.
- Laske tuote aina alimpaan asentoon, sivukaiteet ylhäällä ja lukittuina, kun jätät potilaan ilman valvontaa. Tuotetta ei saa jättää korkeampaan korkeuteen.
- Poista aina kaikki laitteet, jotka voivat olla tiellä, ennen alustan nostamista tai laskemista.
- Älä istu tuotteen päädyssä. Tuote voi kallistua.

HUOMIO - Älä käytä pohjan hydraulikkaa tuotteen nostamiseen, kun tuotteen alla on potilaan nostin.

Alusta nostetaan painamalla pumpun poljinta (A), kunnes alusta on halutulla korkeudella (*Prime-pohjan säätimet* (sivulla 17)).

Ei-sähköisen alustan laskeminen alas

VAROITUS

- Asettele potilas aina tuotteen keskelle.
- Laske tuote aina alimpaan asentoon, sivukaiteet ylhäällä ja lukittuina, kun jätät potilaan ilman valvontaa. Tuotetta ei saa jättää korkeampaan korkeuteen.
- Poista aina kaikki laitteet, jotka voivat olla tiellä, ennen alustan nostamista tai laskemista.

- Älä istu tuotteen päädysssä. Tuote voi kallistua.
-

HUOMIO - Älä käytä pohjan hydraulikkaa tuotteen nostamiseen, kun tuotteen alla on potilaan nostin.

Koko alusta lasketaan alas painamalla monitoimipolkimen (C) keskiosaa (*Prime-pohjan säätimet* (sivulla 17)).

Alustan pääpuoli lasketaan alas painamalla poljinta (B) tai painamalla monitoimipolkimen (C) lähinnä pääpuolta olevaa puolta.

Alustan jalkopää lasketaan alas painamalla poljinta (D) tai monitoimipolkimen (C) lähinnä jalkopäätä olevaa puolta.

Valinnaisen sähköisen alustan nostaminen

VAROITUS

- Asettele potilas aina tuotteen keskelle.
 - Laske tuote aina alimpaan asentoon, sivukaiteet ylhäällä ja lukittuina, kun jätät potilaan ilman valvontaa. Tuotetta ei saa jättää korkeampaan korkeuteen.
 - Poista aina kaikki laitteet, jotka voivat olla tiellä, ennen alustan nostamista tai laskemista.
 - Älä istu tuotteen päädysssä. Tuote voi kallistua.
-

HUOMIO - Älä käytä pohjan hydraulikkaa tuotteen nostamiseen, kun tuotteen alla on potilaan nostin.

Sähköinen alusta nostetaan painamalla pumpun poljinta (A), kunnes alusta on halutulla korkeudella (*Prime-pohjan säätimet* (sivulla 17)).

Valinnaisen sähköisen alustan laskeminen alas

VAROITUS

- Asettele potilas aina tuotteen keskelle.
 - Laske tuote aina alimpaan asentoon, sivukaiteet ylhäällä ja lukittuina, kun jätät potilaan ilman valvontaa. Tuotetta ei saa jättää korkeampaan korkeuteen.
 - Poista aina kaikki laitteet, jotka voivat olla tiellä, ennen alustan nostamista tai laskemista.
 - Älä istu tuotteen päädysssä. Tuote voi kallistua.
-

HUOMIO - Älä käytä pohjan hydraulikkaa tuotteen nostamiseen, kun tuotteen alla on potilaan nostin.

Koko sähköinen alusta lasketaan alas painamalla monitoimipolkimen keskiosaa (C) (*Prime-pohjan säätimet* (sivulla 17)).

Vain alustan pääpuoli lasketaan alas painamalla poljinta (B) tai monitoimipolkimen (C) lähinnä pääpuolta olevaa sivua.

Alustan jalkopää lasketaan alas painamalla poljinta (D) tai painamalla monitoimipolkimen (C) lähinnä jalkopäätä olevaa puolta.

Tuotteen asettaminen Trendelenburg-asentoon

VAROITUS - Poista aina kaikki laitteet, jotka voivat olla tiellä, ennen alustan nostamista tai laskemista.

HUOMIO - Älä käytä pohjan hydraulikkaa tuotteen nostamiseen, kun tuotteen alla on potilaan nostin.

Aseta tuote Trendelenburg-asentoon (pää alaspäin) nostamalla alusta korkeimpaan asentoonsa (*Ei-sähköisen alustan nostaminen* (sivulla 17) tai *Valinnaisen sähköisen alustan nostaminen* (sivulla 18)).

Huomautus - Nosta alusta korkeimpaan asentoonsa suuremman Trendelenburg-kulman saamiseksi.

Laske tuotteen pääpuoli alas painamalla pääpuolen tai jalkopään vapautuspoljinta (D) tai painamalla monitoimipolkimen (C) lähinnä pääpuolta olevaa puolta (*Prime-pohjan säätimet* (sivulla 17)).

Laske tuote alas Trendelenburg-asennosta painamalla pääpuolen ja jalkopään vapautuspolkimia (B ja D) samaan aikaan tai painamalla monitoimipolkimen (C) keskiosaa, kunnes alusta on tasainen.

Tuotteen asettaminen käänteiseen Trendelenburg-asentoon

VAROITUS - Poista aina kaikki laitteet, jotka voivat olla tiellä, ennen alustan nostamista tai laskemista.

HUOMIO - Älä käytä pohjan hydraulikkaa tuotteen nostamiseen, kun tuotteen alla on potilaan nostin.

Laske tuote käänteiseen Trendelenburg-asentoon (jalat alaspäin) nostamalla alusta korkeimpaan asentoonsa (*Ei-sähköisen alustan nostaminen* (sivulla 17) tai *Valinnaisen sähköisen alustan nostaminen* (sivulla 18)).

Huomautus - Nosta alusta korkeimpaan asentoonsa suuremman Trendelenburg-kulman saamiseksi.

Laske tuotteen jalkopää alas painamalla pääpuolen tai jalkopään vapautuspoljinta (B) tai painamalla monitoimipolkimen (C) lähinnä jalkopäätä olevaa puolta (*Prime-pohjan säätimet* (sivulla 17)).

Laske tuote alas käänteisestä Trendelenburg-asennosta painamalla pääpuolen ja jalkopään vapautuspolkimia (B ja D) samaan aikaan tai painamalla monitoimipolkimen (C) keskiosaa, kunnes alusta on tasainen.

Potilaan kuljettaminen

VAROITUS

- Asettele potilas aina tuotteen keskelle.
 - Lukitse potilasta kuljetettaessa aina sivukaiteet kokonaan ylös lepopinta vaakatasossa matalimmassa asennossa.
 - Älä kuljeta tuotetta sivusuunnassa yli 5,7 asteen kaltevalla pinnalla (10 %:n kaltevuus), jotta tuote ei kallistu.
-

Potilaan kuljettaminen:

1. Nosta sivukaiteet korkeimpaan asentoonsa. Vedä sivukaiteesta ja varmista, että se on lukittu.
2. Laske alusta alimpaan asentoon.
3. Jos tuotteessa on sähköinen lisävarustenosin tai sähköinen lisävarustealusta, irrota virtajohto pistorasiasta.
4. Työnnä jarru-/ohjauspolkimen ohjauspuoli (vihreä) alas.
5. Työnnä tuotetta työntökahvoista.
6. Lukitse tuote paikalleen jarruilla.

Huomautus - Varmista aina ennen tuotteen siirtämistä, että jarru on vapautettu. Muuten käyttäjä tai potilas voi loukkaantua.

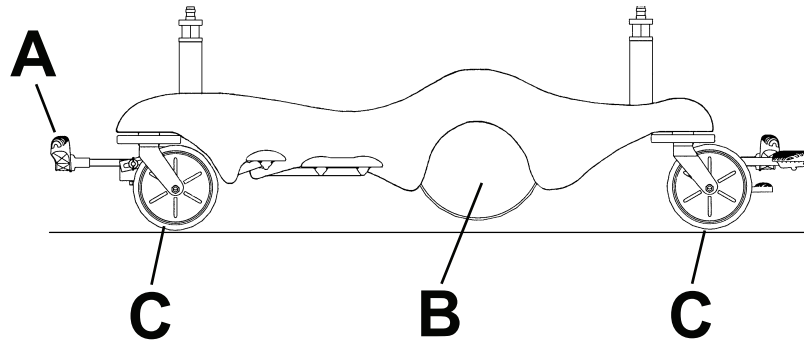
Potilaan kuljettaminen ilman Big Wheel -yksikköä

VAROITUS

- Asettele potilas aina tuotteen keskelle.
 - Lukitse potilasta kuljetettaessa aina sivukaiteet kokonaan ylös lepopinta vaakatasossa matalimmassa asennossa.
-

Potilaan kuljettaminen ilman **Big Wheel** -yksikköä:

1. Aseta jarru-/ohjauspoljin (A) neutraaliin asentoon (Kuva 9).



Kuva 9 – Kuljettaminen ilman Big Wheel -yksikköä

2. Laske alusta alimpaan asentoon.
3. Koskee vain mallia 1125: varmista, että moottori päällä/pois päältä/manuaalinen -kytkin (On/Drive-Off/Manual) on pois päältä.
4. Jos tuotteessa on sähköinen nostin tai sähköinen alusta lisävarusteena, irrota virtajohto sairaalakäyttöön tarkoitettua seinäpistorasiasta.
5. Työnnä tuotetta työntökahvoista.
6. Lukitse tuote paikalleen jarruilla.

Huomautus

- Varmista aina ennen tuotteen siirtämistä, että jarru on vapautettu. Muuten käyttäjä tai potilas voi loukkaantua.
- Kun tuote on neutraalissa asennossa, **Big Wheel** -yksikkö (B) on nostettu ylös ja tuote lepää kaikkien neljän rullapyörän varassa (C) (Kuva 9). Tässä asennossa tuotetta voidaan siirtää mihin tahansa suuntaan, myös sivusuunnassa.

Potilaan kuljettaminen Big Wheel -yksikön kanssa

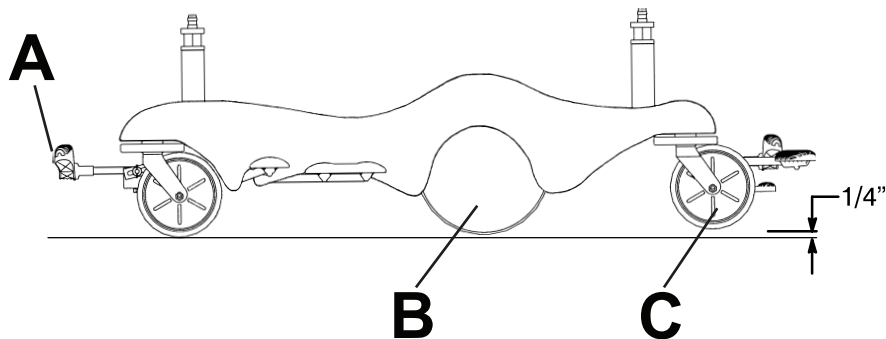
VAROITUS

- Asettele potilas aina tuotteen keskelle.
 - Lukitse potilasta kuljetettaessa aina sivukaiteet kokonaan ylös lepopinta vaakatasossa matalimmassa asennossa.
-

HUOMIO - Älä käytä ohjauspoljinta, kun **Big Wheel** -yksikkö on kynnyksellä tai muun koholla olevan kohdan päällä. **Big Wheel** -yksikön käyttöön tarvitaan tavallista enemmän voimaa, mikä voi aiheuttaa tuotteen vaurioitumisen.

Potilaan kuljettaminen **Big Wheel** -yksikön kanssa:

1. Nosta sivukaiteet korkeimpaan asentoonsa. Vedä jokaista sivukaidetta ja varmista, että se on lukittu.
2. Laske alusta alimpaan asentoon.
3. Koskee vain mallia 1125: varmista, että moottori päällä/pois päältä/manuaalinen -kytkin (On/Drive-Off/Manual) on pois päältä.
4. Jos tuotteessa on sähköinen nostin tai sähköinen alusta lisävarusteena, irrota virtajohto sairaalakäyttöön tarkoitettua seinäpistorasiasta.
5. Aseta jarru-/ohjauspoljin (A) ohjausasentoon (Kuva 10).



Kuva 10 – Kuljettaminen Big Wheel -yksikön kanssa

6. Työnnä tuotetta työntökahvoista.
7. Lukitse tuote paikalleen jarruilla.

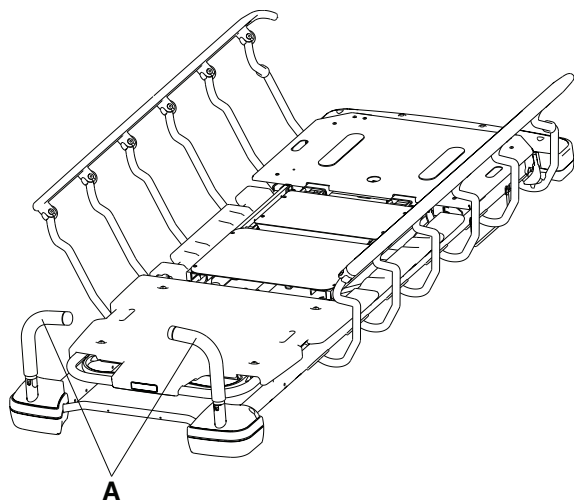
Huomautus

- Varmista aina ennen kuin yrität siirtää tuotetta, että jarru on vapautettu. Jos tuotetta yritetään siirtää jarrujen ollessa kytkettyinä, käyttäjä tai potilas voi loukkaantua.
- **Big Wheel** -yksikkö (B) ei käänny. Tuotetta ei voi siirtää sivusuunnassa, kun otat **Big Wheel** -yksikön käyttöön.
- Kun otat **Big Wheel** -yksikön (B) käyttöön, tuote nousee ylös ja jalkopään rullapyörät (C) ovat irti lattiasta. Tuote lepää pääpuolen rullapyörien ja **Big Wheel** -yksikön varassa, jolloin tuotetta on helpompi ohjata (Kuva 10).

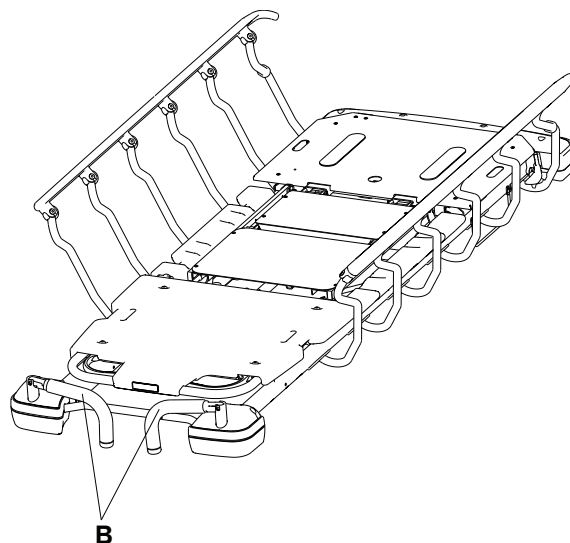
Pääpuolen työntökahvojen asettaminen tai säilytykseen asettaminen

Pääpuolen työntökahvojen asettaminen tai säilytykseen asettaminen:

1. Käännä kahvat (A) ylös tuotteen pääpuolesta (Kuva 11).
2. Työnnä kahvoja alaspäin, jolloin ne lukittuvat paikalleen.



Kuva 11 – Pääpuolen työntökahvojen asettaminen



Kuva 12 – Pääpuolen työntökahvojen asettaminen säilytykseen

3. Aseta työntökahvat (B) säilytykseen tekemällä vaiheet päinvastaisessa järjestyksessä (Kuva 12).

Huomautus - Käytä työntämiseen/vetämiseen vain työntökahvoja, ellei toisin mainita. Muuten tuote voi vaurioitua.

Sivukaiteen nostaminen

VAROITUS

- Ole aina erityisen varovainen, kun käytät patjaa, joka on paksumpi kuin 2,5 tuumaa (6,35 cm), tai patjan päällistä **Prime X** -vaihtoehdon kanssa.
 - Laske tuote aina alimpaan asentoon, sivukaiteet ylhäällä ja lukittuina, kun jätät potilaan ilman valvontaa. Tuotetta ei saa jättää korkeampaan korkeuteen.
 - Lukitse potilasta kuljetettaessa aina sivukaiteet kokonaan ylös, lepopinta vaakatasossa ja matalimmassa asennossa.
 - Pidä potilaan raajat aina etäällä sivukaiteen pystytapeista, kun nostat tai lasket sivukaidetta.
 - Älä päästä sivukaiteita laskeutumaan alas itsestään.
-

Sivukaiteen nostaminen:

1. Tartu kahdella kädellä sivukaiteeseen.
2. Nosta ja ohjaa sivukaide kohti tuotteen jalkopäätä, kunnes keltainen vapautusvipu napsahtaa paikalleen. Vedä sivukaiteesta ja varmista, että se on lukittu.

Huomautus

- Käytettävissä on kahden sivukaiteen vapautusvipu, jollainen on tuotteen molemmissa päissä.
- Sivukaiteita ei saa käyttää estämään potilasta poistumasta tuotteen päältä. Sivukaiteet estävät potilasta vierähtämästä pois paareilta. Käyttäjän täytyy määrittää missä määrin potilas on kiinnitettävä paikalleen sen varmistamiseksi, että potilas on turvassa.
- Sivukaiteen yläkiskon jalkopäätä voidaan käyttää laitteen työntämiseen/vetämiseen.
- Sivukaiteet lukittuvat vain täyteen yläasentoon.

Sivukaiteen laskeminen alas

VAROITUS

- Ole aina erityisen varovainen, kun käytät patjaa, joka on paksumpi kuin 2,5 tuumaa (6,35 cm), tai patjan päällistä **Prime X** -vaihtoehdon kanssa.
 - Laske tuote aina alimpaan asentoon, sivukaiteet ylhäällä ja lukittuina, kun jätät potilaan ilman valvontaa. Tuotetta ei saa jättää korkeampaan korkeuteen.
 - Lukitse potilasta kuljetettaessa aina sivukaiteet kokonaan ylös, lepopinta vaakatasossa ja matalimmassa asennossa.
 - Pidä potilaan raajat aina etäällä sivukaiteen pystytapeista, kun nostat tai lasket sivukaidetta.
 - Älä päästä sivukaiteita laskeutumaan alas itsestään.
-

Sivukaiteen laskeminen alas:

1. Tartu yhdellä kädellä sivukaiteeseen.
2. Vedä toisella kädellä keltaista vapautusvipua ylös.
3. Nosta ja ohjaa sivukaide kohti tuotteen pääpuolta, kunnes keltainen vapautusvipu napsahtaa paikalleen. Vedä sivukaiteesta ja varmista, että se on lukittu.

Huomautus

- Käytettävissä on kahden sivukaiteen vapautusvipu, jollainen on tuotteen molemmissa päissä.
- Sivukaiteita ei saa käyttää estämään potilasta poistumasta tuotteen päältä. Sivukaiteet estävät potilasta vierähtämästä pois paareilta. Käyttäjän täytyy määrittää missä määrin potilas on kiinnitettävä paikalleen sen varmistamiseksi, että potilas on turvassa.
- Sivukaiteen yläkiskon jalkopäätä voidaan käyttää laitteen työntämiseen/vetämiseen.
- Sivukaiteet lukittuvat vain täyteen yläasentoon.

Tuotteen asettaminen sivukaiteessa sijaitsevan potilaan ohjauspaneelin avulla – sähköinen alusta -vaihtoehto – vain Prime

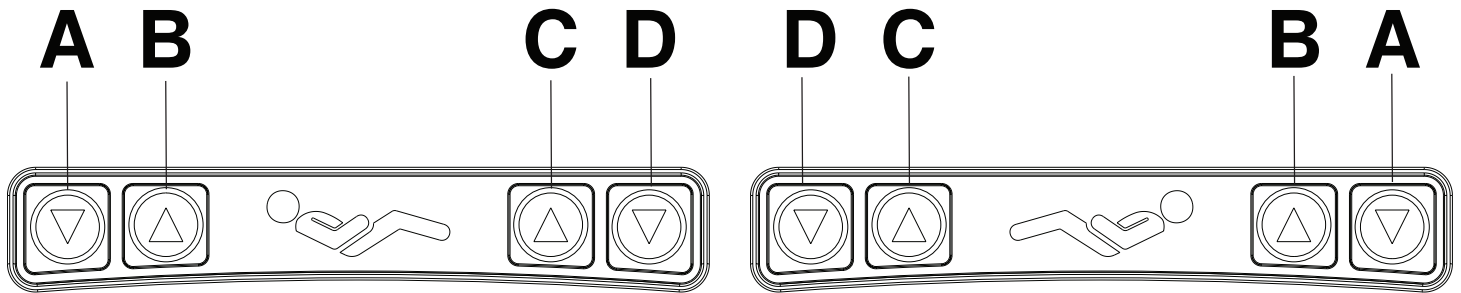
VAROITUS - Tuotetta käytettäessä on kaikkien käyttäjien oltava etäällä mekanismeista.

Käytä sivukaiteessa sijaitsevaa potilaan ohjauspaneelia Fowler-selkänöjan ja polvituen säätämiseen (Kuva 13).

Hoitoalan ammattilaisten on neuvottava potilaille, kuinka potilaan säätimiä käytetään.

Huomautus

- Kytke virtajohto aina maadoitettuun, sairaalakäyttöön tarkoitettuun pistorasiaan.
- Sivukaiteen potilaan ohjauspaneeli sijaitsee porrastetusti tuotteen kummallakin puolella, helposti potilaan saatavilla.
- Jokaisessa sivukaiteessa on taustavalaistut säätimet, joiden avulla potilas voi säätää Fowler-selkänöjan ja polvituen asentoa. Kun tuote on kytketty verkkovirtaan ja potilaan ohjauspaneeli ei ole lukittu, valkoiset painikkeet palavat.



Kuva 13 – Sivukaiteessa sijaitseva potilaan ohjauspaneeli

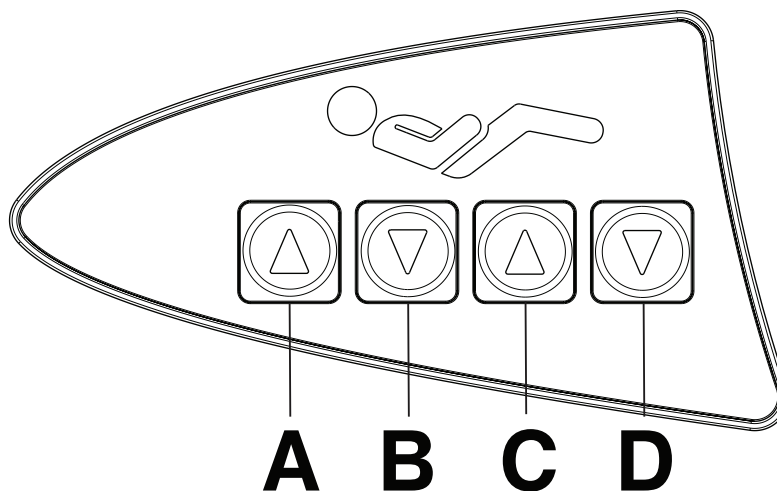
A	Fowler-selkänöja alas	Laskee Fowler-selkänöjaa (pääkappale)
B	Fowler-selkänöja ylös	Nostaa Fowler-selkänöjaa (pääkappale)
C	Polvituki ylös	Nostaa polvitukea (jalkakappale)
D	Polvituki alas	Laskee polvitukea (jalkakappale)

Käyttäjän ohjauspaneeli - sähköinen alusta -vaihtoehto - vain Prime

VAROITUS - Tuotetta käytettäessä on kaikkien käyttäjien oltava etäällä mekanismeista.

Potilaan asentoa tuotteen päällä voidaan säätää käyttäjän ohjauspaneelistä (Kuva 14).

Huomautus - Kytke virtajohto aina maadoitettuun, sairaalakäyttöön tarkoitettuun pistorasiaan.



Kuva 14 – Käyttäjän ohjauspaneeli - sähköinen alusta -vaihtoehto

A	Fowler-selkänöja ylös	Nostaa Fowler-selkänöjaa
B	Fowler-selkänöja alas	Laskee Fowler-selkänöjaa
C	Polvituki ylös	Nostaa polvitukea
D	Polvituki alas	Laskee polvitukea

Potilaan ohjauspaneelin lukituksen avaaminen ja lukitseminen - sähköinen alusta -vaihtoehto - vain Prime

VAROITUS - Tuotetta käytettäessä on kaikkien käyttäjien oltava etäällä mekanismeista.

Sivukaiteen potilaan ohjauspaneeli voidaan lukita valitsemalla **Unlock/Lock** (avaa/lukitse) (A) kerran (Kuva 15).

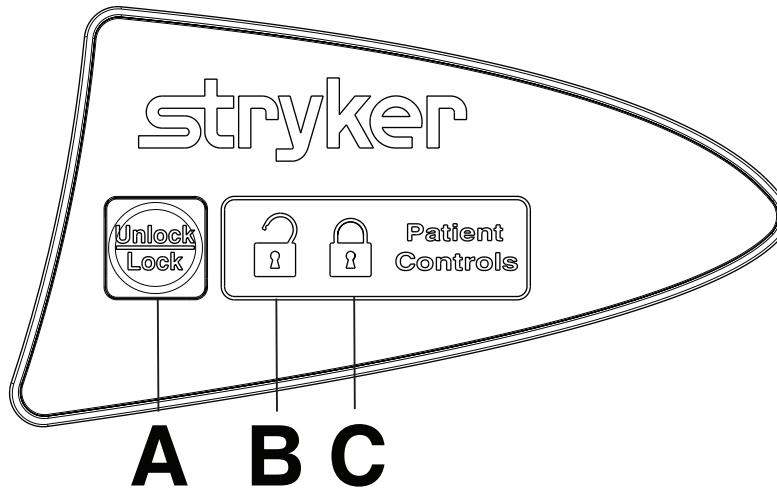
Huomautus - Lukkokuvakkeessa (C) palaa keltainen valo, kun potilaan säätimet ovat lukittuina.

Sivukaiteen potilaan ohjauspaneeli voidaan avata valitsemalla **Unlock/Lock** (avaa/lukitse) (A) toisen kerran.

Huomautus - Avatun lukon kuvakkeessa (B) palaa vihreä valo, kun potilaan säätimet eivät ole lukittuina.

Huomautus

- Kytke virtajohto aina maadoitettuun, sairaalakäyttöön tarkoitettuun pistorasiaan.
- Potilaan ohjauspaneeli voidaan lukita, jotta potilas ei pääse liikuttamaan selkänöjaa ja polvitukea.
- Sivukaiteen potilaan ohjauspaneeli ei ole taustavalaistu, kun lukitset potilaan ohjauspaneelin.



Kuva 15 – Potilaan ohjauspaneelin lukitus

Fowler-selkänöjan nostaminen tai laskeminen - ei-sähköinen alusta

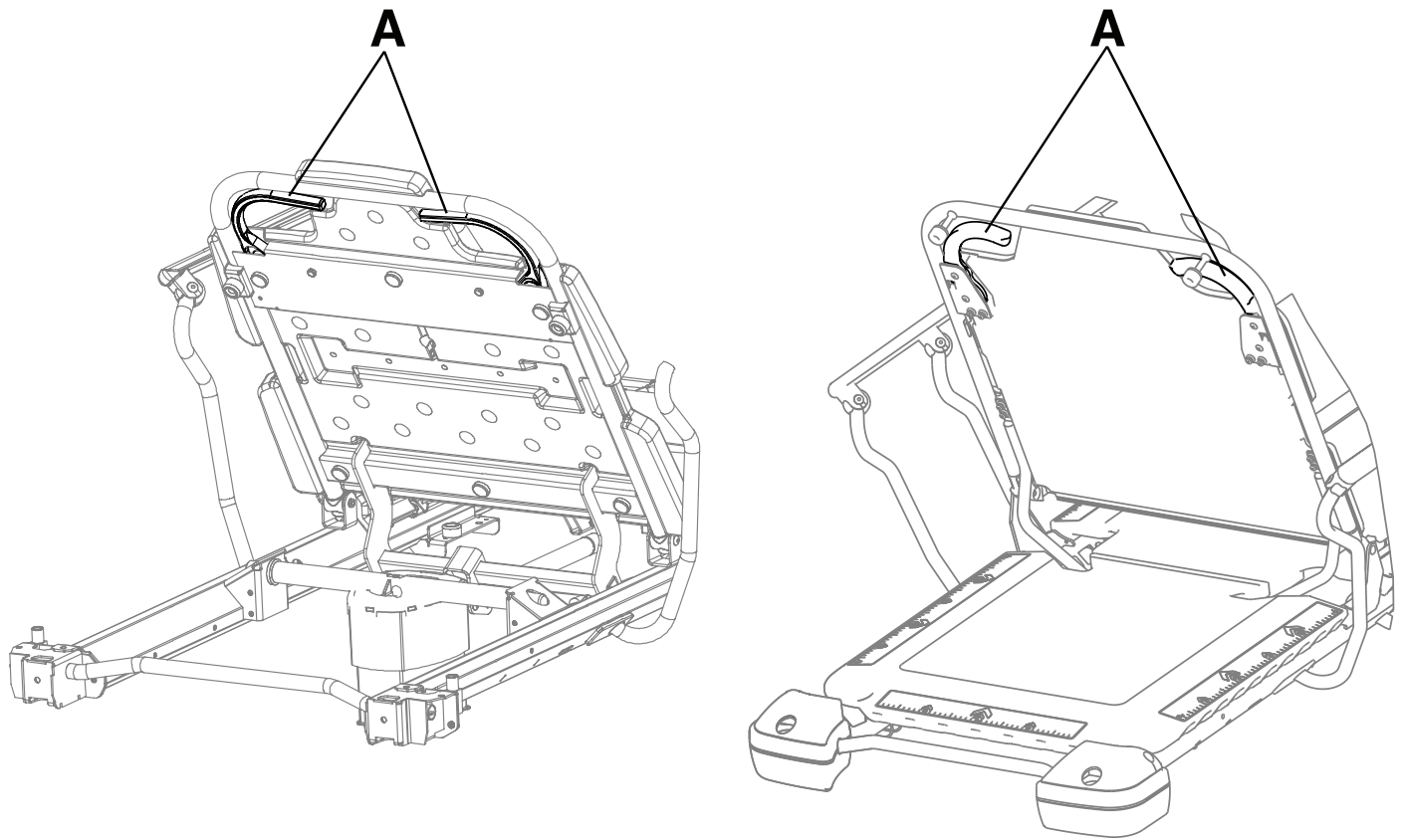
VAROITUS

- Tuotetta käytettäessä on kaikkien käyttäjien oltava etäällä mekanismeista.
- Pidä aina kädet ja sormet etäällä Fowler-selkänöjan vapautuskahvoista ja Fowler-selkänöjan rungosta, kun lasket Fowler-selkänöjaa alaspäin.
- Ole aina varovainen, kun nostat Fowler-selkänöjaa potilaan ollessa tuotteen päällä. Käytä asianmukaisia nostotekniikoita ja pyydä tarvittaessa apua.

Fowler-selkänöjaa nostetaan puristamalla yhtä tai kahta Fowler-selkänöjan vapautuskahvaa (A) ja nostamalla Fowler-selkänöja haluttuun asentoon (0–90°) (Kuva 16).

Huomautus - Lift Assist® -selkänöjassa käytetään potilaan painoa apuna potilaan sijoittamisessa. **Lift Assist** -selkänöja auttaa myös estämään potilasta liukumasta kohti tuotteen jalkopäätä Fowler-selkänöjaa nostettaessa.

Fowler-selkänöjaa lasketaan puristamalla jompaakumpaa tai molempia Fowler-selkänöjan vapautuskahvoja (A) ja työntämällä Fowler-selkänöja alas haluttuun asentoon (90–0°) (Kuva 16).



Kuva 16 – Fowler-selkänöjan nostaminen tai laskeminen (Prime / Prime X)

Fowler-selkänöjan nostaminen tai laskeminen - sähköinen alusta -vaihtoehto

VAROITUS

- Tuotetta käytettäessä on kaikkien käyttäjien oltava etäällä mekanismeista.
- Pidä aina kädet ja sormet etäällä Fowler-selkänöjan vapautuskahvoista ja Fowler-selkänöjan rungosta, kun lasket Fowler-selkänöjaa alaspäin.
- Ole aina varovainen, kun nostat Fowler-selkänöjaa potilaan ollessa tuotteen päällä. Käytä asianmukaisia nostotekniikoita ja pyydä tarvittaessa apua.

Fowler-selkänöja nostetaan painamalla **up** (ylös) -painiketta, joka sijaitsee Fowler-selkänöjan puoleisen sivukaiteen potilaan ohjauspaneelissa (*Tuotteen asettaminen sivukaiteessa sijaitsevan potilaan ohjauspaneelin avulla – sähköinen alusta -vaihtoehto – vain Prime* (sivulla 23)) tai jalkopään käyttäjän ohjauspaneelissa (*Käyttäjän ohjauspaneeli - sähköinen alusta -vaihtoehto - vain Prime* (sivulla 23)), kunnes Fowler-selkänöja on halutussa kulmassa (0–70°).

Huomautus - Lift Assist -selkänöjassa käytetään potilaan painoa apuna potilaan sijoittamisessa. **Lift Assist** -selkänöja auttaa myös estämään potilasta liukumasta kohti tuotteen jalkopäätä Fowler-selkänöjaa nostettaessa.

Fowler-selkänöja lasketaan painamalla **down** (alas) -painiketta, joka sijaitsee Fowler-selkänöjan puoleisen sivukaiteen potilaan ohjauspaneelissa (*Tuotteen asettaminen sivukaiteessa sijaitsevan potilaan ohjauspaneelin avulla – sähköinen alusta -vaihtoehto – vain Prime* (sivulla 23)) tai jalkopään käyttäjän ohjauspaneelissa (*Käyttäjän ohjauspaneeli - sähköinen alusta -vaihtoehto - vain Prime* (sivulla 23)), kunnes Fowler-selkänöja on halutussa kulmassa (70–0°).

Huomautus - Kytke virtajohto aina maadoitettuun, sairaalakäyttöön tarkoitettuun pistorasiaan.

Hoitoalan ammattilaisten on neuvottava potilaille, kuinka potilaan säätimiä käytetään.

Polvituen nostaminen tai laskeminen - ei-sähköinen alusta - vain Prime

VAROITUS - Pidä aina kädet ja sormet etäällä jalkopään työntökahvoista polvitukea laskettaessa.

HUOMIO

- Polvituen painorajoitus on 200 paunaa (90,7 kg).
 - Varmista aina, että polvituen kannatintanko on tukevasti kiinni ennen käyttöä.
 - Älä istu tai seiso polvituen päällä.
-

Ei-sähköinen polvituki nostetaan pumppaamalla polvituen pumpun kahvaa vasemmalle, kunnes haluttu asento on saavutettu (katso *Tuotokuva - Prime-alusta*).

Nosta polvitukea sen päästä ja kiinnitä kannatintanko kiinnittimeen.

Vapauta kannatintanko nostamalla polvitukea sen päästä, kääntämällä kannatintankoa kohti tuotteen pääpuolta ja laskemalla jalkopää alas.

Polvituki lasketaan vetämällä polvituen vapautuskahvaa, kunnes haluttu asento on saavutettu (katso *Tuotokuva - Prime-alusta*).

Huomautus - Polvitukea ei voida nostaa manuaalisesti, jos tuotteessa on valinnainen sähköinen alusta.

Polvituen nostaminen tai laskeminen - sähköinen alusta –vaihtoehto - vain Prime

VAROITUS

- Pidä aina kädet ja sormet etäällä jalkopään työntökahvoista polvitukea laskettaessa.
 - Tuotetta käytettäessä on kaikkien käyttäjien oltava etäällä mekanismeista.
-

HUOMIO

- Polvituen painorajoitus on 200 paunaa (90,7 kg).
 - Älä istu tai seiso polvituen päällä.
 - Ole aina varovainen, kun yrität laskea polvitukea, kun tuote ei ole kytketty sähkövirtaan. Painovoima voi saada polvituen putoamaan alas nopeasti.
-

Nosta polvituki painamalla **up** (ylös) -painiketta, joka sijaitsee polvituen puoleisen sivukaiteen potilaan ohjauspaneelissa tai jalkopään käyttäjän ohjauspaneelissa.

Laske polvituki painamalla **down** (alas) -painiketta, joka sijaitsee polvituen puoleisen sivukaiteen potilaan ohjauspaneelissa tai jalkopään käyttäjän ohjauspaneelissa.

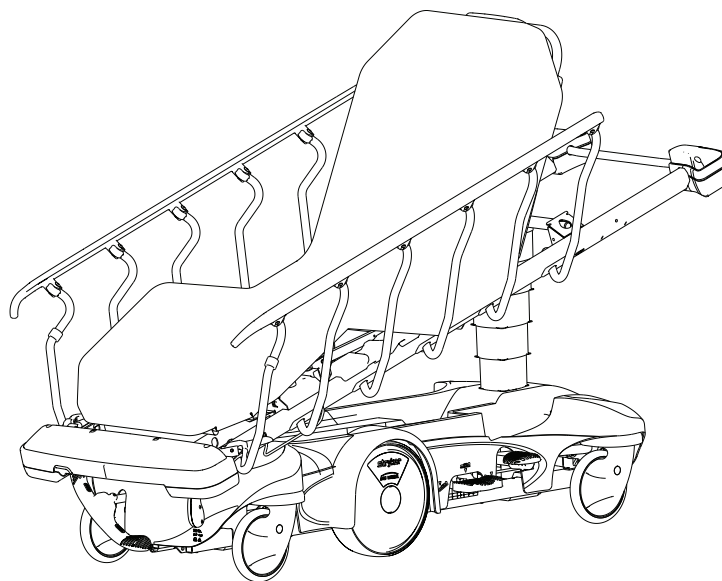
Huomautus - Kytke virtajohto aina maadoitettuun, sairaalakäyttöön tarkoitettuun pistorasiaan.

Hoitoalan ammattilaisten on neuvottava potilaille, kuinka potilaan säätimiä käytetään.

Toipumistuolin asettaminen - vain Prime

VAROITUS - Tuotetta käytettäessä on kaikkien käyttäjien oltava etäällä mekanismeista.

Tuotteen asettaminen toipumistuoliasentoon (Kuva 17):



Kuva 17 – Toipumistuoli (kuvassa malli 1115)

1. Nosta Fowler-selkänöjä istuma-asentoon (*Fowler-selkänöjan nostaminen tai laskeminen - ei-sähköinen alusta (sivulla 25) tai Fowler-selkänöjan nostaminen tai laskeminen - sähköinen alusta -vaihtoehto (sivulla 26)*).
- Huomautus** - Toipumistuolin asettamista varten tuotteessa on oltava valinnainen **Lift Assist** -selkänöjä ja valinnainen polvituki.
2. Nosta polvituki täysin ylös (*Polvituen nostaminen tai laskeminen - ei-sähköinen alusta - vain Prime (sivulla 27) tai Polvituen nostaminen tai laskeminen - sähköinen alusta –vaihtoehto - vain Prime (sivulla 27)*).
 3. Nosta alusta korkeimpaan asentoonsa (*Ei-sähköisen alustan nostaminen (sivulla 17) tai Valinnaisen sähköisen alustan nostaminen (sivulla 18)*).
 4. Aseta tuote käänteiseen Trendelenburg-asentoon (*Tuotteen asettaminen käänteiseen Trendelenburg-asentoon (sivulla 19)*).
 5. Laske tuote alas tekemällä vaiheet päinvastaisessa järjestyksessä.

Esineiden säilyttäminen pohjan säilytystilassa

HUOMIO

- Älä aseta yli 60 lb:n (27 kg:n) painoisia esineitä pohjan säilytystilaan.
- Älä istu tai seiso pohjan säilytystilan päällä tai astu sen päälle.

Voit säilyttää potilaan tavaroita pohjan säilytystilassa. Älä käytä happipullotelineen syvennystä happipullojen tai potilaan tavaroiden säilyttämiseen.

Laitteiden ripustaminen valinnaisen pumpun telineen avulla

VAROITUS

- Pidä aina pumpun telineellä olevat laitteen letkut erillään polvituen kahvoista.
- Poista aina kaikki laitteet, jotka voivat olla tiellä, ennen alustan nostamista tai laskemista.
- Varmista aina, että pumpun telineellä olevat laitteet mahtuvat turvallisesti oviaukkojen läpi.
- Älä nosta tuotetta pumpun telineestä.

HUOMIO

- Pumpun telineen painorajoitus on 40 paunaa (18 kg).
 - Pumpun telineettä ei saa käyttää työntämiseen/vetämiseen. Tuote voi vaurioitua.
-

Lisälaitteita voidaan säilyttää tai ne voidaan ripustaa tuotteen jalkopäässä olevaan pumpun telineeseen.

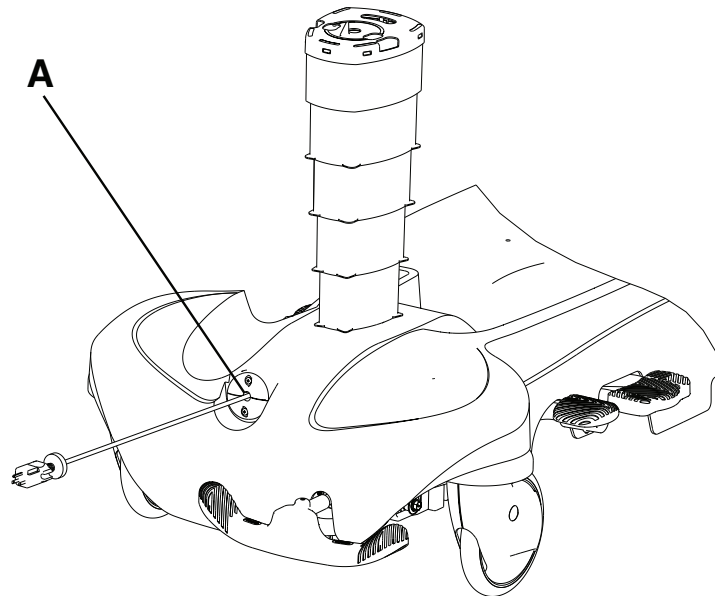
Huomautus - Valinnainen pumpun teline on valittava tuotteen hankintahetkellä.

Virtajohdon vetäminen ulos tai sisään sisäänvedettävän johdon kelan avulla - valinnainen sähköinen nostin tai sähköinen alusta

VAROITUS

- Irrota virtajohto aina pistorasiasta ennen potilaan kuljettamista tai tuotteen puhdistamista.
 - Säilytä virtajohtoa aina pohjassa sijaitsevassa sisäänvedettävässä johdon kelassa tuotteen kuljetuksen aikana.
-

Virtajohto vedetään ulos vetämällä virtajohtoa sisäänvedettävän johdon kelasta (A) halutun pituiseksi (Kuva 18).



Kuva 18 – Sisäänvedettävän johdon kela

Virtajohdon sisäänvetäminen:

1. Irrota virtajohto seinäpistorasiasta.
2. Nykäise kevyesti virtajohtoa.
3. Ohjaa virtajohto sisäänvedettävän johdon kelaan.

Vaakajärjestelmälisävaruste

VAROITUS - Älä käytä vaakajärjestelmälisävarustetta tai sähköistä lisävarustenosintaa tai sähköistä lisävarustealustaa muiden laitteiden vieressä tai pinossa niiden kanssa. Jos vieressä tai pinossa käyttöä ei voida välttää, vaakajärjestelmälisävarustetta tai sähköistä lisävarustenosintaa tai sähköistä lisävarustealustaa on valvottava sen varmistamiseksi, että kaikki laitteet toimivat normaalisti siinä kokoonpanossa, jossa niitä käytetään.

HUOMIO - Vaakaa ei saa käyttää alle 50 paunan (22,7 kg:n) painoisilla potilailla.

Valinnainen vaakajärjestelmä on saatavilla tuotteille sähköisen alustan kanssa tai ilman. Valinnaisessa vaakajärjestelmässä on valinnainen paristovarmennus. Valmiuskuvake osoittaa, milloin tuote käyttää paristovarmennusta.

Chaperone-vaihtoehdon avulla voidaan asettaa aluekohtaisia säätöjä, jotka antavat käyttäjälle hälytyksen, kun potilas mahdollisesti yrittää poistua tuotteelta. **Chaperone**-vaihtoehto on saatavilla tuotteille valinnaisen sähköisen alustan ja valinnaisen vaakajärjestelmän kanssa. Valinnaisessa vaakajärjestelmässä, jossa on **Chaperone**-vaihtoehto, on valinnainen paristovarmennus. Valmiuskuvake osoittaa, milloin tuote käyttää paristovarmennusta.

Nosta jalkopään työntökahvoja ennen kuin yrität käyttää valinnaista vaakajärjestelmää.

Käytä vaakajärjestelmän ohjauspaneelia valinnaisen vaakajärjestelmän ohjaamiseen (*Vaa'an kuvakkeen/painikkeen tunnistaminen* (sivulla 30)).

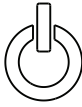





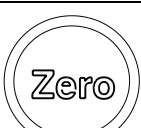
Älä kosketa tuotetta, kun punnitset tai kun nollaat valinnaisen vaakajärjestelmän.

Potilaan on oltava liikkumatta, kun järjestelmä punnitsee. Jos potilas liikkuu, vaakajärjestelmä yrittää 20 sekunnin ajan saada vakaan painon tai nolla-arvon ennen virheviestin näyttämistä. (⏏).

Näyttöön tulee virheviesti (⏏), jos liitäntä on löysällä tai vaakaa ei toimi. Jos virheviesti tulee uudelleen, kun yrität käyttää vaakaa uudelleen, ota yhteyttä Strykerin tekniseen tukeen.

Huomautus - Jotta vaakajärjestelmän tarkkuus on tuotetietojen mukainen, potilaspinnan on oltava tasainen (Fowler-selkänoja ja polvituki alhaalla) eikä tuote voi ylittää 5:ttä astetta Trendelenburg- tai käänteisessä Trendelenburg-asennossa.

Vaa'an kuvakkeen/painikkeen tunnistaminen

Osa	Kuvake/ painike	Nimi	Kuvaus
A		Valmiustilan kuvake	Palaa vihreänä, kun virtajohto työnnetään pistorasiaan. Palaa keltaisena, kun virtajohto irrotetaan pistorasiasta. Paristovarmennustoiminto käynnistyy.
B		Alue 1 -kuvake	Potilas voi liikkua vapaasti, mutta hälytysääni kuuluu, kun potilas yrittää poistua tuotteelta.
C		Alue 2 -kuvake	Potilas voi liikkua rajoitetusti. Hälytysääni kuuluu, kun potilas lähestyy sivukaiteita tai siirtyy kohti jalkopäätä.
D		Arm/Disarm (ota käyttöön / poista käytöstä) -painike	Ottaa käyttöön ja poistaa käytöstä valinnaisen Chaperone -toiminnon (paareilta poistuminen). Katso <i>Chaperone-vaihtoehdon ottaminen käyttöön tai poistaminen käytöstä</i> (sivulla 31).
E		Weigh (punnitse) -painike	Punnitsee potilaan. Katso <i>Potilaan punnitseminen</i> (sivulla 31).
F		lb/kg (paunaa/kg) -painike	Muuttaa näytetyn mittayksikön. Katso <i>Vaa'an mittayksikön lukitseminen</i> (sivulla 31).
G		Zero (nollaa) -painike	Nollaa vaa'an asetukset. Katso <i>Vaa'an mittayksikön lukitseminen</i> (sivulla 31).

Potilaan punnitseminen

HUOMIO - Älä käytä vaakajärjestelmän lukemaa referenssinä lääketieteelliselle hoidolle.

1. Nosta jalkopään työntökahvoja ennen kuin käytät valinnaista vaakajärjestelmää.
2. Nollaa vaaka painamalla pitkään kohtaa **Zero** (nollaa), kunnes näytössä näkyy **rel. 000.0** vilkkuu ja lakkaa sitten vilkkumasta.

Huomautus - Vaaka ei ole käyttövalmis ennen kuin **000.0** lakkaa vilkkumasta.

3. Aseta potilas tuotteelle.
4. Valitse mittayksikkö (paunaa tai kg) painamalla **lb/kg**.
5. Punnitse potilaan paino painamalla kohtaa **Weigh** (punnitse).

Huomautus - Potilaan paino näytetään 40 sekunnin ajan.

Vaa'an mittayksikön lukitseminen

1. Paina pitkään kohtaa **Weigh** (punnitse), **lb/kg** (paunaa/kg) ja **Zero** (nollaa), kunnes näkyviin tulee **diag**.
2. Paina kohtaa **lb/kg** (paunaa/kg) tai **Zero** (nollaa) päästäksesi asetukseen **Unit Loc** (mittayksikön luk.).
3. Jos vaa'assa ei ole Chaperone-ominaisuutta, paina pitkään kohtaa **lb/kg** (paunaa/kg) ja **Zero** (nollaa), kunnes näkyviin tulee **rel**, jolloin voit valita **Unix Loc** (mittayksikön luk.).
4. Jos vaa'assa on **Chaperone**-ominaisuus, paina pitkään kohtaa **lb/kg** (paunaa/kg) ja **Zero** (nollaa), jolloin voit valita **Unix Loc** (mittayks. luk.).

5. Painamalla **lb/kg** (paunaa/kg) tai **Zero** (nollaa) voit vaihtaa yksiköksi **lb** (paunat), **kg** tai **Any** (mikä tahansa).
6. Paina **lb/kg** (paunaa/kg) ja **Zero** (nollaa) ja vapauta. **Only** (vain) ja valittu mittayksikkö näkyvät näytössä.

Huomautus - **Only** (vain) ei näy näytössä, jos valitset asetuksen **Any** (mikä tahansa).

7. Paina pitkään kohtaa **Weigh** (punnitse), kunnes näkyviin tulee **quit** (lopeta).
8. Paina pitkään kohtaa **Zero** (nollaa), kunnes näkyviin tulee **rel. 000.0** vilkkuu ja lakkaa sitten vilkkumasta.

Huomautus - Vaaka ei ole käyttövalmis ennen kuin **000.0** lakkaa vilkkumasta.

Chaperone-vaihtoehdon ottaminen käyttöön tai poistaminen käytöstä

Kun **Chaperone**-vaihtoehto on käytössä, se valvoo potilaan asentoa tuotteen päällä.

Chaperone-vaihtoehdon ottaminen käyttöön tai poistaminen käytöstä:

1. Kun potilas on tuotteen päällä, valitse **Arm/Disarm** (ota käyttöön/poista käytöstä).

Huomautus - Tämä ottaa käyttöön alueen 1. Alue 1 palaa keltaisena, kun se on käytössä.

2. Ota alue 2 käyttöön painamalla kaksi kertaa **Arm/Disarm** (ota käyttöön/poista käytöstä) 3 sekunnin kuluessa.

Huomautus - Tämä ottaa käyttöön alueen 2. Alue 2 palaa keltaisena, kun se on käytössä.

3. **Chaperone**-vaihtoehto voidaan poistaa käytöstä valitsemalla **Arm/Disarm** (ota käyttöön/poista käytöstä) ja pitämällä sitä painettuna.

Huomautus - Vaaka on nollattava, ennen kuin **Chaperone**-vaihtoehto otetaan käyttöön.

Huomautus - Jos potilas siirtyy valitun alueen rajojen ulkopuolelle, keltainen valo vilkkuu, **Alert** (hälytys) vilkkuu valinnaisen vaakajärjestelmän näytöllä ja laite antaa merkkiään.

Chaperone-vaihtoehdon hälytyksen asettaminen

Chaperone-vaihtoehdon hälytyksen muuttaminen:

1. Valitse sekä **Arm/Disarm** (ota käyttöön / poista käytöstä) että **Weigh** (punnitse) ja pidä molempia painikkeita painettuina noin 6 sekunnin ajan. Jätä huomiotta kaikki näytön viestit, kunnes **Ptrn** (hälytysmalli) näkyy näytöllä (*Vaa'an kuvakkeen/painikkeen tunnistaminen* (sivulla 30)).

2. Vapauta **Arm/Disarm** (ota käyttöön / poista käytöstä) ja **Weigh** (punnitse).

Huomautus - Hälytysasetus **P (1–10)** näkyy näytöllä.

3. Hälytysasetuksia voi selata valitsemalla **Arm/Disarm** (ota käyttöön / poista käytöstä) tai **Weigh** (punnitse).

Huomautus - Lyhyt näyte hälytyksestä toistetaan selatessasi hälytysasetuksia.

4. Voit tallentaa valitun asetuksen valitsemalla sekä **Arm/Disarm** (ota käyttöön / poista käytöstä) että **Weigh** (punnitse) ja pitämällä painikkeita painettuna 6 sekunnin ajan, kunnes näkyviin tulee **set** (asetta).

5. Vapauta **Arm/Disarm** (ota käyttöön / poista käytöstä) ja **Weigh** (punnitse).

Huomautus - Valittu hälytysasetus näkyy näytöllä. Lyhyt näyte asetuksesta vahvistaa valitun asetuksen.

Chaperone-vaihtoehdon hälytyksen äänenvoimakkuuden asettaminen

Chaperone-vaihtoehdon hälytyksen äänenvoimakkuuden muuttaminen:

1. Valitse sekä **Zero** (nollaa) että **Ib/kg** (paunaa/kg) ja pidä molempia painikkeita painettuina, kunnes näytöllä näkyy **vol** (voimakkuus) (*Vaa'an kuvakkeen/painikkeen tunnistaminen* (sivulla 30)).

2. Vapauta **Zero** (nollaa) ja **Ib/kg** (paunaa/kg).

Huomautus - Äänenvoimakkuustasot **L (1-4)** näkyvät näytöllä.

3. Äänenvoimakkuustasoja voi selata valitsemalla **Zero** (nollaa) tai **Ib/kg** (paunaa/kg).

Huomautus - Lyhyt näyte äänenvoimakkuudesta tulee näyttöön selatessasi äänenvoimakkuustasoja.

4. Voit tallentaa valitun äänenvoimakkuuden valitsemalla sekä **Zero** (nollaa) että **Ib/kg** (paunaa/kg) ja pitämällä molempia painikkeita painettuna 6 sekunnin ajan, kunnes näkyviin tulee **set** (asetta).

5. Vapauta **Zero** (nollaa) ja **Ib/kg** (paunaa/kg).

Huomautus - Valittu äänenvoimakkuustaso näkyy näytöllä. Lyhyt näyte äänenvoimakkuudesta vahvistaa valitun äänenvoimakkuuden.

Vaakajärjestelmän akkuyksikön lataaminen - sähköinen alusta tai sähköinen alusta Chaperone-vaihtoehdolla - vain Prime

Vaakajärjestelmä, jossa on sähköinen alusta, tarvitsee yhden 10,8 V:n Li-ION (litiumioni) -akkuyksikön (0058-135-000 ilman Chaperone-vaihtoehtoa; 0058-134-000 Chaperone-vaihtoehdon kanssa). Lataa akkuyksikkö uudelleen, kun akun latauksen merkkivalo näyttää, että jäljellä on yksi yksikkö. Tämä estää valinnaista vaakajärjestelmää sammumasta tyhjentyneiden paristojen johdosta.

Lataa vaakajärjestelmän Li-ION (litiumioni) -akkuyksikkö kytkemällä virtajohto maadoitettuun, sairaalaluokan pistorasiaan. Akkuyksikkö latautuu kokonaan noin kolmessa tunnissa.

Huomautus - Tuote on aina kytkettävä maadoitettuun, sairaalakäyttöön tarkoitettuun pistorasiaan, kun tuote ei ole käytössä. Tämä auttaa akkua pitämään riittävän varauksen ja maksimoi tuotteen suorituskyvyn, kun sitä käytetään akkuteholla.

Valinnaisen vaakajärjestelmän paristojen vaihtaminen - ei-sähköinen alusta

Vaihda paristot, kun latauksen merkkivalo näyttää, että jäljellä on yksi yksikkö. Tämä estää valinnaista vaakajärjestelmää sammumasta tyhjentyneiden paristojen johdosta.

Kun näytöllä vilkkuu **Lo batt** (alhainen paristo), paristojen lataus on vähissä ja valinnainen vaakajärjestelmä ei ole käytössä.

Tarvittavat työkalut:

- Ristipääruuviavain
- Neljä AA-paristoa (alkalityyppinen (LR6))

Paristojen vaihtaminen:

1. Käytä ristipääruuviavainta. Poista ruuvit, jotka pitävät paristolokeron kantta kiinni näyttökokoonpanossa.
2. Poista ja hävitä kaikki neljä AA-paristoa.

Huomautus - Hävitä vanhat paristot aina paikallisten määräysten mukaisesti.

3. Aseta neljä uutta AA-paristoa paikalleen paristopidikkeessä osoitetulla tavalla.

Huomautus - Älä koskaan käytä vanhoja ja uusia paristoja samaan aikaan.

4. Käytä vaiheessa 1 poistettuja ruuveja. Aseta paristolokeron kansi takaisin näyttökokoonpanoon.

Lisävarusteet ja -osat

Nämä lisävarusteet saattavat olla käytettävissä tuotteesi kanssa. Varmista niiden saatavuus maassasi tai omaa laitekokoonpanoasi varten. Soita Strykerin asiakaspalveluun: 1-800-327-0770.

Nimi	Osanumero
Defibrillaattorin alusta	1105-045-200
Defibrillaattorin alusta / jalkopään jatke	1105-045-400
Jalkopään päätylevy / asiakirjateline	1105-045-500
Kantapäätynykokoonpano	1105-045-022
Tippatelineen kantolaite	0785-155-000
HAVASU™ -tippateline, irrotettava	0390-025-000
Tippateline, kolmivaiheinen, jalkopää, vasen, 26 tuumaa (66 cm)	1105-035-644
Tippateline, kolmivaiheinen, jalkopää, oikea, 26 tuumaa (66 cm)	1105-035-639
Tippateline, kolmivaiheinen, jalkopää, vasen, 30 tuumaa (76 cm)	1105-035-344
Tippateline, kolmivaiheinen, jalkopää, oikea, 30 tuumaa (76 cm)	1105-035-339
Tippateline, kolmivaiheinen, jalkopää, vasen, 30 tuumaa (76 cm) (Prime X -lisävaruste)	1105-035-364
Tippateline, kolmivaiheinen, jalkopää, oikea, 30 tuumaa (76 cm) (Prime X -lisävaruste)	1105-035-361
Tippateline, kolmivaiheinen, pääpuoli, vasen, 26 tuumaa (66 cm)	1105-035-642
Tippateline, kolmivaiheinen, pääpuoli, oikea, 26 tuumaa (66 cm)	1105-035-637

Nimi	Osanumero
Tippateline, kolmivaiheinen, pääpuoli, vasen, 30 tuumaa (76 cm)	1105-035-342
Tippateline, kolmivaiheinen, pääpuoli, oikea, 30 tuumaa (76 cm)	1105-035-337
Tippateline, kolmivaiheinen, pääpuoli, vasen, 30 tuumaa (76 cm) (Prime X -lisävaruste)	1105-035-369
Tippateline, kolmivaiheinen, pääpuoli, oikea, 30 tuumaa (76 cm) (Prime X -lisävaruste)	1105-035-366
Tippateline, kaksivaiheinen, jalkopää, vasen, 26 tuumaa (66 cm)	1105-035-640
Tippateline, kaksivaiheinen, jalkopää, oikea, 26 tuumaa (66 cm)	1105-035-643
Tippateline, kaksivaiheinen, jalkopää, vasen, 30 tuumaa (76 cm)	1105-035-340
Tippateline, kaksivaiheinen, jalkopää, oikea, 30 tuumaa (76 cm)	1105-035-343
Tippateline, kaksivaiheinen, jalkopää, vasen, 30 tuumaa (76 cm) (Prime X -lisävaruste)	1105-035-362
Tippateline, kaksivaiheinen, jalkopää, oikea, 30 tuumaa (76 cm) (Prime X -lisävaruste)	1105-035-363
Tippateline, kaksivaiheinen, pääpuoli, vasen, 26 tuumaa (66 cm)	1105-035-638
Tippateline, kaksivaiheinen, pääpuoli, oikea, 26 tuumaa (66 cm)	1105-035-641
Tippateline, kaksivaiheinen, pääpuoli, vasen, 30 tuumaa (76 cm)	1105-035-341
Tippateline, kaksivaiheinen, pääpuoli, oikea, 30 tuumaa (76 cm)	1105-035-338
Tippateline, kaksivaiheinen, pääpuoli, vasen, 30 tuumaa (76 cm) (Prime X -lisävaruste)	1105-035-367
Tippateline, kaksivaiheinen, pääpuoli, oikea, 30 tuumaa (76 cm) (Prime X -lisävaruste)	1105-035-368
Patja, ComfortGel SE™ , palosuojaus, 26 tuumaa (66 cm)	1805-034-601
Patja, ComfortGel SE , palosuojaus, 30 tuumaa (76 cm)	1805-034-301
Patja, ComfortGel SE , ilman palosuojusta, 26 tuumaa (66 cm)	1805-034-600
Patja, ComfortGel SE , ilman palosuojusta, 30 tuumaa (76 cm)	1805-034-300
Patja, Enhanced Comfort, 3 x 26 tuumaa (8 x 66 cm)	0785-034-613
Patja, Enhanced Comfort, 3 x 30 tuumaa (8 x 76 cm)	0785-034-313
Patja, Enhanced Comfort, 4 x 26 tuumaa (10 x 66 cm)	0785-034-623

Nimi	Osanumero
Patja, Enhanced Comfort, 4 x 30 tuumaa (10 x 76 cm)	0785-034-323
Patja, IsoFlex SE™ , palosuojaus, 30 tuumaa (76 cm)	1806-034-300
Patja, IsoFlex SE , ilman palosuojusta, kansainvälinen, 30 tuumaa (76 cm)	1806-034-301
Patja, Ultra Comfort, 4 x 26 tuumaa (10 x 66 cm)	0785-034-603
Patja, Ultra Comfort, 4 x 30 tuumaa (10 x 76 cm)	0785-034-303
Patja, Ultra Comfort, 5 x 26 tuumaa (13 x 66 cm)	0785-034-633
Patja, Ultra Comfort, 5 x 30 tuumaa (13 x 76 cm)	0785-034-333
Patja, Ultra Comfort SE™ , 4 x 26 tuumaa (10 x 66 cm)	1704-034-600
Patja, Ultra Comfort SE , palosuojaus, kansainvälinen, 4 x 26 tuumaa (10 x 66 cm)	1704-034-601
Patja, Ultra Comfort, parien jatko-osa, 4 x 26 tuumaa (10 x 66 cm)	1105-034-609
Patja, Ultra Comfort, parien jatko-osa, 4 x 30 tuumaa (10 x 76 cm)	1105-034-309
Patja, Ultra Comfort SE , 3 x 30 tuumaa (8 x 76 cm)	1703-034-300
Patja, Ultra Comfort SE , palosuojaus, 3 x 30 tuumaa (10 x 76 cm)	1703-034-301
Patja, Ultra Comfort SE , 4 x 30 tuumaa (10 x 76 cm)	1704-034-300
Patja, Ultra Comfort SE , palosuojaus, 4 x 30 tuumaa (10 x 76 cm)	1704-034-301
Happipullon pystypidike	1115-130-000
Pumpputankolisävaruste, 30 tuumaa (76 cm)	1105-045-035
Työntökahvakokoonpano, jalkopää, 30 tuumaa (76 cm)	1105-048-030
Työntökahvakokoonpano, pääpuoli, 30 tuumaa (76 cm)	1105-048-060
Kiinnityshihnapakkaus	0785-045-010
Kiinnityshihna, nilkka	0785-045-020
Kiinnityshihna, vartalo	0785-045-015
Kiinnityshihna, ranne	0946-044-000
Kiinnityshihna, rintakehä	1010-058-000
Tarjotin	1105-045-700
Tarjottimen pidike / jalkopää	1105-045-800
Sivukaiteiden tyynyt	1001-052-000
Röntgenkasetin pidike, sivusuuntainen	1105-045-100
Röntgenkasetin pidike, pystysuuntainen	1105-045-300

Sähköosat

Nimi	Numero
Käyttölaite, selkänoja	1008-012-020
Käyttölaite, polvituki	1008-014-020
Akku, Li-ION Smart -akkuyksikkö (vain vaaka)	0058-135-000
Akku, Li-ION Smart -akkuyksikkö (vaaka ja Chaperone)	0058-134-000
Kytkinlevy, tasavirtaohjauksen piirilevykokoonpano	1008-116-800
Kytkinlevy, ei-nostimellinen vaihtovirtakokoonpano	1008-002-800
Kytkinlevy, nostinohjauksen piirilevykokoonpano	1008-002-810
Kytkinlevy, vaakaohjauksen kokoonpano (pelkkä vaaka)	1008-237-850
Kytkinlevy, vaaka- ja Chaperone - ohjauksen kokoonpano	1008-237-840
Kondensaattori, 440 VAC, 35 MFD	0059-087-000
Näppäimistö, vaakaohjaus (ei-sähköinen alusta)	1008-037-820
Näppäimistö, sivukaideohjaus, vasen	1008-011-017
Näppäimistö, sivukaideohjaus, oikea	1008-011-016
Näppäimistö, käyttäjäohjaus	1008-015-800
Punnituskenno (valinnainen vaakajärjestelmä)	1008-037-057
Moottori, pumppu	1008-002-015
Virtajohto, vakio	1028-146-060
Virtajohto, kansainvälinen, tyyppi E	1125-060-170
Virtajohto, kansainvälinen, tyyppi F	1125-060-180
Virtajohto, kansainvälinen, tyyppi G	1125-060-160
Virtajohto, kansainvälinen, tyyppi I	1125-060-200
Vaakalaatikkokokoonpano (ei-sähköinen alusta)	1070-237-020
Muuntaja	1008-014-857
Muuntaja, kansainvälinen	1008-014-877

Defibrillaattorin alustan kiinnittäminen

VAROITUS

- Defibrillaattorin alustan päälle ei saa asettaa yli 14 kg painavia esineitä. Kiinnitä aina kaikki defibrillaattorin alustalle asetetut laitteet paikalleen hihnalla.
- Ole aina varovainen, jos paareihin on kiinnitetty defibrillaattorin alusta / jalkopään jatke, jalkopään päätylevy / asiakirjateline tai happipullon pystypidike, jotta sormesi eivät jää puristuksiin jalkopään valinnaista työntökahvaa käytettäessä.

Defibrillaattorin alustan kiinnittäminen:

- Työnnä defibrillaattorin alustan tapit tuotteen jalkopään liittämiin.
- Kiinnitä laitteet hihnalla defibrillaattorin alustaan.

Huomautus

- Defibrillaattorin alustaa ei saa käyttää laitteen työntämiseen/vetämiseen. Tuote voi vaurioitua.
- Nosta aina jalkopään työntökahvoja, kun käytät lisävarusteita (kuten defibrillaattorin alustaa / jalkopään jatketta, jalkopään päätylevyn asiakirjatelineettä, happipullon pystypidikettä), tai lisävarusteet eivät toimi.

Debrillaattorin alustan / jalkopään jatkeen muuntaminen defibrillaattorin alustaksi

VAROITUS

- Defibrillaattorin alustan / jalkopään jatkeen päälle ei saa asettaa yli 14 kg painavia esineitä. Kiinnitä aina kaikki defibrillaattorin alustalle asetetut laitteet paikalleen hihnalla.
- Ole aina varovainen, jos paareihin on kiinnitetty defibrillaattorin alusta / jalkopään jatke, jalkopään päätylevy / asiakirjateline tai happipullon pystypidike, jotta sormesi eivät jää puristuksiin jalkopään valinnaista työntökahvaa käytettäessä.

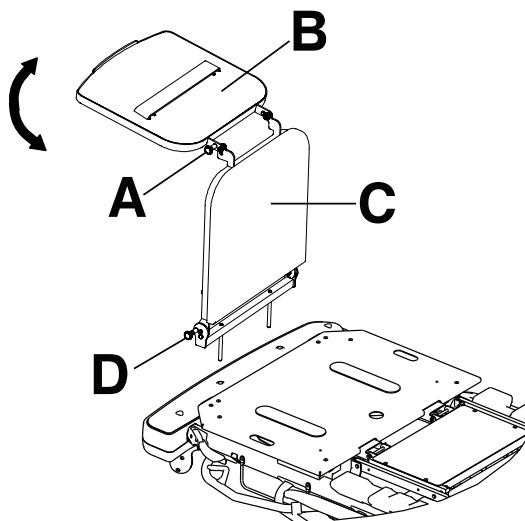
HUOMIO - Nosta aina tippatelineettä ennen kuin kiinnität defibrillaattorin alustan / jalkopään jatkeen tuotteeseen. Jos et nosta tippatelineettä, jalkopään jatke ei toimi.

Debrillaattorin alustan / jalkopään jatkeen muuntaminen defibrillaattorin alustaksi:

1. Vedä ylänuppi (A) ulos (Kuva 19).
2. Kierrä defibrillaattorin alustaa (B), kunnes alusta on tasainen tuotteen jalkopään päällä. Vapauta ylänuppi (A). Varmista, että defibrillaattorin alusta on lukittu paikalleen.
3. Kiinnitä laitteet hihnalla defibrillaattorin alustaan.

Huomautus

- Älä käytä defibrillaattorin alustaa / jalkopään jatketta työntämiseen tai vetämiseen. Tuote voi vaurioitua.
- Älä kiinnitä esineitä jalkopään jatkeeseen.



Kuva 19 – Defibrillaattorin alustan jalkopään jatke

Defibrillaattorin alustan / jalkopään jatkeen muuntaminen jalkopään jatkeeksi

VAROITUS

- Defibrillaattorin alustan / jalkopään jatkeen päälle ei saa asettaa yli 14 kg painavia esineitä. Kiinnitä aina kaikki defibrillaattorin alustalle asetetut laitteet paikalleen hihnalla.
- Ole aina varovainen, jos paareihin on kiinnitetty defibrillaattorin alusta / jalkopään jatke, jalkopään päätylevy / asiakirjateline tai happipullon pystypidike, jotta sormesi eivät jää puristuksiin jalkopään valinnaista työntökahvaa käytettäessä.

HUOMIO - Nosta aina tippatelinettä ennen kuin kiinnität defibrillaattorin alustan / jalkopään jatkeen tuotteeseen. Jos et nosta tippatelinettä, jalkopään jatke ei toimi.

Defibrillaattorin alustan / jalkopään jatkeen muuntaminen jalkopään jatkeeksi (Kuva 19):

1. Vedä ylänuppi (A) ulos.
2. Käännä defibrillaattorin alustaa (B), kunnes alusta lukittuu jalkopään jatketta vasten.
3. Vedä alaosan nuppi (D) ulos samalla, kun pidät defibrillaattorin alustasta / jalkopään jatkeesta kiinni.
4. Laske jalkopään jatketta (C) alaspäin, kunnes se on tasainen.
5. Vapauta alanuppi (D). Työnnä jalkopään jatketta ja varmista, että jalkopään jatke on lukittunut paikalleen.

Huomautus

- Älä käytä defibrillaattorin alustaa / jalkopään jatketta työntämiseen tai vetämiseen. Tuote voi vaurioitua.
- Älä kiinnitä esineitä jalkopään jatkeeseen.

Jalkopään päätylevyn / asiakirjatelineen kiinnittäminen

VAROITUS - Ole aina varovainen, jos paareihin on kiinnitetty defibrillaattorin alusta / jalkopään jatke, jalkopään päätylevy / asiakirjateline tai happipullon pystypidike, jotta sormesi eivät jää puristuksiin jalkopään valinnaista työntökahvaa käytettäessä.

Kiinnitä jalkopään päätylevy / asiakirjateline työntämällä pidikkeen tapit tuotteen jalkopäässä oleviin liittimiin.

Huomautus - Jalkopään päätylevyä / asiakirjatelinettä ei saa käyttää laitteen työntämiseen/vetämiseen. Tuote voi vaurioitua.

Tippatelineen kantolaitteen kiinnittäminen

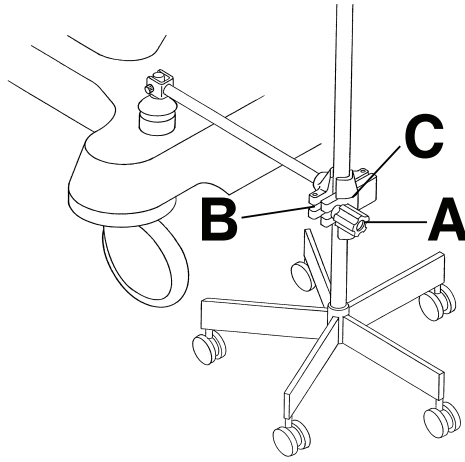
VAROITUS

- Varmista aina, että tippateline on kiinnitetty hyvin kantolaitteeseen tuotetta kuljetettaessa.
 - Aseta aina tippatelineen kantolaite säilytykseen, kun sitä ei käytetä, jotta tuote ei vaurioidu.
-

Tippatelineen kantolaitteen kiinnittäminen (Kuva 20):

1. Nosta tippatelineen kantolaite säilytysalustalta tai säilytysklipsistä.
2. Käännä tippatelineen kantolaite haluttuun asentoon.
3. Löysää telineen pidikettä (C) kääntämällä nuppia (A) vastapäivään.
4. Käännä nuppia (A) pois päin varren liitinkokoonpanosta (B).
5. Avaa pidike (C).
6. Aseta tippateline pidikkeeseen (C).
7. Sulje pidike (C) tippatelineen ympärille ja käännä nuppi (A) paikalleen.
8. Kiristä nuppi (A) kiertämällä nuppia myötäpäivään.
9. Irrota tippatelineen kantolaite tuotteesta tekemällä vaiheet päinvastaisessa järjestyksessä.

Aseta tippatelineen kantolaite säilytykseen panemalla se säilytysalustalle tai säilytä kantolaitetta säilytysklipsissä.



Kuva 20 – Tippatelineen kantolaite

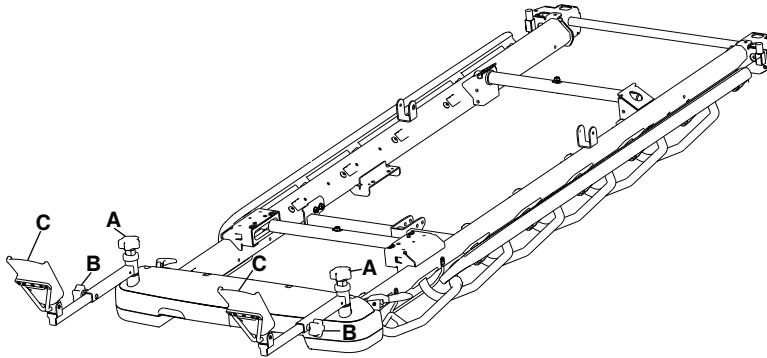
Jalkatukien asettaminen tai siirtäminen säilytysasentoon - vain Prime

VAROITUS

- Älä istu jalkopään tukien päällä. Se voi aiheuttaa tuotteen kaatumisen.
- Varmista aina, että sormet ovat etäällä mekanismeista, kun käytät jalkopään tukia.
- Kiinnitä aina jalkopään tuet, kun kuljetat potilasta tuotteen päällä.
- Varmista aina, että jalkopään tuet on kiristetty ennen niiden käyttämistä.
- Älä käytä vaakajärjestelmää jalkopään tukien kanssa. Lukemat voivat olla epätarkkoja.
- Älä käytä **Chaperone**-vaihtoehtoa jalkopään tukien kanssa. Lukemat voivat olla epätarkkoja.

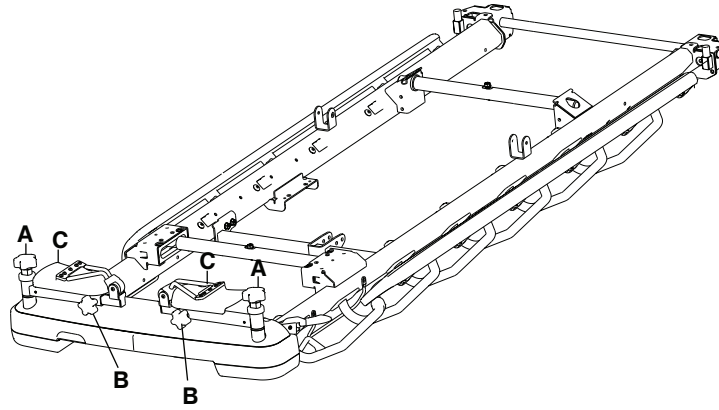
Jalkatukien sijoittaminen tai säilyttäminen:

1. Löysää jalkatukien yläosassa olevaa polvinuppia (A) ja säädä jalkatukien sivusuuntaista kulmaa (Kuva 21).
2. Kiristä polvinuppia (A) ja lukitse jalkatuet haluttuun asentoon.



Kuva 21 – Jalkatukien sijoittaminen

3. Löysää jalkatukien sivulla olevaa jalkanuppia (B) ja säädä pituus.
4. Kiristä jalkanuppia (B) ja lukitse jalkatuet haluttuun asentoon.
5. Käännä jalkatuet yläasentoon (C) ennen potilaan asettamista.
6. Aseta jalkatuet säilytykseen tekemällä vaiheet päinvastaisessa järjestyksessä (Kuva 22).



Kuva 22 – Jalkatukien asettaminen säilytykseen

Et voi hankkia seuraavia vaihtoehtoja ja lisävarusteita, jos valitse jalkatuen:

- Jalkopään työntökahvat
- Defibrillaattorin alusta
- Defibrillaattorin alustan jalkopään jatke
- Tarjottimen pidike / jalkopää
- Jalkopään päätylevy / asiakirjateline
- Jalkopään tippatelineet

Huomautus

- Älä käytä jalkatukia potilaan tavaroiden säilyttämiseen.
- Jalkatukia ei saa käyttää työntämiseen/vetämiseen. Tuote voi vaurioitua.
- Käytä aina jarruja epävakauden välttämiseksi, kun käytät jalkatukia.
- Älä käytä selkänojaa tai polvitukea jalkatukien kanssa.

Kaksivaiheisen pysyvästi kiinnitetyn tippatelineen sijoittaminen

VAROITUS - Tippatelinettä ei saa käyttää työntämiseen tai vetämiseen. Tuote voi vaurioitua.

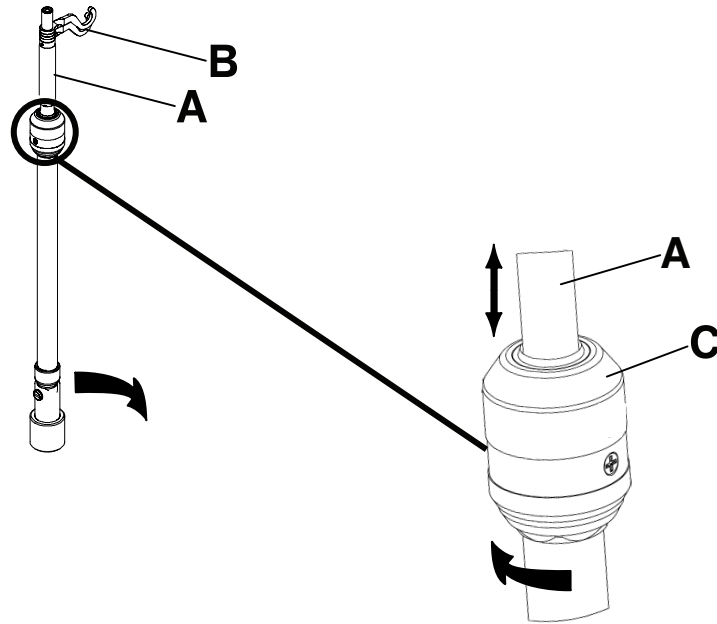
Voit hankkia tuotteen kokoonpanona, jossa tuotteen pääpuolella, jalkopäässä tai molemmissa päissä on pysyvästi kiinnitetty kaksivaiheinen tippateline. Tippatelineessä on teleskooppitanko, josta sitä voidaan pidentää toiseen korkeusasentoon. Tippateline voidaan taittaa ja asettaa säilytykseen, kun sitä ei käytetä.

Kaksivaiheisen tippatelineen asentaminen (Kuva 23):

1. Nosta ja käännä teline pois säilytysasennosta.
2. Työnnä tippatelinettä alaspäin, kunnes tippateline lukittuu paikalleen.
3. Tippatelinettä voidaan nostaa ylöspäin vetämällä teleskooppiosaa (A), kunnes teline lukittuu paikalleen täysin ylös nostettuun asentoon.
4. Kierrä tippatelineen ripustimet (B) haluttuun asentoon ja ripusta tippapussit.
5. Tippatelinettä voidaan laskea alaspäin pitämällä kiinni tippatelineen teleskooppiosasta, kääntämällä vipua (C) ja laskemalla teleskooppiosaa alaspäin.

Huomautus

- Älä aseta yli 40 paunaa (18 kg:n) tippapusseja tippatelineeseen.
- Varmista aina, että tippateline on tarpeeksi matalalla, jotta se mahtuu oviaukoista, kun kuljetat potilasta.



Kuva 23 – Kaksivaiheisen pysyvästi kiinnitetyn tippatelineen sijoittaminen

Kolmivaiheisen pysyvästi kiinnitetyn tippatelineen sijoittaminen

VAROITUS - Tippatelinettä ei saa käyttää työntämiseen tai vetämiseen. Tuote voi vaurioitua.

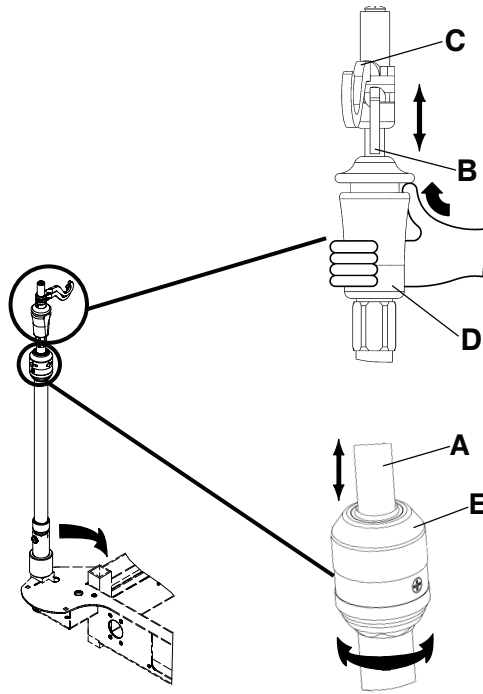
Voit hankkia tuotteen kokoonpanona, jossa tuotteen pääpuolella, jalkopäässä tai molemmissa päissä on pysyvästi kiinnitetty kolmivaiheinen tippateline. Tippatelineessä on teleskooppitanko, josta sitä voidaan pidentää toiseen tai kolmanteen korkeusasentoon. Tippateline voidaan myös taittaa ja asettaa säilytykseen, kun sitä ei käytetä.

Kolmivaiheisen tippatelineen asentaminen (Kuva 24):

1. Nosta ja käännä teline pois säilytysasennosta.
2. Työnnä tippatelinettä alaspäin, kunnes teline lukittuu paikalleen.
3. Tippatelinettä voidaan nostaa ylöspäin vetämällä teleskooppiosaa (A), kunnes teline lukittuu paikalleen täysin ylös nostettuun asentoon.
4. Jos haluat pitemmän tippatelineen, vedä varresta (B). Vapauta varsi (B) missä tahansa korkeudessa, jolloin teline lukittuu paikalleen.
5. Kierrä tippatelineen ripustimet (C) haluttuun asentoon ja ripusta tippapussit.
6. Laske tippateline alas työntämällä keltaista otinkohtaa (D) ylöspäin ja pitämällä samaan aikaan kiinni varresta (B), kunnes teline laskeutuu alas.
7. Käännä vipua (E) ja laske tippatelineen teleskooppiosa alas.

Huomautus

- Älä ripusta tippatelineeseen tippapusseja, joiden yhteispaino ylittää 12 lb (5 kg).
- Älä ripusta yksittäiseen tippatelineen ripustimeen tippapusseja, joiden paino ylittää 9,3 lb (4,2 kg).
- Varmista aina, että tippateline on tarpeeksi matalalla, jotta se mahtuu oviaukoista, kun kuljetat potilasta.



Kuva 24 – Kolmivaiheisen pysyvästi kiinnitetyn tippatelineen sijoittaminen

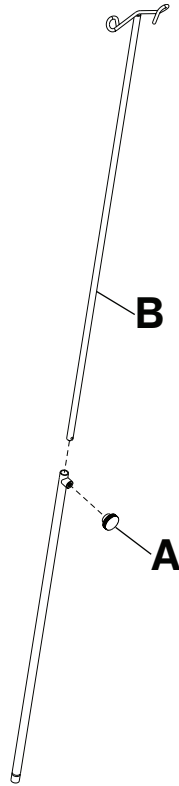
Irrotettavan tippatelineen kiinnittäminen ja paikalleen asettaminen

HUOMIO

- Tippatelinettä ei saa käyttää työntämiseen tai vetämiseen. Tuote voi vaurioitua.
- Älä aseta yli 40 lb:n (18 kg:n) tippapusseja tippatelineeseen.
- Varmista aina, että tippateline on tarpeeksi matalalla, jotta se mahtuu oviaukoista, kun kuljetat potilasta.

Irrotettavan tippatelineen kiinnittäminen ja sijoittaminen (Kuva 25):

1. Työnnä tippateline tuotteen pääpuolella tai jalkopäässä olevaan liittimeen.
2. Käännä nuppia (A) vastapäivään ja vedä teleskooppiosasta (B), kunnes korkeus on sopiva.
3. Lukitse teleskooppiosa paikalleen kääntämällä nuppia (A) myötäpäivään.



Kuva 25 – Irrotettava tippateline

Happipullon pystypidikkeen kiinnittäminen

VAROITUS

- Älä aseta yli 40 paunan (18 kg:n) painoisia esineitä happipullon pystypidikkeeseen.
- Ole aina varovainen, jos paareihin on kiinnitetty defibrillaattorin alusta / jalkopään jatke, jalkopään päätylevy / asiakirjateline tai happipullon pystypidike, jotta sormesi eivät jää puristuksiin jalkopään valinnaista työntökahvaa käytettäessä.

Happipullon pystypidike tukee happipulloa pystyasennossa.

Happipullon pystypidikkeen kiinnittäminen:

1. Työnnä tukitanko mihin tahansa tippatelineen liittimistä.
2. Kiinnitä pullon pidike tuotteeseen työntämällä sokan tappi tukitangossa olevan reiän läpi.

Huomautus - Happipullon pystypidikettä ei saa käyttää työntämiseen tai vetämiseen. Tuote voi vaurioitua.

Jalkopään tarjottimen ojentaminen tai säilytykseen asettaminen

VAROITUS - Älä aseta yli 30 paunan (14 kg:n) painoisia esineitä tarjottimelle.

Tarjotin saadaan sopimaan sivukaiteeseen vetämällä tarjottimen molemmat sivut ulos ja asettamalla se sivukaiteiden päälle.

Tarjottimen säilytykseen asettaminen:

1. Poista tarjotin sivukaiteista.
2. Työnnä tarjottimen sivut sisään.
3. Säilytä tarjotinta päätylevyssä.

Huomautus - Jalkopään tarjotinta ei saa käyttää työntämiseen/vetämiseen. Tuote voi vaurioitua.

Sivukaiteen tyynyjen kiinnittäminen

Sivukaiteen tyynyjen kiinnittäminen:

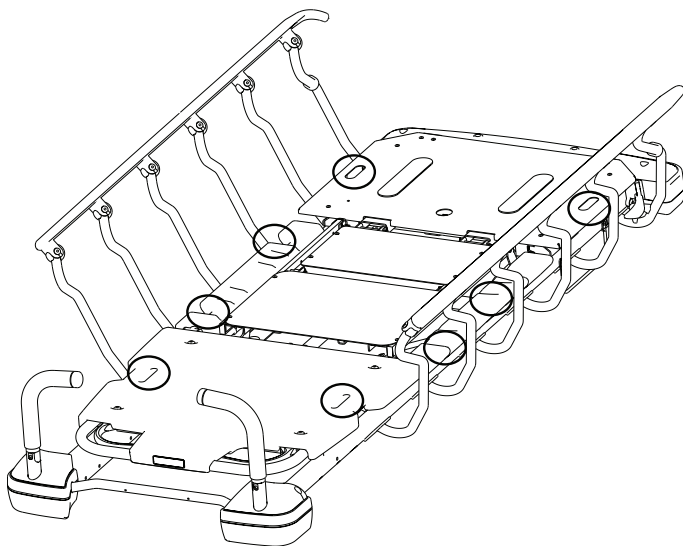
1. Työnnä sivukaiteen tyyny patjan ja sivukaiteen väliin.
2. Kiinnitä sivukaiteen tyyny kiinnittämällä **Velcro®**-tarrahiinat sivukaiteen yläosan ympäri.

Potilaan kiinnityshihnojen liitäntäkohtien paikantaminen

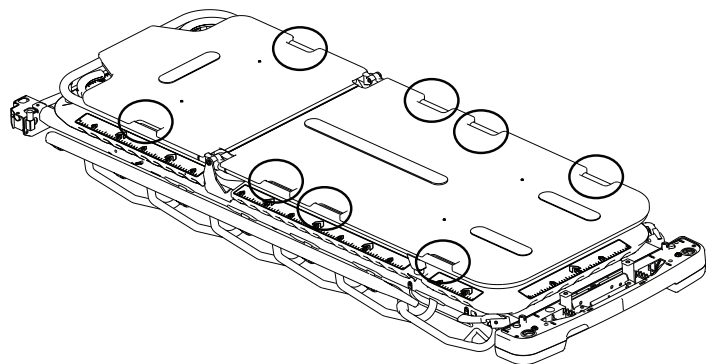
VAROITUS

- Kiinnitä kiinnityshihnat aina varovaisuutta noudattaen. Muuten potilas tai käyttäjä voi loukkaantua. Turvallisestikin kiinnitetyt kiinnittimet voivat aiheuttaa vakavan vamman potilaille ja käyttäjille, kuten kiinnittimiin sotkeentumisen tai tarttumisen, fyysisen vamman tai kuoleman.
- Kiinnitä aina kiinnityshihnat ja/tai -laitteet vain niille osoitettuihin kiinnityskohtiin tuotteessa. Muuten seurauksena voi olla potilaan tai käyttäjän loukkaantuminen. Älä kiinnitä kiinnityshihnoja sivukaiteeseen.
- Noudata aina soveltuvia kansallisia lakeja ja säädöksiä ja asianmukaisia laitoksen menettelytapoja kaikkia kiinnityshihnoja tai laitetta käytettäessä.

Alustakokoonpanossa on kahdeksan kohtaa, joihin potilaan kiinnityshihnat voidaan kiinnittää (Kuva 26 tai Kuva 27).



Kuva 26 – Prime-kiinnityshihnojen kohdat



Kuva 27 – Prime X -lisävarusteen kiinnityshihnojen kohdat

Huomautus - Kiinnityshihnat ovat tyyppin B liityntäosia.

Pystysuuntaisen röntgenkasetin pidikkeen asettaminen - Prime X -vaihtoehto

VAROITUS

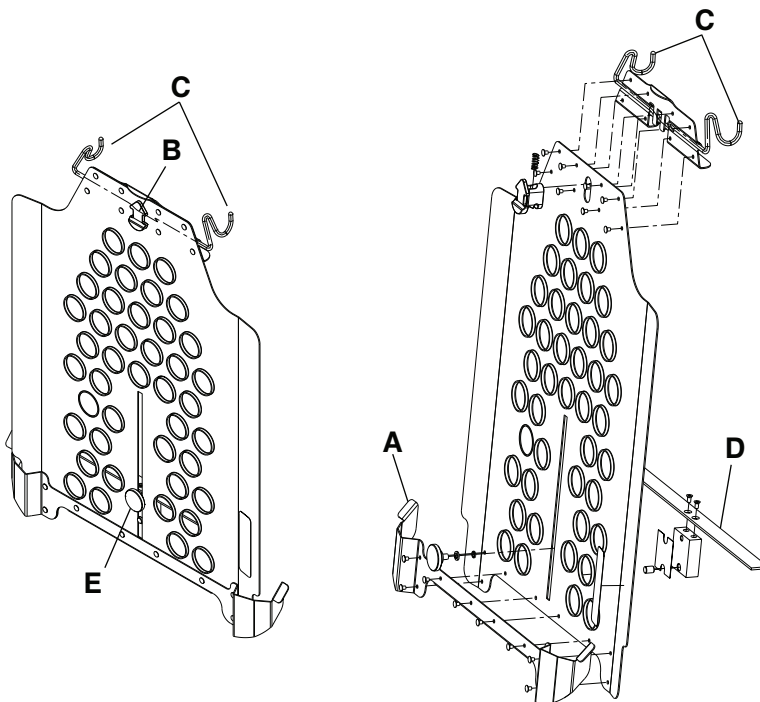
- Noudata aina suojaavia varotoimia, kun käytät pystysuuntaista tai sivusuuntaista röntgenkasetin pidikettä. Röntgenkasetin pidike ei suojaa säteilyltä.
- Pehdy aina turvallisuuden vuoksi paikallisiin ja kansallisiin suosituksiin laitoksen menettelytapojen lisäksi, ennen kuin käytät **Prime X** -vaihtoehtoa säteilyä tuottavien laitteiden kanssa. Säteilyä tuottavat laitteet voivat tuottaa jäännössäteilyä, hajasäteilyä tai sirontaa.
- Ole aina erityisen varovainen, kun käytät patjaa, joka on paksumpi kuin 2,5 tuumaa (6,35 cm), tai patjan päällistä **Prime X** -vaihtoehdon kanssa.

- Noudata aina ohjeita kohdasta *Pystysuuntaisen röntgenkasetin pidikkeen asettaminen - Prime X -vaihtoehto*, kun asetat röntgenkasettia.

Röntgenkasetin pidike kiinnittyy Fowler-selkänöjan hitsattuun rakenteeseen ja tukee röntgenkasetteja. Röntgenkuvia voidaan ottaa potilaan ollessa tuotteella. Kasetin asentoa voidaan myös säätää ennen röntgenkuvan ottamista.

Röntgenkasetin pidikkeen asettaminen:

1. Kytke jarrut päälle. Varmista jarrujen toimivuus työntämällä tuotetta.
2. Nosta Fowler-selkänöja enimmäiskorkeuteen.
3. Työnnä alemmat pidikeohjaimet (A) Fowler-selkänöjan hitsatun rakenteen tangon alle (Kuva 28).
4. Nosta kasetin pidikettä, kunnes pidikeohjaimet kiinnittyvät Fowler-selkänöjan hitsattuun rakenteeseen. Varmista, että kasetin pidike on tukevasti kiinni.



Kuva 28 – Röntgenkasetin pidike

5. Työnnä röntgenkasetti kasetin pidikkeen kummalta tahansa puolelta tai vedä liikusäätimen vapautusnuolta (B), jolloin kasetin pidike vapautuu Fowler-selkänöjasta. Aseta kasetti paikalleen ja kiinnitä kasetin pidike Fowler-selkänöjan hitsattuun rakenteeseen.
6. Kasetin korkeutta voidaan säätää löysäämällä nuppia (E) ja siirtämällä kasetin tukikaidetta (D) ylös tai alas haluttuun korkeuteen.
7. Kiristä nuppia (E), jotta kasetin tukikaide kiinnittyy tukevasti paikalleen.
8. Kun röntgenkuva on otettu, vedä liikusäätimen vapautusnuolta (B) ylöspäin, jolloin kasetin pidike vapautuu Fowler-selkänöjan hitsatusta rakenteesta.
9. Poista röntgenkasetti kasetin pidikkeestä.
10. Sulje kasetin pidike ja aseta se säilytykseen.

Sivusuuntaisen röntgenkasetin pidikkeen asettaminen - Prime X -vaihtoehto

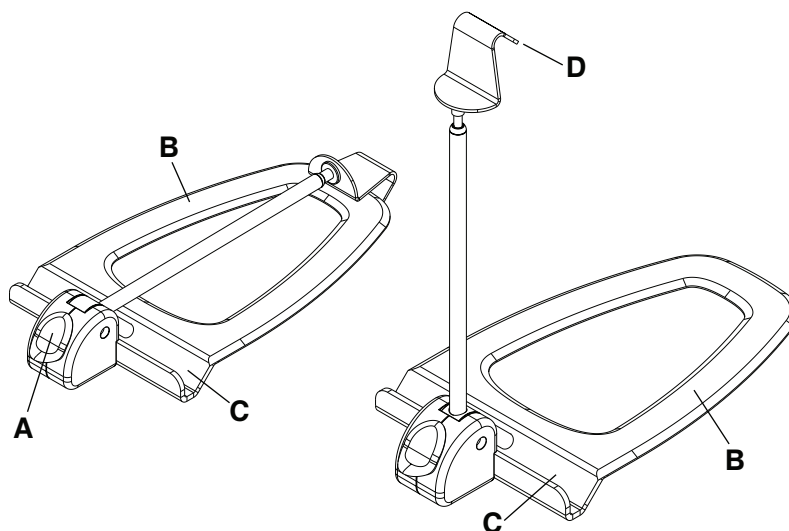
VAROITUS

- Noudata aina suojaavia varotoimia, kun käytät pystysuuntaista tai sivusuuntaista röntgenkasetin pidikettä. Röntgenkasetin pidike ei suojaa säteilyltä.

- Pehdy aina turvallisuuden vuoksi paikallisiin ja kansallisiin suosituksiin laitoksen menettelytapojen lisäksi, ennen kuin käytät **Prime X** -vaihtoehtoa säteilyä tuottavien laitteiden kanssa. Säteilyä tuottavat laitteet voivat tuottaa jäännössäteilyä, hajasäteilyä tai sirontaa.
- On aina oltava varovainen, kun röntgenkuvia otetaan Fowler-selkänöjan ollessa pystyasennossa tai kun käytetään sivusuuntaista kasettia.
- Ole aina erityisen varovainen, kun käytät patjaa, joka on paksumpi kuin 2,5 tuumaa (6,35 cm), tai patjan päällistä **Prime X** -vaihtoehdon kanssa.
- Noudata aina ohjeita kohdasta *Sivusuuntaisen röntgenkasetin pidikkeen asettaminen - Prime X -vaihtoehto*, kun asetat röntgenkasettia.

Sivusuuntaisen röntgenkasetin pidikkeen asettaminen:

1. Kytke jarrut päälle. Varmista jarrujen toimivuus työntämällä tuotetta.



Kuva 29 – Sivusuuntainen röntgenkasetin pidike

2. Avaa sivusuuntainen röntgenkasetin pidike (Kuva 29) painamalla keltaista vapautuspainiketta (A).
3. Työnnä litteä pohja (B) patjan ja potilasalustan väliin.
4. Sijoita sivusuuntainen kasetin pidike haluttuun kohtaan.
5. Aseta röntgenkasetti kasettikanaavaan (C).
6. Vedä kasetin koukku (D) ylöspäin ja säädä varren korkeutta siten, että se mahtuu röntgenkasetin yläpuolelle ja pitää kasettia paikallaan.
7. Poista kasetti ja aseta sivusuuntainen kasetin pidike säilytykseen tekemällä vaiheet päinvastaisessa järjestyksessä.

Röntgenkasettien sijoittaminen tai poistaminen - Prime X -vaihtoehto

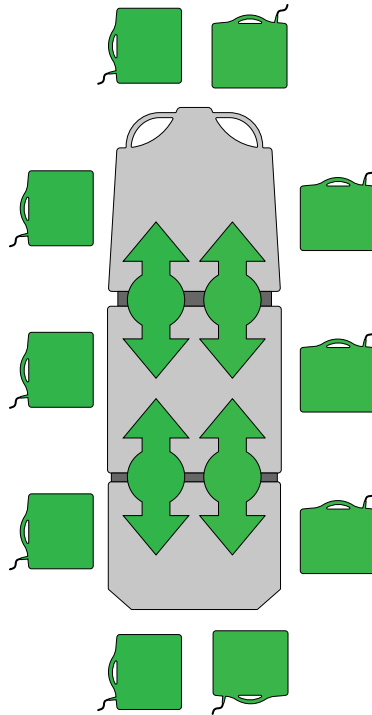
VAROITUS

- Pehdy aina turvallisuuden vuoksi paikallisiin ja kansallisiin suosituksiin laitoksen menettelytapojen lisäksi, ennen kuin käytät **Prime X** -vaihtoehtoa säteilyä tuottavien laitteiden kanssa. Säteilyä tuottavat laitteet voivat tuottaa jäännössäteilyä, hajasäteilyä tai sirontaa.
- On aina oltava varovainen, kun röntgenkuvia otetaan Fowler-selkänöjan ollessa pystyasennossa tai kun käytetään sivusuuntaista kasettia.

Prime X -vaihtoehdossa on sekä nivelletty radiografinen tukipinta että potilaan tukipinnan alla oleva alusta röntgenkasetin sijoittamista varten. Yhdessä lääketieteellisten röntgenjärjestelmien kanssa radiografinen tukipinta mahdollistaa kliinisten röntgenkuvien ottamisen (AP koko keho, valinnainen koko kehon lateraalinen ja valinnainen keuhkoröntgen pystyasennossa) potilaan ollessa tuotteen päällä. Kasetteja voidaan työntää sisään tuotteen pääpuolelta, jalkopäästä ja kummaltakin sivulta.

Röntgenkuvakasetin asentaminen:

1. Keskitä potilas tuotteelle käyttämällä apuna tuotteen jokaisella sivulla olevia asentoa osoittavia tarroja (Kuva 30).
2. Sijoita röntgenkasetti potilaspinnan alle. Käytä kasettiohjaimia apuna röntgenkasetin asettamisessa.



Kuva 30 – Röntgenkasettien asentaminen tai poistaminen - Prime X -vaihtoehto

Huomautus

- **Prime X** -vaihtoehtoa ei saa käyttää patjan kanssa, joka on yli neljän tuuman (10 cm:n) paksuinen.
- C-kaarta ei saa käyttää **Prime X** -vaihtoehdon kanssa. **Prime X** -vaihtoehto ei ole yhteensopiva C-kaaren kanssa.

Puhdistus

Tuotteen puhdistaminen

HUOMIO - Älä puhdisti valinnaisen vaakajärjestelmän näytön koteloa hankaavilla puhdistusaineilla. Älä päästä puhdistusliuoksia tai muita nesteitä kerääntymään näyttöyksikköön. Kuivaa kaikki pinnat roiskeiden tai puhdistamisen jälkeen.

Näissä ohjeissa annetaan **Prime Series** -parien suositellut puhdistusmenetelmät.

Tämä tuote voidaan pestä painepesulla. Tuotteessa voi näkyä joitakin jatkuvan pesun aiheuttamia merkkejä hapettumisesta tai värjäytymisestä. Painepesu ei kuitenkaan heikennä tuotteen suorituskykyominaisuuksia tai toimivuutta, jos noudatetaan oikeita menetelmiä.

Suosittelut puhdistusmenetelmä:

1. Jos tuotteessa on valinnainen sähköinen alusta tai valinnainen sähköinen nostin, irrota virtajohto pistorasiasta ennen tuotteen kuljettamista tai puhdistamista.
2. Poista patja tuotteesta.
3. Noudata puhdistusliuoksen valmistajan antamia laimennussuosituksia.
4. Stryker suosittelee tavallisen sairaalakäyttöön tarkoitetun kirurgisen vaunupesulaitteen käyttämistä painepesuun.
5. Kuivaa tuote. Älä aseta patjaa takaisin tuotteelle ennen kuin tuote on kuivunut.
6. Tarkasta toimintakyky, ennen kuin palautat tuotteen käyttöön.
 - Nosta ja laske tuotetta
 - Lukitse jarru-/ohjauspoljin ja avaa lukitus kummassakin asennossa
 - Lukitse sivukaiteet ja avaa lukitus
 - Nosta ja laske Fowler-selkänöjää
 - Nosta ja laske polvitukea
 - Varmista kaikkien osien riittävä voitelu
 - Varmista, että kaikki tarrat ovat ehjiä

Huomautus

- Suora ihokosketus näkyvästi likaantuneen läpäisevän materiaalin kanssa voi lisätä infektoriskiä.
- Tuotetta ei saa pestä höyryllä.
- Puhdista pohjan säilytystila.
- Puhdista jarrupalojen pohja vahan tai lattiajäänteiden kertymisen estämiseksi.
- Jotkin puhdistusaineet ovat luonteeltaan syövyttäviä ja voivat vaurioittaa tuotetta, jos niitä käytetään väärin. Jos et huuhtelee ja kuivaa tuotetta hyvin, sen pinnalle voi jäädä syövyttäviä jäämiä, jotka voivat syövyttää tärkeitä osia ennenaikaisesti. Näiden puhdistusohjeiden laiminlyönti voi mitätöidä takuun.

Tuotteen puhdistaminen vaunupesulaitteen avulla

Stryker suosittelee tavallisen sairaalakäyttöön tarkoitetun kirurgisen vaunupesulaitteen käyttämistä parien pesuun enintään kerran vuodessa tuotteen käyttöänsä ajan.

Tuotteen puhdistaminen vaunupesulaitteella:

1. Jos tuotteessa on valinnainen sähköinen alusta tai valinnainen sähköinen nostin, irrota virtajohto pistorasiasta ennen tuotteen kuljettamista tai puhdistamista.
2. Poista patja ennen tuotteen pesemistä. Älä pese patjaa yhdessä tuotteen kanssa.
3. Aseta Fowler-selkänöjää asentoon 45°.
4. Aseta tuote käänteiseen Trendelenburg-asentoon (jalkopää alaspäin).

5. Nosta sivukaiteet ylös.
6. Aseta tippatelineet ja työntökahvat yläasentoon.
7. Puhdista tuote vedellä, jonka lämpötila on enintään 82 °C (180 °F) ja paine enintään 103,5 baaria (1500 psi).
8. Anna tuotteen kuivua ilmassa enintään 93 °C:n (200 °F:n) lämpötilassa kahdeksan minuutin ajan.
9. Kuivaa tuote. Älä aseta patjaa takaisin tuotteelle ennen kuin tuote on kuivunut.
10. Tarkasta toimintakyky, ennen kuin palautat tuotteen käyttöön.

- Nosta ja laske tuotetta
- Lukitse jarru-/ohjauspoljin ja avaa lukitus kummassakin asennossa
- Lukitse sivukaiteet ja avaa lukitus
- Nosta ja laske Fowler-selkänöjää
- Varmista kaikkien osien riittävä voitelu
- Varmista, että kaikki tarrat ovat ehjiä ja luettavia

Huomautus

- Tuotetta ei saa pestä höyryllä.
- Jotkin puhdistusaineet ovat luonteeltaan syövyttäviä ja voivat vaurioittaa tuotetta, jos niitä käytetään väärin. Jos et huuhtelee ja kuivaa tuotetta hyvin, sen pinnalle voi jäädä syövyttäviä jäämiä, jotka voivat syövyttää tärkeitä osia ennenaikaisesti. Näiden puhdistusohjeiden laiminlyönti voi mitätöidä takuun.

Patjan puhdistaminen

VAROITUS

- Kun tuote on käytössä, sitä ei saa puhdistaa tai huoltaa tai tehdä kunnossapitotoimenpiteitä.
- Patjaa ei saa upottaa puhdistus- tai desinfiointiliuoksiin. Liiallinen kosteus voi aiheuttaa laitevian, joka johtaa tuotevaurioon tai potilasvammaan.
- Nesteiden ei saa antaa kertyä patjalle. Nesteet voivat syövyttää osia ja tämän tuotteen turvallisuus ja toiminta voi muuttua odottamattomalla tavalla.
- Tarkasta aina patjan suojuksien puhdistamisen yhteydessä, onko niissä repeämiä, reikiä tai liiallista kulumaa tai onko vetoketju kohdistettu väärin. Poista vaurioitunut patja käytöstä ja vaihda uuteen ristikontaminaation estämiseksi.
- Patjoja ei saa puhdistaa höyryllä, painepesulla, letkulla tai ultraäänellä. Nämä puhdistusmenetelmät voivat mitätöidä tuotetakuun.

Patjan käyttöikä voi vaikuttaa käyttöihteys, johon voi liittyä useammin tehtävä puhdistus ja desinfiointi.

Suositteltu puhdistusmenetelmä:

1. Pyyhi koko patja puhtaaksi vierasmateriaalista käyttämällä puhdasta, pehmeää liinaa ja mietoa saippuavesiliuosta.
2. Pyyhi kaikki ylimääräinen neste tai puhdistusaineet patjasta puhtaalla ja kuivalla liinalla.
3. Huuhtelee ja kuivaa suojuksen puhdistamisen jälkeen.
4. Desinfioi tarvittaessa sairaalaluokan desinfiointiaineella, kun puhdistus on suoritettu loppuun (katso *Patjan desinfiointi*).

Huomautus

- Patjaa ei saa silittää, pestä kemiallisesti tai kuivata rumpukuivaajassa, koska tämä aiheuttaa toimintahäiriön ja vaurioittaa tuotetta.
- Patjan suojuksen on oltava täysin kuiva ennen sen varastointia, liinavaatteiden lisäämistä tai potilaan asettamista patjalle, jotta tuotteen toimintakyky ei heikenny.
- Vältä altistamista liikaa alkoholille tai vetyperoksidille. Suojusmateriaali voi turvota.
- Nestettä ei saa päästää vetoketjun alueelle tai nestesuojukseen. Vetoketjun kanssa kosketuksiin päässeet nesteet saattavat vuotaa patjaan. Tämä voi heikentää tuotteen toimintaa.

- Jotkin puhdistusaineet ovat luonteeltaan syövyttäviä ja voivat vaurioittaa tuotetta, jos niitä käytetään väärin. Jos et huuhtelee ja kuivaa tuotetta hyvin, sen pinnalle voi jäädä syövyttäviä jäämiä, jotka voivat syövyttää tärkeitä osia enneaikaisesti. Näiden puhdistusohjeiden laiminlyönti voi mitätöidä takuun.

Jodin poistaminen

1. Valmistele liuos, jossa on 1–2 ruokalusikallista natriumtiosulfaattia ja 500 ml lämmintä vettä. Pyyhi likaantunut alue liuksella.
2. Poista tahra mahdollisimman pian sen ilmaantumisen jälkeen.
3. Jos tahroja ei poisteta heti, anna liuksen liota tai seistä patjan päällä ennen patjan pyyhkimistä.
4. Huuhtelee liukselle altistetut patjat puhtaalla vedellä ennen patjojen ottamista uudelleen käyttöön.

Huomautus - Edellä annettujen ohjeiden laiminlyöminen tällaisia puhdistusaineita käytettäessä voi mitätöidä tuotetakuun.

Erityisohjeet

Velcro®-tarranauha	Kyllästä desinfiointiaineella, huuhtelee vedellä ja anna liuksen haihtua.
Kiinteät aineet tai tahrat	Käytä neutraalia saippuaa ja lämmintä vettä. Älä käytä kovia puhdistusaineita, liuottimia tai hankaavia puhdistusaineita.
Hankalasti puhdistuvat kohdat	Käytä tavanomaisia kotitalouspuhdistusaineita tai vinyylipuhdistusaineita ja pehmeää harjaa hankalien kohtien tai tahrojen kanssa. Esiliota kuivunutta likaa.
Peseminen pesukoneessa	Pesukoneessa pesu ei ole suositeltavaa. Pesukoneessa pesu voi lyhentää merkittävästi patjan käyttöikä.

Desinfiointi

Tuotteen desinfiointi

VAROITUS

- Kun tuote on käytössä, sitä ei saa puhdistaa tai huoltaa tai tehdä kunnossapitotoimenpiteitä.
 - Tuotetta ei saa puhdistaa höyryllä, letkulla tai ultraäänellä. Näitä puhdistusmenetelmiä ei suositella, ja ne saattavat mitätöidä tuotetakuun.
-

Suosittelut desinfiointiaineet:

- kvaternaariset puhdistusaineet (vaikuttava ainesosa ammoniumkloridi), jotka sisältävät alle 3 % glykolieetteriä
- fenolia sisältävät desinfiointiaineet (vaikuttava aine o-fenyylifenoli)
- klooripitoinen valkaisuaineliuos (liuos, jossa on 1 osa valkaisuaineliuosta (5,25 % natriumhypokloriittia) ja 100 osaa vettä, mikä vastaa 520 ppm:ää vapaata klooria (40 ml 5,25-prosenttista valkaisuaineliuosta 4 000 ml:ssa vettä))
- 70-prosenttinen isopropanoli.

Suositteltu desinfiointimenetelmä:

1. Noudata desinfiointiliuoksen valmistajan antamia laimennussuosituksia.
2. Pese tuotteen kaikki pinnat käsin desinfiointiliuoksella.
3. Vältä liiallista liuoksen käyttöä ja varmista, ettei tuote pysy märkänä kauempaa kuin kemikaalin valmistajan antamissa desinfiointiohjeissa on neuvottu.
4. Kuivaa tuote. Älä aseta patjaa takaisin tuotteelle ennen kuin tuote on kuivunut.
5. Desinfioi **Velcro®**-tarranauha jokaisen käytön jälkeen. Kyllästä **Velcro®**-tarranauha desinfiointiaineella, huuhtelee vedellä ja anna desinfiointiaineen haihtua (laitos valitsee sopivan desinfiointiaineen).
6. Tarkasta toimintakyky, ennen kuin palautat tuotteen käyttöön.
 - Nosta ja laske tuotetta
 - Lukitse jarru-/ohjauspoljin ja avaa lukitus kummassakin asennossa
 - Lukitse sivukaiteet ja avaa lukitus
 - Nosta ja laske Fowler-selkänöjää
 - Nosta ja laske polvitukea
 - Varmista kaikkien osien riittävä voitelu
 - Varmista, että kaikki tarrat ovat ehjiä

Huomautus

- Suora ihokosketus näkyvästi likaantuneen läpäisevän materiaalin kanssa voi lisätä infektioriskiä.
- Jotkin puhdistusaineet ovat luonteeltaan syövyttäviä ja voivat vaurioittaa tuotetta, jos niitä käytetään väärin. Jos et huuhtelee ja kuivaa tuotetta hyvin, sen pinnalle voi jäädä syövyttäviä jäämiä, jotka voivat syövyttää tärkeitä osia ennenaikaisesti. Näiden puhdistusohjeiden laiminlyönti voi mitätöidä takuun.

Patjan desinfiointi

VAROITUS - Desinfioi patja aina potilaskäyttäjien välillä. Muuten tuloksena saattaa olla ristikontaminaatio ja infektio.

Suosittelut desinfiointiaineet:

- kvaternaariset puhdistusaineet (vaikuttava ainesosa ammoniumkloridi), jotka sisältävät alle 3 % glykolieetteriä
- fenolia sisältävät desinfiointiaineet (vaikuttava aine o-fenyylifenoli)

- klooripitoinen valkaisuaineliuos (liuos, jossa on 1 osa valkaisuaineliuosta (5,25 % natriumhypokloriittia) ja 100 osaa vettä, mikä vastaa 520 ppm:ää vapaata klooria (40 ml 5,25-prosenttista valkaisuaineliuosta 4 000 ml:ssa vettä))
- 70-prosenttinen isopropanoli.

Suosittelut desinfiointimenetelmä:

1. Varmista, että patja on puhdas ja kuiva, ennen kuin käytät desinfiointiaineita.
2. Pyyhi kaikki ylimääräinen neste tai desinfiointiaine pois patjasta puhtaalla ja kuivalla liinalla.
3. Huuhtelee ja kuivaa suojukset desinfioinnin jälkeen.

Huomautus

- Patjan suojuksen on oltava kuiva ennen kuin patja asetetaan säilytykseen tai siihen lisätään liinavaatteita. Jos liiallista desinfiointiainetta ei poisteta, suojuksen materiaali voi heikentyä.
- Jotkin puhdistusaineet ovat luonteeltaan syövyttäviä ja voivat vaurioittaa tuotetta, jos niitä käytetään väärin. Jos et huuhtelee ja kuivaa tuotetta hyvin, sen pinnalle voi jäädä syövyttäviä jäämiä, jotka voivat syövyttää tärkeitä osia ennakkoisesti. Näiden puhdistusohjeiden laiminlyönti voi mitätöidä takuun.
- Usein tapahtuva tai pitkäaikainen altistuminen väkeville desinfiointiliuoksille voi vanhentaa suojuksen kangasta ennakkoisesti.
- Kiihdytettyjä vetyperoksiedeja tai glykolieettereitä sisältäviä kvaternaarisia aineita ei saa käyttää, sillä ne saattavat vaurioittaa suojusta.

Määräaikaishuolto

Ota tuote pois käytöstä ennen määräaikaishuoltotarkastusta. Tarkasta kaikki luetellut seikat kaikkien Stryker Medicalin tuotteiden vuosittaisten määräaikaishuoltojen yhteydessä. Määräaikaishuoltotarkastuksia voidaan joutua tekemään useamminkin tuotteen käyttömäärän perusteella. Laitteen saa huoltaa ainoastaan koulutettu henkilökunta.

Huomautus - Puhdista ja desinfioi patjan ulkopinnat ennen tarkastusta, jos tämä soveltuu.

Tarkasta seuraavat seikat:

- Kaikki kiinnittimet ovat tiukasti kiinni
- Sivukaiteet liikkuvat ja lukittuvat
- Rullapyörät lukittuvat, kun jarrupoljinta painetaan
- Rullapyörät ovat kunnolla kiinni ja kääntyvät
- Rullapyörissä ei ole vahaa tai roskia
- Jarrumeکانismi toimii
- Ohjaustoiminto toimii
- Tarkista, onko pinnoissa murtumia
- Fowler-selkänoja nousee ylös, laskeutuu alas ja lukittuu paikalleen
- Polvituki nousee ylös, laskeutuu alas ja lukittuu paikalleen (lisävaruste)
- Trendelenburg/käänteinen Trendelenburg toimii kaikista sijainneista
- Maadoitusketju on kunnossa
- Hydrauliset liittimet eivät vuoda
- Hydrauliset nostimet toimivat pitävästi
- Vartalon kiinnityshihnat lukittuvat ja ovat turvallisia (lisävaruste)
- Tippateline on ehjä ja sitä voidaan säätää ja se lukittuu kaikissa asennoissa (lisävaruste)
- Happipullon pidike on ehjä ja avautuu ja sulkeutuu (lisävaruste)
- Patjan suojuksessa ei ole repeämiä tai murtumia
- Lisävarusteet ja kiinnitysosat ovat hyvässä kunnossa
- Toiminta akun varassa (lisävaruste)
- Kaapelit eivät ole kuluneita tai puristuksissa (lisävaruste)
- Virtajohto ja pistoke ovat ehjiä (lisävaruste)
- Kaikki sähköliitokset ovat tiukkoja (lisävaruste)
- Kaikki maadoitukset ovat kiinni rungossa (lisävaruste)
- Maadoituksen impedanssi enintään 200 mΩ (milliohmia) (lisävaruste)
- Vuotovirta on enintään 300 µA (mikroampeeria) (UL 60606-1-1:n mukaisesti) (lisävaruste)
- Akut latautuvat (vaakajärjestelmä-lisävaruste)
- Näytön kotelo on ehjä eikä vaurioitunut (vaakajärjestelmä-lisävaruste)
- Punnituskennot ovat ehjiä eivätkä vaurioituneet (vaakajärjestelmä-lisävaruste)
- Jalkatuen polvinuppimeکانismi toimii ja se voidaan kiinnittää paikalleen (lisävaruste)
- Jalkatuen säärinuppimeکانismi toimii ja se voidaan kiinnittää paikalleen (lisävaruste)
- Jalkatuki ojentuu kokonaan ojennettuun asentoon ja pysähtyy oikeassa asennossa (lisävaruste)
- Jalkatuen itsekierteytyvät ruuvit (6) on kiinnitetty ja kiertteet ovat ehjiä (lisävaruste)
- Vaaka on kalibroitu. Kalibroi tarvittaessa uudelleen (vaakajärjestelmä-lisävaruste)

- _____ Röntgenkasetin pystypidike on hyvässä toimintakunnossa ja sitä voidaan säätää kaikille röntgenkaseteille sopivaksi (**Prime X** -lisävaruste)
- _____ Fowler-selkänöjan päällys ja jalkopään päällys ovat ehjiä (**Prime X** -lisävaruste)
- _____ Pään ja jalkopään alustat eivät ole vaurioituneita (**Prime X** -lisävaruste)
- _____ Jokaisen Fowler-selkänöjan nivelen läpi menevä pultti ja mutteri eivät ole löysällä (**Prime X** -lisävaruste)

Tuotteen sarjanumero:
Suorittanut:
Päiväys:

Sähkömagneettisen yhteensopivuuden tiedot

HUOMIO

- Muiden kuin valmistajan nimeämien tai toimittamien lisävarusteiden, anturien ja kaapelien käyttäminen voi lisätä sähkömagneettisia päästöjä tai heikentää sähkömagneettista häiriönsietoa sekä aiheuttaa virheellistä toimintaa.
- Tämän laitteiston päästöominaisuudet tekevät siitä sopivan käytettäväksi teollisissa ympäristöissä ja sairaaloissa (CISPR 11, luokka A). Jos sitä käytetään asuinrakennusympäristössä (johon tarvitaan yleensä CISPR 11:n luokitus B), tämä laitteisto ei ehkä anna riittävää suojaa radiotaajuisia viestintäpalveluja vastaan. Käyttäjän täytyy ehkä tehdä korjaavia toimenpiteitä, kuten sijoittaa laitteisto toiseen paikkaan tai suunnata laitteisto uudelleen.

Ohjeet ja valmistajan ilmoitus – sähkömagneettiset päästöt

Valinnainen sähköinen nostin, valinnainen sähköinen alusta tai valinnainen vaakajärjestelmä on tarkoitettu käytettäväksi alla määritellyssä sähkömagneettisessa ympäristössä. Valinnaisen sähköisen nostimen, valinnaisen sähköisen alustan tai valinnaisen vaakajärjestelmän käyttäjän on varmistettava, että sitä käytetään kyseisessä ympäristössä.

Päästöttesti	Vaatimustenmukaisuus	Sähkömagneettinen ympäristö
Radiotaajuuspäästöt CISPR 11	Ryhmä 1	Valinnainen sähköinen nostin, valinnainen sähköinen alusta tai valinnainen vaakajärjestelmä käyttää radiotaajuusenergiaa vain sisäiseen toimintaansa. Siksi sen radiotaajuiset päästöt ovat hyvin pieniä eivätkä todennäköisesti aiheuta mitään häiriötä lähellä oleville sähkölaitteistoille.
Radiotaajuuspäästöt CISPR 11	Luokka A	Valinnainen sähköinen nostin, valinnainen sähköinen alusta tai valinnainen vaakajärjestelmä soveltuvat käytettäväksi kaikissa muissa kuin asuinkäyttöön tarkoitetuissa rakennuksissa sekä asuinrakennuksiin virtaa syöttävään julkiseen pienjänniteverkkoon suoraan liitetyissä rakennuksissa.
Harmoniset päästöt IEC 61000-3-2 *	Luokka A	
Jännitteen vaihtelut Välkyntä IEC 61000-3-3 *	Vastaa vaatimuksia	

* Koskee vain valinnaista sähköistä nostinta tai valinnaista sähköistä alustaa.

HUOMIO

- Kannettavia radiotaajuisia viestintälaitteita (oheislaitteet kuten antennijohdot ja ulkoiset antennit mukaan luettuina) on käytettävä vähintään 12 tuumaa (30 cm:n) etäisyydellä mistä tahansa **Prime**-parien osasta (valmistajan nimeämät kaapelit mukaan luettuina).
- Tuotteiden virheellistä toimintaa estetään välttämällä laitteiden pinoamista tai asettamista muiden laitteiden läheisyyteen. Jos tällainen käyttö on välttämätöntä, tarkkaile pinottuja tai toistensa lähelle asetettuja laitteita niiden asianmukaisen toiminnan todentamiseksi.

Suosittelut suojaetäisyydet kannettavien ja siirrettävien radiotaajuisten viestintälaitteiden ja valinnaisen sähköisen nostimen, valinnaisen sähköisen alustan ja valinnaisen vaakajärjestelmän välillä.

Valinnainen sähköinen nostin, valinnainen sähköinen alusta tai valinnainen vaakajärjestelmä on tarkoitettu käytettäväksi sähkömagneettisessa ympäristössä, jossa säteilevät radiotaajuushäiriöt ovat hallinnassa. Valinnaisen sähköisen nostimen, valinnaisen sähköisen alustan tai valinnaisen vaakajärjestelmän omistaja tai käyttäjä voi auttaa sähkömagneettisten häiriöiden estämisessä säilyttämällä alla suositellun, viestintälaitteen enimmäislähtötehon mukaisen vähimmäisetäisyyden kannettavien ja siirrettävien radiotaajuisten viestintälaitteiden (lähettimien) ja valinnaisen sähköisen nostimen, valinnaisen sähköisen alustan tai valinnaisen vaakajärjestelmän välillä.

Lähettimen nimellinen enimmäislähtöteho	Lähettimen taajuuden mukainen erotusetäisyys
W	m

	150 kHz – 80 MHz D=(1,2) (\sqrt{P})	80 MHz – 800 MHz D=(1,2) (\sqrt{P})	800 MHz – 2,7 GHz D = (2,3) (\sqrt{P})
0,01	0,12	0,12	0,23
0,1	0,38	0,38	0,73
1	1,2	1,2	2,3
10	3,8	3,8	7,3
100	12	12	23

Lähettille, joiden suurinta nimellistä lähtötehoa ei luetella yllä, suositeltu erotusetäisyys (D) metreinä (m) voidaan määrittää käyttämällä lähettilmen taajuuden mukaista yhtälöä, jossa P on lähettilmen valmistajan ilmoittama lähettilmen suurin lähtöteholukema watteina (W).

Huomautus 1 – 80 MHz:n ja 800 MHz:n taajuudessa sovelletaan suuremman taajuusalueen erotusetäisyyttä.

Huomautus 2 –Nämä ohjeet eivät ehkä päde kaikissa tilanteissa. Rakenteista, esineistä ja ihmisistä aiheutuva imeytyminen ja heijastuminen vaikuttavat sähkömagneettiseen etenemiseen.

Ohjeet ja valmistajan ilmoitus – sähkömagneettinen häiriönsieto


Valinnainen sähköinen nostin, valinnainen sähköinen alusta tai valinnainen vaakajärjestelmä on tarkoitettu käytettäväksi alla määritellyssä sähkömagneettisessa ympäristössä. Valinnaisen sähköisen nostimen, valinnaisen sähköisen alustan tai valinnaisen vaakajärjestelmän omistajan tai käyttäjän on varmistettava, että sitä käytetään kyseisessä ympäristössä.

Häiriönsietotesti	IEC 60601 -testitaso	Vaatimustenmukaisuustaso	Sähkömagneettiseen ympäristöön liittyvät ohjeet
Sähköstaattinen purkaus (ESD) IEC 61000-4-2	±8 kV kontakti ±15 kV ilma	±8 kV kontakti ±15 kV ilma	Lattioiden on oltava puusta, betonista tai kaakelista valmistettuja. Jos lattiat on peitetty synteettisellä materiaalilla, suhteellisen kosteuden tulee olla vähintään 30 %.
Sähköstaattinen nopea transientti/purske IEC 61000-4-4*	±2 kV virransyöttölinjoille ±1 kV tulo-/lähtölinjoille	±2 kV virransyöttölinjoille ±1 kV tulo-/lähtölinjoille	Verkkovirran on oltava tyyppillisen liike- tai sairaalaympäristön laatuista.
Syöksyaalto IEC 61000-4-5*	±1 kV linjasta linjaan ±2 kV linjasta maahan	±1 kV linjasta linjaan ±2 kV linjasta maahan	Verkkovirran on oltava tyyppillisen liike- tai sairaalaympäristön laatuista.
Jännitekuopat, jännitteen vaihtelut ja lyhyet keskeytykset virransyöttölinjoissa IEC 61000-4-11*	0 % U_T 0,5 jakson ajan asteissa 0°, 45°, 90°, 135°, 180°, 225°, 270° ja 315° 0 % U_T 1 jakson ajan 70 % U_T (30 %:n pudotus U_T :ssä) 25 jakson ajan 0 % U_T 250 jakson ajan	0 % U_T 0,5 jakson ajan asteissa 0°, 45°, 90°, 135°, 180°, 225°, 270° ja 315° 0 % U_T 1 jakson ajan 70 % U_T (30 %:n pudotus U_T :ssä) 25 jakson ajan 0 % U_T 250 jakson ajan	Verkkovirran on oltava tyyppillisen liike- tai sairaalaympäristön laatuista. Mikäli valinnaisen sähköisen nostimen tai valinnaisen sähköisen alustan käyttäjä tarvitsee jatkuvaa käyttöä verkkovirtakatkosten aikana, suositellaan, että laite saa sähkövirran varavirtajärjestelmästä (UPS) tai akusta.

Verkkotaajuuden (50/60 Hz) magneettikenttä IEC 61000-4-8	30 A/m	30 A/m	Verkkotaajuuden magneettikenttien on oltava tyypillisen liike- tai sairaalaympäristön tyypilliselle sijaintipaikalle ominaisilla tasoilla.
Huomautus: U_t on verkkovirran jännite ennen testitason soveltamista.			
*Koskee vain valinnaista sähköistä nostinta ja sähköistä alustaa.			

Ohjeet ja valmistajan ilmoitus – sähkömagneettinen häiriönsieto

Valinnainen sähköinen nostin, valinnainen sähköinen alusta tai valinnainen vaakajärjestelmä on tarkoitettu käytettäväksi alla määritellyssä sähkömagneettisessa ympäristössä. Valinnaisen sähköisen nostimen, valinnaisen sähköisen alustan tai valinnaisen vaakajärjestelmän omistajan tai käyttäjän on varmistettava, että sitä käytetään kyseisessä ympäristössä.

Häiriönsietotesti	IEC 60601 -testitaso	Vaatimustenmukaisuustaso	Sähkömagneettiseen ympäristöön liittyvät ohjeet
Johtuva radiotaajuus IEC 61000- 4-6* Säteilevä radiotaajuus IEC 61000-4-3	3 Vrms 6 Vrms ISM- ja radioamatööriradio-kaistoilla 150 kHz – 80 MHz 3 V/m 80 MHz – 2,7 GHz	3 Vrms 6 Vrms ISM- ja radioamatööriradio-kaistoilla 3 V/m	Kannettavia ja siirrettäviä radiotaajuisia viestintälaitteita ei saa käyttää valinnaisen sähköisen nostimen, valinnaisen sähköisen alustan tai valinnaisen vaakajärjestelmän mitään osaa (johdot mukaan luettuina) lähempänä kuin suositeltu suojaetäisyys, joka lasketaan lähettimen taajuuden mukaisesta yhtälöstä. Suositeltu suojaetäisyys $D=(1,2) (\sqrt{P})$ $D=(1,2) (\sqrt{P})$ 80 MHz – 800 MHz $D=(2,3) (\sqrt{P})$ 800 MHz – 2,7 GHz jossa P on lähettimen valmistajan ilmoittama lähettimen enimmäislähtöteholukema watteina (W) ja D on suositeltu suojaetäisyys metreinä (m). Kiinteiden radiotaajuisten lähettimien tuottamien, sähkömagneettisella paikkatutkimuksella ^a määritettyjen kentänvoimakkuuksien on oltava pienempiä kuin kunkin taajuusalueen vaatimustaso ^b . Häiriötä saattaa esiintyä seuraavalla symbolilla merkityn laitteiston läheisyydessä: 

Huomautus 1: 80 MHz:n ja 800 MHz:n kohdalla sovelletaan suuremman taajuusalueen vaatimuksia.

Huomautus 2: Nämä ohjeet eivät ehkä päde kaikissa tilanteissa. Rakenteista, esineistä ja ihmisistä aiheutuva imeytyminen ja heijastuminen vaikuttavat sähkömagneettiseen etenemiseen.

Huomautus 3: ISM (Industrial, Scientific and Medical) -kaistat välillä 0,15 MHz – 80 MHz ovat 6,765 MHz – 6,795 MHz, 13,553 MHz – 13,567 MHz, 26,957 MHz – 27,283 MHz ja 40,66 MHz – 40,70 MHz.

^a Kiinteiden lähettimien, kuten radiopuhelinten (matkapuhelin/langaton) ja maaradiojärjestelmien, radioamatööri-, AM- ja FM-radiolähetysten ja TV-lähetysten tukiasemien, tuottamia kentänvoimakkuuksia ei voida teoreettisesti ennustaa tarkasti. Kiinteiden radiotaajuisten lähettimien tuottaman sähkömagneettisen ympäristön arvioimiseksi on harkittava sähkömagneettista paikkatutkimusta. Jos mitattu kentänvoimakkuus paikalla, jossa valinnaista sähköistä nostinta, valinnaista sähköistä alustaa tai valinnaista vaakajärjestelmää käytetään, ylittää radiotaajuuden edellä mainitun sovellettavan vaatimustenmukaisuustason, valinnaisen sähköisen nostimen, valinnaisen sähköisen alustan tai valinnaisen vaakajärjestelmän toimintaa on tarkkailtava normaalin toiminnan todentamiseksi. Jos poikkeavaa toimintaa havaitaan, saatetaan tarvita lisätoimia, kuten valinnaisen sähköisen nostimen, valinnaisen sähköisen alustan tai valinnaisen vaakajärjestelmän uudelleensuuntaamista tai -sijoittamista.

^b Taajuusalueella 150 kHz – 80 MHz kentänvoimakkuuksien on oltava alle 3 V/m.

*Koskee vain valinnaista sähköistä alustaa.

Brancard Prime Series®















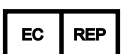




Manuel d'utilisation

REF 1115

Big Wheel®



Symboles

	Consulter le manuel ou la notice d'utilisation
	Consulter la notice d'utilisation
	Avertissement général
	Mise en garde
	Avertissement ; écrasement des mains
	Avertissement ; radiation non ionisante
	Ne pas pousser
	Ne pas stocker la bouteille d'oxygène
	Ne pas lubrifier
	Numéro de référence
	Code de lot
	Numéro de série
	Pour les brevets américains, consulter www.stryker.com/patents
	Marquage CE
	Mandataire établi dans l'Union européenne
	Dispositif médical européen
	Fabricant
	Date de fabrication
	Importateur

















	Charge maximale admissible
	Poids maximal du patient
	Poids de l'équipement avec charge maximum admissible
	Courant continu
	Courant alternatif
	Tension dangereuse
	Mise à la terre de protection
IPX6	Protection contre les jets d'eau puissants
	Pièce appliquée de type B
	Équipement médical classé par Underwriters Laboratories Inc. pour les risques d'électrocution, d'incendie et les risques mécaniques conformément aux normes ANSI/AAMI ES60601-1:2005 et CAN/CSA-C22.2 N° 60601-1:08. *Pour l'option Prime X , Équipements associés aux appareils à rayons X CEI 60601-2-54
	Conformément à la directive européenne 2012/19/UE relative aux déchets d'équipements électriques et électroniques (DEEE), telle que modifiée, ce symbole indique que le produit doit faire l'objet d'une collecte sélective en vue du recyclage. Ne pas éliminer avec les déchets municipaux non triés. Pour des informations sur la mise au rebut, contacter le distributeur local. Veiller à décontaminer tout matériel infecté avant le recyclage.
	Lubrifier
	Soulever ici
	Haut
	Maintenir au sec
	Fragile, manipuler avec précaution
	Limite d'empilement en nombre

Table des matières

Définition de « Avertissement », « Mise en garde » et « Remarque »	3
Résumé des mesures de sécurité	3
Points de pincement	6
Introduction	7
Description du produit	7
Indications d'utilisation	7
Bénéfices cliniques	8
Contre-indications	8
Durée de vie utile prévue	8
Élimination/recyclage	8
Caractéristiques techniques	8
Illustration du produit - Prime	11
Illustration du produit - Option Prime X	12
Pièces appliquées - Plan de couchage électrique en option	13
Pièces appliquées - Option Prime X	13
Coordonnées	14
Emplacement du numéro de série	14
Installation	15
Fonctionnement	16
Enclenchement et désenclenchement des freins	16
Commandes de la base Prime	17
Élévation du plan de couchage non électrique	17
Abaissement du plan de couchage non électrique	17
Élévation du plan de couchage électrique en option	18
Abaissement du plan de couchage électrique en option	18
Positionnement du produit en déclive	19
Positionnement du produit en proclive	19
Transport d'un patient	19
Transport d'un patient sans Big Wheel	20
Transport d'un patient avec Big Wheel	20
Positionnement ou rangement des poignées de poussée du côté tête en option	21
Élévation de la barrière	22
Abaissement de la barrière	23
Positionnement du produit en utilisant le panneau de commande du patient de la barrière - plan de couchage électrique - Prime uniquement	23
Panneau de commande de l'opérateur - plan de couchage électrique en option - Prime uniquement	24
Verrouillage et déverrouillage du dispositif de verrouillage du panneau de commande du patient - plan de couchage électrique en option - Prime uniquement	25
Élévation ou abaissement du relève-buste - plan de couchage non électrique	25
Élévation ou abaissement du relève-buste - plan de couchage électrique en option	26
Élévation ou abaissement du relève-jambes - plan de couchage non électrique - Prime uniquement	27
Élévation ou abaissement du relève-jambes - plan de couchage électrique en option - Prime uniquement	27
Positionnement du fauteuil de récupération - Prime uniquement	28
Rangement d'objets dans le capot de base	28
Suspension de dispositifs avec le support de pompe en option	29
Extension ou retrait du cordon d'alimentation avec l'enrouleur de cordon rétractable en option - système de levage électrique en option ou plan de couchage électrique en option	29
Système de pesée en option	30
Identification des icônes/boutons du système de pesée	30
Pour peser un patient	31
Verrouillage de l'unité de mesure du système de pesée	31
Armement ou désarmement de l'option Chaperone	32
Réglage du schéma d'alerte de l'option Chaperone	32
Réglage du volume d'alerte de l'option Chaperone	32
Chargement du bloc-batterie du système de pesée en option - plan de couchage électrique en option ou plan de couchage électrique en option avec l'option Chaperone - Prime uniquement	33

Remplacement des batteries du système de pesée en option - plan de couchage non électrique	33
Accessoires et pièces	33
Fixation du plateau porte-défibrillateur.....	37
Conversion du plateau porte-défibrillateur/rallonge de lit en plateau porte-défibrillateur.....	37
Conversion du plateau porte-défibrillateur/rallonge de lit en rallonge de lit.....	38
Fixation du pied de lit/porte-dossiers	38
Fixation du chariot de perfusion	39
Positionnement ou rangement des appui-pieds - Prime uniquement.....	39
Positionnement du support de perfusion en deux parties, à fixation permanente.....	41
Positionnement du support de perfusion en trois parties, à fixation permanente.....	41
Fixation et positionnement du support de perfusion amovible.....	42
Fixation du support vertical pour bouteille d'oxygène	43
Déploiement ou rangement du porte-plateau de service/pied de lit	43
Fixation des coussinets de barrière.....	44
Emplacement des points d'arrimage des sangles de retenue du patient.....	44
Positionnement du porte-cassette radio vertical - option Prime X.....	45
Positionnement du porte-cassette radio latéral - option Prime X.....	46
Insertion ou retrait des cassettes radio - option Prime X.....	47
Nettoyage	48
Nettoyage du produit	48
Nettoyage du produit à l'aide d'un laveur de chariots.....	48
Nettoyage du matelas	49
Élimination de l'iode	50
Instructions particulières	50
Désinfection	51
Désinfection du produit	51
Désinfection du matelas.....	51
Entretien préventif.....	53
Informations de CEM	55

Définition de « Avertissement », « Mise en garde » et « Remarque »

Les termes **AVERTISSEMENT**, **MISE EN GARDE** et **REMARQUE** ont une signification particulière et doivent faire l'objet d'une lecture attentive.

AVERTISSEMENT

Avertit le lecteur d'une situation qui, si elle n'est pas évitée, pourrait entraîner la mort ou des blessures graves. Peut également attirer l'attention sur l'existence potentielle d'effets indésirables graves ou de risques d'accident.

MISE EN GARDE

Avertit le lecteur d'une situation potentiellement dangereuse qui, si elle n'est pas évitée, peut causer des blessures mineures ou modérées à l'utilisateur ou au patient ou endommager le matériel en question ou d'autres biens. Couvre notamment les précautions à prendre afin d'assurer l'utilisation sûre et efficace du dispositif et d'éviter les dommages qui pourraient découler de l'usage ou du mésusage du matériel.

Remarque - Fournit des informations spécifiques destinées à faciliter l'entretien ou à clarifier des instructions importantes.

Résumé des mesures de sécurité

Toujours lire et respecter scrupuleusement les avertissements et les mises en garde indiqués sur cette page. Toute réparation doit être effectuée exclusivement par du personnel qualifié.

AVERTISSEMENT

- Toujours laisser le produit revenir à température ambiante avant de procéder à la mise en route ou aux essais fonctionnels. Il existe un risque d'endommagement permanent du produit.
- Toujours s'assurer que tous les opérateurs se tiennent à l'écart des mécanismes avant d'utiliser le produit.
- Toujours procéder avec précaution lors de la manipulation du cordon d'alimentation. Il existe un risque d'emmêlement, d'endommagement du cordon d'alimentation ou de choc potentiel. En cas d'endommagement du cordon d'alimentation, retirer immédiatement le produit du service et contacter le personnel d'entretien approprié.
- Toujours brancher le produit directement sur une prise murale aux normes hospitalières, mise à la terre. La fiabilité de la mise à la terre ne peut être assurée que si une prise aux normes hospitalières est utilisée. Ce produit est équipé d'une fiche aux normes hospitalières pour la protection contre le risque de choc électrique.
- Toujours enclencher les freins lorsqu'un patient s'installe sur le produit ou en descend, ou lorsque le produit n'est pas en mouvement. En cas de déplacement du produit pendant qu'un patient s'installe sur le produit ou en descend, des blessures peuvent survenir.
- Toujours positionner le patient au centre du produit.
- Toujours mettre le produit dans la position la plus basse avec les barrières relevées et verrouillées lorsqu'un patient est laissé sans surveillance. Ne pas laisser le produit à une hauteur plus élevée.
- Toujours retirer les dispositifs susceptibles de gêner avant d'élever ou d'abaisser le plan de couchage.
- Ne pas s'asseoir sur l'extrémité du produit. Le produit risque de basculer.
- Toujours verrouiller les barrières en position complètement relevée avec le plan de couchage à l'horizontale et dans la position la plus basse lors du transport d'un patient.
- Ne pas transporter le produit latéralement sur des plans inclinés à plus de 5,7 degrés (pente à 10 %) pour éviter tout basculement du produit.
- Toujours faire preuve d'une prudence particulière lors de l'utilisation d'un matelas de plus de 2,5 po (6,35 cm) d'épaisseur ou d'un surmatelas avec l'option **Prime X**.
- Toujours verrouiller les barrières en position complètement relevée avec le plan de couchage à plat dans la position la plus basse lors du transport d'un patient.
- Toujours tenir les membres du patient à l'écart des montants de barrière lors de l'élévation ou de l'abaissement de la barrière.
- Ne pas laisser les barrières s'abaisser toutes seules.
- Toujours éloigner les mains et les doigts des poignées de déblocage du relève-buste et du châssis du relève-buste lors de l'abaissement du relève-buste.

- Toujours faire preuve de prudence lors de l'élévation d'un relève-buste quand un patient se trouve sur le produit. Utiliser des techniques de soulèvement adaptées et demander de l'aide si nécessaire.
- Toujours éloigner les mains et les doigts des poignées de poussée du côté pieds lors de l'abaissement du relève-jambes.
- Toujours maintenir les conduites du dispositif sur le support de pompe à l'écart des poignées du relève-jambes.
- Toujours s'assurer que les dispositifs sur le support de pompe peuvent franchir sans encombre les ouvertures de porte.
- Ne pas soulever le produit par le support de pompe.
- Toujours débrancher le cordon d'alimentation de la prise murale avant de transporter ou de nettoyer le produit.
- Toujours utiliser l'enrouleur de cordon rétractable pour stocker le cordon d'alimentation à l'intérieur de la base pendant le transport du produit.
- Ne pas utiliser le système de pesée en option, le système de levage électrique en option ou le plan de couchage électrique en option à proximité étroite de ou en superposition avec d'autres dispositifs. Si une utilisation à proximité étroite ou en superposition s'avère nécessaire, observer le système de pesée en option, le système de levage électrique en option ou le plan de couchage électrique en option pour s'assurer que tous les dispositifs fonctionnent normalement dans la configuration dans laquelle ils seront utilisés.
- Ne pas placer d'articles de plus de 30 livres (14 kg) sur le plateau porte-défibrillateur. Toujours fixer à l'aide d'une sangle les dispositifs placés sur le plateau porte-défibrillateur.
- Toujours faire preuve de prudence si le plateau porte-défibrillateur/la rallonge de lit, le pied de lit/porte-dossiers ou le support vertical pour bouteille d'oxygène est fixé afin d'éviter de se pincer les doigts lors du positionnement de la poignée de poussée du côté pieds en option.
- Ne pas placer d'articles de plus de 30 livres (14 kg) sur le plateau porte-défibrillateur/la rallonge de lit. Toujours fixer à l'aide d'une sangle les dispositifs placés sur le plateau porte-défibrillateur.
- Toujours fixer le support de perfusion au chariot de perfusion lors du transport du produit.
- Toujours stocker le chariot de perfusion lorsqu'il n'est pas utilisé afin d'éviter d'endommager le produit.
- Ne pas s'asseoir sur les appui-pieds. Cela risque de faire basculer le produit.
- Toujours veiller à éloigner les doigts des mécanismes lors de l'utilisation des appui-pieds.
- Toujours ranger les appui-pieds lors du transport d'un patient avec le produit.
- Toujours serrer les appui-pieds avant de les utiliser.
- Ne pas utiliser le système de pesée avec les appui-pieds. Cela peut entraîner des résultats inexacts.
- Ne pas faire fonctionner l'option **Chaperone** avec les appui-pieds. Cela peut entraîner des résultats inexacts.
- Ne pas utiliser le support de perfusion pour pousser/tirer le produit. Cela risque d'endommager le produit.
- Ne pas placer d'objets de plus de 40 livres (18 kg) dans le support vertical pour bouteille d'oxygène.
- Ne pas placer d'objets de plus de 30 livres (14 kg) sur le plateau de service.
- Toujours faire preuve de prudence lors de la fixation des sangles de retenue. Des blessures peuvent survenir chez le patient ou l'opérateur. Les moyens de retenue physiques, même s'ils sont bien installés, peuvent entraîner de graves préjudices pour les patients et les opérateurs, notamment emmêlement, coincement, blessures physiques ou décès.
- N'attacher les sangles ou dispositifs de retenue qu'aux points d'attache identifiés du produit. Le non-respect de cette consigne peut occasionner des blessures chez le patient ou l'opérateur. Ne pas attacher les sangles de retenue à la barrière.
- Toujours consulter les restrictions et réglementations régionales et nationales et les protocoles adaptés de l'établissement avant d'utiliser tout dispositif ou sangle de retenue.
- Toujours prendre des mesures de protection quand le porte-cassette radio vertical ou latéral est utilisé. Le porte-cassette radio n'offre aucune protection contre les rayonnements.
- Toujours consulter les directives locales, régionales et nationales en plus des protocoles de l'établissement en matière de sécurité avant d'utiliser l'option **Prime X** avec des dispositifs générateurs de rayonnements. Les dispositifs générateurs de rayonnements peuvent produire des rayonnements résiduels, parasites ou diffus.
- Toujours suivre les instructions de la section *Positionnement du porte-cassette radio vertical - option Prime X* pour insérer la cassette radio.
- Toujours faire preuve de prudence lors de la prise de radios avec le relève-buste en position verticale ou lors de l'utilisation d'une cassette latérale.
- Toujours suivre les instructions de la section *Positionnement du porte-cassette radio latéral - option Prime X* pour insérer la cassette radio.
- Ne pas procéder au nettoyage, à l'entretien ou à la maintenance pendant que le produit est en service.
- Ne pas immerger le matelas dans des solutions nettoyantes ou désinfectantes. L'excès d'humidité peut provoquer un dysfonctionnement du produit, occasionnant l'endommagement du produit ou des blessures chez le patient.

- Ne pas laisser de liquides s'accumuler sur le matelas. Les liquides peuvent entraîner la corrosion de certains composants et rendre imprévisibles la sécurité et les performances de ce produit.
- Toujours inspecter les housses de matelas pour déceler toute déchirure, perforation, usure excessive, ainsi que des bords de fermeture éclair non alignés, à chaque fois que les housses sont nettoyées. Retirer et remplacer un matelas endommagé pour éviter toute contamination croisée.
- Ne pas nettoyer les matelas à la vapeur ou aux ultrasons, ni les laver sous pression ou au jet. Ces méthodes de nettoyage peuvent annuler la garantie du produit.
- Ne pas nettoyer le produit à la vapeur ou aux ultrasons, ni le laver au jet. Ces méthodes de nettoyage ne sont pas recommandées et peuvent annuler la garantie du produit.
- Toujours désinfecter le matelas entre deux patients. Le non-respect de cette consigne peut entraîner une contamination croisée et une infection.

MISE EN GARDE

- Une utilisation incorrecte du produit est susceptible d'occasionner des blessures chez le patient ou l'opérateur. Utiliser le produit uniquement de la manière décrite dans ce manuel.
 - Ne pas modifier le produit ni aucun de ses composants. Toute modification du produit peut entraîner un fonctionnement imprévisible, susceptible d'occasionner des blessures chez le patient ou l'opérateur. La garantie du produit serait en outre annulée par toute modification du produit.
 - Ne pas utiliser le système hydraulique sur la base pour élever le produit avec un lève-patient sous le produit.
 - Ne pas enclencher la pédale de guidage lorsque **Big Wheel** repose sur un seuil de porte ou une autre zone surélevée. La force requise pour appliquer **Big Wheel** sera plus grande que d'habitude, ce qui risquerait d'endommager le produit.
 - La charge admissible du relève-jambes est de 200 livres (90,7 kg).
 - Toujours s'assurer que la barre d'appui du relève-jambes est bien installée avant l'emploi.
 - Ne pas s'asseoir ou se tenir debout sur le relève-jambes.
 - Toujours faire preuve de prudence lors de l'abaissement du relève-jambes lorsque le produit est hors tension. La gravité peut entraîner l'abaissement rapide du relève-jambes.
 - Ne pas placer d'objets de plus de 60 livres (27 kg) dans le capot de la base.
 - Ne pas s'asseoir, monter ou se tenir debout sur le capot de la base.
 - La charge admissible du support de pompe est de 40 livres (18 kg).
 - Ne pas utiliser le support de pompe pour pousser ou tirer le produit. Cela risque d'endommager le produit.
 - Ne pas utiliser le système de pesée pour des patients pesant moins de 50 livres (23 kg).
 - Ne pas utiliser les valeurs du système de pesée comme référence pour le traitement médical.
 - Toujours élever le support de perfusion avant de fixer le plateau porte-défibriateur/la rallonge de lit au produit. Si le support de perfusion n'est pas élevé, la rallonge de lit ne fonctionnera pas.
 - Ne pas utiliser le support de perfusion pour pousser/tirer le produit. Cela risque d'endommager le produit.
 - Ne pas suspendre des poches de perfusion de plus de 40 livres (18 kg) sur le support de perfusion.
 - Toujours s'assurer que la hauteur du support de perfusion est suffisamment basse pour franchir les ouvertures de porte lors du transport d'un patient.
 - Ne pas utiliser de nettoyants abrasifs pour nettoyer le boîtier de l'affichage du système de pesée en option. Ne pas laisser de solutions de nettoyage ou d'autres liquides s'accumuler sur l'unité d'affichage. Sécher toutes les surfaces après des déversements ou le nettoyage.
 - L'utilisation d'accessoires, de capteurs et de câbles autres que ceux spécifiés ou fournis par le fabricant pourrait entraîner une augmentation des émissions électromagnétiques ou une diminution de l'immunité électromagnétique et entraîner un fonctionnement incorrect.
 - Les caractéristiques des émissions de cet équipement conviennent pour une utilisation en milieu industriel et hospitalier (CISPR 11 classe A). S'il est utilisé dans un environnement résidentiel, pour lequel un niveau CISPR 11 classe B est habituellement requis, cet équipement pourrait ne pas offrir une protection adéquate pour les services de communication par radiofréquence. Il peut être nécessaire pour l'utilisateur de prendre des mesures d'atténuation telles que la réorientation ou le déplacement de l'équipement.
 - Les équipements de communication RF portables, y compris les périphériques comme les câbles d'antenne et les antennes externes, ne doivent pas être utilisés à moins de 12 po (30 cm) d'une partie quelconque du brancard **Prime**, y compris les câbles spécifiés par le fabricant.
 - Éviter d'empiler ou de placer l'équipement à proximité d'autres appareils afin d'empêcher tout fonctionnement incorrect des produits. Si une telle utilisation s'avère nécessaire, surveiller attentivement l'équipement placé à proximité ou empilé pour assurer son bon fonctionnement.
-

Points de pincement



Figure 1 – Option Prime X

Introduction

Ce manuel vous aide à utiliser ou entretenir votre produit Stryker. Lire ce manuel avant d'utiliser ce produit ou d'en effectuer la maintenance. Il convient d'établir des procédures et techniques visant à éduquer et à former le personnel quant au fonctionnement et à l'entretien sécuritaires de ce produit.

MISE EN GARDE

- L'utilisation incorrecte du produit est susceptible de causer des blessures au patient ou à l'utilisateur. Utiliser le produit uniquement de la manière décrite dans ce manuel.
 - Ne pas modifier le produit ni aucun de ses composants. Toute modification du produit peut entraîner un fonctionnement imprévisible, susceptible de causer des blessures au patient ou à l'utilisateur. La garantie du produit serait en outre invalidée par toute modification du produit.
-

Remarque

- Ce manuel doit être considéré comme faisant partie du produit et doit l'accompagner à tout moment, même en cas de vente ultérieure du produit.
- Stryker cherche continuellement à améliorer le design et la qualité de ses produits. Ce manuel contient les informations produit les plus récentes disponibles au moment de l'impression. Il peut y avoir de légères divergences entre le produit et ce manuel. Pour toute question, contacter le service clientèle ou le support technique de Stryker au +1-800-327-0770.

Description du produit

Le brancard **Prime Series**® modèle 1115 de Stryker avec **Big Wheel**® est un dispositif sur roues constitué d'une plate-forme montée sur un châssis sur roues pour soutenir les patients en position horizontale. Un brancard fournit à l'opérateur une méthode de transport des patients à l'intérieur d'un établissement de santé, qu'il s'agisse de professionnels de santé ou de collaborateurs formés de l'établissement. Le brancard **Prime Series** modèle 1115 de Stryker avec **Big Wheel** diminue la force nécessaire au démarrage et au guidage pour réduire l'effort physique.

Indications d'utilisation

Le brancard **Prime Series** avec **Big Wheel** est doté de deux grandes roues pour réduire la force de démarrage requise pour déplacer le brancard.

Le brancard **Prime Series** peut être utilisé pour une évaluation clinique en consultation externe de courte durée, pour un traitement, pour une intervention mineure et comme plate-forme de rétablissement en consultation externe de courte durée. Le brancard peut être utilisé notamment dans les environnements suivants :

- Service des urgences
- Service de traumatologie
- Unité de soins post-anesthésie (USPA)

Le brancard **Prime Series** peut être utilisé pour les interventions mineures et les séjours de courte durée (traitement et rétablissement). Voir le tableau des caractéristiques techniques pour les conditions ambiantes prévues.

La conformité avec la norme pour lit BS EN 50637 du brancard Stryker **Prime Series** n'a pas été évaluée. Ce produit n'est pas destiné à être utilisé pour un séjour de courte durée avec des patients pédiatriques ou adultes dont l'anatomie est atypique, sur des marchés reconnaissant cette norme pour lit dans le cadre d'une autorisation de mise sur le marché

Le brancard **Prime Series** n'est pas conçu pour être utilisé dans le cadre du traitement et du rétablissement de patients hospitalisés à long terme.

Le brancard **Prime Series** a une charge maximale admissible de 700 livres (318 kg) et est destiné à être utilisé avec tous les patients, y compris les patients légèrement à gravement malades. Le brancard peut également être utilisé pour transporter les patients décédés au sein d'un établissement de soins de santé.

L'option **Prime X**® fournit une surface de support patient radiographique articulée et une plate-forme en dessous de la surface de support patient pour la mise en place des cassettes radiographiques. L'option **Prime X** est conçue pour

permettre la prise de radiographies cliniques (corps entier en incidence A-P, corps entier en incidence latérale en option et thorax en position verticale en option) lorsqu'elle est utilisée avec un système radiographique médical.

Bénéfices cliniques

Transport des patients, facilitation du traitement et diagnostic

Contre-indications

L'option **Prime X** n'est pas recommandée pour une utilisation avec un matelas dont l'épaisseur est supérieure à quatre pouces (10 cm).

L'option **Prime X** n'est pas compatible avec un arceau.

L'option **Prime X** est destinée à être utilisée dans tous les établissements autres que les établissements de soins de santé à domicile, les établissements résidentiels et les établissements directement raccordés au réseau basse tension public alimentant les bâtiments à usage résidentiel.



Durée de vie utile prévue

Le brancard **Prime Series** et le brancard **Prime Series** avec l'option **Prime X** ont une durée de vie utile prévue de 10 ans dans des conditions normales d'utilisation et avec un entretien périodique approprié.

Élimination/recyclage

Toujours respecter les recommandations et/ou réglementations locales en vigueur concernant la protection de l'environnement et les risques associés au recyclage ou à l'élimination de l'équipement en fin de vie utile.

Caractéristiques techniques

	Prime Series largeur 26 po (66 cm)		Prime Series largeur 30 po (76 cm) Packs HT Prime Series		Option Prime X largeur 30 po (76 cm)	
	 <p>Remarque - La charge maximale admissible indique la somme des poids du patient, du matelas et des accessoires.</p>	700 livres	318 kg	700 livres	318 kg	700 livres
 <p>Poids maximal du patient</p>	675 livres	306 kg	675 livres	306 kg	675 livres	306 kg
Longueur totale	85 po (± 0,5 po)	215,9 cm	85 po (± 0,5 po)	215,9 cm	85 po (± 0,5 po)	215,9 cm
Longueur totale (rallonge du plan de couchage en option)	89,9 po (± 0,75 po)	228,3 cm	89,9 po (± 0,75 po)	228,3 cm	SO	SO

	Prime Series largeur 26 po (66 cm)		Prime Series largeur 30 po (76 cm) Packs HT Prime Series		Option Prime X largeur 30 po (76 cm)	
Largeur totale (barrières relevées)	34 po (± 1 po)	86,4 cm	38 po (± 1 po)	96,5 cm	38 po (± 1 po)	96,5 cm
Largeur totale (barrières abaissées)	30,25 po (± 0,5 po)	76,8 cm	30,5 po (± 0,5 po)	77,5 cm	30,5 po (± 0,5 po)	77,5 cm
Hauteur minimum	20,75 po	52,7 cm	20,75 po	52,7 cm	23,25 po	59,1 cm
Hauteur maximum	34 po (± 1 po)	86,4 cm	34 po (± 1 po)	86,4 cm	36,5 po (± 1 po)	92,7 cm
Angle du relève-buste	0° à 90° (± 5°)					
Hauteur du relève-jambes	5,5 po (14 cm) minimum				Sans objet	
Déclive/proclive	+17° à -17° (± 3°)					
Dégagement minimum	2,5 po nominal	6,4 cm	2,5 po nominal	6,4 cm	2,5 po nominal	6,4 cm
	1,75 po sous les vérins hydrauliques	4,5 cm	1,75 po sous les vérins hydrauliques	4,5 cm	1,75 po sous les vérins hydrauliques	4,5 cm
	1 po sous Big Wheel	2,5 cm	1 po sous Big Wheel	2,5 cm	1 po sous Big Wheel	2,5 cm
Équivalent d'atténuation (équivalence aluminium)	Sans objet				Valeur maximum autorisée : 1,7 mm Al	
Plage de fonctionnement du système de pesée en option	50 livres (22,7 kg) à 700 livres (318 kg)					
Précision du système de pesée en option	± 3 livres (1,3 kg) pour les poids inférieurs à 100 livres (45 kg) et ± 3 % pour les poids supérieurs ou égaux à 100 livres (45 kg)*					
* Pour satisfaire à la revendication concernant la précision du système de pesée, la surface patient doit être à plat (relève-buste et relève-jambes abaissés) et le produit ne peut pas dépasser 5 degrés de déclive/proclive.						

Options électriques	Plan de couchage électrique en option (disponible uniquement sur Prime)	Système de levage électrique en option (disponible sur Prime et l'option Prime X)
Spécifications électriques	120 V CA, 60 Hz, 10 A 240 V CA, 50/60 Hz, 5 A	120 V CA, 60 Hz, 10 A 240 V CA, 50/60 Hz, 5 A
Cycle opératoire	Fonctionnement continu avec chargement intermittent : 1 minute de marche et 20 minutes d'arrêt	Fonctionnement continu avec chargement intermittent : 1 minute de marche et 20 minutes d'arrêt

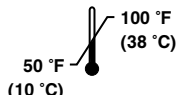
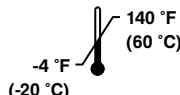
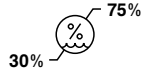
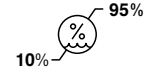
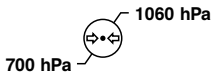
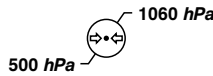
Système de pesée en option	Plan de couchage non électrique (disponible sur Prime et l'option Prime X)	Système de levage électrique en option (disponible sur Prime et l'option Prime X)
Type de pile	4 piles AA (4 x 1,5 V CC) alcalines (LR6)	4 piles AA (4 x 1,5 V CC) alcalines (LR6)
Tension des piles	6,0 V CC	6,0 V CC

Système de pesée en option	Plan de couchage électrique en option (disponible uniquement sur Prime)	Système de levage électrique en option
Type de pile	1 x bloc-batterie au lithium-ion rechargeable (0058-135-000)	Sans objet
Tension des piles	10,8 V CC, 2,4 Ah	Sans objet

Système de pesée en option avec Chaperone® (sortie de brancard)	Plan de couchage électrique en option (disponible uniquement sur Prime)	Système de levage électrique en option
Type de pile	1 x bloc-batterie au lithium-ion rechargeable (0058-134-000)	Sans objet
Tension des piles	10,8 V CC, 4,8 Ah	Sans objet

Stryker se réserve le droit de modifier ces caractéristiques sans préavis.

Remarque - Ce produit ne convient pas pour une utilisation en présence de mélange anesthésique inflammable avec de l'air ambiant ou avec de l'oxygène ou de l'oxyde d'azote.

Conditions ambiantes	Fonctionnement	Stockage et transport
Température		
Humidité relative		
Pression atmosphérique		

Remarque - La plage de température de service du système de pesée en option (plan de couchage non électrique/ électrique en option) est de 61 °F (16 °C) à 79 °F (26 °C).

Les caractéristiques techniques indiquées sont approximatives et susceptibles de varier légèrement d'un système à l'autre ou en fonction des fluctuations de l'alimentation électrique.

Illustration du produit - Prime

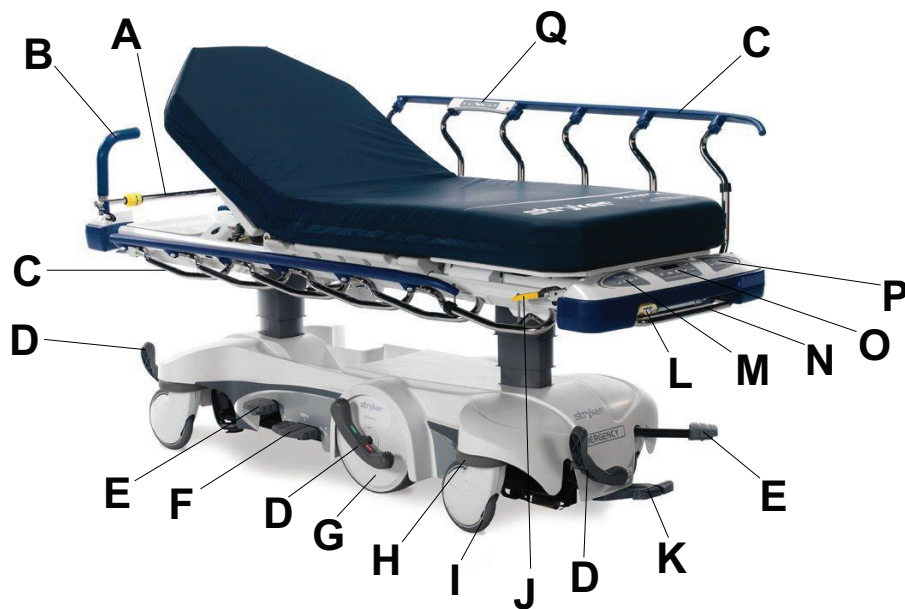


Figure 2 – Prime

A	Support de perfusion	J	Loquet de barrière
B	Poignées de poussée relevables BackSmart® , en option	K	Pédale de déblocage hydraulique
C	Barrière BackSmart	L	Poignée de déblocage du relève-jambes
D	Pédale de frein/guidage	M	Panneau de commande de l'opérateur côté pieds BackSmart , en option
E	Pédale de pompe	N	Support de pompe, en option
F	Pédale d'abaissement multifonction	O	Système de pesée BackSmart , en option
G	Big Wheel	P	Verrouillage du panneau de commande du patient, en option
H	Pare-chocs, intégré	Q	Panneau de commande du patient de la barrière, en option
I	Roulette avec cache de roue intégré		

Illustration du produit - Option Prime X



Figure 3 – Option Prime X

A	Poignées de poussée relevables BackSmart® , en option	H	Pédale d'abaissement multifonction
B	Support de perfusion	I	Pare-chocs, intégré
C	Plateau de cassette	J	Roulette avec cache de roue intégré
D	Surface patient avec plate-forme Clearview Technology®	K	Loquet de barrière
E	Barrière BackSmart	L	Support de pompe, en option
F	Pédale de commande de frein/guidage	M	Système de pesée BackSmart , en option
G	Pédale de pompe		

Pièces appliquées - Plan de couchage électrique en option



Figure 4 – Pièces appliquées de type B - option plan de couchage électrique

Pièces appliquées - Option Prime X



Figure 5 – Pièces appliquées de type B - Option Prime X

Coordonnées

Contactez le service clientèle ou le support technique de Stryker au moyen des coordonnées suivantes : +1-800-327-0770.

Stryker Medical
3800 E. Centre Avenue
Portage, MI 49002
États-Unis

Remarque - L'utilisateur et/ou le patient doivent signaler tout incident grave lié au produit à la fois au fabricant et à l'autorité compétente de l'État membre européen où l'utilisateur et/ou le patient sont établis.

Pour consulter votre mode d'emploi ou votre manuel d'entretien en ligne, consultez <https://techweb.stryker.com/>.

Avoir le numéro de série (A) du produit Stryker à disposition avant d'appeler le service clientèle ou le support technique de Stryker. Inclure le numéro de série dans toutes les communications écrites.

Emplacement du numéro de série

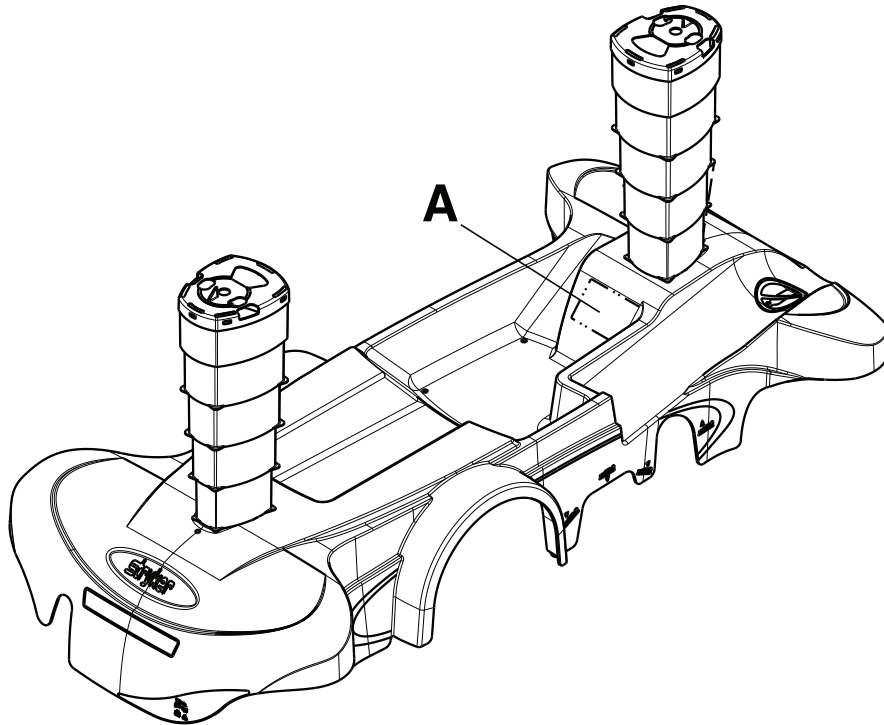


Figure 6 – Emplacement du numéro de série

Installation

Pour déballer le produit, consulter les directives de déballage jointes à l'intérieur du carton d'expédition.

AVERTISSEMENT

- Toujours laisser le produit revenir à température ambiante avant de procéder à la mise en route ou aux essais fonctionnels. Il existe un risque d'endommagement permanent du produit.
 - Toujours s'assurer que tous les opérateurs se tiennent à l'écart des mécanismes avant d'utiliser le produit.
 - Toujours procéder avec précaution lors de la manipulation du cordon d'alimentation. Il existe un risque d'emmêlement, d'endommagement du cordon d'alimentation ou de choc potentiel. En cas d'endommagement du cordon d'alimentation, retirer immédiatement le produit du service et contacter le personnel d'entretien approprié.
 - Toujours brancher le produit directement sur une prise murale aux normes hospitalières, mise à la terre. La fiabilité de la mise à la terre ne peut être assurée que si une prise aux normes hospitalières est utilisée. Ce produit est équipé d'une fiche aux normes hospitalières pour la protection contre le risque de choc électrique.
-

Avant de mettre le produit en service, vérifier qu'il fonctionne correctement.

1. Enclencher le frein. Pousser le produit pour vérifier que les quatre roulettes sont bloquées.
2. Débloquer le frein. Pousser le produit pour vérifier que les quatre roulettes sont débloquées.
3. Élever et abaisser le plan de couchage à l'aide du système de levage hydraulique.
4. Élever le produit à la position maximale et mettre le produit en déclive (voir *Positionnement du produit en déclive* (page 19)). S'assurer que le côté tête s'abaisse jusqu'à la position basse maximale.
5. Élever le produit à la position maximale et mettre le produit en proclive (voir *Positionnement du produit en proclive* (page 19)). S'assurer que le côté pieds s'abaisse jusqu'à la position basse maximale.
6. Enclencher **Big Wheel** et s'assurer qu'elle fonctionne.
7. S'assurer que les barrières se relèvent, s'abaissent et se verrouillent en place.
8. Élever et abaisser le relève-buste manuel (côté tête).
9. Élever et abaisser le relève-jambes manuel (côté pieds).

Pour un produit équipé du système de levage électrique ou du plan de couchage électrique en option :

1. Réaliser la liste de contrôle ci-dessus au moment de l'installation.
2. Brancher la pompe sur une prise murale aux normes hospitalières, mise à la terre. S'assurer que les voyants s'allument sur le clavier de verrouillage.
3. S'assurer que toutes les fonctions de l'option de panneau de commande du patient au niveau de la barrière fonctionnent.
4. S'assurer que toutes les fonctions de l'option de panneau de commande de l'opérateur au niveau des pieds fonctionnent.
5. Élever et abaisser le relève-buste électrique (côté tête).
6. Élever et abaisser le relève-jambes électrique (côté pieds).

Pour un produit fourni avec le système de pesée/plan de couchage électrique en option (avec ou sans l'option **Chaperone**) :

1. Réaliser la liste de contrôle ci-dessus au moment de l'installation.
2. Charger les batteries (*Chargement du bloc-batterie du système de pesée en option - plan de couchage électrique en option ou plan de couchage électrique en option avec l'option Chaperone - Prime uniquement* (page 33)).

Fonctionnement

Enclenchement et désenclenchement des freins

AVERTISSEMENT - Toujours enclencher les freins lorsqu'un patient s'installe sur le produit ou en descend, ou lorsque le produit n'est pas en mouvement. En cas de déplacement du produit pendant qu'un patient s'installe sur le produit ou en descend, des blessures peuvent survenir.

Pour appliquer le frein, appuyer sur le côté frein (rouge) de la pédale de frein/guidage. Pousser le produit pour vérifier que le frein fonctionne bien.

Pour débloquer les freins, appuyer sur le côté guidage (vert) de la pédale de frein/guidage.

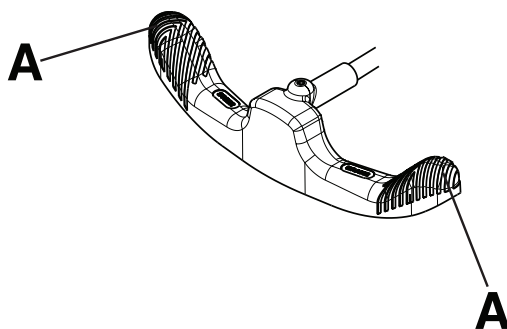


Figure 7 – Utilisation de la pédale de frein/guidage

Remarque - Ne pas appuyer au centre de la pédale de frein/guidage. Toujours appuyer sur le côté extérieur (A) de la pédale de frein/guidage (Figure 7).

Commandes de la base Prime

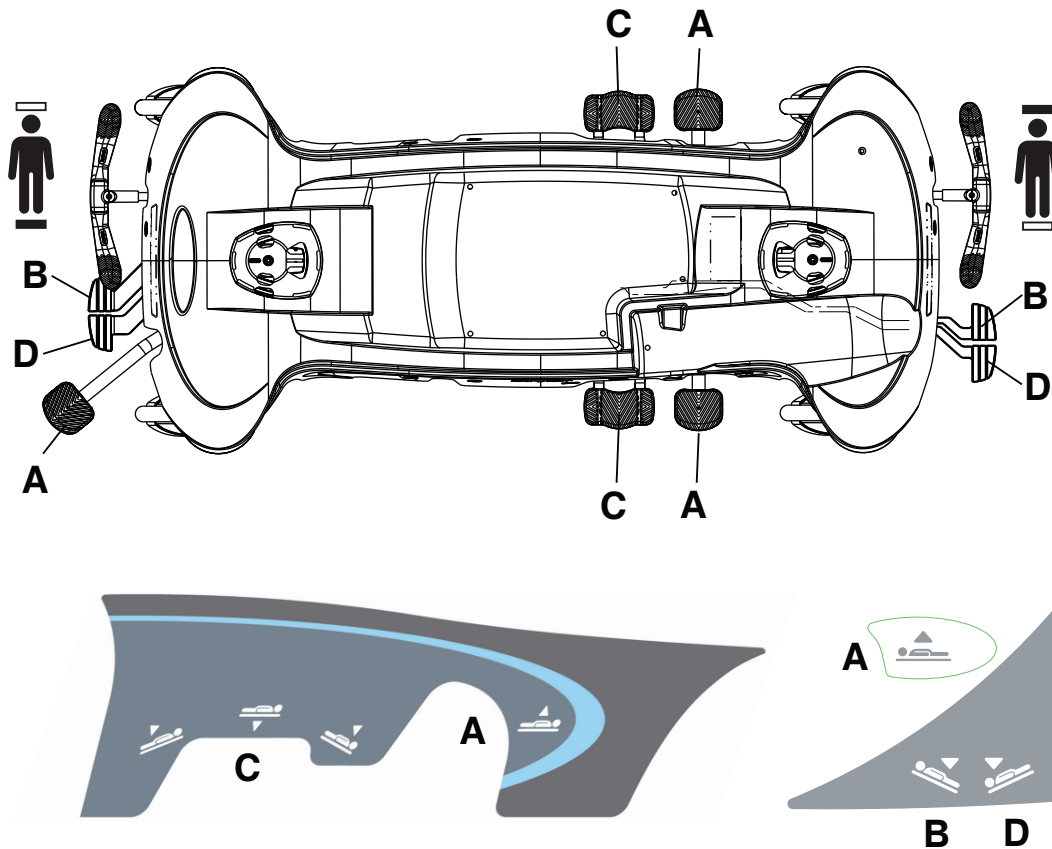


Figure 8 – Commandes de base Prime et étiquetage

Élévation du plan de couchage non électrique

AVERTISSEMENT

- Toujours positionner le patient au centre du produit.
- Toujours mettre le produit dans la position la plus basse avec les barrières relevées et verrouillées lorsqu'un patient est laissé sans surveillance. Ne pas laisser le produit à une hauteur plus élevée.
- Toujours retirer les dispositifs susceptibles de gêner avant d'élever ou d'abaisser le plan de couchage.
- Ne pas s'asseoir sur l'extrémité du produit. Le produit risque de basculer.

MISE EN GARDE - Ne pas utiliser le système hydraulique sur la base pour élever le produit avec un lève-patient sous le produit.

Pour élever le plan de couchage, appuyer sur la pédale de la pompe (A) jusqu'à obtention de la hauteur voulue (*Commandes de la base Prime* (page 17)).

Abaissement du plan de couchage non électrique

AVERTISSEMENT

- Toujours positionner le patient au centre du produit.
- Toujours mettre le produit dans la position la plus basse avec les barrières relevées et verrouillées lorsqu'un patient est laissé sans surveillance. Ne pas laisser le produit à une hauteur plus élevée.
- Toujours retirer les dispositifs susceptibles de gêner avant d'élever ou d'abaisser le plan de couchage.

- Ne pas s'asseoir sur l'extrémité du produit. Le produit risque de basculer.
-

MISE EN GARDE - Ne pas utiliser le système hydraulique sur la base pour élever le produit avec un lève-patient sous le produit.

Pour abaisser l'ensemble du plan de couchage, appuyer sur le centre de la pédale d'abaissement multifonction (C) (*Commandes de la base Prime* (page 17)).

Pour abaisser le côté tête du plan de couchage, appuyer sur la pédale (B) ou sur le côté de la pédale d'abaissement multifonction (C) le plus près du côté tête du produit.

Pour abaisser le côté pieds du plan de couchage, appuyer sur la pédale (D) ou appuyer sur le côté de la pédale d'abaissement multifonction (C) le plus près du côté pieds du produit.

Élévation du plan de couchage électrique en option

AVERTISSEMENT

- Toujours positionner le patient au centre du produit.
 - Toujours mettre le produit dans la position la plus basse avec les barrières relevées et verrouillées lorsqu'un patient est laissé sans surveillance. Ne pas laisser le produit à une hauteur plus élevée.
 - Toujours retirer les dispositifs susceptibles de gêner avant d'élever ou d'abaisser le plan de couchage.
 - Ne pas s'asseoir sur l'extrémité du produit. Le produit risque de basculer.
-

MISE EN GARDE - Ne pas utiliser le système hydraulique sur la base pour élever le produit avec un lève-patient sous le produit.

Pour élever le plan de couchage électrique, appuyer sur la pédale de la pompe (A) jusqu'à obtention de la hauteur voulue (*Commandes de la base Prime* (page 17)).

Abaissement du plan de couchage électrique en option

AVERTISSEMENT

- Toujours positionner le patient au centre du produit.
 - Toujours mettre le produit dans la position la plus basse avec les barrières relevées et verrouillées lorsqu'un patient est laissé sans surveillance. Ne pas laisser le produit à une hauteur plus élevée.
 - Toujours retirer les dispositifs susceptibles de gêner avant d'élever ou d'abaisser le plan de couchage.
 - Ne pas s'asseoir sur l'extrémité du produit. Le produit risque de basculer.
-

MISE EN GARDE - Ne pas utiliser le système hydraulique sur la base pour élever le produit avec un lève-patient sous le produit.

Pour abaisser l'ensemble du plan de couchage électrique, appuyer sur le centre de la pédale d'abaissement multifonction (C) (*Commandes de la base Prime* (page 17)).

Pour abaisser le côté tête du plan de couchage, appuyer sur la pédale (B) ou appuyer sur le côté de la pédale d'abaissement multifonction (C) le plus près du côté tête du produit.

Pour abaisser le côté pieds du plan de couchage, appuyer sur la pédale (D) ou appuyer sur le côté de la pédale d'abaissement multifonction (C) le plus près du côté pieds du produit.

Positionnement du produit en déclive

AVERTISSEMENT - Toujours retirer les dispositifs susceptibles de gêner avant d'élever ou d'abaisser le plan de couchage.

MISE EN GARDE - Ne pas utiliser le système hydraulique sur la base pour élever le produit avec un lève-patient sous le produit.

Pour mettre le produit en déclive (tête en bas), élever le plan de couchage à la hauteur maximum (*Élévation du plan de couchage non électrique* (page 17) ou *Élévation du plan de couchage électrique en option* (page 18)).

Remarque - Élever le plan de couchage à la hauteur maximum pour augmenter l'angle de déclive.

Pour abaisser le côté tête du produit, appuyer sur la pédale de déblocage du côté tête ou du côté pieds (D) ou appuyer sur le côté de la pédale d'abaissement multifonction (C) le plus près du côté tête (*Commandes de la base Prime* (page 17)).

Pour abaisser le produit depuis la position déclive, appuyer simultanément sur les pédales de déblocage du côté tête et du côté pieds (B et D) ou appuyer sur le centre de la pédale d'abaissement multifonction (C) jusqu'à ce que le plan de couchage soit à plat.

Positionnement du produit en proclive

AVERTISSEMENT - Toujours retirer les dispositifs susceptibles de gêner avant d'élever ou d'abaisser le plan de couchage.

MISE EN GARDE - Ne pas utiliser le système hydraulique sur la base pour élever le produit avec un lève-patient sous le produit.

Pour placer le produit en proclive (pieds en bas), élever le plan de couchage à la hauteur maximum (*Élévation du plan de couchage non électrique* (page 17) ou *Élévation du plan de couchage électrique en option* (page 18)).

Remarque - Élever le plan de couchage à la hauteur maximum pour augmenter l'angle de déclive.

Pour abaisser le côté pieds du produit, appuyer sur la pédale de déblocage du côté tête ou du côté pieds (B) ou appuyer sur le côté de la pédale d'abaissement multifonction (C) le plus près du côté pieds (*Commandes de la base Prime* (page 17)).

Pour abaisser le produit depuis la position proclive, appuyer simultanément sur les pédales de déblocage du côté tête et du côté pieds (B et D) ou appuyer sur le centre de la pédale d'abaissement multifonction (C) jusqu'à ce que le plan de couchage soit à plat.

Transport d'un patient

AVERTISSEMENT

- Toujours positionner le patient au centre du produit.
 - Toujours verrouiller les barrières en position complètement relevée avec le plan de couchage à l'horizontale dans la position la plus basse lors du transport d'un patient.
 - Ne pas transporter le produit latéralement sur des plans inclinés à plus de 5,7 degrés (pente à 10 %) pour éviter tout basculement du produit.
-

Pour transporter un patient :

1. Élever les barrières à la position maximale. Tirer sur la barrière pour s'assurer qu'elle est verrouillée.
2. Abaisser le plan de couchage à la position la plus basse.

3. Débrancher le cordon d'alimentation de la prise murale si le produit est équipé du plan de couchage électrique en option ou du système de levage électrique en option.
4. Appuyer sur le côté guidage (vert) de la pédale de frein/guidage.
5. Utiliser les poignées de poussée pour pousser le produit.
6. Enclencher les freins pour verrouiller le produit en place.

Remarque - Toujours s'assurer que le frein est débloqué avant de déplacer le produit afin d'éviter des blessures chez l'opérateur ou le patient.

Transport d'un patient sans Big Wheel

AVERTISSEMENT

- Toujours positionner le patient au centre du produit.
 - Toujours verrouiller les barrières en position complètement relevée avec le plan de couchage à l'horizontale dans la position la plus basse lors du transport d'un patient.
-

Pour transporter un patient sans **Big Wheel** :

1. Mettre la pédale de frein/guidage (A) en position neutre (Figure 9).

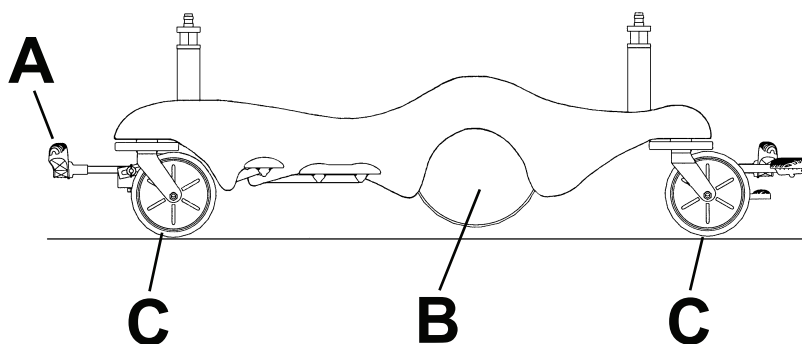


Figure 9 – Transport sans Big Wheel

2. Abaisser le plan de couchage à la position la plus basse.
3. Pour le modèle 1125 seulement, s'assurer que l'interrupteur Marche (entraînement)/Arrêt (manuel) [On Drive-Off Manual] est sur Arrêt.
4. Débrancher le cordon d'alimentation de la prise murale de qualité hospitalière si le produit est équipé du système de levage électrique en option ou du plan de couchage électrique en option.
5. Utiliser les poignées de poussée pour pousser le produit.
6. Enclencher les freins pour verrouiller le produit en place.

Remarque

- Toujours s'assurer que le frein est débloqué avant de déplacer le produit afin d'éviter des blessures chez l'opérateur ou le patient.
- Avec le produit en position neutre, **Big Wheel** (B) est surélevée et le produit repose sur les quatre roulettes (C) (Figure 9). Dans cette position, il est possible de déplacer le produit dans n'importe quelle direction, y compris latéralement.

Transport d'un patient avec Big Wheel

AVERTISSEMENT

- Toujours positionner le patient au centre du produit.

- Toujours verrouiller les barrières en position complètement relevée avec le plan de couchage à l'horizontale dans la position la plus basse lors du transport d'un patient.

MISE EN GARDE - Ne pas appliquer la pédale de guidage lorsque **Big Wheel** repose sur un seuil de porte ou une autre zone surélevée. La force requise pour appliquer **Big Wheel** sera plus grande que d'habitude, ce qui risquerait d'endommager le produit.

Transport d'un patient avec **Big Wheel** :

1. Élever les barrières à la position maximale. Tirer sur chaque barrière pour s'assurer qu'elle est verrouillée.
2. Abaisser le plan de couchage à la position la plus basse.
3. Pour le modèle 1125 seulement, s'assurer que l'interrupteur Marche (entraînement)/Arrêt (manuel) [On Drive-Off Manual] est sur Arrêt.
4. Débrancher le cordon d'alimentation de la prise murale de qualité hospitalière si le produit est équipé du système de lavage électrique en option ou du plan de couchage électrique en option.
5. Mettre la pédale de frein/guidage (A) dans la position de guidage (Figure 10).

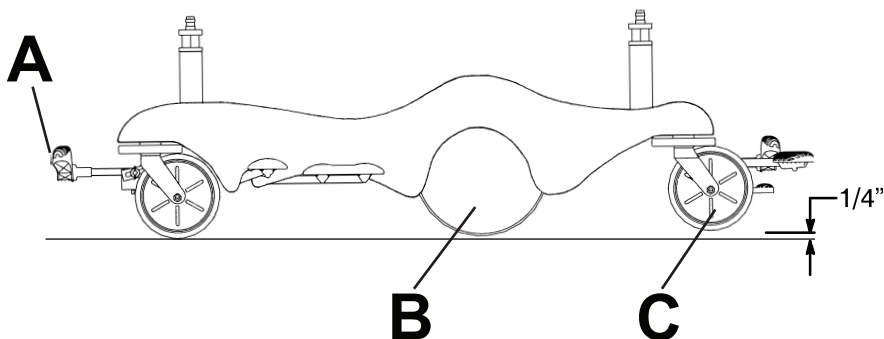


Figure 10 – Transport avec Big Wheel

6. Utiliser les poignées de poussée pour pousser le produit.
7. Enclencher les freins pour verrouiller le produit en place.

Remarque

- Toujours s'assurer que le frein est débloqué avant d'essayer de déplacer le produit. Toute tentative de déplacement du produit pendant que les freins sont enclenchés risque d'occasionner des blessures chez le patient ou l'opérateur.
- **Big Wheel** (B) ne pivote pas. Le produit ne peut pas se déplacer latéralement quand **Big Wheel** est appliquée par l'opérateur.
- Lorsque **Big Wheel** (B) est appliquée par l'opérateur, le produit est élevé et les roulettes côté pieds (C) sont soulevées. Le produit repose sur les roulettes côté tête et **Big Wheel** rend le produit plus facile à manœuvrer (Figure 10).

Positionnement ou rangement des poignées de poussée du côté tête en option

Pour positionner ou ranger les poignées de poussée du côté tête :

1. Faire pivoter les poignées (A) vers le haut du côté tête du produit (Figure 11).
2. Pousser les poignées vers le bas pour les bloquer.

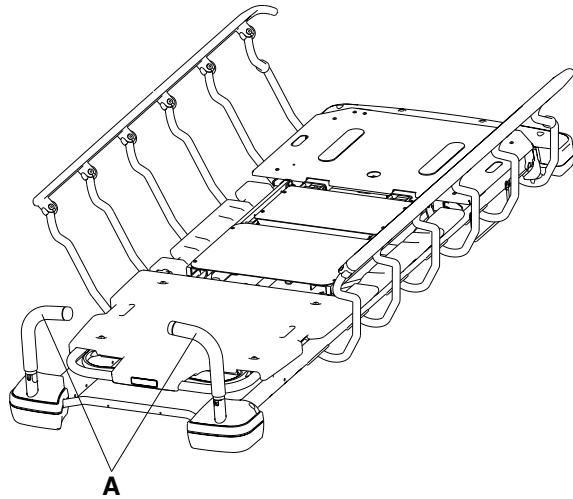


Figure 11 – Positionnement des poignées de poussée du côté tête

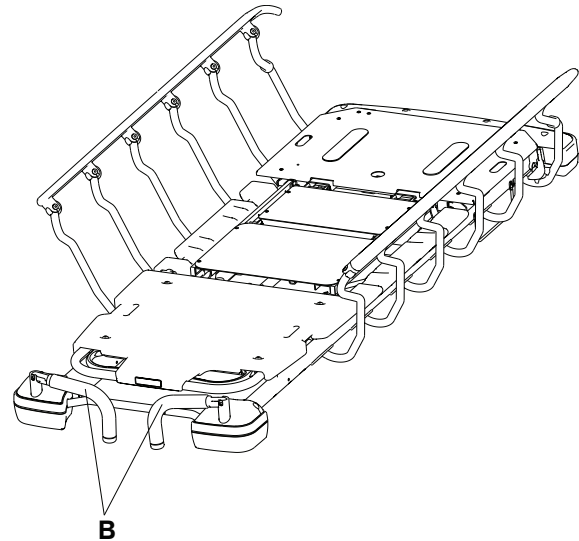


Figure 12 – Rangement des poignées de poussée du côté tête

- Inverser les étapes pour ranger les poignées de poussée du côté tête (B) (Figure 12).

Remarque - Sauf indication contraire, utiliser les poignées de poussée uniquement pour pousser/tirer afin d'éviter d'endommager le produit.

Élévation de la barrière

AVERTISSEMENT

- Toujours faire preuve d'une prudence particulière lors de l'utilisation d'un matelas de plus de 2,5 po (6,35 cm) d'épaisseur ou d'un surmatelas avec l'option **Prime X**.
- Toujours mettre le produit dans la position la plus basse avec les barrières relevées et verrouillées lorsqu'un patient est laissé sans surveillance. Ne pas laisser le produit à une hauteur plus élevée.
- Toujours verrouiller les barrières en position complètement relevée avec le plan de couchage à plat dans la position la plus basse lors du transport d'un patient.
- Toujours tenir les membres du patient à l'écart des montants de barrière lors de l'élévation ou de l'abaissement de la barrière.
- Ne pas laisser les barrières s'abaisser toutes seules.

Pour élever la barrière :

- Saisir la barrière des deux mains.
- Soulever la barrière vers le côté pieds du produit jusqu'à ce que le loquet de déblocage jaune s'enclenche. Tirer sur la barrière pour s'assurer qu'elle est verrouillée.

Remarque

- Il existe une option de double loquet de déblocage de barrière disponible avec des loquets des deux côtés du produit.
- Ne pas utiliser les barrières comme dispositifs de retenue pour empêcher le patient de sortir du produit. Les barrières empêchent le patient de tomber du produit. Il incombe à l'opérateur de déterminer le niveau de retenue nécessaire pour assurer la sécurité du patient.
- Il est possible d'utiliser le côté pieds de la barre supérieure des barrières pour pousser/tirer le produit.
- Les barrières ne se verrouillent qu'en position complètement relevée.

Abaissement de la barrière

AVERTISSEMENT

- Toujours faire preuve d'une prudence particulière lors de l'utilisation d'un matelas de plus de 2,5 po (6,35 cm) d'épaisseur ou d'un surmatelas avec l'option **Prime X**.
 - Toujours mettre le produit dans la position la plus basse avec les barrières relevées et verrouillées lorsqu'un patient est laissé sans surveillance. Ne pas laisser le produit à une hauteur plus élevée.
 - Toujours verrouiller les barrières en position complètement relevée avec le plan de couchage à plat dans la position la plus basse lors du transport d'un patient.
 - Toujours tenir les membres du patient à l'écart des montants de barrière lors de l'élévation ou de l'abaissement de la barrière.
 - Ne pas laisser les barrières s'abaisser toutes seules.
-

Pour abaisser la barrière :

1. Saisir la barrière d'une main.
2. De l'autre main, tirer le loquet de déblocage jaune vers le haut.
3. Soulever et guider la barrière vers le côté tête du produit jusqu'à ce que le loquet de déblocage jaune s'enclenche. Tirer sur la barrière pour s'assurer qu'elle est verrouillée.

Remarque

- Il existe une option de double loquet de déblocage de barrière disponible avec des loquets des deux côtés du produit.
- Ne pas utiliser les barrières comme dispositifs de retenue pour empêcher le patient de sortir du produit. Les barrières empêchent le patient de tomber du produit. Il incombe à l'opérateur de déterminer le niveau de retenue nécessaire pour assurer la sécurité du patient.
- Il est possible d'utiliser le côté pieds de la barre supérieure des barrières pour pousser/tirer le produit.
- Les barrières ne se verrouillent qu'en position complètement relevée.

Positionnement du produit en utilisant le panneau de commande du patient de la barrière - plan de couchage électrique - Prime uniquement

AVERTISSEMENT - Toujours s'assurer que tous les opérateurs se tiennent à l'écart des mécanismes avant d'utiliser le produit.

Utiliser le panneau de commande du patient de la barrière pour positionner le relève-buste et le relève-jambes (Figure 13).

Les professionnels de santé doivent expliquer aux patients comment utiliser le panneau de commande du patient.

Remarque

- Toujours brancher le cordon d'alimentation sur une prise murale aux normes hospitalières mise à la terre.
- Les panneaux de commande du patient de la barrière sont positionnés de manière décalée de chaque côté du produit pour faciliter l'accès du patient.
- Chaque barrière a des commandes rétroéclairées pour permettre au patient de positionner le relève-buste et le relève-jambes. Lorsque le produit est branché et que le panneau de commande du patient est déverrouillé, les boutons blancs sont allumés.

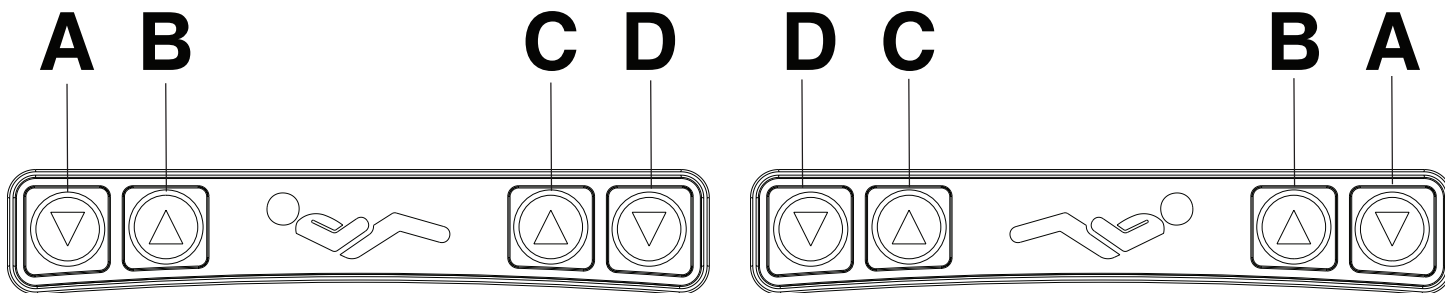


Figure 13 – Panneau de commande du patient de la barrière

A	Abaissement du relève-buste	Abaisse le relève-buste (section tête)
B	Élévation du relève-buste	Élève le relève-buste (section tête)
C	Élévation du relève-jambes	Élève le relève-jambes (section pieds)
D	Abaissement du relève-jambes	Abaisse le relève-jambes (section pieds)

Panneau de commande de l'opérateur - plan de couchage électrique en option - Prime uniquement

AVERTISSEMENT - Toujours s'assurer que tous les opérateurs se tiennent à l'écart des mécanismes avant d'utiliser le produit.

Utiliser le panneau de commande de l'opérateur pour ajuster la position du patient sur le produit (Figure 14).

Remarque - Toujours brancher le cordon d'alimentation sur une prise murale aux normes hospitalières mise à la terre.

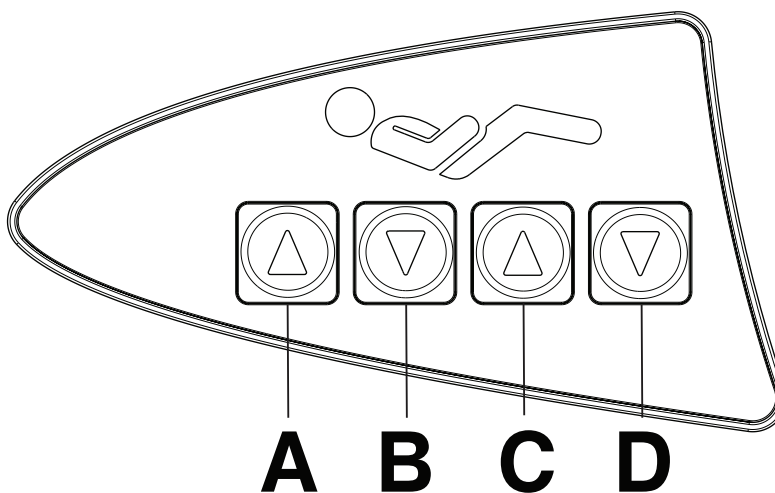


Figure 14 – Panneau de commande de l'opérateur - plan de couchage électrique en option

A	Élévation du relève-buste	Élève le relève-buste
B	Abaissement du relève-buste	Abaisse le relève-buste
C	Élévation du relève-jambes	Élève le relève-jambes
D	Abaissement du relève-jambes	Abaisse le relève-jambes

Verrouillage et déverrouillage du dispositif de verrouillage du panneau de commande du patient - plan de couchage électrique en option - Prime uniquement

AVERTISSEMENT - Toujours s'assurer que tous les opérateurs se tiennent à l'écart des mécanismes avant d'utiliser le produit.

Pour verrouiller le panneau de commande du patient de la barrière, appuyer une fois sur **Unlock/Lock** (Déverrouiller/Verrouiller) (A) (Figure 15).

Remarque - L'icône de verrouillage (C) s'allume en orange lorsque les commandes du patient sont verrouillées.

Pour déverrouiller le panneau de commande du patient de la barrière, appuyer une seconde fois sur **Unlock/Lock** (Déverrouiller/Verrouiller) (A).

Remarque - L'icône de déverrouillage (B) s'allume en vert lorsque les commandes du patient sont déverrouillées.

Remarque

- Toujours brancher le cordon d'alimentation sur une prise murale aux normes hospitalières mise à la terre.
- Il est possible de verrouiller le panneau de commande du patient pour empêcher le patient d'actionner le relève-buste et le relève-jambes.
- Le panneau de commande du patient de la barrière n'est pas rétroéclairé lorsque le panneau de commande du patient est verrouillé.

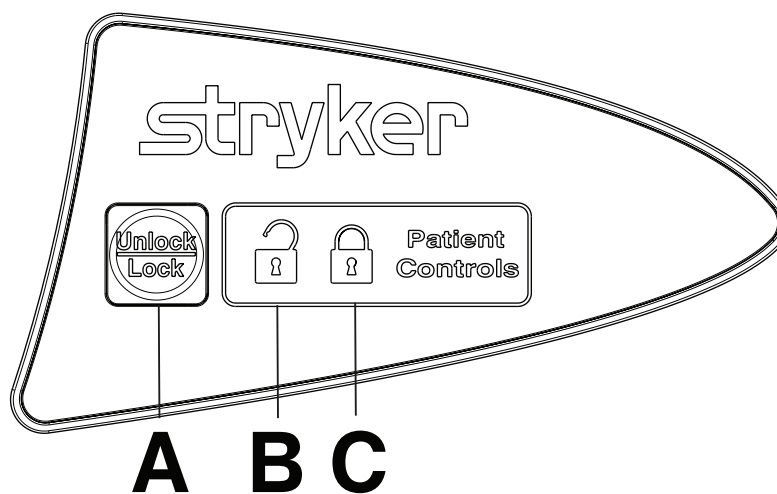


Figure 15 – Verrouillage du panneau de commande du patient

Élévation ou abaissement du relève-buste - plan de couchage non électrique

AVERTISSEMENT

- Toujours s'assurer que tous les opérateurs se tiennent à l'écart des mécanismes avant d'utiliser le produit.
- Toujours éloigner les mains et les doigts des poignées de déblocage du relève-buste et du châssis du relève-buste lors de l'abaissement du relève-buste.
- Toujours faire preuve de prudence lors de l'élévation d'un relève-buste quand un patient se trouve sur le produit. Utiliser des techniques de soulèvement adaptées et demander de l'aide si nécessaire.

Pour élever le relève-buste, serrer une ou les deux poignées de déblocage du relève-buste (A) et tirer le relève-buste vers le haut jusqu'à la position voulue (0° à 90°) (Figure 16).

Remarque - Le relève-buste **Lift Assist**® utilise le poids du patient pour faciliter le positionnement du patient. Le relève-buste **Lift Assist** aide également à empêcher le glissement du patient vers le côté pieds du produit lors de l'élévation du relève-buste.

Pour abaisser le relève-buste, serrer une ou les deux poignées de déblocage du relève-buste (A) et pousser le relève-buste vers le bas jusqu'à la position voulue (90° à 0°) (Figure 16).

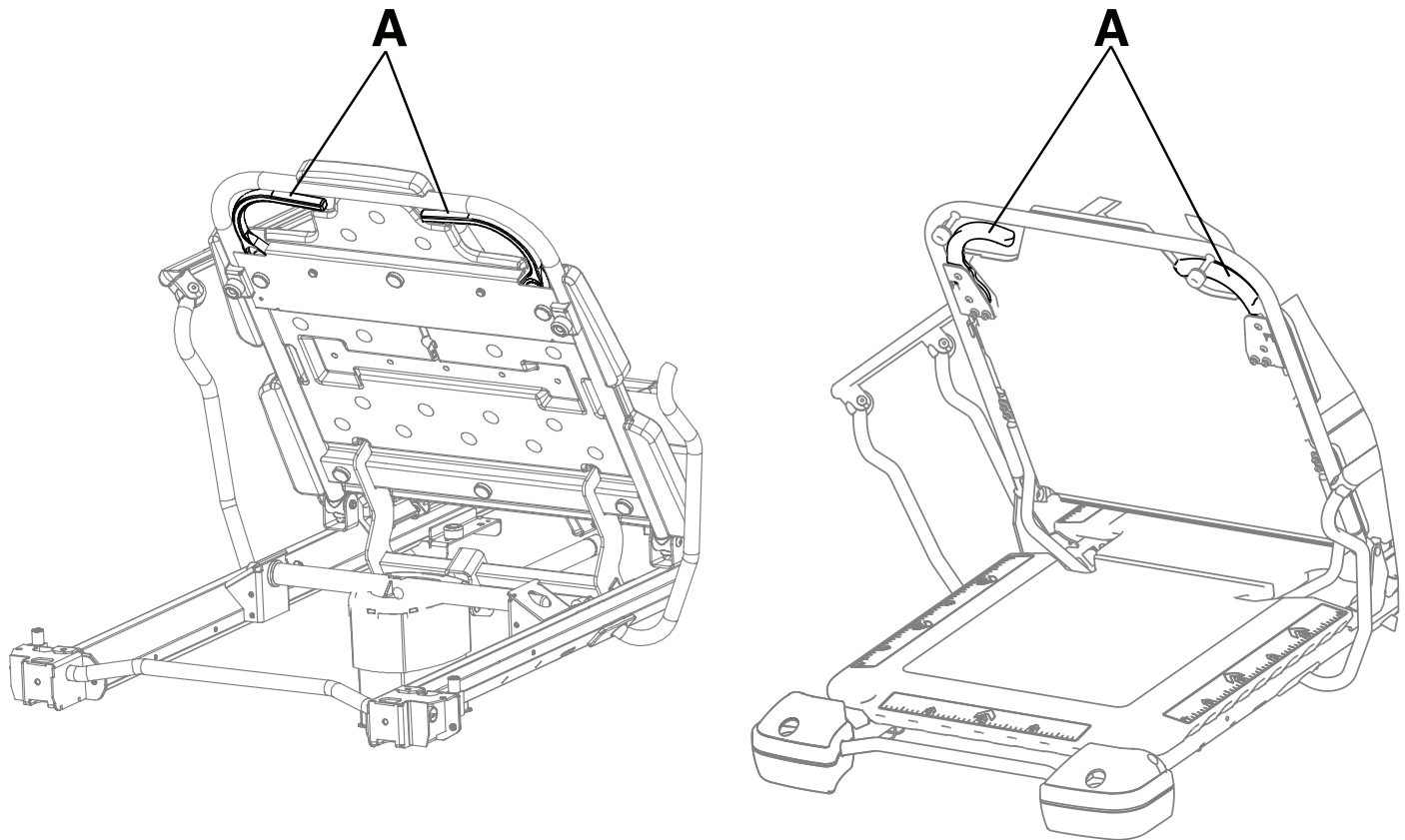


Figure 16 – Élévation ou abaissement du relève-buste (Prime/Prime X)

Élévation ou abaissement du relève-buste - plan de couchage électrique en option

AVERTISSEMENT

- Toujours s'assurer que tous les opérateurs se tiennent à l'écart des mécanismes avant d'utiliser le produit.
- Toujours éloigner les mains et les doigts des poignées de déblocage du relève-buste et du châssis du relève-buste lors de l'abaissement du relève-buste.
- Toujours faire preuve de prudence lors de l'élévation d'un relève-buste quand un patient se trouve sur le produit. Utiliser des techniques de soulèvement adaptées et demander de l'aide si nécessaire.

Pour élever le relève-buste, appuyer sur le bouton **up** (haut) sur le côté relève-buste du panneau de commande du patient de la barrière (*Positionnement du produit en utilisant le panneau de commande du patient de la barrière - plan de couchage électrique - Prime uniquement* (page 23)) ou sur le panneau de commande de l'opérateur du côté pieds (*Panneau de commande de l'opérateur - plan de couchage électrique en option - Prime uniquement* (page 24)) jusqu'à ce que le relève-buste atteigne l'angle voulu (0° à 70°).

Remarque - Le relève-buste **Lift Assist** utilise le poids du patient pour faciliter le positionnement du patient. Le relève-buste **Lift Assist** aide également à empêcher le glissement du patient vers le côté pieds du produit lors de l'élévation du relève-buste.

Pour abaisser le relève-buste, appuyer sur le bouton **down** (bas) sur le côté relève-buste du panneau de commande du patient de la barrière (*Positionnement du produit en utilisant le panneau de commande du patient de la barrière - plan de couchage électrique - Prime uniquement* (page 23)) ou sur le panneau de commande de l'opérateur du côté pieds

(Panneau de commande de l'opérateur - plan de couchage électrique en option - Prime uniquement (page 24)) jusqu'à ce que le relève-buste atteigne l'angle voulu (70° à 0°).

Remarque - Toujours brancher le cordon d'alimentation sur une prise murale aux normes hospitalières mise à la terre.

Les professionnels de santé doivent expliquer aux patients comment utiliser le panneau de commande du patient.

Élévation ou abaissement du relève-jambes - plan de couchage non électrique - Prime uniquement

AVERTISSEMENT - Toujours éloigner les mains et les doigts des poignées de poussée du côté pieds lors de l'abaissement du relève-jambes.

MISE EN GARDE

- La charge admissible du relève-jambes est de 200 livres (90,7 kg).
 - Toujours s'assurer que la barre d'appui du relève-jambes est bien installée avant l'emploi.
 - Ne pas s'asseoir ou se tenir debout sur le relève-jambes.
-

Pour élever le relève-jambes non électrique, actionner la poignée de la pompe du relève-jambes vers la gauche jusqu'à l'obtention de la position voulue (voir *Illustration du produit - plan de couchage Prime*).

Soulever l'extrémité du relève-jambes et fixer la barre d'appui dans le support.

Pour débloquer la barre d'appui, soulever l'extrémité du relève-jambes, faire basculer la barre d'appui vers le côté tête du produit et abaisser le côté pieds.

Pour abaisser le relève-jambes, tirer sur la poignée de déblocage du relève-jambes jusqu'à l'obtention de la position voulue (voir *Illustration du produit - plan de couchage Prime*).

Remarque - Il n'est pas possible d'élever le relève-jambes manuellement si le produit est muni du plan de couchage électrique en option.

Élévation ou abaissement du relève-jambes - plan de couchage électrique en option - Prime uniquement

AVERTISSEMENT

- Toujours éloigner les mains et les doigts des poignées de poussée du côté pieds lors de l'abaissement du relève-jambes.
 - Toujours s'assurer que tous les opérateurs se tiennent à l'écart des mécanismes avant d'utiliser le produit.
-

MISE EN GARDE

- La charge admissible du relève-jambes est de 200 livres (90,7 kg).
 - Ne pas s'asseoir ou se tenir debout sur le relève-jambes.
 - Toujours faire preuve de prudence lors de l'abaissement du relève-jambes pendant que le produit est hors tension. La gravité peut entraîner l'abaissement rapide du relève-jambes.
-

Pour élever le relève-jambes, appuyer sur **up** (haut) sur le côté relève-jambes du panneau de commande du patient de la barrière ou sur le panneau de commande de l'opérateur du côté pieds.

Pour abaisser le relève-jambes, appuyer sur **down** (bas) sur le côté relève-jambes du panneau de commande du patient de la barrière ou sur le panneau de commande de l'opérateur du côté pieds.

Remarque - Toujours brancher le cordon d'alimentation sur une prise murale aux normes hospitalières mise à la terre.

Les professionnels de santé doivent expliquer aux patients comment utiliser le panneau de commande du patient.

Positionnement du fauteuil de récupération - Prime uniquement

AVERTISSEMENT - Toujours s'assurer que tous les opérateurs se tiennent à l'écart des mécanismes avant d'utiliser le produit.

Pour placer le produit en position fauteuil de récupération (Figure 17) :

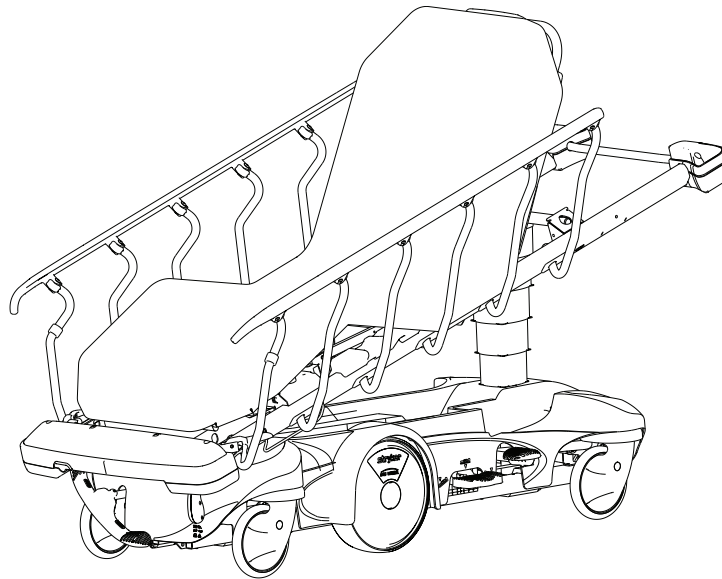


Figure 17 – Fauteuil de récupération (modèle 1115 illustré)

1. Élever le relève-buste jusqu'en position assise (*Élévation ou abaissement du relève-buste - plan de couchage non électrique (page 25) ou Élévation ou abaissement du relève-buste - plan de couchage électrique en option (page 26)*).

Remarque - Pour positionner le fauteuil de récupération, le produit doit être muni du relève-buste **Lift Assist** en option et du relève-jambes en option.

2. Élever le relève-jambes à la position maximum (*Élévation ou abaissement du relève-jambes - plan de couchage non électrique - Prime uniquement (page 27) ou Élévation ou abaissement du relève-jambes - plan de couchage électrique en option - Prime uniquement (page 27)*).
3. Élever le plan de couchage à la hauteur maximum (*Élévation du plan de couchage non électrique (page 17) ou Élévation du plan de couchage électrique en option (page 18)*).
4. Placer le produit en proclive (*Positionnement du produit en proclive (page 19)*).
5. Inverser les étapes pour abaisser le produit à plat.

Rangement d'objets dans le capot de base

MISE EN GARDE

- Ne pas placer d'objets de plus de 27 kg dans le capot de base.
 - Ne pas s'asseoir, monter ou se tenir debout sur le capot de base.
-

Il est possible de ranger les effets personnels du patient dans le capot de base. Ne pas utiliser la découpe du support pour bouteille d'oxygène pour stocker des bouteilles d'oxygène ou les effets personnels du patient.

Suspension de dispositifs avec le support de pompe en option

AVERTISSEMENT

- Toujours maintenir les conduites du dispositif sur le support de pompe à l'écart des poignées du relève-jambes.
 - Toujours retirer les dispositifs susceptibles de gêner avant d'élever ou d'abaisser le plan de couchage.
 - Toujours s'assurer que les dispositifs sur le support de pompe peuvent franchir sans encombre les ouvertures de porte.
 - Ne pas soulever le produit par le support de pompe.
-

MISE EN GARDE

- La charge admissible du support de pompe est de 40 livres (18 kg).
 - Ne pas utiliser le support de pompe pour pousser ou tirer le produit. Cela risque d'endommager le produit.
-

Des dispositifs supplémentaires peuvent être stockés ou suspendus au niveau du support de pompe situé du côté pieds du produit.

Remarque - La décision d'inclure le support de pompe en option doit être prise au moment de l'achat.

Extension ou retrait du cordon d'alimentation avec l'enrouleur de cordon rétractable en option - système de levage électrique en option ou plan de couchage électrique en option

AVERTISSEMENT

- Toujours débrancher le cordon d'alimentation de la prise murale avant de transporter ou de nettoyer le produit.
 - Toujours utiliser l'enrouleur de cordon rétractable pour stocker le cordon d'alimentation à l'intérieur de la base pendant le transport du produit.
-

Pour étendre le cordon d'alimentation, sortir le cordon de l'enrouleur de cordon rétractable (A) à la longueur désirée en tirant dessus (Figure 18).

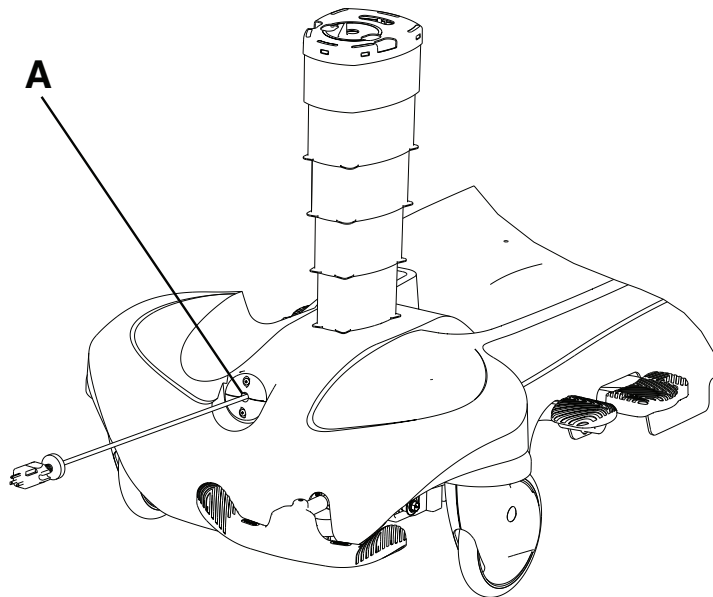


Figure 18 – Enrouleur de cordon rétractable

Pour rétracter le cordon d'alimentation :

1. Débrancher le cordon d'alimentation de la prise murale.
2. Tirer doucement sur le cordon d'alimentation.

3. Guider le cordon d'alimentation dans l'enrouleur de cordon rétractable.

Système de pesée en option

AVERTISSEMENT - Ne pas utiliser le système de pesée en option, le système de levage électrique en option ou le plan de couchage électrique en option à proximité étroite de ou en superposition avec d'autres dispositifs. Si une utilisation à proximité étroite ou en superposition s'avère nécessaire, observer le système de pesée en option, le système de levage électrique en option ou le plan de couchage électrique en option pour s'assurer que tous les dispositifs fonctionnent normalement dans la configuration dans laquelle ils seront utilisés.

MISE EN GARDE - Ne pas utiliser le système de pesée pour des patients pesant moins de 50 livres (23 kg).

Le système de pesée en option est disponible pour les produits avec ou sans le plan de couchage électrique en option. Le système de pesée en option a une batterie de secours en option. L'icône de veille indique quand le produit utilise la batterie de secours.

L'option **Chaperone** permet de régler des commandes de zones afin d'alerter l'opérateur si un patient essaie de quitter le produit. L'option **Chaperone** est disponible pour les produits équipés du plan de couchage électrique en option et du système de pesée en option. Le système de pesée en option avec l'option **Chaperone** dispose d'une batterie de secours en option. L'icône de veille indique quand le produit utilise la batterie de secours.

Élever les poignées de poussée du côté pieds avant de tenter d'utiliser le système de pesée en option.

Utiliser le panneau de commande du système de pesée pour faire fonctionner le système de pesée en option (*Identification des icônes/boutons du système de pesée* (page 30)).

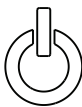



Ne pas toucher le produit pendant la pesée ou la mise à zéro du système de pesée en option.




Le patient doit rester immobile pendant que le système effectue la pesée. Si le patient bouge, le système de pesée tentera pendant 20 secondes d'obtenir un poids stable ou une valeur de zéro avant d'afficher le message d'erreur (⏏).

L'erreur (⏏) apparaît sur l'affichage en cas de connexion desserrée ou si le système de pesée ne fonctionne pas. Si l'erreur apparaît après une nouvelle tentative d'utiliser le système de pesée, contacter le support technique de Stryker.

Remarque - Pour satisfaire à la revendication concernant la précision du système de pesée, la surface patient doit se trouver en position à plat (relève-buste et relève-jambes abaissés) et le produit ne peut pas dépasser 5 degrés de déclive/proclive.

Identification des icônes/boutons du système de pesée

Élé-ment	Icône/bouton	Nom	Description
A		Icône de veille	S'allume en vert lorsque le cordon d'alimentation est branché sur une prise murale. S'allume en orange lorsque le cordon d'alimentation est débranché de la prise murale. La fonction batterie de secours est activée.
B		Icône Zone 1	Le patient peut bouger librement, mais l'alarme se déclenche lorsqu'il tente de quitter le produit.
C		Icône Zone 2	Le patient peut bouger de façon limitée. L'alarme se déclenche quand le patient s'approche des barrières ou bouge vers le côté pieds.
D		Bouton Arm/Disarm (Armer/Désarmer)	Arme et désarme l'option Chaperone (sortie de brancard). Voir <i>Armement ou désarmement de l'option Chaperone</i> (page 32).

Élé-ment	Icône/ bouton	Nom	Description
E		Bouton Weigh (Peser)	Pèse le patient. Voir <i>Pour peser un patient</i> (page 31).
F		Bouton lb/kg (livre/kg)	Change l'unité de mesure affichée. Voir <i>Verrouillage de l'unité de mesure du système de pesée</i> (page 31).
G		Bouton Zero (Zéro)	Met à zéro les réglages du système de pesée. Voir <i>Verrouillage de l'unité de mesure du système de pesée</i> (page 31).

Pour peser un patient

MISE EN GARDE - Ne pas utiliser le relevé du système de pesée comme référence pour le traitement médical.

1. Élever les poignées de poussée du côté pieds avant d'utiliser le système de pesée en option.
2. Maintenir enfoncé **Zero** (Zéro) jusqu'à l'affichage de **rel** (relâcher) à l'écran pour réinitialiser le système de pesée. **000.0** clignote, puis s'arrête de clignoter.

Remarque - Le système de pesée n'est pas prêt à l'emploi tant que **000.0** ne s'arrête pas de clignoter.

3. Placer le patient sur le produit.
4. Appuyer sur **lb/kg** (livre/kg) afin de sélectionner l'unité de mesure (livres ou kg).
5. Appuyer sur **Weigh** (Peser) afin d'obtenir le poids du patient.

Remarque - Le poids du patient s'affiche pendant 40 secondes.

Verrouillage de l'unité de mesure du système de pesée

1. Maintenir enfoncés les boutons **Weigh** (Peser), **lb/kg** (livre/kg) et **Zero** (Zéro) jusqu'à ce que **diag** (dialogue) s'affiche.
2. Appuyer sur **lb/kg** (livre/kg) ou **Zero** (Zéro) pour passer à **Unit Loc** (Verrouillage de l'unité).
3. Pour un système de pesée sans Chaperone, maintenir enfoncés les boutons **lb/kg** (livre/kg) et **Zero** (Zéro) jusqu'à l'affichage de **rel** (relâcher) pour sélectionner **Unit Loc** (Verrouillage de l'unité).
4. Pour un système de pesée avec **Chaperone**, maintenir enfoncés les boutons **lb/kg** (livre/kg) et **Zero** (Zéro) pour sélectionner **Unit Loc** (Verrouillage de l'unité).
5. Appuyer sur **lb/kg** (livre/kg) ou **Zero** (Zéro) pour commuter entre **lb** (livre), **kg** ou **Any** (l'un ou l'autre).
6. Appuyer sur **lb/kg** (livre/kg) ou **Zero** (Zéro) et relâcher. **Only** (uniquement) et l'unité de mesure sélectionnée s'affichent.
7. Maintenir enfoncé **Weigh** (Peser) jusqu'à l'affichage de **quit** (terminer).
8. Maintenir enfoncé **Zero** (Zéro) jusqu'à l'affichage de **rel** (relâcher). **000.0** clignote, puis s'arrête de clignoter.

Remarque - **Only** (uniquement) n'apparaîtra pas si **Any** (l'un ou l'autre) est sélectionné.

Remarque - Le système de pesée n'est pas prêt à l'emploi tant que **000.0** ne s'arrête pas de clignoter.

Armement ou désarmement de l'option Chaperone

Lorsque la fonction **Chaperone** est armée, elle surveille la position du patient sur le produit.

Pour armer et désarmer **Chaperone** :

1. Avec le patient sur le produit, appuyer sur **Arm/Disarm** (Armer/Désarmer).
Remarque - Cette action arme Zone 1. Zone 1 s'allume en orange sous l'effet de cette action.
2. Pour armer Zone 2, appuyer sur **Arm/Disarm** (Armer/Désarmer) deux fois en l'espace de 3 secondes.
Remarque - Cette action arme Zone 2. Zone 2 s'allume en orange sous l'effet de cette action.
3. Pour désarmer **Chaperone**, appuyer sur le bouton **Arm/Disarm** (Armer/Désarmer) et le maintenir enfoncé.
Remarque - Il est nécessaire de remettre à zéro le système de pesée avant d'armer l'option **Chaperone**.

Remarque - Si le patient bouge en dehors des limites de la zone sélectionnée, un voyant orange clignote, **Alrt** (Alerte) clignote sur l'affichage du système de pesée en option et une alarme sonore est déclenchée.

Réglage du schéma d'alerte de l'option Chaperone

Pour modifier le schéma d'alerte de l'option **Chaperone** :

1. Appuyer simultanément sur les boutons **Arm/Disarm** (Armer/Désarmer) et **Weigh** (Peser) et les maintenir enfoncés pendant environ 6 secondes. Ignorer tous les messages de l'affichage jusqu'à ce que **Ptrn** (Schéma) s'affiche (*Identification des icônes/boutons du système de pesée* (page 30)).
2. Relâcher les boutons **Arm/Disarm** (Armer/Désarmer) et **Weigh** (Peser).
Remarque - Le réglage du schéma **P (1-10)** s'affiche.
3. Appuyer sur **Arm/Disarm** (Armer/Désarmer) ou **Weigh** (Peser) pour faire défiler les options du schéma.
Remarque - Un échantillon rapide du schéma s'affiche à mesure que l'opérateur fait défiler les options du schéma.
4. Appuyer simultanément sur les boutons **Arm/Disarm** (Armer/Désarmer) et **Weigh** (Peser) et les maintenir enfoncés pendant 6 secondes jusqu'à ce que **set** (Régler) s'affiche pour enregistrer le schéma sélectionné.
5. Relâcher **Arm/Disarm** (Armer/Désarmer) et **Weigh** (Peser).
Remarque - Le réglage du schéma sélectionné s'affiche. Un échantillon rapide du schéma confirme le réglage du schéma.

Réglage du volume d'alerte de l'option Chaperone

Pour modifier le volume d'alerte de l'option **Chaperone** :

1. Appuyer simultanément sur les boutons **Zero** (Zéro) et **lb/kg** (livre/kg) et les maintenir enfoncés jusqu'à ce que **vol** (Volume) s'affiche (*Identification des icônes/boutons du système de pesée* (page 30)).
2. Relâcher **Zero** (Zéro) et **lb/kg** (livre/kg).
Remarque - Les niveaux de volume **L (1-4)** s'affichent.
3. Appuyer sur **Zero** (Zéro) ou **lb/kg** (livre/kg) pour faire défiler les niveaux de volume.
Remarque - Un échantillon rapide du volume s'affiche à mesure que l'opérateur fait défiler les niveaux de volume.
4. Appuyer simultanément sur les boutons **Zero** (Zéro) et **lb/kg** (livre/kg) et les maintenir enfoncés pendant 6 secondes jusqu'à ce que **set** (Régler) s'affiche pour enregistrer le niveau de volume sélectionné.
5. Relâcher **Zero** (Zéro) et **lb/kg** (livre/kg).
Remarque - Le niveau de volume sélectionné s'affiche. Un échantillon rapide du niveau de volume confirme le réglage du niveau de volume.

Chargement du bloc-batterie du système de pesée en option - plan de couchage électrique en option ou plan de couchage électrique en option avec l'option Chaperone - Prime uniquement

Le système de pesée avec le plan de couchage électrique en option nécessite un bloc-batterie Li-ion 10,8 V (0058-135-000 sans l'option **Chaperone** ; 0058-134-000 avec l'option **Chaperone**). Recharger le bloc-batterie lorsque l'indicateur de charge de la batterie affiche une seule unité restante. Cette action empêche l'arrêt du système de pesée en option occasionné par des batteries épuisées.

Pour recharger le bloc-batterie Li-ion du système de pesée, brancher le cordon d'alimentation sur une prise murale aux normes hospitalières, mise à la terre. La charge complète du bloc-batterie prend environ trois heures.

Remarque - Toujours brancher le produit sur une prise murale aux normes hospitalières mise à la terre lorsqu'il n'est pas utilisé. Cela permet de maintenir une charge de batterie suffisante et d'optimiser les performances du produit lorsque celui-ci est alimenté par batterie.

Remplacement des batteries du système de pesée en option - plan de couchage non électrique

Remplacer les batteries lorsque l'indicateur de charge de la batterie affiche une seule unité restante. Cette action empêche l'arrêt du système de pesée en option occasionné par des batteries épuisées.

Lorsque **Lo batt** (batterie faible) clignote sur l'affichage, les batteries se trouvent à leur niveau de charge le plus faible et le système de pesée en option est désactivé.

Outils requis :

- Tournevis cruciforme
- Quatre batteries AA (type alcaline (LR6))

Pour remplacer les batteries :

1. À l'aide d'un tournevis cruciforme, retirer les vis qui maintiennent le couvercle du compartiment à batteries sur l'ensemble d'affichage.
2. Retirer et jeter les quatre batteries AA.

Remarque - Toujours éliminer les anciennes batteries conformément à la réglementation locale.

3. Insérer quatre batteries AA neuves dans le sens indiqué dans le compartiment à batteries.

Remarque - Ne jamais mélanger les anciennes batteries avec les batteries neuves.

4. Utiliser les vis retirées à l'étape 1 pour réinstaller le couvercle du compartiment à batteries sur l'ensemble d'affichage.

Accessoires et pièces

Les accessoires suivants peuvent être disponibles pour le produit. Confirmer la disponibilité en fonction de la configuration du produit ou du pays. Contacter le service clientèle de Stryker : +1-800-327-0770.

Nom	N° de pièce
Plateau porte-débrillateur	1105-045-200
Plateau porte-débrillateur/rallonge de lit	1105-045-400
Pied de lit/porte-dossiers	1105-045-500
Ensemble coussinet de talon	1105-045-022
Chariot de perfusion	0785-155-000
Support de perfusion HAVASU™ , amovible	0390-025-000
Support de perfusion en trois parties, côté pieds, gauche, 26 po (66 cm)	1105-035-644

Nom	N° de pièce
Support de perfusion en trois parties, côté pieds, droit, 26 po (66 cm)	1105-035-639
Support de perfusion en trois parties, côté pieds, gauche, 30 po (76 cm)	1105-035-344
Support de perfusion en trois parties, côté pieds, droit, 30 po (76 cm)	1105-035-339
Support de perfusion en trois parties, côté pieds, gauche, 30 po (76 cm) (option Prime X)	1105-035-364
Support de perfusion en trois parties, côté pieds, droit, 30 po (76 cm) (option Prime X)	1105-035-361
Support de perfusion en trois parties, côté tête, gauche, 26 po (66 cm)	1105-035-642
Support de perfusion en trois parties, côté tête, droit, 26 po (66 cm)	1105-035-637
Support de perfusion en trois parties, côté tête, gauche, 30 po (76 cm)	1105-035-342
Support de perfusion en trois parties, côté tête, droit, 30 po (76 cm)	1105-035-337
Support de perfusion en trois parties, côté tête, gauche, 30 po (76 cm) (option Prime X)	1105-035-369
Support de perfusion en trois parties, côté tête, droit, 30 po (76 cm) (option Prime X)	1105-035-366
Support de perfusion en deux parties, côté pieds, gauche, 26 po (66 cm)	1105-035-640
Support de perfusion en deux parties, côté pieds, droit, 26 po (66 cm)	1105-035-643
Support de perfusion en deux parties, côté pieds, gauche, 30 po (76 cm)	1105-035-340
Support de perfusion en deux parties, côté pieds, droit, 30 po (76 cm)	1105-035-343
Support de perfusion en deux parties, côté pieds, gauche, 30 po (76 cm) (option Prime X)	1105-035-362
Support de perfusion en deux parties, côté pieds, droit, 30 po (76 cm) (option Prime X)	1105-035-363
Support de perfusion en deux parties, côté tête, gauche, 26 po (66 cm)	1105-035-638
Support de perfusion en deux parties, côté tête, droit, 26 po (66 cm)	1105-035-641
Support de perfusion en deux parties, côté tête, gauche, 30 po (76 cm)	1105-035-341
Support de perfusion en deux parties, côté tête, droit, 30 po (76 cm)	1105-035-338

Nom	N° de pièce
Support de perfusion en deux parties, côté tête, gauche, 30 po (76 cm) (option Prime X)	1105-035-367
Support de perfusion en deux parties, côté tête, droit, 30 po (76 cm) (option Prime X)	1105-035-368
Matelas, ComfortGel SE™ , protection anti-feu, 26 po (66 cm)	1805-034-601
Matelas, ComfortGel SE , protection anti-feu, 30 po (76 cm)	1805-034-301
Matelas, ComfortGel SE , sans protection anti-feu, 26 po (66 cm)	1805-034-600
Matelas, ComfortGel SE , sans protection anti-feu, 30 po (76 cm)	1805-034-300
Matelas, Enhanced Comfort, 3 po x 26 po (8 cm x 66 cm)	0785-034-613
Matelas, Enhanced Comfort, 3 po x 30 po (8 cm x 76 cm)	0785-034-313
Matelas, Enhanced Comfort, 4 po x 26 po (10 cm x 66 cm)	0785-034-623
Matelas, Enhanced Comfort, 4 po x 30 po (10 cm x 76 cm)	0785-034-323
Matelas, IsoFlex SE™ , protection anti-feu, 30 po (76 cm)	1806-034-300
Matelas, IsoFlex SE , sans protection anti-feu, international, 30 po (76 cm)	1806-034-301
Matelas, Ultra Comfort, 4 po x 26 po (10 cm x 66 cm)	0785-034-603
Matelas, Ultra Comfort, 4 po x 30 po (10 cm x 76 cm)	0785-034-303
Matelas, Ultra Comfort, 5 po x 26 po (13 cm x 66 cm)	0785-034-633
Matelas, Ultra Comfort, 5 po x 30 po (13 cm x 76 cm)	0785-034-333
Matelas, Ultra Comfort SE™ , 4 po x 26 po (10 cm x 66 cm)	1704-034-600
Matelas, Ultra Comfort SE , protection anti-feu, international, 4 po x 26 po (10 cm x 66 cm)	1704-034-601
Matelas, Ultra Comfort, extension de brancard, 4 po x 26 po (10 cm x 66 cm)	1105-034-609
Matelas, Ultra Comfort, extension de brancard, 4 po x 30 po (10 cm x 76 cm)	1105-034-309
Matelas, Ultra Comfort SE , 3 po x 30 po (8 cm x 76 cm)	1703-034-300
Matelas, Ultra Comfort SE , protection anti-feu, 3 po x 30 po (8 cm x 76 cm)	1703-034-301
Matelas, Ultra Comfort SE , 4 po x 30 po (10 cm x 76 cm)	1704-034-300
Matelas, Ultra Comfort SE , protection anti-feu, 4 po x 30 po (10 cm x 76 cm)	1704-034-301
Support pour bouteille d'oxygène, vertical	1115-130-000
Option de barre de pompe, 30 po (76 cm)	1105-045-035

Nom	N° de pièce
Ensemble de poignée de poussée, côté pieds, 30 po (76 cm)	1105-048-030
Ensemble de poignée de poussée, côté tête, 30 po (76 cm)	1105-048-060
Sangle de retenue, ensemble	0785-045-010
Sangle de retenue, cheville	0785-045-020
Sangle de retenue, corps	0785-045-015
Sangle de retenue, poignet	0946-044-000
Sangle de retenue, poitrine	1010-058-000
Plateau de service	1105-045-700
Porte-plateau de service/pied de lit	1105-045-800
Coussinets pour barrière	1001-052-000
Porte-cassette de radiographie, de profil	1105-045-100
Porte-cassette de radiographie, de face	1105-045-300

Composants électriques

Nom	Numéro
Actionneur, relève-buste	1008-012-020
Actionneur, relève-jambes	1008-014-020
Batterie, bloc-batterie intelligent Li-ION (système de pesée uniquement)	0058-135-000
Batterie, bloc-batterie intelligent Li-ION (système de pesée et Chaperone)	0058-134-000
Carte, circuit imprimé de commande CC	1008-116-800
Carte, circuit CA hors commande de levage	1008-002-800
Carte, circuit imprimé de commande de levage	1008-002-810
Carte, circuit de commande du système de pesée (système de pesée uniquement)	1008-237-850
Carte, circuit de commande du système de pesée et de Chaperone	1008-237-840
Condensateur, 440 V CA, 35 MFD	0059-087-000
Clavier, commande du système de pesée (plan de couchage non électrique)	1008-037-820
Clavier, commande de barrière, gauche	1008-011-017
Clavier, commande de barrière, droite	1008-011-016
Clavier, commande de l'opérateur	1008-015-800
Cellule de charge (système de pesée en option)	1008-037-057
Moteur, pompe	1008-002-015

Nom	Numéro
Cordon d'alimentation, standard	1028-146-060
Cordon d'alimentation, international, type E	1125-060-170
Cordon d'alimentation, international, type F	1125-060-180
Cordon d'alimentation, international, type G	1125-060-160
Cordon d'alimentation, international, type I	1125-060-200
Ensemble de boîtier de pesée (plan de couchage non électrique)	1070-237-020
Transformateur	1008-014-857
Transformateur, international	1008-014-877

Fixation du plateau porte-défibrillateur

AVERTISSEMENT

- Ne pas placer d'articles de plus de 30 livres (14 kg) sur le plateau porte-défibrillateur. Toujours fixer à l'aide d'une sangle les dispositifs placés sur le plateau porte-défibrillateur.
- Toujours faire preuve de prudence si le plateau porte-défibrillateur/rallonge de lit, le pied de lit/porte-dossiers ou le support vertical pour bouteille d'oxygène est fixé afin d'éviter de se pincer les doigts lors du positionnement de la poignée de poussée du côté pieds en option.

Pour fixer le plateau porte-défibrillateur :

1. Insérer les broches du plateau porte-défibrillateur dans les douilles côté pieds du produit.
2. Utiliser la sangle pour fixer les dispositifs au plateau porte-défibrillateur.

Remarque

- Ne pas utiliser le plateau porte-défibrillateur pour pousser/tirer le produit. Cela risque d'endommager le produit.
- Toujours élever les poignées de poussée du côté pieds lors de l'utilisation des accessoires (comme le plateau porte-défibrillateur/rallonge de lit, le pied de lit/porte-dossiers, le support vertical pour bouteille d'oxygène) ; sans quoi ils ne fonctionneront pas comme prévu.

Conversion du plateau porte-défibrillateur/rallonge de lit en plateau porte-défibrillateur

AVERTISSEMENT

- Ne pas placer d'articles de plus de 14 kg sur le plateau porte-défibrillateur/rallonge de lit. Toujours fixer à l'aide d'une sangle les dispositifs placés sur le plateau porte-défibrillateur.
- Toujours faire preuve de prudence si le plateau porte-défibrillateur/rallonge de lit, le pied de lit/porte-dossiers ou le support vertical pour bouteille d'oxygène est fixé afin d'éviter de se pincer les doigts lors du positionnement de la poignée de poussée du côté pieds en option.

MISE EN GARDE - Toujours élever le support de perfusion avant de fixer le plateau porte-défibrillateur/rallonge de lit au produit. Si le support de perfusion n'est pas élevé, la rallonge de lit ne fonctionnera pas.

Pour convertir le plateau porte-défibrillateur/rallonge de lit en plateau porte-défibrillateur :

1. Tirer sur le bouton supérieur (A) pour le faire sortir (Figure 19).
2. Faire pivoter le plateau porte-défibrillateur (B) jusqu'à ce que le plateau soit à plat au-dessus du côté pieds du produit. Relâcher le bouton supérieur (A). S'assurer que le plateau porte-défibrillateur est bloqué.
3. Utiliser la sangle pour fixer les dispositifs au plateau porte-défibrillateur.

Remarque

- Ne pas utiliser le plateau porte-défibrillateur/rallonge de lit pour pousser ou tirer le produit. Cela risque d'endommager le produit.
- Ne pas attacher d'articles à la rallonge de lit.

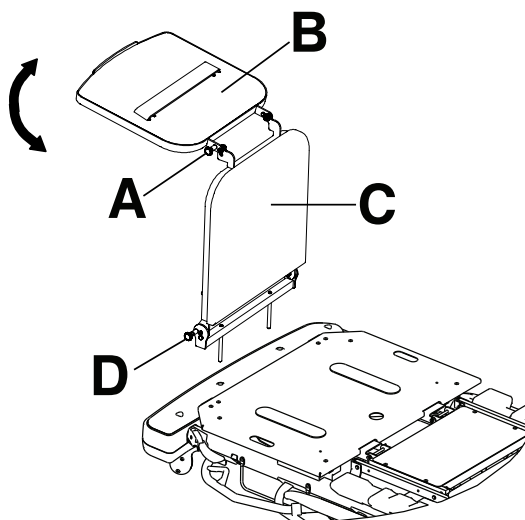


Figure 19 – Plateau porte-défibrillateur/rallonge de lit

Conversion du plateau porte-défibrillateur/rallonge de lit en rallonge de lit

AVERTISSEMENT

- Ne pas placer d'articles de plus de 14 kg sur le plateau porte-défibrillateur/rallonge de lit. Toujours fixer à l'aide d'une sangle les dispositifs placés sur le plateau porte-défibrillateur.
- Toujours faire preuve de prudence si le plateau porte-défibrillateur/rallonge de lit, le pied de lit/porte-dossiers ou le support vertical pour bouteille d'oxygène est fixé afin d'éviter de se pincer les doigts lors du positionnement de la poignée de poussée du côté pieds en option.

MISE EN GARDE - Toujours élever le support de perfusion avant de fixer le plateau porte-défibrillateur/rallonge de lit au produit. Si le support de perfusion n'est pas élevé, la rallonge de lit ne fonctionnera pas.

Pour convertir le plateau porte-défibrillateur/rallonge de lit en rallonge de lit (Figure 19) :

1. Tirer sur le bouton supérieur (A) pour le faire sortir.
2. Faire pivoter le plateau porte-défibrillateur (B) jusqu'à ce que le plateau se verrouille contre la rallonge de lit.
3. Tirer pour faire sortir le bouton inférieur (D) tout en maintenant l'ensemble du plateau porte-défibrillateur/rallonge de lit.
4. Abaisser la rallonge de lit (C) jusqu'à ce qu'elle soit à plat.
5. Relâcher le bouton inférieur (D). Appuyer sur la rallonge de lit pour s'assurer qu'elle est verrouillée en place.

Remarque

- Ne pas utiliser le plateau porte-défibrillateur/rallonge de lit pour pousser ou tirer le produit. Cela risque d'endommager le produit.
- Ne pas attacher d'articles à la rallonge de lit.

Fixation du pied de lit/porte-dossiers

AVERTISSEMENT - Toujours faire preuve de prudence si le plateau porte-défibrillateur/rallonge de lit, le pied de lit/porte-dossiers ou le support vertical pour bouteille d'oxygène est fixé afin d'éviter de se pincer les doigts lors du positionnement de la poignée de poussée du côté pieds en option.

Pour fixer le pied de lit/porte-dossiers, insérer les broches du pied de lit/porte-dossiers dans les douilles du côté pieds du produit.

Remarque - Ne pas utiliser le pied de lit/porte-dossiers pour pousser/tirer le produit. Cela risque d'endommager le produit.

Fixation du chariot de perfusion

AVERTISSEMENT

- Toujours fixer le support de perfusion au chariot de perfusion lors du transport du produit.
 - Toujours stocker le chariot de perfusion lorsqu'il n'est pas utilisé afin d'éviter d'endommager le produit.
-

Pour fixer le chariot de perfusion (Figure 20) :

1. Retirer le chariot de perfusion du plateau de rangement ou du clip de stockage.
2. Faire pivoter le chariot de perfusion jusqu'à la position voulue.
3. Tourner le bouton (A) dans le sens antihoraire pour desserrer le clamp du support de perfusion (C).
4. Faire pivoter le bouton (A) en l'éloignant de l'ensemble de connexion du bras (B).
5. Ouvrir le clamp (C).
6. Placer le support de perfusion dans le clamp (C).
7. Fermer le clamp (C) autour du support de perfusion et faire pivoter le bouton (A) en position.
8. Tourner le bouton (A) dans le sens horaire pour le serrer.
9. Inverser les étapes pour déconnecter le chariot de perfusion du produit.

Pour stocker le chariot de perfusion, placer le chariot de perfusion dans le plateau de rangement ou fixer le chariot dans le clip de stockage.

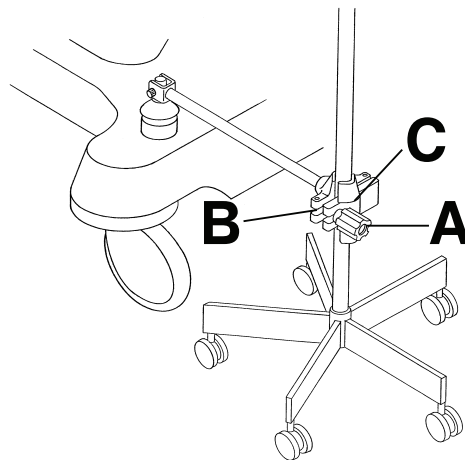


Figure 20 – Chariot de perfusion

Positionnement ou rangement des appui-pieds - Prime uniquement

AVERTISSEMENT

- Ne pas s'asseoir sur les appui-pieds. Cela risque de faire basculer le produit.
 - Toujours veiller à éloigner les doigts des mécanismes lors de l'utilisation des appui-pieds.
 - Toujours ranger les appui-pieds lors du transport d'un patient avec le produit.
 - Toujours serrer les appui-pieds avant de les utiliser.
 - Ne pas utiliser le système de pesée avec les appui-pieds. Cela peut entraîner des résultats inexacts.
 - Ne pas faire fonctionner l'option **Chaperone** avec les appui-pieds. Cela peut entraîner des résultats inexacts.
-

Pour positionner ou ranger les appui-pieds :

1. Desserrer le bouton de genou (A) en haut des appui-pieds pour ajuster l'angle d'un côté à l'autre des appui-pieds (Figure 21).
2. Serrer le bouton de jambe (A) pour verrouiller les appui-pieds dans la position voulue.

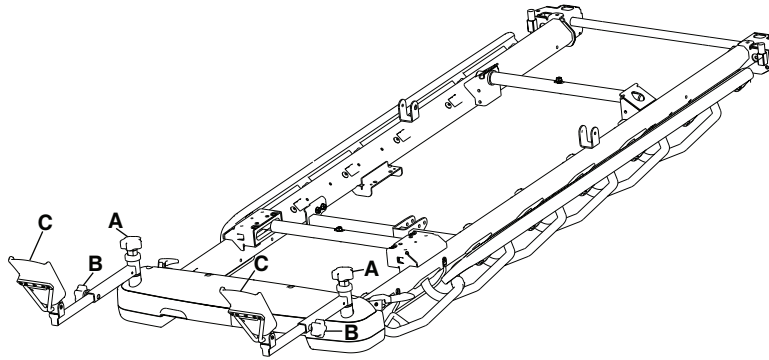


Figure 21 – Positionnement des appui-pieds

3. Desserrer le bouton de jambe (B) sur le côté des appui-pieds pour ajuster la longueur.
4. Serrer le bouton de jambe (B) pour verrouiller les appui-pieds dans la position voulue.
5. Relever les appui-pieds (C) avant de positionner le patient.
6. Inverser les étapes pour ranger les appui-pieds (Figure 22).

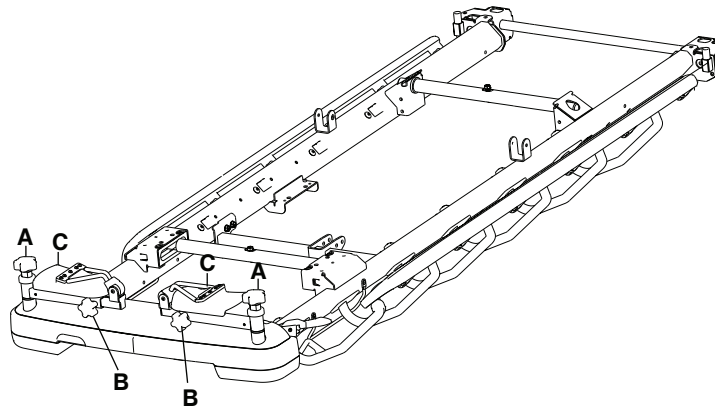


Figure 22 – Rangement des appui-pieds

Il n'est pas possible d'acheter les options et accessoires suivants en cas de sélection de l'option appui-pieds :

- Poignées de poussée du côté pieds
- Plateau porte-défibrillateur
- Plateau porte-défibrillateur/rallonge de lit
- Porte-plateau de service/pied de lit
- Pied de lit/porte-dossiers
- Supports de perfusion du côté pieds

Remarque

- Ne pas utiliser les appui-pieds pour stocker les effets personnels du patient.
- Ne pas utiliser les appui-pieds pour pousser/tirer le produit. Cela risque d'endommager le produit.
- Toujours enclencher les freins lors de l'utilisation des appui-pieds pour éviter l'instabilité.
- Ne pas utiliser le relève-buste ou le relève-jambes avec les appui-pieds.

Positionnement du support de perfusion en deux parties, à fixation permanente

AVERTISSEMENT - Ne pas utiliser le support de perfusion pour pousser/tirer le produit. Cela risque d'endommager le produit.

Il est possible d'acheter le produit avec le support de perfusion en deux parties en option, à fixation permanente du côté tête, du côté pieds ou des deux côtés du produit. Le support de perfusion est équipé d'une potence télescopique qui s'allonge pour offrir un second choix de hauteur. L'utilisateur peut également replier et ranger le support de perfusion lorsqu'il n'est pas utilisé.

Pour positionner le support de perfusion en deux parties (Figure 23) :

1. Soulever et faire pivoter le support à partir de sa position de rangement.
2. Enfoncer le support de perfusion vers le bas jusqu'à ce qu'il s'enclenche.
3. Pour élever la hauteur du support de perfusion, tirer sur la partie télescopique (A) jusqu'à ce que le support s'enclenche en position complètement relevée.
4. Faire pivoter les crochets de suspension de poches de perfusion (B) à la position voulue et suspendre les poches.
5. Pour abaisser le support de perfusion, tenir la partie télescopique du support, tourner le verrou (C) et abaisser la partie télescopique.

Remarque

- Ne pas suspendre des poches de perfusion ayant un poids total de plus de 40 livres (18 kg) sur le support de perfusion.
- Toujours s'assurer que la hauteur du support de perfusion est suffisamment basse pour franchir sans encombre les ouvertures de porte lors du transport d'un patient.

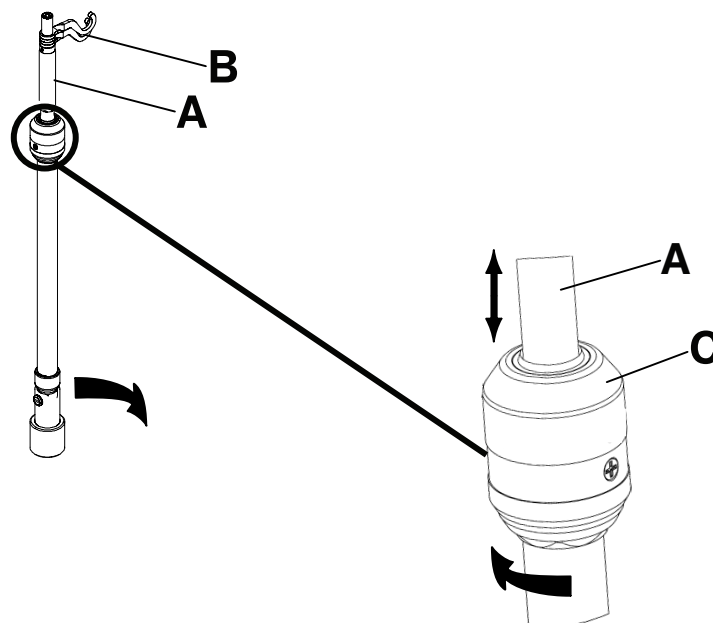


Figure 23 – Positionnement du support de perfusion en 2 parties, à fixation permanente

Positionnement du support de perfusion en trois parties, à fixation permanente

AVERTISSEMENT - Ne pas utiliser le support de perfusion pour pousser/tirer le produit. Cela risque d'endommager le produit.

Il est possible d'acheter le produit avec le support de perfusion en trois parties en option, à fixation permanente du côté tête, du côté pieds ou des deux côtés du produit. Le support de perfusion est équipé d'une potence télescopique qui

s'allonge pour offrir un deuxième et un troisième choix de hauteur. L'utilisateur peut également replier et ranger le support de perfusion lorsqu'il n'est pas utilisé.

Pour positionner le support de perfusion en trois parties (Figure 24) :

1. Soulever et faire pivoter le support à partir de sa position de rangement.
2. Enfoncer le support de perfusion vers le bas jusqu'à ce qu'il s'enclenche.
3. Pour élever la hauteur du support de perfusion, tirer sur la partie télescopique (A) jusqu'à ce que le support s'enclenche en position complètement relevée.
4. Pour un support de perfusion plus élevé, tirer la section (B) vers le haut. Débloquer la section (B) à n'importe quelle hauteur souhaitée pour verrouiller le support.
5. Faire pivoter les crochets de suspension de poches de perfusion (C) à la position voulue et suspendre les poches.
6. Pour abaisser le support de perfusion, pousser la partie jaune de la prise (D) vers le haut tout en maintenant la section (B) jusqu'à ce que le support s'abaisse.
7. Tourner le verrou (E) et abaisser la partie télescopique du support de perfusion.

Remarque

- Ne pas suspendre des poches de perfusion ayant un poids total de plus de 12 livres (5 kg) au support de perfusion.
- Ne pas suspendre des poches de perfusion ayant un poids total de plus de 9,3 livres (4,2 kg) sur un seul crochet de suspension de poche de perfusion.
- Toujours s'assurer que la hauteur du support de perfusion est suffisamment basse pour franchir sans encombre les ouvertures de porte lors du transport d'un patient.

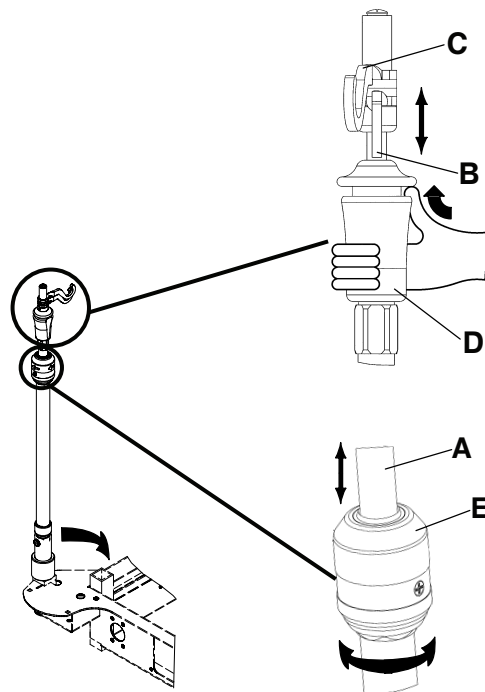


Figure 24 – Positionnement du support de perfusion en trois parties, à fixation permanente

Fixation et positionnement du support de perfusion amovible

MISE EN GARDE

- Ne pas utiliser le support de perfusion pour pousser/tirer le produit. Cela risque d'endommager le produit.
- Ne pas suspendre des poches de perfusion de plus de 40 lb (18 kg) sur le support de perfusion.
- Toujours s'assurer que la hauteur du support de perfusion est suffisamment basse pour franchir les ouvertures de porte lors du transport d'un patient.

Pour fixer et positionner le support de perfusion amovible (Figure 25) :

1. Insérer le support de perfusion dans une douille du côté tête ou du côté pieds du produit.
2. Tourner le bouton (A) dans le sens antihoraire et tirer sur la partie télescopique (B) jusqu'à obtention de la hauteur voulue.
3. Tourner le bouton (A) dans le sens horaire pour bloquer la partie télescopique.

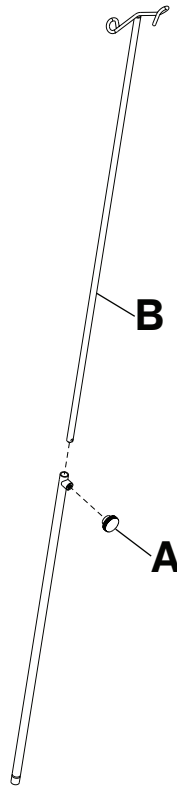


Figure 25 – Support de perfusion amovible

Fixation du support vertical pour bouteille d'oxygène

AVERTISSEMENT

- Ne pas placer d'objets de plus de 40 livres (18 kg) dans le support vertical pour bouteille d'oxygène.
 - Toujours faire preuve de prudence si le plateau porte-défibrillateur/la rallonge de lit, le pied de lit/porte-dossiers ou le support vertical pour bouteille d'oxygène est fixé afin d'éviter de se pincer les doigts lors du positionnement de la poignée de poussée du côté pieds en option.
-

Le support vertical pour bouteille d'oxygène accueille une bouteille d'oxygène en position verticale.

Pour fixer le support vertical pour bouteille d'oxygène :

1. Insérer la tige support dans n'importe quelle douille de perfusion.
2. Insérer la goupille fendue dans le trou de la tige support pour fixer le support de bouteille au produit.

Remarque - Ne pas utiliser le support vertical pour bouteille d'oxygène pour pousser ou tirer le produit. Cela risque d'endommager le produit.

Déploiement ou rangement du porte-plateau de service/pied de lit

AVERTISSEMENT - Ne pas placer d'objets de plus de 30 livres (14 kg) sur le plateau de service.

Pour installer le plateau de service sur les barrières, tirer sur les deux côtés du plateau de service et le positionner sur les barrières.

Pour ranger le plateau de service :

1. Retirer le plateau de service des barrières.
2. Rentrer les côtés du plateau de service.
3. Ranger le plateau de service dans le pied de lit.

Remarque - Ne pas utiliser le plateau de service/pied de lit pour pousser ou tirer le dispositif. Cela risque d'endommager le produit.

Fixation des coussinets de barrière

Pour fixer les coussinets de barrière :

1. Enfoncer le coussinet de barrière entre le matelas et la barrière.
2. Serrer les sangles **Velcro®** autour de la partie supérieure de la barrière pour fixer le coussinet de barrière.

Emplacement des points d'arrimage des sangles de retenue du patient

AVERTISSEMENT

- Toujours faire preuve de prudence lors de la fixation des sangles de retenue. Des blessures peuvent survenir chez le patient ou l'opérateur. Les moyens de retenue physiques, même s'ils sont bien installés, peuvent entraîner de graves préjudices pour les patients et les opérateurs, notamment emmêlement, coincement, blessures physiques ou décès.
- N'attacher les sangles ou dispositifs de retenue qu'aux points d'attache identifiés du produit. Le non-respect de cette consigne peut occasionner des blessures chez le patient ou l'opérateur. Ne pas attacher les sangles de retenue à la barrière.
- Toujours consulter les restrictions et réglementations régionales et nationales et les protocoles adaptés de l'établissement avant d'utiliser tout dispositif ou sangle de retenue.

L'ensemble du plan de couchage a huit points d'arrimage pour les sangles de retenue du patient (Figure 26 ou Figure 27).

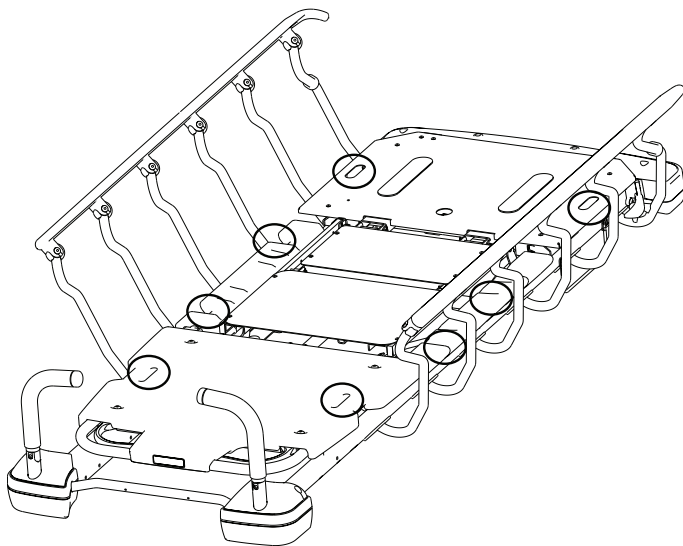


Figure 26 – Emplacements des sangles de retenue Prime

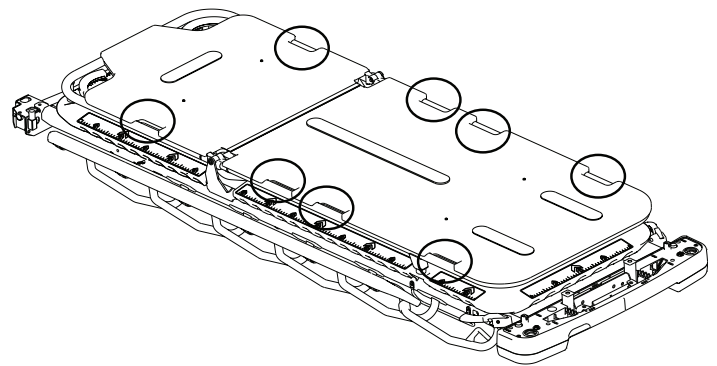


Figure 27 – Emplacements des sangles de retenue Prime X en option

Remarque - Les sangles de retenue sont des pièces appliquées de type B.

Positionnement du porte-cassette radio vertical - option Prime X

AVERTISSEMENT

- Toujours prendre des mesures de protection quand le porte-cassette radio vertical ou latéral est utilisé. Le porte-cassette radio n'offre aucune protection contre les rayonnements.
- Toujours consulter les directives locales, régionales et nationales en plus des protocoles de l'établissement en matière de sécurité avant d'utiliser l'option **Prime X** avec des dispositifs générateurs de rayonnements. Les dispositifs générateurs de rayonnements peuvent produire des rayonnements résiduels, parasites ou diffus.
- Toujours faire preuve d'une prudence particulière lors de l'utilisation d'un matelas de plus de 2,5 po (6,35 cm) d'épaisseur ou d'un surmatelas avec l'option **Prime X**.
- Toujours suivre les instructions de la section *Positionnement du porte-cassette radio vertical - option Prime X* pour insérer la cassette radio.

Le porte-cassette radio se fixe à l'assemblage soudé du relève-buste pour accueillir les cassettes radio. L'utilisateur peut prendre des radios pendant qu'un patient est en place sur le produit. La position de la cassette peut également être ajustée avant de prendre une radio.

Pour positionner le porte-cassette radio :

1. Enclencher les freins. Pousser le produit pour vérifier que les freins fonctionnent bien.
2. Élever la section relève-buste jusqu'à la hauteur maximum.
3. Insérer les guides de retenue inférieurs (A) sous la barre de l'assemblage soudé du relève-buste (Figure 28).
4. Élever le porte-cassette jusqu'à ce que les guides de retenue s'accrochent à l'assemblage soudé du relève-buste. S'assurer que le porte-cassette est bien installé.

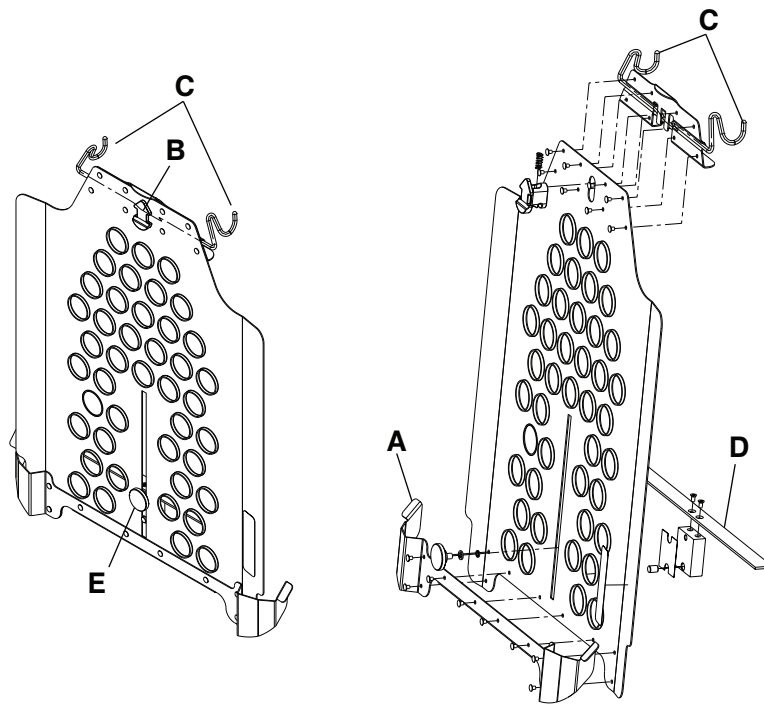


Figure 28 – Porte-cassette radio

5. D'un côté ou de l'autre du porte-cassette, insérer une cassette radio ou tirer sur la flèche de libération de la glissière (B) pour libérer le porte-cassette du relève-buste, positionner la cassette et fixer le porte-cassette dans l'assemblage soudé du relève-buste.
6. Pour ajuster la hauteur de la cassette, desserrer le bouton (E) et déplacer le rail de support de la cassette (D) vers le haut ou vers le bas jusqu'à l'obtention de la hauteur voulue.
7. Serrer le bouton (E) pour fixer solidement le rail de support de la cassette.

8. Une fois la radiographie terminée, tirer la flèche de libération de la glissière (B) vers le haut pour libérer le porte-cassette de l'assemblage soudé du relève-buste.
9. Retirer la cassette radio du porte-cassette.
10. Fermer et ranger le porte-cassette.

Positionnement du porte-cassette radio latéral - option Prime X

AVERTISSEMENT

- Toujours prendre des mesures de protection quand le porte-cassette radio vertical ou latéral est utilisé. Le porte-cassette radio n'offre aucune protection contre les rayonnements.
- Toujours consulter les directives locales, régionales et nationales en plus des protocoles de l'établissement en matière de sécurité avant d'utiliser l'option **Prime X** avec des dispositifs générateurs de rayonnements. Les dispositifs générateurs de rayonnements peuvent produire des rayonnements résiduels, parasites ou diffus.
- Toujours faire preuve de prudence lors de la prise de radios avec le relève-buste en position verticale ou lors de l'utilisation d'une cassette latérale.
- Toujours faire preuve d'une prudence particulière lors de l'utilisation d'un matelas de plus de 2,5 po (6,35 cm) d'épaisseur ou d'un surmatelas avec l'option **Prime X**.
- Toujours suivre les instructions de la section *Positionnement du porte-cassette radio latéral - option Prime X* pour insérer la cassette radio.

Pour positionner le porte-cassette radio latéral :

1. Enclencher les freins. Pousser le produit pour vérifier que les freins fonctionnent bien.

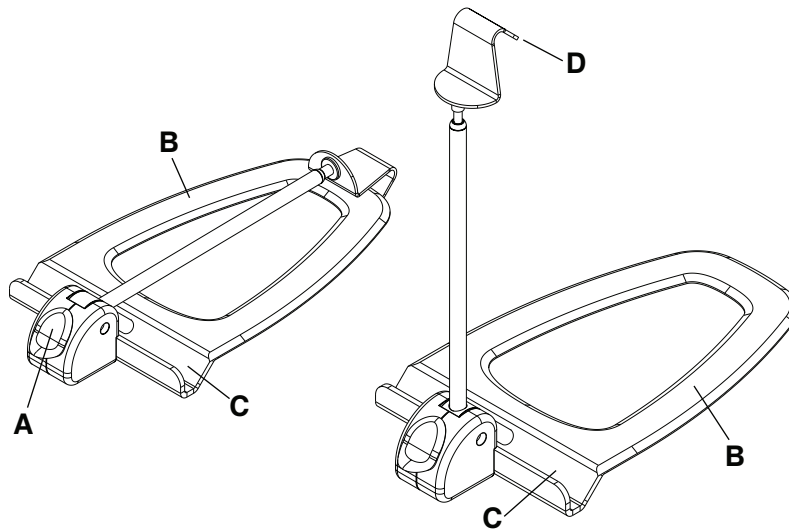


Figure 29 – Porte-cassette radio latéral

2. Appuyer sur le bouton de déblocage jaune (A) pour ouvrir le porte-cassette latéral (Figure 29).
3. Faire glisser la base plate (B) entre le matelas et la plate-forme patient.
4. Positionner le porte-cassette latéral dans l'emplacement voulu.
5. Placer la cassette radio dans le canal de la cassette (C).
6. Tirer le crochet de la cassette (D) vers le haut pour ajuster la hauteur du bras pour qu'il soit bien ajusté au-dessus de la cassette radio et maintienne la cassette en place.
7. Inverser les étapes pour retirer la cassette et ranger le porte-cassette latéral.

Insertion ou retrait des cassettes radio - option Prime X

AVERTISSEMENT

- Toujours consulter les directives locales, régionales et nationales en plus des protocoles de l'établissement en matière de sécurité avant d'utiliser l'option **Prime X** avec des dispositifs générateurs de rayonnements. Les dispositifs générateurs de rayonnements peuvent produire des rayonnements résiduels, parasites ou diffus.
- Toujours faire preuve de prudence lors de la prise de radios avec le relève-buste en position verticale ou lors de l'utilisation d'une cassette latérale.

L'option **Prime X** fournit une surface de support radiographique articulée et une plate-forme en dessous de la surface de support patient pour la mise en place des cassettes radio. Lorsqu'elle est utilisée avec les systèmes radiographiques médicaux, la surface de support radiographique permet la capture de radiographies cliniques (corps entier A-P, corps entier latéral en option et thorax debout en option) pendant que le patient se trouve sur le produit. Il est possible d'insérer les cassettes du côté tête, du côté pieds et des deux côtés du produit.

Pour insérer une cassette radiographique :

1. Centrer le patient sur le produit en utilisant les étiquettes d'indication de position situées sur les quatre côtés du produit (voir Figure 30).
2. Insérer une cassette radiographique en dessous de la surface du patient. Utiliser les repères de cassette pour faciliter le positionnement de la cassette radio.

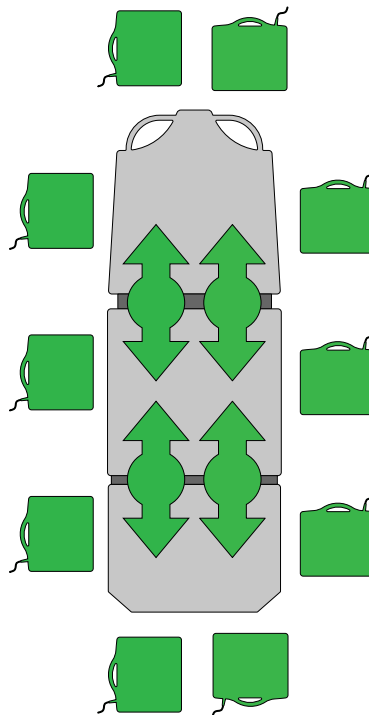


Figure 30 – Insertion ou retrait des cassettes radio sur l'option Prime X

Remarque

- Ne pas utiliser un matelas dont l'épaisseur est supérieure à quatre pouces (10 cm) avec l'option **Prime X**.
- Ne pas utiliser l'option **Prime X** avec un arceau. L'option **Prime X** n'est pas compatible avec un arceau.

Nettoyage

Nettoyage du produit

MISE EN GARDE - Ne pas utiliser de nettoyants abrasifs pour nettoyer le boîtier de l'affichage du système de pesée en option. Ne pas laisser de solutions de nettoyage ou d'autres liquides s'accumuler sur l'unité d'affichage. Sécher toutes les surfaces après des déversements ou le nettoyage.

Ces instructions fournissent des méthodes de nettoyage recommandées pour les brancards **Prime Series**.

Ce produit est lavable sous pression. Le produit peut présenter certains signes d'oxydation ou de décoloration dus aux lavages répétés. Toutefois, le lavage sous pression n'entraînera aucune dégradation des caractéristiques de performance ou de la fonctionnalité du produit à condition de respecter les procédures appropriées.

Méthode de nettoyage recommandée :

1. Si le produit est équipé du plan de couchage électrique en option ou du système de levage électrique en option, débrancher le cordon d'alimentation de la prise murale avant de transporter ou de nettoyer le produit.
2. Retirer le matelas du produit.
3. Respecter les recommandations de dilution du fabricant de la solution de nettoyage.
4. Pour le lavage sous pression, Stryker recommande un laveur de chariots chirurgicaux d'hôpital standard.
5. Sécher le produit. Ne pas remettre le matelas en place sur le produit avant que le produit ne soit sec.
6. Vérifier les fonctionnalités avant de remettre le produit en service.
 - Élever et abaisser le produit
 - Bloquer et débloquer la pédale de frein/guidage dans les deux positions
 - Verrouiller et déverrouiller les barrières
 - Élever et abaisser le relève-buste
 - Élever et abaisser le relève-jambes
 - S'assurer que tous les composants sont bien lubrifiés
 - S'assurer que toutes les étiquettes sont intactes

Remarque

- Le contact direct de la peau avec un matériau visiblement sale et perméable peut augmenter le risque d'infection.
- Ne pas nettoyer le produit à la vapeur.
- Nettoyer l'espace de rangement dans le capot de la base.
- Nettoyer la surface inférieure des patins de frein pour empêcher l'accumulation de cire ou de saleté provenant des sols.
- Certains agents de nettoyage sont de nature corrosive et peuvent endommager le produit s'ils ne sont pas utilisés convenablement. Si le produit n'est pas rincé et séché correctement, un résidu corrosif peut rester sur la surface du produit et entraîner une corrosion prématurée des composants essentiels. Le non-respect de ces instructions de nettoyage peut annuler la garantie.

Nettoyage du produit à l'aide d'un laveur de chariots

Pour le lavage du brancard, effectué au maximum une fois par an pendant toute la durée de vie du brancard, Stryker recommande d'utiliser un laveur de chariots chirurgicaux d'hôpital standard.

Pour nettoyer le produit à l'aide d'un laveur de chariots :

1. Si le produit est équipé du plan de couchage électrique en option ou du système de levage électrique en option, débrancher le cordon d'alimentation de la prise murale avant de transporter ou de nettoyer le produit.
2. Retirer le matelas avant de laver le produit. Ne pas laver le matelas avec le produit.

3. Placer le relève-buste à 45°.
4. Placer le produit complètement en proclive (côté pieds en bas).
5. Élever les barrières.
6. Placer les supports de perfusion et les poignées de poussée en position élevée.
7. Laver le produit avec une température d'eau maximale de 82 °C (180 °F) et une pression d'eau maximale de 103,5 bar/ 1 500 psi.
8. Sécher le produit à l'air à une température maximale de 93 °C (200 °F) pendant huit minutes.
9. Sécher le produit. Ne pas remettre le matelas en place sur le produit avant que le produit ne soit sec.
10. Vérifier les fonctionnalités avant de remettre le produit en service.
 - Élever et abaisser le produit
 - Bloquer et débloquer la pédale de frein/guidage dans les deux positions
 - Verrouiller et déverrouiller les barrières
 - Élever et abaisser le relève-buste
 - S'assurer que tous les composants sont bien lubrifiés
 - S'assurer que toutes les étiquettes sont intactes et lisibles

Remarque

- Ne pas nettoyer le produit à la vapeur.
- Certains agents de nettoyage sont de nature corrosive et peuvent endommager le produit s'ils ne sont pas utilisés convenablement. Si le produit n'est pas rincé et séché correctement, un résidu corrosif peut rester sur la surface du produit et entraîner une corrosion prématurée des composants essentiels. Le non-respect de ces instructions de nettoyage peut annuler la garantie.

Nettoyage du matelas

AVERTISSEMENT

- Ne pas procéder au nettoyage, à la réparation ou à l'entretien pendant que le produit est en service.
 - Ne pas immerger le matelas dans des solutions nettoyantes ou désinfectantes. L'excès d'humidité peut provoquer un dysfonctionnement du produit, occasionnant l'endommagement du produit ou des blessures chez le patient.
 - Ne pas laisser de liquides s'accumuler sur le matelas. Les liquides peuvent entraîner la corrosion de certains composants et rendre imprévisibles la sécurité et les performances de ce produit.
 - Toujours inspecter les housses de matelas pour déceler toute déchirure, perforation, usure excessive, ainsi que des bords de fermeture éclair non alignés, à chaque fois que les housses sont nettoyées. Retirer et remplacer un matelas endommagé pour éviter toute contamination croisée.
 - Ne pas nettoyer les matelas à la vapeur ou aux ultrasons, ni les laver sous pression ou au jet. Ces méthodes de nettoyage peuvent annuler la garantie de ce produit.
-

La durée de vie du matelas peut être affectée par une augmentation de la fréquence d'utilisation qui pourrait entraîner un nettoyage et une désinfection plus fréquents.

Méthode de nettoyage recommandée :

1. À l'aide d'un chiffon propre et doux, essuyer le matelas tout entier en utilisant une solution de savon doux et d'eau pour enlever tout corps étranger.
2. Essuyer le matelas à l'aide d'un chiffon propre et sec afin d'enlever tout excès de liquide ou d'agent de nettoyage.
3. Rincer et sécher les housses après le nettoyage.
4. Désinfecter selon les besoins avec un désinfectant aux normes hospitalières une fois le nettoyage terminé (consulter *Désinfection du matelas*).

Remarque

- Ne pas repasser, nettoyer à sec ou sécher au sèche-linge le matelas car cela entraînerait un dysfonctionnement et l'endommagement du produit.
- Sécher complètement la housse du matelas avant de le stocker, d'ajouter des draps ou de placer un patient sur le matelas afin d'empêcher la diminution des performances du produit.
- Éviter une surexposition à l'alcool ou au peroxyde d'hydrogène. Cela provoque le gonflement du matériau de la housse.
- Ne pas laisser de liquide s'infiltrer dans la zone de la fermeture éclair et dans le rabat de la fermeture éclair. Les liquides qui parviennent à entrer en contact avec la fermeture éclair peuvent pénétrer dans le matelas, ce qui peut diminuer les performances du produit.
- Certains agents de nettoyage sont de nature corrosive et peuvent endommager le produit s'ils ne sont pas utilisés convenablement. Si le produit n'est pas rincé et séché correctement, un résidu corrosif peut rester sur la surface du produit et entraîner une corrosion prématurée des composants essentiels. Le non-respect de ces instructions de nettoyage peut annuler la garantie.

Élimination de l'iode

1. Préparer une solution de 1 à 2 cuillerées à soupe de thiosulfate de sodium dans un demi-litre d'eau chaude. Utiliser la solution pour essuyer la région tachée.
2. Nettoyer la tache dès que possible après son apparition.
3. Si les taches ne sont pas éliminées immédiatement, laisser la solution tremper le matelas ou reposer dessus avant d'essuyer le matelas.
4. Rincer les matelas qui ont été exposés à la solution avec de l'eau claire avant de les remettre en service.

Remarque - La garantie de ce produit peut être annulée si les directives précitées ne sont pas suivies lors de l'utilisation de ce type de nettoyeurs.

Instructions particulières

Velcro®	Saturer avec un désinfectant, rincer avec de l'eau et laisser la solution s'évaporer.
Matières solides ou taches	Utiliser des savons neutres et de l'eau chaude. Ne pas utiliser de nettoyeurs corrosifs, de solvants ou de nettoyeurs abrasifs.
Endroits difficiles à nettoyer	Utiliser des nettoyeurs ménagers standard ou des nettoyeurs pour vinyle et une brosse à poils doux pour les endroits ou les taches difficiles. Tremper au préalable les souillures séchées.
Blanchissage	Le blanchissage n'est pas recommandé. Le blanchissage peut diminuer de façon considérable la durée de vie utile du matelas.

Désinfection

Désinfection du produit

AVERTISSEMENT

- Ne pas procéder au nettoyage, à la réparation ou à l'entretien pendant que le produit est en service.
 - Ne pas nettoyer le produit à la vapeur ou aux ultrasons, ni le laver au jet. Ces méthodes de nettoyage ne sont pas recommandées et peuvent annuler la garantie du produit.
-

Désinfectants recommandés :

- Composés quaternaires (principe actif : chlorure d'ammonium) contenant moins de 3 % d'éther de glycol
- Désinfectant phénolique (substance active : o-phénylphénol)
- Solution d'eau de Javel (1 volume d'eau de Javel [hypochlorite de sodium à 5,25 %] dilué dans 100 volumes d'eau, ce qui équivaut à 520 ppm de chlore actif [40 ml d'une solution d'eau de Javel à 5,25 % pour 4 000 ml d'eau])
- Alcool isopropylique à 70 %

Méthode de désinfection recommandée :

1. Respecter les recommandations de dilution du fabricant de la solution désinfectante.
2. Laver à la main toutes les surfaces du produit à l'aide d'une solution désinfectante.
3. Éviter une saturation excessive et s'assurer que le produit ne reste pas mouillé plus longtemps que la limite précisée dans les directives du fabricant du produit chimique pour une désinfection adéquate.
4. Sécher le produit. Ne pas remettre le matelas en place sur le produit avant que le produit ne soit sec.
5. Désinfecter le **Velcro®** après chaque utilisation. Saturer le **Velcro®** avec un désinfectant, rincer à l'eau et laisser le désinfectant s'évaporer (il incombe à l'établissement de déterminer le désinfectant approprié).
6. Vérifier les fonctionnalités avant de remettre le produit en service.
 - Élever et abaisser le produit
 - Bloquer et débloquer la pédale de frein/guidage dans les deux positions
 - Verrouiller et déverrouiller les barrières
 - Élever et abaisser le relève-buste
 - Élever et abaisser le relève-jambes
 - S'assurer que tous les composants sont bien lubrifiés
 - S'assurer que toutes les étiquettes sont intactes

Remarque

- Le contact direct de la peau avec un matériau visiblement sale et perméable peut augmenter le risque d'infection.
- Certains agents de nettoyage sont de nature corrosive et peuvent endommager le produit s'ils ne sont pas utilisés convenablement. Si le produit n'est pas rincé et séché correctement, un résidu corrosif peut rester sur la surface du produit et entraîner une corrosion prématurée des composants essentiels. Le non-respect de ces instructions de nettoyage peut annuler la garantie.

Désinfection du matelas

AVERTISSEMENT - Toujours désinfecter le matelas entre deux patients. Le non-respect de cette consigne peut entraîner une contamination croisée et une infection.

Désinfectants recommandés :

- Composés quaternaires (principe actif : chlorure d'ammonium) contenant moins de 3 % d'éther de glycol

- Désinfectant phénolique (substance active : o-phénylphénol)
- Solution d'eau de Javel (1 volume d'eau de Javel [hypochlorite de sodium à 5,25 %] dilué dans 100 volumes d'eau, ce qui équivaut à 520 ppm de chlore actif [40 ml d'une solution d'eau de Javel à 5,25 % pour 4 000 ml d'eau])
- Alcool isopropylique à 70 %

Méthode de désinfection recommandée :

1. S'assurer que le matelas est propre et sec avant d'appliquer des désinfectants.
2. Essuyer le matelas avec un chiffon propre et sec afin d'éliminer tout excès de liquide ou de désinfectant.
3. Rincer et sécher les housses après la désinfection.

Remarque

- La housse du matelas doit être parfaitement sèche avant de la ranger ou d'ajouter des draps. Si l'excès de désinfectant n'est pas éliminé, le matériau de la housse pourrait se dégrader.
- Certains agents de nettoyage sont de nature corrosive et peuvent endommager le produit s'ils ne sont pas utilisés convenablement. Si le produit n'est pas rincé et séché correctement, un résidu corrosif peut rester sur la surface du produit et entraîner une corrosion prématurée des composants essentiels. Le non-respect de ces instructions de nettoyage peut annuler la garantie.
- Une exposition fréquente ou prolongée à des solutions désinfectantes dont la concentration est plus élevée risque d'entraîner un vieillissement prématuré du tissu de la housse.
- L'utilisation de produits de peroxyde d'hydrogène accéléré ou de quaternaires contenant des éthers glycoliques risque d'endommager la housse.

Entretien préventif

Mettre le produit hors service avant d'effectuer les vérifications d'entretien préventif. Vérifier tous les éléments mentionnés pendant l'entretien préventif annuel pour tous les produits Stryker Medical. Il peut être nécessaire d'effectuer les vérifications d'entretien préventif plus fréquemment en fonction du degré d'utilisation du produit. Toute réparation doit être effectuée exclusivement par du personnel qualifié.

Remarque - Nettoyer et désinfecter l'extérieur du matelas avant inspection, le cas échéant.

Inspecter les éléments suivants :

- _____ Fixation correcte de toutes les attaches
- _____ Mouvement et verrouillage corrects des barrières
- _____ Verrouillage des roulettes lorsque la pédale de frein est enclenchée
- _____ Fixation et pivotement corrects des roulettes
- _____ Absence de cire et de débris sur les roulettes
- _____ Fonctionnement correct du mécanisme de frein
- _____ Fonctionnement correct de la fonction de guidage
- _____ Vérifier si des fissures sont présentes sur les revêtements
- _____ Le relève-buste s'élève, s'abaisse et se verrouille
- _____ Le relève-jambes s'élève, s'abaisse et se verrouille en place (option)
- _____ Fonctionnement correct de la fonction déclive/proclive à partir de tous les emplacements
- _____ Chaîne de mise à la terre intacte
- _____ Absence de fuites au niveau des raccords hydrauliques
- _____ Résistance adéquate des vérins hydrauliques
- _____ Blocage et fixation corrects des sangles de retenue du corps (option)
- _____ Le support de perfusion est intact et s'ajuste et se verrouille dans toutes les positions (option)
- _____ État intact et ouverture/fermeture corrects du support pour bouteille d'oxygène (option)
- _____ Absence de déchirures ou fissures dans la housse de matelas
- _____ Bon état des accessoires et du matériel de montage
- _____ Bon fonctionnement de l'alimentation par batterie (option)
- _____ Absence d'usure ou de pincement des câbles (option)
- _____ Le cordon d'alimentation et la fiche sont intacts (option)
- _____ Raccordement solide de toutes les connexions électriques (option)
- _____ Tous les fils de mise à la terre sont raccordés solidement au châssis (option)
- _____ Impédance de la mise à la terre ne dépassant pas 200 mΩ (milliohms) (option)
- _____ Courant de fuite ne dépassant pas 300 µA (microampères) (selon la norme UL 60606-1-1) (option)
- _____ Batteries chargées (système de pesée en option)
- _____ Le boîtier de l'affichage est intact et n'est pas endommagé (système de pesée en option)
- _____ Les cellules de pesage sont intactes et ne sont pas endommagées (système de pesée en option)
- _____ Le mécanisme de bouton de genou de l'appui-pied fonctionne correctement et peut être bloqué en place (option)
- _____ Le mécanisme de bouton de jambe de l'appui-pied fonctionne correctement et peut être bloqué en place (option)
- _____ L'appui-pied se déploie en position complètement déployée et s'arrête dans la bonne position (option)
- _____ Les vis autotaraudeuses pour l'appui-pied (6) sont serrées et ne sont pas abîmées (option)
- _____ Système de pesée étalonné. Réétalonner si nécessaire (système de pesée en option)

_____ Le porte-cassette radio vertical est en bon état de fonctionnement et peut être ajusté pour s'adapter à toutes les cassettes radio (option **Prime X**)

_____ Absence de dommages au niveau du revêtement du relève-buste et du côté pieds (option **Prime X**)

_____ Absence de dommages au niveau des plateaux côté tête et côté pieds (option **Prime X**)

_____ Le boulon et l'écrou traversant chaque pivot du relève-buste ne sont pas desserrés (option **Prime X**)

Numéro de série du produit :
Effectué par :
Date :

Informations de CEM

MISE EN GARDE

- L'utilisation d'accessoires, de capteurs et de câbles autres que ceux spécifiés ou fournis par le fabricant pourrait entraîner une augmentation des émissions électromagnétiques ou une diminution de l'immunité électromagnétique et provoquer un fonctionnement incorrect.
- Les caractéristiques des émissions de cet équipement conviennent pour une utilisation en milieu industriel et hospitalier (CISPR 11 classe A). S'il est utilisé dans un environnement résidentiel, pour lequel un niveau CISPR 11 classe B est habituellement requis, cet équipement pourrait ne pas offrir une protection adéquate pour les services de communication par radiofréquence. Il peut être nécessaire pour l'utilisateur de prendre des mesures d'atténuation telles que la réorientation ou le déplacement de l'équipement.

Directives et déclaration du fabricant – Émissions électromagnétiques

Le système de levage électrique en option, le plan de couchage électrique en option et le système de pesée en option sont destinés à être utilisés dans l'environnement électromagnétique spécifié ci-dessous. L'opérateur du système de levage électrique en option, du plan de couchage électrique en option ou du système de pesée en option doit s'assurer qu'il est utilisé dans un tel environnement.

Test d'émissions	Conformité	Environnement électromagnétique
Émissions RF CISPR 11	Groupe 1	Le système de levage électrique en option, le plan de couchage électrique en option et le système de pesée en option utilisent de l'énergie RF uniquement pour leurs fonctions internes. Par conséquent, leurs émissions RF sont très faibles et ne peuvent vraisemblablement pas provoquer d'interférence dans les équipements électroniques situés à proximité.
Émissions RF CISPR 11	Classe A	Le système de levage électrique en option, le plan de couchage électrique en option et le système de pesée en option conviennent à une utilisation dans tous les établissements autres que les établissements résidentiels et ceux directement raccordés au réseau basse tension public alimentant les bâtiments à usage résidentiel.
Émissions harmoniques IEC 61000-3-2 *	Classe A	
Fluctuations de tension Émissions de scintillement IEC 61000-3-3 *	Conforme	

* S'applique au système de levage électrique en option ou au plan de couchage électrique en option uniquement.

MISE EN GARDE

- Les équipements de communication RF portables, y compris les périphériques comme les câbles d'antenne et les antennes externes, ne doivent pas être utilisés à moins de 12 po (30 cm) d'une partie quelconque du brancard **Prime**, y compris les câbles spécifiés par le fabricant.
- Éviter d'empiler ou de placer l'équipement à proximité d'autres appareils afin d'empêcher tout fonctionnement incorrect des produits. Si une telle utilisation s'avère nécessaire, surveiller attentivement l'équipement placé à proximité ou empilé pour s'assurer de son bon fonctionnement.

Distances de séparation recommandées entre les équipements de communication RF portables et mobiles et le système de levage électrique en option, le plan de couchage électrique en option ou le système de pesée en option.

Le système de levage électrique en option, le plan de couchage électrique en option et le système de pesée en option sont destinés à être utilisés dans un environnement électromagnétique dans lequel les perturbations des RF rayonnées sont contrôlées. Le client ou l'utilisateur du système de levage électrique en option, du plan de couchage électrique en option ou du système de pesée en option peut aider à prévenir les interférences électromagnétiques en maintenant une distance minimum entre les équipements de communication RF portables et mobiles (émetteurs) et le système de levage électrique en option, le plan de couchage électrique en option ou le système de pesée en option, comme recommandé ci-dessous, en fonction de la puissance de sortie maximum des équipements de communication.

Puissance de sortie maximale nominale de l'émetteur W	Distance de séparation en fonction de la fréquence de l'émetteur m		
	150 kHz à 80 MHz D=(1,2) (\sqrt{P})	80 MHz à 800 MHz D=(1,2) (\sqrt{P})	800 MHz à 2,7 GHz D=(2,3) (\sqrt{P})
0,01	0,12	0,12	0,23
0,1	0,38	0,38	0,73
1	1,2	1,2	2,3
10	3,8	3,8	7,3
100	12	12	23

Pour les émetteurs dont la puissance de sortie maximum nominale n'est pas indiquée ci-dessus, la distance de séparation recommandée (D) en mètres (m) peut être déterminée en utilisant l'équation applicable à la fréquence de l'émetteur, où P est la puissance de sortie maximum nominale de l'émetteur en watts (W), selon le fabricant de l'émetteur.

Remarque 1 - À 80 MHz et 800 MHz, la distance de séparation pour la gamme de fréquences la plus élevée s'applique.

Remarque 2 - Ces directives peuvent ne pas convenir à toutes les situations. La propagation électromagnétique est affectée par l'absorption et la réflexion des structures, des objets et des personnes.

Directives et déclaration du fabricant – Immunité électromagnétique

Le système de levage électrique en option, le plan de couchage électrique en option et le système de pesée en option sont destinés à être utilisés dans l'environnement électromagnétique spécifié ci-dessous. Le client ou l'utilisateur du système de levage électrique en option, du plan de couchage électrique en option ou du système de pesée en option doit s'assurer qu'il est utilisé dans un tel environnement.

Test d'immunité	Niveau d'essai CEI 60601	Niveau de conformité	Directives concernant l'environnement électromagnétique
Décharge électrostatique (DES) IEC 61000-4-2	±8 kV contact ±15 kV air	±8 kV contact ±15 kV air	Les sols doivent être en bois, en béton ou en carrelage. Si les sols sont recouverts d'un matériau synthétique, l'humidité relative doit être d'au moins 30 %.
Transitoires électriques rapides/rafales IEC 61000-4-4*	±2 kV pour les lignes électriques ±1 kV pour les lignes entrée/sortie	±2 kV pour les lignes électriques ±1 kV pour les lignes entrée/sortie	La qualité de l'alimentation électrique doit être celle d'un environnement commercial ou hospitalier typique.
Surtension IEC 61000-4-5*	±1 kV ligne(s) à ligne(s) ±2 kV ligne(s) à la terre	±1 kV ligne(s) à ligne(s) ±2 kV ligne(s) à la terre	La qualité de l'alimentation électrique doit être celle d'un environnement commercial ou hospitalier typique.


Baisses de tension, variations de tension et coupures brèves sur les lignes d'alimentation d'entrée IEC 61000-4-11*	0 % U_T pendant 0,5 cycle à 0°, 45°, 90°, 135°, 180°, 225°, 270° et 315° 0 % U_T pendant 1 cycle 70 % U_T (baisse de 30 % en U_T) pendant 25 cycles 0 % U_T pendant 250 cycles	0 % U_T pendant 0,5 cycle à 0°, 45°, 90°, 135°, 180°, 225°, 270° et 315° 0 % U_T pendant 1 cycle 70 % U_T (baisse de 30 % en U_T) pendant 25 cycles 0 % U_T pendant 250 cycles	La qualité de l'alimentation électrique doit être celle d'un environnement commercial ou hospitalier typique. Si l'utilisateur du système de levage électrique en option ou du plan de couchage électrique en option a besoin d'un fonctionnement continu pendant les interruptions du secteur, il est recommandé d'alimenter le dispositif à l'aide d'une alimentation sans coupure ou d'une batterie.
Champ magnétique à la fréquence du secteur (50/60 Hz) IEC 61000-4-8	30 A/m	30 A/m	Les niveaux des champs magnétiques à la fréquence du réseau doivent correspondre aux niveaux caractéristiques d'un emplacement type dans un environnement commercial ou hospitalier typique.

Remarque : U_T représente la tension du secteur (CA) avant l'application du niveau d'essai.

* S'applique au système de levage électrique en option ou au plan de couchage électrique en option uniquement.

Directives et déclaration du fabricant – Immunité électromagnétique

Le système de levage électrique en option, le plan de couchage électrique en option et le système de pesée en option sont destinés à être utilisés dans l'environnement électromagnétique spécifié ci-dessous. Le client ou l'utilisateur du système de levage électrique en option, du plan de couchage électrique en option ou du système de pesée en option doit s'assurer qu'il est utilisé dans un tel environnement.

Test d'immunité	Niveau d'essai CEI 60601	Niveau de conformité	Directives concernant l'environnement électromagnétique
<p>RF conduites IEC 61000-4-6*</p> <p>RF rayonnées IEC 61000-4-3</p>	<p>3 Vrms</p> <p>6 Vrms dans les bandes ISM et de radio amateur</p> <p>150 kHz à 80 MHz</p> <p>3 V/m</p> <p>80 MHz à 2,7 GHz</p>	<p>3 Vrms</p> <p>6 Vrms dans les bandes ISM et de radio amateur</p> <p>3 V/m</p>	<p>Les équipements de communication RF portables et mobiles ne doivent pas être utilisés en deçà de la distance de séparation recommandée calculée avec l'équation applicable à la fréquence de l'émetteur, relativement à toute partie du système de levage électrique en option, du plan de couchage électrique en option ou du système de pesée en option, y compris les câbles.</p> <p>Distance de séparation recommandée</p> <p>$D=(1,2) (\sqrt{P})$</p> <p>$D=(1,2) (\sqrt{P})$</p> <p>80 MHz à 800 MHz</p> <p>$D=(2,3) (\sqrt{P})$</p> <p>800 MHz à 2,7 GHz</p> <p>où P correspond à la puissance nominale de sortie maximum en watts (W) pour l'émetteur, selon le fabricant de ce dernier, et D correspond à la distance de séparation recommandée en mètres (m).</p> <p>Les intensités de champ produites par les émetteurs RF fixes, telles que déterminées par une étude de site électromagnétique^a, doivent être inférieures au niveau de conformité de chaque gamme de fréquences^b.</p> <p>Des interférences peuvent survenir à proximité des équipements porteurs du symbole suivant :</p> 

Remarque 1 : À 80 MHz et à 800 MHz, la gamme de fréquences la plus élevée s'applique.

Remarque 2 : Ces directives peuvent ne pas convenir à toutes les situations. La propagation électromagnétique est affectée par l'absorption et la réflexion des structures, des objets et des personnes.

Remarque 3 : Les bandes ISM (industrielles, scientifiques et médicales) entre 0,15 MHz et 80 MHz sont 6,765 MHz à 6,795 MHz ; 13,553 MHz à 13,567 MHz ; 26,957 MHz à 27,283 MHz ; et 40,66 MHz à 40,70 MHz.

^a Les intensités de champ des émetteurs fixes, telles que les stations de base pour les radiotéléphones (cellulaires/sans fil) et les radios mobiles terrestres, les radios amateurs, la radiodiffusion AM et FM, et la diffusion télévisuelle, ne peuvent pas être prévues théoriquement avec exactitude. Pour évaluer l'environnement électromagnétique dû aux émetteurs RF fixes, il convient d'envisager un relevé des champs électromagnétiques du site. Si l'intensité de champ mesurée à l'emplacement où le système de levage électrique en option, le plan de couchage électrique en option ou le système de pesée en option est utilisé dépasse le niveau de conformité RF applicable indiqué ci-dessus, il convient d'observer le système de levage électrique en option, le plan de couchage électrique en option ou le système de pesée en option pour vérifier qu'il fonctionne normalement. Si des performances anormales sont observées, des mesures supplémentaires peuvent être nécessaires, telles que la réorientation ou le déplacement du système de levage électrique en option, du plan de couchage électrique en option ou du système de pesée en option.

^b Dans la gamme de fréquences de 150 kHz à 80 MHz, les intensités de champ sont inférieures à 3 V/m.

* S'applique au plan de couchage électrique en option uniquement.

Prime Series® hordágy













Felhasználói kézikönyv

















REF 1115

Big Wheel®



Jelmagyarázat

	Lásd az utasításokat tartalmazó kézikönyvet/füzetet
	Olvassa el a használati utasítást
	Általános „Vigyázat” szintű figyelmeztetés
	Figyelem!
	Vigyázat! Kéz összezúzódásának veszélye
	Vigyázat! Nem ionizáló sugárzás
	Tolása tilos!
	Az oxigénpalack tárolása tilos!
	Kenése tilos!
REF	Katalógusszám
LOT	Tétel (gyártási tétel) száma
SN	Sorozatszám
US Patents	Az egyesült államokbeli szabadalmak vonatkozásában lásd: www.stryker.com/patents
CE	CE-jelölés
EC REP	Meghatalmazott képviselő az Európai Közösségben
MD	Európai orvostechnikai eszköz
	Gyártó
	Gyártás dátuma
	Importőr

	Biztonságos üzemi terhelés
	Beteg maximális testtömege
	A felszerelés tömege biztonságos üzemi terheléssel
	Egyenáram
	Váltóáram
	Veszélyes feszültség
	Védőföldelés
IPX6	Erős vízszugár ellen védett
	B típusú, beteggel érintkező alkatrész
	Orvosi berendezés, amelyet az Underwriters Laboratories LLC csak az alábbi szabványoknak megfelelően sorolt be az áramütés, a tűz és a mechanikai kockázatok tekintetében: ANSI/AAMI ES60601-1:2005 és CAN/CSA-C22.2 No. 60601-1:08. *A Prime X opcióhoz, röntgenberendezéshez társított berendezés, IEC 60601-2-54
	Az elektromos és elektronikus berendezések hulladékairól szóló 2012/19/EU európai irányelvnek (WEEE-nek) megfelelően ez a szimbólum azt jelzi, hogy a terméket külön kell begyűjteni újrahasznosítás céljából. Tilos szelektálatlan kommunális hulladékként kidobni. Az ártalmatlanításra vonatkozó információk tekintetében forduljon a helyi forgalmazóhoz. Gondoskodjon a fertőzött berendezés dekontaminálásáról újrahasznosítása előtt.
	Megkenendő
	Emelés itt
	Ezzel az oldalával felfelé
	Szárazon tartandó
	Törékeny, óvatosan kezelendő
	Az egymásra helyezhető berendezések maximális száma

Tartalomjegyzék

A „Vigyázat”, „Figyelem” és „Megjegyzés” szavak meghatározása	3
A biztonsági óvintézkedések összefoglalása	3
Becsípődési pontok	6
Bevezetés	7
A termék leírása	7
Rendeltetés	7
Klinikai előnyök	8
Ellenjavallatok	8
Várható üzemi élettartam	8
Ártalmatlanítás/újrahasznosítás	8
Műszaki adatok	8
A termék képi bemutatása – Prime	11
A termék képi bemutatása – Prime X opció	12
Alkalmazott alkatrészek – elektromos matractartó opció	13
Alkalmazott alkatrészek – Prime X opció	13
Kapcsolatfelvételi adatok	14
Sorozatszám helye	14
Konfigurálás	15
Működés	16
A fékek működésbe hozása és kioldása	16
A Prime-alapzat vezérlőelemei	17
Nem elektromos matractartó felemelése	17
Nem elektromos matractartó leengedése	17
Az opcionális elektromos matractartó felemelése	18
Az opcionális elektromos matractartó leengedése	18
A termék Trendelenburg-helyzetbe állítása	18
A termék fordított Trendelenburg-helyzetbe állítása	19
Beteg szállítása	19
Beteg szállítása Big Wheel kerék nélkül	20
Beteg szállítása Big Wheel kerékkel	20
A fej felőli vég opcionális tolókarjainak pozicionálása és tárolási helyzetbe állítása	21
Az oldalkorlát felemelése	22
Az oldalkorlát leengedése	23
A termék pozicionálása az oldalkorláton található, beteg által működtetett vezérlőpanellel – opcionális elektromos matractartó – csak a Prime opció esetén	23
Kezelői vezérlőpanel – opcionális elektromos matractartó – csak a Prime opció esetén	24
A beteg által működtetett vezérlőpanel lezárásának zárolása és zárolásának feloldása – opcionális elektromos matractartó – csak a Prime opció esetén	25
A háttámla felemelése vagy leengedése – nem elektromos matractartó	25
A háttámla felemelése vagy leengedése – opcionális elektromos matractartó	26
A térdhajlító rész felemelése vagy leengedése – nem elektromos matractartó – csak a Prime opció esetén	27
A térdhajlító rész felemelése vagy leengedése – opcionális elektromos matractartó – csak a Prime opció esetén	27
A lábadozószék pozicionálása – csak a Prime opció esetén	27
Tárgyak tárolása az alapzat búrájában	28
Eszközök felfüggesztése az opcionális pumpaállványra	28
A hálózati kábel ki-, illetve visszahúzása az opcionális visszahúzható vezeték dobja segítségével – opcionális elektromos emelőberendezés vagy opcionális elektromos matractartó	29
Mérlegrendszer opció	29
Mérlegikon/-gomb azonosítása	30
A beteg súlyának megmérése	31
A mérleg mértékegységének zárolása	31
A Chaperone opció beélesítése és beélesítésének kikapcsolása	32
A Chaperone opció figyelmeztetési mintájának beállítása	32
A Chaperone opció figyelmeztetési hangerejének beállítása	32
A mérlegrendszer opcionális akkumulátorcsomagjának feltöltése – opcionális elektromos matractartó vagy Chaperone opcióval rendelkező opcionális elektromos matractartó – csak a Prime opció esetén	33
Az elemek cseréje az opcionális mérlegrendszeren – nem elektromos matractartó	33
Tartozékok és alkatrészek	33

A defibrillátortálca rögzítése	37
A defibrillátortálca/lábhosszabbító átalakítása defibrillátortálcává	37
A defibrillátortálca/lábhosszabbító átalakítása lábhosszabbítóvá	38
A lábtartó/kórlaptartó rögzítése	39
Az infúziós kocsi rögzítése	39
A lábfejtartók pozicionálása vagy tárolási helyzetbe állítása – csak a Prime opció esetén	39
Az opcionális kétszintes, állandó jelleggel rögzített infúziós állvány pozicionálása	41
A háromszintes, állandó jelleggel rögzített infúziós állvány pozicionálása	41
Az eltávolítható infúziós állvány rögzítése és pozicionálása	42
A függőleges oxigénpalack-tartó felrögzítése	43
A tálalótálca-tartó/lábtartó kitolása vagy tárolási helyzetbe állítása	43
Az oldalkorlát alátétjeinek rögzítése	44
A beteget bekötő öv kötéseinek megkeresése	44
A függőleges röntgenkazetta-tartó pozicionálása – Prime X opció	45
Az oldalsó röntgenkazetta-tartó pozicionálása – Prime X opció	46
Röntgenkazetták behelyezése vagy eltávolítása – Prime X opció	47
Tisztítás	48
A termék tisztítása	48
A termék tisztítása műszerkocsimosó segítségével	48
A matrac tisztítása	49
Távolítsa el a jódot	50
Különleges utasítások	50
Fertőtlenítés	51
A termék fertőtlenítése	51
A matrac fertőtlenítése	51
Megelőző karbantartás	53
Elektromágneses kompatibilitásra (EMC) vonatkozó információk	55

A „Vigyázat”, „Figyelem” és „Megjegyzés” szavak meghatározása

A „VIGYÁZAT”, „FIGYELEM” és „MEGJEGYZÉS” szavak speciális jelentésűek. Az általuk jelzett figyelmeztetéseket alaposan át kell tekinteni.

VIGYÁZAT

Olyan helyzetre hívja fel az olvasó figyelmét, amelynek elkerülése hiányában halál vagy súlyos személyi sérülés következhet be. Ezenkívül potenciálisan súlyos nemkívánatos reakciókat és biztonsági kockázatokat is jelezhet.

FIGYELEM

Olyan potenciálisan veszélyes helyzetre hívja fel az olvasó figyelmét, amelynek elkerülése hiányában a felhasználó vagy a beteg enyhe vagy mérsékelt súlyos személyi sérülést szenvedhet, illetve a termék vagy egyéb anyagi javak károsodhatnak. Ide tartozik az eszköz biztonságos és hatékony használatához szükséges különös gondosság, illetve az eszköz rendeltetésszerű vagy nem rendeltetésszerű használatából esetlegesen adódó károk megelőzéséhez szükséges gondosság.

Megjegyzés - A karbantartást megkönnyítő vagy a fontos utasításokat világosabbá tevő speciális információkat jelzi.

A biztonsági óvintézkedések összefoglalása

Mindig olvassa el és pontosan tartsa be az ezen az oldalon szereplő „vigyázat” és „figyelem” szintű figyelmeztetéseket. A szervizelést kizárólag képezett szakember végezheti.

VESZÉLY

- Mindig hagyja, hogy a termék hőmérséklete szobahőmérsékletre álljon be, mielőtt konfigurálná a terméket, vagy ellenőrizné a funkciók működését. Ellenkező esetben a termék tartós károsodása következhet be.
- A terméket csak akkor szabad működtetni, ha senki sem tartózkodik mechanikus szerkezetei közelében.
- Mindig legyen körültekintő a tápvezeték mozgatásakor. Ellenkező esetben belegabalyodhat, a tápvezeték megsérülhet, vagy áramütésveszély jelentkezhet. Ha a tápvezeték sérült, azonnal helyezze üzemen kívül a terméket, és forduljon a megfelelő karbantartó személyzethez.
- Mindig közvetlenül csatlakoztassa a terméket földelt, kórházi besorolású fali csatlakozóaljzathoz. Kizárólag kórházi besorolású csatlakozóaljzat használata esetén érhető el biztonságos földelés. A termék kórházi besorolású dugasszal rendelkezik, mely védelmet biztosít az áramütés veszélyével szemben.
- Mindig hozza működésbe a fékeket, amikor a beteg felszáll a termékre vagy leszáll róla, illetve amikor a terméket nem mozgatja. Sérülés következhet be, ha a termék mozog, miközben egy beteg felszáll rá, vagy leszáll róla.
- Mindig a termék közepére helyezze a beteget.
- Amikor a beteget felügyelet nélkül hagyja, mindig állítsa a terméket a legalsó helyzetbe, az oldalkorlátokat pedig felhúzott állapotban reteszelve. Ne hagyja a terméket ennél nagyobb magasságra beállítva.
- A matractartó felemelése vagy leengedése előtt mindig távolítsa el az összes olyan eszközt, amely útban lehet.
- Ne üljön rá a termék végére. Ellenkező esetben a termék felborulhat.
- Beteg szállításához mindig teljesen felhúzott helyzetben rögzítse az oldalkorlátokat, a fekvőfelületet pedig állítsa vízszintesre, a legalsó helyzetben.
- A felborulás megelőzése érdekében ne mozgassa a terméket 5,7 foknál (10%-nál) meredekebb emelkedőn vagy lejtőn.
- Mindig legyen nagyon körültekintő, ha 2,5 hüvelyknél (6,35 cm-nél) vastagabb matracot vagy felső matracréteget használ a **Prime X** opcióval.
- Beteg szállítása esetén mindig rögzítse az oldalkorlátokat teljesen felhúzott helyzetben, és állítsa a fekvőfelületet a legalsó, vízszintes helyzetbe.
- Mindig tartsa távol a beteg végtagjait az oldalkorlát orsóitól, amikor az oldalkorlátot felemeli vagy leengedi.
- Ne engedje, hogy az oldalkorlátok maguktól leereszkedhessenek.
- Mindig tartsa távol kezét és ujjait a háttámla kioldófogantyúitól és a háttámla keretétől, amikor a háttámlát leengedi.
- Mindig körültekintően járjon el, ha olyankor emel fel egy háttámlát, amikor beteg tartózkodik a terméken. Alkalmazzon megfelelő emelési technikákat, és szükség esetén kérjen segítséget.
- Mindig tartsa távol kezét és ujjait a láb felőli vég tolókarjaitól, amikor leengedi a térdhajlító részt.

- A pumpaállványon lévő eszközvezetékeket mindig tartsa távol a térdhajlító rész fogantyúitól.
- Mindig gondoskodjon arról, hogy a pumpaállványon lévő eszközök biztonságosan átférjenek az ajtónyílásokon.
- Ne emelje a terméket a pumpaállványnál fogva.
- A termék szállítása vagy tisztítása előtt mindig húzza ki a tápvezetéket a fali csatlakozóaljzatból.
- Mindig a visszahúzzható vezeték dobjában tárolja a tápvezetéket, amikor a terméket szállítja.
- Ne használja az opcionális mérlegrendszert, az opcionális elektromos emelőt vagy az opcionális elektromos matractartót közvetlenül más eszközök mellé, alá vagy fölé helyezve. Ha a közvetlenül más berendezés mellett, alatt vagy fölött történő használat elkerülhetetlen, akkor az opcionális mérlegrendszert, az opcionális elektromos emelőt vagy az opcionális elektromos matractartót megfigyelés alatt kell tartani, hogy ellenőrizni lehessen, minden eszköz normálisan működik-e abban a konfigurációban, amelyben használni fogják.
- A defibrillátortálcára ne tegyen 30 fontnál (14 kg) nehezebb tárgyakat. Mindig szíjazzon le minden olyan eszközt, amelyet a defibrillátortálcára helyez.
- Mindig legyen körültekintő, amikor a defibrillátortálcát/lábhosszabbítót, a lábtartót/kórlaptartót vagy a függőleges oxigénpalack-tartót felrögzíti, nehogy becsípődjön az ujjja, amikor a láb felőli vég opcionális tolókarját pozicionálja.
- A defibrillátortálcára/lábhosszabbítóra ne tegyen 30 fontnál (14 kg) nehezebb tárgyakat. Mindig szíjazzon le minden olyan eszközt, amelyet a defibrillátortálcára helyez.
- A termék szállításakor mindig rögzítse az infúziós állványt az infúziós kocsihoz.
- A termék sérülésének megelőzése érdekében mindig rakja el az infúziós kocsit, amikor nem használja.
- Ne üljön rá a lábfejtartókra. Ellenkező esetben a termék felborulhat.
- Ujjait mindig tartsa távol a különböző mechanikus szerkezetektől, amikor a lábfejtartókat működteti.
- Mindig állítsa tárolási helyzetbe a lábfejtartókat, amikor a termékkel beteget szállít.
- Mindig húzza meg a lábfejtartókat, mielőtt használná őket.
- Ne működtesse a mérlegrendszert a lábfejtartókkal. Ellenkező esetben pontatlan lehet a kijelzett érték.
- Ne működtesse a **Chaperone** opciót a lábfejtartókkal. Ellenkező esetben pontatlan lehet a kijelzett érték.
- Ne használja tolásra/húzásra az infúziós állványt. Ettől megsérülhet a termék.
- Ne tegyen 40 fontnál (18 kg) nehezebb tárgyakat a függőleges oxigénpalack-tartóba!
- Ne tegyen 30 fontnál (14 kg) nehezebb tárgyakat a tálalótálcára!
- Mindig legyen körültekintő, amikor a bekötőöveket rögzíti. Ellenkező esetben a beteg vagy a kezelő megsérülhet. A fizikai rögzítőelemek, még biztonságosan rögzített helyzetükben is súlyos sérülést okozhatnak a betegeknek és a kezelőknek, akik egyebek között beléjük gabalyodhatnak, beléjük akadhatnak, fizikai sérülést szenvedhetnek, vagy meghalhatnak.
- Mindig csak a termék azonosított rögzítési pontjainál rögzítse a bekötőöveket vagy -eszközöket. Ellenkező esetben a beteg vagy a kezelő megsérülhet. Ne rögzítse a bekötőöveket az oldalkorlátra.
- Mindig ellenőrizze a vonatkozó állami és szövetségi korlátozásokat és előírásokat, valamint a létesítmény megfelelő protokolljait, mielőtt bármilyen bekötőövet vagy -eszközt használna.
- Mindig tegyen védőintézkedéseket, amikor a függőleges vagy oldalsó röntgenkazetta-tartót használja. A röntgenkazetta-tartó nem véd a sugárzástól.
- Mielőtt a **Prime X** opciót sugárzást keltő eszközökkel együtt használná, a létesítmény biztonsági protokolljain túlmenően mindig tanulmányozza át a helyi, állami és szövetségi irányelveket is. A sugárzást keltő eszközök maradék-, kóbor-, illetve szórt sugárzást kelthetnek.
- A röntgenkazetta behelyezéséhez mindig tartsa be a *A függőleges röntgenkazetta-tartó pozicionálása – Prime X opció* rész utasításait.
- Mindig legyen körültekintő, amikor úgy készít röntgenfelvételeket, hogy a háttámla függőleges helyzetben van, vagy amikor oldalsó kazettát használ.
- A röntgenkazetta behelyezéséhez mindig tartsa be a *Az oldalsó röntgenkazetta-tartó pozicionálása – Prime X opció* rész utasításait.
- Tilos tisztítást, szervizelést vagy karbantartást végezni a terméken, amikor azt éppen használják.
- Ne merítse a matracot tisztító- vagy fertőtlenítőoldatba. A túlzott nedvesség a termék meghibásodását eredményezheti, ami a termék károsodásához vagy a beteg sérüléséhez vezethet.
- Ne hagyja, hogy folyadék gyűljön össze a matracon. A folyadékok az alkatrészek korrózióját eredményezhetik, és kiszámíthatatlanná tehetik a termék biztonságosságát és teljesítményét.
- A matrachuzatok minden tisztításakor ellenőrizze, hogy nincs-e rajtuk szakadás, lyuk, túlzott kopás és rosszul behúzott cipzár. A keresztzennyeződés megelőzése érdekében távolítsa el és cserélje ki a sérült matracot.
- A matracok megtisztításához ne alkalmazzon gőztisztítást, nagy nyomású mosást, tömlővel végzett leöblítést, illetve ultrahangos tisztítást. Ezek a tisztítási módszerek érvényteleníthetik a termék szavatosságát.

- A termék megtisztításához ne alkalmazzon gőztisztítást, tömlővel végzett leöblítést, illetve ultrahangos tisztítást. E tisztítási módszerek alkalmazása nem javasolt, és érvénytelenítheti a termékszavatosságot.
 - Mindig fertőtlenítse a matracot, mielőtt másik beteghez használná. Ennek elmulasztása keresztszennyeződést és fertőzést eredményezhet.
-

FIGYELEM

- A termék nem megfelelő használata a beteg vagy a kezelő sérülését eredményezheti. Kizárólag a jelen kézikönyvben ismertetett módon működtesse a terméket.
 - Ne módosítsa a terméket vagy annak bármely komponensét. A termék módosítása kiszámíthatatlan működést eredményezhet, ami a beteg vagy a kezelő sérülését eredményezheti. A termék módosítása esetén a szavatosság is érvényét veszti.
 - Ne használja az alapzaton található hidraulikát a termék felemelésére, ha a termék alatt betegemelő lett elhelyezve.
 - Ne használja a kormányzás pedálját, amikor a **Big Wheel** kerék küszöbön vagy egyéb kiemelkedésen áll. Ilyen esetben a **Big Wheel** kerék működésbe hozásához szükséges erő a normálnál nagyobb lesz, ami a termék sérülését okozhatja.
 - A térdhajlító rész terhelhetősége 200 font (90,7 kg).
 - Használat előtt mindig ellenőrizze, hogy a térdhajlító rész támasztórúdja biztonságos-e.
 - Ne üljön és ne álljon a térdhajlító részre.
 - Mindig legyen körültekintő, ha a térdhajlító részt olyankor próbálja leengedni, amikor a termék áramellátása ki van kapcsolva. A nehézségi erő hatására a térdhajlító rész hirtelen lezuhanhat.
 - Ne tegyen 60 fontnál (27 kg) nehezebb tárgyakat az alapzat búrájába.
 - Ne üljön, ne lépjen és ne álljon az alapzat búrájára.
 - A pumpaállvány terhelhetősége 40 font (18 kg).
 - Ne használja a pumpaállványt tolásra/húzásra. Ettől megsérülhet a termék.
 - Ne használja a mérleget 50 fontnál (22,7 kg-nál) kisebb testsúlyú betegek mérésére.
 - A mérlegrendszerrel kapott mérési eredményt ne használja referenciaként orvosi kezeléshez.
 - Mindig emelje fel az infúziós állványt, mielőtt a defibrillátortálcát/lábhosszabbítót csatlakoztatná a termékhez. Ha nem emeli fel az infúziós állványt, a lábhosszabbító nem fog működni.
 - Ne használja tolásra/húzásra az infúziós állványt. Ettől megsérülhet a termék.
 - Ne akasszon az infúziós állványra 40 fontot (18 kg) meghaladó tömegű infúziós tasakot!
 - Mindig ellenőrizze, hogy az infúziós állvány elég alacsonyan van-e ahhoz, hogy átférjen az ajtónyílásokon, amikor beteget szállít.
 - Ne használjon csiszoló hatású tisztítószeret az opcionális mérlegrendszer kijelzője házának a tisztításához. Ne hagyja, hogy tisztítóoldat vagy egyéb folyadék gyűljön össze a kijelzőegységen. Folyadékkiömlés vagy tisztítás után szárítsa meg minden felületet.
 - A gyártó által meghatározottaktól vagy nyújtottaktól eltérő tartozékok, jeladók és kábelek használata az elektromágneses kibocsátási szint megnövekedését vagy az elektromágneses zavartűrés csökkenését eredményezheti, és nem megfelelő működéssel járhat.
 - Ezt a berendezést a jelkibocsátási jellemzői alkalmassá teszik az ipari területeken és kórházakban történő használatra (CISPR 11. sz. szabvány szerinti „A” osztály). Ha a berendezést lakókörnyezetben használják – amelyre normális körülmények között a CISPR 11. sz. szabvány szerinti „B” osztály előírásai kötelezőek –, akkor a berendezés nem feltétlenül nyújt megfelelő védelmet a rádiófrekvenciás kommunikációs szolgáltatások számára. Előfordulhat, hogy a felhasználónak zavarcsökkentő intézkedéseket kell tennie, pl. át kell helyeznie vagy el kell fordítania a berendezést.
 - A hordozható rádiófrekvenciás kommunikációs berendezéseket (ideértve az olyan perifériákat is, mint az antennakábelek és a külső antennák) nem szabad a **Prime** hordágy bármely részétől – egyebek között a gyártó által meghatározott kábelektől – 12 hüvelyknél (30 cm-nél) kisebb távolságban használni.
 - A termékek nem megfelelő működésének megelőzése érdekében ne rakjon más berendezéseket közvetlenül a termék alá, fölé és mellé. Ha az ilyen használat elkerülhetetlen, akkor az egymásra vagy egymás mellé helyezett berendezéseket körültekintő megfigyelés alatt kell tartani, hogy ellenőrizni lehessen, minden eszköz megfelelően működik-e.
-

Becsípődési pontok



Ábra 1 – Prime X opció

Bevezetés

Ez a kézikönyv segítséget nyújt az Ön Stryker termékének működtetéséhez és karbantartásához. A termék működtetése, illetve karbantartása előtt olvassa el ezt a kézikönyvet. Jelölje ki a személyzet számára a termék biztonságos működtetésével és karbantartásával kapcsolatos felvilágosítás és továbbképzés módszereit és eljárásait.

FIGYELEM

- A termék nem előírászerű használata a beteg vagy a kezelő sérüléséhez vezethet. Kizárólag a kézikönyvben ismertetett módon működtesse a terméket.
 - Ne módosítsa a terméket vagy a termék bármely komponensét. A termék módosítása kiszámíthatatlan működést eredményezhet, ami a beteg vagy a kezelő sérüléséhez vezethet. A termék módosítása esetén a jótállás is érvényét veszti.
-

Megjegyzés

- Ez a kézikönyv a termék állandó része, és a termékkel együtt kell maradnia, akkor is, ha a terméket eladják.
- A Stryker folyamatosan törekszik termékei kialakításának és minőségének továbbfejlesztésére. Ez a kézikönyv a nyomtatás időpontjában rendelkezésre álló legfrissebb termékinformációkat tartalmazza. Előfordulhatnak kisebb eltérések az Ön terméke és a jelen kézikönyvben ismertettek között. Ha bármilyen kérdése van, forduljon a Stryker ügyfélszolgálatához vagy műszaki támogatási részlegéhez: 1-800-327-0770.

A termék leírása

A **Big Wheel**® kerékkal rendelkező Stryker 1115-ös modellszámú **Prime Series**® hordágy kerek eszköz: egy kerek vázra szerelt platformból áll, mely a beteg vízszintes helyzetben történő megtartására szolgál. A hordágy a betegek egészségügyi intézményen belüli szállítására szolgál. A hordágyat egészségügyi szakemberek vagy az intézmény betanított alkalmazottjai működtethetik. A **Big Wheel** felszereltségű Stryker 1115-ös modellszámú **Prime Series** hordágy csökkenti az elindításhoz és kormányzásához szükséges erőt, hogy csökkentse az orvos megterhelését.

Rendeltetés

A **Big Wheel** kerékkal rendelkező **Prime Series** hordágy két nagyméretű kerékkal rendelkezik, a hordágy elindításához szükséges erő csökkentése érdekében.

A **Prime Series** hordágy a járóbetegek rövid távú klinikai értékeléséhez, kezeléséhez, kisebb beavatkozásaihoz és rövid távú felépülésének elősegítéséhez használható. A hordágy egyebek között az alábbi környezetekben használható:

- Sürgősségi betegellátó osztály (SBO)
- Baleseti terület
- Ébredő-megfigyelő helyiség

A **Prime Series** hordágy kisebb beavatkozásokhoz és rövid távú tartózkodáshoz (kezelés és felépülés) használható. A tervezett használat környezeti feltételeit a műszaki adatok táblázata ismerteti.

A Stryker **Prime Series** hordágyat nem vizsgálták be a BS EN 50637 ágyszabvány szerinti megfelelés szempontjából. Ez a termék nem használható rövid távú tartófelületként gyermekgyógyászati betegekhez vagy atipikus anatómiájú felnőtt betegekhez olyan piacokon, amelyek ezt az ágyszabványt alkalmazzák a forgalombahozatali engedélyezéshez.

A **Prime Series** hordágy nem hosszú távú fekvőbeteg-kezelés és lábadozás céljára használatos.

A **Prime Series** hordágy biztonságos terhelhetőségi határértéke 700 font (318 kg). A termék az összes pácienshez, így az enyhén beteg és a kritikusan beteg állapotban lévőkhöz egyaránt használható. A hordágy elhunyt betegek szállítására is használható zárt egészségügyi intézményeken belül.

A **Prime X**® opció egyszerre biztosítja a beteget tartó csuklós felületet a radiográfias vizsgálathoz, valamint a röntgenkazetta elhelyezésére szolgáló platformot a beteget tartó felület alatt. A **Prime X** opció lehetővé teszi a klinikai röntgenfelvételek készítését (AP teljes testes, opcionális teljes testes oldalsó és opcionális függőleges mellkasfelvétel), amikor orvosi röntgenrendszerrel együtt használják.

Klinikai előnyök

Beteg szállítása, kezelés megkönnyítése és diagnosztika

Ellenjavallatok

A **Prime X** opciót nem ajánlott négy hüvelyknél (10 cm) vastagabb matraccal használni.

A **Prime X** opció nem kompatibilis a C-karral való használatra.

A **Prime X** opció bármilyen létesítményben használható, kivéve az otthoni egészségügyi és lakókörnyezeti létesítményeket, valamint az épületek háztartási célú áramellátását biztosító, alacsony feszültségű lakossági táphálózatra közvetlenül csatlakozó egyéb létesítményeket.



Várható üzemi élettartam

A **Prime Series** hordágyak és a **Prime X** opcióval rendelkező **Prime Series** hordágyak várható üzemi élettartama normális használati körülmények között és megfelelő rendszeres karbantartás mellett 10 év.

Ártalmatlanítás/újrahasznosítás

Mindig kövesse a környezetvédelemmel kapcsolatos, valamint a berendezésnek a hasznos élettartama végén történő újrahasznosításával vagy ártalmatlanításával kapcsolatos kockázatokra vonatkozó mindenkor helyi szabályozásokat és/ vagy előírásokat.

Műszaki adatok

	Prime Series 26 hüvelyk (66 cm) széles		Prime Series 30 hüvelyk (76 cm) széles Prime Series HT csomagok		Prime X opció 30 hüvelyk (76 cm) széles	
 Megjegyzés - A biztonságos üzemi terhelés a beteg, a matrac és a tartozékok együttes tömegét jelenti.	700 font	318 kg	700 font	318 kg	700 font	318 kg
 Beteg maximális testtömege	675 font	306 kg	675 font	306 kg	675 font	306 kg
Teljes hosszúság	85 hüvelyk (± 0,5 hüvelyk)	215,9 cm	85 hüvelyk (± 0,5 hüvelyk)	215,9 cm	85 hüvelyk (± 0,5 hüvelyk)	215,9 cm
Teljes hosszúság (matractartó meghosszabbításának opciója)	89,9 hüvelyk (± 0,75 hüvelyk)	228,3 cm	89,9 hüvelyk (± 0,75 hüvelyk)	228,3 cm	NA	NA

	Prime Series 26 hüvelyk (66 cm) széles		Prime Series 30 hüvelyk (76 cm) széles Prime Series HT csomagok		Prime X opció 30 hüvelyk (76 cm) széles	
Teljes szélesség (oldalkorlátok fent)	34 hüvelyk (± 1 hüvelyk)	86,4 cm	38 hüvelyk (± 1 hüvelyk)	96,5 cm	38 hüvelyk (± 1 hüvelyk)	96,5 cm
Teljes szélesség (oldalkorlátok leengedve)	30,25 hüvelyk (± 0,5 hüvelyk)	76,8 cm	30,5 hüvelyk (± 0,5 hüvelyk)	77,5 cm	30,5 hüvelyk (± 0,5 hüvelyk)	77,5 cm
Minimális magasság	20,75 hüvelyk	52,7 cm	20,75 hüvelyk	52,7 cm	23,25 hüvelyk	59,1 cm
Maximális magasság	34 hüvelyk (± 1 hüvelyk)	86,4 cm	34 hüvelyk (± 1 hüvelyk)	86,4 cm	36,5 hüvelyk (± 1 hüvelyk)	92,7 cm
Háttámla szöge	0–90° (± 5°)					
Térdhajlító támasz magassága	5,5 hüvelyk (14 cm) minimum				Nem alkalmazható	
Trendelenburg-helyzet / fordított Trendelenburg-helyzet	+17°-tól –17°-ig (± 3°)					
Minimális térköz	2,5 hüvelyk névleges	6,4 cm	2,5 hüvelyk névleges	6,4 cm	2,5 hüvelyk névleges	6,4 cm
	1,75 hüvelyk a hidraulikus emelők alatt	4,5 cm	1,75 hüvelyk a hidraulikus emelők alatt	4,5 cm	1,75 hüvelyk a hidraulikus emelők alatt	4,5 cm
	1 hüvelyk a Big Wheel kerék alatt	2,5 cm	1 hüvelyk a Big Wheel kerék alatt	2,5 cm	1 hüvelyk a Big Wheel kerék alatt	2,5 cm
Csillapítási egyenérték (alumínium-egyenérték)	Nem alkalmazható				A maximális megengedett érték 1,7 mm Al	
Opcionális mérlegrendszer tömeg szerinti működési tartománya	50 font (22,7 kg) – 700 font (318 kg)					
Opcionális mérlegrendszer pontossága	± 3 font (1,3 kg) 100 font (45 kg) alatt és ± 3% 100 font (45 kg) értéktől *					
*A mérlegrendszer pontosságára vonatkozó állítás teljesüléséhez a beteget tartó felületnek sík helyzetben kell lennie (a háttámla és térdhajlító támasz leengedett állapotában) és a termék vízszintestől való eltérésének szöge nem haladhatja meg az 5 fokot Trendelenburg-, illetve fordított Trendelenburg-helyzetben.						

Elektromos tartozékopciók	Opcionális elektromos matractartó (csak a Prime opcióhoz áll rendelkezésre)	Opcionális elektromos emelő (a Prime és a Prime X opcióhoz egyaránt rendelkezésre áll)
Villamossági követelmények	120 V AC, 60 Hz, 10 A 240 V AC, 50/60 Hz, 5 A	120 V AC, 60 Hz, 10 A 240 V AC, 50/60 Hz, 5 A
Működési ciklus	Folytonos működés szakaszos terheléssel, 1 perc BE, 20 perc KI	Folytonos működés szakaszos terheléssel, 1 perc BE, 20 perc KI

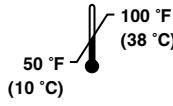
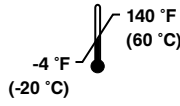
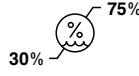
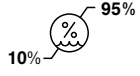
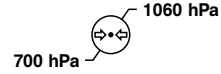
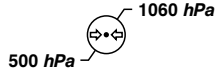
Opcionális mérlegrendszer	Nem elektromos matractartó (a Prime és a Prime X opcióhoz egyaránt rendelkezésre áll)	Opcionális elektromos emelő (a Prime és a Prime X opcióhoz egyaránt rendelkezésre áll)
Akkumulátor típusa	4 db AA elem (4 x 1,5 V DC), alkáli típusú (LR6)	4 db AA elem (4 x 1,5 V DC), alkáli típusú (LR6)
Akkumulátorfeszültség	6,0 V DC	6,0 V DC

Opcionális mérlegrendszer	Opcionális elektromos matractartó (csak a Prime opcióhoz áll rendelkezésre)	Opcionális elektromos emelő
Akkumulátor típusa	1 db újratölthető lítiumionakkumulátor-csomag (0058-135-000)	Nem alkalmazható
Akkumulátorfeszültség	10,8 V DC, 2,4 Ah	Nem alkalmazható

Opcionális mérlegrendszer Chaperone® opcióval (figyelmeztetés a hordágyról való leszállásra)	Opcionális elektromos matractartó (csak a Prime opcióhoz áll rendelkezésre)	Opcionális elektromos emelő
Akkumulátor típusa	1 db újratölthető lítiumionakkumulátor-csomag (0058-134-000)	Nem alkalmazható
Akkumulátorfeszültség	10,8 V DC, 4,8 Ah	Nem alkalmazható

A Stryker fenntartja a jogot a műszaki adatok értesítés nélküli módosítására.

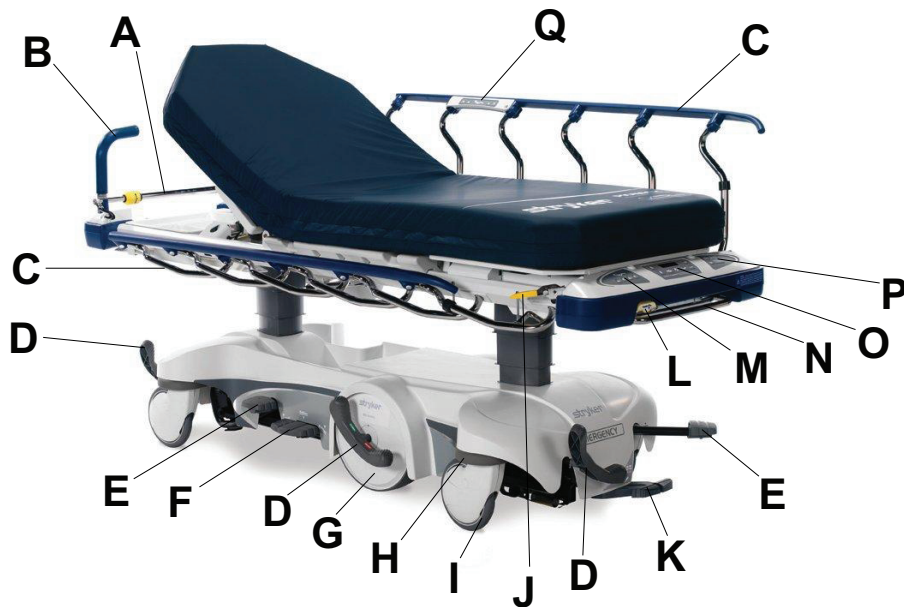
Megjegyzés - Ez a termék nem használható gyúlékony altatógáz és levegő, oxigén vagy nitrogén-oxid keverékének jelenlétében.

Környezeti körülmények	Működés	Tárolás és szállítás
Hőmérséklet		
Relatív páratartalom		
Légnomás		

Megjegyzés - Az opcionális mérlegrendszer (nem elektromos matractartó / elektromos matractartó opció esetében) működési hőmérséklet-tartománya: 61 °F – 79 °F (16 °C – 26 °C).

A műszaki adatok megközelítőek és termékenként, illetve a tápellátás ingadozásaitól függően kissé eltérőek lehetnek.

A termék képi bemutatása – Prime



Ábra 2 – Prime

A	Infúziós állvány	J	Oldalkorlát retesze
B	BackSmart® felugró tolókar, opcionális	K	Hidraulikus kioldópedál
C	BackSmart oldalkorlát	L	Térdhajlító kioldókarja
D	Fék/kormányzás pedálja	M	BackSmart láb felőli végén elhelyezett kezelő által működtetett vezérlőpanel, opcionális
E	Pumpálópedál	N	Pumpaállvány, opcionális
F	Uni-lower pedál	O	BackSmart mérlegrendszer, opcionális
G	Big Wheel	P	Beteg által működtetett vezérlő lezárás, opcionális
H	Beépített lökhárító	Q	Beteg által működtetett oldalkorlát, opcionális
I	Beépített kerékfedő elemmel rendelkező lábörgő		

A termék képi bemutatása – Prime X opció



Ábra 3 – Prime X opció

A	BackSmart® felugró tolókar, opcionális	H	Uni-lower pedál
B	Infúziós állvány	I	Beépített lökhárító
C	Kazettatartó tálca	J	Beépített kerékfedő elemmel rendelkező lábgörgő
D	Betegfelület Clearview Technology® tartóval	K	Oldalkorlát retesze
E	BackSmart oldalkorlát	L	Pumpaállvány, opcionális
F	Fék/kormányzás vezérlőpedálja	M	BackSmart mérlegrendszer, opcionális
G	Pumpálópedál		

Alkalmazott alkatrészek – elektromos matractartó opció



Ábra 4 – B típusú alkalmazott alkatrészek – elektromos matractartó opció

Alkalmazott alkatrészek – Prime X opció



Ábra 5 – B típusú alkalmazott alkatrészek – Prime X opció

Kapcsolatfelvételi adatok

A Stryker ügyfélszolgálatának és műszaki támogatási részlegének elérhetősége: 1-800-327-0770.

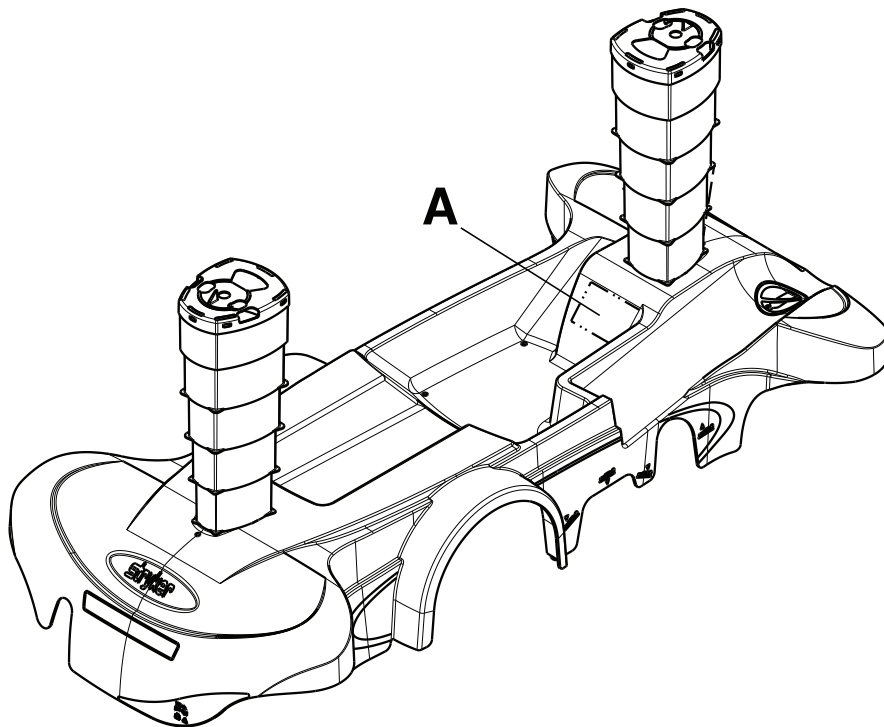
Stryker Medical
3800 E. Centre Avenue
Portage, MI 49002
USA

Megjegyzés - A felhasználónak és/vagy a betegnek a termékkel kapcsolatos összes komoly incidenst jelentenie kell mind a gyártó felé, mind pedig a felhasználó és/vagy beteg székhelyének megfelelő európai tagállam illetékes hatósága felé.

Az üzemeltetési vagy karbantartási kézikönyv online változata: <https://techweb.stryker.com/>.

A Stryker ügyfélszolgálatának vagy műszaki támogatásának hívásához készítse elő Stryker-terméke sorozatszámát (A). Az összes írásos kommunikációban tüntesse fel a sorozatszámot.

Sorozatszám helye



Ábra 6 – Sorozatszám helye

Konfigurálás

A termék kicsomagolásához olvassa el a termékre rögzített kicsomagolási utasítást a szállítóláda belsejében.

VESZÉLY

- Mindig hagyja, hogy a termék hőmérséklete szobahőmérsékletre álljon be, mielőtt konfigurálná a terméket, vagy ellenőrizné a funkciók működését. Ellenkező esetben a termék tartós károsodása következhet be.
 - A terméket csak akkor szabad működtetni, ha senki sem tartózkodik mechanikus szerkezetei közelében.
 - Mindig legyen körültekintő a tápvezetékek mozgatásakor. Ellenkező esetben belegabalyodhat, a tápvezetékek megsérülhet, vagy áramütésveszély jelentkezhet. Ha a tápvezetékek sérült, azonnal helyezze üzemen kívül a terméket, és forduljon a megfelelő karbantartó személyzethez.
 - Mindig közvetlenül csatlakoztassa a terméket földelt, kórházi besorolású fali csatlakozóaljzathoz. Kizárólag kórházi besorolású csatlakozóaljzat használata esetén érhető el biztonságos földelés. A termék kórházi besorolású dugasszal rendelkezik, mely védelmet biztosít az áramütés veszélyével szemben.
-

Üzembe helyezés előtt győződjön meg a termék megfelelő működéséről.

1. Hozza működésbe a féket. Próbálja eltolni a terméket, hogy ellenőrizhesse, mind a négy lábgörgő rögzítve van-e.
2. Oldja ki a féket. Próbálja eltolni a terméket, hogy ellenőrizhesse, mind a négy lábgörgő rögzítése ki van-e oldva.
3. A hidraulikus emelőrendszerrel emelje fel és engedje le a matractartót.
4. Emelje a terméket a legfelső helyzetbe, és állítsa Trendelenburg-helyzetbe (lásd *A termék Trendelenburg-helyzetbe állítása* (oldal18)). Győződjön meg róla, hogy a fej felőli vég leengedhető a teljesen leengedett helyzetbe.
5. Emelje a terméket a legfelső helyzetbe, és állítsa fordított Trendelenburg-helyzetbe (lásd *A termék fordított Trendelenburg-helyzetbe állítása* (oldal19)). Győződjön meg róla, hogy a láb felőli vég leengedhető a teljesen leengedett helyzetbe.
6. Hozza működésbe a **Big Wheel** kereket, és győződjön meg arról, hogy megfelelően működik.
7. Győződjön meg róla, hogy az oldalkorlátok felemelhetők, leengedhetők és rögzíthetők a helyükön.
8. Emelje fel és engedje le a kézi működtetésű háttámlát (fej felőli vég).
9. Emelje fel és engedje le a kézi működtetésű térdhajlítót (láb felőli vég).

Elektromos emelő vagy elektromos matractartó opcióval rendelkező termék esetén:

1. Menjen végig a konfigurálás fenti ellenőrző listáján.
2. Csatlakoztassa a terméket földelt, kórházi besorolású fali csatlakozóaljzathoz. Győződjön meg róla, hogy a LED-ek kigyulladnak a lezáró billentyűzeten.
3. Győződjön meg róla, hogy az oldalkorlát beteg általi opcionális vezérlőjének minden funkciója működik.
4. Győződjön meg róla, hogy a láb felőli végen elhelyezett opcionális, kezelő által működtetett vezérlőpanel minden funkciója működik.
5. Emelje fel és engedje le az elektromos működtetésű háttámlát (fej felőli vég).
6. Emelje fel és engedje le az elektromos működtetésű térdhajlítót (láb felőli vég).

A mérlegrendszer opcióval / elektromos matractartó opcióval rendelkező (a **Chaperone** opcióval akár rendelkező, akár nem rendelkező) termék esetében:

1. Menjen végig a konfigurálás fenti ellenőrző listáján.
2. Töltse fel az akkumulátorokat (*A mérlegrendszer opcionális akkumulátorcsomagjának feltöltése – opcionális elektromos matractartó vagy Chaperone opcióval rendelkező opcionális elektromos matractartó – csak a Prime opció esetén* (oldal33)).

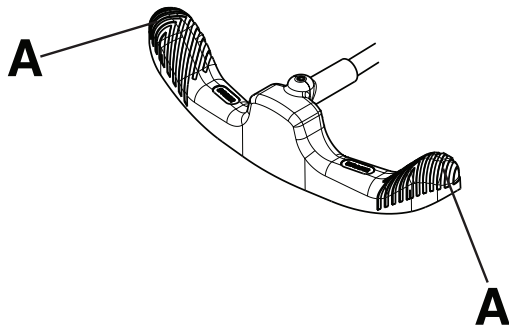
Működés

A fékek működésbe hozása és kioldása

VESZÉLY - Mindig hozza működésbe a fékeket, amikor a beteg felszáll a termékre vagy leszáll róla, illetve amikor a terméket nem mozgatja. Sérülés következhet be, ha a termék mozog, miközben egy beteg felszáll rá, vagy leszáll róla.

A fékek működésbe hozásához nyomja le a fék/kormányzás pedál fék (piros) oldalát. Próbálja előretolni a terméket a fék működésének ellenőrzéséhez.

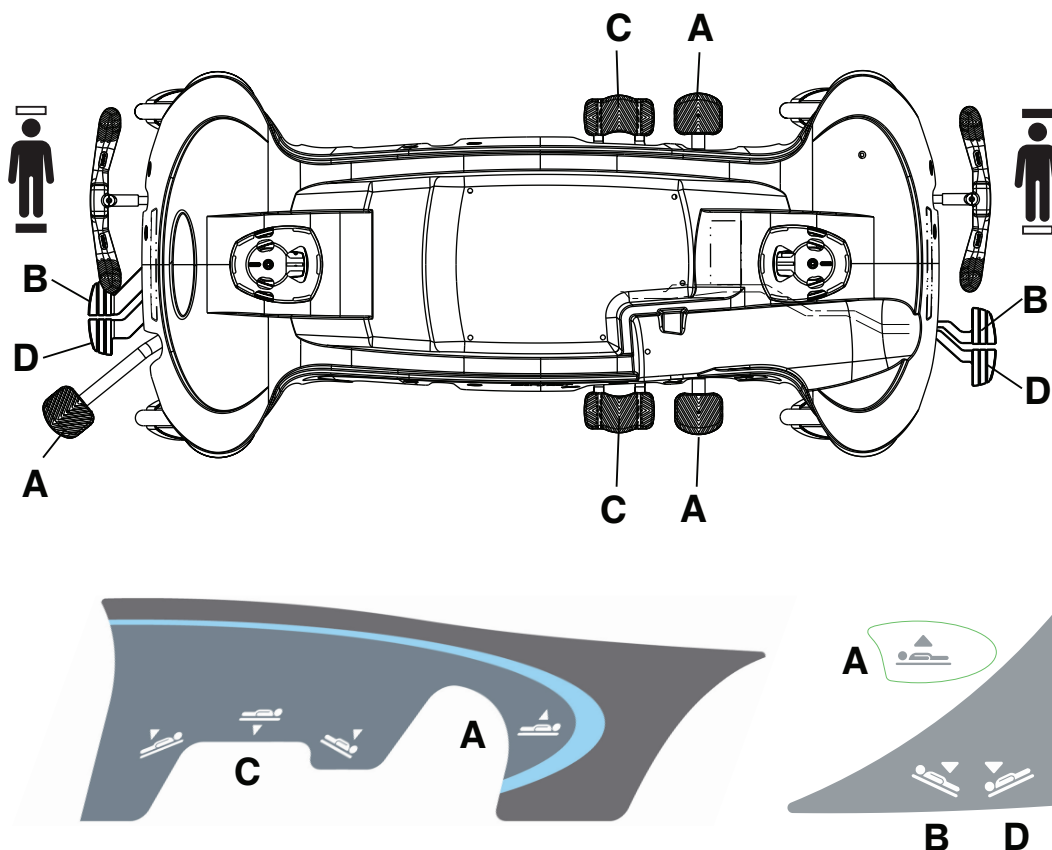
A fékek kioldásához nyomja le a fék/kormányzás pedál kormányzás (zöld) oldalát.



Ábra 7 – A fék/kormányzás pedál működtetése

Megjegyzés - Ne nyomja le a fék/kormányzás pedál közepét. Mindig a fék/kormányzás pedál külső oldalát (A) nyomja le (Ábra 7).

A Prime-alapzat vezérlőelemei



Ábra 8 – A Prime-alapzat vezérlői és címkéi

Nem elektromos matractartó felemelése

VESZÉLY

- Mindig a termék közepére helyezze a beteget.
- Amikor a beteget felügyelet nélkül hagyja, mindig állítsa a terméket a legalsó helyzetbe, az oldalkorlátokat pedig felhúzott állapotban reteszelve. Ne hagyja a terméket ennél nagyobb magasságra beállítva.
- A matractartó felemelése vagy leengedése előtt mindig távolítsa el az összes olyan eszközt, amely útban lehet.
- Ne üljön rá a termék végére. Ellenkező esetben a termék felborulhat.

FIGYELEM - Ne használja az alapzaton található hidraulikát a termék felemelésére, ha a termék alatt betegemelő lett elhelyezve.

A matractartó felemeléséhez addig nyomja le a pumpálópedált (A), amíg a kívánt magasságot el nem éri (A *Prime-alapzat vezérlőelemei* (oldal17)).

Nem elektromos matractartó leengedése

VESZÉLY

- Mindig a termék közepére helyezze a beteget.
- Amikor a beteget felügyelet nélkül hagyja, mindig állítsa a terméket a legalsó helyzetbe, az oldalkorlátokat pedig felhúzott állapotban reteszelve. Ne hagyja a terméket ennél nagyobb magasságra beállítva.
- A matractartó felemelése vagy leengedése előtt mindig távolítsa el az összes olyan eszközt, amely útban lehet.

- Ne üljön rá a termék végére. Ellenkező esetben a termék felborulhat.

FIGYELEM - Ne használja az alapzaton található hidraulikát a termék felemelésére, ha a termék alatt betegemelő lett elhelyezve.

A teljes matractartó leengedéséhez nyomja le az Uni-lower pedál (C) közepét (*A Prime-alapzat vezérlőelemei* (oldal17)).

A matractartó fej felőli végének leengedéséhez nyomja le a pedált (B), vagy nyomja le a termék fej felőli végéhez legközelebbi Uni-lower pedál (C) oldalát.

A matractartó láb felőli végének leengedéséhez nyomja le a pedált (D), vagy nyomja le a termék láb felőli végéhez legközelebbi Uni-lower pedál (C) oldalát.

Az opcionális elektromos matractartó felemelése

VESZÉLY

- Mindig a termék közepére helyezze a beteget.
- Amikor a beteget felügyelet nélkül hagyja, mindig állítsa a terméket a legalsó helyzetbe, az oldalkorlátokat pedig felhúzott állapotban reteszelve. Ne hagyja a terméket ennél nagyobb magasságra beállítva.
- A matractartó felemelése vagy leengedése előtt mindig távolítsa el az összes olyan eszközt, amely útban lehet.
- Ne üljön rá a termék végére. Ellenkező esetben a termék felborulhat.

FIGYELEM - Ne használja az alapzaton található hidraulikát a termék felemelésére, ha a termék alatt betegemelő lett elhelyezve.

Az elektromos matractartó felemeléséhez addig nyomja le a pumpálópedált (A), amíg a kívánt magasságot el nem éri (*A Prime-alapzat vezérlőelemei* (oldal17)).

Az opcionális elektromos matractartó leengedése

VESZÉLY

- Mindig a termék közepére helyezze a beteget.
- Amikor a beteget felügyelet nélkül hagyja, mindig állítsa a terméket a legalsó helyzetbe, az oldalkorlátokat pedig felhúzott állapotban reteszelve. Ne hagyja a terméket ennél nagyobb magasságra beállítva.
- A matractartó felemelése vagy leengedése előtt mindig távolítsa el az összes olyan eszközt, amely útban lehet.
- Ne üljön rá a termék végére. Ellenkező esetben a termék felborulhat.

FIGYELEM - Ne használja az alapzaton található hidraulikát a termék felemelésére, ha a termék alatt betegemelő lett elhelyezve.

A teljes elektromos matractartó leengedéséhez nyomja le az Uni-lower pedál (C) közepét (*A Prime-alapzat vezérlőelemei* (oldal17)).

A matractartó fej felőli végének leengedéséhez nyomja le a pedált (B), vagy nyomja le a termék fej felőli végéhez legközelebbi Uni-lower pedál (C) oldalát.

A matractartó láb felőli végének leengedéséhez nyomja le a pedált (D), vagy nyomja le a termék láb felőli végéhez legközelebbi Uni-lower pedál (C) oldalát.

A termék Trendelenburg-helyzetbe állítása

VESZÉLY - A matractartó felemelése vagy leengedése előtt mindig távolítsa el az összes olyan eszközt, amely útban lehet.

FIGYELEM - Ne használja az alapzaton található hidraulikát a termék felemelésére, ha a termék alatt betegemelő lett elhelyezve.

A termék Trendelenburg-helyzetbe (fej lent) állításához emelje a matractartót a legmagasabb helyzetbe (*Nem elektromos matractartó felemelése* (oldal17) vagy *Az opcionális elektromos matractartó felemelése* (oldal18)).

Megjegyzés - A Trendelenburg-szög növeléséhez emelje a matractartót a legmagasabb helyzetbe.

A termék fej felőli végének leengedéséhez nyomja le a fej felőli végen vagy a láb felőli végen található kioldópedált (D), vagy nyomja le a fej felőli véghez legközelebbi Uni-lower pedál (C) oldalát (*A Prime-alapzat vezérlőelemei* (oldal17)).

A termék Trendelenburg-helyzetből történő leengedéséhez nyomja le egyidejűleg a fej felőli végen és a láb felőli végen található kioldópedált (B és D), vagy nyomja le az Uni-lower pedál (C) közepét, míg a matractartó vízszintes nem lesz.

A termék fordított Trendelenburg-helyzetbe állítása

VESZÉLY - A matractartó felemelése vagy leengedése előtt mindig távolítsa el az összes olyan eszközt, amely útban lehet.

FIGYELEM - Ne használja az alapzaton található hidraulikát a termék felemelésére, ha a termék alatt betegemelő lett elhelyezve.

A termék fordított Trendelenburg-helyzetbe (láb lent) állításához emelje a matractartót a legmagasabb helyzetbe (*Nem elektromos matractartó felemelése* (oldal17) vagy *Az opcionális elektromos matractartó felemelése* (oldal18)).

Megjegyzés - A Trendelenburg-szög növeléséhez emelje a matractartót a legmagasabb helyzetbe.

A termék láb felőli végének leengedéséhez nyomja le a fej felőli végen vagy a láb felőli végen található kioldópedált (B), vagy nyomja le a láb felőli véghez legközelebbi Uni-lower pedál (C) oldalát (*A Prime-alapzat vezérlőelemei* (oldal17)).

A termék fordított Trendelenburg-helyzetből történő leengedéséhez nyomja le egyidejűleg a fej felőli végen és a láb felőli végen található kioldópedált (B és D), vagy nyomja le az Uni-lower pedál (C) közepét, míg a matractartó vízszintes nem lesz.

Beteg szállítása

VESZÉLY

- Mindig a termék közepére helyezze a beteget.
 - Beteg szállításához mindig teljesen felhúzott helyzetben rögzítse az oldalkorlátokat, a fekvőfelületet pedig állítsa vízszintesre, a legalsó helyzetben.
 - A felborulás megelőzése érdekében ne mozgassa a terméket 5,7 foknál (10%-nál) meredekebb emelkedőn vagy lejtőn.
-

Beteg szállítása:

1. Emelje az oldalkorlátokat a legfelső helyzetbe. Az oldalkorlátok megfelelő reteszelésének ellenőrzéséhez húzza meg az oldalkorlátokat.
2. Engedje le a matractartót a legalsó helyzetbe.
3. Ha a termék elektromos emelő vagy elektromos matractartó opcióval rendelkezik, akkor csatlakoztassa le a tápvezetéket a fali csatlakozóaljzatról.
4. Nyomja le a fék/kormányzás pedál kormányzás (zöld) oldalát.
5. A termék tolásához használja a tolókarokat.
6. A termék helyben történő rögzítéséhez hozza működésbe a fékeket.

Megjegyzés - A kezelő és a beteg sérülésének elkerülése érdekében a termék mozgatása előtt mindenképpen ellenőrizze, hogy a fék ki van-e oldva.

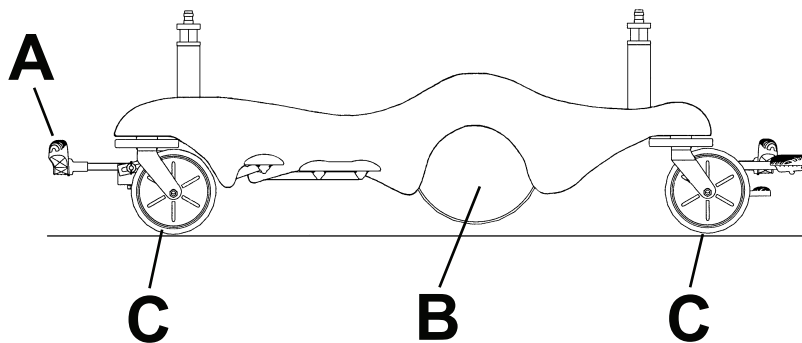
Beteg szállítása Big Wheel kerék nélkül

VESZÉLY

- Mindig a termék közepére helyezze a beteget.
- Beteg szállításához mindig teljesen felhúzott helyzetben rögzítse az oldalkorlátokat, a fekvőfelületet pedig állítsa vízszintesre, a legelső helyzetben.

Beteg szállítása **Big Wheel** kerék nélkül:

1. Állítsa a fék/kormányzás pedálját (A) semleges helyzetbe (Ábra 9).



Ábra 9 – Szállítás Big Wheel kerék nélkül

2. Engedje le a matractartót a legelső helyzetbe.
3. Kizárólag az 1125-ös modell esetében ellenőrizze, hogy az On/Drive (Be/hajtás) – Off/Manual (Ki/kézi mozgatás) kapcsoló Off (Ki) állásban van-e.
4. Ha a termék elektromos emelő opcióval vagy elektromos matractartó opcióval rendelkezik, akkor húzza ki a tápvezetékét a kórházi minőségű fali csatlakozóaljzatról.
5. A termék tolásához használja a tolókarokat.
6. A termék helyben történő rögzítéséhez hozza működésbe a fékeket.

Megjegyzés

- A kezelő és a beteg sérülésének elkerülése érdekében a termék mozgatása előtt mindenképpen ellenőrizze, hogy a fék ki van-e oldva.
- Amikor a termék semleges pozícióban van, a **Big Wheel** (B) felemelkedik, és a termék a négy lábgörgőn (C) nyugszik (Ábra 9). Ebben a pozícióban a terméket bármilyen irányba elmozdíthatja, még oldalra is.

Beteg szállítása Big Wheel kerékkal

VESZÉLY

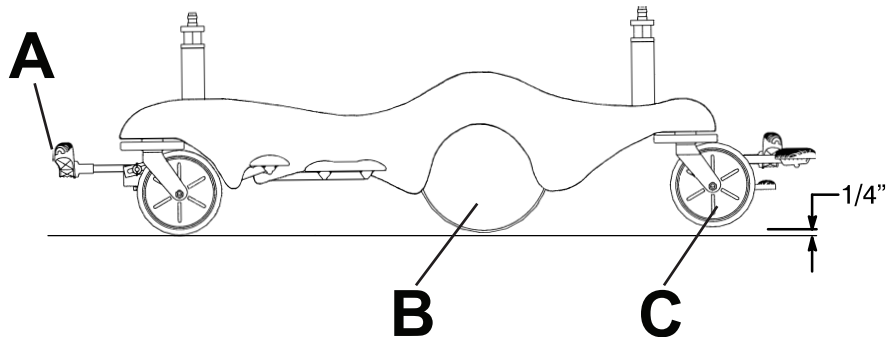
- Mindig a termék közepére helyezze a beteget.
- Beteg szállításához mindig teljesen felhúzott helyzetben rögzítse az oldalkorlátokat, a fekvőfelületet pedig állítsa vízszintesre, a legelső helyzetben.

FIGYELEM - Ne használja a kormányzás pedálját, amikor a **Big Wheel** kerék küszöbön vagy egyéb kiemelkedésen áll. Ilyen esetben a **Big Wheel** kerék működésbe hozásához szükséges erő a normálnál nagyobb lesz, ami a termék sérülését okozhatja.

Beteg szállítása **Big Wheel** kerékkal:

1. Emelje az oldalkorlátokat a legfelső helyzetbe. Az oldalkorlátok megfelelő reteszelésének ellenőrzéséhez húzza meg az oldalkorlátokat.

- Engedje le a matractartót a legalsó helyzetbe.
- Kizárólag az 1125-ös modell esetében ellenőrizze, hogy az On/Drive (Be/hajtás) – Off/Manual (Ki/kézi mozgatás) kapcsoló Off (Ki) állásban van-e.
- Ha a termék elektromos emelő opcióval vagy elektromos matractartó opcióval rendelkezik, akkor húzza ki a tápvezetékét a kórházi minőségű fali csatlakozóaljzatról.
- Állítsa a fékezés/kormányzás pedálját (A) kormányzás helyzetbe (Ábra 10).



Ábra 10 – Szállítás Big Wheel kerékkel

- A termék tolásához használja a tolókarokat.
- A termék helyben történő rögzítéséhez hozza működésbe a fékeket.

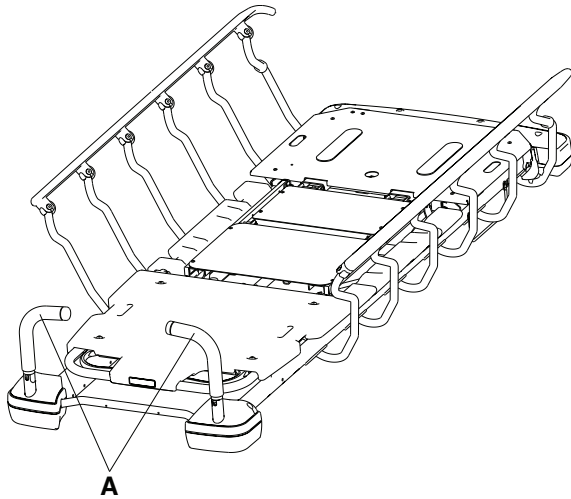
Megjegyzés

- Mielőtt megpróbálná mozgatni a terméket, mindenképpen ellenőrizze, hogy a fék ki van-e oldva. Ha a terméket behúzott fékkel próbálja mozgatni, az a kezelő vagy a beteg sérülését eredményezheti.
- A **Big Wheel** kerék (B) nem fordul el. A **Big Wheel** kerék működtetésekor, a termék nem mozgatható oldalirányba.
- Amikor működésbe hozza a **Big Wheel** (B) kereket, a termék megemelkedik, és a láb felőli végén található lábgörgők (C) felemelkednek. A termék ilyenkor a fej felőli végén található lábgörgőkön nyugszik és a **Big Wheel** keréknek köszönhetően könnyebben kormányozható (Ábra 10).

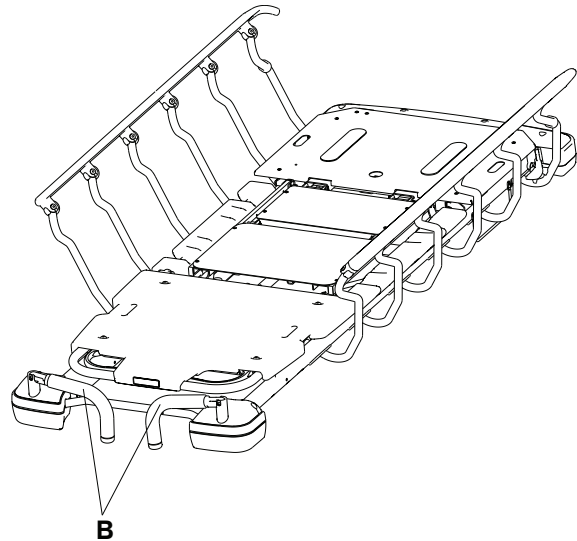
A fej felőli vég opcionális tolókarjainak pozicionálása és tárolási helyzetbe állítása

A fej felőli vég tolókarjainak pozicionálásához és tárolási helyzetbe állításához:

- Fordítsa felfelé a karokat (A) a termék fej felőli végétől (Ábra 11).
- Nyomja le a karokat, hogy a helyükön rögzüljenek.



Ábra 11 – A fej felőli vég tolókarjainak pozicionálása



Ábra 12 – A fej felőli vég tolókarjainak tárolási helyzetbe állítása

3. A fej felőli vég tolókarjainak (B) tárolási helyzetbe állításához fordított sorrendben hajtsa végre a fenti lépéseket (Ábra 12).

Megjegyzés - A termék károsodásának megelőzése érdekében csak a tolókarokat használja tolásra/húzásra, ha másként nincs előírva.

Az oldalkorlát felemelése

VESZÉLY

- Mindig legyen nagyon körültekintő, ha 2,5 hüvelyknél (6,35 cm-nél) vastagabb matracot vagy felső matracréteget használ a **Prime X** opcióval.
- Amikor a beteget felügyelet nélkül hagyja, mindig állítsa a terméket a legalsó helyzetbe, az oldalkorlátokat pedig felhúzott állapotban reteszelje. Ne hagyja a terméket ennél nagyobb magasságra beállítva.
- Beteg szállításához mindig teljesen felhúzott helyzetben rögzítse az oldalkorlátokat, a fekvőfelületet pedig állítsa vízszintesre, a legalsó helyzetben.
- Mindig tartsa távol a beteg végtagjait az oldalkorlát orsóitól, amikor az oldalkorlátot felemeli vagy leengedi.
- Ne engedje, hogy az oldalkorlátok maguktól leereszkedhessenek.

Az oldalkorlát felemeléséhez:

1. Két kézzel fogja meg az oldalkorlátot.
2. Addig emelje az oldalkorlátot a termék láb felőli vége felé, amíg a sárga kioldóretesz a helyére nem kattan. Az oldalkorlátok megfelelő reteszelésének ellenőrzéséhez húzza meg az oldalkorlátokat.

Megjegyzés

- Opcionális kettős oldalkorlát-kioldó retesz kapható, amely a termék mindkét végén reteszekkel rendelkezik.
- Ne használja az oldalkorlátokat megtartóeszközként, a betegnek a termékről való leszállásának megakadályozására. Az oldalkorlátok megakadályozzák, hogy a beteg a termékről leguruljon. A kezelőnek kell eldöntenie, milyen bekötésekkel kell gondoskodni a beteg biztonságáról.
- Az oldalkorlátok felső sínjének láb felőli vége tolásra/húzásra is használható.
- Az oldalkorlátok csak a legfelső helyzetben rögzülnek.

Az oldalkorlát leengedése

VESZÉLY

- Mindig legyen nagyon körültekintő, ha 2,5 hüvelyknél (6,35 cm-nél) vastagabb matracot vagy felső matracréteget használ a **Prime X** opcióval.
 - Amikor a beteget felügyelet nélkül hagyja, mindig állítsa a terméket a legalsó helyzetbe, az oldalkorlátokat pedig felhúzott állapotban reteszelve. Ne hagyja a terméket ennél nagyobb magasságra beállítva.
 - Beteg szállításához mindig teljesen felhúzott helyzetben rögzítse az oldalkorlátokat, a fekvőfelületet pedig állítsa vízszintesre, a legalsó helyzetben.
 - Mindig tartsa távol a beteg végtagjait az oldalkorlát orsóitól, amikor az oldalkorlátot felemeli vagy leengedi.
 - Ne engedje, hogy az oldalkorlátok maguktól leereszkedhessenek.
-

Az oldalkorlát leengedéséhez:

1. Egyik kezével fogja meg az oldalkorlátot.
2. Másik kezével húzza fel a sárga kioldóreteszt.
3. Emelje fel és vezesse a termék fej felőli vége felé az oldalkorlátot egészen addig, amíg a sárga kioldóretesz a helyére nem kattant. Az oldalkorlátok megfelelő reteszelésének ellenőrzéséhez húzza meg az oldalkorlátokat.

Megjegyzés

- Opcionális kettős oldalkorlát-kioldó retesz kapható, amely a termék mindkét végén reteszekkel rendelkezik.
- Ne használja az oldalkorlátokat megtartóeszközként, a betegnek a termékről való leszállásának megakadályozására. Az oldalkorlátok megakadályozzák, hogy a beteg a termékről leguruljon. A kezelőnek kell eldöntenie, milyen bekötésekkel kell gondoskodni a beteg biztonságáról.
- Az oldalkorlátok felső sínjének láb felőli vége tolásra/húzásra is használható.
- Az oldalkorlátok csak a legfelső helyzetben rögzülnek.

A termék pozicionálása az oldalkorláton található, beteg által működtetett vezérlőpanellel – opcionális elektromos matractartó – csak a Prime opció esetén

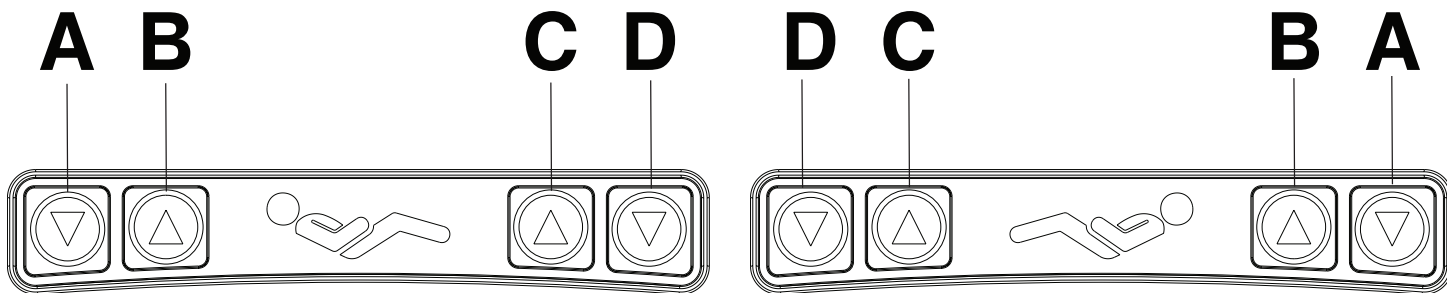
VESZÉLY - A terméket csak akkor szabad működtetni, ha senki sem tartózkodik mechanikus szerkezetei közelében.

Az oldalkorláton található, beteg által működtetett vezérlőpanel segítségével pozicionálja a háttámlát és a térdhajlító részt (Ábra 13).

Az egészségügyi szakembereknek meg kell tanítaniuk a betegeknek a beteg által működtetett vezérlők használatát.

Megjegyzés

- A tápvezetékét mindig földelt, kórházi besorolású fali csatlakozóaljzathoz csatlakoztassa.
- Az oldalkorláton található, beteg által működtetett vezérlőpanel lépcsőzetesen van elhelyezve a termék mindkét oldalán, hogy a beteg könnyen hozzáférhessen.
- Mindegyik oldalkorláthoz tartoznak hátsó megvilágítású vezérlők, amelyek segítségével a beteg pozicionálni tudja a háttámlát és a térdhajlító részt. Amikor a termék csatlakoztatva van, és a beteg által működtetett vezérlőpanel zárolása fel van oldva, a fehér gombok világítanak.



Ábra 13 – Oldalkorláton található, beteg által működtetett vezérlőpanel

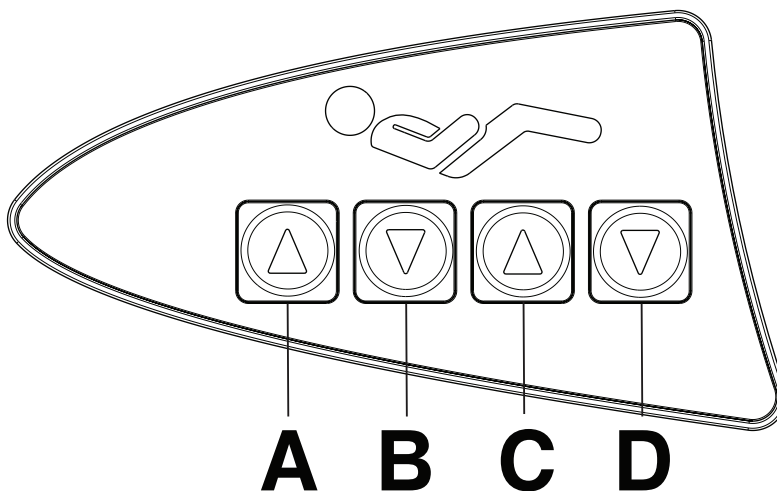
A	Háttámla le	Leengedi a háttámlát (fejrészt)
B	Háttámla fel	Felemeli a háttámlát (fejrészt)
C	Térdhajlító rész fel	Leengedi a térdhajlító részt (lábrész)
D	Térdhajlító rész le	Felemeli a térdhajlító részt (lábrész)

Kezelői vezérlőpanel – opcionális elektromos matractartó – csak a Prime opció esetén

VESZÉLY - A terméket csak akkor szabad működtetni, ha senki sem tartózkodik mechanikus szerkezetei közelében.

A kezelői vezérlőpanel segítségével állítsa be a beteg helyzetét a terméken (Ábra 14).

Megjegyzés - A tápvezetéket mindig földelt, kórházi besorolású fali csatlakozóaljzathoz csatlakoztassa.



Ábra 14 – Kezelői vezérlőpanel – opcionális elektromos matractartó

A	Háttámla fel	Felemeli a háttámlát
B	Háttámla le	Leengedi a háttámlát
C	Térdhajlító rész fel	Felemeli a térdhajlító részt
D	Térdhajlító rész le	Leengedi a térdhajlító részt

A beteg által működtetett vezérlőpanel lezárásának zárolása és zárolásának feloldása – opcionális elektromos matractartó – csak a Prime opció esetén

VESZÉLY - A terméket csak akkor szabad működtetni, ha senki sem tartózkodik mechanikus szerkezetei közelében.

Az oldalkorláton található, beteg által működtetett vezérlőpanel zárolásához nyomja meg egyszer az **Unlock/Lock** (Zárolás feloldása/zárolás) (A) gombot (Ábra 15).

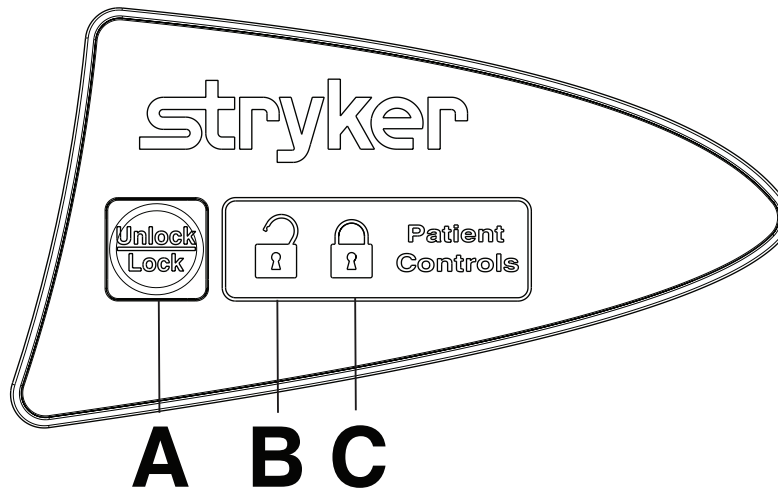
Megjegyzés - A zár ikon (C) sárgán világít, amikor a beteg által működtetett vezérlők zárolva vannak.

Az oldalkorláton található, beteg által működtetett vezérlőpanel zárolásának feloldásához még egyszer nyomja meg az **Unlock/Lock** (Zárolás feloldása/zárolás) (A) gombot.

Megjegyzés - A feloldás ikon (B) zölden világít, amikor a beteg által működtetett vezérlők nincsenek zárolva.

Megjegyzés

- A tápvezetékét mindig földelt, kórházi besorolású fali csatlakozóaljzathoz csatlakoztassa.
- A beteg által működtetett vezérlőpanel zárolható, hogy a beteg ne tudja elmozdítani a háttámlát és a térdhajlító részt.
- Zárolt állapotában az oldalkorláton található, beteg által működtetett vezérlőpanel nincs hátulról megvilágítva.



Ábra 15 – A beteg által működtetett vezérlőpanel zárolása

A háttámla felemelése vagy leengedése – nem elektromos matractartó

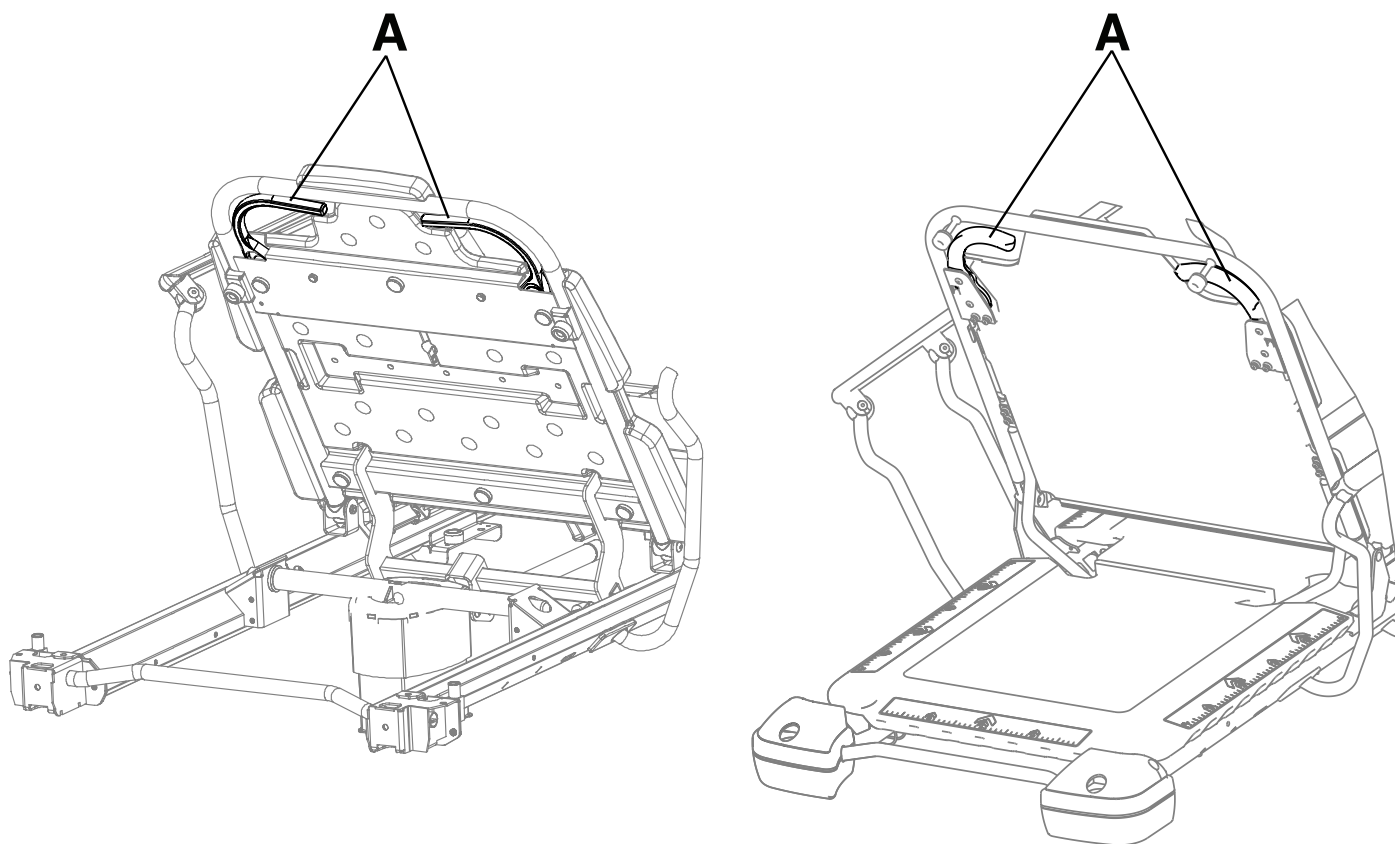
VESZÉLY

- A terméket csak akkor szabad működtetni, ha senki sem tartózkodik mechanikus szerkezetei közelében.
- Mindig tartsa távol kezét és ujjait a háttámla kioldófogantyújától és a háttámla keretétől, amikor a háttámlát leengedi.
- Mindig körültekintően járjon el, ha olyankor emel fel egy háttámlát, amikor beteg tartózkodik a terméken. Alkalmazzon megfelelő emelési technikákat, és szükség esetén kérjen segítséget.

A háttámla felemeléséhez nyomja össze a háttámla egyik vagy mindkét kioldókarját (A), majd húzza fel a háttámlát a kívánt helyzetbe (0° és 90° között) (Ábra 16).

Megjegyzés - A **Lift Assist**® háttámla a beteg súlyát használva segíti a beteg pozicionálását. A **Lift Assist** háttámla azt is segít megakadályozni, hogy a beteg a termék láb felőli vége felé csússzon a háttámla felemelésekor.

A háttámla leengedéséhez nyomja össze a háttámla egyik vagy mindkét kioldókarját (A), majd nyomja le a háttámlát a kívánt helyzetbe (90° és 0° között) (Ábra 16).



Ábra 16 – A háttámla felemelése vagy leengedése (Prime/Prime X)

A háttámla felemelése vagy leengedése – opcionális elektromos matractartó

VESZÉLY

- A terméket csak akkor szabad működtetni, ha senki sem tartózkodik mechanikus szerkezetei közelében.
- Mindig tartsa távol kezét és ujjait a háttámla kioldófogantyútól és a háttámla keretétől, amikor a háttámlát leengedi.
- Mindig körültekintően járjon el, ha olyankor emel fel egy háttámlát, amikor beteg tartózkodik a terméken. Alkalmazzon megfelelő emelési technikákat, és szükség esetén kérjen segítséget.

A háttámla felemeléséhez addig nyomja a háttámla oldalának **up** (fel) gombját az oldalkorláton található, beteg által működtetett vezérlőpanelen (A termék pozicionálása az oldalkorláton található, beteg által működtetett vezérlőpanellel – opcionális elektromos matractartó – csak a Prime opció esetén (oldal23)) vagy a láb felőli végen található, kezelő által működtetett vezérlőpanelen (Kezelői vezérlőpanel – opcionális elektromos matractartó – csak a Prime opció esetén (oldal24)), amíg a háttámla el nem éri a kívánt szöget (0° és 70° között).

Megjegyzés - A **Lift Assist** háttámla a beteg súlyát használva segíti a beteg pozicionálását. A **Lift Assist** háttámla azt is segít megakadályozni, hogy a beteg a termék láb felőli vége felé csússzon a háttámla felemelésekor.

A háttámla leengedéséhez addig nyomja a háttámla oldalának **down** (le) gombját az oldalkorláton található, beteg által működtetett vezérlőpanelen (A termék pozicionálása az oldalkorláton található, beteg által működtetett vezérlőpanellel – opcionális elektromos matractartó – csak a Prime opció esetén (oldal23)) vagy a láb felőli végen található, kezelő által működtetett vezérlőpanelen (Kezelői vezérlőpanel – opcionális elektromos matractartó – csak a Prime opció esetén (oldal24)), amíg a háttámla el nem éri a kívánt szöget (70° és 0° között).

Megjegyzés - A tápvezetéket mindig földelt, kórházi besorolású fali csatlakozóaljzathoz csatlakoztassa.

Az egészségügyi szakembereknek meg kell tanítaniuk a betegeknek a beteg által működtetett vezérlők használatát.

A térdhajlító rész felemelése vagy leengedése – nem elektromos matractartó – csak a Prime opció esetén

VESZÉLY - Mindig tartsa távol kezét és ujjait a láb felőli vég tolókarjaitól, amikor leengedi a térdhajlító részt.

FIGYELEM

- A térdhajlító rész terhelhetősége 200 font (90,7 kg).
 - Használat előtt mindig ellenőrizze, hogy a térdhajlító rész támasztórúdja biztonságos-e.
 - Ne üljön és ne álljon a térdhajlító részre.
-

A nem elektromos térdhajlító rész felemeléséhez addig pumpálja balra a térdhajlító rész pumpálókarját, amíg a kívánt pozíciót el nem éri (lásd: *A termék képi bemutatása – Prime matractartó*).

Emelje fel a térdhajlító rész végét, és rögzítse a támasztórudat a konzolon.

A támasztórúd kioldásához emelje fel a térdhajlító rész végét, mozgítsa el a támasztórudat a termék fej felőli vége felé, majd engedje le a láb felőli véget.

A térdhajlító rész leengedéséhez addig húzza a térdhajlító rész kioldókarját, amíg a kívánt pozíciót el nem éri (lásd: *A termék képi bemutatása – Prime matractartó*).

Megjegyzés - A térdhajlító részt nem lehet kézzel felemelni, ha a termék opcionális elektromos matractartóval rendelkezik.

A térdhajlító rész felemelése vagy leengedése – opcionális elektromos matractartó – csak a Prime opció esetén

VESZÉLY

- Mindig tartsa távol kezét és ujjait a láb felőli vég tolókarjaitól, amikor leengedi a térdhajlító részt.
 - A terméket csak akkor szabad működtetni, ha senki sem tartózkodik mechanikus szerkezetei közelében.
-

FIGYELEM

- A térdhajlító rész terhelhetősége 200 font (90,7 kg).
 - Ne üljön és ne álljon a térdhajlító részre.
 - Mindig legyen körültekintő, ha a térdhajlító részt olyankor próbálja leengedni, amikor a termék áramellátása ki van kapcsolva. A nehézségi erő hatására a térdhajlító rész hirtelen lezuhanhat.
-

A térdhajlító rész felemeléséhez nyomja meg a térdhajlító rész oldalának **up** (fel) gombját az oldalkorláton található, beteg által működtetett vezérlőpanelen vagy a láb felőli végen található, kezelő által működtetett vezérlőpanelen.

A térdhajlító rész leengedéséhez nyomja meg a térdhajlító rész oldalának **down** (le) gombját az oldalkorláton található, beteg által működtetett vezérlőpanelen vagy a láb felőli végen található, kezelő által működtetett vezérlőpanelen.

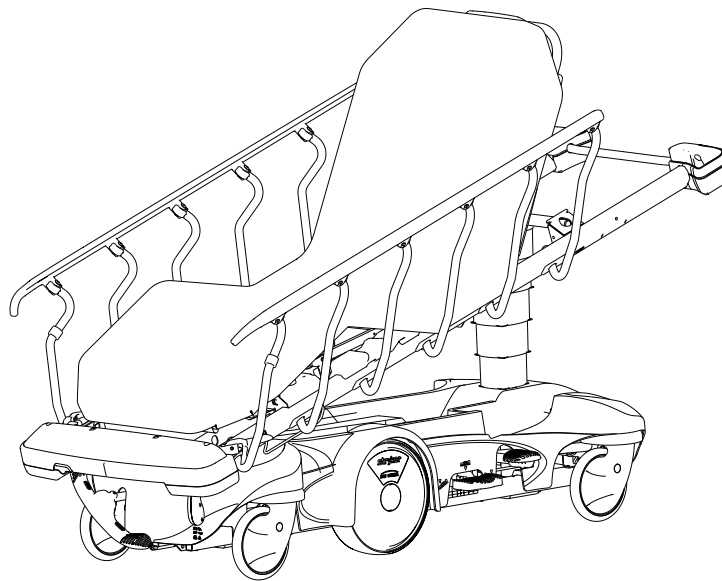
Megjegyzés - A tápvezetéket mindig földelt, kórházi besorolású fali csatlakozóaljzathoz csatlakoztassa.

Az egészségügyi szakembereknek meg kell tanítaniuk a betegeknek a beteg által működtetett vezérlők használatát.

A lábadozószék pozicionálása – csak a Prime opció esetén

VESZÉLY - A terméket csak akkor szabad működtetni, ha senki sem tartózkodik mechanikus szerkezetei közelében.

A termék lábadozószék-helyzetbe állításához (Ábra 17):



Ábra 17 – Lábadozószék (az 1115-ös modell látható)

1. Emelje fel a háttámlát ülő helyzetbe (*A háttámla felemelése vagy leengedése – nem elektromos matractartó (oldal25) vagy A háttámla felemelése vagy leengedése – opcionális elektromos matractartó (oldal26)*).

Megjegyzés - A lábadozószék pozicionálásához a terméknek rendelkeznie kell az opcionális **Lift Assist** háttámlával, valamint az opcionális térdhajlító résszel.

2. Emelje fel a térdhajlító részt teljesen felemelt helyzetbe (*A térdhajlító rész felemelése vagy leengedése – nem elektromos matractartó – csak a Prime opció esetén (oldal27) vagy A térdhajlító rész felemelése vagy leengedése – opcionális elektromos matractartó – csak a Prime opció esetén (oldal27)*).
3. Emelje fel a matractartót a legmagasabb helyzetbe (*Nem elektromos matractartó felemelése (oldal17) vagy Az opcionális elektromos matractartó felemelése (oldal18)*).
4. Állítsa a terméket fordított Trendelenburg-helyzetbe (*A termék fordított Trendelenburg-helyzetbe állítása (oldal19)*).
5. A termék vízszintes helyzetbe történő leengedéséhez fordított sorrendben hajtja végre a fenti lépéseket.

Tárgyak tárolása az alapzat búrájában

FIGYELEM

- Ne tegyen 60 fontnál (27 kg) nehezebb tárgyakat az alapzat búrájába.
- Ne üljön, ne lépjen és ne álljon az alapzat búrájára.

A beteg személyes holmiját az alapzat búrájában tárolhatja. Ne használja az oxigénpalack-tartó kivágását oxigénpalackok, illetve a beteg személyes holmijainak tárolására.

Eszközök felfüggesztése az opcionális pumpaállványra

VESZÉLY

- A pumpaállványon lévő eszközvezetékeket mindig tartsa távol a térdhajlító rész fogantyútól.
- A matractartó felemelése vagy leengedése előtt mindig távolítsa el az összes olyan eszközt, amely útban lehet.
- Mindig gondoskodjon arról, hogy a pumpaállványon lévő eszközök biztonságosan átférjenek az ajtónyílásokon.
- Ne emelje a terméket a pumpaállványnál fogva.

FIGYELEM

- A pumpaállvány terhelhetősége 40 font (18 kg).
 - Ne használja a pumpaállványt tolásra/húzásra. Ellenkező esetben a termék megsérülhet.
-

További eszközöket helyezhet vagy függeszthet fel a termék láb felőli végén található pumpaállványra.

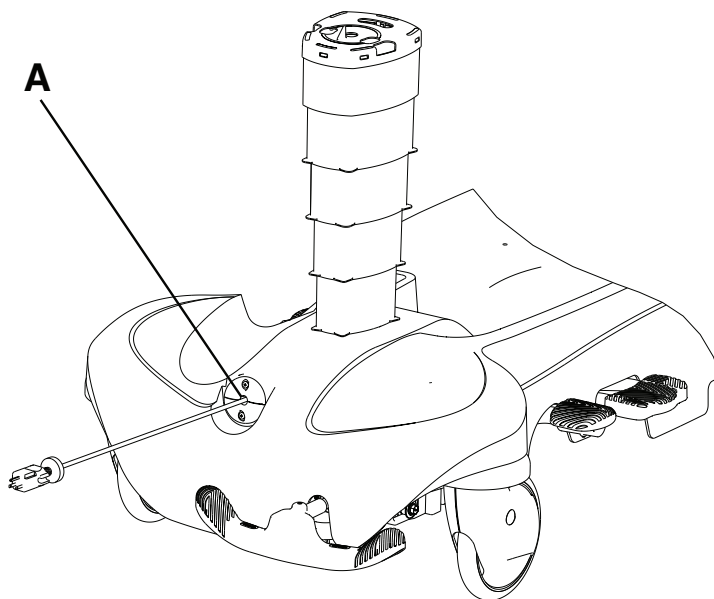
Megjegyzés - A vásárlás időpontjában kell kiválasztania az opcionális pumpaállványt.

A hálózati kábel ki-, illetve visszahúzása az opcionális visszahúzható vezeték dobja segítségével – opcionális elektromos emelőberendezés vagy opcionális elektromos matractartó

VESZÉLY

- A termék szállítása vagy tisztítása előtt mindig húzza ki a tápvezetékét a fali csatlakozóaljzatból.
 - Mindig a visszahúzható vezeték dobjában tárolja a tápvezetékét, amikor a terméket szállítja.
-

A tápvezeték meghosszabbításához a kívánt hosszúságig húzza ki a tápvezetékét a visszahúzható vezeték dobjából (A) (Ábra 18).



Ábra 18 – Visszahúzható vezeték dobja

A visszahúzható vezeték visszahúzásához:

1. Húzza ki a tápvezetékét a fali csatlakozóaljzatból.
2. Óvatosan húzza meg a tápvezetékét.
3. Vezesse a tápvezetékét a visszahúzható vezeték dobjába.

Mérlegrendszer opció

VESZÉLY - Ne használja az opcionális mérlegrendszert, az opcionális elektromos emelőt vagy az opcionális elektromos matractartót közvetlenül más eszközök mellé, alá vagy fölé helyezve. Ha a közvetlenül más berendezés mellett, alatt vagy fölött történő használat elkerülhetetlen, akkor az opcionális mérlegrendszert, az opcionális elektromos emelőt vagy az opcionális elektromos matractartót megfigyelés alatt kell tartani, hogy ellenőrizni lehessen, minden eszköz normálisan működik-e abban a konfigurációban, amelyben használni fogják.

FIGYELEM - Ne használja a mérleget 50 fontnál (22,7 kg-nál) kisebb testsúlyú betegek mérésére.

Az opcionális mérlegrendszer az opcionális elektromos matractartóval rendelkező és nem rendelkező termékekhez egyaránt rendelkezésre áll. Az opcionális mérlegrendszernek opcionális tartalék eleme van. A készenléti ikon jelzi, amikor a termék a tartalék elemet használja.

A **Chaperone** opció segítségével beállíthatók a zónavezérlők, amelyek figyelmeztetik a kezelőt, amikor a beteg megpróbál leszállni a termékről. A **Chaperone** opció az opcionális elektromos matractartóval és az opcionális mérlegrendszerrel rendelkező termékekhez egyaránt rendelkezésre áll. A **Chaperone** opcióval ellátott opcionális mérlegrendszernek opcionális tartalék eleme van. A készenléti ikon jelzi, amikor a termék a tartalék elemet használja.

Emelje fel a láb felőli vég tolókarjait, mielőtt megpróbálná működésbe hozni az opcionális mérlegrendszert.

A mérlegrendszer vezérlőpaneljével működtesse az opcionális mérlegrendszert (*Mérlegikon/-gomb azonosítása (oldal30)*).

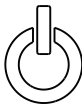




Ne érjen a termékhez olyankor, amikor az opcionális mérlegrendszeren mérlegelési vagy nullázási műveletet végez.



A betegnek nem szabad mozognia, amíg a rendszer mérlegelést végez. Ha a beteg mozog, a mérlegrendszer 20 másodpercig próbálkozik azzal, hogy stabil testsúlyt állapítson meg vagy nullázza az értéket, mielőtt hibaüzenetet jelenítene meg (⏏).

A hibaüzenet (⏏) akkor jelenik meg a kijelzőn, ha laza a csatlakozás, vagy ha a mérleg nem működik. Ha ismét megpróbálkozik a mérleg működtetésével, és a hibaüzenet újból megjelenik, forduljon a Stryker műszaki támogatási részlegéhez.

Megjegyzés - A mérlegrendszer pontosságára vonatkozó állítás teljesüléséhez a beteget tartó felületnek sík helyzetben kell lennie (háttámla és térdhajlító rész leengedve), és a termék helyzete nem haladhatja meg az 5 fokot Trendelenburg-, illetve fordított Trendelenburg-helyzetben.

Mérlegikon/-gomb azonosítása

Tétel	Ikon/gomb	Megnevezés	Leírás
A		Készenléti ikon	Zölden világít, amikor a tápvezeték fali csatlakozóaljzatba van dugva. Sárgán világít, amikor a tápvezeték kihúzzák a fali csatlakozóaljzattól. Az akkumulátoros tartalék áramellátási funkció bekapcsol.
B		1. zóna ikon	A beteg szabadon mozoghat, de a figyelmeztető jelzés megszólal, amikor a beteg megpróbál leszállni a termékről.
C		2. zóna ikon	A beteg korlátozottan mozoghat. Amikor a beteg az oldalkorlátokhoz közelít, vagy a láb felőli vég felé mozdul, megszólal a figyelmeztető hangjelzés.
D		Arm/Disarm (Beélesztés/ beélesztés kikapcsolása) gomb	Beélesztíti a Chaperone opciót, és kikapcsolja beélesztését (figyelmeztetés a hordágyról való leszállásra). Lásd: <i>A Chaperone opció beélesztése és beélesztésének kikapcsolása (oldal32)</i> .
E		Weigh (Mérlegelés) gomb	Méri a beteg testsúlyát. Lásd: <i>A beteg súlyának megmérése (oldal31)</i> .

Tétel	Ikon/gomb	Megnevezés	Leírás
F		lb/kg (font/kg) gomb	Megváltoztatja a kijelzés mértékegységét. Lásd: <i>A mérleg mértékegységének zárolása</i> (oldal31).
G		Zero (Nullázás) gomb	Nullázza a mérlegbeállításokat. Lásd: <i>A mérleg mértékegységének zárolása</i> (oldal31).

A beteg súlyának megmérése

FIGYELEM - A mérlegrendszerrel kapott mérési eredményt ne használja referenciaként orvosi kezeléshez.

1. Emelje fel a láb felőli vég tolókarjait, mielőtt működésbe hozná az opcionális mérlegrendszert.
2. A mérleg nullázásához nyomja meg és tartsa lenyomva a **Zero** (Nullázás) gombot addig, amíg a **rel** (Engedje el) üzenet meg nem jelenik a kijelzőn. **000.0** villog, majd a villogása megszűnik.

Megjegyzés - A mérleg nem áll készen a használatra addig, amíg a **000.0** villogása meg nem szűnik.

3. Helyezze a beteget a termékre.
4. A mértékegység (font vagy kg) kiválasztásához nyomja le az **lb/kg** (font/kg) gombot.
5. A beteg súlyának meghatározásához nyomja meg a **Weigh** (Mérlegelés) gombot.

Megjegyzés - A beteg súlya 40 másodpercen át látható a kijelzőn.

A mérleg mértékegységének zárolása

1. Nyomja meg és tartsa lenyomva a **Weigh** (Mérlegelés), az **lb/kg** (font/kg) és a **Zero** (Nullázás) gombot addig, amíg a **diag** (diagnosztika) üzenet meg nem jelenik a kijelzőn.
2. Nyomja meg az **lb/kg** (font/kg) vagy a **Zero** (Nullázás) gombot a **Unit Loc** (Egység zárolása) elemre váltáshoz.
3. Chaperone opció nélküli mérleg esetében a **Unit Loc** (Egység zárolása) elem kiválasztásához nyomja meg és tartsa lenyomva az **lb/kg** (font/kg) és a **Zero** (Nullázás) gombot addig, amíg a **rel** (Engedje el) üzenet meg nem jelenik a kijelzőn.
4. **Chaperone** opcióval rendelkező mérleg esetében a **Unit Loc** (Egység zárolása) elem kiválasztásához nyomja meg és tartsa lenyomva az **lb/kg** (font/kg) és a **Zero** (Nullázás) gombot.
5. Nyomja meg az **lb/kg** (font/kg) vagy a **Zero** (Nullázás) gombot az **lb** (font), **kg** vagy **Any** (Bármelyik) opciók közötti váltáshoz.
6. Nyomja meg, majd engedje el az **lb/kg** (font/kg) és a **Zero** (Nullázás) gombot. **Only** (Csak) és a kiválasztott mértékegység látható a kijelzőn.

Megjegyzés - Az **Only** (Csak) kijelzés nem jelenik meg, ha az **Any** (Bármelyik) opciót választja.

7. Nyomja meg és tartsa lenyomva a **Weigh** (Mérlegelés) gombot addig, amíg a **quit** (Kilépés) üzenet meg nem jelenik a kijelzőn.
8. Nyomja meg és tartsa lenyomva a **Zero** (Nullázás) gombot addig, amíg a **rel** (Engedje el) üzenet meg nem jelenik a kijelzőn. **000.0** villog, majd a villogása megszűnik.

Megjegyzés - A mérleg nem áll készen a használatra addig, amíg a **000.0** villogása meg nem szűnik.

A Chaperone opció beélesítése és beélesítésének kikapcsolása

A beélesített **Chaperone** opció a betegnek a terméken elfoglalt helyét figyeli.

A **Chaperone** opció beélesítéséhez és beélesítésének kikapcsolásához:

1. Nyomja meg az **Arm/Disarm** (Beélesítés/beélesítés kikapcsolása) gombot, amikor a beteg a terméken van.

Megjegyzés - Ez a művelet beélesíti az 1. zónát. Működésbe hozása után az 1. zóna sárgán világít.

2. A 2. zóna beélesítéséhez nyomja meg 3 másodpercen belül kétszer az **Arm/Disarm** (Beélesítés/beélesítés kikapcsolása) gombot.

Megjegyzés - Ez a művelet beélesíti a 2. zónát. Működésbe hozása után a 2. zóna sárgán világít.

3. A **Chaperone** opció beélesítésének kikapcsolásához nyomja meg és tartsa lenyomva az **Arm/Disarm** (Beélesítés/beélesítés kikapcsolása) gombot.

Megjegyzés - A **Chaperone** opció beélesítése előtt nulláznia kell a mérleget.

Megjegyzés - Ha a beteg a kijelölt zóna határain kívülre mozdul, egy sárga lámpa villogni kezd, az **Alrt** (Riasztás) kijelzés villogni kezd az opcionális mérlegrendszer kijelzőjén, és megszólal egy figyelmeztető hangjelzés.

A Chaperone opció figyelmeztetési mintájának beállítása

A **Chaperone** opció figyelmeztetési mintájának megváltoztatásához:

1. Nyomja meg és tartsa kb. 6 másodpercig együtt lenyomva az **Arm/Disarm** (Beélesítés/beélesítés kikapcsolása) és a **Weigh** (Mérlegelés) gombot. Hagyjon figyelmen kívül a kijelzőn megjelenő minden üzenetet mindaddig, amíg a **Ptrn** (Minta) kijelzés meg nem jelenik a kijelzőn (*Mérlegikon/-gomb azonosítása* (oldal30)).

2. Engedje el az **Arm/Disarm** (Beélesítés/beélesítés kikapcsolása) és a **Weigh** (Mérlegelés) gombot.

Megjegyzés - A **P (1-10)** mintabeállítás jelenik meg a kijelzőn.

3. Nyomja meg az **Arm/Disarm** (Beélesítés/beélesítés kikapcsolása) és a **Weigh** (Mérlegelés) gombot, hogy végiggörgethessen a mintaopciókon.

Megjegyzés - A minta rövid részlete hallható, amint végiggörget a mintaopciókon.

4. A kijelölt minta mentéséhez nyomja meg és tartsa kb. 6 másodpercig együtt lenyomva az **Arm/Disarm** (Beélesítés/beélesítés kikapcsolása) és a **Weigh** (Mérlegelés) gombot, amíg a **set** (beállítás) kijelzés meg nem jelenik a kijelzőn.

5. Engedje el az **Arm/Disarm** (Beélesítés/beélesítés kikapcsolása) és a **Weigh** (Mérlegelés) gombot.

Megjegyzés - Az Ön által kijelölt mintabeállítás jelenik meg a kijelzőn. A minta hallható rövid részlete erősíti meg a minta beállítását.

A Chaperone opció figyelmeztetési hangerejének beállítása

A **Chaperone** opció figyelmeztetési hangerejének megváltoztatásához:

1. Nyomja meg és tartsa együtt lenyomva a **Zero** (Nullázás) és a **lb/kg** (font/kg) gombot mindaddig, amíg a **vol** (hangerő) kijelzés meg nem jelenik a kijelzőn (*Mérlegikon/-gomb azonosítása* (oldal30)).

2. Engedje el a **Zero** (Nullázás) és a **lb/kg** (font/kg) gombot.

Megjegyzés - A hangerőszintek **L (1-4)** jelennek meg a kijelzőn.

3. Nyomja meg a **Zero** (Nullázás) vagy a **lb/kg** (font/kg) gombot, hogy végiggörgethessen a hangerőszinteken.

Megjegyzés - A hangerő rövid mintája hallható, amint végiggörget a hangerőszinteken.

4. A kijelölt hangerőszint mentéséhez nyomja meg és tartsa kb. 6 másodpercig együtt lenyomva a **Zero** (Nullázás) és a **lb/kg** (font/kg) gombot mindaddig, amíg a **set** (beállítás) kijelzés meg nem jelenik a kijelzőn.

5. Engedje el a **Zero** (Nullázás) és a **lb/kg** (font/kg) gombot.

Megjegyzés - A kijelölt hangerőszint jelenik meg a kijelzőn. A hangerőszint hallható rövid részlete erősíti meg a hangerőszint beállítását.

A mérlegrendszer opcionális akkumulátorcsomagjának feltöltése – opcionális elektromos matractartó vagy Chaperone opcióval rendelkező opcionális elektromos matractartó – csak a Prime opció esetén

Az opcionális elektromos matractartóval rendelkező mérlegrendszer egy 10,8 V-os Li-ion akkumulátorcsomagot igényel (0058-135-000 a **Chaperone** opció nélkül; 0058-134-000 a **Chaperone** opcióval). Töltse fel az akkumulátorcsomagot, ha az akkumulátor töltésjelzője már csak egyetlen egységet mutat. Ezzel megakadályozható, hogy az opcionális mérlegrendszer a lemerült elemek miatt kikapcsoljon.

A mérlegrendszer Li-ion akkumulátorcsomagjának feltöltéséhez csatlakoztassa a tápkábelt földelt, kórházi besorolású fali csatlakozóaljzathoz. Az akkumulátorcsomag kb. három óra alatt töltődik fel teljesen.

Megjegyzés - Amikor nem használja, mindig csatlakoztassa a terméket földelt, kórházi besorolású fali csatlakozóaljzathoz. Ez segít abban, hogy az akkumulátor elegendő töltést őrizzen meg, és maximalizálja a termék teljesítményét, amikor akkumulátorról működik.

Az elemek cseréje az opcionális mérlegrendszeren – nem elektromos matractartó

Cserélje ki az elemeket, ha az elem töltésjelzője már csak egyetlen egységet mutat. Ezzel megakadályozható, hogy az opcionális mérlegrendszer a lemerült elemek miatt kikapcsoljon.

Amikor a kijelzőn a **Lo batt** (elem töltése alacsony) üzenet villog, az elemek töltöttsége a legkisebb, az opcionális mérlegrendszer pedig le van tiltva.

Szükséges szerszámok:

- Csillagfejű csavarhúzó
- Négy AA elem (alkáli típusú (LR6))

Az elemek cseréjéhez:

1. Csillagfejű csavarhúzóval hajtsa ki a csillagfejű csavarokat, amelyek az elemtartó rekesz fedelét a kijelzőszerelvényhez rögzítik.
2. Vegye ki és dobja ki mind a négy AA elemet.

Megjegyzés - A régi elemeket mindig a helyi előírásoknak megfelelően dobja ki.

3. Helyezzen be négy új AA elemet az elemtartóban jelzett módon.

Megjegyzés - Soha ne használjon együtt régi és új elemeket.

4. Az 1. lépésben eltávolított csavarokkal szerelje vissza az elemtartó rekesz fedelét a kijelzőszerelvényre.

Tartozékok és alkatrészek

Az alábbi tartozékok állhatnak rendelkezésre a termékkel való használatra. Ellenőrizze, hogy kaphatók-e az Ön konfigurációjához és az Ön régiójában. Hívja a Stryker ügyfélszolgálatát: 1-800-327-0770.

Megnevezés	Alkatrészszám
Defibrillátortálca	1105-045-200
Defibrillátortálca/lábhosszabbító	1105-045-400
Lábtartó/kórlaptartó	1105-045-500
Sarokpárna-egység	1105-045-022
Infúziókocsi	0785-155-000
HAVASU™ infúziós állvány, eltávolítható	0390-025-000
Infúziós állvány, háromszintes, láb felőli vég, bal, 26 hüvelyk (66 cm)	1105-035-644

Megnevezés	Alkatrészszám
Infúziós állvány, háromszintes, láb felőli vég, jobb, 26 hüvelyk (66 cm)	1105-035-639
Infúziós állvány, háromszintes, láb felőli vég, bal, 30 hüvelyk (76 cm)	1105-035-344
Infúziós állvány, háromszintes, láb felőli vég, jobb, 30 hüvelyk (76 cm)	1105-035-339
Infúziós állvány, háromszintes, láb felőli vég, bal, 30 hüvelyk (76 cm) (Prime X opció)	1105-035-364
Infúziós állvány, háromszintes, láb felőli vég, jobb, 30 hüvelyk (76 cm) (Prime X opció)	1105-035-361
Infúziós állvány, háromszintes, fej felőli vég, bal, 26 hüvelyk (66 cm)	1105-035-642
Infúziós állvány, háromszintes, fej felőli vég, jobb, 26 hüvelyk (66 cm)	1105-035-637
Infúziós állvány, háromszintes, fej felőli vég, bal, 30 hüvelyk (76 cm)	1105-035-342
Infúziós állvány, háromszintes, fej felőli vég, jobb, 30 hüvelyk (76 cm)	1105-035-337
Infúziós állvány, háromszintes, fej felőli vég, bal, 30 hüvelyk (76 cm) (Prime X opció)	1105-035-369
Infúziós állvány, háromszintes, fej felőli vég, jobb, 30 hüvelyk (76 cm) (Prime X opció)	1105-035-366
Infúziós állvány, kétszintes, láb felőli vég, bal, 26 hüvelyk (66 cm)	1105-035-640
Infúziós állvány, kétszintes, láb felőli vég, jobb, 26 hüvelyk (66 cm)	1105-035-643
Infúziós állvány, kétszintes, láb felőli vég, bal, 30 hüvelyk (76 cm)	1105-035-340
Infúziós állvány, kétszintes, láb felőli vég, jobb, 30 hüvelyk (76 cm)	1105-035-343
Infúziós állvány, kétszintes, láb felőli vég, bal, 30 hüvelyk (76 cm) (Prime X opció)	1105-035-362
Infúziós állvány, kétszintes, láb felőli vég, jobb, 30 hüvelyk (76 cm) (Prime X opció)	1105-035-363
Infúziós állvány, kétszintes, fej felőli vég, bal, 26 hüvelyk (66 cm)	1105-035-638
Infúziós állvány, kétszintes, fej felőli vég, jobb, 26 hüvelyk (66 cm)	1105-035-641
Infúziós állvány, kétszintes, fej felőli vég, bal, 30 hüvelyk (76 cm)	1105-035-341
Infúziós állvány, kétszintes, fej felőli vég, jobb, 30 hüvelyk (76 cm)	1105-035-338

Megnevezés	Alkatrészszám
Infúziós állvány, kétszintes, fej felőli vég, bal, 30 hüvelyk (76 cm) (Prime X opció)	1105-035-367
Infúziós állvány, kétszintes, fej felőli vég, jobb, 30 hüvelyk (76 cm) (Prime X opció)	1105-035-368
Matrac, ComfortGel SE™ , tűzterjedést akadályozó korlát, 26 hüvelyk (66 cm)	1805-034-601
Matrac, ComfortGel SE , tűzterjedést akadályozó korlát, 30 hüvelyk (76 cm)	1805-034-301
Matrac, ComfortGel SE , tűzterjedést akadályozó korlát nélkül, 26 hüvelyk (66 cm)	1805-034-600
Matrac, ComfortGel SE , tűzterjedést akadályozó korlát nélkül, 30 hüvelyk (76 cm)	1805-034-300
Matrac, Enhanced Comfort, 3 hüvelyk x 26 hüvelyk (8 cm x 66 cm)	0785-034-613
Matrac, Enhanced Comfort, 3 hüvelyk x 30 hüvelyk (8 cm x 76 cm)	0785-034-313
Matrac, Enhanced Comfort, 4 hüvelyk x 26 hüvelyk (10 cm x 66 cm)	0785-034-623
Matrac, Enhanced Comfort, 4 hüvelyk x 30 hüvelyk (10 cm x 76 cm)	0785-034-323
Matrac, IsoFlex SE™ , tűzterjedést akadályozó korlát, 30 hüvelyk (76 cm)	1806-034-300
Matrac, IsoFlex SE , tűzterjedést akadályozó korlát nélkül, nemzetközi, 30 hüvelyk (76 cm)	1806-034-301
Matrac, Ultra Comfort, 4 hüvelyk x 26 hüvelyk (10 cm x 66 cm)	0785-034-603
Matrac, Ultra Comfort, 4 hüvelyk x 30 hüvelyk (10 cm x 76 cm)	0785-034-303
Matrac, Ultra Comfort, 5 hüvelyk x 26 hüvelyk (13 cm x 66 cm)	0785-034-633
Matrac, Ultra Comfort, 5 hüvelyk x 30 hüvelyk (13 cm x 76 cm)	0785-034-333
Matrac, Ultra Comfort SE™ , 4 hüvelyk x 26 hüvelyk (10 cm x 66 cm)	1704-034-600
Matrac, Ultra Comfort SE , tűzterjedést akadályozó korláttal, nemzetközi, 4 hüvelyk x 26 hüvelyk (10 cm x 66 cm)	1704-034-601
Matrac, Ultra Comfort hordágytoldalék, 4 hüvelyk x 26 hüvelyk (10 cm x 66 cm)	1105-034-609
Matrac, Ultra Comfort hordágytoldalék, 4 hüvelyk x 30 hüvelyk (10 cm x 76 cm)	1105-034-309
Matrac, Ultra Comfort SE , 3 hüvelyk x 30 hüvelyk (8 cm x 76 cm)	1703-034-300

Megnevezés	Alkatrészszám
Matrac, Ultra Comfort SE , tűzterjedést akadályozó korlát, 3 hüvelyk x 30 hüvelyk (8 cm x 76 cm)	1703-034-301
Matrac, Ultra Comfort SE , 4 hüvelyk x 30 hüvelyk (10 cm x 76 cm)	1704-034-300
Matrac, Ultra Comfort SE , tűzterjedést akadályozó korlát, 4 hüvelyk x 30 hüvelyk (10 cm x 76 cm)	1704-034-301
Oxigénpalack-tartó, függőleges	1115-130-000
Pumparúd, opcionális, 30 hüvelyk (76 cm)	1105-045-035
Tolókar-egység, láb felőli vég, 30 hüvelyk (76 cm)	1105-048-030
Tolókar-egység, fej felőli vég, 30 hüvelyk (76 cm)	1105-048-060
Bekötőövcsomag	0785-045-010
Bekötőöv, boka	0785-045-020
Bekötőöv, törzs	0785-045-015
Bekötőöv, csukló	0946-044-000
Bekötőöv, mellkas	1010-058-000
Tálalótálca	1105-045-700
Tálalótálca-tartó/lábtartó	1105-045-800
Oldalkorlát alátétjei	1001-052-000
Röntgenkazetta-tartó, oldalsó	1105-045-100
Röntgenkazetta-tartó, függőleges	1105-045-300

Elektromos komponensek

Megnevezés	Szám
Indító, háttámlához	1008-012-020
Működtetőelem, térdhajlító rész	1008-014-020
Akkumulátor, Li-ION intelligens akkumulátorcsomag (csak mérleg)	0058-135-000
Akkumulátor, Li-ION intelligens akkumulátorcsomag (mérleg és Chaperone)	0058-134-000
Panel, egyenáramú (DC) vezérlő PCB-szerelvény	1008-116-800
Panel, nem emelési váltóáramú szerelvény	1008-002-800
Panel, emelésvezérlő PCB-szerelvény	1008-002-810
Panel, mérlegvezérlő szerelvény (csak mérleg)	1008-237-850
Panel, mérleg- és Chaperone -vezérlő szerelvény	1008-237-840
Kondenzátor, 440 V AC, 35 MFD	0059-087-000
Billentyűzet, mérlegvezérlés (nem elektromos matractartó)	1008-037-820

Megnevezés	Szám
Billentyűzet, oldalkorlát-vezérlés, bal	1008-011-017
Billentyűzet, oldalkorlát-vezérlés, jobb	1008-011-016
Billentyűzet, kezelői vezérlés	1008-015-800
Terhelésmérő cella (opcionális mérlegrendszerhez)	1008-037-057
Motor, pumpa	1008-002-015
Tápkábel, standard	1028-146-060
Tápkábel, nemzetközi, E típusú	1125-060-170
Tápkábel, nemzetközi, F típusú	1125-060-180
Tápkábel, nemzetközi, G típusú	1125-060-160
Tápkábel, nemzetközi, I típusú	1125-060-200
Mérlegdoboz-egység (nem elektromos matracartóhoz)	1070-237-020
Transzformátor	1008-014-857
Transzformátor, nemzetközi	1008-014-877

A defibrillátortálcá rögzítése

VESZÉLY

- A defibrillátortálcára ne tegyen 30 fontnál (14 kg) nehezebb tárgyakat. Mindig szíjazzon le minden olyan eszközt, amelyet a defibrillátortálcára helyez.
- Mindig legyen körültekintő, amikor a defibrillátortálcát/lábhosszabbítót, a lábtartót/kórlaptartót vagy a függőleges oxigénpalack-tartót rögzíti, nehogy becsípődjenek az ujjai, amikor a láb felőli vég opcionális tolókarját pozicionálja.

A defibrillátortálcája rögzítése:

1. Helyezze be a defibrillátortálcája csapjait a termék láb felőli végénél lévő lyukakba.
2. Az eszközöknek a defibrillátortálcára történő rögzítéséhez használja a szíjat.

Megjegyzés

- Ne használja tolásra/húzásra a defibrillátortálcát. Ellenkező esetben a termék megsérülhet.
- Mindig emelje fel a láb felőli vég tolókarjait, amikor tartozékokat (pl. defibrillátortálcát/lábhosszabbítót, lábtartót/kórlaptartót, függőleges oxigénpalack-tartót) használ, különben a tartozékok nem fognak működni.

A defibrillátortálcá/lábhosszabbító átalakítása defibrillátortálcává

VESZÉLY

- A defibrillátortálcára/lábhosszabbítóra ne tegyen 30 fontnál (14 kg) nehezebb tárgyakat. Mindig szíjazzon le minden olyan eszközt, amelyet a defibrillátortálcára helyez.
- Mindig legyen körültekintő, amikor a defibrillátortálcát/lábhosszabbítót, a lábtartót/kórlaptartót vagy a függőleges oxigénpalack-tartót rögzíti, nehogy becsípődjenek az ujjai, amikor a láb felőli vég opcionális tolókarját pozicionálja.

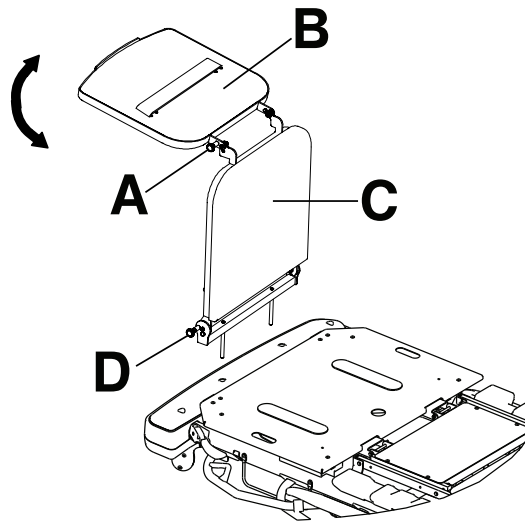
FIGYELEM - Mindig emelje fel az infúziós állványt, mielőtt a defibrillátortálcát/lábhosszabbítót csatlakoztatná a termékhez. Ha nem emeli fel az infúziós állványt, a lábhosszabbító nem fog működni.

A defibrillátortálca/lábhosszabbító defibrillátortálcává történő átalakításához:

1. Húzza ki a felső gombot (A) (Ábra 19).
2. Fordítsa el a defibrillátortálcát (B), amíg a tálca vízszintes helyzetbe nem kerül a termék láb felőli vége fölött. Engedje el a felső gombot (A). Ellenőrizze, hogy a defibrillátortálca rögzítve van-e a helyén.
3. Az eszközöknek a defibrillátortálcára történő rögzítéséhez használja a szíjat.

Megjegyzés

- Ne használja tolásra/húzásra a defibrillátortálcát/lábhosszabbítót. Ellenkező esetben a termék megsérülhet.
- Ne csatlakoztasson semmit a lábhosszabbítóhoz.



Ábra 19 – Defibrillátortálca/lábhosszabbító

A defibrillátortálca/lábhosszabbító átalakítása lábhosszabbítóvá

VESZÉLY

- A defibrillátortálcára/lábhosszabbítóra ne tegyen 30 fontnál (14 kg) nehezebb tárgyakat. Mindig szíjazzon le minden olyan eszközt, amelyet a defibrillátortálcára helyez.
- Mindig legyen körültekintő, amikor a defibrillátortálcát/lábhosszabbítót, a lábtartót/kórlaptartót vagy a függőleges oxigénpalack-tartót rögzíti, nehogy becsípődjenek az ujjai, amikor a láb felőli vég opcionális tolókarját pozicionálja.

FIGYELEM - Mindig emelje fel az infúziós állványt, mielőtt a defibrillátortálcát/lábhosszabbítót csatlakoztatná a termékhez. Ha nem emeli fel az infúziós állványt, a lábhosszabbító nem fog működni.

A defibrillátortálca/lábhosszabbító lábhosszabbítóvá történő átalakításához (Ábra 19):

1. Húzza ki a felső gombot (A).
2. Fordítsa el a defibrillátortálcát (B), amíg a tálca nem rögzül a lábhosszabbítónak támaszkodva.
3. A defibrillátortálca/lábhosszabbító szerelvényét megfogva húzza ki az alsó gombot (D).
4. Engedje le a lábhosszabbítót (C) vízszintes helyzetbe.
5. Engedje el az alsó gombot (D). A lábhosszabbító megnyomásával ellenőrizze, hogy a lábhosszabbító rögzítve van-e a helyén.

Megjegyzés

- Ne használja tolásra/húzásra a defibrillátortálcát/lábhosszabbítót. Ellenkező esetben a termék megsérülhet.
- Ne csatlakoztasson semmit a lábhosszabbítóhoz.

A lábtartó/kórlaptartó rögzítése

VESZÉLY - Mindig legyen körültekintő, amikor a defibrillátortálcát/lábhosszabbítót, a lábtartót/kórlaptartót vagy a függőleges oxigénpalack-tartót rögzíti, nehogy becsípődjenek az ujjai, amikor a láb felőli vég opcionális tolókarját pozicionálja.

A lábtartó/kórlaptartó rögzítéséhez helyezze be a lábtartó/kórlaptartó csapjait a termék láb felőli végén található lyukakba.

Megjegyzés - Ne használja tolásra/húzásra a lábtartót/kórlaptartót. Ellenkező esetben a termék megsérülhet.

Az infúziós kocsi rögzítése

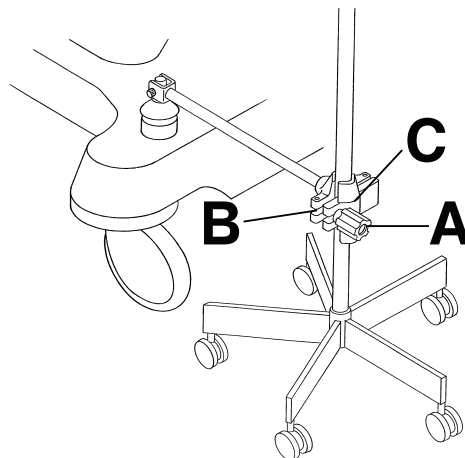
VESZÉLY

- A termék szállításakor mindig rögzítse az infúziós állványt az infúziós kocsihoz.
- A termék sérülésének megelőzése érdekében mindig rakja el az infúziós kocsit, amikor nem használja.

Az infúziós kocsi rögzítéséhez (Ábra 20):

1. Emelje ki a tárolótálcából vagy a tárolásához használt bilincsből az infúziós kocsit.
2. Forgassa el az infúziós kocsit a kívánt helyzetbe.
3. Forgassa el a gombot (A) az óramutató járásával ellenkező irányba az állvány rögzítőelemének (C) meglazításához.
4. Fordítsa el a gombot (A) a kar csatlakoztatószerelvényével (B) ellentétes irányba.
5. Nyissa ki a rögzítőelemet (C).
6. Helyezze az infúziós állványt a rögzítőelembe (C).
7. Zárja a rögzítőelemet (C) az infúziós állványon, majd fordítsa el a gombot (A) a megfelelő helyzetbe.
8. A gomb megszorításához forgassa el a gombot (A) az óramutató járásával megegyező irányba.
9. Az infúziós kocsi leválasztásához ismétlje meg a fenti lépéseket fordított sorrendben.

Az infúziós kocsi tárolásához helyezze a kocsit a tárolótálcába, vagy rögzítse a kocsit a tároláshoz szolgáló bilincsből.



Ábra 20 – Infúziós kocsi

A lábfejtartók pozicionálása vagy tárolási helyzetbe állítása – csak a Prime opció esetén

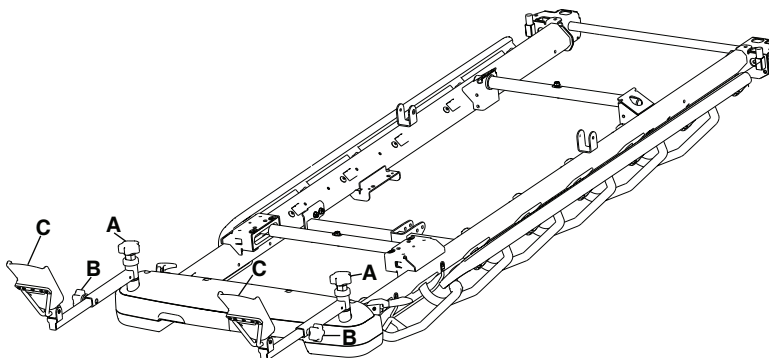
VESZÉLY

- Ne üljön rá a lábfejtartókra. Ellenkező esetben a termék felborulhat.
- Mindig tartsa távol az ujjait a különböző mechanikus szerkezetektől, amikor a lábfejtartókat működteti.

- Mindig állítsa tárolási helyzetbe a lábfejtartókat, amikor a termékkel beteget szállít.
- Mindig húzza meg a lábfejtartókat, mielőtt használná őket.
- Ne működtesse a mérlegrendszert a lábfejtartókkal. Ellenkező esetben pontatlan lehet a kijelzett érték.
- Ne működtesse a **Chaperone** opciót a lábfejtartókkal. Ellenkező esetben pontatlan lehet a kijelzett érték.

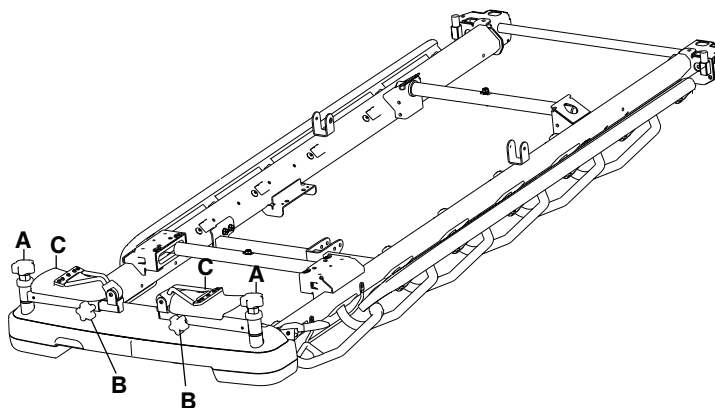
A lábfejtartók pozicionálásához vagy tárolási helyzetbe állításához:

1. Lazítsa meg a térdgombot (A) a lábfejtartók tetején a lábfejtartók egyik oldalról másik oldalig mért szögének beállításához (Ábra 21).
2. Szorítsa meg a térdgombot (A) a lábfejtartók kívánt helyzetben rögzítéséhez.



Ábra 21 – A lábfejtartók pozicionálása

3. A hosszúság beállításához lazítsa meg a lábszárgombot (B) a lábfejtartók oldalán.
4. A lábszárgomb (B) meghúzásával rögzítse a lábfejtartókat a kívánt helyzetben.
5. Hajtsa fel a lábfejtartókat (C), mielőtt a beteget pozicionálná.
6. A lábfejtartók tárolási helyzetbe állításához fordított sorrendben hajtsa végre a fenti lépéseket (Ábra 22).



Ábra 22 – A lábfejtartók tárolási helyzetbe állítása

A következő opciókat és kiegészítőket nem vásárolhatja meg, ha a lábfejtartót választotta:

- Láb felőli vég tolókarjai
- Defibrillátortálca
- Defibrillátortálca/lábhosszabbító
- Tálalótálca-tartó/lábtartó
- Lábtartó/kórlaptartó
- Láb felőli végén elhelyezkedő infúziós állványok

Megjegyzés

- Ne használja a lábfejtartókat a beteg személyes holmijainak tárolására.
- Ne használja tolásra/húzásra a lábfejtartókat. Ellenkező esetben a termék megsérülhet.
- Az instabilitás elkerülése érdekében mindig hozza működésbe a fékeket, amikor a lábfejtartókat használja.
- Ne használja a háttámlát vagy a térdhajlító részt a lábfejtartókkal együtt.

Az opcionális kétszintes, állandó jelleggel rögzített infúziós állvány pozicionálása

VESZÉLY - Ne használja tolásra/húzásra az infúziós állványt! Ettől megsérülhet a termék.

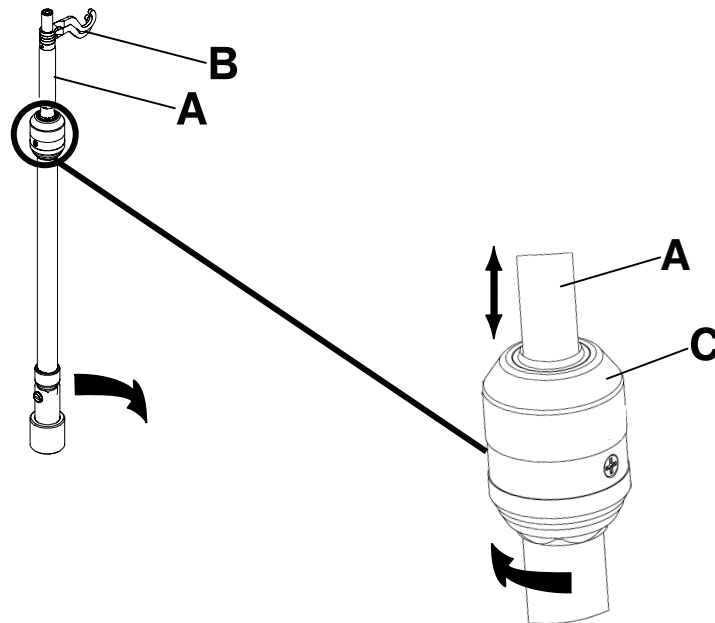
A terméket megvásárolhatja a termék fej felőli, láb felőli, illetve mindkét végéhez állandó jelleggel rögzített opcionális, kétszintes infúziós állvánnyal is. Az infúziós állvány kihúzható résszel rendelkezik, amely kihúzott állapotában egy második magassági helyzetet is biztosít. Amikor nem használják, az infúziós állvány összecsukszható és elrakható.

A kétszintes infúziós állvány pozicionálása (Ábra 23):

1. Húzza fel és fordítsa el az állványt tárolási helyzetéből.
2. Addig nyomja lefelé az infúziós állványt, amíg a helyén nem rögzül.
3. Az infúziós állvány magasságának emeléséhez addig húzza felfelé a kihúzható részt (A), amíg az állvány teljesen felemelt helyzetben nem rögzül a helyén.
4. Fordítsa a kívánt helyzetbe az infúziós akasztókat (B), majd függessze fel az infúziós tasakokat.
5. Az infúziós állvány leengedéséhez fogja meg az infúziós állvány kihúzható részét, fordítsa el a reteszt (C), majd engedje le a kihúzható részt.

Megjegyzés

- Ne akasszon az infúziós állványra 40 fontot (18 kg) meghaladó tömegű infúziós tasakot!
- A beteg szállítása során mindig ellenőrizze, hogy az infúziós állvány elég alacsonyan van-e ahhoz, hogy biztonságosan átférjen az ajtónyílásokon.



Ábra 23 – A kétszintes, állandó jelleggel rögzített infúziós állvány pozicionálása

A háromszintes, állandó jelleggel rögzített infúziós állvány pozicionálása

VESZÉLY - Ne használja tolásra/húzásra az infúziós állványt! Ettől megsérülhet a termék.

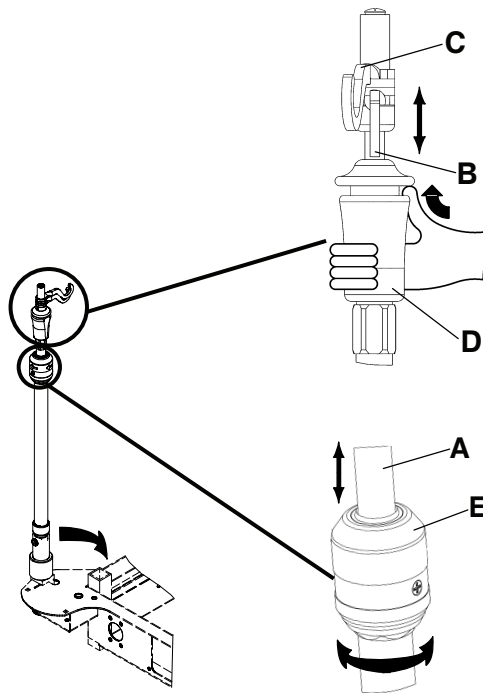
A terméket megvásárolhatja a termék fej felőli, láb felőli, illetve mindkét végéhez állandó jelleggel rögzített opcionális, háromszintes infúziós állvánnyal is. Az infúziós állvány kihúzható résszel rendelkezik, amely kihúzott állapotában egy második és egy harmadik magassági helyzetet is biztosít. Amikor nem használják, az infúziós állvány összecusukható és elrakható.

A háromszintes infúziós állvány pozicionálása (Ábra 24):

1. Húzza fel és fordítsa el az állványt tárolási helyzetéből.
2. Addig nyomja lefelé az infúziós állványt, amíg a helyén nem rögzül.
3. Az infúziós állvány magasságának emeléséhez addig húzza felfelé a kihúzható részt (A), amíg az állvány teljesen felemelt helyzetben nem rögzül a helyén.
4. Magasabb infúziós állvány kialakításához húzza felfelé a (B) részt. A kívánt magasságban engedje el a (B) részt, hogy az állvány a helyén rögzüljön.
5. Fordítsa a kívánt helyzetbe az infúziós akasztókat (C), majd függessze fel az infúziós tasakokat.
6. Az infúziós állvány leengedéséhez fogja meg a (B) részt, és addig nyomja felfelé a markolat (D) sárga részét, amíg az állvány le nem ereszkedik.
7. Fordítsa el a reteszt (E), majd engedje le az infúziós állvány kihúzható részét.

Megjegyzés

- Ne akasszon az infúziós állványra 12 fontot (5 kg) meghaladó össztömegű infúziós tasakokat!
- Egyetlen infúziós akasztóra se akasszon 9,3 fontot (4,2 kg) meghaladó tömegű infúziós tasakot!
- A beteg szállítása során mindig ellenőrizze, hogy az infúziós állvány elég alacsonyan van-e ahhoz, hogy biztonságosan átférjen az ajtónyílásokon.



Ábra 24 – A háromszintes, állandó jelleggel rögzített infúziós állvány pozicionálása

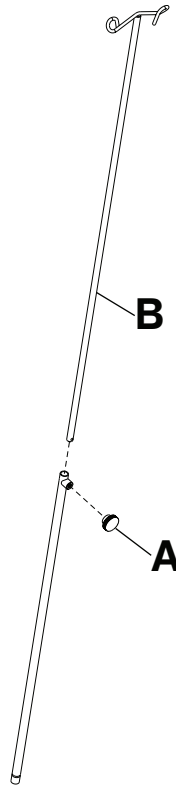
Az eltávolítható infúziós állvány rögzítése és pozicionálása

FIGYELEM

- Ne használja tolásra/húzásra az infúziós állványt. Ellenkező esetben a termék megsérülhet.
- Ne akasszon 40 fontnál (18 kg) nehezebb infúziós tasakokat az infúziós állványra.
- Mindig ellenőrizze, hogy az infúziós állvány elég alacsonyan van-e ahhoz, hogy átférjen az ajtónyílásokon, amikor beteget szállít.

Az eltávolítható infúziós állvány rögzítéséhez és pozicionálásához (Ábra 25):

1. Helyezze az infúziós állványt a termék fej felőli vagy láb felőli végén lévő lyukba.
2. Forgassa el a gombot (A) az óramutató járásával ellenkező irányba, és addig húzza felfelé a kihúzható részt (B), amíg a kívánt magasságot el nem éri.
3. A kihúzható résznek a helyén történő rögzítéséhez forgassa el a gombot (A) az óramutató járásával megegyező irányba.



Ábra 25 – Eltávolítható infúziós állvány

A függőleges oxigénpalack-tartó felrögzítése

VESZÉLY

- Ne tegyen 40 fontnál (18 kg) nehezebb tárgyakat a függőleges oxigénpalack-tartóba!
- Mindig legyen körültekintő, amikor a defibrillátortálcát/lábhosszabbítót, a lábtartót/kórlaptartót vagy a függőleges oxigénpalack-tartót felrögzíti, nehogy becsípődjön az ujjja, amikor a láb felőli vég opcionális tolókarját pozicionálja.

A függőleges oxigénpalack-tartó függőleges helyzetben tartja az oxigénpalackot.

A függőleges oxigénpalack-tartó rögzítése:

1. Helyezze be a tartórúdat az infúziós állvány valamelyik lyukába.
2. Helyezze be a sasszeget a tartórúdon lévő lyukba, hogy a palacktartót a termékhez rögzíthesse.

Megjegyzés - Ne használja tolásra/húzásra a függőleges oxigénpalack-tartót! Ettől megsérülhet a termék.

A tálalótálca-tartó/lábtartó kitolása vagy tárolási helyzetbe állítása

VESZÉLY - Ne tegyen 30 fontnál (14 kg) nehezebb tárgyakat a tálalótálcára!

A tálalótálca oldalkorlátán történő elhelyezéséhez húzza ki a tálalótálca mindkét oldalát, majd helyezze a tálcát az oldalkorlátokra.

A tálalótálca tárolási helyzetbe állítása:

1. Vegye le a tálalótálcát az oldalkorlátokról.
2. Tolja be a tálalótálca oldalait.
3. Rakja el a tálalótálcát a lábtartóban.

Megjegyzés - Ne használja tolásra/húzásra a tálalótálcát/lábtartót! Ettől megsérülhet a termék.

Az oldalkorlát alátétjeinek rögzítése

Az oldalkorlát alátétjeinek rögzítéséhez:

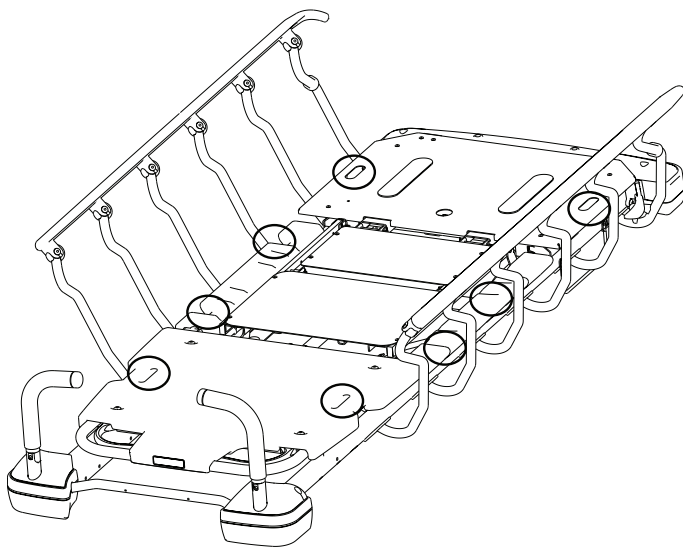
1. Dugja be az oldalkorlát alátétjét a matrac és az oldalkorlát közé.
2. Rögzítse a **tépőzáras** szíjakat az oldalkorlát teteje köré az oldalkorlát alátétjének rögzítéséhez.

A beteget bekötő öv kötéseinek megkeresése

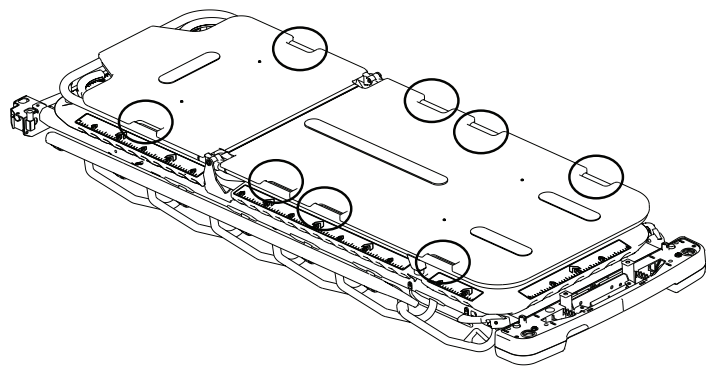
VESZÉLY

- Mindig legyen körültekintő, amikor a bekötőöveket rögzíti. Ellenkező esetben a beteg vagy a kezelő megsérülhet. A fizikai rögzítőelemek, még biztonságosan rögzített helyzetükben is súlyos sérülést okozhatnak a betegeknek és a kezelőknek, akik egyebek között beléjük gabalyodhatnak, beléjük akadhatnak, fizikai sérülést szenvedhetnek, vagy meghalhatnak.
- Mindig csak a termék azonosított rögzítési pontjainál rögzítse a bekötőöveket vagy -eszközöket. Ellenkező esetben a beteg vagy a kezelő megsérülhet. Ne rögzítse a bekötőöveket az oldalkorlatra.
- Mindig ellenőrizze a vonatkozó állami és szövetségi korlátozásokat és előírásokat, valamint a létesítmény megfelelő protokolljait, mielőtt bármilyen bekötőövet vagy -eszközt használna.

A matractartó szerelvényen nyolc kötés hely van a betegbekötő övek rögzítéséhez (Ábra 26 vagy Ábra 27).



Ábra 26 – A Prime bekötőöv rögzítési helyei



Ábra 27 – A Prime X bekötőöv opció rögzítési helyei

Megjegyzés - A bekötőövek B típusú alkalmazott alkatrészek.

A függőleges röntgenkazetta-tartó pozicionálása – Prime X opció

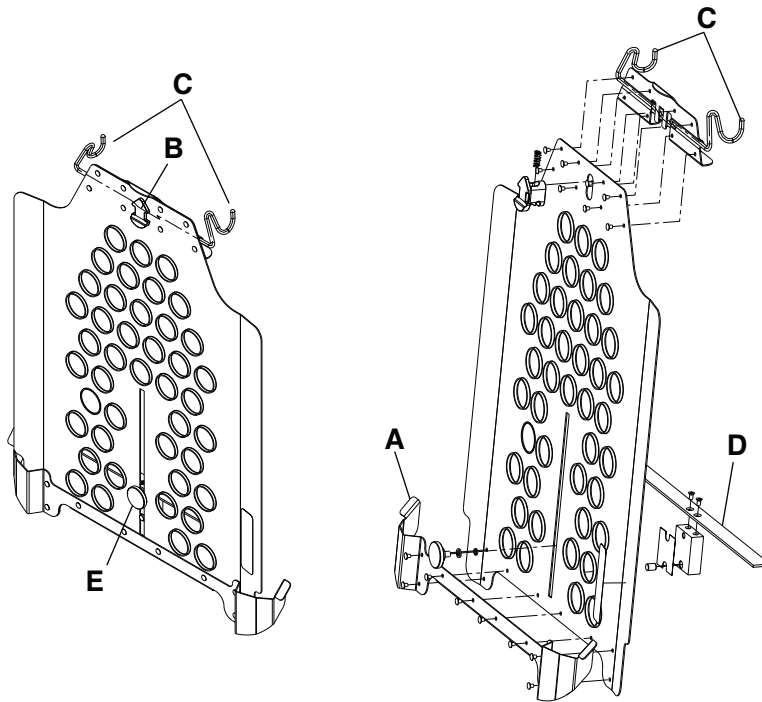
VESZÉLY

- Mindig tegyen védőintézkedéseket, amikor a függőleges vagy oldalsó röntgenkazetta-tartót használja. A röntgenkazetta-tartó nem véd a sugárzástól.
- Mielőtt a **Prime X** opciót sugárzást keltő eszközökkel együtt használná, a létesítmény biztonsági protokolljain túlmenően mindig tanulmányozza át a helyi, állami és szövetségi irányelveket is. A sugárzást keltő eszközök maradék-, kóbor-, illetve szórt sugárzást kelthetnek.
- Mindig legyen nagyon körültekintő, ha 2,5 hüvelyknél (6,35 cm-nél) vastagabb matracot vagy felső matracréteget használ a **Prime X** opcióval.
- A röntgenkazetta behelyezéséhez mindig tartsa be *A függőleges röntgenkazetta-tartó pozicionálása – Prime X opció* rész utasításait.

A röntgenkazetták alátámasztása érdekében a röntgenkazetta-tartó a háttámla hegesztéséhez rögzíthető. Amikor a beteg a terméken tartózkodik, röntgenfelvételek készíthetők. Röntgenfelvétel készítése előtt a kazetta helyzete beállítható.

A röntgenkazetta-tartó pozicionálásához:

1. Hozza működésbe a fékeket. Próbálja előretolni a terméket a fékek működésének ellenőrzéséhez.
2. Emelje fel a háttámlarészt teljes magasságba.
3. Helyezze be az alsó rögzítővezetőket (A) a háttámla hegesztésének rúdja alá (Ábra 28).
4. Annyira emelje fel a kazettatartót, hogy a rögzítővezetők a háttámla hegesztésére rögzüljenek. Ellenőrizze, hogy a kazettatartó biztosan van-e rögzítve.



Ábra 28 – Röntgenkazetta-tartó

5. Helyezzen be egy röntgenkazettát a kazettatartó bármelyik oldala felől, vagy húzza meg a csúszóelem-kioldó nyilat (B) a háttámla hegesztésén lévő kazettatartó kioldásához, helyezze be a kazettát, majd rögzítse a kazettatartót a háttámla hegesztéséhez.
6. A kazetta magasságának beállításához lazítsa meg a gombot (E), majd felfelé vagy lefelé mozgatva állítsa a kívánt magasságba a kazettatartó sint (D).
7. Szorítsa meg a gombot (E) a kazettatartó sín rögzítéséhez.

8. Amikor a röntgenfelvétel elkészült, húzza fel a csúszóelem-kioldó nyilat (B) a háttámla hegesztésén lévő kazettatartó kioldásához.
9. Vegye ki a röntgenkazettát a kazettatartóból.
10. Zárja le és rakja el a kazettatartót.

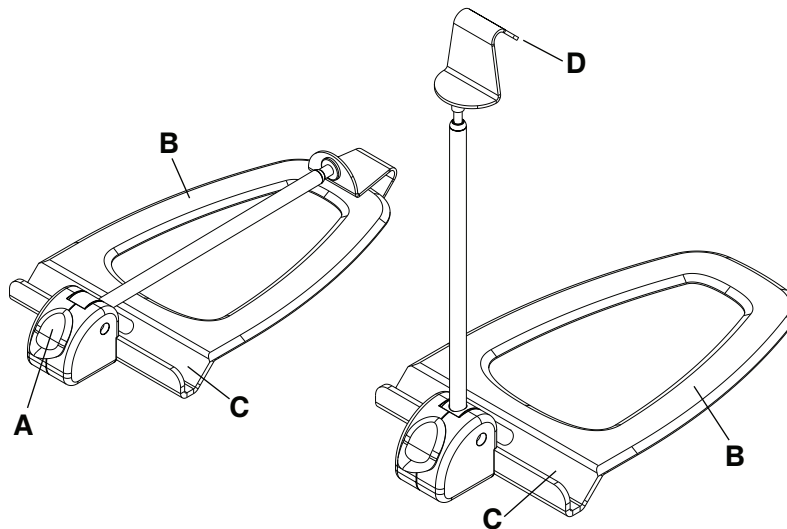
Az oldalsó röntgenkazetta-tartó pozicionálása – Prime X opció

VESZÉLY

- Mindig tegyen védőintézkedéseket, amikor a függőleges vagy oldalsó röntgenkazetta-tartót használja. A röntgenkazetta-tartó nem véd a sugárzástól.
- Mielőtt a **Prime X** opciót sugárzást keltő eszközökkel együtt használná, a létesítmény biztonsági protokolljain túlmenően mindig tanulmányozza át a helyi, állami és szövetségi irányelveket is. A sugárzást keltő eszközök maradék-, kóbor-, illetve szórt sugárzást kelthetnek.
- Mindig legyen körültekintő, amikor úgy készít röntgenfelvételeket, hogy a háttámla függőleges helyzetben van, vagy amikor oldalsó kazettát használ.
- Mindig legyen nagyon körültekintő, ha 2,5 hüvelyknél (6,35 cm-nél) vastagabb matracot vagy felső matracréteget használ a **Prime X** opcióval.
- A röntgenkazetta behelyezéséhez mindig tartsa be *Az oldalsó röntgenkazetta-tartó pozicionálása – Prime X opció* rész utasításait.

Az oldalsó röntgenkazetta-tartó pozicionálásához:

1. Hozza működésbe a fékeket. Próbálja előretolni a terméket a fékek működésének ellenőrzéséhez.



Ábra 29 – Oldalsó röntgenkazetta-tartó

2. Nyomja le a sárga kioldógombot (A) az oldalsó kazettatartó kinyitásához (Ábra 29).
3. Csúsztassa a lapos alapot (B) a matrac és a beteg tartó felület közé.
4. Pozicionálja az oldalsó kazettatartót a kívánt helyzetbe.
5. Helyezze be a röntgenkazettát a kazettanyílásba (C).
6. A kazettahorgot (D) felhúzza úgy állítsa be a kar magasságát, hogy beférjen a röntgenkazetta fölé, és megtartsa azt a helyén.
7. A kazetta kivételéhez és az oldalsó kazettatartó tárolási helyzetbe állításához fordított sorrendben hajtsa végre a fenti lépéseket.

Röntgenkazetták behelyezése vagy eltávolítása – Prime X opció

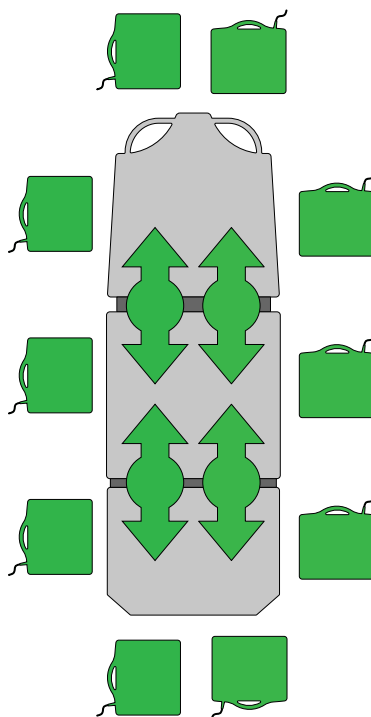
VESZÉLY

- Mielőtt a **Prime X** opciót sugárzást keltő eszközökkel együtt használná, a létesítmény biztonsági protokolljain túlmenően mindig tanulmányozza át a helyi, állami és szövetségi irányelveket is. A sugárzást keltő eszközök maradék-, kóbor-, illetve szórt sugárzást kelthetnek.
- Mindig legyen körültekintő, amikor úgy készít röntgenfelvételeket, hogy a háttámla függőleges helyzetben van, vagy amikor oldalsó kazettát használ.

A **Prime X** opció egyszerre biztosítja a csuklós tartófelületet a radiográfias vizsgálathoz, valamint a röntgenkazetta elhelyezésére szolgáló platformot a beteget tartó felület alatt. Ha orvosi röntgenrendszerekkel dolgozik, a radiográfias tartófelület lehetővé teszi a klinikai röntgenfelvételek készítését (AP teljes testes, opcionális teljes testes oldalsó és opcionális függőleges mellkasfelvétel), miközben a beteg a terméken helyezkedik el. A kazetták behelyezhetők a fej felőli vég, a láb felőli vég és a termék két oldala felől.

Röntgenkazetta behelyezéséhez:

1. Helyezze el a beteget a termék közepén a termék minden oldalán megtalálható pozíciójelző címkék segítségével (Ábra 30).
2. Tegyen be egy röntgenkazettát a beteget tartó felület alá. A kazettavezetők segítségével pozicionálja a röntgenkazettát.



Ábra 30 – Röntgenkazetták behelyezése vagy eltávolítása a Prime X opciónál

Megjegyzés

- Ne használjon négy hüvelyknél (10 cm) vastagabb matracot a **Prime X** opcióval együtt.
- Ne használjon C-kart a **Prime X** opcióhoz. A **Prime X** opció nem kompatibilis a C-karral.

Tisztítás

A termék tisztítása

FIGYELEM - Ne használjon csiszoló hatású tisztítószeret az opcionális mérlegrendszer kijelzője házában a tisztításához. Ne hagyja, hogy tisztítóoldat vagy egyéb folyadék gyűljön össze a kijelzőegységen. Folyadékkiömlés vagy tisztítás után szárítson meg minden felületet.

Ezek az utasítások a **Prime Series** hordágyak ajánlott tisztítási módszereit ismertetik.

Ez a termék nagynyomással mosható. A sokszori mosástól a terméken oxidáció vagy elszíneződés jelei mutatkozhatnak. Azonban a termék teljesítményjellemzőinek vagy működésének semmilyen romlása nem következik be a nagynyomású mosás hatására, amennyiben a megfelelő eljárásokat betartják.

Ajánlott tisztítási módszer:

1. Ha a termék opcionális elektromos matractartóval vagy opcionális elektromos emelőberendezéssel rendelkezik, akkor a termék szállítása, illetve tisztítása előtt húzza ki a tápvezetékét a fali csatlakozóból.
2. Távolítsa el a matracot a termékről.
3. Tartsa be a tisztítóoldat gyártójának hígításra vonatkozó ajánlásait.
4. A Stryker a nagynyomású mosáshoz a szokványos kórházi műszerkocsimosót ajánlja.
5. Szárítsa meg a terméket. Amíg a termék nem száraz, ne tegye a matracot a termékre.
6. Az ismételt üzembe helyezés előtt ellenőrizze a működést.
 - Emelje fel és engedje le a terméket
 - Rögzítse és oldja ki a fék/kormányzás pedált mindkét helyzetben
 - Reteszelve és oldja ki az oldalkorlátokat
 - Emelje fel és engedje le a háttámlát
 - Emelje fel és engedje le a térdhajlító részt
 - Ellenőrizze az összes komponens megfelelő kenését
 - Ellenőrizze az összes címke épségét

Megjegyzés

- A bőr láthatóan szennyezett, áteresztő anyaggal való közvetlen érintkezése megnöveli a fertőzés kockázatát.
- Ne tisztítsa gőzzel a terméket.
- Tisztítsa meg az alapzat búrájának tárolóterületét.
- Tisztítsa meg a fékbetétek alját, nehogy viasz vagy a padló darabjai gyűljenek fel rajta.
- Bizonyos tisztítószeres korrozív természetűek, és nem megfelelő használatuk a termék károsodását okozhatja. Ha nem megfelelően öblíti le vagy szárítja meg a terméket, maró hatású vegyszer maradhat a termék felületén, ami kritikus komponensek idő előtti korrózióját okozhatja. A jelen tisztítási utasítások be nem tartása esetén a szavatosság érvényét vesztheti.

A termék tisztítása műszerkocsimosó segítségével

A Stryker szokványos kórházi műszerkocsimosó használatát ajánlja a hordágy lemosásához évente legfeljebb egyszer a termék teljes élettartama alatt.

A termék műszerkocsimosóval történő tisztításához:

1. Ha a termék opcionális elektromos matractartóval vagy opcionális elektromos emelőberendezéssel rendelkezik, akkor a termék szállítása, illetve tisztítása előtt húzza ki a tápvezetékét a fali csatlakozóból.
2. A termék mosása előtt távolítsa el a matracot. Ne mossa a matracot a termékkel együtt.
3. Állítsa a háttámlát 45°-os szögbe.

4. Állítsa a terméket teljesen fordított Trendelenburg-helyzetbe (a láb felőli vég lenn).
5. Emelje fel az oldalkorlátokat.
6. Állítsa felemelt helyzetbe az infúziós állványokat és a tolókarokat.
7. Tisztítsa meg a terméket legfeljebb 82 °C (180 °F) hőmérsékletű és legfeljebb 103,5 bar (1500 psi) nyomású vízzel.
8. Legfeljebb 93 °C (200 °F) hőmérsékletű levegővel szárítsa a terméket nyolc percen át.
9. Szárítsa meg a terméket. Amíg a termék nem száraz, ne tegye a matracot a termékre.
10. Az ismételt üzembe helyezés előtt ellenőrizze a működést.
 - Emelje fel és engedje le a terméket
 - Rögzítse és oldja ki a fék/kormányzás pedált mindkét helyzetben
 - Reteszelve és oldja ki az oldalkorlátokat
 - Emelje fel és engedje le a háttámlát
 - Ellenőrizze az összes komponens megfelelő kenését
 - Ellenőrizze az összes címke épségét és olvashatóságát

Megjegyzés

- Ne tisztítsa gőzzel a terméket.
- Bizonyos tisztítószer korrozív természetűek, és nem megfelelő használatuk a termék károsodását okozhatja. Ha nem megfelelően öblíti le vagy szárítja meg a terméket, maró hatású vegyszer maradhat a termék felületén, ami kritikus komponensek idő előtti korrózióját okozhatja. A jelen tisztítási utasítások be nem tartása esetén a szavatosság érvényét vesztheti.

A matrac tisztítása

VESZÉLY

- Tilos tisztítást, szervizelést vagy karbantartást végezni a terméken, amikor azt éppen használják.
 - Ne merítse a matracot tisztító- vagy fertőtlenítőtartályba. A túlzott nedvesség a termék meghibásodását eredményezheti, ami a termék károsodásához vagy a beteg sérüléséhez vezethet.
 - Ne hagyja, hogy folyadék gyűljön össze a matracon. A folyadékok az alkatrészek korrózióját eredményezhetik, és kiszámíthatatlanná tehetik a termék biztonságosságát és teljesítményét.
 - A matrachuzatok minden tisztításakor ellenőrizze, hogy nincs-e rajtuk szakadás, lyuk, túlzott kopás és rosszul behúzott cipzár. A keresztszennyeződés megelőzése érdekében távolítsa el és cserélje ki a sérült matracot.
 - A matracok megtisztításához ne alkalmazzon gőztisztítást, nagy nyomású mosást, tömlővel végzett leöblítést, illetve ultrahangos tisztítást. Ezek a tisztítási módszerek érvényteleníthetik a termék szavatosságát.
-

A matrac élettartamát befolyásolhatja gyakoribb használata, amelybe beletartozhat a gyakoribb tisztítás és fertőtlenítés is.

Ajánlott tisztítási módszer:

1. Az idegen anyagok eltávolítása érdekében kímélő hatású szappanos vízzel megnedvesített tiszta, puha törlőruhával törölje le a teljes matracot.
2. Ezután a felesleges folyadék vagy tisztítószer eltávolítása érdekében törölje át a matracot tiszta, száraz törlőruhával.
3. Tisztítás után öblítse le, majd szárítsa meg a huzatokat.
4. Miután végzett a tisztítással, szükség szerint fertőtlenítsen a terméket kórházi besorolású fertőtlenítőszerrel (lásd: *A matrac fertőtlenítése*).

Megjegyzés

- Ne vasalja, ne vegytisztítsa és szárítsa szárítógépben, ellenkező esetben a termék meghibásodik és károsodik.
- A termék teljesítményromlásának megelőzése érdekében a matrachuzatnak teljesen száraznak kell lennie, mielőtt elrakják, ágyneműt húznak rá, vagy beteget helyeznek rá.
- Ne tegye túlságosan ki alkohol vagy hidrogén-peroxid hatásának. Ellenkező esetben a huzat anyaga megduzzad.

- Ne engedje, hogy folyadék szivárogjon a cipzárrészbe és a vízzáró korlát alá. Azok a folyadékok, amelyek érintkezhetnek a cipzárral, beszivároghatnak a matracba, ami ronthatja a termék teljesítményét.
- Bizonyos tisztítószer korrozív természetűek, és nem megfelelő használatuk a termék károsodását okozhatja. Ha nem megfelelően öblíti le vagy szárítja meg a terméket, maró hatású vegyszer maradhat a termék felületén, ami kritikus komponensek idő előtti korrózióját okozhatja. A jelen tisztítási utasítások be nem tartása esetén a szavatosság érvényét vesztheti.

Távolítsa el a foltot

1. Fél liter meleg vízből és 1-2 evőkanál nátrium-tioszulfátból készítsen oldatot. Törölje át a foltos területet az oldattal.
2. Jelentkezése után mihamarabb tüntesse el a foltot.
3. Ha a folt nem tüntethető el azonnal, itassa át az oldattal a matracot, vagy hagyja az oldatot a matracon állni, mielőtt a matracot letörölné.
4. Tiszta vízzel öblítse le az oldattal áttörölt matracot, mielőtt újra használná.

Megjegyzés - Az ilyen típusú tisztítószer alkalmazása során a fenti utasítások figyelmen kívül hagyása érvénytelenítheti a termékszavatosságot.

Különleges utasítások

Tépőzár	Itassa át fertőtlenítőszerrel, öblítse le vízzel, majd hagyja, hogy az oldat elpárologjon.
Szilárd anyagok vagy foltok	Használjon semleges szappant és meleg vizet. Ne használjon erős tisztítószereket, oldószereket, illetve csiszoló hatású tisztítószereket.
Nehezen tisztítható helyek	Használjon szabványos háztartási tisztítószereket vagy PVC-tisztító szereket és puha sörtéjű keféket a problémás helyekhez és foltokhoz. A rászáradt szennyeződések esetében alkalmazzon előáztatást.
Mosás	A mosás nem ajánlott. A mosás lényegesen csökkentheti a matrac hasznos élettartamát.

Fertőtlenítés

A termék fertőtlenítése

VESZÉLY

- Tilos tisztítást, szervizelést vagy karbantartást végezni a terméken, amikor azt éppen használják.
 - A termék megtisztításához ne alkalmazzon gőztisztítást, tömlővel végzett leöblítést, illetve ultrahangos tisztítást. E tisztítási módszerek alkalmazása nem ajánlott, és érvénytelenítheti a termékszavatosságot.
-

Ajánlott fertőtlenítőszer:

- Kvaterner fertőtlenítőszer (hatóanyag: ammónium-klorid), amelyek kevesebb mint 3% glikolétert tartalmaznak
- Fenolos fertőtlenítőszer (hatóanyag: o-fenil-fenol)
- Klórozott fehérítőoldat (5,25%-os fehérítőszer, hígítva, 1 rész fehérítőszer 100 rész vízhez, ami 520 ppm rendelkezésre álló klórral egyenlő (40 ml 5,25%-os fehérítőoldat 4000 ml vízhez))
- 70%-os izopropil-alkohol

Ajánlott fertőtlenítési módszer:

1. Tartsa be a fertőtlenítőoldat gyártójának hígításra vonatkozó ajánlásait.
2. Kézzel mossa le a termék minden felületét fertőtlenítőoldattal.
3. Ne itassa át túlságosan az oldattal a terméket, és ügyeljen arra, hogy a termék ne maradjon nedves a fertőtlenítőoldat gyártója által a megfelelő fertőtlenítéshez javasolt időtartamon túl.
4. Szárítsa meg a terméket. Amíg a termék nem száraz, ne tegye a matracot a termékre.
5. Minden használat után fertőtlenítse a tépőzárat. Itassa át a tépőzárat fertőtlenítőszerrel, öblítse le vízzel, majd hagyja a fertőtlenítőszer elpárologni (a megfelelő fertőtlenítőszer a létesítmény határozza meg).
6. Az ismételt üzembe helyezés előtt ellenőrizze a működést.
 - Emelje fel és engedje le a terméket
 - Rögzítse és oldja ki a fék/kormányzás pedált mindkét helyzetben
 - Reteszelve és oldja ki az oldalkorlátokat
 - Emelje fel és engedje le a háttámlát
 - Emelje fel és engedje le a térdhajlító részt
 - Ellenőrizze az összes komponens megfelelő kenését
 - Ellenőrizze az összes címke épségét

Megjegyzés

- A bőr láthatóan szennyezett, áteresztő anyaggal való közvetlen érintkezése megnöveli a fertőzés kockázatát.
- Bizonyos tisztítószer korrozív természetűek, és nem megfelelő használatuk a termék károsodását okozhatja. Ha nem megfelelően öblíti le vagy szárítja meg a terméket, maró hatású vegyszer maradhat a termék felületén, ami kritikus komponensek idő előtti korrózióját okozhatja. A jelen tisztítási utasítások be nem tartása esetén a szavatosság érvényét vesztheti.

A matrac fertőtlenítése

VESZÉLY - Mindig fertőtlenítse a matracot, mielőtt másik beteghez használná. Ennek elmulasztása keresztszennyeződést és fertőzést eredményezhet.

Ajánlott fertőtlenítőszer:

- Kvaterner fertőtlenítőszer (hatóanyag: ammónium-klorid), amelyek kevesebb mint 3% glikolétert tartalmaznak

- Fenolos fertőtlenítőszer (hatóanyag: o-fenil-fenol)
- Klórozott fehérítőoldat (5,25%-os fehérítőszer, hígítva, 1 rész fehérítőszer 100 rész vízhez, ami 520 ppm rendelkezésre álló klórral egyenlő (40 ml 5,25%-os fehérítőoldat 4000 ml vízhez))
- 70%-os izopropil-alkohol

Ajánlott fertőtlenítési módszer:

1. Ellenőrizze, hogy a matrac tiszta és száraz-e, mielőtt fertőtlenítőszeret alkalmazna.
2. Ezután a felesleges folyadék vagy fertőtlenítőszer eltávolítása érdekében törölje le a matracot tiszta, száraz törülköhával.
3. Fertőtlenítés után öblítse le, majd szárítsa meg a huzatokat.

Megjegyzés

- A matrachuzatnak száraznak kell lennie, mielőtt elrakná, vagy ágyneműt húzna rá. A felesleges fertőtlenítőszer eltávolításának elmulasztása károsíthatja a huzat anyagát.
- Bizonyos tisztítószeres korrozív természetűek, és nem megfelelő használatuk a termék károsodását okozhatja. Ha nem megfelelően öblíti le vagy szárítja meg a terméket, maró hatású vegyszer maradhat a termék felületén, ami kritikus komponensek idő előtti korrózióját okozhatja. A jelen tisztítási utasítások be nem tartása esetén a szavatosság érvényét vesztheti.
- Ha gyakran vagy huzamosabb ideig nagy koncentrációjú fertőtlenítőoldatoknak teszik ki a huzat anyagát, az idő előtt elöregedhet.
- A glikol-étereket tartalmazó, gyorsított hidrogén-peroxidok vagy kvaterner vegyületek használata károsíthatja a huzatot.

Megelőző karbantartás

A megelőző karbantartási ellenőrzés végrehajtása előtt a terméket üzemem kívül kell helyezni. Ellenőrizze az éves megelőző karbantartási rendben szereplő összes tételt az összes Stryker Medical-termékre. Lehet, hogy a megadottaknál gyakrabban kell megelőző karbantartási ellenőrzéseket végeznie a termékhasználat függvényében. A szervizelést kizárólag képezett szakember végezheti.

Megjegyzés - Adott esetben átvizsgálás előtt tisztítsa meg és fertőtlenítsa a matrac külsejét.

Vizsgálja meg a következőket:

- _____ Minden rögzítőelem biztosan van rögzítve
- _____ Az oldalkorlátok mozgathatók és reteszelhetőek
- _____ A lábgörgők lezáródnak a fékpedál működésbe hozásakor
- _____ A lábgörgők biztosan vannak rögzítve, és megfelelően forognak
- _____ A lábgörgők viasztól és törmeléktől mentesek
- _____ A fékmechanizmus működik
- _____ A kormányzási funkció működik
- _____ A borításon nincsenek repedések
- _____ A háttámla felemelhető, leengedhető, és reteszelhető a helyén
- _____ A térdhajlító felemelhető, leengedhető, és reteszelhető a helyén (opció)
- _____ A Trendelenburg-helyzet/fordított Trendelenburg-helyzet mindenhol működhető
- _____ A földelőlánc ép
- _____ Nem lép fel szivárgás a hidraulikus csatlakozásoknál
- _____ A hidraulikus emelők tartása megfelelő
- _____ A törzset rögzítő övek megfelelően reteszelődnek és biztosan vannak rögzítve (opció)
- _____ Az infúziós állvány ép, beállítható, és minden helyzetben reteszelhető (opció)
- _____ Az oxigénpalack-tartó ép, és megfelelően nyílik és záródik (opció)
- _____ Nincsenek szakadások vagy repedések a matrachuzaton
- _____ A tartozékok és a szerelőelemek jó állapotban vannak
- _____ Az akkumulátorról táplált funkciók megfelelően működnek (opció)
- _____ A kábelek nem használódtak el, és nem csípődtek be (opció)
- _____ A tápvezeték és a dugasz is ép (opció)
- _____ Az összes elektromos csatlakozás szoros (opció)
- _____ Az összes földelés a vázhoz van rögzítve (opció)
- _____ A föld impedanciája nem haladja meg a 200 mΩ (milliohm) értéket (opció)
- _____ A kóboráram erőssége nem haladja meg a 300 μA (mikroamper) értéket (UL 60606-1-1 egységenként) (opció)
- _____ Az akkumulátorok fel vannak töltve (mérlegrendszer opció)
- _____ A kijelző háza ép és sérülésmentes (mérlegrendszer opció)
- _____ A terhelésmérő cellák épek és sérülésmentesek (mérlegrendszer opció)
- _____ A lábfejtartó térdgombjának szerkezete megfelelően működik, és rögzíthető a helyén (opció)
- _____ A lábfejtartó lábszárgombjának szerkezete megfelelően működik, és rögzíthető a helyén (opció)
- _____ A lábfejtartó teljesen kinyújtott helyzetig tolódik ki, és a megfelelő helyzetben áll meg (opció)
- _____ A lábfejtartó önmetsző csavarjai (6 db) biztosan vannak rögzítve, és a fejük nem sérült (opció)
- _____ A mérleg kalibrálva van. Szükség esetén kalibrálja újra (mérlegrendszer opció)

_____ A függőleges röntgenkazetta-tartó jó állapotban van, és tetszés szerinti röntgenkazettához beállítható (**Prime X** opció)

_____ A háttámla felszíne és a lábrész felszíne nem sérült (**Prime X** opció)

_____ A fejtartó és a lábtartó tálca nem sérült (**Prime X** opció)

_____ A háttámla forgóelemein átmenő csavarok és anyák nem lazultak meg (**Prime X** opció)

A termék sorozatszám:
Végrehajtotta:
Dátum:

Elektromágneses kompatibilitásra (EMC) vonatkozó információk

FIGYELEM

- A gyártó által meghatározottaktól vagy nyújtottaktól eltérő tartozékok, jeladók és kábelek használata az elektromágneses kibocsátási szint megnövekedését vagy az elektromágneses zavartűrés csökkenését eredményezheti, és nem megfelelő működéssel járhat.
- Ezt a berendezést a jelkibocsátási jellemzői alkalmassá teszik az ipari területeken és kórházakban történő használatra (CISPR 11. sz. szabvány szerinti A osztály). Ha a berendezést lakókörnyezetben használják – amelyre normális körülmények között a CISPR 11. sz. szabvány szerinti „B” osztály előírásai kötelezőek –, akkor a berendezés nem feltétlen nyújt megfelelő védelmet a rádiófrekvenciás kommunikációs szolgáltatások számára. Előfordulhat, hogy a használatnak zavarcsökkentő intézkedéseket kell tennie, pl. át kell helyeznie vagy el kell fordítania a berendezést.

Útmutatás és a gyártó nyilatkozata – elektromágneses kibocsátások

Az opcionális elektromos emelőberendezés, az opcionális elektromos matractartó vagy az opcionális mérlegrendszer az alább meghatározott elektromágneses környezetben történő használatra szolgál. Az opcionális elektromos emelőberendezés, az opcionális elektromos matractartó vagy az opcionális mérlegrendszer üzemeltetőjének kell biztosítania, hogy használatuk ilyen környezetben történjen.

Kibocsátási teszt	Megfelelőség	Elektromágneses környezet
Rádiófrekvenciás kibocsátás CISPR (Rádiófrekvenciás Zavarok Nemzetközi Különbizottsága/Comité International Spécial des Perturbations Radioélectriques) 11-es sz. szabvány	1. csoport	Az opcionális elektromos emelőberendezés, az opcionális elektromos matractartó vagy az opcionális mérlegrendszer kizárólag a belső működéséhez használ rádiófrekvenciás energiát. Ezért rádiófrekvenciás kibocsátása nagyon alacsony, és várhatóan semmiféle zavart nem kelt a közeli elektronikus berendezésekben.
Rádiófrekvenciás kibocsátás CISPR (Rádiófrekvenciás Zavarok Nemzetközi Különbizottsága/Comité International Spécial des Perturbations Radioélectriques) 11-es sz. szabvány	„A” osztály	Az opcionális elektromos emelőberendezés, az opcionális elektromos matractartó vagy az opcionális mérlegrendszer mindenféle létesítményben használható, kivéve a háztartásokat és az épületek háztartási célú áramellátását biztosító, alacsonyfeszültségű lakossági táphálózatra közvetlenül csatlakozó létesítményeket.
Felharmonikusok kibocsátása IEC 61000-3-2 *	„A” osztály	
Feszültségingadozások Villódzási kibocsátások IEC 61000-3-3 *	Megfelel	

* Csak az opcionális elektromos emelőberendezésre vagy az opcionális elektromos matractartóra vonatkozik.

FIGYELEM

- A hordozható rádiófrekvenciás kommunikációs berendezéseket (ideértve az olyan perifériákat is, mint az antennakábelek és a külső antennák) nem szabad a **Prime** hordágy bármely részétől – egyebek között a gyártó által meghatározott kábelektől – 12 hüvelyknél (30 cm-nél) kisebb távolságban használni.
- A termékek nem megfelelő működésének megelőzése érdekében ne rakjon más berendezéseket közvetlenül a termék alá, fölé és mellé. Ha az ilyen használat elkerülhetetlen, akkor az egymásra vagy egymás mellé helyezett berendezéseket körültekintő megfigyelés alatt kell tartani, hogy ellenőrizni lehessen, minden eszköz megfelelően működik-e.

A hordozható és mobil rádiófrekvenciás kommunikációs berendezések, valamint az opcionális elektromos emelőberendezés, az opcionális elektromos matractartó vagy az opcionális mérlegrendszer között ajánlott elkülönítési távolságok.

Az opcionális elektromos emelőberendezést, az opcionális elektromos matractartót vagy az opcionális mérlegrendszert olyan elektromágneses környezetben való használatra tervezték, amelyben a kisugárzott rádiófrekvenciás zavarok kontrolláltak. Az ügyfél vagy az opcionális elektromos emelőberendezés, az opcionális elektromos matractartó vagy az opcionális mérlegrendszer használója úgy segíthet megelőzni az elektromágneses zavarokat, ha fenntartja a hordozható és mobil rádiófrekvenciás kommunikációs berendezések (jelforrások) és az opcionális elektromos emelőberendezés, az opcionális elektromos matractartó vagy az opcionális mérlegrendszer között az alábbi ajánlott minimális elkülönítési távolságot, amely a kommunikációs berendezés maximális kimeneti teljesítményétől függ.

A jelforrás névleges maximális kimeneti teljesítménye W	Elkülönítési távolság a jelforrás frekvenciájának függvényében m		
	150 kHz – 80 MHz $d = (1,2) (\sqrt{P})$	80 MHz – 800 MHz $d = (1,2) (\sqrt{P})$	800 MHz – 2,7 GHz $d = (2,3) (\sqrt{P})$
0,01	0,12	0,12	0,23
0,1	0,38	0,38	0,73
1	1,2	1,2	2,3
10	3,8	3,8	7,3
100	12	12	23

Olyan jelforrások esetében, amelyeknek a maximális kimeneti teljesítménye nem szerepel a fentiekben, az ajánlott elkülönítési távolság méterben (m) megadott D értéke a jelforrás frekvenciájára alkalmazható egyenlet alapján becsülhető meg, ahol P a jelforrás maximális névleges kimeneti teljesítménye wattban (W), a gyártó adatai szerint.

1. megjegyzés – 80 MHz és 800 MHz esetén a nagyobb frekvenciatartományra érvényes elkülönítési távolság alkalmazandó.

2. megjegyzés – Előfordulhat, hogy ezek az irányelvek nem minden helyzetben alkalmazhatók. Az elektromágneses sugárzás terjedésére hatással van az építmények, tárgyak és emberek általi elnyelés és az azokról történő visszaverődés.

Útmutatás és a gyártó nyilatkozata – elektromágneses zavartűrés

Az opcionális elektromos emelőberendezés, az opcionális elektromos matractartó vagy az opcionális mérlegrendszer az alább meghatározott elektromágneses környezetben történő használatra szolgál. Az ügyfélnek vagy az opcionális elektromos emelőberendezés, az opcionális elektromos matractartó vagy az opcionális mérlegrendszer használójának kell biztosítania, hogy használatuk ilyen környezetben történjen.

Zavartűrés teszt	IEC 60601 sz. szabvány szerinti tesztszint	Megfelelőségi szint	Elektromágneses környezetre vonatkozó útmutatás
Elektrosztatikus kisülés (ESD) IEC 61000-4-2	±8 kV, érintkezés ±15 kV, levegő	±8 kV, érintkezés ±15 kV, levegő	A padlónak fából, betonból vagy kerámiaacsempéből kell lennie. Ha a padlót szintetikus anyag borítja, akkor a relatív páratartalomnak legalább 30%-nak kell lennie.


Gyors elektrosztatikus tranziens/feszültséglökés IEC 61000-4-4*	±2 kV tápvezetékekre, ±1 kV bemenő/kimenő vezetékekre	±2 kV tápvezetékekre, ±1 kV bemenő/kimenő vezetékekre	A hálózati áramellátás minőségének meg kell felelnie a tipikus kereskedelmi vagy kórházi környezetbelinek.
Túlfeszültség IEC 61000-4-5*	±1 kV vezeték(ek) és vezeték(ek) között, ±2 kV vezeték(ek) és a föld között	±1 kV vezeték(ek) és vezeték(ek) között, ±2 kV vezeték(ek) és a föld között	A hálózati áramellátás minőségének meg kell felelnie a tipikus kereskedelmi vagy kórházi környezetbelinek.
Rövid idejű feszültségcsökkenések, feszültségingadozások és rövid feszültségkimaradások a bemeneti tápvezetékeken IEC 61000-4-11*	0% U_T 0,5 cikluson át, 0°, 45°, 90°, 135°, 180°, 225°, 270° és 315° szögnél 0% U_T , 1 cikluson át 70% U_T (30%-os esés U_T -ben) 25 cikluson át 0% U_T , 250 cikluson át	0% U_T 0,5 cikluson át, 0°, 45°, 90°, 135°, 180°, 225°, 270° és 315° szögnél 0% U_T , 1 cikluson át 70% U_T (30%-os esés U_T -ben) 25 cikluson át 0% U_T , 250 cikluson át	A hálózati áramellátás minőségének meg kell felelnie a tipikus kereskedelmi vagy kórházi környezetbelinek. Ha az opcionális elektromos emelőberendezés vagy az opcionális elektromos matractartó használója a hálózati áram kimaradása alatt is folyamatos működést igényel, akkor ajánlott az eszközt szünetmentes tápegységről vagy akkumulátorról működtetnie.
Hálózati frekvenciájú (50/60 Hz-es) mágneses tér IEC 61000-4-8	30 A/m	30 A/m	A hálózati frekvenciájú mágneses terek erősségének meg kell felelnie a tipikus kereskedelmi vagy kórházi környezetek egy tipikus pontján mérhető jellemző szintnek.

Megjegyzés: U_T a hálózati váltakozó feszültség értéke a tesztelési szint alkalmazása előtt.

*Csak az opcionális elektromos emelőberendezésre vagy az opcionális elektromos matractartóra vonatkozik.

Útmutatás és a gyártó nyilatkozata – elektromágneses zavartűrés

Az opcionális elektromos emelőberendezés, az opcionális elektromos matractartó vagy az opcionális mérlegrendszer az alább meghatározott elektromágneses környezetben történő használatra szolgál. Az ügyfélnek vagy az opcionális elektromos emelőberendezés, az opcionális elektromos matractartó vagy az opcionális mérlegrendszer használójának kell biztosítania, hogy használatuk ilyen környezetben történjen.

Zavartűrési teszt	IEC 60601 sz. szabvány szerinti tesztszint	Megfelelőségi szint	Elektromágneses környezetre vonatkozó útmutatás
<p>Vezetett rádiófrekvenciás zavar IEC 61000- 4-6*</p> <p>Kisugárzott rádiófrekvenciás zavar IEC 61000-4-3</p>	<p>3 V (rms)</p> <p>6 V (rms) ISM és amatőr rádiós sávokban</p> <p>150 kHz – 80 MHz</p> <p>3 V/m</p> <p>80 MHz – 2,7 GHz</p>	<p>3 V (rms)</p> <p>6 V (rms) ISM és amatőr rádiós sávokban</p> <p>3 V/m</p>	<p>A hordozható és mobil rádiófrekvenciás kommunikációs berendezéseket nem szabad a jelforrás frekvenciájára vonatkozó egyenlet alapján kiszámított ajánlott elkülönítési távolságnál közelebb használni az opcionális elektromos emelőberendezés, az opcionális elektromos matracartató vagy az opcionális mérlegrendszer bármely részéhez, ideértve annak kábeleit is.</p> <p>Ajánlott elkülönítési távolság</p> <p>$d = (1,2) (\sqrt{P})$</p> <p>$d = (1,2) (\sqrt{P})$</p> <p>80 MHz – 800 MHz</p> <p>$d = (2,3) (\sqrt{P})$</p> <p>800 MHz – 2,7 GHz</p> <p>ahol P a jelforrás maximális névleges kimeneti teljesítménye watt (W) egységekben a jelforrás gyártójának adatai szerint, D pedig az ajánlott elkülönítési távolság méterben (m).</p> <p>A rögzített rádiófrekvenciás jelforrásoknak az adott telephely elektromágneses felmérési adatai szerinti térerőssége ^a kisebb kell, hogy legyen, mint az egyes frekvenciatartományokra megadott megfeleléségi szint ^b.</p> <p>A következő jellel jelölt berendezések közelében zavar fordulhat elő:</p> 

1. megjegyzés: 80 MHz és 800 MHz értéken a magasabb frekvenciatartomány alkalmazandó.

2. megjegyzés: Előfordulhat, hogy ezek az irányelvek nem minden helyzetben alkalmazhatók. Az elektromágneses sugárzás terjedésére hatással van az építmények, tárgyak és emberek általi elnyelés és az azokról történő visszaverődés.

3. megjegyzés: Az ISM (ipari, tudományos és orvosi) sávok 0,15 MHz és 80 MHz között a következők: 6,765 MHz – 6,795 MHz; 13,553 MHz – 13,567 MHz; 26,957 MHz – 27,283 MHz; és 40,66 MHz – 40,70 MHz.

^a Elméleti módszerekkel nem határozhatóak meg pontosan azok a térerősségek, amelyeket rögzített jelforrások, mint például rádiótelefonok (mobil- és vezeték nélküli telefonok) és földi mobilrádiók, amatőr rádiók, AM és FM rádióműsor-szóró adók vagy tv-adók bázisállomásai keltenek. A rögzített rádiófrekvenciás jelforrások által keltett elektromágneses környezet értékeléséhez mérlegelni kell a telephely elektromágneses felmérésének elvégzését. Ha az opcionális elektromos emelőberendezés, az opcionális elektromos matractartó vagy az opcionális mérlegrendszer használatának helyén mért térerősség meghaladja a vonatkozó fenti rádiófrekvenciás megfeleléségi szintet, akkor az opcionális elektromos emelőberendezést, az opcionális elektromos matractartót és az opcionális mérlegrendszert a normális működés ellenőrzése céljából megfigyelés alatt kell tartani. Amennyiben rendellenes működés tapasztalható, további intézkedések válhatnak szükségessé, például az opcionális elektromos emelőberendezés, az opcionális elektromos matractartó vagy az opcionális mérlegrendszer elfordítása vagy áthelyezése.

^b A 150 kHz – 80 MHz frekvenciatartományban a térerősség kisebb mint 3 V/m.

*Csak az opcionális elektromos matractartóra vonatkozik.

Barella Prime Series®

Manuale d'uso

REF 1115













Big Wheel®












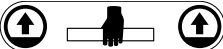






CE

IT

Simboli

	Fare riferimento al manuale o all'opuscolo delle istruzioni
	Consultare le istruzioni per l'uso
	Avvertenza generale
	Attenzione
	Avvertenza: pericolo di schiacciamento mani
	Avvertenza: radiazioni non ionizzanti
	Vietato spingere
	Non conservare la bombola di ossigeno
	Non lubrificare
REF	Numero di catalogo
LOT	Codice del numero di lotto
SN	Numero di serie
US Patents	Per i brevetti USA, vedere www.stryker.com/patents
CE	Marchatura CE
EC REP	Mandatario per la Comunità europea
MD	Dispositivo medico europeo
	Fabbricante
	Data di fabbricazione
	Importatore

	Carico operativo di sicurezza
	Peso massimo del paziente
	Peso dell'apparecchiatura con carico operativo di sicurezza
	Corrente continua
	Corrente alternata
	Tensione pericolosa
	Messa a terra protettiva
IPX6	Protezione dai getti d'acqua potenti
	Parte applicata di tipo B
	Apparecchiatura medica classificata da Underwriters Laboratories Inc. esclusivamente in merito ai pericoli meccanici, di incendio e di scossa elettrica in conformità agli standard ANSI/AAMI ES60601-1: 2005 e CAN/CSA-C22.2 n. 60601-1:08. *Per l'opzione Prime X , Apparecchio associato di apparecchiatura radiologica IEC 60601-2-54
	Ai sensi della direttiva europea 2012/19/UE sui rifiuti di apparecchiature elettriche ed elettroniche (RAEE) modificata, questo simbolo indica che il prodotto è soggetto a raccolta differenziata per il riciclaggio. Non smaltire come rifiuto comunale non differenziato. Contattare il distributore locale per informazioni sullo smaltimento. Assicurarsi che il dispositivo infetto sia decontaminato prima del riciclaggio.
	Lubrificare
	Sollevare qui
	Lato superiore
	Tenere all'asciutto
	Fragile, manipolare con cura
	Limite di impilaggio per numero

Indice

Definizione dei termini Avvertenza, Attenzione e Nota	3
Riepilogo delle precauzioni di sicurezza	3
Punti di schiacciamento	6
Introduzione	7
Descrizione del prodotto	7
Indicazioni per l'uso	7
Benefici clinici	8
Controindicazioni	8
Vita utile prevista	8
Smaltimento/riciclaggio	8
Specifiche tecniche	8
Illustrazione del prodotto – Prime	11
Illustrazione del prodotto – Opzione Prime X	12
Parti applicate – lettino elettrico opzionale	13
Parti applicate – Opzione Prime X	13
Contatti	14
Ubicazione del numero di serie	14
Installazione	15
Operazione	16
Inserimento e disinserimento del freno	16
Comandi del carrello principale	17
Sollevamento del lettino non elettrico	17
Abbassamento del lettino non elettrico	17
Sollevamento del lettino elettrico opzionale	18
Abbassamento del lettino elettrico opzionale	18
Posizionamento del prodotto in Trendelenburg	19
Posizionamento del prodotto in anti-Trendelenburg	19
Trasporto di un paziente	19
Trasporto del paziente senza la Big Wheel	20
Trasporto del paziente con la Big Wheel	20
Posizionamento o ripiegamento delle maniglie di spinta del lato testa opzionali	21
Sollevamento della sponda laterale	22
Abbassamento della sponda laterale	23
Posizionamento del prodotto con il pannello di controllo Paziente della sponda laterale – lettino elettrico opzionale – disponibile solo con Prime	23
Pannello di controllo operatore – lettino elettrico opzionale – disponibile solo con Prime	24
Attivazione e disattivazione del blocco del pannello di controllo Paziente – lettino elettrico opzionale – disponibile solo con Prime	25
Sollevamento o abbassamento dello schienale Fowler – lettino non elettrico	25
Sollevamento o abbassamento dello schienale Fowler – lettino elettrico opzionale	26
Sollevamento o abbassamento dell'alzaginocchia – lettino non elettrico – disponibile solo con Prime	27
Sollevamento o abbassamento dell'alzaginocchia – lettino elettrico opzionale – disponibile solo con Prime	27
Posizionamento della configurazione a sedia – disponibile solo con Prime	27
Conservazione di oggetti nella copertura del carrello	28
Possibilità di appendere dispositivi con l'opzione della rastrelliera della pompa	28
Estensione o riavvolgimento del cavo di alimentazione con l'apposito meccanismo di riavvolgimento opzionale – elevatore elettrico opzionale o lettino elettrico opzionale	29
Sistema di pesatura opzionale	29
Identificazione dei pulsanti e delle icone del sistema di pesatura	30
Pesatura del paziente	31
Bloccaggio dell'unità di misura della bilancia	31
Abilitazione o disabilitazione del sistema Chaperone opzionale	31
Impostazione dello schema di avvisi dell'opzione Chaperone	32
Impostazione del volume degli avvisi dell'opzione Chaperone	32
Ricarica dell'unità di alimentazione a batteria del sistema di pesatura opzionale – lettino elettrico opzionale o lettino elettrico opzionale con sistema Chaperone opzionale – disponibile solo con Prime	33
Sostituzione delle batterie del sistema di pesatura opzionale – lettino non elettrico	33
Parti e accessori	33

Collegamento del vassoio del defibrillatore	37
Conversione del vassoio del defibrillatore/prolunga poggiapiedi in vassoio del defibrillatore	37
Conversione del vassoio del defibrillatore/prolunga poggiapiedi in prolunga poggiapiedi	38
Fissaggio della pediera/portadocumenti	39
Fissaggio della staffa per l'asta portaflebo	39
Posizionamento o ripiegamento dei poggiapiedi - disponibile solo con Prime	40
Posizionamento dell'asta portaflebo a due segmenti permanente	41
Posizionamento dell'asta portaflebo a tre segmenti permanente	42
Collegamento e posizionamento dell'asta portaflebo rimovibile	43
Fissaggio del portabombola di ossigeno verticale	44
Estensione o ripiegamento del vassoio portavivande/pediera	44
Fissaggio dei cuscinetti della sponda laterale	45
Individuazione dei punti di fissaggio delle cinghie di contenimento del paziente	45
Posizionamento del porta-cassetta radiografica verticale – opzione Prime X	45
Posizionamento del porta-cassetta radiografica laterale – opzione Prime X	47
Inserimento o rimozione delle cassette radiografiche – opzione Prime X	47
Pulizia	49
Pulizia del prodotto	49
Pulizia del prodotto utilizzando una lavacarrelli	49
Pulizia del materasso	50
Asportazione delle tracce di iodio	51
Istruzioni speciali	51
Disinfezione	52
Disinfezione del prodotto	52
Disinfezione del materasso	52
Manutenzione preventiva	54
Informazioni sulla compatibilità elettromagnetica	56

Definizione dei termini Avvertenza, Attenzione e Nota

I termini **AVVERTENZA**, **ATTENZIONE** e **NOTA** indicano condizioni particolari a cui occorre prestare attenzione.

AVVERTENZA

Avvisa il lettore di una situazione che, se non viene evitata, potrebbe causare la morte o lesioni gravi. Può anche descrivere potenziali gravi reazioni indesiderate e pericoli per la sicurezza.

ATTENZIONE

Avvisa il lettore di una situazione potenzialmente pericolosa che, se non viene evitata, può provocare lesioni minori o moderate all'operatore o al paziente, oppure danni al prodotto o ad altri oggetti. Comprende anche le informazioni sulle misure speciali necessarie per l'uso efficiente e sicuro del dispositivo e sulle misure per evitare i danni causati dall'uso, corretto o improprio, del dispositivo.

Nota - Fornisce informazioni speciali per facilitare le operazioni di manutenzione o per chiarire istruzioni importanti.

Riepilogo delle precauzioni di sicurezza

Leggere sempre attentamente e seguire scrupolosamente tutte le avvertenze e le precauzioni elencate in questa sede. Eventuali interventi di assistenza o riparazione devono essere eseguiti esclusivamente da personale qualificato.

AVVERTENZA

- Lasciare sempre che il prodotto raggiunga la temperatura ambiente prima di installarlo o di testarne il funzionamento. In caso contrario, potrebbe subire danni irreparabili.
- Azionare il prodotto solo quando tutti gli operatori non sono a contatto con i relativi meccanismi.
- Maneggiare sempre con cura il cavo di alimentazione, per evitare attorcigliamenti, danni o possibili scosse elettriche. Se il cavo di alimentazione è danneggiato, mettere subito fuori servizio il prodotto e richiedere un intervento di manutenzione.
- Collegare sempre il prodotto direttamente a una presa di corrente a parete per uso ospedaliero dotata di messa a terra. L'affidabilità della messa a terra può essere garantita soltanto utilizzando una presa di corrente per uso ospedaliero. Questo prodotto è dotato di una spina di corrente per uso ospedaliero in grado di proteggere dalle scosse elettriche.
- Inserire sempre il freno quando un paziente sale o scende dal prodotto o quando il prodotto è stazionario. Se il prodotto si sposta mentre un paziente sta salendo o scendendo, il paziente potrebbe subire lesioni.
- Il paziente deve essere sempre posizionato al centro del prodotto.
- Quando si lascia un paziente senza sorveglianza, mettere sempre il prodotto nella posizione più bassa, con le sponde laterali alzate e bloccate. Non lasciare il prodotto a un'altezza superiore.
- Prima di alzare o abbassare il lettino, togliere sempre tutti i dispositivi che potrebbero costituire un ostacolo.
- Non sedersi all'estremità del prodotto, poiché potrebbe ribaltarsi.
- Quando si trasporta un paziente, bloccare sempre le sponde laterali in posizione totalmente alzata, con la superficie di riposo orizzontale e nella posizione più bassa.
- Per evitare il ribaltamento, non trasportare il prodotto lateralmente su pendenze superiori a 5,7 gradi (10%).
- Procedere sempre con la massima attenzione quando si usa un materasso con uno spessore superiore a 2,5 pollici (6,35 cm) o un sovrasmaterasso con l'opzione **Prime X**.
- Quando si trasporta un paziente, bloccare sempre le sponde laterali in posizione totalmente alzata con la superficie di riposo orizzontale e nella posizione più bassa.
- Quando si alzano o si abbassano le sponde laterali, allontanare sempre le braccia e le gambe del paziente dalle traverse delle sponde laterali.
- Non permettere che le sponde laterali si abbassino autonomamente.
- Allontanare sempre le mani e le dita dalle maniglie di sblocco dello schienale Fowler e dal relativo telaio quando si abbassa lo schienale.
- Procedere sempre con attenzione quando si solleva lo schienale Fowler mentre il paziente si trova sul prodotto. Usare le corrette tecniche di sollevamento e farsi aiutare, se necessario.
- Quando si abbassa l'alzaginicchia, tenere sempre mani e dita lontane dalle maniglie di spinta del lato piedi.

- Allontanare sempre le cannule dei dispositivi posti sulla rastrelliera della pompa dalle maniglie dell'alzaginicchia.
- Accertarsi sempre che i dispositivi posti sulla rastrelliera possano passare in modo sicuro attraverso le porte.
- Non sollevare il prodotto afferrandolo dalla rastrelliera della pompa.
- Scollegare sempre il cavo di alimentazione dalla presa di corrente a parete prima di trasportare il paziente o di pulire il prodotto.
- Quando si trasporta il prodotto, utilizzare sempre il meccanismo di riavvolgimento del cavo di alimentazione per conservare il cavo di alimentazione all'interno del carrello.
- Non utilizzare il sistema di pesatura opzionale, l'elevatore elettrico opzionale o il lettino elettrico opzionale nelle vicinanze di altri dispositivi o impilati su di essi. Se fosse necessario utilizzarli in posizione adiacente ad altri dispositivi o impilati su di essi, il sistema di pesatura opzionale, l'elevatore elettrico opzionale o il lettino elettrico opzionale dovranno essere monitorati per verificare che tutti i dispositivi funzionino normalmente nella configurazione in cui saranno usati.
- Non collocare oggetti di peso superiore a 30 libbre (14 kg) sul vassoio del defibrillatore. Fissare sempre con una cinghia tutti i dispositivi collocati sul vassoio del defibrillatore.
- Prestare sempre attenzione quando sono installati il vassoio del defibrillatore/prolunga poggiapiedi, la pediera/portadocumenti o il portabombola di ossigeno verticale, per evitare schiacciamenti delle dita durante il posizionamento della maniglia di spinta opzionale del lato piedi.
- Non collocare oggetti di peso superiore a 30 libbre (14 kg) sul vassoio del defibrillatore/prolunga poggiapiedi. Fissare sempre con una cinghia tutti i dispositivi collocati sul vassoio del defibrillatore.
- Fissare sempre l'asta portaflebo alla relativa staffa quando si trasporta il prodotto.
- Riporre sempre la staffa per l'asta portaflebo quando non la si usa, per evitare danni all'apparecchiatura.
- Non sedersi sui poggiapiedi, poiché potrebbe ribaltarsi.
- Tenere sempre le dita lontane dai meccanismi quando si azionano i poggiapiedi.
- Ripiegare sempre i poggiapiedi quando si trasporta un paziente con il prodotto.
- Stringere sempre i poggiapiedi prima di utilizzarli.
- Non utilizzare il sistema di pesatura con i poggiapiedi, poiché i pesi rilevati potrebbero non essere accurati.
- Non azionare il sistema **Chaperone** opzionale assieme ai poggiapiedi, poiché i pesi rilevati potrebbero non essere accurati.
- Non usare l'asta portaflebo come dispositivo di spinta o di trazione. Il prodotto potrebbe subire danni.
- Non collocare oggetti di peso superiore a 40 libbre (18 kg) nel portabombola di ossigeno verticale.
- Non collocare oggetti di peso superiore a 30 libbre (14 kg) sul vassoio portavivande.
- Usare sempre cautela nel fissare le cinghie di contenimento, per evitare lesioni al paziente o all'operatore. I dispositivi di contenimento fisico, anche se ben fissati, possono ferire gravemente pazienti e operatori, causando, ad esempio, aggrovigliamenti, intrappolamenti, lesioni fisiche o persino il decesso.
- Collegare sempre le cinghie o i dispositivi di contenimento soltanto ai punti di fissaggio identificati sul prodotto, per evitare il rischio di causare lesioni al paziente o all'operatore. Non fissare le cinghie di contenimento alle sponde laterali.
- Prima di usare qualsiasi cinghia o dispositivo di contenimento, fare sempre riferimento alle norme e ai regolamenti locali e statali pertinenti e ai protocolli della struttura sanitaria di appartenenza.
- Quando si utilizza il porta-cassetta radiografica verticale o laterale, occorre sempre adottare misure di protezione. Il porta-cassetta radiografica non protegge dalle radiazioni.
- Per garantire la sicurezza, attenersi sempre alle linee guida locali, regionali e statali, oltre ai protocolli della struttura sanitaria di appartenenza, prima dell'uso dell'opzione **Prime X** con dispositivi che generano radiazioni. I dispositivi che generano radiazioni possono produrre radiazioni residue, diffuse o disperse.
- Per inserire il porta-cassetta radiografica, seguire sempre le istruzioni della sezione *Posizionamento del porta-cassetta radiografica verticale – opzione Prime X*.
- Procedere sempre con cautela quando si eseguono radiografie con lo schienale Fowler in posizione eretta o quando si utilizza una cassetta laterale.
- Per inserire il porta-cassetta radiografica, seguire sempre le istruzioni della sezione *Posizionamento del porta-cassetta radiografica laterale – opzione Prime X*.
- Non pulire, riparare o sottoporre a manutenzione il prodotto mentre è in uso.
- Non immergere il materasso in soluzioni detergenti o disinfettanti. L'umidità eccessiva potrebbe causare il malfunzionamento del prodotto, provocando danni al prodotto stesso o lesioni al paziente.
- Non permettere il ristagno di liquidi sul materasso. I liquidi possono causare la corrosione dei componenti e compromettere la sicurezza e le prestazioni di questo prodotto.

- Ogni volta che si puliscono le fodere, esaminare sempre la fodera coprimaterasso per escludere la presenza di strappi, perforazioni, segni di usura eccessiva e cerniere non allineate. Rimuovere e sostituire ogni materasso danneggiato per evitare la contaminazione crociata.
 - Non pulire i materassi a vapore, con getto d'acqua normale o a pressione, o mediante ultrasuoni. Questi metodi di pulizia possono invalidare la garanzia di questo prodotto.
 - Non pulire il prodotto a vapore, con getto d'acqua o mediante ultrasuoni. L'uso di questi metodi di pulizia è sconsigliato e può invalidare la garanzia del prodotto.
 - Disinfettare sempre il materasso tra un paziente e quello successivo. La mancata disinfezione potrebbe causare contaminazione crociata e infezione.
-

ATTENZIONE

- L'uso improprio di questo prodotto può provocare lesioni al paziente o all'operatore. Usare il prodotto esclusivamente nel modo descritto nel presente manuale.
 - Non modificare il prodotto né alcuno dei suoi componenti. La modifica del prodotto può causare un funzionamento imprevedibile e provocare lesioni al paziente o all'operatore. Eventuali modifiche apportate al prodotto, inoltre, ne invalidano la garanzia.
 - Non usare il sistema idraulico del carrello per sollevare il prodotto con un elevatore del paziente al di sotto del prodotto stesso.
 - Non applicare il pedale di sterzo quando la **Big Wheel** poggia su una soglia o su un'altra superficie in rilievo. La forza necessaria per applicare la **Big Wheel** sarà maggiore del normale e si potrebbero arrecare danni al prodotto.
 - La capacità di peso dell'alzaginocchia è di 200 libbre (90,7 kg).
 - Prima dell'uso, assicurarsi sempre che l'asta di sollevamento dell'alzaginocchia sia ben fissata.
 - Non sedersi né stare in piedi sull'alzaginocchia.
 - Fare sempre attenzione quando si tenta di abbassare l'alzaginocchia mentre il prodotto non è alimentato. La gravità potrebbe causare una rapida caduta dell'alzaginocchia.
 - Non collocare oggetti di peso superiore a 60 libbre (27 kg) sulla copertura del carrello.
 - Non sedersi, appoggiarsi o stare in piedi sulla copertura del carrello.
 - La capacità di peso della rastrelliera della pompa è di 40 libbre (18 kg).
 - Non usare la rastrelliera della pompa come dispositivo di spinta/trazione. Il prodotto potrebbe subire danni.
 - Non utilizzare la bilancia per pazienti di peso inferiore a 50 libbre (22,7 kg).
 - Non utilizzare le letture del sistema di pesatura come riferimento per trattamenti medici.
 - Alzare sempre l'asta portaflebo prima di installare sul prodotto il vassoio del defibrillatore/prolunga poggiapiedi. Se non si alza l'asta portaflebo, la prolunga poggiapiedi non funzionerà.
 - Non usare l'asta portaflebo come dispositivo di spinta o di trazione. Il prodotto potrebbe subire danni.
 - Non appendere all'asta portaflebo sacche/flaconi di infusione di peso superiore a 40 libbre (18 kg).
 - Quando si trasporta un paziente, assicurarsi sempre che l'asta portaflebo sia sufficientemente bassa da passare attraverso le porte.
 - Non utilizzare detergenti abrasivi per pulire l'involucro del display del sistema di pesatura opzionale. Evitare il ristagno di soluzioni detergenti o di altri liquidi sul display. Asciugare tutte le superfici dopo versamenti accidentali o dopo la pulizia.
 - L'uso di accessori, trasduttori e cavi diversi da quelli specificati o forniti dal fabbricante potrebbe comportare un aumento delle emissioni elettromagnetiche o una diminuzione dell'immunità elettromagnetica e provocare un funzionamento non corretto.
 - Le caratteristiche delle emissioni di questa apparecchiatura la rendono adatta all'uso in ambienti industriali e ospedalieri (CISPR 11 classe A). Se viene usata in un ambiente residenziale (per il quale è normalmente richiesta la conformità CISPR 11 classe B), potrebbe non offrire una protezione adeguata ai servizi di comunicazione a radiofrequenza. L'utilizzatore potrebbe dover adottare misure di attenuazione, come lo spostamento o il riorientamento dell'apparecchio.
 - Gli apparecchi di comunicazione a RF portatili (incluse periferiche quali cavi di antenna e antenne esterne) non devono essere usati a una distanza inferiore a 30 cm (12 pollici) da qualsiasi parte della barella **Prime**, compresi i cavi specificati dal fabbricante.
 - Non impilare o affiancare altri apparecchi per evitare di compromettere il funzionamento di questi prodotti. Qualora questo posizionamento fosse indispensabile, occorre osservare con attenzione gli apparecchi impilati o affiancati per accertarsi che stiano funzionando correttamente.
-

Punti di schiacciamento



Figura 1 – Opzione Prime X

Introduzione

Il presente manuale descrive l'uso e la manutenzione del prodotto Stryker in dotazione. Leggere il presente manuale prima di procedere all'uso o alla manutenzione di questo prodotto. Stabilire metodi e procedure per istruire e addestrare il personale all'uso sicuro o alla manutenzione di questo prodotto.

ATTENZIONE

- L'uso improprio di questo prodotto può provocare lesioni al paziente o all'operatore. Usare il prodotto esclusivamente nel modo descritto nel presente manuale.
 - Non modificare il prodotto né alcuno dei suoi componenti. La modifica del prodotto può causare un funzionamento imprevedibile e provocare lesioni al paziente o all'operatore. Le modifiche apportate al prodotto, inoltre, ne invalidano la garanzia.
-

Nota

- Il presente manuale è da considerarsi parte integrante del prodotto e deve rimanere con esso anche in caso di vendita.
- Stryker è costantemente impegnata ad apportare miglioramenti al design e alla qualità dei propri prodotti. Il presente manuale contiene le informazioni sul prodotto più aggiornate disponibili al momento della stampa. Possono esserci piccole discrepanze tra il prodotto e il presente manuale. Per eventuali chiarimenti, rivolgersi al servizio clienti o al servizio di assistenza tecnica Stryker al numero +1 800 327 0770.

Descrizione del prodotto

La barella Stryker Modello 1115 **Prime Series® con Big Wheel®** è un dispositivo dotato di ruote costituito da una piattaforma montata su un telaio con ruote, per offrire sostegno ai pazienti adagiati in posizione orizzontale. La barella permette a barellieri e ad altri operatori addestrati di trasportare i pazienti all'interno di una struttura sanitaria. La barella Stryker Modello 1115 **Prime Series con Big Wheel** consente di ridurre lo sforzo fisico grazie alla diminuzione dello sforzo di partenza e di sterzata.

Indicazioni per l'uso

La barella **Prime Series con Big Wheel** è dotata di due grosse ruote che consentono di ridurre la spinta di partenza necessaria per spostarla.

La barella **Prime Series** può essere utilizzata come piattaforma temporanea per i pazienti durante valutazioni cliniche ambulatoriali, terapie e procedure minori, e per brevi periodi per la rianimazione post-anestesia dei pazienti ambulatoriali. La barella trova impiego, tra gli altri, nei seguenti reparti:

- Pronto soccorso
- Traumatologia
- Unità di cura post-anestesia

La barella **Prime Series** può essere utilizzata per procedure minori e soste temporanee (trattamento e rianimazione post-anestesia). Per le condizioni ambientali previste, fare riferimento alla tabella delle specifiche tecniche.

La barella Stryker **Prime Series** non è stata valutata per quanto riguarda la conformità con la norma BS EN 50637 relativa ai letti medicali. Questo prodotto non è destinato ad essere usato per le soste temporanee di pazienti pediatrici (inclusi quelli con anatomia atipica) o pazienti adulti con anatomia atipica nei mercati in cui l'autorizzazione alla sua commercializzazione sia subordinata alla conformità con la suddetta norma relativa ai letti medicali.

La barella **Prime Series** non è destinata ad essere usata per i pazienti ricoverati come piattaforma di trattamento e rianimazione post-anestesia per periodi prolungati.

La barella **Prime Series** ha un carico operativo di sicurezza massimo di 700 lb (318 kg) ed è prevista per essere usata con tutti i pazienti, inclusi quelli in condizioni da leggermente a gravemente critiche. La barella può anche essere impiegata per trasportare i pazienti deceduti all'interno di una struttura sanitaria circoscritta.

L'opzione **Prime X®** offre sia una superficie di supporto radiografica articolata sia una piattaforma per il posizionamento della cassetta radiologica al di sotto della superficie di supporto del paziente. L'opzione **Prime X** consente l'acquisizione di

radiografie cliniche (AP corpo intero, corpo intero laterale opzionale e torace eretto opzionale) quando utilizzata congiuntamente a un sistema radiografico medico.

Benefici clinici

Trasporto del paziente, trattamento facilitato e diagnostica

Controindicazioni

Con l'opzione **Prime X** non si consiglia di utilizzare un materasso di spessore superiore a quattro pollici (10 cm).

L'opzione **Prime X** non è compatibile per l'uso con un braccio a C.

L'opzione **Prime X** è prevista per l'uso in tutti gli ambienti, ad eccezione di quelli adibiti ad assistenza medica domiciliare, ad uso residenziale e quelli direttamente collegati alla rete di alimentazione pubblica a bassa tensione che rifornisce gli edifici utilizzati per scopi abitativi.



Vita utile prevista

La barella **Prime Series** e la barella **Prime Series** con l'opzione **Prime X** hanno una durata utile prevista di 10 anni se usate in condizioni normali e sottoposte regolarmente alla debita manutenzione periodica.

Smaltimento/riciclaggio

Seguire sempre le raccomandazioni e/o i regolamenti locali in vigore che disciplinano la protezione ambientale e i rischi associati al riciclaggio o allo smaltimento dell'apparecchiatura al termine della sua vita utile.

Specifiche tecniche

	Prime Series largh. 26 pollici (66 cm)		Prime Series largh. 30 pollici (76 cm) Pacchetti HT Prime Series		Opzione Prime X, largh. 30 pollici (76 cm)	
 Nota - Per carico operativo di sicurezza si intende il peso complessivo del paziente, del materasso e degli accessori.	700 libbre	318 kg	700 libbre	318 kg	700 libbre	318 kg
 Peso massimo del paziente	675 libbre	306 kg	675 libbre	306 kg	675 libbre	306 kg
Lunghezza complessiva	85 pollici (± 0,5 pollici)	215,9 cm	85 pollici (± 0,5 pollici)	215,9 cm	85 pollici (± 0,5 pollici)	215,9 cm
Lunghezza complessiva (con prolunga del lettino opzionale)	89,9 pollici (± 0,75 pollici)	228,3 cm	89,9 pollici (± 0,75 pollici)	228,3 cm	NP	NP

	Prime Series largh. 26 pollici (66 cm)		Prime Series largh. 30 pollici (76 cm) Pacchetti HT Prime Series		Opzione Prime X, largh. 30 pollici (76 cm)	
Larghezza complessiva (sponde laterali alzate)	34 pollici (± 1 pollice)	86,4 cm	38 pollici (± 1 pollice)	96,5 cm	38 pollici (± 1 pollice)	96,5 cm
Larghezza complessiva (sponde laterali abbassate)	30,25 pollici (± 0,5 pollici)	76,8 cm	30,5 pollici (± 0,5 pollici)	77,5 cm	30,5 pollici (± 0,5 pollici)	77,5 cm
Altezza minima	20,75 pollici	52,7 cm	20,75 pollici	52,7 cm	23,25 pollici	59,1 cm
Altezza massima	34 pollici (± 1 pollice)	86,4 cm	34 pollici (± 1 pollice)	86,4 cm	36,5 pollici (± 1 pollice)	92,7 cm
Angolo dello schienale Fowler	0° - 90° (± 5°)					
Altezza alzagincocchia	5,5 pollici (14 cm) minimo				Non pertinente	
Trendelenburg/anti-Trendelenburg	da +17° a -17° (± 3°)					
Spazio minimo	2,5 pollici nominale	6,4 cm	2,5 pollici nominale	6,4 cm	2,5 pollici nominale	6,4 cm
	1,75 pollici al di sotto dei martinetti idraulici	4,5 cm	1,75 pollici al di sotto dei martinetti idraulici	4,5 cm	1,75 pollici al di sotto dei martinetti idraulici	4,5 cm
	1 pollice al di sotto della Big Wheel	2,5 cm	1 pollice al di sotto della Big Wheel	2,5 cm	1 pollice al di sotto della Big Wheel	2,5 cm
Equivalentente di attenuazione (equivalenza alluminio)	Non pertinente				Il valore massimo consentito è 1,7 mm Al	
Intervallo del peso operativo del sistema di pesatura opzionale	da 50 libbre (22,7 kg) a 700 libbre (318 kg)					
Accuratezza del sistema di pesatura opzionale	±3 libbre (1,3 kg) per pesi inferiori a 100 libbre (45 kg) e ±3% per pesi superiori o uguali a 100 libbre (45 kg)*					
*Per soddisfare le specifiche di accuratezza del sistema di pesatura, la superficie di appoggio del paziente deve essere piatta (schienale Fowler e alzagincocchia abbassati) e il prodotto non può superare un'inclinazione di 5 gradi in posizione Trendelenburg o anti-Trendelenburg.						

Componenti elettrici opzionali	Letto elettrico opzionale (disponibile solo su Prime)	Elevatore elettrico opzionale (disponibile sull'opzione Prime e Prime X)
Requisiti elettrici	120 V c.a., 60 Hz, 10 A 240 V c.a., 50/60 Hz, 5 A	120 V c.a., 60 Hz, 10 A 240 V c.a., 50/60 Hz, 5 A
Ciclo di lavoro	Il funzionamento continuo con carico intermittente è 1 min. On (acceso) e 20 min. Off (spento)	Il funzionamento continuo con carico intermittente è 1 min. On (acceso) e 20 min. Off (spento)

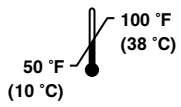
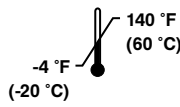
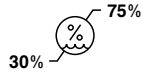
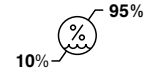
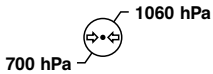
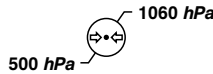
Sistema di pesatura opzionale	Letto non elettrico (disponibile sull'opzione Prime e Prime X)	Elevatore elettrico opzionale (disponibile sull'opzione Prime e Prime X)
Tipo di batteria	4 batterie AA (4 x 1,5 V c.c.) alcaline (LR6)	4 batterie AA (4 x 1,5 V c.c.) alcaline (LR6)
Tensione della batteria	6,0 V c.c.	6,0 V c.c.

Sistema di pesatura opzionale	Letto elettrico opzionale (disponibile solo su Prime)	Elevatore elettrico opzionale
Tipo di batteria	1 unità di alimentazione a batteria agli ioni di litio ricaricabile (0058-135-000)	Non pertinente
Tensione della batteria	10,8 V c.c., 2,4 Ah	Non pertinente

Sistema di pesatura opzionale con sistema Chaperone® (uscita barella)	Letto elettrico opzionale (disponibile solo su Prime)	Elevatore elettrico opzionale
Tipo di batteria	1 unità di alimentazione a batteria agli ioni di litio ricaricabile (0058-134-000)	Non pertinente
Tensione della batteria	10,8 V c.c., 4,8 Ah	Non pertinente

Stryker si riserva il diritto di modificare le specifiche tecniche senza preavviso.

Nota - Questo prodotto non è idoneo per l'uso in presenza di miscele di anestetici infiammabili e aria, ossigeno o protossido di azoto.

Condizioni ambientali	Funzionamento	Conservazione e trasporto
Temperatura		
Umidità relativa		
Pressione atmosferica		

Nota - L'intervallo della temperatura di utilizzo del sistema di pesatura opzionale (letto elettrico/letto non elettrico) è tra 61 °F (16 °C) e 79 °F (26 °C).

I dati tecnici elencati sono approssimativi e possono subire leggere variazioni da prodotto a prodotto o a seconda delle fluttuazioni dell'alimentazione di rete.

Illustrazione del prodotto – Prime

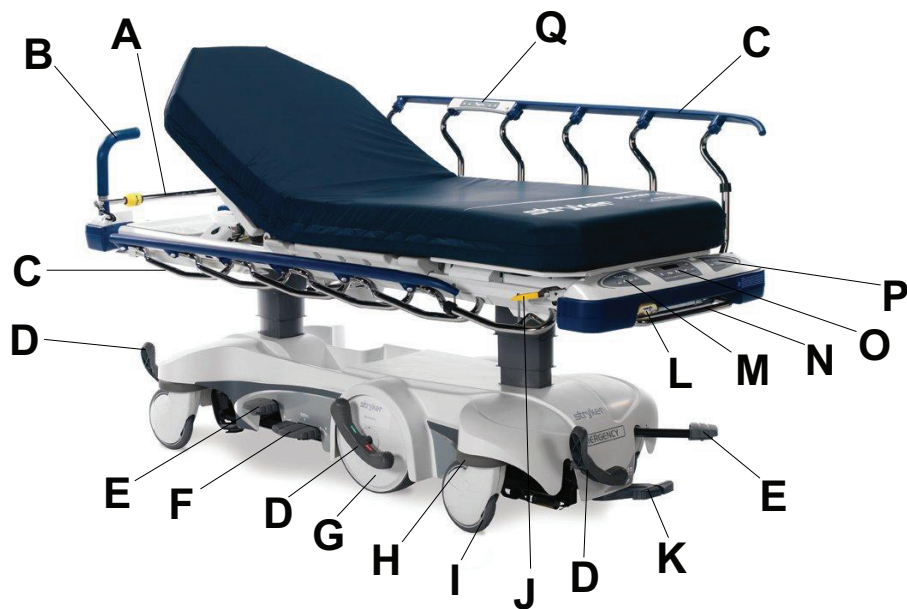


Figura 2 – Prime

A	Asta portaflebo	J	Fermo della sponda laterale
B	Maniglie di spinta a comparsa BackSmart® opzionali	K	Pedale di sblocco del sistema idraulico
C	Sponda laterale BackSmart	L	Maniglia di sblocco dell'alzaginocchia
D	Pedale freno/sterzo	M	Pannello di controllo operatore BackSmart lato piedi, opzionale
E	Pedale a pompa	N	Rastrelliera della pompa, opzionale
F	Pedale unico di abbassamento	O	Sistema di pesatura BackSmart , opzionale
G	Big Wheel	P	Blocco del pannello di controllo paziente, opzionale
H	Paraurti integrato	Q	Pannello di controllo paziente sulla sponda laterale, opzionale
I	Ruota piroettante con copriruota integrato		

Illustrazione del prodotto – Opzione Prime X

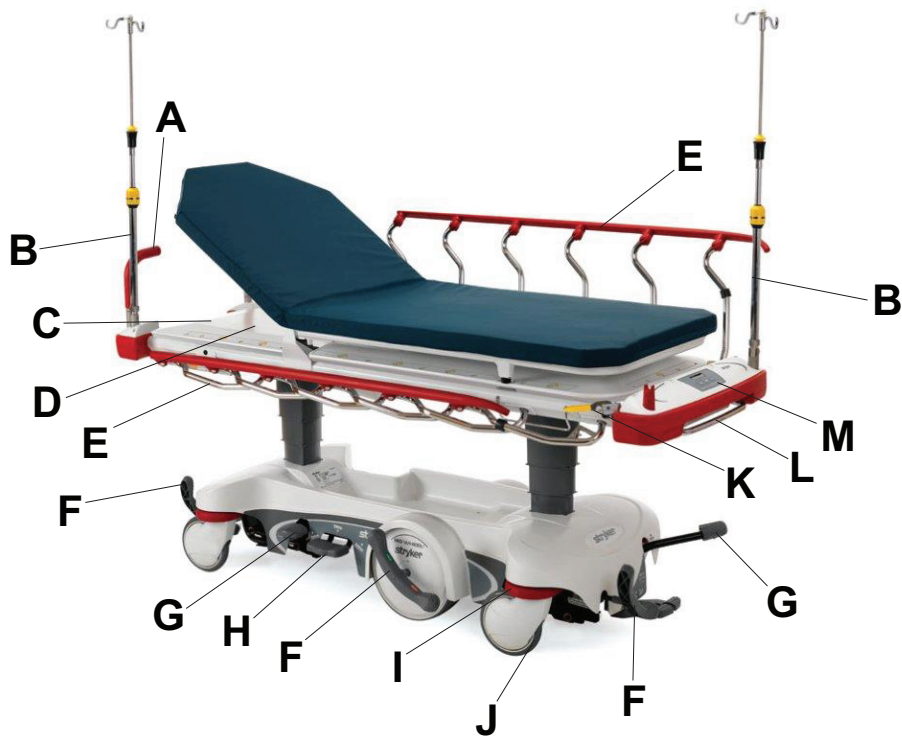


Figura 3 – Opzione Prime X

A	Maniglie di spinta a comparsa BackSmart® opzionali	H	Pedale unico di abbassamento
B	Asta portaflebo	I	Paraurti integrato
C	Vassoio portacassetta	J	Ruota piroettante con copriruota integrato
D	Superficie del paziente con pavimento Clearview Technology®	K	Fermo della sponda laterale
E	Sponda laterale BackSmart	L	Rastrelliera della pompa, opzionale
F	Pedale di comando freno/sterzo	M	Sistema di pesatura BackSmart , opzionale
G	Pedale a pompa		

Parti applicate – lettino elettrico opzionale



Figura 4 – Parti applicate di tipo B – Lettino elettrico opzionale

Parti applicate – Opzione Prime X



Figura 5 – Parti applicate di tipo B – Opzione Prime X

Contatti

Rivolgersi al servizio di assistenza clienti o al servizio di assistenza tecnica Stryker chiamando il numero telefonico: 1-800-327-0770.

Stryker Medical
3800 E. Centre Avenue
Portage, MI 49002
USA

Nota - L'utente e/o il paziente devono segnalare qualsiasi incidente grave correlato al prodotto sia al produttore sia all'autorità competente dello Stato membro europeo in cui risiede l'utente e/o il paziente.

Per la consultazione online del manuale d'uso o di manutenzione del prodotto, visitare <https://techweb.stryker.com/>.

Prima di chiamare il servizio di assistenza clienti o il servizio di assistenza tecnica Stryker, accertarsi di avere a disposizione il numero di serie (A) del prodotto Stryker. Tale numero di serie va incluso in tutte le comunicazioni per iscritto.

Ubicazione del numero di serie

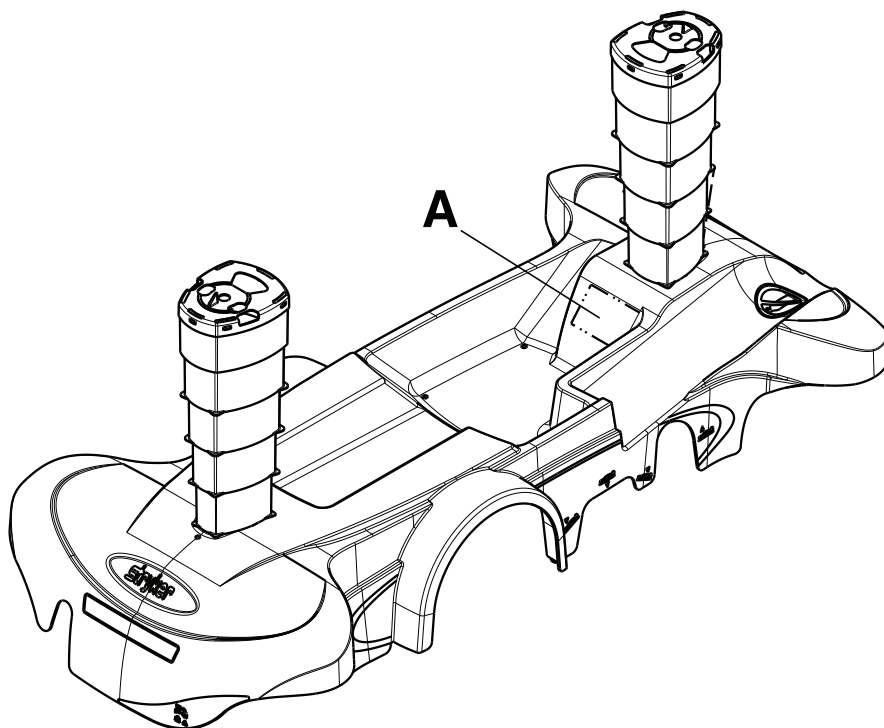


Figura 6 – Ubicazione del numero di serie

Installazione

Per disimballare il prodotto, consultare le istruzioni fissate al prodotto all'interno della cassa di spedizione.

AVVERTENZA

- Lasciare sempre che il prodotto raggiunga la temperatura ambiente prima di installarlo o di testarne il funzionamento. In caso contrario, potrebbe subire danni irreparabili.
 - Azionare il prodotto solo quando tutti gli operatori non sono a contatto con i relativi meccanismi.
 - Maneggiare sempre con cura il cavo di alimentazione, per evitare attorcigliamenti, danni o possibili scosse elettriche. Se il cavo di alimentazione è danneggiato, mettere subito fuori servizio il prodotto e richiedere un intervento di manutenzione.
 - Collegare sempre il prodotto direttamente a una presa di corrente a parete per uso ospedaliero dotata di messa a terra. L'affidabilità della messa a terra può essere garantita soltanto utilizzando una presa di corrente per uso ospedaliero. Questo prodotto è dotato di una spina di corrente per uso ospedaliero in grado di proteggere dalle scosse elettriche.
-

Assicurarsi che il prodotto funzioni prima di metterlo in servizio.

1. Inserire il freno. Spingere il prodotto per assicurarsi che tutte e quattro le ruote piroettanti siano bloccate.
2. Disinserire il freno. Spingere il prodotto per assicurarsi che tutte e quattro le ruote piroettanti siano sbloccate.
3. Alzare e abbassare il lettino con il sistema di sollevamento idraulico.
4. Alzare il prodotto fino alla posizione più alta e metterlo in posizione Trendelenburg (vedere *Posizionamento del prodotto in Trendelenburg* (pagina 19)). Assicurarsi che il lato testa raggiunga la posizione più bassa.
5. Alzare il prodotto fino alla posizione più alta e metterlo in posizione anti-Trendelenburg (vedere *Posizionamento del prodotto in anti-Trendelenburg* (pagina 19)). Assicurarsi che il lato piedi raggiunga la posizione più bassa.
6. Applicare la **Big Wheel** e assicurarsi che funzioni.
7. Verificare che le sponde laterali si alzino, si abbassino e si blocchino in posizione.
8. Sollevare e abbassare lo schienale Fowler manuale (lato testa).
9. Alzare e abbassare l'alzaginocchia manuale (lato piedi).

Per i prodotti con elevatore elettrico o lettino elettrico opzionali, eseguire le seguenti operazioni.

1. Completare il precedente elenco di spunta riguardante la predisposizione del prodotto.
2. Collegare il prodotto a una presa di corrente a parete per uso ospedaliero dotata di messa a terra. Assicurarsi che le spie LED si accendano sul tastierino di blocco.
3. Verificare il funzionamento di ciascuna funzione del pannello di controllo paziente opzionale posto sulla sponda laterale.
4. Verificare il funzionamento di ciascuna funzione del pannello di controllo operatore opzionale posto sul lato piedi.
5. Alzare e abbassare lo schienale Fowler elettrico (lato testa).
6. Alzare e abbassare l'alzaginocchia elettrico (lato piedi).

Per i prodotti con il sistema di pesatura opzionale/lettino elettrico opzionale (con o senza il sistema **Chaperone** opzionale), eseguire le seguenti operazioni.

1. Completare il precedente elenco di spunta riguardante la predisposizione del prodotto.
2. Caricare le batterie (*Ricarica dell'unità di alimentazione a batteria del sistema di pesatura opzionale – lettino elettrico opzionale o lettino elettrico opzionale con sistema Chaperone opzionale – disponibile solo con Prime* (pagina 33)).

Operazione

Inserimento e disinserimento del freno

AVVERTENZA - Inserire sempre il freno quando un paziente sale o scende dal prodotto o quando il prodotto è stazionario. Se il prodotto si sposta mentre un paziente sta salendo o scendendo, il paziente potrebbe subire lesioni.

Per inserire il freno, premere sul lato di frenatura (rosso) del pedale freno/sterzo. Spingere il prodotto per assicurarsi che il freno funzioni.

Per disinserire il freno, premere sul lato di sterzo (verde) del pedale freno/sterzo.

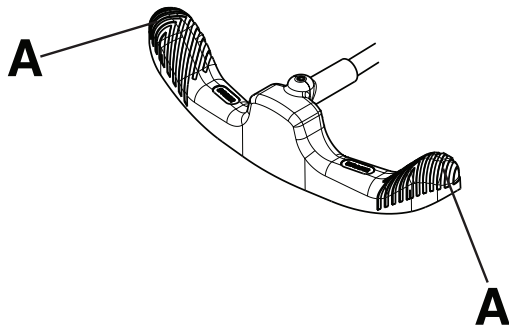


Figura 7 – Funzionamento del pedale freno/sterzo

Nota - Non premere al centro del pedale freno/sterzo. Premere sempre sul lato esterno (A) del pedale freno/sterzo (Figura 7).

Comandi del carrello principale

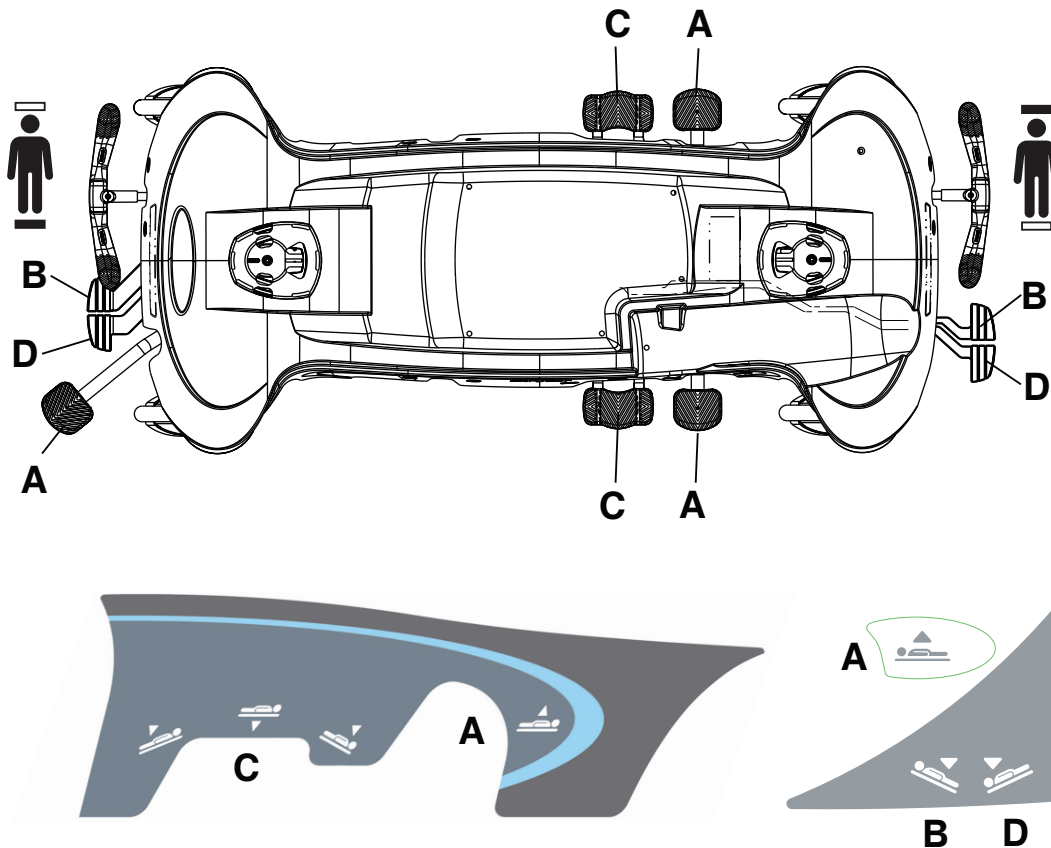


Figura 8 – Comandi ed etichetta base Prime

Sollevamento del lettino non elettrico

AVVERTENZA

- Il paziente deve essere sempre posizionato al centro del prodotto.
- Quando si lascia un paziente senza sorveglianza, mettere sempre il prodotto nella posizione più bassa, con le sponde laterali alzate e bloccate. Non lasciare il prodotto a un'altezza superiore.
- Prima di alzare o abbassare il lettino, togliere sempre tutti i dispositivi che potrebbero costituire un ostacolo.
- Non sedersi all'estremità del prodotto, poiché potrebbe ribaltarsi.

ATTENZIONE - Non usare il sistema idraulico del carrello per sollevare il prodotto con un elevatore del paziente al di sotto del prodotto stesso.

Per alzare il lettino, premere il pedale a pompa (A) fino a raggiungere l'altezza desiderata (*Comandi del carrello principale* (pagina 17)).

Abbassamento del lettino non elettrico

AVVERTENZA

- Il paziente deve essere sempre posizionato al centro del prodotto.
- Quando si lascia un paziente senza sorveglianza, mettere sempre il prodotto nella posizione più bassa, con le sponde laterali alzate e bloccate. Non lasciare il prodotto a un'altezza superiore.
- Prima di alzare o abbassare il lettino, togliere sempre tutti i dispositivi che potrebbero costituire un ostacolo.

- Non sedersi all'estremità del prodotto, poiché potrebbe ribaltarsi.
-

ATTENZIONE - Non usare il sistema idraulico del carrello per sollevare il prodotto con un elevatore del paziente al di sotto del prodotto stesso.

Per abbassare l'intero lettino, premere al centro del pedale unico di abbassamento (C) (*Comandi del carrello principale* (pagina 17)).

Per abbassare il lato testa del lettino, premere il pedale (B) o premere sul lato del pedale unico di abbassamento (C) più vicino al lato testa del prodotto.

Per abbassare il lato piedi del lettino, premere il pedale (D) o premere sul lato del pedale unico di abbassamento (C) più vicino al lato piedi del prodotto.

Sollevamento del lettino elettrico opzionale

AVVERTENZA

- Il paziente deve essere sempre posizionato al centro del prodotto.
 - Quando si lascia un paziente senza sorveglianza, mettere sempre il prodotto nella posizione più bassa, con le sponde laterali alzate e bloccate. Non lasciare il prodotto a un'altezza superiore.
 - Prima di alzare o abbassare il lettino, togliere sempre tutti i dispositivi che potrebbero costituire un ostacolo.
 - Non sedersi all'estremità del prodotto, poiché potrebbe ribaltarsi.
-

ATTENZIONE - Non usare il sistema idraulico del carrello per sollevare il prodotto con un elevatore del paziente al di sotto del prodotto stesso.

Per alzare il lettino elettrico, spingere il pedale a pompa (A) fino a raggiungere l'altezza desiderata (*Comandi del carrello principale* (pagina 17)).

Abbassamento del lettino elettrico opzionale

AVVERTENZA

- Il paziente deve essere sempre posizionato al centro del prodotto.
 - Quando si lascia un paziente senza sorveglianza, mettere sempre il prodotto nella posizione più bassa, con le sponde laterali alzate e bloccate. Non lasciare il prodotto a un'altezza superiore.
 - Prima di alzare o abbassare il lettino, togliere sempre tutti i dispositivi che potrebbero costituire un ostacolo.
 - Non sedersi all'estremità del prodotto, poiché potrebbe ribaltarsi.
-

ATTENZIONE - Non usare il sistema idraulico del carrello per sollevare il prodotto con un elevatore del paziente al di sotto del prodotto stesso.

Per abbassare l'intero lettino elettrico, premere al centro del pedale unico di abbassamento (C) (*Comandi del carrello principale* (pagina 17)).

Per abbassare il lato testa del lettino, premere il pedale (B) o premere sul lato del pedale unico di abbassamento (C) più vicino al lato testa del prodotto.

Per abbassare il lato piedi del lettino, premere il pedale (D) o premere sul lato del pedale unico di abbassamento (C) più vicino al lato piedi del prodotto.

Posizionamento del prodotto in Trendelenburg

AVVERTENZA - Prima di alzare o abbassare il lettino, togliere sempre tutti i dispositivi che potrebbero costituire un ostacolo.

ATTENZIONE - Non usare il sistema idraulico del carrello per sollevare il prodotto con un elevatore del paziente al di sotto del prodotto stesso.

Per collocare il prodotto in posizione Trendelenburg (testa in basso), alzare il lettino alla sua altezza massima (*Sollevamento del lettino non elettrico* (pagina 17) o *Sollevamento del lettino elettrico opzionale* (pagina 18)).

Nota - Alzando il lettino all'altezza massima si ottiene una maggiore inclinazione per la posizione Trendelenburg.

Per abbassare il lato testa del prodotto, premere il pedale di sblocco del lato testa o del lato piedi (D) oppure premere sul lato del pedale unico di abbassamento (C) più vicino al lato testa (*Comandi del carrello principale* (pagina 17)).

Per abbassare il prodotto dalla posizione Trendelenburg, premere contemporaneamente i pedali di sblocco del lato testa e del lato piedi (B e D) oppure premere al centro del pedale unico di abbassamento (C) finché il lettino non sia orizzontale.

Posizionamento del prodotto in anti-Trendelenburg

AVVERTENZA - Prima di alzare o abbassare il lettino, togliere sempre tutti i dispositivi che potrebbero costituire un ostacolo.

ATTENZIONE - Non usare il sistema idraulico del carrello per sollevare il prodotto con un elevatore del paziente al di sotto del prodotto stesso.

Per collocare il prodotto in posizione anti-Trendelenburg (piedi in basso), alzare il lettino alla sua altezza massima (*Sollevamento del lettino non elettrico* (pagina 17) o *Sollevamento del lettino elettrico opzionale* (pagina 18)).

Nota - Alzando il lettino all'altezza massima si ottiene una maggiore inclinazione per la posizione Trendelenburg.

Per abbassare il lato piedi del prodotto, premere il pedale di sblocco del lato testa o del lato piedi (B) oppure premere sul lato del pedale unico di abbassamento (C) più vicino al lato piedi (vedere *Comandi del carrello principale* (pagina 17)).

Per abbassare il prodotto dalla posizione anti-Trendelenburg, premere contemporaneamente il pedale di sblocco del lato testa e il pedale di sblocco del lato piedi (B e D) oppure premere al centro del pedale unico di abbassamento (C) finché il lettino non sia orizzontale.

Trasporto di un paziente

AVVERTENZA

- Il paziente deve essere sempre posizionato al centro del prodotto.
 - Quando si trasporta un paziente, bloccare sempre le sponde laterali in posizione totalmente alzata, con la superficie di riposo orizzontale e nella posizione più bassa.
 - Per evitare il ribaltamento, non trasportare il prodotto lateralmente su pendenze superiori a 5,7 gradi (10%).
-

Trasporto di un paziente

1. Sollevare le sponde laterali fino alla posizione più alta. Tirare la sponda laterale per assicurarsi che sia bloccata.
2. Abbassare il lettino nella posizione più bassa.
3. Scollegare il cavo di alimentazione dalla presa elettrica a parete, se il prodotto è dotato dell'opzione di elevatore elettrico o lettino elettrico.
4. Spingere verso il basso il lato sterzante (verde) del pedale di freno/sterzo.
5. Usare le maniglie per spingere il prodotto.

6. Inserire il freno per bloccare il prodotto in posizione.

Nota - Per evitare lesioni all'operatore o al paziente, prima di spostare il prodotto assicurarsi che il freno sia disinserito.

Trasporto del paziente senza la Big Wheel

AVVERTENZA

- Il paziente deve essere sempre posizionato al centro del prodotto.
 - Quando si trasporta un paziente, bloccare sempre le sponde laterali in posizione totalmente alzata, con la superficie di riposo orizzontale e nella posizione più bassa.
-

Per trasportare un paziente senza la **Big Wheel**, procedere nel modo seguente.

1. Mettere il pedale freno/sterzo (A) nella posizione neutra (Figura 9).

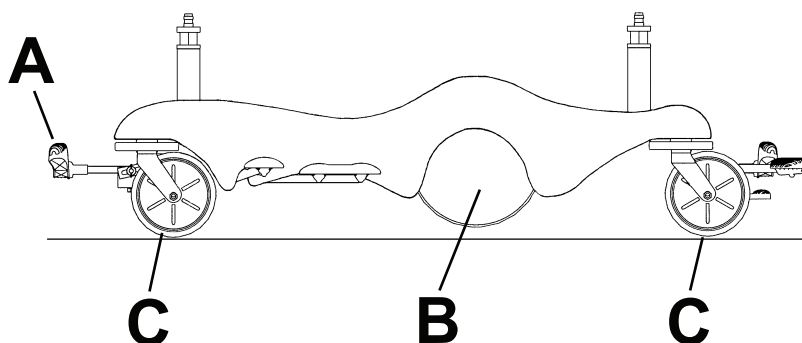


Figura 9 – Trasporto senza la Big Wheel

2. Abbassare il lettino nella posizione più bassa.
3. Solo per il Modello 1125, assicurarsi che l'interruttore On/Drive-Off/Manual (Attivato/Guida, Disattivato/Manuale) sia sulla posizione Off (disattivato).
4. Scollegare il cavo di alimentazione dalla presa elettrica a parete per uso ospedaliero, se il prodotto è dotato dell'opzione di elevatore elettrico o lettino elettrico.
5. Usare le maniglie per spingere il prodotto.
6. Inserire il freno per bloccare il prodotto in posizione.

Nota

- Per evitare lesioni all'operatore o al paziente, prima di spostare il prodotto assicurarsi che il freno sia disinserito.
- Con il prodotto in posizione neutra, la **Big Wheel** è elevata e il prodotto si appoggia su tutte e quattro le ruote piroettanti (C) (Figura 9). In questa posizione, il prodotto può essere spostato in qualsiasi direzione, anche lateralmente.

Trasporto del paziente con la Big Wheel

AVVERTENZA

- Il paziente deve essere sempre posizionato al centro del prodotto.
 - Quando si trasporta un paziente, bloccare sempre le sponde laterali in posizione totalmente alzata, con la superficie di riposo orizzontale e nella posizione più bassa.
-

ATTENZIONE - Non applicare il pedale di sterzo quando la **Big Wheel** appoggia su una soglia o su un'altra superficie in rilievo. La forza necessaria per applicare la **Big Wheel** sarà maggiore del normale e si potrebbero arrecare danni al prodotto.

Per trasportare un paziente con la **Big Wheel**, procedere nel modo seguente.

1. Sollevare le sponde laterali fino alla posizione più alta. Tirare le sponde laterali per assicurarsi che siano bloccate.
2. Abbassare il lettino nella posizione più bassa.
3. Solo per il Modello 1125, assicurarsi che l'interruttore On/Drive-Off/Manual (Attivato/Guida, Disattivato/Manuale) sia sulla posizione Off (disattivato).
4. Scollegare il cavo di alimentazione dalla presa elettrica a parete per uso ospedaliero, se il prodotto è dotato dell'opzione di elevatore elettrico o lettino elettrico.
5. Mettere il pedale freno/sterzo (A) nella posizione di sterzo (Figura 10).

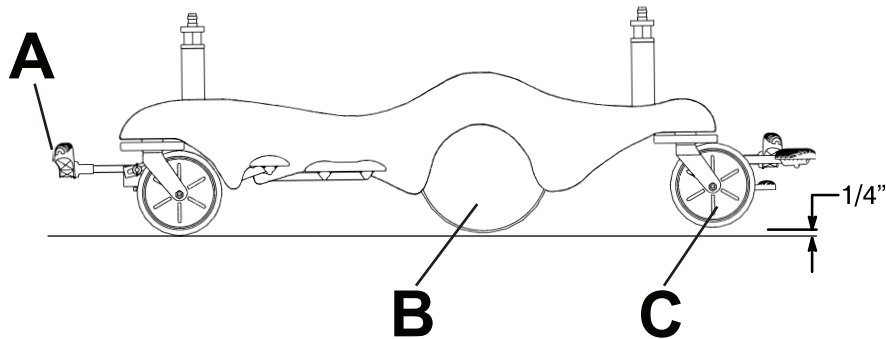


Figura 10 – Trasporto con la Big Wheel

6. Usare le maniglie per spingere il prodotto.
7. Inserire il freno per bloccare il prodotto in posizione.

Nota

- Prima di iniziare a spostare il prodotto, assicurarsi sempre che il freno sia disinserito. Un tentativo di spostamento del prodotto a freno inserito può provocare lesioni all'operatore o al paziente.
- La **Big Wheel** (B) non è piroettante. Con la **Big Wheel** innestata, non è possibile spostare lateralmente il prodotto.
- Quando la **Big Wheel** (B) è innestata, il prodotto è sollevato e le ruote piroettanti del lato piedi (C) sono rialzate. Il prodotto si appoggia sulle ruote piroettanti del lato testa e sulla **Big Wheel**, agevolandone la sterzata (Figura 10).

Posizionamento o ripiegamento delle maniglie di spinta del lato testa opzionali

Per posizionare o ripiegare le maniglie di spinta del lato testa, procedere nel modo seguente.

1. Fare ruotare verso l'alto le maniglie (A) dal lato testa del prodotto (Figura 11).
2. Spingere verso il basso le maniglie per bloccarle in posizione.

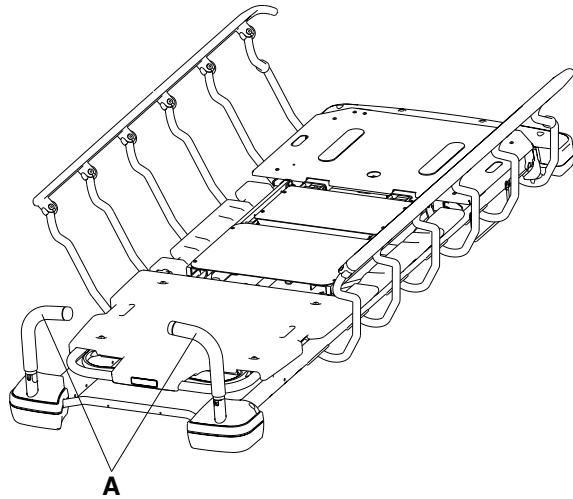


Figura 11 – Posizionamento delle maniglie di spinta del lato testa

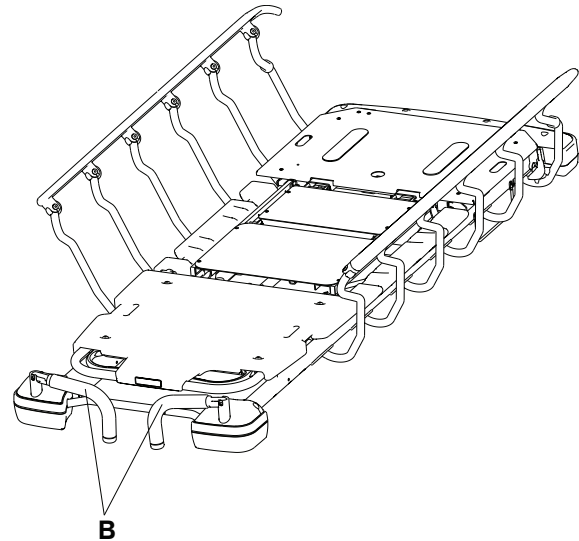


Figura 12 – Ripiegamento delle maniglie di spinta del lato testa

- Eseguire queste operazioni in senso inverso per ripiegare le maniglie di spinta del lato testa (B) (Figura 12).

Nota - Per evitare danni al prodotto, se non altrimenti specificato, utilizzare le maniglie solo come dispositivi di spinta o di trazione.

Sollevamento della sponda laterale

AVVERTENZA

- Procedere sempre con la massima attenzione quando si usa un materasso con uno spessore superiore a 2,5 pollici (6,35 cm) o un sovrasmaterasso con l'opzione **Prime X**.
- Quando si lascia un paziente senza sorveglianza, mettere sempre il prodotto nella posizione più bassa, con le sponde laterali alzate e bloccate. Non lasciare il prodotto a un'altezza superiore.
- Quando si trasporta un paziente, bloccare sempre le sponde laterali in posizione totalmente alzata con la superficie di riposo orizzontale e nella posizione più bassa.
- Quando si alzano o si abbassano le sponde laterali, allontanare sempre le braccia e le gambe del paziente dalle traverse delle sponde laterali.
- Non permettere che le sponde laterali si abbassino autonomamente.

Per alzare la sponda laterale, procedere nel modo seguente.

1. Afferrare la sponda laterale con entrambe le mani.
2. Alzare la sponda laterale verso il lato piedi del prodotto finché il meccanismo giallo di fermo non scatta in posizione. Tirare la sponda laterale per assicurarsi che sia bloccata.

Nota

- In opzione si può avere un doppio meccanismo di fermo della sponda laterale su entrambi i lati del prodotto.
- Non usare le sponde laterali come dispositivi di contenimento per impedire che il paziente scenda dal prodotto. Le sponde laterali impediscono al paziente di cadere dal prodotto. L'operatore deve determinare il grado di contenimento necessario per garantire la sicurezza del paziente.
- Si può usare il lato piedi della sponda laterale come dispositivo di spinta o di trazione.
- Le sponde laterali si bloccano unicamente nella posizione totalmente alzata.

Abbassamento della sponda laterale

AVVERTENZA

- Procedere sempre con la massima attenzione quando si usa un materasso con uno spessore superiore a 2,5 pollici (6,35 cm) o un sovrasmaterasso con l'opzione **Prime X**.
 - Quando si lascia un paziente senza sorveglianza, mettere sempre il prodotto nella posizione più bassa, con le sponde laterali alzate e bloccate. Non lasciare il prodotto a un'altezza superiore.
 - Quando si trasporta un paziente, bloccare sempre le sponde laterali in posizione totalmente alzata con la superficie di riposo orizzontale e nella posizione più bassa.
 - Quando si alzano o si abbassano le sponde laterali, allontanare sempre le braccia e le gambe del paziente dalle traverse delle sponde laterali.
 - Non permettere che le sponde laterali si abbassino autonomamente.
-

Per abbassare la sponda laterale, procedere nel modo seguente.

1. Afferrare la sponda laterale con una mano.
2. Con l'altra mano, tirare verso l'alto il meccanismo giallo di fermo.
3. Alzare e guidare la sponda laterale verso il lato testa del prodotto finché il meccanismo giallo di fermo non scatta in posizione. Tirare la sponda laterale per assicurarsi che sia bloccata.

Nota

- In opzione si può avere un doppio meccanismo di fermo della sponda laterale su entrambi i lati del prodotto.
- Non usare le sponde laterali come dispositivi di contenimento per impedire che il paziente scenda dal prodotto. Le sponde laterali impediscono al paziente di cadere dal prodotto. L'operatore deve determinare il grado di contenimento necessario per garantire la sicurezza del paziente.
- Si può usare il lato piedi della sponda laterale come dispositivo di spinta o di trazione.
- Le sponde laterali si bloccano unicamente nella posizione totalmente alzata.

Posizionamento del prodotto con il pannello di controllo Paziente della sponda laterale – lettino elettrico opzionale – disponibile solo con Prime

AVVERTENZA - Azionare il prodotto solo quando tutti gli operatori non sono a contatto con i relativi meccanismi.

Utilizzare il pannello di controllo Paziente della sponda laterale per posizionare lo schienale Fowler e l'alzaginicchia (Figura 13).

I professionisti sanitari devono insegnare ai pazienti come usare i comandi per il paziente.

Nota

- Collegare sempre il cavo di alimentazione a una presa di corrente a parete per uso ospedaliero dotata di messa a terra.
- Il pannello di controllo Paziente della sponda laterale è posizionato sfalsato su ciascun lato del prodotto, affinché il paziente possa accedervi agevolmente.
- Ciascuna sponda laterale ha comandi retroilluminati per consentire al paziente di posizionare lo schienale Fowler e l'alzaginicchia. Quando il prodotto è collegato alla presa di corrente e il pannello di controllo Paziente è sbloccato, il pulsanti bianchi sono illuminati.

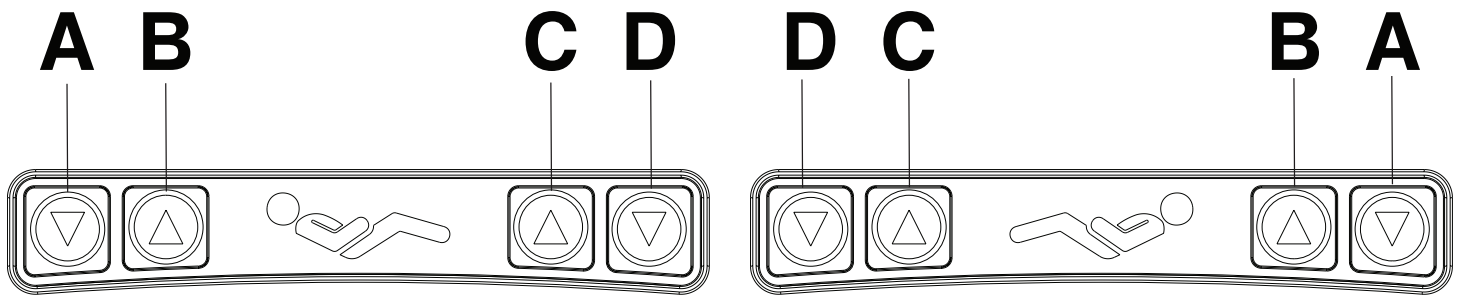


Figura 13 – Pannello di controllo Paziente sulla sponda laterale

A	Fowler abbassato	Abbassa il Fowler (sezione della testa)
B	Fowler alzato	Solleva il Fowler (sezione della testa)
C	Alzaginocchia alzato	Solleva l'alzaginocchia (sezione dei piedi)
D	Alzaginocchia abbassato	Abbassa l'alzaginocchia (sezione dei piedi)

Pannello di controllo operatore – lettino elettrico opzionale – disponibile solo con Prime

AVVERTENZA - Azionare il prodotto solo quando tutti gli operatori non sono a contatto con i relativi meccanismi.

Utilizzare il pannello di controllo operatore per regolare la posizione del paziente sul prodotto (Figura 14).

Nota - Collegare sempre il cavo di alimentazione a una presa di corrente a parete per uso ospedaliero dotata di messa a terra.

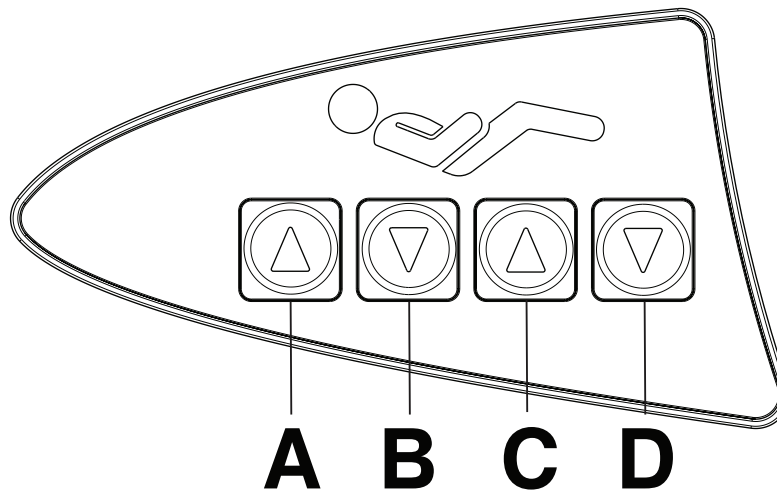


Figura 14 – Pannello di controllo operatore - lettino elettrico opzionale

A	Fowler alzato	Solleva lo schienale Fowler
B	Fowler abbassato	Abbassa lo schienale Fowler
C	Alzaginocchia alzato	Solleva l'alzaginocchia
D	Alzaginocchia abbassato	Abbassa l'alzaginocchia

Attivazione e disattivazione del blocco del pannello di controllo Paziente – lettino elettrico opzionale – disponibile solo con Prime

AVVERTENZA - Azionare il prodotto solo quando tutti gli operatori non sono a contatto con i relativi meccanismi.

Per bloccare il pannello di controllo Paziente della sponda laterale, premere **Unlock/Lock (Sblocca/Blocca)** (A) una sola volta (Figura 15).

Nota - L'icona Blocca (C) diventa di colore ambra quando i comandi per il paziente sono bloccati.

Per sbloccare il pannello di controllo Paziente della sponda laterale, premere **Unlock/Lock (Sblocca/Blocca)** (A) una seconda volta.

Nota - L'icona Sblocca (B) diventa verde quando i comandi per il paziente sono sbloccati.

Nota

- Collegare sempre il cavo di alimentazione a una presa di corrente a parete per uso ospedaliero dotata di messa a terra.
- È possibile bloccare il pannello di controllo Paziente per impedire al paziente di spostare lo schienale e l'alzaginochia.
- Una volta bloccato, il pannello di controllo Paziente della sponda laterale non è retroilluminato.

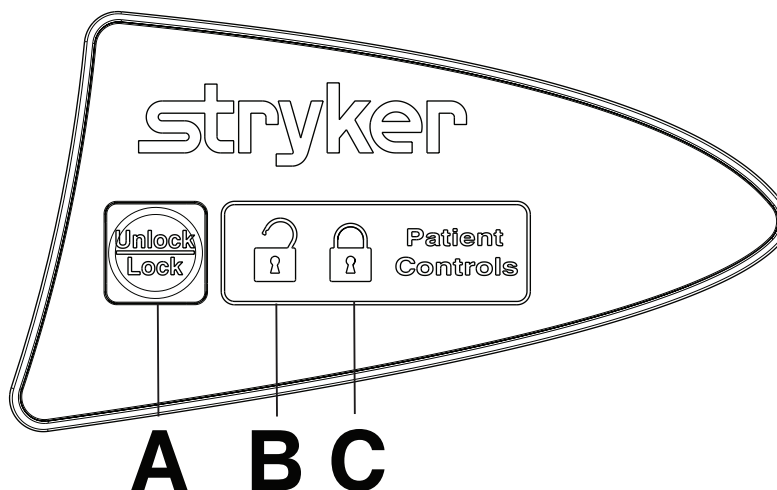


Figura 15 – Blocco del pannello di controllo Paziente

Sollevamento o abbassamento dello schienale Fowler – lettino non elettrico

AVVERTENZA

- Azionare il prodotto solo quando tutti gli operatori non sono a contatto con i relativi meccanismi.
 - Allontanare sempre le mani e le dita dalle maniglie di sblocco dello schienale Fowler e dal relativo telaio quando si abbassa lo schienale.
 - Procedere sempre con attenzione quando si solleva lo schienale Fowler mentre il paziente si trova sul prodotto. Usare le corrette tecniche di sollevamento e farsi aiutare, se necessario.
-

Per alzare lo schienale Fowler, premere una o entrambe le corrispondenti maniglie di sblocco (A) e alzare lo schienale Fowler alla posizione desiderata (da 0° a 90°) (Figura 16).

Nota - Lo schienale **Lift Assist**® utilizza il peso del paziente per agevolare il posizionamento del paziente stesso. Lo schienale **Lift Assist** contribuisce anche a impedire che il paziente scivoli verso il lato piedi del prodotto quando si alza lo schienale Fowler.

Per abbassare lo schienale Fowler, premere una o entrambe le corrispondenti maniglie di sblocco (A) e abbassare lo schienale Fowler alla posizione desiderata (da 90° a 0°) (Figura 16).

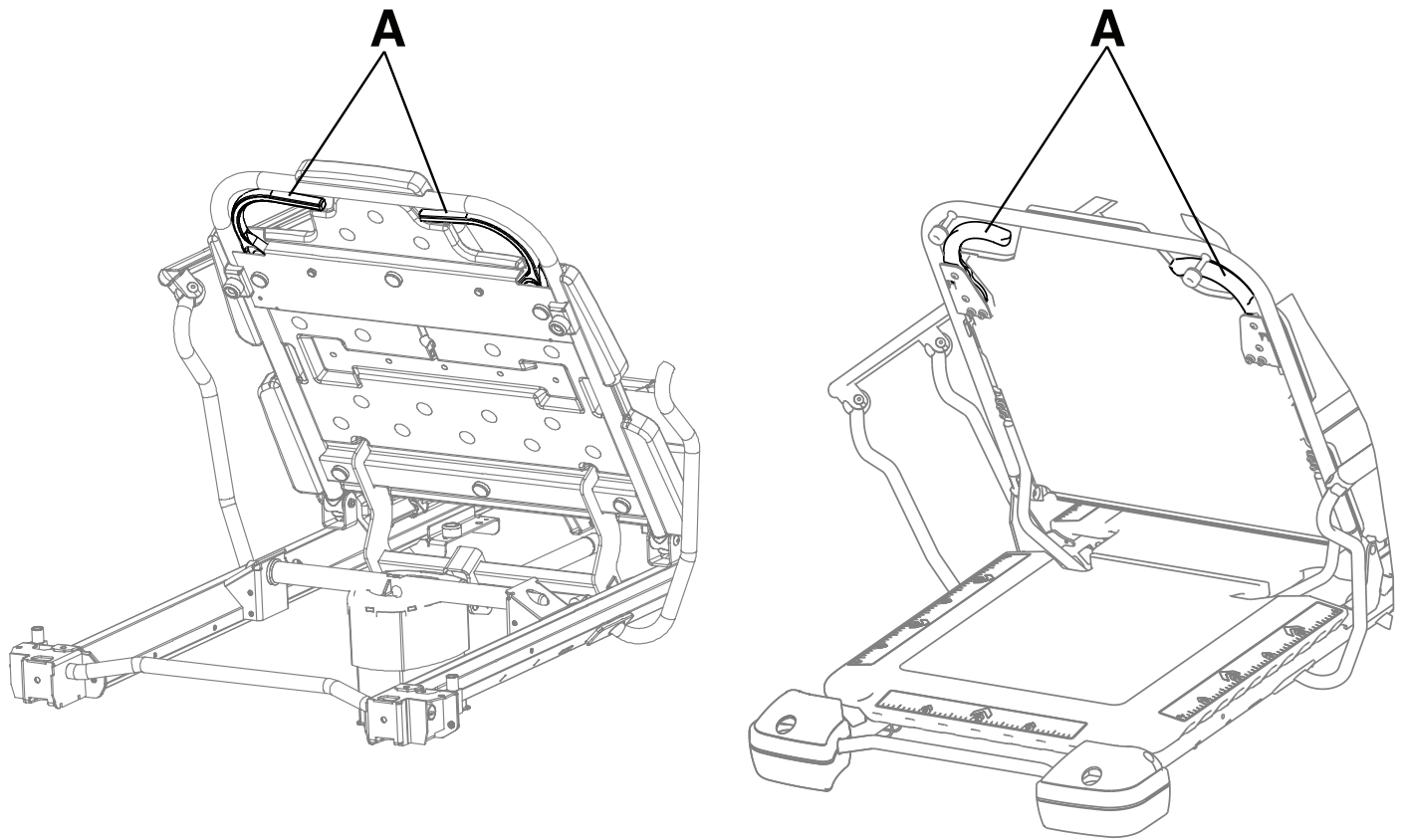


Figura 16 – Sollevamento e abbassamento dello schienale Fowler (Prime / Prime X)

Sollevamento o abbassamento dello schienale Fowler – lettino elettrico opzionale

AVVERTENZA

- Azionare il prodotto solo quando tutti gli operatori non sono a contatto con i relativi meccanismi.
- Allontanare sempre le mani e le dita dalle maniglie di sblocco dello schienale Fowler e dal relativo telaio quando si abbassa lo schienale.
- Procedere sempre con attenzione quando si solleva lo schienale Fowler mentre il paziente si trova sul prodotto. Usare le corrette tecniche di sollevamento e farsi aiutare, se necessario.

Per alzare lo schienale Fowler, premere il pulsante **up** (su) posto sul pannello di controllo Paziente sulla sponda laterale (*Posizionamento del prodotto con il pannello di controllo Paziente della sponda laterale – lettino elettrico opzionale – disponibile solo con Prime* (pagina 23)) o sul pannello di controllo operatore del lato piedi (*Pannello di controllo operatore – lettino elettrico opzionale – disponibile solo con Prime* (pagina 24)) finché lo schienale non assume l'angolazione desiderata (da 0° a 70°).

Nota - Lo schienale **Lift Assist** utilizza il peso del paziente per agevolare il posizionamento del paziente stesso. Lo schienale **Lift Assist** contribuisce anche a impedire che il paziente scivoli verso il lato piedi del prodotto quando si alza lo schienale Fowler.

Per abbassare lo schienale Fowler, premere il pulsante **down** (giù) posto sul pannello di controllo Paziente sulla sponda laterale (*Posizionamento del prodotto con il pannello di controllo Paziente della sponda laterale – lettino elettrico opzionale – disponibile solo con Prime* (pagina 23)) o sul pannello di controllo operatore del lato piedi (*Pannello di controllo operatore – lettino elettrico opzionale – disponibile solo con Prime* (pagina 24)) finché lo schienale non assuma l'angolazione desiderata (da 70° a 0°).

Nota - Collegare sempre il cavo di alimentazione a una presa di corrente a parete per uso ospedaliero dotata di messa a terra.

I professionisti sanitari devono insegnare ai pazienti come usare i comandi per il paziente.

Sollevamento o abbassamento dell'alzaginocchia – lettino non elettrico – disponibile solo con Prime

AVVERTENZA - Quando si abbassa l'alzaginocchia, tenere sempre mani e dita lontane dalle maniglie di spinta del lato piedi.

ATTENZIONE

- La capacità di peso dell'alzaginocchia è di 200 libbre (90,7 kg).
 - Prima di utilizzarlo, assicurarsi sempre che l'asta di sollevamento dell'alzaginocchia sia ben fissata.
 - Non sedersi né stare in piedi sull'alzaginocchia.
-

Per alzare l'alzaginocchia non elettrico, azionare ripetutamente verso sinistra la maniglia a pompa fino a ottenere la posizione desiderata (vedere *Componenti del prodotto - lettino Prime*).

Alzare l'estremità dell'alzaginocchia e fissare l'asta di sollevamento nella staffa.

Per rilasciare l'asta di sollevamento, alzare l'estremità dell'alzaginocchia, fare girare l'asta di sollevamento verso il lato testa del prodotto e abbassare il lato piedi.

Per abbassare l'alzaginocchia, tirare la maniglia di sblocco dell'alzaginocchia fino a ottenere la posizione desiderata (vedere *Componenti del prodotto - lettino Prime*).

Nota - Se il prodotto è corredato di lettino elettrico opzionale, non è possibile alzare manualmente l'alzaginocchia.

Sollevamento o abbassamento dell'alzaginocchia – lettino elettrico opzionale – disponibile solo con Prime

AVVERTENZA

- Quando si abbassa l'alzaginocchia, tenere sempre mani e dita lontane dalle maniglie di spinta del lato piedi.
 - Azionare il prodotto solo quando tutti gli operatori non sono a contatto con i relativi meccanismi.
-

ATTENZIONE

- La capacità di peso dell'alzaginocchia è di 200 libbre (90,7 kg).
 - Non sedersi né stare in piedi sull'alzaginocchia.
 - Fare sempre attenzione quando si tenta di abbassare l'alzaginocchia quando il prodotto non è alimentato. La gravità potrebbe causare una rapida caduta dell'alzaginocchia.
-

Per alzare l'alzaginocchia, premere **up** (su) sul pannello di controllo Paziente della sponda laterale o sul pannello di controllo operatore del lato piedi.

Per abbassare l'alzaginocchia, premere **down** (giù) sul pannello di controllo Paziente della sponda laterale o sul pannello di controllo operatore del lato piedi.

Nota - Collegare sempre il cavo di alimentazione a una presa di corrente a parete per uso ospedaliero dotata di messa a terra.

I professionisti sanitari devono insegnare ai pazienti come usare i comandi per il paziente.

Posizionamento della configurazione a sedia – disponibile solo con Prime

AVVERTENZA - Azionare il prodotto solo quando tutti gli operatori non sono a contatto con i relativi meccanismi.

Per utilizzare il prodotto nella configurazione a sedia, procedere nel modo seguente (Figura 17).

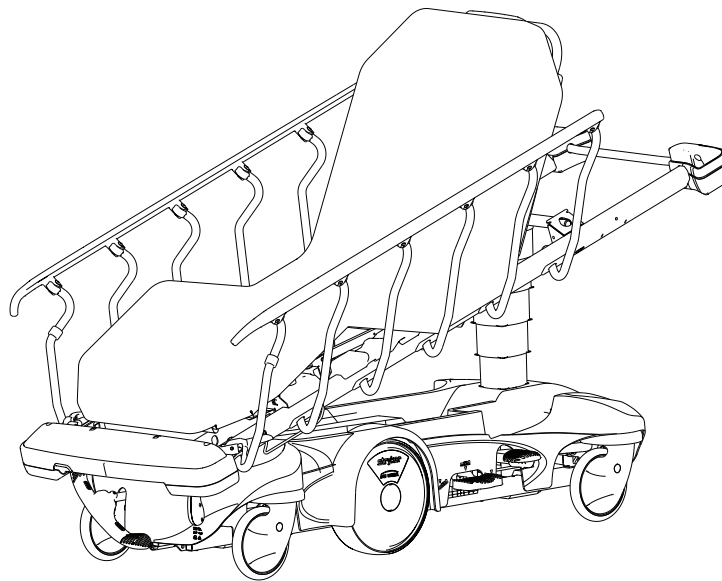


Figura 17 – Configurazione a sedia (è illustrato il Modello 1115)

1. Alzare lo schienale Fowler in posizione seduta (*Sollevamento o abbassamento dello schienale Fowler – lettino non elettrico* (pagina 25) o *Sollevamento o abbassamento dello schienale Fowler – lettino elettrico opzionale* (pagina 26)).

Nota - Per poter essere utilizzato nella configurazione a sedia, il prodotto deve essere corredato dello schienale **Lift Assist** e dell'alzaginicchia opzionale.

2. Sollevare l'alzaginicchia fino alla posizione più elevata (*Sollevamento o abbassamento dell'alzaginicchia – lettino non elettrico – disponibile solo con Prime* (pagina 27) o *Sollevamento o abbassamento dell'alzaginicchia – lettino elettrico opzionale – disponibile solo con Prime* (pagina 27)).
3. Alzare il lettino all'altezza massima (*Sollevamento del lettino non elettrico* (pagina 17) o *Sollevamento del lettino elettrico opzionale* (pagina 18)).
4. Collocare il prodotto nella posizione anti-Trendelenburg (*Posizionamento del prodotto in anti-Trendelenburg* (pagina 19)).
5. Eseguire queste operazioni in senso inverso per abbassare il prodotto fino alla posizione orizzontale.

Conservazione di oggetti nella copertura del carrello

ATTENZIONE

- Non collocare oggetti di peso superiore a 27 kg sulla copertura del carrello.
 - Non sedersi, appoggiarsi o stare in piedi sulla copertura del carrello.
-

Gli effetti personali del paziente possono essere stivati nella copertura del carrello. Non utilizzare la cavità per il portabombola di ossigeno per conservare bombole di ossigeno oppure gli effetti personali del paziente.

Possibilità di appendere dispositivi con l'opzione della rastrelliera della pompa

AVVERTENZA

- Allontanare sempre dalle maniglie dell'alzaginicchia le cannule dei dispositivi posti sulla rastrelliera della pompa.
 - Prima di alzare o abbassare il lettino, togliere sempre tutti i dispositivi che potrebbero costituire un ostacolo.
 - Accertarsi sempre che i dispositivi posti sulla rastrelliera possano passare in modo sicuro attraverso le porte.
 - Non sollevare il prodotto afferrandolo dalla rastrelliera della pompa.
-

ATTENZIONE

- La capacità di peso della rastrelliera della pompa è di 18 kg.
 - Non usare la rastrelliera della pompa come dispositivo di spinta/trazione. Il prodotto potrebbe subire danni.
-

Si possono custodire o appendere ulteriori dispositivi sulla rastrelliera della pompa situata al lato piedi del prodotto.

Nota - L'opzione della rastrelliera della pompa va scelta al momento dell'acquisto.

Estensione o riavvolgimento del cavo di alimentazione con l'apposito meccanismo di riavvolgimento opzionale – elevatore elettrico opzionale o lettino elettrico opzionale

AVVERTENZA

- Scollegare sempre il cavo di alimentazione dalla presa di corrente a parete prima di trasportare il paziente o di pulire il prodotto.
 - Quando si trasporta il prodotto, utilizzare sempre il meccanismo di riavvolgimento del cavo di alimentazione per conservare il cavo di alimentazione all'interno del carrello.
-

Per estendere il cavo di alimentazione, estrarne la lunghezza desiderata dall'apposito meccanismo di riavvolgimento (A) (Figura 18).

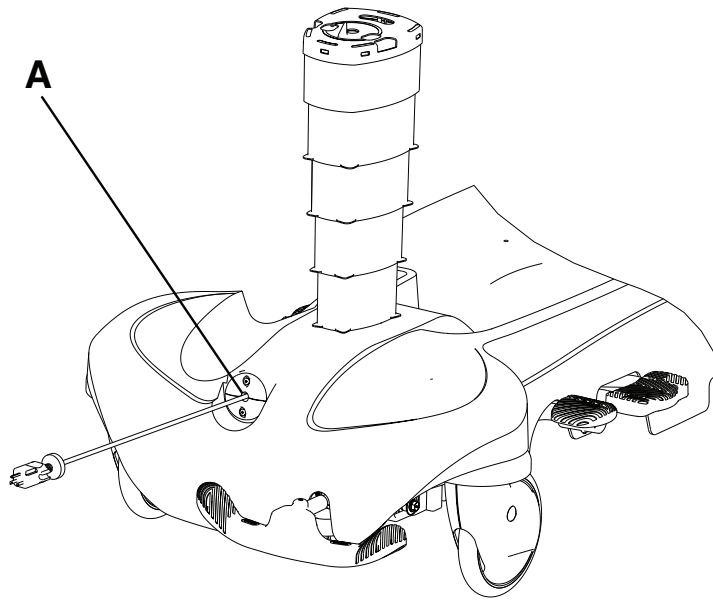


Figura 18 – Meccanismo di riavvolgimento del cavo di alimentazione

Per riavvolgere il cavo di alimentazione, procedere nel modo seguente.

1. Scollegare il cavo di alimentazione dalla presa di corrente a parete.
2. Tirare leggermente il cavo di alimentazione.
3. Guidare il cavo di alimentazione nel relativo meccanismo di riavvolgimento.

Sistema di pesatura opzionale

AVVERTENZA - Non utilizzare il sistema di pesatura opzionale, l'elevatore elettrico opzionale o il lettino elettrico opzionale nelle vicinanze di altri dispositivi o impilati su di essi. Se fosse necessario utilizzarli in posizione adiacente ad altri dispositivi o impilati su di essi, il sistema di pesatura opzionale, l'elevatore elettrico opzionale o il lettino elettrico opzionale dovranno essere monitorati per verificare che tutti i dispositivi funzionino normalmente nella configurazione in cui saranno usati.

ATTENZIONE - Non utilizzare la bilancia per pazienti di peso inferiore a 50 libbre (22,7 kg).

Il sistema di pesatura opzionale è disponibile sia per i prodotti provvisti del lettino elettrico opzionale sia per quelli che ne sono sprovvisti. Il sistema di pesatura opzionale viene fornito con una batteria di riserva. L'icona di standby indica quando il prodotto sta utilizzando la batteria di riserva.

Il sistema **Chaperone** opzionale consente al personale sanitario di impostare controlli di zona che avvisano l'operatore quando c'è la probabilità che un paziente stia tentando di scendere dal prodotto. Il sistema **Chaperone** opzionale è disponibile per i prodotti con lettino elettrico opzionale e sistema di pesatura opzionale. Il sistema di pesatura opzionale con l'opzione **Chaperone** viene fornito con una batteria di riserva. L'icona di standby indica quando il prodotto sta utilizzando la batteria di riserva.

Alzare le maniglie di spinta del lato piedi prima di tentare di azionare il sistema di pesatura opzionale.

Servirsi del pannello di controllo del sistema di pesatura per utilizzare il sistema di pesatura opzionale (*Identificazione dei pulsanti e delle icone del sistema di pesatura* (pagina 30)).

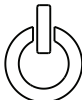




Non toccare il prodotto mentre si usa o si azzerà il sistema di pesatura opzionale.



Il paziente deve rimanere immobile mentre il sistema di pesatura registra il peso. Se il paziente si muove, il sistema di pesatura cercherà per 20 secondi di ottenere un peso stabile o il valore zero prima di visualizzare il messaggio di errore (⏏).

L'errore (⏏) compare sul display se una delle connessioni è allentata o se la bilancia non funziona. Se si tenta di utilizzare nuovamente la bilancia e l'errore ricompare, contattare il servizio di assistenza tecnica Stryker.

Nota - Per soddisfare le specifiche di accuratezza del sistema di pesatura, la superficie di appoggio del paziente deve essere piatta (schienale Fowler e alzagincchia abbassati) e il prodotto non può superare un'inclinazione di 5 gradi in posizione Trendelenburg o anti-Trendelenburg.

Identificazione dei pulsanti e delle icone del sistema di pesatura

Compo- nente	Icona/ pulsante	Nome	Descrizione
A		Icona Standby	Diventa verde quando si collega il cavo di alimentazione a una presa di corrente a parete. Diventa di color ambra quando si scollega il cavo di alimentazione dalla presa di corrente a parete. Si attiverà l'alimentazione a batteria di riserva.
B		Icona Zona 1	Il paziente può muoversi liberamente, ma se tenta di scendere dal prodotto scatta l'allarme.
C		Icona Zona 2	Il paziente può muoversi entro certi limiti. Quando il paziente si avvicina alle sponde laterali o si sposta verso il lato piedi, scatta l'allarme.
D		Pulsante Arm/ Disarm (Abilita/ Disabilita)	Abilita e disabilita l'opzione Chaperone (uscita dalla barella). Vedere <i>Abilitazione o disabilitazione del sistema Chaperone opzionale</i> (pagina 31).
E		Pulsante Weigh (Pesa)	Permette di pesare il paziente. Vedere <i>Pesatura del paziente</i> (pagina 31).

Com- po- nente	Icona/ pulsante	Nome	Descrizione
F		Pulsante lb/kg (libbre/kg)	Permette di cambiare l'unità di misura visualizzata. Vedere <i>Bloccaggio dell'unità di misura della bilancia</i> (pagina 31).
G		Pulsante Zero (Azzera)	Azzera la bilancia. Vedere <i>Bloccaggio dell'unità di misura della bilancia</i> (pagina 31).

Pesatura del paziente

ATTENZIONE - Non usare il valore del sistema di pesatura come riferimento per cure mediche.

1. Alzare le maniglie di spinta del lato piedi prima di azionare il sistema di pesatura opzionale.
2. Premere e mantenere premuto **Zero** (Azzera) fino a visualizzare sullo schermo **rel** (rilascia) per azzerare la bilancia. **000.0** lampeggia e poi smette di lampeggiare.

Nota - La bilancia non è pronta per l'uso fino ai quando **000.0** non smette di lampeggiare.

3. Posizionare il paziente sul prodotto.
4. Premere **lb/kg** (libbre/kg) per selezionare l'unità di misura (lb o kg).
5. Premere **Weigh** (Pesa) per ottenere il peso del paziente.

Nota - Il peso del paziente viene visualizzato per 40 secondi.

Bloccaggio dell'unità di misura della bilancia

1. Premere e mantenere premuto **Weigh** (Pesa), **lb/kg** (libbre/kg) e **Zero** (Azzera) fino a visualizzare **diag** (Diagnostica).
2. Premere **lb/kg** (libbre/kg) o **Zero** (Azzera) per passare a **Unit Loc** (Blocco unità).
3. Per la bilancia senza Chaperone, premere e mantenere premuto **lb/kg** (libbre/kg) e **Zero** (Azzera) fino a visualizzare **rel** (rilascia) per selezionare **Unit Loc** (Blocco unità).
4. Per la bilancia con **Chaperone**, premere e mantenere premuto **lb/kg** (libbre/kg) e **Zero** (Azzera) per selezionare **Unit Loc** (Blocco unità).
5. Premere **lb/kg** (libbre/kg) o **Zero** (Azzera) per passare a **lb** (libbre), **kg**, o **Any** (Tutti).
6. Premere e rilasciare **lb/kg** (libbre/kg) e **Zero** (Azzera). Vengono visualizzati **Only** (Solo) e l'unità di misura selezionata.

Nota - **Only** (Solo) non verrà visualizzato se si seleziona **Any** (Tutti).

7. Premere e mantenere premuto **Weigh** (Pesa) fino a visualizzare **quit** (esci).
8. Premere e mantenere premuto **Zero** (Azzera) fino a visualizzare **rel** (rilascia). **000.0** lampeggia e poi smette di lampeggiare.

Nota - La bilancia non è pronta per l'uso fino ai quando **000.0** non smette di lampeggiare.

Abilitazione o disabilitazione del sistema Chaperone opzionale

Quando abilitata, l'opzione **Chaperone** permette di controllare la posizione del paziente sul prodotto.

Per abilitare e disabilitare l'opzione **Chaperone**, procedere nel modo seguente.

1. Con il paziente sul prodotto, premere **Arm/Disarm** (Abilita/Disabilita).
Nota - Si abilita così la Zona 1, che diventa di colore ambra.
2. Per abilitare la Zona 2, premere due volte **Arm/Disarm** (Abilita/Disabilita) entro 3 secondi.
Nota - Si abilita così la Zona 2, che diventa di colore ambra.
3. Per disabilitare l'opzione **Chaperone**, tenere premuto **Arm/Disarm** (Abilita/Disabilita).

Nota - Prima di abilitare l'opzione **Chaperone** è necessario azzerare la bilancia.

Nota - Se il paziente si sposta oltre i limiti della zona selezionata, lampeggia una spia ambra, sul display del sistema di pesatura lampeggia la dicitura **Alrt** (Avviso) e viene emesso un allarme sonoro.

Impostazione dello schema di avvisi dell'opzione Chaperone

Per modificare lo schema di avvisi dell'opzione **Chaperone**, procedere nel modo seguente.

1. Tenere premuti contemporaneamente **Arm/Disarm** (Abilita/Disabilita) e **Weigh** (Pesa) per circa 6 secondi. Ignorare tutti i messaggi del display finché sul display non compare **Ptrn** (Schema) (vedere *Identificazione dei pulsanti e delle icone del sistema di pesatura* (pagina 30)).
2. Rilasciare i pulsanti **Arm/Disarm** (Abilita/Disabilita) e **Weigh** (Pesa).
Nota - Sul display compare la **P (1-10)** di Pattern (Schema).
3. Premere **Arm/Disarm** (Abilita/Disabilita) o **Weigh** (Pesa) per passare in rassegna le opzioni disponibili per lo schema.
Nota - Mentre si passano in rassegna le opzioni viene riprodotto un breve esempio dello schema.
4. Tenere premuti sia **Arm/Disarm** (Abilita/Disabilita) che **Weigh** (Pesa) per 6 secondi finché sul display non compare **set** (Imposta) per salvare lo schema selezionato.
5. Rilasciare i pulsanti **Arm/Disarm** (Abilita/Disabilita) e **Weigh** (Pesa).

Nota - Lo schema selezionato compare sul display. Un breve esempio dello schema conferma l'impostazione effettuata.

Impostazione del volume degli avvisi dell'opzione Chaperone

Per modificare il volume degli avvisi dell'opzione **Chaperone**, procedere nel modo seguente.

1. Tenere premuti contemporaneamente **Zero** (Azzera) e **lb/kg** (libbre/kg) finché sul display non compare **vol** (volume) (*Identificazione dei pulsanti e delle icone del sistema di pesatura* (pagina 30)).
2. Rilasciare sia il pulsante **Zero** (Azzera) sia il pulsante **lb/kg** (libbre/kg).
Nota - Sul display compaiono i livelli di volume **L (1-4)**.
3. Premere il pulsante **Zero** (Azzera) o **lb/kg** (libbre/kg) per passare in rassegna i livelli di volume.
Nota - Mentre si passano in rassegna i livelli di volume, viene riprodotto un breve esempio del volume.
4. Tenere premuti sia **Zero** (Azzera) che **lb/kg** (libbre/kg) per 6 secondi finché sul display non compare **set** (Imposta) per salvare il livello di volume selezionato.
5. Rilasciare sia il pulsante **Zero** (Azzera) sia il pulsante **lb/kg** (libbre/kg).

Nota - Il livello di volume selezionato compare sul display. Un breve esempio del livello di volume conferma l'impostazione effettuata.

Ricarica dell'unità di alimentazione a batteria del sistema di pesatura opzionale – lettino elettrico opzionale o lettino elettrico opzionale con sistema Chaperone opzionale – disponibile solo con Prime

Il sistema di pesatura con il lettino elettrico opzionale utilizza un'unità di alimentazione a batteria agli ioni di litio da 10,8 V (0058-135-000 senza l'opzione **Chaperone**; 0058-134-000 con l'opzione **Chaperone**). Ricaricare l'unità di alimentazione a batteria quando l'indicatore di carica segnala che è rimasta soltanto un'unità, per evitare che il sistema di pesatura opzionale si spenga improvvisamente a causa delle batterie scariche.

Per ricaricare l'unità di alimentazione a batteria agli ioni di litio del sistema di pesatura, collegare il cavo di alimentazione a una presa di corrente a parete per uso ospedaliero dotata di messa a terra. L'unità di alimentazione a batteria si ricaricherà completamente in circa tre ore.

Nota - Quando il prodotto non viene utilizzato, collegarlo sempre a una presa di corrente a parete per uso ospedaliero dotata di messa a terra. Ciò permette alla batteria di mantenere una carica sufficiente e ottimizza le prestazioni del prodotto quando viene alimentato a batteria.

Sostituzione delle batterie del sistema di pesatura opzionale – lettino non elettrico

Sostituire le batterie quando l'indicatore di carica delle batterie segnala che è rimasta soltanto un'unità, per evitare che il sistema di pesatura opzionale si spenga improvvisamente a causa delle batterie scariche.

Quando sul display lampeggia **Lo batt** (Batteria quasi scarica), le batterie sono quasi esaurite e il sistema di pesatura opzionale viene disabilitato.

Attrezzi necessari:

- Cacciavite a croce
- Quattro batterie AA (alcaline tipo (LR6))

Per sostituire le batterie, procedere nel modo seguente.

1. Con un cacciavite a croce, rimuovere le viti con testa a croce che fissano il coperchio del vano portabatterie al gruppo del display.
2. Estrarre e smaltire tutte e quattro le batterie AA.

Nota - Smaltire sempre le batterie nel rispetto delle norme vigenti.

3. Inserire quattro batterie AA nuove come indicato nel vano portabatterie.

Nota - Non mischiare mai batterie vecchie con batterie nuove.

4. Utilizzare le viti rimosse al passaggio 1 per reinstallare il coperchio del vano portabatterie sul gruppo del display.

Parti e accessori

Questi accessori possono essere disponibili per l'utilizzo con il prodotto. Confermare la disponibilità per la propria configurazione o nella propria zona. Per la disponibilità e i prezzi, rivolgersi al servizio di assistenza clienti Stryker: 1-800-327-0770.

Nome	Codice parte
Vassoio del defibrillatore	1105-045-200
Vassoio del defibrillatore/prolunga poggiapiedi	1105-045-400
Pediera/portadocumenti	1105-045-500
Gruppo dei cuscinetti per tallone	1105-045-022
Staffa per asta portaflebo	0785-155-000
Asta portaflebo HAVASU™ , rimovibile	0390-025-000

Nome	Codice parte
Asta portaflebo, a tre segmenti, lato piedi, sinistra, 26" (66 cm)	1105-035-644
Asta portaflebo, a tre segmenti, lato piedi, destra, 26" (66 cm)	1105-035-639
Asta portaflebo, a tre segmenti, lato piedi, sinistra, 30" (76 cm)	1105-035-344
Asta portaflebo, a tre segmenti, lato piedi, destra, 30" (76 cm)	1105-035-339
Asta portaflebo, a tre segmenti, lato piedi, sinistra, 30" (76 cm) (opzione Prime X)	1105-035-364
Asta portaflebo, a tre segmenti, lato piedi, destra, 30" (76 cm) (opzione Prime X)	1105-035-361
Asta portaflebo, a tre segmenti, lato testa, sinistra, 26" (66 cm)	1105-035-642
Asta portaflebo, a tre segmenti, lato testa, destra, 26" (66 cm)	1105-035-637
Asta portaflebo, a tre segmenti, lato testa, sinistra, 30" (76 cm)	1105-035-342
Asta portaflebo, a tre segmenti, lato testa, destra, 30" (76 cm)	1105-035-337
Asta portaflebo, a tre segmenti, lato testa, sinistra, 30" (76 cm) (opzione Prime X)	1105-035-369
Asta portaflebo, a tre segmenti, lato testa, destra, 30" (76 cm) (opzione Prime X)	1105-035-366
Asta portaflebo, a due segmenti, lato piedi, sinistra, 26 pollici (66 cm)	1105-035-640
Asta portaflebo, a due segmenti, lato piedi, destra, 26 pollici (66 cm)	1105-035-643
Asta portaflebo, a due segmenti, lato piedi, sinistra, 30 pollici (76 cm)	1105-035-340
Asta portaflebo, a due segmenti, lato piedi, destra, 30 pollici (76 cm)	1105-035-343
Asta portaflebo, a due segmenti, lato piedi, sinistra, 30 pollici (76 cm) (opzione Prime X)	1105-035-362
Asta portaflebo, a due segmenti, lato piedi, destra, 30 pollici (76 cm) (opzione Prime X)	1105-035-363
Asta portaflebo, a due segmenti, lato testa, sinistra, 26" (66 cm)	1105-035-638
Asta portaflebo, a due segmenti, lato testa, destra, 26" (66 cm)	1105-035-641
Asta portaflebo, a due segmenti, lato testa, sinistra, 30 pollici (76 cm)	1105-035-341

Nome	Codice parte
Asta portaflebo, a due segmenti, lato testa, destra, 30 pollici (76 cm)	1105-035-338
Asta portaflebo, a due segmenti, lato testa, sinistra, 30" (76 cm) (opzione Prime X)	1105-035-367
Asta portaflebo, a due segmenti, lato testa, destra, 30" (76 cm) (opzione Prime X)	1105-035-368
Materasso, ComfortGel SE™ , barriera ignifuga, 26 pollici (66 cm)	1805-034-601
Materasso, ComfortGel SE , barriera ignifuga, 30 pollici (76 cm)	1805-034-301
Materasso, ComfortGel SE , senza barriera ignifuga, 26 pollici (66 cm)	1805-034-600
Materasso, ComfortGel SE , senza barriera ignifuga, 30 pollici (76 cm)	1805-034-300
Materasso, Enhanced Comfort, 3 pollici x 26 pollici (8 cm x 66 cm)	0785-034-613
Materasso, Enhanced Comfort, 3 pollici x 30 pollici (8 cm x 76 cm)	0785-034-313
Materasso, Enhanced Comfort, 4 pollici x 26 pollici (10 cm x 66 cm)	0785-034-623
Materasso, Enhanced Comfort, 4 pollici x 30 pollici (10 cm x 76 cm)	0785-034-323
Materasso, IsoFlex SE™ , barriera ignifuga, 30 pollici (76 cm)	1806-034-300
Materasso, IsoFlex SE , senza barriera ignifuga, internazionale, 30 pollici (76 cm)	1806-034-301
Materasso, Ultra Comfort, 4 pollici x 26 pollici (10 cm x 66 cm)	0785-034-603
Materasso, Ultra Comfort, 4 pollici x 30 pollici (10 cm x 76 cm)	0785-034-303
Materasso, Ultra Comfort, 5 pollici x 26 pollici (13 cm x 66 cm)	0785-034-633
Materasso, Ultra Comfort, 5 pollici x 30 pollici (13 cm x 76 cm)	0785-034-333
Materasso, Ultra Comfort SE™ , 4 pollici x 26 pollici (10 cm x 66 cm)	1704-034-600
Materasso, Ultra Comfort SE , barriera ignifuga, internazionale, 4 pollici x 26 pollici (10 cm x 66 cm)	1704-034-601
Materasso, Ultra Comfort, prolunga elasticizzata, 4" x 26" (10 cm x 66 cm)	1105-034-609
Materasso, Ultra Comfort, prolunga elasticizzata, 4" x 30" (10 cm x 76 cm)	1105-034-309

Nome	Codice parte
Materasso, Ultra Comfort SE, 3 pollici x 30 pollici (8 cm x 76 cm)	1703-034-300
Materasso, Ultra Comfort SE, barriera ignifuga, 3 pollici x 30 pollici (8 cm x 76 cm)	1703-034-301
Materasso, Ultra Comfort SE, 4 pollici x 30 pollici (10 cm x 76 cm)	1704-034-300
Materasso, Ultra Comfort SE, barriera ignifuga, 4 pollici x 30 pollici (10 cm x 76 cm)	1704-034-301
Portabombola di ossigeno, verticale	1115-130-000
Barra della pompa opzionale, 30 pollici (76 cm)	1105-045-035
Gruppo maniglia di spinta, lato piedi, 30" (76 cm)	1105-048-030
Gruppo maniglia di spinta, lato testa, 30" (76 cm)	1105-048-060
Pacchetto di cinghie di contenimento	0785-045-010
Cinghia di contenimento, caviglia	0785-045-020
Cinghia di contenimento, corpo	0785-045-015
Cinghia di contenimento, polso	0946-044-000
Cinghia di contenimento, torace	1010-058-000
Vassoio portavivande	1105-045-700
Supporto per vassoio portavivande/pediera	1105-045-800
Cuscinetti sponda laterale	1001-052-000
Porta-cassetta radiografica, laterale	1105-045-100
Porta-cassetta radiografica, verticale	1105-045-300

Componenti elettrici

Nome	Numero
Attuatore, alzaschienale	1008-012-020
Attuatore, alzaginocchia	1008-014-020
Batteria, unità di alimentazione a batteria intelligente agli ioni di litio (solo sistema di pesatura)	0058-135-000
Batteria, unità di alimentazione a batteria Smart agli ioni di litio (sistema di pesatura e Chaperone)	0058-134-000
Scheda, gruppo scheda elettronica di controllo DC	1008-116-800
Scheda, gruppo non-sollevamento AC	1008-002-800
Scheda, gruppo scheda elettronica di controllo sollevamento	1008-002-810
Scheda, gruppo di controllo bilancia (solo bilancia)	1008-237-850
Scheda, gruppo di controllo bilancia e Chaperone	1008-237-840

Nome	Numero
Condensatore, 440 V c.a., 35 MFD	0059-087-000
Tastierino, controllo bilancia (lettino non elettrico)	1008-037-820
Tastierino, controllo sponda laterale, sinistra	1008-011-017
Tastierino, controllo sponda laterale, destra	1008-011-016
Tastierino, controllo operatore	1008-015-800
Cella di carico (sistema di pesatura opzionale)	1008-037-057
Motore, pompa	1008-002-015
Cavo di alimentazione, standard	1028-146-060
Cavo di alimentazione, internazionale, tipo E	1125-060-170
Cavo di alimentazione, internazionale, tipo F	1125-060-180
Cavo di alimentazione, internazionale, tipo G	1125-060-160
Cavo di alimentazione, internazionale, tipo I	1125-060-200
Centralina bilancia (lettino non elettrico)	1070-237-020
Trasformatore	1008-014-857
Trasformatore, internazionale	1008-014-877

Collegamento del vassoio del defibrillatore

AVVERTENZA

- Non collocare oggetti di peso superiore a 14 kg sul vassoio del defibrillatore. Fissare sempre con una cinghia tutti i dispositivi collocati sul vassoio del defibrillatore.
- Prestare sempre attenzione quando sono installati il vassoio del defibrillatore/prolunga poggipiedi, la pediera/portadocumenti o il portabombola di ossigeno verticale, per evitare schiacciamenti delle dita durante il posizionamento della maniglia di spinta opzionale del lato piedi.

Per applicare il vassoio del defibrillatore, procedere nel modo seguente.

1. Introdurre i perni del vassoio del defibrillatore nei fori sul lato piedi del prodotto.
2. Servirsi delle cinghie per fissare i dispositivi al vassoio del defibrillatore.

Nota

- Non utilizzare il vassoio del defibrillatore come dispositivo di spinta o di trazione. Il prodotto potrebbe subire danni.
- Alzare sempre le maniglie di spinta del lato piedi quando si utilizzano gli accessori (come il vassoio del defibrillatore/prolunga poggipiedi, la pediera/portadocumenti o il portabombola di ossigeno verticale), altrimenti gli accessori non funzioneranno.

Conversione del vassoio del defibrillatore/prolunga poggipiedi in vassoio del defibrillatore

AVVERTENZA

- Non collocare oggetti di peso superiore a 14 kg sul vassoio del defibrillatore/prolunga poggipiedi. Fissare sempre con una cinghia tutti i dispositivi collocati sul vassoio del defibrillatore.
- Prestare sempre attenzione quando sono installati il vassoio del defibrillatore/prolunga poggipiedi, la pediera/portadocumenti o il portabombola di ossigeno verticale, per evitare schiacciamenti delle dita durante il posizionamento della maniglia di spinta opzionale del lato piedi.

ATTENZIONE - Alzare sempre l'asta portaflebo prima di installare sul prodotto il vassoio del defibrillatore/ prolunga poggipiedi. Se non si alza l'asta portaflebo, la prolunga poggipiedi non funzionerà.

Conversione del vassoio del defibrillatore/ prolunga poggipiedi in vassoio del defibrillatore

1. Estrarre il pomello superiore (A) (Figura 19).
2. Fare ruotare il vassoio del defibrillatore (B) finché non è orizzontale al di sopra del lato piedi del prodotto. Rilasciare il pomello superiore (A). Assicurarsi che il vassoio del defibrillatore sia bloccato in posizione.
3. Servirsi delle cinghie per fissare i dispositivi al vassoio del defibrillatore.

Nota

- Non utilizzare il vassoio del defibrillatore/ prolunga poggipiedi come dispositivo di spinta o di trazione. Il prodotto potrebbe subire danni.
- Non attaccare oggetti alla prolunga poggipiedi.

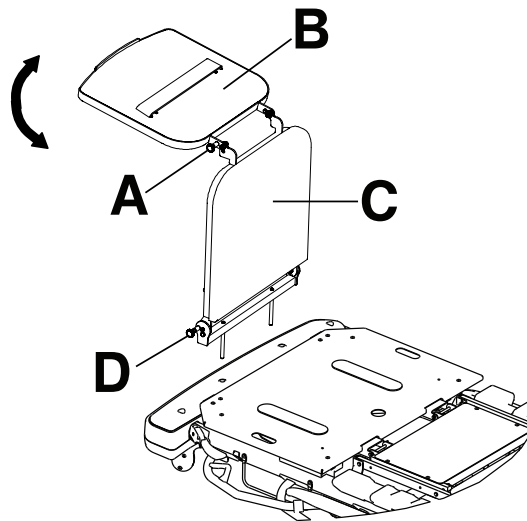


Figura 19 – Vassoio del defibrillatore/ prolunga poggipiedi

Conversione del vassoio del defibrillatore/ prolunga poggipiedi in prolunga poggipiedi

AVVERTENZA

- Non collocare oggetti di peso superiore a 14 kg sul vassoio del defibrillatore/ prolunga poggipiedi. Fissare sempre con una cinghia tutti i dispositivi collocati sul vassoio del defibrillatore.
 - Prestare sempre attenzione quando sono installati il vassoio del defibrillatore/ prolunga poggipiedi, la pediera/ portadocumenti o il portabombola di ossigeno verticale, per evitare schiacciamenti delle dita durante il posizionamento della maniglia di spinta opzionale del lato piedi.
-

ATTENZIONE - Alzare sempre l'asta portaflebo prima di installare sul prodotto il vassoio del defibrillatore/ prolunga poggipiedi. Se non si alza l'asta portaflebo, la prolunga poggipiedi non funzionerà.

Conversione del vassoio del defibrillatore/ prolunga poggipiedi in prolunga poggipiedi (Figura 19)

1. Estrarre il pomello superiore (A).
2. Fare ruotare il vassoio del defibrillatore (B) fino a bloccarlo contro la prolunga poggipiedi.
3. Estrarre il pomello inferiore (D) mentre si trattiene il gruppo del vassoio del fibrillatore/ prolunga poggipiedi.
4. Abbassare la prolunga poggipiedi (C) finché non è orizzontale.
5. Rilasciare il pomello inferiore (D). Spingere sulla prolunga poggipiedi per assicurarsi che sia bloccata in posizione.

Nota

- Non utilizzare il vassoio del defibrillatore/prolunga poggipiedi come dispositivo di spinta o di trazione. Il prodotto potrebbe subire danni.
- Non attaccare oggetti alla prolunga poggipiedi.

Fissaggio della pediera/portadocumenti

AVVERTENZA - Prestare sempre attenzione quando sono installati il vassoio del defibrillatore/prolunga poggipiedi, la pediera/portadocumenti o il portabombola di ossigeno verticale, per evitare schiacciamenti delle dita durante il posizionamento della maniglia di spinta opzionale del lato piedi.

Per fissare la pediera/portadocumenti, introdurre i relativi perni nei fori sul lato piedi del prodotto.

Nota - Non utilizzare la pediera/portadocumenti come dispositivo di spinta o di trazione. Il prodotto potrebbe subire danni.

Fissaggio della staffa per l'asta portaflebo

AVVERTENZA

- Fissare sempre l'asta portaflebo alla relativa staffa quando si trasporta il prodotto.
 - Riporre sempre la staffa per l'asta portaflebo quando non la si usa, per evitare danni all'apparecchiatura.
-

Per fissare la staffa per l'asta portaflebo, procedere nel modo seguente (Figura 20).

1. Estrarre la staffa per l'asta portaflebo dal vassoio o dalla clip.
2. Farla ruotare portandola nella posizione desiderata.
3. Ruotare il pomello (A) in senso antiorario per allentare il morsetto per l'asta (C).
4. Girare il pomello (A) allontanandolo dal gruppo di collegamento della staffa (B).
5. Aprire il morsetto (C).
6. Collocare l'asta portaflebo nel morsetto (C).
7. Chiudere il morsetto (C) sull'asta portaflebo e girare il pomello (A) in posizione.
8. Ruotare il pomello (A) in senso orario per serrarlo.
9. Eseguire queste operazioni in senso inverso per scollegare la staffa per l'asta portaflebo dal prodotto.

Per riporre la staffa, collocarla nell'apposito vassoio oppure fissarla alla clip.

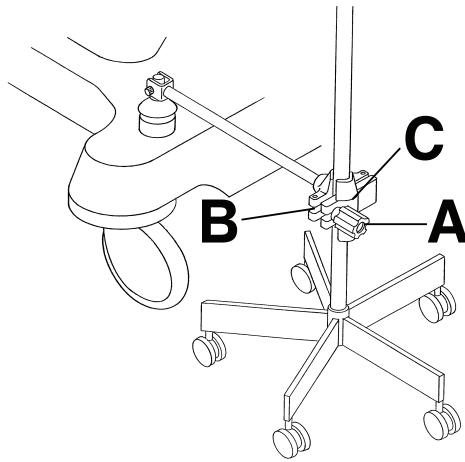


Figura 20 – Staffa per asta portaflebo

Posizionamento o ripiegamento dei poggiatesta - disponibile solo con Prime

AVVERTENZA

- Non sedersi sui poggiatesta, poiché il prodotto potrebbe ribaltarsi.
- Tenere sempre le dita lontane dai meccanismi quando si azionano i poggiatesta.
- Ripiegare sempre i poggiatesta quando si trasporta un paziente con il prodotto.
- Stringere sempre i poggiatesta prima di utilizzarli.
- Non utilizzare il sistema di pesatura con i poggiatesta, poiché i pesi rilevati potrebbero non essere accurati.
- Non azionare il sistema **Chaperone** opzionale assieme ai poggiatesta, poiché i pesi rilevati potrebbero non essere accurati.

Per posizionare o ripiegare i poggiatesta, procedere nel modo seguente.

1. Allentare il pomello per le ginocchia (A) sulla sommità del poggiatesta per regolarne l'angolo da lato a lato (Figura 21).
2. Serrare il pomello per le ginocchia (A) per bloccare il poggiatesta nella posizione desiderata.

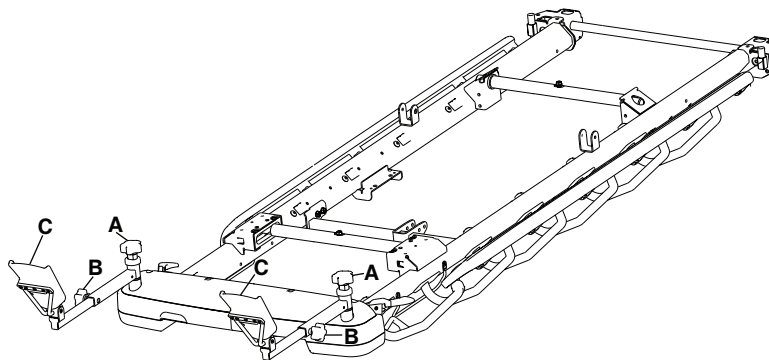


Figura 21 – Posizionamento dei poggiatesta

3. Allentare il pomello per le gambe (B) sul lato dei poggiatesta per regolare la lunghezza.
4. Serrare il pomello per le gambe (B) per bloccare i poggiatesta nella posizione desiderata.
5. Ribaltare i poggiatesta (C) verso l'alto prima di posizionare il paziente.
6. Eseguire queste operazioni in senso inverso per ripiegare i poggiatesta (Figura 22).

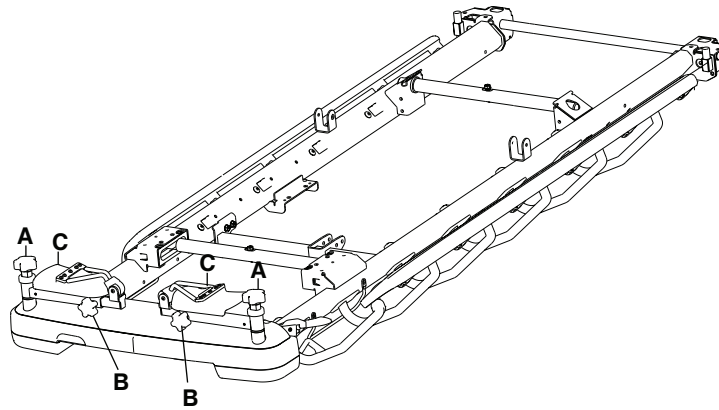


Figura 22 – Ripiegamento dei poggiatesta

Se si scelgono i poggiatesta, non sarà possibile acquistare le seguenti opzioni e accessori.

- Maniglie di spinta lato piedi
- Vassoio del defibrillatore
- Vassoio del defibrillatore/prolunga poggiatesta
- Supporto per vassoio portavivande/pediera
- Pediera/portadocumenti
- Aste portaflebo lato piedi

Nota

- Non utilizzare i poggiatesta per riporre gli effetti personali del paziente.
- Non usare i poggiatesta come dispositivi di spinta/trazione. Il prodotto potrebbe subire danni.
- Inserire sempre il freno quando si usano i poggiatesta, per evitare che il prodotto diventi instabile.
- Non utilizzare lo schienale o l'alzaginocchia assieme ai poggiatesta.

Posizionamento dell'asta portaflebo a due segmenti permanente

AVVERTENZA - Non usare l'asta portaflebo come dispositivo di spinta o di trazione. Il prodotto potrebbe subire danni.

Il prodotto è acquistabile corredato di asta portaflebo opzionale a due segmenti fissata in permanenza al lato testa, lato piedi o a entrambe le estremità del prodotto. L'asta portaflebo è telescopica e si allunga per fornire una seconda posizione in altezza. L'asta portaflebo può essere piegata e riposta quando non è in uso.

Per posizionare l'asta portaflebo a due sezioni (Figura 23), procedere nel modo seguente.

1. Sollevare e ruotare l'asta dalla posizione di stoccaggio.
2. Spingere l'asta portaflebo verso il basso fino a bloccarla in posizione.
3. Per alzare l'asta portaflebo, tirare verso l'alto la sezione telescopica (A) fino a bloccare l'asta nella posizione completamente estesa.
4. Ruotare i ganci dell'asta portaflebo (B) portandoli alle posizioni desiderate e appendere le sacche/i flaconi di infusione.
5. Per abbassare l'asta portaflebo, afferrarne la sezione telescopica, ruotare il meccanismo di blocco (C) e abbassare la sezione telescopica.

Nota

- Non appendere all'asta portaflebo sacche/flaconi di infusione di peso superiore a 40 lb (18 kg).
- Quando si trasporta un paziente, assicurarsi sempre che l'asta portaflebo sia sufficientemente bassa da passare agevolmente attraverso le porte.

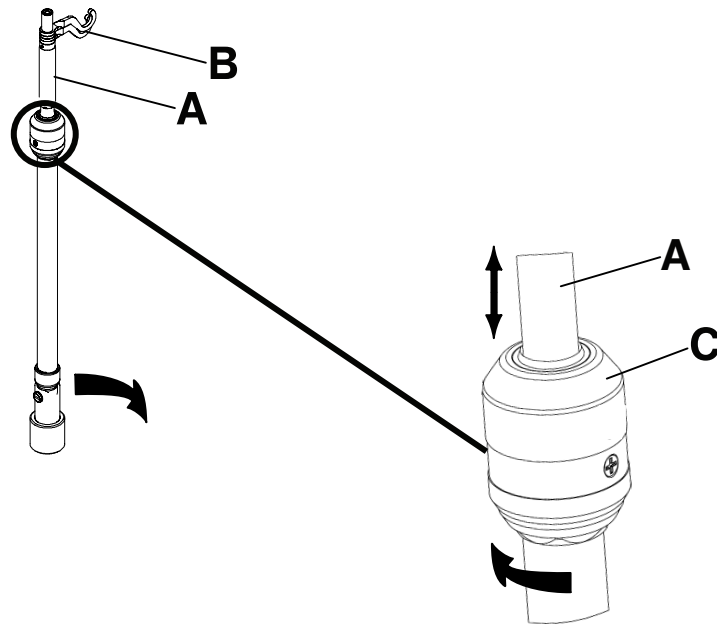


Figura 23 – Posizionamento dell’asta portaflebo opzionale a due segmenti fissata in permanenza

Posizionamento dell’asta portaflebo a tre segmenti permanente

AVVERTENZA - Non usare l’asta portaflebo come dispositivo di spinta o di trazione. Il prodotto potrebbe subire danni.

Il prodotto è acquistabile corredato di asta portaflebo opzionale a tre segmenti fissata in permanenza al lato testa, lato piedi o a entrambe le estremità del prodotto. L’asta portaflebo è telescopica e si allunga per fornire una seconda e terza posizione in altezza. Quando non è in uso, l’asta portaflebo può anche essere piegata e riposta.

Per posizionare l’asta portaflebo a tre sezioni (Figura 24):

1. Sollevare e ruotare l’asta dalla posizione di stoccaggio.
2. Spingere l’asta portaflebo verso il basso fino a bloccarla in posizione.
3. Per alzare l’asta portaflebo, tirare verso l’alto la sezione telescopica (A) fino a bloccare l’asta nella posizione completamente estesa.
4. Per alzare ulteriormente l’asta portaflebo, tirare verso l’alto la sezione (B). Rilasciare la sezione (B) all’altezza desiderata per bloccare in posizione l’asta.
5. Ruotare i ganci dell’asta portaflebo (C) portandoli alle posizioni desiderate e appendere le sacche/i flaconi di infusione.
6. Per abbassare l’asta portaflebo, tirare verso l’alto la sezione gialla dell’impugnatura (D) afferrando nel contempo la sezione (B) finché l’asta non si abbassa.
7. Ruotare il meccanismo di blocco (E) e abbassare la sezione telescopica dell’asta portaflebo.

Nota

- Non appendere all’asta portaflebo sacche/flaconi di infusione di peso complessivo superiore a 12 lb (5 kg).
- Non appendere sacche/flaconi di infusione che superano 9,3 lb (4,2 kg) su un singolo gancio.
- Quando si trasporta un paziente, assicurarsi sempre che l’asta portaflebo sia sufficientemente bassa da passare agevolmente attraverso le porte.

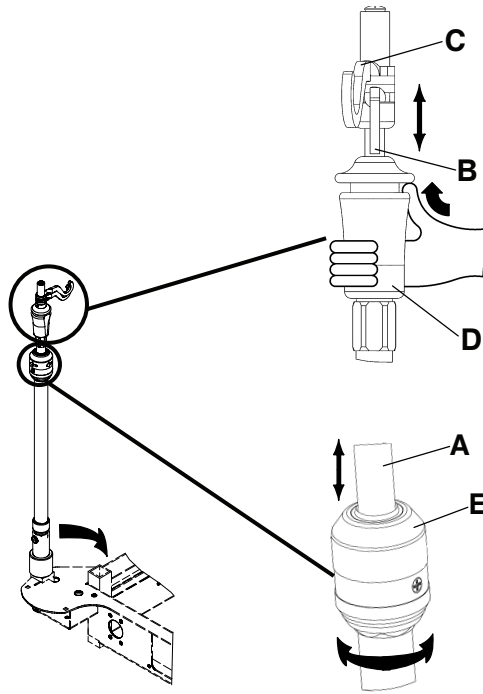


Figura 24 – Posizionamento dell'asta portaflebo a tre segmenti permanente

Collegamento e posizionamento dell'asta portaflebo rimovibile

ATTENZIONE

- Non usare l'asta portaflebo come dispositivo di spinta o di trazione. Il prodotto potrebbe subire danni.
- Non appendere all'asta portaflebo sacche/flaconi di infusione di peso superiore a 40 libbre (18 kg).
- Quando si trasporta un paziente, assicurarsi sempre che l'asta portaflebo sia sufficientemente bassa da passare attraverso le porte.

Per applicare e posizionare l'asta portaflebo rimovibile, procedere nel modo seguente (Figura 25).

1. Introdurre l'asta portaflebo in uno dei fori sul lato testa o sul lato piedi del prodotto.
2. Ruotare il pomello (A) in senso antiorario e tirare verso l'alto la sezione telescopica (B) fino a raggiungere l'altezza desiderata.
3. Ruotare il pomello (A) in senso orario per bloccare la sezione telescopica in posizione.

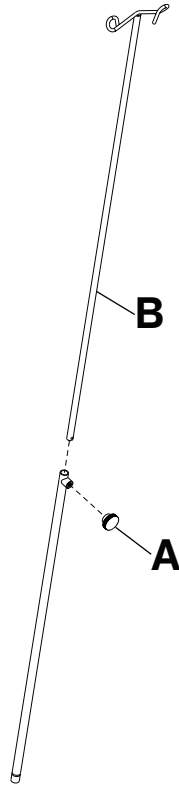


Figura 25 – Asta portaflebo rimovibile

Fissaggio del portabombola di ossigeno verticale

AVVERTENZA

- Non collocare oggetti di peso superiore a 40 lb (18 kg) nel portabombola di ossigeno verticale.
 - Prestare sempre attenzione quando sono installati il vassoio del defibrillatore/prolunga poggiapiedi, la pediera/portadocumenti o il portabombola di ossigeno verticale, per evitare schiacciamenti delle dita durante il posizionamento della maniglia di spinta opzionale del lato piedi.
-

Il portabombola di ossigeno verticale serve a contenere una bombola di ossigeno in posizione verticale.

Per fissare il portabombola di ossigeno verticale, procedere nel modo seguente:

1. Introdurre la barra di supporto in uno dei fori dell'asta portaflebo.
2. Introdurre la coppia nel foro della barra di supporto per fissare il portabombola al prodotto.

Nota - Non usare il portabombola di ossigeno verticale come dispositivo di spinta o di trazione. Il prodotto potrebbe subire danni.

Estensione o ripiegamento del vassoio portavivande/pediera

AVVERTENZA - Non collocare oggetti di peso superiore a 30 lb (14 kg) sul vassoio portavivande.

Per sistemare il vassoio portavivande sulla sponda laterale, tirare verso l'esterno entrambi i lati del vassoio portavivande e posizionarlo sopra le sponde laterali.

Per riporre il vassoio portavivande, procedere nel modo seguente.

1. Staccare il vassoio portavivande dalle sponde laterali.
2. Spingere verso l'interno i lati del vassoio portavivande.

3. Riporre il vassoio portavivande nella pediera.

Nota - Non utilizzare il vassoio portavivande/pediera come dispositivo di spinta o di trazione. Il prodotto potrebbe subire danni.

Fissaggio dei cuscinetti della sponda laterale

Per fissare i cuscinetti della sponda laterale, procedere nel modo seguente.

1. Rimboccare il cuscinetto della sponda laterale tra il materasso e la sponda laterale.
2. Fissare le fascette in **Velcro®** attorno alla sommità della sponda laterale per fissare in posizione il cuscinetto.

Individuazione dei punti di fissaggio delle cinghie di contenimento del paziente

AVVERTENZA

- Usare sempre cautela nel fissare le cinghie di contenimento, per evitare lesioni al paziente o all'operatore. I dispositivi di contenimento fisico, anche se ben fissati, possono danneggiare gravemente pazienti e operatori, causando, ad esempio, aggrovigliamenti, intrappolamenti, lesioni fisiche o persino il decesso.
- Collegare sempre le cinghie o i dispositivi di contenimento soltanto ai punti di fissaggio identificati sul prodotto, per evitare il rischio di causare lesioni al paziente o all'operatore. Non fissare le cinghie di contenimento alle sponde laterali.
- Prima di usare qualsiasi cinghia o dispositivo di contenimento, fare sempre riferimento alle norme e ai regolamenti locali e statali pertinenti e ai protocolli della struttura sanitaria di appartenenza.

Sul gruppo del lettino vi sono otto punti di fissaggio per le cinghie di contenimento del paziente (Figura 26 o Figura 27).

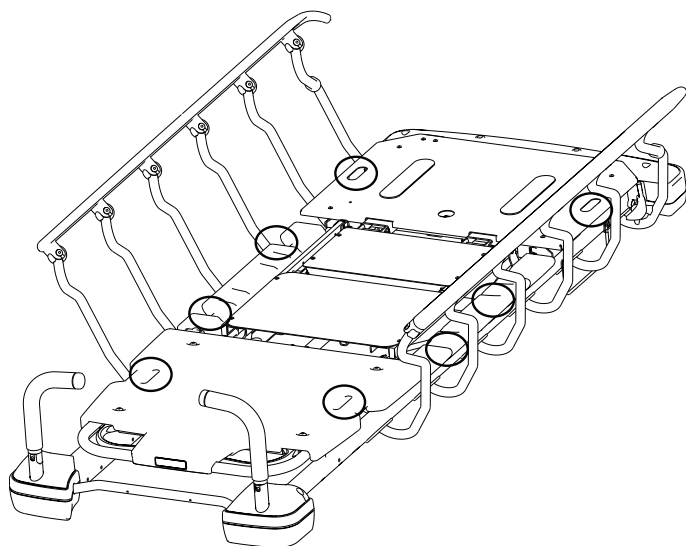


Figura 26 – Ubicazione dei punti di fissaggio per le cinghie di contenimento – opzione Prime

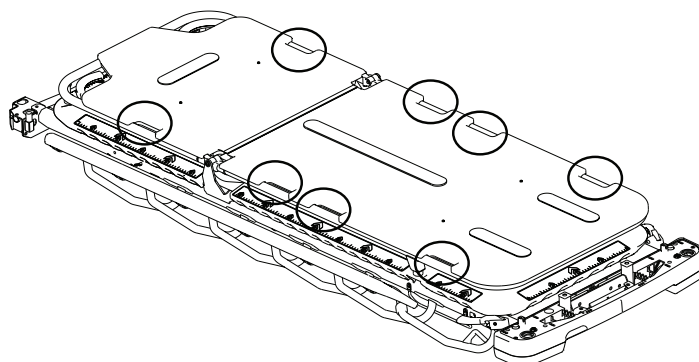


Figura 27 – Opzione Prime X per ubicazione dei punti di fissaggio per le cinghie di contenimento

Nota - Le cinghie di contenimento sono parti applicate di Tipo B.

Posizionamento del porta-cassetta radiografica verticale – opzione Prime X

AVVERTENZA

- Quando si utilizza il porta-cassetta radiografica verticale o laterale, occorre sempre adottare misure di protezione. Il porta-cassetta radiografica non protegge dalle radiazioni.

- Per garantire la sicurezza, attenersi sempre alle linee guida locali, regionali e statali, oltre ai protocolli della struttura sanitaria di appartenenza, prima dell'uso dell'opzione **Prime X** con dispositivi che generano radiazioni. I dispositivi che generano radiazioni possono produrre radiazioni residue, diffuse o disperse.
- Procedere sempre con la massima attenzione quando si usa un materasso con uno spessore superiore a 2,5 pollici (6,35 cm) o un sovrasmaterasso con l'opzione **Prime X**.
- Per inserire il porta-cassetta radiografica, seguire sempre le istruzioni della sezione *Posizionamento del porta-cassetta radiografica verticale – opzione Prime X*.

Il porta-cassetta radiografica si fissa al gruppo saldato dello schienale Fowler per sostenere le cassette radiografiche. È possibile eseguire radiografie mentre il paziente si trova sul prodotto. È anche possibile regolare la posizione della cassetta prima di eseguire una radiografia.

Per posizionare il porta-cassetta radiografica, procedere nel modo seguente.

1. Inserire il freno. Spingere il prodotto per assicurarsi che il freno funzioni.
2. Alzare lo schienale Fowler fino all'altezza massima.
3. Inserire le guide di fermo più basse (A) sotto la barra del gruppo saldato dello schienale Fowler (Figura 28).
4. Alzare il portacassetta fino a innestare le guide di fermo sul gruppo saldato dello schienale Fowler. Assicurarsi che il portacassetta sia ben fissato.

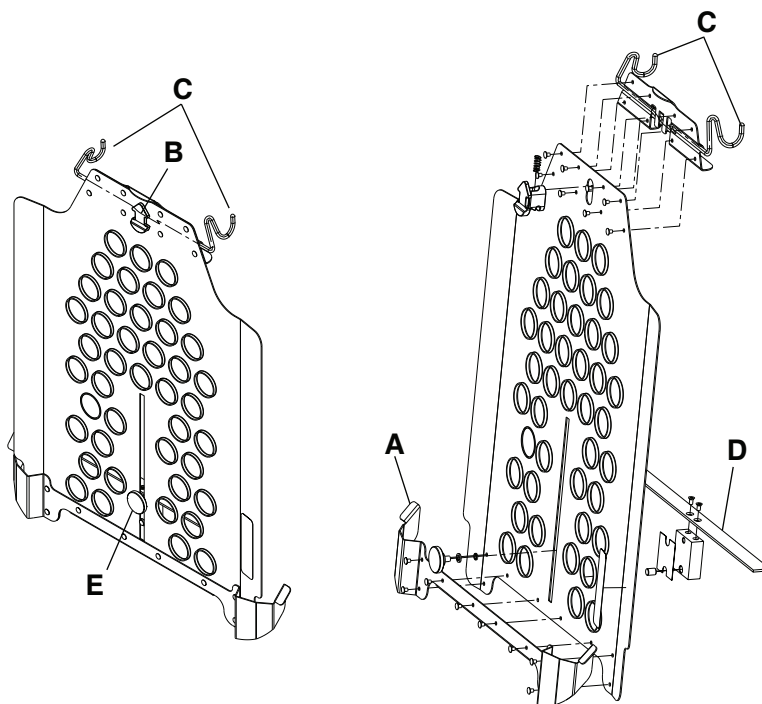


Figura 28 – Porta-cassetta radiografica

5. Introdurre una cassetta radiografica da uno o dall'altro lato del portacassetta oppure tirare la freccia (B) per sganciare il portacassetta dallo schienale Fowler, posizionare la cassetta e fissare il portacassetta nel gruppo saldato dello schienale Fowler.
6. Per regolare l'altezza della cassetta, allentare il pomello (E) e spostare verso l'alto o verso il basso la guida di supporto cassetta (D) fino a raggiungere l'altezza desiderata.
7. Stringere il pomello (E) per fissare in posizione la guida di supporto cassetta.
8. Una volta eseguite le radiografie, tirare verso l'alto la freccia (B) per sganciare il portacassetta dal gruppo saldato dello schienale Fowler.
9. Rimuovere la cassetta radiografica dal portacassetta.
10. Chiudere e riporre il portacassetta.

Posizionamento del porta-cassetta radiografica laterale – opzione Prime X

AVVERTENZA

- Quando si utilizza il porta-cassetta radiografica verticale o laterale, occorre sempre adottare misure di protezione. Il porta-cassetta radiografica non protegge dalle radiazioni.
- Per garantire la sicurezza, attenersi sempre alle linee guida locali, regionali e statali, oltre ai protocolli della struttura sanitaria di appartenenza, prima dell'uso dell'opzione **Prime X** con dispositivi che generano radiazioni. I dispositivi che generano radiazioni possono produrre radiazioni residue, diffuse o disperse.
- Procedere sempre con cautela quando si eseguono radiografie con lo schienale Fowler in posizione eretta o quando si utilizza una cassetta laterale.
- Procedere sempre con la massima attenzione quando si usa un materasso con uno spessore superiore a 2,5 pollici (6,35 cm) o un sovrasmaterasso con l'opzione **Prime X**.
- Seguire sempre le istruzioni contenute in *Posizionamento del porta-cassetta radiografica laterale – opzione Prime X* prima di inserire il portacassetta.

Per posizionare il porta-cassetta radiografica laterale, procedere nel modo seguente.

1. Inserire il freno. Spingere il prodotto per assicurarsi che il freno funzioni.

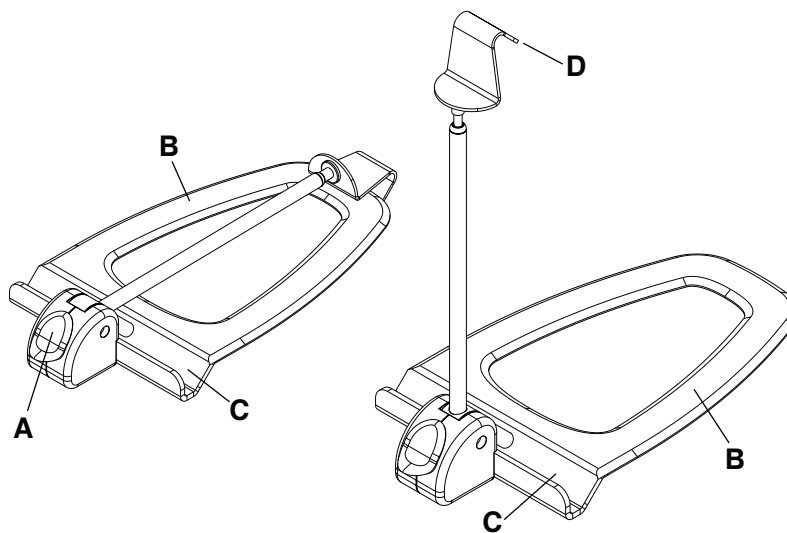


Figura 29 – Porta-cassetta radiografica laterale

2. Premere il pulsante giallo di sblocco (A) per aprire il portacassetta laterale (Figura 29).
3. Infilare la base piatta (B) tra il materasso e la piattaforma del paziente.
4. Collocare il portacassetta laterale nel punto desiderato.
5. Posizionare la cassetta radiografica nell'apposito canale (C).
6. Tirare verso l'alto il gancio della cassetta (D) per regolare l'altezza del braccio in modo che mantenga in posizione la cassetta.
7. Eseguire queste operazioni in senso inverso per rimuovere la cassetta e riporre il portacassetta laterale.

Inserimento o rimozione delle cassette radiografiche – opzione Prime X

AVVERTENZA

- Per garantire la sicurezza, attenersi sempre alle linee guida locali, regionali e statali, oltre ai protocolli della struttura sanitaria di appartenenza, prima dell'uso dell'opzione **Prime X** con dispositivi che generano radiazioni. I dispositivi che generano radiazioni possono produrre radiazioni residue, diffuse o disperse.

- Procedere sempre con cautela quando si eseguono radiografie con lo schienale Fowler in posizione eretta o quando si utilizza una cassetta laterale.

L'opzione **Prime X** offre sia una superficie di supporto radiografica articolata sia una piattaforma al di sotto della superficie di supporto del paziente, per il posizionamento della cassetta radiografica. Utilizzata con sistemi radiografici medici, la superficie di supporto radiografica consente l'acquisizione di radiografie cliniche (AP corpo intero, corpo intero laterale opzionale e torace eretto opzionale) mentre il paziente si trova sul prodotto. Le cassette possono essere inserite dal lato testa, dal lato piedi e da entrambi i lati del prodotto.

Per inserire una cassetta radiografica, procedere nel modo seguente.

1. Centrare il paziente sul prodotto con le apposite etichette di posizione poste su tutti i lati del prodotto (Figura 30).
2. Introdurre una cassetta radiografica al di sotto della superficie del paziente. Servirsi delle apposite guide per posizionare la cassetta radiografica.

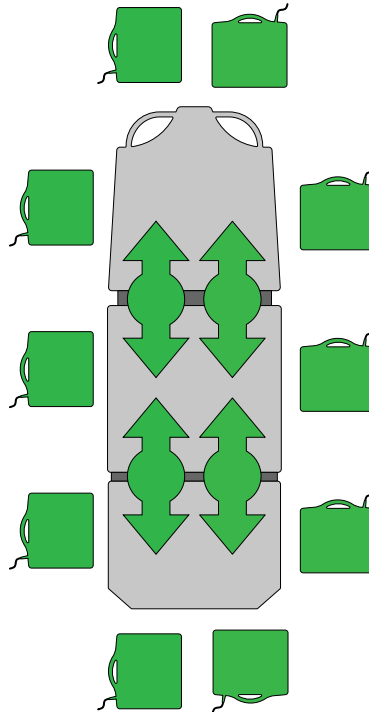


Figura 30 – Inserimento o rimozione delle cassette radiografiche sull'opzione Prime X

Nota

- Non usare un materasso di spessore superiore a quattro pollici (10 cm) con l'opzione **Prime X**.
- Non usare un braccio a C con l'opzione **Prime X**. L'opzione **Prime X** non è compatibile con un braccio a C.

Pulizia

Pulizia del prodotto

ATTENZIONE - Non utilizzare detergenti abrasivi per pulire l'involucro del display del sistema di pesatura opzionale. Evitare il ristagno di soluzioni detergenti o di altri liquidi sul display. Asciugare tutte le superfici dopo versamenti accidentali o dopo la pulizia.

Queste istruzioni riportano i metodi consigliati per la pulizia della barella **Prime Series**.

Questo prodotto è lavabile a pressione. Il prodotto può sviluppare segni di ossidazione o alterazione del colore dovuti ai continui lavaggi. Tuttavia, le prestazioni o le funzionalità del prodotto non vengono compromesse dal lavaggio a pressione, purché ci si attenga alle procedure corrette.

Metodo di pulizia consigliato

1. Se il prodotto è dotato di lettino elettrico opzionale o di elevatore elettrico opzionale, scollegare il cavo di alimentazione dalla presa di corrente a parete prima di trasportare o pulire il prodotto.
2. Rimuovere il materasso dal prodotto.
3. Per la diluizione del detergente utilizzato, attenersi ai consigli del produttore.
4. Per il lavaggio a pressione, Stryker consiglia di utilizzare lavacarrelli standard per uso ospedaliero.
5. Asciugare il prodotto. Non collocare il materasso sul prodotto finché il prodotto non è asciutto.
6. Verificare la funzionalità prima di rimettere il prodotto in servizio.
 - Sollevamento e abbassamento del prodotto
 - Blocco e sblocco del pedale freno/sterzo in entrambe le posizioni
 - Blocco e sblocco delle sponde laterali
 - Sollevamento e abbassamento dello schienale Fowler
 - Sollevamento o abbassamento dell'alzaginicchia
 - Verifica della corretta lubrificazione di tutti i componenti
 - Verifica dell'integrità di tutte le etichette

Nota

- Il contatto diretto della cute con materiale permeabile e visibilmente sporco può aumentare il rischio di infezione.
- Non lavare a vapore il prodotto.
- Pulire l'area di stivaggio nella copertura del carrello.
- Pulire il fondo dei pattini dei freni per evitare l'accumulo di cera o di residui raccolti dal pavimento.
- Alcuni detergenti sono corrosivi e, se non usati correttamente, possono danneggiare il prodotto. Se il prodotto non viene risciacquato e asciugato in modo corretto, gli eventuali residui corrosivi non asportati dalla superficie possono provocare la corrosione prematura di componenti fondamentali. La mancata osservanza di queste istruzioni di pulizia può invalidare la garanzia.

Pulizia del prodotto utilizzando una lavacarrelli

Stryker consiglia di usare almeno una volta all'anno, per l'intera durata del prodotto, una lavacarrelli chirurgica standard per uso ospedaliero.

Per lavare il prodotto con una lavacarrelli, procedere nel modo seguente.

1. Se il prodotto è dotato di lettino elettrico opzionale o di elevatore elettrico opzionale, scollegare il cavo di alimentazione dalla presa di corrente a parete prima di trasportare o pulire il prodotto.
2. Togliere il materasso prima di lavare il prodotto. Non lavare il materasso assieme al prodotto.
3. Posizionare lo schienale Fowler a 45°.

4. Collocare il prodotto nella posizione anti-Trendelenburg completa (lato piedi in basso).
5. Alzare le sponde laterali.
6. Collocare le aste portaflebo e le maniglie di spinta in posizione alzata.
7. Pulire il prodotto con una temperatura massima dell'acqua di 82 °C (180 °F) e una pressione massima di 103,5 bar (1500 psi).
8. Asciugare il prodotto all'aria a una temperatura massima di 93 °C (200 °F) per otto minuti.
9. Asciugare il prodotto. Non collocare il materasso sul prodotto finché il prodotto non è asciutto.
10. Verificare la funzionalità prima di rimettere il prodotto in servizio.
 - Sollevamento e abbassamento del prodotto
 - Blocco e sblocco del pedale freno/sterzo in entrambe le posizioni
 - Blocco e sblocco delle sponde laterali
 - Sollevamento e abbassamento dello schienale Fowler
 - Verifica della corretta lubrificazione di tutti i componenti
 - Verifica che tutte le etichette siano integre e leggibili

Nota

- Non lavare a vapore il prodotto.
- Alcuni detergenti sono corrosivi e, se non usati correttamente, possono danneggiare il prodotto. Se il prodotto non viene risciacquato e asciugato in modo corretto, gli eventuali residui corrosivi non asportati dalla superficie possono provocare la corrosione prematura di componenti fondamentali. La mancata osservanza di queste istruzioni di pulizia può invalidare la garanzia.

Pulizia del materasso

AVVERTENZA

- Non pulire, riparare o sottoporre a manutenzione il prodotto mentre è in uso.
- Non immergere il materasso in soluzioni detergenti o disinfettanti. L'umidità eccessiva potrebbe causare il malfunzionamento del prodotto, provocando danni al prodotto stesso o lesioni al paziente.
- Non permettere il ristagno di liquidi sul materasso. I liquidi possono causare la corrosione dei componenti e compromettere la sicurezza e le prestazioni di questo prodotto.
- Ogni volta che si puliscono le fodere, esaminare sempre la fodera coprimaterasso per escludere la presenza di strappi, perforazioni, segni di usura eccessiva e cerniere non allineate. Rimuovere e sostituire ogni materasso danneggiato per evitare la contaminazione crociata.
- Non pulire i materassi a vapore, con getto d'acqua normale o a pressione, o mediante ultrasuoni. Questi metodi di pulizia possono invalidare la garanzia di questo prodotto.

Sulla durata utile del materasso può influire negativamente un aumento della frequenza d'uso, che potrebbe comportare una più frequente pulizia e disinfezione.

Metodo di pulizia consigliato:

1. Passare sull'intero materasso un panno pulito e morbido, imbevuto di una soluzione di acqua e sapone delicato, per rimuovere le tracce di materiale estraneo.
2. Passare sul materasso un panno pulito e asciutto per rimuovere l'eventuale liquido in eccesso o le tracce di detergente.
3. Sciacquare e asciugare le fodere dopo la pulizia.
4. Una volta completata la pulizia, disinfettare secondo necessità con un disinfettante ospedaliero (vedere *Disinfezione del materasso*).

Nota

- Non stirare il materasso, non lavarlo a secco né asciugarlo in un'asciugatrice, poiché ciò causa il malfunzionamento e il danneggiamento del prodotto.

- La fodera coprimaterasso deve essere completamente asciutta prima di essere riposta o coperta con lenzuola, su cui adagiare un paziente, per evitare di compromettere le prestazioni del prodotto.
- Evitare l'esposizione eccessiva ad alcol o perossido di idrogeno; ciò causa il rigonfiamento del materiale di cui è costituita la fodera.
- Evitare l'infiltrazione di liquidi nella zona intorno alla cerniera o della fascia antiliquido della fodera. Eventuali liquidi che entrino in contatto con la cerniera potrebbero penetrare nel materasso, compromettendo le prestazioni del prodotto.
- Alcuni detergenti sono corrosivi e, se non usati correttamente, possono danneggiare il prodotto. Se il prodotto non viene risciacquato e asciugato in modo corretto, gli eventuali residui corrosivi non asportati dalla superficie possono provocare la corrosione prematura di componenti fondamentali. La mancata osservanza di queste istruzioni di pulizia può invalidare la garanzia.

Asportazione delle tracce di iodio

1. Preparare una soluzione con 1-2 cucchiaini di tiosolfato di sodio e circa mezzo litro di acqua calda. Utilizzare questa soluzione per pulire le aree macchiate.
2. Se possibile, togliere la macchia appena si forma.
3. Se le macchie non vengono tolte immediatamente, saturare bene la superficie con la soluzione e lasciarla agire prima di pulire il materasso.
4. Prima di rimettere in servizio il materasso, sciacquare con acqua pulita le aree esposte alla soluzione.

Nota - L'inosservanza di queste indicazioni durante l'uso di questo tipo di detergenti potrebbe invalidare la garanzia del prodotto.

Istruzioni speciali

Velcro®	Saturare con disinfettante, sciacquare con acqua e lasciare evaporare.
Residui solidi o macchie	Usare sapone neutro e acqua calda. Non impiegare detergenti forti, solventi o detergenti abrasivi.
Macchie difficili da togliere	Per le macchie più ostinate, utilizzare i normali detergenti per uso domestico o detergenti per vinile e uno spazzolino con setole morbide. Lasciare in ammollo le macchie di sporco essiccato.
Lavaggio	Il lavaggio non è consigliato, poiché potrebbe ridurre notevolmente la durata utile del materasso.

Disinfezione

Disinfezione del prodotto

AVVERTENZA

- Non pulire, riparare o sottoporre a manutenzione il prodotto mentre è in uso.
 - Non pulire il prodotto a vapore, con getto d'acqua o mediante ultrasuoni. L'uso di questi metodi di pulizia è sconsigliato e può invalidare la garanzia del prodotto.
-

Disinfettanti consigliati:

- Sali quaternari (principio attivo - cloruro d'ammonio) contenenti meno del 3% di glicol etere
- Fenolici (principio attivo: o-fenilfenolo)
- Soluzione di candeggina clorata [1 parte di candeggina al 5,25% diluita in 100 parti di acqua, il che equivale a 520 ppm di cloro disponibile (40 ml di una soluzione di candeggina al 5,25% per 4000 ml di acqua)]
- Alcol isopropilico al 70%

Metodo di disinfezione consigliato:

1. Per la diluizione del disinfettante utilizzato, attenersi ai consigli del produttore.
2. Lavare a mano tutte le superfici del prodotto con una soluzione disinfettante.
3. Evitare la sovrasaturazione e assicurarsi che il prodotto non rimanga bagnato per un periodo di tempo superiore a quello consigliato per la corretta disinfezione nelle linee guida del produttore del prodotto chimico.
4. Asciugare il prodotto. Non collocare il materasso sul prodotto finché il prodotto non è asciutto.
5. Disinfettare il **Velcro®** dopo ciascun uso. Saturare il **Velcro®** con disinfettante, sciacquare con acqua e lasciare evaporare il disinfettante (la scelta del disinfettante corretto da usare spetta alla struttura sanitaria).
6. Verificare la funzionalità prima di rimettere il prodotto in servizio.
 - Sollevamento e abbassamento del prodotto
 - Blocco e sblocco del pedale freno/sterzo in entrambe le posizioni
 - Blocco e sblocco delle sponde laterali
 - Sollevamento e abbassamento dello schienale Fowler
 - Sollevamento o abbassamento dell'alzaginicchia
 - Verifica della corretta lubrificazione di tutti i componenti
 - Verifica dell'integrità di tutte le etichette

Nota

- Il contatto diretto della cute con materiale permeabile e visibilmente sporco può aumentare il rischio di infezione.
- Alcuni detergenti sono corrosivi e, se non usati correttamente, possono danneggiare il prodotto. Se il prodotto non viene risciacquato e asciugato in modo corretto, gli eventuali residui corrosivi non asportati dalla superficie possono provocare la corrosione prematura di componenti fondamentali. La mancata osservanza di queste istruzioni di pulizia può invalidare la garanzia.

Disinfezione del materasso

AVVERTENZA - Disinfettare sempre il materasso tra un paziente e quello successivo. La mancata disinfezione potrebbe causare contaminazione crociata e infezione.

Disinfettanti consigliati:

- Sali quaternari (principio attivo - cloruro d'ammonio) contenenti meno del 3% di glicol etere

- fenolici (principio attivo: o-fenilfenolo)
- Soluzione di candeggina clorata [1 parte di candeggina al 5,25% diluita in 100 parti di acqua, il che equivale a 520 ppm di cloro disponibile (40 ml di una soluzione di candeggina al 5,25% per 4000 ml di acqua)]
- Alcol isopropilico al 70%

Metodo di disinfezione consigliato:

1. Assicurarsi che il materasso sia pulito e asciutto prima di applicare prodotti disinfettanti.
2. Passare sul materasso un panno pulito e asciutto per rimuovere eventuale liquido o disinfettante in eccesso.
3. Sciacquare e asciugare le fodere dopo la disinfezione.

Nota

- La fodera coprimaterasso deve essere asciutta prima di essere riposta o coperta con lenzuola. La mancata asportazione del disinfettante in eccesso potrebbe causare il degrado del materiale della fodera.
- Alcuni detergenti sono corrosivi e, se non usati correttamente, possono danneggiare il prodotto. Se il prodotto non viene risciacquato e asciugato in modo corretto, gli eventuali residui corrosivi non asportati dalla superficie possono provocare la corrosione prematura di componenti fondamentali. La mancata osservanza di queste istruzioni di pulizia può invalidare la garanzia.
- L'esposizione frequente o prolungata a concentrazioni più elevate di soluzioni disinfettanti può deteriorare prematuramente il materiale della fodera.
- L'uso di detergenti ad azione accelerata contenenti perossido di idrogeno o detergenti quaternari contenenti glicol-eteri può danneggiare la fodera.

Manutenzione preventiva

Rimuovere il prodotto dal servizio prima di eseguire gli interventi di manutenzione preventiva. Nel corso della manutenzione preventiva annuale di tutti i prodotti Stryker Medical, eseguire tutti i controlli qui elencati. È probabile che sia necessario eseguire interventi di manutenzione preventiva più di frequente, in base al grado di utilizzo del prodotto. Eventuali interventi di assistenza o riparazione devono essere eseguiti esclusivamente da personale qualificato.

Nota - Prima dell'ispezione, se pertinente, pulire e disinfettare le parti esterne del materasso.

Verificare quanto segue:

- _____ Tutti i dispositivi di fissaggio sono saldi
- _____ Le sponde laterali possono essere spostate e bloccate
- _____ Le ruote piroettanti si bloccano quando viene inserito il pedale del freno
- _____ Le ruote piroettanti sono salde e piroettano
- _____ Ruote piroettanti, per l'eventuale presenza di cera o detriti
- _____ Il meccanismo di frenatura funziona
- _____ Il meccanismo di sterzata funziona
- _____ Eventuali incrinature sulla superficie del materasso
- _____ Lo schienale Fowler si solleva, si abbassa e si blocca in posizione
- _____ L'alzaginicchia si solleva, si abbassa e si fissa in posizione (opzionale)
- _____ La funzione Trendelenburg/anti-Trendelenburg funziona come previsto da tutte le posizioni
- _____ La catenella di messa a terra è integra
- _____ Assenza di perdite in corrispondenza delle connessioni idrauliche
- _____ Tenuta dei martinetti idraulici
- _____ Possibilità di blocco e fissaggio delle cinghie di contenimento per il corpo (opzionali)
- _____ Integrità dell'asta portaflebo e possibilità di bloccarla in tutte le posizioni (opzionale)
- _____ Integrità del portabombola di ossigeno e possibilità di apertura e chiusura (opzionale)
- _____ Assenza di strappi o lacerazioni nella fodera coprimaterasso
- _____ Buone condizioni di accessori e bulloneria
- _____ Funzionalità dell'alimentazione a batteria (dispositivo opzionale)
- _____ Cavi, per verificare che non siano usurati o pizzicati (dispositivo opzionale)
- _____ Cavo di alimentazione e spina, per verificare che non siano danneggiati (dispositivo opzionale)
- _____ Tutte le connessioni elettriche, per verificare che siano salde (dispositivo opzionale)
- _____ Tutte le messe a terra, per verificare che siano fissate al telaio (dispositivo opzionale)
- _____ L'impedenza di terra non supera i 200 mΩ (milliohm) (opzionale)
- _____ La corrente di dispersione, che non deve superare 300 μA (microampere) (a norma UL 60606-1-1) (opzionale)
- _____ Le batterie, per verificare che siano cariche (sistema di pesatura opzionale)
- _____ Involucro del display, per verificarne l'integrità e l'assenza di danni (sistema di pesatura opzionale)
- _____ Le celle di carico, per verificarne l'integrità e l'assenza di danni (sistema di pesatura opzionale)
- _____ Il meccanismo con pomello per le ginocchia del poggiapiedi funziona come previsto e può essere fissato in posizione (opzionale)
- _____ Il meccanismo con pomello per le gambe del poggiapiedi funziona come previsto e può essere fissato in posizione (opzionale)
- _____ Il poggiapiedi si estende fino in fondo e si ferma nella posizione corretta (opzionale)

- _____ Le viti autofilettanti del poggiapiedi (6) sono fissate saldamente e le filettature non sono spanate (opzionale)
- _____ La bilancia è calibrata. Ricalibrarla, se necessario (sistema di pesatura opzionale)
- _____ Il porta-cassetta radiografica verticale è in buone condizioni operative e può essere regolato per adattarsi a tutte le cassette radiografiche (opzione **Prime X**)
- _____ Il rivestimento dello schienale Fowler e del poggiapiedi non sono danneggiati (opzione **Prime X**)
- _____ I vassoi lato testa e lato piedi non sono danneggiati (opzione **Prime X**)
- _____ Il bullone e il dado di ciascun perno dello schienale Fowler non sono allentati (opzione **Prime X**)

Numero di serie del prodotto:
Compilato da:
Data:

Informazioni sulla compatibilità elettromagnetica

ATTENZIONE

- L'uso di accessori, trasduttori e cavi diversi da quelli specificati o forniti dal produttore potrebbe comportare un aumento delle emissioni elettromagnetiche o una diminuzione dell'immunità elettromagnetica e provocare un funzionamento non corretto.
- Le caratteristiche delle emissioni di questa apparecchiatura la rendono adatta all'uso in ambienti industriali e ospedalieri (CISPR 11 classe A). Se viene usata in un ambiente residenziale (per il quale è normalmente richiesta la conformità CISPR 11 classe B) potrebbe non offrire una protezione adeguata ai servizi di comunicazione a radiofrequenza. L'utilizzatore potrebbe dover adottare misure di attenuazione, come lo spostamento o il riorientamento dell'apparecchio.

Informazioni di compatibilità e dichiarazioni del produttore – emissioni elettromagnetiche

L'elevatore elettrico opzionale, il lettino elettrico opzionale o il sistema di pesatura opzionale sono previsti per l'uso nell'ambiente elettromagnetico specificato di seguito. L'utilizzatore dell'elevatore elettrico opzionale, del lettino elettrico opzionale o del sistema di pesatura opzionale deve assicurarsi che venga usato in tale ambiente.

Test delle emissioni	Conformità	Ambiente elettromagnetico
Emissioni RF CISPR 11	Gruppo 1	L'elevatore elettrico opzionale, il lettino elettrico opzionale o il sistema di pesatura opzionale utilizzano energia RF esclusivamente per le loro funzioni interne. Pertanto, le emissioni RF sono molto basse e non dovrebbero interferire con le apparecchiature elettroniche presenti nelle vicinanze.
Emissioni RF CISPR 11	Classe A	L'elevatore elettrico opzionale, il lettino elettrico opzionale o il sistema di pesatura opzionale sono idonei per l'uso in tutti gli ambienti, ad eccezione di quelli adibiti ad uso residenziale e quelli direttamente collegati alla rete di alimentazione pubblica a bassa tensione che rifornisce gli edifici utilizzati per scopi abitativi.
Emissioni armoniche IEC 61000-3-2 *	Classe A	
Fluttuazioni di tensione Emissioni di flicker IEC 61000-3-3 *	Conforme	

* Applicabile solo all'elevatore elettrico opzionale o al lettino elettrico opzionale.

ATTENZIONE

- Gli apparecchi di comunicazione a RF portatili (incluse periferiche quali cavi di antenna e antenne esterne) non devono essere usati a una distanza inferiore a 12 pollici (30 cm) da qualsiasi parte della barella **Prime**, compresi i cavi specificati dal fabbricante.
- Non impilare o affiancare altri apparecchi per evitare di compromettere il funzionamento di questi prodotti. Qualora questo posizionamento fosse indispensabile, occorre osservare con attenzione gli apparecchi impilati o affiancati per accertarsi che stiano funzionando correttamente.

Distanze di separazione consigliate tra le apparecchiature di comunicazione in RF portatili e mobili e l'elevatore elettrico opzionale, il lettino elettrico opzionale o il sistema di pesatura opzionale.

L'elevatore elettrico opzionale, il lettino elettrico opzionale o il sistema di pesatura opzionale sono previsti per l'uso in un ambiente elettromagnetico con controllo delle interferenze a radiofrequenza irradiate. Per contribuire a evitare le interferenze elettromagnetiche, il cliente o l'utilizzatore dell'elevatore elettrico opzionale, del lettino elettrico opzionale o del sistema di pesatura opzionale deve assicurarsi di mantenere una distanza minima tra le apparecchiature di comunicazione in RF portatili e mobili (trasmettitori) e l'elevatore elettrico opzionale, il lettino elettrico opzionale o il sistema di pesatura opzionale come consigliato qui di seguito, a seconda della potenza massima di uscita delle apparecchiature di comunicazione.

Potenza nominale massima erogata dal trasmettitore	Distanza di separazione in funzione della frequenza del trasmettitore
W	m

	da 150 kHz a 80 MHz D=(1,2) (\sqrt{P})	da 80 MHz a 800 MHz D=(1,2) (\sqrt{P})	da 800 MHz a 2,7 GHz D=(2,3) (\sqrt{P})
0,01	0,12	0,12	0,23
0,1	0,38	0,38	0,73
1	1,2	1,2	2,3
10	3,8	3,8	7,3
100	12	12	23

Nel caso di trasmettitori il cui coefficiente massimo di potenza nominale in uscita non rientri nei parametri indicati, la distanza di separazione consigliata (D) in metri (m) può essere determinata tramite l'equazione corrispondente alla frequenza del trasmettitore, laddove P è il coefficiente massimo di potenza in uscita del trasmettitore espresso in watt (W) secondo le informazioni fornite dal fabbricante.

Nota 1 - A 80 MHz e 800 MHz si applica la distanza di separazione corrispondente alla gamma di frequenza superiore.

Nota 2 - È possibile che queste informazioni di compatibilità non siano universalmente applicabili. La propagazione elettromagnetica è influenzata dall'assorbimento e dalla riflessione ad opera di strutture, oggetti e persone.

Informazioni di compatibilità e dichiarazioni del produttore – immunità elettromagnetica

L'elevatore elettrico opzionale o il lettino elettrico opzionale o il sistema di pesatura opzionale sono previsti per l'uso nell'ambiente elettromagnetico specificato di seguito. Il cliente o l'utilizzatore dell'elevatore elettrico opzionale o del lettino elettrico opzionale o del sistema di pesatura opzionale deve assicurarsi che venga usato in tale ambiente.

Test d'immunità	Livello di prova IEC 60601	Livello di conformità	Ambiente elettromagnetico – guida
Scariche elettrostatiche (SES) IEC 61000-4-2	±8 kV a contatto ±15 kV in aria	±8 kV a contatto ±15 kV in aria	I pavimenti devono essere rivestiti in legno, cemento o piastrelle di ceramica. Se il pavimento è ricoperto di materiale sintetico, l'umidità relativa deve essere pari almeno al 30%.
Transitori elettrici veloci/ burst IEC 61000-4-4*	±2 kV per le linee di alimentazione di rete ±1 kV per linee in ingresso/ uscita	±2 kV per le linee di alimentazione di rete ±1 kV per linee in ingresso/ uscita	La qualità della corrente proveniente dalla rete di alimentazione deve essere conforme a un ambiente commerciale od ospedaliero tipico.
Sovratensione IEC 61000-4-5*	±1 kV da linea a linea ±2 kV da linea a terra	±1 kV da linea a linea ±2 kV da linea a terra	La qualità della corrente proveniente dalla rete di alimentazione deve essere conforme a un ambiente commerciale od ospedaliero tipico.


<p>Cadute di tensione, variazioni della tensione e brevi interruzioni sulle linee di alimentazione in ingresso IEC 61000-4-11*</p>	<p>0% U_T per 0,5 cicli a 0°, 45°, 90°, 135°, 180°, 225°, 270° e 315°</p> <p>0% U_T per 1 ciclo</p> <p>70% U_T (calo del 30% in U_T) per 25 cicli</p> <p>0% U_T per 250 cicli</p>	<p>0% U_T per 0,5 cicli a 0°, 45°, 90°, 135°, 180°, 225°, 270° e 315°</p> <p>0% U_T per 1 ciclo</p> <p>70% U_T (calo del 30% in U_T) per 25 cicli</p> <p>0% U_T per 250 cicli</p>	<p>La qualità della corrente proveniente dalla rete di alimentazione deve essere conforme a un ambiente commerciale od ospedaliero tipico. Se l'utilizzatore dell'elevatore elettrico opzionale o del lettino elettrico opzionale necessita di funzionamento continuo anche in presenza di interruzioni dell'alimentazione di rete, si consiglia di alimentare il dispositivo tramite un gruppo di continuità o una batteria.</p>
<p>Campo magnetico a frequenza di rete (50/60 Hz) IEC 61000-4-8</p>	<p>30 A/m</p>	<p>30 A/m</p>	<p>I campi magnetici della frequenza di rete devono attestarsi sui livelli tipici per una rete standard adibita ad uso commerciale e/o ospedaliero.</p>

Nota – U_T è la tensione in c.a. della rete di alimentazione prima dell'applicazione del livello di prova.

*Applicabile solo all'elevatore elettrico opzionale o al lettino elettrico opzionale.

Informazioni di compatibilità e dichiarazioni del produttore – immunità elettromagnetica

L'elevatore elettrico opzionale o il lettino elettrico opzionale o il sistema di pesatura opzionale sono previsti per l'uso nell'ambiente elettromagnetico specificato di seguito. Il cliente o l'utilizzatore dell'elevatore elettrico opzionale o del lettino elettrico opzionale e del sistema di pesatura opzionale deve assicurarsi che venga usato in tale ambiente.

Test d'immunità	Livello di prova IEC 60601	Livello di conformità	Ambiente elettromagnetico – guida
RF condotta IEC 61000-4-6* RF irradiata IEC 61000-4-3	3 Vrms 6 Vrms in bande ISM e bande radioamatoriali Da 150 kHz a 80 MHz 3 V/m da 80 MHz a 2,7 GHz	3 Vrms 6 Vrms in bande ISM e bande radioamatoriali 3 V/m	<p>Le apparecchiature di comunicazione in RF portatili e mobili non devono essere usate a una distanza da qualsiasi parte dell'elevatore elettrico opzionale, del lettino elettrico opzionale o del sistema di pesatura opzionale (inclusi i cavi) inferiore rispetto alla distanza di separazione consigliata, calcolata mediante l'equazione applicabile alla frequenza del trasmettitore.</p> <p>Distanza di separazione consigliata</p> $D=(1,2) (\sqrt{P})$ $D=(1,2) (\sqrt{P})$ <p>da 80 MHz a 800 MHz</p> $D=(2,3) (\sqrt{P})$ <p>da 800 MHz a 2,7 GHz</p> <p>laddove P è il coefficiente massimo di potenza in uscita del trasmettitore espresso in watt (W) secondo le informazioni fornite dal produttore, e D è la distanza di separazione consigliata in metri (m).</p> <p>L'intensità dei campi emessi da trasmettitori in radiofrequenza fissi, determinata da un rilevamento elettromagnetico in loco,^a deve risultare inferiore al livello di conformità corrispondente a ciascuna gamma di frequenza.^b</p> <p>Possono verificarsi interferenze in prossimità di dispositivi recanti il seguente simbolo:</p> 

Nota 1 – A 80 MHz e 800 MHz si applica il range di frequenza più elevato.

Nota 2 - È possibile che queste informazioni di compatibilità non siano universalmente applicabili. La propagazione elettromagnetica è influenzata dall'assorbimento e dalla riflessione ad opera di strutture, oggetti e persone.

Nota 3 - Le bande ISM (industriali, scientifiche e mediche) comprese fra 0,15 MHz e 80 MHz vanno da 6,765 MHz a 6,795 MHz; da 13,553 MHz a 13,567 MHz; da 26,957 MHz a 27,283 MHz e da 40,66 MHz a 40,70 MHz.

^a Non è possibile prevedere teoricamente con precisione le intensità di campo dai trasmettitori fissi, quali stazioni base per telefoni a radiofrequenza (cellulari/cordless) e sistemi terrestri mobili di radiocomunicazione, sistemi per radioamatori, antenne radio AM ed FM e TV. Per valutare l'ambiente elettromagnetico in relazione ai trasmettitori a RF fissi, è necessario prendere in considerazione l'opportunità di eseguire una perizia elettromagnetica del sito. Se l'intensità di campo misurata nel luogo in cui vengono utilizzati l'elevatore elettrico opzionale, il lettino elettrico opzionale o il sistema di pesatura opzionale è superiore al corrispondente livello di conformità RF (vedi sopra), è necessario osservare l'elevatore elettrico opzionale, il lettino elettrico opzionale o il sistema di pesatura opzionale per accertarne il corretto funzionamento. In caso di funzionamento anomalo, può essere necessario ricorrere a ulteriori misure, come il riorientamento o lo spostamento dell'elevatore elettrico opzionale, del lettino elettrico opzionale o del sistema di pesatura opzionale.

^b Per la gamma di frequenza compresa tra 150 kHz e 80 MHz, le intensità di campo sono inferiori a 3 V/m.

*Applicabile solo al lettino elettrico opzionale.

Prime Series® 운반차












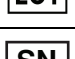


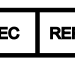




작동 설명서












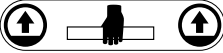




REF 1115

Big Wheel®



기호

	지침 매뉴얼/설명서를 참조할 것
	사용 지침을 준수할 것
	일반 경고
	주의
	경고; 손 압착
	경고; 비전리 방사선
	밀지 말 것
	산소병을 보관하지 말 것
	윤활제를 사용하지 말 것
	카탈로그 번호
	로트(배치) 코드
	일련번호
	미국 특허는 www.stryker.com/patents 를 참조할 것
	CE 마크
	유럽공동체 공인 대리점
	유럽 의료 기기
	제조업체
	제조일
	수입업체

	안전 사용 하중
	최대 환자 체중
	안전 사용 하중이 있는 장비 중량
	직류
	교류
	위험 전압
	보호 접지
IPX6	강력한 물 분사로부터 보호
	타입 B 적용 부품
	Underwriters Laboratories Inc.에서 분류한 의료 장비. ANSI/AAMI ES60601-1: 2005 및 CAN/CSA-C22.2 No. 60601-1:08에 따른 감전, 화재 및 기계적 위해성에만 해당. *Prime X 옵션의 경우, X선 장비 IEC의 관련 장비 IEC 60601-2-54
	전기 전자 기기 폐기물(WEEE)에 관한 유럽 지침 2012/19/EU에 따라, 이 기호는 본 제품을 리사이클링 목적으로 분리 수거해야 함을 나타냅니다. 분류되지 않은 일반 쓰레기와 함께 처분하지 마십시오. 처분 정보는 현지 공급업체에 문의하십시오. 감염된 장비는 재활용 전에 반드시 오염을 제거해야 합니다.
	운할
	여기를 들어올리십시오
	위쪽 방향
	건조한 상태 유지
	깨지기 쉬움, 취급 시 주의
	적재 수 한도

목차

경고/주의/참고 정의	3
안전 주의 사항 요약	3
압착 지점	6
소개	7
제품 설명	7
사용할 수 있는 경우	7
임상적 유용성	7
금기 사항	8
예상 사용 수명	8
폐기/재활용	8
규격	8
제품 도해 - Prime	10
제품 도해 - Prime X 옵션	11
적용 부품 - 전기 침상 옵션	12
적용 부품 - Prime X 옵션	12
연락처 정보	13
일련번호 위치	13
설치	14
작동	15
브레이크 적용 및 해제하기	15
Prime 베이스 컨트롤	16
비전기 침상 올리기	16
비전기 침상 낮추기	16
전기 침상 옵션 올리기	17
전기 침상 옵션 낮추기	17
트렌델렌버그에서 제품 위치 설정하기	17
역 트렌델렌버그로 제품 위치 설정하기	18
환자 수송	18
Big Wheel을 사용하지 않고 환자 수송하기	18
Big Wheel을 사용하여 환자 수송하기	19
머리쪽 끝 밀기 핸들 옵션 위치 설정하기 또는 접어 넣기	20
사이드레일 올리기	21
사이드레일 내리기	21
사이드레일 환자 컨트롤 패널을 이용하여 제품 위치 설정하기 - 전기 침상 옵션 - Prime에만 해당	22
작동자 컨트롤 패널 - 전기 침상 옵션 - Prime에만 해당	22
환자 컨트롤 패널 잠금 장치를 잠그기 및 잠금 해제하기 - 전기 침상 옵션 - Prime에만 해당	23
파올러 등받이 올리기 또는 내리기 - 비전기 침상	24
파올러 등받이 올리기 또는 내리기 - 전기 침상 옵션	25
개치 올리기 또는 내리기 - 비전기 침상 옵션 - Prime에만 해당	26
개치 올리기 또는 내리기 - 전기 침상 옵션 - Prime에만 해당	26
회복 의자 위치 설정하기 - Prime에만 해당	26
베이스 후드에 물품 보관하기	27
펌프 랙 옵션이 있는 걸기 장치	27
개폐식 코드 릴 옵션이 있는 전원 코드를 연장하거나 집어넣기 - 전기 리프트 옵션 또는 전기 침상 옵션	28
저울 시스템 옵션	28
저울 아이콘/버튼 식별	29
환자 체중 측정하기	29
저울 측정 단위 고정하기	30
Chaperone 옵션을 작동하거나 해제하기	30
Chaperone 옵션 경보 패턴 설정하기	30
Chaperone 옵션 경보음 설정하기	31
저울 시스템 배터리 팩 옵션 변경하기 - 전기 침상 옵션 또는 Chaperone 옵션이 있는 전기 침상 옵션 - Prime에만 해당	31
저울 시스템 옵션 배터리 교체하기 - 비전기 침상	31
액세서리 및 부품	32
제세동기 트레이 부착하기	35
제세동기 트레이/발 연장부를 제세동기 트레이로 전환하기	35
제세동기 트레이/발 연장부를 발 연장부로 전환하기	36
발판/차트 홀더 부착하기	36

IV 캐디 부착하기	37
발 지지대 위치 설정하기 또는 보관하기 - Prime에만 해당	37
영구 부착된 2단 IV 폴 위치 설정하기	38
영구 부착된 3단 IV 폴 옵션 위치 설정하기	39
탈착식 IV 폴 부착하기 및 위치 조정하기	40
수직형 산소통 홀더 부착하기	41
서빙 트레이/발판 연장하기 또는 접기	41
사이드레일 패드 부착하기	42
환자 고정 스트랩 묶는 위치 찾기	42
수직형 X선 카세트 홀더 위치 설정하기 - Prime X 옵션	42
측면 X선 카세트 홀더 위치 설정하기 - Prime X 옵션	43
X선 카세트를 삽입하거나 꺼내기 - Prime X 옵션	44
세척	46
제품 세척하기	46
카트 세척기를 사용하여 제품 세척하기	46
매트리스 세척하기	47
요오드 제거	48
특별 지침	48
소독	49
제품 소독 방법	49
매트리스 소독하기	49
예방 유지보수	51
EMC 정보	53

경고/주의/참고 정의

경고, 주의 및 참고는 특별한 의미를 담고 있으므로 주의 깊게 검토해야 합니다.

경고

준수하지 않을 경우 사망 또는 중상을 초래할 수 있는 상황을 알립니다. 또한 발생할 수 있는 심각한 부작용 및 안전상의 위험에 대해서 설명할 수도 있습니다.

주의

준수하지 않을 경우, 사용자 또는 환자에게 경증 또는 중등도의 부상을 초래하거나 또는 제품이나 다른 재산에 손상을 초래할 수 있는 잠재적으로 위험한 상황에 대해 알립니다. 여기에는 장비를 안전하고 효과적으로 사용하기 위한 특별 사항 그리고 사용 또는 오용의 결과로 장비에 발생할 수 있는 손상을 방지하기 위한 특별 사항이 포함됩니다.

참고 - 유지 보수를 용이하게 하고 중요한 지침이 명백하게 전달되도록 하는 특정 정보를 제공합니다.

안전 주의 사항 요약

항상 이 페이지에 기재된 경고 및 주의를 읽고 엄격히 준수해야 합니다. 자격을 갖춘 요원만이 정비를 실행합니다.

경고

- 제품을 설치하거나 기능 작동을 시험하기 전에 항상 제품 온도가 실온이 되도록 하십시오. 영구적인 제품 손상이 발생할 수 있습니다.
- 항상 모든 작동자가 기구에서 거리를 두고 떨어졌을 때 제품을 작동하십시오.
- 전원 코드 취급 시 항상 주의를 기울이십시오. 얽힘, 전원 코드 손상, 또는 잠재적 감전 위험이 발생할 수 있습니다. 전원 코드가 손상된 경우 즉시 제품 사용을 중단하고 적절한 유지보수 기술자에게 연락하십시오.
- 항상 접지된 병원 등급 벽 콘센트에 제품 플러그를 직접 꽂으십시오. 병원 등급 콘센트를 사용하는 경우에만 접지 신뢰성이 보장될 수 있습니다. 이 제품에는 감전 위험을 방지하기 위하여 병원 등급 플러그가 갖추어져 있습니다.
- 환자가 제품에 올라가거나 제품에서 내릴 때 또는 제품이 이동 중이 아닐 때는 항상 브레이크를 거십시오. 환자가 제품에 올라가거나 제품에서 내리는 동안 제품이 움직이면 부상을 초래할 수 있습니다.
- 항상 제품 가운데 환자가 위치하도록 하십시오.
- 환자 옆에 아무도 없을 때는 항상 사이드레일을 위로 올려 잠근 상태에서 제품을 가장 낮은 위치에 두십시오. 높은 위치 상태로 제품을 두지 마십시오.
- 침상을 올리거나 내리기 전에 방해가 될 수 있는 모든 장치를 항상 치우십시오.
- 제품 끝에 앉지 마십시오. 제품이 기울어질 수 있습니다.
- 환자를 수송할 때는 항상 가장 낮은 위치에서 수면 표면을 수평 상태로 하여 사이드레일을 최고 위치로 올려 잠그십시오.
- 제품이 기울어지는 것을 막기 위해 제품을 측면으로 5.7도(10% 정도) 이상 경사진 상태로 제품을 수송하지 마십시오.
- 2.5인치(6.35 cm)보다 두꺼운 매트리스를 사용하거나 Prime X 옵션과 함께 매트리스 덮개를 사용하는 경우 항상 각별한 주의를 기울이십시오.
- 환자를 수송할 때는 항상 가장 낮은 위치에서 수면 표면을 수평 상태로 하여 사이드레일을 최고 위치로 올려 잠그십시오.
- 사이드레일을 올리거나 내릴 때 항상 환자의 팔다리가 사이드레일 축에서 떨어져 있도록 하십시오.
- 사이드레일이 저절로 내려가지 않도록 하십시오.
- 파울러 등받이를 내릴 때 항상 손과 손가락이 파울러 등받이 해제 핸들과 파울러 등받이 프레임에서 떨어져 있도록 하십시오.
- 환자가 운반차에 있는 동안 파울러 등받이를 올릴 때는 항상 주의를 기울이십시오. 올바른 올림 기법을 사용하고 필요한 경우 도움을 받으십시오.
- 개치를 낮출 때는 항상 손과 손가락이 발쪽 끝 밀기 핸들에서 떨어져 있도록 하십시오.
- 펌프 랙에 있는 장치 라인이 항상 개치 핸들에서 떨어져 있도록 하십시오.
- 펌프 랙에 있는 장치가 열려진 문 사이를 안전하게 통과할 수 있는지 항상 확인하십시오.
- 펌프 랙으로 운반차를 들어 올리지 마십시오.
- 환자를 수송하거나 제품을 세척하기 전에 항상 벽 콘센트에서 전원 코드 플러그를 빼십시오.
- 제품 수송 시에는 항상 개폐식 코드 릴을 사용하여 전원 코드를 베이스 안에 보관하십시오.

- 저울 시스템 옵션 또는 전기 리프트 옵션이나 전기 침상 옵션을 다른 장치에 근접하여 또는 다른 장치와 적재하여 사용하지 마십시오. 근접하거나 적재하여 사용할 필요가 있는 경우, 사용할 배치 설정에서 모든 장치가 정상적으로 작동하는지 확인하기 위해 저울 시스템 옵션 또는 전기 리프트 옵션이나 전기 침상 옵션을 관찰해야 합니다.
- 제세동기 트레이에는 30파운드(14 kg)를 초과하는 물품을 놓지 마십시오. 제세동기에 놓는 모든 장치는 항상 끈으로 고정시키십시오.
- 발쪽 푸시핸들 옵션 위치를 취하는 경우, 제세동기 트레이/발 연장부, 풋보드/차트 홀더, 또는 수직형 산소통 홀더가 부착되어 있으면 손가락이 끼지 않도록 항상 주의를 기울이십시오.
- 제세동기 트레이-발 연장부에는 30파운드(14 kg)를 초과하는 물품을 놓지 마십시오. 제세동기에 놓는 모든 장치는 항상 끈으로 고정시키십시오.
- 제품 수송 시 항상 IV 폴을 IV 캐디에 고정시키십시오.
- 제품 손상을 방지하기 위해 사용 중이 아닐 때는 항상 IV 캐디를 보관하십시오.
- 발 받침대 위에 앉지 마십시오. 제품이 기울어질 수 있습니다.
- 발 받침대 작동 시에는 항상 손가락이 기구에서 떨어져 있도록 하십시오.
- 환자 이송 시에는 항상 발 받침대를 넣어 두십시오.
- 발 받침대를 사용하기 전에 항상 발 받침대를 조이십시오.
- 발 받침대와 함께 저울 시스템을 작동하지 마십시오. 측정치가 부정확할 수 있습니다.
- 발 받침대와 함께 **Chaperone** 옵션을 작동하지 마십시오. 측정치가 부정확할 수 있습니다.
- IV 폴을 밀거나 당기는 장치로 사용하지 마십시오. 제품이 손상될 수 있습니다.
- 산소통 홀더에 40파운드(18 kg)가 넘는 물체를 놓지 마십시오.
- 서빙 트레이에 30파운드(14 kg)가 넘는 물체를 놓지 마십시오.
- 고정 스트랩을 부착할 때 항상 주의를 기울이십시오. 환자나 작동자가 부상을 입을 수 있습니다. 고정된 상태에서라도 신체 고정 장치는 얽힘, 걸림, 신체 부상 또는 사망 등의 심각한 위해를 초래할 수 있습니다.
- 고정 스트랩 또는 장치는 항상 제품의 표시된 부착 지점에만 부착하십시오. 이를 준수하지 않으면 환자 또는 작동자 부상을 초래할 수 있습니다. 고정 스트랩을 사이드레일에 부착하지 마십시오.
- 고정 스트랩 또는 장치를 사용하기 전에 항상 해당되는 지방 및 국가 제약 사항과 규정 그리고 해당 시설 프로토콜을 참조하십시오.
- 수직형 또는 측면 X선 카세트 홀더를 사용할 때 항상 보호 조치를 취하십시오. X선 카세트 홀더는 방사선에 대한 보호를 제공하지 않습니다.
- 방사선 발생 장치와 함께 **Prime X** 옵션을 사용하기 전에, 안전을 위해 항상 시설 프로토콜 이외에 현지, 지방 및 국가 지침을 참조하십시오. 방사선 발생 장치가 잔여, 고립 또는 산발적 방사선을 방출할 수 있습니다.
- 항상 수직형 X선 카세트 홀더 위치 설정하기 - **Prime X** 옵션 지침을 따라 X선 카세트를 삽입하십시오.
- 파울러 등받이를 수직 위치에 둔 상태에서 X선 촬영을 하거나 수평 카세트를 사용하는 경우 항상 주의를 기울이십시오.
- 항상 측면 X선 카세트 홀더 위치 설정하기 - **Prime X** 옵션 지침을 따라 X선 카세트를 삽입하십시오.
- 제품을 사용하는 동안에는 세척 또는 서비스하거나, 정비를 수행하지 마십시오.
- 매트리스를 세정액이나 소독액에 담그지 마십시오. 과도한 수분은 제품 손상이나 환자 부상을 초래하는 제품 오작동을 초래할 수 있습니다.
- 매트리스에 액체가 고이지 않도록 하십시오. 액체는 구성 요소 부식을 초래할 수 있으며 이로 인해 이 제품의 안전성과 성능이 예측 불가능하게 될 수 있습니다.
- 커버를 세척할 때마다 매트리스 커버에 찢긴 곳, 구멍, 과도한 마모, 지퍼 오정렬 등이 있는지 항상 검사하십시오. 교차 오염을 방지하기 위하여 손상된 매트리스는 제거하고 교체하십시오.
- 매트리스를 증기 세척, 고압 세척, 호스 사용 세척, 초음파 세척하지 마십시오. 이러한 세척 방법으로 인해 제품의 보증이 무효가 될 수 있습니다.
- 제품을 증기 세척, 호스 사용 세척, 또는 초음파 세척하지 마십시오. 이러한 세척 방법 사용은 권장되지 않으며 이 제품의 보증이 무효가 될 수 있습니다.
- 환자가 바뀔 때마다 항상 매트리스를 소독하십시오. 이를 준수하지 않으면 교차 오염과 감염이 초래될 수 있습니다.

주의

- 제품을 부적절하게 사용하면 환자나 조작자가 부상을 입을 수 있습니다. 제품을 이 매뉴얼에 설명된 대로만 조작하십시오.
- 본 제품 또는 제품의 어떤 구성품도 개조하지 마십시오. 제품을 개조하면 예상치 않게 작동하여 환자 또는 조작자가 부상을 입을 수 있습니다. 또한 제품을 개조하면 보증이 무효가 됩니다.
- 제품 아래 환자 리프트가 있는 상태에서 베이스에 있는 유압을 사용하여 제품을 올리지 마십시오.
- 문턱이나 다른 웅기 부분에 **Big Wheel**이 올라가 있을 때 조종 페달을 적용하지 마십시오. **Big Wheel**을 적용하는 데 필요한 힘이 보통보다 크기 때문에 제품 손상을 초래할 수 있습니다.

- 개치의 무게 용량은 200파운드(90.7 kg)입니다.
- 사용 전 개치 버팀대가 고정되어 있는지 항상 확인하십시오.
- 개치 위에 앉거나 올라서지 마십시오.
- 제품에 전력이 공급되지 않는 동안 개치를 내리려고 할 때는 항상 주의를 기울이십시오. 중력으로 인해 개치가 급격히 내려갈 수 있습니다.
- 베이스 후드에 60파운드(27 kg)가 넘는 물체를 놓지 마십시오.
- 베이스 후드 위에 앉거나, 딛고 서거나 올라서지 마십시오.
- 펌프 랙의 무게 용량은 40파운드(18 kg)입니다.
- 펌프 랙을 밀거나 당기는 장치로 사용하지 마십시오. 제품이 손상될 수 있습니다.
- 50파운드(23 kg) 미만 환자의 경우 저울을 사용하지 마십시오.
- 저울 시스템 측정치를 의학적 치료를 위한 기준으로 사용하지 마십시오.
- 제세동기 트레이/발 연장부를 제품에 부착하기 전에 항상 IV 폴을 올리십시오. IV 폴을 올리지 않으면 발 연장부가 작동하지 않습니다.
- IV 폴을 밀거나 당기는 장치로 사용하지 마십시오. 제품이 손상될 수 있습니다.
- IV 폴에 40파운드(18 kg)이 넘는 IV 백을 걸지 마십시오.
- 환자 수송 시 열린 문 사이를 통과하기 위해 항상 IV 폴이 가장 낮은 높이에 있음을 확인하십시오.
- 연마성 세정제를 사용하여 저울 시스템 옵션의 디스플레이 인클로저를 세척하지 마십시오. 디스플레이 장치에 세정액이나 다른 액체가 고이지 않도록 하십시오. 유출이나 세척 후 모든 표면을 건조시키십시오.
- 제조업체가 지정하거나 제공한 것이 아닌 액세서리, 변환기 및 케이블을 사용하면, 전자기 방출 증가 또는 전자기 내성 감소와 부적절한 작동을 초래할 수 있습니다.
- 방출 특징으로 인해, 이 장비는 산업 지역 및 병원에서 사용하기에 적합합니다(CISPR 11 등급 A). 일반적으로 CISPR 11 등급 B가 요구되는 주거 환경에서 사용되는 경우 이 장비는 무선 주파수 통신 서비스에 대한 충분한 보호를 제공하지 않을 수 있습니다. 사용자가 장비의 재배치 또는 방향 재설정 등의 완화 조치를 취해야 할 수 있습니다.
- 휴대용 RF 통신 장비(안테나 케이블 및 외부 안테나와 같은 주변 장치 포함)는 **Prime** 운반차의 모든 부분(제조업체가 지정한 케이블 포함)으로부터 12인치(30 cm) 이상 떨어진 거리에서 사용해야 합니다.
- 부적절한 작동을 방지하기 위해 이 장비를 다른 장비와 쌓아 놓거나 서로 근접하게 배치하지 말아야 합니다. 그러한 상태로 사용할 필요가 있는 경우, 적재되거나 근접한 장비를 세심히 관찰하여 정상적으로 작동하는지 확인하십시오.

압착 지점



그림 1 - Prime X 옵션

소개

본 설명서는 Stryker 제품의 사용 또는 유지보수에 도움이 되도록 제작되었습니다. 본 제품을 작동 또는 유지보수하기 전에 본 설명서를 읽어보십시오. 이 제품의 안전한 작동 또는 유지보수에 관해 직원을 교육하고 훈련시키는 방법과 절차를 마련하십시오.

주의

- 제품을 부적절하게 사용하면 환자나 작동자가 부상을 입을 수 있습니다. 본 설명서에 기술된 대로만 제품을 사용하십시오.
- 제품 또는 제품의 구성 요소 일체를 개조하지 마십시오. 제품을 개조하면 예상치 않게 작동하여 환자 또는 작동자가 부상을 입을 수 있습니다. 제품을 개조하면 보증이 무효가 될 수도 있습니다.

참고

- 본 설명서는 영구적인 제품의 일부로 간주되어야 하며 제품이 추후 판매되더라도 제품과 함께 동봉되어야 합니다.
- Stryker는 제품 설계와 품질의 발전을 지속적으로 추구합니다. 본 설명서에는 인쇄 시점에서 제공되어 있는 가장 최근의 제품 정보가 실려 있습니다. 해당 제품과 본 설명서 간에 사소한 차이가 있을 수 있습니다. 질문이 있는 경우, Stryker 고객 서비스 또는 기술 지원부(1-800-327-0770)에 문의하시기 바랍니다.

제품 설명

Big Wheel®이 장착된 Stryker 모델 1115 **Prime Series**® 운반차는 수평 위치의 환자를 지지하기 위해 바퀴 달린 프레임에 장착된 플랫폼으로 이루어진 장치입니다. 운반차는 작동자에게 의료 전문인 또는 시설 내 교육을 받은 대리인에 의한 의료 시설 내 환자 수송 방법을 제공합니다. **Big Wheel**이 장착된 Stryker 모델 1115 **Prime Series** 운반차는 시동력과 조종 노력을 감소시켜 신체적 부담을 줄입니다.

사용할 수 있는 경우

Big Wheel이 장착된 **Prime Series** 운반차에는 운반차를 이동하는 데 필요한 시동력을 감소시키기 위한 2개의 큰 바퀴가 있습니다.

Prime Series 운반차는 단기 외래 환자 임상 평가, 치료, 가벼운 시술, 그리고 단기 외래 환자 회복 플랫폼으로 사용할 수 있습니다. 운반차는 다음 장소에서 사용할 수 있으며 이에만 제한되지는 않습니다.

- 응급실(ED)
- 외상 영역
- 마취 후 회복실(PACU)

Prime Series 운반차는 가벼운 시술과 단기 체류(치료 및 회복) 용도로 사용할 수 있습니다. 의도한 환경 조건에 대해서는 사양 표를 참조하십시오.

Stryker **Prime Series** 운반차는 침대 표준 BS EN 50637 준수에 대해 평가되지 않았습니다. 이 제품은 시판 허가용으로 이 침대 표준을 인정하는 시장에서 비전형적 해부구조를 가진 소아 환자 또는 성인 환자의 단기 체류용으로 사용해서는 안 됩니다.

Prime Series 운반차는 장기 입원 환자의 치료와 회복 용도가 아닙니다.

Prime Series 운반차의 안전 사용 하중은 최대 700파운드(318 kg)이며 경중의 환자부터 중환자를 포함한 모든 환자에게 사용하도록 제작되었습니다. 또한 이 운반차는 격리된 의료 시설 이내에서 사망 환자를 수송하는 데 사용할 수 있습니다.

Prime X® 옵션은 X선 카세트 배치를 위한 접이식 방사선 지원 표면과 환자 지지 표면 아래 플랫폼을 제공합니다. **Prime X** 옵션은 의료용 X선 시스템과 함께 사용 시 임상 X선(전신 전후방, 옵션 전신 측면, 옵션 기립후 흉부)을 포획할 수 있습니다.

임상적 유용성

환자 수송, 치료 도움, 그리고 진단

금기 사항

Prime X 옵션을 두께가 10 cm 이상인 매트리스와 함께 사용하는 것은 권장되지 않습니다.

Prime X 옵션은 C-암과 함께 사용할 수 없습니다.

Prime X 시스템은 가정용 시설 및 가정용 목적으로 사용되는 건물에 공급하는 공공 저전압 전력 공급 네트워크에 직접적으로 연결된 시설을 제외한 모든 시설에 사용이 적합합니다.



예상 사용 수명

Prime Series 운반차와 Prime X 옵션이 있는 Prime Series 운반차는 보통 사용 조건하에서 적절한 정기적 유지보수를 하는 경우 예상 사용 수명 10년이 되도록 설계되었습니다.

폐기/재활용

사용 수명 기간 종료 시 장비의 재활용이나 처분과 관련된 현행 현지 권장 사항 및/또는 환경 보호에 관한 규정을 항상 준수하십시오.

규격

	Prime Series 26인치 (66cm) 폭		Prime Series 30인치 (76cm) 폭 Prime Series HT 팩		Prime X 옵션 30인치 (76cm) 폭	
	 참고 - 안전 사용 하중은 환자, 매트리스, 액세서리 무게의 합입니다.	700파운드	318 kg	700파운드	318 kg	700파운드
 최대 환자 체중	675파운드	306 kg	675파운드	306 kg	675파운드	306 kg
전체 길이	85인치(± 0.5인치)	215.9cm	85인치(± 0.5인치)	215.9cm	85인치(± 0.5인치)	215.9cm
전체 길이 (침상 연장부 포함)	89.9인치(± 0.75인치)	228.3cm	89.9인치(± 0.75인치)	228.3cm	해당 없음	해당 없음
전체 너비 (사이드레일 올린 상태)	34인치(± 1인치)	86.4cm	38인치(± 1인치)	96.5cm	38인치(± 1인치)	96.5cm
전체 너비 (사이드레일 내린 상태)	30.25인치(± 0.5인치)	76.8cm	30.5인치(± 0.5인치)	77.5cm	30.5인치(± 0.5인치)	77.5cm
최저 높이	20.75인치	52.7 cm	20.75인치	52.7 cm	23.25인치	59.1cm
최고 높이	34인치(± 1인치)	86.4cm	34인치(± 1인치)	86.4cm	36.5인치(± 1인치)	92.7cm
파올러 등받이 각도	0° ~ 90°(± 5°)					
개치 높이	최저 5.5인치(14 cm)				해당 없음	

	Prime Series 26인치 (66cm) 폭	Prime Series 30인치 (76cm) 폭 Prime Series HT 팩	Prime X 옵션 30인치 (76cm) 폭			
트렌델렌부르크/역 트렌델렌부르크	+17° ~ -17° (± 3°)					
최소 이격 거리	2.5인치 공칭	6.4 cm	2.5인치 공칭	6.4 cm	2.5인치 공칭	6.4 cm
	1.75인치 (유압 잭 아래)	4.5cm	1.75인치 (유압 잭 아래)	4.5cm	1.75인치 (유압 잭 아래)	4.5cm
	1인치 (Big Wheel 아래)	2.5 cm	1인치 (Big Wheel 아래)	2.5 cm	1인치 (Big Wheel 아래)	2.5 cm
감쇠 당량(알루미늄 당량)	해당 없음		최대 허용치는 1.7 mm Al 임			
옵션 저울 시스템 무게 작동 범위	50파운드(22.7 kg) ~ 700파운드(318 kg)					
옵션 저울 시스템 정확도	100파운드(45 kg) 미만 무게의 경우 ±3파운드(1.3 kg) 그리고 100파운드(45 kg) 이상 무게의 경우 ±3%*					
*저울 시스템 정확도 기준을 충족시키려면, 환자 표면이 반드시 최고 높이의 평평한 위치(파올러 등받이와 개치 내린 상태)여야 하며, 제품이 트렌델렌버그/역 트렌델렌버그 5도를 초과해서는 안 됩니다.						

전기 옵션	옵션 전기식 침상 (Prime에만 제공됨)	옵션 전기식 리프트 (Prime 및 Prime X에 제공됨)
전기 요건	120 VAC, 60Hz, 10A 240 VAC, 50/60 Hz, 5A	120 VAC, 60Hz, 10A 240 VAC, 50/60 Hz, 5A
듀티 사이클	단속적 부하가 수반된 지속적 작동은 1분 켜짐/20분 꺼짐임	단속적 부하가 수반된 지속적 작동은 1분 켜짐/20분 꺼짐임

옵션 저울 시스템	비전기식 침상 (Prime 및 Prime X에 제공됨)	옵션 전기식 리프트 (Prime 및 Prime X에 제공됨)
배터리 유형	4 x AA 배터리(4 x 1.5 VDC) 알카라인 타입(LR6)	4 x AA 배터리(4 x 1.5 VDC) 알카라인 타입(LR6)
배터리 전압	6.0 VDC	6.0 VDC

옵션 저울 시스템	옵션 전기식 침상 (Prime에만 제공됨)	옵션 전기 리프트
배터리 유형	1 x 재충전식 리튬 이온 배터리 팩 (0058-135-000)	해당 없음
배터리 전압	10.8 VDC, 2.4Ah	해당 없음

옵션 저울 시스템 (Chaperone® 장착) (운반차 탈출)	옵션 전기식 침상 (Prime에만 제공됨)	옵션 전기 리프트
배터리 유형	1 x 재충전식 리튬 이온 배터리 팩 (0058-134-000)	해당 없음
배터리 전압	10.8 VDC, 4.8Ah	해당 없음

Stryker는 예고 없이 규격을 변경할 권리를 보유합니다.

참고 - 본 제품은 공기나 산소와 혼합된 가연성 마취제, 또는 아산화질소가 있는 장소에서 사용하기에 적합하지 않습니다.

환경 조건	작동	보관 및 운반
온도		
상대습도		
대기압		

참고 - 옵션인 저울 시스템(비전기식 침상/전기식 침상 옵션) 작동 온도 범위는 61°F(16°C) ~ 79°F(26°C)입니다.

열거된 규격은 대략적인 것이며 제품별로, 또는 전원 공급 변동에 따라 약간 다를 수 있습니다.

제품 도해 - Prime

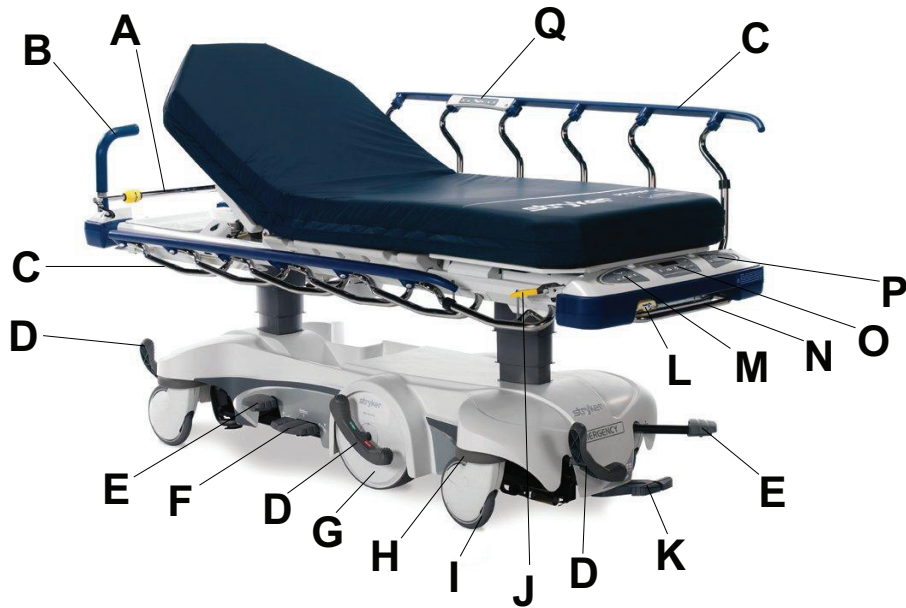


그림 2 - Prime

A	IV 폴	J	사이드레일 래치
B	BackSmart® 팝업 밀기 핸들, 옵션	K	유압 해제 페달
C	BackSmart 사이드레일	L	개치 해제 핸들
D	브레이크/조향 페달	M	BackSmart 발쪽 끝 작동자 컨트롤 패널, 옵션
E	펌프 페달	N	펌프 랙, 옵션
F	단일 하강 페달	O	BackSmart 저울 시스템, 옵션

G	Big Wheel	P	환자 컨트롤 패널 잠금, 옵션
H	범퍼, 통합	Q	사이드레일 환자 컨트롤 패널, 옵션
I	통합 바퀴 커버가 있는 캐스터		

제품 도해 - Prime X 옵션



그림 3 - Prime X 옵션

A	BackSmart® 팝업 밀기 핸들, 옵션	H	단일 하강 페달
B	IV 폴	I	범퍼, 통합
C	카세트 트레이	J	통합 바퀴 커버가 있는 캐스터
D	Clearview Technology® 데크를 갖춘 환자 표면	K	사이드레일 래치
E	BackSmart 사이드레일	L	펌프 랙, 옵션
F	브레이크/조종 컨트롤 페달	M	BackSmart 저울 시스템, 옵션
G	펌프 페달		

적용 부품 - 전기 침상 옵션



그림 4 - 유형 B 적용 부품 - 전기 침상 옵션

적용 부품 - Prime X 옵션



그림 5 - 유형 B 적용 부품 - Prime X 옵션

연락처 정보

Stryker 고객센터서비스부 또는 기술지원부 연락처: 1-800-327-0770.

Stryker Medical
3800 E. Centre Avenue
Portage, MI 49002
미국

참고 - 사용자 및/또는 환자는 일체의 중대한 제품 관련 사례를 사용자 및/또는 환자 거주 지역의 유럽회원국 관할 당국과 제조업체 모두에 보고해야 합니다.

온라인에서 조작 또는 정비 매뉴얼을 보려면 <https://techweb.stryker.com/>을 방문하십시오.

Stryker 고객센터서비스 또는 기술지원 부서에 전화할 때는 Stryker 제품의 일련번호(A)를 준비해 두십시오. 모든 서면 통신문에 일련번호를 기재하십시오.

일련번호 위치

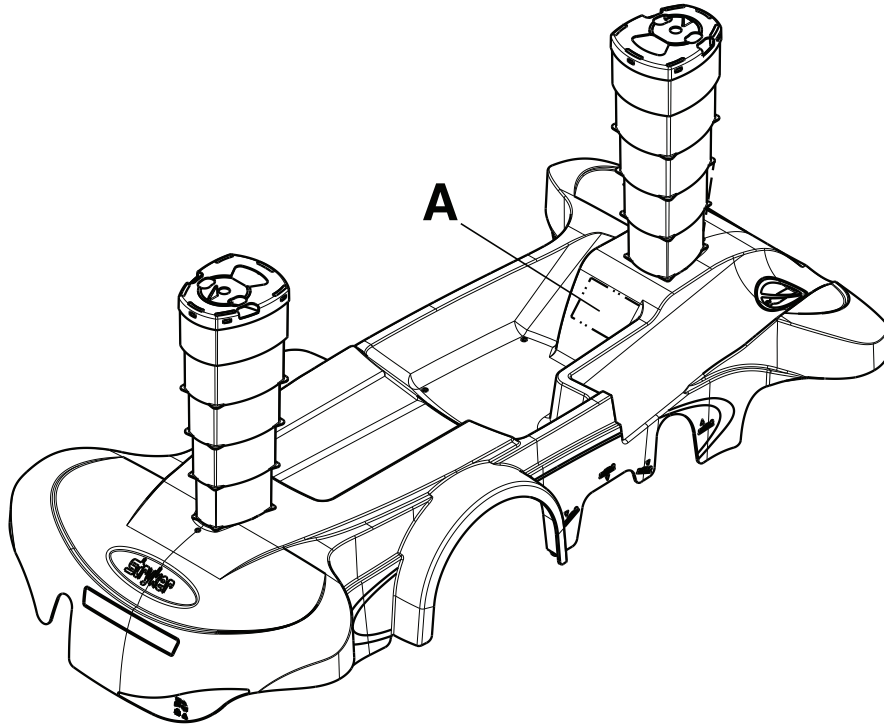


그림 6 - 일련번호 위치

설치

제품 포장을 풀기 위해서는 배송 상자 내부의 제품에 부착된 포장 풀기 지침을 참조하십시오.

경고

- 제품을 설치하거나 기능 작동을 시험하기 전에 항상 제품이 실온이 되도록 하십시오. 영구적인 제품 손상이 발생할 수 있습니다.
- 항상 모든 작동자가 기구에서 거리를 두고 떨어졌을 때 제품을 작동하십시오.
- 전원 코드 취급 시 항상 주의를 기울이십시오. 역힘, 전원 코드 손상, 또는 잠재적 감전 위험이 발생할 수 있습니다. 전원 코드가 손상된 경우 즉시 제품 사용을 중단하고 적절한 유지보수 기술자에게 연락하십시오.
- 항상 접지된 병원 등급 벽 콘센트에 제품 플러그를 직접 꽂으십시오. 병원 등급 콘센트를 사용하는 경우에만 접지 신뢰성이 보장될 수 있습니다. 이 제품에는 감전 위험을 방지하기 위하여 병원 등급 플러그가 갖추어져 있습니다.

제품 사용을 시작하기 전에 제품이 기능하는지 확인하십시오.

1. 브레이크를 겁니다. 제품을 밀어 4개 캐스터가 모두 잠겨 있는지 확인합니다.
2. 브레이크를 해제합니다. 제품을 밀어 4개 캐스터가 모두 잠금이 해제되어 있는지 확인합니다.
3. 유압 리프트 시스템을 사용하여 침상을 올리고 내립니다.
4. 제품을 가장 높은 위치로 올린 후 트렌델렌버그 위치로 합니다(트렌델렌버그에서 제품 위치 설정하기(페이지17) 참조). 머리쪽 끝이 완전히 아래로 내려간 위치가 되도록 합니다.
5. 제품을 가장 높은 위치로 올린 후 역 트렌델렌버그 위치로 합니다(역 트렌델렌버그로 제품 위치 설정하기(페이지18) 참조). 발쪽 끝이 완전히 아래로 내려간 위치가 되도록 합니다.
6. **Big Wheel**을 적용하여 작동하는지 확인합니다.
7. 사이드레일이 올라가고 내려가고, 제자리에 잠기는지 확인합니다.
8. 수동 파울러 등받이(머리쪽 끝)를 올리고 내립니다.
9. 수동 개치(발쪽)를 올리고 내립니다.

전기 리프트 또는 전기 침상 옵션이 있는 제품:

1. 위의 설치 점검 절차를 완료합니다.
2. 접지된 병원 등급 벽 콘센트에 제품 플러그를 직접 꽂습니다. 잠금 키패드의 LED 불이 켜지는지 확인합니다.
3. 옵션인 사이드레일 환자 컨트롤 패널에 있는 각 기능이 작동하는지 확인합니다.
4. 옵션인 발쪽 끝 작동자 컨트롤 패널에 있는 각 기능이 작동하는지 확인합니다.
5. 전기 파울러 등받이(머리쪽 끝)를 올리고 내립니다.
6. 전기 개치(발쪽)를 올리고 내립니다.

저울 시스템 옵션-전기 침상 옵션이 있는 제품 (Chaperone 옵션 유무 무관):

1. 위의 설치 점검 절차를 완료합니다.
2. 배터리를 충전합니다(저울 시스템 배터리 팩 옵션 변경하기 - 전기 침상 옵션 또는 Chaperone 옵션이 있는 전기 침상 옵션 - Prime에만 해당 (페이지31)).

작동

브레이크 적용 및 해제하기

경고 - 환자가 제품에 올라가거나 제품에서 내릴 때 또는 제품이 이동 중이 아닐 때는 항상 브레이크를 거십시오. 환자가 제품에 올라가거나 제품에서 내리는 동안 제품이 움직이면 부상을 초래할 수 있습니다.

브레이크를 걸려면 브레이크/조향 페달의 브레이크(빨간색) 쪽을 누릅니다. 제품을 밀어 브레이크가 작동하는지 확인합니다.

브레이크를 해제하려면 브레이크/조향 페달의 조향(녹색) 쪽을 누릅니다.

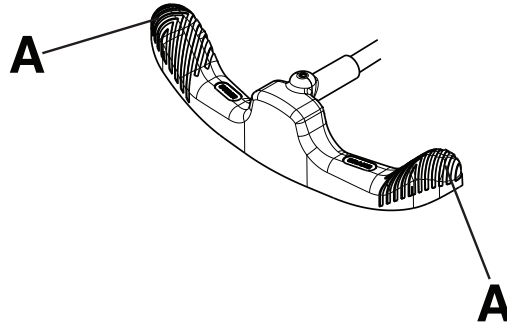


그림 7 - 브레이크/조향 페달 작동하기

참고 - 브레이크/조향 페달 가운데를 누르지 마십시오. 항상 브레이크/조향 페달의 바깥쪽(A)을 누르십시오(그림 7).

Prime 베이스 컨트롤

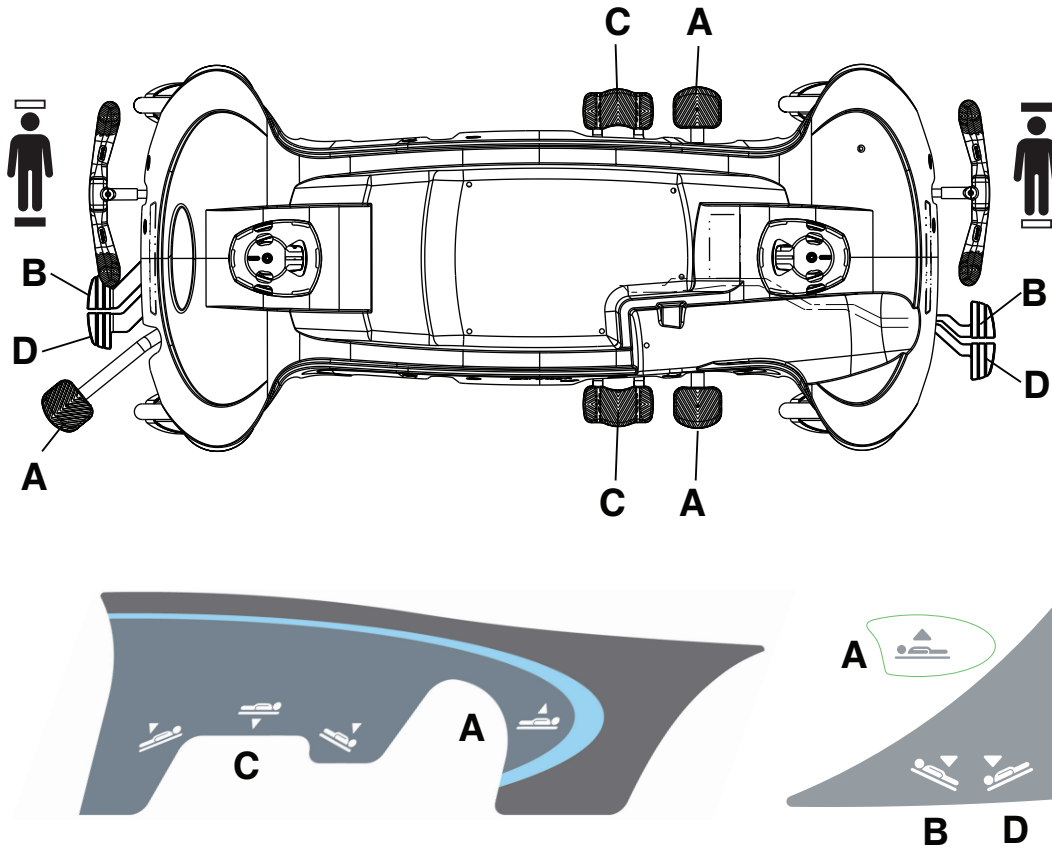


그림 8 - Prime 베이스 컨트롤 및 라벨

비전기 침상 올리기

경고

- 항상 제품 가운데 환자가 위치하도록 하십시오.
- 환자 옆에 아무도 없을 때는 항상 사이드레일을 위로 올려 잠근 상태에서 제품을 가장 낮은 위치에 두십시오. 이보다 높은 위치에 제품을 두지 마십시오.
- 침상을 올리거나 내리기 전에 방해가 될 수 있는 모든 장치를 항상 치우십시오.
- 제품 끝에 앉지 마십시오. 제품이 기울어질 수 있습니다.

주의 - 베이스에 있는 유압을 사용하여 제품 아래에 환자 리프트가 있는 제품을 올리지 마십시오.

침상을 올리려면, 원하는 높이가 될 때까지 펌프 페달(A)을 누릅니다(Prime 베이스 컨트롤 (페이지16)).

비전기 침상 낮추기

경고

- 항상 제품 가운데 환자가 위치하도록 하십시오.
- 환자 옆에 아무도 없을 때는 항상 사이드레일을 위로 올려 잠근 상태에서 제품을 가장 낮은 위치에 두십시오. 이보다 높은 위치에 제품을 두지 마십시오.
- 침상을 올리거나 내리기 전에 방해가 될 수 있는 모든 장치를 항상 치우십시오.
- 제품 끝에 앉지 마십시오. 제품이 기울어질 수 있습니다.

주의 - 베이스에 있는 유압을 사용하여 제품 아래에 환자 리프트가 있는 제품을 올리지 마십시오.

침상 전체를 낮추려면 단일 하강 페달(C)의 가운데를 누릅니다(*Prime 베이스 컨트롤* (페이지16)).

침상의 머리쪽 끝을 낮추려면, 페달 (B) 또는 제품의 단일 하강 페달(C)의 머리쪽 끝에 가장 가까운 쪽을 누릅니다.

침상의 발쪽 끝을 낮추려면, 페달 (D)를 누르거나 제품의 단일 하강 페달(C)의 발쪽 끝에 가장 가까운 쪽을 누릅니다.

전기 침상 옵션 올리기

경고

- 항상 제품 가운데 환자가 위치하도록 하십시오.
 - 환자 옆에 아무도 없을 때는 항상 사이드레일을 위로 올려 잠근 상태에서 제품을 가장 낮은 위치에 두십시오. 이보다 높은 위치에 제품을 두지 마십시오.
 - 침상을 올리거나 내리기 전에 방해가 될 수 있는 모든 장치를 항상 치우십시오.
 - 제품 끝에 앉지 마십시오. 제품이 기울어질 수 있습니다.
-

주의 - 베이스에 있는 유압을 사용하여 제품 아래에 환자 리프트가 있는 제품을 올리지 마십시오.

전기 침상을 올리려면, 원하는 높이가 될 때까지 펌프 페달(A)을 누릅니다(*Prime 베이스 컨트롤* (페이지16)).

전기 침상 옵션 낮추기

경고

- 항상 제품 가운데 환자가 위치하도록 하십시오.
 - 환자 옆에 아무도 없을 때는 항상 사이드레일을 위로 올려 잠근 상태에서 제품을 가장 낮은 위치에 두십시오. 이보다 높은 위치에 제품을 두지 마십시오.
 - 침상을 올리거나 내리기 전에 방해가 될 수 있는 모든 장치를 항상 치우십시오.
 - 제품 끝에 앉지 마십시오. 제품이 기울어질 수 있습니다.
-

주의 - 베이스에 있는 유압을 사용하여 제품 아래에 환자 리프트가 있는 제품을 올리지 마십시오.

전기 침상 전체를 낮추려면 단일 하강 페달(C)의 가운데를 누릅니다(*Prime 베이스 컨트롤* (페이지16)).

침상의 머리쪽 끝을 낮추려면, 페달 (B)를 누르거나 제품의 단일 하강 페달(C)의 머리쪽 끝에 가장 가까운 쪽을 누릅니다.

침상의 발쪽 끝을 낮추려면, 페달 (D)를 누르거나 제품의 단일 하강 페달(C)의 발쪽 끝에 가장 가까운 쪽을 누릅니다.

트렌델렌버그에서 제품 위치 설정하기

경고 - 침상을 올리거나 내리기 전에 방해가 될 수 있는 모든 장치를 항상 치우십시오.

주의 - 베이스에 있는 유압을 사용하여 제품 아래에 환자 리프트가 있는 제품을 올리지 마십시오.

트렌델렌버그 위치(머리가 아래로 감)로 제품 위치를 설정하려면, 침상을 가장 높은 높이로 올립니다(*비전기 침상 올리기* (페이지16) 또는 *전기 침상 옵션 올리기* (페이지17)).

참고 - 침상을 최고 높이로 올리면 트렌델렌버그 각도가 더 커집니다.

제품의 머리쪽 끝을 내리려면, 머리쪽 끝이나 발쪽 끝 해제 페달(D)을 누르거나 단일 하강 페달(C)의 머리쪽 끝에 가장 가까운 쪽을 누릅니다(*Prime 베이스 컨트롤* (페이지16)).

트렌델렌버그 위치에서 제품을 내리려면, 침상이 평평해질 때까지 머리쪽 끝과 발쪽 끝 해제 페달(B와 D)을 동시에 누르거나 단일 하강 페달(C)의 중앙을 누릅니다.

역 트렌델렌버그로 제품 위치 설정하기

경고 - 침상을 올리거나 내리기 전에 방해가 될 수 있는 모든 장치를 항상 치우십시오.

주의 - 베이스에 있는 유압을 사용하여 제품 아래에 환자 리프트가 있는 제품을 올리지 마십시오.

역 트렌델렌버그 위치(다리가 아래로 감)로 제품 위치를 설정하려면, 침상을 가장 높은 높이로 올립니다(*비전기 침상 올리기* (페이지16) 또는 *전기 침상 옵션 올리기* (페이지17)).

참고 - 침상을 최고 높이로 올리면 트렌델렌버그 각도가 더 커집니다.

제품의 발쪽 끝을 내리려면, 머리쪽 끝이나 발쪽 끝 해제 페달(B)을 누르거나 단일 하강 페달(C)의 발쪽 끝에 가장 가까운 쪽을 누릅니다(*Prime 베이스 컨트롤* (페이지16)).

역 트렌델렌버그 위치에서 제품을 내리려면, 침상이 평평해질 때까지 머리쪽 끝과 발쪽 끝 해제 페달(B와 D)을 동시에 누르거나 단일 하강 페달(C)의 중앙을 누릅니다.

환자 수송

경고

- 항상 제품 가운데 환자가 위치하도록 하십시오.
 - 환자를 수송할 때는 항상 가장 낮은 위치에서 수면 표면을 수평 상태로 하여 사이드레일을 최고 위치로 올려 잠그십시오.
 - 제품이 기울어지는 것을 막기 위해 제품을 측면으로 5.7도(10% 정도) 이상 경사진 상태로 제품을 수송하지 마십시오.
-

환자 수송:

1. 사이드레일을 가장 높은 위치로 올립니다. 사이드레일을 위로 올려 사이드레일이 잠겨 있는지 확인합니다.
2. 침상을 가장 낮은 위치로 내립니다.
3. 제품에 전기 침상 옵션 또는 전기 리프트 옵션이 갖추어진 경우, 벽 콘센트에서 전기 코드를 뽑습니다.
4. 브레이크/스티어 페달의 스티어(녹색) 쪽을 내리 누르십시오.
5. 밀기 핸들을 이용하여 제품을 밀니다.
6. 브레이크를 걸어 제품을 제자리에 고정시킵니다.

참고 - 작동자 또는 환자 부상을 방지하기 위해 제품 이동을 시도하기 전에 브레이크가 해제되었는지 항상 확인하십시오.

Big Wheel을 사용하지 않고 환자 수송하기

경고

- 항상 제품 가운데 환자가 위치하도록 하십시오.
 - 환자를 수송할 때는 항상 가장 낮은 위치에서 수면 표면을 수평 상태로 하여 사이드레일을 최고 위치로 올려 잠그십시오.
-

Big Wheel을 사용하지 않고 환자 수송하는 방법:

1. 브레이크/조종 페달(A)을 중립 위치에 둡니다(그림 9).

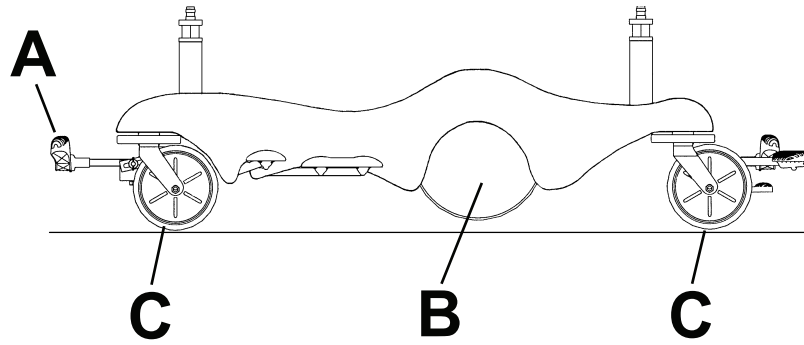


그림 9 – Big Wheel을 사용하지 않고 수송하기

2. 침상을 가장 낮은 위치로 내립니다.
3. 모델 1125에 한하여, On Drive-Off Manual(드라이브 켜짐-수동 꺼짐) 스위치가 꺼짐 위치에 있음을 확인합니다.
4. 제품에 전기 침상 옵션 또는 전기 리프트 옵션이 갖추어진 경우, 병원 등급 벽 콘센트에서 전기 코드를 뽑습니다.
5. 밀기 핸들을 이용하여 제품을 밀니다.
6. 브레이크를 걸어 제품을 제자리에 고정시킵니다.

참고

- 작동자 또는 환자 부상을 방지하기 위해 제품 이동을 시도하기 전에 브레이크가 해제되었는지 항상 확인하십시오.
- 제품을 중립 위치에 둔 상태에서는 **Big Wheel(B)**이 상승되어 있고 제품이 4개 캐스터(C) 모두 위에 있게 됩니다(그림 9). 이 위치에서는 횡방향을 포함하여 어떤 방향으로든지 제품을 이동할 수 있습니다.

Big Wheel을 사용하여 환자 수송하기

경고

- 항상 제품 가운데 환자가 위치하도록 하십시오.
- 환자를 수송할 때는 항상 가장 낮은 위치에서 수면 표면을 수평 상태로 하여 사이드레일을 최고 위치로 올려 잠그십시오.

주의 - 문턱이나 다른 용기 부분에 **Big Wheel**이 올라가 있을 때 조종 페달을 적용하지 마십시오. **Big Wheel**을 적용하는 데 필요한 힘이 보통보다 크기 때문에 제품 손상을 초래할 수 있습니다.

Big Wheel을 사용하여 환자 수송하는 방법:

1. 사이드레일을 가장 높은 위치로 올립니다. 각 사이드레일을 위로 올려 사이드레일이 잠겨 있는지 확인합니다.
2. 침상을 가장 낮은 위치로 내립니다.
3. 모델 1125에 한하여, On Drive-Off Manual(드라이브 켜짐-수동 꺼짐) 스위치가 꺼짐 위치에 있음을 확인합니다.
4. 제품에 전기 침상 옵션 또는 전기 리프트 옵션이 갖추어진 경우, 병원 등급 벽 콘센트에서 전기 코드를 뽑습니다.
5. 브레이크/조종 페달(A)을 조종 위치에 둡니다(그림 10).

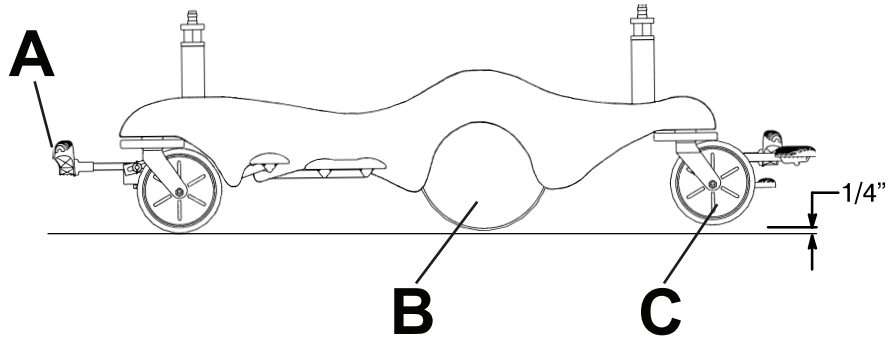


그림 10 – Big Wheel을 사용하여 수송하기

6. 밀기 핸들을 이용하여 제품을 밀니다.
7. 브레이크를 걸어 제품을 제자리에 고정시킵니다.

참고

- 제품 이동을 시도하기 전에 브레이크가 해제되었는지 항상 확인하십시오. 브레이크가 걸린 제품을 이동하려고 하면 작동자 또는 환자 부상을 초래할 수 있습니다.
- **Big Wheel(B)**은 축회전을 하지 않습니다. **Big Wheel**을 적용하면 제품을 횡방향으로 이동할 수 없습니다.
- **Big Wheel(B)**을 적용하면, 제품 높이가 올라가고 발쪽 끝 캐스터(C)가 높아집니다. 제품을 조종하기가 용이하도록 제품이 머리쪽 끝과 **Big Wheel** 위에 놓여져 있습니다(그림 10).

머리쪽 끝 밀기 핸들 옵션 위치 설정하기 또는 접어 넣기

머리쪽 끝 밀기 핸들 옵션 위치 설정 또는 넣는 방법:

1. 제품의 머리쪽 끝에서 핸들(A)을 위로 회전시켜 올립니다(그림 11).
2. 핸들을 아래로 눌러 제자리에 고정시킵니다.

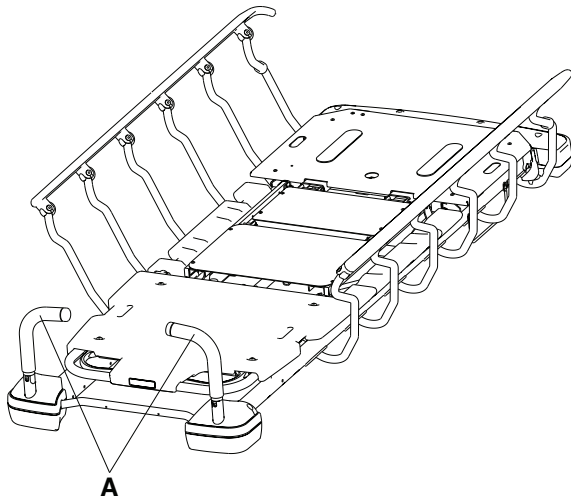


그림 11 – 머리쪽 끝 밀기 핸들 옵션 위치 설정하기

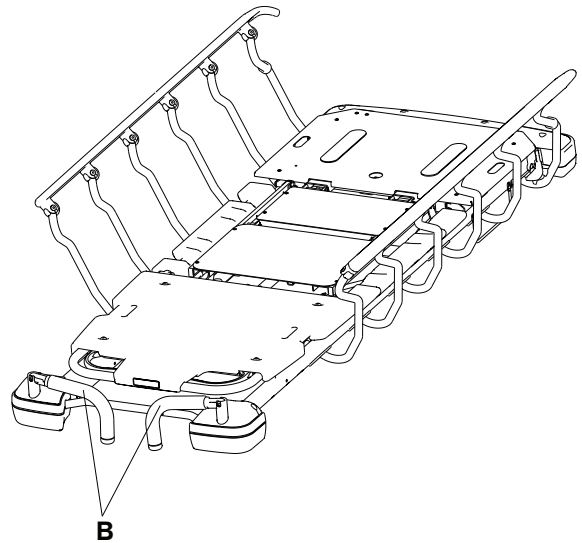


그림 12 – 머리쪽 끝 밀기 핸들 접어 넣기

3. 머리쪽 끝 밀기 핸들(B)을 접어 넣으려면 이 단계들을 역으로 수행합니다(그림 12).

참고 - 제품 손상을 방지하기 위해 달리 명시된 경우를 제외하고 밀기/당기기 장치로서 밀기 핸들만 사용해야 합니다.

사이드레일 올리기

경고

- 2.5인치(6.35 cm)보다 두꺼운 매트리스를 사용하거나 **Prime X** 옵션과 함께 매트리스 덮개를 사용하는 경우 항상 각별한 주의를 기울이십시오.
- 환자 옆에 아무도 없을 때는 항상 사이드레일을 위로 올려 잠근 상태에서 제품을 가장 낮은 위치에 두십시오. 이보다 높은 위치에 제품을 두지 마십시오.
- 환자를 수송할 때는 항상 가장 낮은 위치에서 수면 표면을 수평 상태로 하여 사이드레일을 최고 위치로 올려 잠그십시오.
- 사이드레일을 올리거나 내릴 때 항상 환자의 팔다리가 사이드레일 축에서 떨어져 있도록 하십시오.
- 사이드레일이 저절로 내려가지 않도록 하십시오.

사이드레일 올리는 방법:

1. 두 손으로 사이드레일을 잡습니다.
2. 노란색 해제 래치가 딸깍 소리를 내며 제자리에 고정될 때까지 사이드레일을 제품의 발쪽 끝으로 들어올립니다. 사이드레일을 위로 잡아당겨 사이드레일이 잠겨 있는지 확인하십시오.

참고

- 제품의 양쪽 끝에 래치가 있는 이중 사이드레일 해제 래치 옵션이 있습니다.
- 환자가 제품에서 벗어나지 않게 하기 위해 사이드레일을 안전 장치로 사용하지 마십시오. 사이드레일을 환자가 제품에서 굴러 떨어지는 것을 방지합니다. 작동자는 환자가 안전함을 확실하게 하는 데 어느 정도의 고정 장치가 필요한지 반드시 판단해야 합니다.
- 사이드레일 상단 레일의 발쪽 끝을 밀기/당기기 장치로 사용할 수 있습니다.
- 사이드레일은 끝까지 올린 위치에서만 잠겨집니다.

사이드레일 내리기

경고

- 2.5인치(6.35 cm)보다 두꺼운 매트리스를 사용하거나 **Prime X** 옵션과 함께 매트리스 덮개를 사용하는 경우 항상 각별한 주의를 기울이십시오.
- 환자 옆에 아무도 없을 때는 항상 사이드레일을 위로 올려 잠근 상태에서 제품을 가장 낮은 위치에 두십시오. 이보다 높은 위치에 제품을 두지 마십시오.
- 환자를 수송할 때는 항상 가장 낮은 위치에서 수면 표면을 수평 상태로 하여 사이드레일을 최고 위치로 올려 잠그십시오.
- 사이드레일을 올리거나 내릴 때 항상 환자의 팔다리가 사이드레일 축에서 떨어져 있도록 하십시오.
- 사이드레일이 저절로 내려가지 않도록 하십시오.

사이드레일 내리는 방법:

1. 한 손으로 사이드레일을 잡습니다.
2. 다른 손으로 노란색 해제 래치를 당겨 올립니다.
3. 노란색 해제 래치가 딸깍 소리를 내며 제자리에 고정될 때까지, 사이드레일을 들어올려서 제품의 머리쪽 끝으로 이끌어 줍니다. 사이드레일을 위로 잡아당겨 사이드레일이 잠겨 있는지 확인하십시오.

참고

- 제품의 양쪽 끝에 래치가 있는 이중 사이드레일 해제 래치 옵션이 있습니다.
- 환자가 제품에서 벗어나지 않게 하기 위해 사이드레일을 안전 장치로 사용하지 마십시오. 사이드레일을 환자가 제품에서 굴러 떨어지는 것을 방지합니다. 작동자는 환자가 안전함을 확실하게 하는 데 어느 정도의 고정 장치가 필요한지 반드시 판단해야 합니다.
- 사이드레일 상단 레일의 발쪽 끝을 밀기/당기기 장치로 사용할 수 있습니다.
- 사이드레일은 끝까지 올린 위치에서만 잠겨집니다.

사이드레일 환자 컨트롤 패널을 이용하여 제품 위치 설정하기 - 전기 침상 옵션 - Prime에만 해당

경고 - 항상 모든 작동자가 기구에서 거리를 두고 떨어졌을 때 제품을 작동하십시오.

사이드레일 환자 컨트롤 패널을 사용하여 파울러 등받이와 개치 위치를 조절하십시오(그림 13).

의료 전문인이 환자 컨트롤 작동 방법을 환자에게 알려주어야 합니다.

참고

- 항상 접지된 병원 등급 벽 콘센트에 제품 플러그를 꽂으십시오.
- 사이드레일 환자 컨트롤 패널은 환자가 쉽게 접근할 수 있도록 양쪽에 엇갈린 위치에 위치해 있습니다.
- 각 사이드레일에는 백라이트가 있는 컨트롤이 있어 환자가 파울러 등받이와 개치 위치 조절을 할 수 있습니다. 제품 플러그가 꽂혀 있고 환자 컨트롤 패널이 잠금 해제 상태인 경우에는 흰색 버튼에 불이 들어옵니다.

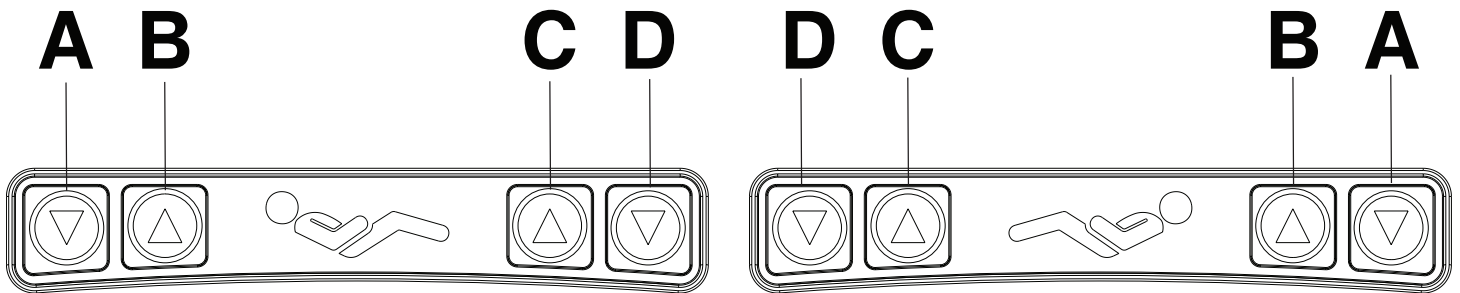


그림 13 - 사이드레일 환자 컨트롤 패널

A	파울러 낮춤	파울러(머리 부분)를 낮춥니다
B	파울러 올림	파울러(머리 부분)를 올립니다
C	개치 올림	개치(발 부분)를 올립니다
D	개치 낮춤	개치(발 부분)를 내립니다

작동자 컨트롤 패널 - 전기 침상 옵션 - Prime에만 해당

경고 - 항상 모든 작동자가 기구에서 거리를 두고 떨어졌을 때 제품을 작동하십시오.

작동자 컨트롤 패널을 사용하여 제품 위에 있는 환자 위치를 조절합니다(그림 14).

참고 - 항상 접지된 병원 등급 벽 콘센트에 제품 플러그를 꽂으십시오.

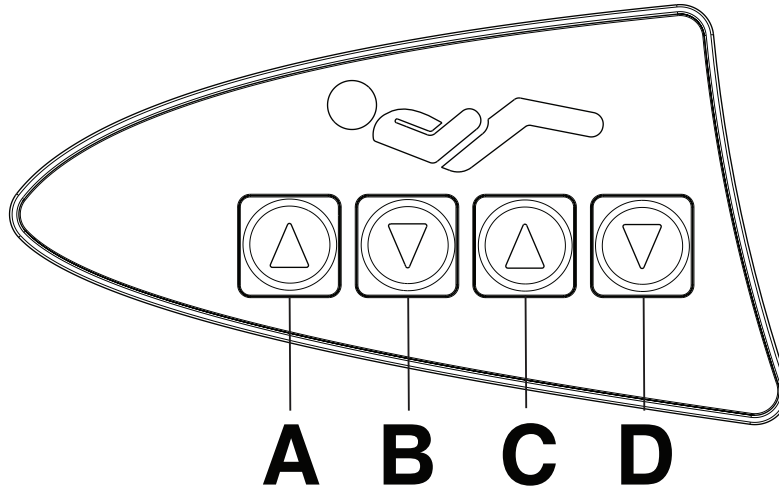


그림 14 - 작동자 컨트롤 패널 - 전기 침상 옵션

A	파울러 올림	파울러 등받이를 올립니다
B	파울러 낮춤	파울러 등받이를 내립니다
C	개치 올림	개치를 올립니다
D	개치 낮춤	개치를 내립니다

환자 컨트롤 패널 잠금 장치를 잠그기 및 잠금 해제하기 - 전기 침상 옵션 - Prime에만 해당

경고 - 항상 모든 작동자가 기구에서 거리를 두고 떨어졌을 때 제품을 작동하십시오.

사이드레일 환자 컨트롤 패널을 잠그려면, **Unlock/Lock(잠금 해제/잠금)(A)**을 한 번 누릅니다(그림 15).

참고 - 환자 컨트롤이 잠기면 잠금 아이콘(C)에 황색 불이 켜집니다.

사이드레일 환자 컨트롤 패널 잠금을 해제하려면, **Unlock/Lock(잠금 해제/잠금)(A)**을 다시 한 번 누릅니다.

참고 - 환자 컨트롤 잠금이 해제되면 잠금 해제 아이콘(B)에 녹색 불이 켜집니다.

참고

- 항상 접지된 병원 등급 벽 콘센트에 제품 플러그를 꽂으십시오.
- 환자가 등받이와 개치를 움직이는 것을 방지하기 위해 환자 컨트롤 패널을 잠글 수 있습니다.
- 환자 컨트롤 패널을 잠그면 사이드레일 환자 컨트롤 패널에 백라이트가 켜지지 않습니다.

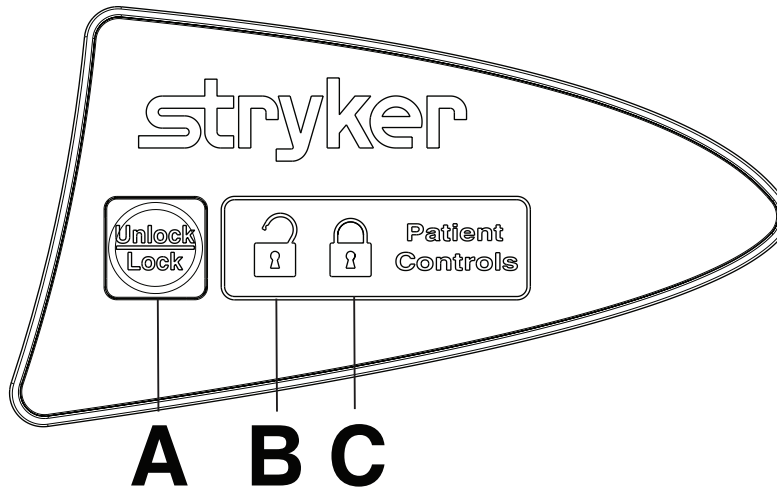


그림 15 - 환자 컨트롤 패널 잠금

파울러 등받이 올리기 또는 내리기 - 비전기 침상

경고

- 항상 모든 작동자가 기구에서 거리를 두고 떨어졌을 때 제품을 작동하십시오.
- 파울러 등받이를 내릴 때 항상 손과 손가락이 파울러 등받이 해제 핸들과 파울러 등받이 프레임에서 항상 떨어져 있도록 하십시오.
- 환자가 운반차에 있는 동안 파울러 등받이를 올릴 때는 항상 주의를 기울이십시오. 올바른 올림 기법을 사용하고 필요한 경우 도움을 받으십시오.

파울러 등받이를 올리려면, 파울러 등받이 해제 핸들(A) 하나 또는 둘 다 꼭 잡고 원하는 위치(0° ~ 90°)까지 파울러 등받이를 위로 당깁니다(그림 16).

참고 - Lift Assist® 등받이는 환자 체중을 이용하여 환자 자세를 잡는 데 도움이 되도록 합니다. Lift Assist 등받이는 또한 파울러 등받이를 올릴 때 환자가 제품의 발쪽 끝으로 미끄러지는 것을 방지하는 데 도움이 됩니다.

파울러 등받이를 내리려면, 파울러 등받이 해제 핸들(A) 하나 또는 둘 다 꼭 잡고 원하는 위치(90° ~ 0°)까지 파울러 등받이를 아래로 밀니다(그림 16).

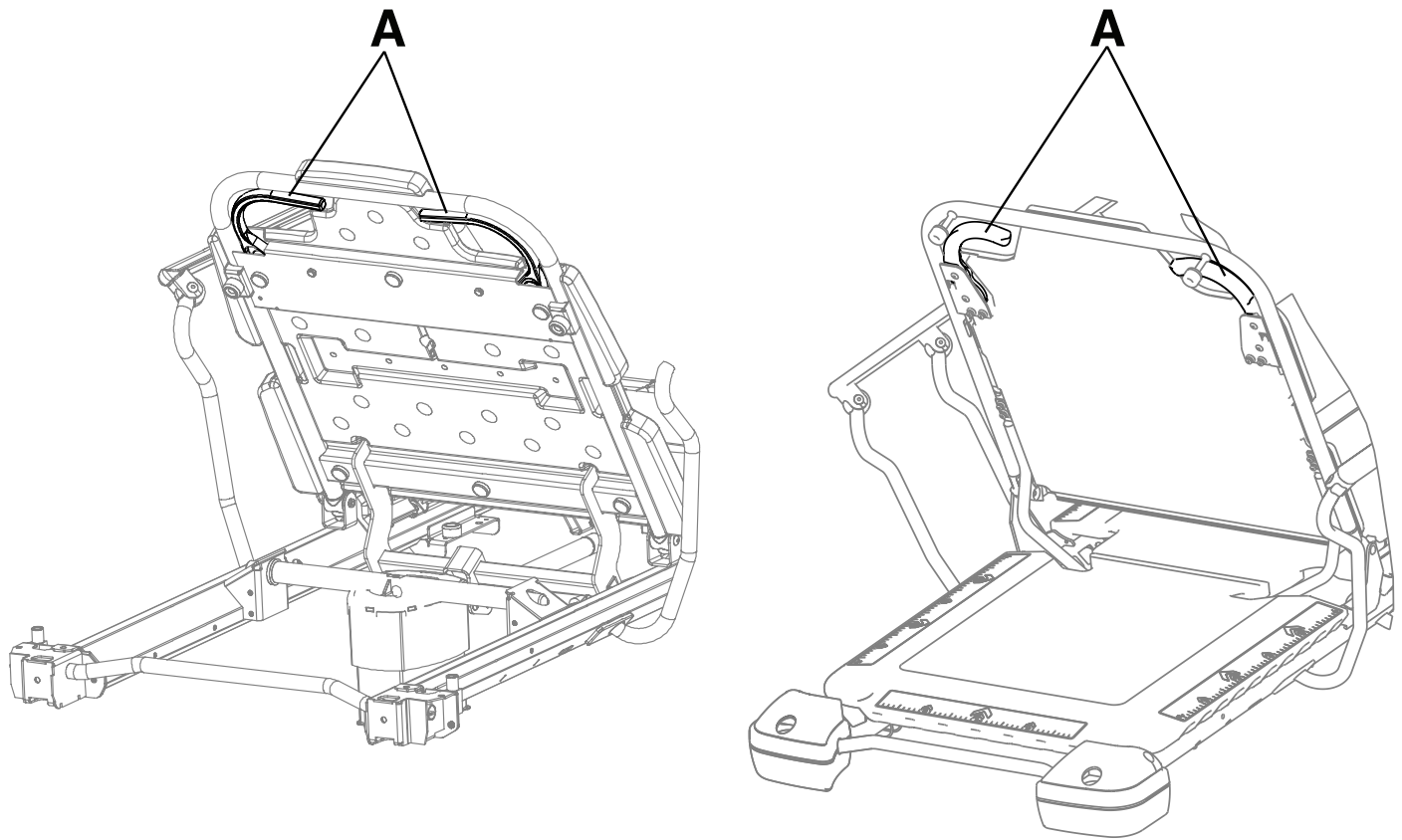


그림 16 – 파올러 등받이 올리기 또는 내리기(Prime / Prime X)

파올러 등받이 올리기 또는 내리기 - 전기 침상 옵션

경고

- 항상 모든 작동자가 기구에서 거리를 두고 떨어졌을 때 제품을 작동하십시오.
- 파올러 등받이를 내릴 때 항상 손과 손가락이 파올러 등받이 해제 핸들과 파올러 등받이 프레임에서 항상 떨어져 있도록 하십시오.
- 환자가 운반차에 있는 동안 파올러 등받이를 올릴 때는 항상 주의를 기울이십시오. 올바른 올림 기법을 사용하고 필요한 경우 도움을 받으십시오.

파올러 등받이를 올리려면, 파올러 등받이가 원하는 각도($0^{\circ} \sim 70^{\circ}$)에 이를 때까지 사이드레일 환자 컨트롤 패널(사이드레일 환자 컨트롤 패널을 이용하여 제품 위치 설정하기 - 전기 침상 옵션 - Prime에만 해당 (페이지22))의 파올러 등받이 쪽 또는 발 쪽 끝 작동자 컨트롤 패널(작동자 컨트롤 패널 - 전기 침상 옵션 - Prime에만 해당 (페이지22))에 있는 **up(위)** 버튼을 누릅니다.

참고 - Lift Assist 등받이는 환자 체중을 이용하여 환자 자세를 잡는 데 도움이 되도록 합니다. Lift Assist 등받이는 또한 파올러 등받이를 올릴 때 환자가 제품의 발 쪽 끝으로 미끄러지는 것을 방지하는 데 도움이 됩니다.

파올러 등받이를 내리려면, 파올러 등받이가 원하는 각도($70^{\circ} \sim 0^{\circ}$)에 이를 때까지 사이드레일 환자 컨트롤 패널(사이드레일 환자 컨트롤 패널을 이용하여 제품 위치 설정하기 - 전기 침상 옵션 - Prime에만 해당 (페이지22))의 파올러 등받이 쪽 또는 발 쪽 조작자 컨트롤 패널(작동자 컨트롤 패널 - 전기 침상 옵션 - Prime에만 해당 (페이지22))에 있는 **down(아래로)** 버튼을 누릅니다.

참고 - 항상 접지된 병원 등급 벽 콘센트에 제품 플러그를 꽂으십시오.

의료 전문인이 환자 컨트롤 작동 방법을 환자에게 알려주어야 합니다.

개치 올리기 또는 내리기 - 비전기 침상 옵션 - Prime에만 해당

경고 - 개치를 낮출 때는 항상 손과 손가락이 발쪽 끝 밀기 핸들에서 떨어져 있도록 하십시오.

주의

- 개치의 무게 용량은 200파운드(90.7 kg)입니다.
- 사용 전 개치 버팀대가 고정되어 있는지 항상 확인하십시오.
- 개치 위에 앉거나 올라서지 마십시오.

비전기 개치를 올리려면, 원하는 위치에 이를 때까지 개치 펌프 핸들을 펌프식으로 누릅니다(제품 도해 - Prime 침상 참조).

개치 말단을 들어 올린 후 브래킷에 있는 버팀대를 고정시킵니다.

버팀대를 해제하려면, 개치 말단을 들어 올린 후 버팀대를 제품의 머리쪽 끝을 향하도록 돌리고, 발쪽 끝을 내립니다.

개치를 내리려면, 원하는 위치에 이를 때까지 개치 해제 핸들을 잡아당깁니다(제품 도해 - Prime 침상 참조).

참고 - 제품에 전기 침상 옵션이 있을 때는 개치를 수동으로 올릴 수 없습니다.

개치 올리기 또는 내리기 - 전기 침상 옵션 - Prime에만 해당

경고

- 개치를 낮출 때는 항상 손과 손가락이 발쪽 끝 밀기 핸들에서 떨어져 있도록 하십시오.
- 항상 모든 작동자가 기구에서 거리를 두고 떨어졌을 때 제품을 작동하십시오.

주의

- 개치의 무게 용량은 200파운드(90.7 kg)입니다.
- 개치 위에 앉거나 올라서지 마십시오.
- 제품에 전력이 공급되지 않는 동안 개치를 내리려고 할 때는 항상 주의를 기울이십시오. 중력으로 인해 개치가 급격히 내려갈 수 있습니다.

개치를 올리려면, 사이드레일 환자 컨트롤 패널의 개치 쪽 또는 발쪽 끝 작동자 컨트롤 패널에 있는 **up(위)** 버튼을 누릅니다.

개치를 내리려면, 사이드레일 환자 컨트롤 패널의 개치 쪽 또는 발쪽 끝 작동자 컨트롤 패널에 있는 **down(아래)** 버튼을 누릅니다.

참고 - 항상 접지된 병원 등급 벽 콘센트에 제품 플러그를 꽂으십시오.

의료 전문인이 환자 컨트롤 작동 방법을 환자에게 알려주어야 합니다.

회복 의자 위치 설정하기 - Prime에만 해당

경고 - 항상 모든 작동자가 기구에서 거리를 두고 떨어졌을 때 제품을 작동하십시오.

제품을 의자 위치로 전환하는 방법(그림 17)

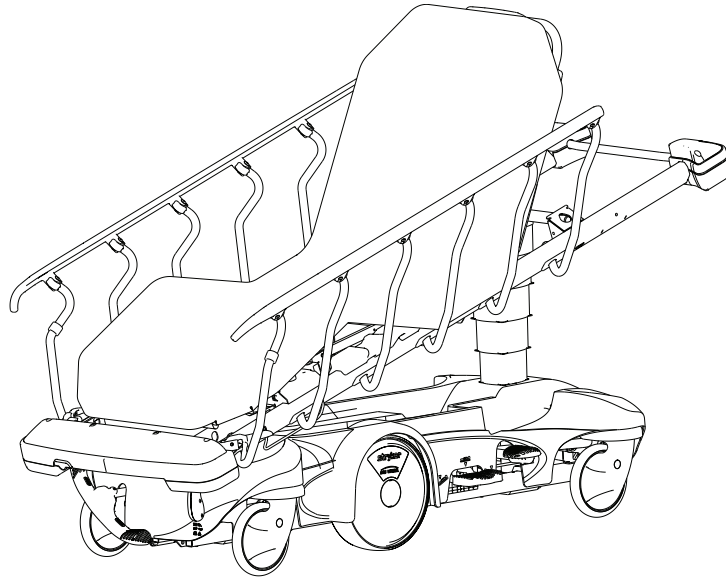


그림 17 - 회복 의자(모델 1115가 나와 있음)

1. 파올러 등받이를 앉은 위치로 올립니다(파올러 등받이 올리기 또는 내리기 - 비전기 침상 (페이지24) 또는 파올러 등받이 올리기 또는 내리기 - 전기 침상 옵션 (페이지25)).
참고 - 회복 의자 위치를 설정하려면, 제품에 반드시 **Lift Assist** 등받이 옵션과 개치 옵션이 있어야 합니다.
2. 개치를 완전히 올라간 위치로 올립니다(개치 올리기 또는 내리기 - 비전기 침상 옵션 - Prime에만 해당 (페이지26) 또는 개치 올리기 또는 내리기 - 전기 침상 옵션 - Prime에만 해당 (페이지26)).
3. 매트리스를 가장 높은 위치로 올립니다(비전기 침상 올리기 (페이지16) 또는 전기 침상 옵션 올리기 (페이지17)).
4. 제품이 역 트렌델렌버그 위치가 되도록 합니다(역 트렌델렌버그로 제품 위치 설정하기 (페이지18)).
5. 제품이 평평한 위치로 되도록 낮추려면 이 단계들을 역으로 수행합니다.

베이스 후드에 물품 보관하기

주의

- 베이스 후드에 27 kg이 넘는 물체를 놓지 마십시오.
- 베이스 후드 위에 앉거나, 딛고 서거나 올라서지 마십시오.

베이스 후드(A)에 환자 소지품을 보관할 수 있습니다. 산소통 홀더 뚫린 부분을 사용하여 산소통이나 환자 소지품을 보관하지 마십시오.

펌프 랙 옵션이 있는 걸기 장치

경고

- 펌프 랙에 있는 장치 라인이 항상 개치 핸들에서 떨어져 있도록 하십시오.
- 침상을 올리거나 내리기 전에 방해가 될 수 있는 모든 장치를 항상 치우십시오.
- 펌프 랙에 있는 장치가 열려진 문 사이를 안전하게 통과할 수 있는지 항상 확인하십시오.
- 펌프 랙으로 운반차를 들어 올리지 마십시오.

주의

- 펌프 랙의 무게 용량은 40파운드(18 kg)입니다.
- 펌프 랙을 밀거나 당기는 장치로 사용하지 마십시오. 제품이 손상될 수 있습니다.

제품의 발쪽 끝에 위치한 펌프 랙에 추가 장치를 보관하거나 걸 수 있습니다.

참고 - 펌프 랙 옵션은 구입 당시 선택해야 합니다.

개폐식 코드 릴 옵션이 있는 전원 코드를 연장하거나 집어넣기 - 전기 리프트 옵션 또는 전기 침상 옵션

경고

- 환자를 수송하거나 제품을 세척하기 전에 항상 벽 콘센트에서 전원 코드 플러그를 빼십시오.
- 제품 수송 시에는 항상 개폐식 코드 릴을 사용하여 전원 코드를 베이스 안에 보관하십시오.

전원 코드를 연장하려면, 개폐식 코드 릴(A)에서 원하는 길이만큼 전원 코드를 당겨 빼냅니다(그림 18).

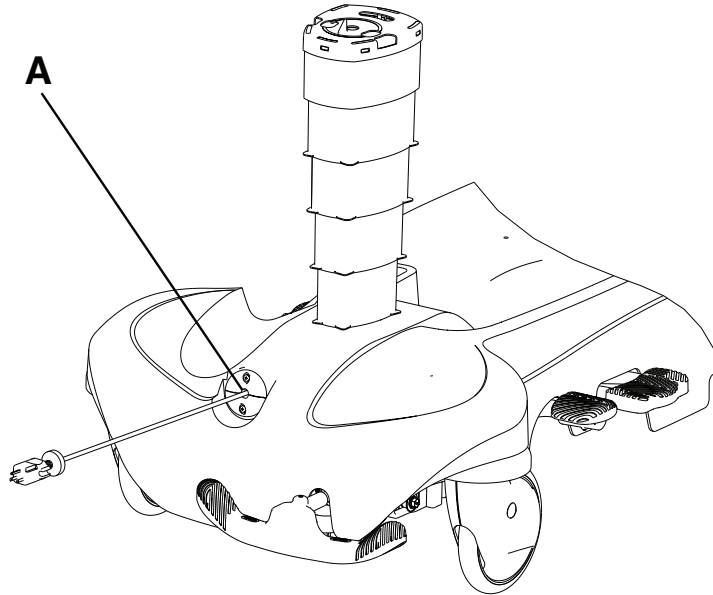


그림 18 - 개폐식 코드 릴

전원 코드 집어넣는 방법

- 벽 콘센트에서 전원 코드를 뽑습니다.
- 전원 코드를 살짝 잡아당깁니다.
- 전원 코드가 개폐식 코드 릴에 들어가도록 합니다.

저울 시스템 옵션

경고 - 저울 시스템 옵션 또는 전기 리프트 옵션이나 전기 침상 옵션을 다른 장치에 근접하여 또는 다른 장치와 적재하여 사용하지 마십시오. 근접하거나 적재하여 사용할 필요가 있는 경우, 사용할 배치 설정에서 모든 장치가 정상적으로 작동하는지 확인하기 위해 저울 시스템 옵션 또는 전기 리프트 옵션이나 전기 침상 옵션을 관찰해야 합니다.

주의 - 50파운드(23 kg) 미만 환자의 경우 저울을 사용하지 마십시오.

저울 시스템 옵션은 전기 침상 옵션이 있거나 없는 제품에 제공됩니다. 저울 시스템 옵션에는 배터리 백업 옵션이 있습니다. 대기 아이콘은 제품이 배터리 백업을 사용 중인지 나타냅니다.

Chaperone 옵션을 사용하여 환자가 제품에서 내리려고 시도할 가능성이 있을 때 작동자에게 알리도록 하는 영역 컨트롤을 설정할 수 있습니다. **Chaperone** 옵션은 전기 침상 옵션과 저울 시스템 옵션이 있거나 없는 제품에 제공됩니다. **Chaperone** 옵션이 있는 저울 시스템 옵션에는 배터리 백업 옵션이 있습니다. 대기 아이콘은 제품이 배터리 백업을 사용 중인지 나타냅니다.

저울 시스템 옵션을 작동하려고 하기 전에 발쪽 끝 밀기 핸들을 올립니다.

저울 시스템 컨트롤 패널을 사용하여 저울 시스템 옵션을 작동합니다(저울 아이콘/버튼 식별(페이지29)).

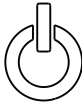





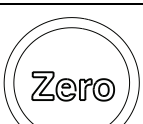
체중 측정 중이거나 저울 시스템 옵션의 영점 설정 중일 때는 제품을 건드리지 마십시오.

시스템이 체중을 측정하는 동안 환자는 반드시 가만히 있어야 합니다. 환자가 움직이면, 오류 메시지(《T》)가 표시되기 전에 저울 시스템이 안정적인 체중을 얻거나 영점 수치를 얻기 위해 20초간 시도합니다.

연결 상태가 느슨하거나 저울이 작동하지 않는 경우 디스플레이에 오류 메시지(《T》)가 표시됩니다. 다시 저울 작동을 시도했을 때 오류 메시지가 나타나면 Stryker 기술 지원부에 연락하십시오.

참고 - 저울 시스템 정확도 기준을 충족시키려면, 환자 표면이 반드시 최고 높이의 평평한 위치(파울러 등받이와 개치 내린 상태)여야 하며, 제품이 트렌델렌버그/역 트렌델렌버그 5도를 초과해서는 안 됩니다.

저울 아이콘/버튼 식별

항목	아이콘/버튼	명칭	설명
A		대기 아이콘	전원 코드를 벽 콘센트에 꽂으면 녹색 불이 들어옵니다. 전원 코드를 벽 콘센트에서 빼면 황색 불이 들어옵니다. 배터리 백업 기능이 켜집니다.
B		영역 1 아이콘	환자가 자유롭게 움직일 수 있으나 환자가 제품을 떠나려고 하면 경보음이 울립니다.
C		영역 2 아이콘	환자가 제한적 이동 범위로 움직일 수 있습니다. 환자가 사이드레일에 가까이 가거나 발쪽 끝을 향해 이동하면 경보음이 울립니다.
D		Arm/Disarm(작동/해제) 버튼	Chaperone 옵션을 무장하고 해제합니다(운반차 탈출). Chaperone 옵션을 작동하거나 해제하기(페이지30)을/를 참조하십시오.
E		Weigh(체중 측정) 버튼	환자 체중을 측정합니다. 환자 체중 측정하기(페이지29)을/를 참조하십시오.
F		lb/kg(파운드/kg) 버튼	표시되는 측정 단위를 변경합니다 저울 측정 단위 고정하기(페이지30)을/를 참조하십시오.
G		Zero(영점 설정) 버튼	저울 설정을 영점으로 맞춥니다. 저울 측정 단위 고정하기(페이지30)을/를 참조하십시오.

환자 체중 측정하기

주의 - 저울 시스템 측정치를 의학적 치료를 위한 기준으로 사용하지 마십시오.

- 저울 시스템 옵션을 작동하기 전에 발쪽 끝 밀기 핸들을 울립니다.
- 스크린에 rel(관계)이 표시될 때까지 Zero(영점 설정)를 누른 상태로 유지하여 저울을 영점 설정합니다. 000.0이 깜빡이다가 멈춥니다.

참고 - 000.0 깜빡임이 멈추면 저울의 사용 준비가 된 것입니다.

- 환자를 제품에 놓습니다.
- lb/kg**(파운드/kg)을 눌러 측정 단위를 선택합니다(파운드 또는 kg).
- Weigh**(체중 측정)를 눌러 환자 체중을 측정합니다.

참고 - 환자 체중이 40초간 표시됩니다.

저울 측정 단위 고정하기

- diag**(대화상자)가 표시될 때까지 **Weigh**(체중 측정), **lb/kg**(파운드/kg) 및 **Zero**(영점 설정)를 누른 상태로 유지합니다.
- lb/kg**(파운드/kg) 또는 **Zero**(영점 설정)를 토글하여 **Unit Loc**(단위 잠금)을 선택합니다.
- Chaperone** 옵션이 없는 저울의 경우, **rel**(관계)이 표시될 때까지 **lb/kg**(파운드/kg) 및 **Zero**(영점 설정)를 누른 상태로 유지하여 **Unit Loc**(단위 잠금)을 선택합니다.
- Chaperone** 옵션이 있는 저울의 경우, **lb/kg**(파운드/kg) 및 **Zero**(영점 설정)를 누른 상태로 유지하여 **Unit Loc**(단위 잠금)을 선택합니다.
- lb/kg**(파운드/kg) 또는 **Zero**(영점 설정)를 토글하여 **lb**(파운드), **kg** 또는 **Any**(임의)를 선택합니다.
- lb/kg**(파운드/kg) 및 **Zero**(영점 설정)를 누른 후 해제합니다. **Only**(오직) 및 선택한 측정 단위가 표시됩니다.

참고 - **Any**(임의)를 선택한 경우에는 **Only**(오직)가 표시되지 않습니다.

- quit**(끝내기)가 표시될 때까지 **Weigh**(체중 측정)를 누른 상태로 유지합니다.
- rel**(관계)이 표시될 때까지 **Zero**(영점 설정)를 누른 상태로 유지합니다. **000.0**이 깜빡이다가 멈춥니다.

참고 - **000.0** 깜빡임이 멈추면 저울의 사용 준비가 된 것입니다.

Chaperone 옵션을 작동하거나 해제하기

작동 상태에서, **Chaperone** 옵션은 제품 상의 환자 위치를 모니터링합니다.

Chaperone 옵션 작동 및 해제 방법

- 환자가 제품 위에 있는 상태에서 **Arm-Disarm**(작동-해제)을 누릅니다.
- 영역 2를 작동하려면 3초 이내에 **Arm-Disarm**(작동-해제)을 두 번 누릅니다.
- Chaperone** 옵션을 해제하려면, **Arm-Disarm**(작동-해제)을 누른 상태로 유지합니다.

참고 - **Chaperone** 옵션을 작동하기 전에 반드시 저울 영점을 맞추어야 합니다.

참고 - 환자가 선택한 영역 한계 밖으로 움직이면, 황색등이 깜빡이고, 저울 시스템 옵션 디스플레이에 **Alrt**(경보)가 깜빡이고 경보음이 작동됩니다.

Chaperone 옵션 경보 패턴 설정하기

Chaperone 옵션 경보 패턴 변경 방법

- Arm-Disarm**(작동/해제)과 **Weigh**(체중 측정) 버튼을 함께 약 6초간 누른 상태로 유지합니다. 디스플레이에 **Ptrn**(패턴)이 나타날 때까지 모든 디스플레이 메시지를 무시합니다(저울 아이콘/버튼 식별 (페이지 29)).
- Arm-Disarm**(작동/해제)과 **Weigh**(체중 측정) 버튼을 놓습니다.
- Arm-Disarm**(작동/해제)과 **Weigh**(체중 측정) 버튼을 눌러 패턴 옵션을 스크롤합니다.
- 디스플레이에 **set**(설정)이 나타날 때까지 **Arm/Disarm**(작동/해제)과 **Weigh**(체중 측정) 버튼을 함께 6초간 눌러 선택한 패턴을 저장합니다.

참고 - 디스플레이에 패턴 설정 **P(1-10)**가 나타납니다.

참고 - 패턴 옵션을 스크롤함에 따라 패턴의 예가 짧게 울립니다.

5. **Arm-Disarm**(작동/해제)과 **Weigh**(체중 측정) 버튼을 놓습니다.

참고 - 선택한 패턴 설정이 디스플레이에 나타납니다. 패턴 예가 짧게 울려서 패턴 설정을 확인합니다.

Chaperone 옵션 경보음 설정하기

Chaperone 옵션 경보음 변경 방법

1. 디스플레이에 **vol**(경보음)이 나타날 때까지 **Zero**(영점 설정)와 **lb/kg**(파운드/kg) 버튼을 함께 누른 상태로 유지합니다(저울 아이콘/버튼 식별 (페이지29)).

2. **Zero**(영점 설정)와 **lb/kg**(파운드/kg) 버튼을 놓습니다.

참고 - 디스플레이에 경보음 수준 **L(1-4)**이 나타납니다.

3. **Zero**(영점 설정)와 **lb/kg**(파운드/kg)을 눌러 경보음 수준을 스크롤합니다.

참고 - 경보음 수준을 스크롤함에 따라 경보음 예가 짧게 울립니다.

4. 디스플레이에 **set**(설정)이 나타날 때까지 **Zero**(영점 설정)와 **lb/kg**(파운드/kg) 버튼을 함께 6초간 눌러 선택한 경보음 수준을 저장합니다.

5. **Zero**(영점 설정)와 **lb/kg**(파운드/kg) 버튼을 놓습니다.

참고 - 선택한 경보음 수준이 디스플레이에 나타납니다. 경보음 수준 예가 짧게 울려 경보음 설정을 확인합니다.

저울 시스템 배터리 팩 옵션 변경하기 - 전기 침상 옵션 또는 Chaperone 옵션이 있는 전기 침상 옵션 - Prime에만 해당

전기 침상 옵션이 있는 저울 시스템에는 10.8V 리튬 이온 배터리 팩 1개가 필요합니다(**Chaperone** 옵션이 없는 0058-135-000; **Chaperone** 옵션이 있는 0058-134-000). 배터리 충전 표시등에 1개 유닛이 남아 있을 때 배터리 팩을 재충전하십시오. 그러면 배터리 소진으로 인해 저울 시스템 옵션이 종료되는 것으로 방지할 수 있습니다.

저울 시스템 리튬 이온 배터리 팩을 재충전하려면, 접지된 병원 등급 벽 콘센트에 전원 코드 플러그를 꽂으십시오. 배터리 팩은 약 3시간 후에 완전히 충전됩니다.

참고 - 사용 중이 아닐 때 항상 접지된 병원 등급 벽 콘센트에 제품 플러그를 꽂으십시오. 그러면 배터리 충전 수준이 충분하게 유지되고 배터리 전력을 사용하는 동안 제품 성능이 최대화됩니다.

저울 시스템 옵션 배터리 교체하기 - 비전기 침상

배터리 충전 표시등에 1개 유닛이 남아 있을 때 배터리를 교체하십시오. 그러면 배터리 소진으로 인해 저울 시스템 옵션이 종료되는 것으로 방지할 수 있습니다.

디스플레이에 **Lo batt**(배터리 부족)이 깜빡이는 경우, 배터리가 최저 충전 수준에 있으며 저울 시스템 옵션이 비활성화됩니다.

필수 도구:

- 필립스 스크류드라이버
- AA 배터리 4개(알칼리 유형(LR6))

배터리 교체 방법

1. 필립스 스크류드라이버를 사용하여 디스플레이 어셈블리의 배터리 구획 덮개를 지지하는 나사를 빼냅니다.

2. AA 배터리 4개를 모두 꺼내어 폐기합니다.

참고 - 항상 현지 규정에 따라 오래된 배터리를 폐기하십시오.

3. 새 AA 배터리 4개를 배터리 홀더에 넣습니다.

참고 - 오래 된 배터리와 새 배터리를 절대 섞지 마십시오.

4. 1단계에서 빼낸 나사를 사용하여 디스플레이 어셈블리의 배터리 구획 덮개를 다시 덮습니다.

액세서리 및 부품

귀하의 제품과 함께 사용하기 위해 이러한 액세서리들을 구입할 수 있습니다. 귀하의 구성 또는 지역을 위한 입수 가능 여부를 확인하십시오. 가용 부품 및 가격에 대해서는 Stryker 고객센터서비스부에 전화하십시오: 1-800-327-0770.

명칭	품번
제세동기 트레이	1105-045-200
제세동기 트레이/발 연장부	1105-045-400
발판/차트 홀더	1105-045-500
발꿈치 패드 어셈블리	1105-045-022
IV 캐디	0785-155-000
HAVASU™ IV 폴, 달착식	0390-025-000
IV 폴, 3단, 발쪽, 좌측, 26인치(66cm)	1105-035-644
IV 폴, 3단, 발쪽, 우측, 26인치(66cm)	1105-035-639
IV 폴, 3단, 발쪽, 좌측, 30인치(76cm)	1105-035-344
IV 폴, 3단, 발쪽, 우측, 30인치(76cm)	1105-035-339
IV 폴, 3단, 발쪽, 좌측, 30인치(76cm) (Prime X 옵션)	1105-035-364
IV 폴, 3단, 발쪽, 우측, 30인치(76cm) (Prime X 옵션)	1105-035-361
IV 폴, 3단, 머리쪽, 좌측, 26인치(66cm)	1105-035-642
IV 폴, 3단, 머리쪽, 우측, 26인치(66cm)	1105-035-637
IV 폴, 3단, 머리쪽, 좌측, 30인치(76cm)	1105-035-342
IV 폴, 3단, 머리쪽, 우측, 30인치(76cm)	1105-035-337
IV 폴, 3단, 머리쪽, 좌측, 30인치(76cm) (Prime X 옵션)	1105-035-369
IV 폴, 3단, 머리쪽, 우측, 30인치(76cm) (Prime X 옵션)	1105-035-366
IV 폴, 2단, 발쪽, 좌측, 26인치(66cm)	1105-035-640
IV 폴, 2단, 발쪽, 우측, 26인치(66cm)	1105-035-643
IV 폴, 2단, 발쪽, 좌측, 30인치(76cm)	1105-035-340
IV 폴, 2단, 발쪽, 우측, 30인치(76cm)	1105-035-343
IV 폴, 2단, 발쪽, 좌측, 30인치(76cm) (Prime X 옵션)	1105-035-362
IV 폴, 2단, 발쪽, 우측, 30인치(76cm) (Prime X 옵션)	1105-035-363
IV 폴, 2단, 머리쪽, 좌측, 26인치(66cm)	1105-035-638
IV 폴, 2단, 머리쪽, 우측, 26인치(66cm)	1105-035-641
IV 폴, 2단, 머리쪽, 좌측, 30인치(76cm)	1105-035-341
IV 폴, 2단, 머리쪽, 우측, 30인치(76cm)	1105-035-338
IV 폴, 2단, 머리쪽, 좌측, 30인치(76cm) (Prime X 옵션)	1105-035-367
IV 폴, 2단, 머리쪽, 우측, 30인치(76cm) (Prime X 옵션)	1105-035-368

명칭	품번
매트리스, ComfortGel SE™ , 방화재, 26인치(66cm)	1805-034-601
매트리스, ComfortGel SE , 방화재, 30인치(76cm)	1805-034-301
매트리스, ComfortGel SE , 방화재 없음, 26인치(66cm)	1805-034-600
매트리스, ComfortGel SE , 방화재 없음, 30인치(76cm)	1805-034-300
매트리스, Enhanced Comfort, 3인치 x 26인치(8cm x 66cm)	0785-034-613
매트리스, Enhanced Comfort, 3인치 x 30인치(8cm x 76cm)	0785-034-313
매트리스, Enhanced Comfort, 4인치 x 26인치(10cm x 66cm)	0785-034-623
매트리스, Enhanced Comfort, 4인치 x 30인치(10cm x 76cm)	0785-034-323
매트리스, IsoFlex SE™ , 방화재, 30인치(76cm)	1806-034-300
매트리스, IsoFlex SE , 방화재 없음, 국제용, 30인치(76cm)	1806-034-301
매트리스, Ultra Comfort, 4인치 x 26인치(10cm x 66cm)	0785-034-603
매트리스, Ultra Comfort, 4인치 x 30인치(10cm x 76cm)	0785-034-303
매트리스, Ultra Comfort, 5인치 x 26인치(13cm x 66cm)	0785-034-633
매트리스, Ultra Comfort, 5인치 x 30인치(13cm x 76cm)	0785-034-333
매트리스, Ultra Comfort SE™ , 4인치 x 26인치(10cm x 66cm)	1704-034-600
매트리스, Ultra Comfort SE , 방화재, 국제용, 4인치 x 26인치(10cm x 66cm)	1704-034-601
매트리스, Ultra Comfort, 운반차 익스텐더, 4인치 x 26인치(10cm x 66cm)	1105-034-609
매트리스, Ultra Comfort, 운반차 익스텐더, 4인치 x 30인치(10cm x 76cm)	1105-034-309
매트리스, Ultra Comfort SE , 3인치 x 30인치(8cm x 76cm)	1703-034-300
매트리스, Ultra Comfort SE , 방화재, 3인치 x 30인치(8cm x 76cm)	1703-034-301
매트리스, Ultra Comfort SE , 4인치 x 30인치(10cm x 76cm)	1704-034-300
매트리스, Ultra Comfort SE , 방화재, 4인치 x 30인치(10cm x 76cm)	1704-034-301
산소통 홀더, 수직형	1115-130-000
펌프 바 옵션, 30인치(76cm)	1105-045-035
푸시핸들 어셈블리, 발쪽, 30인치(76cm)	1105-048-030
푸시핸들 어셈블리, 머리쪽, 30인치(76cm)	1105-048-060
고정 스트랩 패키지	0785-045-010
고정 스트랩, 발목	0785-045-020

명칭	품번
고정 스트랩, 전신	0785-045-015
고정 스트랩, 손목	0946-044-000
고정 스트랩, 흉부	1010-058-000
서빙 트레이	1105-045-700
서빙 트레이 홀더/발판	1105-045-800
사이드레일 패드	1001-052-000
X선 카세트 홀더, 측면	1105-045-100
X선 카세트 홀더, 수직형	1105-045-300

전기 구성 요소

명칭	번호
작동기, 파올러	1008-012-020
작동기, 개치	1008-014-020
배터리, 리튬 이온 스마트 배터리 팩 (저울에만 해당)	0058-135-000
배터리, 리튬 이온 스마트 배터리 팩 (저울 및 Chaperone)	0058-134-000
보드, DC 컨트롤 PCB 어셈블리	1008-116-800
보드, 비-리프트 AC 어셈블리	1008-002-800
보드, 리프트 컨트롤 PCB 어셈블리	1008-002-810
보드, 저울 컨트롤 어셈블리 (저울에만 해당)	1008-237-850
보드, 저울 및 Chaperone 컨트롤 어셈블리	1008-237-840
축전기, 440 VAC, 35 MFD	0059-087-000
키패드, 저울 컨트롤 (비전기식 침상)	1008-037-820
키패드, 사이드레일 컨트롤, 좌측	1008-011-017
키패드, 사이드레일 컨트롤, 우측	1008-011-016
키패드, 조작자 컨트롤	1008-015-800
로드 셀 (저울 시스템 옵션)	1008-037-057
모터, 펌프	1008-002-015
전원 코드, 표준	1028-146-060
전원 코드, 국제용, E형	1125-060-170
전원 코드, 국제용, F형	1125-060-180
전원 코드, 국제용, G형	1125-060-160
전원 코드, 국제용, I형	1125-060-200
저울 상자 어셈블리 (비전기식 침상)	1070-237-020

명칭	번호
변압기	1008-014-857
변압기, 국제용	1008-014-877

제세동기 트레이 부착하기

경고

- 제세동기 트레이에는 14 kg을 초과하는 물품을 놓지 마십시오. 제세동기에 놓는 모든 장치는 항상 끈으로 고정시키십시오.
- 발쪽 끝 밀기 핸들 옵션 위치를 취하는 경우, 제세동기 트레이/발 연장부, 풋보드/차트 홀더, 또는 수직형 산소통 홀더가 부착되어 있으면 손가락이 끼지 않도록 항상 주의를 기울이십시오.

제세동기 트레이 부착 방법

1. 제품의 발쪽 끝에 있는 소켓에 제세동기 트레이 핀을 삽입합니다.
2. 스트랩을 사용하여 장치를 제세동기 트레이에 고정시킵니다.

참고

- 제세동기 트레이를 밀기/당기기 장치로 사용하지 마십시오. 제품이 손상될 수 있습니다.
- 부속장치(제세동기 트레이/발 연장부, 발판/차트 홀더, 수직형 산소통 홀더 등)를 사용할 때는 항상 발쪽 끝 밀기 핸들을 위로 올리십시오. 그러지 않으면 부속장치가 기능을 하지 않습니다.

제세동기 트레이/발 연장부를 제세동기 트레이로 전환하기

경고

- 제세동기 트레이-발 연장부에는 14 kg을 초과하는 물품을 놓지 마십시오. 제세동기에 놓는 모든 장치는 항상 끈으로 고정시키십시오.
- 발쪽 끝 밀기 핸들 옵션 위치를 취하는 경우, 제세동기 트레이/발 연장부, 풋보드/차트 홀더, 또는 수직형 산소통 홀더가 부착되어 있으면 손가락이 끼지 않도록 항상 주의를 기울이십시오.

주의 - 제세동기 트레이/발 연장부를 제품에 부착하기 전에 항상 IV 폴을 올리십시오. IV 폴을 올리지 않으면 발 연장부가 작동하지 않습니다.

제세동기 트레이/발 연장부를 제세동기 트레이로 전환하는 방법

1. 상단 늑(A)을 잡아당겨 뺍니다(그림 19).
2. 제품의 발쪽 끝 위로 트레이가 평평하게 될 때까지 제세동기 트레이(B)를 회전시킵니다. 상단 늑(A)을 해제합니다. 제세동기 트레이가 제자리에 고정되었는지 확인합니다.
3. 스트랩을 사용하여 장치를 제세동기 트레이에 고정시킵니다.

참고

- 제세동기 트레이/발 연장부를 밀거나 당기는 장치로 사용하지 마십시오. 제품이 손상될 수 있습니다.
- 품목들을 발 연장부에 부착하지 마십시오.

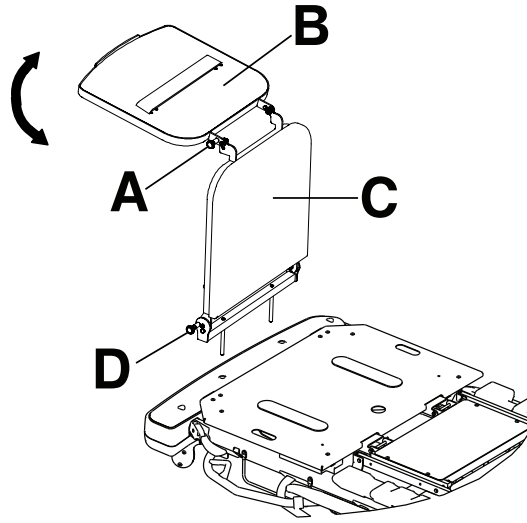


그림 19 - 제세동기 트레이/발 연장부

제세동기 트레이/발 연장부를 발 연장부로 전환하기

경고

- 제세동기 트레이-발 연장부에는 14 kg을 초과하는 물품을 놓지 마십시오. 제세동기에 놓는 모든 장치는 항상 끈으로 고정 시키십시오.
- 발쪽 끝 밀기 핸들 옵션 위치를 취하는 경우, 제세동기 트레이/발 연장부, 풋보드/차트 홀더, 또는 수직형 산소통 홀더가 부착되어 있으면 손가락이 끼지 않도록 항상 주의를 기울이십시오.

주의 - 제세동기 트레이/발 연장부를 제품에 부착하기 전에 항상 IV 폴을 올리십시오. IV 폴을 올리지 않으면 발 연장부가 작동하지 않습니다.

제세동기 트레이/발 연장부를 발 연장부로 전환하는 방법(그림 19)

1. 상단 낚(A)을 잡아당겨 뺍니다.
2. 발 연장부에 대해 트레이가 고정될 때까지 제세동기 트레이(B)를 회전시킵니다.
3. 제세동기 트레이/발 연장부 어셈블리를 잡은 상태에서 하단 낚(D)을 잡아당겨 뺍니다.
4. 발 연장부(C)가 평평해질 때까지 발 연장부를 낮춥니다.
5. 하단 낚(D)을 해제합니다. 발 연장부를 눌러서 발 연장부가 제자리에 고정되었는지 확인합니다.

참고

- 제세동기 트레이/발 연장부를 밀거나 당기는 장치로 사용하지 마십시오. 제품이 손상될 수 있습니다.
- 품목들을 발 연장부에 부착하지 마십시오.

발판/차트 홀더 부착하기

경고 - 발쪽 끝 밀기 핸들 옵션 위치를 취하는 경우, 제세동기 트레이/발 연장부, 풋보드/차트 홀더, 또는 수직형 산소통 홀더가 부착되어 있으면 손가락이 끼지 않도록 항상 주의를 기울이십시오.

발판/차트 홀더를 부착하려면, 제품의 발쪽 끝에 있는 소켓에 발판/차트 홀더 핀을 삽입합니다.

참고 - 발판/차트 홀더를 밀기/당기기 장치로 사용하지 마십시오. 제품이 손상될 수 있습니다.

IV 캐디 부착하기

경고

- 제품 수송 시 항상 IV 폴을 IV 캐디에 고정시키십시오.
- 제품 손상을 방지하기 위해 사용 중이 아닐 때는 항상 IV 캐디를 보관하십시오.

IV 캐디 부착 방법(그림 20):

1. IV 캐디를 보관 트레이나 보관 클립에서 꺼내서 들어올립니다.
2. IV 캐디를 원하는 위치로 회전시킵니다.
3. 폴 클램프(C)를 느슨하게 하려면 knob(A)을 시계 반대 방향으로 돌립니다.
4. knob(A)을 암 연결 어셈블리(B)로부터 멀어지도록 회전시킵니다.
5. 클램프(C)를 엽니다.
6. 클램프(C)에 IV 폴을 설치합니다.
7. IV 폴을 돌려싼 클램프(C)를 닫고 knob(A)을 제위치로 회전시킵니다.
8. 시계 방향으로 knob(A)을 돌려 knob을 조입니다.
9. 제품에서 IV 캐디를 분리하려면 이 단계들을 역으로 수행합니다.

IV 캐디를 보관하려면, 보관 트레이에 IV 캐디를 넣거나 보관 클립에 캐디를 고정시킵니다.

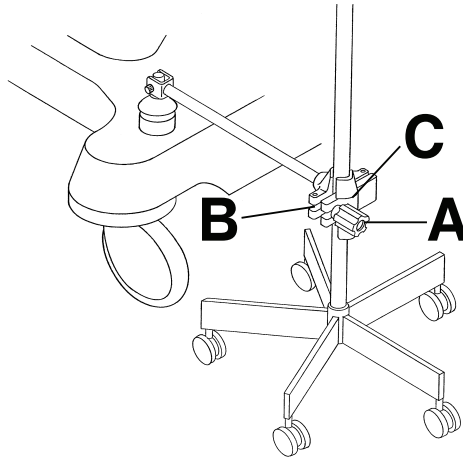


그림 20 - IV 캐디

발 지지대 위치 설정하기 또는 보관하기 - Prime에만 해당

경고

- 발 받침대 위에 앉지 마십시오. 제품이 기울어질 수 있습니다.
- 발 받침대 작동 시에는 항상 손가락이 기구에서 떨어져 있도록 하십시오.
- 환자 이송 시에는 항상 발 받침대를 넣어 두십시오.
- 발 받침대를 사용하기 전에 항상 발 받침대를 조이십시오.
- 발 받침대와 함께 저울 시스템을 작동하지 마십시오. 측정치가 부정확할 수 있습니다.
- 발 받침대와 함께 Chaperone 옵션을 작동하지 마십시오. 측정치가 부정확할 수 있습니다.

발 받침대 위치 설정 또는 접어 넣는 방법

1. 발 받침대 상단에 있는 knob(A)을 느슨하게 하여 발 받침대 측방향 각도를 조절합니다(그림 21).
2. knob(A)을 조여서 발 받침대를 원하는 위치에 고정시킵니다.

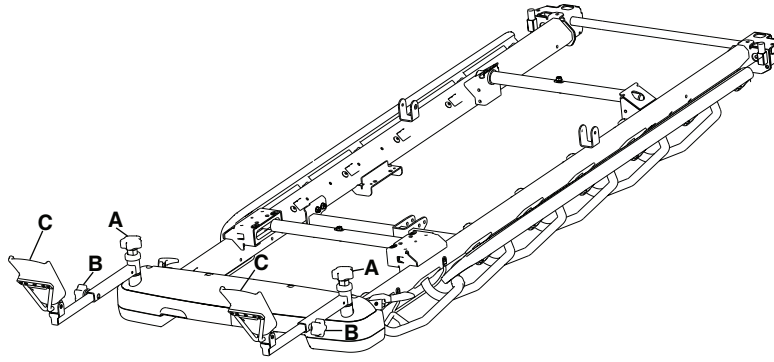


그림 21 - 발 받침대 위치 설정하기

3. 발 받침대의 측면에 있는 레그톱(B)을 느슨하게 하여 길이를 조절합니다.
4. 레그톱(B)을 조여서 발 받침대를 원하는 위치에 고정시킵니다.
5. 환자 위치를 잡기 전에 발 받침대(C)를 젖혀 올립니다.
6. 발 받침대를 접어 넣으려면 이 단계들을 역으로 수행합니다(그림 22).

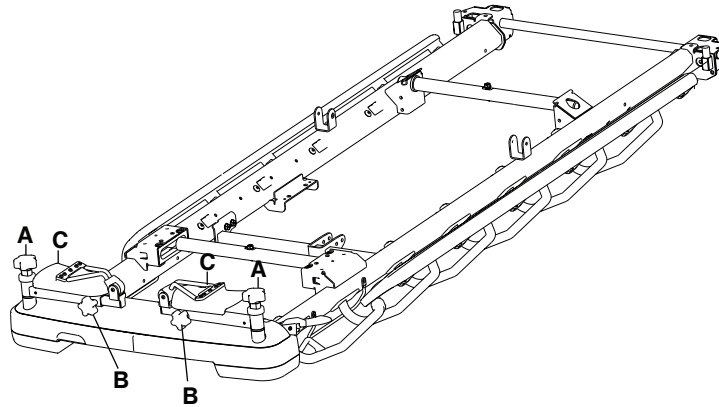


그림 22 - 발 받침대 접어 넣기

발 받침대를 선택한 경우에는 다음 옵션과 부속장치를 구매할 수 없습니다.

- 발쪽 끝 밀기 핸들
- 제세동기 트레이
- 제세동기 트레이/발 연장부
- 서빙 트레이 홀더/발판
- 발판/차트 홀더
- 발쪽 끝 IV 폴

참고

- 환자 소지품을 보관하는 데 발 받침대를 사용하지 마십시오.
- 발 받침대를 밀거나 당기는 장치로 사용하지 마십시오. 제품이 손상될 수 있습니다.
- 불안정해지지 않도록 발 받침대 사용 시 항상 브레이크를 거십시오.
- 발 받침대와 함께 등받이나 개치를 사용하지 마십시오.

영구 부착된 2단 IV 폴 위치 설정하기

경고 - IV 폴을 밀거나 당기는 장치로 사용하지 마십시오. 제품이 손상될 수 있습니다.

제품의 머리쪽, 발쪽, 또는 양쪽 모두에 영구 부착된 2단 IV 폴 옵션이 있는 제품을 구매할 수 있습니다. IV 폴은 추가로 한 단계 더 높일 수 있도록 연장되는 접이식 폴이 있습니다. 사용 중이 아닐 때는 IV 폴을 접어서 보관할 수 있습니다.

2단 IV 폴 위치 설정 방법(그림 23):

1. 보관 위치에서 폴을 꺼내서 회전시킵니다.
2. IV 폴이 제자리에 고정될 때까지 IV 폴을 눌러 내립니다.
3. IV 폴의 높이를 올리려면, 폴이 완전히 올라간 위치에서 제자리에 고정될 때까지 접이식 부분(A)을 위로 당겨 올립니다.
4. IV 길이(B)가 원하는 위치로 가도록 회전시키고 IV 백을 겁니다.
5. IV 폴을 낮추려면, IV 폴의 접이식 부분을 잡고 래치(C)를 돌린 후 접이식 부분을 내립니다.

참고

- IV 폴에 40 lb (18 kg)이 넘는 IV 백을 걸지 마십시오.
- 환자 수송 시 열린 문 사이를 안전하게 통과하기 위해 항상 IV 폴이 가장 낮은 높이에 있음을 확인하십시오.

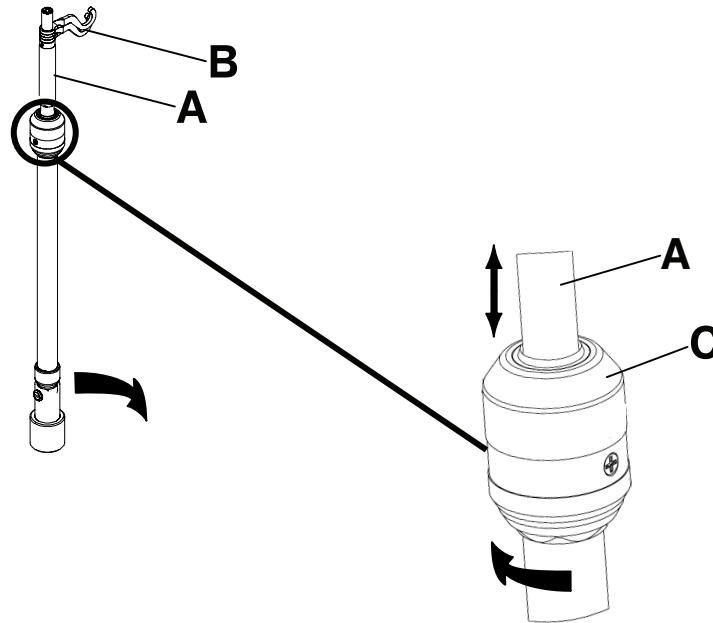


그림 23 - 영구 부착된 2단 IV 폴 위치 설정하기

영구 부착된 3단 IV 폴 옵션 위치 설정하기

경고 - IV 폴을 밀거나 당기는 장치로 사용하지 마십시오. 제품이 손상될 수 있습니다.

제품의 머리쪽, 발쪽, 또는 양쪽 모두에 영구 부착된 3단 IV 폴 옵션이 있는 제품을 구매할 수 있습니다. IV 폴은 추가로 두 단계 더 높일 수 있도록 연장되는 접이식 폴이 있습니다. 또한 사용 중이 아닐 때는 IV 폴을 접어서 보관할 수 있습니다.

3단 IV 폴 위치 설정 방법(그림 24):

1. 보관 위치에서 폴을 꺼내서 회전시킵니다.
2. IV 폴이 제자리에 고정될 때까지 폴을 눌러 내립니다.
3. IV 폴의 높이를 올리려면, 폴이 완전히 올라간 위치에서 제자리에 고정될 때까지 접이식 부분(A)을 위로 당겨 올립니다.
4. IV 폴 높이를 더 높이려면, (B) 부분을 위로 올립니다. 원하는 높이에서 (B) 부분을 해제하여 폴이 제자리에 잠기도록 합니다.
5. IV 길이(C)가 원하는 위치로 가도록 회전시키고 IV 백을 겁니다.
6. IV 폴을 낮추려면, 폴이 낮아질 때까지 (B) 부분을 잡은 상태에서 그림의 노란색 부분(D)을 위로 밀어올립니다.
7. 래치(E)를 돌린 후 IV 폴 접이식 부분을 낮춥니다.

참고

- IV 폴에 12 lb (5 kg)이 넘는 IV 백을 걸지 마십시오.
- 한 개의 IV 걸이에 9.3 lb (4.2 kg)이 넘는 IV 백을 걸지 마십시오.
- 환자 수송 시 열린 문 사이를 안전하게 통과하기 위해 항상 IV 폴이 가장 낮은 높이에 있음을 확인하십시오.

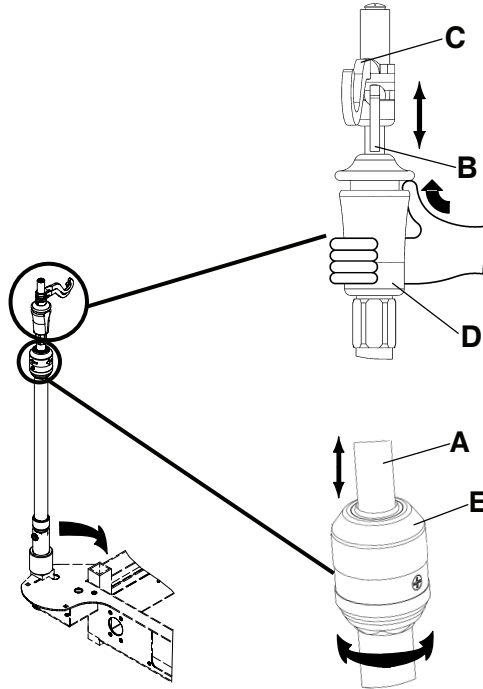


그림 24 – 영구 부착된 3단 IV 폴 옵션 위치 설정하기

탈착식 IV 폴 부착하기 및 위치 조정하기

주의

- IV 폴을 밀거나 당기는 장치로 사용하지 마십시오. 제품이 손상될 수 있습니다.
- IV 폴에 40파운드(18 kg) 이 넘는 IV 백을 걸지 마십시오.
- 환자 수송 시 열린 문 사이를 통과하기 위해 항상 IV 폴이 가장 낮은 높이에 있음을 확인하십시오.

탈착식 IV 폴 부착 및 위치 조정 방법(그림 25):

1. 제품의 머리쪽 끝이나 발쪽 끝에 있는 소켓에 IV 폴을 삽입합니다.
2. 늑(A)을 시계 반대 방향으로 돌린 후 원하는 높이에 이를 때까지 접이식 부분(B)을 위로 당겨 올립니다.
3. 늑(A)을 시계 방향으로 돌려 접이식 부분을 제자리에 고정시킵니다.

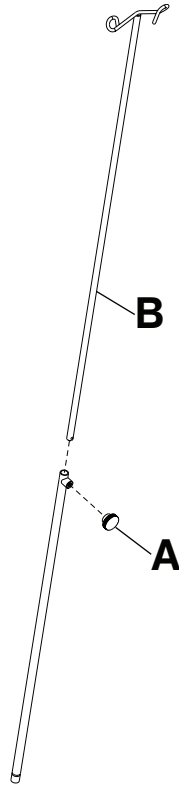


그림 25 – 탈착식 IV 폴

수직형 산소통 홀더 부착하기

경고

- 산소통 홀더에 40파운드(18 kg)가 넘는 물체를 놓지 마십시오.
- 발쪽 푸시핸들 옵션 위치를 취하는 경우, 제세동기 트레이/발 연장부, 풋보드/차트 홀더, 또는 수직형 산소통 홀더가 부착되어 있으면 손가락이 끼지 않도록 항상 주의를 기울이십시오.

수직형 산소통 홀더는 수직 위치에 있는 산소통을 지지합니다.

수직형 산소통 홀더 부착 방법:

1. IV 소켓 중 어느 하나에 지지 막대를 삽입합니다.
2. 지지 막대에 있는 구멍을 통과하도록 코터 핀을 삽입하여 산소통 홀더를 제품에 고정시킵니다.

참고 - 수직형 산소통 홀더를 밀거나 당기는 장치로 사용하지 마십시오. 제품이 손상될 수 있습니다.

서빙 트레이/발판 연장하기 또는 접기

경고 - 서빙 트레이에 30파운드(14 kg)가 넘는 물체를 놓지 마십시오.

사이드레일에 서빙 트레이를 맞추려면, 서빙 트레이 양쪽을 잡아당겨 사이드레일 위에 놓이도록 합니다.

서빙 트레이 접어 넣는 방법:

1. 사이드레일에서 서빙 트레이를 빼냅니다.
2. 서빙 트레이의 양쪽을 밀어넣습니다.
3. 서빙 트레이를 발판 안에 보관합니다.

참고 - 서빙 트레이/발판을 밀기/당기기 장치로 사용하지 마십시오. 제품이 손상될 수 있습니다.

사이드레일 패드 부착하기

사이드레일 패드 부착 방법

1. 사이드레일 패드를 매트리스와 사이드레일 사이에 끼워 넣습니다.
2. 사이드레일 상단에 있는 **Velcro®** 스트랩을 고정시켜 사이드레일 패드를 고정시킵니다.

환자 고정 스트랩 묶는 위치 찾기

경고

- 고정 스트랩을 부착할 때 항상 주의를 기울이십시오. 환자나 작동자가 부상을 입을 수 있습니다. 고정된 상태에서라도 신체 고정 장치는 얽힘, 걸림, 신체 부상 또는 사망 등의 심각한 위험을 초래할 수 있습니다.
- 고정 스트랩 또는 장치는 항상 제품의 표시된 부착 지점에만 부착하십시오. 이를 준수하지 않으면 환자 또는 작동자 부상을 초래할 수 있습니다. 고정 스트랩을 사이드레일에 부착하지 마십시오.
- 고정 스트랩 또는 장치를 사용하기 전에 항상 해당되는 지방 및 국가 제약 사항과 규정 그리고 해당 시설 프로토콜을 참조하십시오.

환자 고정 스트랩을 연결하도록 침상 어셈블리에는 8개의 환자 고정 스트랩 묶는 위치가 있습니다(그림 26 또는 그림 27).

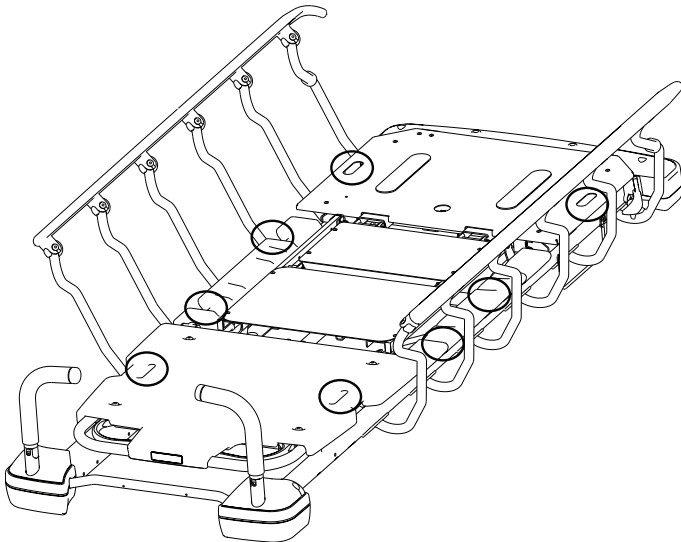


그림 26 - Prime 고정 스트랩 위치

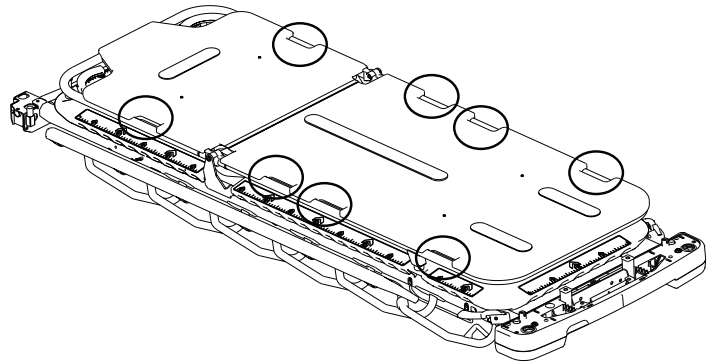


그림 27 - Prime X 옵션 고정 스트랩 위치

참고 - 고정 스트랩은 타입 B 적용 부품입니다.

수직형 X선 카세트 홀더 위치 설정하기 - Prime X 옵션

경고

- 수직형 또는 측면 X선 카세트 홀더를 사용할 때 항상 보호 조치를 취하십시오. X선 카세트 홀더는 방사선에 대한 보호를 제공하지 않습니다.
- 방사선 발생 장치와 함께 **Prime X** 옵션을 사용하기 전에, 안전을 위해 항상 시설 프로토콜 이외에 현지, 지방 및 국가 지침을 참조하십시오. 방사선 발생 장치가 잔여, 고립 또는 산발적 방사선을 방출할 수 있습니다.
- 2.5인치(6.35 cm)보다 두꺼운 매트리스를 사용하거나 **Prime X** 옵션과 함께 매트리스 덮개를 사용하는 경우 항상 각별한 주의를 기울이십시오.
- 항상 수직형 X선 카세트 홀더 위치 설정하기 - Prime X 옵션 지침을 따라 X선 카세트를 삽입하십시오.

X선 카세트 홀더는 X선 카세트를 지지하도록 파울러 등받이 용접부에 부착되어 있습니다. 환자가 제품 위에 있는 동안 X선을 촬영할 수 있습니다. 또한 X선 촬영 전에 카세트 위치를 조절할 수 있습니다.

X선 카세트 홀더 위치 설정 방법

1. 브레이크를 겁니다. 제품을 밀어 브레이크가 작동하는지 확인합니다.
2. 파울러 등받이 부분을 가장 높은 높이로 올립니다.
3. 파울러 등받이 용접 막대 아래에 하단 리테이너 가이드(A)를 삽입합니다(그림 28).
4. 파울러 등받이 용접부에 리테이너 가이드가 걸려 고정될 때까지 카세트 홀더를 올립니다. 카세트 홀더가 고정되었음을 확인합니다.

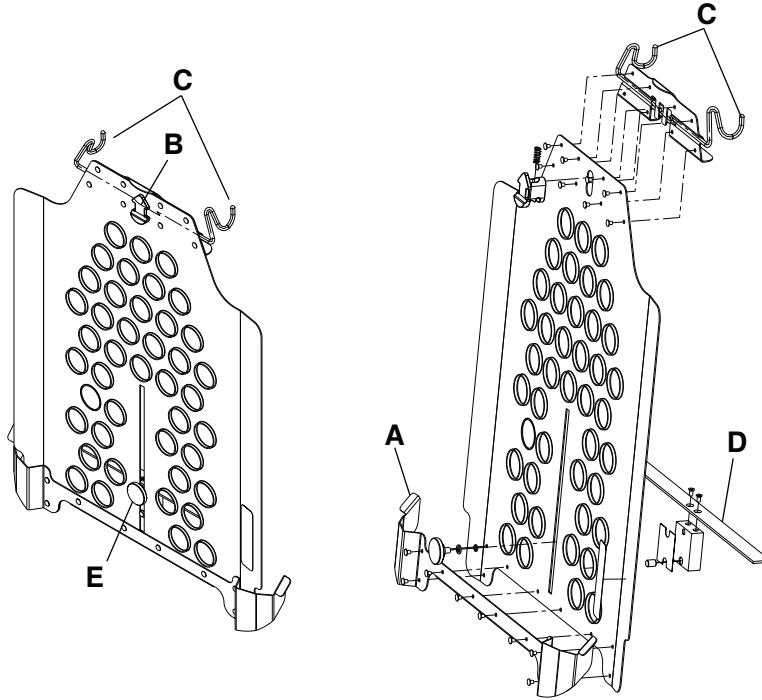


그림 28 - X선 카세트 홀더

5. 카세트 홀더의 양면 중 한 쪽으로부터 X선 카세트를 삽입하거나 슬라이더 해제 화살표(B)를 당겨서 파울러에서 카세트 홀더를 해제한 후, 카세트 위치를 설정하고, 파울러 등받이 용접부 안에 카세트 홀더를 고정시킵니다.
6. 카세트 높이를 조절하려면, 높(E)을 느슨하게 한 후 원하는 높이가 될 때까지 카세트 지지 레일(D)을 위나 아래로 움직입니다.
7. 높(E)을 조여서 카세트 지지 레일을 제자리에 고정시킵니다.
8. X선 촬영이 완료되면, 슬라이더 해제 화살표(B)를 위로 당겨서 파울러 등받이 용접부에서 카세트 홀더를 해제합니다.
9. 카세트 홀더에서 X선 카세트를 꺼냅니다.
10. 카세트 홀더를 닫은 후 넣어 보관합니다.

측면 X선 카세트 홀더 위치 설정하기 - Prime X 옵션

경고

- 수직형 또는 측면 X선 카세트 홀더를 사용할 때 항상 보호 조치를 취하십시오. X선 카세트 홀더는 방사선에 대한 보호를 제공하지 않습니다.
- 방사선 발생 장치와 함께 Prime X 옵션을 사용하기 전에, 안전을 위해 항상 시설 프로토콜 이외에 현지, 지방 및 국가 지침을 참조하십시오. 방사선 발생 장치가 잔여, 고립 또는 산발적 방사선을 방출할 수 있습니다.
- 파울러 등받이를 수직 위치에 둔 상태에서 X선 촬영을 하거나 수평 카세트를 사용하는 경우 항상 주의를 기울이십시오.
- 2.5인치(6.35 cm)보다 두꺼운 매트리스를 사용하거나 Prime X 옵션과 함께 매트리스 덮개를 사용하는 경우 항상 각별한 주의를 기울이십시오.
- 항상 측면 X선 카세트 홀더 위치 설정하기 - Prime X 옵션 지침을 따라 X선 카세트를 삽입하십시오.

측면 X선 카세트 홀더 위치 설정 방법

1. 브레이크를 겁니다. 제품을 밀어 브레이크가 작동하는지 확인합니다.

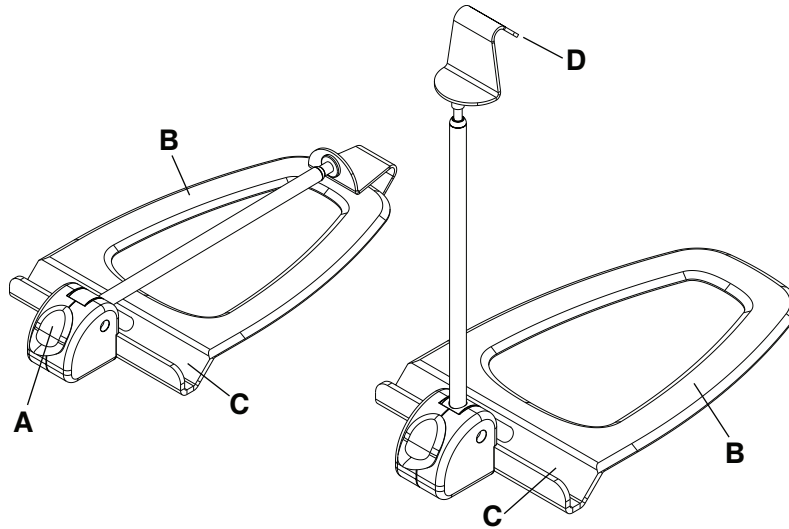


그림 29 - 측면 X선 카세트 홀더

2. 노란색 해제 버튼(A)을 아래로 눌러서 측면 카세트 홀더를 엽니다(그림 29).
3. 매트리스와 환자 플랫폼 사이로 평평한 베이스(B)를 밀어넣습니다.
4. 원하는 위치에 측면 카세트 홀더가 위치하도록 합니다.
5. 카세트 관(C)에 X선 카세트를 넣습니다.
6. 카세트 후크(D)를 밀어올려서 X선 카세트 위로 가도록 압 높이를 조절하여 카세트가 제자리에 고정되도록 합니다.
7. 카세트를 꺼내서 측면 카세트 홀더를 접어 넣으려면 이 단계들을 역으로 수행합니다.

X선 카세트를 삽입하거나 꺼내기 - Prime X 옵션

경고

- 방사선 발생 장치와 함께 Prime X 옵션을 사용하기 전에, 안전을 위해 항상 시설 프로토콜 이외에 현지, 지방 및 국가 지침을 참조하십시오. 방사선 발생 장치가 잔여, 고립 또는 산발적 방사선을 방출할 수 있습니다.
- 파울러 등받이를 수직 위치에 둔 상태에서 X선 촬영을 하거나 수평 카세트를 사용하는 경우 항상 주의를 기울이십시오.

Prime X 옵션은 X선 카세트 배치를 위한 접이식 방사선 지원 표면과 환자 지지 표면 아래 플랫폼 둘 다 제공합니다. 의료용 X선 시스템을 사용하는 경우, 환자가 제품 위에 있는 동안 방사선 지원 표면에서 임상 X선(전신 전후방, 옵션 전신 측면, 옵션 기립후 흉부)을 포획할 수 있습니다. 머리쪽 끝, 발쪽 끝 그리고 제품의 양측 중 한 면으로 카세트를 삽입할 수 있습니다.

X선 촬영용 카세트 삽입 방법

1. 제품의 모든 면에 위치한 위치 표시 라벨을 이용하여 환자가 제품의 중앙에 있도록 합니다(그림 30).
2. 환자 표면 아래로 X선 카세트를 삽입합니다. X선 카세트 위치를 잡는 데 도움이 되도록 카세트 가이드를 사용합니다.

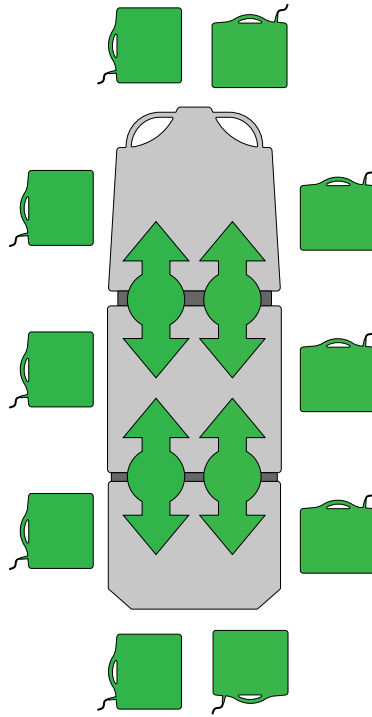


그림 30 – Prime X 옵션에서 X선 카세트를 삽입하거나 꺼내기

참고

- Prime X 옵션 사용 시 두께가 10 cm 이상인 매트리스를 사용하지 마십시오.
- Prime X 옵션을 C-암과 함께 사용하지 마십시오. Prime X 옵션은 C-암과 함께 사용할 수 없습니다.

세척

제품 세척하기

주의 - 연마성 세정제를 사용하여 저울 시스템 옵션의 디스플레이 인클로저를 세척하지 마십시오. 디스플레이 장치에 세정액이나 다른 액체가 고이지 않도록 하십시오. 유출이나 세척 후 모든 표면을 건조시키십시오.

본 지침은 **Prime Series** 운반차에 대한 권장 세척 방법을 제공하기 위한 것입니다.

이 제품은 고압 세척할 수 있습니다. 제품은 지속적인 세척으로 인해 산화 또는 변색의 징후를 보일 수 있습니다. 그러나, 절차를 올바르게 준수하는 한 고압 세척으로 인해 제품의 성능 특성 또는 기능성이 저하되지는 않습니다.

권장 세척 방법:

1. 전기 침상 또는 전기 리프트 옵션을 갖춘 제품의 경우, 제품을 이동하거나 세척하기 전에 전원 콘센트로부터 전기 코드를 빼내십시오.
2. 제품에서 매트리스를 꺼냅니다.
3. 세척액 제조업체의 희석 권장 사항을 준수합니다.
4. Stryker는 고압 세척 시 표준 병원 카트 세척기 사용을 권장합니다.
5. 제품을 건조시킵니다. 제품이 건조될 때까지 제품 위에 매트리스를 놓지 마십시오.
6. 제품을 다시 사용하기 전에 기능을 확인합니다.
 - 제품을 올리고 내립니다
 - 브레이크/조종 페달을 양방향으로 잠그고 풉니다
 - 사이드레일을 고정시켰다가 풉니다
 - 파울러 등받이를 올리고 내립니다
 - 개치를 올리고 내립니다
 - 모든 구성 요소가 적절히 윤활되어 있는지 확인합니다
 - 모든 라벨이 손상되지 않았음을 확인합니다

참고

- 눈에 보이는 이물질이 묻은 투과성 재질에 피부가 직접 접촉하면 감염 위험이 증가할 수 있습니다.
- 제품을 증기 세척하지 마십시오.
- 베이스 후드 보관 영역을 청소하십시오.
- 왁스 또는 바닥 잔재가 축적되지 않도록 브레이크 패드의 바닥을 청소하십시오.
- 일부 세정제는 부식성이 있으며 부적절하게 사용할 경우 제품에 손상을 초래할 수 있습니다. 제품을 적절히 행구고 건조시키지 않으면 부식성 잔류물이 제품 표면에 남을 수 있어 중요한 구성 요소의 조기 부식을 초래할 수 있습니다. 이러한 세척 지침을 따르지 않으면 보증이 무효가 될 수 있습니다.

카트 세척기를 사용하여 제품 세척하기

Stryker는 표준 병원 수술용 카트 세척기를 사용하여 제품 수명 기간 동안 최대 1년에 한 번 운반차를 세척할 것을 권장합니다.

카트 세척기를 사용한 제품 세척 방법

1. 전기 침상 또는 전기 리프트 옵션을 갖춘 제품의 경우, 제품을 이동하거나 세척하기 전에 전원 콘센트로부터 전기 코드를 빼내십시오.
2. 제품을 세척하기 전에 매트리스를 꺼냅니다. 제품과 함께 매트리스를 세척하지 마십시오.
3. 파울러 등받이 위치를 45°로 설정합니다.
4. 제품을 역 트랜델렌버그 위치(발쪽 끝이 아래로 내려감)로 둡니다.
5. 사이드레일을 올립니다.

6. IV 폴을 배치하고 핸들을 올린 위치로 밀니다.
7. 최고 수온 82°C(180°F) 및 최대 수압 103.5바/1500 psi로 제품을 세척합니다.
8. 최고 온도 93°C(200°F)에서 8분간 제품을 자연 건조시킵니다.
9. 제품을 건조시킵니다. 제품이 건조될 때까지 제품 위에 매트리스를 놓지 마십시오.
10. 제품을 다시 사용하기 전에 기능을 확인합니다.
 - 제품을 올리고 내립니다
 - 브레이크/조종 페달을 양방향으로 잠그고 풉니다
 - 사이드레일을 고정시켰다가 풉니다
 - 파울러 등받이를 올리고 내립니다
 - 모든 구성 요소가 적절히 운항되어 있는지 확인합니다
 - 모든 라벨이 손상되지 않고, 읽을 수 있는지를 확인합니다

참고

- 제품을 증기 세척하지 마십시오.
- 일부 세정제는 부식성이 있으며 부적절하게 사용할 경우 제품에 손상을 초래할 수 있습니다. 제품을 적절히 행구고 건조시키지 않으면 부식성 잔류물이 제품 표면에 남을 수 있어 중요한 구성 요소의 조기 부식을 초래할 수 있습니다. 이러한 세척 지침을 따르지 않으면 보증이 무효가 될 수 있습니다.

매트리스 세척하기

경고

- 제품을 사용하는 동안에는 세척, 정비 또는 정비를 실시하지 마십시오.
 - 매트리스를 세정액이나 소독액에 담그지 마십시오. 과도한 수분은 제품 손상이나 환자 부상을 초래하는 제품 오작동을 초래할 수 있습니다.
 - 매트리스에 액체가 고이지 않도록 하십시오. 액체는 구성 요소 부식을 초래할 수 있으며 이로 인해 이 제품의 안전성과 성능이 예측 불가능하게 될 수 있습니다.
 - 커버를 세척할 때마다 매트리스 커버에 찢긴 곳, 구멍, 과도한 마모, 지퍼 오정렬 등이 있는지 항상 검사하십시오. 교차 오염을 방지하기 위하여 손상된 매트리스는 제거하고 교체하십시오.
 - 매트리스를 증기 세척, 고압 세척, 호스 사용 세척, 초음파 세척하지 마십시오. 이러한 세척 방법으로 인해 제품의 보증이 무효가 될 수 있습니다.
-

매트리스 수명은 사용 빈도 증가에 의해 영향을 받을 수 있으며, 이에는 보다 빈번한 세척과 소독이 포함될 수 있습니다.

권장 세척 방법:

1. 깨끗하고 부드러운 축축한 천을 사용하여 순한 비눗물로 매트리스 커버를 닦아 이물질을 제거합니다.
2. 깨끗하고 마른 천으로 매트리스 커버를 닦아서 남은 액체 또는 세제를 제거합니다.
3. 세척 후 커버를 행군 후 건조시킵니다.
4. 세척이 완료된 후 필요에 따라 병원 등급 소독제로 소독합니다(*매트리스 소독하기* 참고).

참고

- 매트리스를 다림질하거나 드라이클리닝하거나 건조기에 말리지 마십시오. 그러면 제품의 오작동과 손상이 초래됩니다.
- 제품 성능 손상을 방지하기 위해 보관, 침대보 깔기 또는 표면에 환자를 놓기 전에 반드시 매트리스 커버를 완전히 말려야 합니다.
- 알코올이나 과산화수소에 과다 노출되지 않도록 하십시오. 커버 소재가 팽창하게 됩니다.
- 매트리스 하단을 세척할 때 액체가 지퍼 부위 또는 지퍼 덮개에 스며들지 않도록 하십시오. 지퍼에 닿은 액체가 매트리스 안으로 유입될 수 있습니다.
- 일부 세정제는 부식성이 있으며 부적절하게 사용할 경우 제품에 손상을 초래할 수 있습니다. 제품을 적절히 행구고 건조시키지 않으면 부식성 잔류물이 제품 표면에 남을 수 있어 중요한 구성 요소의 조기 부식을 초래할 수 있습니다. 이러한 세척 지침을 따르지 않으면 보증이 무효가 될 수 있습니다.

요오드 제거

1. 0.5리터의 온수에 티오황산나트륨 1~2테이블스푼을 가하여 녹입니다. 이 용액으로 얼룩진 부분을 닦아 냅니다.
2. 얼룩이 생기는 대로 가능한 빨리 얼룩을 닦아 냅니다.
3. 얼룩이 즉시 제거되지 않는 경우, 매트리스를 닦기 전에 용액이 표면에 젖어 있거나 머물러 있도록 둡니다.
4. 매트리스를 다시 사용하기 전에 깨끗한 물로 세정액에 노출된 매트리스를 헹굽니다.

참고 - 다음 유형의 세정제 사용 시 아래 지침을 따르지 않으면 본 제품의 보증이 무효화될 수 있습니다.

특별 지침

Velcro®	소독제로 완전히 적신 후 물로 헹구어 내고 용액이 증발하도록 두십시오.
고체 또는 얼룩	중성 비누와 온수를 사용하십시오. 독한 세정제, 용제 또는 연마성 세정제를 사용하지 마십시오.
세척하기 어려운 부분	까다로운 부분이나 얼룩에는 일반 가정용 세정제나 비닐 세정제 그리고 부드러운 강모 솔을 사용하십시오. 말라붙은 오물은 미리 담가 두십시오.
빨래	빨래는 권장되지 않습니다. 빨래하면 매트리스의 사용 수명 기간을 상당히 감소시킬 수 있습니다.

소독

제품 소독 방법

경고

- 제품을 사용하는 동안에는 세척, 정비 또는 정비를 실시하지 마십시오.
 - 제품을 증기 세척, 호스 사용 세척, 또는 초음파 세척하지 마십시오. 이러한 세척 방법 사용은 권장되지 않으며 이 제품의 보증이 무효가 될 수 있습니다.
-

권장 소독제:

- 4차 세정제(활성 성분 - 염화암모늄), 글리콜에테르 3% 미만 함유
- 페놀 소독제(활성 성분 - o-페닐페놀)
- 염소계 표백제 용액(물:표백제 용액(5.25% 차아염소산나트륨)이 100:1인 용액을 사용하며 이는 520 ppm의 염소와 동등함(물 4000 mL당 5.25% 표백 용액 40 mL))
- 70% 아이소프로필 알코올

권장 소독 방법:

1. 소독제 제조업체의 희석 권장 사항을 준수합니다.
2. 매 사용 전에 권장 소독제로 제품의 모든 표면을 손으로 세척합니다.
3. 포화 상태를 넘지 않도록 하고 적절한 소독을 위해 화학제품 제조업체의 지침보다 더 오래 적시지 않도록 하십시오.
4. 제품을 건조시킵니다. 제품이 건조될 때까지 제품 위에 매트리스를 놓지 마십시오.
5. 매 사용 후 **Velcro®**를 소독합니다. **Velcro®**에 소독제를 완전히 적신 후, 물로 헹구어 내고, 소독제가 증발하도록 둡니다 (적절한 소독제는 기관에서 정함).
6. 제품을 다시 사용하기 전에 기능을 확인합니다.
 - 제품을 올리고 내립니다
 - 브레이크/조종 페달을 양방향으로 잠그고 풉니다
 - 사이드레일을 고정시켰다가 풉니다
 - 파울러 등받이를 올리고 내립니다
 - 개치를 올리고 내립니다
 - 모든 구성 요소가 적절히 운항되어 있는지 확인합니다
 - 모든 라벨이 손상되지 않았음을 확인합니다

참고

- 눈에 보이는 이물질이 묻은 투과성 재질에 피부가 직접 접촉하면 감염 위험이 증가할 수 있습니다.
- 일부 세정제는 부식성이 있으며 부적절하게 사용할 경우 제품에 손상을 초래할 수 있습니다. 제품을 적절히 헹구고 건조시키지 않으면 부식성 잔류물이 제품 표면에 남을 수 있어 중요한 구성 요소의 조기 부식을 초래할 수 있습니다. 이러한 세척 지침을 따르지 않으면 보증이 무효가 될 수 있습니다.

매트리스 소독하기

경고 - 환자가 바뀔 때마다 항상 매트리스를 소독하십시오. 이를 준수하지 않으면 교차 오염과 감염이 초래될 수 있습니다.

권장 소독제:

- 4차 세정제(활성 성분 - 염화암모늄), 글리콜에테르 3% 미만 함유
- 페놀 소독제(활성 성분 - o-페닐페놀)

- 염소계 표백제 용액(물:표백제 용액(5.25% 차아염소산나트륨)이 100:1인 용액을 사용하며 이는 520 ppm의 염소와 동등함(물 4000 mL당 5.25% 표백 용액 40 mL))
- 70% 아이소프로필 알코올

권장 소독 방법:

1. 소독제를 사용하기 전에 매트리스가 깨끗하며 건조한 상태임을 확인합니다.
2. 깨끗하고 마른 천으로 매트리스를 닦아서 남은 액체 또는 소독제를 제거합니다.
3. 소독 후 커버를 헹군 후 건조시킵니다.

참고

- 보관하거나 침대보를 깔기 전에 매트리스 커버가 반드시 건조한 상태여야 합니다. 여분의 소독제를 제거하지 않으면 커버 소재 분해를 초래할 수 있습니다.
- 일부 세정제는 부식성이 있으며 부적절하게 사용할 경우 제품에 손상을 초래할 수 있습니다. 제품을 적절히 헹구고 건조시키지 않으면 부식성 잔류물이 제품 표면에 남을 수 있어 중요한 구성 요소의 조기 부식을 초래할 수 있습니다. 이러한 세척 지침을 따르지 않으면 보증이 무효가 될 수 있습니다.
- 고농도의 소독제 용액에 빈번하게 또는 장시간 노출되면 커버 직물 노화가 빨리 생길 수 있습니다.
- 가속 과산화수소나 글리콜에테르를 함유한 4차 화합물을 사용하면 커버가 손상될 수 있습니다.

예방 유지보수

예방 유지보수 점검을 실시하기 전에 제품 사용을 중단하십시오. 연례 예방정비 시에는 모든 Stryker Medical 제품에 대해 나열된 모든 항목을 점검하십시오. 제품 사용 수준에 따라 예방정비 점검을 더 자주 수행해야 할 수도 있습니다. 자격을 갖춘 요원만이 정비를 실행합니다.

참고 - 해당되는 경우 점검 전에 매트리스 외부를 세척하고 소독하십시오.

다음 항목들을 점검하십시오:

- ___ 모든 잠금 장치가 고정되어 있음
- ___ 사이드레일이 움직이고 맞물림
- ___ 브레이크 페달이 걸린 상태에서 캐스터가 잠겨 있김
- ___ 캐스터가 고정되어 있고 회전함
- ___ 캐스터에 왁스와 찌꺼기가 없음
- ___ 브레이크가 작동함
- ___ 조종 기능이 작동함
- ___ 피부의 균열 여부 점검
- ___ 파울러가 올라가고, 내려가고, 제자리에 맞물림
- ___ 개치가 올라가고, 내려가고, 제자리에 고정됨(옵션)
- ___ 트렌델렌버그/역 트렌델렌버그가 모든 위치에서 작동함
- ___ 접지 체인이 손상되지 않았음
- ___ 유압 연결부에 누출이 없음
- ___ 유압 잭이 위치를 유지함
- ___ 전신 고정 장치가 걸려 있고 고정되어 있음(옵션)
- ___ IV이 손상되지 않았으며 모든 위치에서 조절되고 맞물림(옵션)
- ___ 산소통 홀더가 손상되지 않고 열리고 닫힘(옵션)
- ___ 매트리스 커버에 뜯어지거나 갈라진 곳이 없음
- ___ 부속장치와 장착 하드웨어가 양호한 상태임
- ___ 배터리 전력 공급 기능(옵션)
- ___ 케이블이 마모되거나 압착되지 않았음(옵션)
- ___ 전원 코드와 플러그가 손상되지 않았음(옵션)
- ___ 모든 전기 연결부가 느슨하지 않음(옵션)
- ___ 모든 접지가 프레임에 고정되어 있음(옵션)
- ___ 접지 임피던스가 200 mΩ(밀리옴)을 초과하지 않음(옵션)
- ___ 누설 전류가 300 μA(마이크로암페어)를 초과하지 않음(UL 60606-1-1 기준)(옵션)
- ___ 배터리가 충전되어 있음(저울 시스템 옵션)
- ___ 디스플레이 하우징이 온전하며 손상되지 않았음(저울 시스템 옵션)
- ___ 로드셀이 온전하며 손상되지 않았음(저울 시스템 옵션)
- ___ 발 지지대 니롭 기구가 기능을 하며 제자리에 고정될 수 있음(옵션)
- ___ 발 지지대 레그롭 기구가 기능을 하며 제자리에 고정될 수 있음(옵션)
- ___ 발 지지대가 완전히 연장 위치로 연장되며 올바른 위치에서 멈춤(옵션)
- ___ 발 지지대 자동 태핑 나사(6)가 고정되어 있으며 마모되지 않았음(옵션)
- ___ 눈금 조정됨. 필요 시 재보정(저울 시스템 옵션)

_____ 수직 X선 카세트 홀더가 잘 작동하며 모든 X선 카세트에 맞도록 조절할 수 있음(Prime X 옵션)

_____ 파울러 표면과 발 표면에 손상이 없음(Prime X 옵션)

_____ 머리 트레이 및 발 트레이에 손상이 없음(Prime X 옵션)

_____ 각 파울러 피봇을 통과하는 볼트와 너트가 느슨하지 않음(Prime X 옵션)

제품 일련번호:
시행자:
일자:

EMC 정보

주의

- 제조업체가 지정하거나 제공하지 않은 부속장치, 변환기 및 케이블을 사용하면 전자기 방출 증가 또는 전자기 내성 감소와 부적절한 작동을 초래할 수 있습니다.
- 방출 특징으로 인해 이 장비는 산업 지역 및 병원에서 사용하기에 적합합니다(CISPR 11 등급 A). 일반적으로 CISPR 11 등급 B가 요구되는 주거 환경에서 사용되는 경우 이 장비는 무선 주파수 통신 서비스에 대한 충분한 보호를 제공하지 않을 수 있습니다. 사용자가 장비의 재배치 또는 방향 재설정 등의 완화 조치를 취해야 할 수 있습니다.

안내 및 제조업체 선언 - 전자기 방출

전기 리프트 옵션, 전기 침상 옵션, 또는 저울 시스템 옵션은 아래 명시된 전자기 환경에서 사용해야 합니다. 전기 리프트 옵션, 전기 침상 옵션, 또는 저울 시스템 옵션의 작동자는 전기 리프트 옵션, 전기 침상 옵션, 또는 저울 시스템 옵션이 그러한 환경에서 사용되도록 해야 합니다.

방출 테스트	준수	전자기 환경
RF 방출 CISPR 11	그룹 1	전기 리프트 옵션, 전기 침상 옵션, 또는 저울 시스템 옵션은 내부 기능을 위해서만 RF 에너지를 사용합니다. 그러므로 RF 방출량이 매우 낮으며 근처 전자 장비에 간섭을 일으킬 가능성이 없습니다.
RF 방출 CISPR 11	등급 A	전기 리프트 옵션, 전기 침상 옵션, 또는 저울 시스템 옵션은 가정용 시설 및 가정용 목적으로 사용되는 건물에 공급하는 공공 저전압 전력 공급 네트워크에 직접적으로 연결된 시설을 제외한 모든 시설에 사용이 적합합니다.
고조파 방출 IEC 61000-3-2 *	등급 A	
전압 변동 플리커 방출 IEC 61000-3-3 *	준수	

* 옵션 전기 리프트 또는 전기 침상에만 해당됨

주의

- 휴대용 RF 통신 장비(안테나 케이블 및 외부 안테나와 같은 주변 장치 포함)는 Prime 운반차의 모든 부분(제조업체가 지정한 케이블 포함)으로부터 12인치(30 cm) 이상 떨어진 거리에서 사용해야 합니다.
- 부적절한 작동을 방지하기 위해 이 장비를 다른 장비와 쌓아 놓거나 서로 근접하게 배치하지 말아야 합니다. 그러한 상태로 사용할 필요가 있는 경우, 적재되거나 근접한 장비를 세심히 관찰하여 정상적으로 작동하는지 확인하십시오.

휴대용 및 모바일 RF 통신 장비와 전기 리프트 옵션, 전기 침상 옵션, 또는 저울 시스템 옵션 간의 권장 분리 거리


전기 리프트 옵션, 전기 침상 옵션, 또는 저울 시스템 옵션은 방사 RF 간섭이 통제되는 전자기 환경에서 사용해야 합니다. 전기 리프트 옵션, 전기 침상 옵션, 또는 저울 시스템 옵션의 고객이나 사용자는 통신 장비의 최대 출력에 따라 휴대용 및 모바일 RF 통신 장비(전송장치)와 전기 리프트 옵션, 전기 침상 옵션, 또는 저울 시스템 옵션 간의 최소 거리를 아래 권장 사항 대로 유지함으로써 전자기 간섭을 예방하는 데 도움이 되도록 할 수 있습니다.

전송장치의 최대 정격 출력 W	전송장치의 주파수에 따른 분리 거리 m		
	150 kHz ~ 80 MHz $D=(1.2) (\sqrt{P})$	80 MHz ~ 800 MHz $D=(1.2) (\sqrt{P})$	800 MHz ~ 2.7 GHz $D=(2.3) (\sqrt{P})$
0.01	0.12	0.12	0.23
0.1	0.38	0.38	0.73
1	1.2	1.2	2.3
10	3.8	3.8	7.3

100	12	12	23
<p>최대 정격 출력이 위에 표시되어 있지 않은 전송장치의 경우, 미터(m) 단위의 권장 분리 거리 (D)는 전송장치의 주파수에 사용되는 공식으로 추정할 수 있습니다. 이 식에서 P는 전송장치의 제조 회사에서 밝힌 와트(W) 단위의 최대 정격 출력입니다.</p> <p>참고 1 - 80 MHz 및 800 MHz에서는 더 높은 주파수 범위에 대한 분리 거리가 적용됩니다.</p> <p>참고 2 - 이러한 가이드라인이 모든 상황에 적용되는 것은 아닙니다. 전자기 전파는 구조물, 물체 및 사람에 의한 흡수와 반사의 영향을 받습니다.</p>			

안내 및 제조업체 선언 - 전자기 내성			
<p>전기 리프트 옵션, 전기 침상 옵션, 또는 저울 시스템 옵션은 아래 명시된 전자기 환경에서 사용해야 합니다. 전기 리프트 옵션, 전기 침상 옵션, 또는 저울 시스템 옵션의 고객이나 사용자는 옵션 전기 리프트 또는 전기 침상 그리고 옵션 저울 시스템이 그러한 환경에서 사용되도록 해야 합니다.</p>			
내성 테스트	IEC 60601 테스트 수준	준수 수준	전자기 환경 안내
정전기 방출(ESD) IEC 61000-4-2	±8 kV(접촉) ±15 kV(공기)	±8 kV(접촉) ±15 kV(공기)	바닥은 목재, 콘크리트 또는 세라믹 타일이어야 합니다. 바닥이 합성 소재로 덮인 경우에는 상대습도가 30% 이상이어야 합니다.
정전기 빠른 과도 현상/버스트 IEC 61000-4-4*	±2 kV(전력 공급 선) ±1 kV(입력/출력선)	±2 kV(전력 공급 선) ±1 kV(입력/출력선)	주전원 전력의 품질은 전형적인 상업 환경이나 병원 환경과 동일해야 합니다.
서지 IEC 61000-4-5*	±1 kV (회선간) ±2 kV (회선 접지)	±1 kV (회선간) ±2 kV (회선 접지)	주전원 전력의 품질은 전형적인 상업 환경이나 병원 환경과 동일해야 합니다.
전력 공급장치 입력선의 전압 저하, 전압 변동 및 순간 정전 IEC 61000-4-11*	0°, 45°, 90°, 135°, 180°, 225°, 270° 및 315°에서 0.5 사이클 동안 0% U _T 1사이클 동안 0% U _T 25사이클 동안 70% U _T (U _T 30% 감소) 250사이클 동안 0% U _T	0°, 45°, 90°, 135°, 180°, 225°, 270° 및 315°에서 0.5 사이클 동안 0% U _T 1사이클 동안 0% U _T 25사이클 동안 70% U _T (U _T 30% 감소) 250사이클 동안 0% U _T	주전원 전력의 품질은 전형적인 상업 환경이나 병원 환경과 동일해야 합니다. 사용자가 전기 리프트 옵션 또는 전기 침상 옵션을 주전원 정전 시에도 작동시켜야 할 경우, 부정전 전력공급장치나 배터리로 전력을 공급하도록 권장합니다.
전력 주파수(50/60 Hz) 자기장 IEC 61000-4-8	30 A/m	30 A/m	전원 주파수의 자기장은 전형적인 상업 환경이나 병원 환경의 대표 지역에서 특징적으로 나타나는 수준이어야 합니다.
참고: U _T 는 테스트 수준을 적용하기 전의 교류 주전원 전압입니다.			
*전기 리프트 옵션 또는 전기 침상 옵션에만 해당됨.			

안내 및 제조업체 선언 - 전자기 내성
<p>전기 리프트 옵션, 전기 침상 옵션, 또는 저울 시스템 옵션은 아래 명시된 전자기 환경에서 사용해야 합니다. 전기 리프트 옵션, 전기 침상 옵션, 또는 저울 시스템 옵션의 고객이나 사용자는 옵션 전기 리프트 또는 전기 침상 그리고 옵션 저울 시스템이 그러한 환경에서 사용되도록 해야 합니다.</p>

내성 테스트	IEC 60601 테스트 수준	준수 수준	전자기 환경 안내
<p>전도성 RF IEC 61000- 4-6*</p> <p>방사 RF IEC 61000-4-3</p>	<p>3 Vrms</p> <p>ISM 및 아마추어 무선 대역의 경우 6 Vrms</p> <p>150 kHz ~ 80 MHz</p> <p>3 V/m</p> <p>80 MHz ~ 2.7 GHz</p>	<p>3 Vrms</p> <p>ISM 및 아마추어 무선 대역의 경우 6 Vrms</p> <p>3 V/m</p>	<p>휴대용 및 모바일 RF 통신 장비와 전기 리프트 옵션, 전기 침상 옵션, 또는 저울 시스템 옵션의 어느 부분(케이블 포함) 간의 거리도 전송 장치의 주파수에 적용되는 공식에서 산출한 권장 분리 거리보다 가까워서는 안 됩니다.</p> <p>권장 분리 거리</p> <p>$D=(1.2) (\sqrt{P})$</p> <p>$D=(1.2) (\sqrt{P})$</p> <p>80 MHz ~ 800 MHz</p> <p>$D=(2.3) (\sqrt{P})$</p> <p>800 MHz ~ 2.7 GHz</p> <p><i>P</i>는 전송장치 제조업체가 정한 전송장치의 최대 정격 출력을 와트(W)로 표시한 것이며, <i>D</i>는 미터(m)로 나타낸 권장 분리 거리입니다.</p> <p>현장 전자기 조사를 통해 결정되는 고정 RF 전송장치의 전계 강도^a는 각 주파수 범위의 준수 수준 미만이어야 합니다.^b</p> <p>다음 기호가 표시된 장비 근처에서는 간섭이 발생할 수 있습니다.</p> 

참고 1: 80 및 800 MHz에서는 더 높은 주파수 범위가 적용됩니다.

참고 2: 이러한 지침이 모든 상황에 적용되는 것은 아닙니다. 전자기 전파는 구조물, 물체 및 사람에 의한 흡수와 반사의 영향을 받습니다.

참고 3: 0.15 MHz와 80 MHz 사이의 ISM(산업용, 과학용, 의료용) 대역은 6.765 MHz ~ 6.795 MHz, 13.553 MHz ~ 13.567 MHz, 26.957 MHz ~ 27.283 MHz, 40.66 MHz ~ 40.70 MHz입니다.

^a 무선전신(휴대/무선) 전화 기지국 및 지상파 이동 무전기, 아마추어 무선 통신 장비, AM/FM 라디오 수신 장치 그리고 TV 방송 기지국 등의 고정 전송장치의 전계 강도는 이론적으로 정확히 예측할 수 없습니다. 고정 RF 전송장치에 의한 전자기 환경을 평가하려면 전자기 현장 조사를 고려해야 합니다. 전기 리프트 옵션, 전기 침상 옵션, 또는 저울 시스템 옵션이 사용되는 장소에서 측정된 전계 강도가 상기 해당 RF 준수 레벨을 초과하는 경우, 전기 리프트 옵션, 전기 침상 옵션, 또는 저울 시스템 옵션이 정상적으로 작동하는지 확인해야 합니다. 비정상적인 작동이 관찰되면, 전기 리프트 옵션, 전기 침상 옵션, 또는 저울 시스템 옵션의 방향 재설정 또는 재배치 등의 추가 조치가 필요할 수 있습니다.

^b 150 kHz ~ 80 MHz의 주파수 범위 이외에서는 전계 강도가 3 V/m 미만입니다.

*전기 침상 옵션에만 해당됨.

„Prime Series®“ neštuvai












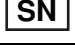
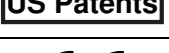






Naudojimo žinynas












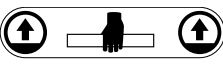




REF 1115

Big Wheel®



Simboliai

	Žr. naudojimo žinyną / brošiūrą
	Žr. naudojimo instrukciją
	Bendro pobūdžio įspėjimas
	Dėmesio
	Įspėjimas; gali sutraiškyti rankas
	Įspėjimas; nejonizuojančioji spinduliuotė
	Nestumti
	Nelaikyti deguonies baliono ant įrenginio
	Nesutepti
	Katalogo numeris
	Partijos kodas
	Serijos numeris
	Informaciją apie JAV patentus žr. www.stryker.com/patents
	CE ženklas
	Įgaliotasis atstovas Europos Bendrijoje
	Europos medicinos priemonė
	Gamintojas
	Pagaminimo data
	Importuotojas

	Saugioji darbinė apkrova
	Maksimalus paciento svoris
	Įrangos masė, įskaitant saugiają darbinę apkrovą
	Nuolatinė srovė
	Kintamoji srovė
	Pavojinga įtampa
	Apsauginis įžeminimas
IPX6	Apsauga nuo stiprių vandens srovių
	B tipo liečiamoji dalis
	Medicinos įranga „Underwriters Laboratories Inc.“ klasifikuota pagal atitiktį elektros smūgio, gaisro ir mechaninio pavojaus saugos reikalavimams, apibrėžtiems tik ANSI/AAMI ES60601-1:2005 ir CAN/CSA-C22.2 Nr. 60601-1:08. *Naudojant parinktį Prime X , susijusi įranga klasifikuota pagal reikalavimus, apibrėžtus rentgeno įrangos standarte IEC 60601-2-54
	Pagal Europos Parlamento ir Tarybos direktyvą 2012/19/ES dėl Elektros ir Elektroninės Įrangos atliekų (EEI), įskaitant pakeitimus ir papildymus, šis simbolis nurodo, kad įrenginio atliekas reikia rinkti atskirai perdirbimui. Negalima išmesti kartu su nerūšiuotomis buitinėmis atliekomis. Informacijos apie atliekų tvarkymą teiraukitės vietinio platintojo. Būtina užtikrinti, kad infekcinių ligų sukėlėjais užterštos įrangos atliekos prieš rūšiuojant būtų dezinfekuotos.
	Sutepkite
	Kelti čia
	Laikyti nurodyta puse į viršų
	Laikyti sausai
	Dužus, elgtis atsargiai
	Sukrovimo vieno ant kito riba

Turinys

Sąvokų „Ispėjimas“, „Dėmesio“ ir „Pastaba“ apibrėžtys	3
Atsargumo priemonių santrauka	3
Sužnybimo taškai	6
Ivadas	7
Įrenginio aprašas	7
Naudojimo indikacijos	7
Klinikinė nauda	8
Kontraindikacijos	8
Numatoma eksploatacijos trukmė	8
Atliekų tvarkymas ir rūšiavimas	8
Techniniai parametrai	8
Įrenginio iliustracija – „Prime“	11
Įrenginio iliustracija – parinktis „Prime X“	12
Liečiamosios dalys – elektrinės gulimosios dalies parinktis	13
Liečiamosios dalys – parinktis „Prime X“	13
Kontaktinė informacija	14
Serijos numerio vieta	14
Paruošiamieji darbai	15
Naudojimas	16
Stabdžių įjungimas ir atleidimas	16
„Prime“ pagrindiniai valdikliai	17
Neelektrinės gulimosios dalies pakėlimas	17
Neelektrinės gulimosios dalies nuleidimas	17
Elektrinės gulimosios dalies parinktės pakėlimas	18
Elektrinės gulimosios dalies parinktės nuleidimas	18
Įrenginio nustatymas Trendelenburgo padėtyje	18
Įrenginio nustatymas atvirkštinėje Trendelenburgo padėtyje	19
Paciento pervežimas	19
Paciento pervežimas be rato „Big Wheel“	19
Paciento pervežimas su ratu „Big Wheel“	20
Galvūgalyje esančių stūmimo rankenų padėties nustatymo arba paslėpimo parinktis	21
Porankio pakėlimas	22
Porankio nuleidimas	22
Įrenginio padėties nustatymas naudojant porankyje esantį paciento valdymo skydelį – elektrinės gulimosios dalies parinktis – tik „Prime“	23
Operatoriaus valdymo skydelis – elektrinės gulimosios dalies parinktis – tik „Prime“	23
Paciento valdymo skydelio užrakinimas ir atrakinimas – elektrinės gulimosios dalies parinktis – tik „Prime“	24
„Fowler“ nugaros atramos pakėlimas ir nuleidimas – neelektrinė gulimoji dalis	25
„Fowler“ nugaros atramos pakėlimas ir nuleidimas – elektrinės gulimosios dalies parinktis	26
Kelių sulenkimo atramos pakėlimas ir nuleidimas – neelektrinė gulimoji dalis – tik „Prime“	27
Kelių sulenkimo atramos pakėlimas ir nuleidimas – elektrinės gulimosios dalies parinktis – tik „Prime“	27
Reabilitacijos kėdės padėties nustatymas – tik „Prime“	27
Daiktų laikymas pagrindo gaubte	28
Prietaisų kabinimas ant pompos kabyklos parinktės	28
Maitinimo laido ištraukimas ir suvyniojimas naudojant automatinės laido ritės parinktį – elektrinio keltuvo arba elektrinės gulimosios dalies parinktis	29
Svarstyklių sistemos parinktis	29
Svarstyklių piktogramos / mygtuko identifikavimas	30
Paciento svėrimas	31
Svorio matavimo vienetų užfiksavimas	31
Parinktės „Chaperone“ suaktyvinimas ir išjungimas	31
Parinktės „Chaperone“ perspėjimo signalo pobūdžio nustatymas	32
Parinktės „Chaperone“ perspėjimo signalo garsumo nustatymas	32
Svarstyklių sistemos baterijos bloko parinktės įkrovimas – elektrinės gulimosios dalies parinktis arba elektrinės gulimosios dalies parinktis su parinktimi „Chaperone“ – tik „Prime“	33
Svarstyklių sistemos parinktės baterijų pakeitimas – neelektrinė gulimoji dalis	33
Priedai ir dalys	33
Defibriliatoriaus dėklo pritvirtinimas	37

Defibriliatoriaus dėklo / kojų ilgintuvo pakeitimas į defibriliatoriaus dėklą	37
Defibriliatoriaus dėklo / kojų ilgintuvo pakeitimas į kojų ilgintuvą	38
Kojūgalio skydo / diagramos laikiklio pritvirtinimas	38
Lašinės stovo vežimėlio pritvirtinimas	39
Pėdų atramų padėties reguliavimas arba nustatymas į nenaudojimo padėtį – tik „Prime“	39
Dviejų pakopų visam laikui pritvirtinto lašinės stovo padėties nustatymas	40
Trijų pakopų visam laikui pritvirtinto lašinės stovo padėties nustatymas	41
Nuimamo lašinės stovo pritvirtinimas ir padėties nustatymas	42
Stačiojo deguonies baliono laikiklio pritvirtinimas	43
Valgio padėklo laikiklio / kojūgalio skydo ištraukimas arba nustatymas į nenaudojimo padėtį	43
Porankio pagalvėlių pritvirtinimas	44
Paciento suvaržymo diržų tvirtinimo taškų padėties nustatymas	44
Stačiojo rentgeno kasetės laikiklio padėties nustatymas – parinktis „Prime X“	44
Šoninio rentgeno kasetės laikiklio padėties nustatymas – parinktis „Prime X“	45
Rentgeno kasečių įdėjimas ir išėmimas – parinktis „Prime X“	46
Valymas	48
Įrenginio valymas	48
Įrenginio valymas naudojant vežimėlių plovimo mašiną	48
Čiužinio valymas	49
Jodo šalinimas	50
Specialiosios instrukcijos	50
Dezinfekavimas	51
Įrenginio dezinfekavimas	51
Čiužinio dezinfekavimas	51
Profilaktinė techninė priežiūra	53
EMS informacija	55

Sąvokų „Įspėjimas“, „Dėmesio“ ir „Pastaba“ apibrėžtys

Žodžiai ĮSPĖJIMAS, DĖMESIO ir PASTABA perteikia specialias reikšmes, todėl reikia įsigilinti į jų prasmę.

ĮSPĖJIMAS

Perspėja skaitytoją apie situaciją, kurios neišvengus pasekmės gali būti mirtinos arba lemti sunkų sužalojimą. Įspėjimas taip pat gali nurodyti galimas sunkias nepageidaujamas reakcijas ir pavojų saugai.

DĖMESIO

Perspėja skaitytoją apie galimą pavojingą situaciją, kurios neišvengus gali grėsti nesunkaus arba vidutinio sunkumo sužalojimo pavojus naudotojui arba pacientui, gali būti pakenkta įrenginiui arba padaryta kitokios turtinės žalos. Tai apima specialias atsargumo priemones, būtinas prietaisui saugiai ir veiksmingai naudoti, bei priemones, kurių reikia imtis, kad prietaisas nebūtų pažeistas jį naudojant arba netinkamai naudojant.

Pastaba - Suteikia specialią informaciją, kad techninė priežiūra vyktų sklandžiau, o svarbios instrukcijos taptų aiškesnės.

Atsargumo priemonių santrauka

Būtinai perskaitykite šiame puslapyje pateikiamus įspėjimus bei atsargumo priemones ir griežtai jų laikykitės. Techninės priežiūros darbus gali atlikti tik kvalifikuoti specialistai.

ĮSPĖJIMAS

- Prieš surinkdami įrenginį ar išbandydami jo funkcines operacijas, visada leiskite jam pasiekti kambario temperatūrą. Įrenginys gali būti nepataisomai sugadintas.
- Įrenginį visada valdykite, kai visi operatoriai yra atsitraukę nuo mechanizmų.
- Visada atsargiai elkitės su maitinimo laidu. Galima įsipainioti į maitinimo laidą, jį pažeisti arba patirti elektros šoką. Jei maitinimo laidas sugadintas, nedelsdami nutraukite įrenginio eksploatavimą ir kreipkitės į techninės priežiūros personalą.
- Įrenginį visada junkite tiesiogiai į įžemintą medicininės paskirties elektros lizdą. Įžeminimo patikimumą galite pasiekti tik naudodami medicininės paskirties elektros lizdą. Šiame įrenginyje yra medicininės paskirties kištukas, apsaugantis nuo elektros smūgio pavojaus.
- Kai pacientas lipa ant įrenginio ar nuo jo nulipa arba kai įrenginys nejudinamas, visada nuspauskite stabdžius. Jei pacientui užlipant ar nulipant nuo įrenginio įrenginys pajudės, pacientas gali susižaloti.
- Visada guldykite pacientą įrenginio centre.
- Visada nustatykite įrenginį žemiausioje padėtyje su pakeltais ir užfiksuotais porankiais, kai paliekate pacientą be priežiūros. Nepalikite įrenginio didesniame aukštyje.
- Prieš pakeldami ar nuleisdami neštuvus, visada pašalinkite visus įmanomus prietaisus.
- Nesėdėkite ant įrenginio galo. Įrenginys gali apvirsti.
- Perveždami pacientą, porankius visada užfiksuokite visiškai pakeltoje padėtyje, o miego paviršių nustatykite į horizontalią žemiausią padėtį.
- Negalima stumti įrenginio šonu didesnio nei 5,7 laipsnio (10 %) nuožulnumo vietose, kad jis neapvirstų.
- Visada būkite itin atsargūs, naudodami storesnį nei 2,5 colio (6,35 cm) čiužinį arba antčiužinį, kai yra parinktis **Prime X**.
- Perveždami pacientą, porankius visada užfiksuokite visiškai pakeltoje padėtyje, o miego paviršių nustatykite į horizontalią žemiausią padėtį.
- Kai pakeliate ar nuleidžiate porankį, visada laikykite paciento galūnes atokiau nuo porankio velenų.
- Neleiskite porankiams nusileisti savarankiškai.
- Nuleisdami „Fowler“ nugaros atramą visada laikykite rankas ir pirštus toliau nuo „Fowler“ nugaros atramos rankenų ir „Fowler“ nugaros atramos rėmo.
- Keldami „Fowler“ nugaros atramą, visada būkite atsargūs, kol pacientas yra ant įrenginio. Naudokite tinkamus kėlimo būdus ir prireikus paprašykite pagalbos.
- Nuleisdami kelių sulenkimo atramą, visada patraukite rankas ir pirštus nuo kojūgalio stūmimo rankenų.
- Visada užtikrinkite, kad ant pompos kabyklos esančių prietaisų linijos būtų patrauktos nuo kelių sulenkimo atramos rankenų.

- Visada įsitikinkite, kad ant pompos kabyklos esančius prietaisus galima saugiai pervežti pro duris.
- Nekelkite įrenginio už pompos kabyklos.
- Visada atjunkite maitinimo laidą nuo elektros lizdo, prieš perveždami arba valydami įrenginį.
- Perveždami įrenginį visada gražinkite maitinimo laidą į pagrindą, naudodami automatinę laido ritę.
- Nenaudokite svarstyklių sistemos, elektrinio keltuvo arba elektrinės gulimosios dalies parinkties šalia kitų prietaisų arba uždėję kitus prietaisus ant parinkčių. Jei būtina naudoti šalia kitų prietaisų arba juos uždėjus, reikia patikrinti, ar svarstyklių sistemos, elektrinio keltuvo arba elektrinės gulimosios dalies parinktis tinkamai veikia tokioje įrangos konfigūracijoje.
- Nedėkite sunkesnių nei 30 svarų (14 kg) daiktų ant defibriliatoriaus dėklo. Visus ant defibriliatoriaus dėklo padėtus prietaisus visada pritvirtinkite diržais.
- Visada būkite atsargūs, jei pritvirtintas defibriliatoriaus dėklas / kojų ilgintuvas, kojūgalio skydas / diagramos laikiklis arba statusis deguonies baliono laikiklis, kad neprispaustumėte pirštų, kai nustatote kojūgalio stūmimo rankenos parinktį.
- Nedėkite sunkesnių nei 30 svarų (14 kg) daiktų ant defibriliatoriaus dėklo / kojų ilgintuvo. Visus ant defibriliatoriaus dėklo padėtus prietaisus visada pritvirtinkite diržais.
- Perveždami įrenginį visada pritvirtinkite lašinės stovą prie lašinės stovo vežimėlio.
- Kai lašinės stovo vežimėlis nenaudojamas, visada padėkite jį į laikymo vietą, kad nesugadintumėte įrenginio.
- Nesėskite ant pėdų atramų. Taip įrenginys gali apvirsti.
- Kai reguliuojate pėdų atramas, visada patraukite pirštus nuo mechanizmų.
- Visada nustatykite pėdų atramas į nenaudojimo padėtį, kai įrenginiu pervežate pacientą.
- Prieš naudodami pėdų atramas, jas visada priveržkite.
- Nenaudokite svarstyklių sistemos, kai naudojamos pėdų atramos. Rodmenys gali būti netikslūs.
- Nenaudokite parinkties **Chaperone**, kai naudojamos pėdų atramos. Rodmenys gali būti netikslūs.
- Nenaudokite lašinės stovo stumti / traukti. Įrenginys gali būti sugadintas.
- Į statujų deguonies baliono laikiklį nedėkite sunkesnių nei 40 svarų (18 kg) daiktų.
- Ant valgio padėklo nedėkite sunkesnių nei 30 svarų (14 kg) daiktų.
- Tvirtindami suvaržymo diržus visada būkite atsargūs. Gali nukentėti pacientas ar operatorius. Fizinės suvaržymo priemonės, net jei jos pritvirtintos, gali padaryti didelę žalą pacientams ir operatoriams, įskaitant įsipainiojimą, įstrigimą, fizinį sužalojimą ar mirtį.
- Visada pritvirtinkite suvaržymo diržus ar įtaisus tik nustatytose įrenginio tvirtinimo vietose. To nepadarius, pacientas ar operatorius gali būti sužeisti. Netvirtinkite suvaržymo diržų prie porankio.
- Prieš naudodamiesi bet koku suvaržymo diržu ar įtaisu, visada laikykitės galiojančių vietos ir nacionalinių apribojimų ir reglamentų bei atitinkamos įstaigos protokolų.
- Visada imkitės atsargumo priemonių, kai naudojate statujų arba šoninį rentgeno kasetės laikiklį. Rentgeno kasetės laikiklis neapsaugo nuo spinduliuotės.
- Prieš naudodami parinktį **Prime X** su spinduliuotę generuojančiais prietaisais, visada laikykitės vietos, valstybinių ir federalinių rekomendacijų bei įstaigos saugos protokolų. Spinduliuotę generuojantys prietaisai gali skleisti liekamąją, nenaudingąją ar išsklaidytąją spinduliuotę.
- Įdėdami rentgeno kasetę visada laikykitės instrukcijų, pateiktų skyriuje *Staciojo rentgeno kasetės laikiklio padėties nustatymas – parinktis „Prime X“*.
- Visada atsargiai darykite rentgeno nuotraukas, kai „Fowler“ nugaros atrama yra vertikaloje padėtyje arba kai naudojate šoninę kasetę.
- Įdėdami rentgeno kasetę visada laikykitės instrukcijų, pateiktų skyriuje *Šoninio rentgeno kasetės laikiklio padėties nustatymas – parinktis „Prime X“*.
- Kai įrenginys naudojamas, jo nevalykite, netaisykite ir neatlikite priežiūros darbų.
- Nemerkite čiužinio į valymo ar dezinfekavimo tirpalus. Dėl drėgmės pertekliaus įrenginys gali sugesti arba sužaloti pacientą.
- Neleiskite skysčiams kauptis ant čiužinio. Dėl skysčių komponentus gali paveikti korozija, o įrenginio sauga ir veiksmingumas gali tapti nenusėjęmi.
- Visada patikrinkite, ar čiužinio užvalkalai nesuplyšę, nepradurti, pernelyg nesusidėvėję ir ar užtrauktukai tinkamai sulgyuoti. Pažeistą čiužinį nuimkite ir pakeiskite, kad išvengtumėte kryžminio užteršimo.
- Čiužinių negalima valyti garu, suslėgtu vandeniu, apliejant vandeniu arba ultragarsu. Šie valymo būdai gali panaikinti įrenginio garantiją.
- Negalima valant įrenginio apdoroti garu arba ultragarsu, ir su atjungta žarna. Šių valymo būdų naudoti nerekomenduojama ir jie gali panaikinti įrenginio garantiją.

- Prieš guldami kitą pacientą, visada dezinfekuokite čiužinį. Kitaip gali įvykti kryžminis užteršimas ir užkrėtimas.
-

PERSPĖJIMAS

- Įrenginį netinkamai naudojant, galima sužaloti pacientą arba operatorių. Naudokite įrenginį tik šiame vadove nurodytomis sąlygomis.
 - Nei įrenginio, nei jokių įrenginio komponentų negalima modifikuoti. Modifikavus įrenginį, jo veikimas gali tapti nenuspėjamas, o tai gali lemti paciento arba operatoriaus sužalojimą. Be to, įrenginį modifikavus jam suteikta garantija netenka galios.
 - Nenaudokite pagrindo hidraulikos įrenginiui pakelti, kai po juo yra paciento keltuvas.
 - Nespauskite vairavimo pedalo, kai ratas **Big Wheel** remiasi į slenkstį ar kitą iškilą vietą. Ratui **Big Wheel** prijungti reikės didesnės nei įprasta jėgos, todėl galima sugadinti įrenginį.
 - Kelių sulenkimo atramos leidžiamoji apkrova yra 200 svarų (90,7 kg).
 - Prieš naudodami visada įsitikinkite, kad kelių sulenkimo atramos paspirties strypas įtvirtintas.
 - Ant kelių sulenkimo atramos nesėskite ir nestovėkite.
 - Kai įrenginio maitinimas atjungtas, bandydami nuleisti kelių sulenkimo atramą visada būkite atsargūs. Sunkio jėgos veikiamo kelių sulenkimo atrama gali staiga nusileisti.
 - Į pagrindo gaubtą nedėkite daiktų, sunkesnių už 60 svarų (27 kg).
 - Nesėdėkite, nelipkite ir nestovėkite ant pagrindo gaubto.
 - Pompos kabyklos leidžiamoji apkrova yra 40 svarų (18 kg).
 - Nenaudokite pompos kabyklos stumti / traukti. Įrenginys gali būti sugadintas.
 - Nenaudokite svarstyklių lengvesniems nei 50 svarų (22 kg) pacientams.
 - Nenaudokite svarstyklių sistemos rodmenų kaip informacijos šaltinio gydymui.
 - Visada pakelkite lašinės stovą, prieš pritvirtindami defibriliatoriaus dėklą / kojų ilgintuvą prie įrenginio. Jei lašinės stovo nepakelsite, kojų ilgintuvas neveiks.
 - Nenaudokite lašinės stovo stumti / traukti. Įrenginys gali būti sugadintas.
 - Ant lašinės stovo nekabinkite lašinės maišelių, sunkesnių nei 40 svarų (18 kg).
 - Veždami pacientą visada įsitikinkite, kad lašinės stovas nuleistas žemai, kad tilptų pro durų angas.
 - Nenaudokite abrazyvinių valiklių svarstyklių sistemos parinkties ekrano korpusui valyti. Neleiskite valymo ir kitiems tirpalams kauptis ant ekrano. Išsiliejus skysčiui arba baigę valymą nusausinkite visus paviršius.
 - Naudojant kitus, nei gamintojo nurodyti ar pateikti, pagalbinus reikmenis, keitiklius ir kabelius, gali sustiprėti elektromagnetinė spinduliuotė arba susilpnėti atsparumas elektromagnetiniams trukdžiams, todėl gali sutrikti veikimas.
 - Dėl spinduliuotės charakteristikų šią įrangą galima naudoti pramoninėse vietose ir ligoninėse (CISPR 11 A klasė). Jei ši įranga naudojama gyvenamojoje aplinkoje, kurioje paprastai reikalaujama CISPR 11 B klasės reikalavimų atitikties, ji gali nesuteikti tinkamos radijo dažnių ryšio paslaugų apsaugos. Naudotojui gali tekti imtis apsaugos priemonių, pvz., perkelti įrangą į kitą vietą arba pakeisti jos padėtį.
 - Nešiojamosios RD ryšio įrangos, įskaitant išorinius įrenginius, tokius kaip antenų kabeliai ir išorinės antenos, negalima naudoti arčiau kaip 12 colių (30 cm) nuo bet kurios **Prime** neštuvų dalies, įskaitant gamintojo nurodytus kabelius.
 - Stenkitės kitų įrenginių nekrauti vieno ant kito ir greta kitų įrenginių, kad nesutriktų įrenginių veikimas. Jei taip naudoti būtina, atidžiai stebėkite, ar ant kitų įrenginių arba šalia jų sukrauti įrenginiai tinkamai veikia.
-

Sužnybimo taškai



pav. 1 – Parinktasis „Prime X“

Įvadas

Šiame vadove rasite informaciją, kurios prireiks „Stryker“ įrenginį eksploatuojant ir techniškai prižiūrint. Perskaitykite vadovą prieš pradėdami šio įrenginio eksploataciją ir techninės priežiūros darbus. Parenkite metodiką ir numatykite priemones, kurios padėtų darbuotojams įgyti žinių ir įgūdžių, būtinų šiam įrenginiui saugiai eksploatuoti ir prižiūrėti.

PERSPĖJIMAS

- Įrenginį netinkamai naudojant, galima sužaloti pacientą arba operatorių. Naudokite įrenginį tik šiame vadove nurodytomis sąlygomis.
 - Nei įrenginio, nei jokių įrenginio komponentų negalima modifikuoti. Modifikavus įrenginį, jo veikimas gali tapti nenuspėjamas, o tai gali lemti paciento arba operatoriaus sužalojimą. Be to, įrenginį modifikavus jam suteikta garantija netenka galios.
-

Pastaba

- Šis vadovas yra neatskiriama įrenginio dalis ir turi likti su įrenginiu netgi jį pardavus.
- „Stryker“ nuolat ieško pažangesnių būdų įrenginių projektinėms savybėms ir kokybei pagerinti. Šiame vadove pateikiama pati naujausia spausdinimo metu žinoma informacija apie įrenginį. Gali pasitaikyti, kad šiame vadove nurodyti duomenys netiks turimam įrenginiui. Visais rūpimais klausimais kreipkitės į „Stryker“ klientų aptarnavimo arba techninės pagalbos specialistus telefonu 1-800-327-0770.

Įrenginio aprašas

„Stryker“ 1115 modelio **Prime Series**® neštuvai su ratu **Big Wheel**® – tai prietaisas su ratais, sudarytas iš platformos, sumontuotos ant rėmo su ratais, pacientams laikyti horizontalioje padėtyje. Neštuvai leidžia operatoriui (sveikatos priežiūros specialistams arba išmokytiems įstaigos darbuotojams) pervežti pacientus sveikatos priežiūros įstaigos viduje. „Stryker“ 1115 modelio neštuvai „**Prime Series**®“ su „**Big Wheel**®“ sumažina važiavimo pradėjimui ir vairavimui reikalingą jėgą, taip sumažindami fizinę apkrovą.

Naudojimo indikacijos

„**Prime Series**“ neštuvuose su ratu „**Big Wheel**“ yra du dideli ratai, dėl kurių reikia mažesnės jėgos pradedant stumti neštuvus.

„**Prime Series**“ neštuvus galima naudoti kaip trumpalaikio ambulatorinio klinikinio įvertinimo, gydymo, nedidelės procedūros ir trumpalaikės ambulatorinės reabilitacijos platformą. Neštuvai gali būti naudojami šiais ir kitais tikslais:

- Skubios pagalbos skyriuje (SPS)
- Traumos patyrimo vietoje
- Priežiūros po anestezijos skyriuje (PPAS)

„**Prime Series**“ neštuvus galima naudoti nedidelėms procedūroms ir trumpą laiką (gydymui ir reabilitacijai). Numatytosios aplinkos sąlygos nurodytos specifikacijų lentelėje.

„Stryker“ „**Prime Series**“ neštuvai nebuvo išbandyti dėl atitikties lovų standartui BS EN 50637. Šis gaminys neskirtas naudoti trumpam laikui guldyti netipiškos anatomijos vaikus arba suaugusius pacientus tose rinkose, kuriose registruojant taikomas minėtas standartas

„**Prime Series**“ neštuvai neskirti ilgalaikiam stacionariniam gydymui ir reabilitacijai.

„**Prime Series**“ neštuvų saugioji darbinė apkrova yra iki 700 svarų (318 kg). Neštuvai skirti naudoti visiems pacientams, įskaitant vidutinius ir sunkius ligonius. Neštuvai taip pat gali būti naudojami mirusiems pacientams vežti uždaroje sveikatos priežiūros įstaigoje.

Priedas „**Prime X**®“ suteikia šarnyrinį rentgenografinį paciento laikomąjį paviršių ir platformą, esančią žemiau paciento laikomojo paviršiaus, kad būtų galima įdėti rentgeno kasetę. Priedu „**Prime X**“ galima gauti klinikinės rentgenogramas (AP viso kūno, pasirinktinai viso kūno šoninę ir pasirinktinai vertikalią krūtinės), naudojant su medicinine rentgeno sistema.

Klinikinė nauda

Paciento pervežimas, lengvesnis gydymas ir diagnostika

Kontraindikacijos

Parinkties **Prime X** nerekomenduojama naudoti su čiužiniu, kurio storis didesnis nei keturi coliai (10 cm).

Parinktis **Prime X** nesuderinta naudoti su C lanko tipo rentgeno aparatais.

Parinktį **Prime X** galima naudoti visuose pastatuose, išskyrus gyvenamosios paskirties pastatus ir pastatus, tiesiogiai prijungtus prie visuomeninio žemosios įtampos maitinimo tinklo, tiekiančio energiją gyvenamosios paskirties pastatams.



Numatoma eksploatacijos trukmė

Įprastomis naudojimo sąlygomis ir tinkamai atliekant periodinę techninę priežiūrą, numatoma **Prime Series** neštuvų ir **Prime Series** neštuvų su parinktimi **Prime X** eksploatacijos trukmė yra 10 metų.

Atliekų tvarkymas ir rūšiavimas

Visada laikykitės galiojančių vietinių rekomendacijų ir (arba) reglamentų, nustatančių reikalavimus dėl aplinkos apsaugos bei rizikos, susijusios su įrangos atliekų perdirbimu ar šalinimu pasibaigus jos gyvavimo laikui.

Techniniai parametrai

	„Prime Series“ 26 colių (66 cm) pločio		„Prime Series“ 30 colių (76 cm) pločio „Prime Series HT“ paketai		Parinktis „Prime X“ 30 colių (76 cm) pločio	
 Pastaba - Saugioji darbinė apkrova apibrėžia suminį paciento, čiužinio ir priedų svorį.	700 svarų	318 kg	700 svarų	318 kg	700 svarų	318 kg
 Maksimalus paciento svoris	675 svarai	306 kg	675 svarai	306 kg	675 svarai	306 kg
Bendras ilgis	85 coliai (±0,5 colio)	215,9 cm	85 coliai (±0,5 colio)	215,9 cm	85 coliai (±0,5 colio)	215,9 cm
Bendras ilgis (gulimosios dalies ilgintuvo parinktis)	89,9 colio (±0,75 colio)	228,3 cm	89,9 colio (±0,75 colio)	228,3 cm	Netaikoma	Netaikoma
Bendras plotis (esant pakeltiems porankiams)	34 coliai (±1 colis)	86,4 cm	38 coliai (±1 colis)	96,5 cm	38 coliai (±1 colis)	96,5 cm
Bendras plotis (esant nuleistiems porankiams)	30,25 colio (±0,5 colio)	76,8 cm	30,5 colio (±0,5 colio)	77,5 cm	30,5 colio (±0,5 colio)	77,5 cm
Minimalus aukštis	20,75 colio	52,7 cm	20,75 colio	52,7 cm	23,25 colio	59,1 cm

	„Prime Series“ 26 colių (66 cm) pločio		„Prime Series“ 30 colių (76 cm) pločio „Prime Series HT“ paketai		Parinktis „Prime X“ 30 colių (76 cm) pločio	
Maksimalus aukštis	34 coliai (±1 colis)	86,4 cm	34 coliai (±1 colis)	86,4 cm	36,5 colio (±1 colis)	92,7 cm
„Fowler“ nugaros atramos kampas	0–90° (±5°)					
Kelių sulenkimo atramos aukštis	Ne mažiau kaip 5,5 colio (14 cm)				Netaikoma	
Trendelenburgo padėtis / atvirkštinė Trendelenburgo padėtis	nuo +17° iki –17° (±3°)					
Mažiausias tarpas	2,5 colio, vardinis	6,4 cm	2,5 colio, vardinis	6,4 cm	2,5 colio, vardinis	6,4 cm
	1,75 colio po hidraulinius keltuvas	4,5 cm	1,75 colio po hidraulinius keltuvas	4,5 cm	1,75 colio po hidraulinius keltuvas	4,5 cm
	1 colis po ratu Big Wheel	2,5 cm	1 colis po ratu Big Wheel	2,5 cm	1 colis po ratu Big Wheel	2,5 cm
Slopinimo ekvivalentas (aliuminio ekvivalentumas)	Netaikoma				Didžiausia leidžiama vertė yra 1,7 mm Al	
Pasirenkamosios svarstyklių sistemos darbinis svėrimo diapazonas	Nuo 50 svarų (22,7 kg) iki 700 svarų (318 kg)					
Pasirenkamosios svarstyklių sistemos tikslumas	±3 svarai (1,3 kg), kai svoris mažesnis nei 100 svarų (45 kg), ir ±3 %, kai svoris ne mažesnis nei 100 svarų (45 kg)*					
*Kad svarstyklių sistemos tikslumas atitiktų nurodytą, paciento paviršius turi būti plokščias („Fowler“ nugaros atrama ir kelių sulenkimo atrama turi būti nuleistos), o įrenginio Trendelenburgo / atvirkštinė Trendelenburgo padėtis turi neviršyti 5 laipsnių.						

Elektriniai priedai	Pasirenkamoji elektrinė gulimoji dalis (gali būti tik su parinktimi „Prime“)	Pasirenkamasis elektrinis keltuvas (gali būti su parinktimi „Prime“ ir „Prime X“)
Elektros reikalavimai	120 V KS, 60 Hz, 10 A 240 V KS, 50 / 60 Hz, 5 A	120 V KS, 60 Hz, 10 A 240 V KS, 50 / 60 Hz, 5 A
Darbo ciklas	Nuolatinis naudojimas su protarpine apkrova yra 1 min. įjungta / 20 min. išjungta	Nuolatinis naudojimas su protarpine apkrova yra 1 min. įjungta / 20 min. išjungta

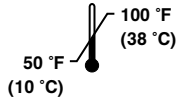
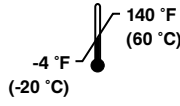
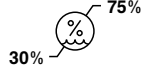
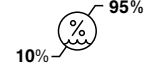
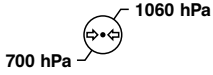
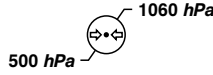
Pasirenkamoji svarstyklių sistema	Neelektrinė gulimoji dalis (gali būti su parinktimi „Prime“ ir „Prime X“)	Pasirenkamasis elektrinis keltuvas (gali būti su parinktimi „Prime“ ir „Prime X“)
Baterijos tipas	4 x AA baterijos (4 x 1,5 V), šarminės (LR6)	4 x AA baterijos (4 x 1,5 V), šarminės (LR6)
Baterijos įtampa	6,0 V	6,0 V

Pasirenkamoji svarstyklių sistema	Pasirenkamoji elektrinė gulimoji dalis (gali būti tik su parinktimi „Prime“)	Pasirenkamasis elektrinis keltuvas
Baterijos tipas	1 x įkraunamasis ličio jonų baterijos blokas (0058-135-000)	Netaikoma
Baterijos įtampa	10,8 V, 2,4 Ah	Netaikoma

Pasirenkamoji svarstyklių sistema su „Chaperone®“ (lipimas iš neštuvų)	Pasirenkamoji elektrinė gulimoji dalis (gali būti tik su parinktimi „Prime“)	Pasirenkamasis elektrinis keltuvas
Baterijos tipas	1 x įkraunamasis ličio jonų baterijos blokas (0058-134-000)	Netaikoma
Baterijos įtampa	10,8 V, 4,8 Ah	Netaikoma

„Stryker“ pasilieka teisę keisti specifikacijas be įspėjimo.

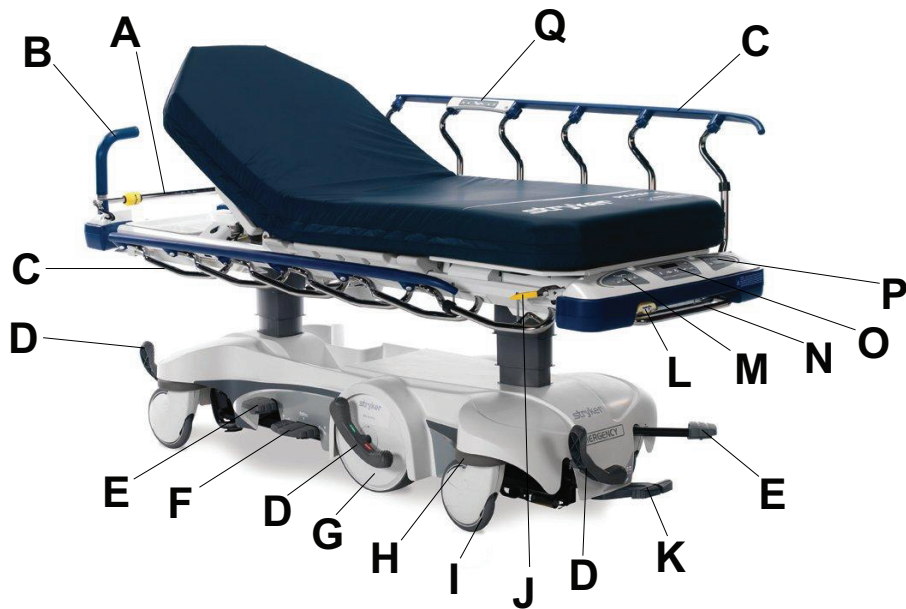
Pastaba - Šis įrenginys netinka naudoti esant degiam anestezijs mišiniui su oru arba su deguonimi ar azoto oksidu.

Aplinkos sąlygos	Eksploatacija	Laikymas ir transportavimas
Temperatūra		
Santykinė drėgmė		
Atmosferos slėgis		

Pastaba - Pasirenkamosios svarstyklių sistemos (neelektrinės / elektrinės gulimosios dalies parinktis) darbinės temperatūros diapazonas yra nuo 61 °F (16 °C) iki 79 °F (26 °C).

Išvardytos specifikacijos yra apytikslės ir kiekvienam įrenginiui arba dėl maitinimo šaltinio svyravimų gali skirtis.

[renginio iliustracija – „Prime“



pav. 2 – „Prime“

A	Lašinės stovas	J	Porankio skląstis
B	BackSmart® iššokanti stūmimo rankena, parinktis	K	Hidraulinis atleidimo pedalas
C	BackSmart porankis	L	Kelių sulenkimo atramos atleidimo rankena
D	Stabdžių / valdymo pedalas	M	BackSmart kojūgalyje esantis operatoriaus valdymo skydelis, parinktis
E	Pompos pedalas	N	Pompos kabykla, parinktis
F	Bendrasis nuleidimo pedalas	O	BackSmart svarstyklių sistema, parinktis
G	„Big Wheel“	P	Paciento valdymo skydelio užraktas, parinktis
H	Buferis, integruotas	Q	Porankyje esantis paciento valdymo skydelis, parinktis
I	Ratukas su integruotu gaubtu		

[renginio iliustracija – parinktis „Prime X“



pav. 3 – Parinktis „Prime X“

A	BackSmart® iššokanti stūmimo rankena, parinktis	H	Bendrasis nuleidimo pedalas
B	Lašinės stovas	I	Buferis, integruotas
C	Kasetės dėklas	J	Ratukas su integruotu gaubtu
D	Paciento paviršius su Clearview Technology® platforma	K	Porankio skląstis
E	BackSmart porankis	L	Pompos kabykla, parinktis
F	Stabdžio / valdymo pedalas	M	BackSmart svarstyklių sistema, parinktis
G	Pompos pedalas		

Liečiamosios dalys – elektrinės gulimosios dalies parinktis



pav. 4 – B tipo liečiamosios dalys – elektrinės gulimosios dalies parinktis

Liečiamosios dalys – parinktis „Prime X“



pav. 5 – B tipo liečiamosios dalys – parinktis „Prime X“

Kontakinė informacija

Kreipkitės į „Stryker“ klientų aptarnavimo arba techninės pagalbos specialistus adresu: 1-800-327-0770.

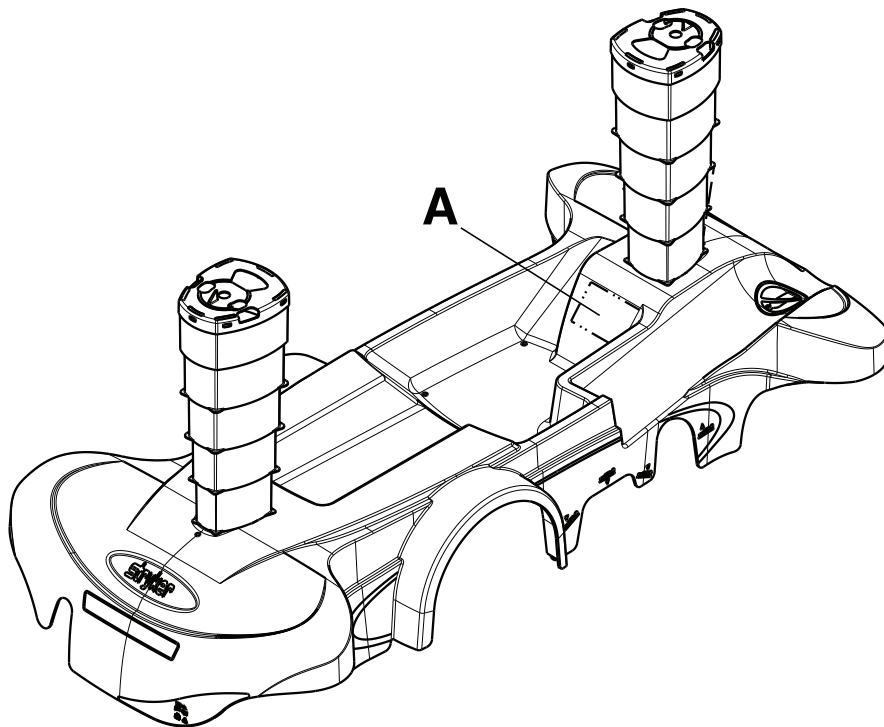
Stryker Medical
3800 E. Centre Avenue
Portage, MI 49002
JAV

Pastaba - Apie visus rimtus su įrenginiu susijusius incidentus naudotojas ir (arba) pacientas turi pranešti ir gamintojui, ir Europos Sąjungos valstybės narės, kurioje naudotojas ir (arba) pacientas yra įsikūrę, kompetentingai institucijai.

Įrenginio eksploatacijos ar techninės priežiūros vadovą galite rasti svetainėje <https://techweb.stryker.com/>.

Skambindami „Stryker“ klientų aptarnavimo arba techninės pagalbos specialistams, turėkite po ranka turimo „Stryker“ įrenginio serijos numerį (A). Serijos numerį reikia nurodyti visoje rašytinėje korespondencijoje.

Serijos numerio vieta



pav. 6 – Serijos numerio vieta

Paruošiamieji darbai

Norėdami išpakuoti savo įrenginį, skaitykite išpakavimo instrukcijas, pridėdamas prie įrenginio gabenimo dėžės viduje.

ĮSPĖJIMAS

- Prieš surinkdami įrenginį ar išbandydami jo funkcines operacijas, visada leiskite jam pasiekti kambario temperatūrą. Įrenginys gali būti nepataisomai sugadintas.
 - Įrenginį visada valdykite, kai visi operatoriai yra atsitraukę nuo mechanizmų.
 - Visada atsargiai elkitės su maitinimo laidu. Galima įsipainioti į maitinimo laidą, jį pažeisti arba patirti elektros šoką. Jei maitinimo laidas sugadintas, nedelsdami nutraukite įrenginio eksploatavimą ir kreipkitės į techninės priežiūros personalą.
 - Įrenginį visada junkite tiesiogiai į žemintą medicininės paskirties elektros lizdą. Įžeminimo patikimumą galite pasiekti tik naudodami medicininės paskirties elektros lizdą. Šiame įrenginyje yra medicininės paskirties kištukas, apsaugantis nuo elektros smūgio pavojaus.
-

Prieš pradėdami eksploatuoti įrenginį, įsitikinkite, kad jis veikia.

1. Nuspauskite stabdį. Pastumkite įrenginį ir įsitikinkite, kad visi keturi ratukai yra užfiksuoti.
2. Atleiskite stabdį. Pastumkite įrenginį ir įsitikinkite, kad visi keturi ratukai yra atrakinti.
3. Pakelkite ir nuleiskite neštuvus naudodami hidraulinę kėlimo sistemą.
4. Pakelkite įrenginį į aukščiausią padėtį ir nustatykite į Trendelenburgo padėtį (žr. *Įrenginio nustatymas Trendelenburgo padėtyje* (psl. 18)). Įsitikinkite, kad galvūgalis nusileidžia iki galo.
5. Pakelkite įrenginį į aukščiausią padėtį ir nustatykite į atvirkštinę Trendelenburgo padėtį (žr. *Įrenginio nustatymas atvirkštinėje Trendelenburgo padėtyje* (psl. 19)). Įsitikinkite, kad kojūgalis nusileidžia iki galo.
6. Įjunkite ratą **Big Wheel** ir įsitikinkite, kad jis veikia.
7. Įsitikinkite, kad porankiai pasikelia, nusileidžia ir užsifiksuoja.
8. Pakelkite ir nuleiskite neautomatinę „Fowler“ nugaros atramą (galvūgalis).
9. Pakelkite ir nuleiskite neautomatinę kelių sulenkimo atramą (kojūgalis).

Jei įrenginyje įrengtas elektrinio keltuvo arba elektrinės gulimosios dalies parinktis, atlikite nurodytus veiksmus.

1. Atlikite patikrą pagal pirmiau pateiktą paruošiamųjų darbų kontrolinį sąrašą.
2. Įjunkite įrenginį į žemintą medicininės paskirties elektros lizdą. Įsitikinkite, kad šviečia užrakinimo klaviatūros šviesos diodų lemputės.
3. Įsitikinkite, kad veikia visos porankyje esančio pasirenkamojo paciento valdymo skydelio funkcijos.
4. Įsitikinkite, kad veikia visos kojūgalyje esančio pasirenkamojo operatoriaus valdymo skydelio funkcijos.
5. Pakelkite ir nuleiskite elektrinę „Fowler“ nugaros atramą (galvūgalis).
6. Pakelkite ir nuleiskite elektrinę kelių sulenkimo atramą (kojūgalis).

Jei įrenginyje yra svarstyklių sistemos parinktis - elektrinės gulimosios dalies parinktis (su parinktimi **Chaperone** arba be jo), atlikite nurodytus veiksmus.

1. Atlikite patikrą pagal pirmiau pateiktą paruošiamųjų darbų kontrolinį sąrašą.
2. Įkraukite baterijas (*Svarstyklių sistemos baterijos bloko parinkties įkrovimas – elektrinės gulimosios dalies parinktis arba elektrinės gulimosios dalies parinktis su parinktimi „Chaperone“ – tik „Prime“* (psl. 33)).

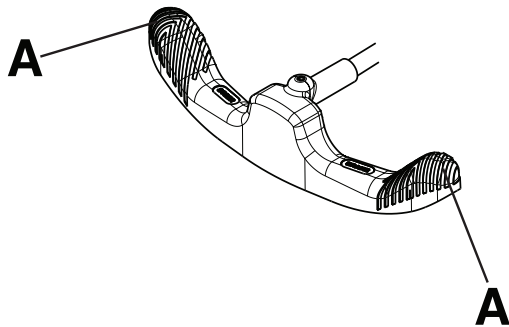
Naudojimas

Stabdžių įjungimas ir atleidimas

[SPĖJIMAS] - Kai pacientas lipa ant įrenginio ar nuo jo nulipa arba kai įrenginys nejudinamas, visada nuspauskite stabdžius. Jei pacientui užlipant ar nulipant nuo įrenginio įrenginys pajudės, pacientas gali susižaloti.

Norėdami nuspausti stabdžius, nuspauskite stabdžio / valdymo pedalo stabdymo (raudoną) pusę. Pastumdami įrenginį įsitikinkite, kad stabdžiai veikia.

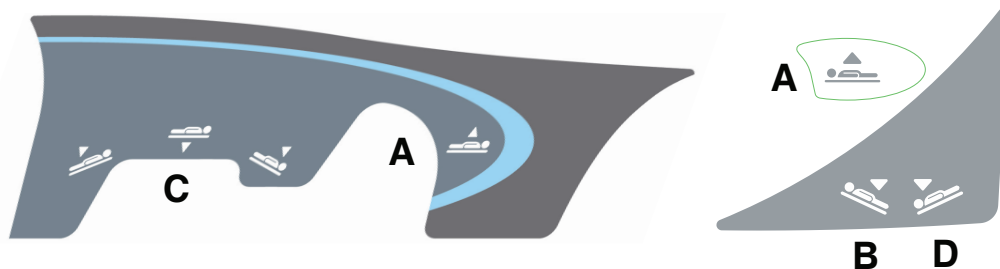
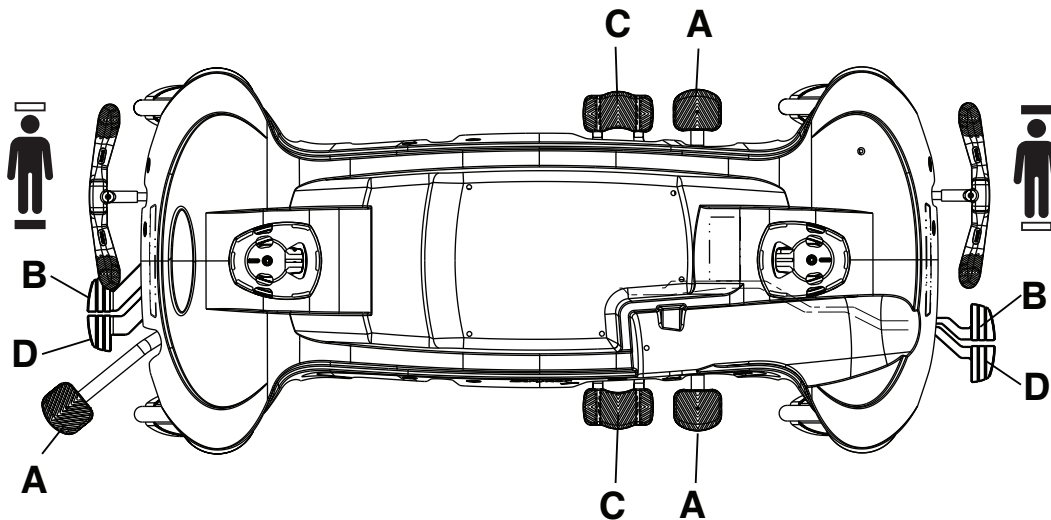
Norėdami atleisti stabdžius, nuspauskite stabdžio / valdymo pedalo valdymo (žalią) pusę.



pav. 7 – Stabdžių / valdymo pedalo naudojimas

Pastaba - Nespauskite stabdžių / valdymo pedalo centro. Visada spauskite išorinę stabdžių / valdymo pedalo pusę (A). (pav. 7).

„Prime“ pagrindiniai valdikliai



pav. 8 – „Prime“ pagrindiniai valdikliai ir etiketė

Nelektrinės gulimosios dalies pakėlimas

ĮSPĖJIMAS

- Visada guldykite pacientą įrenginio centre.
- Visada nustatykite įrenginį žemiausioje padėtyje su pakeltais ir užfiksuotais porankiais, kai paliekate pacientą be priežiūros. Nepalikite įrenginio didesniame aukštyje.
- Prieš pakeldami ar nuleisdami neštuvus, visada pašalinkite visus įmanomus prietaisus.
- Nesėdėkite ant įrenginio galo. Įrenginys gali apvirsti.

PERSPĖJIMAS - Nenaudokite pagrindo hidraulikos įrenginiui pakelti, kai po juo yra paciento keltuvas.

Norėdami pakelti neštuvus, nuspauskite pompos pedalą (A), kol pasieksite norimą aukštį („Prime“ pagrindiniai valdikliai (psl. 17)).

Nelektrinės gulimosios dalies nuleidimas

ĮSPĖJIMAS

- Visada guldykite pacientą įrenginio centre.
- Visada nustatykite įrenginį žemiausioje padėtyje su pakeltais ir užfiksuotais porankiais, kai paliekate pacientą be priežiūros. Nepalikite įrenginio didesniame aukštyje.
- Prieš pakeldami ar nuleisdami neštuvus, visada pašalinkite visus įmanomus prietaisus.

- Nesėdėkite ant įrenginio galo. Įrenginys gali apvirsti.
-

PERSPĖJIMAS - Nenaudokite pagrindo hidraulikos įrenginiui pakelti, kai po juo yra paciento keltuvas.

Norėdami nuleisti visą gulimąją dalį, nuspauskite bendrojo nuleidimo pedalo (C) centrą („Prime“ pagrindiniai valdikliai (psl. 17)).

Norėdami nuleisti gulimosios dalies galvūgalį, nuspauskite pedalą (B) arba bendrojo nuleidimo pedalo (C) pusę, esančią arčiau įrenginio galvūgalio.

Norėdami nuleisti gulimosios dalies kojūgalį, nuspauskite pedalą (D) arba bendrojo nuleidimo pedalo (C) pusę, esančią arčiau įrenginio kojūgalio.

Elektrinės gulimosios dalies parinktės pakėlimas

ĮSPĖJIMAS

- Visada guldykite pacientą įrenginio centre.
 - Visada nustatykite įrenginį žemiausioje padėtyje su pakeltais ir užfiksuotais porankiais, kai paliekate pacientą be priežiūros. Nepalikite įrenginio didesniame aukštyje.
 - Prieš pakeldami ar nuleisdami neštuvus, visada pašalinkite visus įmanomus prietaisus.
 - Nesėdėkite ant įrenginio galo. Įrenginys gali apvirsti.
-

PERSPĖJIMAS - Nenaudokite pagrindo hidraulikos įrenginiui pakelti, kai po juo yra paciento keltuvas.

Norėdami pakelti elektrinę gulimąją dalį, spauskite pompos pedalą (A), kol pasieksite reikiamą aukštį („Prime“ pagrindiniai valdikliai (psl. 17)).

Elektrinės gulimosios dalies parinktės nuleidimas

ĮSPĖJIMAS

- Visada guldykite pacientą įrenginio centre.
 - Visada nustatykite įrenginį žemiausioje padėtyje su pakeltais ir užfiksuotais porankiais, kai paliekate pacientą be priežiūros. Nepalikite įrenginio didesniame aukštyje.
 - Prieš pakeldami ar nuleisdami neštuvus, visada pašalinkite visus įmanomus prietaisus.
 - Nesėdėkite ant įrenginio galo. Įrenginys gali apvirsti.
-

PERSPĖJIMAS - Nenaudokite pagrindo hidraulikos įrenginiui pakelti, kai po juo yra paciento keltuvas.

Norėdami nuleisti visą elektrinę gulimąją dalį, nuspauskite bendrojo nuleidimo pedalo (C) centrą („Prime“ pagrindiniai valdikliai (psl. 17)).

Norėdami nuleisti gulimosios dalies galvūgalį, nuspauskite pedalą (B) arba bendrojo nuleidimo pedalo (C) pusę, esančią arčiau įrenginio galvūgalio.

Norėdami nuleisti gulimosios dalies kojūgalį, nuspauskite pedalą (D) arba bendrojo nuleidimo pedalo (C) pusę, esančią arčiau įrenginio kojūgalio.

Įrenginio nustatymas Trendelenburgo padėtyje

ĮSPĖJIMAS - Prieš pakeldami ar nuleisdami neštuvus, visada pašalinkite visus įmanomus prietaisus.

PERSPĖJIMAS - Nenaudokite pagrindo hidraulikos įrenginiui pakelti, kai po juo yra paciento keltuvas.

Norėdami nustatyti įrenginį į Trendelenburgo padėtį (galva žemyn), pakelkite gulimąją dalį į didžiausią aukštį (*Neelektrinės gulimosios dalies pakėlimas* (psl. 17) arba *Elektrinės gulimosios dalies parinkties pakėlimas* (psl. 18)).

Pastaba - Pakelkite neštuvus į didžiausią aukštį, kad būtų gautas didesnis Trendelenburgo kampas.

Norėdami nuleisti įrenginio galvūgalį, nuspauskite galvūgalio arba kojūgalio atleidimo pedalą (D) arba bendrojo nuleidimo pedalo (C) pusę, esančią arčiau galvūgalio („*Prime*“ pagrindiniai valdikliai (psl. 17)).

Norėdami nuleisti įrenginį iš Trendelenburgo padėties, tuo pačiu metu spauskite galvūgalio ir kojūgalio atleidimo pedalus (B ir D) arba spauskite bendrojo nuleidimo pedalo (C) centrą, kol gulimoji dalis bus horizontali.

Įrenginio nustatymas atvirkštinėje Trendelenburgo padėtyje

ĮSPĖJIMAS - Prieš pakeldami ar nuleisdami neštuvus, visada pašalinkite visus įmanomus prietaisus.

PERSPĖJIMAS - Nenaudokite pagrindo hidraulikos įrenginiui pakelti, kai po juo yra paciento keltuvas.

Norėdami nustatyti įrenginį į atvirkštinę Trendelenburgo padėtį (kojos žemyn), pakelkite gulimąją dalį į didžiausią aukštį (*Neelektrinės gulimosios dalies pakėlimas* (psl. 17) arba *Elektrinės gulimosios dalies parinkties pakėlimas* (psl. 18)).

Pastaba - Pakelkite neštuvus į didžiausią aukštį, kad būtų gautas didesnis Trendelenburgo kampas.

Norėdami nuleisti įrenginio kojūgalį, nuspauskite galvūgalio arba kojūgalio atleidimo pedalą (B) arba bendrojo nuleidimo pedalo (C) pusę, esančią arčiau kojūgalio („*Prime*“ pagrindiniai valdikliai (psl. 17)).

Norėdami nuleisti įrenginį iš atvirkštinės Trendelenburgo padėties, tuo pačiu metu spauskite galvūgalio ir kojūgalio atleidimo pedalus (B ir D) arba spauskite bendrojo nuleidimo pedalo (C) centrą, kol gulimoji dalis bus horizontali.

Paciento pervežimas

ĮSPĖJIMAS

- Visada guldykite pacientą įrenginio centre.
 - Perveždami pacientą, porankius visada užfiksuokite visiškai pakeltoje padėtyje, o miego paviršių nustatykite į horizontalią žemiausią padėtį.
 - Negalima stumti įrenginio šonu didesnio nei 5,7 laipsnio (10 %) nuožulnumo vietose, kad jis neapvirstų.
-

Jei norite pervežti pacientą, atlikite nurodytus veiksmus.

1. Pakelkite porankius į aukščiausią padėtį. Patraukdami porankį įsitikinkite, kad jis užsifiksavo.
2. Nuleiskite gulimąją dalį į žemiausią padėtį.
3. Jei įrenginyje įrengtas elektrinio keltuvo arba elektrinės gulimosios dalies parinktis, atjunkite maitinimo laidą nuo elektros lizdo.
4. Nuspauskite stabdžių / valdymo pedalo valdymo (žalia) pusę.
5. Įrenginį stumkite laikydami už stūmimo rankenų.
6. Norėdami užfiksuoti įrenginį, nuspauskite stabdį.

Pastaba - Prieš judindami įrenginį, visada įsitikinkite, kad stabdys yra atleistas, kad išvengtumėte operatoriaus ar paciento sužalojimų.

Paciento pervežimas be rato „Big Wheel“

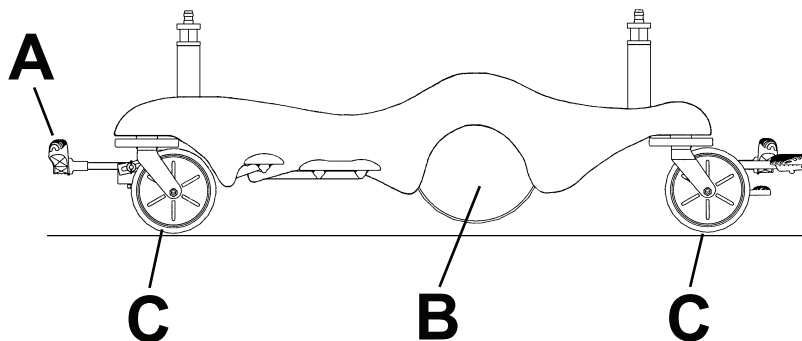
ĮSPĖJIMAS

- Visada guldykite pacientą įrenginio centre.

- Perveždami pacientą, porankius visada užfiksuokite visiškai pakeltoje padėtyje, o miego paviršių nustatykite į horizontalią žemiausią padėtį.
-

Jei norite pervežti pacientą nenaudodami rato **Big Wheel**, atlikite nurodytus veiksmus.

1. Nustatykite stabdžių / valdymo pedalą (A) į neutralią padėtį (pav. 9).



pav. 9 – Pervežimas nenaudojant rato „Big Wheel“

2. Nuleiskite gulimąją dalį į žemiausią padėtį.
3. Taikoma tik 1125 modeliui: įsitinkite, kad jungiklis „On/Drive-Off/Manual“ (įjungta / pavara – išjungta / rankinis) nustatytas į padėtį „Off“ (išjungta).
4. Jei įrenginyje įrengtas elektrinio keltuvo arba elektrinės gulimosios dalies parinktis, atjunkite maitinimo laidą nuo medicininės paskirties elektros lizdo.
5. Įrenginį stumkite laikydami už stūmimo rankenų.
6. Norėdami užfiksuoti įrenginį, nuspauskite stabdį.

Pastaba

- Prieš judindami įrenginį, visada įsitinkite, kad stabdys yra atleistas, kad išvengtumėte operatoriaus ar paciento sužalojimų.
- Kai įrenginys nustatytas į neutralią padėtį, ratas **Big Wheel** (B) yra pakeltas, o įrenginys remiasi visais keturiais ratukais (C) (pav. 9). Kai nustatyta ši padėtis, įrenginį galima stumti bet kuria kryptimi, taip pat ir į šoną.

Paciento pervežimas su ratu „Big Wheel“

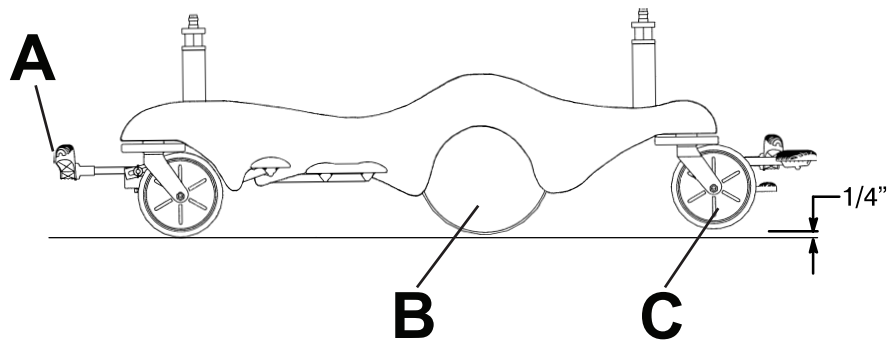
ĮSPĖJIMAS

- Visada guldykite pacientą įrenginio centre.
 - Perveždami pacientą, porankius visada užfiksuokite visiškai pakeltoje padėtyje, o miego paviršių nustatykite į horizontalią žemiausią padėtį.
-

PERSPĖJIMAS - Nespauskite vairavimo pedalo, kai ratas **Big Wheel** remiasi į slenkstį ar kitą iškilą vietą. Ratui **Big Wheel** įjungti reikės didesnės nei įprasta jėgos, todėl galima sugadinti įrenginį.

Jei norite pervežti pacientą naudodami ratą **Big Wheel**, atlikite nurodytus veiksmus.

1. Pakelkite porankius į aukščiausią padėtį. Patraukdami kiekvieną porankį įsitinkite, kad jis užsifiksavo.
2. Nuleiskite gulimąją dalį į žemiausią padėtį.
3. Taikoma tik 1125 modeliui: įsitinkite, kad jungiklis „On/Drive-Off/Manual“ (įjungta / pavara – išjungta / rankinis) nustatytas į padėtį „Off“ (išjungta).
4. Jei įrenginyje įrengtas elektrinio keltuvo arba elektrinės gulimosios dalies parinktis, atjunkite maitinimo laidą nuo medicininės paskirties elektros lizdo.
5. Nustatykite stabdžių / valdymo pedalą (A) į valdymo padėtį (pav. 10).



pav. 10 – Pervežimas naudojant ratą „Big Wheel“

6. Įrenginį stumkite laikydami už stūmimo rankenų.
7. Norėdami užfiksuoti įrenginį, nuspauskite stabdį.

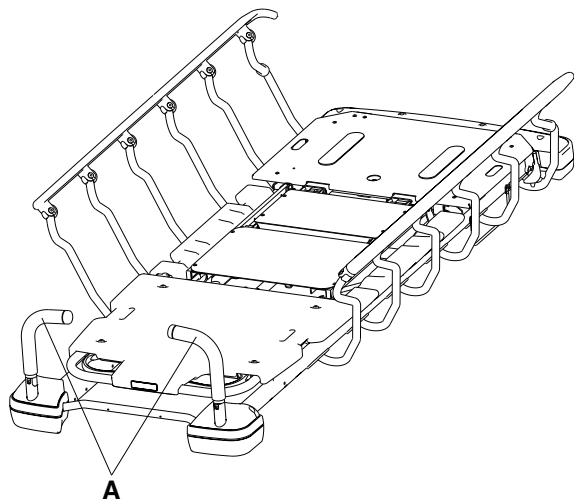
Pastaba

- Prieš bandydami stumti įrenginį, visada įsitikinkite, kad stabdys atleistas. Bandant stumti įrenginį, kai įjungti stabdžiai, operatorius arba pacientas gali patirti sužalojimų.
- Ratas **Big Wheel** (B) aplink vertikalią ašį nesisuka. Kai ratas **Big Wheel** įjungtas, įrenginio negalima stumti į šoną.
- Kai įjungiate ratą **Big Wheel** (B), įrenginys ir kojūgalio ratukai (C) pakyla. Įrenginys remiasi galvūgalio ratukais ir ratu **Big Wheel**, todėl jį lengviau valdyti (pav. 10).

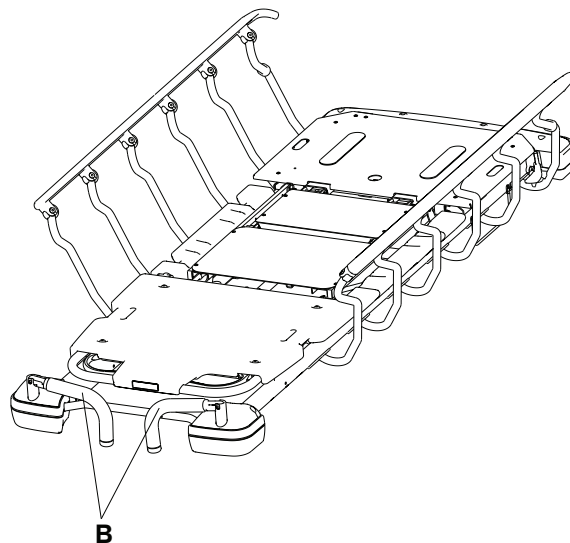
Galvūgalyje esančių stūmimo rankenų padėties nustatymo arba paslėpimo parinktys

Norėdami nustatyti ar nuleisti galvūgalio stūmimo rankenas:

1. Pasukite rankenas (A) aukštyn įrenginio galvūgalyje (pav. 11).
2. Pastumkite rankenas žemyn, kad jas užfiksuotumėte.



pav. 11 – Galvūgalio stūmimo rankenų padėties nustatymas



pav. 12 – Galvūgalio stūmimo rankenų paslėpimas

3. Norėdami nustatyti galvūgalio stūmimo rankenas (B) į nenaudojimo padėtį, atlikite veiksmus atvirkščiu eiliškumu (pav. 12).

Pastaba - Stūmimo rankenas naudokite tik kaip stūmimo / traukimo įtaisus, jei nenurodyta kitaip, kad nesugadintumėte įrenginio.

Porankio pakėlimas

ĮSPĖJIMAS

- Visada būkite itin atsargūs, naudodami storesnį nei 2,5 colio (5 cm) čiuzinį arba antčiuzinį, kai yra parinkti **Prime X**.
 - Visada nustatykite įrenginį žemiausioje padėtyje su pakeltais ir užfiksuotais porankiais, kai paliekate pacientą be priežiūros. Nepalikite įrenginio didesniame aukštyje.
 - Perveždami pacientą, porankius visada užfiksuokite visiškai pakeltoje padėtyje, o miego paviršių nustatykite į horizontalią žemiausią padėtį.
 - Kai pakeliate ar nuleidžiate porankį, visada laikykite paciento galūnes atokiau nuo porankio velenų.
 - Neleiskite porankiams nusileisti savarankiškai.
-

Norėdami pakelti porankį:

1. Abiem rankomis suimkite porankį.
2. Kelkite porankį link įrenginio kojūgalio, kol geltonas atleidimo skląstis spragtelėdamas užsifiksuos. Patraukite už porankio ir įsitikinkite, kad jis užfiksuotas.

Pastaba

- Galima įsigyti dvigubo porankio atleidimo skląščio parinktį, kuomet skląščiai įtaisomi abiejuose įrenginio galuose.
- Nenaudokite porankių kaip suvaržymo įtaisų, kad pacientas nenuliptų nuo įrenginio. Porankiai apsaugo pacientą nuo nukritimo nuo įrenginio. Operatorius turi nustatyti, kiek reikia suvaržymo, kad užtikrintumėte paciento saugumą.
- Porankių kojūgalio viršutinį vamzdį galite naudoti kaip stūmimo / traukimo įtaisą.
- Porankiai užsifiksuoja tik visiškai pakeltoje padėtyje.

Porankio nuleidimas

ĮSPĖJIMAS

- Visada būkite itin atsargūs, naudodami storesnį nei 2,5 colio (5 cm) čiuzinį arba antčiuzinį, kai yra parinkti **Prime X**.
 - Visada nustatykite įrenginį žemiausioje padėtyje su pakeltais ir užfiksuotais porankiais, kai paliekate pacientą be priežiūros. Nepalikite įrenginio didesniame aukštyje.
 - Perveždami pacientą, porankius visada užfiksuokite visiškai pakeltoje padėtyje, o miego paviršių nustatykite į horizontalią žemiausią padėtį.
 - Kai pakeliate ar nuleidžiate porankį, visada laikykite paciento galūnes atokiau nuo porankio velenų.
 - Neleiskite porankiams nusileisti savarankiškai.
-

Norėdami nuleisti porankį:

1. Viena ranka suimkite porankį.
2. Kita ranka patraukite geltoną atleidimo skląstį aukštyn.
3. Kelkite ir kreipkite porankį link įrenginio galvūgalio, kol geltonas atleidimo skląstis spragtelėdamas užsifiksuos. Patraukite už porankio ir įsitikinkite, kad jis užfiksuotas.

Pastaba

- Galima įsigyti dvigubo porankio atleidimo skląščio parinktį, kuomet skląščiai įtaisomi abiejuose įrenginio galuose.
- Nenaudokite porankių kaip suvaržymo įtaisų, kad pacientas nenuliptų nuo įrenginio. Porankiai apsaugo pacientą nuo nukritimo nuo įrenginio. Operatorius turi nustatyti, kiek reikia suvaržymo, kad užtikrintumėte paciento saugumą.
- Porankių kojūgalio viršutinį vamzdį galite naudoti kaip stūmimo / traukimo įtaisą.
- Porankiai užsifiksuoja tik visiškai pakeltoje padėtyje.

Įrenginio padėties nustatymas naudojant porankyje esantį paciento valdymo skydelį – elektrinės gulimosios dalies parinktis – tik „Prime“

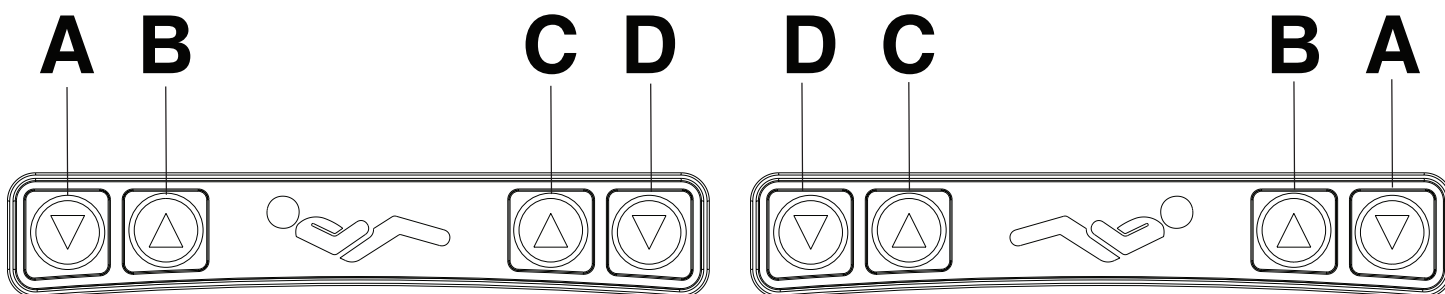
ĮSPĖJIMAS - Įrenginį visada valdykite, kai visi operatoriai yra atsitraukę nuo mechanizmų.

Naudodami porankyje esantį paciento valdymo skydelį nustatykite „Fowler“ nugaros atramą ir kelių sulenkimo atramą (pav. 13).

Sveikatos priežiūros specialistai turi paaiškinti pacientams, kaip naudoti paciento valdikliais.

Pastaba

- Maitinimo laidą visada junkite į žemintą medicininės paskirties elektros lizdą.
- Porankyje esantis paciento valdymo skydelis yra abiejose įrenginio pusėse, kad pacientui būtų patogų jį pasiekti.
- Abiejuose porankiuose yra valdikliai su šoniniu apšvietimu, kuriuos naudodamas pacientas gali nustatyti „Fowler“ nugaros atramos ir kelių sulenkimo atramos padėtį. Kai įrenginys įjungtas į elektros lizdą, o paciento valdymo skydelis atrakintas, balti mygtukai šviečia.



pav. 13 – Porankyje esantis paciento valdymo skydelis

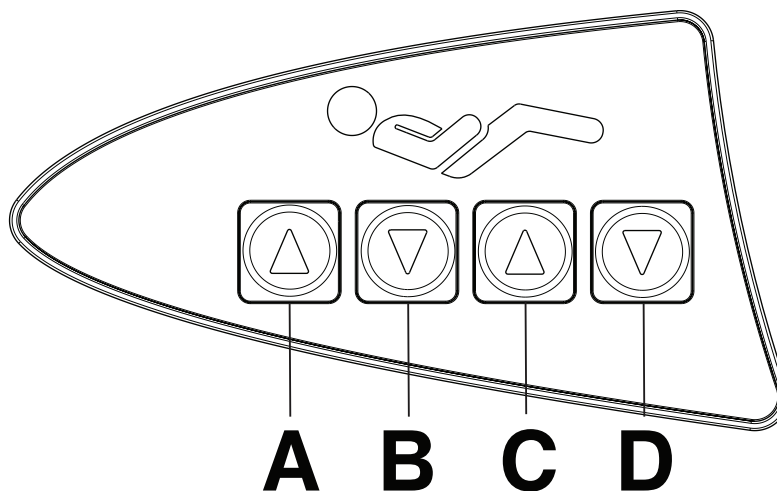
A	Leisti „Fowler“ nugaros atramą žemyn	Nuleidžia „Fowler“ nugaros atramą (galvūgalio dalis)
B	Kelti „Fowler“ nugaros atramą aukštyn	Pakelia „Fowler“ nugaros atramą (galvūgalio dalis)
C	Kelti kelių sulenkimo atramą aukštyn	Pakelia kelių sulenkimo atramą (kojųgalio dalis)
D	Leisti kelių sulenkimo atramą žemyn	Nuleidžia kelių sulenkimo atramą (kojųgalio dalis)

Operatoriaus valdymo skydelis – elektrinės gulimosios dalies parinktis – tik „Prime“

ĮSPĖJIMAS - Įrenginį visada valdykite, kai visi operatoriai yra atsitraukę nuo mechanizmų.

Naudodami operatoriaus valdymo skydelį koreguokite paciento padėtį ant įrenginio (pav. 14).

Pastaba - Maitinimo laidą visada junkite į žemintą medicininės paskirties elektros lizdą.



pav. 14 – Operatoriaus valdymo skydelis – elektrinės gulimosios dalies parinktis

A	Kelti „Fowler“ nugaros atramą aukštyn	Pakelia „Fowler“ nugaros atramą
B	Leisti „Fowler“ nugaros atramą žemyn	Nuleidžia „Fowler“ nugaros atramą
C	Kelti kelių sulenkimo atramą aukštyn	Pakelia kelių sulenkimo sekciją
D	Leisti kelių sulenkimo atramą žemyn	Nuleidžia kelių sulenkimo sekciją

Paciento valdymo skydelio užrakinimas ir atrakinimas – elektrinės gulimosios dalies parinktis – tik „Prime“

[SPĖJIMAS] - [renginį visada valdykite, kai visi operatoriai yra atsitraukę nuo mechanizmų.

Norėdami užrakinti porankyje esantį paciento valdymo skydelį, vieną kartą paspauskite **Unlock/Lock** (užrakinti / atrakinti) (A) (pav. 15).

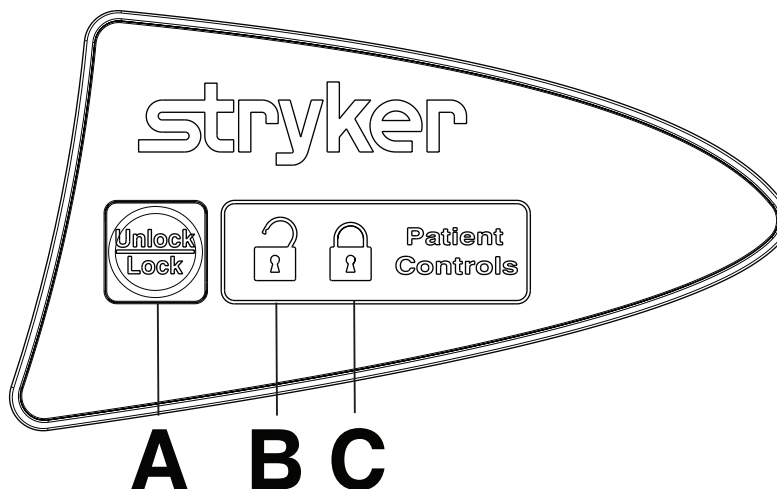
Pastaba - Kai paciento valdikliai užrakinti, užrakinimo piktograma (C) šviečia gintaro spalva.

Norėdami atrakinti porankyje esantį paciento valdymo skydelį, dar kartą paspauskite **Unlock/Lock** (užrakinti / atrakinti) (A).

Pastaba - Kai paciento valdikliai atrakinti, atrakinimo piktograma (B) šviečia žaliai.

Pastaba

- Maitinimo laidą visada junkite į žemintą medicininės paskirties elektros lizdą.
- Galite užrakinti paciento valdymo skydelį, kad neleistumėte pacientui keisti nugaros atramos ir kelių sulenkimo atramos padėties.
- Kai porankyje esantis paciento valdymo skydelis užrakinamas, jo foninis apšvietimas išjungiamas.



pav. 15 – Paciento valdymo skydelio užraktas

„Fowler“ nugaros atramos pakėlimas ir nuleidimas – neelektrinė gulimoji dalis

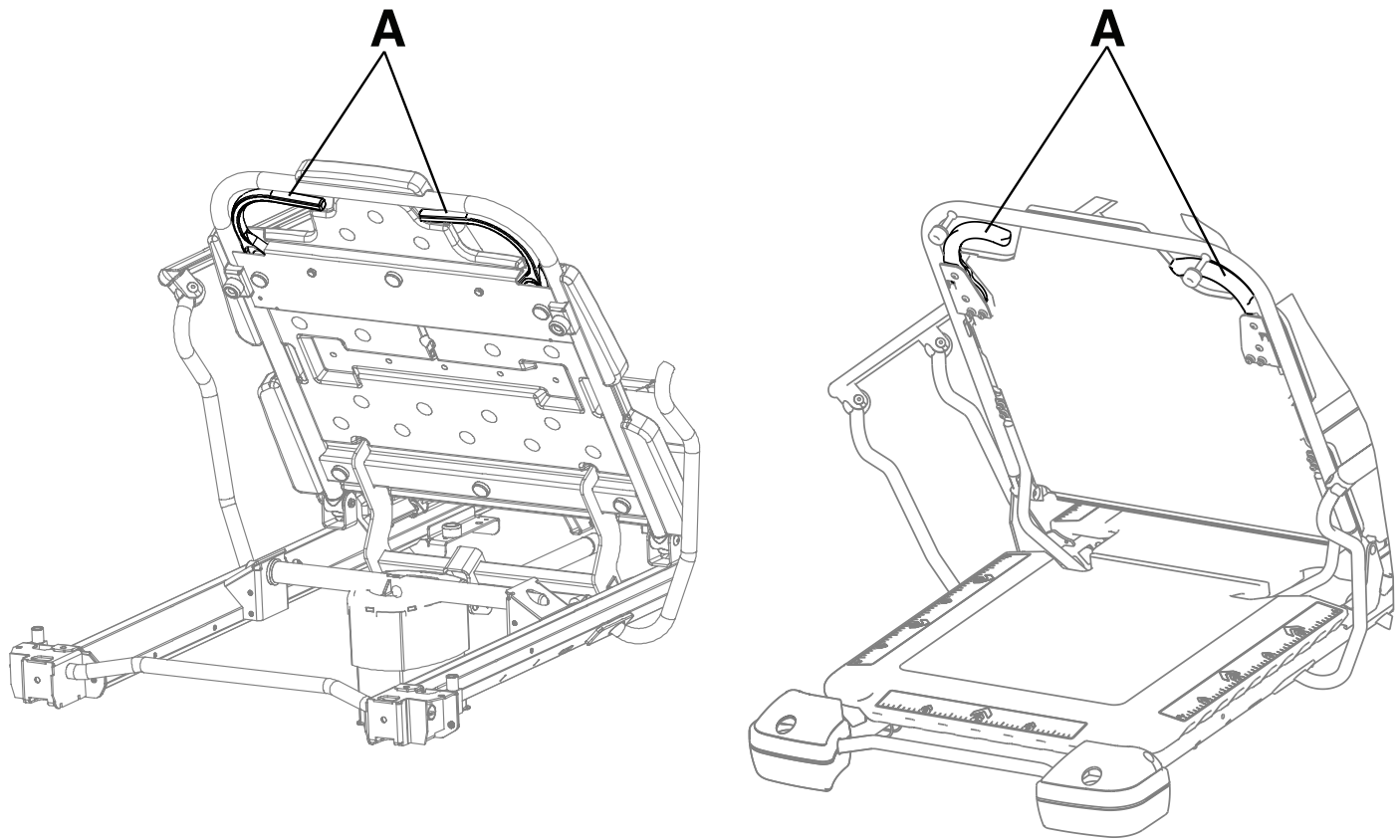
ĮSPĖJIMAS

- Įrenginį visada valdykite, kai visi operatoriai yra atsitraukę nuo mechanizmų.
- Nuleisdami „Fowler“ nugaros atramą visada laikykite rankas ir pirštus toliau nuo „Fowler“ nugaros atramos rankenų ir „Fowler“ nugaros atramos rėmo.
- Keldami „Fowler“ nugaros atramą, visada būkite atsargūs, kol pacientas yra ant įrenginio. Naudokite tinkamus kėlimo būdus ir prireikus paprašykite pagalbos.

Norėdami pakelti „Fowler“ nugaros atramą, suspauskite vieną arba abi „Fowler“ nugaros atramos atleidimo rankenas (A) ir patraukite „Fowler“ nugaros atramą į norimą padėtį (nuo 0° iki 90°) (pav. 16).

Pastaba - Nugaros atrama **Lift Assist**® atsižvelgia į paciento svorį padėdama nustatyti paciento padėtį. Nugaros atrama **Lift Assist** taip pat padeda apsaugoti pacientą nuo slydimo link įrenginio kojūgalio, kai keliate „Fowler“ nugaros atramą.

Norėdami nuleisti „Fowler“ nugaros atramą, suspauskite vieną arba abi „Fowler“ nugaros atramos atleidimo rankenas (A) ir pastumkite „Fowler“ nugaros atramą žemyn iki norimos padėties (nuo 90 iki 0°) (pav. 16).



pav. 16 – „Fowler“ nugaros atramos pakėlimas ir nuleidimas („Prime“ / „Prime X“)

„Fowler“ nugaros atramos pakėlimas ir nuleidimas – elektrinės gulimosios dalies parinktis

ĮSPĖJIMAS

- Įrenginį visada valdykite, kai visi operatoriai yra atsitraukę nuo mechanizmų.
- Nuleisdami „Fowler“ nugaros atramą visada laikykite rankas ir pirštus toliau nuo „Fowler“ nugaros atramos rankenų ir „Fowler“ nugaros atramos rėmo.
- Keldami „Fowler“ nugaros atramą, visada būkite atsargūs, kol pacientas yra ant įrenginio. Naudokite tinkamus kėlimo būdus ir prireikus paprašykite pagalbos.

Norėdami pakelti „Fowler“ nugaros atramą, spauskite rodyklės **aukštyn** mygtuką porankyje esančio paciento valdymo skydelio „Fowler“ nugaros atramos pusėje (*Įrenginio padėties nustatymas naudojant porankyje esantį paciento valdymo skydelį – elektrinės gulimosios dalies parinktis – tik „Prime“ (psl. 23)*) arba kojūgalyje esančiame operatoriaus valdymo skydelyje (*Operatoriaus valdymo skydelis – elektrinės gulimosios dalies parinktis – tik „Prime“ (psl. 23)*), kol „Fowler“ nugaros atrama pasieks reikiamą kampą (nuo 0° iki 70°).

Pastaba - Nugaros atrama **Lift Assist** atsižvelgia į paciento svorį padėdama nustatyti paciento padėtį. Nugaros atrama **Lift Assist** taip pat padeda apsaugoti pacientą nuo slydimo link įrenginio kojūgalio, kai keliate „Fowler“ nugaros atramą.

Norėdami nuleisti „Fowler“ nugaros atramą, spauskite rodyklės **žemyn** mygtuką porankyje esančio paciento valdymo skydelio „Fowler“ nugaros atramos pusėje (*Įrenginio padėties nustatymas naudojant porankyje esantį paciento valdymo skydelį – elektrinės gulimosios dalies parinktis – tik „Prime“ (psl. 23)*) arba kojūgalyje esančiame operatoriaus valdymo skydelyje (*Operatoriaus valdymo skydelis – elektrinės gulimosios dalies parinktis – tik „Prime“ (psl. 23)*), kol „Fowler“ nugaros atrama pasieks reikiamą kampą (nuo 70° iki 0°).

Pastaba - Maitinimo laidą visadajunkite į įžemintą medicininės paskirties elektros lizdą.

Sveikatos priežiūros specialistai turi paaiškinti pacientams, kaip naudoti paciento valdikliais.

Kelių sulenkimo atramos pakėlimas ir nuleidimas – neelektrinė gulimoji dalis – tik „Prime“

[SPĖJIMAS - Nuleisdami kelių sulenkimo atramą, visada patraukite rankas ir pirštus nuo kojūgalio stūmimo rankenų.

PERSPĖJIMAS

- Kelių sulenkimo atramos leidžiamoji apkrova yra 200 svarų (90,7 kg).
 - Prieš naudodami visada įsitikinkite, kad kelių sulenkimo atramos pasparos strypas įtvirtintas.
 - Ant kelių sulenkimo atramos nesėskite ir nestovėkite.
-

Norėdami pakelti neelektrinę kelių sulenkimo atramą, pumpuokite kelių sulenkimo atramos pompos rankeną į kairę, kol bus pasiekta reikiama padėtis (žr. *Gaminio iliustracija – „Prime“ gulimoji dalis*).

Pakelkite kelių sulenkimo atramos galą ir įtvirtinkite pasparos strypą laikiklyje.

Norėdami atlaisvinti pasparos strypą, pakelkite kelių sulenkimo atramos galą, pasukite pasparos strypą link įrenginio galvūgalio ir nuleiskite kojūgalį.

Norėdami nuleisti kelių sulenkimo atramą, traukite kelių sulenkimo atramos atleidimo rankeną, kol bus pasiekta reikiama padėtis (žr. *Gaminio iliustracija – „Prime“ gulimoji dalis*).

Pastaba - Jei įrenginyje yra elektrinės gulimosios dalies parinktis, kelių sulenkimo atramos neautomatiškai pakelti negalima.

Kelių sulenkimo atramos pakėlimas ir nuleidimas – elektrinės gulimosios dalies parinktis – tik „Prime“

[SPĖJIMAS

- Nuleisdami kelių sulenkimo atramą, visada patraukite rankas ir pirštus nuo kojūgalio stūmimo rankenų.
 - Įrenginį visada valdykite, kai visi operatoriai yra atsitraukę nuo mechanizmų.
-

PERSPĖJIMAS

- Kelių sulenkimo atramos leidžiamoji apkrova yra 200 svarų (90,7 kg).
 - Ant kelių sulenkimo atramos nesėskite ir nestovėkite.
 - Kai įrenginio maitinimas atjungtas, bandydami nuleisti kelių sulenkimo atramą visada būkite atsargūs. Sunkio jėgos veikiamą kelių sulenkimo atramą gali staiga nusileisti.
-

Norėdami pakelti kelių sulenkimo atramą, paspauskite rodyklę **aukštyn** porankyje esančio paciento valdymo skydelio kelių sulenkimo atramos pusėje arba kojūgalyje esančiame operatoriaus valdymo skydelyje.

Norėdami pakelti kelių sulenkimo atramą, paspauskite rodyklę **aukštyn** porankyje esančio paciento valdymo skydelio kelių sulenkimo atramos pusėje arba kojūgalyje esančiame operatoriaus valdymo skydelyje.

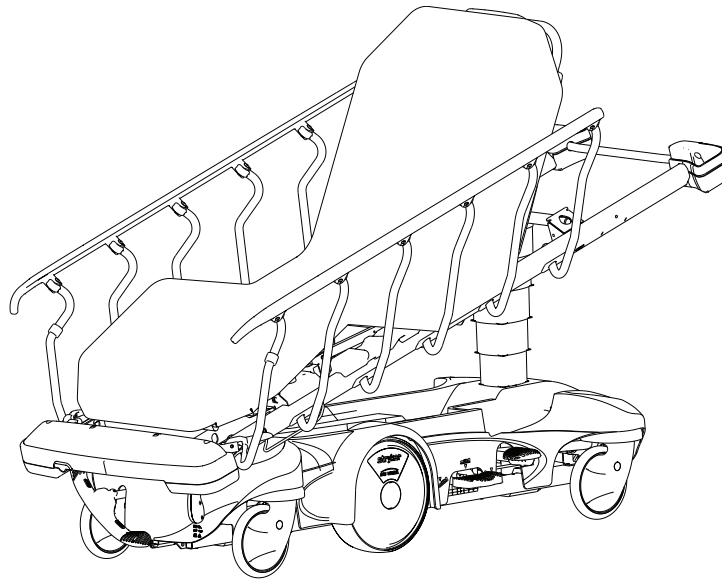
Pastaba - Maitinimo laidą visadajunkite į įžemintą medicininės paskirties elektros lizdą.

Sveikatos priežiūros specialistai turi paaiškinti pacientams, kaip naudoti paciento valdikliais.

Reabilitacijos kėdės padėties nustatymas – tik „Prime“

[SPĖJIMAS - Įrenginį visada valdykite, kai visi operatoriai yra atsitraukę nuo mechanizmų.

Norėdami nustatyti įrenginį į reabilitacijos kėdės padėtį (pav. 17), atlikite nurodytus veiksmus.



pav. 17 – Reabilitacijos kėdė (parodytas 1115 modelis)

1. Pakelkite „Fowler“ nugaros atramą į sėdimą padėtį („Fowler“ nugaros atramos pakėlimas ir nuleidimas – neelektrinė gulimoji dalis (psl. 25) arba „Fowler“ nugaros atramos pakėlimas ir nuleidimas – elektrinės gulimosios dalies parinktis (psl. 26)).

Pastaba - Kad galėtumėte nustatyti į reabilitacijos padėtį, įrenginyje privalo būti **Lift Assist** nugaros atramos ir kelių sulenkimo atramos parinktys.

2. Pakelkite kelių sulenkimo atramą į visiškai pakeltą padėtį (*Kelių sulenkimo atramos pakėlimas ir nuleidimas – neelektrinė gulimoji dalis – tik „Prime“ (psl. 27) arba Kelių sulenkimo atramos pakėlimas ir nuleidimas – elektrinės gulimosios dalies parinktys – tik „Prime“ (psl. 27))*).
3. Pakelkite gulimąją dalį į aukščiausią padėtį (*Nelektrinės gulimosios dalies pakėlimas (psl. 17) arba Elektrinės gulimosios dalies parinktys pakėlimas (psl. 18))*).
4. Nustatykite įrenginį į atvirkštinę Trendelenburgo padėtį (*Įrenginio nustatymas atvirkštinėje Trendelenburgo padėtyje (psl. 19)*).
5. Norėdami nuleisti įrenginį į horizontalią padėtį, atlikite veiksmus atvirkščiu eiliškumu.

Daiktų laikymas pagrindo gaubte

PERSPĖJIMAS

- Į pagrindo gaubtą nedėkite daiktų, sunkesnių už 27 kg (60 svarų).
- Nesėdėkite, nelipkite ir nestovėkite ant pagrindo gaubto.

Pagrindo gaubte galite laikyti paciento daiktus. Nenaudokite deguonies baliono laikiklio išpjovos deguonies balionams arba paciento daiktams laikyti.

Prietaisų kabinimas ant pompos kabyklos parinktys

ĮSPĖJIMAS

- Visada užtikrinkite, kad ant pompos kabyklos esančių prietaisų linijos būtų patrauktos nuo kelių sulenkimo atramos rankenų.
- Prieš pakeldami ar nuleisdami neštuvus, visada pašalinkite visus įmanomus prietaisus.
- Visada įsitinkite, kad ant pompos kabyklos esančius prietaisus galima saugiai pervežti pro duris.
- NeKelkite įrenginio už pompos kabyklos.

PERSPĖJIMAS

- Pompos kabyklos leidžiamoji apkrova yra 40 svarų (18 kg).
 - Nenaudokite pompos kabyklos stumti / traukti. Įrenginys gali būti sugadintas.
-

Ant įrenginio kojūgalyje esančios pompos kabyklos galima laikyti ar pakabinti papildomų prietaisų.

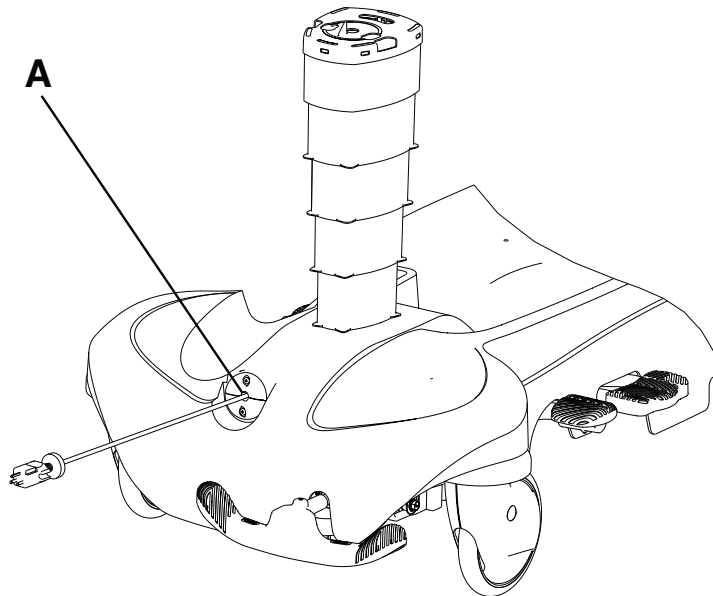
Pastaba - Pompos kabyklos parinktį būtina pasirinkti įsigyjant įrenginį.

Maitinimo laido ištraukimas ir suvyniojimas naudojant automatinės laido ritės parinktį – elektrinio keltuvo arba elektrinės gulimosios dalies parinktį

ĮSPĖJIMAS

- Visada atjunkite maitinimo laidą nuo elektros lizdo, prieš perveždami arba valydami įrenginį.
 - Perveždami įrenginį visada gražinkite maitinimo laidą į pagrindą, naudodami automatinę laido ritę.
-

Norėdami ištraukti maitinimo laidą, traukite jį iš automatinės laido ritės (A), kol ištrauksite reikiamą ilgį (pav. 18).



pav. 18 – Automatinė laido ritė

Norėdami suvynioti maitinimo laidą, atlikite nurodytus veiksmus.

1. Atjunkite maitinimo laidą iš elektros lizdo.
2. Švelniai trūktelėkite maitinimo laidą.
3. Padėkite maitinimo laidui susivynioti į automatinę laido ritę.

Svarstyklių sistemos parinktį

ĮSPĖJIMAS - Nenaudokite svarstyklių sistemos, elektrinio keltuvo arba elektrinės gulimosios dalies parinktį šalia kitų prietaisų arba uždėję kitus prietaisus ant parinkčių. Jei būtina naudoti šalia kitų prietaisų arba juos uždėjus, reikia patikrinti, ar svarstyklių sistemos, elektrinio keltuvo arba elektrinės gulimosios dalies parinktį tinkamai veikia tokioje įrangos konfigūracijoje.

PERSPĖJIMAS - Nenaudokite svarstyklių lengvesniems nei 50 svarų (22 kg) pacientams.

Svarstyklių sistemos parinktį galima pasirinkti tiek įrenginiams su elektrinės gulimosios dalies parinktimi, tiek be jos. Svarstyklių sistemos parinkyje yra atsarginės baterijos parinktis. Budėjimo režimo piktograma rodo, kada įrenginys naudoja maitinimą iš atsarginės baterijos.

Parinktis **Chaperone** leidžia nustatyti zonų valdiklius ir įspėti operatorių, kai pacientas galbūt bando išlipti iš įrenginio. Parinktį **Chaperone** galima pasirinkti įrenginiams su elektrinės gulimosios dalies ir svarstyklių sistemos priedais. Svarstyklių sistemos parinkyje su parinktimi **Chaperone** yra atsarginės baterijos parinktis. Budėjimo režimo piktograma rodo, kada įrenginys naudoja maitinimą iš atsarginės baterijos.

Prieš bandydami naudoti svarstyklių sistemos parinktį, pakelkite kojūgalio stūmimo rankenas.

Svarstyklių sistemos parinktis valdoma naudojant svarstyklių sistemos valdymo skydelį (*Svarstyklių piktogramos / mygtuko identifikavimas* (psl. 30)).

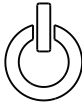




Nelieskite įrenginio, kol sveriate arba nustatote nulinę svarstyklių sistemos parinkties vertę.



Kol sistema sveria, pacientas turi likti nejudėdamas. Jei pacientas judės, svarstyklių sistema 20 sekundžių bandys gauti stabilią svorio arba nulio vertę, prieš parodydama klaidos pranešimą (ⓘ).

Klaida (ⓘ) ekrane parodoma, jei yra atsilaisvinusi jungtis arba jei svarstyklės neveikia. Jei dar kartą pabandžius naudoti svarstyklės vėl rodoma klaida, susisieki su „Stryker“ techninės pagalbos tarnyba.

Pastaba - Kad svarstyklių sistemos tikslumas atitiktų nurodytąjį, paciento paviršius turi būti plokščias („Fowler“ nugaros atrama ir kelių sulenkimo atrama turi būti nuleistos), o įrenginio Trendelenburgo / atvirkštinė Trendelenburgo padėtis turi neviršyti 5 laipsnių.

Svarstyklių piktogramos / mygtuko identifikavimas

Punkt- tas	Piktograma / mygtukas	Pavadinimas	Pavadinimas
A		Budėjimo režimo piktograma	Šviečia žaliai, kai maitinimo laidas įjungtas į elektros lizdą. Šviečia gintaro spalva, kai maitinimo laidas atjungtas nuo elektros lizdo. Įjungiamas atsarginio maitinimo iš baterijos funkcija.
B		1 zonos piktograma	Pacientas gali laisvai judėti, tačiau pacientui bandant išlipti iš įrenginio skamba įspėjimo signalas.
C		2 zonos piktograma	Leidžiamas ribotas paciento judėjimas. Kai pacientas priartėja prie porankių arba kojūgalio, skamba įspėjimo signalas.
D		Mygtukas „Arm/Disarm“ (suaktyvinti / išjungti)	Suaktyvina ir išjungia parinktį Chaperone (lipimas iš neštuvų). Žr. <i>Parinkties „Chaperone“ suaktyvinimas ir išjungimas</i> (psl. 31).
E		Mygtukas „Weigh“ (sverti)	Pasveriamas pacientas. Žr. <i>Paciento svėrimas</i> (psl. 31).

Punktas	Piktograma / mygtukas	Pavadinimas	Pavadinimas
F		Mygtukas „lb/kg“ (svarai / kg)	Perjungia rodomus matavimo vienetus. Žr. <i>Svorio matavimo vienetų užfiksavimas</i> (psl. 31).
G		Mygtukas „Zero“ (nulis)	Nustato nulines svarstyklių nuostatų vertes. Žr. <i>Svorio matavimo vienetų užfiksavimas</i> (psl. 31).

Paciento svėrimas

PERSPĖJIMAS - Nenaudokite svarstyklių sistemos rodmenų kaip informacijos šaltinio gydymui.

1. Prieš naudodami svarstyklių sistemos parinktį, pakelkite kojūgalio stūmimo rankenas.
2. Paspauskite ir laikykite paspaudę **Zero** (nulis), kol ekrane bus parodyta **rel** (atleisti), kad nustatytumėte nulinę svarstyklių vertę. Pamirksi ir nustoja mirksėti skaičius **000,0**.

Pastaba - Svarstyklės paruošiamos naudoti, tik kai skaičius **000,0** nustoja mirksėti.

3. Paguldykite (pasodinkite) pacientą ant įrenginio.
4. Paspauskite **lb/kg** (svarai / kg), kad pasirinktumėte matavimo vienetus (svarus arba kilogramus).
5. Paspauskite **Weigh** (sverti), kad išmatuotumėte paciento svorį.

Pastaba - Paciento svoris rodomas 40 sekundžių.

Svorio matavimo vienetų užfiksavimas

1. Paspauskite ir laikykite paspaudę **Weigh** (sverti), **lb/kg** (svarai /kg) ir **Zero** (nulis), kol bus parodyta **diag** (diagnostika).
2. Paspausdami **lb/kg** (svarai /kg) arba **Zero** (nulis), perjunkite **Unit Loc** (vienetų užraktas).
3. Jei svarstyklėse nėra parinkties „Chaperone“, paspauskite ir laikykite paspaudę **lb/kg** (svarai /kg) ir **Zero** (nulis), kol bus parodyta **rel** (atleisti), kad pasirinktumėte **Unit Loc** (vienetų užraktas).
4. Jei svarstyklėse yra parinktis **Chaperone**, paspauskite ir laikykite paspaudę **lb/kg** (svarai /kg) ir **Zero** (nulis), kad pasirinktumėte **Unit Loc** (vienetų užraktas).
5. Paspauskite **lb/kg** (svarai / kg) arba **Zero** (nulis), kad perjungtumėte **lb** (svarai), **kg**, arba **Any** (bet kurie).
6. Paspauskite ir atleiskite **lb/kg** (svarai / kg) ir **Zero** (nulis). Rodoma **Only** (tik) ir pasirinkti matavimo vienetai.

Pastaba - Pasirinkus **Any** (bet kurie), **Only** (tik) nerodoma.

7. Paspauskite ir laikykite paspaudę **Weigh** (sverti), kol bus parodyta **quit** (baigti).
8. Paspauskite ir laikykite paspaudę **Zero** (nulis), kol bus parodyta **rel** (atleisti). Pamirksi ir nustoja mirksėti skaičius **000,0**.

Pastaba - Svarstyklės paruošiamos naudoti, tik kai skaičius **000,0** nustoja mirksėti.

Parinkties „Chaperone“ suaktyvinimas ir išjungimas

Suaktyvintus parinktį **Chaperone**, ji stebi paciento padėtį ant įrenginio.

Norėdami suaktyvinti arba išjungti parinktį **Chaperone**, atlikite nurodytus veiksmus.

1. Kai pacientas paguldytas (pasodintas) ant įrenginio, paspauskite **Arm/Disarm** (suaktyvinti / išjungti).

Pastaba - Taip suaktyvinama 1 zona. Įjungus 1 zonos piktograma šviečia gintaro spalva.

2. Norėdami suaktyvinti 2 zoną, paspauskite **Arm/Disarm** (suaktyvinti / išjungti) du kartus per 3 sekundes.

Pastaba - Taip suaktyvinama 2 zona. Įjungus 2 zonos piktograma šviečia gintaro spalva.

3. Jei parinktį **Chaperone** norite išjungti, paspauskite ir laikykite paspaudę **Arm/Disarm** (suaktyvinti / išjungti).

Pastaba - Prieš suaktyvindami parinktį **Chaperone**, turite nustatyti nulinę svarstyklių vertę.

Pastaba - Jei pacientas pasislenka už pasirinktos zonos ribų, mirksi gintaro spalvos lemputė, svarstyklių sistemos parinkties ekrane mirksi užrašas **Alrt** (perspėjimas) ir skamba garsinis perspėjimo signalas.

Parinkties „Chaperone“ perspėjimo signalo pobūdžio nustatymas

Norėdami pakeisti parinkties **Chaperone** perspėjimo signalo pavyzdį, atlikite nurodytus veiksmus.

1. Vienu metu paspauskite ir laikykite paspaudę mygtukus **Arm/Disarm** (suaktyvinti / išjungti) ir **Weigh** (sverti) maždaug 6 sekundes. Nekreipkite dėmesio į visus ekrano pranešimus, kol bus parodyta **Ptrn** (pavyzdys) (*Svarstyklių piktogramos / mygtuko identifikavimas* (psl. 30)).
2. Atleiskite mygtukus **Arm/Disarm** (suaktyvinti / išjungti) ir **Weigh** (sverti).

Pastaba - Ekrane parodoma pavyzdžio nuostata **P (1–10)**.

3. Paspausdami **Arm/Disarm** (suaktyvinti / išjungti) arba **Weigh** (sverti) perjunkite pavyzdžio parinktis.

Pastaba - Perjungiant pavyzdžio parinktį paleidžiama trumpa pavyzdžio iliustracija.

4. Norėdami išsaugoti pasirinktą pavyzdį, vienu metu paspauskite ir laikykite paspaudę mygtukus **Arm/Disarm** (suaktyvinti / išjungti) ir **Weigh** (sverti) 6 sekundes, kol ekrane bus parodyta **set** (nustatyta).
5. Atleiskite **Arm/Disarm** (suaktyvinti / išjungti) ir **Weigh** (sverti).

Pastaba - Ekrane parodoma pasirinkta pavyzdžio nuostata. Trumpu pavyzdžio iliustracija patvirtinama pobūdžio nuostata.

Parinkties „Chaperone“ perspėjimo signalo garsumo nustatymas

Norėdami pakeisti parinkties **Chaperone** perspėjimo signalo garsumą, atlikite nurodytus veiksmus.

1. Vienu metu paspauskite ir laikykite paspaudę mygtukus **Zero** (nulis) ir **Ib/kg** (svarai / kg), kol ekrane bus parodyta **vol** (garsumas) (*Svarstyklių piktogramos / mygtuko identifikavimas* (psl. 30)).
2. Atleiskite **Zero** (nulis) ir **Ib/kg** (svarai / kg).

Pastaba - Ekrane parodomi garsumo lygiai **L (1–4)**.

3. Paspausdami **Zero** (nulis) arba **Ib/kg** (svarai / kg) perjunkite garsumo lygius.

Pastaba - Perjungiant garsumo lygius paleidžiamas trumpas garsumo pavyzdys.

4. Norėdami išsaugoti pasirinktą garsumo lygį, vienu metu paspauskite ir laikykite paspaudę mygtukus **Zero** (nulis) ir **Ib/kg** (svarai / kg) 6 sekundes, kol ekrane bus parodyta **set** (nustatyta).
5. Atleiskite **Zero** (nulis) ir **Ib/kg** (svarai / kg).

Pastaba - Ekrane parodomas pasirinktas garsumo lygis. Trumpu garsumo pavyzdžiu patvirtinama garsumo lygio nuostata.

Svarstyklių sistemos baterijos bloko parinkties įkrovimas – elektrinės gulimosios dalies parinktis arba elektrinės gulimosios dalies parinktis su parinktimi „Chaperone“ – tik „Prime“

Svarstyklių sistemai su elektrinės gulimosios dalies parinktimi reikalingas vienas 10,8 V ličio jonų baterijos blokas (0058-135-000 be parinkties **Chaperone**; 0058-134-000 su parinktimi **Chaperone**). Įkraukite baterijos bloką, kai baterijos įkrovos indikatorius rodo vieną likusią padalą. Taip apsaugoma nuo svarstyklių sistemos parinkties išsijungimo dėl išsekusių baterijų.

Norėdami įkrauti svarstyklių sistemos ličio jonų baterijos bloką, įjunkite maitinimo laidą į įžemintą medicininės paskirties elektros lizdą. Baterijos blokas visiškai įkraunamas per maždaug tris valandas.

Pastaba - Kai įrenginys nenaudojamas, visada įjunkite jį į įžemintą medicininės paskirties sieninį lizdą. Tai padės išlaikyti pakankamą baterijos įkrovos lygį ir maksimaliai padidins įrenginio veiksmingumą, kai jis bus maitinamas baterija.

Svarstyklių sistemos parinkties baterijų pakeitimas – neelektrinė gulimoji dalis

Pakeiskite baterijas, kai baterijos įkrovos indikatorius rodo vieną likusią padalą. Taip apsaugoma nuo svarstyklių sistemos parinkties išsijungimo dėl išsekusių baterijų.

Kai ekrane mirksi užrašas **Lo batt** (baterijos išseko), pasiektas mažiausias baterijų įkrovos lygis ir svarstyklių sistemos parinktis yra išjungta.

Reikalingi įrankiai:

- Kryžminis atsuktuvus
- Keturios AA baterijos (šarminio tipo LR6)

Norėdami pakeisti baterijas, atlikite nurodytus veiksmus.

1. Kryžminių atsuktuvu išsukite varžtus, kuriais baterijų skyriaus dangtis pritvirtintas prie ekrano sąrankos.
2. Išimkite ir išmeskite visas keturias AA baterijas.

Pastaba - Senas baterijas visada išmeskite pagal vietos reglamentus.

3. Įdėkite keturias naujas AA baterijas, kaip nurodyta, į baterijų laikiklį.

Pastaba - Niekada nemaišykite senų baterijų su naujomis.

4. Naudodami per 1 veiksmą išsuktus varžtus sumontuokite baterijų skyriaus dangtį ant ekrano sąrankos.

Priedai ir dalys

Su jūsų įrenginiu galima naudoti šiuos priedus. Įsitikinkite, kad jie tiekiami jūsų konfigūracijai ar regionui. Skambinkite „Stryker“ klientų aptarnavimo specialistams tel. 1-800-327-0770.

Pavadinimas	Dalies numeris
Defibriliatoriaus dėklas	1105-045-200
Defibriliatoriaus dėklas / kojų ilgintuvas	1105-045-400
Kojūgalio skydas / diagramos laikiklis	1105-045-500
Kulno pagalvėlės konstrukcija	1105-045-022
Lašinės stovo vežimėlis	0785-155-000
HAVASU™ lašinės stovas, nuimamasis	0390-025-000
Lašinės stovas, trijų pakopų, kojūgalio, kairysis, 26 colių (66 cm)	1105-035-644
Lašinės stovas, trijų pakopų, kojūgalio, dešinysis, 26 colių (66 cm)	1105-035-639

Pavadinimas	Dalies numeris
Lašinės stovas, trijų pakopų, kojūgalio, kairysis, 30 colių (76 cm)	1105-035-344
Lašinės stovas, trijų pakopų, kojūgalio, dešinysis, 30 colių (76 cm)	1105-035-339
Lašinės stovas, trijų pakopų, kojūgalio, kairysis, 30 colių (76 cm) (parinktis Prime X)	1105-035-364
Lašinės stovas, trijų pakopų, kojūgalio, dešinysis, 30 colių (76 cm) (parinktis Prime X)	1105-035-361
Lašinės stovas, trijų pakopų, galvūgalio, kairysis, 26 colių (66 cm)	1105-035-642
Lašinės stovas, trijų pakopų, galvūgalio, dešinysis, 26 colių (66 cm)	1105-035-637
Lašinės stovas, trijų pakopų, galvūgalio, kairysis, 30 colių (76 cm)	1105-035-342
Lašinės stovas, trijų pakopų, galvūgalio, dešinysis, 30 colių (76 cm)	1105-035-337
Lašinės stovas, trijų pakopų, galvūgalio, kairysis, 30 colių (76 cm) (parinktis Prime X)	1105-035-369
Lašinės stovas, trijų pakopų, galvūgalio, dešinysis, 30 colių (76 cm) (parinktis Prime X)	1105-035-366
Lašinės stovas, dviejų pakopų, kojūgalio, kairysis, 26 colių (66 cm)	1105-035-640
Lašinės stovas, dviejų pakopų, kojūgalio, dešinysis, 26 colių (66 cm)	1105-035-643
Lašinės stovas, dviejų pakopų, kojūgalio, kairysis, 30 colių (76 cm)	1105-035-340
Lašinės stovas, dviejų pakopų, kojūgalio, dešinysis, 30 colių (76 cm)	1105-035-343
Lašinės stovas, dviejų pakopų, kojūgalio, kairysis, 30 colių (76 cm) (parinktis Prime X)	1105-035-362
Lašinės stovas, dviejų pakopų, kojūgalio, dešinysis, 30 colių (76 cm) (parinktis Prime X)	1105-035-363
Lašinės stovas, dviejų pakopų, galvūgalio, kairysis, 26 colių (66 cm)	1105-035-638
Lašinės stovas, dviejų pakopų, galvūgalio, dešinysis, 26 colių (66 cm)	1105-035-641
Lašinės stovas, dviejų pakopų, galvūgalio, kairysis, 30 colių (76 cm)	1105-035-341
Lašinės stovas, dviejų pakopų, galvūgalio, dešinysis, 30 colių (76 cm)	1105-035-338
Lašinės stovas, dviejų pakopų, galvūgalio, kairysis, 30 colių (76 cm) (parinktis Prime X)	1105-035-367

Pavadinimas	Dalies numeris
Lašinės stovas, dviejų pakopų, galvūgalio, dešinysis, 30 colių (76 cm) (parinktis Prime X)	1105-035-368
Čiužinys, ComfortGel SE™ , ugnies barjeras, 26 colių (66 cm)	1805-034-601
Čiužinys, ComfortGel SE , ugnies barjeras, 30 colių (76 cm)	1805-034-301
Čiužinys, ComfortGel SE , be ugnies barjero, 26 colių (66 cm)	1805-034-600
Čiužinys, ComfortGel SE , be ugnies barjero, 30 colių (76 cm)	1805-034-300
Čiužinys, „Enhanced Comfort“, 3 x 26 coliai (8 x 66 cm)	0785-034-613
Čiužinys, „Enhanced Comfort“, 3 x 30 colių (8 x 76 cm)	0785-034-313
Čiužinys, „Enhanced Comfort“, 4 x 26 coliai (10 x 66 cm)	0785-034-623
Čiužinys, „Enhanced Comfort“, 4 x 30 coliai (10 x 76 cm)	0785-034-323
Čiužinys, IsoFlex SE™ , ugnies barjeras, 30 colių (76 cm)	1806-034-300
Čiužinys, IsoFlex SE , be ugnies barjero, tarptautinis, 30 colių (76 cm)	1806-034-301
Čiužinys, „Ultra Comfort“, 4 x 26 coliai (10 x 66 cm)	0785-034-603
Čiužinys, „Ultra Comfort“, 4 x 30 coliai (10 x 76 cm)	0785-034-303
Čiužinys, „Ultra Comfort“, 5 x 26 coliai (13 x 66 cm)	0785-034-633
Čiužinys, „Ultra Comfort“, 5 x 30 coliai (13 x 76 cm)	0785-034-333
Čiužinys, Ultra Comfort SE™ , 4 x 26 coliai (10 x 66 cm)	1704-034-600
Čiužinys, Ultra Comfort SE , ugnies barjeras, tarptautinis, 4 x 26 coliai (10 x 66 cm)	1704-034-601
Čiužinys, „Ultra Comfort“, neštuvų ilgintuvas, 4 x 26 coliai (10 x 66 cm)	1105-034-609
Čiužinys, „Ultra Comfort“, neštuvų ilgintuvas, 4 x 30 colių (10 x 76 cm)	1105-034-309
Čiužinys, Ultra Comfort SE , 3 x 30 coliai (8 x 76 cm)	1703-034-300
Čiužinys, Ultra Comfort SE , ugnies barjeras, 3 x 30 coliai (8 x 76 cm)	1703-034-301
Čiužinys, Ultra Comfort SE , 4 x 30 coliai (10 x 76 cm)	1704-034-300
Čiužinys, Ultra Comfort SE , ugnies barjeras, 4 x 30 coliai (10 x 76 cm)	1704-034-301
Deguonies baliono laikiklis, stačias	1115-130-000
Pompos skersinio parinktis, 30 colių (76 cm)	1105-045-035
Stūmimo rankenos sąranka, kojūgalio, 30 colių (76 cm)	1105-048-030

Pavadinimas	Dalies numeris
Stūmimo rankenos sąranka, galvūgalio, 30 colių (76 cm)	1105-048-060
Suvaržymo diržų komplektas	0785-045-010
Suvaržymo diržas, kulkšnis	0785-045-020
Suvaržymo diržas, kūnas	0785-045-015
Suvaržymo diržas, riešas	0946-044-000
Suvaržymo diržas, krūtinė	1010-058-000
Valgio padėklas	1105-045-700
Valgio padėklo laikiklis / kojūgalio skydas	1105-045-800
Porankio pagalvėlės	1001-052-000
Rentgeno kasetės laikiklis, šoninis	1105-045-100
Rentgeno kasetės laikiklis, statusis	1105-045-300

Elektriniai komponentai

Pavadinimas	Numeris
Vykdiklis, „Fowler“	1008-012-020
Vykdiklis, kelių sulenkimo atramos	1008-014-020
Baterija, išmanusis ličio jonų baterijos blokas (tik svarstyklės)	0058-135-000
Baterija, išmanusis ličio jonų baterijos blokas (tik svarstyklės ir Chaperone)	0058-134-000
Plokštė, NS valdymo PCB sąranka	1008-116-800
Plokštė, ne keltuvo KS sąranka	1008-002-800
Plokštė, keltuvo valdymo PCB sąranka	1008-002-810
Plokštė, svarstyklių valdymo sąranka (tik svarstyklės)	1008-237-850
Plokštė, svarstyklių ir Chaperone valdymo sąranka	1008-237-840
Kondensatorius, 440 V KS, 35 MFD	0059-087-000
Klaviatūra, svarstyklių valdymo (neelektrinė gulimoji dalis)	1008-037-820
Klaviatūra, porankio valdymo, kairioji	1008-011-017
Klaviatūra, porankio valdymo, dešinioji	1008-011-016
Klaviatūra, operatoriaus valdymo	1008-015-800
Dinamometrinis jutiklis (pasirenkamoji svarstyklių sistema)	1008-037-057
Variklis, pompos	1008-002-015
Maitinimo laidas, įprastas	1028-146-060
Maitinimo laidas, tarptautinis, E tipo	1125-060-170
Maitinimo laidas, tarptautinis, F tipo	1125-060-180

Pavadinimas	Numeris
Maitinimo laidas, tarptautinis, G tipo	1125-060-160
Maitinimo laidas, tarptautinis, I tipo	1125-060-200
Svarstyklių dėžutės sąranka (neelektrinė gulimoji dalis)	1070-237-020
Transformatorius	1008-014-857
Transformatorius, tarptautinis	1008-014-877

Defibriliatoriaus dėklo pritvirtinimas

ĮSPĖJIMAS

- Nedėkite sunkesnių nei 30 svarų (14 kg) daiktų ant defibriliatoriaus dėklo. Visus ant defibriliatoriaus dėklo padėtus prietaisus visada pritvirtinkite diržais.
- Visada būkite atsargūs, jei pritvirtintas defibriliatoriaus dėklas / kojų ilgintuvas, kojūgalio skydas / diagramos laikiklis arba statusis deguonies baliono laikiklis, kad neprispaustumėte pirštų, kai nustatote kojūgalio stūmimo rankenos parinktį.

Norėdami pritvirtinti defibriliatoriaus dėklą, atlikite nurodytus veiksmus.

1. Įkiškite defibriliatoriaus dėklo kaiščius į lizdus įrenginio kojūgalyje.
2. Prietaisus prie defibriliatoriaus dėklo tvirtinkite diržu.

Pastaba

- Nenaudokite defibriliatoriaus dėklo kaip stūmimo / traukimo įtaiso. Įrenginys gali būti sugadintas.
- Visada pakelkite kojūgalio stūmimo rankenas, kai naudojate priedus (pvz., defibriliatoriaus dėklą / kojų ilgintuvą, kojūgalio skydą / diagramos laikiklį, statujį deguonies baliono laikiklį), nes kitaip priedai neveiks.

Defibriliatoriaus dėklo / kojų ilgintuvo pakeitimas į defibriliatoriaus dėklą

ĮSPĖJIMAS

- Nedėkite sunkesnių nei 30 svarų (14 kg) daiktų ant defibriliatoriaus dėklo / kojų ilgintuvo. Visus ant defibriliatoriaus dėklo padėtus prietaisus visada pritvirtinkite diržais.
- Visada būkite atsargūs, jei pritvirtintas defibriliatoriaus dėklas / kojų ilgintuvas, kojūgalio skydas / diagramos laikiklis arba statusis deguonies baliono laikiklis, kad neprispaustumėte pirštų, kai nustatote kojūgalio stūmimo rankenos parinktį.

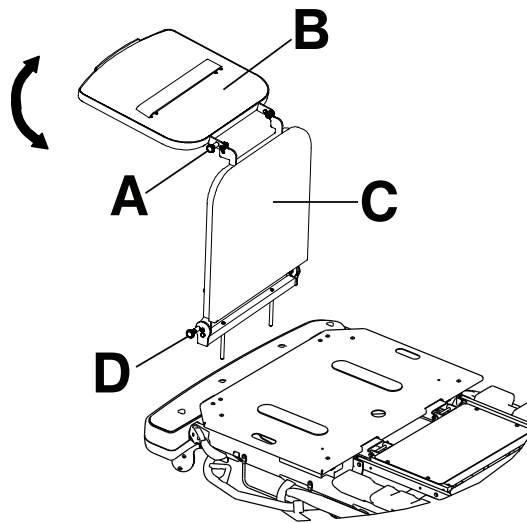
PERSPĖJIMAS - Visada pakelkite lašinės stovą, prieš pritvirtindami defibriliatoriaus dėklą / kojų ilgintuvą prie įrenginio. Jei lašinės stovo nepakelsite, kojų ilgintuvas neveiks.

Norėdami pakeisti defibriliatoriaus dėklą / kojų ilgintuvą į defibriliatoriaus dėklą, atlikite nurodytus veiksmus.

1. Ištraukite viršutinę rankenėlę (A) (pav. 19).
2. Sukite defibriliatoriaus dėklą (B), kol jis bus horizontalus virš įrenginio kojūgalio. Paleiskite viršutinę rankenėlę (A). Įsitikinkite, kad defibriliatoriaus dėklas užsifiksavo.
3. Prietaisus prie defibriliatoriaus dėklo tvirtinkite diržu.

Pastaba

- Nenaudokite defibriliatoriaus dėklo / kojų ilgintuvo kaip stūmimo / traukimo įtaiso. Įrenginys gali būti sugadintas.
- Netvirtinkite jokių daiktų prie kojų ilgintuvo.



pav. 19 – Defibriliatoriaus dėklas / kojų ilgintuvas

Defibriliatoriaus dėklo / kojų ilgintuvo pakeitimas į kojų ilgintuvą

ĮSPĖJIMAS

- Nedėkite sunkesnių nei 30 svarų (14 kg) daiktų ant defibriliatoriaus dėklo / kojų ilgintuvo. Visus ant defibriliatoriaus dėklo padėtus prietaisus visada pritvirtinkite diržais.
- Visada būkite atsargūs, jei pritvirtintas defibriliatoriaus dėklas / kojų ilgintuvas, kojūgalio skydas / diagramos laikiklis arba statusis deguonies baliono laikiklis, kad neprispaustumėte pirštų, kai nustatote kojūgalio stūmimo rankenos parinktį.

PERSPĖJIMAS - Visada pakelkite lašinės stovą, prieš pritvirtindami defibriliatoriaus dėklą / kojų ilgintuvą prie įrenginio. Jei lašinės stovo nepakelsite, kojų ilgintuvas neveiks.

Norėdami pakeisti defibriliatoriaus dėklą / kojų ilgintuvą į kojų ilgintuvą (pav. 19), atlikite nurodytus veiksmus.

1. Ištraukite viršutinę rankenėlę (A).
2. Sukite defibriliatoriaus dėklą (B), kol jis priglūs prie kojų ilgintuvo ir užsifiksuos.
3. Laikydami defibriliatoriaus dėklo / kojų ilgintuvo konstrukciją ištraukite apatinę rankenėlę (D).
4. Leiskite kojų ilgintuvą (C), kol jis bus horizontalus.
5. Paleiskite apatinę rankenėlę (D). Pastumdami kojų ilgintuvą įsitinkite, kad jis užsifiksavo.

Pastaba

- Nenaudokite defibriliatoriaus dėklo / kojų ilgintuvo kaip stūmimo / traukimo įtaiso. Įrenginys gali būti sugadintas.
- Netvirtinkite jokių daiktų prie kojų ilgintuvo.

Kojūgalio skydo / diagramos laikiklio pritvirtinimas

ĮSPĖJIMAS - Visada būkite atsargūs, jei pritvirtintas defibriliatoriaus dėklas / kojų ilgintuvas, kojūgalio skydas / diagramos laikiklis arba statusis deguonies baliono laikiklis, kad neprispaustumėte pirštų, kai nustatote kojūgalio stūmimo rankenos parinktį.

Norėdami pritvirtinti kojūgalio skydą / diagramos laikiklį, įkiškite kojūgalio skydo / diagramos laikiklio kaiščius į lizdus įrenginio kojūgalyje.

Pastaba - Nenaudokite kojūgalio skydo / diagramos laikiklio kaip stūmimo / traukimo įtaiso. Įrenginys gali būti sugadintas.

Lašinės stovo vežimėlio pritvirtinimas

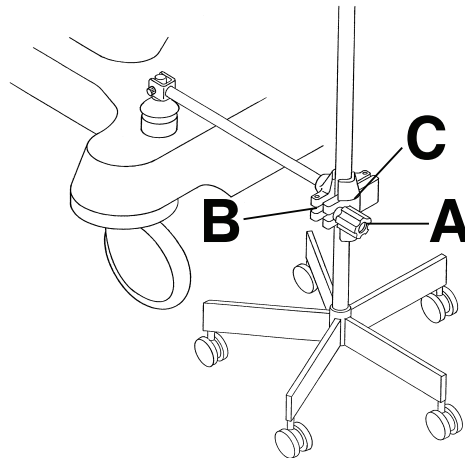
ĮSPĖJIMAS

- Perveždami įrenginį visada pritvirtinkite lašinės stovą prie lašinės stovo vežimėlio.
- Kai lašinės stovo vežimėlis nenaudojamas, visada padėkite jį į laikymo vietą, kad nesugadintumėte įrenginio.

Norėdami pritvirtinti lašinės stovo vežimėlį (pav. 20), atlikite nurodytus veiksmus.

1. Išimkite lašinės stovo vežimėlį iš laikymo dėklo arba nuimkite nuo laikymo apkabos.
2. Pasukite lašinės stovo vežimėlį į reikiamą padėtį.
3. Pasukite rankenėlę (A) prieš laikrodžio rodyklę, kad atlaisvintumėte stovo fiksatorių (C).
4. Pasukite rankenėlę (A) nuo svirtinės jungties konstrukcijos (B).
5. Atverkite fiksatorių (C).
6. Įstatykite lašinės stovą į fiksatorių (C).
7. Užverkite fiksatorių (C) apgaubdami lašinės stovą ir gražinkite rankenėlę (A) į savo vietą.
8. Sukite rankenėlę (A) pagal laikrodžio rodyklę, kad ją priveržtumėte.
9. Norėdami atjungti lašinės stovo vežimėlį nuo įrenginio, atlikite veiksmus atvirkščiu eiliškumu.

Norėdami padėti lašinės stovo vežimėlį į laikymo vietą, įdėkite jį į laikymo dėklą arba pritvirtinkite prie laikymo apkabos.



pav. 20 – Lašinės stovo vežimėlis

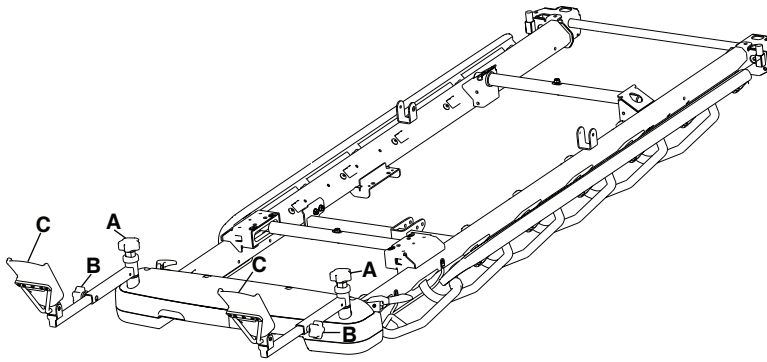
Pėdų atramų padėties reguliavimas arba nustatymas į nenaudojimo padėtį – tik „Prime“

ĮSPĖJIMAS

- Nesėskite ant pėdų atramų. Taip įrenginys gali apvirsti.
- Kai reguliuojate pėdų atramas, visada patraukite pirštus nuo mechanizmų.
- Visada nustatykite pėdų atramas į nenaudojimo padėtį, kai įrenginiu pervežate pacientą.
- Prieš naudodami pėdų atramas, jas visada priveržkite.
- Nenaudokite svarstyklių sistemos, kai naudojamos pėdų atramos. Rodmenys gali būti netikslūs.
- Nenaudokite parinkties **Chaperone**, kai naudojamos pėdų atramos. Rodmenys gali būti netikslūs.

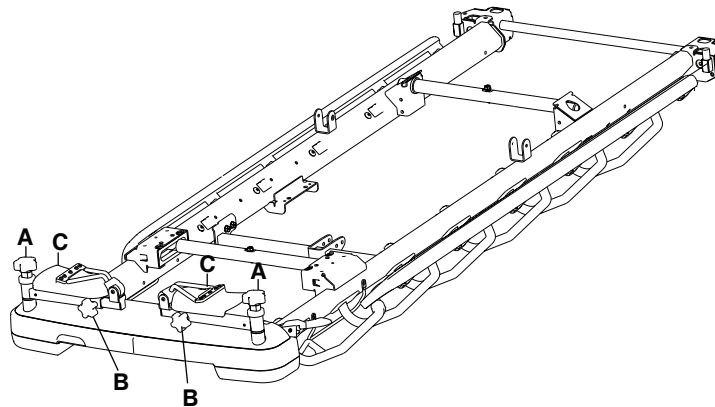
Norėdami reguliuoti pėdų atramų padėtį arba nustatyti jas į nenaudojimo padėtį, atlikite nurodytus veiksmus.

1. Atlaisvinkite kelio rankenėlę (A) pėdų atramų viršuje, kad galėtumėte pakoreguoti pėdų atramų pakreipimo į šoną kampą (pav. 21).
2. Priveržkite kelio rankenėlę (A), kad užfiksuotumėte pėdų atramas reikiamoje padėtyje.



pav. 21 – Pėdų atramų padėties nustatymas

3. Atlaisvinkite kojos rankenėlę (B) pėdų atramų šone, kad galėtumėte pakoreguoti ilgį.
4. Priveržkite kojos rankenėlę (B), kad užfiksuotumėte pėdų atramas reikiamoje padėtyje.
5. Atverskite pėdų atramas (C), prieš paguldydami (pasodindami) pacientą.
6. Norėdami nustatyti pėdų atramas į nenaudojimo padėtį (pav. 22), atlikite veiksmus atvirkščiu eiliškumu.



pav. 22 – Pėdų atramų nustatymas į nenaudojimo padėtį

Pasirinkus pėdų atramas negalima įsigyti toliau nurodytų priedų ir parinktys.

- Kojūgalio stūmimo rankenos
- Defibriliatoriaus dėklas
- Defibriliatoriaus dėklas / kojų ilgintuvas
- Valgio padėklo laikiklis / kojūgalio skydas
- Kojūgalio skydas / diagramos laikiklis
- Kojūgalio lašinės stovai

Pastaba

- Nenaudokite pėdų atramų paciento daiktams laikyti.
- Nenaudokite pėdų atramų kaip stūmimo / traukimo įtaiso. Įrenginys gali būti sugadintas.
- Kai naudojate pėdų atramas, visada įjunkite stabdžius, kad išvengtumėte nestabilumo.
- Kai naudojate pėdų atramas, nenaudokite nugaros atramos arba kelių sulenkimo atramos.

Dviejų pakopų visam laikui pritvirtinto lašinės stovo padėties nustatymas

[SPĖJIMAS - Nenaudokite lašinės stovo stumti / traukti. Įrenginys gali būti sugadintas.

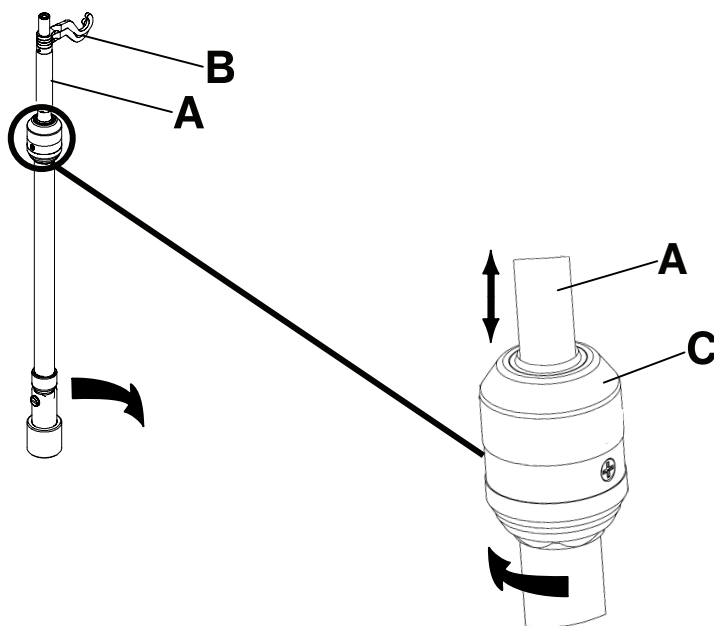
Gaminį galite įsigyti su dviejų pakopų lašinės stovo parinktimi, visam laikui pritvirtintu įrenginio galvūgalyje, kojūgalyje arba abiejuose galuose. Lašinės stovas turi teleskopinį strypą, išsitraukiantį į antrą aukščio padėtį. Nenaudojamą lašinės stovą galite sulenkti ir saugoti.

Dviejų pakopų lašinės stovo padėties nustatymas (pav. 23):

1. Stovą kilstelėkite ir pasukite iš laikymo padėties.
2. Spauskite lašinės stovą žemyn, kol jis užsifiksuos vietoje.
3. Norėdami pakelti lašinės stovą, traukite teleskopinę dalį (A), kol stovas užsifiksuos visiškai pakeltoje padėtyje.
4. Pasukite lašinės kablius (B) į norimą padėtį ir pakabinkite lašinės maišelius.
5. Norėdami nuleisti lašinės stovą, laikykite lašinės stovo teleskopinę dalį, pasukite skląstį (C) ir nuleiskite teleskopinę dalį.

Pastaba

- Ant lašinės stovo nekabinkite lašinės maišelių, sunkesnių nei 40 svarų (18 kg).
- Veždami pacientą visada įsitikinkite, kad lašinės stovas nuleistas žemai ir galima saugiai važiuoti pro durų angas.



pav. 23 – 2 pakopų visam laikui pritvirtinto lašinės stovo padėties nustatymas

Trijų pakopų visam laikui pritvirtinto lašinės stovo padėties nustatymas

ĮSPĖJIMAS - Nenaudokite lašinės stovo stumti / traukti. Įrenginys gali būti sugadintas.

Gaminį galite įsigyti su trijų pakopų lašinės stovo parinktimi, visam laikui pritvirtintu įrenginio galvūgalyje, kojūgalyje arba abiejuose galuose. Lašinės stovas turi teleskopinį strypą, išsitraukiantį į antrą ir trečią aukščio padėtis. Nenaudojamą lašinės stovą taip pat galite sulenkti į laikymo padėtį.

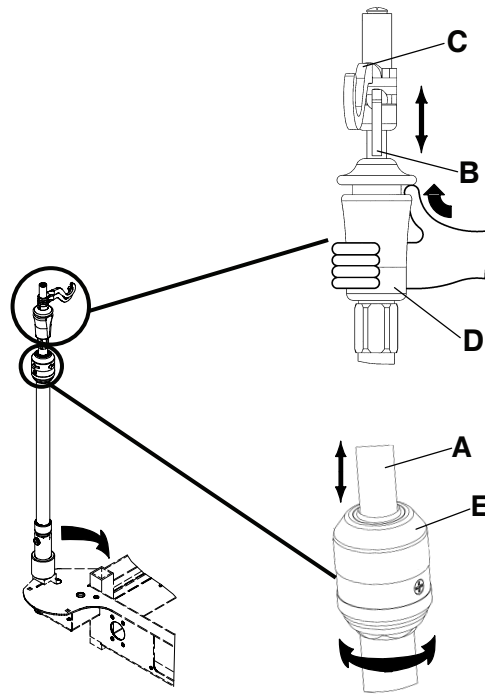
Norėdami nustatyti trijų pakopų lašinės stovo padėtį (pav. 24), atlikite nurodytus veiksmus.

1. Stovą kilstelėkite ir pasukite iš laikymo padėties.
2. Spauskite lašinės stovą žemyn, kol jis užsifiksuos.
3. Norėdami pakelti lašinės stovą, traukite teleskopinę dalį (A), kol stovas užsifiksuos visiškai pakeltoje padėtyje.
4. Jei reikalingas aukštesnis lašinės stovas, patraukite dalį (B) aukštyn. Pasiekę reikiamą aukštį, atleiskite dalį (B), kad stovas užsifiksuotų.
5. Pasukite lašinės kablius (C) į reikiamą padėtį ir pakabinkite lašinės maišelius.
6. Norėdami nuleisti lašinės stovą, laikykite dalį (B) ir stumkite geltoną rankenos (D) dalį aukštyn, kol stovas nusileis.

7. Pasukite fiksoatorių (E) ir nuleiskite teleskopinę lašinės stovo dalį.

Pastaba

- Ant lašinės stovo nekabinkite lašinės maišelių, kurių bendras svoris didesnis nei 12 svarų (5 kg).
- Ant vieno lašinės kablo nekabinkite lašinės maišelių, sunkesnių nei 9,3 svaro (4,2 kg).
- Veždami pacientą visada įsitikinkite, kad lašinės stovas nuleistas žemai ir jį galima saugiai pervežti pro durų angas.



pav. 24 – Trijų pakopų visam laikui pritvirtinto lašinės stovo padėties nustatymas

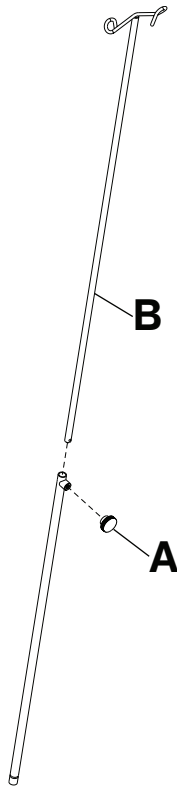
Nuimamo lašinės stovo pritvirtinimas ir padėties nustatymas

PERSPĖJIMAS

- Nenaudokite lašinės stovo stumti / traukti. Įrenginys gali būti sugadintas.
- Ant lašinės stovo nekabinkite lašinės maišelių, sunkesnių nei 40 svarų (18 kg).
- Veždami pacientą visada įsitikinkite, kad lašinės stovas nuleistas žemai, kad tilptų pro durų angas.

Nuimamo lašinės stovo pritvirtinimas ir padėties nustatymas (pav. 25):

1. Įstatykite lašinės stovą į lizdą įrenginio galvūgalyje arba kojūgalyje.
2. Pasukite rankenėlę (A) prieš laikrodžio rodyklę ir traukite teleskopinę dalį, kol pasieksite norimą aukštį.
3. Pasukite rankenėlę (A) pagal laikrodžio rodyklę, kad teleskopinė dalis užsifikuotų vietoje.



pav. 25 – Nuimamas lašinės stovas

Staciojo deguonies baliono laikiklio pritvirtinimas

ĮSPĖJIMAS

- Įstatųjį deguonies baliono laikiklį nedėkite sunkesnių nei 40 svarų (18 kg) daiktų.
- Visada būkite atsargūs, jei pritvirtintas defibriliatoriaus dėklas / kojų ilgintuvas, kojūgalio skydas / diagramos laikiklis arba statusis deguonies baliono laikiklis, kad neprispaustumėte pirštų, kai nustatote kojūgalio stūmimo rankenos parinktį.

Statusis deguonies baliono laikiklis laiko deguonies butelį vertikaliai.

Staciojo deguonies baliono laikiklio pritvirtinimas:

1. Įstatykite atraminį strypą į bet kurį lašinės stovo lizdą.
2. Įstatykite vielokaištį per atraminio strypo angą, kad pritvirtintumėte baliono laikiklį prie įrenginio.

Pastaba - Nenaudokite staciojo deguonies baliono laikiklio stumti / traukti. Įrenginys gali būti sugadintas.

Valgio padėklo laikiklio / kojūgalio skydo ištraukimas arba nustatymas į nenaudojimo padėtį

ĮSPĖJIMAS - Ant valgio padėklo nedėkite sunkesnių nei 30 svarų (14 kg) daiktų.

Norėdami pritvirtinti valgio padėklą ant porankio, ištraukite abu valgio padėklo šonus ir padėkite padėklą ant porankių.

Norėdami nustatyti valgio padėklą į nenaudojimo padėtį, atlikite nurodytus veiksmus.

1. Nuimkite valgio padėklą nuo porankių.
2. Įstumkite valgio padėklo šonus.
3. Valgio padėklą laikykite kojūgalio skyde.

Pastaba - Nenaudokite valgio padėklo / kojūgalio skydo kaip stūmimo / traukimo įtaiso. Įrenginys gali būti sugadintas.

Porankio pagalvėlių pritvirtinimas

Norėdami pritvirtinti porankio pagalvėles, atlikite nurodytus veiksmus.

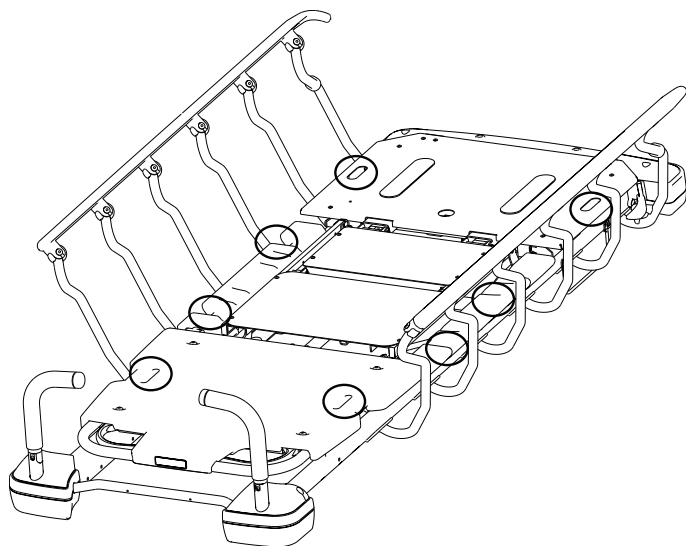
1. Įkiškite porankio pagalvėlę tarp čiužinio ir porankio.
2. Susekite **Velcro®** diržus aplink porankio viršų, kad pritvirtintumėte porankio pagalvėlę.

Paciento suvaržymo diržų tvirtinimo taškų padėties nustatymas

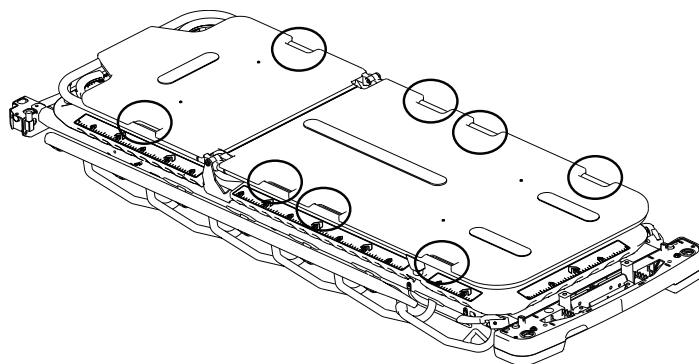
ĮSPĖJIMAS

- Tvirtindami suvaržymo diržus visada būkite atsargūs. Gali nukentėti pacientas ar operatorius. Fizinės suvaržymo priemonės, net jei jos pritvirtintos, gali padaryti didelę žalą pacientams ir operatoriams, įskaitant įspainiojimą, įstrigimą, fizinį sužalojimą ar mirtį.
- Visada pritvirtinkite suvaržymo diržus ar įtaisus tik nustatytose įrenginio tvirtinimo vietose. To nepadarius, pacientas ar operatorius gali būti sužeisti. Netvirtinkite suvaržymo diržų prie porankio.
- Prieš naudodamiesi bet koku suvaržymo diržu ar įtaisu, visada laikykitės galiojančių vietos ir nacionalinių apribojimų ir reglamentų bei atitinkamos įstaigos protokolų.

Gulimosios dalies konstrukcijoje yra aštuonios paciento suvaržymo diržų tvirtinimo vietos paciento suvaržymo diržams pritvirtinti (pav. 26 arba pav. 27).



pav. 26 – „Prime“ suvaržymo diržų vietos



pav. 27 – parinkties „Prime X“ suvaržymo diržų vietos

Pastaba - Saugos diržai yra B tipo liečiamoji dalis.

Stačiojo rentgeno kasetės laikiklio padėties nustatymas – parinktis „Prime X“

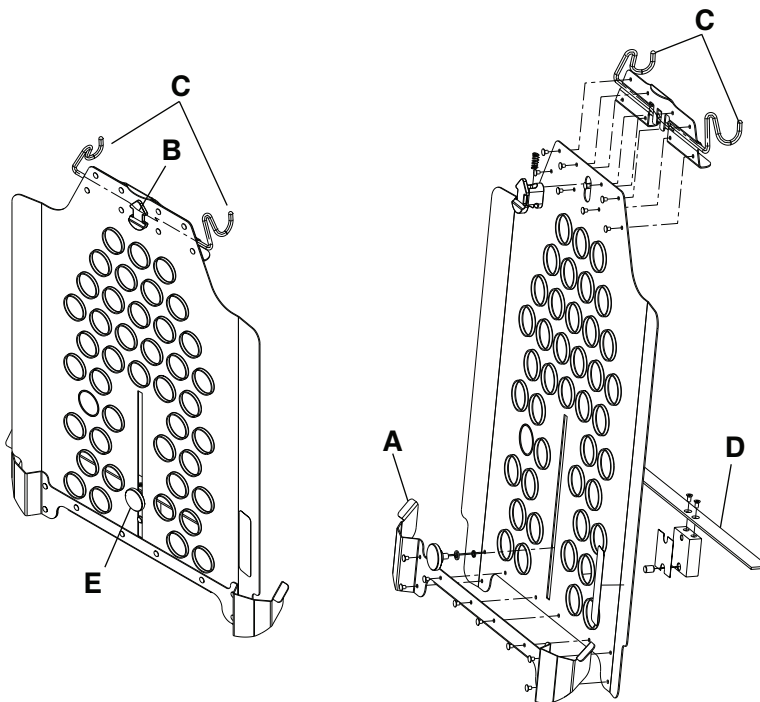
ĮSPĖJIMAS

- Visada imkitės atsargumo priemonių, kai naudojate statujį arba šoninį rentgeno kasetės laikiklį. Rentgeno kasetės laikiklis neapsaugo nuo spinduliuotės.
- Prieš naudodami parinktį **Prime X** su spinduliuotę generuojančiais prietaisais, visada laikykitės vietos, valstybinių ir federalinių rekomendacijų bei įstaigos saugos protokolų. Spinduliuotę generuojantys prietaisai gali skleisti liekamąją, nenaudingąją ar išsklaidytąją spinduliuotę.
- Visada būkite itin atsargūs, naudodami storesnį nei 2,5 colio (5 cm) čiužinį arba antčiužinį, kai yra parinktis **Prime X**.
- Įdėdami rentgeno kasetę visada laikykitės instrukcijų, pateiktų skyriuje *Stačiojo rentgeno kasetės laikiklio padėties nustatymas – parinktis „Prime X“*.

Rentgeno kasetės laikiklis tvirtinamas prie „Fowler“ nugaros atramos suvirintosios konstrukcijos ir išlaiko rentgeno kasetes. Galite daryti rentgenogramas pacientui esant ant įrenginio. Prieš darydami rentgenogramą taip pat galite pakoreguoti kasetės padėtį.

Norėdami nustatyti rentgeno kasetės laikiklio padėtį, atlikite nurodytus veiksmus.

1. Nuspauskite stabdžius. Pastumdami įrenginį įsitikinkite, kad stabdžiai veikia.
2. Pakelkite „Fowler“ nugaros atramos dalį iki didžiausio aukščio.
3. Įkiškite apatinius laikančiuosius kreiptuvus (A) po „Fowler“ nugaros atramos suvirintosios konstrukcijos strypu (pav. 28).
4. Kelkite kasetės laikiklį, kol laikantieji kreiptuvai užsikabins už „Fowler“ nugaros atramos suvirintosios konstrukcijos. Įsitikinkite, kad kasetės laikiklis tvirtai laikosi.



pav. 28 – Rentgeno kasetės laikiklis

5. Įkiškite rentgeno kasetę į bet kurią kasetės laikiklio pusę arba patraukite šliaužiklio atleidimo rodyklę (B), kad atlaisvintumėte kasetės laikiklį nuo „Fowler“ nugaros atramos, nustatykite kasetės padėtį ir įtvirtinkite kasetės laikiklį „Fowler“ nugaros atramos suvirintojoje konstrukcijoje.
6. Norėdami pakoreguoti kasetės aukštį, atlaisvinkite rankenėlę (E) ir stumkite kasetės atraminį skersinį (D) aukštyn arba žemyn, kol pasieksite reikiamą aukštį.
7. Priveržkite rankenėlę (E), kad įtvirtintumėte kasetės atraminį skersinį.
8. Kai rentgeno procedūra užbaigiama, patraukite šliaužiklio atleidimo rodyklę (B) aukštyn, kad atlaisvintumėte kasetės laikiklį nuo „Fowler“ nugaros atramos suvirintosios konstrukcijos.
9. Išimkite rentgeno kasetę iš kasetės laikiklio.
10. Uždarykite ir nustatykite kasetės laikiklį į nenaudojimo padėtį.

Šoninio rentgeno kasetės laikiklio padėties nustatymas – parinktį „Prime X“

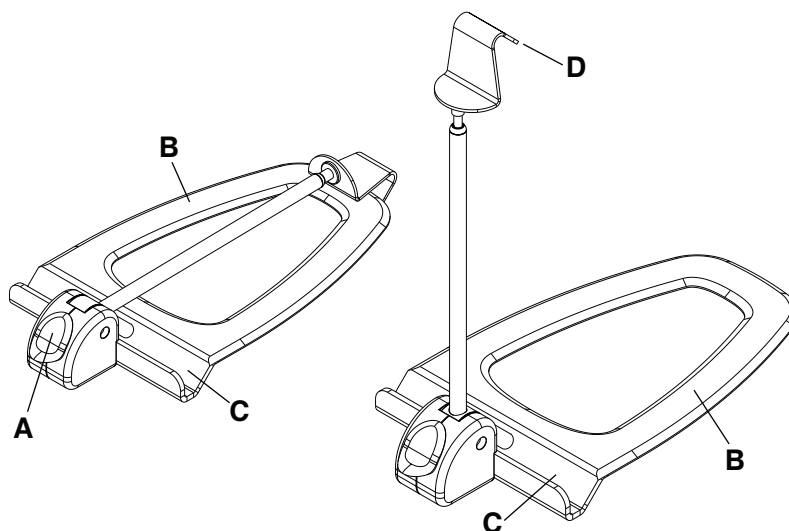
ĮSPĖJIMAS

- Visada imkitės atsargumo priemonių, kai naudojate statujį arba šoninį rentgeno kasetės laikiklį. Rentgeno kasetės laikiklis neapsaugo nuo spinduliuotės.

- Prieš naudodami parinktį **Prime X** su spinduliuotę generuojančiais prietaisais, visada laikykitės vietos, valstybinių ir federalinių rekomendacijų bei įstaigos saugos protokolų. Spinduliuotę generuojantys prietaisai gali skleisti liekamąją, nenaudingą ar išsklaidytą spinduliuotę.
- Visada atsargiai darykite rentgeno nuotraukas, kai „Fowler“ nugaros atrama yra vertikaloje padėtyje arba kai naudojate šoninę kasetę.
- Visada būkite itin atsargūs, naudodami storesnį nei 2,5 colio (5 cm) čiužinį arba antčiužinį, kai yra parinktis **Prime X**.
- Įdėdami rentgeno kasetę visada laikykitės instrukcijų, pateiktų skyriuje *Šoninio rentgeno kasetės laikiklio padėties nustatymas – parinktis „Prime X“*.

Norėdami nustatyti šoninio rentgeno kasetės laikiklio padėtį, atlikite nurodytus veiksmus.

1. Nuspauskite stabdžius. Pastumdami įrenginį įsitikinkite, kad stabdžiai veikia.



pav. 29 – Šoninis rentgeno kasetės laikiklis

2. Paspauskite geltoną atleidimo mygtuką (A), kad atidarytumėte šoninį kasetės laikiklį (pav. 29).
3. Įkiškite horizontalų pagrindą (B) tarp čiužinio ir paciento platformos.
4. Nustatykite šoninį kasetės laikiklį į reikiamą padėtį.
5. Įdėkite rentgeno kasetę į kasetės kanalą (C).
6. Traukdami kasetės kablį (D) sureguliuokite svirties aukštį, kad ji užsidėtų ant rentgeno kasetės ir ją išlaikytų.
7. Norėdami išimti kasetę ir nustatyti šoninį kasetės laikiklį į nenaudojimo padėtį, atlikite veiksmus atvirkščiu eiliškumu.

Rentgeno kasečių įdėjimas ir išėmimas – parinktis „Prime X“

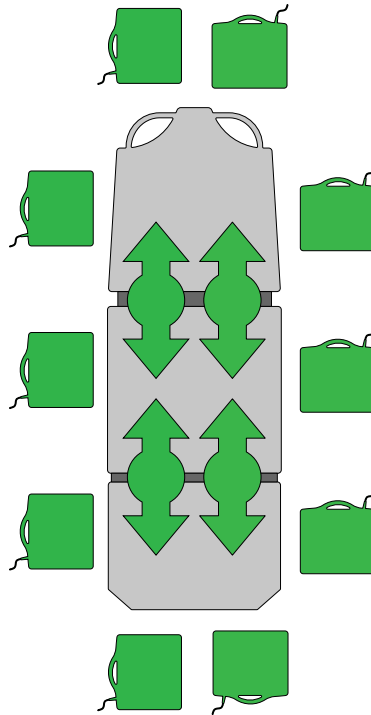
ĮSPĖJIMAS

- Prieš naudodami parinktį **Prime X** su spinduliuotę generuojančiais prietaisais, visada laikykitės vietos, valstybinių ir federalinių rekomendacijų bei įstaigos saugos protokolų. Spinduliuotę generuojantys prietaisai gali skleisti liekamąją, nenaudingą ar išsklaidytą spinduliuotę.
- Visada atsargiai darykite rentgeno nuotraukas, kai „Fowler“ nugaros atrama yra vertikaloje padėtyje arba kai naudojate šoninę kasetę.

Parinktis **Prime X** suteikia ir šarnyrinį rentgenografinį atraminį paviršių, ir platformą, esančią žemiau paciento atraminio paviršiaus, kad būtų galima įdėti rentgeno kasetę. Dirbant su medicininėmis rentgeno sistemomis, rentgenografinis atraminis paviršius leidžia užfiksuoti klinikinius rentgeno vaizdus (AP visą kūną, pasirinktinai viso kūno šoninę dalį ir pasirinktinai vertikalią krūtinės dalį), kol pacientas yra ant įrenginio. Kasetes galite įstatyti iš įrenginio galvūgalio, kojūgalio ir iš abiejų pusių.

Rentgeno kasetės įdėjimas:

1. Centruokite pacientą ant įrenginio su padėties indikatoriais etiketėmis, esančiomis visose įrenginio pusėse (pav. 30).
2. Įdėkite rentgeno kasetę po paciento paviršiumi. Naudokitės kasetės kreiptuvais, kad būtų lengviau nustatyti rentgeno kasetės padėtį.



pav. 30 – Rentgeno kasečių įdėjimas ir išėmimas, kai yra parinktis „Prime X“

Pastaba

- Kai yra parinktis **Prime X**, nenaudokite čiužinio, kurio storis didesnis nei keturi coliai (10 cm).
- Kai yra parinktis **Prime X**, nenaudokite C lanko tipo rentgeno aparato. Parinktis **Prime X** nesuderinta su C lanko tipo rentgeno aparatais.

Valymas

Įrenginio valymas

PERSPĖJIMAS - Nenaudokite abrazyvinių valiklių svarstyklių sistemos parinkties ekrano korpusui valyti. Neleiskite valymo ir kitiems tirpalams kauptis ant ekrano. Išsiliejus skysčiui arba baigę valymą nusauskite visus paviršius.

Šiose instrukcijose pateikiami rekomenduojami valymo metodai, skirti **Prime Series** neštuvams.

Įrenginį galima plauti vandens srove. Nuolat plaunant, ant įrenginio gali atsirasti oksidacijos požymių ar spalvos pokyčių. Plovimas vandens srove įrenginio funkcijų kokybei nepakenks, jei laikysitės reikiamų procedūrinių reikalavimų.

Rekomenduojamas valymo metodas:

1. Jei įrenginyje įrengta elektrinės gulimosios dalies arba elektrinio keltuvo parinktis, atjunkite maitinimo laidą nuo elektros lizdo, prieš perveždami arba valydami įrenginį.
2. Nuimkite čiužinį nuo įrenginio.
3. Vadovaukitės valymo tirpalo gamintojo pateiktomis skiedimo rekomendacijomis.
4. „Stryker“ rekomenduoja plovimo vandens srove procedūrą atlikti standartinėje ligininės vežimėlių plovimo mašinoje.
5. Nusauskite įrenginį. Nedėkite čiužinio ant įrenginio, kol įrenginys nebus sausas.
6. Prieš gražindami eksploatacijai patikrinkite įrenginio funkcionalumą.
 - Pakelkite ir nuleiskite įrenginį
 - Užfiksuokite ir atleiskite stabdžių / valdymo pedalus abiejose padėtyse
 - Užfiksuokite ir atlaisvinkite porankius
 - Pakelkite ir nuleiskite „Fowler“ nugaros atramą
 - Pakelkite ir nuleiskite kelių sulenkimo atramą
 - Įsitikinkite, kad visi komponentai tinkamai sutepti
 - Įsitikinkite, kad visos etiketės nepažeistos

Pastaba

- Jeigu akivaizdžiai nešvari, skvarbi medžiaga tiesiogiai patenka ant odos, gali padidėti infekcijos rizika.
- Nevalykite įrenginio garais.
- Nuvalykite pagrindo gaubto laikymo sritį.
- Nuvalykite stabdžių trinkelį apačią, kad nesikauptų vaško ar ant grindų buvusių medžiagų liekanos.
- Kai kurios valymo priemonės yra korozinio pobūdžio ir netinkamai naudojamos gali pažeisti įrenginį. Tinkamai nenuskalavus ir neišdžiovinus įrenginio, ant jo paviršiaus gali likti korozinių likučių, kurie gali nulemti pirmalaikę svarbių komponentų koroziją. Nesilaikant šių valymo nurodymų, jūsų garantija gali būti panaikinta.

Įrenginio valymas naudojant vežimėlių plovimo mašiną

„Stryker“ rekomenduoja per visą įrenginio eksploatacijos trukmę ne dažniau nei kartą per metus nuplauti neštuvus naudojant standartinę ligininės chirurginių vežimėlių plovimo mašiną.

Norėdami nuvalyti įrenginį naudodami vežimėlių plovimo mašiną, atlikite nurodytus veiksmus.

1. Jei įrenginyje įrengta elektrinės gulimosios dalies arba elektrinio keltuvo parinktis, atjunkite maitinimo laidą nuo elektros lizdo, prieš perveždami arba valydami įrenginį.
2. Nuimkite čiužinį, prieš plaudami įrenginį. Neplaukite čiužinio kartu su įrenginiu.
3. Nustatykite „Fowler“ nugaros atramą 45° kampu.
4. Nustatykite įrenginį į visiškai atvirkštinę Trendelenburgo padėtį (kojų galis nuleistas)
5. Pakelkite porankius.

6. Nustatykite lašinės stovus ir stūmimo rankenas į pakeltą padėtį.
7. Nuvalykite įrenginį vandeniu, kurio temperatūra neviršija 82 °C (180 °F), o slėgis – 103,5 bar / 1 500 psi.
8. Džiovinkite įrenginį aštuonias minutes oru, kurio temperatūra neviršija 93 °C (240 °F).
9. Nusausinkite įrenginį. Nedėkite čiužinio ant įrenginio, kol įrenginys nebus sausas.
10. Prieš gražindami eksploatacijai patikrinkite įrenginio funkcionalumą.
 - Pakelkite ir nuleiskite įrenginį
 - Užfiksuokite ir atleiskite stabdžių / valdymo pedalus abiejose padėtyse
 - Užfiksuokite ir atlaisvinkite porankius
 - Pakelkite ir nuleiskite „Fowler“ nugaros atramą
 - Įsitikinkite, kad visi komponentai tinkamai sutepti
 - Įsitikinkite, kad visos etiketės yra sveikos ir įskaitomos

Pastaba

- Nevalykite įrenginio garais.
- Kai kurios valymo priemonės yra korozinio pobūdžio ir netinkamai naudojamos gali pažeisti įrenginį. Tinkamai nenuskalavus ir neišdžiovinus įrenginio, ant jo paviršiaus gali likti korozinių likučių, kurie gali nulemti pirmalaikę svarbių komponentų koroziją. Nesilaikant šių valymo nurodymų, jūsų garantija gali būti panaikinta.

Čiužinio valymas

ĮSPĖJIMAS

- Kai įrenginys naudojamas, jo nevalykite, netaisykite ir neatlikite priežiūros darbų.
- Nemerkite čiužinio į valymo ar dezinfekavimo tirpalus. Dėl drėgmės pertekliaus įrenginys gali sugesti arba sužaloti pacientą.
- Neleiskite skysčiams kauptis ant čiužinio. Dėl skysčių komponentus gali paveikti korozija, o įrenginio sauga ir veiksmingumas gali tapti nenuspėjami.
- Visada patikrinkite, ar čiužinio užvalkalai nesuplyšę, nepradurti, pernelyg nesusidėvėję ir ar užtrauktukai tinkamai sulgyuoti. Pažeistą čiužinį nuimkite ir pakeiskite, kad išvengtumėte kryžminio užteršimo.
- Čiužinių negalima valyti garu, suslėgtu vandeniu, apliejant vandeniu arba ultragarsu. Šie valymo būdai gali panaikinti įrenginio garantiją.

Čiužinio eksploatacijos trukmę gali patrumpinti didesnis naudojimo dažnumas, dėl kurio gali reikėti dažniau valyti ir dezinfekuoti.

Rekomenduojamas valymo metodas:

1. Švaria minkšta šluoste nuvalykite visą čiužinį naudodami švelnaus poveikio muilo ir vandens tirpalą pašalinėms medžiagoms pašalinti.
2. Nušluostydami čiužinį švaria sausa šluoste pašalinkite visą skysčio arba valymo priemonių perteklių.
3. Nuvalę nuplaukite ir išdžiovinkite užvalkalus.
4. Jei reikia, baigę valyti dezinfekuokite medicininės paskirties dezinfekantu (žr. *Čiužinio dezinfekavimas*).

Pastaba

- Čiužinio nelyginkite, nevalykite cheminiu būdu ir nedžiovinkite džiovyklėje, nes įrenginys netinkamai veiks ir bus sugadintas.
- Čiužinio užvalkalas turi būti visiškai sausas, prieš padedant jį į laikymo vietą, klojant paklodę arba paguldant (pasodinant) pacientą ant čiužinio, kad nesumažėtų įrenginio veiksmingumas.
- Saugokite nuo per didelio alkoholio arba vandenilio peroksido poveikio. Užvalkalo medžiaga išbrinks.
- Neleiskite skysčiui prasiskverbti į užtrauktuko sritį ir apsaugos nuo vandens užvalkalo barjerą. Ant užtrauktuko nutekėję skysčiai gali prasiskverbti į čiužinį ir sumažinti įrenginio veiksmingumą.

- Kai kurios valymo priemonės yra korozinio pobūdžio ir netinkamai naudojamos gali pažeisti įrenginį. Tinkamai nenuskalavus ir neišdžiovinus įrenginio, ant jo paviršiaus gali likti korozinių likučių, kurie gali nulemti pirmalaikę svarbių komponentų koroziją. Nesilaikant šių valymo nurodymų, jūsų garantija gali būti panaikinta.

Jodo šalinimas

1. Paruoškite 1–2 šaukštų natrio tiosulfato ir pusės litro šilto vandens tirpalą. Tirpalu valykite nudažytą vietą.
2. Dėmę valykite kaip įmanoma greičiau po jos atsiradimo.
3. Jei dėmės iškart nepašalinamos, prieš valydami čiužinį leiskite tirpalui įsigerti arba pabūti ant čiužinio.
4. Prieš vėl naudodami čiužinius, kuriems buvo naudojamas tirpalas, nuplaukite juos švariu vandeniu.

Pastaba - Nesilaikant šių nurodymų, kai naudojamos tokio tipo valymo priemonės, garantija gali negalioti.

Specialiosios instrukcijos

„Velcro®“	Sumirkykite dezinfekavimo priemone, nuskalaukite vandeniu ir leiskite tirpalui išgaruoti.
Kietosios dalelės arba dėmės	Naudokite neutralų muilą arba šiltą vandenį. Nenaudokite stipraus poveikio valiklių, tirpiklių ar abrazyvinių valiklių.
Sunkiai nuvalomos vietos	Sunkiai nuvalomoms vietoms ar dėmėms naudokite įprastus buitinius arba vinilo valiklius ir minkštų šerių šepetėlį. Mirkykite sukietėjusius nešvarumus.
Skalbimas	Skalbti nerekomenduojama. Skalbiant gali smarkiai sutrumpėti čiužinio tinkamumo naudoti laikas.

Dezinfekavimas

Įrenginio dezinfekavimas

ĮSPĖJIMAS

- Kai įrenginys naudojamas, jo nevalykite, netaisykite ir neatlikite priežiūros darbų.
 - Negalima valant įrenginio apdoroti garu arba ultragarsu, ir su atjungta žarna. Šių valymo būdų naudoti nerekomenduojama ir jie gali panaikinti įrenginio garantiją.
-

Rekomenduojami dezinfekantai:

- Ketvirtinių junginių valikliai (veikloji medžiaga – amonio chloridas), kurių sudėtyje yra mažiau kaip 3 % glikolio eterio
- Fenolio dezinfekantas (veikloji medžiaga – o-fenilfenolis)
- Chlorinto baliklio tirpalas (1 dalį baliklio (5,25 % baliklio) atskieskite 100 dalių vandens – gaunama 520 ppm chloro koncentracija (40 ml 5,25 % baliklio tirpalo atskieskite 4 000 ml vandens))
- 70 % izopropilo alkoholis

Rekomenduojamas dezinfekavimo metodas:

1. Laikykitės dezinfekanto tirpalo įrengintojo pateiktų skiedimo rekomendacijų.
2. Dezinfekanto tirpalu rankomis nuplaukite visus įrenginio paviršius.
3. Stenkitės paviršiaus per daug neprisodrinti ir jokiū būdu įrenginio nepalikite šlapio ilgiau, nei nurodyta gamintojo tinkamo dezinfekavimo rekomendacijose.
4. Nusausinkite įrenginį. Nedėkite čiužinio ant įrenginio, kol įrenginys nebus sausas.
5. **Velcro®** dezinfekuokite po kiekvieno naudojimo. Išmirkykite **Velcro®** dezinfekantu, nuplaukite vandeniu ir leiskite dezinfekantui išgaruoti (tinkamą dezinfekantą nustato įstaiga).
6. Prieš gražindami eksploatacijai patikrinkite įrenginio funkcionalumą.
 - Pakelkite ir nuleiskite įrenginį
 - Užfiksuokite ir atleiskite stabdžių / valdymo pedalus abiejose padėtyse
 - Užfiksuokite ir atlaisvinkite porankius
 - Pakelkite ir nuleiskite „Fowler“ nugaros atramą
 - Pakelkite ir nuleiskite kelių sulenkimo atramą
 - Įsitikinkite, kad visi komponentai tinkamai sutepti
 - Įsitikinkite, kad visos etiketės nepažeistos

Pastaba

- Jeigu akivaizdžiai nešvari, skvarbi medžiaga tiesiogiai patenka ant odos, gali padidėti infekcijos rizika.
- Kai kurios valymo priemonės yra korozinio pobūdžio ir netinkamai naudojamos gali pažeisti įrenginį. Tinkamai nenuskalavus ir neišdžiovinus įrenginio, ant jo paviršiaus gali likti korozinių likučių, kurie gali nulemti pirmalaikę svarbių komponentų koroziją. Nesilaikant šių valymo nurodymų, jūsų garantija gali būti panaikinta.

Čiužinio dezinfekavimas

ĮSPĖJIMAS – Prieš guldydami kitą pacientą, visada dezinfekuokite čiužinį. Kitaip gali įvykti kryžminis užteršimas ir užkrėtimas.

Rekomenduojami dezinfekantai:

- Ketvirtinių junginių valikliai (veikloji medžiaga – amonio chloridas), kurių sudėtyje yra mažiau kaip 3 % glikolio eterio
- Fenolio dezinfekantas (veikloji medžiaga – o-fenilfenolis)

- Chlorinto baliklio tirpalas (1 dalį baliklio (5,25 % baliklio) atskieskite 100 dalių vandens – gaunama 520 ppm chloro koncentracija (40 ml 5,25 % baliklio tirpalo atskieskite 4 000 ml vandens))
- 70 % izopropilo alkoholis

Rekomenduojamas dezinfekavimo metodas:

1. Prieš naudodami dezinfekantus, įsitikinkite, kad čiužinys yra švarus ir sausas.
2. Nušluostydami čiužinį švaria sausa šluoste pašalinkite visą skysčio arba dezinfekanto perteklių.
3. Dezinfekavę nuplaukite ir išdžiovinkite užvalkalus.

Pastaba

- Čiužinio užvalkalas turi būti sausas, prieš padedant jį į laikymo vietą arba klojant paklodę. Nepašalinus dezinfekanto pertekliaus, gali suprastėti užvalkalo medžiagos savybės.
- Kai kurios valymo priemonės yra korozinio pobūdžio ir netinkamai naudojamos gali pažeisti įrenginį. Tinkamai nenuskalavus ir neišdžiovinus įrenginio, ant jo paviršiaus gali likti korozinių likučių, kurie gali nulemti pirmalaikę svarbių komponentų koroziją. Nesilaikant šių valymo nurodymų, jūsų garantija gali būti panaikinta.
- Dėl dažno arba ilgo kontakto su didesnės koncentracijos dezinfekantų tirpalais užvalkalo audinys gali pirma laiko susenti.
- Naudojant pagreitintus vandenilio peroksidus ar ketvirtines druskas, kuriuose yra glikolio eterių, užvalkalas gali būti sugadintas.

Profilaktinė techninė priežiūra

Prieš atlikdami profilaktinį techninės priežiūros patikrinimą įrenginio nenaudokite. Atlikdami kasmetinę profilaktinę visų „Stryker Medical“ įrenginių techninę priežiūrą, patikrinkite visus nurodytus elementus. Atsižvelgiant į įrenginio naudojimo intensyvumą, profilaktinės techninės priežiūros tikrinimą gali tekti atlikti dažniau. Techninės priežiūros darbus gali atlikti tik kvalifikuoti specialistai.

Pastaba - Prieš patikrinimą nuvalykite ir dezinfekuokite čiužinio išorę, jei taikoma.

Patikrinkite šiuos elementus:

- _____ Visos tvirtinimo detalės tvirtai sumontuotos
- _____ Porankiai juda ir užsifiksuoja
- _____ Ratukai užfiksuojami nuspaudus stabdžių pedalą
- _____ Ratukai tvirtai pritvirtinti ir pasukami
- _____ Ratukuose nėra vaško ir nešvarumų
- _____ Stabdžių mechanizmas veikia
- _____ Vairavimo funkcija veikia
- _____ Patikrinkite, ar nėra odos įtrūkimų
- _____ „Fowler“ mechanizmas pasikelia, nusileidžia ir užsifiksuoja
- _____ Kelių sulenkimo atrama pasikelia, nusileidžia ir užsifiksuoja (parinktis)
- _____ Trendelenburgo padėties / atvirkštinės Trendelenburgo padėties mechanizmas veikia visose vietose
- _____ Įžeminimo grandinė nepažeista
- _____ Nėra hidraulinių jungčių nuotėkio
- _____ Hidrauliniai keltuvai laiko
- _____ Kūno suvaržymo priemonės fiksuojasi ir yra tvirtos (parinktis)
- _____ Lašinės stovas sveikas, reguliuojasi ir užsifiksuoja visose padėtyse (parinktis)
- _____ Deguonies baliono laikiklis nepažeistas, atsidaro ir užsidaro (parinktis)
- _____ Čiužinio dangoje nėra įplyšimų ar įtrūkimų
- _____ Priedai ir tvirtinimo įranga yra geros būklės
- _____ Baterija maitinamos funkcijos (parinktis)
- _____ Kabeliai nenusidėvėję ir nesuspausti (parinktis)
- _____ Maitinimo laidas ir kištukas nepažeisti (parinktis)
- _____ Visos elektros jungtys tvirtai sujungtos (parinktis)
- _____ Visi įžeminimo elementai patikimai pritvirtinti prie rėmo (parinktis)
- _____ Pilnutinė įžeminimo varža ne didesnė nei 200 mΩ (miliomų) (parinktis)
- _____ Srovės nuotėkis ne didesnis nei 300 μA (mikroamperų) (pagal UL 60606-1-1) (parinktis)
- _____ Baterijos įkrautos (svarstyklių sistemos parinktis)
- _____ Ekranas yra sveikas ir nepažeistas (svarstyklių sistemos parinktis)
- _____ Dinamometriniai jutikliai yra sveiki ir nepažeisti (svarstyklių sistemos parinktis)
- _____ Pėdos atramos kelio rankenėlės mechanizmas veikia ir jį galima užfiksuoti (parinktis)
- _____ Pėdos atramos kojos rankenėlės mechanizmas veikia ir jį galima užfiksuoti (parinktis)
- _____ Pėdos atrama išsitraukia iki didžiausio ilgio padėties ir sustoja tinkamoje padėtyje (parinktis)
- _____ Pėdos atramos savisriegiai sraigčiai (6) įtvirtinti ir nepersukti (parinktis)
- _____ Svarstyklės sukalinuotos. Jei reikia, sukalinuokite iš naujo (svarstyklių sistemos parinktis)

_____ Statusis rentgeno kasetės laikiklis yra tinkamos būklės ir jį galima sureguliuoti, kad tiktų visos X-rentgeno kasetės (parinktis **Prime X**)

_____ „Fowler“ nugaros atramos ir pėdų atramų oda nepažeista (parinktis **Prime X**)

_____ Galvūgalio ir kojūgalio dėklai nepažeisti (parinktis **Prime X**)

_____ Jokie „Fowler“ mechanizmo lankstų varžtai ir veržlės neatsilaisvinę (parinktis **Prime X**)

Įrenginio serijos numeris:
Užpildė:
Data:

EMS informacija

PERSPĖJIMAS

- Naudojant kitus, nei gamintojo nurodyti ar pateikti, pagalbinus reikmenis, keitiklius ir kabelius, gali sustiprėti elektromagnetinė spinduliuotė arba susilpnėti atsparumas elektromagnetiniams trukdžiams, todėl gali sutrikti veikimas.
- Dėl spinduliuotės charakteristikų šią įrangą galima naudoti pramoninėse vietose ir ligoninėse (CISPR 11 A klasė). Jei ši įranga naudojama gyvenamojoje aplinkoje, kurioje paprastai reikalaujama CISPR 11 B klasės reikalavimų atitikties, ji gali nesuteikti tinkamos radijo dažnių ryšio paslaugų apsaugos. Naudotojui gali tekti imtis apsaugos priemonių, pvz., perkelti įrangą į kitą vietą arba pakeisti jos padėtį.

Rekomendacijos ir įrengintojo deklaracija. Elektromagnetinė spinduliuotė

Elektrinio keltuvo parinktis, elektrinės gulimosios dalies parinktis arba svarstyklių sistemos parinktis skirtas naudoti toliau aprašytoje elektromagnetinėje aplinkoje. Elektrinio keltuvo parinkties, elektrinės gulimosios dalies parinkties arba svarstyklių sistemos parinkties operatorius turi užtikrinti, kad ji bus naudojama tokioje aplinkoje.

Spinduliuotės bandymas	Atitiktis	Elektromagnetinė aplinka
RD spinduliuotė CISPR 11	1 grupė	Elektrinio keltuvo parinktis, elektrinės gulimosios dalies parinktis arba svarstyklių sistemos parinktis RD energiją naudoja tik savo vidinėms funkcijoms. Dėl to jo RD spinduliuotė labai žema ir maži tikėtina, kad ji sukels netoliese esančios elektroninės įrangos trukdžių.
RD spinduliuotė CISPR 11	A klasė	Elektrinio keltuvo parinktį, elektrinės gulimosios dalies parinktį arba svarstyklių sistemos parinktį galima naudoti visuose pastatuose, išskyrus gyvenamosios paskirties pastatus ir pastatus, tiesiogiai prijungtus prie visuomeninio žemosios įtampos maitinimo tinklo, tiekiančio energiją gyvenamosios paskirties pastatams.
Harmoninė spinduliuotė IEC 61000-3-2*	A klasė	
Įtampos svyravimų virpesių spinduliuotė IEC 61000-3-3*	Atitinkamumas	

* Taikoma tik elektrinio keltuvo parinktimi arba elektrinės gulimosios dalies parinktimi.

PERSPĖJIMAS

- Nešiojamosios RD ryšio įrangos, įskaitant išorinius įrenginius, tokius kaip antenų kabeliai ir išorinės antenos, negalima naudoti arčiau kaip 12 colių (30 cm) nuo bet kurios **Prime** neštuvų dalies, įskaitant gamintojo nurodytus kabelius.
- Stenkitės kitų įrenginių nekrauti vieno ant kito ir greta kitų įrenginių, kad nesutriktų įrenginių veikimas. Jei taip naudoti būtina, atidžiai stebėkite, ar ant kitų įrenginių arba šalia jų sukrauti įrenginiai tinkamai veikia.

Rekomenduojami skiriamieji atstumai tarp nešiojamosios ir mobiliosios RD ryšio įrangos bei elektrinio keltuvo parinkties, elektrinės gulimosios dalies parinkties arba svarstyklių sistemos parinkties.

Elektrinio keltuvo parinktis, elektrinės gulimosios dalies parinktis arba svarstyklių sistemos parinktis skirtos naudoti elektromagnetinėje aplinkoje, kurioje spinduliuojamieji RD trukdžiai yra kontroliuojami. Elektrinio keltuvo parinkties, elektrinės gulimosios dalies parinkties arba svarstyklių sistemos parinkties klientas arba naudotojas gali padėti užkirsti kelią elektromagnetiniams trukdžiams, išlaikydamas minimalų atstumą tarp nešiojamosios ir mobiliosios RD ryšio įrangos (siųstuvų) bei elektrinio keltuvo parinkties, elektrinės gulimosios dalies parinkties arba svarstyklių sistemos parinkties, kaip rekomenduojama toliau pagal ryšio įrangos didžiausią išėjimo galią.

Didžiausioji vardinė siųstuvo išėjimo galia W	Skiriamasis atstumas pagal siųstuvo dažnį m		
	150 kHz–80 MHz D=(1,2) (√P)	80–800 MHz D=(1,2) (√P)	800 MHz–2,7 GHz D=(2,3) (√P)

0,01	0,12	0,12	0,23
0,1	0,38	0,38	0,73
1	1,2	1,2	2,3
10	3,8	3,8	7,3
100	12	12	23

Siųstuvų, kurių didžiausioji vardinė išėjimo galia pirmiau nenurodyta, rekomenduojamą skiriamąjį atstumą D metrais (m) galima nustatyti pagal siųstuvo dažniui taikomą lygtį, kur P yra siųstuvo gamintojo nurodyta didžiausioji vardinė siųstuvo išėjimo galia vatais (W).

1 pastaba. Kai dažnis yra 80 MHz arba 800 MHz, taikomas aukštesnių dažnių diapazono skiriamasis atstumas.

2 pastaba. Šios rekomendacijos gali būti taikomos ne visais atvejais. Elektromagnetinio lauko sklidimui turi įtakos sugertis (absorbicija) ir atspindžiai nuo konstrukcijų, objektų ir žmonių.

Rekomendacijos ir įrengintojo deklaracija. Elektromagnetinis atsparumas

Elektrinio keltuvo parinktis, elektrinės gulimosios dalies parinktis arba svarstyklių sistemos parinktis skirtos naudoti toliau aprašytoje elektromagnetinėje aplinkoje. Elektrinio keltuvo parinkties, elektrinės gulimosios dalies parinkties arba svarstyklių sistemos parinkties klientas arba naudotojas turi užtikrinti, kad ji bus naudojama tokioje aplinkoje.

Atsparumo bandymas	IEC 60601 bandymo lygis	Atitikties lygis	Rekomendacijos dėl elektromagnetinės aplinkos
Elektrostatinis išlydis (ESI) IEC 61000-4-2	± 8 kV kontaktinis ± 15 kV ore	± 8 kV kontaktinis ± 15 kV ore	Grindys turi būti medinės, betoninės arba išklotos keraminėmis plytelėmis. Jei grindys yra padengtos sintetinėmis medžiagomis, santykinė drėgmė turi būti ne mažesnė kaip 30 %.
Elektrostatinis spurtusis pereinamasis vyksmas / impulsų vora IEC 61000-4-4*	± 2 kV elektros tiekimo linijoms ± 1 kV įėjimo / išėjimo linijoms	± 2 kV elektros tiekimo linijoms ± 1 kV įėjimo / išėjimo linijoms	Elektros tinklo kokybė turi prilygti įprastos komercinės arba ligoninės aplinkos tinklo kokybei.
Viršįtampis IEC 61000-4-5*	± 1 kV tarp linijų ± 2 kV tarp linijos (-ų) ir įžeminimo	± 1 kV tarp linijų ± 2 kV tarp linijos (-ų) ir įžeminimo	Elektros tinklo kokybė turi prilygti įprastos komercinės arba ligoninės aplinkos tinklo kokybei.
Maitinimo įtampos kryčiai, kitimas ir trumpieji trūkiai IEC 61000-4-11*	0 % U_T 0,5 ciklo esant 0° , 45° , 90° , 135° , 180° , 225° , 270° ir 315° 0 % U_T 1 ciklui 70 % U_T (30 % U_T krytis) 25 ciklams 0 % U_T 250 ciklų	0 % U_T 0,5 ciklo esant 0° , 45° , 90° , 135° , 180° , 225° , 270° ir 315° 0 % U_T 1 ciklui 70 % U_T (30 % U_T krytis) 25 ciklams 0 % U_T 250 ciklų	Elektros tinklo kokybė turi prilygti įprastos komercinės arba ligoninės aplinkos tinklo kokybei. Jeigu elektrinio keltuvo parinkties arba elektrinės gulimosios dalies parinkties naudotojui reikia, kad prietaisas nepertraukiamai veiktų nutrūkus maitinimui, jį rekomenduojama maitinti naudojant nenutrūkstamo maitinimo šaltinį arba bateriją.


Magnetinis elektros dažnio (50/60 Hz) laukas IEC 61000-4-8	30 A/m	30 A/m	Magnetinis elektros dažnio laukas turi atitikti įprastos komercinės arba ligoninės aplinkos tipinei vietai būdingą lygį.
---	--------	--------	--

Pastaba. U_T yra kintamosios srovės maitinimo tinklo įtampa prieš pritaikant bandymo lygį.

* Taikoma tik elektrinio keltuvo parinktimi arba elektrinės gulimosios dalies parinktimi.

Rekomendacijos ir įrengintojo deklaracija. Elektromagnetinis atsparumas

Elektrinio keltuvo parinktis, elektrinės gulimosios dalies parinktis arba svarstyklių sistemos parinktis skirtos naudoti toliau aprašytoje elektromagnetinėje aplinkoje. Elektrinio keltuvo parinkties, elektrinės gulimosios dalies parinkties arba svarstyklių sistemos parinkties klientas arba naudotojas turi užtikrinti, kad ji bus naudojama tokioje aplinkoje.

Atsparumo bandymas	IEC 60601 bandymo lygis	Atitikties lygis	Rekomendacijos dėl elektromagnetinės aplinkos
Laidieji RD IEC 61000- 4-6* Spinduliuojami RD IEC 61000-4-3	3 Vrms 6 Vrms ISM atitikties ir mėgėjų radijo dažnių diapazonai Nuo 150 kHz iki 80 MHz 3 V/m 80 MHz–2,7 GHz	3 Vrms 6 Vrms ISM atitikties ir mėgėjų radijo dažnių diapazonai 3 V/m	<p>Nešiojamoji ir mobilioji RD ryšio įranga turi būti naudojama ne arčiau bet kurios elektrinio keltuvo parinkties, elektrinės gulimosios dalies parinkties arba svarstyklių sistemos parinkties dalies, įskaitant kabelius, nei rekomenduojamas skiriamasis atstumas, apskaičiuotas pagal siųstuvo dažniui tinkamą lygtį.</p> <p>Rekomenduojamas skiriamasis atstumas</p> <p>$D=(1,2) (\sqrt{P})$</p> <p>$D=(1,2) (\sqrt{P})$</p> <p>80–800 MHz</p> <p>$D=(2,3) (\sqrt{P})$</p> <p>800 MHz–2,7 GHz</p> <p>kur P yra siųstuvo įgamintojo nurodyta didžiausia vardinė siųstuvo išėjimo galia vatais (W), o D yra rekomenduojamas skiriamasis atstumas metrais (m).</p> <p>Stacionarių RD siųstuvų skleidžiamo lauko stipris, nustatomas atliekant vietos elektromagnetinį tyrimą^a, turi būti mažesnis už atitikties lygį kiekviename dažnių diapazone^b.</p> <p>Trukdžių gali atsirasti aplink įrangą, pažymėtą šiuo simboliu:</p> 

1 pastaba. Kai dažnis yra 80 MHz arba 800 MHz, taikomas aukštesnių dažnių diapazonas.

2 pastaba. Šios rekomendacijos gali būti taikomos ne visais atvejais. Elektromagnetinių bangų sklidimui įtakos turi pastatų, daiktų ir žmonių savybės jas sugerti bei atspindėti.

3 pastaba. ISM atitikties (pramoninės, mokslinės ir medicininės paskirties) dažnio diapazonai nuo 0,15 MHz iki 80 MHz yra 6,765 MHz – 6,795 MHz; 13,553 MHz – 13,567 MHz; 26,957 MHz – 27,283 MHz ir 40,66 MHz – 40,70 MHz.

^a Stacionarių siųstuvų, pvz., radijo (mobiliojo / belaidžio ryšio) telefonų, sausumos mobiliojo radijo aparatų, mėgėjų radijo, AM ir FM radijo transliacijos ir televizijos transliacijos bazinių stočių skleidžiamo lauko stiprio teoriškai negalima tiksliai prognozuoti. Siekiant įvertinti elektromagnetinę aplinką dėl stacionarių RD siųstuvų, reikia atlikti vietos elektromagnetinį tyrimą. Jei vietoje, kurioje naudojama elektrinio keltuvo parinktis, elektrinės gulimosios dalies parinktis arba svarstyklių sistemos parinktis, išmatuotas lauko stipris viršija pirmiau nurodytą taikytiną RD atitikties lygį, reikia patikrinti, ar elektrinio keltuvo parinktis, elektrinės gulimosios dalies parinktis arba svarstyklių sistemos parinktis tinkamai veikia. Jei pastebima, kad elektrinio keltuvo parinktis, elektrinės gulimosios dalies parinktis arba svarstyklių sistemos parinktis veikia neįprastai, gali reikėti imtis papildomų priemonių, pvz., pasukti parinktį arba pakeisti jos vietą.

^b Nuo 150 kHz iki 80 MHz dažnių diapazone lauko stipris turi būti mažesnis nei 3 V/m.

* Taikoma tik elektrinės gulimosios dalies parinktimi.

Prime Series® nestuves













Lietošanas rokasgrāmata












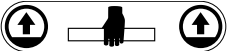




REF 1115

Big Wheel®



Simboli

	Skatīt instrukciju rokasgrāmatu/bukletu
	Skatīt lietošanas pamācību
	Vispārējs brīdinājums
	Uzmanību!
	Brīdinājums; roku iespiešanas risks
	Brīdinājums; nejonizējošs starojums
	Nestumt
	Nenovietot skābekļa balonu glabāšanai
	Neeļļot
REF	Kataloga numurs
LOT	Partijas (sērijas) kods
SN	Sērijas numurs
US Patents	ASV patentus skatīt www.stryker.com/patents
CE	CE zīme
EC REP	Pilnvarotais pārstāvis Eiropas Kopienā
MD	Eiropas medicīniskā ierīce
	Ražotājs
	Ražošanas datums
	Importētājs

	Droša darba slodze
	Maksimālais pacienta svars
	Aprīkojuma masa ar drošu darba slodzi
	Līdzstrāva
	Maiņstrāva
	Bīstams spriegums
	Aizsargzemējums
IPX6	Aizsardzība no spēcīgām ūdens strūklām
	B tipa pielietojamā daļa
	Medicīniskais aprīkojums, ko uzņēmums Underwriters Laboratories Inc. klasificējis kā atbilstošu elektriskās strāvas trieciena, aizdegšanās un mehāniskās bīstamības prasībām tikai atbilstoši ANSI/AAMI ES60601-1: 2005 and CAN/CSA-C22.2 No. 60601-1:08. *Prime X opcijai, rentgena iekārtu saistītais aprīkojums IEC 60601-2-54
	Saskaņā ar grozīto Eiropas Direktīvu 2012/19/ES par elektrisko un elektronisko iekārtu atkritumiem (EEIA) šis simbols norāda, ka izstrādājums ir atsevišķi jāsavāc otrreizējai pārstrādei. Neizmetiet šo ierīci nešķirotos sadzīves atkritumos. Lai iegūtu informāciju par likvidēšanu, sazinieties ar vietējo izplatītāju. Nodrošiniet inficēta aprīkojuma dekontaminēšanu pirms otrreizējas pārstrādes.
	Eļļot
	Pacelt šeit
	Šī puse uz augšu
	Uzglabāt sausā vietā
	Pļīstošs, apieties uzmanīgi
	Kraušanas ierobežojums pēc skaita

Saturs

Definīcijas norādēm brīdinājums/uzmanību/piezīme.....	3
Kopsavilkums par drošības pasākumiem.....	3
Iespiešanas vietas.....	6
Ievads.....	7
Izstrādājuma apraksts.....	7
Indikācijas lietošanai.....	7
Klīniskie ieguvumi.....	8
Kontrindikācijas.....	8
Sagaidāmais kalpošanas ilgums.....	8
Likvidēšana/nodošana pārstrādei.....	8
Specifikācijas.....	8
Izstrādājuma attēls — Prime.....	11
Izstrādājuma attēls — Prime X opcija.....	12
Pielietojamās daļas — papildu izvēles elektriskā gulta.....	13
Pielietojamās daļas — Prime X opcija.....	13
Kontaktinformācija.....	14
Sērijas numura atrašanās vieta.....	14
Uzstādīšana.....	15
Lietošana.....	16
Bremžu iedarbināšana un atbrīvošana.....	16
Prime pamatnes vadīklas.....	17
Neelektriskās gultas pacelšana.....	17
Neelektriskās gultas nolaišana.....	17
Papildu izvēles elektriskās gultas pacelšana.....	18
Papildu izvēles elektriskās gultas nolaišana.....	18
Izstrādājuma novietošana Trendelenburga pozīcijā.....	18
Izstrādājuma novietošana apgrieztā Trendelenburga pozīcijā.....	19
Pacienta transportēšana.....	19
Pacienta transportēšana, neizmantojot Big Wheel.....	20
Pacienta transportēšana, izmantojot Big Wheel.....	20
Papildu izvēles galvgaļa stumšanas rokturu atlocīšana vai nolocīšana.....	21
Sānu balsta pacelšana.....	22
Sānu balsta nolaišana.....	23
Izstrādājuma pozicionēšana ar sānu balsta pacienta vadības paneli — papildu izvēles elektriskā gulta — tikai Prime.....	23
Operatora vadības panelis — papildu izvēles elektriskā gulta — tikai Prime.....	24
Pacienta vadības paneļa bloķētāja bloķēšana un atbloķēšana — papildu izvēles elektriskā gulta — tikai Prime.....	25
Faulera muguras atbalsta pacelšana vai nolaišana — neelektriskā gulta.....	25
Faulera muguras atbalsta pacelšana vai nolaišana — papildu izvēles elektriskā gulta.....	26
Locīklas pacelšana vai nolaišana — neelektriskā gulta — tikai Prime.....	27
Locīklas pacelšana vai nolaišana — papildu izvēles elektriskā gulta — tikai Prime.....	27
Atveseļošanās krēsla pozicionēšana — tikai Prime.....	27
Priekšmetu uzglabāšana pamatnes pārsegā.....	28
Ierīču iekarīšana ar papildu izvēles sūkņa staīvu.....	28
Strāvas vada izvilksana vai ievilkšana, izmantojot papildu izvēles ievelkamo vada spoli — papildu izvēles elektriskais pacēlājs vai papildu izvēles elektriskā gulta.....	29
Papildu izvēles svaru sistēma.....	29
Svaru ikonu/pogu identifikācija.....	30
Pacienta svēršana.....	31
Svaru mērvienības bloķēšana.....	31
Chaperone opcijas aktivizēšana vai deaktivizēšana.....	31
Chaperone opcijas trauksmes signāla iestatīšana.....	31
Chaperone opcijas trauksmes signāla skaļuma iestatīšana.....	32
Papildu izvēles svaru sistēmas akumulatora lādēšana — papildu izvēles elektriskais pacēlājs vai papildu izvēles elektriskais pacēlājs ar Chaperone opciju — tikai Prime.....	32
Papildu izvēles svaru sistēmas bateriju nomaīņa — neelektriskā gulta.....	32
Piederumi un daļas.....	33
Defibrilatora paplātes piestiprināšana.....	36
Defibrilatora paplātes/kāju pagarinājuma pārveidošana par defibrilatora paplāti.....	36

Defibrilatora paplātes/kāju pagarinājuma pārveidošana par kāju pagarinājumu	37
Pēdu atbalsta/pierakstu turētāja piestiprināšana	38
IV kronšteina piestiprināšana	38
Pēdu balstu pozicionēšana vai pielocīšana — tikai Prime	39
Pastāvīgi piestiprinātā divu posmu IV statīva pozicionēšana	40
Pastāvīgi piestiprinātā trīs posmu IV statīva pozicionēšana	41
Noņemamā IV statīva piestiprināšana un pozicionēšana	42
Vertikālā skābekļa balona turētāja piestiprināšana	43
Pasniedzšanas paplātes turētāja/pēdu atbalsta izvēršana vai sabīdīšana	43
Sānu balstu polsteru piestiprināšana	44
Pacienta ierobežošanas siksnu pievienošanas vietu atrašana	44
Vertikālā rentgena kasetes turētāja pozicionēšana — Prime X opcija	44
Laterālā rentgena kasetes turētāja pozicionēšana — Prime X opcija	46
Rentgena kasešu ievietošana vai izņemšana — Prime X opcija	46
Tīrīšana	48
Izstrādājuma tīrīšana	48
Izstrādājuma tīrīšana, izmantojot ratiņu mazgātāju	48
Matrača tīrīšana	49
Joda traipu noņemšana	50
Īpaši norādījumi	50
Dezinfekcija	51
Izstrādājuma dezinfekcija	51
Matrača dezinfekcija	51
Profilaktiskā apkope	53
Informācija par elektromagnētisko saderību (EMC)	55

Definīcijas norādēm brīdinājums/uzmanību/piezīme

Norādes **BRĪDINĀJUMS**, **UZMANĪBU** un **PIEZĪME** ir lietotas īpašā nozīmē, tāpēc rūpīgi izlasiet turpmāko.

BRĪDINĀJUMS

Brīdina lasītāju par situāciju, kas (ja to nenovērš) var izraisīt nāvi vai smagu ievainojumu. Šī norāde var aprakstīt arī iespējamās smagas nevēlamās reakcijas un drošības apdraudējumus.

UZMANĪBU

Brīdina lasītāju par iespējami bīstamu situāciju, kas (ja to nenovērš) lietotājam vai pacientam var izraisīt nelielus vai vidēji smagus ievainojumus vai izstrādājuma vai cita veida īpašuma bojājumus. Tas ietver īpašu piesardzību, kas jāievēro, lai nodrošinātu ierīces drošu un efektīvu lietošanu, kā arī piesardzību, kas jāievēro, lai izvairītos no lietošanas vai nepareizas lietošanas izraisīta bojājuma ierīcei.

Piezīme - Sniedz īpašu informāciju, lai atvieglotu apkopi vai padarītu svarīgas instrukcijas skaidrākas.

Kopsavilkums par drošības pasākumiem

Vienmēr izlasiet un stingri ievērojiet šajā lappusē sniegtos brīdinājumus un piesardzības pasākumus. Servisu uzticiet tikai kvalificētam personālam.

BRĪDINĀJUMS

- Pirms uzstādīšanas vai darba funkciju pārbaudes vienmēr ļaujiet izstrādājumam sasniegt istabas temperatūru. Pretējā gadījumā var rasties paliekoši izstrādājuma bojājumi.
- Vienmēr manipulējiet šo izstrādājumu tikai tad, kad visi operatori atrodas atstātus no mehānismiem.
- Ar strāvas vadu vienmēr rīkojieties piesardzīgi. Strāvas vads var sapīties, var rasties strāvas vada bojājums vai iespējams elektriskās strāvas trieciena risks. Ja strāvas vads ir bojāts, nekavējoties pārtrauciet izstrādājuma lietošanu un sazinieties ar atbilstošu apkopes personālu.
- Vienmēr pievienojiet izstrādājumu tieši pie slimnīcas kategorijas sienas kontaktrozetes ar zemējumu. Zemējuma uzticamību jūs varat sasniegt, tikai izmantojot slimnīcas kategorijas kontaktrozeti. Šis izstrādājums ir aprīkots ar slimnīcas kategorijas kontaktdakšu, lai pasargātu no elektriskās strāvas trieciena riska.
- Vienmēr iedarbiniet bremzes, kad pacients nokļūst uz izstrādājuma vai atstāj to vai kad izstrādājums nav kustībā. Ja izstrādājums pārvietojas, kad pacients nokļūst uz izstrādājuma vai atstāj to, pacients var gūt ievainojumu.
- Vienmēr novietojiet pacientu izstrādājuma centrā.
- Kad atstājat pacientu bez uzraudzības, vienmēr novietojiet izstrādājumu zemākajā stāvoklī ar paceltiem un nofiksētiem sānu balstiem. Neatstājiet izstrādājumu augstākā stāvoklī.
- Pirms gultas pacelšanas vai nolaišanas vienmēr novāciet visas ierīces, kas var būt ceļā.
- Nesēdiet uz izstrādājuma gala. Izstrādājums var apgāzties.
- Transportējot pacientu, vienmēr nofiksējiet sānu balstus pilnībā paceltā stāvoklī ar guldināšanas virsmu horizontālā stāvoklī viszemākajā pozīcijā.
- Lai izvairītos no apgāšanas, nepārvietojiet izstrādājumu sāniski pa slīpumu, kas pārsniedz 5,7 grādus (10% slīpums).
- Vienmēr ievērojiet īpašu piesardzību, ja lietojat matraci, kas ir biezāks par 2,5 collām (6,35 cm) vai matrača pārklāju ar **Prime X** opciju.
- Transportējot pacientu, vienmēr nofiksējiet sānu balstus pilnībā paceltā stāvoklī ar guldināšanas virsmu plakaniski zemākajā stāvoklī.
- Kad paceļat vai nolaižat sānu balstu, vienmēr turiet pacienta locekļus atstatu no sānu balsta vārpstām.
- Neļaujiet sānu balstiem brīvi nokrist.
- Vienmēr turiet rokas un pirkstus atstatu no Faulera muguras atbalsta atbrīvošanas rokturiem un Faulera muguras atbalsta rāmja, kad nolaižat Faulera muguras atbalstu.
- Paceļot Faulera muguras atbalstu, kad pacients atrodas uz izstrādājuma, vienmēr rīkojieties ar piesardzību. Izmantojiet pareizus celšanas paņēmienus un, ja nepieciešams, pieaiciniet palīgus.
- Nolaižot locīklu, vienmēr noņemiet rokas un pirkstus no kājgaļa stumšanas rokturiem.
- Ierīces līnijas uz sūkņa stafīva vienmēr turiet atstatu no locīklas rokturiem.

- Vienmēr raugieties, lai ierīces uz sūkņa statīva var droši izvadīt cauri durvju ailēm.
- Neizmantojiet sūkņa statīvu izstrādājuma celšanai.
- Pirms izstrādājuma pārvietošanas vai tīrīšanas vienmēr atvienojiet strāvas vadu no sienas kontaktrozetes.
- Pārvietojot izstrādājumu, vienmēr izmantojiet ievēlamo vada spoli, lai ievietotu strāvas vadu izstrādājuma pamatnē.
- Nelietojiet papildu izvēles svaru sistēmu vai elektrisko pacelāju, vai elektrisko gultu, ja ierīce ir novietota blakus vai uz/zem citām ierīcēm. Ja ir nepieciešama lietošana blakus vai uz/zem citām ierīcēm, papildu izvēles svaru sistēma vai elektriskais pacelājs, vai elektriskā gulta ir jāuzrauga, lai pārliecinātos, ka visas ierīces konfigurācijā, kurā tās tiks lietotas, darbojas normāli.
- Nenovietojiet uz defibrilatora paplātes lietas, kas sver vairāk par 30 mārciņām (14 kg). Vienmēr piesaitējiet visas ierīces, ko novietojat uz defibrilatora paplātes.
- Vienmēr esiet piesardzīgi, ja ir piestiprināta defibrilatora paplāte/kāju pagarinājums, pēdu atbalsts/pierakstu turētājs vai vertikālā skābekļa balona turētājs, lai izvairītos no pirkstu iespiešanas, kad pārvietojat kājgaļa papildu izvēles stumšanas rokturi.
- Nenovietojiet uz defibrilatora paplātes/kāju pagarinājuma lietas, kas sver vairāk par 30 mārciņām (14 kg). Vienmēr piesaitējiet visas ierīces, ko novietojat uz defibrilatora paplātes.
- Pārvietojot izstrādājumu, vienmēr piestipriniet IV statīvu pie IV kronšteina.
- Vienmēr novietojiet IV kronšteinu glabāšanā, kad to nelietojat, lai izvairītos no izstrādājuma bojājuma.
- Nesēdīet uz pēdu balstiem. Tas var izraisīt izstrādājuma apgāšanos.
- Rīkojoties ar pēdu balstiem, vienmēr turiet pirkstus atstātus no mehānismiem.
- Transportējot pacientu ar izstrādājumu, vienmēr pielokiet pēdu balstus.
- Vienmēr cieši pievelciet pēdu balstus pirms to izmantošanas.
- Neizmantojiet svaru sistēmu kopā ar pēdu balstiem. Tas var izraisīt neprecīzus mērījumus.
- Neizmantojiet **Chaperone** opciju kopā ar pēdu balstiem. Tas var izraisīt neprecīzus mērījumus.
- Neizmantojiet IV statīvu ka stumšanas/vilkšanas ierīci. Izstrādājums var tikt sabojāts.
- Neievietojiet priekšmetus, kuru svars pārsniedz 40 mārciņas (18 kg), vertikālā skābekļa balona turētājā.
- Nenovietojiet priekšmetus, kuru svars pārsniedz 30 mārciņas (14 kg), uz pasniegšanas paplātes.
- Vienmēr esiet uzmanīgi, kad piestiprināt ierobežošanas siksnas. Var rasties pacienta vai operatora ievainojums. Fiziskie ierobežojumi, pat ja tie ir nodrošināti, var izraisīt nopietnu kaitējumu pacientiem un operatoriem, ieskaitot sapīšanos, iesprūšanu, fizisku traumu vai nāvi.
- Vienmēr piestipriniet ierobežošanas siksnas vai ierīces tikai norādītās piestiprināšanas vietās uz izstrādājuma. Pretējā gadījumā var rasties pacienta vai operatora ievainojums. Nepiestipriniet ierobežošanas siksnas pie sānu balstiem.
- Vienmēr iepazīstieties ar piemērojamajiem vietējiem un valsts ierobežojumiem un noteikumiem un atbilstošajiem iestādes protokoliem, pirms izmantojat jebkuru ierobežošanas siksnu vai ierīci.
- Vienmēr veiciet aizsardzības pasākumus, kad izmantojat vertikālo vai laterālo rentgena kasetes turētāju. Rentgena kasetes turētājs neaizsargā pret starojumu.
- Pirms izmantojat **Prime X** opciju ar starojumu izdalošām ierīcēm, papildus iestādes protokoliem vienmēr skatiet vietējās, valsts un federālās vadlīnijas par drošību. Starojumu izdalošās ierīces var radīt paliekošu, novirzījušu vai izkliedētu starojumu.
- Lai ievietotu rentgena kaseti, vienmēr ievērojiet sadaļā *Vertikālā rentgena kasetes turētāja pozicionēšana — Prime X opcija* sniegtās instrukcijas.
- Esiet vienmēr piesardzīgi, kad veicat rentgenuzņēmumu ar Faulera muguras balstu vertikālā stāvoklī vai izmantojat laterālu kaseti.
- Lai ievietotu rentgena kaseti, vienmēr ievērojiet sadaļā *Laterālā rentgena kasetes turētāja pozicionēšana — Prime X opcija* sniegtās instrukcijas.
- Neveiciet izstrādājuma tīrīšanu, servisu vai remontu laikā, kad izstrādājums tiek lietots.
- Neiemērciet matraci tīrīšanas vai dezinfekcijas šķīdumos. Pārmērīgs mitrums var izraisīt nepareizu izstrādājuma darbību, kas savukārt izraisa izstrādājuma bojājumu vai pacienta ievainojumu.
- Neļaujiet šķīdramam sakrāties uz matrača. Šķīdumi var izraisīt komponentu koroziju un panākt, ka šī izstrādājuma drošība un veiktspēja kļūst neparedzamas.
- Katru reizi, tīrot matrača pārvalkus, pārbaudiet, vai pārvalki nav saplēsti, pārdurti, pārmērīgi nolietoti un vai rāvējslēdzēji ir pareizi savienoti. Noņemiet un nomainiet bojātu matraci, lai novērstu krustenisko piesārņojumu.
- Netīriet matračus ar tvaiku, auksto augstspiediena mazgāšanu, ūdens strūklu vai ultraskaņu. Šīs tīrīšanas metodes var anulēt šī izstrādājuma garantiju.

- Netīriet izstrādājumu ar tvaiku, ūdens strūklu vai ultraskaņu. Šīs tīrīšanas metodes nav ieteicamas un var anulēt šī izstrādājuma garantiju.
 - Vienmēr starp pacientiem dezinficējiet matraci. Šī norādījuma neievērošana var izraisīt krustenisko piesārņojumu un infekciju.
-

UZMANĪBU!

- Ja izstrādājums tiek lietots nepareizi, pacients vai operators var gūt ievainojumu. Šo izstrādājumu lietojiet tikai tā, kā aprakstīts šajā rokasgrāmatā.
 - Nepārveidojiet izstrādājumu vai jebkuru no tā komponentiem. Izstrādājuma pārveidošana var izraisīt iespējamu neparedzētu darbību, kā rezultātā pacients vai operators var gūt ievainojumus. Izstrādājuma pārveidošana arī anulē tā garantiju.
 - Neizmantojiet hidraulisko pacelēju nestuvju pamatnē, lai paceltu izstrādājumu, ja zem izstrādājuma atrodas pacienta pacelējs.
 - Nespiediet stūrēšanas pedāli, kad **Big Wheel** atbalstās uz sliekšņa vai cita paceluma. Spēks, kas nepieciešams **Big Wheel** aktivizēšanai, būs lielāks nekā parasti, kas var izraisīt izstrādājuma bojājumu.
 - Locīklas svara izturība ir 200 mārciņas (90,7 kg).
 - Pirms lietošanas vienmēr raugieties, lai locīklas balsts ir nostiprināts.
 - Nesēdīet un nestāviet uz locīklas.
 - Vienmēr rīkojieties piesardzīgi, kad mēģināt nolaist locīklu, kamēr izstrādājums nav pieslēgts pie strāvas. Gravitācija var izraisīt strauju locīklas nokrišanu.
 - Neievietojiet priekšmetus, kuru svars pārsniedz 60 mārciņas (27 kg), pamatnes pārsegā.
 - Nesēdīet, nekāpiet un nestāviet uz pamatnes pārsega.
 - Sūkņa statīva svara izturība ir 40 mārciņas (18 kg).
 - Neizmantojiet sūkņa statīvu kā stumšanas/vilkšanas ierīci. Izstrādājums var tikt sabojāts.
 - Neizmantojiet svarus pacientiem, kuru svars ir zem 50 mārciņām (22,7 kg).
 - Neizmantojiet svaru sistēmas rādījumus kā atsauci medicīniskai ārstēšanai.
 - Pirms defibrilatora paplātes/kāju pagarinājuma piestiprināšanas izstrādājumam vienmēr paceliet IV statīvu. Ja nepacelsiet IV statīvu, kāju pagarinājums nedarbosies.
 - Neizmantojiet IV statīvu ka stumšanas/vilkšanas ierīci. Izstrādājums var tikt sabojāts.
 - Nekariet uz IV statīva IV maisus, kuru svars pārsniedz 40 mārciņas (18 kg).
 - Vienmēr pārliecinieties, ka IV statīvs ir zemā augstumā, lai varētu droši izkļūt cauri durvju ailēm, kad pārvietojat pacientu.
 - Papildu izvēles svaru sistēmas displeja korpusa tīrīšanai neizmantojiet abrazīvus tīrīšanas līdzekļus. Neļaujiet tīrīšanas šķīdumiem vai citiem šķīdumiem sakrāties uz displeja bloka. Pēc šķīdumu izšķīdināšanas vai tīrīšanas noslaukiet visas virsmas.
 - Piederumu, devēju un kabelu, kurus nav norādījis vai nodrošinājis ražotājs, lietošana var izraisīt elektromagnētiskās emisijas paaugstināšanos vai samazinātu elektromagnētisko traucējumnoturību, kā rezultātā iespējama nepareiza darbība.
 - Šīs ierīces emisiju raksturs ļauj to izmantot industriālās zonās un slimnīcās (CISPR 11 A klase). Ja to izmanto dzīvojamajā vidē, kurā parasti ir prasība izmantot CISPR 11 B klasi, šī ierīce var nenodrošināt pietiekamu radiofrekvences saziņas pakalpojumu aizsardzību. Lietotājam varētu būt jāveic ietekmes mazināšanas pasākumi, piemēram, pārvietojot vai pārorientējot iekārtas.
 - Pārnēsājamas RF sakaru iekārtas, tostarp perifēriskās ierīces, piemēram, antenu kabeli un ārējās antenas, nedrīkst būt tuvāk par 12 collām (30 cm) no jebkuras **Prime** nestuvju daļas, ieskaitot ražotāja norādītos kabelus.
 - Izvairieties no aprīkojuma novietošanas uz/zem vai blakus citam aprīkojumam, lai izvairītos no izstrādājumu nepareizas darbības. Ja lietošana šādā veidā ir nepieciešama, uzmanīgi novērojiet vienu uz otra novietoto vai blakus novietoto aprīkojumu, lai pārliecinātos, ka tie darbojas pareizi.
-

Iespēšanas vietas



Attēls 1 – Prime X opcija

levads

Šajā rokasgrāmatā sniegta informācija par Stryker izstrādājuma darbību un apkopi. Pirms izstrādājuma izmantošanas vai apkopes izlasiet šo rokasgrāmatu. Lai izglītotu un apmācītu personālu, kā droši strādāt ar izstrādājumu un veikt tā apkopi, ieviesiet metodes un procedūras personāla apmācībai.

UZMANĪBU!

- Nepareiza izstrādājuma lietošana var traumēt pacientu vai operatoru. Ar izstrādājumu strādājiet tikai tā, kā aprakstīts šajā rokasgrāmatā.
 - Nepārveidojiet izstrādājumu vai tā sastāvdaļas. Izstrādājuma pārveidošana var radīt neparedzamu tā darbību, kas var traumēt pacientu vai operatoru. Izstrādājuma pārveidošana atceļ arī tā garantiju.
-

Piezīme

- Šī rokasgrāmata ir neatņemama izstrādājuma sastāvdaļa, un tā jāpievieno izstrādājumam pat tad, ja tas tiek pārdots.
- Kompānija Stryker nepārtraukti uzlabo izstrādājuma dizainu un kvalitāti. Šajā rokasgrāmatā iekļauta jaunākā informācija par izstrādājumu, kas ir bijusi pieejama iespēšanas laikā. Iespējamās nelielas atšķirības starp izstrādājumu un informāciju šajā rokasgrāmatā. Ja Jums rodas jautājumi, sazinieties ar kompānijas Stryker Klientu apkalpošanas nodaļu vai Tehniskās palīdzības nodaļu, zvanot pa tālruni 1-800-327-0770.

Izstrādājuma apraksts

Stryker 1115 modeļa **Prime Series**® nestuves ar **Big Wheel**® ir ar riteņiem aprīkota ierīce, kas sastāv no platformas, uzmontētas uz ar riteņiem aprīkota rāmja, lai atbalstītu pacientus horizontālā stāvoklī. Nestuves nodrošina operatoram metodi pacientu pārvadāšanai veselības aprūpes iestādes iekšējās veselības aprūpes speciālistiem vai apmācītiem iestādes pārstāvjiem. Stryker 1115 modeļa **Prime Series** nestuves ar **Big Wheel** samazina kustības uzsākšanai un stūrēšanai nepieciešamo spēku, lai samazinātu fizisko piepūli.

Indikācijas lietošanai

Prime Series nestuvēm ar **Big Wheel** ir divi lieli riteņi, lai samazinātu kustības uzsākšanas spēku, kas nepieciešams, lai pārvietotu nestuves.

Prime Series nestuves var lietot kā īstermiņa ambulatoro pacientu klīniskās izvērtēšanas, ārstēšanas, nelielu procedūru izpildes un īstermiņa ambulatoro pacientu atveseļošanās platformu. Nestuves var izmantot ne tikai, bet arī:

- neatliekamās palīdzības (NP) nodaļā;
- traumatoloģijas nodaļā;
- pēcanestēzijas aprūpes nodaļā (PAN).

Prime Series nestuves var izmantot nelielām procedūrām un īstermiņa uzturēšanās nolūkā (ārstēšana un atveseļošanās). Paredzētās lietošanas vides apstākļus skatiet specifiskāciju tabulā.

Nav izvērtēta Stryker **Prime Series** nestuvju atbilstība standartam BS EN 50637 attiecībā uz gultām. Tirgos, kuri atzīst šo standartu attiecībā uz gultām kā tirgus atļauju, šo produktu nav paredzēts lietot īstermiņa uzturēšanās nolūkā ne pediatriskajiem pacientiem, ne pieaugušiem pacientiem ar atipisku anatomiju

Prime Series nestuves nav paredzētas ilgtermiņa lietošanai stacionāru pacientu ārstēšanai un atveseļošanai.

Prime Series nestuvju drošā darba slodze ir līdz 700 mārciņām (318 kg), un tās paredzēts izmantot visiem pacientiem, tostarp pacientiem ar vidēji smagu un smagu slimības gaitu. Nestuves var lietot arī mirušu pacientu pārvietošanai slēgtā veselības aprūpes iestādē.

Prime X® opcija nodrošina gan radiogrāfijas pacientu atbalsta virsmu ar šarnīra pievienojumu, gan platformu zem pacienta atbalsta virsmas rentgena kasetes ievietošanai. **Prime X** opcija ļauj tvert klīniskas rentgenogrammas (anatomiju un fizioloģiju visam ķermenim, papildu izvēlē visam ķermenim laterāli, papildu izvēlē krūškurvim vertikālā stāvoklī), lietojot ar medicīnisku rentgena sistēmu.

Klīniskie ieguvumi

Pacientu transportēšana, ārstēšanas un diagnosticēšanas uzlabošana

Kontrindikācijas

Prime X opciju nav ieteicams izmantot ar matraci, kura biezums pārsniedz četras collas (desmit centimetrus).

Prime X opcija nav saderīga izmantošanai ar C veida statni.

Prime X opcija ir paredzēta lietošanai visās iestādēs, kas nav mājas aprūpes iestādes, māsasaimniecības un nav tieši pievienotas publiskajam zemsprieguma tīklam, kas apgādā dzīvojamās ēkas.



Sagaidāmais kalpošanas ilgums

Prime Series nestuvju un **Prime Series** nestuvju ar **Prime X** opciju sagaidāmais kalpošanas laiks ir 10 gadi parastos lietošanas apstākļos un ar atbilstošu periodisku apkopi.

Likvidēšana/nodošana pārstrādei

Vienmēr ievērojiet pašreizējās vietējās rekomendācijas un/vai noteikumus par vides aizsardzību un riskiem, kas saistīti ar aprīkojuma nodošana pārstrādei vai likvidēšanu pēc tā kalpošanas laika beigām.

Specifikācijas

	Prime Series, platums 26 collas (66 cm)		Prime Series, platums 30 collas (76 cm) Prime Series HT paketes		Prime X opcija, platums 30 collas (76 cm)	
 Piezīme - Droša darba slodze nozīmē pacienta, matrača un piederumu kopējo svaru.	700 mārciņas	318 kg	700 mārciņas	318 kg	700 mārciņas	318 kg
 Maksimālais pacienta svars	675 mārciņas	306 kg	675 mārciņas	306 kg	675 mārciņas	306 kg
Kopējais garums	85 collas (± 0,5 collas)	215,9 cm	85 collas (± 0,5 collas)	215,9 cm	85 collas (± 0,5 collas)	215,9 cm
Kopējais garums (gultas pagarinājuma opcija)	89,9 collas (± 0,75 collas)	228,3 cm	89,9 collas (± 0,75 collas)	228,3 cm	NA	NA
Kopējais platums (sānu balsti pacelti)	34 collas (± 1 colla)	86,4 cm	38 collas (± 1 colla)	96,5 cm	38 collas (± 1 colla)	96,5 cm
Kopējais platums (sānu balsti nolaisti)	30,25 collas (± 0,5 collas)	76,8 cm	30,5 collas (± 0,5 collas)	77,5 cm	30,5 collas (± 0,5 collas)	77,5 cm
Minimālais augstums	20,75 collas	52,7 cm	20,75 collas	52,7 cm	23,25 collas	59,1 cm

	Prime Series, platums 26 collas (66 cm)		Prime Series, platums 30 collas (76 cm) Prime Series HT paketes		Prime X opcija, platums 30 collas (76 cm)	
Maksimālais augstums	34 collas (± 1 colla)	86,4 cm	34 collas (± 1 colla)	86,4 cm	36,5 collas (± 1 colla)	92,7 cm
Faulera muguras atbalsta leņķis	No 0° līdz 90° (± 5°)					
Locīklas augstums	5,5 collas (14 cm) minimums				Nav piemērojams	
Trendelenburga/apgrieztā Trendelenburga pozīcija	No +17° līdz -17° (± 3°)					
Minimālais klīrenss	2,5 collas nominālais	6,4 cm	2,5 collas nominālais	6,4 cm	2,5 collas nominālais	6,4 cm
	1,75 collas zem hidrauliskajiem domkratiem	4,5 cm	1,75 collas zem hidrauliskajiem domkratiem	4,5 cm	1,75 collas zem hidrauliskajiem domkratiem	4,5 cm
	1 colla zem Big Wheel	2,5 cm	1 colla zem Big Wheel	2,5 cm	1 colla zem Big Wheel	2,5 cm
Vājinājuma ekvivalents (alumīnija ekvivalence)	Nav piemērojams				Maksimālā atļautā vērtība ir 1,7 mm Al	
Papildu izvēles svaru sistēmas darba diapazons	No 50 mārciņām (22,7 kg) līdz 700 mārciņām (318 kg)					
Papildu izvēles svaru sistēmas precizitāte	± 3 mārciņas (1,3 kg) svaram zem 100 mārciņām (45 kg) un ± 3% svaram no 100 mārciņām (45 kg)*					
*Lai atbilstu svaru sistēmas precizitātes apgalvojumam, pacienta virsmai jābūt guļus pozīcijā (Faulera muguras balsts un locīkla ir nolaisti) un izstrādājums nedrīkst pārsniegt 5 grādus Trendelenburga/apgrieztajā Trendelenburga pozīcijā.						

Elektriskās papildu izvēles	Papildu izvēles elektriskā gulta (pieejama tikai Prime)	Papildu izvēles elektriskais pacēlājs (pieejams Prime un Prime X opcijai)
Elektriskās prasības	120 V maiņstrāva, 60 Hz, 10 A 240 V maiņstrāva, 50/60 Hz, 5 A	120 V maiņstrāva, 60 Hz, 10 A 240 V maiņstrāva, 50/60 Hz, 5 A
Darbības cikls	Nepārtraukta darbība ar neregulāru sloģošanu ir 1 minūte IESLĒGTS/ 20 minūtes IZSLĒGTS	Nepārtraukta darbība ar neregulāru sloģošanu ir 1 minūte IESLĒGTS/ 20 minūtes IZSLĒGTS

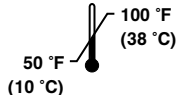
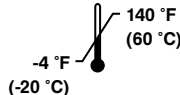
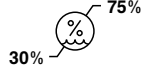
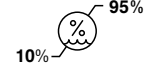
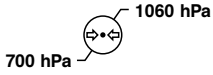
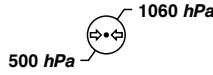
Papildu izvēles svaru sistēma	Neelektriska gulta (pieejama Prime un Prime X opcijai)	Papildu izvēles elektriskais pacēlājs (pieejams Prime un Prime X opcijai)
Akumulatora tips	4 x AA baterijas (4 x 1,5 V līdzstrāva), sārma (LR6)	4 x AA baterijas (4 x 1,5 V līdzstrāva), sārma (LR6)
Akumulatora spriegums	6,0 V līdzstrāva	6,0 V līdzstrāva

Papildu izvēles svaru sistēma	Papildu izvēles elektriskā gulta (pieejama tikai Prime)	Papildu izvēles elektriskais pacēlājs
Akumulatora tips	1 x atkārtoti uzlādējams litija jonu akumulators (0058-135-000)	Nav piemērojams
Akumulatora spriegums	10,8 V līdzstrāva, 2,4 Ah	Nav piemērojams

Papildu izvēles svaru sistēma ar Chaperone® (nokāpšana no nestuvēm)	Papildu izvēles elektriskā gulta (pieejama tikai Prime)	Papildu izvēles elektriskais pacēlājs
Akumulatora tips	1 x atkārtoti uzlādējams litija jonu akumulators (0058-134-000)	Nav piemērojams
Akumulatora spriegums	10,8 V līdzstrāva, 4,8 Ah	Nav piemērojams

Stryker patur tiesības mainīt specifikācijas bez brīdinājuma.

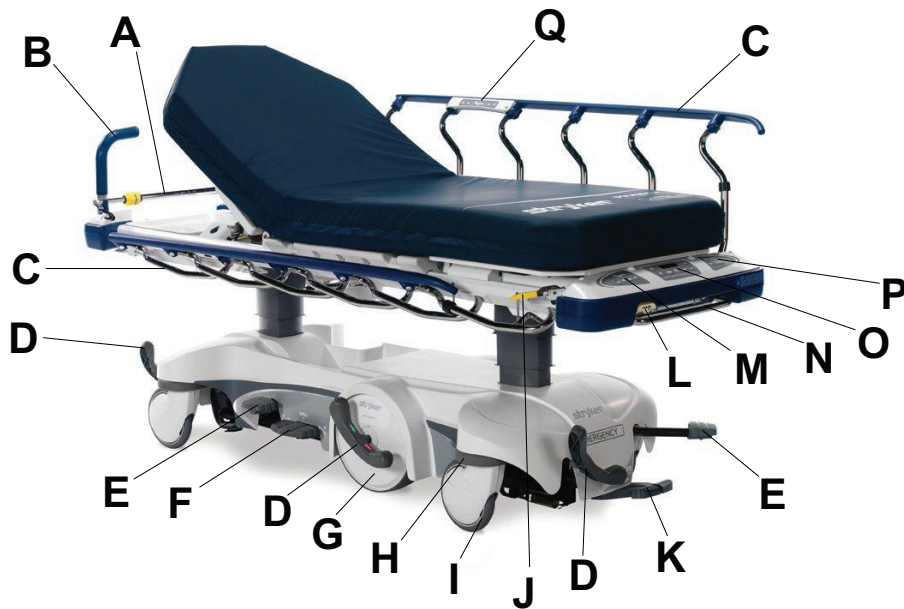
Piezīme - Šis izstrādājums nav piemērots lietošanai uzliesmojošu anestēzijas līdzekļu maisījuma ar gaisu, skābekli vai slāpekļa oksidula klātbūtnē.

Vides apstākļi	Lietošana	Uzglabāšana un transportēšana
Temperatūra		
Relatīvais mitrums		
Atmosfēras spiediens		

Piezīme - Papildu izvēles svaru sistēmas (ar neelektriskas gultas/elektriskas gultas opciju) darba temperatūras diapazons ir no 61 °F (16 °C) līdz 79 °F (26 °C).

Minētās specifikācijas ir aptuvenas un var nedaudz mainīties starp izstrādājumiem vai atkarībā no strāvas padeves svārstībām.

Izstrādājuma attēls — Prime



Attēls 2 – Prime

A	IV statīvs	J	Sānu balstu fiksators
B	BackSmart® izvirzāms stumšanas rokturis, papildu izvēle	K	Hidrauliskais atbrīvošanas pedālis
C	BackSmart sānu balsts	L	Locīklas atbrīvošanas rokturis
D	Bremzēšanas/stūrēšanas pedālis	M	BackSmart kājgaļa operatora vadības panelis, papildu izvēle
E	Sūkņa pedālis	N	Sūkņa statīvs, papildu izvēle
F	Universālais nolaišanas pedālis	O	BackSmart svaru sistēma, papildu izvēle
G	Big Wheel	P	Pacienta vadības paneļa bloķētājs, papildu izvēle
H	Bamperis, iebūvēts	Q	Sānu balsta pacienta vadības panelis, papildu izvēle
I	Ritenītis ar integrētu riteņa pārsegu		

Izstrādājuma attēls — Prime X opcija



Attēls 3 – Prime X opcija

A	BackSmart® izvirzāms stumšanas rokturis, papildu izvēle	H	Universālais nolaišanas pedālis
B	IV statīvs	I	Bamperis, iebūvēts
C	Kasetes paplāte	J	Ritenītis ar integrētu riteņa pārsegu
D	Pacienta virsma ar Clearview Technology® klāju	K	Sānu balstu fiksators
E	BackSmart sānu balsts	L	Sūkņa statīvs, papildu izvēle
F	Bremzēšanas/stūrēšanas vadības pedālis	M	BackSmart svaru sistēma, papildu izvēle
G	Sūkņa pedālis		

Pielietojamās daļas — papildu izvēles elektriskā gulta



Attēls 4 – B tipa pielietojamās daļas — papildu izvēles elektriskā gulta

Pielietojamās daļas — Prime X opcija



Attēls 5 – B tipa pielietojamās daļas — Prime X opcija

Kontaktinformācija

Sazinieties ar Stryker klientu atbalsta dienestu vai tehniskās palīdzības dienestu: 1-800-327-0770.

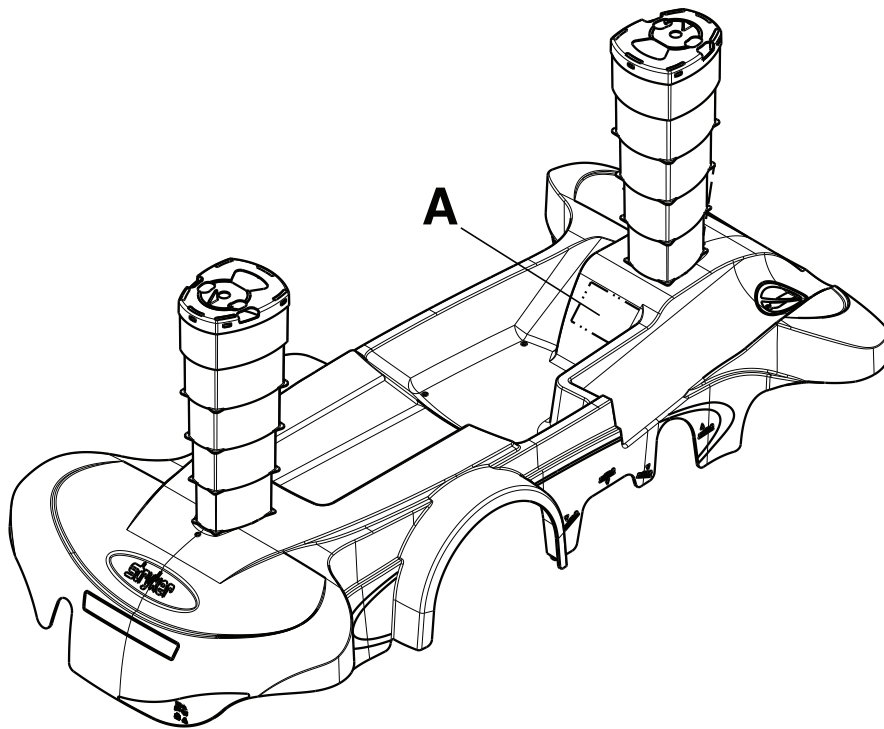
Stryker Medical
3800 E. Centre Avenue
Portage, MI 49002
ASV

Piezīme - Lietotājam un/vai pacientam ir jāziņo par jebkuriem ar izstrādājumu saistītiem nopietniem negadījumiem ražotājam un lietotāja un/vai pacienta mītnes Eiropas dalībvalsts kompetentajai iestādei.

Lietošanas vai apkopes rokasgrāmatu tiešsaistē skatiet vietnē <https://techweb.stryker.com/>.

Zvanot Stryker klientu apkalpošanas dienestam vai tehniskās palīdzības dienestam, turiet pieejamu sava Stryker izstrādājuma sērijas numuru (A). Iekļaujiet sērijas numuru visa veida rakstiskā saziņā.

Sērijas numura atrašanās vieta



Attēls 6 – Sērijas numura atrašanās vieta

Uzstādīšana

Lai izpakotu izstrādājumu, izlasiet izpakšanas norādījumus, kas pievienoti izstrādājumam transportēšanas kastes iekšpusē.

BRĪDINĀJUMS

- Pirms uzstādīšanas vai darba funkciju pārbaudes vienmēr ļaujiet izstrādājumam sasniegt istabas temperatūru. Pretējā gadījumā var rasties paliekoši izstrādājuma bojājumi.
 - Vienmēr manipulējiet šo izstrādājumu tikai tad, kad visi operatori atrodas atstātus no mehānismiem.
 - Ar strāvas vadu vienmēr rīkojieties piesardzīgi. Strāvas vads var sapīties, var rasties strāvas vada bojājums vai iespējams elektriskās strāvas trieciena risks. Ja strāvas vads ir bojāts, nekavējoties pārtrauciet izstrādājuma lietošanu un sazinieties ar atbilstošu apkopes personālu.
 - Vienmēr pievienojiet izstrādājumu tieši pie slimnīcas klases sienas kontaktrozetes ar zemējumu. Zemējuma uzticamību jūs varat sasniegt, tikai izmantojot slimnīcas klases kontaktrozeti. Šis izstrādājums ir aprīkots ar slimnīcas klases kontaktdakšu, lai pasargātu no elektriskās strāvas trieciena riska.
-

Pirms sākt lietot izstrādājumu, pārliecinieties, ka tas darbojas.

1. Iedarbiniet bremzi. Pastumiet izstrādājumu, lai pārliecinātos, ka visi četri ritenīši ir bloķēti.
2. Atbloķējiet bremzes. Pastumiet izstrādājumu, lai pārliecinātos, ka visi četri ritenīši ir atbloķēti.
3. Paceliet un nolaidiet gultu ar hidrauliskā pacelēja sistēmu.
4. Paceliet izstrādājumu augstākajā stāvoklī un novietojiet izstrādājumu Trandelenburga pozīcijā (skatiet *Izstrādājuma novietošana Trendelenburga pozīcijā* (lpp. 18)). Pārliecinieties, ka galvgalis pilnībā nolaižas uz leju.
5. Paceliet izstrādājumu augstākajā stāvoklī un novietojiet izstrādājumu apgrieztā Trandelenburga pozīcijā (skatiet *Izstrādājuma novietošana apgrieztā Trendelenburga pozīcijā* (lpp. 19)). Pārliecinieties, ka kājgalis pilnībā nolaižas uz leju.
6. Aktivizējiet **Big Wheel** un pārliecinieties, ka tas darbojas.
7. Pārliecinieties, ka sānu balsti ir paceļami, nolaižami un fiksējami vietā.
8. Paceliet un nolaidiet manuālo Faulera muguras balstu (galvgalī).
9. Paceliet un nolaidiet manuālo locīklu (kājgalī).

Izstrādājumam ar papildu izvēles elektrisko pacelēju vai elektrisko gultu:

1. Aizpildiet iepriekš doto kontrolsarakstu.
2. Pievienojiet izstrādājumu pie slimnīcas klases sienas kontaktrozetes ar zemējumu. Pārliecinieties, ka visas LED lampiņas bloķētāja klaviatūrā iedegas.
3. Pārliecinieties, ka katra funkcija papildu izvēles sānu balsta pacienta vadības panelī darbojas.
4. Pārliecinieties, ka katra funkcija papildu izvēles kājgaļa operatora vadības panelī darbojas.
5. Paceliet un nolaidiet elektrisko Faulera muguras balstu (galvgalī).
6. Paceliet un nolaidiet elektrisko locīklu (kājgalī).

Izstrādājumam ar papildu izvēles svaru sistēmu — papildu izvēles elektriskā gulta (ar vai bez **Chaperone** opcijas):

1. Aizpildiet iepriekš doto kontrolsarakstu.
2. Uzlādējiet akumulatorus (*Papildu izvēles svaru sistēmas akumulatora lādēšana — papildu izvēles elektriskais pacelējs vai papildu izvēles elektriskais pacēlājs ar Chaperone opciju — tikai Prime* (lpp. 32)).

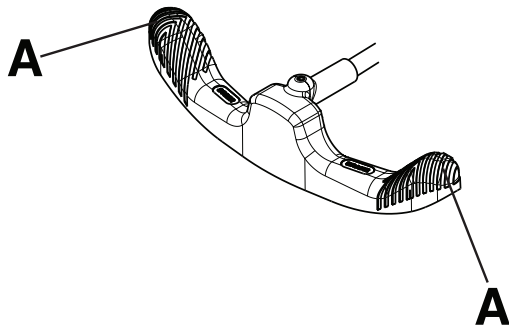
Lietošana

Bremžu iedarbināšana un atbrīvošana

BRĪDINĀJUMS - Vienmēr iedarbiniet bremzes, kad pacients nokļūst uz izstrādājuma vai atstāj to vai kad izstrādājums nav kustībā. Ja izstrādājums pārvietojas, kad pacients nokļūst uz izstrādājuma vai atstāj to, pacients var gūt ievainojumu.

Lai iedarbinātu bremzes, nospiediet bremzēšanas/stūrēšanas pedāļa bremzēšanas (sarkano) malu. Pastumiet izstrādājumu, lai pārlicinātos, ka bremzes darbojas.

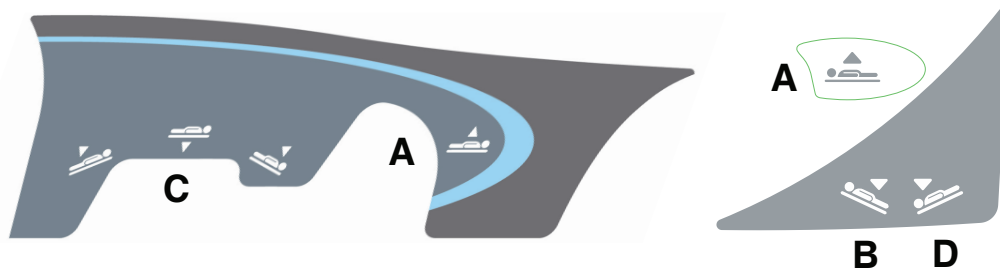
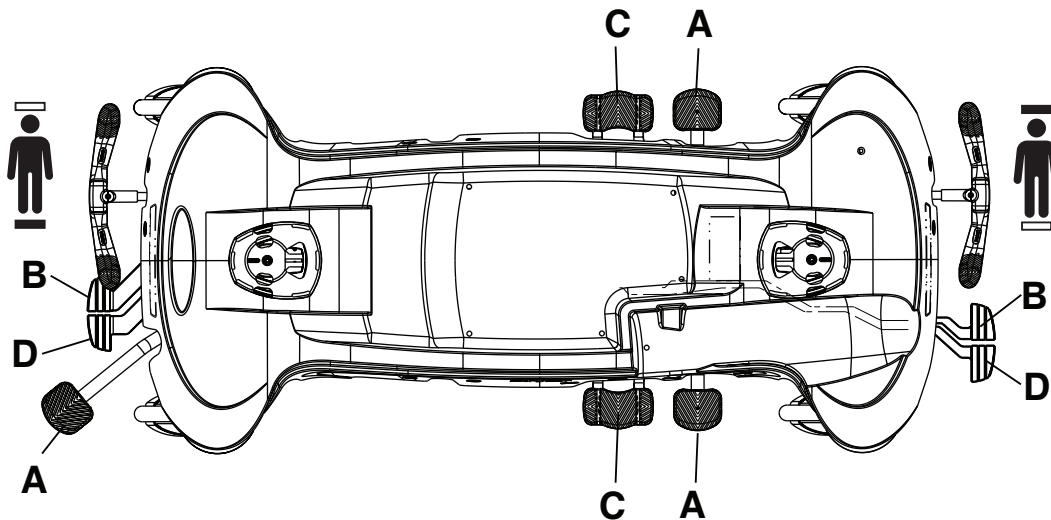
Lai atbrīvotu bremzes, nospiediet bremzēšanas/stūrēšanas pedāļa stūrēšanas (zaļo) malu.



Attēls 7 – Bremzēšanas/stūrēšanas pedāļa darbība

Piezīme - Nespiediet bremzēšanas/stūrēšanas pedāļa centru. Vienmēr spiediet uz bremzēšanas/stūrēšanas pedāļa ārējās malas (A) (Attēls 7).

Prime pamatnes vadīklas



Attēls 8 – Prime pamatnes vadīklas un etiķete

Neelektriskās gultas pacelšana

BRĪDINĀJUMS

- Vienmēr novietojiet pacientu izstrādājuma centrā.
- Kad atstājat pacientu bez uzraudzības, vienmēr novietojiet izstrādājumu zemākajā stāvoklī ar paceltiem un nofiksētiem sānu balstiem. Neatstājiet izstrādājumu augstākā stāvoklī.
- Pirms gultas pacelšanas vai nolaišanas vienmēr novāciet visas ierīces, kas var būt ceļā.
- Nesēdiet uz izstrādājuma gala. Izstrādājums var apgāzties.

UZMANĪBU! - Neizmantojiet hidraulisko pacelāju nestuvju pamatnē, lai paceltu izstrādājumu, ja zem izstrādājuma atrodas pacienta pacelājs.

Lai paceltu gultu, spiediet uz leju sūkņa pedāli (A), līdz sasniedzat vēlamu augstumu (*Prime pamatnes vadīklas* (lpp. 17)).

Neelektriskās gultas nolaišana

BRĪDINĀJUMS

- Vienmēr novietojiet pacientu izstrādājuma centrā.
- Kad atstājat pacientu bez uzraudzības, vienmēr novietojiet izstrādājumu zemākajā stāvoklī ar paceltiem un nofiksētiem sānu balstiem. Neatstājiet izstrādājumu augstākā stāvoklī.
- Pirms gultas pacelšanas vai nolaišanas vienmēr novāciet visas ierīces, kas var būt ceļā.

- Nesēdīet uz izstrādājuma gala. Izstrādājums var apgāzties.
-

UZMANĪBU! - Neizmantojiet hidraulisko pacēlāju nestuvju pamatnē, lai paceltu izstrādājumu, ja zem izstrādājuma atrodas pacienta pacēlājs.

Lai nolaistu zemāk visu gultu, nospiediet universālā nolaišanas pedāļa (C) centru (*Prime pamatnes vadīklas* (lpp. 17)).

Lai nolaistu izstrādājuma galvgali, nospiediet pedāli (B) vai universālā nolaišanas pedāļa (C) malu, kas ir tuvāk izstrādājuma galvgalim.

Lai nolaistu izstrādājuma kājgali, nospiediet pedāli (D) vai nospiediet universālā nolaišanas pedāļa (C) malu, kas ir tuvāk izstrādājuma kājgalim.

Papildu izvēles elektriskās gultas pacelšana

BRĪDINĀJUMS

- Vienmēr novietojiet pacientu izstrādājuma centrā.
 - Kad atstājat pacientu bez uzraudzības, vienmēr novietojiet izstrādājumu zemākajā stāvoklī ar paceltiem un nofiksētiem sānu balstiem. Neatstājiet izstrādājumu augstākā stāvoklī.
 - Pirms gultas pacelšanas vai nolaišanas vienmēr novāciet visas ierīces, kas var būt ceļā.
 - Nesēdīet uz izstrādājuma gala. Izstrādājums var apgāzties.
-

UZMANĪBU! - Neizmantojiet hidraulisko pacēlāju nestuvju pamatnē, lai paceltu izstrādājumu, ja zem izstrādājuma atrodas pacienta pacēlājs.

Lai paceltu elektrisko gultu, spiediet uz leju sūkņa pedāli (A), līdz sasniedzat vēlamo augstumu (*Prime pamatnes vadīklas* (lpp. 17)).

Papildu izvēles elektriskās gultas nolaišana

BRĪDINĀJUMS

- Vienmēr novietojiet pacientu izstrādājuma centrā.
 - Kad atstājat pacientu bez uzraudzības, vienmēr novietojiet izstrādājumu zemākajā stāvoklī ar paceltiem un nofiksētiem sānu balstiem. Neatstājiet izstrādājumu augstākā stāvoklī.
 - Pirms gultas pacelšanas vai nolaišanas vienmēr novāciet visas ierīces, kas var būt ceļā.
 - Nesēdīet uz izstrādājuma gala. Izstrādājums var apgāzties.
-

UZMANĪBU! - Neizmantojiet hidraulisko pacēlāju nestuvju pamatnē, lai paceltu izstrādājumu, ja zem izstrādājuma atrodas pacienta pacēlājs.

Lai nolaistu zemāk visu elektrisko gultu, nospiediet universālā nolaišanas pedāļa (C) centru (*Prime pamatnes vadīklas* (lpp. 17)).

Lai nolaistu izstrādājuma galvgali, nospiediet pedāli (B) vai nospiediet universālā nolaišanas pedāļa (C) malu, kas ir tuvāk izstrādājuma galvgalim.

Lai nolaistu izstrādājuma kājgali, nospiediet pedāli (D) vai nospiediet universālā nolaišanas pedāļa (C) malu, kas ir tuvāk izstrādājuma kājgalim.

Izstrādājuma novietošana Trendelenburga pozīcijā

BRĪDINĀJUMS - Pirms gultas pacelšanas vai nolaišanas vienmēr novāciet visas ierīces, kas var būt ceļā.

UZMANĪBU! - Neizmantojiet hidraulisko pacelāju nestuvju pamatnē, lai paceltu izstrādājumu, ja zem izstrādājuma atrodas pacienta pacelājs.

Lai novietotu izstrādājumu Trendelenburga pozīcijā (ar galvu uz leju), paceliet gultu augstākajā stāvoklī (*Neelektriskās gultas pacelšana* (lpp. 17) vai *Papildu izvēles elektriskās gultas pacelšana* (lpp. 18)).

Piezīme - Paceliet gultu augstākajā stāvoklī lielākajam Trendelenburga pozīcijas leņķim.

Lai nolaiestu izstrādājuma galvgali, nospiediet atbrīvošanas pedāli (D) kājgalī vai galvgalī vai nospiediet universālā nolaišanas pedāļa (C) malu, kas ir tuvāk galvgalim (*Prime pamatnes vadīklas* (lpp. 17)).

Lai nolaiestu izstrādājumu no Trendelenburga pozīcijas, vienlaikus nospiediet galvgaļa un kājgaļa atbrīvošanas pedāļus (B un D) vai nospiediet universālā nolaišanas pedāļa (C) centru, līdz gulta izlīdzinās.

Izstrādājuma novietošana apgrieztā Trendelenburga pozīcijā

BRĪDINĀJUMS - Pirms gultas pacelšanas vai nolaišanas vienmēr novāciet visas ierīces, kas var būt ceļā.

UZMANĪBU! - Neizmantojiet hidraulisko pacelāju nestuvju pamatnē, lai paceltu izstrādājumu, ja zem izstrādājuma atrodas pacienta pacelājs.

Lai novietotu izstrādājumu apgrieztā Trendelenburga pozīcijā (ar kājām uz leju), paceliet gultu augstākajā stāvoklī (*Neelektriskās gultas pacelšana* (lpp. 17) vai *Papildu izvēles elektriskās gultas pacelšana* (lpp. 18)).

Piezīme - Paceliet gultu augstākajā stāvoklī lielākajam Trendelenburga pozīcijas leņķim.

Lai nolaiestu izstrādājuma kājgali, nospiediet atbrīvošanas pedāli (B) kājgalī vai galvgalī vai nospiediet universālā nolaišanas pedāļa (C) malu, kas ir tuvāk kājgalim (*Prime pamatnes vadīklas* (lpp. 17)).

Lai nolaiestu izstrādājumu no apgrieztās Trendelenburga pozīcijas, vienlaikus nospiediet galvgaļa un kājgaļa atbrīvošanas pedāļus (B un D) vai nospiediet universālā nolaišanas pedāļa (C) centru, līdz gulta izlīdzinās.

Pacienta transportēšana

BRĪDINĀJUMS

- Vienmēr novietojiet pacientu izstrādājuma centrā.
 - Transportējot pacientu, vienmēr nofiksējiet sānu balstus pilnībā paceltā stāvoklī ar guldināšanas virsmu horizontālā stāvoklī viszemākajā pozīcijā.
 - Lai izvairītos no apgāšanas, nepārvietojiet izstrādājumu sāniski pa slīpumu, kas pārsniedz 5,7 grādus (10% slīpums).
-

Lai transportētu pacientu, veiciet tālāk norādītās darbības.

1. Paceliet sānu balstus augstākajā stāvoklī. Pavelciet sānu balstu, lai pārliecinātos, ka tas ir nofiksēts.
2. Nolaidiet gultu zemākajā pozīcijā.
3. Atvienojiet strāvas vadu no sienas kontakrozetes, ja izstrādājums ir aprīkots ar elektrisko pacelāju vai papildu izvēles elektrisko gultu.
4. Nospiediet bremsēšanas/stūrēšanas pedāļa stūrēšanas (zaļo) malu.
5. Izmantojiet stumšanas rokturus, lai stumtu izstrādājumu.
6. Lietojiet bremzes, lai nofiksētu izstrādājumu vietā.

Piezīme - Lai izvairītos no operatora vai pacienta ievainojuma, vienmēr pārliecinieties, ka bremze ir atbloķēta, pirms veicat pārvietošanu.

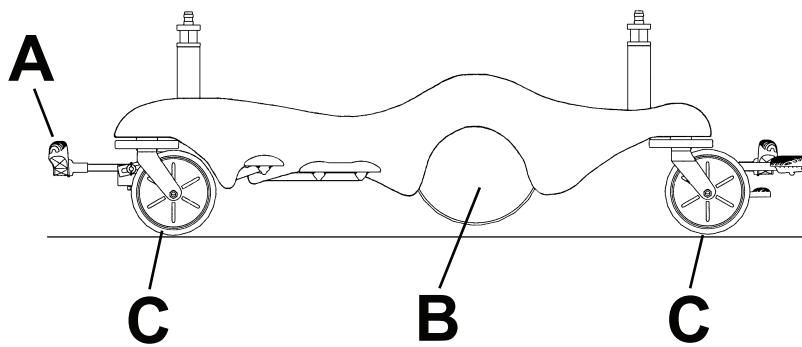
Pacienta transportēšana, neizmantojot Big Wheel

BRĪDINĀJUMS

- Vienmēr novietojiet pacientu izstrādājuma centrā.
- Transportējot pacientu, vienmēr nofiksējiet sānu balstus pilnībā paceltā stāvoklī ar guldināšanas virsmu horizontālā stāvoklī viszemākajā pozīcijā.

Lai transportētu pacientu, neizmantojot **Big Wheel**, veiciet tālāk norādītās darbības.

1. Bremzēšanas/stūrēšanas pedāli (A) novietojiet neitrālā pozīcijā (Attēls 9).



Attēls 9 – Transportēšana, neizmantojot Big Wheel

2. Nolaidiet gultu zemākajā pozīcijā.
3. Tikai 1125 modelim — pārliedziniet, ka slēdzis “Ieslēgts/piedziņa–Izslēgts/manuāla pārvietošana” atrodas pozīcijā Izslēgts.
4. Atvienojiet strāvas vadu no slimnīcas klases sienas kontaktrozetes, ja izstrādājums ir aprīkots ar papildu izvēles elektrisko pacelēju vai papildu izvēles elektrisko gultu.
5. Izmantojiet stumšanas rokturus, lai stumtu izstrādājumu.
6. Lietojiet bremzes, lai nofiksētu izstrādājumu vietā.

Piezīme

- Lai izvairītos no operatora vai pacienta ievainojuma, vienmēr pārliedziniet, ka bremze ir atbloķēta, pirms veicat pārvietošanu.
- Izstrādājumam esot neitrālā pozīcijā, **Big Wheel** (B) ir pacelts un izstrādājums balstās uz visiem četriem ritenīšiem (C) (Attēls 9). Šādā pozīcijā jūs varat pārvietot izstrādājumu jebkurā virzienā, tostarp sāņus.

Pacienta transportēšana, izmantojot Big Wheel

BRĪDINĀJUMS

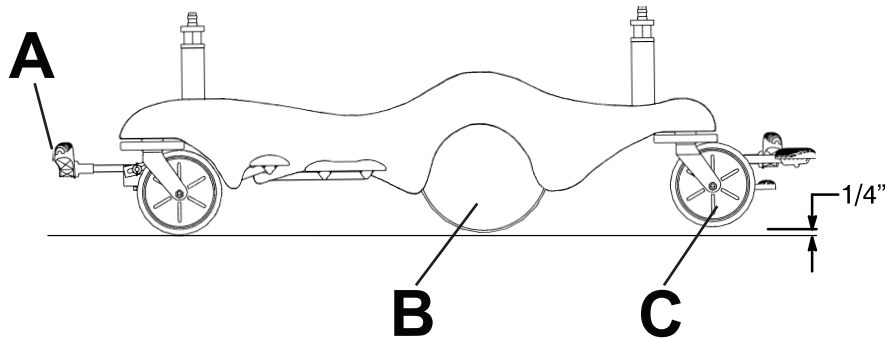
- Vienmēr novietojiet pacientu izstrādājuma centrā.
- Transportējot pacientu, vienmēr nofiksējiet sānu balstus pilnībā paceltā stāvoklī ar guldināšanas virsmu horizontālā stāvoklī viszemākajā pozīcijā.

UZMANĪBU! - Nespiediet stūrēšanas pedāli, kad **Big Wheel** atbalstās uz sliekšņa vai cita pacēluma. Spēks, kas nepieciešams **Big Wheel** aktivizēšanai, būs lielāks nekā parasti, kas var izraisīt izstrādājuma bojājumu.

Lai transportētu pacientu, izmantojot **Big Wheel**, veiciet tālāk norādītās darbības.

1. Paceliet sānu balstus augstākajā stāvoklī. Pavelciet katru no sānu balstiem, lai pārliedzinātos, ka tie ir fiksēti.
2. Nolaidiet gultu zemākajā pozīcijā.

3. Tikai 1125 modelim — pārliecinieties, ka slēdzis “Ieslēgts/piedziņa–Izslēgts/manuāla pārvietošana” atrodas pozīcijā Izslēgts.
4. Atvienojiet strāvas vadu no slimnīcas klases sienas kontaktrozetes, ja izstrādājums ir aprīkots ar papildu izvēles elektrisko pacelāju vai papildu izvēles elektrisko gultu.
5. Bremzēšanas/stūrēšanas pedāli (A) novietojiet stūrēšanas pozīcijā (Attēls 10).



Attēls 10 – Transportēšana, izmantojot Big Wheel

6. Izmantojiet stumšanas rokturus, lai stumtu izstrādājumu.
7. Lietojiet bremzes, lai nofiksētu izstrādājumu vietā.

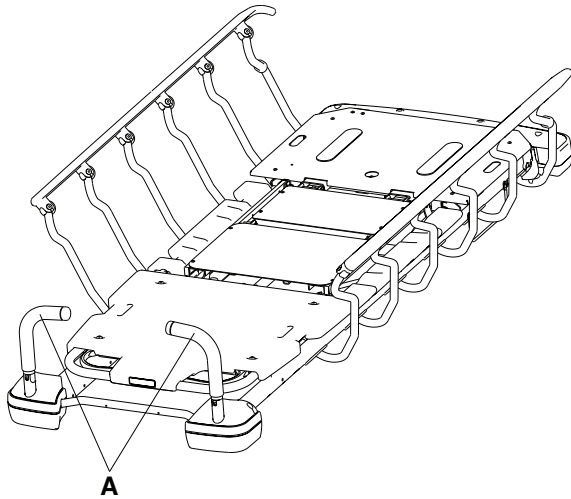
Piezīme

- Vienmēr pārliecinieties, ka bremze ir atbloķēta, pirms mēģināt pārvietot izstrādājumu. Mēģinot pārvietot izstrādājumu ar bloķētām bremzēm, var izraisīt operatora vai pacienta ievainojumu.
- **Big Wheel** (B) nevar pagriezt. Jūs nevarat pārvietot izstrādājumu sānis, ja ir aktivizēts **Big Wheel**.
- Aktivizējot **Big Wheel** (B), izstrādājums tiek paaugstināts un kājgaļa ritenīši (C) tiek pacelti. Izstrādājums balstās uz galvgaļa ritenīšiem un **Big Wheel** padara izstrādājumu vieglāk vadāmu (Attēls 10).

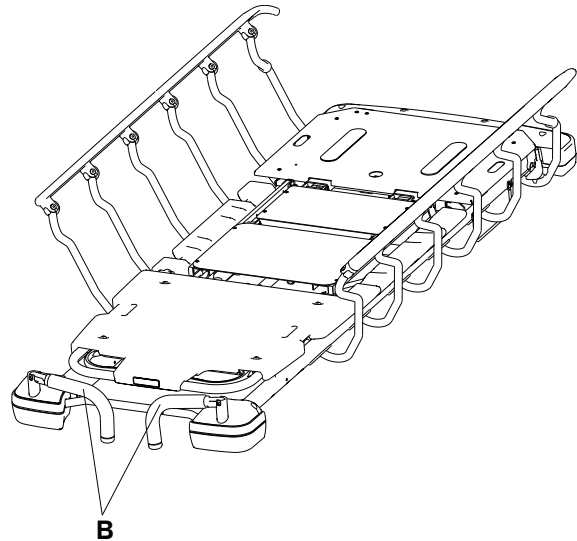
Papildu izvēles galvgaļa stumšanas rokturu atlocīšana vai nolocīšana

Lai atlocītu vai nolocītu galvgaļa stumšanas rokturus:

1. Atlokiet rokturus (A) augšup no izstrādājuma galvgaļa (Attēls 11).
2. Spiediet rokturus uz leju, lai fiksētu tos pozīcijā.



Attēls 11 – Galvgaļa stumšanas rokturu atlocīšana



Attēls 12 – Galvgaļa stumšanas rokturu nolocīšana

- Lai nolocītu galvgaļa stumšanas rokturus (B), veiciet darbības apvērsta secībā (Attēls 12).

Piezīme - Lai izvairītos no izstrādājuma bojājumiem, kā stumšanas/vilkšanas ierīces izmantojiet tika stumšanas rokturus, ja nav norādīts citādi.

Sānu balsta pacelšana

BRĪDINĀJUMS

- Vienmēr ievērojiet īpašu piesardzību, ja lietojat matraci, kas ir biezāks par 2,5 collām (6,35 cm) vai matrača pārklāju ar **Prime X** opciju.
- Kad atstājat pacientu bez uzraudzības, vienmēr novietojiet izstrādājumu zemākajā stāvoklī ar paceltiem un nofiksētiem sānu balstiem. Neatstāriet izstrādājumu augstākā stāvoklī.
- Transportējot pacientu, vienmēr nofiksējiet sānu balstus pilnībā paceltā stāvoklī ar guldināšanas virsmu plakaniski zemākajā stāvoklī.
- Kad paceļat vai nolaižat sānu balstu, vienmēr turiet pacienta locekļus atstatu no sānu balsta vārpstām.
- Neļaujiet sānu balstiem brīvi nokrist.

Lai paceltu sānu balstus:

- Satveriet sānu balstu ar abām rokām.
- Celiet sānu balstu uz izstrādājuma kājgali, līdz dzeltenais atbrīvošanas fiksators ar klikšķi nofiksējas vietā. Pavelciet sānu balstu, lai pārliecinātos, ka tas ir nofiksēts.

Piezīme

- Ir pieejama divu sānu balstu atbrīvošanas fiksatoru opcija ar fiksatoriem abos izstrādājuma galos.
- Neizmantojiet sānu balstus kā ierobežošanas ierīces, lai pacients neizkāptu no gultas. Sānu balsti neļauj pacientam novelties no izstrādājuma. Lietotājam ir jānosaka nepieciešamā ierobežojuma pakāpe, lai garantētu pacienta drošību.
- Jūs varat izmantot sānu balsta augšējās sliedes kājgali kā stumšanas/vilkšanas ierīci.
- Sānu balsti fiksējas tikai pilnībā paceltā stāvoklī.

Sānu balsta nolaišana

BRĪDINĀJUMS

- Vienmēr ievērojiet īpašu piesardzību, ja lietojat matraci, kas ir biezāks par 2,5 collām (6,35 cm) vai matrača pārklāju ar **Prime X** opciju.
 - Kad atstājat pacientu bez uzraudzības, vienmēr novietojiet izstrādājumu zemākajā stāvoklī ar paceltiem un nofiksētiem sānu balstiem. Neatstājiet izstrādājumu augstākā stāvoklī.
 - Transportējot pacientu, vienmēr nofiksējiet sānu balstus pilnībā paceltā stāvoklī ar guldināšanas virsmu plakaniski zemākajā stāvoklī.
 - Kad paceļat vai nolaižat sānu balstu, vienmēr turiet pacienta locekļus atstatu no sānu balsta vārpstām.
 - Neļaujiet sānu balstiem brīvi nokrist.
-

Lai nolaistu sānu balstu:

1. Ar vienu roku satveriet sānu balstu.
2. Izmantojiet otru roku, lai paceltu dzelteno atbrīvošanas fiksatoru.
3. Paceliet un virziet sānu balstu uz izstrādājuma galvgali, līdz dzeltenais atbrīvošanas fiksators ar klikšķi nofiksējas vietā. Pavelciet sānu balstu, lai pārlicinātos, ka tas ir nofiksēts.

Piezīme

- Ir pieejama divu sānu balstu atbrīvošanas fiksatoru opcija ar fiksatoriem abos izstrādājuma galos.
- Neizmantojiet sānu balstus kā ierobežošanas ierīces, lai pacients neizkāptu no gultas. Sānu balsti neļauj pacientam novēlties no izstrādājuma. Lietotājam ir jānosaka nepieciešamā ierobežojuma pakāpe, lai garantētu pacienta drošību.
- Jūs varat izmantot sānu balsta augšējās sliedes kājgali kā stumšanas/vilkšanas ierīci.
- Sānu balsti fiksējas tikai pilnībā paceltā stāvoklī.

Izstrādājuma pozicionēšana ar sānu balsta pacienta vadības paneli — papildu izvēles elektriskā gulta — tikai Prime

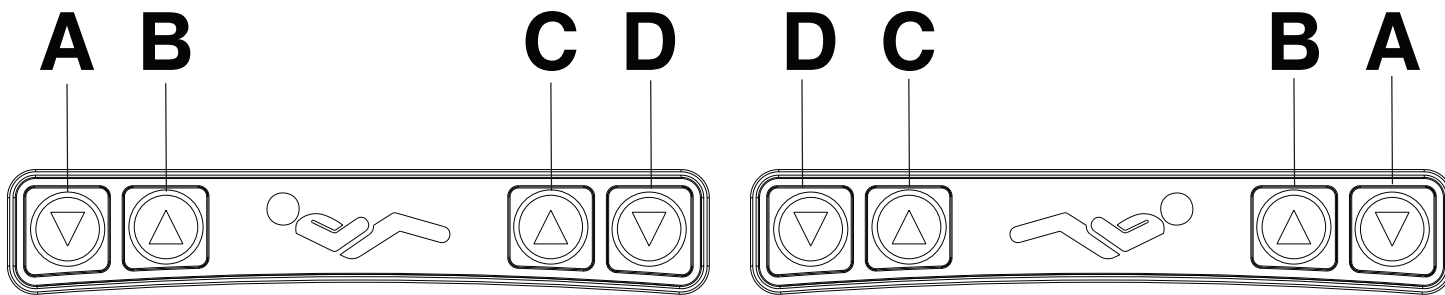
BRĪDINĀJUMS - Vienmēr manipulējiet šo izstrādājumu tikai tad, kad visi operatori atrodas atstatus no mehānismiem.

Izmantojiet sānu balsta pacienta vadības paneli, lai pozicionētu Faulera muguras atbalstu un locīklu (Attēls 13).

Veselības aprūpes speciālistiem obligāti jāinstruē pacienti par pacientiem paredzēto vadības elementu lietošanu.

Piezīme

- Vienmēr pievienojiet strāvas vadu pie slimnīcas klases sienas kontaktozetes ar zemējumu.
- Sānu balsta pacienta vadības panelis ir novietots abās izstrādājuma pusēs ar savstarpēju nobīdi, lai pacientam atvieglotu piekļuvi.
- Katram sānu balstam ir izgaismotas vadīklas, kas ļauj pacientam pozicionēt Faulera muguras atbalstu un locīklu. Kad izstrādājums ir pievienots strāvas padevei un pacienta vadības panelis ir atbloķēts, baltās pogas ir izgaismotas.



Attēls 13 – Sānu balsta pacienta vadības panelis

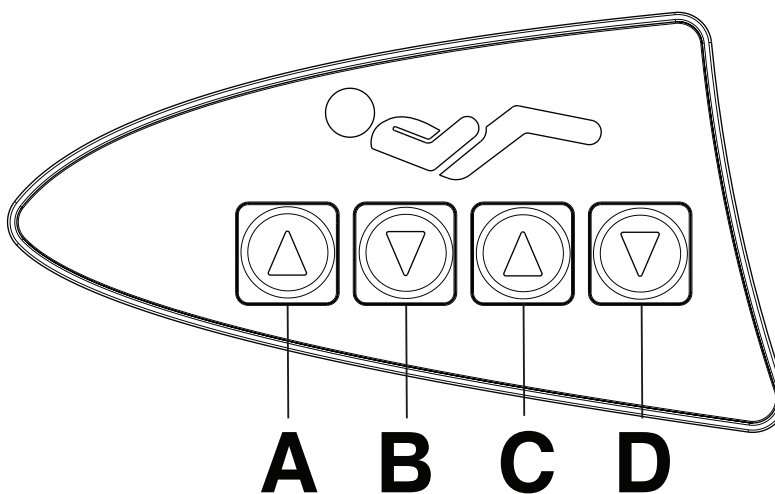
A	Nolaist Faulera atbalstu	Nolaiž Faulera atbalstu (galvas daļa)
B	Pacelt Faulera atbalstu	Paceļ Faulera atbalstu (galvas daļa)
C	Pacelt locīklu	Paceļ locīklu (kāju daļa)
D	Nolaist locīklu	Nolaiž locīklu (kāju daļa)

Operatora vadības panelis — papildu izvēles elektriskā gulta — tikai Prime

BRĪDINĀJUMS - Vienmēr manipulējiet šo izstrādājumu tikai tad, kad visi operatori atrodas atstātus no mehānismiem.

Lai pielāgotu pacienta pozīciju uz izstrādājuma, izmantojiet operatora vadības paneli (Attēls 14).

Piezīme - Vienmēr pievienojiet strāvas vadu pie slimnīcas klases sienas kontaktrozetes ar zemējumu.



Attēls 14 – Operatora vadības panelis — papildu izvēles elektriskā gulta

A	Pacelt Faulera atbalstu	Paceļ Faulera muguras atbalstu
B	Nolaist Faulera atbalstu	Nolaiž Faulera muguras atbalstu
C	Pacelt locīklu	Paceļ locīklu
D	Nolaist locīklu	Nolaiž locīklu

Pacienta vadības paneļa bloķētāja bloķēšana un atbloķēšana — papildu izvēles elektriskā gulta — tikai Prime

BRĪDINĀJUMS - Vienmēr manipulējiet šo izstrādājumu tikai tad, kad visi operatori atrodas atstātus no mehānismiem.

Lai bloķētu sānu balsta pacienta vadības paneli, vienu reizi nospiediet **Unlock/Lock** (Atbloķēt/bloķēt) (A) (Attēls 15).

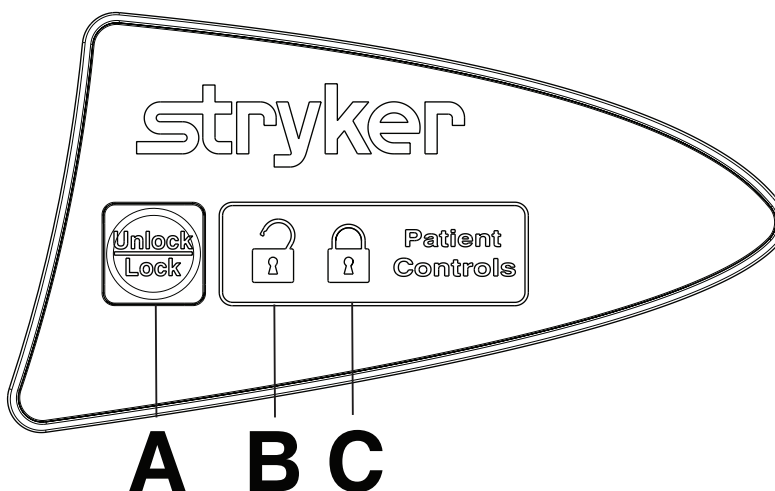
Piezīme - Kad pacienta vadīklas ir bloķētas, bloķēšanas ikona (C) iedegas dzintara krāsā.

Lai atbloķētu sānu balsta pacienta vadības paneli, vēlreiz nospiediet **Unlock/Lock** (Atbloķēt/bloķēt) (A).

Piezīme - Kad pacienta vadīklas ir atbloķētas, atbloķēšanas ikona (B) iedegas zaļā krāsā.

Piezīme

- Vienmēr pievienojiet strāvas vadu pie slimnīcas klases sienas kontaktrozetes ar zemējumu.
- Jūs varat bloķēt pacienta vadības paneli, lai neļautu pacientam kustināt muguras atbalstu un locīklu.
- Sānu balstu pacienta vadības panelis nav izgaismots, kad pacienta vadības panelis ir bloķēts.



Attēls 15 – Pacienta vadības paneļa bloķētājs

Faulera muguras atbalsta pacelšana vai nolaišana — neelektriskā gulta

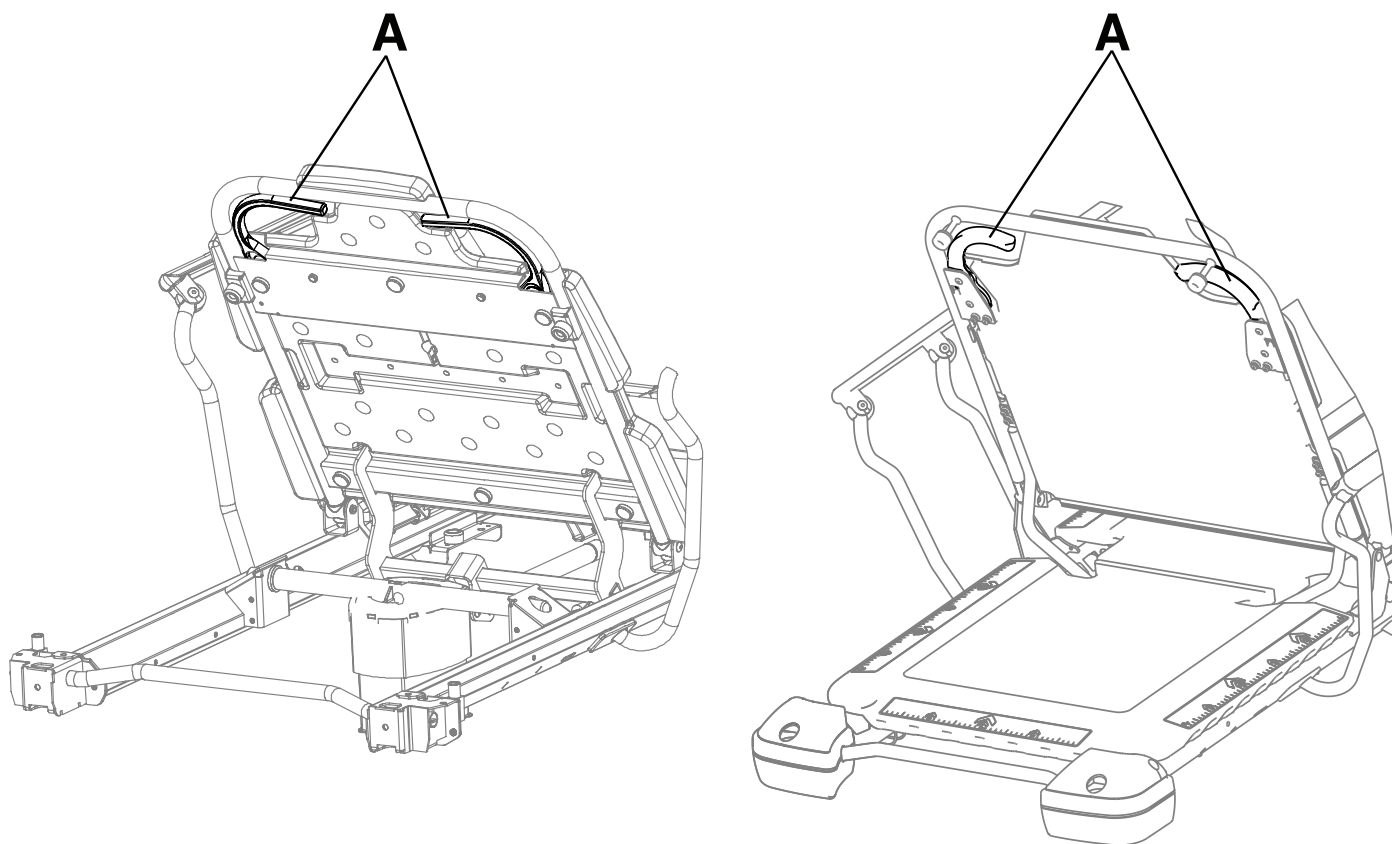
BRĪDINĀJUMS

- Vienmēr manipulējiet šo izstrādājumu tikai tad, kad visi operatori atrodas atstātus no mehānismiem.
- Vienmēr turiet rokas un pirkstus atstātus no Faulera muguras atbalsta atbrīvošanas rokturiem un Faulera muguras atbalsta rāmja, kad nolaižat Faulera muguras atbalstu.
- Paceļot Faulera muguras atbalstu, kad pacients atrodas uz izstrādājuma, vienmēr rīkojieties ar piesardzību. Izmantojiet pareizus ceļšanas paņēmienus un, ja nepieciešams, pieaiciniet palīgus.

Lai paceltu Faulera muguras atbalstu, saspiediet vienu vai abus Faulera muguras atbalsta atbrīvošanas rokturus (A) un pavelciet Faulera muguras atbalstu uz augšu līdz vēlamajam stāvoklim (no 0° līdz 90°) (Attēls 16).

Piezīme - **Lift Assist**® muguras atbalsts izmanto pacienta svaru, lai palīdzētu pozicionēt pacientu. Tāpat **Lift Assist** muguras atbalsts palīdz pasargāt pacientu no slīdēšanas virzienā uz izstrādājuma kājgali, kad tiek pacelts Faulera muguras atbalsts.

Lai nolaistu Faulera muguras atbalstu, saspiediet vienu vai abus Faulera muguras atbalsta atbrīvošanas rokturus (A) un spiediet Faulera muguras atbalstu uz leju līdz vēlamajam stāvoklim (no 90° līdz 0°) (Attēls 16).



Attēls 16 – Faulera muguras atbalsta pacelšana vai nolaišana (Prime/Prime X)

Faulera muguras atbalsta pacelšana vai nolaišana — papildu izvēles elektriskā gulta

BRĪDINĀJUMS

- Vienmēr manipulējiet šo izstrādājumu tikai tad, kad visi operatori atrodas atstatu no mehānismiem.
- Vienmēr turiet rokas un pirkstus atstatu no Faulera muguras atbalsta atbrīvošanas rokturiem un Faulera muguras atbalsta rāmja, kad nolaižat Faulera muguras atbalstu.
- Paceļot Faulera muguras atbalstu, kad pacients atrodas uz izstrādājuma, vienmēr rīkojieties ar piesardzību. Izmantojiet pareizus celšanas paņēmienus un, ja nepieciešams, pieaiciniet palīgus.

Lai paceltu Faulera muguras atbalstu, nospiediet pogu **augšup** sānu balsta pacienta vadības paneļa (*Izstrādājuma pozicionēšana ar sānu balsta pacienta vadības paneli — papildu izvēles elektriskā gulta — tikai Prime* (lpp. 23)) vai kājgaļa operatora vadības paneļa (*Operatora vadības panelis — papildu izvēles elektriskā gulta — tikai Prime* (lpp. 24)) Faulera muguras atbalsta pusē, līdz Faulera muguras atbalsts sasniedz vēlamo leņķi (no 0° līdz 70°).

Piezīme - Lift Assist muguras atbalsts izmanto pacienta svaru, lai palīdzētu pozicionēt pacientu. Tāpat **Lift Assist** muguras atbalsts palīdz pasargāt pacientu no slīdēšanas virzienā uz izstrādājuma kājgali, kad tiek pacelts Faulera muguras atbalsts.

Lai nolaistu Faulera muguras atbalstu, nospiediet pogu **lejup** sānu balsta pacienta vadības paneļa (*Izstrādājuma pozicionēšana ar sānu balsta pacienta vadības paneli — papildu izvēles elektriskā gulta — tikai Prime* (lpp. 23)) vai kājgaļa operatora vadības paneļa (*Operatora vadības panelis — papildu izvēles elektriskā gulta — tikai Prime* (lpp. 24)) Faulera muguras atbalsta pusē, līdz Faulera muguras atbalsts sasniedz vēlamo leņķi (no 70° līdz 0°).

Piezīme - Vienmēr pievienojiet strāvas vadu pie slimnīcas klases sienas kontaktrozetes ar zemējumu.

Veselības aprūpes speciālistiem obligāti jāinstruē pacienti par pacientiem paredzēto vadības elementu lietošanu.

Locīklas pacelšana vai nolaišana — neelektriskā gulta — tikai Prime

BRĪDINĀJUMS - Nolaižot locīklu, vienmēr noņemiet rokas un pirkstus no kājgaļa stumšanas rokturiem.

UZMANĪBU!

- Locīklas svara izturība ir 200 mārciņas (90,7 kg).
 - Pirms lietošanas vienmēr raugieties, lai locīklas balsts ir nostiprināts.
 - Nesēdīet un nestāviet uz locīklas.
-

Lai paceltu neelektrisko locīklu, cikliski virziet locīklas sūkņa rokturi pa kreisi, līdz sasniedzat vēlamo pozīciju (skatiet *Izstrādājuma ilustrācija — Prime gulta*).

Paceliet locīklas galu un iestipriniet balsta stieni turētājā.

Lai atbrīvotu balsta stieni, paceliet locīklas galu, nolokiet balsta stieni virzienā uz izstrādājuma galvgali un nolaidiet kājgali.

Lai nolaištu locīklu, velciet locīklas atbrīvošanas rokturi, līdz sasniedzat vēlamo pozīciju (skatiet *Izstrādājuma ilustrācija — Prime gulta*).

Piezīme - Jūs nevarat pacelt locīklu manuāli, ja izstrādājums ir aprīkots ar papildu izvēles elektrisko gultu.

Locīklas pacelšana vai nolaišana — papildu izvēles elektriskā gulta — tikai Prime

BRĪDINĀJUMS

- Nolaižot locīklu, vienmēr noņemiet rokas un pirkstus no kājgaļa stumšanas rokturiem.
 - Vienmēr manipulējiet šo izstrādājumu tikai tad, kad visi operatori atrodas atstātus no mehānismiem.
-

UZMANĪBU!

- Locīklas svara izturība ir 200 mārciņas (90,7 kg).
 - Nesēdīet un nestāviet uz locīklas.
 - Vienmēr rīkojieties piesardzīgi, kad mēģināt nolaist locīklu, kamēr izstrādājums nav pieslēgts pie strāvas. Gravitācija var izraisīt strauju locīklas nokrišanu.
-

Lai paceltu locīklu, sānu balsta pacienta vadības paneļa vai kājgaļa operatora vadības paneļa locīklas pusē nospiediet pogu **augšup**.

Lai nolaištu locīklu, sānu balsta pacienta vadības paneļa vai kājgaļa operatora vadības paneļa locīklas pusē nospiediet pogu **lejup**.

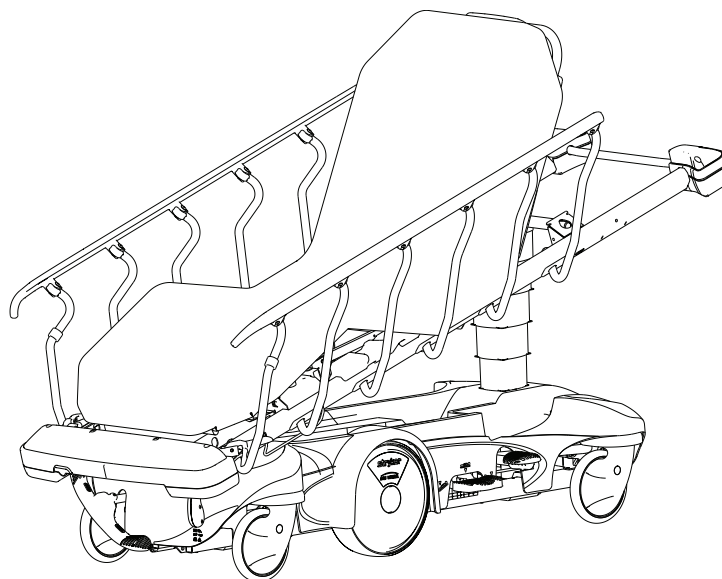
Piezīme - Vienmēr pievienojiet strāvas vadu pie slimnīcas klases sienas kontaktrozetes ar zemējumu.

Veselības aprūpes speciālistiem obligāti jāinstruē pacienti par pacientiem paredzēto vadības elementu lietošanu.

Atvaseļošanās krēsla pozicionēšana — tikai Prime

BRĪDINĀJUMS - Vienmēr manipulējiet šo izstrādājumu tikai tad, kad visi operatori atrodas atstātus no mehānismiem.

Lai novietotu izstrādājumu atvaseļošanās krēsla pozīcijā, veiciet tālāk norādītās darbības (Attēls 17).



Attēls 17 – Atveseļošanās krēsls (attēlā 1115 modelis)

1. Paceliet Faulera muguras atbalstu sēdus pozīcijā (*Faulera muguras atbalsta pacelšana vai nolaišana — neelektriskā gulta* (lpp. 25) vai *Faulera muguras atbalsta pacelšana vai nolaišana — papildu izvēles elektriskā gulta* (lpp. 26)).

Piezīme - Lai pozicionētu atveseļošanās krēslu, izstrādājumam nepieciešams papildu izvēles **Lift Assist** muguras atbalsts un papildu izvēles locīkla.

2. Paceliet locīklu līdz maksimālajam augstumam (*Locīklas pacelšana vai nolaišana — neelektriskā gulta — tikai Prime* (lpp. 27) vai *Locīklas pacelšana vai nolaišana — papildu izvēles elektriskā gulta — tikai Prime* (lpp. 27)).
3. Paceliet gultas pamatni tās augstākajā pozīcijā (*Neelektriskās gultas pacelšana* (lpp. 17) vai *Papildu izvēles elektriskās gultas pacelšana* (lpp. 18)).
4. Novietojiet izstrādājumu apgrieztā Trendelenburga pozīcijā (*Izstrādājuma novietošana apgrieztā Trendelenburga pozīcijā* (lpp. 19)).
5. Lai nolaistu izstrādājumu horizontāli, veiciet darbības apvērsta secībā.

Priekšmetu uzglabāšana pamatnes pārsegā

UZMANĪBU!

- Neievietojiet priekšmetus, kuru svars pārsniedz 60 mārciņas (27 kg), pamatnes pārsegā.
- Nesēdīet, nekāpiet un nestāviet uz pamatnes pārsega.

Pamatnes pārsegā varat uzglabāt pacienta mantas. Neizmantojiet skābekļa balona turētāja izgriezumu, lai uzglabātu skābekļa balonus vai pacienta personīgās mantas.

Ierīču iekarināšana ar papildu izvēles sūkņa statīvu

BRĪDINĀJUMS

- Ierīces līnijas uz sūkņa statīva vienmēr turiet atstātus no locīklas rokturiem.
- Pirms gultas pacelšanas vai nolaišanas vienmēr novāciet visas ierīces, kas var būt ceļā.
- Vienmēr raugieties, lai ierīces uz sūkņa statīva var droši izvadīt cauri durvju ailēm.
- Neizmantojiet sūkņa statīvu izstrādājuma celšanai.

UZMANĪBU!

- Sūkņa statīva svara izturība ir 40 mārciņas (18 kg).

- Neizmantojiet sūkņa statīvu kā stumšanas/vilkšanas ierīci. Izstrādājums var tikt sabojāts.

Jūs varat uzglabāt vai pakārt papildu ierīces uz sūkņa statīva, kas atrodas izstrādājuma kājgalī.

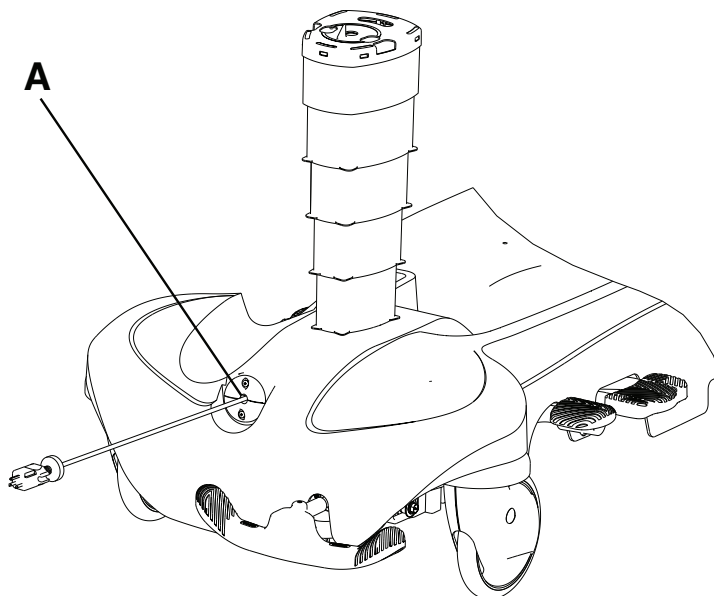
Piezīme - Papildu izvēles sūkņa statīvs ir jāatlasa izstrādājuma iegādes laikā.

Strāvas vada izvilkšana vai ievilkšana, izmantojot papildu izvēles ievilkamo vada spoli — papildu izvēles elektriskais pacēlājs vai papildu izvēles elektriskā gulta

BRĪDINĀJUMS

- Pirms izstrādājuma pārvietošanas vai tīrīšanas vienmēr atvienojiet strāvas vadu no sienas kontaktrozetes.
- Pārvietojot izstrādājumu, vienmēr izmantojiet ievilkamo vada spoli, lai ievietotu strāvas vadu izstrādājuma pamatnē.

Lai izvilktu strāvas vadu, velciet strāvas vadu no ievilkamās vada spoles (A) līdz vēlamajam garumam (Attēls 18).



Attēls 18 – ievilkamā vada spole

Lai ievilktu strāvas vadu, veiciet tālāk norādītās darbības.

1. Atvienojiet strāvas vadu no sienas kontaktrozetes.
2. Cieši pavelciet strāvas vadu.
3. Ievadiet strāvas vadu ievilkamajā vada spolē.

Papildu izvēles svaru sistēma

BRĪDINĀJUMS - Nelietojiet papildu izvēles svaru sistēmu vai elektrisko pacēlāju, vai elektrisko gultu, ja ierīce ir novietota blakus vai uz/zem citām ierīcēm. Ja ir nepieciešama lietošana blakus vai uz/zem citām ierīcēm, papildu izvēles svaru sistēma vai elektriskais pacēlājs, vai elektriskā gulta ir jāuzrauga, lai pārlicinātos, ka visas ierīces konfigurācijā, kurā tās tiks lietotas, darbojas normāli.

UZMANĪBU! - Neizmantojiet svarus pacientiem, kuru svars ir zem 50 mārciņām (22,7 kg).

Papildu izvēles svaru sistēma ir pieejama izstrādājumiem ar papildu izvēles elektrisko gultu un bez tās. Papildu izvēles svaru sistēmai ir papildu izvēles rezerves akumulators. Gaidstāves ikona parāda, kad izstrādājums izmanto rezerves akumulatoru.

Chaperone opcija ļauj iestatīt zonu vadību, lai brīdinātu operatoru, kad pacients mēģina izkļūt no izstrādājuma. **Chaperone** opcija ir pieejama izstrādājumiem ar papildu izvēles elektrisko gultu un papildu izvēles svaru sistēmu. Papildu izvēles svaru sistēmai ar **Chaperone** opciju ir papildu izvēles rezerves akumulators. Gaidstāves ikona parāda, kad izstrādājums izmanto rezerves akumulatoru.

Pirms papildu izvēles svaru sistēmas darbināšanas paceliet kājgaļa stumšanas rokturus.

Lai darbinātu papildu izvēles svaru sistēmu, izmantojiet svaru sistēmas vadības paneli (*Svaru ikonu/pogu identifikācija* (lpp. 30)).

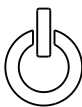






Nepieskarieties izstrādājumam, kamēr jūs veicat svēršanu vai iestatāt papildu izvēles svaru sistēmu uz nulli.

Kamēr sistēma veic svēršanu, pacientam ir jābūt nekustīgam. Ja pacients kustas, svaru sistēma 20 sekundes mēģinās iegūt stabilu svara mērījumu vai nulles vērtību pirms kļūdas ziņojuma parādīšanas (⚠).

Kļūda (⚠) parādās ekrānā, ja zūd savienojums vai svāri nedarbojas. Ja darbināt svarus vēlreiz un parādās kļūda, sazinieties ar Stryker tehniskā atbalsta dienestu.

Piezīme - Lai atbilstu svaru sistēmas precizitātes apgalvojumam, pacienta virsmai jābūt guļus pozīcijā (Faulera muguras balsts un locīkla ir nolaisti) un izstrādājums nedrīkst pārsniegt 5 grādus Trendelenburga/apgrieztajā Trendelenburga pozīcijā.

Svaru ikonu/pogu identifikācija

Vie-nums	Ikona/poga	Nosaukums	Apraksts
A		Gaidstāves ikona	Iedegas zaļa, kad pievienojat strāvas vadu sienas kontaktrozetei. Iedegas dzintara krāsā, kad atvienojat strāvas vadu no sienas kontaktrozetes. Ieslēgsies akumulatora rezerves enerģijas padeves funkcija.
B		1. zonas ikona	Pacients var brīvi kustēties, bet, pacientam mēģinot atstāt izstrādājumu, skan trauksmes signāls.
C		2. zonas ikona	Pacienta kustības ir ierobežotas. Trauksmes signāls skan, kad pacients tuvojas sānu balstiem vai virzās uz kājgali.
D		Poga Arm/Disarm (Aktivizēt/deaktivizēt)	Aktivizē un deaktivizē Chaperone opciju (nokāpšana no nestuvēm). Skatīt <i>Chaperone opcijas aktivizēšana vai deaktivizēšana</i> (lpp. 31).
E		Poga Weigh (Svērt)	Nosver pacientu. Skatīt <i>Pacienta svēršana</i> (lpp. 31).
F		Poga lb/kg (Mārciņas/kg)	Maina attēloto mērvienību. Skatīt <i>Svaru mērvienības bloķēšana</i> (lpp. 31).
G		Poga Zero (Nullēt)	Iestata svaru iestatījumus uz nulli. Skatīt <i>Svaru mērvienības bloķēšana</i> (lpp. 31).

Pacienta svēšana

UZMANĪBU! - Neizmantojiet svaru sistēmas rādījumus kā atsauci medicīniskai ārstēšanai.

1. Pirms papildu izvēles svaru sistēmas darbināšanas paceliet kājgaļa stumšanas rokturus.
2. Lai iestatītu svarus uz nulli, nospiediet un turiet nospiešanu pogu **Zero** (Nullēt), līdz ekrānā parādās **rel** (Atbrīvot). Ekrānā mirgo **000.0** un tad pārstāj mirgot.

Piezīme - Svari nav gatavi lietošanai, kamēr **000.0** nav pārstājis mirgot.

3. Novietojiet pacientu uz izstrādājuma.
4. Lai atlasītu mērvienību (mārciņas vai kg), nospiediet pogu **lb/kg** (Mārciņas/kg).
5. Lai noteiktu pacienta svaru, nospiediet pogu **Weigh** (Svērt).

Piezīme - Pacienta svars tiek parādīts 40 sekundes.

Svaru mērvienības bloķēšana

1. Nospiediet un turiet nospiešanas pogas **Weigh** (Svērt), **lb/kg** (Mārciņas/kg) un **Zero** (Nullēt), līdz parādās **diag** (Diagnostika).
2. Nospiediet **lb/kg** (Mārciņas/kg) vai **Zero** (Nullēt), lai pārslēgtos uz **Unit Loc** (Mērvienības fiksēšana).
3. Svariem bez **Chaperone** nospiediet un turiet nospiešanas pogas **lb/kg** (Mārciņas/kg) un **Zero** (Nullēt), līdz parādās **rel** (Atbrīvot), lai atlasītu **Unit Loc** (Mērvienības fiksēšana).
4. Svariem ar **Chaperone** nospiediet un turiet nospiešanas pogas **lb/kg** (Mārciņas/kg) un **Zero** (Nullēt), lai atlasītu **Unit Loc** (Mērvienības fiksēšana).
5. Nospiediet **lb/kg** (Mārciņas/kg) vai **Zero** (Nullēt), lai pārslēgtos uz **lb** (Mārciņas), **kg** vai **Any** (Jebkurš).
6. Nospiediet un atlaidiet **lb/kg** (Mārciņas/kg) un **Zero** (Nullēt). Parādās **Only** (Tikai) un atlasītā mērvienība.

Piezīme - **Only** (Tikai) neparādīsies, ja atlasīsiet **Any** (Jebkurš).

7. Nospiediet un turiet nospiešanu pogu **Weigh** (Svērt), līdz parādās **quit** (Iziet).
8. Nospiediet un turiet nospiešanu pogu **Zero** (Nullēt), līdz parādās **rel** (Atbrīvot). Ekrānā mirgo **000.0** un tad pārstāj mirgot.

Piezīme - Svari nav gatavi lietošanai, kamēr **000.0** nav pārstājis mirgot.

Chaperone opcijas aktivizēšana vai deaktivizēšana

Kad **Chaperone** opcija ir aktivizēta, tā uzrauga pacienta pozīciju uz izstrādājuma.

Lai aktivizētu vai deaktivizētu **Chaperone** opciju, veiciet tālāk norādītās darbības.

1. Kad pacients atrodas uz izstrādājuma, nospiediet pogu **Arm/Disarm** (Aktivizēt/deaktivizēt).

Piezīme - Tas aktivizē 1. zonu. Kad aktivizēta, 1. zona izgaismojas dzintara krāsā.

2. Lai aktivizētu 2. zonu, 3 sekunžu laikā divas reizes nospiediet pogu **Arm/Disarm** (Aktivizēt/deaktivizēt).

Piezīme - Tas aktivizē 2. zonu. Kad aktivizēta, 2. zona izgaismojas dzintara krāsā.

3. Lai deaktivizētu **Chaperone** opciju, nospiediet un turiet nospiešanu pogu **Arm/Disarm** (Aktivizēt/deaktivizēt).

Piezīme - Pirms **Chaperone** opcijas aktivizēšanas svāri ir jāiestata uz nulli.

Piezīme - Ja pacients izvērās ārpus atlasītās zonas robežām, mirgo dzintara krāsas lampiņa, papildu izvēles svaru sistēmas displejā mirgo **Alrt** (Trauksme) un atskan trauksmes signāls.

Chaperone opcijas trauksmes signāla iestatīšana

Lai mainītu **Chaperone** opcijas trauksmes signāla kombināciju, veiciet tālāk norādītās darbības.

1. Nospiediet un aptuveni 6 sekundes turiet vienlaikus nospiešanas pogas **Arm/Disarm** (Aktivizēt/deaktivizēt) un **Weigh** (Svērt). Ignorējiet visus ekrāna paziņojumus, līdz ekrānā parādās **Ptrn** (Kombinācija) (*Svaru ikonu/pogu identifikācija* (lpp. 30)).
2. Atlaidiet pogas **Arm/Disarm** (Aktivizēt/deaktivizēt) un **Weigh** (Svērt).
Piezīme - Ekrānā parādās kombinācijas iestatījums **P (1-10)**.
3. Spiediet pogas **Arm/Disarm** (Aktivizēt/deaktivizēt) vai **Weigh** (Svērt), lai pārslēgtu starp kombināciju iespējām.
Piezīme - Pārslēdzot starp kombināciju iespējām, tiek atskaņots īss signāla kombinācijas paraugs.
4. Lai saglabātu atlasīto kombināciju, nospiediet un 6 sekundes turiet vienlaikus nospiešanas pogas **Arm/Disarm** (Aktivizēt/deaktivizēt) un **Weigh** (Svērt), līdz ekrānā parādās **set** (Iestatīts).
5. Atlaidiet pogas **Arm/Disarm** (Aktivizēt/deaktivizēt) un **Weigh** (Svērt).
Piezīme - Ekrānā parādās atlasītais kombinācijas iestatījums. Īss signāla kombinācijas paraugs apstiprina iestatīto kombināciju.

Chaperone opcijas trauksmes signāla skaļuma iestatīšana

Lai mainītu **Chaperone** opcijas trauksmes signāla skaļumu, veiciet tālāk norādītās darbības.

1. Nospiediet un turiet vienlaikus nospiešanas pogas **Zero** (Nullēt) un **Ib/kg** (Mārciņas/kg), līdz ekrānā parādās **vol** (Skaļums) (*Svaru ikonu/pogu identifikācija* (lpp. 30)).
2. Atlaidiet pogas **Zero** (Nullēt) un **Ib/kg** (Mārciņas/kg).
Piezīme - Ekrānā parādās skaļuma līmeņi **L (1-4)**.
3. Spiediet pogu **Zero** (Nullēt) vai **Ib/kg** (Mārciņas/kg), lai pārslēgtu starp skaļuma līmeņiem.
Piezīme - Pārslēdzot starp skaļuma līmeņiem, tiek atskaņots īss signāla skaļuma paraugs.
4. Lai saglabātu atlasīto skaļuma līmeni, nospiediet un 6 sekundes turiet vienlaikus nospiešanas pogas **Zero** (Nullēt) un **Ib/kg** (Mārciņas/kg), līdz ekrānā parādās **set** (Iestatīts).
5. Atlaidiet pogas **Zero** (Nullēt) un **Ib/kg** (Mārciņas/kg).
Piezīme - Ekrānā parādās atlasītais skaļuma līmenis. Īss signāla skaļuma paraugs apstiprina iestatīto skaļuma līmeni.

Papildu izvēles svaru sistēmas akumulatora lādēšana — papildu izvēles elektriskais pacēlājs vai papildu izvēles elektriskais pacēlājs ar Chaperone opciju — tikai Prime

Svaru sistēmai ar papildu izvēles elektrisko gultu nepieciešams viens 10,8 V litija jonu akumulators (0058-135-000 bez **Chaperone** opcijas; 0058-134-000 ar **Chaperone** opciju). Kad akumulatora uzlādes indikators rāda vienu atlikušo vienību, uzlādējiet akumulatoru. Tas novērš papildu izvēles svaru sistēmas izslēgšanos tukša akumulatora dēļ.

Lai uzlādētu svaru sistēmas litija jona akumulatoru, pievienojiet strāvas vadu slimnīcas klases sienas kontaktrozetei ar zemējumu. Akumulators pilnībā uzlādējas aptuveni trīs stundu laikā.

Piezīme - Kad izstrādājums netiek izmantots, vienmēr pievienojiet to pie slimnīcas klases sienas kontaktrozetes ar zemējumu. Tas palīdz uzturēt pietiekamu akumulatora uzlādes līmeni un maksimāli paaugstina izstrādājuma veiktspēju, kad tas darbojas ar akumulatora jaudu.

Papildu izvēles svaru sistēmas bateriju nomaina — neelektriskā gulta

Kad akumulatora uzlādes indikators rāda vienu atlikušo vienību, nomainiet baterijas. Tas novērš papildu izvēles svaru sistēmas izslēgšanos tukša akumulatora dēļ.

Kad ekrānā mirgo paziņojums **Lo batt** (Zems uzlādes līmenis), baterijām ir zemākais uzlādes līmenis un papildu izvēles svaru sistēma ir atspējota.

Nepieciešamie darbarīki:

- Phillips skrūvgriezis;

- Četras AA baterijas (sārmu (LR6)).

Lai nomainītu baterijas, veiciet tālāk norādītās darbības.

1. Izmantojot Phillips skrūvgriezi, atskrūvējiet skrūves, kas notur bateriju nodalījuma vāku pie ekrāna korpusa.
2. Izņemiet un izmetiet visas četras AA baterijas.

Piezīme - Vienmēr izmetiet vecās baterijas saskaņā ar vietējiem noteikumiem.

3. Ievietojiet četras jaunas AA baterijas, kā norādīts bateriju turētājā.

Piezīme - Nekad nelietojiet kopā vecas baterijas ar jaunām baterijām.

4. Izmantojiet 1. darbībā izņemtās skrūves, lai piestiprinātu bateriju nodalījuma vāku pie ekrāna korpusa.

Piederumi un daļas

Lietošanai ar jūsu izstrādājumu var būt pieejami šādi piederumi. Apstipriniet pieejamību atbilstoši jūsu rīcībā esošajai konfigurācijai vai reģionam. Sazinieties ar Stryker klientu atbalsta dienestu: 1-800-327-0770.

Nosaukums	Daļas numurs
Defibrilatora paplāte	1105-045-200
Defibrilatora paplāte/kāju pagarinājums	1105-045-400
Pēdu atbalsts/pierakstu turētājs	1105-045-500
Papēžu polsteru komplekts	1105-045-022
IV kronšteins	0785-155-000
HAVASU™ IV statīvs, noņemams	0390-025-000
IV statīvs, trīs posmu, kājgalim, kreisais, 26" (66 cm)	1105-035-644
IV statīvs, trīs posmu, kājgalim, labais, 26" (66 cm)	1105-035-639
IV statīvs, trīs posmu, kājgalim, kreisais, 30" (76 cm)	1105-035-344
IV statīvs, trīs posmu, kājgalim, labais, 30" (76 cm)	1105-035-339
IV statīvs, trīs posmu, kājgalim, kreisais, 30" (76 cm) (Prime X opcija)	1105-035-364
IV statīvs, trīs posmu, kājgalim, labais, 30" (76 cm) (Prime X opcija)	1105-035-361
IV statīvs, trīs posmu, galvgalim, kreisais, 26" (66 cm)	1105-035-642
IV statīvs, trīs posmu, galvgalim, labais, 26" (66 cm)	1105-035-637
IV statīvs, trīs posmu, galvgalim, kreisais, 30" (76 cm)	1105-035-342
IV statīvs, trīs posmu, galvgalim, labais, 30" (76 cm)	1105-035-337
IV statīvs, trīs posmu, galvgalim, kreisais, 30" (76 cm) (Prime X opcija)	1105-035-369
IV statīvs, trīs posmu, galvgalim, labais, 30" (76 cm) (Prime X opcija)	1105-035-366
IV statīvs, divu posmu, kājgalim, kreisais, 26" (66 cm)	1105-035-640
IV statīvs, divu posmu, kājgalim, labais, 26" (66 cm)	1105-035-643

Nosaukums	Daļas numurs
IV statīvs, divu posmu, kājgalim, kreisais, 30" (76 cm)	1105-035-340
IV statīvs, divu posmu, kājgalim, labais, 30" (76 cm)	1105-035-343
IV statīvs, divu posmu, kājgalim, kreisais, 30" (76 cm) (Prime X opcija)	1105-035-362
IV statīvs, divu posmu, kājgalim, labais, 30" (76 cm) (Prime X opcija)	1105-035-363
IV statīvs, divu posmu, galvgalim, kreisais, 26" (66 cm)	1105-035-638
IV statīvs, divu posmu, galvgalim, labais, 26" (66 cm)	1105-035-641
IV statīvs, divu posmu, galvgalim, kreisais, 30" (76 cm)	1105-035-341
IV statīvs, divu posmu, galvgalim, labais, 30" (76 cm)	1105-035-338
IV statīvs, divu posmu, galvgalim, kreisais, 30" (76 cm) (Prime X opcija)	1105-035-367
IV statīvs, divu posmu, galvgalim, labais, 30" (76 cm) (Prime X opcija)	1105-035-368
Matracis, ComfortGel SE™ , ar ugunsdrošu barjeru, 26" (66 cm)	1805-034-601
Matracis, ComfortGel SE , ar ugunsdrošu barjeru, 30" (76 cm)	1805-034-301
Matracis, ComfortGel SE , bez ugunsdrošas barjeras, 26" (66 cm)	1805-034-600
Matracis, ComfortGel SE , bez ugunsdrošas barjeras, 30" (76 cm)	1805-034-300
Matracis, Enhanced Comfort, 3" x 26" (8 cm x 66 cm)	0785-034-613
Matracis, Enhanced Comfort, 3" x 30" (8 cm x 76 cm)	0785-034-313
Matracis, Enhanced Comfort, 4" x 26" (10 cm x 66 cm)	0785-034-623
Matracis, Enhanced Comfort, 4" x 30" (10 cm x 76 cm)	0785-034-323
Matracis, IsoFlex SE™ , ar ugunsdrošu barjeru, 30" (76 cm)	1806-034-300
Matracis, IsoFlex SE , bez ugunsdrošas barjeras, starpautisks, 30" (76 cm)	1806-034-301
Matracis, Ultra Comfort, 4" x 26" (10 cm x 66 cm)	0785-034-603
Matracis, Ultra Comfort, 4" x 30" (10 cm x 76 cm)	0785-034-303
Matracis, Ultra Comfort, 5" x 26" (13 cm x 66 cm)	0785-034-633
Matracis, Ultra Comfort, 5" x 30" (13 cm x 76 cm)	0785-034-333
Matracis, Ultra Comfort SE™ , 4" x 26" (10 cm x 66 cm)	1704-034-600
Matracis, Ultra Comfort SE , ar ugunsdrošu barjeru, starpautisks, 4" x 26" (10 cm x 66 cm)	1704-034-601
Matracis, Ultra Comfort, nestuvju pagarinājums, 4" x 26" (10 cm x 66 cm)	1105-034-609

Nosaukums	Daļas numurs
Matracis, Ultra Comfort, nestuvju pagarinājums, 4" x 30" (10 cm x 76 cm)	1105-034-309
Matracis, Ultra Comfort SE, 3" x 30" (8 cm x 76 cm)	1703-034-300
Matracis, Ultra Comfort SE, ar ugunsdrošu barjeru, 3" x 30" (8 cm x 76 cm)	1703-034-301
Matracis, Ultra Comfort SE, 4" x 30" (10 cm x 76 cm)	1704-034-300
Matracis, Ultra Comfort SE, ar ugunsdrošu barjeru, 4" x 30" (10 cm x 76 cm)	1704-034-301
Skābekļa balona turētājs, vertikāls	1115-130-000
Papildu izvēles sūkņa stienis, 30" (76 cm)	1105-045-035
Stumšanas rokturu komplekts, kājgalim, 30" (76 cm)	1105-048-030
Stumšanas rokturu komplekts, galvgalim, 30" (76 cm)	1105-048-060
Ierobežošanas siksnu komplekts	0785-045-010
Ierobežošanas siksna, potišu	0785-045-020
Ierobežošanas siksna, ķermenim	0785-045-015
Ierobežošanas siksna, plaukstu locītavai	0946-044-000
Ierobežošanas siksna, krūškurvim	1010-058-000
Pasniedzšanas paplāte	1105-045-700
Pasniedzšanas paplātes turētājs/pēdu atbalsts	1105-045-800
Sānu balstu polsteri	1001-052-000
Rentģena kasetes turētājs, laterāls	1105-045-100
Rentģena kasetes turētājs, vertikāls	1105-045-300

Elektriskās komponentes

Nosaukums	Numurs
Izpildmehānisms, Faulera	1008-012-020
Izpildmehānisms, locīklas	1008-014-020
Akumulators, litija jonu viedais akumulators (tikai svariem)	0058-135-000
Akumulators, litija jonu viedais akumulators (svariem un Chaperone)	0058-134-000
Plate, līdzstrāvas vadības iespaidshēmas plates komplekts	1008-116-800
Plate, maiņstrāvas komplekts izstrādājumam bez pacēlāja	1008-002-800
Plate, pacēlāja vadības iespaidshēmas plates komplekts	1008-002-810
Plate, svaru vadības komplekts (tikai svariem)	1008-237-850
Plate, svaru un Chaperone vadības komplekts	1008-237-840

Nosaukums	Numurs
Kondensators, 440 V maiņstrāva, 35 mikrofaradi	0059-087-000
Klaviatūra, svaru vadība (neelektriskā gulta)	1008-037-820
Klaviatūra, sānu balsta vadības panelis, kreisā	1008-011-017
Klaviatūra, sānu balsta vadības panelis, labā	1008-011-016
Klaviatūra, operatora vadības panelis	1008-015-800
Slodzes sensors (papildu izvēles svaru sistēma)	1008-037-057
Motors, sūkņa	1008-002-015
Strāvas vads, standarta	1028-146-060
Strāvas vads, starptautiskais, E tipa	1125-060-170
Strāvas vads, starptautiskais, F tipa	1125-060-180
Strāvas vads, starptautiskais, G tipa	1125-060-160
Strāvas vads, starptautiskais, I tipa	1125-060-200
Svaru bloka komplekts (neelektriskā gulta)	1070-237-020
Transformators	1008-014-857
Transformators, starptautiskais	1008-014-877

Defibrilatora paplātes piestiprināšana

BRĪDINĀJUMS

- Nenovietojiet uz defibrilatora paplātes lietas, kas sver vairāk par 30 mārciņām (14 kg). Vienmēr piesaitējiet visas ierīces, ko novietojat uz defibrilatora paplātes.
- Vienmēr esiet piesardzīgi, ja ir piestiprināta defibrilatora paplāte/kāju pagarinājums, pēdu atbalsts/pierakstu turētājs vai vertikālā skābekļa balona turētājs, lai izvairītos no pirkstu iespiešanas, kad pārvietojat kājgaļa papildu izvēles stumšanas rokturi.

Lai piestiprinātu defibrilatora paplāti, veiciet tālāk norādītās darbības.

1. Ievietojiet defibrilatora paplātes tapas atverēs izstrādājuma kājgalī.
2. Lai piestiprinātu ierīces pie defibrilatora paplātes, izmantojiet siksnu.

Piezīme

- Neizmantojiet defibrilatora paplāti kā stumšanas/vilkšanas ierīci. Izstrādājums var tikt sabojāts.
- Kad izmantojat piederumus (piemēram, defibrilatora paplāti/kāju pagarinājumu, pēdu atbalstu/pierakstu turētāju, vertikālo skābekļa balona turētāju), vienmēr paceliet kājgaļa stumšanas rokturus, citādi piederumi nefunkcionēs.

Defibrilatora paplātes/kāju pagarinājuma pārveidošana par defibrilatora paplāti

BRĪDINĀJUMS

- Nenovietojiet uz defibrilatora paplātes/kāju pagarinājuma lietas, kas sver vairāk par 30 mārciņām (14 kg). Vienmēr piesaitējiet visas ierīces, ko novietojat uz defibrilatora paplātes.
- Vienmēr esiet piesardzīgi, ja ir piestiprināta defibrilatora paplāte/kāju pagarinājums, pēdu atbalsts/pierakstu turētājs vai vertikālā skābekļa balona turētājs, lai izvairītos no pirkstu iespiešanas, kad pārvietojat kājgaļa papildu izvēles stumšanas rokturi.

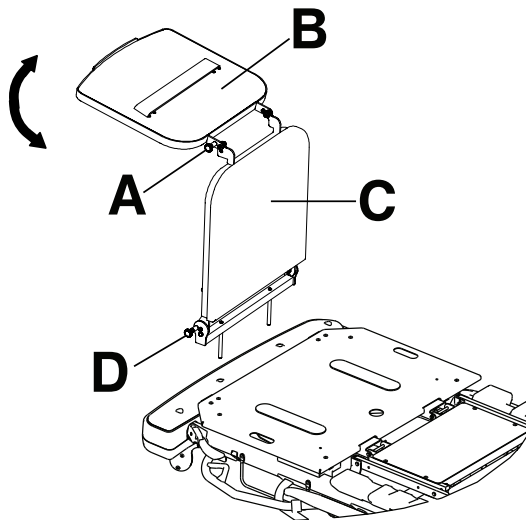
UZMANĪBU! - Pirms defibrilatora paplātes/kāju pagarinājuma piestiprināšanas izstrādājumam vienmēr paceliet IV stāfīvu. Ja nepacelsiet IV stāfīvu, kāju pagarinājums nedarbosies.

Lai pārveidotu defibrilatora paplāti/kāju pagarinājumu par defibrilatora paplāti, veiciet tālāk norādītās darbības.

1. Izvelciet augšējo sprūdu (A) (Attēls 19).
2. Atlokiet defibrilatora paplāti (B), līdz paplāte ir horizontāli virs izstrādājuma kājgaļa. Atlaidiet augšējo sprūdu (A). Pārliecinieties, ka defibrilatora paplāte ir fiksēta vietā.
3. Lai piestiprinātu ierīces pie defibrilatora paplātes, izmantojiet siksnu.

Piezīme

- Neizmantojiet defibrilatora paplāti/kāju pagarinājumu kā stumšanas/vilkšanas ierīci. Izstrādājums var tikt sabojāts.
- Nepiestipriniet lietas pie kāju pagarinājuma.



Attēls 19 – Defibrilatora paplāte/kāju pagarinājums

Defibrilatora paplātes/kāju pagarinājuma pārveidošana par kāju pagarinājumu

BRĪDINĀJUMS

- Nenovietojiet uz defibrilatora paplātes/kāju pagarinājuma lietas, kas sver vairāk par 30 mārciņām (14 kg). Vienmēr piesaitējiet visas ierīces, ko novietojat uz defibrilatora paplātes.
- Vienmēr esiet piesardzīgi, ja ir piestiprināta defibrilatora paplāte/kāju pagarinājums, pēdu atbalsts/pierakstu turētājs vai vertikālā skābekļa balona turētājs, lai izvairītos no pirkstu iespiešanas, kad pārvietojat kājgaļa papildu izvēles stumšanas rokturi.

UZMANĪBU! - Pirms defibrilatora paplātes/kāju pagarinājuma piestiprināšanas izstrādājumam vienmēr paceliet IV stāfīvu. Ja nepacelsiet IV stāfīvu, kāju pagarinājums nedarbosies.

Lai pārveidotu defibrilatora paplāti/kāju pagarinājumu par kāju pagarinājumu, veiciet tālāk norādītās darbības (Attēls 19).

1. Izvelciet augšējo sprūdu (A).
2. Nolokiet defibrilatora paplāti (B), līdz paplāte fiksējas pret kāju pagarinājumu.
3. Izvelciet apakšējo sprūdu (D), vienlaikus turot defibrilatora paplātes/kāju pagarinājuma komplektu.
4. Nolaidiet kāju pagarinājumu (C), līdz kāju pagarinājums ir horizontāli.
5. Atlaidiet apakšējo sprūdu (D). Uzspiediet uz kāju pagarinājuma, lai pārliecinātos, ka kāju pagarinājums ir fiksēts vietā.

Piezīme

- Neizmantojiet defibrilatora paplāti/kāju pagarinājumu kā stumšanas/vilkšanas ierīci. Izstrādājums var tikt sabojāts.

- Nepiestipriniet lietas pie kāju pagarinājuma.

Pēdu atbalsta/pierakstu turētāja piestiprināšana

BRĪDINĀJUMS - Vienmēr esiet piesardzīgi, ja ir piestiprināta defibrilatora paplāte/kāju pagarinājums, pēdu atbalsts/pierakstu turētājs vai vertikālā skābekļa balona turētājs, lai izvairītos no pirkstu iespiešanas, kad pārvietojat kājgaļa papildu izvēles stumšanas rokturi.

Lai piestiprinātu pēdu atbalstu/pierakstu turētāju, ievietojiet pēdu atbalsta/pierakstu turētāja tapas ligzdās izstrādājuma kājgalī.

Piezīme - Neizmantojiet pēdu atbalstu/pierakstu turētāju kā stumšanas/vilkšanas ierīci. Izstrādājums var tikt sabojāts.

IV kronšteina piestiprināšana

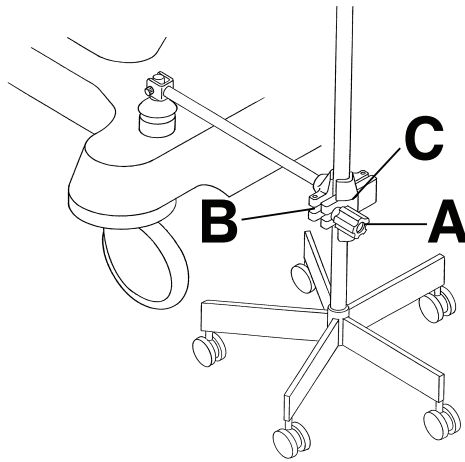
BRĪDINĀJUMS

- Pārvietojot izstrādājumu, vienmēr piestipriniet IV statīvu pie IV kronšteina.
 - Vienmēr novietojiet IV kronšteinu glabāšanā, kad to nelietojat, lai izvairītos no izstrādājuma bojājuma.
-

Lai piestiprinātu IV kronšteinu, veiciet tālāk norādītās darbības (Attēls 20).

1. Izņemiet IV kronšteinu no uzglabāšanas paplātes vai no uzglabāšanas klipša.
2. Pagrieziet IV kronšteinu vēlamajā pozīcijā.
3. Pagrieziet rokturi (A) pretpulksteniski, lai atbrīvotu stieņa skavu (C).
4. Pavērsiet rokturi (A) prom no sviras savienojuma komplekta (B).
5. Atveriet skavu (C).
6. Ievietojiet IV statīvu skavā (C).
7. Aizveriet skavu (C) ap IV statīvu un novietojiet rokturi (A) atpakaļ pozīcijā.
8. Griežiet rokturi (A) pulksteniski, lai to pievilktu.
9. Veiciet darbības pretējā secībā, lai atvienotu IV kronšteinu no izstrādājuma.

Lai novietotu IV kronšteinu uzglabāšanai, novietojiet to uz uzglabāšanas paplātes vai iestipriniet kronšteinu uzglabāšanas klipsī.



Attēls 20 – IV kronšteins

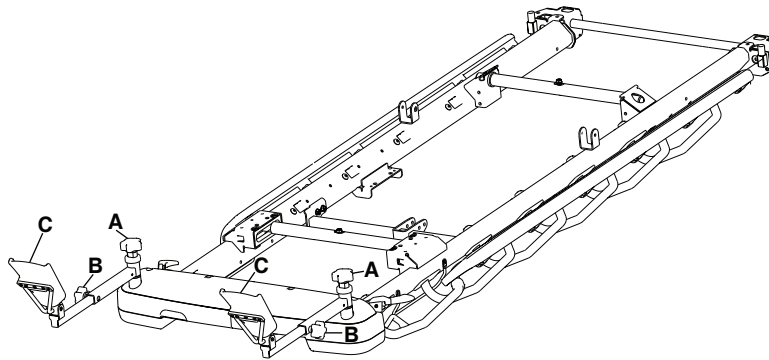
Pēdu balstu pozicionēšana vai pielocīšana — tikai Prime

BRĪDINĀJUMS

- Nesēdiet uz pēdu balstiem. Tas var izraisīt izstrādājuma apgāšanos.
- Rīkojoties ar pēdu balstiem, vienmēr turiet pirkstus atstatus no mehānismiem.
- Transportējot pacientu ar izstrādājumu, vienmēr pielokiet pēdu balstus.
- Vienmēr cieši pievelciet pēdu balstus pirms to izmantošanas.
- Neizmantojiet svaru sistēmu kopā ar pēdu balstiem. Tas var izraisīt neprecīzus mērījumus.
- Neizmantojiet **Chaperone** opciju kopā ar pēdu balstiem. Tas var izraisīt neprecīzus mērījumus.

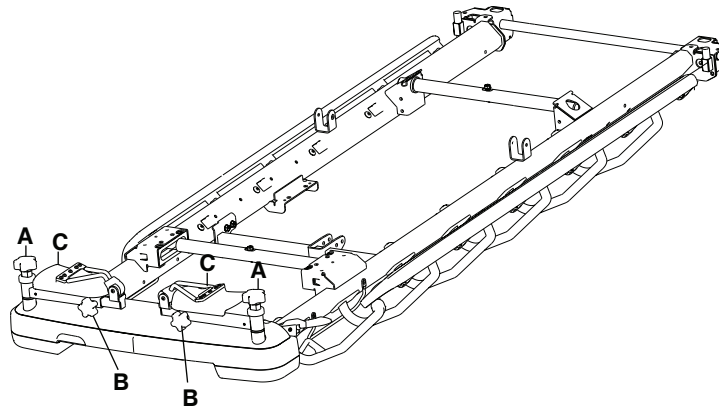
Lai pozicionētu vai pielocītu pēdu balstus, veiciet tālāk norādītās darbības.

1. Atskrūvējiet ceļa rokturi (A) pēdu balstu augšpusē, lai pielāgotu pēdu balstu sānisko leņķi (Attēls 21).
2. Pievelciet ceļa rokturi (A), lai fiksētu pēdu balstus vēlamajā pozīcijā.



Attēls 21 – Pēdu balstu pozicionēšana

3. Atskrūvējiet kājas rokturi (B) pēdu balstu sānos, lai pielāgotu garumu.
4. Pievelciet kājas rokturi (B), lai fiksētu pēdu balstus vēlamajā pozīcijā.
5. Pirms pacienta pozicionēšanas atlokiet pēdu balstus (C).
6. Lai pielocītu pēdu balstus, veiciet darbības apvērstā secībā (Attēls 22).



Attēls 22 – Pēdu balstu pielocišana

Ja izvēlaties pēdu balstus, jūs nevarat iegādāties šādas papildu izvēles un piederumus:

- Kājgaļa stumšanas rokturus;
- Defibrilatora paplāte
- Defibrilatora paplāte/kāju pagarinājums
- Pasniegšanas paplātes turētājs/pēdu atbalsts
- Pēdu atbalsts/pierakstu turētājs
- Kājgaļa IV statīvus.

Piezīme

- Neizmantojiet pēdu balstus pacienta personīgo mantu glabāšanai.
- Neizmantojiet pēdu balstus kā stumšanas/vilkšanas ierīci. Izstrādājums var tikt sabojāts.
- Izmantojot pēdu balstus, vienmēr izmantojiet bremzes, lai izvairītos no stabilitātes zuduma.
- Neizmantojiet muguras atbalstu un locīklu kopā ar pēdu balstiem.

Pastāvīgi piestiprinātā divu posmu IV statīva pozicionēšana

BRĪDINĀJUMS - Neizmantojiet IV statīvu kā stumšanas/vilkšanas ierīci. Izstrādājums var tikt sabojāts.

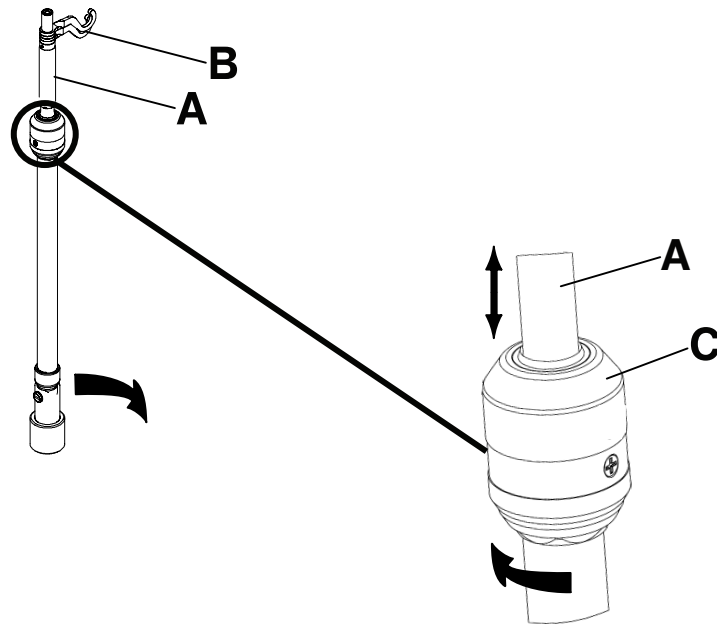
Jūs varat iegādāties izstrādājumu ar papildu izvēles divu posmu IV statīvu, kas ir pastāvīgi piestiprināts izstrādājuma galvgalī, kājgalī vai abos izstrādājuma galos. IV statīvs ir apgādāts ar teleskopisku statīvu, kas ir izvelkams, lai nodrošinātu otru augstuma stāvokli. Jūs varat salocīt un uzglabāt IV statīvu, kad tas netiek lietots.

Lai pozicionētu divu posmu IV statīvu (Attēls 23):

1. Paceliet un pagrieziet statīvu no uzglabāšanas stāvokļa.
2. Stumiet IV statīvu uz leju, līdz IV statīvs fiksējas vietā.
3. Lai palielinātu IV statīva augstumu, velciet teleskopisko daļu (A), līdz statīvs fiksējas vietā pilnībā izvirzītā stāvoklī.
4. Pagrieziet IV pakaramos (B) vēlamā stāvoklī un uzkariniet IV maisus.
5. Lai IV statīvu nolaiestu zemāk, turiet IV statīva teleskopisko daļu, pagrieziet fiksatoru (C) un nolaidiet zemāk teleskopisko daļu.

Piezīme

- Nekariet uz IV statīva IV maisus, kuru svars pārsniedz 40 mārciņas (18 kg).
- Vienmēr pārliecinieties, ka IV statīvs ir zemā augstumā, lai varētu droši izkļūt cauri durvju ailēm, kad pārvietojat pacientu.



Attēls 23 – Pastāvīgi nostiprināmā divu posmu IV statīva pozicionēšana

Pastāvīgi piestiprinātā trīs posmu IV statīva pozicionēšana

BRĪDINĀJUMS - Neizmantojiet IV statīvu kā stumšanas/vilkšanas ierīci. Izstrādājums var tikt sabojāts.

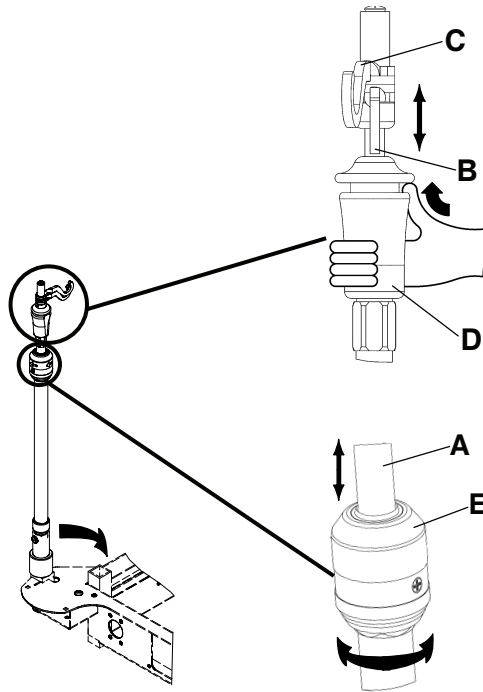
Jūs varat iegādāties izstrādājumu ar papildu izvēles trīs posmu IV statīvu, kas ir pastāvīgi piestiprināts izstrādājuma galvgalī, kājgalī vai izstrādājuma abos galos. IV statīvs ir apgādāts ar teleskopisku statīvu, kas ir izvelkams, lai nodrošinātu otro un trešo augstuma stāvokli. Jūs varat salocīt un uzglabāt IV statīvu, kad tas netiek lietots.

Lai pozicionētu trīs posmu IV statīvu, veiciet tālāk norādītās darbības (Attēls 24).

1. Paceliet un pagrieziet statīvu no uzglabāšanas stāvokļa.
2. Stumiet IV statīvu uz leju, līdz statīvs fiksējas vietā.
3. Lai palielinātu IV statīva augstumu, velciet teleskopisko daļu (A), līdz statīvs fiksējas vietā pilnībā izvirzītā stāvoklī.
4. Lai vēl pagarinātu IV statīvu, pavelciet sekciju (B). Atlaidiet sekciju (B) jebkurā vēlamajā augstumā, lai fiksētu statīvu vietā.
5. Pagrieziet IV pakaramos (C) vēlamā stāvoklī un uzkariniet IV maisus.
6. Lai IV statīvu nolaistu zemāk, pavelciet roktura (D) dzelteni daļu, vienlaikus turot sekciju (B), līdz statīvs samazina augstumu.
7. Pagrieziet fiksatoru (E) un pazeminiet stieņa teleskopisko daļu.

Piezīme

- Nekariet uz IV statīva IV maisus, ja tādējādi tiks pārsniegts visu maisu kopējais svars 12 mārciņas (5 kg).
- Uz viena IV pakaramā nekariet IV maisus, kuru svars pārsniedz 9,3 mārciņas (4,2 kg).
- Vienmēr pārliecinieties, ka IV statīvs ir zemā augstumā, lai statīvu varētu droši izvadīt cauri durvju ailēm, kad pārvietojat pacientu.



Attēls 24 – Pastāvīgi piestiprinātā trīs posmu IV statīva pozicionēšana

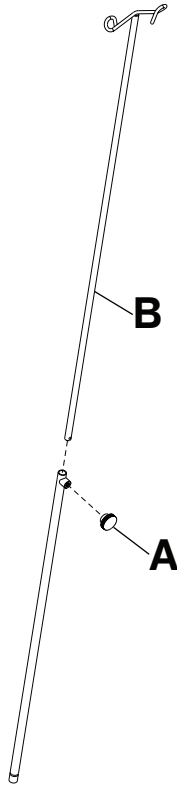
Noņemamā IV statīva piestiprināšana un pozicionēšana

UZMANĪBU!

- Neizmantojiet IV statīvu kā stumšanas/vilkšanas ierīci. Izstrādājums var tikt sabojāts.
- Nekariet uz IV statīva IV maisus, kuru svars pārsniedz 40 mārciņas (18 kg).
- Vienmēr pārlicinieties, ka IV statīvs ir zemā augstumā, lai varētu droši izkļūt cauri durvju ailēm, kad pārvietojat pacientu.

Lai piestiprinātu un pozicionētu noņemamo IV statīvu (Attēls 25):

1. Ievietojiet IV statīvu ligzdā izstrādājuma galvgalī vai kājgalī.
2. Pagrieziet kloķi (A) pretpulsteniski un izvelciet teleskopisko daļu (B), līdz sasniedzat vēlamo augstumu.
3. Pagrieziet kloķi (A) pulsteniski, lai fiksētu teleskopisko daļu vietā.



Attēls 25 – Noņemams IV statīvs

Vertikālā skābekļa balona turētāja piestiprināšana

BRĪDINĀJUMS

- Neievietojiet priekšmetus, kuru svars pārsniedz 40 mārciņas (18 kg), vertikālā skābekļa balona turētājā.
- Vienmēr esiet piesardzīgi, ja ir piestiprināta defibrilatora paplāte/kāju pagarinājums, pēdu atbalsts/pierakstu turētājs vai vertikālā skābekļa balona turētājs, lai izvairītos no pirkstu iespiešanas, kad pārvietojat kājgaļa papildu izvēles stumšanas rokturi.

Vertikālā skābekļa balona turētājs notur skābekļa balonu vertikālā stāvoklī.

Lai piestiprinātu vertikālā skābekļa balona turētāju:

1. Ievietojiet atbalsta stieni jebkurā no IV ligzdām.
2. Ievietojiet sprostapu atbalsta stieņa caurumā, lai piestiprinātu balona turētāju izstrādājumam.

Piezīme - Neizmantojiet vertikālā skābekļa balona turētāju kā stumšanas/vilkšanas ierīci. Izstrādājums var tikt sabojāts.

Pasniegšanas paplātes turētāja/pēdu atbalsta izvēršana vai sabīdīšana

BRĪDINĀJUMS - Nenovietojiet priekšmetus, kuru svars pārsniedz 30 mārciņas (14 kg), uz pasniegšanas paplātes.

Lai uzstādītu pasniegšanas paplāti sānu balstiem, izvelciet abas pasniegšanas paplātes sānu malas un nolieciet paplāti uz sānu balstiem.

Lai novietotu pasniegšanas paplāti glabāšanai, veiciet tālāk norādītās darbības.

1. Noņemiet pasniegšanas paplāti no sānu balstiem.
2. Iebīdīiet pasniegšanas paplātes abas sānu malas.
3. Ievietojiet pasniegšanas paplāti pēdu atbalstā.

Piezīme - Neizmantojiet pasniegšanas paplāti/pēdu atbalstu kā stumšanas/vilkšanas ierīci. Izstrādājums var tikt sabojāts.

Sānu balstu polsteru piestiprināšana

Lai piestiprinātu sānu balstu polsterus, veiciet tālāk norādītās darbības.

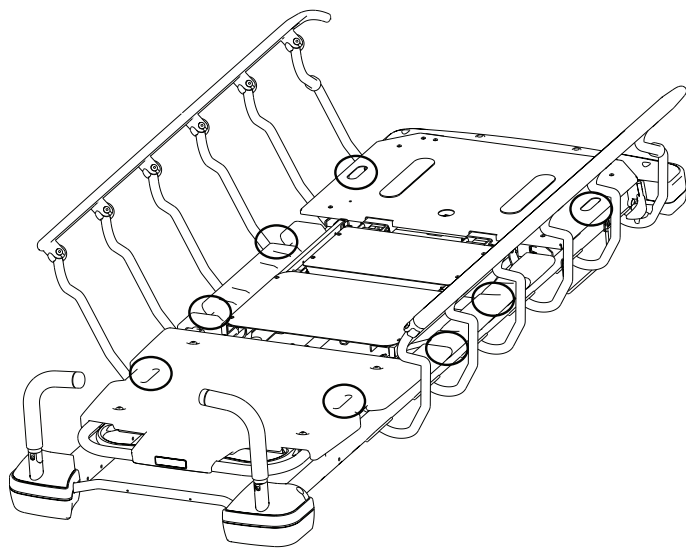
1. Ievietojiet sānu balstu polsteri starp matraci un sānu balstu.
2. Piestipriniet **Velcro®** siksnas ap sānu balsta augšpusi, lai nostiprinātu sānu balsta polsteri.

Pacienta ierobežošanas siksnu pievienošanas vietu atrašana

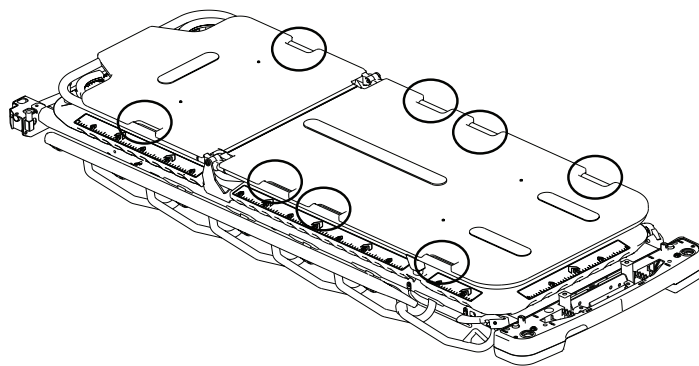
BRĪDINĀJUMS

- Vienmēr esiet uzmanīgi, kad piestiprināt ierobežošanas siksnas. Var rasties pacienta vai operatora ievainojums. Fiziskie ierobežojumi, pat ja tie ir nodrošināti, var izraisīt nopietnu kaitējumu pacientiem un operatoriem, ieskaitot sapīšanos, iesprūšanu, fizisku traumu vai nāvi.
- Vienmēr piestipriniet ierobežošanas siksnas vai ierīces tikai norādītās piestiprināšanas vietās uz izstrādājuma. Pretējā gadījumā var rasties pacienta vai operatora ievainojums. Nepiestipriniet ierobežošanas siksnas pie sānu balstiem.
- Vienmēr iepazīstieties ar piemērojamajiem vietējiem un valsts ierobežojumiem un noteikumiem un atbilstošajiem iestādes protokoliem, pirms izmantojat jebkuru ierobežošanas siksnu vai ierīci.

Gultas mezgls ir aprīkots ar astoņām pacienta ierobežošanas siksnu pievienošanas vietām, kurās piestiprināt pacienta ierobežošanas siksnas (Attēls 26 vai Attēls 27).



Attēls 26 – Prime ierobežošanas siksnu atrašanās vietas



Attēls 27 – Prime X opcijas ierobežošanas siksnu atrašanās vietas

Piezīme - Ierobežošanas siksnas ir B tipa pielietojamās daļas.

Vertikālā rentgena kasetes turētāja pozicionēšana — Prime X opcija

BRĪDINĀJUMS

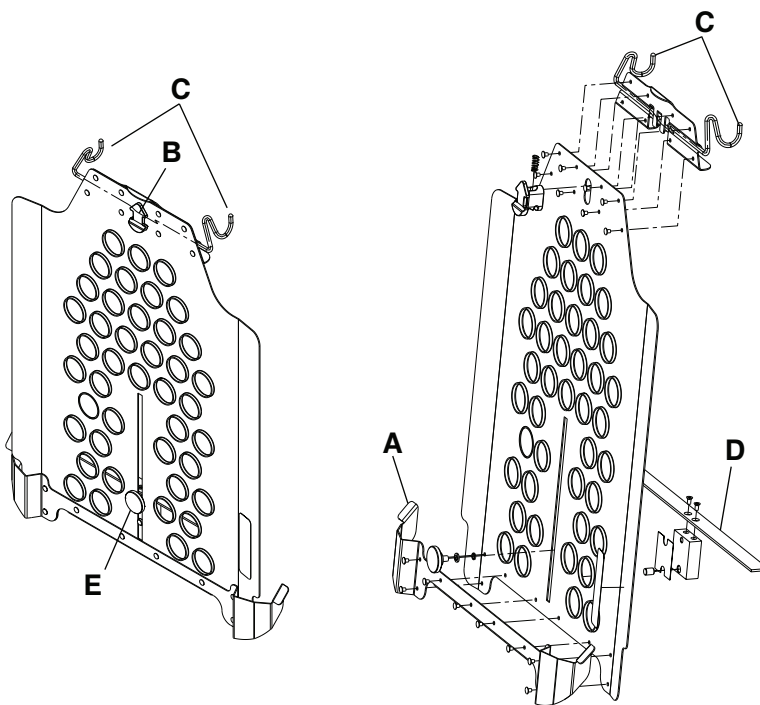
- Vienmēr veiciet aizsardzības pasākumus, kad izmantojat vertikālo vai laterālo rentgena kasetes turētāju. Rentgena kasetes turētājs neaizsargā pret starojumu.
- Pirms izmantojat **Prime X** opciju ar starojumu izdalošām ierīcēm, papildus iestādes protokoliem vienmēr skatiet vietējās, valsts un federālās vadlīnijas par drošību. Starojumu izdalošās ierīces var radīt paliekošu, novirzījušu vai izkliedētu starojumu.

- Vienmēr ievērojiet īpašu piesardzību, ja lietojat matraci, kas ir biezāks par 2,5 collām (6,35 cm) vai matrača pārklāju ar **Prime X** opciju.
- Lai ievietotu rentgena kaseti, vienmēr ievērojiet sadaļā *Vertikālā rentgena kasetes turētāja pozicionēšana — Prime X opcija* sniegtās instrukcijas.

Rentgena kasetes turētājs ir piestiprināms pie Faulera muguras atbalsta metinājuma, lai balstītu rentgena kasetes. Jūs varat uzņemt rentgena attēlu, kamēr pacients atrodas uz izstrādājuma. Pirms rentgena attēla uzņemšanas jūs varat arī pielāgot kasetes pozīciju.

Lai pozicionētu rentgena kasetes turētāju, veiciet tālāk norādītās darbības.

1. Iedarbiniet bremzes. Pastumiet izstrādājumu, lai pārliecinātos, ka bremzes darbojas.
2. Paceliet Faulera muguras atbalsta daļu līdz maksimālajam augstumam.
3. Ievietojiet apakšējās fiksācijas vadotnes (A) zem Faulera muguras atbalsta metinājuma stieņa (Attēls 28).
4. Paceliet kasetes turētāju, līdz fiksācijas vadotnes fiksējas uz Faulera muguras atbalsta metinājuma. Pārliecinieties, ka kasetes turētājs ir nostiprināts vietā.



Attēls 28 – Rentgena kasetes turētājs

5. No jebkura sāna ievietojiet rentgena kaseti rentgena turētājā vai pavelciet slīdņa atbrīvošanas bultu (B), lai atbrīvotu kasetes turētāju no Faulera balsta, pozicionētu kaseti un nostiprinātu kasetes turētāju Faulera muguras balsta metinājumā.
6. Lai pielāgotu kasetes augstumu, atskrūvējiet rokturi (E) un virziet kasetes balsta sliedi (D) augšup vai lejup, līdz sasniedzat vēlamo augstumu.
7. Pievelciet rokturi (E), lai kasetes balsta sliedi nostiprinātu vietā.
8. Kad rentgena attēls ir uzņemts, pavelciet slīdņa atbrīvošanas bultu (B) uz augšu, lai atbrīvotu kasetes turētāju no Faulera muguras balsta metinājuma.
9. Izņemiet rentgena kaseti no kasetes turētāja.
10. Aizveriet un novietojiet kasetes turētāju glabāšanai.

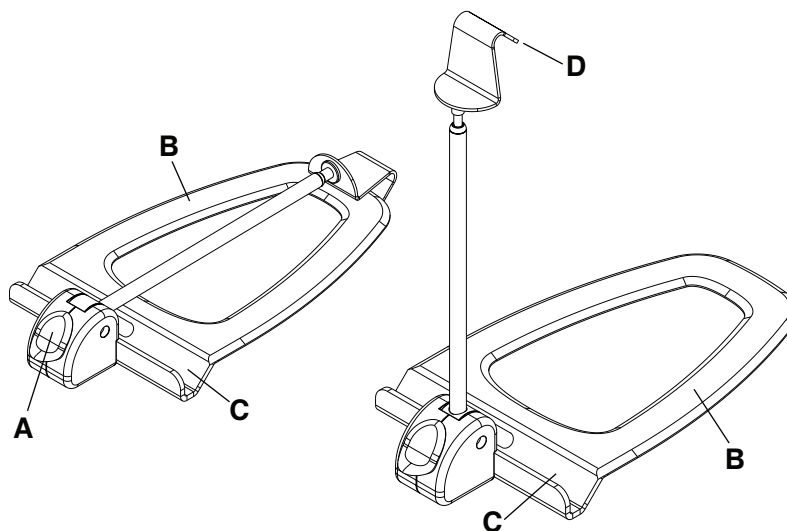
Laterālā rentgena kasetes turētāja pozicionēšana — Prime X opcija

BRĪDINĀJUMS

- Vienmēr veiciet aizsardzības pasākumus, kad izmantojat vertikālo vai laterālo rentgena kasetes turētāju. Rentgena kasetes turētājs neaizsargā pret starojumu.
- Pirms izmantojat **Prime X** opciju ar starojumu izdalošām ierīcēm, papildus iestādes protokoliem vienmēr skatiet vietējās, valsts un federālās vadlīnijas par drošību. Starojumu izdalošās ierīces var radīt paliekošu, novirzījušu vai izkliedētu starojumu.
- Esiet vienmēr piesardzīgi, kad veicat rentgenuzņēmumu ar Faulera muguras balstu vertikālā stāvoklī vai izmantojat laterālu kaseti.
- Vienmēr ievērojiet īpašu piesardzību, ja lietojat matraci, kas ir biezāks par 2,5 collām (6,35 cm) vai matrača pārklāju ar **Prime X** opciju.
- Lai ievietotu rentgena kaseti, vienmēr ievērojiet sadaļā *Laterālā rentgena kasetes turētāja pozicionēšana — Prime X opcija* sniegtās instrukcijas.

Lai pozicionētu laterālo rentgena kasetes turētāju, veiciet tālāk norādītās darbības.

1. Iedarbiniet bremzes. Pastumiet izstrādājumu, lai pārlicinātos, ka bremzes darbojas.



Attēls 29 – Laterālais rentgena kasetes turētājs

2. Lai atvērtu laterālo kasetes turētāju, nospiediet uz leju dzelteni atbrīvošanas pogu (A) (Attēls 29).
3. Iebīdīet plakano pamatni (B) starp matraci un pacienta platformu.
4. Novietojiet laterālo kasetes turētāju vēlamajā pozīcijā.
5. Ievietojiet rentgena kaseti kasetes kanālā (C).
6. Pavelciet uz augšu kasetes āķi (D), pielāgojot sviras augstumu, lai tas sniegtos pāri rentgena kasetei un noturētu kaseti vietā.
7. Lai izņemtu kaseti un novietotu kasetes turētāju glabāšanai, veiciet darbības apvērstā secībā.

Rentgena kasešu ievietošana vai izņemšana — Prime X opcija

BRĪDINĀJUMS

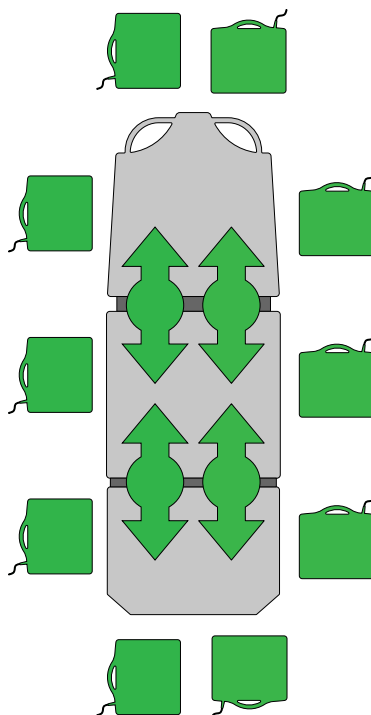
- Pirms izmantojat **Prime X** opciju ar starojumu izdalošām ierīcēm, papildus iestādes protokoliem vienmēr skatiet vietējās, valsts un federālās vadlīnijas par drošību. Starojumu izdalošās ierīces var radīt paliekošu, novirzījušu vai izkliedētu starojumu.

- Esiet vienmēr piesardzīgi, kad veicat rentgenuzņēmumu ar Faulera muguras balstu vertikālā stāvoklī vai izmantojat laterālu kaseti.

Prime X opcija nodrošina gan radiogrāfijas atbalsta virsmu ar šarnīra pievienojumu, gan platformu zem pacienta atbalsta virsmas rentgena kasetes ievietošanai. Strādājot ar medicīniskām rentgena sistēmām, radiogrāfijas atbalsta virsma ļauj tvert klīniskas rentgenogrammas (anatomiju un fizioloģiju visam ķermenim, papildu izvēlē visam ķermenim laterāli, papildu izvēlē krūškurvim vertikālā stāvoklī), kamēr pacients atrodas uz izstrādājuma. Jūs varat ievietot kasetes no galvgaļa, kājgaļa vai abām izstrādājuma malām.

Lai ievietotu rentgena kaseti, rīkojieties šādi.

1. Iecentrējiet pacientu uz izstrādājuma ar pozīcijas marķieriem visās izstrādājuma malās (Attēls 30).
2. Ievietojiet rentgena kaseti zem pacienta virsmas. Izmantojiet kasešu vadotnes, lai vieglāk pozicionētu rentgena kasetes.



Attēls 30 – Rentgena kasešu ievietošana vai izņemšana Prime X opcijai

Piezīme

- Ar **Prime X** opciju neizmantojiet matraci, kura biezums pārsniedz četras collas (desmit centimetrus).
- Nelietojiet C veida statni ar **Prime X** opciju. **Prime X** opcija nav saderīga ar C veida statni.

Tīrīšana

Izstrādājuma tīrīšana

UZMANĪBU! - Papildu izvēles svaru sistēmas displeja korpusa tīrīšanai neizmantojiet abrazīvus tīrīšanas līdzekļus. Neļaujiet tīrīšanas šķīdumiem vai citiem šķīdumiem sakrāties uz displeja bloka. Pēc šķīdumu izšļakstīšanās vai tīrīšanas noslaukiet visas virsmas.

Šie norādījumi apraksta ieteicamās tīrīšanas metodes Stryker **Prime Series** nestuvēm.

Šis izstrādājums ir mazgājams ar karsto augstspiediena mazgāšanu. No ilgstošas mazgāšanas izstrādājumam var parādīties dažas oksidēšanās vai krāsas maiņas pazīmes. Tomēr no karstās augstspiediena mazgāšanas izstrādājuma veiktspējas īpašības vai funkcionalitāte nepasliktināsies, ja vien tiks ievērotas pareizās procedūras.

Ieteicamā tīrīšanas metode:

1. Ja izstrādājums ir aprīkots ar papildu izvēles elektrisko gultu vai papildu izvēles elektrisko pacelāju, pirms izstrādājuma pārvietošanas vai tīrīšanas atvienojiet strāvas vadu no sienas kontaktrozetes.
2. Noņemiet no izstrādājuma matraci.
3. Ievērojiet tīrīšanas šķīduma ražotāja ieteikumus par atšķaidīšanu.
4. Stryker iesaka karstajai augstspiediena mazgāšanai izmantot standarta slimnīcas ratiņu mazgātāju.
5. Nožāvējiet izstrādājumu. Neuzlieciet matraci, kamēr izstrādājums nav sauss.
6. Pirms atdot izstrādājumu lietošanai, pārliecinieties, ka tas darbojas.
 - Paceliet un nolaidiet izstrādājumu
 - Nostipriniet un atbrīvojiet bremzēšanas/stūrēšanas pedāli abos stāvokļos
 - Nofiksējiet un atbloķējiet sānu balstus
 - Paceliet un nolaidiet Faulera muguras atbalstu
 - Paceliet un nolaidiet locīklu
 - Pārliecinieties, ka visas sastāvdaļas ir pareizi ieeļļotas
 - Pārliecinieties, ka visi marķējumi ir neskarti

Piezīme

- Tiešs ādas kontakts ar redzami netīru, caurlaidīgu materiālu var palielināt infekcijas risku.
- Netīriet izstrādājumu ar tvaiku.
- Notīriet pamatnes pārsega uzglabāšanas vietu.
- Notīriet bremžu kluču apakšpusi, lai novērstu vaska vai grīdas palieku uzkrāšanos.
- Dažiem tīrīšanas līdzekļiem piemīt spēja izraisīt koroziju un, nepareizi lietojot, tie var bojāt izstrādājumu. Ja jūs pareizi nenoskalojat un nenožāvējat izstrādājumu, koroziju izraisošo līdzekļu paliekas var palikt uz izstrādājuma virsmas, izraisot kritisku daļu pāragru koroziju. Šo tīrīšanas norādījumu neievērošana var anulēt jūsu izstrādājuma garantiju.

Izstrādājuma tīrīšana, izmantojot ratiņu mazgātāju

Stryker iesaka nestuvju mazgāšanai izmantot slimnīcas ķirurģisko ratiņu standarta mazgātāju ne vairāk kā vienu reizi gadā visu izstrādājuma darbmūžu.

Lai tīrītu izstrādājumu, izmantojot ratiņu mazgātāju, veiciet tālāk norādītās darbības.

1. Ja izstrādājums ir aprīkots ar papildu izvēles elektrisko gultu vai papildu izvēles elektrisko pacelāju, pirms izstrādājuma pārvietošanas vai tīrīšanas atvienojiet strāvas vadu no sienas kontaktrozetes.
2. Pirms izstrādājuma mazgāšanas noņemiet matraci. Nemazgājiet matraci kopā ar izstrādājumu.
3. Novietojiet Faulera muguras atbalstu 45° leņķī.

4. Novietojiet izstrādājumu pilnā apgrieztajā Trendelenburga stāvoklī (kājgalis uz leju).
5. Paceliet sānu balstus.
6. Novietojiet IV stāfivus un stumšanas rokturus paceltā pozīcijā.
7. Tīriet izstrādājumu ar maksimālo ūdens temperatūru 82 °C (180 °F) un maksimālo ūdens spiedienu 103,5 bāri/1500 psi.
8. Žāvējiet izstrādājumu gaisā ar maksimālo temperatūru 93 °C (240 °F) astoņas minūtes.
9. Nožāvējiet izstrādājumu. Neuzlieciet matraci, kamēr izstrādājums nav sauss.
10. Pirms atdot izstrādājumu lietošanai, pārliecinieties, ka tas darbojas.
 - Paceliet un nolaidiet izstrādājumu
 - Nostipriniet un atbrīvojiet bremzēšanas/stūrēšanas pedāli abos stāvokļos
 - Nofiksējiet un atbloķējiet sānu balstus
 - Paceliet un nolaidiet Faulera muguras atbalstu
 - Pārliecinieties, ka visas sastāvdaļas ir pareizi ieeļļotas
 - Pārliecinieties, ka visi marķējumi ir neskarti

Piezīme

- Netīriet izstrādājumu ar tvaiku.
- Dažiem tīrīšanas līdzekļiem piemīt spēja izraisīt koroziju un, nepareizi lietojot, tie var bojāt izstrādājumu. Ja jūs pareizi nenoskalojat un nenožāvējat izstrādājumu, koroziju izraisošo līdzekļu paliekas var palikt uz izstrādājuma virsmas, izraisot kritisku daļu pāragru koroziju. Šo tīrīšanas norādījumu neievērošana var anulēt jūsu izstrādājuma garantiju.

Matrača tīrīšana

BRĪDINĀJUMS

- Neveiciet izstrādājuma tīrīšanu, apkopi vai remontu laikā, kad izstrādājums tiek lietots.
- Neiemērciet matraci tīrīšanas vai dezinfekcijas šķīdumos. Pārmērīgs mitrums var izraisīt nepareizu izstrādājuma darbību, kas savukārt izraisa izstrādājuma bojājumu vai pacienta ievainojumu.
- Neļaujiet šķidrums sakrāties uz matrača. Šķidrums var izraisīt komponentu koroziju un panākt, ka šī izstrādājuma drošība un veiktspēja kļūst neparedzamas.
- Katru reizi, tīrot matrača pārvalkus, pārbaudiet, vai pārvalki nav saplēsti, pārdurti, pārmērīgi nolietoti un vai rāvējslēdzēji ir pareizi savienoti. Noņemiet un nomainiet bojātu matraci, lai novērstu krustenisko piesārņojumu.
- Netīriet matračus ar tvaiku, auksto augstspiediena mazgāšanu, ūdens strūklu vai ultraskaņu. Šīs tīrīšanas metodes var anulēt šī izstrādājuma garantiju.

Matrača kalpošanas laiku var ietekmēt lietošanas biežuma pieaugums, kas var ietvert biežāku tīrīšanu un dezinficēšanu.

Ieteicamā tīrīšanas metode:

1. Izmantojot tīru, mīkstu drānu, noslaukiet visu matraci ar vieglu ziepju un ūdens šķīdumu, lai notīrītu nepiederošu materiālu.
2. Noslaukiet matraci ar tīru, sausu drāniņu, lai notīrītu visas šķidruma vai tīrīšanas līdzekļa atliekas.
3. Pēc tīrīšanas noskalojiet un izžāvējiet pārvalkus.
4. Kad tīrīšana ir pabeigta, pēc nepieciešamības dezinficējiet, izmantojot slimnīcas klases dezinfekcijas līdzekli (skatiet sadaļu *Matrača dezinficēšana*).

Piezīme

- Matraci negludiniet, netīriet ķīmiski un nežāvējiet veļas žāvētājā, jo tas izraisīs nepareizu darbību un bojās izstrādājumu.
- Pirms novietošanas uzglabāšanai, veļas uzlikšanas vai pacienta novietošanas uz matrača pārvalkam jābūt pilnīgi sausam, lai novērstu izstrādājuma veiktspējas pasliktināšanos.
- Izvairieties no pārmērīgas pakļaušanas spirta vai ūdeņraža peroksīda iedarbībai. Pārvalka materiāls piebīdīs.

- Neļaujiet šķidrumam iesūkties rāvējslēdzēja zonā un pārvalka ūdensnecaurlaidīgajā apmalē. Šķidrums, kas saskaras ar rāvējslēdzēju, var iekļūt matrača iekšpusē un ietekmēt izstrādājuma veiktspēju.
- Dažiem tīrīšanas līdzekļiem piemīt spēja izraisīt koroziju un, nepareizi lietojot, tie var bojāt izstrādājumu. Ja jūs pareizi nenošalojat un nenožāvējat izstrādājumu, koroziju izraisošo līdzekļu paliekas var palikt uz izstrādājuma virsmas, izraisot kritisku daļu pāragru koroziju. Šo tīrīšanas norādījumu neievērošana var anulēt jūsu izstrādājuma garantiju.

Joda traipu noņemšana

1. Pagatavojiet šķīdumu no 1-2 tējkarotēm nātrija tiosulfāta puslitrā silta ūdens. Izmantojiet šo šķīdumu notraipītās vietas noslaucīšanai.
2. Iztīriet traipus, cik ātri vien iespējams pēc to rašanās.
3. Ja traipi nepazūd tūlīt, ļaujiet šķīdumam iesūkties vai pastāvēt uz matrača pirms noslaucīšanas.
4. Pirms nodošanas lietošanai, noskalojiet matračus, kas apstrādāti ar šo šķīdumu, ar tīru ūdeni.

Piezīme - Šāda veida tīrīšanas līdzekļu lietošana, neievērojot šos norādījumus, var anulēt izstrādājuma garantiju.

Īpaši norādījumi

Velcro®	Piesūciniet ar dezinfekcijas līdzekli, noskalojiet ar ūdeni un ļaujiet šķīdumam iztvaikot.
Cietas vielas vai traipi	Lietojiet neitrālas ziepes un siltu ūdeni. Nelietojiet stiprus tīrīšanas līdzekļus, šķīdinātājus vai abrazīvus tīrīšanas līdzekļus.
Grūti iztīrāmas vietas	Grūti tīrāmiem plankumiem un traipiem lietojiet standarta mājsaimniecības tīrīšanas līdzekļus vai vinila virsmu tīrīšanas līdzekļus un mīkstu suku. Iepriekš samitriniet piekaltušos netīrumus.
Mazgāšana veļas mašīnā	Mazgāšana veļas mašīnā nav ieteicama. Mazgāšana veļas mašīnā var būtiski samazināt matrača kalpošanas ilgumu.

Dezinfekcija

Izstrādājuma dezinfekcija

BRĪDINĀJUMS

- Neveiciet izstrādājuma tīrīšanu, apkopi vai remontu laikā, kad izstrādājums tiek lietots.
 - Netīriet izstrādājumu ar tvaiku, ūdens strūklu vai ultraskaņu. Šīs tīrīšanas metodes nav ieteicamas un var anulēt šī izstrādājuma garantiju.
-

Ieteicamie dezinfekcijas līdzekļi:

- ceturtejie amonija savienojumi (aktīvā viela — amonija hlorīds), kas satur mazāk nekā 3% glikola ētera;
- fenolus saturoši dezinfekcijas līdzekļi (aktīvā sastāvdaļa — o-fenilfenols);
- hloru saturoša balinātāja šķīdums (5,25% balinātājs atšķaidīts proporcijā 1 daļa balinātāja uz 100 daļām ūdens, kas atbilst 520 m.d. pieejamā hlora (40 ml 5,25% balinātāja šķīduma uz 4000 ml ūdens));
- 70% izopropilspirts.

Ieteicamā dezinfekcijas metode:

1. Ievērojiet dezinfekcijas šķīduma ražotāja ieteikumus par atšķaidīšanu.
2. Manuāli nomazgājiet visas izstrādājuma virsmas ar dezinfekcijas šķīdumu.
3. Izvairieties no pārmērīgas izstrādājuma piesūcināšanas un pārlicinieties, ka tas nepaliek mitrs ilgāk, nekā minēts dezinfekcijas līdzekļa ražotāja pareizas dezinfekcijas vadlīnijās.
4. Nožāvējiet izstrādājumu. Neuzlieciet matraci, kamēr izstrādājums nav sauss.
5. Dezinficējiet **Velcro®** līplenti pēc katras lietošanas. Piesūciniet **Velcro®** līplenti ar dezinfekcijas līdzekli, noskalojiet ar ūdeni un ļaujiet dezinfekcijas līdzeklim iztvaikot (piemērotu dezinfekcijas līdzekli nosaka iestāde).
6. Pirms atdot izstrādājumu lietošanai, pārlicinieties, ka tas darbojas.
 - Paceliet un nolaidiet izstrādājumu
 - Nostipriniet un atbrīvojiet bremzēšanas/stūrēšanas pedāli abos stāvokļos
 - Nofiksējiet un atbloķējiet sānu balstus
 - Paceliet un nolaidiet Faulera muguras atbalstu
 - Paceliet un nolaidiet locītklu
 - Pārlicinieties, ka visas sastāvdaļas ir pareizi ieeļļotas
 - Pārlicinieties, ka visi marķējumi ir neskarti

Piezīme

- Tiešs ādas kontakts ar redzami netīru, caurlaidīgu materiālu var palielināt infekcijas risku.
- Dažiem tīrīšanas līdzekļiem piemīt spēja izraisīt koroziju un, nepareizi lietojot, tie var bojāt izstrādājumu. Ja jūs pareizi nenošalojat un nenozāvējat izstrādājumu, koroziju izraisošo līdzekļu paliekas var palikt uz izstrādājuma virsmas, izraisot kritisku daļu pārāgru koroziju. Šo tīrīšanas norādījumu neievērošana var anulēt jūsu izstrādājuma garantiju.

Matrača dezinfekcija

BRĪDINĀJUMS - Vienmēr starp pacientiem dezinficējiet matraci. Šī norādījuma neievērošana var izraisīt krustenisko piesārņojumu un infekciju.

Ieteicamie dezinfekcijas līdzekļi:

- ceturtejie amonija savienojumi (aktīvā viela — amonija hlorīds), kas satur mazāk nekā 3% glikola ētera;

- fenolus saturoši dezinfekcijas līdzekļi (aktīvā sastāvdaļa — o-fenilfenols);
- hlora saturoša balinātāja šķīdums (5,25% balinātājs atšķaidīts proporcijā 1 daļa balinātāja uz 100 daļām ūdens, kas atbilst 520 m.d. pieejamā hlora (40 ml 5,25% balinātāja šķīduma uz 4000 ml ūdens));
- 70% izopropilspirts.

Ieteicamā dezinfekcijas metode:

1. Pirms dezinfekcijas līdzekļu lietošanas pārlicinieties, ka matracis ir tīrs un sauss.
2. Lai noņemtu šķidrums vai dezinfekcijas līdzekļa atliekas, noslaukiet matraci ar tīru, sausu drāniņu.
3. Pēc dezinficēšanas izskalojiet un izžāvējiet pārvalkus.

Piezīme

- Pirms novietošanas uzglabāšanai vai veļas uzklāšanas matrača pārvalkam ir jābūt sausam. Nenoņemot dezinfekcijas līdzekļa atliekas, var tikt izraisīta pārvalka materiāla degradācija.
- Dažiem tīrīšanas līdzekļiem piemīt spēja izraisīt koroziju un, nepareizi lietojot, tie var bojāt izstrādājumu. Ja jūs pareizi nenoskalojat un nenožāvējat izstrādājumu, koroziju izraisošo līdzekļu paliekas var palikt uz izstrādājuma virsmas, izraisot kritisku daļu pārāgru koroziju. Šo tīrīšanas norādījumu neievērošana var anulēt jūsu izstrādājuma garantiju.
- Bieža vai ilgstoša pakļaušana augstas koncentrācijas dezinfekcijas šķīdumiem var izraisīt priekšlaicīgu pārvalka auduma nolietošanos.
- Paātrinātas darbības ūdeņraža peroksīdu vai ceturtdējā amonija savienojumu, kas satur glikola ēterus, izmantošana var sabojāt pārvalku.

Profilaktiskā apkope

Pirms profilaktiskās apkopes veikšanas pārtrauciet izstrādājuma lietošanu. Veicot Stryker Medical izstrādājumu ikgadējo profilaktisko apkopi, pārbaudiet visus sarakstā uzskaitītos vienumus. Jums var būt nepieciešams veikt profilaktisko apkopju pārbaudes biežāk atbilstoši jūsu izstrādājuma lietošanas biežumam. Servisu uzticiet tikai kvalificētam personālam.

Piezīme - Ja nepieciešams, pirms apskates notīriet un dezinficējiet matrača ārpusi.

Apskatiet šādus elementus:

- _____ visi stiprinājumi ir droši;
- _____ sānu balsti kustas un fiksējas;
- _____ ritenīši fiksējas, iedarbinot bremzēšanas pedāli;
- _____ ritenīši ir droši un grozās;
- _____ ritenīšos nav vaska un gružu;
- _____ bremzēšanas mehānisms darbojas;
- _____ stūrēšanas mehānisms darbojas;
- _____ pārbaudiet, vai apvalki nav saplaisājuši;
- _____ Faulera atbalsts ir paceļams, nolaižams un fiksējams vietā;
- _____ locīkla ir paceļama, nolaižama un fiksējama vietā (papildu izvēle);
- _____ Trendelenburga/apgrieztā Trendelenburga pozīcija darbojas no visiem stāvokļiem;
- _____ zemējuma ķēde ir vesela;
- _____ hidrauliskiem savienojumiem nav noplūdes;
- _____ hidrauliskie domkrati ir stabili;
- _____ ķermeņa ierobežotāji fiksējas, un ir droši (papildu izvēle);
- _____ IV statīvs ir neskarts, pielāgojams un fiksējams visos stāvokļos (papildu izvēle);
- _____ skābekļa balona turētājs ir neskarts, atverams un aizverams (papildu izvēle);
- _____ matrača pārsegam nav plīsumu vai plaisu;
- _____ piederumi un stiprināšanas ierīces ir labā stāvoklī;
- _____ ar akumulatoru darbināmās daļas ir funkcionālas (papildu izvēle);
- _____ kabeļi nav nolietojušies vai saspiesti (papildu izvēle);
- _____ strāvas vads un kontaktdakša nav bojāti (papildu izvēle);
- _____ visi elektriskie savienojumi ir stingri (papildu izvēle);
- _____ visi sazemējumi ar rāmi ir droši (papildu izvēle);
- _____ zemējuma pretestība nepārsniedz 200 mΩ (miliomus) (papildu izvēle);
- _____ strāvas noplūde nepārsniedz 300 μA (mikroampērus) (atbilstoši standartam UL 60606-1-1) (papildu izvēle);
- _____ akumulatori ir uzlādēti (papildu izvēles svaru sistēma);
- _____ displeja korpuss ir vesels un nav bojāts (papildu izvēles svaru sistēma);
- _____ slodzes sensori ir veseli un nav bojāti (papildu izvēles svaru sistēma);
- _____ pēdu balstu ceļa roktura mehānisms darbojas un jūs to varat nostiprināt vietā (papildu izvēle);
- _____ pēdu balstu kājas roktura mehānisms darbojas un jūs to varat nostiprināt vietā (papildu izvēle);
- _____ pēdu balsti ir izvelkami līdz pilna pagarinājuma pozīcijai un apstājas pareizā pozīcijā (papildu izvēle);
- _____ pēdu balstu pašgriezējas skrūves (6) ir nostiprinātas un to galviņas nav bojātas (papildu izvēle);
- _____ svāri ir kalibrēti. Ja nepieciešams, veiciet atkārtotu kalibrēšanu (papildu izvēles svaru sistēma);

- _____ vertikālais rentgena kasetes turētājs ir labā darba kārtībā un var tikt pielāgots, lai atbilstu visām rentgena kasetēm (**Prime X** opcija);
- _____ Faulera atbalsta un kāju sekcijas pārvalkam nav bojājumu (**Prime X** opcija);
- _____ galvas un kāju paplātēm nav bojājumu (**Prime X** opcija);
- _____ skrūve, kas izskrūvēta cauri katram Faulera šarnīram, un uzgrieznis nav vaļīgi (**Prime X** opcija).

Izstrādājuma sērijas numurs:
Aizpildīja:
Datums:

Informācija par elektromagnētisko saderību (EMC)

UZMANĪBU!

- Piederumu, devēju un kabeļu, kurus nav norādījis vai nodrošinājis ražotājs, lietošana var izraisīt elektromagnētiskās emisijas paaugstināšanos vai samazinātu elektromagnētisko traucējumnoturību, kā rezultātā iespējama nepareiza darbība.
- Šīs ierīces emisiju raksturs ļauj to izmantot industriālās zonās un slimnīcās (CISPR 11 klase A). Ja to izmanto dzīvojamajā vidē, kurā parasti ir prasība izmantot CISPR 11 B klasi, šī ierīce var nenodrošināt pietiekamu radiofrekvences saziņas pakalpojumu aizsardzību. Lietotājam varētu būt jāveic ietekmes mazināšanas pasākumi, piemēram, pārvietojot vai pārorientējot iekārtas.

Vadlīnijas un ražotāja deklarācija – elektromagnētiskās emisijas

Papildu izvēles elektriskais pacēlājs, papildu izvēles elektriskā gulta un papildu izvēles svaru sistēma ir paredzēti lietošanai tālāk norādītajā elektromagnētiskajā vidē. Papildu izvēles elektriskā pacēlāja, papildu izvēles elektriskās gultas vai papildu izvēles svaru sistēmas operatoram ir jānodrošina, ka tie tiek lietoti šādā vidē.

Emisiju tests	Atbilstība	Elektromagnētiskā vide
RF emisijas CISPR 11	1. grupa	Papildu izvēles elektriskais pacēlājs, papildu izvēles elektriskā gulta un papildu izvēles svaru sistēma izmanto RF enerģiju tikai iekšējo funkciju nodrošināšanai. Tādēļ RF emisijas ir ļoti zemas un, visticamāk, nerada traucējumus tuvumā esošās elektroniskās iekārtās.
RF emisijas CISPR 11	A klase	Papildu izvēles elektriskais pacēlājs, papildu izvēles elektriskā gulta un papildu izvēles svaru sistēma ir piemēroti lietošanai visās iestādēs, kas nav mājsaimniecības un nav tieši pievienotas publiskajam zemsprieguma tīklam, kas apgādā dzīvojamās ēkas.
Harmoniskās emisijas IEC 61000-3-2*	A klase	
Sprieguma svārstības svārstību emisijas IEC 61000-3-3*	Atbilst	

*Attiecas tikai uz papildu izvēles elektrisko pacēlāju vai papildu izvēles elektrisko gultu.

UZMANĪBU!

- Pārnēsājamas RF sakaru iekārtas, tostarp perifēriskās ierīces, piemēram, antenu kabeļi un ārējās antenas, nedrīkst būt tuvāk par 12 collām (30 cm) no jebkuras **Prime** nestuvju daļas, ieskaitot ražotāja norādītos kabeļus.
- Izvairieties no aprīkojuma novietošanas uz/zem vai blakus citam aprīkojumam, lai izvairītos no izstrādājumu nepareizas darbības. Ja lietošana šādā veidā ir nepieciešama, uzmanīgi novērojiet vienu uz otra novietoto vai blakus novietoto aprīkojumu, lai pārliecinātos, ka tie darbojas pareizi.

Ieteicamie atstatumi starp pārnēsājamām un mobilām RF sakaru iekārtām un papildu izvēles elektrisko pacēlāju, papildu izvēles elektrisko gultu vai papildu izvēles svaru sistēmu.

Papildu izvēles elektriskais pacēlājs, papildu izvēles elektriskā gulta un papildu izvēles svaru sistēma ir paredzēti lietošanai elektromagnētiskajā vidē, kurā tiek kontrolēti izstarotie RF traucējumi. Klients vai papildu izvēles elektriskā pacēlāja, papildu izvēles elektriskās gultas vai papildu izvēles svaru sistēmas lietotājs var palīdzēt novērst elektromagnētiskos traucējumus, saglabājot minimālo attālumu starp pārnēsājamām un mobilām RF sakaru iekārtām (raidītājiem) un papildu izvēles elektrisko pacēlāju, papildu izvēles elektrisko gultu vai papildu izvēles svaru sistēmu, kā ieteikts tālāk, saskaņā ar sakaru iekārtu maksimālo izejas jaudu.

Raidītāja nominālā maksimālā izejas jauda W	Atstatums atbilstoši raidītāja frekvencei m
--	--

	no 150 kHz līdz 80 MHz $D=(1,2) (\sqrt{P})$	80 MHz līdz 800 MHz $D=(1,2) (\sqrt{P})$	800 MHz līdz 2,7 GHz $D=(2,3) (\sqrt{P})$
0,01	0,12	0,12	0,23
0,1	0,38	0,38	0,73
1	1,2	1,2	2,3
10	3,8	3,8	7,3
100	12	12	23

Raidītājiem, kuru maksimālā nominālā jauda nav uzrādīta iepriekš, ieteicamo atstatumu (D) metros (m) var noteikt, izmantojot vienādojumu, kas pielietojams raidītāja frekvencei, kur P ir raidītāja maksimālā nominālā jauda vatos (W) pēc ražotāja datiem.

1. piezīme — pie 80 MHz un 800 MHz, piemēro augstākā frekvenču diapazona atstatumu.

2. piezīme — šīs pamatnostādnes var neattiekties uz visām situācijām. Elektromagnētiskā starojuma izplatību ietekmē viļņu absorbēšana un atstarošana no struktūrām, priekšmetiem un cilvēkiem.

Vadlīnijas un ražotāja deklarācija – elektromagnētiskā traucējumnoturība


Papildu izvēles elektriskais pacelājs, papildu izvēles elektriskā gulta un papildu izvēles svaru sistēma ir paredzēti lietošanai tālāk norādītajā elektromagnētiskajā vidē. Klientam vai papildu izvēles elektriskā pacelāja, papildu izvēles elektriskās gultas vai papildu izvēles svaru sistēmas lietotājam ir jānodrošina, ka tie tiek lietoti šādā vidē.

Traucējumnoturības pārbaude	IEC 60601 pārbaudes līmenis	Atbilstības līmenis	Elektromagnētiskā vide — vadlīnijas
Elektrostatiskā izlāde (ESD) IEC 61000-4-2	± 8 kV kontaktā ± 15 kV gaisā	± 8 kV kontaktā ± 15 kV gaisā	Grīdām jābūt no koka, betona vai keramikas flīzēm. Ja grīdas ir pārklātas ar sintētisku materiālu, relatīvajam mitrumam ir jābūt vismaz 30%.
Strauji pārejas procesi un/ vai impulsu paketes IEC 61000-4-4*	± 2 kV strāvas padeves līnijām ± 1 kV ievades/izvades līnijām	± 2 kV strāvas padeves līnijām ± 1 kV ievades/izvades līnijām	Elektrotīkla strāvas kvalitātei jābūt kā parastā komerciālā vai slimnīcas vidē.
Pārspriegumi IEC 61000-4-5*	± 1 kV līnija(s) uz līniju(ām) ± 2 kV līnija(s) uz zemējumu	± 1 kV līnija(s) uz līniju(ām) ± 2 kV līnija(s) uz zemējumu	Elektrotīkla strāvas kvalitātei jābūt kā parastā komerciālā vai slimnīcas vidē.
Sprieguma kritumi, sprieguma variācijas un īsi pārtraukumi barošanas ieejas līnijās IEC 61000-4-11*	0% U_T 0,5 periodā pie 0°, 45°, 90°, 135°, 180°, 225°, 270° un 315° 0% U_T 1 periodā 70% U_T (30% kritums U_T) 25 periodos 0% U_T 250 periodos	0% U_T 0,5 periodā pie 0°, 45°, 90°, 135°, 180°, 225°, 270° un 315° 0% U_T 1 periodā 70% U_T (30% kritums U_T) 25 periodos 0% U_T 250 periodos	Elektrotīkla strāvas kvalitātei jābūt kā parastā komerciālā vai slimnīcas vidē. Ja papildu izvēles elektriskā pacelāja vai papildu izvēles elektriskās gultas lietotājam nepieciešama nepārtraukta lietošana strāvas padeves pārtraukuma laikos, ir ieteicams ierīces barošanu nodrošināt no nepārtrauktas strāvas padeves iekārtas vai akumulatora.

Strāvas frekvences (50/60 Hz) magnētiskais lauks IEC 61000-4-8	30 A/m	30 A/m	Strāvas frekvences magnētiskajiem laukiem ir jābūt līmenī, kas raksturīgi vietai, kas atrodas parastā komerciālā vai slimnīcas vidē.
Piezīme. U_T ir maiņstrāvas spriegums pirms pārbaudes līmeņa pielietojuma.			
*Attiecas tikai uz papildu izvēles elektrisko pacēlāju vai papildu izvēles elektrisko gultu.			

Vadlīnijas un ražotāja deklarācija – elektromagnētiskā traucējumnoturība

Papildu izvēles elektriskais pacēlājs, papildu izvēles elektriskā gulta un papildu izvēles svaru sistēma ir paredzēti lietošanai tālāk norādītajā elektromagnētiskajā vidē. Klientam vai papildu izvēles elektriskā pacēlāja, papildu izvēles elektriskās gultas vai papildu izvēles svaru sistēmas lietotājam ir jānodrošina, ka tie tiek lietoti šādā vidē.

Traucējumnoturības pārbaude	IEC 60601 pārbaudes līmenis	Atbilstības līmenis	Elektromagnētiskā vide — vadlīnijas
Vadītā RF IEC 61000-4-6* Izstarotā RF IEC 61000-4-3	3 Vrms 6 Vrms ISM un amatieru radio joslās 150 kHz līdz 80 MHz 3 V/m 80 MHz līdz 2,7 GHz	3 Vrms 6 Vrms ISM un amatieru radio joslās 3 V/m	Pārnēsājamās un mobilās RF sakaru iekārtas drīkst izmantot tikai tādā atstatumā no jebkuras papildu izvēles elektriskā pacēlāja, papildu izvēles elektriskās gultas un papildu izvēles svaru sistēmas daļas, tai skaitā kabeļiem, kas nav mazāks par ieteikto atstatumu, kurš aprēķināts saskaņā ar raidītāja frekvencei piemērotu vienādojumu. Ieteicamais atstatums $D=(1,2) (\sqrt{P})$ $D=(1,2) (\sqrt{P})$ 80 MHz līdz 800 MHz $D=(2,3) (\sqrt{P})$ 800 MHz līdz 2,7 GHz kur P ir raidītāja maksimālā jauda vatos (W) saskaņā ar raidītāja ražotāja datiem, un D ir ieteicamais atstatums metros (m). Fiksēto RF raidītāju lauka stiprumam, saskaņā ar vietas elektromagnētisko apsekojumu ^a , jābūt mazākam par atbilstības līmeni katrā frekvenču diapazonā ^b . Traucējumi var rasties tādu ierīču tuvumā, kas marķētas ar šādu simbolu: 

1. piezīme. Pie 80 MHz un 800 MHz jāņem vērā augstākais frekvences diapazons.

2. piezīme. Šīs pamatnostādnes var neattiekties uz visām situācijām. Elektromagnētiskā starojuma izplatību ietekmē viļņu absorbēšana un atstarošana no struktūrām, priekšmetiem un cilvēkiem.

3. piezīme. ISM (rūpniecībā, zinātnē un medicīnā izmantojamās) joslas diapazonā no 0,15 MHz līdz 80 MHz ir no 6,765 MHz līdz 6,795 MHz; no 13,553 MHz līdz 13,567 MHz; no 26,957 MHz līdz 27,283 MHz un no 40,66 MHz līdz 40,70 MHz.

^a Lauka stiprumu no fiksētiem raidītājiem, piemēram, radiotelefonu (mobilo/bezvadu) bāzes stacijām un sauszemes mobiliem radoraidītājiem, amatieru radiostacijām, AM un FM radoraidītājiem un TV raidītājiem, teorētiski nav iespējams precīzi paredzēt. Lai novērtētu elektromagnētisko vidi saistībā ar fiksētiem RF raidītājiem, jāapsver elektromagnētiskais vietas apsekojums. Ja vietā, kur tiek izmantots papildu izvēles elektriskais pacēlājs, papildu izvēles elektriskā gulta vai papildu izvēles svaru sistēma, izmērītais lauka stiprums pārsniedz iepriekš norādīto piemērojamo RF atbilstības līmeni, papildu izvēles elektriskais pacēlājs, papildu izvēles elektriskā gulta vai papildu izvēles svaru sistēma ir jānovēro, lai apstiprinātu normālu darbību. Ja tiek novērotas novirzes no normālas darbības, var būt nepieciešami papildu pasākumi, piemēram, papildu elektriskā pacēlāja, papildu elektriskās gultas vai papildu svaru sistēmas pārvietošana vai pārorientēšana.

^b Frekvenču diapazonā no 150 kHz līdz 80 MHz lauka stiprums ir mazāks nekā 3 V/m.

*Attiecas tikai uz papildu izvēles elektrisko gultu.

Prime Series® brancard












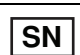






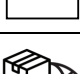
Bedieningshandleiding












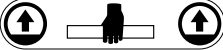




REF 1115

Big Wheel®



Symbolen

	Zie de instructiehandleiding
	Raadpleeg de gebruiksaanwijzing
	Algemene waarschuwing
	Let op
	Waarschuwing; beknelling van handen
	Waarschuwing; niet-ioniserende straling
	Niet duwen
	Zuurstoffles niet opslaan
	Niet smeren
	Catalogusnummer
	Batchcode
	Serienummer
	Zie www.stryker.com/patents voor Amerikaanse octrooien
	CE-markering
	Gemachtigde in de Europese Gemeenschap
	Europees medisch hulpmiddel
	Fabrikant
	Fabricagedatum
	Importeur

	Veilig draagvermogen
	Maximaal gewicht patiënt
	Massa van apparatuur met veilig draagvermogen
	Gelijkstroom
	Wisselstroom
	Gevaarlijke spanning
	Veiligheidsaarding
IPX6	Bescherming tegen krachtige waterstralen
	Met de patiënt in aanraking komend onderdeel van type B
	Medische apparatuur geclassificeerd door Underwriters Laboratories Inc. met betrekking tot gevaren van elektrische schokken, brand en mechanische gevaren alleen in overeenstemming met ANSI/AAMI ES60601-1: 2005 en CAN/CSA-C22.2 nr. 60601-1:08. *Voor de Prime X -optie, met röntgenapparatuur verbonden apparatuur, IEC 60601-2-54
	Conform Europese Richtlijn 2012/19/EU betreffende afgedankte elektrische en elektronische apparatuur (AEEA) zoals gewijzigd, geeft dit symbool aan dat het product gescheiden moet worden ingezameld voor recycling. Gooi niet weg bij het ongescheiden gemeentefval. Neem contact op met de plaatselijke distributeur voor informatie over afvalverwijdering. Zorg dat geïnfecteerde apparatuur wordt ontsmet vóór de recycling.
	Smeren
	Hier tillen
	Deze kant boven
	Droog houden
	Breekbaar, voorzichtig hanteren
	Stapellimiet (aantal)

Inhoudsopgave

Definitie van Waarschuwing/Let op/Opmerking	3
Samenvatting van de veiligheidsmaatregelen	3
Knelpunten	6
Inleiding	7
Productbeschrijving	7
Gebruiksindicaties	7
Klinische voordelen	8
Contra-indicaties	8
Verwachte levensduur	8
Afvoer/recycling	8
Specificaties	8
Afbeelding van het product – Prime	11
Afbeelding van het product – Prime X-optie	12
Onderdelen die in aanraking met de patiënt komen – optionele elektrische matrasdrager	13
Onderdelen die in aanraking met de patiënt komen – Prime X-optie	13
Contactgegevens	14
Locatie van serienummer	14
Opzetten	15
Bedrijf	16
De remmen activeren en loszetten	16
Bedieningselementen van het Prime-onderstel	17
De niet-elektrische matrasdrager omhoogzetten	17
De niet-elektrische matrasdrager omlaagzetten	17
De optionele elektrische matrasdrager omhoogzetten	18
De optionele elektrische matrasdrager omlaagzetten	18
Het product in de trendelenburgstand plaatsen	19
Het product in de anti-trendelenburgstand plaatsen	19
Een patiënt vervoeren	19
Een patiënt vervoeren zonder Big Wheel	20
Een patiënt vervoeren met Big Wheel	20
De optionele duwhandgrepen aan het hoofdeinde in positie brengen of wegbergen	21
Het onrusthek omhoogzetten	22
Het onrusthek omlaagzetten	23
Het product in positie brengen met het bedieningspaneel voor de patiënt op het onrusthek - elektrische matrasdrager - alleen op Prime	23
Bedieningspaneel voor bediener - optionele elektrische matrasdrager - alleen op Prime	24
De vergrendeling van het bedieningspaneel voor de patiënt vergrendelen en ontgrendelen - optionele elektrische matrasdrager - alleen op Prime	25
De rugleuning omhoog- of omlaagzetten - niet-elektrische matrasdrager	25
De rugleuning omhoog- of omlaagzetten - optionele elektrische matrasdrager	26
Het knieknikgedeelte omhoog- of omlaagzetten - niet-elektrische matrasdrager - alleen op Prime	27
Het knieknikgedeelte omhoog- of omlaagzetten - optionele elektrische matrasdrager - alleen op Prime	27
De verkoeverstoel in positie brengen - alleen op Prime	28
Voorwerpen opbergen in het ondersteldekstuk	28
Apparaten ophangen met de pomprekoptie	28
Het netsnoer uit- of intrekken met de optionele netsnoerhaspel – optionele elektrische lift of elektrische matrasdrager	29
Optioneel weegstelsel	30
Identificatie weegschaalpictogram/-knop	30
Een patiënt wegen	31
De maateenheid van de weegschaal vergrendelen	31
De Chaperone-optie activeren of deactiveren	32
Het alarmpatroon van de Chaperone-optie instellen	32
Het alarmvolume van de Chaperone-optie instellen	32
De accu van het optionele weegstelsel opladen - optionele elektrische matrasdrager of optionele elektrische matrasdrager met Chaperone-optie - alleen op Prime	33
De batterijen van het optionele weegstelsel vervangen - niet-elektrische matrasdrager	33
Accessoires en onderdelen	33
Het defibrillatorblad bevestigen	37

Het defibrillatorblad-voetverlengstuk omzetten in een defibrillatorblad	37
Het defibrillatorblad-voetverlengstuk omzetten in een voetverlengstuk.....	38
De voetenbord-dossierhouder bevestigen	38
Het infuusrolstaf bevestigen	39
De voetensteunen positioneren of wegbergen - alleen op Prime.....	39
De permanent bevestigde tweetrapsinfuuspaal positioneren	41
De permanent bevestigde drietrapsinfuuspaal positioneren	41
De verwijderbare infuuspaal bevestigen en in positie brengen.....	42
De verticale zuurstoffeshouder bevestigen.....	43
Dienbladhouder/voetenbord uitklappen of wegbergen	43
De onrusthekkussens bevestigen	44
De bevestigingspunten voor de patiëntveiligheidsriemen vinden	44
De verticale röntgencassettehouder in positie brengen – Prime X-optie	45
De laterale röntgencassettehouder in positie brengen – Prime X-optie	46
Röntgencassettes plaatsen of verwijderen – Prime X-optie	47
Reiniging.....	48
Het product reinigen	48
Het product reinigen met een reinigingstoestel voor trolleys.....	48
De matras reinigen	49
Jodium verwijderen.....	50
Speciale aanwijzingen	50
Desinfectie	51
Het product desinfecteren	51
De matras desinfecteren.....	51
Preventief onderhoud.....	53
EMC-informatie	55

Definitie van Waarschuwing/Let op/Opmerking

De woorden **WAARSCHUWING**, **LET OP** en **OPMERKING** hebben een speciale betekenis en dienen aandachtig te worden bestudeerd.

WAARSCHUWING

Vestigt de aandacht van de lezer op een situatie die, indien niet vermeden, overlijden of ernstig letsel tot gevolg kan hebben. Kan ook betrekking hebben op mogelijke ernstige ongewenste reacties en veiligheidsrisico's.

LET OP

Vestigt de aandacht van de lezer op een mogelijk gevaarlijke situatie die, indien niet vermeden, licht of matig letsel van de gebruiker of de patiënt of schade aan het product of andere eigendommen tot gevolg kan hebben. Dit heeft tevens betrekking op speciale aandacht die nodig is voor het veilige en effectieve gebruik van het hulpmiddel en de aandacht nodig om schade aan het hulpmiddel te vermijden die kan optreden als gevolg van gebruik of verkeerd gebruik.

Opmerking - Verschafft speciale informatie die het onderhoud vergemakkelijkt of belangrijke instructies verduidelijkt.

Samenvatting van de veiligheidsmaatregelen

Lees de waarschuwingen en aandachtspunten op deze pagina en volg deze altijd strikt op. Onderhoud en reparaties mogen uitsluitend door bevoegd personeel worden uitgevoerd.

WAARSCHUWING

- Laat het product altijd op kamertemperatuur komen voordat u het product opzet of de werking van de functies test. Anders kan er permanente schade aan het product ontstaan.
- Bedien het product altijd wanneer alle bedieners zich uit de buurt van de mechanismen bevinden.
- Wees altijd voorzichtig bij het hanteren van het netsnoer. Er is risico van verstrikking, beschadiging van het netsnoer en potentieel schokgevaar. Als het netsnoer beschadigd is, stelt u het product onmiddellijk buiten gebruik en neemt u contact op met het juiste onderhoudspersoneel.
- Sluit de stekker van het product altijd rechtstreeks aan op een geaard stopcontact van ziekenhuiskwaliteit. Betrouwbare aarding wordt alleen verkregen als u een stopcontact van ziekenhuiskwaliteit gebruikt. Dit product is uitgerust met een stekker van ziekenhuiskwaliteit, ter bescherming tegen het gevaar van elektrische schokken.
- Activeer altijd de remmen wanneer een patiënt op het product gaat liggen of eraf komt, en ook wanneer het product niet in beweging is. Er kan letsel ontstaan als het product in beweging komt terwijl een patiënt op het product gaat liggen of eraf komt.
- Positioneer de patiënt altijd midden op het product.
- Zet het product altijd in de laagste stand met de onrusthekken omhoog en vastgeklikt wanneer u de patiënt zonder toezicht achterlaat. Laat het product niet in een hogere stand staan.
- Verwijder altijd alle voorwerpen die mogelijk in de weg kunnen zitten voordat u de matrasdrager hoger of lager zet.
- Ga niet op het uiteinde van het product zitten. Het product kan omkantelen.
- Vergrendel de onrusthekken altijd in de hoogste stand met het slaoppervlak horizontaal en in de laagste stand wanneer u een patiënt vervoert.
- Vervoer het product niet zijwaarts over een helling van meer dan 5,7 graden (10%), om kantelen van het product te voorkomen.
- Wees altijd extra voorzichtig wanneer u een matras dikker dan 2,5 inch (6,35 cm) of een bovenmatras met de **Prime X**-optie gebruikt.
- Klik de onrusthekken altijd in de stand volledig omhoog vast en zet het slaoppervlak plat en in de laagste stand wanneer u een patiënt vervoert.
- Houd altijd de ledematen van de patiënt uit de buurt van de spillen van het onrusthek wanneer u het onrusthek omhoog- of omlaagzet.
- Zorg ervoor dat de onrusthekken niet vanzelf omlaag kunnen zakken.
- Houd de handen en vingers altijd uit de buurt van de vrijzethendels en het frame van de fowlerrugleuning wanneer u de fowlerrugleuning omlaag zet.

- Wees altijd voorzichtig wanneer u een pneumatische rugleuning omhoogzet terwijl een patiënt zich op het product bevindt. Gebruik correcte tiltechnieken en roep zo nodig hulp in.
- Houd de handen en vingers altijd uit de buurt van de duwhandgrepen aan het voeteneinde wanneer u het knieknikgedeelte omlaagzet.
- Houd apparaatlijnen op het pomprek altijd uit de buurt van de hendels van het knieknikgedeelte.
- Controleer altijd of apparaten op het pomprek veilig door deuropeningen heen kunnen.
- Til het product niet op aan het pomprek.
- Koppel altijd het netsnoer los van het stopcontact voordat u het product vervoert of reinigt.
- Berg wanneer u het product vervoert het netsnoer altijd met behulp van de snoerhaspel in het onderstel op.
- Gebruik het optionele weegstelsel, de optionele elektrische lift en de optionele elektrische matrasdrager niet direct naast, op of onder andere apparatuur. Als gebruik direct naast, op of onder andere apparatuur onvermijdelijk is, moet het optionele weegstelsel, de optionele elektrische lift of de optionele elektrische matrasdrager worden geobserveerd om te controleren of alle apparaten normaal werken in de configuratie waarin ze gebruikt gaan worden.
- Plaats geen voorwerpen zwaarder dan 30 lb (14 kg) op het defibrillatorblad. Zet alle apparaten die u op het defibrillatorblad plaatst, altijd vast met riempjes.
- Wees altijd voorzichtig als het defibrillatorblad/voetverlengstuk, het voetenbord/de dossierhouder of de verticale zuurstoffeshouder is bevestigd wanneer u de optionele duwhandgreep aan het voeteneinde positioneert, om beknelling van de vingers te voorkomen.
- Plaats geen voorwerpen zwaarder dan 30 lb (14 kg) op het defibrillatorblad/voetverlengstuk. Zet alle apparaten die u op het defibrillatorblad plaatst, altijd vast met riempjes.
- Zet de infuuspaal altijd vast aan het infuusrolstatief wanneer u het product vervoert.
- Berg het infuusrolstatief altijd op wanneer u het niet gebruikt, om beschadiging van het product te voorkomen.
- Ga niet op de voetensteunen zitten. Dit kan het product doen kantelen.
- Houd altijd uw vingers uit de buurt van de mechanismen wanneer u de voetensteunen bedient.
- Berg de voetensteunen altijd weg wanneer u een patiënt vervoert met het product.
- Draai de voetensteunen altijd vast voordat u de voetensteunen gebruikt.
- Gebruik het weegstelsel niet met de voetensteunen. Dit kan leiden tot onjuiste meetwaarden.
- Gebruik de **Chaperone**-optie niet met de voetensteunen. Dit kan leiden tot onjuiste meetwaarden.
- Gebruik de infuuspaal niet als middel om het product te duwen/trekken. Dit kan leiden tot beschadiging van het product.
- Plaats geen voorwerpen zwaarder dan 40 lb (18 kg) in de verticale zuurstoffeshouder.
- Plaats geen voorwerpen zwaarder dan 30 lb (14 kg) op het dienblad.
- Wees altijd voorzichtig wanneer u veiligheidsriemen bevestigt. Er kan letsel ontstaan bij de patiënt of de bediener. Vastzetvoorzieningen voor het lichaam kunnen, zelfs als ze zijn vastgezet, ernstig letsel veroorzaken bij patiënten en bedieners, zoals verstrikking, beknelling, fysiek letsel of overlijden.
- Bevestig veiligheidsriemen of vastzetvoorzieningen altijd uitsluitend aan de gemarkeerde bevestigingspunten op het product. Als u dit niet doet, kan dit leiden tot letsel bij de patiënt of de bediener. Bevestig veiligheidsriemen niet aan het onrusthek.
- Raadpleeg altijd de geldende regionale en nationale voorschriften en de relevante protocollen van de instelling voordat u een veiligheidsriem of vastzetvoorziening gebruikt.
- Tref altijd beschermingsmaatregelen wanneer u de verticale of laterale röntgencassettehouder gebruikt. De röntgencassettehouder biedt geen bescherming tegen straling.
- Vóór het gebruik van de **Prime X**-optie met apparaten die straling opwekken, raadpleegt u naast de plaatselijke, regionale en nationale richtlijnen altijd de protocollen van de instelling met betrekking tot veiligheid. Apparaten die straling opwekken kunnen rest-, zwerf- of strooistraling produceren.
- Volg voor het inbrengen van de röntgencassette altijd de instructies onder *De verticale röntgencassettehouder in positie brengen – Prime X-optie*.
- Wees altijd voorzichtig wanneer u röntgenopnamen maakt met de rugleuning in de verticale stand of wanneer u een laterale cassette gebruikt.
- Volg voor het inbrengen van de röntgencassette altijd de instructies onder *De laterale röntgencassettehouder in positie brengen – Prime X-optie*.
- Voer geen reiniging, reparatie of onderhoud uit terwijl het product in gebruik is.
- Dompel de matras niet onder in reinigings- of desinfectieoplossingen. Overmatig vocht kan een storing aan het product veroorzaken, met beschadiging van het product of letsel bij de patiënt tot gevolg.
- Voorkom dat vloeistof zich ophoopt op de matras. Vloeistoffen kunnen corrosie van componenten veroorzaken en leiden tot een onvoorspelbare veiligheid en werking van dit product.

- Inspecteer de matrashoezen altijd op scheuren, gaten, overmatige slijtage en scheefzittende ritsen, telkens als u de hoezen reinigt. Verwijder en vervang een beschadigde matras, om kruisbesmetting te voorkomen.
 - Reinig matrassen niet met stoom, een hogedrukspuit, een waterslang of ultrasoonreiniging. Deze reinigingsmethoden kunnen leiden tot vervallen van de garantie van het product.
 - Reinig het product niet met stoom, een waterslang of ultrasoonreiniging. Gebruik van deze reinigingsmethoden wordt niet aanbevolen en kan leiden tot vervallen van de garantie van het product.
 - Desinfecteer de matras altijd tussen patiënten door. Als u dat niet doet, kan dat leiden tot kruisbesmetting en infectie.
-

LET OP

- Onjuist gebruik van het product kan leiden tot letsel bij de patiënt of de bediener. Gebruik het product uitsluitend zoals in deze handleiding is beschreven.
 - Breng geen wijzigingen aan in het product of in onderdelen van het product. Wijzigen van het product kan onvoorspelbare werking veroorzaken en leiden tot letsel bij de patiënt of de bediener. Door het wijzigen van het product vervalt tevens de garantie.
 - Gebruik het hydraulische systeem op het onderstel niet om het product omhoog te brengen met een patiëntlift onder het product.
 - Activeer het stuurpedaal niet wanneer het **Big Wheel** op een drempel of andere verhoging rust. De vereiste kracht voor het activeren van het **Big Wheel** is hoger dan normaal, wat beschadiging van het product kan veroorzaken.
 - Het draagvermogen van het knieknikgedeelte bedraagt 200 lb (90,7 kg).
 - Zorg er vóór gebruik altijd voor dat de steunstang van het knieknikgedeelte is vastgezet.
 - Ga niet op het knieknikgedeelte zitten of staan.
 - Wees altijd voorzichtig als u het knieknikgedeelte omlaagzet terwijl het product niet is ingeschakeld. Het knieknikgedeelte kan snel omlaagkomen door de zwaartekracht.
 - Plaats geen voorwerpen zwaarder dan 60 lb (27 kg) in het ondersteldekstuk.
 - Ga niet op het ondersteldekstuk zitten of staan.
 - Het draagvermogen van het pomprek bedraagt 40 lb (18 kg).
 - Gebruik het pomprek niet als middel om het product te duwen/trekken. Dit kan leiden tot beschadiging van het product.
 - Gebruik de weegschaal niet voor patiënten lichter dan 50 lb (22,7 kg).
 - Gebruik de meetwaarde van het weegsysteem niet als referentie voor medische behandeling.
 - Zet de infuuspaal altijd omhoog voordat u het defibrillatorblad/voetverlengstuk aan het product bevestigt. Als u de infuuspaal niet omhoog zet, werkt het voetverlengstuk niet.
 - Gebruik de infuuspaal niet als middel om het product te duwen/trekken. Dit kan leiden tot beschadiging van het product.
 - Hang geen infuuszakken zwaarder dan 40 lb (18 kg) aan de infuuspaal.
 - Zorg dat de infuuspaal altijd op een lage stand staat wanneer u een patiënt vervoert, zodat de paal door deuropeningen heen past.
 - Gebruik geen schurende reinigingsmiddelen voor het reinigen van de displaybehuizing van het optionele weegsysteem. Voorkom dat reinigungsoplossingen of andere vloeistoffen zich ophopen op de displayeenheid. Droog alle oppervlakken af na het morsen van vloeistof en na reiniging.
 - Gebruik van andere dan de door de fabrikant gespecificeerde of geleverde accessoires, transducers en kabels kan de elektromagnetische emissies doen toenemen of de elektromagnetische immuniteit doen afnemen, met als gevolg dat de apparatuur niet naar behoren werkt.
 - Vanwege de emissiekenmerken is deze apparatuur geschikt voor gebruik in industriële zones en ziekenhuizen (CISPR 11 klasse A). Bij gebruik in een woonomgeving, waarvoor normaliter CISPR 11 klasse B vereist is, kan het zijn dat deze apparatuur geen adequate bescherming biedt voor diensten die gebruik maken van radiofrequentiecommunicatie. De gebruiker moet misschien corrigerende maatregelen treffen, zoals het verplaatsen of draaien van de apparatuur.
 - Draagbare RF-communicatieapparatuur, met inbegrip van randapparatuur zoals antennekabels en externe antennes, mag niet worden gebruikt op een afstand van minder dan 12 inch (30 cm) vanaf enig onderdeel van de **Prime**-brancard, inclusief de door de fabrikant gespecificeerde kabels.
 - Vermijd het direct op, onder of naast andere apparatuur plaatsen van deze apparatuur, om te voorkomen dat de producten niet naar behoren werken. Als een dergelijk gebruik noodzakelijk is, moet de op, onder of naast elkaar geplaatste apparatuur nauwlettend worden geobserveerd om er zeker van te zijn dat deze goed werkt.
-

Knelpunten



Afbeelding 1 – Prime X-optie

Inleiding

Deze handleiding help u met het gebruik of het onderhoud van uw product van Stryker. Lees deze handleiding alvorens het product te gebruiken of te onderhouden. Voer methoden en procedures in om uw personeel op te leiden en te oefenen in het veilige gebruik of onderhoud van dit product.

LET OP

- Onjuist gebruik van het product kan leiden tot letsel bij de patiënt of de bediener. Gebruik het product uitsluitend zoals in deze handleiding is beschreven.
 - Breng geen wijzigingen aan in het product of in onderdelen van het product. Wijzigen van het product kan onvoorspelbare werking veroorzaken en leiden tot letsel bij de patiënt of de bediener. Door het wijzigen van het product vervalt tevens de garantie.
-

Opmerking

- Deze handleiding is een permanent onderdeel van het product en moet bij het product blijven, ook als het product later wordt verkocht.
- Stryker streeft continu naar verbetering van productontwerp en -kwaliteit. Deze handleiding bevat de meest recente productinformatie die beschikbaar is op het moment van afdrukken. Er kunnen kleine verschillen zijn tussen uw product en deze handleiding. Hebt u vragen, neem dan contact op met de klantenservice of technische ondersteuning van Stryker op +1-800-327-0770.

Productbeschrijving

De Stryker **Prime Series**® brancard met **Big Wheel**®, model 1115, is een toestel op wielen dat bestaat uit een platform aangebracht op een wielframe om patiënten in een horizontale positie te ondersteunen. Een brancard biedt een methode voor het vervoeren van patiënten binnen de muren van een zorglocatie door zorgverleners of hiertoe opgeleide medewerkers van de instelling. De Stryker **Prime Series** brancard met **Big Wheel**, model 1115, vermindert de opstartkracht en de stuurinspanning, om de fysieke belasting te verminderen.

Gebruiksindicaties

De **Prime Series** brancard met **Big Wheel** heeft twee grote wielen ter vermindering van de benodigde kracht om de brancard in beweging te brengen.

De **Prime Series** brancard kan worden gebruikt als een platform ten behoeve van kortdurende klinische evaluatie in de polikliniek, behandeling, kleine ingrepen en kortdurende verkoevering in de polikliniek. De brancard kan onder meer, maar niet uitsluitend, worden gebruikt in de volgende omgevingen:

- Afdeling Spoedeisende hulp
- Trauma-afdeling
- PACU (post-anesthesia care unit)

De **Prime Series** brancard kan worden gebruikt voor kleine ingrepen en kortdurend verblijf (behandeling en verkoevering). Zie de specificatietabel voor de beoogde omgevingsomstandigheden.

De Stryker **Prime Series** brancard is niet beoordeeld op naleving van bednorm BS EN 50637. Dit product is niet bestemd voor kortdurend verblijf van pediatrische patiënten of van volwassen patiënten met een atypische anatomie in landen die deze bednorm erkennen voor toelating tot de markt.

De **Prime Series** brancard is niet bestemd voor langdurige behandeling en verkoevering van opgenomen patiënten.

De **Prime Series** brancard heeft een veilig draagvermogen tot 700 lb (318 kg) en is bestemd voor gebruik bij alle patiënten, van licht ziek tot kritiek. De brancard kan ook worden gebruikt voor het vervoer van overleden patiënten in een gesloten zorginstelling.

De **Prime X**®-optie biedt een geled patiëntsteunoppervlak voor radiografie en een platform onder het patiëntsteunoppervlak voor plaatsing van de röntgencassette. De **Prime X**-optie is bestemd om het vastleggen van

klinische röntgenopnamen (AP volledig lichaam, optioneel volledig lichaam lateraal en optioneel rechtop borst) mogelijk te maken bij gebruik met een medisch röntgensysteem.

Klinische voordelen

Patiënttransport, behandeling vergemakkelijken en diagnostiek

Contra-indicaties

Een matras dikker dan vier inches (10 cm) wordt niet aanbevolen voor gebruik met de **Prime X**-optie.

De **Prime X**-optie is niet geschikt voor gebruik met een C-arm.

De **Prime X**-optie is bestemd voor gebruik in alle instellingen, behalve in de thuiszorg, in instellingen met een woonfunctie en in instellingen die rechtstreeks zijn aangesloten op het openbare laagspanningsnet dat gebouwen die voor huishoudelijke doeleinden worden gebruikt, van stroom voorziet.



Verwachte levensduur

Prime Series brancards en **Prime Series** brancards met **Prime X**-optie hebben een verwachte levensduur van 10 jaar onder normale gebruiksomstandigheden en bij correct periodiek onderhoud.

Afvoer/recycling

Volg altijd de actuele plaatselijke aanbevelingen en/of verordeningen betreffende milieubescherming en de risico's met betrekking tot recycling en afvoer van de apparatuur aan het einde van de nuttige levensduur.

Specificaties

	Prime Series, breedte 26 inch (66 cm)		Prime Series, breedte 30 inch (76 cm) Prime Series HT-pakketten		Prime X-optie, breedte 30 inch (76 cm)	
 <p>Opmerking - Het veilige draagvermogen heeft betrekking op de som van het gewicht van de patiënt, de matras en de accessoires.</p>	700 lb	318 kg	700 lb	318 kg	700 lb	318 kg
 <p>Maximaal gewicht patiënt</p>	675 lb	306 kg	675 lb	306 kg	675 lb	306 kg
Totale lengte	85 inch (± 0,5 inch)	215,9 cm	85 inch (± 0,5 inch)	215,9 cm	85 inch (± 0,5 inch)	215,9 cm
Totale lengte (optioneel matrasdragerverlengstuk)	89,9 inch (± 0,75 inch)	228,3 cm	89,9 inch (± 0,75 inch)	228,3 cm	n.v.t.	n.v.t.

	Prime Series, breedte 26 inch (66 cm)		Prime Series, breedte 30 inch (76 cm) Prime Series HT-pakketten		Prime X-optie, breedte 30 inch (76 cm)	
Totale breedte (onrusthekken omhoog)	34 inch (± 1 inch)	86,4 cm	38 inch (± 1 inch)	96,5 cm	38 inch (± 1 inch)	96,5 cm
Totale breedte (onrusthekken omlaag)	30,25 inch (± 0,5 inch)	76,8 cm	30,5 inch (± 0,5 inch)	77,5 cm	30,5 inch (± 0,5 inch)	77,5 cm
Minimale hoogte	20,75 inch	52,7 cm	20,75 inch	52,7 cm	23,25 inch	59,1 cm
Maximale hoogte	34 inch (± 1 inch)	86,4 cm	34 inch (± 1 inch)	86,4 cm	36,5 inch (± 1 inch)	92,7 cm
Fowlerrugleuninghoek	0° tot 90° (± 5°)					
Hoogte knieknikgedeelte	5,5 inch (14 cm), minimaal				Niet van toepassing	
Trendelenburgstand/anti-trendelenburgstand	+17° tot -17° (± 3°)					
Minimale bodemvrijheid	2,5 inch nominaal	6,4 cm	2,5 inch nominaal	6,4 cm	2,5 inch nominaal	6,4 cm
	1,75 inch onder de hydraulische krikken	4,5 cm	1,75 inch onder de hydraulische krikken	4,5 cm	1,75 inch onder de hydraulische krikken	4,5 cm
	1 inch onder Big Wheel	2,5 cm	1 inch onder Big Wheel	2,5 cm	1 inch onder Big Wheel	2,5 cm
Afschermingsequivalent (aluminium-equivalentie)	Niet van toepassing				Maximale toegestane waarde bedraagt 1,7 mm Al	
Gewichtbedrijfsbereik optioneel weegsysteem	50 lb (22,7 kg) tot 700 lb (318 kg)					
Nauwkeurigheid optioneel weegsysteem	± 3 lb (1,3 kg) voor gewichtswaarden lager dan 100 lb (45 kg) en ± 3% voor gewichtswaarden hoger dan of gelijk aan 100 lb (45 kg)*					
*Om de geclaimde nauwkeurigheid van het weegsysteem te bereiken, moet het patiëntoppervlak in de platte stand staan (fowlerrugleuning en knieknikgedeelte omlaag) en mag het product maximaal 5 graden in trendelenburg/anti-trendelenburg staan.						

Elektrische opties	Optionele elektrische matrasdrager (alleen beschikbaar op Prime)	Optionele elektrische lift (beschikbaar op Prime- en Prime X-optie)
Elektrische vereisten	120 VAC, 60 Hz, 10 A 240 VAC, 50/60 Hz, 5 A	120 VAC, 60 Hz, 10 A 240 VAC, 50/60 Hz, 5 A
Werkcyclus	Continu gebruik met intermitterende belasting van 1 min. AAN/20 min. UIT	Continu gebruik met intermitterende belasting van 1 min. AAN/20 min. UIT

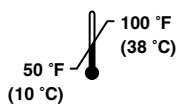
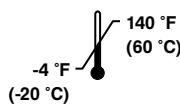
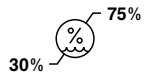
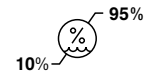
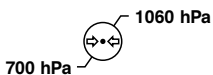
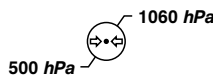
Optioneel weegsysteem	Niet-elektrische matrasdrager (beschikbaar op Prime- en Prime X-optie)	Optionele elektrische lift (beschikbaar op Prime- en Prime X-optie)
Accutype	4 x AA-batterijen (4 x 1,5 VDC) van het type alkaline (LR6)	4 x AA-batterijen (4 x 1,5 VDC) van het type alkaline (LR6)
Accuspanning	6,0 VDC	6,0 VDC

Optioneel weegsysteem	Optionele elektrische matrasdrager (alleen beschikbaar op Prime)	Optionele elektrische lift
Accutype	1 x oplaadbare lithium-ion-accu (0058-135-000)	Niet van toepassing
Accuspanning	10,8 VDC, 2,4 Ah	Niet van toepassing

Optioneel weegsysteem met Chaperone® (afstapalarm brancard)	Optionele elektrische matrasdrager (alleen beschikbaar op Prime)	Optionele elektrische lift
Accutype	1 x oplaadbare lithium-ion-accu (0058-134-000)	Niet van toepassing
Accuspanning	10,8 VDC, 4,8 Ah	Niet van toepassing

Stryker behoudt zich het recht voor om de specificaties zonder kennisgeving te wijzigen.

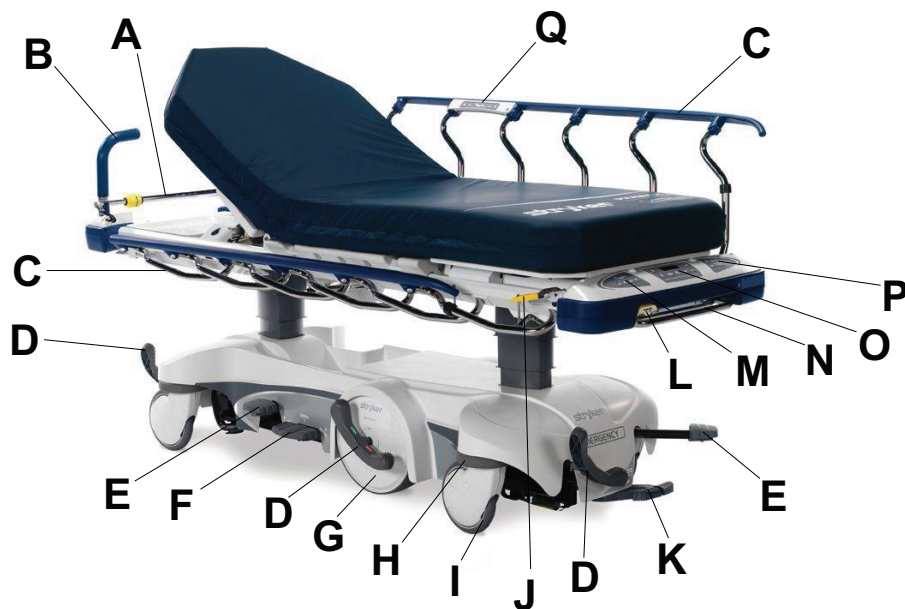
Opmerking - Dit product is niet geschikt voor gebruik in aanwezigheid van een brandbaar anesthetisch mengsel met lucht, zuurstof of lachgas.

Omgevingsomstandigheden	Gebruik	Opslag en vervoer
Temperatuur		
Relatieve luchtvochtigheid		
Omgevingsluchtdruk		

Opmerking - Het bedrijfstemperatuurbereik van het optionele weegsysteem (niet-elektrische matrasdrager/optionele elektrische matrasdrager) is van 61°F (16°C) tot 79°F (26°C).

De vermelde specificaties gelden bij benadering en kunnen van product tot product of door schommelingen in de elektrische voeding enigszins verschillen.

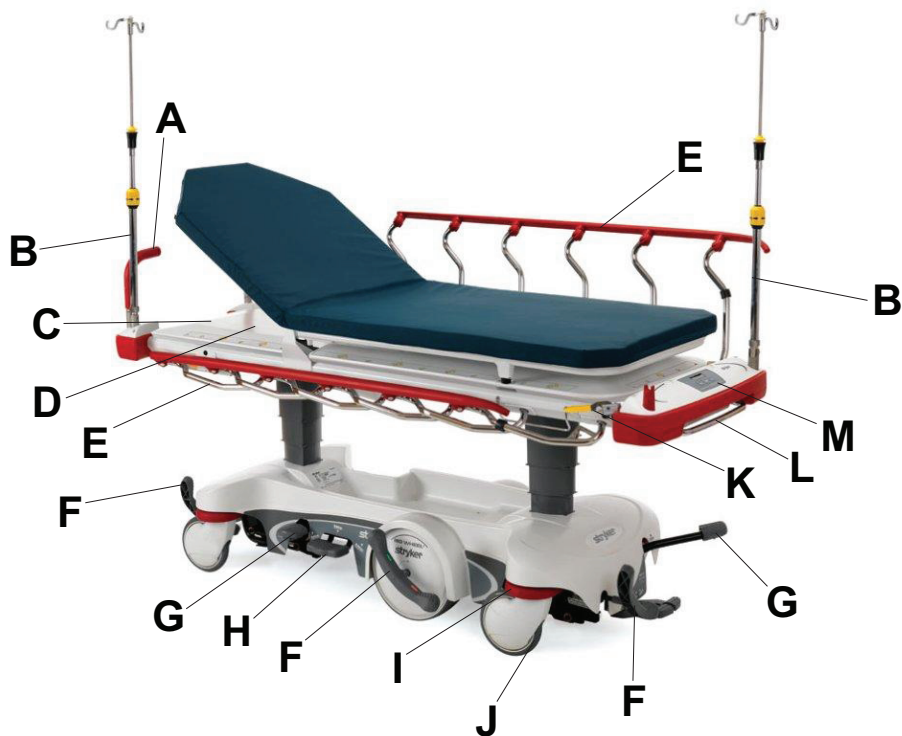
Afbeelding van het product – Prime



Afbeelding 2 – Prime

A	Infuuspaal	J	Onrusthekvergrendeling
B	BackSmart® omhoogklappende duwhandgreep, optioneel	K	Hydraulisch vrijzetpedaal
C	BackSmart onrusthek	L	Vrijzethendel knieknikgedeelte
D	Rem-/stuurpedaal	M	BackSmart bedieningspaneel voor bediener aan voeteneinde, optioneel
E	Pomppedaal	N	Pomprek, optioneel
F	Uni-omlaagzetpedaal	O	BackSmart weegsysteem, optioneel
G	Big Wheel	P	Vergrendeling bedieningspaneel voor patiënt, optioneel
H	Bumper, geïntegreerd	Q	Bedieningspaneel voor patiënt op onrusthek, optioneel
I	Zwenkwiel met geïntegreerde wielafscherming		

Afbeelding van het product – Prime X-optie



Afbeelding 3 – Prime X-optie

A	BackSmart® omhoogklappende duwhandgreep, optioneel	H	Uni-omlaagzetpedaal
B	Infuuspaal	I	Bumper, geïntegreerd
C	Cassetteblad	J	Zwenkwiel met geïntegreerde wielafscherming
D	Patiëntoppervlak met Clearview Technology® -dek	K	Onrusthekvergrendeling
E	BackSmart onrusthek	L	Pomprek, optioneel
F	Rem-/stuurbedieningspedaal	M	BackSmart weegsysteem, optioneel
G	Pompedaal		

Onderdelen die in aanraking met de patiënt komen – optionele elektrische matrasdrager



Afbeelding 4 – Onderdelen van type B die in aanraking met de patiënt komen – optionele elektrische matrasdrager

Onderdelen die in aanraking met de patiënt komen – Prime X-optie



Afbeelding 5 – Onderdelen van type B die in aanraking met de patiënt komen – Prime X-optie

Contactgegevens

Neem contact op met de klantenservice of technische ondersteuning van Stryker op: 1-800-327-0770.

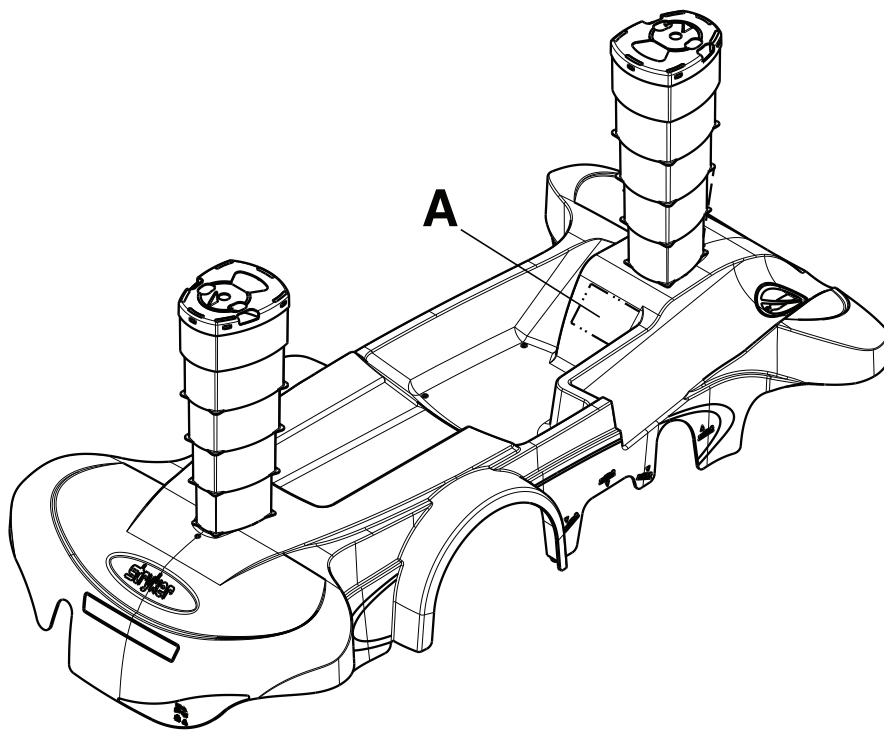
Stryker Medical
3800 E. Centre Avenue
Portage, MI 49002
VS

Opmerking - De gebruiker en/of de patiënt moeten alle ernstige productgerelateerde incidenten melden aan zowel de fabrikant als de bevoegde instantie van de Europese lidstaat waarin de gebruiker en/of patiënt zich bevinden.

Ga naar <https://techweb.stryker.com/> als u de bedienings- of onderhoudshandleiding online wilt bekijken.

Zorg dat u het serienummer (A) van uw Stryker-product bij de hand hebt wanneer u de klantenservice of technische ondersteuning van Stryker belt. Vermeld het serienummer in al uw correspondentie.

Locatie van serienummer



Afbeelding 6 – Locatie van serienummer

Opzetten

Voor het uitpakken van het product raadpleegt u de uitpakinstructies die binnen in de transportkist aan het product zijn bevestigd.

WAARSCHUWING

- Laat het product altijd op kamertemperatuur komen voordat u het product opzet of de werking van de functies test. Anders kan er permanente schade aan het product ontstaan.
 - Bedien het product altijd wanneer alle bedieners zich uit de buurt van de mechanismen bevinden.
 - Wees altijd voorzichtig bij het hanteren van het netsnoer. Er bestaat risico van verstriking, beschadiging van het netsnoer en potentieel schokgevaar. Als het netsnoer beschadigd is, stelt u het product onmiddellijk buiten gebruik en neemt u contact op met het juiste onderhoudspersoneel.
 - Sluit de stekker van het product altijd rechtstreeks aan op een geaard stopcontact van ziekenhuiskwaliteit. Betrouwbare aarding wordt alleen verkregen als u een stopcontact van ziekenhuiskwaliteit gebruikt. Dit product is uitgerust met een stekker van ziekenhuiskwaliteit, ter bescherming tegen het gevaar van elektrische schokken.
-

Verzeker u ervan dat het product werkt voordat u het in gebruik neemt.

1. Activeer de rem. Duw tegen het product om te controleren of alle vier de zwenkwielen vergrendeld zijn.
2. Ontgrendel de rem. Duw tegen het product om te controleren of alle vier de zwenkwielen ontgrendeld zijn.
3. Zet de matrasdrager omhoog en omlaag met het hydraulische liftsysteem.
4. Zet het product in de hoogste stand en plaats het product in de trendelenburgstand (zie *Het product in de trendelenburgstand plaatsen* (pagina 19)). Zorg ervoor dat het hoofdeinde omlaaggaat naar de laagste stand.
5. Zet het product in de hoogste stand en plaats het product in de anti-trendelenburgstand (zie *Het product in de anti-trendelenburgstand plaatsen* (pagina 19)). Zorg ervoor dat het voeteneinde omlaaggaat naar de laagste stand.
6. Activeer **Big Wheel** en zorg ervoor dat het werkt.
7. Zorg ervoor dat de onrusthekken omhooggaan, omlaaggaan en in positie vastklikken.
8. Zet de handbediende rugleuning omhoog en omlaag (hoofdeinde).
9. Zet het handbediende knieknikgedeelte omhoog en omlaag (voeteneinde).

Bij een product met de optionele elektrische lift/elektrische matrasdrager:

1. Voer de bovenstaande installatiechecklist uit.
2. Sluit het product aan op een geaard stopcontact van ziekenhuiskwaliteit. Zorg ervoor dat lampjes op het vergrendelingstoetsenblok gaan branden.
3. Zorg ervoor dat elke functie op het optionele bedieningspaneel op het onrusthek voor de patiënt werkt.
4. Zorg ervoor dat elke functie op het optionele bedieningspaneel aan het voeteneinde voor de bediener werkt.
5. Zet de elektrische rugleuning omhoog en omlaag (hoofdeinde).
6. Zet het elektrische knieknikgedeelte omhoog en omlaag (voeteneinde).

Bij een product met het optionele weegsysteem/de optionele elektrische matrasdrager (met of zonder **Chaperone**-optie):

1. Voer de bovenstaande installatiechecklist uit.
2. Laad de accu's op (*De accu van het optionele weegsysteem opladen - optionele elektrische matrasdrager of optionele elektrische matrasdrager met Chaperone-optie - alleen op Prime* (pagina 33)).

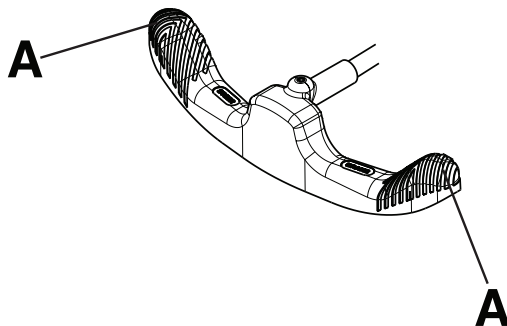
Bedrijf

De remmen activeren en loszetten

WAARSCHUWING - Activeer altijd de remmen wanneer een patiënt op het product gaat liggen of eraf komt, en ook wanneer het product niet in beweging is. Er kan letsel ontstaan als het product in beweging komt terwijl een patiënt op het product gaat liggen of eraf komt.

Om de remmen te activeren, drukt u de remkant (rood) van het rem-/stuurpedaal in. Duw tegen het product om te controleren of de remmen werken.

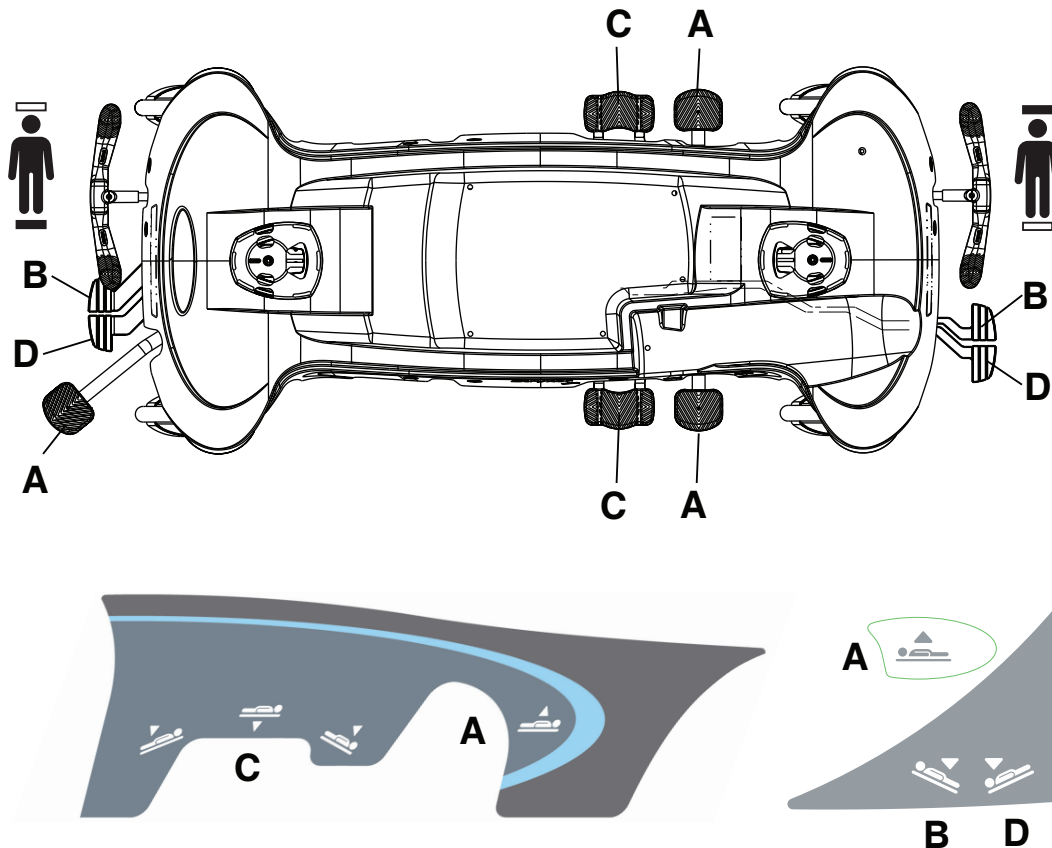
Om de remmen los te zetten, drukt u de stuurkant (groen) van het rem-/stuurpedaal in.



Afbeelding 7 – Het rem-/stuurpedaal bedienen

Opmerking - Druk niet het midden van het rem-/stuurpedaal in. Druk altijd het buitenste gedeelte (A) van het rem-/stuurpedaal in (Afbeelding 7).

Bedieningselementen van het Prime-onderstel



Afbeelding 8 – Bedieningselementen van het Prime onderstel en etiket

De niet-elektrische matrasdrager omhoogzetten

WAARSCHUWING

- Plaats de patiënt altijd midden op het product.
- Zet het product altijd in de laagste stand met de onrusthekkens omhoog en vastgeklikt wanneer u de patiënt zonder toezicht achterlaat. Laat het product niet in een hogere stand staan.
- Verwijder altijd alle voorwerpen die mogelijk in de weg kunnen zitten voordat u de matrasdrager hoger of lager zet.
- Ga niet op het uiteinde van het product zitten. Het product kan omkantelen.

LET OP - Gebruik het hydraulische systeem op het onderstel niet om het product omhoog te brengen met een patiëntlift onder het product.

Om de matrasdrager omhoog te zetten drukt u het pomppedaal (A) in totdat de gewenste hoogte is bereikt (*Bedieningselementen van het Prime-onderstel* (pagina 17)).

De niet-elektrische matrasdrager omlaagzetten

WAARSCHUWING

- Plaats de patiënt altijd midden op het product.
- Zet het product altijd in de laagste stand met de onrusthekkens omhoog en vastgeklikt wanneer u de patiënt zonder toezicht achterlaat. Laat het product niet in een hogere stand staan.
- Verwijder altijd alle voorwerpen die mogelijk in de weg kunnen zitten voordat u de matrasdrager hoger of lager zet.

- Ga niet op het uiteinde van het product zitten. Het product kan omkantelen.
-

LET OP - Gebruik het hydraulische systeem op het onderstel niet om het product omhoog te brengen met een patiëntlift onder het product.

Om de matrasdrager als geheel omlaag te zetten, drukt u het midden van het uni-omlaagzetpedaal (C) in (*Bedieningselementen van het Prime-onderstel* (pagina 17)).

Om het hoofdeinde van de matrasdrager omlaag te zetten, drukt u het pedaal (B) in of de kant van het uni-omlaagzetpedaal (C) het dichtst bij het hoofdeinde van het product.

Om het voeteneinde van de matrasdrager omlaag te zetten, drukt u het pedaal (D) in of drukt u de kant van het uni-omlaagzetpedaal (C) het dichtst bij het voeteneinde van het product in.

De optionele elektrische matrasdrager omhoogzetten

WAARSCHUWING

- Plaats de patiënt altijd midden op het product.
 - Zet het product altijd in de laagste stand met de onrusthekken omhoog en vastgeklikt wanneer u de patiënt zonder toezicht achterlaat. Laat het product niet in een hogere stand staan.
 - Verwijder altijd alle voorwerpen die mogelijk in de weg kunnen zitten voordat u de matrasdrager hoger of lager zet.
 - Ga niet op het uiteinde van het product zitten. Het product kan omkantelen.
-

LET OP - Gebruik het hydraulische systeem op het onderstel niet om het product omhoog te brengen met een patiëntlift onder het product.

Om de elektrische matrasdrager omhoog te zetten, drukt u het pomppedaal (A) in totdat de gewenste hoogte is bereikt (*Bedieningselementen van het Prime-onderstel* (pagina 17)).

De optionele elektrische matrasdrager omlaagzetten

WAARSCHUWING

- Plaats de patiënt altijd midden op het product.
 - Zet het product altijd in de laagste stand met de onrusthekken omhoog en vastgeklikt wanneer u de patiënt zonder toezicht achterlaat. Laat het product niet in een hogere stand staan.
 - Verwijder altijd alle voorwerpen die mogelijk in de weg kunnen zitten voordat u de matrasdrager hoger of lager zet.
 - Ga niet op het uiteinde van het product zitten. Het product kan omkantelen.
-

LET OP - Gebruik het hydraulische systeem op het onderstel niet om het product omhoog te brengen met een patiëntlift onder het product.

Om de elektrische matrasdrager als geheel omlaag te zetten, drukt u het midden van het uni-omlaagzetpedaal (C) in (*Bedieningselementen van het Prime-onderstel* (pagina 17)).

Om het hoofdeinde van de matrasdrager omlaag te zetten, drukt u het pedaal (B) in of drukt u de kant van het uni-omlaagzetpedaal (C) het dichtst bij het hoofdeinde van het product in.

Om het voeteneinde van de matrasdrager omlaag te zetten, drukt u het pedaal (D) in of drukt u de kant van het uni-omlaagzetpedaal (C) het dichtst bij het voeteneinde van het product in.

Het product in de trendelenburgstand plaatsen

WAARSCHUWING - Verwijder altijd alle voorwerpen die mogelijk in de weg kunnen zitten voordat u de matrasdrager hoger of lager zet.

LET OP - Gebruik het hydraulische systeem op het onderstel niet om het product omhoog te brengen met een patiëntlift onder het product.

Om het product in de trendelenburgstand (hoofd omlaag) te plaatsen, zet u de matrasdrager in de hoogste stand (*De niet-elektrische matrasdrager omhoogzetten* (pagina 17) of *De optionele elektrische matrasdrager omhoogzetten* (pagina 18)).

Opmerking - Zet de matrasdrager in de hoogste stand voor een grotere trendelenburghoek.

Om het hoofdeinde van het product omlaag te zetten, drukt u het vrijzetpedaal aan het hoofdeinde of voeteneinde (D) in of drukt u de kant van het uni-omlaagzetpedaal (C) het dichtst bij het hoofdeinde in (*Bedieningselementen van het Prime-onderstel* (pagina 17)).

Om het product omlaag te brengen vanuit de trendelenburgstand, drukt u de vrijzetpedalen voor het hoofdeinde en het voeteneinde (B en D) tegelijkertijd in of drukt u het midden van het uni-omlaagzetpedaal (C) in tot de matrasdrager plat staat.

Het product in de anti-trendelenburgstand plaatsen

WAARSCHUWING - Verwijder altijd alle voorwerpen die mogelijk in de weg kunnen zitten voordat u de matrasdrager hoger of lager zet.

LET OP - Gebruik het hydraulische systeem op het onderstel niet om het product omhoog te brengen met een patiëntlift onder het product.

Om het product in de anti-trendelenburgstand (voeten omlaag) te plaatsen, zet u de matrasdrager in de hoogste stand (*De niet-elektrische matrasdrager omhoogzetten* (pagina 17) of *De optionele elektrische matrasdrager omhoogzetten* (pagina 18)).

Opmerking - Zet de matrasdrager in de hoogste stand voor een grotere trendelenburghoek.

Om het voeteneinde van het product omlaag te zetten, drukt u het vrijzetpedaal aan het hoofdeinde of voeteneinde (B) in of drukt u de kant van het uni-omlaagzetpedaal (C) het dichtst bij het voeteneinde in (*Bedieningselementen van het Prime-onderstel* (pagina 17)).

Om het product omlaag te brengen vanuit de anti-trendelenburgstand, drukt u de vrijzetpedalen voor het hoofdeinde en het voeteneinde (B en D) tegelijkertijd in of drukt u het midden van het uni-omlaagzetpedaal (C) in tot de matrasdrager plat staat.

Een patiënt vervoeren

WAARSCHUWING

- Plaats de patiënt altijd midden op het product.
 - Vergrendel de onrusthekken altijd in de stand volledig omhoog met het slaoppervlak horizontaal en in de laagste stand wanneer u een patiënt vervoert.
 - Vervoer het product niet zijwaarts over een helling van meer dan 5,7 graden (10%), om kantelen van het product te voorkomen.
-

Om een patiënt te vervoeren:

1. Zet de onrusthekken in de hoogste stand. Trek aan het onrusthek om te controleren of het is vastgeklikt.
2. Zet de matrasdrager in de laagste stand.

3. Koppel het netsnoer los van het stopcontact als het product is uitgerust met de optionele elektrische lift of elektrische matrasdrager.
4. Druk de stuurkant (groene kant) van het rem-/stuurpedaal omlaag.
5. Duw het product met behulp van de duwhendels.
6. Activeer de remmen om het product op zijn plaats vast te zetten.

Opmerking - Verzekert u er altijd van dat de rem is losgezet voordat u het product verplaatst, om letsel bij de bediener en de patiënt te voorkomen.

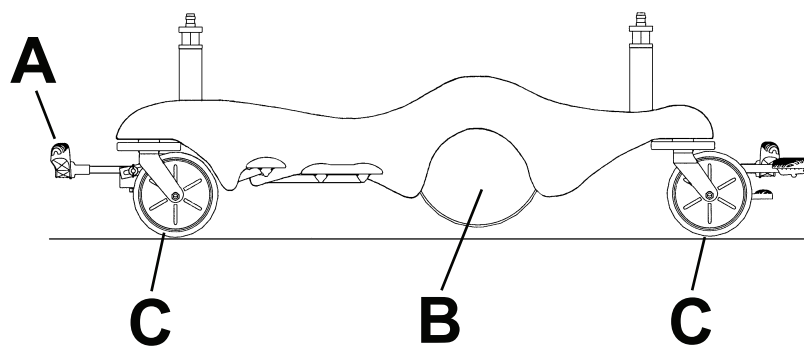
Een patiënt vervoeren zonder Big Wheel

WAARSCHUWING

- Plaats de patiënt altijd midden op het product.
- Vergrendel de onrusthekkens altijd in de stand volledig omhoog met het slaoppervlak horizontaal en in de laagste stand wanneer u een patiënt vervoert.

Een patiënt vervoeren zonder **Big Wheel**:

1. Zet het rem-/stuurpedaal (A) in de neutrale stand (Afbeelding 9).



Afbeelding 9 – Vervoeren zonder Big Wheel

2. Zet de matrasdrager in de laagste stand.
3. Zorg er alleen bij model 1125 voor dat de schakelaar On/Drive-Off/Manual (Aan/aandrijving-Uit/handmatig) in de stand Off (Uit) staat.
4. Koppel het netsnoer los van het wandstopcontact van ziekenhuiskwaliteit als het product is uitgerust met de optionele elektrische lift of de optionele elektrische matrasdrager.
5. Duw het product met behulp van de duwhendels.
6. Activeer de remmen om het product op zijn plaats vast te zetten.

Opmerking

- Verzekert u er altijd van dat de rem is losgezet voordat u het product verplaatst, om letsel bij de bediener en de patiënt te voorkomen.
- Met de brancard in de neutrale stand is **Big Wheel** (B) van de vloer gelicht en steunt het product op alle vier de zwenkwielen (C) (Afbeelding 9). In deze stand kunt u het product in elke gewenste richting bewegen, ook zijwaarts.

Een patiënt vervoeren met Big Wheel

WAARSCHUWING

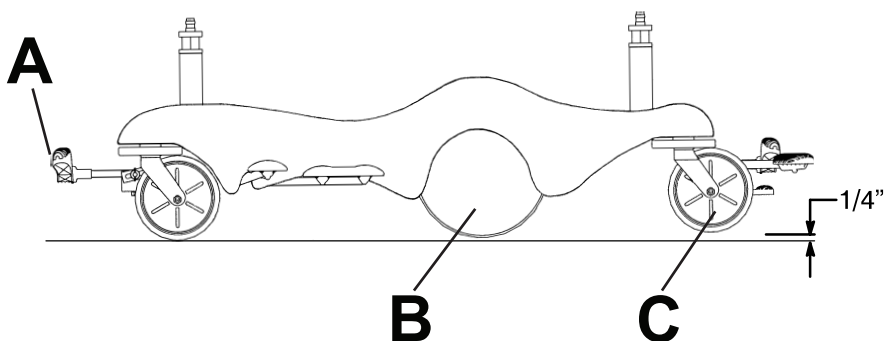
- Plaats de patiënt altijd midden op het product.

- Vergrendel de onrusthekket altijd in de stand volledig omhoog met het slaoppervlak horizontaal en in de laagste stand wanneer u een patiënt vervoert.

LET OP - Activeer het stuurpedaal niet wanneer **Big Wheel** op een drempel of andere verhoging rust. De vereiste kracht voor het activeren van **Big Wheel** is hierbij hoger dan normaal, wat beschadiging van het product kan veroorzaken.

Een patiënt vervoeren met **Big Wheel**:

1. Zet de onrusthekket in de hoogste stand. Trek aan elk onrusthek om te controleren of het is vastgeklikt.
2. Zet de matrasdrager in de laagste stand.
3. Zorg er alleen bij model 1125 voor dat de schakelaar On/Drive-Off/Manual (Aan/aandrijving-Uit/handmatig) in de stand Off (Uit) staat.
4. Koppel het netsnoer los van het wandstopcontact van ziekenhuiskwaliteit als het product is uitgerust met de optionele elektrische lift of de optionele elektrische matrasdrager.
5. Zet het rem-/stuurpedaal (A) in de stuurstand (Afbeelding 10).



Afbeelding 10 – Vervoeren met Big Wheel

6. Duw het product met behulp van de duwhendels.
7. Activeer de remmen om het product op zijn plaats vast te zetten.

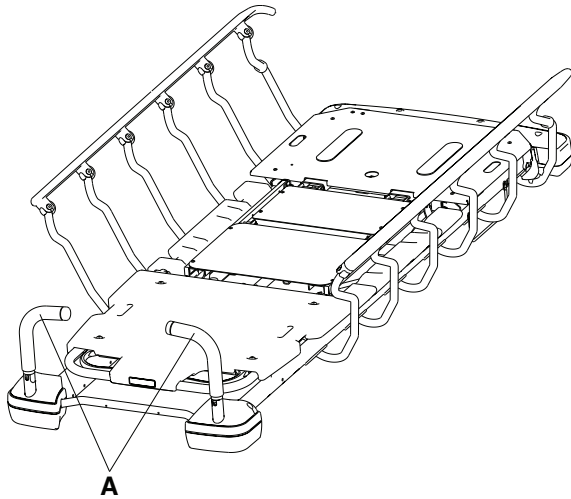
Opmerking

- Verzeker u er altijd van dat de rem is losgezet voordat u probeert het product te verplaatsen. Een poging om het product te verplaatsen terwijl de remmen geactiveerd zijn, kan leiden tot letsel bij de bediener of de patiënt.
- De **Big Wheel** (B) kan niet zwenken. U kunt het product niet zijwaarts bewegen wanneer **Big Wheel** geactiveerd is.
- Wanneer **Big Wheel** (B) geactiveerd is, staat het product hoger en zijn de zwenkwieken aan het voeteneinde (C) van de vloer gelicht. Het product steunt op de zwenkwieken aan het hoofdeinde en **Big Wheel** zorgt ervoor dat het product gemakkelijker gestuurd kan worden (Afbeelding 10).

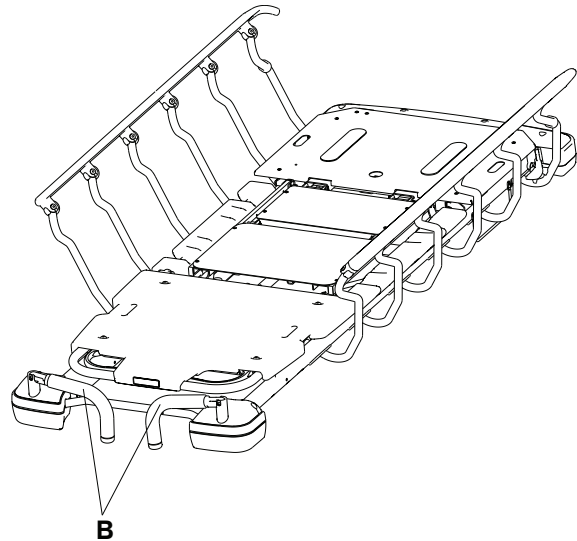
De optionele duwhandgrepen aan het hoofdeinde in positie brengen of wegbergen

De duwhandgrepen aan het hoofdeinde in positie brengen of wegbergen:

1. Klap de handgrepen (A) omhoog vanaf het hoofdeinde van het product (Afbeelding 11).
2. Druk de handgrepen omlaag om ze op hun plaats te vergrendelen.



Afbeelding 11 – De duwhandgrepen aan het hoofdeinde in positie brengen



Afbeelding 12 – De duwhandgrepen aan het hoofdeinde wegbergen

- Keer de stappen om om de duwhandgrepen aan het hoofdeinde (B) weg te bergen (Afbeelding 12).

Opmerking - Gebruik tenzij anders is vermeld uitsluitend de duwhandgrepen als middel voor het duwen of trekken van het product, om beschadiging van het product te voorkomen.

Het onrusthek omhoogzetten

WAARSCHUWING

- Wees altijd extra voorzichtig wanneer u een matras dikker dan 2,5 inch (6 cm) of een bovenmatras met de **Prime X**-optie gebruikt.
- Zet het product altijd in de laagste stand met de onrusthekken omhoog en vastgeklikt wanneer u de patiënt zonder toezicht achterlaat. Laat het product niet in een hogere stand staan.
- Klik de onrusthekken altijd in de stand volledig omhoog vast en zet het slaoppervlak plat en in de laagste stand wanneer u een patiënt vervoert.
- Houd altijd de ledematen van de patiënt uit de buurt van de spillen van het onrusthek wanneer u het onrusthek omhoog of omlaag zet.
- Laat de onrusthekken niet zelf omlaagkomen.

Het onrusthek omhoogzetten:

1. Pak het onrusthek met beide handen vast.
2. Licht het onrusthek op richting het voeteneinde van het product totdat de gele vrijgavepal op zijn plaats vastklikt. Trek aan het onrusthek om te controleren of het onrusthek is vastgeklikt.

Opmerking

- Er is een optie verkrijgbaar met dubbele onrusthekvrijgavepal, met pallen aan beide uiteindes van het product.
- Gebruik onrusthekken niet als middel om te voorkomen dat de patiënt van het product af komt. De onrusthekken zorgen dat de patiënt niet van het product af kan rollen. De bediener moet bepalen hoeveel beperking van de bewegingsvrijheid nodig is voor de veiligheid van de patiënt.
- U kunt het voeteneinde van de onrusthekken gebruiken als middel om het product te duwen/trekken.
- Onrusthekken klikken alleen vast in de stand volledig omhoog.

Het onrusthek omlaagzetten

WAARSCHUWING

- Wees altijd extra voorzichtig wanneer u een matras dikker dan 2,5 inch (6 cm) of een bovenmatras met de **Prime X**-optie gebruikt.
 - Zet het product altijd in de laagste stand met de onrusthekken omhoog en vastgeklikt wanneer u de patiënt zonder toezicht achterlaat. Laat het product niet in een hogere stand staan.
 - Klik de onrusthekken altijd in de stand volledig omhoog vast en zet het slaoppervlak plat en in de laagste stand wanneer u een patiënt vervoert.
 - Houd altijd de ledematen van de patiënt uit de buurt van de spullen van het onrusthek wanneer u het onrusthek omhoog of omlaag zet.
 - Laat de onrusthekken niet zelf omlaagkomen.
-

Het onrusthek omlaagzetten:

1. Pak het onrusthek met één hand vast.
2. Trek met de andere hand de gele vrijgavepal omhoog.
3. Licht het onrusthek op en geleid het richting het hoofdeinde van het product totdat de gele vrijgavepal op zijn plaats vastklikt. Trek aan het onrusthek om te controleren of het onrusthek is vastgeklikt.

Opmerking

- Er is een optie verkrijgbaar met dubbele onrusthekvrijgavepal, met pallen aan beide uiteindes van het product.
- Gebruik onrusthekken niet als middel om te voorkomen dat de patiënt van het product af komt. De onrusthekken zorgen dat de patiënt niet van het product af kan rollen. De bediener moet bepalen hoeveel beperking van de bewegingsvrijheid nodig is voor de veiligheid van de patiënt.
- U kunt het voeteneinde van de onrusthekken gebruiken als middel om het product te duwen/trekken.
- Onrusthekken klikken alleen vast in de stand volledig omhoog.

Het product in positie brengen met het bedieningspaneel voor de patiënt op het onrusthek - elektrische matrasdrager - alleen op Prime

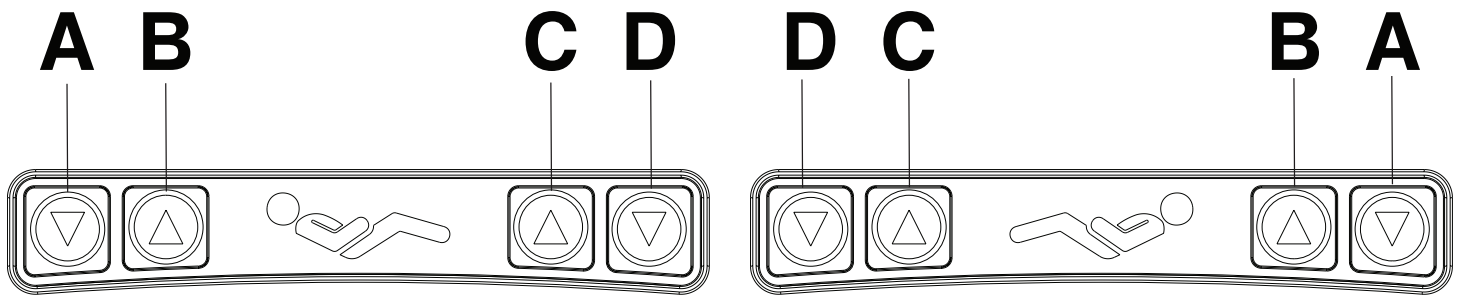
WAARSCHUWING - Bedien het product altijd wanneer alle bedieners zich uit de buurt van de mechanismen bevinden.

Stel de positie van de rugleuning en het knieknikgedeelte in met het bedieningspaneel voor de patiënt op het onrusthek (Afbeelding 13).

Patiënten moeten door een medische zorgverlener worden ingelicht over het gebruik van de bedieningselementen voor patiënten.

Opmerking

- Sluit het netsnoer altijd aan op een geaard stopcontact van ziekenhuis kwaliteit.
- Het bedieningspaneel voor de patiënt op het onrusthek bevindt zich op een verhoogde plek aan weerszijden van het product voor gemakkelijke toegang door de patiënt.
- Elk onrusthek heeft een bedieningspaneel met achtergrondverlichting waarmee de patiënt de positie van de rugleuning en het knieknikgedeelte kan afstellen. Wanneer het product is aangesloten op het stopcontact en het bedieningspaneel voor de patiënt ontgrendeld is, zijn de witte knoppen verlicht.



Afbeelding 13 – Bedieningspaneel voor patiënt op onrusthek

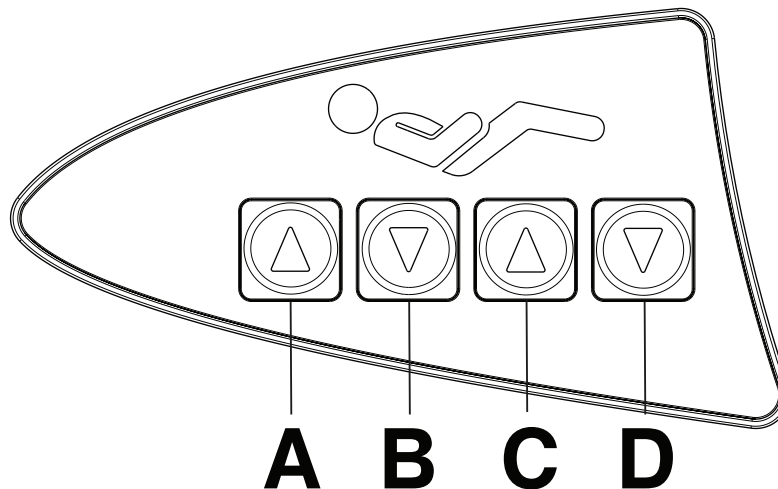
A	Rugleuning omlaag	Verlaagt de rugleuning (hoofdsectie)
B	Rugleuning omhoog	Verhoogt de rugleuning (hoofdsectie)
C	Knieknikgedeelte omhoog	Verhoogt het knieknikgedeelte (voetsectie)
D	Knieknikgedeelte omlaag	Verlaagt het knieknikgedeelte (voetsectie)

Bedieningspaneel voor bediener - optionele elektrische matrasmadrager - alleen op Prime

WAARSCHUWING - Bedien het product altijd wanneer alle bedieners zich uit de buurt van de mechanismen bevinden.

Gebruik het bedieningspaneel voor de bediener om de positie van de patiënt op het product bij te stellen (Afbeelding 14).

Opmerking - Sluit het netsnoer altijd aan op een geaard stopcontact van ziekenhuiskwaliteit.



Afbeelding 14 – Bedieningspaneel voor de bediener - optionele elektrische matrasmadrager

A	Rugleuning omhoog	Zet de rugleuning omhoog
B	Rugleuning omlaag	Zet rugleuning omlaag
C	Knieknikgedeelte omhoog	Zet het knieknikgedeelte omhoog
D	Knieknikgedeelte omlaag	Zet het knieknikgedeelte omlaag

De vergrendeling van het bedieningspaneel voor de patiënt vergrendelen en ontgrendelen - optionele elektrische matrasdrager - alleen op Prime

WAARSCHUWING - Bedien het product altijd wanneer alle bedieners zich uit de buurt van de mechanismen bevinden.

Vergrendel het bedieningspaneel voor de patiënt op het onrusthek door één keer op **Unlock/Lock** (Ontgrendelen/vergrendelen) (A) te drukken (Afbeelding 15).

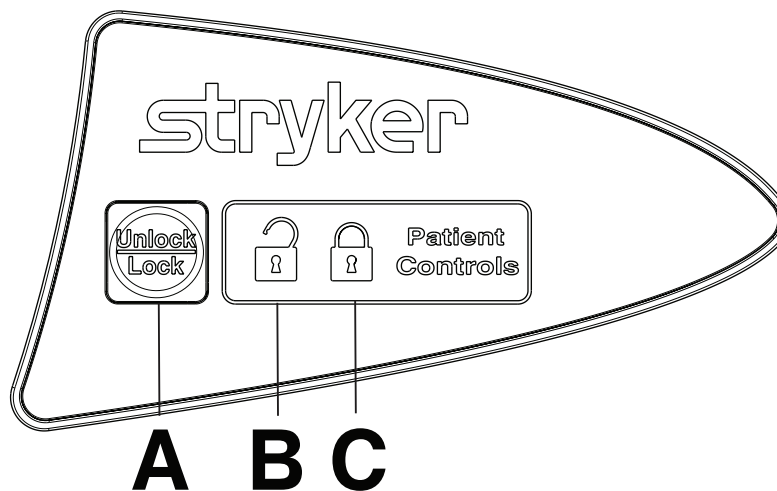
Opmerking - Het vergrendelpictogram (C) licht op in het oranje wanneer de bedieningselementen voor patiënten vergrendeld zijn.

Ontgrendel het bedieningspaneel voor de patiënt op het onrusthek door nogmaals op **Unlock/Lock** (Ontgrendelen/vergrendelen) (A) te drukken.

Opmerking - Het ontgrendelpictogram (B) gaat groen branden wanneer de bedieningselementen voor patiënten ontgrendeld zijn.

Opmerking

- Sluit het netsnoer altijd aan op een geaard stopcontact van ziekenhuiskwaliteit.
- U kunt het bedieningspaneel voor de patiënt vergrendelen om te voorkomen dat de patiënt de rugleuning en het knieknikgedeelte verzet.
- De achtergrondverlichting van het bedieningspaneel voor de patiënt op het onrusthek gaat uit wanneer u het bedieningspaneel voor de patiënt vergrendelt.



Afbeelding 15 – Vergrendeling van het bedieningspaneel voor de patiënt

De rugleuning omhoog- of omlaagzetten - niet-elektrische matrasdrager

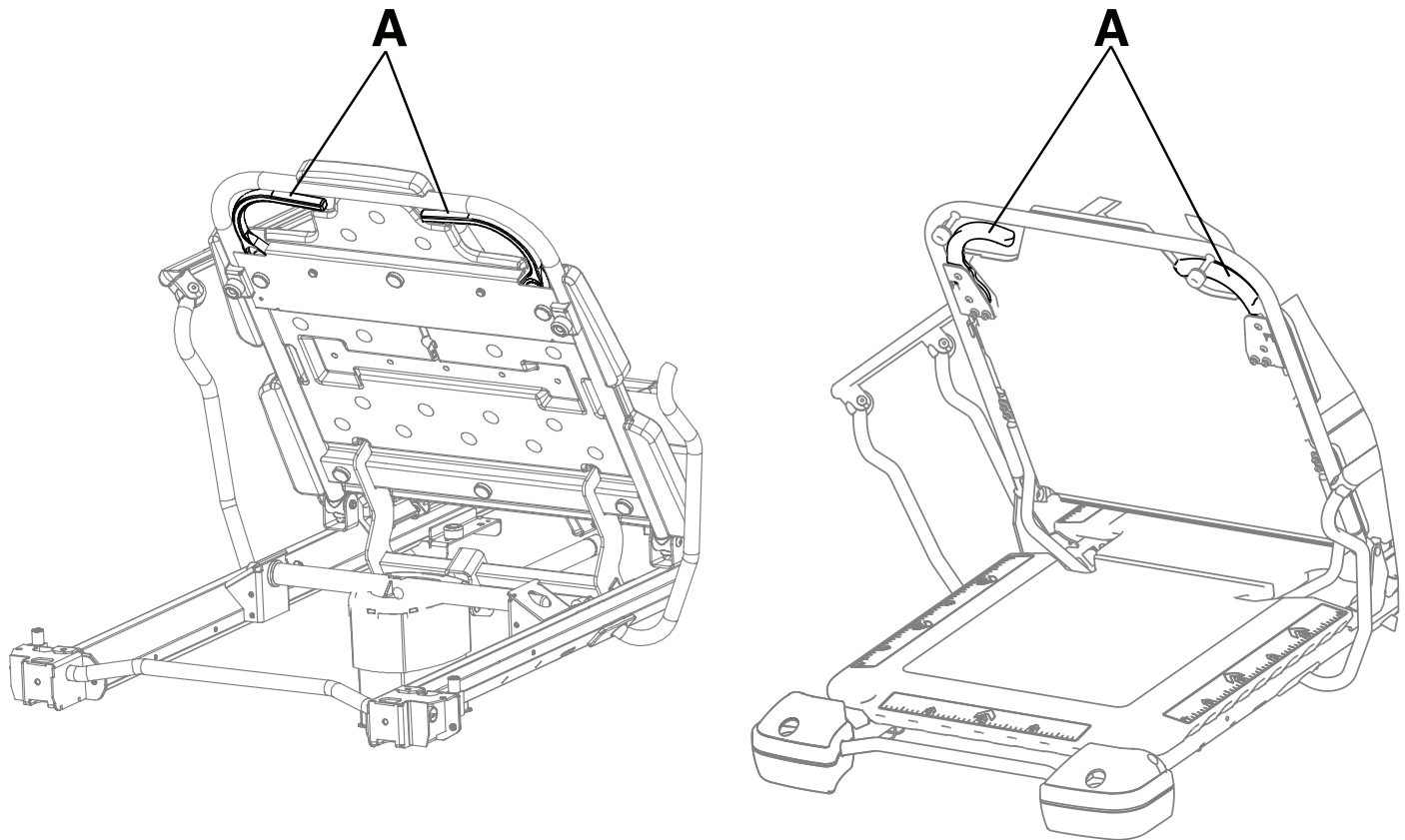
WAARSCHUWING

- Bedien het product altijd wanneer alle bedieners zich uit de buurt van de mechanismen bevinden.
- Houd de handen en vingers altijd uit de buurt van de vrijzethendels van de rugleuning en het rugleuningframe wanneer u de rugleuning omlaagzet.
- Wees altijd voorzichtig wanneer u een rugleuning omhoogzet terwijl er een patiënt op het product geplaatst is. Gebruik correcte tiltechnieken en roep zo nodig hulp in.

Om de rugleuning omhoog te zetten, knijpt u een of beide rugleuningvrijgavehendels (A) in en trekt u de rugleuning omhoog naar de gewenste stand (0° tot 90°) (Afbeelding 16).

Opmerking - De **Lift Assist**® rugleuning gebruikt het gewicht van de patiënt als hulpmiddel voor het positioneren van de patiënt. Ook helpt de **Lift Assist** rugleuning te voorkomen dat de patiënt richting het voeteneinde van het product schuift wanneer u de rugleuning omhoogzet.

Om de rugleuning omlaag te zetten, knijpt u een of beide vrijzethendels van de rugleuning (A) in en drukt u de rugleuning omlaag naar de gewenste stand (90° tot 0°) (Afbeelding 16).



Afbeelding 16 – De rugleuning omhoog- of omlaagzetten (Prime / Prime X)

De rugleuning omhoog- of omlaagzetten - optionele elektrische matrasdrager

WAARSCHUWING

- Bedien het product altijd wanneer alle bedieners zich uit de buurt van de mechanismen bevinden.
- Houd de handen en vingers altijd uit de buurt van de vrijzethendels van de rugleuning en het rugleuningframe wanneer u de rugleuning omlaagzet.
- Wees altijd voorzichtig wanneer u een rugleuning omhoogzet terwijl er een patiënt op het product geplaatst is. Gebruik correcte tiltechnieken en roep zo nodig hulp in.

Om de rugleuning omhoog te zetten, houdt u de knop **up** (omhoog) op de rugleuningzijde van het bedieningspaneel voor de patiënt op het onrusthek (*Het product in positie brengen met het bedieningspaneel voor de patiënt op het onrusthek - elektrische matrasdrager - alleen op Prime (pagina 23)*) of van het bedieningspaneel voor de bediener op het voeteneinde (*Bedieningspaneel voor bediener - optionele elektrische matrasdrager - alleen op Prime (pagina 24)*) ingedrukt totdat de rugleuning de gewenste hoek heeft bereikt (0° tot 70°).

Opmerking - De **Lift Assist** rugleuning gebruikt het gewicht van de patiënt als hulpmiddel voor het positioneren van de patiënt. Ook helpt de **Lift Assist** rugleuning te voorkomen dat de patiënt richting het voeteneinde van het product schuift wanneer u de rugleuning omhoogzet.

Om de rugleuning omlaag te zetten, houdt u de knop **down** (omlaag) op de rugleuningzijde van het bedieningspaneel voor de patiënt op het onrusthek (*Het product in positie brengen met het bedieningspaneel voor de patiënt op het onrusthek - elektrische matrasdrager - alleen op Prime (pagina 23)*) of van het bedieningspaneel voor de bediener op het voeteneinde ingedrukt (*Bedieningspaneel voor bediener - optionele elektrische matrasdrager - alleen op Prime (pagina 24)*) totdat de rugleuning de gewenste hoek heeft bereikt (70° tot 0°).

Opmerking - Sluit het netsnoer altijd aan op een geaard stopcontact van ziekenhuiskwaliteit.

Patiënten moeten door een medische zorgverlener worden ingelicht over het gebruik van de bedieningselementen voor patiënten.

Het knieknikgedeelte omhoog- of omlaagzetten - niet-elektrische matrasdrager - alleen op Prime

WAARSCHUWING - Houd de handen en vingers altijd uit de buurt van de duwhandgrepen aan het voeteneinde wanneer u het knieknikgedeelte omlaag zet.

LET OP

- Het draagvermogen van het knieknikgedeelte bedraagt 200 lb (90,7 kg).
 - Zorg er voor dat de steunstang van het knieknikgedeelte vóór gebruik altijd is vastgezet.
 - Ga niet op het knieknikgedeelte zitten of staan.
-

Om het niet-elektrische knieknikgedeelte omhoog te zetten, pompt u met de pomphendel van het knieknikgedeelte naar links totdat de gewenste stand is bereikt (zie *Productillustratie - Prime matrasdrager*).

Hef het uiteinde van het knieknikgedeelte op en zet de steunstang vast in de beugel.

Om de steunstang los te maken, heft u het uiteinde van het knieknikgedeelte op, draait u de steunstang richting het hoofdeinde van het product en brengt u het voeteneinde omlaag.

Om het knieknikgedeelte omlaag te zetten, trekt u aan de knieknikgedeelte vrijzethendel totdat de gewenste stand is bereikt (zie *Productillustratie - Prime matrasdrager*).

Opmerking - U kunt het knieknikgedeelte niet handmatig omhoogzetten als het product is uitgerust met de optionele elektrische matrasdrager.

Het knieknikgedeelte omhoog- of omlaagzetten - optionele elektrische matrasdrager - alleen op Prime

WAARSCHUWING

- Houd de handen en vingers altijd uit de buurt van de duwhandgrepen aan het voeteneinde wanneer u het knieknikgedeelte omlaag zet.
 - Bedien het product altijd wanneer alle bedieners zich uit de buurt van de mechanismen bevinden.
-

LET OP

- Het draagvermogen van het knieknikgedeelte bedraagt 200 lb (90,7 kg).
 - Ga niet op het knieknikgedeelte zitten of staan.
 - Wees altijd voorzichtig als u het knieknikgedeelte omlaagzet terwijl het product niet is ingeschakeld. Het knieknikgedeelte kan snel omlaagkomen door de zwaartekracht.
-

Om het knieknikgedeelte omhoog te zetten, drukt u op de knop **up** (omhoog) op de knieknikgedeelte zijde van het bedieningspaneel voor de patiënt op het onrusthek of op het bedieningspaneel voor de bediener op het voeteneinde.

Om het knieknikgedeelte omlaag te zetten, drukt u op de knop **down** (omlaag) op de knieknikgedeelte zijde van het bedieningspaneel voor de patiënt op het onrusthek of op het bedieningspaneel voor de bediener op het voeteneinde.

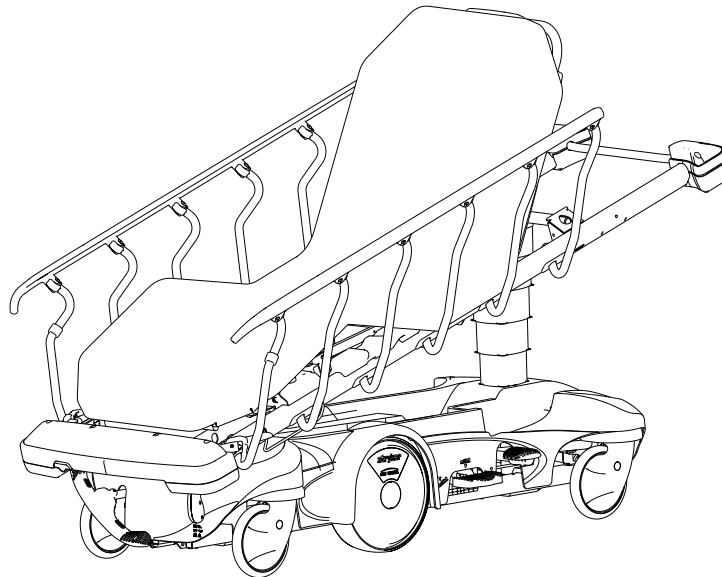
Opmerking - Sluit het netsnoer altijd aan op een geaard stopcontact van ziekenhuiskwaliteit.

Patiënten moeten door een medische zorgverlener worden ingelicht over het gebruik van de bedieningselementen voor patiënten.

De verkoeverstoel in positie brengen - alleen op Prime

WAARSCHUWING - Bedien het product altijd wanneer alle bedieners zich uit de buurt van de mechanismen bevinden.

Het product in de verkoeverstoelstand zetten (Afbeelding 17):



Afbeelding 17 – Verkoeverstoel (Model 1115 getoond)

1. Zet de rugleuning omhoog naar een zitstand (*De rugleuning omhoog- of omlaagzetten - niet-elektrische matrasdrager* (pagina 25) of *De rugleuning omhoog- of omlaagzetten - optionele elektrische matrasdrager* (pagina 26)).

Opmerking - Om de verkoeverstoel in positie te brengen, moet het product zijn uitgerust met de optionele **Lift Assist** rugleuning en het optionele knieknikgedeelte.

2. Zet het knieknikgedeelte in de hoogste stand (*Het knieknikgedeelte omhoog- of omlaagzetten - niet-elektrische matrasdrager - alleen op Prime* (pagina 27) of *Het knieknikgedeelte omhoog- of omlaagzetten - optionele elektrische matrasdrager - alleen op Prime* (pagina 27)).
3. Zet de matrasdrager in de hoogste stand (*De niet-elektrische matrasdrager omhoogzetten* (pagina 17) of *De optionele elektrische matrasdrager omhoogzetten* (pagina 18)).
4. Plaats het product in de anti-trendelenburgstand (*Het product in de anti-trendelenburgstand plaatsen* (pagina 19)).
5. Keer de stappen om om het product omlaag te zetten naar de platte stand.

Voorwerpen opbergen in het ondersteldekstuk

LET OP

- Plaats geen voorwerpen zwaarder dan 27 kg in het ondersteldekstuk.
 - Ga niet op het ondersteldekstuk zitten of staan.
-

U kunt eigendommen van de patiënt opbergen in het ondersteldekstuk. Gebruik de uitsparing voor de zuurstoffleshouder niet voor het opbergen van zuurstofflessen of eigendommen van de patiënt.

Apparaten ophangen met de pomprekoptie

WAARSCHUWING

- Houd apparaatlijnen op het pomprek altijd uit de buurt van de hendels van het knieknikgedeelte.

- Verwijder altijd alle voorwerpen die mogelijk in de weg kunnen zitten voordat u de matrasdrager hoger of lager zet.
 - Controleer altijd of apparaten op het pomprek veilig door deuropeningen heen kunnen.
 - Til het product niet op aan het pomprek.
-

LET OP

- Het draagvermogen van het pomprek bedraagt 40 lb (18 kg).
 - Gebruik het pomprek niet als middel om het product te duwen/trekken. Dit kan leiden tot beschadiging van het product.
-

U kunt extra apparaten opbergen op of ophangen aan het pomprek aan het voeteneinde van het product.

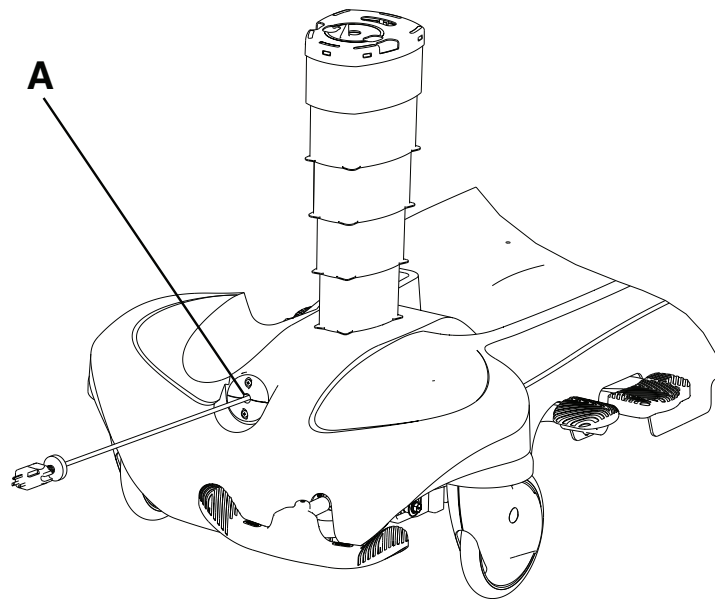
Opmerking - U moet de pomprekoptie kiezen wanneer u het product aanschaft.

Het netsnoer uit- of intrekken met de optionele netsnoerhaspel – optionele elektrische lift of elektrische matrasdrager

WAARSCHUWING

- Koppel altijd het netsnoer los van het stopcontact voordat u het product vervoert of reinigt.
 - Berg wanneer u het product vervoert het netsnoer altijd met behulp van de snoerhaspel in het onderstel op.
-

Om het netsnoer uit te trekken, trekt u het netsnoer tot de gewenste lengte uit de snoerhaspel (A) (Afbeelding 18).



Afbeelding 18 – Snoerhaspel

Het netsnoer intrekken:

1. Koppel het netsnoer los van het stopcontact.
2. Trek zachtjes aan het netsnoer.
3. Geleid het netsnoer de snoerhaspel in.

Optioneel weegsysteem

WAARSCHUWING - Gebruik het optionele weegsysteem, de optionele elektrische lift en de optionele elektrische matrasdrager niet direct naast, op of onder andere apparatuur. Als gebruik direct naast, op of onder andere apparatuur onvermijdelijk is, moet het optionele weegsysteem, de optionele elektrische lift of de optionele elektrische matrasdrager worden geobserveerd om te controleren of alle apparaten normaal werken in de configuratie waarin ze gebruikt gaan worden.

LET OP - Gebruik de weegschaal niet voor patiënten lichter dan 50 lb (22,7 kg).

Het optionele weegsysteem is verkrijgbaar voor producten met of zonder de optionele elektrische matrasdrager. Het optionele weegsysteem heeft een optionele accunoodvoeding. Het stand-by-pictogram geeft aan wanneer het product de accunoodvoeding gebruikt.

Met de **Chaperone**-optie kunt u zonecontroles instellen waardoor de bediener wordt gewaarschuwd wanneer een patiënt mogelijk probeert van het product af te stappen. De **Chaperone**-optie is verkrijgbaar voor producten met de optionele elektrische matrasdrager en het optionele weegsysteem. Het optionele weegsysteem met **Chaperone**-optie heeft een optionele accunoodvoeding. Het stand-by-pictogram geeft aan wanneer het product de accunoodvoeding gebruikt.

Zet de duwhandgrepen aan het voeteneinde omhoog voordat u probeert het optionele weegsysteem te bedienen.

Gebruik het weegsysteembedieningspaneel voor het bedienen van het optionele weegsysteem (*Identificatie weegschaalpictogram/-knop* (pagina 30)).

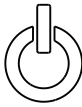



Raak het product niet aan terwijl het optionele weegsysteem een weeg- of nulstellingsbewerking uitvoert.




De patiënt mag niet bewegen terwijl het weegsysteem een weegbewerking uitvoert. Als de patiënt toch beweegt, probeert het weegsysteem 20 seconden lang om een stabiel gewicht of nulwaarde te verkrijgen voordat de foutmelding wordt weergegeven (⏏).

De foutmelding (⏏) verschijnt op de display als er een aansluiting loszit of als de weegschaal niet werkt. Als u opnieuw probeert om de weegschaal te gebruiken en de foutmelding verschijnt weer, neemt u contact op met de technische ondersteuning van Stryker.

Opmerking - Om de geclaimde nauwkeurigheid van het weegsysteem te bereiken, moet het patiëntoppervlak in de platte stand staan (rugleuning en knieknikgedeelte omlaag) en mag het product maximaal 5 graden in trendenburg of anti-trendenburg staan.

Identificatie weegschaalpictogram/-knop

On-der-deel	Pictogram/ knop	Naam	Beschrijving
A		Stand-by-pictogram	Gaat groen branden wanneer u het netsnoer aansluit op een stopcontact. Gaat oranje branden wanneer u het netsnoer loskoppelt van het stopcontact. De accunoodvoedingsfunctie wordt ingeschakeld.
B		Zone 1-pictogram	De patiënt kan vrij bewegen, maar het alarm klinkt wanneer de patiënt probeert van het product af te stappen.
C		Zone 2-pictogram	De patiënt kan bewegen, maar de bewegingsvrijheid is beperkt. Het alarm klinkt wanneer de patiënt in de buurt van de onrusthekken komt of richting het voeteneinde beweegt.
D		Knop Arm/Disarm (Activeren/ deactiveren)	Activeert en deactiveert de Chaperone -optie (afstapalarm brancard). Zie <i>De Chaperone-optie activeren of deactiveren</i> (pagina 32).

On-der-deel	Pictogram/ knop	Naam	Beschrijving
E		Knop Weigh (Wegen)	Weegt de patiënt. Zie <i>Een patiënt wegen</i> (pagina 31).
F		lb/kg-knop	Wijzigt de weergegeven maateenheid. Zie <i>De maateenheid van de weegschaal vergrendelen</i> (pagina 31).
G		Knop Zero (Nulstelling)	Voert een nulstelling van de weegschaal uit. Zie <i>De maateenheid van de weegschaal vergrendelen</i> (pagina 31).

Een patiënt wegen

LET OP - Gebruik de meetwaarde van het weegsysteem niet als referentie voor medische behandeling.

1. Zet de duwhandgrepen aan het voeteneinde omhoog voordat u het optionele weegsysteem bedient.
2. Om een nulstelling van de weegschaal uit te voeren houdt u **Zero** (Nulstelling) ingedrukt totdat **rel** (Loslaten) wordt weergegeven op het scherm. **000.0** knippert en stopt vervolgens met knipperen.

Opmerking - De weegschaal is pas klaar voor gebruik wanneer de **000.0** stopt met knipperen.

3. Plaats de patiënt op het product.
4. Druk op **lb/kg** om de maateenheid (lb of kg) te selecteren.
5. Druk op **Weigh** (Wegen) om het gewicht van de patiënt te verkrijgen.

Opmerking - Het gewicht van de patiënt wordt 40 seconden lang weergegeven.

De maateenheid van de weegschaal vergrendelen

1. Houd **Weigh** (Wegen), **lb/kg** en **Zero** (Nulstelling) ingedrukt totdat **diag** (Diagnostisch) wordt weergegeven.
2. Druk op **lb/kg** of **Zero** (Nulstelling) om te schakelen naar **Unit Loc** (Eenheidvergrendeling).
3. Bij een weegschaal zonder Chaperone: houd **lb/kg** en **Zero** (Nulstelling) ingedrukt totdat **rel** (Loslaten) wordt weergegeven om **Unit Loc** (Eenheidvergrendeling) te selecteren.
4. Bij een weegschaal met **Chaperone**: houd **lb/kg** en **Zero** (Nulstelling) ingedrukt om **Unit Loc** (Eenheidvergrendeling) te selecteren.
5. Druk op **lb/kg** of **Zero** (Nulstelling) om te schakelen naar **lb**, **kg** of **Any** (Willekeurig).
6. Druk op de knoppen **lb/kg** en **Zero** (Nulstelling) en laat ze weer los. **Only** (Alleen) en de geselecteerde maateenheid worden weergegeven.
7. Houd **Weigh** (Wegen) ingedrukt totdat **quit** (Afsluiten) wordt weergegeven.
8. Houd **Zero** (Nulstelling) ingedrukt totdat **rel** (Loslaten) wordt weergegeven. **000.0** knippert en stopt vervolgens met knipperen.

Opmerking - De weegschaal is pas klaar voor gebruik wanneer de **000.0** stopt met knipperen.

De Chaperone-optie activeren of deactiveren

Als de **Chaperone**-optie geactiveerd is, bewaakt deze de positie van de patiënt op het product.

De **Chaperone**-optie activeren en deactiveren:

1. Terwijl de patiënt op het product ligt, drukt u op **Arm/Disarm** (Activeren/deactiveren).

Opmerking - Hierdoor wordt zone 1 geactiveerd. Zone 1 gaat oranje branden wanneer deze is geactiveerd.

2. Om zone 2 te activeren, drukt u tweemaal binnen 3 seconden op **Arm/Disarm** (Activeren/deactiveren).

Opmerking - Hierdoor wordt zone 2 geactiveerd. Zone 2 gaat oranje branden wanneer deze is geactiveerd.

3. Om de **Chaperone**-optie te deactiveren, houdt u **Arm/Disarm** (Activeren/deactiveren) ingedrukt.

Opmerking - U moet een nulstelling van de weegschaal uitvoeren voordat u de **Chaperone**-optie activeert.

Opmerking - Als de patiënt zich buiten de grenzen van de geselecteerde zone begeeft, gaat op de display van het optionele weegsysteem een oranje lampje, **Alrt** (Alarm), knipperen en wordt er een alarmgeluid geactiveerd.

Het alarmpatroon van de Chaperone-optie instellen

Het alarmpatroon van de **Chaperone**-optie wijzigen:

1. Houd **Arm/Disarm** (Activeren/deactiveren) en **Weigh** (Wegen) ongeveer 6 seconden lang tegelijkertijd ingedrukt. Negeer alle berichten op de display totdat **Ptrn** (Patroon) op de display wordt weergegeven (*Identificatie weegschaalpictogram/-knop* (pagina 30)).

2. Laat de knoppen **Arm/Disarm** (Activeren/deactiveren) en **Weigh** (Wegen) los.

Opmerking - De patrooninstelling **P (1-10)** wordt op de display weergegeven.

3. Druk op **Arm/Disarm** (Activeren/deactiveren) of **Weigh** (Wegen) om de keuzemogelijkheden voor het patroon te doorlopen.

Opmerking - Er wordt een kort voorbeeld van het patroon afgespeeld bij het doorlopen van de keuzemogelijkheden voor het patroon.

4. Om het gekozen patroon te selecteren, houdt u **Arm/Disarm** (Activeren/deactiveren) en **Weigh** (Wegen) 6 seconden lang tegelijkertijd ingedrukt totdat **set** (Instellen) op de display wordt weergegeven.

5. Laat **Arm/Disarm** (Activeren/deactiveren) en **Weigh** (Wegen) los.

Opmerking - De patrooninstelling die u hebt geselecteerd wordt op de display weergegeven. Een kort voorbeeld van het patroon bevestigt uw patrooninstelling.

Het alarmvolume van de Chaperone-optie instellen

Het alarmvolume van de **Chaperone**-optie wijzigen:

1. Houd **Zero** (Nulstelling) en **lb/kg** tegelijkertijd ingedrukt totdat **vol** op de display wordt weergegeven (*Identificatie weegschaalpictogram/-knop* (pagina 30)).

2. Laat **Zero** (Nulstelling) en **lb/kg** los.

Opmerking - De volumenniveaus **L (1-4)** worden op de display weergegeven.

3. Druk op **Zero** (Nulstelling) of **lb/kg** om de volumenniveaus te doorlopen.

Opmerking - Er wordt een kort voorbeeld van het volume afgespeeld bij het doorlopen van de volumenniveaus.

4. Om het gekozen volumenniveau op te slaan, houdt u **Zero** (Nulstelling) en **lb/kg** 6 seconden lang tegelijkertijd ingedrukt totdat **set** (Instellen) op de display wordt weergegeven.

5. Laat **Zero** (Nulstelling) en **lb/kg** los.

Opmerking - Het door u gekozen volumenniveau wordt op de display weergegeven. Een kort voorbeeld van het volumenniveau bevestigt uw volumenniveau-instelling.

De accu van het optionele weegstelsel opladen - optionele elektrische matrasdrager of optionele elektrische matrasdrager met Chaperone-optie - alleen op Prime

Voor het weegstelsel met de optionele elektrische matrasdrager is één 10,8 V-Li-ionaccu vereist (0058-135-000 zonder de **Chaperone**-optie; 0058-134-000 met de **Chaperone**-optie). Laad de accu op als de acculadingsindicator nog slechts één eenheid aangeeft. Zo voorkomt u dat het optionele weegstelsel uitvalt ten gevolge van lege batterijen.

Om de Li-ionaccu van het weegstelsel op te laden, sluit u het netsnoer aan op een geaard stopcontact van ziekenhuiskwaliteit. Volledig opladen van de accu duurt ongeveer drie uur.

Opmerking - Sluit het product wanneer het niet in gebruik is altijd aan op een geaard stopcontact van ziekenhuiskwaliteit. Zo houdt u de accu voldoende opgeladen en optimaliseert u de productprestaties bij gebruik op accuvoeding.

De batterijen van het optionele weegstelsel vervangen - niet-elektrische matrasdrager

Vervang de batterijen als de batterijladingsindicator nog slechts één eenheid aangeeft. Zo voorkomt u dat het optionele weegstelsel uitvalt ten gevolge van lege batterijen.

Wanneer op de display **Lo batt** (Batterijen laag) knippert, is de laagste lading van de batterijen bereikt en wordt het optionele weegstelsel gedeactiveerd.

Benodigd gereedschap:

- Kruiskopschroevendraaier
- Vier AA-batterijen (alkalintype (LR6))

De batterijen vervangen:

1. Verwijder met een kruiskopschroevendraaier de kruiskopschroeven waarmee het batterijvakdeksel op de displayconstructie is bevestigd.
2. Verwijder alle vier de AA-batterijen en gooi ze weg.

Opmerking - Voer oude batterijen altijd af in overeenstemming met de plaatselijke voorschriften.

3. Plaats vier nieuwe batterijen zoals aangegeven in de batterijhouder.

Opmerking - Gebruik nooit oude batterijen in combinatie met nieuwe batterijen.

4. Breng met behulp van de in stap 1 verwijderde schroeven het batterijvakdeksel weer aan op de displayconstructie.

Accessoires en onderdelen

Deze accessoires zijn mogelijk verkrijgbaar voor gebruik bij uw product. Vraag na of ze verkrijgbaar zijn voor uw configuratie of regio. Bel de klantenservice van Stryker: 1-800-327-0770.

Naam	Onderdeelnummer
Defibrillatorblad	1105-045-200
Defibrillatorblad/voetverlengstuk	1105-045-400
Voetenbord/dossierhouder	1105-045-500
Hielsteunconstructie	1105-045-022
Infuusrolstatief	0785-155-000
HAVASU™ Infuuspaal, verwijderbaar	0390-025-000
Infuuspaal, drietraps, voeteneinde, links, 26 inch (66 cm)	1105-035-644
Infuuspaal, drietraps, voeteneinde, rechts, 26 inch (66 cm)	1105-035-639
Infuuspaal, drietraps, voeteneinde, links, 30 inch (76 cm)	1105-035-344

Naam	Onderdeelnummer
Infuuspaal, drietraps, voeteneinde, rechts, 30 inch (76 cm)	1105-035-339
Infuuspaal, drietraps, voeteneinde, links, 30 inch (76 cm) (Prime X-optie)	1105-035-364
Infuuspaal, drietraps, voeteneinde, rechts, 30 inch (76 cm) (Prime X-optie)	1105-035-361
Infuuspaal, drietraps, hoofdeinde, links, 26 inch (66 cm)	1105-035-642
Infuuspaal, drietraps, hoofdeinde, rechts, 26 inch (66 cm)	1105-035-637
Infuuspaal, drietraps, hoofdeinde, links, 30 inch (76 cm)	1105-035-342
Infuuspaal, drietraps, hoofdeinde, rechts, 30 inch (76 cm)	1105-035-337
Infuuspaal, drietraps, hoofdeinde, links, 30 inch (76 cm) (Prime X-optie)	1105-035-369
Infuuspaal, drietraps, hoofdeinde, rechts, 30 inch (76 cm) (Prime X-optie)	1105-035-366
Infuuspaal, tweetraps, voeteneinde, links, 26 inch (66 cm)	1105-035-640
Infuuspaal, tweetraps, voeteneinde, rechts, 26 inch (66 cm)	1105-035-643
Infuuspaal, tweetraps, voeteneinde, links, 30 inch (76 cm)	1105-035-340
Infuuspaal, tweetraps, voeteneinde, rechts, 30 inch (76 cm)	1105-035-343
Infuuspaal, tweetraps, voeteneinde, links, 30 inch (76 cm) (Prime X-optie)	1105-035-362
Infuuspaal, tweetraps, voeteneinde, rechts, 30 inch (76 cm) (Prime X-optie)	1105-035-363
Infuuspaal, tweetraps, hoofdeinde, links, 26 inch (66 cm)	1105-035-638
Infuuspaal, tweetraps, hoofdeinde, rechts, 26 inch (66 cm)	1105-035-641
Infuuspaal, tweetraps, hoofdeinde, links, 30 inch (76 cm)	1105-035-341
Infuuspaal, tweetraps, hoofdeinde, rechts, 30 inch (76 cm)	1105-035-338
Infuuspaal, tweetraps, hoofdeinde, links, 30 inch (76 cm) (Prime X-optie)	1105-035-367
Infuuspaal, tweetraps, hoofdeinde, rechts, 30 inch (76 cm) (Prime X-optie)	1105-035-368
Matras, ComfortGel SE™, brandwerende hoes, 26 inch (66 cm)	1805-034-601
Matras, ComfortGel SE, brandwerende hoes, 30 inch (76 cm)	1805-034-301
Matras, ComfortGel SE, zonder brandwerende hoes, 26 inch (66 cm)	1805-034-600
Matras, ComfortGel SE, zonder brandwerende hoes, 30 inch (76 cm)	1805-034-300
Matras, Enhanced Comfort, 3 inch x 26 inch (8 cm x 66 cm)	0785-034-613
Matras, Enhanced Comfort, 3 inch x 30 inch (8 cm x 76 cm)	0785-034-313

Naam	Onderdeelnummer
Matras, Enhanced Comfort, 4 inch x 26 inch (10 cm x 66 cm)	0785-034-623
Matras, Enhanced Comfort, 4 inch x 30 inch (10 cm x 76 cm)	0785-034-323
Matras, IsoFlex SE™ , brandwerende hoes, 30 inch (76 cm)	1806-034-300
Matras, IsoFlex SE , zonder brandwerende hoes, internationaal, 30 inch (76 cm)	1806-034-301
Matras, Ultra Comfort, 4 inch x 26 inch (10 cm x 66 cm)	0785-034-603
Matras, Ultra Comfort, 4 inch x 30 inch (10 cm x 76 cm)	0785-034-303
Matras, Ultra Comfort, 5 inch x 26 inch (13 cm x 66 cm)	0785-034-633
Matras, Ultra Comfort, 5 inch x 30 inch (13 cm x 76 cm)	0785-034-333
Matras, Ultra Comfort SE™ , 4 inch x 26 inch (10 cm x 66 cm)	1704-034-600
Matras, Ultra Comfort SE , brandwerende hoes, internationaal, 4 inch x 26 inch (10 cm x 66 cm)	1704-034-601
Matras, Ultra Comfort, brancardverlengstuk, 4 inch x 26 inch (10 cm x 66 cm)	1105-034-609
Matras, Ultra Comfort, brancardverlengstuk, 4 inch x 30 inch (10 cm x 76 cm)	1105-034-309
Matras, Ultra Comfort SE , 3 inch x 30 inch (8 cm x 76 cm)	1703-034-300
Matras, Ultra Comfort SE , brandwerende hoes, 3 inch x 30 inch (8 cm x 76 cm)	1703-034-301
Matras, Ultra Comfort SE , 4 inch x 30 inch (10 cm x 76 cm)	1704-034-300
Matras, Ultra Comfort SE , brandwerende hoes, 4 inch x 30 inch (10 cm x 76 cm)	1704-034-301
Zuurstoffleshouder, verticaal	1115-130-000
Pompstang, optioneel, 30 inch (76 cm)	1105-045-035
Duwhandgripconstructie, voeteneinde, 30 inch (76 cm)	1105-048-030
Duwhandgripconstructie, hoofdeinde, 30 inch (76 cm)	1105-048-060
Veiligheidsriempakket	0785-045-010
Veiligheidsriem, enkel	0785-045-020
Veiligheidsriem, romp	0785-045-015
Veiligheidsriem, pols	0946-044-000
Veiligheidsriem, borst	1010-058-000
Dienblad	1105-045-700
Dienbladhouder/voetenbord	1105-045-800

Naam	Onderdeelnummer
Onrusthekkussens	1001-052-000
Röntgencassettehouder, lateraal	1105-045-100
Röntgencassettehouder, verticaal	1105-045-300

Elektrische onderdelen

Naam	Nummer
Stelmotor, fowlerrugleuning	1008-012-020
Stelmotor, knieknikgedeelte	1008-014-020
Accu, slimme lithium-ion-accu (alleen weegschaal)	0058-135-000
Accu, slimme lithium-ion-accu (weegschaal en Chaperone)	0058-134-000
Printplaatmodule (PCB-module), DC-aansturing	1008-116-800
Printplaatmodule, zonder lift, AC	1008-002-800
Printplaatmodule (PCB-module), liftaansturing	1008-002-810
Printplaatmodule, weegschaalaansturing (alleen weegschaal)	1008-237-850
Printplaat, weegschaal- en Chaperone -aansturing	1008-237-840
Condensator, 440 VAC, 35 MFD	0059-087-000
Toetsenblok, weegschaalbediening (niet-elektrische matrasdrager)	1008-037-820
Toetsenblok, onrusthekbediening, links	1008-011-017
Toetsenblok, onrusthekbediening, rechts	1008-011-016
Toetsenblok, bediening door bediener	1008-015-800
Weegcel (optioneel weegstelsel)	1008-037-057
Motor, pomp	1008-002-015
Netsnoer, standaard	1028-146-060
Netsnoer, internationaal, type E	1125-060-170
Netsnoer, internationaal, type F	1125-060-180
Netsnoer, internationaal, type G	1125-060-160
Netsnoer, internationaal, type I	1125-060-200
Weegschaaldoosconstructie (niet-elektrische matrasdrager)	1070-237-020
Transformator	1008-014-857
Transformator, internationaal	1008-014-877

Het defibrillatorblad bevestigen

WAARSCHUWING

- Plaats geen voorwerpen zwaarder dan 14 kg op het defibrillatorblad. Zet alle apparaten die u op het defibrillatorblad plaatst altijd vast met riempjes.
 - Wees altijd voorzichtig als het defibrillatorblad-voetverlengstuk, de voetenbord-dossierhouder of de verticale zuurstoffleshouder is bevestigd, om beknelling van de vingers bij het in positie brengen van de optionele duwhandgreep aan het voeteneinde te voorkomen.
-

Het defibrillatorblad bevestigen:

1. Steek de pennen van het defibrillatorblad in de houders aan het voeteneinde van het product.
2. Zet apparaten met het riempje vast op het defibrillatorblad.

Opmerking

- Gebruik het defibrillatorblad niet als middel om het product te duwen of te trekken. Dit kan leiden tot beschadiging van het product.
- Zet altijd de duwhandgrepen aan het voeteneinde omhoog wanneer u accessoires (zoals het defibrillatorblad-voetverlengstuk, de voetenbord-dossierhouder, de verticale zuurstoffleshouder) gebruikt, anders werken de accessoires niet.

Het defibrillatorblad-voetverlengstuk omzetten in een defibrillatorblad

WAARSCHUWING

- Plaats geen voorwerpen zwaarder dan 14 kg op het defibrillatorblad/voetverlengstuk. Zet alle apparaten die u op het defibrillatorblad plaatst altijd vast met riempjes.
 - Wees altijd voorzichtig als het defibrillatorblad-voetverlengstuk, de voetenbord-dossierhouder of de verticale zuurstoffleshouder is bevestigd, om beknelling van de vingers bij het in positie brengen van de optionele duwhandgreep aan het voeteneinde te voorkomen.
-

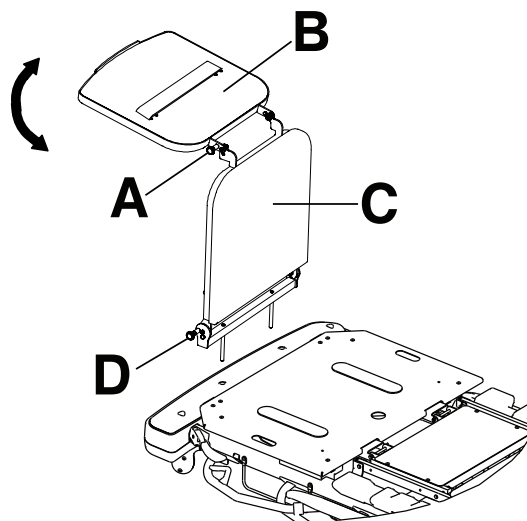
LET OP - Zet de infuuspaal altijd omhoog voordat u het defibrillatorblad/voetverlengstuk aan het product bevestigt. Als u de infuuspaal niet omhoogzet, werkt het voetverlengstuk niet.

Het defibrillatorblad/voetverlengstuk omzetten in een defibrillatorblad:

1. Trek de bovenste knop (A) naar buiten (Afbeelding 19).
2. Klap het defibrillatorblad (B) om totdat het blad plat staat boven het voeteneinde van het product. Laat de bovenste knop (A) los. Verzekert u ervan dat het defibrillatorblad op zijn plaats vergrendeld is.
3. Zet apparaten met het riempje vast op het defibrillatorblad.

Opmerking

- Gebruik het defibrillatorblad/voetverlengstuk niet als middel om het product te duwen/trekken. Dit kan leiden tot beschadiging van het product.
- Bevestig geen voorwerpen aan het voetverlengstuk.



Afbeelding 19 – Defibrillatorblad-voetverlengstuk

Het defibrillatorblad-voetverlengstuk omzetten in een voetverlengstuk

WAARSCHUWING

- Plaats geen voorwerpen zwaarder dan 14 kg op het defibrillatorblad/voetverlengstuk. Zet alle apparaten die u op het defibrillatorblad plaatst altijd vast met riempjes.
- Wees altijd voorzichtig als het defibrillatorblad-voetverlengstuk, de voetenbord-dossierhouder of de verticale zuurstoffleshouder is bevestigd, om beknelling van de vingers bij het in positie brengen van de optionele duwhandgreep aan het voeteneinde te voorkomen.

LET OP - Zet de infuuspaal altijd omhoog voordat u het defibrillatorblad/voetverlengstuk aan het product bevestigt. Als u de infuuspaal niet omhoogzet, werkt het voetverlengstuk niet.

Het defibrillatorblad/voetverlengstuk omzetten in een voetverlengstuk (Afbeelding 19):

1. Trek de bovenste knop (A) naar buiten.
2. Klap het defibrillatorblad (B) om totdat het blad tegen het voetverlengstuk aan wordt vergrendeld.
3. Trek de onderste knop (D) uit terwijl u de defibrillatorblad/voetverlengstuk-constructie vasthoudt.
4. Breng het voetverlengstuk (C) omlaag totdat het voetverlengstuk plat staat.
5. Laat de onderste knop (D) los. Duw tegen het voetverlengstuk om te controleren of het voetverlengstuk op zijn plaats vergrendeld is.

Opmerking

- Gebruik het defibrillatorblad/voetverlengstuk niet als middel om het product te duwen/trekken. Dit kan leiden tot beschadiging van het product.
- Bevestig geen voorwerpen aan het voetverlengstuk.

De voetenbord-dossierhouder bevestigen

WAARSCHUWING - Wees altijd voorzichtig als het defibrillatorblad-voetverlengstuk, de voetenbord-dossierhouder of de verticale zuurstoffleshouder is bevestigd, om beknelling van de vingers bij het in positie brengen van de optionele duwhandgreep aan het voeteneinde te voorkomen.

Om de voetenbord-dossierhouder te bevestigen, steekt u de pennen van de voetenbord-dossierhouder in de houders aan het voeteneinde van het product.

Opmerking - Gebruik de voetenbord-dossierhouder niet als middel om het product te duwen of te trekken. Dit kan leiden tot beschadiging van het product.

Het infuusrolstatief bevestigen

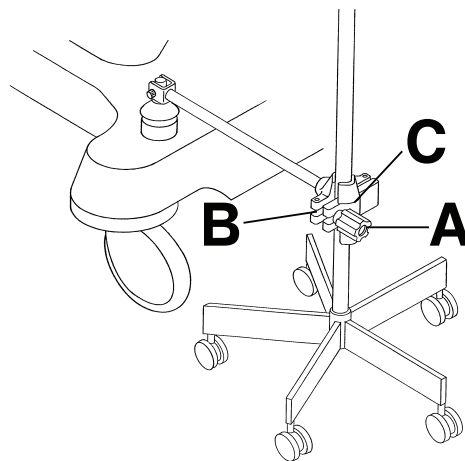
WAARSCHUWING

- Zet de infuuspaal altijd vast aan het infuusrolstatief wanneer u het product vervoert.
 - Berg het infuusrolstatief altijd op wanneer het niet wordt gebruikt, om beschadiging van het product te voorkomen.
-

Het infuusrolstatief bevestigen (Afbeelding 20):

1. Til het infuusrolstatief uit het opbergvak of van de opbergclip af.
2. Draai het infuusrolstatief naar de gewenste stand.
3. Draai de knop (A) linksom om de infuuspaalklem (C) los te zetten.
4. Klap de knop (A) weg van de armverbindingsconstructie (B).
5. Open de klem (C).
6. Plaats de infuuspaal in de klem (C).
7. Sluit de klem (C) rond de infuuspaal en klap de knop (A) in positie.
8. Draai de knop (A) rechtsom om de knop aan te draaien.
9. Keer de stappen om om het infuusrolstatief los te koppelen van het product.

Om het infuusrolstatief op te bergen, plaatst u het in het opbergvak of bevestigt u het aan de opbergclip.



Afbeelding 20 – Infuusrolstatief

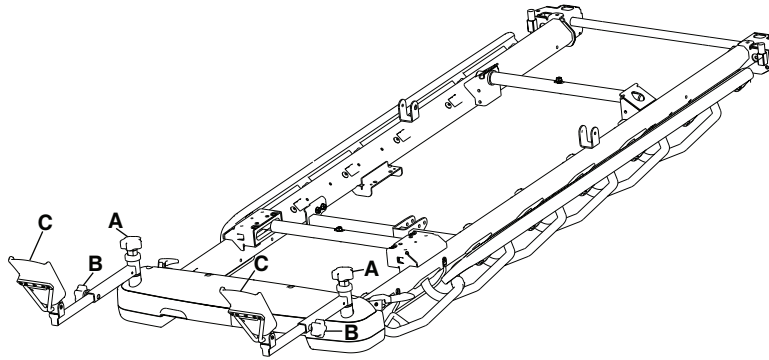
De voetensteunen positioneren of wegbergen - alleen op Prime

WAARSCHUWING

- Ga niet op de voetensteunen zitten. Hierdoor zou het product kunnen omkantelen.
 - Houd altijd uw vingers uit de buurt van de mechanismen wanneer u de voetensteunen bedient.
 - Berg de voetensteunen altijd weg wanneer u een patiënt vervoert met de brancard.
 - Draai de voetensteunen altijd vast voordat u de voetensteunen gebruikt.
 - Gebruik het weegsysteem niet met de voetensteunen. Dit kan leiden tot onjuiste meetwaarden.
 - Gebruik de **Chaperone**-optie niet met de voetensteunen. Dit kan leiden tot onjuiste meetwaarden.
-

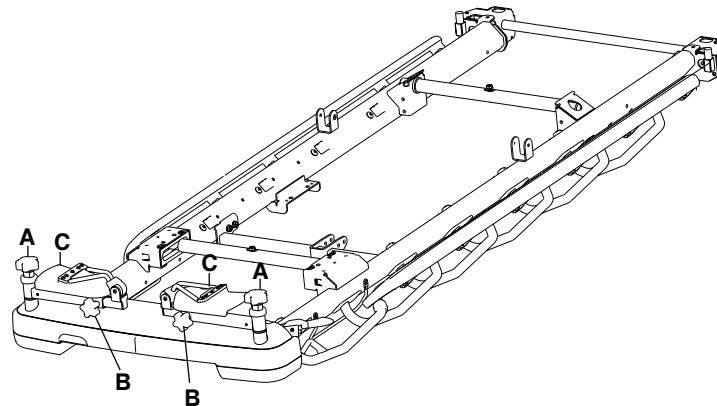
De voetensteunen in positie brengen of wegbergen:

1. Draai de knieknop (A) aan de bovenkant van de voetensteun los om de zijwaartse hoek van de voetensteunen af te stellen (Afbeelding 21).
2. Draai de knieknop (A) vast om de voetensteunen in de gewenste stand vast te zetten.



Afbeelding 21 – De voetensteunen in positie brengen

3. Draai de beenknop (B) aan de zijkant van de voetensteunen los om de lengte af te stellen.
4. Draai de beenknop (B) vast om de voetensteunen in de gewenste stand vast te zetten.
5. Klap de voetensteunen (C) omhoog voordat u de patiënt in positie brengt.
6. Keer de stappen om om de voetensteunen weg te bergen (Afbeelding 22).



Afbeelding 22 – De voetensteunen wegbergen

Als u de voetensteun kiest, kunt u de volgende opties en accessoires niet aanschaffen:

- Duwhandgrepen aan voeteneinde
- Defibrillatorblad
- Defibrillatorblad-voetverlengstuk
- Dienbladhouder-voetenbord
- Voetenbord-dossierhouder
- Infuuspalen aan voeteneinde

Opmerking

- Gebruik de voetensteunen niet voor het opbergen van eigendommen van de patiënt.
- Gebruik de voetensteunen niet als middel om het product te duwen/trekken. Dit kan leiden tot beschadiging van het product.
- Activeer ter voorkoming van instabiliteit altijd de remmen wanneer u de voetensteunen gebruikt.

- Gebruik de rugleuning of het knieknikgedeelte niet met de voetensteunen.

De permanent bevestigde tweetrapsinfuuspaal positioneren

WAARSCHUWING - Gebruik de infuuspaal niet als middel om het product te duwen/trekken. Dit kan leiden tot beschadiging van het product.

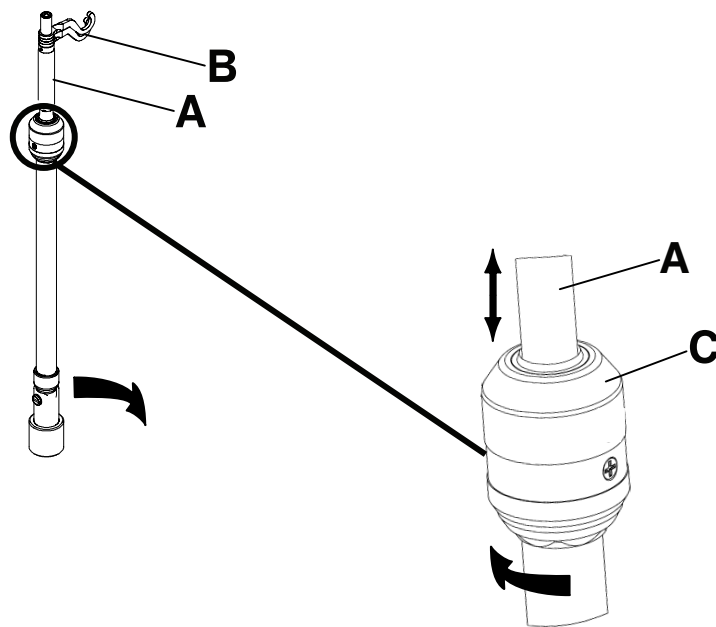
U kunt het product aanschaffen met de optionele tweetrapsinfuuspaal permanent bevestigd aan het hoofdeinde, voeteneinde of beide uiteinden van het product. De infuuspaal is voorzien van een telescooppaal die kan worden uitgeschoven voor een tweede hoogtestand. U kunt de infuuspaal opklappen en wegbergen wanneer hij niet wordt gebruikt.

De tweetrapsinfuuspaal in positie brengen (Afbeelding 23):

1. Licht de paal op en klap hem omhoog vanuit de opbergstand.
2. Druk de infuuspaal omlaag totdat de infuuspaal op zijn plaats vastklikt.
3. Om de infuuspaal hoger te zetten, trekt u het telescopische gedeelte (A) omhoog totdat de paal in de hoogste stand vastklikt.
4. Draai de infuuszakhaken (B) naar de gewenste stand en hang de infuuszakken op.
5. Om de infuuspaal lager te zetten, houdt u het telescopische gedeelte van de infuuspaal vast, draait u de vergrendeling (C) en brengt u het telescopische gedeelte omlaag.

Opmerking

- Hang geen infuuszakken zwaarder dan 40 lb (18 kg) aan de infuuspaal.
- Zorg dat de infuuspaal altijd op lage hoogte staat wanneer u een patiënt vervoert, zodat de paal veilig door deuropeningen heen kan.



Afbeelding 23 – De permanent bevestigde tweetrapsinfuuspaal positioneren

De permanent bevestigde drietrapsinfuuspaal positioneren

WAARSCHUWING - Gebruik de infuuspaal niet als middel om het product te duwen/trekken. Dit kan leiden tot beschadiging van het product.

U kunt het product aanschaffen met de optionele drietrapsinfuuspaal permanent bevestigd aan het hoofdeinde, voeteneinde of beide uiteinden van het product. De infuuspaal is voorzien van een telescooppaal die kan worden

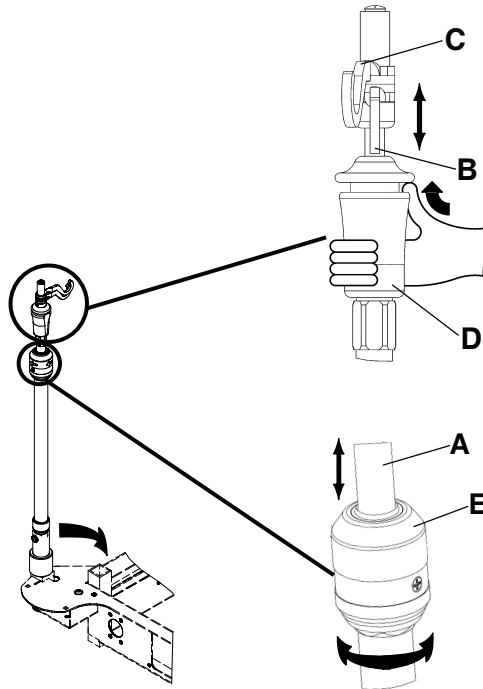
uitgeschoven voor een tweede en een derde hoogtestand. Ook kunt u de infuuspaal opklappen en wegbergen wanneer hij niet wordt gebruikt.

De drietrapsinfuuspaal in positie brengen (Afbeelding 24):

1. Licht de paal op en klap hem omhoog vanuit de opbergstand.
2. Druk de infuuspaal omlaag totdat de paal op zijn plaats vastklikt.
3. Om de infuuspaal hoger te zetten, trekt u het telescopische gedeelte (A) omhoog totdat de paal in de hoogste stand vastklikt.
4. Voor een hogere infuuspaal trekt u segment (B) omhoog. Laat segment (B) op elke gewenste hoogte los om de paal op zijn plaats te vergrendelen.
5. Draai de infuuszakhaken (C) naar de gewenste stand en hang de infuuszakken op.
6. Om de infuuspaal lager te zetten, drukt u het gele gedeelte van de handgreep (D) omhoog terwijl u segment (B) vasthoudt totdat de paal omlaag is gekomen.
7. Draai de vergrendeling (E) en breng het telescopische gedeelte van de infuuspaal omlaag.

Opmerking

- Hang geen infuuszakken aan de infuuspaal die in totaal meer dan 12 lb (5 kg) wegen.
- Hang geen infuuszakken zwaarder dan 9,3 lb (4,2 kg) aan één infuuszakhaak.
- Zorg dat de infuuspaal altijd op lage hoogte staat wanneer u een patiënt vervoert, zodat de paal veilig door deuropeningen heen kan.



Afbeelding 24 – De permanent bevestigde drietrapsinfuuspaal positioneren

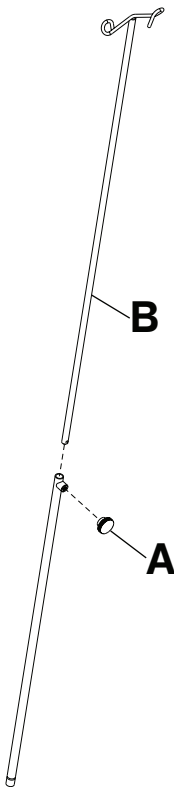
De verwijderbare infuuspaal bevestigen en in positie brengen

LET OP

- Gebruik de infuuspaal niet als middel om het product te duwen/trekken. Dit kan leiden tot beschadiging van het product.
- Hang geen infuuszakken zwaarder dan 40 lb (18 kg) aan de infuuspaal.
- Zorg dat de infuuspaal altijd op lage hoogte staat wanneer u een patiënt vervoert, zodat de paal door deuropeningen heen kan.

De verwijderbare infuuspaal bevestigen en in positie brengen (Afbeelding 25):

1. Steek de infuuspaal in een houder aan het hoofdeinde of voeteneinde van het product.
2. Draai de knop (A) linksom en trek het telescopische gedeelte (B) omhoog tot de gewenste hoogte is bereikt.
3. Draai de knop (A) rechtsom om het telescopische gedeelte op zijn plaats te vergrendelen.



Afbeelding 25 – Verwijderbare infuuspaal

De verticale zuurstoffleshouder bevestigen

WAARSCHUWING

- Plaats geen voorwerpen zwaarder dan 40 lb (18 kg) in de verticale zuurstoffleshouder.
 - Wees altijd voorzichtig als het defibrillatorblad/voetverlengstuk, het voetenbord/de dossierhouder of de verticale zuurstoffleshouder is bevestigd wanneer u de optionele duwhandgreep aan het voeteneinde positioneert, om beknelling van de vingers te voorkomen.
-

De verticale zuurstoffleshouder ondersteunt een zuurstoffles in een verticale stand.

De verticale zuurstoffleshouder bevestigen:

1. Steek de steunstang in een van de infuuspaalhouders.
2. Steek de splitpen door het gat in de steunstang om de fleshouder vast te zetten aan het product.

Opmerking - Gebruik de verticale zuurstoffleshouder niet als middel om het product te duwen/trekken. Dit kan leiden tot beschadiging van het product.

Dienbladhouder/voetenbord uitklappen of wegbergen

WAARSCHUWING - Plaats geen voorwerpen zwaarder dan 30 lb (14 kg) op het dienblad.

Om het dienblad aan te brengen op de onrusthekken, trekt u beide zijden van het dienblad uit en brengt u het blad aan op de onrusthekken.

Het dienblad opbergen:

1. Neem het dienblad van de onrusthekken af.
2. Druk de zijkanten van het dienblad in.
3. Berg het dienblad op in het voetenbord.

Opmerking - Gebruik het dienblad-voetenbord niet als middel om het product te duwen/trekken. Dit kan leiden tot beschadiging van het product.

De onrusthekkussens bevestigen

De onrusthekkussens bevestigen:

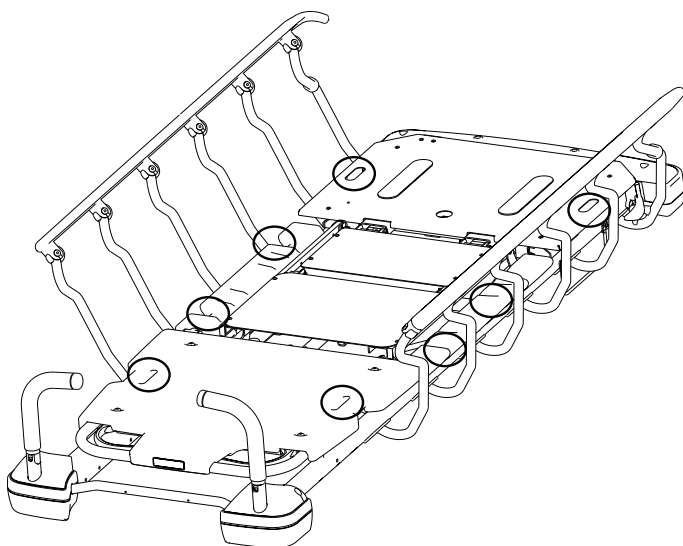
1. Stop het onrusthekkussen tussen de matras en het onrusthek.
2. Bevestig de **Velcro®**-bandjes rondom de bovenkant van het onrusthek om het onrusthekkussen vast te zetten.

De bevestigingspunten voor de patiëntveiligheidsriemen vinden

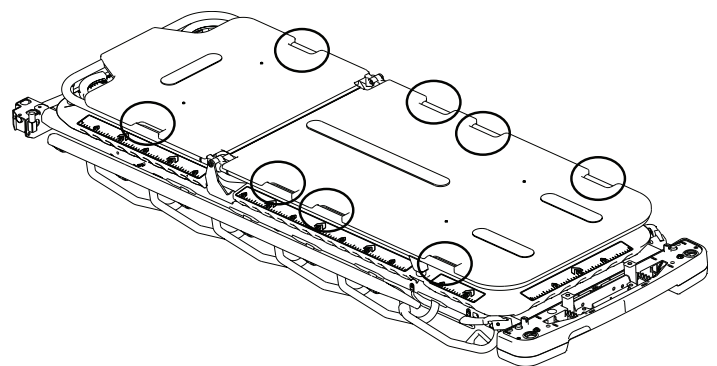
WAARSCHUWING

- Wees altijd voorzichtig wanneer u veiligheidsriemen bevestigt. Er kan letsel ontstaan bij de patiënt of de bediener. Vastzetvoorzieningen voor het lichaam kunnen, ook als ze zijn vastgezet, ernstig letsel veroorzaken bij patiënten en bedieners, waaronder verstrikking, beknelling, fysiek letsel of overlijden.
- Bevestig veiligheidsriemen of vastzetvoorzieningen altijd uitsluitend aan de gemarkeerde bevestigingspunten op het product. Dit niet doen kan leiden tot letsel bij de patiënt of de bediener. Bevestig veiligheidsriemen niet aan het onrusthek.
- Raadpleeg altijd de geldende regionale en nationale voorschriften en de relevante protocollen van de instelling voordat u een veiligheidsriem of vastzetvoorziening gebruikt.

De matrasdragerconstructie is voorzien van acht riembevestigingspunten voor het bevestigen van patiëntveiligheidsriemen (Afbeelding 26 of Afbeelding 27).



Afbeelding 26 – Bevestigingspunten veiligheidsriemen Prime



Afbeelding 27 – Bevestigingspunten veiligheidsriemen Prime X-optie

Opmerking - Veiligheidsriemen zijn met de patiënt in aanraking komende onderdelen van type B.

De verticale röntgencassettehouder in positie brengen – Prime X-optie

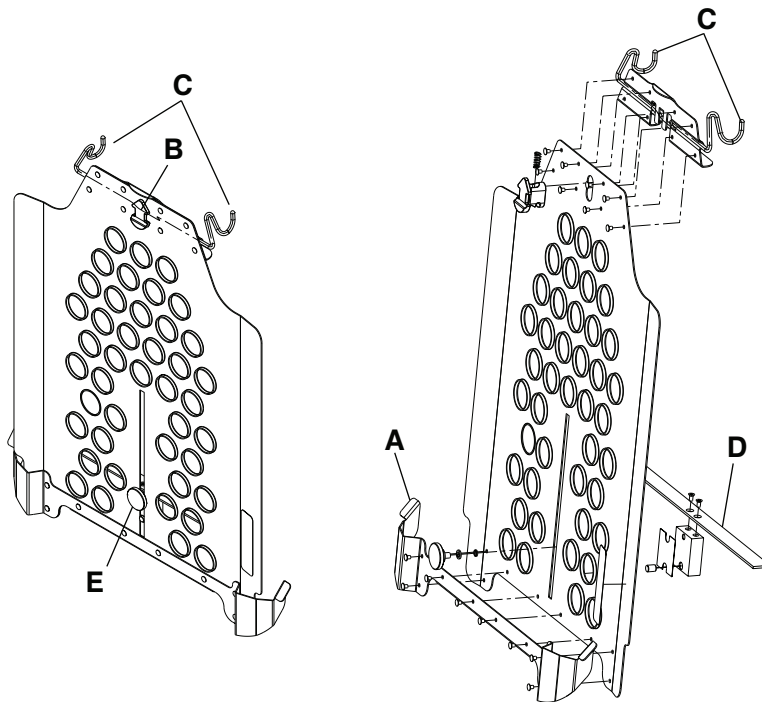
WAARSCHUWING

- Tref altijd beschermingsmaatregelen wanneer u de verticale of laterale röntgencassettehouder gebruikt. De röntgencassettehouder biedt geen bescherming tegen straling.
- Vóór het gebruik van de **Prime X**-optie met apparaten die straling opwekken, raadpleegt u naast de plaatselijke, regionale en nationale richtlijnen altijd de protocollen van de instelling met betrekking tot veiligheid. Apparaten die straling opwekken kunnen rest-, zwerf- of strooistraling produceren.
- Wees altijd extra voorzichtig wanneer u een matras dikker dan 2,5 inch (6 cm) of een bovenmatras met de **Prime X**-optie gebruikt.
- Volg voor het inbrengen van de röntgencassette altijd de instructies onder *De verticale röntgencassettehouder in positie brengen – Prime X-optie*.

De röntgencassettehouder wordt aan het lasstuk van de rugleuning bevestigd om röntgencassettes te ondersteunen. U kunt röntgenopnamen maken terwijl de patiënt zich op het product bevindt. U kunt ook de positie van de cassette bijstellen voordat u een röntgenopname maakt.

De röntgencassettehouder in positie brengen:

1. Activeer de remmen. Duw tegen het product om te controleren of de remmen werken.
2. Zet het rugleuninggedeelte volledig omhoog.
3. Steek de onderste bevestigingsgeleiders (A) onder de lasstukstang van de rugleuning (Afbeelding 28).
4. Breng de cassettehouder omhoog totdat de bevestigingsgeleiders vastklikken op het lasstuk van de rugleuning. Ga na of de cassettehouder goed vastzit.



Afbeelding 28 – Röntgencassettehouder

5. Steek vanaf de gewenste kant een röntgencassette in de cassettehouder of trek aan de schuifvrijgavepijl (B) om de cassettehouder los te maken van de rugleuning, breng de cassette in positie en bevestig de cassettehouder in het lasstuk van de rugleuning.
6. Om de hoogte van de cassette bij te stellen, draait u de knop (E) los en zet u de cassettesteunrail (D) omhoog of omlaag tot de gewenste hoogte is bereikt.
7. Draai de knop (E) vast om de cassettesteunrail op zijn plaats vast te zetten.

8. Na voltooiing van de röntgenopname trekt u de schuifvrijgavepijl (B) omhoog om de cassettehouder los te maken van het lasstuk van de rugleuning.
9. Neem de röntgencassette uit de cassettehouder.
10. Sluit de cassettehouder en berg hem weg.

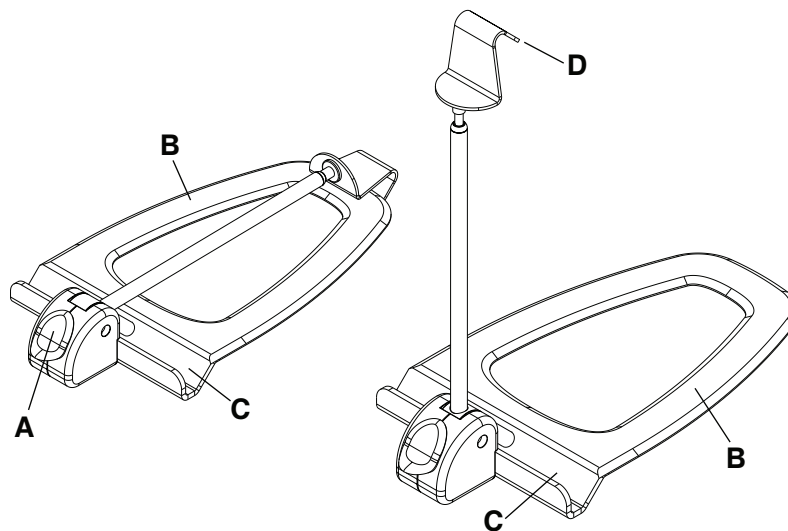
De laterale röntgencassettehouder in positie brengen – Prime X-optie

WAARSCHUWING

- Tref altijd beschermingsmaatregelen wanneer u de verticale of laterale röntgencassettehouder gebruikt. De röntgencassettehouder biedt geen bescherming tegen straling.
 - Vóór het gebruik van de **Prime X**-optie met apparaten die straling opwekken, raadpleegt u naast de plaatselijke, regionale en nationale richtlijnen altijd de protocollen van de instelling met betrekking tot veiligheid. Apparaten die straling opwekken kunnen rest-, zwerf- of stroostraling produceren.
 - Wees altijd voorzichtig wanneer u röntgenopnamen maakt met de rugleuning in de verticale stand of wanneer u een laterale cassette gebruikt.
 - Wees altijd extra voorzichtig wanneer u een matras dikker dan 2,5 inch (6 cm) of een bovenmatras met de **Prime X**-optie gebruikt.
 - Volg voor het inbrengen van de röntgencassette altijd de instructies onder *De laterale röntgencassettehouder in positie brengen – Prime X-optie*.
-

De laterale röntgencassettehouder in positie brengen:

1. Activeer de remmen. Duw tegen het product om te controleren of de remmen werken.



Afbeelding 29 – Laterale röntgencassettehouder

2. Druk de gele vrijzetknop (A) in om de laterale cassettehouder te openen (Afbeelding 29).
3. Schuif de platte basis (B) tussen de matras en het patiëntplatform.
4. Breng de laterale röntgencassettehouder op de gewenste plaats in positie.
5. Plaats de röntgencassette in het cassettekanaal (C).
6. Trek de cassettehaak (D) omhoog om de hoogte van de arm af te stellen zodat deze over de röntgencassette past om de cassette op zijn plaats te houden.
7. Keer de stappen om om de cassette te verwijderen en de laterale cassettehouder weg te bergen.

Röntgencassettes plaatsen of verwijderen – Prime X-optie

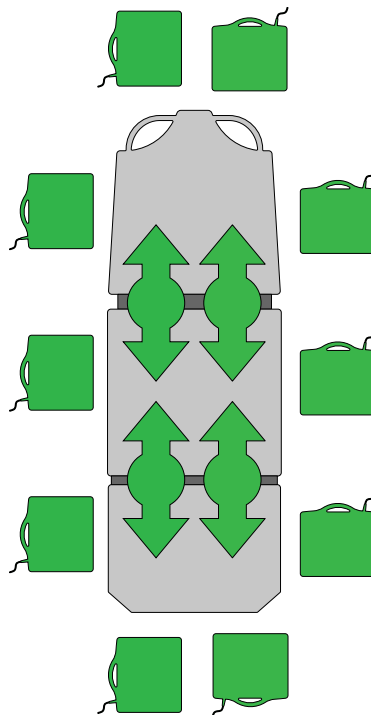
WAARSCHUWING

- Vóór het gebruik van de **Prime X**-optie met apparaten die straling opwekken, raadpleegt u naast de plaatselijke, regionale en nationale richtlijnen altijd de protocollen van de instelling met betrekking tot veiligheid. Apparaten die straling opwekken kunnen rest-, zwerf- of strooistraling produceren.
- Wees altijd voorzichtig wanneer u röntgenopnamen maakt met de rugleuning in de verticale stand of wanneer u een laterale cassette gebruikt.

De **Prime X**-optie biedt zowel een geled steunoppervlak voor radiografie als een platform onder het patiëntsteunoppervlak voor plaatsing van een röntgencassette. In combinatie met medische röntgensystemen maakt het steunoppervlak voor radiologie het mogelijk om klinische röntgenopnamen (AP volledig lichaam, optioneel volledig lichaam lateraal en optioneel rechtop borst) vast te leggen terwijl de patiënt zich op het product bevindt. U kunt cassettes plaatsen vanaf het hoofdeinde, het voeteneinde en beide zijkanten van het product.

Een röntgencassette plaatsen:

1. Centreer de patiënt op het product met behulp van de positie-indicatiestickers die aan alle kanten op het product zijn aangebracht (Afbeelding 30).
2. Plaats een röntgencassette onder het patiëntoppervlak. Gebruik de cassettegeleiders als hulpmiddel voor het in positie brengen van de röntgencassette.



Afbeelding 30 – Röntgencassettes plaatsen of verwijderen bij de Prime X-optie

Opmerking

- Gebruik de **Prime X**-optie niet met een matras dikker dan vier inches (10 cm).
- Gebruik geen C-arm met de **Prime X**-optie. De **Prime X**-optie is niet geschikt voor gebruik met een C-arm.

Reiniging

Het product reinigen

LET OP - Gebruik geen schurende reinigingsmiddelen voor het reinigen van de displaybehuizing van het optionele weegstelsel. Voorkom dat reinigungsoplossingen of andere vloeistoffen zich ophopen op de displayeenheid. Droog alle oppervlakken af na het morsen van vloeistof en na reiniging.

Deze aanwijzingen bevatten aanbevolen reinigingsmethoden voor de **Prime Series** brancard.

Dit product is geschikt voor hogedrukreiniging. Het product kan enige tekenen van oxidatie of verkleuring vertonen na doorlopende reiniging. De prestatiekenmerken en functionaliteit van het product worden echter niet nadelig beïnvloed door hogedrukreiniging, zolang de juiste procedures worden gevolgd.

Aanbevolen reinigingsmethode:

1. Als het product is uitgerust met de optionele elektrische matrasdrager of elektrische lift, moet u het netsnoer loskoppelen van het stopcontact voordat u het product gaat vervoeren of reinigen.
2. Verwijder de matras van het product.
3. Volg de aanbevelingen van de fabrikant betreffende verdunning van de reinigingsvloeistof op.
4. Stryker adviseert om voor hogedrukreiniging gebruik te maken van het standaard reinigingstoestel voor ziekenhuistrolleys.
5. Droog het product. Plaats de matras pas op het product wanneer het product droog is.
6. Controleer of het product goed werkt alvorens het opnieuw in gebruik te nemen.
 - Zet het product omhoog en omlaag
 - Vergrendel en ontgrendel het rem-/stuurpedaal in beide standen
 - Klik de onrusthekkers vast en zet ze los
 - Zet de rugleuning omhoog en omlaag
 - Zet het knieknikgedeelte omhoog en omlaag
 - Controleer of alle onderdelen goed gesmeerd zijn
 - Controleer of alle stickers intact zijn

Opmerking

- Direct contact van de huid met zichtbaar vervuild, doorlatend materiaal kan het infectierisico verhogen.
- Reinig het product niet met stoom.
- Reinig de opbergruimte in het ondersteldekstuk.
- Reinig de onderkant van de remblokjes om te voorkomen dat zich was- of vuilafzettingen vormen.
- Sommige reinigingsmiddelen zijn corrosief van aard en kunnen bij verkeerd gebruik schade aan het product veroorzaken. Als u het product niet goed afspoelt en afdroogt, kan een corrosieve afzetting achterblijven op het oppervlak van het product, waardoor voortijdige corrosie van essentiële onderdelen kan ontstaan. Als u zich niet aan deze reinigungsinstructies houdt, kan uw garantie komen te vervallen.

Het product reinigen met een reinigingstoestel voor trolleys

Stryker adviseert om gedurende de levensduur van het product maximaal eenmaal per jaar een standaard reinigingstoestel voor ziekenhuistrolleys te gebruiken voor reiniging van de brancard.

Het product reinigen met een reinigingstoestel voor trolleys:

1. Als het product is uitgerust met de optionele elektrische matrasdrager of elektrische lift, moet u het netsnoer loskoppelen van het stopcontact voordat u het product gaat vervoeren of reinigen.
2. Verwijder de matras voordat u het product reinigt. Was de matras niet samen met het product.

3. Zet de rugleuning op 45°.
4. Plaats het product in de volledige anti-trendelenburgstand (voeteneinde omlaag).
5. Zet de onrusthekken omhoog.
6. Zet de infuuspalen en duwhandgrepen in de stand omhoog.
7. Reinig het product met een maximale watertemperatuur van 82° C (180° F) en een maximale waterdruk van 103,5 bar/ 1500 psi.
8. Droog het product acht minuten lang met lucht met een maximumtemperatuur van 93° C (200° F).
9. Droog het product. Plaats de matras pas op het product wanneer het product droog is.
10. Controleer of het product goed werkt alvorens het opnieuw in gebruik te nemen.
 - Zet het product omhoog en omlaag
 - Vergrendel en ontgrendel het rem-/stuurpedaal in beide standen
 - Klik de onrusthekken vast en zet ze los
 - Zet de rugleuning omhoog en omlaag
 - Controleer of alle onderdelen goed gesmeerd zijn
 - Controleer of alle stickers intact en leesbaar zijn

Opmerking

- Reinig het product niet met stoom.
- Sommige reinigingsmiddelen zijn corrosief van aard en kunnen bij verkeerd gebruik schade aan het product veroorzaken. Als u het product niet goed afspoelt en afdroogt, kan een corrosieve afzetting achterblijven op het oppervlak van het product, waardoor voortijdige corrosie van essentiële onderdelen kan ontstaan. Als u zich niet aan deze reinigingsinstructies houdt, kan uw garantie komen te vervallen.

De matras reinigen

WAARSCHUWING

- Voer geen reiniging, reparatie of onderhoud uit terwijl het product in gebruik is.
 - Dompel de matras niet onder in reinigings- of desinfectieoplossingen. Overmatig vocht kan een storing van het product veroorzaken, met beschadiging van het product of letsel bij de patiënt tot gevolg.
 - Voorkom dat vloeistof zich ophoopt op de matras. Vloeistoffen kunnen corrosie van componenten veroorzaken en leiden tot een onvoorspelbare veiligheid en werking van dit product.
 - Inspecteer de matrashoezen altijd op scheuren, gaten, overmatige slijtage en scheefzittende ritsen, telkens als u de hoezen reinigt. Verwijder en vervang een beschadigde matras om kruisbesmetting te voorkomen.
 - Reinig matrassen niet met stoom, een hogedrukspuit, een waterslang of ultrasoonreiniging. Deze reinigingsmethoden kunnen leiden tot vervallen van de garantie van het product.
-

De levensduur van de matras kan worden bekort door frequenter gebruik, waarbij de matras mogelijk vaker moet worden gereinigd en gedesinfecteerd.

Aanbevolen reinigingsmethode:

1. Neem de gehele matras af met een schone, zachte doek en een oplossing van water en milde zeep om vreemd materiaal te verwijderen.
2. Neem de matras af met een schone, droge doek om overtollige vloeistof of reinigingsmiddel te verwijderen.
3. Hoezen moeten na reiniging worden afgespoeld en gedroogd.
4. Desinfecteer naar vereist met een ziekenhuisdesinfectiemiddel nadat de reiniging is voltooid (zie *De matras desinfecteren*).

Opmerking

- De matras niet strijken, chemisch reinigen of in een droogtrommel drogen, want dat leidt tot onjuiste werking en beschadiging van het product.

- De matrashoes moet volledig droog zijn voordat hij wordt opgeborgen, opgemaakt met beddengoed of gebruikt voor een patiënt, om aantasting van de productprestaties te voorkomen.
- Vermijd overmatige blootstelling aan alcohol of waterstofperoxide. Hierdoor zwelt het hoesmateriaal op.
- Laat geen vloeistof in het ritsgebied of de waterafdichtingsflap lopen. Vloeistof die in aanraking komt met de rits, kan in de matras lekken, waardoor de productprestaties kunnen worden aangetast.
- Sommige reinigingsmiddelen zijn corrosief van aard en kunnen bij verkeerd gebruik schade aan het product veroorzaken. Als u het product niet goed afspoelt en droogt, kan een corrosieve afzetting achterblijven op het oppervlak van het product, waardoor voortijdige corrosie van essentiële onderdelen kan ontstaan. Als u zich niet aan deze reinigingsinstructies houdt, kan uw garantie komen te vervallen.

Jodium verwijderen

1. Maak een oplossing van 1 à 2 eetlepels natriumthiosulfaat in een halve liter warm water aan. Neem het gebied met de vlek af met de oplossing.
2. Verwijder de vlek zo snel mogelijk na het ontstaan ervan.
3. Als vlekken niet onmiddellijk worden verwijderd, laat u de oplossing inweken of op de matras liggen voordat u de matras afneemt.
4. Spoel matrassen die aan de oplossing zijn blootgesteld af met schoon water voordat u de matrassen weer vrijgeeft voor gebruik.

Opmerking - Als deze instructies niet worden opgevolgd wanneer u deze typen reinigingsmiddelen gebruikt, kan de garantie van het product komen te vervallen.

Speciale aanwijzingen

Velcro®	Doordrenken met desinfectiemiddel, afspoelen met water en de oplossing laten verdampen.
Vaste deeltjes of vlekken	Gebruik neutrale zeep en warm water. Gebruik geen agressieve reinigingsmiddelen, oplosmiddelen of schuurmiddelen.
Hardnekkige plekken	Gebruik standaard huishoudreinigingsmiddelen of vinylreinigingsmiddelen en een zachte borstel voor hardnekkige plekken of vlekken. Laat opgedroogd vuil eerst inweken.
Machinaal wassen	Machinaal wassen wordt niet aanbevolen. Door machinaal wassen kan de levensduur van de matras aanzienlijk worden bekort.

Desinfectie

Het product desinfecteren

WAARSCHUWING

- Voer geen reiniging, reparatie of onderhoud uit terwijl het product in gebruik is.
 - Reinig het product niet met stoom, een waterslang of ultrasoonreiniging. Gebruik van deze reinigingsmethoden wordt niet aanbevolen en kan leiden tot vervallen van de garantie van het product.
-

Aanbevolen desinfectiemiddelen:

- Quaternaire reinigingsmiddelen (werkzame stof – ammoniumchloride) die minder dan 3% glycoether bevatten
- Fenolhoudend desinfectiemiddel (werkzame stof – o-fenylfenol)
- Chloorhoudende bleekoplossing (5,25% bleekmiddel verdund in een verhouding van 1 deel bleekmiddel op 100 delen water, wat overeenkomt met 520 ppm beschikbaar chloor [40 ml van een 5,25% bleekoplossing per 4000 ml water])
- 70% isopropanol

Aanbevolen desinfectiemethode:

1. Volg de aanbevelingen van de fabrikant betreffende verdunning van de desinfectieoplossing op.
2. Reinig alle oppervlakken van het product handmatig met een desinfectieoplossing.
3. Vermijd overmatige bevochtiging en zorg dat het product niet langer nat blijft dan voor een correcte desinfectie wordt aanbevolen door de fabrikant van het chemische middel.
4. Droog het product. Plaats de matras pas op het product wanneer het product droog is.
5. Desinfecteer de **Velcro®** na elk gebruik. Doordrenk de **Velcro®** met desinfectiemiddel, spoel deze af met water en laat het desinfectiemiddel verdampen (de instelling bepaalt welk desinfectiemiddel geschikt is).
6. Controleer of het product goed werkt alvorens het opnieuw in gebruik te nemen.
 - Zet het product omhoog en omlaag
 - Vergrendel en ontgrendel het rem-/stuurpedaal in beide standen
 - Klik de onrusthekkers vast en zet ze los
 - Zet de rugleuning omhoog en omlaag
 - Zet het knieknikgedeelte omhoog en omlaag
 - Controleer of alle onderdelen goed gesmeerd zijn
 - Controleer of alle stickers intact zijn

Opmerking

- Direct contact van de huid met zichtbaar vervuild, doorlatend materiaal kan het infectierisico verhogen.
- Sommige reinigingsmiddelen zijn corrosief van aard en kunnen bij verkeerd gebruik schade aan het product veroorzaken. Als u het product niet goed afspoelt en afdroogt, kan een corrosieve afzetting achterblijven op het oppervlak van het product, waardoor voortijdige corrosie van essentiële onderdelen kan ontstaan. Als u zich niet aan deze reinigingsinstructies houdt, kan uw garantie komen te vervallen.

De matras desinfecteren

WAARSCHUWING - Desinfecteer de matras altijd tussen patiënten door. Als u dat niet doet, kan dat leiden tot kruisbesmetting en infectie.

Aanbevolen desinfectiemiddelen:

- middelen op basis van quaternaire ammoniumverbindingen (werkzame stof – ammoniumchloride) die minder dan 3% glycolether bevatten
- fenolhoudend desinfectiemiddel (werkzame stof – o-fenylfenol)
- chloorhoudende bleekoplossing (1:100-verdunning van 5,25% bleekmiddel in water, wat overeenkomt met 520 ppm beschikbaar chloor [40 ml van een 5,25% bleekoplossing per 4000 ml water])
- 70% isopropanol

Aanbevolen desinfectiemethode:

1. Zorg dat de matras schoon en droog is voordat u desinfectiemiddelen aanbrengt.
2. Neem de matras af met een schone, droge doek om overtollige vloeistof of desinfectiemiddel te verwijderen.
3. Hoezen moeten na desinfectie worden afgespoeld en gedroogd.

Opmerking

- De matrashoes moet droog zijn voordat u hem opbergt of opmaakt met beddengoed. Als achtergebleven desinfectiemiddel niet wordt verwijderd, kan het materiaal van de hoes worden aangetast.
- Sommige reinigingsmiddelen zijn corrosief van aard en kunnen bij verkeerd gebruik schade aan het product veroorzaken. Als u het product niet goed afspoelt en droogt, kan een corrosieve afzetting achterblijven op het oppervlak van het product, waardoor voortijdige corrosie van essentiële onderdelen kan ontstaan. Als u zich niet aan deze reinigingsinstructies houdt, kan uw garantie komen te vervallen.
- Door frequente of langdurige blootstelling aan desinfectiemiddelen met een hogere concentratie kan het textiel van de hoes voortijdig verouderen.
- Gebruik van snelwerkende waterstofperoxiden of middelen op basis van quaternaire ammoniumverbindingen die glycolethers bevatten, kan leiden tot beschadiging van de hoes.

Preventief onderhoud

Stel de brancard buiten gebruik voordat u de preventieve onderhoudsinspectie uitvoert. Controleer bij het jaarlijkse preventieve onderhoud alle vermelde punten voor alle producten van Stryker Medical. Afhankelijk van de intensiteit van het gebruik van het product kan het nodig zijn vaker preventieve onderhoudscontroles uit te voeren. Onderhoud en reparaties mogen uitsluitend door bevoegd personeel worden uitgevoerd.

Opmerking - Reinig en desinfecteer de buitenkant van de matras vóór inspectie, indien van toepassing.

Inspecteer de volgende punten:

- _____ Alle bevestigingsmiddelen zitten goed vast
- _____ Onrusthekkers laten zich verzetten en klikken vast
- _____ Zwenkwielen worden vergrendeld bij activering van het rempedaal
- _____ Zwenkwielen zitten goed vast en zwenken
- _____ Zwenkwielen zijn vrij van was en vuil
- _____ Remmechanisme werkt
- _____ Stuurfunctie werkt
- _____ Controleer de bekleding op barsten
- _____ Rugleuning gaat omhoog en omlaag en klikt vast in positie
- _____ Knieknikgedeelte gaat omhoog, omlaag en klikt goed vast in positie (optie)
- _____ Trendelenburg/anti-trendelenburg werkt vanaf elke plaats
- _____ Aardketting intact
- _____ Geen lekkage bij hydraulische aansluitingen
- _____ Hydraulische cilinders zakken niet in
- _____ Vastzetvoorzieningen voor het lichaam klikken vast en zitten stevig vast (optie)
- _____ Infuuspaal is intact, laat zich afstellen en klikt vast in alle standen (optie)
- _____ Zuurstoffeshouder is intact en opent en sluit (optie)
- _____ Geen scheuren of barsten in de matrashoes
- _____ Accessoires en bevestigingsmiddelen verkeren in goede staat
- _____ Werking op accuvoeding (optie)
- _____ Kabels zijn niet versleten of afgeknelld (optie)
- _____ Netsnoer en stekker zijn onbeschadigd (optie)
- _____ Alle elektrische aansluitingen zitten goed vast (optie)
- _____ Alle aardverbindingen zitten goed vast aan het frame (optie)
- _____ Aardingsimpedantie niet hoger dan 200 mΩ (milliohm) (optie)
- _____ Lekstroom niet hoger dan 300 μA (microampère) (conform UL 60606-1-1) (optie)
- _____ Accu opgeladen (weegsystemeoptie)
- _____ Displaybehuizing is intact en onbeschadigd (weegsystemeoptie)
- _____ Weegcellen zijn intact en onbeschadigd (weegsystemeoptie)
- _____ Knieknopmechanisme van voetensteun werkt en kan in positie worden vastgezet (optie)
- _____ Beenknopmechanisme van voetensteun werkt en kan in positie worden vastgezet (optie)
- _____ Voetensteun schuift uit naar de volledig uitgeschoven stand en stopt in de juiste stand (optie)
- _____ Zelftappende schroeven (6) van voetensteun zitten vast en de schroefdraad is onbeschadigd (optie)
- _____ Weegschaal geijkt. Zo nodig opnieuw ijken (weegsystemeoptie)

- _____ Verticale röntgencassettehouder is in goed werkende staat en kan worden bijgesteld om plaats te bieden aan alle röntgencassettes (**Prime X-optie**)
- _____ Geen schade aan de rugleuningbekleding en de voetensteunbekleding (**Prime X-optie**)
- _____ Geen schade aan de bladen aan het hoofd- en voeteneinde (**Prime X-optie**)
- _____ Bout en moer door elk draaipunt van de rugleuning zitten niet los (**Prime X-optie**)

Serienummer product:
Ingevuld door:
Datum:

EMC-informatie

LET OP

- Gebruik van andere dan de door de fabrikant gespecificeerde of geleverde accessoires, transducers en kabels kan de elektromagnetische emissies doen toenemen of de elektromagnetische immuniteit doen afnemen, met als gevolg dat de apparatuur niet naar behoren werkt.
- Vanwege de emissiekenmerken is deze apparatuur geschikt voor gebruik in industriële zones en ziekenhuizen (CISPR 11 klasse A). Bij gebruik in een woonomgeving, waarvoor normaliter CISPR 11 klasse B vereist is, kan het zijn dat deze apparatuur geen adequate bescherming biedt voor diensten die gebruik maken van radiofrequentiecommunicatie. De gebruiker moet misschien corrigerende maatregelen treffen, zoals het verplaatsen of draaien van de apparatuur.

Leidraad en fabrikantenverklaring – elektromagnetische emissies

De optionele elektrische lift, de optionele elektrische matrasdrager of het optionele weegstelsel is bestemd voor gebruik in een elektromagnetische omgeving zoals hieronder omschreven. De bediener van de optionele elektrische lift, de optionele elektrische matrasdrager of het optionele weegstelsel dient ervoor te zorgen dat deze in een dergelijke omgeving wordt gebruikt.

Emissietest	Conformiteit	Elektromagnetische omgeving
RF-emissies CISPR 11	Groep 1	De optionele elektrische lift, de optionele elektrische matrasdrager of het optionele weegstelsel gebruikt RF-energie uitsluitend voor zijn interne werking. Bijgevolg is de RF-emissie dermate laag dat interferentie in nabije elektronische apparatuur onwaarschijnlijk is.
RF-emissies CISPR 11	Klasse A	De optionele elektrische lift, de optionele elektrische matrasdrager of het optionele weegstelsel is geschikt voor gebruik in alle instellingen, uitgezonderd instellingen met een woonfunctie en instellingen die rechtstreeks zijn aangesloten op het openbare laagspanningsnet dat gebouwen die voor huishoudelijke doeleinden worden gebruikt, van stroom voorziet.
Harmonische emissies IEC 61000-3-2 *	Klasse A	
Spanningsschommelingen Flikkering IEC 61000-3-3 *	Voldoet	

* Geldt alleen voor de optionele elektrische lift of elektrische matrasdrager.

LET OP

- Draagbare RF-communicatieapparatuur, met inbegrip van randapparatuur zoals antennekabels en externe antennes, mag niet worden gebruikt op een afstand van minder dan 12 inch (30 cm) vanaf enig onderdeel van de **Prime**-brancard, inclusief de door de fabrikant gespecificeerde kabels.
- Vermijd het direct op, onder of naast andere apparatuur plaatsen van deze apparatuur, om te voorkomen dat de producten niet naar behoren werken. Als een dergelijk gebruik noodzakelijk is, moet de erop, eronder of ernaast geplaatste apparatuur nauwlettend worden geobserveerd om er zeker van te zijn dat deze goed werkt.

Aanbevolen scheidingsafstanden tussen draagbare en mobiele RF-communicatieapparatuur en de optionele elektrische lift, de optionele elektrische matrasdrager, of het optionele weegstelsel.

De optionele elektrische lift, optionele elektrische matrasdrager, of optionele weegstelsel is bestemd voor gebruik in een elektromagnetische omgeving waarin beheersingsmaatregelen voor uitgestraalde RF-storingen van kracht zijn. De klant of de gebruiker van de optionele elektrische lift, optionele elektrische matrasdrager, of optionele weegstelsel kan elektromagnetische storing helpen voorkomen door een minimale afstand tussen draagbare en verplaatsbare RF-communicatieapparatuur (zenders) en de optionele elektrische lift, de optionele elektrische matrasdrager of het optionele weegstelsel in stand te houden zoals hieronder aanbevolen, in overeenstemming met het maximale uitgangsvermogen van de communicatieapparatuur.

Nominale maximale uitgangsvermogen van de zender	Scheidingsafstand op basis van de frequentie van de zender
W	m

	150 kHz tot 80 MHz $D=(1,2) (\sqrt{P})$	80 MHz tot 800 MHz $D=(1,2) (\sqrt{P})$	800 MHz tot 2,7 GHz $D = (2,3) (\sqrt{P})$
0,01	0,12	0,12	0,23
0,1	0,38	0,38	0,73
1	1,2	1,2	2,3
10	3,8	3,8	7,3
100	12	12	23

Voor zenders met een nominaal maximaal uitgangsvermogen dat niet hierboven wordt vermeld, kan de aanbevolen scheidingsafstand (D) in meter (m) worden bepaald met behulp van de vergelijking die van toepassing is op de frequentie van de zender, waarbij P het nominale maximale uitgangsvermogen van de zender in watt (W) is volgens de fabrikant van de zender.

Opmerking 1 - Bij 80 MHz en 800 MHz geldt de scheidingsafstand voor het hogere frequentiebereik.

Opmerking 2 - Deze richtlijnen zijn mogelijk niet van toepassing op alle situaties. Elektromagnetische voortplanting wordt beïnvloed door absorptie en reflectie door bouwwerken, voorwerpen en mensen.

Leidraad en fabrikantenverklaring – elektromagnetische immuniteit

De optionele elektrische lift, de optionele elektrische matrasdrager of het optionele weegsysteem is bestemd voor gebruik in de hieronder gespecificeerde elektromagnetische omgeving. De klant of de gebruiker van de optionele elektrische lift, de optionele elektrische matrasdrager of het optionele weegsysteem dient ervoor te zorgen dat deze in een dergelijke omgeving wordt gebruikt.

Immuniteitstest	IEC 60601-testniveau	Nalevingsniveau	Leidraad elektromagnetische omgeving
Elektrostatische ontlading (ESD) IEC 61000-4-2	± 8 kV contact ± 15 kV lucht	± 8 kV contact ± 15 kV lucht	Vloeren dienen van hout, beton of keramische tegels te zijn. Als de vloerbedekking uit synthetisch materiaal bestaat, dient de relatieve vochtigheid ten minste 30% te zijn.
Snelle elektrische transiënten/lawines IEC 61000-4-4*	± 2 kV voor stroomtoevoerleidingen ± 1 kV voor in-/uitgangsleidingen	± 2 kV voor stroomtoevoerleidingen ± 1 kV voor in-/uitgangsleidingen	De netvoeding moet van een kwaliteit zijn die gangbaar is voor een commerciële omgeving of ziekenhuisomgeving.
Stootspanningen IEC 61000-4-5*	± 1 kV lijn(en) naar lijn(en) ± 2 kV lijn(en) naar aarde	± 1 kV lijn(en) naar lijn(en) ± 2 kV lijn(en) naar aarde	De netvoeding moet van een kwaliteit zijn die gangbaar is voor een commerciële omgeving of ziekenhuisomgeving.


Kortstondige spanningsdalingen en -onderbrekingen en spanningsvariaties op stroomtoevoerleidingen IEC 61000-4-11*	0% U_T gedurende 0,5 cyclus bij 0°, 45°, 90°, 135°, 180°, 225°, 270° en 315° 0% U_T gedurende 1 cyclus 70% U_T (30% daling in U_T) gedurende 25 cycli 0% U_T gedurende 250 cycli	0% U_T gedurende 0,5 cyclus bij 0°, 45°, 90°, 135°, 180°, 225°, 270° en 315° 0% U_T gedurende 1 cyclus 70% U_T (30% daling in U_T) gedurende 25 cycli 0% U_T gedurende 250 cycli	De netvoeding moet van een kwaliteit zijn die gangbaar is voor een commerciële omgeving of ziekenhuisomgeving. Als de gebruiker van de optionele elektrische lift of elektrische matrasdrager vereist dat de werking ervan niet door stroomstoringen wordt onderbroken, is het aanbevolen het apparaat via een ononderbreekbare stroomvoorziening of een accu van stroom te voorzien.
Magnetisch veld op netfrequentie (50/60 Hz) IEC 61000-4-8	30 A/m	30 A/m	Magnetische velden op netfrequentie dienen een niveau te hebben dat kenmerkend is voor een normale locatie in een normale commerciële of ziekenhuisomgeving.

Opmerking: U_t is de netspanning vóór toepassing van het testniveau.

*Geldt alleen voor de optionele elektrische lift en elektrische matrasdrager.

Leidraad en fabrikantenverklaring – elektromagnetische immuniteit

De optionele elektrische lift, de optionele elektrische matrasdrager of het optionele weegstelsel is bestemd voor gebruik in de hieronder gespecificeerde elektromagnetische omgeving. De klant of de gebruiker van de optionele elektrische lift, de optionele elektrische matrasdrager of het optionele weegstelsel dient ervoor te zorgen dat deze in een dergelijke omgeving wordt gebruikt.

Immunitiestest	IEC 60601-testniveau	Nalevingsniveau	Leidraad elektromagnetische omgeving
<p>Geleide RF IEC 61000- 4-6*</p> <p>Uitgestraalde RF IEC 61000-4-3</p>	<p>3 Vrms</p> <p>6 Vrms in ISM- en amateurradiobanden</p> <p>150 kHz tot 80 MHz</p> <p>3 V/m</p> <p>80 MHz tot 2,7 GHz</p>	<p>3 Vrms</p> <p>6 Vrms in ISM- en amateurradiobanden</p> <p>3 V/m</p>	<p>Draagbare en verplaatsbare RF-communicatieapparatuur mag niet dicht bij enig deel van de optionele elektrische lift, de optionele elektrische matrasdrager of het optionele weegstelsel, waaronder de kabels, worden gebruikt dan de aanbevolen scheidingsafstand berekend met behulp van de vergelijking die van toepassing is op de frequentie van de zender.</p> <p>Aanbevolen scheidingsafstand</p> <p>$D = (1,2) (\sqrt{P})$</p> <p>$D = (1,2) (\sqrt{P})$</p> <p>80 MHz tot 800 MHz</p> <p>$D = (2,3) (\sqrt{P})$</p> <p>800 MHz tot 2,7 GHz</p> <p>waarbij P het nominale maximale uitgangsvermogen van de zender in watt (W) volgens de fabrikant van de zender is en D de aanbevolen scheidingsafstand in meter (m).</p> <p>Door vaste RF-zenders opgewekte veldsterktes, zoals vastgesteld door een elektromagnetische meting op de locatie,^a moeten lager zijn dan het conformiteitsniveau in elk frequentiebereik ^b.</p> <p>Er kan storing optreden in de buurt van apparatuur die voorzien is van het onderstaande symbool:</p> 

Opmerking 1: Bij 80 MHz en 800 MHz geldt het hogere frequentiebereik.

Opmerking 2: Deze richtlijnen zijn mogelijk niet van toepassing op alle situaties. Elektromagnetische voortplanting wordt beïnvloed door absorptie en reflectie door bouwwerken, voorwerpen en mensen.

Opmerking 3: De ISM-banden (banden voor industriële, wetenschappelijke en medische apparatuur) tussen 0,15 MHz en 80 MHz zijn 6,765 MHz tot 6,795 MHz; 13,553 MHz tot 13,567 MHz; 26,957 MHz tot 27,283 MHz; en 40,66 MHz tot 40,70 MHz.

^a Veldsterktes van vaste zenders, zoals basisstations voor (mobiele/draadloze) radiotelefonie en mobiele landradio's, amateurzenders, AM- en FM-radiozenders en tv-zenders kunnen niet met nauwkeurigheid theoretisch worden vastgesteld. Om de elektromagnetische omgeving als gevolg van vaste RF-zenders vast te stellen, dient een elektromagnetische meting van de locatie te worden overwogen. Als de gemeten veldsterkte op de locatie waarin de optionele elektrische lift, de optionele elektrische matrasdrager of het optionele weegstelsel wordt gebruikt het bovenvermelde toepasselijke RF-conformiteitsniveau overschrijdt, moet de optionele elektrische lift, de optionele elektrische matrasdrager of het optionele weegstelsel worden geobserveerd om te verifiëren of deze normaal werkt. Als een abnormale werking wordt geconstateerd, zijn er wellicht aanvullende maatregelen nodig, zoals het draaien of verplaatsen van de optionele elektrische lift, optionele elektrische matrasdrager, of optioneel weegstelsel.

^b Over het frequentiebereik van 150 kHz tot 80 MHz zijn de veldsterktes minder dan 3 V/m.

*Geldt alleen voor de optionele elektrische matrasdrager.

Nosze Prime Series®













Podręcznik użytkownika

















REF 1115

Koło Big Wheel®



Symbole

	Zapoznać się z instrukcją obsługi/broszurą
	Należy sprawdzić w instrukcji używania
	Ogólne ostrzeżenie
	Przeostroga
	Ostrzeżenie; zmiążdżenie rąk
	Ostrzeżenie; promieniowanie niejonizujące
	Nie popychać
	Nie wolno przechowywać butli z tlenem
	Nie smarować
REF	Numer katalogowy
LOT	Kod serii (partii)
SN	Numer seryjny
US Patents	Patenty amerykańskie: www.stryker.com/patents
CE	Oznakowanie CE
EC REP	Upoważniony przedstawiciel we Wspólnocie Europejskiej
MD	Europejski wyrób medyczny
	Producent
	Data produkcji
	Importer

	Bezpieczne obciążenie robocze
	Maksymalna masa ciała pacjenta
	Masa sprzętu przy bezpiecznym obciążeniu roboczym
	Prąd stały
	Prąd przemienny
	Zagrożenie porażeniem prądem
	Uziemienie ochronne
IPX6	Ochrona przed silnymi strumieniami wodnymi
	Część typu B wchodząca w kontakt z ciałem pacjenta
	Sprzęt medyczny sklasyfikowany przez firmę Underwriters Laboratories Inc. tylko w odniesieniu do zagrożeń związanych z porażeniem prądem elektrycznym, pożarem oraz zagrożeniami mechanicznymi jako zgodny z normami ANSI/AAMI ES60601-1:2005 i CAN/CSA-C22.2 nr 60601-1:08. * Dla opcji Prime X sprzęt powiązany urządzeń rentgenowskich, norma IEC 60601-2-54
	Zgodnie z Dyrektywą Europejską 2012/19/UE w sprawie zużytego sprzętu elektrycznego i elektronicznego (WEEE) z późniejszymi zmianami ten symbol oznacza, że produkt należy zbierać oddzielnie do recyklingu. Nie wolno go umieszczać razem z niesortowanymi odpadami komunalnymi. Należy się skontaktować z lokalnym dystrybutorem w celu uzyskania informacji dotyczących utylizacji. Przed recyklingiem skażony sprzęt należy odkazić.
	Smarować
	Tu podnosić
	Góra
	Chronić przed wilgocią
	Ostrożnie, produkt kruchy, nie rzucać
	Ograniczenie spiętrzania do liczby

Spis treści

Definicja Ostrzeżenia/Przestrogi/Uwagi	3
Wykaz środków ostrożności w zakresie bezpieczeństwa	3
Punkty zmiążdżeń	6
Wstęp	7
Opis produktu	7
Wskazania do stosowania	7
Korzyści kliniczne	8
Przeciwwskazania	8
Przewidywany okres eksploatacji	8
Utylizacja/recykling	8
Parametry techniczne	8
Ilustracja produktu — Prime	11
Ilustracja produktu — opcja Prime X	12
Części wchodzące w kontakt z ciałem pacjenta — opcja blatu elektrycznego	13
Części wchodzące w kontakt z ciałem pacjenta — opcja Prime X	13
Dane kontaktowe	14
Lokalizacja numeru seryjnego	14
Przygotowanie	15
Czynność	16
Włączanie i zwalnianie hamulców	16
Elementy sterowania podstawy Prime	17
Podnoszenie blatu bez zasilania elektrycznego	17
Opuszczanie blatu bez zasilania elektrycznego	17
Podnoszenie opcjonalnego blatu elektrycznego	18
Opuszczanie opcjonalnego blatu elektrycznego	18
Ustawianie produktu w pozycji Trendelenburga	19
Ustawianie produktu w odwróconej pozycji Trendelenburga	19
Transportowanie pacjenta	19
Transportowanie pacjenta bez używania dużego koła Big Wheel	20
Transportowanie pacjenta z użyciem dużego koła Big Wheel	21
Ustawianie lub składanie opcjonalnych uchwytów po stronie wezglowia	21
Podnoszenie poręczy bocznej	22
Opuszczanie poręczy bocznych	23
Ustawianie pozycji produktu przy użyciu panelu sterowania pacjenta na poręczy bocznej — opcja blatu elektrycznego — tylko w przypadku opcji Prime	23
Panel sterowania operatora — opcja blatu elektrycznego — tylko w przypadku opcji Prime	24
Blokowanie i odblokowywanie blokady panelu sterowania pacjenta — opcja blatu elektrycznego — tylko w przypadku opcji Prime	25
Podnoszenie lub opuszczanie oparcia pleców — blat bez zasilania elektrycznego	25
Podnoszenie lub opuszczanie oparcia pleców — opcja blatu elektrycznego	26
Podnoszenie lub opuszczanie podparcia kolan — blat bez zasilania elektrycznego — tylko w przypadku opcji Prime	27
Podnoszenie lub opuszczanie podparcia kolan — opcja blatu elektrycznego — tylko w przypadku opcji Prime	27
Ustawianie pozycji krzesła — tylko w przypadku opcji Prime	28
Przechowywanie przedmiotów w schowku w podstawie	28
Wiszące urządzenia z opcją półki na pompę	29
Wydłużanie lub skracanie przewodu zasilającego za pomocą opcjonalnej rolki do nawijania przewodu zasilającego - dotyczy wyłącznie opcji podnośnika elektrycznego lub opcji blatu elektrycznego	29
Opcja systemu wagi	30
Identyfikacja przycisków/ikon wagi	31
Ważenie pacjenta	31
Zablokowanie jednostki miary wagi	32
Włączanie lub wyłączanie opcji Chaperone	32
Ustawianie schematu alertów funkcji Chaperone	32
Ustawianie poziomu głośności alarmów funkcji Chaperone	33
Ładowanie zestawu baterii opcjonalnego systemu wagi — opcja blatu elektrycznego lub opcja blatu elektrycznego z opcją Chaperone — tylko w przypadku opcji Prime	33
Wymiana baterii opcjonalnego systemu wagi — blat bez zasilania elektrycznego	33

Akcesoria i części.....	34
Mocowanie tacy defibrylatora	37
Przekształcenie tacy defibrylatora/przedłużenia na nogi w tacę defibrylatora.....	38
Przekształcenie tacy defibrylatora/przedłużenia na nogi w przedłużenie na nogi.....	38
Mocowanie płyty podnóżka/uchwyty na kartę leczenia	39
Mocowanie wózka stojaka na kroplówki	39
Ustawianie pozycji lub chowanie wsporników stóp — tylko w przypadku opcji Prime.....	40
Ustawianie pozycji montowanego na stałe dwusegmentowego stojaka na kroplówki.....	41
Ustawianie montowanego na stałe trójsegmentowego stojaka na kroplówki	42
Mocowanie i ustawianie zdejmowalnego stojaka na kroplówki.....	43
Mocowanie pionowego uchwytu na butlę z tlenem	44
Rozkładanie lub składanie tacy do podawania/płyty podnóżka	44
Mocowanie ochraniaczy poręczy bocznych	45
Lokalizacja zaczepów pasów unieruchamiających pacjenta	45
Ustawianie pionowego uchwytu na kasetę z kliszą RTG — wyłącznie opcja Prime X	45
Ustawianie bocznego uchwytu na kasetę z kliszą RTG — opcja Prime X	47
Wkładanie lub wyjmowanie kaset na klisze RTG — opcja Prime X	47
Czyszczenie	49
Czyszczenie produktu	49
Czyszczenie produktu za pomocą aparatu myjącego do wózków	49
Czyszczenie materaca	50
Usuwanie plam jodiny	51
Instrukcje specjalne	51
Dezynfekcja	52
Dezynfekowanie produktu.....	52
Dezynfekowanie materaca.....	52
Konserwacja zapobiegawcza	54
Informacje dotyczące kompatybilności elektromagnetycznej (EMC).....	56

Definicja Ostrzeżenia/Przestrogi/Uwagi

Słowa **OSTRZEŻENIE**, **PRZESTROGA** i **UWAGA** posiadają specjalne znaczenia i należy dokładnie się zapoznać z umieszczonym przy nich tekstem.

OSTRZEŻENIE

Ostrzega czytelnika przed sytuacją, która, jeśli wystąpi, może stać się przyczyną zgonu lub poważnych obrażeń ciała. Może również opisywać potencjalne poważne reakcje niepożądane oraz zagrożenia bezpieczeństwa.

PRZESTROGA

Ostrzega czytelnika przed potencjalnie niebezpieczną sytuacją, która, jeśli wystąpi, może stać się przyczyną lekkich lub średnich obrażeń ciała personelu lub pacjenta, bądź uszkodzenia produktu albo innej własności. Obejmuje to również dochowanie szczególnej staranności, niezbędnej dla bezpiecznego i skutecznego używania urządzenia oraz dla uniknięcia uszkodzeń urządzenia, które mogą nastąpić wskutek używania lub nieprawidłowego używania.

Uwaga - Dostarcza specjalnych informacji ułatwiających konserwację lub wyjaśniających ważne instrukcje.

Wykaz środków ostrożności w zakresie bezpieczeństwa

Należy zawsze dokładnie przeczytać i ściśle stosować się do ostrzeżeń i przestroż wymienionych na tej stronie. Czynności serwisowe mogą być wykonywane wyłącznie przez wykwalifikowany personel.

OSTRZEŻENIE

- Przed przygotowaniem produktu do eksploatacji lub sprawdzeniem działania jego funkcji należy zawsze odczekać, aż produkt osiągnie temperaturę pokojową. W przeciwnym wypadku może dojść do trwałych uszkodzeń produktu.
- Produkt należy obsługiwać wyłącznie, gdy żaden z operatorów nie znajduje się w pobliżu mechanizmów.
- Podczas obsługi przewodu zasilającego należy zawsze zachować szczególną ostrożność. Może dojść do zaplątania, uszkodzenia przewodu zasilającego lub potencjalnego ryzyka porażenia prądem elektrycznym. Jeśli przewód zasilający jest uszkodzony, należy natychmiast wycofać produkt z użycia i skontaktować się z odpowiednim personelem działu konserwacji.
- Produkt należy zawsze podłączać bezpośrednio do uziemionego gniazdka ściennego klasy szpitalnej. Niezawodność uziemienia można uzyskać wyłącznie przy korzystaniu z gniazdka klasy szpitalnej. Ten produkt wyposażono we wtyczkę klasy szpitalnej dla ochrony przed zagrożeniem porażeniem prądem elektrycznym.
- Należy zawsze włączyć hamulce podczas umieszczania lub zdejmowania pacjenta z noszy albo kiedy produkt nie jest w ruchu. Ruch produktu w trakcie umieszczania lub zdejmowania pacjenta może spowodować obrażenia ciała.
- Należy zawsze układać pacjenta na środku produktu.
- Przy pozostawianiu pacjenta bez nadzoru należy zawsze ustawić produkt w najniższym położeniu, z podniesionymi i zablokowanymi poręczami bocznymi. Nie pozostawiać produktu w wyższym położeniu.
- Przed podniesieniem lub opuszczeniem blatu należy zawsze usunąć wszelkie urządzenia, które mogą przeszkadzać w ruchu.
- Nie wolno siadać na końcowej części produktu. Może dojść do jego przewrócenia.
- W przypadku transportu pacjenta zawsze należy zablokować poręcze boczne w pozycji całkowicie podniesionej, a powierzchnię leża w najniższej, poziomej pozycji.
- Nie wolno transportować produktu bokiem na pochyłościach przekraczających 5,7 stopnia (10% nachylenie), aby uniknąć przewrócenia produktu.
- Przy używaniu materaca grubszego niż 2,5 cala (6,35 cm) lub nakładki na materac z opcją **Prime X** należy zawsze zachować szczególną ostrożność.
- W przypadku transportu pacjenta zawsze należy zablokować poręcze boczne w pozycji całkowicie podniesionej, a powierzchnię leża w najniższej, płaskiej pozycji.
- Przy podnoszeniu lub opuszczaniu poręczy bocznych należy dopilnować, aby kończyny pacjenta znajdowały się z dala od trzpieni poręczy bocznych.
- Nie pozwalać, aby poręcze boczne same się opuściły.
- Przy opuszczaniu oparcia pleców należy zawsze trzymać palce i dłonie z daleka od uchwytów zwalniających oparcie pleców oraz ramy oparcia pleców.

- Należy zawsze zachować ostrożność przy podnoszeniu oparcia pleców, kiedy na produkcie znajduje się pacjent. Należy stosować prawidłową technikę podnoszenia i w razie potrzeby zwrócić się o pomoc.
- Przy opuszczaniu podparcia kolan należy zawsze trzymać palce i dłonie z daleka od uchwytów do popychania po stronie podnóżka.
- Przewody urządzenia należy zawsze przechowywać w obrębie półki na pompę z dala od uchwytów podparcia kolan.
- Należy zawsze upewnić się, że urządzenia ustawione na półce na pompę nie będą utrudniały bezpiecznego przejeżdżania przez drzwi.
- Nie wolno podnosić produktu, używając do tego celu półki na pompę.
- Przed przystąpieniem do transportowania pacjenta lub czyszczenia produktu należy zawsze odłączyć przewód zasilający od gniazdka ściennego.
- Przy transportowaniu produktu należy zawsze użyć rolki do nawijania przewodu zasilającego, aby przechować przewód wewnątrz podstawy.
- Nie wolno używać opcji systemu wagi ani opcji podnośnika elektrycznego, ani opcji blatu elektrycznego w pobliżu innych urządzeń ani w spiętrzonej konfiguracji. Jeżeli nie ma możliwości uniknięcia użytkowania w takich warunkach, należy kontrolować opcję systemu wagi lub opcję podnośnika elektrycznego albo opcję blatu elektrycznego, aby upewnić się, że wszystkie urządzenia działają prawidłowo w danej konfiguracji.
- Na tacy defibrylatora nie wolno kłaść przedmiotów o ciężarze przekraczającym 30 funtów (14 kg). Wszystkie przedmioty umieszczone na tacy defibrylatora należy zawsze zabezpieczyć pasami.
- Jeżeli podłączono tacę defibrylatora/przedłużenie na nogi, płytę podnóżka/uchwyt na kartę leczenia lub pionowy uchwyt na butlę z tlenem, należy zawsze zachować ostrożność, aby nie doszło do przyciśnięcia palców przy ustawianiu opcji uchwytu po stronie podnóżka.
- Na tacy defibrylatora/przedłużeniu na nogi nie wolno kłaść przedmiotów o ciężarze przekraczającym 30 funtów (14 kg). Wszystkie przedmioty umieszczone na tacy defibrylatora należy zawsze zabezpieczyć pasami.
- Przy transportowaniu produktu należy zawsze upewnić się, że stojak na kroplówki jest dobrze przymocowany do wózka stojaka.
- Kiedy wózek stojaka na kroplówki nie jest używany, należy zawsze go schować, aby nie doszło do uszkodzenia sprzętu.
- Nie wolno siadać na podparciach stóp. Może to spowodować przewrócenie się produktu.
- Przy obsłudze podparć stóp należy zawsze upewnić się, że palce znajdują się z daleka od mechanizmów.
- Należy zawsze złożyć podparcia stóp w przypadku transportowania pacjenta na produkcie.
- Należy zawsze dokręcić podparcia stóp przed ich użyciem.
- Nie wolno używać systemu wagi podczas korzystania z podparć stóp. Może być to przyczyną niedokładnych odczytów.
- Przy korzystaniu z podparć stóp nie wolno używać opcji **Chaperone**. Może być to przyczyną niedokładnych odczytów.
- Nie używać stojaka na kroplówki jako elementu do popychania lub pociągania. W takim przypadku może dojść do uszkodzenia produktu.
- W pionowym uchwycie na butlę z tlenem nie wolno umieszczać przedmiotów o wadze przekraczającej 40 funtów (18 kg).
- Na tacy do podawania nie wolno umieszczać przedmiotów o wadze przekraczającej 30 funtów (14 kg).
- Przy mocowaniu pasów unieruchamiających należy zawsze zachować ostrożność. Może wówczas dojść do obrażeń ciała operatora lub pacjenta. Fizyczne środki unieruchamiające, nawet po zabezpieczeniu, mogą spowodować poważne obrażenia ciała pacjentów i operatorów, w tym zaplątanie, unieruchomienie, obrażenia fizyczne i/lub śmierć.
- Pasy i/lub urządzenia unieruchamiające należy zawsze mocować wyłącznie do wskazanych punktów mocujących produktu. Niezastosowanie się do tego zalecenia może spowodować obrażenia ciała pacjenta lub operatora. Nie wolno mocować pasów unieruchamiających do poręczy bocznej.
- Przed użyciem jakichkolwiek pasów i/lub urządzeń unieruchamiających należy zawsze zapoznać się ze stosownymi ograniczeniami oraz przepisami lokalnymi i krajowymi oraz odpowiednimi przepisami danej placówki.
- W przypadku korzystania z pionowego lub bocznego uchwytu na kasetę z kliszą RTG należy zawsze podjąć odpowiednie środki ochronne. Uchwyt na kasetę z kliszą RTG nie chroni przed promieniowaniem.
- Przed użyciem opcji **Prime X** z urządzeniami generującymi promieniowanie należy zawsze zapoznać się z lokalnymi, regionalnymi i krajowymi wytycznymi oraz z przepisami danej placówki dotyczącymi bezpieczeństwa. Urządzenia generujące promieniowanie mogą wytwarzać resztkowe, błędzące lub rozproszone promieniowanie.
- W celu umieszczenia kasety z kliszą RTG należy zawsze postępować zgodnie z instrukcjami w sekcji *Ustawianie pionowego uchwytu na kasetę z kliszą RTG – wyłącznie opcja Prime X*.
- Należy zawsze zachować ostrożność przy wykonywaniu zdjęć RTG z oparciem pleców ustawionym w pozycji pionowej lub przy korzystaniu z kasety bocznej.

- W celu umieszczenia kasety z kliszą RTG należy zawsze postępować zgodnie z instrukcjami w sekcji *Ustawianie boczny uchwyt na kasetę z kliszą RTG – opcja Prime X*.
- Nie czyścić, nie serwisować, ani nie wykonywać prac konserwacyjnych podczas korzystania z produktu.
- Nie wolno zanurzać materaca w roztworach czyszczących ani dezynfekcyjnych. Nadmiar wilgoci może spowodować nieprawidłowe działanie produktu skutkujące jego uszkodzeniem lub obrażeniami ciała pacjenta.
- Nie wolno dopuszczać do gromadzenia się płynu na materacu. Płyny mogą powodować korozję elementów i nieprzewidywalne działanie tego produktu oraz zagrożenie bezpieczeństwa.
- Należy zawsze sprawdzać pokrowce materaca pod kątem rozdarć, przebić, nadmiernego zużycia oraz niedopasowanych suwaków za każdym razem przy czyszczeniu pokrowców. Uszkodzony materac należy usunąć i wymienić, aby zapobiec skażeniu krzyżowemu.
- Materaców nie wolno czyścić parowo, pod ciśnieniem, wodą z węża ani ultradźwiękowo. Takie metody czyszczenia mogą spowodować unieważnienie gwarancji na produkt.
- Produktu nie wolno czyścić parowo, wodą z węża ani ultradźwiękowo. Takie metody czyszczenia nie są zalecane i mogą spowodować unieważnienie gwarancji tego produktu.
- Materac należy zawsze dezynfekować pomiędzy użyciem u różnych pacjentów. Niezastosowanie się do tego zalecenia może być przyczyną skażenia krzyżowego i infekcji.

PRZESTROGA

- Niewłaściwe stosowanie produktu może spowodować obrażenia ciała pacjenta lub operatora. Produkt można obsługiwać wyłącznie w sposób opisany w niniejszej instrukcji.
- Nie wolno modyfikować ani produktu, ani żadnego z jego elementów. Modyfikacja produktu może spowodować nieprzewidywalne działanie, prowadzące do obrażeń ciała pacjenta lub operatora. Modyfikacja produktu unieważnia również jego gwarancję.
- Nie wolno używać układu hydraulicznego podstawy do podnoszenia produktu, kiedy podnośnik pacjenta znajduje się pod produktem.
- Nie wolno przyciskać pedału sterowania, kiedy duże koło **Big Wheel** spoczywa na progu lub innej wzniesionej powierzchni. Nacisk wymagany do uaktywnienia dużego koła **Big Wheel** będzie większy od standardowego, co może spowodować uszkodzenie produktu.
- Nośność podparcia kolan wynosi 200 funtów (90,7 kg).
- Przed użyciem należy zawsze upewnić się, że drążek wspornikowy podparcia kolan jest unieruchomiony.
- Nie wolno siadać ani stawać na podparciu kolan.
- W przypadku opuszczania podparcia kolan, gdy produkt nie jest zasilany, należy zawsze zachować ostrożność. Grawitacja może spowodować nagłe opuszczenie podparcia kolan.
- Na schowku w podstawie nie wolno umieszczać przedmiotów o wadze przekraczającej 60 funtów (27 kg).
- Nie wolno siadać, stawać ani stać na schowku w podstawie.
- Nośność półki na pompę wynosi 40 funtów (18 kg).
- Nie używać półki na pompę jako elementu do popychania lub pociągania urządzenia. W takim przypadku może dojść do uszkodzenia produktu.
- Nie wolno używać wagi w przypadku pacjentów ważących mniej niż 50 funtów (22,7 kg).
- Nie wolno używać odczytów systemu wagi jako odniesienia podczas leczenia.
- Przed przymocowaniem tacy defibrylatora/przedłużenia na nogi do produktu należy zawsze podnieść stojak na kroplówki. Bez podniesienia stojaka na kroplówki przedłużenie na nogi nie będzie działać.
- Nie używać stojaka na kroplówki jako elementu do popychania lub pociągania. W takim przypadku może dojść do uszkodzenia produktu.
- Na stojaku na kroplówki nie wolno zawieszać worków infuzyjnych o wadze przekraczającej 40 funtów (18 kg).
- Przy transportowaniu pacjenta należy zawsze upewnić się, że stojak na kroplówki jest ustawiony w niskiej pozycji umożliwiającej bezpieczne przejechanie przez otwory drzwiowe.
- Do czyszczenia wyświetlacza opcjonalnego systemu wagi nie wolno stosować ściernych środków czyszczących. Nie wolno dopuszczać do gromadzenia się na wyświetlaczu roztworów czyszczących ani innych płynów. Wytrzeć do sucha wszystkie powierzchnie po wyciekach lub czyszczeniu.
- Zastosowanie akcesoriów, przetworników oraz kabli innych niż określone w specyfikacji lub dostarczone przez producenta może spowodować zwiększenie emisji elektromagnetycznych lub zmniejszenie odporności elektromagnetycznej i doprowadzić do nieprawidłowego działania.

- Emisje charakterystyczne dla tego sprzętu kwalifikują go jako odpowiedni do zastosowań na obszarach przemysłowych i szpitalnych (CISPR 11 klasa A). Jeżeli sprzęt jest używany w środowisku mieszkalnym, dla którego wymagana jest zazwyczaj CISPR 11 klasa B, może on nie zapewniać odpowiedniej ochrony usług komunikacyjnych wykorzystujących częstotliwości radiowe. Może być potrzebne podjęcie działań zaradczych, takich jak zmiana miejsca lub orientacji sprzętu.
 - Nie należy używać przenośnych urządzeń łączności radiowej RF (w tym urządzeń peryferyjnych, takich jak kable anteny i anteny zewnętrzne) w odległości mniejszej niż 12 cali (30 cm) od jakiegokolwiek części noszy **Prime**, w tym od określonych przez producenta kabli.
 - Aby zapobiec nieprawidłowemu działaniu produktów, należy unikać umieszczania urządzeń w pobliżu innych urządzeń lub jednego na drugim. Jeśli takie zastosowanie jest konieczne, należy uważnie obserwować sąsiadujące lub ułożone jedno na drugim urządzenia, aby upewnić się, że działają poprawnie.
-

Punkty zmięddeń



Rysunek 1 – Opcja Prime X

Wstęp

Niniejszy podręcznik obsługi ma na celu pomóc Państwu w obsłudze lub konserwacji produktu firmy Stryker. Przed przystąpieniem do obsługi lub konserwacji tego produktu należy przeczytać niniejszy podręcznik. Ustalić metody i procedury kształcenia i szkolenia pracowników w zakresie bezpiecznego używania lub konserwacji niniejszego produktu.

PRZESTROGA

- Niewłaściwe stosowanie produktu może spowodować obrażenia ciała pacjenta lub operatora. Produkt można obsługiwać wyłącznie w sposób opisany w niniejszej instrukcji.
 - Nie wolno modyfikować ani produktu, ani żadnego z jego elementów. Modyfikacja produktu może spowodować nieprzewidywalne działanie, prowadzące do obrażeń ciała pacjenta lub operatora. Modyfikacja produktu unieważnia również jego gwarancję.
-

Uwaga

- Niniejszy podręcznik należy traktować jako integralną część produktu i przechowywać wraz z produktem nawet, jeśli produkt zostanie sprzedany.
- Firma Stryker nieustannie wdraża ulepszenia w zakresie konstrukcji i jakości produktów. Niniejsza instrukcja zawiera najbardziej aktualne informacje o produkcie dostępne w czasie publikacji. Mogą istnieć niewielkie rozbieżności między zakupionym produktem a produktem przedstawionym w niniejszej instrukcji. W przypadku jakichkolwiek pytań prosimy skontaktować się z Działem Obsługi Klienta lub Działem Pomocy Technicznej firmy Stryker, pod numerem tel. +1-800-327-0770.

Opis produktu

Nosze **Prime Series**® model 1115 firmy Stryker z kołami **Big Wheel**® to urządzenie wyposażone w koła, złożone z platformy umieszczonej na ramie wyposażonej w koła, przeznaczonej do podtrzymywania pacjentów w poziomej pozycji. Nosze umożliwiają operatorowi transportowanie pacjentów w obrębie placówki służby zdrowia przez pracowników służby zdrowia lub przeszkolonych przedstawicieli placówki. Nosze **Prime Series** model 1115 firmy Stryker z kołami **Big Wheel** redukuje siłę wymaganą do uruchomienia oraz wysiłek wymagany do sterowania w celu ograniczenia obciążenia fizycznego.

Wskazania do stosowania

Nosze **Prime Series** z kołami **Big Wheel** są wyposażone w dwa duże koła, co zmniejsza siłę rozruchową, jaką trzeba przyłożyć, aby ruszyć nosze z miejsca.

Nosze **Prime Series** można wykorzystywać jako krótkoterminową platformę do ambulatoryjnych ocen klinicznych, prowadzenia leczenia, wykonywania drobnych zabiegów i krótkoterminowej rekonwalescencji pacjentów ambulatoryjnych. Nosze mogą być użytkowane m.in. w następujących placówkach:

- Szpitalny oddział ratunkowy
- Oddział chirurgii urazowej
- Oddział pooperacyjny

Nosze **Prime Series** można wykorzystywać jako platformę do wykonywania drobnych zabiegów oraz krótkoterminowego pobytu (w celu leczenia i rekonwalescencji). Zalecane warunki środowiskowe opisano w tabeli dotyczącej parametrów technicznych.

Nosze **Prime Series** firmy Stryker nie były oceniane pod kątem zgodności z normą dotyczącą łóżek BS EN 50637. Ten produkt nie jest przeznaczony do stosowania krótkoterminowo u pacjentów pediatrycznych lub pacjentów dorosłych o nietypowej budowie anatomicznej na rynkach, na których ta norma dotycząca łóżek jest uznawana przy wprowadzaniu do obrotu.

Nosze **Prime Series** nie są przeznaczone do długoterminowego leczenia i rekonwalescencji szpitalnej.

Nosze **Prime Series** mają bezpieczną nośność roboczą do 700 funtów (318 kg) i są przeznaczone do stosowania u wszystkich pacjentów, ze schorzeniami od łagodnych do krytycznych. Nosze mogą być również używane do transportu zmarłych pacjentów w obrębie placówki służby zdrowia.

Opcja **Prime X®** zapewnia przegubową powierzchnię wsparcia pacjenta do badań radiologicznych oraz platformę pod powierzchnią podtrzymującą ciało pacjenta, która jest przeznaczona na włożenie kasety z kliszą RTG. Przeznaczeniem opcji **Prime X** jest umożliwienie, we współpracy z medycznymi aparatami rentgenowskimi, wykonywania klinicznych zdjęć rentgenowskich (całego ciała w orientacji A-P, jako opcja możliwe jest wykonywanie zdjęć całego ciała w orientacji bocznej lub klatki piersiowej w pozycji pionowej).

Korzyści kliniczne

Transportowanie pacjenta, ułatwienie leczenia i diagnostyka

Przeciwwskazania

Opcja **Prime X** nie jest zalecana do stosowania z materacem o grubości większej niż 4 cale (10 cm).

Opcja **Prime X** nie jest kompatybilna z ramieniem C.

Opcja **Prime X** jest przeznaczona do stosowania we wszystkich placówkach innych niż domowa opieka zdrowotna, budynki mieszkalne i podłączone bezpośrednio do publicznej sieci elektrycznej niskiego napięcia, która zasila budynki wykorzystywane do celów mieszkalnych.


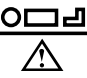
Przewidywany okres eksploatacji

Przewidywany okres eksploatacji noszy **Prime Series** i noszy **Prime Series** z opcją **Prime X** to 10 lat w przypadku normalnych warunków stosowania oraz wykonywania odpowiedniej konserwacji okresowej.

Utylizacja/recykling

Zawsze należy przestrzegać aktualnych lokalnych zaleceń i (lub) rozporządzeń dotyczących ochrony środowiska naturalnego oraz ryzyka związanego z recyklingiem lub utylizacją sprzętu na koniec okresu jego użytkowania.

Parametry techniczne

	Prime Series, szerokość 26 cali (66 cm)		Prime Series, szerokość 30 cali (76 cm) Pakiety Prime Series HT		Opcja Prime X, szerokość 30 cali (76 cm)	
 Uwaga - Bezpieczne obciążenie robocze wskazuje sumę ciężaru ciała pacjenta, materaca i akcesoriów.	700 funtów	318 kg	700 funtów	318 kg	700 funtów	318 kg
 Maksymalna masa ciała pacjenta	675 funtów	306 kg	675 funtów	306 kg	675 funtów	306 kg
Długość całkowita	85 cali (± 0,5 cala)	215,9 cm	85 cali (± 0,5 cala)	215,9 cm	85 cali (± 0,5 cala)	215,9 cm

	Prime Series, szerokość 26 cali (66 cm)		Prime Series, szerokość 30 cali (76 cm) Pakiety Prime Series HT		Opcja Prime X, szerokość 30 cali (76 cm)	
Długość całkowita (z opcjonalnym przedłużeniem blatu)	89,9 cala (± 0,75 cala)	228,3 cm	89,9 cala (± 0,75 cala)	228,3 cm	Nd.	Nd.
Całkowita szerokość (z podniesionymi poręczami bocznymi)	34 cale (± 1 cal)	86,4 cm	38 cali (± 1 cal)	96,5 cm	38 cali (± 1 cal)	96,5 cm
Całkowita szerokość (z opuszczonymi poręczami bocznymi)	30,25 cala (± 0,5 cala)	76,8 cm	30,5 cala (± 0,5 cala)	77,5 cm	30,5 cala (± 0,5 cala)	77,5 cm
Minimalna wysokość	20,75 cala	52,7 cm	20,75 cala	52,7 cm	23,25 cala	59,1 cm
Maksymalna wysokość	34 cale (± 1 cal)	86,4 cm	34 cale (± 1 cal)	86,4 cm	36,5 cala (± 1 cal)	92,7 cm
Kąt nachylenia oparcia pleców	Od 0° do 90° (± 5°)					
Wysokość podparcia kolan	Minimum 5,5 cala (14 cm)				Nie dotyczy	
Pozycja Trendelenburga/ odwrócona pozycja Trendelenburga	Od +17° do -17° (± 3°)					
Minimalna wolna przestrzeń	Znamionowo 2,5 cala	6,4 cm	Znamionowo 2,5 cala	6,4 cm	Znamionowo 2,5 cala	6,4 cm
	1,75 cala pod podnośnikami hydraulicznymi	4,5 cm	1,75 cala pod podnośnikami hydraulicznymi	4,5 cm	1,75 cala pod podnośnikami hydraulicznymi	4,5 cm
	1 cal pod dużym kołem Big Wheel	2,5 cm	1 cal pod dużym kołem Big Wheel	2,5 cm	1 cal pod dużym kołem Big Wheel	2,5 cm
Równoważnik tłumienia (równoważnik aluminium)	Nie dotyczy				Maksymalna dozwolona wartość wynosi 1,7 mm Al	
Zakres działania opcjonalnego systemu wagi	Od 50 funtów (22,7 kg) do 700 funtów (318 kg)					
Dokładność opcjonalnego systemu wagi	±3 lb (1,3 kg) w przypadku obciążeń o wadze mniejszej niż 100 lb (45 kg) i ±3% w przypadku obciążeń wynoszących co najmniej 100 lb (45 kg)*					
* Aby spełnić wymagania dotyczące dokładności systemu wagi, powierzchnia dla pacjenta musi być w płaskim położeniu (oparcie pleców i podparcie kolan opuszczone), a produkt nie może przekraczać 5 stopni w pozycji Trendelenburga lub odwróconej pozycji Trendelenburga.						

Opcje elektryczne	Opcjonalny blat elektryczny (dostępny wyłącznie dla opcji Prime)	Opcjonalny podnośnik elektryczny (dostępny dla opcji Prime i Prime X)
Wymagania elektryczne	120 V AC, 60 Hz, 10 A 240 V AC, 50/60 Hz, 5 A	120 V AC, 60 Hz, 10 A 240 V AC, 50/60 Hz, 5 A
Cykl pracy	Ciągłe działanie ze sporadycznym obciążeniem, 1 minuta WŁ. i 20 minut WYŁ.	Ciągłe działanie ze sporadycznym obciążeniem, 1 minuta WŁ. i 20 minut WYŁ.

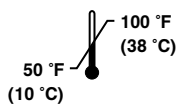
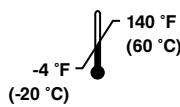
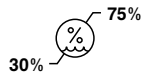
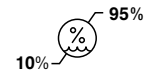
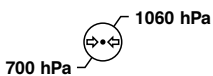
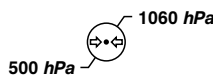
Opcjonalny system wagi	Blat bez zasilania elektrycznego (dostępny dla opcji Prime i Prime X)	Opcjonalny podnośnik elektryczny (dostępny dla opcji Prime i Prime X)
Rodzaj baterii	4 baterie alkaliczne AA/LR6 (4 × 1,5 V DC)	4 baterie alkaliczne AA/LR6 (4 × 1,5 V DC)
Napięcie baterii	6,0 V DC	6,0 V DC

Opcjonalny system wagi	Opcjonalny blat elektryczny (dostępny wyłącznie dla opcji Prime)	Opcjonalny podnośnik elektryczny
Rodzaj baterii	1 zestaw akumulatorowych baterii litowo-jonowych (0058-135-000)	Nie dotyczy
Napięcie baterii	10,8 V DC, 2,4 Ah	Nie dotyczy

Opcjonalny system wagi z opcją Chaperone® (zejście z noszy)	Opcjonalny blat elektryczny (dostępny wyłącznie dla opcji Prime)	Opcjonalny podnośnik elektryczny
Rodzaj baterii	1 zestaw akumulatorowych baterii litowo-jonowych (0058-134-000)	Nie dotyczy
Napięcie baterii	10,8 V DC, 4,8 Ah	Nie dotyczy

Firma Stryker zastrzega sobie prawo do zmiany parametrów technicznych bez wcześniejszego powiadomienia.

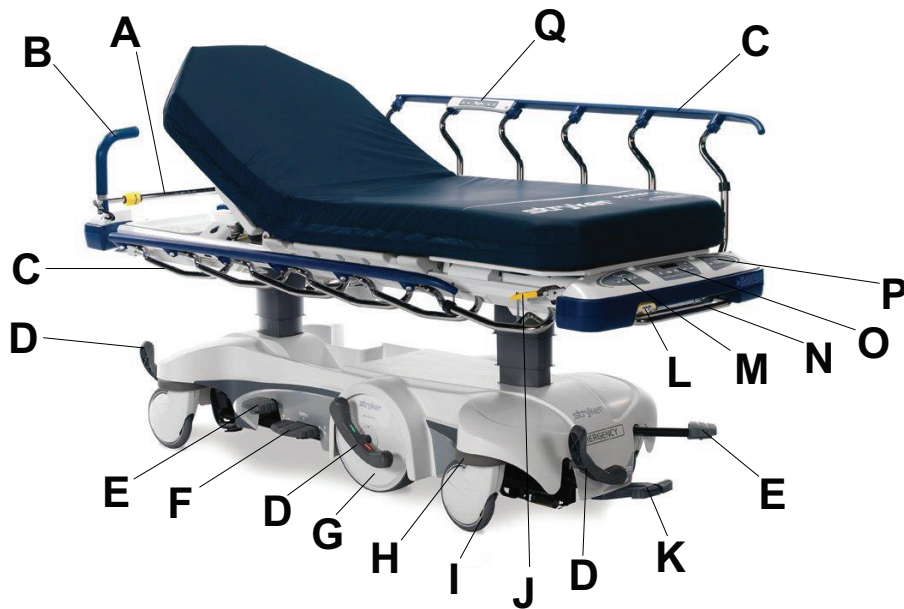
Uwaga - Produkt ten nie jest przystosowany do pracy w obecności palnej mieszanki środka znieczulającego z powietrzem lub tlenem bądź podtlenku azotu.

Warunki środowiskowe	Czynność	Przechowywanie i transport
Temperatura		
Względna wilgotność		
Ciśnienie atmosferyczne		

Uwaga - Zakres temperatur pracy opcjonalnego systemu wagi (blat bez zasilania elektrycznego/blat elektryczny) wynosi od 61°F (16°C) do 79°F (26°C).

Wymienione parametry techniczne są przybliżone i mogą się różnić w niewielkim stopniu w przypadku różnych produktów lub przy wahaniami napięcia prądu zasilającego.

Ilustracja produktu — Prime



Rysunek 2 – Prime

A	Stojak kropłówki	J	Blokada poręczy bocznej
B	Chowany uchwyt do pchania BackSmart® , opcjonalny	K	Pedał zwalniający układu hydraulicznego
C	Poręcz boczna BackSmart	L	Uchwyt zwalniający podparcie kolan
D	Pedał hamulca/sterowania	M	Panel sterowania operatora po stronie podnóżka BackSmart , opcjonalny
E	Pedał podnośnika	N	Półka na pompę, opcjonalna
F	Uniwersalny pedał opuszczania	O	System wagi BackSmart , opcjonalny
G	Koło Big Wheel	P	Blokada panelu sterowania pacjenta, opcjonalna
H	Zderzak, zintegrowany	Q	Panel sterowania pacjenta na poręczy bocznej, opcjonalny
I	Kółko samonastawne ze zintegrowaną osłoną		

Ilustracja produktu — opcja Prime X



Rysunek 3 – Opcja Prime X

A	Chowany uchwyt do pchania BackSmart® , opcjonalny	H	Uniwersalny pedał opuszczania
B	Stojak kroplówki	I	Zderzak, zintegrowany
C	Taca na kasetę	J	Kółko samonastawne ze zintegrowaną osłoną
D	Powierzchnia dla pacjenta z blatem Clearview Technology®	K	Blokada poręczy bocznej
E	Poręcz boczna BackSmart	L	Półka na pompę, opcjonalna
F	Pedał hamulca/sterowania	M	System wagi BackSmart , opcjonalny
G	Pedał podnośnika		

Części wchodzące w kontakt z ciałem pacjenta — opcja blatu elektrycznego



Rysunek 4 – Części typu B wchodzące w kontakt z ciałem pacjenta — opcja blatu elektrycznego

Części wchodzące w kontakt z ciałem pacjenta — opcja Prime X



Rysunek 5 – Części typu B wchodzące w kontakt z ciałem pacjenta — opcja Prime X

Dane kontaktowe

Należy się kontaktować z Działem Obsługi Klienta lub Działem Pomocy Technicznej firmy Stryker pod numerem: 1-800-327-0770.

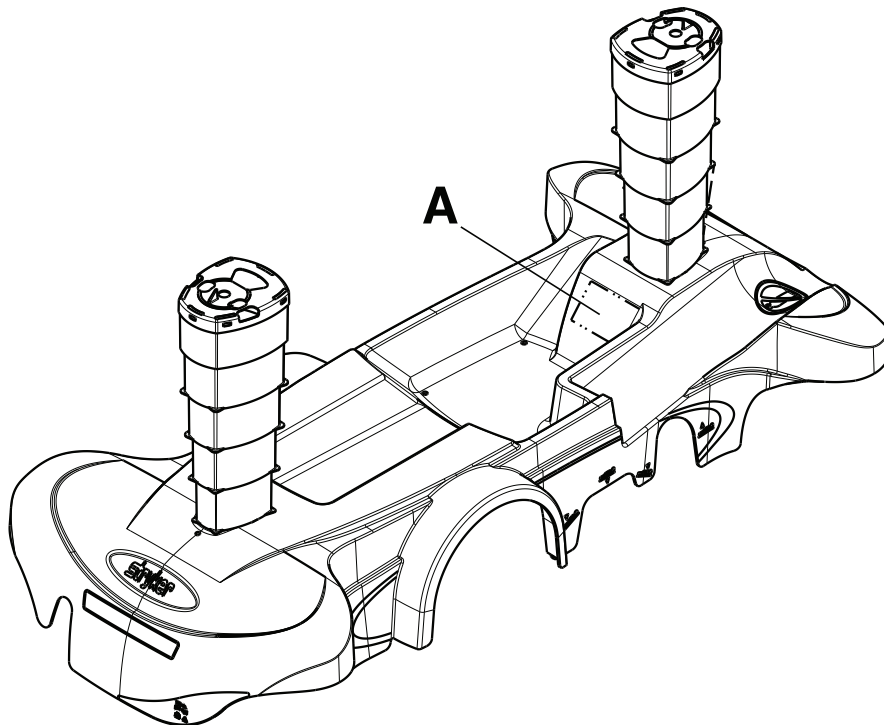
Stryker Medical
3800 E. Centre Avenue
Portage, MI 49002
USA

Uwaga - Użytkownik i/lub pacjent powinni zgłaszać jakiegokolwiek związane z produktem poważne incydenty producentowi oraz właściwemu organowi w państwie członkowskim Unii Europejskiej, w którym zamieszkuje użytkownik i/lub pacjent.

Dostęp online do podręcznika obsługi lub konserwacji produktu można uzyskać na stronie <https://techweb.stryker.com/>.

Telefonując do Działu Obsługi Klienta lub Działu Pomocy Technicznej firmy Stryker należy mieć w zasięgu ręki numer seryjny (A) danego produktu Stryker. Należy powoływać się na numer seryjny we wszelkiej korespondencji.

Lokalizacja numeru seryjnego



Rysunek 6 – Lokalizacja numeru seryjnego

Przygotowanie

Informacje dotyczące odpakowywania produktu opisano w instrukcji rozpakowywania załączonej do produktu wewnątrz skrzyni transportowej.

OSTRZEŻENIE

- Przed przygotowaniem produktu do eksploatacji lub sprawdzeniem działania jego funkcji należy zawsze odczekać, aż produkt osiągnie temperaturę pokojową. W przeciwnym wypadku może dojść do trwałych uszkodzeń produktu.
 - Produkt należy obsługiwać wyłącznie, gdy żaden z operatorów nie znajduje się w pobliżu mechanizmów.
 - Podczas obsługi przewodu zasilającego należy zawsze zachować szczególną ostrożność. Może dojść do zapłątania, uszkodzenia przewodu zasilającego lub potencjalnego ryzyka porażenia prądem elektrycznym. Jeśli przewód zasilający jest uszkodzony, należy natychmiast wycofać produkt z użycia i skontaktować się z odpowiednim personelem działu konserwacji.
 - Produkt należy zawsze podłączać bezpośrednio do uziemionego gniazdka ściennego klasy szpitalnej. Niezawodność uziemienia można uzyskać wyłącznie przy korzystaniu z gniazdka klasy szpitalnej. Ten produkt wyposażono we wtyczkę klasy szpitalnej dla ochrony przed zagrożeniem porażeniem prądem elektrycznym.
-

Przed oddaniem produktu do eksploatacji należy upewnić się, że działa prawidłowo.

1. Aktywuj hamulec. Popchnij produkt, aby się upewnić, że wszystkie cztery kółka samonastawne są zablokowane.
2. Zwolnij hamulec. Popchnij produkt, aby się upewnić, że wszystkie cztery kółka samonastawne są odblokowane.
3. Podnieś i opuść blat, używając układu podnośnika hydraulicznego.
4. Podnieś produkt do najwyższej pozycji i ustaw go w pozycji Trendelenburga (patrz *Ustawianie produktu w pozycji Trendelenburga* (stronie 19)). Upewnij się, że strona wezgłowia opuszcza się do całkowicie opuszczonej pozycji.
5. Podnieś produkt do najwyższej pozycji i ustaw go w odwróconej pozycji Trendelenburga (patrz *Ustawianie produktu w odwróconej pozycji Trendelenburga* (stronie 19)). Upewnij się, że strona podnóżka opuszcza się do całkowicie opuszczonej pozycji.
6. Użyj koła **Big Wheel** i upewnij się, że działa prawidłowo.
7. Upewnij się, że poręcze boczne podnoszą się, opuszczają i blokują na miejscu.
8. Ręcznie podnieś i opuść oparcie pleców (strona wezgłowia).
9. Ręcznie podnieś i opuść podparcie kolan (strona podnóżka).

W przypadku produktu wyposażonego w opcję podnośnika elektrycznego lub opcję blatu elektrycznego:

1. Wykonaj czynności opisane na zamieszczonej wyżej liście kontrolnej.
2. Podłącz produkt do odpowiednio uziemionego ściennego gniazdka klasy szpitalnej. Upewnij się, że zapalają się diody LED na klawiaturze blokady.
3. Upewnij się, że działają wszystkie funkcje opcjonalnego panelu sterowania pacjenta na poręczach bocznych.
4. Upewnij się, że działają wszystkie funkcje opcjonalnego panelu sterowania operatora po stronie podnóżka.
5. Elektrycznie podnieś i opuść oparcie pleców (strona wezgłowia).
6. Elektrycznie podnieś i opuść podparcie kolan (strona podnóżka).

W przypadku produktu z opcją systemu wagi / opcją blatu elektrycznego (z opcją **Chaperone** lub bez niej):

1. Wykonaj czynności opisane na zamieszczonej wyżej liście kontrolnej.
2. Naładuj baterie (*Ładowanie zestawu baterii opcjonalnego systemu wagi — opcja blatu elektrycznego lub opcja blatu elektrycznego z opcją Chaperone — tylko w przypadku opcji Prime* (stronie 33)).

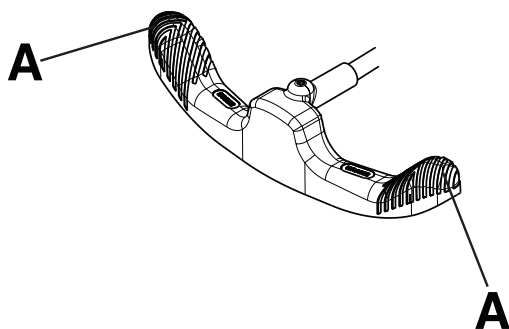
Czynność

Włączanie i zwalnianie hamulców

OSTRZEŻENIE - Należy zawsze włączyć hamulce podczas umieszczania lub zdejmowania pacjenta z noszy albo kiedy produkt nie jest w ruchu. Ruch produktu w trakcie umieszczania lub zdejmowania pacjenta może spowodować obrażenia ciała.

Aby aktywować hamulce, należy nacisnąć stronę hamowania (czerwona) pedału hamulca/sterowania. Pchnąć produkt, aby upewnić się, że hamulce działają prawidłowo.

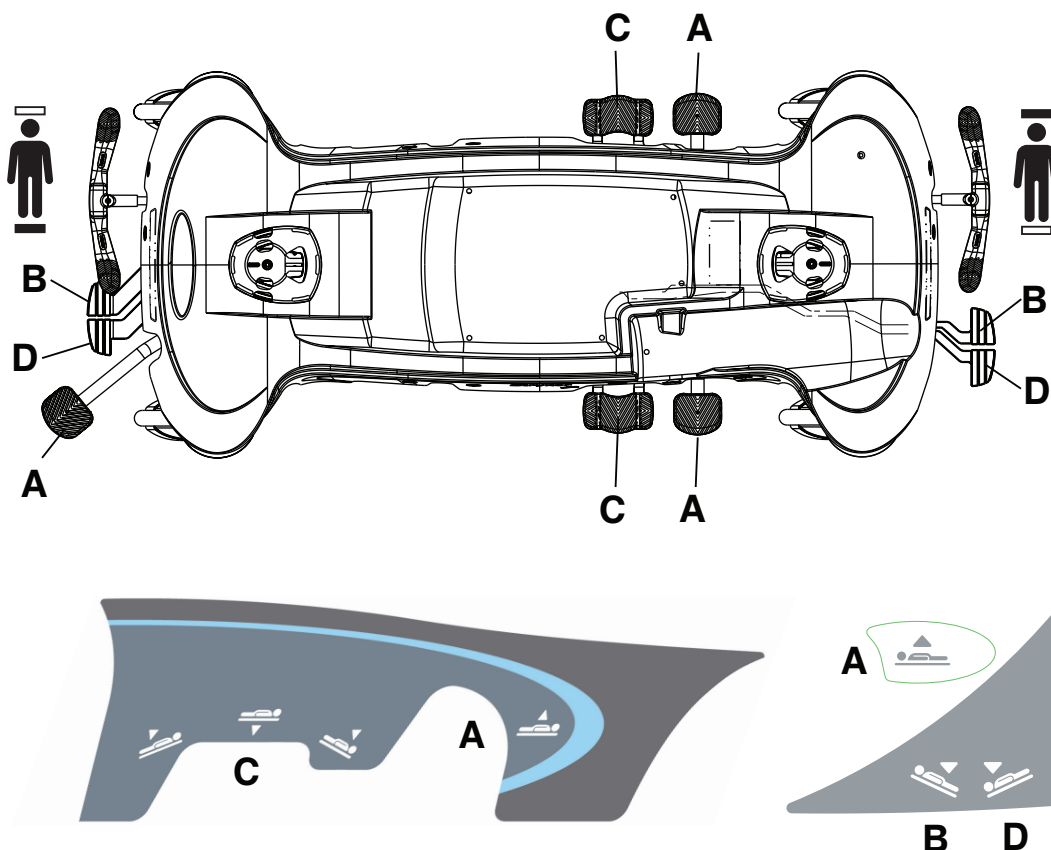
Aby zwolnić hamulce, należy nacisnąć stronę sterowania (zielona) pedału hamulca/sterowania.



Rysunek 7 – Obsługa pedału hamulca/sterowania

Uwaga - Nie wolno naciskać środkowej części pedału hamulca/sterowania. Należy zawsze naciskać zewnętrzną stronę (A) pedału hamulca/sterowania (Rysunek 7).

Elementy sterowania podstawy Prime



Rysunek 8 – Elementy sterowania i etykieta podstawy Prime

Podnoszenie blatu bez zasilania elektrycznego

OSTRZEŻENIE

- Należy zawsze układać pacjenta na środku produktu.
- Przy pozostawianiu pacjenta bez nadzoru należy zawsze ustawić produkt w najniższym położeniu, z podniesionymi i zablokowanymi poręczami bocznymi. Nie pozostawiać produktu w wyższym położeniu.
- Przed podniesieniem lub opuszczeniem blatu należy zawsze usunąć wszelkie urządzenia, które mogą przeszkadzać w ruchu.
- Nie wolno siadać na końcowej części produktu. Może dojść do jego przewrócenia.

PRZESTROGA - Nie wolno używać układu hydraulicznego podstawy do podnoszenia produktu, kiedy podnośnik pacjenta znajduje się pod produktem.

Aby podnieść blat, należy naciskać pedał podnośnika (A) aż do osiągnięcia żądanej wysokości (*Elementy sterowania podstawy Prime* (stronie 17)).

Opuszczanie blatu bez zasilania elektrycznego

OSTRZEŻENIE

- Należy zawsze układać pacjenta na środku produktu.
- Przy pozostawianiu pacjenta bez nadzoru należy zawsze ustawić produkt w najniższym położeniu, z podniesionymi i zablokowanymi poręczami bocznymi. Nie pozostawiać produktu w wyższym położeniu.

- Przed podniesieniem lub opuszczeniem blatu należy zawsze usunąć wszelkie urządzenia, które mogą przeszkadzać w ruchu.
 - Nie wolno siadać na końcowej części produktu. Może dojść do jego przewrócenia.
-

PRZESTROGA - Nie wolno używać układu hydraulicznego podstawy do podnoszenia produktu, kiedy podnośnik pacjenta znajduje się pod produktem.

Aby opuścić cały blat, należy nacisnąć środek uniwersalnego pedału opuszczania (C) (*Elementy sterowania podstawy Prime* (stronie 17)).

Aby opuścić tylko odcinek blatu po stronie wezgiłowia, należy nacisnąć pedał (B) lub część uniwersalnego pedału opuszczania (C) położoną najbliżej wezgiłowia produktu.

Aby opuścić tylko odcinek blatu po stronie podnóżka, należy nacisnąć pedał (D) lub część uniwersalnego pedału opuszczania (C) położoną najbliżej podnóżka produktu.

Podnoszenie opcjonalnego blatu elektrycznego

OSTRZEŻENIE

- Należy zawsze układać pacjenta na środku produktu.
 - Przy pozostawianiu pacjenta bez nadzoru należy zawsze ustawić produkt w najniższym położeniu, z podniesionymi i zablokowanymi poręczami bocznymi. Nie pozostawiać produktu w wyższym położeniu.
 - Przed podniesieniem lub opuszczeniem blatu należy zawsze usunąć wszelkie urządzenia, które mogą przeszkadzać w ruchu.
 - Nie wolno siadać na końcowej części produktu. Może dojść do jego przewrócenia.
-

PRZESTROGA - Nie wolno używać układu hydraulicznego podstawy do podnoszenia produktu, kiedy podnośnik pacjenta znajduje się pod produktem.

Aby podnieść blat elektryczny, należy naciskać pedał podnośnika (A) aż do osiągnięcia żądanej wysokości (*Elementy sterowania podstawy Prime* (stronie 17)).

Opuszczanie opcjonalnego blatu elektrycznego

OSTRZEŻENIE

- Należy zawsze układać pacjenta na środku produktu.
 - Przy pozostawianiu pacjenta bez nadzoru należy zawsze ustawić produkt w najniższym położeniu, z podniesionymi i zablokowanymi poręczami bocznymi. Nie pozostawiać produktu w wyższym położeniu.
 - Przed podniesieniem lub opuszczeniem blatu należy zawsze usunąć wszelkie urządzenia, które mogą przeszkadzać w ruchu.
 - Nie wolno siadać na końcowej części produktu. Może dojść do jego przewrócenia.
-

PRZESTROGA - Nie wolno używać układu hydraulicznego podstawy do podnoszenia produktu, kiedy podnośnik pacjenta znajduje się pod produktem.

Aby opuścić cały blat elektryczny, należy nacisnąć środek uniwersalnego pedału opuszczania (C) (*Elementy sterowania podstawy Prime* (stronie 17)).

Aby opuścić tylko odcinek blatu po stronie wezgiłowia, należy nacisnąć pedał (B) lub część uniwersalnego pedału opuszczania (C) położoną najbliżej wezgiłowia produktu.

Aby opuścić tylko odcinek blatu po stronie podnóżka, należy nacisnąć pedał (D) lub część uniwersalnego pedału opuszczania (C) położoną najbliżej podnóżka produktu.

Ustawianie produktu w pozycji Trendelenburga

OSTRZEŻENIE - Przed podniesieniem lub opuszczeniem blatu należy zawsze usunąć wszelkie urządzenia, które mogą przeszkadzać w ruchu.

PRZESTROGA - Nie wolno używać układu hydraulicznego podstawy do podnoszenia produktu, kiedy podnośnik pacjenta znajduje się pod produktem.

Aby ustawić produkt w pozycji Trendelenburga (głowa w dół), należy podnieść blat do najwyższej pozycji (*Podnoszenie blatu bez zasilania elektrycznego* (stronie 17) lub *Podnoszenie opcjonalnego blatu elektrycznego* (stronie 18)).

Uwaga - Podniesienie blatu do najwyższej pozycji umożliwia uzyskanie większego kąta nachylenia pozycji Trendelenburga.

Aby opuścić koniec produktu po stronie wezglowia, należy nacisnąć pedał zwalniający po stronie wezglowia lub podnóżka (D), lub nacisnąć część uniwersalnego pedału opuszczania (C) położoną najbliżej wezglowia (patrz rozdział *Elementy sterowania podstawy Prime* (stronie 17)).

Aby opuścić produkt z pozycji Trendelenburga, nacisnąć jednocześnie pedały zwalniające po stronie wezglowia i podnóżka (B i D) lub nacisnąć środek uniwersalnego pedału opuszczania (C) aż blat noszy znajdzie się w płaskim położeniu.

Ustawianie produktu w odwróconej pozycji Trendelenburga

OSTRZEŻENIE - Przed podniesieniem lub opuszczeniem blatu należy zawsze usunąć wszelkie urządzenia, które mogą przeszkadzać w ruchu.

PRZESTROGA - Nie wolno używać układu hydraulicznego podstawy do podnoszenia produktu, kiedy podnośnik pacjenta znajduje się pod produktem.

Aby ustawić produkt w odwróconej pozycji Trendelenburga (stopy w dół), należy podnieść blat noszy do najwyższej pozycji (*Podnoszenie blatu bez zasilania elektrycznego* (stronie 17) lub *Podnoszenie opcjonalnego blatu elektrycznego* (stronie 18)).

Uwaga - Podniesienie blatu do najwyższej pozycji umożliwia uzyskanie większego kąta nachylenia pozycji Trendelenburga.

Aby opuścić koniec produktu po stronie podnóżka, należy nacisnąć pedał zwalniający po stronie wezglowia lub podnóżka (B), lub nacisnąć część uniwersalnego pedału opuszczania (C) położoną najbliżej podnóżka (*Elementy sterowania podstawy Prime* (stronie 17)).

Aby opuścić produkt z odwróconej pozycji Trendelenburga, nacisnąć jednocześnie pedały zwalniające po stronie wezglowia i podnóżka (B i D) lub nacisnąć środek uniwersalnego pedału opuszczania (C) aż blat noszy znajdzie się w płaskim położeniu.

Transportowanie pacjenta

OSTRZEŻENIE

- Należy zawsze układać pacjenta na środku produktu.
 - W przypadku transportu pacjenta zawsze należy zablokować poręcze boczne w pozycji całkowicie podniesionej, a powierzchnię leża w najniższej, poziomej pozycji.
 - Nie wolno transportować produktu bokiem na pochyłościach przekraczających 5,7 stopnia (10% nachylenie), aby uniknąć przewrócenia produktu.
-

Aby przetransportować pacjenta:

1. Unieść poręcze boczne do najwyższej pozycji. Sprawdzić zablokowanie poręczy bocznych, pociągając je.

2. Opuścić blat łóżka do najniższej pozycji.
3. Jeśli produkt jest wyposażony w opcję podnośnika elektrycznego lub opcję blatu elektrycznego, należy odłączyć przewód zasilania od gniazdka ściennego.
4. Nacisnąć stronę sterowania (zieloną) pedału hamulca/sterowania.
5. Użyć uchwytów do pchania do przesunięcia produktu.
6. Aby zablokować produkt na miejscu, należy aktywować hamulce.

Uwaga - Aby uniknąć obrażeń ciała operatora lub pacjenta, przed podjęciem próby przesunięcia produktu należy zawsze upewnić się, że hamulce zostały całkowicie zwolnione.

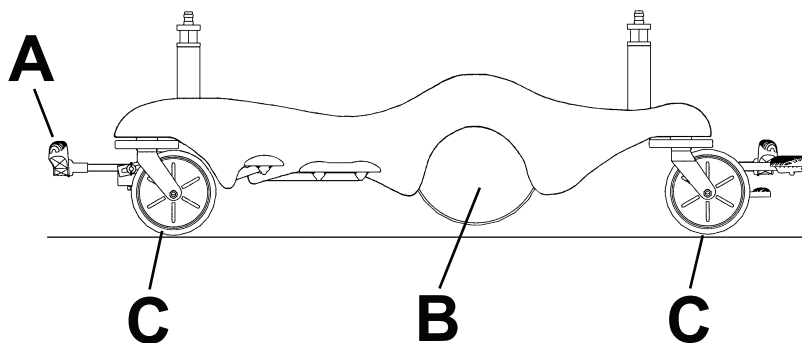
Transportowanie pacjenta bez używania dużego koła Big Wheel

OSTRZEŻENIE

- Należy zawsze układać pacjenta na środku produktu.
- W przypadku transportu pacjenta zawsze należy zablokować poręcze boczne w pozycji całkowicie podniesionej, a powierzchnię leża w najniższej, poziomej pozycji.

Transportowanie pacjenta bez używania dużego koła **Big Wheel**:

1. Ustawić pedał hamulca/sterowania (A) w pozycji neutralnej (Rysunek 9).



Rysunek 9 – Transportowanie bez używania dużego koła Big Wheel

2. Opuścić blat łóżka do najniższej pozycji.
3. W przypadku noszy Model 1125 należy upewnić się, że przełącznik „On/Drive-Off/Manual” (Wł./Napęd Wył./Ręczny) znajduje się w położeniu „Off” (Wył.).
4. Jeśli produkt jest wyposażony w opcję podnośnika elektrycznego lub opcję blatu elektrycznego, należy odłączyć przewód zasilający od gniazdka ściennego klasy szpitalnej.
5. Użyć uchwytów do pchania do przesunięcia produktu.
6. Aby zablokować produkt na miejscu, należy aktywować hamulce.

Uwaga

- Aby uniknąć obrażeń ciała operatora lub pacjenta, przed podjęciem próby przesunięcia produktu należy zawsze upewnić się, że hamulce zostały całkowicie zwolnione.
- Po ustawieniu produktu w pozycji neutralnej duże koło **Big Wheel** (B) jest podniesione, a produkt spoczywa na wszystkich czterech kółkach samonastawnych (C) (Rysunek 9). W tej pozycji produkt można przesuwac w dowolnym kierunku, w tym w bok.

Transportowanie pacjenta z użyciem dużego koła Big Wheel

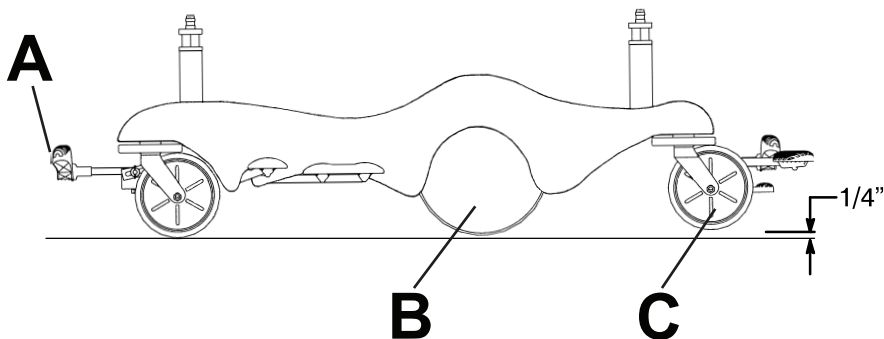
OSTRZEŻENIE

- Należy zawsze układać pacjenta na środku produktu.
- W przypadku transportu pacjenta zawsze należy zablokować poręcze boczne w pozycji całkowicie podniesionej, a powierzchnię leża w najniższej, poziomej pozycji.

PRZESTROGA - Nie wolno przyciskać pedału sterowania, kiedy duże koło **Big Wheel** spoczywa na progu lub innej wzniesionej powierzchni. Nacisk wymagany do uaktywnienia dużego koła **Big Wheel** będzie większy od standardowego, co może spowodować uszkodzenie produktu.

Transportowanie pacjenta z użyciem dużego koła **Big Wheel**:

1. Unieść poręcze boczne do najwyższej pozycji. Sprawdzić zablokowanie każdej poręczy bocznej, pociągając ją.
2. Opuścić blat łóżka do najniższej pozycji.
3. W przypadku noszy Model 1125 należy upewnić się, że przełącznik „On/Drive-Off/Manual” (Wł./Napęd Wył./Ręczny) znajduje się w położeniu „Off” (Wył.).
4. Jeśli produkt jest wyposażony w opcję podnośnika elektrycznego lub opcję blatu elektrycznego, należy odłączyć przewód zasilający od gniazdka ściennego klasy szpitalnej.
5. Ustawić pedał hamulca/sterowania (A) w pozycji sterowania (Rysunek 10).



Rysunek 10 – Transportowanie z użyciem dużego koła Big Wheel

6. Użyć uchwytów do pchania do przesunięcia produktu.
7. Aby zablokować produkt na miejscu, należy aktywować hamulce.

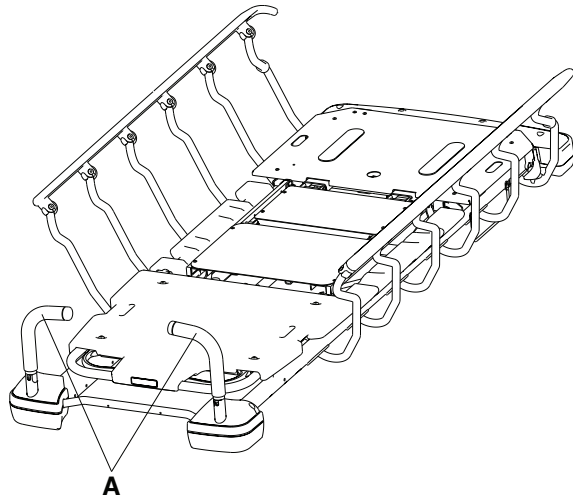
Uwaga

- Przed podjęciem próby przesunięcia produktu należy zawsze upewnić się, że hamulec został zwolniony. Usiłowanie przesunięcia produktu z włączonymi hamulcami może spowodować obrażenia ciała operatora lub pacjenta.
- Duże koło **Big Wheel** (B) nie skręca. Po włączeniu dużego koła **Big Wheel** nie można przesuwania produktu w bok.
- Po włączeniu dużego koła **Big Wheel** (B) następuje uniesienie produktu i podniesienie kółek samonastawnych (C) po stronie podnóżka. Produkt spoczywa na kółkach samonastawnych po stronie wezglowia i dużym kole **Big Wheel**, dzięki czemu można łatwiej sterować produktem (Rysunek 10).

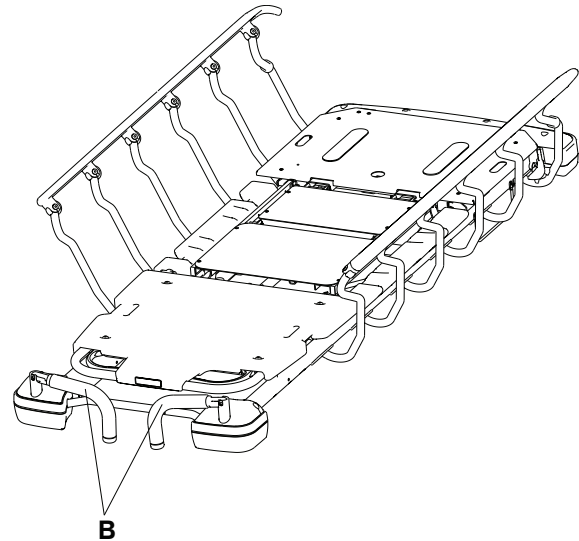
Ustawianie lub składanie opcjonalnych uchwytów po stronie wezglowia

Ustawianie lub składanie uchwytów po stronie wezglowia:

1. Obrócić uchwyty do góry (A) po stronie wezglowia produktu (Rysunek 11).
2. Nacisnąć uchwyty w dół, aby zablokować je na miejscu.



Rysunek 11 – Ustawianie uchwytów po stronie wezgiłowia



Rysunek 12 – Składanie uchwytów po stronie wezgiłowia

3. Aby złożyć uchwyty po stronie wezgiłowia (B), należy wykonać opisane czynności w odwrotnej kolejności (Rysunek 12).

Uwaga - Aby uniknąć uszkodzenia produktu, jako elementów do popychania/pociągania należy używać wyłącznie uchwytów, o ile nie podano inaczej.

Podnoszenie poręczy bocznej

OSTRZEŻENIE

- Przy używaniu materaca grubszego niż 2,5 cala (6,35 cm) lub nakładki na materac z opcją **Prime X** należy zawsze zachować szczególną ostrożność.
- Przy pozostawianiu pacjenta bez nadzoru należy zawsze ustawić produkt w najniższym położeniu, z podniesionymi i zablokowanymi poręczami bocznymi. Nie pozostawiać produktu w wyższym położeniu.
- W przypadku transportu pacjenta zawsze należy zablokować poręcze boczne w pozycji całkowicie podniesionej, a powierzchnię leża w najniższej, płaskiej pozycji.
- Przy podnoszeniu lub opuszczaniu poręczy bocznych należy dopilnować, aby kończyny pacjenta znajdowały się z dala od trzpieni poręczy bocznych.
- Nie pozwalać, aby poręcze boczne same się opuściły.

Podnoszenie poręczy bocznej:

1. Chwycić poręcz boczną obiema dłońmi.
2. Podnieść poręcz boczną w stronę podnóżka produktu aż do zatrzaśnięcia żółtej zapadki zwalniającej na miejscu z kliknięciem. Sprawdzić zablokowanie poręczy bocznych, pociągając je.

Uwaga

- Dostępna jest opcja podwójnych zapadek zwalniających poręcze boczne z zapadkami na obu końcach produktu.
- Nie wolno używać poręczy bocznych jako urządzeń do ograniczenia ruchów, które miałyby uniemożliwić pacjentowi opuszczenie produktu. Poręcze boczne zabezpieczają pacjenta przed stoczeniem się z łóżka. Operator musi ustalić poziom unieruchomienia potrzebny do zapewnienia pacjentowi bezpieczeństwa.
- Górnej części poręczy bocznych po stronie podnóżka można używać jako elementu do popychania/pociągania.
- Poręcze boczne blokują się wyłącznie w pozycji całkowicie podniesionej.

Opuszczanie poręczy bocznych

OSTRZEŻENIE

- Przy używaniu materaca grubszego niż 2,5 cala (6,35 cm) lub nakładki na materac z opcją **Prime X** należy zawsze zachować szczególną ostrożność.
 - Przy pozostawianiu pacjenta bez nadzoru należy zawsze ustawić produkt w najniższym położeniu, z podniesionymi i zablokowanymi poręczami bocznymi. Nie pozostawiać produktu w wyższym położeniu.
 - W przypadku transportu pacjenta zawsze należy zablokować poręcze boczne w pozycji całkowicie podniesionej, a powierzchnię leża w najniższej, płaskiej pozycji.
 - Przy podnoszeniu lub opuszczaniu poręczy bocznych należy dopilnować, aby kończyny pacjenta znajdowały się z dala od trzpieni poręczy bocznych.
 - Nie pozwalać, aby poręcze boczne same się opuściły.
-

Opuszczanie poręczy bocznych:

1. Jedną dłonią chwycić poręcz boczną.
2. Drugą dłonią podciągnąć w górę żółtą zapadkę zwalniającą.
3. Podnieść i poprowadzić poręcz boczną w stronę wezłowia produktu, aż do zatrzaśnięcia żółtej zapadki zwalniającej na miejscu z kliknięciem. Sprawdzić zablokowanie poręczy bocznych, pociągając je.

Uwaga

- Dostępna jest opcja podwójnych zapadek zwalniających poręcze boczne z zapadkami na obu końcach produktu.
- Nie wolno używać poręczy bocznych jako urządzeń do ograniczenia ruchów, które miałyby uniemożliwić pacjentowi opuszczenie produktu. Poręcze boczne zabezpieczają pacjenta przed stoczeniem się z łóżka. Operator musi ustalić poziom unieruchomienia potrzebny do zapewnienia pacjentowi bezpieczeństwa.
- Górnej części poręczy bocznych po stronie podnóżka można używać jako elementu do popychania/pociągania.
- Poręcze boczne blokują się wyłącznie w pozycji całkowicie podniesionej.

Ustawianie pozycji produktu przy użyciu panelu sterowania pacjenta na poręczy bocznej — opcja blatu elektrycznego — tylko w przypadku opcji Prime

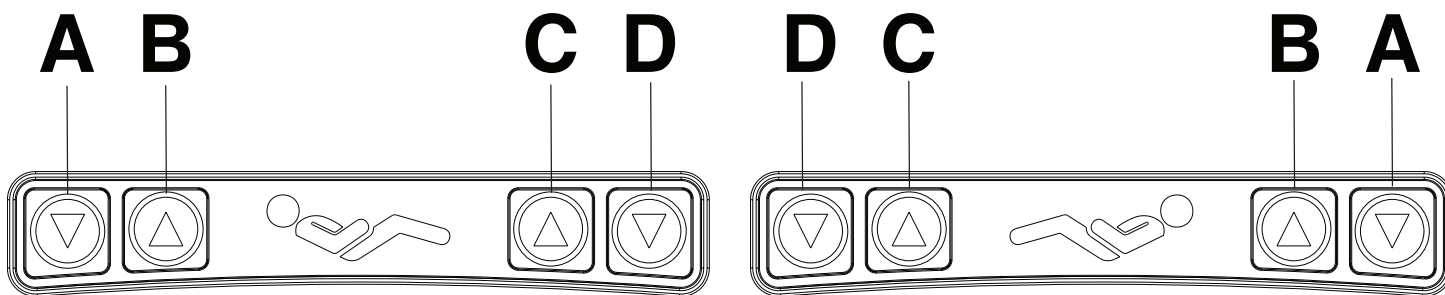
OSTRZEŻENIE - Produkt należy obsługiwać wyłącznie, gdy żaden z operatorów nie znajduje się w pobliżu mechanizmów.

Panelu sterowania pacjenta na poręczy bocznej można używać do ustawiania pozycji oparcia pleców i podparcia kolan (Rysunek 13).

Pracownicy służby zdrowia muszą informować pacjentów o obsłudze panelu sterowania pacjenta.

Uwaga

- Zawsze należy podłączać przewód zasilania do uziemionego ściennego gniazdka klasy szpitalnej.
- Panele sterowania pacjenta na poręczy bocznej są umieszczone naprzemiennie po obu stronach produktu, aby zapewnić pacjentowi łatwy do nich dostęp.
- Na każdej poręczy bocznej znajduje się podświetlany sterownik umożliwiający pacjentowi ustawianie pozycji oparcia pleców i podparcia kolan. Kiedy produkt jest podłączony do zasilania i panel sterowania pacjenta jest odblokowany, podświetlone są białe przyciski.



Rysunek 13 – Panel sterowania pacjenta na poręczy bocznej

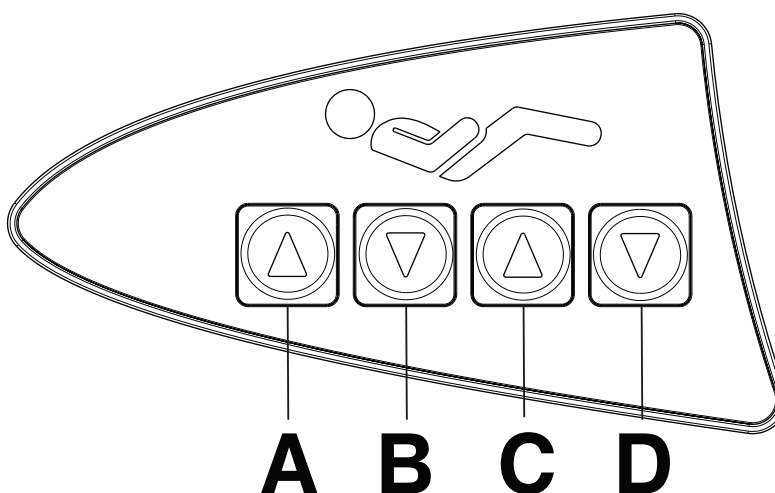
A	Opuszczenie oparcia pleców	Powoduje opuszczenie oparcia pleców (odcinka po stronie głowy)
B	Podniesienie oparcia pleców	Powoduje podniesienie oparcia pleców (odcinka po stronie głowy)
C	Podniesienie podparcia kolan	Powoduje podniesienie podparcia kolan (odcinka po stronie stóp)
D	Opuszczenie podparcia kolan	Powoduje opuszczenie podparcia kolan (odcinka po stronie stóp)

Panel sterowania operatora — opcja blatu elektrycznego — tylko w przypadku opcji Prime

OSTRZEŻENIE - Produkt należy obsługiwać wyłącznie, gdy żaden z operatorów nie znajduje się w pobliżu mechanizmów.

Korzystając z panelu sterowania operatora, można dostosować pozycję pacjenta na produkcie (Rysunek 14).

Uwaga - Zawsze należy podłączać przewód zasilania do uziemionego ściennego gniazdka klasy szpitalnej.



Rysunek 14 – Panel sterowania operatora — opcja blatu elektrycznego

A	Podniesienie oparcia pleców	Powoduje podniesienie oparcia pleców
B	Opuszczenie oparcia pleców	Powoduje opuszczenie oparcia pleców

C	Podniesienie podparcia kolan	Powoduje podniesienie podparcia kolan
D	Opuszczenie podparcia kolan	Powoduje opuszczenie podparcia kolan

Blokowanie i odblokowywanie blokady panelu sterowania pacjenta — opcja błatu elektrycznego — tylko w przypadku opcji Prime

OSTRZEŻENIE - Produkt należy obsługiwać wyłącznie, gdy żaden z operatorów nie znajduje się w pobliżu mechanizmów.

Aby zablokować panel sterowania pacjenta na poręczy bocznej, należy jeden raz nacisnąć przycisk **Unlock/Lock** (Odblokuj/Zablokuj) (A) (Rysunek 15).

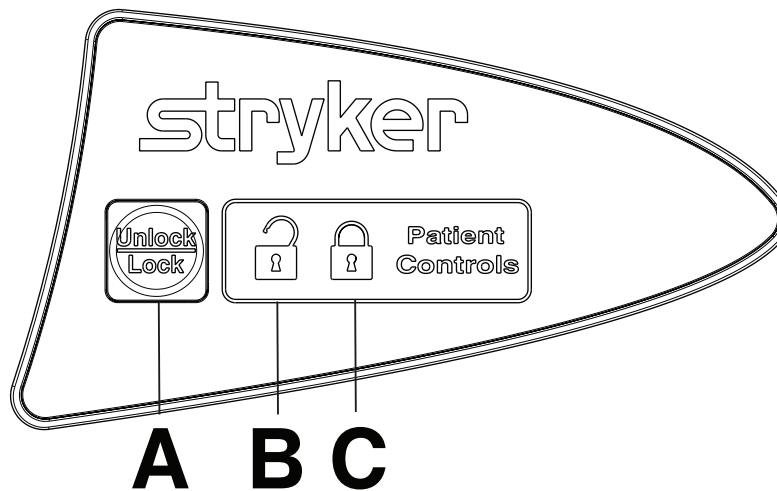
Uwaga - Ikona zablokowania (C) zostaje podświetlona na pomarańczowo, kiedy panel sterowania pacjenta jest zablokowany.

Aby odblokować panel sterowania pacjenta na poręczy bocznej, należy drugi raz nacisnąć przycisk **Unlock/Lock** (Odblokuj/Zablokuj) (A).

Uwaga - Ikona odblokowania (B) zostaje podświetlona na zielono, kiedy panel sterowania pacjenta jest odblokowany.

Uwaga

- Zawsze należy podłączać przewód zasilania do uziemionego ściennego gniazdka klasy szpitalnej.
- Można zablokować panel sterowania pacjenta, aby uniemożliwić pacjentowi przesuwanie oparcia i podparcia kolan.
- Panel sterowania pacjenta na poręczy bocznej nie jest podświetlany po zablokowaniu panelu sterowania pacjenta.



Rysunek 15 – Blokada panelu sterowania pacjenta

Podnoszenie lub opuszczanie oparcia pleców — blat bez zasilania elektrycznego

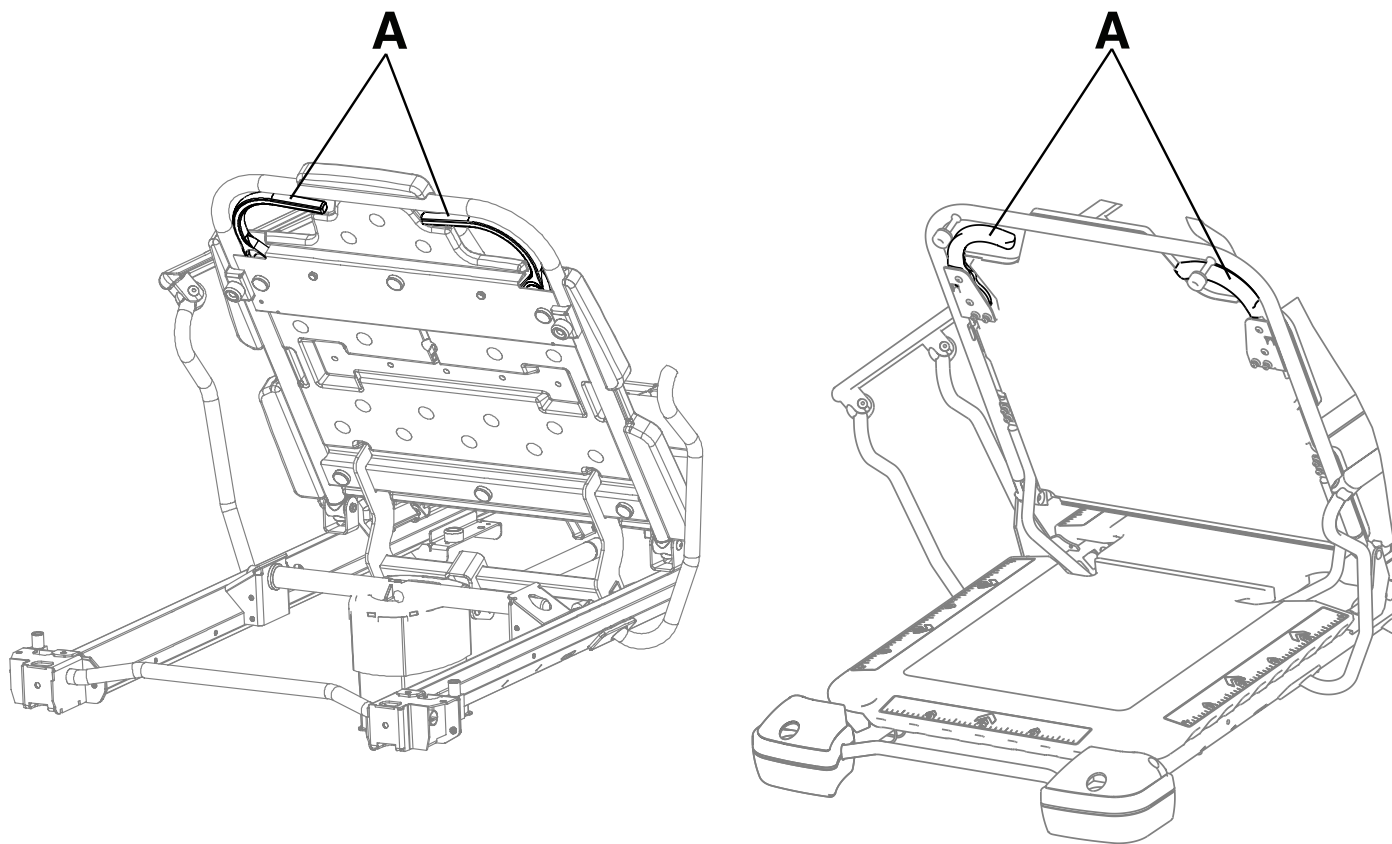
OSTRZEŻENIE

- Produkt należy obsługiwać wyłącznie, gdy żaden z operatorów nie znajduje się w pobliżu mechanizmów.
- Przy opuszczaniu oparcia pleców, należy zawsze trzymać palce i dłonie z daleka od uchwytów zwalnających oparcie pleców oraz ramy oparcia pleców.
- Należy zawsze zachować ostrożność przy podnoszeniu oparcia pleców, kiedy na produkcie znajduje się pacjent. Należy stosować prawidłową technikę podnoszenia i w razie potrzeby zwrócić się o pomoc.

Aby podnieść oparcie pleców, należy ścisnąć jeden lub oba uchwyty zwalnające oparcie pleców (A) i pociągnąć oparcie pleców do góry, do żądanej pozycji (od 0° do 90°) (Rysunek 16).

Uwaga - Oparcie pleców **Lift Assist**® wykorzystuje masę ciała pacjenta, aby ułatwić jego pozycjonowanie. Oparcie pleców **Lift Assist** pomaga również w zapobieganiu zsuwaniu się pacjenta w stronę podnóżka produktu przy unoszeniu oparcia pleców.

Aby opuścić oparcie pleców, należy ścisnąć jeden lub oba uchwyty zwalniaszące oparcie pleców (A) i docisnąć oparcie pleców do dołu, do żądanej pozycji (od 90° do 0°) (Rysunek 16).



Rysunek 16 – Podnoszenie lub opuszczanie oparcia pleców (Prime / Prime X)

Podnoszenie lub opuszczanie oparcia pleców — opcja blatu elektrycznego

OSTRZEŻENIE

- Produkt należy obsługiwać wyłącznie, gdy żaden z operatorów nie znajduje się w pobliżu mechanizmów.
- Przy opuszczaniu oparcia pleców, należy zawsze trzymać palce i dłonie z daleka od uchwytów zwalniaszących oparcie pleców oraz ramy oparcia pleców.
- Należy zawsze zachować ostrożność przy podnoszeniu oparcia pleców, kiedy na produkcie znajduje się pacjent. Należy stosować prawidłową technikę podnoszenia i w razie potrzeby zwrócić się o pomoc.

Aby podnieść oparcie pleców, należy nacisnąć przycisk **up** (Góra) po stronie oparcia pleców panelu sterowania pacjenta na poręczy bocznej (*Ustawianie pozycji produktu przy użyciu panelu sterowania pacjenta na poręczy bocznej — opcja blatu elektrycznego — tylko w przypadku opcji Prime (stronie 23)*) lub panelu sterowania operatora po stronie podnóżka (*Panel sterowania operatora — opcja blatu elektrycznego — tylko w przypadku opcji Prime (stronie 24)*) i przytrzymać go, dopóki oparcie pleców nie osiągnie żądanej kąta nachylenia (od 0° do 70°).

Uwaga - Oparcie pleców **Lift Assist** wykorzystuje masę ciała pacjenta, aby ułatwić jego pozycjonowanie. Oparcie pleców **Lift Assist** pomaga również w zapobieganiu zsuwaniu się pacjenta w stronę podnóżka produktu przy unoszeniu oparcia pleców.

Aby opuścić oparcie pleców, należy nacisnąć przycisk **down** (Dół) po stronie oparcia pleców panelu sterowania pacjenta na poręczy bocznej (*Ustawianie pozycji produktu przy użyciu panelu sterowania pacjenta na poręczy bocznej — opcja blatu*

elektrycznego — tylko w przypadku opcji Prime (stronie 23)) lub panelu sterowania operatora po stronie podnóżka (Panel sterowania operatora — opcja blatu elektrycznego — tylko w przypadku opcji Prime (stronie 24)) i przytrzymać go, dopóki oparcie pleców nie osiągnieżądanego kąta nachylenia (od 70° do 0°).

Uwaga - Zawsze należy podłączać przewód zasilania do uziemionego ściennego gniazdka klasy szpitalnej.

Pracownicy służby zdrowia muszą informować pacjentów o obsłudze panelu sterowania pacjenta.

Podnoszenie lub opuszczanie podparcia kolan — blat bez zasilania elektrycznego — tylko w przypadku opcji Prime

OSTRZEŻENIE - Przy opuszczaniu podparcia kolan należy zawsze trzymać palce i dłonie z daleka od uchwytów do popychania po stronie podnóżka.

PRZESTROGA

- Nośność podparcia kolan wynosi 200 funtów (90,7 kg).
 - Przed użyciem należy zawsze upewnić się, że drążek wspornikowy podparcia kolan jest unieruchomiony.
 - Nie wolno siadać ani stawać na podparciu kolan.
-

Aby podnieść podparcie kolan bez zasilania elektrycznego, należy przesuwając w lewo „pompującymi” ruchami uchwyt podparcia kolan do momentu osiągnięcia żądanej pozycji (patrz *Ilustracja produktu — blat Prime*).

Podnieść koniec podparcia kolan i umocować drążek wspornikowy we wsporniku.

W celu zwolnienia drążka wspornikowego należy podnieść koniec podparcia kolan, obrócić drążek wspornikowy w stronę wezłowia produktu i opuścić stronę podnóżka.

Aby opuścić podparcie kolan, należy pociągać uchwyt zwalnający podparcie kolan do momentu osiągnięcia żądanej pozycji (patrz *Ilustracja produktu — blat Prime*).

Uwaga - Nie można ręcznie podnieść podparcia kolan, jeżeli produkt jest wyposażony w opcję blatu elektrycznego.

Podnoszenie lub opuszczanie podparcia kolan — opcja blatu elektrycznego — tylko w przypadku opcji Prime

OSTRZEŻENIE

- Przy opuszczaniu podparcia kolan należy zawsze trzymać palce i dłonie z daleka od uchwytów do popychania po stronie podnóżka.
 - Produkt należy obsługiwać wyłącznie, gdy żaden z operatorów nie znajduje się w pobliżu mechanizmów.
-

PRZESTROGA

- Nośność podparcia kolan wynosi 200 funtów (90,7 kg).
 - Nie wolno siadać ani stawać na podparciu kolan.
 - W przypadku opuszczania podparcia kolan, gdy produkt nie jest zasilany, należy zawsze zachować ostrożność. Grawitacja może spowodować nagłe opuszczenie podparcia kolan.
-

Aby podnieść podparcie kolan, należy nacisnąć przycisk **up** (Góra) po stronie podparcia kolan panelu sterowania pacjenta na poręczy bocznej lub panelu sterowania operatora po stronie podnóżka.

Aby opuścić podparcie kolan, należy nacisnąć przycisk **down** (Dół) po stronie podparcia kolan panelu sterowania pacjenta na poręczy bocznej lub panelu sterowania operatora po stronie podnóżka.

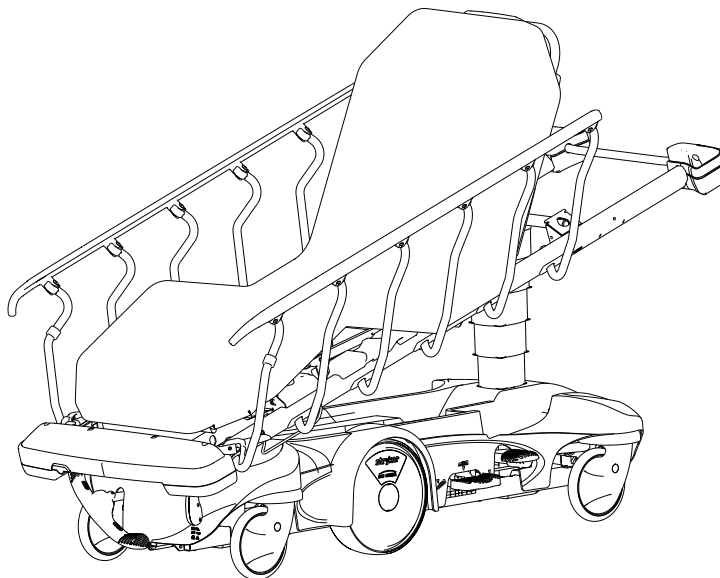
Uwaga - Zawsze należy podłączać przewód zasilania do uziemionego ściennego gniazdka klasy szpitalnej.

Pracownicy służby zdrowia muszą informować pacjentów o obsłudze panelu sterowania pacjenta.

Ustawianie pozycji krzesła — tylko w przypadku opcji Prime

OSTRZEŻENIE - Produkt należy obsługiwać wyłącznie, gdy żaden z operatorów nie znajduje się w pobliżu mechanizmów.

Aby ustawić produkt w pozycji krzesła (Rysunek 17):



Rysunek 17 – Krzesło (pokazano model 1115)

1. Podnieść oparcie pleców do pozycji siedzącej (*Podnoszenie lub opuszczanie oparcia pleców — blat bez zasilania elektrycznego* (stronie 25) lub *Podnoszenie lub opuszczanie oparcia pleców — opcja blatu elektrycznego* (stronie 26)).

Uwaga - Aby ustawić pozycję krzesła, produkt musi być wyposażony w opcję oparcia **Lift Assist** i opcję podparcia kolan.

2. Podnieść podparcie kolan do pozycji całkowicie podniesionej (*Podnoszenie lub opuszczanie podparcia kolan — blat bez zasilania elektrycznego — tylko w przypadku opcji Prime* (stronie 27) lub *Podnoszenie lub opuszczanie podparcia kolan — opcja blatu elektrycznego — tylko w przypadku opcji Prime* (stronie 27)).
3. Podnieść blat noszy do najwyższej pozycji (*Podnoszenie blatu bez zasilania elektrycznego* (stronie 17) lub *Podnoszenie opcjonalnego blatu elektrycznego* (stronie 18)).
4. Ustawić produkt w odwróconej pozycji Trendelenburga (*Ustawianie produktu w odwróconej pozycji Trendelenburga* (stronie 19)).
5. Aby opuścić produkt do płaskiej pozycji, należy wykonać opisane czynności w odwrotnej kolejności.

Przechowywanie przedmiotów w schowku w podstawie

PRZESTROGA

- Na schowku w podstawie nie wolno umieszczać przedmiotów o wadze przekraczającej 27 kg.
 - Nie wolno siadać, stawać ani stać na schowku w podstawie.
-

W obrębie schowka w podstawie można przechowywać rzeczy należące do pacjenta. Wycięcia na uchwyt na butlę z tlenem nie wolno używać do przechowywania butli z tlenem lub rzeczy należących do pacjenta.

Wiszące urządzenia z opcją półki na pompę

OSTRZEŻENIE

- Przewody urządzenia należy zawsze przechowywać w obrębie półki na pompę z dala od uchwytów podparcia kolan.
 - Przed podniesieniem lub opuszczeniem blatu należy zawsze usunąć wszelkie urządzenia, które mogą przeszkadzać w ruchu.
 - Należy zawsze upewnić się, że urządzenia ustawione na półce na pompę nie będą utrudniały bezpiecznego przejeżdżania przez drzwi.
 - Nie wolno podnosić produktu, używając do tego celu półki na pompę.
-

PRZESTROGA

- Nośność półki na pompę wynosi 40 funtów (18 kg).
 - Nie używać półki na pompę jako elementu do popychania lub pociągania urządzenia. W takim przypadku może dojść do uszkodzenia produktu.
-

Na półce na pompę umieszczonej po stronie podnóżka można przechowywać lub wieszać dodatkowe urządzenia.

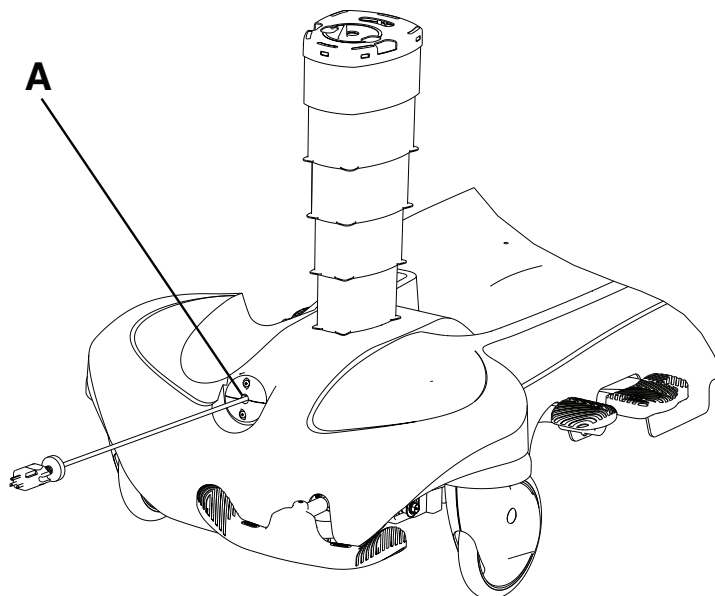
Uwaga - Opcję półki na pompę należy wybrać na etapie kupowania produktu.

Wydłużanie lub skracanie przewodu zasilającego za pomocą opcjonalnej rolki do nawijania przewodu zasilającego - dotyczy wyłącznie opcji podnośnika elektrycznego lub opcji blatu elektrycznego

OSTRZEŻENIE

- Przed przystąpieniem do transportowania pacjenta lub czyszczenia produktu należy zawsze odłączyć przewód zasilający od gniazdka ściennego.
 - Przy transportowaniu produktu należy zawsze użyć rolki do nawijania przewodu zasilającego, aby przechować przewód wewnątrz podstawy.
-

Aby wydłużyć przewód zasilający, należy wyciągnąć przewód z rolki do nawijania (A) do żądanej długości (Rysunek 18).



Rysunek 18 – Rolka do nawijania przewodu

Zwijanie przewodu zasilającego:

1. Odłączyć wtyczkę przewodu zasilania od gniazdka ściennego.
2. Lekko pociągnąć przewód zasilający.
3. Wprowadzić przewód zasilający do rolki do nawijania przewodu.

Opcja systemu wagi

OSTRZEŻENIE - Nie wolno używać opcji systemu wagi ani opcji podnośnika elektrycznego, ani opcji blatu elektrycznego w pobliżu innych urządzeń ani w spiętrzonej konfiguracji. Jeżeli nie ma możliwości uniknięcia użytkowania w takich warunkach, należy kontrolować opcję systemu wagi lub opcję podnośnika elektrycznego albo opcję blatu elektrycznego, aby upewnić się, że wszystkie urządzenia działają prawidłowo w danej konfiguracji.

PRZESTROGA - Nie wolno używać wagi w przypadku pacjentów ważących mniej niż 50 funtów (22,7 kg).

Opcjonalny system wagi jest dostępny dla produktów wyposażonych w opcjonalny blat elektryczny lub bez tej opcji. Opcjonalny system wagi jest wyposażony w opcję awaryjnego zasilania baterijnego. Kiedy produkt pracuje na awaryjnym zasilaniu baterijnym, wyświetlana jest ikona trybu gotowości.

Opcja **Chaperone** umożliwia ustawienie kontroli strefowych, aby powiadomić operatora, kiedy pacjent próbuje zejść z produktu. Opcja **Chaperone** jest dostępna dla produktów wyposażonych w opcjonalny blat elektryczny i opcjonalny system wagi. Opcjonalny system wagi z funkcją **Chaperone** jest wyposażony w opcję awaryjnego zasilania baterijnego. Kiedy produkt pracuje na awaryjnym zasilaniu baterijnym, wyświetlana jest ikona trybu gotowości.

Przed przystąpieniem do używania opcjonalnego systemu wagi, należy podnieść uchwyty po stronie podnóżka.

Do obsługi opcjonalnego systemu wagi należy używać panelu sterowania systemu wagi (*Identyfikacja przycisków/ikon wagi* (stronie 31)).








Nie wolno dotykać produktu, kiedy opcja system wagi wykonuje ważenie lub zerowanie.

Pacjent musi się nie ruszać podczas operacji ważenia. Jeżeli pacjent będzie się poruszał, waga przez 20 sekund będzie próbowała uzyskać stabilny odczyt lub wartość zerową, po czym wyświetli komunikat o błędzie (⏏).

Jeżeli jakiegokolwiek połączenie jest obluzowane lub jeżeli waga nie działa, na wyświetlaczu pojawi się informacja o błędzie (⏏). Jeżeli podczas ponownej próby użycia wagi ten błąd się znowu pojawi, należy skontaktować się z działem pomocy technicznej firmy Stryker.

Uwaga - Aby spełnić wymagania dotyczące dokładności systemu wagi, powierzchnia dla pacjenta musi być w płaskim położeniu (oparcie pleców i podparcie kolan opuszczone), a produkt nie może przekraczać 5 stopni w odniesieniu do pozycji Trendelenburga lub odwróconej pozycji Trendelenburga.

Identyfikacja przycisków/ikon wagi

Element	Ikona/przycisk	Nazwa	Opis
A		Ikona trybu gotowości	Zostaje podświetlony na zielono po podłączeniu przewodu zasilającego do gniazdka ściennego. Zostaje podświetlony na pomarańczowo po odłączeniu przewodu zasilającego od gniazdka ściennego. Włączy się funkcja awaryjnego zasilania bateryjnego.
B		Ikona strefy 1	Pacjent może się swobodnie poruszać, ale w razie próby opuszczenia produktu nastąpi wygenerowanie alarmu dźwiękowego.
C		Ikona strefy 2	Pacjent może się poruszać w ograniczonym zakresie. Alarm dźwiękowy zostanie wygenerowany, kiedy pacjent zbliży się do poręczy bocznych lub przesunie się w stronę podnóżka.
D		Przycisk Arm/Disarm (Włącz/Wyłącz)	Włączenie i wyłączenie funkcji Chaperone (zejście z noszy). Patrz część <i>Włączanie lub wyłączanie opcji Chaperone</i> (stronie 32).
E		Przycisk Weigh (Waga)	Zważenie pacjenta. Patrz część <i>Ważenie pacjenta</i> (stronie 31).
F		Przycisk lb/kg (funty/kg)	Zmiana wyświetlanej jednostki miary. Patrz część <i>Zablokowanie jednostki miary wagi</i> (stronie 32).
G		Przycisk Zero (Wyzeruj)	Wyzerowanie ustawień wagi. Patrz część <i>Zablokowanie jednostki miary wagi</i> (stronie 32).

Ważenie pacjenta

PRZESTROGA - Nie wolno używać odczytów systemu wagi jako odniesienia podczas leczenia.

1. Przed przystąpieniem do używania opcjonalnego systemu wagi, należy podnieść uchwyty po stronie podnóżka.
2. Nacisnąć i przytrzymać **Zero** (Wyzeruj), aż na ekranie pojawi się **rel** (puść), aby wyzerować skalę. **000.0** miga, a następnie przestaje migać.

Uwaga - Waga nie zostanie wyzerowana dopóki wartość **000.0** nie przestanie migać.

3. Umieścić pacjenta na produkcie.
4. Nacisnąć **lb/kg**, aby wybrać jednostkę miary (funty lub kg).
5. Nacisnąć **Weigh** (Waga), aby dokonać pomiaru wagi pacjenta.

Uwaga - Waga pacjenta jest wyświetlana przez 40 sekund.

Zablokowanie jednostki miary wagi

1. Nacisnąć i przytrzymać wciśnięte przyciski **Weigh** (Waga), **lb/kg** (funty/kg) i **Zero** (Wyzeruj) do czasu pojawienia się okna **diag** (dialogowego).
2. Nacisnąć **lb/kg** (funty/kg) lub **Zero** (Wyzeruj), aby przełączyć na **Unit Loc** (Blokada jednostki).
3. W przypadku wagi bez opcji Chaperone nacisnąć i przytrzymać **lb/kg** (funty/kg) i **Zero** (Wyzeruj), aż pojawi się **rel**, aby wybrać **Unit Loc** (Blokada jednostki).
4. W przypadku wagi z opcją **Chaperone** nacisnąć i przytrzymać **lb/kg** (funty/kg) i **Zero** (Wyzeruj), aby wybrać **Unit Loc** (Blokada jednostki).
5. Nacisnąć **lb/kg** (funty/kg) lub **Zero** (Wyzeruj), aby przełączyć na **lb** (funty), **kg** lub **Any** (Dowolna).
6. Nacisnąć i zwolnić **lb/kg** (funty/kg) i **Zero** (Wyzeruj). **Only** (Jedynie) i wybrana jednostka miary jest wyświetlana.

Uwaga - **Only** (Jedynie) nie pojawi się, jeśli wybrano **Any** (Dowolna).

7. Nacisnąć i przytrzymać **Weigh** (Waga), aż wyświetlane będzie **quit** (zamknij).
8. Nacisnąć i przytrzymać **Zero** (Wyzeruj), aż wyświetli się **rel** (puść). **000.0** miga, a następnie przestaje migać.

Uwaga - Waga nie zostanie wyzerowana dopóki wartość **000.0** nie przestanie migać.

Włączanie lub wyłączenie opcji Chaperone

Po włączeniu funkcja **Chaperone** monitoruje pozycję pacjenta na produkcie.

Aby włączyć lub wyłączyć funkcję **Chaperone**:

1. Kiedy pacjent znajduje się na produkcie, nacisnąć przycisk **Arm/Disarm** (Włącz/Wyłącz).

Uwaga - Spowoduje to włączenie strefy 1. Po aktywacji strefa 1 zostaje podświetlona na pomarańczowo.

2. Aby włączyć strefę 2 nacisnąć przycisk **Arm/Disarm** (Włącz/Wyłącz) dwa razy w ciągu 3 sekund.

Uwaga - Spowoduje to włączenie strefy 2. Po aktywacji strefa 2 zostaje podświetlona na pomarańczowo.

3. Aby wyłączyć funkcję **Chaperone**, nacisnąć i przytrzymać przycisk **Arm/Disarm** (Włącz/Wyłącz).

Uwaga - Przed włączeniem funkcji **Chaperone** konieczne jest wyzerowanie wagi.

Uwaga - Jeżeli pacjent wysunie się poza granice wybranej strefy, zacznie migać pomarańczowa lampka, na wyświetlaczu opcjonalnego systemu wagi zacznie migać komunikat **Alrt** (Alarm) i będzie emitowany alarm dźwiękowy.

Ustawianie schematu alertów funkcji Chaperone

Aby zmienić schemat alertów funkcji **Chaperone**:

1. Nacisnąć i przytrzymać razem przez 6 sekund przyciski **Arm/Disarm** (Włącz/Wyłącz) i **Weigh** (Waga). Zignorować wszystkie wyświetlane komunikaty aż do pojawienia się na wyświetlaczu komunikatu **Ptrn** (Schemat) (*Identyfikacja przycisków/ikon wagi* (stronie 31)).

2. Puścić przyciski **Arm/Disarm** (Włącz/Wyłącz) i **Weigh** (Waga).

Uwaga - Na wyświetlaczu pojawi się ustawienie schematu **P (1-10)**.

3. Naciskając przycisk **Arm/Disarm** (Włącz/Wyłącz) lub **Weigh** (Waga) przewinąć opcje schematów.

Uwaga - Podczas przewijania opcji schematów będą odtwarzane krótkie przykłady danych schematów.

4. Aby zapisać wybrany schemat, nacisnąć i przytrzymać razem przez 6 sekund przyciski **Arm/Disarm** (Włącz/Wyłącz) i **Weigh** (Waga), aż do pojawienia się komunikatu **set** (Ustawiono) na wyświetlaczu.

5. Puścić przyciski **Arm/Disarm** (Włącz/Wyłącz) i **Weigh** (Waga).

Uwaga - Wybrane ustawienie schematu pojawi się na wyświetlaczu. Wybrane ustawienie schematu zostanie potwierdzone poprzez odtworzenie krótkiego przykładu tego schematu.

Ustawianie poziomu głośności alarmów funkcji Chaperone

Aby zmienić poziom głośności alarmów funkcji **Chaperone**:

1. Nacisnąć i przytrzymać razem przyciski **Zero** (Wyzeruj) i **lb/kg** (funty/kg), aż do pojawienia się komunikatu **vol** (Głośność) na wyświetlaczu (*Identyfikacja przycisków/ikon wagi* (stronie 31)).
2. Puścić przyciski **Zero** (Wyzeruj) i **lb/kg** (funty/kg).

Uwaga - Na wyświetlaczu pojawią się poziomy głośności **L (1-4)**.

3. Nacisnąć przycisk **Zero** (Wyzeruj) lub **lb/kg** (funty/kg), aby przewinąć poziomy głośności.

Uwaga - Podczas przewijania poziomów głośności będą odtwarzane krótkie próbki danego poziomu głośności.

4. Aby zapisać wybrany poziom głośności, nacisnąć i przytrzymać razem przez 6 sekund przyciski **Zero** (Wyzeruj) i **lb/kg** (funty/kg), aż do pojawienia się komunikatu **set** (Ustawiono) na wyświetlaczu.
5. Puścić przyciski **Zero** (Wyzeruj) i **lb/kg** (funty/kg).

Uwaga - Wybrany poziom głośności pojawi się na wyświetlaczu. Wybrany poziom głośności zostanie potwierdzony poprzez odtworzenie krótkiego przykładu tego ustawienia.

Ładowanie zestawu baterii opcjonalnego systemu wagi — opcja blatu elektrycznego lub opcja blatu elektrycznego z opcją Chaperone — tylko w przypadku opcji Prime

System wagi z opcją elektrycznego blatu wymaga jednego zestawu baterii litowo-jonowej 10,8 V (0058-135-000 bez opcji **Chaperone**; 0058-134-000 z opcją **Chaperone**). Zestaw baterii należy naładować, kiedy wskaźnik poziomu naładowania będzie wskazywać tylko jedną jednostkę. Zapobiegnie to wyłączeniu opcjonalnego systemu wagi z powodu rozładowanych baterii.

Aby naładować zestaw baterii litowo-jonowej systemu wagi, należy podłączyć przewód zasilający do uziemionego gniazdka ściennego klasy szpitalnej. Pełne naładowanie zestawu baterii trwa około trzech godzin.

Uwaga - Kiedy produkt nie jest używany zawsze należy go podłączać do uziemionego ściennego gniazdka klasy szpitalnej. Pomaga to utrzymać wystarczający poziom naładowania baterii i zmaksymalizować sprawność produktu podczas pracy na zasilaniu bateriami.

Wymiana baterii opcjonalnego systemu wagi — blat bez zasilania elektrycznego

Baterie należy wymienić, kiedy wskaźnik poziomu naładowania będzie wskazywać tylko jedną jednostkę. Zapobiegnie to wyłączeniu opcjonalnego systemu wagi z powodu rozładowanych baterii.

Kiedy na wyświetlaczu zacznie migać komunikat **Lo batt** (Rozładowana bateria), baterie są całkowicie rozładowane i nastąpi wyłączenie opcji systemu wagi.

Wymagane narzędzia:

- Śrubokręt krzyżakowy
- Cztery baterie AA (alkaliczne typu LR6)

Aby wymienić baterie:

1. Śrubokrętem krzyżakowym wykręcić śruby mocujące pokrywę przedziału baterii do zespołu wyświetlacza.
2. Wyjąć i wyrzucić wszystkie cztery baterie AA.

Uwaga - Stare baterie należy utylizować zawsze zgodnie z lokalnymi rozporządzeniami.

3. Włożyć cztery nowe baterie AA zgodnie z oznaczeniami w oprawce baterii.

Uwaga - Nie wolno nigdy łączyć starych i nowych baterii.

4. Użyć śrub wykręconych w punkcie 1, aby ponownie przymocować pokrywę przedziału baterii do zespołu wyświetlacza.

Akcesoria i części

Te akcesoria mogą być dostępne do stosowania z danym produktem. Należy potwierdzić dostępność dla danej konfiguracji lub regionu. Skontaktować się telefonicznie z działem obsługi klientów firmy Stryker: 1-800-327-0770.

Nazwa	Numer części
Taca defibrylatora	1105-045-200
Taca defibrylatora/przedłużenie na nogi	1105-045-400
Płyta podnóżka/uchwyt na kartę leczenia	1105-045-500
Zespół podkładki pod piętę	1105-045-022
Wózek stojaka na kroplówki	0785-155-000
Stojak na kroplówki HAVASU™ , zdejmowalny	0390-025-000
Stojak na kroplówki, trzysegmentowy, strona podnóżka, strona lewa, 26 cali (66 cm)	1105-035-644
Stojak na kroplówki, trzysegmentowy, strona podnóżka, strona prawa, 26 cali (66 cm)	1105-035-639
Stojak na kroplówki, trzysegmentowy, strona podnóżka, strona lewa, 30 cali (76 cm)	1105-035-344
Stojak na kroplówki, trzysegmentowy, strona podnóżka, strona prawa, 30 cali (76 cm)	1105-035-339
Stojak na kroplówki, trzysegmentowy, strona podnóżka, strona lewa, 30 cali (76 cm) (opcja Prime X)	1105-035-364
Stojak na kroplówki, trzysegmentowy, strona podnóżka, strona prawa, 30 cali (76 cm) (opcja Prime X)	1105-035-361
Stojak na kroplówki, trzysegmentowy, strona wezglowia, strona lewa, 26 cali (66 cm)	1105-035-642
Stojak na kroplówki, trzysegmentowy, strona wezglowia, strona prawa, 26 cali (66 cm)	1105-035-637
Stojak na kroplówki, trzysegmentowy, strona wezglowia, strona lewa, 30 cali (76 cm)	1105-035-342
Stojak na kroplówki, trzysegmentowy, strona wezglowia, strona prawa, 30 cali (76 cm)	1105-035-337
Stojak na kroplówki, trzysegmentowy, strona wezglowia, strona lewa, 30 cali (76 cm) (opcja Prime X)	1105-035-369
Stojak na kroplówki, trzysegmentowy, strona wezglowia, strona prawa, 30 cali (76 cm) (opcja Prime X)	1105-035-366
Stojak na kroplówki, dwusegmentowy, strona podnóżka, strona lewa, 26 cali (66 cm)	1105-035-640
Stojak na kroplówki, dwusegmentowy, strona podnóżka, strona prawa, 26 cali (66 cm)	1105-035-643
Stojak na kroplówki, dwusegmentowy, strona podnóżka, strona lewa, 30 cali (76 cm)	1105-035-340

Nazwa	Numer części
Stojak na kroplówki, dwusegmentowy, strona podnóżka, strona prawa, 30 cali (76 cm)	1105-035-343
Stojak na kroplówki, dwusegmentowy, strona podnóżka, strona lewa, 30 cali (76 cm) (opcja Prime X)	1105-035-362
Stojak na kroplówki, dwusegmentowy, strona podnóżka, strona prawa, 30 cali (76 cm) (opcja Prime X)	1105-035-363
Stojak na kroplówki, dwusegmentowy, strona wezglowia, strona lewa, 26 cali (66 cm)	1105-035-638
Stojak na kroplówki, dwusegmentowy, strona wezglowia, strona prawa, 26 cali (66 cm)	1105-035-641
Stojak na kroplówki, dwusegmentowy, strona wezglowia, strona lewa, 30 cali (76 cm)	1105-035-341
Stojak na kroplówki, dwusegmentowy, strona wezglowia, strona prawa, 30 cali (76 cm)	1105-035-338
Stojak na kroplówki, dwusegmentowy, strona wezglowia, strona lewa, 30 cali (76 cm) (opcja Prime X)	1105-035-367
Stojak na kroplówki, dwusegmentowy, strona wezglowia, strona prawa, 30 cali (76 cm) (opcja Prime X)	1105-035-368
Materac, ComfortGel SE™ , z barierą ognioodporną, 26 cali (66 cm)	1805-034-601
Materac, ComfortGel SE , z barierą ognioodporną, 30 cali (76 cm)	1805-034-301
Materac, ComfortGel SE , bez bariery ognioodpornej, 26 cali (66 cm)	1805-034-600
Materac, ComfortGel SE , bez bariery ognioodpornej, 30 cali (76 cm)	1805-034-300
Materac, Enhanced Comfort, 3 cale × 26 cali (8 cm × 66 cm)	0785-034-613
Materac, Enhanced Comfort, 3 cale × 30 cali (8 cm × 76 cm)	0785-034-313
Materac, Enhanced Comfort, 4 cale × 26 cali (10 cm × 66 cm)	0785-034-623
Materac, Enhanced Comfort, 4 cale × 30 cali (10 cm × 76 cm)	0785-034-323
Materac, IsoFlex SE™ , z barierą ognioodporną, 30 cali (76 cm)	1806-034-300
Materac, IsoFlex SE , bez bariery ognioodpornej, wersja międzynarodowa, 30 cali (76 cm)	1806-034-301
Materac, Ultra Comfort, 4 cale × 26 cali (10 cm × 66 cm)	0785-034-603
Materac, Ultra Comfort, 4 cale × 30 cali (10 cm × 76 cm)	0785-034-303
Materac, Ultra Comfort, 5 cali × 26 cali (13 cm × 66 cm)	0785-034-633
Materac, Ultra Comfort, 5 cali × 30 cali (13 cm × 76 cm)	0785-034-333

Nazwa	Numer części
Materac, Ultra Comfort SE™ , 4 cale × 26 cali (10 cm × 66 cm)	1704-034-600
Materac, Ultra Comfort SE , z barierą ognioodporną, wersja międzynarodowa, 4 cale × 26 cali (10 cm × 66 cm)	1704-034-601
Materac, Ultra Comfort, przedłużenie noszy, 4 cale × 26 cali (10 cm × 66 cm)	1105-034-609
Materac, Ultra Comfort, przedłużenie noszy, 4 cale × 30 cali (10 cm × 76 cm)	1105-034-309
Materac, Ultra Comfort SE , 3 cale × 30 cali (8 cm × 76 cm)	1703-034-300
Materac, Ultra Comfort SE , z barierą ognioodporną, 3 cale × 30 cali (8 cm × 76 cm)	1703-034-301
Materac, Ultra Comfort SE , 4 cale × 30 cali (10 cm × 76 cm)	1704-034-300
Materac, Ultra Comfort SE , z barierą ognioodporną, 4 cale × 30 cali (10 cm × 76 cm)	1704-034-301
Uchwyt na butlę z tlenem, pionowy	1115-130-000
Opcja pręta pompy, 30 cali (76 cm)	1105-045-035
Zespół uchwytu do popychania, strona podnóżka, 30 cali (76 cm)	1105-048-030
Zespół uchwytu do popychania, strona wezglowia, 30 cali (76 cm)	1105-048-060
Pas unieruchamiający, pakiet	0785-045-010
Pas unieruchamiający, kostka	0785-045-020
Pas unieruchamiający, korpus	0785-045-015
Pas unieruchamiający, nadgarstek	0946-044-000
Pas unieruchamiający, klatka piersiowa	1010-058-000
Tacka do podawania	1105-045-700
Uchwyt tacki do podawania/płyta podnóżka	1105-045-800
Ochraniacze poręczy bocznych	1001-052-000
Uchwyt na kasetę z kliszą RTG, boczny	1105-045-100
Uchwyt na kasetę z kliszą RTG, pionowy	1105-045-300

Komponenty elektryczne

Nazwa	Numer
Siłownik, oparcie pleców	1008-012-020
Siłownik, podparcie kolan	1008-014-020
Bateria, zestaw baterii Li-ION Smart (tylko waga)	0058-135-000

Nazwa	Numer
Bateria, zestaw baterii Li-ION Smart (waga i opcja Chaperone)	0058-134-000
Płyta, zespół płytki drukowanej sterowania napięciem stałym	1008-116-800
Płyta, zespół sterowania napięciem przemiennym elementów innych niż podnośnik	1008-002-800
Płyta, zespół płytki drukowanej sterowania podnośnikiem	1008-002-810
Płyta, zespół sterowania wagą (tylko waga)	1008-237-850
Płyta, zespół sterowania wagą i opcją Chaperone	1008-237-840
Kondensator, 440 V AC, 35 MFD	0059-087-000
Klawiatura, sterowanie wagą (blat bez zasilania elektrycznego)	1008-037-820
Klawiatura, panel sterowania na poręczy bocznej, strona lewa	1008-011-017
Klawiatura, panel sterowania na poręczy bocznej, strona prawa	1008-011-016
Klawiatura, panel sterowania operatora	1008-015-800
Przetwornik siły (opcjonalny system wagi)	1008-037-057
Silnik, pompy	1008-002-015
Przewód zasilający, wersja standardowa	1028-146-060
Przewód zasilający, wersja międzynarodowa, typ E	1125-060-170
Przewód zasilający, wersja międzynarodowa, typ F	1125-060-180
Przewód zasilający, wersja międzynarodowa, typ G	1125-060-160
Przewód zasilający, wersja międzynarodowa, typ I	1125-060-200
Zespół skrzynki wagi (blat bez zasilania elektrycznego)	1070-237-020
Transformator	1008-014-857
Transformator, wersja międzynarodowa	1008-014-877

Mocowanie tacy defibrylatora

OSTRZEŻENIE

- Na tacy defibrylatora nie wolno kłaść przedmiotów o ciężarze przekraczającym 14 kg. Wszystkie przedmioty umieszczone na tacy defibrylatora należy zawsze zabezpieczyć pasami.
- Jeżeli podłączono tacę defibrylatora/przedłużenie na nogi, płytę podnóżka/uchwyt na kartę leczenia lub pionowy uchwyt na butlę z tlenem, należy zawsze zachować ostrożność, aby nie doszło do przyciśnięcia palców przy ustawianiu opcji uchwytu po stronie podnóżka.

Aby zamocować tacę defibrylatora:

1. Wprowadzić sworznie tacy defibrylatora w gniazda umieszczone po stronie podnóżka produktu.
2. Przymocować pasem urządzenia do tacy defibrylatora.

Uwaga

- Nie używać tacy defibrylatora jako elementu do popychania/pociągania. W takim przypadku może dojść do uszkodzenia produktu.
- Przy korzystaniu z akcesoriów (takich jak taca defibrylatora/przedłużenie na nogi, płyta podnóżka/uchwyt na kartę leczenia, pionowy uchwyt na butlę z tlenem) należy zawsze podnieść rączki do pchania po stronie podnóżka noszy, ponieważ w przeciwnym razie akcesoria nie będą działały.

Przekształcenie tacy defibrylatora/przedłużenia na nogi w tacę defibrylatora

OSTRZEŻENIE

- Na tacy defibrylatora/przedłużeniu na nogi nie wolno kłaść przedmiotów o ciężarze przekraczającym 14 kg. Wszystkie przedmioty umieszczone na tacy defibrylatora należy zawsze zabezpieczyć pasami.
- Jeżeli podłączono tacę defibrylatora/przedłużenie na nogi, płytę podnóżka/uchwyt na kartę leczenia lub pionowy uchwyt na butlę z tlenem, należy zawsze zachować ostrożność, aby nie doszło do przyciśnięcia palców przy ustawianiu opcji uchwytu po stronie podnóżka.

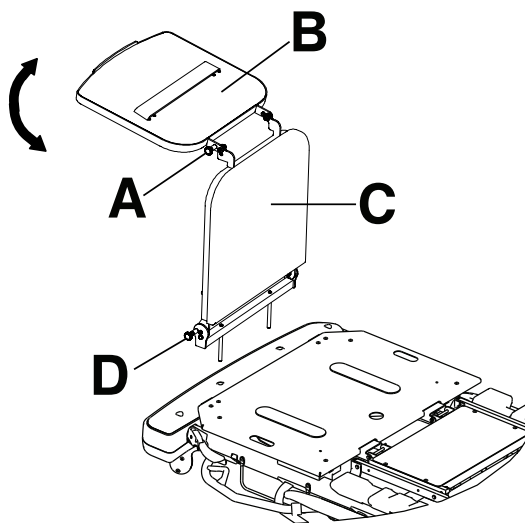
PRZESTROGA - Przed przymocowaniem tacy defibrylatora/przedłużenia na nogi do produktu należy zawsze podnieść stojak na kroplówki. Bez podniesienia stojaka na kroplówki przedłużenie na nogi nie będzie działać.

Aby przekształcić tacę defibrylatora/przedłużenie na nogi w tacę defibrylatora.

1. Wyciągnąć górne pokrętko (A) (Rysunek 19).
2. Obracać tacę defibrylatora (B) do momentu, kiedy będzie spoczywała płasko na podnóżku produktu. Zwolnić pokrętko (A). Upewnić się, że taca defibrylatora została zablokowana na miejscu.
3. Przymocować pasem urządzenia do tacy defibrylatora.

Uwaga

- Nie używać tacy defibrylatora/przedłużenia na nogi jako elementu do popychania lub pociągania. W takim przypadku może dojść do uszkodzenia produktu.
- Nie mocować przedmiotów do przedłużenia na nogi.



Rysunek 19 – Taca defibrylatora/przedłużenie na nogi

Przekształcenie tacy defibrylatora/przedłużenia na nogi w przedłużenie na nogi

OSTRZEŻENIE

- Na tacy defibrylatora/przedłużeniu na nogi nie wolno kłaść przedmiotów o ciężarze przekraczającym 14 kg. Wszystkie przedmioty umieszczone na tacy defibrylatora należy zawsze zabezpieczyć pasami.

- Jeżeli podłączono tacę defibrylatora/przedłużenie na nogi, płytę podnóżka/uchwyt na kartę leczenia lub pionowy uchwyt na butlę z tlenem, należy zawsze zachować ostrożność, aby nie doszło do przyciśnięcia palców przy ustawianiu opcji uchwytu po stronie podnóżka.

PRZESTROGA - Przed przymocowaniem tacy defibrylatora/przedłużenia na nogi do produktu należy zawsze podnieść stojak na kroplówki. Bez podniesienia stojaka na kroplówki przedłużenie na nogi nie będzie działać.

Aby przekształcić tacę defibrylatora/przedłużenie na nogi w przedłużenie na nogi (Rysunek 19):

1. Wyciągnąć górne pokrętko (A).
2. Obracać tacę defibrylatora (B) do momentu, kiedy zostanie zablokowana na przedłużeniu na nogi.
3. Trzymając zestaw tacy defibrylatora/przedłużenia na nogi, wyciągnąć dolne pokrętko (D).
4. Opuszczać przedłużenie na nogi (C) do momentu, kiedy będzie płasko rozłożone.
5. Zwolnić pokrętko (D). Nacisnąć przedłużenie na nogi, aby upewnić się, że jest zablokowane na miejscu.

Uwaga

- Nie używać tacy defibrylatora/przedłużenia na nogi jako elementu do popychania lub pociągania. W takim przypadku może dojść do uszkodzenia produktu.
- Nie mocować przedmiotów do przedłużenia na nogi.

Mocowanie płyty podnóżka/uchwytu na kartę leczenia

OSTRZEŻENIE - Jeżeli podłączono tacę defibrylatora/przedłużenie na nogi, płytę podnóżka/uchwyt na kartę leczenia lub pionowy uchwyt na butlę z tlenem, należy zawsze zachować ostrożność, aby nie doszło do przyciśnięcia palców przy ustawianiu opcji uchwytu po stronie podnóżka.

Aby przymocować płytę podnóżka/uchwyt na kartę leczenia, należy wprowadzić sworznie płyty podnóżka/uchwytu na kartę leczenia w gniazda umieszczone po stronie podnóżka produktu.

Uwaga - Nie używać płyty podnóżka/uchwytu na kartę leczenia jako elementu do popychania/pociągania. W takim przypadku może dojść do uszkodzenia produktu.

Mocowanie wózka stojaka na kroplówki

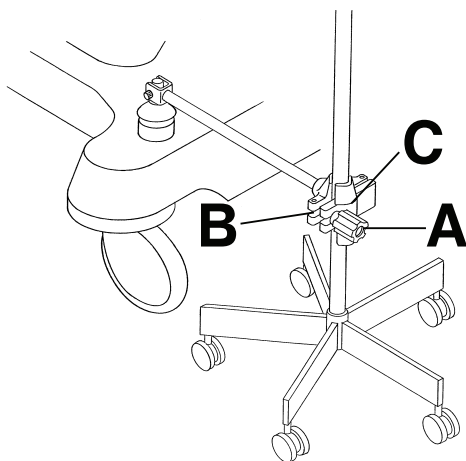
OSTRZEŻENIE

- Przy transportowaniu produktu należy zawsze upewnić się, że stojak na kroplówki jest dobrze przymocowany do wózka stojaka.
 - Kiedy wózek stojaka na kroplówki nie jest używany, należy zawsze go schować, aby nie doszło do uszkodzenia sprzętu.
-

Aby przymocować wózek stojaka na kroplówki (Rysunek 20):

1. Podnieść i wyjąć wózek stojaka na kroplówki z tacy lub zacisku do przechowywania.
2. Obrócić wózek stojaka na kroplówki do żądanej pozycji.
3. Obrócić pokrętko (A) w lewo, aby poluzować zacisk stojaka (C).
4. Obrócić pokrętko (A) w kierunku przeciwnym do zespołu połączenia z ramieniem (B).
5. Otworzyć zacisk (C).
6. Włożyć stojak na kroplówki w zacisk (C).
7. Zamknąć zacisk (C) wokół stojaka na kroplówki i obrócić pokrętko (A) na właściwą pozycję.
8. Obrócić pokrętko (A) w prawo, aby je dokręcić.
9. Aby odłączyć wózek stojaka na kroplówki od produktu, należy wykonać opisane czynności w odwrotnej kolejności.

Aby schować wózek stojaka na kroplówki, należy włożyć go do tacy do przechowywania lub umocować wózek w zacisku do przechowywania.



Rysunek 20 – Wózek stojaka na kropiówki

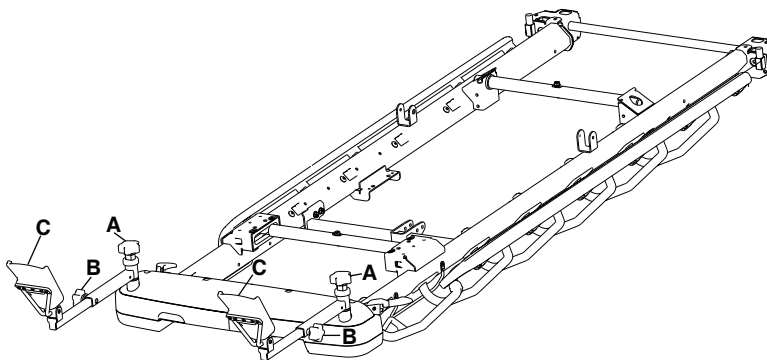
Ustawianie pozycji lub chowanie wsporników stóp — tylko w przypadku opcji Prime

OSTRZEŻENIE

- Nie wolno siadać na wspornikach stóp. Może to spowodować przewrócenie się produktu.
- Przy obsługiwaniu wsporników stóp należy zawsze upewnić się, że palce znajdują się z daleka od mechanizmów.
- Należy zawsze złożyć wsporniki stóp w przypadku transportowania pacjenta na produkcie.
- Należy zawsze dokręcić wsporniki stóp przed ich użyciem.
- Nie wolno używać systemu wagi podczas korzystania ze wsporników stóp. Może być to przyczyną niedokładnych odczytów.
- Przy korzystaniu ze wsporników stóp nie wolno używać opcji **Chaperone**. Może być to przyczyną niedokładnych odczytów.

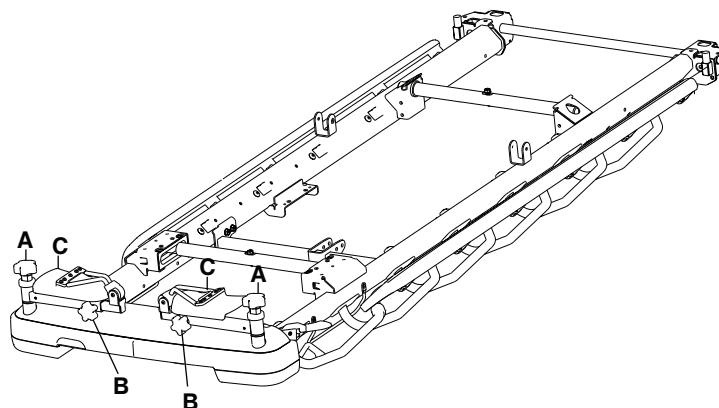
Aby ustawić wsporniki stóp:

1. Poluzować pokrętko pozycji kolan (A) w górnej części wspornika stóp, aby dostosować ustawienie kąta bocznego odchylenia wspornika stóp (Rysunek 21).
2. Dokręcić pokrętko pozycji kolan (A), aby zablokować wspornik stóp w żądanej pozycji.



Rysunek 21 – Ustawianie wsporników stóp

3. Poluzować pokrętko pozycji nóg (B) w bocznej części wspornika stóp, aby dostosować długość.
4. Dokręcić pokrętko pozycji nóg (B), aby zablokować wspornik stóp w żądanej pozycji.
5. Przed ułożeniem pacjenta należy odchylić w górę wspornik stóp (C).
6. Aby złożyć wspornik stóp, należy wykonać opisane czynności w odwrotnej kolejności (Rysunek 22).



Rysunek 22 – Składanie wsporników stóp

W przypadku wybrania opcji wsporników stóp nie można nabyć następujących opcji i akcesoriów:

- Uchwyty do popychania po stronie podnóżka
- Taca defibrylatora
- Taca defibrylatora/przedłużenie na nogi
- Uchwyt tacki do podawania/płyta podnóżka
- Płyta podnóżka/uchwyt na kartę leczenia
- Stojaki na kroplówki po stronie podnóżka

Uwaga

- Wsporników stóp nie wolno używać do przechowywania rzeczy należących do pacjenta.
- Nie używać wsporników stóp jako elementu do popychania/pociągania. W takim przypadku może dojść do uszkodzenia produktu.
- Przy korzystaniu ze wsporników stóp należy zawsze aktywować hamulce, aby uniknąć niestabilności produktu.
- Nie używać oparcia pleców ani podparcia kolan podczas korzystania ze wsporników stóp.

Ustawianie pozycji montowanego na stałe dwusegmentowego stojaka na kroplówki

OSTRZEŻENIE - Nie używać stojaka na kroplówki jako elementu do popychania lub pociągania. W takim przypadku może dojść do uszkodzenia produktu.

Ten produkt można nabyć z opcjonalnym dwupozycyjnym stojakiem na kroplówki zamontowanym na stałe po stronie wezłowania, podnóżka lub po obu stronach produktu. Stojak na kroplówki jest wyposażony w teleskopowy pręt, który po wysunięciu zapewnia pozycję na drugiej wysokości. Nieużywany stojak na kroplówki można złożyć i schować.

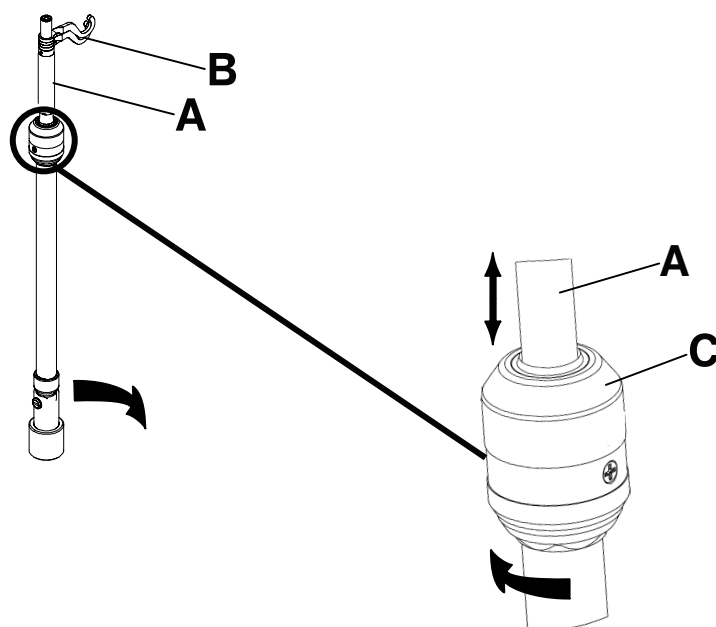
Ustawianie dwusegmentowego stojaka na kroplówki (Rysunek 23):

1. Podnieść i obrócić stojak z pozycji przechowywania.
2. Docisnąć w dół stojak na kroplówki aż do jego zablokowania na miejscu.
3. W celu zwiększenia wysokości stojaka na kroplówki, należy pociągnąć część teleskopową (A), aż zostanie zablokowana w całkowicie podniesionej pozycji.
4. Obrócić wieszaki na worki infuzyjne (B) do żądanej pozycji i zawiesić na nich worki infuzyjne.
5. Aby opuścić stojak na kroplówki, należy chwycić jego część teleskopową, obrócić zapadkę (C) i opuścić część teleskopową.

Uwaga

- Na stojaku na kroplówki nie wolno zawieszać worków infuzyjnych o wadze przekraczającej 40 funtów (18 kg).

- Przy transportowaniu pacjenta należy zawsze upewnić się, że stojak na kroplówki jest ustawiony w niskiej pozycji umożliwiającej bezpieczne przejście przez otwory drzwiowe.



Rysunek 23 – Ustawianie zamontowanego na stałe dwupozycyjnego stojaka na kroplówki:

Ustawianie montowanego na stałe trójsegmentowego stojaka na kroplówki

OSTRZEŻENIE - Nie używać stojaka na kroplówki jako elementu do popychania lub pociągania. W takim przypadku może dojść do uszkodzenia produktu.

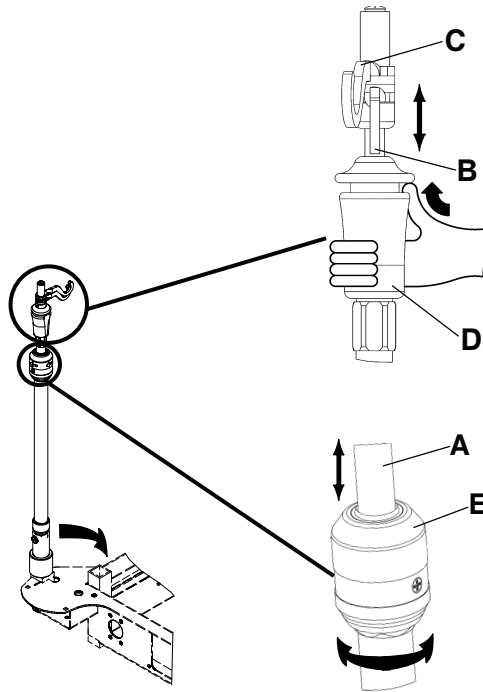
Ten produkt można nabyć z opcjonalnym trójpozycyjnym stojakiem na kroplówki zamontowanym na stałe po stronie wezgłwia, podnóżka lub po obu stronach produktu. Stojak na kroplówki ma teleskopowy pręt, który po wysunięciu zapewnia drugą i trzecią wysokość stojaka. Nieużywany stojak na kroplówki można złożyć i schować.

Ustawianie trójsegmentowego stojaka na kroplówki (Rysunek 24):

1. Podnieść i obrócić stojak z pozycji przechowywania.
2. Docisnąć w dół stojak na kroplówki aż do jego zablokowania na miejscu.
3. W celu zwiększenia wysokości stojaka na kroplówki, należy pociągnąć część teleskopową (A), aż zostanie zablokowana w całkowicie podniesionej pozycji.
4. W celu uzyskania wyższego stojaka na kroplówki, należy pociągnąć część (B). Zwolnić część (B) przy dowolnej żądanej wysokości, aby zablokować stojak na miejscu.
5. Obrócić wieszaki na worki infuzyjne (C) do żądanej pozycji i zawiesić na nich worki infuzyjne.
6. Aby obniżyć stojak na kroplówki, przesunąć do góry żółtą część uchwytu (D), jednocześnie trzymając odcinek (B) aż do obniżenia stojaka.
7. Obrócić zapadkę (E) i obniżyć teleskopową część stojaka na kroplówki.

Uwaga

- Na stojaku na kroplówki nie wolno zawieszać worków infuzyjnych o łącznej wadze przekraczającej 12 lb (5 kg).
- Na jednym wieszaku na kroplówki nie wolno zawieszać worków infuzyjnych o wadze przekraczającej 9,3 lb (4,2 kg).
- Przy transportowaniu pacjenta należy zawsze upewnić się, że stojak na kroplówki jest ustawiony w niskiej pozycji umożliwiającej bezpieczne przejście przez otwory drzwiowe.



Rysunek 24 – Ustawianie montowanego na stałe trójsegmentowego stojaka na kroplówce

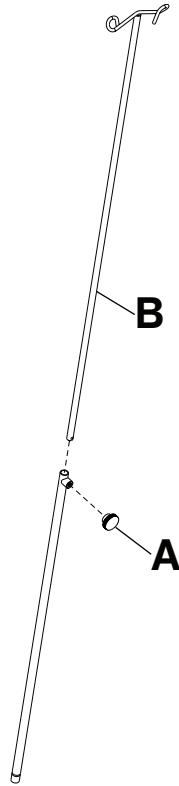
Mocowanie i ustawianie zdejmowalnego stojaka na kroplówce

PRZESTROGA

- Nie używać stojaka na kroplówce jako elementu do popychania lub pociągania noszy. W takim przypadku może dojść do uszkodzenia produktu.
- Na stojaku na kroplówce nie wolno zawieszać worków infuzyjnych o wadze przekraczającej 40 lb (18 kg).
- Przy transportowaniu pacjenta należy zawsze upewnić się, że stojak na kroplówce jest ustawiony w niskiej pozycji umożliwiającej bezpieczne przejechanie przez otwory drzwiowe.

Aby zamocować i ustawić zdejmowalny stojak na kroplówce (Rysunek 25):

1. Włożyć stojak na kroplówce w gniazdo umieszczone po stronie wezłowia lub podnóżka produktu.
2. Obrócić pokrętkę (A) w lewo i wyciągnąć teleskopową część (B) aż do uzyskania żądanej wysokości.
3. Obrócić pokrętkę (A) w prawo, aby zablokować na miejscu teleskopową część.



Rysunek 25 – Zdemowalny stojak na kroplówkę

Mocowanie pionowego uchwytu na butlę z tlenem

OSTRZEŻENIE

- W pionowym uchwycie na butlę z tlenem nie wolno umieszczać przedmiotów o wadze przekraczającej 40 funtów (18 kg).
- Jeżeli podłączono tacę defibrylatora/przedłużenie na nogi, płytę podnóżka/uchwyt na kartę leczenia lub pionowy uchwyt na butlę z tlenem, należy zawsze zachować ostrożność, aby nie doszło do przyciśnięcia palców przy ustawianiu opcji uchwytu po stronie podnóżka.

Pionowy uchwyt na butlę z tlenem podtrzymuje butlę z tlenem w pionowej pozycji.

Aby przymocować pionowy uchwyt na butlę z tlenem:

1. Wsunąć drążek podtrzymujący w dowolne gniazdo stojaka na kroplówkę.
2. Przeprowadzić zawleczkę przez otwór w drążku podtrzymującym, aby przymocować uchwyt na butlę do produktu.

Uwaga - Nie używać pionowego uchwytu na butlę z tlenem do pchania lub ciągnięcia. W takim przypadku może dojść do uszkodzenia produktu.

Rozkładanie lub składanie tacy do podawania/płyty podnóżka

OSTRZEŻENIE - Na tacy do podawania nie wolno umieszczać przedmiotów o wadze przekraczającej 30 funtów (14 kg).

Aby zamontować tacę do podawania na poręczach bocznych, należy wyciągnąć oba boki tacy do podawania i ustawić je nad poręczami bocznymi.

Aby złożyć tacę do podawania:

1. Zdjąć tacę do podawania z poręczy bocznych.
2. Wcisnąć boki tacy do podawania.

- Schować tacę do podawania w obrębienie płyty podnóżka.

Uwaga - Nie używać tacy do podawania/płyty podnóżka jako elementu do popychania/pociągania. W takim przypadku może dojść do uszkodzenia produktu.

Mocowanie ochraniaczy poręczy bocznych

Aby przymocować ochraniacze poręczy bocznych:

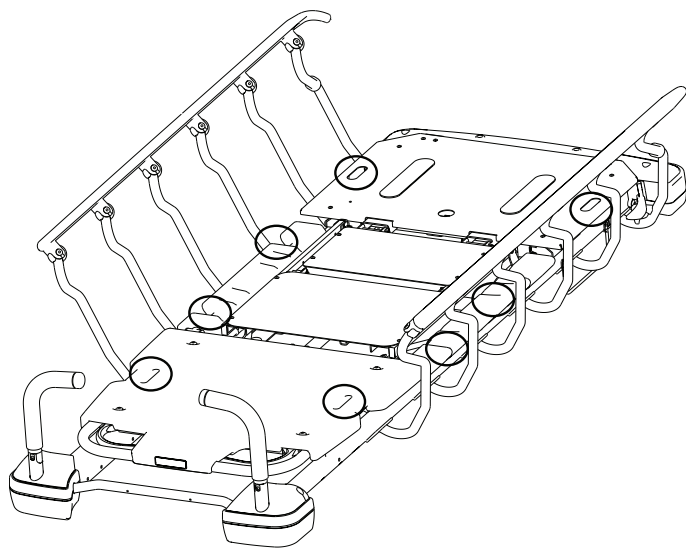
- Wcisnąć ochraniacz poręczy bocznej pomiędzy materac i poręcz boczna.
- Przeprowadzić pasy rzepowe **Velcro®** wokół górnej poręczy bocznej, aby przymocować ochraniacz poręczy bocznej.

Lokalizacja zaczepów pasów unieruchamiających pacjenta

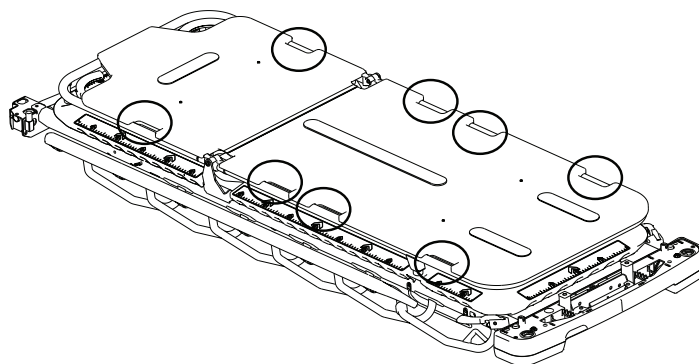
OSTRZEŻENIE

- Przy mocowaniu pasów unieruchamiających należy zawsze zachować ostrożność. Może wówczas dojść do obrażeń ciała operatora lub pacjenta. Fizyczne środki unieruchamiające, nawet po zabezpieczeniu, mogą spowodować poważne obrażenia ciała pacjentów i operatorów, w tym zaplątanie, unieruchomienie, obrażenia fizyczne i/lub śmierć.
- Pasy i/lub urządzenia unieruchamiające należy zawsze mocować wyłącznie do wskazanych punktów mocujących na produkcie. Niezastosowanie się do tego zalecenia może spowodować obrażenia ciała pacjenta lub operatora. Nie wolno mocować pasów unieruchamiających do poręczy bocznej.
- Przed użyciem jakichkolwiek pasów i/lub urządzeń unieruchamiających należy zawsze zapoznać się ze stosownymi ograniczeniami i przepisami lokalnymi i krajowymi oraz odpowiednimi przepisami danej placówki.

W obrębienie zespołu blatu dostępnych jest osiem lokalizacji zaczepów pasów unieruchamiających, gdzie można przymocować pasy unieruchamiające pacjenta (Rysunek 26 lub Rysunek 27).



Rysunek 26 – Lokalizacje pasów unieruchamiających w przypadku opcji Prime



Rysunek 27 – Lokalizacje pasów unieruchamiających w przypadku opcji Prime X

Uwaga - Pasy unieruchamiające to część typu B wchodząca w kontakt z ciałem pacjenta.

Ustawianie pionowego uchwyty na kasetę z kliszą RTG — wyłącznie opcja Prime X

OSTRZEŻENIE

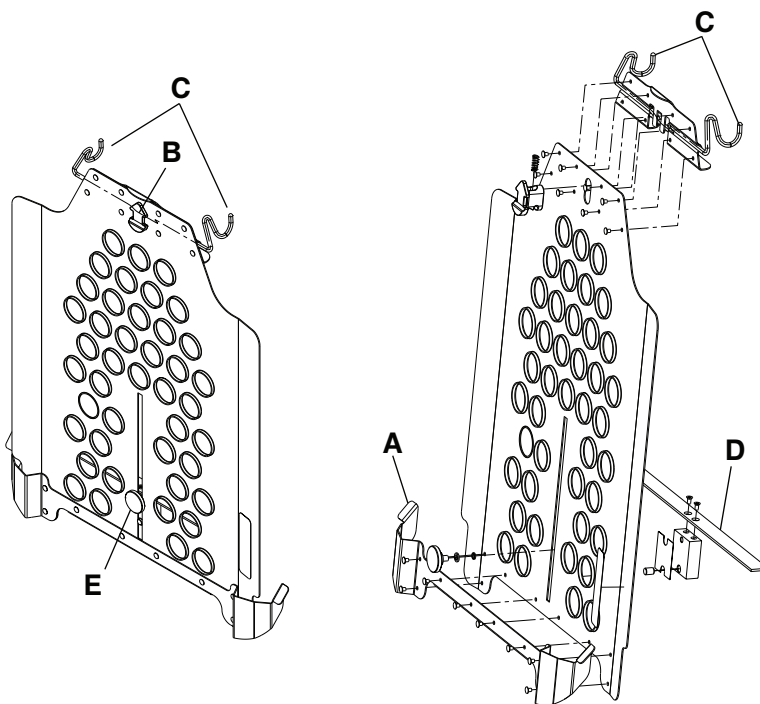
- W przypadku korzystania z pionowego lub bocznego uchwyty na kasetę z kliszą RTG należy zawsze podjąć odpowiednie środki ochronne. Uchwyt na kasetę z kliszą RTG nie chroni przed promieniowaniem.

- Przed użyciem opcji **Prime X** z urządzeniami generującymi promieniowanie należy zawsze zapoznać się z lokalnymi, regionalnymi i krajowymi wytycznymi oraz z przepisami danej placówki dotyczącymi bezpieczeństwa. Urządzenia generujące promieniowanie mogą wytwarzać resztkowe, błędzące lub rozproszone promieniowanie.
- Przy używaniu materaca grubszego niż 2,5 cala (6,35 cm) lub nakładki na materac z opcją **Prime X** należy zawsze zachować szczególną ostrożność.
- W celu umieszczenia kasety z kliszą RTG należy zawsze postępować zgodnie z instrukcjami w sekcji *Ustawianie pionowego uchwytu na kasetę z kliszą RTG — wyłącznie opcja Prime X*.

Uchwyt na kasetę z kliszą RTG mocuje się do spawu oparcia pleców, gdzie podtrzymuje kasetę z kliszą RTG. Pozwala to na wykonywanie zdjęć RTG, kiedy na produkcie leży pacjent. Można również dostosować pozycję kasety przed wykonaniem zdjęcia RTG.

Aby ustawić pozycję uchwytu na kasetę z kliszą RTG:

1. Aktywować hamulce. Popchnąć produkt, aby się upewnić, że hamulce działają prawidłowo.
2. Podnieść odcinek oparcia pleców na maksymalną wysokość.
3. Włożyć dolne prowadnice mocujące (A) pod drążek spawu oparcia pleców (Rysunek 28).
4. Podnieść uchwyt na kasetę do momentu, kiedy prowadnice mocujące zostaną zablokowane na spawie oparcia pleców. Upewnić się, że uchwyt na kasetę jest mocno osadzony.



Rysunek 28 – Uchwyt na kasetę z kliszą RTG

5. Wsunąć kasetę z kliszą RTG od dowolnej strony uchwytu na kasetę lub pociągnąć strzałkę zwalnającą suwak (B) w celu odłączenia uchwytu kasety od oparcia pleców, a następnie ustawić jej pozycję i przymocować uchwyt kasety w obrębie spawu oparcia pleców.
6. Aby dostosować wysokość kasety, należy poluzować pokrętko (E) i przesunąć szynę wspornikową kasety (D) w górę lub w dół aż do osiągnięcia żądanej wysokości.
7. Dokręcić pokrętko (E), aby unieruchomić szynę wspornikową kasety na miejscu.
8. Po zakończeniu wykonywania zdjęcia RTG należy pociągnąć w górę strzałkę zwalnającą suwak (B) w celu odłączenia uchwytu kasety od spawu oparcia pleców.
9. Wyjąć kasetę z kliszą RTG z uchwytu na kasetę.
10. Zamknąć i schować uchwyt na kasetę.

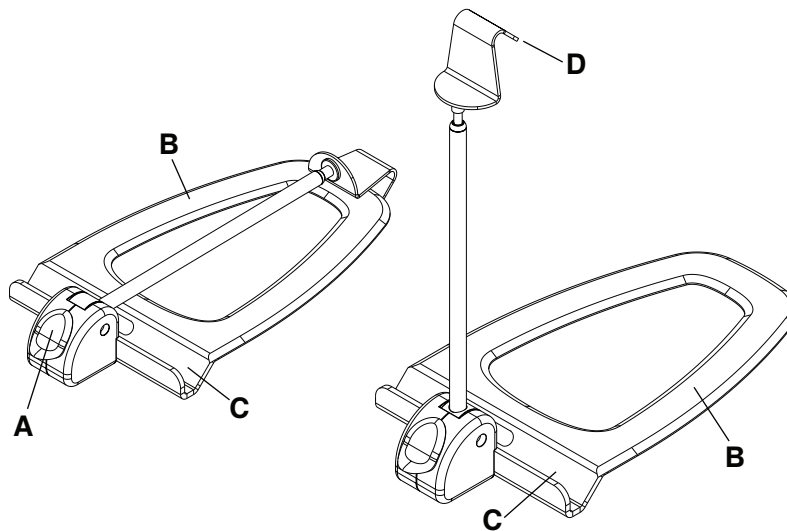
Ustawianie bocznego uchwytu na kasetę z kliszą RTG — opcja Prime X

OSTRZEŻENIE

- W przypadku korzystania z pionowego lub bocznego uchwytu na kasetę z kliszą RTG należy zawsze podjąć odpowiednie środki ochronne. Uchwyt na kasetę z kliszą RTG nie chroni przed promieniowaniem.
- Przed użyciem opcji **Prime X** z urządzeniami generującymi promieniowanie należy zawsze zapoznać się z lokalnymi, regionalnymi i krajowymi wytycznymi oraz z przepisami danej placówki dotyczącymi bezpieczeństwa. Urządzenia generujące promieniowanie mogą wytwarzać resztkowe, błędzące lub rozproszone promieniowanie.
- Należy zawsze zachować ostrożność przy wykonywaniu zdjęć RTG z oparciem pleców ustawionym w pozycji pionowej lub przy korzystaniu z kasety bocznej.
- Przy używaniu materaca grubszego niż 2,5 cala (6,35 cm) lub nakładki na materac z opcją **Prime X** należy zawsze zachować szczególną ostrożność.
- W celu umieszczenia kasety z kliszą RTG należy zawsze postępować zgodnie z instrukcjami w sekcji *Ustawianie bocznego uchwytu na kasetę z kliszą RTG — opcja Prime X*.

Aby ustawić pozycję bocznego uchwytu na kasetę z kliszą RTG:

1. Aktywować hamulce. Popchnąć produkt, aby się upewnić, że hamulce działają prawidłowo.



Rysunek 29 – Boczny uchwyt na kasetę z kliszą RTG

2. Nacisnąć żółty przycisk zwalniający (A), aby otworzyć boczny uchwyt na kasetę (Rysunek 29).
3. Wsunąć płaską podstawę (B) pomiędzy materac i platformę dla pacjenta.
4. Ustawić boczny uchwyt na kasetę w żądanej lokalizacji.
5. Umieścić kasetę z kliszą RTG w kanale kasety (C).
6. Pociągnąć w górę haczyk kasety (D), aby dostosować wysokość ramienia i nasunąć je na kasetę z kliszą RTG, unieruchamiając ją na miejscu.
7. Aby wyjąć kasetę i złożyć boczny uchwyt na kasetę, wykonać opisane czynności w odwrotnej kolejności.

Wkładanie lub wyjmowanie kaset na klisze RTG — opcja Prime X

OSTRZEŻENIE

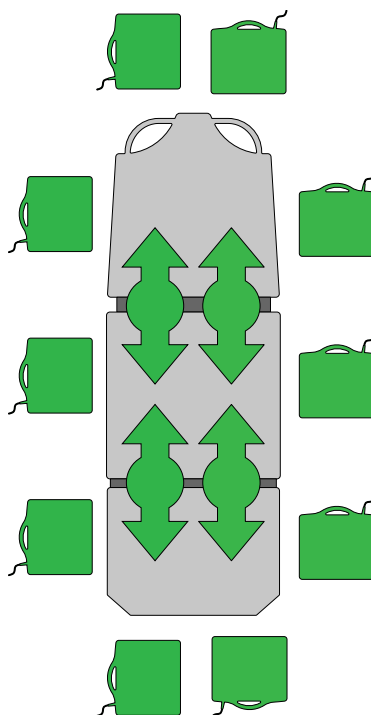
- Przed użyciem opcji **Prime X** z urządzeniami generującymi promieniowanie należy zawsze zapoznać się z lokalnymi, regionalnymi i krajowymi wytycznymi oraz z przepisami danej placówki dotyczącymi bezpieczeństwa. Urządzenia generujące promieniowanie mogą wytwarzać resztkowe, błędzące lub rozproszone promieniowanie.

- Należy zawsze zachować ostrożność przy wykonywaniu zdjęć RTG z oparciem pleców ustawionym w pozycji pionowej lub przy korzystaniu z kasety bocznej.

Opcja **Prime X** zapewnia przegubową powierzchnię podtrzymującą do badań radiologicznych oraz platformę pod powierzchnią podtrzymującą ciało pacjenta, która jest przeznaczona na włożenie kasety z kliszą RTG. Powierzchnia podtrzymująca do badań radiologicznych współpracuje z medycznymi aparatami rentgenowskimi i umożliwia wykonywanie klinicznych zdjęć rentgenowskich (całego ciała w orientacji A-P, jako opcja możliwe jest wykonywanie zdjęć całego ciała w orientacji bocznej lub klatki piersiowej w pozycji pionowej), kiedy pacjent znajduje się na produkcie. Kasety można wkładać od strony wezłowania, od strony podnóżka oraz z boków produktu.

Aby włożyć kasetę do badań rtg:

1. Wyśrodkować pacjenta na produkcie, używając etykiet wskaźnikowych pozycji zlokalizowanych ze wszystkich stron produktu (Rysunek 30).
2. Umieścić kasetę z kliszą RTG pod powierzchnią dla pacjenta. Użyć prowadnic kasety do ułatwienia ustawienia pozycji kasety z kliszą RTG.



Rysunek 30 – Wkładanie lub wyjmowanie kaset na klisze RTG — opcja Prime X

Uwaga

- Nie należy stosować materaca o grubości większej niż 4 cale (10 cm) jednocześnie z opcją **Prime X**.
- Nie należy stosować ramienia C jednocześnie z opcją **Prime X**. Opcja **Prime X** nie jest kompatybilna z ramieniem C.

Czyszczenie

Czyszczenie produktu

PRZESTROGA - Do czyszczenia wyświetlacza opcjonalnego systemu wagi nie wolno stosować ściernych środków czyszczących. Nie wolno dopuszczać do gromadzenia się na wyświetlaczu roztworów czyszczących ani innych płynów. Wytrzeć do sucha wszystkie powierzchnie po wyciekach lub czyszczeniu.

Ta instrukcja przedstawia zalecane metody czyszczenia noszy **Prime Series**.

Niniejszy produkt można myć mechanicznie. Produkt może wykazywać pewne oznaki utleniania lub odbarwienia spowodowane ciągłym myciem. Jednakże mycie wysokociśnieniowe nie powoduje żadnego pogorszenia parametrów działania ani funkcjonalności produktu, o ile stosowane jest postępowanie zgodne z odpowiednimi procedurami.

Zalecana metoda czyszczenia:

1. Jeśli produkt jest wyposażony w opcję elektrycznego biału lub elektrycznego podnośnika, przed rozpoczęciem transportu lub czyszczenia produktu należy odłączyć przewód zasilający od gniazdka ściennego.
2. Wyjąć materac z produktu.
3. Należy stosować się do zaleceń producenta roztworu czyszczącego dotyczących rozcieńczenia.
4. Do mycia wysokociśnieniowego firma Stryker zaleca stosowanie standardowego aparatu myjącego do wózków.
5. Wysuszyć produkt. Nie wolno zakładać materaca na nosze przed pełnym wyschnięciem produktu.
6. Należy sprawdzić, czy produkt działa prawidłowo przed zwróceniem go do eksploatacji.
 - Podnieść i opuścić produkt
 - Zablokować i odblokować pedał hamulca/sterowania w obu pozycjach
 - Zablokować i odblokować poręcze boczne
 - Podnieść i opuścić oparcie pleców
 - Podnieść i opuścić podparcie kolan
 - Upewnić się, że wszystkie elementy są odpowiednio nasmarowane
 - Upewnić się, że wszystkie etykiety są nienaruszone

Uwaga

- Bezpośredni kontakt skóry z widocznie zabrudzonym, przepuszczalnym materiałem może zwiększyć ryzyko zakażenia.
- Nie wolno czyścić produktu parą.
- Wyczyścić obszar schowka w podstawie.
- Wyczyścić spód klocków hamulcowych, aby uniknąć nagromadzenia się wosku lub zanieczyszczeń.
- Niektóre środki czyszczące są z natury korozyjne i mogą powodować uszkodzenie produktu, jeśli są niewłaściwie stosowane. Jeśli produkt nie zostanie odpowiednio spłukany i wysuszony, na jego powierzchni może pozostać korozyjny osad, który może spowodować przedwczesną korozję elementów o krytycznym znaczeniu. Nieprzestrzeganie tych instrukcji czyszczenia może unieważnić gwarancję.

Czyszczenie produktu za pomocą aparatu myjącego do wózków

Firma Stryker zaleca stosowanie standardowego aparatu myjącego do wózków do mycia noszy maksymalnie jeden raz w roku przez cały okres eksploatacji produktu.

Aby wyczyścić produkt za pomocą aparatu myjącego do wózków:

1. Jeśli produkt jest wyposażony w opcję elektrycznego biału lub elektrycznego podnośnika, przed rozpoczęciem transportu lub czyszczenia produktu należy odłączyć przewód zasilający od gniazdka ściennego.
2. Zdjąć materac z produktu przed myciem. Nie należy myć materaca z produktem.

3. Ustawić oparcie pleców w pozycji 45°.
4. Ustawić produkt w odwróconej pozycji Trendelenburga (strona podnóżka w dół).
5. Podnieść poręcze boczne.
6. Ustawić stojaki na kroplówki i uchwyty do pchania w górnej pozycji.
7. Czyścić produkt wodą o maksymalnej temperaturze 82 °C (180 °F) i maksymalnym ciśnieniu 103,5 bara (1500 psi).
8. Suszyć produkt powietrzem o maksymalnej temperaturze 93 °C (200 °F) przez osiem minut.
9. Wysuszyć produkt. Nie wolno zakładać materaca na nosze przed zupełnym wyschnięciem produktu.
10. Należy sprawdzić, czy produkt działa prawidłowo przed zwróceniem go do eksploatacji.
 - Podnieść i opuścić produkt
 - Zablokować i odblokować pedał hamulca/sterowania w obu pozycjach
 - Zablokować i odblokować poręcze boczne
 - Podnieść i opuścić oparcie pleców
 - Upewnić się, że wszystkie elementy są odpowiednio nasmarowane
 - Upewnić się, że wszystkie etykiety są nienaruszone i czytelne

Uwaga

- Nie wolno czyścić produktu parą.
- Niektóre środki czyszczące są z natury korozyjne i mogą powodować uszkodzenie produktu, jeśli są niewłaściwie stosowane. Jeśli produkt nie zostanie odpowiednio spłukany i wysuszony, na jego powierzchni może pozostać korozyjny osad, który może spowodować przedwczesną korozję elementów o krytycznym znaczeniu. Nieprzestrzeganie tych instrukcji czyszczenia może unieważnić gwarancję.

Czyszczenie materaca

OSTRZEŻENIE

- Nie czyścić, nie serwisować ani nie wykonywać prac konserwacyjnych podczas korzystania z produktu.
 - Nie wolno zanurzać materaca w roztworach czyszczących ani dezynfekcyjnych. Nadmiar wilgoci może spowodować nieprawidłowe działanie produktu skutkujące jego uszkodzeniem lub obrażeniami ciała pacjenta.
 - Nie wolno dopuszczać do gromadzenia się płynu na materacu. Płynny mogą powodować korozję elementów i nieprzewidywalne działanie tego produktu oraz zagrożenie bezpieczeństwa.
 - Za każdym razem przy czyszczeniu pokrowców należy zawsze sprawdzać pokrowce materaca pod kątem rozdarć, przebić, nadmiernego zużycia oraz niedopasowanych suwaków. Uszkodzony materac należy usunąć i wymienić, aby zapobiec skażeniu krzyżowemu.
 - Materaców nie wolno czyścić parowo, pod ciśnieniem, wodą z węża ani ultradźwiękowo. Takie metody czyszczenia mogą spowodować unieważnienie gwarancji na produkt.
-

Na okres przydatności materaca do użytku może negatywnie wpłynąć zwiększona częstotliwość użytkowania, co może obejmować częstsze czyszczenie i dezynfekowanie.

Zalecana metoda czyszczenia:

1. Należy używać czystej, miękkiej ściereczki i wodnego roztworu łagodnego mydła do przetarcia całego materaca w celu usunięcia ciał obcych.
2. Przetrzeć materac czystą, suchą ściereczką, aby usunąć wszelki nadmiar płynu lub środka czyszczącego.
3. Oplukać i osuszyć pokrowce po czyszczeniu.
4. Po zakończeniu czyszczenia należy przeprowadzić dezynfekcję zgodnie z potrzebami przy użyciu środka dezynfekującego klasy szpitalnej (patrz *Dezynfekowanie materaca*).

Uwaga

- Materaca nie wolno prasować, czyścić w pralni chemicznej ani suszyć w suszarce, gdyż spowoduje to jego nieprawidłowe działanie i uszkodzenie produktu.

- Aby nie doszło do upośledzenia sprawności produktu, pokrowiec materaca musi być zupełnie suchy przed umieszczeniem go w magazynie, założeniem pościeli lub umieszczeniem na nim pacjenta.
- Unikać nadmiernego narażenia na alkohol lub nadtlenek wodoru. Może wówczas dojść do spuchnięcia materiału pokrowca.
- Nie wolno dopuszczać do przecieku płynu do obszaru suwaka lub bariery wodoszczelnej pokrowca. Płyny, które zetkną się z suwakiem, mogą przeniknąć do wnętrza materaca, co może spowodować upośledzenie sprawności produktu.
- Niektóre środki czyszczące są z natury korozyjne i mogą powodować uszkodzenie produktu, jeśli są niewłaściwie stosowane. Jeśli produkt nie zostanie odpowiednio spłukany i wysuszony, na jego powierzchni może pozostać korozyjny osad, który może spowodować przedwczesną korozję elementów o krytycznym znaczeniu. Nieprzestrzeżenie tych instrukcji czyszczenia może unieważnić gwarancję.

Usuwanie plam jodiny

1. Sporządzić roztwór z 1–2 łyżek stołowych tiosiarczanu sodu rozpuszczonych w 0,5 litra ciepłej wody. Użyć tego roztworu do przetarcia zaplamionego obszaru.
2. Plamy należy usuwać możliwie jak najszybciej po ich wystąpieniu.
3. Jeżeli plamy nie zostaną natychmiast wywabione, należy pozostawić roztwór na powierzchni materaca przed jego wytarciem.
4. Przed ponownym użyciem materaca, należy spłukać czystą wodą powierzchnie, które miały styczność z roztworem.

Uwaga - Niezastosowanie się do powyższych instrukcji przy używaniu środków myjących tego typu może spowodować unieważnienie gwarancji tego produktu.

Instrukcje specjalne

Velcro®	Należy je nasączyć środkiem dezynfekującym, opłukać wodą i odczekać do odparowania roztworu.
Plamy lub ciała stałe	Należy stosować neutralne mydła i ciepłą wodę. Nie wolno stosować silnych środków czyszczących, rozpuszczalników ani ściernych środków czyszczących.
Czyszczenie uporczywych plam	Do czyszczenia uporczywych plam należy stosować standardowe domowe środki czyszczące lub środki czyszczące do powierzchni winylowych oraz szczotki o miękkim włosiu. Wstępnie namoczyć zaschnięte zanieczyszczenia.
Pranie	Nie zaleca się prania materaca. Pranie może znacznie skrócić okres przydatności materaca do użytku.

Dezynfekcja

Dezynfekowanie produktu

OSTRZEŻENIE

- Nie czyścić, nie serwisować ani nie wykonywać prac konserwacyjnych podczas korzystania z produktu.
 - Produktu nie wolno czyścić parowo, wodą z węża ani ultradźwiękowo. Takie metody czyszczenia nie są zalecane i mogą spowodować unieważnienie gwarancji tego produktu.
-

Zalecane środki odkażające:

- Związki czwartorzędowe (aktywny składnik – chlorek amonu) zawierające mniej niż 3% eterów glikolowych
- Fenolowe środki dezynfekujące (aktywny składnik – o-fenylofenol)
- Roztwór wybielacza na bazie chloru (5,25% wybielacz, rozcieńczony w stosunku 1 część wybielacza na 100 części wody, co odpowiada 520 ppm dostępnego chloru (40 ml roztworu wybielacza o stężeniu 5,25% na 4000 ml wody))
- 70% alkohol izopropylowy

Zalecana metoda dezynfekcji:

1. Należy dokładnie stosować się do zaleceń producenta środka dezynfekującego dotyczących rozcieńczania.
2. Ręcznie myć wszystkie powierzchnie produktu roztworem środka dezynfekującego.
3. Unikać nadmiernego nasycania i upewnić się, że produkt nie pozostanie wilgotny dłużej niż zalecono we wskazówkach producenta substancji chemicznej dotyczących odpowiedniej dezynfekcji.
4. Wysuszyć produkt. Nie wolno zakładać materaca na nosze przed pełnym wyschnięciem produktu.
5. Po każdym użyciu należy zdezynfekować rzepy **Velcro®**. Nasączyć rzepy **Velcro®** środkiem dezynfekującym, opłukać wodą i odczekać do odparowania roztworu (określenie odpowiedniego środka dezynfekującego zależy od danej placówki).
6. Należy sprawdzić, czy produkt działa prawidłowo przed zwróceniem go do eksploatacji.
 - Podnieść i opuścić produkt
 - Zablokować i odblokować pedał hamulca/sterowania w obu pozycjach
 - Zablokować i odblokować poręcze boczne
 - Podnieść i opuścić oparcie pleców
 - Podnieść i opuścić podparcie kolan
 - Upewnić się, że wszystkie elementy są odpowiednio nasmarowane
 - Upewnić się, że wszystkie etykiety są nienaruszone

Uwaga

- Bezpośredni kontakt skóry z widocznie zabrudzonym, przepuszczalnym materiałem może zwiększyć ryzyko zakażenia.
- Niektóre środki czyszczące są z natury korozyjne i mogą powodować uszkodzenie produktu, jeśli są niewłaściwie stosowane. Jeśli produkt nie zostanie odpowiednio spłukany i wysuszony, na jego powierzchni może pozostać korozyjny osad, który może spowodować przedwczesną korozję elementów o krytycznym znaczeniu. Nieprzestrzeżenie tych instrukcji czyszczenia może unieważnić gwarancję.

Dezynfekowanie materaca

OSTRZEŻENIE - Materac należy zawsze dezynfekować pomiędzy użyciem u różnych pacjentów. Niezastosowanie się do tego zalecenia może być przyczyną skażenia krzyżowego i infekcji.

Zalecane środki odkażające:

- Związki czwartorzędowe (aktywny składnik – chlorek amonu) zawierające mniej niż 3% eterów glikolowych
- Fenolowe środki dezynfekujące (aktywny składnik – o-fenylofenol)
- Roztwór wybielacza na bazie chloru (5,25% wybielacz, rozcieńczony w stosunku 1 część wybielacza na 100 części wody, co odpowiada 520 ppm dostępnego chloru (40 ml roztworu wybielacza o stężeniu 5,25% na 4000 ml wody))
- 70% alkohol izopropylowy

Zalecana metoda dezynfekcji:

1. Przed nałożeniem środków dezynfekujących należy upewnić się, że oczyszczono i osuszono materac.
2. Przetrzeć materac czystą, suchą ściereczką, aby usunąć wszelki nadmiar płynu lub środka dezynfekującego.
3. Oplukać i osuszyć pokrowce po dezynfekcji.

Uwaga

- Przed umieszczeniem pokrowca w magazynie lub założeniem pościeli pokrowiec materaca musi być suchy. Nieusunięcie nadmiaru środka dezynfekującego może spowodować degradację materiału pokrowca.
- Niektóre środki czyszczące są z natury korozyjne i mogą powodować uszkodzenie produktu, jeśli są niewłaściwie stosowane. Jeśli produkt nie zostanie odpowiednio spłukany i wysuszony, na jego powierzchni może pozostać korozyjny osad, który może spowodować przedwczesną korozję elementów o krytycznym znaczeniu. Nieprzestrzeganie tych instrukcji czyszczenia może unieważnić gwarancję.
- Częste lub wydłużone narażenie na środki dezynfekujące o wyższym stężeniu może przedwcześnie postarzyć materiał pokrowca.
- Używanie przyspieszonego nadtlenu wodoru lub związków czwartorzędowych zawierających etery glikolu może spowodować uszkodzenie pokrowca.

Konserwacja zapobiegawcza

Przed przystąpieniem do wykonywania inspekcji konserwacji zapobiegawczej należy wycofać produkt z eksploatacji. Podczas corocznej konserwacji zapobiegawczej wszystkich produktów firmy Stryker Medical należy sprawdzić wszystkie wymienione pozycje. Może wystąpić konieczność częstszego wykonywania kontroli konserwacji zapobiegawczej w zależności od poziomu użytkowania produktu. Czynności serwisowe mogą być wykonywane wyłącznie przez wykwalifikowany personel.

Uwaga - Przed inspekcją należy wyczyścić i zdezynfekować zewnętrzną część materaca, jeśli dotyczy.

Należy sprawdzić następujące elementy:

- _____ Czy wszystkie elementy mocujące są właściwie umocowane
- _____ Poręcze boczne się ruszają i blokują
- _____ Naciśnięcie pedału hamulca powoduje zablokowanie kółek samonastawnych
- _____ Kółka samonastawne są właściwie umocowane i obracają się prawidłowo
- _____ Kółka samonastawne są wolne od wosku i zanieczyszczeń
- _____ Mechanizm hamulca działa prawidłowo
- _____ Funkcja kierowania działa prawidłowo
- _____ Sprawdzić powierzchnie skórzane pod kątem pęknięć
- _____ Oparcie pleców można podnieść, opuścić i zablokować na miejscu
- _____ Podparcie kolan można podnieść, opuścić i zablokować na miejscu (opcja)
- _____ Można ustawić pozycję Trendelenburga/odwrotną pozycję Trendelenburga z każdej lokalizacji
- _____ Łańcuch uziemiający nienaruszony
- _____ Brak wycieków w miejscach połączeń przewodów hydraulicznych
- _____ Podnośniki hydrauliczne prawidłowo podtrzymują
- _____ Pasy unieruchamiające można zapiąć i zapewniają prawidłowe unieruchomienie (opcja)
- _____ Stojak na kroplówki jest nienaruszony i można dostosować jego wysokość oraz zablokować we wszystkich pozycjach (opcja)
- _____ Uchwyt na butlę z tlenem jest nienaruszony oraz otwiera się i zamyka (opcja)
- _____ Pokrowiec materaca nie jest rozdarty ani pęknięty
- _____ Akcesoria oraz sprzęt do mocowania są w dobrym stanie
- _____ Funkcje zasilane przez baterie działają (opcja)
- _____ Przewody nie są zużyte ani ściśnięte (opcja)
- _____ Przewód i wtyczka przewodu zasilającego nie są uszkodzone (opcja)
- _____ Wszystkie połączenia elektryczne są dociśnięte (opcja)
- _____ Wszystkie połączenia uziemiające są podłączone do ramy (opcja)
- _____ Impedancja uziemienia nie przekracza 200 mΩ (miliomów) (opcja)
- _____ Prąd upływowy nie większy niż 300 μA (mikroamperów) (zgodnie z UL 60606-1-1) (opcja)
- _____ Akumulatory są naładowane (opcja systemu wagi)
- _____ Obudowa wyświetlacza jest nienaruszona i nieuszkodzona (opcja systemu wagi)
- _____ Ogniwa obciążeniowe są nienaruszone i nieuszkodzone (opcja systemu wagi)
- _____ Mechanizm pokrętła pozycji kolan wsporników stóp działa zgodnie z przeznaczeniem i można go zablokować na miejscu (opcja)
- _____ Mechanizm pokrętła pozycji nóg wsporników stóp działa zgodnie z przeznaczeniem i można go zablokować na miejscu (opcja)

- _____ Wspornik stóp można rozsunąć do pozycji w pełni rozłożonej oraz zatrzymać w odpowiedniej pozycji (opcja)
- _____ Wkręty samogwintujące (6) wsporników stóp są mocno dokręcone i nie są uszkodzone (opcja)
- _____ Waga jest skalibrowana. W razie potrzeby wykonać ponowną kalibrację (opcja systemu wagi)
- _____ Pionowy uchwyt na kasety z kliszą RTG jest w dobrym stanie roboczym i można go dostosować do wymiarów wszystkich kaset z kliszą RTG (opcja **Prime X**)
- _____ Powłoka oparcia pleców i miejsca na stopy nie jest uszkodzona (opcja **Prime X**)
- _____ Tace u wezłowania i w nogach nie są uszkodzone (opcja **Prime X**)
- _____ Śruby i nakrętki wszystkich przegubów oparcia pleców nie są obluzowane (opcja **Prime X**)

Numer seryjny produktu:
Wypełnił:
Data:

Informacje dotyczące kompatybilności elektromagnetycznej (EMC)

PRZESTROGA

- Zastosowanie akcesoriów, przetworników oraz kabli innych niż określone w specyfikacji lub dostarczone przez producenta może spowodować zwiększenie emisji elektromagnetycznych lub zmniejszenie odporności elektromagnetycznej i doprowadzić do nieprawidłowego działania.
- Emisje charakterystyczne dla tego sprzętu kwalifikują go jako odpowiedni do zastosowań na obszarach przemysłowych i szpitalnych (CISPR 11 klasa A). Jeżeli sprzęt jest używany w środowisku mieszkalnym, dla którego wymagana jest zazwyczaj CISPR 11 klasa B, może on nie zapewniać odpowiedniej ochrony usług komunikacyjnych wykorzystujących częstotliwości radiowe. Może być potrzebne podjęcie działań zaradczych, takich jak zmiana miejsca lub orientacji sprzętu.

Wytyczne oraz oświadczenie producenta — emisja elektromagnetyczna

Opcja podnośnika elektrycznego, opcja blatu elektrycznego lub opcja systemu wagi są przeznaczone do użytku w środowisku elektromagnetycznym opisanym poniżej. Operator opcji podnośnika elektrycznego, opcji blatu elektrycznego lub opcji systemu wagi powinien zapewnić użytkowanie opcji w takim środowisku.

Test emisji	Zgodność	Środowisko elektromagnetyczne
Emisja radiowa (RF) CISPR 11	Grupa 1	Opcja podnośnika elektrycznego, opcja blatu elektrycznego lub opcja systemu wagi wykorzystuje energię o częstotliwości radiowej (RF) wyłącznie do swoich wewnętrznych funkcji. W związku z tym emisje o częstotliwościach radiowych są bardzo niskie i nie powinny powodować żadnych zakłóceń w znajdujących się w pobliżu urządzeniach elektronicznych.
Emisja radiowa (RF) CISPR 11	Klasa A	Opcja podnośnika elektrycznego, opcja blatu elektrycznego lub opcja systemu wagi jest przystosowana do użytku we wszystkich placówkach innych niż mieszkalne i podłączone bezpośrednio do publicznej sieci elektrycznej niskiego napięcia, która zasila budynki wykorzystywane do celów mieszkalnych.
Poziom emisji harmonicznych IEC 61000-3-2*	Klasa A	
Wahania napięcia emisje migotania IEC 61000-3-3*	Urządzenie spełnia wymogi	

* Dotyczy wyłącznie opcji podnośnika elektrycznego lub opcji blatu elektrycznego.

PRZESTROGA

- Nie należy używać przenośnych urządzeń łączności radiowej RF (w tym urządzeń peryferyjnych, takich jak kable anteny i anteny zewnętrzne) w odległości mniejszej niż 12 cali (30 cm) od jakiegokolwiek części noszącej **Prime**, w tym od określonych przez producenta kabli.
- Aby zapobiec nieprawidłowemu działaniu produktów, należy unikać umieszczania urządzeń w pobliżu innych urządzeń lub jednego na drugim. Jeśli takie zastosowanie jest konieczne, należy uważnie obserwować sąsiadujące lub ułożone jedno na drugim urządzenia, aby upewnić się, że działają poprawnie.

Zalecane odległości oddzielenia między przenośnymi i mobilnymi urządzeniami do komunikacji radiowej (RF) a opcją podnośnika elektrycznego, opcją blatu elektrycznego lub opcją systemu wagi.

Opcja podnośnika elektrycznego, opcja blatu elektrycznego lub opcja systemu wagi są przeznaczone do użytku w środowisku elektromagnetycznym, w którym promieniowane zakłócenia RF są kontrolowane. Nabywca lub użytkownik opcji podnośnika elektrycznego, opcji blatu elektrycznego lub opcji systemu wagi może pomóc zapobiec zakłóceniom elektromagnetycznymi, zachowując minimalny zalecany odstęp między przenośnymi i mobilnymi urządzeniami do komunikacji radiowej (RF) (nadajnikami) a opcją podnośnika elektrycznego, opcją blatu elektrycznego lub opcją systemu wagi zgodnie z poniższymi zaleceniami, zgodnie z wartościami maksymalnej mocy wyjściowej dla urządzeń komunikacyjnych.

Znamionowa maksymalna moc wyjściowa nadajnika W	Odległość oddzielenia wg częstotliwości nadajnika m		
	od 150 kHz do 80 MHz $D=(1,2) (\sqrt{P})$	od 80 MHz do 800 MHz $D=(1,2) (\sqrt{P})$	od 800 MHz do 2,7 GHz $D=(2,3) (\sqrt{P})$
0,01	0,12	0,12	0,23
0,1	0,38	0,38	0,73
1	1,2	1,2	2,3
10	3,8	3,8	7,3
100	12	12	23

W przypadku nadajników o maksymalnej znamionowej mocy wyjściowej nieujętej w powyższym zestawieniu zalecana odległość oddzielenia D w metrach (m) może zostać oszacowana na podstawie równania odpowiedniego dla częstotliwości nadajnika, gdzie P oznacza maksymalną znamionową moc wyjściową nadajnika podaną w watach (W) według danych producenta nadajnika.

Uwaga 1 — Przy 80 MHz i 800 MHz obowiązuje odległość oddzielenia dla wyższego przedziału częstotliwości.

Uwaga 2 — Te wytyczne mogą nie mieć zastosowania we wszystkich sytuacjach. Na rozchodzenie się fal elektromagnetycznych wpływa ich pochłanianie i odbijanie przez konstrukcje, przedmioty i ludzi.

Wskazówki i deklaracja producenta – odporność elektromagnetyczna

Opcja podnośnika elektrycznego, opcja blatu elektrycznego lub opcja systemu wagi są przeznaczone do użytku w środowisku elektromagnetycznym opisanym poniżej. Nabywca lub użytkownik opcji podnośnika elektrycznego, opcji blatu elektrycznego lub opcji systemu wagi powinien zapewnić użytkowanie opcji w takim środowisku.

Test odporności	Poziom badania IEC 60601	Poziom zgodności	Wytyczne dotyczące środowiska elektromagnetycznego
Wyładowania elektrostatyczne (ESD) IEC 61000-4-2	± 8 kV w kontakcie ± 15 kV przez powietrze	± 8 kV w kontakcie ± 15 kV przez powietrze	Posadzki powinny być drewniane, betonowe lub wykonane z płytek ceramicznych. Jeśli podłogi są pokryte materiałem syntetycznym, wilgotność względna powinna wynosić co najmniej 30%.
Serie szybkich elektrostatycznych stanów przejściowych IEC 61000-4-4*	± 2 kV dla linii zasilających ± 1 kV dla linii wejściowych / wyjściowych	± 2 kV dla linii zasilających ± 1 kV dla linii wejściowych / wyjściowych	Parametry sieci elektrycznej powinny być parametrami typowymi dla środowisk komercyjnych lub szpitalnych.
Udar IEC 61000-4-5*	± 1 kV linia – linia ± 2 kV linia – uziemienie	± 1 kV linia – linia ± 2 kV linia – uziemienie	Parametry sieci elektrycznej powinny być parametrami typowymi dla środowisk komercyjnych lub szpitalnych.


Zapady napięcia, krótkie przerwy i zmiany napięcia w sieciach zasilających IEC 61000-4-11*	0% U_T na 0,5 cyklu przy 0°, 45°, 90°, 135°, 180°, 225°, 270° i 315° 0% U_T na 1 cykl 70% U_T (30% spadek w U_T) na 25 cykli 0% U_T na 250 cykli	0% U_T na 0,5 cyklu przy 0°, 45°, 90°, 135°, 180°, 225°, 270° i 315° 0% U_T na 1 cykl 70% U_T (30% spadek w U_T) na 25 cykli 0% U_T na 250 cykli	Parametry sieci elektrycznej powinny być parametrami typowymi dla środowisk komercyjnych lub szpitalnych. Jeśli użytkownik opcji podnośnika elektrycznego lub opcji blatu elektrycznego wymaga ciągłości działania podczas przerw w zasilaniu sieciowym, zaleca się zasilanie urządzenia przy użyciu zasilacza awaryjnego (UPS) lub baterii.
Pole magnetyczne o częstotliwości sieci elektroenergetycznej (50/60 Hz) IEC 61000-4-8	30 A/m	30 A/m	Pole magnetyczne o częstotliwości sieciowej powinno być na poziomie charakterystycznym dla typowych lokalizacji w środowisku komercyjnym lub szpitalnym.

Uwaga: Parametr U_t to napięcie sieci zasilającej prądem przemiennym przed zastosowaniem poziomu badania.

* Dotyczy wyłącznie opcji podnośnika elektrycznego lub opcji blatu elektrycznego.

Wskazówki i deklaracja producenta – odporność elektromagnetyczna

Opcja podnośnika elektrycznego, opcja blatu elektrycznego lub opcja systemu wagi są przeznaczone do użytku w środowisku elektromagnetycznym opisanym poniżej. Nabywca lub użytkownik opcji podnośnika elektrycznego, opcji blatu elektrycznego lub opcji systemu wagi powinien zapewnić użytkowanie opcji w takim środowisku.

Test odporności	Poziom badania IEC 60601	Poziom zgodności	Wytyczne dotyczące środowiska elektromagnetycznego
Przewodzona RF IEC 61000-4-6* Wypromieniowana RF IEC 61000-4-3	3 Vrms 6 Vrms w pasmach ISM i amatorskich od 150 kHz do 80 MHz 3 V/m od 80 MHz do 2,7 GHz	3 Vrms 6 Vrms w pasmach ISM i amatorskich 3 V/m	Przenośne i mobilne urządzenia do komunikacji radiowej (RF) nie powinny być używane w mniejszej odległości od jakiegokolwiek części opcji podnośnika elektrycznego, opcji blatu elektrycznego lub opcji systemu wagi, w tym przewodów, niż zalecana odległość oddzielenia obliczona w równaniu właściwym dla częstotliwości nadajnika. Zalecana odległość $D=(1,2) (\sqrt{P})$ $D=(1,2) (\sqrt{P})$ od 80 MHz do 800 MHz $D=(2,3) (\sqrt{P})$ od 800 MHz do 2,7 GHz gdzie P oznacza maksymalną znamionową moc wyjściową nadajnika podaną w watach (W) według danych producenta nadajnika, a D oznacza zalecaną odległością oddzielenia w metrach (m). Natężenia pól wytwarzanych przez nieruchome nadajniki RF określone na podstawie badania elektromagnetycznego danej lokalizacji, ^a powinny być mniejsze od poziomu zgodności dla każdego zakresu częstotliwości. ^b W pobliżu sprzętu oznaczonego poniższym symbolem mogą występować zakłócenia: 

Uwaga 1: Przy częstotliwościach 80 MHz i 800 MHz stosuje się wyższy zakres częstotliwości.

Uwaga 2: Te wskazówki nie muszą mieć zastosowania we wszystkich sytuacjach. Na rozchodzenie się fal elektromagnetycznych wpływa ich pochłanianie i odbijanie przez konstrukcje, przedmioty i ludzi.

Uwaga 3: Pasma ISM (przemysłowe, naukowe i medyczne) pomiędzy 0,15 MHz a 80 MHz to: od 6,765 MHz do 6,795 MHz; od 13,553 MHz do 13,567 MHz; od 26,957 MHz do 27,283 MHz oraz od 40,66 MHz do 40,70 MHz.

^a Nie można dokładnie w sposób teoretyczny przewidzieć natężenia pól wytwarzanych przez nadajniki stacjonarne, na przykład stacje bazowe do telefonów radiowych (komórkowych/bezprzewodowych) i przenośnych radiotelefonów naziemnych, amatorskie urządzenia radiowe, nadajniki radiowe AM i FM oraz nadajniki telewizyjne. Aby ocenić środowisko elektromagnetyczne wytwarzane przez nieruchome nadajniki RF, należy rozważyć przeprowadzenie badania środowiska pod kątem promieniowania elektromagnetycznego. Jeśli zmierzone natężenie pola w miejscu, w którym jest używana opcja podnośnika elektrycznego, opcja blatu elektrycznego lub opcja systemu wagi, przekracza powyższy dopuszczalny poziom zgodności w zakresie promieniowania RF, należy obserwować, czy opcja podnośnika elektrycznego, opcja blatu elektrycznego lub opcja systemu wagi działa poprawnie. W przypadku zauważenia nienormalnego działania konieczne może być podjęcie dodatkowych czynności, takich jak zmiana ustawienia lub przemieszczenie opcji podnośnika elektrycznego, opcji blatu elektrycznego lub opcji systemu wagi.

^b W zakresie częstotliwości 150 kHz–80 MHz natężenie pola są mniejsze niż 3 V/m.

* Dotyczy wyłącznie opcji blatu elektrycznego.

Maca Prime Series®












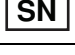







Manual de utilização












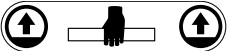




REF 1115

Big Wheel®



Símbolos

	Consultar o manual/folheto de instruções
	Consultar as instruções de utilização
	Advertência geral
	Precaução
	Advertência; esmagamento das mãos
	Advertência; radiação não ionizante
	Não empurrar
	Não armazenar a botija de oxigénio
	Não lubrificar
	Número de catálogo
	Código do lote
	Número de série
	Para patentes dos EUA, consulte www.stryker.com/patents
	Marcação CE
	Mandatário na Comunidade Europeia
	Dispositivo médico europeu
	Fabricante
	Data de fabrico
	Importador

	Carga de trabalho segura
	Peso máximo do doente
	Peso do equipamento com carga de trabalho segura
	Corrente contínua
	Corrente alterna
	Tensão perigosa
	Ligação de proteção à terra
IPX6	Proteção contra jatos de água à pressão
	Peça aplicada do tipo B
	Equipamento médico classificado pelo Underwriters Laboratories Inc. Relativamente a Choque elétrico, Incêndio e Perigos Mecânicos em conformidade apenas com a norma ANSI/AAMI ES60601-1:2005 e CAN/CSA-C22.2 No. 60601-1:08. *Para a opção Prime X , equipamento associado de equipamento radiológico IEC 60601-2-54
	Em conformidade com a Diretiva europeia 2012/19/UE relativa a resíduos de equipamentos elétricos e eletrónicos (REEE) conforme alterada, este símbolo indica que o produto deve ser recolhido em separado para reciclagem. Não elimine como resíduos urbanos não triados. Contacte o distribuidor local para informações sobre a eliminação. Assegure-se de que o equipamento infetado é descontaminado antes da reciclagem.
	Lubrificar
	Levantar por aqui
	Este lado para cima
	Manter seco
	Frágil, manusear com cuidado
	Limite de empilhamento em unidades

Índice

Definição de Advertência/Precaução/Nota	3
Resumo das precauções de segurança	3
Pontos de entalamento	6
Introdução	7
Descrição do produto	7
Indicações de utilização	7
Benefícios clínicos	8
Contraindicações	8
Vida útil prevista	8
Eliminação/reciclagem	8
Especificações	8
Ilustração do produto — Prime	11
Ilustração do produto — opção Prime X	12
Peças aplicadas — opção de estrutura da cama elétrica	13
Peças aplicadas — opção Prime X	13
Informações para contacto	14
Localização do número de série	14
Preparação	15
Funcionamento	16
Acionamento e desengate dos travões	16
Controlos base da opção Prime	17
Elevação da estrutura da cama não elétrica	17
Baixar a estrutura da cama não elétrica	17
Elevação da estrutura da cama elétrica opcional	18
Baixar a estrutura da cama elétrica opcional	18
Posicionamento do produto na posição de Trendelenburg	19
Posicionamento do produto na posição anti-Trendelenburg	19
Transportar um doente	19
Transportar um doente sem Big Wheel	20
Transportar um doente com a Big Wheel	21
Posicionamento ou armazenamento das pegas de empurrar da extremidade do lado da cabeça (opcionais)	21
Elevação da grade lateral	22
Baixar a grade lateral	23
Posicionamento do produto com o painel de controlo do doente na grade lateral — opção estrutura da cama elétrica — apenas Prime	23
Painel de controlo do operador — opção estrutura da cama elétrica — apenas Prime	24
Bloquear e desbloquear o painel de controlo do doente — opção de estrutura da cama elétrica — apenas Prime	25
Elevar ou baixar a cabeceira de Fowler — estrutura da cama não elétrica	25
Elevar ou baixar o apoio para costas da cabeceira de Fowler — estrutura da cama elétrica	26
Elevar ou baixar a plataforma articulada para os joelhos — estrutura da cama não elétrica — apenas Prime	27
Elevar ou baixar a plataforma articulada para os joelhos — opção estrutura da cama elétrica — apenas Prime	27
Posicionamento da cadeira de recuperação - apenas Prime	28
Armazenamento de objetos no compartimento da base	29
Suspender dispositivos com a opção de suporte da bomba	29
Alongamento ou recolha do cabo de alimentação com a bobina do cabo de alimentação retrátil opcional — sistema de elevação elétrico opcional ou estrutura da cama elétrica opcional	29
Sistema de balança opcional	30
Identificação dos ícones/botões da balança	31
Pesar um doente	31
Bloquear a unidade de medida da balança	32
Armar ou desarmar a opção Chaperone	32
Definição do padrão de alerta da opção Chaperone	32
Definição do volume de alerta da opção Chaperone	33
Carregamento da opção de bateria do sistema de balança — opção de estrutura da cama elétrica ou opção de estrutura da cama elétrica com opção Chaperone — apenas Prime	33
Substituição das pilhas do sistema de balança opcional — estrutura da cama não elétrica	33

Acessórios e peças	34
Fixação do tabuleiro do desfibrilhador	37
Conversão do tabuleiro do desfibrilhado/extensão para os pés num tabuleiro do desfibrilhador	38
Conversão do tabuleiro do desfibrilhador/extensão para os pés numa extensão para os pés	38
Fixação da placa para os pés/suporte de fichas clínicas	39
Fixação do suporte de soros	39
Posicionamento ou armazenamento dos apoios para os pés - apenas Prime	40
Posicionamento do suporte de soros de duas fases com fixação permanente	41
Posicionamento do suporte de soros de três etapas com fixação permanente	42
Fixação e posicionamento da haste do suporte de soros amovível	43
Fixação do suporte da botija de oxigénio vertical	44
Extensão ou armazenamento do tabuleiro de refeições/placa para os pés	44
Fixação das almofadas das grades laterais	45
Localização dos pontos de fixação das correias de contenção do doente	45
Posicionamento do suporte da cassete de raios X vertical — opção Prime X	45
Posicionamento do suporte da cassete de raios X lateral — apenas opção Prime X	47
Inserção ou remoção de cassetes de raios X — opção Prime X	47
Limpeza	49
Limpeza do produto	49
Limpeza do produto utilizando um dispositivo de lavagem de carrinhos cirúrgicos	49
Limpeza do colchão	50
Remoção do iodo	51
Instruções especiais	51
Desinfecção	52
Desinfecção do produto	52
Desinfecção do colchão	52
Manutenção preventiva	54
Informações de CEM	56

Definição de Advertência/Precaução/Nota

Os termos **ADVERTÊNCIA**, **PRECAUÇÃO** e **NOTA** possuem significados especiais aos quais se deve prestar a devida atenção.

ADVERTÊNCIA

Alerta o leitor para uma situação que, se não for evitada, pode resultar em morte ou lesões graves. Pode igualmente descrever possíveis reações adversas graves e perigos de segurança.

PRECAUÇÃO

Alerta o leitor para uma situação potencialmente perigosa que, se não for evitada, poderá resultar em lesões ligeiras ou moderadas no utilizador ou no doente, ou danos no equipamento ou noutros bens. Inclui os cuidados especiais necessários para uma utilização segura e eficaz do dispositivo, e os cuidados necessários para evitar a possibilidade de danos no dispositivo em resultado da utilização correta ou incorreta do mesmo.

Nota - Fornece informações especiais, que se destinam a facilitar a manutenção ou a clarificar instruções importantes.

Resumo das precauções de segurança

Leia sempre e cumpra com rigor as advertências e precauções indicadas nesta página. A assistência deve ser feita apenas por pessoal qualificado.

ADVERTÊNCIA

- Deixe sempre o produto atingir a temperatura ambiente antes de configurá-lo ou de testar se todas as operações estão funcionais. Poderão ocorrer danos permanentes no produto.
- Ponha sempre o produto a funcionar quando todos os operadores estiverem afastados dos mecanismos.
- Tenha sempre cuidado ao manusear o cabo de alimentação. Poderá ocorrer risco de enredamento, danos no cabo de alimentação ou potenciais perigos de choque. Se o cabo de alimentação estiver danificado, deixe de utilizar o produto de imediato e contacte o pessoal de manutenção adequado.
- Ligue sempre a ficha do produto diretamente a uma tomada elétrica de parede de grau hospitalar com ligação à terra. Só conseguirá fiabilidade da ligação à terra quando utilizar uma tomada de grau hospitalar. Este produto está equipado com uma ficha de grau hospitalar para proteção contra o perigo de choque elétrico.
- Acione sempre os travões quando um doente estiver a subir para o produto ou a sair dele ou quando o produto não estiver a ser movimentado. Podem ocorrer lesões se o produto se mover enquanto um doente estiver a subir para o produto ou a sair dele.
- Posicione sempre o doente no centro do produto.
- Quando deixar um doente sem supervisão no produto, coloque sempre o produto na posição de cadeira com as grades laterais para cima e trancadas. Não deixe o produto numa posição mais alta.
- Antes de elevar ou baixar a estrutura da cama, retire sempre quaisquer dispositivos que possam estar a impedir esse movimento.
- Não se sente na extremidade do produto. O produto poderá virar-se.
- Quando transportar um doente, bloqueie sempre as grades laterais na posição mais elevada com a superfície para dormir em posição horizontal e na posição mais baixa.
- Não transporte o produto lateralmente em inclinações superiores a 5,7 graus (classe 10%) para evitar que o produto vire.
- Tenha sempre precaução extra quando utilizar um colchão com mais de 2,5 pol. (6,35 cm) de espessura ou uma capa de colchão com a opção **Prime X**.
- Quando transportar um doente, bloqueie sempre as grades laterais na posição mais elevada com a superfície para dormir plana e na posição mais baixa.
- Mantenha sempre os membros do doente afastados do eixo da grade lateral quando elevar ou baixar a grade lateral.
- Não permita que as grades laterais baixem sozinhas.
- Mantenha sempre as mãos e os dedos afastados das pegas de desengate e da estrutura da cabeceira de Fowler quando estiver a baixar a cabeceira de Fowler.

- Tenha sempre precaução quando elevar a cabeceira de Fowler se estiver um doente no produto. Use técnicas de elevação adequadas e peça ajuda, se necessário.
- Mantenha sempre as mãos e os dedos afastados das pegas de empurrar da extremidade do lado dos pés quando baixar a plataforma articulada para os joelhos.
- Mantenha sempre as linhas do dispositivo no suporte da bomba afastadas das pegas da plataforma articulada para os joelhos.
- Certifique-se sempre de que os dispositivos no suporte da bomba podem passar em segurança através de vãos de portas.
- Não eleve o produto pelo suporte da bomba.
- Desligue sempre o cabo de alimentação da tomada elétrica de parede antes de transportar ou limpar o produto.
- Utilize sempre a bobina do cabo de alimentação retrátil para armazenar o cabo de alimentação dentro da base quando transportar o produto.
- Não utilize o sistema de balança opcional, o sistema de elevação elétrico opcional ou a estrutura da cama elétrica opcional em posição adjacente ou empilhada com outros dispositivos. Se a utilização em posição adjacente ou empilhada for necessária, deverá observar o sistema de balança opcional, o sistema de elevação elétrico opcional ou a estrutura da cama elétrica opcional para assegurar que todos os dispositivos estão a funcionar normalmente na configuração em que serão utilizados.
- Não coloque artigos que pesem mais de 30 lb (14 kg) no tabuleiro do desfibrilhador. Prenda sempre com correias todos os dispositivos que colocar no tabuleiro do desfibrilhador.
- Tenha sempre precaução se o tabuleiro do desfibrilhador/extensão para os pés, a placa para os pés/suporte de fichas clínicas ou o suporte da botija de oxigénio vertical estiverem presos para evitar entalar os dedos quando posicionar a pega de empurrar da extremidade do lado dos pés opcional.
- Não coloque artigos que pesem mais de 30 lb (14 kg) no tabuleiro do desfibrilhador/extensão para os pés. Prenda sempre com correias todos os dispositivos que colocar no tabuleiro do desfibrilhador.
- Fixe sempre o suporte de soros ao respetivo suporte durante o transporte do produto.
- Armazene sempre o suporte de soros quando não estiver a ser utilizado para evitar danos no produto.
- Não se sente nos apoios para os pés. Isto poderá fazer com que o produto se incline.
- Afaste sempre os seus dedos das mãos dos mecanismos quando operar os apoios para os pés.
- Guarde sempre os apoios para os pés quando transportar um doente com o produto.
- Aperte sempre os apoios para os pés antes de os utilizar.
- Não utilize o sistema de balança com os apoios para os pés. Podem ocorrer leituras inexatas.
- Não utilize a opção **Chaperone** com os apoios para os pés. Podem ocorrer leituras inexatas.
- Não utilize o suporte de soros para puxar/empurrar o produto. Poderão ocorrer danos no produto.
- Não coloque objetos com mais de 40 lb (18 kg) no suporte da botija de oxigénio vertical.
- Não coloque objetos com mais de 30 lb (14 kg) no tabuleiro de refeições.
- Tenha sempre precaução quando fixar as correias de contenção. Podem ocorrer lesões no doente ou no operador. Os dispositivos de contenção físicos, mesmo se estiverem fixos, podem causar lesões graves nos doentes e nos operadores, incluindo enredamento, entalamento, danos físicos ou mesmo a morte.
- Fixe sempre as correias ou os dispositivos de contenção somente nos pontos de fixação do produto identificados. Se não o fizer, poderá causar lesões no doente ou no operador. Não fixe as correias de contenção à grade lateral.
- Antes de utilizar uma correia ou um dispositivo de contenção, consulte sempre as restrições e os regulamentos nacionais e comunitários aplicáveis e os protocolos da unidade de saúde adequados.
- Tome sempre medidas de proteção quando utilizar o suporte da cassete de raios X vertical ou lateral. O suporte da cassete de raios X não protege contra radiação.
- Antes da utilização, consulte sempre as orientações locais, nacionais e comunitárias além dos protocolos de segurança das unidades de saúde, antes de utilizar a opção **Prime X** com dispositivos de emissão de radiação. Os dispositivos de emissão de radiação podem produzir radiação residual, dispersa ou difusa.
- Siga sempre as instruções de *Posicionamento do suporte da cassete de raios X vertical* — opção *Prime X* para inserir a cassete de raios X.
- Tenha sempre precaução quando tirar radiografias com a cabeceira de Fowler na posição vertical ou quando utilizar uma cassete lateral.
- Siga sempre as instruções de *Posicionamento do suporte da cassete de raios X lateral* — opção *Prime X* para inserir a cassete de raios X.
- Não proceda à limpeza, reparação ou manutenção enquanto o produto estiver a ser utilizado.

- Não mergulhe o colchão em soluções de limpeza nem em desinfetantes. O excesso de humidade pode provocar avaria do produto, que resulta em danos no produto ou lesões no doente.
 - Não permita a acumulação de fluidos no colchão. Os fluidos podem provocar a corrosão dos componentes e podem fazer com que a segurança e o desempenho deste produto sejam imprevisíveis.
 - Inspeção sempre as coberturas do colchão e verifique se apresentam rasgões, perfurações, desgaste excessivo e fechos mal alinhados cada vez que limpar as coberturas. Remova e substitua um colchão danificado para evitar a contaminação cruzada.
 - Não efetue limpeza com vapor, lavagem automática ou com água em spray nem limpeza ultrassónica dos colchões. Estes métodos de limpeza podem anular a garantia do produto.
 - Não efetue limpeza com vapor, com água em spray nem limpeza ultrassónica do produto. A utilização destes métodos de limpeza não é recomendada e pode anular a garantia do produto.
 - Desinfete sempre o colchão entre doentes. Se não o fizer, poderá originar contaminação cruzada e infeção.
-

PRECAUÇÃO

- A utilização inadequada do produto pode provocar lesões no doente ou no operador. Utilize o produto apenas conforme descrito neste manual.
- Não modifique o produto nem qualquer componente do mesmo. A modificação do produto poderá originar um funcionamento imprevisível, o que poderá provocar lesões no doente ou no operador. A modificação do produto também anula a garantia.
- Não utilize os componentes hidráulicos da base para elevar o produto com um sistema de elevação de doente debaixo do produto.
- Não acione o pedal de condução quando a **Big Wheel** estiver a pousada num patamar ou noutra área elevada. A força necessária para acionar a **Big Wheel** será superior ao normal, o que pode provocar danos no produto.
- A capacidade de peso da plataforma articulada para os joelhos é de 200 lb (90,7 kg).
- Certifique-se sempre de que o eixo de impulsão da plataforma articulada para os joelhos está bloqueado antes da utilização.
- Não se sente nem se apoie na plataforma articulada para os joelhos.
- Tenha sempre precaução quando tentar baixar a plataforma articulada para os joelhos enquanto o produto estiver desligado. A gravidade pode causar uma rápida descida da plataforma articulada para os joelhos.
- Não coloque objetos com mais de 60 lb (27 kg) no compartimento da base.
- Não se sente, pise nem encoste ao compartimento da base.
- A capacidade de peso do suporte da bomba é de 40 lb (18 kg).
- Não utilize o suporte da bomba como um dispositivo para empurrar/puxar. Poderão ocorrer danos no produto.
- Não utilize a balança para doentes com menos de cerca de 50 lb (22,7 kg).
- Não utilize a leitura do sistema de balança como referência para tratamento médico.
- Eleve sempre o suporte de soros antes de fixar o tabuleiro do desfibrilhador/extensão para os pés ao produto. Se não elevar o suporte de soros, a extensão para os pés não funcionará.
- Não utilize o suporte de soros para puxar/empurrar o produto. Poderão ocorrer danos no produto.
- Não pendure sacos de fluidos intravenosos que excedam 40 lb (18 kg) no suporte de soros.
- Certifique-se sempre de que, durante o transporte de um doente, o suporte de soros está numa posição baixa para que passe através de vãos de portas.
- Não use produtos de limpeza abrasivos para limpar a caixa do visor do sistema de balança opcional. Não permita a acumulação de soluções de limpeza ou outros líquidos na unidade do visor. Seque todas as superfícies após derrame ou limpeza.
- A utilização de acessórios, transdutores e cabos diferentes dos especificados ou fornecidos pelo fabricante pode resultar num aumento de emissões eletromagnéticas ou numa redução da imunidade eletromagnética e levar a um funcionamento incorreto.
- As características de emissões deste equipamento tornam-no adequado para utilização em áreas industriais e hospitalares (CISPR 11 classe A). Se for utilizada num ambiente residencial, para o qual normalmente é necessária a CISPR 11 classe B, este equipamento pode não oferecer uma adequada proteção a serviços de comunicação de radiofrequência. O utilizador poderá necessitar de tomar medidas de mitigação, tais como a realocação ou a reorientação do equipamento.
- Não utilize equipamento de comunicação por RF portátil, incluindo periféricos, como cabos de antena e antenas externas, a menos de 12 polegadas (30 cm) de qualquer componente da maca **Prime**, incluindo cabos especificados pelo fabricante.

- Evite empilhar ou colocar outro equipamento adjacente a outro equipamento para evitar o funcionamento inadequado dos produtos. Se tal utilização for necessária, observe cuidadosamente o equipamento empilhado ou adjacente para se certificar de que estejam a funcionar corretamente.

Pontos de entalamento



Figura 1 – Opção Prime X

Introdução

Este manual ajuda no funcionamento e manutenção do seu produto da Stryker. Leia este manual antes de utilizar ou proceder à manutenção deste produto. Defina métodos e procedimentos para educar e formar a sua equipa no que diz respeito ao funcionamento ou manutenção seguros deste produto.

PRECAUÇÃO

- A utilização inadequada do produto pode provocar lesões no doente ou no operador. Utilize o produto apenas conforme descrito neste manual.
 - Não modifique o produto nem qualquer componente do mesmo. A modificação do produto poderá originar um funcionamento imprevisível, o que poderá provocar lesões no doente ou no operador. A modificação do produto também anula a garantia.
-

Nota

- Este manual deve ser considerado uma parte permanente do produto e deve ser guardado juntamente com o produto, mesmo que este seja vendido.
- A Stryker procura continuamente avanços no design e na qualidade do produto. Este manual contém as informações mais atuais sobre o produto disponíveis no momento da impressão. Poderão existir pequenas discrepâncias entre o seu produto e este manual. Se tiver alguma questão, contacte o Serviço de Apoio ao Cliente ou a Assistência Técnica da Stryker através do número de telefone +1-800-327-0770.

Descrição do produto

A maca **Prime Series**® modelo 1115 da Stryker com **Big Wheel**® é um dispositivo com rodas que consiste numa plataforma montada numa estrutura com rodas para apoiar doentes em posição horizontal. Uma maca fornece um meio de transporte de doentes dentro de uma unidade de saúde por profissionais de saúde ou representantes da unidade de saúde que tenham recebido formação. A maca **Prime Series** modelo 1115 da Stryker com **Big Wheel** diminui a força inicial e o esforço de condução para reduzir o desgaste físico.

Indicações de utilização

A maca **Prime Series** com **Big Wheel** possui duas rodas grandes que reduzem a força inicial necessária para movimentar a maca.

A maca **Prime Series** pode ser utilizada como uma plataforma de avaliação clínica, tratamentos, pequenas intervenções e recuperação de doentes externos por um período de curta duração. A maca pode ser utilizada, entre outros, em:

- Serviço de urgência (SU)
- Área de trauma
- Unidade de cuidados pós-anestésicos (UCPA)

A maca **Prime Series** pode ser utilizada para pequenas intervenções e internamentos de curta duração (tratamento e recuperação). Consulte as condições ambientais pretendidas na tabela de especificações.

A maca **Prime Series** da Stryker não foi avaliada quanto à conformidade com a norma da cama BS EN 50637. Este produto não se destina a utilização em estadias de curto prazo de doentes pediátricos ou adultos com anatomia atípica, em mercados que reconhecem este padrão de cama para autorização do mercado

A maca **Prime Series** não se destina a ser utilizada no tratamento e na recuperação de doentes em internamento de longa duração.

A maca **Prime Series** tem uma carga de trabalho segura até 700 lb (318 kg) e destina-se a ser utilizada para todos os doentes, incluindo doentes ligeiros a críticos. A maca também pode ser utilizada para o transporte de doentes falecidos numa unidade de saúde.

A opção **Prime X**® fornece uma superfície de apoio do doente, radiográfica e articulada, e uma plataforma abaixo da superfície de apoio do doente para a colocação de cassetes de raios X. A opção **Prime X** destina-se a permitir a captura

de radiografias clínicas (vista AP de todo o corpo, vista lateral de todo o corpo opcional e vista torácica vertical opcional) quando utilizada em conjunto com um sistema radiográfico médico.

Benefícios clínicos

Transporte de doentes, facilitação do tratamento e diagnóstico

Contraindicações

Não se recomenda a utilização da opção **Prime X** com um colchão com espessura superior a quatro polegadas (10 cm).

A opção **Prime X** não é compatível para utilização com um braço em “C”.

A opção **Prime X** destina-se a utilização em todos os estabelecimentos exceto em cuidados de saúde domiciliários, habitações e estabelecimentos diretamente ligados à rede elétrica pública de baixa tensão que fornece energia a edifícios de habitação.



Vida útil prevista

As macas **Prime Series** e **Prime Series** com a opção **Prime X** têm uma vida útil prevista de 10 anos em condições normais de utilização e com manutenção periódica adequada.

Eliminação/reciclagem

Siga sempre as recomendações e/ou os regulamentos locais em vigor que determinam a proteção ambiental e os riscos associados à reciclagem ou à eliminação do equipamento no fim da sua vida útil.

Especificações

	Prime Series 26 pol. (66 cm) de largura		Prime Series 30 pol. (76 cm) de largura Pacotes Prime Series HT		Opção Prime X, 30 pol. (76 cm) de largura	
 Nota - A carga de trabalho segura indica o peso total do doente, do colchão e dos acessórios.	700 lb	318 kg	700 lb	318 kg	700 lb	318 kg
 Peso máximo do doente	675 lb	306 kg	675 lb	306 kg	675 lb	306 kg
Comprimento total	85 pol. (± 0,5 pol.)	215,9 cm	85 pol. (± 0,5 pol.)	215,9 cm	85 pol. (± 0,5 pol.)	215,9 cm
Comprimento total (extensão da estrutura da cama opcional)	89,9 pol. (± 0,75 pol.)	228,3 cm	89,9 pol. (± 0,75 pol.)	228,3 cm	N/A	N/A

	Prime Series 26 pol. (66 cm) de largura		Prime Series 30 pol. (76 cm) de largura Pacotes Prime Series HT		Opção Prime X, 30 pol. (76 cm) de largura	
Largura total (com as grades laterais para cima)	34 pol. (± 1 pol.)	86,4 cm	38 pol. (± 1 pol.)	96,5 cm	38 pol. (± 1 pol.)	96,5 cm
Largura total (com as grades laterais para baixo)	30,25 pol. ($\pm 0,5$ pol.)	76,8 cm	30,5 pol. ($\pm 0,5$ pol.)	77,5 cm	30,5 pol. ($\pm 0,5$ pol.)	77,5 cm
Altura mínima	20,75 pol.	52,7 cm	20,75 pol.	52,7 cm	23,25 pol.	59,1 cm
Altura máxima	34 pol. (± 1 pol.)	86,4 cm	34 pol. (± 1 pol.)	86,4 cm	36,5 pol. (± 1 pol.)	92,7 cm
Ângulo da cabeceira de Fowler	0° a 90° ($\pm 5^\circ$)					
Altura da plataforma articulada para os joelhos	5,5 pol. (14 cm) mínimo				Não aplicável	
Posição de Trendelenburg/anti-Trendelenburg	+17° a -17° ($\pm 3^\circ$)					
Espaço livre mínimo	2,5 pol., nominal	6,4 cm	2,5 pol., nominal	6,4 cm	2,5 pol., nominal	6,4 cm
	1,75 pol. sob os macacos hidráulicos	4,5 cm	1,75 pol. sob os macacos hidráulicos	4,5 cm	1,75 pol. sob os macacos hidráulicos	4,5 cm
	1 pol. sob a Big Wheel	2,5 cm	1 pol. sob a Big Wheel	2,5 cm	1 pol. sob a Big Wheel	2,5 cm
Equivalente de atenuação (equivalente a alumínio)	Não aplicável				O valor máximo permitido é 1,7 mm Al	
Intervalo de pesos de funcionamento do sistema de balança opcional	50 lb (22,7 kg) a 700 lb (318 kg)					
Exatidão do sistema de balança opcional	± 3 lb (1,3 kg) para peso inferior a 100 lb (45 kg) e $\pm 3\%$ para peso igual ou superior a 100 lb (45 kg) *					
*Para estar em conformidade com a declaração de precisão do sistema de balança, a superfície do doente tem de estar em posição plana (apoio para as costas da cabeceira de Fowler e plataforma articulada para os joelhos para baixo) e o produto não pode exceder 5° da posição de Trendelenburg/anti-Trendelenburg.						

Opções elétricas	Estrutura da cama elétrica opcional (disponível apenas na opção Prime)	Sistema de elevação elétrico opcional (disponível nas opções Prime e Prime X)
Requisitos elétricos	120 V CA, 60 Hz, 10 A 240 V CA, 50 Hz/60 Hz, 5 A	120 V CA, 60 Hz, 10 A 240 V CA, 50 Hz/60 Hz, 5 A
Ciclo de trabalho	Funcionamento contínuo com carregamento intermitente, 1 min. ligado-20 min. desligado	Funcionamento contínuo com carregamento intermitente, 1 min. ligado-20 min. desligado

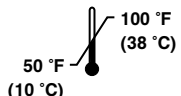
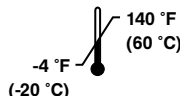
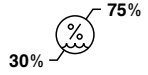
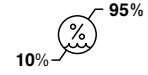
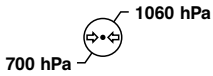
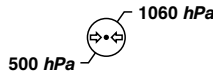
Sistema de balança opcional	Estrutura da cama não elétrica (disponível nas opções Prime e Prime X)	Sistema de elevação elétrico opcional (disponível nas opções Prime e Prime X)
Tipo de pilha/bateria	4 x pilhas/baterias AA (4 x 1,5 V CC) tipo alcalino (LR6)	4 x pilhas/baterias AA (4 x 1,5 V CC) tipo alcalino (LR6)
Tensão da pilha/bateria	6,0 V CC	6,0 V CC

Sistema de balança opcional	Estrutura da cama elétrica opcional (disponível apenas na opção Prime)	Sistema de elevação elétrico opcional
Tipo de pilha/bateria	1 bateria recarregável de íões de lítio (0058-135-000)	Não aplicável
Tensão da pilha/bateria	10,8 V CC, 2,4 Ah	Não aplicável

Sistema de balança opcional com Chaperone® (saída da maca)	Estrutura da cama elétrica opcional (disponível apenas na opção Prime)	Sistema de elevação elétrico opcional
Tipo de pilha/bateria	1 bateria recarregável de íões de lítio (0058-134-000)	Não aplicável
Tensão da pilha/bateria	10,8 V CC, 4,8 Ah	Não aplicável

A Stryker reserva-se o direito de alterar as especificações sem aviso prévio.

Nota - Este produto não é adequado para utilização na presença de misturas anestésicas inflamáveis com ar ou com oxigénio ou óxido nitroso.

Condições ambientais	Funcionamento	Armazenamento e transporte
Temperatura		
Humidade relativa		
Pressão atmosférica		

Nota - O intervalo de temperaturas de funcionamento do sistema de balança opcional (opção de estrutura de cama não-elétrica/elétrica) é de 61 °F (16 °C) a 79 °F (26 °C).

As especificações indicadas são aproximadas e podem variar ligeiramente de produto para produto ou devido a flutuações da corrente elétrica.

Ilustração do produto — Prime

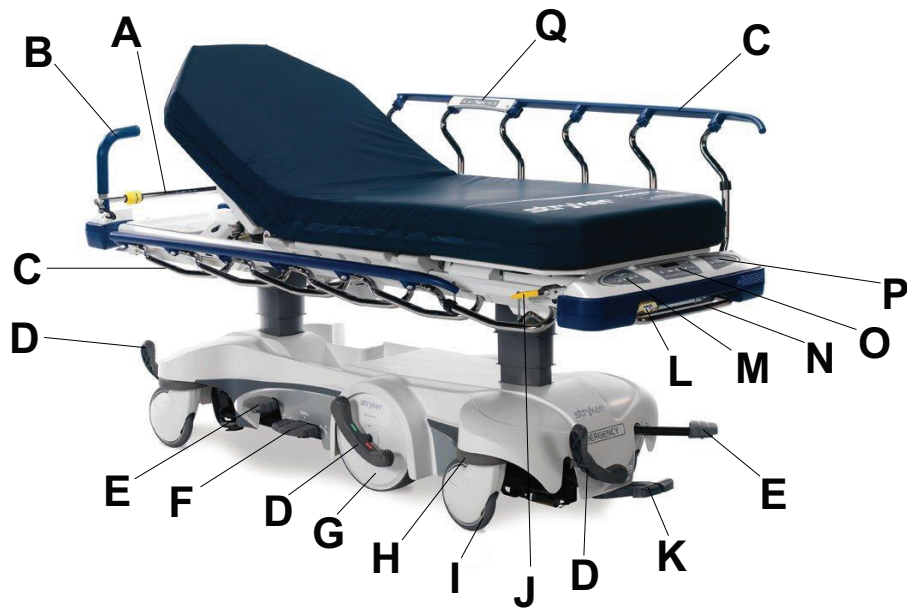


Figura 2 – Prime

A	Haste do suporte de soros	J	Trinco da grade lateral
B	Opção de pegas de empurrar pop up BackSmart® , opcional	K	Pedal de desengate hidráulico
C	BackSmart grade lateral	L	Pega de libertação da plataforma articulada para os joelhos
D	Pedal de travagem/condução	M	Painel de controlo do operador BackSmart da extremidade do lado dos pés
E	Pedal de bombeamento	N	Suporte da bomba, opcional
F	Pedal unitário para baixar	O	Sistema de balança BackSmart , opcional
G	Big Wheel	P	Bloqueio do painel de controlo do doente, opcional
H	Para-choques, integrados	Q	Painel de controlo do doente da grade lateral, opcional
I	Rodízio com cobertura das roda integrada		

Ilustração do produto — opção Prime X



Figura 3 – Opção Prime X

A	Opção de pegas de empurrar pop up BackSmart® , opcional	H	Pedal unitário para baixar
B	Haste do suporte de soros	I	Para-choques, integrados
C	Tabuleiro de cassete	J	Rodízio com cobertura das roda integrada
D	Superfície do doente com plataforma Clearview Technology®	K	Trinco da grade lateral
E	BackSmart grade lateral	L	Suporte da bomba, opcional
F	Pedal de controlo da travagem/condução	M	Sistema de balança BackSmart , opcional
G	Pedal de bombeamento		

Peças aplicadas — opção de estrutura da cama elétrica



Figura 4 – Peças aplicadas do tipo B — opção de estrutura da cama elétrica

Peças aplicadas — opção Prime X



Figura 5 – Peças aplicadas do tipo B — opção Prime X

Informações para contacto

Contacte o Serviço de Apoio ao Cliente ou a Assistência Técnica da Stryker, através do número: 1-800-327-0770.

Stryker Medical
3800 E. Centre Avenue
Portage, MI 49002
EUA

Nota - O utilizador e/ou o doente deve(m) comunicar qualquer incidente grave relacionado com o produto, tanto ao fabricante como à autoridade competente do estado membro europeu em que o utilizador e/ou paciente esteja(m) estabelecido(s).

Para consultar o manual de operações ou manutenção online, vá a <https://techweb.stryker.com/>.

Tenha o número de série (A) do seu produto da Stryker à mão quando telefonar para o Serviço de Apoio ao Cliente ou Assistência Técnica da Stryker. Inclua o número de série em toda a comunicação escrita.

Localização do número de série

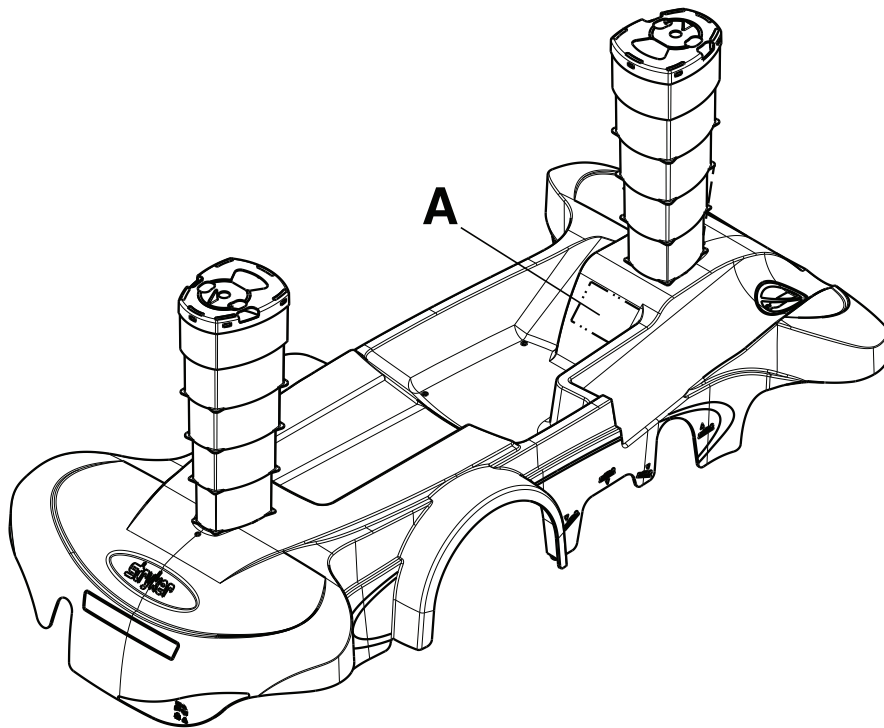


Figura 6 – Localização do número de série

Preparação

Para desembalar o produto, consulte as instruções de desembalagem anexas ao produto no interior da caixa de transporte.

ADVERTÊNCIA

- Deixe sempre o produto atingir a temperatura ambiente antes de configurá-lo ou de testar se todas as operações estão funcionais. Poderão ocorrer danos permanentes no produto.
 - Ponha sempre o produto a funcionar quando todos os operadores estiverem afastados dos mecanismos.
 - Tenha sempre cuidado ao manusear o cabo de alimentação. Poderá ocorrer risco de enredamento, danos no cabo de alimentação ou potenciais perigos de choque. Se o cabo de alimentação estiver danificado, deixe de utilizar o produto de imediato e contacte o pessoal de manutenção adequado.
 - Ligue sempre a ficha do produto diretamente a uma tomada elétrica de parede de grau hospitalar com ligação à terra. Só conseguirá fiabilidade da ligação à terra quando utilizar uma tomada de grau hospitalar. Este produto está equipado com uma ficha de grau hospitalar para proteção contra o perigo de choque elétrico.
-

Certifique-se de que o produto funciona antes de o colocar em manutenção.

1. Acione o travão. Empurre o produto para se certificar de que os quatro rodízios estão travados.
2. Solte o travão. Empurre o produto para se certificar de que todos os quatro rodízios estão destravados.
3. Eleve e baixe a estrutura da cama com o sistema de elevação hidráulico.
4. Eleve o produto até à posição mais elevada e coloque-o na posição de Trendelenburg (consulte *Posicionamento do produto na posição de Trendelenburg* (página 19)). Certifique-se de que a extremidade do lado da cabeça baixa até à posição mais baixa possível.
5. Eleve o produto até à posição mais elevada e coloque-o na posição anti-Trendelenburg (consulte *Posicionamento do produto na posição anti-Trendelenburg* (página 19)). Certifique-se de que a extremidade do lado dos pés baixa até à posição mais baixa possível.
6. Acione a **Big Wheel** e certifique-se de que está a funcionar.
7. Certifique-se de que as grades laterais se elevam, baixam e ficam bloqueadas na devida posição.
8. Eleve e baixe o apoio para as costas da cabeceira de Fowler (extremidade do lado da cabeça).
9. Eleve e baixe a plataforma articulada para os joelhos manual (extremidade do lado dos pés).

No caso do produto com opção de sistema de elevação elétrico ou estrutura da cama elétrica:

1. Execute a lista de verificação da preparação anterior.
2. Ligue a ficha do produto a uma tomada elétrica de parede de grau hospitalar com ligação à terra. Certifique-se de que as luzes LED se acendem no teclado de bloqueio.
3. Certifique-se de que todas as funções no painel de controlo do doente opcional na grade lateral funcionam.
4. Certifique-se de que todas as funções no painel de controlo do operador opcional da extremidade do lado dos pés funcionam.
5. Eleve e baixe o apoio para as costas da cabeceira de Fowler elétrica (extremidade do lado da cabeça).
6. Eleve e baixe a plataforma articulada para os joelhos elétrica (extremidade do lado dos pés).

No caso do produto com sistema de balança opcional-estrutura da cama elétrica opcional (com ou sem a opção de **Chaperone**):

1. Execute a lista de verificação da preparação anterior.
2. Carregue as pilhas (*Carregamento da opção de bateria do sistema de balança — opção de estrutura da cama elétrica ou opção de estrutura da cama elétrica com opção Chaperone — apenas Prime* (página 33)).

Funcionamento

Acionamento e desengate dos travões

ADVERTÊNCIA - Acione sempre os travões quando um doente estiver a subir para o produto ou a sair dele ou quando o produto não estiver a ser movimentado. Podem ocorrer lesões se o produto se mover enquanto um doente estiver a subir para o produto ou a sair dele.

Para acionar os travões, carregue no lado de travagem (vermelho) do pedal de travagem/condução. Empurre o produto para se certificar de que o travão funciona.

Para soltar os travões, carregue no lado de condução (verde) do pedal de travagem/condução.

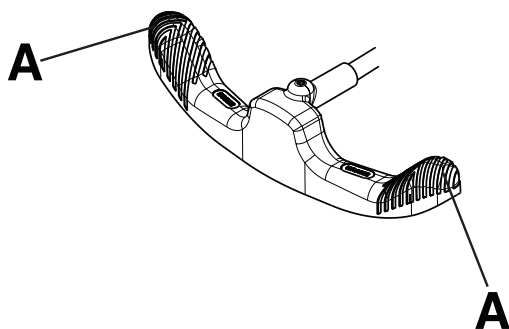


Figura 7 – Funcionamento do pedal de travagem/condução

Nota - Não carregue no centro do pedal de travagem/condução. Carregue sempre para baixo no lado exterior (A) do pedal de travagem/condução (Figura 7).

Controlos base da opção Prime

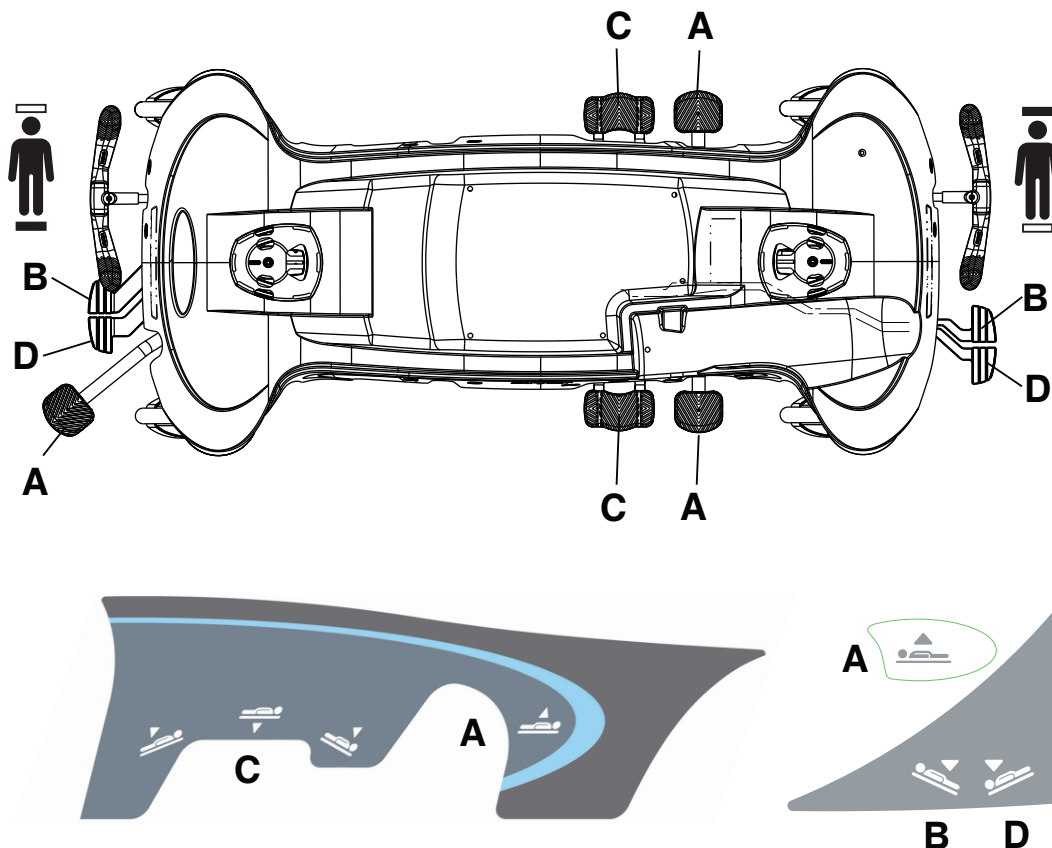


Figura 8 – Controlos e etiqueta da base Prime

Elevação da estrutura da cama não elétrica

ADVERTÊNCIA

- Posicione sempre o doente no centro do produto.
- Quando deixar um doente sem supervisão no produto, coloque sempre o produto na posição de cadeira com as grades laterais para cima e trancadas. Não deixe o produto numa posição mais alta.
- Antes de elevar ou baixar a estrutura da cama, retire sempre quaisquer dispositivos que possam estar a impedir esse movimento.
- Não se sente na extremidade do produto. O produto poderá virar-se.

PRECAUÇÃO - Não utilize os componentes hidráulicos da base para elevar o produto com um sistema de elevação de doente debaixo do produto.

Para elevar a estrutura da cama, carregue no pedal de bombeamento (A) até chegar à altura pretendida (*Controlos base da opção Prime* (página 17)).

Baixar a estrutura da cama não elétrica

ADVERTÊNCIA

- Posicione sempre o doente no centro do produto.
- Quando deixar um doente sem supervisão no produto, coloque sempre o produto na posição de cadeira com as grades laterais para cima e trancadas. Não deixe o produto numa posição mais alta.

- Antes de elevar ou baixar a estrutura da cama, retire sempre quaisquer dispositivos que possam estar a impedir esse movimento.
 - Não se sente na extremidade do produto. O produto poderá virar-se.
-

PRECAUÇÃO - Não utilize os componentes hidráulicos da base para elevar o produto com um sistema de elevação de doente debaixo do produto.

Para baixar toda a estrutura da cama, carregue no centro do pedal unitário para baixar (C) (*Controlos base da opção Prime* (página 17)).

Para baixar a extremidade do lado da cabeça da estrutura da cama, carregue no pedal (B) ou no lado do pedal uni-lower para baixar (C) mais próximo da extremidade do lado da cabeça do produto.

Para baixar a extremidade do lado dos pés da estrutura da cama, carregue no pedal da extremidade do lado dos pés (C) ou no lado do pedal unitário para baixar (D) mais próximo da extremidade do lado dos pés do produto.

Elevação da estrutura da cama elétrica opcional

ADVERTÊNCIA

- Posicione sempre o doente no centro do produto.
 - Quando deixar um doente sem supervisão no produto, coloque sempre o produto na posição de cadeira com as grades laterais para cima e trancadas. Não deixe o produto numa posição mais alta.
 - Antes de elevar ou baixar a estrutura da cama, retire sempre quaisquer dispositivos que possam estar a impedir esse movimento.
 - Não se sente na extremidade do produto. O produto poderá virar-se.
-

PRECAUÇÃO - Não utilize os componentes hidráulicos da base para elevar o produto com um sistema de elevação de doente debaixo do produto.

Para elevar a estrutura da cama elétrica, carregue no pedal de bombeamento (A) até chegar à altura pretendida (*Controlos base da opção Prime* (página 17)).

Baixar a estrutura da cama elétrica opcional

ADVERTÊNCIA

- Posicione sempre o doente no centro do produto.
 - Quando deixar um doente sem supervisão no produto, coloque sempre o produto na posição de cadeira com as grades laterais para cima e trancadas. Não deixe o produto numa posição mais alta.
 - Antes de elevar ou baixar a estrutura da cama, retire sempre quaisquer dispositivos que possam estar a impedir esse movimento.
 - Não se sente na extremidade do produto. O produto poderá virar-se.
-

PRECAUÇÃO - Não utilize os componentes hidráulicos da base para elevar o produto com um sistema de elevação de doente debaixo do produto.

Para baixar toda a estrutura da cama elétrica, carregue no centro do pedal unitário para baixar (C) (*Controlos base da opção Prime* (página 17)).

Para baixar a extremidade do lado da cabeça da estrutura da cama, carregue no pedal (B) ou carregue no lado do pedal unitário para baixar (C) mais próximo da extremidade do lado da cabeça do produto.

Para baixar a extremidade do lado dos pés da estrutura da cama, carregue no pedal (D) ou carregue no lado do pedal unitário para baixar (C) mais próximo da extremidade do lado dos pés do produto.

Posicionamento do produto na posição de Trendelenburg

ADVERTÊNCIA - Antes de elevar ou baixar a estrutura da cama, retire sempre quaisquer dispositivos que possam estar a impedir esse movimento.

PRECAUÇÃO - Não utilize os componentes hidráulicos da base para elevar o produto com um sistema de elevação de doente debaixo do produto.

Para posicionar o produto na posição de Trendelenburg (cabeça para baixo), eleve a estrutura da cama até à posição mais alta (*Elevação da estrutura da cama não elétrica* (página 17) ou *Elevação da estrutura da cama elétrica opcional* (página 18)).

Nota - Eleve a estrutura da cama até à posição mais alta para um maior ângulo da posição de Trendelenburg.

Para baixar a extremidade do lado da cabeça do produto, carregue no pedal de desengate da extremidade do lado da cabeça ou do lado dos pés (D) ou carregue no lado do pedal unitário para baixar (C) mais próximo da extremidade do lado da cabeça (*Controlos base da opção Prime* (página 17)).

Para baixar o produto a partir da posição de Trendelenburg, carregue nos pedais de desengate das extremidades do lado da cabeça e do lado dos pés (B e D) ao mesmo tempo ou carregue no centro do pedal unitário para baixar (C) até a estrutura da cama estar plana.

Posicionamento do produto na posição anti-Trendelenburg

ADVERTÊNCIA - Antes de elevar ou baixar a estrutura da cama, retire sempre quaisquer dispositivos que possam estar a impedir esse movimento.

PRECAUÇÃO - Não utilize os componentes hidráulicos da base para elevar o produto com um sistema de elevação de doente debaixo do produto.

Para posicionar o produto na posição anti-Trendelenburg (pés para baixo), eleve a estrutura da cama até à posição mais alta (*Elevação da estrutura da cama não elétrica* (página 17) ou *Elevação da estrutura da cama elétrica opcional* (página 18)).

Nota - Eleve a estrutura da cama até à posição mais alta para um maior ângulo da posição de Trendelenburg.

Para baixar a extremidade do lado dos pés do produto, carregue no pedal de desengate da extremidade do lado da cabeça ou do lado dos pés (B) ou carregue no lado do pedal unitário para baixar (C) mais próximo da extremidade do lado dos pés (*Controlos base da opção Prime* (página 17)).

Para baixar o produto a partir da posição anti-Trendelenburg, carregue nos pedais de desengate das extremidades do lado da cabeça e do lado dos pés (B e D) ao mesmo tempo ou carregue no centro do pedal unitário para baixar (C) até a estrutura da cama estar plana.

Transportar um doente

ADVERTÊNCIA

- Posicione sempre o doente no centro do produto.
 - Quando transportar um doente, bloqueie sempre as grades laterais na posição mais elevada com a superfície para dormir em posição horizontal e na posição mais baixa.
 - Não transporte o produto lateralmente em inclinações superiores a 5,7 graus (classe 10%) para evitar que o produto vire.
-

Para transportar um doente:

1. Eleve as grades laterais até à posição mais elevada. Puxe a grade lateral para se certificar de que ficou trancada.

2. Baixe a estrutura da cama até à posição mais baixa.
3. Desligue o cabo de alimentação da tomada elétrica se o produto estiver equipado com a opção de sistema de elevação elétrico ou de estrutura da cama elétrica.
4. Empurre o lado de condução (verde) do pedal de travagem/condução.
5. Utilize as pegas de empurrar para empurrar o produto.
6. Acione os travões para imobilizar o produto.

Nota - Certifique-se sempre de que solta o travão antes de tentar mover o produto, para evitar lesões no operador ou no doente.

Transportar um doente sem Big Wheel

ADVERTÊNCIA

- Posicione sempre o doente no centro do produto.
- Quando transportar um doente, bloqueie sempre as grades laterais na posição mais elevada com a superfície para dormir em posição horizontal e na posição mais baixa.

Para transportar um doente sem **Big Wheel**:

1. Coloque o pedal de travagem/condução (A) na posição neutra (Figura 9).

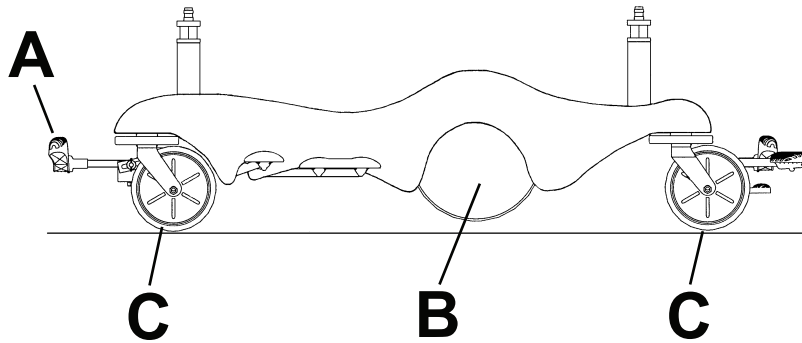


Figura 9 – Transportar sem a Big Wheel

2. Baixe a estrutura da cama até à posição mais baixa.
3. Apenas para o modelo 1125, certifique-se de que o interruptor On/Drive-Off/Manual (Ligar/Acionar-Desligar/Manual) está na posição desligada.
4. Desligue o cabo de alimentação da tomada elétrica de calibre hospitalar se o seu produto estiver equipado com a opção de sistema de elevação elétrico ou de estrutura da cama elétrica.
5. Utilize as pegas de empurrar para empurrar o produto.
6. Acione os travões para imobilizar o produto.

Nota

- Certifique-se sempre de que solta o travão antes de tentar mover o produto, para evitar lesões no operador ou no doente.
- Com o produto na posição neutra, a **Big Wheel** (B) está elevada e o produto fica assente nos quatro rodízios (C) (Figura 9). Nesta posição, pode mover o produto em qualquer direção, incluindo lateralmente.

Transportar um doente com a Big Wheel

ADVERTÊNCIA

- Posicione sempre o doente no centro do produto.
- Quando transportar um doente, bloqueie sempre as grades laterais na posição mais elevada com a superfície para dormir em posição horizontal e na posição mais baixa.

PRECAUÇÃO - Não acione o pedal de condução quando a **Big Wheel** estiver em repouso num patamar ou noutra área elevada. A força necessária para acionar a **Big Wheel** será superior ao normal, o que poderá provocar danos no produto.

Para transportar um doente com **Big Wheel**:

1. Eleve as grades laterais até à posição mais elevada. Puxe cada uma das grades laterais para se certificar de que estão trancadas.
2. Baixe a estrutura da cama até à posição mais baixa.
3. Apenas para o modelo 1125, certifique-se de que o interruptor On/Drive-Off/Manual (Ligar/Acionar-Desligar/Manual) está na posição desligada.
4. Desligue o cabo de alimentação da tomada elétrica de calibre hospitalar se o seu produto estiver equipado com a opção de sistema de elevação elétrico ou de estrutura da cama elétrica.
5. Ponha o pedal de travagem/condução (A) na posição de condução (Figura 10).

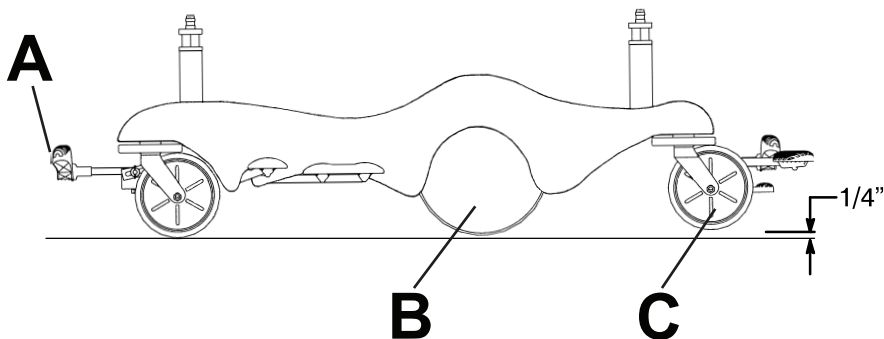


Figura 10 – Transportar um doente com Big Wheel

6. Utilize as pegas de empurrar para empurrar o produto.
7. Acione os travões para imobilizar o produto.

Nota

- Certifique-se sempre de que solta o travão antes de tentar mover o produto. Se tentar mover o produto com os travões acionados, poderá causar lesões no operador ou no doente.
- A **Big Wheel** (B) não gira. Não pode mover o produto lateralmente quando aciona a **Big Wheel**.
- Quando aciona a **Big Wheel** (B), o produto é elevado e os rodízios da extremidade do lado dos pés (C) são elevados. O produto fica assente nos rodízios da extremidade do lado da cabeça e na **Big Wheel**, fazendo com que seja mais fácil direcionar o produto (Figura 10).

Posicionamento ou armazenamento das pegas de empurrar da extremidade do lado da cabeça (opcionais)

Para posicionar ou guardar as pegas de empurrar da extremidade do lado da cabeça:

1. Gire as pegas (A) para cima a partir da extremidade do lado da cabeça do produto (Figura 11).
2. Empurre as pegas para baixo para as bloquear na devida posição.

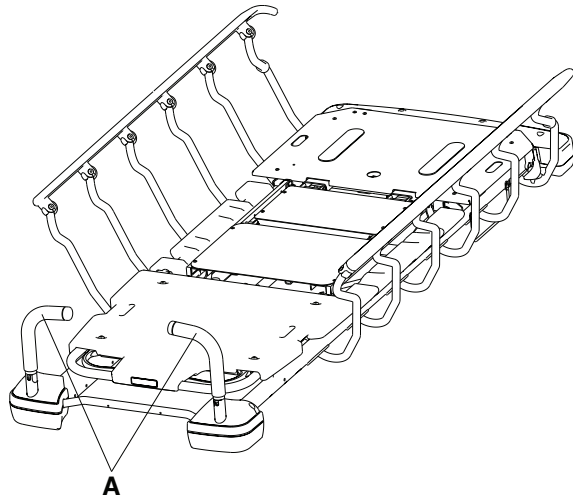


Figura 11 – Posicionamento das pegas de empurrar da extremidade do lado da cabeça

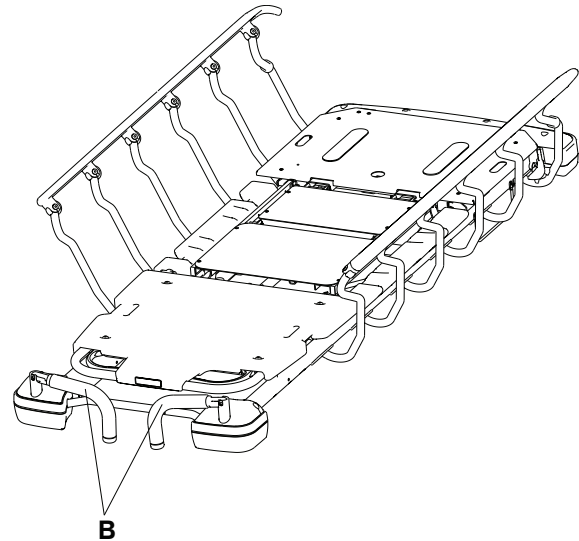


Figura 12 – Armazenamento das pegas de empurrar da extremidade do lado da cabeça

- Inverta a ordem dos passos para guardar as pegas de empurrar da extremidade do lado da cabeça (B) (Figura 12).

Nota - Utilize apenas as pegas de empurrar como dispositivos para empurrar ou puxar, a não ser que o contrário seja especificado para evitar danos no produto.

Elevação da grade lateral

ADVERTÊNCIA

- Tenha sempre precaução extra quando utilizar um colchão com mais de 2,5 pol. (6,35 cm) de espessura ou uma capa de colchão com a opção **Prime X**.
- Quando deixar um doente sem supervisão no produto, coloque sempre o produto na posição de cadeira com as grades laterais para cima e trancadas. Não deixe o produto numa posição mais alta.
- Quando transportar um doente, bloqueie sempre as grades laterais na posição mais elevada com a superfície para dormir plana e na posição mais baixa.
- Mantenha sempre os membros do doente afastados do eixo da grade lateral quando elevar ou baixar a grade lateral.
- Não permita que as grades laterais baixem sozinhas.

Para elevar a grade lateral:

1. Agarre na grade lateral com as duas mãos.
2. Eleve a grade lateral em direção à extremidade do lado dos pés do produto até o trinco de desengate amarelo fazer um clique ao encaixar na posição certa. Puxe a grade lateral para se certificar de que ficou trancada na devida posição.

Nota

- Existe uma opção de trinco de desengate duplo da grade lateral disponível com trincos em ambas as extremidades do produto.
- Não utilize as grades laterais como um dispositivo de contenção para impedir que o doente saia do produto. As grades laterais impedem o doente de rolar para fora do produto. O operador tem de determinar o grau de contenção necessário para se certificar de que o doente está em segurança.
- Pode utilizar a extremidade do lado dos pés das grades laterais como um dispositivo para empurrar/puxar.
- As grades laterais apenas ficam bloqueadas na posição mais elevada.

Baixar a grade lateral

ADVERTÊNCIA

- Tenha sempre precaução extra quando utilizar um colchão com mais de 2,5 pol. (6,35 cm) de espessura ou uma capa de colchão com a opção **Prime X**.
 - Quando deixar um doente sem supervisão no produto, coloque sempre o produto na posição de cadeira com as grades laterais para cima e trancadas. Não deixe o produto numa posição mais alta.
 - Quando transportar um doente, bloqueie sempre as grades laterais na posição mais elevada com a superfície para dormir plana e na posição mais baixa.
 - Mantenha sempre os membros do doente afastados do eixo da grade lateral quando elevar ou baixar a grade lateral.
 - Não permita que as grades laterais baixem sozinhas.
-

Para baixar a grade lateral:

1. Agarre na grade lateral com uma mão.
2. Com a outra mão puxe o trinco de desengate amarelo para cima.
3. Levante e guie a grade lateral em direção à extremidade do lado da cabeça do produto até o trinco de desengate amarelo fazer um clique ao encaixar na posição certa. Puxe a grade lateral para se certificar de que ficou trancada na devida posição.

Nota

- Existe uma opção de trinco de desengate duplo da grade lateral disponível com trincos em ambas as extremidades do produto.
- Não utilize as grades laterais como um dispositivo de contenção para impedir que o doente saia do produto. As grades laterais impedem o doente de rolar para fora do produto. O operador tem de determinar o grau de contenção necessário para se certificar de que o doente está em segurança.
- Pode utilizar a extremidade do lado dos pés das grades laterais como um dispositivo para empurrar/puxar.
- As grades laterais apenas ficam bloqueadas na posição mais elevada.

Posicionamento do produto com o painel de controlo do doente na grade lateral — opção estrutura da cama elétrica — apenas Prime

ADVERTÊNCIA - Ponha sempre o produto a funcionar quando todos os operadores estiverem afastados dos mecanismos.

Utilize o painel de controlo do doente na grade lateral para posicionar a cabeceira de Fowler e a plataforma articulada para os joelhos (Figura 13).

Os profissionais de saúde têm de instruir os doentes a operar os controlos do doente.

Nota

- Ligue sempre o cabo de alimentação diretamente a uma tomada elétrica de parede com ligação à terra de grau hospitalar.
- O painel de controlo do doente na grade lateral está sobreposto em cada um dos lados do produto para facilitar o acesso por parte do doente.
- Cada grade lateral tem controlos retroiluminados para permitir que o doente posicione a cabeceira de Fowler e a plataforma articulada para os joelhos. Quando o produto for ligado à corrente elétrica e o painel de controlo do doente estiver desbloqueado, os botões brancos acendem-se.

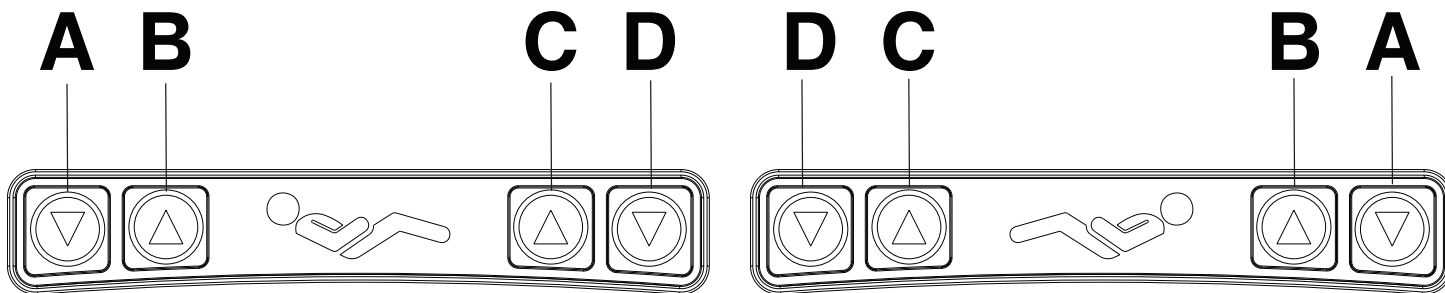


Figura 13 – Painel de controlo do doente na grade lateral

A	Cabeceira de Fowler para baixo	Baixa a cabeceira de Fowler (secção da cabeça)
B	Cabeceira de Fowler para cima	Eleva a cabeceira de Fowler (secção da cabeça)
C	Plataforma articulada para os joelhos para cima	Eleva a plataforma articulada para os joelhos (secção dos pés)
D	Plataforma articulada para os joelhos para baixo	Baixa a plataforma articulada para os joelhos (secção dos pés)

Painel de controlo do operador — opção estrutura da cama elétrica — apenas Prime

ADVERTÊNCIA - Ponha sempre o produto a funcionar quando todos os operadores estiverem afastados dos mecanismos.

Utilize o painel de controlo do operador para ajustar a posição do doente no produto (Figura 14).

Nota - Ligue sempre o cabo de alimentação diretamente a uma tomada elétrica de parede com ligação à terra de grau hospitalar.

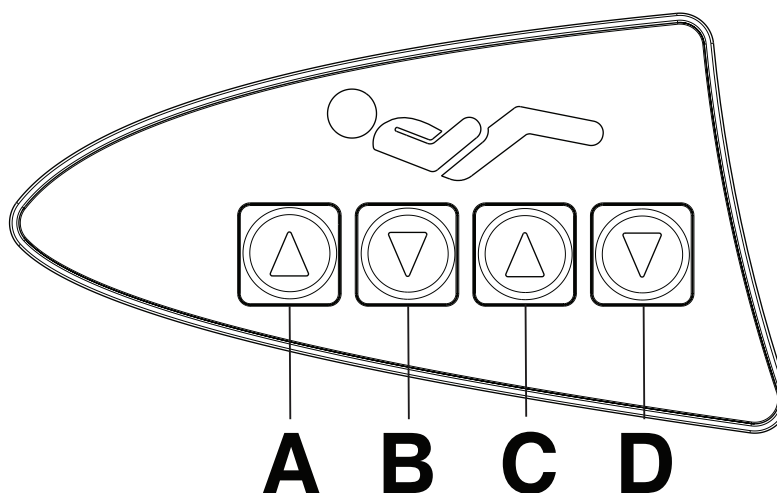


Figura 14 – Painel de controlo do operador — opção estrutura da cama

A	Cabeceira de Fowler para cima	Eleva o apoio para as costas da cabeceira de Fowler
B	Cabeceira de Fowler para baixo	Baixa o apoio para as costas da cabeceira de Fowler

C	Plataforma articulada para os joelhos para cima	Eleva a plataforma articulada para os joelhos
D	Plataforma articulada para os joelhos para baixo	Baixa a plataforma articulada para os joelhos

Bloquear e desbloquear o painel de controlo do doente — opção de estrutura da cama elétrica — apenas Prime

ADVERTÊNCIA - Ponha sempre o produto a funcionar quando todos os operadores estiverem afastados dos mecanismos.

Para bloquear o painel de controlo do doente na grade lateral, prima uma vez **Unlock/Lock** (Desbloquear/Bloquear) (A) uma vez (Figura 15).

Nota - O ícone bloqueado (C) ilumina-se a laranja quando os controlos do doente estão bloqueados.

Para desbloquear o painel de controlo do doente na grade lateral, prima **Unlock/Lock** (Desbloquear/Bloquear) uma segunda vez.

Nota - O ícone desbloqueado (B) ilumina-se a verde quando os controlos do doente estão desbloqueados.

Nota

- Ligue sempre o cabo de alimentação diretamente a uma tomada elétrica de parede com ligação à terra de grau hospitalar.
- Pode bloquear o painel de controlo do doente para impedir que o doente movimente o apoio para as costas e a plataforma articulada para os joelhos.
- O painel de controlo do doente na grade lateral não está retroiluminado quando bloqueia o painel de controlo do doente.

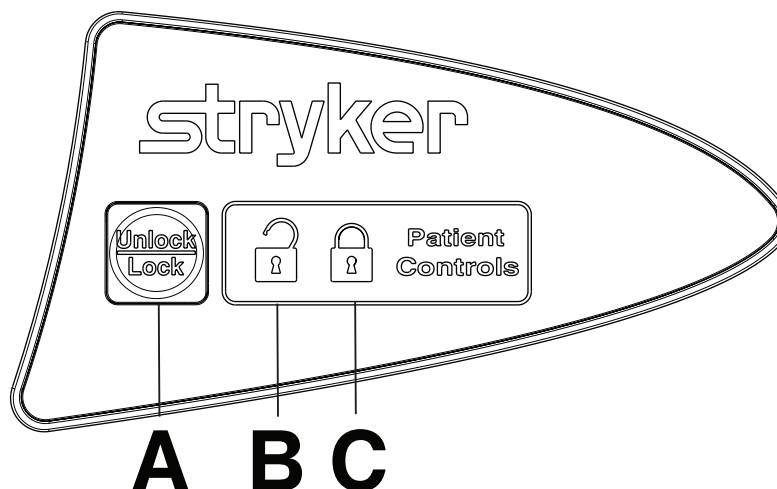


Figura 15 – Bloqueio do painel de controlo do doente

Elevar ou baixar a cabeceira de Fowler — estrutura da cama não elétrica

ADVERTÊNCIA

- Ponha sempre o produto a funcionar quando todos os operadores estiverem afastados dos mecanismos.
- Mantenha sempre as mãos e os dedos afastados das pegadas de desengate e da estrutura da cabeceira de Fowler quando estiver a baixar a cabeceira de Fowler.
- Tenha sempre precaução quando elevar o apoio para as costas da cabeceira de Fowler enquanto estiver um doente no produto. Use técnicas de elevação adequadas e peça ajuda, se necessário.

Para elevar o apoio para as costas da cabeceira de Fowler, aperte uma ou ambas as pegas de desengate do apoio para as costas da cabeceira de Fowler (A) e puxe o apoio para as costas da cabeceira de Fowler para cima até à posição desejada (0° a 90°) (Figura 16).

Nota - O apoio para as costas com **Lift Assist®** utiliza o peso do doente para ajudar no seu posicionamento. O apoio para as costas com **Lift Assist** também ajuda a impedir que o doente deslize em direção à extremidade do lado dos pés do produto quando levantar o apoio para as costas da cabeceira de Fowler.

Para baixar o apoio para as costas da cabeceira de Fowler, aperte uma ou ambas as pegas de desengate da cabeceira de Fowler (A) e puxe a cabeceira de Fowler para baixo até à posição desejada (90° a 0°) (Figura 16).

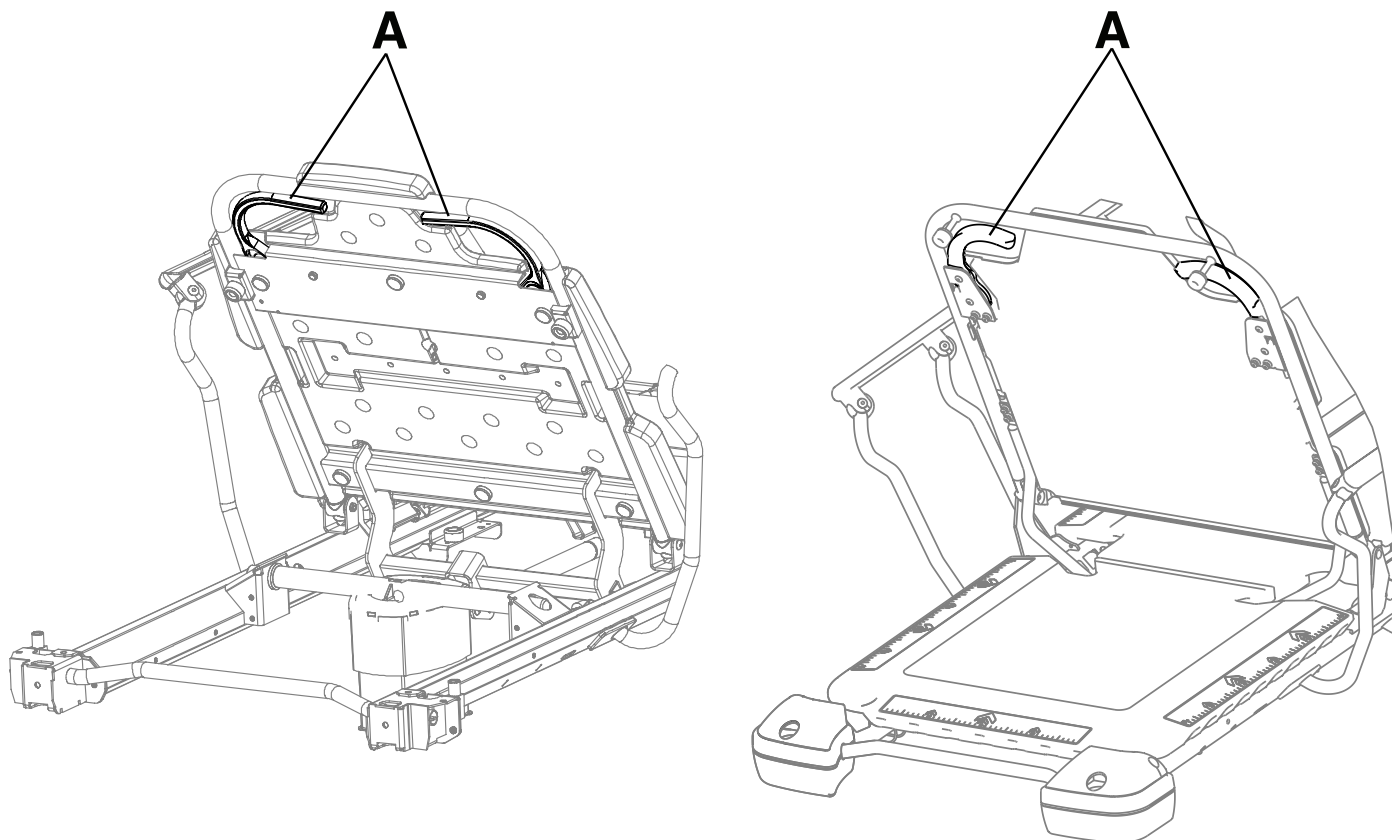


Figura 16 – Elevar ou baixar o apoio para as costas da cabeceira de Fowler (Prime / Prime X)

Elevar ou baixar o apoio para costas da cabeceira de Fowler — estrutura da cama elétrica

ADVERTÊNCIA

- Ponha sempre o produto a funcionar quando todos os operadores estiverem afastados dos mecanismos.
- Mantenha sempre as mãos e os dedos afastados das pegas de desengate e da estrutura da cabeceira de Fowler quando estiver a baixar a cabeceira de Fowler.
- Tenha sempre precaução quando elevar o apoio para as costas da cabeceira de Fowler enquanto estiver um doente no produto. Use técnicas de elevação adequadas e peça ajuda, se necessário.

Para elevar o apoio para as costas da cabeceira de Fowler, prima o botão **up** (para cima) no lado da cabeceira de Fowler do painel de controlo do doente na grade lateral (*Posicionamento do produto com o painel de controlo do doente na grade lateral — opção estrutura da cama elétrica — apenas Prime* (página 23)) ou no painel de controlo do operador na extremidade do lado dos pés (*Painel de controlo do operador — opção estrutura da cama elétrica — apenas Prime* (página 24)) até o apoio para as costas da cabeceira de Fowler atingir o ângulo pretendido (0° a 70°).

Nota - O apoio para as costas com **Lift Assist** utiliza o peso do doente para ajudar no seu posicionamento. O apoio para as costas com **Lift Assist** também ajuda a impedir que o doente deslize em direção à extremidade do lado dos pés do produto quando levantar o apoio para as costas da cabeceira de Fowler.

Para baixar o apoio para as costas da cabeceira de Fowler, prima o botão **down** (para baixo) no lado da cabeceira de Fowler do painel de controlo do doente na grade lateral (*Posicionamento do produto com o painel de controlo do doente na grade lateral — opção estrutura da cama elétrica — apenas Prime* (página 23)) ou no painel de controlo do operador na extremidade do lado dos pés (*Painel de controlo do operador — opção estrutura da cama elétrica — apenas Prime* (página 24)) até a cabeceira de Fowler atingir o ângulo pretendido (70° a 0°).

Nota - Ligue sempre o cabo de alimentação diretamente a uma tomada elétrica de parede com ligação à terra de grau hospitalar.

Os profissionais de saúde têm de instruir os doentes a operar os controlos do doente.

Elevar ou baixar a plataforma articulada para os joelhos — estrutura da cama não elétrica — apenas Prime

ADVERTÊNCIA - Mantenha sempre as mãos e os dedos afastados das pegas de empurrar da extremidade do lado dos pés quando baixar a plataforma articulada para os joelhos.

PRECAUÇÃO

- A capacidade de peso da plataforma articulada para os joelhos é de 200 lb (90,7 kg).
 - Certifique-se sempre de que o eixo de impulsão da plataforma articulada para os joelhos está bloqueado antes da utilização.
 - Não se sente nem se apoie na plataforma articulada para os joelhos.
-

Para elevar a plataforma articulada para os joelhos não elétrica, bombeie a pega de bombeamento da plataforma articulada para os joelhos para a esquerda até chegar à altura pretendida (ver *Ilustração do Produto - estrutura da cama Prime*).

Eleve a extremidade da plataforma articulada para os joelhos e fixe o eixo de impulsão no suporte.

Para soltar o eixo de impulsão, eleve a extremidade da plataforma articulada para os joelhos, gire o eixo de impulsão em direção à extremidade do lado da cabeça do produto e baixe a extremidade do lado dos pés.

Para baixar a plataforma articulada para os joelhos, puxe a pega de desengate da plataforma articulada para os joelhos até chegar à posição pretendida. (ver *Ilustração do Produto - estrutura da cama Prime*).

Nota - Não pode elevar a plataforma articulada para os joelhos manualmente se o produto tiver a opção de estrutura da cama elétrica.

Elevar ou baixar a plataforma articulada para os joelhos — opção estrutura da cama elétrica — apenas Prime

ADVERTÊNCIA

- Mantenha sempre as mãos e os dedos afastados das pegas de empurrar da extremidade do lado dos pés quando baixar a plataforma articulada para os joelhos.
 - Ponha sempre o produto a funcionar quando todos os operadores estiverem afastados dos mecanismos.
-

PRECAUÇÃO

- A capacidade de peso da plataforma articulada para os joelhos é de 200 lb (90,7 kg).
 - Não se sente nem se apoie na plataforma articulada para os joelhos.
 - Tenha sempre precaução quando tentar baixar a plataforma articulada para os joelhos enquanto o produto estiver desligado. A gravidade pode provocar uma rápida descida da plataforma articulada para os joelhos.
-

Para elevar a plataforma articulada para os joelhos, prima o botão **up** (para cima) no lado da plataforma articulada para os joelhos do painel de controlo do doente na grade lateral ou no painel de controlo do operador na extremidade do lado dos pés.

Para baixar a plataforma articulada para os joelhos, prima o botão **down** (para baixo) no lado da plataforma articulada para os joelhos do painel de controlo do doente na grade lateral ou no painel de controlo do operador na extremidade do lado dos pés.

Nota - Ligue sempre o cabo de alimentação diretamente a uma tomada elétrica de parede com ligação à terra de grau hospitalar.

Os profissionais de saúde têm de instruir os doentes a operar os controlos do doente.

Posicionamento da cadeira de recuperação - apenas Prime

ADVERTÊNCIA - Ponha sempre o produto a funcionar quando todos os operadores estiverem afastados dos mecanismos.

Para colocar o produto na posição de cadeira de recuperação (Figura 17):

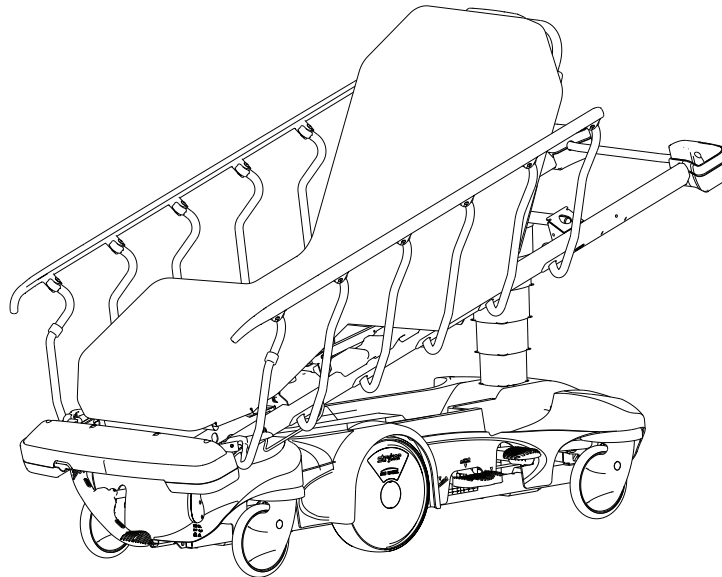


Figura 17 – Cadeira de recuperação (Modelo 1115 ilustrado)

1. Eleve a cabeceira de Fowler até uma posição sentada (*Elevar ou baixar a cabeceira de Fowler — estrutura da cama não elétrica* (página 25) ou *Elevar ou baixar o apoio para costas da cabeceira de Fowler — estrutura da cama elétrica* (página 26)).

Nota - Para posicionar a cadeira de recuperação, o produto tem de ter a opção do apoio para as costas **Lift Assist** e a opção de plataforma articulada para os joelhos.

2. Eleve a plataforma articulada para os joelhos até à posição mais alta possível (*Elevar ou baixar a plataforma articulada para os joelhos — estrutura da cama não elétrica — apenas Prime* (página 27) ou *Elevar ou baixar a plataforma articulada para os joelhos — opção estrutura da cama elétrica — apenas Prime* (página 27)).
3. Eleve a estrutura da cama até à posição mais elevada (*Elevação da estrutura da cama não elétrica* (página 17) ou *Elevação da estrutura da cama elétrica opcional* (página 18)).
4. Coloque o produto na posição anti-Trendelenburg (*Posicionamento do produto na posição anti-Trendelenburg* (página 19)).
5. Inverta a ordem dos passos para baixar o produto até à posição plana.

Armazenamento de objetos no compartimento da base

PRECAUÇÃO

- Não coloque objetos com mais de 27 kg no compartimento da base.
 - Não se sente, pise nem encoste ao compartimento da base.
-

É possível guardar pertences do doente no compartimento da base. Não utilize o encaixe do suporte da botija de oxigénio para guardar botijas de oxigénio ou pertences do doente.

Suspender dispositivos com a opção de suporte da bomba

ADVERTÊNCIA

- Mantenha sempre as linhas do dispositivo no suporte da bomba afastadas das pegas da plataforma articulada para os joelhos.
 - Antes de elevar ou baixar a estrutura da cama, retire sempre quaisquer dispositivos que possam estar a impedir esse movimento.
 - Certifique-se sempre de que os dispositivos no suporte da bomba podem passar em segurança através de vãos de portas.
 - Não eleve o produto pelo suporte da bomba.
-

PRECAUÇÃO

- A capacidade de peso do suporte da bomba é de 40 lb (18 kg).
 - Não utilize o suporte da bomba como um dispositivo para empurrar/puxar. Poderão ocorrer danos no produto.
-

Poderá armazenar ou pendurar outros dispositivos no suporte da bomba que está situado na extremidade do lado dos pés do produto.

Nota - Deve seleccionar a opção de suporte da bomba no momento da compra.

Alongamento ou recolha do cabo de alimentação com a bobina do cabo de alimentação retrátil opcional — sistema de elevação eléctrico opcional ou estrutura da cama eléctrica opcional

ADVERTÊNCIA

- Desligue sempre o cabo de alimentação da tomada eléctrica de parede antes de transportar ou limpar o produto.
 - Utilize sempre a bobina do cabo de alimentação retrátil para armazenar o cabo de alimentação dentro da base quando transportar o produto.
-

Para alongar o cabo de alimentação, puxe-o da bobina do cabo retrátil (A) até ao comprimento desejado (Figura 18).

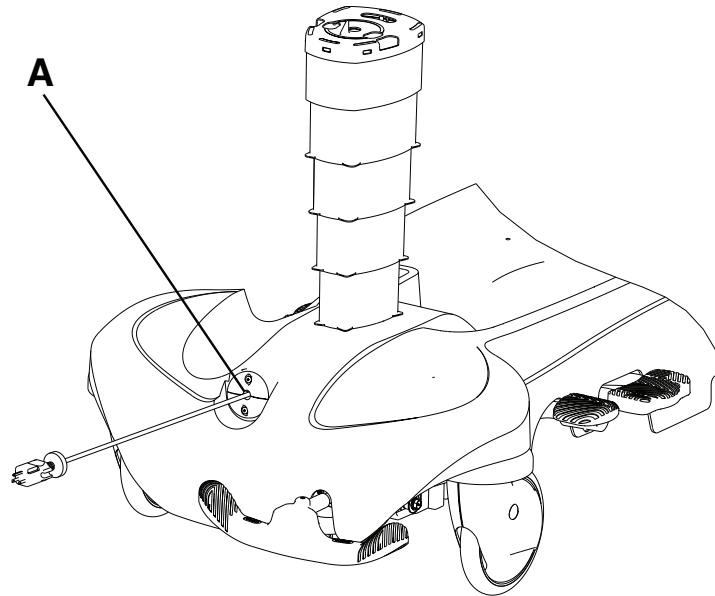


Figura 18 – Bobina do cabo retrátil

Para recolher o cabo de alimentação:

1. Desligue o cabo de alimentação da tomada de parede.
2. Puxe suavemente o cabo de alimentação.
3. Guie o cabo de alimentação para a bobina do cabo retrátil.

Sistema de balança opcional

ADVERTÊNCIA - Não utilize o sistema de balança opcional, o sistema de elevação elétrico opcional ou a estrutura da cama elétrica opcional em posição adjacente ou empilhada com outros dispositivos. Se a utilização em posição adjacente ou empilhada for necessária, deverá observar o sistema de balança opcional, o sistema de elevação elétrico opcional ou a estrutura da cama elétrica opcional para assegurar que todos os dispositivos estão a funcionar normalmente na configuração em que serão utilizados.

PRECAUÇÃO - Não utilize a balança para doentes com menos de cerca de 50 lb (22,7 kg).

O sistema de balança opcional está disponível para produtos com ou sem a opção de estrutura da cama elétrica. O sistema de balança opcional tem a opção de sistema de apoio da bateria. O ícone de espera indica quando o produto está a ser utilizado com o sistema de apoio da bateria.

A opção de **Chaperone** permite definir os controlos de zona para alertar um operador em situações em que um doente possa tentar sair do produto. A opção de **Chaperone** está disponível para produtos com as opções de estrutura da cama elétrica e de sistema de balança. O sistema de balança opcional com a opção **Chaperone** tem a opção de sistema de apoio da bateria. O ícone de espera indica quando o produto está a ser utilizado com o sistema de apoio da bateria.

Levante as pegas de empurrar da extremidade do lado dos pés antes de tentar operar o sistema de balança opcional.

Utilize o painel de controlo do sistema de balança para operar o sistema de balança opcional (*Identificação dos ícones/ /botões da balança* (página 31)).

Não toque no produto enquanto pesa ou coloca o sistema de balança opcional a zero.

O doente tem de permanecer imóvel enquanto o sistema estiver a efetuar a pesagem. Se o doente se estiver a mover, o sistema de balança tentará durante 20 segundos obter um peso estável ou o valor zero antes de apresentar a mensagem de erro (⏏).

O erro (⏏) aparece no visor se a ligação for fraca ou se a balança não estiver a funcionar. Se tentar utilizar novamente a balança e o erro aparecer, contacte a Assistência Técnica da Stryker.

Nota - Para cumprir a afirmação de precisão do sistema de balança, a superfície do doente tem de estar em posição plana (apoio para as costas da cabeceira de Fowler e plataforma articulada para os joelhos para baixo) e o produto não pode exceder 5° da posição de Trendelenburg ou anti-Trendelenburg.

Identificação dos ícones/botões da balança

Item	Ícone/botão	Nome	Descrição
A		Ícone Standby (Espera)	Acende-se a verde quando liga o cabo de alimentação a uma tomada elétrica de parede. Acende-se a âmbar quando desliga o cabo de alimentação da tomada elétrica de parede. A funcionalidade do sistema de apoio da bateria ligar-se-á.
B		Ícone Zone 1 (Zona 1)	O doente pode mover-se livremente, mas é emitido um alarme quando o doente tentar sair do produto.
C		Ícone Zone 2 (Zona 2)	O doente pode mover-se mas com movimentos limitados. É emitido um alarme quando o doente se aproximar das grades laterais ou se mover em direção à extremidade do lado dos pés.
D		Botão Arm/Disarm (Armar/Desarmar)	Arma e desarma a opção Chaperone (saída da maca). Consulte <i>Armar ou desarmar a opção Chaperone</i> (página 32).
E		Botão Weigh (Pesagem)	Pesa o doente. Consulte <i>Pesar um doente</i> (página 31).
F		Botão lb/kg	Altera a unidade de medida apresentada. Consulte <i>Bloquear a unidade de medida da balança</i> (página 32).
G		Botão Zero	Coloca as definições da balança a zero. Consulte <i>Bloquear a unidade de medida da balança</i> (página 32).

Pesar um doente

PRECAUÇÃO - Não utilize as leituras do sistema de balança como referência para tratamento médico.

1. Levante as pernas de empurrar da extremidade do lado dos pés antes de operar o sistema de balança opcional.
2. Mantenha premido o **Zero** até o visor mostrar **rel** (Soltar) para colocar a zero a balança. **000.0** pisca e, depois, deixa de piscar.

Nota - A escala não está pronta para ser utilizada enquanto **000.0** não deixar de piscar.

3. Coloque o doente no produto.
4. Prima **lb/kg** para selecionar a unidade de medida (lb ou kg).
5. Prima **Weigh** (Pesagem) para obter o peso do doente.

Nota - O peso do doente é apresentado durante 40 segundos.

Bloquear a unidade de medida da balança

1. Mantenha premido **Weigh** (Pesagem), **lb/kg** e **Zero** até o visor mostrar **diag**.
2. Prima **lb/kg** ou **Zero** para mudar para **Unit Loc** (Loc. unidade).
3. Para a balança sem **Chaperone**, mantenha premido **lb/kg** e **Zero** até o visor mostrar **rel** (Soltar) para selecionar **Unit Loc** (Loc. unidade).
4. Para a balança com **Chaperone**, mantenha premido **lb/kg** e **Zero** para selecionar **Unit Loc**. (Loc. unidade).
5. Prima **lb/kg** ou **Zero** para mudar para **lb, kg** ou **Any** (Qualquer).
6. Mantenha premido **lb/kg** e **Zero**. São mostrados **Only** (Apenas) e a unidade de medida selecionada.

Nota - **Only** (Apenas) não será apresentado se selecionar **Any** (Qualquer).

7. Mantenha premido **Weigh** (Pesagem) até o visor mostrar **quit** (Sair).
8. Mantenha premido o **Zero** até o visor mostrar **rel** (Soltar). **000.0** pisca e, depois, deixa de piscar.

Nota - A escala não está pronta para ser utilizada enquanto **000.0** não deixar de piscar.

Armar ou desarmar a opção Chaperone

Quando armada, a opção **Chaperone** monitoriza a posição do doente no produto.

Para armar e desarmar a opção **Chaperone**:

1. Com o doente no produto, prima **Arm/Disarm** (Armar/Desarmar).

Nota - Esta ação arma a zona 1. A zona 1 acende-se a âmbar quando a opção está ativa.

2. Para armar a zona 2, prima duas vezes **Arm/Disarm** (Armar/Desarmar) no período de 3 segundos.

Nota - Esta ação arma a zona 2. A zona 2 acende-se a âmbar quando a opção está ativa.

3. Para desarmar a opção **Chaperone**, prima e mantenha premido o botão **Arm/Disarm** (Armar/Desarmar).

Nota - Antes de armar a opção **Chaperone** tem de colocar a balança a zero.

Nota - Se o doente se mover para fora dos limites da zona selecionada, uma luz âmbar pisca, a indicação **Alrt** (Alerta) pisca no visor do sistema de balança opcional e é emitido um alarme sonoro.

Definição do padrão de alerta da opção Chaperone

Para alterar o padrão de alerta da opção **Chaperone**:

1. Prima e mantenha premidos os botões **Arm/Disarm** (Armar/Desarmar) e **Weigh** (Pesagem) em simultâneo durante aproximadamente 6 segundos. Ignore todas as mensagens do visor até a indicação **Ptrn** (Padrão) aparecer no visor (consulte *Identificação dos ícones/botões da balança* (página 31)).

2. Solte os botões **Arm-Disarm** (Armar/Desarmar) e **Weigh** (Pesagem).

Nota - A definição do padrão **P (1-10)** aparece no visor.

3. Prima o botão **Arm/Disarm** (Armar/Desarmar) ou o botão **Weigh** (Pesagem) para se deslocar pelas opções do padrão.

Nota - À medida que se desloca pelas opções do padrão, tocará uma pequena amostra do padrão.

4. Prima e mantenha premidos os botões **Arm/Disarm** (Armar/Desarmar) e **Weigh** (Pesagem) em simultâneo durante 6 segundos até a indicação **set** (Definir) aparecer no visor para guardar o padrão selecionado.

5. Solte os botões **Arm/Disarm** (Armar/Desarmar) e **Weigh** (Pesagem).

Nota - A definição do padrão selecionada aparece no visor. Uma breve amostra do padrão confirma a definição de padrão escolhida.

Definição do volume de alerta da opção Chaperone

Para alterar o volume de alerta da opção **Chaperone**:

1. Prima e mantenha premidos os botões **Zero** e **lb/kg** em simultâneo até a indicação **vol** aparecer no visor (*Identificação dos ícones/botões da balança* (página 31)).
2. Solte os botões **Zero** e **lb/kg**.

Nota - Aparecem no visor os níveis de volume **L (1-4)**.

3. Prima o botão **Zero** ou o botão **lb/kg** para se deslocar pelos níveis de volume.

Nota - À medida que se desloca pelas opções de volume, tocará uma pequena amostra do volume.

4. Prima e mantenha premidos os botões **Zero** e **lb/kg** em simultâneo durante 6 segundos até a indicação **set** (Definir) aparecer no visor para guardar o nível de volume selecionado.
5. Solte os botões **Zero** e **lb/kg**.

Nota - Aparece no visor o nível de volume selecionado. Uma breve amostra do nível de volume confirma a definição do nível de volume escolhida.

Carregamento da opção de bateria do sistema de balança — opção de estrutura da cama elétrica ou opção de estrutura da cama elétrica com opção Chaperone — apenas Prime

O sistema de balança com a opção de estrutura da cama elétrica requer uma unidade de bateria de íões de lítio de 10,8 V (0058-135-000 sem a opção **Chaperone**; 0058-134-000 com a opção **Chaperone**). Recarregue a unidade de bateria quando o indicador de carga da bateria apresentar uma unidade restante. Deste modo impede que o sistema de balança opcional encerre devido a pilhas gastas.

Para recarregar a bateria de íões de lítio do sistema de balança, ligue a ficha do cabo de alimentação a uma tomada elétrica de parede de grau hospitalar com ligação à terra. A bateria fica totalmente carregada em cerca de três horas.

Nota - Quando o produto não estiver a ser utilizado, ligue sempre a ficha do produto a uma tomada elétrica de parede de grau hospitalar com ligação à terra. Isto ajuda a bateria a manter uma carga suficiente e maximiza o desempenho do produto durante o funcionamento com bateria.

Substituição das pilhas do sistema de balança opcional — estrutura da cama não elétrica

Substitua as pilhas quando o indicador de carga apresentar uma unidade restante. Deste modo impede que o sistema de balança opcional encerre devido a pilhas gastas.

Quando o visor apresentar **Lo batt** (Bateria fraca) a piscar, significa que as pilhas estão na sua carga mais baixa e o sistema de balança opcional é desativado.

Ferramentas necessárias:

- Chave de parafusos Phillips
- Quatro baterias AA (tipo Alcalino (LR6))

Para substituir as pilhas:

1. Utilizando uma chave de fendas Philips, retire os parafusos que fixam a tampa do compartimento das pilhas ao conjunto do visor.
2. Remova e elimine as quatro pilhas AA.

Nota - Elimine sempre as pilhas antigas de acordo com as regulamentações locais.

3. Insira quatro pilhas novas AA de acordo com o indicado no suporte de pilhas.

Nota - Nunca misture pilhas antigas com novas.

4. Utilize os parafusos removidos no passo 1 para voltar a fixar a tampa do compartimento das pilhas ao conjunto do visor.

Acessórios e peças

Estes acessórios podem estar disponíveis para utilização com o seu produto. Confirme a disponibilidade para a sua configuração ou região. Contacte a assistência ao cliente da Stryker: 1-800-327-0770.

Nome	Número de peça
Tabuleiro do desfibrilhador	1105-045-200
Tabuleiro do desfibrilhador/extensão para os pés	1105-045-400
Placa para os pés/suporte de fichas clínicas	1105-045-500
Conjunto de almofada para calcanhar	1105-045-022
Suporte de soros	0785-155-000
Suporte de soros HAVASU™ , amovível	0390-025-000
Suporte de soros, três posições, extremidade do lado dos pés, esquerda, 26" (66 cm)	1105-035-644
Suporte de soros, três posições, extremidade do lado dos pés, direita, 26" (66 cm)	1105-035-639
Suporte de soros, três posições, extremidade do lado dos pés, esquerda, 30" (76 cm)	1105-035-344
Suporte de soros, três posições, extremidade do lado dos pés, direita, 30" (76 cm)	1105-035-339
Suporte de soros, três posições, extremidade do lado dos pés, esquerdo, 30" (76 cm) (opção Prime X)	1105-035-364
Suporte de soros, três posições, extremidade do lado dos pés, direita, 30" (76 cm) (opção Prime X)	1105-035-361
Suporte de soros, três posições, extremidade do lado da cabeça, esquerda, 26" (66 cm)	1105-035-642
Suporte de soros, três posições, extremidade do lado da cabeça, direita, 26" (66 cm)	1105-035-637
Suporte de soros, três posições, extremidade do lado da cabeça, esquerda, 30" (76 cm)	1105-035-342
Suporte de soros, três posições, extremidade do lado da cabeça, direita, 30" (76 cm)	1105-035-337
Suporte de soros, três posições, extremidade do lado da cabeça, esquerda, 30" (76 cm) (opção Prime X)	1105-035-369
Suporte de soros, três posições, extremidade do lado da cabeça, direita, 30" (76 cm) (opção Prime X)	1105-035-366
Suporte de soros, duas posições, extremidade do lado dos pés, esquerda, 26" (66 cm)	1105-035-640
Suporte de soros, duas posições, extremidade do lado dos pés, direita, 26" (66 cm)	1105-035-643
Suporte de soros, duas posições, extremidade do lado dos pés, esquerda, 30" (76 cm)	1105-035-340
Suporte de soros, duas posições, extremidade do lado dos pés, direita, 30" (76 cm)	1105-035-343

Nome	Número de peça
Suporte de soros, duas posições, extremidade do lado dos pés, esquerdo, 30" (76 cm) (opção Prime X)	1105-035-362
Suporte de soros, duas posições, extremidade do lado dos pés, direita, 30" (76 cm) (opção Prime X)	1105-035-363
Suporte de soros, duas posições, extremidade do lado da cabeça, esquerda, 26" (66 cm)	1105-035-638
Suporte de soros, duas posições, extremidade do lado da cabeça, direita, 26" (66 cm)	1105-035-641
Suporte de soros, duas posições, extremidade do lado da cabeça, esquerda, 30" (76 cm)	1105-035-341
Suporte de soros, duas posições, extremidade do lado da cabeça, direita, 30" (76 cm)	1105-035-338
Suporte de soros, duas posições, extremidade do lado da cabeça, esquerda, 30" (76 cm) (opção Prime X)	1105-035-367
Suporte de soros, duas posições, extremidade do lado da cabeça, direita 30" (76 cm) (opção Prime X)	1105-035-368
Colchão, ComfortGel SE™ , barreira anti-fogo, 26" (66 cm)	1805-034-601
Colchão, ComfortGel SE , barreira anti-fogo, 30" (76 cm)	1805-034-301
Colchão, ComfortGel SE , sem barreira anti-fogo, 26" (66 cm)	1805-034-600
Colchão, ComfortGel SE , sem barreira anti-fogo, 30" (76 cm)	1805-034-300
Colchão, Enhanced Comfort, 3" x 26" (10 cm x 66 cm)	0785-034-613
Colchão, Enhanced Comfort, 3" x 30" (8 cm x 76 cm)	0785-034-313
Colchão, Enhanced Comfort, 4" x 26" (10 cm x 66 cm)	0785-034-623
Colchão, Enhanced Comfort, 4" x 30" (10 cm x 76 cm)	0785-034-323
Colchão, IsoFlex SE™ , barreira anti-fogo, 30" (76 cm)	1806-034-300
Colchão, IsoFlex SE , sem barreira anti-fogo, internacional, 30" (76 cm)	1806-034-301
Colchão, Ultra Comfort, 4" x 26" (10 cm x 66 cm)	0785-034-603
Colchão, Ultra Comfort, 4" x 30" (10 cm x 76 cm)	0785-034-303
Colchão, Ultra Comfort, 5" x 26" (13 cm x 66 cm)	0785-034-633
Colchão, Ultra Comfort, 5" x 30" (13 cm x 76 cm)	0785-034-333
Colchão, Ultra Comfort SE™ , 4" x 26" (10 cm x 66 cm)	1704-034-600
Colchão, Ultra Comfort SE , barreira anti-fogo, internacional, 4" x 26" (10 cm x 66 cm)	1704-034-601
Colchão, Ultra Comfort extensão de maca, 4" x 26" (10 cm x 66 cm)	1105-034-609

Nome	Número de peça
Colchão, Ultra Comfort extensão de maca, 4" x 30" (10 cm x 76 cm)	1105-034-309
Colchão, Ultra Comfort SE , 3" x 30" (8 cm x 76 cm)	1703-034-300
Colchão, Ultra Comfort SE , barreira anti-fogo, 3" x 30" (8 cm x 76 cm)	1703-034-301
Colchão, Ultra Comfort SE , 4" x 30" (10 cm x 76 cm)	1704-034-300
Colchão, Ultra Comfort SE , barreira anti-fogo, 4" x 30" (10 cm x 76 cm)	1704-034-301
Suporte da botija de oxigénio, vertical	1115-130-000
Opção barra da bomba, 30" (76 cm)	1105-045-035
Conjunto da pega de empurrar, extremidade do lado dos pés, 30" (76 cm)	1105-048-030
Conjunto da pega de empurrar, extremidade do lado da cabeça, 30" (76 cm)	1105-048-060
Embalagem de correias de contenção	0785-045-010
Correia de contenção, tornozelo	0785-045-020
Correia de contenção, corpo	0785-045-015
Correia de contenção, pulso	0946-044-000
Correia de contenção, peito	1010-058-000
Tabuleiro de refeições	1105-045-700
Suporte do tabuleiro de refeições/placa para os pés	1105-045-800
Almofadas das grades laterais	1001-052-000
Suporte da cassete de raios X, lateral	1105-045-100
Suporte da cassete de raios X, vertical	1105-045-300

Componentes elétricos

Nome	Número
Mecanismo de acionamento, cabeceira de Fowler	1008-012-020
Mecanismo de acionamento, plataforma articulada para os joelhos	1008-014-020
Bateria, Pack de baterias Smart Li-ION (apenas balança)	0058-135-000
Bateria, Pack de baterias Smart Li-ION (balança e Chaperone)	0058-134-000
Placa, conjunto PCB de controlo de DC	1008-116-800
Placa, conjunto AC sem elevação	1008-002-800
Placa, conjunto PCB de controlo de elevação	1008-002-810
Placa, conjunto de controlo da balança (apenas balança)	1008-237-850

Nome	Número
Conjunto de controlo da placa, balança e Chaperone	1008-237-840
Condensador, 440 V CA, 35 MFD	0059-087-000
Teclado, controlo da balança (estrutura da cama não elétrica)	1008-037-820
Teclado, controlo da grade lateral, esquerda	1008-011-017
Teclado, controlo da grade lateral, direita	1008-011-016
Teclado, controlo do operador	1008-015-800
Célula de carga (sistema de balança opcional)	1008-037-057
Motor, bomba	1008-002-015
Cabo de alimentação, padrão	1028-146-060
Cabo de alimentação, internacional Tipo, E	1125-060-170
Cabo de alimentação, internacional Tipo, F	1125-060-180
Cabo de alimentação, internacional Tipo, G	1125-060-160
Cabo de alimentação, internacional Tipo, I	1125-060-200
Conjunto de caixa da balança (estrutura da cama não elétrica)	1070-237-020
Transformador	1008-014-857
Transformador, internacional	1008-014-877

Fixação do tabuleiro do desfibrilhador

ADVERTÊNCIA

- Não coloque artigos que pesem mais de 14 kg no tabuleiro do desfibrilhador. Prenda sempre com correias todos os dispositivos que colocar no tabuleiro do desfibrilhador.
- Tenha sempre precaução se o tabuleiro do desfibrilhador/extensão para os pés, a placa para os pés/suporte de fichas clínicas ou o suporte da botija de oxigénio vertical estiverem presos para evitar entalar os dedos quando posicionar a pega de empurrar da extremidade do lado dos pés opcional.

Para fixar o tabuleiro do desfibrilhador:

1. Insira os pinos do tabuleiro do desfibrilhador nos encaixes existentes na extremidade do lado dos pés do produto.
2. Utilize a correia para fixar os dispositivos ao tabuleiro do desfibrilhador.

Nota

- Não utilize o tabuleiro do desfibrilhador como dispositivo para empurrar/puxar. Poderão ocorrer danos no produto.
- Quando utilizar acessórios (como o tabuleiro do desfibrilhador-extensão para os pés, a placa para os pés/suporte de fichas clínicas, suporte da botija de oxigénio vertical), eleve sempre as pegas de empurrar da extremidade do lado dos pés caso contrário os acessórios não irão funcionar.

Conversão do tabuleiro do desfibrilhado/extensão para os pés num tabuleiro do desfibrilhador

ADVERTÊNCIA

- Não coloque artigos que pesem mais de 14 kg no tabuleiro do desfibrilhador/extensão para os pés. Prenda sempre com correias todos os dispositivos que colocar no tabuleiro do desfibrilhador.
- Tenha sempre precaução se o tabuleiro do desfibrilhador/extensão para os pés, a placa para os pés/suporte de fichas clínicas ou o suporte da botija de oxigénio vertical estiverem presos para evitar entalar os dedos quando posicionar a pega de empurrar da extremidade do lado dos pés opcional.

PRECAUÇÃO - Eleve sempre a haste do suporte de soros antes de fixar o tabuleiro do desfibrilhador/extensão para os pés ao produto. Se não elevar a haste do suporte de soros, a extensão para os pés não funcionará.

Para converter o tabuleiro do desfibrilhador/extensão para os pés num tabuleiro do desfibrilhador:

1. Puxe o botão superior para fora (A) (Figura 19).
2. Gire o tabuleiro do desfibrilhador (B) até o tabuleiro ficar plano sobre o produto, na extremidade do lado dos pés. Solte o botão superior (A). Certifique-se de que o tabuleiro do desfibrilhador está bloqueado na devida posição.
3. Utilize a correia para fixar os dispositivos ao tabuleiro do desfibrilhador.

Nota

- Não utilize o tabuleiro do desfibrilhador/extensão para os pés para puxar/empurrar o produto. Poderão ocorrer danos no produto.
- Não encaixe itens na extensão para os pés.

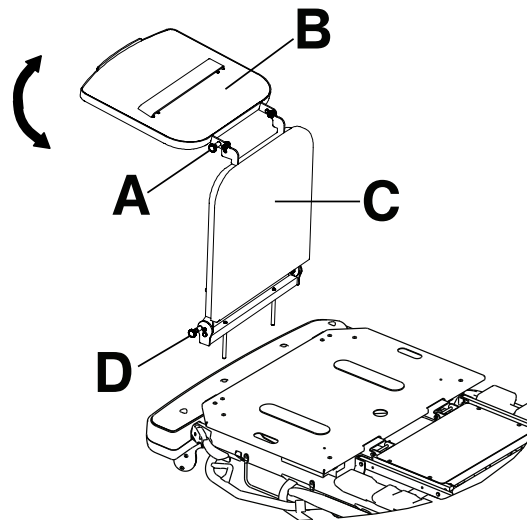


Figura 19 – Tabuleiro do desfibrilhador-extensão para os pés

Conversão do tabuleiro do desfibrilhador/extensão para os pés numa extensão para os pés

ADVERTÊNCIA

- Não coloque artigos que pesem mais de 14 kg no tabuleiro do desfibrilhador/extensão para os pés. Prenda sempre com correias todos os dispositivos que colocar no tabuleiro do desfibrilhador.
- Tenha sempre precaução se o tabuleiro do desfibrilhador/extensão para os pés, a placa para os pés/suporte de fichas clínicas ou o suporte da botija de oxigénio vertical estiverem presos para evitar entalar os dedos quando posicionar a pega de empurrar da extremidade do lado dos pés opcional.

PRECAUÇÃO - Eleve sempre a haste do suporte de soros antes de fixar o tabuleiro do desfibrilhador/extensão para os pés ao produto. Se não elevar a haste do suporte de soros, a extensão para os pés não funcionará.

Para converter o tabuleiro do desfibrilhador/extensão para os pés numa extensão para os pés (Figura 19):

1. Puxe o botão superior para fora (A).
2. Gire o tabuleiro do desfibrilhador (B) até o tabuleiro ficar bloqueado contra a extensão para os pés.
3. Puxe o botão inferior (D) para fora enquanto segura no conjunto do tabuleiro do desfibrilhador/extensão para os pés.
4. Baixe a extensão para os pés (C) até que fique plana.
5. Solte o botão inferior (D). Empurre a extensão para os pés para se certificar de que fica bloqueada na devida posição.

Nota

- Não utilize o tabuleiro do desfibrilhador/extensão para os pés para puxar/empurrar o produto. Poderão ocorrer danos no produto.
- Não encaixe itens na extensão para os pés.

Fixação da placa para os pés/suporte de fichas clínicas

ADVERTÊNCIA - Tenha sempre precaução se o tabuleiro do desfibrilhador/extensão para os pés, a placa para os pés/ /suporte de fichas clínicas ou o suporte da botija de oxigênio vertical estiverem presos para evitar entalar os dedos quando posicionar a pega de empurrar da extremidade do lado dos pés opcional.

Para fixar a placa para os pés/suporte de fichas clínicas, insira os pinos da placa para os pés/suporte de fichas clínicas nos encaixes existentes na extremidade do lado dos pés do produto.

Nota - Não utilize a placa para os pés/suporte de fichas clínicas como dispositivo para empurrar/puxar. Poderão ocorrer danos no produto.

Fixação do suporte de soros

ADVERTÊNCIA

- Fixe sempre a haste do suporte de soros ao respetivo suporte durante o transporte do produto.
 - Armazene sempre o suporte de soros quando não estiver a ser utilizado para evitar danos no produto.
-

Para fixar o suporte de soros (Figura 20):

1. Retire o suporte de soros do tabuleiro de armazenamento ou do clipe de armazenamento.
2. Gire o suporte de soros para a posição pretendida.
3. Rode o botão (A) no sentido contrário ao dos ponteiros do relógio para desapertar a braçadeira do suporte (C).
4. Gire o botão (A), afastando-o do conjunto de ligação do braço (B).
5. Abra a abraçadeira (C).
6. Coloque a haste do suporte de soros na abraçadeira (C).
7. Feche a abraçadeira (C) em torno da haste do suporte de soros e faça girar o botão (A) até à sua posição.
8. Rode o botão (A) no sentido dos ponteiros do relógio para apertar o botão.
9. Inverta a ordem dos passos para separar o suporte de soros do produto.

Para armazenar o suporte de soros, coloque-o no tabuleiro de armazenamento ou fixe-o no clipe de armazenamento.

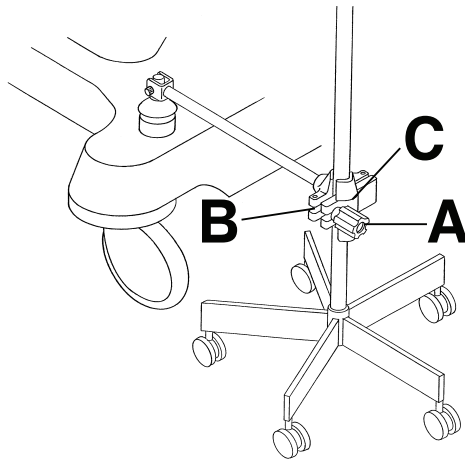


Figura 20 – Suporte de soros

Posicionamento ou armazenamento dos apoios para os pés - apenas Prime

ADVERTÊNCIA

- Não se sente nos apoios para os pés. Isto poderá fazer com que o produto se incline.
- Afaste sempre os seus dedos das mãos dos mecanismos quando operar os apoios para os pés.
- Guarde sempre os apoios para os pés quando transportar um doente com o produto.
- Aperte sempre os apoios para os pés antes de os utilizar.
- Não utilize o sistema de balança com os apoios para os pés. Podem ocorrer leituras inexatas.
- Não utilize a opção **Chaperone** com os apoios para os pés. Podem ocorrer leituras inexatas.

Para posicionar ou guardar os apoios para os pés:

1. Desaperte o botão de ajuste da largura (ao nível dos joelhos) (A) no topo dos apoios para os pés para ajustar o ângulo lado-a-lado dos apoios para os pés (Figura 21).
2. Aperte o botão de ajuste da largura (ao nível dos joelhos) (A) para bloquear os apoios para os pés na posição desejada.

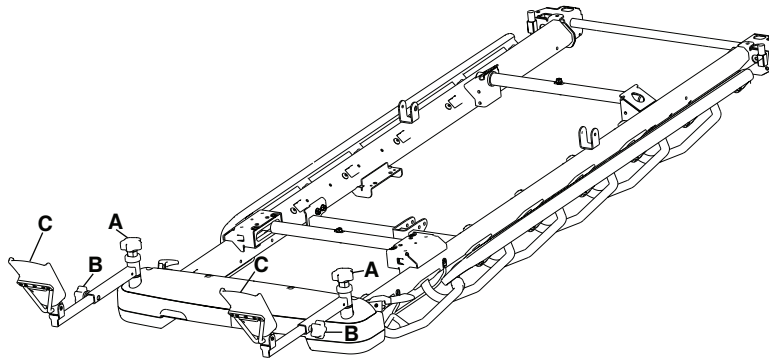


Figura 21 – Posicionamento dos apoios para os pés

3. Desaperte o botão de ajuste do comprimento (ao nível das pernas) (B) na parte lateral dos apoios para os pés para ajustar o comprimento.
4. Aperte o botão de ajuste do comprimento (ao nível das pernas) (B) para bloquear os apoios para os pés na posição desejada.
5. Incline os apoios para os pés (C) para cima antes de posicionar o doente.
6. Inverta a ordem dos passos para guardar os apoios para os pés (Figura 22).

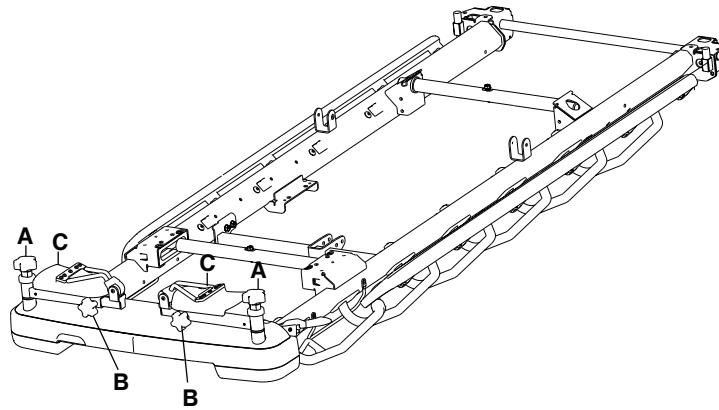


Figura 22 – Armazenamento dos apoios para os pés

Não poderá comprar as seguintes opções e acessórios se selecionar os apoios para os pés:

- Pegas de empurrar da extremidade do lado dos pés
- Tabuleiro do desfibrilhador
- Tabuleiro do desfibrilhador-extensão para os pés
- Suporte do tabuleiro de refeições/placa para os pés
- Placa para os pés/suporte de fichas clínicas
- Hastes dos suportes de soros para a extremidade do lado dos pés

Nota

- Não utilize os apoios para os pés para guardar pertences do doente.
- Não utilize os apoios para os pés como dispositivo para puxar/empurrar. Poderão ocorrer danos no produto.
- Acione sempre os travões quando utilizar os apoios para os pés para evitar instabilidade.
- Não utilize o apoio para as costas ou de plataforma articulada para os joelhos com os apoios para os pés.

Posicionamento do suporte de soros de duas fases com fixação permanente

ADVERTÊNCIA - Não utilize o suporte de soros para puxar/empurrar o produto. Poderão ocorrer danos no produto.

Poderá adquirir o produto com a opção do suporte de soros de duas fases permanentemente fixo na extremidade do lado da cabeça, do lado dos pés ou em ambas as extremidades do produto. O suporte de soros está equipado com uma haste telescópica que se alonga para fornecer uma segunda posição ao nível da altura. Poderá dobrar e armazenar o suporte de soros quando não estiver a ser utilizado.

Para posicionar o suporte de soros de duas fases (Figura 23):

1. Levante para cima e gire o suporte até à posição de armazenamento.
2. Empurre o suporte de soros para baixo até que fique bloqueado.
3. Para elevar a altura do suporte de soros, puxe a parte telescópica (A) para cima até o suporte ficar bloqueado na posição mais elevada.
4. Rode os ganchos dos sacos de fluidos intravenosos (B) para a posição desejada e pendure os sacos de fluidos intravenosos.
5. Para baixar o suporte de soros, segure na parte telescópica da haste do suporte de soros, rode o trinco (C) e baixe a parte telescópica.

Nota

- Não pendure sacos de fluidos intravenosos que excedam 40 lb (18 kg) no suporte de soros.

- Certifique-se sempre de que, durante o transporte de um doente, o suporte de soros está numa posição baixa para que passe de forma segura através de vãos de portas.

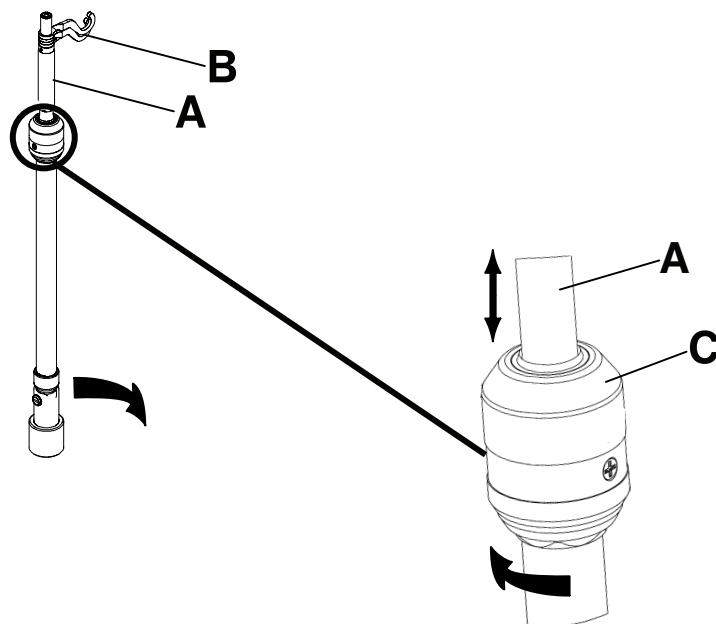


Figura 23 – Posicionamento do suporte de soros de 2 fases com fixação permanente

Posicionamento do suporte de soros de três etapas com fixação permanente

ADVERTÊNCIA - Não utilize o suporte de soros para puxar/empurrar o produto. Poderão ocorrer danos no produto.

Poderá adquirir o produto com a opção do suporte de soros de três etapas fixada permanentemente na extremidade do lado da cabeça, na extremidade do lado dos pés ou em ambas as extremidades do produto. O suporte de soros está equipado com uma haste telescópica que se alonga para fornecer uma segunda e terceira posições ao nível da altura. Poderá também dobrar e armazenar o suporte de soros quando não estiver a ser utilizada.

Para posicionar o suporte de soros de três etapas (Figura 24):

1. Levante para cima e gire o suporte até à posição de armazenamento.
2. Empurre o suporte de soros para baixo até que fique bloqueado.
3. Para elevar a altura do suporte de soros, puxe a parte telescópica (A) para cima até o suporte ficar bloqueado na posição mais elevada.
4. Para um suporte de soros mais elevado, puxe a secção (B) para cima. Solte a secção (B) em qualquer altura desejada para bloquear o suporte nessa posição.
5. Rode os ganchos dos sacos de fluidos intravenosos (C) para a posição desejada e pendure os sacos de fluidos intravenosos.
6. Para baixar o suporte de soros, empurre a parte amarela da zona de prensão (D) para cima enquanto segura na secção (B) até o suporte baixar.
7. Rode o trinco (E) e baixe a parte telescópica do suporte de soros.

Nota

- Não pendure sacos de fluidos intravenosos que excedam 12 lb (5 kg) no total de sacos pendurados no suporte de soros.
- Não pendure sacos de fluidos intravenosos que excedam 9,3 lb (4,2 kg) num único gancho do suporte de soros.
- Certifique-se sempre de que, quando transportar um doente, o suporte de soros está numa posição baixa para permitir que passe em segurança através de vãos de portas.

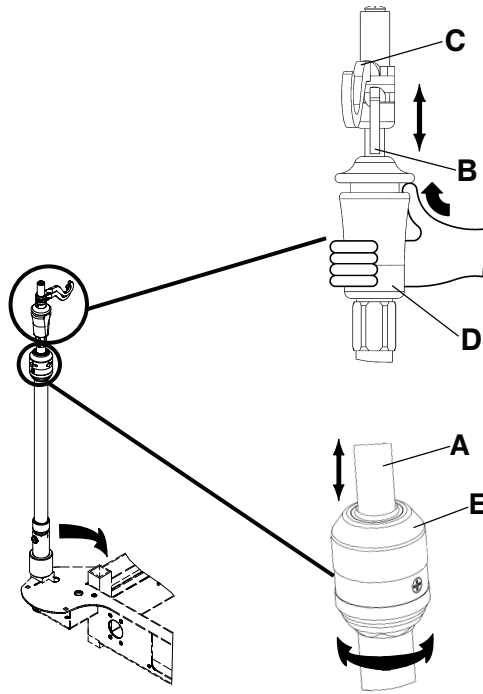


Figura 24 – Posicionamento do suporte de soros de três etapas com fixação permanente

Fixação e posicionamento da haste do suporte de soros amovível

PRECAUÇÃO

- Não utilize a haste do suporte de soros para puxar/empurrar o produto. Poderão ocorrer danos no produto.
- Não pendure sacos de fluidos intravenosos que excedam 40 lb (18 kg) na haste do suporte de soros.
- Certifique-se sempre de que, durante o transporte de um doente, a haste do suporte de soros está numa posição baixa para que passe através de vãos de portas.

Para fixar e posicionar a haste do suporte de soros amovível (Figura 25):

1. Insira a haste do suporte de soros num encaixe na extremidade do lado da cabeça ou do lado dos pés do produto.
2. Rode o botão (A) no sentido contrário ao dos ponteiros do relógio e puxe a parte telescópica (B) para cima até atingir a altura pretendida.
3. Rode o botão (A) no sentido dos ponteiros do relógio para fixar a parte telescópica nessa posição.

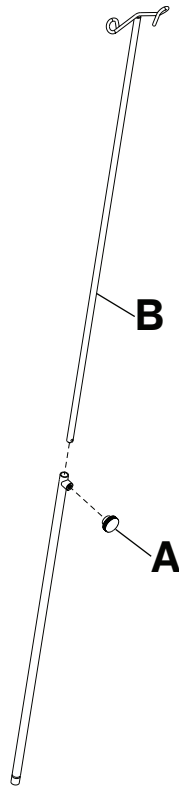


Figura 25 – Haste do suporte de soros amovível

Fixação do suporte da botija de oxigénio vertical

ADVERTÊNCIA

- Não coloque objetos com mais de 40 lb (18 kg) no suporte da botija de oxigénio vertical.
 - Tenha sempre precaução se o tabuleiro do desfibrilhador/extensão para os pés, a placa para os pés/suporte de fichas clínicas ou o suporte da botija de oxigénio vertical estiverem presos para evitar entalar os dedos quando posicionar a pega de empurrar da extremidade do lado dos pés opcional.
-

O suporte da botija de oxigénio vertical acomoda uma botija de oxigénio em posição vertical.

Para fixar o suporte da botija de oxigénio vertical:

1. Insira a barra de suporte em qualquer um dos encaixes para suporte de soros.
2. Insira a chaveta através do orifício da barra de suporte para fixar o suporte da botija ao produto.

Nota - Não utilize o suporte da botija de oxigénio vertical para empurrar/puxar. Poderão ocorrer danos no produto.

Extensão ou armazenamento do tabuleiro de refeições/placa para os pés

ADVERTÊNCIA - Não coloque objetos com mais de 30 lb (14 kg) no tabuleiro de refeições.

Para encaixar o tabuleiro de refeições na grade lateral, puxe ambos os lados do tabuleiro de refeições para fora e posicione o tabuleiro sobre as grades laterais.

Para guardar o tabuleiro de refeições:

1. Retire o tabuleiro de refeições das grades laterais.
2. Empurre os lados do tabuleiro de refeições para dentro.
3. Armazene o tabuleiro de refeições na placa para os pés.

Nota - Não utilize o tabuleiro de refeições/placa para os pés para empurrar/puxar. Poderão ocorrer danos no produto.

Fixação das almofadas das grades laterais

Para fixar as almofadas das grades laterais:

1. Prenda a almofada da grade lateral entre o colchão e a grade lateral.
2. Aperte as fitas de **Velcro®** à volta do topo da grade lateral para fixar a respetiva almofada.

Localização dos pontos de fixação das correias de contenção do doente

ADVERTÊNCIA

- Tenha sempre precaução quando fixar as correias de contenção. Podem ocorrer lesões no doente ou no operador. Os dispositivos de contenção físicos, mesmo se estiverem fixos, podem causar lesões graves nos doentes e nos operadores, incluindo enredamento, entalamento, danos físicos ou mesmo a morte.
- Fixe sempre as correias ou os dispositivos de contenção somente nos pontos de fixação do produto identificados. Se não o fizer, poderá causar lesões no doente ou no operador. Não fixe as correias de contenção à grade lateral.
- Antes de utilizar uma correia ou um dispositivo de contenção, consulte sempre as restrições e os regulamentos nacionais e comunitários aplicáveis e os protocolos da unidade de saúde adequados.

Existem oito pontos de fixação das correias de contenção do doente na estrutura da cama para fixação das correias de contenção do doente (Figura 26 ou Figura 27).

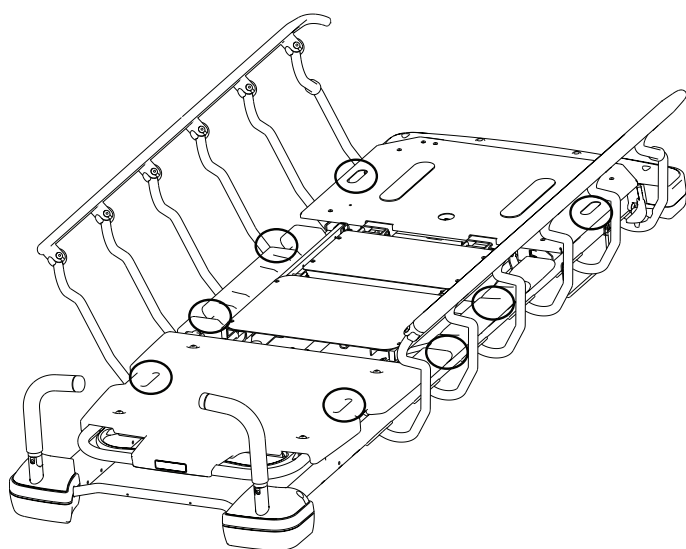


Figura 26 – Localização das correias de contenção na opção Prime

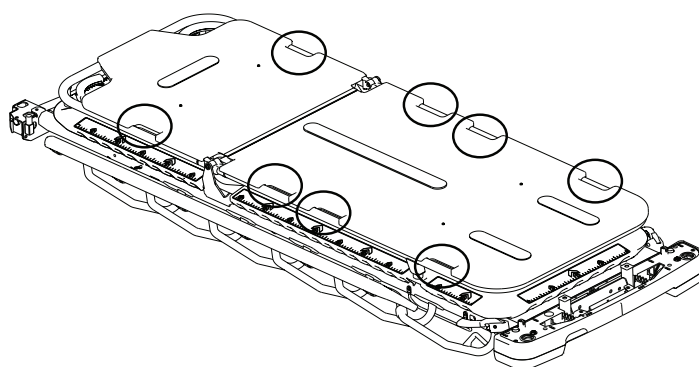


Figura 27 – Localização das correias de contenção opção Prime X

Nota - As correias de contenção são peças aplicadas do tipo B.

Posicionamento do suporte da cassete de raios X vertical — opção Prime X

ADVERTÊNCIA

- Tome sempre medidas de proteção quando utilizar o suporte da cassete de raios X vertical ou lateral. O suporte da cassete de raios X não protege contra radiação.
- Antes da utilização, consulte sempre as orientações locais, nacionais e comunitárias além dos protocolos de segurança das unidades de saúde, antes de utilizar a opção **Prime X** com dispositivos de emissão de radiação. Os dispositivos de emissão de radiação podem produzir radiação residual, dispersa ou difusa.

- Tenha sempre precaução extra quando utilizar um colchão com mais de 2,5 pol. (6,35 cm) de espessura ou uma capa de colchão com a opção **Prime X**.
- Siga sempre as instruções de *Posicionamento do suporte da cassete de raios X vertical — opção Prime X* para inserir a cassete de raios X.

O suporte da cassete de raios X fixa-se à estrutura soldada da cabeceira de Fowler para suportar as cassetes de raios X. Poderá fazer radiografias enquanto houver um doente no produto. Também poderá ajustar a posição da cassete antes de fazer uma radiografia.

Para posicionar o suporte da cassete de raios X:

1. Acione os travões. Empurre o produto para se certificar de que os travões estão a funcionar.
2. Eleve a secção da cabeceira de Fowler até à altura máxima.
3. Insira os guias de retenção inferiores (A) debaixo da barra soldada da cabeceira de Fowler (Figura 28).
4. Eleve o suporte da cassete até os guias de retenção ficarem trancados na estrutura soldada da cabeceira de Fowler. Certifique-se de que o suporte da cassete está fixo.

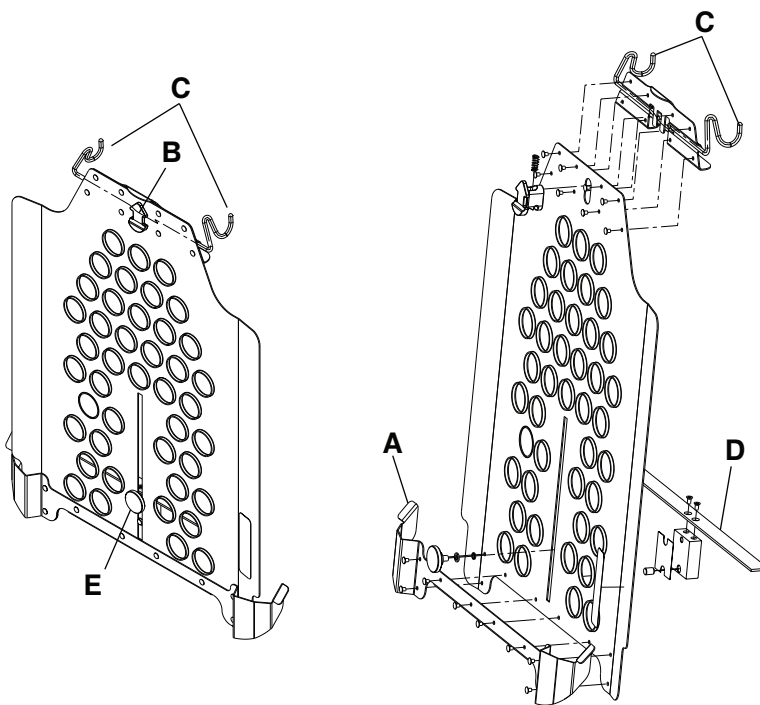


Figura 28 – Suporte da cassete de raios X

5. Insira uma cassete de raios X em qualquer um dos lados do suporte da cassete ou puxe a seta de desengate deslizante (B) para soltar o suporte da cassete da cabeceira de Fowler; posicione a cassete e fixe o suporte da cassete na estrutura soldada da cabeceira de Fowler.
6. Para ajustar a altura da cassete, desaperte o botão (E) e mova a calha do suporte da cassete (D) para cima ou para baixo até à altura desejada.
7. Aperte o botão (E) para fixar a calha do suporte da cassete em posição.
8. Quando o processo de raios X estiver concluído, puxe a seta de desengate deslizante (B) para cima para soltar o suporte da cassete da estrutura soldada da cabeceira de Fowler.
9. Retire a cassete de raios X do respetivo suporte.
10. Feche e guarde o suporte da cassete.

Posicionamento do suporte da cassete de raios X lateral — apenas opção Prime X

ADVERTÊNCIA

- Tome sempre medidas de proteção quando utilizar o suporte da cassete de raios X vertical ou lateral. O suporte da cassete de raios X não protege contra radiação.
- Antes da utilização, consulte sempre as orientações locais, nacionais e comunitárias além dos protocolos de segurança das unidades de saúde, antes de utilizar a opção **Prime X** com dispositivos de emissão de radiação. Os dispositivos de emissão de radiação podem produzir radiação residual, dispersa ou difusa.
- Tenha sempre precaução quando tirar radiografias com a cabeceira de Fowler na posição vertical ou quando utilizar uma cassete lateral.
- Tenha sempre precaução extra quando utilizar um colchão com mais de 2,5 pol. (6,35 cm) de espessura ou uma capa de colchão com a opção **Prime X**.
- Siga sempre as instruções de *Posicionamento do suporte da cassete de raios X lateral — opção Prime X* para inserir a cassete de raios X.

Para posicionar o suporte da cassete de raios X lateral:

1. Acione os travões. Empurre o produto para se certificar de que os travões estão a funcionar.

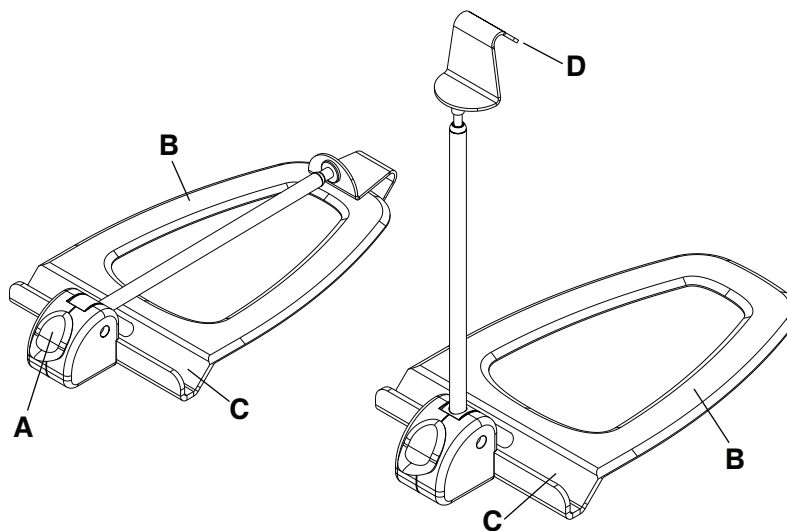


Figura 29 – Suporte da cassete de raios X lateral

2. Carregue no botão de desengate amarelo (A) para abrir o suporte da cassete lateral (Figura 29).
3. Faça deslizar a base plana (B) entre o colchão e a plataforma do doente.
4. Posicione o suporte da cassete lateral na localização pretendida.
5. Coloque a cassete de raios X dentro do respetivo canal (C).
6. Puxe o gancho da cassete (D) para cima para ajustar a altura do braço de modo a que fique sobre a cassete de raios X e mantenha a cassete na posição correta.
7. Inverta os passos para retirar a cassete e guardar o suporte da cassete lateral.

Inserção ou remoção de cassetes de raios X — opção Prime X

ADVERTÊNCIA

- Antes da utilização, consulte sempre as orientações locais, nacionais e comunitárias além dos protocolos de segurança das unidades de saúde, antes de utilizar a opção **Prime X** com dispositivos de emissão de radiação. Os dispositivos de emissão de radiação podem produzir radiação residual, dispersa ou difusa.

- Tenha sempre precaução quando tirar radiografias com a cabeceira de Fowler na posição vertical ou quando utilizar uma cassete lateral.

A opção **Prime X** fornece uma superfície de apoio radiográfica articulada e uma plataforma abaixo da superfície de apoio do doente para colocação de cassetes de raios X. Ao trabalhar com sistemas radiológicos médicos, a superfície de apoio radiográfica permite a captura de radiografias clínicas (vista AP de todo o corpo, vista lateral de todo o corpo opcional e vista torácica vertical opcional) com o doente colocado no produto. As cassetes podem ser inseridas a partir da extremidade do lado da cabeça, da extremidade do lado dos pés e em qualquer um dos lados do produto.

Para inserir uma cassete de raios X:

1. Centre o doente no produto com as etiquetas de indicação da posição situadas em todos os lados do produto (Figura 30).
2. Insira uma cassete de raios X por baixo da superfície do doente. Utilize os guias das cassetes para ajudar na colocação da cassete de raios X.

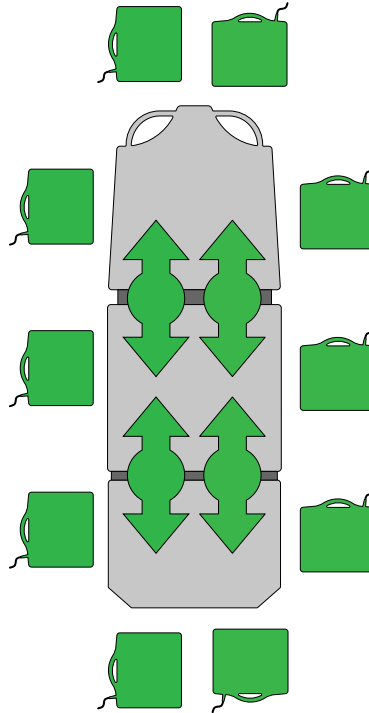


Figura 30 – Inserção ou remoção de cassetes de raios X na opção Prime X

Nota

- Não utilize um colchão de espessura superior a quatro polegadas (10 cm) com a opção **Prime X**.
- Não utilize um braço em C com a opção **Prime X**. A opção **Prime X** não é compatível com um braço em C.

Limpeza

Limpeza do produto

PRECAUÇÃO - Não use produtos de limpeza abrasivos para limpar a caixa do visor do sistema de balança opcional. Não permita a acumulação de soluções de limpeza ou outros líquidos na unidade do visor. Seque todas as superfícies após derrame ou limpeza.

Estas instruções fornecem métodos de limpeza recomendados para a maca **Prime Series**.

Este produto pode ser lavado com água sob pressão. O produto poderá apresentar alguns sinais de oxidação ou descoloração provenientes da lavagem contínua. Apesar disso, as características de desempenho ou funcionalidade do produto não se degradarão por ação da lavagem com água sob pressão, desde que sejam seguidos os procedimentos corretos.

Método de limpeza recomendado:

1. Se o produto estiver equipado com a opção da estrutura da cama elétrica ou do sistema de elevação elétrico, desligue o cabo de alimentação da tomada elétrica de parede antes de transportar ou limpar o produto.
2. Retire o colchão do produto.
3. Cumpra as recomendações de diluição do fabricante da solução de limpeza.
4. A Stryker recomenda o dispositivo hospitalar padrão de lavagem de carrinhos cirúrgicos para lavagem com água sob pressão.
5. Seque o produto. Não volte a colocar o colchão no produto enquanto o produto não estiver seco.
6. Verifique a funcionalidade antes de devolver o produto ao serviço.
 - Eleve e baixe o produto
 - Trave e destrave o pedal de travagem/condução em ambas as posições
 - Tranque e destranque as grades laterais
 - Eleve e baixe a cabeceira de Fowler
 - Eleve e baixe a plataforma articulada para os joelhos
 - Certifique-se de que todos os componentes têm uma lubrificação apropriada
 - Certifique-se de que todas as etiquetas estão intactas

Nota

- O contacto direto da pele com material visivelmente contaminado, permeável pode aumentar o risco de infeção.
- Não limpe o produto com vapor.
- Limpe a área de armazenamento do compartimento da base.
- Limpe o fundo das pastilhas de travão para evitar a acumulação de cera ou de restos do chão.
- Alguns agentes de limpeza são corrosivos e poderão danificar o produto se utilizados de forma incorreta. Se não enxaguar e secar bem o produto, poderão ficar resíduos corrosivos na respetiva superfície, que podem causar a corrosão prematura de componentes fundamentais. O incumprimento destas instruções de limpeza poderá anular a sua garantia.

Limpeza do produto utilizando um dispositivo de lavagem de carrinhos cirúrgicos

A Stryker recomenda a utilização de um dispositivo hospitalar padrão de lavagem de carrinhos cirúrgicos para lavar a maca no máximo uma vez por ano durante a vida do produto.

Para limpar o produto utilizando um dispositivo de lavagem de carrinhos cirúrgicos:

1. Se o produto estiver equipado com a opção da estrutura da cama elétrica ou do sistema de elevação elétrico, desligue o cabo de alimentação da tomada elétrica de parede antes de transportar ou limpar o produto.
2. Remova o colchão antes de lavar o produto. Não lave o colchão com o produto.

3. Posicione a cabeceira de Fowler a 45°.
4. Coloque o produto na posição anti-Trendelenburg (extremidade do lado dos pés para baixo).
5. Eleve as grades laterais.
6. Coloque as hastes dos suportes de soros e as pegas de empurrar na posição superior.
7. Limpe o produto com uma temperatura máxima da água de 82 °C (180 °F) e uma pressão da água máxima de 103,5 bar / 1500 psi.
8. Deixe o produto secar ao ar com uma temperatura máxima de 93 °C (200 °F) durante oito minutos.
9. Seque o produto. Não volte a colocar o colchão no produto enquanto o produto não estiver seco.
10. Verifique a funcionalidade antes de devolver o produto ao serviço.
 - Eleve e baixe o produto
 - Trave e destrave o pedal de travagem/condução em ambas as posições
 - Tranque e destranque as grades laterais
 - Eleve e baixe a cabeceira de Fowler
 - Certifique-se de que todos os componentes têm uma lubrificação apropriada
 - Certifique-se de que todas as etiquetas estão intactas e legíveis

Nota

- Não limpe o produto com vapor.
- Alguns agentes de limpeza são corrosivos e poderão danificar o produto se utilizados de forma incorreta. Se não enxaguar e secar bem o produto, poderão ficar resíduos corrosivos na respetiva superfície, que podem causar a corrosão prematura de componentes fundamentais. O incumprimento destas instruções de limpeza poderá anular a sua garantia.

Limpeza do colchão

ADVERTÊNCIA

- Não proceda à limpeza, reparação ou manutenção enquanto o produto estiver a ser utilizado.
 - Não mergulhe o colchão em soluções de limpeza nem em desinfetantes. O excesso de humidade pode provocar avaria do produto, que resulta em danos no produto ou lesões no doente.
 - Não permita a acumulação de fluidos no colchão. Os fluidos podem provocar a corrosão dos componentes e podem fazer com que a segurança e o desempenho deste produto sejam imprevisíveis.
 - Inspeccione sempre as coberturas do colchão e verifique se apresentam rasgões, perfurações, desgaste excessivo e fechos mal alinhados cada vez que limpar as coberturas. Remova e substitua um colchão danificado para evitar a contaminação cruzada.
 - Não efetue limpeza com vapor, lavagem automática ou com água em spray nem limpeza ultrassónica dos colchões. Estes métodos de limpeza podem anular a garantia do produto.
-

A vida útil do colchão pode ser afetada por um aumento da frequência de utilização, que poderá incluir limpeza e desinfecção mais frequentes.

Método de limpeza recomendado:

1. Com um pano macio limpo, limpe todo o colchão com uma solução detergente suave e água para remover materiais estranhos.
2. Limpe o colchão com um pano limpo e seco para remover o excesso de líquido ou de agentes de limpeza.
3. Enxague e seque as coberturas após a limpeza.
4. Desinfete conforme necessário com um desinfetante de grau hospitalar depois de a limpeza ter sido concluída (ver *Desinfecção do colchão*).

Nota

- Não passe a ferro, não limpe a seco nem seque o colchão na máquina, pois isto poderia causar uma avaria e danos no produto.
- Deixe a cobertura do colchão secar totalmente antes de a guardar, adicionar roupa de cama ou colocar um doente sobre a superfície, para evitar que o desempenho do produto seja comprometido.
- Evite a exposição excessiva a álcool ou a peróxido de hidrogénio. O material da cobertura aumentará de espessura.
- Não permita que líquidos escurram para dentro da área do fecho e da barreira de separação da cobertura. O contacto de líquidos com o fecho pode levar a fugas para o interior do colchão, que podem comprometer o desempenho do produto.
- Alguns agentes de limpeza são corrosivos e poderão danificar o produto se utilizados de forma incorreta. Se não enxaguar e secar bem o produto, poderão ficar resíduos corrosivos na respetiva superfície, que podem causar a corrosão prematura de componentes fundamentais. O incumprimento destas instruções de limpeza poderá anular a sua garantia.

Remoção do iodo

1. Prepare uma solução com 1 a 2 colheres (das de sopa) de tiosulfato de sódio em cerca de meio litro de água tépida. Utilize a solução para limpar a área manchada.
2. Limpe a mancha logo que possível após a sua ocorrência.
3. Se as manchas não forem imediatamente removidas, deixe a solução ficar embebida ou sobre o colchão antes de o limpar.
4. Enxague os colchões que tenham estado expostos à solução com água limpa antes de voltar a utilizá-los.

Nota - O não cumprimento das indicações anteriores quando utilizar este tipo de produtos de limpeza pode anular a garantia deste produto.

Instruções especiais

Velcro®	Sature com desinfetante, enxague com água e deixe a solução evaporar.
Sólidos ou manchas	Utilize detergentes neutros e água tépida. Não utilize produtos de limpeza fortes, solventes ou abrasivos.
Manchas difíceis de limpar	Utilize produtos de limpeza domésticos normais ou vinílicos e uma escova de cerdas macias para limpar manchas difíceis. Em caso de sujidade seca, embeba previamente com produto de limpeza.
Lavagem	A lavagem não é recomendada. A lavagem pode reduzir substancialmente a vida útil do colchão.

Desinfecção

Desinfecção do produto

ADVERTÊNCIA

- Não proceda à limpeza, reparação ou manutenção enquanto o produto estiver a ser utilizado.
 - Não efetue limpeza com vapor, com água em spray nem limpeza ultrassónica do produto. A utilização destes métodos de limpeza não é recomendada e pode anular a garantia do produto.
-

Desinfetantes recomendados:

- Quaternários (ingrediente ativo – cloreto de amónia) que contenham menos de 3% de éter de glicol
- Desinfetante fenólico (princípio ativo — o-fenilfenol)
- Solução de lixívia clorada (1 parte de lixívia diluída a 5,25% para 100 partes de água, o que equivale a 520 ppm de cloro disponíveis [40 ml de uma solução de lixívia a 5,25% por 4000 ml de água])
- Álcool isopropílico a 70%

Método de desinfecção recomendado:

1. Cumpra as recomendações de diluição do fabricante da solução desinfetante.
2. Lave à mão todas as superfícies do produto com uma solução desinfetante.
3. Evite a saturação excessiva e certifique-se de que o produto não fica húmido mais tempo do que o recomendado pelas orientações do fabricante do químico para uma desinfecção correta.
4. Seque o produto. Não volte a colocar o colchão no produto enquanto o produto não estiver seco.
5. Desinfete os componentes de **Velcro®** após cada utilização. Sature o **Velcro®** com desinfetante, enxague com água e deixe o desinfetante evaporar (o desinfetante adequado é determinado pela unidade de saúde).
6. Verifique a funcionalidade antes de devolver o produto ao serviço.
 - Eleve e baixe o produto
 - Trave e destrave o pedal de travagem/condução em ambas as posições
 - Tranque e destranque as grades laterais
 - Eleve e baixe a cabeceira de Fowler
 - Eleve e baixe a plataforma articulada para os joelhos
 - Certifique-se de que todos os componentes têm uma lubrificação apropriada
 - Certifique-se de que todas as etiquetas estão intactas

Nota

- O contacto da pele com material visivelmente contaminado, permeável pode aumentar o risco de infeção.
- Alguns agentes de limpeza são corrosivos e poderão danificar o produto se utilizados de forma incorreta. Se não enxaguar e secar bem o produto, poderão ficar resíduos corrosivos na respetiva superfície, que podem causar a corrosão prematura de componentes fundamentais. O incumprimento destas instruções de limpeza poderá anular a sua garantia.

Desinfecção do colchão

ADVERTÊNCIA - Desinfete sempre o colchão entre doentes. Se não o fizer, poderá originar contaminação cruzada e infeção.

Desinfetantes recomendados:

- Quaternários (ingrediente ativo – cloreto de amónia) que contenham menos de 3% de éter de glicol

- Desinfetante fenólico (princípio ativo — o-fenilfenol)
- Solução de lixívia clorada (1 parte de lixívia diluída a 5,25% para 100 partes de água, o que equivale a 520 ppm de cloro disponíveis [40 ml de uma solução de lixívia a 5,25% por 4000 ml de água])
- Álcool isopropílico a 70%

Método de desinfecção recomendado:

1. Assegure-se de que o colchão está limpo e seco antes de utilizar desinfetantes.
2. Limpe o colchão com um pano limpo e seco para remover o excesso de líquido ou de desinfetante.
3. Lave e seque as coberturas após a desinfecção.

Nota

- A cobertura do colchão deve estar seca antes de a guardar ou adicionar roupa de cama. A não remoção do excesso de desinfetante pode provocar a degradação do material da cobertura.
- Alguns agentes de limpeza são corrosivos e poderão danificar o produto se utilizados de forma incorreta. Se não enxaguar e secar bem o produto, poderão ficar resíduos corrosivos na respetiva superfície, que podem causar a corrosão prematura de componentes fundamentais. O incumprimento destas instruções de limpeza poderá anular a sua garantia.
- A exposição frequente ou prolongada a concentrações mais elevadas de soluções desinfetantes poderá envelhecer prematuramente o tecido da cobertura.
- A utilização de peróxidos de hidrogénio acelerados ou compostos quaternários que contenham éteres glicólicos poderá danificar a cobertura.

Manutenção preventiva

Retire o produto de utilização antes da realização da inspeção de manutenção preventiva. Verifique todos os itens indicados durante a manutenção preventiva anual para todos os produtos da Stryker Medical. Poderá ter de realizar verificações da manutenção preventiva mais frequentemente, com base no nível de utilização do produto. A assistência deve ser feita apenas por pessoal qualificado.

Nota - Limpe e desinfete o exterior do colchão antes da inspeção, caso se aplique.

Inspeccione:

- _____ Se todos os elementos de fixação estão fixos
- _____ Se as grades laterais se movem e estão bloqueadas
- _____ Se os rodízios bloqueiam quando o pedal de travagem é acionado
- _____ Se os rodízios estão fixos e giram
- _____ Se os rodízios não têm cera e detritos
- _____ Se o mecanismo de travagem funciona
- _____ Se a função de condução funciona
- _____ Verificar se existem rachas nas partes em pele
- _____ Se a cabeceira de Fowler se eleva, baixa e fica trancada em segurança
- _____ A plataforma articulada para os joelhos eleva-se, baixa e fica fixa em segurança (opção)
- _____ a posição de Trendelenburg/anti-Trendelenburg funciona como pretendido a partir de todas as localizações
- _____ Se a ligação de terra está intacta
- _____ Se não existem fugas nas conexões hidráulicas
- _____ Se os macacos hidráulicos desempenham a sua função de suporte
- _____ Se as correias de contenção ficam trancadas e fixas (opção)
- _____ Se o suporte de soros está intacto, é ajustável e fica fixo em todas as posições (opção)
- _____ Se o suporte da botija de oxigénio está intacto e abre e fecha (opção)
- _____ Se a cobertura do colchão não apresenta rasgos nem fissuras
- _____ Se os acessórios e o equipamento de montagem estão em bom estado
- _____ Funcionalidade de alimentação por bateria (opção)
- _____ Se não existe nenhum cabo gasto nem comprimido (opção)
- _____ O cabo de alimentação e a ficha não estão danificados (opção)
- _____ Todas as ligações elétricas estão bem fixas (opção)
- _____ Todas as ligações à terra estão fixas à estrutura (opção)
- _____ A impedância de ligação à terra é inferior a 200 mΩ (miliohms) (opção)
- _____ a fuga de corrente é inferior a 300 µA (microamperes) (de acordo com a norma UL 60606-1-1) (opção)
- _____ Baterias carregadas (opção de sistema de balança)
- _____ A estrutura do visor está intacta e não danificada (opção de sistema de balança)
- _____ As células de carga estão intactas e não danificadas (opção de sistema de balança)
- _____ O mecanismo do botão de ajuste da largura (ao nível dos joelhos) do apoio para os pés funciona e pode ser fixado na devida posição (opção)
- _____ O mecanismo do botão de ajuste do comprimento (ao nível da perna) do apoio para os pés funciona e pode ser fixado na devida posição (opção)
- _____ O apoio para os pés estende-se até à posição máxima e para na posição correta (opcional)

- _____ Os parafusos autorroscantes do apoio para os pés (6) ficam fixos e não têm a rosca moída (opção)
- _____ A balança está devidamente calibrada. Volte a calibrar, se necessário (opção de sistema de balança)
- _____ O suporte da cassete de raios X vertical está em bom estado e pode ser ajustado para se adaptar a todas as cassetes de raios X (opção **Prime X**)
- _____ O revestimento da cabeceira de Fowler e da secção dos pés não está danificado (opção **Prime X**)
- _____ Os tabuleiros da cabeça e dos pés não estão danificados (opção **Prime X**)
- _____ O parafuso e a porca em cada parte articulada da cabeceira de Fowler não estão soltos (opção **Prime X**)

Número de série do produto:
Preenchido por:
Data:

Informações de CEM

PRECAUÇÃO

- A utilização de acessórios, transdutores e cabos diferentes dos especificados ou fornecidos pelo fabricante pode resultar num aumento de emissões eletromagnéticas ou numa redução da imunidade eletromagnética e levar a um funcionamento incorreto.
- As características de emissões deste equipamento tornam-no adequado para utilização em áreas industriais e hospitalares (CISPR 11 classe A). Se for utilizada num ambiente residencial, para o qual normalmente é necessária a CISPR 11 classe B, este equipamento pode não oferecer uma adequada proteção a serviços de comunicação de radiofrequência. O utilizador poderá necessitar de tomar medidas de mitigação, tais como a realocação ou a reorientação do equipamento.

Orientações e declaração do fabricante – emissões eletromagnéticas

O sistema de elevação elétrico ou a estrutura da cama elétrica opcionais e o sistema de balança opcional destinam-se a ser utilizados no ambiente eletromagnético abaixo especificado. O operador do sistema de elevação elétrico ou da estrutura da cama elétrica opcionais e do sistema de balança opcional deve assegurar-se que são utilizados nesse tipo de ambiente.

Ensaio de emissões	Conformidade	Ambiente eletromagnético
Emissões de RF CISPR 11	Grupo 1	O sistema de elevação elétrico ou a estrutura da cama elétrica opcionais ou o sistema de balança opcional utilizam energia de RF apenas para o seu funcionamento interno. Por conseguinte, as suas emissões de RF são muito baixas e não é provável que originem interferências em equipamento eletrónico próximo.
Emissões de RF CISPR 11	Classe A	O sistema de elevação elétrico ou a estrutura da cama elétrica opcionais e o sistema de balança opcional são adequados para utilização em todos os estabelecimentos, exceto em habitações e estabelecimentos diretamente ligados à rede elétrica pública de baixa tensão que fornece energia a edifícios domésticos.
Emissões harmónicas IEC 61000-3-2 *	Classe A	
Flutuações da voltagem oscilação das emissões IEC 61000-3-3 *	Em conformidade	

*Aplica-se apenas ao sistema de elevação elétrico e à estrutura da cama elétrica opcionais.

PRECAUÇÃO

- Não utilize equipamento de comunicação por RF portátil, incluindo periféricos, como cabos de antena e antenas externas, a menos de 12 polegadas (30 cm) de qualquer componente da maca **Prime**, incluindo cabos especificados pelo fabricante.
- Evite empilhar ou colocar outro equipamento adjacente a outro equipamento para evitar o funcionamento inadequado dos produtos. Se tal utilização for necessária, observe cuidadosamente o equipamento empilhado ou adjacente para se certificar de que estejam a funcionar corretamente.

Distâncias de separação recomendadas entre equipamento de comunicação por RF, portátil e móvel, e a estrutura da cama elétrica opcional e o sistema de sistema de balança opcional.

O sistema de elevação elétrico ou a estrutura da cama elétrica opcionais e a o sistema de balança opcional destinam-se a ser utilizados no ambiente eletromagnético abaixo especificado em que as perturbações por RF estão controladas. O cliente ou o utilizador do sistema de elevação elétrico ou da estrutura da cama elétrica opcionais e do sistema de balança opcional pode ajudar a prevenir interferências eletromagnéticas mantendo uma distância mínima entre o equipamento de comunicação por RF, portátil e móvel (transmissores), e o sistema de elevação elétrico ou a estrutura da cama elétrica opcionais e o sistema de balança opcional, como se recomenda abaixo, de acordo com a potência de saída máxima do equipamento de comunicação.

Potência de saída máxima nominal do transmissor W	Distância de separação consoante a frequência do transmissor m		
	150 kHz a 80 MHz D = (1,2) (\sqrt{P})	80 MHz a 800 MHz D = (1,2) (\sqrt{P})	800 MHz a 2,7 GHz D = (2,3) (\sqrt{P})
0,01	0,12	0,12	0,23
0,1	0,38	0,38	0,73
1	1,2	1,2	2,3
10	3,8	3,8	7,3
100	12	12	23

Para transmissores com uma potência de saída máxima nominal não indicada anteriormente, a distância de separação recomendada (D) em metros (m), pode ser determinada usando a equação aplicável à frequência do transmissor em que P é a potência de saída máxima nominal do transmissor em watts (W) de acordo com o fabricante do transmissor.

Nota 1 - A 80 MHz e 800 MHz, aplica-se a distância de separação para a gama de frequências mais elevadas.

Nota 2 – Estas orientações poderão não se aplicar em todas as situações. A propagação eletromagnética é afetada pela absorção e reflexão a partir de estruturas, objetos e pessoas.

Orientações e declaração do fabricante – imunidade eletromagnética

O sistema de elevação elétrico opcional, a estrutura da cama elétrica opcional ou o sistema de balança opcional destinam-se a ser utilizados no ambiente eletromagnético especificado abaixo. O cliente ou o utilizador do sistema de elevação elétrico ou da estrutura da cama elétrica opcional e do sistema de balança opcional deve garantir que são utilizados nesse tipo de ambiente.

Teste de imunidade	Nível de teste IEC 60601	Nível de conformidade	Ambiente eletromagnético — orientações
Descarga eletrostática (ESD) IEC 61000-4-2	±8 kV contacto ±15 kV ar	±8 kV contacto ±15 kV ar	O chão deve ser de madeira, cimento ou mosaico cerâmico. Se o chão tiver um revestimento de material sintético, a humidade relativa deverá ser no mínimo de 30%.
Corrente eletrostática transitória rápida/rajada IEC 61000-4-4*	±2 kV para linhas de fornecimento de energia ±1 kV para linhas de entrada/saída	±2 kV para linhas de fornecimento de energia ±1 kV para linhas de entrada/saída	A qualidade da rede elétrica deve ser a de um ambiente comercial ou hospitalar típico.
Pico IEC 61000-4-5*	±1 kV linha(s) até linhas(s) ±2 kV linha(s) até à ligação à terra	±1 kV linha(s) até linhas(s) ±2 kV linha(s) até à ligação à terra	A qualidade da rede elétrica deve ser a de um ambiente comercial ou hospitalar típico.


<p>Quedas de tensão, variações de tensão ou curtas interrupções nas linhas de entrada de fornecimento de energia IEC 61000-4-11*</p>	<p>0% de U_T durante 0,5 ciclo a $0^\circ, 45^\circ, 90^\circ, 135^\circ, 180^\circ, 225^\circ, 270^\circ$ e 315°</p> <p>0% U_T para 1 ciclo</p> <p>70% U_T (queda de 30% na U_T) durante 25 ciclos</p> <p>0% U_T para 250 ciclos</p>	<p>0% de U_T durante 0,5 ciclo a $0^\circ, 45^\circ, 90^\circ, 135^\circ, 180^\circ, 225^\circ, 270^\circ$ e 315°</p> <p>0% U_T para 1 ciclo</p> <p>70% U_T (queda de 30% na U_T) durante 25 ciclos</p> <p>0% U_T para 250 ciclos</p>	<p>A qualidade da rede elétrica deve ser a de um ambiente comercial ou hospitalar típico. Se o utilizador do sistema de elevação elétrico opcional ou da estrutura da cama elétrica opcional necessitar que funcionem continuamente durante cortes de energia elétrica, recomenda-se que os dispositivos sejam alimentados a partir de uma fonte de alimentação ininterrupta ou de uma bateria.</p>
<p>Campo magnético da frequência de energia (50/60 Hz) IEC 61000-4-8</p>	<p>30 A/m</p>	<p>30 A/m</p>	<p>Os campos magnéticos da frequência de energia devem situar-se em níveis característicos de um ambiente comercial ou hospitalar típico.</p>

Nota: U_t é a tensão da corrente CA antes da aplicação do nível de ensaio.

*Aplica-se apenas ao sistema de elevação elétrico ou à estrutura da cama elétrica opcionais.

Orientações e declaração do fabricante – imunidade eletromagnética

O sistema de elevação elétrico opcional, a estrutura da cama elétrica opcional ou o sistema de balança opcional destinam-se a ser utilizados no ambiente eletromagnético especificado abaixo. O cliente ou o utilizador do sistema de elevação elétrico ou da estrutura da cama elétrica opcionais e do sistema de balança opcional deve garantir que são utilizados nesse tipo de ambiente.

Teste de imunidade	Nível de teste IEC 60601	Nível de conformidade	Ambiente eletromagnético — orientações
RF conduzida IEC 61000-4-6* RF radiada IEC 61000-4-3	3 Vrms 6 Vrms nas bandas ISM e radioamadores 150 kHz a 80 MHz 3 V/m 80 MHz a 2,7 GHz	3 Vrms 6 Vrms nas bandas ISM e radioamadores 3 V/m	<p>O equipamento de comunicação por RF, portátil e móvel, não deve ser utilizado a uma distância de qualquer parte do sistema de elevação elétrico ou da estrutura da cama elétrica opcionais e do sistema de balança opcional, incluindo os cabos, inferior à distância de separação recomendada, calculada a partir da equação adequada à frequência do transmissor.</p> <p>Distância de separação recomendada</p> $D = (1,2) (\sqrt{P})$ $D = (1,2) (\sqrt{P})$ <p>80 MHz a 800 MHz</p> $D = (2,3) (\sqrt{P})$ <p>800 MHz a 2,7 GHz</p> <p>em que P é a potência de saída máxima nominal do transmissor em watts (W) de acordo com o fabricante do transmissor e D é a distância de separação recomendada em metros (m).</p> <p>As intensidades do campo de transmissores de RF fixos, conforme determinado por um estudo eletromagnético do local ^a, devem ser inferiores ao nível de conformidade em cada intervalo de frequência ^b.</p> <p>Pode ocorrer interferência na proximidade de equipamento marcado com o seguinte símbolo:</p> 

Nota 1: A 80 MHz e 800 MHz, aplica-se a gama de frequências mais elevadas.

Nota 2: Estas orientações poderão não se aplicar em todas as situações. A propagação eletromagnética é afetada pela absorção e reflexão a partir de estruturas, objetos e pessoas.

Nota 3: As bandas ISM (industrial, científica e médica) entre 0,15 MHz e 80 MHz são 6,765 MHz até 6,795 MHz; 13,553 MHz até 13,567 MHz; 26,957 MHz até 27,283 MHz; e 40,66 MHz até 40,70 MHz.

^a Não é possível prever com exatidão, do ponto de vista teórico, as intensidades do campo de transmissores fixos, como estações de base para radiotelefonos (telemóveis/sem fios) e rádios móveis terrestres, radioamadores, radioemissão (AM e FM) e emissões televisivas. Para avaliar o ambiente eletromagnético produzido por transmissores de RF fixos, deverá considerar-se a realização de um estudo eletromagnético do local. Se a intensidade do campo medido no local em que o sistema de elevação elétrico ou a estrutura da cama elétrica opcionais e o sistema de balança opcional vão ser utilizados exceder o nível de conformidade de RF aplicável, anteriormente indicado, deverá observar-se se a sistema de elevação elétrico ou a estrutura da cama elétrica opcionais e o sistema de balança opcional funcionam normalmente. Em caso de desempenho anómalo, poderão ser necessárias medidas adicionais como a reorientação ou a mudança de local do sistema de elevação elétrico ou da estrutura da cama elétrica opcionais e do sistema de balança opcional.

^b Na gama de frequências de 150 kHz a 80 MHz, as intensidades do campo são inferiores a 3 V/m.

*Aplica-se apenas à opção de estrutura da cama elétrica.












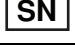


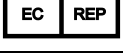




Targă Prime Series®

















Manual de operare

REF 1115
Big Wheel®



Simboluri

	A se consulta manualul/broșura cu instrucțiuni
	Consultați instrucțiunile de utilizare
	Avertisment general
	Atenție
	Avertisment; pericol de strivire a mâinilor
	Avertisment; radiații neionizante
	A nu se împinge
	Nu depozitați butelia de oxigen
	A nu se lubrifia
	Număr de catalog
	Număr lot (set)
	Număr de serie
	Pentru brevetele din SUA, consultați www.stryker.com/patents
	Marcaj CE
	Reprezentant autorizat în Comunitatea Europeană
	Dispozitiv medical european
	Producător
	Data fabricației
	Importator

	Încărcătură utilă sigură
	Greutatea maximă a pacientului
	Greutatea echipamentului cu încărcătura utilă sigură
	Curent continuu
	Curent alternativ
	Tensiune periculoasă
	Împământare de protecție
IPX6	Protecție împotriva jeturilor puternice de apă
	Piesă aplicată de tip B
	Echipament medical clasificat de Underwriters Laboratories Inc. privind pericolele de electrocutare, incendiu și mecanice, numai în conformitate cu ANSI/AAMI ES60601-1:2005 și CAN/CSA-C22.2 Nr. 60601-1:08. *Pentru opțiunea Prime X , Echipamente asociate echipamentelor cu raze X conform IEC 60601-2-54
	În conformitate cu Directiva europeană 2012/19/UE privind deșeurile de echipamente electrice și electronice (DEEE), cu modificările ulterioare, acest simbol indică faptul că produsul trebuie colectat separat pentru reciclare. A nu se elimina ca deșeu municipal nesortat. Pentru informații referitoare la eliminarea la deșeuri, contactați distribuitorul local. Asigurați-vă că echipamentul infectat este decontaminat înainte de reciclare.
	A se lubrifia
	A se ridica de aici
	Această parte în sus
	A se păstra uscat
	Fragil, a se manevra cu grijă
	Limită de stivuire în funcție de număr

Cuprins

Definiția termenilor avertisment/atenție/notă	3
Rezumatul precauțiilor de siguranță	3
Puncte de ciupire	6
Introducere	7
Descrierea produsului	7
Indicații de utilizare	7
Beneficii clinice	8
Contraindicații	8
Durata de viață preconizată	8
Eliminare/reciclare	8
Specificații	8
Ilustrație a produsului - Prime	11
Ilustrație a produsului - Opțiunea Prime X	12
Piese aplicate - targă electrică opțională	13
Piese aplicate - Opțiunea Prime X	13
Informații de contact	14
Amplasarea numărului de serie	14
Configurare	15
Operare	16
Acționarea și eliberarea frânelor	16
Comenzile de bază Prime	17
Ridicarea tângii non-electrice	17
Coborârea tângii non-electrice	17
Ridicarea tângii electrice opționale	18
Coborârea tângii electrice opționale	18
Poziționarea produsului în poziția Trendelenburg	19
Poziționarea produsului în poziția Trendelenburg inversată	19
Transportarea unui pacient	19
Transportul unui pacient fără sistemul Big Wheel	20
Transportul unui pacient folosind sistemul Big Wheel	20
Poziționarea sau plierea manetelor de împingere opționale de la capătul pentru cap	21
Ridicarea barei laterale	22
Coborârea barei laterale	23
Poziționarea produsului cu panoul de comandă pentru pacient pe bara laterală - targa electrică opțională - numai cu Prime	23
Panoul de comandă al operatorului - targa electrică opțională - numai cu Prime	24
Activarea și dezactivarea sistemului de blocare a panoului de comandă pentru pacient - targa electrică opțională - numai cu Prime	25
Ridicarea sau coborârea spătarului Fowler - targa non-electrică	25
Ridicarea sau coborârea spătarului Fowler - targa electrică opțională	26
Ridicarea sau coborârea suportului pentru genunchi - targa non-electrică - numai cu Prime	27
Ridicarea sau coborârea suportului pentru genunchi - targa electrică opțională - numai cu Prime	27
Poziționarea scaunului pentru recuperare - numai cu Prime	27
Depozitarea obiectelor în capacul de la bază	28
Atârănarea dispozitivelor cu tăviță pentru pompă opțională	28
Extinderea sau retragerea cablului de alimentare cu tambur de cablu retractabil opțional - sistemul de ridicare electric opțional sau targa electrică opțională	29
Sistemul de cântărire opțional	29
Identificarea pictogramei/butoanelor cântarului	30
Cântărirea unui pacient	31
Blocarea unității de măsură a cântarului	31
Activarea sau dezactivarea opțiunii Chaperone (Însoțitor)	32
Setarea modelului de alertă pentru opțiunea Chaperone (Însoțitor)	32
Setarea volumului de alertă pentru opțiunea Chaperone (Însoțitor)	32
Încărcarea opțională a ansamblului de baterii al sistemului de cântărire - targa electrică opțională sau targa electrică opțională cu opțiunea Chaperone (Însoțitor) - numai cu Prime	33
Înlocuirea bateriilor sistemului de cântărire opțional - targa non-electrică	33
Accesorii și piese	33
Atașarea tăvii pentru defibrilator	37
Convertirea tăvii de defibrilator/extensorului pentru picioare în tavă de defibrilator	37

Convertirea tăvii de defibrilator/extensorului pentru picioare în extensor pentru picioare.....	38
Atașarea suportului pentru fișa de pacient/placa pentru picioare.....	38
Atașarea bazei mobile cu roți pentru stativul pentru perfuzie	39
Poziționarea sau stivuirea suporturilor pentru picioare - numai cu Prime	39
Poziționarea stativului pentru perfuzie cu două niveluri atașat permanent	41
Poziționarea stativului pentru perfuzie cu trei niveluri atașat permanent	41
Atașarea și poziționarea stativului pentru perfuzie detașabil.....	42
Atașarea suportului vertical pentru butelia de oxigen	43
Extinderea sau stivuirea suportului pentru tava de servire/tăbliei pentru picioare	43
Atașarea pernuțelor pentru șinele laterale	44
Localizarea punctelor de prindere a curelelor pentru pacient.....	44
Poziționarea suportului vertical al casetei pentru radiografii - opțiunea Prime X	45
Poziționarea suportului lateral al casetei pentru radiografii - opțiunea Prime X.....	46
Introducerea sau scoaterea casetelor pentru radiografii - opțiunea Prime X.....	47
Curățarea	48
Curățarea produsului	48
Curățarea produsului folosind un sistem de spălare pentru scaune cu roțile	48
Curățarea saltelei	49
Scoaterea petelor de iod	50
Instrucțiuni speciale	50
Dezinfectare	51
Dezinfectarea produsului	51
Dezinfectarea saltelei	51
Întreținere preventivă	53
Informații privind compatibilitatea electromagnetică	55

Definiția termenilor avertisment/atenție/notă

Termenii **AVERTISMENT**, **ATENȚIE** și **NOTĂ** au semnificații speciale și trebuie citați cu atenție.

AVERTISMENT

Atrage atenția cititorului asupra unei situații care, dacă nu este evitată, poate duce la deces sau vătămare gravă. De asemenea, poate descrie reacții adverse potențial grave și pericole pentru siguranță.

ATENȚIE

Atrage atenția cititorului asupra unei situații potențial periculoase care, dacă nu este evitată, poate duce la vătămarea minoră sau moderată a utilizatorului sau pacientului ori la deteriorarea produsului sau a altor bunuri. Aceasta include atenția specială necesară pentru utilizarea sigură și eficientă a dispozitivului și atenția necesară pentru a evita deteriorarea unui dispozitiv care poate avea loc ca rezultat al utilizării obișnuite sau al utilizării necorespunzătoare.

Notă - Oferă informații speciale care să faciliteze întreținerea sau să clarifice instrucțiunile importante.

Rezumatul precauțiilor de siguranță

Citiți și urmați întotdeauna cu strictețe avertismentele și atenționările prezentate pe această pagină. Activitățile de service se efectuează numai de către personal calificat.

AVERTISMENT

- Lăsați întotdeauna produsul să ajungă la temperatura camerei înainte să configurați produsul sau să testați operarea funcțională. Poate surveni deteriorarea permanentă a produsului.
- Utilizați produsul doar atunci când niciun operator nu se află în zona de acționare a mecanismelor.
- Procedați întotdeauna cu atenție la manevrarea cablului de alimentare. Poate surveni agățarea, deteriorarea cablului de alimentare sau un potențial risc de electrocutare. În cazul în care cablul de alimentare este deteriorat, scoateți imediat produsul din uz și contactați personalul de întreținere corespunzător.
- Conectați întotdeauna produsul direct la o priză de rețea pentru uz spitalicesc împământată. Veți beneficia de fiabilitatea împământării numai dacă utilizați o priză pentru uz spitalicesc. Acest produs este echipat cu un ștecher pentru uz spitalicesc pentru protecția împotriva riscului de electrocutare.
- Acționați întotdeauna frânele atunci când pacientul urcă pe produs sau coboară de pe acesta sau când produsul nu este în mișcare. Se poate produce vătămarea în cazul în care produsul se mișcă în timp ce un pacient urcă pe produs sau coboară de pe acesta.
- Așezați întotdeauna pacientul în centrul produsului.
- Coborâți întotdeauna produsul în cea mai joasă poziție, cu barele laterale ridicate și blocate cu închiderea cu zăvor, atunci când lăsați un pacient nesupravegheat. Nu lăsați produsul la o înălțime mai mare.
- Îndepărtați întotdeauna orice dispozitive care ar putea constitui obstacole înainte de a ridica sau a coborî targa.
- Nu vă așezați pe capătul produsului. Produsul se poate răsturna.
- Blocați întotdeauna barele laterale în poziția complet ridicată, cu suprafața pentru somn la orizontală și în poziția cea mai joasă atunci când transportați un pacient.
- Nu transportați produsul în direcție laterală sau înclinat la peste 5,7 grade (10%), pentru a evita bascularea acestuia.
- Procedați întotdeauna cu deosebită atenție atunci când utilizați saltele mai groase de 2,5 in. (6,35 cm) sau o saltea echipată cu opțiunea **Prime X**.
- Blocați întotdeauna barele laterale în poziția complet ridicată, cu suprafața pentru somn la orizontală în poziția cea mai joasă atunci când transportați un pacient.
- Țineți întotdeauna membrele pacientului la distanță de tijele barelor laterale atunci când ridicați sau coborâți bara laterală.
- Nu lăsați barele laterale să coboare singure.
- Feriți-vă întotdeauna mâinile și degetele de mânerul de eliberare a spătarului Fowler și de cadrul spătarului Fowler atunci când coborâți spătarul Fowler.
- Procedați întotdeauna cu atenție atunci când ridicați spătarul Fowler cu pacientul așezat pe produs. Utilizați tehnicile de ridicare corespunzătoare și solicitați asistență, dacă este necesar.

- Feriți-vă întotdeauna mâinile și degetele de manetele de împingere de la capătul pentru picioare atunci când coborâți suportul pentru genunchi.
- Păstrați întotdeauna tuburile dispozitivelor pe tăvița pentru pompă, la distanță de mânerul suportului pentru genunchi.
- Asigurați-vă întotdeauna că dispozitivele de pe tăvița pentru pompă trec în siguranță prin cadrul ușilor.
- Nu ridicați produsul de tăvița pentru pompă.
- Deconectați întotdeauna cablul de alimentare de la priza de rețea înainte de a transporta sau a curăța produsul.
- Utilizați întotdeauna tamburul de cablu retractabil pentru a depozita cablul de alimentare în interiorul bazei atunci când transportați produsul.
- Nu utilizați sistemul de cântărire opțional, sistemul de ridicare electric opțional sau targa electrică opțională în apropierea altor dispozitive sau deasupra acestora. Dacă este necesară utilizarea adiacentă sau în stivă, sistemul de cântărire opțional, sistemul de ridicare electric opțional sau targa electrică opțională trebuie supravegheate pentru a vă asigura că toate dispozitivele funcționează normal în configurația în care vor fi utilizate.
- Nu așezați obiecte cu o greutate de peste 30 lb (14 kg) pe tava pentru defibrilator. Fixați întotdeauna cu curele de prindere toate dispozitivele pe care le așezați pe tava pentru defibrilator.
- Procedați întotdeauna cu atenție dacă tava pentru defibrilator/extensorul pentru picioare, tăblia pentru picioare/suportul pentru fișa de pacient sau suportul vertical pentru butelia de oxigen este atașat, pentru a evita prinderea degetelor atunci când poziționați maneta de împingere de la capătul pentru picioare opțională.
- Nu așezați obiecte cu o greutate de peste 30 lb (14 kg) pe tava pentru defibrilator/extensorul pentru picioare. Fixați întotdeauna cu curele de prindere toate dispozitivele pe care le așezați pe tava pentru defibrilator.
- Fixați întotdeauna stativul pentru perfuzie pe baza mobilă cu roți atunci când transportați produsul.
- Depozitați întotdeauna baza mobilă cu roți pentru stativul pentru perfuzie atunci când nu o utilizați, pentru a evita deteriorarea produsului.
- Nu vă așezați pe suporturile pentru picioare. Acest lucru poate produce răsturnarea produsului.
- Feriți-vă întotdeauna degetele de mecanisme atunci când operați suporturile pentru picioare.
- Stivuiți întotdeauna suporturile pentru picioare atunci când transportați un pacient pe produs.
- Strângeți întotdeauna suporturile pentru picioare înainte de a le utiliza.
- Nu utilizați sistemul de cântărire cu suporturile pentru picioare. Pot fi generate valori măsurate inexacte.
- Nu utilizați opțiunea **Chaperone** (Însoțitor) cu suporturile pentru picioare. Pot fi generate valori măsurate inexacte.
- Nu utilizați stativul pentru perfuzie drept dispozitiv de împingere sau de tragere. Poate surveni deteriorarea produsului.
- Nu așezați obiecte cu greutatea de peste 40 lb (18 kg) în suportul vertical pentru butelia de oxigen.
- Nu așezați obiecte cu o greutate de peste 30 lb (14 kg) pe tava de servire.
- Procedați întotdeauna cu atenție atunci când fixați curelele de prindere. Poate surveni vătămarea pacientului sau operatorului. Dispozitivele de restricționare a mișcărilor, chiar dacă sunt fixate, pot duce la vătămarea gravă a pacienților sau operatorilor, inclusiv agățare, blocare, vătămare fizică sau deces.
- Fixați întotdeauna curelele sau dispozitivele de prindere numai în punctele de fixare identificate ale produsului. Nerespectarea acestei recomandări poate duce la vătămarea pacientului sau operatorului. Nu fixați curelele de prindere de bara laterală.
- Consultați întotdeauna restricțiile și reglementările statale și federale aplicabile și protocoalele corespunzătoare ale unității înainte de a utiliza orice curea sau dispozitiv de prindere.
- Luați-vă întotdeauna măsuri de protecție atunci când utilizați suportul vertical sau lateral al casetei pentru radiografii. Suportul casetei pentru radiografii nu oferă protecție împotriva radiațiilor.
- Consultați întotdeauna liniile directoare locale, statale și federale, pe lângă protocoalele unității privind siguranța, înainte de a utiliza opțiunea **Prime X** cu dispozitive care generează radiații. Dispozitivele care generează radiații pot produce radiații reziduale, parazite sau împrăștiate.
- Respectați întotdeauna instrucțiunile din *Poziționarea suportului vertical al casetei pentru radiografii - opțiunea Prime X* pentru a introduce caseta pentru radiografii.
- Procedați întotdeauna cu atenție atunci când efectuați radiografii cu spătarul Fowler în poziție verticală sau când folosiți o casetă laterală.
- Respectați întotdeauna instrucțiunile din *Poziționarea suportului lateral al casetei pentru radiografii - opțiunea Prime X* pentru a introduce caseta pentru radiografii.
- Atunci când produsul este în curs de utilizare, nu efectuați operații de curățare, service sau întreținere.
- Nu scufundați salteaua în soluții de curățare sau dezinfectare. Excesul de umiditate poate cauza funcționarea defectuoasă a produsului, ducând la deteriorarea produsului sau la vătămarea pacientului.
- Nu permiteți acumularea de lichid pe saltea. Lichidele pot cauza coroziunea componentelor și pot face ca siguranța și performanța acestui produs să devină imprevizibile.

- Inspectați întotdeauna husele saltelei pentru a depista eventuale rupturi, găuri, uzură excesivă și fermoare nealiniat de fiecare dată când le curățați. Îndepărtați și înlocuiți saltelele deteriorate pentru a preveni contaminarea încrucișată.
 - Nu curățați saltelele cu abur, prin spălare prin presiune, cu furtunul sau cu ultrasunete. Aceste metode de curățare pot anula garanția produsului.
 - Nu curățați produsul cu abur, cu furtunul sau cu ultrasunete. Utilizarea acestor metode de curățare nu este recomandată și poate anula garanția de care beneficiază acest produs.
 - Dezinfectați întotdeauna salteaua după fiecare pacient. Nerespectarea acestei recomandări poate duce la contaminare încrucișată și infecție.
-

ATENȚIE

- Utilizarea necorespunzătoare a produsului poate cauza vătămarea pacientului sau a operatorului. Utilizați produsul numai în modul descris în acest manual.
 - Nu modificați produsul sau vreuna dintre componentele acestuia. Modificarea produsului poate cauza funcționarea imprevizibilă a acestuia, ceea ce duce la vătămarea pacientului sau a operatorului. De asemenea, modificarea produsului anulează garanția acestuia.
 - Nu utilizați mecanismul hidraulic de la bază pentru a ridica produsul cu un sistem de ridicare a pacientului amplasat sub produs.
 - Nu acționați pedala pentru direcție atunci când sistemul **Big Wheel** este poziționat peste un prag sau pe o altă suprafață mai înaltă. Forța ce trebuie aplicată asupra sistemului **Big Wheel** va fi mai mare decât de obicei, putând cauza deteriorarea produsului.
 - Capacitatea de încărcare a suportului pentru genunchi este de 200 lb (90,7 kg).
 - Asigurați-vă întotdeauna că tija de susținere a suportului pentru genunchi este blocată înainte de utilizare.
 - Nu vă așezați și nu stați în picioare pe suportul pentru genunchi.
 - Procedați întotdeauna cu atenție atunci când încercați să coborâți suportul pentru genunchi cât timp produsul nu este alimentat cu energie. Gravităția poate cauza coborârea rapidă a suportului pentru genunchi.
 - Nu așezați obiecte cu greutatea de peste 60 lb (27 kg) în capacul de la bază.
 - Nu vă așezați pe capacul de la bază, nu călcați pe el și nu stați în picioare pe el.
 - Capacitatea de susținere a tăviței pentru pompă este de 40 lb (18 kg).
 - Nu utilizați tăvița pentru pompă drept dispozitiv de împingere/tragere. Poate surveni deteriorarea produsului.
 - Nu utilizați cântarul pentru pacienți cu greutatea sub 50 lb (22,7 kg).
 - Nu utilizați măsurătoarea realizată de sistemul de cântărire ca referință pentru tratamentul medical.
 - Ridicați întotdeauna stativul pentru perfuzie înainte de a atașa tava pentru defibrilator/extensorul pentru picioare la produs. Dacă nu ridicați stativul pentru perfuzie, extensorul pentru picioare nu va funcționa.
 - Nu utilizați stativul pentru perfuzie drept dispozitiv de împingere sau de tragere. Poate surveni deteriorarea produsului.
 - Nu atașați pungi pentru perfuzie cu greutatea de peste 40 lb (18 kg) la stativul pentru perfuzie.
 - Asigurați-vă întotdeauna că stativul pentru perfuzie este fixat la o înălțime mică pentru a trece prin cadrul ușilor atunci când transportați un pacient.
 - Nu utilizați agenți de curățare abrazivi pentru a curăța carcasa ecranului pentru sistemul de cântărire opțional. Nu permiteți acumularea soluțiilor de curățare sau a altor lichide pe unitatea de afișaj. Uscați toate suprafețele după vărsarea de lichide sau după curățare.
 - Folosirea altor accesorii, traductoare și cabluri decât cele specificate sau furnizate de către producător poate conduce la creșterea emisiilor electromagnetice sau la scăderea imunității electromagnetice și poate avea ca rezultat funcționarea necorespunzătoare.
 - Caracteristicile de emisie ale acestui echipament îl fac să fie adecvat pentru utilizarea în zone industriale și spitale (CISPR 11 clasa A). Dacă este utilizat într-un mediu rezidențial, pentru care în mod normal este necesară conformitatea cu CISPR 11 clasa B, este posibil ca acest echipament să nu ofere protecție adecvată pentru serviciile de comunicații cu radiofrecvență. Este posibil ca utilizatorul să fie nevoit să ia măsuri de atenuare, cum ar fi mutarea sau reorientarea echipamentului.
 - Echipamentele de comunicații portabile în gama RF, inclusiv perifericele, precum cablurile de antenă și antenele externe, nu trebuie utilizate la o distanță de mai puțin de 12 in. (30 cm) de orice piese ale țării **Prime**, inclusiv cablurile specificate de producător.
 - Evitați amplasarea altor echipamente deasupra sau în apropierea altor echipamente, pentru a preveni funcționarea necorespunzătoare a produselor. Dacă este necesară o astfel de utilizare, echipamentele poziționate unul peste altul sau adiacent trebuie supravegheate cu atenție, pentru a vă asigura că funcționează în mod corespunzător.
-

Puncte de ciupire



Figura 1 – Opțiunea Prime X

Introducere

Acest manual vă ajută să utilizați sau să întrețineți produsul dumneavoastră Stryker. Citiți acest manual înainte de a utiliza produsul sau a efectua activități de întreținere a acestuia. Stabiliți metode și proceduri pentru educarea și instruirea personalului dumneavoastră în vederea utilizării sau întreținerii în condiții de siguranță a acestui produs.

ATENȚIE

- Utilizarea necorespunzătoare a produsului poate cauza vătămarea pacientului sau a operatorului. Utilizați produsul numai în modul descris în acest manual.
 - Nu modificați produsul sau vreuna dintre componentele acestuia. Modificarea produsului poate cauza funcționarea imprevizibilă a acestuia, ceea ce duce la vătămarea pacientului sau a operatorului. De asemenea, modificarea produsului anulează garanția acestuia.
-

Notă

- Acest manual constituie o parte permanentă a produsului și trebuie să rămână împreună cu acesta chiar dacă produsul este vândut.
- Stryker urmărește continuu să îmbunătățească designul și calitatea produsului. Acest manual conține cele mai actuale informații privind produsul, disponibile în momentul tipăririi sale. Pot exista discrepanțe minore între produsul dumneavoastră și acest manual. Dacă aveți orice întrebări, contactați serviciul pentru clienți sau asistența tehnică Stryker la 1-800-327-0770.

Descrierea produsului

Targa Stryker Model 1115 **Prime Series**® cu **Big Wheel**® este un dispozitiv cu roți care constă dintr-o platformă montată pe un cadru cu roți, pentru a susține pacienții în poziție orizontală. Targa oferă operatorului o metodă de transportare a pacienților în interiorul unei unități medicale de către cadre medicale sau reprezentanți instruiți ai unității. Targa Stryker Model 1115 **Prime Series** cu **Big Wheel** scade forța de acționare pentru punerea în mișcare și efortul de direcționare, pentru a reduce efortul fizic.

Indicații de utilizare

Targa **Prime Series** cu **Big Wheel** are două roți mari, care reduc forța de acționare necesară pentru a pune targa în mișcare.

Targa **Prime Series** poate fi utilizată ca platformă pentru evaluarea clinică de scurtă durată a pacienților în ambulatoriu, platformă pentru tratamente, platformă pentru proceduri minore și platformă pentru recuperarea de scurtă durată a pacienților în ambulatoriu. De asemenea, locațiile de utilizare ale târgii pot include, dar fără a se limita la, următoarele:

- Departamentul de urgență
- Secția de traumatologie
- Unitatea de îngrijire post-anestezie

Targa **Prime Series** poate fi folosită pentru proceduri minore și utilizări de scurtă durată (tratament și recuperare). Consultați tabelul cu specificații pentru condițiile de mediu de utilizare prevăzute.

Targa Stryker **Prime Series** nu a fost evaluată privind conformitatea cu standardul pentru paturi BS EN 50637. Acest produs nu este destinat pentru utilizări de scurtă durată la pacienți pediatrici sau la pacienți adulți cu anatomii atipice, pe piețe care recunosc acest standard de pat pentru autorizația de punere pe piață

Targa **Prime Series** nu este destinată utilizării pentru tratamentul și recuperarea pe termen lung ale pacienților internați.

Targa **Prime Series** are o încărcătură utilă sigură de până la 700 lb (318 kg) și este destinată utilizării pentru toți pacienții, inclusiv pacienții cu boli ușoare sau foarte grav bolnavi. Targa poate fi, de asemenea, utilizată pentru transportul pacienților decedați într-o unitate medicală închisă.

Opțiunea **Prime X**® oferă o suprafață de suport articulată de radiografie pentru pacient și o platformă sub suprafața de suport pentru pacient pentru introducerea casetei pentru radiografii. Opțiunea **Prime X** este concepută pentru a permite

captarea radiografiilor clinice (incidență A-P întregul corp, incidență laterală opțională întregul corp, și torace în poziție verticală opțional) atunci când este utilizată împreună cu un sistem medical de radiografie.

Beneficii clinice

Transportul pacientului, facilitarea tratamentului și diagnosticare

Contraindicații

Opțiunea **Prime X** nu se recomandă pentru utilizare cu o saltea cu o grosime mai mare de patru inch (10 cm).

Opțiunea **Prime X** nu este compatibilă cu brațul în C.

Opțiunea **Prime X** este destinată utilizării în toate clădirile altele decât cele de îngrijire la domiciliu, rezidențiale și cele conectate direct la rețeaua publică de alimentare cu energie electrică de joasă tensiune care alimentează clădirile rezidențiale.



Durata de viață preconizată

Targa **Prime Series** și targa **Prime Series** cu opțiunea **Prime X** au o durată de viață preconizată de 10 ani în condiții de utilizare normală și cu întreținere periodică adecvată.

Eliminare/reciclare

Respectați întotdeauna recomandările și/sau regulamentele locale actuale care reglementează protecția mediului și riscurile asociate reciclării sau eliminării echipamentelor la sfârșitul duratei de viață utile.

Specificații

	Prime Series cu 26 in. (66 cm) lățime		Prime Series cu 30 in. (76 cm) lățime Pachete Prime Series HT		Opțiunea Prime X cu 30 in. (76 cm) lățime	
 Notă - Sarcina utilă sigură indică suma greutateilor pacientului, saltelei și accesoriilor.	700 lb	318 kg	700 lb	318 kg	700 lb	318 kg
 Greutatea maximă a pacientului	675 lb	306 kg	675 lb	306 kg	675 lb	306 kg
Lungime totală	85 in. (± 0,5 in.)	215,9 cm	85 in. (± 0,5 in.)	215,9 cm	85 in. (± 0,5 in.)	215,9 cm
Lungime totală (opțiunea de extindere a târgii)	89,9 in. (± 0,75 in.)	228,3 cm	89,9 in. (± 0,75 in.)	228,3 cm	Nu este aplicabil	Nu este aplicabil

	Prime Series cu 26 in. (66 cm) lățime		Prime Series cu 30 in. (76 cm) lățime Pachete Prime Series HT		Opțiunea Prime X cu 30 in. (76 cm) lățime	
Lățime totală (barele laterale ridicate)	34 in. (± 1 in.)	86,4 cm	38 in. (± 1 in.)	96,5 cm	38 in. (± 1 in.)	96,5 cm
Lățime totală (barele laterale coborâte)	30,25 in. ($\pm 0,5$ in.)	76,8 cm	30,5 in. ($\pm 0,5$ in.)	77,5 cm	30,5 in. ($\pm 0,5$ in.)	77,5 cm
Înălțime minimă	20,75 in.	52,7 cm	20,75 in.	52,7 cm	23,25 in.	59,1 cm
Înălțime maximă	34 in. (± 1 in.)	86,4 cm	34 in. (± 1 in.)	86,4 cm	36,5 in. (± 1 in.)	92,7 cm
Unghiul spătarului Fowler	Între 0° și 90° ($\pm 5^\circ$)					
Înălțimea suportului pentru genunchi	5,5 in. (14 cm) minimum				Nu se aplică	
Poziția Trendelenburg/ Trendelenburg inversată	Între $+17^\circ$ și -17° ($\pm 3^\circ$)					
Spațiu liber minim	2,5 in. nominal	6,4 cm	2,5 in. nominal	6,4 cm	2,5 in. nominal	6,4 cm
	1,75 in. sub vinciurile hidraulice	4,5 cm	1,75 in. sub vinciurile hidraulice	4,5 cm	1,75 in. sub vinciurile hidraulice	4,5 cm
	1 in. sub Big Wheel	2,5 cm	1 in. sub Big Wheel	2,5 cm	1 in. sub Big Wheel	2,5 cm
Echivalent de atenuare (echivalență aluminiu)	Nu se aplică				Valoarea maximă permisă este de 1,7 mm Al	
Domeniul de operare al sistemului de cântărire opțional	Între 50 lb (22,7 kg) și 700 lb (318 kg)					
Precizia sistemului de cântărire opțional	± 3 lb (1,3 kg) pentru greutateți sub 100 lb (45 kg) și $\pm 3\%$ pentru greutateți mai mari sau egale cu 100 lb (45 kg) *					
*Pentru a respecta specificația privind precizia sistemului de cântărire, suprafața pentru pacient trebuie să fie orizontală (cu spătarul Fowler și suportul pentru genunchi coborâte), iar produsul nu poate depăși 5 grade peste poziția Trendelenburg sau Trendelenburg inversată.						

Opțiuni electrice	Targa electrică opțională (disponibilă numai cu Prime)	Sistemul de ridicare electric opțional (disponibil cu opțiunea Prime și Prime X)
Cerințe electrice	120 V c.a., 60 Hz, 10 A 240 V c.a., 50/60 Hz, 5 A	120 V c.a., 60 Hz, 10 A 240 V c.a., 50/60 Hz, 5 A
Ciclu de utilizare	Funcționarea continuă cu încărcare intermitentă este de 1 min. PORNIT/ 20 min. OPRIT	Funcționarea continuă cu încărcare intermitentă este de 1 min. PORNIT/ 20 min. OPRIT

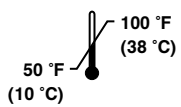
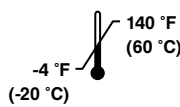
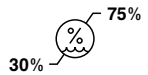
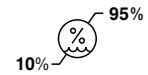
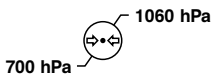
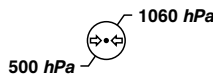
Sistemul de cântărire opțional	Targa non-electrică (disponibilă cu opțiunea Prime și Prime X)	Sistemul de ridicare electric opțional (disponibil cu opțiunea Prime și Prime X)
Tip baterie	4 baterii AA (4 X 1,5 V c.c.) alcaline (LR6)	4 baterii AA (4 X 1,5 V c.c.) alcaline (LR6)
Tensiune baterie	6,0 V c.c.	6,0 V c.c.

Sistemul de cântărire opțional	Targa electrică opțională (disponibilă numai cu Prime)	Sistemul de ridicare electric opțional
Tip baterie	1 ansamblu de baterii litiu-Ion reîncărcabile (0058-135-000)	Nu se aplică
Tensiune baterie	10,8 V c.c., 2,4 Ah	Nu se aplică

Sistemul de cântărire opțional cu opțiunea Chaperone® (Însoțitor) (ieșire de pe targă)	Targa electrică opțională (disponibilă numai cu Prime)	Sistemul de ridicare electric opțional
Tip baterie	1 ansamblu de baterii litiu-Ion reîncărcabile (0058-134-000)	Nu se aplică
Tensiune baterie	10,8 V c.c., 4,8 Ah	Nu se aplică

Stryker își rezervă dreptul de a modifica specificațiile fără preaviz.

Notă - Acest produs nu este potrivit pentru utilizarea în prezența amestecului inflamabil de anestezic cu aer sau cu oxigen ori protoxid de azot.

Condiții de mediu	Operare	Depozitare și transport
Temperatură		
Umiditate relativă		
Presiune atmosferică		

Notă - Intervalul temperaturii de funcționare pentru sistemul de cântărire opțional (targa neelectrică/targa electrică opțională) este de 61 °F (16 °C) până la 79 °F (26 °C).

Specificațiile prezentate sunt aproximative și pot varia ușor de la un produs la altul sau în funcție de fluctuațiile sursei de alimentare.

Ilustrație a produsului - Prime

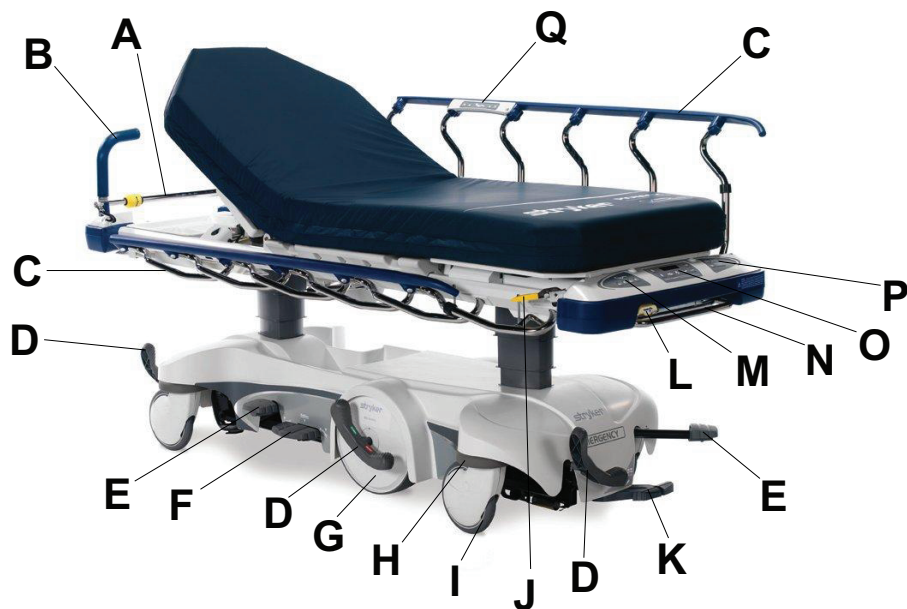


Figura 2 – Prime

A	Stativ pentru perfuzie	J	Închidere cu zăvor a barelor laterale
B	Manetă de împingere escamotabilă BackSmart® , opțională	K	Pedală de eliberare hidraulică
C	Bară laterală BackSmart	L	Manetă de eliberare a suportului pentru genunchi
D	Pedală pentru frână/direcție	M	Panou de comandă pentru operator BackSmart la capătul pentru picioare, opțional
E	Pedală de pompă	N	Tăviță pentru pompă, opțională
F	Pedală Uni-lower	O	Sistem de cântărire BackSmart , opțional
G	Big Wheel	P	Blocarea panoului de comandă pentru pacient, opțională
H	Amortizor, integrat	Q	Panou de comandă pentru pacient pe bara laterală, opțional
I	Rotiță cu capac pentru roată integrat		

Ilustrație a produsului - Opțiunea Prime X



Figura 3 – Opțiunea Prime X

A	Manetă de împingere escamotabilă BackSmart® , opțională	H	Pedală Uni-lower
B	Stativ pentru perfuzie	I	Amortizor, integrat
C	Tavă pentru casetă	J	Rotiță cu capac pentru roată integrat
D	Suprafața pentru pacient cu platforma Clearview Technology®	K	Închidere cu zăvor a barelor laterale
E	Bară laterală BackSmart	L	Tăviță pentru pompă, opțională
F	Pedală pentru frână/control al direcției	M	Sistem de cântărire BackSmart , opțional
G	Pedală de pompă		

Piese aplicate - targă electrică opțională



Figura 4 – Piese aplicate de tip B - targă electrică opțională

Piese aplicate - Opțiunea Prime X



Figura 5 – Piese aplicate tip B - Opțiunea Prime X

Informații de contact

Contactați serviciul pentru clienți sau asistența tehnică Stryker la: 1-800-327-0770.

Stryker Medical
3800 E. Centre Avenue
Portage, MI 49002
SUA

Notă - Utilizatorul și/sau pacientul trebuie să raporteze orice incidente grave legate de produs atât producătorului, cât și autorității competente din statul membru european unde este stabilit utilizatorul și/sau pacientul.

Pentru a vizualiza online manualul de utilizare sau întreținere, vizitați <https://techweb.stryker.com/>.

Trebuie să aveți la îndemână numărul de serie (A) al produsului dumneavoastră Stryker atunci când apelați serviciul pentru clienți sau asistența tehnică Stryker. Includeți numărul de serie în toate comunicările scrise.

Amplasarea numărului de serie

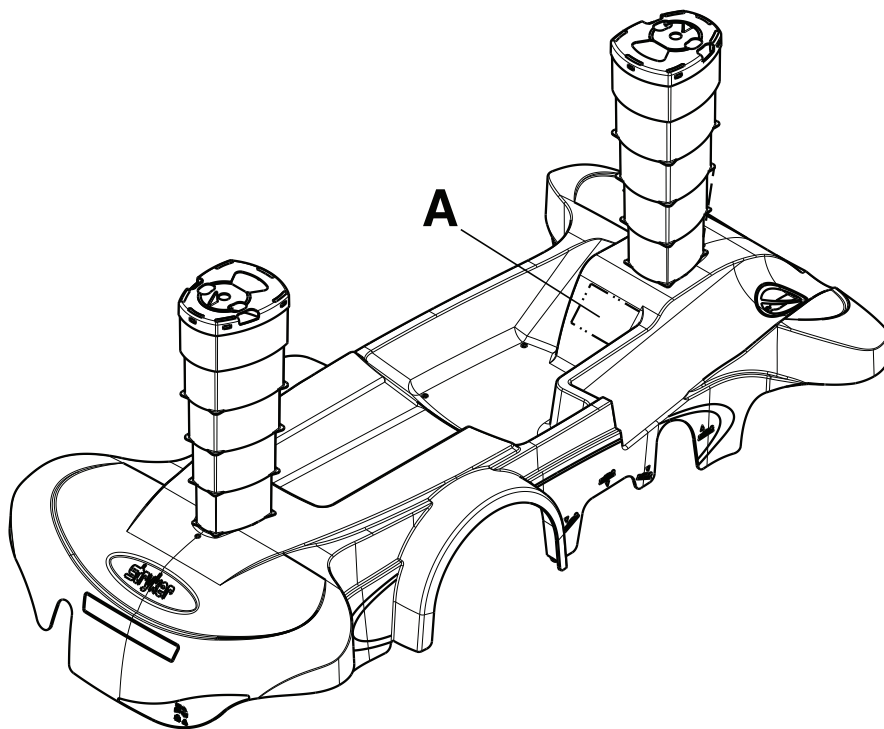


Figura 6 – Amplasarea numărului de serie

Configurare

Pentru a dezambala produsul, consultați instrucțiunile de dezambalare atașate la produs, în interiorul cutiei de transport.

AVERTISMENT

- Lăsați întotdeauna produsul să ajungă la temperatura camerei înainte să configurați produsul sau să testați operarea funcțiilor. Poate surveni deteriorarea permanentă a produsului.
 - Utilizați produsul doar atunci când niciun operator nu se află în zona de acționare a mecanismelor.
 - Procedați întotdeauna cu atenție la manevrarea cablului de alimentare. Poate surveni agățarea, deteriorarea cablului de alimentare sau un potențial risc de electrocutare. În cazul în care cablul de alimentare este deteriorat, scoateți imediat produsul din uz și contactați personalul de întreținere corespunzător.
 - Conectați întotdeauna produsul direct la o priză de rețea pentru uz spitalicesc împământată. Veți beneficia de siguranța oferită de împământare numai dacă utilizați o priză pentru uz spitalicesc. Acest produs este echipat cu un ștecher pentru uz spitalicesc pentru protecția împotriva riscului de electrocutare.
-

Asigurați-vă că produsul funcționează înainte de a da produsul în funcțiune.

1. Acționați frâna. Împingeți produsul, pentru a vă asigura că toate cele patru rotițe sunt blocate.
2. Eliberați frâna. Împingeți produsul, pentru a vă asigura că toate cele patru rotițe sunt deblocate.
3. Ridicați și coborâți targa folosind sistemul hidraulic de ridicare.
4. Ridicați produsul în poziția cea mai înaltă și aduceți-l în poziția Trendelenburg (consultați *Poziționarea produsului în poziția Trendelenburg* (pagina 19)). Asigurați-vă că a coborât capătul pentru cap în poziția complet coborât.
5. Ridicați produsul în poziția cea mai înaltă și aduceți-l în poziția Trendelenburg inversată (consultați *Poziționarea produsului în poziția Trendelenburg inversată* (pagina 19)). Asigurați-vă că a coborât capătul pentru picioare în poziția complet coborât.
6. Aplicați sistemul **Big Wheel** și asigurați-vă că acesta funcționează.
7. Asigurați-vă că barele laterale se ridică, coboară și se blochează în poziție.
8. Ridicați și coborâți spătarul Fowler manual (capătul pentru cap).
9. Ridicați și coborâți suportul pentru genunchi manual (capătul pentru picioare).

Pentru un produs cu sistem de ridicare electric sau targă electrică opțională:

1. Parcurgeți lista de verificare a configurării de mai sus.
2. Conectați produsul la o priză de rețea pentru uz spitalicesc împământată. Asigurați-vă că luminile cu LED se aprind pe tastatura de blocare.
3. Asigurați-vă că fiecare funcție a panoului de comandă opțional pentru pacient de pe bara laterală funcționează.
4. Asigurați-vă că fiecare funcție a panoului de comandă opțional pentru operator de pe capătul pentru picioare funcționează.
5. Ridicați și coborâți spătarul Fowler electric (capătul pentru cap).
6. Ridicați și coborâți suportul electric pentru genunchi (capătul pentru picioare).

Pentru un produs cu sistem de cântărire opțional/targă electrică opțională (cu sau fără opțiunea **Chaperone** (Însoțitor)):

1. Parcurgeți lista de verificare a configurării de mai sus.
2. Încărcați bateriile (*Încărcarea opțională a ansamblului de baterii al sistemului de cântărire - targa electrică opțională sau targa electrică opțională cu opțiunea Chaperone (Însoțitor) - numai cu Prime* (pagina 33)).

Operare

Acționarea și eliberarea frânelor

AVERTISMENT - Acționați întotdeauna frânele atunci când pacientul urcă pe produs sau coboară de pe acesta sau când produsul nu este în mișcare. Se poate produce vătămarea în cazul în care produsul se mișcă în timp ce un pacient urcă pe produs sau coboară de pe acesta.

Pentru a acționa frânele, apăsați partea pentru frână (roșie) a pedalei pentru frână/direcție. Împingeți produsul pentru a vă asigura că frâna funcționează.

Pentru a elibera frânele, apăsați partea pentru direcție (verde) a pedalei pentru frână/direcție.

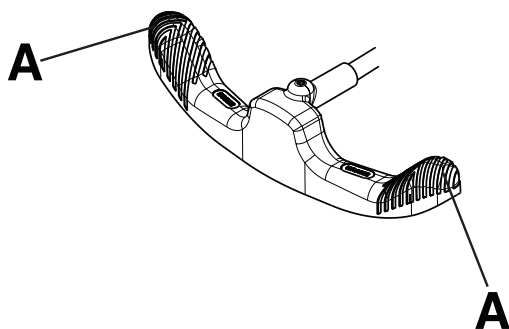


Figura 7 – Acționarea pedalei pentru frână/direcție

Notă - Nu apăsați pe centrul pedalei pentru frână/direcție. Apăsați întotdeauna pe partea exterioară (A) a pedalei pentru frână/direcție (Figura 7).

Comenzile de bază Prime

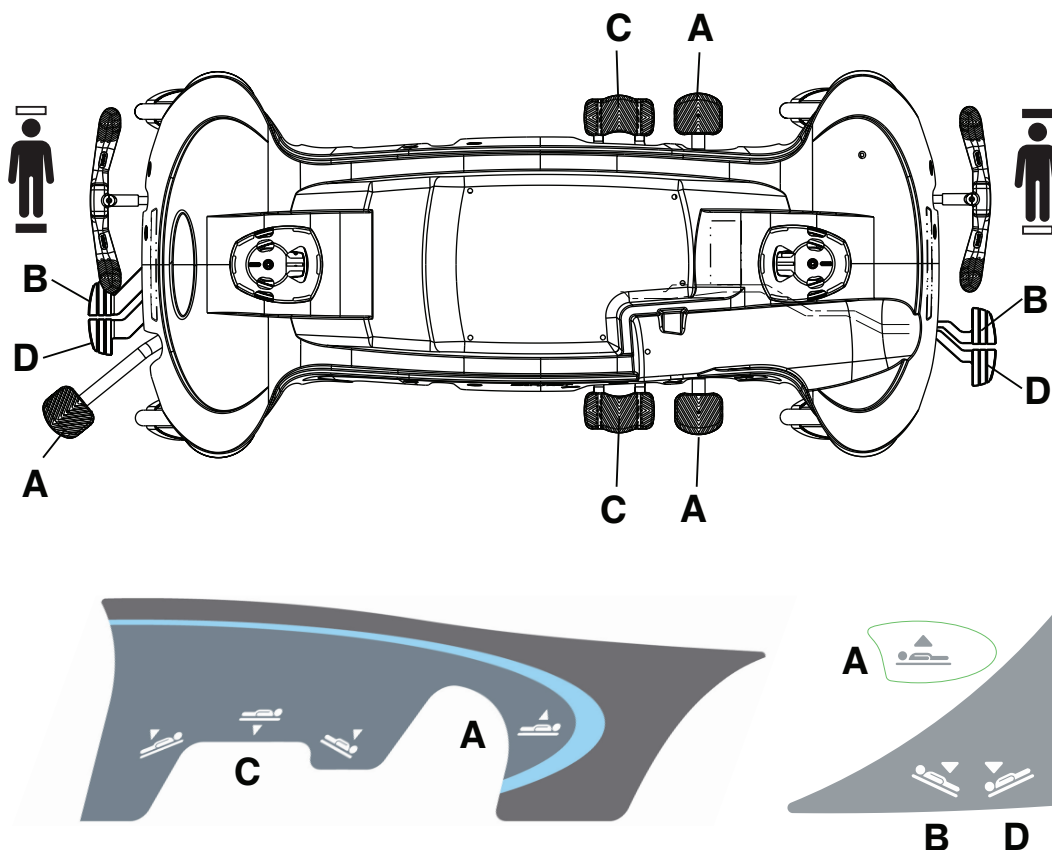


Figura 8 – Comenzile de bază și etichetă Prime

Ridicarea tărgii non-electrice

AVERTISMENT

- Așezați întotdeauna pacientul în centrul produsului.
- Coborâți întotdeauna produsul în cea mai joasă poziție, cu barele laterale ridicate și blocate cu închiderea cu zăvor, atunci când lăsați un pacient nesupravegheat. Nu lăsați produsul la o înălțime mai mare.
- Îndepărtați întotdeauna orice dispozitive care ar putea constitui obstacole înaintea de a ridica sau a coborî targa.
- Nu vă așezați pe capătul produsului. Produsul se poate răsturna.

ATENȚIE - Nu utilizați mecanismul hidraulic de la bază pentru a ridica produsul cu un sistem de ridicare a pacientului amplasat sub produs.

Pentru a ridica targa, apăsați pe pedala de pompă (A) până când obțineți înălțimea dorită (*Comenzile de bază Prime* (pagina 17)).

Coborârea tărgii non-electrice

AVERTISMENT

- Așezați întotdeauna pacientul în centrul produsului.
- Coborâți întotdeauna produsul în cea mai joasă poziție, cu barele laterale ridicate și blocate cu închiderea cu zăvor, atunci când lăsați un pacient nesupravegheat. Nu lăsați produsul la o înălțime mai mare.
- Îndepărtați întotdeauna orice dispozitive care ar putea constitui obstacole înaintea de a ridica sau a coborî targa.

- Nu vă așezați pe capătul produsului. Produsul se poate răsturna.
-

ATENȚIE - Nu utilizați mecanismul hidraulic de la bază pentru a ridica produsul cu un sistem de ridicare a pacientului amplasat sub produs.

Pentru a coborî complet targa, apăsați pe centrul pedalei de coborâre universale (C) (*Comenzile de bază Prime* (pagina 17)).

Pentru a coborî capătul pentru cap al tărgii, apăsați pedala (B) sau apăsați partea pedalei de coborâre universale (C) situată cel mai aproape de capătul pentru cap al produsului.

Pentru a coborî capătul pentru picioare al tărgii, apăsați pedala (D) sau apăsați partea pedalei de coborâre universale (C) situată cel mai aproape de capătul pentru picioare al produsului.

Ridicarea tărgii electrice opționale

AVERTISMENT

- Așezați întotdeauna pacientul în centrul produsului.
 - Coborâți întotdeauna produsul în cea mai joasă poziție, cu barele laterale ridicate și blocate cu închiderea cu zăvor, atunci când lăsați un pacient nesupravegheat. Nu lăsați produsul la o înălțime mai mare.
 - Îndepărtați întotdeauna orice dispozitive care ar putea constitui obstacole înainte de a ridica sau a coborî targa.
 - Nu vă așezați pe capătul produsului. Produsul se poate răsturna.
-

ATENȚIE - Nu utilizați mecanismul hidraulic de la bază pentru a ridica produsul cu un sistem de ridicare a pacientului amplasat sub produs.

Pentru a ridica targa electrică, apăsați pe pedala de pompă (A) până când obțineți înălțimea dorită (*Comenzile de bază Prime* (pagina 17)).

Coborârea tărgii electrice opționale

AVERTISMENT

- Așezați întotdeauna pacientul în centrul produsului.
 - Coborâți întotdeauna produsul în cea mai joasă poziție, cu barele laterale ridicate și blocate cu închiderea cu zăvor, atunci când lăsați un pacient nesupravegheat. Nu lăsați produsul la o înălțime mai mare.
 - Îndepărtați întotdeauna orice dispozitive care ar putea constitui obstacole înainte de a ridica sau a coborî targa.
 - Nu vă așezați pe capătul produsului. Produsul se poate răsturna.
-

ATENȚIE - Nu utilizați mecanismul hidraulic de la bază pentru a ridica produsul cu un sistem de ridicare a pacientului amplasat sub produs.

Pentru a coborî complet targa electrică, apăsați pe centrul pedalei de coborâre universale (C) (*Comenzile de bază Prime* (pagina 17)).

Pentru a coborî capătul pentru cap al tărgii, apăsați pedala (B) sau apăsați partea pedalei de coborâre universale (C) situată cel mai aproape de capătul pentru cap al produsului.

Pentru a coborî capătul pentru picioare al tărgii, apăsați pedala (D) sau apăsați partea pedalei de coborâre universale (C) situată cel mai aproape de capătul pentru picioare al produsului.

Poziționarea produsului în poziția Trendelenburg

AVERTISMENT - Îndepărtați întotdeauna orice dispozitive care ar putea constitui obstacole înaintea de a ridica sau a coborî targa.

ATENȚIE - Nu utilizați mecanismul hidraulic de la bază pentru a ridica produsul cu un sistem de ridicare a pacientului amplasat sub produs.

Pentru a poziționa produsul în poziția Trendelenburg (cu capul în jos), ridicați targa la cea mai mare înălțime (*Ridicarea târgii non-electrice* (pagina 17) sau *Ridicarea târgii electrice opționale* (pagina 18)).

Notă - Ridicați targa la cea mai mare înălțime pentru a obține un unghi Trendelenburg mai mare.

Pentru a coborî capătul pentru cap al produsului, apăsați pedala de eliberare de la capătul pentru cap sau de la capătul pentru picioare (D) sau apăsați partea pedalei de coborâre universale (C) situată cel mai aproape de capătul pentru cap (*Comenzile de bază Prime* (pagina 17)).

Pentru a coborî produsul din poziția Trendelenburg, apăsați simultan pedalele de eliberare de la capătul pentru cap și de la capătul pentru picioare (B și D) sau apăsați pe centrul pedalei de coborâre universale (C) până când targa ajunge în poziție orizontală.

Poziționarea produsului în poziția Trendelenburg inversată

AVERTISMENT - Îndepărtați întotdeauna orice dispozitive care ar putea constitui obstacole înaintea de a ridica sau a coborî targa.

ATENȚIE - Nu utilizați mecanismul hidraulic de la bază pentru a ridica produsul cu un sistem de ridicare a pacientului amplasat sub produs.

Pentru a poziționa produsul în poziția Trendelenburg inversată (cu picioarele în jos), ridicați targa la cea mai mare înălțime (*Ridicarea târgii non-electrice* (pagina 17) sau *Ridicarea târgii electrice opționale* (pagina 18)).

Notă - Ridicați targa la cea mai mare înălțime pentru a obține un unghi Trendelenburg mai mare.

Pentru a coborî capătul pentru picioare al produsului, apăsați pedala de eliberare de la capătul pentru cap sau de la capătul pentru picioare (B) sau apăsați partea pedalei de coborâre universale (C) situată cel mai aproape de capătul pentru picioare (*Comenzile de bază Prime* (pagina 17)).

Pentru a coborî produsul din poziția Trendelenburg invers, apăsați simultan pedalele de eliberare de la capătul pentru cap și de la capătul pentru picioare (B și D) sau apăsați pe centrul pedalei de coborâre universale (C) până când targa ajunge în poziție orizontală.

Transportarea unui pacient

AVERTISMENT

- Așezați întotdeauna pacientul în centrul produsului.
 - Blocați întotdeauna barele laterale în poziția complet ridicată, cu suprafața pentru somn la orizontală și în poziția cea mai joasă, atunci când transportați un pacient.
 - Nu transportați produsul în direcție laterală sau înclinat la peste 5,7 grade (10%), pentru a evita bascularea acestuia.
-

Pentru a transporta un pacient:

1. Ridicați barele laterale în poziția cea mai înaltă. Trageți de bara laterală, pentru a vă asigura că este blocată.
2. Coborâți targa în poziția cea mai joasă.
3. Deconectați cablul de alimentare de la priza de rețea dacă produsul este echipat cu sistemul de ridicare electric opțional sau cu targa electrică opțională.

4. Apăsăți partea pentru direcție (verde) a pedalei pentru frână/direcție.
5. Utilizați manetele de împingere pentru a împinge produsul.
6. Acționați frânele pentru a bloca produsul în poziție.

Notă - Asigurați-vă întotdeauna că ați deblocat frâna înainte de a muta produsul pentru a evita vătămarea operatorului sau pacientului.

Transportul unui pacient fără sistemul Big Wheel

AVERTISMENT

- Așezați întotdeauna pacientul în centrul produsului.
- Blocați întotdeauna barele laterale în poziția complet ridicată, cu suprafața pentru somn la orizontală și în poziția cea mai joasă, atunci când transportați un pacient.

Pentru a transporta un pacient fără sistemul **Big Wheel**:

1. Aduceți pedala pentru frână/direcție (A) în poziția neutră (Figura 9).

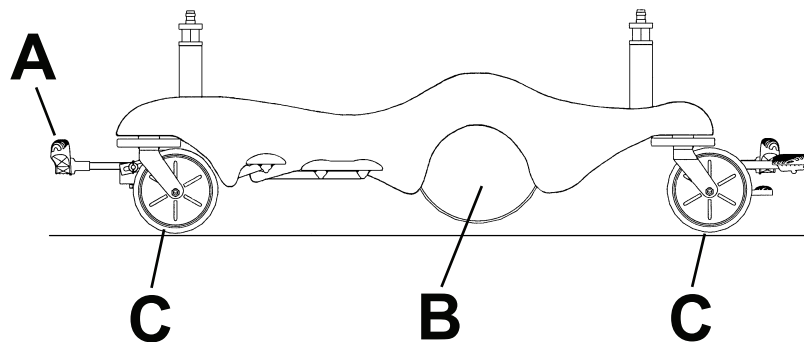


Figura 9 – Transportul fără sistemul Big Wheel

2. Coborâți targa în poziția cea mai joasă.
3. Numai pentru modelul 1125, asigurați-vă că comutatorul On/Drive-Off/Manual (Pornit/Acționare- Oprit/Manual) este în poziția Off (Oprit).
4. Deconectați cablul de alimentare de la priza de rețea pentru uz spitalicesc dacă produsul este echipat cu sistemul de ridicare electric opțional sau cu targa electrică opțională.
5. Utilizați manetele de împingere pentru a împinge produsul.
6. Acționați frânele pentru a bloca produsul în poziție.

Notă

- Asigurați-vă întotdeauna că ați deblocat frâna înainte de a muta produsul pentru a evita vătămarea operatorului sau pacientului.
- Cu produsul în poziție neutră, sistemul **Big Wheel** (B) este ridicat și produsul se sprijină pe toate cele patru roți (C) (Figura 9). În această poziție, puteți deplasa produsul în orice direcție, inclusiv laterală.

Transportul unui pacient folosind sistemul Big Wheel

AVERTISMENT

- Așezați întotdeauna pacientul în centrul produsului.
- Blocați întotdeauna barele laterale în poziția complet ridicată, cu suprafața pentru somn la orizontală și în poziția cea mai joasă, atunci când transportați un pacient.

ATENȚIE - Nu acționați pedala pentru direcție atunci când sistemul **Big Wheel** este poziționat peste un prag sau pe o altă suprafață mai înaltă. Forța ce trebuie aplicată asupra sistemului **Big Wheel** va fi mai mare decât de obicei, putând cauza deteriorarea produsului.

Pentru a transporta un pacient folosind sistemul **Big Wheel**:

1. Ridicați barele laterale în poziția cea mai înaltă. Trageți de fiecare bară laterală pentru a vă asigura că este blocată.
2. Coborâți targa în poziția cea mai joasă.
3. Numai pentru modelul 1125, asigurați-vă că comutatorul On/Drive-Off/Manual (Pornit/Acționare- Oprit/Manual) este în poziția Off (Oprit).
4. Deconectați cablul de alimentare de la priza de rețea pentru uz spitalicesc dacă produsul este echipat cu sistemul de ridicare electric opțional sau cu targa electrică opțională.
5. Aduceți pedala pentru frână/direcție (A) în poziția de direcție (Figura 10).

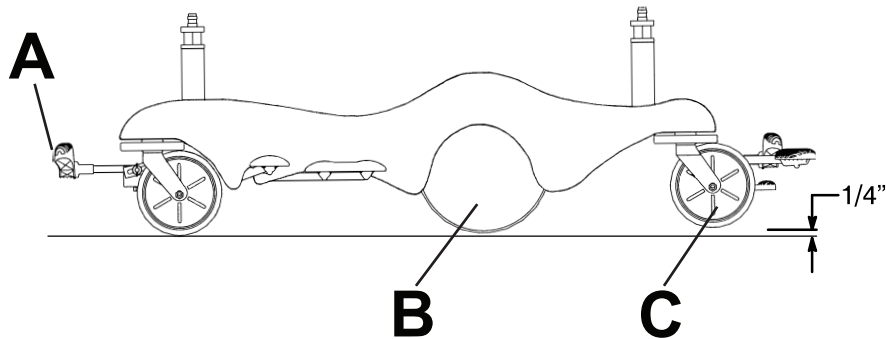


Figura 10 – Transportul cu sistemul Big Wheel

6. Utilizați manetele de împingere pentru a împinge produsul.
7. Acționați frânele pentru a bloca produsul în poziție.

Notă

- Asigurați-vă întotdeauna că ați deblocat frâna înainte de a încerca să mutați produsul. Încercarea de a muta produsul cu frânele acționate poate duce la vătămarea operatorului sau a pacientului.
- Sistemul **Big Wheel** (B) nu se rotește. Nu puteți deplasa lateral produsul atunci când aplicați sistemul **Big Wheel**.
- Atunci când aplicați sistemul **Big Wheel**, produsul și roțile de la capătul pentru picioare (C) se ridică. Produsul se sprijină pe roțile de la capătul pentru cap și pe sistemul **Big Wheel**, ceea ce face produsul mai ușor de direcționat (Figura 10).

Poziționarea sau plierea manetelor de împingere opționale de la capătul pentru cap

Pentru a poziționa sau a plia manetele de la capătul pentru cap:

1. Rotiți în sus manetele (A) de la capătul pentru cap al produsului (Figura 11).
2. Apăsăți manetele pentru a le bloca în poziție.

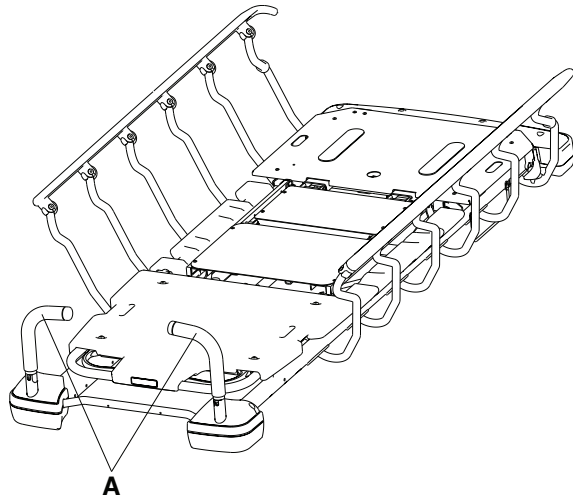


Figura 11 – Poziționarea manetelor de împingere de la capătul pentru cap

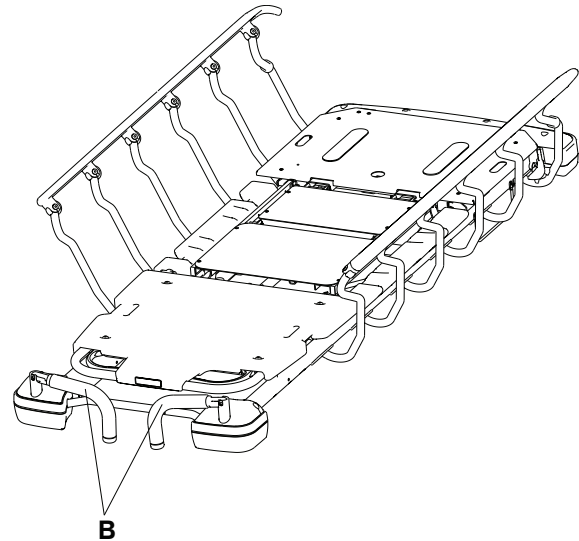


Figura 12 – Stivuirea manetelor de împingere de la capătul pentru cap

- Inversați pașii pentru a stivui manetele de împingere de la capătul pentru cap (B) (Figura 12).

Notă - Utilizați doar manetele de împingere drept dispozitive de împingere sau de tragere, dacă nu se specifică altfel, pentru a evita deteriorarea produsului.

Ridicarea barei laterale

AVERTISMENT

- Procedați întotdeauna cu deosebită atenție atunci când utilizați saltele mai groase de 2,5 in. (6,35 cm) sau o saltea echipată cu opțiunea **Prime X**.
- Coborâți întotdeauna produsul în cea mai joasă poziție, cu barele laterale ridicate și blocate cu închiderea cu zăvor, atunci când lăsați un pacient nesupravegheat. Nu lăsați produsul la o înălțime mai mare.
- Blocați întotdeauna barele laterale în poziția complet ridicată, cu suprafața pentru somn la orizontală în poziția cea mai joasă și atunci când transportați un pacient.
- Țineți întotdeauna membrele pacientului la distanță de tijele barelor laterale atunci când ridicați sau coborâți bara laterală.
- Nu lăsați barele laterale să coboare singure.

Pentru a ridica bara laterală:

1. Prindeți bara laterală cu două mâini.
2. Ridicați bara laterală spre capătul pentru picioare al produsului până când zăvorul galben se înclichetează în poziție. Trageți de bara laterală pentru a vă asigura că este blocată cu zăvorul.

Notă

- Există opțiunea de închidere cu zăvor dublă pentru bara laterală, disponibilă cu zăvoare la ambele capete ale produsului.
- Nu utilizați barele laterale ca dispozitive de restricționare a mișcărilor pentru a împiedica pacientul să părăsească produsul. Barele laterale împiedică pacientul să se rostogolească de pe produs. Operatorul trebuie să determine gradul de restricționare a mișcărilor necesar pentru a se asigura că pacientul este în siguranță.
- Puteți utiliza capătul pentru picioare al barei laterale superioare drept dispozitiv de împingere sau de tragere.
- Barele laterale se blochează numai în poziția complet ridicată.

Coborârea barei laterale

AVERTISMENT

- Procedați întotdeauna cu deosebită atenție atunci când utilizați saltele mai groase de 2,5 in. (6,35 cm) sau o saltea echipată cu opțiunea **Prime X**.
 - Coborâți întotdeauna produsul în cea mai joasă poziție, cu barele laterale ridicate și blocate cu închiderea cu zăvor, atunci când lăsați un pacient nesupravegheat. Nu lăsați produsul la o înălțime mai mare.
 - Blocați întotdeauna barele laterale în poziția complet ridicată, cu suprafața pentru somn la orizontală în poziția cea mai joasă și atunci când transportați un pacient.
 - Țineți întotdeauna membrele pacientului la distanță de tijele barelor laterale atunci când ridicați sau coborâți bara laterală.
 - Nu lăsați barele laterale să coboare singure.
-

Pentru a coborî bara laterală:

1. Prindeți bara laterală cu o mână.
2. Folosiți cealaltă mână pentru a trage zăvorul galben.
3. Ridicați și ghidați bara laterală spre capătul pentru cap al produsului până când zăvorul galben se înclichetează în poziție. Trageți de bara laterală pentru a vă asigura că este blocată cu zăvorul.

Notă

- Există opțiunea de închidere cu zăvor dublă pentru bara laterală, disponibilă cu zăvoare la ambele capete ale produsului.
- Nu utilizați barele laterale ca dispozitive de restricționare a mișcărilor pentru a împiedica pacientul să părăsească produsul. Barele laterale împiedică pacientul să se rostogolească de pe produs. Operatorul trebuie să determine gradul de restricționare a mișcărilor necesar pentru a se asigura că pacientul este în siguranță.
- Puteți utiliza capătul pentru picioare al barei laterale superioare drept dispozitiv de împingere sau de tragere.
- Barele laterale se blochează numai în poziția complet ridicată.

Poziționarea produsului cu panoul de comandă pentru pacient pe bara laterală - targa electrică opțională - numai cu Prime

AVERTISMENT - Utilizați produsul doar atunci când niciun operator nu se află în zona de acționare a mecanismelor.

Utilizați panoul de comandă pentru pacient de pe bara laterală pentru a poziționa spătarul Fowler și suportul pentru genunchi (Figura 13).

Profioniștii din domeniul sănătății trebuie să instruiască pacienții cum să acționeze comenzile pentru pacient.

Notă

- Conectați întotdeauna cablul de alimentare la o priză de rețea pentru uz spitalicesc împământată.
- Panoul de comandă pentru pacient de pe bara laterală are comenzile repartizate pe ambele părți ale produsului, pentru accesul facil al pacientului.
- Fiecare bară laterală are comenzi cu iluminare de fundal pentru a permite pacientului să poziționeze spătarul Fowler și suportul pentru genunchi. Atunci când produsul este conectat la priză și panoul de comandă pentru pacient este deblocat, butoanele albe sunt iluminate.

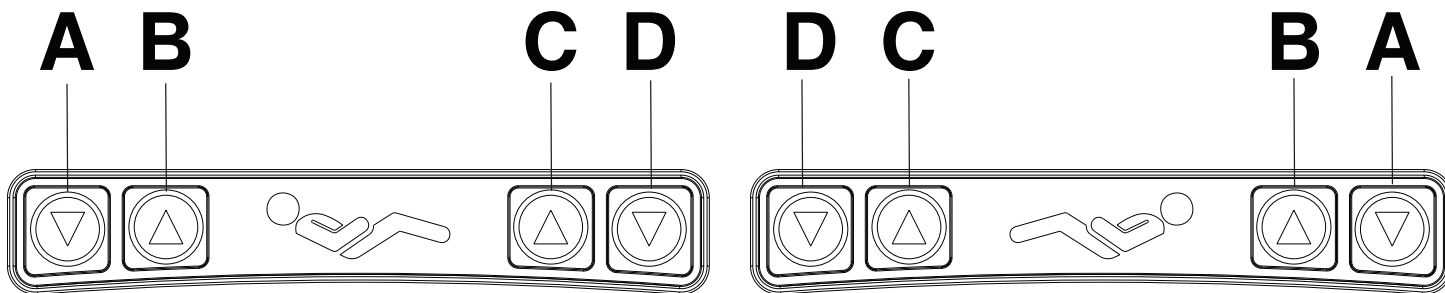


Figura 13 – Panoul de comandă pentru pacient de pe bara laterală

A	Coborâre spătar Fowler	Coboară spătarul Fowler (Secțiunea pentru cap)
B	Ridicare spătar Fowler	Ridică spătarul Fowler (Secțiunea pentru cap)
C	Ridicare suport pentru genunchi	Ridică suportul pentru genunchi (Secțiunea pentru picioare)
D	Coborâre suport pentru genunchi	Coboară suportul pentru genunchi (Secțiunea pentru picioare)

Panoul de comandă al operatorului - targa electrică opțională - numai cu Prime

AVERTISMENT - Utilizați produsul doar atunci când niciun operator nu se află în zona de acționare a mecanismelor.

Utilizați panoul de comandă al operatorului pentru a ajusta poziția pacientului pe produs (Figura 14).

Notă - Conectați întotdeauna cablul de alimentare la o priză de rețea pentru uz spitalicesc împământată.

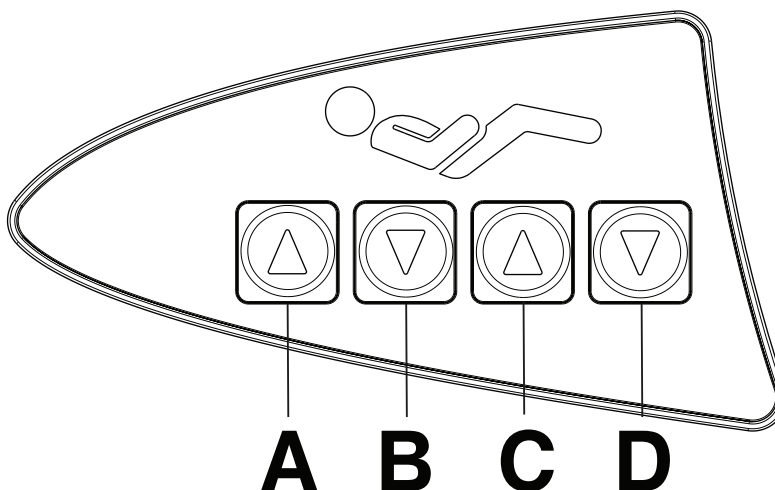


Figura 14 – Panoul de comandă al operatorului - targa electrică opțională

A	Ridicare spătar Fowler	Ridică spătarul Fowler
B	Coborâre spătar Fowler	Coboară spătarul Fowler
C	Ridicare suport pentru genunchi	Ridică suportul pentru genunchi
D	Coborâre suport pentru genunchi	Coboară suportul pentru genunchi

Activarea și dezactivarea sistemului de blocare a panoului de comandă pentru pacient - targa electrică opțională - numai cu Prime

AVERTISMENT - Utilizați produsul doar atunci când niciun operator nu se află în zona de acționare a mecanismelor.

Pentru a bloca panoul de comandă pentru pacient de pe bara laterală, apăsați o dată pe **Unlock/Lock** (Deblocare/Blocare) (A) (Figura 15).

Notă - Pictograma de blocare (C) luminează în culoarea chihlimbarului atunci când comenzile pentru pacient sunt blocate.

Pentru a debloca panoul de comandă pentru pacient de pe bara laterală, apăsați a doua oară pe **Unlock/Lock** (Deblocare/Blocare) (A).

Notă - Pictograma de deblocare (B) luminează în verde atunci când sunt deblocate comenzile pentru pacient.

Notă

- Conectați întotdeauna cablul de alimentare la o priză de rețea pentru uz spitalicesc împământată.
- Puteți bloca panoul de comandă pentru pacient pentru a împiedica mișcarea spătarului și a suportului de genunchi de către pacient.
- Panoul de comandă pentru pacient de pe bara laterală nu are aprinsă iluminarea de fundal atunci când este blocat.

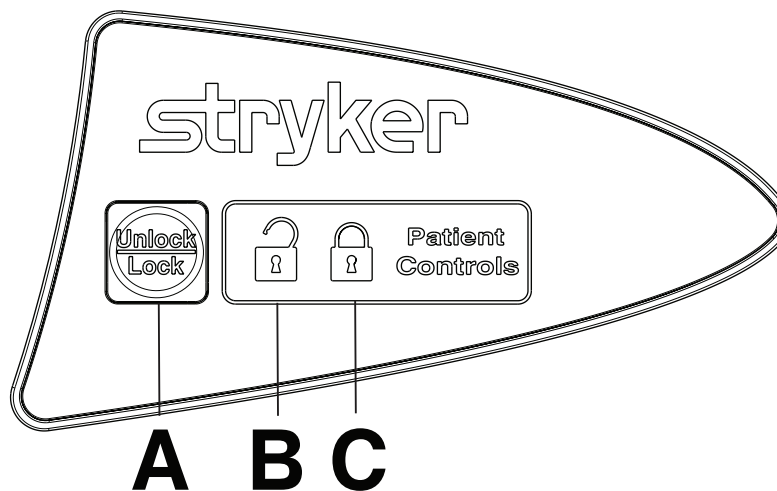


Figura 15 – Sistemul de blocare a panoului de comandă pentru pacient

Ridicarea sau coborârea spătarului Fowler - targa non-electrică

AVERTISMENT

- Utilizați produsul doar atunci când niciun operator nu se află în zona de acționare a mecanismelor.
- Feriți-vă întotdeauna mâinile și degetele de manetele de eliberare a spătarului Fowler și de cadrul spătarului Fowler atunci când coborâți spătarul Fowler.
- Procedați întotdeauna cu atenție atunci când ridicați un spătar Fowler cu pacientul așezat pe produs. Utilizați tehnicile de ridicare corespunzătoare și solicitați asistență, dacă este necesar.

Pentru a ridica spătarul Fowler, apăsați una sau ambele manete de eliberare a spătarului Fowler (A) și trageți spătarul Fowler în sus în poziția dorită (0° - 90°) (Figura 16).

Notă - Spătarul mobil **Lift Assist**® utilizează greutatea pacientului pentru a facilita poziționarea pacientului. De asemenea, spătarul **Lift Assist** previne alunecarea pacientului spre capătul pentru picioare al produsului atunci când ridicați spătarul Fowler.

Pentru a coborî spătarul Fowler, apăsați una sau ambele manete de eliberare a spătarului Fowler (A) și împingeți spătarul Fowler în jos în poziția dorită (90° - 0°) (Figura 16).

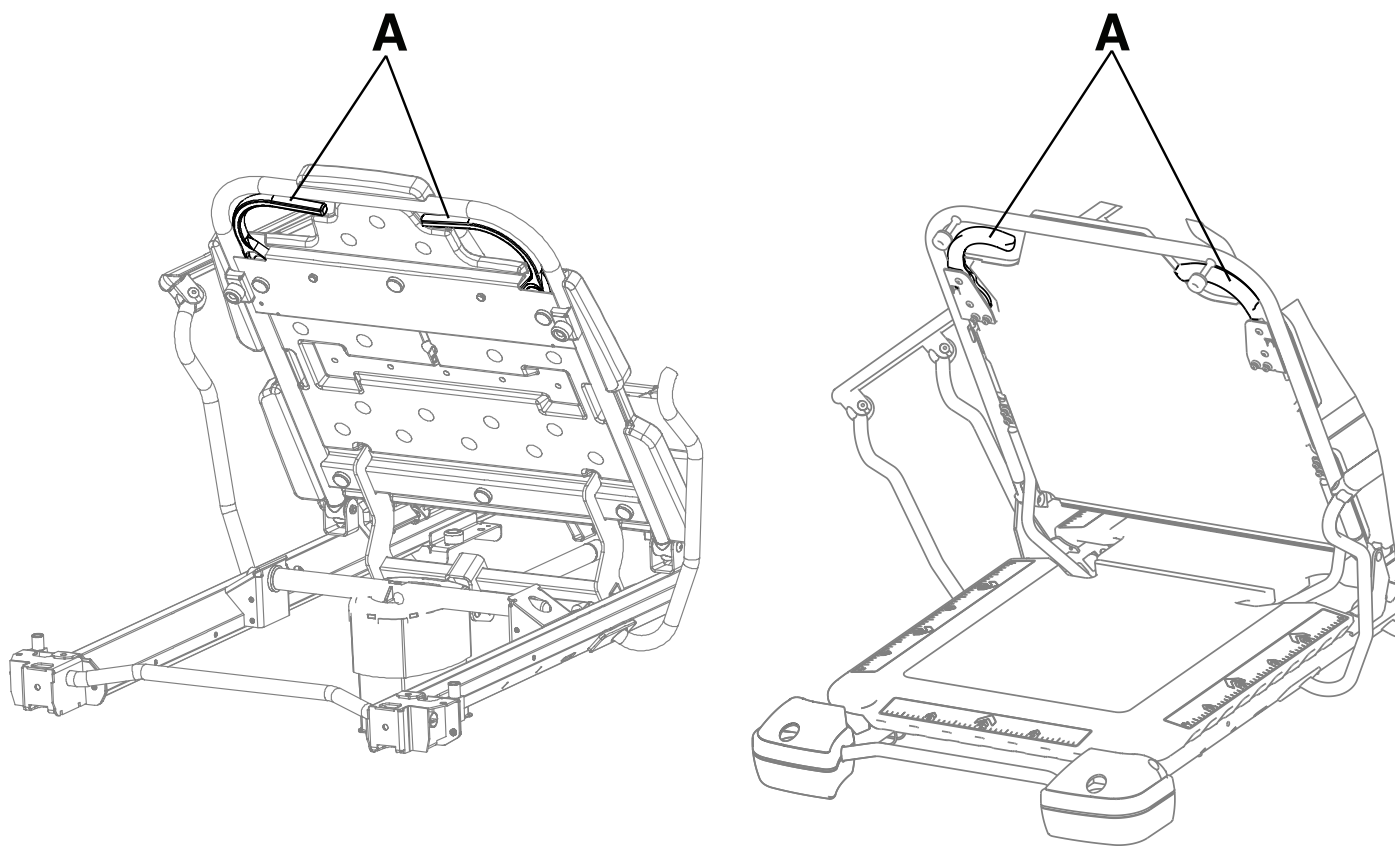


Figura 16 – Ridicarea sau coborârea spătarului Fowler (Prime / Prime X)

Ridicarea sau coborârea spătarului Fowler - targa electrică opțională

AVERTISMENT

- Utilizați produsul doar atunci când niciun operator nu se află în zona de acționare a mecanismelor.
- Feriți-vă întotdeauna mâinile și degetele de manetele de eliberare a spătarului Fowler și de cadrul spătarului Fowler atunci când coborâți spătarul Fowler.
- Procedați întotdeauna cu atenție atunci când ridicați un spătar Fowler cu pacientul așezat pe produs. Utilizați tehnicile de ridicare corespunzătoare și solicitați asistență, dacă este necesar.

Pentru a ridica spătarul Fowler, apăsați butonul **Up** (Ridicare) de pe partea cu spătarul Fowler a panoului de comandă pentru pacient de pe bara laterală (*Poziționarea produsului cu panoul de comandă pentru pacient pe bara laterală - targa electrică opțională - numai cu Prime* (pagina 23)) sau a panoului de comandă pentru operator de la capătul pentru picioare (*Panoul de comandă al operatorului - targa electrică opțională - numai cu Prime* (pagina 24)) până când spătarul Fowler ajunge în unghiul dorit (0° - 70°).

Notă - Spătarul **Lift Assist** utilizează greutatea pacientului pentru a facilita poziționarea pacientului. De asemenea, spătarul **Lift Assist** previne alunecarea pacientului spre capătul pentru picioare al produsului atunci când ridicați spătarul Fowler.

Pentru a coborî spătarul Fowler, apăsați butonul **Down** (Jos) de pe partea cu spătarul Fowler a panoului de comandă pentru pacient de pe bara laterală (*Poziționarea produsului cu panoul de comandă pentru pacient pe bara laterală - targa electrică opțională - numai cu Prime* (pagina 23)) sau a panoului de comandă pentru operator de la capătul pentru picioare (*Panoul de comandă al operatorului - targa electrică opțională - numai cu Prime* (pagina 24)) până când spătarul Fowler ajunge în unghiul dorit (70° - 0°).

Notă - Conectați întotdeauna cablul de alimentare la o priză de rețea pentru uz spitalicesc împământată.

Profesioniștii din domeniul sănătății trebuie să instruiască pacienții cum să acționeze comenzile pentru pacient.

Ridicarea sau coborârea suportului pentru genunchi - targa non-electrică - numai cu Prime

AVERTISMENT - Feriți-vă întotdeauna mâinile și degetele de manetele de împingere de la capătul pentru picioare atunci când coborâți suportul pentru genunchi.

ATENȚIE

- Capacitatea de încărcare a suportului pentru genunchi este de 200 lb (90,7 kg).
 - Asigurați-vă întotdeauna că tija de susținere a suportului pentru genunchi este blocată înainte de utilizare.
 - Nu vă așezați pe și nu stați în picioare pe suportul pentru genunchi.
-

Pentru a ridica suportul non-electric pentru genunchi, împingeți maneta pompei suportului pentru genunchi spre stânga până când obțineți poziția dorită (consultați *Imaginea produsului - Targa Prime*).

Ridicați capătul suportului pentru genunchi și fixați tija de susținere în consolă.

Pentru a elibera tija de susținere, ridicați capătul suportului pentru genunchi, înclinați tija de susținere spre capătul pentru cap al produsului și coborâți capătul pentru picioare.

Pentru a coborî suportul pentru genunchi, trageți de maneta de eliberare a suportului pentru genunchi până când obțineți poziția dorită (consultați *Imaginea produsului - Targa Prime*).

Notă - Nu puteți ridica manual suportul pentru genunchi dacă produsul are targa electrică opțională.

Ridicarea sau coborârea suportului pentru genunchi - targa electrică opțională - numai cu Prime

AVERTISMENT

- Feriți-vă întotdeauna mâinile și degetele de manetele de împingere de la capătul pentru picioare atunci când coborâți suportul pentru genunchi.
 - Utilizați produsul doar atunci când niciun operator nu se află în zona de acționare a mecanismelor.
-

ATENȚIE

- Capacitatea de încărcare a suportului pentru genunchi este de 200 lb (90,7 kg).
 - Nu vă așezați pe și nu stați în picioare pe suportul pentru genunchi.
 - Procedați întotdeauna cu atenție atunci când încercați să coborâți suportul pentru genunchi cât timp produsul nu este alimentat cu energie. Gravitația poate cauza coborârea rapidă a suportului pentru genunchi.
-

Pentru a ridica suportul pentru genunchi, apăsați butonul **Up** (Sus) de pe partea cu suportul pentru genunchi a panoului de comandă pentru pacient de pe bara laterală sau a panoului de comandă pentru operator de la capătul pentru picioare.

Pentru a coborî suportul pentru genunchi, apăsați butonul **Down** (Jos) de pe partea cu suportul pentru genunchi a panoului de comandă pentru pacient de pe bara laterală sau a panoului de comandă pentru operator de la capătul pentru picioare.

Notă - Conectați întotdeauna cablul de alimentare la o priză de rețea pentru uz spitalicesc împământată.

Profesioniștii din domeniul sănătății trebuie să instruiască pacienții cum să acționeze comenzile pentru pacient.

Poziționarea scaunului pentru recuperare - numai cu Prime

AVERTISMENT - Utilizați produsul doar atunci când niciun operator nu se află în zona de acționare a mecanismelor.

Pentru a aduce produsul în poziția scaun pentru recuperare (Figura 17):

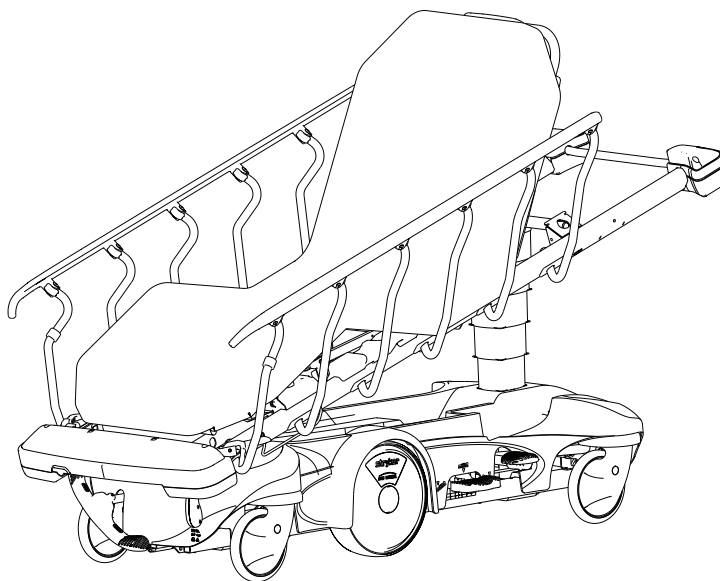


Figura 17 – Scaun pentru recuperare (Model 1115 arătat)

1. Ridicați spătarul Fowler în poziția șezând (*Ridicarea sau coborârea spătarului Fowler - targa non-electrică* (pagina 25) sau *Ridicarea sau coborârea spătarului Fowler - targa electrică opțională* (pagina 26)).

Notă - Pentru a poziționa scaunul pentru recuperare, produsul trebuie să fie dotat cu spătar **Lift Assist** opțional și suport pentru genunchi opțional.

2. Ridicați suportul pentru genunchi în poziția complet ridicat (*Ridicarea sau coborârea suportului pentru genunchi - targa non-electrică - numai cu Prime* (pagina 27) sau *Ridicarea sau coborârea suportului pentru genunchi - targa electrică opțională - numai cu Prime* (pagina 27)).
3. Ridicați targa la cea mai mare înălțime a acesteia (*Ridicarea târgii non-electrice* (pagina 17) sau *Ridicarea târgii electrice opționale* (pagina 18)).
4. Poziționați produsul în poziție Trendelenburg inversată (*Poziționarea produsului în poziția Trendelenburg inversată* (pagina 19)).
5. Inversați pașii pentru a coborî produsul în poziție orizontală.

Depozitarea obiectelor în capacul de la bază

ATENȚIE

- Nu așezați obiecte cu greutatea de peste 60 lb (27 kg) în capacul de la bază.
- Nu vă așezați pe capacul de la bază, nu călcați pe el și nu stați în picioare pe el.

Puteți depozita lucrurile pacientului în capacul de la bază. Nu utilizați locașul suportului pentru butelia de oxigen pentru depozitarea buteliilor de oxigen sau a lucrurilor pacientului.

Atârnarea dispozitivelor cu tăviță pentru pompă opțională

AVERTISMENT

- Păstrați întotdeauna tuburile dispozitivelor pe tăvița pentru pompă, la distanță de mânerul suportului pentru genunchi.
- Îndepărtați întotdeauna orice dispozitive care ar putea constitui obstacole înainte de a ridica sau a coborî targa.
- Asigurați-vă întotdeauna că dispozitivele de pe tăvița pentru pompă trec în siguranță prin golurile de uși.
- Nu ridicați produsul de tăvița pentru pompă.

ATENȚIE

- Capacitatea de susținere a tăviței pentru pompă este de 40 lb (18 kg).
 - Nu utilizați tăvița pentru pompă drept dispozitiv de împingere/tragere. Poate surveni deteriorarea produsului.
-

Puteți depozita sau agăța dispozitive suplimentare pe tăvița pentru pompă care este situată la capătul pentru picioare al produsului.

Notă - Trebuie să alegeți tăvița pentru pompă opțională în momentul achiziționării.

Extinderea sau retragerea cablului de alimentare cu tambur de cablu retractabil opțional - sistemul de ridicare electric opțional sau targa electrică opțională

AVERTISMENT

- Deconectați întotdeauna cablul de alimentare de la priza de rețea înainte de a transporta sau a curăța produsul.
 - Utilizați întotdeauna tamburul de cablu retractabil pentru a depozita cablul de alimentare în interiorul bazei atunci când transportați produsul.
-

Pentru a extinde cablul de alimentare, trageți cablul în afară de pe tamburul de cablu retractabil (A) la lungimea dorită (Figura 18).

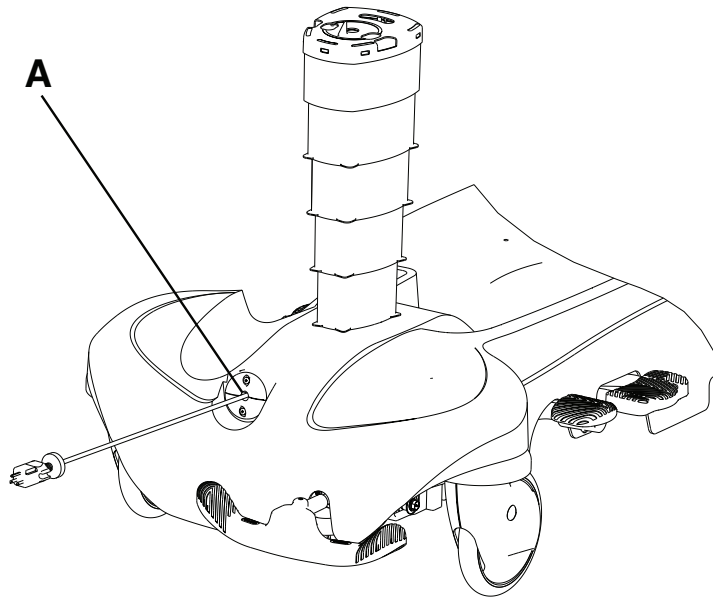


Figura 18 – Tambur de cablu retractabil

Pentru a retrage cablul de alimentare:

1. Deconectați cablul de alimentare de la priza de rețea.
2. Trageți ușor de cablul de alimentare.
3. Ghidați cablul de alimentare în tamburul de cablu retractabil.

Sistemul de cântărire opțional

AVERTISMENT - Nu utilizați sistemul de cântărire opțional, sistemul de ridicare electric opțional sau targa electrică opțională în apropierea altor dispozitive sau deasupra acestora. Dacă este necesară utilizarea adiacentă sau în stivă, sistemul de cântărire opțional, sistemul de ridicare electric opțional sau targa electrică opțională trebuie supravegheate pentru a vă asigura că toate dispozitivele funcționează normal în configurația în care vor fi utilizate.

ATENȚIE - Nu utilizați cântarul pentru pacienți cu greutatea sub 50 lb (22,7 kg).

Sistemul de cântărire opțional este disponibil pentru produse cu sau fără targa electrică opțională. Sistemul de cântărire opțional are rezervă cu baterii opțională. Pictograma de standby indică situațiile în care produsul utilizează rezerva cu baterii.

Opțiunea **Chaperone** (Însoțitor) permite setarea comenzilor de zonă pentru a avertiza operatorul atunci când un pacient încearcă să coboare de pe produs. Opțiunea **Chaperone** (Însoțitor) este disponibilă pentru produse cu targa electrică opțională și sistem de cântărire opțional. Sistemul de cântărire opțional cu opțiunea **Chaperone** (Însoțitor) are rezervă cu baterii opțională. Pictograma de standby indică situațiile în care produsul utilizează rezerva cu baterii.

Ridicați manetele de împingere de la capătul pentru picioare înainte de a încerca să utilizați sistemul de cântărire opțional.

Utilizați panoul de comandă al sistemului de cântărire pentru a opera sistemul de cântărire opțional (*Identificarea pictogramei/butoanelor cântarului* (pagina 30)).

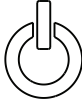




Nu atingeți produsul în timp ce sistemul de cântărire opțional efectuează cântărirea.



Pacientul trebuie să rămână nemișcat cât timp sistemul efectuează cântărirea. Dacă pacientul se mișcă, sistemul de cântărire va încerca timp de 20 de secunde să obțină o greutate stabilă sau valoarea zero înainte de a afișa mesajul de eroare (⏏).

Eroarea (⏏) apare pe afișaj dacă există o conexiune slăbită sau atunci când cântarul nu funcționează. Dacă încercați să utilizați din nou cântarul și apare această eroare, contactați Asistența tehnică Stryker.

Notă - Pentru a respecta specificația privind precizia cântarului, suprafața pentru pacient trebuie să fie orizontală (cu spătarul Fowler și suportul pentru genunchi coborâte), în poziția cea mai înaltă, iar produsul nu poate depăși 5 grade peste poziția Trendelenburg sau Trendelenburg inversată.

Identificarea pictogramei/butoanelor cântarului

Articol	Pictogramă/ buton	Nume	Descriere
A		Pictograma Stand by (Așteptare)	Se aprinde în verde când conectați cablul de alimentare la o priză de rețea. Se aprinde în portocaliu când deconectați cablul de alimentare de la priza de rețea. Se va activa funcționalitatea de rezervă cu baterii.
B		Pictograma Zone 1 (Zona 1)	Pacientul se poate mișca liber, dar alarma se declanșează atunci când acesta încearcă să coboare de pe produs.
C		Pictograma Zone 2 (Zona 2)	Pacientul se poate mișca restricționat. Alarma se declanșează atunci când pacientul se apropie de barele laterale sau când se mișcă spre capătul pentru picioare.
D		Butonul de Arm/ Disarm (Activare/ Dezactivare)	Activează și dezactivează opțiunea Chaperone (Însoțitor) (părăsirea țării). Consultați <i>Activarea sau dezactivarea opțiunii Chaperone (Însoțitor)</i> (pagina 32).
E		Butonul de Weigh (Cântărire)	Cântărește pacientul. Consultați <i>Cântărirea unui pacient</i> (pagina 31).

Articol	Pictogramă/ buton	Nume	Descriere
F		Butonul lb/kg	Schimbă unitatea de măsură afișată. Consultați <i>Blocarea unității de măsură a cântarului</i> (pagina 31).
G		Butonul Zero (Aducere la zero)	Aduce la zero a setărilor cântarului. Consultați <i>Blocarea unității de măsură a cântarului</i> (pagina 31).

Cântărirea unui pacient

ATENȚIE - Nu utilizați măsurătoarea realizată de sistemul de cântărire opțional ca referință pentru tratamentul medical.

1. Ridicați manetele de împingere de la capătul pentru picioare înainte de utiliza sistemul de cântărire opțional.
2. Apăsați și țineți apăsată tasta **Zero** (Aducere la zero) până apare afișat pe ecran **rel** (eliberare) pentru a aduce cântarul la zero. **000.0** luminează intermitent apoi se oprește din luminarea intermitentă.

Notă - Cântarul nu este pregătit pentru utilizare până nu se oprește luminarea intermitentă a **000.0**.

3. Așezați pacientul pe produs.
4. Apăsați tasta **lb/kg** pentru a selecta unitatea de măsură (lb sau kg).
5. Apăsați tasta **Weigh** (Cântărire) pentru a obține greutatea pacientului.

Notă - Greutatea pacientului este afișată timp de 40 de secunde.

Blocarea unității de măsură a cântarului

1. Apăsați și țineți apăsată tastele **Weigh** (Cântărire), **lb/kg** și **Zero** (Aducere la zero) până apare afișat **diag** (diagnosticare).
2. Apăsați tasta **lb/kg** sau **Zero** (Aducere la zero) pentru a comuta la **Unit Loc** (blocare unitate de măsură).
3. Pentru cântarul fără opțiunea Chaperone (Însoțitor), apăsați și țineți apăsată tastele **lb/kg** și **Zero** (Aducere la zero) până apare afișat **rel** (eliberare) pentru a selecta **Unit Loc** (blocare unitate de măsură).
4. Pentru cântarul cu opțiunea **Chaperone** (Însoțitor), apăsați și țineți apăsată tastele **lb/kg** și **Zero** (Aducere la zero) pentru a selecta **Unit Loc** (blocare unitate de măsură).
5. Apăsați tasta **lb/kg** sau **Zero** (Aducere la zero) pentru a comuta între **lb**, **kg** sau **Any** (oricare).
6. Apăsați și eliberați tastele **lb/kg** și **Zero** (Aducere la zero). Apăsați **Only** (doar) și va fi afișată unitatea de măsură selectată.

Notă - **Only** (doar) nu va fi afișat dacă ați selectat opțiunea **Any** (oricare).

7. Apăsați și țineți apăsată tasta **Weigh** (Cântărire) până apare afișat **quit** (renunțare).
8. Apăsați și țineți apăsată tasta **Zero** (Aducere la zero) până apare afișat **rel** (eliberare). **000.0** luminează intermitent apoi se oprește din luminarea intermitentă.

Notă - Cântarul nu este pregătit pentru utilizare până nu se oprește luminarea intermitentă a **000.0**.

Activarea sau dezactivarea opțiunii Chaperone (Însoțitor)

Atunci când este activată, opțiunea **Chaperone** (Însoțitor) monitorizează poziția pacientului pe produs.

Pentru a activa și a dezactiva opțiunea **Chaperone** (Însoțitor):

1. Cu pacientul așezat pe produs, apăsați pe **Arm/Disarm** (Activare/Dezactivare).

Notă - Aceasta va activa Zone 1 (Zona 1). Zone 1 (Zona 1) se aprinde în portocaliu atunci când este activată.

2. Pentru a activa Zone 2 (Zona 2), apăsați de două ori pe **Arm/Disarm** (Activare/Dezactivare) în interval de 3 secunde.

Notă - Aceasta va activa Zone 2 (Zona 2). Zone 2 (Zona 2) se aprinde în portocaliu atunci când este activată.

3. Pentru a dezactiva opțiunea **Chaperone** (Însoțitor), apăsați lung pe **Arm/Disarm** (Activare/Dezactivare).

Notă - Trebuie să aduceți cântarul la zero înainte de a activa opțiunea **Chaperone** (Însoțitor).

Notă - Dacă pacientul depășește în mișcare limitele zonei selectate, va clipi un indicator luminos portocaliu, pe afișajul sistemului de cântărire opțional va clipi mesajul **Airt** (Alertă) și se va declanșa o alarmă sonoră.

Setarea modelului de alertă pentru opțiunea Chaperone (Însoțitor)

Pentru a schimba modelul de alertă pentru opțiunea **Chaperone** (Însoțitor):

1. Apăsați lung, simultan, butoanele **Arm/Disarm** (Activare/Dezactivare) și **Weigh** (Cântărire) timp de aproximativ 6 secunde. Ignorați toate mesajele afișate până când mesajul **Ptrn** (Model) apare pe afișaj (*Identificarea pictogramei/butoanelor cântarului* (pagina 30)).

2. Eliberați butoanele **Arm/Disarm** (Activare/Dezactivare) și **Weigh** (Cântărire).

Notă - Setarea pentru model **P (1-10)** apare pe afișaj.

3. Apăsați pe **Arm/Disarm** (Activare/Dezactivare) sau pe **Weigh** (Cântărire) pentru a derula prin opțiunile de modele.

Notă - Fiecare model este afișat scurt pe măsură ce derulați prin opțiunile de modele.

4. Apăsați lung, simultan, butoanele **Arm/Disarm** (Activare/Dezactivare) și **Weigh** (Cântărire) timp de 6 secunde până când pe afișaj apare **set** (Setare) pentru salvarea modelului selectat.

5. Eliberați butoanele **Arm/Disarm** (Activare/Dezactivare) și **Weigh** (Cântărire).

Notă - Setarea selectată pentru model apare pe afișaj. O scurtă afișare a modelului confirmă setarea pentru model.

Setarea volumului de alertă pentru opțiunea Chaperone (Însoțitor)

Pentru a modifica volumul de alertă pentru opțiunea **Chaperone** (Însoțitor):

1. Apăsați lung, simultan, butoanele **Zero** (Aducere la zero) și **lb/kg** până când pe afișaj apare **vol** (Volum) (*Identificarea pictogramei/butoanelor cântarului* (pagina 30)).

2. Eliberați butoanele **Zero** (Aducere la zero) și **lb/kg**.

Notă - Nivelurile de volum **L (1-4)** apar pe afișaj.

3. Apăsați **Zero** (Aducere la zero) sau **lb/kg** pentru a derula prin opțiunile de volum.

Notă - Fiecare volum este redat scurt pe măsură ce derulați prin nivelurile de volum.

4. Apăsați lung, simultan, butoanele **Zero** (Aducere la zero) și **lb/kg** timp de 6 secunde până când pe afișaj apare **set** (Setare) pentru salvarea nivelului de volum selectat.

5. Eliberați butoanele **Zero** (Aducere la zero) și **lb/kg**.

Notă - Nivelul de volum pe care l-ați selectat apare pe afișaj. O scurtă redare a nivelului de volum confirmă setarea nivelului de volum.

Încărcarea opțională a ansamblului de baterii al sistemului de cântărire - targa electrică opțională sau targa electrică opțională cu opțiunea Chaperone (Însoțitor) - numai cu Prime

Sistemul de cântărire cu targa electrică opțională necesită un ansamblu de baterii Li-ION de 10,8 V (0058-135-000 fără opțiunea **Chaperone** (Însoțitor); 0058-134-000 cu opțiunea **Chaperone** (Însoțitor)). Reîncărcați ansamblul de baterii atunci când indicatorul nivelului de încărcare a bateriilor afișează o unitate rămasă. Acest lucru va preveni închiderea sistemului de cântărire opțional din cauza bateriilor consumate.

Pentru a reîncărca ansamblul de baterii Li-ION al sistemului de cântărire, conectați cablul de alimentare la o priză de rețea pentru uz spitalicesc împământată. Ansamblul de baterii se încarcă complet în aproximativ 3 ore.

Notă - Conectați întotdeauna produsul la o priză de rețea pentru uz spitalicesc împământată atunci când nu este în curs de utilizare. Aceasta ajută bateriile să mențină un nivel de încărcare suficient și maximizează performanța produsului în timpul funcționării cu alimentare de la baterii.

Înlocuirea bateriilor sistemului de cântărire opțional - targa non-electrică

Înlocuiți bateriile atunci când indicatorul nivelului de încărcare a bateriilor afișează o unitate rămasă. Acest lucru va preveni închiderea sistemului de cântărire opțional din cauza bateriilor consumate.

Atunci când pe ecran clipește mesajul **Lo batt** (Nivel scăzut al bateriei), bateriile au ajuns la nivelul minim de energie și sistemul de cântărire opțional este dezactivat.

Unelte necesare:

- Șurubelniță Philips
- Patru baterii AA (de tip alcalin (LR6))

Pentru a înlocui bateriile:

1. Utilizați o șurubelniță Phillips pentru a scoate șuruburile cu cap Phillips care fixează capacul compartimentului de baterii al ansamblului afișajului.
2. Scoateți și eliminați toate cele patru baterii AA.

Notă - Eliminați întotdeauna bateriile vechi conform reglementărilor locale.

3. Introduceți patru baterii AA noi, conform indicațiilor din suportul pentru baterii.

Notă - Nu amestecați niciodată bateriile vechi cu baterii noi.

4. Utilizați șuruburile scoase la pasul 1 pentru a monta la loc capacul compartimentului de baterii pe ansamblul afișajului.

Accesorii și piese

Aceste accesorii pot fi disponibile pentru utilizare cu produsul dumneavoastră. Confirmați disponibilitatea pentru configurația sau regiunea dumneavoastră. Apelați serviciul pentru clienți Stryker: 1-800-327-0770.

Nume	Cod componentă
Tavă defibrilator	1105-045-200
Tavă defibrilator/extensor picioare	1105-045-400
Tăblie pentru picioare/suport fișă pacient	1105-045-500
Ansamblu de pernuțe pentru călcâie	1105-045-022
Bază mobilă cu roți pentru stativul pentru perfuzie	0785-155-000
Stativ pentru perfuzie HAVASU™ , detașabil	0390-025-000
Stativ pentru perfuzie, cu trei niveluri, capătul pentru picioare, stânga, 26" (66 cm)	1105-035-644

Nume	Cod componentă
Stativ pentru perfuzie, cu trei niveluri, capătul pentru picioare, dreapta, 26" (66 cm)	1105-035-639
Stativ pentru perfuzie, cu trei niveluri, capătul pentru picioare, stânga, 30" (76 cm)	1105-035-344
Stativ pentru perfuzie, cu trei niveluri, capătul pentru picioare, dreapta, 30" (76 cm)	1105-035-339
Stativ pentru perfuzie, cu trei niveluri, capătul pentru picioare, stânga, 30" (76 cm) (opțiunea Prime X)	1105-035-364
Stativ pentru perfuzie, cu trei niveluri, capătul pentru picioare, dreapta, 30" (76 cm) (opțiunea Prime X)	1105-035-361
Stativ pentru perfuzie, cu trei niveluri, capătul pentru cap, stânga, 26" (66 cm)	1105-035-642
Stativ pentru perfuzie, cu trei niveluri, capătul pentru cap, dreapta, 26" (66 cm)	1105-035-637
Stativ pentru perfuzie, cu trei niveluri, capătul pentru cap, stânga, 30" (76 cm)	1105-035-342
Stativ pentru perfuzie, cu trei niveluri, capătul pentru cap, dreapta, 30" (76 cm)	1105-035-337
Stativ pentru perfuzie, cu trei niveluri, capătul pentru cap, stânga, 30" (76 cm) (opțiunea Prime X)	1105-035-369
Stativ pentru perfuzie, cu trei niveluri, capătul pentru cap, dreapta, 30" (76 cm) (opțiunea Prime X)	1105-035-366
Stativ pentru perfuzie, cu două niveluri, capătul pentru picioare, stânga, 26" (66 cm)	1105-035-640
Stativ pentru perfuzie, cu două niveluri, capătul pentru picioare, dreapta, 26" (66 cm)	1105-035-643
Stativ pentru perfuzie, cu două niveluri, capătul pentru picioare, stânga, 30" (76 cm)	1105-035-340
Stativ pentru perfuzie, cu două niveluri, capătul pentru picioare, dreapta, 30" (76 cm)	1105-035-343
Stativ pentru perfuzie, cu două niveluri, capătul pentru picioare, stânga, 30" (76 cm) (opțiunea Prime X)	1105-035-362
Stativ pentru perfuzie, cu două niveluri, capătul pentru picioare, dreapta, 30" (76 cm) (opțiunea Prime X)	1105-035-363
Stativ pentru perfuzie, cu două niveluri, capătul pentru cap, stânga, 26" (66 cm)	1105-035-638
Stativ pentru perfuzie, cu două niveluri, capătul pentru cap, dreapta, 26" (66 cm)	1105-035-641
Stativ pentru perfuzie, cu două niveluri, capătul pentru cap, stânga, 30" (76 cm)	1105-035-341
Stativ pentru perfuzie, cu două niveluri, capătul pentru cap, dreapta, 30" (76 cm)	1105-035-338

Nume	Cod componentă
Stativ pentru perfuzie, cu două niveluri, capătul pentru cap, stânga, 30" (76 cm) (opțiunea Prime X)	1105-035-367
Stativ pentru perfuzie, cu două niveluri, capătul pentru cap, dreapta, 30" (76 cm) (opțiunea Prime X)	1105-035-368
Saltea, ComfortGel SE™ , barieră ignifugă, 26" (66 cm)	1805-034-601
Saltea, ComfortGel SE , barieră ignifugă, 30" (76 cm)	1805-034-301
Saltea, ComfortGel SE , fără barieră ignifugă, 26" (66 cm)	1805-034-600
Saltea, ComfortGel SE , fără barieră ignifugă, 30" (76 cm)	1805-034-300
Saltea, Enhanced Comfort, 3" x 26" (8 cm x 66 cm)	0785-034-613
Saltea, Enhanced Comfort, 3" x 30" (8 cm x 76 cm)	0785-034-313
Saltea, Enhanced Comfort, 4" x 26" (10 cm x 66 cm)	0785-034-623
Saltea, Enhanced Comfort, 4" x 30" (10 cm x 76 cm)	0785-034-323
Saltea, IsoFlex SE™ , barieră ignifugă, 30" (76 cm)	1806-034-300
Saltea, IsoFlex SE , fără barieră ignifugă, internațională, 30" (76 cm)	1806-034-301
Saltea, Ultra Comfort, 4" x 26" (10 cm x 66 cm)	0785-034-603
Saltea, Ultra Comfort, 4" x 30" (10 cm x 76 cm)	0785-034-303
Saltea, Ultra Comfort, 5" x 26" (13 cm x 66 cm)	0785-034-633
Saltea, Ultra Comfort, 5" x 30" (13 cm x 76 cm)	0785-034-333
Saltea, Ultra Comfort SE™ , 4" x 26" (10 cm x 66 cm)	1704-034-600
Saltea, Ultra Comfort SE , cu barieră ignifugă, internațională, 4" x 26" (10 cm x 66 cm)	1704-034-601
Saltea, Ultra Comfort, prelungitor de targă, 4" x 26" (10 cm x 66 cm)	1105-034-609
Saltea, Ultra Comfort, prelungitor de targă, 4" x 30" (10 cm x 76 cm)	1105-034-309
Saltea, Ultra Comfort SE , 3" x 30" (8 cm x 76 cm)	1703-034-300
Saltea, Ultra Comfort SE , cu barieră ignifugă, 3" x 30" (8 cm x 76 cm)	1703-034-301
Saltea, Ultra Comfort SE , 4" x 30" (10 cm x 76 cm)	1704-034-300
Saltea, Ultra Comfort SE , cu barieră ignifugă, 4" x 30" (10 cm x 76 cm)	1704-034-301
Suport pentru butelia de oxigen, vertical	1115-130-000
Bară de pompă opțională, 30" (76 cm)	1105-045-035
Ansamblu mâner de împingere, capăt pentru picioare, 30" (76 cm)	1105-048-030
Ansamblu mâner de împingere, capăt pentru cap, 30" (76 cm)	1105-048-060

Nume	Cod componentă
Ansamblu curele de prindere	0785-045-010
Curea de prindere, gleznă	0785-045-020
Curea de prindere, corp	0785-045-015
Curea de prindere, încheietura mâinii	0946-044-000
Curea de prindere, piept	1010-058-000
Tavă pentru servire	1105-045-700
Suport pentru tava de servire/tăblie pentru picioare	1105-045-800
Pernuțe pentru barele laterale	1001-052-000
Suport de casetă pentru radiografii, lateral	1105-045-100
Suport de casetă pentru radiografii, vertical	1105-045-300

Componente electrice

Nume	Număr
Element de acționare, spătar Fowler	1008-012-020
Element de acționare, suport pentru genunchi	1008-014-020
Baterie, ansamblu de baterii Li-ION Smart (numai cântar)	0058-135-000
Baterie, ansamblu de baterii Li-ION Smart (cântar și sistem Chaperone (Însoțitor))	0058-134-000
Ansamblu panou, placă de circuit comandă c.c.	1008-116-800
Ansamblu panou, placă c.a. fără sistem de ridicare	1008-002-800
Ansamblu panou, placă de circuit comandă sistem de ridicare	1008-002-810
Ansamblu panou, comandă cântar (numai cântar)	1008-237-850
Ansamblu panou, comandă cântar și sistem Chaperone (Însoțitor)	1008-237-840
Condensator, 440 V c.a., 35 MFD	0059-087-000
Tastatură, comandă cântar (targă non-electrică)	1008-037-820
Tastatură, comandă bară laterală, stânga	1008-011-017
Tastatură, comandă bară laterală, dreapta	1008-011-016
Tastatură, comandă operator	1008-015-800
Celulă de sarcină (sistem de cântărire opțional)	1008-037-057
Motor, pompă	1008-002-015
Cablu de alimentare, standard	1028-146-060
Cablu de alimentare, internațional, Tip, E	1125-060-170
Cablu de alimentare, internațional, Tip, F	1125-060-180

Nume	Număr
Cablu de alimentare, internațional, Tip, G	1125-060-160
Cablu de alimentare, internațional, Tip, I	1125-060-200
Ansamblu casetă cântar (targă non-electrică)	1070-237-020
Transformator	1008-014-857
Transformator, internațional	1008-014-877

Atașarea tăvii pentru defibrilator

AVERTISMENT

- Nu așezați obiecte cu o greutate de peste 14 kg pe tava pentru defibrilator. Fixați întotdeauna cu curele de prindere toate dispozitivele pe care le așezați pe tava pentru defibrilator.
- Procedați întotdeauna cu atenție dacă tava pentru defibrilator/extensorul pentru picioare, suportul pentru fișa de pacient/placa pentru picioare sau suportul vertical pentru butelia de oxigen este atașat pentru a evita prinderea degetelor atunci când poziționați maneta de împingere de la capătul pentru picioare opțională.

Pentru a atașa tava pentru defibrilator:

- Introduceți piciorușele tăvii pentru defibrilator în orificiile de la capătul pentru picioare al produsului.
- Utilizați cureaua de prindere pentru a fixa dispozitivele pe tava pentru defibrilator.

Notă

- Nu utilizați tava pentru defibrilator drept dispozitiv de împingere/tragere. Poate surveni deteriorarea produsului.
- Ridicați întotdeauna manetele de împingere de la capătul pentru picioare atunci când utilizați accesorii (precum tava pentru defibrilator/extensorul pentru picioare, suportul pentru fișa de pacient/placa pentru picioare, suportul vertical pentru butelia de oxigen), în caz contrar accesoriile nu vor funcționa.

Convertirea tăvii de defibrilator/extensorului pentru picioare în tavă de defibrilator

AVERTISMENT

- Nu așezați obiecte cu o greutate de peste 14 kg pe tava de defibrilator/extensorul pentru picioare. Fixați întotdeauna cu curele de prindere toate dispozitivele pe care le așezați pe tava pentru defibrilator.
- Procedați întotdeauna cu atenție dacă tava pentru defibrilator/extensorul pentru picioare, suportul pentru fișa de pacient/placa pentru picioare sau suportul vertical pentru butelia de oxigen este atașat pentru a evita prinderea degetelor atunci când poziționați maneta de împingere de la capătul pentru picioare opțională.

ATENȚIE - Ridicați întotdeauna stativul pentru perfuzie înainte de a atașa tava pentru defibrilator/extensorul pentru picioare la produs. Dacă nu ridicați stativul pentru perfuzie, extensorul pentru picioare nu va funcționa.

Pentru a converti tava de defibrilator/extensorul pentru picioare în tavă de defibrilator:

- Trageți în afară butonul superior (A) (Figura 19).
- Rotiți tava pentru defibrilator (B) până când aceasta este așezată orizontal peste capătul pentru picioare al produsului. Eliberați butonul superior (A). Asigurați-vă că tava pentru defibrilator este blocată pe poziție.
- Utilizați cureaua de prindere pentru a fixa dispozitivele pe tava pentru defibrilator.

Notă

- Nu utilizați tava pentru defibrilator/extensorul pentru picioare drept dispozitiv de împingere sau de tragere. Poate surveni deteriorarea produsului.
- Nu atașați obiecte la extensorul pentru picioare.

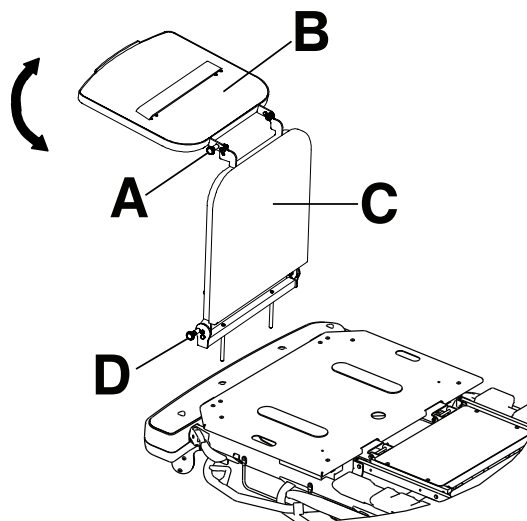


Figura 19 – Tavă defibrilator/extensor picioare

Convertirea tăvii de defibrilator/extensorului pentru picioare în extensor pentru picioare

AVERTISMENT

- Nu așezați obiecte cu o greutate de peste 14 kg pe tava de defibrilator/extensorul pentru picioare. Fixați întotdeauna cu curele de prindere toate dispozitivele pe care le așezați pe tava pentru defibrilator.
- Procedați întotdeauna cu atenție dacă tava pentru defibrilator/extensorul pentru picioare, suportul pentru fișa de pacient/placa pentru picioare sau suportul vertical pentru butelia de oxigen este atașat pentru a evita prinderea degetelor atunci când poziționați maneta de împingere de la capătul pentru picioare opțională.

ATENȚIE - Ridicați întotdeauna stativul pentru perfuzie înainte de a atașa tava pentru defibrilator/extensorul pentru picioare la produs. Dacă nu ridicați stativul pentru perfuzie, extensorul pentru picioare nu va funcționa.

Pentru a converti tava de defibrilator/extensorul pentru picioare în extensor pentru picioare (Figura 19):

1. Trageți în afară butonul superior (A).
2. Rotiți tava pentru defibrilator (B) până când aceasta se fixează peste extensorul pentru picioare.
3. Trageți în afară butonul inferior (D) în timp ce țineți de ansamblul tăvii de defibrilator/extensorului pentru picioare.
4. Coborâți extensorul pentru picioare (C) până când acesta ajunge în poziție orizontală.
5. Eliberați butonul inferior (D). Apăsați pe extensorul pentru picioare pentru a vă asigura că este blocat pe poziție.

Notă

- Nu utilizați tava pentru defibrilator/extensorul pentru picioare drept dispozitiv de împingere sau de tragere. Poate surveni deteriorarea produsului.
- Nu atașați obiecte la extensorul pentru picioare.

Atașarea suportului pentru fișa de pacient/placa pentru picioare

AVERTISMENT - Procedați întotdeauna cu atenție dacă tava pentru defibrilator/extensorul pentru picioare, suportul pentru fișa de pacient/placa pentru picioare sau suportul vertical pentru butelia de oxigen este atașat pentru a evita prinderea degetelor atunci când poziționați maneta de împingere de la capătul pentru picioare opțională.

Pentru a atașa suportul pentru fișa de pacient/placa pentru picioare, introduceți piciorușele suportului pentru fișa de pacient în orificiile de la capătul pentru picioare al produsului.

Notă - Nu utilizați suportul pentru fișa de pacient/placa pentru picioare drept dispozitiv de împingere/tragere. Poate surveni deteriorarea produsului.

Atașarea bazei mobile cu roți pentru stativul pentru perfuzie

AVERTISMENT

- Fixați întotdeauna stativul pentru perfuzie pe baza mobilă cu roți atunci când transportați produsul.
- Depozitați întotdeauna baza mobilă cu roți pentru stativul pentru perfuzie atunci când nu o utilizați, pentru a evita deteriorarea produsului.

Pentru a atașa baza mobilă cu roți pentru stativul pentru perfuzie (Figura 20):

1. Scoateți baza mobilă cu roți pentru stativul pentru perfuzie din cutia de depozitare sau din clema de depozitare.
2. Rotiți baza mobilă cu roți pentru stativul pentru perfuzie în poziția dorită.
3. Rotiți butonul (A) în sensul opus acelor de ceasornic pentru a slăbi clema stativului (C).
4. Desfaceți butonul (A) de pe ansamblul de conectare a brațului (B).
5. Desfaceți clema (C).
6. Introduceți stativul pentru perfuzie în clemă (C).
7. Închideți clema (C) în jurul stativului pentru perfuzie și rotiți butonul (A) în poziție.
8. Rotiți butonul (A) în sensul acelor de ceasornic pentru a-l strânge.
9. Inversați pașii pentru a deconecta baza mobilă cu roți pentru stativul pentru perfuzie de la produs.

Pentru a depozita baza mobilă cu roți pentru stativul pentru perfuzie, așezați-o în cutia de depozitare sau fixați-o cu clema de depozitare.

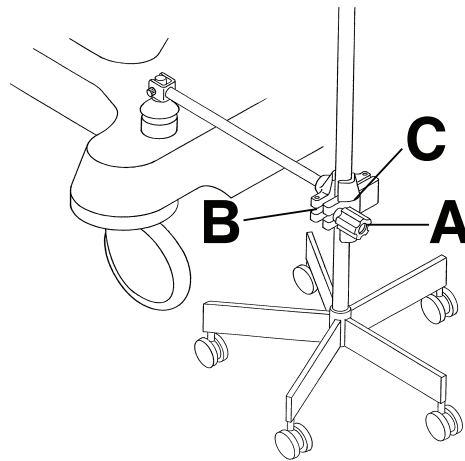


Figura 20 – Bază mobilă cu roți pentru stativul pentru perfuzie

Poziționarea sau stivuirea suporturilor pentru picioare - numai cu Prime

AVERTISMENT

- Nu vă așezați pe suporturile pentru picioare. În caz contrar se poate produce răsturnarea produsului.
- Feriți-vă întotdeauna degetele de mecanisme atunci când operați suporturile pentru picioare.
- Stivuiți întotdeauna suporturile pentru picioare atunci când transportați un pacient pe produs.
- Strângeți întotdeauna suporturile pentru picioare înainte de a le utiliza.
- Nu utilizați sistemul de cântărire cu suporturile pentru picioare. Pot fi generate valori măsurate inexacte.
- Nu utilizați opțiunea **Chaperone** (Însoțitor) cu suporturile pentru picioare. Pot fi generate valori măsurate inexacte.

Pentru a poziționa sau a stivui suporturile pentru picioare:

1. Slăbiți butonul pentru genunchi (A) din partea de sus a suporturilor pentru picioare pentru a ajusta unghiul de deplasare laterală a acestor suporturi (Figura 21).

2. Strângeți butonul pentru genunchi (A) pentru a bloca suporturile pentru picioare în poziția dorită.

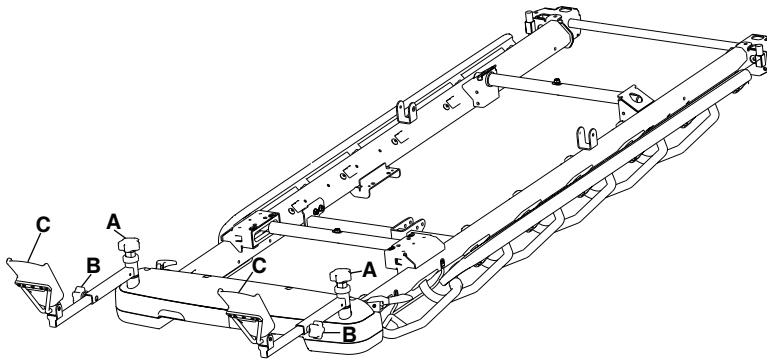


Figura 21 – Poziționarea suporturilor pentru picioare

3. Slăbiți butonul pentru picioare (B) din partea laterală a suporturilor pentru picioare pentru a ajusta lungimea.
4. Strângeți butonul pentru picioare (B) pentru a bloca suporturile pentru picioare în poziția dorită.
5. Rabatați suporturile pentru picioare (C) înainte de a așeza pacientul.
6. Inversați pașii pentru a stivui suporturile pentru picioare (Figura 22).

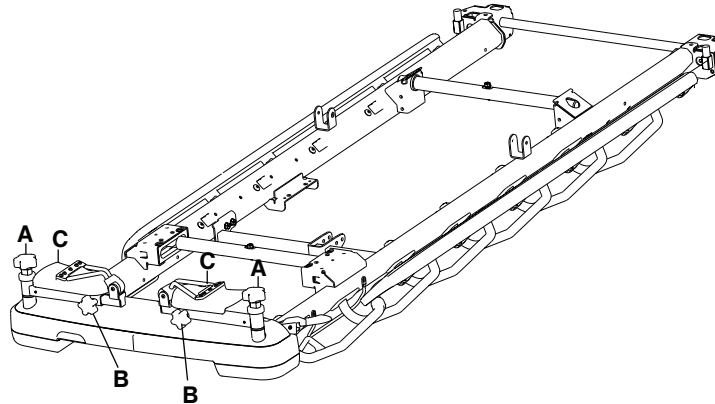


Figura 22 – Stivuirea suporturilor pentru picioare

Dacă selectați suporturile pentru picioare nu puteți achiziționa următoarele opțiuni și accesorii:

- Manetele de împingere de la capătul pentru picioare
- Tavă defibrilator
- Tavă defibrilator/extensor picioare
- Suportul pentru tava de servire/placa pentru picioare
- Suport fișă pacient/placă pentru picioare
- Stativele pentru perfuzie de la capătul pentru picioare

Notă

- Nu utilizați suporturile pentru picioare pentru a depozita lucrurile pacientului.
- Nu utilizați suporturile pentru picioare drept dispozitiv de împingere/tragere. Poate surveni deteriorarea produsului.
- Acționați întotdeauna frânele atunci când utilizați suporturile pentru picioare pentru a evita dezechilibrarea.
- Nu utilizați spătarul sau suportul pentru genunchi împreună cu suporturile pentru picioare.

Poziționarea stativului pentru perfuzie cu două niveluri atașat permanent

AVERTISMENT - Nu utilizați stativul pentru perfuzie drept dispozitiv de împingere sau de tragere. Poate surveni deteriorarea produsului.

Puteți achiziționa produsul cu stativ pentru perfuzie opțional cu două niveluri atașat permanent la capătul pentru cap, la capătul pentru picioare sau la ambele capete ale produsului. Stativul pentru perfuzie este echipat cu un picior telescopic care se extinde pentru a oferi o poziție de înălțime suplimentară. Puteți plia și depozita stativul pentru perfuzie atunci când nu îl utilizați.

Pentru a poziționa stativul pentru perfuzie cu două niveluri (Figura 23):

1. Ridicați și rotiți stativul din poziția de depozitare.
2. Împingeți stativul pentru perfuzie în jos până când se fixează în poziție.
3. Pentru a înălța stativul pentru perfuzie, trageți în sus de partea telescopică (A) până când stativul se blochează în poziția complet ridicat.
4. Rotiți cârligele pentru perfuzii (B) în poziția dorită și agățați pungile pentru perfuzie.
5. Pentru a coborî stativul pentru perfuzie, țineți de partea telescopică a acestuia, rotiți clichetul (C) și coborâți partea telescopică.

Notă

- Nu atașați pungi pentru perfuzie cu greutatea de peste 40 lb (18 kg) la stativul pentru perfuzie.
- Asigurați-vă întotdeauna că stativul pentru perfuzie este fixat la o înălțime mică, astfel încât să treacă în siguranță prin golurile de uși atunci când transportați un pacient.

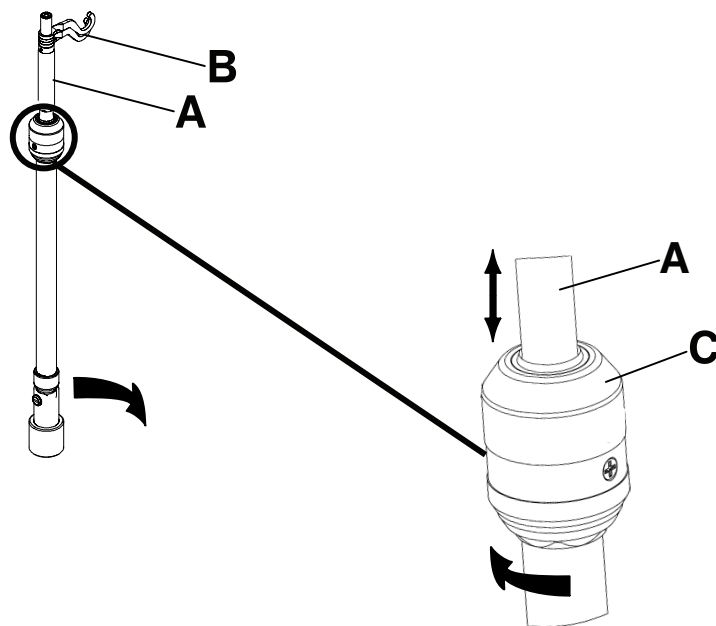


Figura 23 – Poziționarea stativului pentru perfuzie cu două niveluri atașat permanent

Poziționarea stativului pentru perfuzie cu trei niveluri atașat permanent

AVERTISMENT - Nu utilizați stativul pentru perfuzie drept dispozitiv de împingere sau de tragere. Poate surveni deteriorarea produsului.

Puteți achiziționa produsul cu stativ pentru perfuzie opțional cu trei niveluri atașat permanent la capătul pentru cap, la capătul pentru picioare sau la ambele capete ale produsului. Stativul pentru perfuzie este echipat cu un picior telescopic care se extinde pentru a oferi a doua și a treia înălțime suplimentară. De asemenea, puteți plia și depozita stativul pentru perfuzie atunci când nu îl utilizați.

Pentru a poziționa stativul pentru perfuzie cu trei niveluri (Figura 24):

1. Ridicați și rotiți stativul din poziția de depozitare.
2. Împingeți stativul pentru perfuzie în jos până când se fixează în poziție.
3. Pentru a înălța stativul pentru perfuzie, trageți în sus de partea telescopică (A) până când stativul se blochează în poziția complet ridicat.
4. Pentru un stativ pentru perfuzie mai înalt, trageți în sus de secțiunea (B). Eliberați secțiunea (B) la înălțimea dorită pentru a fixa stativul în poziție.
5. Rotiți cârligele pentru perfuzii (C) în poziția dorită și agățați pungile pentru perfuzie.
6. Pentru a coborî stativul pentru perfuzie, apăsați în sus partea galbenă a mânerului (D), ținând de secțiunea (B) până când stativul coboară.
7. Rotiți clichetul (E) și coborâți partea telescopică a stativului pentru perfuzie.

Notă

- Nu agățați de stativ pungi pentru perfuzie care depășesc o greutate totală de 12 lb (5 kg).
- Nu agățați de un cârlig pentru perfuzii pungi pentru perfuzie care depășesc 9,3 lb (4,2 kg).
- Asigurați-vă întotdeauna că stativul pentru perfuzie este fixat la o înălțime mică, astfel încât să treacă în siguranță prin gurile de uși atunci când transportați un pacient.

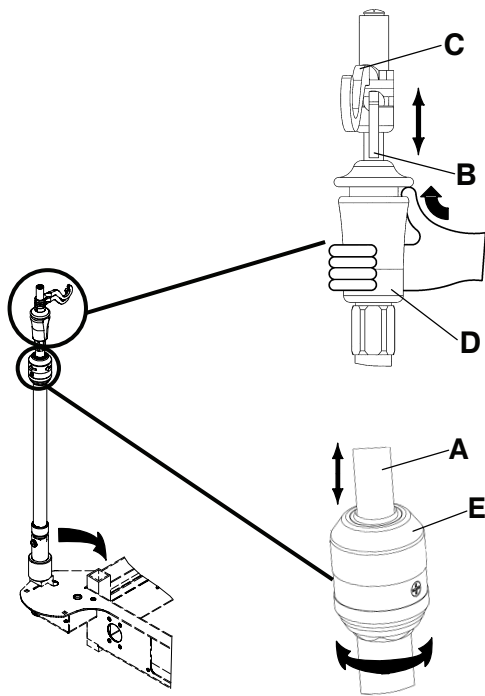


Figura 24 – Poziționarea stativului pentru perfuzie cu trei niveluri atașat permanent

Atașarea și poziționarea stativului pentru perfuzie detașabil

ATENȚIE

- Nu utilizați stativul pentru perfuzie drept dispozitiv de împingere sau de tragere. Poate surveni deteriorarea produsului.
- Nu atașați pungi pentru perfuzie cu greutatea de peste 40 lb (18 kg) la stativul pentru perfuzie.
- Asigurați-vă întotdeauna că stativul pentru perfuzie este fixat la o înălțime mică pentru a trece prin cadrul ușilor atunci când transportați un pacient.

Pentru a atașa și a poziționa stativul pentru perfuzie detașabil (Figura 25):

1. Introduceți stativul pentru perfuzie într-un orificiu de la capătul pentru cap sau capătul pentru picioare al produsului.

2. Rotiți butonul (A) în sensul opus acelor de ceasornic și trageți de porțiunea telescopică (B) până când se atinge înălțimea dorită.
3. Rotiți butonul (A) în sensul acelor de ceasornic pentru a fixa porțiunea telescopică în poziție.

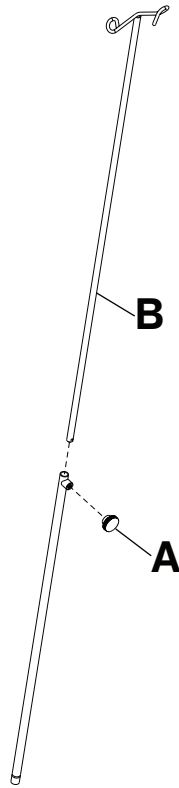


Figura 25 – Stativ pentru perfuzie detașabil

Atașarea suportului vertical pentru butelia de oxigen

AVERTISMENT

- Nu așezați obiecte cu greutatea de peste 40 lb (18 kg) în suportul vertical pentru butelia de oxigen.
- Procedați întotdeauna cu atenție dacă tava pentru defibrilator/extensorul pentru picioare, tăblia pentru picioare/suportul pentru fișa de pacient sau suportul vertical pentru butelia de oxigen este atașat, pentru a evita prinderea degetelor atunci când poziționați maneta de împingere de la capătul pentru picioare opțională.

Suportul vertical pentru butelia de oxigen susține o butelie de oxigen în poziție verticală.

Pentru a atașa suportul vertical pentru butelia de oxigen:

1. Introduceți bara de susținere în oricare dintre orificiile pentru stativul pentru perfuzie.
2. Introduceți cuiul spintecat în orificiul din bara de susținere pentru a fixa suportul pentru butelie pe produs.

Notă - Nu folosiți suportul vertical pentru butelia de oxigen drept dispozitiv de împingere sau de tragere. Poate surveni deteriorarea produsului.

Extinderea sau stivuirea suportului pentru tava de servire/tăbliei pentru picioare

AVERTISMENT - Nu așezați obiecte cu o greutate de peste 30 lb (14 kg) pe tava de servire.

Pentru a monta tava de servire pe barele laterale, trageți în afară ambele laturi ale tăvii de servire și așezați tava peste barele laterale.

Pentru a stivui tava de servire:

1. Scoateți tava de servire de pe barele laterale.
2. Împingeți în interior laturile tăvii de servire.
3. Depozitați tava de servire în tăblia pentru picioare.

Notă - Nu utilizați tava de servire/tăblia pentru picioare drept dispozitiv de împingere/tragere. Poate surveni deteriorarea produsului.

Atașarea pernuțelor pentru șinele laterale

Pentru a atașa pernuțele pentru șinele laterale:

1. Introduceți pernuța pentru șine laterale între saltea și șina laterală.
2. Fixați curelele de prindere **Velcro®** peste partea de sus a șinei laterale pentru a fixa pernuța pentru șine laterale.

Localizarea punctelor de prindere a curelelor pentru pacient

AVERTISMENT

- Procedați întotdeauna cu atenție atunci când fixați curelele de prindere. Poate surveni vătămarea pacientului sau operatorului. Dispozitivele de restricționare a mișcărilor, chiar dacă sunt fixate, pot duce la vătămarea gravă a pacienților sau operatorilor, inclusiv agățare, blocare, vătămare fizică sau deces.
- Fixați întotdeauna curelele sau dispozitivele de prindere numai în punctele de fixare identificate ale produsului. Nerespectarea acestei recomandări poate duce la vătămarea pacientului sau operatorului. Nu fixați curelele de prindere de bara laterală.
- Consultați întotdeauna restricțiile și reglementările statale și federale aplicabile și protocoalele corespunzătoare ale unității înainte de a utiliza orice curea sau dispozitiv de restricționare a mișcărilor.

Există opt puncte de prindere a curelelor de restricționare a mișcărilor pacientului pe ansamblul tărgii, pentru fixarea acestora (Figura 26 sau Figura 27).

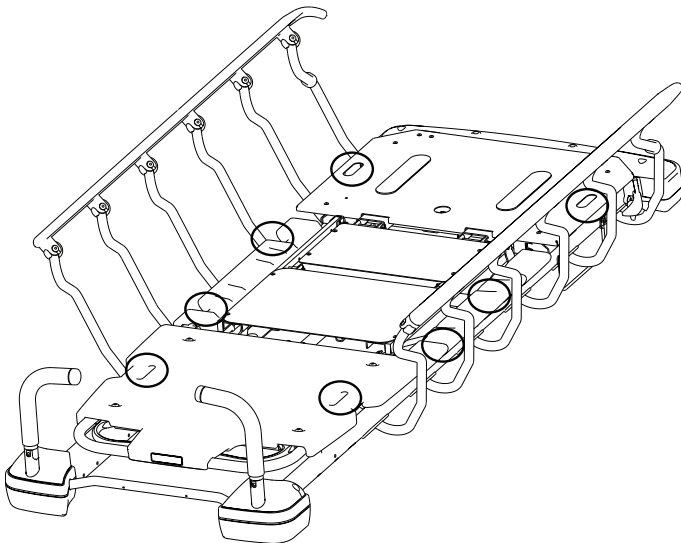


Figura 26 – Puncte de prindere a curelelor Prime

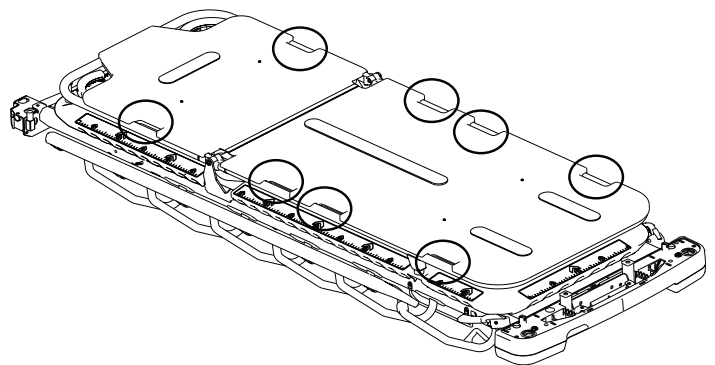


Figura 27 – Puncte de prindere a curelelor opțiunii Prime X

Notă - Curelele de prindere sunt piese aplicate de tip B.

Poziționarea suportului vertical al casetei pentru radiografii - opțiunea Prime X

AVERTISMENT

- Luați-vă întotdeauna măsuri de protecție atunci când utilizați suportul vertical sau lateral al casetei pentru radiografii. Suportul casetei pentru radiografii nu oferă protecție împotriva radiațiilor.
- Consultați întotdeauna liniile directe locale, statale și federale pe lângă protocoalele unității privind siguranța înainte de a utiliza opțiunea **Prime X** cu dispozitive care generează radiații. Dispozitivele care generează radiații pot produce radiații reziduale, parazite sau împrăștiate.
- Procedați întotdeauna cu deosebită atenție atunci când utilizați saltele mai groase de 2,5 in. (6,35 cm) sau o saltea echipată cu opțiunea **Prime X**.
- Respectați întotdeauna instrucțiunile din *Poziționarea suportului vertical al casetei pentru radiografii - opțiunea Prime X* pentru a introduce cassetă pentru radiografii.

Suportul casetei pentru radiografii se fixează pe structura sudată a spătarului Fowler pentru a susține casetele pentru radiografii. Puteți efectua radiografiile cu pacientul așezat pe produs. De asemenea, puteți ajusta poziția casetei înainte de a efectua o radiografie.

Pentru a poziționa suportul casetei pentru radiografii:

1. Acționați frânele. Împingeți produsul pentru a vă asigura că frânele funcționează.
2. Ridicați secțiunea spătarului Fowler la înălțimea maximă.
3. Introduceți ghidajele de reținere inferioare (A) sub bara de pe structura sudată a spătarului Fowler (Figura 28).
4. Ridicați suportul casetei până când ghidajele de reținere se înclichetează pe structura sudată a spătarului Fowler. Asigurați-vă că suportul casetei este bine fixat.

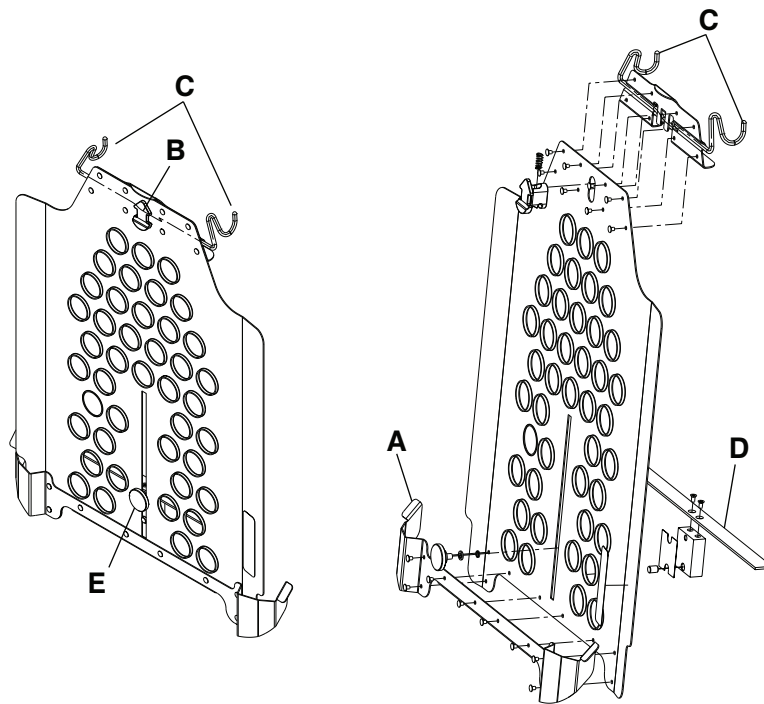


Figura 28 – Suportul casetei pentru radiografii

5. Introduceți o casetă pentru radiografii din orice latură a suportului casetei sau trageți de săgeata de eliberare glisantă (B) pentru a elibera suportul casetei din spătarul Fowler, poziționați cassetă și fixați suportul casetei în structura sudată a spătarului Fowler.
6. Pentru a ajusta înălțimea casetei, slăbiți butonul (E) și mutați bara de susținere a casetei (D) în sus sau în jos până când ajungeți la înălțimea dorită.
7. Strângeți butonul (E) pentru a fixa bara de susținere a casetei în poziție.

8. După terminarea radiografiei, trageți în sus de săgeata de eliberare glisantă (B) pentru a elibera suportul casetei din structura sudată a spătarului Fowler.
9. Scoateți caseta pentru radiografii din suportul casetei.
10. Închideți și stivuiți suportul casetei.

Poziționarea suportului lateral al casetei pentru radiografii - opțiunea Prime X

AVERTISMENT

- Luați-vă întotdeauna măsuri de protecție atunci când utilizați suportul vertical sau lateral al casetei pentru radiografii. Suportul casetei pentru radiografii nu oferă protecție împotriva radiațiilor.
- Consultați întotdeauna liniile directoare locale, statale și federale pe lângă protocoalele unității privind siguranța înainte de a utiliza opțiunea **Prime X** cu dispozitive care generează radiații. Dispozitivele care generează radiații pot produce radiații reziduale, parazite sau împrăștiate.
- Procedați întotdeauna cu atenție atunci când efectuați radiografii cu spătarul Fowler în poziție verticală sau când folosiți o casetă laterală.
- Procedați întotdeauna cu deosebită atenție atunci când utilizați saltele mai groase de 2,5 in. (6,35 cm) sau o saltea echipată cu opțiunea **Prime X**.
- Respectați întotdeauna instrucțiunile din *Poziționarea suportului lateral al casetei pentru radiografii - opțiunea Prime X* pentru a introduce caseta pentru radiografii.

Pentru a poziționa suportul lateral al casetei pentru radiografii:

1. Acționați frânele. Împingeți produsul pentru a vă asigura că frânele funcționează.

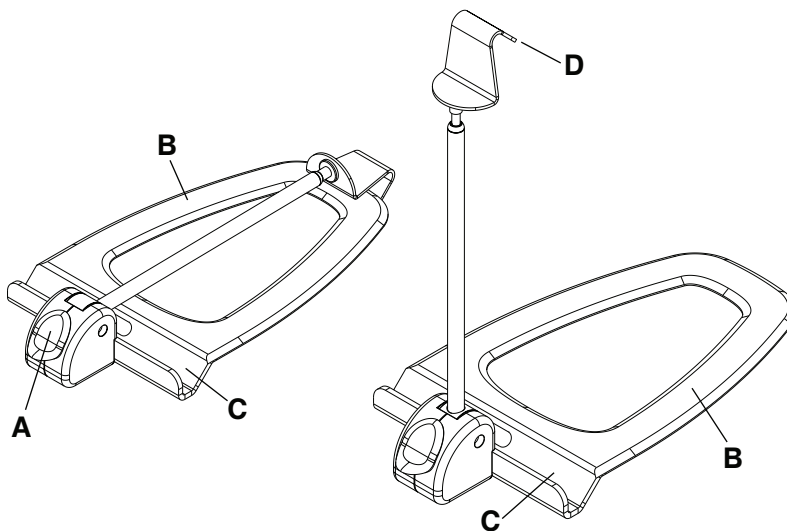


Figura 29 – Suportul lateral al casetei pentru radiografii

2. Apăsați butonul de eliberare galben (A) pentru a deschide suportul lateral al casetei pentru radiografii (Figura 29).
3. Glisați baza plată (B) între saltea și platforma pentru pacient.
4. Așezați suportul lateral pentru casetă în locul dorit.
5. Introduceți caseta pentru radiografii în locașul pentru casetă (C).
6. Trageți de cârligul pentru casetă (D) pentru a ajusta înălțimea brațului, astfel încât să se potrivească cu caseta pentru radiografii pentru a o fixa în poziție.
7. Inversați pașii pentru a scoate caseta și a stivui suportul lateral pentru casetă.

Introducerea sau scoaterea casetelor pentru radiografii - opțiunea Prime X

AVERTISMENT

- Consultați întotdeauna liniile directoare locale, statale și federale pe lângă protocoalele unității privind siguranța înainte de a utiliza opțiunea **Prime X** cu dispozitive care generează radiații. Dispozitivele care generează radiații pot produce radiații reziduale, parazite sau împrăștiate.
- Procedați întotdeauna cu atenție atunci când efectuați radiografii cu spătarul Fowler în poziție verticală sau când folosiți o casetă laterală.

Opțiunea **Prime X** oferă atât o suprafață de susținere articulată pentru radiografii, cât și o platformă sub suprafața de susținere a pacientului pentru introducerea casetei pentru radiografii. Datorită faptului că funcționează cu sisteme medicale de radiografie, suprafața de susținere pentru radiografii permite capturarea radiografiilor clinice (corp întreg A-P, corp întreg lateral opțional și torace în poziție verticală opțional) în timp ce pacientul este așezat pe produs. Puteți introduce casetele de la capătul pentru cap, de la capătul pentru picioare sau din părțile laterale ale produsului.

Pentru a introduce o casetă pentru radiografii:

1. Așezați pacientul pe centrul produsului cu etichetele de indicare a pozițiilor atașate pe toate părțile produsului (Figura 30).
2. Introduceți o casetă pentru radiografii sub suprafața pentru pacient. Utilizați ghidajele pentru casetă pentru a facilita poziționarea casetei pentru radiografii.

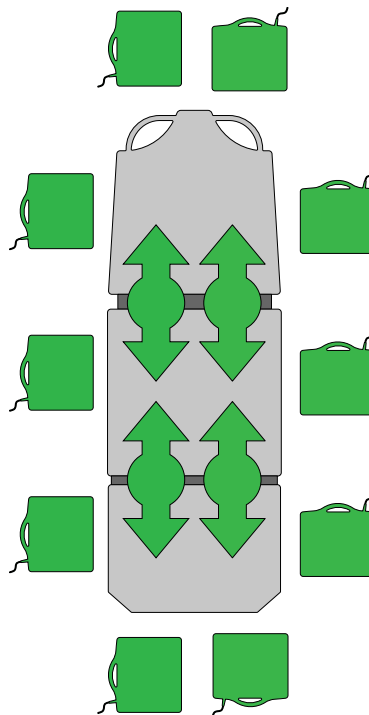


Figura 30 – Introducerea sau scoaterea casetelor pentru radiografii când se folosește opțiunea Prime X

Notă

- Nu utilizați opțiunea **Prime X** cu saltele cu o grosime de peste patru inch (10 cm).
- Nu utilizați brațul în C cu opțiunea **Prime X**. Opțiunea **Prime X** nu este compatibilă cu brațul în C.

Curățarea

Curățarea produsului

ATENȚIE - Nu utilizați agenți de curățare abrazivi pentru a curăța carcasa ecranului pentru sistemul de cântărire opțional. Nu permiteți acumularea soluțiilor de curățare sau a altor lichide pe unitatea de afișaj. Uscați toate suprafețele după vărsarea de lichide sau după curățare.

Aceste instrucțiuni furnizează metodele de curățare recomandate pentru târgile **Prime Series**.

Acest produs poate fi spălat sub presiune. Produsul poate prezenta unele semne de oxidare sau decolorare în urma spălării continue. Cu toate acestea, nu au loc degradări ale caracteristicilor de performanță sau funcționalității produsului ca urmare a spălării sub presiune, atât timp cât se respectă procedurile adecvate.

Metoda de curățare recomandată:

1. Dacă produsul este dotat cu targă electrică opțională sau sistem de ridicare electric opțional, deconectați cablul de alimentare de la priza de rețea înainte de a transporta sau curăța produsul.
2. Scoateți salteaua de pe produs.
3. Respectați recomandările producătorului soluției de curățare privind diluarea.
4. Stryker recomandă un sistem de spălare pentru scaune cu roțile standard, de uz medical, pentru spălarea sub presiune.
5. Uscați produsul. Nu așezați salteaua pe produs până când acesta nu s-a uscat.
6. Verificați funcționalitatea înainte de a refolosi produsul.
 - Ridicați și coborâți produsul
 - Blocați și deblocați pedala pentru frână/direcție în ambele poziții
 - Blocați și deblocați închiderea cu zăvor a barelor laterale
 - Ridicați și coborâți spătarul Fowler
 - Ridicați și coborâți suportul pentru genunchi
 - Asigurați-vă că toate componentele sunt lubrificate corespunzător
 - Asigurați-vă că toate etichetele sunt intacte

Notă

- Contactul direct al pielii cu un material permeabil, vizibil murdar poate crește riscul de infecție.
- Nu curățați produsul cu abur.
- Curățați zona de depozitare din capacul de la bază.
- Curățați partea inferioară a plăcuțelor de frână pentru a preveni acumularea de ceară sau de reziduuri de pe podea.
- Unii agenți de curățare au caracter coroziv și pot cauza deteriorarea produsului dacă sunt utilizați în mod necorespunzător. Dacă nu clătiți și nu uscați corespunzător produsul, pe suprafața acestuia pot rămâne reziduuri corozive care ar putea cauza coroziunea prematură a componentelor critice. Nerespectarea acestor instrucțiuni de curățare poate duce la anularea garanției dumneavoastră.

Curățarea produsului folosind un sistem de spălare pentru scaune cu roțile

Stryker recomandă utilizarea unui sistem de spălare pentru scaune cu roțile standard, de uz spitalicesc chirurgical, pentru a spăla targa cel mult o dată pe an pe toată durata de viață a produsului.

Pentru a curăța produsul folosind un sistem de spălare pentru scaune cu roțile:

1. Dacă produsul este dotat cu targă electrică opțională sau sistem de ridicare electric opțional, deconectați cablul de alimentare de la priza de rețea înainte de a transporta sau curăța produsul.
2. Scoateți salteaua înainte de a spăla produsul. Nu spălați salteaua împreună cu produsul.
3. Poziționați spătarul Fowler la 45°.

4. Puneți produsul în poziție Trendelenburg inversată (capătul pentru picioare jos).
5. Ridicați barele laterale.
6. Aduceți stativele pentru perfuzie și manetele de împingere în poziția ridicat.
7. Curățați produsul la o temperatură maximă a apei de 82 °C (180 °F) și o presiune maximă a apei de 103,5 bari/1500 psi.
8. Uscați produsul cu aer la o temperatură maximă de 93 °C (200 °F) timp de opt minute.
9. Uscați produsul. Nu așezați salteaua pe produs până când acesta nu s-a uscat.
10. Verificați funcționalitatea înainte de a refolosi produsul.
 - Ridicați și coborâți produsul
 - Blocați și deblocați pedala pentru frână/direcție în ambele poziții
 - Blocați și deblocați închiderea cu zăvor a barelor laterale
 - Ridicați și coborâți spătarul Fowler
 - Asigurați-vă că toate componentele sunt lubrifiate corespunzător
 - Asigurați-vă că toate etichetele sunt intacte și legibile

Notă

- Nu curățați produsul cu abur.
- Unii agenți de curățare au caracter coroziv și pot cauza deteriorarea produsului dacă sunt utilizați în mod necorespunzător. Dacă nu clătiți și nu uscați corespunzător produsul, pe suprafața acestuia pot rămâne reziduuri corozive care ar putea cauza coroziunea prematură a componentelor critice. Nerespectarea acestor instrucțiuni de curățare poate duce la anularea garanției dumneavoastră.

Curățarea saltelei

AVERTISMENT

- Atunci când produsul este în curs de utilizare, nu efectuați operații de curățare, service sau întreținere.
 - Nu scufundați salteaua în soluții de curățare sau dezinfectare. Excesul de umiditate poate cauza funcționarea defectuoasă a produsului, ducând la deteriorarea produsului sau la vătămarea pacientului.
 - Nu permiteți acumularea de lichid pe saltea. Lichidele pot cauza coroziunea componentelor și pot face ca siguranța și performanța acestui produs să devină imprevizibile.
 - Inspectați întotdeauna husele saltelei pentru a depista eventuale rupturi, găuri, uzură excesivă și fermoare nealiniat de fiecare dată când le curățați. Îndepărtați și înlocuiți saltelele deteriorate pentru a preveni contaminarea încrucișată.
 - Nu curățați saltelele cu abur, prin spălare prin presiune, cu furtunul sau cu ultrasunete. Aceste metode de curățare pot anula garanția produsului.
-

Durata de viață a saltelei poate fi afectată de creșterea frecvenței de utilizare, care ar putea include curățarea și dezinfectarea mai frecventă.

Metoda de curățare recomandată:

1. Utilizați o cârpă curată și moale pentru a șterge salteaua în întregime cu o soluție de săpun delicat și apă pentru a îndepărta materiile străine.
2. Ștergeți salteaua cu o cârpă curată și uscată, pentru a îndepărta orice exces de lichid sau agent de curățare.
3. Clătiți și uscați husele după curățare.
4. Efectuați dezinfectarea, după caz, folosind un dezinfectant de uz spitalicesc după terminarea curățării (consultați *Dezinfectarea saltelei*).

Notă

- Nu folosiți fierul de călcat, curățarea uscată (chimică) sau centrifuga pentru a usca salteaua, deoarece această acțiune va cauza defectarea și deteriorarea produsului.
- Husa saltelei trebuie să fie complet uscată înainte de a depozita salteaua, de a o îmbrăca cu lenjerie sau de a așeza un pacient pe saltea, pentru a preveni scăderea performanței produsului.

- Evitați expunerea prelungită la alcool sau peroxid de hidrogen. Materialul husei se va umfla.
- Nu permiteți scurgerea lichidelor în zona cu fermoar sau în clapeta protectoare a husei. Lichidele cărora li se permite să intre în contact cu fermoarul se pot scurge în saltea, putând duce la scăderea performanței produsului.
- Unii agenți de curățare au caracter coroziv și pot cauza deteriorarea produsului dacă sunt utilizați în mod necorespunzător. Dacă nu clătiți și nu uscați corespunzător produsul, pe suprafața acestuia pot rămâne reziduuri corozive care ar putea cauza coroziunea prematură a componentelor critice. Nerespectarea acestor instrucțiuni de curățare poate duce la anularea garanției dumneavoastră.

Scoaterea petelor de iod

1. Preparați o soluție din 1 sau 2 linguri de tiosulfat de sodiu într-o jumătate de litru de apă caldă. Utilizați soluția pentru a șterge zona pătată.
2. Îndepărtați pata cât mai curând posibil după producerea sa.
3. Dacă petele nu sunt îndepărtate imediat, lăsați soluția să se îmbibe în saltea înainte de a șterge salteaua.
4. Clătiți cu apă curată saltelele care au fost expuse la soluție înainte de a le refolosi.

Notă - Nerespectarea acestor indicații la folosirea acestor tipuri de agenți de curățare poate anula garanția produsului.

Instrucțiuni speciale

Velcro®	Acoperiți complet cu dezinfectant, clătiți cu apă și lăsați soluția să se evapore.
Materii solide sau pete	Utilizați săpunuri neutre și apă caldă. Nu utilizați agenți de curățare duri, solvenți sau agenți de curățare abrazivi.
Puncte greu de curățat	Utilizați agenți de curățare standard pentru uz casnic sau agenți de curățare pentru vinil și o perie cu peri moi pentru punctele și petele dificile. Înmuiați în prealabil murdăria uscată.
Spălarea	Spălarea nu este recomandată. Spălarea poate scădea semnificativ durata de viață utilă a saltelei.

Dezinfectare

Dezinfectarea produsului

AVERTISMENT

- Atunci când produsul este în curs de utilizare, nu efectuați operații de curățare, service sau întreținere.
 - Nu curățați produsul cu abur, cu furtunul sau cu ultrasunete. Utilizarea acestor metode de curățare nu este recomandată și poate anula garanția de care beneficiază acest produs.
-

Dezinfectanți recomandați:

- Agenți cuaternari (substanță activă - clorură de amoniu) cu un conținut de eter de glicol sub 3%
- Dezinfectanți fenolici (ingredient activ - o-fenilfenol)
- Soluție de albire cu clor (5,25% soluție de albire diluată, 1 parte soluție de albire la 100 părți apă, ceea ce înseamnă 520 ppm de clor disponibil (40 ml dintr-o soluție de albire de 5,25% la 4000 ml apă))
- Alcool izopropilic 70%

Metodă de dezinfectare recomandată:

1. Respectați recomandările producătorului soluției de dezinfectant privind diluarea.
2. Spălați manual toate suprafețele produsului folosind o soluție de dezinfectant.
3. Evitați aplicarea excesivă a soluției și asigurați-vă că produsul nu rămâne ud un timp mai îndelungat decât prevăd instrucțiunile producătorului de produse chimice pentru o dezinfectare corectă.
4. Uscați produsul. Nu așezați salteaua pe produs până când acesta nu s-a uscat.
5. Dezinfectați **Velcro®** după fiecare utilizare. Saturați **Velcro®** cu dezinfectant, clătiți cu apă și lăsați dezinfectantul să se evaporeze (dezinfectantul corespunzător va fi stabilit de către unitate).
6. Verificați funcționalitatea înainte de a refolosi produsul.
 - Ridicați și coborâți produsul
 - Blocați și deblocați pedala pentru frână/direcție în ambele poziții
 - Blocați și deblocați închiderea cu zăvor a barelor laterale
 - Ridicați și coborâți spătarul Fowler
 - Ridicați și coborâți suportul pentru genunchi
 - Asigurați-vă că toate componentele sunt lubrificate corespunzător
 - Asigurați-vă că toate etichetele sunt intacte

Notă

- Contactul direct al pielii cu un material permeabil, vizibil murdar poate crește riscul de infecție.
- Unii agenți de curățare au caracter coroziv și pot cauza deteriorarea produsului dacă sunt utilizați în mod necorespunzător. Dacă nu clătiți și nu uscați corespunzător produsul, pe suprafața acestuia pot rămâne reziduuri corozive care ar putea cauza coroziunea prematură a componentelor critice. Nerespectarea acestor instrucțiuni de curățare poate duce la anularea garanției dumneavoastră.

Dezinfectarea saltelei

AVERTISMENT - Dezinfectați întotdeauna salteaua după fiecare pacient. Nerespectarea acestei recomandări poate duce la contaminare încrucișată și infecție.

Dezinfectanți recomandați:

- Agenți cuaternari (substanță activă - clorură de amoniu) cu un conținut de eter de glicol sub 3%

- Dezinfectanți fenolici (ingredient activ - o-fenilfenol)
- Soluție de albire cu clor (5,25% soluție de albire diluată, 1 parte soluție de albire la 100 părți apă, ceea ce înseamnă 520 ppm de clor disponibil (40 ml dintr-o soluție de albire de 5,25% la 4000 ml apă))
- Alcool izopropilic 70%

Metodă de dezinfectare recomandată:

1. Asigurați-vă că salteaua este curată și uscată înainte de a aplica dezinfectanți.
2. Ștergeți salteaua cu o cârpă curată și uscată, pentru a îndepărta orice exces de lichid sau dezinfectant.
3. Clătiți și uscați husele după dezinfectare.

Notă

- Husa saltelei trebuie să fie uscată înainte de a depozita salteaua sau de a o îmbrăca cu lenjerie. Nerespectarea recomandării de îndepărtare a excesului de dezinfectant poate cauza degradarea materialului husei.
- Unii agenți de curățare au caracter coroziv și pot cauza deteriorarea produsului dacă sunt utilizați în mod necorespunzător. Dacă nu clătiți și nu uscați corespunzător produsul, pe suprafața acestuia pot rămâne reziduuri corozive care ar putea cauza coroziunea prematură a componentelor critice. Nerespectarea acestor instrucțiuni de curățare poate duce la anularea garanției dumneavoastră.
- Expunerea frecventă sau prelungită la soluții de dezinfectanți cu concentrații mai mari poate cauza îmbătrânirea prematură a materialului husei.
- Utilizarea peroxidului de hidrogen accelerat sau a dezinfectanților cuaternari ce conțin eterglicoli poate deteriora husa.

Întreținere preventivă

Scoateți produsul din uz înainte de efectuarea activităților de întreținere preventivă. Verificați toate aspectele listate în cursul întreținerii preventive anuale pentru toate produsele Stryker Medical. Ar putea fi necesar să efectuați verificări de întreținere preventivă mai frecvent, în funcție de nivelul de utilizare a produsului dumneavoastră. Activitățile de service se efectuează numai de către personal calificat.

Notă - Curățați și dezinfectați partea exterioară a saltelei înainte de inspecție, dacă este cazul.

Verificați următoarele aspecte:

- _____ Toate dispozitivele de fixare sunt sigure
- _____ Barele laterale pot fi mișcate și închise cu zăvor
- _____ Rotițele se blochează la aplicarea pedalei de frână
- _____ Rotițele sunt fixate și îmbinate prin articulație
- _____ Rotițele sunt lipsite de ceară și reziduuri
- _____ Mecanismul de frânare funcționează
- _____ Funcția de direcție este operațională
- _____ Verificați dacă există fisuri pe suprafața saltelei
- _____ Spătarul Fowler se ridică, coboară și se blochează în poziție
- _____ Suportul pentru genunchi se ridică, coboară și se fixează în poziție (opțional)
- _____ Poziția Trendelenburg/Trendelenburg inversată funcționează din orice locație
- _____ Lanțul de împământare este intact
- _____ Nu există scurgeri la racordurile hidraulice
- _____ Vinciurile hidraulice sunt ferm fixate
- _____ Curelele de prindere pentru corp se blochează și sunt fixe (opțional)
- _____ Stativul pentru perfuzie este intact, se ajustează și se blochează în toate pozițiile (opțional)
- _____ Suportul pentru butelia de oxigen este intact, se deschide și se închide (opțional)
- _____ Nu există rupturi sau fisuri pe învelișul saltelei
- _____ Accesoriile și elementele de fixare sunt în stare bună
- _____ Funcțiile alimentate de baterie (opțional)
- _____ Cablurile nu sunt uzate sau ciupite (opțional)
- _____ Cablul de alimentare și mufa nu au urme de deteriorare (opțional)
- _____ Toate conexiunile electrice sunt strânse (opțional)
- _____ Toate împământările sunt fixate pe cadru (opțional)
- _____ Impedanța împământării nu depășește 200 mΩ (miliohmi) (opțional)
- _____ Curentul de fugă nu depășește 300 μA (microamperi) (per UL 60606-1-1) (opțional)
- _____ Bateriile sunt încărcate (sistem de cântărire opțional)
- _____ Carcasa ecranului este intactă și fără urme de deteriorare (sistem de cântărire opțional)
- _____ Celulele de sarcină sunt intacte și fără urme de deteriorare (sistem de cântărire opțional)
- _____ Mecanismul cu buton rotativ pentru genunchi al suportului pentru picioare funcționează și poate fi blocat în poziție (opțional)
- _____ Mecanismul cu buton rotativ pentru picioare al suportului pentru picioare funcționează și poate fi blocat în poziție (opțional)
- _____ Suportul pentru picioare se extinde în poziția complet întins și se oprește în poziția corectă (opțional)

- _____ Șuruburile autofiletante ale suportului pentru picioare (6) sunt sigure și nu au capul deteriorat (opțional)
- _____ Cântarul este calibrat. Recalibrați, dacă este necesar (sistem de cântărire opțional)
- _____ Suportul vertical pentru caseta pentru radiografii este în stare bună de funcționare și poate fi ajustat pentru a se potrivi cu toate casetele pentru radiografii (opțiunea **Prime X**)
- _____ Husa spătarului Fowler și husa suportului pentru picioare nu sunt deteriorate (opțiunea **Prime X**)
- _____ Tăvile pentru cap și picioare nu sunt deteriorate (opțiunea **Prime X**)
- _____ Șurubul și piulița fiecărui pivot Fowler nu sunt slăbite (opțiunea **Prime X**)

Numărul de serie al produsului:
Completat de:
Data:

Informații privind compatibilitatea electromagnetică

ATENȚIE

- Folosirea altor accesorii, traductoare și cabluri decât cele specificate sau furnizate de către producător poate conduce la creșterea emisiilor electromagnetice sau la scăderea imunității electromagnetice și poate avea ca rezultat funcționarea necorespunzătoare.
- Caracteristicile de emisie ale acestui echipament îl fac să fie adecvat pentru utilizarea în zone industriale și spitale (CISPR 11 clasa A). Dacă este utilizat într-un mediu rezidențial, pentru care în mod normal este necesară conformitatea cu CISPR 11 clasa B, este posibil ca acest echipament să nu ofere protecție adecvată pentru serviciile de comunicații cu radiofrecvență. Este posibil ca utilizatorul să fie nevoit să ia măsuri de atenuare, cum ar fi mutarea sau reorientarea echipamentului.

Îndrumări și declarația producătorului - Emisiile electromagnetice

Sistemul de ridicare electric opțional, targa electrică opțională sau sistemul de cântărire opțional sunt destinate utilizării în mediul electromagnetic precizat mai jos. Operatorul sistemului de ridicare electric opțional, al tării electrice opționale sau al sistemului de cântărire opțional trebuie să se asigure că dispozitivul este utilizat într-un astfel de mediu.

Testul de emisii	Conformitatea	Mediul electromagnetic
Emisiile RF CISPR 11	Grupul 1	Sistemul de ridicare electric opțional, targa electrică opțională sau sistemul de cântărire opțional utilizează energie RF numai pentru funcționarea lor internă. Prin urmare, emisiile lor RF au valori foarte scăzute și este improbabil ca acestea să cauzeze vreo interferență în echipamentele electronice din vecinătate.
Emisiile RF CISPR 11	Clasa A	Sistemul de ridicare electric opțional, targa electrică opțională sau sistemul de cântărire opțional sunt adecvate pentru utilizare în toate clădirile altele decât cele rezidențiale și cele conectate direct la rețeaua publică de alimentare cu energie electrică de joasă tensiune care alimentează clădirile rezidențiale.
Emisii armonice IEC 61000-3-2 *	Clasa A	
Fluctuații de tensiune Scintilații IEC 61000-3-3 *	Se conformează	

* Se aplică numai pentru sistemul de ridicare electric opțional sau targa electrică opțională.

ATENȚIE

- Echipamentele de comunicații portabile în gama RF, inclusiv perifericele, precum cablurile de antenă și antenele externe, nu trebuie utilizate la o distanță de mai puțin de 12 inch (30 cm) de orice piese ale tării Prime, inclusiv cablurile specificate de producător.
- Evitați amplasarea altor echipamente deasupra sau în apropierea altor echipamente, pentru a preveni funcționarea necorespunzătoare a produselor. Dacă este necesară o astfel de utilizare, echipamentele poziționate unul peste altul sau adiacent trebuie supravegheate cu atenție, pentru a vă asigura că funcționează în mod corespunzător.

Distanțele de separare recomandate între echipamentele de comunicații RF portabile și mobile și sistemul de ridicare electric opțional, targa electrică opțională sau sistemul de cântărire opțional.

Sistemul de ridicare electric opțional, targa electrică opțională sau sistemul de cântărire opțional sunt destinate utilizării într-un mediu electromagnetic în care perturbațiile RF radiate sunt controlate. Clientul sau utilizatorul sistemului de ridicare electric opțional, al tării electrice opționale sau al sistemului de cântărire opțional poate ajuta la prevenirea interferențelor electromagnetice prin păstrarea unei distanțe minime între echipamentele de comunicații RF portabile și mobile (emițătoare) și sistemul de ridicare electric opțional, targa electrică opțională sau sistemul de cântărire opțional conform recomandărilor de mai jos, în funcție de puterea de ieșire maximă emisă de echipamentele de comunicare.

Puterea de ieșire maximă nominală a emițătorului W	Distanța de separare în conformitate cu frecvența emițătorului m
---	---

	între 150 kHz și 80 MHz $D=(1,2) (\sqrt{P})$	între 80 MHz și 800 MHz $D=(1,2) (\sqrt{P})$	între 800 MHz și 2,7 GHz $D=(2,3) (\sqrt{P})$
0,01	0,12	0,12	0,23
0,1	0,38	0,38	0,73
1	1,2	1,2	2,3
10	3,8	3,8	7,3
100	12	12	23

Pentru emițătoarele a căror putere de ieșire maximă nominală nu se regăsește mai sus, distanța de separare (D) recomandată, exprimată în metri (m), poate fi determinată folosind ecuația care se aplică frecvenței emițătorului, unde P este puterea de ieșire maximă nominală a emițătorului, exprimată în wați (W), conform specificațiilor producătorului emițătorului.

Nota 1 - La 80 MHz și 800 MHz, se aplică distanța de separare pentru intervalul de frecvență mai mare.

Nota 2 - Este posibil ca aceste indicații să nu fie valabile în toate situațiile. Propagarea undelor electromagnetice este afectată de absorbția și reflexia datorate structurilor, obiectelor și persoanelor.

Îndrumări și declarația producătorului - imunitatea electromagnetică

Sistemul de ridicare electric opțional, targa electrică opțională sau sistemul de cântărire opțional sunt destinate utilizării în mediul electromagnetic precizat mai jos. Clientul sau utilizatorul sistemului de ridicare electric opțional, al tării electrice opționale sau al sistemului de cântărire opțional trebuie să se asigure că dispozitivul este utilizat într-un astfel de mediu.

Testul de imunitate	Nivelul de test conform cu IEC 60601	Nivelul de conformitate	Îndrumări privind mediul electromagnetic
Descărcare electrostatică (DES) IEC 61000-4-2	±8 kV la contact ±15 kV în aer	±8 kV la contact ±15 kV în aer	Podelele trebuie să fie confecționate din lemn, beton sau dale ceramice. Dacă podelele sunt acoperite cu material sintetic, umiditatea relativă trebuie să fie de cel puțin 30%.
Descărcare electrostatică rapidă/rafală IEC 61000-4-4*	±2 kV pentru linii de alimentare ±1 kV pentru cabluri de intrare/ieșire	±2 kV pentru linii de alimentare ±1 kV pentru cabluri de intrare/ieșire	Calitatea alimentării de la rețea trebuie să fie cea a unui mediu comercial sau spitalicesc tipic.
Supratensiune IEC 61000-4-5*	±1 kV linie(ii) la linie(ii) ±2 kV linie(ii) la pământ	±1 kV linie(ii) la linie(ii) ±2 kV linie(ii) la pământ	Calitatea alimentării de la rețea trebuie să fie cea a unui mediu comercial sau spitalicesc tipic.


Căderile de tensiune, variațiile de tensiune și întreruperile de scurtă durată ale liniilor de alimentare cu energie electrică IEC 61000-4-11*	0% U_T timp de 0,5 cicluri la 0°, 45°, 90°, 135°, 180°, 225°, 270° și 315° 0% U_T timp de 1 ciclu 70% U_T (30% cădere a U_T) timp de 25 de cicluri 0% U_T timp de 250 de cicluri	0% U_T timp de 0,5 cicluri la 0°, 45°, 90°, 135°, 180°, 225°, 270° și 315° 0% U_T timp de 1 ciclu 70% U_T (30% cădere a U_T) timp de 25 de cicluri 0% U_T timp de 250 de cicluri	Calitatea alimentării de la rețea trebuie să fie cea a unui mediu comercial sau spitalicesc tipic. În cazul în care utilizatorul are nevoie de funcționarea continuă a sistemului de ridicare electric opțional sau a tării electrice opționale în situațiile de întrerupere a alimentării de la rețea, se recomandă alimentarea dispozitivului de la o sursă de tensiune neîntreruptibilă sau de la o baterie.
Câmpul magnetic al frecvenței de alimentare (50/60 Hz) IEC 61000-4-8	30 A/m	30 A/m	Câmpurile magnetice de frecvența rețelei trebuie să aibă niveluri caracteristice unei locații tipice într-un mediu comercial și/sau spitalicesc tipic.

Notă: U_t este tensiunea de c.a. în rețea înainte de aplicarea nivelului de test.

*Se aplică numai pentru sistemul de ridicare electric opțional sau targa electrică opțională.

Îndrumări și declarația producătorului - imunitatea electromagnetică

Sistemul de ridicare electric opțional, targa electrică opțională sau sistemul de cântărire opțional sunt destinate utilizării în mediul electromagnetic precizat mai jos. Clientul sau utilizatorul sistemului de ridicare electric opțional, al tării electrice opționale sau al sistemului de cântărire opțional trebuie să se asigure că dispozitivul este utilizat într-un astfel de mediu.

Testul de imunitate	Nivelul de test conform cu IEC 60601	Nivelul de conformitate	Îndrumări privind mediul electromagnetic
<p>RF condusă IEC 61000- 4-6*</p> <p>Energia RF radiată IEC 61000-4-3</p>	<p>3 Vrms</p> <p>6 Vrms în benzile ISM și de radioamatori</p> <p>150 kHz la 80 MHz</p> <p>3 V/m</p> <p>80 MHz la 2,7 GHz</p>	<p>3 Vrms</p> <p>6 Vrms în benzile ISM și de radioamatori</p> <p>3 V/m</p>	<p>Echipamentele de comunicații RF portabile și mobile nu trebuie utilizate la o distanță față de orice parte a sistemului de ridicare electric opțional, a tărgii electrice opționale sau a sistemului de cântărire opțional, inclusiv cablurile, mai mică decât distanța de separare recomandată calculată conform ecuației corespunzătoare pentru frecvența emițătorului.</p> <p>Distanța de separare recomandată</p> $D=(1,2) (\sqrt{P})$ $D=(1,2) (\sqrt{P})$ <p>între 80 MHz și 800 MHz</p> $D=(2,3) (\sqrt{P})$ <p>între 800 MHz și 2,7 GHz</p> <p>unde P este puterea de ieșire maximă nominală a emițătorului, exprimată în wați (W), conform specificațiilor producătorului emițătorului, iar D este distanța de separare recomandată, exprimată în metri (m).</p> <p>Intensitățile câmpurilor generate de emițătoarele RF fixe, determinate prin intermediul unei verificări electromagnetice a locației ^a, trebuie să aibă valori mai mici decât nivelul de conformitate din fiecare interval de frecvențe ^b.</p> <p>Se pot produce interferențe în vecinătatea echipamentelor marcate cu următorul simbol:</p> 

Nota 1: La 80 MHz și 800 MHz, se aplică intervalul de frecvențe mai mari.

Nota 2: Este posibil ca aceste îndrumări să nu se aplice în toate situațiile. Propagarea undelor electromagnetice este afectată de absorbția și reflexia datorate structurilor, obiectelor și persoanelor.

Nota 3: Benzile ISM (industriale, științifice și medicale) între 0,15 MHz și 80 MHz sunt 6,765 MHz - 6,795 MHz, 13,553 MHz - 13,567 MHz, 26,957 MHz - 27,283 MHz și 40,66 MHz - 40,70 MHz.

^a Intensitățile câmpurilor generate de emițătoare fixe, cum ar fi telefoane fără fir (celulare/fără cordon) și stații radio terestre mobile, stații radio de amatori, transmisiuni radio în gamele AM și FM și transmisiuni TV nu pot fi prezise teoretic cu precizie. Pentru a evalua mediul electromagnetic generat de emițătoarele RF fixe, trebuie luată în calcul o verificare electromagnetică a locației. Dacă intensitatea câmpului măsurată în locația în care sunt utilizate sistemul de ridicare electric opțional, targa electrică opțională sau sistemul de cântărire opțional depășește nivelul de conformitate RF aplicabil de mai sus, sistemul de ridicare electric opțional, targa electrică opțională sau sistemul de cântărire opțional trebuie supravegheate pentru verificarea funcționării normale. În cazul constatării unei funcționări anormale, pot fi necesare măsuri suplimentare, precum reorientarea sau relocarea sistemului de ridicare electric opțional, a tărgii electrice opționale sau a sistemului de cântărire opțional.

^b În intervalul de frecvențe 150 kHz - 80 MHz, intensitățile câmpurilor sunt mai mici de 3 V/m.

*Se aplică numai pentru targa electrică opțională.









Каталка Prime Series®















Руководство по эксплуатации


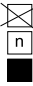
REF 1115
Big Wheel®



Условные обозначения

	См. руководство по эксплуатации (буклет)
	См. инструкцию по применению
	Общее предупреждение (Осторожно!)
	Предостережение (Внимание!)
	Осторожно! Опасность защемления кистей рук
	Осторожно! Неионизирующее излучение
	Не толкать
	Не хранить кислородный баллон
	Не смазывать
	Номер по каталогу
	Код партии (серии) изделий
	Серийный номер
	Патенты США см. на сайте www.stryker.com/patents
	Знак CE
	Уполномоченный представитель в Европейском Сообществе
	Европейское медицинское изделие
	Изготовитель
	Дата изготовления
	Импортер

	Безопасная рабочая нагрузка
	Максимальный вес пациента
	Масса оборудования с безопасной рабочей нагрузкой
	Постоянный ток
	Переменный ток
	Опасное напряжение
	Защитное заземление
IPX6	Защита от повреждения струей воды под давлением
	Рабочая часть типа B
	Медицинское оборудование классифицировано Underwriters Laboratories Inc. только в отношении риска поражения электрическим током, пожара и опасности механического травмирования в соответствии с ANSI/AAMI ES60601-1:2005 и CAN/CSA-C22.2 № 60601-1:08. *В случае опции Prime X соответствует требованиям относительно вспомогательного оборудования рентгеновских аппаратов IEC 60601-2-54
	Согласно Директиве ЕС об отходах электрического и электронного оборудования (WEEE) 2012/19/EU в действующей редакции, этот значок указывает на то, что данное изделие следует собирать и перерабатывать отдельно. Не удаляйте его с несортированными бытовыми отходами. О порядке утилизации изделия можно узнать у местного дистрибьютора. Перед переработкой обеспечьте деконтаминацию инфицированного оборудования.
	Смазать
	Поднимать здесь
	Верх
	Хранить в сухом месте

	Осторожно, хрупкое
	Ограничение штабелирования (указано предельное число)

Содержание

Определения понятий «Предупреждение», «Предостережение» и «Примечание»	3
Краткое изложение правил техники безопасности	3
Точки заземления	7
Введение	8
Описание изделия	8
Показания к применению	8
Клинические свойства	9
Противопоказания	9
Расчетный срок службы	9
Удаление в отходы/утилизация	9
Технические характеристики	9
Изображение изделия: Prime	12
Изображение изделия: функция Prime X	13
Части, находящиеся в контакте с пациентом: электрифицированная кушетка	14
Части, находящиеся в контакте с пациентом: функция Prime X	14
Контактная информация	15
Расположение серийного номера	15
Установка	16
Эксплуатация	17
Приведение в действие и отпускание тормозов	17
Средства управления основания Prime	18
Подъем неэлектрифицированной кушетки	18
Опускание неэлектрифицированной кушетки	18
Подъем электрифицированной кушетки	19
Опускание необязательной электрифицированной кушетки	19
Установка изделия в положение Тренделенбурга	20
Установка изделия в обратное положение Тренделенбурга	20
Транспортировка пациента	20
Транспортировка пациента без Big Wheel	21
Транспортировка пациента с помощью Big Wheel	22
Перевод ручек для толкания головного конца в рабочее или сложенное положение	22
Подъем боковины	23
Опускание боковины	24
Изменение положения изделия с помощью пульта управления пациента, расположенного на боковине, — опция электрифицированной кушетки — только в опции Prime	24
Пульт управления оператора — опция электрифицированной кушетки — только в опции Prime	25
Блокировка и разблокировка пульта управления пациента — опция электрифицированной кушетки — только в опции Prime	26
Подъем и опускание спинки для положения Фаулера — неэлектрифицированная кушетка	26
Подъем и опускание спинки для положения Фаулера — опция электрифицированной кушетки	27
Подъем или опускание коленной секции — неэлектрифицированная кушетка — только в опции Prime	28
Подъем или опускание коленной секции — электрифицированная кушетка — только в опции Prime	28
Преобразование изделия в коляску для выздоравливающего — только в опции Prime	29
Хранение предметов в колпаке основания	30
Подвешивание устройств с опцией вешалки для насоса	30
Разматывание и сматывание шнура питания с помощью барабана автоматического сматывания (опция) — опция электрического подъемника или опция электрифицированной кушетки	30
Опция системы взвешивания	31
Кнопки/значки весов	32
Взвешивание пациента	32
Фиксация единицы измерения весов	33
Активация и деактивация опции Charerone (Отслеживание)	33
Настройка формы предупреждения опции Charerone (Отслеживание)	33
Настройка громкости предупреждения опции Charerone (Отслеживание)	34

Зарядка блока батарей системы взвешивания — опция электрифицированной кушетки или опция электрифицированной кушетки с опцией Chargeone (Отслеживание) — только в опции Prime	34
Замена батарей необязательной системы взвешивания — неэлектрифицированная кушетка	34
Принадлежности и компоненты	35
Присоединение лотка для дефибриллятора	39
Преобразование лотка для дефибриллятора/удлинителя изножья в лоток для дефибриллятора	39
Преобразование лотка для дефибриллятора/удлинителя изножья в удлинитель изножья	40
Присоединение изножье/планшет	40
Присоединение контейнера штатива для внутривенного вливания	41
Изменение положения и складывание подножек — только в опции Prime	41
Изменение положения двухсекционного постоянно закрепленного штатива для внутривенных вливаний	43
Изменение положения трехсекционного постоянно закрепленного штатива для внутривенных вливаний	44
Присоединение и изменение положения съемного штатива для внутривенных вливаний	45
Присоединение вертикального держателя кислородного баллона	46
Выдвижение или складывание держателя подноса — изножье	46
Присоединение щитков боковин	47
Определение местоположения точек присоединения фиксирующих ремней пациента	47
Установка вертикального держателя рентгеновской кассеты — опция Prime X	47
Изменение положения латерального держателя рентгеновской кассеты — опция Prime X	49
Заправка или извлечение рентгеновских кассет — опция Prime X	49
Очистка	51
Очистка изделия	51
Очистка изделия с помощью устройства для мойки хирургических стоек	51
Очистка матраца	52
Удаление йода	53
Специальные инструкции	53
Дезинфекция	54
Дезинфекция изделия	54
Дезинфекция матраца	54
Профилактическое обслуживание	56
Сведения об ЭМС	58

Определения понятий «Предупреждение», «Предостережение» и «Примечание»

Понятия ПРЕДУПРЕЖДЕНИЕ, ПРЕДОСТЕРЕЖЕНИЕ и ПРИМЕЧАНИЕ имеют особое значение, и обозначенные ими разделы следует тщательно изучить.

ПРЕДУПРЕЖДЕНИЕ

Предупреждает пользователя о ситуации, которая, если ее не удастся избежать, может привести к смерти или тяжелой травме. Может также описывать потенциальные серьезные нежелательные реакции и угрозы безопасности.

ПРЕДОСТЕРЕЖЕНИЕ

Информирует пользователя о потенциально опасной ситуации, которая, если ее не удастся избежать, может привести к небольшой или умеренной травме пользователя или пациента, повреждению изделия или другого имущества. Это понятие включает специальные меры по уходу, необходимые для безопасного и эффективного использования изделия, а также меры, необходимые для того, чтобы избежать повреждения устройства при надлежащем и ненадлежащем использовании.

Примечание - Содержит специальные сведения, облегчающие обслуживание или разъясняющие важные инструкции.

Краткое изложение правил техники безопасности

Обязательно изучите приведенные на данной странице предупреждения и предостережения и строго следуйте им. Техническое обслуживание проводится исключительно квалифицированным персоналом.

ПРЕДУПРЕЖДЕНИЕ

- Перед установкой изделия или проверкой его функциональности всегда выжидайте, пока изделие не достигнет комнатной температуры. В противном случае может произойти неустраняемое повреждение изделия.
- Приводите изделие в движение только тогда, когда все операторы находятся за пределами зоны действия механизмов.
- Всегда обращайтесь со шнуром питания с осторожностью. Возможны запутывание, повреждение шнура питания или опасность поражения электрическим током. В случае повреждения шнура питания немедленно прекратите эксплуатацию изделия и обратитесь к соответствующему техническому персоналу.
- Всегда подключайте изделие непосредственно к заземленной розетке для медицинского применения. Надежность заземления может быть обеспечена только при подключении к розетке для медицинского применения. Настоящее изделие оснащено вилок для медицинского применения в целях защиты от опасности поражения электрическим током.
- Всегда приводите в действие тормоза при помещении пациента на изделие или его перемещении с изделия, а также когда изделие не находится в движении. Если изделие начнет двигаться при помещении пациента на изделие или его перемещении с изделия, возможны травмы.
- Всегда помещайте пациента в центр изделия.
- Когда вы оставляете пациента без наблюдения, всегда опускайте изделие в максимально нижнее положение, поднимайте и защелкивайте боковины. Не оставляйте изделие в более высоком положении.
- Перед подъемом или опусканием кушетки всегда удаляйте все устройства, которые могут оказаться на пути ее движения.
- Не садитесь на конец изделия. Изделие может опрокинуться.
- Всегда фиксируйте боковины в крайнем верхнем положении, при этом поверхность для сна должна располагаться горизонтально, а при транспортировке пациента еще и в крайнем нижнем положении.
- Не перевозите изделие в боковом положении с наклоном более чем на 5,7 градусов (10 %), чтобы избежать опрокидывания.
- Всегда проявляйте особую осторожность при использовании матраца толще 2,5 дюйма (6,35 см) или дополнительного матраца с опцией **Prime X**.
- При транспортировке пациента всегда фиксируйте боковины в крайнем верхнем положении, причем поверхность, на которой покоится пациент, должна располагаться горизонтально в крайнем нижнем положении.

- Всегда держите конечности пациента вдали от пальцев боковины при поднятии или опускании боковины.
- Не позволяйте боковинам опускаться под действием собственной тяжести.
- При опускании спинки для положения Фаулера не касайтесь рычагов освобождения или рамы спинки для положения Фаулера ладонями или пальцами.
- Всегда проявляйте осторожность при подъеме спинки для положения Фаулера, когда на изделии находится пациент. Применяйте правильную методику подъема и при необходимости воспользуйтесь помощью других лиц.
- При опускании коленной секции не касайтесь ручек для толкания ножного конца ладонями или пальцами.
- Всегда подвешивайте магистрали устройств к вешалке для насоса, вдали от ручек коленной секции.
- Всегда убеждайтесь в том, что устройства, подвешенные к вешалке для насоса, могут безопасно пройти через дверные проемы.
- Не поднимайте изделие за вешалку для насоса.
- Перед транспортировкой или очисткой изделия всегда отсоединяйте шнур питания от розетки.
- Всегда используйте барабан автоматического сматывания для хранения шнура питания внутри основания при транспортировке изделия.
- Не пользуйтесь необязательной системой взвешивания, необязательным электрическим подъемником или необязательной электрифицированной кушеткой вблизи других устройств или с расположенными поверх другими устройствами. Если использование вблизи других устройств или с расположенными поверх другими устройствами необходимо, за системой взвешивания, электрическим подъемником или электрифицированной кушеткой необходимо наблюдать, чтобы убедиться в том, что все устройства функционируют нормально в конфигурации, в которой они будут использоваться.
- Не помещайте на лоток для дефибриллятора предметы тяжелее 30 фунтов (14 кг). Всегда пристегивайте все устройства, помещенные на лоток для дефибриллятора.
- Всегда проявляйте осторожность, если к изделию присоединены лоток для дефибриллятора/удлинитель изножья, изножье/планшет, или вертикальный держатель кислородного баллона, чтобы избежать защемления пальцев при смене положения ручки для толкания ножного конца.
- Не помещайте на лоток для дефибриллятора/удлинитель изножья предметы тяжелее 30 фунтов (14 кг). Всегда пристегивайте все устройства, помещенные на лоток для дефибриллятора.
- При транспортировке изделия всегда прикрепляйте штатив для внутривенного вливания к контейнеру штатива для внутривенного вливания.
- Чтобы избежать повреждения изделия, всегда убирайте контейнер штатива для внутривенного вливания в положение для хранения, когда он не используется.
- Не садитесь на подножки. Это может вызвать опрокидывание изделия.
- При работе с подножками всегда держите пальцы подальше от механизмов.
- Всегда складывайте подножки при транспортировке пациента на изделии.
- Всегда затягивайте подножки перед использованием.
- Не используйте системы взвешивания с подножками. Могут отобразиться неверные результаты.
- Не используйте опцию **Chaperone (Отслеживание)** с подножками. Могут отобразиться неверные результаты.
- Не тяните и не толкайте изделие, взявшись за штатив для внутривенных вливаний. Может произойти повреждение изделия.
- Не помещайте в вертикальный держатель кислородного баллона предметы тяжелее 40 фунтов (18 кг).
- Не помещайте на поднос предметы тяжелее 30 фунтов (14 кг).
- При присоединении фиксирующих ремней для пациента всегда проявляйте осторожность. Возможна травма пациента или оператора. Физические средства фиксации, даже надежно закрепленные, могут привести к нанесению серьезного вреда пациентам и операторам, включая запутывание, захват, физические повреждения или смерть.
- Всегда присоединяйте фиксирующие ремни для пациента или устройство только в специально указанных для этого местах изделия. Несоблюдение этого правила может привести к травме пациента или оператора. Не прикрепляйте фиксирующие ремни для пациента к боковинам.
- Всегда изучайте региональные и федеральные ограничения и правила, а также применимые протоколы лечебного учреждения, прежде чем использовать любые фиксирующие ремни для пациента или устройства.
- При использовании вертикального или латерального держателя рентгеновской кассеты всегда применяйте меры защиты. Держатель рентгеновской кассеты не защищает от излучения.

- Прежде чем использовать опцию **Prime X** с генерирующими излучение устройствами, изучите местные, региональные и федеральные правила, а также протоколы лечебного учреждения относительно безопасности. Устройства, генерирующие излучение, могут создавать остаточное, побочное и рассеянное излучение.
- Всегда следуйте инструкциям раздела «Установка вертикального держателя рентгеновской кассеты — опция Prime X» относительно загрузки рентгеновской кассеты.
- Всегда проявляйте осторожность при проведении рентгенографии, когда спинка для положения Фаулера находится в вертикальном положении или при использовании латеральной кассеты.
- Всегда следуйте инструкциям раздела «Изменение положения латерального держателя рентгеновской кассеты — опция Prime X» относительно загрузки рентгеновской кассеты.
- Пока изделие используется, не допускается его чистка и техническое обслуживание.
- Не погружайте матрас в чистящие или дезинфицирующие растворы. Излишки влаги могут привести к отказу изделия, повреждению изделия или травме пациента.
- Не допускайте скопления жидкости на матрасе. Жидкости могут вызвать коррозию компонентов и привести к непредсказуемым последствиям для безопасности и функциональности этого изделия.
- При каждой очистке всегда проверяйте наматрачники на предмет наличия разрывов, проколов, чрезмерного износа и несоответствующих застежек-молний. Удаляйте и заменяйте поврежденный матрас, чтобы предотвратить перекрестное загрязнение.
- Не подвергайте матрасы паровой очистке, мойке под давлением, поливанию из шланга или ультразвуковой очистке. Эти методы очистки могут аннулировать гарантию изделия.
- Не подвергайте изделие паровой очистке, поливанию из шланга или ультразвуковой очистке. Использование этих методов очистки не рекомендовано, и их применение может аннулировать гарантию изделия.
- Всегда дезинфицируйте матрас при смене пациентов. Несоблюдение этого правила может привести к перекрестному заражению и инфекции.

ПРЕДОСТЕРЕЖЕНИЕ

- Ненадлежащее использование этого изделия может причинить вред здоровью пациента или оператора. Эксплуатация изделия должна осуществляться в строгом соответствии с указаниями в этом руководстве.
- Запрещается вносить изменения в конструкцию изделия или каких-либо его конструктивных элементов. Изменение конструкции изделия может иметь непредсказуемые последствия при эксплуатации и причинить вред здоровью пациента или оператора. Кроме того, изменение конструкции изделия аннулирует его гарантию.
- Если под изделием находится подъемник пациента, для подъема изделия не используйте гидравлику его основания.
- Не приводите в действие педаль регулирования угла поворота, если **Big Wheel** опирается на порог или другую выдающуюся поверхность. Усилие, необходимое для приведения в действие **Big Wheel**, будет выше нормального, что может привести к повреждению изделия.
- Грузоподъемность коленной секции составляет 200 фунтов (90,7 кг).
- Перед использованием коленной секции всегда убеждайтесь в том, что подпорка коленной секции надежно закреплена.
- Не садитесь и не становитесь на коленную секцию.
- Всегда проявляйте осторожность при опускании коленной секции, когда изделие не получает электропитания. Коленная секция может быстро упасть под действием силы тяжести.
- Не помещайте в колпак основания предметы тяжелее 60 фунтов (27 кг).
- Не садитесь, не наступайте и не стойте на колпаке основания.
- Максимальный вес, на который рассчитана вешалка для насоса, составляет 40 фунтов (18 кг).
- Не тяните/не толкайте изделие, взявшись за вешалку для насоса. Может произойти повреждение изделия.
- Не используйте весы для пациентов с массой тела менее 50 фунтов (22,7 кг).
- Не ориентируйтесь на показания системы весов при назначении лечения.
- Всегда поднимайте штатив для внутривенных вливаний, прежде чем присоединять лоток для дефибриллятора/удлинитель изножья к изделию. Если вы не поднимете штатив для внутривенных вливаний, удлинитель изножья не будет функционировать.
- Не тяните и не толкайте изделие, взявшись за штатив для внутривенных вливаний. Может произойти повреждение изделия.
- Не подвешивайте на штатив для внутривенных вливаний мешки тяжелее 40 фунтов (18 кг).
- При транспортировке пациента обязательно опускайте штатив для внутривенных вливаний так, чтобы он проходил через дверные проемы.

- При очистке кожуха дисплея опции системы взвешивания не используйте абразивные чистящие средства. Не допускайте скопления чистящих растворов и прочих жидкостей на модуле дисплея. После утечки или очистки протирайте все поверхности.
 - Использование принадлежностей, датчиков и кабелей, не указанных и не поставляемых изготовителем, может привести к увеличению электромагнитного излучения или снижению устойчивости системы к электромагнитным помехам, в результате чего могут возникнуть сбои в работе оборудования.
 - Характеристики электромагнитной эмиссии данного оборудования позволяют использовать его в промышленных условиях и лечебных учреждениях (CISPR 11 класс А). Если оно используется в жилых помещениях, для которых обычно требуется CISPR 11 класса В, это оборудование не может обеспечить адекватную защиту услуг радиочастотной связи. Может потребоваться принятие дополнительных мер по ограничению воздействия, например перемещение или изменение ориентации оборудования.
 - Не используйте переносное радиочастотное оборудование связи, включая периферийные устройства, такие как кабели антенн и наружные антенны, на расстоянии менее 12 дюймов (30 см) от какой-либо части каталки **Prime**, включая кабели, указанные изготовителем.
 - Избегайте штабелирования или размещения прочего оборудования в непосредственной близости от другого оборудования, чтобы избежать сбоев в работе изделий. Если такая эксплуатация необходима, внимательно наблюдайте за штабелированным или находящимся в непосредственной близости оборудованием, чтобы убедиться в его надлежащем функционировании.
-

Точки заземления



Рисунок 1 – Опция Prime X

Введение

Настоящее руководство содержит информацию, необходимую при эксплуатации и техническом обслуживании данного изделия Stryker. Перед эксплуатацией или техническим обслуживанием изделия изучите настоящее руководство. Разработайте методику и процедуры обучения вашего персонала безопасной эксплуатации или техническому обслуживанию этого изделия.

ПРЕДОСТЕРЕЖЕНИЕ

- Ненадлежащее использование изделия может привести к травме пациента или оператора. Эксплуатируйте изделие исключительно как описано в этом руководстве.
 - Запрещается модифицировать изделие или какие-либо его компоненты. Модификация изделия может вызвать непредсказуемое поведение системы, приводящее к травме пациента или оператора. Модификация изделия также аннулирует его гарантию.
-

Примечание

- Настоящее руководство является неотъемлемой частью изделия и должно сопровождать изделие даже при его продаже.
- Компания Stryker постоянно стремится к совершенствованию конструкции и качества изделий. Настоящее руководство содержит самые последние сведения об изделии на момент его издания. Возможны небольшие разночтения между вашим изделием и этим руководством. Если у вас возникли какие-либо вопросы, обращайтесь в отдел обслуживания клиентов или службу технической поддержки компании Stryker по телефону 1-800-327-0770.

Описание изделия

Каталка Stryker **Prime Series**® модели 1115 с **Big Wheel**® представляет собой снабженное колесами устройство, состоящее из платформы, установленной на раме с колесами, для удержания пациентов в горизонтальном положении. Каталка позволяет медицинским работникам или специально обученным представителям лечебного учреждения транспортировать пациента в пределах внутренних помещений лечебного учреждения. Каталка Stryker **Prime Series** модели 1115 с **Big Wheel** снижает усилие, необходимое для сдвигания каталки с места и ее поворота, что уменьшает физическое напряжение.

Показания к применению

Каталка **Prime Series** с **Big Wheel** оснащена двумя большими колесами, сокращающими усилие, необходимое для сдвигания каталки с места.

Каталку **Prime Series** можно использовать при кратковременном клиническом осмотре амбулаторного пациента, терапии, малой операции и кратковременном периоде восстановления амбулаторного пациента. Каталка, помимо прочего, может использоваться в следующих отделениях:

- приемном покое;
- травматологии;
- палате посленаркозного наблюдения.

Каталку **Prime Series** можно использовать при малых операциях и кратковременном пребывании пациента в больнице (терапия и восстановление). См. таблицу технических характеристик относительно условий окружающей среды, подходящих для функционирования изделия.

Каталка Stryker **Prime Series** не проходила оценку на предмет соответствия стандарту для кроватей BS EN 50637. Данное изделие не предназначено для использования в целях кратковременного размещения педиатрических пациентов или взрослых пациентов с атипичной анатомией на рынках, где соответствие этому стандарту признается основанием для разрешения продаж.

Каталка **Prime Series** не предназначена для долгосрочной терапии и восстановления госпитализированного пациента.

Каталка **Prime Series** характеризуется безопасной рабочей нагрузкой до 700 фунтов (318 кг) и предназначена для использования у любых пациентов, с заболеваниями от легких до критических. Каталку можно также использовать для транспортировки умерших пациентов внутри лечебного учреждения, находящегося под одной крышей.

Опция **Prime X®** включает отклоняющуюся опорную поверхность пациента для радиографии и платформу, расположенную под опорной поверхностью пациента, для размещения рентгеновских кассет. Функция **Prime X** позволяет получать клинические рентгеновские изображения (всего тела в переднезадней проекции, (опция) всего тела в боковой проекции и (опция) грудной клетки в вертикальном положении) при использовании с медицинской рентгенографической системой.

Клинические свойства

Облегчает транспортировку пациента, лечение и диагностику

Противопоказания

Не рекомендуется использовать опцию **Prime X** с матрасом толщиной более четырех дюймов (10 см).

Опция **Prime X** несовместима с C-Arm.

Опция **Prime X** предназначена для использования в любых помещениях, помимо используемых для оказания медицинской помощи на дому, жилых и непосредственно подключенных к коммунальным низковольтным электросетям жилых зданий.



Расчетный срок службы

Ожидаемый срок службы каталки **Prime Series** и каталки **Prime Series** с опцией **Prime X** составляет 10 лет в нормальных условиях эксплуатации и при проведении надлежащего периодического техобслуживания.

Удаление в отходы/утилизация

Всегда соблюдайте действующие на местном уровне рекомендации и (или) нормативные требования в отношении защиты окружающей среды и компенсации рисков, связанных с утилизацией или переработкой оборудования по истечении срока его службы.

Технические характеристики

	Prime Series шириной 26 дюймов (66 см)		Prime Series шириной 30 дюймов (76 см) Пакеты Prime Series HT		Опция Prime X шириной 30 дюймов (76 см)	
 <p>Примечание - Указанная безопасная рабочая нагрузка является суммарным весом пациента, матраса и принадлежностей.</p>	700 фунтов	318 кг	700 фунтов	318 кг	700 фунтов	318 кг
 <p>Максимальный вес пациента</p>	675 фунтов	306 кг	675 фунтов	306 кг	675 фунтов	306 кг

	Prime Series шириной 26 дюймов (66 см)		Prime Series шириной 30 дюймов (76 см) Пакеты Prime Series HT		Опция Prime X шириной 30 дюймов (76 см)	
Общая длина	85 дюймов (± 0,5 дюйма)	215,9 см	85 дюймов (± 0,5 дюйма)	215,9 см	85 дюймов (± 0,5 дюйма)	215,9 см
Общая длина (с удлинителем кушетки)	89,9 дюйма (± 0,75 дюйма)	228,3 см	89,9 дюйма (± 0,75 дюйма)	228,3 см	Н/П	Н/П
Общая ширина (с поднятыми боковинами)	34 дюйма (± 1 дюйм)	86,4 см	38 дюймов (± 1 дюйм)	96,5 см	38 дюймов (± 1 дюйм)	96,5 см
Общая ширина (с опущенными боковинами)	30,25 дюйма (± 0,5 дюйма)	76,8 см	30,5 дюйма (± 0,5 дюйма)	77,5 см	30,5 дюйма (± 0,5 дюйма)	77,5 см
Минимальная высота	20,75 дюйма	52,7 см	20,75 дюйма	52,7 см	23,25 дюйма	59,1 см
Максимальная высота	34 дюйма (± 1 дюйм)	86,4 см	34 дюйма (± 1 дюйм)	86,4 см	36,5 дюйма (± 1 дюйм)	92,7 см
Угол спинки для положения Фаулера	от 0° до 90° (± 5°)					
Высота коленной секции	5,5 дюйма (14 см) минимум				Неприменимо	
Положение Тренделенбурга/ обратное положение Тренделенбурга	от +17° до -17° (± 3°)					
Минимальный зазор	2,5 дюйма (номинальное значение)	6,4 см	2,5 дюйма (номинальное значение)	6,4 см	2,5 дюйма (номинальное значение)	6,4 см
	1,75 дюйма под гидравлическими подъемниками	4,5 см	1,75 дюйма под гидравлическими подъемниками	4,5 см	1,75 дюйма под гидравлическими подъемниками	4,5 см
	1 дюйм под Big Wheel	2,5 см	1 дюйм под Big Wheel	2,5 см	1 дюйм под Big Wheel	2,5 см
Эквивалент ослабления (алюминиевый эквивалент)	Неприменимо				Максимально допустимое значение составляет 1,7 мм Al	
Рабочий диапазон весов необязательной системы взвешивания	от 50 фунтов (22,7 кг) до 700 фунтов (318 кг)					
Точность необязательной системы взвешивания	± 3 фунта (1,3 кг) для веса менее 100 фунтов (45 кг) и ± 3 % для веса 100 фунтов (45 кг) и более*					
* Чтобы соответствовать вышеприведенному показателю точности весов, опорная поверхность пациента должна быть плоской (спинка для положения Фаулера и коленная секция должны быть опущены) и угол положения Тренделенбурга/обратного положения Тренделенбурга не может превышать 5 градусов.						

Электрифицированные опции	Необязательная электрифицированная кушетка (доступна только на Prime)	Необязательный электрический подъемник (доступен на Prime и Prime X)
Требования к электрическим компонентам	120 В переменного тока, 60 Гц, 10 А 240 В переменного тока, 50/60 Гц, 5 А	120 В переменного тока, 60 Гц, 10 А 240 В переменного тока, 50/60 Гц, 5 А
Цикл нагрузки	Постоянная эксплуатация с периодической загрузкой составляет 1 мин ВКЛ./20 мин ВЫКЛ.	Постоянная эксплуатация с периодической загрузкой составляет 1 мин ВКЛ./20 мин ВЫКЛ.

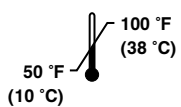
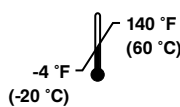
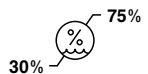
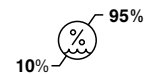
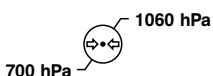
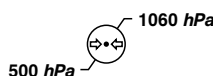
Необязательная система взвешивания	Неэлектрифицированная кушетка (доступна на Prime и Prime X)	Необязательный электрический подъемник (доступен на Prime и Prime X)
Тип батареи	4 батареи AA (4 x 1,5 В постоянного тока) щелочного типа (LR6)	4 батареи AA (4 x 1,5 В постоянного тока) щелочного типа (LR6)
Напряжение батареи	6,0 В постоянного тока	6,0 В постоянного тока

Необязательная система взвешивания	Необязательная электрифицированная кушетка (доступна только на Prime)	Необязательный электрический подъемник
Тип батареи	1 блок перезаряжаемых литий-ионных батарей (0058-135-000)	Неприменимо
Напряжение батареи	10,8 В постоянного тока, 2,4 А ч	Неприменимо

Необязательная система взвешивания с ChargeOne® (Отслеживание) (сигнализирует о том, что пациент может покинуть каталку)	Необязательная электрифицированная кушетка (доступна только на Prime)	Необязательный электрический подъемник
Тип батареи	1 блок перезаряжаемых литий-ионных батарей (0058-134-000)	Неприменимо
Напряжение батареи	10,8 В постоянного тока, 4,8 А ч	Неприменимо

Компания Stryker оставляет за собой право изменения технических характеристик без предварительного уведомления.

Примечание - Это изделие нельзя использовать в присутствии огнеопасной смеси анестетика с воздухом, кислородом или окисью азота.

Условия окружающей среды	Эксплуатация	Хранение и транспортировка
Температура		
Относительная влажность		
Атмосферное давление		

Примечание - Диапазон рабочих температур необязательной системы взвешивания (неэлектрифицированная кушетка/электрифицированная кушетка) от 61 °F (16 °C) до 79 °F (26 °C).

Указанные характеристики являются приблизительными и могут незначительно изменяться от изделия к изделию или при колебаниях напряжения питания.

Изображение изделия: Prime

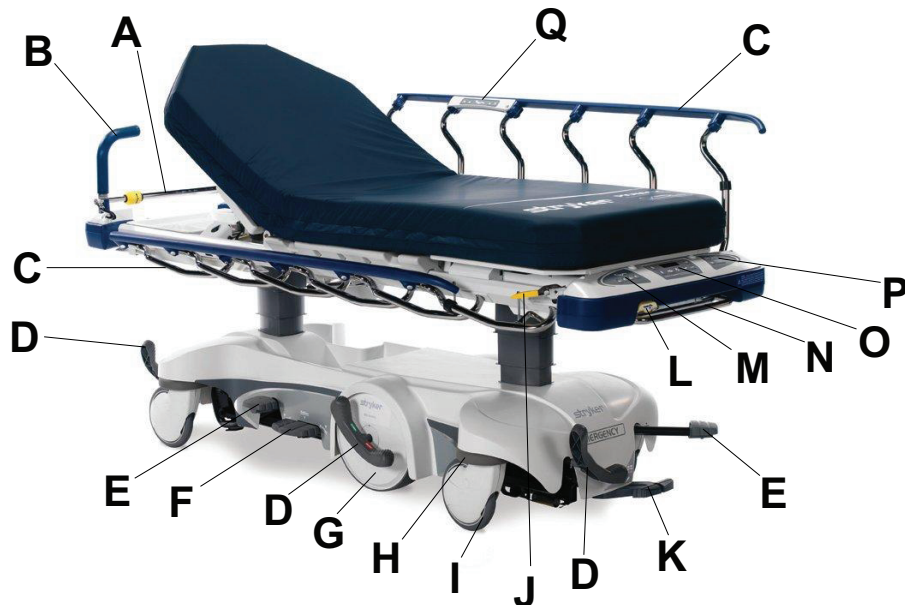


Рисунок 2 – Prime

A	Штатив для внутривенных вливаний	J	Фиксатор боковины
B	Выскакивающие ручки для толкания BackSmart , дополнительно	K	Гидравлическая педаль освобождения
C	Боковина BackSmart	L	Рычаг освобождения коленной секции
D	Педаль тормоза/фиксатора поворотного ролика	M	Пульт управления оператора ножного конца BackSmart , дополнительно
E	Педаль насоса	N	Вешалка для насоса, дополнительно
F	Универсальная педаль опускания	O	Система взвешивания BackSmart , дополнительно
G	Big Wheel	P	Блокировка пульта управления пациента, дополнительно
H	Встроенный бампер	Q	Панель управления пациента на боковине, дополнительно
I	Ролик с несъемным колпаком		

Изображение изделия: функция Prime X

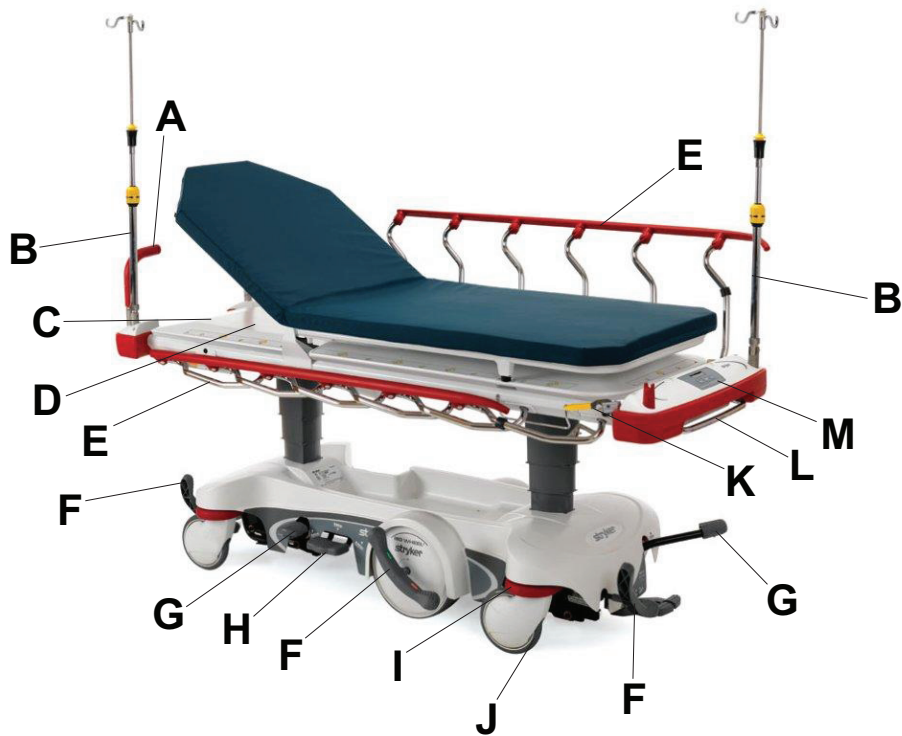


Рисунок 3 – Опция Prime X

A	Выскакивающие ручки для толкания BackSmart , дополнительно	H	Универсальная педаль опускания
B	Штатив для внутривенных вливаний	I	Встроенный бампер
C	Лоток для кассет	J	Ролик с несъемным колпаком
D	Опорная поверхность для пациента с платформой Clearview Technology®	K	Фиксатор боковины
E	Боковина BackSmart	L	Вешалка для насоса, дополнительно
F	Педаль тормоза/регулирования угла поворота роликов	M	Система взвешивания BackSmart , дополнительно
G	Педаль насоса		

Части, находящиеся в контакте с пациентом: электрифицированная кушетка



Рисунок 4 – Части, находящиеся в контакте с пациентом, типа В: электрифицированная кушетка

Части, находящиеся в контакте с пациентом: функция Prime X



Рисунок 5 – Части, находящиеся в контакте с пациентом, типа В: опция Prime X

Контактная информация

Обращайтесь в отдел обслуживания клиентов или службу технической поддержки компании Stryker по телефону: 1-800-327-0770.

Stryker Medical
3800 E. Centre Avenue
Portage, MI 49002
США

Примечание - Пользователь и (или) пациент должны сообщать о любых серьезных связанных с изделием инцидентах как изготовителю, так и компетентному органу страны-члена Европейского Союза, жителем которой являются пользователь и (или) пациент.

Для просмотра руководства по эксплуатации или техническому обслуживанию изделия в режиме онлайн зайдите на веб-сайт <https://techweb.stryker.com/>.

При звонке в отдел обслуживания клиентов или службу технической поддержки вам будет необходимо указать серийный номер изделия Stryker (A). Указывайте серийный номер во всех письменных сообщениях.

Расположение серийного номера

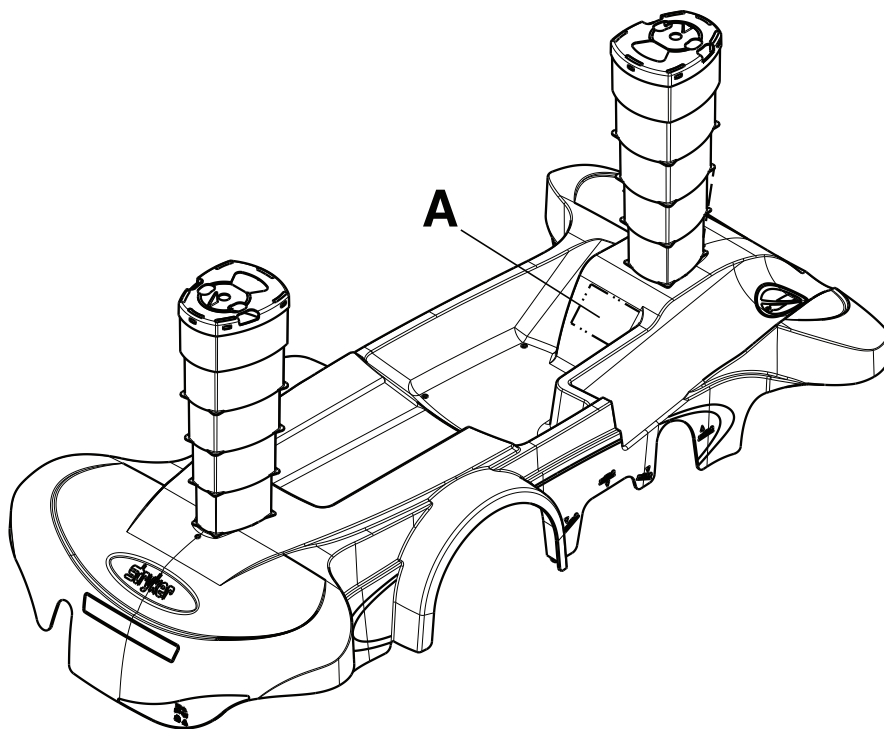


Рисунок 6 – Расположение серийного номера

Установка

См. инструкции по распаковке изделия, приложенные к изделию внутри упаковочного короба.

ПРЕДУПРЕЖДЕНИЕ

- Перед установкой изделия или проверкой его функциональности всегда выжидайте, пока изделие не достигнет комнатной температуры. В противном случае может произойти неустранимое повреждение изделия.
 - Приводите изделие в движение только тогда, когда все операторы находятся за пределами зоны действия механизмов.
 - Всегда обращайтесь со шнуром питания с осторожностью. Возможны запутывание, повреждение шнура питания или опасность поражения электрическим током. В случае повреждения шнура питания немедленно прекратите эксплуатацию изделия и обратитесь к соответствующему техническому персоналу.
 - Всегда подключайте изделие непосредственно к заземленной розетке для медицинского применения. Надежность заземления может быть обеспечена только при подключении к розетке для медицинского применения. Настоящее изделие оснащено вилкой для медицинского применения в целях защиты от опасности поражения электрическим током.
-

Перед началом эксплуатации убедитесь в том, что изделие работает.

1. Приведите в действие тормоз. Подтолкните изделие, чтобы убедиться в том, что все четыре ролика застопорены.
2. Отпустите тормоз. Подтолкните изделие, чтобы убедиться в том, что все четыре ролика разблокированы.
3. Поднимите и опустите кушетку с помощью системы гидравлического подъемника.
4. Поднимите изделие в крайнее верхнее положение и поставьте изделие в положение Тренделенбурга (см. *Установка изделия в положение Тренделенбурга* (страница 20)). Убедитесь в том, что головной конец опускается полностью.
5. Поднимите изделие в крайнее верхнее положение и поставьте изделие в обратное положение Тренделенбурга (см. *Установка изделия в обратное положение Тренделенбурга* (страница 20)). Убедитесь в том, что ножной конец опускается полностью.
6. Приведите в действие **Big Wheel** и убедитесь в его надлежащем функционировании.
7. Убедитесь в том, что боковины поднимаются, опускаются и фиксируются.
8. Поднимите и опустите спинку для положения Фаулера с ручным управлением (головной конец).
9. Поднимите и опустите коленную секцию с ручным управлением (ножной конец).

В случае изделия с опцией электрического подъемника или электрифицированной кушетки:

1. Выполните действия из приведенного выше контрольного списка установки изделия.
2. Подключите изделие к заземленной розетке для медицинского применения. Убедитесь в том, что на клавиатуре блокировки загорелись светодиодные индикаторы.
3. Убедитесь в том, что все функции необязательной панели управления для пациента на боковине действуют.
4. Убедитесь в том, что все функции необязательной панели управления для оператора на ножном конце действуют.
5. Поднимите и опустите электрифицированную спинку для положения Фаулера (головной конец).
6. Поднимите и опустите электрифицированную коленную секцию (ножной конец).

В случае изделия с функцией системы взвешивания — функцией электрифицированной кушетки (с опцией **Chaperone** (Отслеживание) или без нее):

1. Выполните действия из приведенного выше контрольного списка установки изделия.
2. Зарядите батареи (*Зарядка блока батарей системы взвешивания — опция электрифицированной кушетки или опция электрифицированной кушетки с опцией Chaperone (Отслеживание) — только в опции Prime* (страница 34)).

Эксплуатация

Приведение в действие и отпускание тормозов

ПРЕДУПРЕЖДЕНИЕ - Всегда приводите в действие тормоза при помещении пациента на изделие или его перемещении с изделия, а также когда изделие не находится в движении. Если изделие начнет двигаться при помещении пациента на изделие или его перемещении с изделия, возможны травмы.

Чтобы привести в действие тормоза, нажмите вниз на тормозную (красную) сторону педали тормоза/регулирования угла поворота. Толкните изделие, чтобы убедиться, что тормоза работают.

Чтобы отпустить тормоза, нажмите вниз на сторону регулирования угла поворота (зеленую) педали тормоза/регулирования угла поворота.

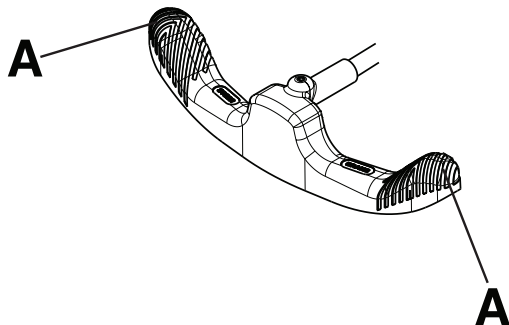


Рисунок 7 – Управление педалью тормоза/регулирования угла поворота

Примечание - Не нажимайте на центр педали тормоза/регулирования угла поворота. Нажимайте только на внешнюю сторону (A) педали тормоза/регулирования угла поворота (Рисунок 7).

Средства управления основания Prime

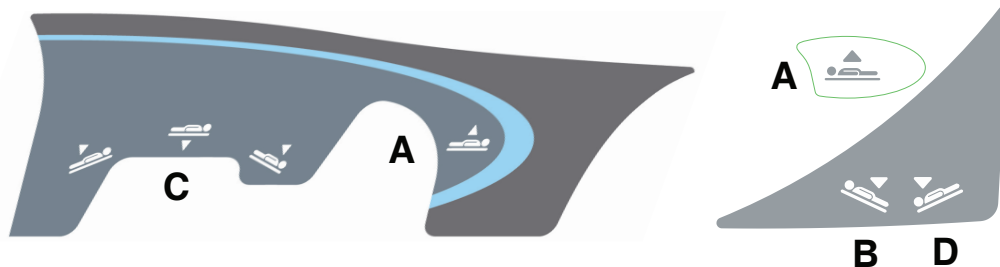
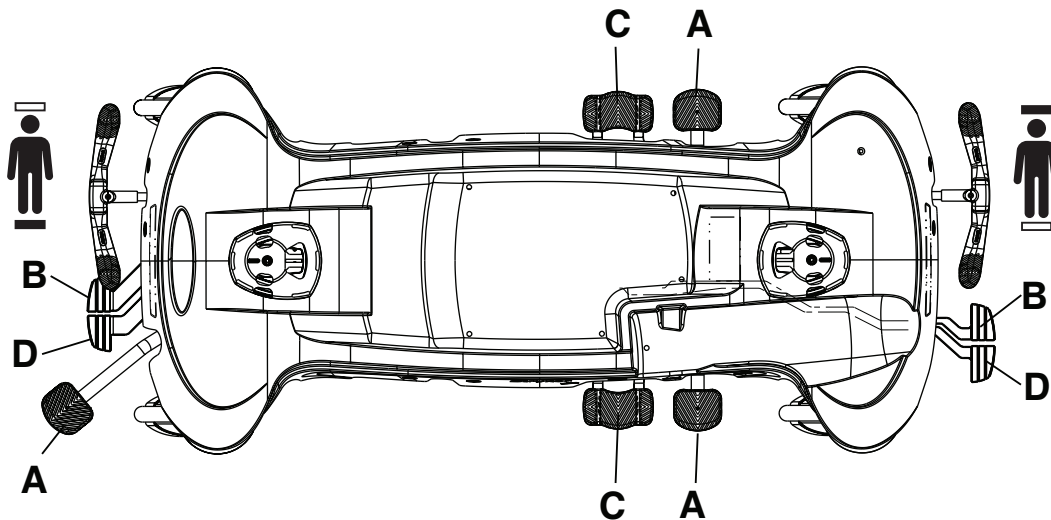


Рисунок 8 – Ярлык и органы управления основания Prime

Подъем неэлектрифицированной кушетки

ПРЕДУПРЕЖДЕНИЕ

- Всегда помещайте пациента в центр изделия.
- Когда вы оставляете пациента без наблюдения, всегда опускайте изделие в максимально нижнее положение, поднимайте и защелкивайте боковины. Не оставляйте изделие в более высоком положении.
- Перед подъемом или опусканием кушетки всегда удаляйте все устройства, которые могут оказаться на пути ее движения.
- Не садитесь на конец изделия. Изделие может опрокинуться.

ПРЕДОСТЕРЕЖЕНИЕ - Если под изделием находится подъемник пациента, для подъема изделия не используйте гидравлику его основания.

Чтобы поднять кушетку, нажмите вниз на педаль насоса (A) до достижения желаемой высоты (*Средства управления основанием Prime* (страница 18)).

Опускание неэлектрифицированной кушетки

ПРЕДУПРЕЖДЕНИЕ

- Всегда помещайте пациента в центр изделия.
- Когда вы оставляете пациента без наблюдения, всегда опускайте изделие в максимально нижнее положение, поднимайте и защелкивайте боковины. Не оставляйте изделие в более высоком положении.

- Перед подъемом или опусканием кушетки всегда удаляйте все устройства, которые могут оказаться на пути ее движения.
 - Не садитесь на конец изделия. Изделие может опрокинуться.
-

ПРЕДОСТЕРЕЖЕНИЕ - Если под изделием находится подъемник пациента, для подъема изделия не используйте гидравлику его основания.

Чтобы опустить кушетку в целом, нажмите вниз на центр универсальной педали опускания (С) (*Средства управления основания Prime* (страница 18)).

Чтобы опустить головной конец кушетки, нажмите вниз на педаль (В) или сторону универсальной педали опускания (С), обращенную к головному концу изделия.

Чтобы опустить ножной конец кушетки, нажмите вниз на педаль (D) или нажмите вниз на сторону универсальной педали опускания (С), обращенную к ножному концу изделия.

Подъем электрифицированной кушетки

ПРЕДУПРЕЖДЕНИЕ

- Всегда помещайте пациента в центр изделия.
 - Когда вы оставляете пациента без наблюдения, всегда опускайте изделие в максимально нижнее положение, поднимайте и защелкивайте боковины. Не оставляйте изделие в более высоком положении.
 - Перед подъемом или опусканием кушетки всегда удаляйте все устройства, которые могут оказаться на пути ее движения.
 - Не садитесь на конец изделия. Изделие может опрокинуться.
-

ПРЕДОСТЕРЕЖЕНИЕ - Если под изделием находится подъемник пациента, для подъема изделия не используйте гидравлику его основания.

Чтобы поднять электрифицированную кушетку, нажмите вниз на педаль насоса (А) до достижения желаемой высоты (*Средства управления основания Prime* (страница 18)).

Опускание необязательной электрифицированной кушетки

ПРЕДУПРЕЖДЕНИЕ

- Всегда помещайте пациента в центр изделия.
 - Когда вы оставляете пациента без наблюдения, всегда опускайте изделие в максимально нижнее положение, поднимайте и защелкивайте боковины. Не оставляйте изделие в более высоком положении.
 - Перед подъемом или опусканием кушетки всегда удаляйте все устройства, которые могут оказаться на пути ее движения.
 - Не садитесь на конец изделия. Изделие может опрокинуться.
-

ПРЕДОСТЕРЕЖЕНИЕ - Если под изделием находится подъемник пациента, для подъема изделия не используйте гидравлику его основания.

Чтобы опустить электрифицированную кушетку в целом, нажмите вниз на центр универсальной педали опускания (С) (*Средства управления основания Prime* (страница 18)).

Чтобы опустить головной конец кушетки, нажмите вниз на педаль (В) или нажмите вниз на сторону универсальной педали опускания (С), обращенную к головному концу изделия.

Чтобы опустить ножной конец кушетки, нажмите вниз на педаль (D) или нажмите вниз на сторону универсальной педали опускания (С), обращенную к ножному концу изделия.

Установка изделия в положение Тренделенбурга

ПРЕДУПРЕЖДЕНИЕ - Перед подъемом или опусканием кушетки всегда удаляйте все устройства, которые могут оказаться на пути ее движения.

ПРЕДОСТЕРЕЖЕНИЕ - Если под изделием находится подъемник пациента, для подъема изделия не используйте гидравлику его основания.

Чтобы поместить изделие в положение Тренделенбурга (головой вниз), поднимите кушетку на максимальную высоту (*Подъем неэлектрифицированной кушетки* (страница 18) или *Подъем электрифицированной кушетки* (страница 19)).

Примечание - Поднимите кушетку на максимальную высоту, чтобы добиться максимального угла Тренделенбурга.

Чтобы опустить головной конец изделия, нажмите вниз на педаль освобождения головного или ножного конца (D) или нажмите вниз на сторону универсальной педали опускания (C), обращенную к головному концу (*Средства управления основания Prime* (страница 18)).

Чтобы опустить изделие из положения Тренделенбурга, одновременно нажмите вниз на педали освобождения головного и ножного конца (B и D) или нажмите вниз на центр универсальной педали опускания (C), пока кушетка не примет горизонтальное положение.

Установка изделия в обратное положение Тренделенбурга

ПРЕДУПРЕЖДЕНИЕ - Перед подъемом или опусканием кушетки всегда удаляйте все устройства, которые могут оказаться на пути ее движения.

ПРЕДОСТЕРЕЖЕНИЕ - Если под изделием находится подъемник пациента, для подъема изделия не используйте гидравлику его основания.

Чтобы поместить изделие в обратное положение Тренделенбурга (ногами вниз), поднимите кушетку на максимальную высоту (*Подъем неэлектрифицированной кушетки* (страница 18) или *Подъем электрифицированной кушетки* (страница 19)).

Примечание - Поднимите кушетку на максимальную высоту, чтобы добиться максимального угла Тренделенбурга.

Чтобы опустить ножной конец изделия, нажмите вниз на педаль освобождения головного или ножного конца (B) или нажмите вниз на сторону универсальной педали опускания (C), обращенную к ножному концу (*Средства управления основания Prime* (страница 18)).

Чтобы опустить изделие из обратного положения Тренделенбурга, одновременно нажмите вниз на педали освобождения головного и ножного конца (B и D) или нажмите вниз на центр универсальной педали опускания (C), пока кушетка не примет горизонтальное положение.

Транспортировка пациента

ПРЕДУПРЕЖДЕНИЕ

- Всегда помещайте пациента в центр изделия.
 - Всегда фиксируйте боковины в крайнем верхнем положении, при этом поверхность для сна должна располагаться горизонтально, а при транспортировке пациента еще и в крайнем нижнем положении.
 - Не перевозите изделие в боковом положении с наклоном более чем на 5,7 градусов (10 %), чтобы избежать опрокидывания.
-

Порядок транспортировки пациента.

1. Поднимите боковины в крайнее верхнее положение. Потяните за боковину, чтобы убедиться в том, что она защелкнулась.

2. Опустите кушетку в крайнее нижнее положение.
3. Отсоедините шнур питания от розетки, если изделие оснащено электрическим подъемником или опцией электрифицированной кушетки.
4. Нажмите вниз на сторону регулирования угла поворота (зеленую) педали тормоза/регулирования угла поворота.
5. Толкайте изделие, взявшись за ручки для толкания.
6. Приведите в действие тормоза, чтобы зафиксировать положение изделия.

Примечание - Перед перемещением изделия всегда убеждайтесь в том, что тормоз не приведен в действие, чтобы избежать травмы оператора или пациента.

Транспортировка пациента без Big Wheel

ПРЕДУПРЕЖДЕНИЕ

- Всегда помещайте пациента в центр изделия.
- Всегда фиксируйте боковины в крайнем верхнем положении, при этом поверхность для сна должна располагаться горизонтально, а при транспортировке пациента еще и в крайнем нижнем положении.

Порядок транспортировки пациента без Big Wheel

1. Поставьте педаль тормоза/регулирования угла поворота (A) в нейтральное положение (Рисунок 9).

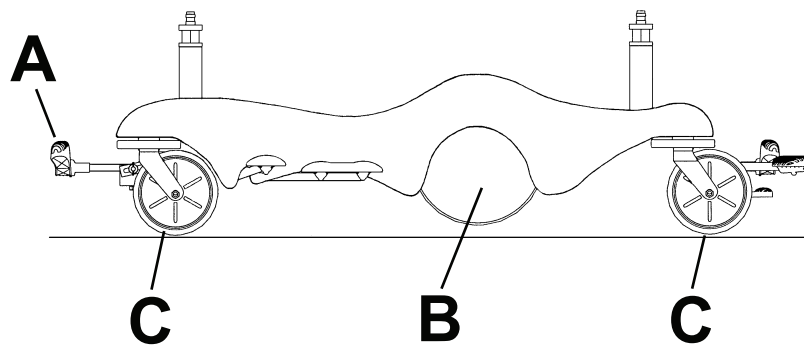


Рисунок 9 – Транспортировка без Big Wheel

2. Опустите кушетку в крайнее нижнее положение.
3. Только в случае модели 1125 убедитесь в том, что переключатель On/Drive-Off/Manual (Вкл./привод-Выкл./ Вручную) находится в положении Off (Выкл.).
4. Отсоедините шнур питания от розетки для медицинского использования, если изделие оснащено электрическим подъемником или электрифицированной кушеткой.
5. Толкайте изделие, взявшись за ручки для толкания.
6. Приведите в действие тормоза, чтобы зафиксировать положение изделия.

Примечание

- Перед перемещением изделия всегда убеждайтесь в том, что тормоз не приведен в действие, чтобы избежать травмы оператора или пациента.
- Когда изделие находится в нейтральном положении, **Big Wheel** (B) не должно касаться пола, а изделие должно стоять на всех четырех роликах (C) (Рисунок 9). В этом положении можно перемещать изделие во всех направлениях, включая боковое.

Транспортировка пациента с помощью Big Wheel

ПРЕДУПРЕЖДЕНИЕ

- Всегда помещайте пациента в центр изделия.
- Всегда фиксируйте боковины в крайнем верхнем положении, при этом поверхность для сна должна располагаться горизонтально, а при транспортировке пациента еще и в крайнем нижнем положении.

ПРЕДОСТЕРЕЖЕНИЕ - Не приводите в действие педаль регулирования угла поворота, если **Big Wheel** опирается на порог или другую выдающуюся поверхность. Усилие, необходимое для приведения в действие **Big Wheel**, будет выше нормального, что может привести к повреждению изделия.

Порядок транспортировки пациента с помощью **Big Wheel**.

1. Поднимите боковины в крайнее верхнее положение. Потяните за каждую боковину, чтобы убедиться в том, что они защелкнулись.
2. Опустите кушетку в крайнее нижнее положение.
3. Только в случае модели 1125 убедитесь в том, что переключатель On/Drive-Off/Manual (Вкл./привод-Выкл./ Вручную) находится в положении Off (Выкл.).
4. Отсоедините шнур питания от розетки для медицинского использования, если изделие оснащено электрическим подъемником или электрифицированной кушеткой.
5. Поставьте педаль тормоза/регулирования угла поворота (A) в положение регулирования угла поворота (Рисунок 10).

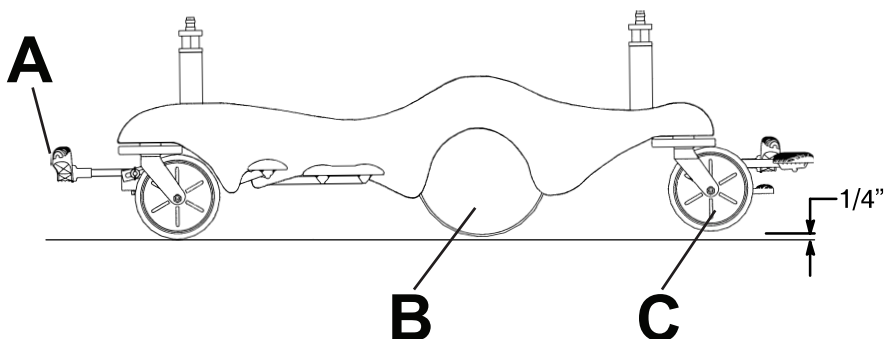


Рисунок 10 – Транспортировка с Big Wheel

6. Толкайте изделие, взявшись за ручки для толкания.
7. Приведите в действие тормоза, чтобы зафиксировать положение изделия.

Примечание

- Перед перемещением изделия всегда убеждайтесь в том, что тормоз не приведен в действие. Попытка перемещения изделия с приведенным в действие тормозом может привести к травме оператора или пациента.
- **Big Wheel** (B) не поворачивается. Вы не можете переместить изделие в боковом направлении, если **Big Wheel** приведено в действие.
- Когда **Big Wheel** (B) приведено в действие, изделие приподнято и ролики ногового конца (C) не касаются пола. Изделие находится на роликах головного конца и **Big Wheel**, что упрощает управление изделием (Рисунок 10).

Перевод ручек для толкания головного конца в рабочее или сложенное положение

Порядок перевода ручек для толкания головного конца в рабочее или сложенное положение:

1. Поверните ручки (A) вверх от головного конца изделия (Рисунок 11).
2. Нажмите на ручки вниз, чтобы зафиксировать их в рабочем положении.

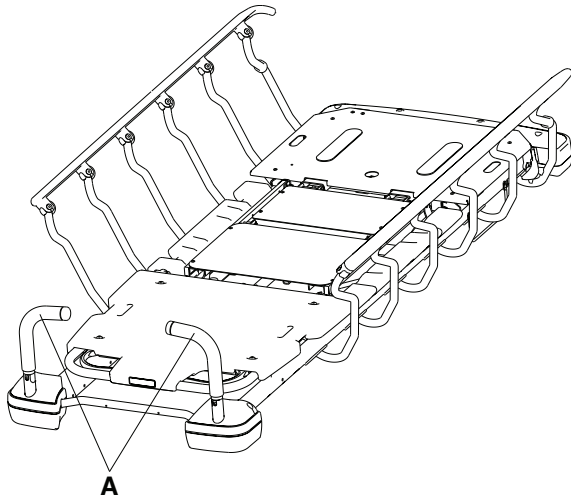


Рисунок 11 – Изменение положения ручек для толкания головного конца

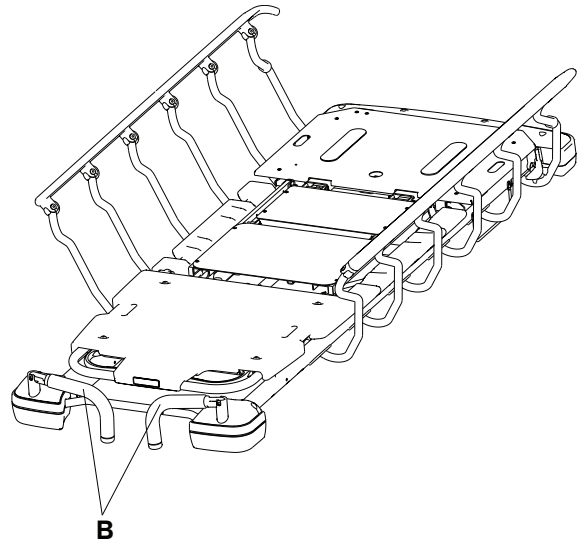


Рисунок 12 – Перевод ручек для толкания головного конца в сложенное положение

3. Выполните эти действия в обратном порядке, чтобы перевести ручки для толкания головного конца (B) в сложенное положение (Рисунок 12).

Примечание - Чтобы толкать или тянуть изделие и при этом не повредить его, пользуйтесь исключительно ручками для толкания, если не указано иное.

Подъем боковины

ПРЕДУПРЕЖДЕНИЕ

- Всегда проявляйте особую осторожность при использовании матраса толще 2,5 дюйма (6,35 см) или дополнительного матраса с опцией **Prime X**.
- Когда вы оставляете пациента без наблюдения, всегда опускайте изделие в максимально нижнее положение, поднимайте и защелкивайте боковины. Не оставляйте изделие в более высоком положении.
- Всегда фиксируйте боковины в крайнем верхнем положении, при этом поверхность для сна должна располагаться горизонтально, а при транспортировке пациента еще и в крайнем нижнем положении.
- Всегда держите конечности пациента вдали от пальцев боковины при ее поднятии или опускании.
- Не позволяйте боковинам опускаться под действием собственной тяжести.

Порядок подъема боковины:

1. Захватите боковину обеими руками.
2. Поднимите боковину в сторону ножного конца изделия так, чтобы желтый фиксатор освобождения защелкнулся. Потяните за боковину, чтобы убедиться в том, что она защелкнулась.

Примечание

- Имеется опция с двумя фиксаторами освобождения боковины с защелками на концах изделия.
- Не используйте боковины в качестве устройства механического удерживания пациента на кровати. Боковины предназначены для того, чтобы пациент не скатился с изделия. Пользователь должен определить степень фиксации, необходимую для обеспечения безопасности пациента.
- Устройство можно тянуть или толкать за ножной конец верхней части боковины.
- Боковины можно зафиксировать только в крайнем верхнем положении.

Опускание боковины

ПРЕДУПРЕЖДЕНИЕ

- Всегда проявляйте особую осторожность при использовании матраца толще 2,5 дюйма (6,35 см) или дополнительного матраца с опцией **Prime X**.
 - Когда вы оставляете пациента без наблюдения, всегда опускайте изделие в максимально нижнее положение, поднимайте и защелкивайте боковины. Не оставляйте изделие в более высоком положении.
 - Всегда фиксируйте боковины в крайнем верхнем положении, при этом поверхность для сна должна располагаться горизонтально, а при транспортировке пациента еще и в крайнем нижнем положении.
 - Всегда держите конечности пациента вдали от пальцев боковины при ее поднятии или опускании.
 - Не позволяйте боковинам опускаться под действием собственной тяжести.
-

Порядок опускания боковины:

1. Захватите боковину одной рукой.
2. Потяните за желтый фиксатор освобождения другой рукой.
3. Поднимите боковину и направьте ее в сторону головного конца изделия так, чтобы желтый фиксатор освобождения защелкнулся. Потяните за боковину, чтобы убедиться в том, что она защелкнулась.

Примечание

- Имеется опция с двумя фиксаторами освобождения боковины с защелками на концах изделия.
- Не используйте боковины в качестве устройства механического удерживания пациента на кровати. Боковины предназначены для того, чтобы пациент не скатился с изделия. Пользователь должен определить степень фиксации, необходимую для обеспечения безопасности пациента.
- Устройство можно тянуть или толкать за ножной конец верхней части боковины.
- Боковины можно зафиксировать только в крайнем верхнем положении.

Изменение положения изделия с помощью пульта управления пациента, расположенного на боковине, — опция электрифицированной кушетки — только в опции Prime

ПРЕДУПРЕЖДЕНИЕ - Приводите изделие в движение только тогда, когда все операторы находятся за пределами зоны действия механизмов.

Используйте пульт управления пациента на боковине для изменения положения спинки для положения Фаулера и коленной секции (Рисунок 13).

Медицинские работники обязаны провести инструктаж пациентов по использованию пульта управления пациента.

Примечание

- Всегда вставляйте шнур питания в надлежащим образом заземленную розетку для медицинского использования.
- Пульт управления пациента на боковине расположен в выемке по обеим сторонам изделия в месте, легко доступном для пациента.
- Каждая боковина снабжена подсвеченными органами управления, позволяющими пациенту изменять положение спинки для положения Фаулера и коленной секции. Когда изделие получает электропитание и пульт управления пациента разблокирован, белые кнопки подсвечиваются.

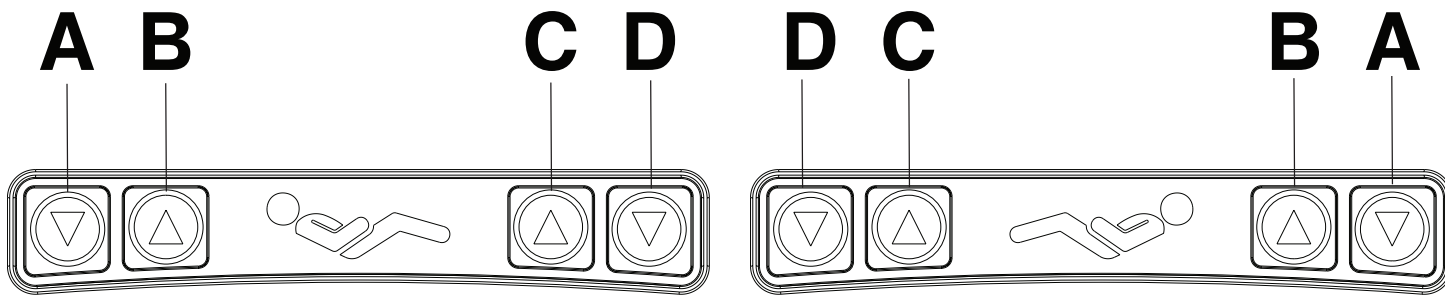


Рисунок 13 – Панель управления пациента на боковине

A	Опустить спинку для положения Фаулера	Опускает спинку для положения Фаулера (секция изголовья)
B	Поднять спинку для положения Фаулера	Поднимает спинку для положения Фаулера (секция изголовья)
C	Поднять коленную секцию	Поднимает коленную секцию (ножная секция)
D	Опустить коленную секцию	Опускает коленную секцию (ножная секция)

Пульт управления оператора — опция электрифицированной кушетки — только в опции Prime

ПРЕДУПРЕЖДЕНИЕ - Приводите изделие в движение только тогда, когда все операторы находятся за пределами зоны действия механизмов.

Используйте пульт управления оператора для регулирования положения пациента на изделии (Рисунок 14).

Примечание - Всегда вставляйте шнур питания в надлежащим образом заземленную розетку для медицинского использования.

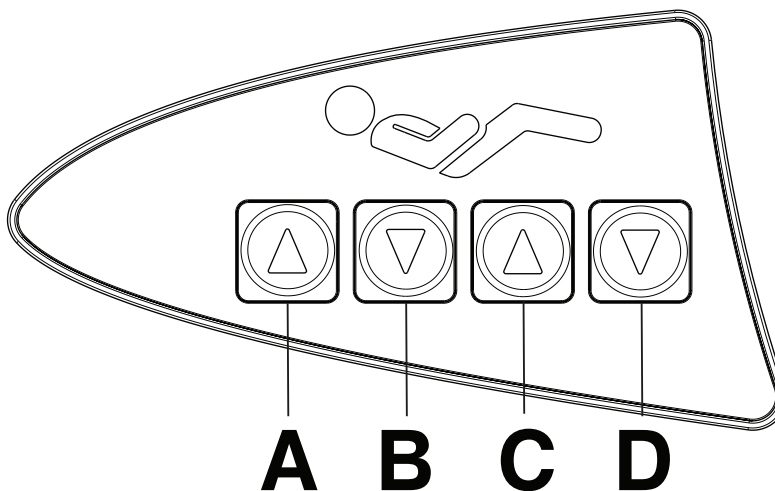


Рисунок 14 – Пульт управления оператора — опция электрифицированной кушетки

A	Поднять спинку для положения Фаулера	Поднимает спинку для положения Фаулера
B	Опустить спинку для положения Фаулера	Опускает спинку для положения Фаулера

C	Поднять коленную секцию	Поднимает коленную секцию
D	Опустить коленную секцию	Опускает коленную секцию

Блокировка и разблокировка пульта управления пациента — опция электрифицированной кушетки — только в опции Prime

ПРЕДУПРЕЖДЕНИЕ - Приводите изделие в движение только тогда, когда все операторы находятся за пределами зоны действия механизмов.

Чтобы заблокировать пульт управления пациента, расположенный на боковине, нажмите на кнопку **Unlock/Lock** (Освободить/Заблокировать) (A) один раз (Рисунок 15).

Примечание - Когда пульт управления пациента заблокирован, значок блокировки (C) горит оранжевым.

Чтобы разблокировать пульт управления пациента, расположенный на боковине, нажмите на кнопку **Unlock/Lock** (Освободить/Заблокировать) (A) второй раз.

Примечание - Когда пульт управления пациента разблокирован, значок разблокировки (B) горит зеленым.

Примечание

- Всегда вставляйте шнур питания в надлежащим образом заземленную розетку для медицинского использования.
- Вы можете заблокировать пульт управления пациента, чтобы не допустить регулирование спинки и коленной секции пациентом.
- Пульт управления пациента, расположенный на боковине, в заблокированном состоянии не подсвечивается.

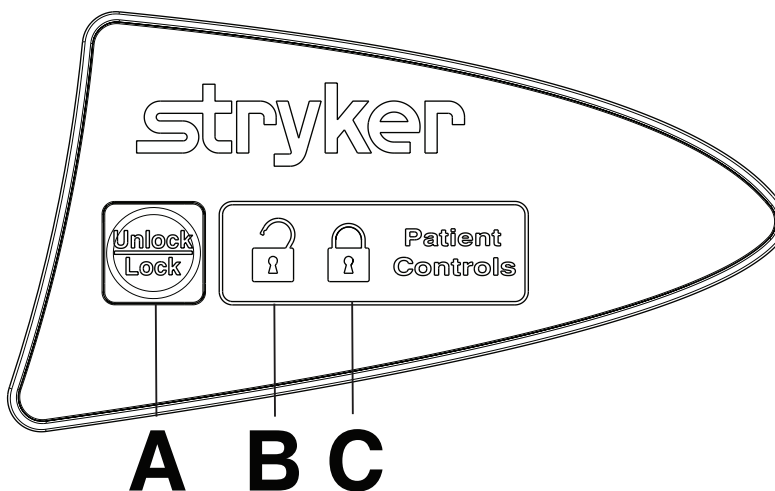


Рисунок 15 – Блокировка пульта управления пациента

Подъем и опускание спинки для положения Фаулера — неэлектрифицированная кушетка

ПРЕДУПРЕЖДЕНИЕ

- Приводите изделие в движение только тогда, когда все операторы находятся за пределами зоны действия механизмов.
- При опускании спинки для положения Фаулера не касайтесь рычагов освобождения или рамы спинки для положения Фаулера ладонями или пальцами.

- Всегда проявляйте осторожность при подъеме спинки для положения Фаулера, когда на изделии находится пациент. Применяйте правильную методику подъема и при необходимости воспользуйтесь помощью других лиц.

Чтобы поднять спинку для положения Фаулера, сожмите одну или оба рычага освобождения спинки для положения Фаулера (A) и потяните спинку для положения Фаулера вверх так, чтобы она приняла требуемое положение (от 0° до 90°) (Рисунок 16).

Примечание - Спинка **Lift Assist**® использует вес пациента для того, чтобы помочь пациенту принять требуемое положение. Спинка **Lift Assist** также не позволяет пациенту соскользнуть к ножному концу изделия при подъеме спинки для положения Фаулера.

Чтобы опустить спинку для положения Фаулера, сожмите одну или оба рычага освобождения спинки для положения Фаулера (A) и нажмите на спинку для положения Фаулера вниз так, чтобы она приняла требуемое положение (от 90° до 0°) (Рисунок 16).

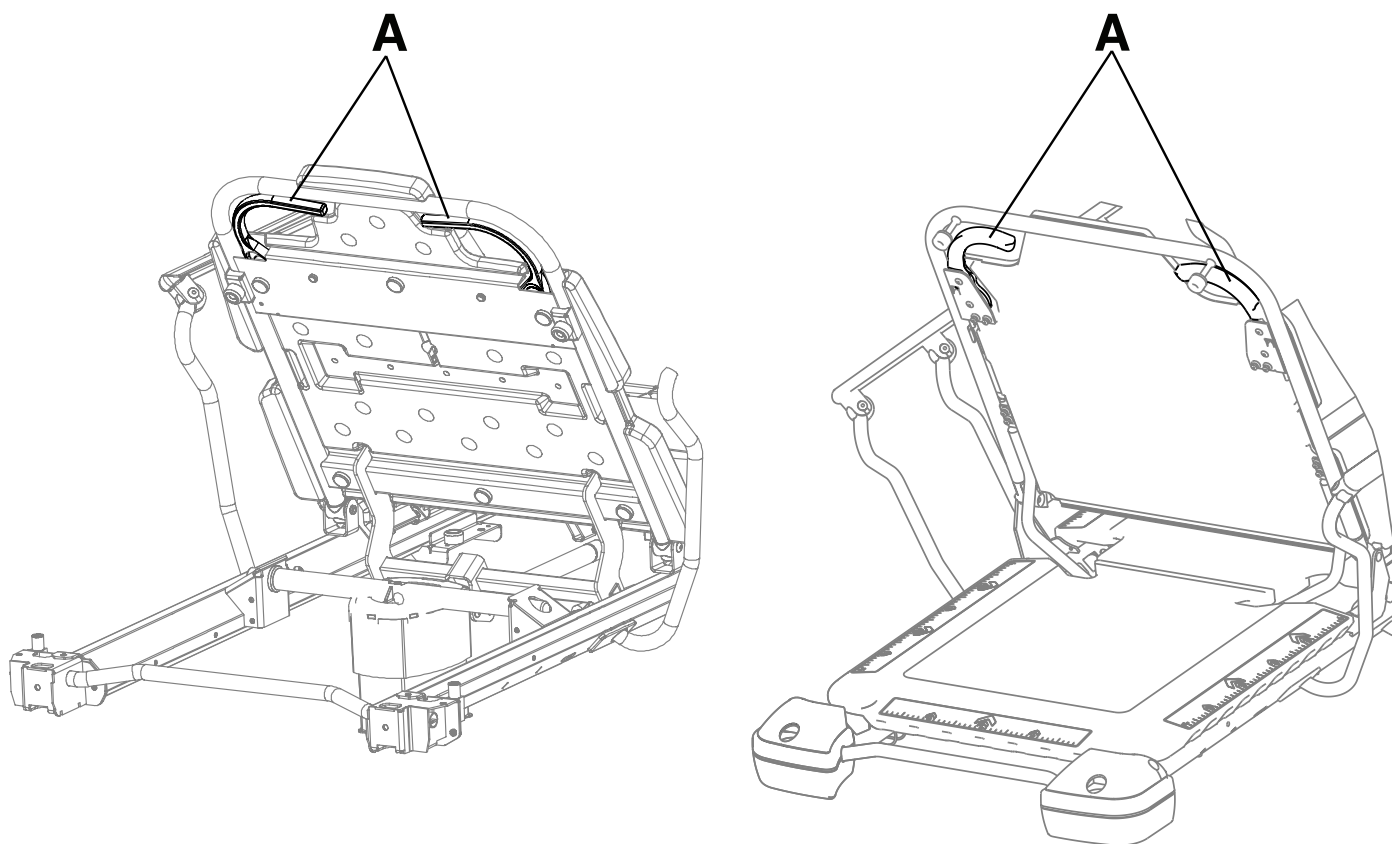


Рисунок 16 – Подъем или опускание спинки в положение Фаулера (Prime/Prime X)

Подъем и опускание спинки для положения Фаулера — опция электрифицированной кушетки

ПРЕДУПРЕЖДЕНИЕ

- Приводите изделие в движение только тогда, когда все операторы находятся за пределами зоны действия механизмов.
- При опускании спинки для положения Фаулера не касайтесь рычагов освобождения или рамы спинки для положения Фаулера ладонями или пальцами.
- Всегда проявляйте осторожность при подъеме спинки для положения Фаулера, когда на изделии находится пациент. Применяйте правильную методику подъема и при необходимости воспользуйтесь помощью других лиц.

Чтобы поднять спинку для положения Фаулера, нажмите на кнопку **up** (вверх) на выделенной для спинки для положения Фаулера стороне пульта управления пациента на боковине (*Изменение положения изделия с помощью пульта управления пациента, расположенного на боковине, — опция электрифицированной кушетки — только в опции Prime* (страница 24)) или пульта управления оператора ножного конца (*Пульт управления оператора — опция электрифицированной кушетки — только в опции Prime* (страница 25)) так, чтобы спинка для положения Фаулера достигла требуемого угла (от 0° до 70°).

Примечание - Спинка **Lift Assist** использует вес пациента для того, чтобы помочь пациенту принять требуемое положение. Спинка **Lift Assist** также не позволяет пациенту соскользнуть к ножному концу изделия при подъеме спинки для положения Фаулера.

Чтобы опустить спинку для положения Фаулера, нажмите на кнопку **down** (вниз) на выделенной для спинки для положения Фаулера стороне пульта управления пациента на боковине (*Изменение положения изделия с помощью пульта управления пациента, расположенного на боковине, — опция электрифицированной кушетки — только в опции Prime* (страница 24)) или пульта управления оператора ножного конца (*Пульт управления оператора — опция электрифицированной кушетки — только в опции Prime* (страница 25)) так, чтобы спинка для положения Фаулера достигла требуемого угла (от 70° до 0°).

Примечание - Всегда вставляйте шнур питания в надлежащим образом заземленную розетку для медицинского использования.

Медицинские работники обязаны провести инструктаж пациентов по использованию пульта управления пациента.

Подъем или опускание коленной секции — неэлектрифицированная кушетка — только в опции Prime

ПРЕДУПРЕЖДЕНИЕ - При опускании коленной секции не касайтесь ручек для толкания ножного конца ладонями или пальцами.

ПРЕДОСТЕРЕЖЕНИЕ

- Грузоподъемность коленной секции составляет 200 фунтов (90,7 кг).
 - Перед использованием коленной секции всегда убеждайтесь в том, что подпорка коленной секции надежно закреплена.
 - Не садитесь и не становитесь на коленную секцию.
-

Чтобы поднять неэлектрифицированную коленную секцию, нажимайте на расположенную слева ручку насоса до принятия коленной секцией требуемого положения (см. раздел *Изображение изделия — кушетка Prime*).

Приподнимите конец коленной секции и вставьте подпорку в проушину.

Чтобы освободить подпорку, приподнимите конец коленной секции, наклоните подпорку в сторону головного конца изделия и опустите ножной конец.

Чтобы опустить коленную секцию, потяните за ручку освобождения коленной секции, пока секция не примет требуемое положение (см. раздел *Изображение изделия — кушетка Prime*).

Примечание - Если изделие оснащено опцией электрифицированной кушетки, коленную секцию нельзя поднять вручную.

Подъем или опускание коленной секции — электрифицированная кушетка — только в опции Prime

ПРЕДУПРЕЖДЕНИЕ

- При опускании коленной секции не касайтесь ручек для толкания ножного конца ладонями или пальцами.
 - Приводите изделие в движение только тогда, когда все операторы находятся за пределами зоны действия механизмов.
-

ПРЕДОСТЕРЕЖЕНИЕ

- Грузоподъемность коленной секции составляет 200 фунтов (90,7 кг).
 - Не садитесь и не становитесь на коленную секцию.
 - Всегда проявляйте осторожность при опускании коленной секции, когда изделие отключено от электропитания. Коленная секция может быстро упасть под действием силы тяжести.
-

Чтобы поднять коленную секцию, нажмите на кнопку **up** (вверх) на выделенной для коленной секции стороне пульта управления пациента на боковине или пульта управления оператора ножного конца.

Чтобы опустить коленную секцию, нажмите на кнопку **down** (вниз) на выделенной для коленной секции стороне пульта управления пациента на боковине или пульта управления оператора ножного конца.

Примечание - Всегда вставляйте шнур питания в надлежащим образом заземленную розетку для медицинского использования.

Медицинские работники обязаны провести инструктаж пациентов по использованию пульта управления пациента.

Преобразование изделия в коляску для выздоравливающего — только в опции Prime

ПРЕДУПРЕЖДЕНИЕ - Приводите изделие в движение только тогда, когда все операторы находятся за пределами зоны действия механизмов.

Порядок преобразования изделия в коляску для выздоравливающего (Рисунок 17):

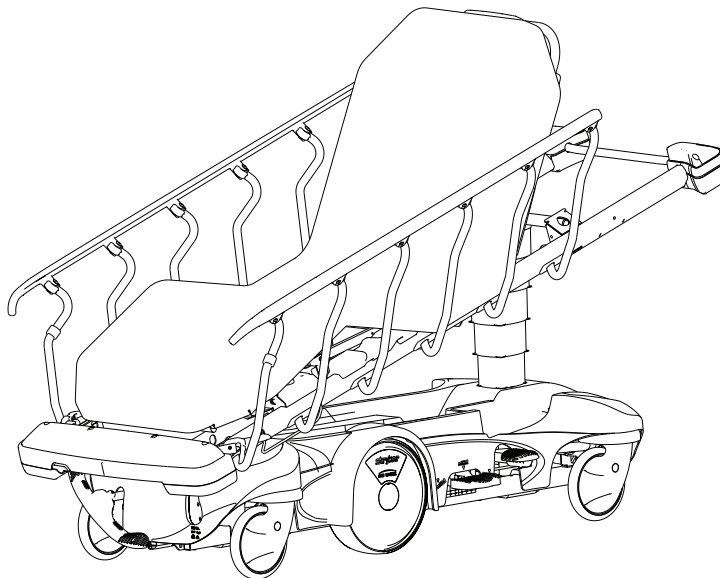


Рисунок 17 – Коляска для выздоравливающего (представлена модель 1115)

1. Поднимите спинку для положения Фаулера в сидячее положение (*Подъем и опускание спинки для положения Фаулера — неэлектрифицированная кушетка (страница 26) или Подъем и опускание спинки для положения Фаулера — опция электрифицированной кушетки (страница 27)*).

Примечание - Чтобы изделие можно было преобразовать в коляску для выздоравливающего, оно должно быть оснащено опцией спинки **Lift Assist** и опцией коленной секции.

2. Поднимите коленную секцию в наиболее верхнее положение (*Подъем или опускание коленной секции — неэлектрифицированная кушетка — только в опции Prime (страница 28) или Подъем или опускание коленной секции — электрифицированная кушетка — только в опции Prime (страница 28)*).
3. Поднимите кушетку в крайнее верхнее положение (*Подъем неэлектрифицированной кушетки (страница 18) или Подъем электрифицированной кушетки (страница 19)*).

4. Установите изделие в обратное положение Тренделенбурга (*Установка изделия в обратное положение Тренделенбурга* (страница 20)).
5. Выполните эти действия в обратном порядке, чтобы опустить изделие в горизонтальное положение.

Хранение предметов в колпаке основания

ПРЕДОСТЕРЕЖЕНИЕ

- Не помещайте в колпак основания предметы тяжелее 60 фунтов (27 кг).
 - Не садитесь, не наступайте и не стойте на колпаке основания.
-

В колпаке основания можно хранить личные вещи пациента. Не используйте отсек для держателя кислородного баллона для хранения кислородных баллонов или личных вещей пациента.

Подвешивание устройств с опцией вешалки для насоса

ПРЕДУПРЕЖДЕНИЕ

- Всегда подвешивайте магистрали устройств к вешалке для насоса, вдали от ручек коленной секции.
 - Перед подъемом или опусканием кушетки всегда удаляйте все устройства, которые могут оказаться на пути ее движения.
 - Всегда убеждайтесь в том, что устройства, подвешенные к вешалке для насоса, могут безопасно пройти через дверные проемы.
 - Не поднимайте изделие за вешалку для насоса.
-

ПРЕДОСТЕРЕЖЕНИЕ

- Максимальный вес, на который рассчитана вешалка для насоса, составляет 40 фунтов (18 кг).
 - Не тяните/не толкайте изделие, взявшись за вешалку для насоса. Может произойти повреждение изделия.
-

Вы можете хранить или подвесить дополнительные устройства на вешалке для насоса, расположенной на ножном конце изделия.

Примечание - Вы должны выбрать опцию вешалки для насоса в момент приобретения изделия.

Разматывание и сматывание шнура питания с помощью барабана автоматического сматывания (опция) — опция электрического подъемника или опция электрифицированной кушетки

ПРЕДУПРЕЖДЕНИЕ

- Перед транспортировкой или очисткой изделия всегда отсоединяйте шнур питания от розетки.
 - Всегда используйте барабан автоматического сматывания для хранения шнура питания внутри основания при транспортировке изделия.
-

Чтобы размотать шнур, оттяните его от барабана автоматического сматывания (А) на желаемую длину (Рисунок 18).

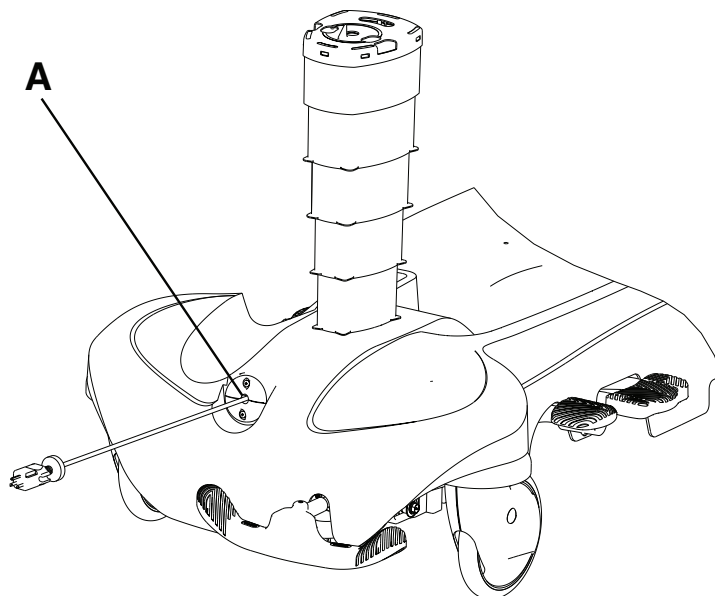


Рисунок 18 – Барабан автоматического сматывания

Для сматывания шнура питания:

1. Отключите шнур питания от розетки.
2. Без усилия потяните за шнур питания.
3. Направьте шнур питания в барабан автоматического сматывания.

Опция системы взвешивания

ПРЕДУПРЕЖДЕНИЕ - Не пользуйтесь необязательной системой взвешивания, необязательным электрическим подъемником или необязательной электрифицированной кушеткой вблизи других устройств или с расположенными поверх другими устройствами. Если использование вблизи других устройств или с расположенными поверх другими устройствами необходимо, за системой взвешивания, электрическим подъемником или электрифицированной кушеткой необходимо наблюдать, чтобы убедиться в том, что все устройства функционируют нормально в конфигурации, в которой они будут использоваться.

ПРЕДОСТЕРЕЖЕНИЕ - Не используйте весы для пациентов с массой тела менее 50 фунтов (22,7 кг).

Необязательную систему взвешивания можно установить на изделия как с необязательной электрифицированной кушеткой, так и без нее. Необязательная система взвешивания оснащена опцией резервной батареи. Значок ожидания указывает на работу изделия от резервной батареи.

Опция **Chaperone (Отслеживание)** позволяет установить зонный контроль, предупреждающий оператора о возможном намерении пациента покинуть изделие. Опцию **Chaperone (Отслеживание)** можно установить на изделия как с необязательной электрифицированной кушеткой, так и без нее. Необязательная система взвешивания с опцией **Chaperone (Отслеживание)** оснащена опцией резервной батареи. Значок ожидания указывает на работу изделия от резервной батареи.

Перед использованием системы взвешивания поднимите ручки для толкания ножного конца.

При использовании системы взвешивания пользуйтесь пультом управления системой взвешивания (*Кнопки/значки весов* (страница 32)).

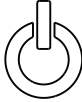






Не прикасайтесь к изделию, когда система взвешивания находится в процессе взвешивания или обнуления.

В процессе взвешивания пациент должен оставаться неподвижным. Если пациент движется, система будет продолжать попытки получения стабильного веса или нулевого значения в течение 20 секунд, после чего отобразится сообщение об ошибке («TT»).

Ошибка («TT») появляется на дисплее при отсутствии контакта или в случае сбоя в работе весов. Если при повторной попытке использования весов снова появляется ошибка, обратитесь в службу технической поддержки компании Stryker.

Примечание - Чтобы соответствовать вышеприведенному показателю точности системы взвешивания, опорная поверхность пациента должна быть плоской (спинка для положения Фаулера и коленная секция должны быть опущены) и угол положения Тренделенбурга/обратного положения Тренделенбурга не может превышать 5 градусов.

Кнопки/значки весов

Ком-по-нент	Кнопка/значок	Наименование	Описание
A		Значок «Режим ожидания»	Загорается зеленым при включении шнура питания в розетку. Загорается желтым при отсоединении шнура питания от розетки. Включится функция питания от батарей.
B		Значок «Зона 1»	Пациент может двигаться свободно, однако при попытке пациента покинуть изделие подается сигнал тревоги.
C		Значок «Зона 2»	Движения пациента ограничены. Сигнал тревоги подается, когда пациент приближается к боковинам или передвигается к ножному концу.
D		Кнопка Arm/Disarm (Активация/деактивация)	Активирует и деактивирует опцию Chaperone (Отслеживание) (сигнализирует о том, что пациент может покинуть каталку). См. <i>Активация и деактивация опции Chaperone (Отслеживание)</i> (страница 33).
E		Кнопка Weigh (Взвешивание)	Взвешивает пациента. См. <i>Взвешивание пациента</i> (страница 32).
F		Кнопка lb/kg (фунты/кг)	Переключает единицы измерения веса на дисплее. См. <i>Фиксация единицы измерения весов</i> (страница 33).
G		Кнопка Zero (Обнулить)	Обнуляет настройки весов. См. <i>Фиксация единицы измерения весов</i> (страница 33).

Взвешивание пациента

ПРЕДОСТЕРЕЖЕНИЕ - Не используйте измерения системы взвешивания как основание для лечения.

1. Перед использованием системы взвешивания поднимите ручки для толкания ножного конца.
2. Нажмите и удерживайте **Zero** (Обнулить), пока на экране не отобразится **rel** (Отпустить), чтобы обнулить весы. **000.0** начнет мигать и прекратит мигание через несколько секунд.

Примечание - Пока **000.0** не прекратит мигать, весы не готовы к использованию.

3. Разместите пациента на весах.

4. Нажмите **lb/kg** (фунты/кг), чтобы выбрать единицу измерения (фунты или кг).
5. Нажмите **Weigh** (Взвешивание), чтобы измерить вес пациента.

Примечание - Вес пациента отображается на экране в течение 40 секунд.

Фиксация единицы измерения весов

1. Нажмите и удерживайте **Weigh** (Взвешивание), **lb/kg** (фунты/кг) и **Zero** (Обнулить), пока на экране не отобразится **diag** (Диагностика).
2. Нажмите **lb/kg** (фунты/кг) или **Zero** (Обнулить), чтобы перейти к **Unit Loc** (Зафиксировать ед. изм.).
3. В случае весов без опции **Chaperone** (Отслеживание) нажмите и удерживайте **lb/kg** (фунты/кг) и **Zero** (Обнулить), пока на экране не отобразится **rel** (Отпустить), чтобы выбрать **Unit Loc** (Зафиксировать ед. изм.).
4. В случае весов с опцией **Chaperone** (Отслеживание) нажмите и удерживайте кнопки **lb/kg** (фунты/кг) и **Zero** (Обнулить), чтобы выбрать параметр **Unit Loc** (Зафиксировать ед. изм.).
5. Нажмите **lb/kg** (фунты/кг) или **Zero** (Обнулить), чтобы перейти к **lb** (фунты), **kg** (кг) или **Any** (Любая ед. изм.).
6. Нажмите и отпустите **lb/kg** (фунты/кг) или **Zero** (Обнулить). На экране отобразится **Only** (Только) и выбранная единица измерения.

Примечание - **Only** (Только) не отобразится при выборе **Any** (Любая ед. изм.).

7. Нажмите и удерживайте **Weigh** (Взвешивание), пока на экране не отобразится **quit** (Выйти).
8. Нажмите и удерживайте **Zero** (Обнулить), пока на экране не отобразится **rel** (Отпустить). **000.0** начнет мигать и прекратит мигание через несколько секунд.

Примечание - Пока **000.0** не прекратит мигать, весы не готовы к использованию.

Активация и деактивация опции Chaperone (Отслеживание)

Когда опция **Chaperone** (Отслеживание) активирована, она следит за положением пациента на изделии.

Порядок активации и деактивации опции **Chaperone** (Отслеживание):

1. Когда пациент находится на изделии, нажмите **Arm/Disarm** (Активация/деактивация).

Примечание - Это действие активирует Зону 1. При активации Зона 1 загорается желтым.

2. Чтобы активировать Зону 2, нажмите **Arm/Disarm** (Активация/деактивация) дважды в течение 3 секунд.

Примечание - Это действие активирует Зону 2. При активации Зона 2 загорается желтым.

3. Чтобы деактивировать опцию **Chaperone** (Отслеживание), нажмите и удерживайте **Arm/Disarm** (Активация/деактивация).

Примечание - Перед активацией опции **Chaperone** (Отслеживание) необходимо обязательно обнулить весы.

Примечание - Если пациент перемещается за пределы выбранной зоны, индикатор мигает желтым, на дисплее системы весов мигает **Alrt** (Предупреждение) и подается звуковой сигнал.

Настройка формы предупреждения опции Chaperone (Отслеживание)

Чтобы изменить форму предупреждения опции **Chaperone** (Отслеживание):

1. Нажмите и удерживайте **Arm/Disarm** (Активация/деактивация) и **Weigh** (Взвешивание) одновременно в течение 6 секунд. Не обращайте внимания на отображаемые на дисплее сообщения, пока не появится **Ptrn** (Форма) (*Кнопки/значки весов* (страница 32)).

2. Отпустите кнопки **Arm/Disarm** (Активация/деактивация) и **Weigh** (Взвешивание).

Примечание - Настройка формы предупреждения **P (1-10)** отобразится на дисплее.

3. Нажимайте кнопку **Arm/Disarm** (Активация/деактивация) или **Weigh** (Взвешивание), чтобы прокрутить варианты формы предупреждения.

Примечание - При прокручивании вариантов формы в течение короткого времени демонстрируется образец формы предупреждения.

4. Нажмите и удерживайте кнопки **Arm/Disarm** (Активация/деактивация) и **Weigh** (Взвешивание) одновременно в течение 6 секунд, пока на экране не отобразится **set** (установить), позволяющая сохранить выбранную настройку.
5. Отпустите кнопки **Arm/Disarm** (Активация/деактивация) и **Weigh** (Взвешивание).

Примечание - Выбранная вами форма предупреждения отобразится на дисплее. В качестве подтверждения в течение короткого времени демонстрируется образец настроенной формы предупреждения.

Настройка громкости предупреждения опции **Chaperone** (Отслеживание)

Чтобы изменить громкость предупреждения опции **Chaperone** (Отслеживание):

1. Нажмите и удерживайте кнопки **Zero** (Обнулить) и **lb/kg** (фунты/кг) одновременно, пока на экране не отобразится **vol** (громкость) (*Кнопки/значки весов* (страница 32)).
2. Отпустите кнопки **Zero** (Обнулить) и **lb/kg** (фунты/кг).

Примечание - На экране отобразятся уровни громкости **L (1-4)**.

3. Нажимайте кнопку **Zero** (Обнулить) или **lb/kg** (фунты/кг), чтобы прокрутить уровни громкости.

Примечание - При прокручивании уровней громкости в течение короткого времени издается сигнал соответствующей громкости.

4. Нажмите и удерживайте кнопки **Zero** (Обнулить) и **lb/kg** (фунты/кг) одновременно в течение 6 секунд, пока на экране не отобразится **set** (установить), позволяющая сохранить выбранный уровень громкости.
5. Отпустите кнопки **Zero** (Обнулить) и **lb/kg** (фунты/кг).

Примечание - Выбранный уровень громкости отобразится на экране. В качестве подтверждения в течение короткого времени издается сигнал, соответствующий настроенному уровню громкости.

Зарядка блока батарей системы взвешивания — опция электрифицированной кушетки или опция электрифицированной кушетки с опцией **Chaperone** (Отслеживание) — только в опции **Prime**

Система взвешивания с опцией электрифицированной кушетки требует использования одного блока батарей 10,8 В Li-ION (0058-135-000 без опции **Chaperone** (Отслеживание); 0058-134-000 с опцией **Chaperone** (Отслеживание)). Заряжайте блок батарей, когда на индикаторе заряда батареи отображается одна полоска. Это предотвращает отключение системы взвешивания вследствие разрядки батарей.

Чтобы зарядить блок батарей Li-ION системы взвешивания, вставьте шнур питания в заземленную розетку для медицинского применения. Блок батарей полностью заряжается приблизительно за три часа.

Примечание - Всегда подключайте изделие к заземленной розетке для медицинского применения, когда оно не используется. Это позволяет поддерживать достаточный заряд батарей и обеспечить максимальный срок функционирования изделия при питании от батарей.

Замена батарей необязательной системы взвешивания — неэлектрифицированная кушетка

Заряжайте батареи, когда на индикаторе заряда батареи отображается одна полоска. Это предотвращает отключение системы взвешивания вследствие разрядки батарей.

Когда на дисплее мигает сообщение **Lo batt** (низкий заряд батарей), заряд батарей достиг крайне низкого положения и система взвешивания отключена.

Необходимые приспособления:

- крестообразная отвертка;
- четыре батареи AA (щелочного типа (LR6)).

Порядок замены батарей:

1. С помощью крестообразной отвертки удалите винты с крестообразным шлицем, крепящие крышку отсека для батарей к модулю дисплея.
2. Извлеките и удалите в отходы все четыре батареи AA.

Примечание - Всегда удаляйте в отходы старые батареи согласно действующим правилам.

3. Вставьте четыре новые батареи AA так, как указано на держателе батарей.

Примечание - Никогда не смешивайте старые и новые батареи.

4. С помощью винтов, удаленных в ходе выполнения действия 1, прикрепите крышку отсека для батарей к модулю дисплея.

Принадлежности и компоненты

Возможно, что эти принадлежности могут использоваться с вашим изделием. Подтвердите наличие принадлежности в соответствии с конфигурацией вашего изделия и регионом. Позвоните в отдел обслуживания клиентов Stryker: 1-800-327-0770.

Наименование	Номер детали
Лоток для дефибриллятора	1105-045-200
Лоток для дефибриллятора/удлинителя изножья	1105-045-400
Изножье/планшет	1105-045-500
Подпяточник в сборе	1105-045-022
Контейнер штатива для внутривенных вливаний	0785-155-000
Съемный штатив для внутривенных вливаний HAVASU™	0390-025-000
Штатив для внутривенных вливаний, трехсекционный, ножной конец, левый, 26 дюймов (66 см)	1105-035-644
Штатив для внутривенных вливаний, трехсекционный, ножной конец, правый, 26 дюймов (66 см)	1105-035-639
Штатив для внутривенных вливаний, трехсекционный, ножной конец, левый, 30 дюймов (76 см)	1105-035-344
Штатив для внутривенных вливаний, трехсекционный, ножной конец, правый, 30 дюймов (76 см)	1105-035-339
Штатив для внутривенных вливаний, трехсекционный, ножной конец, левый, 30 дюймов (76 см) (вариант Prime X)	1105-035-364
Штатив для внутривенных вливаний, трехсекционный, ножной конец, правый, 30 дюймов (76 см) (вариант Prime X)	1105-035-361
Штатив для внутривенных вливаний, трехсекционный, головной конец, левый, 26 дюймов (66 см)	1105-035-642
Штатив для внутривенных вливаний, трехсекционный, головной конец, правый, 26 дюймов (66 см)	1105-035-637
Штатив для внутривенных вливаний, трехсекционный, головной конец, левый, 30 дюймов (76 см)	1105-035-342

Наименование	Номер детали
Штатив для внутривенных вливаний, трехсекционный, головной конец, правый, 30 дюймов (76 см)	1105-035-337
Штатив для внутривенных вливаний, трехсекционный, головной конец, левый, 30 дюймов (76 см) (опция Prime X)	1105-035-369
Штатив для внутривенных вливаний, трехсекционный, головной конец, правый, 30 дюймов (76 см) (опция Prime X)	1105-035-366
Штатив для внутривенных вливаний, двухсекционный, ножной конец, левый, 26 дюймов (66 см)	1105-035-640
Штатив для внутривенных вливаний, двухсекционный, ножной конец, правый, 26 дюймов (66 см)	1105-035-643
Штатив для внутривенных вливаний, двухсекционный, ножной конец, левый, 30 дюймов (76 см)	1105-035-340
Штатив для внутривенных вливаний, двухсекционный, ножной конец, правый, 30 дюймов (76 см)	1105-035-343
Штатив для внутривенных вливаний, двухсекционный, ножной конец, левый, 30 дюймов (76 см) (опция Prime X)	1105-035-362
Штатив для внутривенных вливаний, двухсекционный, ножной конец, правый, 30 дюймов (76 см) (опция Prime X)	1105-035-363
Штатив для внутривенных вливаний, двухсекционный, головной конец, левый, 26 дюймов (66 см)	1105-035-638
Штатив для внутривенных вливаний, двухсекционный, головной конец, правый, 26 дюймов (66 см)	1105-035-641
Штатив для внутривенных вливаний, двухсекционный, головной конец, левый, 30 дюймов (76 см)	1105-035-341
Штатив для внутривенных вливаний, двухсекционный, головной конец, правый, 30 дюймов (76 см)	1105-035-338
Штатив для внутривенных вливаний, двухсекционный, головной конец, левый, 30 дюймов (76 см) (опция Prime X)	1105-035-367
Штатив для внутривенных вливаний, двухсекционный, головной конец, правый, 30 дюймов (76 см) (опция Prime X)	1105-035-368
Матрац, ComfortGel SE™ , с огнезащитным экраном, 26 дюймов (66 см)	1805-034-601
Матрац, ComfortGel SE , с огнезащитным экраном, 30 дюймов (76 см)	1805-034-301
Матрац, ComfortGel SE , без огнезащитного экрана, 26 дюймов (66 см)	1805-034-600
Матрац, ComfortGel SE , без огнезащитного экрана, 30 дюймов (76 см)	1805-034-300

Наименование	Номер детали
Матрац, Enhanced Comfort, 3 x 26 дюймов (8 x 66 см)	0785-034-613
Матрац, Enhanced Comfort, 3 x 30 дюймов (8 x 76 см)	0785-034-313
Матрац, Enhanced Comfort, 4 x 26 дюймов (10 x 66 см)	0785-034-623
Матрац, Enhanced Comfort, 4 x 30 дюймов (10 x 76 см)	0785-034-323
Матрац, IsoFlex SE™, с огнезащитным экраном, 30 дюймов (76 см)	1806-034-300
Матрац, IsoFlex SE, без огнезащитного экрана, международный, 30 дюймов (76 см)	1806-034-301
Матрац, Ultra Comfort, 4 x 26 дюймов (10 x 66 см)	0785-034-603
Матрац, Ultra Comfort, 4 x 30 дюймов (10 x 76 см)	0785-034-303
Матрац, Ultra Comfort, 5 x 26 дюймов (13 x 66 см)	0785-034-633
Матрац, Ultra Comfort, 5 x 30 дюймов (13 x 76 см)	0785-034-333
Матрац, Ultra Comfort SE™, 4 x 26 дюймов (10 x 66 см)	1704-034-600
Матрац, Ultra Comfort SE, с огнезащитным экраном, международный, 4 x 26 дюймов (10 x 66 см)	1704-034-601
Матрац, Ultra Comfort, stretcher extender, 4 x 26 дюймов (10 x 66 см)	1105-034-609
Матрац, Ultra Comfort, stretcher extender, 4 x 30 дюймов (10 x 76 см)	1105-034-309
Матрац, Ultra Comfort SE, 3 x 30 дюймов (8 x 76 см)	1703-034-300
Матрац, Ultra Comfort SE, с огнезащитным экраном, 3 x 30 дюймов (8 x 76 см)	1703-034-301
Матрац, Ultra Comfort SE, 4 x 30 дюймов (10 x 76 см)	1704-034-300
Матрац, Ultra Comfort SE, с огнезащитным экраном, 4 x 30 дюймов (10 x 76 см)	1704-034-301
Держатель кислородного баллона, вертикальный	1115-130-000
Опция штанги насоса, 30 дюймов (76 см)	1105-045-035
Ручка для толкания в сборе, ножной конец, 30 дюймов (76 см)	1105-048-030
Ручка для толкания в сборе, головной конец, 30 дюймов (76 см)	1105-048-060
Фиксирующий ремень для пациента, комплект	0785-045-010
Фиксирующие ремни для пациента, лодыжки	0785-045-020
Фиксирующие ремни для пациента, туловище	0785-045-015
Фиксирующий ремень для пациента, запястья	0946-044-000
Фиксирующие ремни для пациента, грудь	1010-058-000
Поднос	1105-045-700

Наименование	Номер детали
Держатель подноса/изножье	1105-045-800
Щитки боковины	1001-052-000
Держатель рентгеновской кассеты, горизонтальный	1105-045-100
Держатель рентгеновской кассеты, вертикальный	1105-045-300

Электрические компоненты

Наименование	Номер
Пусковой механизм, спинка для положения Фаулера	1008-012-020
Пусковой механизм, коленная секция	1008-014-020
Батарея, блок интеллектуальных Li-ION батарей (только для весов)	0058-135-000
Батарея, блок интеллектуальных Li-ION батарей (для весов и опции Chaperone (Отслеживание))	0058-134-000
Плата, блок печатных плат управления постоянным током	1008-116-800
Плата, блок переменного тока для элементов, не входящих в систему подъема	1008-002-800
Плата, блок печатных плат управления подъемником	1008-002-810
Плата, блок управления весами (только для весов)	1008-237-850
Плата, блок управления весами и опцией Chaperone (Отслеживание)	1008-237-840
Конденсатор, 440 В переменного тока, 35 мкФ	0059-087-000
Клавиатура, управление весами (неэлектрифицированная кушетка)	1008-037-820
Клавиатура, панель управления боковины, слева	1008-011-017
Клавиатура, панель управления боковины, справа	1008-011-016
Клавиатура, пульт управления оператора	1008-015-800
Датчик нагрузки (необязательная система взвешивания)	1008-037-057
Двигатель, насосный	1008-002-015
Шнур питания, стандартный	1028-146-060
Шнур питания, международный, Тип E	1125-060-170
Шнур питания, международный, тип F	1125-060-180
Шнур питания, международный, тип G	1125-060-160
Шнур питания, международный, тип I	1125-060-200
Блок управления весами в сборе (неэлектрифицированная кушетка)	1070-237-020

Наименование	Номер
Трансформатор	1008-014-857
Трансформатор, международный	1008-014-877

Присоединение лотка для дефибриллятора

ПРЕДУПРЕЖДЕНИЕ

- Не помещайте на лоток для дефибриллятора предметы тяжелее 14 кг. Всегда пристегивайте все устройства, помещенные на лоток для дефибриллятора.
- Всегда проявляйте осторожность, если к изделию присоединены лоток для дефибриллятора — удлинитель изножья, изножье — планшет или вертикальный держатель кислородного баллона, чтобы избежать защемления пальцев при смене положения ручки для толкания ножного конца.

Порядок присоединения лотка для дефибриллятора:

1. Вставьте штырьки лотка для дефибриллятора в гнезда на ножном конце изделия.
2. С помощью ремня пристегните устройства к лотку для дефибриллятора.

Примечание

- Не тяните/не толкайте изделие, взявшись за лоток для дефибриллятора. Может произойти повреждение изделия.
- При использовании принадлежностей (таких, как лоток для дефибриллятора/удлинитель изножья, изножье/планшет или вертикальный держатель кислородного баллона) всегда поднимайте ручки для толкания ножного конца, в противном случае принадлежности не будут функционировать.

Преобразование лотка для дефибриллятора/удлинителя изножья в лоток для дефибриллятора

ПРЕДУПРЕЖДЕНИЕ

- Не помещайте на лоток для дефибриллятора — удлинитель изножья предметы тяжелее 14 кг. Всегда пристегивайте все устройства, помещенные на лоток для дефибриллятора.
- Всегда проявляйте осторожность, если к изделию присоединены лоток для дефибриллятора — удлинитель изножья, изножье — планшет или вертикальный держатель кислородного баллона, чтобы избежать защемления пальцев при смене положения ручки для толкания ножного конца.

ПРЕДОСТЕРЕЖЕНИЕ - Всегда поднимайте штатив для внутривенных вливаний, прежде чем присоединять лоток для дефибриллятора — удлинитель изножья к изделию. Если вы не поднимете штатив для внутривенных вливаний, удлинитель изножья не будет функционировать.

Порядок преобразования лотка для дефибриллятора — удлинителя изножья в лоток для дефибриллятора:

1. Вытяните верхнюю ручку (А) (Рисунок 19).
2. Поверните лоток для дефибриллятора (В) так, чтобы он был расположен горизонтально над ножным концом изделия. Отпустите верхнюю ручку (А). Убедитесь в том, что лоток для дефибриллятора зафиксирован.
3. С помощью ремня пристегните устройства к лотку для дефибриллятора.

Примечание

- Не тяните и не толкайте изделие, взявшись за лоток для дефибриллятора — удлинитель изножья. Может произойти повреждение изделия.
- Не присоединяйте какие-либо предметы к удлинителю изножья.

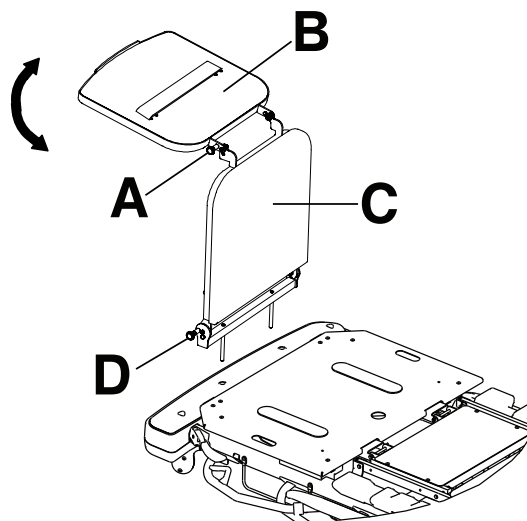


Рисунок 19 – Лоток для дефибриллятора/удлинителя изножья

Преобразование лотка для дефибриллятора/удлинителя изножья в удлинитель изножья

ПРЕДУПРЕЖДЕНИЕ

- Не помещайте на лоток для дефибриллятора — удлинитель изножья предметы тяжелее 14 кг. Всегда пристегивайте все устройства, помещенные на лоток для дефибриллятора.
- Всегда проявляйте осторожность, если к изделию присоединены лоток для дефибриллятора — удлинитель изножья, изножье — планшет или вертикальный держатель кислородного баллона, чтобы избежать защемления пальцев при смене положения ручки для толкания ножного конца.

ПРЕДОСТЕРЕЖЕНИЕ - Всегда поднимайте штатив для внутривенных вливаний, прежде чем присоединять лоток для дефибриллятора — удлинитель изножья к изделию. Если вы не поднимете штатив для внутривенных вливаний, удлинитель изножья не будет функционировать.

Порядок преобразования лотка для дефибриллятора — удлинителя изножья в удлинитель изножья (Рисунок 19):

1. Вытяните верхнюю ручку (A).
2. Поверните лоток для дефибриллятора (B) так, чтобы он зафиксировался на удлинителе изножья.
3. Вытяните нижнюю ручку (D), удерживая лоток для дефибриллятора — удлинитель изножья.
4. Опустите удлинитель изножья (C) до принятия горизонтального положения.
5. Отпустите нижнюю ручку (D). Надавите на удлинитель изножья, чтобы убедиться в том, что он зафиксирован.

Примечание

- Не тяните и не толкайте изделие, взявшись за лоток для дефибриллятора — удлинитель изножья. Может произойти повреждение изделия.
- Не присоединяйте какие-либо предметы к удлинителю изножья.

Присоединение изножье/планшет

ПРЕДУПРЕЖДЕНИЕ - Всегда проявляйте осторожность, если к изделию присоединены лоток для дефибриллятора — удлинитель изножья, изножье — планшет или вертикальный держатель кислородного баллона, чтобы избежать защемления пальцев при смене положения ручки для толкания ножного конца.

Чтобы присоединить изножье — планшет, вставьте штырьки изножья — планшета в гнезда на ножном конце изделия.

Примечание - Не тяните/не толкайте изделие, взявшись за изножье/планшет. Может произойти повреждение изделия.

Присоединение контейнера штатива для внутривенного вливания

ПРЕДУПРЕЖДЕНИЕ

- При транспортировке изделия всегда прикрепляйте штатив для внутривенного вливания к контейнеру штатива для внутривенного вливания.
 - Чтобы избежать повреждения изделия, всегда убирайте контейнер штатива для внутривенного вливания в положение для хранения, когда он не используется.
-

Порядок присоединения контейнера штатива для внутривенного вливания (Рисунок 20):

1. Извлеките контейнер штатива для внутривенного вливания из лотка для хранения или из зажима для хранения.
2. Поверните контейнер штатива для внутривенного вливания в нужное положение.
3. Поверните ручку (A) против часовой стрелки, чтобы ослабить зажим штатива (C).
4. Отведите ручку (A) в сторону от механизма присоединения кронштейна (B).
5. Откройте зажим (C).
6. Вставьте штатив для внутривенного вливания в зажим (C).
7. Закройте зажим (C) вокруг штатива для внутривенного вливания и переведите ручку (A) в исходное положение.
8. Поверните ручку (A) по часовой стрелке, чтобы затянуть ее.
9. Чтобы отсоединить контейнер штатива для внутривенного вливания от изделия, выполните эти действия в обратном порядке.

Для хранения контейнера штатива для внутривенного вливания поместите его в лоток для хранения или закрепите его в зажиме для хранения.

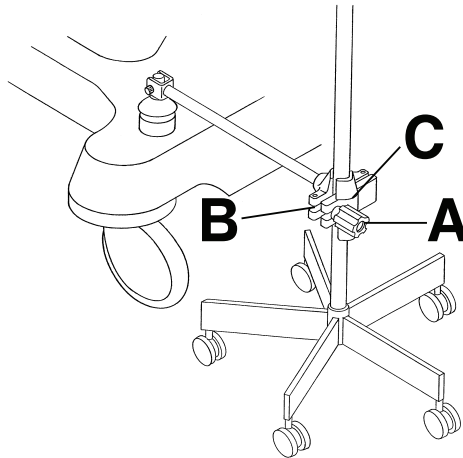


Рисунок 20 – Контейнер штатива для внутривенных вливаний

Изменение положения и складывание подножек — только в опции Prime

ПРЕДУПРЕЖДЕНИЕ

- Не садитесь на подножки. Это может вызвать опрокидывание изделия.
- При работе с подножками всегда держите пальцы подальше от механизмов.
- Всегда складывайте подножки при транспортировке пациента на изделии.
- Всегда затягивайте подножки перед использованием.
- Не используйте системы взвешивания с подножками. Могут отобразиться неверные результаты.

- Не используйте опцию **Chaperone** (Отслеживание) с подножками. Могут отобразиться неверные результаты.

Порядок изменения положения или складывания подножек:

1. Ослабьте коленную ручку (А) в верхней части подножек, чтобы отрегулировать поперечный угол наклона подножек (Рисунок 21).
2. Затяните коленную ручку (А), чтобы зафиксировать подножки в требуемом положении.

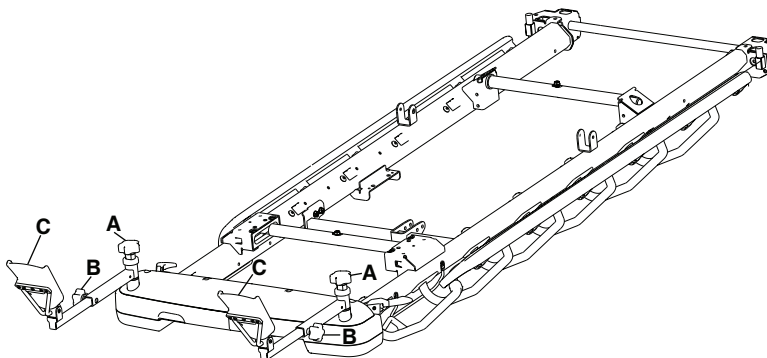


Рисунок 21 – Изменение положения подножек

3. Ослабьте ножную ручку (В) в боковой части подножек, чтобы отрегулировать длину.
4. Затяните ножную ручку (В), чтобы зафиксировать подножки в требуемом положении.
5. Откиньте подножки (С) вверх, прежде чем помещать пациента на изделие.
6. Выполните эти действия в обратном порядке, чтобы сложить подножки (Рисунок 22).

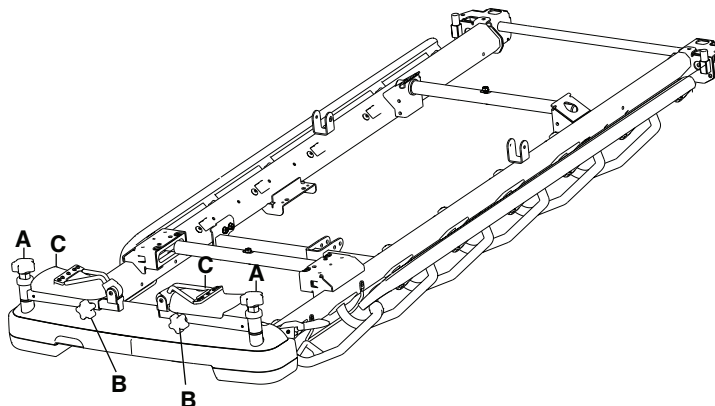


Рисунок 22 – Складывание подножек

Вы не можете приобрести следующие опции и принадлежности, если вы выберете подножки:

- Ручки для толкания ногового конца
- Лоток для дефибриллятора
- Лоток для дефибриллятора/удлинителя изножья
- Держатель подноса/изножье
- Изножье/планшет
- Штативы для внутривенных вливаний ногового конца

Примечание

- Не используйте подножки для хранения личных вещей пациента.
- Не тяните/не толкайте изделие, взявшись за подножки. Может произойти повреждение изделия.

- Всегда приводите в действие тормоза при использовании подножек, чтобы избежать нестабильности.
- Не используйте спинку или коленную секцию с подножками.

Изменение положения двухсекционного постоянно закрепленного штатива для внутривенных вливаний

ПРЕДУПРЕЖДЕНИЕ - Не тяните и не толкайте изделие, взявшись за штатив для внутривенных вливаний. Может произойти повреждение изделия.

Вы можете приобрести изделие с опцией двухсекционного штатива для внутривенных вливаний, постоянно закрепленного на головном конце, ножном конце или на обоих концах изделия. Штатив для внутривенных вливаний снабжен телескопической стойкой, которую можно выдвинуть на второй уровень высоты. Когда штатив для внутривенных вливаний не используется, его можно сложить и хранить в таком виде.

Установка двухсекционного штатива для внутривенных вливаний (Рисунок 23):

1. Приподнимите и поверните штатив из положения для хранения.
2. Нажмите на штатив для внутривенных вливаний так, чтобы он зафиксировался на месте.
3. Чтобы увеличить высоту штатива для внутривенных вливаний, потяните вверх за выдвигающуюся секцию (А) так, чтобы штатив зафиксировался в полностью поднятом положении.
4. Поверните вешалки капельниц (В) в нужное положение и подвесьте мешки для внутривенных вливаний.
5. Чтобы опустить штатив для внутривенных вливаний, захватите выдвигающуюся секцию штатива для внутривенных вливаний, поверните фиксатор (С) и опустите выдвигающуюся секцию.

Примечание

- Не подвешивайте на штатив для внутривенных вливаний мешки тяжелее 40 фунтов (18 кг).
- При транспортировке пациента обязательно опускайте штатив для внутривенных вливаний так, чтобы он проходил через дверные проемы.

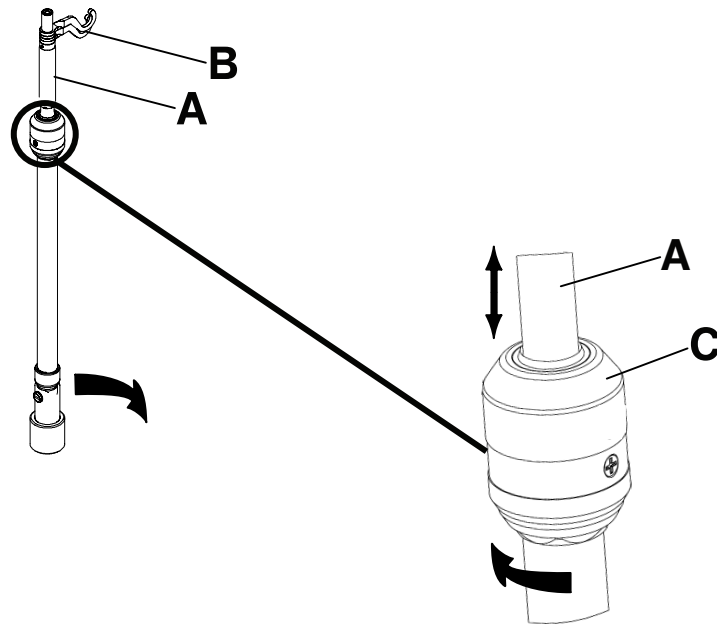


Рисунок 23 – Изменение положения двухсекционного постоянно закрепленного штатива для внутривенных вливаний

Изменение положения трехсекционного постоянно закрепленного штатива для внутривенных вливаний

ПРЕДУПРЕЖДЕНИЕ - Не тяните и не толкайте изделие, взявшись за штатив для внутривенных вливаний. Может произойти повреждение изделия.

Вы можете приобрести изделие с опцией трехсекционного штатива для внутривенных вливаний, постоянно закрепленного на головном конце, ножном конце или на обоих концах изделия. Штатив для внутривенных вливаний снабжен телескопической стойкой, которую можно выдвинуть на второй и третий уровень высоты. Когда штатив для внутривенных вливаний не используется, его можно сложить и хранить в таком виде.

Установка трехсекционного штатива для внутривенных вливаний (Рисунок 24):

1. Приподнимите и поверните штатив из положения для хранения.
2. Нажмите на штатив для внутривенных вливаний так, чтобы он зафиксировался на месте.
3. Чтобы увеличить высоту штатива для внутривенных вливаний, потяните вверх за выдвигающуюся секцию (А) так, чтобы штатив зафиксировался в полностью поднятом положении.
4. Чтобы поднять штатив еще выше, потяните вверх за секцию (В). Отпустите секцию (В) на любой необходимой высоте, чтобы зафиксировать штатив.
5. Поверните вешалки капельниц (С) в нужное положение и подвесьте мешки для внутривенных вливаний.
6. Чтобы опустить штатив для внутривенных вливаний, нажмите сверху на желтую часть ручки (D), удерживая секцию (В), пока штатив не опустится.
7. Поверните фиксатор (Е) и опустите выдвигающуюся секцию штатива для внутривенных вливаний.

Примечание

- Не подвешивайте на штатив для внутривенных вливаний мешки суммарным весом более 12 фунтов (5 кг).
- Не подвешивайте мешки тяжелее 9,3 фунтов (4,2 кг) к одной вешалке для капельницы.
- При транспортировке пациента обязательно опускайте штатив для внутривенных вливаний так, чтобы он проходил через дверные проемы.

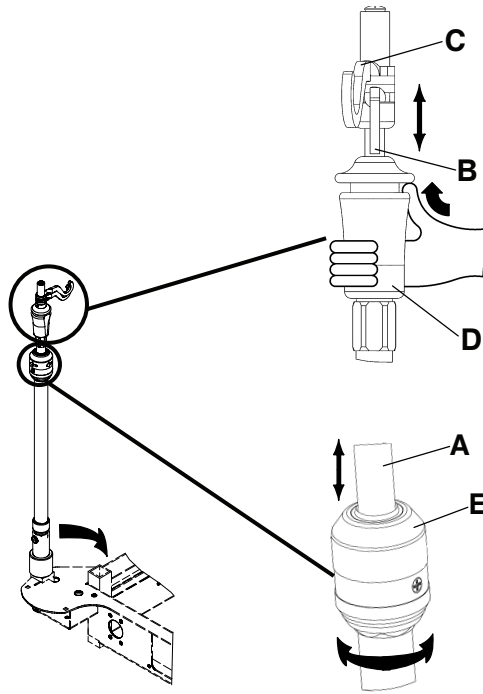


Рисунок 24 – Изменение положения трехсекционного постоянно закрепленного штатива для внутривенных вливаний

Присоединение и изменение положения съемного штатива для внутривенных вливаний

ПРЕДОСТЕРЕЖЕНИЕ

- Не тяните и не толкайте изделие, взявшись за штатив для внутривенных вливаний. Может произойти повреждение изделия.
- Не подвешивайте на штатив для внутривенных вливаний мешки тяжелее 40 фунтов (18 кг).
- При транспортировке пациента обязательно опускайте штатив для внутривенных вливаний так, чтобы он проходил через дверные проемы.

Порядок присоединения и изменения положения съемного штатива для внутривенных вливаний (Рисунок 25):

1. Вставьте штатив для внутривенных вливаний в гнездо головного или ножного конца изделия.
2. Поверните ручку (A) против часовой стрелки и потяните вверх за выдвигающуюся часть (B) до достижения нужной высоты.
3. Поверните ручку (A) по часовой стрелке, чтобы неподвижно зафиксировать выдвигающуюся часть.

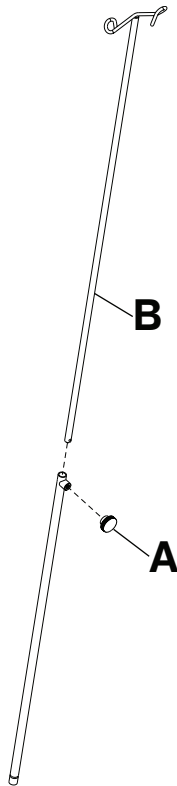


Рисунок 25 – Съемный штатив для внутривенных вливаний

Присоединение вертикального держателя кислородного баллона

ПРЕДУПРЕЖДЕНИЕ

- Не помещайте в вертикальный держатель кислородного баллона предметы тяжелее 40 фунтов (18 кг).
- Всегда проявляйте осторожность, если к изделию присоединены лоток для дефибриллятора/удлинитель изножья, изножье/планшет, или вертикальный держатель кислородного баллона, чтобы избежать защемления пальцев при смене положения ручки для толкания ножного конца.

Вертикальный держатель кислородного баллона предназначен для фиксации кислородного баллона в вертикальном положении.

Порядок присоединения вертикального держателя кислородного баллона:

1. Вставьте опорную планку в любое гнездо для штатива для внутривенных вливаний.
2. Вставьте шплинт в отверстие опорной планки, чтобы зафиксировать держатель баллона на изделии.

Примечание - Не тяните и не толкайте изделие, взявшись за вертикальный держатель кислородного баллона. Может произойти повреждение изделия.

Выдвижение или складывание держателя подноса — изножье

ПРЕДУПРЕЖДЕНИЕ - Не помещайте на поднос предметы тяжелее 30 фунтов (14 кг).

Чтобы поместить поднос на боковины, потяните за обе стороны подноса и поставьте его на боковины.

Чтобы сложить поднос:

1. Снимите поднос с боковин.
2. Надавите на стороны подноса.

3. Уберите поднос в изножье.

Примечание - Не толкайте/не тяните изделие, взявшись за поднос/изножье. Может произойти повреждение изделия.

Присоединение щитков боковин

Порядок присоединения щитков боковин:

1. Вставьте щиток боковины между матрасом и боковиной.
2. Застегните ляжки **Velcro®** вокруг верхней части боковины, чтобы зафиксировать щиток боковины.

Определение местоположения точек присоединения фиксирующих ремней пациента

ПРЕДУПРЕЖДЕНИЕ

- При присоединении фиксирующих ремней пациента всегда проявляйте осторожность. Возможна травма пациента или оператора. Физические средства фиксации, даже надежно закрепленные, могут привести к нанесению серьезного вреда пациентам и операторам, включая запутывание, захват, физические повреждения или смерть.
- Всегда присоединяйте фиксирующие ремни пациента или устройство только в специально указанных для этого местах изделия. Несоблюдение этого правила может привести к травме пациента или оператора. Не прикрепляйте фиксирующие ремни пациента к боковинам.
- Всегда изучайте региональные и федеральные ограничения и правила, а также применимые протоколы лечебного учреждения, прежде чем использовать любые фиксирующие ремни или устройства.

На каталке имеется восемь точек присоединения фиксирующих ремней пациента (Рисунок 26 или Рисунок 27).

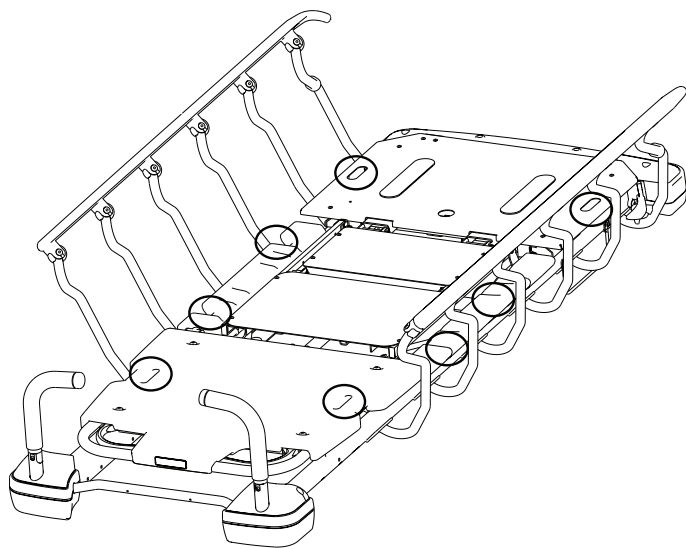


Рисунок 26 – Точки присоединения фиксирующих ремней на каталке Prime

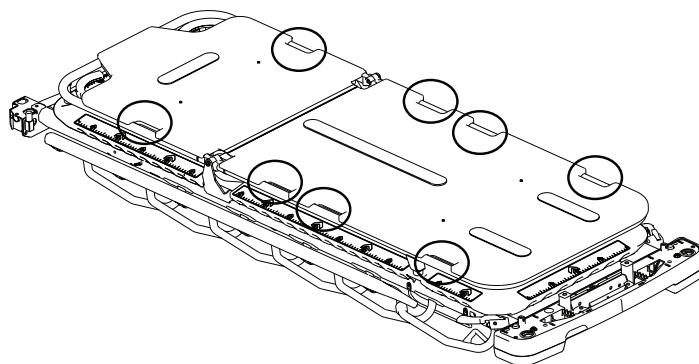


Рисунок 27 – Точки присоединения фиксирующих ремней на каталке Prime X

Примечание - Фиксирующие ремни представляют собой рабочие части типа В.

Установка вертикального держателя рентгеновской кассеты — опция Prime X

ПРЕДУПРЕЖДЕНИЕ

- При использовании вертикального или латерального держателя рентгеновской кассеты всегда применяйте меры защиты. Держатель рентгеновской кассеты не защищает от излучения.

- Прежде чем использовать опцию **Prime X** с генерирующими излучение устройствами, изучите местные, региональные и федеральные правила, а также протоколы лечебного учреждения относительно безопасности. Устройства, генерирующие излучение, могут создавать остаточное, побочное и рассеянное излучение.
- Всегда проявляйте особую осторожность при использовании матраца толще 2,5 дюйма (6,35 см) или дополнительного матраца с опцией **Prime X**.
- Всегда следуйте инструкциям раздела *Установка вертикального держателя рентгеновской кассеты — опция Prime X* относительно загрузки рентгеновской кассеты.

Держатель рентгеновской кассеты прикрепляется к раме спинки для положения Фаулера и служит в качестве опоры рентгеновских кассет. Вы можете получать рентгеновские снимки, когда пациент находится на изделии. Вы также можете регулировать положение кассеты перед получением рентгеновского снимка.

Порядок установки держателя рентгеновской кассеты:

1. Приведите в действие тормоза. Толкните изделие, чтобы убедиться, что тормоза работают.
2. Поднимите секцию спинки для положения Фаулера на полную высоту.
3. Вставьте нижние удерживающие направляющие (A) под планку рамы спинки для положения Фаулера (Рисунок 28).
4. Поднимите держатель кассеты так, чтобы удерживающие направляющие защелкнулись на раме спинки для положения Фаулера. Убедитесь в надежности фиксации держателя кассеты.

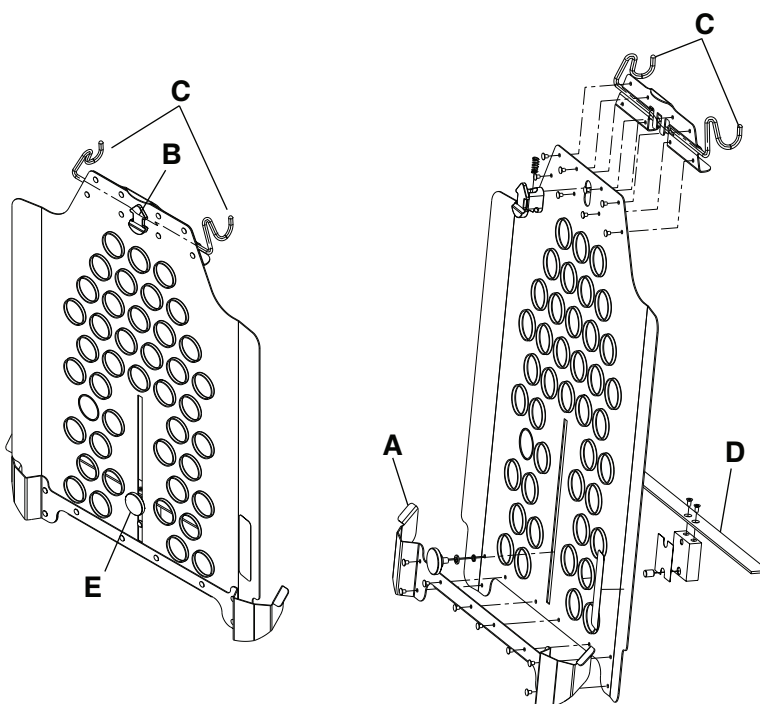


Рисунок 28 – Держатель рентгеновской кассеты

5. Вставьте рентгеновскую кассету с любой стороны держателя кассеты или потяните скользящую стрелку освобождения (B), чтобы отсоединить держатель кассеты от спинки для положения Фаулера, вставить кассету и зафиксировать держатель кассеты на раме спинки для положения Фаулера.
6. Чтобы отрегулировать высоту кассеты, ослабьте ручку (E) и переместите опорную направляющую кассеты (D) вверх или вниз до достижения требуемой высоты.
7. Затяните ручку (E), чтобы зафиксировать опорную направляющую кассеты.
8. По завершении рентгенографии потяните вверх скользящую стрелку освобождения (B), чтобы отсоединить держатель кассеты от спинки для положения Фаулера.
9. Извлеките рентгеновскую кассету из держателя кассеты.
10. Закройте и сложите держатель кассеты.

Изменение положения латерального держателя рентгеновской кассеты — опция Prime X

ПРЕДУПРЕЖДЕНИЕ

- При использовании вертикального или латерального держателя рентгеновской кассеты всегда применяйте меры защиты. Держатель рентгеновской кассеты не защищает от излучения.
- Прежде чем использовать опцию **Prime X** с генерирующими излучение устройствами, изучите местные, региональные и федеральные правила, а также протоколы лечебного учреждения относительно безопасности. Устройства, генерирующие излучение, могут создавать остаточное, побочное и рассеянное излучение.
- Всегда проявляйте осторожность при проведении рентгенографии, когда спинка для положения Фаулера находится в вертикальном положении или при использовании латеральной кассеты.
- Всегда проявляйте особую осторожность при использовании матраца толще 2,5 дюйма (6,35 см) или дополнительного матраца с опцией **Prime X**.
- Всегда следуйте инструкциям раздела *Изменение положения латерального держателя рентгеновской кассеты — опция Prime X* относительно загрузки рентгеновской кассеты.

Порядок установки латерального держателя рентгеновской кассеты — опция Prime X:

1. Приведите в действие тормоза. Толкните изделие, чтобы убедиться, что тормоза работают.

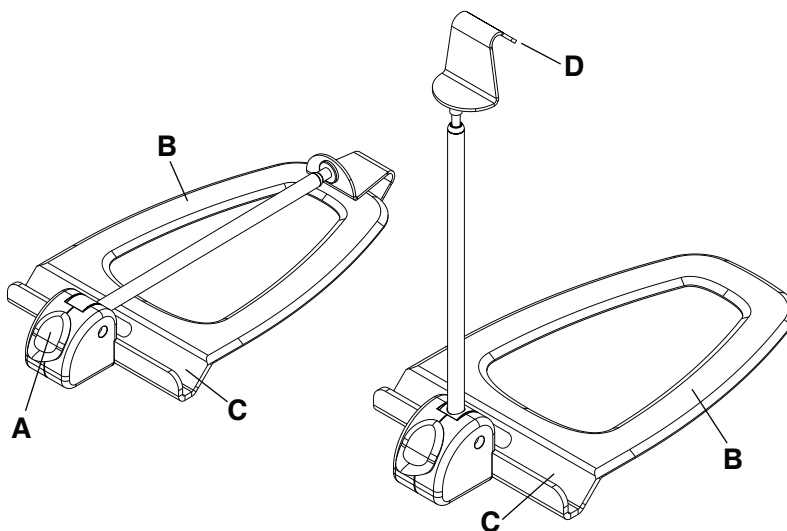


Рисунок 29 – Латеральный держатель рентгеновской кассеты

2. Нажмите вниз на желтую кнопку освобождения (A), чтобы открыть держатель латеральной кассеты (Рисунок 29).
3. Вставьте плоское основание (B) между матрацем и опорой для пациента.
4. Установите держатель латеральной кассеты в требуемое место.
5. Установите рентгеновскую кассету в канал для кассеты (C).
6. Потяните вверх за крючок кассеты (D), чтобы отрегулировать высоту кронштейна так, чтобы он вплотную примыкал к кассете и удерживал ее на месте.
7. Выполните указанные действия в обратном порядке, чтобы извлечь кассету и убрать латеральный держатель кассеты.

Заправка или извлечение рентгеновских кассет — опция Prime X

ПРЕДУПРЕЖДЕНИЕ

- Прежде чем использовать опцию **Prime X** с генерирующими излучение устройствами, изучите местные, региональные и федеральные правила, а также протоколы лечебного учреждения относительно безопасности. Устройства, генерирующие излучение, могут создавать остаточное, побочное и рассеянное излучение.

- Всегда проявляйте осторожность при проведении рентгенографии, когда спинка для положения Фаулера находится в вертикальном положении или при использовании латеральной кассеты.

Опция **Prime X** включает как отклоняющуюся опорную поверхность для радиографического устройства, так и платформу, расположенную под опорной поверхностью для пациента, для размещения рентгеновских кассет. В сочетании с медицинскими рентгенографическими устройствами опорная поверхность для рентгенографического устройства позволяет получать клинические рентгеновские изображения (всего тела в переднезадней проекции, (опция) всего тела в боковой проекции и (опция) грудной клетки в вертикальном положении), когда пациент находится на изделии. Кассеты можно вставлять с головного конца, ножного конца и с обеих сторон изделия.

Чтобы заправить рентгеновскую кассету:

1. Поместите пациента в центр изделия, руководствуясь наклейками, указывающими положение, расположенными по всем сторонам изделия (Рисунок 30).
2. Вставьте рентгеновскую кассету в пространство под поверхностью для пациента. Пользуйтесь направляющими для кассеты, чтобы вставить кассету правильно.

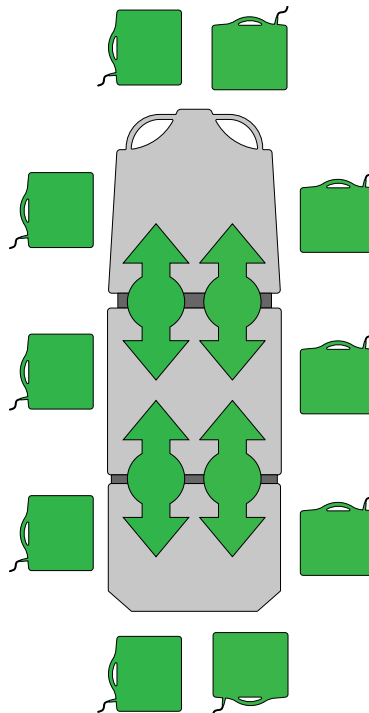


Рисунок 30 – Заправка или извлечение рентгеновских кассет, опция Prime X

Примечание

- Не используйте матрац толщиной более 4 дюймов (10 см) с опцией **Prime X**.
- Не используйте C-Arm с опцией **Prime X**. Опция **Prime X** несовместима с C-Arm.

Очистка

Очистка изделия

ПРЕДОСТЕРЕЖЕНИЕ - При очистке кожуха дисплея опции системы взвешивания не используйте абразивные чистящие средства. Не допускайте скопления чистящих растворов и прочих жидкостей на модуле дисплея. После утечки или очистки протирайте все поверхности.

Эти инструкции описывают рекомендованные методы очистки каталки **Prime Series**.

Изделие можно подвергать мойке под давлением. После многократной мойки на изделии могут появиться признаки окисления или изменения цвета. Тем не менее, правильно выполняемая мойка под давлением не приведет к ухудшению рабочих характеристик или нарушению функций изделия.

Рекомендованный метод очистки:

1. Перед транспортировкой или очисткой изделия отсоединяйте шнур питания от розетки, если изделие оснащено электрическим подъемником или опцией электрифицированной кушетки.
2. Снимите матрац с изделия.
3. Соблюдайте рекомендации изготовителя чистящего раствора по разведению.
4. Компания Stryker рекомендует использовать стандартное больничное устройство для мойки хирургических стоек для мойки под давлением.
5. Высушите изделие. Не кладите матрац на изделие до высыхания изделия.
6. Перед возобновлением пользования изделием проверьте его функциональность.
 - Поднимите и опустите изделие
 - Зафиксируйте и отпустите педаль тормоза/регулирования угла поворота в обоих положениях
 - Зафиксируйте и освободите боковины
 - Поднимите и опустите спинку положения Фаулера
 - Поднимите и опустите коленную секцию
 - Убедитесь в том, что все компоненты надлежащим образом смазаны
 - Убедитесь в том, что все ярлыки не повреждены

Примечание

- Прямой контакт кожи с заметно загрязненным, проницаемым материалом может увеличить риск заражения.
- Не очищайте это изделие паром.
- Очистите отсек для хранения в колпаке основания.
- Очистите нижнюю часть тормозных колодок, чтобы предотвратить скопление мастики или частиц пола.
- Некоторые чистящие средства являются коррозионно-активными по своей природе и могут повредить изделие при неправильном использовании ими. Если не ополоснуть и не высушить изделие надлежащим образом, на его поверхности может остаться коррозионно-активный осадок, способный привести к преждевременной коррозии критических компонентов. Несоблюдение этих инструкций по очистке может привести к аннулированию гарантии.

Очистка изделия с помощью устройства для мойки хирургических стоек

Компания Stryker рекомендует использовать стандартное больничное устройство для мойки хирургических стоек для мойки каталки не чаще одного раза в год в течение всего срока службы изделия.

Порядок очистки изделия с помощью устройства для мойки хирургических стоек:

1. Перед транспортировкой или очисткой изделия отсоединяйте шнур питания от розетки, если изделие оснащено электрическим подъемником или опцией электрифицированной кушетки.
2. Перед мойкой изделия снимите матрац. Не мойте матрац вместе с изделием.

3. Поставьте спинку для положения Фаулера на 45°.
4. Установите изделие в полное обратное положение Тренделенбурга (ножным концом вниз).
5. Поднимите боковины.
6. Поместите штативы для внутривенным вливаний и ручки для толкания в верхнее положение.
7. Очистите изделие при максимальной температуре воды 82 °C (180 °F) и максимально давлении 103,5 бар/ 1500 фунтов/кв. дюйм.
8. Высушите изделие на воздухе при максимальной температуре 93 °C (200 °F) в течение восьми минут.
9. Высушите изделие. Не кладите матрац на изделие до высыхания изделия.
10. Перед возобновлением пользования изделием проверьте его функциональность.
 - Поднимите и опустите изделие
 - Зафиксируйте и отпустите педаль тормоза/регулирования угла поворота в обоих положениях
 - Зафиксируйте и освободите боковины
 - Поднимите и опустите спинку положения Фаулера
 - Убедитесь в том, что все компоненты надлежащим образом смазаны
 - Убедитесь в том, что все ярлыки не повреждены и разборчивы

Примечание

- Не очищайте это изделие паром.
- Некоторые чистящие средства являются коррозионно-активными по своей природе и могут повредить изделие при неправильном использовании ими. Если не ополоснуть и не высушить изделие надлежащим образом, на его поверхности может остаться коррозионно-активный осадок, способный привести к преждевременной коррозии критических компонентов. Несоблюдение этих инструкций по очистке может привести к аннулированию гарантии.

Очистка матраца

ПРЕДУПРЕЖДЕНИЕ

- Пока изделие используется, не чистите его и не выполняйте его техническое обслуживание.
 - Не погружайте матрац в чистящие или дезинфицирующие растворы. Излишки влаги могут привести к отказу изделия, повреждению изделия или травме пациента.
 - Не допускайте скопления жидкости на матраце. Жидкости могут вызвать коррозию компонентов и привести к непредсказуемым последствиям для безопасности и функциональности этого изделия.
 - При каждой очистке всегда проверяйте на матрасники на предмет наличия разрывов, проколов, чрезмерного износа и несовпадающих застежек-молний. Удаляйте и заменяйте поврежденный матрац, чтобы предотвратить перекрестное загрязнение.
 - Не подвергайте матрацы паровой очистке, мойке под давлением, поливанию из шланга или ультразвуковой очистке. Эти методы очистки могут аннулировать гарантию изделия.
-

На срок службы матраца может повлиять увеличение частоты его использования, что может привести к более частой очистке и дезинфекции.

Рекомендованный метод очистки:

1. Протрите весь матрац чистой мягкой тканью, смоченной водным раствором мягкодействующего мыла, чтобы удалить загрязнения.
2. Протрите матрац чистой сухой тканью, чтобы удалить остатки жидкости или чистящего средства.
3. После очистки ополосните и высушите матрасники.
4. По завершении очистки при необходимости дезинфицируйте изделие дезинфицирующим средством для медицинского применения (см. раздел *Дезинфекция матраца*).

Примечание

- Не гладьте матрац утюгом, не подвергайте его химической чистке и не сушите его в барабанной сушилке, так как это приведет к отказу и повреждению изделия.
- Чтобы избежать снижения функциональных качеств изделия, наматрасники необходимо полностью высушить, прежде чем направлять их на хранение, стелить на них белье или помещать на них пациента.
- Избегайте чрезмерного контакта со спиртом или перекисью водорода. Материал наматрасника разбухнет.
- Не допускайте просачивания жидкости в область застежки-молнии или клапана, прикрывающего застежку. При попадании на застежку-молнию жидкость может просочиться внутрь матраца, что приведет к снижению функциональных качеств изделия.
- Некоторые чистящие средства являются коррозионно-активными по своей природе и могут повредить изделие при неправильном использовании ими. Если не ополоснуть и не высушить изделие надлежащим образом, на его поверхности может остаться коррозионно-активный осадок, способный привести к преждевременной коррозии критических компонентов. Несоблюдение этих инструкций по очистке может привести к аннулированию гарантии.

Удаление йода

1. Приготовьте раствор 1–2 столовых ложек тиосульфата натрия в 0,5 л теплой воды. Протрите загрязненное место этим раствором.
2. Удалите пятно как можно скорее после его появления.
3. Если пятно не было удалено немедленно, налейте раствор на матрац или оставьте лужицу раствора на матраце на некоторое время, а затем протрите матрац.
4. Перед возобновлением пользования ополосните матрац, на котором применялся раствор, чистой водой.

Примечание - Несоблюдение этих инструкций при использовании чистящих средств указанного типа может привести к аннулированию гарантии.

Специальные инструкции

Velcro®	Обильно смочите дезинфицирующим средством, ополосните водой и дайте раствору испариться.
Твердые загрязнения или пятна	Используйте нейтральное мыло и теплую воду. Не используйте агрессивные чистящие средства, растворители или абразивные чистящие средства.
Места, очистка которых затруднена	Используйте стандартные бытовые чистящие средства или чистящие средства для винила и щетку с мягкой щетиной в местах или в отношении пятен, очистка которых затруднена. Предварительно смачивайте присохшие загрязнения.
Стирка	Стирка не рекомендуется. Стирка может существенно сократить срок службы матраца.

Дезинфекция

Дезинфекция изделия

ПРЕДУПРЕЖДЕНИЕ

- Пока изделие используется, не чистите его и не выполняйте его техническое обслуживание.
 - Не подвергайте изделие паровой очистке, поливанию из шланга или ультразвуковой очистке. Использование этих методов очистки не рекомендовано, и их применение может аннулировать гарантию изделия.
-

Рекомендуемые дезинфицирующие средства:

- Чистящие средства на основе четвертичных аммониевых соединений (активный компонент — хлорид аммония), содержащие менее 3 % гликолевого эфира
- Фенольное дезинфицирующее средство (активный ингредиент — о-фенилфенол)
- Хлорированный раствор отбеливателя (1 часть 5,25 %-ного раствора отбеливателя на 100 частей воды, что соответствует 520 мг/л доступного хлора (40 мл 5,25 %-ного раствора отбеливателя на 4000 мл воды))
- 70 %-й изопропиловый спирт

Рекомендуемая методика дезинфекции:

1. В точности исполняйте рекомендации изготовителя дезинфицирующего раствора по разведению.
2. Протрите вручную все поверхности дезинфицирующим раствором.
3. Избегайте чрезмерного увлажнения и следите за тем, чтобы изделие не оставалось влажным дольше, чем указано в инструкции изготовителя, для обеспечения надлежащей дезинфекции.
4. Высушите изделие. Не кладите матрац на изделие до высыхания изделия.
5. Дезинфицируйте **Velcro®** после каждого использования. Смочите **Velcro®** дезинфицирующим средством, промойте водой и подождите, пока дезинфицирующее средство испарится (надлежащее дезинфицирующее средство определяется медицинском учреждением).
6. Перед возобновлением пользования изделием проверьте его функциональность.
 - Поднимите и опустите изделие
 - Зафиксируйте и отпустите педаль тормоза/регулирования угла поворота в обоих положениях
 - Зафиксируйте и освободите боковины
 - Поднимите и опустите спинку положения Фаулера
 - Поднимите и опустите коленную секцию
 - Убедитесь в том, что все компоненты надлежащим образом смазаны
 - Убедитесь в том, что все ярлыки не повреждены

Примечание

- Прямой контакт кожи с заметно загрязненным, проницаемым материалом может увеличить риск заражения.
- Некоторые чистящие средства являются коррозионно-активными по своей природе и могут повредить изделие при неправильном пользовании ими. Если не ополоснуть и не высушить изделие надлежащим образом, на его поверхности может остаться коррозионно-активный осадок, способный привести к преждевременной коррозии критических компонентов. Несоблюдение этих инструкций по очистке может привести к аннулированию гарантии.

Дезинфекция матраца

ПРЕДУПРЕЖДЕНИЕ - Всегда дезинфицируйте матрац при смене пациентов. Несоблюдение этого правила может привести к перекрестному заражению и инфекции.

Рекомендуемые дезинфицирующие средства:

- Чистящие средства на основе четвертичных аммониевых соединений (активный компонент — хлорид аммония), содержащие менее 3 % гликолевого эфира
- Фенольное дезинфицирующее средство (активный ингредиент — о-фенилфенол)
- Хлорированный раствор отбеливателя (1 часть 5,25 %-ного раствора отбеливателя на 100 частей воды, что соответствует 520 мг/л доступного хлора (40 мл 5,25 %-ного раствора отбеливателя на 4000 мл воды))
- 70 %-й изопропиловый спирт

Рекомендуемая методика дезинфекции:

1. Перед применением дезинфицирующих средств убедитесь, что матрас чистый и сухой.
2. Протрите матрас чистой сухой тканью, чтобы удалить излишки жидкости или дезинфицирующего средства.
3. После дезинфекции ополосните и высушите наматрасники.

Примечание

- Наматрасник необходимо высушить, прежде чем направлять его на хранение или стелить на него белье. Если не удалить остатки дезинфицирующего средства, это может привести к деградации материала наматрасника.
- Некоторые чистящие средства являются коррозионно-активными по своей природе и могут повредить изделие при неправильном пользовании ими. Если не ополоснуть и не высушить изделие надлежащим образом, на его поверхности может остаться коррозионно-активный осадок, способный привести к преждевременной коррозии критических компонентов. Несоблюдение этих инструкций по очистке может привести к аннулированию гарантии.
- Частый или продолжительный контакт с дезинфицирующими растворами высокой концентрации может преждевременно состарить ткань наматрасника.
- Использование форсированной перекиси водорода или четвертичных соединений, содержащих эфиры гликолей, может повредить наматрасник.

Профилактическое обслуживание

Пока не выполнена проверка в рамках профилактического обслуживания, прекратите пользоваться изделием. Проверьте все компоненты, приведенные в списке для ежегодного профилактического обслуживания всех изделий компании Stryker Medical. В зависимости от уровня использования изделия может потребоваться более частая проверка в целях профилактического обслуживания. Техническое обслуживание должно проводиться исключительно квалифицированным персоналом.

Примечание - Если применимо, перед осмотром матраца очистите и продезинфицируйте его наружные поверхности.

Осмотрите следующие компоненты:

- _____ все фиксаторы функционируют надежно;
- _____ боковины передвигаются и фиксируются;
- _____ ролики блокируются при нажатии на педаль тормоза;
- _____ ролики надежно закреплены и поворачиваются;
- _____ ролики свободны от воска и мелкого мусора;
- _____ механизм тормоза работает;
- _____ функция изменения направления движения работает;
- _____ проверьте обшивку на предмет трещин;
- _____ спинка для положения Фаулера поднимается, опускается и фиксируется в выбранном положении;
- _____ коленная секция поднимается, опускается и фиксируется в выбранном положении (дополнительно);
- _____ механизм перевода в положение Тренделенбурга и обратное положение Тренделенбурга функционирует из любого положения;
- _____ цепь заземления исправна;
- _____ утечка из гидравлических соединений отсутствует;
- _____ гидравлические подъемники удерживают кушетку;
- _____ ремни безопасности застегиваются и надежно закреплены (дополнительно);
- _____ штатив для внутривенных вливаний исправен, перемещается в нужное положение и фиксируется во всех положениях (дополнительно);
- _____ держатель кислородного баллона исправен, открывается и закрывается (дополнительно);
- _____ в наматраснике нет разрывов и трещин;
- _____ принадлежности и крепежные приспособления в хорошем состоянии;
- _____ функционирование при питании от батареи (дополнительно);
- _____ кабели не изношены и не зажаты (дополнительно);
- _____ шнур питания и вилка не повреждены (дополнительно);
- _____ все электрические соединения надежно закреплены (дополнительно);
- _____ все провода заземления прикреплены к раме (дополнительно);
- _____ импеданс заземления не более 200 мОм (миллиом) (дополнительно);
- _____ утечка тока не более 300 мкА (микроампер) (в соответствии с UL 60606-1-1) (дополнительно);
- _____ аккумуляторы заряжены (необязательная система взвешивания);
- _____ кожух дисплея исправен и не поврежден (необязательная система взвешивания);
- _____ датчики нагрузки исправны (необязательная система взвешивания);
- _____ механизм коленной ручки подстоппника функционирует, и его можно зафиксировать (дополнительно);
- _____ механизм ножной ручки подстоппника функционирует, и его можно зафиксировать (дополнительно);

- _____ подстопник выдвигается на максимальную длину и останавливается в правильном положении (дополнительно);
- _____ самонарезающие винты подстопника (6) надежно закреплены, и с них не сорвана резьба (дополнительно);
- _____ весы откалиброваны; при необходимости выполните повторную калибровку (необязательная система взвешивания);
- _____ вертикальный держатель рентгеновской кассеты в хорошем рабочем состоянии, и его можно отрегулировать для любой рентгеновской кассеты (опция **Prime X**);
- _____ поверхности спинки для положения Фаулера и подножки не повреждены (опция **Prime X**);
- _____ лотки изголовья и изножья не повреждены (опция **Prime X**);
- _____ болты и гайки, проходящие через каждый шарнир спинки для положения Фаулера, надежно затянуты (опция **Prime X**).

Серийный номер изделия:
Выполнено (кем):
Дата:

Сведения об ЭМС

ПРЕДОСТЕРЕЖЕНИЕ

- Использование принадлежностей, датчиков и кабелей, не указанных и не поставляемых изготовителем, может привести к увеличению электромагнитного излучения или снижению устойчивости системы к электромагнитным помехам, в результате чего могут возникнуть сбои в работе оборудования.
- Характеристики помехоэмиссии данного оборудования позволяют использовать его в промышленных условиях и лечебных учреждениях (CISPR 11 класс А). Если оно используется в жилых помещениях, для которых обычно требуется CISPR 11 класса В, это оборудование не может обеспечить адекватную защиту услуг радиочастотной связи. Может потребоваться принятие дополнительных мер по ограничению воздействия, например, перемещение или изменение ориентации оборудования.

Рекомендации и декларация изготовителя — помехоэмиссия

Опция электрического подъемника, опции электрифицированной кушетки или опция системы взвешивания предназначены для использования в электромагнитном окружении, охарактеризованном ниже. Оператор опции электрического подъемника, опции электрифицированной кушетки или опции системы взвешивания должен убедиться, что они эксплуатируются в таком окружении.

Испытание на помехоэмиссию	Соответствие	Электромагнитная обстановка
Радиочастотная помехоэмиссия CISPR 11	Группа 1	В опции электрического подъемника, опции электрифицированной кушетки или опции системы взвешивания энергия в диапазоне радиочастот используется исключительно для внутренних целей. Таким образом, его излучение в диапазоне радиочастот очень невелико и, по всей вероятности, не создаст никаких помех для близлежащего электронного оборудования.
Радиочастотная помехоэмиссия CISPR 11	Класс А	Опцию электрического подъемника, опцию электрифицированной кушетки или опцию системы взвешивания можно использовать в любых помещениях, помимо жилых и непосредственно подключенных к коммунальным низковольтным электросетям жилых зданий.
Эмиссия гармонических составляющих IEC 61000-3-2 *	Класс А	
Колебания напряжения и фликер IEC 61000-3-3 *	Соответствует	

* Относится только к опции электрического подъемника или опции электрифицированной кушетки.

ПРЕДОСТЕРЕЖЕНИЕ

- Не используйте переносное радиочастотное оборудование связи, включая периферийные устройства, такие как кабели антенн и наружные антенны, на расстоянии менее 12 дюймов (30 см) от какой-либо части каталки **Prime**, включая кабели, указанные изготовителем.
- Избегайте штабелирования или размещения прочего оборудования в непосредственной близости от другого оборудования, чтобы избежать сбоев в работе изделий. Если такая эксплуатация необходима, внимательно наблюдайте за штабелированным или находящимся в непосредственной близости оборудованием, чтобы убедиться в его надлежащем функционировании.

Рекомендуемые пространственные разности между переносным и мобильным оборудованием связи, работающим в диапазоне радиочастот, и электрическим подъемником, электрифицированной кушеткой или системой взвешивания.

Опция электрического подъемника, опция электрифицированной кушетки или опция системы взвешивания предназначены для использования в электромагнитной среде, где излучаемые помехи в диапазоне радиочастот контролируются. Потребитель или пользователь опции электрического подъемника, опции электрифицированной кушетки или опции системы взвешивания может помочь предотвратить электромагнитные помехи, поддерживая минимальное расстояние между переносным и мобильным оборудованием связи в диапазоне радиочастот (передатчиками) и электрическим подъемником, электрифицированной кушеткой или системой взвешивания, как рекомендовано ниже, согласно максимальной выходной мощности оборудования связи.

Номинальная максимальная выходная мощность передатчика Вт	Пространственный разнос в зависимости от частоты передатчика м		
	от 150 кГц до 80 МГц $D = (1,2) (\sqrt{P})$	от 80 МГц до 800 МГц $D = (1,2) (\sqrt{P})$	от 800 МГц до 2,7 ГГц $D = (2,3) (\sqrt{P})$
0,01	0,12	0,12	0,23
0,1	0,38	0,38	0,73
1	1,2	1,2	2,3
10	3,8	3,8	7,3
100	12	12	23

Для передатчиков с номинальной максимальной выходной мощностью, не указанной выше, рекомендованный пространственный разнос (D) в метрах (м) можно оценить с помощью уравнения, применимого к частоте передатчика, где P — номинальная максимальная выходная мощность передатчика в ваттах (Вт) по данным изготовителя передатчика.

Примечание 1. При частотах 80 и 800 МГц следует применять пространственный разнос, соответствующий более высокому диапазону частот.

Примечание 2. Данные рекомендации могут оказаться неприменимыми в некоторых ситуациях. На распространение электромагнитных волн влияют поглощение и отражение от строений, объектов и людей.

Рекомендации и декларация изготовителя — помехоустойчивость

Функция электрического подъемника, опция электрифицированной кушетки или опция системы взвешивания предназначены для использования в электромагнитном окружении, охарактеризованном ниже. Потребитель или пользователь опции электрического подъемника, опции электрифицированной кушетки или опции системы взвешивания должен убедиться, что они эксплуатируются в таком окружении.

Испытание на помехоустойчивость	Испытательный уровень по IEC 60601	Уровень соответствия	Электромагнитная обстановка — указания
Электростатический разряд (ЭСР) IEC 61000-4-2	±8 кВ при контакте ±15 кВ в воздухе	±8 кВ при контакте ±15 кВ в воздухе	Полы должны быть деревянными, бетонными или кафельными. Если полы покрыты синтетическим материалом, то относительная влажность воздуха должна составлять не менее 30 %.


Электрические наносекундные импульсные помехи IEC 61000-4-4*	± 2 кВ для линий электроснабжения ± 1 кВ для линий входа/выхода	± 2 кВ для линий электроснабжения ± 1 кВ для линий входа/выхода	Качество питающих сетей должно быть типовым для промышленных и (или) больничных условий.
Микросекундные импульсные помехи IEC 61000-4-5*	± 1 кВ между линиями ± 2 кВ между линиями и землей	± 1 кВ между линиями ± 2 кВ между линиями и землей	Качество питающих сетей должно быть типовым для промышленных и (или) больничных условий.
Провалы, прерывания и выбросы напряжения сети электропитания IEC 61000-4-11*	0 % U_T на протяжении 0,5 цикла при $0^\circ, 45^\circ, 90^\circ, 135^\circ, 180^\circ, 225^\circ, 270^\circ$ и 315° 0 % U_T на протяжении 1 цикла 70 % U_T (30 %-ное падение U_T) на протяжении 25 циклов 0 % U_T на протяжении 250 циклов	0 % U_T на протяжении 0,5 цикла при $0^\circ, 45^\circ, 90^\circ, 135^\circ, 180^\circ, 225^\circ, 270^\circ$ и 315° 0 % U_T на протяжении 1 цикла 70 % U_T (30 %-ное падение U_T) на протяжении 25 циклов 0 % U_T на протяжении 250 циклов	Качество питающих сетей должно быть типовым для промышленных и (или) больничных условий. Если пользователь опции электрического подъемника или опции электрифицированной кушетки нуждается в непрерывной эксплуатации системы при перерывах в подаче электроэнергии, рекомендуется осуществлять питание устройства от источника бесперебойного питания или батареи.
Магнитное поле промышленной частоты (50/60 Гц) IEC 61000-4-8	30 А/м	30 А/м	Магнитные поля промышленной частоты должны иметь уровни, соответствующие типичным условиям промышленных зданий и лечебных учреждений.

Примечание: U_T — это напряжение в питающей сети переменного тока до применения испытываемого уровня.

*Относится только к опции электрического подъемника или опции электрифицированной кушетки.

Рекомендации и декларация изготовителя — помехоустойчивость

Функция электрического подъемника, опция электрифицированной кушетки или опция системы взвешивания предназначены для использования в электромагнитном окружении, охарактеризованном ниже. Потребитель или пользователь опции электрического подъемника, опции электрифицированной кушетки или опции системы взвешивания должен убедиться, что они эксплуатируются в таком окружении.

Испытание на помехоустойчивость	Испытательный уровень по IEC 60601	Уровень соответствия	Электромагнитная обстановка — указания
<p>Кондуктивные помехи, наведенные радиочастотным электромагнитным полем</p> <p>IEC 61000- 4-6*</p> <p>Радиочастотное электромагнитное поле</p> <p>IEC 61000-4-3</p>	<p>3 В скв</p> <p>6 В скв в диапазоне ISM и диапазонах любительской радиосвязи</p> <p>от 150 кГц до 80 МГц</p> <p>3 В/м</p> <p>от 80 МГц до 2,7 ГГц</p>	<p>3 В скв</p> <p>6 В скв в диапазоне ISM и диапазонах любительской радиосвязи</p> <p>3 В/м</p>	<p>Переносное и мобильное оборудование связи, работающее в диапазоне радиочастот, должно находиться от любой части электрического подъемника, электрифицированной кушетки или системы взвешивания, включая кабели, на расстоянии не меньшем, чем рекомендуемый пространственный разнос, рассчитанный по уравнению, применимому к частоте передатчика.</p> <p>Рекомендуемый пространственный разнос</p> <p>$D = (1,2) (\sqrt{P})$</p> <p>$D = (1,2) (\sqrt{P})$</p> <p>от 80 МГц до 800 МГц</p> <p>$D = (2,3) (\sqrt{P})$</p> <p>от 800 МГц до 2,7 ГГц</p> <p>где P — максимальная номинальная выходная мощность передатчика в ваттах (Вт) согласно изготовителю передатчика, а D — рекомендуемый пространственный разнос в метрах (м).</p> <p>Напряженности полей от стационарных радиочастотных передатчиков, определенных путем электромагнитного обследования местности ^a, должны быть ниже уровня соответствия в каждом диапазоне частот ^b.</p> <p>Помехи могут наблюдаться вблизи оборудования, помеченного следующим символом:</p> 

Примечание 1. При частотах 80 и 800 МГц следует применять требования к более высокому диапазону частот.

Примечание 2. Данные рекомендации могут оказаться неприменимыми в некоторых ситуациях. На распространение электромагнитных волн влияют их поглощение и отражение от строений, предметов и людей.

Примечание 3. Диапазоны ISM (промышленность-наука-медицина) от 0,15 МГц до 80 МГц составляют от 6,765 МГц до 6,795 МГц; от 13,553 МГц до 13,567 МГц; от 26,957 МГц до 27,283 МГц; и от 40,66 МГц до 40,70 МГц.

^a Напряженность полей от стационарных передатчиков, таких как базовые станции сотовых телефонов (мобильных/беспроводных) и переносных мобильных радиостанций, любительские радиостанции, радиовещательные станции с амплитудной и частотной модуляцией и телевизионные станции, нельзя теоретически предсказать с высокой точностью. Чтобы оценить электромагнитную обстановку, связанную со стационарными передатчиками в диапазоне радиочастот, следует рассмотреть возможность проведения электромагнитного обследования места размещения устройства. Если измеренная напряженность поля в месте применения опции электрического подъемника, опции электрифицированной кушетки или опции системы взвешивания превышает соответствующий вышеприведенный допустимый уровень напряженности поля в диапазоне радиочастот, за работой опции электрического подъемника, опции электрифицированной кушетки или опции системы взвешивания следует наблюдать, чтобы убедиться в ее нормальном функционировании. Если замечены отклонения от нормальной работы, могут понадобиться дополнительные меры, такие как переориентирование или перемещение электрического подъемника, электрифицированной кушетки или системы взвешивания.

^b В диапазоне частот от 150 кГц до 80 МГц напряженность поля составляет менее 3 В/м.

*Относится только к опции электрифицированной кушетки.

Nosidlá Prime Series®













Prevádzková príručka












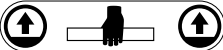




REF 1115

Big Wheel®



Symbols

	Pozrite si príručku/brožúru s návodom
	Prečítajte si návod na použitie
	Všeobecné varovanie
	Upozornenie
	Varovanie – rozdrvenie rúk
	Varovanie – neionizujúce žiarenie
	Netlačiť
	Neskladujte kyslíkovú fľašu
	Nemazať
REF	Katalógové číslo
LOT	Kód šarže
SN	Sériové číslo
US Patents	Informácie o patentoch v USA nájdete na stránke www.stryker.com/patents
CE	Značka CE
EC REP	Splnomocnený zástupca v Európskom spoločenstve
MD	Európska zdravotnícka pomôcka
	Výrobca
	Dátum výroby
	Dovozca

	Bezpečná prevádzková nosnosť
	Maximálna hmotnosť pacienta
	Hmotnosť zariadenia pri bezpečnom prevádzkovom zaťažení
	Jednosmerný prúd
	Striedavý prúd
	Nebezpečné napätie
	Ochranné uzemnenie
IPX6	Ochrana pred veľmi prudko striekajúcou vodou
	Aplikovaná časť typu B
	Zdravotnícke zariadenie klasifikované spoločnosťou Underwriters Laboratories Inc. len v súvislosti s rizikami zásahu elektrickým prúdom, požiaru a mechanickými rizikami v súlade s normami ANSI/AAMI ES60601-1:2005 a CAN/CSA-C22.2 č. 60601-1:08. *Pre voliteľnú možnosť Prime X : pridružené vybavenie röntgenového vybavenia – IEC 60601-2-54
	V súlade s európskou smernicou 2012/19/EÚ o odpade z elektrických a elektronických zariadení (OEEZ) v znení zmien tento symbol znamená, že výrobok sa musí odovzdať do separovaného zberu na recykláciu. Nelikvidujte ho ako netriedený komunálny odpad. Informácie o likvidácii vám poskytne miestny distribútor. Pred recykláciou zabezpečte dekontamináciu infikovaného zariadenia.
	Namazať
	Tu zdvihnúť
	Touto stranou nahor
	Udržujte v suchu
	Krehké, zaobchádzajte opatrne
	Obmedzenie počtu pri umiestňovaní na seba

Obsah

Definícia varovania/upozornenia/poznámky	3
Zhrnutie bezpečnostných opatrení	3
Body príškripnutia	6
Úvod	7
Opis výrobku	7
Indikácie použitia	7
Klinické výhody	8
Kontraindikácie	8
Predpokladaná prevádzková životnosť	8
Likvidácia/recyklácia	8
Špecifikácie	8
Ilustrácia výrobku – Prime	11
Ilustrácia výrobku – voliteľná možnosť Prime X	12
Aplikované časti – voliteľná možnosť elektrického roštu	13
Aplikované časti – voliteľná možnosť Prime X	13
Kontaktné informácie	14
Umiestnenie výrobného čísla	14
Počiatkové nastavenie	15
Prevádzka	16
Použitie a uvoľnenie brzd	16
Ovládacie prvky základne zariadenia Prime	17
Zdvihnutie neelektrického roštu	17
Spustenie neelektrického roštu	17
Zdvihnutie voliteľnej možnosti elektrického roštu	18
Spustenie voliteľnej možnosti elektrického roštu	18
Nastavenie výrobku do Trendelenburgovej polohy	18
Nastavenie výrobku do opačnej Trendelenburgovej polohy	19
Preprava pacienta	19
Preprava pacienta bez kolesa Big Wheel	20
Preprava pacienta pomocou kolesa Big Wheel	20
Nastavenie polohy alebo odloženie rúčok na tlačenie na hlavovom konci (voliteľné)	21
Zdvíhanie bočnice	22
Spustenie bočnice	23
Nastavenie polohy výrobku pomocou bočnicového patientskeho ovládacieho panela – voliteľná možnosť elektrického roštu – len v prípade verzie Prime	23
Ovládací panel pre operátora – voliteľná možnosť elektrického roštu – len v prípade verzie Prime	24
Uzamknutie a odomknutie zámku patientskeho ovládacieho panela – voliteľná možnosť elektrického roštu – len v prípade verzie Prime	25
Zdvíhanie alebo spúšťanie opierky chrbta – neelektrický rošt	25
Zdvíhanie alebo spúšťanie opierky chrbta – voliteľná možnosť elektrického roštu	26
Zdvíhanie alebo spúšťanie podpery kolien – neelektrický rošt – len v prípade verzie Prime	27
Zdvíhanie alebo spúšťanie podpery kolien – voliteľný elektrický rošt – len v prípade verzie Prime	27
Umiestnenie zotavovacej stoličky – len verzia Prime	27
Uskladnenie predmetov v priestore základne	28
Zavesenie zariadení s použitím voliteľnej možnosti pumpového vešiaka	28
Vytiahnutie alebo zatiahnutie napájacej šnúry pomocou voliteľnej možnosti navijaka na zaťahovaciu šnúru – možnosť elektrického výťahu alebo možnosť elektrického roštu	29
Voliteľná možnosť systému váhy	29
Identifikácia ikon/tlačidiel váhy	30
Váženie pacienta	31
Nastavenie jednotky merania váhy	31
Zapnutie alebo vypnutie voliteľnej možnosti Chaperone	32
Nastavenie vzoru výstrahy voliteľnej možnosti Chaperone	32
Nastavenie hlasitosti výstrahy voliteľnej možnosti Chaperone	32
Nabíjanie voliteľnej možnosti batérií systému váhy – možnosť elektrického roštu alebo možnosť elektrického roštu s možnosťou Chaperone – len v prípade verzie Prime	33
Výmena batérií voliteľnej možnosti systému váhy – neelektrický rošt	33
Príslušenstvo a diely	33

Pripojenie podnosu defibrilátora.....	37
Úprava podnosu defibrilátora/nadstavca na nohy na podnos defibrilátora	37
Úprava podnosu defibrilátora/nadstavca na nohy na nadstavec na nohy.....	38
Pripojenie koncovej dosky/držiaka na záznamy.....	39
Pripojenie infúzneho vozíka.....	39
Nastavenie polohy alebo uloženie opôr nôh – len v prípade verzie Prime	39
Nastavenie polohy dvojstupňového trvalo pripojeného infúzneho stojana.....	41
Nastavenie polohy trojstupňového trvalo pripojeného infúzneho stojana	41
Pripojenie a nastavenie polohy odpojiteľného infúzneho stojana.....	42
Pripojenie zvislého držiaka kyslíkovej fľaše	43
Vysunutie alebo odloženie držiaka servírovacieho podnosu/koncovej dosky	43
Pripojenie bočnicových vložiek	44
Identifikácia miest upnutia zadržiacích popruhov pacienta.....	44
Nastavenie polohy zvislého držiaka RTG kazety – voliteľná možnosť Prime X.....	44
Nastavenie polohy bočného držiaka RTG kazety – voliteľná možnosť Prime X	46
Vkladanie alebo vyberanie RTG kaziet – voliteľná možnosť Prime X.....	46
Čistenie.....	48
Čistenie výrobku	48
Čistenie výrobku s použitím vozíkovej umývačky	48
Čistenie matracu	49
Odstránenie jódu	50
Osobitné pokyny.....	50
Dezinfekcia	51
Dezinfikovanie výrobku.....	51
Dezinfekcia matracu.....	51
Preventívna údržba	53
Informácie o elektromagnetickej kompatibilite	55

Definícia varovania/upozornenia/poznámky

Výrazy **VAROVANIE**, **UPOZORNENIE** a **POZNÁMKA** majú osobitný význam a je potrebné si ich pozorne preštudovať.

VAROVANIE

Upozorňuje čitateľa na situáciu, ktorá by mohla viesť k smrti alebo vážnemu úrazu, ak sa jej nepredíde. Môže ísť aj o opis možných vážnych nežiaducich reakcií a bezpečnostných rizík.

UPOZORNENIE

Upozorňuje čitateľa na potenciálne nebezpečnú situáciu, ktorá môže viesť k ľahkému alebo stredne ťažkému úrazu používateľa alebo pacienta alebo k poškodeniu výrobku alebo iného majetku, ak sa jej nepredíde. Môže ísť o špeciálnu starostlivosť potrebnú na bezpečné a efektívne používanie pomôcky a starostlivosť potrebnú na zabránenie poškodeniu pomôcky, ku ktorému by mohlo dôjsť v dôsledku používania alebo nesprávneho používania.

Poznámka - Poskytuje osobitné informácie, ktoré uľahčia údržbu alebo objasnia dôležité pokyny.

Zhrnutie bezpečnostných opatrení

Prečítajte si varovania a upozornenia uvedené na tejto strane a vždy ich dôsledne dodržiavajte. Servis smie vykonávať len kvalifikovaný personál.

VAROVANIE

- Pred nastavením výrobku alebo odskúšaním funkčnej prevádzky vždy nechajte výrobok dosiahnuť izbovú teplotu. Mohlo by dôjsť k trvalému poškodeniu výrobku.
- S výrobkom manipulujte len vtedy, keď sa všetci operátori nachádzajú mimo mechanizmov.
- Pri manipulácii s napájacou šnúrou vždy postupujte opatrne. Môže dôjsť k nebezpečenstvu zamotania, jej poškodenia alebo možnému nebezpečenstvu zásahu elektrickým prúdom. V prípade poškodenia napájacej šnúry okamžite vyradte výrobok z prevádzky a kontaktujte príslušných pracovníkov údržby.
- Výrobok vždy zapojte priamo do uzemnenej nemocničnej stenovej zásuvky. Spoľahlivé uzemnenie možno dosiahnuť len pri použití zásuvky nemocničnej kvality. Výrobok je vybavený zástrčkou nemocničnej kvality na ochranu pred nebezpečenstvom zásahu elektrickým prúdom.
- Brzdy používajte vždy vtedy, keď pacient nastupuje na výrobok alebo z neho vystupuje, alebo keď sa výrobok nehýbe. Ak by sa výrobok pri nastupovaní alebo vystupovaní pacienta pohol, pacient by sa mohol poraniť.
- Pacienta vždy umiestnite do stredu výrobku.
- Keď nechávate pacienta bez dozoru, vždy spustíte výrobok do najnižšej polohy so zdvihnutými a zaistenými bočnicami. Nenechávajte výrobok vo vyššej výške.
- Pred zdvihnutím alebo spustením roštu vždy odstráňte všetky zariadenia, ktoré by mohli zavadzať.
- Nesadajte si na koncovú časť výrobku. Výrobok by sa mohol prevrátiť.
- Bočnice pri preprave pacienta vždy zaistíte v plne zdvihnutej polohe so spánkovou plochou horizontálne v najnižšej polohe.
- Výrobok nepresúvajte bokom na sklone väčšom ako 5,7 stupňa (10 % stupňa), aby sa predišlo preklopeniu výrobku.
- Keď používate s voliteľnou možnosťou **Prime X** matrac hrubší ako 2,5 palca (6,35 cm) alebo matrac s pokrývkou, buďte mimoriadne opatrní.
- Bočnice pri preprave pacienta vždy zaistíte v plne zdvihnutej polohe so spánkovou plochou rovnou a v najnižšej polohe.
- Pri dvíhaní alebo spúšťaní bočnice vždy držte končatiny pacienta mimo čapov bočníc.
- Nenechajte bočnice, aby sa spustili samy.
- Keď spúšťate opierku chrbta, ruky a prsty nikdy nemajte na uvoľňovacích pákach a ráme opierky chrbta.
- Keď sa pacient nachádza na výrobku, pri dvíhaní opierky chrbta buďte vždy opatrní. Používajte správne postupy dvíhania a v prípade potreby požiadajte o pomoc.
- Pri spúšťaní podpery kolien držte ruky a prsty mimo rúčok na tlačenie na nožnom konci.
- Káble zariadení na pumpovom vešiaku držte mimo pák podpery kolien.
- Vždy sa presvedčte, že zariadenia na pumpovom vešiaku bezpečne prejdú dverami.

- Nedvíhajte výrobok za pumpový vešiak.
- Pred prepravou alebo čistením výrobku vždy odpojte napájaciu šnúru zo stenovej zásuvky.
- Na uskladnenie napájacej šnúry v základni pri preprave výrobku vždy použite navijak na zaťahovaciu šnúru.
- Nepoužívajte voliteľnú možnosť systému váhy ani voliteľnú možnosť elektrického výtahu či elektrického roštu vedľa iných zariadení ani uložené na nich. Ak je také použitie nutné, voliteľnú možnosť systému váhy alebo voliteľnú možnosť elektrického výtahu či elektrického roštu treba sledovať a overiť, že všetky zariadenia fungujú normálne v konfigurácii, v akej sa budú používať.
- Na podnos defibrilátora neukladajte predmety s hmotnosťou vyššou ako 30 libier (14 kg). Zariadenia, ktoré ukladáte na podnos defibrilátora, vždy upevnite popruhmi.
- Ak je pripojený podnos defibrilátora/nadstavec na nohy, koncová doska/držiak na záznamy alebo zvislý držiak kyslíkovej fľaše, dávajte pozor, aby ste si pri nastavovaní polohy voliteľných rúčok na tlačenie na nožnom konci nepriškripli prsty.
- Na podnos defibrilátora/nadstavec na nohy neukladajte predmety s hmotnosťou vyššou ako 30 libier (14 kg). Zariadenia, ktoré ukladáte na podnos defibrilátora, vždy upevnite popruhmi.
- Pri preprave výrobku vždy pripevnite infúzny stojan k infúznemu vozíku.
- Ak sa infúzny vozík nepoužíva, uskladnite ho, aby sa nepoškodil.
- Na opory nôh si nesadajte. Výrobok by sa mohol prevrátiť.
- Pri ovládaní opôr nôh držte prsty mimo mechanizmov.
- Keď prepravujete pacienta na výrobku, opory nôh odložte.
- Pred použitím opôr nôh ich vždy upevnite.
- Nepoužívajte systém váhy spolu s oporami nôh. Namerané hodnoty môžu byť nepresné.
- Nepoužívajte voliteľnú možnosť **Chaperone** spolu s oporami nôh. Namerané hodnoty môžu byť nepresné.
- Infúzny stojan nepoužívajte ako prvok na tlačenie ani ťahanie. Výrobok by sa mohol poškodiť.
- Do zvislého držiaka kyslíkovej fľaše neukladajte predmety s hmotnosťou vyššou ako 40 libier (18 kg).
- Na servírovací podnos neukladajte predmety s hmotnosťou viac ako 30 libier (14 kg).
- Pri upínaní zadržiacich popruhov buďte vždy opatrní. Môže dôjsť k poraneniu pacienta alebo obslužného pracovníka. Fyzické zadržiacie prvky, aj keď sú upevnené, môžu spôsobiť vážnu ujmu pacientom i obslužným pracovníkom, napríklad zamotanie, zachytenie, úraz alebo smrť.
- Zadržiacie popruhy či pomôcky vždy pripájajte iba na vyznačených miestach upnutia na výrobku. V opačnom prípade môže dôjsť k poraneniu pacienta alebo obslužného pracovníka. Zadržiacie popruhy nepripevňujte k bočniciam.
- Pred použitím akýchkoľvek zadržiacich popruhov alebo pomôcok si prečítajte platné štátne a federálne obmedzenia a predpisy a príslušné protokoly zdravotníckeho zariadenia.
- Pri používaní zvislého alebo bočného držiaka RTG kazety vždy prijmite ochranné opatrenia. Držiak RTG kazety nechráni pred žiarením.
- Informácie o bezpečnosti pri používaní voliteľnej možnosti **Prime X** so zariadeniami generujúcimi žiarenie nájdete okrem protokolov zdravotníckeho zariadenia aj v miestnych, štátnych a federálnych predpisoch. Zariadenia generujúce žiarenie môžu vytvárať zvyškové, blúdivé alebo rozptýlené žiarenie.
- Pri vkladaní RTG kazety sa riadte pokynmi v časti *Nastavenie polohy zvislého držiaka RTG kazety – voliteľná možnosť Prime X*.
- Pri robení RTG snímok s opierkou chrbta vo zvislej polohe alebo pri použití bočnej kazety buďte vždy opatrní.
- Pri vkladaní RTG kazety sa riadte pokynmi v časti *Nastavenie polohy bočného držiaka RTG kazety – voliteľná možnosť Prime X*.
- Výrobok, ktorý sa práve používa, nečistite a nevykonávajte jeho servis ani údržbu.
- Matrac neponárajte do roztokov čistiacich alebo dezinfekčných prostriedkov. Nadmerná vlhkosť by mohla spôsobiť poruchu výrobku, čo by mohlo mať za následok jeho poškodenie alebo poranenie pacienta.
- Zamedzte nahromadeniu tekutín na matraci. Tekutiny môžu spôsobovať koróziu komponentov a môžu mať za následok, že bezpečnosť a výkonnosť výrobku nebude možné predvídať.
- Pri každom čistení pot'ahov matraca skontrolujte, či nie sú roztrhnuté, prepichnuté, nadmerne opotrebované alebo či nemajú nesprávne zarovnané zipsy. Poškodený matrac odstráňte a vymeňte, aby nedošlo ku krížovej kontaminácii.
- Matrace nečistite parou, tlakovým umývaním, striekaním hadicou ani ultrazvukom. Tieto spôsoby čistenia môžu spôsobiť zánik záruky na výrobok.
- Výrobok nečistite parou, striekaním hadicou ani ultrazvukom. Tieto spôsoby čistenia sa neodporúčajú a môžu spôsobiť zánik záruky na výrobok.

- Matrac vždy vydezinfikujte medzi použitiami u rôznych pacientov. V opačnom prípade môže dôjsť ku krížovej kontaminácii a infekcii.
-

UPOZORNENIE

- Nesprávne používanie výrobku môže viesť k úrazu pacienta alebo operátora. Výrobok používajte len tak, ako je opísané v tejto príručke.
 - Výrobok ani jeho komponenty neupravujte. Úprava výrobku môže vyvolať nepredvídateľné správanie výrobku, čo môže viesť k úrazu pacienta alebo operátora. Úpravou zároveň zaniká záruka poskytnutá na výrobok.
 - Nepoužívajte hydraulický systém základne na zdvihnutie výrobku, keď je patientsky výt'ah pod výrobkom.
 - Nestláčajte riadiaci pedál, keď rám **Big Wheel** leží na prahu alebo inom vyvýšenom mieste. Sila potrebná na vysunutie rámu **Big Wheel** bude väčšia ako zvyčajne, čo môže spôsobiť poškodenie výrobku.
 - Hmotnostná kapacita podpery kolien je 200 libier (90,7 kg).
 - Pred použitím sa presvedčte, že oporná tyč podpery kolien je zaistená.
 - Na podpere kolien neseďte ani nestojte.
 - Keď výrobok nie je zapnutý a pokúšate sa spustiť podporu kolien, buďte opatrní. Gravitácia môže spôsobiť rýchly pokles podpery kolien.
 - Do priestoru základne neukladajte predmety s hmotnosťou vyššou ako 60 libier (27 kg).
 - Na priestore základne neseďte, nestojte ani naň nestúpajte.
 - Hmotnostná kapacita pumpového vešiaka je 40 libier (18 kg).
 - Pumpový vešiak nepoužívajte ako prvok na tlačenie alebo ťahanie. Výrobok by sa mohol poškodiť.
 - Váhu nepoužívajte u pacientov s hmotnosťou menšou ako 50 libier (22,7 kg).
 - Nepoužívajte hodnotu odčítanú zo systému váhy ako referenčnú hodnotu pre liečbu.
 - Pred pripojením podnosu defibrilátora/nadstavca na nohy k výrobku vždy zdvihnite infúzny stojan. Ak infúzny stojan nezdvihnete, nadstavec na nohy nebude fungovať.
 - Infúzny stojan nepoužívajte ako prvok na tlačenie ani ťahanie. Výrobok by sa mohol poškodiť.
 - Na infúzny stojan nevesajte infúzne vaky s hmotnosťou vyššou ako 40 libier (18 kg).
 - Pri preprave pacienta sa vždy presvedčte, že infúzny stojan je dostatočne nízko na to, aby prešiel cez dvere.
 - V prípade voliteľnej možnosti systému váhy nepoužívajte na čistenie skrinky displeja abrazívne čistiace prostriedky. Nedovoľte, aby sa na jednotke displeja hromadili čistiace roztoky ani iné tekutiny. V prípade rozliatia alebo po čistení osušte všetky povrchy.
 - Používanie príslušenstva, meničov a káblov iných, ako sú špecifikované alebo poskytnuté výrobcom, môže viesť k zvýšenému elektromagnetickému vyžarovaniu alebo zníženej elektromagnetickej odolnosti a môže mať za následok, že zariadenie nebude fungovať správne.
 - Vzhľadom na charakteristiky vyžarovania je toto zariadenie vhodné na používanie v priemyselných zónach a nemocniciach (trieda A podľa normy CISPR 11). Ak sa zariadenie používa v obytnom prostredí, v ktorom sa normálne vyžaduje trieda B podľa normy CISPR 11, nemusí poskytovať dostatočnú ochranu vysokofrekvenčných komunikačných služieb. Môže byť potrebné, aby používateľ prijal zmierňujúce opatrenia, napríklad premiestnenie alebo preorientovanie zariadenia.
 - Prenosné vysokofrekvenčné komunikačné zariadenia vrátane periférnych častí, ako sú káble antény a vonkajšie antény, sa nemajú používať bližšie ako 12 palcov (30 cm) k akejkoľvek časti nosidiel **Prime**, a to vrátane káblov špecifikovaných výrobcom.
 - Do blízkosti zariadenia ani naň neumiestňujte iné zariadenia, aby sa predišlo nesprávnej činnosti výrobkov. Ak je také použitie nevyhnutné, zariadenia uložené na sebe alebo vedľa seba pozorne sledujte a overte, či fungujú správne.
-

Body priškripnutia



Obrázok 1 – Voliteľná možnosť Prime X

Úvod

Táto príručka vám pomôže pri prevádzke alebo údržbe výrobku značky Stryker. Príručku si prečítajte skôr, než začnete výrobok používať alebo než začnete vykonávať údržbu. Určite metódy a postupy, ako zaškolíte a pripravíte personál na bezpečnú prevádzku a údržbu výrobku.

UPOZORNENIE

- Nesprávne používanie výrobku môže viesť k úrazu pacienta alebo operátora. Výrobok používajte len tak, ako je opísané v tejto príručke.
 - Výrobok ani jeho komponenty neupravujte. Úprava výrobku môže vyvolať nepredvídateľné správanie výrobku, čo môže viesť k úrazu pacienta alebo operátora. Úpravou zároveň zaniká záruka poskytnutá na výrobok.
-

Poznámka

- Táto príručka je trvalou súčasťou výrobku, ku ktorému musí byť priložená aj pri predaji výrobku.
- Spoločnosť Stryker sa snaží neustále zlepšovať konštrukciu a kvalitu výrobku. Príručka obsahuje najnovšie informácie o výrobku dostupné v čase tlače. Medzi vašim výrobkom a touto príručkou môžu existovať menšie rozdiely. Ak máte nejaké otázky, obráťte sa na oddelenie služieb zákazníkom spoločnosti Stryker alebo technickú podporu kontaktujte na čísle 1-800-327-0770.

Opis výrobku

Nosidlá Stryker Model 1115 **Prime Series**® s rámom **Big Wheel**® sú kolesovou pomôckou pozostávajúcou z plošiny namontovanej na kolesovom ráme, ktorá má udržať pacientov v horizontálnej polohe. Nosidlá poskytujú operátorovi možnosť prepravovať pacientov v interiéri zdravotníckeho zariadenia, čo vykonávajú zdravotníci alebo vyškolení pracovníci daného zariadenia. Nosidlá Stryker Model 1115 **Prime Series** s rámom **Big Wheel** znižujú počiatočnú silu a námahu pri riadení na zníženie fyzického úsilia.

Indikácie použitia

Nosidlá **Prime Series** s rámom **Big Wheel** majú dve veľké kolesá, ktoré znižujú počiatočnú silu potrebnú na uvedenie nosidiel do pohybu.

Nosidlá **Prime Series** možno použiť ako pomôcku na krátkodobé ambulantné klinické vyšetrenie, liečbu a zotavovanie pacienta a na menšie zákroky. Nosidlá možno okrem iného použiť na:

- pohotovostnom oddelení,
- úrazovej jednotke,
- jednotke postanestetickej starostlivosti.

Nosidlá **Prime Series** možno použiť pri menších zákrokoch a na krátkodobé uloženie pacienta (pri liečbe a zotavovaní). Stanovené podmienky prostredia nájdete v tabuľke so špecifikáciami.

Zhoda nosidiel **Prime Series** od spoločnosti Stryker s normou pre lôžka BS EN 50637 nebola hodnotená. Tento výrobok je určený na použitie na krátkodobý pobyt detských alebo dospelých pacientov s atypickou anatómiou na trhoch, na ktorých sa táto norma pre lôžka uznáva na účel povolenia na uvedenie na trh.

Nosidlá **Prime Series** neslúžia na dlhodobú liečbu a zotavovanie hospitalizovaných pacientov.

Nosidlá **Prime Series** majú bezpečnú prevádzkovú nosnosť až 700 libier (318 kg) a slúžia na použitie so všetkými pacientmi vrátane mierne až kriticky chorých pacientov. Nosidlá možno použiť aj na prepravu zomretých pacientov v rámci uzavretého zdravotníckeho zariadenia.

Voliteľná možnosť **Prime X**® obsahuje kĺbovú rádiografickú nosnú plochu pacienta a plošinu pod nosnou plochou pacienta na umiestnenie RTG kazieta. Voliteľná možnosť **Prime X** slúži na zachytenie klinických RTG snímok (celé telo AP, voliteľne celé telo z boku a voliteľne hrudník vzpriamene) za pomoci lekárskeho RTG systému.

Klinické výhody

Preprava pacienta, zjednodušenie liečby a diagnostika

Kontraindikácie

Voliteľnú možnosť **Prime X** sa neodporúča používať s matracom s hrúbkou väčšou než štyri palce (10 cm)

Voliteľná možnosť **Prime X** nie je kompatibilná s ramenom v tvare C.

Voliteľná možnosť **Prime X** slúži na použitie vo všetkých budovách s výnimkou prostredia domácej zdravotnej starostlivosti, obytných budov a budov priamo pripojených do verejnej rozvodnej siete nízkeho napätia, ktorá napája obytné budovy.



Predpokladaná prevádzková životnosť

Nosidlá **série Prime Series** a nosidlá **série Prime Series** s voliteľnou možnosťou **Prime X** majú predpokladanú prevádzkovú životnosť 10 rokov za normálnych podmienok používania a pri vhodnej pravidelnej údržbe.

Likvidácia/recyklácia

Vždy postupujte podľa aktuálnych miestnych odporúčaní a/alebo predpisov, ktoré sa vzťahujú na ochranu životného prostredia a riziká spojené s recykláciou alebo likvidáciou zariadenia na konci prevádzkovej životnosti.

Špecifikácie

	Séria Prime Series, šírka 26 palcov (66 cm)		Séria Prime Series, šírka 30 palcov (76 cm) Prime Series HT Packs		Voliteľná možnosť Prime X, šírka 30 palcov (76 cm)	
 Poznámka - Bezpečná prevádzková nosnosť je súhrnná hmotnosť pacienta, matracu a príslušenstva.	700 libier	318 kg	700 libier	318 kg	700 libier	318 kg
 Maximálna hmotnosť pacienta	675 libier	306 kg	675 libier	306 kg	675 libier	306 kg
Celková dĺžka	85 palcov (± 0,5 palca)	215,9 cm	85 palcov (± 0,5 palca)	215,9 cm	85 palcov (± 0,5 palca)	215,9 cm
Celková dĺžka (s voliteľnou možnosťou predĺženia roštu)	89,9 palca (± 0,75 palca)	228,3 cm	89,9 palca (± 0,75 palca)	228,3 cm	Nevzťahuje sa	Nevzťahuje sa
Celková šírka (so zdvihnutými bočnicami)	34 palcov (± 1 palec)	86,4 cm	38 palcov (± 1 palec)	96,5 cm	38 palcov (± 1 palec)	96,5 cm
Celková šírka (so spustenými bočnicami)	30,25 palca (± 0,5 palca)	76,8 cm	30,5 palca (± 0,5 palca)	77,5 cm	30,5 palca (± 0,5 palca)	77,5 cm

	Séria Prime Series, šírka 26 palcov (66 cm)		Séria Prime Series, šírka 30 palcov (76 cm) Prime Series HT Packs		Voliteľná možnosť Prime X, šírka 30 palcov (76 cm)	
Minimálna výška	20,75 palca	52,7 cm	20,75 palca	52,7 cm	23,25 palca	59,1 cm
Maximálna výška	34 palcov (± 1 palec)	86,4 cm	34 palcov (± 1 palec)	86,4 cm	36,5 palca (± 1 palec)	92,7 cm
Uhol opierky chrbta	0° až 90°(± 5°)					
Výška podpery kolien	Minimálne 5,5 palca (14 cm)				Nevzťahuje sa	
Trendelenburgova poloha/ opačná Trendelenburgova poloha	+ 17° až - 17° (± 3°)					
Minimálna medzera	2,5 palca nomin.	6,4 cm	2,5 palca nomin.	6,4 cm	2,5 palca nomin.	6,4 cm
	1,75 palca pod hydraulickým zdvihákom	4,5 cm	1,75 palca pod hydraulickým zdvihákom	4,5 cm	1,75 palca pod hydraulickým zdvihákom	4,5 cm
	1 palec pod rámom Big Wheel	2,5 cm	1 palec pod rámom Big Wheel	2,5 cm	1 palec pod rámom Big Wheel	2,5 cm
Ekvivalent útlmového skreslenia (ekvivalencia hliníka)	Nevzťahuje sa				Maximálna prípustná hodnota je 1,7 mm Al	
Rozsah prevádzkovej hmotnosti voliteľného systému váhy	50 libier (22,7 kg) až 700 libier (318 kg)					
Presnosť voliteľného systému váhy	±3 libry (1,3 kg) pri hmotnosti do 100 libier (45 kg) a ±3 % pri hmotnosti nad 100 libier (45 kg) *					
*S cieľom splniť tvrdenie o presnosti systému váh musí byť patientska plocha v rovnej polohe (sklopená opierka chrbta a podpera kolien) a výrobok nesmie byť vychýlený o viac ako 5 stupňov od Trendelenburgovej/opačnej Trendelenburgovej polohy.						

Elektrické voliteľné možnosti	Voliteľný elektrický rošt (k dispozícii len v sérii Prime)	Voliteľný elektrický výťah (k dispozícii vo voliteľnej možnosti Prime a Prime X)
Elektrické požiadavky	120 VAC, 60 Hz, 10 A 240 VAC, 50/60 Hz, 5 A	120 VAC, 60 Hz, 10 A 240 VAC, 50/60 Hz, 5 A
Pracovný cyklus	Nepretržitá prevádzka s prerušovaným nakladaním 1 min. ZAP/20 min. VYP	Nepretržitá prevádzka s prerušovaným nakladaním 1 min. ZAP/20 min. VYP

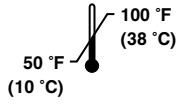
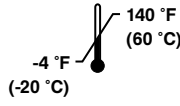
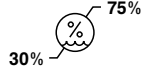
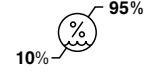
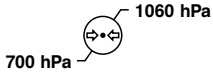
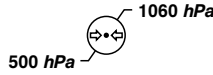
Voliteľný systém váhy	Neelektrický rošt (k dispozícii v sérii Prime a Prime X)	Voliteľný elektrický výťah (k dispozícii vo voliteľnej možnosti Prime a Prime X)
Typ batérie	4 x alkalická batéria typu AA (4 x 1,5 VDC) (LR6)	4 x alkalická batéria typu AA (4 x 1,5 VDC) (LR6)
Napätie batérie	6,0 VDC	6,0 VDC

Voliteľný systém váhy	Voliteľný elektrický rošt (k dispozícii len v sérii Prime)	Voliteľný elektrický výťah
Typ batérie	1 x nabíjateľná lítium-iónová batéria (0058-135-000)	Nevzťahuje sa
Napätie batérie	10,8 VDC, 2,4 Ah	Nevzťahuje sa

Voliteľný systém váhy s možnosťou Chaperone® (opustenie nosidiel)	Voliteľný elektrický rošt (k dispozícii len v sérii Prime)	Voliteľný elektrický výťah
Typ batérie	1 x nabíjateľná lítium-iónová batéria (0058-134-000)	Nevzťahuje sa
Napätie batérie	10,8 VDC, 4,8 Ah	Nevzťahuje sa

Spoločnosť Stryker si vyhradzuje právo zmeniť špecifikácie bez upozornenia.

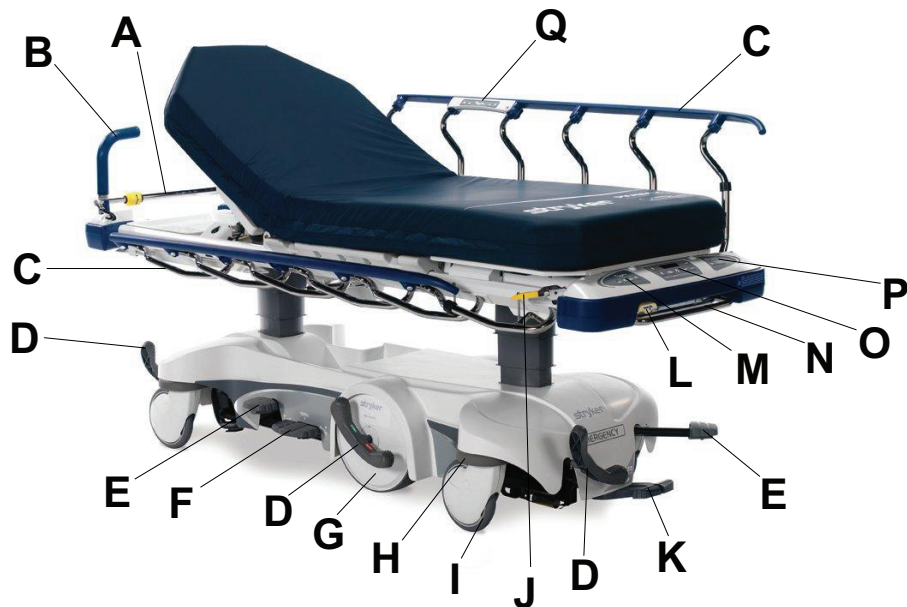
Poznámka - Výrobok nie je vhodný na používanie v prítomnosti horľavých anestetických zmesí so vzduchom alebo s kyslíkom alebo oxidom dusným.

Podmienky prostredia	Prevádzka	Skladovanie a preprava
Teplota		
Relatívna vlhkosť		
Atmosférický tlak		

Poznámka - Teplotný rozsah prevádzky voliteľného systému váhy (voliteľná možnosť neelektrického roštu/elektrického roštu) je 61 °F (16 °C) až 79 °F (26 °C).

Uvedené špecifikácie sú približné a v jednotlivých výrobkoch alebo pri výkyvoch napájania sa môžu mierne líšiť.

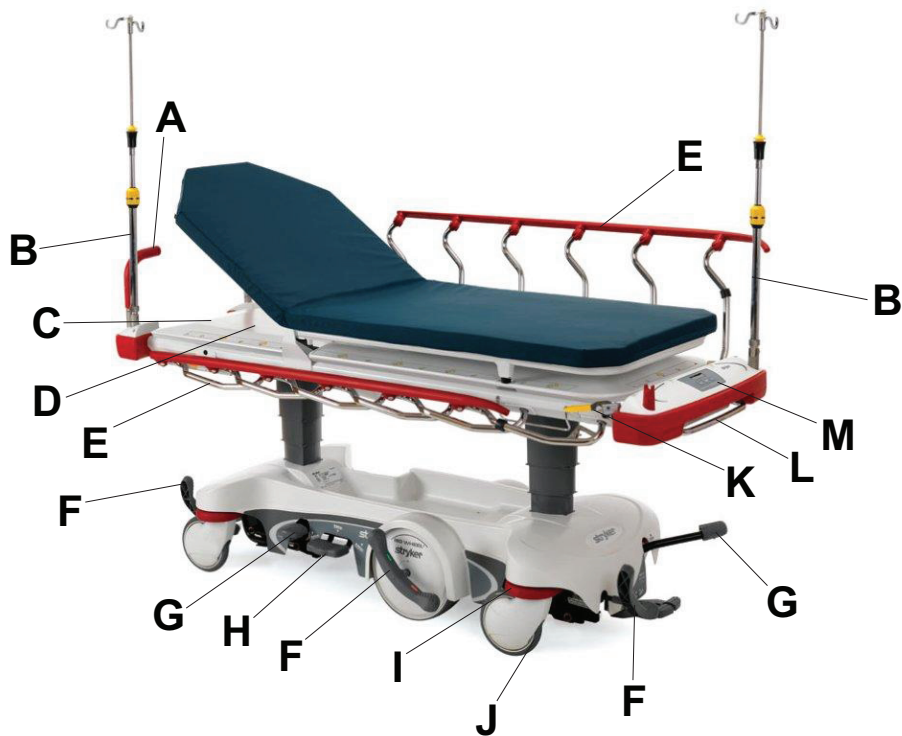
Ilustrácia výrobku – Prime



Obrázok 2 – Prime

A	Infúzny stojan	J	Západka bočnice
B	Voliteľná možnosť vyskakovacej rúčky na tlačenie BackSmart®	K	Hydraulický uvoľňovací pedál
C	Bočnica BackSmart	L	Uvoľňovacia páka podpory kolien
D	Brzdový/riadiaci pedál	M	Voliteľná možnosť ovládacích prvkov operátora na nožnom konci BackSmart
E	Pedál pumpy	N	Pumpový vešiak, voliteľný
F	Univerzálny spúšťací pedál	O	Systém váhy BackSmart , voliteľný
G	Big Wheel	P	Zámok panela patientskych ovládacích prvkov, voliteľný
H	Nárazník, integrovaný	Q	Pacientsky ovládací panel na vnútornej strane bočnice, voliteľný
I	Koliesko s integrovaným krytom kolesa		

Ilustrácia výrobku – voliteľná možnosť Prime X



Obrázok 3 – Voliteľná možnosť Prime X

A	Voliteľná možnosť vyskakovacej rúčky na tlačenie BackSmart®	H	Univerzálny spúšťací pedál
B	Infúzny stojan	I	Nárazník, integrovaný
C	Podnos na kazetu	J	Koliesko s integrovaným krytom kolesa
D	Pacientska plocha s plochou Clearview Technology®	K	Západka bočnice
E	Bočnica BackSmart	L	Pumpový vešiak, voliteľný
F	Ovládací pedál brzdenia/riadenia	M	Systém váhy BackSmart , voliteľný
G	Pedál pumpy		

Aplikované časti – voliteľná možnosť elektrického roštu



Obrázok 4 – Aplikované časti typu B – voliteľná možnosť elektrického roštu

Aplikované časti – voliteľná možnosť Prime X



Obrázok 5 – Aplikované časti typu B – voliteľná možnosť Prime X

Kontaktné informácie

Zákaznícky servis spoločnosti Stryker alebo technickú podporu kontaktujte na čísle: 1-800-327-0770.

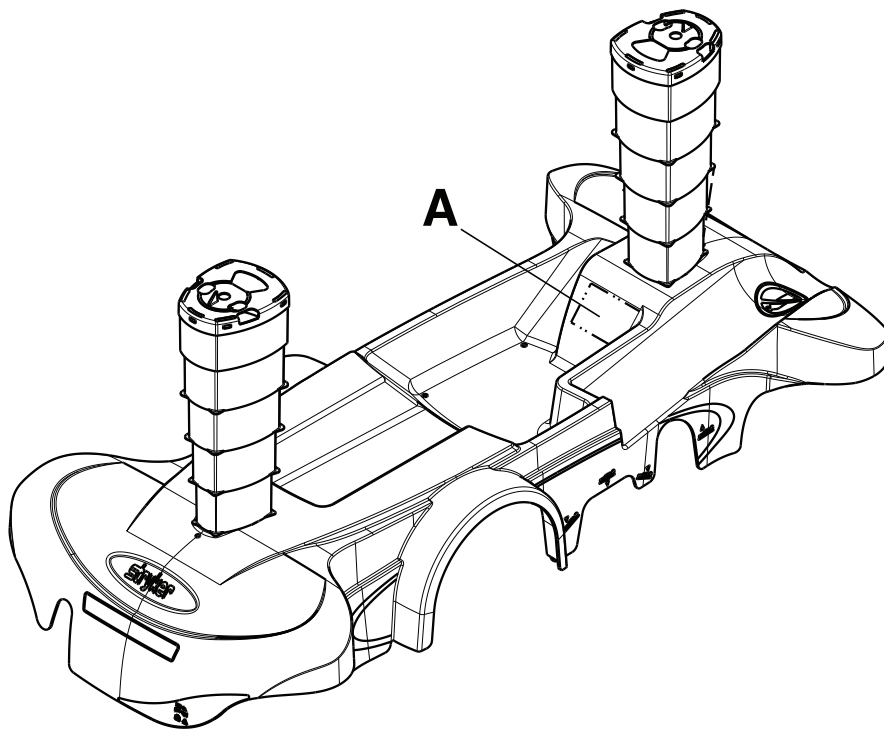
Stryker Medical
3800 E. Centre Avenue
Portage, MI 49002
USA

Poznámka - Používateľ a/alebo pacient musia nahlásiť akýkoľvek závažný incident súvisiaci s produktom výrobcovi a príslušnému orgánu členského štátu Európskej únie, v ktorom sa používateľ a/alebo pacient nachádzajú.

Ak si chcete pozrieť prevádzkovú príručku alebo príručku údržby online, pozrite si stránku <https://techweb.stryker.com/>.

Ak telefonujete na zákaznícky servis spoločnosti Stryker alebo technickú podporu, pripravte si výrobné číslo (A) svojho výrobku značky Stryker. Výrobné číslo uvádzajte pri každej písomnej komunikácii.

Umiestnenie výrobného čísla



Obrázok 6 – Umiestnenie výrobného čísla

Počiatkové nastavenie

Pri vybalovaní výrobku postupujte podľa návodu na vybalenie, ktorý je k nemu priložený v prepravnej debne.

VAROVANIE

- Pred nastavením výrobku alebo odskúšaním funkčnej prevádzky vždy nechajte výrobok dosiahnuť izbovú teplotu. Mohlo by dôjsť k trvalému poškodeniu výrobku.
 - S výrobkom manipulujte len vtedy, keď sa všetci operátori nachádzajú mimo mechanizmov.
 - Pri manipulácii s napájacou šnúrou vždy postupujte opatrne. Môže dôjsť k nebezpečenstvu zamotania, jej poškodenia alebo možnému nebezpečenstvu zásahu elektrickým prúdom. V prípade poškodenia napájacej šnúry okamžite vyradíte výrobok z prevádzky a kontaktujte príslušných pracovníkov údržby.
 - Výrobok vždy zapojte priamo do uzemnenej nemocničnej stenovej zásuvky. Spoľahlivé uzemnenie možno dosiahnuť len pri použití zásuvky nemocničnej kvality. Výrobok je vybavený zástrčkou nemocničnej kvality na ochranu pred nebezpečenstvom zásahu elektrickým prúdom.
-

Pred uvedením výrobku do prevádzky overte, že je funkčný.

1. Aplikujte brzdu. Výrobok potlačte a overte, či všetky štyri kolieska sú zablokované.
2. Uvoľnite brzdu. Výrobok potlačte a overte, či sú všetky štyri kolieska odblokované.
3. Zdvihnite a spustite rošt pomocou hydraulického zdvíhacieho systému.
4. Výrobok zdvihnite do najvyššej polohy a uveďte ho do Trendelenburgovej polohy (pozrite si časť *Nastavenie výrobku do Trendelenburgovej polohy* (strana 18)). Skontrolujte, či sa hlavový koniec spustí do maximálnej spodnej polohy.
5. Výrobok zdvihnite do najvyššej polohy a uveďte ho do opačnej Trendelenburgovej polohy (pozrite si časť *Nastavenie výrobku do opačnej Trendelenburgovej polohy* (strana 19)). Skontrolujte, či sa nožný koniec spustí do maximálnej spodnej polohy.
6. Aplikujte koleso **Big Wheel** a overte, že je funkčné.
7. Skontrolujte, či sa bočnice zdvíhajú, spúšťajú a či sa dajú zaistiť na mieste.
8. Zdvihnite a spustite manuálnu opierku chrbta (hlavový koniec).
9. Zdvihnite a spustite manuálnu podperu kolien (nožný koniec).

Výrobok s voliteľnou možnosťou elektrického výtahu alebo elektrického roštu:

1. Vykonajte kontrolu podľa uvedeného kontrolného zoznamu.
2. Výrobok zapojte do uzemnenej nemocničnej stenovej zásuvky. Skontrolujte, či sa rozsvietia diódy LED na blokovacej klávesnici.
3. Skontrolujte, či funguje každá funkcia na voliteľnom patientskom bočnicovom ovládacom paneli.
4. Skontrolujte, či funguje každá funkcia na voliteľnom ošetrovateľskom ovládacom paneli na nožnom konci.
5. Zdvihnite a spustite elektrickú opierku chrbta (hlavový koniec).
6. Zdvihnite a spustite elektrickú podperu kolien (nožný koniec).

Výrobok s voliteľnou možnosťou systému váhy – voliteľnou možnosťou elektrického roštu (bez voliteľnej možnosti **Chaperone**):

1. Vykonajte kontrolu podľa uvedeného kontrolného zoznamu.
2. Nabite batérie (*Nabíjanie voliteľnej možnosti batérií systému váhy – možnosť elektrického roštu alebo možnosť elektrického roštu s možnosťou Chaperone – len v prípade verzie Prime* (strana 33)).

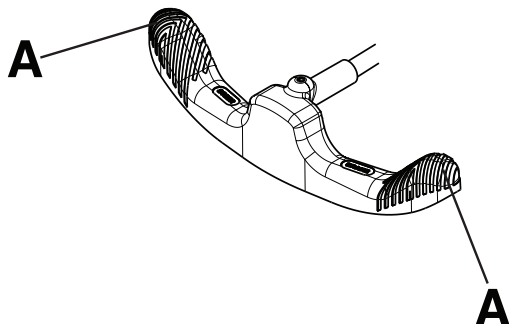
Prevádzka

Použitie a uvoľnenie brzd

VAROVANIE - Brzdy používajte vždy vtedy, keď pacient nastupuje na výrobok alebo z neho vystupuje, alebo keď sa výrobok nehýbe. Ak by sa výrobok pri nastupovaní alebo vystupovaní pacienta pohol, pacient by sa mohol poraniť.

Zabrzďte stlačením brzdovej (červenej) strany brzdového/riadiaceho pedála. Výrobok potlačte a overte, či brzda funguje.

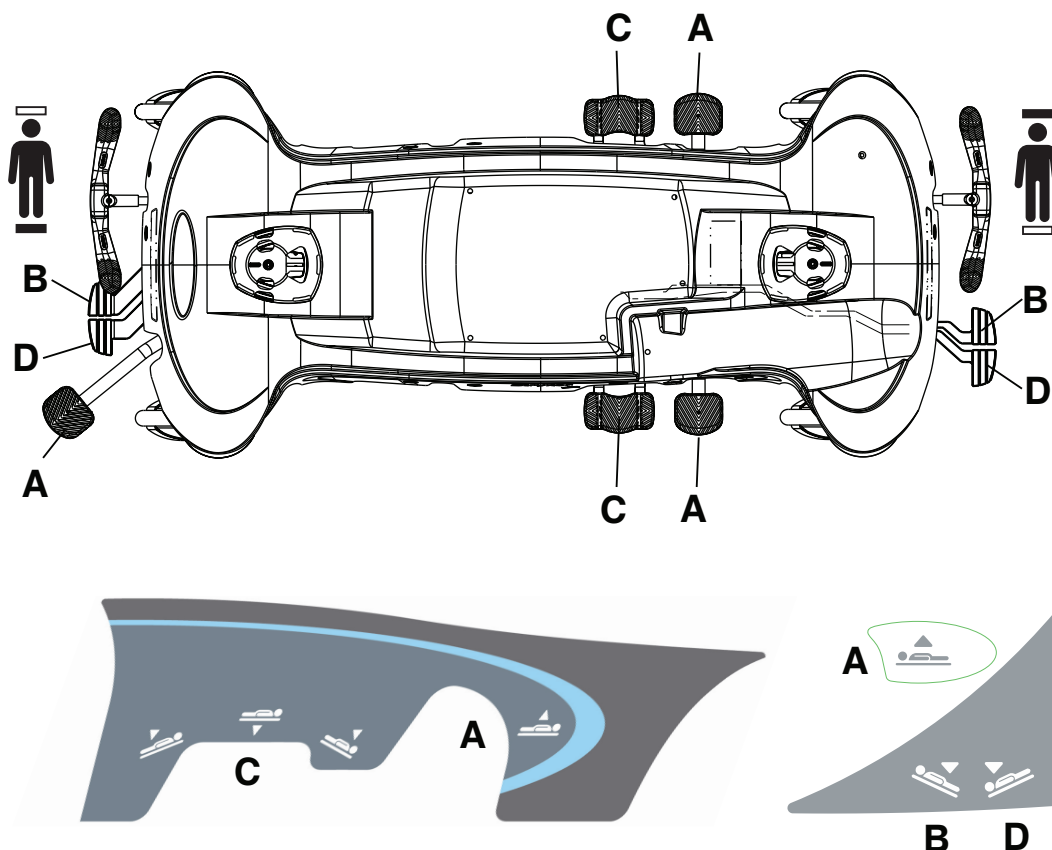
Brzdy uvoľníte stlačením riadiacej (zelenej) strany brzdového/riadiaceho pedála.



Obrázok 7 – Prevádzka brzdového/riadiaceho pedála

Poznámka - Nestláčajte stred brzdového/riadiaceho pedála. Vždy stláčajte vonkajšiu stranu (A) brzdového/riadiaceho pedála (Obrázok 7).

Ovládacie prvky základne zariadenia Prime



Obrázok 8 – Ovládacie prvky a štítiky na základni Prime

Zdvihnutie neelektrického roštu

VAROVANIE

- Pacienta vždy umiestnite do stredu výrobku.
- Keď nechávate pacienta bez dozoru, vždy spustíte výrobok do najnižšej polohy s bočnicami zdvihnutými a zaistenými. Nenechávajte výrobok vo vyššej výške.
- Pred zdvihnutím alebo spustením roštu vždy odstráňte všetky zariadenia, ktoré by mohli zavadzať.
- Nesadajte si na koncovú časť výrobku. Výrobok by sa mohol prevrátiť.

UPOZORNENIE - Nepoužívajte hydraulický systém základne na zdvihnutie výrobku, keď je patientsky výt'ah pod výrobkom.

Na zdvihnutie roštu stláčajte pumpovací pedál (A), kým nedosiahnete požadovanú výšku (*Ovládacie prvky základne zariadenia Prime* (strana 17)).

Spustenie neelektrického roštu

VAROVANIE

- Pacienta vždy umiestnite do stredu výrobku.
- Keď nechávate pacienta bez dozoru, vždy spustíte výrobok do najnižšej polohy s bočnicami zdvihnutými a zaistenými. Nenechávajte výrobok vo vyššej výške.
- Pred zdvihnutím alebo spustením roštu vždy odstráňte všetky zariadenia, ktoré by mohli zavadzať.

- Nesadajte si na koncovú časť výrobku. Výrobok by sa mohol prevrátiť.
-

UPOZORNENIE - Nepoužívajte hydraulický systém základne na zdvihnutie výrobku, keď je patientsky výt'ah pod výrobkom.

Ak chcete spustiť celý rošt, stlačte stred univerzálneho spúšťacieho pedála (C) (*Ovládacie prvky základne zariadenia Prime* (strana 17)).

Ak chcete spustiť hlavový koniec roštu, stlačte pedál (B) alebo bočnú stranu univerzálneho spúšťacieho pedála (C) bližšie k hlavovému koncu výrobku.

Ak chcete spustiť nožný koniec roštu, stlačte pedál (D) alebo stlačte bočnú stranu univerzálneho spúšťacieho pedála (C) bližšie k nožnému koncu výrobku.

Zdvihnutie voliteľnej možnosti elektrického roštu

VAROVANIE

- Pacienta vždy umiestnite do stredu výrobku.
 - Keď nechávate pacienta bez dozoru, vždy spustíte výrobok do najnižšej polohy s bočnicami zdvihnutými a zaistenými. Nenechávajte výrobok vo vyššej výške.
 - Pred zdvihnutím alebo spustením roštu vždy odstráňte všetky zariadenia, ktoré by mohli zavádzať.
 - Nesadajte si na koncovú časť výrobku. Výrobok by sa mohol prevrátiť.
-

UPOZORNENIE - Nepoužívajte hydraulický systém základne na zdvihnutie výrobku, keď je patientsky výt'ah pod výrobkom.

Na zdvihnutie elektrického roštu stláčajte pumpovací pedál (A), kým nedosiahnete požadovanú výšku (*Ovládacie prvky základne zariadenia Prime* (strana 17)).

Spustenie voliteľnej možnosti elektrického roštu

VAROVANIE

- Pacienta vždy umiestnite do stredu výrobku.
 - Keď nechávate pacienta bez dozoru, vždy spustíte výrobok do najnižšej polohy s bočnicami zdvihnutými a zaistenými. Nenechávajte výrobok vo vyššej výške.
 - Pred zdvihnutím alebo spustením roštu vždy odstráňte všetky zariadenia, ktoré by mohli zavádzať.
 - Nesadajte si na koncovú časť výrobku. Výrobok by sa mohol prevrátiť.
-

UPOZORNENIE - Nepoužívajte hydraulický systém základne na zdvihnutie výrobku, keď je patientsky výt'ah pod výrobkom.

Ak chcete spustiť celý elektrický rošt, stlačte stred univerzálneho spúšťacieho pedála (C) (*Ovládacie prvky základne zariadenia Prime* (strana 17)).

Ak chcete spustiť hlavový koniec roštu, stlačte pedál (B) alebo stlačte bočnú stranu univerzálneho spúšťacieho pedála (C) bližšie k hlavovému koncu výrobku.

Ak chcete spustiť nožný koniec roštu, stlačte pedál (D) alebo stlačte bočnú stranu univerzálneho spúšťacieho pedála (C) bližšie k nožnému koncu výrobku.

Nastavenie výrobku do Trendelenburgovej polohy

VAROVANIE - Pred zdvihnutím alebo spustením roštu vždy odstráňte všetky zariadenia, ktoré by mohli zavádzať.

UPOZORNENIE - Nepoužívajte hydraulický systém základne na zdvihnutie výrobku, keď je patientsky výt'ah pod výrobkom.

Ak chcete nastaviť výrobok do Trendelenburgovej polohy (hlavou nadol), zdvihnite rošt do najvyššej výšky (*Zdvihnutie neelektrického roštu* (strana 17) alebo *Zdvihnutie voliteľnej možnosti elektrického roštu* (strana 18)).

Poznámka - Keď je rošt v najvyššej výške, Trendelenburgov uhol bude väčší.

Ak chcete spustiť hlavový koniec výrobku, stlačte uvoľňovací pedál (D) na hlavovom alebo nožnom konci alebo stlačte bočnú stranu univerzálneho spúšťacieho pedála (C), ktorá je bližšie k hlavovému koncu (*Ovládacie prvky základne zariadenia Prime* (strana 17)).

Ak chcete spustiť výrobok z Trendelenburgovej polohy, zároveň stlačte uvoľňovacie pedále na hlavovom a nožnom konci (B a D) alebo stláčajte stred univerzálneho spúšťacieho pedála (C), kým rošt nebude vodorovne.

Nastavenie výrobku do opačnej Trendelenburgovej polohy

VAROVANIE - Pred zdvihnutím alebo spustením roštu vždy odstráňte všetky zariadenia, ktoré by mohli zavádzať.

UPOZORNENIE - Nepoužívajte hydraulický systém základne na zdvihnutie výrobku, keď je patientsky výt'ah pod výrobkom.

Ak chcete nastaviť výrobok do opačnej Trendelenburgovej polohy (nohami nadol), zdvihnite rošt do najvyššej výšky (*Zdvihnutie neelektrického roštu* (strana 17) alebo *Zdvihnutie voliteľnej možnosti elektrického roštu* (strana 18)).

Poznámka - Keď je rošt v najvyššej výške, Trendelenburgov uhol bude väčší.

Ak chcete spustiť nožný koniec výrobku, stlačte uvoľňovací pedál (B) na hlavovom alebo nožnom konci alebo stlačte bočnú stranu univerzálneho spúšťacieho pedála (C), ktorá je bližšie k nožnému koncu (*Ovládacie prvky základne zariadenia Prime* (strana 17)).

Ak chcete spustiť výrobok z opačnej Trendelenburgovej polohy, zároveň stlačte uvoľňovacie pedále na hlavovom a nožnom konci (B a D) alebo stláčajte stred univerzálneho spúšťacieho pedála (C), kým rošt nebude vodorovne.

Preprava pacienta

VAROVANIE

- Pacienta vždy umiestnite do stredu výrobku.
 - Bočnice pri preprave pacienta vždy zaistíte v plne zdvihnutej polohe so spánkovou plochou horizontálne v najnižšej polohe.
 - Výrobok nepresúvajte bokom na sklone väčšom ako 5,7 stupňa (10 % stupňa), aby sa predišlo preklopeniu výrobku.
-

Preprava pacienta:

1. Zdvihnite bočnice do najvyššej polohy. Zatiahnutím za bočnicu sa uistíte, že je zaistená.
2. Spustite rošt do najnižšej polohy.
3. Ak je výrobok vybavený voliteľnou možnosťou elektrického výt'ahu alebo elektrického roštu, odpojte napájaciu šnúru od stenovej zásuvky.
4. Stlačte riadiacu (zelenú) stranu brzdového/riadiaceho pedála.
5. Pomocou rúčok na tlačenie tlačte výrobok.
6. Pomocou brzd uzamknete výrobok na mieste.

Poznámka - Pred premiestňovaním výrobku sa vždy presvedčte, či je brzda uvoľnená, aby nedošlo k poraneniu operátora alebo pacienta.

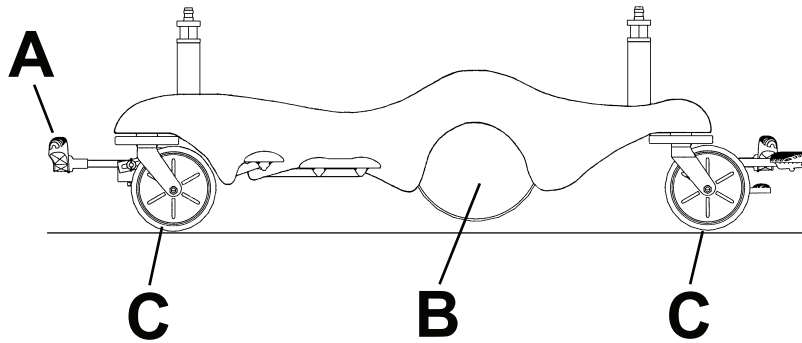
Preprava pacienta bez kolesa Big Wheel

VAROVANIE

- Pacienta vždy umiestnite do stredu výrobku.
- Bočnice pri preprave pacienta vždy zaistíte v plne zdvihnutej polohe so spánkovou plochou horizontálne v najnižšej polohe.

Preprava pacienta bez kolesa **Big Wheel**:

1. Nastavte brzdový/riadiaci pedál (A) do neutrálnej polohy (Obrázok 9).



Obrázok 9 – Preprava bez kolesa Big Wheel

2. Spustite rošt do najnižšej polohy.
3. V prípade modelu 1125 sa uistite, že spínač On/Drive-Off/Manual (Zapnuté/pohon – vypnuté/ručne) je nastavený v polohe Off (Vypnuté).
4. Ak je výrobok vybavený voliteľnou možnosťou elektrického výtahu alebo elektrického roštu, odpojte napájaciu šnúru od nemocničnej stenovej zásuvky.
5. Pomocou rúčok na tlačenie tlačte výrobok.
6. Pomocou bŕzd uzamknete výrobok na mieste.

Poznámka

- Pred premiestňovaním výrobku sa vždy presvedčte, či je brzda uvoľnená, aby nedošlo k poraneniu operátora alebo pacienta.
- Keď je výrobok v neutrálnej polohe, rám **Big Wheel** (B) je zdvihnutý a výrobok spočíva na všetkých štyroch kolieskach (C) (Obrázok 9). V tejto polohe môžete výrobkom pohybovať v ľubovoľnom smere, a to aj do strán.

Preprava pacienta pomocou kolesa Big Wheel

VAROVANIE

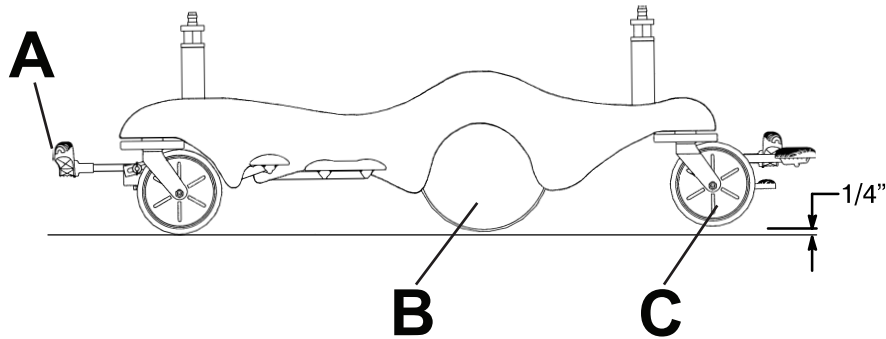
- Pacienta vždy umiestnite do stredu výrobku.
- Bočnice pri preprave pacienta vždy zaistíte v plne zdvihnutej polohe so spánkovou plochou horizontálne v najnižšej polohe.

UPOZORNENIE - Nestláčajte riadiaci pedál, keď rám **Big Wheel** spočíva na prahu alebo inom vyvýšenom mieste. Sila potrebná na použitie kolesa **Big Wheel** bude väčšia ako zvyčajne, čo môže spôsobiť poškodenie výrobku.

Preprava pacienta pomocou kolesa **Big Wheel**:

1. Zdvihnute bočnice do najvyššej polohy. Zatiahnutím za každú bočnicu sa uistite, že je zaistená.
2. Spustite rošt do najnižšej polohy.

3. V prípade modelu 1125 sa uistite, že spínač On/Drive-Off/Manual (Zapnuté/pohon – vypnuté/ručne) je nastavený v polohe Off (Vypnuté).
4. Ak je výrobok vybavený voliteľnou možnosťou elektrického výtahu alebo elektrického roštu, odpojte napájaciu šnúru od nemocničnej stenovej zásuvky.
5. Nastavte brzdový/riadiaci pedál (A) do riadiacej polohy (Obrázok 10).



Obrázok 10 – Preprava pomocou kolesa Big Wheel

6. Pomocou rúčok na tlačenie tlačte výrobok.
7. Pomocou bŕzd uzamknete výrobok na mieste.

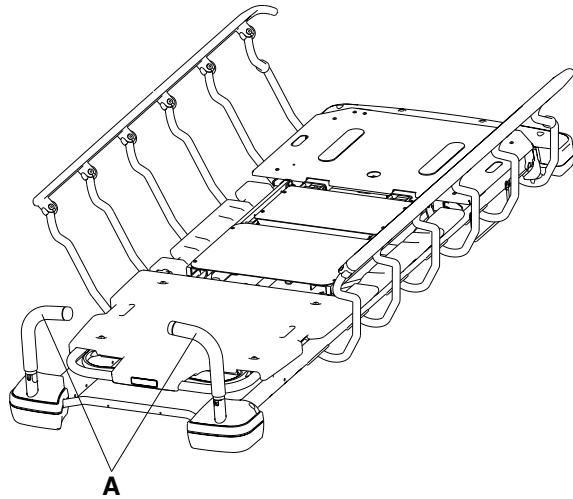
Poznámka

- Pred premiestňovaním výrobku sa vždy presvedčte, či je brzda uvoľnená. Pri premiestňovaní výrobku s aplikovanými brzdami môže dôjsť k poraneniu operátora alebo pacienta.
- Rám **Big Wheel** (B) sa neotáča. Keď používate rám **Big Wheel**, nemôžete pohybovať výrobkom do strán.
- Keď používate rám **Big Wheel** (B), výrobok je vyššie a kolieska na nožnom konci (C) sú zdvihnuté. Výrobok stojí na kolieskach na hlavovom konci a na ráme **Big Wheel**, vďaka čomu sa ľahšie riadi (Obrázok 10).

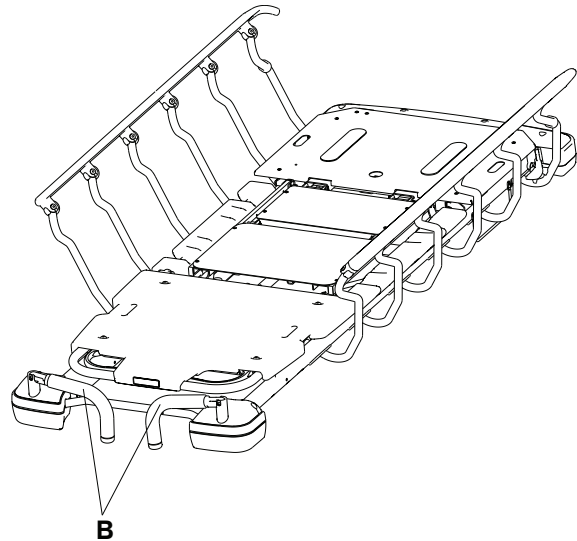
Nastavenie polohy alebo odloženie rúčok na tlačenie na hlavovom konci (voliteľné)

Nastavenie polohy alebo odloženie rúčok na tlačenie na hlavovom konci:

1. Vysuňte rúčky (A) nahor z hlavového konca výrobku (Obrázok 11).
2. Zatlačením na rúčky ich zaistíte na mieste.



Obrázok 11 – Nastavenie polohy rúčok na tlačenie na hlavovom konci



Obrázok 12 – Odloženie rúčok na tlačenie na hlavovom konci

3. Na odloženie rúčok na tlačenie na hlavovom konci (B) použijete opačný postup (Obrázok 12).

Poznámka - Pokiaľ nie je uvedené inak, rúčky na tlačenie používajte len na tlačenie/t'ahanie, aby sa výrobok nepoškodil.

Zdvíhanie bočnice

VAROVANIE

- Keď používate s voliteľnou možnosťou **Prime X** matrac hrubší ako 2,5 palca (6,4 cm) alebo matrac s pokrývkou, buďte mimoriadne opatrní.
- Keď nechávate pacienta bez dozoru, vždy spustíte výrobok do najnižšej polohy s bočnicami zdvihnutými a zaistenými. Nenechávajte výrobok vo vyššej výške.
- Bočnice pri preprave pacienta vždy zaistíte v plne zdvihnutej polohe so spánkovou plochou rovnou a v najnižšej polohe.
- Pri dvíhaní alebo spúšťaní bočnice vždy držte končatiny pacienta mimo čapov bočníc.
- Nenechajte bočnice, aby sa spustili samy.

Zdvíhanie bočnice:

1. Oboma rukami uchopíte bočnicu.
2. Dvíhajte bočnicu smerom k nožnému koncu výrobku, kým žltá uvoľňovacia západka nezacvakne na miesto. Zatiahnutím za bočnicu sa uistíte, že je zaistená.

Poznámka

- K dispozícii je voliteľná možnosť dvojitej uvoľňovacej západky bočnice so západkami na oboch koncoch výrobku.
- Bočnice nepoužívajte ako prostriedok obmedzujúci pohyb, ktorý má pacientovi zabrániť opustiť výrobok. Bočnice bránia pacientovi, aby sa neskotúlal z výrobku. O miere obmedzenia pohybu potrebnej na zaručenie bezpečnosti pacienta musí rozhodnúť operátor.
- Nožný koniec hornej tyče bočnice môžete použiť ako prvok na tlačenie/t'ahanie.
- Bočnice sa zaistia len v plne zdvihnutej polohe.

Spustenie bočnice

VAROVANIE

- Keď používate s voliteľnou možnosťou **Prime X** matrac hrubší ako 2,5 palca (6,4 cm) alebo matrac s pokrývkou, buďte mimoriadne opatrní.
 - Keď nechávate pacienta bez dozoru, vždy spustíte výrobok do najnižšej polohy s bočnicami zdvihnutými a zaistenými. Nenechávajte výrobok vo vyššej výške.
 - Bočnice pri preprave pacienta vždy zaistíte v plne zdvihnutej polohe so spánkovou plochou rovnou a v najnižšej polohe.
 - Pri dvíhaní alebo spúšťaní bočnice vždy držte končatiny pacienta mimo čapov bočníc.
 - Nenechajte bočnice, aby sa spustili samy.
-

Spustenie bočnice:

1. Jednou rukou uchopíte bočnicu.
2. Druhou rukou vytiahnete žltú uvoľňovaciu západku nahor.
3. Zdvihnete bočnicu a posúvajte ju smerom k hlavovému koncu výrobku, kým žltá uvoľňovacia západka nezacvakne na miesto. Zatiahnutím za bočnicu sa uistíte, že je zaistená.

Poznámka

- K dispozícii je voliteľná možnosť dvojitej uvoľňovacej západky bočnice so západkami na oboch koncoch výrobku.
- Bočnice nepoužívajte ako prostriedok obmedzujúci pohyb, ktorý má pacientovi zabrániť opustiť výrobok. Bočnice bránia pacientovi, aby sa neskotúľal z výrobku. O miere obmedzenia pohybu potrebnej na zaručenie bezpečnosti pacienta musí rozhodnúť operátor.
- Nožný koniec hornej tyče bočnice môžete použiť ako prvok na tlačenie/táhanie.
- Bočnice sa zaistia len v plne zdvihnutej polohe.

Nastavenie polohy výrobku pomocou bočnicového patientskeho ovládacieho panela – voliteľná možnosť elektrického roštu – len v prípade verzie Prime

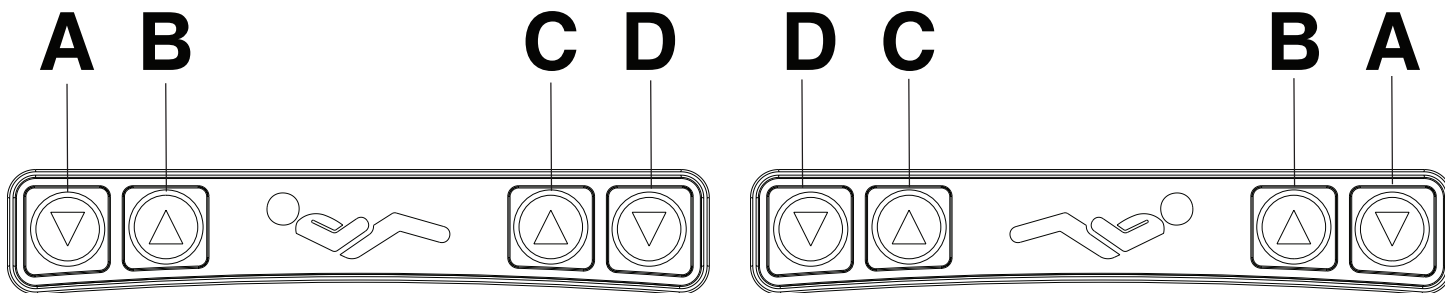
VAROVANIE - S výrobkom manipulujte len vtedy, keď sa všetci operátori nachádzajú mimo mechanizmov.

Na nastavenie polohy opierky chrbta a podpery kolien použite bočnicový patientsky ovládací panel (Obrázok 13).

Zdravotnícki pracovníci musia pacientov poučiť, ako majú obsluhovať patientske ovládacie prvky.

Poznámka

- Napájaciu šnúru vždy zapojte do uzemnenej nemocničnej stenovej zásuvky.
- Bočnicový patientsky ovládací panel je rozložený po oboch stranách výrobku, čo pacientovi uľahčuje jeho používanie.
- Na každej bočnici sú podsvietené ovládacie prvky, ktoré pacientovi umožňujú nastavovať polohu opierky chrbta a podpery kolien. Keď je výrobok zapojený do elektrickej siete a patientsky ovládací panel je odomknutý, biele tlačidlá sú rozsvietené.



Obrázok 13 – Bočnicový patientsky ovládací panel

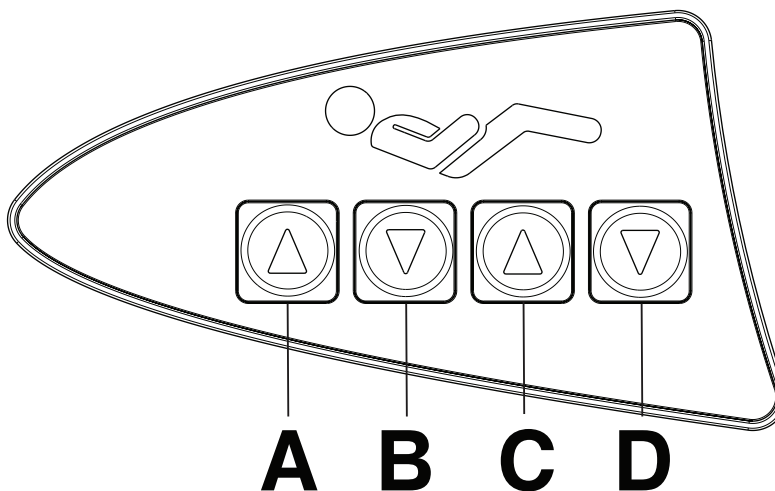
A	Opierka chrbta dole	Spustenie opierky chrbta (hlavová časť)
B	Opierka chrbta hore	Zdvihnutie opierky chrbta (hlavová časť)
C	Podpera kolien hore	Zdvihnutie podpery kolien (nožná časť)
D	Podpera kolien dole	Spustenie podpery kolien (nožná časť)

Ovládací panel pre operátora – voliteľná možnosť elektrického roštu – len v prípade verzie Prime

VAROVANIE - S výrobkom manipulujte len vtedy, keď sa všetci operátori nachádzajú mimo mechanizmov.

Ovládací panel operátora slúži na nastavenie polohy pacienta na výrobku (Obrázok 14).

Poznámka - Napájaciú šnúru vždy zapojte do uzemnenej nemocničnej stenovej zásuvky.



Obrázok 14 – Ovládací panel pre operátora – voliteľná možnosť elektrického roštu

A	Opierka chrbta hore	Zdvihnutie opierky chrbta
B	Opierka chrbta dole	Spustenie opierky chrbta
C	Podpera kolien hore	Zdvihnutie podpery kolien
D	Podpera kolien dole	Spustenie podpery kolien

Uzamknutie a odomknutie zámku patientskeho ovládacieho panela – voliteľná možnosť elektrického roštu – len v prípade verzie Prime

VAROVANIE - S výrobkom manipulujte len vtedy, keď sa všetci operátori nachádzajú mimo mechanizmov.

Ak chcete uzamknúť bočnicový patientsky ovládací panel, jedenkrát stlačte tlačidlo **Unlock/Lock** (Odomknúť/zamknúť) (A) (Obrázok 15).

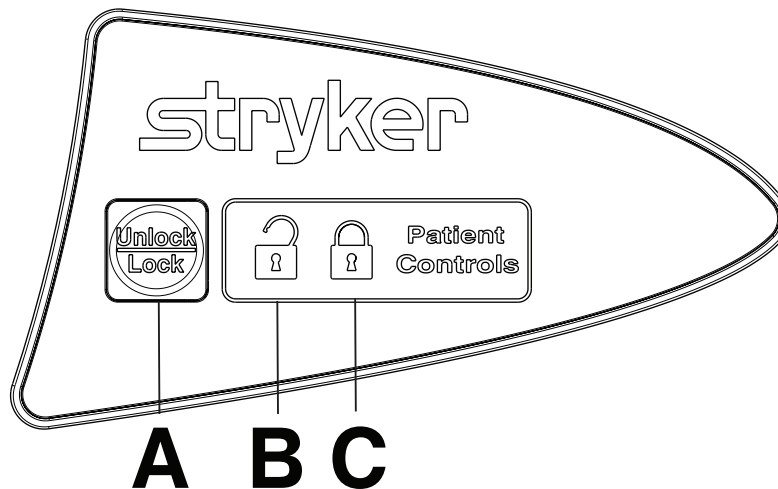
Poznámka - Po uzamknutí patientskych ovládacích prvkov pacienta sa ikona zámku (C) rozsvieti nažltlo.

Ak chcete odomknúť bočnicový patientsky ovládací panel, znova stlačte tlačidlo **Unlock/Lock** (Odomknúť/zamknúť) (A).

Poznámka - Po odomknutí patientskych ovládacích prvkov sa ikona odomknutia (B) rozsvieti nazeleno.

Poznámka

- Napájaciú šnúru vždy zapojte do uzemnenej nemocničnej stenovej zásuvky.
- Patientsky ovládací panel môžete uzamknúť, aby pacient nemohol pohybovať opierkou chrbta a podperou kolien.
- Po uzamknutí bočnicového patientskeho ovládacieho panela nebude ovládací panel podsvietený.



Obrázok 15 – Uzamknutie patientskeho ovládacieho panela

Zdvíhanie alebo spúšťanie opierky chrbta – neelektrický rošt

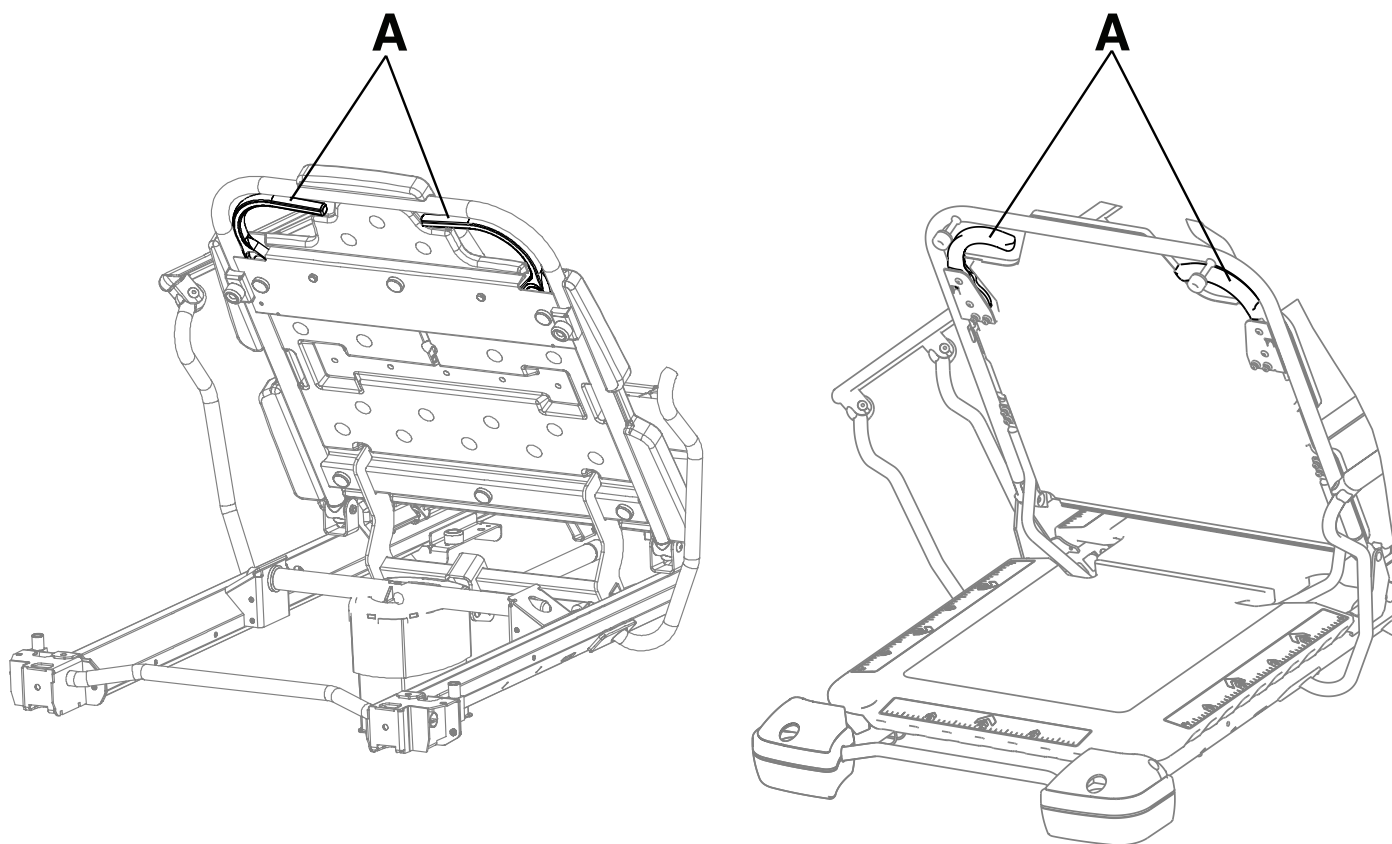
VAROVANIE

- S výrobkom manipulujte len vtedy, keď sa všetci operátori nachádzajú mimo mechanizmov.
 - Keď spúšťate opierku chrbta, ruky a prsty vždy držte mimo uvoľňovacích pák a rámu opierky chrbta.
 - Keď sa pacient nachádza na výrobku, pri dvíhaní opierky chrbta buďte vždy opatrní. Používajte správne postupy dvíhania a v prípade potreby požiadajte o pomoc.
-

Ak chcete zdvihnúť opierku chrbta, stlačte jednu alebo obe uvoľňovacie páky opierky chrbta (A) a vytiahnite opierku chrbta do želanej polohy (0° až 90°) (Obrázok 16).

Poznámka - Opierka chrbta **Lift Assist®** využíva hmotnosť pacienta ako doplnkovú pomoc pri nastavovaní polohy pacienta. Opierka chrbta **Lift Assist** takisto pomáha chrániť pacienta pred zošmyknutím sa na nožný koniec výrobku pri dvíhaní opierky chrbta.

Ak chcete spustiť opierku chrbta, stlačte jednu alebo obe uvoľňovacie páky opierky chrbta (A) a zatlačte opierku chrbta dole do želanej polohy (90° až 0°) (Obrázok 16).



Obrázok 16 – Zdvihnutie alebo spustenie opierky chrbta (Prime/Prime X)

Zdvíhanie alebo spúšťanie opierky chrbta – voliteľná možnosť elektrického roštu

VAROVANIE

- S výrobkom manipulujte len vtedy, keď sa všetci operátori nachádzajú mimo mechanizmov.
- Keď spúšťate opierku chrbta, ruky a prsty vždy držte mimo uvoľňovacích pák a rámu opierky chrbta.
- Keď sa pacient nachádza na výrobku, pri dvíhaní opierky chrbta buďte vždy opatrní. Používajte správne postupy dvíhania a v prípade potreby požiadajte o pomoc.

Ak chcete zdvihnúť opierku chrbta, stláčajte tlačidlo **up** (hore) na strane bočnicového patientskeho ovládacieho panela (*Nastavenie polohy výrobku pomocou bočnicového patientskeho ovládacieho panela – voliteľná možnosť elektrického roštu – len v prípade verzie Prime (strana 23)*), ktorá sa nachádza pri opierke chrbta, alebo na ovládacom paneli operátora (*Ovládací panel pre operátora – voliteľná možnosť elektrického roštu – len v prípade verzie Prime (strana 24)*) na nožnom konci, kým opierka chrbta nedosiahne želaný uhol (0° až 70°).

Poznámka - Opierka chrbta **Lift Assist** využíva hmotnosť pacienta ako doplnkovú pomoc pri nastavovaní polohy pacienta. Opierka chrbta **Lift Assist** takisto pomáha chrániť pacienta pred zošmyknutím sa na nožný koniec výrobku pri dvíhaní opierky chrbta.

Ak chcete spustiť opierku chrbta, stláčajte tlačidlo **down** (dole) na strane bočnicového patientskeho ovládacieho panela (*Nastavenie polohy výrobku pomocou bočnicového patientskeho ovládacieho panela – voliteľná možnosť elektrického roštu – len v prípade verzie Prime (strana 23)*), ktorá sa nachádza pri opierke chrbta, alebo na ovládacom paneli operátora na nožnom konci (*Ovládací panel pre operátora – voliteľná možnosť elektrického roštu – len v prípade verzie Prime (strana 24)*) želaný uhol (70° až 0°).

Poznámka - Napájaciu šnúru vždy zapojte do uzemnenej nemocničnej stenovej zásuvky.

Zdravotnícki pracovníci musia pacientov poučiť, ako majú obsluhovať patientske ovládacie prvky.

Zdvíhanie alebo spúšťanie podpery kolien – neelektrický rošt – len v prípade verzie Prime

VAROVANIE - Pri spúšťaní podpery kolien držte ruky a prsty mimo rúčok na tlačenie na nožnom konci.

UPOZORNENIE

- Hmotnostná kapacita podpery kolien je 200 libier (90,7 kg).
 - Pred použitím sa presvedčte, že je oporná tyč podpery kolien zaistená.
 - Na podpere kolien neseďte ani nestojte.
-

Ak chcete zdvihnúť neelektrickú podporu kolien, pumpujte pumpovaciu páku podpery kolien doľava, kým nedosiahnete želanú polohu (pozrite si časť *Ilustrácia výrobku – rošt Prime*).

Zdvihnite koniec podpery kolien a zaistite opornú tyč do štrbiny.

Ak chcete opornú tyč uvoľniť, zdvihnite koniec podpery kolien, vyklopte opornú tyč smerom k hlavovému koncu výrobku a spustíte nožný koniec.

Ak chcete podporu kolien spustiť, potiahnite uvoľňovaciu páku podpery kolien tak, aby ste dosiahli želanú polohu (pozrite si časť *Ilustrácia výrobku – rošt Prime*).

Poznámka - Ak výrobok obsahuje voliteľnú možnosť elektrického roštu, nemôžete podporu kolien dvíhať ručne.

Zdvíhanie alebo spúšťanie podpery kolien – voliteľný elektrický rošt – len v prípade verzie Prime

VAROVANIE

- Pri spúšťaní podpery kolien držte ruky a prsty mimo rúčok na tlačenie na nožnom konci.
 - S výrobkom manipulujte len vtedy, keď sa všetci operátori nachádzajú mimo mechanizmov.
-

UPOZORNENIE

- Hmotnostná kapacita podpery kolien je 200 libier (90,7 kg).
 - Na podpere kolien neseďte ani nestojte.
 - Keď výrobok nie je zapnutý a pokúšate sa spustiť podporu kolien, buďte opatrní. Gravitácia môže spôsobiť rýchly pokles podpery kolien.
-

Ak chcete zdvihnúť podporu kolien, stláčajte tlačidlo **up** (hore) na strane bočnicového patientskeho ovládacieho panela, ktorá sa nachádza pri podpere kolien, alebo na ovládacom paneli operátora na nožnom konci.

Ak chcete spustiť podporu kolien, stláčajte tlačidlo **down** (dole) na strane bočnicového patientskeho ovládacieho panela, ktorá sa nachádza pri podpere kolien, alebo na ovládacom paneli operátora na nožnom konci.

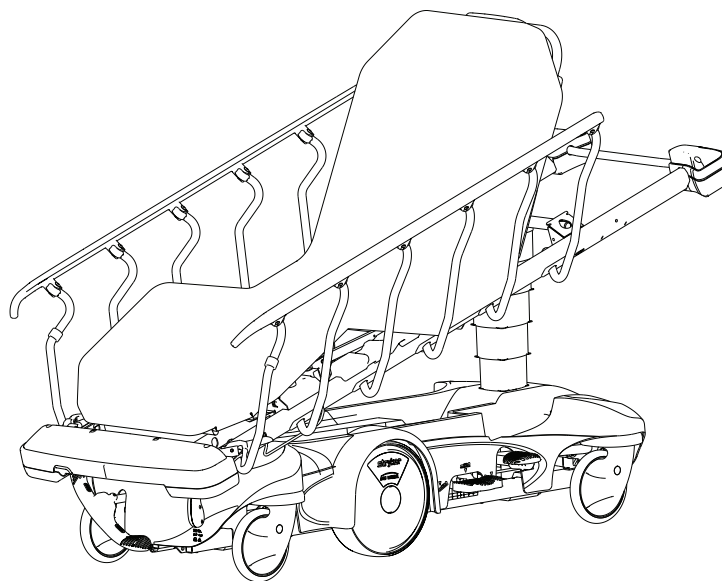
Poznámka - Napájaciu šnúru vždy zapojte do uzemnenej nemocničnej stenovej zásuvky.

Zdravotnícki pracovníci musia pacientov poučiť, ako majú obsluhovať patientske ovládacie prvky.

Umiestnenie zotavovacej stoličky – len verzia Prime

VAROVANIE - S výrobkom manipulujte len vtedy, keď sa všetci operátori nachádzajú mimo mechanizmov.

Nastavenie výrobku do polohy zotavovacej stoličky (Obrázok 17):



Obrázok 17 – Zotavovacia stolička (zobrazený model 1115)

1. Zdvihnite opierku chrbta do sedacej polohy (*Zdvíhanie alebo spúšťanie opierky chrbta – neelektrický rošt (strana 25) alebo Zdvíhanie alebo spúšťanie opierky chrbta – voliteľná možnosť elektrického roštu (strana 26)*).

Poznámka - Na to, aby bolo možné nastaviť polohu zotavovacej stoličky, musí výrobok obsahovať voliteľnú možnosť opierky chrbta **Lift Assist** a voliteľnú možnosť podpery kolien.

2. Zdvihnite podperu kolien do úplne zdvihnutej polohy (*Zdvíhanie alebo spúšťanie podpery kolien – neelektrický rošt – len v prípade verzie Prime (strana 27) alebo Zdvíhanie alebo spúšťanie podpery kolien – voliteľný elektrický rošt – len v prípade verzie Prime (strana 27)*).
3. Zdvihnite rošt do najvyššej výšky (*Zdvihnutie neelektrického roštu (strana 17) alebo Zdvihnutie voliteľnej možnosti elektrického roštu (strana 18)*).
4. Nastavte výrobok do opačnej Trendelenburgovej polohy (*Nastavenie výrobku do opačnej Trendelenburgovej polohy (strana 19)*).
5. Ak chcete výrobok spustiť späť do vodorovnej polohy, použite opačný postup.

Uskladnenie predmetov v priestore základne

UPOZORNENIE

- Do priestoru základne neukladajte predmety s hmotnosťou vyššou ako 60 lb (27 kg).
- Na priestore základne neseďte, nestojte ani naň nestúpajte.

Do priestoru základne môžete ukladať osobné veci pacienta. Nepoužívajte výrez na držiak kyslíkovej fľaše na skladovanie kyslíkových fliaš ani osobných vecí pacienta.

Zavesenie zariadení s použitím voliteľnej možnosti pumpového vešiaka

VAROVANIE

- Káble zariadení na pumpovom vešiaku držte mimo pák podpery kolien.
 - Pred zdvihnutím alebo spustením roštu vždy odstráňte všetky zariadenia, ktoré by mohli zavádzať.
 - Vždy sa presvedčte, že zariadenia na pumpovom vešiaku bezpečne prejdú dverami.
 - Nedvíhajte výrobok za pumpový vešiak.
-

UPOZORNENIE

- Hmotnostná kapacita pumpového vešiaka je 40 libier (18 kg).
 - Pumpový vešiak nepoužívajte ako prvok na tlačenie alebo ťahanie. Výrobok by sa mohol poškodiť.
-

Na pumpový vešiak, ktorý sa nachádza na nožnom konci výrobku, môžete uložiť alebo zavesiť ďalšie zariadenia.

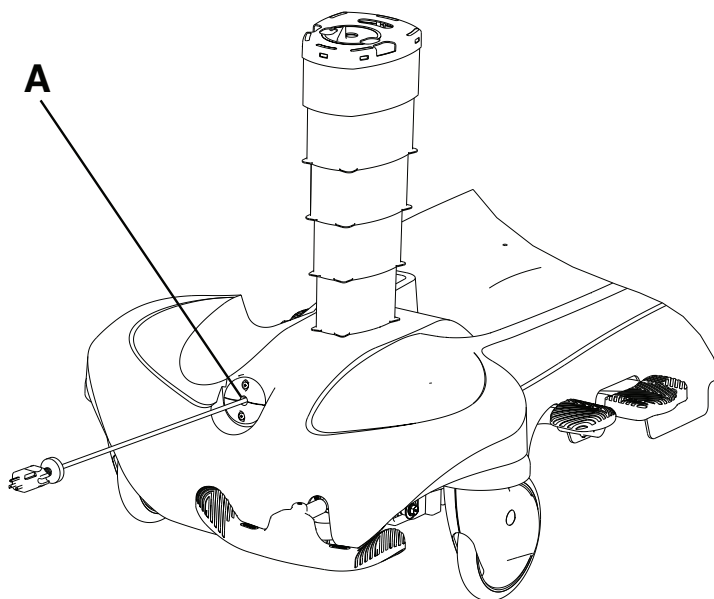
Poznámka - Voliteľnú možnosť pumpového vešiaka si musíte zvoliť v čase nákupu.

Vytiahnutie alebo zatiahnutie napájacej šnúry pomocou voliteľnej možnosti navijaka na zaťahovaciu šnúru – možnosť elektrického výťahu alebo možnosť elektrického roštu

VAROVANIE

- Pred prepravou alebo čistením výrobku vždy odpojte napájaciu šnúru zo stenovej zásuvky.
 - Na uskladnenie napájacej šnúry v základni pri preprave výrobku vždy použite navijak na zaťahovaciu šnúru.
-

Ak chcete vytiahnuť napájaciu šnúru, ťahaním ju odmotajte z navijaka na zaťahovaciu šnúru (A) do želanej dĺžky (Obrázok 18).



Obrázok 18 – Navijak na zaťahovaciu šnúru

Zatiahnutie napájacej šnúry:

1. Napájaciu šnúru vytiahnite zo stenovej zásuvky.
2. Mierne šklbnite napájacou šnúrou.
3. Naved'te napájaciu šnúru do navijaka na zaťahovaciu šnúru.

Voliteľná možnosť systému váhy

VAROVANIE - Nepoužívajte voliteľnú možnosť systému váhy ani voliteľnú možnosť elektrického výťahu či elektrického roštu vedľa iných zariadení ani uložené na nich. Ak je také použitie nutné, voliteľnú možnosť systému váhy alebo voliteľnú možnosť elektrického výťahu či elektrického roštu treba sledovať a overiť, že všetky zariadenia fungujú normálne v konfigurácii, v akej sa budú používať.

Voliteľná možnosť systému váhy je k dispozícii pre všetky výrobky s voliteľnou možnosťou elektrického roštu i bez nej. Voliteľná možnosť systému váhy obsahuje možnosť záložnej batérie. Ikona pohotovostného stavu znamená, že výrobok využíva záložnú batériu.

Voliteľná možnosť **Chaperone** umožňuje nastaviť ovládacie prvky zóny tak, aby upozornili operátora, keď sa pacient pokúša opustiť výrobok. Voliteľná možnosť **Chaperone** je k dispozícii pre všetky výrobky s voliteľnou možnosťou elektrického roštu a systému váhy. Voliteľná možnosť systému váhy s možnosťou **Chaperone** obsahuje možnosť záložnej batérie. Ikona pohotovostného stavu znamená, že výrobok využíva záložnú batériu.

Pred použitím voliteľnej možnosti systému váhy zdvihnite rúčky na tlačenie na nožnom konci.

Na ovládanie voliteľnej možnosti systému váhy používajte ovládací panel systému váhy (*Identifikácia ikon/tlačidiel váhy* (strana 30)).

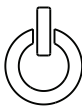




Počas váženia alebo nulovania systému váhy sa nedotýkajte výrobku.



Keď systém váži pacienta, pacient sa nesmie hýbať. Ak sa pacient pohne, systém váhy sa počas 20 sekúnd bude snažiť získať stabilnú hmotnosť alebo nulovú hodnotu a potom zobrazí chybové hlásenie (ⓘ).

V prípade uvoľneného pripojenia alebo nefunkčnosti váhy sa na displeji zobrazí chyba (ⓘ). Ak sa znova pokúsite použiť váhu a zobrazí sa chyba, obráťte sa na oddelenie technickej podpory spoločnosti Stryker.

Poznámka - Na splnenie špecifikácie presnosti systému váhy musí byť patientska plocha v rovnej polohe (sklopená opierka chrbta a podpera kolien) a výrobok nesmie byť vychýlený o viac ako 5 stupňov Trendelenburgovej/opačnej Trendelenburgovej polohy.

Identifikácia ikon/tlačidiel váhy

Položka	Ikona/tlačidlo	Názov	Opis
A		Ikona pohotovostného režimu	Keď zapojíte napájaciu šnúru do stenovej zásuvky, rozsvieti sa nazeleno. Keď odpojíte napájaciu šnúru od stenovej zásuvky, rozsvieti sa naoranžovo. Zapne sa funkcia záložnej batérie.
B		Ikona zóny 1	Pacient sa môže voľne pohybovať, ale keď sa pokúsi opustiť výrobok, zaznie alarm.
C		Ikona zóny 2	Pacient sa môže pohybovať obmedzene. Keď sa pacient priblíži k bočniciam alebo presunie na nožný koniec, zaznie alarm.
D		Ikona Arm/Disarm (Zapnúť/vypnúť)	Zapnutie a vypnutie voliteľnej možnosti Chaperone (opustenie nosidiel). Pozri časť <i>Zapnutie alebo vypnutie voliteľnej možnosti Chaperone</i> (strana 32).
E		Tlačidlo Weigh (Odvážiť)	Odváženie pacienta. Pozri časť <i>Váženie pacienta</i> (strana 31).

Polo- žka	Ikona/ tlačidlo	Názov	Opis
F		Tlačidlo lb/kg (libier/ kg)	Zmena zobrazenej jednotky merania. Pozri časť <i>Nastavenie jednotky merania váhy</i> (strana 31).
G		Tlačidlo Zero (Vynulovať)	Vynulovanie nastavení váhy. Pozri časť <i>Nastavenie jednotky merania váhy</i> (strana 31).

Váženie pacienta

UPOZORNENIE - Údaje zo systému váhy nepoužívajte ako referenciu pre lekárske ošetrovanie.

1. Pred použitím voliteľnej možnosti systému váhy zdvihnite rúčky na tlačenie na nožnom konci.
2. Na vynulovanie váhy stlačte a podržte stlačené **Zero** (Vynulovať) kým sa na obrazovke neobjaví **rel** (vydanie). **000.0** začne blikať a potom prestane blikať.

Poznámka - Váha je pripravená na používanie, až keď prestane blikať **000.0**.

3. Pacienta umiestnite na výrobok.
4. Stlačením **lb/kg** vyberte jednotku merania (libier alebo kg).
5. Stlačením **Weigh** (Odvážiť) odvážite pacienta.

Poznámka - Váha pacienta sa zobrazuje 40 sekúnd.

Nastavenie jednotky merania váhy

1. Stlačte a podržte stlačené **Weigh** (Odvážiť), **lb/kg** (libier/kg) a **Zero** (Vynulovať), až kým sa nezobrazí **diag** (diagnostika).
2. Stlačením **lb/kg** (libier/kg) alebo **Zero** (Vynulovať) prepnete na **Unit Loc** (Nastavenie jednotky).
3. V prípade váhy bez možnosti Chaperone, stlačte a podržte stlačené **lb/kg** (libier/kg) a **Zero** (Vynulovať), kým sa nezobrazí nápis **rel** (vydanie) na výber **Unit Loc** (Nastavenie jednotky).
4. V prípade váhy s možnosťou Chaperone stlačte a podržte stlačené tlačidlá **lb/kg** (libier/kg) a **Zero** (Vynulovať) na výber možnosti **Unit Loc** (Nastavenie jednotky).
5. Stláčaním **lb/kg** (libier/kg) alebo **Zero** (Vynulovať) prepínajte medzi jednotkami **lb** (libier), **kg**, alebo **Any** (Akákoľvek).
6. Stlačte a uvoľnite **lb/kg** (libier/kg) a **Zero** (Vynulovať). Zobrazí sa možnosť **Only** (Iba) a vybraná jednotka merania.
7. Stlačte a podržte stlačené **Weigh** (Odvážiť), až kým sa nezobrazí **quit** (ukončiť).
8. Stlačte a podržte stlačené **Zero** (Vynulovať), kým sa nezobrazí **rel** (vydanie). **000.0** začne blikať a potom prestane blikať.

Poznámka - Váha je pripravená na používanie, až keď prestane blikať **000.0**.

Zapnutie alebo vypnutie voliteľnej možnosti Chaperone

Keď je voliteľná možnosť **Chaperone** zapnutá, monitoruje polohu pacienta na výrobku.

Zapnutie a vypnutie voliteľnej možnosti **Chaperone**:

1. Keď sa pacient nachádza na výrobku, stlačte tlačidlo **Arm/Disarm** (Zapnúť/vypnúť).

Poznámka - Tým sa zapne zóna 1. Keď sa používa zóna 1, rozsvieti sa naoranžovo.

2. Ak chcete zapnúť zónu 2, stlačte tlačidlo **Arm/Disarm** (Zapnúť/vypnúť) dvakrát v priebehu 3 sekúnd.

Poznámka - Tým sa zapne zóna 2. Keď sa používa zóna 2, rozsvieti sa naoranžovo.

3. Ak chcete voliteľnú možnosť **Chaperone** vypnúť, stlačte a podržte tlačidlo **Arm/Disarm** (Zapnúť/vypnúť).

Poznámka - Pred zapnutím voliteľnej možnosti **Chaperone** musíte váhu vynulovať.

Poznámka - Ak sa pacient presunie mimo limitov zvolenej zóny, začne blikať oranžové svetlo, na displeji voliteľnej možnosti systému váhy začne blikať nápis **Alrt** (Výstraha) a zaznie zvukový alarm.

Nastavenie vzoru výstrahy voliteľnej možnosti Chaperone

Zmena vzoru výstrahy voliteľnej možnosti **Chaperone**:

1. Naraz stlačte a podržte tlačidlá **Arm/Disarm** (Zapnúť/vypnúť) a **Weigh** (Odvážiť) na približne 6 sekúnd. Ignorujte všetky zobrazené hlásenia, kým sa na displeji nezobrazí nápis **Ptrn** (Vzor) (*Identifikácia ikon/tlačidiel váhy* (strana 30)).

2. Pustite tlačidlá **Arm/Disarm** (Zapnúť/vypnúť) a **Weigh** (Odvážiť).

Poznámka - Na displeji sa zobrazí nastavenie vzoru **P (1-10)**.

3. Stláčaním tlačidla **Arm/Disarm** (Zapnúť/vypnúť) alebo **Weigh** (Odvážiť) prechádzajte možnosťami vzoru.

Poznámka - Pri prechádzaní zaznie krátka ukážka každého vzoru.

4. Naraz stlačte a podržte tlačidlá **Arm/Disarm** (Zapnúť/vypnúť) a **Weigh** (Odvážiť) na približne 6 sekúnd, kým sa na displeji nezobrazí nápis **set** (nastaviť), na uloženie zvoleného vzoru.

5. Pustite tlačidlá **Arm/Disarm** (Zapnúť/vypnúť) a **Weigh** (Odvážiť).

Poznámka - Na displeji sa zobrazí zvolené nastavenie vzoru. Krátka ukážka vzoru potvrdí nastavenie vzoru.

Nastavenie hlasitosti výstrahy voliteľnej možnosti Chaperone

Zmena hlasitosti výstrahy voliteľnej možnosti **Chaperone**:

1. Naraz stlačte a podržte tlačidlá **Zero** (Vynulovať) a **lb/kg** (libier/kg), kým sa na displeji nezobrazí nápis **vol** (objem) (*Identifikácia ikon/tlačidiel váhy* (strana 30)).

2. Pustite tlačidlá **Zero** (Vynulovať) a **lb/kg** (libier/kg).

Poznámka - Na displeji sa zobrazia úrovne hlasitosti **L (1-4)**.

3. Stláčením tlačidla **Zero** (Vynulovať) alebo **lb/kg** (libier/kg) prechádzajte úrovňami hlasitosti.

Poznámka - Pri prechádzaní zaznie krátka ukážka hlasitosti.

4. Naraz stlačte a podržte tlačidlá **Zero** (Vynulovať) a **lb/kg** (libier/kg) na približne 6 sekúnd, kým sa na displeji nezobrazí nápis **set** (nastaviť), na uloženie zvolenej úrovne hlasitosti.

5. Pustite tlačidlá **Zero** (Vynulovať) a **lb/kg** (libier/kg).

Poznámka - Na displeji sa zobrazí zvolená úroveň hlasitosti. Nastavenie úrovne hlasitosti potvrdí krátka ukážka úrovne hlasitosti.

Nabíjanie voliteľnej možnosti batérií systému váhy – možnosť elektrického roštu alebo možnosť elektrického roštu s možnosťou Chaperone – len v prípade verzie Prime

Systém váhy s voliteľnou možnosťou elektrického roštu si vyžaduje batérie 10,8 V Li-ION (0058-135-000 bez možnosti **Chaperone**; 0058-134-000 s možnosťou **Chaperone**). Keď indikátor nabitia batérií zobrazuje jednu zostávajúcu jednotku, batériu dobite. Tým sa zabráni vypnutiu systému váhy z dôvodu vybitia batérií.

Ak chcete nabiť batérie Li-ION systému váhy, zapojte napájaciu šnúru do uzemnenej nemocničnej stenovej zásuvky. Batérie sa úplne nabijú za približne tri hodiny.

Poznámka - Keď výrobok nepoužívate, vždy ho zapojte do uzemnenej nemocničnej stenovej zásuvky. To pomôže zachovať dostatočné nabitie batérie a maximalizuje sa výkon výrobku pri napájaní z batérie.

Výmena batérií voliteľnej možnosti systému váhy – neelektrický rošt

Keď indikátor nabitia batérie zobrazuje jednu zostávajúcu jednotku, batérie vymeňte. Tým sa zabráni vypnutiu systému váhy z dôvodu vybitia batérií.

Keď na displeji bliká nápis **Lo batt** (Vybité batérie), batérie majú najnižšiu úroveň nabitia a voliteľná možnosť systému váhy je vypnutá.

Potrebné nástroje:

- Krížový skrutkovač
- Štyri batérie AA (alkalické (LR6))

Výmena batérií:

1. Pomocou skrutkovača Phillips odmontujte skrutky, ktoré upevňujú kryt priehradky na batérie k zostave displeja.
2. Vyberte a zlikvidujte všetky štyri batérie AA.

Poznámka - Staré batérie likvidujte v súlade s miestnymi predpismi.

3. Vložte štyri nové batérie AA podľa označenia v držiaku batérií.

Poznámka - Nikdy nekombinujte staré batérie s novými.

4. Pomocou skrutiek odmontovaných v kroku 1 znova primontujte kryt priehradky na batérie k zostave displeja.

Príslušenstvo a diely

Na použitie s výrobkom môže byť k dispozícii nasledujúce príslušenstvo. Overte si dostupnosť pre svoju konfiguráciu alebo región. Informácie o dostupnosti a cene vám poskytne oddelenie služieb zákazníkom spoločnosti Stryker 1-800-327-0770.

Názov	Číslo dielu
Podnos defibrilátora	1105-045-200
Podnos defibrilátora/nadstavec na nohy	1105-045-400
Koncová doska/držiak na záznamy	1105-045-500
Zostava obalu na chodidlá	1105-045-022
Infúzny vozík	0785-155-000
Infúzny stojan HAVASU™ , odpojiteľný	0390-025-000
Infúzny stojan, trojstupňový, nožný koniec, ľavý, 26 palcov (66 cm)	1105-035-644
Infúzny stojan, trojstupňový, nožný koniec, pravý, 26 palcov (66 cm)	1105-035-639

Názov	Číslo dielu
Infúzny stojan, trojstupňový, nožný koniec, ľavý, 30 palcov (76 cm)	1105-035-344
Infúzny stojan, trojstupňový, nožný koniec, pravý, 30 palcov (76 cm)	1105-035-339
Infúzny stojan, trojstupňový, nožný koniec, ľavý, 30 palcov (76 cm) (voliteľná možnosť Prime X)	1105-035-364
Infúzny stojan, trojstupňový, nožný koniec, pravý, 30 palcov (76 cm) (voliteľná možnosť Prime X)	1105-035-361
Infúzny stojan, trojstupňový, hlavový koniec, ľavý, 26 palcov (66 cm)	1105-035-642
Infúzny stojan, trojstupňový, hlavový koniec, pravý, 26 palcov (66 cm)	1105-035-637
Infúzny stojan, trojstupňový, hlavový koniec, ľavý, 30 palcov (76 cm)	1105-035-342
Infúzny stojan, trojstupňový, hlavový koniec, pravý, 30 palcov (76 cm)	1105-035-337
Infúzny stojan, trojstupňový, hlavový koniec, ľavý, 30 palcov (76 cm) (voliteľná možnosť Prime X)	1105-035-369
Infúzny stojan, trojstupňový, hlavový koniec, pravý, 30 palcov (76 cm) (voliteľná možnosť Prime X)	1105-035-366
Infúzny stojan, dvojstupňový, nožný koniec, ľavý, 26 palcov (66 cm)	1105-035-640
Infúzny stojan, dvojstupňový, nožný koniec, pravý, 26 palcov (66 cm)	1105-035-643
Infúzny stojan, dvojstupňový, nožný koniec, ľavý, 30 palcov (76 cm)	1105-035-340
Infúzny stojan, dvojstupňový, nožný koniec, pravý, 30 palcov (76 cm)	1105-035-343
Infúzny stojan, dvojstupňový, nožný koniec, ľavý, 30 palcov (76 cm) (voliteľná možnosť Prime X)	1105-035-362
Infúzny stojan, dvojstupňový, nožný koniec, pravý, 30 palcov (76 cm) (voliteľná možnosť Prime X)	1105-035-363
Infúzny stojan, dvojstupňový, hlavový koniec, ľavý, 26 palcov (66 cm)	1105-035-638
Infúzny stojan, dvojstupňový, hlavový koniec, pravý, 26 palcov (66 cm)	1105-035-641
Infúzny stojan, dvojstupňový, hlavový koniec, ľavý, 30 palcov (76 cm)	1105-035-341
Infúzny stojan, dvojstupňový, hlavový koniec, pravý, 30 palcov (76 cm)	1105-035-338
Infúzny stojan, dvojstupňový, hlavový koniec, ľavý, 30 palcov (76 cm) (voliteľná možnosť Prime X)	1105-035-367

Názov	Číslo dielu
Infúzny stojan, dvojstupňový, hlavový koniec, pravý, 30 palcov (76 cm) (voliteľná možnosť Prime X)	1105-035-368
Matrac, ComfortGel SE™ , protipožiarna bariéra, 26 palcov (66 cm)	1805-034-601
Matrac, ComfortGel SE , protipožiarna bariéra, 30 palcov (76 cm)	1805-034-301
Matrac, ComfortGel SE , bez protipožiarienej bariéry, 26 palcov (66 cm)	1805-034-600
Matrac, ComfortGel SE , bez protipožiarienej bariéry, 30 palcov (76 cm)	1805-034-300
Matrac, Enhanced Comfort, 3 palcov x 26 palcov (8 cm x 66 cm)	0785-034-613
Matrac, Enhanced Comfort, 3 palcov x 30 palcov (8 cm x 76 cm)	0785-034-313
Matrac, Enhanced Comfort, 4 palcov x 26 palcov (10 cm x 66 cm)	0785-034-623
Matrac, Enhanced Comfort, 4 palcov x 30 palcov (10 cm x 76 cm)	0785-034-323
Matrac, IsoFlex SE™ , protipožiarna bariéra, 30 palcov (76 cm)	1806-034-300
Matrac, IsoFlex SE , bez protipožiarienej bariéry, medzinárodná verzia, 30 palcov (76 cm)	1806-034-301
Matrac, Ultra Comfort, 4 palcov x 26 palcov (10 cm x 66 cm)	0785-034-603
Matrac, Ultra Comfort, 4 palcov x 30 palcov (10 cm x 76 cm)	0785-034-303
Matrac, Ultra Comfort, 5 palcov x 26 palcov (13 cm x 66 cm)	0785-034-633
Matrac, Ultra Comfort, 5 palcov x 30 palcov (13 cm x 76 cm)	0785-034-333
Matrac, Ultra Comfort SE™ , 4 palcov x 26 palcov (10 cm x 66 cm)	1704-034-600
Matrac, Ultra Comfort SE , protipožiarna bariéra, medzinárodná verzia, 4 palcov x 26 palcov (10 cm x 66 cm)	1704-034-601
Matrac, Ultra Comfort predlžovač nosidiel, 4 palcov x 26 palcov (10 cm x 66 cm)	1105-034-609
Matrac, Ultra Comfort predlžovač nosidiel, 4 palcov x 30 palcov (10 cm x 76 cm)	1105-034-309
Matrac, Ultra Comfort SE , 3 palcov x 30 palcov (8 cm x 76 cm)	1703-034-300
Matrac, Ultra Comfort SE , protipožiarna bariéra, 3 palcov x 30 palcov (8 cm x 76 cm)	1703-034-301

Názov	Číslo dielu
Matrac, Ultra Comfort SE , 4 palcov x 30 palcov (10 cm x 76 cm)	1704-034-300
Matrac, Ultra Comfort SE , protipožiarna bariéra, 4 palcov x 30 palcov (10 cm x 76 cm)	1704-034-301
Držiak kyslíkovej fľaše, zvislý	1115-130-000
Voliteľná možnosť tyče pumpy, 30 palcov (76 cm)	1105-045-035
Zostava rúčky na tlačenie, nožný koniec, 30 palcov (76 cm)	1105-048-030
Zostava rúčky na tlačenie, hlavový koniec, 30 palcov (76 cm)	1105-048-060
Balík zadržiacieho popruhu	0785-045-010
Zadržiací popruh, členok	0785-045-020
Zadržiací popruh, telo	0785-045-015
Zadržiací popruh, zápästie	0946-044-000
Zadržiací popruh, hrudník	1010-058-000
Servírovací podnos	1105-045-700
Držiak servírovacieho podnosu/koncová doska	1105-045-800
Bočnicové vložky	1001-052-000
Držiak RTG kazety, bočný	1105-045-100
Držiak RTG kazety, zvislý	1105-045-300

Elektrické komponenty

Názov	Číslo
Ovládač, opierka chrbta	1008-012-020
Ovládač, podpera kolien	1008-014-020
Batéria, batéria Li-ION Smart (len váha)	0058-135-000
Batéria, batéria Li-ION Smart (váha a Chaperone)	0058-134-000
Doska, zostava DPS ovládania jednosmerným prúdom	1008-116-800
Doska, zostava striedavého prúdu bez zdvíhania	1008-002-800
Doska, zostava DPS ovládania zdvíhania	1008-002-810
Doska, zostava ovládania váhy (len váha)	1008-237-850
Doska, zostava ovládania pre váhu a Chaperone	1008-237-840
Kondenzátor, 440 V AC, 35 MFD	0059-087-000
Klávesnica, ovládanie váhy (neelektrický rošt)	1008-037-820
Klávesnica, ovládanie na bočnici, ľavé	1008-011-017
Klávesnica, ovládanie na bočnici, pravé	1008-011-016

Názov	Číslo
Klávesnica, ovládanie pre operátora	1008-015-800
Snímač zaťaženia (voliteľný systém váhy)	1008-037-057
Motor, pumpa	1008-002-015
Napájacia šnúra, štandardná	1028-146-060
Napájacia šnúra, medzinárodná, typ E	1125-060-170
Napájacia šnúra, medzinárodná, typ F	1125-060-180
Napájacia šnúra, medzinárodná, typ G	1125-060-160
Napájacia šnúra, medzinárodná, typ I	1125-060-200
Zostava skrinky váhy (neelektrický rošt)	1070-237-020
Transformátor	1008-014-857
Transformátor, medzinárodný	1008-014-877

Pripojenie podnosu defibrilátora

VAROVANIE

- Na podnos defibrilátora neukladajte predmety s hmotnosťou vyššou ako 14 kg. Zariadenia, ktoré ukladáte na podnos defibrilátora, vždy upevnite popruhmi.
- Ak je pripojený podnos defibrilátora/nadstavec na nohy, koncová doska/držiak na záznamy alebo zvislý držiak kyslíkovej fľaše, dávajte pozor, aby ste si pri nastavovaní polohy voliteľných rúčok na tlačenie na nožnom konci nepriškripli prsty.

Pripojenie podnosu defibrilátora:

1. Zasuňte kolíky podnosu defibrilátora do otvorov na nožnom konci výrobku.
2. Zariadenia upevnite k podnosu defibrilátora popruhmi.

Poznámka

- Nepoužívajte podnos defibrilátora ako prvok na tlačenie alebo ťahanie. Výrobok by sa mohol poškodiť.
- Keď používate príslušenstvo (napríklad podnos defibrilátora/nadstavec na nohy, koncovú dosku/držiak na záznamy alebo zvislý držiak kyslíkovej fľaše), vždy zdvihnite rúčky na tlačenie na nožnom konci, inak príslušenstvo nebude fungovať.

Úprava podnosu defibrilátora/nadstavca na nohy na podnos defibrilátora

VAROVANIE

- Na podnos defibrilátora/nadstavec na nohy neukladajte predmety s hmotnosťou vyššou ako 14 kg. Zariadenia, ktoré ukladáte na podnos defibrilátora, vždy upevnite popruhmi.
- Ak je pripojený podnos defibrilátora/nadstavec na nohy, koncová doska/držiak na záznamy alebo zvislý držiak kyslíkovej fľaše, dávajte pozor, aby ste si pri nastavovaní polohy voliteľných rúčok na tlačenie na nožnom konci nepriškripli prsty.

UPOZORNENIE - Pred pripojením podnosu defibrilátora/nadstavca na nohy k výrobku vždy zdvihnite infúzny stojan. Ak infúzny stojan nezdvihnete, nadstavec na nohy nebude fungovať.

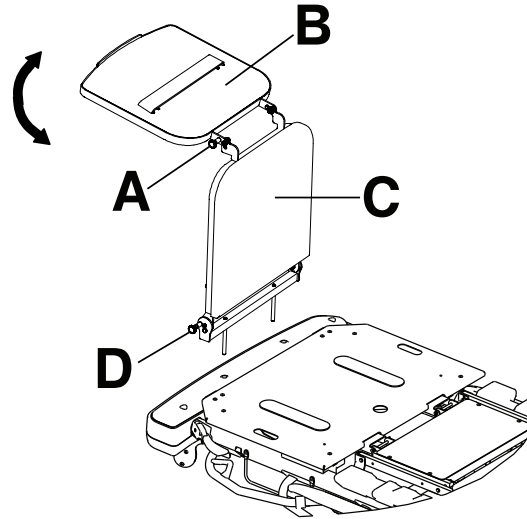
Úprava podnosu defibrilátora/nadstavca na nohy na podnos defibrilátora:

1. Vytiahnite horný ovládač (A) (Obrázok 19).

- Nastavte podnos defibrilátora (B) tak, aby bol vo vodorovnej polohe nad nožným koncom výrobku. Uvoľnite horný ovládač (A). Presvedčte sa, že podnos defibrilátora sa zaistil na mieste.
- Zariadenia upevnite k podnosu defibrilátora popruhmi.

Poznámka

- Nepoužívajte podnos defibrilátora/nadstavec na nohy ako prvok na tlačenie alebo ťahanie. Výrobok by sa mohol poškodiť.
- K nadstavcu na nohy nepripájajte žiadne predmety.



Obrázok 19 – Podnos defibrilátora/nadstavec na nohy

Úprava podnosu defibrilátora/nadstavca na nohy na nadstavec na nohy

VAROVANIE

- Na podnos defibrilátora/nadstavec na nohy neukladajte predmety s hmotnosťou vyššou ako 14 kg. Zariadenia, ktoré ukladáte na podnos defibrilátora, vždy upevnite popruhmi.
- Ak je pripojený podnos defibrilátora/nadstavec na nohy, koncová doska/držiak na záznamy alebo zvislý držiak kyslíkovej fľaše, dávajte pozor, aby ste si pri nastavovaní polohy voliteľných rúčok na tlačenie na nožnom konci nepriškripli prsty.

UPOZORNENIE - Pred pripojením podnosu defibrilátora/nadstavca na nohy k výrobku vždy zdvihnite infúzny stojan. Ak infúzny stojan nezdvihnete, nadstavec na nohy nebude fungovať.

Úprava podnosu defibrilátora/nadstavca na nohy na nadstavec na nohy (Obrázok 19):

- Vytiahnite horný ovládač (A).
- Posuňte podnos defibrilátora (B) tak, aby sa zaistil o nadstavec na nohy.
- Podržte zostavu podnosu defibrilátora/nadstavca na nohy a vytiahnite spodný ovládač (D).
- Spustite nadstavec na nohy (C) tak, aby bol vo vodorovnej polohe.
- Uvoľnite spodný ovládač (D). Zatlačte na nadstavec na nohy, aby ste overili, že sa zaistil na mieste.

Poznámka

- Nepoužívajte podnos defibrilátora/nadstavec na nohy ako prvok na tlačenie alebo ťahanie. Výrobok by sa mohol poškodiť.
- K nadstavcu na nohy nepripájajte žiadne predmety.

Pripojenie koncovej dosky/držiaka na záznamy

VAROVANIE - Ak je pripojený podnos defibrilátora/nadstavec na nohy, koncová doska/držiak na záznamy alebo zvislý držiak kyslíkovej fľaše, dávajte pozor, aby ste si pri nastavovaní polohy voliteľných rúčok na tlačenie na nožnom konci nepriškripli prsty.

Ak chcete pripojiť koncovú dosku/držiak na záznamy, zasuňte kolíky koncovej dosky/držiaka na záznamy do otvorov na nožnom konci výrobku.

Poznámka - Nepoužívajte koncovú dosku/držiak na záznamy ako prvok na tlačenie alebo ťahanie. Výrobok by sa mohol poškodiť.

Pripojenie infúzneho vozíka

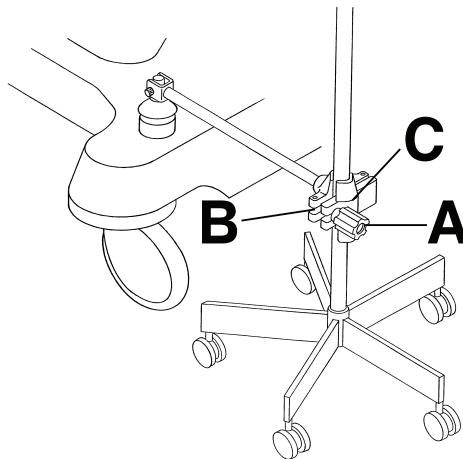
VAROVANIE

- Pri preprave výrobku vždy pripevnite infúzny stojan k infúznemu vozíku.
- Ak sa infúzny vozík nepoužíva, uskladnite ho, aby sa nepoškodil.

Pripojenie infúzneho vozíka (Obrázok 20):

1. Zdvihnite infúzny vozík z úložnej priehradky alebo úložnej svorky.
2. Presuňte infúzny vozík na želané miesto.
3. Otočením ovládača (A) proti smeru hodinových ručičiek uvoľnite svorku stojana (C).
4. Odsuňte ovládač (A) mimo zostavy pripojenia ramena (B).
5. Otvorte svorku (C).
6. Zasuňte infúzny stojan do svorky (C).
7. Uzavrite svorku (C) okolo infúzneho stojana a umiestnite ovládač (A) späť na miesto.
8. Otočením ovládača (A) v smere hodinových ručičiek ho utiahnite.
9. Na odpojenie infúzneho vozíka od výrobku použite opačný postup.

Ak chcete infúzny vozík uskladniť, uložte ho do úložnej priehradky alebo ho pripevnite k úložnej svorky.



Obrázok 20 – Infúzny vozík

Nastavenie polohy alebo uloženie opôr nôh – len v prípade verzie Prime

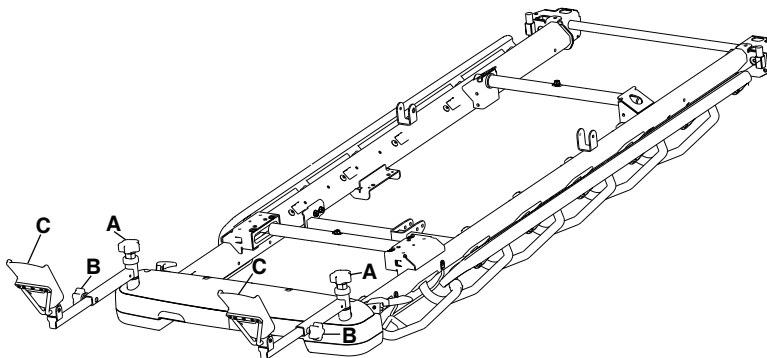
VAROVANIE

- Na opory nôh si nesadajte. Výrobok by sa mohol prevrátiť.

- Pri ovládaní opôr nôh držte prsty mimo mechanizmov.
- Keď prepravujete pacienta na výrobku, opory nôh odložte.
- Pred použitím opôr nôh ich vždy upevnite.
- Nepoužívajte systém váhy spolu s oporami nôh. Namerané hodnoty môžu byť nepresné.
- Nepoužívajte voliteľnú možnosť **Chaperone** spolu s oporami nôh. Namerané hodnoty môžu byť nepresné.

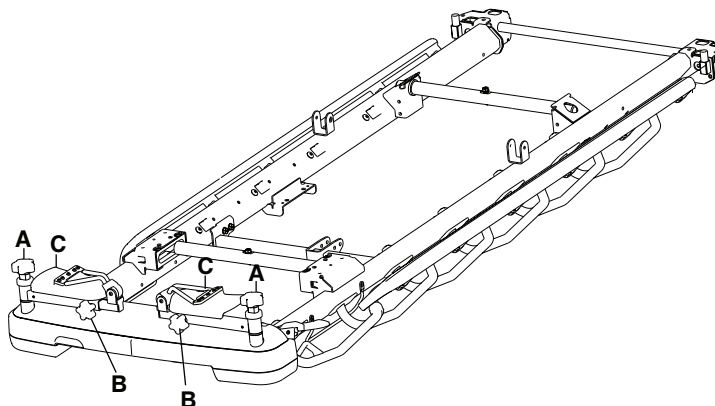
Nastavenie polohy alebo odloženie opôr nôh:

1. Uvoľnením kolenného ovládača (A) navrchu opôr nôh nastavte vzájomný uhol opôr nôh (Obrázok 21).
2. Utiahnutím kolenného ovládača (A) zaistíte opory nôh v želanej polohe.



Obrázok 21 – Nastavenie polohy opôr nôh

3. Uvoľnením nožného ovládača (B) naboku opôr nôh upravte dĺžku.
4. Utiahnutím nožného ovládača (B) zaistíte opory nôh v želanej polohe.
5. Pred umiestnením pacienta opory nôh (C) prevráťte.
6. Ak chcete opory nôh odložiť, použite opačný postup (Obrázok 22).



Obrázok 22 – Odloženie opôr nôh

Ak si zvolíte opory nôh, nebudete si môcť zakúpiť tieto voliteľné možnosti a príslušenstvo:

- rúčky na tlačenie na nožnom konci,
- Podnos defibrilátora,
- Podnos defibrilátora/nadstavec na nohy,
- Držiak servírovacieho podnosu/koncová doska,
- Koncová doska/držiak na záznamy,
- infúzne stojany na nožnom konci.

Poznámka

- Nepoužívajte opory nôh na ukladanie osobných vecí pacienta.
- Opory nôh nepoužívajte ako prvky na tlačenie alebo ťahanie. Výrobok by sa mohol poškodiť.
- Keď používate opory nôh, v záujme stability vždy aplikujte brzdy.
- Spolu s oporami nôh nepoužívajte opierku chrbta ani podperu kolien.

Nastavenie polohy dvojstupňového trvalo pripojeného infúzneho stojana

VAROVANIE - Infúzny stojan nepoužívajte ako prvok na tlačenie ani ťahanie. Výrobok by sa mohol poškodiť.

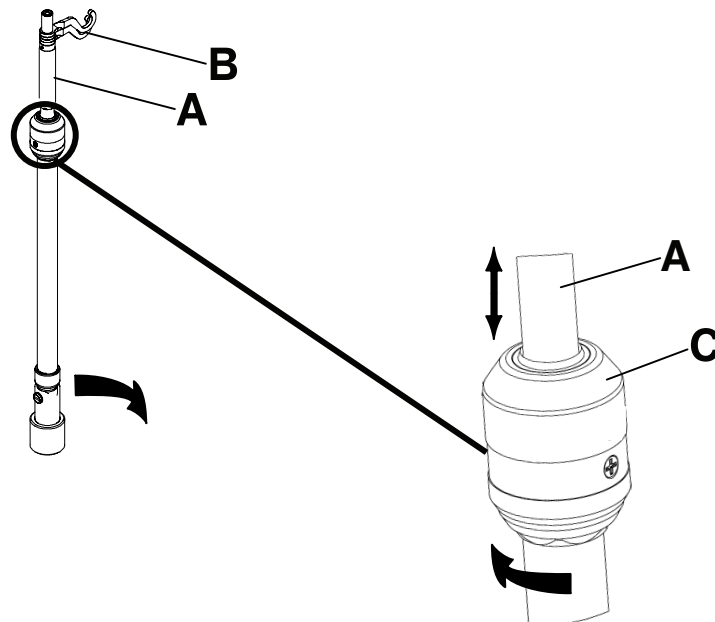
Výrobok si môžete zakúpiť s voliteľnou možnosťou dvojstupňového infúzneho stojana trvalo pripojeného na hlavovom konci, nožnom konci alebo na oboch koncoch výrobku. Infúzny stojan je vybavený výsuvnou tyčou, ktorá sa dá predĺžiť, čím vznikne druhá výšková poloha. Keď sa infúzny stojan nepoužíva, možno ho zložiť a uskladniť.

Umiestnenie dvojstupňového infúzneho stojana (Obrázok 23):

1. Stojan zdvihnite a vysuňte z odkladacej polohy.
2. Zatlačte infúzny stojan nadol tak, aby sa zaistil.
3. Ak chcete zvýšiť výšku infúzneho stojana, vytiahnite výsuvnú časť (A), kým sa tyč nezaistí v úplne vytiahnutej polohe.
4. Natočte infúzne vešiaky (B) do želanej polohy a zaveste infúzne vaky.
5. Ak chcete spustiť infúzny stojan, uchopte výsuvnú časť infúzneho stojana, otočte západku (C) a spustite výsuvnú časť.

Poznámka

- Na infúzny stojan nevešajte infúzne vaky s hmotnosťou vyššou ako 40 libier (18 kg).
- Pri preprave pacienta sa vždy presvedčte, že infúzny stojan je dostatočne nízko na to, aby bezpečne prešiel cez dvere.



Obrázok 23 – Nastavenie polohy 2-stupňového trvalo pripojeného infúzneho stojana

Nastavenie polohy trojstupňového trvalo pripojeného infúzneho stojana

VAROVANIE - Infúzny stojan nepoužívajte ako prvok na tlačenie ani ťahanie. Výrobok by sa mohol poškodiť.

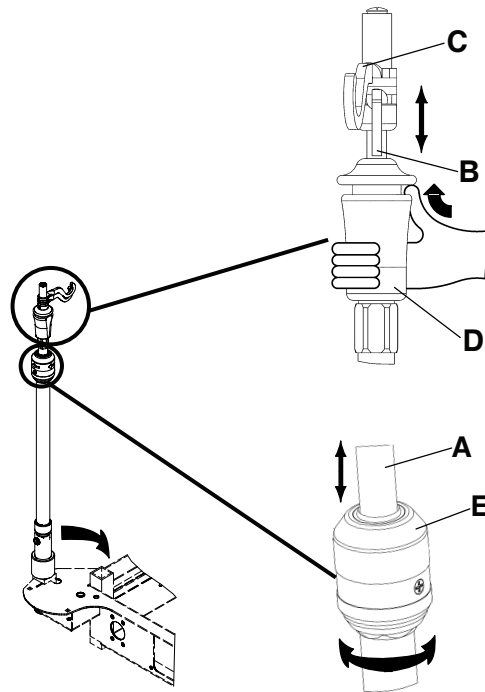
Výrobok si môžete zakúpiť s voliteľnou možnosťou trojstupňového infúzneho stojana trvalo pripojeného na hlavovom konci, nožnom konci alebo na oboch koncoch výrobku. Infúzny stojan je vybavený výsuvnou tyčou, ktorá sa dá predĺžiť, čím vznikne druhá a tretia výšková poloha. Keď sa infúzny stojan nepoužíva, možno ho zložiť a uskladniť.

Umiestnenie trojstupňového infúzneho stojana (Obrázok 24):

1. Stojan zdvihnite a vysuňte z odkladacej polohy.
2. Zatlačte infúzny stojan nadol tak, aby sa zaistil.
3. Ak chcete zvýšiť výšku infúzneho stojana, vyťahujte výsuvnú časť (A), kým sa tyč nezaistí v úplne vytiahnutej polohe.
4. Ak chcete infúzny stojan ešte viac zvýšiť, vytiahnite časť (B). Uvoľnite časť (B) v želanej výške tak, aby sa tyč zaistila.
5. Natočte infúzne vešiaky (C) do želanej polohy a zaveste infúzne vaky.
6. Ak chcete infúzny stojan spustiť, zatlačte žltú časť rukoväte (D) nahor a podržte časť (B), kým sa stojan nespustí.
7. Pootočte západku (E) a znížte výsuvnú časť infúzneho stojana.

Poznámka

- Na infúzny stojan nevešajte inufúzne vaky, ktorých celková hmotnosť presahuje 12 libier (5 kg).
- Na jeden infúzny vešiak nevešajte infúzne vaky s hmotnosťou vyššou ako 9,3 libier (4,2 kg).
- Pri preprave pacienta sa vždy presvedčte, že infúzny stojan je dostatočne nízko na to, aby bezpečne prešiel cez dvere.



Obrázok 24 – Nastavenie polohy trojstupňového trvalo pripojeného infúzneho stojana

Pripojenie a nastavenie polohy odpojiteľného infúzneho stojana

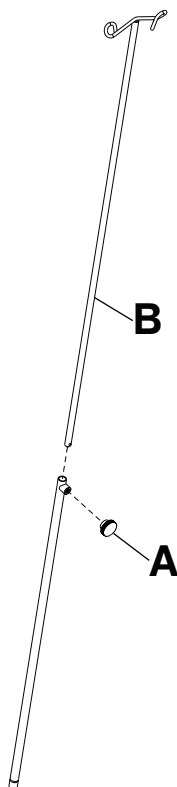
UPOZORNENIE

- Infúzny stojan nepoužívajte ako prvok na tlačenie alebo ťahanie. Výrobok by sa mohol poškodiť.
- Na infúzny stojan nevešajte infúzne vaky s hmotnosťou vyššou ako 40 libier (18 kg).
- Pri preprave pacienta sa vždy presvedčte, že infúzny stojan je dostatočne nízko na to, aby prešiel cez dvere.

Pripojenie a nastavenie polohy odpojiteľného infúzneho stojana (Obrázok 25):

1. Zasuňte infúzny stojan do otvoru na hlavovom alebo nožnom konci výrobku.
2. Otočte ovládač (A) proti smeru hodinových ručičiek a vytiahnite výsuvnú časť (B) do želanej výšky.

3. Otočením ovládača (A) v smere hodinových ručičiek zaistíte výsuvnú časť na mieste.



Obrázok 25 – Odpojiteľný infúzny stojan

Pripojenie zvislého držiaka kyslíkovej fľaše

VAROVANIE

- Do zvislého držiaka kyslíkovej fľaše nevkladajte predmety s hmotnosťou vyššou ako 40 libier (18 kg).
- Ak je pripojený podnos defibrilátora/nadstavec na nohy, koncová doska/držiak na záznamy alebo zvislý držiak kyslíkovej fľaše, dávajte pozor, aby ste si pri nastavovaní polohy voliteľných rúčok na tlačenie na nožnom konci nepriškripli prsty.

Zvislý držiak kyslíkovej fľaše drží kyslíkovú fľašu vo zvislej polohe.

Pripojenie zvislého držiaka kyslíkovej fľaše:

1. Zasuňte podpornú tyč do jedného z infúzných otvorov.
2. Zastrčte závlačku cez otvor v podpornej tyči na zaistenie držiaka fľaše k výrobku.

Poznámka - Zvislý držiak kyslíkovej fľaše nepoužívajte ako prvok na ťahanie ani tlačenie. Výrobok by sa mohol poškodiť.

Vysunutie alebo odloženie držiaka servírovacieho podnosu/koncovkej dosky

VAROVANIE - Na servírovací podnos neukladajte predmety s hmotnosťou viac ako 30 libier (14 kg).

Ak chcete nasadiť servírovací podnos na bočnicu, vytiahnite obe bočné strany podnosu a uložte ho na bočnice.

Odloženie servírovacieho podnosu:

1. Snímate servírovací podnos z bočníc.
2. Zatlačte bočné strany servírovacieho podnosu dnu.

3. Servírovací podnos uskladnite do koncovej dosky.

Poznámka - Nepoužívajte servírovací podnos/koncovú dosku ako prvok na tlačenie alebo ťahanie. Výrobok by sa mohol poškodiť.

Pripojenie bočnicových vložiek

Pripojenie bočnicových vložiek:

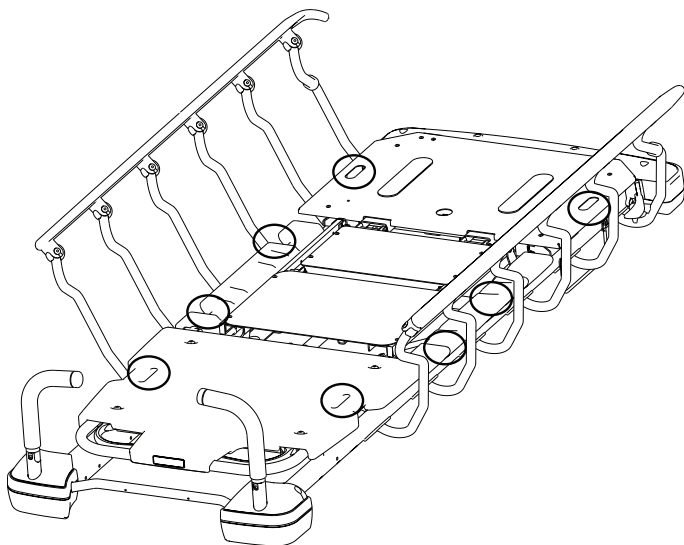
1. Vsuňte bočnicovú vložku medzi matrac a bočnicu.
2. Zaisťte bočnicovú vložku upevnením popruhov so suchým zipsom **Velcro®** okolo hornej časti bočnice.

Identifikácia miest upnutia zadržiavacích popruhov pacienta

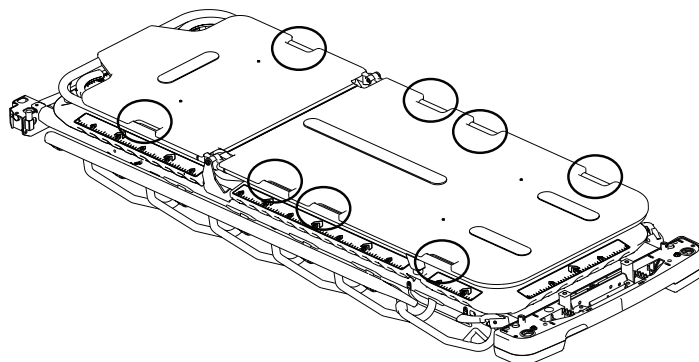
VAROVANIE

- Pri upínaní zadržiavacích popruhov buďte vždy opatrní. Môže dôjsť k poraneniu pacienta alebo operátora. Fyzické zadržiavacie prvky, aj keď sú upevnené, môžu spôsobiť vážnu ujmu pacientom i operátorom, napríklad zamotanie, zachytenie, úraz alebo smrť.
- Zadržiavacie popruhy či pomôcky vždy pripájajte iba na vyznačených miestach upnutia na výrobku. V opačnom prípade môže dôjsť k poraneniu pacienta alebo operátora. Zadržiavacie popruhy nepripevňujte k bočniciam.
- Pred použitím akýchkoľvek zadržiavacích popruhov alebo pomôcok si prečítajte platné štátne a federálne obmedzenia a predpisy a príslušné protokoly zdravotníckeho zariadenia.

Na zostave roštu sa nachádza osem miest upnutia zadržiavacích popruhov pacienta na pripojenie zadržiavacích popruhov pacienta (Obrázok 26 alebo Obrázok 27).



Obrázok 26 – Miesta upnutia zadržiavacích popruhov na zariadení Prime



Obrázok 27 – Miesta upnutia zadržiavacích popruhov na voliteľnej možnosti Prime X

Poznámka - Zadržiavacie popruhy sú aplikované časti typu B.

Nastavenie polohy zvislého držiaka RTG kazety – voliteľná možnosť Prime X

VAROVANIE

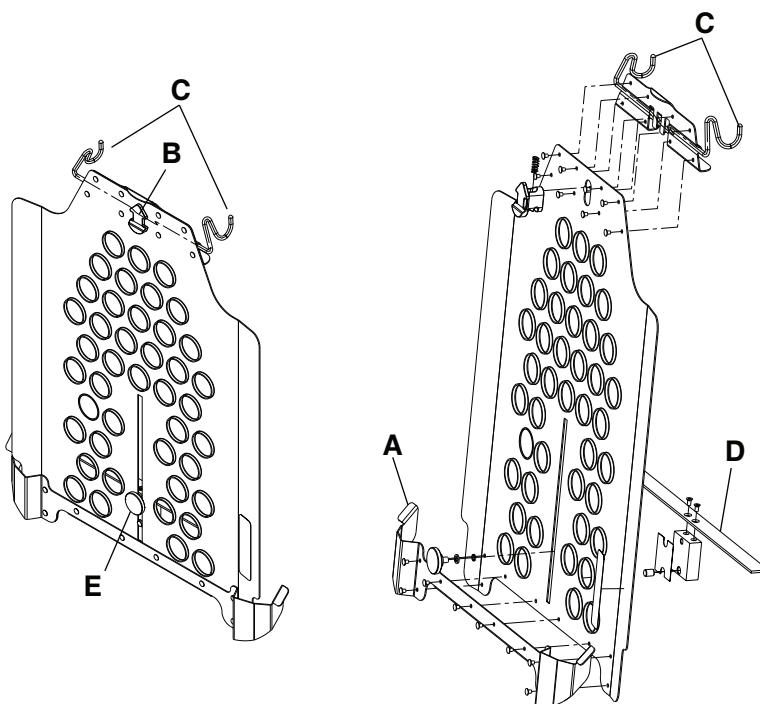
- Pri používaní zvislého alebo bočného držiaka RTG kazety vždy prijmite ochranné opatrenia. Držiak RTG kazety nechráni pred žiarením.

- Informácie o bezpečnosti pri používaní voliteľnej možnosti **Prime X** so zariadeniami generujúcimi žiarenie nájdete okrem protokolov zdravotníckeho zariadenia aj v miestnych, štátnych a federálnych predpisoch. Zariadenia generujúce žiarenie môžu vytvárať zvyškové, blúdivé alebo rozptýlené žiarenie.
- Keď používate s voliteľnou možnosťou **Prime X** matrac hrubší ako 2,5 palca (6,4 cm) alebo matrac s pokrývkou, buďte mimoriadne opatrní.
- Pri vkladaní RTG kazety sa vždy riadte pokynmi v časti *Nastavenie polohy zvislého držiaka RTG kazety – voliteľná možnosť Prime X*.

Držiak RTG kazety sa pripieňuje ku konštrukcii opierky chrbta a slúži na uloženie RTG kazety. Keď sa pacient nachádza na výrobku, môžete robiť RTG snímky. Pred vytvorením RTG snímky môžete takisto upraviť polohu kazety.

Nastavenie polohy držiaka RTG kazety:

1. Aplikujte brzdy. Výrobok potlačte a overte, či brzdy fungujú.
2. Zdvihnite oblasť opierky chrbta do maximálnej výšky.
3. Zasuňte spodné zachytávacie výstupky (A) pod tyč konštrukcie opierky chrbta (Obrázok 28).
4. Zdvihnite držiak kazety tak, aby zachytávacie výstupky zapadli do konštrukcie opierky chrbta. Presvedčte sa, že držiak kazety je zaistený.



Obrázok 28 – Držiak RTG kazety

5. Vložte RTG kazetu z jednej strany držiaka kazety alebo potiahnutím posuvnej uvoľňovacej šípky (B) uvoľníte držiak kazety z opierky chrbta, vložte kazetu a zaistite držiak kazety v konštrukcii opierky chrbta.
6. Ak chcete upraviť výšku kazety, uvoľníte ovládač (E) a posuňte podpornú podložku kazety (D) nahor alebo nadol do želanej výšky.
7. Utiahnutím ovládača (E) zaistíte podpornú podložku kazety na mieste.
8. Keď je proces RTG snímania skončený, vytiahnutím posuvnej uvoľňovacej šípky (B) nahor uvoľníte držiak kazety z konštrukcie opierky chrbta.
9. Vyberte RTG kazetu z držiaka kazety.
10. Zatvorte a odložte držiak kazety.

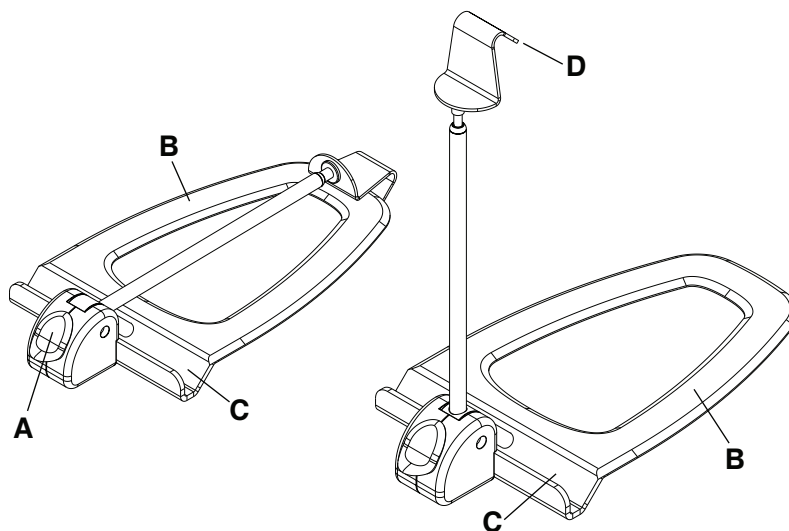
Nastavenie polohy bočného držiaka RTG kazety – voliteľná možnosť Prime X

VAROVANIE

- Pri používaní zvislého alebo bočného držiaka RTG kazety vždy prijmite ochranné opatrenia. Držiak RTG kazety nechráni pred žiarením.
- Informácie o bezpečnosti pri používaní voliteľnej možnosti **Prime X** so zariadeniami generujúcimi žiarenie nájdete okrem protokolov zdravotníckeho zariadenia aj v miestnych, štátnych a federálnych predpisoch. Zariadenia generujúce žiarenie môžu vytvárať zvyškové, blúdivé alebo rozptýlené žiarenie.
- Pri robení RTG snímok s opierkou chrbta vo zvislej polohe alebo pri použití bočnej kazety buďte vždy opatrní.
- Keď používate s voliteľnou možnosťou **Prime X** matrac hrubší ako 2,5 palca (6,4 cm) alebo matrac s pokrývkou, buďte mimoriadne opatrní.
- Pri vkladaní RTG kazety sa riadte pokynmi v časti *Nastavenie polohy bočného držiaka RTG kazety – voliteľná možnosť Prime X*.

Nastavenie polohy bočného držiaka RTG kazety:

1. Aplikujte brzdy. Výrobok potlačte a overte, či brzdy fungujú.



Obrázok 29 – Bočný držiak RTG kazety

2. Otvorte bočný držiak kazety stlačením žltého uvoľňovacieho tlačidla (A) (Obrázok 29).
3. Vsuňte plochú základňu (B) medzi matrac a plošinu pacienta.
4. Nastavte bočný držiak kazety do želanej polohy.
5. Vložte RTG kazetu do kazetového kanála (C).
6. Potiahnutím za kazetový háčik (D) nahor upravte výšku ramena tak, aby bolo nad RTG kazetou a držalo ju na mieste.
7. Ak chcete vybrať kazetu a odložiť bočný držiak kazety, použite opačný postup.

Vkladanie alebo vyberanie RTG kaziet – voliteľná možnosť Prime X

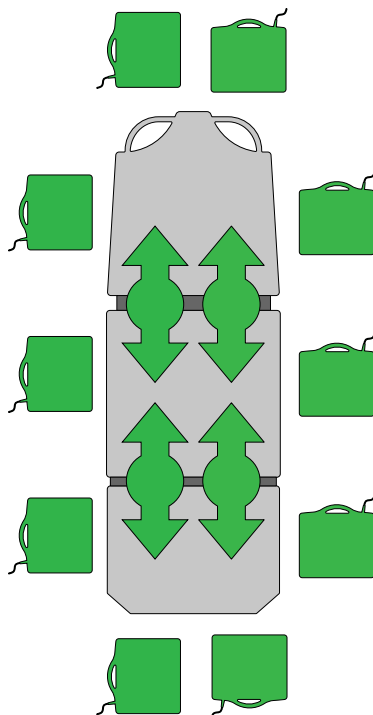
VAROVANIE

- Informácie o bezpečnosti pri používaní voliteľnej možnosti **Prime X** so zariadeniami generujúcimi žiarenie nájdete okrem protokolov zdravotníckeho zariadenia aj v miestnych, štátnych a federálnych predpisoch. Zariadenia generujúce žiarenie môžu vytvárať zvyškové, blúdivé alebo rozptýlené žiarenie.
- Pri robení RTG snímok s opierkou chrbta vo zvislej polohe alebo pri použití bočnej kazety buďte vždy opatrní.

Voliteľná možnosť **Prime X** obsahuje kĺbovú rádiografickú nosnú plochu a plošinu pod nosnou plochou pacienta na umiestnenie RTG kazety. Rádiografická nosná plocha umožňuje za pomoci lekárskeho RTG systému zachytenie klinických RTG snímok (celé telo AP, voliteľne celé telo z boku a voliteľne hrudník vzpriamene), keď sa pacient nachádza na výrobku. Kazety môžete vkladať z hlavového konca, nožného konca i z oboch strán výrobku.

Vloženie RTG kazety:

1. Vycentrujte pacienta na výrobku podľa štítkov s vyznačením polohy umiestnených po všetkých stranách výrobku (Obrázok 30).
2. Vložte RTG kazetu pod nosnú plochu pacienta. Ako pomôcku pri vkladaní RTG kazety použite vodidlá kazety.



Obrázok 30 – Vkladanie alebo vyberanie RTG kaziet na voliteľnej možnosti Prime X

Poznámka

- Voliteľnú možnosť **Prime X** nepoužívajte s matracom s hrúbkou väčšou než štyri palce (10) cm.
- S voliteľnou možnosťou **Prime X** nepoužívajte rameno v tvare C. Voliteľná možnosť **Prime X** nie je kompatibilná s ramenom v tvare C.

Čistenie

Čistenie výrobku

UPOZORNENIE - V prípade voliteľnej možnosti systému váhy nepoužívajte na čistenie skrinky displeja abrazívne čistiace prostriedky. Nedovoľte, aby sa na jednotke displeja hromadili čistiace roztoky ani iné tekutiny. V prípade rozliatia alebo po čistení osušte všetky povrchy.

Tieto pokyny predstavujú odporúčané spôsoby čistenia nosidiel série **Prime Series**.

Výrobok možno umývať tlakovo. Výrobok môže vykazovať určité známky oxidácie alebo zmeny farby spôsobené kontinuálnym umývaním. V prípade dodržania správnych postupov nebude mať tlakové umývanie žiadny negatívny vplyv na výkon výrobku, jeho vlastnosti ani funkčnosť.

Odporúčaný spôsob čistenia:

1. Ak je výrobok vybavený voliteľnou možnosťou elektrického výt'ahu alebo elektrického roštu, pred prepravou alebo čistením výrobku odpojte napájaciu šnúru od stenovej zásuvky.
2. Snímte z výrobku matrac.
3. Dodržiavajte odporúčané riedenie podľa výrobcu čistiaceho roztoku.
4. Spoločnosť Stryker odporúča použiť na tlakové umývanie štandardnú nemocničnú vozíkovú umývačku.
5. Výrobok osušte. Matrac položte na výrobok, až keď výrobok vyschne.
6. Pred vrátením výrobku do prevádzky skontrolujte jeho funkčnosť.
 - zdvihnite a spustíte výrobok,
 - uzamknite a odomknite brzdový/riadiaci pedál v oboch polohách,
 - vysuňte a zasuňte bočnice,
 - zdvihnite a spustíte opierku chrbta,
 - zdvihnite a spustíte podperu kolien,
 - presvedčte sa, že všetky komponenty sú správne namazané,
 - presvedčte sa, že všetky štítky sú neporušené.

Poznámka

- Priamy kontakt s viditeľne znečisteným priepustným materiálom môže zvýšiť riziko infekcie.
- Výrobok nečistite parou.
- Vyčistite úložný priestor základne.
- Vyčistite spodok brzdových doštičiek, aby sa na nich nehromadil vosk alebo úlomky podlahy.
- Niektoré čistiace prostriedky sú leptavé a v prípade nesprávneho použitia môžu výrobok poškodiť. Ak výrobok dôkladne neopláchnete a neosušíte, na povrchu môžu zostať leptavé zvyšky, ktoré môžu spôsobiť predčasnú koróziu dôležitých komponentov. Nedodržanie týchto pokynov týkajúcich sa čistenia môže spôsobiť zánik záruky.

Čistenie výrobku s použitím vozíkovej umývačky

Spoločnosť Stryker odporúča umývať nosidlá tlakovo s použitím štandardnej nemocničnej chirurgickej vozíkovej umývačky, a to maximálne raz ročne počas celej životnosti výrobku.

Čistenie výrobku s použitím vozíkovej umývačky:

1. Ak je výrobok vybavený voliteľnou možnosťou elektrického výt'ahu alebo elektrického roštu, pred prepravou alebo čistením výrobku odpojte napájaciu šnúru od stenovej zásuvky.
2. Pred umývaním výrobku snímte matrac. Matrac neumývajte spolu s výrobkom.
3. Umiestnite opierku chrbta do polohy 45°.

4. Nastavte výrobok do opačnej Trendelenburgovej polohy (nožný koniec dole).
5. Zdvihnite bočnice.
6. Umiestnite infúzne stojany a zatlačte páky do zdvihnutej polohy.
7. Vyčistite výrobok vodou s maximálnou teplotou 82 °C (180 °F) a maximálnym tlakom 103,5 baru/1500 psi.
8. Sušte výrobok vzduchom s maximálnou teplotou 93 °C (200 °F) počas ôsmich minút.
9. Výrobok osušte. Matrac položte na výrobok, až keď výrobok vyschne.
10. Pred vrátením výrobku do prevádzky skontrolujte jeho funkčnosť.
 - zdvihnite a spustite výrobok,
 - uzamknite a odomknite brzdový/riadiaci pedál v oboch polohách,
 - vysuňte a zasuňte bočnice,
 - zdvihnite a spustite opierku chrbta,
 - presvedčte sa, že všetky komponenty sú správne namazané,
 - presvedčte sa, že všetky štítky sú neporušené a čitateľné.

Poznámka

- Výrobok nečistite parou.
- Niektoré čistiace prostriedky sú leptavé a v prípade nesprávneho použitia môžu výrobok poškodiť. Ak výrobok dôkladne neopláchnete a neosušíte, na povrchu môžu zostať leptavé zvyšky, ktoré môžu spôsobiť predčasnú koróziu dôležitých komponentov. Nedodržanie týchto pokynov týkajúcich sa čistenia môže spôsobiť zánik záruky.

Čistenie matraca

VAROVANIE

- Výrobok, ktorý sa práve používa, nečistite a nevykonávajte jeho servis ani údržbu.
- Matrac neponárajte do roztokov čistiacich alebo dezinfekčných prostriedkov. Nadmerná vlhkosť by mohla spôsobiť poruchu výrobku, čo by mohlo mať za následok jeho poškodenie alebo poranenie pacienta.
- Zamedzte nahromadeniu tekutín na matraci. Tekutiny môžu spôsobovať koróziu komponentov a môžu mať za následok, že bezpečnosť a výkonnosť výrobku nebude možné predvídať.
- Pri každom čistení pot'ahov matraca skontrolujte, či nie sú roztrhnuté, prepichnuté, nadmerne opotrebované alebo či nemajú nesprávne zarovnané zipsy. Poškodený matrac odstráňte a vymeňte, aby nedošlo ku krížovej kontaminácii.
- Matrace nečistite parou, tlakovým umývaním, striekaním hadicou ani ultrazvukom. Tieto spôsoby čistenia môžu spôsobiť zánik záruky na výrobok.

Na životnosť matraca môže mať vplyv jeho častejšie používanie, ktoré si môže vyžadovať aj častejšie čistenie a dezinfekciu.

Odporúčaný spôsob čistenia:

1. Celý matrac utrite čistou, mäkkou handričkou s roztokom jemného saponátu a vody, aby sa odstránil cudzorodý materiál.
2. Matrac utrite čistou suchou handričkou, ktorou odstránite nadbytok tekutiny alebo čistiaceho prostriedku.
3. Po vyčistení pot'ahy opláchnite a osušte.
4. Po dokončení čistenia podľa potreby dezinfikujte nemocničným dezinfekčným prostriedkom (pozrite si časť *Dezinfekcia matraca*).

Poznámka

- Matrac nežeňte, nečistite chemicky ani nesusušte v sušičke, lebo by došlo k poruche a poškodeniu výrobku.
- Predtým, ako matrac uskladníte, navlečiete do posteľnej bielizne alebo naň položíte pacienta, musí byť pot'ah matraca úplne suchý, aby sa nenarušila funkčnosť výrobku.
- Nadmerne ho nevystavujte alkoholu ani peroxidu vodíka. Materiál pot'ahu by sa rozťahal.

- Zamedzte stečeniu tekutín do oblasti zipsu alebo ochrannej bariéry poťahu. Tekutiny, ktorým ste umožnili preniknúť do oblasti zipsu, môžu presiaknuť do matraca, čo môže narušiť funkčnosť výrobku.
- Niektoré čistiace prostriedky sú leptavé a v prípade nesprávneho použitia môžu výrobok poškodiť. Ak výrobok dôkladne neopláchnete a neosušíte, na povrchu môžu zostať leptavé zvyšky, ktoré môžu spôsobiť predčasnú koróziu dôležitých komponentov. Nedodržanie týchto pokynov týkajúcich sa čistenia môže spôsobiť zánik záruky.

Odstránenie jódu

1. Pripravte roztok 1 alebo 2 polievkových lyžíc tiosíranu sodného v pollitri teplej vody. Týmto roztokom utrite znečistenú plochu.
2. Škvry odstráňte čo najskôr po znečistení.
3. Ak škvry neodstránite ihneď, nechajte roztok vsiaknuť alebo stáť na matraci predtým, ako matrac utriete.
4. Matrac, ktorý bol vystavený tomuto roztoku, opláchnite pred návratom do prevádzky čistou vodou.

Poznámka - Nedodržanie týchto pokynov pri použití čistiacich prostriedkov tohto druhu môže viesť k zániku záruky na výrobok.

Osobitné pokyny

Suchý zips Velcro®	Nasýt'te dezinfekčným prostriedkom, opláchnite vodou a nechajte roztok odpariť.
Pevné nečistoty alebo škvry	Použite neutrálne mydlo a teplú vodu. Nepoužívajte drsné a abrazívne čistiace prostriedky ani rozpúšťadlá.
Ťažko odstrániteľné škvry	Na problematické škvry alebo nečistoty použite štandardné čistiace prostriedky určené pre domácnosti alebo vinylové čistiace prostriedky a kefkú s jemnými štetinami. Prischnuté nečistoty najprv namočte.
Pranie	Pranie sa neodporúča. Práním sa môže výrazne znížiť prevádzková životnosť matraca.

Dezinfekcia

Dezinfikovanie výrobku

VAROVANIE

- Výrobok, ktorý sa práve používa, nečistite a nevykonávajte jeho servis ani údržbu.
 - Výrobok nečistite parou, striekaním hadicou ani ultrazvukom. Tieto spôsoby čistenia sa neodporúčajú a môžu spôsobiť zánik záruky na výrobok.
-

Odporúčané dezinfekčné prostriedky:

- kvartérne roztoky (aktívna zložka – chlorid amónny), ktoré obsahujú menej ako 3 % glykoléteru,
- fenolové dezinfekčné prostriedky (aktívna látka – o-fenylfenol),
- chlórovaný bieliaci roztok (5,25 % bieliaci roztok zriedený na 1 diel bieliaceho roztoku na 100 dielov vody, čo zodpovedá dostupnému chlóru v množstve 520 ppm (40 ml 5,25 % bieliaceho roztoku na 4000 ml vody)),
- 70 % izopropylalkohol.

Odporúčaný spôsob dezinfekcie:

1. Dodržiavajte odporúčané riešenie podľa výrobcu dezinfekčného roztoku.
2. Ručne umyte všetky plochy výrobku dezinfekčným roztokom.
3. Zamedzte nadmernému nasýteniu a dbajte, aby výrobok nebol namočený dlhšie, ako sa uvádza v usmerneniach výrobcu chemického prostriedku týkajúcich sa správnej dezinfekcie.
4. Výrobok osušte. Matrac položte na výrobok, až keď výrobok vyschne.
5. Po každom použití dezinfikujte suchý zips **Velcro®**. Nasýťte suchý zips **Velcro®** dezinfekčným prostriedkom, opláchnite vodou a nechajte dezinfekčný prostriedok odpariť (vhodný dezinfekčný prostriedok stanoví zdravotnícke zariadenie).
6. Pred vrátením výrobku do prevádzky skontrolujte jeho funkčnosť.
 - zdvihnite a spustite výrobok,
 - uzamknite a odomknite brzdový/riadiaci pedál v oboch polohách,
 - vysuňte a zasuňte bočnice,
 - zdvihnite a spustite opierku chrbta,
 - zdvihnite a spustite podperu kolien,
 - presvedčte sa, že všetky komponenty sú správne namazané,
 - presvedčte sa, že všetky štítky sú neporušené.

Poznámka

- Priamy kontakt s viditeľne znečisteným priepustným materiálom môže zvýšiť riziko infekcie.
- Niektoré čistiace prostriedky sú leptavé a v prípade nesprávneho použitia môžu výrobok poškodiť. Ak výrobok dôkladne neopláchnete a neosušíte, na povrchu môžu zostať leptavé zvyšky, ktoré môžu spôsobiť predčasnú koróziu dôležitých komponentov. Nedodržanie týchto pokynov týkajúcich sa čistenia môže spôsobiť zánik záruky.

Dezinfekcia matraca

VAROVANIE - Matrac vždy vydezinfikujte medzi použitiami u rôznych pacientov. V opačnom prípade môže dôjsť ku krížovej kontaminácii a infekcii.

Odporúčané dezinfekčné prostriedky:

- kvartérne roztoky (aktívna zložka – chlorid amónny), ktoré obsahujú menej ako 3 % glykoléteru,

- fenolové dezinfekčné prostriedky (aktívna látka – o-fenylfenol),
- chlórovaný bieliaci roztok (5,25 % bieliaci roztok zriedený na 1 diel bieliaceho roztoku na 100 dielov vody, čo zodpovedá dostupnému chlóru v množstve 520 ppm (40 ml 5,25 % bieliaceho roztoku na 4000 ml vody)),
- 70 % izopropylalkohol.

Odporúčaný spôsob dezinfekcie:

1. Pred použitím dezinfekčných prostriedkov sa uistite, že je matrac čistý a suchý.
2. Matrac utrite čistou suchou handričkou, ktorou odstránite nadbytok tekutiny alebo dezinfekčného prostriedku.
3. Po dezinfekcii opláchnite a osušte poťahy.

Poznámka

- Pred uskladnením alebo navlečením do posteľnej bielizne musí byť poťah matraca suchý. Ak sa zvyšný dezinfekčný prostriedok neodstráni, môže dôjsť k degradácii materiálu poťahu.
- Niektoré čistiace prostriedky sú leptavé a v prípade nesprávneho použitia môžu výrobok poškodiť. Ak výrobok dôkladne neopláchnete a neosušíte, na povrchu môžu zostať leptavé zvyšky, ktoré môžu spôsobiť predčasnú koróziu dôležitých komponentov. Nedodržanie týchto pokynov týkajúcich sa čistenia môže spôsobiť zánik záruky.
- Časté alebo dlhé vystavenie vyšším koncentráciám dezinfekčných roztokov môže mať za následok predčasné opotrebovanie látky poťahu.
- Používaním akcelerovaných peroxidov vodíka alebo kvartérnych látok obsahujúcich glykolétre sa môže poškodiť poťah.

Preventívna údržba

Pred vykonaním kontroly v rámci preventívnej údržby vyradíte výrobok z prevádzky. Pri ročnej preventívnej údržbe všetkých výrobkov spoločnosti Stryker Medical skontrolujte všetky uvedené položky. V závislosti od miery používania výrobku môže byť potrebné vykonávať kontroly v rámci preventívnej údržby častejšie. Servis smie vykonávať len kvalifikovaný personál.

Poznámka - Pred kontrolou v prípade potreby očistite a dezinfikujte vonkajšie plochy matraca.

Skontrolujte nasledujúce položky:

- _____ Všetky upevňovacie prvky sú dotiahnuté
- _____ Bočnice sa pohybujú a dajú sa zaistiť
- _____ Stlačenie brzdového pedála zablokuje kolieska
- _____ Kolieska sú bezpečne upevnené a otáčajú sa
- _____ Kolieska nie sú znečistené voskom a usadeninami
- _____ Mechanizmus brzdy funguje
- _____ Funkcia riadenia funguje
- _____ Kontrola prítomnosti prasklín na povrchoch
- _____ Opierka chrbta sa zdvíha, spúšťa a dá sa zaistiť západkou na mieste
- _____ Podpera kolien sa zdvíha, klesá a dá sa zaistiť na mieste (voliteľné)
- _____ Trendelenburgova poloha/opačná Trendelenburgova poloha fungujú zo všetkých polôh
- _____ Pozemná reťaz je neporušená
- _____ Hydraulické spoje sú bez únikov
- _____ Hydraulické zdviháky držia polohu
- _____ Zadržiacie popruhy na telo sa dajú zaistiť a sú upevnené (voliteľné)
- _____ Infúzny stojan je nepoškodený a dá sa upraviť a zaistiť vo všetkých polohách (voliteľné)
- _____ Držiak kyslíkovej fľaše je nepoškodený, dá sa otvoriť a zatvoriť (voliteľné)
- _____ Kryt matraca nie je rozpáraný ani popraskaný
- _____ Príslušenstvo a upevňovacie prvky sú v dobrom stave
- _____ Funkcia napájania z batérie (voliteľné)
- _____ Káble nie sú opotrebované ani pritlačené (voliteľné)
- _____ Napájacia šnúra a zástrčka sú nepoškodené (voliteľné)
- _____ Všetky elektrické spoje sú dotiahnuté (voliteľné)
- _____ Všetky uzemnenia sú zaistené ku konštrukcii (voliteľné)
- _____ Impedancia uzemnenia nepresahuje 200 mΩ (miliohmov) (voliteľné)
- _____ Zvodový prúd nepresahuje 300 μA (mikroampérov) (podľa normy UL 60606-1-1) (voliteľné)
- _____ Batérie sú nabité (voliteľný systém váhy)
- _____ Kryt displeja je neporušený a nepoškodený (voliteľný systém váhy)
- _____ Nakladacie články sú neporušené a nepoškodené (voliteľný systém váhy)
- _____ Mechanizmus kolenného ovládača opory nôh funguje a dá sa zaistiť na mieste (voliteľné)
- _____ Mechanizmus nožného ovládača opory nôh funguje a dá sa zaistiť na mieste (voliteľné)
- _____ Opora nôh sa dá roztriahnuť do plne roztriahnutej polohy a zastaví sa v správnej polohe (voliteľné)
- _____ Samorezné skrutky opory nôh (6) sú zaistené a nie sú strhnuté (voliteľné)

- _____ Váha je kalibrovaná. Prekalibrovanie v prípade potreby (voliteľný systém váhy)
- _____ Zvislý držiak RTG kazety je v dobrom stave a dá sa upraviť podľa rozmerov všetkých RTG kaziet (voliteľná možnosť **Prime X**)
- _____ Poťah opierky chrbta a nôh nie je poškodený (voliteľná možnosť **Prime X**)
- _____ Hlavové aj nožné tácky sú nepoškodené (voliteľná možnosť **Prime X**)
- _____ Skrutka a matica v každom otočnom bode opierky chrbta nie sú povolené (voliteľná možnosť **Prime X**)

Výrobné číslo výrobku:
Vykonal:
Dátum:

Informácie o elektromagnetickej kompatibilite

UPOZORNENIE

- Používanie príslušenstva, meničov a káblov iných, ako sú špecifikované alebo poskytnuté výrobcom, môže viesť k zvýšenému elektromagnetickému vyžarovaniu alebo zníženej elektromagnetickej odolnosti a môže mať za následok, že zariadenie nebude fungovať správne.
- Vzhľadom na svoje charakteristiky vyžarovania je toto zariadenie vhodné na používanie v priemyselných zónach a nemocniciach (trieda A podľa normy CISPR 11). Ak sa zariadenie používa v obytnom prostredí, v ktorom sa normálne vyžaduje trieda B podľa normy CISPR 11, nemusí poskytovať dostatočnú ochranu vysokofrekvenčných komunikačných služieb. Môže byť potrebné, aby používateľ prijal zmierňujúce opatrenia, napríklad premiestnenie alebo preorientovanie zariadenia.

Usmernenie a vyhlásenie výrobcu – elektromagnetické vyžarovanie

Voliteľný elektrický výt'ah, voliteľný elektrický rošt alebo voliteľný systém váhy sú určené na používanie v elektromagnetickom prostredí vymedzenom ďalej. Operátor voliteľného elektrického výt'ahu, voliteľného elektrického roštu alebo voliteľného systému váhy musí zaistiť, aby sa používali v tomto prostredí.

Skúška vyžarovania	Zhoda	Elektromagnetické prostredie
Vysokofrekvenčné vyžarovanie CISPR 11	Skupina 1	Voliteľný elektrický výt'ah, voliteľný elektrický rošt alebo voliteľný systém váhy využívajú vysokofrekvenčnú energiu iba na svoju vnútornú funkciu. Vysokofrekvenčné vyžarovanie je preto veľmi nízke a je nepravdepodobné, že by spôsobilo akékoľvek rušenie blízkych elektronických zariadení.
Vysokofrekvenčné vyžarovanie CISPR 11	Trieda A	Voliteľný elektrický výt'ah, voliteľný elektrický rošt alebo voliteľný systém váhy sú vhodné na používanie vo všetkých budovách s výnimkou obytných budov a budov priamo pripojených do verejnej rozvodnej siete nízkeho napätia, ktorá napája obytné budovy.
Vyžarovanie harmonických zložiek prúdu IEC 61000-3-2 *	Trieda A	
Kolísanie napätia/ blikanie IEC 61000-3-3 *	Zhoda	

* Týka sa len voliteľného elektrického výt'ahu alebo voliteľného elektrického roštu.

UPOZORNENIE

- Prenosné vysokofrekvenčné komunikačné zariadenia vrátane periférnych častí, ako sú káble antény a vonkajšie antény, sa nemajú používať bližšie ako 12 palcov (30 cm) k akejkoľvek časti nosidiel **Prime**, a to vrátane káblov špecifikovaných výrobcom.
- Do blízkosti zariadenia ani naň neumiestňujte iné zariadenia, aby sa predišlo nesprávnej činnosti výrobkov. Ak je také použitie nevyhnutné, zariadenia uložené na sebe alebo vedľa seba pozorne sledujte a overte, či fungujú správne.

Odporúčané odstupy medzi prenosnými a mobilnými vysokofrekvenčnými komunikačnými zariadeniami a voliteľným elektrickým výt'ahom, voliteľným elektrickým roštom a voliteľným systémom váhy.

Voliteľný elektrický výt'ah, voliteľný elektrický rošt alebo voliteľný systém váhy sú určené na používanie v elektromagnetickom prostredí s kontrolovaným vysokofrekvenčným rušením šíreným vyžarovaním. Zákazník alebo používateľ voliteľného elektrického výt'ahu, voliteľného elektrického roštu alebo voliteľného systému váhy môže prispieť k zabráneniu výskytu elektromagnetického rušenia dodržiavaním minimálneho odporúčaného odstupu medzi prenosnými a mobilnými vysokofrekvenčnými komunikačnými zariadeniami (vysielačmi) a voliteľným elektrickým výt'ahom, voliteľným elektrickým roštom alebo voliteľným systémom váhy, podľa odporúčaní nižšie, a to v závislosti od maximálneho výkonu komunikačného zariadenia.

Menovitý maximálny výkon vysielača W	Odstup podľa frekvencie vysielača m		
	150 kHz až 80 MHz D=(1,2) (\sqrt{P})	80 MHz až 800 MHz D=(1,2) (\sqrt{P})	800 MHz až 2,7 GHz D=(2,3) (\sqrt{P})
0,01	0,12	0,12	0,23
0,1	0,38	0,38	0,73
1	1,2	1,2	2,3
10	3,8	3,8	7,3
100	12	12	23

V prípade vysielačov, ktorých maximálny menovitý výkon sa neuvádza, možno odporúčaný odstup (D) v metroch (m) stanoviť pomocou rovnice vzťahujúcej sa na frekvenciu vysielača, kde P je maximálny menovitý výkon vysielača vo wattoch (W) podľa výrobcu vysielača.

Poznámka 1 – Pri frekvencii 80 MHz a 800 MHz platí odstup pre vyšší frekvenčný rozsah.

Poznámka 2 – Tieto usmernenia nemusia platiť v každej situácii. Šírenie elektromagnetických vln je ovplyvnené pohlcovaním a odrazom od konštrukcií, predmetov a ľudí.

Usmernenie a vyhlásenie výrobcu – elektromagnetická odolnosť


Voliteľný elektrický výt'ah, voliteľný elektrický rošt alebo voliteľný systém váhy sú určené na používanie v elektromagnetickom prostredí vymedzenom ďalej. Zákazník alebo používateľ voliteľného elektrického výt'ahu, voliteľného elektrického roštu alebo voliteľného systému váhy musí zaistiť, aby sa používali v tomto prostredí.

Skúška odolnosti	Skúšobná úroveň podľa normy IEC 60601	Úroveň zhody	Elektromagnetické prostredie – usmernenie
Elektrostatický výboj (ESV) IEC 61000-4-2	±8 kV kontakt ±15 kV vzduch	±8 kV kontakt ±15 kV vzduch	Podlahy majú byť z dreva, betónu alebo keramických dlaždíc. Ak sú podlahy pokryté syntetickým materiálom, relatívna vlhkosť by mala byť aspoň 30 %.
Rýchle elektrické prechodné javy/skupiny impulzov IEC 61000-4-4*	±2 kV pre napájacie vedenie ±1 kV pre vstupné/výstupné vedenie	±2 kV pre napájacie vedenie ±1 kV pre vstupné/výstupné vedenie	Kvalita napájania zo siete má zodpovedať bežnému komerčnému alebo nemocničnému prostrediu.
Náraz prúdu IEC 61000-4-5*	±1 kV vedenie – vedenie ±2 kV vedenie – zem	±1 kV vedenie – vedenie ±2 kV vedenie – zem	Kvalita napájania zo siete má zodpovedať bežnému komerčnému alebo nemocničnému prostrediu.

Krátkodobé poklesy napätia, krátke prerušenia a kolísania napätia vo vstupnom vedení sieťového napájania IEC 61000-4-11*	0 % U_T na 0,5 cyklu pri 0°, 45°, 90°, 135°, 180°, 225°, 270° a 315° 0 % U_T na 1 cyklus 70 % U_T (30 % pokles U_T) na 25 cyklov 0 % U_T na 250 cyklov	0 % U_T na 0,5 cyklu pri 0°, 45°, 90°, 135°, 180°, 225°, 270° a 315° 0 % U_T na 1 cyklus 70 % U_T (30 % pokles U_T) na 25 cyklov 0 % U_T na 250 cyklov	Kvalita napájania zo siete má zodpovedať bežnému komerčnému alebo nemocničnemu prostrediu. Ak používateľ voliteľného elektrického výťahu alebo voliteľného elektrického roštu vyžaduje nepretržitú prevádzku aj pri výpadkoch sieťového napájania, odporúča sa, aby sa zariadenie napájalo z neprerušovaného zdroja napájania alebo batérie.
Magnetické pole na sieťovom kmitočte (50/60 Hz) IEC 61000-4-8	30 A/m	30 A/m	Magnetické polia pri sieťovej frekvencii majú byť na úrovniach charakteristických pre typické miesta v typickom komerčnom alebo nemocničnom prostredí.
Poznámka: U_t je striedavé napätie elektrickej siete pred použitím skúšobnej úrovne.			
*Týka sa len voliteľného elektrického výťahu alebo voliteľného elektrického roštu.			

Usmernenie a vyhlásenie výrobcu – elektromagnetická odolnosť

Voliteľný elektrický výťah, voliteľný elektrický rošt alebo voliteľný systém váhy sú určené na používanie v elektromagnetickom prostredí vymedzenom ďalej. Zákazník alebo používateľ voliteľného elektrického výťahu, voliteľného elektrického roštu alebo voliteľného systému váhy musí zaistiť, aby sa používali v tomto prostredí.

Skúška odolnosti	Skúšobná úroveň podľa normy IEC 60601	Úroveň zhody	Elektromagnetické prostredie – usmernenie
<p>Vysokofrekvenčné polia šírené vedením IEC 61000- 4-6*</p> <p>Vysokofrekvenčné polia šírené vyžarovaním IEC 61000-4-3</p>	<p>3 Vrms</p> <p>6 Vrms v pásmach ISM a pásmach amatérskych rádiových staníc</p> <p>150 kHz až 80 MHz</p> <p>3 V/m</p> <p>80 MHz až 2,7 GHz</p>	<p>3 Vrms</p> <p>6 Vrms v pásmach ISM a pásmach amatérskych rádiových staníc</p> <p>3 V/m</p>	<p>Prenosné a mobilné vysokofrekvenčné komunikačné zariadenia sa nesmú používať v menšej vzdialenosti od akejkoľvek súčasti voliteľného elektrického výt'ahu, voliteľného elektrického roštu alebo voliteľného systému váhy vrátane káblov, ako je odporúčaný odstup vypočítaný podľa rovnice platnej pre frekvenciu vysielača.</p> <p>Odporúčaný odstup</p> <p>$D = (1,2) (\sqrt{P})$</p> <p>$D = (1,2) (\sqrt{P})$</p> <p>80 MHz až 800 MHz</p> <p>$D = (2,3) (\sqrt{P})$</p> <p>800 MHz až 2,7 GHz</p> <p>kde P je maximálny menovitý výstupný výkon vysielača vo wattoch (W) podľa výrobcu vysielača a D je odporúčaný odstup v metroch (m).</p> <p>Intenzita polí pevných rádiových frekvenčných vysielačov zistená podľa elektromagnetického situačného merania ^a musí byť menšia ako úroveň zhody pre jednotlivé frekvenčné rozsahy ^b.</p> <p>K rušeniu môže dochádzať v blízkosti zariadení označených týmto symbolom:</p> 

Poznámka 1: Pri frekvenciách 80 MHz a 800 MHz sa uplatňuje vyšší rozsah frekvencií.

Poznámka 2: Tieto usmernenia nemusia platiť v každej situácii. Šírenie elektromagnetického žiarenia je ovplyvňované pohlcovaním žiarenia v stavbách, objektoch a osobách a odrazom od nich.

Poznámka 3: Pásmo ISM (priemyselné, vedecké a zdravotnícke) v rozpätí 0,15 MHz až 80 MHz sú 6,765 MHz až 6,795 MHz; 13,553 MHz až 13,567 MHz; 26,957 MHz až 27,283 MHz a 40,66 MHz až 40,70 MHz.

^a Intenzity polí z pevných vysielačov, ako sú napríklad základňové stanice pre rádiotelefony (mobilné/bezšnúrové) a vysielačky, amatérske rádiové vysielanie, rozhlasové vysielanie na vlnách AM a FM a televízne vysielanie, nemožno teoreticky presne predpovedať. Na účely posúdenia elektromagnetického prostredia z dôvodu pevných vysokofrekvenčných vysielačov by sa malo zväziť elektromagnetické premeranie pracoviska. Ak nameraná intenzita poľa v mieste používania voliteľného elektrického výt'ahu, voliteľného elektrického roštu alebo voliteľného systému váhy presahuje príslušnú úroveň zhody pre vysokofrekvenčné polia uvedenú vyššie, voliteľný elektrický výt'ah, voliteľný elektrický rošt alebo voliteľný systém váhy treba pozorovať a overiť ich normálnu prevádzku. V prípade nezvyčajného správania voliteľného elektrického výt'ahu, voliteľného elektrického roštu alebo voliteľného systému váhy môžu byť potrebné ďalšie opatrenia, napríklad zmena ich orientácie alebo ich premiestnenie.

^b Vo frekvenčnom rozsahu 150 kHz až 80 MHz sú intenzity poľa menšie ako 3 V/m.

*Týka sa len voliteľného elektrického roštu.

Prime Series®-bår

Användarhandbok

REF 1115












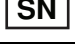


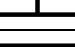




Big Wheel®












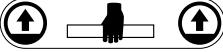






CE

SV

Symboler

	Se instruktionshandboken/broschyren
	Se bruksanvisningen
	Allmän varning
	Var försiktig!
	Varning! Risk för krosskador på händer
	Varning! Icke-joniserande strålning
	Förbjudet att skjuta framåt
	Förvara inte syrgastuben
	Ska inte smörjas
	Katalognummer
	Batchkod
	Serienummer
	Information om patent i USA finns på www.stryker.com/patents
	CE-märkning
	Auktoriserad representant inom EG
	Europeisk medicinteknisk produkt
	Tillverkare
	Tillverkningsdatum
	Importör

	Säker arbetsbelastning
	Maximal patientvikt
	Utrustningens vikt med högsta tillåtna arbetsbelastning
	Likström
	Växelström
	Farlig spänning
	Skyddsjord
IPX6	Skydd mot kraftiga vattenstrålar
	Patientansluten del av B-typ
	Medicinsk utrustning, som klassificerats av Underwriters Laboratories Inc. med hänsyn endast till elstötar, brand och mekaniska risker enligt ANSI/AAMI ES60601-1:2005 och CAN/CSA-C22.2 nr 60601-1:08. *För Prime X -tillvalet, associerad utrustning till röntgenutrustningen IEC 60601-2-54
	I enlighet med EU-direktiv 2012/19/EU om avfall som utgörs av eller innehåller elektrisk och elektronisk utrustning (WEEE) anger denna symbol att produkten måste insamlas separat för återvinning. Kassera den inte som osorterat avfall. Kontakta lokal återförsäljare för information om kassering. Säkerställ att infekterad utrustning dekontamineras före återvinning.
	Smörj
	Lyft här
	Denna sida upp
	Förvaras torrt
	Ömtålig, hanteras varsamt
	Staplingsbegränsning efter antal

Innehållsförteckning

Definition av Varning/Var försiktig/Obs!	3
Sammanfattning av försiktighetsåtgärder	3
Klämpunkter	6
Inledning	7
Produktbeskrivning	7
Användningsområde	7
Kliniska fördelar	8
Kontraindikationer	8
Förväntad livslängd	8
Kassering/återvinning	8
Specifikationer	8
Bild på produkten – Prime	11
Bild på produkten – Prime X-tillval	12
Delar som har patientkontakt – tillvalet elektrisk sängbotten	13
Delar som har patientkontakt – Prime X-tillval	13
Kontaktinformation	14
Serienumrets placering	14
Förberedelse	15
Användning	16
Anbringa och frigöra bromsarna	16
Prime-underredets reglage	17
Sänka den icke-elektriska sängbotten	17
Sänka den icke-elektriska sängbotten	17
Höja tillvalet elektrisk sängbotten	18
Sänka tillvalet elektrisk sängbotten	18
Försätta produkten i Trendelenburgs läge	18
Försätta produkten i omvänt Trendelenburgs läge	19
Transportera en patient	19
Transportera en patient utan Big Wheel	19
Transportera en patient med Big Wheel	20
Ta fram eller fälla in huvudändens skjuthandtagtillval	21
Höja sänggrinden	22
Sänka sänggrinden	22
Ställ in produktens lägen med hjälp av sänggrindens patientkontrollpanel – tillvalet elektrisk sängbotten – endast Prime	23
Operatörskontrollpanel – tillvalet elektrisk sängbotten – endast Prime	23
Låsa och låsa upp patientkontrollpanelens lås – tillvalet elektrisk sängbotten – endast Prime	24
Höja eller sänka Fowler-ryggstödet – icke-elektrisk sängbotten	25
Höja eller sänka Fowler-ryggstödet – tillvalet elektrisk sängbotten	26
Höja eller sänka knästödet – tillvalet icke-elektrisk sängbotten – endast Prime	27
Höja eller sänka knästödet – tillvalet elektrisk sängbotten – endast Prime	27
Placera oppvakningsstolen – endast Prime	27
Förvara föremål i baskåpan	28
Hänga upp enheter med pumphållartillvalet	28
Dra ut eller rulla in strömsladden med tillvalet sladdvindan – tillvalet elektrisk lift eller tillvalet elektrisk sängbotten	29
Tillvalet vägningsssystem	29
Identifiering av vågens ikon/knapp	30
Väga en patient	31
Låsa vägningsenheten	31
Aktivering och inaktivering av Chaperone-tillvalet	31
Ställa in Chaperone-tillvalets varningsmönster	31
Ställa in Chaperone-tillvalets varningsvolym	32
Ladda batteripaketstillvalet för vägningsssystemet – tillvalet elektrisk sängbotten eller tillvalet elektrisk sängbotten med Chaperone-tillvalet – endast Prime	32
Byta ut batterierna för tillvalet vägningsssystem – icke-elektrisk sängbotten	32
Tillbehör och delar	33
Fästa defibrillatorbrickan	36
Omvandla defibrillatorbrickan/foförlängningen till en defibrillatorbricka	36
Omvandla defibrillatorbrickan/foförlängningen till en foförlängning	37

Fästa fotpanelen/journalhållaren.....	38
Fästa infusionsstativets hjulbas	38
Placera eller fälla in fotstöden – endast Prime	39
Placera permanent monterat infusionsstativ med två lägen	40
Placera permanent monterat infusionsstativ med tre lägen	41
Fästa och placera det löstagbara infusionsstativet.....	42
Fästa den uppräta syrgastubhållaren	43
Dra ut eller gömma matbrickan/fotpanelen.....	43
Fästa dynor till sänggrindarna	44
Hitta förbindelsepunkter för patientens fastsättningsbälte	44
Placera den uppräta röntgenkassetthållaren – Prime X-tillvalet.....	44
Placera den laterala röntgenkassetthållaren – Prime X-tillvalet.....	45
Sätta in eller ta ut röntgenkassetter – Prime X-tillval	46
Rengöring	48
Rengöra produkten	48
Rengöra produkten med en desinfektionsapparat	48
Rengöra madrassen.....	49
Ta bort jod	50
Särskilda anvisningar.....	50
Desinfektion	51
Desinficera produkten.....	51
Desinfektera madrassen	51
Förebyggande underhåll.....	53
Information om elektromagnetisk kompatibilitet (EMC).....	55

Definition av Varning/Var försiktig/Obs!

Orden **VARNING**, **VAR FÖRSIKTIG!** och **OBS!** har särskilda innebörder och ska granskas noga.

VARNING

Varnar läsaren om en situation som, om den inte förhindras, kan orsaka dödsfall eller allvarlig skada. Den kan även beskriva potentiella allvarliga biverkningar och säkerhetsrisker.

VAR FÖRSIKTIG!

Varnar läsaren om en potentiellt farlig situation som, om den inte förhindras, kan orsaka lindrig eller måttlig skada hos användaren eller patienten eller skada på produkten eller annan egendom. Detta omfattar särskild försiktighet som krävs för säker och effektiv användning av produkten samt försiktighet som krävs för att förhindra skador på produkten till följd av användning eller felanvändning.

Obs! - Ger särskild information som underlättar underhåll eller klargör viktiga anvisningar.

Sammanfattning av försiktighetsåtgärder

Läs alltid igenom och se till att strängt följa varningarna och uppmaningarna om försiktighet på denna sida. Service får utföras endast av behörig personal.

VARNING

- Låt alltid produkten nå rumstemperatur innan du förbereder eller testar funktioner. Permanent skada på produkten kan uppstå.
- Använd produkten endast när alla operatörer är borta från mekanismerna.
- Var alltid försiktig när du hanterar strömsladden så att du undviker intrassling, skada på strömsladden eller risk för elektriska stötar. Om strömsladden är skadad ska produkten omedelbart tas ur bruk och lämplig underhållspersonal kontaktas.
- Anslut alltid produkten direkt till ett korrekt jordat vägguttag. Du kan bara uppnå en tillförlitlig jordning när du använder ett korrekt jordat uttag. Denna produkt är utrustad med en jordad kontakt för att skydda mot elektriska stötar.
- Anbringa alltid bromsarna när en patient lägger sig på eller kliver upp från produkten eller när produkten inte förflyttas. Det kan medföra skada om produkten förflyttas medan en patient lägger sig på eller kliver upp från produkten.
- Placera alltid patienten i mitten på produkten.
- Sätt alltid produkten i det lägsta läget med sänggrindarna uppe och fastlåsta när du lämnar en patient obevakad. Lämna inte produkten inställd på en högre höjd.
- Ta alltid bort alla anordningar som kan vara i vägen innan du höjer eller sänker sängbotten.
- Sitt inte på produktens ände. Produkten kan välta.
- Lås alltid sänggrindarna i det högsta läget med sovunderlaget horisontellt i det lägsta läget vid transport av en patient.
- Transportera inte produkten sidledes på underlag som sluttar mer än 5,7 grader (10 % nivå) för att undvika att välta produkten.
- Var alltid extra försiktig när du använder en madrass som är tjockare än 2,5 tum (6,35 cm) eller en bäddmadrass eller annan dyna ovanpå madrassen med **Prime X**-tillvalet.
- Lås alltid sänggrindarna i det högsta läget med sovunderlaget plant i det lägsta läget vid transport av en patient.
- Håll alltid patientens armar och ben borta från sänggrindens axeltappar när du höjer eller sänker sänggrinden.
- Låt inte sänggrindarna sänkas av sig själva.
- Håll alltid händer och fingrar borta från Fowler-ryggstödet frigröringshandtag och Fowler-ryggstödet ram när du sänker Fowler-ryggstödet.
- Var alltid försiktig när du höjer ett Fowler-ryggstöd medan en patient befinner sig på produkten. Tillämpa korrekta lyfttekniker och be vid behov om hjälp.
- Håll alltid händer och fingrar borta från fotändens skjuthandtag när du sänker knästödet.
- Håll alltid anordningens ledningar på pumphållaren borta från knästödets handtag.
- Se alltid till att anordningar på pumphållaren kan passera säkert genom dörröppningar.
- Lyft inte produkten i pumphållaren.

- Dra alltid ut strömsladden från vägguttaget innan du transporterar en patient eller rengör produkten.
- Använd alltid sladdvindan för att förvara strömsladden inuti basen medan produkten transporteras.
- Använd inte tillvalet vägningssystem eller tillvalet elektrisk lift eller tillvalet elektrisk sängbotten i närheten av eller ihop med andra anordningar. Om sådan användning eller stapling är nödvändig ska tillvalet vägningssystem, tillvalet elektrisk lift eller tillvalet elektrisk sängbotten observeras för att säkerställa att alla anordningar fungerar som de ska i den konfiguration i vilken de kommer att användas.
- Placera inte föremål som väger mer än 30 pund (14 kg) på defibrillatorbrickan. Fäst alltid alla anordningar som du placerar på defibrillatorbrickan med en rem.
- Var alltid försiktig om defibrillatorbrickan/fotförlängningen, fotpanelen/journalhållaren eller den upprätta syrgastubhållaren är monterade, för att undvika att du klämmer fingrarna när du placerar fotändens skjuthandtag (tillval).
- Placera inte föremål som väger mer än 30 pund (14 kg) på defibrillatorbrickan/fotförlängningen. Fäst alltid alla anordningar som du placerar på defibrillatorbrickan med en rem.
- Säkerställ att infusionsstativet alltid är fäst vid infusionsstativets hjulbas när produkten transporteras.
- Förvara alltid infusionsstativets hjulbas när den inte används för att undvika skada på produkten.
- Sitt inte på fotstöden. Det kan göra att produkten välter.
- Se alltid till att hålla dina fingrar borta från mekanismerna när du använder fotstöden.
- Fäll alltid in fotstöden när du transporterar en patient på produkten.
- Se alltid till att dra åt fotstöden innan du använder dem.
- Använd inte vägningssystemet samtidigt som du använder fotstöden. Det resulterar i felaktiga mätvärden.
- Använd inte **Chaperone**-tillvalet samtidigt som du använder fotstöden. Det resulterar i felaktiga mätvärden.
- Använd inte infusionsstativet för att skjuta fram/dra tillbaka produkten. Skador på produkten kan uppstå.
- Placera inte föremål som är tyngre än 40 pund (18 kg) i den upprätta syrgastubhållaren.
- Placera inte föremål som är tyngre än 30 pund (14 kg) på matbrickan.
- Var alltid försiktig när du fäster fastsättningsbältena. Patienten eller operatören kan ta skada. Fysiska fastsättningsbälten kan, även om de är fästa, orsaka allvarlig skada på patienten och operatören inklusive intrasslande, snärjning, fysisk skada eller dödsfall.
- Fäst alltid fastsättningsbälten eller -anordningar endast på de avsedda fästpunkterna på produkten. Underlåtenhet att göra det kan leda till skador på patienten eller operatören. Fäst inte fastsättningsbältena på sänggrinden.
- Följ alltid gällande statliga och federala restriktioner och lagar och tillämpliga protokoll för inrättningen innan du använder fastsättningsbälten eller -anordning.
- Vidta alltid försiktighetsmått när du använder den upprätta eller laterala röntgenkassetthållaren. Röntgenkassetthållaren skyddar inte mot strålning.
- Följ alltid lokala, statliga och federala riktlinjer i enlighet med inrättningens säkerhetsförfordningar innan du använder **Prime X**-tillvalet med strålningsgenererande enheter. Strålningsgenererande enheter kan producera rest-, strö- eller spridd strålning.
- Följ alltid anvisningarna i *Sätta in röntgenkassetten i den upprätta röntgenkassetthållaren – Prime X-tillvalet* för att föra in röntgenkassetten.
- Var alltid försiktig när du tar röntgenbilder med Fowler-ryggstödet i upprätt läge eller när du använder en lateral kassetten.
- Följ alltid anvisningarna i *Sätta in röntgenkassetten i den laterala röntgenkassetthållaren – Prime X-tillvalet* för att föra in röntgenkassetten.
- Rengör inte och utför inte service eller underhåll på produkten medan den används.
- Sänk inte ned madrassen i rengörings- eller desinfektionslösningar. För mycket fukt kan orsaka produktfel och i sin tur leda till produkt- eller patientskada.
- Låt inte vätska ansamlas på madrassen. Vätska kan orsaka att komponenterna rostar och kan orsaka att den här produktens säkerhet och prestanda blir oförutsägbara.
- Inspektera alltid madrassöverdragen avseende revor, stickhål, alltför kraftigt slitage och felaktigt inriktade blixtlås varje gång du tvättar överdragen. Ta bort och byt ut en trasig madrass för att förhindra korskontamination.
- Använd inte ånga, högtryckstvätt, avspolning eller ultraljud för att rengöra madrassen. De här rengöringsmetoderna kan upphäva produktens garanti.
- Använd inte ånga, avspolning eller ultraljud för att rengöra produkten. Användning av de här rengöringsmetoderna rekommenderas inte och kan upphäva produktens garanti.
- Desinfektera alltid madrassen mellan olika patienter. Underlåtenhet att göra det kan orsaka korskontamination och infektion.

VAR FÖRSIKTIG!

- Felaktig användning av produkten kan orsaka skador på patienten eller operatören. Använd produkten endast enligt beskrivningen i denna handbok.
 - Modifiera inte produkten eller någon av produktens komponenter. Om produkten modifieras kan det leda till oförutsägbar funktion, vilket kan resultera i skador på patienten eller operatören. Ändring av produkten upphäver också dess garanti.
 - Använd inte hydrauliken på underredet för att höja produkten med en patientlift under produkten.
 - Anbringa inte styrpedalen när **Big Wheel** vilar på en tröskel eller på ett annat upphöjt område. Det krävs då mer kraft än vanligt för att anbringa **Big Wheel**, vilket kan skada produkten.
 - Knästödets viktkapacitet är 200 pund (90,7 kg).
 - Se alltid till att knästödets stödstång sitter fast ordentligt före användning.
 - Sitt eller stå inte på knästödet.
 - Iaktta alltid försiktighet när du försöker sänka knästödet och produkten är fränkopplad. Tyngdkraften kan orsaka att knästödet sänks snabbt.
 - Placera inte föremål som är tyngre än 60 pund (27 kg) i baskåpan.
 - Du får inte sitta på, kliva på eller stå på baskåpan.
 - Pumphållarens viktkapacitet är 40 pund (18 kg).
 - Använd inte pumphållaren för att skjuta fram eller dra produkten. Skador på produkten kan uppstå.
 - Använd inte vågen för patienter som väger mindre än 50 pund (22,7 kg).
 - Använd inte vägningssystemets avläsningsresultat som en referens för medicinsk behandling.
 - Höj alltid infusionsstativet innan du monterar fast defibrillatorbricken/fotförlängningen på produkten. Om du inte höjer infusionsstativet kommer inte fotförlängningen att fungera.
 - Använd inte infusionsstativet för att skjuta fram/dra tillbaka produkten. Skador på produkten kan uppstå.
 - Häng inte infusionspåsar som väger mer än 40 pund (18 kg) på infusionsstativet.
 - Se alltid till att infusionsstativet befinner sig på en låg höjd så att det passerar genom dörröppningar medan du transporterar en patient.
 - Använd inte slipande rengöringsmedel för att rengöra skärmens hölje för tillvalet vägningssystem. Låt inte rengöringsmedel eller andra vätskor ansamlas på skärmenheten. Torka alla ytor torra efter spill eller rengöring.
 - Användning av andra tillbehör, omvandlare och kablar än de som specificeras eller tillhandahålls av tillverkaren kan medföra ökade elektromagnetiska emissioner eller minskad elektromagnetisk immunitet och leda till felaktig drift.
 - Strålningsegenskaperna hos denna utrustning gör den lämplig för användning i industriområden och på sjukhus (CISPR 11 klass A). Om den används i en bostadsmiljö, i vilken CISPR 11 klass B vanligtvis krävs, kanske inte denna utrustning ger tillräckligt skydd mot radiofrekventa kommunikationstjänster. Användaren kan behöva vidta begränsande åtgärder, såsom att flytta på eller rikta om utrustningen.
 - Bärbar RF-kommunikationsutrustning, omfattande kringutrustning såsom antennkablar och externa antenner, får inte användas närmare än 12 tum (30 cm) till någon del av **Prime**-båren, inklusive kablar specificerade av tillverkaren.
 - Undvik att stapla eller placera utrustning intill annan utrustning för att förhindra felaktig drift av produkterna. Om sådan användning är nödvändig, observera den staplade eller intilliggande utrustningen noggrant för att säkerställa att den fungerar korrekt.
-

Klämpunkter



Figur 1 – Prime X-tillval

Inledning

Denna handbok hjälper dig att använda eller utföra underhåll på din Stryker-produkt. Läs igenom denna handbok innan du använder eller underhåller produkten. Fastställ metoder och rutiner för att utbilda och träna din personal i säker användning eller underhåll av denna produkt.

VAR FÖRSIKTIG!

- Felaktig användning av produkten kan orsaka skador på patienten eller användaren. Använd produkten endast enligt beskrivningen i denna handbok.
- Ändra inte produkten eller någon av produktens komponenter. Om produkten modifieras kan det leda till oförutsägbar funktion, vilket kan resultera i skador på patienten eller användaren. Ändring av produkten ogiltiggör också dess garanti.

Obs!

- Denna handbok är en permanent del av produkten och ska förvaras tillsammans med produkten även om produkten säljs.
- Stryker eftersträvar kontinuerligt framsteg i produktdesign och produktkvalitet. Denna handbok innehåller den mest aktuella produktinformation som fanns tillgänglig vid tidpunkten då den trycktes. Det kan förekomma smärre skillnader mellan din produkt och denna handbok. Om du har frågor ska du kontakta Stryker kundtjänst eller teknisk support på +1 800 327 0770.

Produktbeskrivning

Stryker **Prime Series**®-bår modell 1115 med **Big Wheel**® är en anordning på hjul som består av en plattform som monterats på en hjulförsedd ram, utformad för att bära patienter i liggande läge. En bår utgör ett hjälpmedel för sjukvårdspersonal eller utbildade representanter på en inrättning vid transport av patienter inom en sjukvårdsinrättning. Stryker **Prime Series**-bår modell 1115 med **Big Wheel** minskar startkraften och styrkraften för att minska fysisk belastning.

Användningsområde

Båren **Prime Series** med **Big Wheel** har två stora hjul för att minska startkraften som krävs för att flytta båren.

Prime Series-båren kan användas som en plattform för en kortvarig klinisk öppenvårdsbedömning, för behandling, för mindre ingrepp och vid kortvarig återhämtning för öppenvårdspatienter. Båren kan även användas på, men inte begränsat till:

- Akutmottagning
- Traumacentrum
- Uppvakningsavdelning

Prime Series-båren kan användas för mindre ingrepp och kortvarig vistelse (behandling och uppvakning). Se specifikationstabellen för de avsedda miljöförhållandena.

Stryker:s **Prime Series**-bår har inte bedömts avseende efterlevnad av sängstandard BS EN 50637. Denna produkt är inte avsedd för användning för kortvarig vistelse till pediatrika patienter eller till vuxna patienter med atypisk anatomi på marknader som kräver denna sängstandard för marknadstillstånd

Prime Series-båren ska inte användas för långvarig sjukhusvård och återhämtning.

Prime Series-båren har en säker arbetsbelastning på upp till 700 pund (318 kg) och är avsedd att användas för alla patienter, inklusive de som är lindrigt till allvarligt sjuka. Båren kan även användas för att transportera avlidna patienter inom en avgränsad vårdinrättning.

Prime X®-tillvalet utgör både en ledad radiografisk patientstödyta och en plattform under patientstödytan för placering av röntgenkassett. **Prime X**-tillvalet är avsett att möjliggöra tagning av kliniska röntgenbilder (AP helkropp, valfri lateral helkropp och valfri thorax i upprätt läge) när det används tillsammans med ett medicinskt röntgensystem.

Kliniska fördelar

Patienttransport, underlättar behandling och diagnos

Kontraindikationer

En madrass med mer än 4 tums (10 cm) tjocklek rekommenderas inte för användning med **Prime X**-tillvalet.

Prime X-tillvalet är inte kompatibelt för användning med en C-arm.

Prime X-tillvalet är avsett för användning i alla typer av inrättningar med undantag för hemsjukvård, hushåll och sådana som är direkt anslutna till det allmänna lågspänningsnätet som försörjer byggnader som används för hushållsändamål.


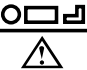
Förväntad livslängd

Prime Series-båren och **Prime Series**-båren med **Prime X**-tillvalet har en förväntad livslängd på 10 år under normala användningsförhållanden och med lämpligt regelbundet underhåll.

Kassering/återvinning

Följ alltid aktuella lokala rekommendationer och/eller förordningar som reglerar miljöskydd och de risker som är förenade med återvinning eller kassering av utrustningen vid slutet av dess livslängd.

Specifikationer

	Prime Series bredd 26 tum (66 cm)		Prime Series bredd 30 tum (76 cm) Prime Series HT-paket		Prime X-tillval bredd 30 tum (76 cm)	
 Obs! - Högsta tillåtna arbetsbelastning anger summan av patientens, madrassens och tillbehörens vikt.	700 pund	318 kg	700 pund	318 kg	700 pund	318 kg
 Maximal patientvikt	675 pund	306 kg	675 pund	306 kg	675 pund	306 kg
Total längd	85 tum (± 0,5 tum)	215,9 cm	85 tum (± 0,5 tum)	215,9 cm	85 tum (± 0,5 tum)	215,9 cm
Total längd (tillvalet sängbottenförlängning)	89,9 tum (± 0,75 tum)	228,3 cm	89,9 tum (± 0,75 tum)	228,3 cm	Ej tillgängligt	Ej tillgängligt
Total bredd (sänggrindar uppe)	34 tum (± 1 tum)	86,4 cm	38 tum (± 1 tum)	96,5 cm	38 tum (± 1 tum)	96,5 cm
Total bredd (sänggrindar nere)	30,25 tum (± 0,5 tum)	76,8 cm	30,5 tum (± 0,5 tum)	77,5 cm	30,5 tum (± 0,5 tum)	77,5 cm
Minimal höjd	20,75 tum	52,7 cm	20,75 tum	52,7 cm	23,25 tum	59,1 cm

	Prime Series bredd 26 tum (66 cm)		Prime Series bredd 30 tum (76 cm) Prime Series HT-paket		Prime X-tillval bredd 30 tum (76 cm)	
Maximal höjd	34 tum (± 1 tum)	86,4 cm	34 tum (± 1 tum)	86,4 cm	36,5 tum (± 1 tum)	92,7 cm
Fowler-ryggstödet vinkel	0° till 90° (±5°)					
Knästöds höjd	5,5 tum (14 cm) minimum				Inte tillämpligt	
Trendelenburgs läge/omvänt Trendelenburgs läge	+17° till -17° (± 3°)					
Minsta fria utrymme	Nominellt 2,5 tum	6,4 cm	Nominellt 2,5 tum	6,4 cm	Nominellt 2,5 tum	6,4 cm
	1,75 tum under hydraulcy-lindrarna	4,5 cm	1,75 tum under hydraulcy-lindrarna	4,5 cm	1,75 tum under hydraulcy-lindrarna	4,5 cm
	1 tum under Big Wheel	2,5 cm	1 tum under Big Wheel	2,5 cm	1 tum under Big Wheel	2,5 cm
Dämpningsekvivalens (aluminiumekvivalens)	Inte tillämpligt				Högsta tillåtna värde är 1,7 mm Al	
Valfritt vägningsssystem, viktområde	50 pund (22,7 kg) till 700 pund (318 kg)					
Valfri exakthet för vägningsssystem	±3 pund (1,3 kg) för vikter under 100 pund (45 kg) och ±3 % för vikter på eller över 100 pund (45 kg) *					
*För att uppfylla noggrannhetsangivelsen för vägningsystemet måste patientytan vara plan (Fowler-ryggstödet och knästödet nedfällt) och produkten får inte överskrida 5 grader av Trendelenburgs läge/omvänt Trendelenburgs läge.						

Elektriska tillval	Tillvalet elektrisk sängbotten (endast tillgänglig för Prime)	Tillvalet elektrisk lift (tillgänglig för Prime- och Prime X-tillvalet)
Elektriska krav	120 V växelström, 60 Hz, 10 A 240 V växelström, 50/60 Hz, 5 A	120 V växelström, 60 Hz, 10 A 240 V växelström, 50/60 Hz, 5 A
Driftcykel	Kontinuerlig drift med intermittent belastning är 1 minut PÅ/20 minuter AV	Kontinuerlig drift med intermittent belastning är 1 minut PÅ/20 minuter AV

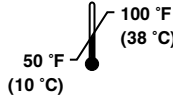
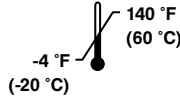
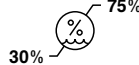
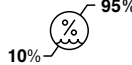

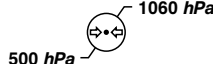
Tillvalet vägningsssystem	Icke-elektrisk sängbotten (tillgänglig för Prime- och Prime X-tillvalet)	Tillvalet elektrisk lift (tillgänglig för Prime- och Prime X-tillvalet)
Batterityp	4 x AA batteri (4 x 1,5 volt likström) alkalisk typ (LR6)	4 x AA batteri (4 x 1,5 volt likström) alkalisk typ (LR6)
Batterispänning	6,0 VDC	6,0 VDC

Tillvalet vägningssystem	Tillvalet elektrisk sängbotten (endast tillgänglig för Prime)	Tillvalet elektrisk lyft
Batterityp	1 x uppladdningsbart litiumjonbatteripaket (0058-135-000)	Inte tillämpligt
Batterispänning	10,8 VDC, 2,4 Ah	Inte tillämpligt

Tillvalet vägningssystem med Chaperone® (bårurstigning)	Tillvalet elektrisk sängbotten (endast tillgänglig för Prime)	Tillvalet elektrisk lyft
Batterityp	1 x uppladdningsbart litiumjonbatteripaket (0058-134-000)	Inte tillämpligt
Batterispänning	10,8 volt likström, 4,8 Ah	Inte tillämpligt

Stryker förbehåller sig rätten att ändra specifikationerna utan föregående meddelande.

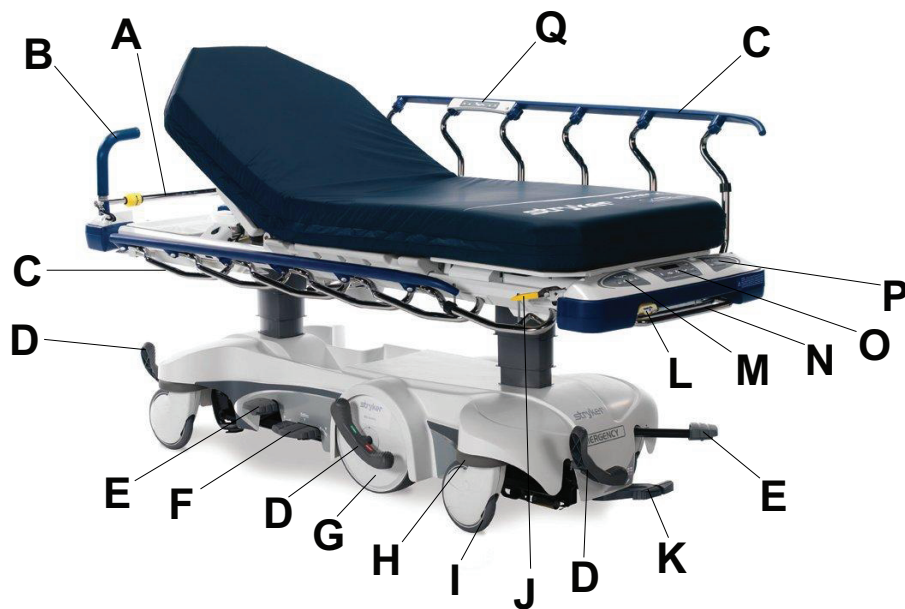
Obs! - Produkten är inte lämplig för användning i närheten av lättantändliga blandningar av anestetika i kombination med luft eller med syre eller lustgas.

Omgivningsförhållanden	Användning	Förvaring och transport
Temperatur		
Relativ luftfuktighet		
Atmosfärstryck		

Obs! - Det valfria vägningssystemets (icke-elektrisk sängbotten/tillvalet elektrisk sängbotten) drifttemperaturintervall är 61 ° F (16 °C) till 79 °F (26 °C).

De angivna specifikationerna är ungefärliga och kan variera något mellan olika produkter eller variationer i strömförsörjningen.

Bild på produkten – Prime



Figur 2 – Prime

A	Infusionsstativ	J	Spärr för sänggrind
B	BackSmart ®-skjuthandtag med popupp, tillval	K	Hydraulisk fotpedal
C	BackSmart -sänggrind	L	Frigöringshandtag för knästö
D	Broms-/styrpedal	M	BackSmart fotändens operatörskontrollpanel, tillval
E	Pumppedal	N	Pumphållare, tillval
F	Uni-sänkpedal	O	BackSmart -vägningssystem, tillval
G	Big Wheel	P	Patientkontrollpanellås, tillval
H	Stötdämpare, inbyggda	Q	Sänggrindens patientkontrollpanel, tillval
I	Svänghjul med inbyggda hjulskydd		

Bild på produkten – Prime X-tillval



Figur 3 – Prime X-tillval

A	BackSmart® -skjuthandtag med popupp, tillval	H	Uni-sänkpedal
B	Infusionsstativ	I	Stötdämpare, inbyggda
C	Kassettbricka	J	Svänghjul med inbyggda hjulskydd
D	Patientyta med Clearview Technology® -plan	K	Spärr för sänggrind
E	BackSmart -sänggrind	L	Pumphållare, tillval
F	Broms-/styrpedal	M	BackSmart -vägningssystem, tillval
G	Pumppedal		

Delar som har patientkontakt – tillvalet elektrisk sängbotten



Figur 4 – Delar som har patientkontakt av typ B – tillvalet elektrisk sängbotten

Delar som har patientkontakt – Prime X-tillval



Figur 5 – Delar som har patientkontakt av typ B – Prime X-tillval

Kontaktinformation

Kontakta Stryker kundtjänst eller teknisk support på: 1-800-327-0770.

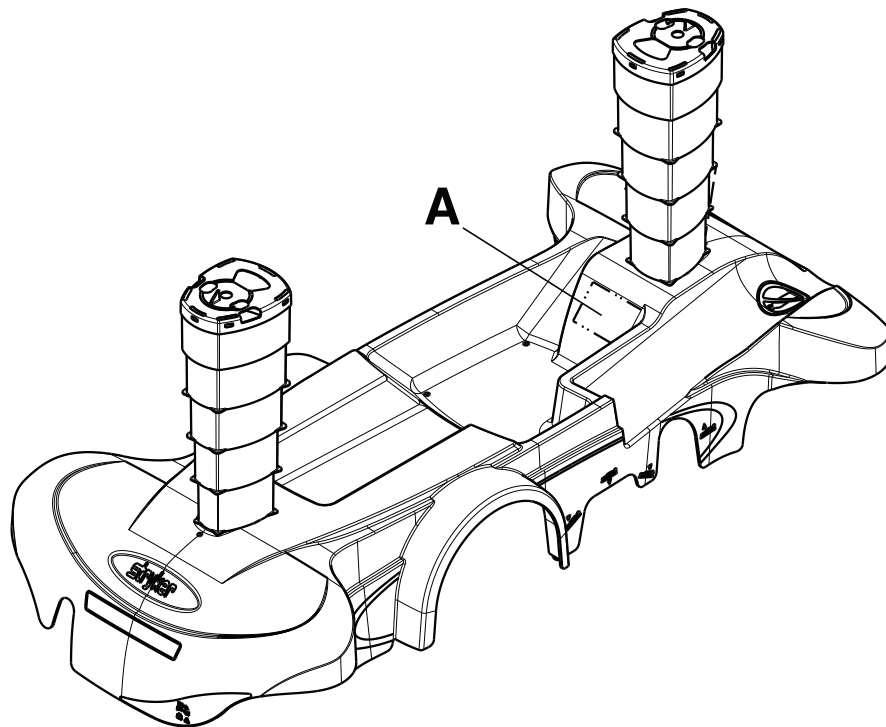
Stryker Medical
3800 E. Centre Avenue
Portage, MI 49002
USA

Obs! - Användaren och/eller patienten ska alltid rapportera alla allvarliga produktrelaterade incidenter till både tillverkaren och den behöriga myndigheten i det europeiska medlemsland där användaren och/eller patienten bor.

Om du vill läsa användar- eller underhållshandboken online, besök <https://techweb.stryker.com/>.

Ha Stryker-produktens serienummer (A) tillgängligt när du ringer Stryker kundtjänst eller teknisk support. Uppge serienumret i all skriftlig kommunikation.

Serienumrets placering



Figur 6 – Serienumrets placering

Förberedelse

Se uppknappingsanvisningarna som medföljer produkten inuti transportlådan för att packa upp din produkt på rätt sätt.

VARNING

- Låt alltid produkten nå rumstemperatur innan du förbereder eller testar funktioner. Permanent skada på produkten kan uppstå.
 - Använd produkten endast när alla användare är borta från mekanismerna.
 - Var alltid försiktig när du hanterar strömsladden så att du undviker intrassling, skada på strömsladden eller risk för elektriska stötar. Om strömsladden är skadad ska produkten omedelbart tas ur bruk och lämplig underhållspersonal kontaktas.
 - Anslut alltid produkten direkt till ett korrekt jordat vägguttag. Du kan bara uppnå en tillförlitlig jordning när du använder ett korrekt jordat uttag. Denna produkt är utrustad med en jordad kontakt för att skydda mot elektriska stötar.
-

Säkerställ att produkten fungerar innan den tas i drift.

1. Anbringa bromsen. Skjut fram produkten för att säkerställa att samtliga fyra svänghjul är låsta.
2. Frigör bromsen. Skjut fram produkten för att säkerställa att samtliga fyra svänghjul är upplåsta.
3. Höj och sänk sängbotten med det hydrauliska lyftsystemet.
4. Höj produkten till den högsta nivån och sätt produkten i Trendelenburgs läge (se *Försätta produkten i Trendelenburgs läge* (sidan 18)). Se till att huvudändan sänks till det helt nedsänkta läget.
5. Höj produkten till det högsta läget och sätt produkten i omvänt Trendelenburgs läge (se *Försätta produkten i omvänt Trendelenburgs läge* (sidan 19)). Se till att fotändan sänks till sitt helt nedsänkta läge.
6. Applicera **Big Wheel** och se till att de fungerar.
7. Se till att sänggrindarna höjs, sänks och låses på plats.
8. Höj och sänk det manuella Fowler-ryggstödet (huvudände).
9. Höj och sänk det manuella knästödet (fotände).

För produkter med tillvalet elektrisk lift eller elektrisk sängbotten:

1. Utför ovanstående förberedelselista.
2. Anslut produkten till ett lämpligt jordat vägguttag. Se till att LED-lamporna tänds på låsknappsatsen.
3. Se till att alla funktioner på tillvalet sänggrindens patientkontrollpanel fungerar.
4. Se till att alla funktioner på tillvalet fotändens operatörskontrollpanel fungerar.
5. Höj och sänk det elektriska Fowler-ryggstödet (huvudände).
6. Höj och sänk det elektriska knästödet (fotände).

För produkter med tillvalet vägningsystem/tillvalet elektrisk sängbotten (med eller utan tillvalet **Chaperone**):

1. Utför ovanstående förberedelselista.
2. Ladda batterierna (*Ladda batteripaketstillvalet för vägningsystemet – tillvalet elektrisk sängbotten eller tillvalet elektrisk sängbotten med Chaperone-tillvalet – iendast Prime* (sidan 32)).

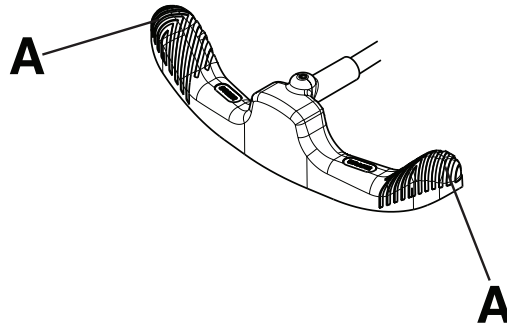
Användning

Anbringa och frigöra bromsarna

WARNING - Anbringa alltid bromsarna när en patient lägger sig på eller kliver upp från produkten eller när produkten inte förflyttas. Det kan medföra skada om produkten förflyttas medan en patient lägger sig på eller kliver upp från produkten.

För att anbringa bromsarna trycker du ned på bromssidan (röd) av broms-/styrpedalen. Skjut fram produkten för att kontrollera att bromsarna fungerar.

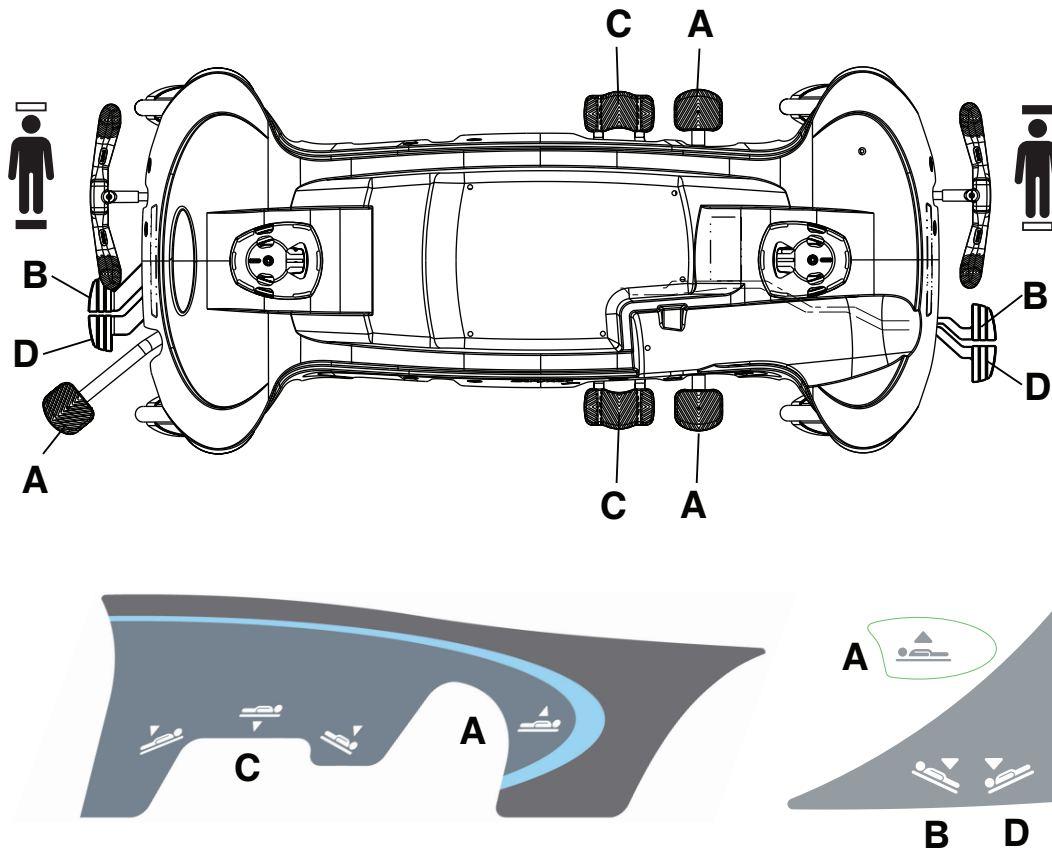
För att frigöra bromsarna ska du trycka ned broms-/styrpedalens (gröna) bromssida.



Figur 7 – Manövrera broms-/styrpedalen

Obs! - Tryck inte ned på mitten av broms-/styrpedalen. Tryck alltid ned på utsidan (A) av broms-/styrpedalen (Figur 7).

Prime-underredets reglage



Figur 8 – Prime baskontroller och etikett

Sänka den icke-elektriska sängbotten

VARNING

- Placera alltid patienten i mitten på produkten.
- Sätt alltid produkten i det lägsta läget med sänggrindarna uppe och fastlåsta när du lämnar en patient oövervakad. Lämna inte produkten på en högre höjd.
- Ta alltid bort alla anordningar som kan vara i vägen innan du höjer eller sänker sängbotten.
- Sitt inte på produktens ände. Produkten kan välta.

VAR FÖRSIKTIG! - Använd inte hydrauliken på underredet för att höja produkten med en patientlift under produkten.

För att höja sängbotten tryck ned pumppedalen (A) tills du når önskad höjd (*Prime-underredets reglage* (sidan 17)).

Sänka den icke-elektriska sängbotten

VARNING

- Placera alltid patienten i mitten på produkten.
- Sätt alltid produkten i det lägsta läget med sänggrindarna uppe och fastlåsta när du lämnar en patient oövervakad. Lämna inte produkten på en högre höjd.
- Ta alltid bort alla anordningar som kan vara i vägen innan du höjer eller sänker sängbotten.
- Sitt inte på produktens ände. Produkten kan välta.

VAR FÖRSIKTIG! - Använd inte hydrauliken på underredet för att höja produkten med en patientlift under produkten.

För att sänka hela sängbotten ska du trycka på mitten av uni-sänkpedalen (C) (*Prime-underredets reglage* (sidan 17)).

För att endast sänka huvudänden på sängbotten ska du trycka ned pedalen (B) eller trycka ned på sidan av uni-sänkpedalen (C) närmast produktens huvudände.

För att endast sänka sängbottens fotände ska du trycka ned pedalen (D) eller trycka ned på sidan av uni-sänkpedalen (C) närmast produktens fotände.

Höja tillvalet elektrisk sängbotten

VARNING

- Placera alltid patienten i mitten på produkten.
 - Sätt alltid produkten i det lägsta läget med sänggrindarna uppe och fastlåsta när du lämnar en patient obevakad. Lämna inte produkten på en högre höjd.
 - Ta alltid bort alla anordningar som kan vara i vägen innan du höjer eller sänker sängbotten.
 - Sitt inte på produktens ände. Produkten kan välta.
-

VAR FÖRSIKTIG! - Använd inte hydrauliken på underredet för att höja produkten med en patientlift under produkten.

För att höja den elektriska sängbotten ska du trycka ned pumppedalen (A) tills du når önskad höjd (*Prime-underredets reglage* (sidan 17)).

Sänka tillvalet elektrisk sängbotten

VARNING

- Placera alltid patienten i mitten på produkten.
 - Sätt alltid produkten i det lägsta läget med sänggrindarna uppe och fastlåsta när du lämnar en patient obevakad. Lämna inte produkten på en högre höjd.
 - Ta alltid bort alla anordningar som kan vara i vägen innan du höjer eller sänker sängbotten.
 - Sitt inte på produktens ände. Produkten kan välta.
-

VAR FÖRSIKTIG! - Använd inte hydrauliken på underredet för att höja produkten med en patientlift under produkten.

För att sänka hela den elektriska sängbotten ska du trycka på mitten av uni-sänkpedalen (C) (*Prime-underredets reglage* (sidan 17)).

För att endast sänka sängbottens huvudände ska du trycka ned pedalen (B) eller trycka ned på sidan av uni-sänkpedalen (C) närmast produktens huvudände.

För att endast sänka sängbottens fotände ska du trycka ned pedalen (D) eller trycka ned på sidan av uni-sänkpedalen (C) närmast produktens fotände.

Försätta produkten i Trendelenburgs läge

VARNING - Ta alltid bort alla anordningar som kan vara i vägen innan du höjer eller sänker sängbotten.

VAR FÖRSIKTIG! - Använd inte hydrauliken på underredet för att höja produkten med en patientlift under produkten.

För att försätta produkten i Trendelenburgs läge (huvudet ned) höjer du sängbotten till det högsta läget (*Sänka den icke-elektriska sängbotten* (sidan 17) eller *Höja tillvalet elektrisk sängbotten* (sidan 18)).

Obs! - Hög sängbotten till det högsta läget för att få en större Trendelenburg-vinkel.

För att sänka produktens huvudände ska du trycka ned huvud- eller fotändens frigöringspedal (D) eller trycka ned på sidan av uni-sänkpedalen (C) närmast huvudänden (*Prime-underredets reglage* (sidan 17)).

För att sänka produkten från Trendelenburgs läge ska du trycka ned huvud- och fotändens frigöringspedaler (B och D) samtidigt, eller trycka ned på mitten av uni-sänkpedalen (C) tills sängbotten är plan.

Försätta produkten i omvänt Trendelenburgs läge

VARNING - Ta alltid bort alla anordningar som kan vara i vägen innan du höjer eller sänker sängbotten.

VAR FÖRSIKTIG! - Använd inte hydrauliken på underredet för att höja produkten med en patientlift under produkten.

För att försätta produkten i omvänt Trendelenburgs läge (fötterna ner) höjer du sängbotten till det högsta läget (*Sänka den icke-elektriska sängbotten* (sidan 17) eller *Höja tillvalet elektrisk sängbotten* (sidan 18)).

Obs! - Hög sängbotten till det högsta läget för att få en större Trendelenburg-vinkel.

För att sänka produktens fotände ska du trycka ned huvud- eller fotändens frigöringspedal (B) eller trycka ned på sidan av uni-sänkpedalen (C) närmast fotänden (*Prime-underredets reglage* (sidan 17)).

För att sänka produkten från omvänt Trendelenburgs läge ska du trycka ned huvud- och fotändens frigöringspedaler (B och D) samtidigt, eller trycka ned på mitten av uni-sänkpedalen (C) tills sängbotten är plan.

Transportera en patient

VARNING

- Placera alltid patienten i mitten på produkten.
 - Lås alltid sänggrindarna i det högsta läget med sovunderlaget horisontellt i det lägsta läget vid transport av en patient.
 - Transportera inte produkten sidledes på underlag som sluttar mer än 5,7 grader (10 % nivå) för att undvika att välta produkten.
-

Transportera en patient:

1. Hög sänggrindarna till det högsta läget. Dra i sänggrinden för att säkerställa att den är spärrad.
2. Sänk sängbotten till det lägsta läget.
3. Om din produkt är utrustad med tillvalet elektrisk lift eller elektrisk sängbotten ska du dra ut strömssladden från vägguttaget.
4. Tryck ner på styrsidan (grön) för bromsen/manövreringspedalen.
5. Använd skjuthandtagen för att skjuta på produkten.
6. Anbringa bromsarna för att låsa produkten på plats.

Obs! - Se till alltid till att bromsen är frigjord innan du flyttar produkten för att undvika att användaren eller patienten skadas.

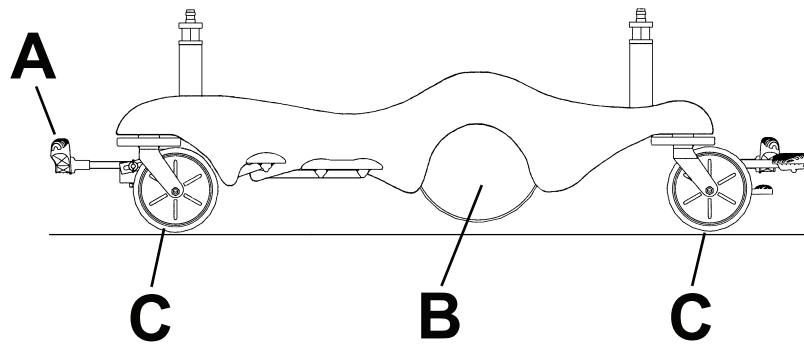
Transportera en patient utan Big Wheel

VARNING

- Placera alltid patienten i mitten på produkten.
 - Lås alltid sänggrindarna i det högsta läget med sovunderlaget horisontellt i det lägsta läget vid transport av en patient.
-

Gör så här för att transportera en patient utan **Big Wheel**:

1. Sätt broms-styrpedalen (A) i neutralläget (Figur 9).



Figur 9 – Transportera utan Big Wheel

2. Sänk sängbotten till det lägsta läget.
3. Säkerställ att reglaget På/Kör–Av/manuell (On Drive-Off Manual) är ställt på Off (gäller endast för modell 1125).
4. Om din produkt är utrustad med tillvalet elektrisk lift eller elektrisk sängbotten ska du dra ut nätsladden från vägguttaget av medicinsk kvalitet.
5. Använd skjuthandtagen för att skjuta på produkten.
6. Anbringa bromsarna för att låsa produkten på plats.

Obs!

- Se till alltid till att bromsen är frigjord innan du flyttar produkten för att undvika att användaren eller patienten skadas.
- När produkten är i neutralt läge är **Big Wheel** (B) lyft från marken och produkten vilar på samtliga fyra svänghjul (C) (Figur 9). I detta läge kan produkten flyttas i alla riktningar, även i sidled.

Transportera en patient med Big Wheel

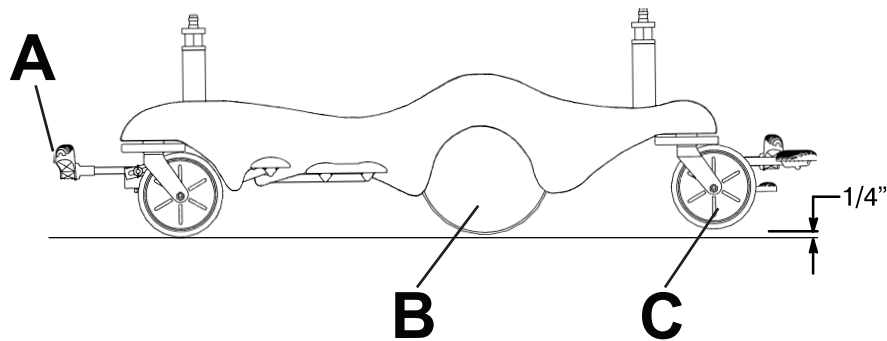
VARNING

- Placera alltid patienten i mitten på produkten.
 - Lås alltid sänggrindarna i det högsta läget med sovunderlaget horisontellt i det lägsta läget vid transport av en patient.
-

VAR FÖRSIKTIG! - Anbringa inte styrpedalen när **Big Wheel** vilar på en tröskel eller på ett annat upphöjt område. Det krävs då mer kraft än vanligt för att anbringa **Big Wheel**, vilket kan skada produkten.

Gör så här för att transportera en patient med **Big Wheel**:

1. Höj sänggrindarna till det högsta läget. Dra i varje sänggrind för att säkerställa att den är spärrad.
2. Sänk sängbotten till det lägsta läget.
3. Säkerställ att reglaget På/Kör–Av/manuell (On Drive-Off Manual) är ställt på Off (gäller endast för modell 1125).
4. Om din produkt är utrustad med tillvalet elektrisk lift eller elektrisk sängbotten ska du dra ut nätsladden från vägguttaget av medicinsk kvalitet.
5. Sätt broms-/styrpedalen (A) i styrningsläget (Figur 10).



Figur 10 – Transportera med Big Wheel

6. Använd skjuthandtagen för att skjuta på produkten.
7. Anbringa bromsarna för att låsa produkten på plats.

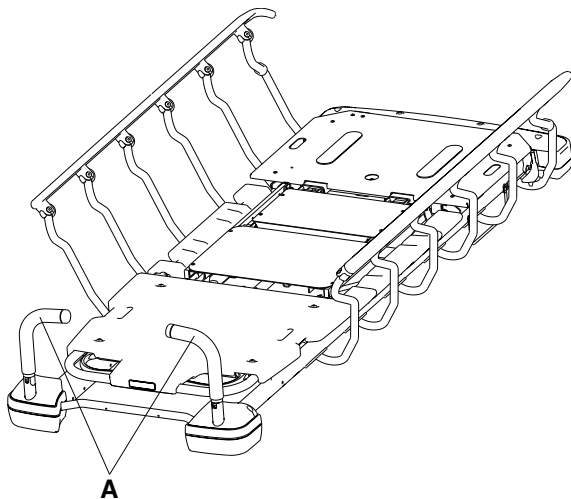
Obs!

- Se till alltid till att bromsen är frigjord innan du försöker flytta produkten. Försök att flytta produkten med låsta bromsar kan leda till skador på användaren eller patienten.
- **Big Wheel (B)** svänger inte. När **Big Wheel** har anbringats kan produkten inte förflyttas i sidled.
- När **Big Wheel (B)** har anbringats är produkten upphöjd och fotändens svänghjul (C) lyfta från marken. Produkten vilar på huvudändens svänghjul och **Big Wheel**, vilket gör det lättare att styra produkten (Figur 10).

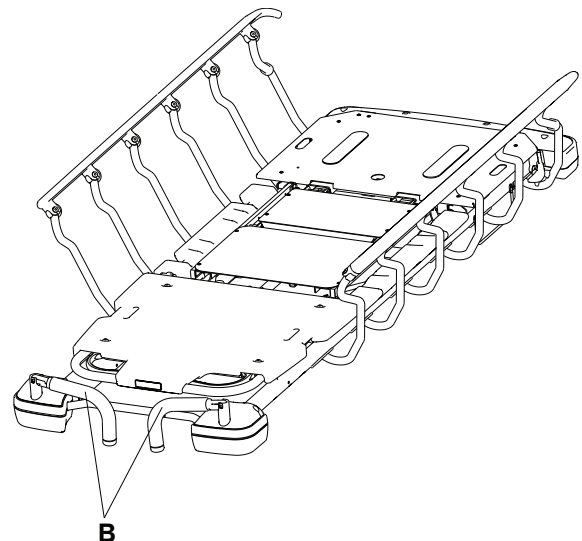
Ta fram eller fälla in huvudändens skjuthandtag

Gör så här för att ta fram eller fälla in huvudändens skjuthandtag:

1. Sväng upp handtagen (A) från produktens huvudände (Figur 11).
2. Tryck ned handtagen för att låsa dem på plats.



Figur 11 – Ta fram huvudändens skjuthandtag



Figur 12 – Fälla in huvudändens skjuthandtag

3. Upprepa stegen i omvänd ordning för att fälla in huvudändens skjuthandtag (B) (Figur 12).

Obs! - Använd endast skjuthandtagen för att skjuta fram/dra tillbaka enheter om ingenting annat anges, för att förhindra produktskada.

Höja sänggrinden

VARNING

- Var alltid extra försiktig när du använder en madrass som är tjockare än 2,5 tum (6,35 cm) eller en bäddmadrass eller annan dyna ovanpå madrassen med **Prime X**-tillvalet.
 - Sätt alltid produkten i det lägsta läget med sänggrindarna uppe och fastlåsta när du lämnar en patient obevakad. Lämna inte produkten på en högre höjd.
 - Lås alltid sänggrindarna i det högsta läget med sovunderlaget plant i det lägsta läget vid transport av en patient.
 - Håll alltid patientens armar och ben borta från sänggrindens axeltappar när du höjer eller sänker sänggrinden.
 - Låt inte sänggrindarna sänkas av sig själva.
-

Gör så här för att höja sänggrinden:

1. Använd båda händerna för att greppa sänggrinden.
2. Lyft och styr sänggrinden mot produktens fotände tills den gula spärrhaken klickar på plats. Dra i sänggrinden för att säkerställa att sänggrinden är fastlåst.

Obs!

- Det finns ett tillval med dubbel spärrhake för sänggrindarna tillgängligt för båda ändarna på produkten.
- Använd inte sänggrindarna som fasthållningsanordningar för att hindra patienten från att ta sig ur produkten. Sänggrindarna hindrar patienten från att rulla av produkten. Användaren måste avgöra i vilken utsträckning ett hinder behövs för patientens egen säkerhet.
- Du kan använda fotänden på sänggrindens översta skena som en skjut- eller draganordning.
- Sänggrindarna låses endast i det högsta läget.

Sänka sänggrinden

VARNING

- Var alltid extra försiktig när du använder en madrass som är tjockare än 2,5 tum (6,35 cm) eller en bäddmadrass eller annan dyna ovanpå madrassen med **Prime X**-tillvalet.
 - Sätt alltid produkten i det lägsta läget med sänggrindarna uppe och fastlåsta när du lämnar en patient obevakad. Lämna inte produkten på en högre höjd.
 - Lås alltid sänggrindarna i det högsta läget med sovunderlaget plant i det lägsta läget vid transport av en patient.
 - Håll alltid patientens armar och ben borta från sänggrindens axeltappar när du höjer eller sänker sänggrinden.
 - Låt inte sänggrindarna sänkas av sig själva.
-

Sänk sänggrinden på följande sätt:

1. Använd en hand för att greppa sänggrinden.
2. Använd den andra handen för att dra upp den gula spärrhaken.
3. Lyft och styr sänggrinden mot produktens huvudände tills den gula spärrhaken klickar på plats. Dra i sänggrinden för att säkerställa att sänggrinden är fastlåst.

Obs!

- Det finns ett tillval med dubbel spärrhake för sänggrindarna tillgängligt för båda ändarna på produkten.
- Använd inte sänggrindarna som fasthållningsanordningar för att hindra patienten från att ta sig ur produkten. Sänggrindarna hindrar patienten från att rulla av produkten. Användaren måste avgöra i vilken utsträckning ett hinder behövs för patientens egen säkerhet.
- Du kan använda fotänden på sänggrindens översta skena som en skjut- eller draganordning.
- Sänggrindarna låses endast i det högsta läget.

Ställ in produktens lägen med hjälp av sänggrindens patientkontrollpanel – tillvalet elektrisk sängbotten – endast Prime

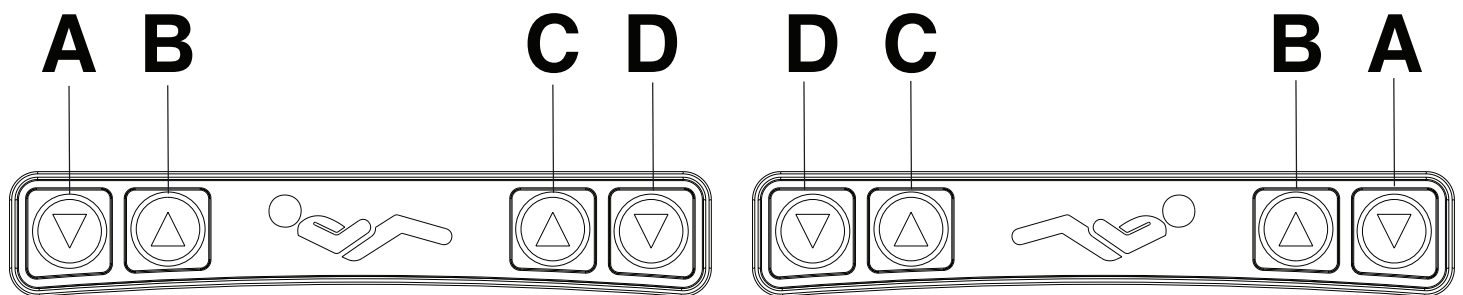
WARNING - Använd produkten endast när alla användare är borta från mekanismerna.

Använd patientkontrollpanelen på sänggrinden för att ställa in Fowler-ryggstödet och knästödet (Figur 13).

Sjukvårdspersonal måste instruera patienter hur de ska sköta patientkontroller.

Obs!

- Sätt alltid in strömsladden i ett jordat vägguttag av medicinsk kvalitet.
- Patientkontrollpanelen på sänggrinden är placerad på olika nivåer var sida om produkten på ett för patienten lättåtkomligt ställe.
- Båda sänggrindar har bakgrundslysta kontroller för att patienten ska kunna ställa in Fowler-ryggstödet och knästödet. När produkten är ansluten till ett strömuttag och patientkontrollpanelen är upplåst lyser de vita knapparna.



Figur 13 – Sänggrindens patientkontrollpanel

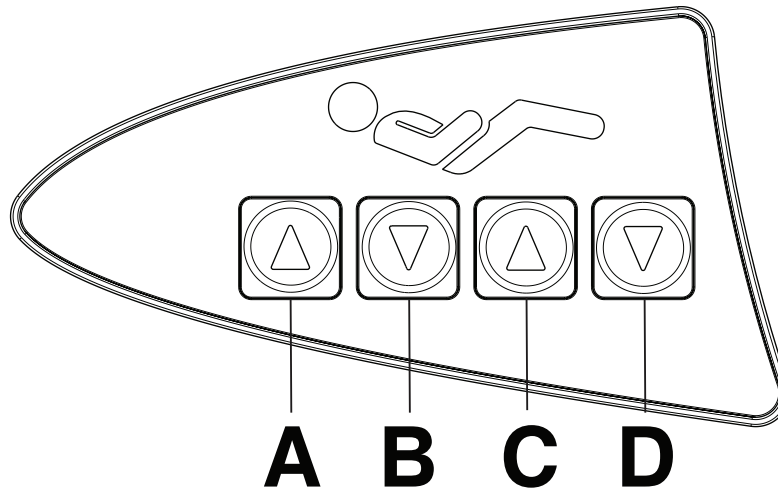
A	Fowler-ryggstöd ner	Sänker Fowler (huvudände)
B	Fowler-ryggstöd upp	Höjer Fowler (huvudände)
C	Knästöd upp	Höjer knästödet (fotände)
D	Knästöd ner	Sänker knästödet (fotände)

Operatörskontrollpanel – tillvalet elektrisk sängbotten – endast Prime

WARNING - Använd produkten endast när alla användare är borta från mekanismerna.

Använd operatörskontrollpanelen för att ställa in patientens position på produkten (Figur 14).

Obs! - Sätt alltid in strömsladden i ett jordat vägguttag av medicinsk kvalitet.



Figur 14 – Operatörskontrollpanel – tillvalet elektrisk sängbotten

A	Fowler-ryggstöd upp	Höjer Fowler-ryggstödet
B	Fowler-ryggstöd ner	Sänker Fowler-ryggstödet
C	Knästöd upp	Höjer knästödet
D	Knästöd ner	Sänker knästödet

Låsa och låsa upp patientkontrollpanelens lås – tillvalet elektrisk sängbotten – endast Prime

VARNING - Använd produkten endast när alla användare är borta från mekanismerna.

Tryck på **Unlock/Lock** (låsa upp/låsa) (A) en gång (Figur 15) för att låsa sänggrindens patientkontrollpanel.

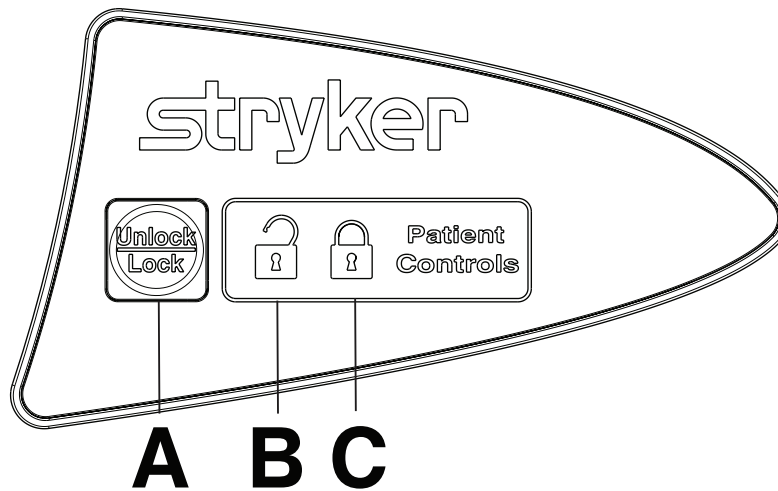
Obs! - Låsikonen (C) lyser gul när patientkontrollerna är låsta.

Tryck på **Unlock/Lock** (låsa upp/låsa) (A) en gång till för att låsa upp sänggrindens patientkontrollpanel.

Obs! - Ikonen för upplåst (B) lyser grön när patientkontrollerna är upplåsta.

Obs!

- Sätt alltid in strömsladden i ett jordat vägguttag av medicinsk kvalitet.
- Du kan låsa patientkontrollpanelen för att förhindra att patienten ändrar ryggstödet och knästödet.
- Sänggrindens patientkontrollpanel är inte bakgrundsupplyst när du låser patientkontrollpanelen.



Figur 15 – Patientkontrollpanellås

Höja eller sänka Fowler-ryggstödet – icke-elektrisk sängbotten

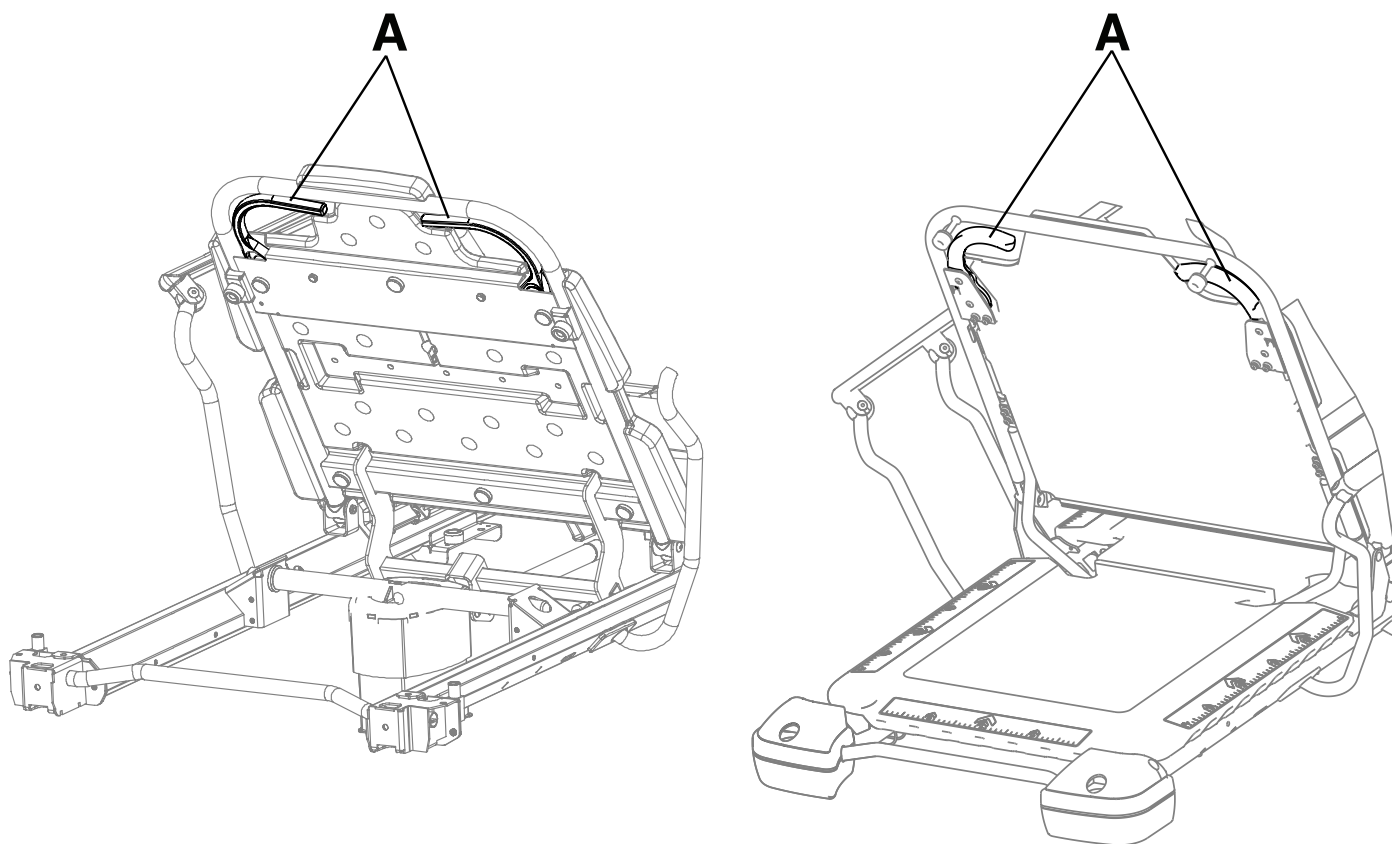
VARNING

- Använd produkten endast när alla användare är borta från mekanismerna.
- Håll alltid händer och fingrar borta från Fowler-ryggstödet frigöringshandtag och Fowler-ryggstödet ram när du sänker Fowler-ryggstödet.
- Var alltid försiktig när du höjer ett Fowler-ryggstöd medan en patient befinner sig på produkten. Tillämpa korrekta lyftekniker och be vid behov om hjälp.

För att höja Fowler-ryggstödet ska du klämma åt ett eller båda av Fowler-ryggstödet frigöringshandtag (A) och dra upp Fowler-ryggstödet till önskat läge (0° till 90°) (Figur 16).

Obs! - Lift Assist®-ryggstödet använder patientens vikt för att hjälpa till att placera patienten. Lift Assist-ryggstödet hjälper även till att förhindra att patienten glider mot produktens fotände när du höjer Fowler-ryggstödet.

För att sänka Fowler-ryggstödet ska du klämma åt ett eller båda av Fowler-ryggstödet frigöringshandtag (A) och trycka ned Fowler-ryggstödet till önskat läge (90° till 0°) (Figur 16).



Figur 16 – Höja eller sänka Fowler-ryggstödet (Prime/Prime X)

Höja eller sänka Fowler-ryggstödet – tillvalet elektrisk sängbotten

VARNING

- Använd produkten endast när alla användare är borta från mekanismerna.
- Håll alltid händer och fingrar borta från Fowler-ryggstödet frigöringshandtag och Fowler-ryggstödet ram när du sänker Fowler-ryggstödet.
- Var alltid försiktig när du höjer ett Fowler-ryggstöd medan en patient befinner sig på produkten. Tillämpa korrekta lyfttekniker och be vid behov om hjälp.

För att höja Fowler-ryggstödet ska du trycka på knappen **up** (upp) på Fowler-ryggstödet sida av sänggrindens patientkontrollpanel (*Ställ in produktens lägen med hjälp av sänggrindens patientkontrollpanel – tillvalet elektrisk sängbotten – endast Prime (sidan 23)*) eller fotändens operatörskontrollpanel (*Operatörskontrollpanel – tillvalet elektrisk sängbotten – endast Prime (sidan 23)*) tills Fowler-ryggstödet har nått önskad vinkel (0° till 70°).

Obs! - **Lift Assist**-ryggstödet använder patientens vikt för att hjälpa till att placera patienten. **Lift Assist**-ryggstödet hjälper även till att förhindra att patienten glider mot produktens fotände när du höjer Fowler-ryggstödet.

För att sänka Fowler-ryggstödet ska du trycka på knappen **down** (ned) på Fowler-ryggstödet sida av sänggrindens patientkontrollpanel (*Ställ in produktens lägen med hjälp av sänggrindens patientkontrollpanel – tillvalet elektrisk sängbotten – endast Prime (sidan 23)*) eller fotändens operatörskontrollpanel (*Operatörskontrollpanel – tillvalet elektrisk sängbotten – endast Prime (sidan 23)*) tills Fowler-ryggstödet har nått önskad vinkel (70° till 0°).

Obs! - Sätt alltid in strömsladden i ett jordat vägguttag av medicinsk kvalitet.

Sjukvårdspersonal måste instruera patienter hur de ska sköta patientkontroller.

Höja eller sänka knästödet – tillvalet icke-elektrisk sängbotten – endast Prime

VARNING - Håll alltid händer och fingrar borta från fotändens skjuthandtag när du sänker knästödet.

VAR FÖRSIKTIG!

- Knästödets viktkapacitet är 200 pund (90,7 kg).
 - Se alltid till att knästödets stödstång sitter fast ordentligt före användning.
 - Sitt eller stå inte på knästödet.
-

För att höja ett icke-elektriskt knästöd, pumpa knästödets pumphandtag på vänster sida tills du når önskat läge (se *Bild på produkt – Prime-sängbotten*).

Lyft upp änden på knästödet och sätt fast stödstången i fästet.

För att frigöra stödstången, lyft upp knästödets ände, vrid stödstången mot produktens huvudände och sänk fotänden.

För att sänka knästödet ska du dra i knästödets frigöringshandtag tills du når önskat läge (se *Bild på produkt – Prime-sängbotten*).

Obs! - Du kan inte höja knästödet manuellt om produkten har tillvalet elektrisk sängbotten.

Höja eller sänka knästödet – tillvalet elektrisk sängbotten – endast Prime

VARNING

- Håll alltid händer och fingrar borta från fotändens skjuthandtag när du sänker knästödet.
 - Använd produkten endast när alla användare är borta från mekanismerna.
-

VAR FÖRSIKTIG!

- Knästödets viktkapacitet är 200 pund (90,7 kg).
 - Sitt eller stå inte på knästödet.
 - Iaktta alltid försiktighet när du försöker sänka knästödet och produkten är frånkopplad. Tyngdkraften kan orsaka att knästödet sänks snabbt.
-

För att höja knästödet ska du trycka på **up** (upp) på knästödets sida av sänggrindens patientkontrollpanel eller fotändens operatörskontrollpanel.

För att sänka knästödet ska du trycka på **down** (ner) på knästödets sida av sänggrindens patientkontrollpanel eller fotändens operatörskontrollpanel.

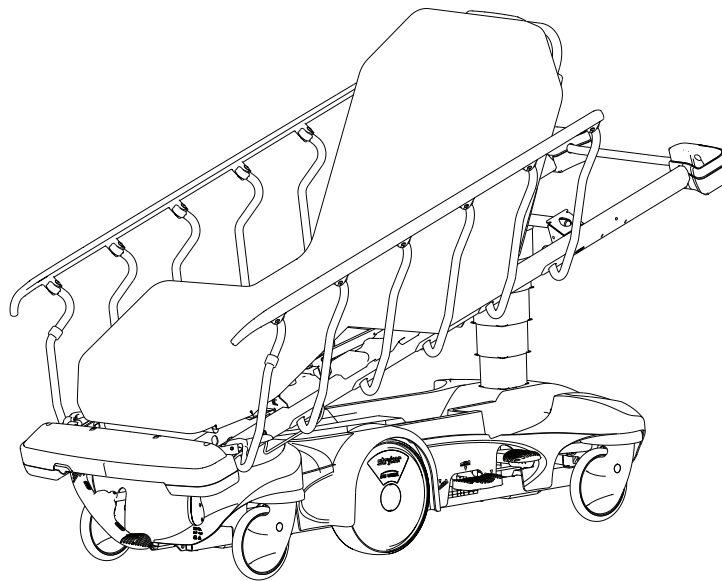
Obs! - Sätt alltid in strömsladden i ett jordat vägguttag av medicinsk kvalitet.

Sjukvårdspersonal måste instruera patienter hur de ska sköta patientkontroller.

Placera uppvakningsstolen – endast Prime

VARNING - Använd produkten endast när alla användare är borta från mekanismerna.

Gör så här för att försätta produkten i uppvakningsstolläget (Figur 17):



Figur 17 – Uppvakningsstol (modell 1115 visas)

1. Höj Fowler-ryggstödet till ett sittande läge (*Höja eller sänka Fowler-ryggstödet – icke-elektrisk sängbotten* (sidan 25) eller *Höja eller sänka Fowler-ryggstödet – tillvalet elektrisk sängbotten* (sidan 26)).
Obs! - För att placera uppvakningsstolen måste produkten ha tillvalet **Lift Assist**-ryggstöd och knästöd.
2. Höj knästödet till dess högsta läge (*Höja eller sänka knästödet – tillvalet icke-elektrisk sängbotten – endast Prime* (sidan 27) eller *Höja eller sänka knästödet – tillvalet elektrisk sängbotten – endast Prime* (sidan 27)).
3. Höj sängbotten till dess högsta läge (*Sänka den icke-elektriska sängbotten* (sidan 17) eller *Höja tillvalet elektrisk sängbotten* (sidan 18)).
4. Sätt produkten i omvänt Trendelenburgs läge (*Försätta produkten i omvänt Trendelenburgs läge* (sidan 19)).
5. Upprepa stegen i omvänd ordning för att sänka produkten till plant läge.

Förvara föremål i baskåpan

VAR FÖRSIKTIG!

- Placera inte föremål som är tyngre än 27 kg i baskåpan.
 - Du får inte sitta på, kliva på eller stå på baskåpan.
-

Du kan förvara patientens tillhörigheter i baskåpan. Använd inte syrgastubhållarens utstickande del för att förvara syrgastuber eller patientens tillhörigheter.

Hänga upp enheter med pumphållartillvalet

VARNING

- Håll alltid enhetens ledningar på pumphållaren borta från knästödet handtag.
 - Ta alltid bort alla anordningar som kan vara i vägen innan du höjer eller sänker sängbotten.
 - Se alltid till att enheter på pumphållaren kan passera säkert genom dörröppningar.
 - Lyft inte produkten i pumphållaren.
-

VAR FÖRSIKTIG!

- Pumphållarens viktkapacitet är 40 pund (18 kg).

- Använd inte pumphållaren för att skjuta fram eller dra produkten. Produktskada kan uppstå.

Du kan förvara eller hänga andra enheter på pumphållaren som finns vid produktens fotände.

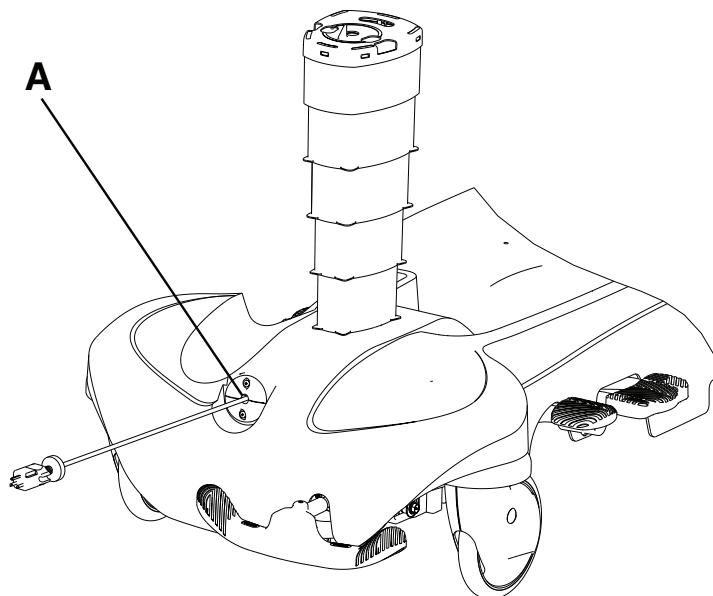
Obs! - Du måste välja pumphållartillvalet vid inköpstillfället.

Dra ut eller rulla in strömsladden med tillvalet sladdvindan – tillvalet elektrisk lift eller tillvalet elektrisk sängbotten

VARNING

- Dra alltid ut strömsladden från vägguttaget innan du transporterar en patient eller rengör produkten.
- Använd alltid sladdvindan för att förvara strömsladden inuti basen medan produkten transporteras.

Dra ut strömsladden genom att dra den utåt från sladdvindan (A) till önskad längd (Figur 18).



Figur 18 – Sladdvinda

Rulla in nätsladden:

1. Koppla bort strömsladden från vägguttaget.
2. Dra försiktigt i strömsladden.
3. Styr strömsladden in i sladdvindan.

Tillvalet vägningssystem

VARNING - Använd inte tillvalet vägningssystem eller tillvalet elektrisk lift eller tillvalet elektrisk sängbotten i närheten av eller ihop med andra anordningar. Om sådan användning eller stapling är nödvändig ska tillvalet vägningssystem, tillvalet elektrisk lift eller tillvalet elektrisk sängbotten observeras för att säkerställa att alla anordningar fungerar som de ska i den konfiguration i vilken de kommer att användas.

VAR FÖRSIKTIG! - Använd inte vågen för patienter som väger mindre än 50 pund (22,7 kg).

Tillvalet vägningssystem är tillgängligt för produkter med eller utan tillvalet elektrisk sängbotten. Tillvalet vägningssystem har ett batteristödstillval. Standbyikonen anger när produkten använder batteristödet.

Med tillvalet **Chaperone** kan du ställa in zonkontroller för att varna en operatör om att patienten försöker stiga ur produkten. Tillvalet **Chaperone** är tillgängligt för produkter med tillvalet elektrisk sängbotten och med tillvalet vägningsystem. Tillvalet vägningsystem med **Chaperone**-tillvalet har ett batteristödstillval. Standbyikonen anger när produkten använder batteristödet.

Höj fotändens skjuthandtag innan du försöker använda tillvalet vägningsystem.

Använd vägningsystemets kontrollpanel för att använda tillvalet vägningsystem (*Identifiering av vågens ikon/knapp* (sidan 30)).

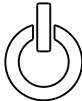






Rör inte produkten under vägningssystems vägnings- eller nollställningstillval.

Patienten måste förbli stilla medan systemet väger. Om patienten rör på sig kommer vägningsystemet att försöka att stabilisera vikten eller nollställa värdet i 20 sekunder innan ett felmeddelande visas (ⓘ).

Felmeddelandet (ⓘ) visas på skärmen om det finns en glappande anslutning eller om vågen inte fungerar. Kontakta Strykers tekniska support om du försöker använda vågen igen och felmeddelandet fortfarande är kvar.

Obs! - För att uppfylla noggrannhetsangivelsen för vägningsystemet måste patientytan vara plan (Fowler-ryggstödet och knästödet nedfällt) och produkten får inte överskrida 5 grader av Trendelenburgs läge/omvänt Trendelenburgs läge.

Identifiering av vågens ikon/knapp

Artikel	Ikon/knapp	Namn	Beskrivning
A		Standby-ikon	Lyser grönt när du ansluter strömsladden till ett vägguttag. Lyser gult när du kopplar bort strömsladden från vägguttaget. Funktionen batteristöd aktiveras.
B		Zon 1-ikon	Patienten kan röra sig fritt, men larmet utlöses om patienten försöker lämna produkten.
C		Zon 2-ikon	Patienten kan röra sig med begränsad rörelsefrihet. Larmet utlöses om patienten närmar sig sänggrindarna eller rör sig mot fotänden.
D		Arm/Disarm (aktivera/inaktivera)-knapp	Aktivera och inaktiverar Chaperone -tillvalet (bårurstigning). Se <i>Aktivering och inaktivering av Chaperone-tillvalet</i> (sidan 31).
E		Weigh (våg)-knapp	Väger patienten. Se <i>Väga en patient</i> (sidan 31).
F		lb/kg (pund/kg)-knapp	Ändrar den visade måttenheten. Se <i>Låsa vägningsenheten</i> (sidan 31).
G		Zero (noll)-knapp	Nollställer vågens inställningar. Se <i>Låsa vägningsenheten</i> (sidan 31).

Väga en patient

VAR FÖRSIKTIG! - Använd inte vågens avläsningsresultat som en referens för medicinsk behandling.

1. Höj fotändens skjuthandtag innan du använder tillvalet vägningsssystem.
2. Tryck och håll **Zero** (noll) tills **rel** visas på skärmen för att nollställa vågen. **000.0** blinkar och slutar sen att blinka.
Obs! - Vågen är inte klar för användning innan **000.0** slutar att blinka.
3. Placera patienten på produkten.
4. Tryck **lb/kg** (pund/kg) för att välja måttenhet (pund eller kg).
5. Tryck **Weigh** (våg) för att få patientens vikt.
Obs! - Patientens vikt visas i 40 sekunder.

Låsa vägningsenheten

1. Tryck och håll **Weigh** (våg), **lb/kg** (pund/kg) och **Zero** (noll) tills **diag** visas.
2. Tryck **lb/kg** (pund/kg) eller **Zero** (noll) för att växla till **Unit Loc** (enhet låst).
3. För våg utan Chaperone, tryck och håll **lb/kg** (pund/kg) och **Zero** (noll) tills **rel** (frigör) visas för att välja **Unit Loc** (enhet låst).
4. För våg med Chaperone, tryck och håll **lb/kg** (pund/kg) och **Zero** (noll) för att välja **Unit Loc** (enhet låst).
5. Tryck **lb/kg** (pund/kg) eller **Zero** (noll) för att växla till **lb** (pund), **kg**, eller **Any** (något).
6. Tryck och släpp **lb/kg** (pund/kg) och **Zero** (noll). **Only** (endast) och den valda måttenheten visas.
Obs! - **Only** (endast) kommer inte att synas om du väljer **Any** (något).
7. Tryck och håll **Weigh** (våg) tills **quit** (sluta) visas.
8. Tryck och håll **Zero** (noll) tills **rel** (frigör) visas. **000.0** blinkar och slutar sen att blinka.
Obs! - Vågen är inte klar för användning innan **000.0** slutar att blinka.

Aktivering och inaktivering av Chaperone-tillvalet

När Chaperone-tillvalet är aktiverat övervakar det patientens position på produkten.

Gör så här för att aktivera och inaktivera Chaperone-tillvalet:

1. Tryck på **Arm/Disarm** (aktivera/inaktivera) när patienten befinner sig på produkten.
Obs! - Detta aktiverar Zon 1. Zon 1 lyser gult när den tillämpas.
2. Tryck på **Arm/Disarm** (aktivera/inaktivera) två gånger inom tre sekunder för att aktivera Zon 2.
Obs! - Detta aktiverar Zon 2. Zon 2 lyser gult när den tillämpas.
3. För att inaktivera Chaperone-tillvalet, tryck ned och håll in **Arm/Disarm** (aktivera/inaktivera).
Obs! - Du måste nollställa vågen innan du aktiverar Chaperone-tillvalet.

Obs! - Om patienten flyttar sig utanför den valda zonens gränser, blinkar ett gult ljus, **Alrt** (varning) på displayen för tillvalet vägningsssystem och ett ljudlarm utlöses.

Ställa in Chaperone-tillvalets varningsmönster

Gör så här för att ändra Chaperone-tillvalets varningsmönster:

1. Tryck in både **Arm/Disarm** (aktivera/inaktivera) och **Weigh** (våg) tillsammans i cirka 6 sekunder. Ignorera alla skärmmeddelanden tills **Ptrn** (mönster) visas på skärmen (*Identifiering av vågens ikon/knapp* (sidan 30)).

2. Släpp knapparna **Arm/Disarm** (aktivera/inaktivera) och **Weigh** (våg).

Obs! - Mönsterinställningen **P (1- 10)** visas på skärmen.

3. Tryck på **Arm/Disarm** (aktivera/inaktivera) eller **Weigh** (våg) för att bläddra genom mönsteralternativen.

Obs! - Ett kort exempel på mönstret visas medan du bläddrar genom de olika mönstren.

4. Tryck in både **Arm/Disarm** (aktivera/inaktivera) och **Weigh** (våg) samtidigt i 6 sekunder tills **set** (ställ in) visas på skärmen för att spara mönstret du valt.

5. Släpp **Arm/Disarm** (aktivera/inaktivera) och **Weigh** (våg).

Obs! - Det valda mönstret visas på skärmen. Ett kort exempel på mönstret bekräftar mönsterinställningen.

Ställa in Chaperone-tillvalets varningsvolym

Gör så här för att ändra **Chaperone**-tillvalets varningsvolym:

1. Tryck in både **Zero** (noll) och **lb/kg** (pund/kg) samtidigt tills **vol** (volym) visas på skärmen (*Identifiering av vågens ikon/knapp* (sidan 30)).

2. Släpp **Zero** (noll) och **lb/kg** (pund/kg).

Obs! - Volymnivåerna **L (1–4)** visas på skärmen.

3. Tryck på **Zero** (noll) eller **lb/kg** (pund/kg) för att bläddra genom volymnivåerna.

Obs! - Ett kort exempel på volymen spelas upp medan du bläddrar genom volymnivåerna.

4. Tryck in både **Zero** (noll) och **lb/kg** (pund/kg) samtidigt i 6 sekunder tills **set** (ställ in) visas på skärmen för att spara volymnivån du valt.

5. Släpp **Zero** (noll) och **lb/kg** (pund/kg).

Obs! - Den valda volymnivån visas på skärmen. Ett kort exempel på volymnivån bekräftar din valda volyminställning.

Ladda batteripaketstillvalet för vägningssystemet – tillvalet elektrisk sängbotten eller tillvalet elektrisk sängbotten med Chaperone-tillvalet – iendast Prime

Vägningsystemet med tillvalet elektrisk sängbotten kräver ett 10,8 V litiumjonbatteripaket (0058-135-000 utan **Chaperone**-tillvalet; 0058-134-000 med **Chaperone**-tillvalet). Ladda om batteripaketet när batteriets laddningssymbol har en stapel kvar. Det förhindrar att tillvalet vägningssystem stängs av på grund av urladdade batterier.

För att ladda vägningssystemets litiumjonbatteripaket, sätt in strömsladden i ett jordat vägguttag. Batteripaketet är fulladdat efter cirka tre timmar.

Obs! - Anslut alltid produkten till ett jordat vägguttag när produkten inte används. Det hjälper batteriet att bibehålla en tillräckligt hög batterinivå och maximerar produktprestanda när den drivs med batterier.

Byta ut batterierna för tillvalet vägningssystem – icke-elektrisk sängbotten

Byt ut batterierna när batterisymbolen har en stapel kvar. Det förhindrar att tillvalet vägningssystem stängs av på grund av urladdade batterier.

När **Lo Batt** (lågt batteri) blinkar på skärmen är batterierna nästan slut och tillvalet vägningssystem inaktiveras.

Nödvändiga verktyg:

- Phillips skruvmejsel
- Fyra AA-batterier (alkaliska typ LR6)

Gör så här för att byta ut batterierna:

1. Använd en Phillips skruvmejsel för att lossa skruvarna som håller ihop batterifackets hölje till skärmenheten.
2. Ta ut och kassera alla fyra AA-batterierna.

Obs! - Kassera alltid gamla batterier i enlighet med lokala föreskrifter.

3. Sätt in fyra nya AA-batterier i batterifacket enligt anvisningarna.

Obs! - Blanda aldrig gamla batterier med nya batterier.

4. Använd skruvarna som togs bort i steg 1 för att skruva tillbaka batterifacket på skärmenheten.

Tillbehör och delar

Följande tillbehör kan finnas tillgängliga för användning tillsammans med din produkt. Bekräfta tillgängligheten för din konfiguration eller region. Ring Stryker kundtjänst: 1-800-327-0770.

Namn	Artikelnummer
Defibrillatorbricka	1105-045-200
Defibrillatorbricka/fotförlängning	1105-045-400
Fotpanel/journalhållare	1105-045-500
Häldyna	1105-045-022
Infusionsstativ hjulbas	0785-155-000
HAVASU™ infusionsstativ, löstagbart	0390-025-000
Infusionsstativ, tre lägen, fotände, vänster, 26 tum (66 cm)	1105-035-644
Infusionsstativ, tre lägen, fotände, höger, 26 tum (66 cm)	1105-035-639
Infusionsstativ, tre lägen, fotände, vänster, 30 tum (76 cm)	1105-035-344
Infusionsstativ, tre lägen, fotände, höger, 30 tum (76 cm)	1105-035-339
Infusionsstativ, tre lägen, fotände, vänster, 30 tum (76 cm) (Prime X -tillval)	1105-035-364
Infusionsstativ, tre lägen, fotände, höger, 30 tum (76 cm) (Prime X -tillval)	1105-035-361
Infusionsstativ, tre lägen, huvudände, vänster, 26 tum (66 cm)	1105-035-642
Infusionsstativ, tre lägen, huvudände, höger, 26 tum (66 cm)	1105-035-637
Infusionsstativ, tre lägen, huvudände, vänster, 30 tum (76 cm)	1105-035-342
Infusionsstativ, tre lägen, huvudände, höger, 30 tum (76 cm)	1105-035-337
Infusionsstativ, tre lägen, huvudände, vänster, 30 tum (76 cm) (Prime X -tillval)	1105-035-369
Infusionsstativ, tre lägen, huvudände, höger, 30 tum (76 cm) (Prime X -tillval)	1105-035-366
Infusionsstativ, två lägen, fotände, vänster, 26 tum (66 cm)	1105-035-640
Infusionsstativ, två lägen, fotände, höger, 26 tum (66 cm)	1105-035-643
Infusionsstativ, två lägen, fotände, vänster, 30 tum (76 cm)	1105-035-340
Infusionsstativ, två lägen, fotände, höger, 30 tum (76 cm)	1105-035-343

Namn	Artikelnummer
Infusionsstativ, två lägen, fotände, vänster, 30 tum (76 cm) (Prime X-tillval)	1105-035-362
Infusionsstativ, två lägen, fotände, höger, 30 tum (76 cm) (Prime X-tillval)	1105-035-363
Infusionsstativ, två lägen, huvudände, vänster, 26 tum (66 cm)	1105-035-638
Infusionsstativ, två lägen, huvudände, höger, 26 tum (66 cm)	1105-035-641
Infusionsstativ, två lägen, huvudände, vänster, 30 tum (76 cm)	1105-035-341
Infusionsstativ, två lägen, huvudände, höger, 30 tum (76 cm)	1105-035-338
Infusionsstativ, två lägen, huvudände, vänster, 30 tum (76 cm) (Prime X-tillval)	1105-035-367
Infusionsstativ, två lägen, huvudände, höger, 30 tum (76 cm) (Prime X-tillval)	1105-035-368
Madrass, ComfortGel SE™, brandbarriär, 26 tum (66 cm)	1805-034-601
Madrass, ComfortGel SE, brandbarriär, 30 tum (76 cm)	1805-034-301
Madrass, ComfortGel SE, utan brandbarriär, 26 tum (66 cm)	1805-034-600
Madrass, ComfortGel SE, utan brandbarriär, 30 tum (76 cm)	1805-034-300
Madrass, Enhanced Comfort, 3 tum x 26 tum (8 cm x 66 cm)	0785-034-613
Madrass, Enhanced Comfort, 3 tum x 30 tum (8 cm x 76 cm)	0785-034-313
Madrass, Enhanced Comfort, 4 tum x 26 tum (10 cm x 66 cm)	0785-034-623
Madrass, Enhanced Comfort, 4 tum x 30 tum (10 cm x 76 cm)	0785-034-323
Madrass, IsoFlex SE™, brandbarriär, 30 tum (76 cm)	1806-034-300
Madrass, IsoFlex SE, utan brandbarriär, internationell, 30 tum (76 cm)	1806-034-301
Madrass, Ultra Comfort, 4 tum x 26 tum (10 cm x 66 cm)	0785-034-603
Madrass, Ultra Comfort, 4 tum x 30 tum (10 cm x 76 cm)	0785-034-303
Madrass, Ultra Comfort, 5 tum x 26 tum (13 cm x 66 cm)	0785-034-633
Madrass, Ultra Comfort, 5 tum x 30 tum (13 cm x 76 cm)	0785-034-333
Madrass, Ultra Comfort SE™, 4 tum x 26 tum (10 cm x 66 cm)	1704-034-600
Madrass, Ultra Comfort SE, brandbarriär, internationell, 4 tum x 26 tum (10 cm x 66 cm)	1704-034-601

Namn	Artikelnummer
Madrass, Ultra Comfort bår förlängning, 4 tum x 26 tum (10 cm x 66 cm)	1105-034-609
Madrass, Ultra Comfort bår förlängning, 4 tum x 30 tum (10 cm x 76 cm)	1105-034-309
Madrass, Ultra Comfort SE , 3 tum x 30 tum (8 cm x 76 cm)	1703-034-300
Madrass, Ultra Comfort SE , brandbarriär, 3 tum x 30 tum (8 cm x 66 cm)	1703-034-301
Madrass, Ultra Comfort SE , 4 tum x 30 tum (10 cm x 76 cm)	1704-034-300
Madrass, Ultra Comfort SE , brandbarriär, 4 tum x 30 tum (10 cm x 76 cm)	1704-034-301
Syrgastubhållare, upprätt	1115-130-000
Pumpstångstillval, 30 tum (76 cm)	1105-045-035
Skjuthandtagsenhet, fotände, 30 tum (76 cm)	1105-048-030
Skjuthandtagsenhet, huvudände, 30 tum (76 cm)	1105-048-060
Fastsättningsbälte, paket	0785-045-010
Fastsättningsbälte, fotled	0785-045-020
Fastsättningsbälte, kropp	0785-045-015
Fastsättningsbälte, handled	0946-044-000
Fastsättningsbälte, bröstorg	1010-058-000
Matbricka	1105-045-700
Hållare för matbricka/fotpanel	1105-045-800
Dynor till sänggrindar	1001-052-000
Röntgenkassetthållare, lateral	1105-045-100
Röntgenkassetthållare, upprätt	1105-045-300

Elektriska komponenter

Namn	Nummer
Manöveranordning, Fowler	1008-012-020
Manöveranordning, knästöd	1008-014-020
Batteri, Li-ION Smart batteripaket (endast våg)	0058-135-000
Batteri, Li-ION Smart batteripaket (våg och Chaperone)	0058-134-000
Styrkort, DC (likström) styrd PCB-enhet	1008-116-800
Styrkort, icke-lyft AC-enhet	1008-002-800
Styrkort, lyftstyrd PCB-enhet	1008-002-810

Namn	Nummer
Styrenhet, vågtyrenhet (endast våg)	1008-237-850
Styrkort, våg- och Chaperone -styrenhet	1008-237-840
Kondensator, 440 VAC, 35 MFD	0059-087-000
Knappsats, vågstyrning (icke-elektrisk sängbotten)	1008-037-820
Knappsats, sänggrindskontroll, vänster	1008-011-017
Knappsats, sänggrindskontroll, höger	1008-011-016
Knappsats, operatörskontroll	1008-015-800
Lastcell (tillvalet vägningssystem)	1008-037-057
Motor, pump	1008-002-015
Nätsladd, standard	1028-146-060
Nätsladd, internationell, Typ, E	1125-060-170
Nätsladd, internationell, Typ, F	1125-060-180
Nätsladd, internationell, Typ, G	1125-060-160
Nätsladd, internationell, Typ, I	1125-060-200
Vägningsboxenhet (icke-elektrisk sängbotten)	1070-237-020
Transformator	1008-014-857
Transformator, internationell	1008-014-877

Fästa defibrillatorbrickan

VARNING

- Placera inte föremål som väger mer än 14 kg på defibrillatorbrickan. Fäst alltid alla anordningar som du placerar på defibrillatorbrickan med en rem.
- Var alltid försiktig om defibrillatorbrickan/fotförlängningen, fotpanelen/journalhållaren eller den uppräta syrgastubhållaren är monterade, för att undvika att du klämmer fingrarna när du placerar fotändens skjuthandtag (tillvalsutrustning).

Gör så här för att fästa defibrillatorbrickan:

1. Sätt in defibrillatorbrickans stift i uttagen vid produktens fotände.
2. Använd en rem för att fästa anordningarna på defibrillatorbrickan.

Obs!

- Använd inte defibrillatorbrickan för att skjuta fram/dra tillbaka produkten. Produktskada kan uppstå.
- Släpp alltid fotändens skjuthandtag när du använder tillbehören (t.ex. defibrillatorbricka/fotförlängning, fotpanel/ journalhållare, upprätt syrgastubhållare) annars kommer inte tillbehören att fungera.

Omvandla defibrillatorbrickan/fotförlängningen till en defibrillatorbricka

VARNING

- Placera inte föremål som väger mer än 14 kg på defibrillatorbrickan/fotförlängningen. Fäst alltid alla anordningar som du placerar på defibrillatorbrickan med en rem.

- Var alltid försiktig om defibrillatorbrickan/fotförlängningen, fotpanelen/journalhållaren eller den uppräta syrgastubhållaren är monterade, för att undvika att du klämmer fingrarna när du placerar fotändens skjuthandtag (tillvalsutrustning).

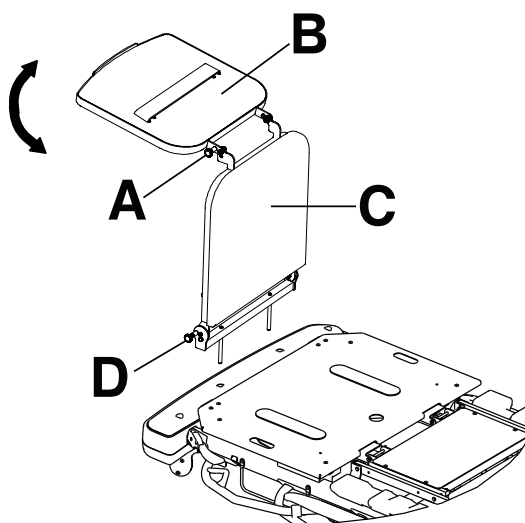
VAR FÖRSIKTIG! - Hög alltid infusionsstativet innan du monterar fast defibrillatorbrickan/fotförlängningen på produkten. Om du inte höjer infusionsstativet kommer inte fotförlängningen att fungera.

Gör så här för att omvandla defibrillatorbrickan/fotförlängningen till en defibrillatorbricka:

1. Dra ut den övre ratten (A) (Figur 19).
2. Vrid defibrillatorbrickan (B) tills brickan är plan över produktens fotände. Frigör den övre ratten (A). Se till att defibrillatorbrickan låses på plats.
3. Använd en rem för att fästa anordningarna på defibrillatorbrickan.

Obs!

- Använd inte defibrillatorbrickan/fotförlängningen för att skjuta fram/dra tillbaka produkten. Produktskada kan uppstå.
- Fäst inte föremål på fotförlängningen.



Figur 19 – Defibrillatorbricka/fotförlängning

Omvandla defibrillatorbrickan/fotförlängningen till en fotförlängning

VARNING

- Placera inte föremål som väger mer än 14 kg på defibrillatorbrickan/fotförlängningen. Fäst alltid alla anordningar som du placerar på defibrillatorbrickan med en rem.
- Var alltid försiktig om defibrillatorbrickan/fotförlängningen, fotpanelen/journalhållaren eller den uppräta syrgastubhållaren är monterade, för att undvika att du klämmer fingrarna när du placerar fotändens skjuthandtag (tillvalsutrustning).

VAR FÖRSIKTIG! - Hög alltid infusionsstativet innan du monterar fast defibrillatorbrickan/fotförlängningen på produkten. Om du inte höjer infusionsstativet kommer inte fotförlängningen att fungera.

Gör så här för att omvandla defibrillatorbrickan/fotförlängningen till en fotförlängning (Figur 19):

1. Dra ut den övre ratten (A).
2. Vrid defibrillatorbrickan (B) tills brickan låses fast mot fotförlängningen.
3. Dra ut den nedersta ratten (D) samtidigt som du håller defibrillatorbrick-/fotförlängningsenheten.
4. Sänk fotförlängningen (C) tills fotförlängningen är plan.

5. Släpp den nedre ratten (D). Tryck på fotförlängningen för att säkerställa att den har låsts på plats.

Obs!

- Använd inte defibrillatorbrickan/fotförlängningen för att skjuta fram/dra tillbaka produkten. Produktskada kan uppstå.
- Fäst inte föremål på fotförlängningen.

Fästa fotpanelen/journalhållaren

VARNING - Var alltid försiktig om defibrillatorbrickan/fotförlängningen, fotpanelen/journalhållaren eller den upprätta syrgastubhållaren är monterade, för att undvika att du klämmer fingrarna när du placerar fotändens skjuthandtag (tillvalsutrustning).

För att fästa fotpanelen/journalhållaren ska du sätta in fotpanelens/journalhållarens stift i uttagen vid produktens fotände.

Obs! - Använd inte fotpanelen/journalhållaren för att skjuta fram/dra tillbaka produkten. Produktskada kan uppstå.

Fästa infusionsstativets hjulbas

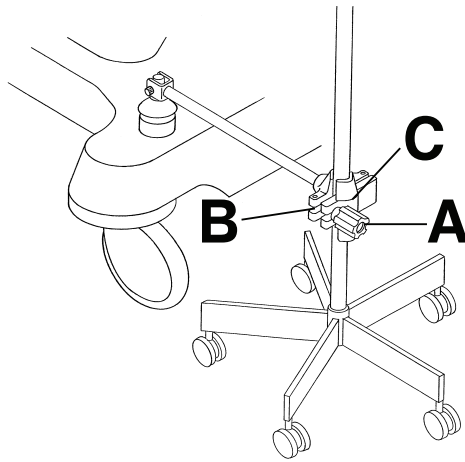
VARNING

- Säkerställ att infusionsstativet alltid är fäst vid infusionsstativets hjulbas när produkten transporteras.
 - Förvara alltid infusionsstativets hjulbas när det inte används för att undvika skada på produkten.
-

Gör så här för att fästa infusionsstativets hjulbas (Figur 20):

1. Lyft av infusionsstativets hjulbas från förvaringsbrickan eller från förvaringsklämman.
2. Vrid infusionsstativets hjulbas till önskat läge.
3. Vrid ratten (A) moturs för att lossa stativets klämman (C).
4. Vrid ratten (A) från armanslutningsenheten (B).
5. Öppna klämman (C).
6. Sätt infusionsstativet i klämman (C).
7. Stäng klämman (C) runt infusionsstativet och vrid ratten (A) i rätt läge.
8. Vrid ratten (A) medurs för att dra åt ratten.
9. Gör på omvänt sätt för att koppla bort infusionsstativets hjulbas från produkten.

För att förvara infusionsstativets hjulbas, lägg infusionsstativet på förvaringsbrickan eller sätt fast hjulbasen i förvaringsklämman.



Figur 20 – Infusionsstativ hjulbas

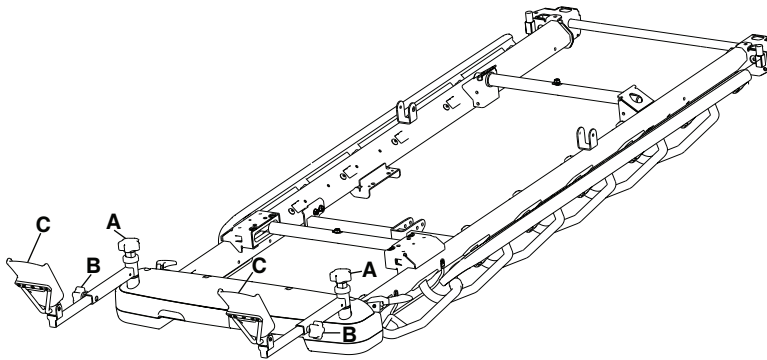
Placera eller fälla in fotstöden – endast Prime

VARNING

- Sitt inte på fotstöden. Det kan göra att produkten välter.
- Se alltid till att hålla dina fingrar borta från mekanismerna när du använder fotstöden.
- Fäll alltid in fotstöden när du transporterar en patient på produkten.
- Se alltid till att dra åt fotstöden innan du använder dem.
- Använd inte vägningssystemet samtidigt som du använder fotstöden. Det resulterar i felaktiga mätvärden.
- Använd inte **Chaperone**-tillvalet samtidigt som du använder fotstöden. Det resulterar i felaktiga mätvärden.

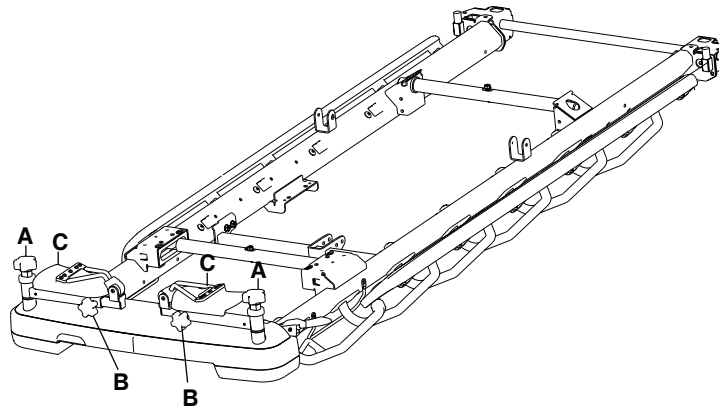
Gör så här för att ta fram eller fälla in fotstöden:

1. Lossa på knäratten (A) överst på fotstöden för att ställa in fotstödens vinkel sida till sida (Figur 21).
2. Skruva åt knäratten (A) för att låsa fotstöden i önskat läge.



Figur 21 – Placera fotstöden

3. Lossa på benratten (B) på sidan av fotstöden för att ställa in längden.
4. Skruva åt knäratten (B) för att låsa fotstöden i önskat läge.
5. Vänd upp fotstöden (C) innan du placerar patienten.
6. Upprepa stegen i omvänd ordning för att fälla in fotstöden (Figur 22).



Figur 22 – Fälla in fotstöden

Du kan inte köpa till följande tillval och tillbehör om du väljer fotstöden:

- Skjuthandtag till fotände
- Defibrillatorbricka
- Defibrillatorbricka/fotförlängning
- Hållare för matbricka/fotpanel
- Fotpanel/journalhållare
- Infusionsstativ till fotände

Obs!

- Använd inte fotstöden till att förvara patientens tillhörigheter.
- Använd inte fotstöden för att skjuta fram eller dra tillbaka produkten. Produktskada kan uppstå.
- Anbringa alltid bromsarna när du använder fotstöden för att förhindra instabilitet.
- Använd inte rygg- eller knästödet tillsammans med fotstöden.

Placera permanent monterat infusionsstativ med två lägen

WARNING - Använd inte infusionsstativet för att skjuta fram/dra tillbaka produkten. Skador på produkten kan uppstå.

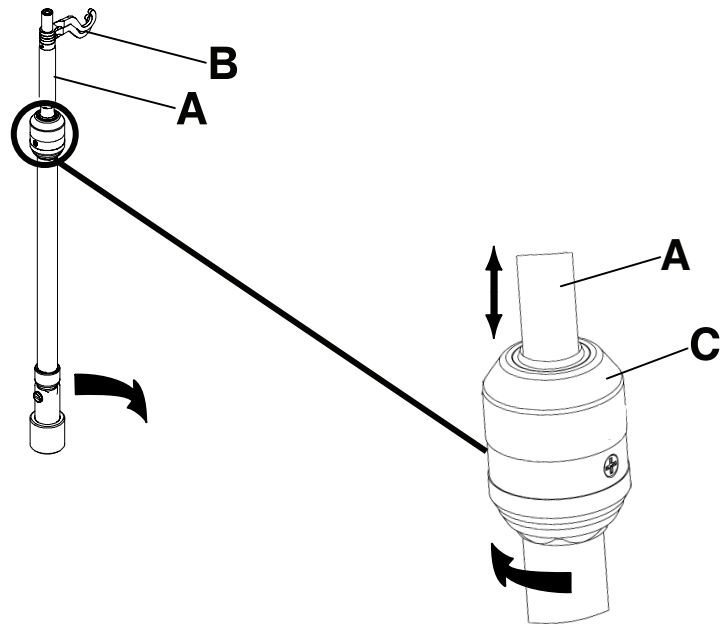
Du kan införskaffa produkten med infusionsstativet med två lägen permanent monterat vid huvudändan, fotänden eller vid båda ändarna av produkten. Infusionsstativet har en utdragbar stång som kan dras ut för att erbjuda ytterligare ett andra höjdläge. Du kan fälla in och förvara infusionsstativet när det inte behövs.

Positionera droppställningen med två lägen (Figur 23):

1. Lyft upp och vrid stativet från förvaringsplatsen.
2. Tryck ned infusionsstativet tills det låses på plats.
3. För att höja infusionsstativet, dra upp den utdragbara delen (A) tills stativet låses på plats i det helt uppresta läget.
4. Rotera infusionshållarna (B) till önskad plats och häng upp infusionspåsar.
5. För att sänka infusionsstativet, håll infusionsstativets utdragbara del, vrid spärrhaken (C) och sänk den utdragbara delen.

Obs!

- Häng inte infusionspåsar som väger mer än 40 pund (18 kg) på infusionsstativet.
- Se alltid till att infusionsstativet är på en låg höjd så att det passerar säkert genom dörröppningar medan du transporterar en patient.



Figur 23 – Placera permanent monterat infusionsstativ med två lägen

Placera permanent monterat infusionsstativ med tre lägen

WARNING - Använd inte infusionsstativet för att skjuta fram/dra tillbaka produkten. Skador på produkten kan uppstå.

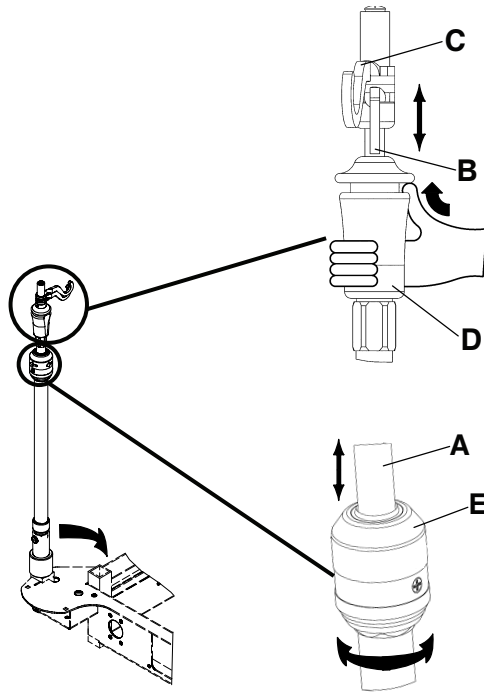
Du kan införskaffa produkten med infusionsstativet med tre lägen permanent monterat vid huvudändan, fotänden eller vid båda ändarna av produkten. Infusionsstativet har en teleskopisk stång som kan dras ut för att erbjuda ytterligare ett andra och ett tredje höjdläge. Du kan även fälla in och förvara infusionsstativet när det inte behövs.

Placera infusionsstativet med tre lägen (Figur 24):

1. Lyft upp och vrid stativet från förvaringsplatsen.
2. Tryck ned infusionsstativet tills det låses på plats.
3. För att höja infusionsstativet, dra upp den teleskopiska förskjutbara delen (A) tills stativet låses på plats i det helt uppresta läget.
4. För ett högre infusionsstativ, dra upp delen (B). Frigör delen (B) vid en önskad höjd för att låsa stativet på plats.
5. Roter infusionshållarna (C) till önskat läge och häng upp infusionspåsar.
6. För att sänka infusionsstativet, dra upp den gula delen på greppdelen (D) och håll samtidigt fast delen (B) tills stativet sänks.
7. Vrid spärrhaken (E) och sänk infusionsstativets teleskopiska förskjutbara del.

Obs!

- Häng inte infusionspåsar som väger mer än 12 lb (5 kg) totalt för alla påsar på infusionsstativet.
- Häng inte infusionspåsar som väger mer än 9,3 lb (4,2 kg) på en enskild infusionshållare.
- Se alltid till att infusionsstativet är på en låg höjd så att det säkert passerar genom dörröppningar medan du transporterar en patient.



Figur 24 – Placera permanent monterat infusionsstativ med tre lägen

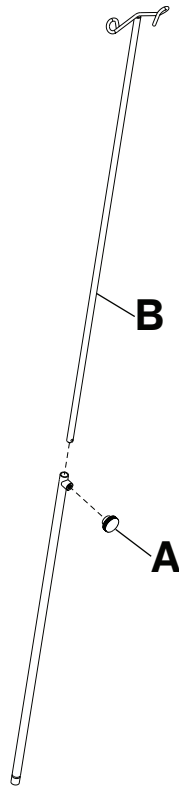
Fästa och placera det löstagbara infusionsstativet

VAR FÖRSIKTIG!

- Använd inte infusionsstativet för att skjuta fram/dra tillbaka produkten. Produktskada kan uppstå.
- Häng inte infusionspåsar som väger mer än 40 pund (18 kg) på infusionsstativet.
- Se alltid till att infusionsstativet är på en låg höjd så att det passerar genom dörröppningar medan du transporterar en patient.

Gör så här för att fästa och placera det löstagbara infusionsstativet (Figur 25):

1. Sätt in infusionsstativet i ett uttag vid produktens huvud- eller fotände.
2. Vrid ratten (A) moturs och dra upp den utdragbara delen (B) tills du når önskad höjd.
3. Vrid ratten (A) medsols för att låsa fast den utdragbara delen på plats.



Figur 25 – Löstagbart infusionsstativ

Fästa den uppräta syrgastubhållaren

VARNING

- Placera inte föremål som är tyngre än 40 pund (18 kg) i den uppräta syrgastubhållaren.
 - Var alltid försiktig om defibrillatorbrickan/fotförlängningen, fotpanelen/journalhållaren eller den uppräta syrgastubhållaren är monterade, för att undvika att du klämmer fingrarna när du placerar fotändens skjuthandtag (tillval).
-

Den uppräta syrgastubhållaren stöder en syrgastub i ett vertikalläge.

Gör så här för att fästa den uppräta syrgastubhållaren:

1. Sätt in stödstången i någon av infusionsstativets uttag.
2. Sätt in saxsprinten genom hålet i stödstången för att sätta fast tubhållaren på produkten.

Obs! - Använd inte den uppräta syrgastubhållaren för att skjuta fram/dra tillbaka produkten. Skador på produkten kan uppstå.

Dra ut eller gömma matbrickan/fotpanelen

VARNING - Placera inte föremål som är tyngre än 30 pund (14 kg) på matbrickan.

För att montera matbrickan på sänggrinden ska du dra ut båda sidorna på matbrickan och lägga den över sänggrindarna.

Gör så här för att gömma matbrickan:

1. Ta bort matbrickan från sänggrindarna.
2. Tryck in på sidorna av matbrickan.
3. Förvara matbrickan i fotpanelen.

Obs! - Använd inte matbrickan/fotpanelen för att skjuta fram/dra tillbaka produkten. Skador på produkten kan uppstå.

Fästa dynor till sänggrindarna

Gör så här för att fästa dynor till sänggrindarna:

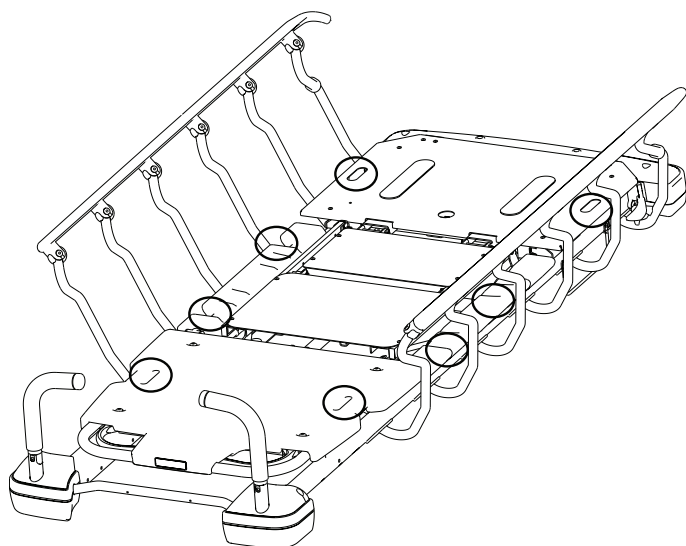
1. Stoppa in dynan till sänggrinden mellan madrassen och sänggrinden.
2. Fäst **Velcro®**-banden runt sänggrinden för att säkra dynan.

Hitta förbindelsepunkter för patientens fastsättningsbälte

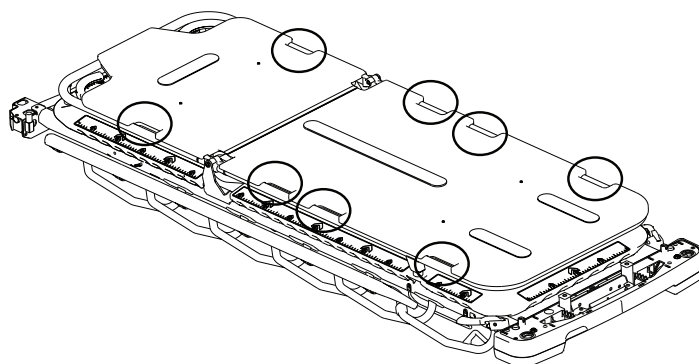
VARNING

- Var alltid försiktig när du fäster fastsättningsbältena. Patienten eller användaren kan skadas. Fysiska fastsättningsbälten kan, även om de är fästa, orsaka allvarlig skada på patienten och användarna inklusive intrasslande, klämning, fysisk skada eller dödsfall.
- Fäst alltid fastsättningsbälten eller -anordningar endast på de avsedda fästpunkterna på produkten. Underlåtenhet att göra det kan leda till skador på patienten eller användaren. Fäst inte fastsättningsbältena på sänggrinden.
- Följ alltid gällande statliga och kommunala restriktioner och lagar och tillämpliga protokoll på inrättningen innan du använder fastsättningsbälten eller -anordning.

Det finns åtta förbindelsepunkter på sängbottenenheten för att fästa patientens fastsättningsbälten (Figur 26 eller Figur 27).



Figur 26 – Fastsättningspunkter på Prime



Figur 27 – Fastsättningspunkter på Prime X-tillvalet

Obs! - Fastsättningsbältena är delar av typ B.

Placera den upprätta röntgenkassetthållaren – Prime X-tillvalet

VARNING

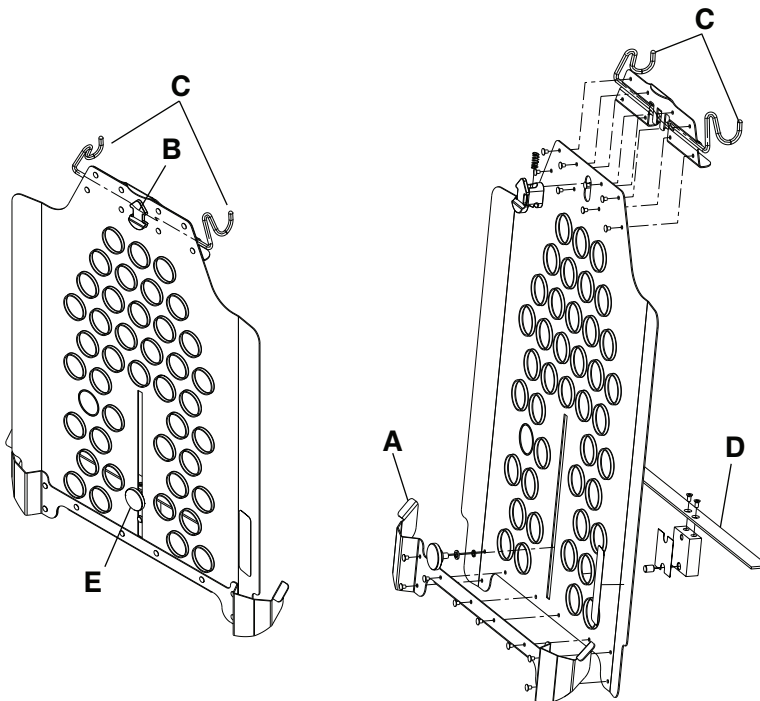
- Vidta alltid försiktighetsmått när du använder den upprätta eller laterala röntgenkassetthållaren. Röntgenkassetthållaren skyddar inte mot strålning.
- Följ alltid lokala, statliga och federala riktlinjer i enlighet med inrättningens säkerhetsförfordningar innan du använder **Prime X-tillvalet** med strålningsgenererande enheter. Strålningsgenererande enheter kan producera rest-, strö- eller spridd strålning.
- Var alltid extra försiktig när du använder en madrass som är tjockare än 2,5 tum (6,35 cm) eller en bäddmadrass eller annan dyna ovanpå madrassen med **Prime X-tillvalet**.

- Följ alltid anvisningarna i *Sätta in röntgenkassetten i den uppräta röntgenkassetthållaren – Prime X-tillvalet* för att föra in röntgenkassetten.

Röntgenkassetthållaren fästs på Fowler-ryggstöds svetskonstruktion för att stödja röntgenkassetter. Du kan ta röntgenbilder medan patienten befinner sig på produkten. Du kan även ställa in kassetten läge innan du tar en röntgenbild.

Gör så här för att fästa röntgenkassetthållaren:

1. Anbringa bromsarna. Skjut på produkten för att kontrollera att bromsarna fungerar.
2. Höj Fowler-ryggstödsdelen till det högsta läget.
3. För in de nedre hållarelementen (A) under Fowler-ryggstöds svetsstång (Figur 28).
4. Höj kassetthållaren tills hållarelementen spärras på Fowler-ryggstöds svetskonstruktion. Se till att kassetthållaren sitter fast.



Figur 28 – Röntgenkassetthållare

5. Sätt in en röntgenkassett från någon av kassetthållarens sidor eller dra pilreglaget (B) för att frigöra kassetthållaren från Fowler-ryggstödet, rätta till kassetten och sätt fast kassetthållaren i Fowler-ryggstöds svetskonstruktion.
6. För att ställa in kassetten höjd, lossa på ratten (E) och för kassetten stödskena (D) uppåt eller nedåt tills du når önskad höjd.
7. Skruva åt ratten (E) för att låsa kassetten stödskena på plats.
8. När du är klar med röntgenförfarandet ska du dra upp pilreglaget (B) för att frigöra kassetthållaren från Fowler-ryggstöds svetskonstruktion.
9. Ta bort röntgenkassetten från kassetthållaren.
10. Stäng och fäll in kassetthållaren.

Placera den laterala röntgenkassetthållaren – Prime X-tillvalet

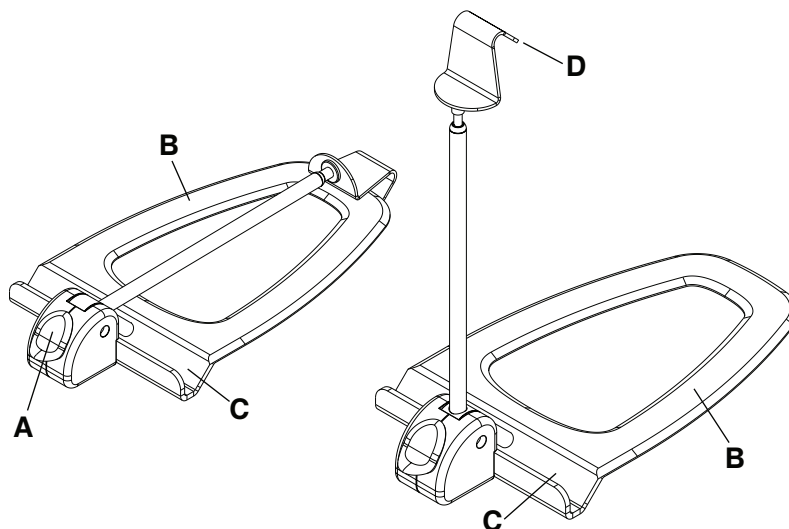
VARNING

- Vidta alltid försiktighetsmått när du använder den uppräta eller laterala röntgenkassetthållaren. Röntgenkassetthållaren skyddar inte mot strålning.

- Följ alltid lokala, statliga och federala riktlinjer i enlighet med inrättningens säkerhetsförfordningar innan du använder **Prime X**-tillvalet med strålningsgenererande enheter. Strålningsgenererande enheter kan producera rest-, strö- eller spridd strålning.
- Var alltid försiktig när du tar röntgenbilder med Fowler-ryggstödet i upprätt läge eller när du använder en lateral kasset.
- Var alltid extra försiktig när du använder en madrass som är tjockare än 2,5 tum (6,35 cm) eller en bäddmadrass eller annan dyna ovanpå madrassen med **Prime X**-tillvalet.
- Följ alltid anvisningarna i *Sätta in röntgenkassetten i den laterala röntgenkassetthållaren – Prime X-tillvalet* för att föra in röntgenkassetten.

Gör så här för att placera den laterala röntgenkassetthållaren:

1. Anbringa bromsarna. Skjut på produkten för att kontrollera att bromsarna fungerar.



Figur 29 – Lateral röntgenkassetthållare

2. Tryck ned den gula frigöringsknappen (A) för att öppna den laterala kassetthållaren (Figur 29).
3. Skjut in den platta basen (B) mellan madrassen och patientplattformen.
4. Placera den laterala kassetthållaren på önskad plats.
5. Placera röntgenkassetten i kassettskenan (C).
6. Dra i kassetthaken (D) för att ställa in höjden på armen för att passa över röntgenkassetten och hålla kassetten på plats.
7. Upprepa stegen i omvänd ordning för att ta bort kassetten och fälla in den laterala kassetthållaren.

Sätta in eller ta ut röntgenkassetter – Prime X-tillval

VARNING

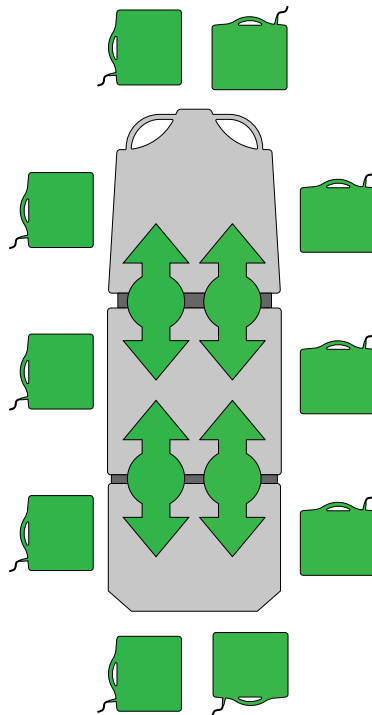
- Följ alltid lokala, statliga och federala riktlinjer i enlighet med inrättningens säkerhetsförfordningar innan du använder **Prime X**-tillvalet med strålningsgenererande enheter. Strålningsgenererande enheter kan producera rest-, strö- eller spridd strålning.
- Var alltid försiktig när du tar röntgenbilder med Fowler-ryggstödet i upprätt läge eller när du använder en lateral kasset.

Prime X-tillvalet utgör en ledad radiografisk stödyta och en plattform under patientstödytan för placering av röntgenkasset. Tillsammans med medicinska röntgensystem möjliggör den radiografiska stödytan tagning av kliniska röntgenbilder (AP helkropp, valfri lateral helkropp och valfri thorax i upprätt läge) medan patienten befinner sig på produkten. Du kan sätta in kassetterna från huvudändan, fotändan och på båda sidorna av produkten.

Sätta in en röntgenkasset:

1. Centrera patienten på produkten med hjälp av etiketterna som anger rätt position på alla sidor av produkten (Figur 30).

2. Sätt in en röntgenkassett under patientytan. Stömlinjerna för kassetten hjälper dig att placera röntgenkassetten korrekt.



Figur 30 – Sätta in eller ta ut röntgenkassetter i Prime X-tillvalet

Obs!

- Använd inte **Prime X**-tillvalet med en madrass som har en tjocklek på mer än fyra tum (10 cm).
- Använd inte en C-båge med **Prime X**-tillvalet. **Prime X**-tillvalet är inte kompatibelt med C-bågen.

Rengöring

Rengöra produkten

VAR FÖRSIKTIG! - Använd inte slipande rengöringsmedel för att rengöra skärmens hölje för tillvalet vägningssystem. Låt inte rengöringsmedel eller andra vätskor ansamlas på skärmenheten. Torka alla ytor torra efter spill eller rengöring.

Dessa anvisningar är avsedda att tillhandahålla rekommenderade rengöringsmetoder för **Prime Series**-båren.

Den här produkten kan tvättas med högtryckstvätt. Produkten kan visa tecken på oxidation eller missfärgning till följd av upprepad tvättning. Det sker dock ingen försämring av produktens prestandaegenskaper eller funktionalitet till följd av högtryckstvätt, så länge korrekta förfaranden tillämpas.

Rekommenderad rengöringsmetod:

1. Om produkten är utrustad med tillvalet elektrisk sängbotten eller tillvalet elektrisk lift ska du dra ut strömsladden från vägguttaget innan produkten transporteras eller rengörs.
2. Ta bort madrassen från produkten.
3. Följ exakt rekommendationerna från tillverkaren av rengöringslösningen angående utspädning.
4. Stryker rekommenderar standard desinfektionsapparat för sjukhus vid högtryckstvätt..
5. Torka produkten. Placera inte madrassen på produkten förrän produkten är torr.
6. Kontrollera funktionsduglighet innan du tar produkten åter i drift.
 - Höj och sänk produkten
 - Lås och lås upp broms-/styrpedalen i båda lägena
 - Låsa fast och låsa upp sänggrindar
 - Höj och sänk Fowler-ryggstödet
 - Höj och sänk knästödet
 - Kontrollera att alla komponenter är ordentligt smörjda
 - Kontrollera att alla etiketter är intakta

Obs!

- Direkt hudkontakt med synligt smutsat, permeabelt material kan öka infektionsrisken.
- Produkten får inte rengöras med ånga.
- Rengör baskåpans förvaringsutrymme.
- Rengör bromsbeläggens underdel för att förhindra att vax eller golvsmutts ansamlas.
- Vissa rengöringsmedel har naturligt frätande egenskaper och kan orsaka skador på produkten om de används på fel sätt. Om du inte sköljer och torkar produkten ordentligt kan en korrosiv rest lämnas kvar på produktens yta, vilket kan orsaka för tidig korrosion av kritiska komponenter. Underlåtelse att följa dessa rengöringsanvisningar kan upphäva garantin.

Rengöra produkten med en desinfektionsapparat

Stryker rekommenderar att använda en standard desinfektionsapparat för sjukhus för att maskintvätta båren högst en gång om året för produktens livslängd.

Gör så här för att rengöra produkten med en desinfektionsapparat:

1. Om produkten är utrustad med tillvalet elektrisk sängbotten eller tillvalet elektrisk lift ska du dra ut strömsladden från vägguttaget innan produkten transporteras eller rengörs.
2. Ta bort madrassen innan du tvättar produkten. Tvätta inte madrassen tillsammans med produkten.
3. Placera Fowler-ryggstödet i 45°.
4. Sätt produkten i helt omvänt Trendelenburgs läge (fotänden ner).

5. Höj sänggrindarna.
6. Placera infusionsstativet och skjuthandtagen i upprätt läge.
7. Rengör produkten med en högsta vattentemperatur på 82 °C (180 °F) och ett högsta vattentryck på 103,5 bar / 1500 psi.
8. Lufttorka produkten med en högsta temperatur på 93 °C (200 °F) i åtta minuter.
9. Torka produkten. Placera inte madrassen på produkten förrän produkten är torr.
10. Kontrollera funktionsduglighet innan du tar produkten åter i drift.
 - Höj och sänk produkten
 - Lås och lås upp broms-/styrpedalen i båda lägena
 - Låsa fast och låsa upp sänggrindar
 - Höj och sänk Fowler-ryggstödet
 - Kontrollera att alla komponenter är ordentligt smörjda
 - Kontrollera att alla etiketter är intakta och läsbara

Obs!

- Produkten får inte rengöras med ånga.
- Vissa rengöringsmedel har naturligt frätande egenskaper och kan orsaka skador på produkten om de används på fel sätt. Om du inte sköljer och torkar produkten ordentligt kan en korrosiv rest lämnas kvar på produktens yta, vilket kan orsaka för tidig korrosion av kritiska komponenter. Underlåtelse att följa dessa rengöringsanvisningar kan upphäva garantin.

Rengöra madrassen

VARNING

- Rengör inte och utför inte service eller underhåll på produkten medan den används.
- Sänk inte ned madrassen i rengörings- eller desinfektionslösningar. För mycket fukt kan orsaka produktfel och i sin tur leda till produkt- eller patientskada.
- Låt inte vätska ansamlas på madrassen. Vätska kan orsaka att komponenterna rostar och kan orsaka att den här produktens säkerhet och prestanda blir oförutsägbara.
- Inspektera alltid madrassöverdragen avseende revor, stickhål, alltför kraftigt slitage och felaktigt inriktade blixtlås varje gång du tvättar överdragen. Ta bort och byt ut en trasig madrass för att förhindra korskontaminering.
- Använd inte ånga, högtryckstvätt, avspolning eller ultraljud för att rengöra madrassen. De här rengöringsmetoderna kan upphäva produktens garanti.

Madrassens livslängd kan påverkas genom en ökad användningsfrekvens, vilket kan inkludera en mer frekvent rengöring och desinfektion.

Rekommenderad rengöringsmetod:

1. Använd en ren, mjuk trasa för att torka av hela madrassen med en lösning bestående av mild tvål och vatten för att avlägsna främmande material.
2. Torka av madrassen med en ren, torr trasa för att avlägsna eventuellt överskott av vätska eller rengöringsmedel.
3. Skölj och torka överdragen efter rengöring.
4. Desinfektera efter behov med ett desinfektionsmedel av sjukhuskvalitet efter att rengöringen har utförts (se *Desinfektera madrassen*).

Obs!

- Madrassen får inte strykas, kemtvättas eller torktumlas eftersom detta orsakar felaktig funktion och skadar produkten.
- Madrassöverdraget måste vara helt torrt innan det förvaras, bäddas eller en patient placeras på madrassen för att förhindra försämring av produktens prestanda.

- Undvik överdriven exponering för alkohol eller väteperoxid. Överdraget kommer att svälla.
- Låt inte vätska sippra in i blytlåsområdet eller skyddsbarriären för vattenavrinning. Vätskor som kommer i kontakt med blytlåset kan läcka in i madrassen, vilket kan försämra produktens prestanda.
- Vissa rengöringsmedel har naturligt frätande egenskaper och kan orsaka skador på produkten om de används på fel sätt. Om du inte sköljer och torkar produkten ordentligt kan en korrosiv rest lämnas kvar på produktens yta, vilket kan orsaka för tidig korrosion av kritiska komponenter. Underlåtelse att följa dessa rengöringsanvisningar kan upphäva garantin.

Ta bort jod

1. Gör en lösning av 1–2 matskedar natriumtiosulfat i en halvliter varmt vatten. Använd lösningen för att torka av det fläckade området.
2. Rengör fläcken så snart den uppstår.
3. Om fläckar inte omedelbart tas bort kan du låta lösningen sjunka in eller ligga på madrassen innan du torkar av madrassen.
4. Skölj madrasserna som har exponerats för lösningen med rent vatten innan madrasserna tas i bruk igen.

Obs! - Underlåtenhet att följa dessa riktlinjer vid användning av dessa typer av rengöringsmedel kan upphäva garantin för produkten.

Särskilda anvisningar

Velcro®	Genomdränk med desinfektionsmedel, skölj med vatten och låt lösningen avdunsta.
Torrsubstanser eller fläckar	Använd neutral tvål och varmt vatten. Använd inte starka rengöringsmedel, lösningsmedel eller slipmedel.
Fläckar som är svåra att få bort	Använd vanliga hushållsrengöringsmedel eller vinylrengöringsmedel och en mjuk borste på besvärlig smuts eller fläckar. Blötlägg intorkad smuts i förväg.
Tvätt	Tvätt rekommenderas inte. Tvättning kan avsevärt minska madrassens livslängd.

Desinfektion

Desinficera produkten

VARNING

- Rengör inte och utför inte service eller underhåll på produkten medan den används.
 - Använd inte ånga, avspolning eller ultraljud för att rengöra produkten. Användning av de här rengöringsmetoderna rekommenderas inte och kan upphäva produktens garanti.
-

Rekommenderade desinfektionsmedel:

- Kvävtära föreningar (ammoniumklorid som aktiv ingrediens) som innehåller mindre än 3 % glykoleter
- Fenolbaserade rengöringsmedel (aktivt innehållsämne – o-fenylfenol)
- Klorblekmedelslösning (5,25 % blekmedelslösning utspädd med 1 del blekmedelslösning till 100 delar vatten, vilket motsvarar 520 ppm tillgängligt klor (40 mL av en 5,25 % blekmedelslösning per 4 000 mL vatten))
- 70 % isopropylalkohol

Rekommenderad desinfektionsmetod:

1. Följ exakt rekommendationerna från tillverkaren av desinfektionslösningen angående utspädning.
2. Handtvätta alla ytor på produkten med en desinfektionslösning.
3. Undvik övermättnad och se till att produkten inte förblir våt längre än vad som rekommenderas i riktlinjerna från tillverkaren av kemikalien för korrekt desinfektion.
4. Torka produkten. Placera inte madrassen på produkten förrän produkten är torr.
5. Desinfektera **Velcro®**-banden efter varje användning. Genomdränk **Velcro®**-banden med desinfektionsmedel, skölj med vatten och låt desinfektionsmedlet avdunsta (lämpligt desinfektionsmedel bestäms av inrättningen).
6. Kontrollera funktionsduglighet innan du tar produkten åter i drift.
 - Höj och sänk produkten
 - Lås och lås upp broms-/styrpedalen i båda lägena
 - Lås fast och lås upp sänggrindar
 - Höj och sänk Fowler-ryggstödet
 - Höj och sänk knästödet
 - Kontrollera att alla komponenter är ordentligt smörjda
 - Kontrollera att alla etiketter är intakta

Obs!

- Direkt hudkontakt med synligt smutsat, permeabelt material kan öka infektionsrisken.
- Vissa rengöringsmedel har naturligt frätande egenskaper och kan orsaka skador på produkten om de används på fel sätt. Om du inte sköljer och torkar produkten ordentligt kan en korrosiv rest lämnas kvar på produktens yta, vilket kan orsaka för tidig korrosion av kritiska komponenter. Underlåtenhet att följa dessa rengöringsanvisningar kan upphäva garantin.

Desinfektera madrassen

VARNING - Desinfektera alltid madrassen mellan olika patienter. Underlåtenhet att göra det kan orsaka korskontaminering och infektion.

Rekommenderade desinfektionsmedel:

- Kvävtära föreningar (ammoniumklorid som aktiv ingrediens) som innehåller mindre än 3 % glykoleter

- Fenolbaserade rengöringsmedel (aktivt innehållsämne – o-fenylfenol)
- Klorblekmedelslösning (5,25 % blekmedelslösning utspädd med 1 del blekmedelslösning till 100 delar vatten, vilket motsvarar 520 ppm tillgängligt klor (40 mL av en 5,25 % blekmedelslösning per 4 000 mL vatten))
- 70 % isopropylalkohol

Rekommenderad desinfektionsmetod:

1. Säkerställ att madrassen är ren och torr innan du applicerar desinfektionsmedel.
2. Torka av madrassen med en ren, torr trasa för att avlägsna eventuellt överskott av vätska eller desinfektionsmedel.
3. Skölj och låt överdragen torka efter desinfektion.

Obs!

- Madrassöverdraget måste vara torrt innan det förvaras eller bäddas. Underlåtenhet att ta bort rester från desinfektionsmedel kan orsaka att överdragets material försämras.
- Vissa rengöringsmedel har naturligt frätande egenskaper och kan orsaka skador på produkten om de används på fel sätt. Om du inte sköljer och torkar produkten ordentligt kan en korrosiv rest lämnas kvar på produktens yta, vilket kan orsaka för tidig korrosion av kritiska komponenter. Underlåtenhet att följa dessa rengöringsanvisningar kan upphäva garantin.
- Frekvent eller långvarig exponering för högre koncentrationer av desinficerande lösningar kan göra så att överdraget åldras i förtid.
- Användning av accelererade väteperoxider eller kvartära föreningar som innehåller glykoletrar kan skada överdraget.

Förebyggande underhåll

Ta produkten ur drift innan du utför förebyggande underhållskontroll. Kontrollera alla punkter som är upptagna i förteckningen över årligt förebyggande underhåll avseende produkter från Stryker Medical. Det kan vara nödvändigt att utföra förebyggande underhållskontroller oftare beroende på din grad av användning av produkten. Service får utföras endast av behörig personal.

Obs! - Rengör och desinfektera utsidan av madrassen före inspektion, om så är tillämpligt.

Inspektera följande punkter:

- _____ Alla fästordningar sitter säkert
- _____ Sänggrindarna kan flyttas och spärras
- _____ Svänghjulen spärras när bromspedalen används
- _____ Svänghjulen sitter säkert och svänger korrekt
- _____ Svänghjulen är fria från vax och skräp
- _____ Bromsmekanism fungerar
- _____ Styrfunktion fungerar
- _____ Kontrollera att skinnmaterialen är intakta
- _____ Fowler-ryggstödet höjs, sänks och spärras som det ska
- _____ Knästödet höjs, sänks och låses på plats (tillval)
- _____ Trendelenburgs läge/omvänt Trendelenburgs läge fungerar i alla lägen
- _____ Jordningskedjan är hel
- _____ Inga läckor vid hydraulkopplingar
- _____ Hydraulcylindrarna fungerar
- _____ Fastsättningsbältena för kroppen spärras och sitter fast (tillval)
- _____ Infusionsstativet är intakt och justeras och spärras i alla positioner (tillval)
- _____ Syrgastubhållaren är intakt och går att öppna och stänga (tillval)
- _____ Det finns inga revor eller sprickor i madrassöverdraget
- _____ Tillbehör och monteringsdelar är i gott skick
- _____ Batteridrivna funktionalitet (tillval)
- _____ Kablarna är inte slitna eller klämda (tillval)
- _____ Nätsladden och kontakten har inga skador (tillval)
- _____ Alla elektriska anslutningar sitter åt (tillval)
- _____ Alla jordningar sitter säkert i ramen (tillval)
- _____ Jordimpedansen är inte högre än 200 mΩ (milliohm) (tillval)
- _____ Läckströmmen är inte högre än 300 µA (mikroampere) (per UL 60606-1-1) (tillval)
- _____ Batterier är laddade (tillvalet vägningssystem)
- _____ Skärmens hölje är intakt och inte trasigt (tillvalet vägningssystem)
- _____ Lastcellerna är intakta och inte skadade (tillvalet vägningssystem)
- _____ Fotstödet knärattsmekanism fungerar och kan låsas på plats (tillval)
- _____ Fotstödet benrattsmekanism fungerar och kan låsas på plats (tillval)
- _____ Fotstödet kan dras ut till dess helt utfällda läge och blockeras i rätt läge (tillval)
- _____ Fotstödet självgående skruvar (6) sitter fast ordentligt och har inte skadade huvuden (tillval)
- _____ Vågen är kalibrerad. Omkalibrera om det är nödvändigt (tillvalet vägningssystem)

- _____ Den uppräta röntgenkassetthållaren är i gott skick och kan ställas in för att passa alla röntgenkassetter (**Prime X-tillval**)
- _____ Fowler-ryggstödet och fotstödet tyg är inte trasigt (**Prime X-tillval**)
- _____ Inga skador på huvud- och fotbrickor (**Prime X-tillval**)
- _____ Bultar och muttrar i varje svängtapp till Fowler-ryggstödet sitter inte löst (**Prime X-tillval**)

Produktens serienummer:
Genomfört av:
Datum:

Information om elektromagnetisk kompatibilitet (EMC)

VAR FÖRSIKTIG!

- Användning av andra tillbehör, omvandlare och kablar än de som specificeras eller tillhandahålls av tillverkaren kan medföra ökade elektromagnetiska emissioner eller minskad elektromagnetisk immunitet och leda till felaktig drift.
- Strålningsegenskaperna hos denna utrustning gör den lämplig för användning i industriområden och på sjukhus (CISPR 11 klass A). Om den används i en bostadsmiljö, i vilken CISPR 11 klass B vanligtvis krävs, kanske inte denna utrustning ger tillräckligt skydd mot radiofrekventa kommunikationstjänster. Användaren kan behöva vidta begränsande åtgärder, såsom att flytta på eller rikta om utrustningen.

Vägledning och tillverkarens deklARATION – elektromagnetiska emissioner

Tillvalen elektrisk lift, elektrisk sängbotten, eller vägningsssystem är avsedda för användning i den elektromagnetiska miljön som anges nedan. Användaren av tillvalen elektrisk lift, elektrisk sängbotten, eller vägningsssystem ska säkerställa att de används i en sådan miljö.

Emissionstest	Överensstämmelse	Elektromagnetisk miljö
RF-emissioner CISPR 11	Grupp 1	Tillvalen elektrisk lift, elektrisk sängbotten, eller vägningsssystem använder RF-energi endast för dess interna funktion. Därför är dess RF-emissioner mycket låga och orsakar sannolikt ingen interferens för intilliggande elektronisk utrustning.
RF-emissioner CISPR 11	Klass A	Tillvalen elektrisk lift, elektrisk sängbotten, eller vägningsssystem är lämpade för användning i alla typer av inrättningar, med undantag för bostadsfastigheter och sådana som är direkt anslutna till det allmänna lågspänningsnät som försörjer byggnader som används som bostad.
Harmoniska emissioner IEC 61000-3-2 *	Klass A	
Spänningsväxlingar Flimmeremissioner IEC 61000-3-3 *	Överensstämmer	

* Gäller endast tillvalen elektrisk lift och elektrisk sängbotten.

VAR FÖRSIKTIG!

- Bärbar RF-kommunikationsutrustning, omfattande kringutrustning såsom antennkablar och externa antenner, får inte användas närmare än 12 tum (30 cm) till någon del av **Prime**-bären, inkluderande kablar specificerade av tillverkaren.
- Undvik att stapla eller placera utrustning intill annan utrustning för att förhindra felaktig drift av produkterna. Om sådan användning är nödvändig, observera den staplade eller intilliggande utrustningen noggrant för att säkerställa att den fungerar korrekt.

Rekommenderade separationsavstånd mellan bärbar och mobil RF-kommunikationsutrustning och tillvalen elektrisk lift, elektrisk sängbotten, eller vägningsssystem.

Tillvalen elektrisk lift, elektrisk sängbotten, eller vägningsssystem är avsedda för användning i en elektromagnetisk miljö i vilken RF-störningar kontrolleras. Kunden eller användaren av tillvalen elektrisk lift, elektrisk sängbotten, eller vägningsssystem kan hjälpa till att förhindra elektromagnetiska störningar genom att upprätthålla ett minsta avstånd mellan bärbar och mobil RF-kommunikationsutrustning (sändare) och tillvalen elektrisk lift, elektrisk sängbotten, eller vägningsssystem enligt nedanstående rekommendationer, i förhållande till kommunikationsutrustningens maximala uteffekt.

Sändarens angivna maximala uteffekt W	Separationsavstånd enligt sändarens frekvens m		
	150 kHz till 80 MHz $D = (1,2) (\sqrt{P})$	80 MHz till 800 MHz $D = (1,2) (\sqrt{P})$	800 MHz till 2,7 GHz $D = (2,3) (\sqrt{P})$

0,01	0,12	0,12	0,23
0,1	0,38	0,38	0,73
1	1,2	1,2	2,3
10	3,8	3,8	7,3
100	12	12	23

För sändare med en nominell maximal uteffekt som inte anges ovan kan det rekommenderade separationsavståndet (D) i meter (m) uppskattas med hjälp av den ekvation som tillämpas på sändarens frekvens, där P är sändarens nominella maximala uteffekt i watt (W) enligt sändarens tillverkare.

Obs! 1 - Vid 80 MHz och 800 MHz gäller avståndet för det högre frekvensområdet.

Obs! 2 - Dessa riktlinjer gäller kanske inte i alla situationer. Elektromagnetisk spridning påverkas av absorption av och reflektion från byggnader, föremål och människor.

Vägledning och tillverkarens deklARATION – elektromagnetisk immunitet

Tillvalen elektrisk lift, elektrisk sängbotten, eller vägningssystem är avsedda för användning i den elektromagnetiska miljön som anges nedan. Kunden eller användaren av tillvalen elektrisk lift, elektrisk sängbotten, eller vägningssystem ska försäkra sig om att de används i en sådan miljö.


Immunitetstest	IEC 60601-testnivå	Överensstämmelsenivå	Elektromagnetisk miljö – vägledning
Elektrostatisk urladdning (ESD) IEC 61000-4-2	± 8 kV kontakt ± 15 kV luft	± 8 kV kontakt ± 15 kV luft	Golven ska vara av trä, betong eller keramikplattor. Om golven är täckta med syntetiskt material måste den relativa luftfuktigheten vara minst 30 %.
Elektrostatiskt snabbt insvängningsförlopp/signal IEC 61000-4-4*	±2 kV för strömförsörjningsledningar ±1 kV för in-/utgående ledningar	±2 kV för strömförsörjningsledningar ±1 kV för in-/utgående ledningar	Strömförsörjningskvaliteten ska motsvara den i en typisk kommersiell miljö eller sjukhusmiljö.
Överspänning IEC 61000-4-5*	±1 kV ledning(ar) till ledning (ar) ±2 kV ledning(ar) till jord	±1 kV ledning(ar) till ledning (ar) ±2 kV ledning(ar) till jord	Strömförsörjningskvaliteten ska motsvara den i en typisk kommersiell miljö eller sjukhusmiljö.
Spänningsfall, spänningsvariationer och korta avbrott i inledningarna från strömkällan IEC 61000-4-11*	0 % U_T i 0,5 cykel vid 0°, 45°, 90°, 135°, 180°, 225°, 270° och 315° 0 % U_T i 1 cykel 70 % U_T (30 % sänkning av U_T) under 25 cykler 0 % U_T i 250 cykler	0 % U_T i 0,5 cykel vid 0°, 45°, 90°, 135°, 180°, 225°, 270° och 315° 0 % U_T i 1 cykel 70 % U_T (30 % sänkning av U_T) under 25 cykler 0 % U_T i 250 cykler	Strömförsörjningskvaliteten ska motsvara den i en typisk kommersiell miljö eller sjukhusmiljö. Om användaren av tillvalet elektrisk lift eller elektrisk sängbotten kräver fortsatt drift under strömavbrott rekommenderar vi att enheten drivs från en avbrottsfri strömkälla eller ett batteri.
Nätfrekvensens (50/60 Hz) magnetfält IEC 61000-4-8	30 A/m	30 A/m	Kraftfrekventa magnetfält ska ligga på nivåer som är karakteristiska för en typisk plats i en typisk kommersiell miljö eller sjukhusmiljö.

Obs! U_t är spänningen i växelströmsnätet innan testnivån tillämpades.

*Gäller endast tillvalet elektrisk lift eller tillvalet elektrisk sängbotten.

Vägledning och tillverkarens deklARATION – elektromagnetisk immunitet

Tillvalen elektrisk lift, elektrisk sängbotten, eller vägningsystem är avsedda för användning i den elektromagnetiska miljö som anges nedan. Kunden eller användaren av tillvalen elektrisk lift eller elektrisk sängbotten och tillvalet vägningsystem ska säkerställa att de används i en sådan miljö.

Immunitetstest	IEC 60601-testnivå	Överensstämmelsenivå	Elektromagnetisk miljö – vägledning
<p>Ledningsburen RF IEC 61000-4-6*</p> <p>Utstrålad RF IEC 61000-4-3</p>	<p>3 Vrms</p> <p>6 Vrms i ISM och amatörradioband</p> <p>150 kHz till 80 MHz</p> <p>3 V/m</p> <p>80 MHz till 2,7 GHz</p>	<p>3 Vrms</p> <p>6 Vrms i ISM och amatörradioband</p> <p>3 V/m</p>	<p>Bärbar och mobil RF-kommunikationsutrustning ska inte användas närmare någon del av tillvalen elektrisk lift, elektrisk sängbotten, eller vägningsystem, inklusive kablar, än det rekommenderade separationsavståndet beräknat med den ekvation som är tillämplig på sändarens frekvens.</p> <p>Rekommenderat separationsavstånd</p> <p>$D = (1,2) (\sqrt{P})$</p> <p>$D = (1,2) (\sqrt{P})$</p> <p>80 MHz till 800 MHz</p> <p>$D = (2,3) (\sqrt{P})$</p> <p>800 MHz till 2,7 GHz</p> <p>där P är sändarens nominella maximala uteffekt i watt (W) enligt sändarens tillverkare och D är det rekommenderade separationsavståndet i meter (m).</p> <p>Fältstyrkorna från fasta RF-sändare, enligt värden fastställda vid en elektromagnetisk undersökning av platsen, ^a ska vara mindre än överensstämmelsenivån i varje frekvensområde.^b</p> <p>Störningar kan förekomma i närheten av utrustning som är märkt med följande symbol:</p> 

Obs! 1 Vid 80 MHz och 800 MHz gäller det högre frekvensområdet.

Obs! 2 Dessa riktlinjer kanske inte gäller i alla situationer. Elektromagnetisk spridning påverkas av absorption och reflektion från byggnader, föremål och människor.

Obs! 3 ISM-banden (ISM står för Industrial, Scientific and Medical) mellan 0,15 MHz och 80 MHz är 6,765 MHz till 6,795 MHz, 13,553 MHz till 13,567 MHz, 26,957 MHz till 27,283 MHz och 40,66 MHz till 40,70 MHz.

^a Fältstyrkor från fasta sändare, exempelvis basstationer för radiotelefoner (mobila/trådlösa) och landmobilradio, amatörradio, AM- och FM-radiosändningar och TV-sändningar kan inte förutsägas teoretiskt med noggrannhet. För att bedöma den elektromagnetiska miljön med avseende på fasta RF-sändare, bör en elektromagnetisk platsundersökning övervägas. Om den uppmätta fältstyrkan på platsen där tillvalen elektrisk lift, elektrisk sängbotten, eller vägningssystem används överskrider gällande överensstämmelsenivå för RF enligt ovan, ska tillvalen elektrisk lift, elektrisk sängbotten, eller vägningssystem observeras så att normal funktion kan verifieras. Om onormal funktion observeras kan ytterligare åtgärder krävas, såsom att vrida eller flytta på tillvalen elektrisk lift, elektrisk sängbotten, eller vägningssystem.

^b Över frekvensområdet 150 kHz till 80 MHz bör fältstyrkorna vara lägre än 3 V/m.

*Gäller endast tillvalet elektrisk sängbotten.

เตียงผู้ป่วย Prime Series®












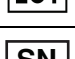


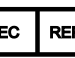




คู่มือการใช้งาน



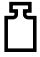












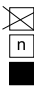
REF 1115

Big Wheel®



สัญลักษณ์

	โปรดดูคู่มือ/หนังสือคำแนะนำ
	ศึกษาคำแนะนำในการใช้งาน
	คำเตือนทั่วไป
	ข้อควรระวัง
	คำเตือน; หนีบมือ
	คำเตือน; รังสีที่ไม่ก่อให้เกิดไอออน
	ห้ามนั่ง
	อย่าใส่ถังออกซิเจน
	ห้ามหล່สั่น
	หมายเลขแค็ตตาล็อก
	รหัสล็อต (ชุด)
	หมายเลขประจำผลิตภัณฑ์
	สำหรับสิทธิบัตรของสหรัฐอเมริกา โปรดดู www.stryker.com/patents
	เครื่องหมาย CE
	ผู้แทนที่ได้รับอนุญาตในประชาคมยุโรป
	อุปกรณ์ทางการแพทย์ของยุโรป
	ผู้ผลิต
	วันที่ผลิต
	ผู้นำเข้า

	น้ำหนักที่บรรทุกที่ปลอดภัย
	น้ำหนักผู้พายสูงสุด
	น้ำหนักอุปกรณ์พร้อมน้ำหนักบรรทุกใช้งานที่ปลอดภัย
	กระแสตรง
	กระแสสลับ
	แรงดันไฟฟ้าที่เป็นอันตราย
	สายดินป้องกัน
IPX6	การปกป้องจากการฉีดน้ำแรงสูง
	ชิ้นส่วน Type B ที่ใช้
	อุปกรณ์ทางการแพทย์จำแนกตาม Underwriters Laboratories Inc. โดยคำนึงถึงอันตรายจากไฟฟ้าช็อตไฟไหม้ และอันตรายทางกลตามมาตรฐาน ANSI/AAMI ES60601-1: 2005 และ CAN/CSA-C22.2 No. 60601-1:08 *สำหรับตัวเลือก Prime X อุปกรณ์ที่เกี่ยวข้องของอุปกรณ์อิเล็กทรอนิกส์เรย์ตามมาตรฐาน IEC 60601-2-54
	ตามระเบียบของยุโรป (European Directive) 2012/19/EU ว่าด้วยขยะอุปกรณ์ไฟฟ้าและอิเล็กทรอนิกส์ (WEEE) ที่แก้ไขเพิ่มเติม สัญลักษณ์นี้บ่งชี้ว่าควรรวบรวมผลิตภัณฑ์แยกต่างหากเพื่อการรีไซเคิล ห้ามทิ้งเป็นขยะชุมชนที่ไม่ได้แยกประเภท ติดต่อผู้จัดจำหน่ายในพื้นที่สำหรับข้อมูลการกำจัด ดำเนินการให้แน่ใจว่าอุปกรณ์ที่ติดเชือได้รับขจัดสิ่งปนเปื้อนก่อนนำไปรีไซเคิล
	หอสี่เหลี่ยม
	ยกที่นี้
	ตั้งขึ้น
	เก็บในสภาพแห้งอยู่เสมอ
	เปราะบาง เคลื่อนย้ายด้วยความระมัดระวัง
	จำกัดการซ้อนตามจำนวน

สารบัญ

คำจำกัดความของคำเตือน/ข้อควรระวัง/หมายเหตุ	3
สรุปข้อควรระวังในเรื่องความปลอดภัย	3
จุดคำ	6
คำนำ	7
คำอธิบายผลิตภัณฑ์	7
ข้อบ่งชี้	7
ประโยชน์ทางคลินิก	7
ข้อห้ามใช้	8
อายุการบริการที่คาดหวัง	8
การกำจัด/รีไซเคิล	8
คุณลักษณะเฉพาะ	8
ภาพประกอบผลิตภัณฑ์ - Prime	10
ภาพประกอบผลิตภัณฑ์ - ตัวเลือก Prime X	11
ชิ้นส่วนที่ใช้ - ตัวเลือกเตียงระบบไฟฟ้า	12
ชิ้นส่วนที่ใช้ - ตัวเลือก Prime X	12
ข้อมูลการติดต่อ	13
ตำแหน่งหมายเลขประจำผลิตภัณฑ์	13
การติดตั้ง	14
การใช้	15
การใช้และการปล่อยเบรก	15
การควบคุมฐานของ Prime	16
การเพิ่มระดับความสูงเตียงที่ไม่ใช่ระบบไฟฟ้า	16
การลดระดับความสูงเตียงที่ไม่ใช่ระบบไฟฟ้า	16
ตัวเลือกการเพิ่มระดับความสูงเตียงระบบไฟฟ้า	17
ตัวเลือกการลดระดับความสูงเตียงระบบไฟฟ้า	17
การปรับตำแหน่งผลิตภัณฑ์ในท่านอนศีรษะต่ำปลายเท้าสูง	17
การปรับตำแหน่งผลิตภัณฑ์ในท่านอนศีรษะสูงปลายเท้าต่ำ	18
การเคลื่อนย้ายผู้ป่วย	18
การเคลื่อนย้ายผู้ป่วยโดยไม่ใช่ Big Wheel	18
การเคลื่อนย้ายผู้ป่วยโดยใช้ Big Wheel	19
การปรับตำแหน่งหรือการจัดเก็บตัวเลือกที่จับสำหรับการเข็นฝั่งศีรษะ	20
การยกกรวากันขึ้น	21
การลดระดับกรวากันลง	21
การปรับตำแหน่งผลิตภัณฑ์ด้วยแผงควบคุมกรวากันผู้ป่วย - ตัวเลือกเตียงระบบไฟฟ้า - เฉพาะ Prime	22
แผงควบคุมสำหรับผู้ปฏิบัติงาน - ตัวเลือกเตียงระบบไฟฟ้า - เฉพาะ Prime	22
การล็อกและปลดล็อกการล็อกแผงควบคุมสำหรับผู้ป่วย - ตัวเลือกเตียงระบบไฟฟ้า - เฉพาะ Prime	23
การยกหรือลดพนักพิงส่วนรองหลัง - เตียงที่ไม่ใช่ระบบไฟฟ้า	24
การยกหรือลดพนักพิงส่วนรองหลัง - ตัวเลือกเตียงระบบไฟฟ้า	25
การยกหรือลดระดับ Gatch - เตียงที่ไม่ใช่ระบบไฟฟ้า - เฉพาะ Prime	26
การยกหรือลดระดับ Gatch - ตัวเลือกเตียงระบบไฟฟ้า - เฉพาะ Prime	26
การปรับตำแหน่งเก้าอี้พนักพิง - เฉพาะ Prime	26
การจัดเก็บวัตถุในช่องเก็บของที่ฐาน	27
อุปกรณ์แขวนพร้อมตัวเลือกชั้นวางปัม	27
การขยายหรือหดสายไฟด้วยตัวเลือกม้วนสายไฟแบบพับเก็บได้ - ตัวเลือกการยกด้วยระบบไฟฟ้าหรือตัวเลือกเตียงระบบไฟฟ้า	28
ตัวเลือกระบบการวัด	28
การระบุไอคอน/ปัมเครื่องซัง	29
การซังน้ำหนักผู้ป่วย	29
การลือคหน่วยเครื่องซังของการวัด	30
การใช้หรือไม่ใช่ตัวเลือก Chaperone	30
การตั้งค่ารูปแบบการแจ้งเตือนของตัวเลือก Chaperone	30
การตั้งค่าระดับเสียงแจ้งเตือนของตัวเลือก Chaperone	31
การซาร์จตัวเลือกชุดแบตเตอรี่ระบบการวัด - ตัวเลือกเตียงระบบไฟฟ้าหรือตัวเลือกเตียงระบบไฟฟ้าที่มีตัวเลือก Chaperone - เฉพาะ Prime	31
การเปลี่ยนแบตเตอรี่สำหรับตัวเลือกระบบการวัด - เตียงที่ไม่ใช่ระบบไฟฟ้า	31
อุปกรณ์เสริมและชิ้นส่วนต่าง ๆ	31
การติดตั้งเครื่องกระตุ้นหัวใจด้วยไฟฟ้า	34
การแปลงสภาพเครื่องกระตุ้นหัวใจด้วยไฟฟ้า/ฐานรองเสริมเป็นสภาพเครื่องกระตุ้นหัวใจด้วยไฟฟ้า	35
การแปลงสภาพเครื่องกระตุ้นหัวใจด้วยไฟฟ้า/ฐานรองเสริมเป็นฐานรองเสริม	35
การติดตั้งวางท้ายเตียง/ที่ยึดชาร์ต	36
การติดตั้งแคดดี้ IV	36

การปรับตำแหน่งหรือการเก็บที่ฐานรองเสริม - เฉพาะ Prime	37
การปรับตำแหน่งเสา IV สองระดับแบบติดถาวร.....	38
การปรับตำแหน่งเสา IV สามระดับแบบติดถาวร.....	39
การติดตั้งและการปรับตำแหน่งเสา IV แบบถอดได้.....	40
การติดที่ใส่ถังออกซิเจนตั้งตรง.....	41
การขยายหรือการจัดเก็บที่วางถาดเลิร์ฟ/ที่วางเท้า.....	41
การติดแผ่นกันด้านข้าง.....	42
การระบุตำแหน่งสายรัดรั้งผู้ป่วย.....	42
การปรับตำแหน่งที่ใส่ถลับฟิล์มเอ็กซ์เรย์ตั้งตรง - ตัวเลือก Prime X.....	42
การปรับตำแหน่งที่ใส่ถลับฟิล์มเอ็กซ์เรย์ด้านข้าง - ตัวเลือก Prime X.....	43
การใส่หรือถอดถลับฟิล์มเอ็กซ์เรย์ - ตัวเลือก Prime X.....	44
การทำความสะอาด.....	46
การทำความสะอาดผลิตภัณฑ์.....	46
การทำความสะอาดผลิตภัณฑ์โดยใช้เครื่องล้างรถเข็น.....	46
การทำความสะอาดที่นอน.....	47
การกำจัดไอโอดีน.....	48
คำแนะนำพิเศษ.....	48
การฆ่าเชื้อ.....	49
การฆ่าเชื้อผลิตภัณฑ์.....	49
การฆ่าเชื้อที่นอน.....	49
การบำรุงรักษาเชิงป้องกัน.....	51
ข้อมูล EMC.....	53

คำจำกัดความของคำเตือน/ข้อควรระวัง/หมายเหตุ

คำว่า **คำเตือน** **ข้อควรระวัง** และ **หมายเหตุ** เป็นสื่อถึงความหมายพิเศษและควรที่จะได้รับการทบทวนอย่างละเอียด

คำเตือน

เตือนผู้อ่านเกี่ยวกับสถานการณ์ที่หากไม่หลีกเลี่ยงแล้วอาจส่งผลให้เกิดการเสียชีวิตหรือการบาดเจ็บรุนแรงได้ มันอาจจะบรรยายถึงผลกระทบอันไม่พึงประสงค์ที่ร้ายแรงที่อาจเกิดขึ้นและความเสี่ยงด้านความปลอดภัยด้วย

ข้อควรระวัง

เตือนผู้อ่านถึงสถานการณ์ที่อาจทำให้เกิดความเสี่ยง ซึ่งหากไม่หลีกเลี่ยงแล้วอาจส่งผลให้เกิดการบาดเจ็บเล็กน้อยหรือปานกลางต่อผู้ใช้หรือผู้ช่วยหรือความเสียหายต่อผลิตภัณฑ์หรือทรัพย์สินอื่นๆ สิ่งนี้รวมถึงความเอาใจใส่เป็นพิเศษที่จำเป็นสำหรับการใช้ที่ปลอดภัยและมีประสิทธิภาพของอุปกรณ์ และความเอาใจใส่ที่จำเป็นต่อการหลีกเลี่ยงความเสียหายต่ออุปกรณ์ซึ่งอาจเกิดขึ้นได้อันเป็นผลจากการใช้หรือการใช้ในทางที่ผิด

หมายเหตุ - ให้ข้อมูลพิเศษเพื่อทำให้การดูแลรักษาง่ายขึ้นหรือทำให้คำแนะนำที่สำคัญชัดเจนมากยิ่งขึ้น

สรุปข้อควรระวังในเรื่องความปลอดภัย

อ่านคำเตือนและข้อควรระวังที่แสดงในหน้านี้และปฏิบัติตามอย่างเคร่งครัดเสมอ ให้บริการโดยบุคลากรที่มีคุณสมบัติเหมาะสมเท่านั้น

คำเตือน

- ก่อนที่คุณจะตั้งค่าผลิตภัณฑ์หรือทดสอบการทำงาน ให้อ่านคู่มือที่มีคุณสมบัติของผลิตภัณฑ์ก่อนเสมอ ผลิตภัณฑ์อาจได้รับความเสียหายถาวร
- ใช้งานผลิตภัณฑ์เฉพาะเมื่อผู้ปฏิบัติงานทั้งหมดไม่กีดขวางกลไกต่าง ๆ เท่านั้น
- ใช้ความระมัดระวังทุกครั้งเมื่อจัดการกับสายไฟ เกิดอันตรายจากสายไฟพันกัน ได้รับความเสียหาย หรือไฟฟ้าช็อตได้ หากสายไฟชำรุดเสียหาย ให้เลิกใช้ผลิตภัณฑ์ทันทีและติดต่อเจ้าหน้าที่ซ่อมบำรุงที่เหมาะสม
- เสียบปลั๊กผลิตภัณฑ์เข้ากับเต้ารับเกรดโรงพยาบาลที่ต่อสายดินเท่านั้น การต่อสายดินจะมีความน่าเชื่อถือก็ต่อเมื่อใช้เต้ารับเกรดโรงพยาบาลเท่านั้น ผลิตภัณฑ์นี้มาพร้อมกับปลั๊กเกรดโรงพยาบาลเพื่อป้องกันอันตรายจากไฟฟ้าช็อต
- ใส่เบรคทุกครั้งเมื่อผู้ช่วยขึ้นบนผลิตภัณฑ์หรือออกจากผลิตภัณฑ์หรือเมื่อผลิตภัณฑ์ไม่เคลื่อนที่ การเคลื่อนที่ของผลิตภัณฑ์ในขณะที่ผู้ช่วยก้าวขึ้นหรือลงอาจส่งผลให้ได้รับบาดเจ็บได้
- จัดให้ผู้ช่วยอยู่ตรงกลางผลิตภัณฑ์เสมอ
- ปรับระดับผลิตภัณฑ์ให้อยู่ในตำแหน่งต่ำสุดโดยยกแผงด้านข้างขึ้นและล็อกเสมอหากปล่อยให้ผู้ช่วยอยู่ตามลำพัง อย่าทิ้งผลิตภัณฑ์ไว้ในระดับความสูง
- ถอดอุปกรณ์ใด ๆ ที่อาจกีดขวางทุกครั้งก่อนที่จะปรับเพิ่มหรือลดระดับความสูงเตียง
- อย่านั่งบนส่วนปลายของผลิตภัณฑ์ ผลิตภัณฑ์อาจจะคว่ำได้
- ล็อคราวกันเตียงด้านข้างให้อยู่ในตำแหน่งสูงสุดเสมอเมื่อพื้นผิวการนอนอยู่ในแนวนอนและอยู่ในตำแหน่งต่ำสุดเมื่อคุณเคลื่อนย้ายผู้ป่วย
- อย่าขนส่งผลิตภัณฑ์ในแนวเอียงมากกว่า 5.7 องศา (เกรด 10%) เพื่อหลีกเลี่ยงการคว่ำของผลิตภัณฑ์
- ใช้ความระมัดระวังเป็นพิเศษเสมอเมื่อคุณใช้ที่นอนที่หนากว่า 2.5 นิ้ว (6.35 ซม.) หรือใช้แผ่นรองทับกับตัวเลือก **Prime X**
- ล็อคราวกันเตียงด้านข้างให้อยู่ในตำแหน่งสูงสุดเสมอเมื่อพื้นผิวการนอนอยู่ในแนวนอนและอยู่ในตำแหน่งต่ำสุดเมื่อคุณเคลื่อนย้ายผู้ป่วย
- ให้แขนขาของผู้ป่วยอยู่ห่างจากแกนหมุนของราวกันเตียงด้านข้างเสมอเมื่อคุณยกหรือลดระดับราวกันเตียงด้านข้าง
- อย่าให้ราวกันเตียงลดระดับลงเอง
- ระวังไม่ให้มือและนิ้วอยู่ใกล้ที่จับปลดพนักพิงส่วนรองหลังและโครงพนักพิงส่วนรองหลังเสมอเมื่อคุณลดพนักพิงส่วนรองหลังลง
- ใช้ความระมัดระวังเสมอเมื่อคุณยกพนักพิงส่วนรองหลังในขณะที่ผู้ช่วยอยู่บนผลิตภัณฑ์ ใช้เทคนิคการยกที่เหมาะสมและขอความช่วยเหลือหากจำเป็น
- ระวังไม่ให้มือและนิ้วเข้าใกล้ที่จับสำหรับการเข็นฝั่งปลายเท้าเมื่อคุณลดระดับ **Gatch** ลง
- เก็บสายอุปกรณ์บนชั้นวางปัมให้ห่างจากที่จับ **Gatch** เสมอ
- ตรวจสอบให้แน่ใจเสมอว่าอุปกรณ์บนชั้นวางปัมสามารถผ่านช่องทางต่างได้อย่างปลอดภัย
- อย่ายกผลิตภัณฑ์ตรงชั้นวางปัม
- ถอดปลั๊กไฟออกจากเต้ารับบนผนังทุกครั้งก่อนที่จะเคลื่อนย้ายหรือทำความสะอาดผลิตภัณฑ์
- ใช้ที่เก็บสายไฟแบบม้วนเก็บได้เสมอเพื่อเก็บสายไฟไว้ในฐานเมื่อขนย้ายผลิตภัณฑ์

- อย่าใช้งานตัวเลือกระบบการวัด ตัวเลือกการยกด้วยระบบไฟฟ้า หรือตัวเลือกเตียงระบบไฟฟ้าโดยวางติดกันหรือวางซ้อนกัน หากจำเป็นต้องใช้งานติดกันหรือซ้อนกัน ควรระมัดระวังตัวเลือกระบบการวัด ตัวเลือกการยกด้วยระบบไฟฟ้า หรือตัวเลือกเตียงระบบไฟฟ้า เพื่อให้แน่ใจว่าอุปกรณ์ทั้งหมดทำงานได้ตามปกติในการกำหนดค่าที่จะใช้
- อย่าวางสิ่งของที่มีน้ำหนักมากกว่า 30 ปอนด์ (14 กก.) บนภาคเครื่องกระตุ้นหัวใจด้วยไฟฟ้า รัศมีอุปกรณ์ทั้งหมดที่คุณวางบนภาคเครื่องกระตุ้นหัวใจด้วยไฟฟ้าทุกครั้ง
- โปรดใช้ความระมัดระวังเสมอหากติดตั้งภาคเครื่องกระตุ้นหัวใจด้วยไฟฟ้า/ฐานรองเสริม, ที่วางเท้า/ที่วางข้อมือ หรือที่ใส่ถังออกซิเจนตั้งตรงเพื่อหลีกเลี่ยงการบีบนิ้วของคุณเมื่อวางตำแหน่งตัวเลือกที่จับสำหรับการเข็นฝั่งปลายเท้า
- อย่าวางสิ่งของที่มีน้ำหนักมากกว่า 30 ปอนด์ (14 กก.) บนภาคเครื่องกระตุ้นหัวใจด้วยไฟฟ้า/ฐานรองเสริม รัศมีอุปกรณ์ทั้งหมดที่คุณวางบนภาคเครื่องกระตุ้นหัวใจด้วยไฟฟ้าทุกครั้ง
- ยึดเสา IV เข้ากับแคดดี IV เสมอเมื่อเคลื่อนย้ายผลิตภัณฑ์
- ควรเก็บแคดดี IV ไว้เสมอเมื่อไม่ใช้งานเพื่อหลีกเลี่ยงความเสียหายของผลิตภัณฑ์
- อย่านั่งบนฐานรองเสริม ซึ่งอาจทำให้ผลิตภัณฑ์หลุด
- อย่าให้นิ้วเข้าไปในกลไกเมื่อคุณใช้งานฐานรองเสริม
- เก็บฐานรองเสริมไว้เสมอเมื่อคุณเคลื่อนย้ายผู้ป่วยด้วยผลิตภัณฑ์
- กระชับฐานรองเสริมทุกครั้งก่อนที่คุณจะใช้ที่ฐานรองเสริม
- ห้ามใช้งานระบบการวัดโดยการใช้น้ำหนักฐานรองเสริม อาจทำให้การอ่านค่าไม่ถูกต้อง
- ห้ามใช้งานตัวเลือก **Chaperone** โดยใช้น้ำหนักฐานรองเสริม อาจทำให้การอ่านค่าไม่ถูกต้อง
- อย่าใช้เสา IV เป็นอุปกรณ์ดัน/ดึง ผลิตภัณฑ์ได้รับความเสียหายได้
- อย่าวางวัตถุที่มีน้ำหนักเกิน 40 ปอนด์ (18 กก.) ในที่ใส่ถังออกซิเจนตั้งตรง
- อย่าวางวัตถุที่มีน้ำหนักเกิน 30 ปอนด์ (14 กก.) บนภาคเสริม
- ใช้ความระมัดระวังทุกครั้งเมื่อคุณติดสายรัดกันตก ผู้ป่วยหรือผู้ปฏิบัติงานอาจได้รับบาดเจ็บได้ การผูกมัดทางกายภาพ แม้ว่าจะมั่นคง แข็งแรง ก็อาจจะส่งผลให้เกิดอันตรายร้ายแรงต่อผู้ป่วยและผู้ปฏิบัติงานได้ รวมไปถึงการพันกัน การติดขัดใน การบาดเจ็บทางร่างกาย หรือการเสียชีวิต
- ติดสายรัดกันตกหรืออุปกรณ์ไว้ที่จุดยึดของผลิตภัณฑ์ตามที่ระบุเท่านั้น การไม่ปฏิบัติตามอาจส่งผลให้ผู้ป่วยหรือผู้ปฏิบัติงานได้รับบาดเจ็บได้ อย่าติดสายรัดกันตกกับราวกันเตียงด้านข้าง
- โปรดดูข้อกำหนดและกฎระเบียบของรัฐและรัฐบาลกลางที่เกี่ยวข้องและระเบียบปฏิบัติของสถานที่ที่เหมาะสมเสมอก่อนที่จะใช้สายรัดหรืออุปกรณ์ใดๆ
- ใช้มาตรการป้องกันเสมอเมื่อคุณใช้ที่ใส่ฟิล์มฟิล์มเอ็กซ์เรย์แบบตั้งตรงหรือด้านข้าง ที่ใส่ฟิล์มฟิล์มเอ็กซ์เรย์ไม่ได้ป้องกันรังสี
- โปรดดูคำแนะนำของท้องถิ่น รัฐ และรัฐบาลกลางเพิ่มเติมนอกจากระเบียบปฏิบัติของสถานที่เสมอเพื่อความปลอดภัยก่อนใช้งานตัวเลือก **Prime X** ที่มีอุปกรณ์ที่ปล่อยรังสี อุปกรณ์ที่ปล่อยรังสีอาจทำให้มีรังสีตกค้าง หลงเหลือ หรือกระจัดกระจาย
- ปฏิบัติตามคำแนะนำการปรับตำแหน่งที่ใส่ฟิล์มฟิล์มเอ็กซ์เรย์ตั้งตรง - ตัวเลือก **Prime X** ในการใส่ฟิล์มฟิล์มเอ็กซ์เรย์
- ใช้ความระมัดระวังเสมอเมื่อคุณถ่ายภาพรังสีเอ็กซ์โดยให้พนักงานฟิงส์รองหลังอยู่ในตำแหน่งตั้งตรงหรือเมื่อคุณใช้ฟิล์มฟิล์มเอ็กซ์เรย์ด้านข้าง
- ปฏิบัติตามคำแนะนำการปรับตำแหน่งที่ใส่ฟิล์มฟิล์มเอ็กซ์เรย์ด้านข้าง - ตัวเลือก **Prime X** ในการใส่ฟิล์มฟิล์มเอ็กซ์เรย์
- ห้ามทำความสะอาด เข้ารับบริการ หรือทำการบำรุงรักษาในขณะที่กำลังใช้งานผลิตภัณฑ์
- ห้ามแช่ที่นอนในน้ำยาทำความสะอาดหรือฆ่าเชื้อ ความชื้นที่สูงเกินไปอาจทำให้ผลิตภัณฑ์ทำงานผิดปกติ ซึ่งส่งผลให้เกิดความเสียหายต่อผลิตภัณฑ์หรือการบาดเจ็บของผู้ป่วย
- อย่าให้ของเหลวไหลลงบนที่นอน ของเหลวอาจทำให้ส่วนประกอบกัดกร่อนและอาจทำให้ไม่สามารถคาดการณ์ความปลอดภัยและประสิทธิภาพของผลิตภัณฑ์ได้
- ตรวจสอบปลอกหุ้มที่นอน (ด้านบนสุดและล่างสุด) อย่างสม่ำเสมอว่ามีกลิ่นเหม็น ถูกเจาะ การขาดที่มากเกินไป และฉีกขาดหรือไม่เมื่อทำความสะอาดปลอกหุ้ม ถอดและเปลี่ยนที่นอนที่ชำรุดเพื่อป้องกันการปนเปื้อนไปสู่อื่นๆ
- ห้ามทำความสะอาดที่นอนด้วยการอบไอน้ำ ล้างโดยใช้แรงดัน ใช้สายยางฉีด หรือด้วยอัลตราโซนิก วิธีทำความสะอาดเหล่านี้อาจทำให้การรับประกันผลิตภัณฑ์สิ้นสุดลง
- ห้ามทำความสะอาดผลิตภัณฑ์ด้วยการอบไอน้ำ ใช้สายยางฉีด หรือด้วยอัลตราโซนิก ไม่แนะนำให้ใช้วิธีการทำความสะอาดเหล่านี้และอาจทำให้การรับประกันผลิตภัณฑ์สิ้นสุดลง
- ควรฆ่าเชื้อที่นอนก่อนใช้กับผู้ป่วยรายใหม่เสมอ การไม่ปฏิบัติตามคำแนะนำอาจส่งผลให้เกิดการปนเปื้อนและการติดเชื้อ ไปสู่อีกคน

ข้อควรระวัง

- การใช้ผลิตภัณฑ์นี้อย่างไม่เหมาะสมสามารถทำให้เกิดการบาดเจ็บต่อผู้ป่วยหรือผู้ใช้งาน ใช้ผลิตภัณฑ์นี้เฉพาะตามข้ออธิบายไว้ในคู่มือนี้
- ห้ามทำการดัดแปลงผลิตภัณฑ์หรือส่วนประกอบใดๆ การดัดแปลงผลิตภัณฑ์อาจทำให้การทำงานผิดปกติและอาจส่งผลให้ผู้ป่วยหรือผู้ใช้ได้รับบาดเจ็บ นอกจากนี้ การดัดแปลงผลิตภัณฑ์ยังส่งผลให้การรับประกันสิ้นสุดลง
- อย่าใช้ระบบไฮดรอลิกส์ที่ฐานเพื่อยกผลิตภัณฑ์ที่มีระบบการยกผู้ป่วยอยู่ด้านล่างผลิตภัณฑ์

- อย่าใช้เป็นเหยียบบังคับทิศทางเมื่อ **Big Wheel** อยู่บนธรณีประตูหรือพื้นที่ยกสูงขึ้นอื่น ๆ แรงที่ต้องใช้กับ **Big Wheel** จะสูงกว่าปกติ ซึ่งอาจทำให้ผลิตภัณฑ์ได้รับความเสียหายได้
- ความจุน้ำหนักของ Gatch อยู่ที่ 200 ปอนด์ (90.7 กก.)
- ตรวจสอบให้แน่ใจเสมอว่าแท่งค้ำ Gatch มีความปลอดภัยก่อนใช้งาน
- อย่านั่งหรือยืนบน Gatch
- โปรดใช้ความระมัดระวังเสมอเมื่อคุณพยายามลด Gatch โดยไม่ใช้ระบบไฟฟ้า แรงโน้มถ่วงอาจทำให้ Gatch ลดลงอย่างรวดเร็ว
- อย่าวางวัตถุที่มีน้ำหนักเกิน 60 ปอนด์ (27 กก.) ไว้ในช่องเก็บของที่ฐาน
- อย่านั่ง เหยียบ หรือยืนบนช่องเก็บของที่ฐาน
- ความสามารถในการรับน้ำหนักของชั้นวางบีมคือ 40 ปอนด์ (18 กก.)
- อย่าใช้ชั้นวางบีมเป็นอุปกรณ์สำหรับการดัน/ดึง ผลิตภัณฑ์ได้รับความเสียหายได้
- ห้ามใช้เครื่องชั่งสำหรับผู้ป่วยที่มีน้ำหนักต่ำกว่า 50 ปอนด์ (22.7 กก.)
- อย่าใช้การอ่านค่าที่วัดได้เป็นข้อมูลอ้างอิงในการรักษาพยาบาล
- ยกเสา IV ขึ้นทุกครั้งก่อนที่คุณจะติดตั้งภาคเครื่องกระตุ้นหัวใจด้วยไฟฟ้า/ฐานรองเสริมเข้ากับผลิตภัณฑ์ หากคุณไม่ยกเสา IV ฐานรองเสริมจะไม่ทำงาน
- อย่าใช้เสา IV เป็นอุปกรณ์ดัน/ดึง ผลิตภัณฑ์ได้รับความเสียหายได้
- อย่าแขวนถุง IV ที่มีน้ำหนักมากกว่า 40 ปอนด์ (18 กก.) บนเสา IV
- ตรวจสอบให้แน่ใจเสมอว่าเสา IV อยู่ที่ความสูงต่ำเพื่อให้สามารถลอดผ่านช่องประตูเมื่อคุณเคลื่อนย้ายผู้ป่วย
- อย่าใช้น้ำยาทำความสะอาดที่มีฤทธิ์กัดกร่อนทำความสะอาดกล่องหุ้มหน้าจอสำหรับตัวเลือกระบบการวัด อย่าให้น้ำยาทำความสะอาดหรือของเหลวอื่น ๆ เข้าหน่วยแสดงผล เช็ดพื้นผิวทั้งหมดให้แห้งหลังจากมีการหกหรือทำความสะอาด
- ภาวที่ใช้อุปกรณ์เสริม ทรานสดิวเซอร์ และสายเคเบิลนอกเหนือจากที่ระบุหรือจัดหาโดยผู้ผลิตอาจส่งผลให้มีการปล่อยแม่เหล็กไฟฟ้าเพิ่มขึ้น หรือทำให้ภูมิคุ้มกันทางแม่เหล็กไฟฟ้าลดลงและส่งผลให้เกิดการทำงานที่ไม่ถูกต้อง
- คุณสมบัติในการปลดปล่อยของอุปกรณ์นี้ทำให้เหมาะสำหรับใช้ในพื้นที่อุตสาหกรรมและโรงพยาบาล (CISPR 11 ประเภท A) หากใช้ในสภาพแวดล้อมที่อยู่อาศัย ซึ่งโดยปกติต้องเป็น CISPR 11 ประเภท B อุปกรณ์นี้อาจไม่มีการป้องกันที่เพียงพอสำหรับบริการสื่อสารความถี่วิทยุ ผู้ใช้อาจต้องใช้มาตรการบรรเทาผลกระทบ เช่น การย้ายที่ตั้งหรือการปรับทิศทางอุปกรณ์ใหม่
- ไม่ควรวางอุปกรณ์สื่อสาร RF แบบพกพา รวมถึงอุปกรณ์ต่อพ่วง เช่น สายเสาอากาศและเสาอากาศภายนอก อยู่ใกล้กับส่วนใด ๆ ของเตียงผู้ป่วย **Prime** รวมถึงสายเคเบิลที่ระบุโดยผู้ผลิตเกินกว่า 12 นิ้ว (30 ซม.)
- หลีกเลี่ยงการวางซ้อนกันหรือการวางอุปกรณ์ติดกับอุปกรณ์อื่น เพื่อป้องกันการดำเนินงานที่ไม่ถูกต้องของผลิตภัณฑ์ หากจำเป็นต้องมีการใช้งานในลักษณะดังกล่าว ให้สังเกตอุปกรณ์ที่วางซ้อนหรือที่ติดกันอย่างระมัดระวัง เพื่อให้แน่ใจว่าอุปกรณ์เหล่านั้นยังทำงานอย่างถูกต้อง



รูปที่ 1 – ตัวเลือก Prime X

คำนำ

คู่มือนี้ช่วยท่านในการใช้งานหรือการบำรุงรักษาผลิตภัณฑ์ Stryker ของท่าน อ่านคู่มือนี้ก่อนใช้หรือก่อนทำการบำรุงรักษาผลิตภัณฑ์นี้ สร้างวิธีการและขั้นตอนเพื่อให้ความรู้และฝึกรวมคณกะทำงานของท่านในเรื่องการใช้งานหรือการบำรุงรักษาผลิตภัณฑ์นี้อย่างปลอดภัย

ข้อควรระวัง

- การใช้ผลิตภัณฑ์นี้อย่างไม่เหมาะสมสามารถทำให้เกิดการบาดเจ็บต่อผู้ป่วยหรือผู้ใช้งาน ใช้ผลิตภัณฑ์นี้เฉพาะตามที่อธิบายไว้ในคู่มือนี้
- ห้ามเปลี่ยนแปลงผลิตภัณฑ์หรือส่วนประกอบใดก็ตามของผลิตภัณฑ์ การเปลี่ยนแปลงผลิตภัณฑ์สามารถทำให้เกิดการทำงานที่ไม่สามารถทำนายได้ที่ทำให้เกิดการบาดเจ็บต่อผู้ป่วยหรือผู้ใช้ นอกจากนี้การปรับเปลี่ยนผลิตภัณฑ์ยังทำให้การรับประกันสิ้นสุดลง

หมายเหตุ

- คู่มือนี้เป็นส่วนหนึ่งของผลิตภัณฑ์อย่างถาวรและควรยังคงอยู่กับผลิตภัณฑ์แม้ว่าผลิตภัณฑ์นี้จะถูกจำหน่ายก็ตาม
- Stryker แสวงหาความก้าวหน้าด้านการออกแบบและคุณภาพของผลิตภัณฑ์อย่างต่อเนื่อง คู่มือนี้ประกอบด้วยข้อมูลผลิตภัณฑ์ล่าสุดในปัจจุบันที่วางจำหน่าย ณ เวลาที่พิมพ์ อาจมีความแตกต่างเล็กน้อยระหว่างผลิตภัณฑ์ของท่านและคู่มือฉบับนี้ หากท่านมีข้อสงสัยประการใด โปรดติดต่อฝ่ายบริการลูกค้าหรือฝ่ายสนับสนุนด้านเทคนิคของ Stryker ที่หมายเลข 1-800-327-0770

คำอธิบายผลิตภัณฑ์

เตียงผู้ป่วย Prime Series® พร้อม Big Wheel® รุ่น 1115 ของ Stryker เป็นอุปกรณ์ล้อเลื่อนซึ่งประกอบด้วยแท่นที่ติดตั้งบนโครงล้อเพื่อรองรับผู้ป่วยในแนวนอน เตียงผู้ป่วยช่วยให้ผู้ปฏิบัติงานสามารถจัดเตรียมวิธีในการเคลื่อนย้ายผู้ป่วยภายในสถานพยาบาลโดยผู้เชี่ยวชาญด้านสุขภาพหรือตัวแทนที่ผ่านการฝึกอบรมของสถานพยาบาล เตียงผู้ป่วย Prime Series พร้อม Big Wheel รุ่น 1115 ของ Stryker ช่วยลดแรงที่ต้องใช้ในการเริ่มต้นและความพยายามในการบังคับเลี้ยวเพื่อลดความเครียดทางกายภาพ

ข้อบ่งใช้

เตียงผู้ป่วย Prime Series พร้อม Big Wheel มีล้อขนาดใหญ่สองล้อเพื่อช่วยลดแรงเริ่มต้นที่ต้องใช้ในการเคลื่อนย้ายเตียงผู้ป่วย

สามารถใช้เตียงผู้ป่วย Prime Series ในการประเมิน การรักษา การผ่าตัดขนาดเล็กทางคลินิกสำหรับผู้ป่วยนอกในระยะสั้น และเป็นแพลตฟอร์มการพักผ่อนผู้ป่วยนอกในระยะสั้น การใช้งานเตียงผู้ป่วยรวมไปถึง แต่ไม่ได้จำกัดเพียงเฉพาะแค่:

- แผนกฉุกเฉิน (ED)
- พื้นที่รับบาลผู้บาดเจ็บ
- ห้องผู้ป่วยหลังการให้ยาระงับความรู้สึก (PACU)

สามารถใช้เตียงผู้ป่วย Prime Series สำหรับการผ่าตัดขนาดเล็ก และการพักระยะสั้น (การรักษาและการพักผ่อน) ดูตารางข้อมูลจำเพาะสำหรับสภาพแวดล้อมที่กำหนด

เตียงผู้ป่วย Prime Series ของ Stryker ไม่ได้รับการประเมินว่าเป็นไปตามมาตรฐานเพียง BS EN 50637 ผลิตภัณฑ์นี้ไม่ได้มีวัตถุประสงค์สำหรับการใช้เพื่อการพักรักษาในระยะสั้นสำหรับผู้ป่วยเด็กหรือผู้ป่วยผู้ใหญ่ที่มีลักษณะทางกายวิภาคผิดปกติในตลาดที่ยอมรับมาตรฐานเพียงนี้สำหรับการอนุญาตทางการตลาด

เตียงผู้ป่วย Prime Series ไม่ได้มีวัตถุประสงค์สำหรับการรักษาผู้ป่วยและพักผ่อนในระยะยาว

เตียงผู้ป่วย Prime Series สามารถรองรับน้ำหนักที่บรรจุที่ปลอดภัยได้สูงถึง 700 ปอนด์ (318 กก.) และมีวัตถุประสงค์เพื่อใช้กับผู้ป่วยทุกราย รวมถึงผู้ป่วยที่มีอาการปานกลางถึงวิกฤต นอกจากนี้ ยังสามารถใช้เตียงผู้ป่วยเพื่อเคลื่อนย้ายผู้ป่วยที่เสียชีวิตภายในสถานพยาบาลแบบปิด

ตัวเลือก Prime X® มีพื้นผิวรองรับการถ่ายภาพเอกซเรย์ผู้ป่วยที่ชัดเจนและมีแพลตฟอร์มด้านล่างพื้นผิวรองรับผู้ป่วยสำหรับการวางตัวฟิล์มเอ็กซเรย์ ตัวเลือก Prime X นี้มีวัตถุประสงค์เพื่อให้สามารถจับรังสีเอกซ์ทางคลินิกได้ (ตัวเต็ม AP, ตัวเลือกด้านข้างทั้งตัวและหน้าอกตั้งตรง) เมื่อใช้กับระบบเอกซเรย์ทางการแพทย์

ประโยชน์ทางคลินิก

การเคลื่อนย้ายผู้ป่วย การรักษาในสถานที่ และการวินิจฉัย

ข้อห้ามใช้

ไม่แนะนำให้ใช้ Prime X กับที่นอนที่มีความหนามากกว่าสี่นิ้ว

ไม่สามารถใช้ Prime X ร่วมกับ C-Arm ได้

ตัวเลือก Prime X นี้มีวัตถุประสงค์สำหรับใช้ในสถานประกอบการทุกแห่งนอกเหนือจากการดูแลสุขภาพที่บ้าน ในครัวเรือน และที่เชื่อมต่อโดยตรงกับเครือข่ายแหล่งจ่ายไฟสาธารณะแรงดันต่ำที่จัดหาให้กับอาคารที่ใช้เพื่อวัตถุประสงค์การใช้ในครัวเรือน



อายุการบริการที่คาดหวัง

เตียงผู้ป่วย Prime Series และเตียงผู้ป่วย Prime Series พร้อมตัวเลือก Prime X มีอายุการใช้งานประมาณ 10 ปีภายใต้สภาวะการใช้งานปกติและมีการบำรุงรักษาตามระยะเวลาที่เหมาะสม

การกำจัด/รีไซเคิล

ปฏิบัติตามข้อแนะนำและ/หรือกฎระเบียบในปัจจุบันของท้องถิ่นที่กำกับดูแลการปกป้องสิ่งแวดล้อมและความเสี่ยงที่เกี่ยวข้องกับการรีไซเคิลหรือการกำจัดอุปกรณ์เมื่อสิ้นสุดอายุการใช้งานเสมอ

คุณลักษณะเฉพาะ

	Prime Series ความกว้าง 26 นิ้ว		Prime Series ความกว้าง 30 นิ้ว ชุด Prime Series HT		ตัวเลือก Prime X ความกว้าง 30 นิ้ว	
 หมายเหตุ - น้ำหนักที่บรรทุกที่ปลอดภัยแสดงถึงน้ำหนักรวมของผู้ป่วย ที่นอน และอุปกรณ์เสริม	700 ปอนด์	318 กก.	700 ปอนด์	318 กก.	700 ปอนด์	318 กก.
 น้ำหนักผู้ป่วยสูงสุด	675 ปอนด์	306 กก.	675 ปอนด์	306 กก.	675 ปอนด์	306 กก.
ความยาวทั้งหมด	85 นิ้ว (± 0.5 นิ้ว)	215.9 ซม.	85 นิ้ว (± 0.5 นิ้ว)	215.9 ซม.	85 นิ้ว (± 0.5 นิ้ว)	215.9 ซม.
ความยาวทั้งหมด (ตัวเลือกส่วนขยายเตียง)	89.9 นิ้ว (± .75 นิ้ว)	228.3 ซม.	89.9 นิ้ว (± .75 นิ้ว)	228.3 ซม.	NA	NA
ความกว้างทั้งหมด (ยกเว้นด้านข้าง)	34 นิ้ว (± 1 นิ้ว)	86.4 ซม.	38 นิ้ว (± 1 นิ้ว)	96.5 ซม.	38 นิ้ว (± 1 นิ้ว)	96.5 ซม.
ความกว้างทั้งหมด (ลดระดับราวกันเตียงด้านข้างลง)	30.25 นิ้ว (± 0.5 นิ้ว)	76.8 ซม.	30.5 นิ้ว (± 0.5 นิ้ว)	77.5 ซม.	30.5 นิ้ว (± 0.5 นิ้ว)	77.5 ซม.
ความสูงต่ำสุด	20.75 นิ้ว	52.7 ซม.	20.75 นิ้ว	52.7 ซม.	23.25 นิ้ว	59.1 ซม.
ความสูงสูงสุด	34 นิ้ว (± 1 นิ้ว)	86.4 ซม.	34 นิ้ว (± 1 นิ้ว)	86.4 ซม.	36.5 นิ้ว (± 1 นิ้ว)	92.7 ซม.
มุมพนักพิงส่วนรองหลัง	0° ถึง 90° (± 5°)					
ความสูงของ Gatch	ต่ำสุด 5.5 นิ้ว (14 ซม.)				ไม่มีข้อมูล	

	Prime Series ความกว้าง 26 นิ้ว	Prime Series ความกว้าง 30 นิ้ว ชุด Prime Series HT				ตัวเลือก Prime X ความกว้าง 30 นิ้ว
ท่านอนศีรษะต่ำปลายเท้าสูง/ศีรษะสูงปลายเท้าต่ำ	+17° ถึง -17° (± 3°)					
ระยะห่างต่ำสุด	2.5 นิ้ว ปกติ	6.4 ซม.	2.5 นิ้ว ปกติ	6.4 ซม.	2.5 นิ้ว ปกติ	6.4 ซม.
	1.75 นิ้ว ใต้แม่แรงไฮดรอลิก	4.5 ซม.	1.75 นิ้ว ใต้แม่แรงไฮดรอลิก	4.5 ซม.	1.75 นิ้ว ใต้แม่แรงไฮดรอลิก	4.5 ซม.
	1 นิ้ว ใต้ Big Wheel	2.5 ซม.	1 นิ้ว ใต้ Big Wheel	2.5 ซม.	1 นิ้ว ใต้ Big Wheel	2.5 ซม.
การลดศักย์ไฟฟ้า (เทียบเท่าอลูมิเนียม)	ไม่มีข้อมูล				ค่าสูงสุดที่อนุญาตคือ 1.7 มม. AI	
ช่วงการทำงานของระบบชั่งน้ำหนักเสริม	50 ปอนด์ (22.7 กก.) ถึง 700 ปอนด์ (318 กก.)					
ความแม่นยำของตัวเลือกระบบการวัด	± 3 ปอนด์ (1.3 กก.) สำหรับน้ำหนักที่น้อยกว่า 100 ปอนด์ (45 กก.) และ ± 3% สำหรับน้ำหนัก 100 ปอนด์ (45 กก.) ขึ้นไป*					
*เพื่อให้เป็นไปตามการกล่าวอ้างในส่วนตัวเลือกระบบการวัดอย่างถูกต้อง พื้นผิวสำหรับผู้ป่วยต้องอยู่ในตำแหน่งราบเรียบ (ลดพนักพิงส่วนรองหลังและ Gatch ลง) และผลิตภัณฑ์ต้องทำมุมไม่เกิน 5 องศาของในท่าศีรษะต่ำปลายเท้าสูง/ศีรษะสูงปลายเท้าต่ำ						

ตัวเลือกระบบไฟฟ้า	ตัวเลือกเดี่ยวระบบไฟฟ้า (มีเฉพาะใน Prime เท่านั้น)	การยกด้วยระบบไฟฟ้าเสริม (มีในตัวเลือก Prime และ Prime X)
ข้อกำหนดทางไฟฟ้า	120 VAC, 60Hz, 10A 240 VAC, 50/60 Hz, 5A	120 VAC, 60Hz, 10A 240 VAC, 50/60 Hz, 5A
รอบการทำงาน	การทำงานต่อเนื่องโดยมีการโหลดไม่ต่อเนื่องที่ เปิด 1 นาที/ปิด 20 นาที	การทำงานต่อเนื่องโดยมีการโหลดไม่ต่อเนื่องที่ เปิด 1 นาที/ปิด 20 นาที

ตัวเลือกระบบการวัด	เตียงที่ไม่ใช่ระบบไฟฟ้า (มีใน Prime และตัวเลือก Prime X)	การยกด้วยระบบไฟฟ้าเสริม (มีในตัวเลือก Prime และ Prime X)
ประเภทแบตเตอรี่	แบตเตอรี่ AA 4 ก้อน (4 X 1.5 VDC) ชนิดอัลคาไลน์ (LR6)	แบตเตอรี่ AA 4 ก้อน (4 X 1.5 VDC) ชนิดอัลคาไลน์ (LR6)
แรงดันไฟของแบตเตอรี่	6.0 VDC	6.0 VDC

ตัวเลือกระบบการวัด	ตัวเลือกเดี่ยวระบบไฟฟ้า (มีเฉพาะใน Prime เท่านั้น)	การยกด้วยระบบไฟฟ้าเป็นอุปกรณ์เสริม
ประเภทแบตเตอรี่	1 x ชุดแบตเตอรี่ลิเทียมไอออนแบบชาร์จไฟได้ (0058-135-000)	ไม่มีข้อมูล
แรงดันไฟของแบตเตอรี่	10.8 VDC, 2.4Ah	ไม่มีข้อมูล

ตัวเลือกระบบการวัดพร้อม Chaperone® (ทางลงเตียงผู้ป่วย)	ตัวเลือกเดี่ยวระบบไฟฟ้า (มีเฉพาะใน Prime เท่านั้น)	การยกด้วยระบบไฟฟ้าเป็นอุปกรณ์เสริม
ประเภทแบตเตอรี่	1 x ชุดแบตเตอรี่ลิเทียมไอออนแบบชาร์จไฟได้ (0058-134-000)	ไม่มีข้อมูล
แรงดันไฟของแบตเตอรี่	10.8 VDC, 4.8Ah	ไม่มีข้อมูล

Stryker ขอสงวนสิทธิ์ในการเปลี่ยนแปลงข้อมูลจำเพาะโดยไม่ต้องแจ้งให้ทราบ

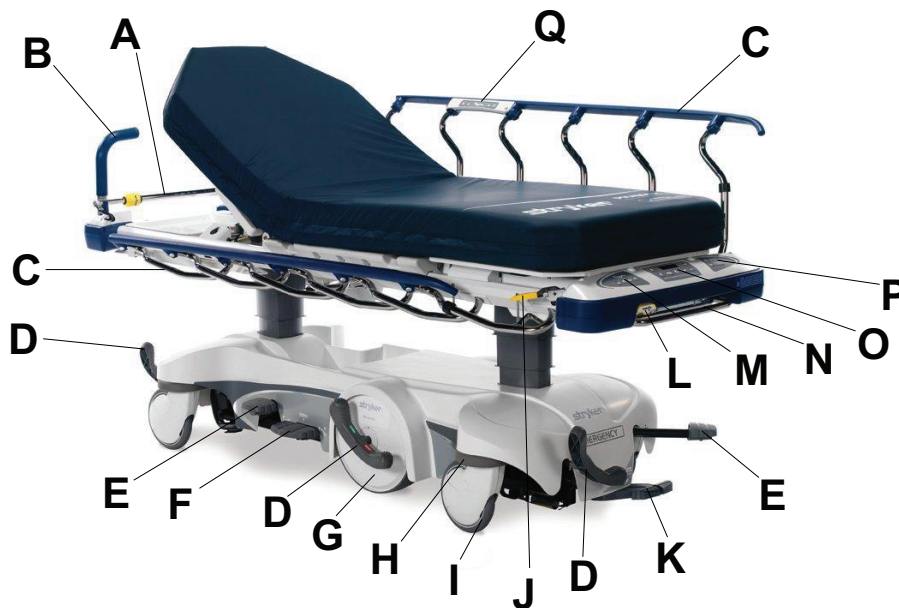
หมายเหตุ - ผลิตภัณฑ์นี้ไม่เหมาะสำหรับใช้เมื่อมีการผสมระหว่างยาระงับความรู้สึกที่ติดไฟได้กับอากาศ หรือกับออกซิเจนหรือไนตรัสออกไซด์

สภาพแวดล้อม	การใช้	การเก็บรักษาและการขนส่ง
อุณหภูมิ		
ความชื้นสัมพัทธ์		
ความดันบรรยากาศ		

หมายเหตุ - ระบบการวัดเสริม (ตัวเลือกเพียงที่ไม่ใช่ระบบไฟฟ้า/เตียงระบบไฟฟ้า) ช่วงอุณหภูมิการทำงานอยู่ที่ 61 °F (16 °C) ถึง 79 °F (26 °C)

ข้อมูลจำเพาะที่ระบุเป็นข้อมูลโดยประมาณและอาจแตกต่างกันเล็กน้อยในแต่ละผลิตภัณฑ์หรือตามความผันผวนของแหล่งจ่ายกระแสไฟ

ภาพประกอบผลิตภัณฑ์ - Prime

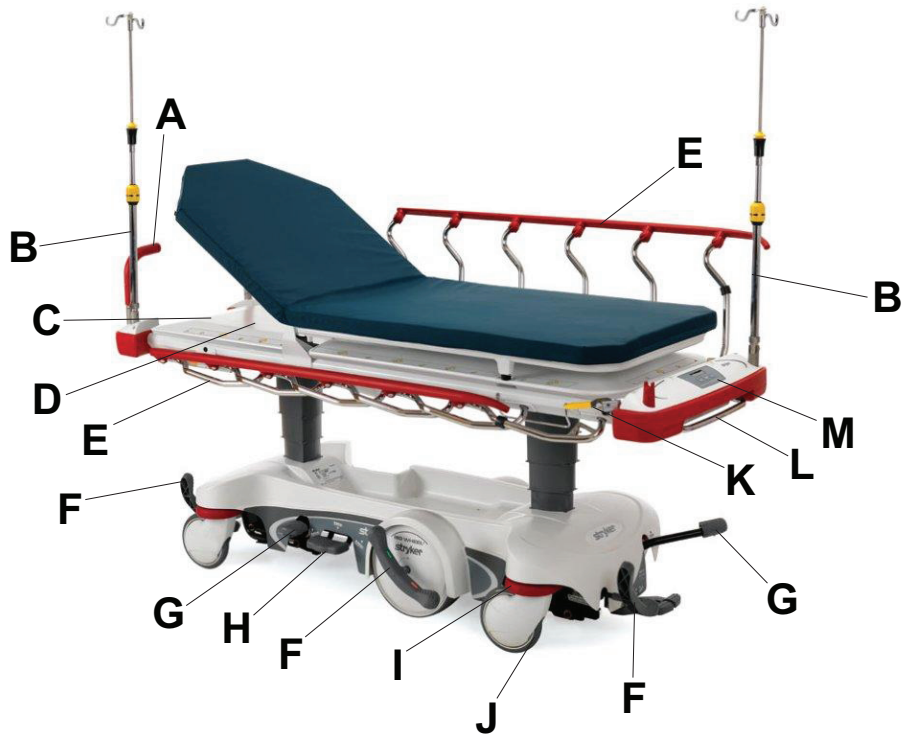


รูปที่ 2 – Prime

A	เสา IV	J	สลักราวกันเตียงด้านข้าง
B	ที่จับสำหรับการเข็นแบบกระดกขึ้น BackSmart® เป็นอุปกรณ์เสริม	K	แป้นปล่อยไฮดรอลิก
C	ราวกันเตียงด้านข้าง BackSmart	L	ที่จับปล่อย Gatch
D	แป้นเบรก/ควบคุมทิศทาง	M	แผงควบคุมการทำงานฝั่งปลายเท้า BackSmart เป็นอุปกรณ์เสริม
E	แป้นปัม	N	ชั้นวางปัม เป็นอุปกรณ์เสริม
F	แป้นเหยียบ Uni ล่าง	O	ระบบการวัด BackSmart เป็นอุปกรณ์เสริม

G	Big Wheel	P	การล็อคแผงควบคุมสำหรับผู้ป่วย เป็นอุปกรณ์เสริม
H	กันชน ในตัว	Q	แผงควบคุมสำหรับผู้ป่วยบนราวกันเตียงด้านข้าง เป็นอุปกรณ์เสริม
I	ล้อพร้อมฝาครอบล้อในตัว		

ภาพประกอบผลิตภัณฑ์ - ตัวเลือก Prime X



รูปที่ 3 – ตัวเลือก Prime X

A	ที่จับสำหรับการเข็นแบบกระดกขึ้น BackSmart® เป็นอุปกรณ์เสริม	H	แป้นเหยียบ Uni ล่าง
B	เสา IV	I	กันชน ในตัว
C	ถาดดลัปฟิล์ม	J	ล้อพร้อมฝาครอบล้อในตัว
D	พื้นผิวสำหรับผู้ป่วยพร้อมชั้น Clearview Technology®	K	สลักราวกันเตียงด้านข้าง
E	ราวกันเตียงด้านข้าง BackSmart	L	ชั้นวางป้ม เป็นอุปกรณ์เสริม
F	แป้นเบรก/ควบคุมทิศทาง	M	ระบบการวัด BackSmart เป็นอุปกรณ์เสริม
G	แป้นป้ม		

ชั้นส่วนที่ไ้ - ตัวเลือกเตียงระบบไฟฟ้า



รูปที่ 4 – ชั้นส่วนที่ไ้ Type B - ตัวเลือกเตียงระบบไฟฟ้า

ชั้นส่วนที่ไ้ - ตัวเลือก Prime X



รูปที่ 5 – ชั้นส่วนที่ไ้ Type B - ตัวเลือก Prime X

ข้อมูลการติดต่อ

ติดต่อฝ่ายบริการลูกค้าหรือฝ่ายสนับสนุนด้านเทคนิคของ Stryker ที่หมายเลข: 1-800-327-0770

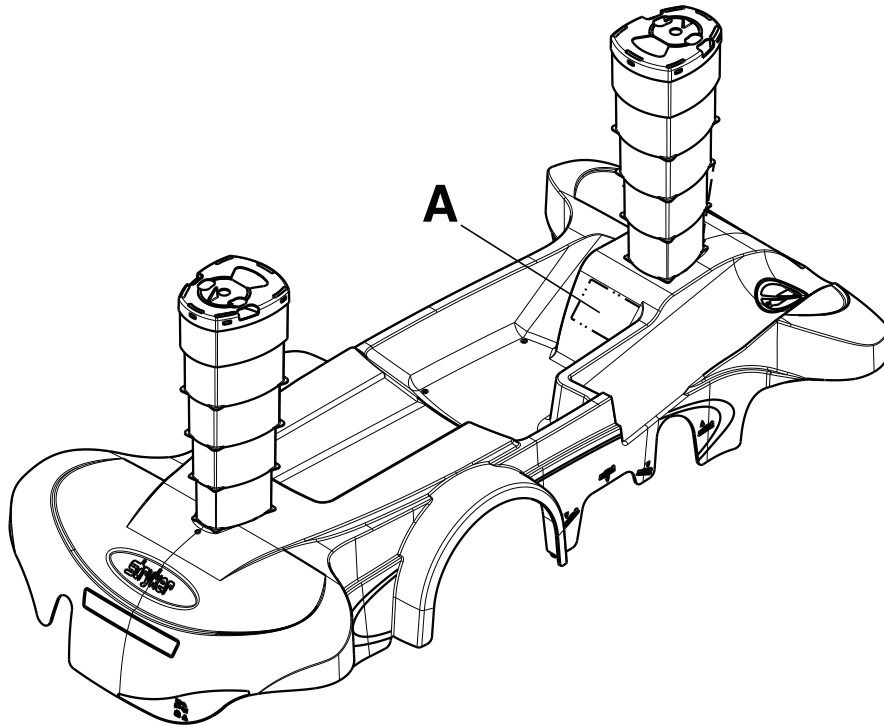
Stryker Medical
3800 E. Centre Avenue
Portage, MI 49002
ประเทศสหรัฐอเมริกา

หมายเหตุ - ผู้ใช้และ/หรือผู้ป่วยควรรายงานเหตุการณ์ร้ายแรงที่เกี่ยวข้องกับผลิตภัณฑ์ใด ๆ ต่อผู้ผลิตและพนักงานเจ้าหน้าที่ของประเทศของผู้ใช้และ/หรือผู้ป่วยที่เป็นสมาชิกสหภาพยุโรป

ในการดูคู่มือการใช้งานหรือการบำรุงรักษาของท่านแบบออนไลน์ โปรดดูที่ <https://techweb.stryker.com/>.

โปรดเตรียมเลขประจำตัวผลิตภัณฑ์ (A) ของผลิตภัณฑ์ Stryker ของท่านให้พร้อมเมื่อโทรติดต่อฝ่ายบริการลูกค้าหรือฝ่ายสนับสนุนด้านเทคนิคของ Stryker โปรดระบุเลขประจำตัวผลิตภัณฑ์ในการติดต่อที่เป็นลายลักษณ์อักษรทั้งหมด

ตำแหน่งหมายเลขประจำผลิตภัณฑ์



รูปที่ 6 – ตำแหน่งหมายเลขประจำผลิตภัณฑ์

การติดตั้ง

ในการแกะกล่องผลิตภัณฑ์ โปรดดูคำแนะนำในการแกะกล่องบรรจุภัณฑ์ที่ห้มาพร้อมกับผลิตภัณฑ์ภายในลังสำหรับการขนส่ง

คำเตือน

- ก่อนที่คุณจะตั้งค่าผลิตภัณฑ์หรือทดสอบการทำงาน ทิ้งให้ผลิตภัณฑ์มีอุณหภูมิถึงอุณหภูมิห้องก่อนเสมอ ผลิตภัณฑ์อาจได้รับความเสียหายถาวร
- ใช้งานผลิตภัณฑ์เฉพาะเมื่อผู้ปฏิบัติงานทั้งหมดไม่กีดขวางกลไกต่าง ๆ เท่านั้น
- ใช้ความระมัดระวังทุกครั้งเมื่อจัดการกับสายไฟ เกิดอันตรายจากสายไฟพันกัน ได้รับความเสียหาย หรือไฟฟ้าช็อตได้ หากสายไฟชำรุดเสียหาย ให้เลิกใช้ผลิตภัณฑ์ทันทีและติดต่อเจ้าหน้าที่ซ่อมบำรุงที่เหมาะสม
- เสียบปลั๊กผลิตภัณฑ์เข้ากับเต้ารับเกรตโรงพยาบาลที่ต่อสายดินเท่านั้น การต่อสายดินจะมีความน่าเชื่อถือก็ต่อเมื่อใช้เต้ารับเกรตโรงพยาบาลเท่านั้น ผลิตภัณฑ์นี้มาพร้อมกับปลั๊กเกรตโรงพยาบาลเพื่อป้องกันอันตรายจากไฟฟ้าช็อต

ตรวจสอบให้แน่ใจว่าผลิตภัณฑ์ทำงานอย่างถูกต้องก่อนที่จะนำผลิตภัณฑ์มาใช้งาน

1. ใส่เบรก ดันผลิตภัณฑ์เพื่อให้แน่ใจว่าล้อทั้งสี่ถูกล็อค
2. ปลดเบรก ดันผลิตภัณฑ์เพื่อให้แน่ใจว่าล้อทั้งสี่ถูกปลดล็อคแล้ว
3. ปรับขึ้นและลดระดับเตียงด้วยระบบลิฟท์ไฮดรอลิก
4. ยกผลิตภัณฑ์ขึ้นสู่ตำแหน่งสูงสุดและปรับผลิตภัณฑ์ให้อยู่ในตำแหน่งศีรษะต่ำปลายเท้าสูง (ดูที่ *การปรับตำแหน่งผลิตภัณฑ์ในท่านอนศีรษะต่ำปลายเท้าสูง* (ใน 17)) ตรวจสอบให้แน่ใจว่าฟังก์ชันลดลงจนสุด
5. ยกผลิตภัณฑ์ขึ้นสู่ตำแหน่งสูงสุดและปรับผลิตภัณฑ์ให้อยู่ในตำแหน่งศีรษะสูงปลายเท้าต่ำ (ดูที่ *การปรับตำแหน่งผลิตภัณฑ์ในท่านอนศีรษะสูงปลายเท้าต่ำ* (ใน 18)) ตรวจสอบให้แน่ใจว่าฟังก์ชันลดลงจนสุด
6. ใช้ **Big Wheel** และตรวจสอบให้แน่ใจว่าทำงานอย่างถูกต้อง
7. ตรวจสอบว่ามีกรวยก ลดระดับ และล้อคราวกันเตียงด้านข้าง
8. ยกและลดระดับพนักพิงส่วนรองหลังแบบแมนนวล (ปลายด้านศีรษะ)
9. ยกและลดระดับ Gatch แบบแมนนวล (ปลายเท้า)

สำหรับผลิตภัณฑ์ที่มีตัวเลือกการยกด้วยระบบไฟฟ้าหรือเตียงระบบไฟฟ้า:

1. ทำตามรายการตรวจสอบการตั้งค่าด้านบน
2. เสียบปลั๊กผลิตภัณฑ์เข้ากับเต้ารับบนผนังเกรตโรงพยาบาลที่มีสายดิน ตรวจสอบให้แน่ใจว่าไฟ LED ติดสว่างที่ปุ่มกดล็อค
3. ตรวจสอบให้แน่ใจว่าแต่ละฟังก์ชันบนแผงควบคุมผู้ป่วยบนราวกันเตียงด้านข้างที่เป็นอุปกรณ์เสริมทำงานอย่างถูกต้อง
4. ตรวจสอบให้แน่ใจว่าแต่ละฟังก์ชันบนแผงควบคุมสำหรับผู้ปฏิบัติงานฝั่งปลายเท้าที่เป็นอุปกรณ์เสริมทำงานอย่างถูกต้อง
5. ยกและลดระดับพนักพิงส่วนรองหลังระบบไฟฟ้า (ปลายด้านศีรษะ)
6. ยกและลดระดับ Gatch ระบบไฟฟ้า (ปลายเท้า)

สำหรับผลิตภัณฑ์ที่มีตัวเลือกระบบการวัด - ตัวเลือกเตียงระบบไฟฟ้า (มีหรือไม่มีตัวเลือก **Chaperone**):

1. ทำตามรายการตรวจสอบการตั้งค่าด้านบน
2. ชาร์จแบตเตอรี่ (การชาร์จตัวเลือกชุดแบตเตอรี่ระบบการวัด - ตัวเลือกเตียงระบบไฟฟ้าหรือตัวเลือกเตียงระบบไฟฟ้าที่มีตัวเลือก **Chaperone** - เฉพาะ *Prime* (ใน 31))

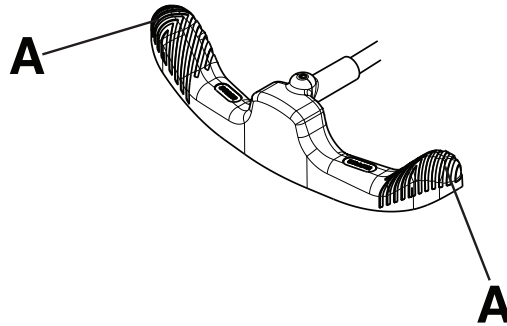
การใช้

การใช้และการปล่อยเบรก

คำเตือน - ใส่เบรกทุกครั้งเมื่อผู้ปวยขึ้นบนผลิตภัณฑ์หรือออกจากผลิตภัณฑ์หรือเมื่อผลิตภัณฑ์ไม่เคลื่อนที่ การเคลื่อนที่ของผลิตภัณฑ์ในขณะที่ผู้ปวยก้าวขึ้นหรือลงอาจส่งผลให้ได้รับบาดเจ็บได้

ในการใช้เบรก ให้กดแป้นเบรก (สีแดง) ซ้ำ ๆ แป้นเบรก/ควบคุมทิศทาง ด้านผลิตภัณฑ์เพื่อให้แน่ใจว่าเบรกทำงานอย่างถูกต้อง

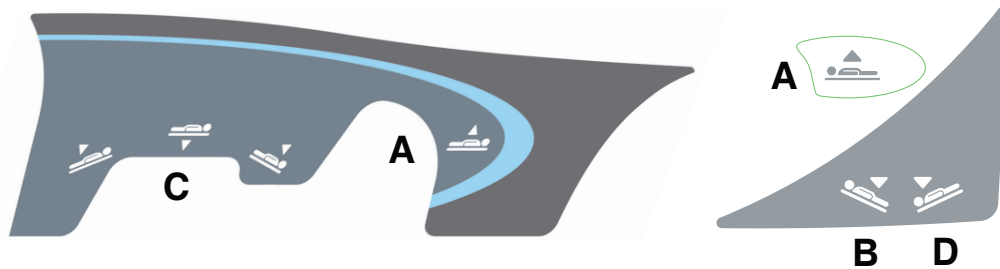
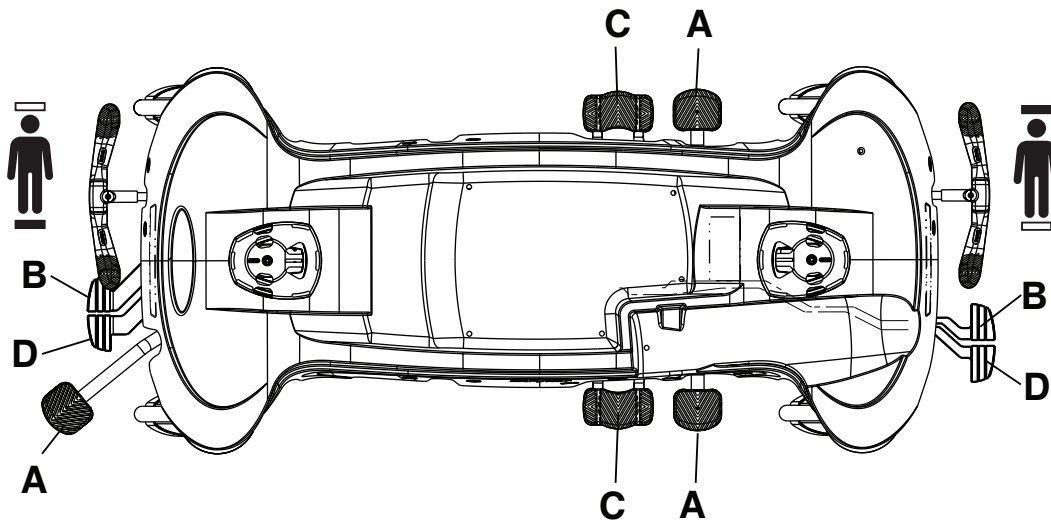
ในการปลดเบรก ให้กดแป้นเหยียบ (สีเขียว) ที่อยู่ซ้ำ ๆ แป้นเบรก/ควบคุมทิศทางลง



รูปที่ 7 – การใช้งานแป้นเบรก/แป้นบังคับเลี้ยว

หมายเหตุ - อย่กดลงที่ตรงกลางของแป้นเบรก/แป้นบังคับเลี้ยว กดลงที่ด้านนอก (A) ของแป้นเบรก/แป้นบังคับเลี้ยวเสมอ (รูปที่ 7)

การควบคุมฐานของ Prime



รูปที่ 8 – ตัวควบคุมและป้ายกำกับของ Prime

การเพิ่มระดับความสูงเตียงที่ไม่ใช่ระบบไฟฟ้า

คำเตือน

- จัดให้ผู้ป่วยอยู่ตรงกลางผลิตภัณฑ์เสมอ
- ปรับระดับผลิตภัณฑ์ให้อยู่ในตำแหน่งต่ำสุดโดยยกแผงด้านข้างขึ้นและล็อกเสมอหากปล่อยให้ผู้ป่วยอยู่ตามลำพัง อย่าทิ้งผลิตภัณฑ์ไว้ในระดับความสูง
- ถอดอุปกรณ์ใด ๆ ที่อาจกีดขวางทุกครั้งก่อนที่จะปรับเพิ่มหรือลดระดับความสูงเตียง
- อย่านั่งบนส่วนปลายของผลิตภัณฑ์ ผลิตภัณฑ์อาจจะคว่ำได้

ข้อควรระวัง - อย่าใช้ระบบไฮดรอลิกส์ที่ฐานเพื่อยกผลิตภัณฑ์ที่มีระบบการยกผู้ป่วยอยู่ด้านล่างผลิตภัณฑ์

ในการยกเตียงขึ้น ให้กดแป้นบีบ (A) ลงจนได้ความสูงที่ต้องการ (*การควบคุมฐานของ Prime* (ใน 16))

การลดระดับความสูงเตียงที่ไม่ใช่ระบบไฟฟ้า

คำเตือน

- จัดให้ผู้ป่วยอยู่ตรงกลางผลิตภัณฑ์เสมอ
- ปรับระดับผลิตภัณฑ์ให้อยู่ในตำแหน่งต่ำสุดโดยยกแผงด้านข้างขึ้นและล็อกเสมอหากปล่อยให้ผู้ป่วยอยู่ตามลำพัง อย่าทิ้งผลิตภัณฑ์ไว้ในระดับความสูง
- ถอดอุปกรณ์ใด ๆ ที่อาจกีดขวางทุกครั้งก่อนที่จะปรับเพิ่มหรือลดระดับความสูงเตียง
- อย่านั่งบนส่วนปลายของผลิตภัณฑ์ ผลิตภัณฑ์อาจจะคว่ำได้

ข้อควรระวัง - อย่าใช้ระบบไฮดรอลิกส์ที่ฐานเพื่อยกผลิตภัณฑ์ที่มีระบบการยกผู้ช่วยอยู่ด้านล่างผลิตภัณฑ์

หากต้องการลดระดับเตียงลงทั้งหมด ให้กดตรงกลางของแป้นเหยียบด้านล่าง (C) (*การควบคุมฐานของ Prime* (ใน 16))

ในการลดระดับฝั่งปลายด้านศีรษะของเตียงลง ให้กดแป้นเหยียบ (B) หรือที่ด้านข้างของแป้นเหยียบเดียวด้านล่าง (C) ที่ใกล้กับฝั่งปลายด้านศีรษะของผลิตภัณฑ์มากที่สุด

ในการลดระดับฝั่งปลายเท้าของเตียงลง ให้กดแป้นเหยียบ (D) หรือกดที่ด้านข้างของแป้นเหยียบเดียวด้านล่าง (C) ที่ใกล้กับฝั่งปลายเท้าของผลิตภัณฑ์มากที่สุด

ตัวเลือกการเพิ่มระดับความสูงเตียงระบบไฟฟ้า

คำเตือน

- จัดให้ผู้ช่วยอยู่ตรงกลางผลิตภัณฑ์เสมอ
 - ปรับระดับผลิตภัณฑ์ให้อยู่ในตำแหน่งต่ำสุดโดยยกแผงด้านข้างขึ้นและล็อกเสมอหากปล่อยให้ผู้ช่วยอยู่ตามลำพัง อย่าทิ้งผลิตภัณฑ์ไว้ในระดับความสูง
 - ถอดอุปกรณ์ใด ๆ ที่อาจกีดขวางทุกครั้งก่อนที่จะปรับเพิ่มหรือลดระดับความสูงเตียง
 - อย่านั่งบนส่วนปลายของผลิตภัณฑ์ ผลิตภัณฑ์อาจจะคว่ำได้
-

ข้อควรระวัง - อย่าใช้ระบบไฮดรอลิกส์ที่ฐานเพื่อยกผลิตภัณฑ์ที่มีระบบการยกผู้ช่วยอยู่ด้านล่างผลิตภัณฑ์

ในการยกเตียงระบบไฟฟ้า ให้กดแป้นปัม (A) ลงจนได้ระดับความสูงที่ต้องการ (*การควบคุมฐานของ Prime* (ใน 16))

ตัวเลือกการลดระดับความสูงเตียงระบบไฟฟ้า

คำเตือน

- จัดให้ผู้ช่วยอยู่ตรงกลางผลิตภัณฑ์เสมอ
 - ปรับระดับผลิตภัณฑ์ให้อยู่ในตำแหน่งต่ำสุดโดยยกแผงด้านข้างขึ้นและล็อกเสมอหากปล่อยให้ผู้ช่วยอยู่ตามลำพัง อย่าทิ้งผลิตภัณฑ์ไว้ในระดับความสูง
 - ถอดอุปกรณ์ใด ๆ ที่อาจกีดขวางทุกครั้งก่อนที่จะปรับเพิ่มหรือลดระดับความสูงเตียง
 - อย่านั่งบนส่วนปลายของผลิตภัณฑ์ ผลิตภัณฑ์อาจจะคว่ำได้
-

ข้อควรระวัง - อย่าใช้ระบบไฮดรอลิกส์ที่ฐานเพื่อยกผลิตภัณฑ์ที่มีระบบการยกผู้ช่วยอยู่ด้านล่างผลิตภัณฑ์

ในการลดเตียงระบบไฟฟ้าลงทั้งหมด ให้กดตรงกลางของแป้นเหยียบเดียวด้านล่าง (C) (*การควบคุมฐานของ Prime* (ใน 16))

ในการลดฝั่งปลายด้านศีรษะของเตียงลง ให้กดแป้นเหยียบ (B) หรือกดที่ด้านข้างของแป้นเหยียบเดียวด้านล่าง (C) ที่ใกล้กับฝั่งปลายด้านศีรษะของผลิตภัณฑ์มากที่สุด

ในการลดฝั่งปลายเท้าของเตียงลง ให้กดแป้นเหยียบ (D) หรือกดที่ด้านข้างของแป้นเหยียบเดียวด้านล่าง (C) ที่ใกล้กับฝั่งปลายเท้าของผลิตภัณฑ์มากที่สุด

การปรับตำแหน่งผลิตภัณฑ์ในท่านอนศีรษะต่ำปลายเท้าสูง

คำเตือน - ถอดอุปกรณ์ใด ๆ ที่อาจกีดขวางทุกครั้งก่อนที่จะปรับเพิ่มหรือลดระดับความสูงเตียง

ข้อควรระวัง - อย่าใช้ระบบไฮดรอลิกส์ที่ฐานเพื่อยกผลิตภัณฑ์ที่มีระบบการยกผู้ช่วยอยู่ด้านล่างผลิตภัณฑ์

ในการปรับตำแหน่งผลิตภัณฑ์ในตำแหน่งศีรษะต่ำปลายเท้าสูง (ศีรษะต่ำ) ให้ยกเตียงขึ้นที่ความสูงสูงสุด (*การเพิ่มระดับความสูงเตียงที่ไม่ใช้ระบบไฟฟ้า* (ใน 16) หรือ *ตัวเลือกการเพิ่มระดับความสูงเตียงระบบไฟฟ้า* (ใน 17))

หมายเหตุ - ยกเตียงให้สูงที่สุดเพื่อให้ได้มุมศีรษะต่ำปลายเท้าสูงที่เพิ่มขึ้น

ในการลดฟุ้งกระจายด้านศีรษะของผลิตภัณฑ์ลง ให้กดแป้นฟุ้งกระจายด้านศีรษะหรือแป้นปลดฟุ้งกระจาย (D) หรือกดที่ด้านข้างของแป้นเหยียบเดียวด้านล่าง (C) ที่ใกล้กับฟุ้งกระจายด้านศีรษะ (*การควบคุมฐานของ Prime* (ใน 16))

หากต้องการลดระดับผลิตภัณฑ์ลงจากตำแหน่งศีรษะต่ำปลายเท้าสูง ให้กดแป้นเหยียบปลดฟุ้งกระจายและฟุ้งกระจาย (B และ D) ลงพร้อมกันหรือกดที่กึ่งกลางของแป้นเหยียบเดียวด้านล่าง (C) จนกระทั่งเตียงแบนราบ

การปรับตำแหน่งผลิตภัณฑ์ในท่านอนศีรษะสูงปลายเท้าต่ำ

คำเตือน - ถอดอุปกรณ์ใด ๆ ที่อาจกีดขวางทุกครั้งก่อนที่จะปรับเพิ่มหรือลดระดับความสูงเตียง

ข้อควรระวัง - อย่าใช้ระบบไฮดรอลิกส์ที่ฐานเพื่อยกผลิตภัณฑ์ที่มีระบบการยกผู้ป่วยอยู่ด้านล่างผลิตภัณฑ์

วิธีตำแหน่งผลิตภัณฑ์ให้อยู่ในตำแหน่งศีรษะสูงปลายเท้าต่ำ (เท้าลง) ให้ยกเตียงขึ้นที่ความสูงสูงสุด (*การเพิ่มระดับความสูงเตียงที่ไม่ใช่ระบบไฟฟ้า* (ใน 16) หรือ*ตัวเลือกการเพิ่มระดับความสูงเตียงระบบไฟฟ้า* (ใน 17))

หมายเหตุ - ยกเตียงให้สูงที่สุดเพื่อให้ได้มุมศีรษะต่ำปลายเท้าสูงที่เพิ่มขึ้น

ในการลดฟุ้งกระจายของผลิตภัณฑ์ให้ กดแป้นฟุ้งกระจายด้านศีรษะหรือแป้นปลดส่วนฟุ้งกระจาย (B) หรือกดที่ด้านข้างของแป้นเหยียบเดียวด้านล่าง (C) ที่ใกล้กับฟุ้งกระจายมากที่สุด (*การควบคุมฐานของ Prime* (ใน 16))

ในการลดระดับผลิตภัณฑ์ลงจากตำแหน่งศีรษะสูงปลายเท้าต่ำ ให้กดแป้นเหยียบฟุ้งกระจายด้านศีรษะและแป้นปลดฟุ้งกระจาย (B และ D) ลงพร้อมกันหรือกดที่กึ่งกลางของแป้นเหยียบเดียวด้านล่าง (C) จนกระทั่งเตียงแบนราบ

การเคลื่อนย้ายผู้ป่วย

คำเตือน

- จัดให้ผู้ป่วยอยู่ตรงกลางผลิตภัณฑ์เสมอ
 - ล็อคราวกันเตียงด้านข้างให้อยู่ในตำแหน่งสูงสุดเสมอเมื่อพื้นผิวการนอนอยู่ในแนวนอนและอยู่ในตำแหน่งต่ำสุดเมื่อคุณเคลื่อนย้ายผู้ป่วย
 - อย่าขนส่งผลิตภัณฑ์ในแนวเอียงมากกว่า 5.7 องศา (เกรด 10%) เพื่อหลีกเลี่ยงการคว่ำของผลิตภัณฑ์
-

วิธีเคลื่อนย้ายผู้ป่วย:

1. ยกราวกันให้อยู่ในตำแหน่งสูงสุด ดึงที่จับด้านข้างเพื่อให้แน่ใจว่าใส่สลักแล้ว
2. ลดระดับเตียงลงไปที่ตำแหน่งต่ำสุด
3. ถอดปลั๊กสายไฟออกจากเต้ารับบนผนังหากผลิตภัณฑ์มีตัวเลือกการยกด้วยระบบไฟฟ้าหรือเตียงระบบไฟฟ้า
4. กดแป้นฟังก์ชันควบคุมทิศทาง (สีเขียว) ของแป้นเบรก/ควบคุมทิศทาง
5. ใช้นิ้วที่จับสำหรับการเข็นเพื่อดันผลิตภัณฑ์
6. ใสเบรกเพื่อล็อคผลิตภัณฑ์ให้อยู่กับที่

หมายเหตุ - ตรวจสอบให้แน่ใจเสมอว่าได้ปลดเบรกแล้วก่อนที่จะเคลื่อนย้ายผลิตภัณฑ์เพื่อหลีกเลี่ยงการบาดเจ็บของผู้ปฏิบัติงาน

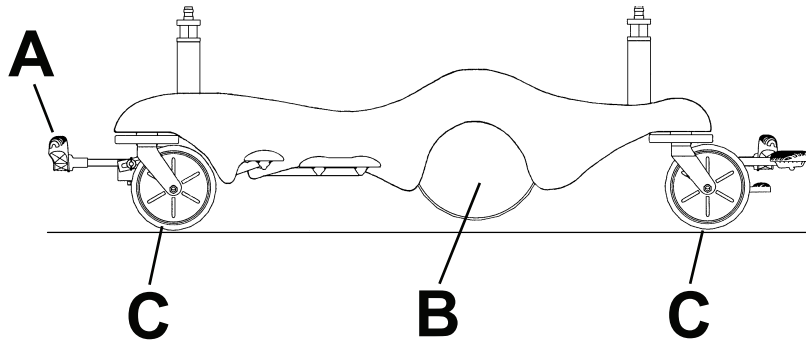
การเคลื่อนย้ายผู้ป่วยโดยไม่ใช้ Big Wheel

คำเตือน

- จัดให้ผู้ป่วยอยู่ตรงกลางผลิตภัณฑ์เสมอ
 - ล็อคราวกันเตียงด้านข้างให้อยู่ในตำแหน่งสูงสุดเสมอเมื่อพื้นผิวการนอนอยู่ในแนวนอนและอยู่ในตำแหน่งต่ำสุดเมื่อคุณเคลื่อนย้ายผู้ป่วย
-

ในการเคลื่อนย้ายผู้ป่วยโดยไม่ใช้ Big Wheel

1. ใสเบรก/แป้นควบคุมทิศทาง (A) ในตำแหน่งเกียร์ว่าง (รูปที่ 9)



รูปที่ 9 – การขนส่งโดยไม่ใช่ Big Wheel

2. ลดระดับเตียงลงไปที่ตำแหน่งต่ำสุด
3. สำหรับรุ่น 1125 เท่านั้น ตรวจสอบให้แน่ใจว่าสวิตช์ On/Drive-Off/Manual อยู่ในตำแหน่ง Off
4. ถอดสายไฟออกจากเต้ารับบนผนังเกรดโรงพยาบาลหากผลิตภัณฑ์ของคุณมีตัวเลือกการยกด้วยระบบไฟฟ้าหรือตัวเลือกเตียงระบบไฟฟ้า
5. ใช้ที่จับสำหรับการเข็นเพื่อดันผลิตภัณฑ์
6. ใส่เบรกเพื่อล็อกผลิตภัณฑ์ให้อยู่กับที่

หมายเหตุ

- ตรวจสอบให้แน่ใจเสมอว่าได้ปลดเบรกแล้วก่อนที่จะเคลื่อนย้ายผลิตภัณฑ์เพื่อหลีกเลี่ยงการบาดเจ็บของผู้ปฏิบัติงาน
- เมื่อผลิตภัณฑ์อยู่ในตำแหน่งเกียร์ว่าง Big Wheel (B) จะยกสูงขึ้นและผลิตภัณฑ์ตั้งอยู่บนล้อทั้งสี่ (C) (รูปที่ 9) ในตำแหน่งนี้ คุณสามารถเคลื่อนย้ายผลิตภัณฑ์ไปในทิศทางใดก็ได้ รวมถึงด้านข้าง

การเคลื่อนย้ายผู้ป่วยโดยใช้ Big Wheel

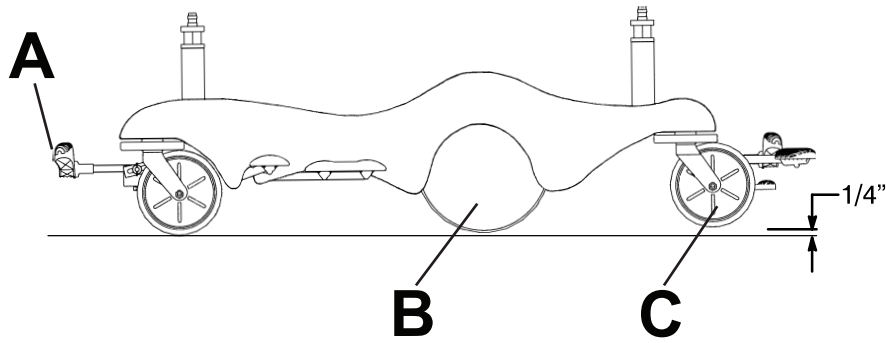
คำเตือน

- จัดให้ผู้ป่วยอยู่ตรงกลางผลิตภัณฑ์เสมอ
- ล็อคครางกันเตียงด้านข้างให้อยู่ในตำแหน่งสูงสุดเสมอเมื่อพื้นผิวการนอนอยู่ในแนวนอนและอยู่ในตำแหน่งต่ำสุดเมื่อคุณเคลื่อนย้ายผู้ป่วย

ข้อควรระวัง - อย่าใช้แป้นเหยียบบังคับทิศทางเมื่อ Big Wheel อยู่บนธรณีประตูหรือพื้นที่ยกสูงขึ้นอื่น ๆ แรงที่ต้องใช้กับ Big Wheel จะสูงกว่าปกติ ซึ่งอาจทำให้ผลิตภัณฑ์ได้รับความเสียหายได้

การเคลื่อนย้ายผู้ป่วยด้วย Big Wheel:

1. ยกครางกันให้อยู่ในตำแหน่งสูงสุด ดึงแต่ครางกันละด้านเพื่อให้แน่ใจว่าใส่สลักแล้ว
2. ลดระดับเตียงลงไปที่ตำแหน่งต่ำสุด
3. สำหรับรุ่น 1125 เท่านั้น ตรวจสอบให้แน่ใจว่าสวิตช์ On/Drive-Off/Manual อยู่ในตำแหน่ง Off
4. ถอดสายไฟออกจากเต้ารับบนผนังเกรดโรงพยาบาลหากผลิตภัณฑ์ของคุณมีตัวเลือกการยกด้วยระบบไฟฟ้าหรือตัวเลือกเตียงระบบไฟฟ้า
5. ใส่เบรก/แป้นควบคุมทิศทาง (A) ในตำแหน่งการควบคุมทิศทาง (รูปที่ 10)



รูปที่ 10 – การขนส่งด้วย Big Wheel

6. ไม้ที่จับสำหรับการเข็นเพื่อดันผลิตภัณฑ์
7. ใสเบรคเพื่อล็อคผลิตภัณฑ์ให้อยู่กับที่

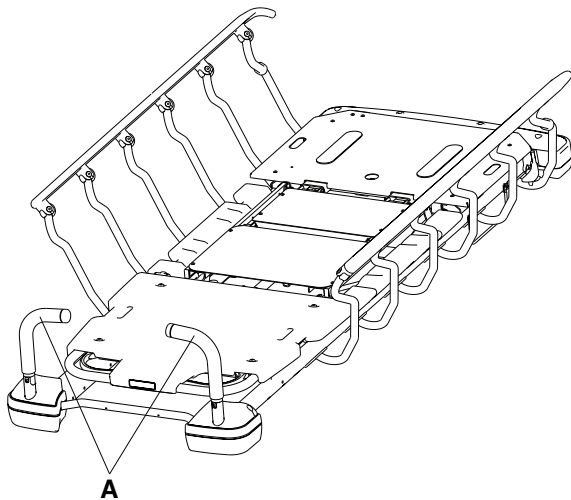
หมายเหตุ

- ตรวจสอบให้แน่ใจเสมอว่าได้ปลดเบรคแล้วก่อนที่คุณจะพยายามเคลื่อนย้ายผลิตภัณฑ์ การพยายามเคลื่อนย้ายผลิตภัณฑ์โดยที่ยังใส่เบรคอาจส่งผลให้ผู้ปฏิบัติงานหรือผู้ป่วยได้รับบาดเจ็บ
- Big Wheel (B) ไม่หมุน ผลิตภัณฑ์จะไม่สามารถย้ายไปทางด้านข้างได้เมื่อใช้ Big Wheel
- เมื่อใช้ Big Wheel (B) ผลิตภัณฑ์จะถูกยกขึ้นและล้อเลื่อนฝั่งปลายเท้า (C) จะยกสูงขึ้น ผลิตภัณฑ์ตั้งอยู่บนล้อเลื่อนฝั่งศีรษะและ Big Wheel ทำให้ง่ายต่อการควบคุมทิศทางผลิตภัณฑ์ (รูปที่ 10)

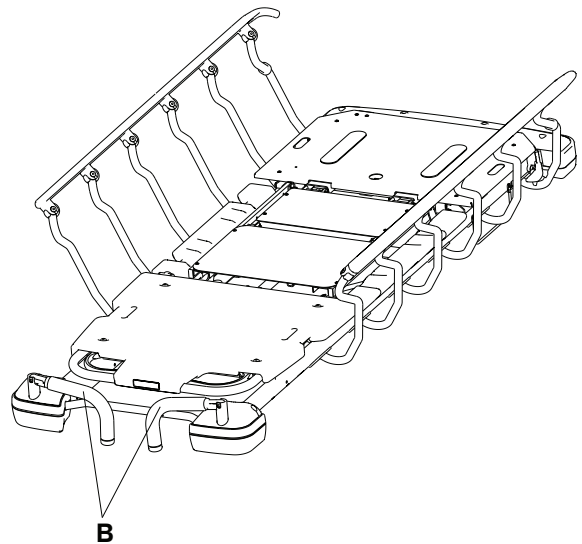
การปรับตำแหน่งหรือการจัดเก็บตัวเลือกที่จับสำหรับการเข็นฝั่งศีรษะ

วิธีปรับตำแหน่งหรือเก็บที่จับสำหรับการเข็นปลายด้านศีรษะ:

1. หมุนที่จับ (A) ขึ้นจากปลายด้านศีรษะของผลิตภัณฑ์ (รูปที่ 11)
2. กดที่จับลงเพื่อล็อคให้เข้าที่



รูปที่ 11 – การปรับตำแหน่งที่จับสำหรับการเข็นปลายด้านศีรษะ



รูปที่ 12 – การจัดเก็บที่จับสำหรับการเข็นปลายด้านศีรษะ

3. ทำย้อนกลับขั้นตอนเพื่อเก็บที่จับสำหรับการเข็นฝั่งศีรษะ (B) (รูปที่ 12)

หมายเหตุ - ไม้ที่จับสำหรับการเข็นเป็นอุปกรณ์ในการผลัก/ดึงเท่านั้นเว้นแต่จะระบุไว้เป็นอย่างอื่นเพื่อหลีกเลี่ยงความเสียหายของผลิตภัณฑ์

การยกขาขึ้น

คำเตือน

- ใช้ความระมัดระวังเป็นพิเศษเสมอเมื่อคุณใช้ที่นั่งนอนที่หนากว่า 2.5 นิ้ว (6.35 ซม.) หรือใช้แผ่นรองทับกับตัวเลือก **Prime X**
- ปรับระดับผลิตภัณฑ์ให้อยู่ในตำแหน่งต่ำสุดโดยยกแผงด้านข้างขึ้นและล็อคเสมอหากปล่อยให้ผู้ป่วยอยู่ตามลำพัง อย่าทิ้งผลิตภัณฑ์ไว้ในระดับความสูง
- ล็อคราวกันเตียงด้านข้างให้อยู่ในตำแหน่งสูงสุดเสมอเมื่อพื้นผิวการนอนอยู่ในแนวนอนและอยู่ในตำแหน่งต่ำสุดเมื่อคุณเคลื่อนย้ายผู้ป่วย
- ให้แขนขาของผู้ป่วยอยู่ห่างจากแกนหมุนของราวกันเตียงด้านข้างเสมอเมื่อคุณยกหรือลดระดับราวกันเตียงด้านข้าง
- อย่าให้แผงด้านข้างลดระดับลงเอง

วิธียกขาขึ้น:

1. ใช้สองมือจับราวกันเตียง
2. ยกราวกันเตียงไปทางฝั่งปลายเท้าของผลิตภัณฑ์จนกระทั่งสลักปลดสีเหลืองคลิกเข้าที่ ดึงราวกันเตียงเพื่อให้แน่ใจว่าใส่สลักด้านข้างแล้ว

หมายเหตุ

- มีตัวเลือกสลักปลดล็อคด้านข้างแบบคู่พร้อมสลักที่ปลายทั้งสองด้านของผลิตภัณฑ์
- อย่าใช้ราวกันเตียงเป็นอุปกรณ์กันตกเพื่อป้องกันไม่ให้ผู้ป่วยหลุดออกจากผลิตภัณฑ์ ราวกันด้านข้างป้องกันไม่ให้ผู้ป่วยกิ้งออกจากผลิตภัณฑ์ ผู้ปฏิบัติงานต้องตัดสินใจว่าจะต้องใช้การยึดแน่นเพียงใดเพื่อให้แน่ใจว่าผู้ป่วยมีความปลอดภัย
- คุณสามารถใช้ฝั่งปลายเท้าของราวด้านบนด้านข้างเป็นอุปกรณ์ในการเข็น/ดึง
- ราวกันเตียงล็อคในตำแหน่งสูงสุดเท่านั้น

การลดระดับราวกันลง

คำเตือน

- ใช้ความระมัดระวังเป็นพิเศษเสมอเมื่อคุณใช้ที่นั่งนอนที่หนากว่า 2.5 นิ้ว (6.35 ซม.) หรือใช้แผ่นรองทับกับตัวเลือก **Prime X**
- ปรับระดับผลิตภัณฑ์ให้อยู่ในตำแหน่งต่ำสุดโดยยกแผงด้านข้างขึ้นและล็อคเสมอหากปล่อยให้ผู้ป่วยอยู่ตามลำพัง อย่าทิ้งผลิตภัณฑ์ไว้ในระดับความสูง
- ล็อคราวกันเตียงด้านข้างให้อยู่ในตำแหน่งสูงสุดเสมอเมื่อพื้นผิวการนอนอยู่ในแนวนอนและอยู่ในตำแหน่งต่ำสุดเมื่อคุณเคลื่อนย้ายผู้ป่วย
- ให้แขนขาของผู้ป่วยอยู่ห่างจากแกนหมุนของราวกันเตียงด้านข้างเสมอเมื่อคุณยกหรือลดระดับราวกันเตียงด้านข้าง
- อย่าให้แผงด้านข้างลดระดับลงเอง

วิธีลดระดับราวกันเตียงให้ต่ำลง

1. ใช้มือข้างหนึ่งจับราวกันเตียง
2. ใช้มืออีกข้างดึงสลักปลดสีเหลืองขึ้น
3. ยกและนำราวกันเตียงไปทางฝั่งปลายด้านศีรษะของผลิตภัณฑ์จนกระทั่งสลักปลดสีเหลืองคลิกเข้าที่ ดึงราวกันเตียงเพื่อให้แน่ใจว่าใส่สลักด้านข้างแล้ว

หมายเหตุ

- มีตัวเลือกสลักปลดล็อคด้านข้างแบบคู่พร้อมสลักที่ปลายทั้งสองด้านของผลิตภัณฑ์
- อย่าใช้ราวกันเตียงเป็นอุปกรณ์กันตกเพื่อป้องกันไม่ให้ผู้ป่วยหลุดออกจากผลิตภัณฑ์ ราวกันด้านข้างป้องกันไม่ให้ผู้ป่วยกิ้งออกจากผลิตภัณฑ์ ผู้ปฏิบัติงานต้องตัดสินใจว่าจะต้องใช้การยึดแน่นเพียงใดเพื่อให้แน่ใจว่าผู้ป่วยมีความปลอดภัย
- คุณสามารถใช้ฝั่งปลายเท้าของราวด้านบนด้านข้างเป็นอุปกรณ์ในการเข็น/ดึง
- ราวกันเตียงล็อคในตำแหน่งสูงสุดเท่านั้น

การปรับตำแหน่งผลิตภัณฑ์ด้วยแผงควบคุมราวกันผู้ป่วย - ตัวเลือกเตียงระบบไฟฟ้า - เฉพาะ Prime

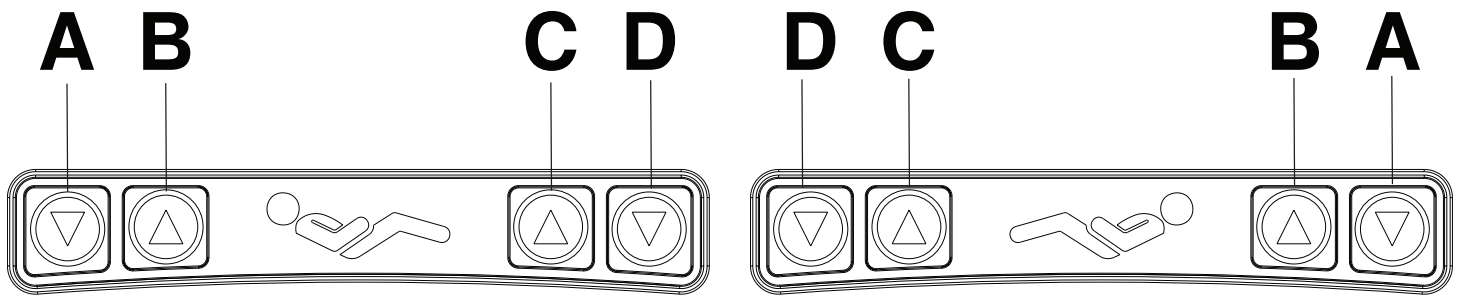
คำเตือน - ใช้งานผลิตภัณฑ์เฉพาะเมื่อผู้ปฏิบัติงานทั้งหมดไม่กีดขวางกลไกต่าง ๆ เท่านั้น

ใช้แผงควบคุมสำหรับผู้ป่วยบนราวกันเตียงเพื่อจัดตำแหน่งพนักพิงส่วนรองหลัง และ Gatch (รูปที่ 13)

ผู้เชี่ยวชาญด้านการดูแลสุขภาพต้องแนะนำผู้ป่วยถึงวิธีการใช้งานแผงควบคุมสำหรับผู้ป่วย

หมายเหตุ

- เสียบสายไฟเข้ากับเต้ารับเกรดโรงพยาบาลที่มีสายดินทุกครั้ง
- แผงควบคุมสำหรับผู้ป่วยบนราวกันเตียงอยู่ในตำแหน่งที่โอนเอนในแต่ละด้านของผลิตภัณฑ์เพื่อให้ผู้ป่วยเข้าถึงได้ง่าย
- ราวกันเตียงแต่ละข้างมีไปแบ็คไลต์บนแผงควบคุมเพื่อให้ผู้ป่วยจัดตำแหน่งพนักพิงและ Gatch ของส่วนรองหลังได้ เมื่อเสียบปลั๊กผลิตภัณฑ์และแผงควบคุมของผู้ป่วยถูกลดล็อก ปุ่มสีขาวจะติดสว่างขึ้น



รูปที่ 13 – แผงควบคุมสำหรับผู้ป่วยบนราวกันเตียง

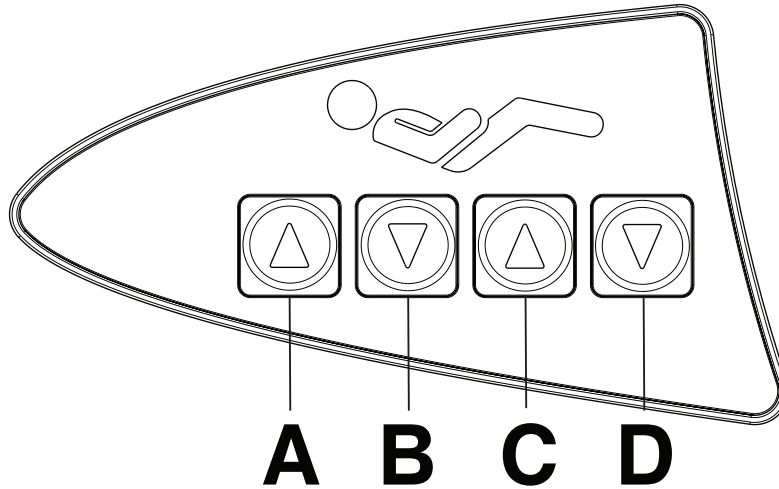
A	ลดระดับส่วนรองหลังลง	ลดระดับส่วนรองหลังลง (ฝั่งศีรษะ)
B	ยกส่วนรองหลังขึ้น	ยกส่วนรองหลังขึ้น (ฝั่งศีรษะ)
C	ยก Gatch ขึ้น	ยก Gatch ขึ้น (ฝั่งเท้า)
D	ลดระดับ Gatch ลง	ลดระดับ Gatch ลง (ฝั่งเท้า)

แผงควบคุมสำหรับผู้ปฏิบัติงาน - ตัวเลือกเตียงระบบไฟฟ้า - เฉพาะ Prime

คำเตือน - ใช้งานผลิตภัณฑ์เฉพาะเมื่อผู้ปฏิบัติงานทั้งหมดไม่กีดขวางกลไกต่าง ๆ เท่านั้น

ใช้แผงควบคุมสำหรับผู้ปฏิบัติงานเพื่อปรับตำแหน่งของผู้ป่วยบนผลิตภัณฑ์ (รูปที่ 14)

หมายเหตุ - เสียบสายไฟเข้ากับเต้ารับเกรดโรงพยาบาลที่มีสายดินทุกครั้ง



รูปที่ 14 – แผงควบคุมสำหรับผู้ปฏิบัติงาน - ตัวเลือกเตียงระบบไฟฟ้า

A	ยกส่วนรองหลังขึ้น	ยกพนักพิงส่วนรองหลังขึ้น
B	ลดระดับส่วนรองหลังลง	ลดระดับพนักพิงส่วนรองหลังลง
C	ยก Gatch ขึ้น	ยก Gatch ขึ้น
D	ลดระดับ Gatch ลง	ลดระดับ Gatch ลง

การล็อกและปลดล็อกการล็อกแผงควบคุมสำหรับผู้ป่วย - ตัวเลือกเตียงระบบไฟฟ้า - เฉพาะ Prime

คำเตือน - ใช้งานผลิตภัณฑ์เฉพาะเมื่อผู้ปฏิบัติงานทั้งหมดไม่กีดขวางกลไกต่าง ๆ เท่านั้น

ในการล็อกแผงควบคุมสำหรับผู้ป่วยบนราวกันเตียง ให้กด **Unlock/Lock (A)** หนึ่งครั้ง (รูปที่ 15)

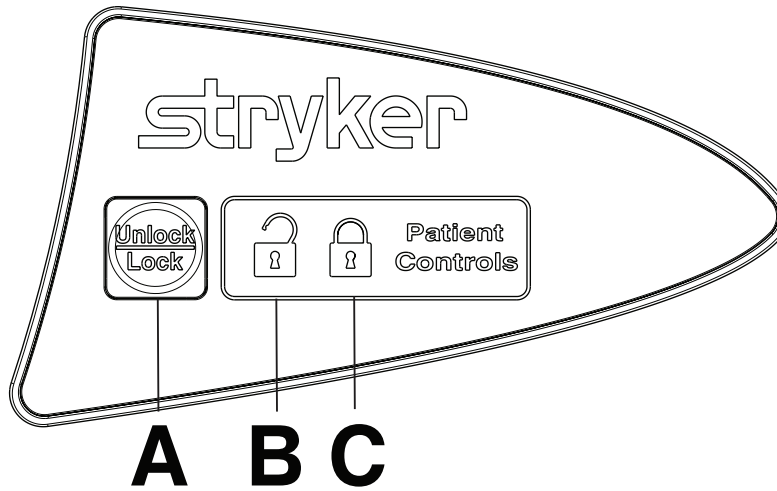
หมายเหตุ - ไอคอนรูปแม่กุญแจ (C) จะสว่างเป็นสีเหลืองเมื่อล็อกแผงควบคุมสำหรับผู้ป่วย

ในการปลดล็อกแผงควบคุมสำหรับผู้ป่วยบนราวกันเตียง ให้กด **Unlock/Lock (A)** สองครั้ง

หมายเหตุ - ไอคอนปลดล็อก (B) จะสว่างเป็นสีเขียวเมื่อปลดล็อกแผงควบคุมสำหรับผู้ป่วย

หมายเหตุ

- เสียบสายไฟเข้ากับเต้ารับเกรดโรงพยาบาลที่มีสายดินทุกครั้ง
- คุณสามารถล็อกแผงควบคุมสำหรับผู้ป่วยเพื่อป้องกันไม่ให้ผู้ป่วยขยับพนักพิงและ Gatch
- แผงควบคุมสำหรับผู้ป่วยบนราวกันเตียงจะไม่มีแบ็คไลท์เมื่อคุณล็อกแผงควบคุมสำหรับผู้ป่วย



รูปที่ 15 – การล็อกแผงควบคุมสำหรับผู้ป่วย

การยกหรือลดพนักพิงส่วนรองหลัง - เติงที่ไม่ใช้ระบบไฟฟ้า

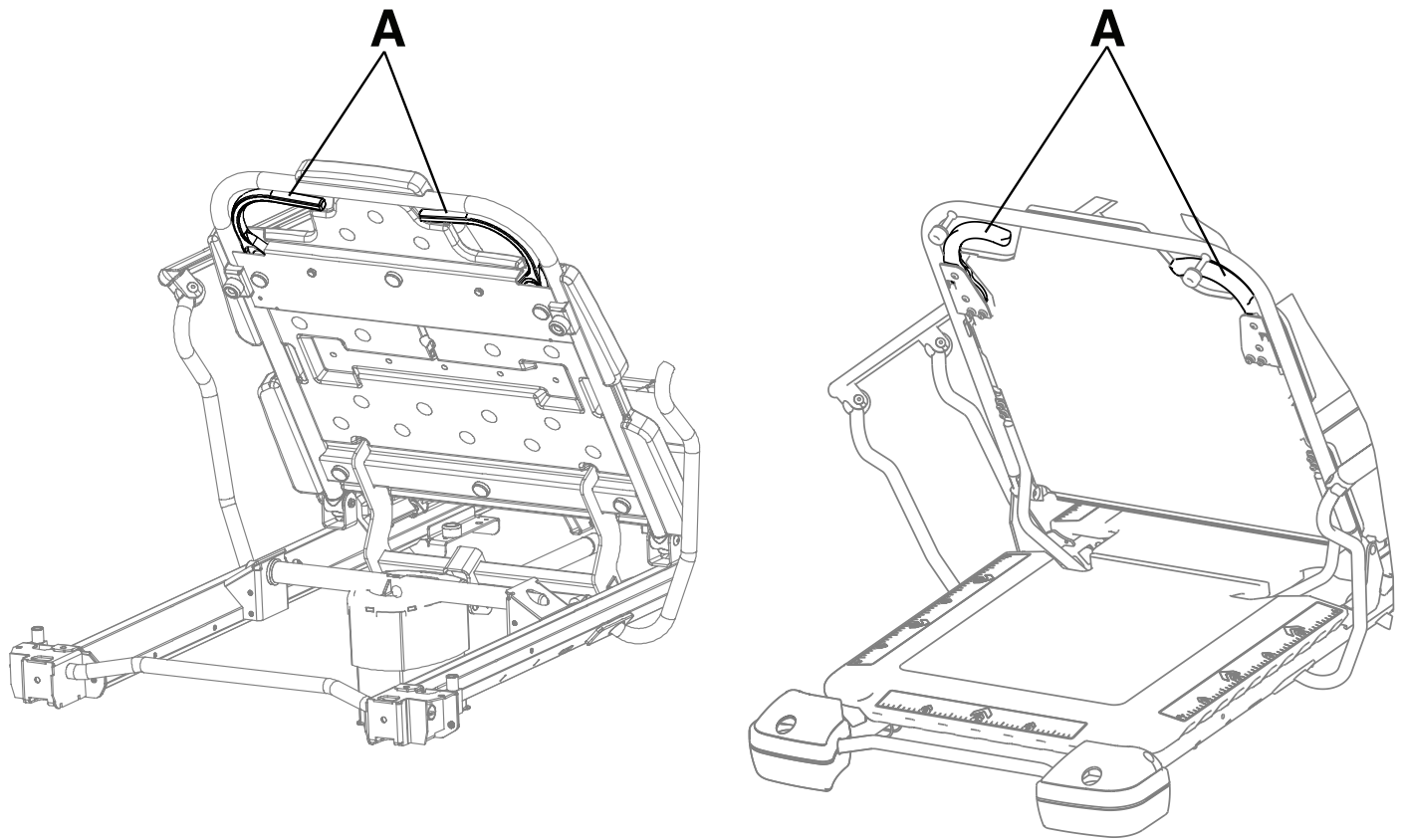
คำเตือน

- ใช้งานผลิตภัณฑ์เฉพาะเมื่อผู้ปฏิบัติงานทั้งหมดไม่กีดขวางกลไกต่าง ๆ เท่านั้น
- ระวังไม่ให้มือและนิ้วอยู่ใกล้ที่จับปลดพนักพิงส่วนรองหลังและโครงพนักพิงส่วนรองหลังเสมอเมื่อคุณลดพนักพิงส่วนรองหลังลง
- ใช้ความระมัดระวังเสมอเมื่อคุณยกพนักพิงส่วนรองหลังในขณะที่ผู้ป่วยอยู่บนผลิตภัณฑ์ ใช้เทคนิคการยกที่เหมาะสมและขอความช่วยเหลือหากจำเป็น

ในการยกพนักพิงส่วนรองหลัง ให้บีบที่จับปลดพนักพิงส่วนรองหลังหนึ่งหรือทั้งสองอัน (A) แล้วดึงพนักพิงส่วนรองหลังขึ้นไปยังตำแหน่งที่ต้องการ (0° ถึง 90°) (รูปที่ 16)

หมายเหตุ - พนักพิง Lift Assist® ใช้น้ำหนักของผู้ป่วยช่วยในการจัดตำแหน่งผู้ป่วย พนักพิง Lift Assist ยังช่วยป้องกันไม่ให้ผู้ป่วยเลื่อนไปที่ฝั่งปลายเท้าของผลิตภัณฑ์เมื่อคุณยกพนักพิงส่วนรองหลังขึ้น

หากต้องการลดพนักพิงส่วนรองหลังให้บีบที่จับปลดพนักพิงส่วนรองหลังหนึ่งหรือทั้งสองอัน (A) แล้วดันพนักพิงส่วนรองหลังลงไปยังตำแหน่งที่ต้องการ (90° ถึง 0°) (รูปที่ 16)



รูปที่ 16 – การยกหรือลดระดับพนักพิงส่วนรองหลัง (Prime / Prime X)

การยกหรือลดพนักพิงส่วนรองหลัง - ตัวเลือกเตียงระบบไฟฟ้า

คำเตือน

- ใช้งานผลิตภัณฑ์เฉพาะเมื่อผู้ปฏิบัติงานทั้งหมดไม่กีดขวางกลไกต่าง ๆ เท่านั้น
- ระวังไม่ให้มือและนิ้วอยู่ใกล้ที่จับปลดพนักพิงส่วนรองหลังและโครงพนักพิงส่วนรองหลังเสมอเมื่อคุณลดพนักพิงส่วนรองหลังลง
- ใช้ความระมัดระวังเสมอเมื่อคุณยกพนักพิงส่วนรองหลังในขณะที่ผู้ป่วยอยู่บนผลิตภัณฑ์ ใช้เทคนิคการยกที่เหมาะสมและขอความช่วยเหลือหากจำเป็น

ในการยกพนักพิงส่วนรองหลังให้กดปุ่ม **up** บนด้านข้างของพนักพิงส่วนรองหลังของแผงควบคุมสำหรับผู้ป่วยบนราวกันเตียง (การปรับตำแหน่งผลิตภัณฑ์ด้วยแผงควบคุมราวกันผู้ป่วย - ตัวเลือกเตียงระบบไฟฟ้า - เฉพาะ Prime (ใน 22)) หรือแผงควบคุมสำหรับผู้ปฏิบัติงานฝั่งปลายเท้า (แผงควบคุมสำหรับผู้ปฏิบัติงาน - ตัวเลือกเตียงระบบไฟฟ้า - เฉพาะ Prime (ใน 22)) จนกว่าพนักพิงส่วนรองหลังจะได้มุมที่ต้องการ (0° ถึง 70°)

หมายเหตุ - พนักพิง **Lift Assist** ใช้น้ำหนักของผู้ป่วยช่วยในการจัดตำแหน่งผู้ป่วย พนักพิง **Lift Assist** ยังช่วยป้องกันไม่ให้ผู้ป่วยเลื่อนไปที่ฝั่งปลายเท้าของผลิตภัณฑ์เมื่อคุณยกพนักพิงส่วนรองหลังขึ้น

ในการลดระดับพนักพิงส่วนรองหลังให้กดปุ่ม **down** บนด้านข้างของพนักพิงส่วนรองหลังของแผงควบคุมสำหรับผู้ป่วยบนราวกันเตียง (การปรับตำแหน่งผลิตภัณฑ์ด้วยแผงควบคุมราวกันผู้ป่วย - ตัวเลือกเตียงระบบไฟฟ้า - เฉพาะ Prime (ใน 22)) หรือแผงควบคุมสำหรับผู้ปฏิบัติงานฝั่งปลายเท้า (แผงควบคุมสำหรับผู้ปฏิบัติงาน - ตัวเลือกเตียงระบบไฟฟ้า - เฉพาะ Prime (ใน 22)) จนกระทั่งพนักพิงส่วนรองหลังได้มุมที่ต้องการ (70° ถึง 0°)

หมายเหตุ - เสียบสายไฟเข้ากับเต้ารับเกรดโรงพยาบาลที่มีสายดินทุกครั้ง

ผู้เชี่ยวชาญด้านการดูแลสุขภาพต้องแนะนำผู้ป่วยถึงวิธีการใช้งานแผงควบคุมสำหรับผู้ป่วย

การยกหรือลดระดับ Gatch - เตียงที่ไม่ใช่ระบบไฟฟ้า - เฉพาะ Prime

คำเตือน - ระวังไม่ให้มือและนิ้วเข้าใกล้ที่จับสำหรับการเข็นฝั่งปลายเท้าเมื่อคุณลดระดับ Gatch ลง

ข้อควรระวัง

- ความจุน้ำหนักของ Gatch อยู่ที่ 200 ปอนด์ (90.7 กก.)
- ตรวจสอบให้แน่ใจเสมอว่าแท่งค้ำ Gatch มีความปลอดภัยก่อนใช้งาน
- อย่านั่งหรือยืนบน Gatch

ในการยก Gatch ที่ไม่ใช่ระบบไฟฟ้า ให้บีบที่จับบีบ Gatch ไปทางซ้ายจนกว่าคุณจะได้ตำแหน่งที่ต้องการ (ดูภาพประกอบผลิตภัณฑ์ - Prime litter)

ยกขึ้นส่วนท้ายของ Gatch ขึ้นและยึดด้วยก้านค้ำในโครงยึด

ในการปลดก้านค้ำ ให้ยกขึ้นที่ส่วนท้ายของ Gatch แล้วเหวี่ยงก้านค้ำไปทางฝั่งปลายด้านศีรษะของผลิตภัณฑ์และลดส่วนปลายเท้าลง

หากต้องการลดระดับ Gatch ให้ดึงที่จับปลด Gatch จนกว่าคุณจะได้ตำแหน่งที่ต้องการ (ดูภาพประกอบผลิตภัณฑ์ - Prime litter)

หมายเหตุ - คุณไม่สามารถยก Gatch แบบแมนนวลได้หากผลิตภัณฑ์มีตัวเลือกเตียงระบบไฟฟ้า

การยกหรือลดระดับ Gatch - ตัวเลือกเตียงระบบไฟฟ้า - เฉพาะ Prime

คำเตือน

- ระวังไม่ให้มือและนิ้วเข้าใกล้ที่จับสำหรับการเข็นฝั่งปลายเท้าเมื่อคุณลดระดับ Gatch ลง
- ใช้งานผลิตภัณฑ์เฉพาะเมื่อผู้ปฏิบัติงานทั้งหมดไม่กีดขวางกลไกต่าง ๆ เท่านั้น

ข้อควรระวัง

- ความจุน้ำหนักของ Gatch อยู่ที่ 200 ปอนด์ (90.7 กก.)
- อย่านั่งหรือยืนบน Gatch
- โปรดใช้ความระมัดระวังเสมอเมื่อคุณพยายามลด Gatch โดยไม่ใช่ระบบไฟฟ้า แรงโน้มถ่วงอาจทำให้ Gatch ลดลงอย่างรวดเร็ว

ในการยก Gatch ให้กด **up** ที่ด้าน Gatch ของแผงควบคุมสำหรับผู้ช่วยบนราวกันเตียงหรือแผงควบคุมสำหรับผู้ปฏิบัติงานฝั่งเท้า

หากต้องการลดระดับ Gatch ให้กด **down** ที่ด้าน Gatch ของแผงควบคุมสำหรับผู้ช่วยบนราวกันเตียงหรือที่แผงควบคุมสำหรับผู้ปฏิบัติงานส่วนฝั่งปลายเท้า

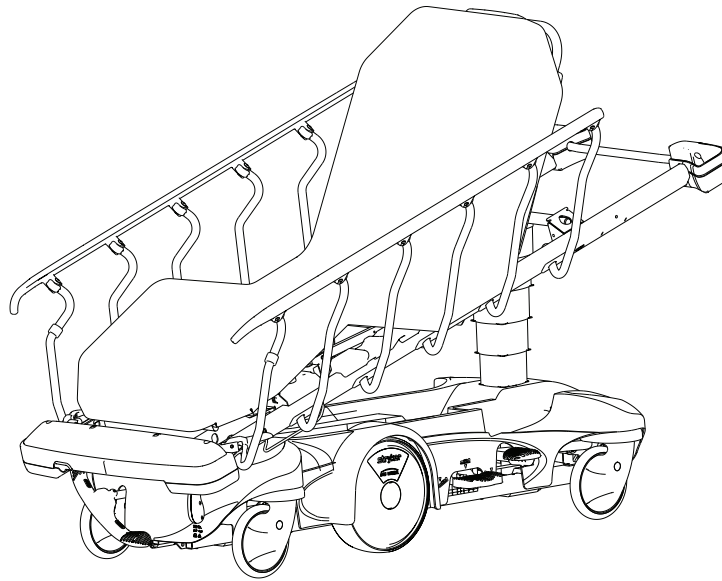
หมายเหตุ - เสียบสายไฟเข้ากับเต้ารับเกรดโรงพยาบาลที่มีสายดินทุกครั้ง

ผู้เชี่ยวชาญด้านการดูแลสุขภาพต้องแนะนำผู้ป่วยถึงวิธีการใช้งานแผงควบคุมสำหรับผู้ช่วย

การปรับตำแหน่งเก้าอี้พนัก - เฉพาะ Prime

คำเตือน - ใช้งานผลิตภัณฑ์เฉพาะเมื่อผู้ปฏิบัติงานทั้งหมดไม่กีดขวางกลไกต่าง ๆ เท่านั้น

วิธีปรับผลิตภัณฑ์ในตำแหน่งเก้าอี้พักผ่อน (รูปที่ 17):



รูปที่ 17 – เก้าอี้พักผ่อน (แสดงรุ่น 1115)

1. ยกพนักพิงส่วนรองหลังขึ้นสู่ตำแหน่งนั่ง (การยกหรือลดพนักพิงส่วนรองหลัง - เดียงที่ไม่ใช่ระบบไฟฟ้า (ใน 24) หรือการยกหรือลดพนักพิงส่วนรองหลัง - ตัวเลือกเดียงระบบไฟฟ้า (ใน 25))

หมายเหตุ - ในการปรับตำแหน่งเก้าอี้พักผ่อน ผลิตภัณฑ์ต้องมีตัวเลือกพนักพิง **Lift Assist** และตัวเลือก **Gatch**

2. ยก Gatch ขึ้นจนสุด (การยกหรือลดระดับ Gatch - เดียงที่ไม่ใช่ระบบไฟฟ้า - เฉพาะ Prime (ใน 26) หรือ การยกหรือลดระดับ Gatch - ตัวเลือกเดียงระบบไฟฟ้า - เฉพาะ Prime (ใน 26))
3. ยกเดียงให้สูงที่สุด (การเพิ่มระดับความสูงเดียงที่ไม่ใช่ระบบไฟฟ้า (ใน 16) หรือ ตัวเลือกการเพิ่มระดับความสูงเดียงระบบไฟฟ้า (ใน 17))
4. ปรับผลิตภัณฑ์ให้อยู่ในตำแหน่งศีรษะสูงปลายเท้าต่ำ (การปรับตำแหน่งผลิตภัณฑ์ในท่านอนศีรษะสูงปลายเท้าต่ำ (ใน 18))
5. ทำย้อนกลับขั้นตอนเพื่อลดผลิตภัณฑ์ลงในตำแหน่งที่แบนเรียบ

การจัดเก็บวัตถุในช่องเก็บของที่ฐาน

ข้อควรระวัง

- อย่าวางวัตถุที่มีน้ำหนักเกิน 60 ปอนด์ (27 กก.) ไว้ในช่องเก็บของที่ฐาน
- อย่านั่ง เหยียบ หรือยืนบนช่องเก็บของที่ฐาน

คุณสามารถจัดเก็บสิ่งของของผู้ป่วยไว้ในช่องเก็บของที่ฐาน อย่าวางวัตถุที่ใส่ถังออกซิเจนเป็นที่เก็บถังออกซิเจนหรือสิ่งของของผู้ป่วย

อุปกรณ์แฉวนพร้อมตัวเลือกชั้นวางปัม

คำเตือน

- เก็บสายอุปกรณ์บนชั้นวางปัมให้ห่างจากที่จับ Gatch เสมอ
- ถอดอุปกรณ์ใด ๆ ที่อาจกีดขวางทุกครั้งก่อนที่จะปรับเพิ่มหรือลดระดับความสูงเดียง
- ตรวจสอบให้แน่ใจเสมอว่าอุปกรณ์บนชั้นวางปัมสามารถผ่านช่องหน้าต่างได้อย่างปลอดภัย
- อย่ายกผลิตภัณฑ์ตรงชั้นวางปัม

ข้อควรระวัง

- ความสามารถในการรับน้ำหนักของชั้นวางปัมคือ 40 ปอนด์ (18 กก.)
- อย่าวางชั้นวางปัมเป็นอุปกรณ์สำหรับการดัน/ดึง ผลิตภัณฑ์ได้รับความเสียหายได้

คุณสามารถจัดเก็บหรือแขวนอุปกรณ์เพิ่มเติมบนชั้นวางปัมซึ่งอยู่ที่ฝั่งปลายเท้าของผลิตภัณฑ์

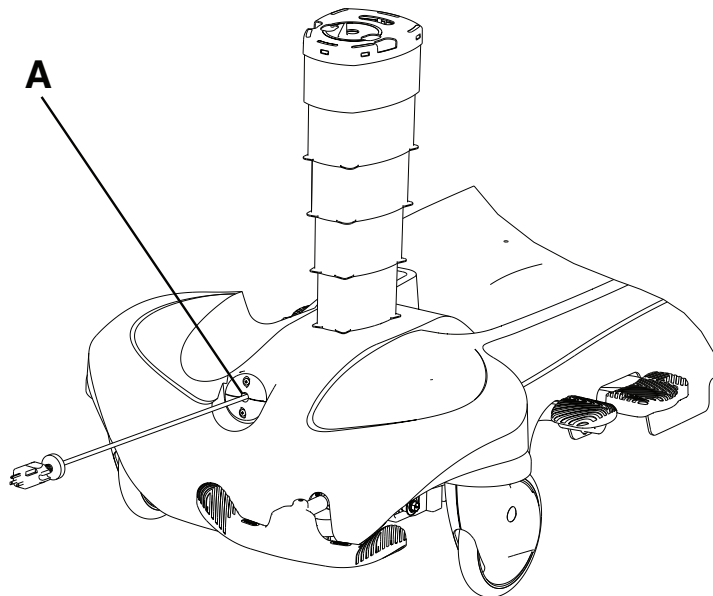
หมายเหตุ - คุณต้องเลือกตัวเลือกชั้นวางปัมเมื่อซื้อ

การขยายหรือหดสายไฟด้วยตัวเลือกม้วนสายไฟแบบพับเก็บได้ - ตัวเลือกการยกด้วยระบบไฟฟ้าหรือตัวเลือกเตียงระบบไฟฟ้า

คำเตือน

- ถอดปลั๊กไฟออกจากเต้ารับบนผนังทุกครั้งก่อนที่จะเคลื่อนย้ายหรือทำความสะอาดผลิตภัณฑ์
- ใช้ที่เก็บสายไฟแบบม้วนเก็บได้เสมอเพื่อเก็บสายไฟไว้ในฐานเมื่อขนย้ายผลิตภัณฑ์

ในการขยายสายไฟ ให้ดึงสายไฟออกจากม้วนสายไฟแบบพับเก็บได้ (A) ไปตามความยาวที่ต้องการ (รูปที่ 18)



รูปที่ 18 – ม้วนสายไฟแบบพับเก็บได้

วิธีดึงสายไฟกลับ:

1. ถอดปลั๊กสายไฟออกจากเต้ารับบนผนัง
2. ดึงสายไฟเบา ๆ
3. นำสายไฟเข้าที่ม้วนเก็บสายไฟแบบพับเก็บได้

ตัวเลือกระบบการวัด

คำเตือน - อย่าใช้งานตัวเลือกระบบการวัด ตัวเลือกการยกด้วยระบบไฟฟ้า หรือตัวเลือกเตียงระบบไฟฟ้าโดยวางติดกันหรือวางซ้อนกัน หากจำเป็นต้องใช้งานติดกันหรือซ้อนกัน ควรระมัดระวังตัวเลือกระบบการวัด ตัวเลือกการยกด้วยระบบไฟฟ้า หรือตัวเลือกเตียงระบบไฟฟ้าเพื่อให้แน่ใจว่าอุปกรณ์ทั้งหมดทำงานได้ตามปกติในการกำหนดค่าที่จะใช้

ข้อควรระวัง - ห้ามใช้เครื่องชั่งสำหรับผู้ยที่มีน้ำหนักต่ำกว่า 50 ปอนด์ (22.7 กก.)

ตัวเลือกระบบการวัดมีให้สำหรับผลิตภัณฑ์ที่มีหรือไม่มีตัวเลือกเตียงระบบไฟฟ้า ตัวเลือกระบบการวัดมีตัวเลือกการสำรองแบตเตอรี่ ไอคอนแสดงระดับแบตเตอรี่เมื่อผลิตภัณฑ์กำลังใช้แบตเตอรี่สำรอง

ตัวเลือก **Chaperone** ช่วยให้คุณตั้งค่าการควบคุมโซนเพื่อแจ้งเตือนผู้ปฏิบัติงานเมื่อผู้ป่วยอาจพยายามออกจากผลิตภัณฑ์ มีตัวเลือก **Chaperone** สำหรับผลิตภัณฑ์ที่มีตัวเลือกเตียงระบบไฟฟ้าและตัวเลือกระบบการวัด ตัวเลือกระบบการวัดพร้อม **Chaperone** ตัวเลือกมีตัวเลือกการสำรองแบตเตอรี่ ไอคอนแสดงระดับแบตเตอรี่เมื่อผลิตภัณฑ์กำลังใช้แบตเตอรี่สำรอง

ยกที่สำหรับการเข็นจับฝั่งปลายเท้าขึ้นก่อนที่คุณจะพยายามใช้งานตัวเลือกระบบการวัด

ใช้แผงควบคุมระบบการวัดเพื่อใช้งานตัวเลือกระบบการวัด (*การระบุไอคอน/ปุ่มเครื่องชั่ง (ใน 29)*)

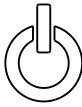





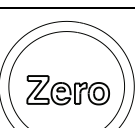
อย่าสัมผัสผลิตภัณฑ์ในขณะที่คุณชั่งหรือตัวเลือกระบบการวัดเป็นศูนย์

ผู้ป่วยจะต้องอยู่หนึ่ง ๆ ในขณะที่ระบบกำลังชั่งน้ำหนัก หากผู้ป่วยมีการเคลื่อนไหวระบบการวัดจะพยายามเป็นเวลา 20 วินาทีเพื่อให้ได้น้ำหนักคงที่หรือค่าศูนย์ก่อนที่จะแสดงข้อความข้อผิดพลาด (E) (TT)

ข้อผิดพลาด (E) (TT) จะปรากฏบนหน้าจอหากมีการเชื่อมต่อที่หลวมหรือหากเครื่องชั่งไม่ทำงาน หากคุณพยายามใช้งานเครื่องชั่งอีกครั้งและข้อผิดพลาดปรากฏขึ้น ให้ติดต่อฝ่ายสนับสนุนด้านเทคนิคของ Stryker

หมายเหตุ - เพื่อให้เป็นไปตามการกล่าวอ้างในส่วนตัวเลือกระบบการวัดอย่างถูกต้อง พื้นผิวสำหรับผู้ป่วยต้องอยู่ในตำแหน่งราบเรียบ (ลดพนักพิงส่วนรองหลังและ Gatch ลง) และผลิตภัณฑ์ต้องห้ามมิไม่เกิน 5 องศาของในท่าศีรษะต่ำปลายเท้าสูง/ศีรษะสูงปลายเท้าต่ำ

การระบุไอคอน/ปุ่มเครื่องชั่ง

รายการ	ไอคอน/ปุ่ม	ชื่อ	คำอธิบาย
A		ไอคอนสแตนด์บาย	สว่างเป็นสีเขียวเมื่อคุณเสียบสายไฟเข้ากับเต้ารับบนผนัง สว่างเป็นสีเหลืองเมื่อคุณถอดปลั๊กไฟออกจากเต้ารับบนผนัง ฟังก์ชันการสำรองแบตเตอรี่จะเปิดขึ้น
B		ไอคอนโซน 1	ผู้ป่วยสามารถเคลื่อนไหวได้อย่างอิสระ แต่เสียงเตือนจะดังขึ้นเมื่อผู้ป่วยพยายามออกจากผลิตภัณฑ์
C		ไอคอนโซน 2	ผู้ป่วยสามารถเคลื่อนไหวได้โดยจำกัดการเคลื่อนไหว สัญญาณเตือนจะดังขึ้นเมื่อผู้ป่วยเข้าใกล้รางด้านข้างหรือเคลื่อนไปที่ฝั่งปลายเท้า
D		ปุ่ม Arm/Disarm	การใช้และไม่ใช้ตัวเลือก Chaperone (ทางลงจากเตียงผู้ป่วย) ดูที่ <i>การใช้หรือไม่ใช้ตัวเลือก Chaperone (ใน 30)</i>
E		ปุ่ม Weigh	ชั่งน้ำหนักผู้ป่วย ดูที่ <i>การชั่งน้ำหนักผู้ป่วย (ใน 29)</i>
F		ปุ่ม lb/kg	เปลี่ยนหน่วยวัดที่แสดง ดูที่ <i>การลือคหน่วยเครื่องชั่งของการวัด (ใน 30)</i>
G		ปุ่ม Zero	ปรับการตั้งค่าเครื่องชั่งเป็นศูนย์ ดูที่ <i>การลือคหน่วยเครื่องชั่งของการวัด (ใน 30)</i>

การชั่งน้ำหนักผู้ป่วย

ข้อควรระวัง - อย่าใช้การอ่านค่าที่วัดได้เป็นข้อมูลอ้างอิงในการรักษาพยาบาล

- ยกที่จับสำหรับการเข็นฝั่งปลายเท้าขึ้นก่อนที่คุณจะใช้งานตัวเลือกระบบการวัด
- กด **Zero** ค้างไว้จนกระทั่ง rel ปรากฏบนหน้าจอเพื่อให้สเกลเป็นศูนย์ **000.0** จะกะพริบแล้วหยุดกะพริบ

หมายเหตุ - เครื่องชั่งยังไม่พร้อมใช้งานจนกว่า **000.0** จะหยุดกะพริบ

3. วางผู้ป่วยบนผลิตภัณฑ์
4. กด **lb/kg** เพื่อเลือกหน่วยวัด (ปอนด์หรือกก.)
5. กด **Weigh** เพื่อวัดน้ำหนักของผู้ป่วย

หมายเหตุ - น้ำหนักของผู้ป่วยจะแสดงเป็นเวลา 40 วินาที

การลือคหน่วยเครื่องชั่งของการวัด

1. กด **Weigh, lb/kg** และ **Zero** ค้างไว้จนกระทั่ง **diag** ปรากฏขึ้น
2. กด **lb/kg** หรือ **Zero** เพื่อสลับเป็น **Unit Loc**
3. สำหรับเครื่องชั่งที่ไม่มี Chaperone ให้กด **lb/kg** และ **Zero** ค้างไว้จนกระทั่ง **rel** ปรากฏขึ้นเพื่อเลือก **Unit Loc**
4. สำหรับเครื่องชั่งที่มี Chaperone ไว้ **lb/kg** และ **Zero** กดค้างเพื่อเลือก **Unit Loc**
5. กด **lb/kg** หรือ **Zero** เพื่อสลับเป็น **lb, kg** หรือ **Any**
6. กดและปล่อย **lb/kg** และ **Zero** เฉพาะและหน่วยวัดที่เลือกจะปรากฏขึ้น

หมายเหตุ - เฉพาะจะไม่ปรากฏขึ้นหากคุณเลือก **Any**

7. กด **Weigh** ค้างไว้จนกระทั่ง **quit** ปรากฏขึ้น
8. กด **Zero** ค้างไว้จนกระทั่ง **rel** ปรากฏขึ้น **000.0** กะพริบแล้วหยุดกะพริบ

หมายเหตุ - เครื่องชั่งยังไม่พร้อมใช้งานจนกว่า **000.0** จะหยุดกะพริบ

การใช้หรือไม่ใช้ตัวเลือก Chaperone

เมื่อใช้ ตัวเลือก Chaperone จะตรวจสอบตำแหน่งของผู้ป่วยบนผลิตภัณฑ์

วิธีใช้และไม่ใช้ตัวเลือก Chaperone:

1. ขณะที่ผู้ป่วยอยู่บนผลิตภัณฑ์ ให้กด **Arm/Disarm**
หมายเหตุ - โชนแขน 1. โชน 1 ไฟจะติดสว่างเป็นสีเหลืองเมื่อใช้
2. ในการกำหนดโชนแขน 2 ให้กด **Arm/Disarm** สองครั้งภายใน 3 วินาที

หมายเหตุ - โชนแขน 2. โชน 2 ไฟจะติดสว่างเป็นสีเหลืองเมื่อใช้

3. วิธีไม่ใช้โชนแขนตัวเลือก Chaperone ให้กด **Arm/Disarm** ค้างไว้

หมายเหตุ - คุณต้องปรับขนาดให้เป็นศูนย์ก่อนที่คุณจะใช้ตัวเลือก Chaperone

หมายเหตุ - หากผู้ป่วยเคลื่อนไหวนอกขอบเขตที่เลือกไว้ ไฟสีเหลืองจะกะพริบ **Alert** จะกะพริบในหน้าจอตัวเลือกระบบการวัดและสัญญาณเตือนด้วยเสียงจะดังขึ้น

การตั้งค่ารูปแบบการแจ้งเตือนของตัวเลือก Chaperone

วิธีเปลี่ยนตัวเลือกรูปแบบการแจ้งเตือนของ Chaperone:

1. กดทั้ง **Arm/Disarm** และ **Weigh** ค้างไว้เป็นเวลาประมาณ 6 วินาที ไม่ต้องสนใจข้อความทั้งหมดที่แสดงจนกระทั่ง **Ptrn** ปรากฏบนหน้าจอ (การระบุไอคอน/ปุ่มเครื่องชั่ง (ใน 29))
2. ปล่อยปุ่ม **Arm/Disarm** และ **Weigh**

หมายเหตุ - การตั้งค่ารูปแบบ P (1-10) ปรากฏบนหน้าจอ

3. กด **Arm/Disarm** หรือ **Weigh** เพื่อเลื่อนดูตัวเลือกรูปแบบ

หมายเหตุ - ตัวอย่างสั้น ๆ ของรูปแบบจะเล่นเมื่อคุณเลื่อนดูตัวเลือกรูปแบบ

4. กดทั้ง **Arm/Disarm** และ **Weigh** ค้างไว้เป็นเวลา 6 วินาทีจนกระทั่ง **set** ปรากฏบนหน้าจอเพื่อบันทึกรูปแบบที่คุณเลือก
5. ปล่อย **Arm/Disarm** และ **Weigh**

หมายเหตุ - การตั้งค่ารูปแบบที่คุณเลือกจะปรากฏบนหน้าจอ ตัวอย่างสั้น ๆ ของรูปแบบเป็นการยืนยันการตั้งค่ารูปแบบของคุณ

การตั้งค่าระดับเสียงแจ้งเตือนของตัวเลือก Chaperone

วิธีเปลี่ยนระดับเสียงแจ้งเตือนของตัวเลือก Chaperone:

1. กดทั้ง **Zero** และ **lb/kg** ค้างไว้จนกระทั่ง **vol** ปรากฏขึ้นบนหน้าจอ (การระบุไอคอน/ปุ่มเครื่องชั่ง (ใน 29))
2. ปลด **Zero** และ **lb/kg**

หมายเหตุ - ระดับเสียง **L (1-4)** จะปรากฏบนหน้าจอ

3. กด **Zero** หรือ **lb/kg** เพื่อเลื่อนระดับเสียง

หมายเหตุ - ตัวอย่างสั้น ๆ ของระดับเสียงจะเล่นเมื่อคุณเลื่อนระดับเสียง

4. กดทั้ง **Zero** และ **lb/kg** ค้างไว้เป็นเวลา 6 วินาทีจนกระทั่ง **set** ปรากฏบนหน้าจอเพื่อบันทึกระดับเสียงที่คุณเลือก
5. ปลด **Zero** และ **lb/kg**

หมายเหตุ - ระดับเสียงที่คุณเลือกจะปรากฏบนหน้าจอ ตัวอย่างสั้น ๆ ของระดับเสียงช่วยยืนยันการตั้งค่าระดับเสียงของคุณ

การชาร์จตัวเลือกชุดแบตเตอรี่ระบบการวัด - ตัวเลือกเตียงระบบไฟฟ้าหรือตัวเลือกเตียงระบบไฟฟ้าที่มีตัวเลือก Chaperone - เฉพาะ Prime

ระบบการวัดพร้อมตัวเลือกเตียงระบบไฟฟ้าต้องใช้ชุดแบตเตอรี่ Li-ION 10.8V หนึ่งก้อน (0058-135-000 โดยไม่ต้องใช้ตัวเลือก Chaperone; 0058-134-000 กับตัวเลือก Chaperone) ชาร์จก้อนแบตเตอรี่ใหม่เมื่อไฟแสดงสถานะการชาร์จแบตเตอรี่แสดงว่าเหลืออยู่หนึ่งหน่วย ซึ่งจะป้องกันไม่ให้ตัวเลือกระบบการวัดปิดเครื่องเนื่องจากแบตเตอรี่หมด

ในการชาร์จชุดแบตเตอรี่ Li-ION ของระบบการวัด ให้เสียบสายไฟเข้ากับเต้ารับบนผนังเกรดโรงพยาบาลที่มีสายดิน ก่อนแบตเตอรี่จะชาร์จจนเต็มใช้เวลาประมาณสามชั่วโมง

หมายเหตุ - เสียบผลิตภัณฑ์เข้ากับเต้ารับเกรดโรงพยาบาลที่มีสายดินทุกครั้งเมื่อไม่ใช้งาน ซึ่งจะช่วยให้แบตเตอรี่มีประจุไฟฟ้าที่เพียงพอและเพิ่มประสิทธิภาพของผลิตภัณฑ์ในขณะที่ใช้พลังงานแบตเตอรี่

การเปลี่ยนแบตเตอรี่สำหรับตัวเลือกระบบการวัด - เตียงที่ไม่ใช่ระบบไฟฟ้า

เปลี่ยนแบตเตอรี่เมื่อไฟแสดงสถานะการชาร์จแบตเตอรี่แสดงหน่วยที่เหลืออยู่หนึ่งหน่วย ซึ่งจะป้องกันไม่ให้ตัวเลือกระบบการวัดปิดเครื่องเนื่องจากแบตเตอรี่หมด

หากหน้าจอกะพริบ **Lo bat** แสดงว่าแบตเตอรี่มีประจุไฟฟ้าในระดับต่ำสุดและตัวเลือกระบบการวัดจะถูกปิดใช้งาน

เครื่องมือที่จำเป็น:

- ไขควงปากแฉก
- แบตเตอรี่ AA สี่ก้อน (ชนิดอัลคาไลน์ (LR6))

วิธีเปลี่ยนแบตเตอรี่:

1. ใช้ไขควงปากแฉกขันสกรูที่ยึดฝาปิดช่องใส่แบตเตอรี่เข้ากับชุดหน้าจอ
2. ถอดและทิ้งแบตเตอรี่ AA ทั้งสี่ก้อน

หมายเหตุ - ทิ้งแบตเตอรี่เก่าตามกฎระเบียบของท้องถิ่นทุกครั้ง

3. ใส่แบตเตอรี่ AA ใหม่สี่ก้อนตามที่ระบุไว้ในที่ใส่แบตเตอรี่

หมายเหตุ - อย่าใช้แบตเตอรี่เก่าร่วมกับแบตเตอรี่ใหม่

4. ใช้สกรูที่ถอดออกในขั้นตอนที่ 1 ในการติดตั้งฝาปิดช่องใส่แบตเตอรี่บนชุดหน้าจออีกครั้ง

อุปกรณ์เสริมและชิ้นส่วนต่าง ๆ

อุปกรณ์เสริมเหล่านี้อาจมีจำหน่ายสำหรับผลิตภัณฑ์ของคุณ ยืนยันการวางจำหน่ายสำหรับการกำหนดค่าหรือภูมิภาคของคุณ โทรติดต่อฝ่ายบริการลูกค้าของ Stryker: 1-800-327-0770

ชื่อ	หมายเลขชิ้นส่วน
ถอดเครื่องกระตุกหัวใจด้วยไฟฟ้า	1105-045-200
ถอดเครื่องกระตุกหัวใจด้วยไฟฟ้า/ฐานรองเสริม	1105-045-400
ที่วางเท้า/ที่วางผั่ง	1105-045-500
ชุดประกอบแผ่นสันเท้า	1105-045-022
แคดดี้ IV	0785-155-000
เส้า IV HAVASU™ ถอดได้	0390-025-000
เส้า IV, สามระดับ, ฝั่งปลายเท้า, ซ้าย, 26 นิ้ว	1105-035-644
เส้า IV, สามระดับ, ฝั่งปลายเท้า, ขวา, 26 นิ้ว	1105-035-639
เส้า IV, สามระดับ, ฝั่งปลายเท้า, ซ้าย, 30 นิ้ว	1105-035-344
เส้า IV, สามระดับ, ฝั่งปลายเท้า, ขวา, 30 นิ้ว	1105-035-339
เส้า IV, สามระดับ, ฝั่งปลายเท้า, ซ้าย, 30 นิ้ว (ตัวเลือก Prime X)	1105-035-364
เส้า IV, สามระดับ, ฝั่งปลายเท้า, ขวา, 30 นิ้ว (ตัวเลือก Prime X)	1105-035-361
เส้า IV, สามระดับ, ฝั่งปลายด้านศีรษะ, ซ้าย, 26 นิ้ว	1105-035-642
เส้า IV, สามระดับ, ฝั่งปลายด้านศีรษะ, ขวา, 26 นิ้ว	1105-035-637
เส้า IV, สามระดับ, ฝั่งปลายด้านศีรษะ, ซ้าย, 30 นิ้ว	1105-035-342
เส้า IV, สามระดับ, ฝั่งปลายด้านศีรษะ, ขวา, 30 นิ้ว	1105-035-337
เส้า IV, สามระดับ, ฝั่งปลายด้านศีรษะ, ซ้าย, 30 นิ้ว (Prime Xoption)	1105-035-369
เส้า IV, สามระดับ, ฝั่งปลายด้านศีรษะ, ขวา, 30 นิ้ว (Prime Xoption)	1105-035-366
เส้า IV, สองระดับ, ฝั่งปลายเท้า, ซ้าย, 26 นิ้ว	1105-035-640
เส้า IV, สองระดับ, ฝั่งปลายเท้า, ขวา, 26 นิ้ว	1105-035-643
เส้า IV, สองระดับ, ฝั่งปลายเท้า, ซ้าย, 30 นิ้ว	1105-035-340
เส้า IV, สองระดับ, ฝั่งปลายเท้า, ขวา, 30 นิ้ว	1105-035-343
เส้า IV, สองระดับ, ฝั่งปลายเท้า, ซ้าย, 30 นิ้ว (ตัวเลือก Prime X)	1105-035-362
เส้า IV, สองระดับ, ฝั่งปลายเท้า, ขวา, 30 นิ้ว (ตัวเลือก Prime X)	1105-035-363
เส้า IV, สองระดับ, ฝั่งศีรษะ, ซ้าย, 26 นิ้ว	1105-035-638
เส้า IV, สองระดับ, ฝั่งศีรษะ, ขวา, 26 นิ้ว	1105-035-641
เส้า IV, สองระดับ, ฝั่งศีรษะ, ซ้าย, 30 นิ้ว	1105-035-341
เส้า IV, สองระดับ, ฝั่งศีรษะ, ขวา, 30 นิ้ว	1105-035-338
เส้า IV, สองระดับ, ฝั่งศีรษะ, ซ้าย, 30 นิ้ว (ตัวเลือก Prime X)	1105-035-367
เส้า IV, สองระดับ, ฝั่งศีรษะ, ขวา, 30 นิ้ว (ตัวเลือก Prime X)	1105-035-368
ที่นอน, ComfortGel SE™, แผงกั้นไฟ, 26 นิ้ว	1805-034-601
ที่นอน, ComfortGel SE, แผงกั้นไฟ, 30 นิ้ว	1805-034-301
ที่นอน, ComfortGel SE, ไม่มีแผงกั้นไฟ 26 นิ้ว	1805-034-600

ชื่อ	หมายเลขชิ้นส่วน
ที่นอน, ComfortGel SE , ไม่มีแผงกันไฟ 30 นิ้ว	1805-034-300
ที่นอน Enhanced Comfort 3 นิ้ว x 26 นิ้ว	0785-034-613
ที่นอน Enhanced Comfort 3 นิ้ว x 30 นิ้ว	0785-034-313
ที่นอน Enhanced Comfort 4 นิ้ว x 26 นิ้ว	0785-034-623
ที่นอน Enhanced Comfort 4 นิ้ว x 30 นิ้ว	0785-034-323
ที่นอน, IsoFlex SE™ , แผงกันไฟ, 30 นิ้ว	1806-034-300
ที่นอน, IsoFlex SE , ไม่มีแผงกันไฟ, มาตรฐานสากล, 30 นิ้ว	1806-034-301
ที่นอน Ultra Comfort ขนาด 4 นิ้ว x 26 นิ้ว	0785-034-603
ที่นอน Ultra Comfort ขนาด 4 นิ้ว x 30 นิ้ว	0785-034-303
ที่นอน Ultra Comfort ขนาด 5 นิ้ว x 26 นิ้ว	0785-034-633
ที่นอน Ultra Comfort ขนาด 5 นิ้ว x 30 นิ้ว	0785-034-333
ที่นอน, Ultra Comfort SE™ , 4 นิ้ว x 26 นิ้ว	1704-034-600
ที่นอน, Ultra Comfort SE , แผงกันไฟ, มาตรฐานสากล, 4 นิ้ว x 26 นิ้ว	1704-034-601
ที่นอน Ultra Comfort ส่วนขยายเตียงผู้ป่วย 4 นิ้ว x 26 นิ้ว	1105-034-609
ที่นอน Ultra Comfort ส่วนขยายเตียงผู้ป่วย 4 นิ้ว x 30 นิ้ว	1105-034-309
ที่นอน, Ultra Comfort SE , 3 นิ้ว x 30 นิ้ว	1703-034-300
ที่นอน, Ultra Comfort SE , แผงกันไฟ, 3 นิ้ว x 30 นิ้ว	1703-034-301
ที่นอน, Ultra Comfort SE , 4 นิ้ว x 30 นิ้ว	1704-034-300
ที่นอน, Ultra Comfort SE , แผงกันไฟ, 4 นิ้ว x 30 นิ้ว	1704-034-301
ที่ใส่ถังออกซิเจนตั้งตรง	1115-130-000
ตัวเลือกบาร์บีมี 30 นิ้ว	1105-045-035
ชุดที่จับสำหรับการเข็น, ฝั่งปลายเท้า, 30 นิ้ว	1105-048-030
ชุดที่จับสำหรับการเข็น, ฝั่งศีรษะ, 30 นิ้ว	1105-048-060
ชุดสายรัดผู้ป่วย	0785-045-010
สายรัดข้อเท้า	0785-045-020
สายรัดลำตัว	0785-045-015
สายรัดข้อมือ	0946-044-000
สายรัดหน้าอก	1010-058-000
ถาดบริการ	1105-045-700
ที่วางถาดเสิร์ฟ/ที่วางเท้า	1105-045-800
แผ่นรองด้านข้าง	1001-052-000
ที่ใส่ถลับฟิล์มเอ็กซ์เรย์ด้านข้าง	1105-045-100
ที่ใส่ถลับฟิล์มเอ็กซ์เรย์ตั้งตรง	1105-045-300

ส่วนประกอบทางไฟฟ้า

ชื่อ	จำนวน
แอกซูเอเตอร์, ส่วนรองหลัง	1008-012-020
แอกซูเอเตอร์, Gatch	1008-014-020
แบตเตอรี่, ชุดแบตเตอรี่ Li-ION Smart (เครื่องชั่งเท่านั้น)	0058-135-000
แบตเตอรี่, ชุดแบตเตอรี่ Li-ION Smart (เครื่องชั่งและ Chaperone)	0058-134-000
บอร์ด, ชุดประกอบ PCB ความคุม DC	1008-116-800
บอร์ด, ชุดประกอบ AC ไมยก	1008-002-800
บอร์ด, ชุด PCB ความคุมการยก	1008-002-810
บอร์ด, ชุดควบคุมเครื่องชั่ง (เครื่องชั่งเท่านั้น)	1008-237-850
บอร์ด, ชุดควบคุมเครื่องชั่งและ Chaperone	1008-237-840
คาปาซิเตอร์ 440 VAC 35 MFD	0059-087-000
ปุ่มกด, แผงควบคุมเครื่องชั่ง (เตียงที่ไม่ใช่ระบบไฟฟ้า)	1008-037-820
ปุ่มกด, แผงควบคุมด้านข้าง, ด้านซ้าย	1008-011-017
ปุ่มกด, แผงควบคุมด้านข้าง, ด้านขวา	1008-011-016
ปุ่มกด, แผงควบคุมการทำงาน	1008-015-800
โพลดเซลล์ (ระบบการวัดเสริม)	1008-037-057
มอเตอร์บี้ม	1008-002-015
สายไฟมาตรฐาน	1028-146-060
สายไฟมาตรฐานสากล Type E	1125-060-170
สายไฟมาตรฐานสากล Type F	1125-060-180
สายไฟมาตรฐานสากล Type G	1125-060-160
สายไฟมาตรฐานสากล Type I	1125-060-200
ชุดประกอบกล่องเครื่องชั่ง (เตียงที่ไม่ใช่ระบบไฟฟ้า)	1070-237-020
หม้อแปลงไฟฟ้า	1008-014-857
หม้อแปลงไฟฟ้ามาตรฐานสากล	1008-014-877

การติดตั้งเครื่องกระตุกหัวใจด้วยไฟฟ้า

คำเตือน

- อย่าวางสิ่งของที่มีน้ำหนักมากกว่า 30 ปอนด์ (14 กก.) บนถาดเครื่องกระตุกหัวใจด้วยไฟฟ้า รัศมีอุปกรณ์ทั้งหมดที่คุณวางบนถาดเครื่องกระตุกหัวใจด้วยไฟฟ้าทุกครั้ง
- โปรดใช้ความระมัดระวังเสมอหากติดตั้งถาดเครื่องกระตุกหัวใจด้วยไฟฟ้า/ฐานรองเสริม, ที่วางเท้า/ที่วางฝั่ง หรือที่ใส่ถังออกซิเจนตั้งตรงเพื่อหลีกเลี่ยงการบีบนิ้วของคุณเมื่อวางตำแหน่งตัวเลือกที่จับสำหรับการเข็นฝั่งปลายเท้า

วิธีติดตั้งเครื่องกระตุกหัวใจด้วยไฟฟ้า:

1. สอดหมุดยึดถาดเครื่องกระตุกหัวใจด้วยไฟฟ้าเข้าไปในซ็อกเก็ตที่ฝั่งปลายเท้าของผลิตภัณฑ์
2. ใช้สายรัดเพื่อยึดอุปกรณ์เข้ากับถาดเครื่องกระตุกหัวใจด้วยไฟฟ้า

หมายเหตุ

- อย่าใช้ถาดเครื่องกระตุกหัวใจด้วยไฟฟ้าเป็นอุปกรณ์ในการดัน/ดึง ผลัดภัณฑ์ได้รับความเสียหายได้
- ยกที่จับฝั่งปลายเท้าขึ้นเสมอเมื่อคุณใช้อุปกรณ์เสริม (เช่น ถาดเครื่องกระตุกหัวใจด้วยไฟฟ้าที่วางเท้าเสริม, ที่วางเท้า/ที่วางฝั่ง, ที่ใส่ถังออกซิเจนตั้งตรง) มิฉะนั้นอุปกรณ์เสริมจะไม่ทำงาน

การแปลงถาดเครื่องกระตุกหัวใจด้วยไฟฟ้า/ฐานรองเสริมเป็นถาดเครื่องกระตุกหัวใจด้วยไฟฟ้า

คำเตือน

- อย่าวางสิ่งของที่มีน้ำหนักมากกว่า 30 ปอนด์ (14 กก.) บนถาดเครื่องกระตุกหัวใจด้วยไฟฟ้า/ฐานรองเสริม รัศมีอุปกรณ์ทั้งหมดที่คุณวางบนถาดเครื่องกระตุกหัวใจด้วยไฟฟ้าทุกครั้ง
- โปรดใช้ความระมัดระวังเสมอหากติดตั้งถาดเครื่องกระตุกหัวใจด้วยไฟฟ้า/ฐานรองเสริม, ที่วางเท้า/ที่วางฝั่ง หรือที่ใส่ถังออกซิเจนตั้งตรงเพื่อหลีกเลี่ยงการบีบนิ้วของคุณเมื่อวางตำแหน่งตัวเลือกที่จับสำหรับการขึ้นฝั่งปลายเท้า

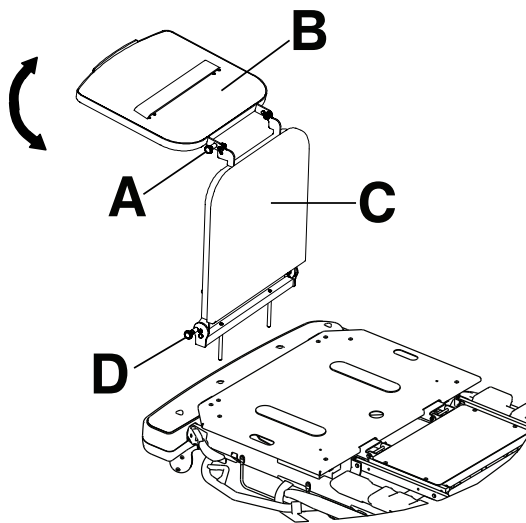
ข้อควรระวัง - ยกเสา IV ขึ้นทุกครั้งก่อนที่คุณจะติดตั้งถาดเครื่องกระตุกหัวใจด้วยไฟฟ้า/ฐานรองเสริมเข้ากับผลิตภัณฑ์ หากคุณไม่ยกเสา IV, ฐานรองเสริมจะไม่ทำงาน

วิธีแปลงถาดเครื่องกระตุกหัวใจด้วยไฟฟ้า/ที่วางเท้าเสริมเป็นถาดเครื่องกระตุกหัวใจด้วยไฟฟ้า:

1. ดึงลูกบิดด้านบน (A) ออก (รูปที่ 19)
2. หมุนถาดเครื่องกระตุกหัวใจด้วยไฟฟ้า (B) จนกระทั่งถาดราบไปกับฝั่งปลายเท้าของผลิตภัณฑ์ ปลดลูกบิดด้านบน (A) ตรวจสอบให้แน่ใจว่าถาดเครื่องกระตุกหัวใจด้วยไฟฟ้าล็อคเข้าที่
3. ใช้สายรัดเพื่อยึดอุปกรณ์เข้ากับถาดเครื่องกระตุกหัวใจด้วยไฟฟ้า

หมายเหตุ

- อย่าใช้ถาดเครื่องกระตุกหัวใจด้วยไฟฟ้า/ที่วางเท้าเสริมเป็นอุปกรณ์ในการดัน/ดึง ผลัดภัณฑ์ได้รับความเสียหายได้
- อย่าติดตั้งของเข้ากับที่วางเท้าเสริม



รูปที่ 19 – ถาดเครื่องกระตุกหัวใจด้วยไฟฟ้า/ฐานรองเสริม

การแปลงถาดเครื่องกระตุกหัวใจด้วยไฟฟ้า/ฐานรองเสริมเป็นฐานรองเสริม

คำเตือน

- อย่าวางสิ่งของที่มีน้ำหนักมากกว่า 30 ปอนด์ (14 กก.) บนถาดเครื่องกระตุกหัวใจด้วยไฟฟ้า/ฐานรองเสริม รัศมีอุปกรณ์ทั้งหมดที่คุณวางบนถาดเครื่องกระตุกหัวใจด้วยไฟฟ้าทุกครั้ง
- โปรดใช้ความระมัดระวังเสมอหากติดตั้งถาดเครื่องกระตุกหัวใจด้วยไฟฟ้า/ฐานรองเสริม, ที่วางเท้า/ที่วางฝั่ง หรือที่ใส่ถังออกซิเจนตั้งตรงเพื่อหลีกเลี่ยงการบีบนิ้วของคุณเมื่อวางตำแหน่งตัวเลือกที่จับสำหรับการขึ้นฝั่งปลายเท้า

ข้อควรระวัง - ยกเสา IV ขึ้นทุกครั้งก่อนที่คุณจะติดตั้งถาดเครื่องกระตุกหัวใจด้วยไฟฟ้า/ฐานรองเสริมเข้ากับผลิตภัณฑ์ หากคุณไม่ยกเสา IV, ฐานรองเสริมจะไม่ทำงาน

วิธีแปลงถาดเครื่องกระตุกหัวใจด้วยไฟฟ้า/ที่วางเท้าเสริมเป็นที่วางเท้าเสริม (รูปที่ 19):

1. ดึงลูกบิดด้านบน (A) ออก
2. หมุนถาดเครื่องกระตุกหัวใจด้วยไฟฟ้า (B) จนกระทั่งถาดล็อกเข้ากับที่วางเท้าเสริม
3. ดึงลูกบิดด้านล่าง (D) ออกในขณะที่คุณถือถาดเครื่องกระตุกหัวใจด้วยไฟฟ้า/ชุดอุปกรณ์เสริมที่วางเท้าเสริม
4. ลดระดับที่วางเท้าเสริม (C) ลงจนกระทั่งที่วางเท้าเสริมแบนราบ
5. ปลดปล่อยด้านล่าง (D) ด้านที่วางเท้าเสริมเพื่อให้แน่ใจว่าที่วางเท้าเสริมล็อกเข้าที่

หมายเหตุ

- อย่าใช้ถาดเครื่องกระตุกหัวใจด้วยไฟฟ้า/ที่วางเท้าเสริมเป็นอุปกรณ์ในการดัน/ดึง ผลิตภัณฑ์ที่ได้รับความเสียหายได้
- อย่าติดตั้งของเข้ากับที่วางเท้าเสริม

การติดที่วางท้ายเตียง/ที่ยึดชาร์ต

คำเตือน - โปรดใช้ความระมัดระวังเสมอหากติดตั้งถาดเครื่องกระตุกหัวใจด้วยไฟฟ้า/ฐานรองเสริม, ที่วางเท้า/ที่วางฝั่ง หรือที่ใส่ถังออกซิเจนตั้งตรงเพื่อหลีกเลี่ยงการบีบนิ้วของคุณเมื่อวางตำแหน่งตัวล็อกที่จับสำหรับการเข็นฝั่งปลายเท้า

ในการติดที่วางเท้า/ที่ยึดแผนภูมิ ให้สอดหมุดที่วางเท้า/ที่ยึดแผนภูมิเข้ากับซ็อกเก็ตที่ฝั่งปลายเท้าของผลิตภัณฑ์

หมายเหตุ - อย่าใช้ที่วางเท้า/ที่ยึดชาร์ตเป็นอุปกรณ์ในการเข็น/ดึง ผลิตภัณฑ์ที่ได้รับความเสียหายได้

การติดตั้งแคดดี IV

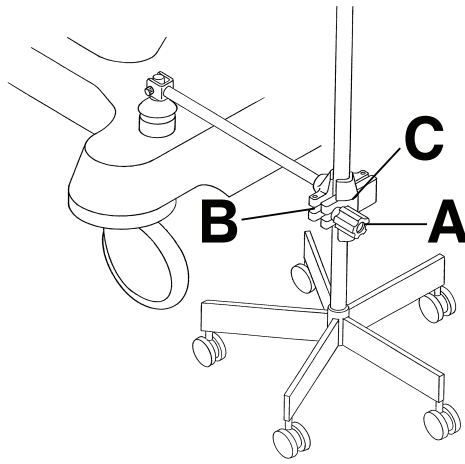
คำเตือน

- ยึดเสา IV เข้ากับแคดดี IV เสมอเมื่อเคลื่อนย้ายผลิตภัณฑ์
 - ควรเก็บแคดดี IV ไว้เสมอเมื่อไม่ใช้งานเพื่อหลีกเลี่ยงความเสียหายของผลิตภัณฑ์
-

วิธีติดตั้งแคดดี IV (รูปที่ 20):

1. ยกแคดดี IV ออกจากถาดจัดเก็บหรือจากคลิปจัดเก็บ
2. หมุนแคดดี IV ไปยังตำแหน่งที่ต้องการ
3. หมุนปุ่ม (A) ทวนเข็มนาฬิกาเพื่อคลายตัวยึดเสา (C)
4. หมุนลูกบิด (A) ออกจากชุดประกอบการเชื่อมต่อแขน (B)
5. เปิดแคลมป์ (C)
6. ใส่เสา IV ลงในแคลมป์ (C)
7. ปิดแคลมป์ (C) รอบ ๆ เสา IV และหมุนลูกบิด (A) ให้อยู่ในตำแหน่ง
8. หมุนปุ่ม (A) ตามเข็มนาฬิกาเพื่อขันปุ่ม
9. ทำตามขั้นตอนย้อนกลับหากต้องการถอดแคดดี IV ออกจากผลิตภัณฑ์

ในการจัดเก็บแคดดี IV ให้วางแคดดี IV ในถาดเก็บหรือยึดแคดดีไว้ในคลิปการจัดเก็บ



รูปที่ 20 – แคตตี้ IV

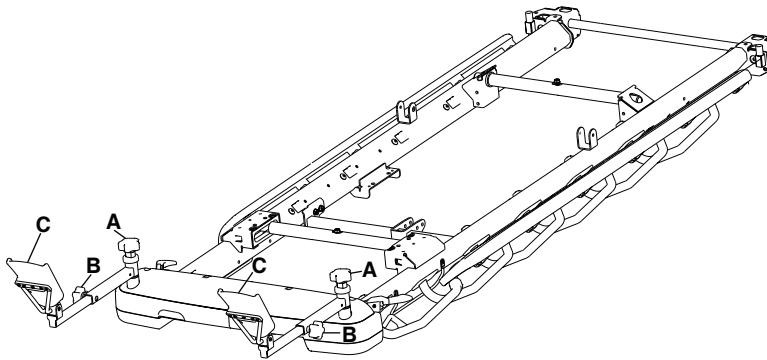
การปรับตำแหน่งหรือการเก็บที่ฐานรองเสริม - เฉพาะ Prime

คำเตือน

- อย่านั่งบนฐานรองเสริม ซึ่งอาจทำให้ผลิตภัณฑ์หลุด
- อย่าให้นิ้วเข้าไปในกลไกเมื่อคุณใช้งานฐานรองเสริม
- เก็บฐานรองเสริมไว้เสมอเมื่อคุณเคลื่อนย้ายผู้ป่วยด้วยผลิตภัณฑ์
- กระชับฐานรองเสริมทุกครั้งก่อนที่คุณจะใช้ที่ฐานรองเสริม
- ห้ามใช้งานระบบการวัดโดยการที่ใช้ฐานรองเสริม อาจทำให้การอ่านค่าไม่ถูกต้อง
- ห้ามใช้งานตัวเลือก **Chaperone** โดยใช้ฐานรองเสริม อาจทำให้การอ่านค่าไม่ถูกต้อง

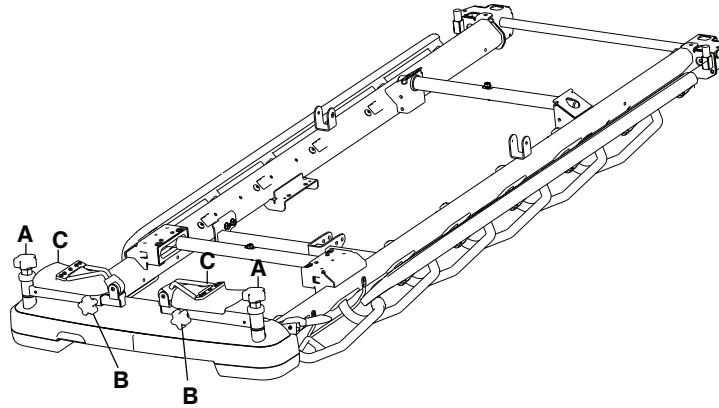
วิธีปรับตำแหน่งหรือเก็บฐานที่วางเท้าเสริม:

1. คลายลูกบิดที่หัวเข่า (A) ที่ด้านบนของที่วางเท้าเสริมเพื่อปรับมุมจากด้านหนึ่งไปอีกด้านหนึ่งของที่วางเท้าเสริม (รูปที่ 21)
2. ชั้นลูกบิดที่หัวเข่า (A) ให้แน่นเพื่อล็อกที่วางเท้าเสริมให้อยู่ในตำแหน่งที่ต้องการ



รูปที่ 21 – การปรับตำแหน่งที่วางเท้าเสริม

3. คลายลูกบิดที่ขา (B) ที่ด้านข้างของที่วางเท้าเสริมเพื่อปรับความยาว
4. ชั้นลูกบิดขา (B) ให้แน่นเพื่อล็อกฐานที่วางเท้าเสริมในตำแหน่งที่ต้องการ
5. พลิกฐานที่วางเท้าเสริม (C) ขึ้นก่อนจัดทำผู้ป่วย
6. ทำย้อนกลับขั้นตอนเพื่อเก็บฐานที่วางเท้าเสริม (รูปที่ 22)



รูปที่ 22 – การจัดเก็บที่วางเท้าเสริม

คุณไม่สามารถซื้อตัวเลือกและอุปกรณ์เสริมต่อไปนี้หากคุณเลือกที่วางเท้าเสริม:

- ที่จับสำหรับการเข็นฝั่งปลายเท้า
- ถาดเครื่องกระตุกหัวใจด้วยไฟฟ้า
- ถาดเครื่องกระตุกหัวใจด้วยไฟฟ้า/ฐานรองเสริม
- ที่วางถาดเลิร์ฟ/ที่วางเท้า
- ที่วางเท้า/ที่วางฝั่ง
- เส้า IV ฝั่งปลายเท้า

หมายเหตุ

- อย่าใช้ที่วางเท้าเสริมในการจัดเก็บสิ่งของของผู้ป่วย
- อย่าใช้ที่วางเท้าเสริมเป็นอุปกรณ์ในการดัน/ดึง ผลิตภัณฑ์ได้รับความเสียหายได้
- ใช้เบรกทุกครั้งเมื่อคุณใช้ที่วางเท้าเสริมเพื่อหลีกเลี่ยงความไม่มั่นคง
- อย่าใช้พนักพิงหรือ Gatch กับที่วางเท้าเสริม

การปรับตำแหน่งเส้า IV สองระดับแบบติดถาวร

คำเตือน - อย่าใช้เส้า IV เป็นอุปกรณ์ดัน/ดึง ผลิตภัณฑ์ได้รับความเสียหายได้

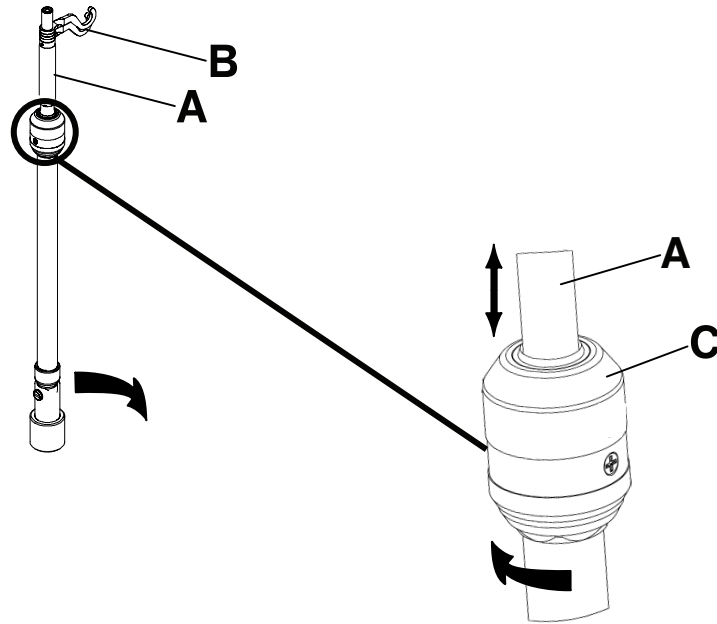
คุณสามารถซื้อผลิตภัณฑ์โดยมีตัวเลือกเส้า IV แบบสองระดับติดถาวรที่ฝั่งปลายด้านศีรษะ ฝั่งปลายเท้าหรือปลายทั้งสองด้านของผลิตภัณฑ์ เส้า IV ติดตั้งเส้ายึดใส่สล็อตที่ยื่นออกมาเพื่อให้ได้ตำแหน่งความสูงที่สอง คุณสามารถพับและจัดเก็บเส้า IV ได้เมื่อไม่ใช้งาน

วิธีปรับตำแหน่งเส้า IV สองระดับ (รูปที่ 23):

1. ยกและหมุนเส้าออกจากตำแหน่งจัดเก็บ
2. ดันเส้า IV ลงจนกระทั่งเส้า IV ล็อคเข้าที่
3. ในการเพิ่มความสูงของเส้า IV ให้ดึงกระบอกเทเลสโคป (A) ขึ้นจนกระทั่งเส้าล็อคเข้าที่ในตำแหน่งที่ยกขึ้นจนสุด
4. หมุนที่แขน IV (B) ไปยังตำแหน่งที่ต้องการแล้วแขนถ่วง IV
5. ในการลดเส้า IV ให้จับกระบอกเทเลสโคปของเส้า IV หมุนสลัก (C) และลดระดับกระบอกเทเลสโคปลง

หมายเหตุ

- อย่าแขวนถ่วง IV ที่มีน้ำหนักมากกว่า 40 ปอนด์ (18 กก.) บนเส้า IV
- ตรวจสอบให้แน่ใจเสมอว่าเส้า IV อยู่ในระดับความสูงต่ำเพื่อให้ผ่านช่องประตูได้อย่างปลอดภัยเมื่อคุณเคลื่อนย้ายผู้ป่วย



รูปที่ 23 – การปรับตำแหน่งเสา IV แบบ 2 ระดับที่ติดถาวร

การปรับตำแหน่งเสา IV สามระดับแบบติดถาวร

คำเตือน - อย่าใช้เสา IV เป็นอุปกรณ์ดัน/ดึง ผลลัพธ์ที่ได้รับความเสียหายได้

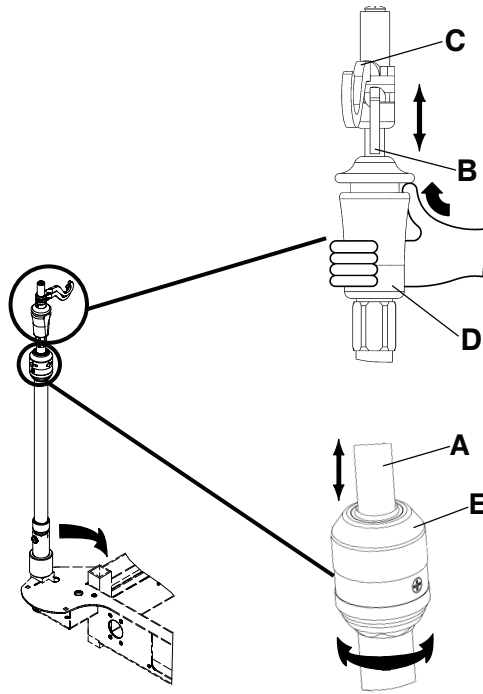
คุณสามารถซื้อผลิตภัณฑ์โดยมีตัวเลือกเสา IV สามระดับติดถาวรที่ฝั่งปลายด้านศีรษะ ฝั่งปลายเท้าหรือปลายทั้งสองด้านของผลิตภัณฑ์เสา IV ติดตั้งเสายึดใสลดที่ยื่นออกมาเพื่อให้ได้ตำแหน่งความสูงที่สองและสาม คุณยังสามารถพับและจัดเก็บเสา IV ได้เมื่อไม่ใช้งาน

วิธีปรับตำแหน่งเสา IV สามระดับ (รูปที่ 24):

1. ยกและหมุนเสาออกจากตำแหน่งจัดเก็บ
2. ดันเสา IV ลงจนเสาล็อคเข้าที่
3. ในการเพิ่มความสูงของเสา IV ให้ดึงกระบอกเทเลสโคป (A) ขึ้นจนกระทั่งเสาล็อคเข้าที่ในตำแหน่งที่ยกขึ้นจนสุด
4. สำหรับเสา IV ที่สูงขึ้น ให้ดึงส่วน (B) ขึ้น ปลดส่วน (B) ที่ความสูงที่ต้องการเพื่อล็อคเสาให้เข้าที่
5. หมุนที่แขวน IV (C) ไปยังตำแหน่งที่ต้องการแล้วแขวนลง IV
6. ในการลดเสา IV ให้ดันส่วนสี่เหลี่ยมของที่จับ (D) ขึ้นในขณะที่จับส่วน (B) จนกระทั่งเสาลดระดับลง
7. หมุนสลัก (E) และลดระดับกระบอกเทเลสโคปเสา IV ลง

หมายเหตุ

- อย่าแขวนลง IV ที่มีน้ำหนักรวมเกิน 12 ปอนด์ (5 กก.) สำหรับกระเป๋าทั้งหมดบนเสา IV
- อย่าแขวนลง IV ที่มีน้ำหนักเกิน 9.3 ปอนด์ (4.2 กก.) บนที่แขวน IV เดียว
- ตรวจสอบให้แน่ใจเสมอว่าเสา IV อยู่ที่ความสูงต่ำเพื่อให้เสาลอดผ่านช่องประตูได้อย่างปลอดภัยเมื่อคุณเคลื่อนย้ายผู้ป่วย



รูปที่ 24 – การปรับตำแหน่งเสา IV สามระดับแบบติดถาวร

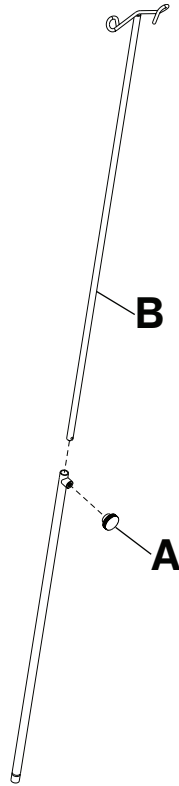
การติดตั้งและการปรับตำแหน่งเสา IV แบบถอดได้

ข้อควรระวัง

- อย่าใช้เสา IV เป็นอุปกรณ์ดัน/ดึง ผลิตรักษาที่ได้รับความปลอดภัยได้
- อย่าแขวนถุง IV ที่มีน้ำหนักมากกว่า 40 ปอนด์ (18 กก.) บนเสา IV
- ตรวจสอบให้แน่ใจเสมอว่าเสา IV อยู่ที่ความสูงต่ำเพื่อให้สามารถลอดผ่านช่องประตูเมื่อคุณเคลื่อนย้ายผู้ป่วย

วิธีติดตั้งและกำหนดตำแหน่งเสา IV แบบถอดได้ (รูปที่ 25):

1. เสียบเสา IV เข้ากับซ็อกเก็ตที่ฝั่งปลายด้านศีรษะหรือฝั่งปลายเท้าของผลิตรักษา
2. หมุนปุ่ม (A) ทวนเข็มนาฬิกาและดึงกระบอกเทเลสโคปขึ้น (B) ขึ้นจนได้ความสูงที่ต้องการ
3. หมุนปุ่ม (A) ตามเข็มนาฬิกาเพื่อล๊อคกระบอกเทเลสโคปให้เข้าที่



รูปที่ 25 – เส้า IV แบบถอดได้

การติดที่ใส่ถังออกซิเจนตั้งตรง

คำเตือน

- อย่าวางวัตถุที่มีน้ำหนักเกิน 40 ปอนด์ (18 กก.) ในที่ใส่ถังออกซิเจนตั้งตรง
- โปรดใช้ความระมัดระวังเสมอหากติดตั้งภาคเครื่องกระตุ้นหัวใจด้วยไฟฟ้า/ฐานรองเสริม, ที่วางเท้า/ที่วางฝั่ง หรือที่ใส่ถังออกซิเจนตั้งตรงเพื่อหลีกเลี่ยงการบีบนิ้วของคุณเมื่อวางตำแหน่งตัวเลือกที่จับสำหรับการเซ็นผังปลายเท้า

ที่ใส่ถังออกซิเจนตั้งตรงรองรับถังออกซิเจนในแนวตั้ง

วิธีติดที่ยึดถังออกซิเจนแบบตั้งตรง:

1. ใส่แถบรองรับลงในซ็อกเก็ต IV ใดก็ได้
2. สอดสลักปลายแยกผ่านรูในแถบรองรับเพื่อยึดที่ใส่ถังเข้ากับผลิตภัณฑ์

หมายเหตุ - อย่าใช้ที่ใส่ถังออกซิเจนตั้งตรงเป็นอุปกรณ์ในการดัน/ดึง ผลิตภัณฑ์ได้รับความเสียหายได้

การขยายหรือการจัดเก็บที่วางภาคเสริม/ที่วางเท้า

คำเตือน - อย่าวางวัตถุที่มีน้ำหนักเกิน 30 ปอนด์ (14 กก.) บนภาคเสริม

เพื่อให้พอดีกับภาคเสริมบนราวกันเตียง ให้ดึงภาคเสริมทั้งสองด้านออกมาแล้ววางภาคไว้เหนือราวกันด้านข้าง

วิธีจัดเก็บภาคเสริม:

1. นำภาคเสริมออกจากราวกันเตียง
2. ดันด้านข้างของภาคเสริม
3. จัดเก็บภาคเสริมไว้ที่ปลายเตียง

หมายเหตุ - อย่าใช้ภาคเสริม/ที่วางเท้าเป็นอุปกรณ์ในการดัน/ดึง ผลิตภัณฑ์ได้รับความเสียหายได้

การติดแผ่นกันด้านข้าง

วิธีติดแผ่นกันด้านข้าง:

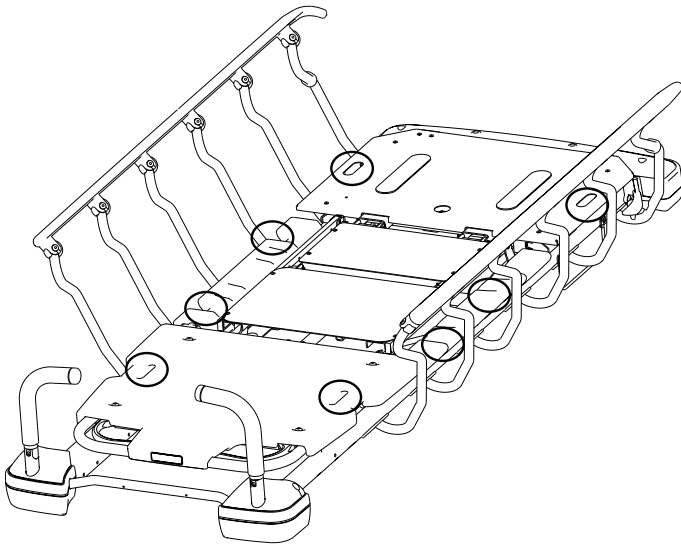
1. สอดแผ่นกันด้านข้างเข้าระหว่างที่นอนกับราวกันเตียง
2. ยึดสายรัด **Velcro®** รอบด้านบนของราวกันเตียงเพื่อยึดแผ่นกันด้านข้าง

การระบุตำแหน่งสายรัดรั้งผู้ป่วย

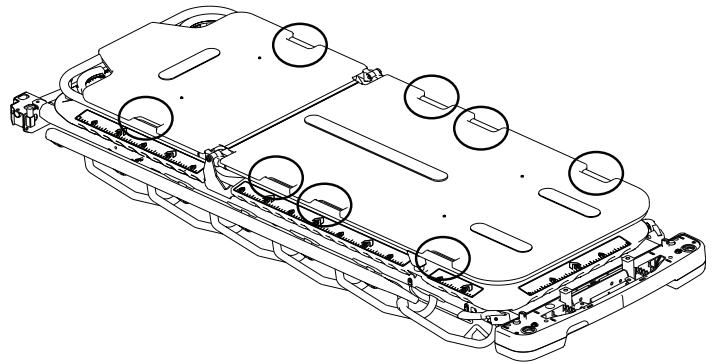
คำเตือน

- ใช้ความระมัดระวังทุกครั้งเมื่อคุณติดสายรัดกันตก ผู้ป่วยหรือผู้ปฏิบัติงานอาจได้รับบาดเจ็บได้ การผูกมัดทางกายภาพ แม้ว่าจะมั่นคง แข็งแรง ก็อาจจะส่งผลให้เกิดอันตรายร้ายแรงต่อผู้ป่วยและผู้ปฏิบัติงานได้ รวมไปถึงการพันกัน การติดข้างใน การบาดเจ็บทางร่างกาย หรือการเสียชีวิต
- ติดสายรัดกันตกหรืออุปกรณ์ไว้ที่จุดยึดของผลิตภัณฑ์ตามที่ระบุเท่านั้น การไม่ปฏิบัติตามอาจส่งผลให้ผู้ป่วยหรือผู้ปฏิบัติงานได้รับบาดเจ็บได้ อย่าติดสายรัดกันตกกับราวกันเตียงด้านข้าง
- โปรดดูข้อกำหนดและกฎระเบียบของรัฐและรัฐบาลกลางที่เกี่ยวข้องและระเบียบปฏิบัติของสถานที่ที่เหมาะสมเสมอก่อนที่คุณจะใช้สายรัดหรืออุปกรณ์ใดๆ

ชุดประกอบเตียงมีจุดยึดสำหรับการติดสายรัดผู้ป่วยทั้งหมดแปดตำแหน่ง (รูปที่ 26 หรือ รูปที่ 27)



รูปที่ 26 – ตำแหน่งสายรัดกันตกของ Prime



รูปที่ 27 – ตำแหน่งสายรัดกันตกตัวเลือก Prime X

หมายเหตุ - สายรัดเป็นชิ้นส่วนที่ใช้ Type B

การปรับตำแหน่งที่ใส่ฟิล์มเอ็กซ์เรย์โดยตรง - ตัวเลือก Prime X

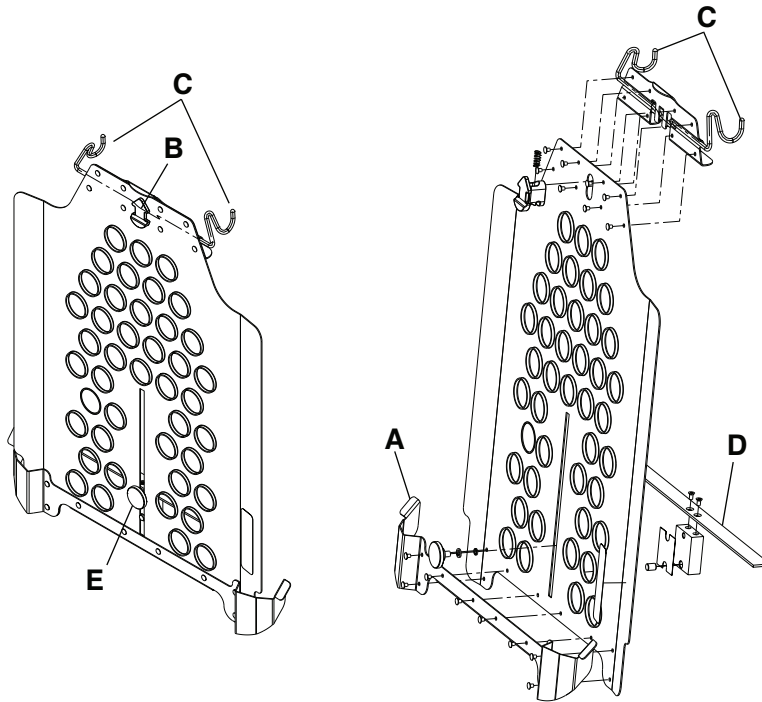
คำเตือน

- ใช้มาตรการป้องกันเสมอเมื่อคุณใช้ที่ใส่ฟิล์มเอ็กซ์เรย์แบบตั้งตรงหรือด้านข้าง ที่ใส่ฟิล์มเอ็กซ์เรย์ไม่ได้ป้องกันรังสี
- โปรดดูคำแนะนำของท้องถิ่น รัฐ และรัฐบาลกลางเพิ่มเติมนอกจากระเบียบปฏิบัติของสถานที่เสมอเพื่อความปลอดภัยก่อนใช้งานตัวเลือก **Prime X** ที่มีอุปกรณ์ที่ปล่อยรังสี อุปกรณ์ที่ปล่อยรังสีอาจทำให้มีรังสีตกค้าง หลงเหลือ หรือกระจัดกระจาย
- ใช้ความระมัดระวังเป็นพิเศษเสมอเมื่อคุณใช้ที่นอนที่หนากว่า 2.5 นิ้ว (6.35 ซม.) หรือใช้แผ่นรองทับกับตัวเลือก **Prime X**
- ปฏิบัติตามคำแนะนำการปรับตำแหน่งที่ใส่ฟิล์มเอ็กซ์เรย์โดยตรง - ตัวเลือก **Prime X** ในการใส่ฟิล์มเอ็กซ์เรย์

ที่ใส่ฟิล์มเอ็กซ์เรย์ยึดกับการเชื่อมพนักพิงส่วนรองหลังเพื่อรองรับฟิล์มเอ็กซ์เรย์ สามารถถ่ายภาพรังสีเอกซ์ในขณะที่ผู้ป่วยอยู่บนผลิตภัณฑ์ นอกจากนี้ ยังสามารถปรับตำแหน่งของฟิล์มก่อนทำการเอ็กซ์เรย์ได้อีกด้วย

วิธีปรับตำแหน่งที่ใส่ตลับฟิล์มเอ็กซ์เรย์:

1. ใช้เบรก ดันผลิตภัณฑ์เพื่อให้แน่ใจว่าเบรกทำงาน
2. ยกส่วนพนักพิงส่วนรองหลังขึ้นสูงสุด
3. ใส่ตัวนำด้านล่าง (A) ใต้แถบเชื่อมพนักพิงส่วนรองหลัง (รูปที่ 28)
4. ยกที่ใส่ตลับขึ้นจนกระทั่งตัวนำยึดเข้ากับการเชื่อมของพนักพิงส่วนรองหลัง ตรวจสอบให้แน่ใจว่าที่ใส่ตลับมีความแน่นหนา



รูปที่ 28 – ที่ใส่ตลับฟิล์มเอ็กซ์เรย์

5. ใส่ตลับฟิล์มเอ็กซ์เรย์ จากด้านใดด้านหนึ่งของที่ใส่ตลับหรือดึงลูกศรปลดตัวเลื่อน (B) เพื่อปลดที่ใส่ตลับออกจากส่วนรองหลัง จัดตำแหน่งตลับและยึดที่ใส่ตลับในการเชื่อมพนักพิงส่วนรองหลัง
6. ในการปรับความสูงของตลับ ให้คลายลูกบิด (E) แล้วเลื่อนรางรองรับตลับ (D) ขึ้นหรือลงจนกว่าจะได้ความสูงที่ต้องการ
7. ชันลูกบิด (E) ให้แน่นเพื่อยึดรางรองรับตลับเข้าที่
8. เมื่อเสร็จสิ้นกระบวนการเอ็กซ์เรย์ ให้ดึงลูกศรปลดตัวเลื่อน (B) ขึ้นเพื่อปลดที่ใส่ตลับออกจากส่วนรองหลัง
9. ถอดตลับฟิล์มเอ็กซ์เรย์ออกจากที่ใส่ตลับ
10. ปิดและเก็บที่ใส่ตลับ

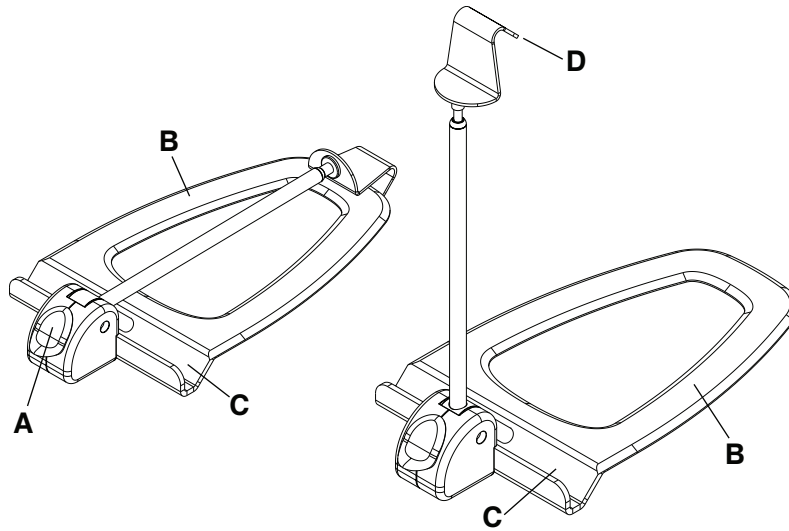
การปรับตำแหน่งที่ใส่ตลับฟิล์มเอ็กซ์เรย์ด้านข้าง - ตัวเลือก Prime X

คำเตือน

- ใช้มาตรการป้องกันเสมอเมื่อคุณใช้ที่ใส่ตลับฟิล์มเอ็กซ์เรย์แบบตั้งตรงหรือด้านข้าง ที่ใส่ตลับฟิล์มเอ็กซ์เรย์ไม่ได้ป้องกันรังสี
- โปรดดูคำแนะนำของท้องถิ่น รัฐ และรัฐบาลกลางเพิ่มเติมนอกจากระเบียบปฏิบัติของสถานที่เสมอเพื่อความปลอดภัยก่อนใช้งานตัวเลือก Prime X ที่มีอุปกรณ์ที่ปล่อยรังสี อุปกรณ์ที่ปล่อยรังสีอาจทำให้มีรังสีตกค้าง หลงเหลือ หรือกระจัดกระจาย
- ใช้ความระมัดระวังเสมอเมื่อคุณถ่ายภาพรังสีเอกซ์โดยให้พนักพิงส่วนรองหลังอยู่ในตำแหน่งตั้งตรงหรือเมื่อคุณใช้ตลับฟิล์มเอ็กซ์เรย์ด้านข้าง
- ใช้ความระมัดระวังเป็นพิเศษเสมอเมื่อคุณใช้ที่นอนที่หนากว่า 2.5 นิ้ว (6.35 ซม.) หรือใช้แผ่นรองทับกับตัวเลือก Prime X
- ปฏิบัติตามคำแนะนำการปรับตำแหน่งที่ใส่ตลับฟิล์มเอ็กซ์เรย์ด้านข้าง - ตัวเลือก Prime X ในการใส่ตลับฟิล์มเอ็กซ์เรย์

วิธีปรับตำแหน่งที่ใส่ตลับฟิล์มเอ็กซ์เรย์ด้านข้าง:

1. ใช้เบรก ดันผลิตภัณฑ์เพื่อให้แน่ใจว่าเบรกทำงาน



รูปที่ 29 – ที่ใส่ฟิล์มเอ็กซเรย์ด้านข้าง

2. กดปุ่มปลดล็อกคีย์เหลือง (A) เพื่อเปิดที่ใส่ฟิล์มด้านข้าง (รูปที่ 29)
3. เลื่อนฐานแบน (B) ระหว่างที่นอนและแท่นรองรับผู้ป่วย
4. วางที่ใส่ฟิล์มด้านข้างในตำแหน่งที่ต้องการ
5. ใสฟิล์มเอ็กซเรย์ลงในช่องใส่ฟิล์ม (C)
6. ดึงตะขอตลับ (D) ขึ้นเพื่อปรับความสูงของแขนให้พอดีกับตลับฟิล์มเอ็กซเรย์เพื่อยึดตลับเข้าที่
7. ทำย้อนกลับขั้นตอนในการถอดตลับและเก็บที่ใส่ฟิล์มด้านข้าง

การใส่หรือถอดตลับฟิล์มเอ็กซเรย์ - ตัวเลือก Prime X

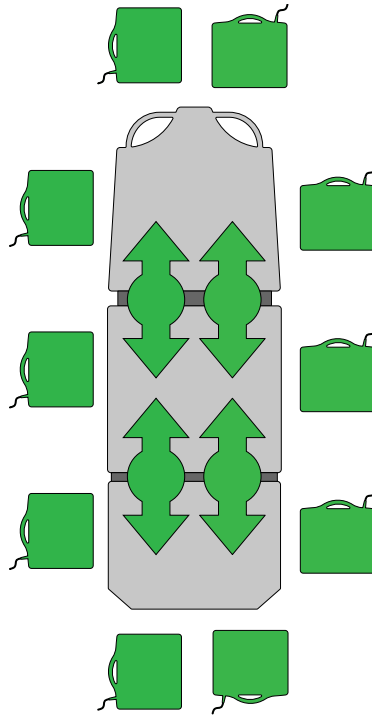
คำเตือน

- โปรดดูคำแนะนำของท้องถิ่น รัฐ และรัฐบาลกลางเพิ่มเติมนอกจากระเบียบปฏิบัติของสถานที่เสมอเพื่อความปลอดภัยก่อนใช้งานตัวเลือก Prime X ที่มีอุปกรณ์ที่ปล่อยรังสี อุปกรณ์ที่ปล่อยรังสีอาจทำให้มีรังสีตกค้าง หลงเหลือ หรือกระจัดกระจาย
- ใช้ความระมัดระวังเสมอเมื่อคุณถ่ายภาพรังสีเอกซ์โดยให้พนักงานบางส่วนรองหลังอยู่ในตำแหน่งตั้งตรงหรือเมื่อคุณใส่ฟิล์มเอ็กซเรย์ด้านข้าง

ตัวเลือก Prime X มีทั้งพื้นผิวแบบรองรับการถ่ายภาพรังสีที่ชัดเจนและแพลตฟอร์มด้านล่างพื้นผิวรองรับผู้ป่วยสำหรับการวางตลับฟิล์มเอ็กซเรย์ การทำงานร่วมกับระบบเอกซเรย์ทางการแพทย์ พื้นผิวรองรับการถ่ายภาพรังสีช่วยให้สามารถจับภาพรังสีเอกซ์ทางคลินิกได้ (ตัวเต็ม AP, ตัวเลือกด้านข้างทั้งตัวและหน้าอกตั้งตรง) ในขณะที่ผู้ป่วยอยู่บนผลิตภัณฑ์ คุณสามารถใส่ฟิล์มจากฝั่งศีรษะ ฝั่งปลายเท้า และด้านใดด้านหนึ่งของผลิตภัณฑ์

วิธีใส่ฟิล์มเอ็กซเรย์:

1. จัดให้ผู้ป่วยอยู่จุดศูนย์กลางของผลิตภัณฑ์ตามป้ายระบุตำแหน่งที่อยู่บนทุกด้านของผลิตภัณฑ์ (รูปที่ 30)
2. ใสฟิล์มเอ็กซเรย์ใต้พื้นผิวสำหรับผู้ป่วย ใช้ตัวนำตลับเพื่อช่วยในการปรับตำแหน่งตลับฟิล์มเอ็กซเรย์



รูปที่ 30 – การใส่หรือถอดกลับฟิล์มเอกซเรย์ในตัวเลือก Prime X

หมายเหตุ

- อย่าใช้ที่นอนที่มีความหนาเกินสี่นิ้วตัวเลือกกับ Prime X
- ห้ามใช้ C-Arm ร่วมกับตัวเลือก Prime X Prime X ไม่สามารถใช้งานร่วมกับ C-Arm ได้

การทำความสะอาด

การทำความสะอาดผลิตภัณฑ์

ข้อควรระวัง - อย่าใช้น้ำยาทำความสะอาดที่มีฤทธิ์กัดกร่อนทำความสะอาดกล่องหุ้มหน้าจอสำหรับตัวเลือกระบบการวัด อย่าให้น้ำยาทำความสะอาดหรือของเหลวอื่น ๆ เข้าหน่วยแสดงผล เช็ดพื้นผิวทั้งหมดให้แห้งหลังจากมีการหกหรือทำความสะอาด

คำแนะนำเหล่านี้แนะนำวิธีการทำความสะอาดที่แนะนำสำหรับเตียงผู้ป่วย **Prime Series**

ผลิตภัณฑ์นี้สามารถซักด้วยไฟฟ้าได้ ผลิตภัณฑ์อาจแสดงสัญญาณบางอย่างของการเกิดออกซิเดชันหรือเตียงผู้ป่วยอาจเสียหายจากการซักอย่างต่อเนื่อง อย่างไรก็ตาม คุณสมบัติหรือฟังก์ชันการทำงานของผลิตภัณฑ์จะไม่ลดลงเนื่องจากการซักด้วยพลังงานตราบไคที่ปฏิบัติตามขั้นตอนที่เหมาะสม

วิธีทำความสะอาดที่แนะนำ:

1. หากผลิตภัณฑ์มีตัวเลือกเตียงระบบไฟฟ้าหรือการยกด้วยระบบไฟฟ้า ให้ถอดปลั๊กไฟออกจากเต้ารับบนผนังก่อนที่จะขนย้ายหรือทำความสะอาดผลิตภัณฑ์
2. ถอดที่นอนออกจากผลิตภัณฑ์
3. ปฏิบัติตามคำแนะนำในการเจือจางของผู้ผลิตน้ำยาทำความสะอาด
4. Stryker แนะนำให้ใช้เครื่องล้างรถเข็นมาตรฐานโรงพยาบาลสำหรับการซักด้วยไฟฟ้า
5. ทำให้ผลิตภัณฑ์แห้ง อย่าวางที่นอนบนผลิตภัณฑ์จนกว่าผลิตภัณฑ์จะแห้ง
6. ตรวจสอบการทำงานก่อนที่คุณจะส่งคืนผลิตภัณฑ์เพื่อเข้ารับบริการ
 - เพิ่มและลดระดับความสูงของผลิตภัณฑ์
 - ล็อคและปลดล็อคเบาะเบรก/เหยียบควบคุมทิศทางทั้งสองตำแหน่ง
 - ไล่และถอดสลักรางด้านข้าง
 - เพิ่มและลดระดับความสูงของพนักพิงส่วนรองหลัง
 - เพิ่มและลดระดับความสูงของ Gatch
 - ตรวจสอบให้แน่ใจว่าส่วนประกอบทั้งหมดได้รับการหล่อลื่นอย่างถูกต้อง
 - ตรวจสอบให้แน่ใจว่าป้ายฉลากทั้งหมดยังคงอยู่ในสภาพสมบูรณ์

หมายเหตุ

- การสัมผัสผิวหนังโดยตรงของวัสดุที่สกปรกและของเหลวซึมผ่านได้อย่างเห็นได้ชัดอาจเพิ่มความเสี่ยงต่อการติดเชื้อ
- ห้ามอบไอน้ำทำความสะอาดผลิตภัณฑ์
- ทำความสะอาดช่องเก็บของที่ฐาน
- ทำความสะอาดด้านล่างของผ้าเบรกเพื่อป้องกันไม่ให้มีขี้ผึ้งหรือเศษฝุ่นจากพื้นสะสม
- สารทำความสะอาดบางอย่างมีคุณสมบัติในการกัดกร่อนและอาจทำให้เกิดความเสียหายต่อผลิตภัณฑ์หากท่านใช้สารเหล่านี้อย่างไม่เหมาะสม หากท่านไม่ล้างและทำให้ผลิตภัณฑ์แห้งอย่างเหมาะสม อาจมีสิ่งตกค้างที่มีคุณสมบัติกัดกร่อนอยู่บนพื้นผิวของผลิตภัณฑ์ ซึ่งอาจทำให้เกิดการเสื่อมก่อนเวลาอันควรของส่วนประกอบที่สำคัญ การไม่ปฏิบัติตามคำแนะนำในการทำความสะอาดเหล่านี้ อาจส่งผลให้การรับประกันสิ้นสุดลง

การทำความสะอาดผลิตภัณฑ์โดยใช้เครื่องล้างรถเข็น

Stryker แนะนำให้ใช้เครื่องล้างรถเข็นผ้าตัดมาตรฐานของโรงพยาบาลเพื่อล้างเตียงผู้ป่วยสูงสุดปีละครั้งตลอดอายุของผลิตภัณฑ์

วิธีทำความสะอาดผลิตภัณฑ์ด้วยเครื่องล้างรถเข็น:

1. หากผลิตภัณฑ์มีตัวเลือกเตียงระบบไฟฟ้าหรือการยกด้วยระบบไฟฟ้า ให้ถอดปลั๊กไฟออกจากเต้ารับบนผนังก่อนที่จะขนย้ายหรือทำความสะอาดผลิตภัณฑ์
2. ถอดที่นอนออกก่อนซักผลิตภัณฑ์ อย่าซักที่นอนพร้อมผลิตภัณฑ์
3. ปรับพนักพิงส่วนรองหลังให้อยู่ในตำแหน่ง 45°
4. ปรับผลิตภัณฑ์ให้อยู่ในตำแหน่งศีรษะสูงปลายเท้าต่ำ (ฝั่งปลายเท้าลง)

5. ยกราวกันด้านข้างขึ้น
6. ใส่เสา IV และดันที่จับสำหรับการเข็นให้อยู่ในตำแหน่งขึ้น
7. ทำความสะอาดผลิตภัณฑ์ด้วยอุณหภูมิสูงสุด 82 °C (180 °F) และแรงดันน้ำสูงสุด 103.5 บาร์/1500 psi
8. ตั้งลมให้แห้งที่อุณหภูมิสูงสุด 93° C (240° F) เป็นเวลาแปดนาที
9. ทำให้ผลิตภัณฑ์แห้ง อย่าวางที่นอนบนผลิตภัณฑ์จนกว่าผลิตภัณฑ์จะแห้ง
10. ตรวจสอบการทำงานก่อนที่คุณจะส่งคืนผลิตภัณฑ์เพื่อเข้ารับบริการ
 - เพิ่มและลดระดับความสูงของผลิตภัณฑ์
 - ล็อคและปลดล็อกแป้นเบรก/เหยียบควบคุมทิศทางทั้งสองตำแหน่ง
 - ใส่และถอดสลักรางด้านข้าง
 - เพิ่มและลดระดับความสูงของพนักพิงส่วนรองหลัง
 - ตรวจสอบให้แน่ใจว่าส่วนประกอบทั้งหมดได้รับการหล่อลื่นอย่างถูกต้อง
 - ตรวจสอบให้แน่ใจว่าป้ายฉลากทั้งหมดยังอยู่ครบและอ่านได้ง่าย

หมายเหตุ

- ห้ามอบไอน้ำทำความสะอาดผลิตภัณฑ์
- สารทำความสะอาดบางอย่างมีคุณสมบัติในการกัดกร่อนและอาจทำให้เกิดความเสียหายต่อผลิตภัณฑ์หากท่านใช้สารเหล่านี้อย่างไม่เหมาะสม หากท่านไม่ล้างและทำให้ผลิตภัณฑ์แห้งอย่างเหมาะสม อาจมีสิ่งตกค้างที่มีคุณสมบัติกัดกร่อนอยู่บนพื้นผิวของผลิตภัณฑ์ ซึ่งอาจทำให้เกิดการเลือกก่อนเวลาอันควรของส่วนประกอบที่สำคัญ การไม่ปฏิบัติตามคำแนะนำในการทำความสะอาดเหล่านี้อาจส่งผลให้การรับประกันสิ้นสุดลง

การทำความสะอาดที่นอน

คำเตือน

- ห้ามทำความสะอาด เข้ารับบริการ หรือทำการบำรุงรักษาในขณะที่กำลังใช้งานผลิตภัณฑ์
- ห้ามแช่ที่นอนในน้ำยาทำความสะอาดหรือฆ่าเชื้อ ความชื้นที่สูงเกินไปอาจทำให้ผลิตภัณฑ์ทำงานผิดปกติ ซึ่งส่งผลให้เกิดความเสียหายต่อผลิตภัณฑ์หรือการบาดเจ็บของผู้ป่วย
- อย่าวีของเหลวไหลลงบนที่นอน ของเหลวอาจทำให้ส่วนประกอบกัดกร่อนและอาจทำให้ไม่สามารถคาดการณ์ความปลอดภัยและประสิทธิภาพของผลิตภัณฑ์ได้
- ตรวจสอบปลอกหุ้มที่นอน (ด้านบนสุดและล่างสุด) อย่างสม่ำเสมอว่ามีกลิ่น ถูกเจาะ การขาดที่มากเกินไป และฉีกแตกหรือไม่เมื่อทำความสะอาดปลอกหุ้ม ถอดและเปลี่ยนที่นอนที่ชำรุดเพื่อป้องกันการปนเปื้อนไปสู่อย่างอื่น
- ห้ามทำความสะอาดที่นอนด้วยการอบไอน้ำ ล้างโดยใช้แรงดัน ใช้สายยางฉีด หรือด้วยอัลตราโซนิก วิธีทำความสะอาดเหล่านี้อาจทำให้การรับประกันผลิตภัณฑ์สิ้นสุดลง

อายุการใช้งานของที่นอนอาจได้รับผลกระทบจากความถี่ในการใช้งานที่เพิ่มขึ้น ซึ่งอาจรวมถึงการทำความสะอาดและการฆ่าเชื้อโรคบ่อยขึ้น

วิธีทำความสะอาดที่แนะนำ:

1. ใช้ผ้าขนหนูที่สะอาดเช็ดที่นอนทุกส่วนด้วยสบู่อ่อน ๆ และสารละลายน้ำเพื่อขจัดสิ่งแปลกปลอม
2. เช็ดปลอกหุ้มที่นอนด้วยผ้าแห้งที่สะอาดเพื่อกำจัดของเหลวหรือสารทำความสะอาดส่วนเกิน
3. ล้างและเช็ดให้แห้งหลังจากทำความสะอาด
4. ฆ่าเชื้อตามความจำเป็นด้วยน้ำยาฆ่าเชื้อเกรดโรงพยาบาลหลังจากทำความสะอาดเรียบร้อยแล้ว (ดูที่*การฆ่าเชื้อบนที่นอน*)

หมายเหตุ

- ห้ามรีด ชักแห้ง หรือปั่นแห้งที่นอนเพราะจะทำให้ทำงานผิดปกติและทำให้ผลิตภัณฑ์ได้รับความเสียหายได้
- ผ้าคลุมที่นอนต้องแห้งสนิทก่อนจัดเก็บ เพิ่มผ้าปูที่นอน หรือวางผู้ยวบบนที่นอนเพื่อป้องกันการลดลงของประสิทธิภาพของผลิตภัณฑ์
- หลีกเลี่ยงการสัมผัสกับแอลกอฮอล์หรือไฮโดรเจนเปอร์ออกไซด์มากเกินไป วัสดุคลุมจะโป่งพอง
- อย่าย่ำรอยให้ของเหลวซึมเข้าไปในบริเวณซิปและที่กั้นน้ำ ของเหลวที่สัมผัสกับซิปอาจรั่วไหลเข้าไปในที่นอน ซึ่งอาจทำให้ประสิทธิภาพของผลิตภัณฑ์ลดลง

- สารทำความสะอาดบางอย่างมีคุณสมบัติในการกัดกร่อนและอาจทำให้เกิดความเสียหายต่อผลิตภัณฑ์หากท่านใช้สารเหล่านี้อย่างไม่เหมาะสม หากท่านไม่ล้างและทำให้ผลิตภัณฑ์แห้งอย่างเหมาะสม อาจมีสิ่งตกค้างที่มีคุณสมบัติกัดกร่อนอยู่บนพื้นผิวของผลิตภัณฑ์ ซึ่งอาจทำให้เกิดการเสื่อมก่อนเวลาอันควรของส่วนประกอบที่สำคัญ การไม่ปฏิบัติตามคำแนะนำในการทำความสะอาดเหล่านี้อาจส่งผลให้การรับประกันสิ้นสุดลง

การกำจัดไอโอดีน

1. ทำสารละลายโซเดียมไฮโอซัลเฟต 1 ถึง 2 ช้อนโต๊ะในน้ำอุ่นหนึ่งโพน ใช้น้ำยาเช็ดบริเวณที่เปื้อน
2. ทำความสะอาดคราบโดยเร็วที่สุดหลังจากเกิดคราบ
3. หากคราบไม่หลุดออกในทันที ให้ปล่อยให้ให้น้ำยาชุ่มหรือเกาะบนที่นอนก่อนที่จะเช็ดที่นอน
4. ล้างที่นอนที่สัมผัสกับสารละลายด้วยน้ำสะอาดก่อนที่จะนำที่นอนกลับไปใช้งาน

หมายเหตุ - การไม่ปฏิบัติตามคำแนะนำเหล่านี้เมื่อคุณใช้น้ำยาทำความสะอาดประเภทนี้อาจทำให้การรับประกันผลิตภัณฑ์นี้สิ้นสุดลง

คำแนะนำพิเศษ

Velcro®	ทำให้อึดด้วยน้ำยาฆ่าเชื้อ ล้างออกด้วยน้ำ และปล่อยให้สารละลายระเหย
ของแข็งหรือคราบ	ใช้สบู่อที่มีฤทธิ์เป็นกลางและน้ำอุ่น ใช้น้ำยาทำความสะอาด ตัวทำละลาย หรือน้ำยาทำความสะอาดที่มีฤทธิ์กัดกร่อน
จุดที่ยากต่อการทำความสะอาด	ใช้น้ำยาทำความสะอาดในครัวเรือนมาตรฐานหรือน้ำยาทำความสะอาดไวนิลและแปรงขนนุ่มในจุดหรือคราบที่เป็นปัญหา แช่สิ่งสกปรกที่ติดแข็งไว้ก่อน
การฟอก	ไม่แนะนำให้ฟอก การฟอกอาจทำให้อายุการใช้งานของที่นอนลดลงอย่างมาก

การฆ่าเชื้อ

การฆ่าเชื้อผลิตภัณฑ์

คำเตือน

- ห้ามทำความสะอาด เข้ารับบริการ หรือทำการบำรุงรักษาในขณะที่กำลังใช้งานผลิตภัณฑ์
- ห้ามทำความสะอาดผลิตภัณฑ์ด้วยการอบไอน้ำ ใช้สายยางฉีด หรือด้วยอัลตราโซนิค ไม่แนะนำให้ใช้วิธีการทำความสะอาดเหล่านี้และอาจทำให้การรับประกันผลิตภัณฑ์สิ้นสุดลง

สารฆ่าเชื้อที่แนะนำ:

- สารจตรภูมิ (สารออกฤทธิ์ - แอมโมเนียมคลอไรด์) ที่มีไกลคอลลีเธอร์น้อยกว่า 3%
- สารฆ่าเชื้อฟีนอลิก (สารออกฤทธิ์ - โอ-ฟีนิลฟีนอล)
- สารละลายคลอรีนฟอกขาว (สารฟอกขาว 5.25% ที่เจือจางสารฟอกขาว 1 ส่วนต่อน้ำ 100 ส่วนซึ่งเท่ากับมีคลอรีน 520 ppm (40 มล. ของสารละลายฟอกขาว 5.25% ต่อน้ำ 4,000 มล.))
- ไอโซโพรพิลแอลกอฮอล์ 70%

วิธีการฆ่าเชื้อโรคที่แนะนำ:

- ปฏิบัติตามคำแนะนำในการเจือจางของผู้ผลิตน้ำยาฆ่าเชื้อ
- ล้างทุกพื้นผิวของผลิตภัณฑ์ด้วยน้ำยาฆ่าเชื้อโรคด้วยมือ
- หลีกเลี่ยงการอึดตัวมากเกินไปและตรวจสอบให้แน่ใจว่าผลิตภัณฑ์ไม่เปียกนานกว่าตามที่ระบุไว้ในแนวทางปฏิบัติสำหรับการฆ่าเชื้อที่ถูกต้องของผู้ผลิตสารเคมี
- ทำให้ผลิตภัณฑ์แห้ง ออวางที่นอนบนผลิตภัณฑ์จนกว่าผลิตภัณฑ์จะแห้ง
- ฆ่าเชื้อ **Velcro®** หลังใช้งานทุกครั้ง ทำให้ **Velcro®** อึดตัวด้วยน้ำยาฆ่าเชื้อ ล้างด้วยน้ำ และปล่อยให้แห้งอย่างระมัดระวัง (สารฆ่าเชื้อที่เหมาะสมจะกำหนดโดยสถานที่)
- ตรวจสอบการทำงานก่อนที่คุณจะส่งคืนผลิตภัณฑ์เพื่อเข้ารับบริการ
 - เพิ่มและลดระดับความสูงของผลิตภัณฑ์
 - ล็อกและปลดล็อกเบาะเบรก/เหยียบควบคุมทิศทางทั้งสองตำแหน่ง
 - ใส่และถอดสลักรางด้านข้าง
 - เพิ่มและลดระดับความสูงของพนักพิงส่วนรองหลัง
 - เพิ่มและลดระดับความสูงของ Gatch
 - ตรวจสอบให้แน่ใจว่าส่วนประกอบทั้งหมดได้รับการหล่อลื่นอย่างถูกต้อง
 - ตรวจสอบให้แน่ใจว่าป้ายฉลากทั้งหมดยังคงอยู่ในสภาพสมบูรณ์

หมายเหตุ

- การสัมผัสผิวหนังโดยตรงของวัสดุที่สกปรกและของเหลวซึมผ่านได้อย่างเห็นได้ชัดอาจเพิ่มความเสี่ยงต่อการติดเชื้อ
- สารทำความสะอาดบางอย่างมีคุณสมบัติในการกัดกร่อนและอาจทำให้เกิดความเสียหายต่อผลิตภัณฑ์หากท่านใช้สารเหล่านี้อย่างไม่เหมาะสม หากท่านไม่ล้างและทำให้ผลิตภัณฑ์แห้งอย่างเหมาะสม อาจมีสิ่งตกค้างที่มีคุณสมบัติกัดกร่อนอยู่บนพื้นผิวของผลิตภัณฑ์ ซึ่งอาจทำให้เกิดการเสื่อมก่อนเวลาอันควรของส่วนประกอบที่สำคัญ การไม่ปฏิบัติตามคำแนะนำในการทำความสะอาดเหล่านี้ อาจส่งผลให้การรับประกันสิ้นสุดลง

การฆ่าเชื้อที่นอน

คำเตือน - ควรฆ่าเชื้อที่นอนก่อนใช้กับผู้ป่วยรายใหม่เสมอ การไม่ปฏิบัติตามคำแนะนำอาจส่งผลให้เกิดการปนเปื้อนและการติดเชื้อไปสู่ผู้อื่น

สารฆ่าเชื้อที่แนะนำ:

- สารจตรภูมิ (สารออกฤทธิ์ - แอมโมเนียมคลอไรด์) ที่มีไกลคอลลีเธอร์น้อยกว่า 3%

- สารฆ่าเชื้อฟิโนลิก (สารออกฤทธิ์ - โอ-ฟิโนลฟีนอล)
- สารละลายคลอรีนฟอกขาว (สารฟอกขาว 5.25% ที่เจือจางสารฟอกขาว 1 ส่วนต่อน้ำ 100 ส่วนซึ่งเท่ากับมีคลอรีน 520 ppm (40 มล. ของสารละลายฟอกขาว 5.25% ต่อน้ำ 4,000 มล.))
- ไอโซโพรพิลแอลกอฮอล์ 70%

วิธีการฆ่าเชื้อโรคที่แนะนำ:

1. ตรวจสอบให้แน่ใจว่าที่นอนสะอาดและแห้งก่อนใช้น้ำยาฆ่าเชื้อ
2. เช็ดปลอกหุ้มที่นอนด้วยผ้าที่สะอาดและแห้งเพื่อกำจัดของเหลวหรือสารฆ่าเชื้อส่วนเกิน
3. ล้างและเช็ดให้แห้งหลังการฆ่าเชื้อโรค

หมายเหตุ

- ผ้าคลุมที่นอนต้องแห้งก่อนจัดเก็บหรือเพิ่มผ้าปูที่นอน การไม่เช็ดน้ำยาฆ่าเชื้อส่วนเกินออกอาจทำให้วัสดุผ้าปูที่นอนเสื่อมโทรมได้
- สารทำความสะอาดบางอย่างมีคุณสมบัติในการกัดกร่อนและอาจทำให้เกิดความเสียหายต่อผลิตภัณฑ์หากท่านใช้สารเหล่านี้อย่างไม่เหมาะสม หากท่านไม่ล้างและทำให้ผลิตภัณฑ์แห้งอย่างเหมาะสม อาจมีสิ่งตกค้างที่มีคุณสมบัติกัดกร่อนอยู่บนพื้นผิวของผลิตภัณฑ์ ซึ่งอาจทำให้เกิดการเสื่อมก่อนเวลาอันควรของส่วนประกอบที่สำคัญ การไม่ปฏิบัติตามคำแนะนำในการทำความสะอาดเหล่านี้ อาจส่งผลให้การรับประกันสิ้นสุดลง
- การสัมผัสกับสารละลายของสารฆ่าเชื้อที่มีความเข้มข้นสูงขึ้นไปเป็นประจำหรือเป็นเวลานานอาจทำให้ผ้าปูที่นอนเสื่อมสภาพก่อนเวลาอันควร
- การใช้ น้ำที่มีไฮโดรเจนเปอร์ออกไซด์เป็นส่วนประกอบหรือสารประกอบควอเทอร์นารีที่ประกอบด้วยไกลคอลอีเทอร์อาจทำให้ปลอกหุ้มได้รับเสียหาย

การบำรุงรักษาเชิงป้องกัน

หยุดใช้งานผลิตภัณฑ์ก่อนที่จะทำการตรวจสอบในการบำรุงรักษาเชิงป้องกัน ให้ตรวจสอบรายการทั้งหมดที่แสดงไว้ในระหว่างการบำรุงรักษาเชิงป้องกันประจำปีสำหรับผลิตภัณฑ์ทางการแพทย์ของ Stryker ทั้งหมด อาจจำเป็นต้องทำการตรวจสอบในการบำรุงรักษาเชิงป้องกันบ่อยขึ้นตามระดับการใช้งานผลิตภัณฑ์ ให้บริการโดยบุคลากรที่มีคุณสมบัติเหมาะสมเท่านั้น

หมายเหตุ - ทำความสะอาดและฆ่าเชื้อด้านนอกของที่นอนก่อนทำการตรวจสอบ (หากสามารถทำได้)

ตรวจสอบรายการต่อไปนี้:

- _____ ที่ยึดทั้งหมดแน่นกระชับ
- _____ รวากันด้านข้างเลื่อนและใส่สลักได้
- _____ ล็อคล้อด้วยแป้นเบรก
- _____ ลูกล้อถูกยึดและหมุนได้
- _____ ล้อเลื่อนไม่มีเศษซีฟิ่งและเศษสิ่งของสะสม
- _____ กลไกเบรกทำงานปกติ
- _____ ฟังก์ชันการควบคุมทิศทางทำงานปกติ
- _____ ตรวจสอบรอยแตกบนพื้นผิว
- _____ ส่วนรองหลังยกขึ้น ลดระดับ และใส่สลักอย่างถูกต้อง
- _____ Gatch ยกขึ้น ลดระดับ และยึดเข้าที่อย่างถูกต้อง (ตัวเลือก)
- _____ สามารถปรับท่าศีรษะต่ำปลายเท้าสูง/ศีรษะสูงปลายเท้าต่ำได้จากทุกตำแหน่ง
- _____ ระบบสายดินมีสภาพที่ดี
- _____ ไม่มีการรั่วไหลที่จุดเชื่อมต่อไฮดรอลิก
- _____ แม่แรงไฮดรอลิกมีแรงยึด
- _____ ใส่สลักสายรัดกันตกได้และมีความมั่นคงแข็งแรง (ตัวเลือก)
- _____ เส้า IV มีสภาพที่ดีและปรับและใส่สลักได้ทุกตำแหน่ง (ตัวเลือก)
- _____ ที่ใส่ถังออกซิเจนมีสภาพดีและเปิดและปิดได้ (ตัวเลือก)
- _____ ไม่มีรอยแตกหรือรอยฉีกบนผ้าคลุมที่นอน
- _____ อุปกรณ์เสริมและฮาร์ดแวร์ที่ติดตั้งอยู่ในสภาพดี
- _____ ฟังก์ชันการทำงานที่ใช้พลังงานจากแบตเตอรี่ (ตัวเลือก)
- _____ สายไฟไม่ขาดหรือหักงอ (ตัวเลือก)
- _____ สายไฟและปลั๊กไม่ได้รับความเสียหาย (ตัวเลือก)
- _____ การเชื่อมต่อทางไฟฟ้าทั้งหมดไม่หลวม (ตัวเลือก)
- _____ สายดินทั้งหมดถูกต้องเข้ากับเฟรม (ตัวเลือก)
- _____ ค่าความต้านทานสายดินไม่เกิน 200 mΩ (มิลลิโอห์ม) (ตัวเลือก)
- _____ กระแสไฟรั่วไม่เกิน 300 μA (ไมโครแอมป์) (ต่อ UL 60606-1-1) (ตัวเลือก)
- _____ ชาร์จแบตเตอรี่แล้ว (ตัวเลือกระบบการวัด)
- _____ ที่ใส่หน้าจอบกดีและไม่เสียหาย (ตัวเลือกระบบการวัด)
- _____ โหลดเซลล์ปกติและไม่เสียหาย (ตัวเลือกระบบการวัด)
- _____ ฐานรองเสริม ลูกบิดที่เข้า ฟังก์ชันกลไก ถูกยึดเข้าที่ได้ (ตัวเลือก)
- _____ ฐานรองเสริม ลูกบิดที่ขา ฟังก์ชันกลไก ถูกยึดเข้าที่ได้ (ตัวเลือก)
- _____ ฐานรองเสริมขยายออกไปได้จนสุดและหยุดในตำแหน่งที่ถูกต้อง (ตัวเลือก)
- _____ สกรูยึดฐานรองเสริมตัวเปลี่ยนในตัว (6) ถูกยึดแน่นและไม่ได้ลอกออก (ตัวเลือก)
- _____ เครื่องชั่งได้รับการปรับเทียบแล้ว ปรับเทียบใหม่หากจำเป็น (ตัวเลือกระบบการวัด)

_____ ที่ใส่ตลับฟิล์มเอ็กซ์เรย์ตั้งตรงอยู่ในสภาพที่ดีและสามารถปรับให้พอดีกับตลับฟิล์มเอ็กซ์เรย์ทั้งหมด (ตัวเลือก **Prime X**)

_____ ไม่มีความเสียหายต่อพื้นผิวของส่วนรองหลังและพื้นผิวของเท้า (ตัวเลือก **Prime X**)

_____ ไม่มีความเสียหายต่อถาดรองศิระและเท้า (ตัวเลือก **Prime X**)

_____ สลักเกลียวและน็อตที่ใส่ผ่านแต่ละติจอยของส่วนรองหลังไม่หลวม (ตัวเลือก **Prime X**)

หมายเลขประจำผลิตภัณฑ์:
ดำเนินการจนแล้วเสร็จโดย:
วันที่:

ข้อมูล EMC

ข้อควรระวัง

- การใช้อุปกรณ์เสริม ทราเนอส์ดิวเซอร์ และสายเคเบิลนอกเหนือจากที่ระบุหรือจัดหาโดยผู้ผลิตอาจส่งผลให้มีการปล่อยแม่เหล็กไฟฟ้าเพิ่มขึ้น หรือทำให้ภูมิคุ้มกันทางแม่เหล็กไฟฟ้าลดลงและส่งผลให้เกิดการทำงานที่ไม่ถูกต้อง
- คุณสมบัติในการปลดปล่อยของอุปกรณ์นี้ทำให้เหมาะสำหรับใช้ในพื้นที่อุตสาหกรรมและโรงพยาบาล (CISPR 11 ประเภท A) หากใช้ในสภาพแวดล้อมที่อยู่อาศัย ซึ่งโดยปกติต้องเป็น CISPR 11 Type B อุปกรณ์นี้อาจไม่มีการป้องกันที่เพียงพอสำหรับบริการสื่อสารความถี่วิทยุ ผู้ใช้อาจต้องใช้มาตรการบรรเทาผลกระทบ เช่น การย้ายที่ตั้งหรือการปรับทิศทางอุปกรณ์ใหม่

คำแนะนำและคำประกาศของผู้ผลิต – การปลดปล่อยสนามแม่เหล็กไฟฟ้า		
<p>ตัวเลือกการยกด้วยระบบไฟฟ้า ตัวเลือกเต็งระบบไฟฟ้า หรือตัวเลือกระบบการวัดมีวัตถุประสงค์สำหรับใช้ในสภาพแวดล้อมแม่เหล็กไฟฟ้าตามที่ระบุไว้ด้านล่าง ผู้ปฏิบัติงานของตัวเลือกการยกด้วยระบบไฟฟ้า ตัวเลือกเต็งระบบไฟฟ้า หรือตัวเลือกระบบการวัดควรตรวจสอบให้แน่ใจว่ามีการใช้งานในสภาพแวดล้อมดังกล่าว</p>		
การทดสอบการปลดปล่อย	การปฏิบัติตามข้อกำหนด	สภาพแวดล้อมทางแม่เหล็กไฟฟ้า
การปลดปล่อย RF CISPR 11	กลุ่มที่ 1	ตัวเลือกการยกด้วยระบบไฟฟ้า ตัวเลือกเต็งระบบไฟฟ้า หรือตัวเลือกระบบการวัดจะใช้พลังงาน RF สำหรับฟังก์ชันภายในเท่านั้น ดังนั้นการปล่อย RF จึงต่ำมากและไม่น่าจะก่อให้เกิดการรบกวนใดๆ ต่ออุปกรณ์อิเล็กทรอนิกส์ที่อยู่ใกล้เคียง
การปลดปล่อย RF CISPR 11	ประเภท A	ตัวเลือกการยกด้วยระบบไฟฟ้า ตัวเลือกเต็งระบบไฟฟ้า หรือตัวเลือกระบบการวัดเหมาะสำหรับใช้ในสถานประกอบการทุกแห่งนอกเหนือจากภายในครัวเรือนและที่เชื่อมต่อโดยตรงกับเครือข่ายแหล่งจ่ายไฟสาธารณะแรงดันต่ำที่จัดหาให้กับอาคารที่ใช้เพื่อวัตถุประสงค์ภายในครัวเรือน
การปลดปล่อยฮาร์โมนิก (Harmonic Emissions) IEC 61000-3-2 *	ประเภท A	
แรงดันกระเพื่อม (Voltage Fluctuations) การปลดปล่อยฟลิกเกอร์ (Flicker Emissions) IEC 61000-3-3 *	มีคุณสมบัติตามข้อกำหนด	

*ใช้กับตัวเลือกการยกด้วยระบบไฟฟ้าหรือตัวเลือกเต็งระบบไฟฟ้าเท่านั้น

ข้อควรระวัง

- ไม่ควรให้อุปกรณ์สื่อสาร RF แบบพกพา รวมถึงอุปกรณ์ต่อพ่วง เช่น สายเสาอากาศและเสาอากาศภายนอก อยู่ใกล้กับส่วนใดๆ ของเต็งผู้ป่วย **Prime** รวมถึงสายเคเบิลที่ระบุโดยผู้ผลิตเกินกว่า 12 นิ้ว (30 ซม.)
- หลีกเลี่ยงการวางซ้อนกันหรือการวางอุปกรณ์ติดกับอุปกรณ์อื่น เพื่อป้องกันการรบกวนที่ไม่ถูกต้องของผลิตภัณฑ์ หากจำเป็นต้องมีการใช้งานในลักษณะดังกล่าว ให้สังเกตอุปกรณ์ที่วางซ้อนหรือที่ติดกันอย่างระมัดระวัง เพื่อให้แน่ใจว่าอุปกรณ์เหล่านั้นยังทำงานอย่างถูกต้อง

ระยะห่างที่แนะนำระหว่างอุปกรณ์สื่อสาร RF แบบพกพาและแบบเคลื่อนที่กับตัวเลือกการยกด้วยระบบไฟฟ้า ตัวเลือกเต็งระบบไฟฟ้า หรือตัวเลือกระบบการวัด			
<p>ตัวเลือกการยกด้วยระบบไฟฟ้า ตัวเลือกเต็งระบบไฟฟ้า หรือตัวเลือกระบบการวัดมีวัตถุประสงค์สำหรับใช้ในสภาพแวดล้อมแม่เหล็กไฟฟ้าที่มีการควบคุมคลื่นรบกวน RF ลูกค้าหรือผู้ใช้ตัวเลือกการยกด้วยระบบไฟฟ้า ตัวเลือกเต็งระบบไฟฟ้า หรือตัวเลือกระบบการวัดสามารถช่วยป้องกันการรบกวนทางแม่เหล็กไฟฟ้าได้โดยการรักษาระยะห่างขั้นต่ำระหว่างอุปกรณ์สื่อสาร RF แบบพกพาและแบบเคลื่อนที่ (เครื่องส่งสัญญาณ) และตัวเลือกการยกด้วยระบบไฟฟ้า ตัวเลือกเต็งระบบไฟฟ้า หรือตัวเลือกระบบการวัดตามที่แนะนำด้านล่าง ตามกำลังขับสูงสุดของอุปกรณ์สื่อสาร</p>			
<p>พิกัดกำลังเอาต์พุตสูงสุดของอุปกรณ์แปลงสัญญาณ</p> <p>W</p>	<p>ระยะห่างตามความถี่ของอุปกรณ์แปลงสัญญาณ</p> <p>m</p>		
	<p>150 kHz ถึง 80 MHz</p> <p>$D=(1.2) (\sqrt{P})$</p>	<p>80 MHz ถึง 800 MHz</p> <p>$D=(1.2) (\sqrt{P})$</p>	<p>800 MHz ถึง 2.7 GHz</p> <p>$D=(2.3) (\sqrt{P})$</p>

0.01	0.12	0.12	0.23
0.1	0.38	0.38	0.73
1	1.2	1.2	2.3
10	3.8	3.8	7.3
100	12	12	23

สำหรับอุปกรณ์แปลงสัญญาณซึ่งกำหนดอัตราที่กำลังเอาต์พุตสูงสุดที่ไม่ได้แสดงไว้ข้างต้นระยะห่างที่แนะนำ (D) ในหน่วยเมตร (m) สามารถประมาณค่าได้โดยใช้สมการที่สามารถใช้กับความถี่ของอุปกรณ์แปลงสัญญาณ โดยที่ P คือพิกัดกำลังเอาต์พุตสูงสุดของอุปกรณ์แปลงสัญญาณในหน่วยวัตต์ (W) ตามผู้ผลิตอุปกรณ์แปลงสัญญาณ

หมายเหตุ 1- ที่ 80 MHz และ 800 MHz จะใช้ระยะห่างสำหรับช่วงความถี่ที่สูงกว่า

หมายเหตุ 2 - อาจไม่สามารถใช้แนวทางเหล่านี้ได้ในทุกสถานการณ์ การแผ่คลื่นแม่เหล็กไฟฟ้า (Electromagnetic propagation) ได้รับผลกระทบจากการดูดกลืนและการสะท้อนจากโครงสร้าง วัตถุ และคน

คำแนะนำและคำประกาศของผู้ผลิต – ภูมิคุ้มกันทางแม่เหล็กไฟฟ้า (electromagnetic immunity)

ตัวเลือกการยกด้วยระบบไฟฟ้า ตัวเลือกเตียงระบบไฟฟ้า หรือตัวเลือกระบบการวัดมีวัตถุประสงค์สำหรับใช้ในสภาพแวดล้อมแม่เหล็กไฟฟ้าตามที่ระบุไว้ด้านล่าง ลูกค้าหรือผู้ใช้ตัวเลือกการยกด้วยระบบไฟฟ้า ตัวเลือกเตียงระบบไฟฟ้า หรือตัวเลือกระบบการวัดควรมั่นใจว่ามีการใช้งานในสภาพแวดล้อมดังกล่าว


การทดสอบความคงทน	ระดับการทดสอบ IEC 60601	ระดับการเป็นไปตามข้อกำหนด	แนวทางปฏิบัติเกี่ยวกับสภาพแวดล้อมทางแม่เหล็กไฟฟ้า
การถ่ายเทประจุไฟฟ้าสถิต (ESD) IEC 61000-4-2	±8 kV สัมผัส ±15 kV อากาศ	±8 kV สัมผัส ±15 kV อากาศ	พื้นควรเป็นไม้ คอนกรีต หรือ กระเบื้องเซรามิก หากพื้นเคลือบด้วยวัสดุสังเคราะห์ ควรมีความชื้นสัมพัทธ์อย่างน้อย 30%
แรงดันไฟฟ้าเกินชั่วครู่แบบรวดเร็ว (Electrostatic fast transient/ burst) IEC 61000-4-4*	±2 kV สำหรับสายของแหล่งจ่ายกำลังไฟฟ้า ± 1 kV สำหรับสายอินพุต/เอาต์พุต	±2 kV สำหรับสายของแหล่งจ่ายกำลังไฟฟ้า ± 1 kV สำหรับสายอินพุต/เอาต์พุต	คุณภาพของกำลังหลักควรเป็นคุณภาพสำหรับสภาพแวดล้อมทางการค้าหรือโรงพยาบาลที่เป็นแบบฉบับ
เลิร์จ (Surge) IEC 61000-4-5*	± 1 kV ระหว่างสายกับสาย ± 2 kV ระหว่างสายกับพื้นดิน	± 1 kV ระหว่างสายกับสาย ± 2 kV ระหว่างสายกับพื้นดิน	คุณภาพของกำลังหลักควรเป็นคุณภาพสำหรับสภาพแวดล้อมทางการค้าหรือโรงพยาบาลที่เป็นแบบฉบับ
แรงดันไฟฟ้ตกชั่วขณะ (Voltage dips) ความแปรผันของแรงดันไฟฟ้า และไฟดับชั่วขณะ (short interruption) ของสายอินพุตของแหล่งจ่ายไฟ IEC 61000-4-11*	0% U _T สำหรับ 0.5 รอบที่ 0°, 45°, 90°, 135°, 180°, 225°, 270° และ 315° 0% U _T สำหรับ 1 รอบ 70% U _T (U _T ตก 30%) สำหรับ 25 รอบ 0% U _T สำหรับ 250 รอบ	0% U _T สำหรับ 0.5 รอบที่ 0°, 45°, 90°, 135°, 180°, 225°, 270° และ 315° 0% U _T สำหรับ 1 รอบ 70% U _T (U _T ตก 30%) สำหรับ 25 รอบ 0% U _T สำหรับ 250 รอบ	คุณภาพของกำลังหลักควรเป็นคุณภาพสำหรับสภาพแวดล้อมทางการค้าหรือโรงพยาบาลที่เป็นแบบฉบับ หากผู้ใช้ที่นอนที่มีตัวเลือกการยกด้วยระบบไฟฟ้าหรือตัวเลือกเตียงระบบไฟฟ้าต้องการใช้งานอย่างต่อเนื่องในระหว่างที่มีแรงดันไฟฟ้ตกของกำลังหลัก ขอแนะนำให้จ่ายกำลังไฟฟ้าแก่อุปกรณ์จากเครื่องจ่ายไฟฟ้าหรือแบตเตอรี่ที่ไม่ขาดตอน
สนามแม่เหล็กของควมถี่กำลังไฟฟ้า (Power frequency) (50/60 Hz) IEC 61000-4-8	30 A/m	30 A/m	สนามแม่เหล็กไฟฟ้าควมถี่กำลังควรอยู่ในระดับที่เป็นลักษณะเฉพาะของตำแหน่งที่ตั้งทั่วไปในสภาพแวดล้อมทางการค้าหรือโรงพยาบาลทั่วไป

หมายเหตุ: U_T คือแรงดันไฟฟ้าหลักของไฟฟ้ากระแสสลับก่อนใช้ระดับการทดสอบนี้

*ใช้กับตัวเลือกการยกด้วยระบบไฟฟ้าหรือตัวเลือกเตียงระบบไฟฟ้าเท่านั้น

คำแนะนำและคำประกาศของผู้ผลิต – ภูมิคุ้มกันทางแม่เหล็กไฟฟ้า (electromagnetic immunity)

ตัวเลือกการยกด้วยระบบไฟฟ้า ตัวเลือกเตียงระบบไฟฟ้า หรือตัวเลือกระบบการวัดมีวัตถุประสงค์สำหรับใช้ในสภาพแวดล้อมแม่เหล็กไฟฟ้าตามที่ระบุไว้ด้านล่าง ลูกค้าหรือผู้ใช้ตัวเลือกการยกด้วยระบบไฟฟ้า ตัวเลือกเตียงระบบไฟฟ้า หรือตัวเลือกระบบการวัดควรมั่นใจว่ามีการใช้งานในสภาพแวดล้อมดังกล่าว

การทดสอบความคงทน	ระดับการทดสอบ IEC 60601	ระดับการเป็นไปตามข้อกำหนด	แนวทางปฏิบัติเกี่ยวกับสภาพแวดล้อมทางแม่เหล็กไฟฟ้า
<p>RF ที่นำ IEC 61000- 4-6*</p> <p>RF ที่ผ่านอากาศ (Radiated RF) IEC 61000-4-3</p>	<p>3 Vrms</p> <p>6 Vrms ในย่านความถี่ ISM และวิทยุสมัครเล่น</p> <p>150kHz ถึง 80MHz</p> <p>3 V/m</p> <p>80 MHz ถึง 2.7 GHz</p>	<p>3 Vrms</p> <p>6 Vrms ในย่านความถี่ ISM และวิทยุสมัครเล่น</p> <p>3 V/m</p>	<p>ไม่ควรใช้อุปกรณ์สื่อสาร RF แบบพกพาและแบบเคลื่อนที่ใกล้กับส่วนใด ๆ ของตัวเลือกการยกด้วยระบบไฟฟ้า ตัวเลือกเตียงระบบไฟฟ้า หรือตัวเลือกระบบการวัด รวมถึงสายเคเบิล เกินกว่าระยะห่างที่แนะนำซึ่งคำนวณจากสมการที่เหมาะสมกับความถี่ของอุปกรณ์แปลงสัญญาณ</p> <p>ระยะห่างที่แนะนำ</p> $D=(1.2) (\sqrt{P})$ $D=(1.2) (\sqrt{P})$ <p>80 MHz ถึง 800 MHz</p> $D=(2.3) (\sqrt{P})$ <p>800 MHz ถึง 2.7 GHz</p> <p>เมื่อ <i>P</i> คือพิกัดกำลังเอาต์พุตสูงสุดของอุปกรณ์แปลงสัญญาณในหน่วยวัตต์ (W) ตามผู้ผลิต อุปกรณ์แปลงสัญญาณและ <i>D</i> คือระยะห่างที่แนะนำในหน่วยเมตร (m)</p> <p>ความแรงของสนาม (field strengths) จากอุปกรณ์แปลงสัญญาณ RF แบบคงที่ (fixed RF transmitter) ตามที่มีการตรวจสอบจากการสำรวจสถานที่ด้านแม่เหล็กไฟฟ้า ^a ควรน้อยกว่าระดับที่เป็นไปตามข้อกำหนดในแต่ละย่านความถี่ ^b</p> <p>การรบกวนอาจเกิดขึ้นในบริเวณใกล้เคียงของอุปกรณ์ที่มีสัญลักษณ์ดังต่อไปนี้:</p> 

หมายเหตุ 1: ที่ 80 MHz และ 800 MHz จะใช้ช่วงความถี่ที่สูงขึ้น
หมายเหตุ 2: อาจไม่สามารถใช้แนวทางเหล่านี้กับสถานการณ์ทั้งหมดได้ การแผ่คลื่นแม่เหล็กไฟฟ้า (Electromagnetic propagation) ได้รับผลกระทบจากการดูดกลืนและการสะท้อนจากโครงสร้าง วัตถุ และคน
หมายเหตุ 3: ย่านความถี่ ISM (อุตสาหกรรม วิทยาศาสตร์ และการแพทย์) ระหว่าง 0.15 MHz และ 80 MHz ได้แก่ 6.765 MHz ถึง 6.795 MHz; 13.553 MHz ถึง 13.567 MHz; 26.957 MHz ถึง 27.283 MHz; และ 40.66 MHz ถึง 40.70 MHz

^a ความแรงของสนามจากอุปกรณ์แปลงสัญญาณแบบคงที่ เช่น สถานีฐานสำหรับการแพร่สัญญาณวิทยุโทรศัพท์ (โทรศัพท์เคลื่อนที่/ไร้สาย) และวิทยุเคลื่อนที่ทางบก วิทยุสมัครเล่น วิทยุ AM และ FM และการแพร่สัญญาณโทรทัศน์ไม่สามารถทำนายด้วยความแม่นยำในทางทฤษฎี เพื่อประเมินสภาพแวดล้อมทางแม่เหล็กไฟฟ้าเนื่องจากอุปกรณ์แปลงสัญญาณ RF แบบคงที่ ควรพิจารณาสำรวจสถานที่ในเรื่องสนามแม่เหล็กไฟฟ้า หากความแรงของสนามที่วัดได้ในตำแหน่งที่ใช้ตัวเลือกการยกไฟฟ้าตัว เลือกเตี๋ยระบบไฟฟ้า หรือตัวเลือกระบบการวัดเกินระดับการปฏิบัติตามข้อกำหนด RF ที่เกี่ยวข้องข้างต้น ควรปฏิบัติตามตัวเลือกการยกด้วยระบบไฟฟ้า ตัวเลือกเตี๋ยระบบไฟฟ้า หรือตัวเลือกระบบการวัดเพื่อตรวจสอบการทำงานปกติ หากสังเกตเห็นประสิทธิภาพที่ผิดปกติ อาจจำเป็นต้องใช้มาตรการเพิ่มเติม เช่น การปรับทิศทางใหม่หรือการย้ายตัวเลือกการยกด้วยระบบไฟฟ้า ตัวเลือกเตี๋ยระบบไฟฟ้า หรือตัวเลือกระบบการวัด

^b ในย่านความถี่ 150 kHz ถึง 80 MHz ความแรงของสนามควรต่ำกว่า 3 Vrms

*ใช้กับตัวเลือกเตี๋ยระบบไฟฟ้านั้น

Prime Series® Sedye


















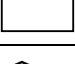

Kullanma Kılavuzu



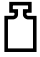













REF 1115

Big Wheel®



Semboller

	Talimat kılavuzuna/kitapçığına başvurun
	Kullanma talimatına başvurun
	Genel uyarı
	Dikkat
	Uyarı; ellerin ezilmesi
	Uyarı; iyonlaştırıcı olmayan radyasyon
	İtmeyin
	Oksijen şişesini saklamayın
	Yağlamayın
	Katalog numarası
	Lot (parti) kodu
	Seri numarası
	ABD Patentleri için bkz., www.stryker.com/patents
	CE işareti
	Avrupa Topluluğu yetkili temsilcisi
	Avrupa tıbbi cihazı
	Üretici
	Üretim tarihi
	İthalatçı

	Güvenli çalışma yükü
	Maksimum hasta ağırlığı
	Güvenli çalışma yüküyle birlikte ekipman kütlesi
	Doğru akım
	Alternatif akım
	Tehlikeli voltaj
	Koruyucu topraklama
IPX6	Güçlü su jetlerinden koruma
	B Tipi uygulama parçası
	Underwriters Laboratories Inc. tarafından Yalnızca Elektrik Çarpması, Yangın ve Mekanik Tehlikeler Bakımından ANSI/AAMI ES60601-1:2005 ve CAN/CSA-C22.2 No. 60601-1:08 Uyarınca Sınıflandırılmış Tıbbi Ekipman. *Prime X seçeneği için Röntgen Ekipmanı İlgili Ekipmanı IEC 60601-2-54
	Tadil edilmiş haliyle Atık Elektrikli ve Elektronik Ekipmanlara (WEEE) ilişkin 2012/19/EU sayılı Avrupa Direktifi uyarınca bu sembol, ürünün geri dönüşüm için ayrı toplanması gerektiğine işaret eder. Ayrıştırılmamış kentsel atık olarak bertaraf etmeyin. Bertaraf bilgileri için yerel distribütörle iletişime geçin. Enfekte ekipmanın geri dönüşümünden önce dekontamine edildiğinden emin olun.
	Yağlayın
	Buradan kaldırın
	Bu taraf yukarı
	Kuru tutun
	Kırılabılır, dikkatli taşıyın
	Sayıya göre istifleme limiti

İçindekiler

Uyarı/Dikkat/Not Tanımı	3
Güvenlik önlemlerinin özeti	3
Sıkışma noktaları	6
Giriş	7
Ürün tanımı	7
Kullanım endikasyonları	7
Klinik faydaları	8
Kontrendikasyonlar	8
Beklenen hizmet ömrü	8
Atma/geri dönüşüm	8
Spesifikasyonlar	8
Ürün çizimi - Prime	11
Ürün illüstrasyonu - Prime X seçeneği	12
Uygulanan kısımlar - elektrikli şilte destek yüzeyi seçeneği	13
Uygulanan kısımlar - Prime X seçeneği	13
İrtibat bilgisi	14
Seri numarası konumu	14
Kurulum	15
Çalıştırma	16
Frenlerin uygulanması ve serbest bırakılması	16
Prime taban kontrolleri	17
Elektrikli olmayan şilte destek yüzeyini yükseltme	17
Elektrikli olmayan şilte destek yüzeyini alçaltma	17
Elektrikli şilte destek yüzeyi seçeneğini yükseltme	18
Elektrikli şilte destek yüzeyi seçeneğini alçaltma	18
Ürünü Trendelenburg pozisyonuna getirme	18
Ürünü Ters Trendelenburg pozisyonuna getirme	19
Bir hastanın taşınması	19
Hastayı Big Wheel olmadan taşıma	20
Bir hastayı Big Wheel ile taşıma	20
Baş ucu itme kolları seçeneğinin konumlandırılması veya katlanması	21
Yan rayı yükseltme	22
Yan rayı alçaltma	23
Ürünü yan ray hasta kontrol paneli ile konumlandırma - elektrikli şilte destek yüzeyi seçeneği - Sadece Prime	23
Kullanıcı kontrol paneli - elektrikli şilte destek yüzeyi seçeneği - Sadece Prime	24
Hasta kontrol paneli kilidini kilitleme ve kilidini açma - elektrikli şilte destek yüzeyi seçeneği - Sadece Prime	25
Fowler sırt desteğini yükseltme veya alçaltma - elektrikli olmayan şilte destek yüzeyi	25
Fowler sırt desteğini yükseltme veya alçaltma - elektrikli şilte destek yüzeyi seçeneği	26
Diz bükülme kısmını yükseltme veya alçaltma - elektrikli olmayan şilte destek yüzeyi - Sadece Prime	27
Diz bükülme kısmını yükseltme veya alçaltma - elektrikli şilte destek yüzeyi - Sadece Prime	27
Derlenme sandalyesinin konumlandırılması - Sadece Prime	27
Taban başlığında nesnelerin saklanması	28
Pompa rakı seçeneğiyle cihazları asma	28
Güç kablosunu geri çekilebilir güç kablosu makarasıyla açmak veya geri çekmek - elektrikli kaldırıcı seçeneği veya elektrikli şilte destek yüzeyi seçeneği	29
Tartı sistemi seçeneği	29
Tartı simgesi/düğmesi tanımlayıcısı	30
Hastayı tartma	31
Tartı ölçüm birimini kilitleme	31
Chaperone seçeneğinin devreye alınması veya devre dışı bırakılması	31
Chaperone seçeneği ikaz paternini ayarlama	32
Chaperone seçeneği ikaz ses düzeyini ayarlama	32
Tartı sistemi batarya paketi seçeneğinin şarj edilmesi - elektrikli şilte destek yüzeyi seçeneği veya Chaperone seçenekli elektrikli şilte destek yüzeyi seçeneği - Sadece Prime	32
Tartı sistemi seçeneği için bataryaları değiştirme - elektrikli olmayan şilte destek yüzeyi	32
Aksesuarlar ve parçalar	33
Defibrilatör tepsisinin takılması	36

Defibrilatör tepsi/ayak uzantısının bir defibrilatör tepsinine dönüştürülmesi	36
Defibrilatör tepsi/ayak uzantısının bir ayak uzantısına dönüştürülmesi	37
Ayak tahtası/dosya tutucusunu takma	38
Serum taşıyıcısını takma	38
Ayak desteklerini konumlandırma veya istifleme - Sadece Prime	38
İki aşamalı kalıcı olarak takılı serum askısını konumlandırma	40
Üç aşamalı kalıcı olarak takılı serum askısını konumlandırma	40
Çıkarılabilir serum çubuğunu takma ve konumlandırma	41
Dik oksijen şişesi tutucusunu takma	42
Servis tepsi/ayak tahtasını açma veya katlama	42
Yan ray pedlerini takma	43
Hasta emniyet kemeri bağlama kısımlarını bulma	43
Dik röntgen kaseti tutucusunu konumlandırma - Prime X seçeneği	43
Lateral röntgen kaseti tutucusunu konumlandırma - Prime X seçeneği	45
Röntgen kasetlerini yerleştirme veya çıkarma - Prime X seçeneği	45
Temizleme	47
Ürünü temizleme	47
Ürünü bir araba yıkayıcı ile temizleme	47
Şilteyi temizleme	48
İyodürü giderin	49
Özel talimatlar	49
Dezenfekte etme	50
Ürünü dezenfekte etme	50
Şiltenin dezenfekte edilmesi	50
Önleyici bakım	52
EMC bilgisi	54

Uyarı/Dikkat/Not Tanımı

UYARI, DİKKAT ve NOT ifadeleri özel anlamlar taşır ve dikkatle gözden geçirilmeleri gerekir.

UYARI

Okuyucuyu kaçınılmadığında ölüm veya ciddi yaralanmayla sonuçlanabilecek durumlar konusunda uyarır. Ayrıca potansiyel ciddi advers reaksiyonlar ve güvenlik tehlikelerini tanımlayabilir.

DİKKAT

Okuyucuyu kaçınılmadığında kullanıcı veya hastada hafif veya orta şiddette yaralanma ya da üründe hasara veya başka maddi hasara neden olabilecek potansiyel olarak tehlikeli durumlar konusunda uyarır. Buna cihazın güvenli ve etkili kullanımı için gerekli özel bakım ve kullanım veya hatalı kullanım kaynaklı cihaz hasarını önlemeye yönelik gerekli bakım dahildir.

Not - Bakımı kolaylaştırmak veya önemli talimatı netleştirmek için özel bilgiler sunar.

Güvenlik önlemlerinin özeti

Bu sayfada belirtilen uyarıları ve dikkat edilecek hususları mutlaka okuyup harfiyen izleyin. Servis sadece vasıflı personelce verilmelidir.

UYARI

- Ürün kurulumundan veya işlevsel operasyonları test etmeden önce daima ürünün oda sıcaklığına gelmesini bekleyin. Kalıcı ürün hasarı oluşabilir.
- Ürünü daima tüm kullanıcılar mekanizmalardan uzak olduğunda çalıştırın.
- Güç kablosunu kullanırken daima dikkatli olun. Güç kablosuna takılma, güç kablosu hasarı veya olası elektrik çarpması tehlikeleri oluşabilir. Güç kablosu hasarlıysa ürünü hemen hizmetten çıkarın ve uygun bakım personeliyle irtibat kurun.
- Ürünü daima topraklanmış, hastane sınıfı bir duvar prizine doğrudan takın. Topraklama güvenilirliği ancak hastane sınıfı bir priz kullandığınızda elde edilebilir. Bu ürün elektrik çarpması tehlikesine karşı korumak için hastane sınıfı bir fişle donatılmıştır.
- Bir hasta ürün üzerine çıkarken veya üzerinden inerken ya da ürün hareket etmez durumdayken her zaman frenleri uygulayın. Bir hasta ürün üzerine çıkarken veya üzerinden inerken ürün hareket ederse yaralanma oluşabilir.
- Hastayı daima ürünün ortasında konumlandırın.
- Bir hastayı gözetimsiz bıraktığınızda ürünü daima yan raylar kaldırılmış ve sürgülenmiş olarak en düşük pozisyona getirin. Ürünü daha yüksek bir yükseklikte bırakmayın.
- Şilte destek yüzeyini yükseltmeden veya alçaltmadan önce mutlaka engel oluşturabilecek her türlü cihazı kaldırın.
- Ürünün uç kısmına oturmayın. Ürün devrilebilir.
- Hastayı taşırken daima uyuma yüzeyi en alçak pozisyonda yatay olacak şekilde yan rayları tam yukarı pozisyonda kilitleyin.
- Ürünü, ürünün devrilmesini önlemek için 5,7 dereceden (%10 derece) daha büyük bir eğimde yanlamasına taşımayın.
- **Prime X** seçeneği ile 2,5 inç (6,35 cm) kalın bir şilte veya bir üst şilte kullanırken daima daha da dikkatli olun.
- Hasta taşırken uyuma yüzeyi en alçak pozisyonda ve düz olacak şekilde, yan rayları mutlaka tam yukarı pozisyonda kilitleyin.
- Yan rayı yükseltirken veya alçaltırken hastanın uzuvlarını daima yan ray millerinden uzak tutun.
- Yan rayların kendiliğinden alçaltılmasına izin vermeyin.
- Fowler sırt desteğini alçaltırken ellerinizi ve parmaklarınızı Fowler sırt desteği serbest bırakma kollarından ve Fowler sırt desteği çerçevesinden daima uzak tutun.
- Ürün üzerinde bir hasta varken bir Fowler sırt desteğini yükseltirken daima dikkatli olun. Uygun kaldırma teknikleri kullanın ve gerekirse yardım isteyin.
- Diz bükülme kısmını alçaltırken elleri ve parmakları daima ayak ucu itme kollarından uzak tutun.
- Pompa rakındaki cihaz hatlarını daima Diz bükülme kısmı kollarından uzak tutun.
- Pompa rakındaki cihazların kapı açıklıklarından güvenli geçebildiğinden daima emin olun.
- Ürünü pompa rakından kaldırmayın.

- Ürünü taşımadan veya temizlemeden önce her zaman güç kablosunu duvar prizinden çekin.
- Ürünü taşıırken güç kablosunu taban içinde saklamak için mutlaka geri çekilebilir güç kablosu makarasını kullanın.
- Tartı sistemi seçeneği veya elektrikli kaldıracı seçeneği veya elektrikli şilte destek yüzeyini diğer cihazlarla bitişik veya üst üste kullanmayın. Bitişik veya üst üste kullanım gerekiyorsa tartı sistemi seçeneği veya elektrikli kaldıracı seçeneği veya elektrikli şilte destek yüzeyi tüm cihazların kullanılacakları konfigürasyonda normal çalıştığından emin olmak üzere gözlenmelidir.
- Defibrilatör tepsisine 30 lb'den (14 kg) daha ağır maddeler yerleştirmeyin. Defibrilatör tepsisine yerleştirilen tüm cihazları mutlaka kayışla sabitleyin.
- Defibrilatör tepsisi/ayak uzantısı, ayak tahtası/dosya tutucu veya dik oksijen şişesi tutucusu takılıysa ayak ucu itme kolu seçeneğini konumlandırırken parmaklarınızın sıkışmasını önlemek için daima dikkatli olun.
- Defibrilatör tepsisi/ayak uzantısı üzerine 30 lb (14 kg) üzerinde maddeler yerleştirmeyin. Defibrilatör tepsisine yerleştirilen tüm cihazları mutlaka kayışla sabitleyin.
- Ürünü taşıırken serum askısını mutlaka serum taşıyıcısına sabitleyin.
- Ürün hasarından kaçınmak için serum taşıyıcısını kullanılmadığında daima depolayın.
- Ayak desteklerine oturmayın. Bu, ürünün devrilmesine neden olabilir.
- Ayak desteklerini çalıştırırken parmaklarınızı daima mekanizmaların uzağında tutun.
- Ürünle bir hastayı taşıırken ayak desteklerini daima katlayın.
- Ayak desteklerini kullanmadan mutlaka önce ayak desteklerini sıkın.
- Tartı sistemini ayak destekleriyle çalıştırmayın. Hatalı ölçümler oluşabilir.
- **Chaperone** seçeneğini ayak destekleriyle çalıştırmayın. Hatalı ölçümler oluşabilir.
- Serum askısını çekme/itme cihazı olarak kullanmayın. Ürün hasarı oluşabilir.
- Dik oksijen şişesi tutucusuna 40 lb (18 kg) üzerinde nesnelere yerleştirmeyin.
- Servis tepsisine 30 lb (14 kg) üzerinde nesnelere yerleştirmeyin.
- Emniyet kemerlerini takarken daima dikkatli olun. Hasta veya kullanıcı yaralanabilir. Sabitlenmiş bile, fiziksel kısıtlayıcılar takılma, sıkışma, yaralanma veya ölüm dahil hastalara ve kullanıcılara ciddi zararlar verebilir.
- Emniyet kemerlerini veya cihazları daima sadece ürünün belirlenen takma noktalarına takın. Aksi halde hasta veya kullanıcı yaralanabilir. Emniyet kemerlerini yan raya takmayın.
- Herhangi bir emniyet kemeri veya cihazı kullanmadan önce daima geçerli bölgesel ve ulusal sınırlamalar ve düzenlemeler ve uygun tesis protokollerine başvurun.
- Dik veya lateral röntgen kaseti tutucusunu kullanırken daima koruyucu tedbirler alın. Röntgen kaseti tutucusu radyasyona karşı koruma sağlamaz.
- **Prime X** seçeneğini radyasyon oluşturan cihazlarla kullanmadan önce güvenlik için daima tesis protokollerine ek olarak yerel, bölgesel ve ulusal kılavuz ilkelere başvurun. Radyasyon üreten cihazlar rezidüel, dağılan veya saçılan radyasyon oluşturabilir.
- *Röntgen kasetini yerleştirmek için daima dik röntgen kaseti tutucusunu yerleştirme - Prime X seçeneği* talimatını izleyin.
- Fowler sırt desteği dik pozisyondayken röntgen çekerken veya bir lateral kaset kullanırken daima dikkatli olun.
- *Röntgen kasetini yerleştirmek için daima lateral röntgen kaseti tutucusu - Prime X seçeneği* talimatını izleyin.
- Ürünü kullanılırken temizlemeyin, servis vermeyin veya bakım yapmayın.
- Şilteyi temizleyici veya dezenfektan solüsyonlara batırmayın. Fazla nem ürün arızasına neden olup ürün hasarı veya hasta yaralanmasıyla sonuçlanabilir.
- Şilte üzerinde sıvı birikmesine izin vermeyin. Sıvılar bileşenlerin çürütmesine neden olabilir ve bu ürünün güvenlik ve performansının öngörülemez hale gelmesine yol açabilir.
- Örtüleri her temizlendiğinizde mutlaka yırtıklar, delikler, fazla aşınma ve hizası bozulmuş fermuarlar açısından inceleyin. Hasarlı bir şilteyi çapraz kontaminasyonu önlemek için hemen kaldırın ve değiştirin.
- Şilteleri buharla temizlemeyin, basınçlı yıkamayın, hortumla su fışkırtarak temizlemeyin veya ultrasonik olarak temizlemeyin. Bu temizlik yöntemleri ürünün garantisini geçersiz kılabilir.
- Ürünü buharla, hortumla su fışkırtarak veya ultrasonik olarak temizlemeyin. Bu temizlik yöntemlerinin kullanılması önerilmez ve ürünün garantisini geçersiz kılabilir.
- Bu şilteyi hastalar arasında mutlaka dezenfekte edin. Aksi halde çapraz kontaminasyon ve enfeksiyon oluşabilir.

DİKKAT

- Ürünün uygunsuz kullanımı, hasta veya kullanıcının yaralanmasına neden olabilir. Ürünü yalnızca bu el kitabında belirtilen şekilde çalıştırın.

- Ürünü veya bileşenlerini modifiye etmeyin. Modifiye edilmesi, ürünün nasıl çalışacağıının öngörülelememesine ve hasta veya kullanıcının yaralanmasına neden olabilir. Ayrıca ürünü modifiye etmek, garantisini geçersiz kılar.
 - Ürünü, ürünün altında hasta kaldırıcı varken yükseltmek için tabandaki hidroliği kullanmayın.
 - **Big Wheel** bir eşik veya diğer yükseltilmiş alan üzerinde dururken yönlendirme pedalını uygulamayın. **Big Wheel** uygulamak için gerekli güç normalden yüksek olacaktır ve bu ürün hasarına yol açabilir.
 - Diz bükülme kısmının ağırlık kapasitesi 200 lb'dir (90,7 kg).
 - Kullanım öncesinde Diz bükülme kısmı destek çubuğunun daima sağlam durduğundan emin olun.
 - Diz bükülme kısmı üzerine oturmayın veya üzerinde durmayın.
 - Ürünün gücü olmadığında Diz bükülme kısmını alçaltmaya kalkıştığınızda daima dikkatli olun. Yerçekimi Diz bükülme kısmının hızla alçaltılmasına neden olabilir.
 - Taban başlığına 60 lb (27 kg) üzerinde nesnelere yerleştirmeyin.
 - Taban başlığı üzerine oturmayın, basmayın veya üzerinde ayakta durmayın.
 - Pompa rakının ağırlık kapasitesi 40 lb'dir (18 kg).
 - Pompa rakını bir itme/çekme cihazı olarak kullanmayın. Ürün hasarı oluşabilir.
 - Tartıyı 50 lb (22,7 kg) altındaki hastalarda kullanmayın.
 - Tartı sistemi değerini tıbbi tedavi için referans olarak kullanmayın.
 - Defibrilatör tepsisi/ayak uzantısını ürüne takmadan önce daima serum askısını yükseltin. Serum askısını yükseltmezseniz ayak uzantısı çalışmaz.
 - Serum askısını çekme/itme cihazı olarak kullanmayın. Ürün hasarı oluşabilir.
 - Serum askısına 40 lb (18 kg) üzerinde serum torbaları asmayın.
 - Bir hastayı taşıırken serum askısının kapı açıklıklarından geçecek şekilde düşük bir yükseklikte olduğundan mutlaka emin olun.
 - Tartı sistemi seçeneği için ekran muhafazasını temizlemek üzere aşındırıcı temizlik maddeleri kullanmayın. Ekran ünitesinde temizlik solüsyonları veya başka sıvıların birikmesine izin vermeyin. Dökülmeler veya temizlik sonrasında tüm yüzeyleri kurutun.
 - Üreticinin belirttikleri veya sağladıkları dışındaki aksesuar, transdüserler veya kabloların kullanılması, elektromanyetik emisyonların artmasına veya elektromanyetik bağışıklığın azalmasına neden olabilir ve ürünün düzgün çalışmamasıyla sonuçlanabilir.
 - Bu ekipmanın emisyon özellikleri, ürünü sanayi bölgeleri ve hastanelerde kullanıma uygun kılar (CISPR 11 sınıf A). Eğer bir mesken ortamında kullanılırsa (bunun için normalde CISPR 11 sınıf B gereklidir) bu ekipman radyofrekans iletişim hizmetleri için yeterli koruma sunmayabilir. Kullanıcının ekipmanın yerini veya yönünü değiştirmek gibi azaltıcı önlemler alması gerekebilir.
 - Taşınabilir RF iletişim ekipmanı (anten kabloları ve harici antenler gibi çevre ürünleri dahil) **Prime** sedyesinin üretici tarafından belirtilen kablolar dahil hiçbir kısmına 12 inç (30 cm) mesafeden daha yakın kullanılmamalıdır.
 - Ürünlerin uygun olmayan şekilde çalışmasını önlemek için bir ekipmanı başka ekipman ile yan yana veya üst üste koymaktan kaçının. Bitişik ve üst üste kullanımın kaçınılmaz olduğu durumlarda bu ekipmanı dikkatle izleyerek düzgün çalıştıklarından emin olun.
-

Sıkışma noktaları



Şekil 1 – Prime X seçeneği

Giriş

Bu kılavuz Stryker ürününüzün çalıştırma veya bakımı konusunda size yardımcı olur. Bu ürünü çalıştırmadan veya bakımını yapmadan önce bu kılavuzu okuyun. Bu ürünün emniyetli şekilde çalıştırılması veya bakımı hakkında personelinizin eğitimi ve öğrenimi ile ilgili yöntemleri ve işlemleri belirleyin.

DİKKAT

- Ürünün uygun olmayan şekilde kullanılması hasta veya kullanıcıda yaralanmaya neden olabilir. Ürünü sadece bu el kitabında tanımlandığı şekilde çalıştırın.
- Ürünü veya ürünün hiçbir bileşenini modifiye etmeyin. Ürünü modifiye etmek hasta veya kullanıcının yaralanmasıyla sonuçlanacak öngörülemez çalışmaya neden olabilir. Ürünü modifiye etmek garantisini de geçersiz hale getirir.

Not

- Bu kılavuz ürünün kalıcı bir parçası olarak düşünülmelidir ve ürün satılsa bile ürünle kalmalıdır.
- Stryker ürün tasarımı ve kalitesini sürekli geliştirmeye çalışır. Bu kılavuz baskı zamanında mevcut en güncel ürün bilgilerini içerir. Ürününüz ile bu kılavuz arasında küçük tutarsızlıklar olabilir. Herhangi bir sorunuz varsa +1-800-327-0770 numarasından Stryker Müşteri Hizmetleri veya Teknik Destek ile irtibat kurun.

Ürün tanımı

Big Wheel® özellikli Stryker Model 1115 **Prime Series®** sedye, hastaları yatay pozisyonda desteklemek için tekerlekli bir çerçeveye monte edilmiş bir platformdan oluşan tekerlekli bir cihazdır. Bir sedye kullanıcıya hastanın sağlık bakım tesisinin içinde sağlık bakım uzmanları veya tesisin eğitimli temsilcileri tarafından taşınabileceği bir yöntem sağlar. **Big Wheel** özellikli Stryker Model 1115 **Prime Series** sedye, başlangıç gücünü ve yönlendirme çabasını azaltarak fiziki zorlanmayı azaltır.

Kullanım endikasyonları

Big Wheel özellikli **Prime Series** sedyede sedyeyi hareket ettirmek için gereken başlangıç gücünü azaltmaya yönelik iki büyük tekerlek bulunur.

Prime Series sedye, kısa süreli ayakta hasta klinik değerlendirmesi, tedavi, minör işlem ve kısa süreli ayakta hasta iyileşme platformu olarak kullanılabilir. Sedye şu gibi yerlerde kullanılabilir:

- Acil servis (AS)
- Travma alanı
- Anestezi sonrası bakım ünitesi (ASBÜ)

Prime Series sedye, minör işlemler ve kısa süreli kalış (tedavi ve iyileşme) için kullanılabilir. Hedef çevresel koşullar için spesifikasyonlar tablosuna bakın.

Stryker **Prime Series** sedye, BS EN 50637 yatak standardına uyum açısından değerlendirilmemiştir. Bu ürün, pazarlama ruhsatı için bu yatak standardını kabul eden pazarlarda atipik anatomili pediatrik veya yetişkin hastalarda kısa süreli kalışta kullanım için tasarlanmamıştır.

Prime Series sedye, uzun süreli yatan hasta tedavi ve iyileşmesi için kullanıma uygun değildir.

Prime Series sedyenin güvenli çalışma yükü, azami 700 lb'dir (318 kg) ve hafif ila kritik hastalar dahil olmak üzere tüm hastalarda kullanılmak üzere tasarlanmıştır. Sedye, ayrıca, ölen hastaları kapalı bir sağlık hizmetleri tesisinin içinde taşımak için kullanılabilir.

Prime X® seçeneği, artikülasyonlu bir radyografik hasta destek yüzeyi ve hasta desteğinin altında röntgen kaseti yerleştirmek için bir platform sağlar. **Prime X** seçeneği, tıbbi röntgen sistemiyle kullanıldığında klinik röntgenlerin (ön-arka tüm vücut, isteğe bağlı tüm vücut lateral ve isteğe bağlı dik göğüs) çekilmesini mümkün kılmak üzere tasarlanmıştır.

Klinik faydaları

Hasta taşıma, tedavi kolaylaştırma ve tanısal

Kontrendikasyonlar

Prime X seçeneğinin kalınlığı dört inç (10 cm) üzerinde olan bir şilte ile kullanılması önerilmez.

Prime X seçeneği C-Kol ile kullanılmak üzere uyumlu değildir.

Prime X seçeneğinin evde sağlık bakımı, mesken amaçlı olarak kullanılan binaları besleyen kamusal düşük voltajlı güç besleme ağına doğrudan bağlı olanlar ve mesken tipi olanlar hariç tüm tesislerde kullanılması amaçlanmıştır.



Beklenen hizmet ömrü

Prime Series sedye ve Prime X seçenekli Prime Series sedyenin normal kullanım koşulları ve uygun periyodik bakım altında 10 yıllık beklenen hizmet ömrü vardır.

Atma/geri dönüşüm

Daima çevrenin korunmasına ve ekipmanın kullanım ömrünün sonunda geri dönüştürülmesi veya atılmasıyla ilişkili risklere dair yürürlükteki yerel önerilere ve/veya düzenlemelere uyun.

Spesifikasyonlar

	Prime Series 26 inç (66 cm) genişlik		Prime Series 30 inç (76 cm) genişlik Prime Series HT Paketleri		Prime X seçeneği 30 inç (76 cm) genişlik seçeneği	
 Not - Güvenli çalışma yükü hasta, şilte ve aksesuar ağırlığının toplamına işaret eder.	700 lb	318 kg	700 lb	318 kg	700 lb	318 kg
 Maksimum hasta ağırlığı	675 lb	306 kg	675 lb	306 kg	675 lb	306 kg
Toplam uzunluk	85 inç (± 0,5 inç)	215,9 cm	85 inç (± 0,5 inç)	215,9 cm	85 inç (± 0,5 inç)	215,9 cm
Genel uzunluk (şilte destek yüzeyi uzatma seçeneği)	89,9 inç (± 0,75 inç)	228,3 cm	89,9 inç (± 0,75 inç)	228,3 cm	Geçersiz	Geçersiz
Genel genişlik (yan raylar yukarıda)	34 inç (± 1 inç)	86,4 cm	38 inç (± 1 inç)	96,5 cm	38 inç (± 1 inç)	96,5 cm
Genel genişlik (yan raylar aşağıda)	30,25 inç (± 0,5 inç)	76,8 cm	30,5 inç (± 0,5 inç)	77,5 cm	30,5 inç (± 0,5 inç)	77,5 cm
Minimum yükseklik	20,75 inç	52,7 cm	20,75 inç	52,7 cm	23,25 inç	59,1 cm

	Prime Series 26 inç (66 cm) genişlik		Prime Series 30 inç (76 cm) genişlik Prime Series HT Paketleri		Prime X seçeneği 30 inç (76 cm) genişlik seçeneği	
Maksimum yükseklik	34 inç (± 1 inç)	86,4 cm	34 inç (± 1 inç)	86,4 cm	36,5 inç (± 1 inç)	92,7 cm
Fowler sırt desteği açısı	0° ila 90° (± 5°)					
Diz bükülme kısmı yüksekliği	5,5 inç (14 cm) minimum				Geçerli değil	
Trendelenburg/Ters Trendelenburg	+17° ila -17° (± 3°)					
Minimum açıklık	2,5 inç nominal	6,4 cm	2,5 inç nominal	6,4 cm	2,5 inç nominal	6,4 cm
	1,75 inç, hidrolik jaklar altında	4,5 cm	1,75 inç, hidrolik jaklar altında	4,5 cm	1,75 inç, hidrolik jaklar altında	4,5 cm
	1 inç, Big Wheel altında	2,5 cm	1 inç, Big Wheel altında	2,5 cm	1 inç, Big Wheel altında	2,5 cm
Atenüasyon eşdeğeri (alüminyum eşdeğeri)	Geçerli değil				İzin verilen maksimum değer 1,7 mm Al'dir	
Tartı sistemi isteğe bağlı ağırlık çalışma aralığı	50 lb (22,7 kg) - 700 lb (318 kg)					
İsteğe bağlı tartı sistemi doğruluğu	±3 lb (1,3 kg), 100 lb (45 kg) altında ağırlıklar için ve ±%3, 100 lb (45 kg) veya üzerinde ağırlıklar için*					
*Tartı sistemi doğruluk iddiasını karşılamak üzere hasta yüzeyi düz pozisyonda olmalıdır (Fowler sırt desteği ve Diz bükülme kısmı indirilmiş) ve ürün 5 derecelik Trendelenburg/Ters Trendelenburg pozisyonunu geçemez.						

Elektrikli seçenekler	İsteğe bağlı elektrikli şilte destek yüzeyi seçeneği (sadece Prime seçeneğinde mevcuttur)	İsteğe bağlı elektrikli kaldırıcı seçeneği (Prime ve Prime X seçeneğinde mevcuttur)
Elektriksel gereklilikler	120 VAC, 60 Hz, 10A 240 VAC, 50/60 Hz, 5A	120 VAC, 60 Hz, 10A 240 VAC, 50/60 Hz, 5A
Görev döngüsü	Aralıklı yüklemeli sürekli çalışma 1 dakika AÇIK ve 20 dakika KAPALI şeklindedir	Aralıklı yüklemeli sürekli çalışma 1 dakika AÇIK ve 20 dakika KAPALI şeklindedir

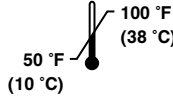
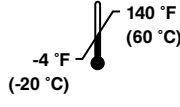
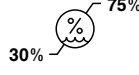
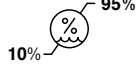
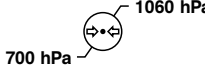
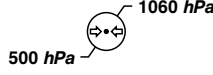
İsteğe bağlı tartı sistemi	Elektrikli olmayan şilte destek yüzeyi (Prime ve Prime X seçeneğinde mevcuttur)	İsteğe bağlı elektrikli kaldırıcı seçeneği (Prime ve Prime X seçeneğinde mevcuttur)
Batarya tipi	4 x AA batarya (4 x 1,5 VDC) alkali tip (LR6)	4 x AA batarya (4 x 1,5 VDC) alkali tip (LR6)
Batarya voltajı	6,0 VDC	6,0 VDC

İsteğe bağlı tartı sistemi	İsteğe bağlı elektrikli şilte destek yüzeyi seçeneği (sadece Prime seçeneğinde mevcuttur)	İsteğe bağlı elektrikli kaldırıcı
Batarya tipi	1 x şarj edilebilir lityum iyon batarya paketi (0058-135-000)	Geçerli değil
Batarya voltajı	10,8 VDC, 2,4 Ah	Geçerli değil

Chaperone® ile isteğe bağlı tartı sistemi (sedye çıkışı)	İsteğe bağlı elektrikli şilte destek yüzeyi seçeneği (sadece Prime seçeneğinde mevcuttur)	İsteğe bağlı elektrikli kaldırıcı
Batarya tipi	1 x şarj edilebilir lityum iyon batarya paketi (0058-134-000)	Geçerli değil
Batarya voltajı	10,8 VDC, 4,8 Ah	Geçerli değil

Stryker, spesifikasyonları haber vermeden değiştirme hakkını saklı tutar.

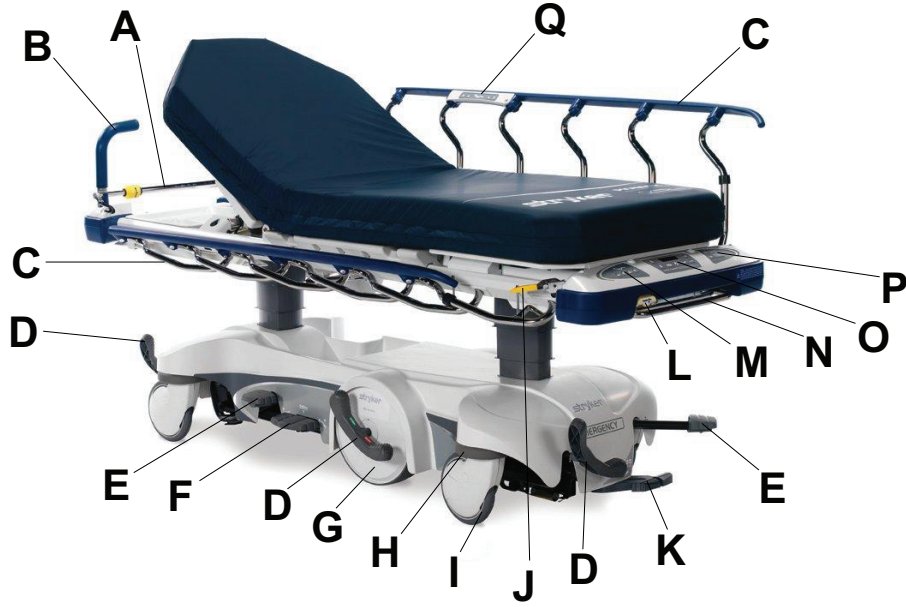
Not - Bu ürün, havayla ya da oksijen veya nitroz oksitli yanıcı anestezi madde karışımı varlığında kullanıma uygun değildir.

Çevresel koşullar	Çalıştırma	Saklama ve taşıma
Sıcaklık		
Bağıl nem		
Atmosferik basınç		

Not - İsteğe bağlı tartı sistemi (elektrikli olmayan şilte destek yüzeyi/elektrikli şilte destek yüzeyi seçeneği) çalışma sıcaklığı aralığı 61 °F (16 °C) ila 79 °F (26 °C) arasındadır.

Listelenen spesifikasyonlar yaklaşık değerleri içerir ve üründen ürüne veya güç besleme oynamalarına göre biraz değişebilir.

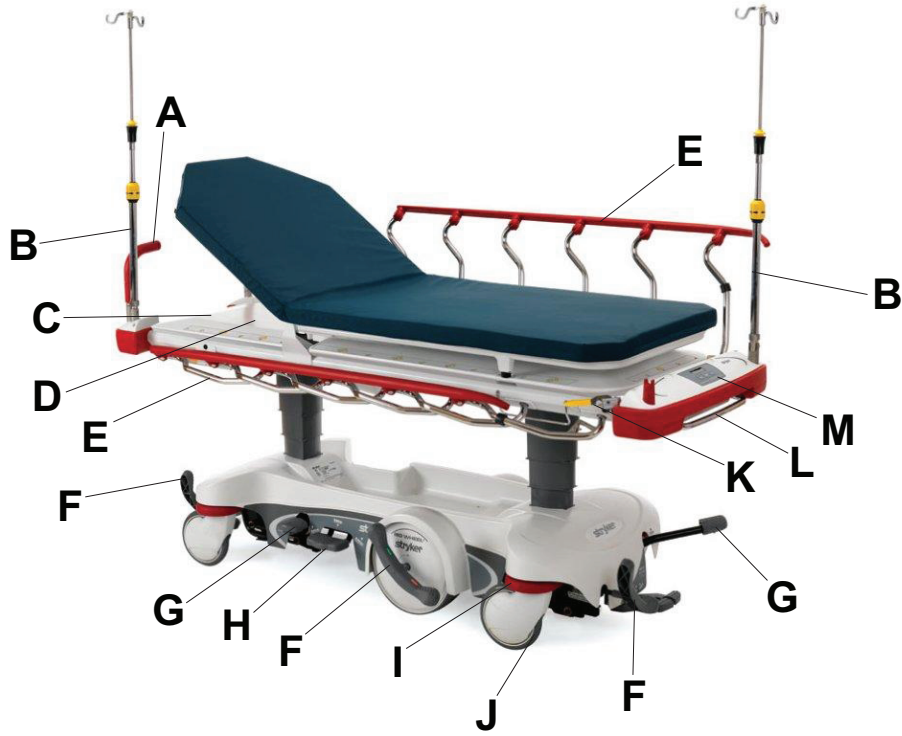
Ürün çizimi - Prime



Şekil 2 – Prime

A	Serum askısı	J	Yan ray sürgüsü
B	BackSmart® basınca çıkmalı itme kolları, isteğe bağlı	K	Hidrolik serbest bırakma pedalı
C	BackSmart yan ray	L	Bükme bölümü serbest bırakma kolu
D	Fren/yönlendirme pedalı	M	BackSmart ayak ucu operatörü kontrol paneli, isteğe bağlı
E	Pompa pedalı	N	Pompa rakı, isteğe bağlı
F	Tek taraflı alçaltma pedalı	O	BackSmart tartı sistemi, isteğe bağlı
G	Big Wheel	P	Hasta kontrol paneli kilitleme, isteğe seçeneği
H	Tampon, entegre	Q	Yan ray hasta kontrol paneli, (isteğe bağlı)
I	Entegre teker kapaklı tekerlek		

Ürün illüstrasyonu - Prime X seçeneği



Şekil 3 – Prime X seçeneği

A	BackSmart® basınca çıkmalı itme kolları, isteğe bağlı	H	Tek taraflı alçaltma pedalı
B	Serum askısı	I	Tampon, entegre
C	Kaset tepsisi	J	Entegre teker kapaklı tekerlek
D	Clearview Technology® destekli hasta yüzeyi	K	Yan ray sürgüsü
E	BackSmart yan ray	L	Pompa rakı, isteğe bağlı
F	Fren/yönlendirme kontrol pedalı	M	BackSmart tartı sistemi, isteğe bağlı
G	Pompa pedalı		

Uygulanan kısımlar - elektrikli şilte destek yüzeyi seçeneği



Şekil 4 – Tip B uygulanan kısımlar - elektrikli şilte destek yüzeyi seçeneği

Uygulanan kısımlar - Prime X seçeneği



Şekil 5 – Tip B uygulanan kısımlar - Prime X seçeneği

İrtibat bilgisi

Stryker Müşteri Hizmetleri veya Teknik Destek birimi ile şuradan irtibat kurun: 1-800-327-0770.

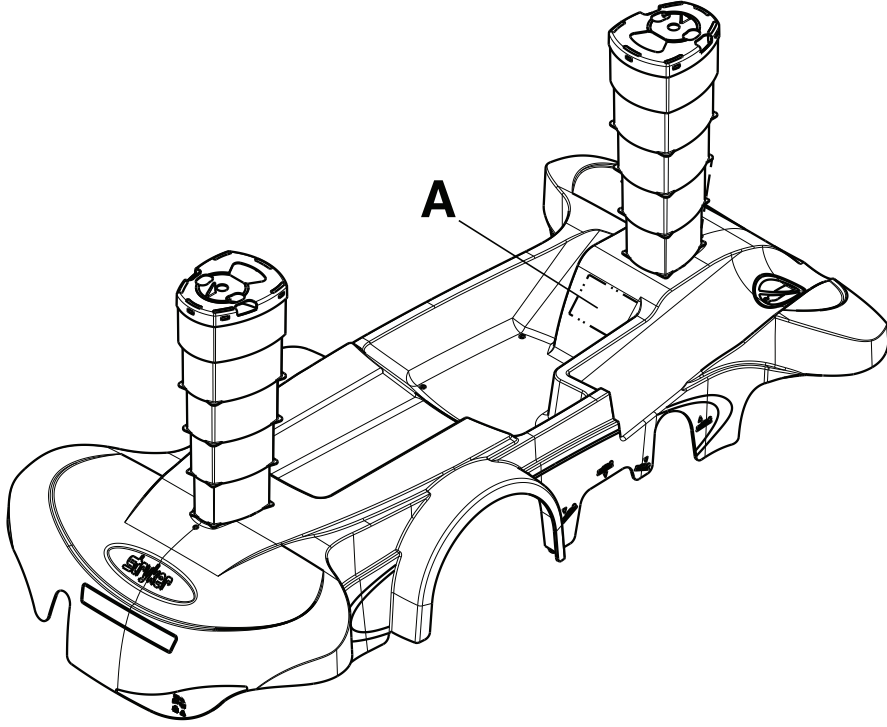
Stryker Medical
3800 E. Centre Avenue
Portage, MI 49002
ABD

Not - Kullanıcı ve/veya hasta, ürünle ilişkili ciddi olayları üreticiye ve kullanıcı ve/veya hastanın bulunduğu Avrupa Üye Devleti yetkili makamına bildirmelidir.

Çalıştırma veya bakım kılavuzunuzu çevrim içi görmek için <https://techweb.stryker.com/> adresine bakınız.

Stryker Müşteri Hizmetleri veya Teknik Destek Bölümünü ararken Stryker ürününüzün seri numarasını (A) hazır bulundurun. Seri numarasını tüm yazılı iletişime dahil edin.

Seri numarası konumu



Şekil 6 – Seri numarası konumu

Kurulum

Ürününüzü paketinden çıkarmak için sevkiyat kutusunun içinde ürüne tutturulmuş paket açma talimatına bakınız.

UYARI

- Ürün kurulumundan veya işlevsel operasyonları test etmeden önce daima ürünün oda sıcaklığına gelmesini bekleyin. Kalıcı ürün hasarı oluşabilir.
- Ürünü daima tüm kullanıcılar mekanizmalardan uzak olduğunda çalıştırın.
- Güç kablosunu kullanırken daima dikkatli olun. Güç kablosuna takılma, güç kablosu hasarı veya olası elektrik çarpması tehlikeleri oluşabilir. Güç kablosu hasarlıysa ürünü hemen hizmetten çıkarın ve uygun bakım personeliyle irtibat kurun.
- Ürünü daima topraklanmış, hastane sınıfı bir duvar prizine doğrudan takın. Topraklama güvenilirliği ancak hastane sınıfı bir priz kullandığınızda elde edilebilir. Bu ürün elektrik çarpması tehlikesine karşı korumak için hastane sınıfı bir fişle donatılmıştır.

Hizmete almadan önce ürünün çalıştığından emin olun.

1. Freni uygulayın. Dört tekerleğin tamamının kilitli olduğundan emin olmak için ürünü itin.
2. Freni serbest bırakın. Dört tekerleğin tamamının kilidinin açıldığından emin olmak için ürünü itin.
3. Şilte destek yüzeyini hidrolik kaldırma sistemiyle yükseltin ve alçaltın.
4. Ürünü en yüksek pozisyona yükseltin ve ürünü Trendelenburg pozisyonuna getirin (bakınız *Ürünü Trendelenburg pozisyonuna getirme* (sayfa 18)). Baş ucunun tam aşağı pozisyona alçaldığından emin olun.
5. Ürünü en yüksek pozisyona yükseltin ve ürünü Ters Trendelenburg pozisyonuna getirin (bakınız *Ürünü Ters Trendelenburg pozisyonuna getirme* (sayfa 19)). Ayak ucunun tam aşağı pozisyona alçaldığından emin olun.
6. **Big Wheel**'i uygulayın ve çalıştığından emin olun.
7. Yan rayların yükseldiğinden, alçaldığından ve yerine kilitlendiğinden emin olun.
8. Manuel Fowler sırt desteğini yükseltin ve alçaltın (baş ucu).
9. Manuel Diz bükülme kısmını yükseltin ve alçaltın (ayak ucu).

* Elektrikli kaldırıcı veya elektrikli şilte destek yüzeyi seçeneği olan ürünler için:

1. Yukarıdaki kurulum kontrol listesini tamamlayın.
2. Ürünü, kullanılmadığında topraklanmış, hastane sınıfı bir duvar prizine takın. LED ışıkların kilitleme tuş takımında yandığından emin olun.
3. İsteğe bağlı yan ray hasta kontrol panelindeki her işlevin çalıştığından emin olun.
4. İsteğe bağlı ayak ucu operatörü kontrol panelindeki her işlevin çalıştığından emin olun.
5. Elektrikli Fowler sırt desteğini yükseltin ve alçaltın (baş ucu).
6. Elektrikli Diz bükülme kısmını yükseltin ve alçaltın (ayak ucu).

Tartı sistemi seçeneği-elektrikli şilte destek yüzeyi seçeneği olan ürün için (**Chaperone** seçeneği ile veya olmadan):

1. Yukarıdaki kurulum kontrol listesini tamamlayın.
2. Bataryaları şarj edin (*Tartı sistemi batarya paketi seçeneğinin şarj edilmesi - elektrikli şilte destek yüzeyi seçeneği veya Chaperone seçenekli elektrikli şilte destek yüzeyi seçeneği - Sadece Prime* (sayfa 32)).

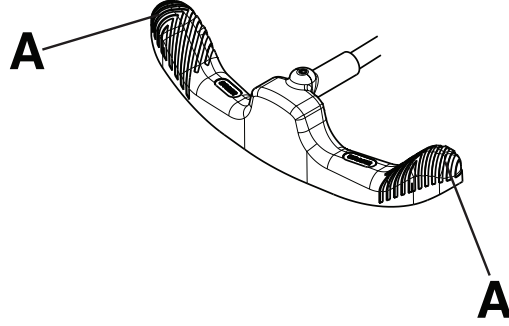
Çalıştırma

Frenlerin uygulanması ve serbest bırakılması

UYARI - Bir hasta ürün üzerine çıkarken veya üzerinden inerken ya da ürün hareket etmez durumdayken her zaman frenleri uygulayın. Bir hasta ürün üzerine çıkarken veya üzerinden inerken ürün hareket ederse yaralanma oluşabilir.

Frenleri uygulamak için fren/yönlendirme pedalının fren (kırmızı) tarafını aşağıya bastırın. Frenlerin çalıştığından emin olmak için ürünü itin.

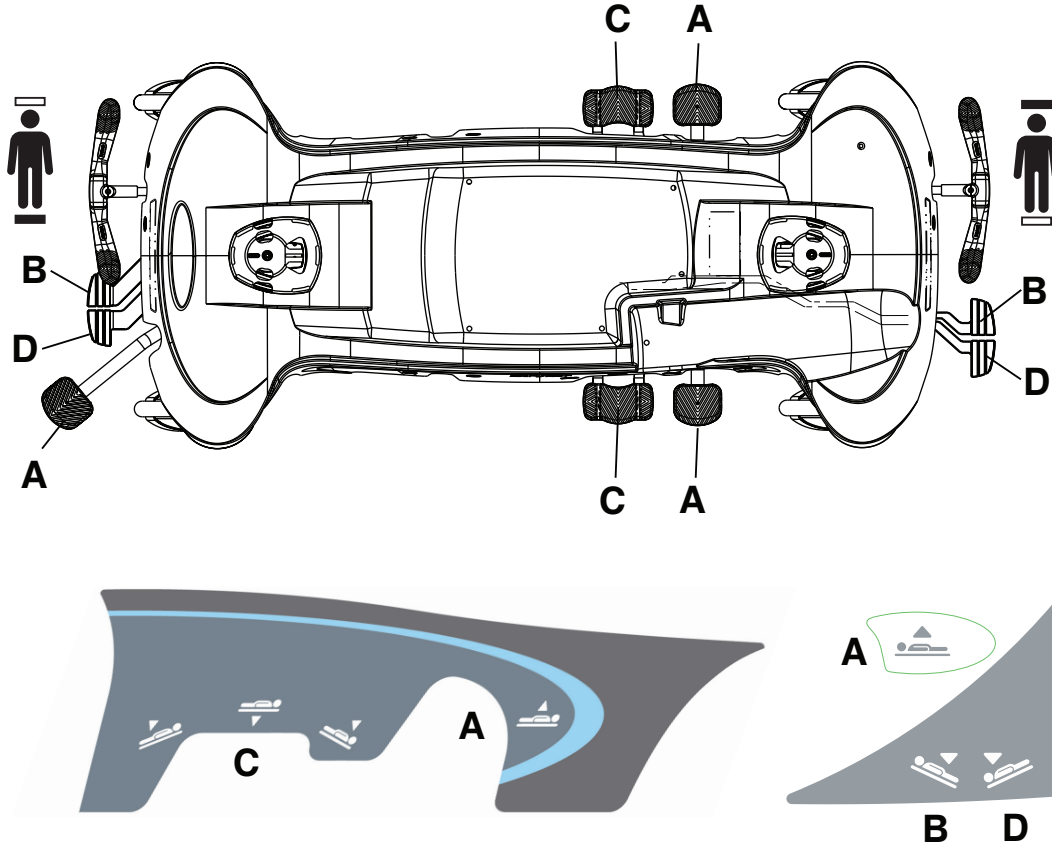
Frenleri serbest bırakmak için fren/yönlendirme pedalının yönlendirme (yeşil) tarafını aşağıya bastırın.



Şekil 7 – Freni/yönlendirme pedalını çalıştırma

Not - Frenin/yönlendirme pedalının ortasına bastırmayın. Her zaman frenin/yönlendirme pedalının dış kısmına (A) bastırın (Şekil 7).

Prime taban kontrolleri



Şekil 8 – Prime taban kontrolleri ve etiketi

Elektrikli olmayan şilte destek yüzeyini yükseltme

UYARI

- Hastayı daima ürünün ortasında konumlandırın.
- Bir hastayı gözetimsiz bıraktığınızda ürünü daima yan raylar kaldırılmış ve sürgülenmiş olarak en düşük pozisyona getirin. Ürünü daha yüksek bir yükseklikte bırakmayın.
- Şilte destek yüzeyini yükseltmeden veya alçaltmadan önce mutlaka engel oluşturabilecek her türlü cihazı kaldırın.
- Ürünün uç kısmına oturmayın. Ürün devrilebilir.

DİKKAT - Ürünü, ürün altında bir hasta kaldırıcıyla kaldırmak için taban kısmında hidrolik kullanmayın.

Şilte destek yüzeyini yükseltmek için istenen yüksekliğini elde edene kadar pompa pedalına (A) basın (*Prime taban kontrolleri* (sayfa 17)).

Elektrikli olmayan şilte destek yüzeyini alçaltma

UYARI

- Hastayı daima ürünün ortasında konumlandırın.
- Bir hastayı gözetimsiz bıraktığınızda ürünü daima yan raylar kaldırılmış ve sürgülenmiş olarak en düşük pozisyona getirin. Ürünü daha yüksek bir yükseklikte bırakmayın.
- Şilte destek yüzeyini yükseltmeden veya alçaltmadan önce mutlaka engel oluşturabilecek her türlü cihazı kaldırın.

- Ürünün uç kısmına oturmayın. Ürün devrilebilir.

DİKKAT - Ürünü, ürün altında bir hasta kaldırıcıyla kaldırmak için taban kısmında hidrolik kullanmayın.

Tüm şilte destek yüzeyini alçaltmak için tek taraflı alçaltma pedalının (C) ortasına basın (*Prime taban kontrolleri (sayfa 17)*).

Şilte destek yüzeyinin baş ucunu alçaltmak için ürünün baş ucuna en yakın olan tek taraflı alçaltma pedalı (C) tarafına veya pedala (B) basın.

Şilte destek yüzeyinin ayak ucunu alçaltmak için ürünün ayak ucuna en yakın olan tek taraflı alçaltma pedalı (C) tarafına veya pedala (D) basın.

Elektrikli şilte destek yüzeyi seçeneğini yükseltme

UYARI

- Hastayı daima ürünün ortasında konumlandırın.
- Bir hastayı gözetimsiz bıraktığınızda ürünü daima yan raylar kaldırılmış ve sürgülenmiş olarak en düşük pozisyona getirin. Ürünü daha yüksek bir yükseklikte bırakmayın.
- Şilte destek yüzeyini yükseltmeden veya alçaltmadan önce mutlaka engel oluşturabilecek her türlü cihazı kaldırın.
- Ürünün uç kısmına oturmayın. Ürün devrilebilir.

DİKKAT - Ürünü, ürün altında bir hasta kaldırıcıyla kaldırmak için taban kısmında hidrolik kullanmayın.

Elektrikli şilte destek yüzeyini yükseltmek için istenen yüksekliğini elde edene kadar pompa pedalına (A) basın (*Prime taban kontrolleri (sayfa 17)*).

Elektrikli şilte destek yüzeyi seçeneğini alçaltma

UYARI

- Hastayı daima ürünün ortasında konumlandırın.
- Bir hastayı gözetimsiz bıraktığınızda ürünü daima yan raylar kaldırılmış ve sürgülenmiş olarak en düşük pozisyona getirin. Ürünü daha yüksek bir yükseklikte bırakmayın.
- Şilte destek yüzeyini yükseltmeden veya alçaltmadan önce mutlaka engel oluşturabilecek her türlü cihazı kaldırın.
- Ürünün uç kısmına oturmayın. Ürün devrilebilir.

DİKKAT - Ürünü, ürün altında bir hasta kaldırıcıyla kaldırmak için taban kısmında hidrolik kullanmayın.

Elektrikli şilte destek yüzeyinin tamamını alçaltmak için tek taraflı alçaltma pedalının (C) ortasına basın (*Prime taban kontrolleri (sayfa 17)*).

Şilte destek yüzeyinin baş ucunu alçaltmak için ürünün baş ucuna en yakın olan tek taraflı alçaltma pedalı (C) tarafına veya pedala (B) basın.

Şilte destek yüzeyinin ayak ucunu alçaltmak için ürünün ayak ucuna en yakın olan tek taraflı alçaltma pedalı (C) tarafına veya pedala (D) basın.

Ürünü Trendelenburg pozisyonuna getirme

UYARI - Şilte destek yüzeyini yükseltmeden veya alçaltmadan önce mutlaka engel oluşturabilecek her türlü cihazı kaldırın.

DİKKAT - Ürünü, ürün altında bir hasta kaldırıcıyla kaldırmak için taban kısmında hidrolik kullanmayın.

Ürünü Trendelenburg pozisyonuna (baş aşağıda) getirmek için şilte destek yüzeyini en üst yüksekliğe kaldırın (*Elektrikli olmayan şilte destek yüzeyini yükseltme (sayfa 17) veya Elektrikli şilte destek yüzeyi seçeneğini yükseltme (sayfa 18)*)).

Not - Daha büyük bir Trendelenburg açısı için şilte destek yüzeyini en üst yüksekliğe kaldırın.

Ürünün baş ucunu alçaltmak için, baş ucu veya ayak ucu serbest bırakma pedalını (D) aşağıya bastırın veya baş ucuna en yakın tek taraflı alçaltma pedalı (C) tarafını aşağıya bastırın (*Prime taban kontrolleri (sayfa 17)*)).

Ürünü Trendelenburg pozisyonundan alçaltmak için baş ucu ve ayak ucu serbest bırakma pedallarını (B ve D) aynı anda aşağıya bastırın veya tek taraflı alçaltma pedalını (C) şilte destek yüzeyi düz oluncaya kadar ortasından aşağıya bastırın.

Ürünü Ters Trendelenburg pozisyonuna getirme

UYARI - Şilte destek yüzeyini yükseltmeden veya alçaltmadan önce mutlaka engel oluşturabilecek her türlü cihazı kaldırın.

DİKKAT - Ürünü, ürün altında bir hasta kaldırıcıyla kaldırmak için taban kısmında hidrolik kullanmayın.

Ürünü Ters Trendelenburg pozisyonuna (ayaklar aşağıda) getirmek için şilte destek yüzeyini en üst yüksekliğe kaldırın (*Elektrikli olmayan şilte destek yüzeyini yükseltme (sayfa 17) veya Elektrikli şilte destek yüzeyi seçeneğini yükseltme (sayfa 18)*)).

Not - Daha büyük bir Trendelenburg açısı için şilte destek yüzeyini en üst yüksekliğe kaldırın.

Ürünün ayak ucunu alçaltmak için, baş ucu veya ayak ucu serbest bırakma pedalını (B) aşağıya bastırın veya ayak ucuna en yakın tek taraflı alçaltma pedalı (C) tarafını aşağıya bastırın (*Prime taban kontrolleri (sayfa 17)*)).

Ürünü Ters Trendelenburg pozisyonundan alçaltmak için baş ucu ve ayak ucu serbest bırakma pedallarını (B ve D) aynı anda aşağıya bastırın veya tek taraflı alçaltma pedalını (C) şilte destek yüzeyi düz oluncaya kadar ortasından aşağıya bastırın.

Bir hastanın taşınması

UYARI

- Hastayı daima ürünün ortasında konumlandırın.
 - Hastayı taşırken daima uyuma yüzeyi en alçak pozisyonda yatay olacak şekilde yan rayları tam yukarı pozisyonda kilitleyin.
 - Ürünü, ürünün devrilmesini önlemek için 5,7 dereceden (%10 derece) daha büyük bir eğimde yanlamasına taşımayın.
-

Bir hastayı taşımak için:

1. Yan rayları yükselterek en yüksek pozisyona getirin. Sürgülediğinden emin olmak için yan rayı çekin.
2. Şilte destek yüzeyini en alt pozisyona alçaltın.
3. Ürününüz bir elektrikli kaldırıcı veya elektrikli şilte destek yüzeyi seçeneğiyle donatılmışsa güç kablosunu duvar prizinden çekin.
4. Fren/yönlendirme pedalının yönlendirme (yeşil) tarafına basın.
5. Ürünü itmek için itme kollarını kullanın.
6. Ürünü yerine kilitlemek için frenleri uygulayın.

Not - Ürünü hareket ettirmeden önce kullanıcı veya hasta yaralanmasından kaçınmak için mutlaka frenin serbest bırakıldığından emin olun.

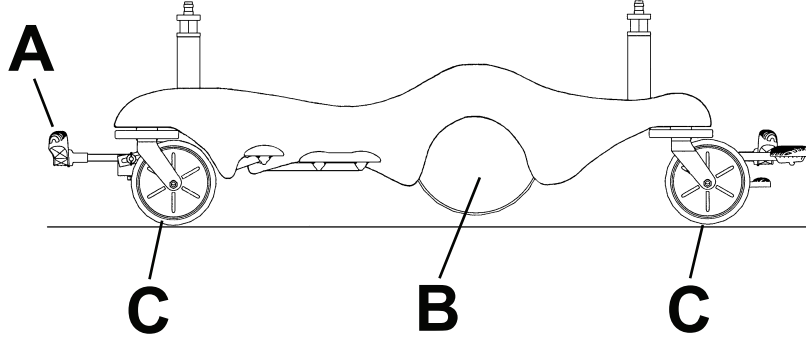
Hastayı Big Wheel olmadan taşıma

UYARI

- Hastayı daima ürünün ortasında konumlandırın.
- Hastayı taşırken daima uyuma yüzeyi en alçak pozisyonda yatay olacak şekilde yan rayları tam yukarı pozisyonda kilitleyin.

Hastayı **Big Wheel** olmadan taşımak için:

1. Fren/yönlendirme pedalını (A) nötr pozisyona getirin (Şekil 9).



Şekil 9 – Big Wheel olmadan taşıma

2. Şilte destek yüzeyini en alt pozisyona alçaltın.
3. Sadece Model 1125 için On/Drive-Off/Manual (Açık/Tahrik Kapalı/Manuel) anahtarının Kapalı pozisyonda olduğundan emin olun.
4. Ürününüz bir elektrikli kaldıracı veya elektrikli şilte destek yüzeyi seçeneğiyle donatılmışsa güç kablosunu hastane sınıfı duvar prizinden çekin.
5. Ürünü itmek için itme kollarını kullanın.
6. Ürünü yerine kilitlemek için frenleri uygulayın.

Not

- Ürünü hareket ettirmeden önce kullanıcı veya hasta yaralanmasından kaçınmak için mutlaka frenin serbest bırakıldığından emin olun.
- Ürün nötr pozisyondayken **Big Wheel** (B) kaldırılır ve ürün dört tekerlek (C) üzerinde durur (Şekil 9). Bu pozisyonda ürün yana doğru dahil, her yönde hareket ettirilebilirsiniz.

Bir hastayı Big Wheel ile taşıma

UYARI

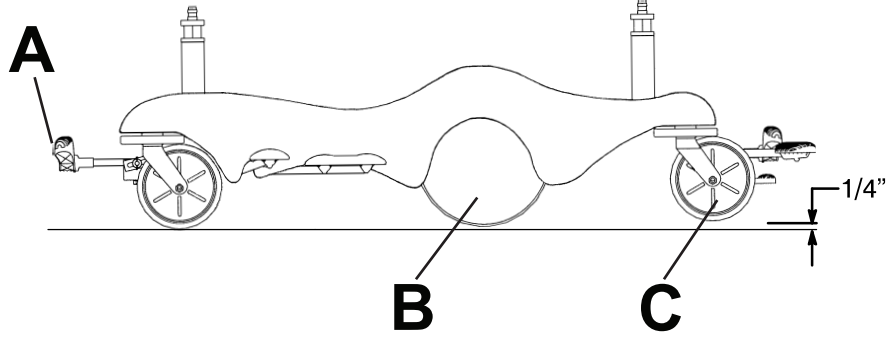
- Hastayı daima ürünün ortasında konumlandırın.
- Hastayı taşırken daima uyuma yüzeyi en alçak pozisyonda yatay olacak şekilde yan rayları tam yukarı pozisyonda kilitleyin.

DİKKAT - Big Wheel bir eşik veya diğer yükseltilmiş alan üzerinde dururken yönlendirme pedalını uygulamayın. **Big Wheel** uygulamak için gerekli güç normalden yüksek olacaktır ve bu ürün hasarına yol açabilir.

Hastayı **Big Wheel** ile taşımak için:

1. Yan rayları yükselterek en yüksek pozisyona getirin. Sürgülediğinden emin olmak için yan rayları çekin.
2. Şilte destek yüzeyini en alt pozisyona alçaltın.

3. Sadece Model 1125 için On/Drive-Off/Manual (Açık/Tahrik Kapalı/Manuel) anahtarının Kapalı pozisyonda olduğundan emin olun.
4. Ürününüz bir elektrikli kaldıracı veya elektrikli şilte destek yüzeyi seçeneğiyle donatılmışsa güç kablosunu hastane sınıfı duvar prizinden çekin.
5. Fren/yönlendirme pedalını (A) yönlendirme pozisyonuna getirin (Şekil 10).



Şekil 10 – Big Wheel ile taşıma

6. Ürünü itmek için itme kollarını kullanın.
7. Ürünü yerine kilitlemek için frenleri uygulayın.

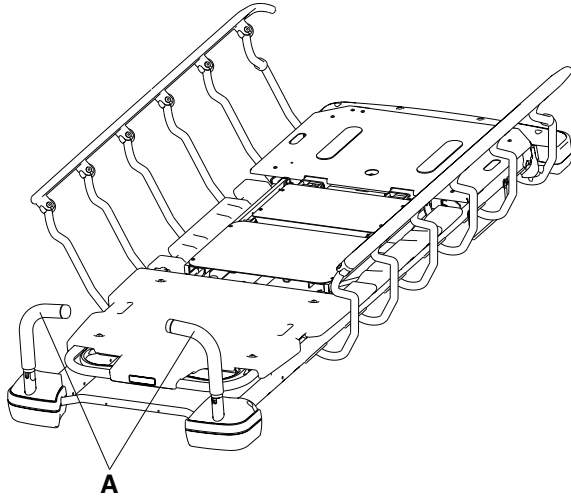
Not

- Ürünü hareket ettirmeye kalkışmadan önce frenin serbest bırakıldığından daima emin olun. Ürünü frenler uygulanmış olarak hareket ettirmeye kalkmak kullanıcı veya hastanın yaralanmasına neden olabilir.
- **Big Wheel** (B) sağa sola dönmez. **Big Wheel** uygulandığında ürünü yana doğru hareket ettiremezsiniz.
- **Big Wheel** (B) uygulandığında ürün yükseltilir ve ayak ucu tekerlekleri (C) kaldırılır. Ürün baş ucu tekerlekleri ve **Big Wheel** üzerinde durur ve böylece ürünü yönlendirmek daha kolay hale gelir (Şekil 10).

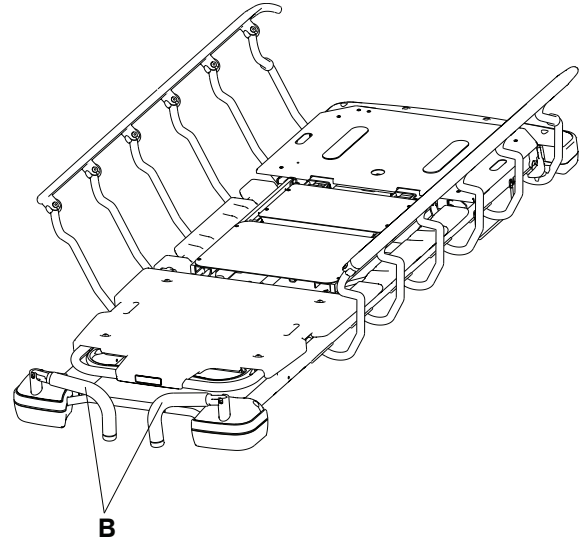
Baş ucu itme kolları seçeneğinin konumlandırılması veya katlanması

Baş ucu itme kollarını konumlandırmak veya katlamak için:

1. Kolları (A) ürünün baş ucundan yukarıya doğru döndürün (Şekil 11).
2. Pozisyonda kilitlemek için kolları aşağıya bastırın.



Şekil 11 – Baş ucu itme kollarının konumlandırılması



Şekil 12 – Baş ucu itme kollarını katlama

3. Baş ucu itme kollarını (B) katlamak için adımları tersinden gerçekleştirin (Şekil 12).

Not - Ürün hasarından kaçınmak için aksi belirtilmedikçe itme/çekme cihazları olarak sadece itme kollarını kullanın.

Yan rayı yükseltme

UYARI

- **Prime X** seçeneği ile 2,5 inç (6,35 cm'den) kalın bir şilte veya bir üst şilte kullanırken daima daha da dikkatli olun.
- Bir hastayı gözetimsiz bıraktığınızda ürünü daima yan raylar kaldırılmış ve sürgülenmiş olarak en düşük pozisyona getirin. Ürünü daha yüksek bir yükseklikte bırakmayın.
- Hasta taşırken uyuma yüzeyi en alçak pozisyonda ve düz olacak şekilde, yan rayları mutlaka tam yukarı pozisyonda kilitleyin.
- Yan rayı yükseltirken veya alçaltırken hastanın uzuvlarını daima yan ray millerinden uzak tutun.
- Yan rayların kendiliğinden alçalmasına izin vermeyin.

Yan rayı yükseltmek için:

1. Yan rayı tutmak için iki elinizi kullanın.
2. Sarı serbest bırakma sürgüsü yerine oturana kadar yan rayı ürünün ayak ucuna doğru kaldırın. Yan rayın sürgülediğinden emin olmak için yan rayı çekin.

Not

- Ürünün her iki ucunda sürgülü bir çift yan ray serbest bırakma sürgü seçeneği vardır.
- Hastanın üründen çıkmasını önlemek için yan rayları kısıtlama cihazları olarak kullanmayın. Yan raylar hastanın üründen dışarıya yuvarlanmasını önler. Kullanıcı, hastanın güvende olmasını sağlamak için gerekli kısıtlama derecesini belirlemelidir.
- Yan ray üst rayının ayak ucunu bir itme/çekme cihazı olarak kullanabilirsiniz.
- Yan raylar sadece tam yukarı pozisyonda kilitletir.

Yan rayı alçaltma

UYARI

- **Prime X** seçeneği ile 2,5 inç (6,35 cm'den) kalın bir şilte veya bir üst şilte kullanırken daima daha da dikkatli olun.
- Bir hastayı gözetimsiz bıraktığınızda ürünü daima yan raylar kaldırılmış ve sürgülenmiş olarak en düşük pozisyona getirin. Ürünü daha yüksek bir yükseklikte bırakmayın.
- Hasta taşırken uyuma yüzeyi en alçak pozisyonda ve düz olacak şekilde, yan rayları mutlaka tam yukarı pozisyonda kilitleyin.
- Yan rayı yükseltirken veya alçaltırken hastanın uzuvlarını daima yan ray millerinden uzak tutun.
- Yan rayların kendiliğinden alçalmasına izin vermeyin.

Yan rayı alçaltmak için:

1. Yan rayı tutmak için bir elinizi kullanın.
2. Diğer elinizi sarı serbest bırakma sürgüsünü yukarı çekmek için kullanın.
3. Sarı serbest bırakma sürgüsü yerine oturuncaya kadar yan rayı ürünün baş ucuna doğru kaldırıp yönlendirin. Yan rayın sürgülediğinden emin olmak için yan rayı çekin.

Not

- Ürünün her iki ucunda sürgülü bir çift yan ray serbest bırakma sürgü seçeneği vardır.
- Hastanın üründen çıkmasını önlemek için yan rayları kısıtlama cihazları olarak kullanmayın. Yan raylar hastanın üründen dışarıya yuvarlanmasını önler. Kullanıcı, hastanın güvende olmasını sağlamak için gerekli kısıtlama derecesini belirlemelidir.
- Yan ray üst rayının ayak ucunu bir itme/çekme cihazı olarak kullanabilirsiniz.
- Yan raylar sadece tam yukarı pozisyonda kilitletir.

Ürünü yan ray hasta kontrol paneli ile konumlandırma - elektrikli şilte destek yüzeyi seçeneği - Sadece Prime

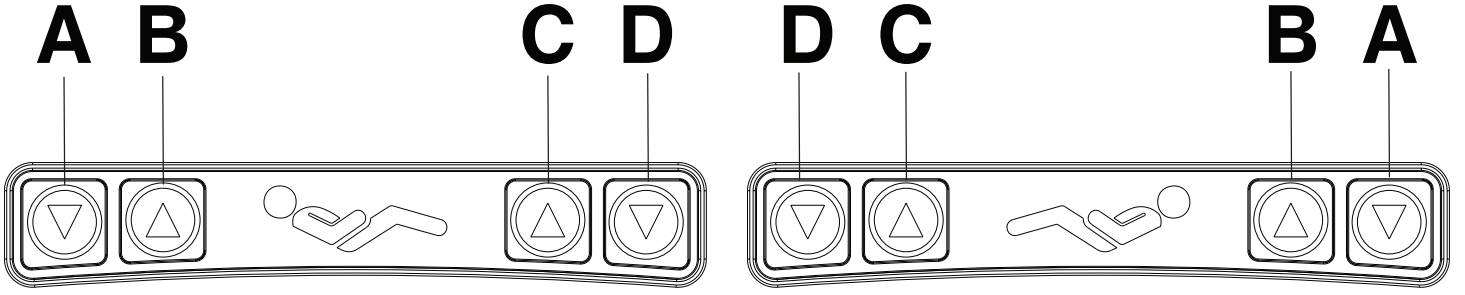
UYARI - Ürünü daima tüm kullanıcılar mekanizmalardan uzak olduğunda çalıştırın.

Fowler sırt desteği ve Diz bükülme kısmını konumlandırmak için yan ray hasta kontrol panelini kullanın (Şekil 13).

Sağlık hizmetleri uzmanları, hastalara hasta kontrollerini nasıl kullanacaklarını öğretmelidir.

Not

- Güç kablosunu daima topraklanmış, hastane sınıfı bir duvar prizine takın.
- Yan ray hasta kontrol paneli kolay hasta erişimi için ürünün her tarafında kademeli bir konumda bulunur.
- Her yan rayın hastanın Fowler sırt desteği ve Diz bükülme kısmını konumlandırmasını mümkün kılmak üzere arkadan aydınlatmalı kontrolleri vardır. Ürünün fişi takıldığında ve hasta kontrol panelinin kilidi açıldığında beyaz düğmeler yanar.



Şekil 13 – Yan ray hasta kontrol paneli

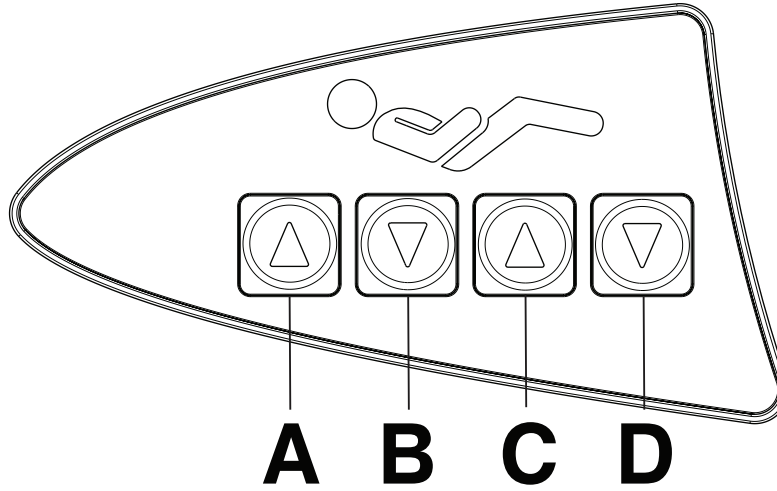
A	Fowler aşağı	Fowler'ı alçaltır (baş kısmı)
B	Fowler yukarı	Fowler'ı yükseltir (baş kısmı)
C	Diz bükülme kısmı yukarı	Diz bükülme kısmını yükseltir (ayak kısmı)
D	Diz bükülme kısmı aşağı	Diz bükülme kısmını alçaltır (ayak kısmı)

Kullanıcı kontrol paneli - elektrikli şilte destek yüzeyi seçeneği - Sadece Prime

UYARI - Ürünü daima tüm kullanıcılar mekanizmalardan uzak olduğunda çalıştırın.

Ürün üzerindeki hastanın pozisyonunu ayarlamak için kullanıcı kontrol panelini kullanın (Şekil 14).

Not - Güç kablosunu daima topraklanmış, hastane sınıfı bir duvar prizine takın.



Şekil 14 – Kullanıcı kontrol paneli - elektrikli şilte destek yüzeyi seçeneği

A	Fowler yukarı	Fowler sırt desteğini yükseltir
B	Fowler aşağı	Fowler sırt desteğini alçaltır
C	Diz bükülme kısmı yukarı	Diz bükülme kısmını yükseltir
D	Diz bükülme kısmı aşağı	Diz bükülme kısmını alçaltır

Hasta kontrol paneli kilidini kilitleme ve kilidini açma - elektrikli şilte destek yüzeyi seçeneği - Sadece Prime

UYARI - Ürünü daima tüm kullanıcılar mekanizmalardan uzak olduğunda çalıştırın.

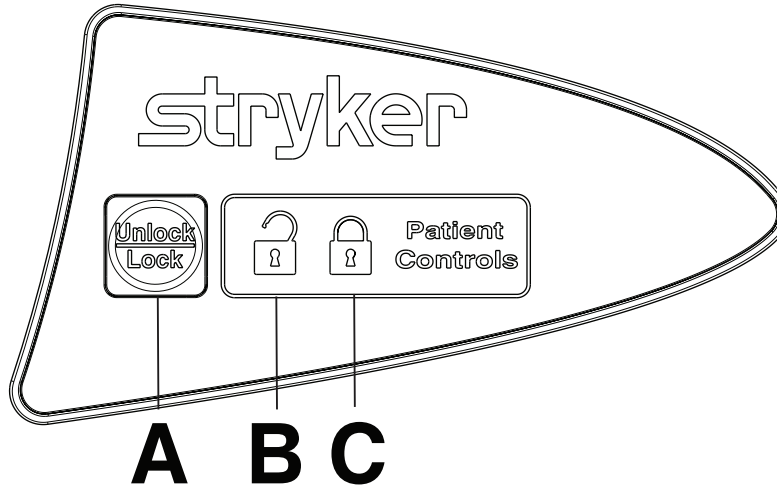
Yan ray hasta kontrol panelini kilitlemek için **Unlock/Lock** (Kilit Aç/Kilitle) (A) düğmesine bir kez basın (Şekil 15).

Not - Hasta kontrolleri kilitlendiğinde kilit simgesi (C) sarı renkte yanar.

Yan ray hasta kontrol panelinin kilidini açmak için **Unlock/Lock** (Kilit Aç/Kilitle) (A) düğmesine ikinci bir kez basın.

Not - Hasta kontrollerinin kilidi açıldığında kilit açma simgesi (B) yeşil renkte yanar.

- Not**
- Güç kablosunu daima topraklanmış, hastane sınıfı bir duvar prizine takın.
 - Hasta kontrol panelini hastanın sırt desteği ve Diz bükülme kısmından hareket etmesini önlemek için kilitleyebilirsiniz.
 - Yan ray hasta kontrol paneli siz hasta kontrol panelini kilitlediğinizde arkadan aydınlatmalı değildir.



Şekil 15 – Hasta kontrol paneli kilidi

Fowler sırt desteğini yükseltme veya alçaltma - elektrikli olmayan şilte destek yüzeyi

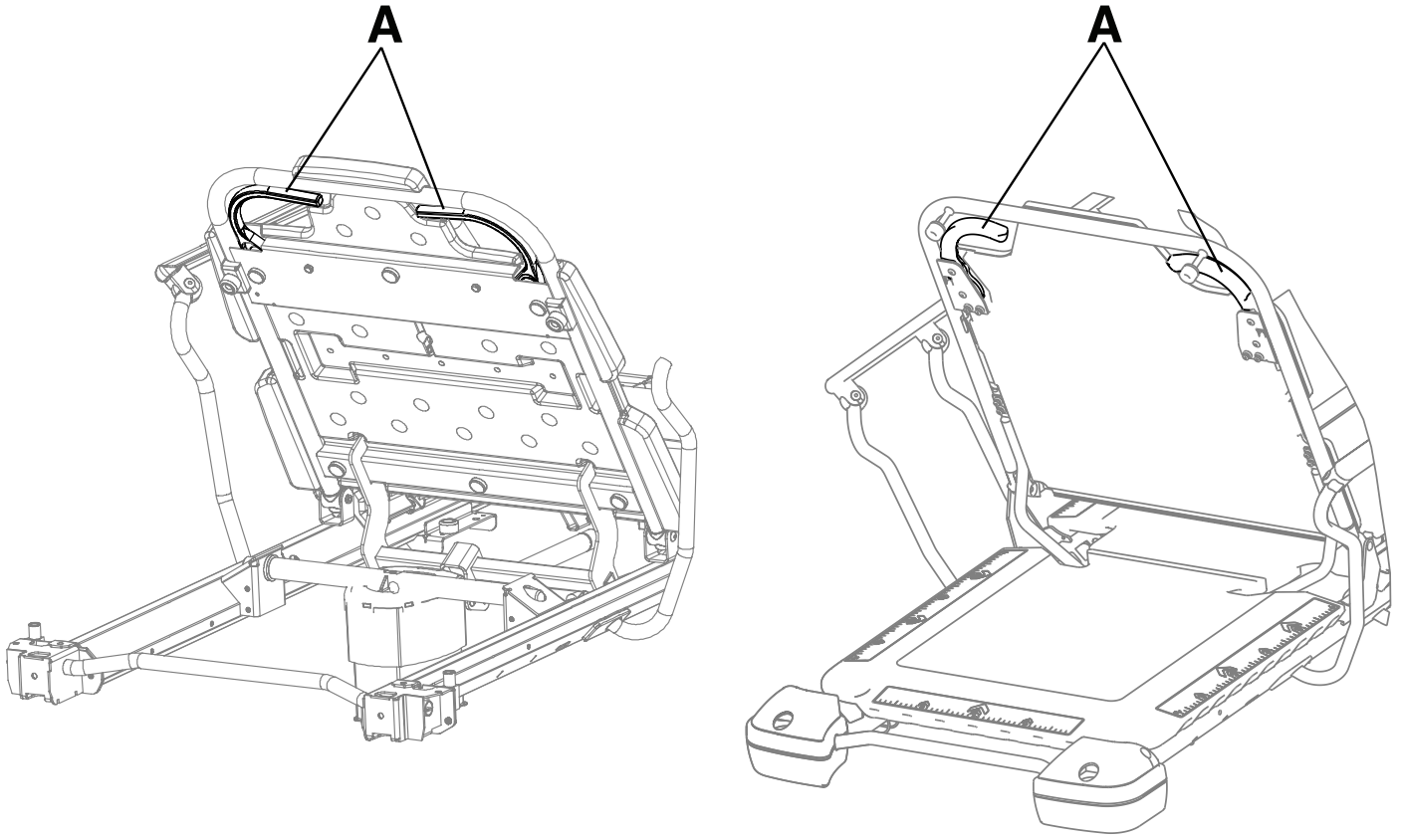
UYARI

- Ürünü daima tüm kullanıcılar mekanizmalardan uzak olduğunda çalıştırın.
- Fowler sırt desteğini alçaltırken ellerinizi ve parmaklarınızı Fowler sırt desteği serbest bırakma kollarından ve Fowler sırt desteği çerçevesinden daima uzak tutun.
- Ürün üzerinde bir hasta varken bir Fowler sırt desteğini yükseltirken daima dikkatli olun. Uygun kaldırma teknikleri kullanın ve gerekirse yardım isteyin.

Fowler sırt desteğini yükseltmek için Fowler sırt desteği serbest bırakma kollarının (A) birini veya her ikisini sıkın ve Fowler sırt desteğini yukarı çekerek istenen pozisyona (0° - 90°) getirin (Şekil 16).

Not - **Lift Assist®** sırt desteği hasta konumlandırmaya yardımcı olmak için hasta ağırlığını kullanır. **Lift Assist** sırt desteği ayrıca Fowler sırt desteği yükseltilirken hastanın ürünün ayak ucuna doğru kaymasını önler.

Fowler sırt desteğini alçaltmak için Fowler sırt desteği serbest bırakma kollarının (A) birini veya her ikisini sıkın ve Fowler sırt desteğini aşağıya bastırarak istenen pozisyona (90° - 0°) (Şekil 16) getirin.



Şekil 16 – Fowler Sırt desteğini yükseltme veya alçaltma (Prime / Prime X)

Fowler sırt desteğini yükseltme veya alçaltma - elektrikli şilte destek yüzeyi seçeneği

UYARI

- Ürünü daima tüm kullanıcılar mekanizmalardan uzak olduğunda çalıştırın.
- Fowler sırt desteğini alçaltırken ellerinizi ve parmaklarınızı Fowler sırt desteği serbest bırakma kollarından ve Fowler sırt desteği çerçevesinden daima uzak tutun.
- Ürün üzerinde bir hasta varken bir Fowler sırt desteğini yükseltirken daima dikkatli olun. Uygun kaldırma teknikleri kullanın ve gerekirse yardım isteyin.

Fowler sırt desteğini yükseltmek için yan ray hasta kontrol paneli (*Ürünü yan ray hasta kontrol paneli ile konumlandırma - elektrikli şilte destek yüzeyi seçeneği - Sadece Prime (sayfa 23)*) veya ayak ucu kullanıcı kontrol panelinin (*Kullanıcı kontrol paneli - elektrikli şilte destek yüzeyi seçeneği - Sadece Prime (sayfa 24)*) Fowler sırt desteği tarafındaki **up** (yukarı) düğmesine Fowler sırt desteği istenen açığa (0° - 70°) ulaşincaya kadar basın.

Not - Lift Assist sırt desteği hasta konumlandırmaya yardımcı olmak için hasta ağırlığını kullanır. **Lift Assist** sırt desteği ayrıca Fowler sırt desteği yükseltilirken hastanın ürünün ayak ucuna doğru kaymasını önler.

Fowler sırt desteğini alçaltmak için yan ray hasta kontrol paneli (*Ürünü yan ray hasta kontrol paneli ile konumlandırma - elektrikli şilte destek yüzeyi seçeneği - Sadece Prime (sayfa 23)*) veya ayak ucu kullanıcı kontrol panelinin (*Kullanıcı kontrol paneli - elektrikli şilte destek yüzeyi seçeneği - Sadece Prime (sayfa 24)*) Fowler sırt desteği tarafındaki **down** (aşağı) düğmesine Fowler sırt desteği istenen açığa (70° - 0°) ulaşincaya kadar basın.

Not - Güç kablosunu daima topraklanmış, hastane sınıfı bir duvar prizine takın.

Sağlık hizmetleri uzmanları, hastalara hasta kontrollerini nasıl kullanacaklarını öğretmelidir.

Diz bükülme kısmını yükseltme veya alçaltma - elektrikli olmayan şilte destek yüzeyi - Sadece Prime

UYARI - Diz bükülme kısmını alçaltırken elleri ve parmakları daima ayak ucu itme kollarından uzak tutun.

DİKKAT

- Diz bükülme kısmının ağırlık kapasitesi 200 lb'dir (90,7 kg).
- Kullanım öncesinde Diz bükülme kısmı destek çubuğunun daima sağlam durduğundan emin olun.
- Diz bükülme kısmı üzerine oturmayın veya üzerinde durmayın.

Elektrikli olmayan Diz bükülme kısmını yükseltmek için Diz bükülme kısmı pompası kolunu istenen pozisyonu elde edinceye kadar sola doğru pompalayın (bkz. *Ürün çizimi - Prime şilte destek yüzeyi*).

Diz bükülme kısmının ucunu yukarı kaldırın ve destek çubuğunu dirsek içinde sabitleyin.

Destek çubuğunu serbest bırakmak için Diz bükülme kısmı ucunu kaldırın, destek çubuğunu ürünün baş ucuna doğru çevirin ve ayak ucunu alçaltın.

Diz bükülme kısmını alçaltmak için Diz bükülme serbest bırakma kolunu istenen pozisyonu elde edinceye kadar çekin (bkz. *Ürün çizimi - Prime şilte destek yüzeyi*).

Not - Üründe elektrikli şilte destek yüzeyi seçeneği varsa Diz bükülme kısmını manuel olarak yükseltemezsiniz.

Diz bükülme kısmını yükseltme veya alçaltma - elektrikli şilte destek yüzeyi - Sadece Prime

UYARI

- Diz bükülme kısmını alçaltırken elleri ve parmakları daima ayak ucu itme kollarından uzak tutun.
- Ürünü daima tüm kullanıcılar mekanizmalardan uzak olduğunda çalıştırın.

DİKKAT

- Diz bükülme kısmının ağırlık kapasitesi 200 lb'dir (90,7 kg).
- Diz bükülme kısmı üzerine oturmayın veya üzerinde durmayın.
- Ürün elektriğe bağlı olmadığında Diz bükülme kısmını alçaltmaya kalkıştığınızda daima dikkatli olun. Yerçekimi Diz bükülme kısmının hızla alçalmasına neden olabilir.

Diz bükülme kısmını yükseltmek için yan ray hasta kontrol paneli veya ayak ucu kullanıcı kontrol panelinin Diz bükülme kısmı tarafında **up** (yukarı) düğmesine basın.

Diz bükülme kısmını alçaltmak için yan ray hasta kontrol paneli veya ayak ucu kullanıcı kontrol panelinin Diz bükülme kısmı tarafında **down** (aşağı) düğmesine basın.

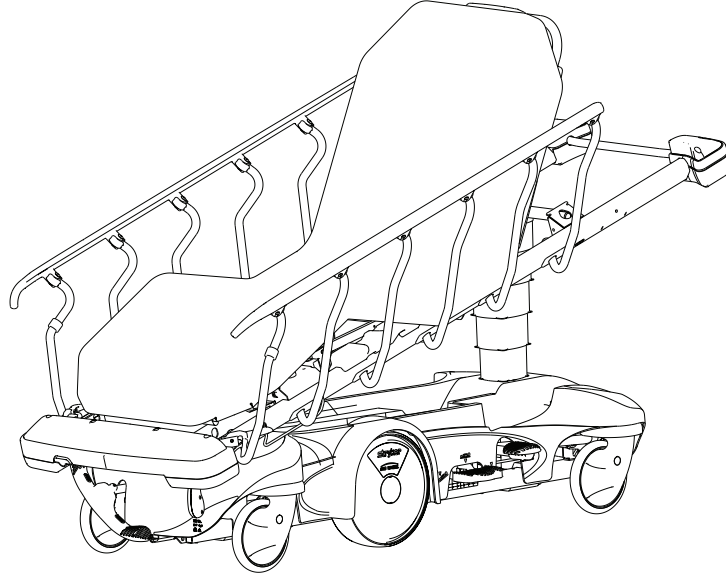
Not - Güç kablosunu daima topraklanmış, hastane sınıfı bir duvar prizine takın.

Sağlık hizmetleri uzmanları, hastalara hasta kontrollerini nasıl kullanacaklarını öğretmelidir.

Derlenme sandalyesinin konumlandırılması - Sadece Prime

UYARI - Ürünü daima tüm kullanıcılar mekanizmalardan uzak olduğunda çalıştırın.

Ürünü derlenme sandalyesi pozisyonuna getirmek için (Şekil 17):



Şekil 17 – Derlenme sandalyesi (Gösterilen Model 1115)

1. Fowler sırt desteğini oturma pozisyonuna yükseltin (*Fowler sırt desteğini yükseltme veya alçaltma - elektrikli olmayan şilte destek yüzeyi (sayfa 25) veya Fowler sırt desteğini yükseltme veya alçaltma - elektrikli şilte destek yüzeyi seçeneği (sayfa 26)*).

Not - Derlenme sandalyesini konumlandırmak için üründe bir **Lift Assist** sırt desteği seçeneği ve Diz bükülme kısmı seçeneği olmalıdır.

2. Diz bükülme kısmını tam yukarı pozisyona getirin (*Diz bükülme kısmını yükseltme veya alçaltma - elektrikli olmayan şilte destek yüzeyi - Sadece Prime (sayfa 27) veya Diz bükülme kısmını yükseltme veya alçaltma - elektrikli şilte destek yüzeyi - Sadece Prime (sayfa 27)*).
3. Şilte destek yüzeyini en üst yüksekliğe getirin (*Elektrikli olmayan şilte destek yüzeyini yükseltme (sayfa 17) veya Elektrikli şilte destek yüzeyi seçeneğini yükseltme (sayfa 18)*).
4. Ürünü Ters Trendelenburg pozisyonuna getirin (*Ürünü Ters Trendelenburg pozisyonuna getirme (sayfa 19)*).
5. Ürünü düz pozisyona alçaltmak için adımların tersini gerçekleştirin.

Taban başlığında nesnelerin saklanması

DİKKAT

- Taban başlığına 60 lb (27 kg) üzerinde nesneler yerleştirmeyin.
- Taban başlığı üzerine oturmayın, basmayın veya üzerinde ayakta durmayın.

Hasta eşyalarını taban başlığında saklayabilirsiniz. Oksijen şişesi tutucusu kesme kısmını oksijen şişeleri veya hasta eşyalarını saklamak için kullanmayın.

Pompa rakı seçeneğiyle cihazları asma

UYARI

- Pompa rakındaki cihaz hatlarını daima Diz bükülme kısmı kollarından uzak tutun.
- Şilte destek yüzeyini yükseltmeden veya alçaltmadan önce mutlaka engel oluşturabilecek her türlü cihazı kaldırın.
- Pompa rakındaki cihazların kapı açıklıklarından güvenli geçebildiğinden daima emin olun.
- Ürünü pompa rakından kaldırmayın.

DİKKAT

- Pompa rakının ağırlık kapasitesi 40 lb'dir (18 kg).
 - Pompa rakını bir itme/çekme cihazı olarak kullanmayın. Ürün hasarı oluşabilir.
-

Ürünün ayak ucunda bulunan pompa rakı üzerine ek cihazlar asabilir veya burada saklayabilirsiniz.

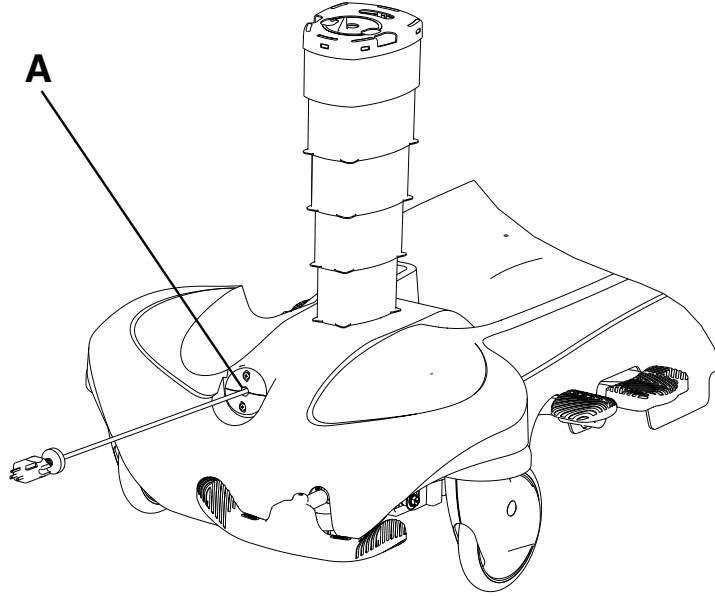
Not - Pompa rakı seçeneğini satın alma zamanında seçmelisiniz.

Güç kablosunu geri çekilebilir güç kablosu makarasıyla açmak veya geri çekmek - elektrikli kaldırıcı seçeneği veya elektrikli şilte destek yüzeyi seçeneği

UYARI

- Ürünü taşımadan veya temizlemeden önce her zaman güç kablosunu duvar prizinden çekin.
 - Ürünü taşıırken güç kablosunu taban içinde saklamak için mutlaka geri çekilebilir güç kablosu makarasını kullanın.
-

Güç kablosunu uzatmak için güç kablosunu geri çekilebilir kablo makarasından (A) istenen uzunlukta dışarı çekin (Şekil 18).



Şekil 18 – Geri çekilebilir kablo makarası

Güç kablosunu geri çekmek için:

1. Güç kablosunun fişini duvar prizinden çekin.
2. Güç kablosunu hafifçe çekin.
3. Güç kablosunu geri çekilebilir kablo makarasına yönlendirin.

Tartı sistemi seçeneği

UYARI - Tartı sistemi seçeneği veya elektrikli kaldırıcı seçeneği veya elektrikli şilte destek yüzeyini diğer cihazlarla bitişik veya üst üste kullanmayın. Bitişik veya üst üste kullanım gerekliyse tartı sistemi seçeneği veya elektrikli kaldırıcı seçeneği veya elektrikli şilte destek yüzeyi tüm cihazların kullanılacakları konfigürasyonda normal çalıştığından emin olmak üzere gözlenmelidir.

DİKKAT - Tartıyı 50 lb (22,7 kg) altındaki hastalarda kullanmayın.

Tartı sistemi seçeneği elektrikli şilte destek yüzeyi seçeneği olan ve olmayan ürünlerle kullanılabilir. Tartı sistemi seçeneğinin bir batarya yedekleme seçeneği vardır. Bekleme simgesi ürünün batarya yedeklemeyi kullandığını bildirir.

Chaperone seçeneği bir hastanın üründen çıkmaya çalışabileceği durumlarda kullanıcıyı uyararak bölge kontrolleri ayarlamasını mümkün kılar. **Chaperone** seçeneği elektrikli şilte destek yüzeyi seçeneği ve tartı sistemi seçeneği olan ürünler için sağlanmaktadır. **Chaperone** seçeneği olan tartı sistemi seçeneğinin bir batarya yedekleme seçeneği vardır. Bekleme simgesi ürünün batarya yedeklemeyi kullandığını bildirir.

Tartı sistemi seçeneğini çalıştırmaya kalkışmadan önce ayak ucu itme kollarını kaldırın.

Tartı sistemi seçeneğini çalıştırmak için tartı sistemi kontrol panelini kullanın (*Tartı simgesi/düğmesi tanımlayıcısı* (sayfa 30)).

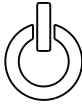






Tartı sistemi seçeneğini tartarken veya sıfırlarken ürüne dokunmayın.

Sistem tartarken hasta sabit durmalıdır. Hasta hareket ediyorsa tartı sistemi hata mesajı göstermeden önce 20 saniye boyunca stabil bir ağırlık veya sıfır değeri elde etmeye çalışır (⏏).

Eğer gevşek bir bağlantı varsa veya tartı çalışmıyorsa ekranda hata (⏏) belirir. Tartıyı tekrar çalıştırmaya kalkışırsanız ve hata belirirse Stryker Teknik Destek ile irtibat kurun.

Not - Tartı sistemi doğruluğu iddiasını karşılamak üzere hasta yüzeyi düz pozisyonda olmalıdır (Fowler sırt desteği ve Diz bükülme kısmı indirilmiş) ve ürün 5 derecelik Trendelenburg/Ters Trendelenburg pozisyonunu geçemez.

Tartı simgesi/düğmesi tanımlayıcısı

Öge	Simge/ düğme	Ad	Açıklama
A		Bekleme simgesi	Güç kablosunu bir duvar prizine taktığınızda yeşil yanar. Güç kablosunu duvar prizinden çektiğinizde sarı yanar. Batarya yedekleme işlevselliği açılır.
B		Bölge 1 simgesi	Hasta serbestçe hareket edebilir ama hasta üründen çıkmaya kalkışırsa alarm çalar.
C		Bölge 2 simgesi	Hasta sınırlı hareket edebilir. Alarm hasta yan raylara yaklaşırsa veya ayak ucuna doğru hareket ederse çalar.
D		Arm/Disarm (Etkinleştir/Devre Dışı Bırak) düğmesi	Chaperone seçeneğini etkinleştirir ve devre dışı bırakır (sedyeye çıkışı). Bkz., <i>Chaperone seçeneğinin devreye alınması veya devre dışı bırakılması</i> (sayfa 31).
E		Weigh (Tartma) düğmesi	Hastayı tartar. Bkz., <i>Hastayı tartma</i> (sayfa 31).
F		lb/kg düğmesi	Gösterilen ölçü birimini değiştirir. Bkz., <i>Tartı ölçüm birimini kilitleme</i> (sayfa 31).
G		Zero (Sıfır) düğmesi	Tartı ayarlarını sıfırlar. Bkz., <i>Tartı ölçüm birimini kilitleme</i> (sayfa 31).

Hastayı tartma

DİKKAT - Tartı sisteminde ölçülen değeri tıbbi tedavi için referans olarak kullanmayın.

1. Tartı sistemi seçeneğini çalıştırmadan önce ayak ucu itme kollarını kaldırın.
2. Tartıyı sıfırlamak için ekranda **rel** (serbest bırak) ibaresi görüntülenene kadar **Zero**'yu (Sıfırlama) basılı tutun. **000.0** ibaresi yanıp söner ve ardından yanıp sönmeyi keser.

Not - **000.0** ibaresi yanıp sönmeyi kesene kadar tartı kullanıma hazır değildir.

3. Hastayı ürüne yerleştirin.
4. Ölçüm birimini (lb veya kg) seçmek için **lb/kg**'ye basın.
5. Hastanın ağırlığını almak için **Weigh**'e (Tartma) basın.

Not - Hastanın ağırlığı 40 saniye boyunca görüntülenir.

Tartı ölçüm birimini kilitleme

1. **Diag** (Tanı) ibaresi görüntülenene kadar **Weigh** (Tartma), **lb/kg** ve **Zero**'yu (Sıfırlama) basılı tutun.
2. **Unit Loc** (Birim kilitli) geçmek için **lb/kg** veya **Zero**'ya (Sıfırlama) basın.
3. Chaperone özelliği bulunmayan tartılarda **Unit Loc** (Birim kilitli) seçmek için **rel** (serbest bırak) ibaresi görüntülenene kadar **lb/kg** ve **Zero**'yu (Sıfırlama) basılı tutun.
4. **Chaperone** özelliği bulunan tartılarda **Unit Loc** (Birim kilitli) seçmek için **lb/kg** ve **Zero**'yu (Sıfırlama) basılı tutun.
5. **lb, kg** veya **Any**'ye (Herhangi biri) geçmek için **lb/kg** veya **Zero**'ya (Sıfırlama) basın.
6. **lb/kg** ve **Zero**'ya (Sıfırlama) basıp bırakın. **Only** (Yalnızca) ve seçili ölçüm birimi görüntülenir.

Not - **Any**'yi (Herhangi biri) seçerseniz **Only** (Yalnızca) görüntülenmez.

7. **Quit** (çık) ibaresi görüntülenene kadar **Weigh**'i (Tartma) basılı tutun.
8. **Rel** (serbest bırak) ibaresi görüntülenene kadar **Zero**'yu (Sıfırlama) basılı tutun. **000.0** ibaresi yanıp söner ve ardından yanıp sönmeyi keser.

Not - **000.0** ibaresi yanıp sönmeyi kesene kadar tartı kullanıma hazır değildir.

Chaperone seçeneğinin devreye alınması veya devre dışı bırakılması

Devreye alındığında, **Chaperone** seçeneği hastanın ürün üzerindeki pozisyonunu izler.

Chaperone seçeneğini etkinleştirmek ve devre dışı bırakmak için:

1. Hasta ürün üzerindeyken **Arm/Disarm** (Etkinleştir/Devre Dışı Bırak) düğmesine basın.

Not - Bu işlem Bölge 1'i devreye alır. Bölge 1 uygulandığında sarı yanar.

2. Bölge 2'yi devreye almak için **Arm/Disarm** (Etkinleştir/Devre Dışı Bırak) düğmesine 3 saniye içinde iki kez basın.

Not - Bu işlem Bölge 2'yi devreye alır. Bölge 2 uygulandığında sarı yanar.

3. **Chaperone** seçeneğini devre dışı bırakmak için **Arm/Disarm** (Etkinleştir/Devre Dışı Bırak) düğmesini basılı tutun.

Not - **Chaperone** seçeneğini devreye almadan önce tartıyı sıfırlamalısınız.

Not - Hasta, seçili bölgenin sınırları dışında hareket ederse sarı bir ışık yanıp söner, tartı sistemi seçeneği ekranında **Alert** (Uyarı) yanıp söner ve bir sesli alarm tetiklenir.

Chaperone seçeneği ikaz paternini ayarlama

Chaperone seçeneği ikaz paternini değiştirmek için:

1. **Arm/Disarm** (Etkinleştir/Devre Dışı Bırak) ve **Weigh** (Tartma) düğmelerini yaklaşık 6 saniye boyunca birlikte basılı tutun. Ekranda tekrar **Ptrn** (Patern) görününceye kadar hiçbir ekran mesajını dikkate almayın (*Tartı simgesi/düğmesi tanımlayıcısı* (sayfa 30)).
2. **Arm/Disarm** (Etkinleştir/Devre Dışı Bırak) ve **Weigh** (Tartma) düğmelerini serbest bırakın.
Not - Ekranda patern ayarı **P (1-10)** belirir.
3. Patern seçenekleri içinde ilerlemek için **Arm/Disarm** (Etkinleştir/Devre Dışı Bırak) veya **Weigh** (Tartma) düğmelerine basın.
Not - Siz patern seçenekleri içinde ilerledikçe paternin küçük bir örneği görülür.
4. Seçtiğiniz paterni kaydetmek için ekranda **set** (Ayarlandı) belirinceye kadar **Arm/Disarm** (Etkinleştir/Devre Dışı Bırak) ve **Weigh** (Tartma) düğmelerini 6 saniye boyunca birlikte basılı tutun.
5. **Arm/Disarm** (Etkinleştir/Devre Dışı Bırak) ve **Weigh** (Tartma) düğmelerini serbest bırakın.
Not - Seçtiğiniz patern ayarı ekranda görülür. Paternin küçük bir örneği patern ayarınızı doğrular.

Chaperone seçeneği ikaz ses düzeyini ayarlama

Chaperone seçeneği ikaz ses düzeyini değiştirmek için:

1. Ekranda **vol** (ses) belirinceye kadar hem **Zero** (Sıfırlama) hem **Ib/kg** düğmesine birlikte basın (*Tartı simgesi/düğmesi tanımlayıcısı* (sayfa 30)).
2. **Zero** (Sıfırlama) ve **Ib/kg** düğmelerini serbest bırakın.
Not - Ekranda ses yüksekliği seviyeleri **L (1-4)** belirir.
3. **Vol** (ses) yüksekliği düzeyleri içinde ilerlemek için **Zero** (Sıfırlama) veya **Ib/kg** düğmesine basın.
Not - Ses yüksekliği düzeyleri içinde ilerlerken ses yüksekliğinin küçük bir örneği çalınır.
4. Seçtiğiniz ses yüksekliği düzeyini kaydetmek için ekranda **set** (Ayarlandı) belirinceye kadar **Zero** (Sıfırlama) ve **Ib/kg** düğmelerini 6 saniye boyunca birlikte basılı tutun.
5. **Zero** (Sıfırlama) ve **Ib/kg** düğmelerini serbest bırakın.
Not - Seçtiğiniz ses yüksekliği düzeyi ekranda belirir. Ses düzeyinin küçük bir örneği ses düzeyi ayarınızı doğrular.

Tartı sistemi batarya paketi seçeneğinin şarj edilmesi - elektrikli şilte destek yüzeyi seçeneği veya Chaperone seçenekli elektrikli şilte destek yüzeyi seçeneği - Sadece Prime

Elektrikli şilte destek yüzeyi seçenekli tartı sistemi bir 10,8 V Li-ION batarya paketi gerektirir (**Chaperone** seçeneği olmadan 0058-135-000; **Chaperone** seçeneği ile 0058-134-000). Batarya paketini, batarya şarj göstergesi tek ünitenin kaldığını gösterdiğinde tekrar şarj edin. Bu işlem tartı sistemi seçeneğinin bataryaların bitmesi nedeniyle kapanmasını önler.

Tartı sistemi Li-ION batarya paketini tekrar şarj etmek için, güç kablosunu topraklanmış, hastane sınıfı bir duvar prizine takın. Batarya paketi yaklaşık üç saatte tamamen şarj olur.

Not - Ürün fişi, kullanılmadığında daima topraklanmış, hastane sınıfı bir duvar prizine takın. Bu işlem yeterli bir batarya şarjının korunmasına yardımcı olur ve batarya gücüyle çalışırken ürün performansını maksimuma çıkarır.

Tartı sistemi seçeneği için bataryaları değiştirme - elektrikli olmayan şilte destek yüzeyi

Batarya şarj göstergesi tek ünitenin kaldığını gösterdiğinde bataryaları değiştirin. Bu işlem tartı sistemi seçeneğinin bataryaların bitmesi nedeniyle kapanmasını önler.

Ekranda **Lo batt** (Batarya zayıf) yanıp söndüğünde bataryalar en düşük şarjındadır ve tartı sistemi seçeneği devre dışı bırakılır.

Gerekli aletler:

- Yıldız tornavida
- Dört AA batarya (Alkali tip (LR6))

Bataryaları deęiřtirmek için:

1. Bir yıldız tornavida kullanarak, batarya bölmesinin kapaęını ekran aksamına sabitleyen vidaları sökün.
2. Dört AA bataryanın hepsini çıkarın ve atın.

Not - Eski bataryaları daima yerel düzenlemelerle uyumlu olarak atın.

3. Batarya yuvasında belirtildięi gibi dört yeni AA batarya yerleřtirin.

Not - Asla eski bataryaları yeni bataryalarla karıřtırmayın.

4. Adım 1'de çıkarılan vidaları batarya bölmesi kapaęını ekran tertibatına tekrar yerleřtirmek için kullanın.

Aksesuarlar ve parçalar

Bu aksesuarlar ürününüzle kullanılmak üzere temin edilebilir. Yapılandırmanız veya bölgeniz için temin edilebilirlięi doęrulayın. Stryker Müřteri Hizmetlerini arayın: 1-800-327-0770.

Ad	Parça numarası
Defibrilatör tepsisi	1105-045-200
Defibrilatör tepsisi/ayak uzantısı	1105-045-400
Ayak tahtası/dosya tutucusu	1105-045-500
Topuk pedi tertibatı	1105-045-022
Serum taşıyıcısı	0785-155-000
HAVASU™ serum askısı, çıkarılabilir	0390-025-000
Serum askısı, üç aşamalı, ayak ucu, sol, 26 inç (66 cm)	1105-035-644
Serum askısı, üç aşamalı, ayak ucu, saę, 26 inç (66 cm)	1105-035-639
Serum askısı, üç aşamalı, ayak ucu, sol, 30 inç (76 cm)	1105-035-344
Serum askısı, üç aşamalı, ayak ucu, saę, 30 inç (76 cm)	1105-035-339
Serum askısı, üç aşamalı, ayak ucu, sol, 30 inç (76 cm) (Prime X seçeneęi)	1105-035-364
Serum askısı, üç aşamalı, ayak ucu, saę, 30 inç (76 cm) (Prime X seçeneęi)	1105-035-361
Serum askısı, üç aşamalı, baş ucu, sol, 26 inç (66 cm)	1105-035-642
Serum askısı, üç aşamalı, baş ucu, saę, 26 inç (66 cm)	1105-035-637
Serum askısı, üç aşamalı, baş ucu, sol, 30 inç (76 cm)	1105-035-342
Serum askısı, üç aşamalı, baş ucu, saę, 30 inç (76 cm)	1105-035-337
Serum askısı, üç aşamalı, baş ucu, sol, 30 inç (76 cm) (Prime X seçeneęi)	1105-035-369
Serum askısı, üç aşamalı, baş ucu, saę, 30 inç (76 cm) (Prime X seçeneęi)	1105-035-366

Ad	Parça numarası
Serum askısı, iki aşamalı, ayak ucu, sol, 26 inç (66 cm)	1105-035-640
Serum askısı, iki aşamalı, ayak ucu, sağ, 26 inç (66 cm)	1105-035-643
Serum askısı, iki aşamalı, ayak ucu, sol, 30 inç (76 cm)	1105-035-340
Serum askısı, iki aşamalı, ayak ucu, sağ, 30 inç (76 cm)	1105-035-343
Serum askısı, iki aşamalı, ayak ucu, sol, 30 inç (76 cm) (Prime X seçeneği)	1105-035-362
Serum askısı, iki aşamalı, ayak ucu, sağ, 30 inç (76 cm) (Prime X seçeneği)	1105-035-363
Serum askısı, iki aşamalı, baş ucu, sol, 26 inç (66 cm)	1105-035-638
Serum askısı, iki aşamalı, baş ucu, sağ, 26 inç (66 cm)	1105-035-641
Serum askısı, iki aşamalı, baş ucu, sol, 30 inç (76 cm)	1105-035-341
Serum askısı, iki aşamalı, baş ucu, sağ, 30 inç (76 cm)	1105-035-338
Serum askısı, iki aşamalı, baş ucu, sol, 30 inç (76 cm) (Prime X seçeneği)	1105-035-367
Serum askısı, iki aşamalı, baş ucu, sağ, 30 inç (76 cm) (Prime X seçeneği)	1105-035-368
Şilte, ComfortGel SE™ , yangın bariyeri, 26 inç (66 cm)	1805-034-601
Şilte, ComfortGel SE , yangın bariyeri, 30 inç (76 cm)	1805-034-301
Şilte, ComfortGel SE , yangın bariyeri olmadan, 26 inç (66 cm)	1805-034-600
Şilte, ComfortGel SE , yangın bariyeri olmadan, 30 inç (76 cm)	1805-034-300
Şilte, Enhanced Comfort, 3 inç x 26 inç (8 cm x 66 cm)	0785-034-613
Şilte, Enhanced Comfort, 3 inç x 30 inç (8 cm x 76 cm)	0785-034-313
Şilte, Enhanced Comfort, 4 inç x 26 inç (10 cm x 66 cm)	0785-034-623
Şilte, Enhanced Comfort, 4 inç x 30 inç (10 cm x 76 cm)	0785-034-323
Şilte, IsoFlex SE™ , yangın bariyeri, 30 inç (76 cm)	1806-034-300
Şilte, IsoFlex SE , yangın bariyeri olmadan, uluslararası, 30 inç (76 cm)	1806-034-301
Şilte, Ultra Comfort, 4 inç x 26 inç (10 cm x 66 cm)	0785-034-603
Şilte, Ultra Comfort, 4 inç x 30 inç (10 cm x 76 cm)	0785-034-303
Şilte, Ultra Comfort, 5 inç x 26 inç (13 cm x 66 cm)	0785-034-633
Şilte, Ultra Comfort, 5 inç x 30 inç (13 cm x 76 cm)	0785-034-333
Şilte, Ultra Comfort SE™ , 4 inç x 26 inç	1704-034-600
Şilte, Ultra Comfort SE , yangın bariyeri, uluslararası, 4 inç x 26 inç (10 cm x 66 cm)	1704-034-601

Ad	Parça numarası
Şilte, Ultra Comfort, sedye uzatıcı, 4 inç x 26 inç (10 cm x 66 cm)	1105-034-609
Şilte, Ultra Comfort, sedye uzatıcı, 4 inç x 30 inç (10 cm x 76 cm)	1105-034-309
Şilte, Ultra Comfort SE , 3 inç x 30 inç (8 cm x 76 cm)	1703-034-300
Şilte, Ultra Comfort SE , yangın bariyeri, 3 inç x 30 inç (8 cm x 76 cm)	1703-034-301
Şilte, Ultra Comfort SE , 4 inç x 30 inç (10 cm x 76 cm)	1704-034-300
Şilte, Ultra Comfort SE , yangın bariyeri, 4 inç x 30 inç (10 cm x 76 cm)	1704-034-301
Oksijen şişesi tutucusu, dik	1115-130-000
Pompa çubuğu seçeneği, 30 inç (76 cm)	1105-045-035
İtme kolu tertibatı, ayak ucu, 30 inç (76 cm)	1105-048-030
İtme kolu tertibatı, baş ucu, 30 inç (76 cm)	1105-048-060
Emniyet kemeri paketi	0785-045-010
Emniyet kemeri, ayak bileği	0785-045-020
Emniyet kemeri, gövde	0785-045-015
Emniyet kemeri, el bileği	0946-044-000
Emniyet kemeri, göğüs	1010-058-000
Servis tepsisi	1105-045-700
Servis tepsisi tutucusu/ayak tahtası	1105-045-800
Yan ray pedleri	1001-052-000
Röntgen kaset tutucusu, lateral	1105-045-100
Röntgen kaset tutucusu, dik	1105-045-300

Elektrikli bileşenler

Ad	Numara
Aktivatör, Fowler	1008-012-020
Aktivatör, Diz bükülme kısmı	1008-014-020
Batarya, Li-ION Akıllı batarya paketi (sadece tartı)	0058-135-000
Batarya, Li-ION Akıllı batarya paketi (tartı ve Chaperone)	0058-134-000
Kart, DC kontrol PCB tertibatı	1008-116-800
Kart, kaldırmaz AC tertibatı	1008-002-800
Kart, kaldırma kontrollü PCB tertibatı	1008-002-810
Kart, tartı kontrol tertibatı (sadece tartı)	1008-237-850
Kart, tartı ve Chaperone kontrol tertibatı	1008-237-840

Ad	Numara
Kapasitör, 440 VAC, 35 MFD	0059-087-000
Klavye, tartı kontrolü (elektrikli olmayan şilte destek yüzeyi)	1008-037-820
Tuş takımı, yan ray kontrolü, sol	1008-011-017
Tuş takımı, yan ray kontrolü, sağ	1008-011-016
Tuş takımı, kullanıcı kontrolü	1008-015-800
Yük hücresi (isteğe bağlı tartı sistemi)	1008-037-057
Motor, pompa	1008-002-015
Güç kablosu, standart	1028-146-060
Güç kablosu, uluslararası, Tip, E	1125-060-170
Güç kablosu, uluslararası, Tip, F	1125-060-180
Güç kablosu, uluslararası, Tip, G	1125-060-160
Güç kablosu, uluslararası, Tip, I	1125-060-200
Tartı kutusu tertibatı (elektrikli olmayan şilte destek yüzeyi)	1070-237-020
Transformatör	1008-014-857
Transformatör, uluslararası	1008-014-877

Defibrilatör tepsisinin takılması

UYARI

- Defibrilatör tepsisine 14 kg'dan daha ağır maddeler yerleştirmeyin. Defibrilatör tepsisine yerleştirilen tüm cihazları mutlaka kayışla sabitleyin.
- Defibrilatör tepsisi/ayak uzantısı, ayak tahtası/dosya tutucu veya dik oksijen şişesi tutucusu takılıysa ayak ucu itme kolu seçeneğini konumlandırırken parmaklarınızın sıkışmasını önlemek için daima dikkatli olun.

Defibrilatör tepsisini takmak için:

- Defibrilatör tepsisi pinlerini ürünün ayak ucundaki soketlere yerleştirin.
- Cihazları defibrilatör tepsisine sabitlemek için kayışı kullanın.

Not

- Defibrilatör tepsisini bir itme/çekme cihazı olarak kullanmayın. Ürün hasarı oluşabilir.
- Aksesuarlar (defibrilatör tepsisi/ayak uzantısı, ayak tahtası/dosya tutucusu, dik oksijen şişesi tutucusu) kullanırken ayak ucu itme kollarını daima yükseltin yoksa aksesuarlar çalışmaz.

Defibrilatör tepsisi/ayak uzantısının bir defibrilatör tepsisine dönüştürülmesi

UYARI

- Defibrilatör tepsisi/ayak uzantısı üzerine 14 kg üzerinde maddeler yerleştirmeyin. Defibrilatör tepsisine yerleştirilen tüm cihazları mutlaka kayışla sabitleyin.
- Defibrilatör tepsisi/ayak uzantısı, ayak tahtası/dosya tutucu veya dik oksijen şişesi tutucusu takılıysa ayak ucu itme kolu seçeneğini konumlandırırken parmaklarınızın sıkışmasını önlemek için daima dikkatli olun.

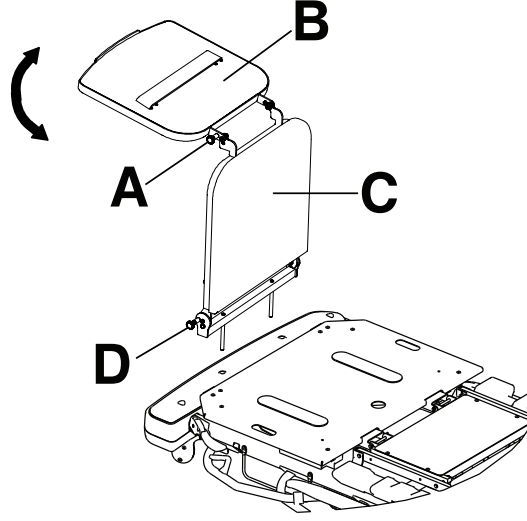
DİKKAT - Defibrilatör tepsi/ayak uzantısını ürüne takmadan önce daima serum çubuğunu yükseltin. Serum çubuğunu yükseltmezseniz ayak uzantısı çalışmaz.

Defibrilatör tepsi/ayak uzantısını bir defibrilatör tepsisine dönüştürmek için:

1. Üst düğmeyi (A) dışarı çekin (Şekil 19).
2. Defibrilatör tepsinini (B), tepsi ürünün ayak ucu üzerinde düz oluncaya kadar döndürün. Üst düğmeyi (A) serbest bırakın. Defibrilatör tepsinin yerine kilitlendiğinden emin olun.
3. Cihazları defibrilatör tepsisine sabitlemek için kayışı kullanın.

Not

- Defibrilatör tepsi/ayak uzantısını bir itme/çekme cihazı olarak kullanmayın. Ürün hasarı oluşabilir.
- Ayak uzantısına maddeler takmayın.



Şekil 19 – Defibrilatör tepsi/ayak uzantısı

Defibrilatör tepsi/ayak uzantısının bir ayak uzantısına dönüştürülmesi

UYARI

- Defibrilatör tepsi/ayak uzantısı üzerine 14 kg üzerinde maddeler yerleştirmeyin. Defibrilatör tepsisine yerleştirilen tüm cihazları mutlaka kayışla sabitleyin.
- Defibrilatör tepsi/ayak uzantısı, ayak tahtası/dosya tutucu veya dik oksijen şişesi tutucusu takılıysa ayak ucu itme kolu seçeneğini konumlandırırken parmaklarınızın sıkışmasını önlemek için daima dikkatli olun.

DİKKAT - Defibrilatör tepsi/ayak uzantısını ürüne takmadan önce daima serum çubuğunu yükseltin. Serum çubuğunu yükseltmezseniz ayak uzantısı çalışmaz.

Defibrilatör tepsi/ayak uzantısının bir ayak uzantısına dönüştürülmesi (Şekil 19):

1. Üst düğmeyi (A) dışarı çekin.
2. Defibrilatör tepsinini (B), tepsi ayak uzantısına dayanıp kilitteninceye kadar döndürün.
3. Defibrilatör tepsi/ayak uzantısını tutarken alt düğmeyi (D) dışarı çekin.
4. Ayak uzantısı (C) düz oluncaya kadar ayak uzantısını alçaltın.
5. Alt düğmeyi (D) serbest bırakın. Ayak uzantısının yerine kilitlendiğinden emin olmak için ayak uzantısını itin.

Not

- Defibrilatör tepsi/ayak uzantısını bir itme/çekme cihazı olarak kullanmayın. Ürün hasarı oluşabilir.
- Ayak uzantısına maddeler takmayın.

Ayak tahtası/dosya tutucusunu takma

UYARI - Defibrilatör tepsi/ayak uzantısı, ayak tahtası/dosya tutucu veya dik oksijen şişesi tutucusu takılıysa ayak ucu itme kolu seçeneğini konumlandırırken parmaklarınızın sıkışmasını önlemek için daima dikkatli olun.

Ayak tahtası/dosya tutucusunu takmak için ayak tahtası/dosya tutucusu pinlerini ürünün ayak ucundaki soketlere yerleştirin.

Not - Ayak tahtası/dosya tutucusunu bir itme/çekme cihazı olarak kullanmayın. Ürün hasarı oluşabilir.

Serum taşıyıcısını takma

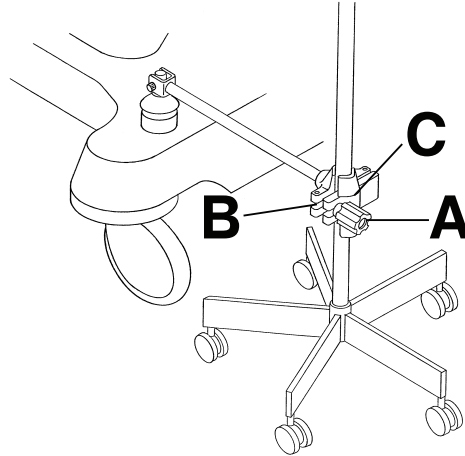
UYARI

- Ürünü taşıırken serum çubuğunu mutlaka serum taşıyıcısına sabitleyin.
- Ürün hasarından kaçınmak için serum taşıyıcısını kullanılmadığında daima depolayın.

Serum taşıyıcısını takmak için (Şekil 20):

1. Serum taşıyıcısını saklama tepsi veya saklama klipsinden yukarı kaldırın.
2. Serum taşıyıcısını istenen pozisyona döndürün.
3. Askı kelepçesini (C) gevşetmek için düğmeyi (A) saat yönünün tersine doğru çevirin.
4. Düğmeyi (A) kol bağlantı tertibatından (B) uzağa döndürün.
5. Kelepçeyi (C) açın.
6. Serum çubuğunu kelepçeye (C) yerleştirin.
7. Kelepçeyi (C) serum çubuğu etrafında kapatın ve düğmeyi (A) pozisyonuna döndürün.
8. Düğmeyi sıkmak için düğmeyi (A) saat yönünde çevirin.
9. Serum taşıyıcısını üründen ayırmak için adımların tersini gerçekleştirin.

Serum taşıyıcısını depolamak için serum taşıyıcısını saklama tepsinde yerleştirin veya taşıyıcıyı saklama klipsine sabitleyin.



Şekil 20 – Serum taşıyıcısı

Ayak desteklerini konumlandırma veya istifleme - Sadece Prime

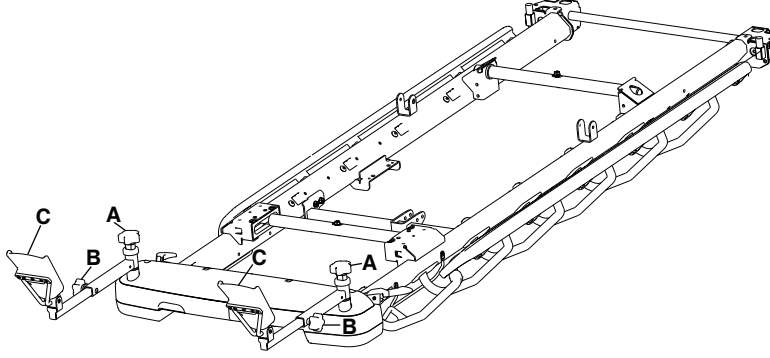
UYARI

- Ayak desteklerine oturmayın. Bu hareket ürünün devrilmesine neden olabilir.
- Ayak desteklerini çalıştırırken parmaklarınızı daima mekanizmaların uzağında tutun.

- Ürünle bir hastayı taşırken ayak desteklerini daima katlayın.
- Ayak desteklerini kullanmadan mutlaka önce ayak desteklerini sıkın.
- Tartı sistemini ayak destekleriyle çalıştırmayın. Hatalı ölçümler oluşabilir.
- **Chaperone** seçeneğini ayak destekleriyle çalıştırmayın. Hatalı ölçümler oluşabilir.

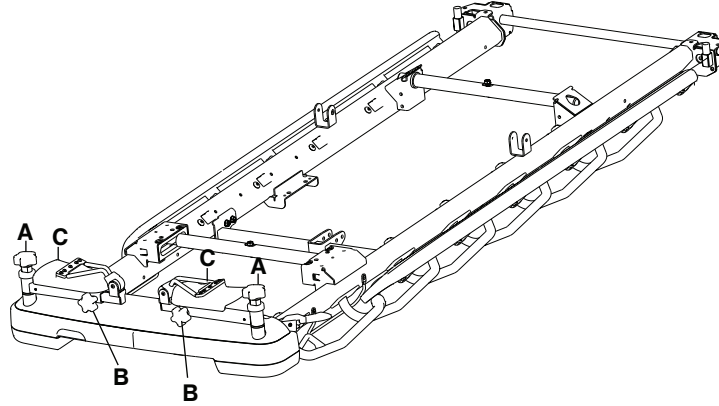
Ayak desteklerini konumlandırmak veya katlamak için:

1. Ayak desteklerinin yandan yana açısını ayarlamak için ayak desteklerinin üstündeki diz düğmesini (A) gevşetin (Şekil 21).
2. Ayak desteklerini istenen pozisyonda kilitlemek için diz düğmesini (A) sıkın.



Şekil 21 – Ayak desteklerini konumlandırma

3. Uzunluğu ayarlamak için bacak düğmesini (B) ayak destekleri tarafında gevşetin.
4. Ayak desteklerini istenen pozisyonda kilitlemek için bacak düğmesini (B) sıkın.
5. Hastaya pozisyon vermeden önce ayak desteklerini (C) açın.
6. Ayak desteklerini katlamak için adımları tersinden yapın (Şekil 22).



Şekil 22 – Ayak desteklerini katlama

Ayak desteğini seçerseniz şu seçenekler ve aksesuarları satın alamazsınız:

- Ayak ucu itme kolları
- Defibrilatör tepsisi
- Defibrilatör tepsisi/ayak uzantısı
- Servis tepsisi tutucusu/ayak tahtası
- Ayak tahtası/dosya tutucusu
- Ayak ucu serum çubukları

Not

- Hasta eşyalarını saklamak için ayak desteklerini kullanmayın.
- Ayak desteklerini bir itme/çekme cihazı olarak kullanmayın. Ürün hasarı oluşabilir.
- Ayak desteklerini kullanırken dengesiz bir durumdan kaçınmak için daima frenleri uygulayın.
- Sırt desteği veya Diz bükülme kısmını ayak destekleriyle kullanmayın.

İki aşamalı kalıcı olarak takılı serum askısını konumlandırma

UYARI - Serum askısını çekme/itme cihazı olarak kullanmayın. Ürün hasarı oluşabilir.

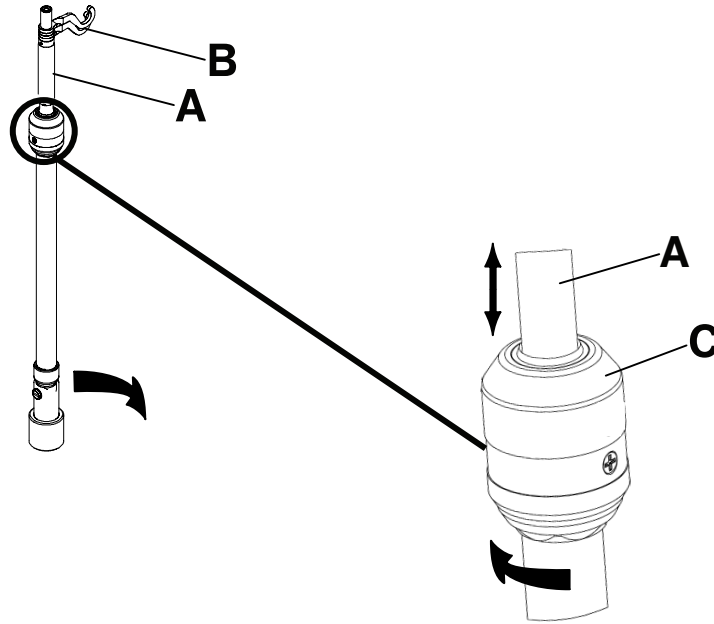
Ürünü iki aşamalı serum çubuğu seçeneği, ürünün baş ucuna, ayak ucuna veya her iki ucuna kalıcı olarak takılı şekilde satın alabilirsiniz. Serum çubuğunda ikinci bir yükseklik pozisyonu sağlamak üzere uzayan teleskopik bir çubuk vardır. Serum çubuğunu kullanılmadığında katlayabilir ve saklayabilirsiniz.

İki aşamalı mayi çubuğunu yerleştirme (Şekil 23):

1. Çubuğu saklama pozisyonundan kaldırın ve döndürün.
2. Serum çubuğunu yerine kilitleninceye kadar aşağıya bastırın.
3. Serum çubuğu yüksekliğini artırmak için teleskopik kısmını (A) çubuk tam olarak yükseltilmiş pozisyonda yerine kilitleninceye kadar yukarı çekin.
4. Serum askılarını (B) istenen pozisyona döndürün ve serum torbalarını asın.
5. Serum çubuğunu alçaltmak için serum çubuğunu teleskopik kısmını tutun, sürgüyü (C) çevirin ve teleskopik kısmı alçaltın.

Not

- Serum askısına 40 lb (18 kg) üzerinde serum torbaları asmayın.
- Hasta taşırken serum çubuğunun kapı açıklıklarından güvenle geçecek şekilde düşük bir yükseklikte olduğundan daima emin olun.



Şekil 23 – 2 aşamalı kalıcı olarak takılı serum çubuğunu konumlandırma

Üç aşamalı kalıcı olarak takılı serum askısını konumlandırma

UYARI - Serum askısını çekme/itme cihazı olarak kullanmayın. Ürün hasarı oluşabilir.

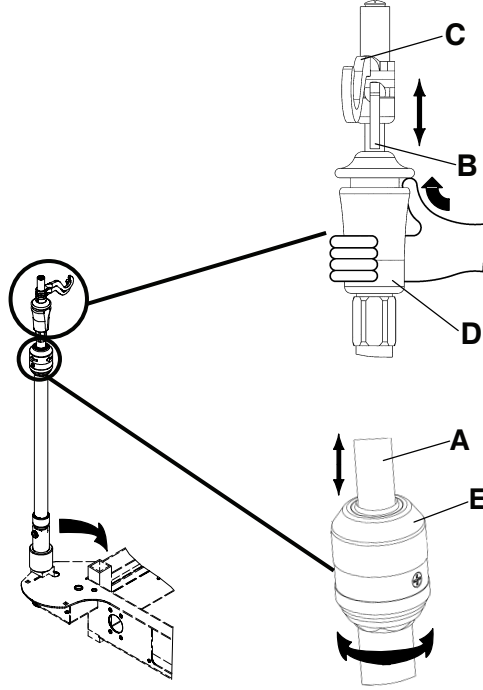
Ürünü üç aşamalı serum çubuğu seçeneği, ürünün baş ucuna, ayak ucuna veya her iki ucuna kalıcı olarak takılı şekilde satın alabilirsiniz. Serum çubuğunda ikinci ve üçüncü bir yükseklik pozisyonu sağlamak üzere uzayan teleskopik bir çubuk vardır. Serum çubuğunu ayrıca kullanılmadığında katlayıp saklayabilirsiniz.

Üç aşamalı serum askısını yerleştirme (Şekil 24):

1. Çubuğu saklama pozisyonundan kaldırın ve döndürün.
2. Serum çubuğunu yerine kilitlemeye kadar aşağıya bastırın.
3. Serum çubuğu yüksekliğini artırmak için teleskopik kısmını (A) çubuk tam olarak yükseltilmiş pozisyonda yerine kilitlemeye kadar yukarı çekin.
4. Daha yüksek bir serum çubuğu için (B) kısmını yukarı çekin. (B) kısmını çubuğu yerine kilitlemek için istenen herhangi bir yükseklikte serbest bırakın.
5. Serum askılarını (C) istenen pozisyona döndürün ve serum torbalarını asın.
6. Serum çubuğunu alçaltmak için çubuk alçalıncaya kadar (B) kısmını tutarken tutucunun (D) sarı kısmını yukarı itin.
7. Sürgüyü (E) döndürün ve serum çubuğu teleskopik kısmını alçaltın.

Not

- Serum çubuğuna tüm torbalar için toplam 12 lb (5 kg) üzerinde serum torbaları asmayın.
- Tek bir serum askısına 9,3 lb (4,2 kg) üzerinde serum torbaları asmayın.
- Serum çubuğunun bir hastayı taşıma sırasında kapı açıklıklarından geçecek şekilde düşük bir yükseklikte olduğundan daima emin olun.



Şekil 24 – Üç aşamalı kalıcı olarak takılı serum askısını konumlandırma

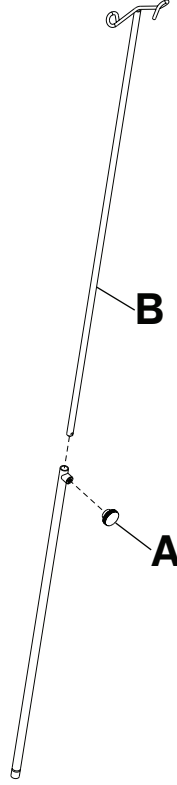
Çıkarılabilir serum çubuğunu takma ve konumlandırma

DİKKAT

- Serum çubuğunu bir itme/çekme cihazı olarak kullanmayın. Ürün hasarı oluşabilir.
- Serum çubuğuna 40 lb (18 kg) üzerinde serum torbaları asmayın.
- Bir hastayı taşıırken serum çubuğunun kapı açıklıklarından geçecek şekilde düşük bir yükseklikte olduğundan mutlaka emin olun.

Çıkarılabilir serum çubuğunu takmak ve konumlandırmak için (Şekil 25):

1. Serum çubuğunu ürünün baş ucu veya ayak ucunda bir sokete yerleştirin.
2. Düğmeyi (A) saat yönünün tersine çevirin ve istenen yüksekliğe erişinceye kadar teleskopik kısmı (B) yukarı çekin.
3. Teleskopik kısmı yerine kilitlemek için düğmeyi (A) saat yönünde çevirin.



Şekil 25 – Çıkarılabilir serum çubuğu

Dik oksijen şişesi tutucusunu takma

UYARI

- Dik oksijen şişesi tutucusuna 40 lb (18 kg) üzerinde nesnelere yerleştirmeyin.
- Defibrilatör tepsi/ayak uzantısı, ayak tahtası/dosya tutucu veya dik oksijen şişesi tutucusu takılıysa ayak ucu itme kolu seçeneğini konumlandırırken parmaklarınızın sıkışmasını önlemek için daima dikkatli olun.

Dik oksijen şişesi tutucusu bir oksijen şişesini dikey pozisyonda destekler.

Dik oksijen şişesi tutucusunu takmak için:

1. Destek çubuğunu serum soketlerinden herhangi birine yerleştirin.
2. Şişe tutucusunu ürüne sabitlemek için çatal pinini destek çubuğundaki delik içinden geçirin.

Not - Dik oksijen şişesi tutucusunu bir itme/çekme cihazı olarak kullanmayın. Ürün hasarı oluşabilir.

Servis tepsi/ayak tahtasını açma veya katlama

UYARI - Servis tepsinin üzerine 30 lb (14 kg) üzerinde nesnelere yerleştirmeyin.

Servis tepsinin yan rayına yerleştirmek için servis tepsinin her iki taraftan çekin ve yan rayların üzerinde konumlandırın.

Servis tepsisini katlamak için:

1. Servis tepsisini yan raylardan çıkarın.
2. Servis tepsisinin yanlarını içeri itin.
3. Servis tepsisini ayak tahtasında saklayın.

Not - Servis tepsisini/ayak tahtasını bir itme/çekme cihazı olarak kullanmayın. Ürün hasarı oluşabilir.

Yan ray pedlerini takma

Yan ray pedlerini takmak için:

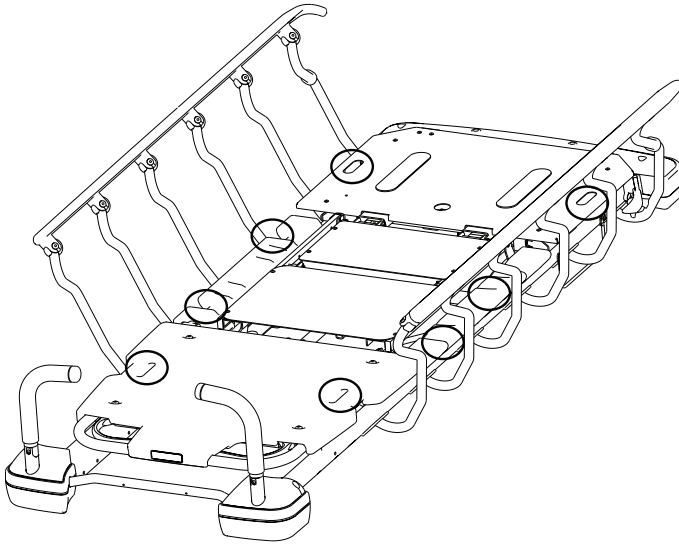
1. Yan ray pedini şilte ile yan ray arasına sokun.
2. Yan ray pedini sabitlemek için **Velcro®** kayışları yan ray üst kısmının etrafına tutturun.

Hasta emniyet kemeri bağlama kısımlarını bulma

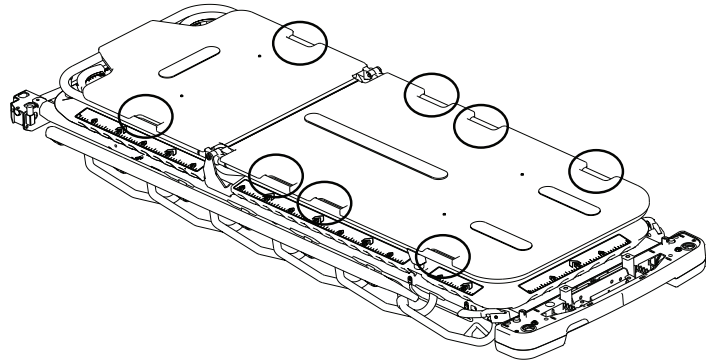
UYARI

- Emniyet kemerlerini takarken daima dikkatli olun. Hasta veya kullanıcı yaralanabilir. Sabitlenebilecek fiziksel kısıtlayıcılar takılma, sıkışma, yaralanma veya ölüm dahil hastalara ve kullanıcılara ciddi zararlar verebilir.
- Emniyet kemerlerini veya cihazları daima sadece ürünün belirlenen takma noktalarına takın. Aksi halde hasta veya kullanıcı yaralanabilir. Emniyet kemerlerini yan raya takmayın.
- Herhangi bir emniyet kemeri veya cihazı kullanmadan önce daima geçerli bölgesel ve ulusal sınırlamalar ve düzenlemeler ve uygun tesis protokollerine başvurun.

Şilte destek yüzeyi tertibatı üzerinde hasta emniyet kemerlerinin takılması için sekiz hasta emniyet kemeri bağlama noktası mevcuttur (Şekil 26 veya Şekil 27).



Şekil 26 – Prime emniyet kemeri noktaları



Şekil 27 – Prime X seçeneği emniyet kemeri noktaları

Not - Emniyet kemerleri B Tipi uygulanan parçalardır.

Dik röntgen kaseti tutucusunu konumlandırma - Prime X seçeneği

UYARI

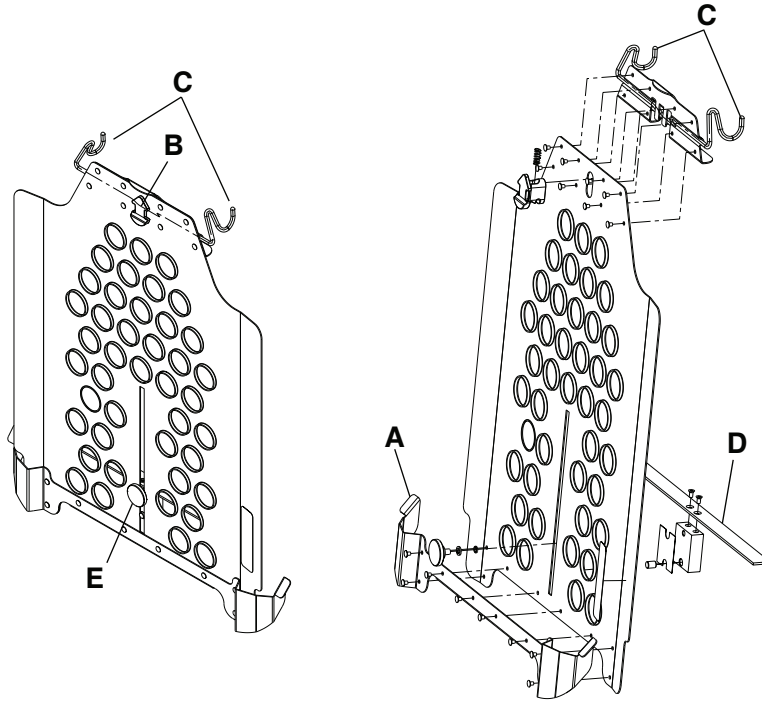
- Dik veya lateral röntgen kaseti tutucusunu kullanırken daima koruyucu tedbirler alın. Röntgen kaseti tutucusu radyasyona karşı koruma sağlamaz.

- **Prime X** seçeneğini radyasyon oluşturan cihazlarla kullanmadan önce güvenlik için daima tesis protokollerine ek olarak yerel, bölgesel ve ulusal kılavuz ilkelere başvurun. Radyasyon üreten cihazlar rezidüel, dağılan veya saçılan radyasyon oluşturabilir.
- **Prime X** seçeneği ile 2,5 inç (6,35 cm'den) kalın bir şilte veya bir üst şilte kullanırken daima daha da dikkatli olun.
- Röntgen kasetini yerleştirmek için daima *Dik röntgen kaseti tutucusunu konumlandırma - Prime X seçeneği* talimatını izleyin.

Röntgen kaseti tutucusu röntgen kasetlerini desteklemek üzere Fowler sırt desteği kaynak kısmına bağlanır. Hasta ürün üzerindeyken röntgen çekebilirsiniz. Ayrıca bir röntgen çekmeden önce kasetin pozisyonunu ayarlayabilirsiniz.

Röntgen kaset tutucusunu konumlandırmak için:

1. Frenleri uygulayın. Frenlerin çalıştığından emin olmak için ürünü itin.
2. Fowler sırt desteği kısmını tam yüksekliğe kaldırın.
3. Alt tutucu kılavuzları (A) Fowler sırt desteği kaynak kısmı çubuğu içine yerleştirin (Şekil 28).
4. Kaset tutucusunu, tutucu kılavuzlar Fowler sırt desteği kaynak kısmı üzerine sürgüleninceye kadar yükseltin. Kaset tutucusunun sağlam olduğundan emin olun.



Şekil 28 – Röntgen kaseti tutucusu

5. Kaset tutucusunun herhangi bir tarafından röntgen kasetini yerleştirin veya kaset tutucusunu Fowler üzerinden serbest bırakmak için kaydırıcı serbest bırakma okunu (B) çekin, kaseti konumlandırın ve kaset tutucusunu Fowler sırt desteği kaynak kısmı içinde sabitleyin.
6. Kaset yüksekliğini ayarlamak için düğmeyi (E) gevşetin ve kaset destek rayını (D) istenen yüksekliğe ulaşınca kadar yukarı veya aşağı hareket ettirin.
7. Kaset destek rayını yerinde sabitlemek için düğmeyi (E) sıkın.
8. Röntgen süreci tamamlandığında kaset tutucusunu Fowler sırt desteği kaynak kısmından serbest bırakmak için kaydırıcı serbest bırakma okunu (B) yukarı çekin.
9. Röntgen kasetini kaset tutucusundan çıkarın.
10. Kaset tutucusunu kapatın ve katlayın.

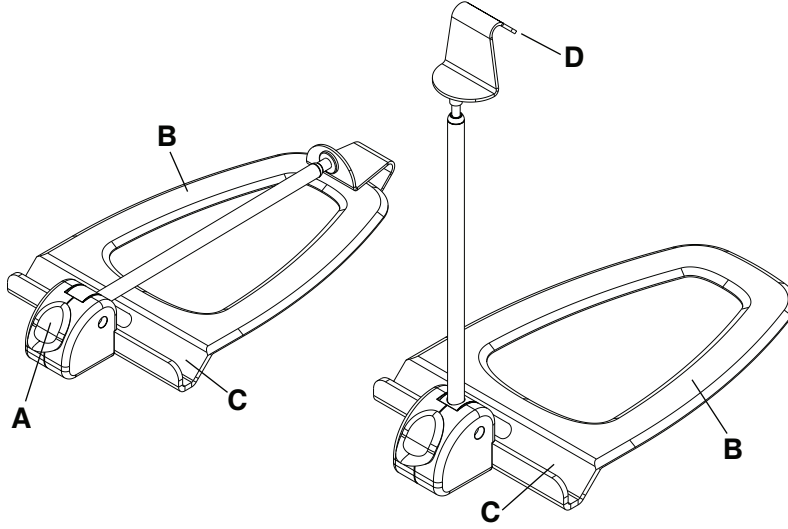
Lateral röntgen kaseti tutucusunu konumlandırma - Prime X seçeneği

UYARI

- Dik veya lateral röntgen kaseti tutucusunu kullanırken daima koruyucu tedbirler alın. Röntgen kaseti tutucusu radyasyona karşı koruma sağlamaz.
- **Prime X** seçeneğini radyasyon oluşturan cihazlarla kullanmadan önce güvenlik için daima tesis protokollerine ek olarak yerel, bölgesel ve ulusal kılavuz ilkelere başvurun. Radyasyon üreten cihazlar rezidüel, dağılan veya saçılan radyasyon oluşturabilir.
- Fowler sırt desteği dik pozisyondayken röntgen çekerken veya bir lateral kaset kullanırken daima dikkatli olun.
- **Prime X** seçeneği ile 2,5 inç (6,35 cm'den) kalın bir şilte veya bir üst şilte kullanırken daima daha da dikkatli olun.
- Röntgen kasetini yerleştirmek için daima *Lateral röntgen kaseti tutucusunu konumlandırma - Prime X seçeneği* talimatını izleyin.

Lateral röntgen kaseti tutucusunu konumlandırmak için:

1. Frenleri uygulayın. Frenlerin çalıştığından emin olmak için ürünü itin.



Şekil 29 – Lateral röntgen kaseti tutucusu

2. Lateral kaset tutucusunu açmak için sarı serbest bırakma düğmesine (A) basın (Şekil 29).
3. Düz tabanı (B) şilte ile hasta platformu arasına kaydırın.
4. Lateral kaset tutucusunu istenen konumda konumlandırın.
5. Röntgen kasetini kaset kanalına (C) yerleştirin.
6. Kolun yüksekliğini kaseti yerinde tutmak üzere röntgen kaseti üzerine yerleşecek şekilde ayarlamak için kaset askısını (D) yukarı çekin.
7. Kaseti çıkarmak ve lateral kaset tutucusunu yerleştirmek için adımları tersinden gerçekleştirin.

Röntgen kasetlerini yerleştirme veya çıkarma - Prime X seçeneği

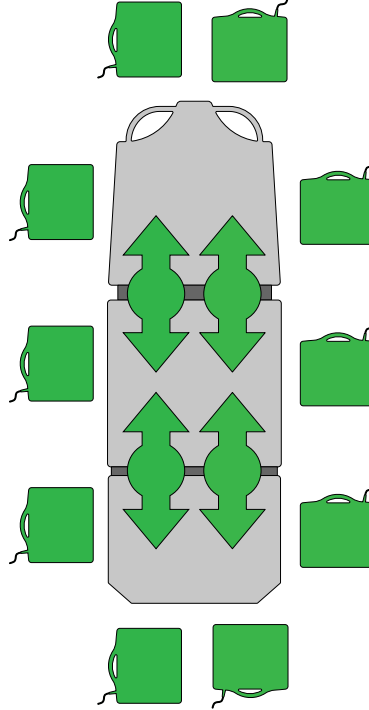
UYARI

- **Prime X** seçeneğini radyasyon oluşturan cihazlarla kullanmadan önce güvenlik için daima tesis protokollerine ek olarak yerel, bölgesel ve ulusal kılavuz ilkelere başvurun. Radyasyon üreten cihazlar rezidüel, dağılan veya saçılan radyasyon oluşturabilir.
- Fowler sırt desteği dik pozisyondayken röntgen çekerken veya bir lateral kaset kullanırken daima dikkatli olun.

Prime X seçeneđi hem bir eklemli radyografik destek yüzeyi hem de röntgen kaseti yerleřtirme için hasta destek yüzeyi altında bir platform sađlar. Radyografik destek yüzeyi tıbbi röntgen sistemleri ile birlikte çalışarak, hasta ürün üzerindeyken klinik röntgenlerin (ön-arka tüm vücut, isteđe bađlı tüm vücut lateral ve isteđe bađlı dik akciđer) çekilmesini mümkün kılar. Kasetleri ürünün baş ucundan, ayak ucundan ve sađ veya sol tarafından yerleřtirebilirsiniz.

Bir röntgen kaseti yerleřtirmek için:

1. Hastayı ürünün her bir yanında bulunan pozisyon göstergesi etiketlerini kullanarak ürün üzerinde ortalayın (Şekil 30).
2. Hasta yüzeyi altına bir röntgen kaseti yerleřtirin. Röntgen kasetini konumlandırmaya yardımcı olması için kaset kılavuzlarını kullanın.



Şekil 30 – Prime X seçeneđinde röntgen kasetlerini yerleřtirme veya çıkarma

Not

- **Prime X** seçeneđi ile kalınlıđı dört inçin (10 cm) üzerinde olan bir řilte kullanmayın.
- **Prime X** seçeneđi ile bir C-Kol kullanmayın. **Prime X** seçeneđi C-Kol ile uyumlu deđildir.

Temizleme

Ürünü temizleme

DİKKAT - Tartı sistemi seçeneği için ekran muhafazasını temizlemek üzere aşındırıcı temizlik maddeleri kullanmayın. Ekran ünitesinde temizlik solüsyonları veya başka sıvıların birikmesine izin vermeyin. Dökülmeler veya temizlik sonrasında tüm yüzeyleri kurutun.

Bu talimat **Prime Series** sedye için önerilen temizlik yöntemlerini sağlar.

Bu ürün, elektrikli yıkamayla yıkanabilir. Üründe sürekli yıkamadan kaynaklanan oksitlenme izleri veya renk bozulmaları görülebilir. Ancak, uygun prosedürlere uyulduğu sürece elektrikli yıkamadan dolayı ürün performans özellikleri veya işlevselliğinde bir bozulma meydana gelmeyecektir.

Önerilen temizlik yöntemi:

1. Ürün bir elektrikli şilte destek yüzeyi veya bir elektrikli kaldırıcı seçeneğiyle donatılmışsa ürünü taşımadan veya temizlemeden önce güç kablosunu duvar prizinden çekin.
2. Şilteyi üründen çıkarın.
3. Temizlik solüsyonu üreticisinin seyreltme önerilerine uyun.
4. Stryker, elektrikli yıkama için standart hastane tipi araba yıkayıcısını önerir.
5. Ürünü kurutun. Şilteyi ürün kuruyana kadar ürünün üzerine koymayın.
6. Ürünü tekrar hizmete almadan önce işlevselliği kontrol edin.

- Ürünü yükseltin ve alçaltın
- Fren/yönlendirme pedalını her iki yönde kilitleyin ve kilidini açın
- Yan rayları sürgüleyin ve sürgüsünü açın
- Fowler sırt desteğini yükseltin ve alçaltın
- Diz bükülme kısmını yükseltin ve alçaltın
- Tüm bileşenlerin uygun bir şekilde yağlandığından emin olun
- Tüm etiketlerin sağlam olduğundan emin olun

Not

- Görünür derecede kirli, geçirgen malzeme ile doğrudan cilt teması enfeksiyon riskini artırabilir.
- Ürünü buharla temizlemeyin.
- Taban başlık saklama alanını temizleyin.
- Cila veya zemin kalıntıları birikmesini önlemek için fren pedlerinin altını temizleyin.
- Bazı temizlik ajanları çürütücü tabiattadır ve uygun şekilde kullanmazsanız üründe hasar oluşturabilir. Ürünü iyice durulayıp kurutmazsanız ürün yüzeyinde kritik bileşenlerin erken çürümesine yol açabilecek bir çürütücü kalıntı kalabilir. Bu temizlik talimatının uygulanmaması garantinizi geçersiz kılabilir.

Ürünü bir araba yıkayıcı ile temizleme

Stryker, sedyeyi ürünün ömrü boyunca maksimum yılda bir kez yıkamak için bir standart hastane tipi cerrahi araba yıkayıcı kullanılmasını önerir.

Ürünü bir araba yıkayıcı ile temizlemek için:

1. Ürün bir elektrikli şilte destek yüzeyi veya bir elektrikli kaldırıcı seçeneğiyle donatılmışsa ürünü taşımadan veya temizlemeden önce güç kablosunu duvar prizinden çekin.
2. Ürünü yıkamadan önce şilteyi üründen çıkarın. Şilteyi ürünle birlikte yıkamayın.
3. Fowler sırt desteğini 45°'de konumlandırın.
4. Ürünü tam Ters Trendelenburg pozisyonuna (ayak ucu aşağıda) getirin.

5. Yan rayları yükseltin.
6. Serum çubuklarını ve itme kollarını yukarı pozisyona getirin.
7. Ürünü maksimum 82 °C (180 °F) su sıcaklığı ve maksimum 103,5 bar / 1500 psi su basıncıyla temizleyin.
8. Ürünü maksimum 93 °C (200 °F) sıcaklıkta sekiz dakika boyunca havayla kurutun.
9. Ürünü kurutun. Şilteyi ürün kuruyana kadar ürünün üzerine koymayın.
10. Ürünü tekrar hizmete almadan önce işlevselliği kontrol edin.

- Ürünü yükseltin ve alçaltın
- Fren/yönlendirme pedalını her iki yönde kilitleyin ve kilidini açın
- Yan rayları sürgüleyin ve sürgüsünü açın
- Fowler sırt desteğini yükseltin ve alçaltın
- Tüm bileşenlerin uygun bir şekilde yağlandığından emin olun
- Tüm etiketlerin sağlam ve okunaklı olduğundan emin olun

Not

- Ürünü buharla temizlemeyin.
- Bazı temizlik ajanları çürütücü tabiattadır ve uygun şekilde kullanmazsanız üründe hasar oluşturabilir. Ürünü iyice durulayıp kurutmazsanız ürün yüzeyinde kritik bileşenlerin erken çürümeye yol açabilecek bir çürütücü kalıntı kalabilir. Bu temizlik talimatının uygulanmaması garantinizi geçersiz kılabilir.

Şilteyi temizleme

UYARI

- Ürünü kullanılırken temizlemeyin, servis vermeyin veya bakım yapmayın.
- Şilteyi temizleyici veya dezenfektan solüsyonlara batırmayın. Fazla nem ürün arızasına neden olup ürün hasarı veya hasta yaralanmasıyla sonuçlanabilir.
- Şilte üzerinde sıvı birikmesine izin vermeyin. Sıvılar bileşenlerin çürümeye neden olabilir ve bu ürünün güvenlik ve performansının öngörülemez hale gelmesine yol açabilir.
- Şilte örtülerini her temizlediğinizde örtüleri mutlaka yırtıklar, delikler, fazla aşınma ve hizası bozulmuş fermuarlar açısından inceleyin. Hasarlı bir şilteyi çapraz kontaminasyonu önlemek için hemen kaldırın ve değiştirin.
- Şilteleri buharla temizlemeyin, basınçlı yıkamayın, hortumla su fışkırtarak temizlemeyin veya ultrasonik olarak temizlemeyin. Bu temizlik yöntemleri ürünün garantisini geçersiz kılabilir.

Şiltenin ömrü daha sık temizlik ve dezenfeksiyonu içerebilecek artmış kullanım sıklığından etkilenebilir.

Önerilen temizlik yöntemi:

1. Yabancı maddeleri gidermek için tüm şilteyi yumuşak bir sabun ve su solüsyonuyla silmek üzere temiz, yumuşak bir bez kullanın.
2. Herhangi bir fazla sıvı veya temizlik maddesini gidermek için şilteyi temiz, kuru bir bezle silin.
3. Temizlik sonrasında örtüleri durulayın ve kurutun.
4. Temizlik tamamlandıktan sonra bir hastane sınıfı dezenfektanla, gereken şekilde dezenfekte edin (bkz. *Şiltenin dezenfekte edilmesi*).

Not

- Şilteyi ütölemeyin, kuru temizleme yapmayın veya kurutma makinesinde kurutmayın çünkü bunlar arızaya yol açar ve ürüne zarar verir.
- Saklanmadan, çarşaf serilmeden veya şilte üzerine bir hasta yerleştirilmeden önce ürün performansının bozulmasını önlemek için şilte örtüsünün tamamen kuru olması gerekir.
- Alkol veya hidrojen peroksit aşırı maruz kalmasından kaçınınız. Örtü materyali şişer.
- Fermuar bölgesine ve su sızdırmayan örtü bariyerine sıvıların sızmasına izin vermeyin. Fermuara temas eden sıvılar şilte içine sızabilir ve bu durum ürün performansını bozabilir.

- Bazı temizlik ajanları çürütücü tabiattadır ve uygun şekilde kullanmazsanız üründe hasar oluşturabilir. Ürünü iyice durulayıp kurutmazsanız ürün yüzeyinde kritik bileşenlerin erken çürümesine yol açabilecek bir çürütücü kalıntı kalabilir. Bu temizlik talimatının uygulanmaması garantinizi geçersiz kılabilir.

İyodürü giderin

1. Yarım litre ılık suyla 1 - 2 çay kaşığı sodyum tiyosülfatı karıştırarak bir solüsyon hazırlayın. Solüsyonu lekelenmiş bölgeyi silmek için kullanın.
2. Lekeyi, leke oluşmasından sonra mümkün olduğunca kısa süre içinde temizleyin.
3. Lekeler hemen giderilmezse şilteyi silmeden önce solüsyonun şilte üzerinde kalmasını veya emilmesini bekleyin.
4. Solüsyonun uygulandığı şilteleri, tekrar kullanılmadan önce temiz suyla durulayın.

Not - Bu tür temizlik maddeleri kullanılırken bu yönergelere uyulmaması bu ürünün garantisini geçersizleştirebilir.

Özel talimatlar

Velcro®	Dezenfektanla iyice ıslatın, suyla durulayın ve solüsyonun buharlaşmasını bekleyin.
Katı maddeler veya lekeler	Nötr sabunlar ve ılık su kullanın. Sert temizleyiciler, çözücüler veya aşındırıcı temizlik maddeleri kullanmayın.
Çıkarılması zor lekeler	Zorlu kir veya lekelerde standart ev tipi temizleyiciler veya vinil temizleyiciler ve yumuşak kıllı bir fırça kullanın. Kurumuş kiri önceden ıslatın.
Makineyle yıkama	Makineyle yıkama önerilmez. Makineyle yıkama şiltenin kullanım ömrünü önemli ölçüde azaltabilir.

Dezenfekte etme

Ürünü dezenfekte etme

UYARI

- Ürünü kullanılırken temizlemeyin, servis vermeyin veya bakım yapmayın.
- Ürünü buharla, hortumla su fışkırtarak veya ultrasonik olarak temizlemeyin. Bu temizlik yöntemlerinin kullanılması önerilmez ve ürünün garantisini geçersiz kılabilir.

Önerilen dezenfektanlar:

- %3'ten az glikol eter içeren kuaternerler (etken madde - amonyum klorür)
- Fenolik dezenfektan (aktif bileşen - o-fenilfenol)
- Klorlu çamaşır suyu solüsyonu (1 birim çamaşır suyuna karşılık 100 birim su oranında seyreltilmiş %5,25'lik çamaşır suyu; 520 ppm (milyonda parça) kullanılabilir klorla karşılık gelir (4000 ml suda 40 ml %5,25'lik çamaşır suyu solüsyonu))
- %70 izopropil alkol

Önerilen dezenfeksiyon yöntemi:

1. Dezenfektan solüsyon üreticisinin seyreltme önerilerine uyun.
2. Ürünün tüm yüzeylerini dezenfektan solüsyonla elde yıkayın.
3. Fazla ıslanmasından kaçının ve ürünün uygun dezenfeksiyon için kimyasal üreticisinin kılavuz ilkelerinden daha uzun süre ıslak kalmadığından emin olun.
4. Ürünü kurutun. Şilteyi ürün kuruyana kadar ürünün üzerine koymayın.
5. Her kullanımdan sonra **Velcro®**'yu dezenfekte edin. **Velcro®**'yu dezenfektan ile ıslatın, suyla durulayın ve dezenfektanın buharlaşmasını bekleyin (uygun dezenfektana tesis karar verir).
6. Ürünü tekrar hizmete almadan önce işlevselliği kontrol edin.
 - Ürünü yükseltin ve alçaltın
 - Fren/yönlendirme pedalını her iki yönde kilitleyin ve kilidini açın
 - Yan rayları sürgüleyin ve sürgüsünü açın
 - Fowler sırt desteğini yükseltin ve alçaltın
 - Diz bükülme kısmını yükseltin ve alçaltın
 - Tüm bileşenlerin uygun bir şekilde yağlandığından emin olun
 - Tüm etiketlerin sağlam olduğundan emin olun

Not

- Görünür derecede kirli, geçirgen malzeme ile doğrudan cilt teması enfeksiyon riskini artırabilir.
- Bazı temizlik ajanları çürütücü tabiattadır ve uygun şekilde kullanmazsanız üründe hasar oluşturabilir. Ürünü iyice durulayıp kurutmazsanız ürün yüzeyinde kritik bileşenlerin erken çürümesine yol açabilecek bir çürütücü kalıntı kalabilir. Bu temizlik talimatının uygulanmaması garantinizi geçersiz kılabilir.

Şiltenin dezenfekte edilmesi

UYARI - Bu şilteyi hastalar arasında mutlaka dezenfekte edin. Aksi halde çapraz kontaminasyon ve enfeksiyon oluşabilir.

Önerilen dezenfektanlar:

- %3'ten az glikol eter içeren kuaternerler (etken madde - amonyum klorür)
- Fenolik dezenfektan (aktif bileşen - o-fenilfenol)

- Klorlu amařır suyu solüsyonu (1 birim amařır suyuna karřılık 100 birim su oranında seyreltilmiř %5,25'lik amařır suyu; 520 ppm (milyonda para) kullanılabilir klora karřılık gelir (4000 ml suda 40 ml %5,25'lik amařır suyu solüsyonu))
- %70 izopropil alkol

Önerilen dezenfeksiyon yöntemi:

1. Dezenfektanları uygulamadan önce řiltenin temiz ve kuru olduđundan emin olun.
2. Herhangi bir fazla sıvı veya dezenfektanı gidermek için řilteyi temiz ve kuru bezle silin.
3. Dezenfeksiyon sonrasında örtüleri iyice durulayın ve kurutun.

Not

- řilte örtüsünün saklanmadan veya üzerine arřaf serilmeden önce kuru olması gerekir. Fazlalık dezenfektanın giderilmemesi örtü materyalinin bozulmasına neden olabilir.
- Bazı temizlik ajanları ürütücü tabiattadır ve uygun şekilde kullanmazsanız üründe hasar oluşturabilir. Ürünü iyice durulayıp kurutmazsanız ürün yüzeyinde kritik bileřenlerin erken ürümesine yol açabilecek bir ürütücü kalıntı kalabilir. Bu temizlik talimatının uygulanmaması garantinizi geçersiz kılabilir.
- Daha yüksek konsantrasyonlar veya dezenfektan solüsyonlara sık sık veya uzun süreli maruz kalma örtü kumařını erken eskitebilir.
- Glikol eterler ieren kuaternerler veya hızlandırılmıř hidrojen peroksitlerin kullanımı örtüye zarar verebilir.

Önleyici bakım

Önleyici bakım incelemesinden önce ürünü hizmetten çıkarın. Tüm Stryker Medical ürünlerinin yıllık önleyici bakımı sırasında listedeki tüm maddeleri kontrol edin. Ürün kullanım yoğunluğunuza bağlı olarak önleyici bakım kontrollerini daha sık yapmanız gerekebilir. Servis sadece vasıflı personelce verilmelidir.

Not - Geçerliyse inceleme öncesinde şiltenin dış kısmını temizleyin ve dezenfekte edin.

Şu maddeleri inceleyin:

- Tüm sabitleyiciler sağlam
- Yan raylar hareket ediyor ve sürgüleniyor
- Tekerlekler fren pedalı uygulanmış olarak kilitlenir
- Tekerlekler sağlam ve dönüyor
- Tekerleklerde kir ve kalıntı yok
- Fren mekanizmaları çalışıyor
- Yönlendirme işlevi çalışıyor
- Yüzeylerde çatlak kontrolü yapın
- Fowler yükseliyor, alçalıyor ve yerine kilitleniyor
- Diz bükülme kısmı yükseliyor, alçalıyor ve yerine kilitleniyor (seçenek)
- Trendelenburg / Ters Trendelenburg tüm konumlarda çalışıyor
- Topraklama zinciri sağlamdır
- Hidrolik bağlantılarda sızıntı yoktur
- Hidrolik jaklar tutmaktadır
- Vücut kemerleri sürgüleniyor ve sabittir (seçenek)
- Serum askısı sağlam ve tüm pozisyonlara ayarlanıyor ve sürgüleniyor (seçenek)
- Oksijen şişesi tutucusu sağlam ve açılıp kapanıyor (seçenek)
- Şilte örtüsünde yırtık veya çatlak yok
- Aksesuarlar ve montaj donanımı iyi durumda
- Bataryayla çalışıyor (seçenek)
- Kablolar aşınmamış veya sıkışmamıştır (seçenek)
- Güç kablosu ve fişte hasar yoktur (seçenek)
- Tüm elektrik bağlantıları sıkıdır (seçenek)
- Tüm topraklamalar çerçeveye sabitlenmiştir (seçenek)
- Toprak empedansı 200 mΩ (miliohm) üzerinde değildir (seçenek)
- Kaçak akım 300 µA (mikroamper) üzerinde değildir (UL 60606-1-1'e göre) (seçenek)
- Bataryalar şarj edilmiş (ölçek sistemi seçeneği)
- Görüntü muhafazası sağlamdır ve hasarlı değildir (tartı sistemi seçeneği)
- Yük hücreleri sağlamdır ve hasarsızdır (tartı sistemi seçeneği)
- Ayak desteği diz düğme mekanizması çalışıyor ve yerine sabitlenebiliyor (seçenek)
- Ayak desteği bacak düğme mekanizması çalışıyor ve yerine sabitlenebiliyor (seçenek)
- Ayak desteği tam açılmış pozisyona uzanmakta ve doğru pozisyonda durmaktadır (seçenek)
- Ayak desteği akıllı vidaları (6) sağlamdır ve yalama olmamıştır (seçenek)
- Tartı kalibre edildi. Gerekirse tekrar kalibre edin (tartı sistemi seçeneği)

- _____ Dik röntgen kaseti tutucusu çalışır durumdadır ve tüm röntgen kasetlerine uymak üzere ayarlanabilir (**Prime X** seçeneği)
- _____ Fowler cilt ve ayak cildinde hasar yoktur (**Prime X** seçeneği)
- _____ Baş ve ayak tepsilerinde hasar yoktur (**Prime X** seçeneği)
- _____ Her Fowler pivotundan geçen cıvata ve somun gevşek değildir (**Prime X** seçeneği)

Ürün seri numarası:

Dolduran:

Tarih:

EMC bilgisi

DİKKAT

- Üreticinin belirttikleri veya sağladıkları dışındaki aksesuar, transdüser veya kabloların kullanılması, elektromanyetik emisyonların artmasına veya elektromanyetik bağışıklığın azalmasına neden olabilir ve ürünün düzgün çalışmamasıyla sonuçlanabilir.
- Bu ekipmanın emisyon özellikleri, ürünü sanayi bölgeleri ve hastanelerde kullanıma uygun kılar (CISPR 11 sınıf A). Eğer bir mesken ortamında kullanılırsa (bunun için normalde CISPR 11 sınıf B gereklidir) bu ekipman radyofrekans iletişim hizmetleri için yeterli koruma sunmayabilir. Kullanıcının ekipmanın yerini veya yönünü değiştirmek gibi azaltıcı önlemler alması gerekebilir.

Kılavuz ve üretici beyanı - elektromanyetik emisyonlar

Elektrikli kaldırıcı seçeneği, elektrikli şilte destek yüzeyi seçeneği veya tartı sistemi seçeneğinin aşağıda belirtilen elektromanyetik ortamda kullanılması amaçlanmıştır. Elektrikli kaldırıcı seçeneği, elektrikli şilte destek yüzeyi seçeneği veya tartı sistemi seçeneğinin kullanıcısı böyle bir ortamda kullanılmasını sağlamalıdır.

Emisyon testi	Uyum	Elektromanyetik ortam
RF Emisyonları CISPR 11	Grup 1	Elektrikli kaldırıcı seçeneği, elektrikli şilte destek yüzeyi seçeneği veya tartı sistemi seçeneği sadece dahili işlevi için RF enerjisi kullanır. Bu nedenle RF emisyonları son derece düşüktür ve yakınlardaki elektronik ekipmanda herhangi bir parazite neden olması pek de olası değildir.
RF Emisyonları CISPR 11	Sınıf A	Elektrikli kaldırıcı seçeneği, elektrikli şilte destek yüzeyi seçeneği veya tartı sistemi seçeneği mesken amaçlı olarak kullanılan binaları besleyen kamusal düşük voltajlı güç temin şebekesine doğrudan bağlı olanlar ve mesken tipi olanlar hariç tüm tesislerde kullanılmaya uygundur.
Harmonik Emisyonlar IEC 61000-3-2 *	Sınıf A	
Voltaj Oynamaları Titreme Emisyonları IEC 61000-3-3 *	Uyumlu	

* Sadece elektrikli kaldırıcı seçeneği veya elektrikli şilte destek yüzeyi seçeneği için geçerlidir,

DİKKAT

- Taşınabilir RF iletişim ekipmanı (anten kabloları ve harici antenler gibi çevre ürünleri dahil) **Prime** sedyesinin üretici tarafından belirtilen kablolar dahil hiçbir kısmına 12 inç (30 cm) mesafeden daha yakın kullanılmamalıdır.
- Ürünlerin uygun olmayan şekilde çalışmasını önlemek için bir ekipmanı başka ekipman ile yan yana veya üst üste koymaktan kaçının. Bitişik ve üst üste kullanımın kaçınılmaz olduğu durumlarda bu ekipmanı dikkatle izleyerek düzgün çalıştıklarından emin olun.

Taşınabilir ve mobil RF iletişim ekipmanı ile elektrikli kaldırıcı seçeneği, elektrikli şilte destek yüzeyi seçeneği veya tartı sistemi seçeneği arasında önerilen ayırma mesafeleri.

Elektrikli kaldırıcı seçeneği, elektrikli şilte destek yüzeyi seçeneği veya tartı sistemi seçeneğinin saçılan RF parazitlerinin kontrol altında olduğu bir elektromanyetik ortamda kullanılması amaçlanmıştır. Elektrikli kaldırıcı seçeneği, elektrikli şilte destek yüzeyi seçeneği veya tartı sistemi seçeneğinin müşterisi veya kullanıcısı taşınabilir ve mobil RF iletişimi ekipmanı (vericiler) ile elektrikli kaldırıcı seçeneği, elektrikli şilte destek yüzeyi seçeneği veya tartı sistemi seçeneğinin arasında iletişim ekipmanının maksimum çıkış gücüne göre aşağıda önerildiği şekilde minimum bir mesafeyi devam ettirerek elektromanyetik enterferansı önlemeye yardımcı olabilir.

Vericinin anma maksimum çıkış gücü W	Verici frekansına göre ayırma mesafesi m
---	---

	150 kHz - 80 MHz D=(1,2) (\sqrt{P})	80 MHz - 800 MHz D=(1,2) (\sqrt{P})	800 MHz - 2,7 GHz D=(2,3) (\sqrt{P})
0,01	0,12	0,12	0,23
0,1	0,38	0,38	0,73
1	1,2	1,2	2,3
10	3,8	3,8	7,3
100	12	12	23

Yukarıdaki listede verilmeyen maksimum çıkış gücüne sahip vericiler için metre (m) cinsinden önerilen ayırma mesafesi (D), P 'nin verici üreticisine göre vericinin watt (W) cinsinden maksimum çıkış gücü olduğu verici frekansı için geçerli denklem kullanılarak belirlenebilir.

Not 1 - 80 MHz ve 800 MHz değerlerinde üst frekans aralığının ayırma mesafesi geçerlidir.

Not 2 - Bu kılavuz ilkeler her durumda geçerli olmayabilir. Elektromanyetik yayılım yapılar, nesnelere ve kişilerden kaynaklanan emilim ve yansımadan etkilenir.

Kılavuz ve üretici beyanı - elektromanyetik bağışıklık

Elektrikli kaldırıcı seçeneği, elektrikli şilte destek yüzeyi seçeneği veya tartı sistemi seçeneğinin aşağıda belirtilen elektromanyetik ortamda kullanılması amaçlanmıştır. Elektrikli kaldırıcı seçeneği, elektrikli şilte destek yüzeyi seçeneği veya tartı sistemi seçeneğinin müşterisi veya kullanıcısı böyle bir ortamda kullanılmasını sağlamalıdır.

Bağışıklık testi	IEC 60601 test düzeyi	Uyum düzeyi	Elektromanyetik ortam kılavuzu
Elektrostatik Deşarj (ESD) IEC 61000-4-2	±8 kV temas ±15 kV hava	±8 kV temas ±15 kV hava	Yerler ahşap, beton veya seramik karo olmalıdır. Zemin, sentetik malzemeyle kaplıysa bağlı nem en az % 30 olmalıdır.
Elektrostatik hızlı geçici rejim/patlama IEC 61000-4-4*	Güç temin hatları için ±2 kV Giriş/çıkış hatları için ±1 kV	Güç temin hatları için ±2 kV Giriş/çıkış hatları için ±1 kV	Ana şebeke gücü tipik bir ticari ortam veya hastane ortamı kalitesinde olmalıdır.
Voltaj yükselmesi IEC 61000-4-5*	±1 kV hattan/hatlardan hatta/hatlara ±2 kV hattan/hatlardan toprağa	±1 kV hattan/hatlardan hatta/hatlara ±2 kV hattan/hatlardan toprağa	Ana şebeke gücü tipik bir ticari ortam veya hastane ortamı kalitesinde olmalıdır.
Güç besleme giriş hatlarında voltaj düşmeleri, voltaj oynamaları ve kısa kesintiler IEC 61000-4-11*	%0 U_T , 0,5 döngü için, 0°, 45°, 90°, 135°, 180°, 225°, 270° ve 315°de %0 U_T , 1 döngü için %70 U_T (%30 U_T düşmesi) 25 döngü için %0 U_T 250 döngü için	%0 U_T , 0,5 döngü için, 0°, 45°, 90°, 135°, 180°, 225°, 270° ve 315°de %0 U_T , 1 döngü için %70 U_T (%30 U_T düşmesi) 25 döngü için %0 U_T 250 döngü için	Ana şebeke gücü tipik bir ticari ortam veya hastane ortamı kalitesinde olmalıdır. Elektrikli kaldırıcı seçeneği veya elektrikli şilte destek yüzeyi seçeneği kullanıcısı ana şebeke kesintileri sırasında çalışmanın devam etmesini istiyorsa cihazın kesintisiz bir güç kaynağından veya bataryadan güç alması önerilir.


Güç frekansı (50/60 Hz) manyetik alanı IEC 61000-4-8	30 A/m	30 A/m	Güç frekansı manyetik alanları tipik bir ticari ortam veya hastane ortamındaki tipik bir konum için karakteristik düzeylerde olmalıdır.
--	--------	--------	---

Not: U_t test düzeyinin uygulanmasından önceki AC ana şebeke voltajıdır.

*Sadece elektrikli kaldırıcı seçeneği ve elektrikli şilte destek yüzeyi seçeneği için geçerlidir.

Kılavuz ve üretici beyanı - elektromanyetik bağışıklık

Elektrikli kaldırıcı seçeneği, elektrikli şilte destek yüzeyi seçeneği veya tartı sistemi seçeneğinin aşağıda belirtilen elektromanyetik ortamda kullanılması amaçlanmıştır. Elektrikli kaldırıcı seçeneği, elektrikli şilte destek yüzeyi seçeneği veya tartı sistemi seçeneğinin müşterisi veya kullanıcısı böyle bir ortamda kullanılmasını sağlamalıdır.

Bağışıklık testi	IEC 60601 test düzeyi	Uyum düzeyi	Elektromanyetik ortam kılavuzu
İletilen RF IEC 61000- 4-6* Yayılan RF IEC 61000-4-3	3 Vrms ISM ve amatör telsiz bantlarında 6 Vrms 150 kHz - 80 MHz 3 V/m 80 MHz - 2,7 GHz	3 Vrms ISM ve amatör telsiz bantlarında 6 Vrms 3 V/m	<p>Taşınabilir ve mobil RF iletişim ekipmanı elektrikli kaldırıcı seçeneği, elektrikli şilte destek yüzeyi seçeneği ve tartı sistemi seçeneğinin kablolar dahil hiçbir kısmına verici frekansı için uygun denklemden hesaplanan önerilen ayırma mesafesinden daha yakın kullanılmamalıdır.</p> <p>Önerilen ayırma mesafesi</p> <p>$D=(1,2) (\sqrt{P})$</p> <p>$D=(1,2) (\sqrt{P})$</p> <p>80 MHz - 800 MHz</p> <p>$D=(2,3) (\sqrt{P})$</p> <p>800 MHz - 2,7 GHz</p> <p>Burada P, verici üreticisine göre vericinin watt (W) cinsinden azami çıkış gücü ve D, metre (m) cinsinden önerilen ayırma mesafesidir.</p> <p>Bir elektromanyetik saha taramasıyla belirlendiği şekilde sabit RF vericilerden alan şiddetleri^a, her frekans aralığında uyum düzeyinden düşük olmalıdır^b.</p> <p>Şu sembolle işaretli ekipmanın yakınlarında parazit oluşabilir:</p> 

Not 1: 80 MHz ve 800 MHz'de üst frekans aralığı geçerlidir.

Not 2: Bu kılavuz ilkeler her durumda geçerli olmayabilir. Elektromanyetik yayılım yapılar, nesnelere ve kişilerden kaynaklanan emilim ve yansımadan etkilenir.

Not 3: 0,15 MHz ile 80 MHz arasındaki ISM (endüstriyel, bilimsel ve tıbbi) bantları 6,765 MHz - 6,795 MHz; 13,553 MHz - 13,567 MHz; 26,957 MHz - 27,283 MHz ve 40,66 MHz - 40,70 MHz'dir.

^a Telsiz (cep/kablosuz) telefonlar ve kara mobil telsizleri, amatör telsiz, AM ve FM radyo yayını ve TV yayını için baz istasyonları gibi sabit vericilerden alan şiddetleri teorik olarak doğrulukla öngörülemez. Sabit RF verici kaynaklı elektromanyetik ortamları değerlendirmek için elektromanyetik alan testi düşünülmelidir. Elektrikli kaldırıcı seçeneği, elektrikli şilte destek yüzeyi seçeneği veya tartı sistemi seçeneğinin kullanıldığı konumda ölçülen alan şiddeti yukarıdaki ilgili RF uyum düzeyini aşıyorsa elektrikli kaldırıcı seçeneği, elektrikli şilte destek yüzeyi seçeneği veya tartı sistemi seçeneği normal çalışmayı doğrulamak üzere gözlenmelidir. Anormal performans gözlenirse elektrikli kaldırıcı seçeneği, elektrikli şilte destek yüzeyi seçeneği veya tartı sistemi seçeneğinin yerini veya yönünü değiştirmek gibi ek önlemler gerekebilir.

^b 150 kHz - 80 MHz frekans aralığında alan şiddetleri 3 V/m'nin altındadır.

*Sadece elektrikli şilte destek yüzeyi seçeneği için geçerlidir.

Prime Series® 担架床




操作手册

REF 1115

Big Wheel®



符号

	请参阅说明手册
	参阅使用说明
	常规警告
	注意
	警告；小心挤手
	警告；可能有非离子化辐射
	禁止推动
	请勿存放氧气瓶
	请勿润滑
	目录号
	批次代码
	序列号
	欲了解美国专利，请访问 www.stryker.com/patents
	CE 标志
	欧洲共同体授权代表
	欧洲医疗器械
	制造商
	生产日期
	进口商

	安全工作负载
	患者最大体重
	具有安全工作负荷的设备重量
	直流
	交流
	危险电压
	接地保护
IPX6	防止强力喷流水
	B 类触身部件
	仅在电击、火灾和机械危险方面通过 Underwriters Laboratories Inc. 认证的医疗设备，产品这些方面符合 ANSI/AAMI ES60601-1:2005 和 CAN/CSA-C22.2 No. 60601-1:08 标准。*对于 Prime X 可选件，则是遵照 X 射线设备相关设备的 IEC 60601-2-54
	遵照经修订的欧盟废弃电气电子设备指令 2012/19/EU (WEEE)，本符号表明此产品应分开收集以进行回收。切勿作为未分类城市废弃物处置。请联系当地分销商，了解处置信息。确保受污染的设备在回收之前进行消毒处理。
	润滑
	由此处抬起
	此面向上
	保持干燥
	易碎，小心轻放
	叠放层数极限

目录

警告/注意/备注的定义	3
安全防范措施小结	3
夹点	6
简介	7
产品说明	7
适用范围	7
临床获益	7
禁忌症	7
预期使用寿命	8
处置/回收	8
规格	8
产品图解 - Prime	10
产品图解 - Prime X 可选件	11
触身部件 - 电动担架可选件	12
触身部件 - Prime X 可选件	12
联系信息	13
序列号位置	13
设置	14
操作	15
施用或松开制动器	15
Prime 底座控制	16
升高非电动担架	16
降低非电动担架	16
升高电动担架可选件	17
降低电动担架可选件	17
以头低卧位式定位产品	17
以头高卧位式定位产品	18
转运患者	18
在没有使用 Big Wheel 的情况下转运患者	18
使用 Big Wheel 转运患者	19
定位或收起头端推动把手可选件	20
升高侧护栏	21
降低侧护栏	21
定位配备侧护栏患者控制面板的产品 - 电动担架可选件 - 仅限 Prime	21
操作者控制面板 - 电动担架可选件 - 仅限 Prime	22
锁定和解锁患者控制面板闭锁 - 电动担架可选件 - 仅限 Prime	23
升高或降低Fowler 靠背 - 非电动担架	23
升高或降低 Fowler 靠背 - 电动担架可选件	24
升高或降低曲膝部分 - 非电动担架 - 仅限 Prime	25
升高或降低曲膝部分 - 电动担架可选件 - 仅限 Prime	25
定位康复椅 - 仅限 Prime	25
将物品存放于底罩中	26
使用泵架可选件悬挂装置	26
用伸缩式卷线盘可选件伸展或缩回电源线 - 电动升降装置可选件或电动担架可选件	27
称重系统可选件	27
称重图标/按钮识别	28
称量患者体重	28
锁定称重测量单位	29
启用或解除 Chaperone 可选件报警	29
设置 Chaperone 可选件报警模式	29
设置 Chaperone 可选件报警音量	29
对称重系统电池组可选件充电 - 电动担架可选件或配备 Chaperone 可选件的电动担架可选件 - 仅限 Prime	30
更换称重系统可选件电池 - 非电动担架	30
附件和部件	30
装上除颤器托盘	34
将除颤器托盘/床尾延伸板转变为除颤器托盘	34
将除颤器托盘/床尾延伸板转变为床尾延伸板	35
装上床尾板/病历架	35
装上静脉输液盒	36
定位或收起床尾支撑架 - 仅限 Prime	36

定位双节永久性固定静脉输液架.....	37
定位三节永久性固定静脉输液架.....	38
装上和定位可拆卸静脉输液架.....	39
装上直立式氧气瓶支架.....	40
延伸或收起进餐托盘支架/床尾板.....	40
装上侧护栏衬垫.....	41
定位患者约束带结点.....	41
定位直立式 X 射线暗盒支架 - Prime X 可选件.....	41
定位侧面 X 射线暗盒支架 - Prime X 可选件.....	42
插入或移除 X 射线暗盒 - Prime X 可选件.....	43
清洁.....	45
清洁产品.....	45
使用推车清洗机清洁产品.....	45
清洁床垫.....	46
清除含碘污渍.....	46
特别说明.....	47
消毒.....	48
消毒产品.....	48
床垫消毒.....	48
预防性维护.....	50
EMC 信息.....	52

警告/注意/备注的定义

警告、注意和备注这些词语含有特殊的意义，应认真阅读。

警告

提醒读者注意某种情况，如果不加以避免，可能会造成死亡或严重伤害。它可能也会描述潜在的严重不良反应和安全危险。

注意

提醒读者注意某种具有潜在危险的情况，如果不加以避免，可能会对使用者或患者造成轻微或中度伤害或者损坏本产品或其他财产。这包括安全和有效使用装置必须遵循的特别注意事项，以及为在正常使用或误用时避免可能损坏装置必须遵循的注意事项。

注解 - 提供特殊信息以便使维护更轻松或使重要说明更明确。

安全防范措施小结

务必阅读并严格遵循此页上所列的警告和注意事项。只能由合格人员维修。

警告

- 在设置产品或测试功能性运行之前，务必让产品达到室温。可能造成永久性的产品损坏。
- 始终在所有操作者离开机械装置后再操作产品。
- 操作电源线时务必小心。可能会发生电源线纠缠、损坏，或潜在的触电危险。如果电源线受损，请立即停用本产品并联系适当的维护人员。
- 务必将产品插头直接插入接地的医院级墙壁插座上。只有在使用医院级插座时才可实现接地可靠性。本产品配备医院级插头以防触电危险。
- 当患者上、下产品或者当产品不动时，始终施用制动器。患者上下产品时，若产品移动，可能导致受伤。
- 始终将患者安置在担架中间。
- 当担架上的患者无人看顾时，始终将担架设到最低位置，扳起并栓紧侧护栏。请勿将产品留在较高高度。
- 在升高或降低担架之前，始终移去可能挡在中间的任何装置。
- 请勿坐在产品末端。产品可能翻倒。
- 当您在转运患者时，始终在床面呈水平放置且位于最低位置的情况下，使侧护栏在完全升高的位置锁定。
- 请勿在横向斜度大于 5.7 度（10% 爬坡度）的情况下运输产品，以避免产品翻倒。
- 当使用厚度超过 2.5 英寸（6.35 cm）的床垫或配备 Prime X 可选件的床垫覆盖层时，务必特别注意。
- 当您在转运患者时，始终在床面呈水平放置且位于最低位置的情况下，使侧护栏在完全升高的位置锁定。
- 当您升高或降低侧护栏时，始终将患者四肢远离侧护栏转轴。
- 请勿让侧护栏自行下降。
- 降低 Fowler 靠背时，始终保持双手和手指远离 Fowler 靠背释放把手和 Fowler 靠背框架。
- 患者躺在产品上时，升高 Fowler 靠背务必要谨慎。使用正确的升降技巧，如有必要，寻求帮助。
- 降低曲膝部分时，始终保持双手和手指远离足端推动把手。
- 始终使泵架上的装置管线保持远离曲膝部分把手。
- 始终确保泵架上的装置可以安全地穿过门的开口。
- 请勿通过泵架来升高产品。
- 在转运患者或清洁产品之前，始终将电源线从墙上插座拔出。
- 在产品转运期间，始终使用可伸缩卷线器将电源线收藏在底座内。
- 请勿将称重系统可选件、电动升降装置可选件或电动担架可选件与其他装置邻近或相互堆叠使用。如果需要邻近或堆叠使用，应观察称重系统可选件、电动升降装置可选件或电动担架可选件以确保所有装置在它们所使用的配置中正常工作。
- 请勿在除颤器托盘上放置重量超过 30 磅（14 千克）的物体。始终将放置在除颤器托盘上的所有装置系在托盘上。
- 在定位足端推动把手可选件时，如果装有除颤器托盘/床尾延伸板、床尾板/病历架或直立式氧气瓶支架，务必注意，以免夹伤手指。

- 请勿在除颤器托盘/床尾延伸板上放置重量超过 30 磅 (14 千克) 的物体。始终将放置在除颤器托盘上的所有装置系在托盘上。
- 当转运产品时，始终将静脉输液架固定到静脉输液盒上。
- 静脉输液盒不用时始终妥善存放，以避免产品损坏。
- 请勿坐在床尾支撑架上。这可能导致产品翻倒。
- 操作床尾支撑架时，始终确保您的手指远离机械装置。
- 使用产品转运患者时，始终收起床尾支撑架。
- 使用床尾支撑架之前，始终旋紧床尾支撑架。
- 使用床尾支撑架时，请勿操作称重系统。可能发生读数不准确。
- 使用床尾支撑架时，请勿操作 **Chaperone** 可选件。可能发生读数不准确。
- 请勿将静脉输液架用作推/拉装置。否则可能损坏产品。
- 请勿在直立式氧气瓶支架上放置重量超过 40 磅 (18 千克) 的物品。
- 请勿在进餐托盘上放置超过 30 磅 (14 千克) 的物体。
- 系约束带时务必注意。可能导致患者或操作者受伤。身体约束装置（即使已固定）可能对患者和操作者造成严重伤害，包括缠绕、卡住、身体伤害或死亡。
- 始终仅将约束带和/或装置系到产品上确认的连接点。如果不这样做可能导致患者或操作者受伤。请勿将约束带系到侧护栏上。
- 在使用任何约束带或约束装置之前，始终参考适用的州/省和联邦限制和法规以及相关的机构规程。
- 当使用直立式或侧面 X 射线暗盒支架时，始终采取保护措施。X 射线暗盒支架没有任何防辐射的功能。
- 在将 **Prime X** 可选件与辐射发生装置一起使用前，始终参阅当地、州/省和联邦的准则以及医疗机构的安全性规程。辐射发生装置可产生残余、杂散或散射辐射。
- 始终遵循定位直立式 X 射线暗盒支架 - **Prime X** 可选件说明插入 X 射线暗盒。
- 在使用直立 Fowler 靠背或侧面暗盒执行 X 射线检查时，务必注意。
- 始终遵循定位侧面 X 射线暗盒支架 - **Prime X** 可选件说明以插入 X 射线暗盒。
- 请勿在担架使用中时清洁、维修或执行维护。
- 请勿将床垫浸泡于清洁溶液或消毒剂溶液中。水分过多可能导致产品故障，造成产品损坏或患者受伤。
- 请勿让液体蓄积在床垫上。液体可造成部件腐蚀，并可能导致本产品的安全性和性能变得不可预测。
- 每次清洁床垫罩时，始终检查床垫罩是否有撕裂、穿刺、过度磨损或拉链不齐的情况。移除并更换损坏的床垫，以防止交叉污染。
- 请勿用蒸汽清洁、高压冲洗、浇洗或超声方法清洁床垫。这些清洁方法可能会使产品保修失效。
- 请勿用蒸汽清洁、浇洗或超声方法清洁产品。不建议使用这些清洁方法，否则可能会使产品保修失效。
- 患者使用前始终对床垫消毒。如果不这样做可能导致交叉污染和感染。

注意

- 不当使用本产品可能会导致患者或操作者受伤。只能按照此手册中的说明操作本产品。
- 禁止改装产品或本产品的任何组件。改装本产品可能造成不可预测的操作情况而导致患者或操作者受伤。改装本产品也使保修无效。
- 当担架下有患者升降装置时，请勿用底座上的液压装置升高担架。
- 当 **Big Wheel** 停靠在门槛或其他高起区域时，请勿施用转向踏板。施用 **Big Wheel** 所需的力量将高于正常水平，可能造成产品损坏。
- 曲膝部分的承重能力为 200 磅 (90.7 千克)。
- 使用之前，始终确保曲膝部分撬动杆固定。
- 请勿坐或站在曲膝部分上。
- 当产品未通电时试图降低曲膝部分时，务必注意。重力可能导致曲膝部分快速落下。
- 请勿在底罩上放置超过 60 磅 (27 千克) 的物体。
- 请勿坐、踩或站在底罩上。
- 泵架的承重能力为 40 磅 (18 千克)。
- 请勿将泵架用作推/拉装置。否则可能损坏产品。
- 请勿将称用于体重低于 50 磅 (22.7 千克) 的患者。
- 请勿将称重系统读数用作医疗参考。
- 在将除颤器托盘/床尾延伸板装到产品上之前，始终升高静脉输液架。如果未升高静脉输液架，床尾延伸板将不能正常工作。

- 请勿将静脉输液架用作推/拉装置。否则可能损坏产品。
 - 请勿将超过 40 磅 (18 千克) 的静脉输液袋挂在静脉输液架上。
 - 转运患者时，始终确保静脉输液架的高度足够低，可通过门口。
 - 请勿用磨损性清洁剂清洁称重系统可选件的显示屏外壳。请勿让清洁液或其他液体在显示屏上聚积。发生溢溅或清洁后要擦干所有表面。
 - 使用非由制造商所指定或提供的配件、换能器和电缆可能造成电磁辐射增加或电磁抗干扰性减少并导致操作不正常。
 - 该设备的辐射特性使其适合于在工业区域和医院 (CISPR 11 A 类) 使用。如果在住宅环境 (其通常需要 CISPR 11 B 类) 使用，该设备可能无法对射频通信服务提供足够的保护。用户可能需要采取缓解措施，比如调整该设备的位置或方向。
 - 便携式射频通信设备 (包括天线电缆和外部天线等外围设备) 距离 Prime 担架床的任何部件 (包括制造商指定的电缆) 不得小于 12 英寸 (30 cm) 。
 - 避免将设备与其他设备堆叠或相邻放置，以防止产品的不当操作。如需要如此使用，小心观察堆叠或相邻的设备，以确保其正常操作。
-



图 1 - Prime X 可选件

简介

本手册协助您操作或维护您的 Stryker 产品。在操作或维护本产品之前，请阅读本手册。订定方法和程序，以针对此产品的安全操作或维护，教育和培训您的工作人员。

注意

- 使用本产品不当可能会导致患者或操作者受伤。只能按照此手册中的说明操作本产品。
 - 禁止改装产品或本产品的任何组件。改装本产品可能造成不可预测的操作情况而导致患者或操作者受伤。改装本产品也使保修无效。
-

注解

- 本手册为此产品的永久组成部分，即使本产品已售出，也应附属于产品。
- Stryker 在产品设计和质量上精益求精。本手册包含打印时可用的最新产品信息。在您的产品和本手册之间可能有轻微的差异。如果您有任何疑问，请致电 1-800-327-0770 联系 Stryker 客户服务或技术支持。

产品说明

配备 Big Wheel® 的 Stryker 1115 型 Prime Series® 担架床是一种轮式装置，由一个装在脚轮架上的平台组成，旨在帮助患者保持卧式体位。担架床为操作者提供医疗专业人员和或经过培训的设施代表在医疗机构内转运患者的一种方法。配备 Big Wheel 的 Stryker 1115 型 Prime Series 担架床降低了启动力和转向力，以减少身体劳损。

适用范围

配备 Big Wheel 的 Prime Series 担架床有两个大轮子，减少了移动担架所需的启动力。

Prime Series 担架床可用于作为短期门诊临床评估、治疗、小型医疗程序以及短期的门诊康复平台。担架床可用于下列范围，包括但不限于：

- 急诊室 (ED)
- 创伤区
- 麻醉后监护室 (PACU)

Prime Series 担架床可用于小型医疗程序和短期住院（治疗和康复）。参见规格表以了解适用环境条件。

尚未评估 Stryker Prime Series 担架床是否符合床标准 BS EN 50637。在认可此床标准作为上市许可的市场上，本产品不适用于儿科患者或具有非典型解剖结构的成年患者的短期住院

Prime Series 担架床不适用于长期住院治疗 and 康复。

Prime Series 担架床的安全工作负载最大为 700 lb (318 kg)，适用于轻度至病危的所有患者。担架床还可用于在密闭式的医疗设施内转运死亡患者。

Prime X® 可选件为 X 射线暗盒的放置提供了一个铰接式 X 射线支撑表面以及患者支撑表面下方的一个平台。Prime X 可选件适用于与医疗 X 射线系统一起使用，以捕获临床 X 射线影像（正侧向全身、可选全身侧面以及可选直立胸腔）。

临床获益

患者运送、促进治疗和诊断

禁忌症

不建议将 Prime X 可选件与厚度超过 4 英寸 (10 cm) 的床垫配套使用。

Prime X 可选件与 C 型臂不兼容。

Prime X 可选件适用于各种建筑条件，但不包括家庭医疗保健、民用建筑以及那些直接连接于为民用建筑供电的公共低压电源网络的建筑。



预期使用寿命

在正常使用情况和适当定期维护的情况下，Prime Series 担架床和 Prime Series 担架床（配备 Prime X 可选件）的预期使用寿命为 10 年。

处置/回收

在设备使用寿命结束时，务必遵循现行的当地建议和/或法规，以管理与设备回收或处置相关的环保事宜和风险。

规格

	Prime Series 26 英寸 (66 cm) 宽		Prime Series 30 英寸 (76 cm) 宽 Prime Series HT 包		Prime X 可选件 30 英寸 (76 cm) 宽	
	 注解 - 安全工作负载是指患者、 床垫和附件的总重量。	700 磅	318 kg	700 磅	318 kg	700 磅
 患者最大体重	675 磅	306 kg	675 磅	306 kg	675 磅	306 kg
总长度	85 英寸 (± 0.5 英寸)	215.9 cm	85 英寸 (± 0.5 英寸)	215.9 cm	85 英寸 (± 0.5 英寸)	215.9 cm
总长度 (担架延伸板可选件)	89.9 英寸 (±0.75 英 寸)	228.3 cm	89.9 英寸 (±0.75 英 寸)	228.3 cm	不适用	不适用
总宽度 (侧护栏升高)	34 英寸 (± 1 英寸)	86.4 cm	38 英寸 (± 1 英寸)	96.5 cm	38 英寸 (± 1 英寸)	96.5 cm
总宽度 (侧护栏降下)	30.25 英寸 (±0.5 英 寸)	76.8 cm	30.5 英寸 (±0.5 英 寸)	77.5 cm	30.5 英寸 (±0.5 英 寸)	77.5 cm
最低高度	20.75 英寸	52.7 cm	20.75 英寸	52.7 cm	23.25 英寸	59.1 cm
最高高度	34 英寸 (± 1 英寸)	86.4 cm	34 英寸 (± 1 英寸)	86.4 cm	36.5 英寸 (±1 英 寸)	92.7 cm
靠背角度	0°至 90° (± 5°)					
曲膝部分高度	最低 5.5 英寸 (14 cm)				不适用	
头低卧位/头高卧位	+17°至 -17° (± 3°)					
最小间隙	标称 2.5 英 寸	6.4 cm	标称 2.5 英 寸	6.4 cm	标称 2.5 英 寸	6.4 cm

	Prime Series 26 英寸 (66 cm) 宽		Prime Series 30 英寸 (76 cm) 宽 Prime Series HT 包		Prime X 可选件 30 英寸 (76 cm) 宽	
	液压千斤顶 下 1.75 英寸	4.5 cm	液压千斤顶 下 1.75 英寸	4.5 cm	液压千斤顶 下 1.75 英寸	4.5 cm
	Big Wheel 下 1 英寸	2.5 cm	Big Wheel 下 1 英寸	2.5 cm	Big Wheel 下 1 英寸	2.5 cm
等效衰减 (铝等价)	不适用				允许最大值为 1.7 mm 铝	
可选称重系统称重范围	50 磅 (22.7 kg) 至 700 磅 (318 kg)					
可选称重系统准确性	体重轻于 100 磅 (45 kg) 的患者的误差为 ± 3 磅 (1.3 kg) ; 体重等于或超过 100 磅 (45 kg) 的患者的误差为 $\pm 3\%$ *					
*要达到称重系统准确性声明, 患者表面必须处于平坦位置 (靠背和曲膝部分降下) 且产品头低卧位/头高卧位不能超过 5 度。						

电动可选件	电动担架可选件 (仅限 Prime 上可用)	电动升降装置可选件 (仅限 Prime 和 Prime X 可选件上可用)
电气要求	120 VAC, 60Hz, 10A 240 VAC, 50/60 Hz, 5A	120 VAC, 60Hz, 10A 240 VAC, 50/60 Hz, 5A
工作循环	带有间歇性负载的连续运作为 1 分钟 ON (开启)/20 分钟 OFF (关闭)	带有间歇性负载的连续运作为 1 分钟 ON (开启)/20 分钟 OFF (关闭)

可选称重系统	非电动担架 (仅限 Prime 和 Prime X 可选件上可用)	电动升降装置可选件 (仅限 Prime 和 Prime X 可选件上可用)
电池类型	4 x AA 碱性电池 (4 x 1.5 VDC) (LR6)	4 x AA 碱性电池 (4 x 1.5 VDC) (LR6)
电池电压	6.0 VDC	6.0 VDC

可选称重系统	电动担架可选件 (仅限 Prime 上可用)	可选电动升降装置
电池类型	1 x 可充电锂离子电池组 (0058-135-000)	不适用
电池电压	10.8 VDC, 2.4Ah	不适用

配备 Chaperone® 的可选称重系统 (担架床离床系统)	电动担架可选件 (仅限 Prime 上可用)	可选电动升降装置
电池类型	1 x 可充电锂离子电池组 (0058-134-000)	不适用
电池电压	10.8 VDC, 4.8Ah	不适用

Stryker 保留修改规格的权利, 恕不另行通知。

注解 - 本产品不适用于存在混合空气、氧气或氮氧化物的易燃麻醉物时使用。

环境条件	操作	存放与运输
温度		
相对湿度		
气压		

注解 - 可选称重系统（非电动担架/电动担架可选件）的运行温度范围为 61 °F (16 °C) 至 79 °F (26 °C)。所列出的规格是近似值，各个产品之间或因供电波动可能略有不同。

产品图解 - Prime

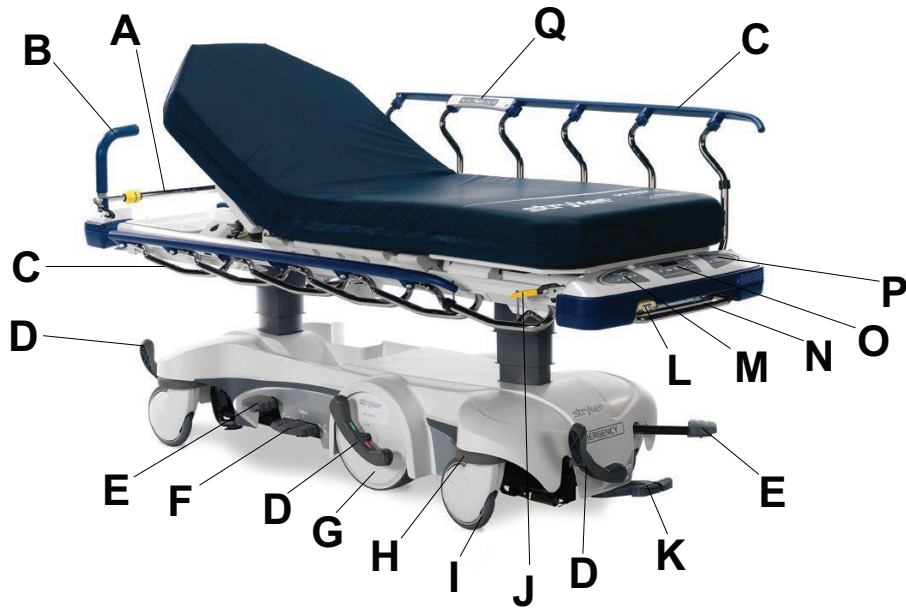


图 2 – Prime

A	静脉输液架	J	侧护栏插门
B	BackSmart® 弹出式推动把手，可选件	K	液压释放踏板
C	BackSmart 侧护栏	L	曲膝部分释放把手
D	制动/转向踏板	M	BackSmart 足端操作者控制面板，可选件
E	泵踏板	N	泵架，可选件
F	统一降低脚踏板	O	BackSmart 称重系统，可选件
G	Big Wheel	P	患者控制面板闭锁，可选件
H	集成缓冲器	Q	侧护栏患者控制面板，可选件
I	带有集成脚轮罩的脚轮		

产品图解 - Prime X 可选件



图 3 – Prime X 可选件

A	BackSmart® 弹出式推动把手，可选件	H	统一降低脚踏板
B	静脉输液架	I	集成缓冲器
C	暗盒托盘	J	带有集成脚轮罩的脚轮
D	配备 Clearview Technology® 板的患者表面	K	侧护栏插门
E	BackSmart 侧护栏	L	泵架，可选件
F	制动/转向控制踏板	M	BackSmart 称重系统，可选件
G	泵踏板		

触身部件 - 电动担架可选件



图 4 - B 类触身部件 - 电动担架可选件

触身部件 - Prime X 可选件



图 5 - B 类触身部件 - Prime X 可选件

联系信息

请拨打以下电话联系 Stryker 客户服务部门或技术支持部门：1-800-327-0770。

Stryker Medical
3800 E. Centre Avenue
Portage, MI 49002
美国

注解 - 用户和/或患者应向制造商及用户和/或患者所在的欧洲成员国的主管当局报告任何与产品有关的严重事故。

要在线查看您的操作或维护手册，请访问 <https://techweb.stryker.com/>。

致电 Stryker 客户服务部或技术支持部时，请提供您的 Stryker 产品的序列号 (A)。在所有书面通信中，请列明产品序列号。

序列号位置

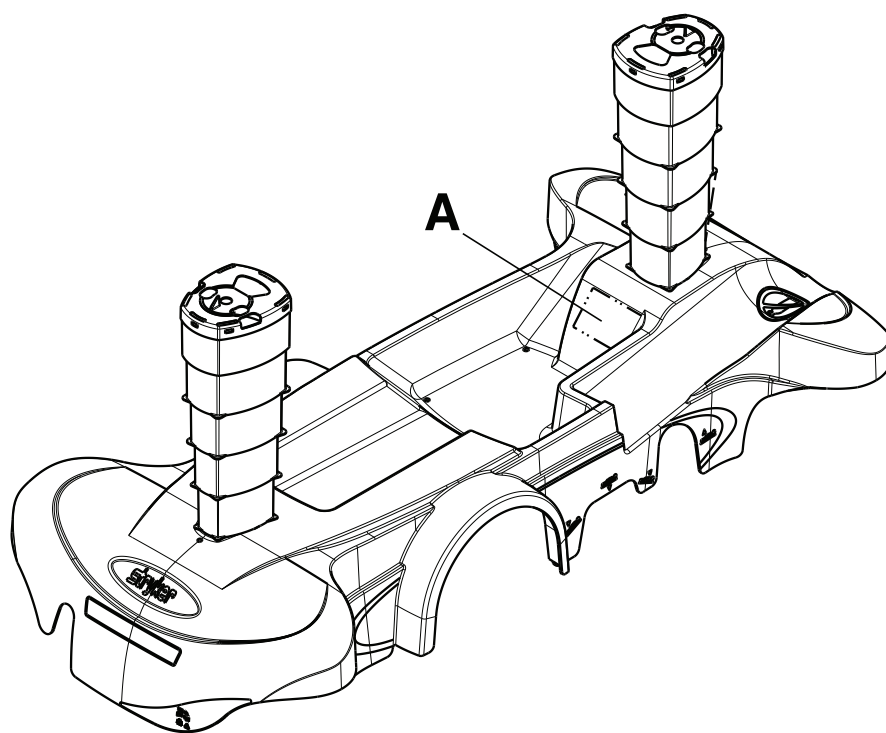


图 6 – 序列号位置

设置

要拆开您的产品包装，参阅装运箱内产品附带的拆包说明。

警告

- 在设置产品或测试功能性运行之前，始终让产品达到室温。可能造成永久性的产品损坏。
 - 始终在所有操作者离开机械装置后再操作产品。
 - 操作电源线时务必小心。可能会发生电源线纠缠、损坏，或潜在的触电危险。如果电源线受损，请立即停用本产品并联系适当的维护人员。
 - 务必将产品插头直接插入接地的医院级墙壁插座上。只有在使用医院级插座时才可实现接地可靠性。本产品配备医院级插头以防触电危险。
-

在产品投入使用前，确保产品可正常运行。

1. 施用制动器。推动产品以确保四个脚轮全部锁定。
2. 释放制动器。向前推动本产品以确保四个脚轮全部解锁。
3. 使用液压升降系统升高和降低担架。
4. 将产品升高至最高位置，然后以头低卧位放置产品（参阅 *以头低卧位式定位产品* (页面 17)）。确保头端降低到最低位置。
5. 将产品升高至最高位置，然后以头高卧位放置产品（参阅 *以头高卧位式定位产品* (页面 18)）。确保足端降低到最低位置。
6. 应用 **Big Wheel** 并确保它正常工作。
7. 确保侧护栏升降自如，锁定到位。
8. 升高和降低手动 Fowler 靠背（头端）。
9. 升高和降低手动曲膝部分（足端）。

对于带电动升降装置或电动担架可选件的产品：

1. 完成上述设置检查清单。
2. 将产品的插头插入接地的医院级墙上插座。确保锁闭键盘上的 LED 灯会亮起。
3. 确保侧护栏患者控制面板可选件上的每项功能工作正常。
4. 确保足端操作者控制面板可选件上的每项功能工作正常。
5. 升高和降低电动 Fowler 靠背（头端）。
6. 升高和降低电动曲膝部分（足端）。

对于带称重系统可选件-电动担架可选件的产品（带或不带 **Chaperone** 可选件）：

1. 完成上述设置检查清单。
2. 对电池进行充电 (*对称重系统电池组可选件充电 - 电动担架可选件或配备 Chaperone 可选件的电动担架可选件 - 仅限 Prime* (页面 30))。

操作

施用或松开制动器

警告 - 当患者上、下产品或者当产品不动时，始终施用制动器。患者上下产品时，若产品移动，可能导致受伤。

要施用制动器，向下推制动/转向踏板上的制动（红色）侧。推动产品以确保制动器正常工作。

要释放制动器，向下推制动/转向踏板上的转向（绿色）侧。

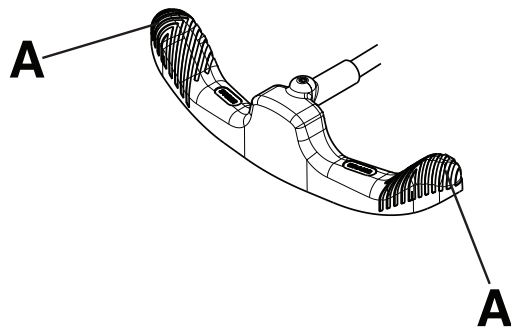


图 7 – 操作制动器/转向踏板

注解 - 切勿向下推制动/转向踏板的中心。始终向下推制动/转向踏板的外侧 (A) (图 7)。

Prime 底座控制

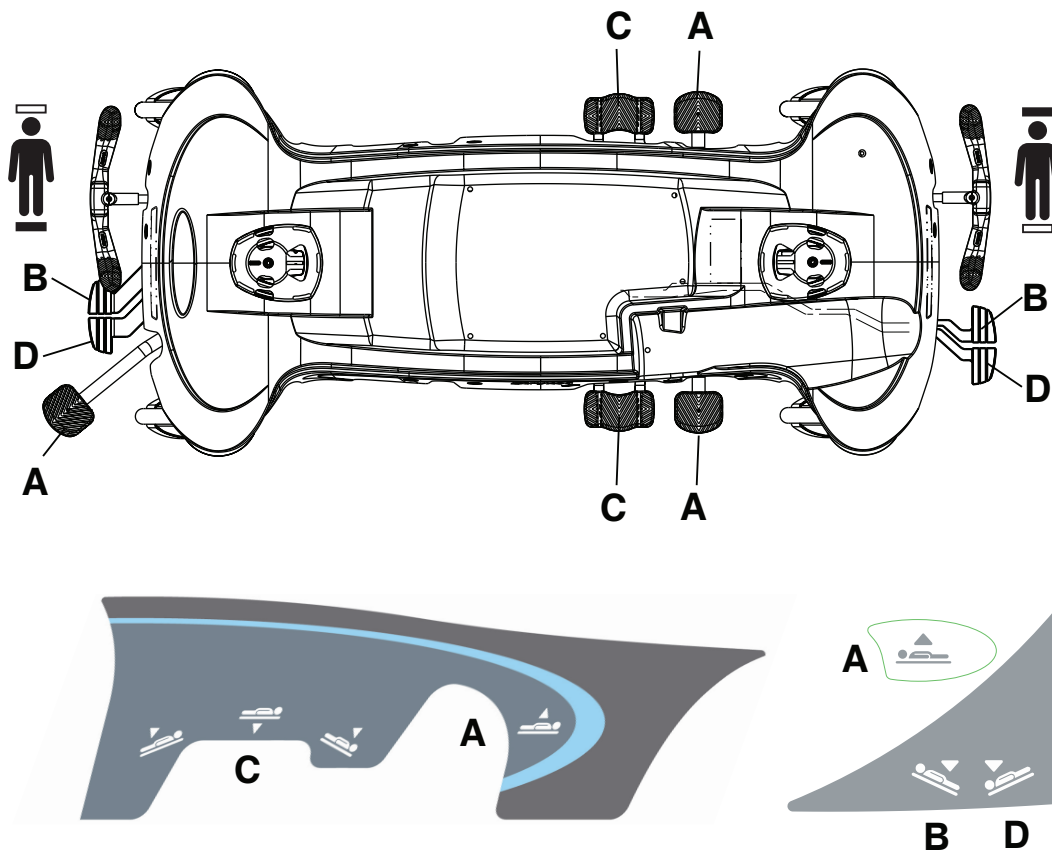


图 8 – Prime 底座控制和标签

升高非电动担架

警告

- 始终将患者安置在产品中间。
- 当产品上的患者无人看顾时，始终将产品设到最低位置，扳起并栓紧侧护栏。请勿将产品留在较高高度。
- 在升高或降低担架之前，始终移去可能挡在中间的任何装置。
- 请勿坐在产品末端。产品可能翻倒。

注意 - 当产品下有患者升降装置时，请勿用底座上的液压装置升高产品。

要升高担架，向下按泵踏板 (A)，直至您达到所需高度 (*Prime 底座控制* (页面 16))。

降低非电动担架

警告

- 始终将患者安置在产品中间。
- 当产品上的患者无人看顾时，始终将产品设到最低位置，扳起并栓紧侧护栏。请勿将产品留在较高高度。
- 在升高或降低担架之前，始终移去可能挡在中间的任何装置。
- 请勿坐在产品末端。产品可能翻倒。

注意 - 当产品下有患者升降装置时，请勿用底座上的液压装置升高产品。

要降低整个担架，按下统一降低脚踏板 (C) 中间 (*Prime* 底座控制 (页面 16)) 。

要仅降低担架的头端，按下踏板(B)或向下按压最接近产品头端的踏板 (C) 侧边。

要仅降低担架的足端，按下踏板(D)或按下最接近产品足端的统一降低脚踏板 (C) 侧边。

升高电动担架可选件

警告

- 始终将患者安置在产品中间。
- 当产品上的患者无人看顾时，始终将产品设到最低位置，扳起并栓紧侧护栏。请勿将产品留在较高高度。
- 在升高或降低担架之前，始终移去可能挡在中间的任何装置。
- 请勿坐在产品末端。产品可能翻倒。

注意 - 当产品下有患者升降装置时，请勿用底座上的液压装置升高产品。

要升高电动担架，向下按泵踏板(A)，直至您达到所需高度 (*Prime* 底座控制 (页面 16)) 。

降低电动担架可选件

警告

- 始终将患者安置在产品中间。
- 当产品上的患者无人看顾时，始终将产品设到最低位置，扳起并栓紧侧护栏。请勿将产品留在较高高度。
- 在升高或降低担架之前，始终移去可能挡在中间的任何装置。
- 请勿坐在产品末端。产品可能翻倒。

注意 - 当产品下有患者升降装置时，请勿用底座上的液压装置升高产品。

要降低整个电动担架，按下统一降低脚踏板 (C) 中间 (*Prime* 底座控制 (页面 16)) 。

要仅降低担架的头端，按下踏板(B)或向下按压最接近产品头端的统一降低踏板 (C) 侧边。

要仅降低担架的足端，按下踏板(D)或向下按压最接近产品足端的统一降低脚踏板 (C) 侧边。

以头低卧位式定位产品

警告 - 在升高或降低担架之前，始终移去可能挡在中间的任何装置。

注意 - 当产品下有患者升降装置时，请勿用底座上的液压装置升高产品。

要以头低卧位式 (头向下) 定位产品，请将担架升高至最高高度 (*升高非电动担架* (页面 16) 或 *升高电动担架可选件* (页面 17)) 。

注解 - 将担架升高至最高高度使头低卧位角度变得更大。

要降低产品的头端，向下按压头端或足端释放踏板(D)或向下按压最接近头端的统一降低脚踏板 (C) 侧边 (参见 *Prime* 底座控制 (页面 16)) 。

要从头低卧位降低产品，同时向下按压头端或足端释放踏板 (B 和 D) 或向下按压统一降低脚踏板 (C) 中间，直至担架展平。

以头高卧位式定位产品

警告 - 在升高或降低担架之前，始终移去可能挡在中间的任何装置。

注意 - 当产品下有患者升降装置时，请勿用底座上的液压装置升高产品。

要以头高卧位式（足向下）定位产品，请将担架升高至最高高度（升高非电动担架（页面 16）或升高电动担架可选件（页面 17））。

注解 - 将担架升高至最高高度使头低卧位角度变得更大。

要降低产品的足端，向下按压头端或足端释放踏板(B)或向下按压最接近足端的统一降低脚踏板(C)侧边（Prime 底座控制（页面 16））。

要从头高卧位降低产品，同时向下按压头端或足端释放踏板（B 和 D）或向下按压统一降低脚踏板(C)中间，直至担架展平。

转运患者

警告

- 始终将患者安置在产品中间。
 - 当您在转运患者时，始终在床面呈水平放置且位于最低位置的情况下，使侧护栏在完全升高的位置锁定。
 - 请勿在横向斜度大于 5.7 度（10% 爬坡度）的情况下运输产品，以避免产品翻倒。
-

为了转运患者：

1. 将侧护栏升高至最高位置。拉动侧护栏以确保其栓紧。
2. 将担架降至最低位置。
3. 如果产品配备了电动升降装置或电动担架可选件，从壁装插座上拔下电源线。
4. 按下制动器/操纵踏板的操纵（绿色）侧。
5. 使用推动把手推产品。
6. 施用制动器将产品锁定到位。

注解 - 在移动产品之前，始终确保释放制动器，以避免操作者或患者受伤。

在没有使用 Big Wheel 的情况下转运患者

警告

- 始终将患者安置在产品中间。
 - 当您在转运患者时，始终在床面呈水平放置且位于最低位置的情况下，使侧护栏在完全升高的位置锁定。
-

要在没有使用 **Big Wheel** 的情况下转运患者：

1. 将制动/转向踏板(A)放置于空档位置（图 9）。

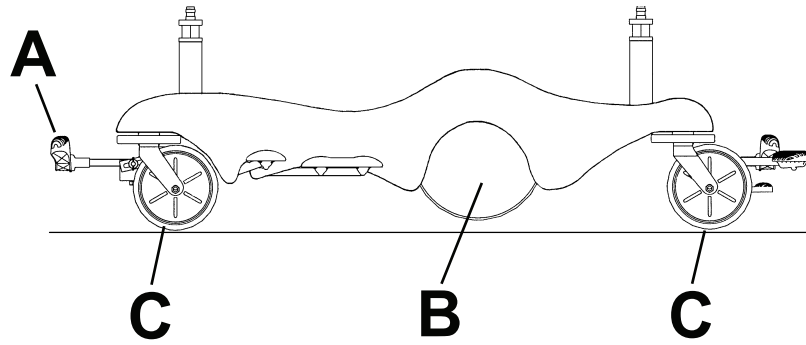


图 9 – 在没有使用 Big Wheel 的情况下转运

2. 将担架降至最低位置。
3. 仅限对于 1125 型，确保 On/Drive-Off/Manual (开启/驱动-关闭/手动) 开关处于 Off (关闭) 位置。
4. 如果产品配备了电动升降装置可选件或电动担架可选件，从医院级壁装插座上拔下电源线。
5. 使用推动把手推产品。
6. 施用制动器将产品锁定到位。

注解

- 在移动产品之前，始终确保释放制动器，以避免操作者或患者受伤。
- 当产品处于空档位置时，Big Wheel (B) 升高，且产品停靠在全四个脚轮(C)上(图 9)。在该位置时，您可向任何方向 (包括侧向) 移动本产品。

使用 Big Wheel 转运患者

警告

- 始终将患者安置在产品中间。
 - 当您在转运患者时，始终在床面呈水平放置且位于最低位置的情况下，使侧护栏在完全升高的位置锁定。
-

注意 - 当 Big Wheel 停靠在门槛或其他高起区域时，请勿施用转向踏板。施用 Big Wheel 所需的力量将高于正常水平，可能造成产品损坏。

要使用 Big Wheel 转运患者：

1. 将侧护栏升高至最高位置。拉动每个侧护栏以确保其栓紧。
2. 将担架降至最低位置。
3. 仅限对于 1125 型，确保 On/Drive-Off/Manual (开启/驱动-关闭/手动) 开关处于 Off (关闭) 位置。
4. 如果产品配备了电动升降装置可选件或电动担架可选件，从医院级壁装插座上拔下电源线。
5. 将制动/转向踏板 (A) 放到转向位置 (图 10)。

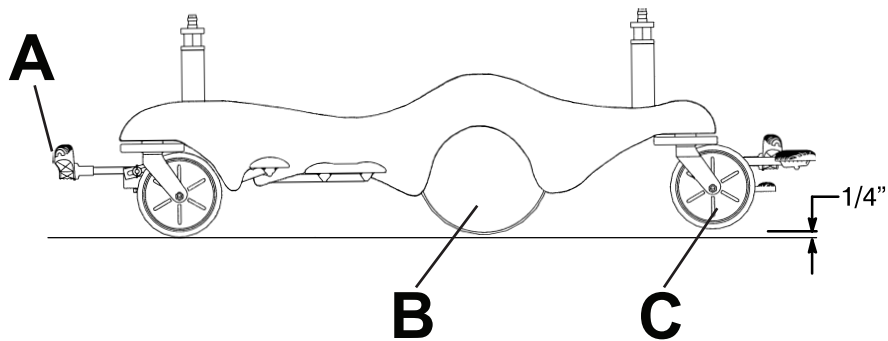


图 10 – 在使用 Big Wheel 的情况下转运

6. 使用推动把手推产品。
7. 施用制动器将产品锁定到位。

注解

- 在尝试移动产品之前，始终确保制动器被释放。当启用制动器时尝试移动产品可能会导致操作人员或患者受伤。
- **Big Wheel (B)** 不会转动。在您使用 **Big Wheel** 的情况下，不能侧向移动产品。
- 在您使用 **Big Wheel (B)** 时，产品升高，足端脚轮(C)升高。产品靠在头端脚轮和 **Big Wheel** 上，使产品便于转向(图 10)。

定位或收起头端推动把手可选件

要定位或收起头端推动把手：

1. 从产品头端向上转动把手 (A) (图 11)。
2. 向下推把手以将其锁定到位。

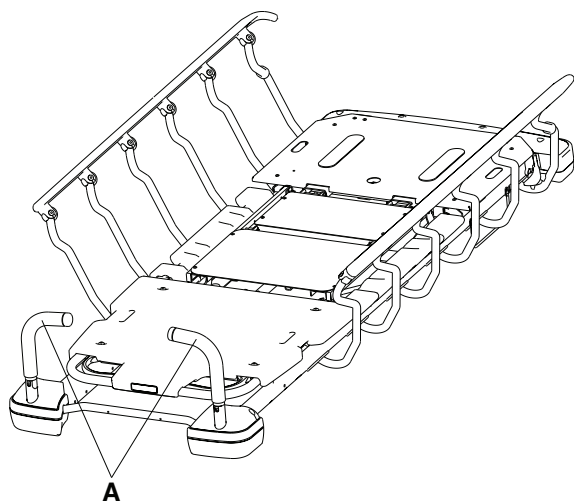


图 11 – 定位头端推动把手

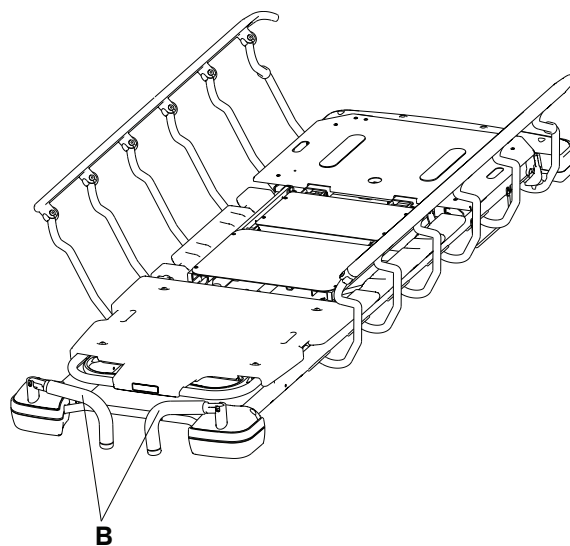


图 12 – 收起头端推动把手

3. 采取相反的操作步骤收起头端推动把手(B) (图 12)。

注解 - 仅将推动把手用作推/拉装置 (除非另有说明) ，以免产品损坏。

升高侧护栏

警告

- 当使用厚度超过 2.5 英寸(6.35 cm) 的床垫或配备 **Prime X** 可选件的床垫覆盖层时，务必特别注意。
- 当产品上的患者无人看顾时，始终将产品设到最低位置，扳起并栓紧侧护栏。请勿将产品留在较高高度。
- 当您在转运患者时，始终在床面呈水平放置且位于最低位置的情况下，使侧护栏在完全升高的位置锁定。
- 当您升高或降低侧护栏时，始终将患者四肢远离侧护栏转轴。
- 请勿让侧护栏自行下降。

要升高侧护栏：

1. 双手抓紧侧护栏。
2. 将侧护栏向产品的足端抬高，直至黄色释放插门卡入到位。拉动侧护栏以确保侧护栏栓紧。

注解

- 产品的头端和足端均有可用的双护栏释放插门可选件。
- 请勿将侧护栏用作患者约束装置，以免患者从产品上掉下。侧护栏防止患者不慎从产品上滚落。操作者必须确定需要多大约束以确保患者安全。
- 您可以将侧护栏上部足端用作推/拉装置。
- 侧护栏仅在完全升高的位置时锁定。

降低侧护栏

警告

- 当使用厚度超过 2.5 英寸(6.35 cm) 的床垫或配备 **Prime X** 可选件的床垫覆盖层时，务必特别注意。
- 当产品上的患者无人看顾时，始终将产品设到最低位置，扳起并栓紧侧护栏。请勿将产品留在较高高度。
- 当您在转运患者时，始终在床面呈水平放置且位于最低位置的情况下，使侧护栏在完全升高的位置锁定。
- 当您升高或降低侧护栏时，始终将患者四肢远离侧护栏转轴。
- 请勿让侧护栏自行下降。

要降低侧护栏：

1. 用一只手抓紧侧护栏。
2. 用另一只手向上拉黄色释放插门。
3. 升高并引导侧护栏朝向产品的头端，直至黄色释放插门卡入到位。拉动侧护栏以确保侧护栏栓紧。

注解

- 产品的头端和足端均有可用的双护栏释放插门可选件。
- 请勿将侧护栏用作患者约束装置，以免患者从产品上掉下。侧护栏防止患者不慎从产品上滚落。操作者必须确定需要多大约束以确保患者安全。
- 您可以将侧护栏上部足端用作推/拉装置。
- 侧护栏仅在完全升高的位置时锁定。

定位配备侧护栏患者控制面板的产品 - 电动担架可选件 - 仅限 Prime

警告 - 始终在所有操作者离开机械装置后再操作产品。

使用侧护栏患者控制面板定位 Fowler 靠背和曲膝部分 (图 13)。

专业医务人员必须向患者说明如何操作患者控制装置。

注解

- 始终将电源线插在接地的医院级墙上插座。
- 侧护栏患者控制面板交错放置在产品的每一侧以便于患者取用。
- 每个侧护栏均有背光控制装置，可让患者定位 Fowler 靠背和曲膝部分。当产品插电且患者控制面板解锁时，白色按钮会亮起。

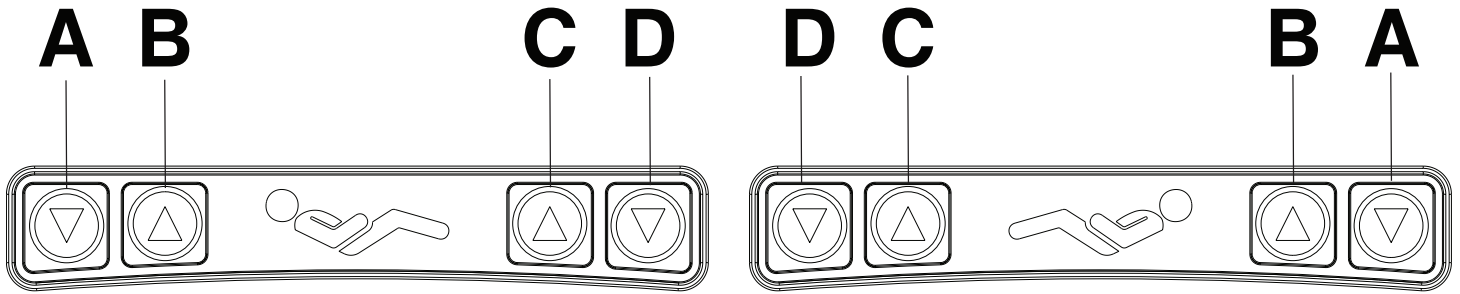


图 13 – 侧护栏患者控制面板

A	Fowler 靠背向下	降低 Fowler 靠背 (头部分)
B	Fowler 靠背向上	升高 Fowler 靠背 (头部分)
C	曲膝部分向上	升高曲膝部分 (足部分)
D	曲膝部分向下	降低曲膝部分 (足部分)

操作者控制面板 - 电动担架可选件 - 仅限 Prime

警告 - 始终在所有操作者离开机械装置后再操作产品。

使用操作者控制面板以调整患者在产品上的位置 (图 14)。

注解 - 始终将电源线插在接地的医院级墙上插座。

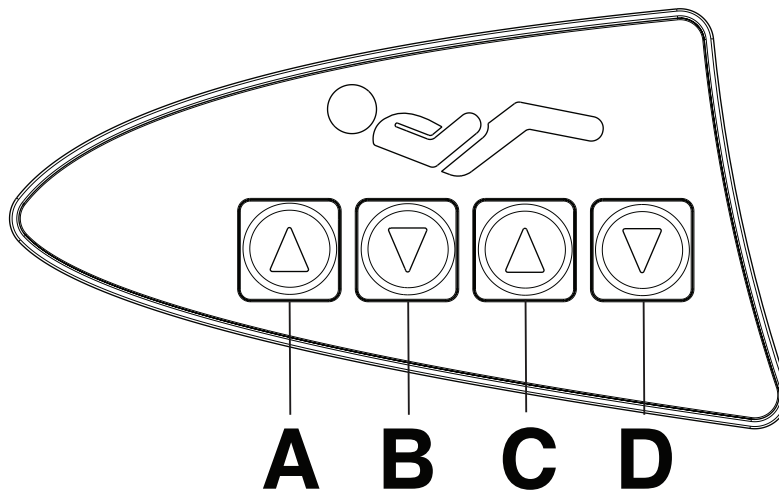


图 14 – 操作者控制面板 - 电动担架可选件

A	Fowler 靠背向上	升高 Fowler 靠背
B	Fowler 靠背向下	降低 Fowler 靠背

C	曲膝部分向上	升高曲膝部分
D	曲膝部分向下	降低曲膝部分

锁定和解锁患者控制面板闭锁 - 电动担架可选件 - 仅限 Prime

警告 - 始终在所有操作者离开机械装置后再操作产品。

要锁定侧护栏患者控制面板，按一次 **Unlock/Lock** (解锁/锁定) (A) (图 15)。

注解 - 当患者控制装置锁定时，锁定图标 (C) 黄色指示灯会亮起。

要解锁患者控制面板，再按一次 **Unlock/Lock** (解锁/锁定) (A)。

注解 - 当患者控制装置解锁时，解锁图标 (B) 绿色指示灯会亮起。

注解

- 始终将电源线插在接地的医院级墙上插座。
- 您可以锁定患者控制面板以防患者移动靠背和曲膝部分。
- 当您锁定患者控制面板时，侧护栏患者控制面板背光不亮。

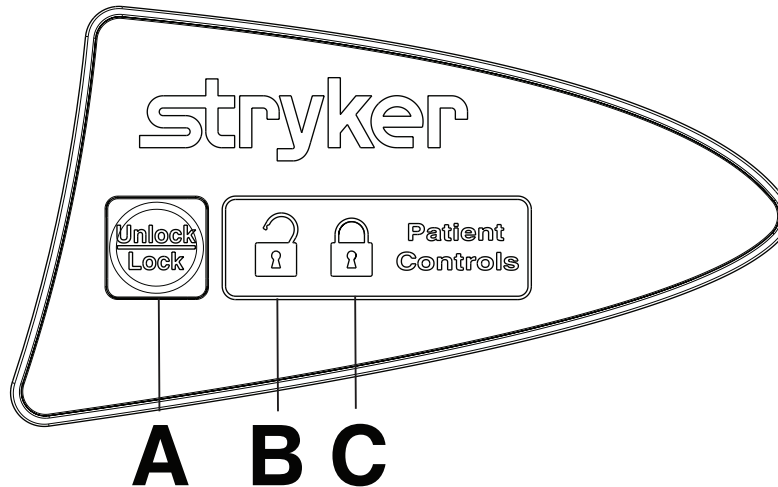


图 15 – 患者控制面板闭锁

升高或降低Fowler 靠背 - 非电动担架

警告

- 始终在所有操作者离开机械装置后再操作产品。
- 降低 Fowler 靠背时，始终保持双手和手指远离 Fowler 靠背释放把手和 Fowler 靠背框架。
- 患者躺在产品上时，升高 Fowler 靠背务必要谨慎。使用正确的升降技巧，如有必要，寻求帮助。

要升高 Fowler 靠背，挤压单个或两个靠背释放把手 (A) 并将靠背向上拉到所需位置 (0° 至 90°) (图 16)。

注解 - Lift Assist® 靠背利用患者体重协助患者定位。Lift Assist 靠背在 Fowler 靠背升高时，还有助于防止患者向产品足端滑动。

要降低 Fowler 靠背，挤压单个或两个 Fowler 靠背释放把手 (A) 并将 Fowler 靠背向下推到所需位置 (90° 至 0°) (图 16)。

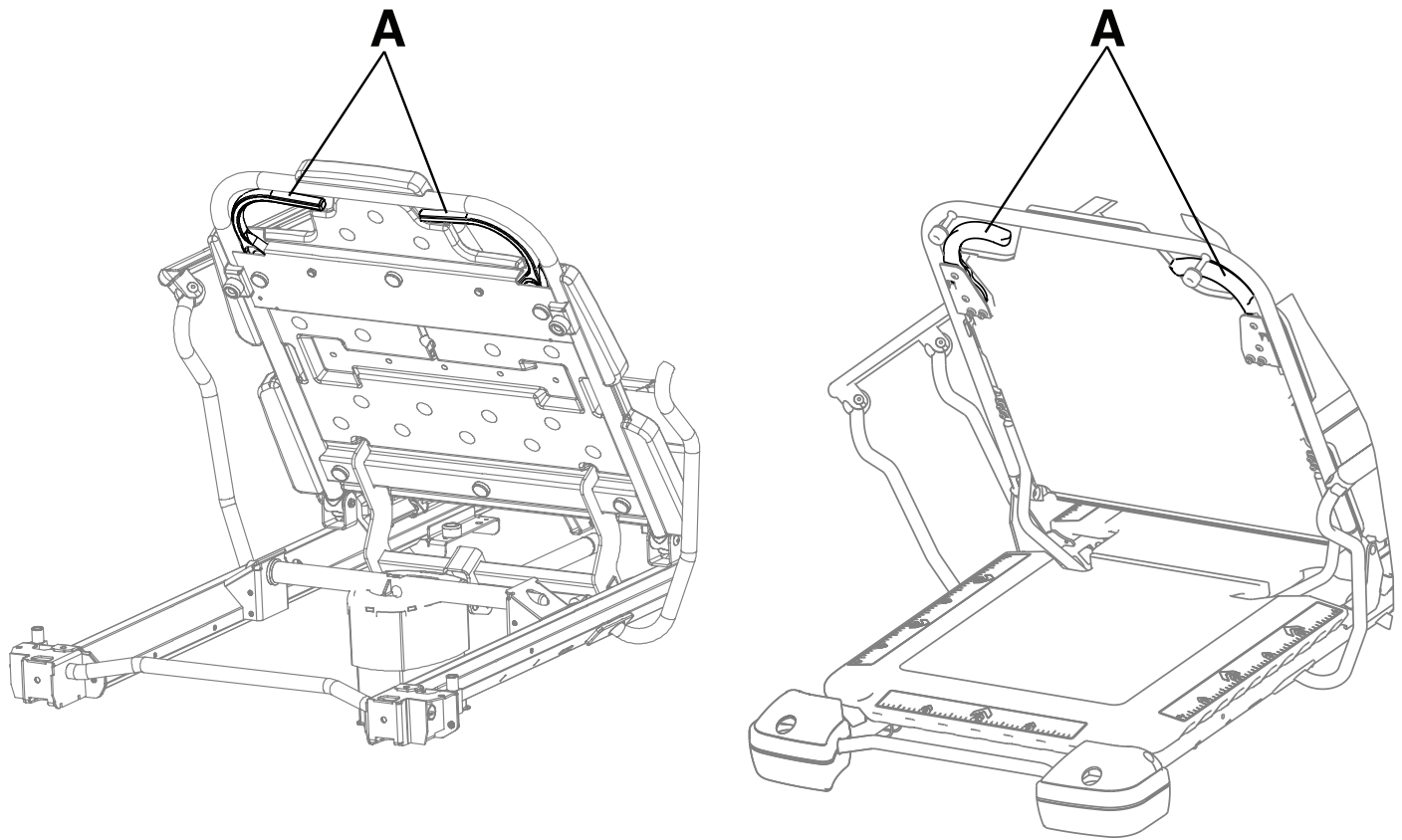


图 16 – 升高或降低 Fowler 靠背 (Prime / Prime X)

升高或降低 Fowler 靠背 - 电动担架可选件

警告

- 始终在所有操作者离开机械装置后再操作产品。
- 降低 Fowler 靠背时，始终保持双手和手指远离 Fowler 靠背释放把手和 Fowler 靠背框架。
- 患者躺在产品上时，升高 Fowler 靠背务必要谨慎。使用正确的升降技巧，如有必要，寻求帮助。

要升高 Fowler 靠背，按下侧护栏患者控制面板 (定位配备侧护栏患者控制面板的产品 - 电动担架可选件 - 仅限 Prime (页面 21)) 或足端操作者控制面板 (操作者控制面板 - 电动担架可选件 - 仅限 Prime (页面 22)) 靠背侧上的 **up** (向上) 按钮直至达到所需角度 (0°至 70°)。

注解 - Lift Assist 靠背 利用患者体重协助患者定位。Lift Assist 靠背在 Fowler 靠背升高时，还有助于防止患者向产品足端滑动。

要降低 Fowler 靠背，按下侧护栏患者控制面板 (定位配备侧护栏患者控制面板的产品 - 电动担架可选件 - 仅限 Prime (页面 21)) 或足端操作者控制面板 (操作者控制面板 - 电动担架可选件 - 仅限 Prime (页面 22)) 靠背侧上的 **down** (向下) 按钮直至达到所需角度 (70°至 0°)。

注解 - 始终将电源线插在接地的医院级墙上插座。

专业医务人员必须向患者说明如何操作患者控制装置。

升高或降低曲膝部分 - 非电动担架 - 仅限 Prime

警告 - 降低曲膝部分时，始终保持双手和手指远离足端推动把手。

注意

- 曲膝部分的承重能力为 200 磅 (90.7 kg)。
 - 使用之前，始终确保曲膝部分撬动杆固定。
 - 请勿坐或站在曲膝部分上。
-

要升高非电动曲膝部分，向左重复泵送曲膝部分泵把手，直至您达到所需位置（参见产品图解 - Prime 担架）。

抬高曲膝部分末端，并将撬动杆固定在支架中。

要释放撬动杆，抬高屈膝末端，以便撬动杆向产品头端摆动，并降低足端。

要降低曲膝部分，拉曲膝部分释放把手，直至您达到所需位置（参见产品图解 - Prime 担架）。

注解 - 如果产品有电动担架可选件，您不可手动升高曲膝部分。

升高或降低曲膝部分 - 电动担架可选件 - 仅限 Prime

警告

- 降低曲膝部分时，始终保持双手和手指远离足端推动把手。
 - 始终在所有操作者离开机械装置后再操作产品。
-

注意

- 曲膝部分的承重能力为 200 磅 (90.7 kg)。
 - 请勿坐或站在曲膝部分上。
 - 当产品未通电时试图降低曲膝部分时，务必注意。重力可能导致曲膝部分快速落下。
-

要升高曲膝部分，按下侧护栏患者控制面板或足端操作者控制面板曲膝部分侧上的 **up**（向上）按钮。

要降低曲膝部分，按下侧护栏患者控制面板或足端操作者控制面板曲膝部分侧上的 **down**（向下）按钮。

注解 - 始终将电源线插在接地的医院级墙上插座。

专业医务人员必须向患者说明如何操作患者控制装置。

定位康复椅 - 仅限 Prime

警告 - 始终在所有操作者离开机械装置后再操作产品。

要将产品放入康复椅的位置(图 17)：

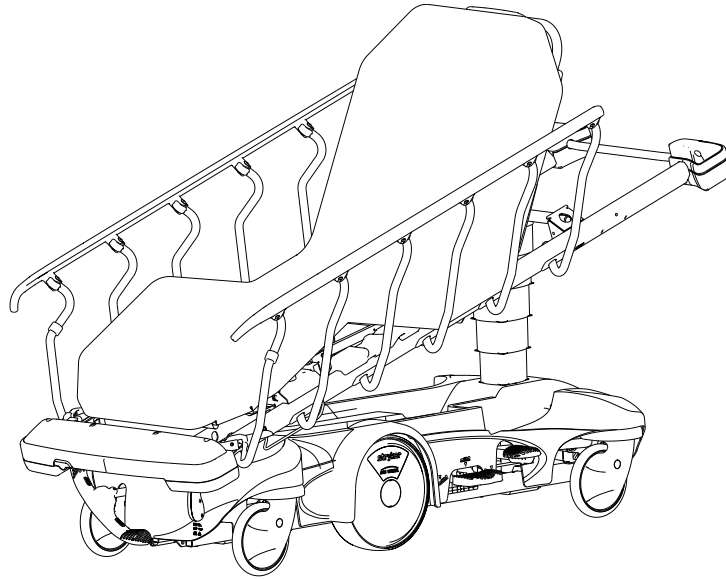


图 17 – 康复椅 (显示型号 1115)

1. 将 Fowler 靠背升高至座位 (升高或降低Fowler 靠背 - 非电动担架 (页面 23) 或升高或降低 Fowler 靠背 - 电动担架可选件 (页面 24)) 。

注解 - 要定位康复椅，产品必须有 Lift Assist 靠背可选件和曲膝部分可选件。

2. 升高曲膝部分至其最大高度 (升高或降低曲膝部分 - 非电动担架 - 仅限 Prime (页面 25) 或升高或降低曲膝部分 - 电动担架可选件 - 仅限 Prime (页面 25)) 。
3. 将担架升高至最高高度 (参见升高非电动担架 (页面 16) 或升高电动担架可选件 (页面 17)) 。
4. 将产品放置为头高卧位式 (以头高卧位式定位产品 (页面 18)) 。
5. 采取相反的操作步骤将产品降低到平放位置。

将物品存放于底罩中

注意

- 请勿在底罩上放置超过 27 kg 的物体。
- 请勿坐、踩或站在底罩上。

您可将个人物品存放于底罩中。请勿用气瓶支架架框存放氧气瓶或患者个人物品。

使用泵架可选件悬挂装置。

警告

- 始终使泵架上的装置管线保持远离曲膝部分把手。
- 在升高或降低担架之前，始终移去可能挡在中间的任何装置。
- 始终确保泵架上的装置可以安全地穿过门的开口。
- 请勿通过泵架来升高产品。

注意

- 泵架的承重能力为 40 磅 (18 kg)。
- 请勿将泵架用作推/拉装置。否则可能损坏产品。

您可以在位于产品的足端的泵架上存放或悬挂额外装置。

注解 - 您必须在购买时选择泵架。

用伸缩式卷线盘可选件伸展或缩回电源线 - 电动升降装置可选件或电动担架可选件

警告

- 在转运患者或清洁产品之前，始终将电源线从墙上插座拔出。
- 在产品转运期间，始终使用可伸缩卷线器将电源线收藏在底座内。

要伸展电源线，请从伸缩式卷线盘(A)中拉出电源线至所需长度（图 18）。

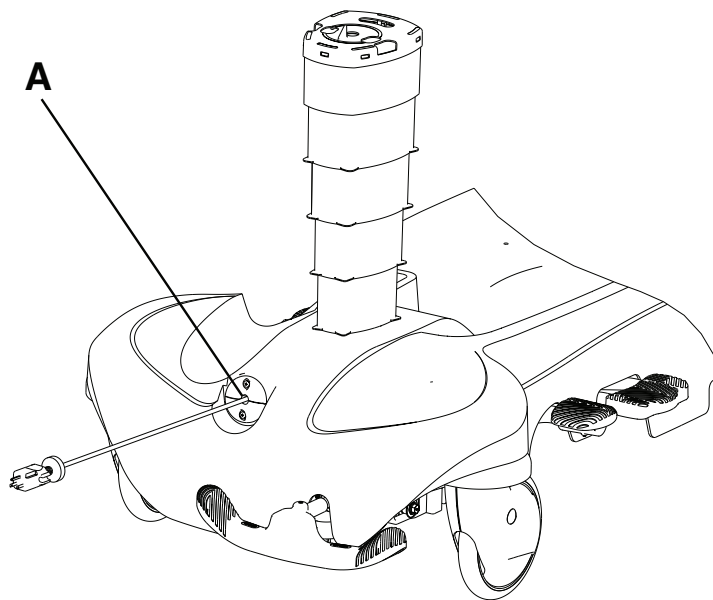


图 18 – 伸缩式卷线盘

要缩回电源线：

1. 将插头从墙上插座拔出。
2. 轻轻拉动电源线。
3. 引导电源线进入伸缩式卷线盘。

称重系统可选件

警告 - 请勿将称重系统可选件、电动升降装置可选件或电动担架可选件与其他装置邻近或相互堆叠使用。如果需要邻近或堆叠使用，应观察称重系统可选件、电动升降装置可选件或电动担架可选件以确保所有装置在它们所使用的配置中正常工作。

注意 - 请勿将称用于体重低于 50 磅 (22.7 千克) 的患者。

称重系统可选件可配备或不配备电动担架可选件。称重系统可选件有一个备用电池可选件。当产品使用备用电池时，待机图标会显示。

Chaperone 可选件允许您设置区域控制，当患者试图离开产品时，会向操作者发出报警。**Chaperone** 可选件可供配备电动担架可选件和称重系统可选件的产品使用。配备 **Chaperone** 可选件的称重系统可选件有一个备用电池可选件。当产品使用备用电池时，待机图标会显示。

在试图操作称重系统可选件之前，升高足端推动把手。

使用称重系统控制面板操作称重系统可选件（**称重图标/按钮识别**（页面 28））。

当称重系统可选件在称重或归零时，请勿触碰产品。

当系统在称重时，患者必须保持静止不动。如果患者移动，称重系统将尝试 20 秒以获得稳定体重或归零值，然后显示错误消息 (《T》)。

如果有松动的连接或称重系统不运作，显示屏显示错误(《T》)。如果您试图操作称重系统，且错误显示，请与 Stryker 技术支持部门联系。

注解 - 要达到准确性声明，患者表面必须处于平坦位置（靠背和曲膝部分降下）且产品头低卧位或头高卧位不能超过 5 度。

称重图标/按钮识别

项目	图标/按钮	名称	说明
A		待机图标	当您电源线插入墙上插座时，绿灯会亮起。 当您电源线从墙上插座拔出时，黄灯会亮起。电池备份功能将开启。
B		区域 1 图标	患者可以自由移动，但当患者试图离开产品时，报警声会响起。
C		区域 2 图标	患者可移动，但移动受限。当患者接近侧护栏或移向足端时，报警声会响起。
D		Arm/Disarm (启用/解除) 按钮	启用和解除 Chaperone 可选件 (担架床离床系统) 报警。请参见 <i>启用或解除 Chaperone 可选件报警</i> (页面 29)。
E		Weigh (称重) 按钮	对患者称重。请参见 <i>称量患者体重</i> (页面 28)。
F		lb/kg (磅/千克) 按钮	更改显示的衡量单位。请参见 <i>锁定称重测量单位</i> (页面 29)。
G		Zero (归零) 按钮	对称重设置归零。请参见 <i>锁定称重测量单位</i> (页面 29)。

称量患者体重

注意 - 请勿将称重系统读数用作医疗参考。

1. 在试图操作称重系统可选件之前，升高足端推动把手。
2. 长按 **Zero** (归零)，直到屏幕上显示 **rel** (释放) 以将称归零。**000.0** 闪烁然后停止闪烁。
注解 - 直到 **000.0** 停止闪烁，秤才准备好可供使用。
3. 将患者放在产品上。
4. 按下 **lb/kg** (磅/千克) 选择测量单位 (磅或千克)。
5. 按下 **Weigh** (称重) 以获得患者体重。

注解 - 患者的体重显示 40 秒。

锁定称重测量单位

1. 长按 **Weigh** (称重)、**lb/kg** (磅/千克) 和 **Zero** (归零)，直到 **diag** (诊断) 显示。
2. 按下 **lb/kg** (磅/千克) 或 **Zero** (归零) 以切换到 **Unit Loc** (单位本地化)。
3. 对于没有 **Chaperone** 的称，长按 **lb/kg** (磅/千克) 和 **Zero** (归零)，直到 **rel** 显示以选择 **Unit Loc** (单位本地化)。
4. 对于配备 **Chaperone** 的称，长按 **lb/kg** (磅/千克) 和 **Zero** (归零) 以选择 **Unit Loc** (单位本地化)。
5. 按下 **lb/kg** (磅/千克) 或 **Zero** (归零) 以切换到 **lb** (磅)、**kg** (千克) 或 **Any** (任意)。
6. 按下后松开 **lb/kg** (磅/千克) 和 **Zero** (归零)。**Only** (仅) 和所选的度量单位显示。

注解 - 如果您选择了 **Any** (任意)，则 **Only** (仅) 不显示。

7. 长按 **Weigh** (称重)，直到 **quit** (退出) 显示。
8. 长按 **Zero** (归零)，直到 **rel** 显示。**000.0** 闪烁然后停止闪烁。

注解 - 直到 **000.0** 停止闪烁，秤才准备好可供使用。

启用或解除 Chaperone 可选件报警

Chaperone 可选件启用报警时，会监视患者躺在产品上的位置。

要启用或解除 **Chaperone** 可选件报警：

1. 在患者躺在产品上的情况下，按下 **Arm/Disarm** (启用/解除报警)。

注解 - 这会启用区域 1 报警。施用后，区域 1 黄色指示灯会亮起。

2. 要启用区域 2，3 秒内按下 **Arm/Disarm** (启用/解除报警) 2 次。

注解 - 这会启用区域 2 报警。施用后，区域 2 黄色指示灯会亮起。

3. 要解除 **Chaperone** 可选件报警，按住 **Arm/Disarm** (启用/解除报警)。

注解 - 在启用 **Chaperone** 可选件报警之前，您必须将称归零。

注解 - 如果患者移出所选区域的边界，称重系统可选件显示屏黄色指示灯会闪烁，**Alert** (报警) 也会闪烁，并且会触发报警声。

设置 Chaperone 可选件报警模式

要更改 **Chaperone** 可选件报警模式：

1. 同时按住 **Arm/Disarm** (启用/解除报警) 与 **Weigh** (称重) 约 6 秒。忽略所有显示消息，直至显示屏出现 “**Ptrn**” (模式) (**称重图标/按钮识别** (页面 28))。
2. 松开 **Arm/Disarm** (启用/解除报警) 与 **Weigh** (称重) 按钮。

注解 - 显示屏显示模式设置 “**P (1-10)**”。

3. 按下 **Arm/Disarm** (启用/解除报警) 或 **Weigh** (称重) 以滚动浏览模式选项。

注解 - 当您滚动浏览模式选项时，将会有模式的简短示例演示。

4. 同时按住 **Arm/Disarm** (启用/解除报警) 与 **Weigh** (称重) 6 秒，直至显示屏出现 **set** (设置) 字样以保存您选择的模式。
5. 松开 **Arm/Disarm** (启用/解除报警) 与 **Weigh** (称重)。

注解 - 您选择的模式设置出现在显示屏上。一个模式的简短示例将会确认您的模式设置。

设置 Chaperone 可选件报警音量

要更改 **Chaperone** 可选件报警音量：

1. 同时按住 **Zero** (归零) 与 **lb/kg** (磅/千克)，直至显示屏出现 **Vol** (音量) 字样 (**称重图标/按钮识别** (页面 28))。

2. 松开 **Zero** (归零) 与 **lb/kg** (磅/千克) 。

注解 - 显示屏出现音量水平 “**L (1-4)**”。

3. 按下 **Zero** (归零) 或 **lb/kg** (磅/千克) 滚动浏览音量水平。

注解 - 当您滚动音量水平时，将会有音量水平的简短示例演示。

4. 同时按住 **Zero** (归零) 与 **lb/kg** (磅/千克) 6 秒，直至显示屏出现 **set** (设置) 字样以保存您选择的音量水平。

5. 松开 **Zero** (归零) 与 **lb/kg** (磅/千克) 。

注解 - 您选择的音量水平出现在显示屏上。一个音量水平的简短示例将会确认您的音量水平设置。

对称重系统电池组可选件充电 - 电动担架可选件或配备 Chaperone 可选件的电动担架可选件 - 仅限 Prime

配备电动担架可选件的称重系统需要一节 10.8 V 锂离子电池组 (不带 **Chaperone** 可选件的 0058-135-000 ; 带 **Chaperone** 可选件的 0058-134-000)。当电池电量指示条仅剩一格时，对电池组进行充电。这可防止称重系统可选件因电池电量耗尽而关闭。

要对称重系统锂离子电池组进行充电，将电源线插入接地的医院级墙上插座。电池组充满电需时大约三小时。

注解 - 当产品不用时，产品插头应插在接地的医院级墙上插座。这有助于将电池保持充足的电量并在电池供电时最大限度地提高产品性能。

更换称重系统可选件电池 - 非电动担架

当电池电量指示条仅剩一格时更换电池，这可防止称重系统可选件因电池电量耗尽而关闭。

如果显示屏闪烁 **Lo batt** (电量不足)，说明电池电量处于最低水平，称重系统可选件将被禁用。

所需工具：

- 十字螺丝刀
- 4 节 AA 碱性电池 (LR6)

要更换电池：

1. 使用十字螺丝刀取下用于将电池仓盖固定至显示屏组件的螺丝。
2. 取出并废弃所有 4 节 AA 电池。

注解 - 始终根据当地法规妥善处置旧电池。

3. 按照电池盒内的说明安装 4 节新的 AA 电池。

注解 - 请勿将新、旧电池混用。

4. 使用步骤 1 中取出的螺丝重新装回显示屏组件上的电池仓盖。

附件和部件

可能供应这些附件，供与您的产品配合使用。确认您的配置或区域的供应情况。致电 Stryker 客户服务部门：1-800-327-0770。

名称	部件号
除颤器托盘	1105-045-200
除颤器托盘/床尾延伸板	1105-045-400
床尾板/病历架	1105-045-500
脚后跟衬垫组件	1105-045-022

名称	部件号
静脉输液盒	0785-155-000
HAVASU™ 静脉输液架，可拆卸	0390-025-000
静脉输液架，三节，足端，左侧，26 英寸 (66 cm)	1105-035-644
静脉输液架，三节，足端，右侧，26 英寸 (66 cm)	1105-035-639
静脉输液架，三节，足端，左侧，30 英寸 (76 cm)	1105-035-344
静脉输液架，三节，足端，右侧，30 英寸 (76 cm)	1105-035-339
静脉输液架，三节，足端，左侧，30 英寸 (76 cm) (Prime X 可选件)	1105-035-364
静脉输液架，三节，足端，右侧，30 英寸 (76 cm) (Prime X 可选件)	1105-035-361
静脉输液架，三节，头端，左侧，26 英寸 (66 cm)	1105-035-642
静脉输液架，三节，头端，右侧，26 英寸 (66 cm)	1105-035-637
静脉输液架，三节，头端，左侧，30 英寸 (76 cm)	1105-035-342
静脉输液架，三节，头端，右侧，30 英寸 (76 cm)	1105-035-337
静脉输液架，三节，头端，左侧，30 英寸 (76 cm) (Prime X 可选件)	1105-035-369
静脉输液架，三节，头端，右侧，30 英寸 (76 cm) (Prime X 可选件)	1105-035-366
静脉输液架，双节，足端，左侧，26 英寸 (66 cm)	1105-035-640
静脉输液架，双节，足端，右侧，26 英寸 (66 cm)	1105-035-643
静脉输液架，双节，足端，左侧，30 英寸 (76 cm)	1105-035-340
静脉输液架，双节，足端，右侧，30 英寸 (76 cm)	1105-035-343
静脉输液架，双节，足端，左侧，30 英寸 (76 cm) (Prime X 可选件)	1105-035-362
静脉输液架，双节，足端，右侧，30 英寸 (76 cm) (Prime X 可选件)	1105-035-363
静脉输液架，双节，头端，左侧，26 英寸 (66 cm)	1105-035-638
静脉输液架，双节，头端，右侧，26 英寸 (66 cm)	1105-035-641
静脉输液架，双节，头端，左侧，30 英寸 (76 cm)	1105-035-341
静脉输液架，双节，头端，右侧，30 英寸 (76 cm)	1105-035-338
静脉输液架，双节，头端，左侧，30 英寸 (76 cm) (Prime X 可选件)	1105-035-367
静脉输液架，双节，头端，右侧，30 英寸 (76 cm) (Prime X 可选件)	1105-035-368
床垫， ComfortGel SE™ ，防火隔层，26 英寸 (66 cm)	1805-034-601
床垫， ComfortGel SE ，防火隔层，30 英寸 (76 cm)	1805-034-301
床垫， ComfortGel SE ，无防火隔层，26 英寸 (66 cm)	1805-034-600

名称	部件号
床垫, ComfortGel SE , 无防火隔层, 30 英寸 (76 cm)	1805-034-300
床垫, Enhanced Comfort, 3 英寸 x 26 英寸 (8 cm x 66 cm)	0785-034-613
床垫, Enhanced Comfort, 3 英寸 x 30 英寸 (8 cm x 76 cm)	0785-034-313
床垫, Enhanced Comfort, 4 英寸 x 26 英寸 (10 cm x 66 cm)	0785-034-623
床垫, Enhanced Comfort, 4 英寸 x 30 英寸 (10 cm x 76 cm)	0785-034-323
床垫, IsoFlex SE™ , 防火隔层, 30 英寸 (76 cm)	1806-034-300
床垫, IsoFlex SE , 无防火隔层, 国际型, 30 英寸 (76 cm)	1806-034-301
床垫, Ultra Comfort, 4 英寸 x 26 英寸 (10 cm x 66 cm)	0785-034-603
床垫, Ultra Comfort, 4 英寸 x 30 英寸 (10 cm x 76 cm)	0785-034-303
床垫, Ultra Comfort, 5 英寸 x 26 英寸 (13 cm x 66 cm)	0785-034-633
床垫, Ultra Comfort, 5 英寸 x 30 英寸 (13 cm x 76 cm)	0785-034-333
床垫, Ultra Comfort SE™ , 4 英寸 x 26 英寸 (10 cm x 66 cm)	1704-034-600
床垫, Ultra Comfort SE , 防火隔层, 国际型, 4 英寸 x 26 英寸 (10 cm x 66 cm)	1704-034-601
床垫, Ultra Comfort, 担架床延伸板, 4 英寸 x 26 英寸 (10 cm x 66 cm)	1105-034-609
床垫, Ultra Comfort, 担架床延伸板, 4 英寸 x 30 英寸 (10 cm x 76 cm)	1105-034-309
床垫, Ultra Comfort SE , 3 英寸 x 30 英寸 (8 cm x 76 cm)	1703-034-300
床垫, Ultra Comfort SE , 防火隔层, 3 英寸 x 30 英寸 (8 cm x 76 cm)	1703-034-301
床垫, Ultra Comfort SE , 4 英寸 x 30 英寸 (10 cm x 76 cm)	1704-034-300
床垫, Ultra Comfort SE , 防火隔层, 4 英寸 x 30 英寸 (10 cm x 76 cm)	1704-034-301
氧气瓶支架, 直立式	1115-130-000
泵杆可选件, 30 英寸 (76 cm)	1105-045-035
推动把手组件, 足端, 30 英寸 (76 cm)	1105-048-030
推动把手组件, 头端, 30 英寸 (76 cm)	1105-048-060
约束带, 包装	0785-045-010
约束带, 脚踝	0785-045-020
约束带, 身体	0785-045-015
约束带, 腰	0946-044-000

名称	部件号
约束带，胸	1010-058-000
进餐托盘	1105-045-700
进餐托盘支架/床尾板	1105-045-800
侧护栏衬垫	1001-052-000
X 射线暗盒支架，侧面	1105-045-100
X 射线暗盒支架，直立式	1105-045-300

电气元件

名称	编号
促动器，Fowler 靠背	1008-012-020
促动器，曲膝部分	1008-014-020
电池，锂离子智能电池组（仅限称重系统）	0058-135-000
电池，锂离子智能电池组（称重系统和 Chaperone）	0058-134-000
板，DC 控制 PCB 组件	1008-116-800
板，非升降 AC 组件	1008-002-800
板，升降控制 PCB 组件	1008-002-810
板，称重系统控制组件（仅限称重系统）	1008-237-850
板，称重系统和 Chaperone 控制组件	1008-237-840
电容器，440 VAC, 35 MFD	0059-087-000
键盘，称重系统控制（非电动担架）	1008-037-820
键盘，侧护栏控制，左侧	1008-011-017
键盘，侧护栏控制，右侧	1008-011-016
键盘，操作者控制	1008-015-800
称重传感器（称重系统可选件）	1008-037-057
马达，泵	1008-002-015
电源线，标准型	1028-146-060
电源线，国际型，类型，E	1125-060-170
电源线，国际型，类型，F	1125-060-180
电源线，国际型，类型，G	1125-060-160
电源线，国际型，类型，I	1125-060-200
称重系统盒组件（非电动担架）	1070-237-020
变压器	1008-014-857
变压器，国际型	1008-014-877

装上除颤器托盘

警告

- 请勿在除颤器托盘上放置重量超过 14 kg 的物体。始终将放置在除颤器托盘上的所有装置系在托盘上。
 - 在定位足端推动把手可选件时，如果装有除颤器托盘/床尾延伸板、床尾板/病历架或直立式氧气瓶支架，务必注意，以免夹伤手指。
-

要装上除颤器托盘：

1. 将除颤器托盘上的插栓插入产品足端处的插孔内。
2. 用约束带将装置固定在托盘上。

注解

- 请勿将除颤器托盘用作推/拉装置。否则可能发生产品损坏。
- 使用附件（例如除颤器托盘/床尾延伸板、床尾板/病历架、直立式氧气瓶支架）时，始终升高足端推动把手，否则附件将无法正常工作。

将除颤器托盘/床尾延伸板转变为除颤器托盘

警告

- 请勿在除颤器托盘/床尾延伸板上放置重量超过 14 kg 的物体。始终将放置在除颤器托盘上的所有装置系在托盘上。
 - 在定位足端推动把手可选件时，如果装有除颤器托盘/床尾延伸板、床尾板/病历架或直立式氧气瓶支架，务必注意，以免夹伤手指。
-

注意 - 在将除颤器托盘/床尾延伸板装到产品上之前，始终升高静脉输液架。如果未升高静脉输液架，床尾延伸板将不能正常工作。

要将除颤器托盘/床尾延伸板转变为除颤器托盘：

1. 拉出顶部旋钮 (A) (图 19)。
2. 旋转托盘 (B) 直至托盘在产品足端上方伸平。松开顶部旋钮 (A)。确保除颤器托盘锁定到位。
3. 用约束带将装置固定在托盘上。

注解

- 请勿将除颤器托盘/床尾延伸板用作推 / 拉装置。否则可能发生产品损坏。
- 请勿将物体装到床尾延伸板上。

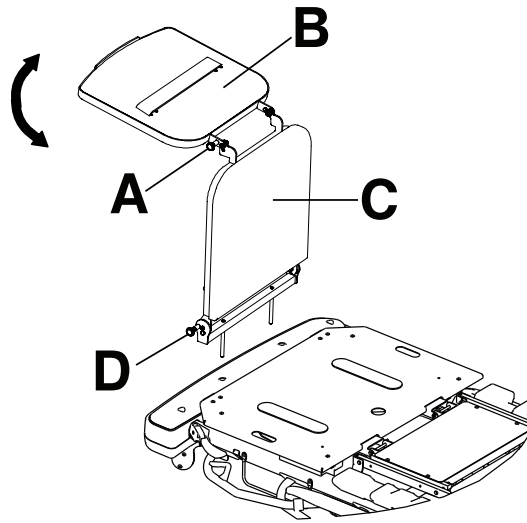


图 19 – 除颤器托盘/床尾延伸板

将除颤器托盘/床尾延伸板转变为床尾延伸板

警告

- 请勿在除颤器托盘/床尾延伸板上放置重量超过 14 kg 的物体。始终将放置在除颤器托盘上的所有装置系在托盘上。
- 在定位足端推动把手可选件时，如果装有除颤器托盘/床尾延伸板、床尾板/病历架或直立式氧气瓶支架，务必注意，以免夹伤手指。

注意 - 在将除颤器托盘/床尾延伸板装到产品上之前，始终升高静脉输液架。如果未升高静脉输液架，床尾延伸板将不能正常工作。

将除颤器托盘/床尾延伸板转变为床尾延伸板(图 19)：

1. 拉出顶部旋钮 (A)。
2. 转动除颤器托盘(B)，直至托盘紧靠床尾延伸板锁定。
3. 在握紧除颤器托盘/床尾延伸板组件的同时，拉出底部旋钮 (D)。
4. 降低床尾延伸板(C)，直至床尾延伸板伸平。
5. 松开底部旋钮 (D)。推动床尾延伸板以确保床尾延伸板锁定到位。

注解

- 请勿将除颤器托盘/床尾延伸板用作推 / 拉装置。否则可能发生产品损坏。
- 请勿将物体装到床尾延伸板上。

装上床尾板/病历架

警告 - 在定位足端推动把手可选件时，如果装有除颤器托盘/床尾延伸板、床尾板/病历架或直立式氧气瓶支架，务必注意，以免夹伤手指。

要装上床尾板/病历架，将床尾板-病历架上的插栓插入产品足端的插孔内。

注解 - 请勿将床尾板/病历架用作推或拉装置。否则可能发生产品损坏。

装上静脉输液盒

警告

- 当转运产品时，始终将静脉输液架固定到静脉输液盒上。
- 静脉输液盒不用时始终妥善存放，以避免产品损坏。

要装上静脉输液盒 (图 20)：

1. 将静脉输液盒从存储托盘中或存储夹内提起。
2. 将静脉输液盒转动至所需位置。
3. 逆时针转动旋钮 (A)，以松开静脉输液架夹(C)。
4. 转动旋钮 (A)，使其远离臂连接组件 (B)。
5. 打开夹子 (C)。
6. 将静脉输液架放入夹子 (C) 内。
7. 绕静脉输液架合上夹子 (C)，并将旋钮 (A) 转动至原来位置。
8. 顺时针转动旋钮 (A)，将其旋紧。
9. 采取相反的操作步骤将静脉输液盒从产品上断开连接。

要存放静脉输液盒，将静脉输液盒放入存储托盘或将静脉输液盒固定在存储夹内。

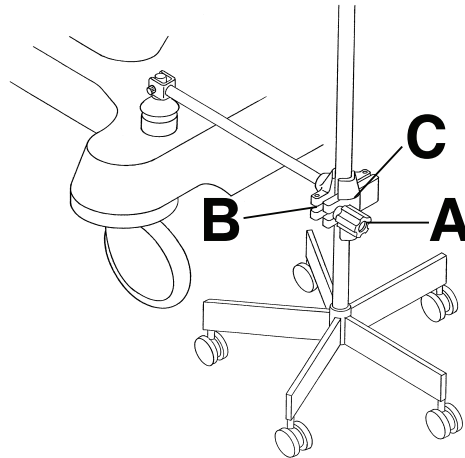


图 20 – 静脉输液盒

定位或收起床尾支撑架 - 仅限 Prime

警告

- 请勿坐在床尾支撑架上。这可能导致产品翻倒。
- 操作床尾支撑架时，始终确保您的手指远离机械装置。
- 使用产品转运患者时，始终收起床尾支撑架。
- 使用床尾支撑架之前，始终旋紧床尾支撑架。
- 使用床尾支撑架时，请勿操作称重系统。可能发生读数不准确。
- 使用床尾支撑架时，请勿操作 **Chaperone** 可选件。可能发生读数不准确。

要定位或收起床尾支撑架：

1. 旋开位于床尾支撑架顶部的膝盖旋钮 (A) 以调节床尾支撑架面对面的角度(图 21)。
2. 旋紧膝盖旋钮 (A) 以将床尾支撑架锁定在所需位置。

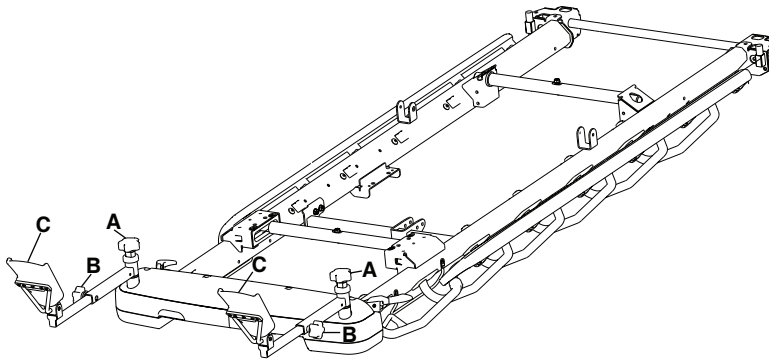


图 21 – 定位床尾支撑架

3. 旋开位于床尾支撑架侧边的腿部旋钮 (B) 以调节长度。
4. 旋紧腿部旋钮 (B) 以将床尾支撑架锁定在所需位置。
5. 放置患者前，向上翻转床尾支撑架 (C)。
6. 采取相反的操作步骤收起床尾支撑架 (图 22)。

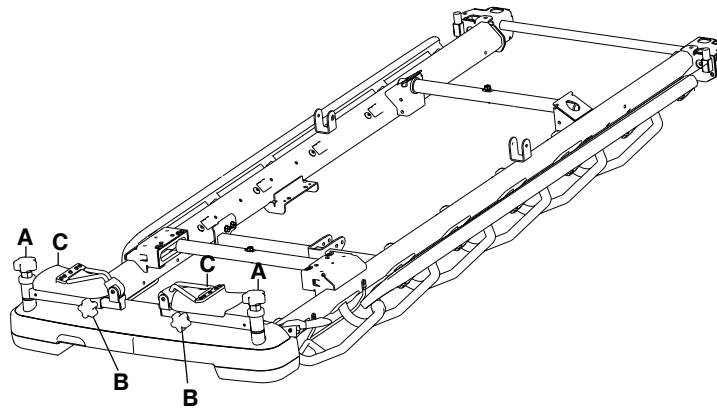


图 22 – 收起床尾支撑架

如果选用了床尾支撑架，您不可购买下列可选件和附件：

- 足端推动手柄
- 除颤器托盘
- 除颤器托盘/床尾延伸板
- 进餐托盘支架/床尾板
- 床尾板/病历架
- 足端静脉输液架

注解

- 请勿使用床尾支撑架存放患者物品。
- 请勿将床尾支撑架用作推 / 拉装置。否则可能损坏产品。
- 使用床尾支撑架时，始终施用制动器以避免不稳定。
- 请勿将靠背或曲膝部分与床尾支撑架一起使用。

定位双节永久性固定静脉输液架

警告 - 请勿将静脉输液架用作推/拉装置。否则可能损坏产品。

您可以选择购买配备永久装在产品头端、足端或两端的双节静脉输液架可选件的产品。静脉输液架配备一个伸缩架，可延伸提供第二个高度位置。不使用时，您可以折叠和存放静脉输液架。

要定位双节静脉输液架（图 23）：

1. 从存放位置抬高并转动静脉输液架。
2. 向下推动静脉输液架，直至静脉输液架锁定到位。
3. 要升高静脉输液架高度，向上拉可伸缩部分 (A)，直至静脉输液架在其完全升高位置被锁定到位。
4. 转动静脉输液架挂钩 (B) 至所需位置，并挂上静脉输液袋。
5. 要降低静脉输液架高度，握住静脉输液架的可伸缩部分，转动插门 (C)，并降低可伸缩部分。

注解

- 请勿将超过 40 磅 (18 kg) 的静脉输液袋挂在静脉输液架上。
- 转运患者时，始终确保静脉输液架的高度足够低，可安全通过门口。

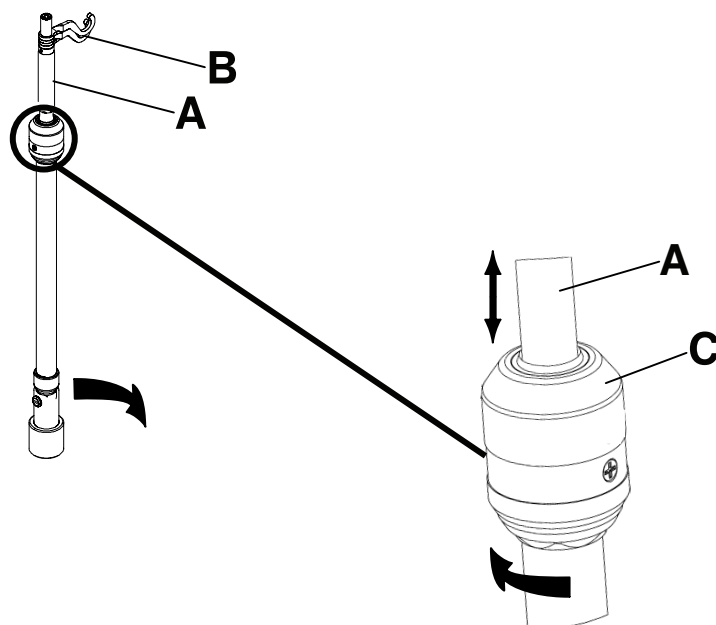


图 23 – 定位双节永久性固定静脉输液架

定位三节永久性固定静脉输液架

警告 - 请勿将静脉输液架用作推/拉装置。否则可能损坏产品。

您可以选择购买配备永久装在产品头端、足端或两端的三节静脉输液架可选件的产品。静脉输液架配备一个伸缩架，可延伸提供第二个和第三个高度位置。不使用时，您可以折叠和存放静脉输液架。

要定位三节静脉输液架（图 24）：

1. 从存放位置抬高并转动静脉输液架。
2. 向下推动静脉输液架，直到输液架锁定到位。
3. 要升高静脉输液架高度，向上拉可伸缩部分 (A)，直至静脉输液架在其完全升高位置被锁定到位。
4. 使用更高的静脉输液架时，向上拉 (B) 部分。在任何所需的高度释放 (B) 部分以将输液架锁定到位。
5. 转动静脉输液架挂钩 (C) 至所需位置，并挂好静脉输液袋。
6. 要降低静脉输液架，在握住 (B) 部分的同时，向上推抓握处的黄色部分 (D)，直至输液架降低为止。
7. 转动插门 (E)，降低静脉输液架可伸缩部分。

注解

- 请勿在静脉输液架上悬挂所有输液袋总重量超过 12 磅 (5 kg) 的静脉输液袋。
- 请勿在一个静脉输液架挂钩上悬挂重量超过 9.3 磅 (4.2 kg) 的静脉输液袋。
- 转运患者时，始终确保静脉输液架的高度足够低，可安全通过门口。

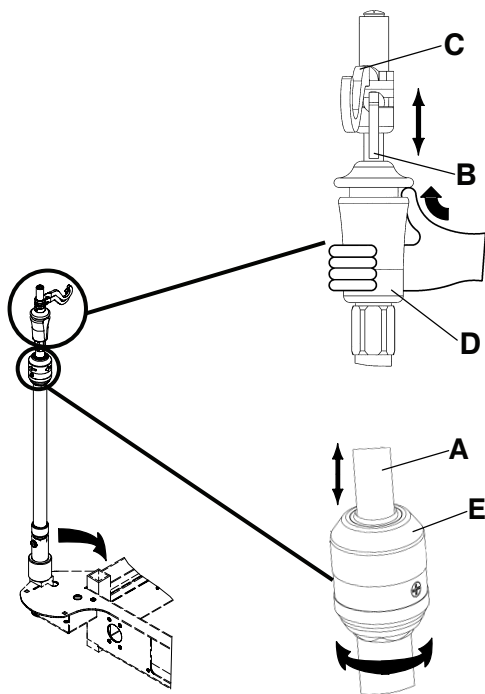


图 24 – 定位三节永久性固定静脉输液架

装上和定位可拆卸静脉输液架

注意

- 请勿将静脉输液架用作推/拉装置。否则可能损坏产品。
 - 请勿将超过 40 lb (18 kg) 的静脉输液袋挂在静脉输液架上。
 - 转运患者时，始终确保静脉输液架的高度足够低，可通过门口。
-

要装上和定位可拆卸静脉输液架 (图 25)。

1. 将静脉输液架插入产品头端或足端的插孔内。
2. 逆时针转动旋钮 (A)，然后向上拉可伸缩部分 (B)，直至升高至所需高度。
3. 顺时针转动旋钮 (A)，将可伸缩部分锁定到位。

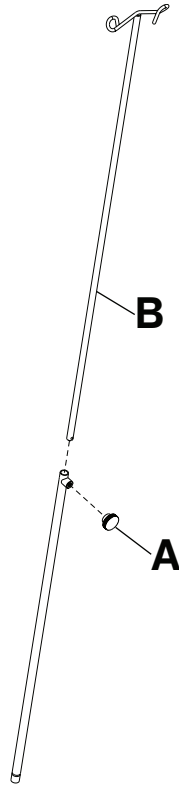


图 25 – 可拆卸静脉输液架

装上直立式氧气瓶支架

警告

- 请勿在直立式氧气瓶支架上放置重量超过 40 磅 (18 kg) 的物品。
- 在定位足端推动把手可选件时，如果装有除颤器托盘/床尾延伸板、床尾板/病历架或直立式氧气瓶支架，务必注意，以免夹伤手指。

直立式氧气瓶支架支撑氧气瓶保持直立。

要装上直立式氧气瓶支架：

1. 将支撑杆插入任意一个静脉输液架插槽内。
2. 将开口销穿过支撑杆的孔，使瓶支架固定到产品上。

注解 - 请勿将直立式氧气瓶支架用作推/拉装置。否则可能损坏产品。

延伸或收起进餐托盘支架/床尾板

警告 - 请勿在进餐托盘上放置超过 30 磅 (14 kg) 的物体。

要将进餐托盘装到侧护栏上，在进餐托盘两侧拉出，将其定位在侧护栏之上。

要收起进餐托盘：

1. 从侧护栏上取下进餐托盘。
2. 在进餐托盘侧面推进。
3. 将进餐托盘存放于床尾板中。

注解 - 请勿将进餐托盘/床尾板用作推/拉装置。否则可能损坏产品。

装上侧护栏衬垫

要装上侧护栏衬垫：

1. 在床垫和侧护栏之间塞入侧护栏衬垫。
2. **Velcro®** 搭扣带缠在侧护栏顶部，从而固定在侧护栏衬垫。

定位患者约束带结点

警告

- 系约束带时务必注意。可能导致患者或操作者受伤。身体约束装置（即使已固定）可能对患者和操作者造成严重伤害，包括缠绕、卡住、身体伤害或死亡。
- 始终仅将约束带和/或装置系到产品上确认的连接点。如果不这样做可能导致患者或操作者受伤。请勿将约束带系到侧护栏上。
- 在使用任何约束带或约束装置之前，始终参考适用的州/省和联邦限制和法规以及相关的机构规程。

担架组件上有八个患者约束带结点位置，可供系上患者约束带（图 26 或图 27）。

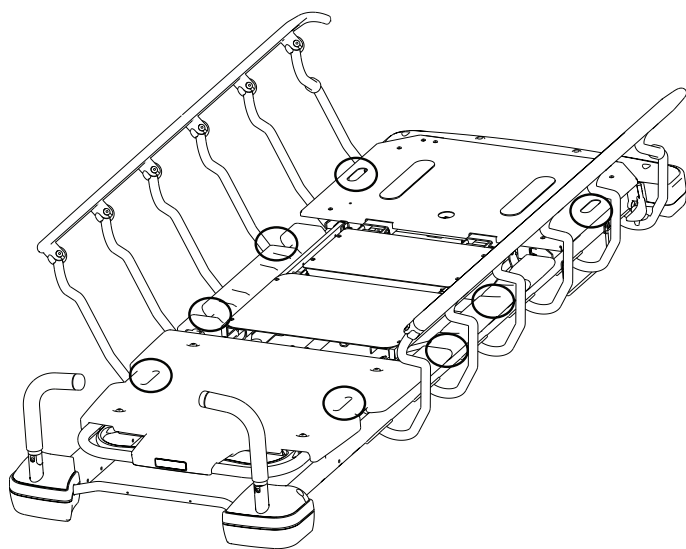


图 26 – Prime 约束带位置

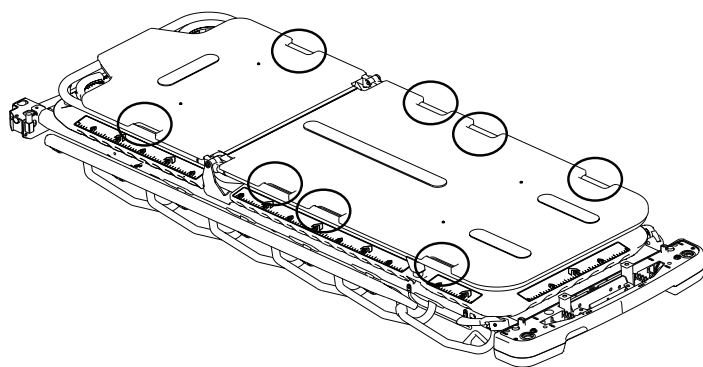


图 27 – Prime X 选件约束带位置

注解 - 约束带是 B 类触身部件。

定位直立式 X 射线暗盒支架 - Prime X 可选件

警告

- 当使用直立式或侧面 X 射线暗盒支架时，始终采取保护措施。X 射线暗盒支架没有任何防辐射的功能。
- 在将 Prime X 可选件与辐射发生装置一起使用前，始终参阅当地、州/省和联邦的准则以及医疗机构的安全性规程。辐射发生装置可产生残余、杂散或散射辐射。
- 当使用厚度超过 2.5 英寸(6.35 cm) 的床垫或配备 Prime X 可选件的床垫覆盖层时，务必特别注意。
- 始终遵循定位直立式 X 射线暗盒支架 - Prime X 可选件说明以插入 X 射线暗盒。

X 射线暗盒支架固定到靠背焊件以支撑 X 射线暗盒。您可以在患者躺在产品上进行 X 射线检查。在进行 X 射线检查之前，您还可调整暗盒位置。

要定位 X 射线暗盒支架：

1. 施用制动器。推动产品以确保制动器正常工作。

2. 将 Fowler 靠背部分升高至其最高高度。
3. 将下护圈导轨 (A) 插入靠背焊杆下方 (图 28)。
4. 升高直立式暗盒支架，直至护圈导轨在靠背焊件上栓紧。确保暗盒支架固定。

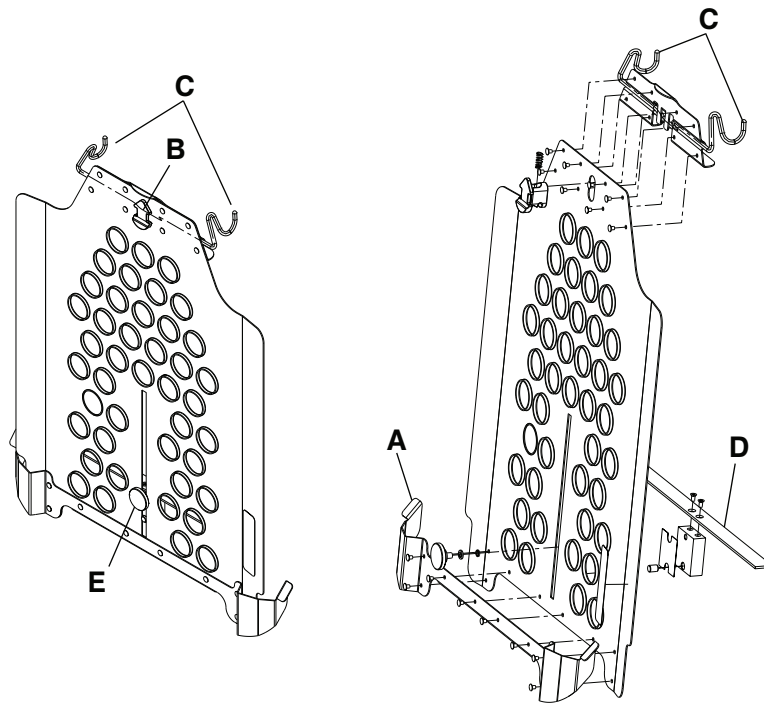


图 28 – X 射线暗盒支架

5. 从暗盒支架的任一侧插入 X 射线暗盒或拉滑块释放箭头 (B) 将暗盒支架从靠背释放，然后将暗盒支架放入靠背焊件中。
6. 要调整暗盒高度，旋开旋钮 (E) 并向上或向下移动暗盒支持护栏 (D)，直到您到达所需的高度。
7. 旋紧旋钮 (E) 以将暗盒支持护栏固定到位。
8. 当 X 射线检查完成时，向上拉滑块释放箭头 (B) 以 Fowler 靠背焊件中释放暗盒支架。
9. 将 X 射线暗盒从暗盒支架中取出。
10. 关闭并收起暗盒支架。

定位侧面 X 射线暗盒支架 - Prime X 可选件

警告

- 当使用直立式或侧面 X 射线暗盒支架时，始终采取保护措施。X 射线暗盒支架没有任何防辐射的功能。
- 在将 Prime X 可选件与辐射发生装置一起使用前，始终参阅当地、州/省和联邦的准则以及医疗机构的安全性规程。辐射发生装置可产生残余、杂散或散射辐射。
- 在使用直立 Fowler 靠背或侧面暗盒执行 X 射线检查时，务必注意。
- 当使用厚度超过 2.5 英寸(6.35 cm) 的床垫或配备 Prime X 可选件的床垫覆盖层时，务必特别注意。
- 始终遵循定位侧面 X 射线暗盒支架 - Prime X 可选件说明以插入 X 射线暗盒。

要定位侧面 X 射线暗盒支架：

1. 施用制动器。推动产品以确保制动器正常工作。

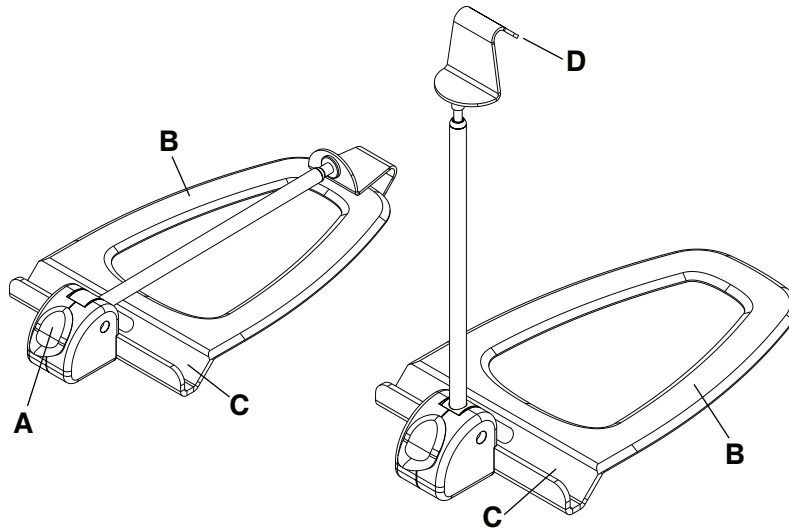


图 29 – 侧面 X 射线暗盒支架

2. 按下黄色释放按钮 (A) 以打开侧面暗盒支架 (图 29)。
3. 滑动床垫和患者平台之间的扁平底座 (B)。
4. 将侧面暗盒支架放置在所需的位置。
5. 将 X 射线暗盒放在暗盒导管 (C) 中。
6. 向上拉暗盒挂钩 (D) 以调整臂高度，使其紧贴在 X 射线暗盒之上，将暗盒固定在位。
7. 采取相反的操作步骤取出暗盒，收起侧面暗盒支架。

插入或移除 X 射线暗盒 - Prime X 可选件

警告

- 在将 Prime X 可选件与辐射发生装置一起使用前，始终参阅当地、州/省和联邦的准则以及医疗机构的安全性规程。辐射发生装置可产生残余、杂散或散射辐射。
- 在使用直立 Fowler 靠背或侧面暗盒执行 X 射线检查时，务必注意。

Prime X 可选件为 X 射线暗盒的放置提供了一个铰接式 X 射线支撑表面以及患者支撑表面下方的一个平台。当患者躺在产品上时，与医疗 X 射线系统联用来捕获临床 X 射线影像（正侧向全身、可选全身侧面以及可选直立胸腔）。您可以从产品的头端、足端，以及任一侧插入暗盒。

要插入 X 射线暗盒：

1. 使用位于产品所有侧面上的位置指示标签将患者置于产品中间 (图 30)。
2. 将 X 射线暗盒插入患者表面下方。使用暗盒导轨协助定位 X 射线暗盒。

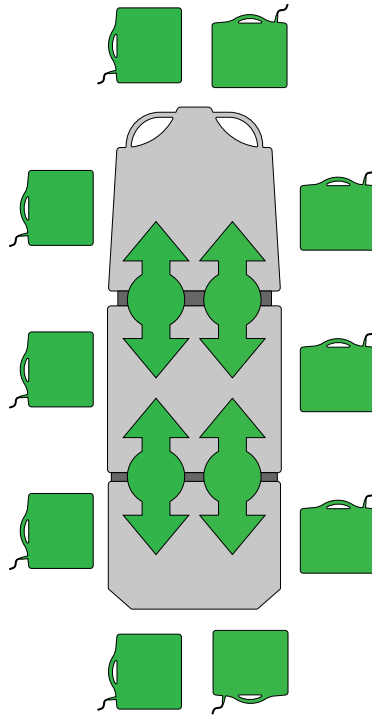


图 30 – 插入或移除 Prime X 可选件上的 X 射线暗盒

注解

- 请勿将 **Prime X** 可选件与厚度超过 4 英寸 (10 cm) 的床垫一起使用。
- 请勿将 C 型臂与 **Prime X** 可选件一起使用。**Prime X** 可选件与 C 型臂不兼容。

清洁

清洁产品

注意 - 请勿用磨损性清洁剂清洁称重系统可选件的显示屏外壳。请勿让清洁液或其他液体在显示屏上聚积。发生溢溅或清洁后要擦干所有表面。

这些说明提供推荐的 **Prime Series** 担架床清洁方法。

此产品可电动清洗。连续清洗后，此产品可能会出现某些氧化或褪色迹象。但是，只要遵循正确的程序，此产品的性能特征或功能不会因为电动清洗而下降。

推荐的清洁方法：

1. 如果产品配备了电动担架或电动升降装置可选件，请在转运或清洁产品之前从电源插座上拔下电源线。
2. 从产品上取下床垫。
3. 遵循清洁液制造商的稀释建议。
4. Stryker 推荐使用标准医院推车清洗机进行电动清洗。
5. 干燥产品。在产品干燥之前，请勿将床垫放回到产品上。
6. 在退回产品以进行维修之前，检查其功能。
 - 升高和降低产品
 - 在两个位置锁定和解锁制动/转向踏板
 - 栓紧和解除栓紧侧护栏
 - 升高和降低 Fowler 靠背
 - 升高和降低曲膝部分
 - 确保所有组件得到适当的润滑
 - 确保所有标签完好

注解

- 皮肤与明显污染的渗透性材料直接接触可能会增加感染风险。
- 请勿用蒸汽清洁此产品。
- 清洁底罩的存放区。
- 清洁刹车片的底部，以防止蜡或地板残余物积聚。
- 某些清洁剂有腐蚀性，使用不当可能会损坏本产品。如果没有彻底清洗并擦干产品，腐蚀性残留物可能会残留在产品表面，这可能会导致关键组件过早腐蚀。如果不遵循上述清洁说明可能会导致保修失效。

使用推车清洗机清洁产品

Stryker 建议使用标准的医院外科清洗机电动清洗担架，在产品的使用寿命期间每年最多一次。

要使用推车清洗机清洁产品：

1. 如果产品配备了电动担架或电动升降装置可选件，请在转运或清洁产品之前从电源插座上拔下电源线。
2. 清洗产品之前移除床垫。请勿将床垫与产品一起清洗。
3. 将 Fowler 靠背以 45° 定位。
4. 要以完全头高卧位式放置产品（足端向下）。
5. 升高侧护栏。
6. 以升高位置放置静脉输液架和推动把手。
7. 使用最高水温 82°C (180°F) 和最高水压 103.5 巴/1500 psi 清洁产品。
8. 使用最高温度 93°C (200°F) 风干产品八分钟。

9. 干燥产品。在产品干燥之前，请勿将床垫放回到产品上。

10. 在退回产品以进行维修之前，检查其功能。

- 升高和降低产品
- 在两个位置锁定和解锁制动/转向踏板
- 栓紧和解除栓紧侧护栏
- 升高和降低 Fowler 靠背
- 确保所有组件得到适当的润滑
- 确保所有标签完好且清晰易读

注解

- 请勿用蒸汽清洁此产品。
- 某些清洁剂有腐蚀性，使用不当可能会损坏本产品。如果没有彻底清洗并擦干产品，腐蚀性残留物可能会残留在产品表面，这可能会导致关键组件过早腐蚀。如果不遵循上述清洁说明可能会导致保修失效。

清洁床垫

警告

- 请勿在产品使用中时清洁、维修或执行维护。
- 请勿将床垫浸泡于清洁溶液或消毒剂溶液中。水分过多可能导致产品故障，造成产品损坏或患者受伤。
- 请勿让液体蓄积在床垫上。液体可造成部件腐蚀，并可能导致本产品的安全性和性能变得不可预测。
- 每次清洁床垫罩时，始终检查床垫罩是否有撕裂、穿刺、过度磨损或拉链不齐的情况。移除并更换损坏的床垫，以防止交叉污染。
- 请勿用蒸汽清洁、高压冲洗、浇洗或超声方法清洁床垫。这些清洁方法可能会使产品保修失效。

床垫的寿命会因使用频率增加（可能包括更频繁的清洁和消毒）而受影响。

推荐的清洁方法：

1. 使用蘸有温和的肥皂和水溶液的干净的软布擦拭整个床垫，以去除异物。
2. 使用干净的干布擦拭床垫，以清除任何多余的液体或清洁剂。
3. 清洁后冲洗并干燥床垫罩。
4. 清洁完成后，根据需要使用医院级消毒剂进行消毒（请参阅床垫消毒）。

注解

- 请勿熨烫、干洗或烘干床垫，因为这将导致故障和损坏产品。
- 床垫罩必须完全干燥后才可存放、添加床单，或将患者放在床垫上以防产品性能受损。
- 避免过度暴露于酒精或过氧化氢。外罩材料将会膨胀。
- 请勿让液体渗入拉链区和防水罩屏障。液体与拉链接触可能会渗透到床垫，导致产品性能受损。
- 某些清洁剂有腐蚀性，使用不当可能会损坏本产品。如果没有彻底清洗并擦干产品，腐蚀性残留物可能会残留在产品表面，这可能会导致关键组件过早腐蚀。如果不遵循上述清洁说明可能会导致保修失效。

清除含碘污渍

1. 取 1-2 汤匙硫代硫酸钠，放入 0.55 升（一品脱）温水中。用溶液擦拭有污渍的区域。
2. 出现污渍后，需尽快清除。
3. 如果未能立即清除污渍，需等待溶液浸泡或停留在床垫上一段时间后再擦拭床垫。
4. 重新使用床垫之前，用清水冲洗曾接触清洁液的床垫。

注解 - 使用这些类型的清洁剂时，如果未能遵循这些说明，可能会使该产品保修失效。

特别说明

Velcro®	用消毒剂浸泡，再用水冲洗，最后等待溶液挥发。
污物或污渍	使用中性肥皂和温水。请勿使用烈性清洁剂、溶剂或磨损性清洁剂。
难以清洁的部位	使用普通家用或合成清洁剂和一把软毛刷清洁难以清洁的部位或污渍。预先浸泡已干燥的污物。
机洗	不建议用机洗。机洗可能会大幅缩短床垫的使用寿命。

消毒

消毒产品

警告

- 请勿在产品使用中时清洁、维修或执行维护。
 - 请勿用蒸汽清洁、浇洗或超声方法清洁产品。不建议使用这些清洁方法，否则可能会使产品保修失效。
-

推荐的消毒剂：

- 四级铵盐（活性成分 - 氯化铵），内含低于 3% 的乙二醇醚
- 酚类消毒剂（活性成分 - 邻苯基苯酚）
- 含氯漂白液（用 1 份 5.25% 的稀释漂白液溶于 100 份水中，相当于 520 ppm 有效氯 [每 4000 mL 水中含 40 mL 5.25% 的漂白液]）
- 70% 的异丙醇

推荐的消毒方法：

1. 请切实遵循消毒液制造商提供的稀释建议。
2. 使用消毒液手动清洗产品所有表面。
3. 避免过度饱和，并且为了能正确消毒，应确保产品浸湿时间不超过化学品制造商有关正确消毒的指导方针。
4. 干燥产品。在产品干燥之前，请勿将床垫放回到产品上。
5. 每次使用后，对 **Velcro®** 进行消毒。用消毒剂浸泡 **Velcro®**，再用水冲洗，最后等待消毒剂挥发（由医疗机构决定适当的消毒剂）。
6. 在退回产品以进行维修之前，检查其功能。
 - 升高和降低产品
 - 在两个位置锁定和解锁制动/转向踏板
 - 栓紧和解除栓紧侧护栏
 - 升高和降低 Fowler 靠背
 - 升高和降低曲膝部分
 - 确保所有组件得到适当的润滑
 - 确保所有标签完好

注解

- 皮肤直接接触明显污染的、可渗透的物质可能会增加感染的风险。
- 某些清洁剂有腐蚀性，使用不当可能会损坏本产品。如果没有彻底清洗并擦干产品，腐蚀性残留物可能会残留在产品表面，这可能会导致关键组件过早腐蚀。如果不遵循上述清洁说明可能会导致保修失效。

床垫消毒

警告 - 患者使用前始终对床垫消毒。如果不这样做可能导致交叉污染和感染。

推荐的消毒剂：

- 四级铵盐（活性成分 - 氯化铵），内含低于 3% 的乙二醇醚
- 酚类消毒剂（活性成分 - 邻苯基苯酚）
- 含氯漂白液（用 1 份 5.25% 的稀释漂白液溶于 100 份水中，相当于 520 ppm 有效氯 [每 4000 mL 水中含 40 mL 5.25% 的漂白液]）
- 70% 的异丙醇

推荐的消毒方法：

1. 在使用消毒剂之前，请确保床垫清洁干燥。
2. 以干净的干布擦拭床垫以清除任何过多的液体或消毒剂。
3. 消毒后冲洗并干燥床垫罩。

注解

- 床垫罩必须干燥后才可存放或添加床单。未能除去多余的消毒剂可能引起外罩材料的劣化。
- 某些清洁剂有腐蚀性，使用不当可能会损坏本产品。如果没有彻底清洗并擦干产品，腐蚀性残留物可能会残留在产品表面，这可能会导致关键组件过早腐蚀。如果不遵循上述清洁说明可能会导致保修失效。
- 频繁或长时间接触较高浓度的消毒液可能会使外罩织物过早老化。
- 使用加速氢过氧化物或含有乙二醇醚的季铵类可能会损坏外罩。

预防性维护

在进行预防性维护检查之前，停止产品的使用。在每年预防性维护期间，对所有 Stryker Medical 产品的所有列出项目进行检查。根据您的使用情况，您可能需要进行更频繁的预防性维护检查。只能由合格人员维修。

注解 - 在检查前，清洁并消毒床垫外部（如适用）。

检查下列项目：

- _____ 所有紧固件固定
- _____ 侧护栏能正常移动和栓紧
- _____ 脚轮在施用制动踏板的情况下锁定
- _____ 脚轮固定并能正常旋转
- _____ 脚轮上没有蜡状物和残渣
- _____ 制动器机制可正常工作
- _____ 转向功能可正常工作
- _____ 检查床垫表面是否有裂缝
- _____ Fowler 靠背升高、降低和栓紧到位
- _____ 曲膝部分升高、降低，然后固定在位（可选件）
- _____ 头低卧位/头高卧位在所有位置运作
- _____ 地链完整无缺
- _____ 液压连接处无泄漏
- _____ 液压千斤顶持重正常
- _____ 身体约束装置栓紧且固定（可选件）
- _____ 静脉输液架完好无损，在所有位置上调整并栓紧（可选件）
- _____ 氧气瓶支架完好无损且打开和关闭正常（可选件）
- _____ 床垫罩无裂口或裂缝
- _____ 附件和安装硬件都处于良好状态
- _____ 电池供电功能（可选件）
- _____ 电缆无磨损或挤压（可选件）
- _____ 电源线和插头无损坏（可选件）
- _____ 所有电气连接紧密（可选件）
- _____ 所有接地装置均牢固连接在床框上（可选件）
- _____ 接地阻抗不超过 200 MΩ（毫欧）（可选件）
- _____ 电流泄漏不超过 300 μA（微安）（根据 UL 60606-1-1）（可选设备）
- _____ 电池已充电（称重系统可选件）
- _____ 显示器外壳完好无损，没有损坏（称重系统可选件）
- _____ 称重传感器完好无损，没有损坏（称重系统可选件）
- _____ 床尾支撑架膝盖旋钮机械装置功能正常且您可以固定到位（可选件）
- _____ 床尾支撑架腿部旋钮机械装置功能正常且您可以固定到位（可选件）
- _____ 床尾支撑架伸展到完全展开位置，并在正确位置停止（可选件）
- _____ 床尾支撑架自攻螺钉（6 颗）牢固，没有剥离（可选件）
- _____ 称重系统已校准。如有必要，重新校准（称重系统可选件）
- _____ 直立式 X 射线暗盒架处于良好工作状态，可被调整到容纳所有 X 射线暗盒（Prime X 可选件）

_____ 靠背表层和床尾表层未损坏 (**Prime X** 可选件)

_____ 床头和床尾托盘无损坏 (**Prime X** 可选件)

_____ 穿过每个靠背枢的螺栓和螺母未松动 (**Prime X** 可选件)

产品序列号 :
填写人 :
日期 :

EMC 信息

注意

- 使用非由制造商所指定或提供的配件、换能器和电缆可能造成电磁辐射增加或电磁抗干扰性减少并导致操作不正常。
- 该设备的辐射特性使其适合于在工业区域和医院 (CISPR 11 A 类) 使用。如果在住宅环境 (其通常需要 CISPR 11 B 类) 使用, 该设备可能无法对射频通信服务提供足够的保护。用户可能需要采取缓解措施, 比如调整该设备的位置或方向。

指引及制造商声明 - 电磁辐射		
可选电动升降装置、可选电动担架或可选称重系统适用于以下指定的电磁环境。可选电动升降装置、可选电动担架或可选称重系统的操作者应确保在这样的环境中使用设备。		
辐射测试	合规性	电磁环境
射频辐射 CISPR 11	第 1 组	可选电动升降装置、可选电动担架或可选称重系统仅为其内部功能使用射频能量。因此, 其射频辐射非常低, 不太可能对附近的电子设备造成任何干扰。
射频辐射 CISPR 11	A 级	可选电动升降装置、可选电动担架或可选称重系统适用于各种建筑条件, 但不包括民用建筑以及那些直接连接于为民用建筑供电的公共低压电源网络的建筑。
谐波辐射 IEC 61000-3-2 *	A 级	
电压波动 闪变辐射 IEC 61000-3-3 *	符合	

* 仅适用于可选电动升降装置或电动担架。

注意

- 便携式射频通信设备 (包括天线电缆和外部天线等外围设备) 距离 Prime 担架床的任何部件 (包括制造商指定的电缆) 不得小于 12 英寸 (30 cm) 。
- 避免将设备与其他设备堆叠或相邻放置, 以防止产品的不当操作。如需要如此使用, 小心观察堆叠或相邻的设备, 以确保其正常操作。

便携式和移动式射频通讯设备与可选电动升降装置、可选电动担架或可选称重系统之间的建议间隔距离。			
可选电动升降装置、可选电动担架或可选称重系统适用于辐射射频干扰受到控制的电磁环境。可选电动升降装置、可选电动担架或可选称重系统的客户或用户可根据通讯设备的最大输出功率, 按如下建议, 通过在便携式和移动式射频通讯设备 (发射器) 与可选电动升降装置、可选电动担架或可选称重系统之间维持最小间距来帮助预防电磁干扰。			
发射器的最大额定输出功率 W	按发射器频率而定的间隔距离 m		
	150 kHz 至 80 MHz $D=(1.2) (\sqrt{P})$	80 MHz 至 800 MHz $D=(1.2) (\sqrt{P})$	800 MHz 至 2.7 GHz $D=(2.3) (\sqrt{P})$
0.01	0.12	0.12	0.23
0.1	0.38	0.38	0.73
1	1.2	1.2	2.3
10	3.8	3.8	7.3

100	12	12	23
<p>对于最大额定输出功率未列于上方的发射器，可以按照适合此发射器频率的公式计算建议间隔距离 (D)，以米 (m) 为单位。其中 P 是发射器制造商载列的发射器的最大输出功率额定值，以瓦 (W) 为单位。</p> <p>注 1 - 在 80 MHz 和 800 MHz 时，适用较大频率范围的间隔距离。</p> <p>注 2 - 这些指导方针不一定适用于所有的状况。电磁传播受建筑物、物体和人体的吸收及反射的影响。</p>			

指引和制造商声明 - 抗电磁干扰性

可选电动升降装置、可选电动担架或可选称重系统适用于以下指定的电磁环境。可选电动升降装置、可选电动担架或可选称重系统的客户或用户应确保在这样的环境中使用设备。

抗扰性测试	IEC 60601 试验电平	符合电平	电磁环境指引
静电放电 (ESD) IEC 61000-4-2	±8 kV 接触 ±15 kV 空气	±8 kV 接触 ±15 kV 空气	地板应是木质地板、混凝土或瓷砖。如果地面由合成材料覆盖，相对湿度至少应为 30%。
静电快速瞬变/脉冲群 IEC 61000-4-4*	供电线路 ±2 kV 输入/输出线路 ±1 kV	供电线路 ±2 kV 输入/输出线路 ±1 kV	电源质量应该达到典型商业或医院环境中的电源质量。
电涌 IEC 61000-4-5*	±1 kV 线对线 ±2 kV 线对地	±1 kV 线对线 ±2 kV 线对地	电源质量应该达到典型商业或医院环境中的电源质量。
电源输入线路的电压骤降、电压变化和短暂中断 IEC 61000-4-11*	在 0°、45°、90°、135°、180°、225°、270° 和 315° 时，0% U_T ，0.5 个周期 0% U_T ，1 个周期 70% U_T (U_T 中 30% 的骤降)，持续 25 个周期 0% U_T ，250 个周期	在 0°、45°、90°、135°、180°、225°、270° 和 315° 时，0% U_T ，0.5 个周期 0% U_T ，1 个周期 70% U_T (U_T 中 30% 的骤降)，持续 25 个周期 0% U_T ，250 个周期	电源质量应该达到典型商业或医院环境中的电源质量。如果可选电动升降装置或电动担架的用户在电源中断期间需要继续操作，建议以不间断电源或电池向装置供电。
电源频率 (50/60 Hz) 磁场 IEC 61000-4-8	30 A/m	30 A/m	工频磁场应为典型商业或医院环境中典型位置的特征水平。

注释： U_t 是应用试验电平前的交流电源电压。

* 仅适用于可选电动升降装置或电动担架。

指引和制造商声明 - 抗电磁干扰性

可选电动升降装置、可选电动担架或可选称重系统适用于以下指定的电磁环境。可选电动升降装置、可选电动担架或可选称重系统的客户或用户应确保在这样的环境中使用设备。

抗扰性测试	IEC 60601 试验电平	符合电平	电磁环境指引
<p>传导射频 IEC 61000-4-6*</p> <p>辐射射频 IEC 61000-4-3</p>	<p>3 Vrms</p> <p>6 Vrms, ISM 和业余 无线电频段</p> <p>150 kHz 至 80 MHz</p> <p>3 V/m</p> <p>80 MHz 至 2.7 GHz</p>	<p>3 Vrms</p> <p>6 Vrms, ISM 和业余 无线电频段</p> <p>3 V/m</p>	<p>便携式和移动式射频通讯设备和可选电动升降装置、可选电动担架或可选称重系统的任何部件（包括电缆）间的距离应该不小于根据适用于发射器频率的方程式计算出的建议间隔距离。</p> <p>建议间隔距离</p> <p>$D=(1.2)(\sqrt{P})$</p> <p>$D=(1.2)(\sqrt{P})$</p> <p>80 MHz 至 800 MHz</p> <p>$D=(2.3)(\sqrt{P})$</p> <p>800 MHz 至 2.7 GHz</p> <p>其中 P 是发射器制造商载列的发射器最大输出功率额定值，以瓦 (W) 为单位，而 D 则是建议的间隔距离，以米 (m) 为单位。</p> <p>固定式射频发射器场强（根据电磁场测量进行测定^a）应该低于各频率范围的符合电平^b。</p> <p>在带有以下符号标记的设备附近，可能会发生干扰：</p> 
<p>注 1：在 80 MHz 和 800 MHz 时，适用较高的频率范围。</p> <p>注 2：这些准则不一定适用于所有的状况。电磁传播受建筑物、物体和人体的吸收及反射的影响。</p> <p>注 3：0.15 MHz 和 80 MHz 之间的 ISM（工业、科学和医用）频段为 6.765 MHz 至 6.795 MHz；13.553 MHz 至 13.567 MHz；26.957 MHz 至 27.283 MHz 和 40.66 MHz 至 40.70 MHz。</p>			
<p>^a 在理论上，无法准确预测来自固定式发射器的场强，此类发射器包括无线（手机/无绳）电话和陆地移动无线电、业余无线电、调幅和调频电台广播及电视广播等使用的基站。欲评价固定式射频发射器产生的电磁环境，应该考虑进行电磁场实地勘察。如果测量的可选电动升降装置、可选电动担架或可选称重系统使用场所的场强度超过了上述适用的射频符合电平，应该观察可选电动升降装置、可选电动担架或可选称重系统以验证其是否正常工作。如果观察到性能异常，则可能有必要采取额外的措施，比如调整可选电动升降装置、可选电动担架或可选称重系统的方向或位置。</p> <p>^b 在 150 kHz 至 80 MHz 的频率范围内，场强低于 3 V/m。</p> <p>* 仅适用于可选电动担架。</p>			

stryker



Stryker Medical
3800 E. Centre Avenue
Portage, MI 49002
USA