

stryker[®]
Medical

Renaissance Series

1210 Emergency Care Stretcher
1710 PACU Stretcher

Maintenance Manual

For Parts or Technical Assistance
800-327-0770

Table of Contents

Introduction	
Specifications	3
Warning / Caution / Note Definition	3
Preventative Maintenance	
Checklist	4
Cleaning	5
Service Information	
Caster Cover Installation and Removal	6
Caster Removal	6
Release Pedal Adjustment	7
Brake Rod Removal	7
Side Control Brake Rod Removal	8
Brake Ring Removal	9
Fifth Wheel Assembly Removal	9
Big Wheel Hubcap Removal	10
Big Wheel Removal	10
Big Wheel Carriage Removal	11
Big Wheel Cam Gas Spring Dampener Removal	11
Side Control Big Wheel Linkage Assembly Removal	12
Jack Descent Rate Adjustment	13
Removal of Excess Air from the Hydraulic System	13
Head End Hydraulic Jack Removal	14
Foot End Hydraulic Jack Removal	15, 16
Pneumatic Fowler Adjustment	16
Transfer Board Counterbalance Adjustment	17
Siderail Latch Adjustment	17
Replacement Parts and Kits	18
Assembly Drawings and Parts Lists	
Fifth Wheel Base Assembly	19
Fifth Wheel Assembly	20, 21
Base Assembly with Standard Brakes (Fifth Wheel Base)	22, 23
Brake Rod Assembly	24
Drive Link Assembly	25, 26
Caster Assembly	27
Base Assembly with Four-Sided Brakes	28, 29
Side Control Brake Rod Assembly	30
Brake Rod Assembly	31
Base Assembly with Dual Side Hydraulics (Fifth Wheel Base)	32-34
Release Pedal Assembly	35
Pump Pedal Assembly	36
Base Assembly with Three Side Hydraulics (Fifth Wheel Base)	37-39

Table of Contents

Assembly Drawings and Parts Lists (Continued)

Release Pedal Assembly	40
Pump Pedal Assembly	41
Big Wheel Base Assembly	43-45
Base Assembly with Standard Brakes (Big Wheel Base)	46, 47
Drive Link Assembly	48
Brake Rod Assembly	49
Base Assembly with Dual Side Hydraulics (Big Wheel Base)	50-52
Release Pedal Assembly	53
Cam Bracket Assembly	54, 55
Big Wheel Carriage Assembly	56
Side Control Big Wheel Base Assembly	57-59
Side Control Big Wheel Carriage Assembly	60, 61
Side Control Big Wheel Linkage Assembly	62
Hydraulic Jack Options	63, 64
Base Labeling Assembly	65-68
Litter Assembly	69-74
Siderail Assembly	75-78
Pneumatic Fowler Assembly	79-83
Crank Fowler Assembly	84-86
Stationary Foot Section Assembly	87-89
Knee Gatch Assembly	90-92
Transfer System Assembly	93-96
Push Handle Assembly	97-99
Litter Corner Assembly	100
I.V. Pole Assembly	101-109
Fowler X-Ray Cassette Assembly	110, 111
Defibrillator Tray Assembly	112
Foot Extension/Defibrillator Tray Assembly	113
Foot Board	114
O2 Bottle Holder	114
C-Spine Cassette Holder Assembly	115-117
Heel Stirrup Assembly	118-121
Accessory Rail Assembly	122
O2 Bottle Retainer Assembly	123
Mattresses and Siderail Pads	124, 125
Warranty	
Obtaining Parts and Service	126
Service Contract Coverage	126
Return Authorization	127
Freight Damage Claims	127

Introduction

INTRODUCTION

This manual is designed to assist you with the maintenance of the Model 1210 Emergency Care Stretcher, and the Model 1710 PACU Stretcher. Read it thoroughly before using the equipment or beginning any maintenance on it.

SPECIFICATIONS

	1210	1710
Overall Bed Length \ Width	84" / 31.5"	84"/34.5"
Minimum \ Maximum Bed Height	21.5" / 36"	
Maximum Weight Capacity	500 pounds	
Fowler Angle	0 to 90°	
Knee Gatch Angle	0 to 30°	
Trendelenburg \ Reverse Trendelenburg	+18° to -18°	

Stryker reserves the right to change specifications without notice.

WARNING / CAUTION / NOTE DEFINITION

The words WARNING, CAUTION and NOTE carry special meanings and should be carefully reviewed.

WARNING

The personal safety of the patient or user may be involved. Disregarding this information could result in injury to the patient or user.

CAUTION

These instructions point out special procedures or precautions that must be followed to avoid damaging the equipment.

NOTE

This provides special information to make maintenance easier or important instructions clearer.

Preventative Maintenance

CHECKLIST

- _____ All fasteners secure
- _____ Siderails move and latch properly
- _____ All casters lock with brake pedal engaged
- _____ Steer function working properly
- _____ All casters secure and swivel properly
- _____ Body restraints working properly
- _____ I.V. pole intact and operating properly
- _____ Oxygen bottle holder intact and operating properly
- _____ Fowler operates and latches properly
- _____ Knee Gatch operates properly
- _____ Trendelenburg/Reverse Trendelenburg operating properly
- _____ No rips or cracks in mattress cover
- _____ Transfer boards intact and operating properly
- _____ Arm board support levers intact and operating properly
- _____ Ground chain intact
- _____ No leaks at hydraulic connections
- _____ Hydraulic jacks holding properly
- _____ Hydraulic drop rate set properly
- _____ Hydraulic oil level sufficient
- _____ Lubricate where required

Serial No. _____

Completed By: _____ Date: _____

NOTE

Preventative maintenance should be performed at a minimum of annually. A preventative maintenance program should be established for all Stryker Medical equipment. Preventative maintenance may need to be performed more frequently based on the usage level of the product.

Cleaning

Hand wash all surfaces of the stretcher with warm water and mild detergent. Dry thoroughly. **DO NOT STEAM CLEAN, PRESSURE WASH, HOSE OFF OR ULTRASONICALLY CLEAN.** Using these methods of cleaning is **not** recommended and may void this product's warranty.

Clean Velcro **AFTER EACH USE**. Saturate Velcro with disinfectant and allow disinfectant to evaporate. (Appropriate disinfectant for nylon Velcro should be determined by the hospital.)

In general, when used in those concentrations recommended by the manufacturer, either phenolic type or quaternary type disinfectants can be used. Iodophor type disinfectants are not recommended for use because staining may result. The following products have been tested and have been found not to have a harmful effect **WHEN USED IN ACCORDANCE WITH MANUFACTURERS RECOMMENDED DILUTION.***

TRADE NAME	DISINFECTANT TYPE	MANUFACTURER	*MANUFACTURER'S RECOMMENDED DILUTION
A33	Quaternary	Airwick (Professional Products Division)	2 ounces/gallon
A33 (dry)	Quaternary	Airwick (Professional Products Division)	1/2 ounce/gallon
Beaucoup	Phenolic	Huntington Laboratories	1 ounce/gallon
Blue Chip	Quaternary	S.C. Johnson	2 ounces/gallon
Elimstaph	Quaternary	Walter G. Legge	1 ounce/gallon
Franklin Phenomysan F2500	Phenolic	Purex Corporation	1 1/4 ounce/gallon
Franklin Sentinel	Quaternary	Purex Corporation	2 ounces/gallon
Galahad	Phenolic	Puritan Churchill Chemical Company	1 ounce/gallon
Hi-Tor	Quaternary	Huntington Laboratories	1/2 ounce/gallon
LPH	Phenolic	Vestal Laboratories	1/2 ounce/gallon
Matar	Phenolic	Huntington Laboratories	1/2 ounce/gallon
Omega	Quaternary	Airwick (Professional Products Division)	1/2 ounce/gallon
Quanto	Quaternary	Huntington Laboratories	1 ounce/gallon
Sanikleen	Quaternary	West Chemical Products	2 ounces/ gallon
Sanimaster II	Quaternary	Service Master	1 ounce/gallon
Vesphene	Phenolic	Vestal Laboratories	1 1/4 ounce/ gallon

Quaternary Germicidal Disinfectants, used as directed, and/or Chlorine Bleach products, typically 5.25% Sodium Hypochlorite in **dilutions ranging between 1 part bleach to 100 parts water, and 2 parts bleach to 100 parts water are not considered mild detergents. These products are corrosive in nature and may cause damage to your stretcher if used improperly.** If these types of products are used to clean Stryker patient handling equipment, measures must be taken to insure the stretchers are rinsed with clean water and thoroughly dried following cleaning. Failure to properly rinse and dry the stretchers will leave a corrosive residue on the surface of the stretcher, possibly causing premature corrosion of critical components.

NOTE

Failure to follow the above directions when using these types of cleaners may void this product's warranty.

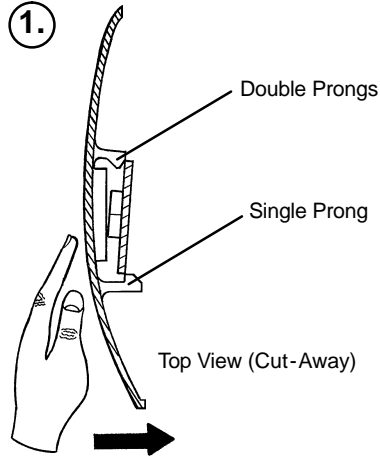
REMOVAL OF IODINE COMPOUNDS

This solution may be used to remove iodine stains from mattress cover surfaces.

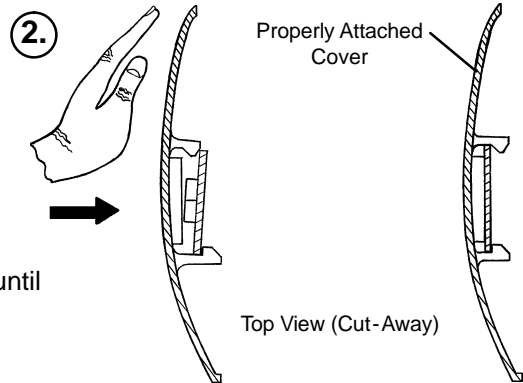
1. Use a solution of 1-2 tablespoons Sodium Thiosulfate in a pint of warm water to clean the stained area. Clean as soon as possible after staining occurs. If stains are not immediately removed, allow solution to soak or stand on the surface.
2. Rinse surfaces which have been exposed to the solution in clear water before returning bed to service.

Service Information

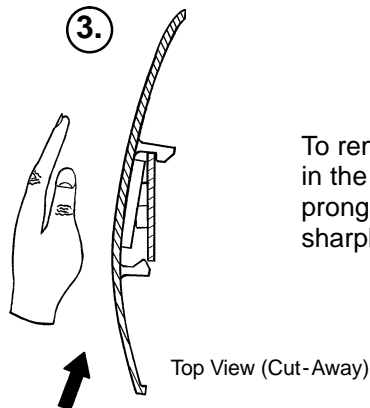
CASTER COVER INSTALLATION AND REMOVAL



Looking through the larger of the two side cut-outs, align the cover with the axle nut or bolt head, as shown. Push down on the opposite side of the cover until the single prong engages the caster horn.



Push on the cover with your palm until the double prongs engage.



To remove the wheel cover, insert a large screwdriver into the cut-out in the side of the wheel cover and into the space between the double prongs. Pry up the cover to disengage the double prongs and push sharply upward to disengage the single prong.

CASTER REMOVAL

Required Tools:

9/16" Open End Wrench

1. Remove the caster cover.
2. While keeping pressure on the caster bolt with your index finger, use a 9/16" open end wrench to remove the nylock hex nut on top of the caster assembly.
3. Using the brake ring, lift up on the base assembly and pull the caster assembly down to remove it.
4. Reverse steps 1-3 to install the new caster.

Service Information

RELEASE PEDAL ADJUSTMENT

1. Manually disengage the release pedal swivel (item K on page 33) from the release pedal assembly.
2. To increase the release rod engagement with the release valve, turn the release pedal swivel clockwise on the threaded release rod.
3. To decrease the release rod engagement with the release valve, turn the release pedal swivel counter-clockwise on the threaded release rod.

NOTE

If the pedal swivel assembly is threaded too far onto the release rod, the release valve will be partially activated and the jack will drift.

BRAKE ROD REMOVAL

Required Tools:

Hammer

7/32" Punch

String or Bungee Cords

Fifth Wheel Base

1. Pump the litter up to full height.
2. Lift the base hood and support it from the litter using string or bungee cords.
3. Remove the hex head cap screws connecting the brake rod supports to the base frame.
4. Remove the bolt connecting the drive link assembly to the fifth wheel cam.
5. Remove the rue ring cotter and clevis pin connecting the rod end link to the side control link.
6. Remove the rue ring cotter connecting the drive link assembly to the bearing pivot support on the base frame (under the brake ring weldment).
7. Remove the three hex washer head screws holding the brake rod assembly to the base frame.
8. Remove the slotted spring pins connecting the butterfly "V" pedals, drive link assemblies and side control link to the brake rod.
9. Reverse steps 1-8 to reinstall the brake rod. When reinstalling the brake rod supports, torque the hex head cap screws to 12-15 ft.-lbs.

CAUTION

When reattaching the brake rod assembly to the base frame, set the torque specs **no higher** than 15 ft.-lbs. or damage could occur to the bolts.

Big Wheel Base

1. Pump the litter up to full height.
2. Lift the base hood and support it from the litter using string or bungee cords.
3. With the brake/steer pedal in the steer position, remove the clevis pin and rue ring cotter connecting the brake rod to the brake rod drive link at each end of the stretcher.
4. Remove the two clevis pins and rue ring cotters connecting the brake rods to the drive arm at the center of the base near the cam bracket assembly.
5. Pull on the butterfly "V" pedals to remove the brake rods from the base.
6. Reverse steps 1-5 to reinstall the brake rod.

Service Information

SIDE CONTROL BRAKE ROD REMOVAL

Required Tools:

Hammer 7/32" Punch Needle Nose Pliers String or Bungee Cords

Fifth Wheel Base

1. Pump the litter up to full height.
2. Lift the base hood and support it from the litter using string or bungee cords.
3. Remove the rue ring cotter and clevis pin connecting the rod end link to the side control link.
4. Remove the four bolts holding the brake rod assembly to the base frame and remove the entire assembly.
5. Using a hammer and 7/32" punch, drive the slotted spring pin out of the butterfly "V" pedal on the patient's left side and remove the pedal,
6. Using a hammer and 7/32" punch, drive the slotted spring pin out of the hard stop in the center of the support weldment.
7. Using a hammer and 7/32" punch, drive out the slotted spring pin connecting the side control link to the side control brake rod on the patient's right side.
8. Pull on the butterfly "V" pedal on the patient's right side to remove the side control brake rod from the base.
9. Reverse steps 1-8 to reinstall the brake rod. When reinstalling the assembly, torque the hex head cap screws to 12-15 ft.-lbs.

CAUTION

When reattaching the brake rod assembly to the base frame, set the torque specs **no higher** than 15 ft.-lbs. or damage could occur to the bolts.

Big Wheel Base

1. Pump the litter up to full height.
2. Lift the base hood and support it from the litter using string or bungee cords.
3. Using a hammer and 7/32" punch, drive the groove pin out of the butterfly "V" pedal on the patient's left side and remove the pedal.
4. Using a hammer and 7/32" punch, drive out the groove pin connecting the side control link to the side control brake rod.
5. Pull on the butterfly "V" pedal on the patient's right side to remove the side control brake rod from the base.
6. Reverse steps 1-5 to reinstall the brake rod.

Service Information

BRAKE RING REMOVAL

Required Tools:

9/16" Socket w/Extension 3/8" Drive Ratchet Needle-Nose Pliers String or Bungee Cord

1. Pump the litter up to full height.
2. Lift the base hood and support it from the litter using string or bungee cords.
3. Using needle-nose pliers, unhook the extension springs from the top of the base caster tubes.
4. Remove the plastic caster covers.
5. While putting pressure on the caster carriage bolt, use a 9/16" socket and a 3/8" drive ratchet to remove the caster nut on both sides of the stretcher.
6. Remove the casters.
7. Remove the brake rod (see procedure).
8. Remove the cotter pin from the clevis pin in the center of the brake ring weldment.
9. Remove the cotter pin from the bearing pivot support.
10. Remove the 3/4" nylock hex nut from the bearing pivot support.
11. Remove the drive link assembly.
12. Pull the brake ring down and out away from the stretcher base frame.
13. Reverse steps 1-12 to reinstall the brake ring.

FIFTH WHEEL ASSEMBLY REMOVAL

Required Tools:

1/2" Socket 3/8" Drive Ratchet

1. Using a 1/2" socket and 3/8" drive ratchet, remove the 1/2" bolt holding the fifth wheel cam drive link and fifth wheel drive link to the fifth wheel cam.
2. Remove the two 1/2" bolts holding the fifth wheel mounting bracket to the base frame weldment.
3. Remove the fifth wheel assembly.
4. Reverse steps 1 and 2 to reinstall the fifth wheel. When reinstalling the assembly, torque the hex head cap screws to 12-15 ft.-lbs.

CAUTION

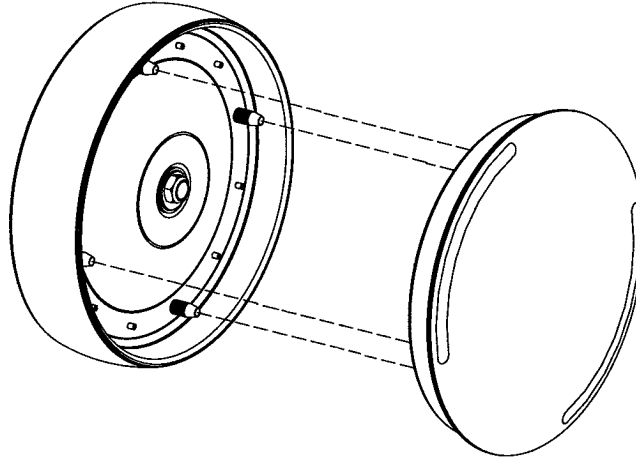
When reattaching the fifth wheel assembly to the base frame, set the torque specs **no higher** than 15 ft.-lbs. or damage could occur to the bolts.

Service Information

BIG WHEEL HUBCAP REMOVAL

Required Tools:

Large Standard Screwdriver



1. Using a large standard screwdriver, pry evenly around the entire edge of the Big Wheel hubcap until it pops off the mounting studs on the wheel.

CAUTION

Do not attempt to pull off the hubcap after prying up only one side. Damage to the slots on the hubcap or the mounting studs on the wheel could result.

2. To reinstall the hubcap, place it on the wheel, aligning the slots in the hubcap with the mounting studs on the wheel. Press down evenly on the edges of the hubcap until it snaps into place.

BIG WHEEL REMOVAL

Required Tools:

Large Standard Screwdriver

Small Standard Screwdriver

String or Bungee Cords

1. Lift the base hood and separate the Velcro holding it to the base frame. Support the hood from the litter using bungee cords so it is out of the way.
2. Using a large, standard screwdriver, pop off the big wheel cover.
3. Using a small, standard screwdriver, remove the spiral retaining ring from the groove on the Big Wheel axle.
4. Remove the Big Wheel.
5. Reverse steps 1-4 to reinstall the Big Wheel.

Service Information

SIDE CONTROL BIG WHEEL LINKAGE ASSEMBLY REMOVAL

Required Tools:

1/4" Punch

Hammer

Needle-Nose Pliers

String or Bungee Cords

1. Pump the litter up to full height.
2. Lift the base hood and support it from the litter using string or bungee cords.
3. Using a hammer and 1/4" punch, drive out the slotted spring pin connecting the butterfly "V" pedal on the patient's right side to the side control wheel axle.
4. Remove the butterfly "V" pedal and set it aside.
5. Using the hammer and 1/4" punch, drive out the slotted spring pin holding the side control Big Wheel linkage yoke weldment to the side control wheel axle.
6. Pull straight out on the patient's left side butterfly "V" pedal and remove the side control wheel axle.
7. Using needle-nose pliers, remove the hair pin cotter and washer holding the toggle pivot plate to the side control Big Wheel carriage assembly.
8. Remove the rue ring cotter and clevis pin connecting the side control Big Wheel linkage rod end link to the end control brake rod.
9. Remove the side control Big Wheel linkage assembly and set it aside.
10. Reverse steps 1-9 to reinstall the linkage assembly.

Service Information

HEAD END HYDRAULIC JACK REMOVAL

Required Tools: 1/2" Socket w/Extension 3/8" Drive Ratchet

1. Remove the litter from the stretcher.
2. Using a 1/2" socket with extension and a 3/8" drive ratchet, remove the two hex head screws holding the jack base to the stretcher base frame.
3. Remove the two hex head screws holding the jack reservoir clamp to the base frame and remove the clamps.
4. Lift straight up on the pump connecting rod and disconnect the pump piston from the connecting rod.
5. Disconnect the pump pedal swivel from the release pedal mounting plate.
6. Remove the head end release rod from the release valve assembly.
7. Using a 1/2" socket with extension and a 3/8" drive ratchet, remove the two hex head screws holding the jack base to the stretcher base frame.
8. Lift out the jack assembly.
9. To reinstall the jack, install the bolts on the jack and reservoir clamp but do not tighten them fully.
10. Reinstall the pump connecting rod and release rod.
11. Depress the pump pedal fully (to the floor). This will properly locate the jack onto the base frame.
12. Tighten the bolts on the jack and reservoir clamp.
13. Pump up the litter and apply weight to verify the jacks hold and do not drift.

NOTE

The jack descent rate is preset at the factory and adjustment is not recommended.

Service Information

TRANSFER BOARD COUNTERBALANCE ADJUSTMENT

Required Tools:

7/16 Open End Wrench

1. Raise the transfer board to the full up position.
2. Unhook the extension spring at the eye bolt.
3. Using a 7/16 open end wrench, loosen the jam nut at the eye bolt.
4. Adjust the eye bolt to the desired position.
5. Tighten the jam nut.
6. Hook the extension spring to the eye bolt.
7. Allow the transfer board to lower on its own.
8. Repeat steps 1-7 until the desired counterbalance is achieved.

FOLDDOWN SIDERAIL LATCH ADJUSTMENT

Required Tools:

1/8" Hex Allen Wrench

WARNING

The siderail latches are preset at the factory, and do not normally need adjustment. If adjustment must be done, it is important to follow the procedure below. If adjustment is not done properly, injury to the patient or user could result.

1. Using a 1/8" hex Allen wrench, adjust the hex Allen screw located on the latch assembly opposite the latch. Turning the screw clockwise will **DECREASE** the amount of "play" in the latching mechanism. Turning counterclockwise will **INCREASE** the amount.

NOTE

The amount of "play" in the siderail, when in full up engaged position, should be approximately 1/8 to 3/16 inches.

CAUTION

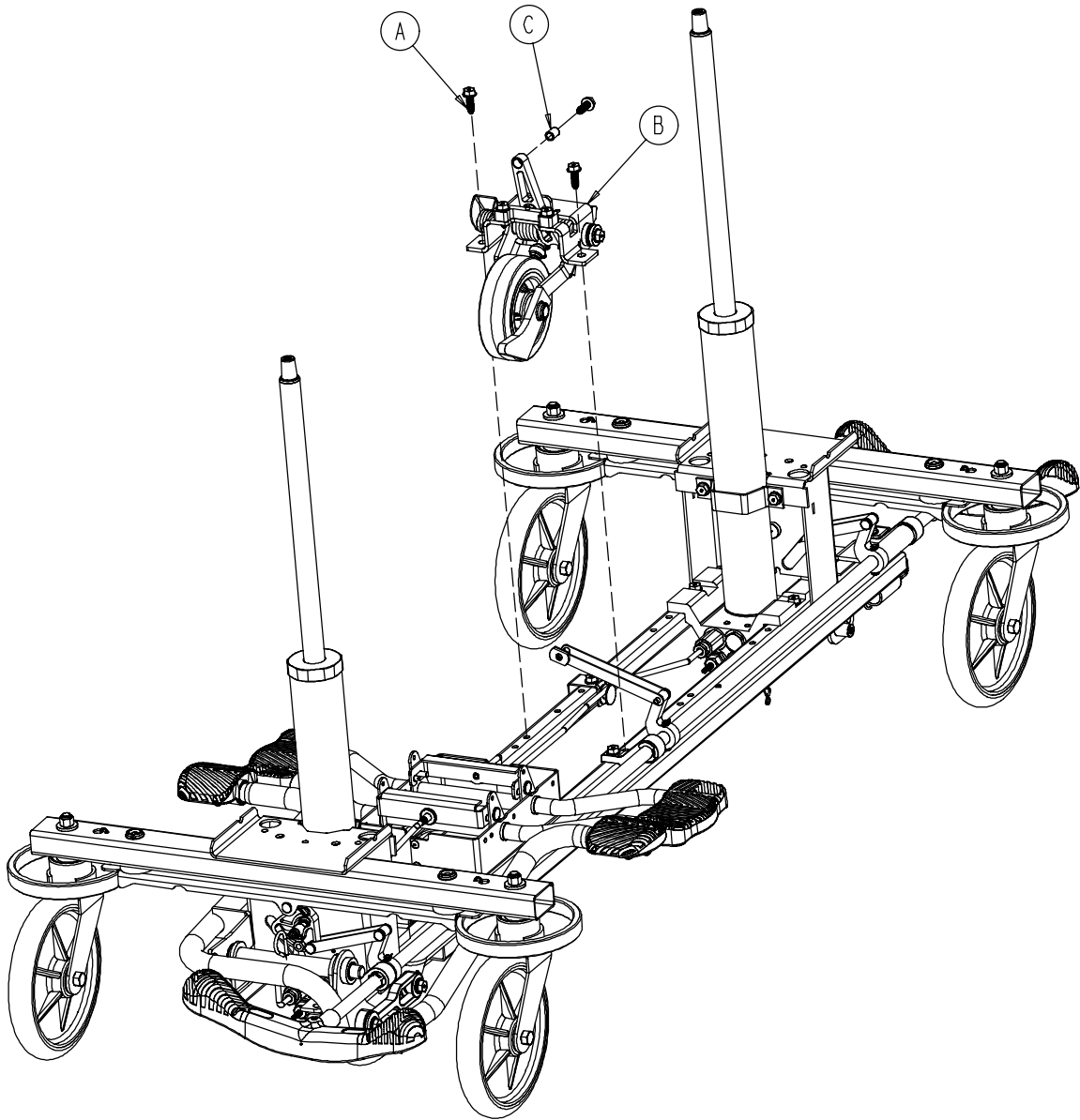
Too much "play" when the siderail is in the full up engaged position will give the siderail the appearance of being unstable and could also cause premature wearing of the latch system.

Too little "play" will obstruct the latch and keep it from engaging completely in the full up position, which may result in damage to the latch and/or injury to the patient or user.

Replacement Parts

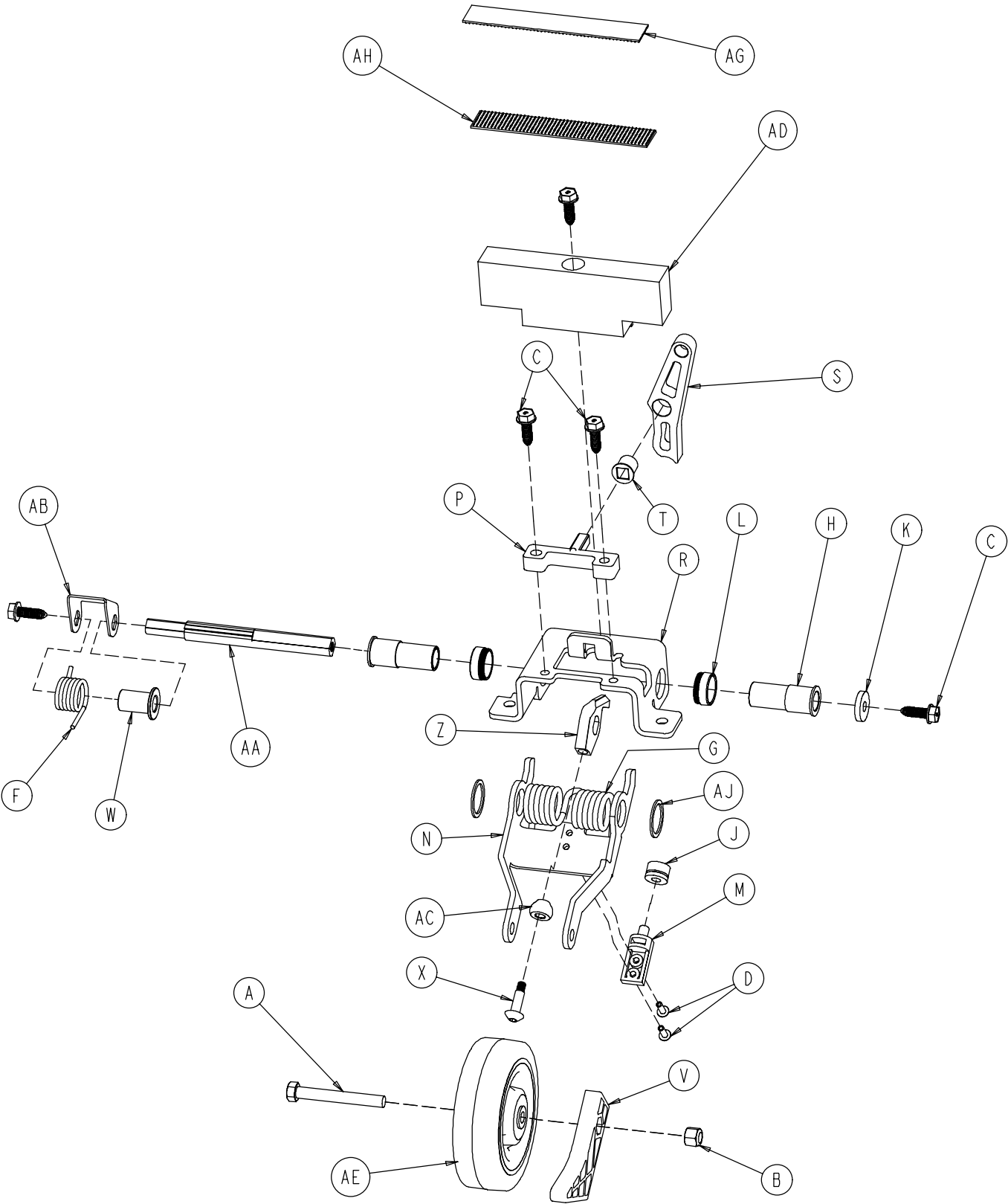
<u>PART NAME</u>	<u>PART NUMBER</u>
Hydraulic Jack, Constant Descent	0753-002-001
Hydraulic Jack, Variable Descent	0753-002-070
Instrument/Serving Tray	1052-129-000
I.V. Caddy	1050-001-100
I.V. Pole, 2-Stage Permanently Attached, Head End (1210)	1010-280-000
I.V. Pole, 2-Stage Permanently Attached, Head End (1710)	1510-280-000
I.V. Pole, 2-Stage Permanently Attached, Foot End (1210)	1010-281-000
I.V. Pole, 2-Stage Permanently Attached, Foot End (1710)	1510-281-000
I.V. Pole, 3-Stage Permanently Attached, Head End (1210)	1010-061-000
I.V. Pole, 3-Stage Permanently Attached, Head End (1710)	1510-061-000
I.V. Pole, 3-Stage Permanently Attached, Foot End (1210)	1010-062-000
I.V. Pole, 3-Stage Permanently Attached, Foot End (1710)	1510-062-000
I.V. Pole, Standard Removable	0390-025-000
I.V. Pole, Tethered (1210)	1210-1 17-000
I.V. Pole, Tethered (1710)	1710-1 17-000
Mattress, 3" Black Staph Chek® (1710)	1501-048-106
Mattress, 4" Black Staph Chek®(1710)	1501-047-106
Mattress, 3" Enhanced Comfort (1210)	1001-048-106
Mattress, 4" Enhanced Comfort (1210)	1001-047-106
Mattress, 3" Low Friction (1210)	1059-326-140
Mattress, 3" Low Friction (1710)	1059-329-140
Mattress, 4" Low Friction (1210)	1059-426-140
Mattress, 4" Low Friction (1710)	1059-429-140
Oxygen Bottle Holder Assembly, Upright	1020-030-000
Paint, Touch-Up, Gloss Black, Bottle w/Brush	7000-001-322
Paint, Touch-Up, Gloss Black, Spray Can	7000-001-319
Paint, Touch-Up, Gray, Bottle w/Brush	7000-001-320
Paint, Touch-Up, Gray, Spray Can	7000-001-317
Restraint Strap, 2 Piece	0390-019-000
Restraint Strap, Ankle	0946-043-100
Restraint Strap, Chest	1010-058-000
Restraint Strap, Wrist	946-044-100
Siderail Kit, 3-Position	1068-700-001
Siderail Pads, Folddown	1010-052-000
Steer Handles, Foot End	1210-151-000
Steer Handles, Head End	1711-151-000
Wheel Cover Replacement Kit	1010-056-200

0753-006-110 Retractable Fifth Wheel Base Assembly



Item	Part No.	Part Name	Qty.
A	0023-288-000	Hex Washer Hd. Screw	3
B	(page 20)	Fifth Wheel Assembly	1
C	0753-006-148	Cam Bearing	1

0753-006-130 Fifth Wheel Assembly

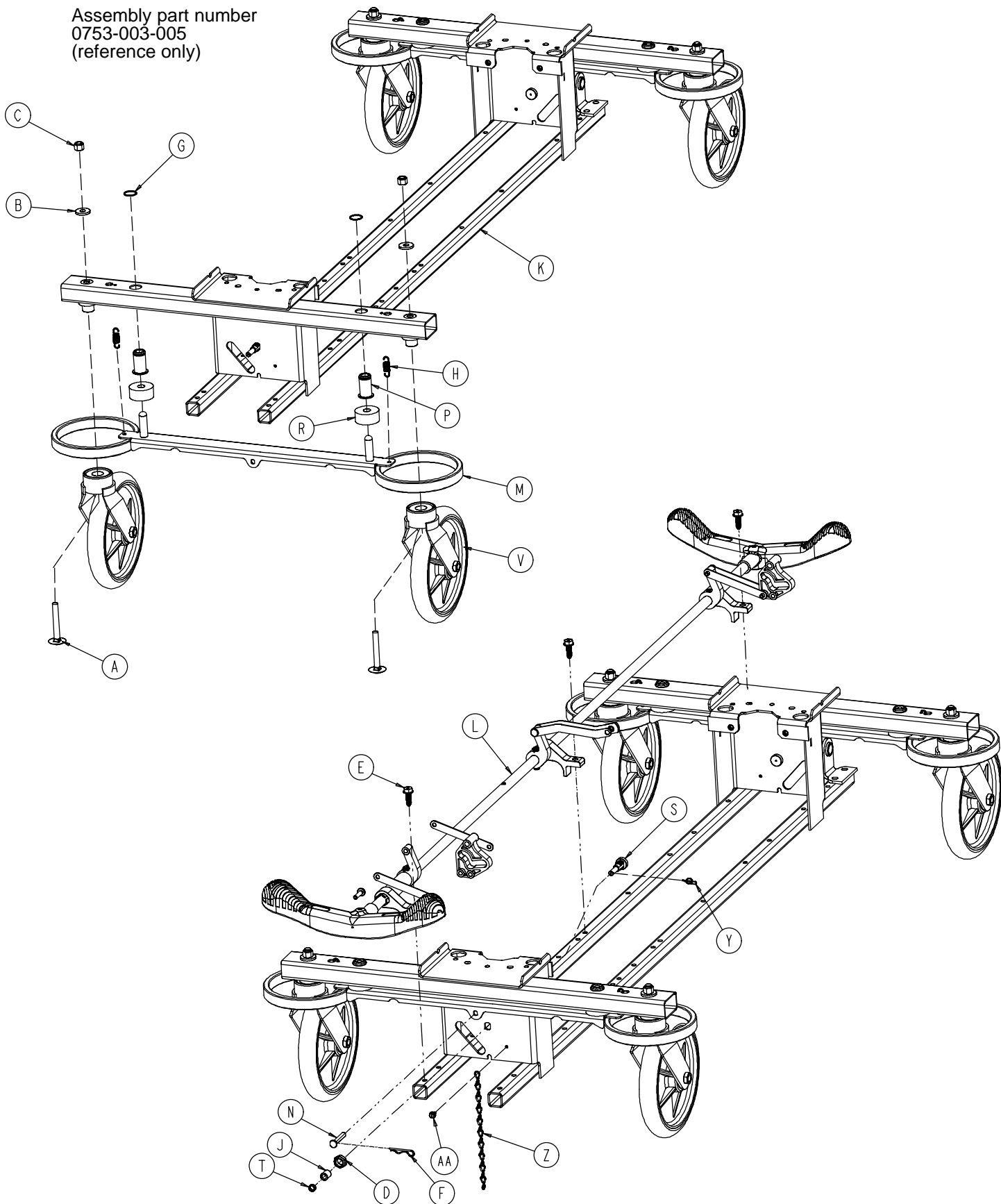


0753-006-130 Fifth Wheel Assembly

Item	Part No.	Part Name	Qty.
A	0003-083-000	Hex Hd. Cap Screw	1
B	0016-035-000	Nylock Hex Nut	1
C	0023-288-000	Hex Washer Hd. Screw	5
D	0025-050-000	Rivet	2
F	0753-006-074	Torsion Spring	1
G	0753-006-075	Torsion Spring	1
H	0753-006-097	Drive Shaft Bearing	2
J	0753-006-106	Dampener	1
K	0753-006-108	Thrust Washer	1
L	0753-006-115	Bearing	2
M	0753-006-120	Bumper Mounting Pin	1
N	0753-006-126	Wheel Bracket	1
P	0753-006-133	Cam Pivot Block	1
R	0753-006-134	Fifth Wheel Mounting Bracket	1
S	0753-006-142	Fifth Wheel Cam	1
T	0753-006-143	Cam Bearing	1
V	0753-006-149	5th Wheel Ramp	1
W	0753-006-152	Spring Spacer	1
X	0753-006-153	Roller Stem	1
Z	0753-006-198	Drive Pin	1
AA	0753-006-223	Drive Shaft	1
AB	0753-006-227	Return Spring Hook	1
AC	0753-006-277	Roller	1
AD	0753-010-045	Hood Standoff	1
AE	1210-001-147	Wheel	1
AG	0753-006-280	Dual Lock	1
AH	0753-006-281	Dual Lock	1
AJ	0011-360-000	Washer	2

Base Assembly w/Standard Brakes (Fifth Wheel Base)

Assembly part number
0753-003-005
(reference only)

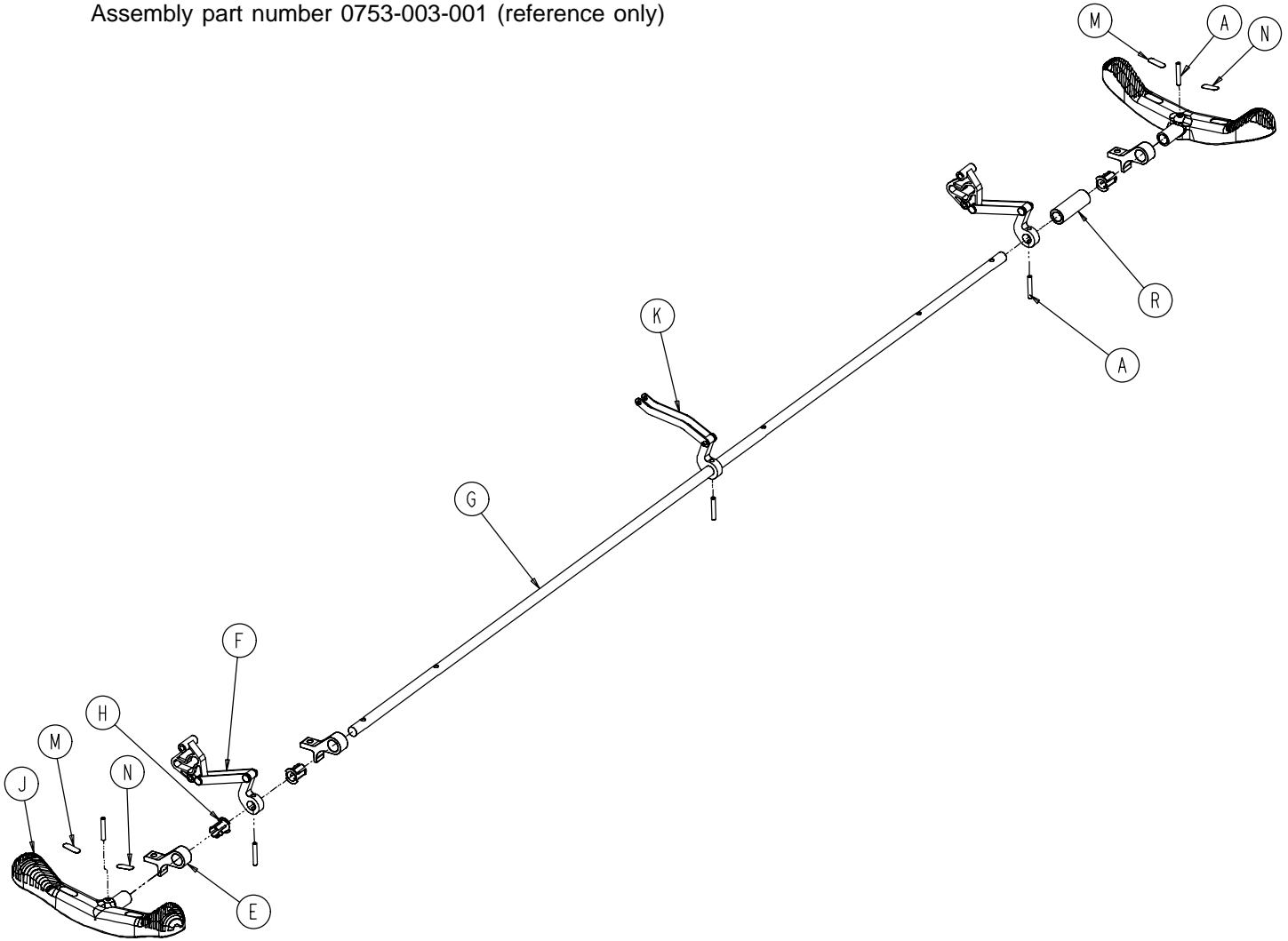


Base Assembly w/Standard Brakes (Fifth Wheel Base)

Item	Part No.	Part Name	Qty.
A	0005-039-000	Step Bolt	4
B	0011-262-000	Washer	4
C	0016-035-000	Nylock Hex Nut	4
D	0016-049-000	Nylock Hex Nut	2
E	0023-288-000	Hex Washer Hd. Screw	3
F	0027-012-000	Hitch Pin	2
G	0028-037-000	External Retaining Ring	4
H	0038-439-000	Extension Spring	4
J	0081-272-000	Roller Bearing	2
K	0753-001-001	Base Frame	1
L	(page 24)	Brake Rod Assembly	1
M	0753-003-006	Brake Ring	2
N	0753-003-066	Clevis Pin	2
P	0753-003-079	Caster Tube Brake Pin Guide	4
R	0753-003-121	Brake Cushion	4
S	0753-003-130	Bearing Pivot Support	2
T	0753-003-131	Spacer	2
V	(page 27)	Caster Assembly	4
Y	0027-019-000	Rue Ring Cotter Pin	2
Z	0753-010-012	Ground Chain	1
AA	0023-025-000	H. Washer Hd. Tapping Screw	1

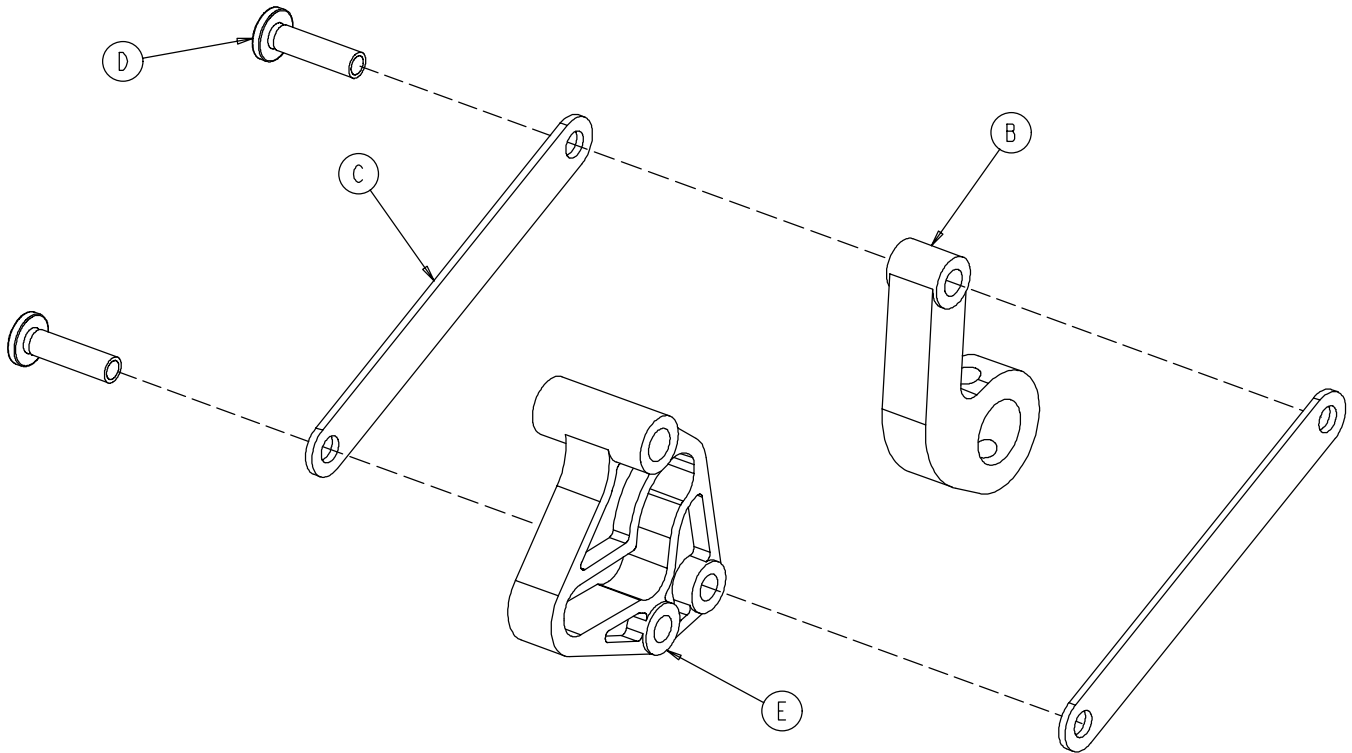
Brake Rod Assembly

Assembly part number 0753-003-001 (reference only)



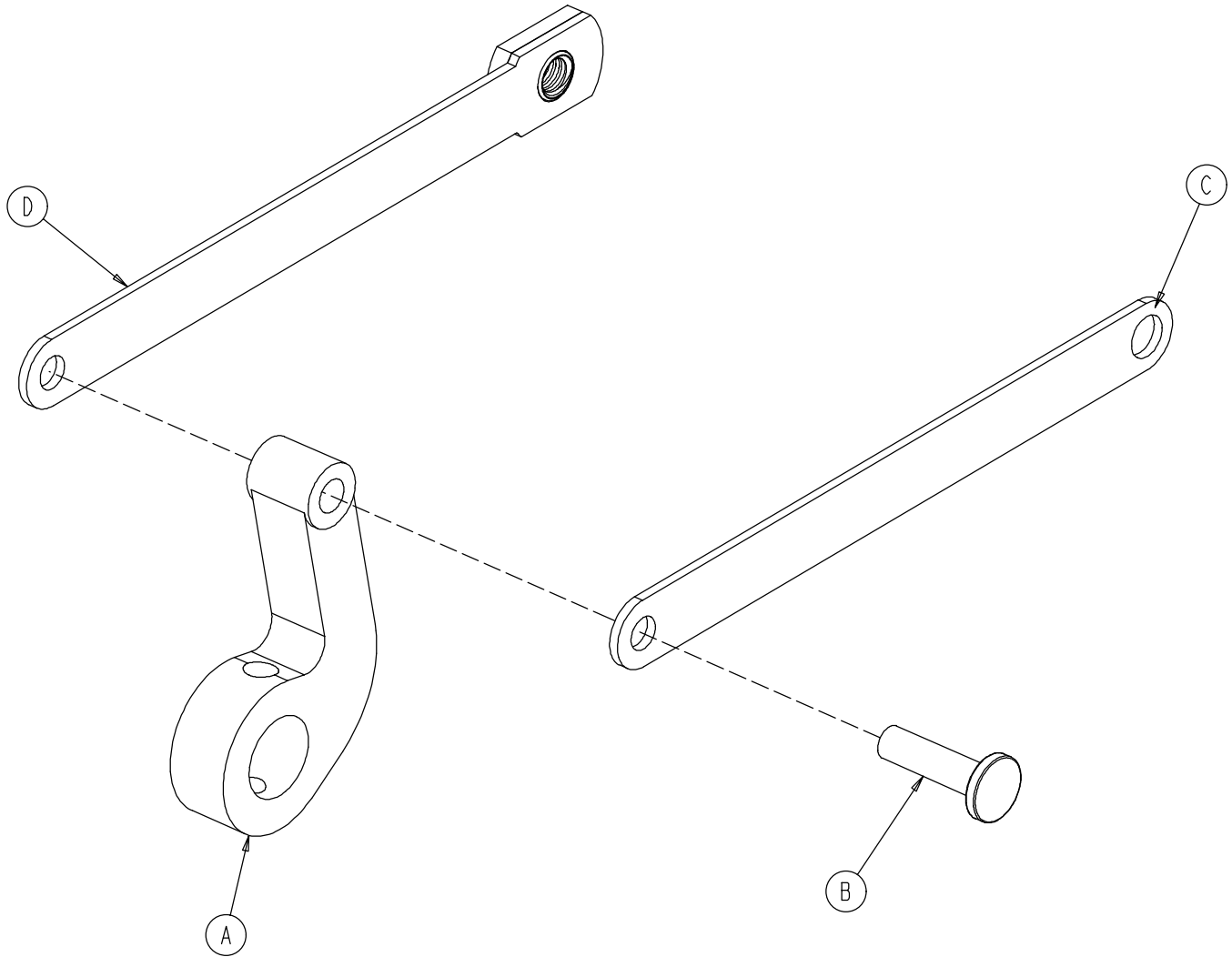
Item	Part No.	Part Name	Qty.
A	0026-067-000	Slotted Spring Pin	2
E	0753-003-004	Brake Rod Support	3
F	(page 25)	Drive Link Assembly	2
G	0753-003-014	Brake Rod	1
H	0753-003-015	Nyliner	3
J	0753-003-099	Butterfly "V" Pedal	2
K	(page 26)	Drive Link Assembly	1
M	1210-201-335	Red Brake Label	2
N	1210-201-336	Green Steer Label	2
R	0753-003-133	Retainment Spacer	1

0753-003-010 Drive Link Assembly



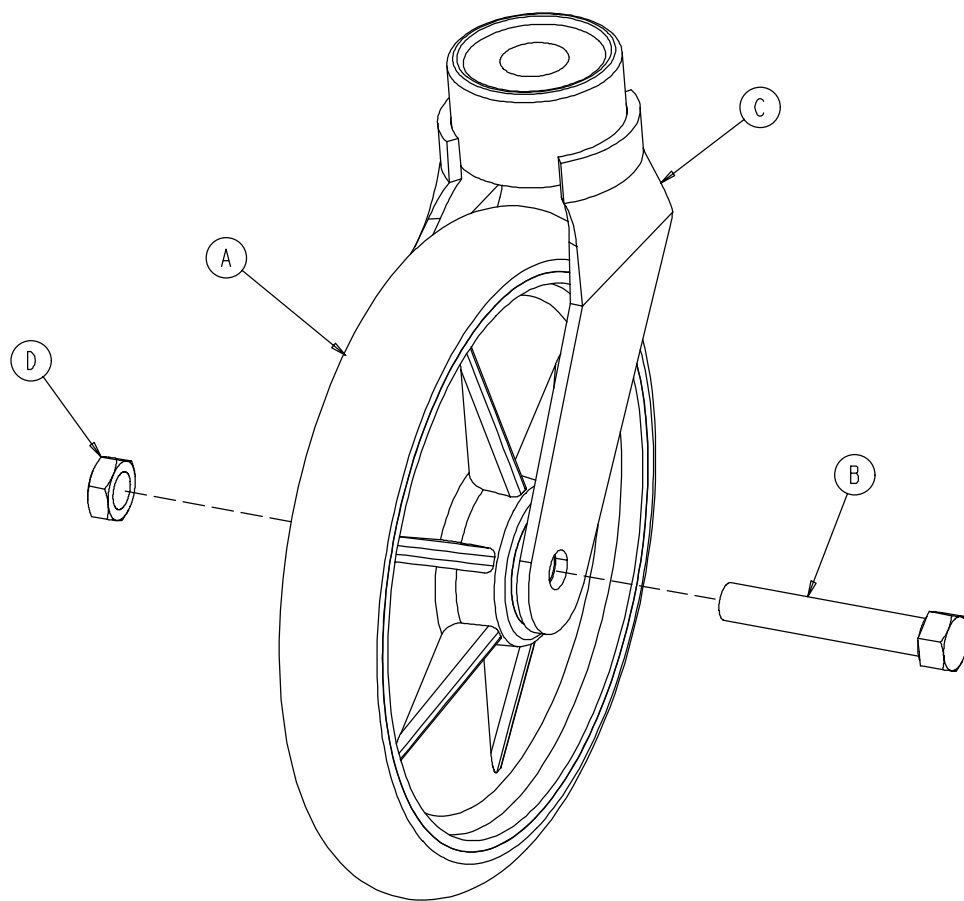
Item	Part No.	Part Name	Qty.
B	0753-003-011	Brake Rod Drive Link	1
C	0753-003-061	Brake Cam Drive Link	2
D	0753-003-098	Flat Hd. Semi-Tubular Rivet	2
E	0753-003-102	Brake Cam	1

0753-006-135 Drive Link Assembly



Item	Part No.	Part Name	Qty.
A	0753-003-011	Brake Rod Drive Link	1
B	0753-003-098	Semi-Tubular Rivet	1
C	0753-006-122	5th Wheel Cam Drive Link	1
D	0753-006-147	Fifth Wheel Drive Link	1

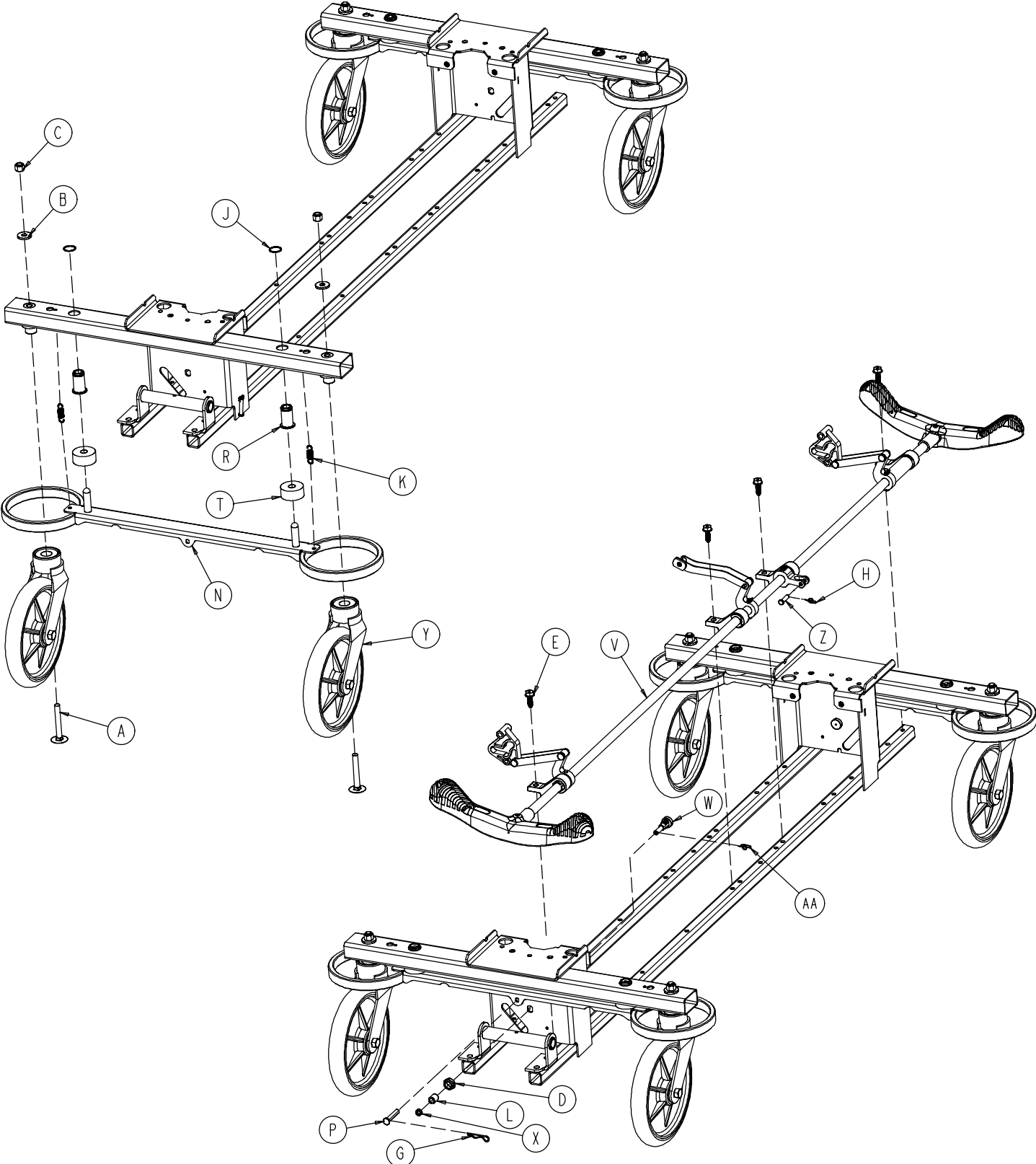
0753-010-020 8" Caster Assembly



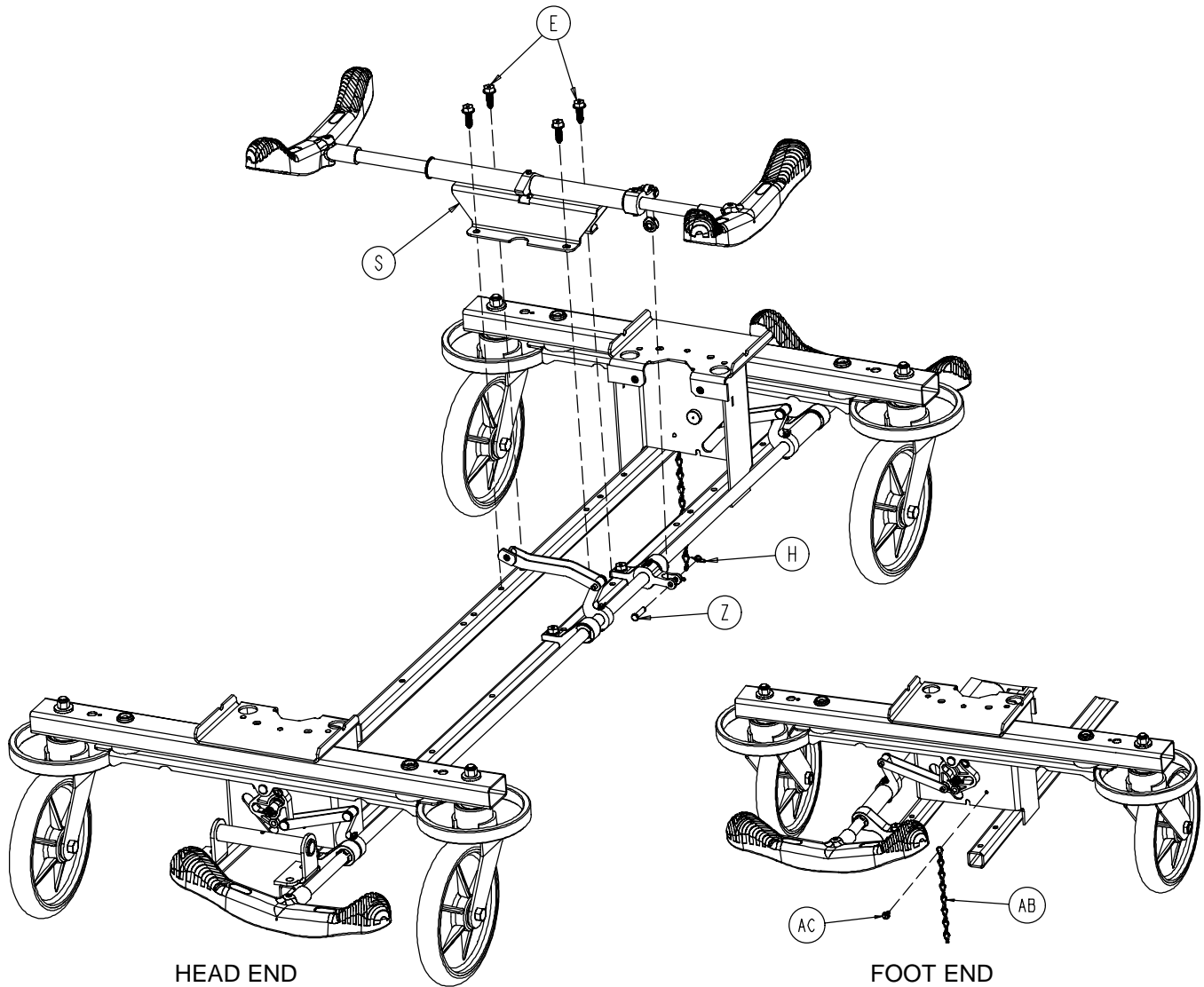
Item	Part No.	Part Name	Qty.
A	0715-002-025	Wheel	1
B	0003-099-000	Hex Hd. Cap Screw	1
C	0753-010-021	Caster Horn w/Bearing	1
D	0016-060-000	Centerlock Nut	1

Base Assembly with 4-Sided Brakes

Assembly part number 0753-003-120 (reference only)

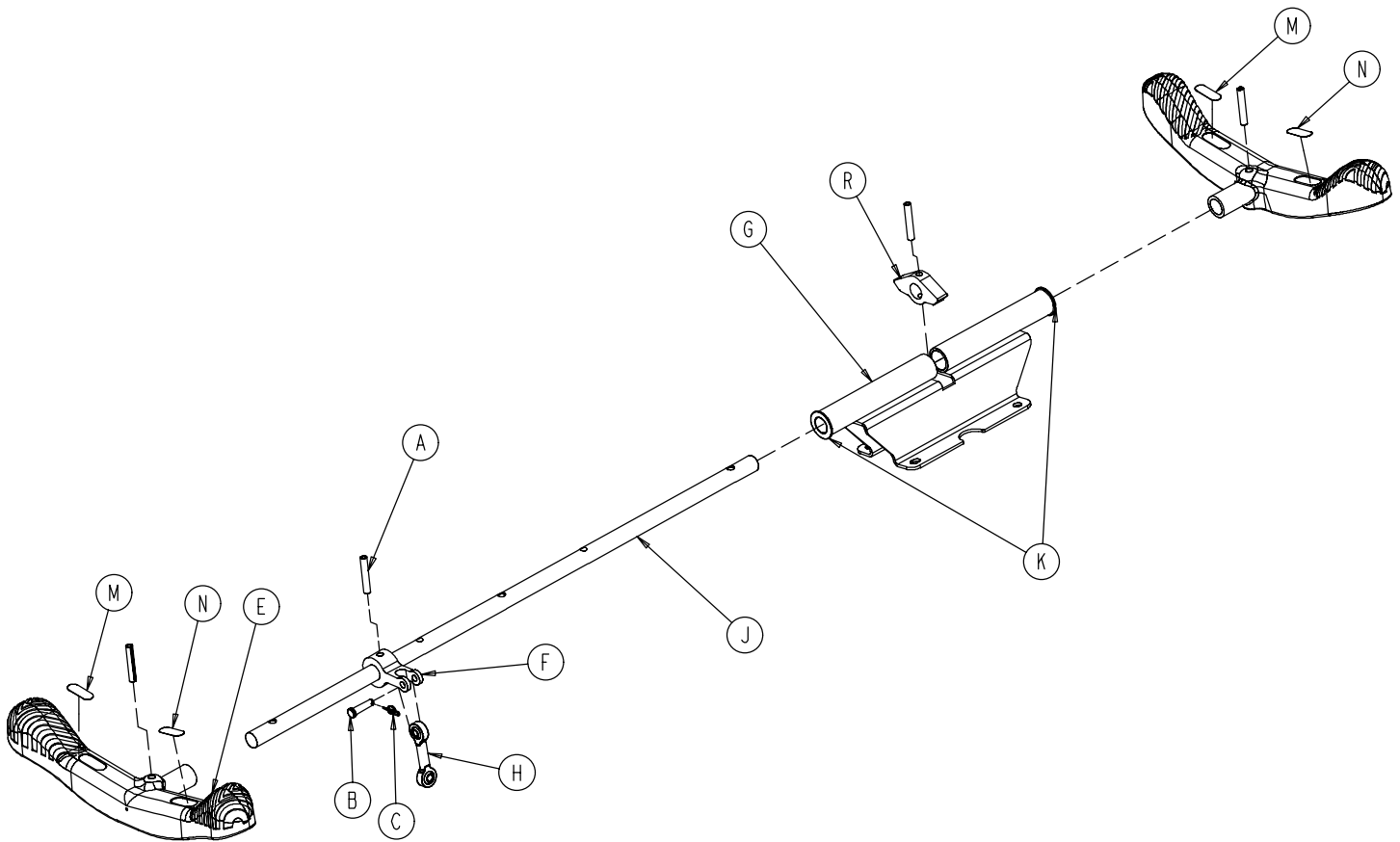


Base Assembly with 4-Sided Brakes



Item	Part No.	Part Name	Qty.	Item	Part No.	Part Name	Qty.
A	0005-039-000	Step Bolt	4	P	0753-003-066	Clevis Pin	2
B	0011-262-000	Washer	4	R	0753-003-079	Brake Pin Guide	4
C	0016-035-000	Nylock Hex Nut	4	S	(page 30)	Side Brake Rod Ass'y	1
D	0016-049-000	Nylock Hex Nut	2	T	0753-003-121	Brake Cushion	4
E	0023-288-000	Hex Washer Hd. Screw	8	V	(page 31)	Brake Rod Assembly	1
G	0027-012-000	Hitch Pin	2	W	0753-003-130	Bearing Pivot Support	2
H	0027-020-000	Rue Ring Cotter	1	X	0753-003-131	Spacer	2
J	0028-037-000	External Retaining Ring	4	Y	(page 27)	Caster Assembly	4
K	0038-439-000	Extension Spring	4	Z	0026-340-000	Clevis Pin	1
L	0081-272-000	Roller Bearing	2	AA	0027-019-000	Rue Ring Cotter Pin	2
M	0753-001-001	Base Weldment	1	AB	0753-010-012	Ground Chain	1
N	0753-003-006	Brake Ring Weldment	2	AC	0023-025-000	H. Washer Hd. Tap. Scr.	1

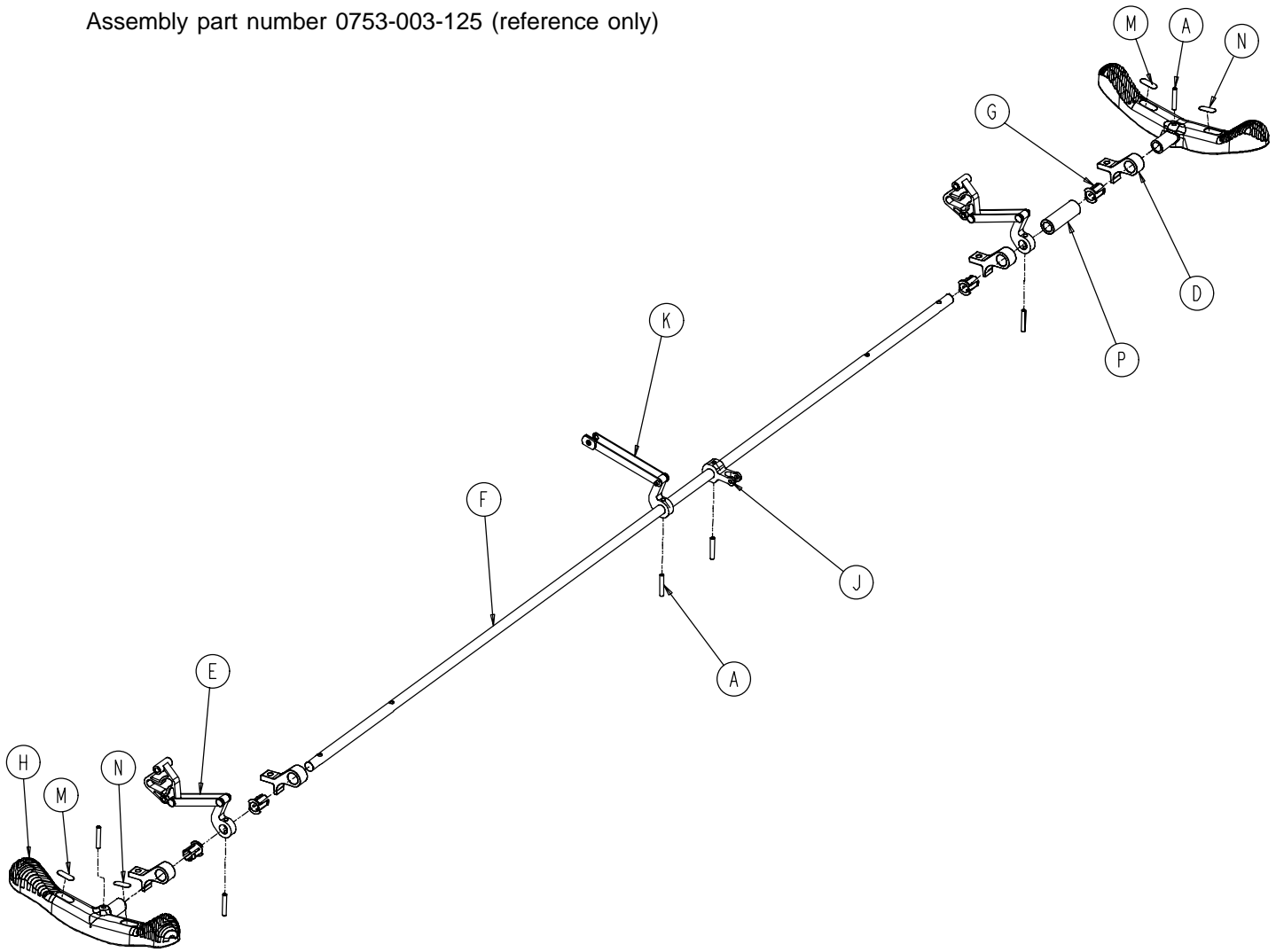
0753-003-110 Side Control Brake Rod Assembly



Item	Part No.	Part Name	Qty.
A	0026-067-000	Slotted Spring Pin	4
B	0026-340-000	Clevis Pin	1
C	0027-020-000	Rue Ring Cotter	1
E	0753-003-099	Butterfly "V" Pedal	2
F	0753-003-112	Side Control Link	1
G	0753-003-114	Support Weldment	1
H	0753-003-117	Rod End Link	1
J	0753-003-119	Side Control Brake Rod	1
K	0753-005-044	Pedal Bushing	2
M	1210-201-335	Red Brake Label	2
N	1210-201-336	Green Steer Label	2
R	0753-003-132	Hard Stop	1

Brake Rod Assembly

Assembly part number 0753-003-125 (reference only)

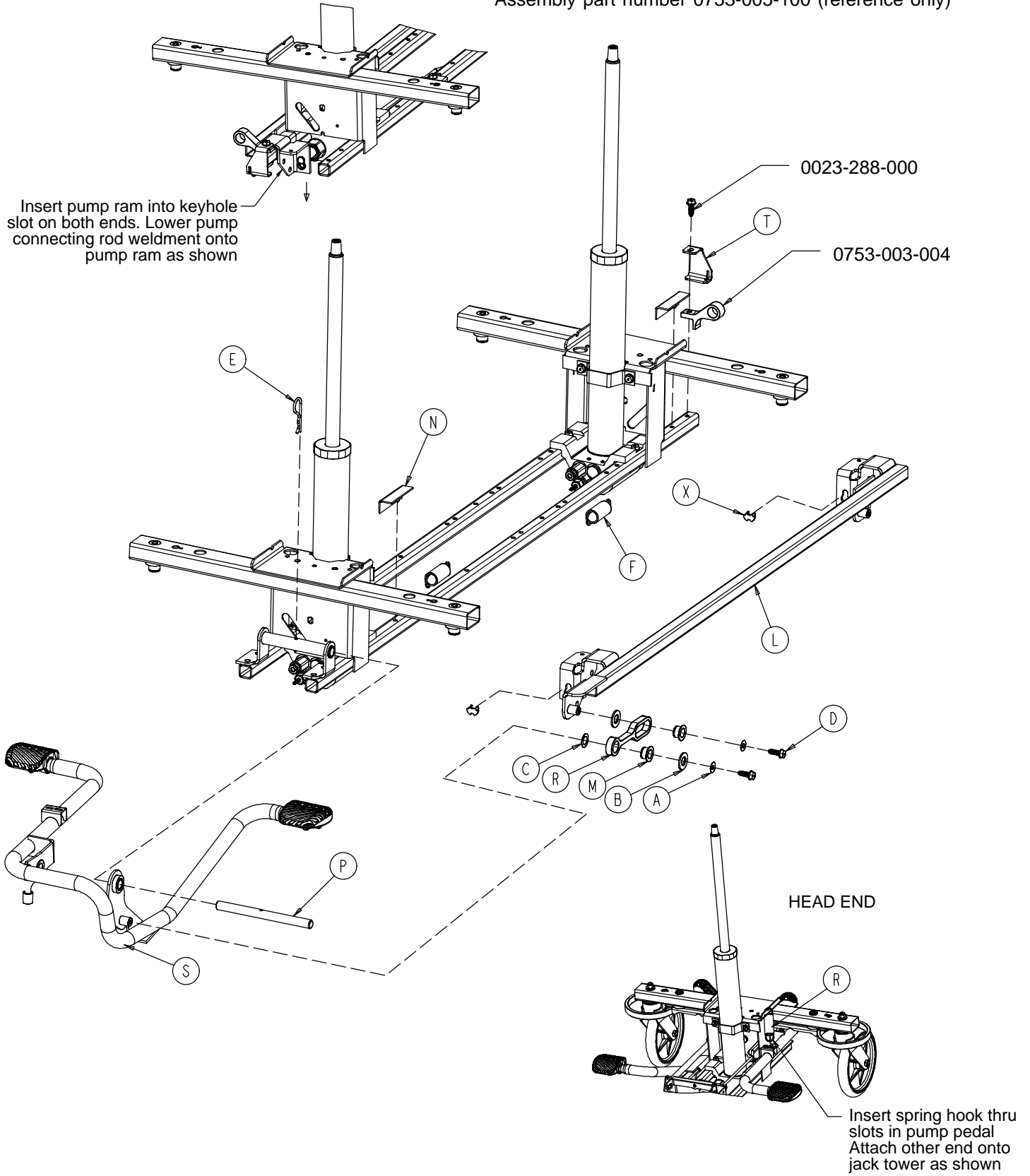


Item	Part No.	Part Name	Qty.
A	0026-067-000	Slotted Spring Pin	6
D	0753-003-004	Brake Rod Support	4
E	(page 25)	Drive Link Assembly	2
F	0753-003-014	Brake Rod	1
G	0753-003-015	Brake Rod Nyliner	4
H	0753-003-099	Butterfly "V" Pedal	2
J	0753-003-112	Side Control Link	1
K	(page 26)	Drive Link Assembly	1
M	1210-201-335	Red Brake Label	2
N	1210-201-336	Green Steer Label	2
P	0753-003-133	Retainment Spacer	1

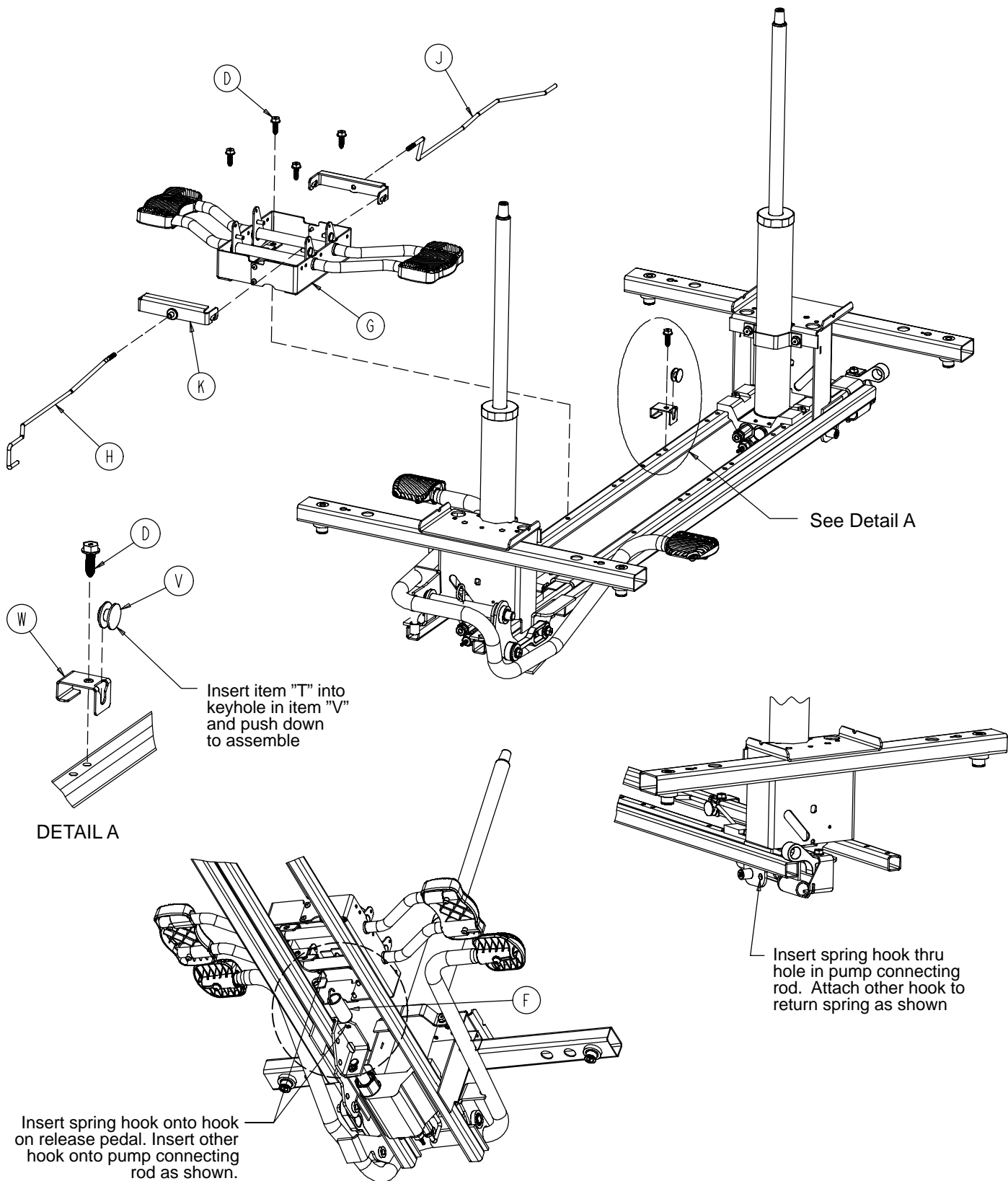
Base with Dual Side Hydraulics (Fifth Wheel Base)

Assembly part number 0753-005-100 (reference only)

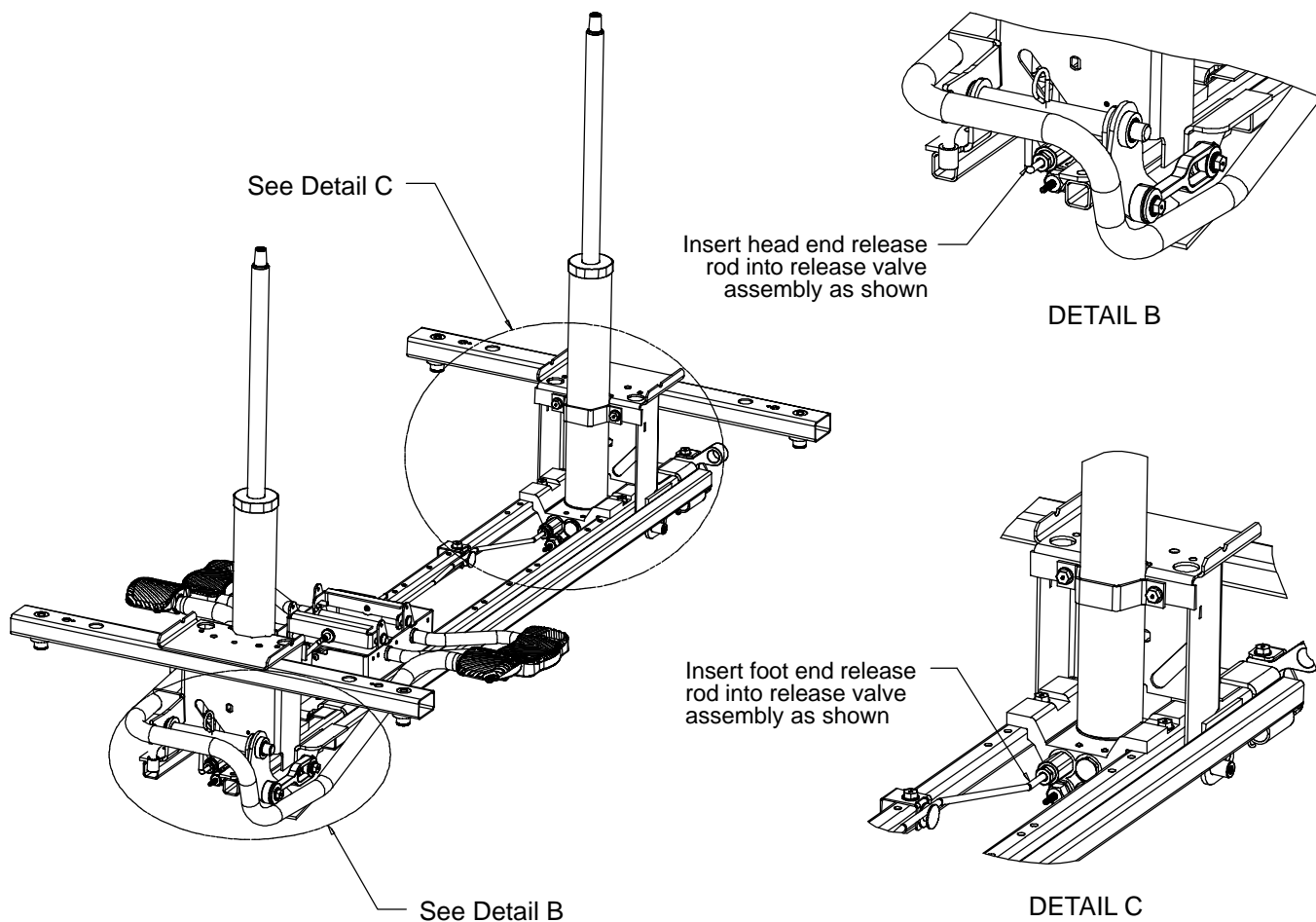
Insert pump ram into keyhole slot on both ends. Lower pump connecting rod weldment onto pump ram as shown



Base with Dual Side Hydraulics (Fifth Wheel Base)

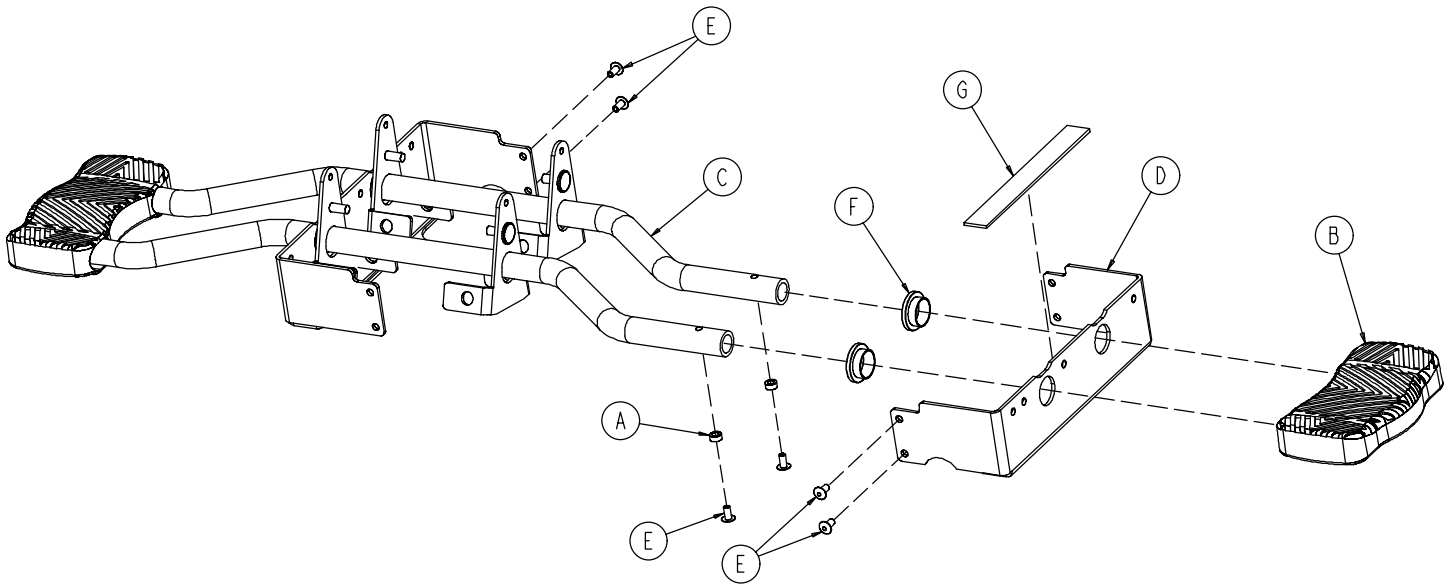


Base with Dual Side Hydraulics (Fifth Wheel Base)



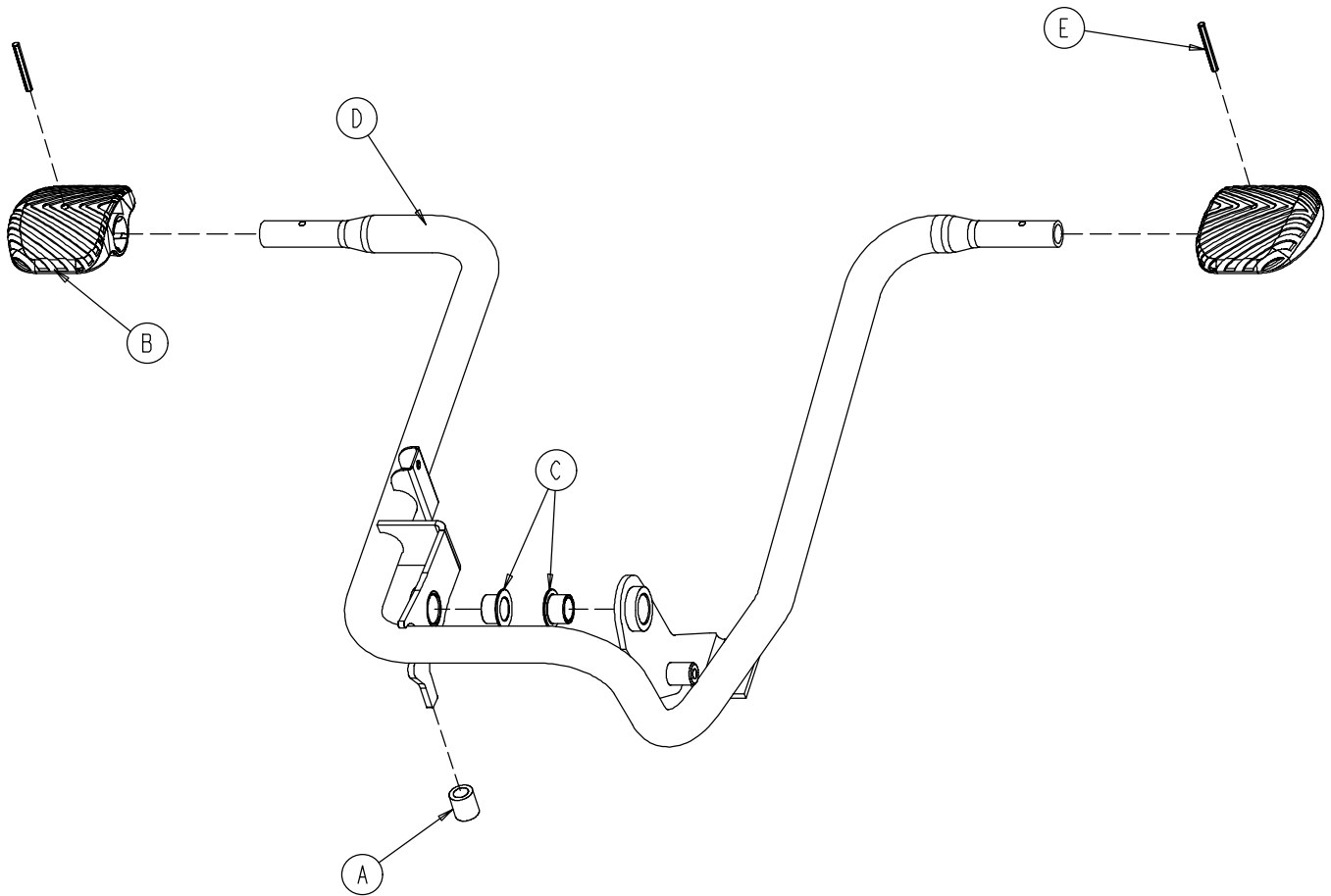
Item	Part No.	Part Name	Qty.
A	0011-023-000	Washer	2
B	0014-071-000	Washer	2
C	0014-080-000	Washer	1
D	0023-288-000	Hex Washer Hd. Screw	7
E	0027-031-000	Hair Pin Cotter	1
F	0038-497-000	Extension Spring	3
G	(page 35)	Release Pedal Assembly	1
H	0753-004-014	Head End Release Rod	1
J	0753-004-015	Foot End Release Rod	1
K	0753-004-032	Release Pedal Swivel	2
L	0753-005-037	Pump Connecting Rod	1
M	0753-005-044	Pump Pedal Bushing	2
N	0753-005-088	Wear Strip	2
P	0753-005-074	Pivot Pin	1
R	0753-005-075	Pump Pedal Link	1
S	(page 36)	Head End Pump Pedal Ass'y	1
T	0753-005-087	Return Spring Hook	1
V	0753-010-015	Release Rod Guide	1
W	0753-010-115	Release Rod Bracket	1
X	0753-005-089	Pump Ram Plug	2

0753-004-001 Release Pedal Assembly



Item	Part No.	Part Name	Qty.
A	0753-004-029	Release Pedal Standoff	4
B	1061-201-127	Short Uni-Pedal	2
C	0753-004-004	Release Pedal Weldment	2
D	0753-004-121	Release Pedal Mtg. Plate	2
E	0025-079-000	Dome Head Rivet	8
F	0753-004-036	Bushing	4
G	0753-004-035	Release Pedal Bumper Strip	2

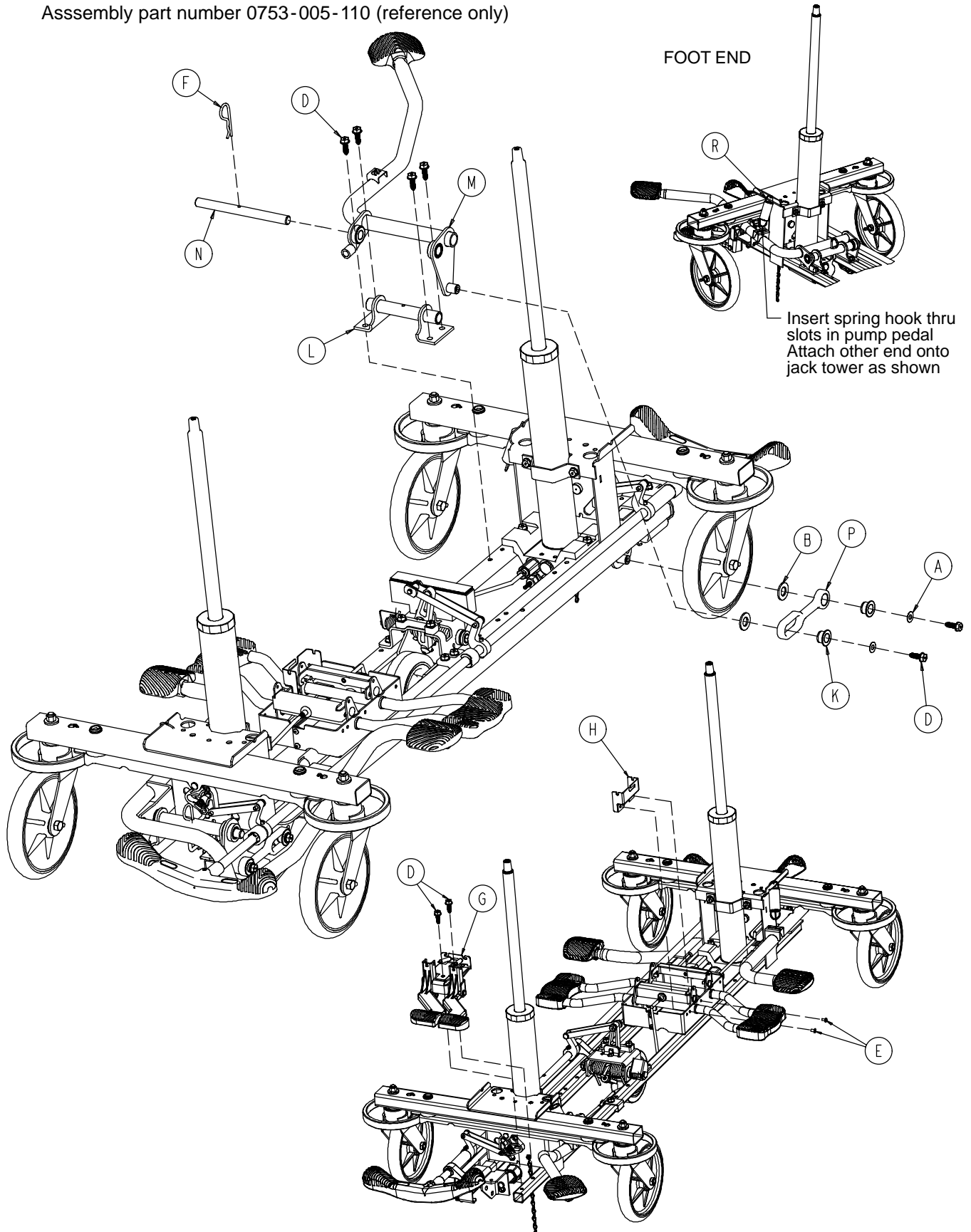
0753-005-085 Head End Pump Pedal Assembly



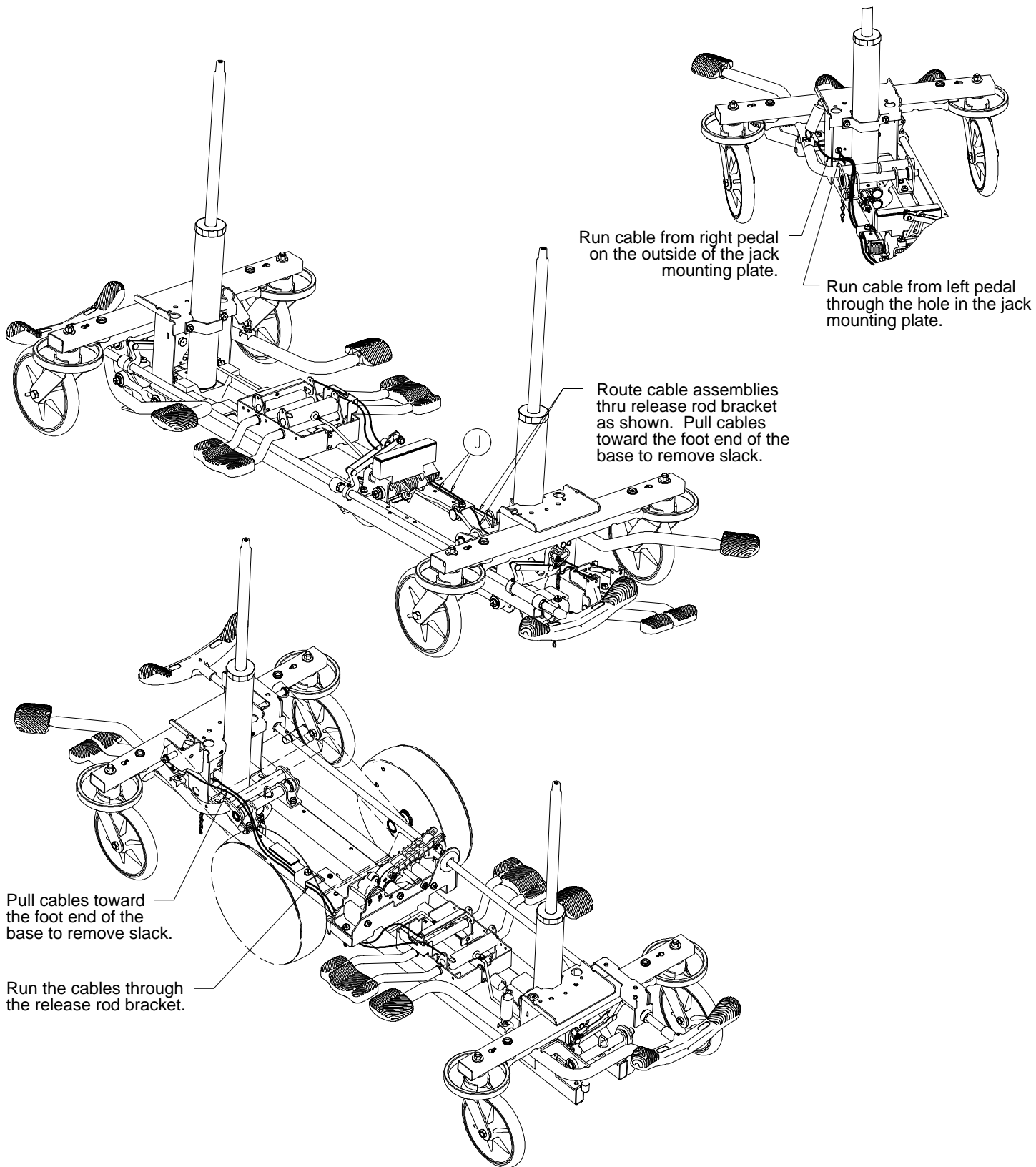
Item	Part No.	Part Name	Qty.
A	0715-001-140	Vinyl Tube	1
B	0715-201-126	Pump Pedal	2
C	0753-005-044	Pump Pedal Bushing	2
D	0753-005-080	Head End Pump Pedal Weldment	1
E	0026-143-000	Groove Pin	2

Base with 3-Side Hydraulics (Fifth Wheel Base)

Assembly part number 0753-005-110 (reference only)



Base with 3-Side Hydraulics (Fifth Wheel Base)

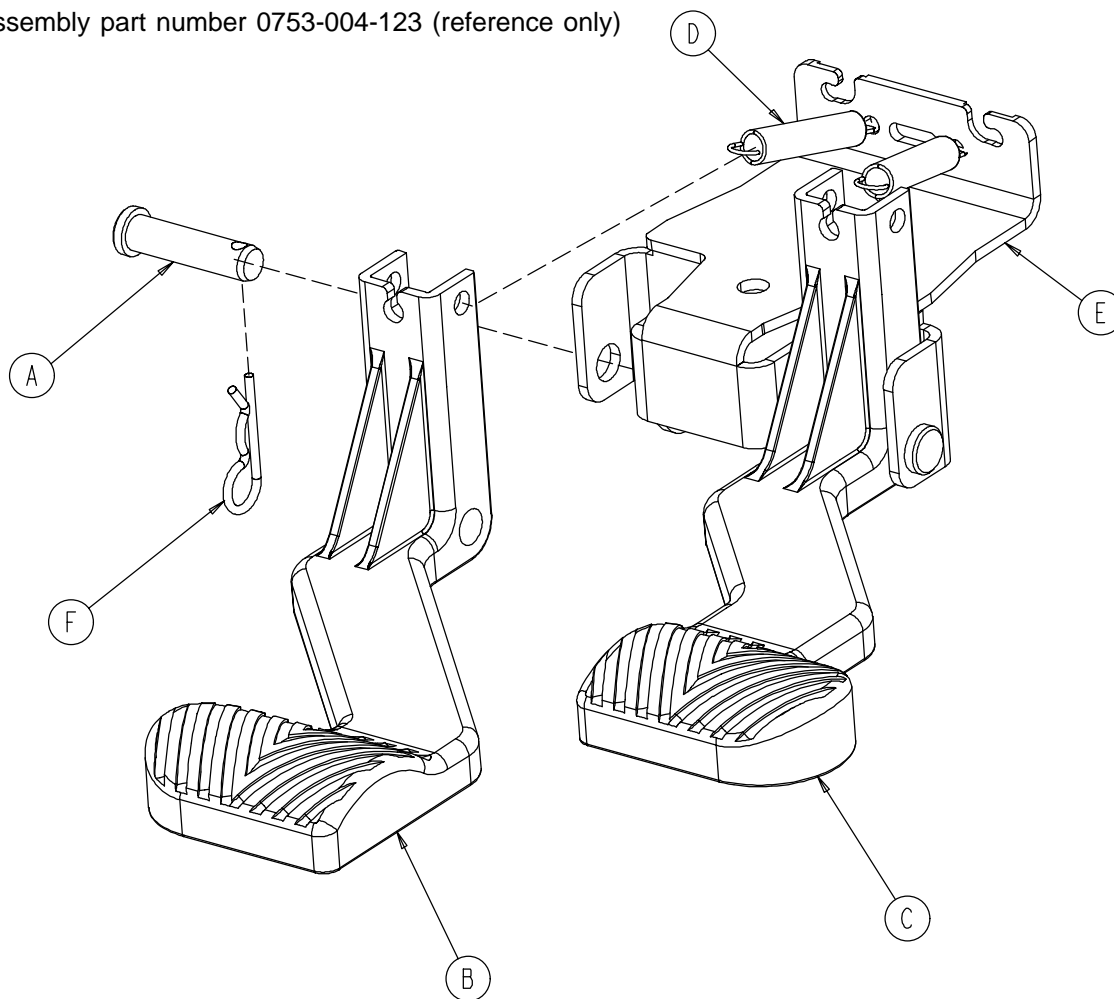


Base with 3-Side Hydraulics (Fifth Wheel Base)

Item	Part No.	Part Name	Qty.
A	0011-023-000	Washer	2
B	0014-071-000	Washer	2
D	0023-288-000	Hex Washer Hd. Screw	8
E	0025-079-000	Rivet	2
F	0027-031-000	Cotter Pin	1
G	(page 40)	Foot End Release Pedal Ass'y	1
H	0753-004-127	Cable Mounting Plate	1
J	0753-004-030	Foot End Release Cable	2
K	0753-005-044	Pump Pedal Bushing	2
L	0753-005-063	Foot End Mtg. Bracket	1
M	(page 41)	Foot End Pedal/Brg. Ass'y	1
N	0753-005-074	Pivot Pin	1
P	0753-005-075	Pump Pedal Link	1
R	0038-497-000	Extension Spring	1

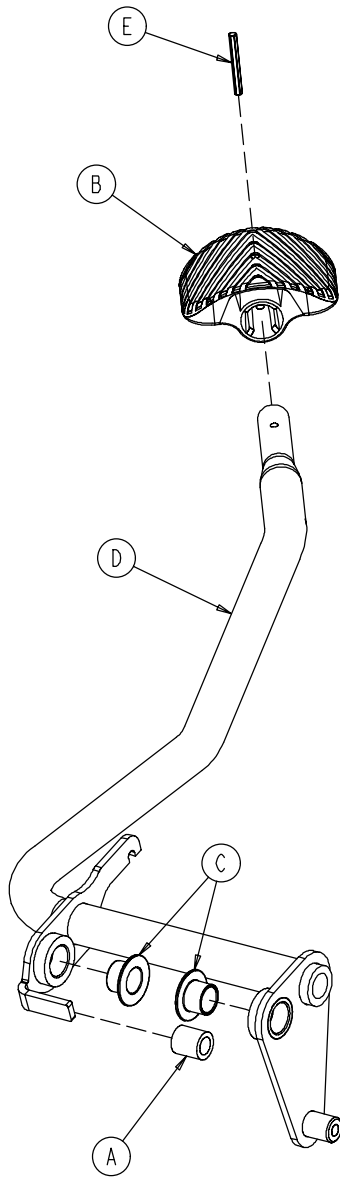
Foot End Release Pedal Assembly

Assembly part number 0753-004-123 (reference only)



Item	Part No.	Part Name	Qty.
A	0026-132-000	Clevis Pin	2
B	0753-004-024	Release Pedal, Foot End, Left	1
C	0753-004-025	Release Pedal, Foot End, Right	1
D	0753-004-028	Release Pedal Return Spring	2
E	0753-004-322	Release Pedal Mtg. Plate	1
F	0027-009-000	Hair Pin Cotter	2

0753-005-073 Foot End Pump Pedal Assembly

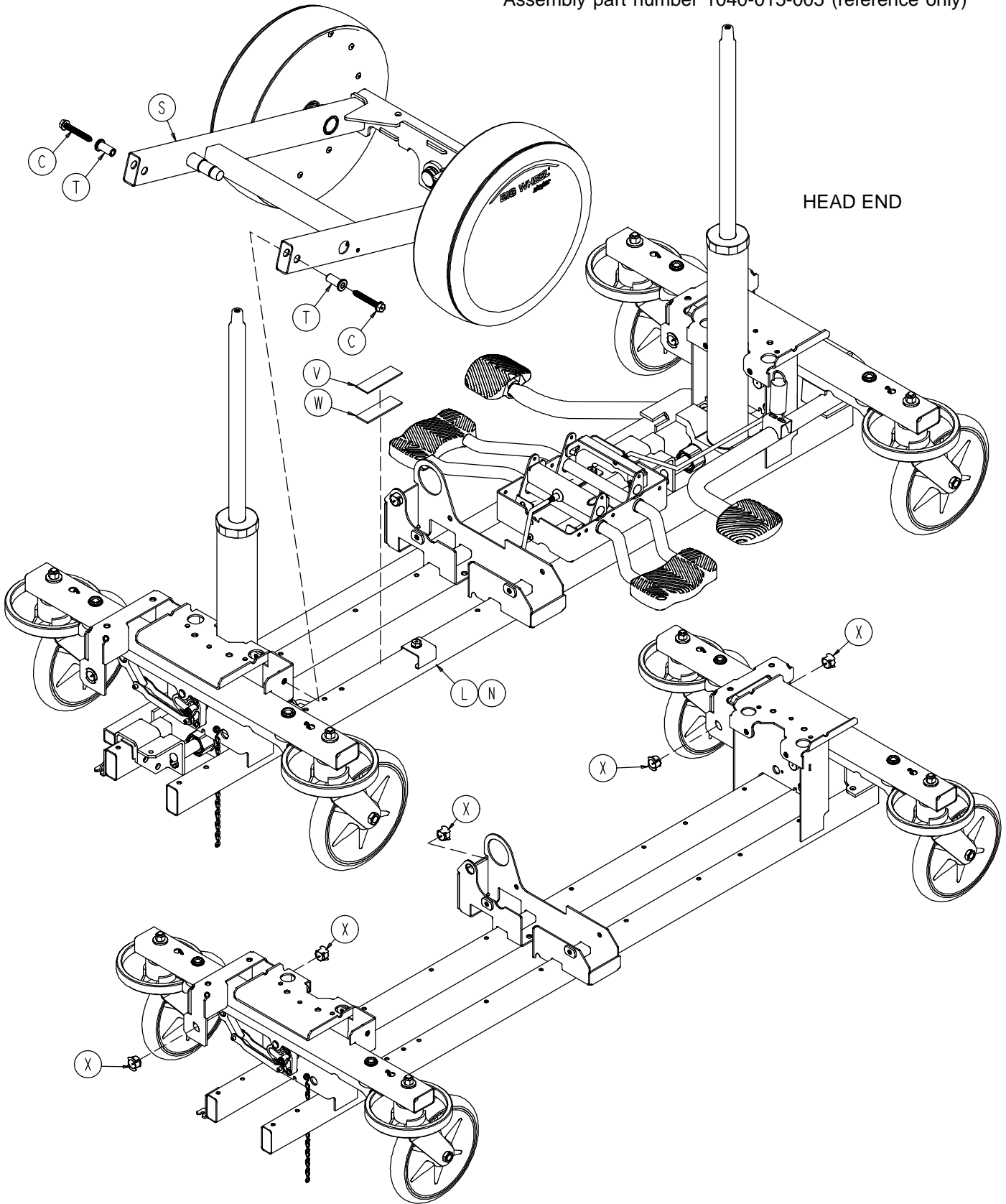


Item	Part No.	Part Name	Qty.
A	0715-001-140	Clear Vinyl Tubing	1
B	0715-201-126	Plastic Pump Pedal	1
C	0753-005-044	Pump Pedal Bushing	2
D	0753-005-071	Foot End Pedal Weldment	1
E	0026-143-000	Groove Pin	1

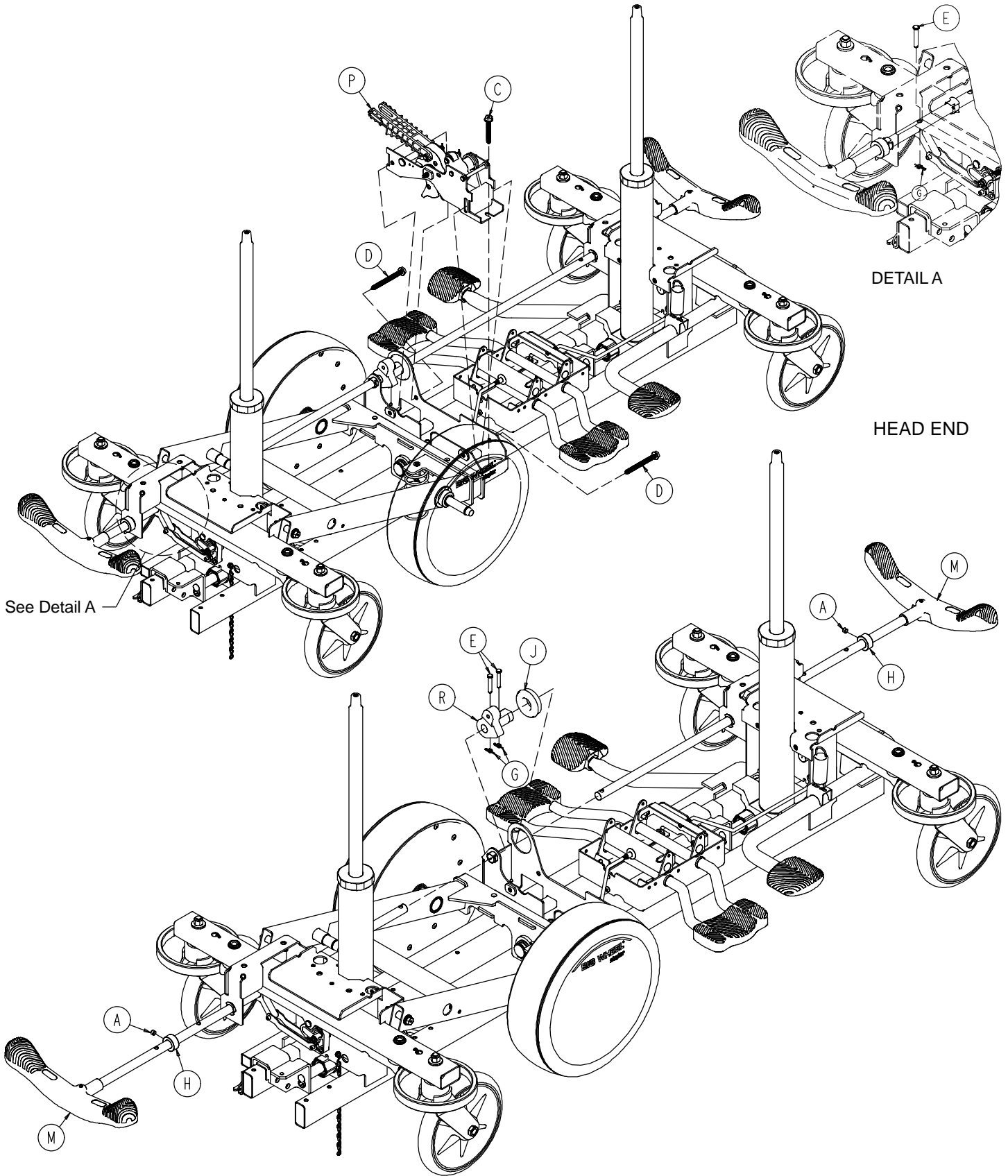
Notes

Big Wheel Base Assembly

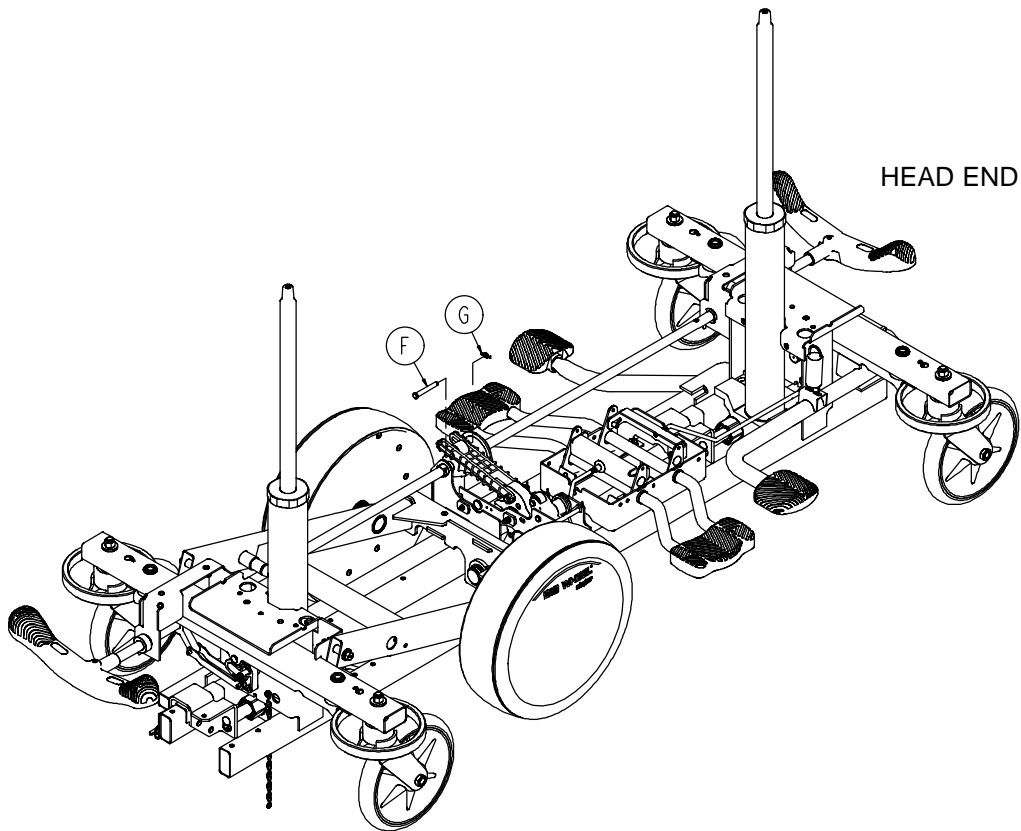
Assembly part number 1040-015-005 (reference only)



Big Wheel Base Assembly



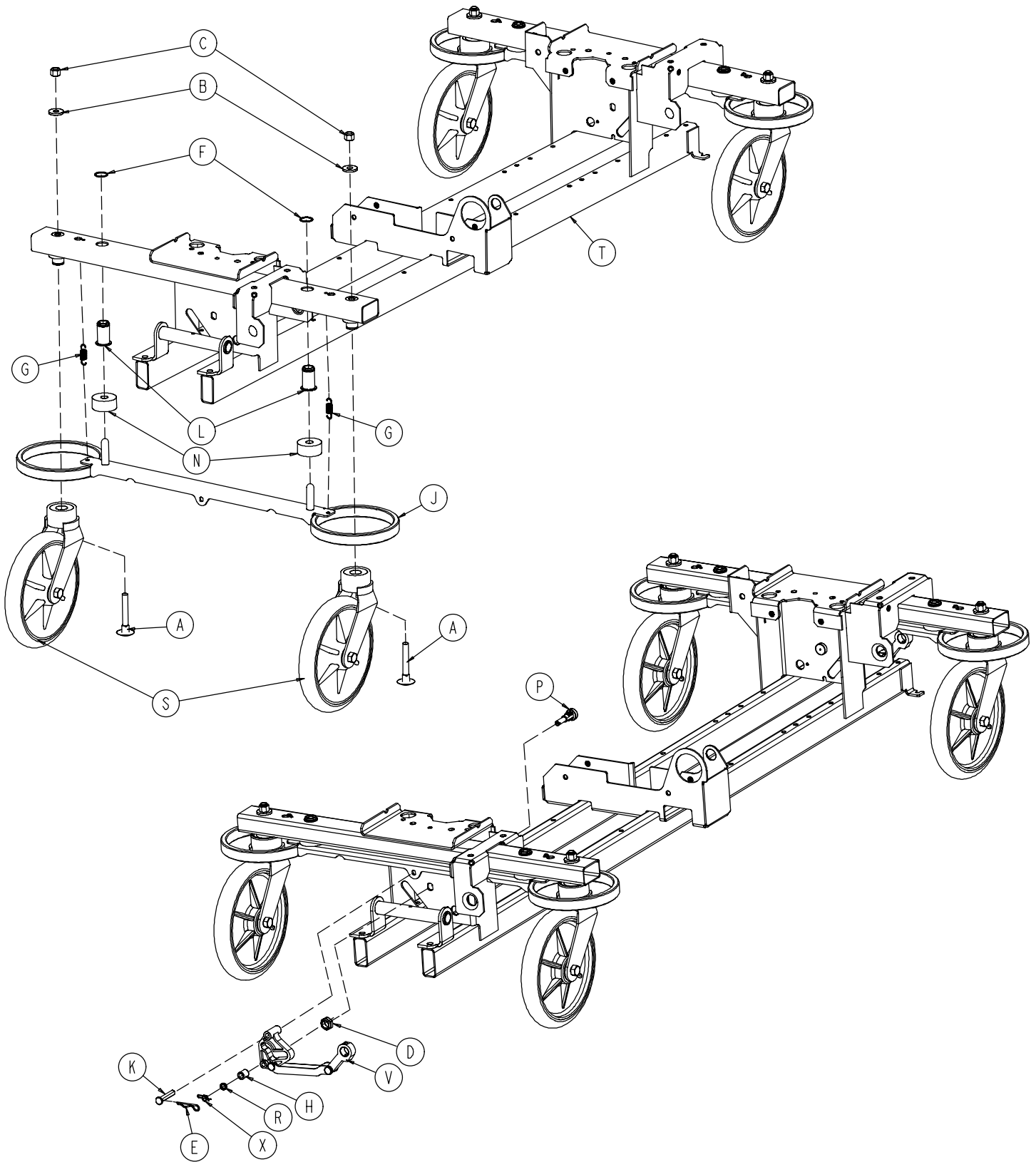
Big Wheel Base Assembly



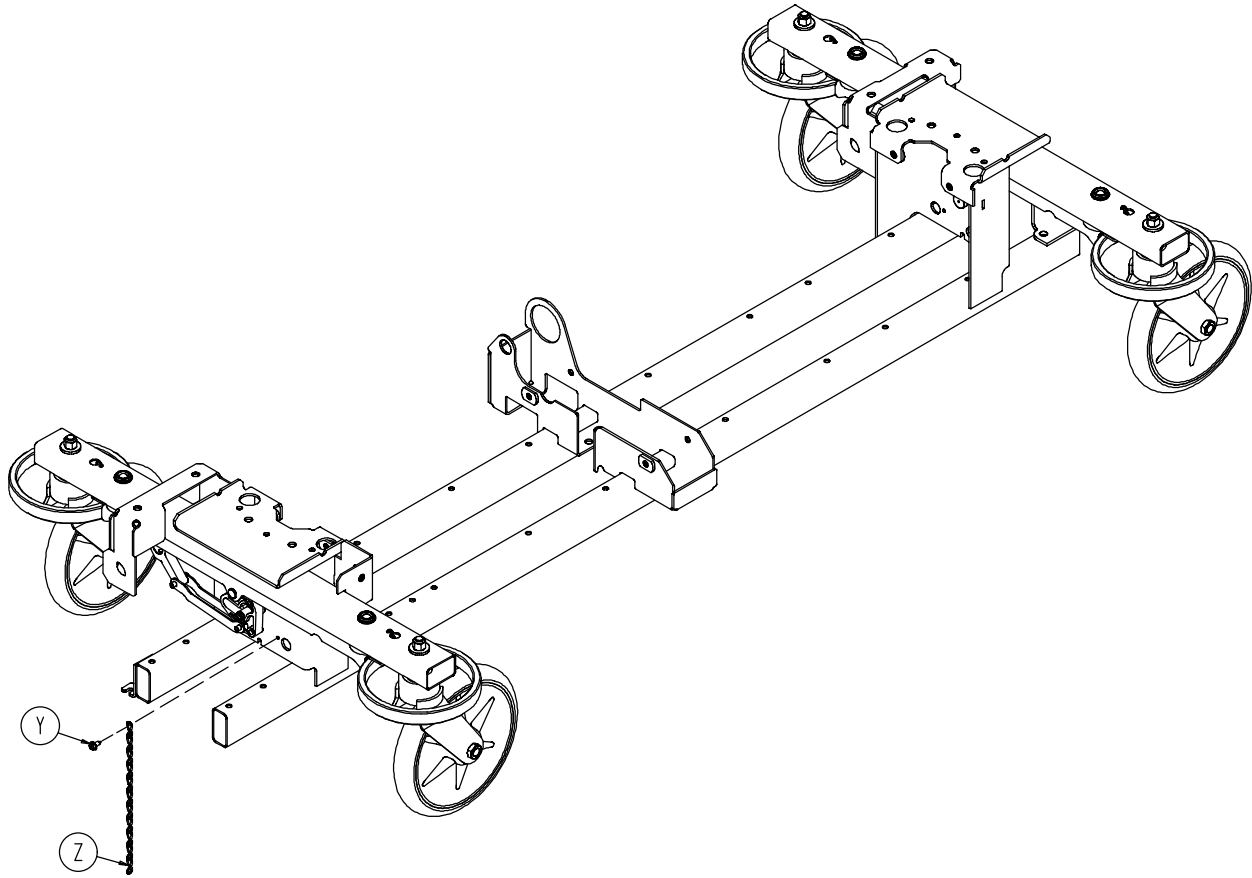
Item	Part No.	Part Name	Qty.
A	0021-166-000	Set Screw	2
C	0023-150-000	Hex Washer Hd. Screw	3
D	0023-151-000	Hex Washer Hd. Screw	2
E	0026-273-000	Clevis Pin	4
F	0025-330-000	Clevis Pin	1
G	0027-020-000	Rue Ring Cotter	5
H	0042-020-000	Collar	2
J	0081-330-000	Radial Bearing	1
L	(page 46)	Base Assembly w/ Standard Brakes	1
M	(page 49)	Brake Rod Assembly	2
N	(page 50)	Dual Sided Hydraulics	1
P	(page 54)	Cam Bracket Assembly	1
R	1040-006-131	Drive Arm	1
S	(page 56)	Big Wheel Carriage Assembly	1
T	1040-015-007	Carriage Pivot Bushing	2
V	0029-007-000	Dual Lock	1
W	0029-009-000	Dual Lock	1
X	1210-201-251	Insert	5

Base Assembly w/Standard Brakes (Big Wheel Base)

Assembly part number 1040-003-105 (reference only)

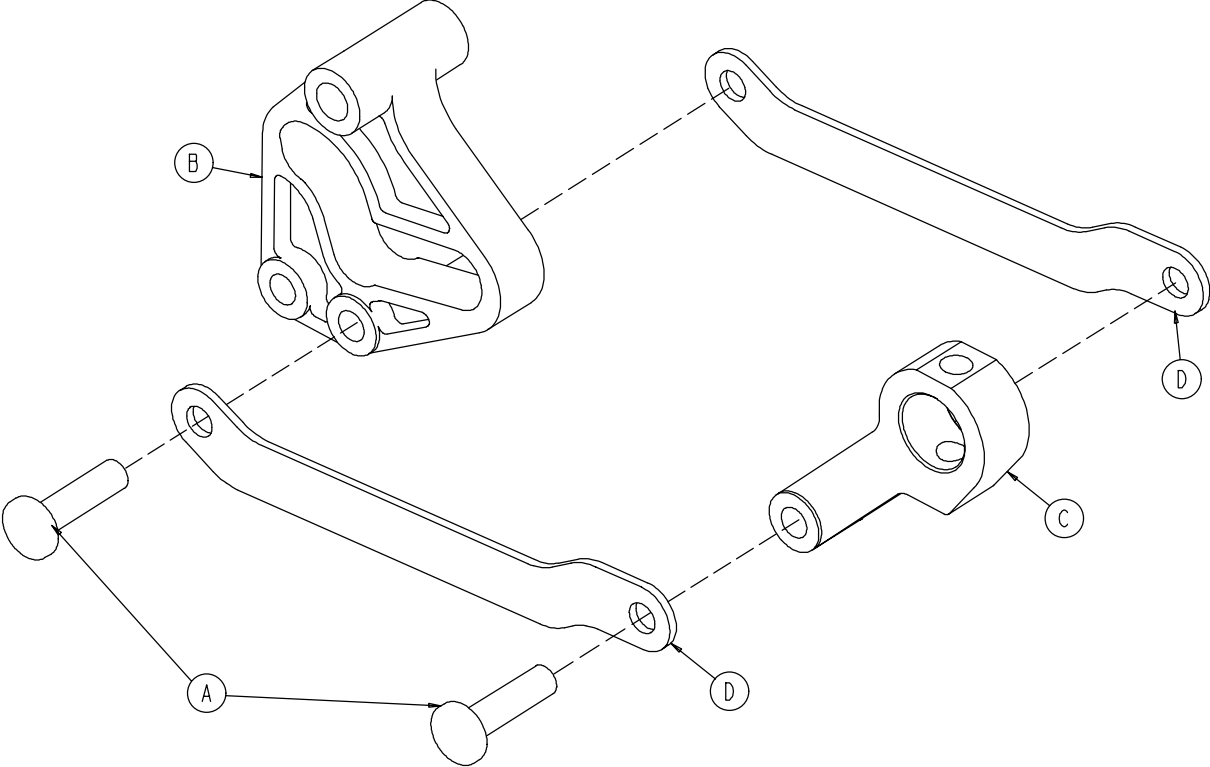


Base Assembly w/Standard Brakes (Big Wheel Base)



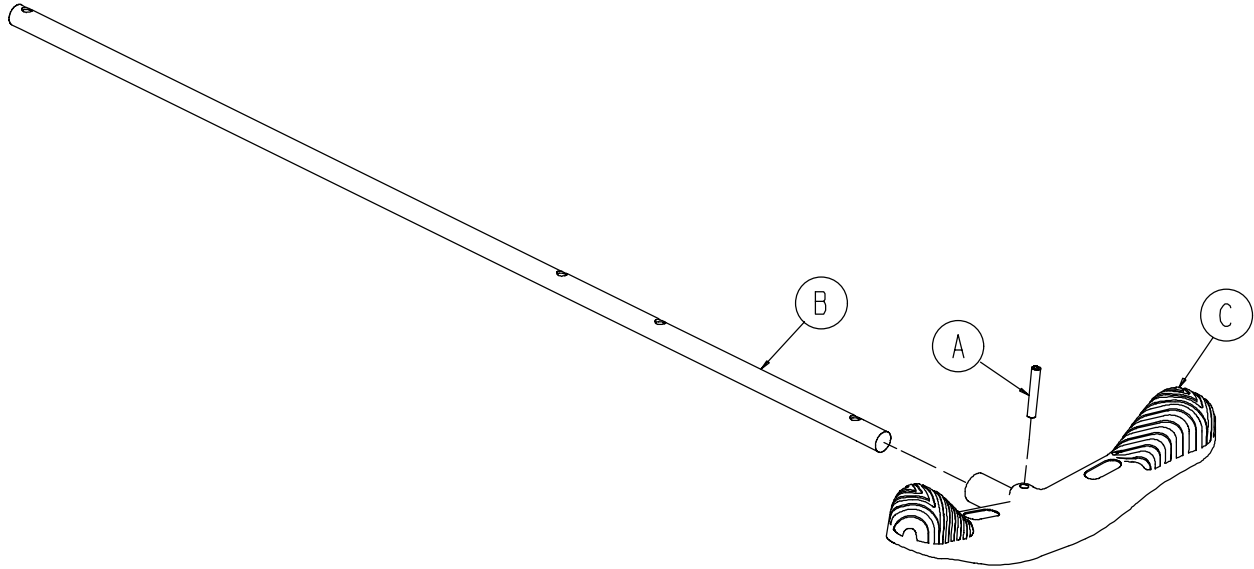
Item	Part No.	Part Name	Qty.
A	0005-039-000	Step Bolt	4
B	0011-262-000	Washer	4
C	0016-035-000	Nylock Hex Nut	4
D	0016-049-000	Nylock Hex Nut	2
E	0027-012-000	Hitch Pin	2
F	0028-037-000	External Retaining Ring	4
G	0038-439-000	Extension Spring	4
H	0081-272-000	Roller Bearing	2
J	0753-003-006	Brake Ring	2
K	0753-003-066	Clevis Pin	2
L	0753-003-079	Caster Tube Brake Pin Guide	4
N	0753-003-121	Brake Cushion	4
P	0753-003-130	Bearing Pivot Support	2
R	0753-003-131	Spacer	2
S	(page 27)	Caster Assembly	4
T	1040-001-001	Base Frame Weldment	1
V	(page 48)	Drive Link Assembly	2
X	0027-019-000	Rue Ring Cotter	2
Y	0023-025-000	Hex Washer Hd. Screw	1
Z	0753-010-012	Ground Chain	1

1040-003-185 Drive Link Assembly



Item	Part No.	Part Name	Qty.
A	0753-003-098	Semi-Tubular Rivet	2
B	0753-003-102	Brake Cam	1
C	1040-003-174	Brake Rod Drive Link	1
D	1040-003-076	Cam Drive Link	2

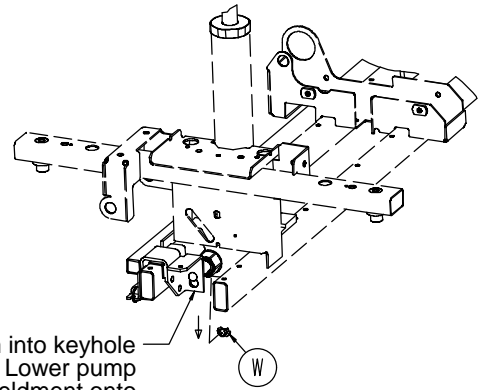
1040-003-191 Brake Rod Assembly (Big Wheel Base)



Item	Part No.	Part Name	Qty.
A	0026-067-000	Slotted Spring Pin	1
B	1040-003-113	Brake Rod	1
C	0753-003-099	Butterfly "V" Pedal	1

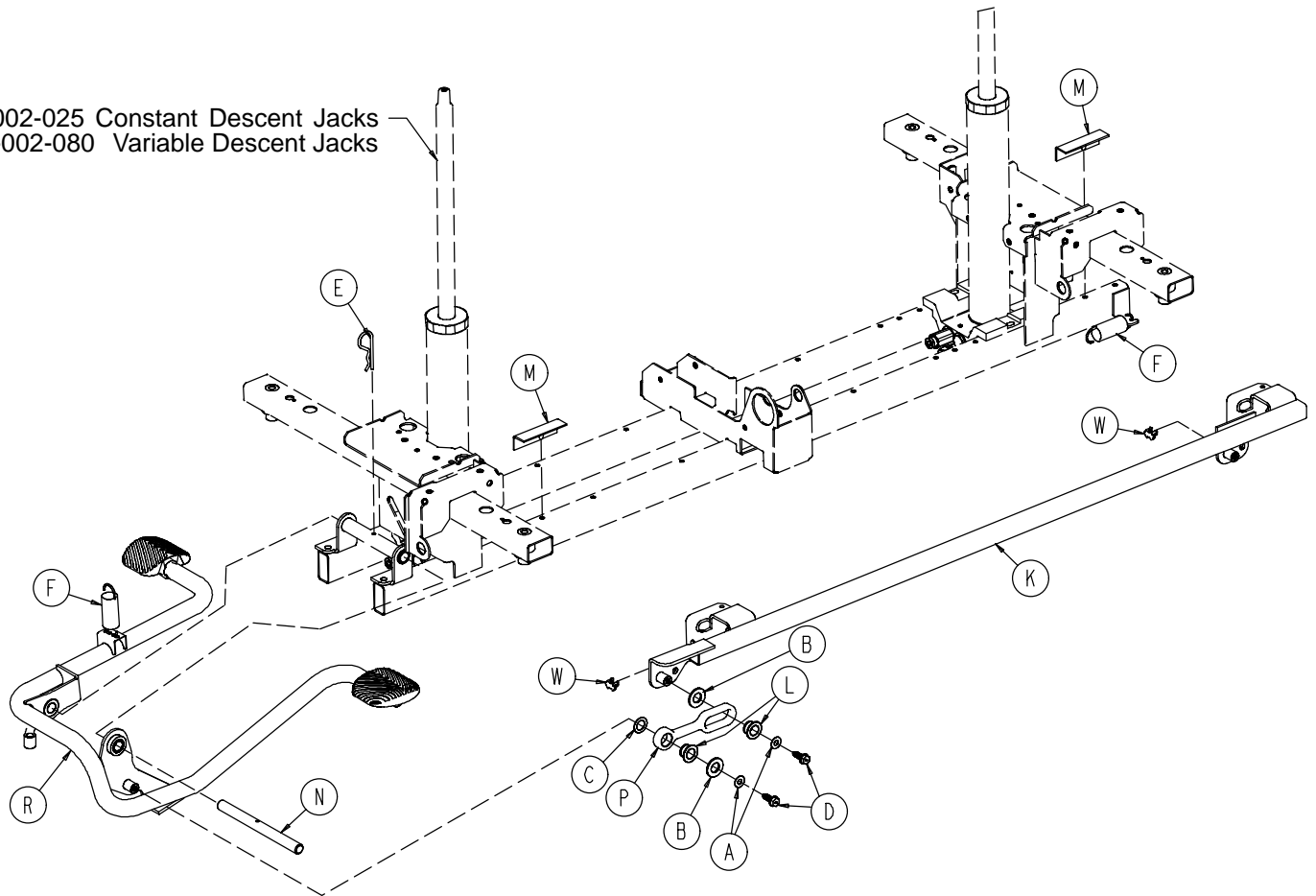
Base with Dual Side Hydraulics (Big Wheel Base)

Assembly part number 1040-005-200 (reference only)

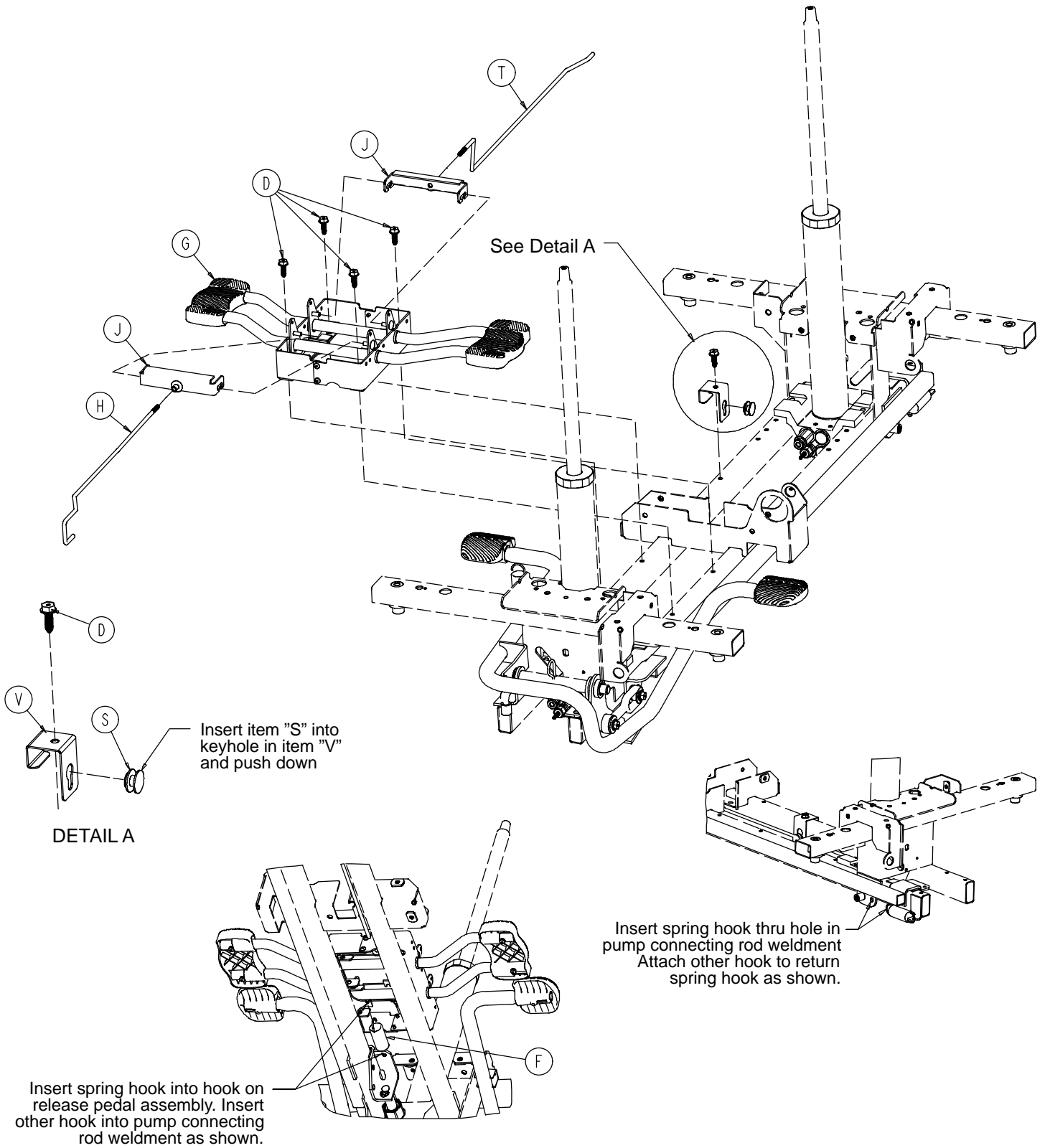


Insert pump ram into keyhole slot on both ends. Lower pump connecting rod weldment onto pump ram as shown. Insert item W to retain pump connecting rod.

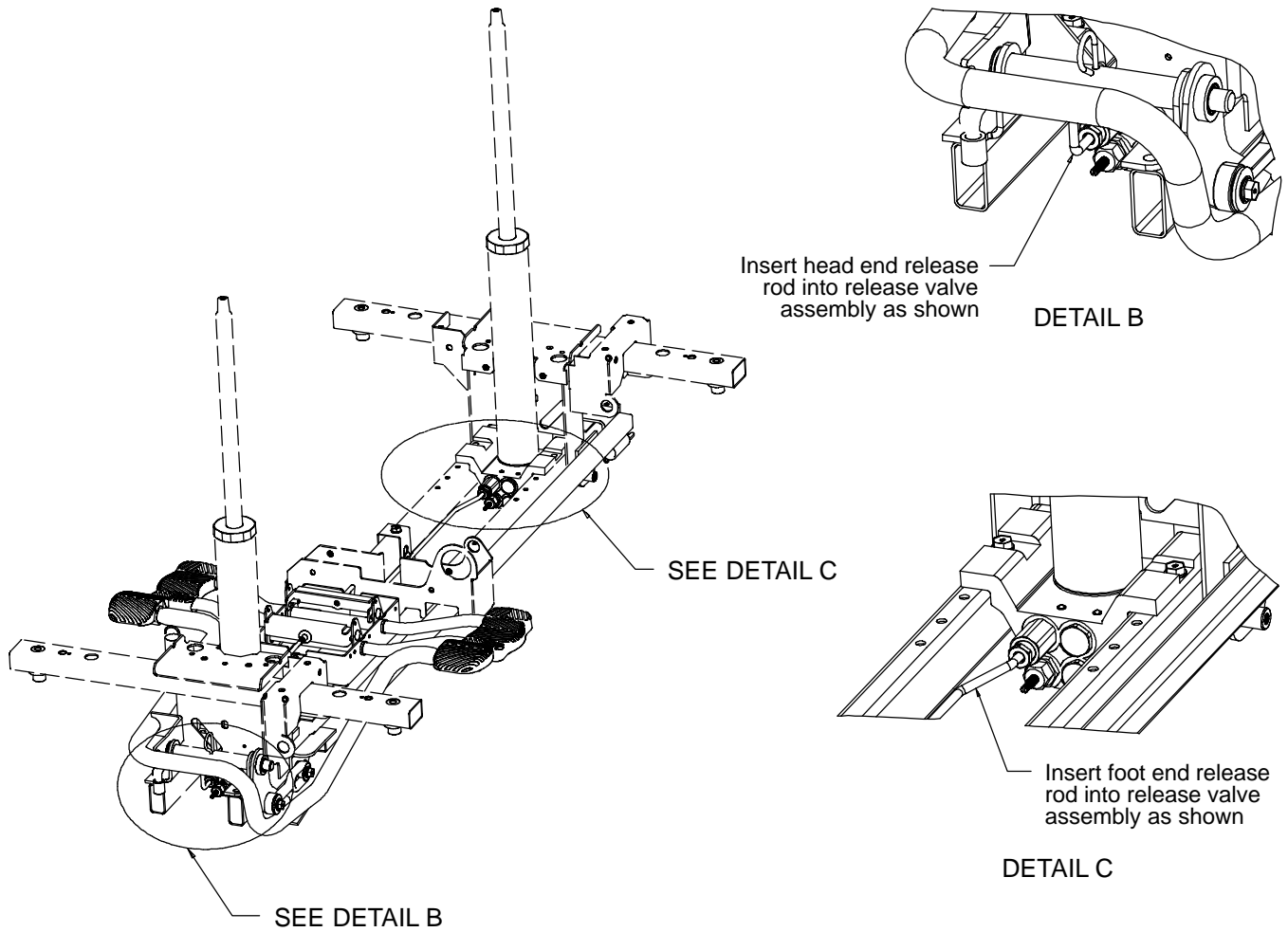
0753-002-025 Constant Descent Jacks
0753-002-080 Variable Descent Jacks



Base with Dual Side Hydraulics (Big Wheel Base)

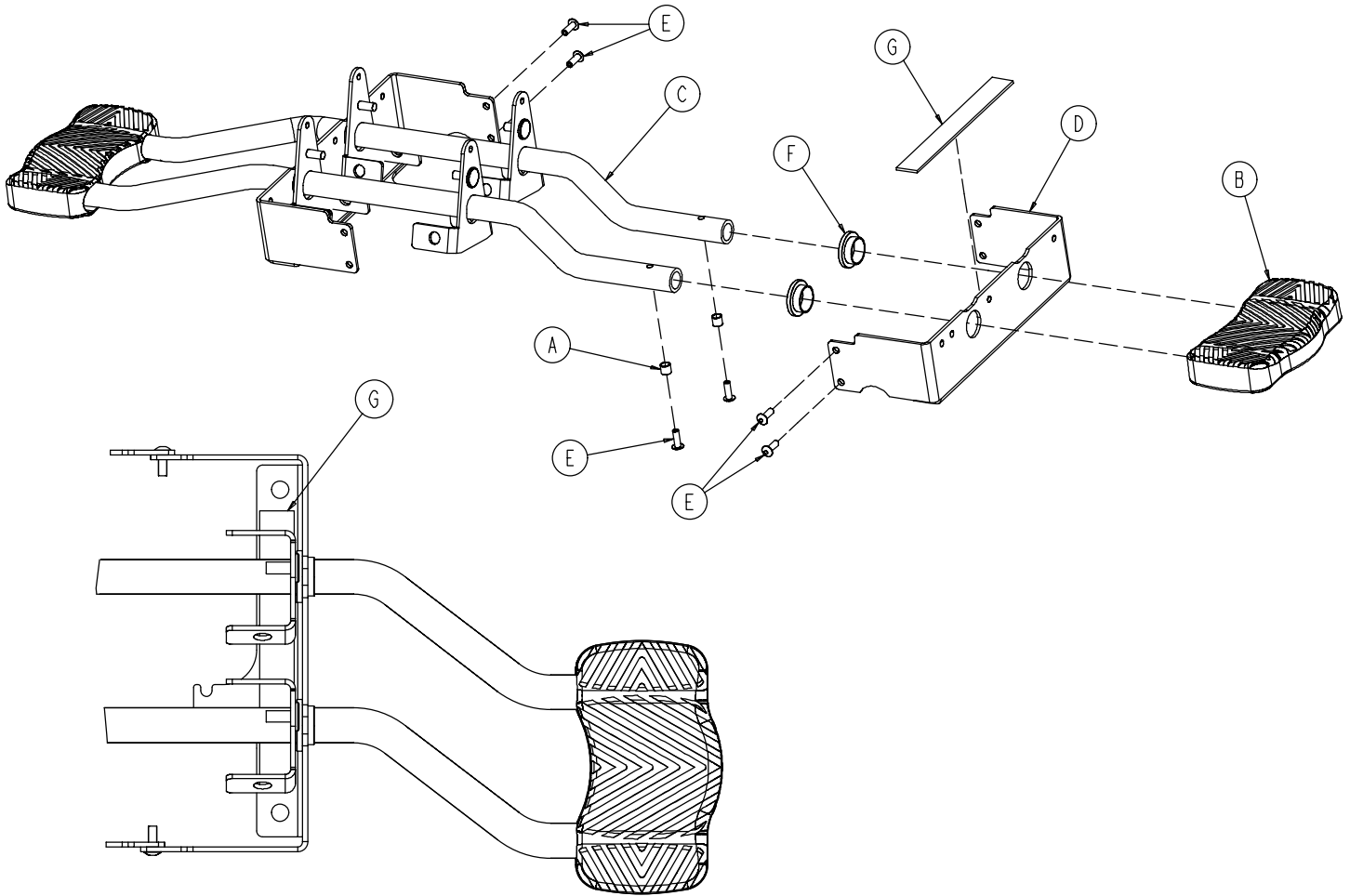


Base with Dual Side Hydraulics (Big Wheel Base)



Item	Part No.	Part Name	Qty.
A	0011-023-000	Washer	2
B	0014-071-000	Washer	2
C	0014-080-000	Washer	1
D	0023-288-000	Hex Washer Hd. Screw	7
E	0027-031-000	Hair Pin Cotter	1
F	0038-497-000	Extension Spring	2
G	(page 53)	Release Pedal Assembly	1
H	0753-004-014	Head End Release Rod	1
J	0753-004-032	Release Pedal Swivel	2
K	0753-005-037	Pump Connecting Rod	1
L	0753-005-044	Pump Pedal Bushing	2
M	0753-005-088	Wear Strip	3
N	0753-005-074	Pivot Pin	1
P	0753-005-075	Pump Pedal Link	1
R	(page 36)	Head End Pump Pedal Ass'y	1
S	0753-010-015	Release Rod Guide	1
T	1040-004-015	Foot End Release Rod	1
V	1040-010-115	Release Rod Bracket	1
W	0753-005-089	Pump Ram Plug	2

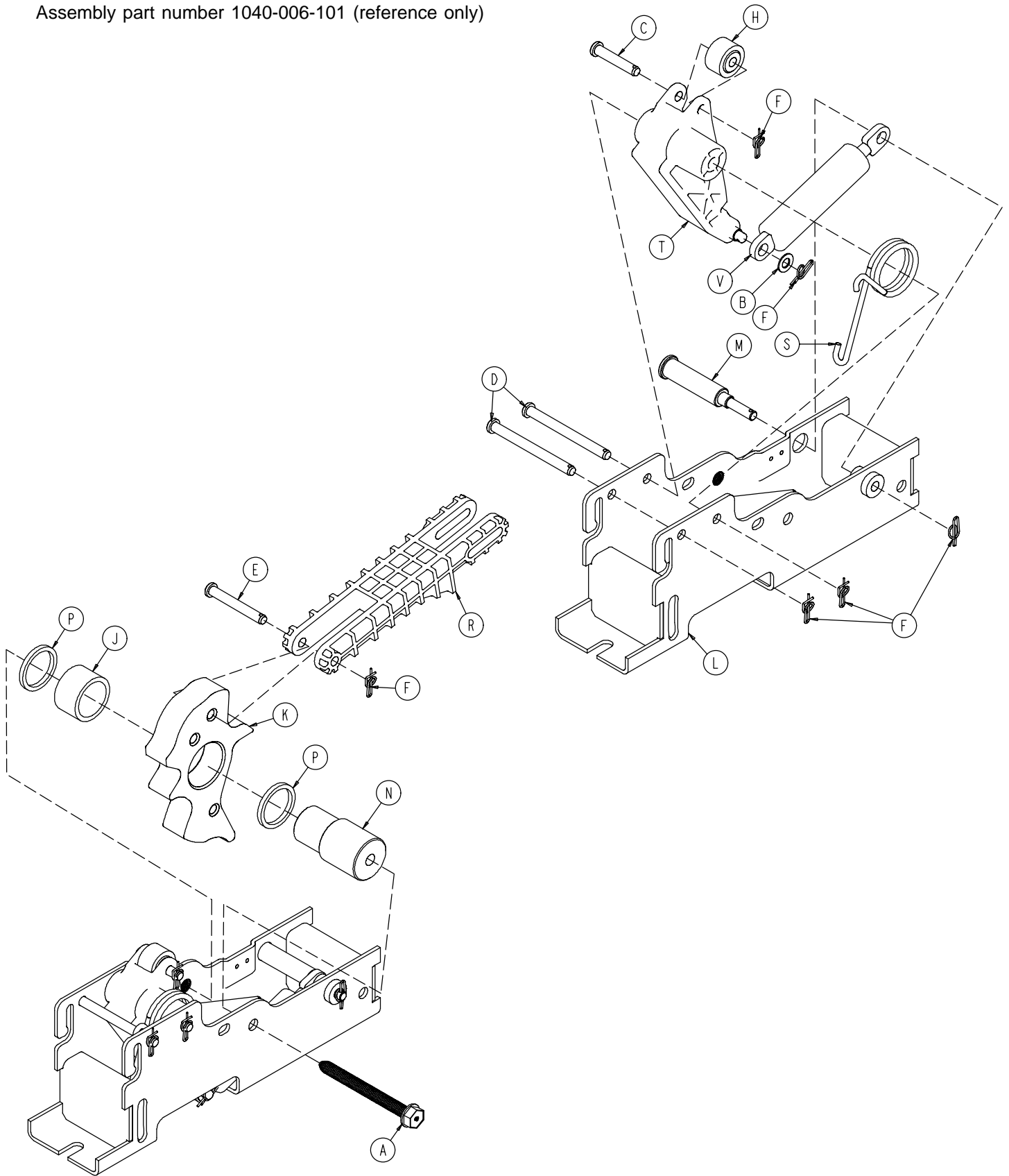
0753-004-001 Release Pedal Assembly



Item	Part No.	Part Name	Qty.
A	0715-001-333	Release Rod Stop Sleeve	4
B	1061-201-127	Short Uni Pedal	2
C	0753-004-004	Release Pedal Weldment	2
D	0753-004-121	Release Pedal Mtg. Plate	2
E	0025-171-000	Blind Rivet	8
F	0753-004-036	Bushing	4
G	0753-004-035	Rel. Pedal Bumper Strip	2

Cam Bracket Assembly

Assembly part number 1040-006-101 (reference only)

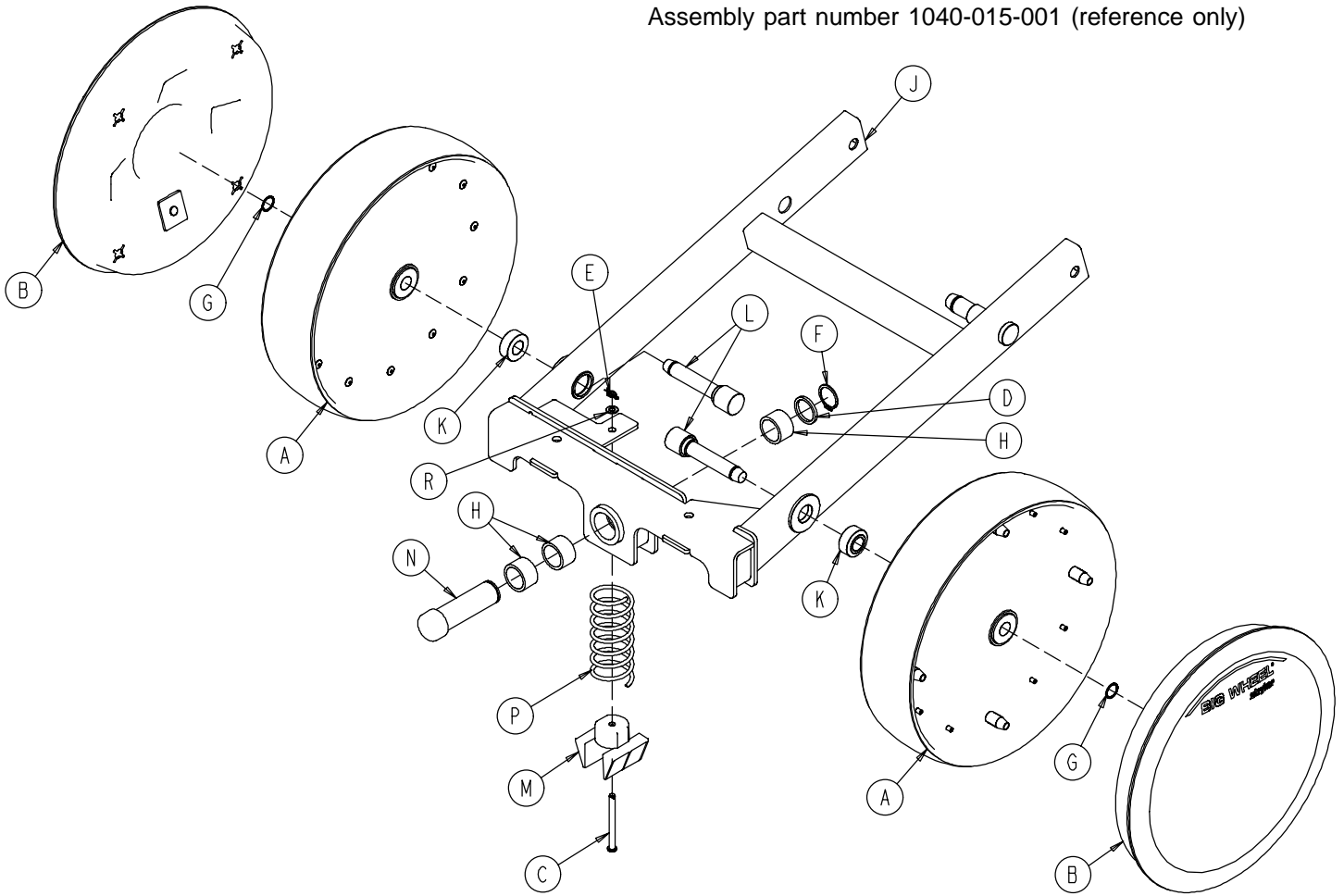


Cam Bracket Assembly

Item	Part No.	Part Name	Qty.
A	0023-151-000	Hex Washer Hd. Screw	1
B	0014-004-000	Washer	1
C	0026-273-000	Clevis Pin	1
D	0026-341-000	Clevis Pin	2
E	0026-330-000	Clevis Pin	1
F	0027-020-000	Rue Ring Cotter	6
H	0081-305-000	Roller	1
J	0081-400-000	Needle Bearing	1
K	1040-006-113	Lift Cam	1
L	1040-006-121	Cam Bracket	1
M	1040-006-118	Dampener Mtg. Pin	1
N	1040-006-141	Cam Pivot	1
P	1040-015-008	Washer	2
R	1040-006-144	Drive Link	1
S	1210-001-146	Torsion Spring	1
T	1040-006-163	Dampener Arm	1
V	1040-006-109	Cam Damper	1

Big Wheel Carriage Assembly

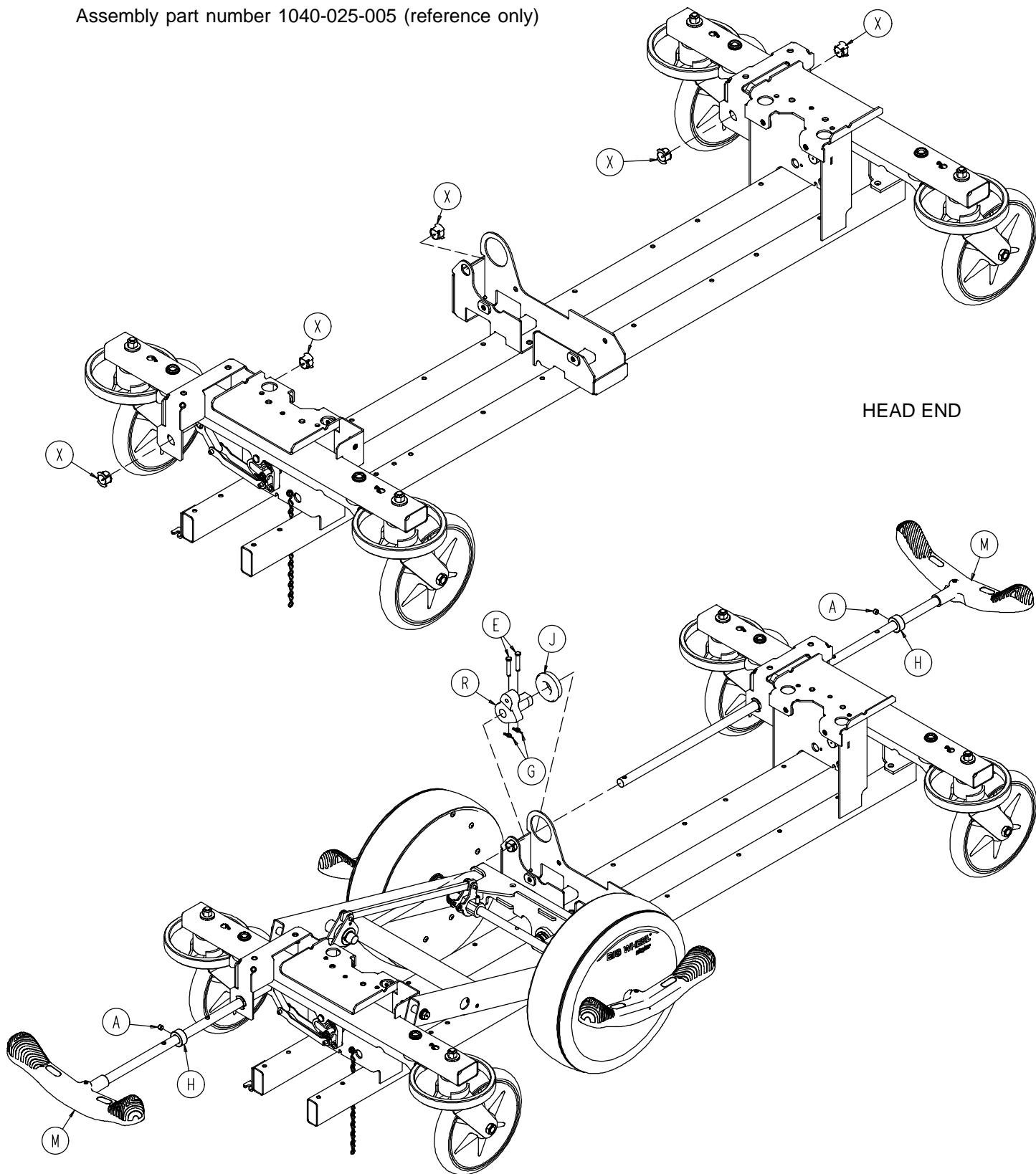
Assembly part number 1040-015-001 (reference only)



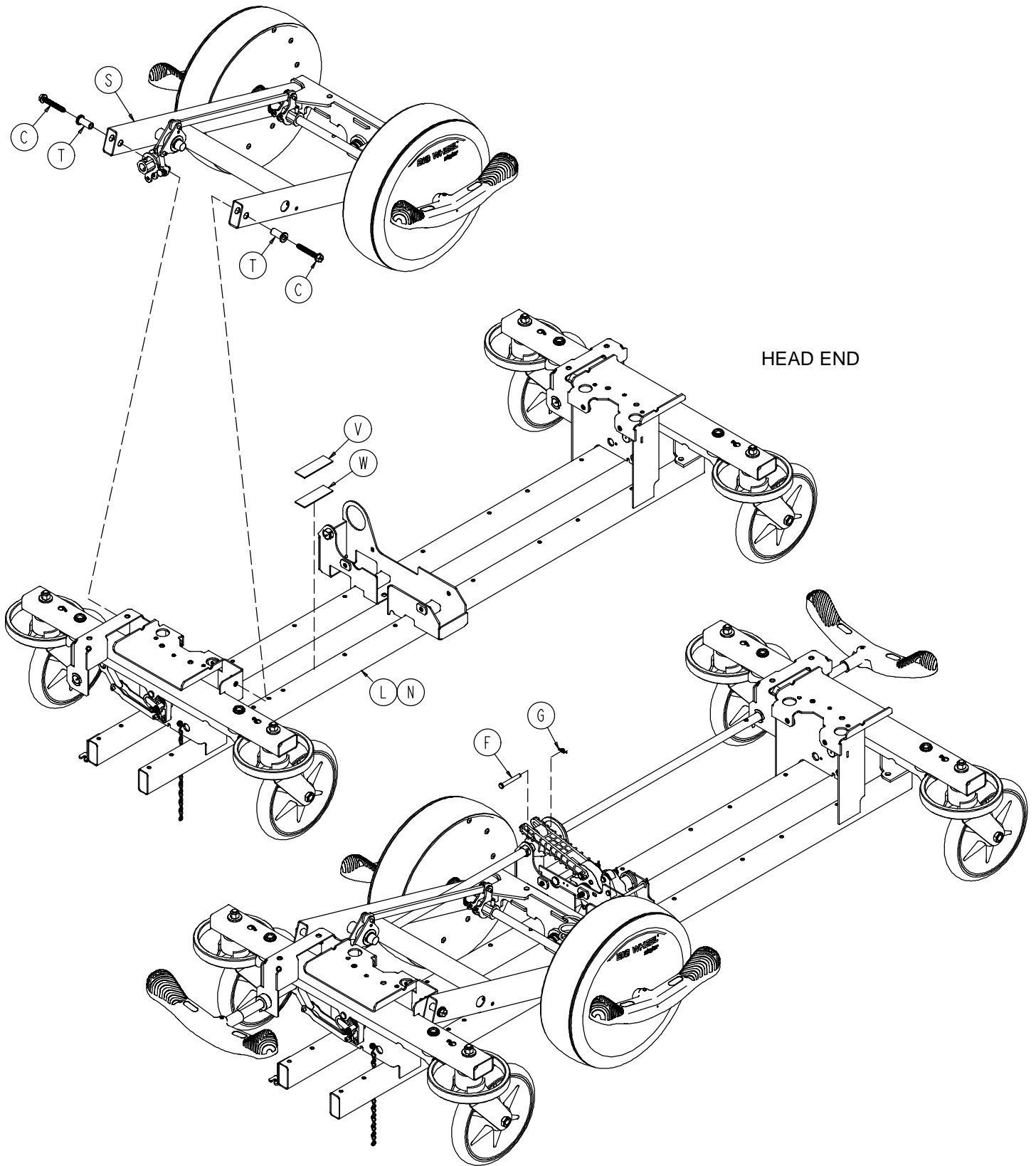
Item	Part No.	Part Name	Qty.
A	1210-301-619	Wheel Assembly	2
B	1040-015-030	Cover w/Counterweight	2
C	0026-341-000	Clevis Pin	1
D	1040-015-008	Washer	1
E	0027-020-000	Rue Ring Cotter	1
F	0028-173-000	External Retaining Ring	1
G	0028-330-000	Spiral Retaining Ring	2
H	0081-400-000	Needle Bearing	3
J	1040-015-010	Carriage Weldment	1
K	1040-015-051	Big Wheel Spacer	2
L	1040-015-052	Big Wheel Axle	2
M	1040-015-053	Carriage Spring Retainer	1
N	1040-015-028	Lift Cam Roller	1
P	1040-015-006	Carriage Return Spring	1
R	0014-004-000	Washer	1

Side Control Big Wheel Base Assembly

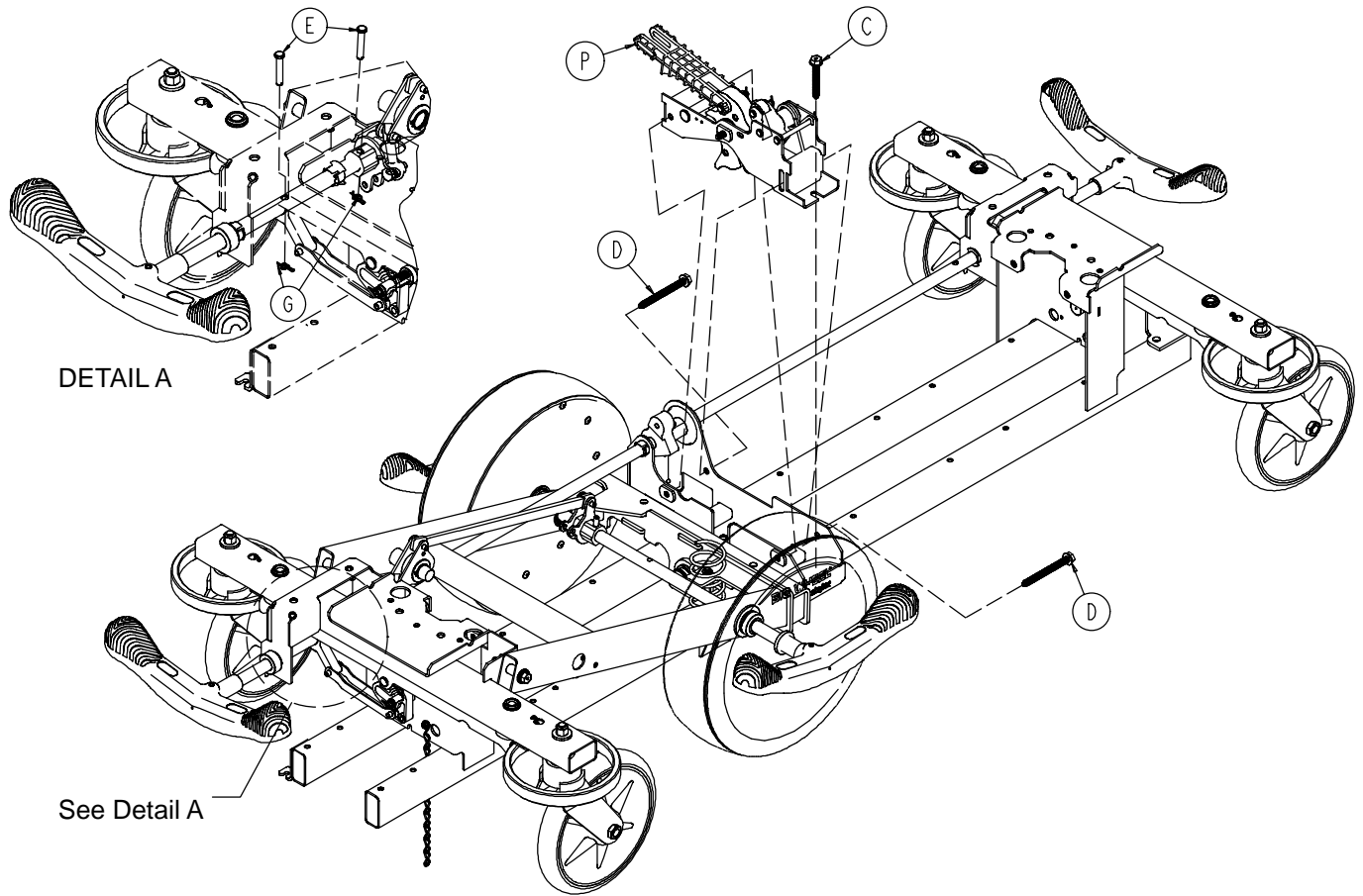
Assembly part number 1040-025-005 (reference only)



Side Control Big Wheel Base Assembly



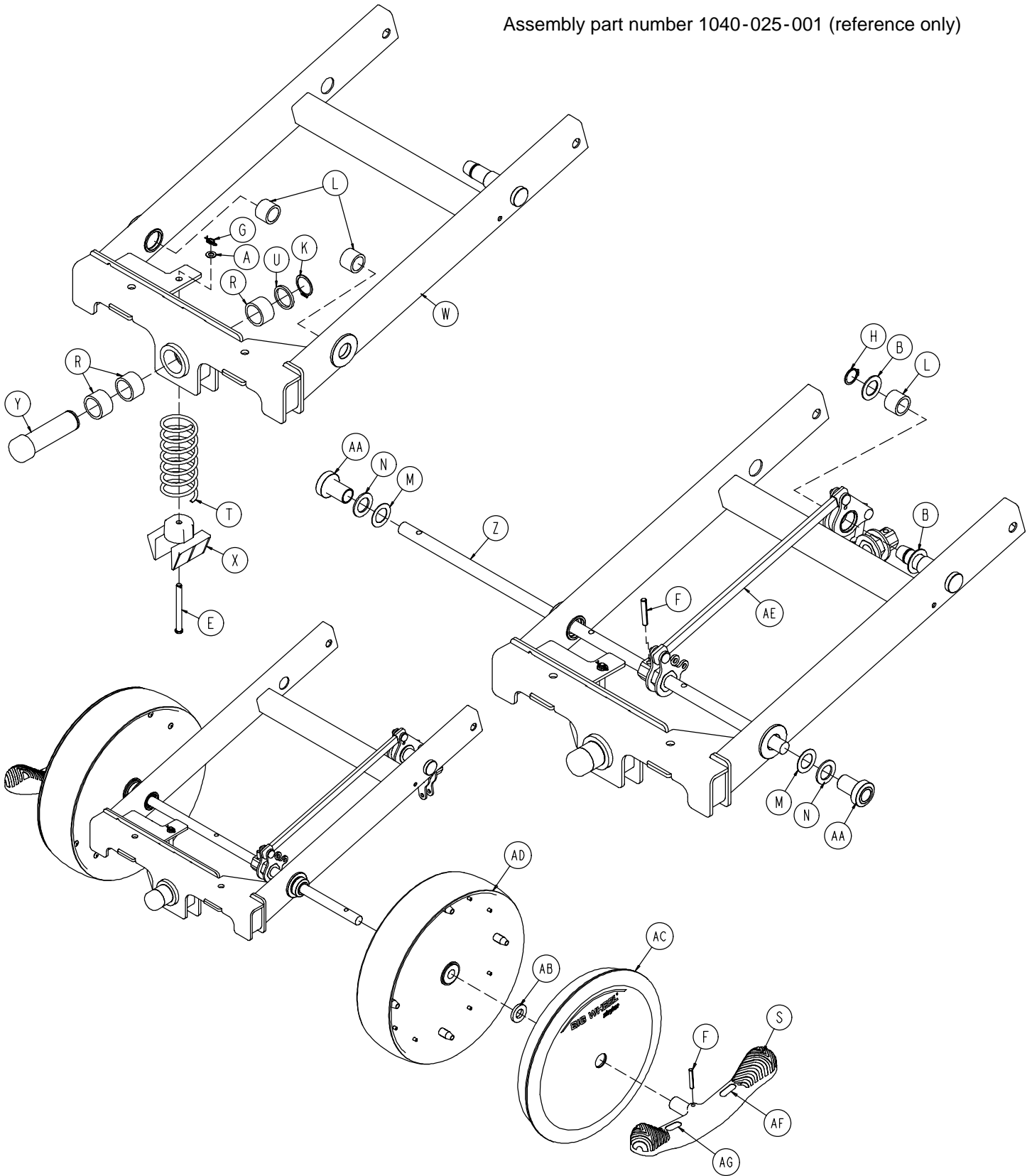
Side Control Big Wheel Base Assembly



Item	Part No.	Part Name	Qty.
A	0021-166-000	Set Screw	2
C	0023-150-000	Hex Washer Hd. Screw	3
D	0023-151-000	Hex Washer Hd. Screw	2
E	0026-273-000	Clevis Pin	5
F	0026-330-000	Clevis Pin	1
G	0027-020-000	Rue Ring Cotter	6
H	0042-020-000	Collar	2
J	0081-330-000	Radial Bearing	1
L	(page 46)	Base Assembly w/ Standard Brakes	1
M	(page 49)	Brake Rod Assembly	2
N	(page 50)	Dual Sided Hydraulics	1
P	(page 54)	Cam Bracket Assembly	1
R	1040-006-131	Drive Arm	1
S	(page 60)	Side Control Big Wheel Carriage Ass'y	1
T	1040-015-007	Carriage Pivot Bushing	2
V	0029-007-000	Dual Lock	1
W	0029-009-000	Dual Lock	1
X	1210-201-251	Insert	5

Side Control Big Wheel Carriage Assembly

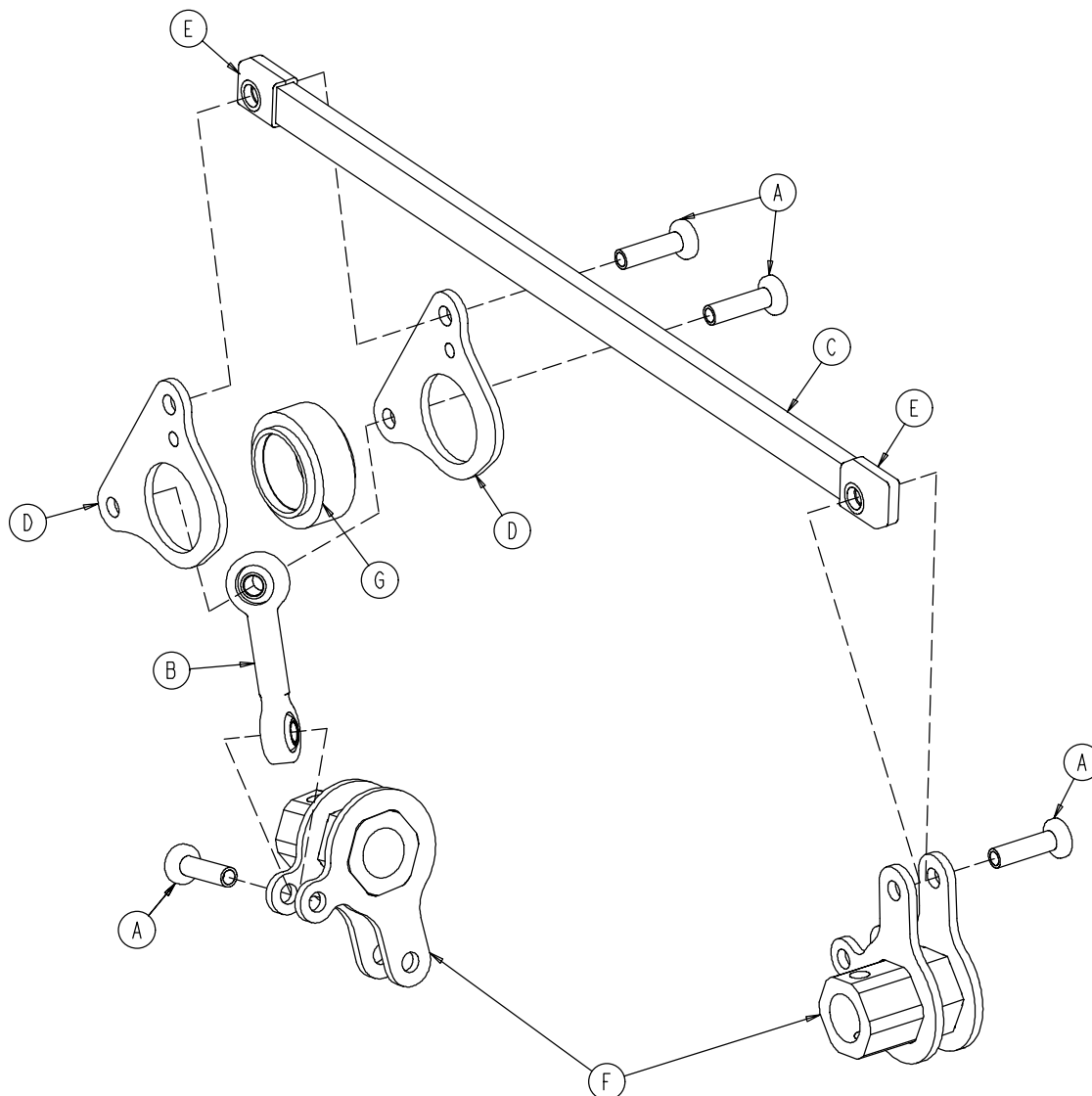
Assembly part number 1040-025-001 (reference only)



Side Control Big Wheel Carriage Assembly

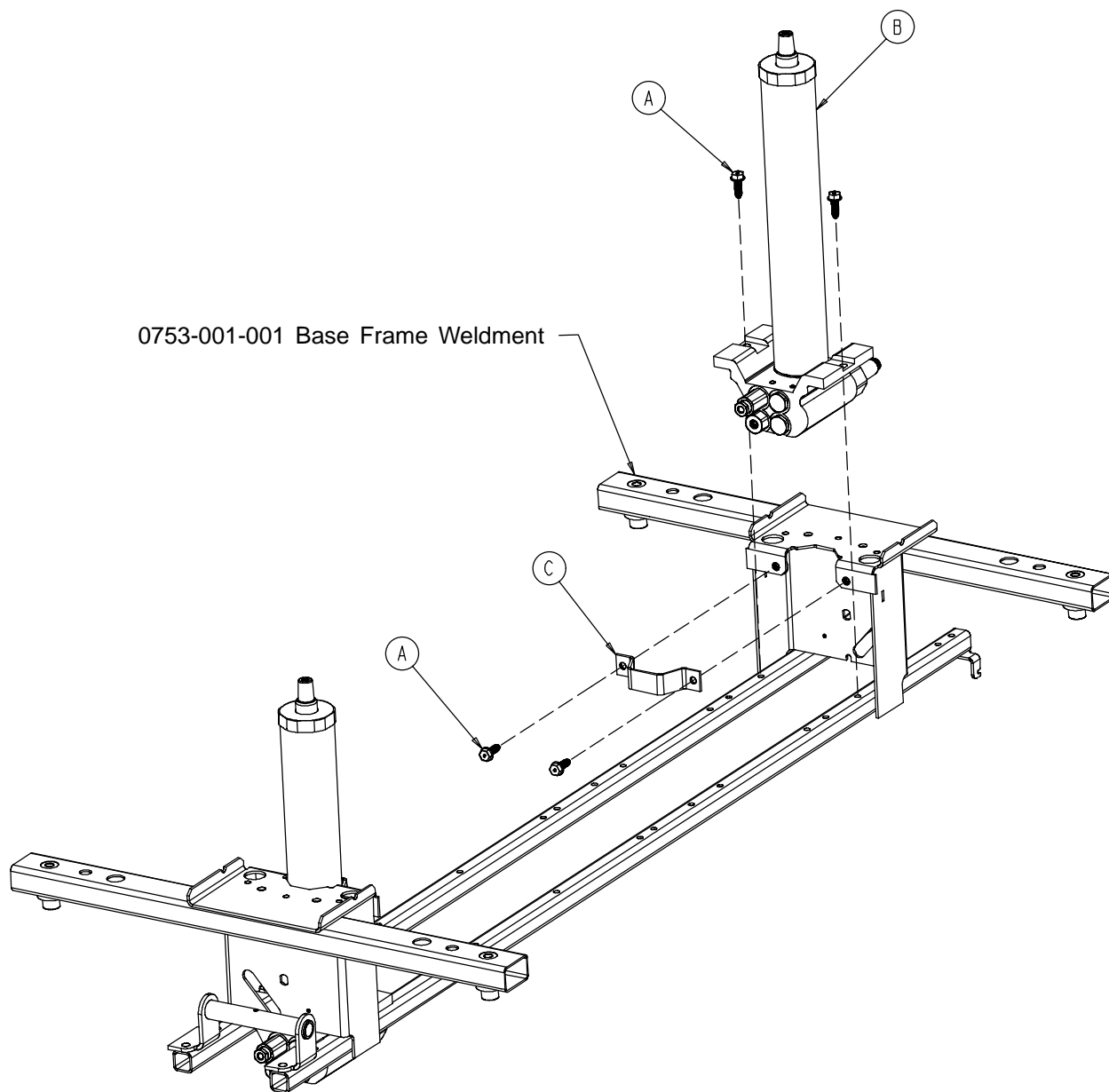
Item	Part No.	Part Name	Qty.
A	0014-004-000	Washer	1
B	0011-148-000	Washer	2
E	0026-341-000	Clevis Pin	1
F	0026-342-000	Groove Pin	3
G	0027-020-000	Rue Ring Cotter	1
H	0028-166-000	External Retaining Ring	1
K	0028-173-000	External Retaining Ring	1
L	0081-011-000	Needle Bearing	3
M	0011-525-000	Washer	2
N	0081-175-000	Thrust Bearing	2
R	0081-400-000	Needle Bearing	3
S	0753-003-099	Butterfly "V" Pedal	2
T	1040-015-006	Carriage Return Spring	1
U	1040-015-008	Washer	1
W	1040-015-010	Carriage Weldment	1
X	1040-015-053	Carriage Spring Retainer	1
Y	1040-015-028	Lift Cam Roller	1
Z	0753-003-119	Side Control Brake Rod	1
AA	1040-025-014	Side Control Wheel Spacer	2
AB	1040-025-017	Side Control Pedal Spacer	2
AC	1040-025-030	Cover w/Counterweight	2
AD	1210-301-619	Wheel Assembly	2
AE	(page 62)	Side Control Linkage Ass'y	1
AF	1210-201-335	Red Brake Label	2
AG	1210-201-336	Green Steer Label	2

1040-025-010 Side Control Big Wheel Linkage Ass'y



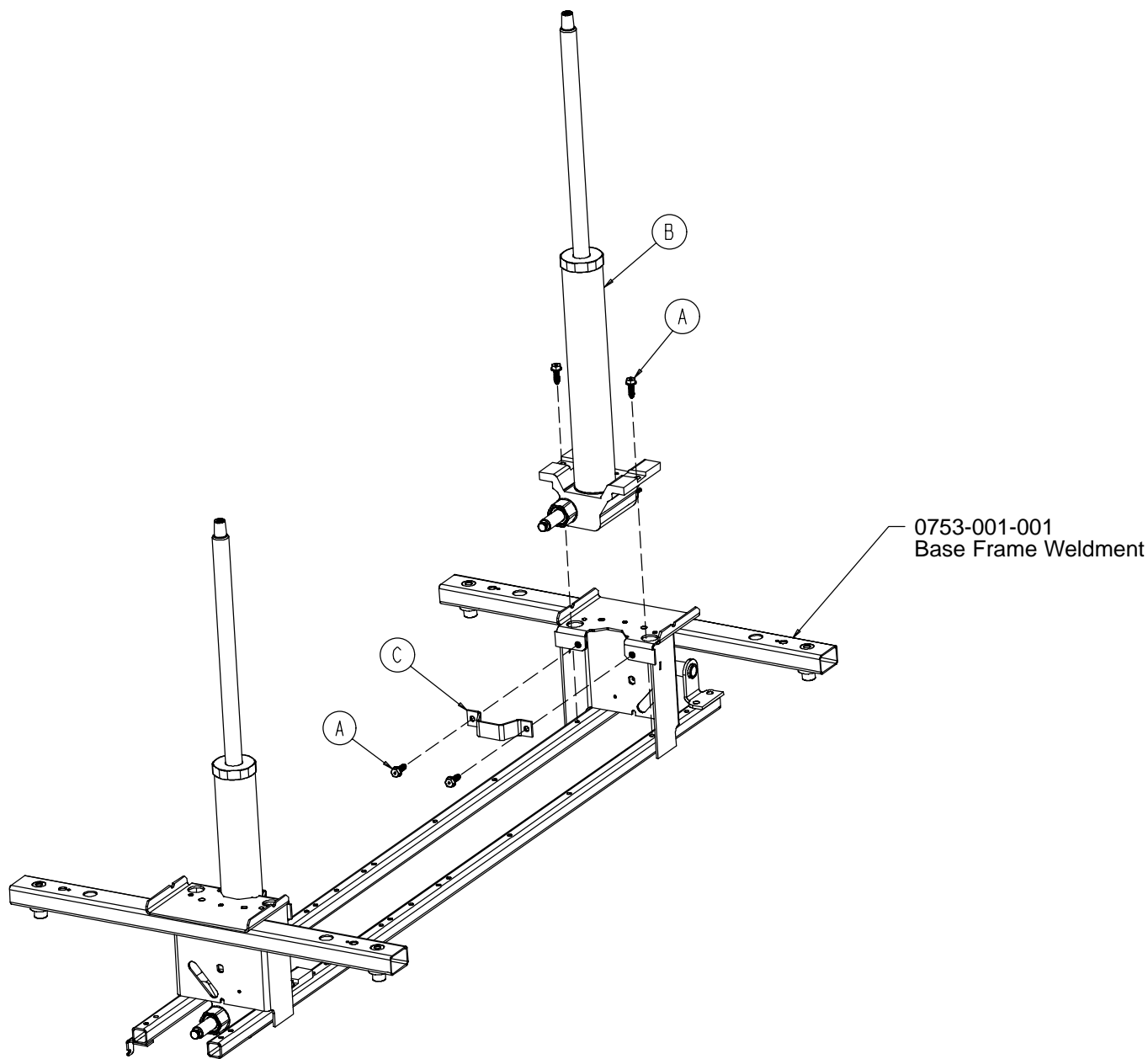
Item	Part No.	Part Name	Qty.
A	0753-003-098	Flat Hd. Semi-Tubular Rivet	4
B	0753-003-117	Rod End Link	1
C	1040-025-011	Main Link	1
D	1040-025-013	Toggle Pivot Plate	2
E	1040-025-016	Main Link Cover	2
F	1040-025-020	Yoke Weldment	2
G	1040-025-018	Toggle Pivot Spacer	1

0753-002-080 Variable Descent Hydraulic Jack Option



Item	Part No.	Part Name	Qty.
A	0023-288-000	Hex Washer Hd. Screw	8
B	0753-002-070	Variable Descent Jack Assembly	2
C	0753-010-007	Reservoir Clamp	2

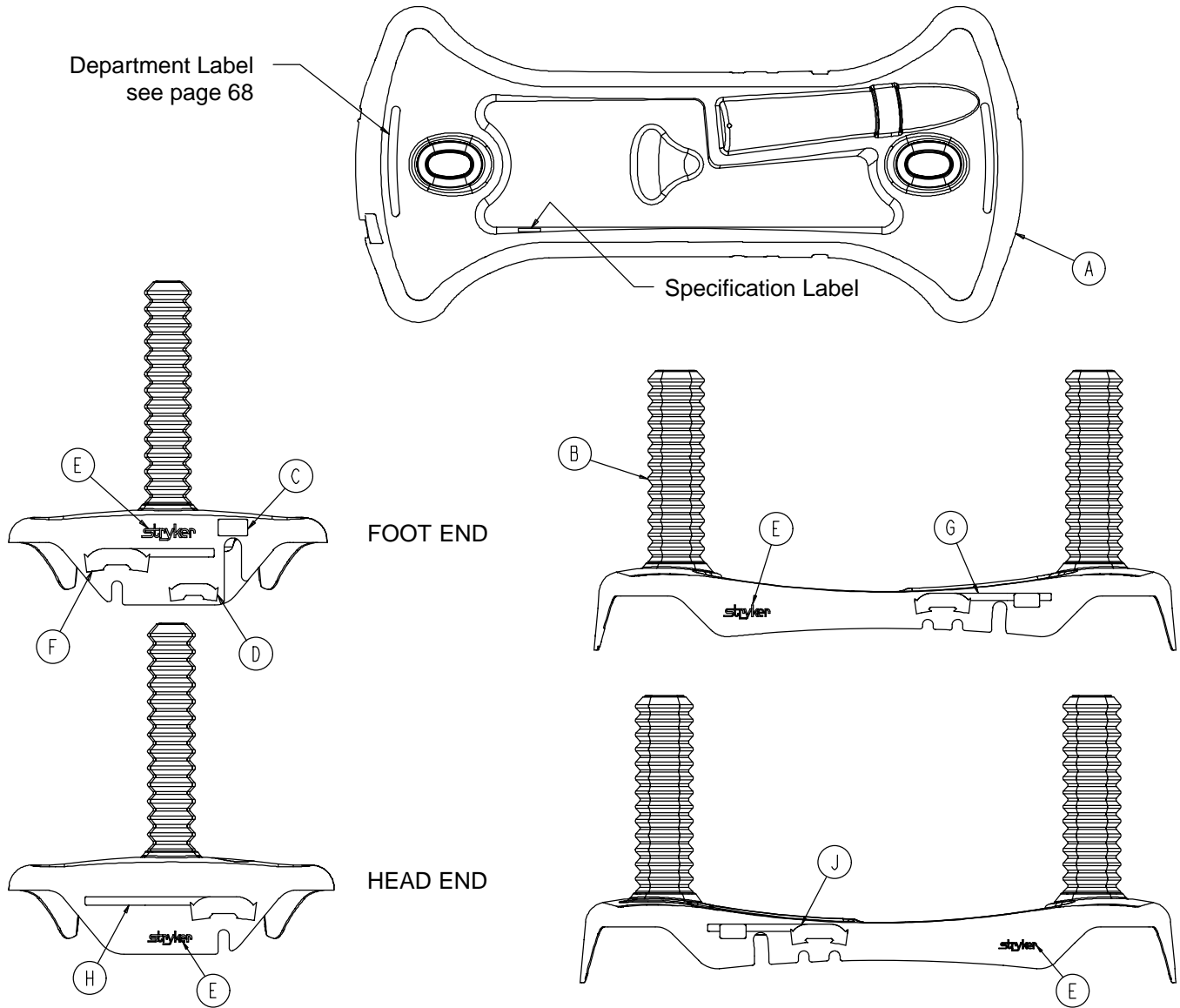
0753-002-025 Constant Descent Hydraulic Jack Option



Item	Part No.	Part Name	Qty.
A	0023-288-000	Hex Washer Hd. Screw	8
B	0753-002-001	Constant Descent Jack Ass'y	2
C	0753-010-007	Reservoir Clamp	2

Base Labeling Assembly

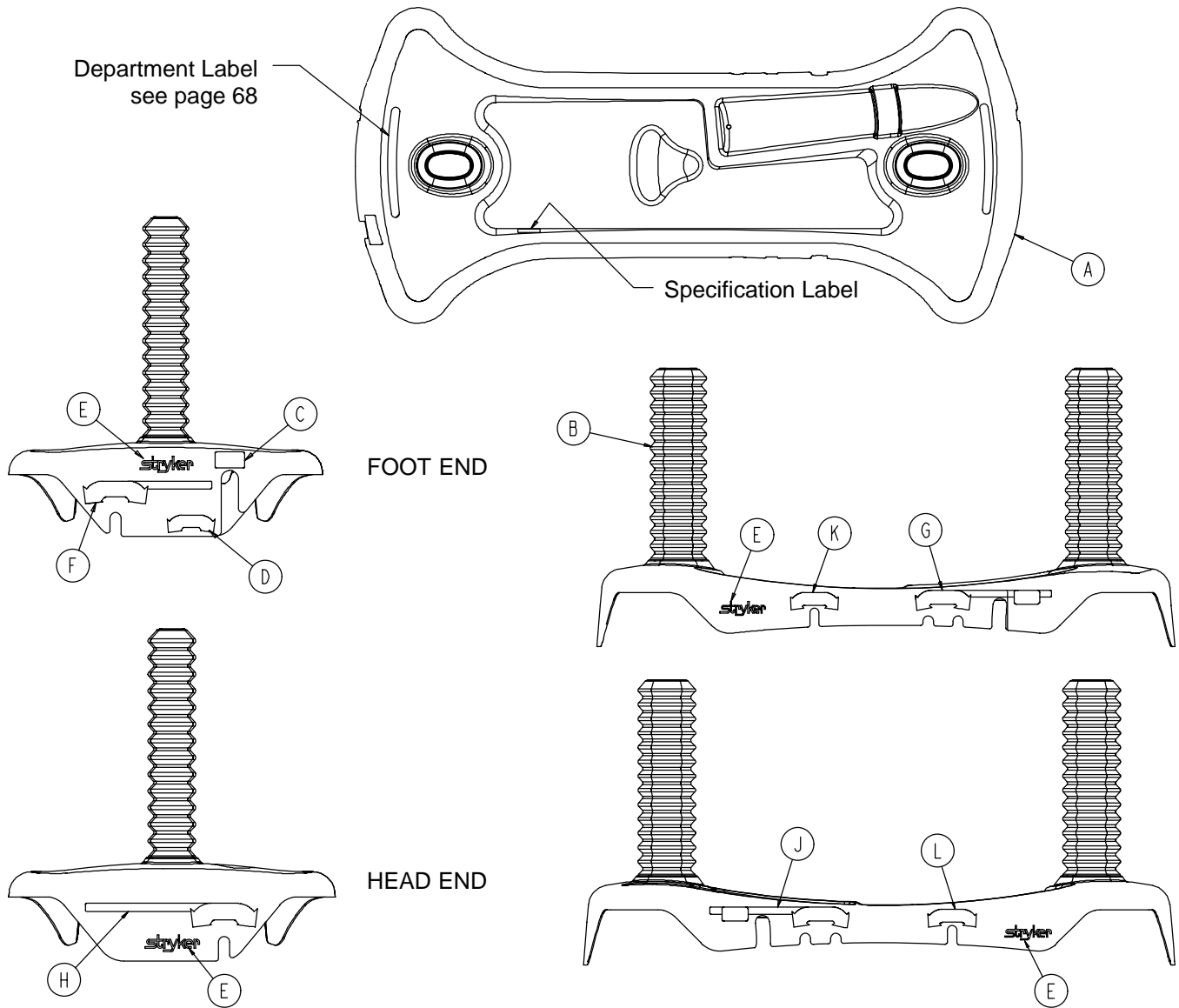
Assembly part number 0753-010-060 (reference only)



Item	Part No.	Part Name	Qty.
A	0753-010-035	Base Hood	1
B	1040-010-134	Bellows	2
C	0753-010-052	Foot End Pump Pedal Label	1
D	0753-010-053	Foot End Release Pedal Label	1
E	0946-201-060	Stryker Logo Label	4

Base Labeling Assembly, 4-Sided Base

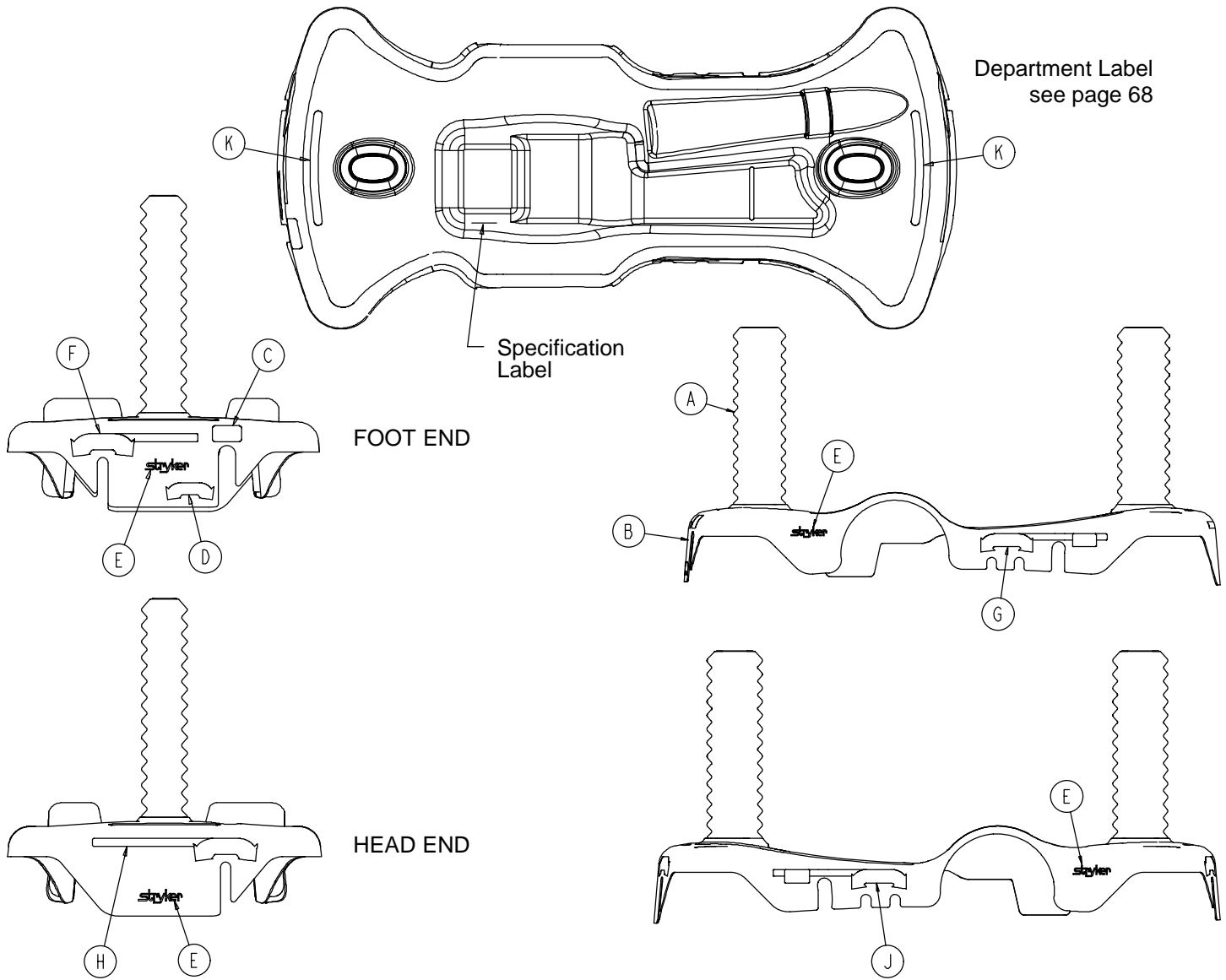
Assembly part number 0753-010-061 (reference only)



Item	Part No.	Part Name	Qty.
A	0753-010-037	Base Hood	1
B	1040-010-134	Bellows	2
C	0753-010-052	Foot End Pump Pedal Label	1
D	0753-010-053	Foot End Release Pedal Label	1
E	0946-201-060	Stryker Logo Label	4
K	0753-010-019	Brake/Steer Label, Left	1
L	0753-010-018	Brake/Steer Label, Left	1

Base Labeling Assembly - Big Wheel Base

Assembly part number 1040-015-300 (reference only)



Item	Part No.	Part Name	Qty.
A	1040-010-134	Bellows	2
B	1040-015-004	Base Hood	1
C	0753-010-052	Foot End Pump Pedal Label	1
D	0753-010-053	Foot End Release Pedal Label	1
E	0946-201-060	Stryker Logo Label	4

Base Labeling Assembly

Color Set P/N	Item F Brake/Steer, Foot End	Item G Lift/Lower, Left	Item H Brake/Steer, Head End	Item J Lift/Lower, Right	Litter Bumper Strip
RED 0753-010-100	0753-010-016	0753-010-055	0753-010-017	0753-010-054	1010-700-015
PURPLE 0753-010-101	0753-010-160	0753-010-155	0753-010-170	0753-010-154	1010-700-025
GREEN 0753-010-102	0753-010-260	0753-010-255	0753-010-270	0753-010-254	1010-700-035
GRAY 0753-010-103	0753-010-360	0753-010-355	0753-010-370	0753-010-354	1010-700-045
TEAL 0753-010-104	0753-010-460	0753-010-455	0753-010-470	0753-010-454	1010-700-055
PINK 0753-010-105	0753-010-560	0753-010-555	0753-010-570	0753-010-554	1010-700-065
BLUE 0753-010-106	0753-010-660	0753-010-655	0753-010-670	0753-010-654	1010-700-075

BASE HOOD DEPARTMENT LABELS

Department	Label Part Number
-------------------	--------------------------

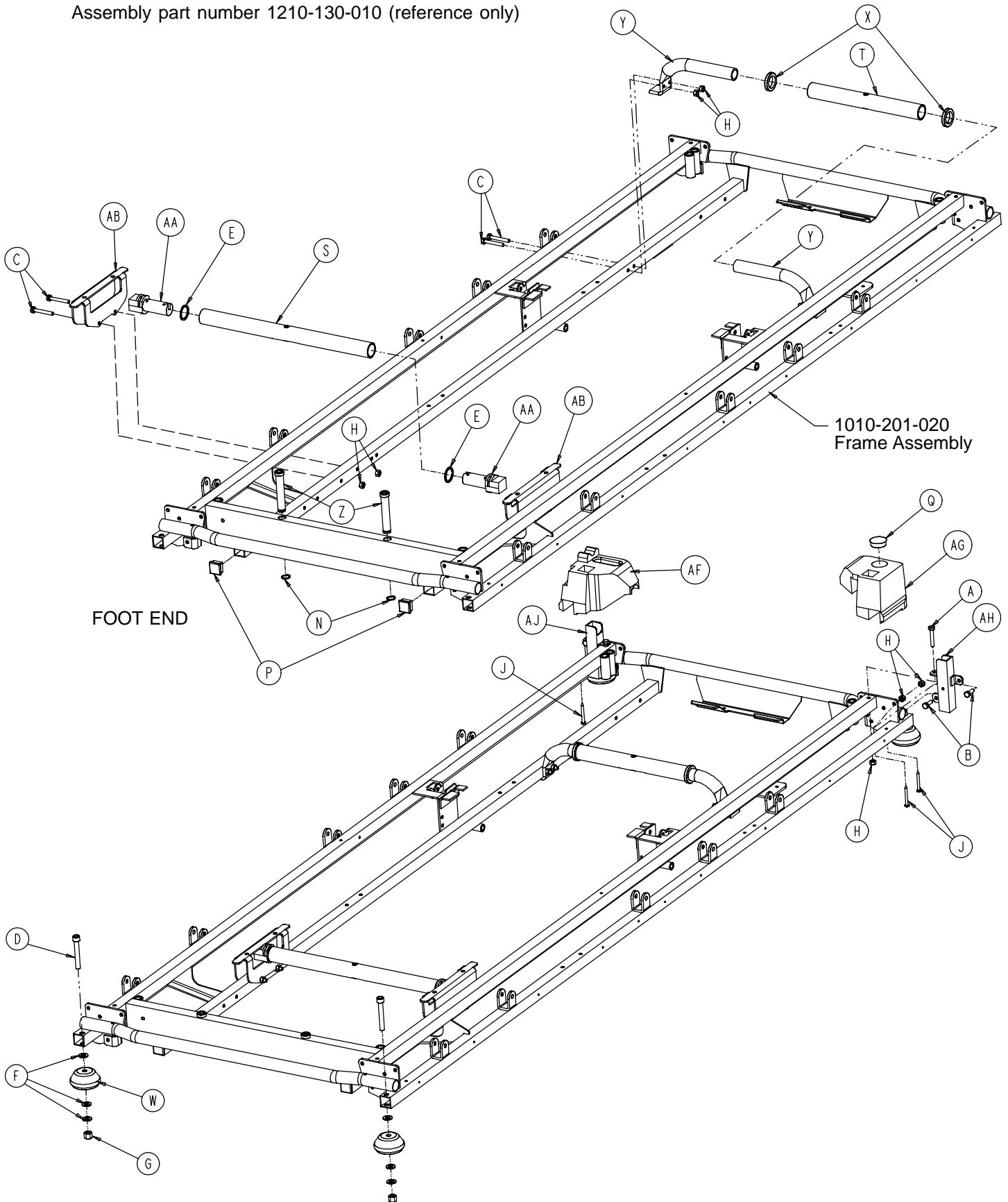
Emergency	1010-900-215
PACU	1010-900-220
Transport	1010-900-225
Surgery	1010-900-230
Extended Stay	1010-900-235
Maternity	1010-900-240
Endoscopy	1010-900-245
Radiology	1010-900-250
Nuclear Medicine	1010-900-255
Ambulatory Surgery	1010-900-260
G.I. Lab	1010-900-265
Cath. Lab	1010-900-270
Same Day Surgery	1010-900-275
Cardio.	1010-900-280
Ultrasound	1010-900-285

NOTE

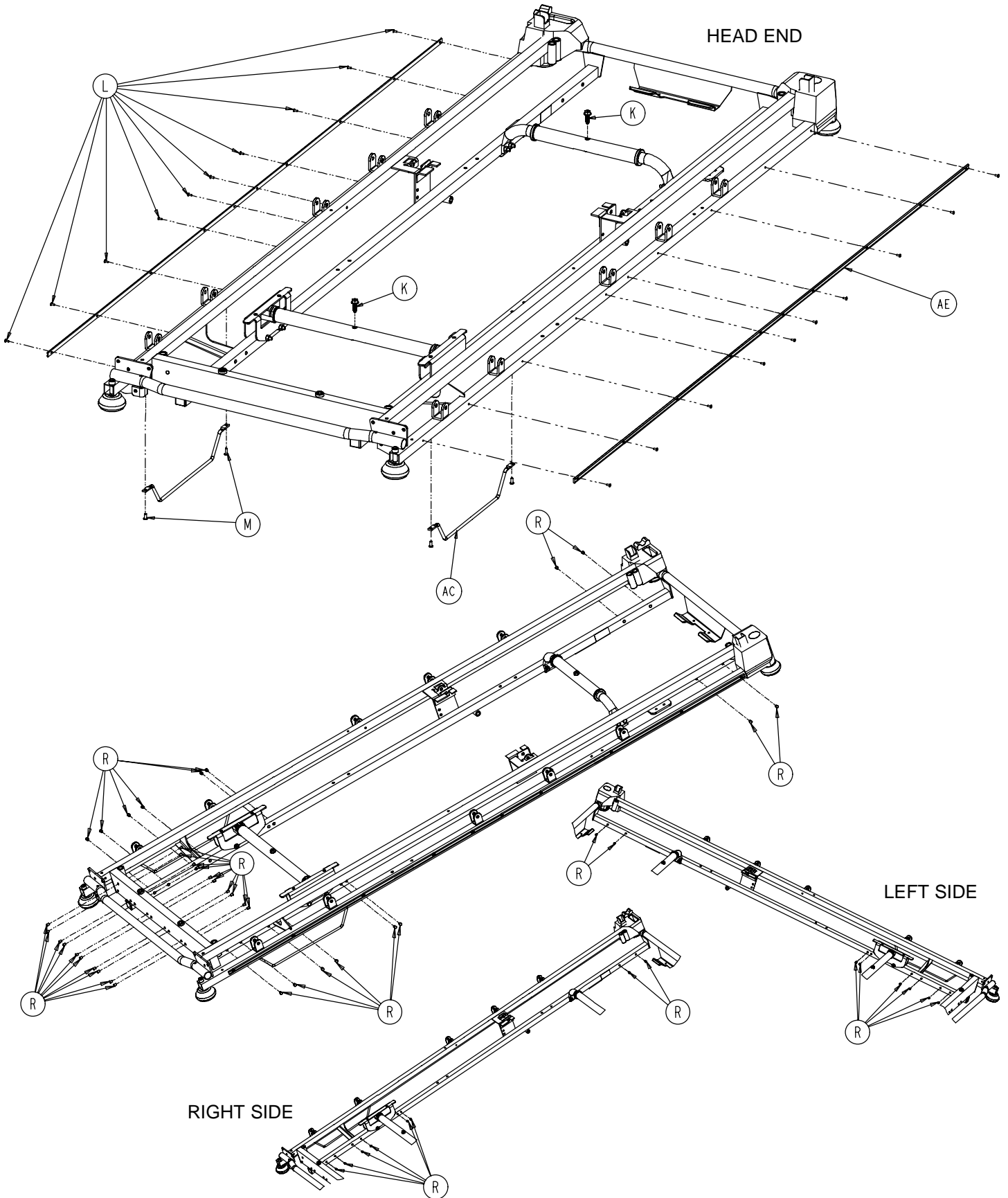
All base hood department labels are quantity of two.

1210 Litter Assembly

Assembly part number 1210-130-010 (reference only)



1210 Litter Assembly

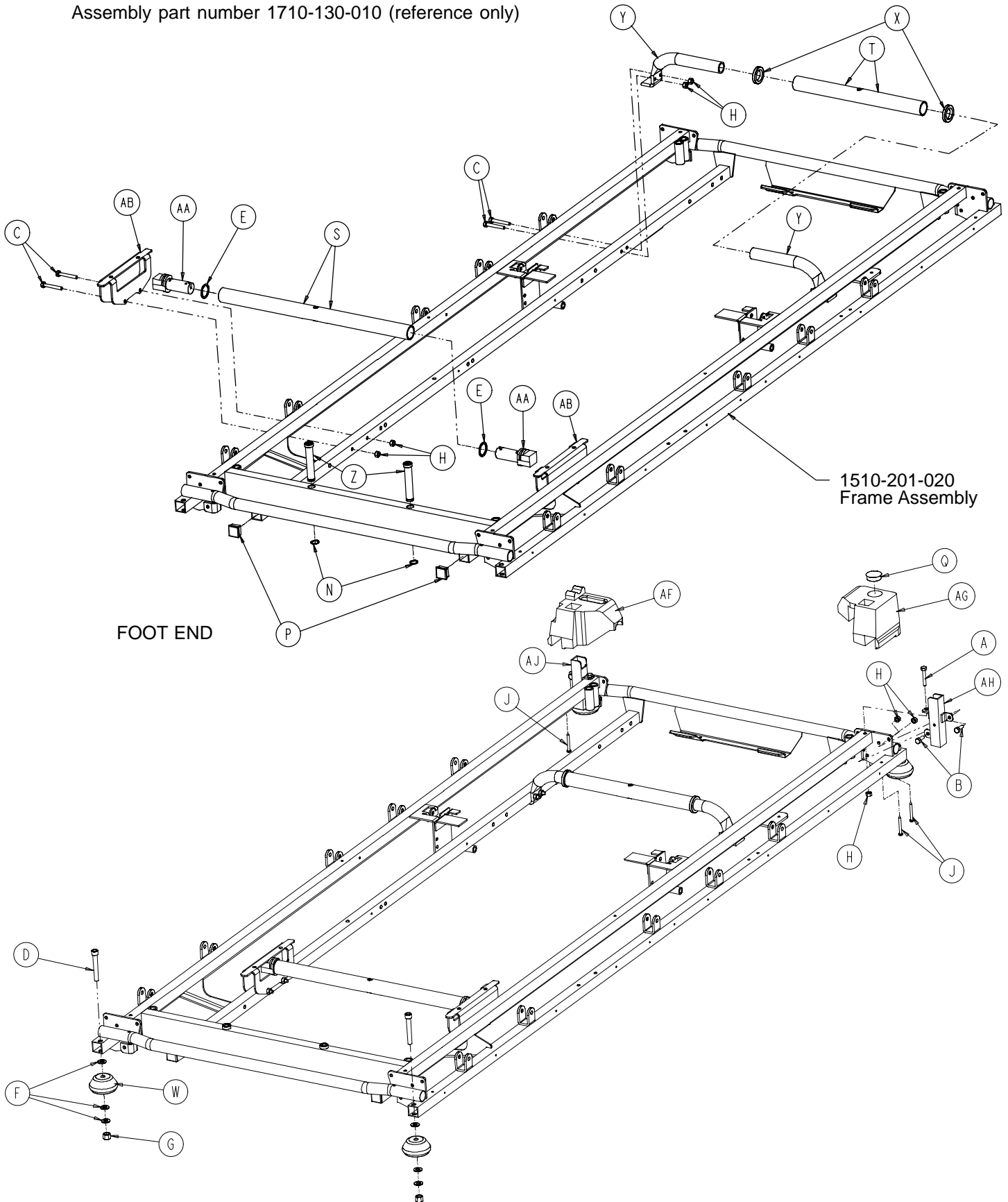


1210 Litter Assembly

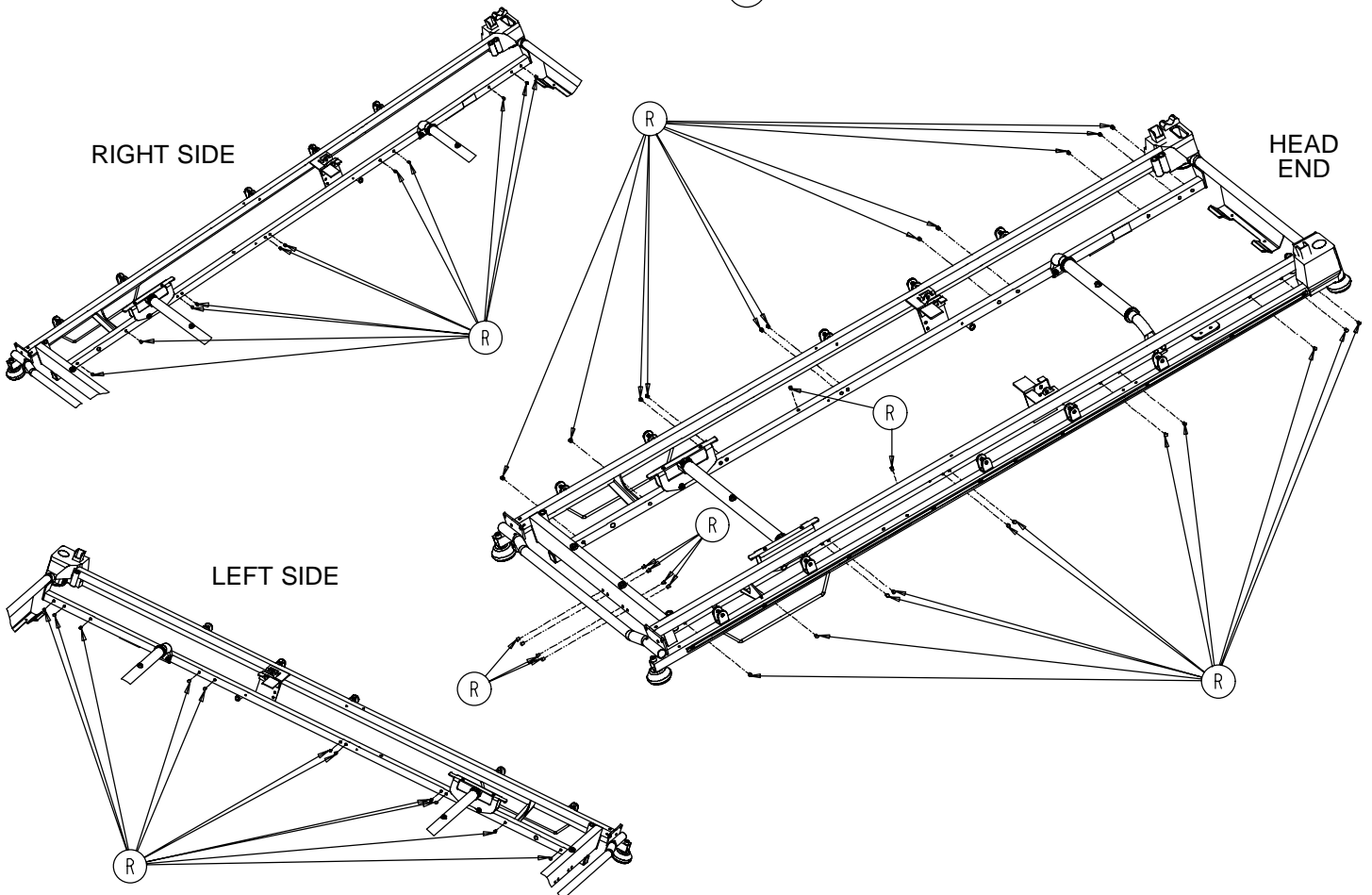
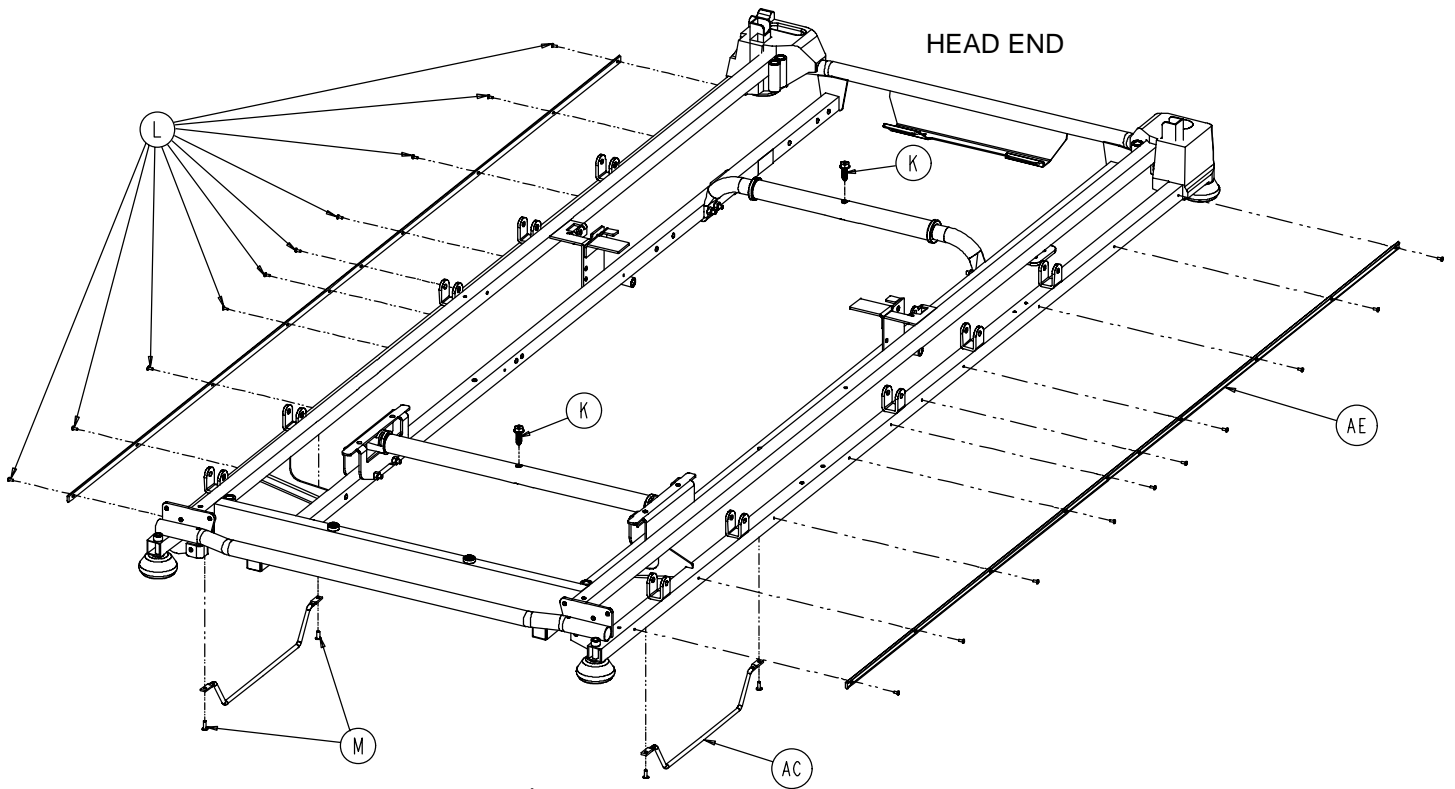
Item	Part No.	Part Name	Qty.
A	0003-355-000	Hex Hd. Cap Screw	2
B	0003-356-000	Hex Hd. Cap Screw	4
C	0003-359-000	Hex Hd. Cap Screw	8
D	0004-330-000	Soc. Hd. Cap Screw	4
E	0011-360-000	Washer	2
F	0014-021-000	Washer	12
G	0016-117-000	Hex Lock Nut	4
H	0016-118-000	Hex Lock Nut	10
J	0023-283-000	Ph. Hd. Self-Tapping Screw	3
K	0023-288-000	Hex Washer Hd. Screw	2
L	0025-040-000	Rivet	20
M	0025-171-000	Rivet	4
N	0028-023-000	External Retaining Ring	2
P	0037-010-000	Hole Plug	2
Q	0037-059-000	Hole Plug	1
R	0721-031-065	Hole Plug	52
S	0753-010-022	Foot End Support Tube	1
T	0753-010-029	Head End Support Tube	1
W	0926-400-142	Bumper	4
X	0938-001-401	Collar	2
Y	1001-001-037	Head End Jack Supt. Tube	2
Z	1001-040-012	Foot Board Receptacle	2
AA	1001-201-029	Nylon Insert	2
AB	1001-401-030	Trend Support	2
AC	1010-032-092	Foley Bag Rack	2
AE	1010-201-027	Bumper Channel	2
AF	1010-201-236	Corner Cover, Hole/Slot	1
AG	1010-201-237	Corner Cover, Hole/Hole	1
AH	1010-254-004	Bolt-On Handle Socket, Lt.	1
AJ	1010-254-006	Bolt-On Handle Socket, Rt.	1
AK	1210-800-008	Patent Label	1

1710 Litter Assembly

Assembly part number 1710-130-010 (reference only)



1710 Litter Assembly

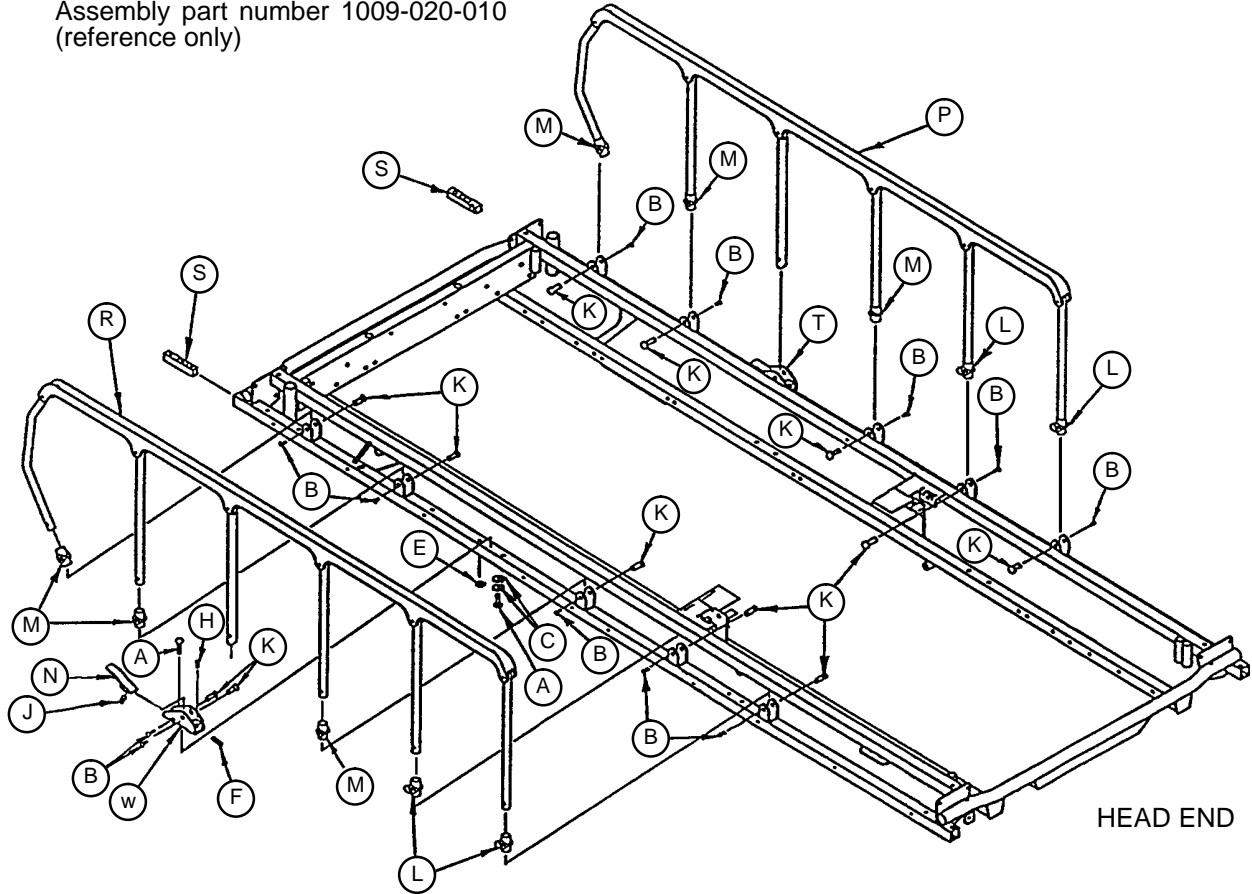


1710 Litter Assembly

Item	Part No.	Part Name	Qty.
A	0003-355-000	Hex Hd. Cap Screw	2
B	0003-356-000	Hex Hd. Cap Screw	4
C	0003-359-000	Hex Hd. Cap Screw	8
D	0004-330-000	Soc. Hd. Cap Screw	4
E	0011-360-000	Washer	2
F	0014-021-000	Washer	12
G	0016-1 17-000	Hex Lock Nut	4
H	0016-1 18-000	Hex Lock Nut	10
J	0023-283-000	Ph. Hd. Self-Tapping Screw	3
K	0023-288-000	Hex Washer Hd. Screw	2
L	0025-040-000	Rivet	20
M	0025-171-000	Rivet	4
N	0028-023-000	External Retaining Ring	2
P	0037-010-000	Hole Plug	2
Q	0037-059-000	Hole Plug	1
R	0721-031-065	Hole Plug	54
S	0753-010-026	Foot End Support Tube	1
T	0753-010-030	Head End Support Tube	1
W	0926-400-142	Bumper	4
X	0938-001-401	Collar	2
Y	1001-001-037	Head End Jack Supt. Tube	2
Z	1001-040-012	Foot Board Receptacle	2
AA	1001-201-029	Nylon Insert	2
AB	1001-401-030	Trend Support	2
AC	1010-032-092	Foley Bag Rack	2
AE	1010-201-027	Bumper Channel	2
AF	1010-201-236	Corner Cover, Hole/Slot	1
AG	1010-201-237	Corner Cover, Hole/Hole	1
AH	1010-254-004	Bolt-On Handle Socket, Lt.	1
AJ	1010-254-006	Bolt-On Handle Socket, Rt.	1
AK	1210-800-008	Patent Label	1

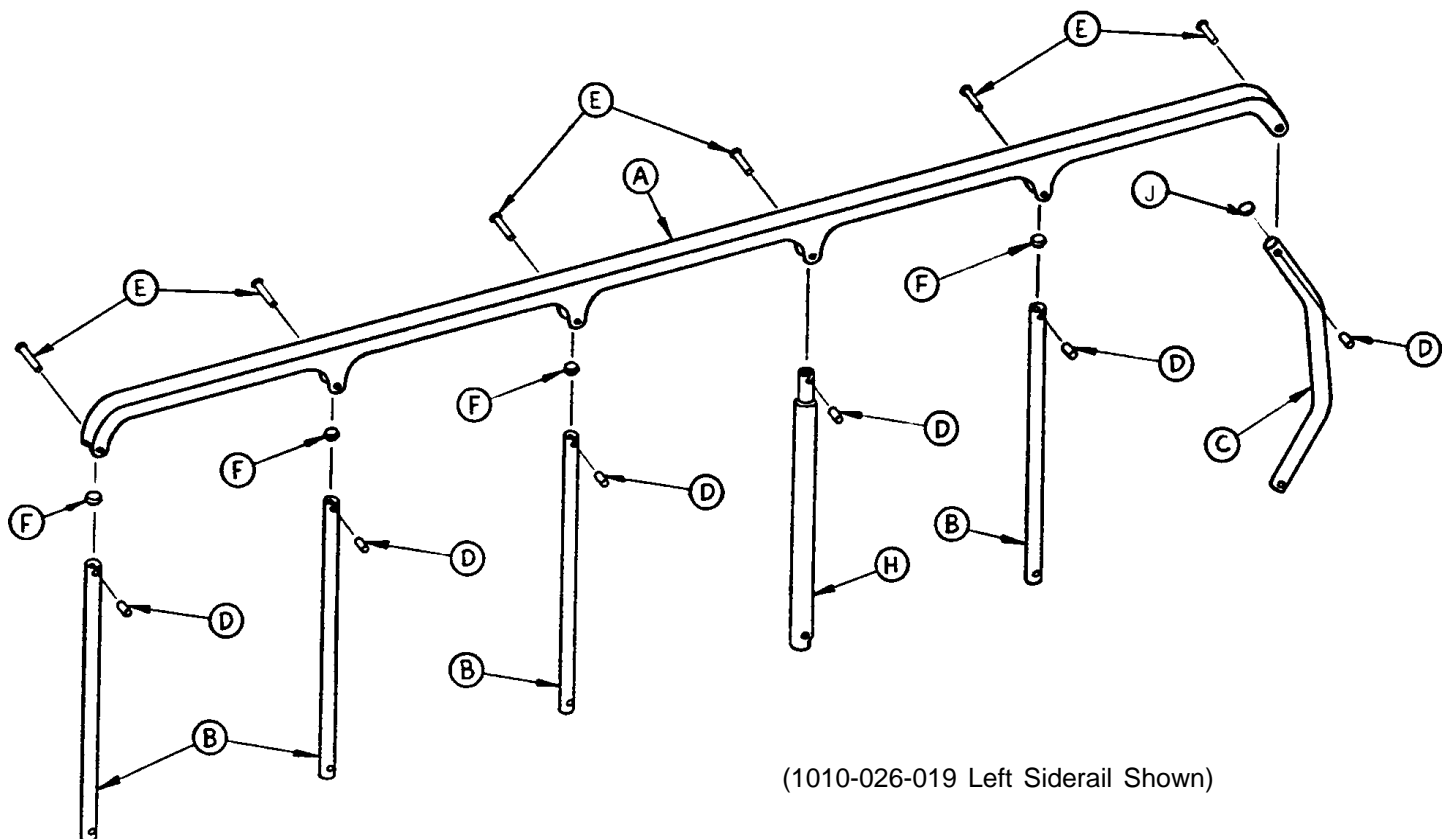
Siderail/Litter Assembly, Fold-to-Head Siderails

Assembly part number 1009-020-010
(reference only)



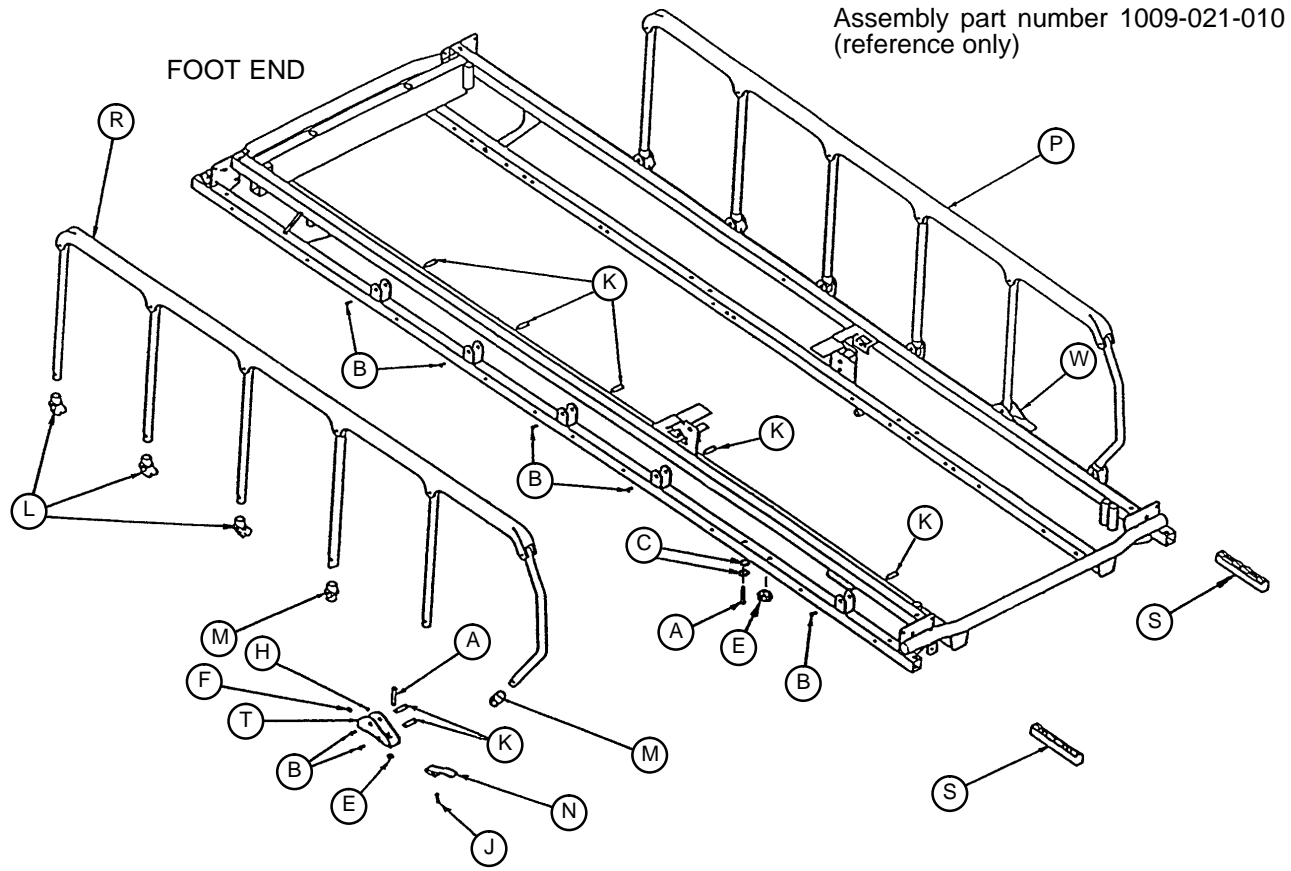
Item	Part No.	Part Name	Qty.
A	0004-135-000	But. Hd, Cap Screw	4
B	0004-136-000	But. Hd. Cap Screw	14
C	0011-077-000	Flat Washer	4
E	0016-118-000	Nylock Nut	2
F	0021-105-000	Set Screw	2
H	0037-074-000	Hole Plug	2
J	0038-220-000	Compression Spring	2
K	0721-026-066	Pivot Screw	14
L	0721-026-068	Upright Cradle	4
M	0721-026-069	Upright Sleeve	6
N	0721-026-074	Lock Handle, Machined	2
P	(page 76)	Siderail Assembly, Right	1
R	(page 76)	Siderail Assembly, Left	1
S	1010-026-069	Lock Support	2
T	1010-026-080	Lock Housing Ass'y, Right	1
W	1010-026-081	Lock Housing Ass'y, Left	1

1010-026-017 & 1010-026-019 Siderail, Fold-to-Head



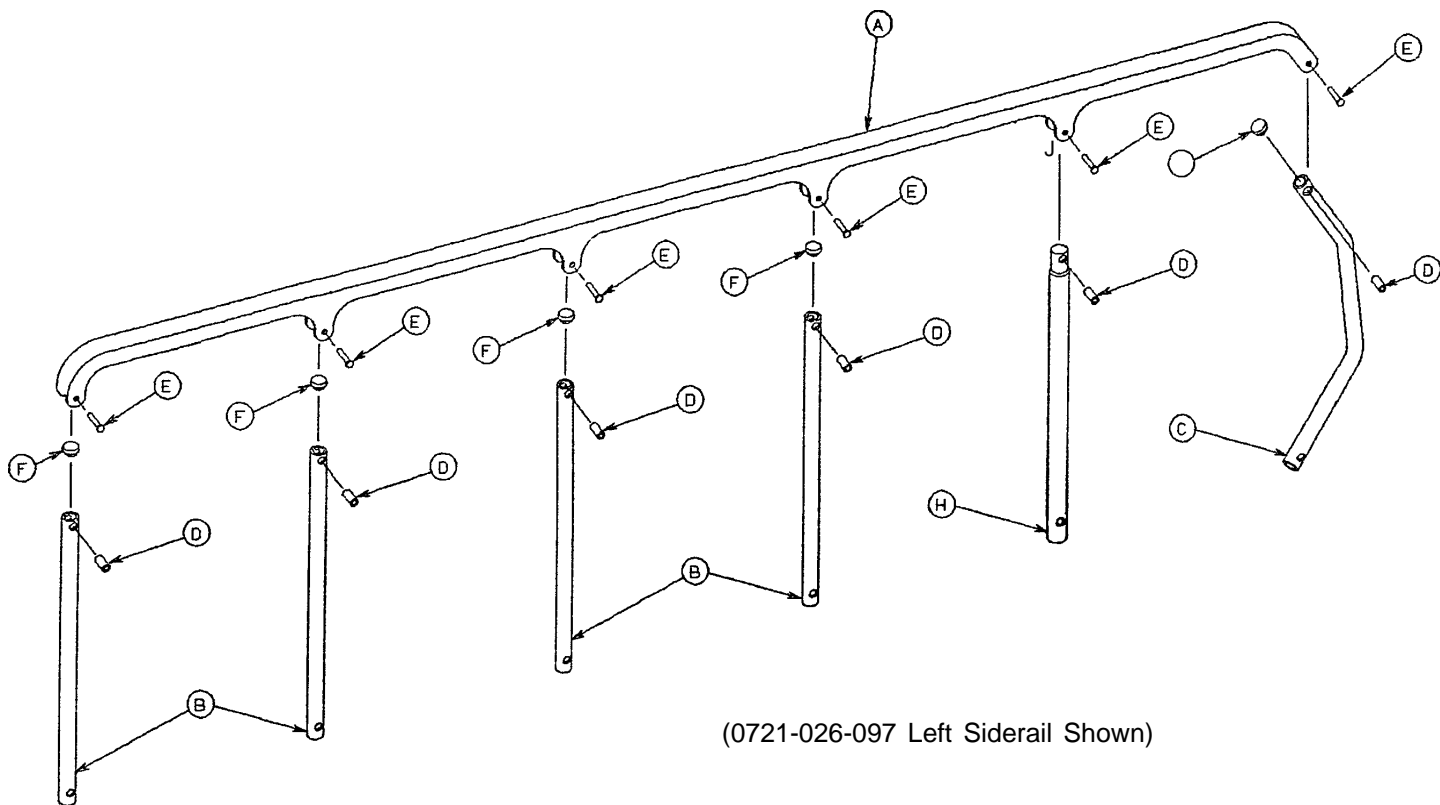
Item	Part No.	Part Name	Qty.
A	1010-026-015	Top Rail	1
B	1010-026-083	Upright	4
C	1010-026-084	Upright, Bent	1
D	1010-026-082	Sleeve Bearing	6
E	0025-106-000	Semi-Tubular Rivet	6
F	1010-026-010	Round Hole Plug	4
H	1010-026-085	Upright, Latch	1
J	1010-026-012	Bent Spindle Rest	1

Siderail/Litter Assembly, Fold-to-Head Siderails



Item	Part No.	Part Name	Qty.
A	0004-135-000	But. Hd, Cap Screw	4
B	0004-136-000	But. Hd. Cap Screw	14
C	0011-077-000	Flat Washer	4
E	0016-118-000	Nylock Nut	2
F	0021-105-000	Set Screw	2
H	0037-074-000	Hole Plug	2
J	0038-220-000	Compression Spring	2
K	0721-026-066	Pivot Screw	14
L	0721-026-068	Upright Cradle	6
M	0721-026-069	Upright Sleeve	4
N	0721-026-074	Lock Handle, Machined	2
P	(page 78)	Siderail Assembly, Right	1
R	(page 78)	Siderail Assembly, Left	1
S	1010-026-069	Lock Support	2
T	1010-026-080	Lock Housing Ass'y, Right	1
W	1010-026-081	Lock Housing Ass'y, Left	1

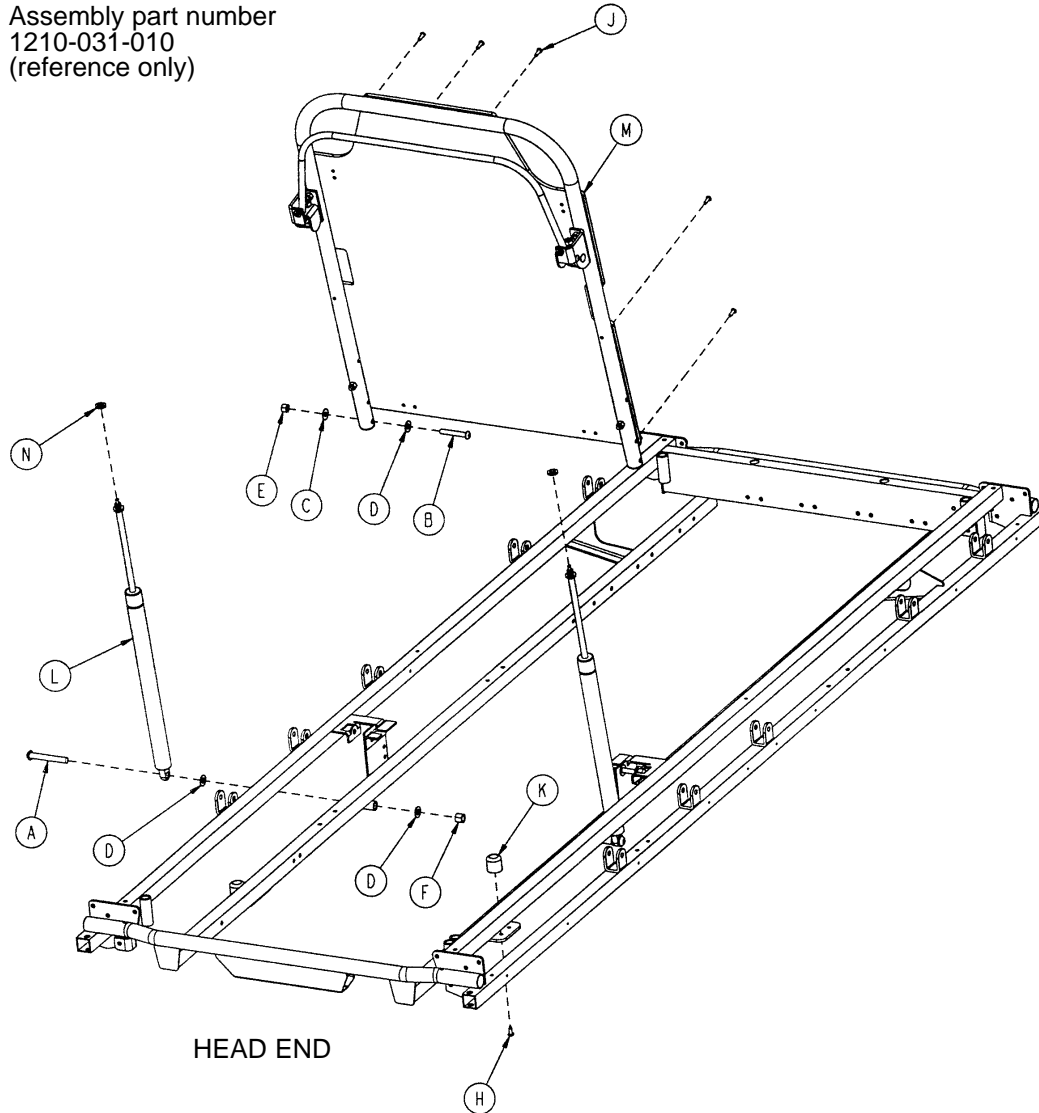
0721-026-096 & 0721-026-097 Siderail, Fold-to-Foot



Item	Part No.	Part Name	Qty.
A	1010-026-015	Top Rail	1
B	1010-026-083	Upright	4
C	1010-026-084	Upright, Bent	1
D	1010-026-082	Spacer	6
E	0025-106-000	Semi-Tubular Rivet	6
F	1010-026-010	Round Hole Plug	4
H	1010-026-085	Upright, Latch	1
J	1010-026-012	Bent Spindle Stop	1

Pneumatic Fowler Assembly

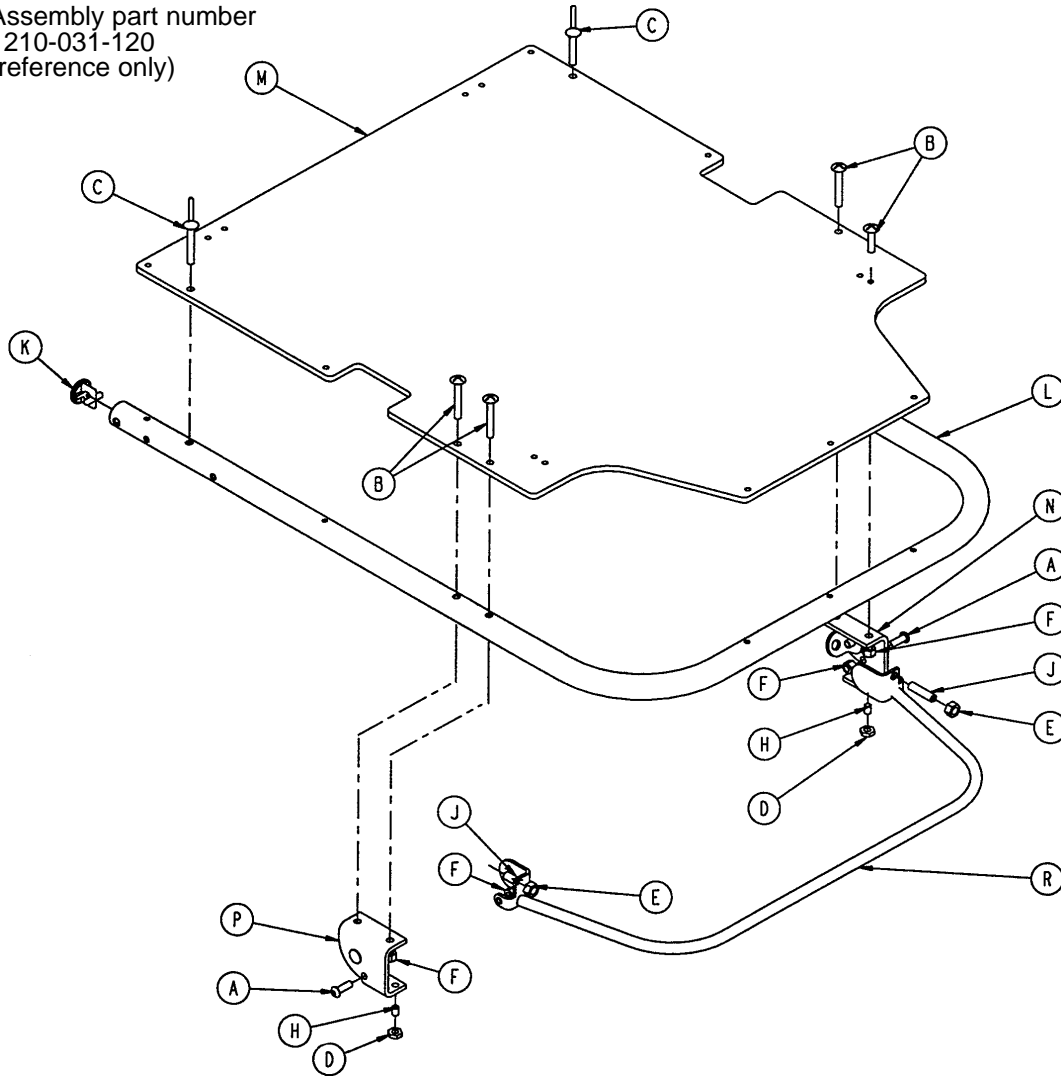
Assembly part number
1210-031-010
(reference only)



Item	Part No.	Part Name	Qty.
A	0004-182-000	But. Hd. Cap Screw	2
B	0004-104-000	But. Hd. Cap Screw	2
C	0011-179-000	Nylon Washer	2
D	0014-021-000	Nylon Washer	6
E	0016-1 16-000	Nylock Hex Nut	2
F	0016-1 17-000	Nylock Hex Nut	2
H	0023-256-000	Self-Tapping Screw	2
J	0025-133-000	Pop Rivet	7
K	1211-031-031	Pneumatic Fowler Rest	2
L	1010-031-078	Gas Cylinder	2
M	(page 80)	Pneumatic Fowler Ass'y	1
N	0015-060-000	Hex Jam Nut	2

Pneumatic Fowler Assembly

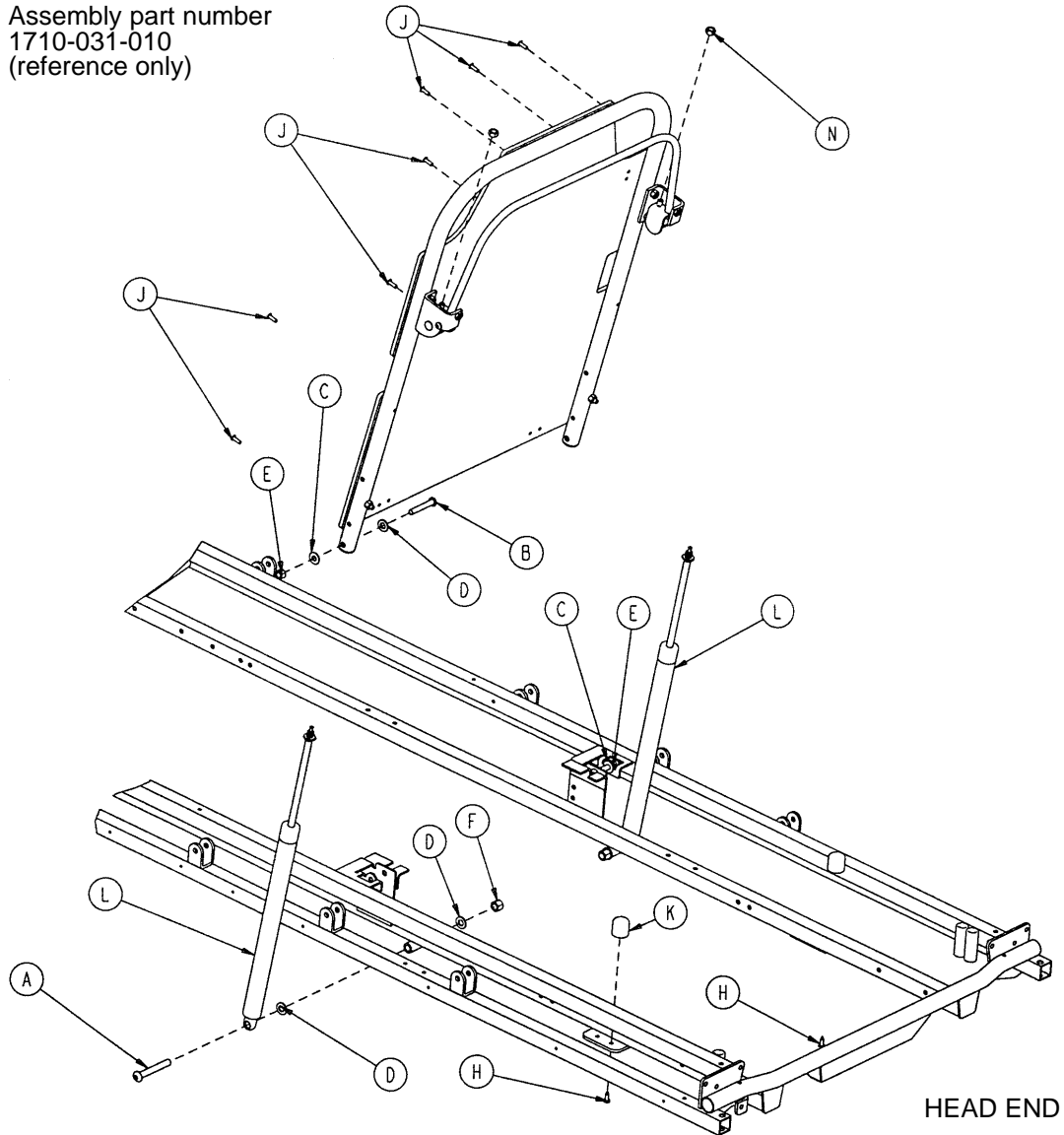
Assembly part number
1210-031-120
(reference only)



Item	Part No.	Part Name	Qty.
A	0004-161-000	Hex Soc. But. Hd. Cap Screw	2
B	0007-020-000	Truss Hd. Mach. Screw	4
C	0025-124-000	Pop Rivet	2
D	0015-037-000	Jam Nut	2
E	0015-050-000	Hex Nut	2
F	0016-028-000	Nylock Nut	6
H	0021-125-000	Set Screw	2
J	0021-126-000	Set Screw	2
K	1001-001-036	Hole Plug	2
L	1001-031-013	Fowler Tube	1
M	1010-231-012	Fowler Skin (Fiberresin)	1
N	(page 83)	Outer Housing Ass'y, Right	1
P	(page 83)	Outer Housing Ass'y, Left	1
R	1210-031-118	Trip Bar Assembly	1

Pneumatic Fowler Assembly

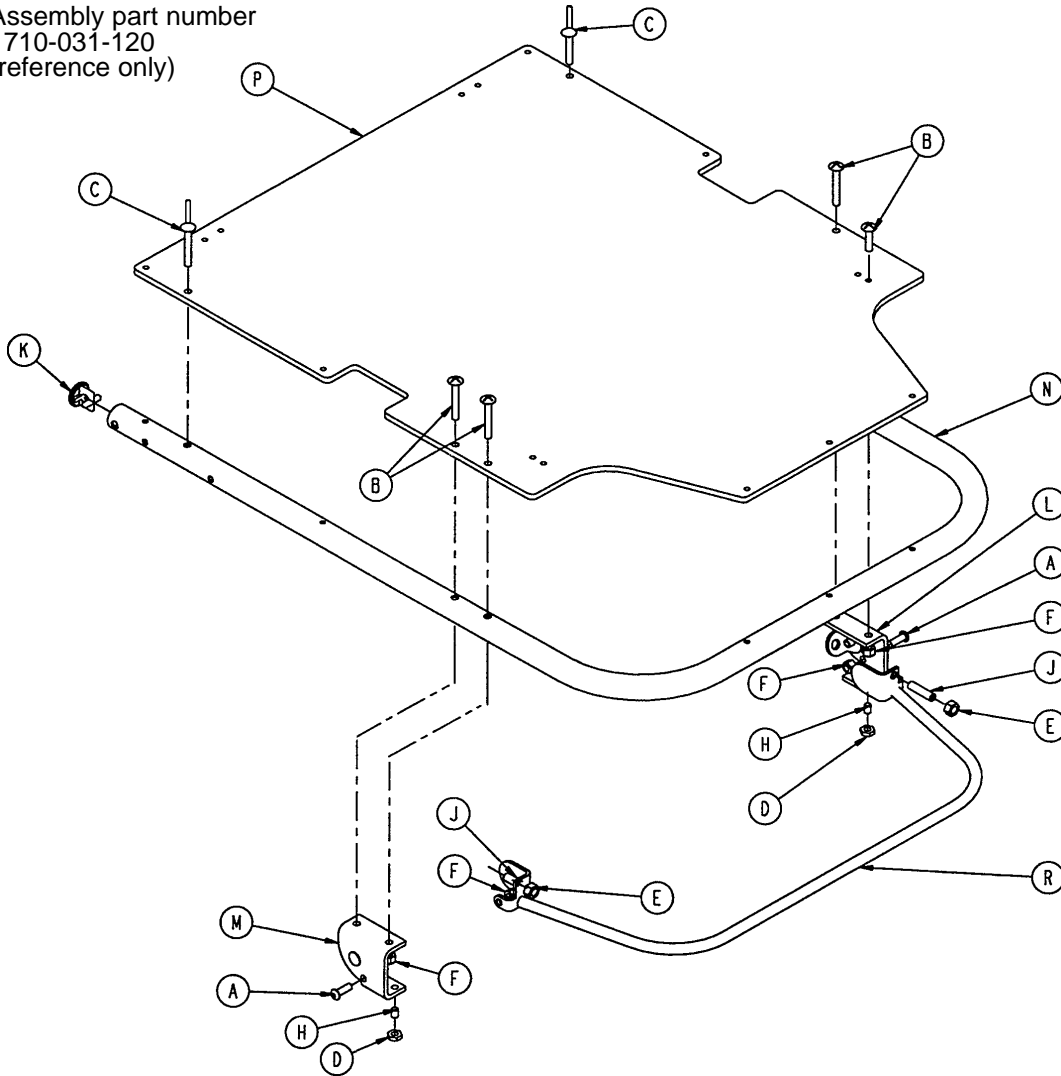
Assembly part number
1710-031-010
(reference only)



Item	Part No.	Part Name	Qty.
A	0004-182-000	But. Hd. Cap Screw	2
B	0004-104-000	But. Hd. Cap Screw	2
C	0011-179-000	Nylon Washer	4
D	0014-021-000	Nylon Washer	6
E	0016-1 16-000	Nylock Hex Nut	2
F	0016-1 17-000	Nylock Hex Nut	2
H	0023-256-000	Self-Tapping Screw	2
J	0025-133-000	Pop Rivet	7
K	1211-031-031	Pneumatic Fowler Rest	2
L	1010-031-078	Gas Cylinder	2
M	(page 82)	Pneumatic Fowler Ass'y	1
N	0015-060-000	Hex Nut	2

Pneumatic Fowler Assembly

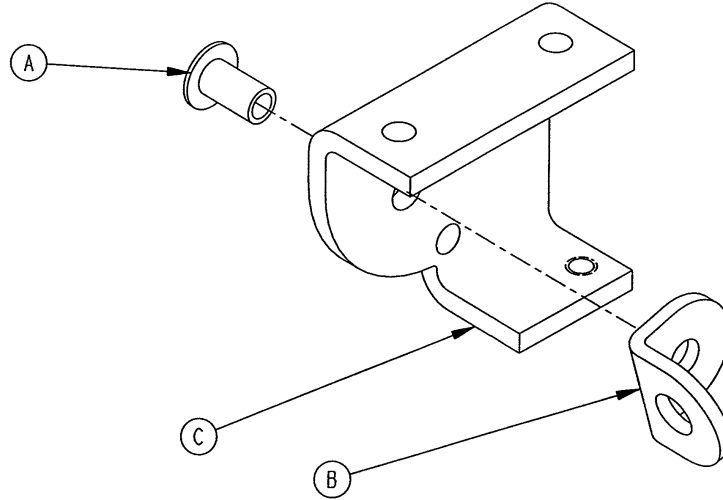
Assembly part number
1710-031-120
(reference only)



Item	Part No.	Part Name	Qty.
A	0004-161-000	But. Hd. Cap Screw	2
B	0007-020-000	Truss Hd. Mach. Screw	4
C	0025-124-000	Pop Rivet	2
D	0015-037-000	Jam Nut	2
E	0015-050-000	Hex Nut	2
F	0016-028-000	Fiberlock Nut	6
H	0021-125-000	Set Screw	2
J	0021-126-000	Set Screw	2
K	1001-001-036	Hole Plug	2
L	(page 83)	Outer Housing Ass'y, Right	1
M	(page 83)	Outer Housing Ass'y, Left	1
N	1501-031-013	Fowler Tube	1
P	1510-231-012	Fowler Skin (Fiberresin)	1
R	1710-031-118	Trip Bar Assembly	1

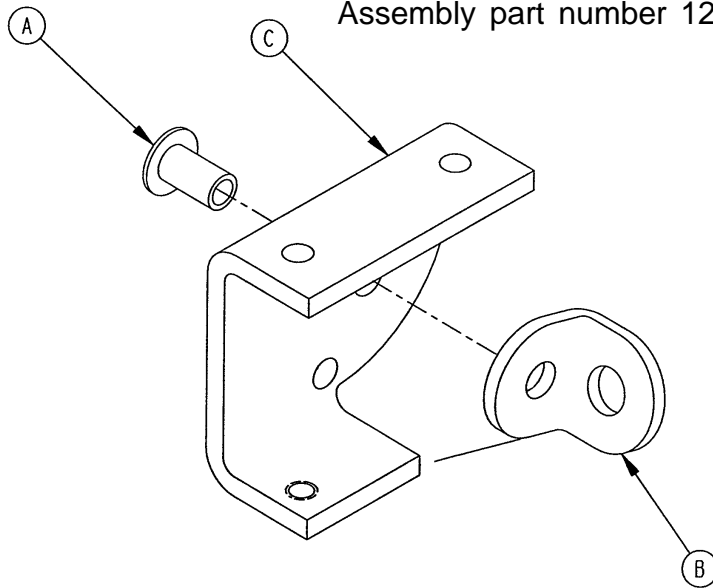
Pneumatic Fowler Outer Housing Assembly

Assembly part number 1210-031-106 (Right)



Item	Part No.	Part Name	Qty.
A	0025-144-000	Semi-T ubular Rivet	1
B	1210-031-103	Pivot Tab	1
C	1210-031-104	Outer Housing, Right	1

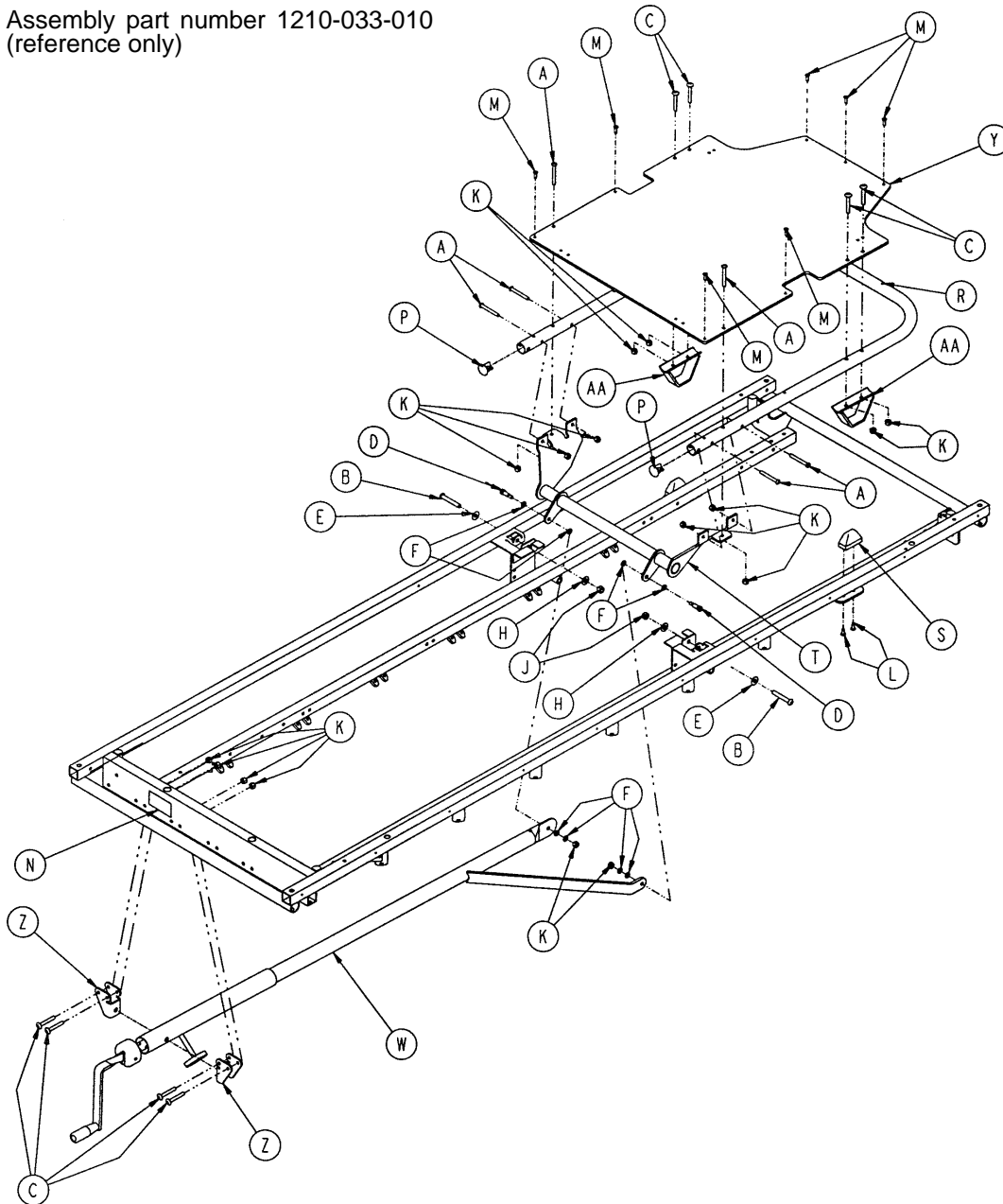
Assembly part number 1210-031-107 (Left)



Item	Part No.	Part Name	Qty.
A	0025-144-000	Semi-T ubular Rivet	1
B	1210-031-103	Pivot Tab	1
C	1210-031-105	Outer Housing, Left	1

Crank Fowler Assembly

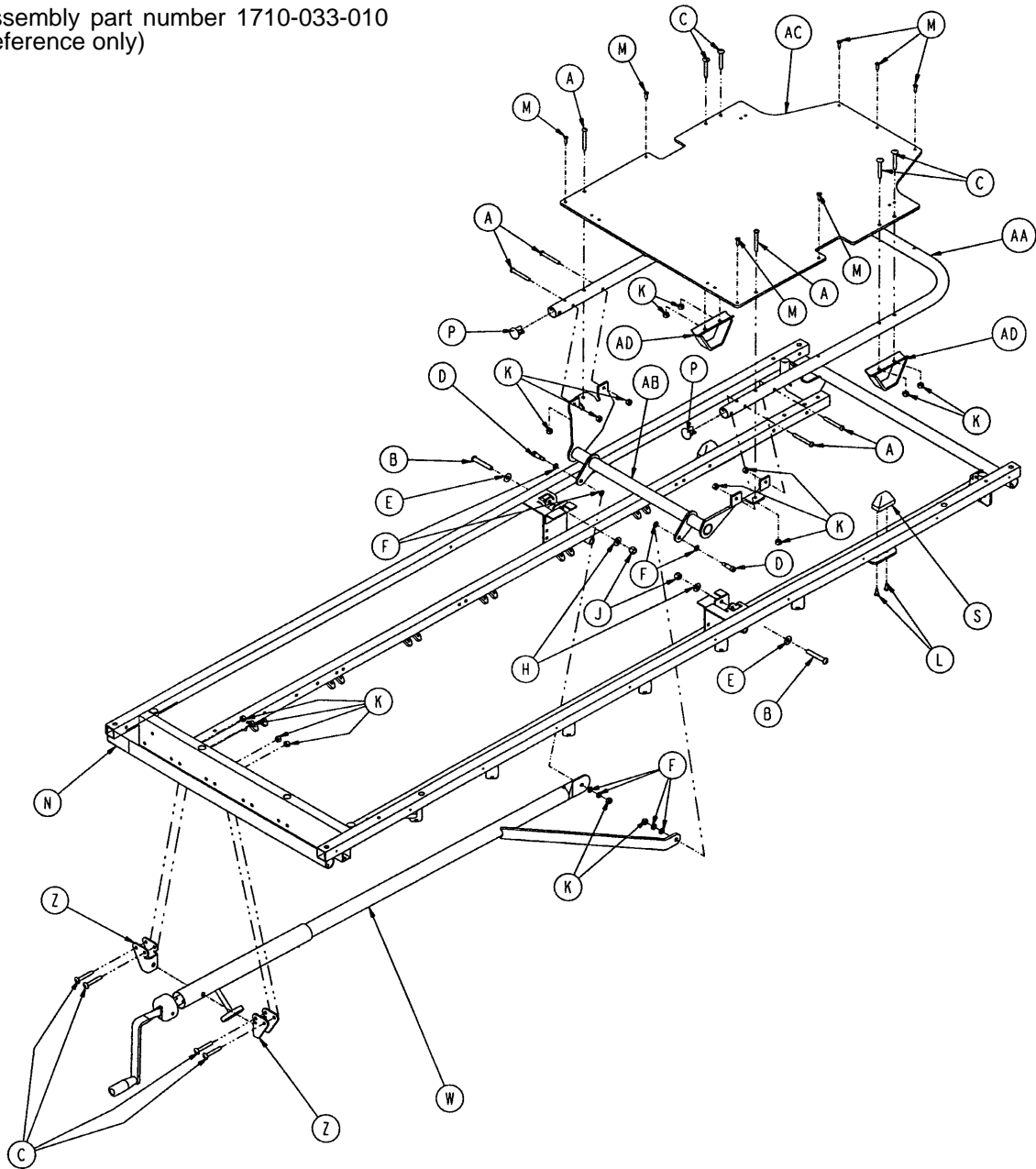
Assembly part number 1210-033-010
(reference only)



Item	Part No.	Part Name	Qty.	Item	Part No.	Part Name	Qty.
A	0004-097-000	Hex But. Hd. Cap Screw	6	M	0025-133-000	Pop Rivet	7
B	0004-104-000	But. Hd. Cap Screw	2	N	0946-001-064	Fowler Operation Label	1
C	0007-070-000	Truss Hd. Mach. Screw	8	P	1001-001-036	Hole Plug	2
D	0008-015-000	Shoulder Bolt	2	R	1001-031-013	Fowler Tube	1
E	0011-179-000	Nylon Washer	4	S	1001-031-031	Pneumatic Fowler Rest	2
F	0014-003-000	Thrust Washer	8	T	1001-033-024	Fowler Lever Assembly	1
H	0014-021-000	Washer	2	W	(page 86)	Crankcrew Assembly	1
J	0016-036-000	Hex Nut	2	Y	1010-231-012	Fowler Skin (Fiberresin)	1
K	0016-118-000	Fiberlock Hex Nut	16	Z	1010-234-015	Mounting Bracket Ass'y	2
L	0023-256-000	Ph. Hd. Self-Tap. Screw	4	AA	1550-033-031	Fowler Support Ass'y	2

Crank Fowler Assembly

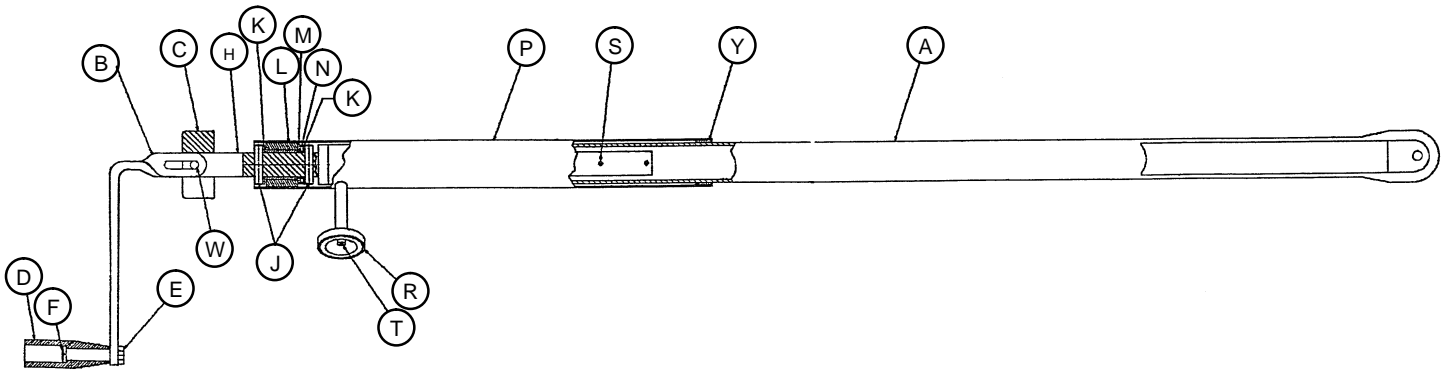
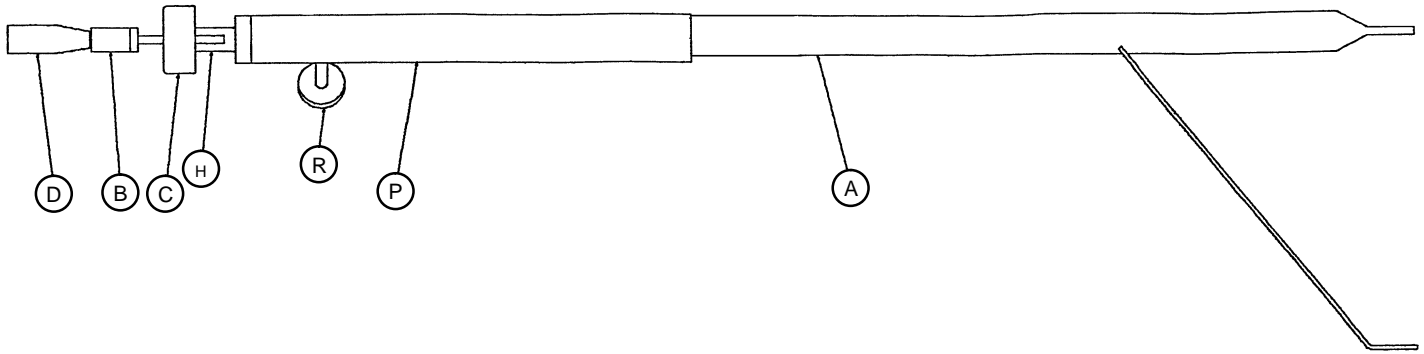
Assembly part number 1710-033-010
(reference only)



Item	Part No.	Part Name	Qty.	Item	Part No.	Part Name	Qty.
A	0004-097-000	Hex But. Hd. Cap Screw	6	M	0025-133-000	Pop Rivet	7
B	0004-104-000	But. Hd. Cap Screw	2	N	0946-001-064	Fowler Operation Label	1
C	0007-070-000	Truss Hd. Mach. Screw	8	P	1001-001-036	Hole Plug	2
D	0008-015-000	Shoulder Bolt	2	S	1001-031-031	Pneumatic Fowler Rest	2
E	0011-179-000	Washer	2	W	(page 86)	Crank screw Assembly	1
F	0014-003-000	Thrust Washer	8	Z	1010-234-015	Mounting Bracket Ass'y	2
H	0014-021-000	Washer	2	AA	1501-031-013	Fowler Tube	1
J	0016-1 16-000	Nylock Hex Nut	2	AB	1501-033-024	Fowler Lever Ass'y	1
K	0016-1 18-000	Fiberlock Nut	16	AC	1510-231-012	Fowler Skin (Fiberresin)	1
L	0023-256-000	Ph. Hd. Self-Tap. Screw	4	AD	1550-033-031	Fowler Support Ass'y	2

1001-033-025 (1210) Fowler Crankscrew Assembly

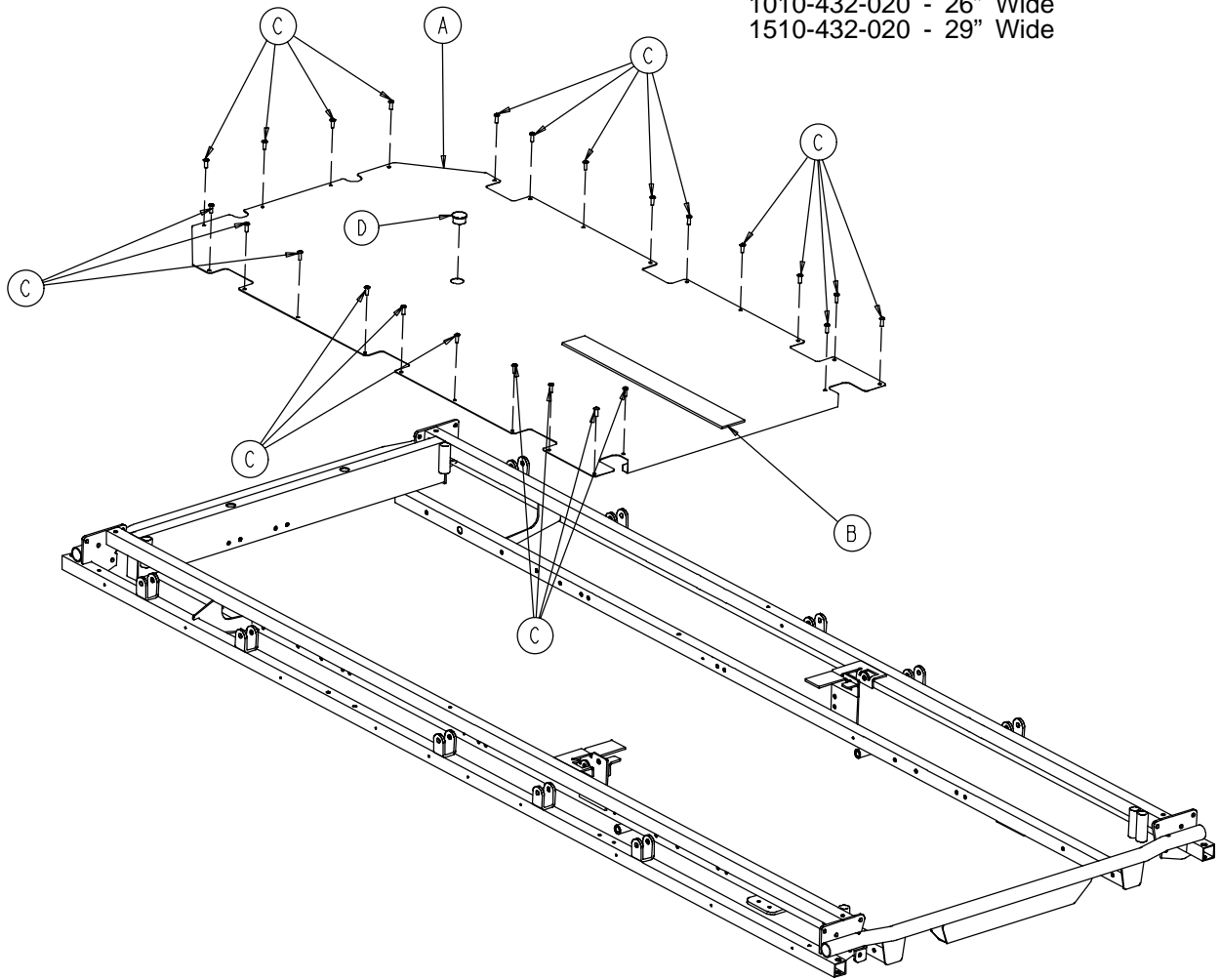
1501-033-025 (1710) Fowler Crankscrew Assembly



Item	Part No.	Part Name	Qty.
A	1001-033-026	Drive Bar Assembly	1
	1501-033-026	Drive Bar Assembly	1
B	1550-01-016	Crank Assembly	1
C	0946-033-018	Crank Disc	1
D	0938-001-177	Knob	1
E	0016-102-000	Kep Nut	1
F	0378-124-029	Shoulder Bolt	1
H	0946-033-035	Fowler Screw	1
J	0026-014-000	Roll Pin	2
K	0081-174-000	Thrust Washer	2
L	0938-001-175	Bearing Assembly	1
M	0081-176-000	Thrust Washer	1
N	0081-175-000	Thrust Bearing	1
P	1510-034-084	Screw Cover Assembly	1
R	1550-001-014	Magnet	1
S	0026-118-000	Roll Pin	1
T	0004-107-000	Soc. Hd. Cap Screw	1
W	0026-145-000	Roll Pin	1
Y	7900-001-102	Velcro Pile	1

Steel Stationary Foot Section Assembly

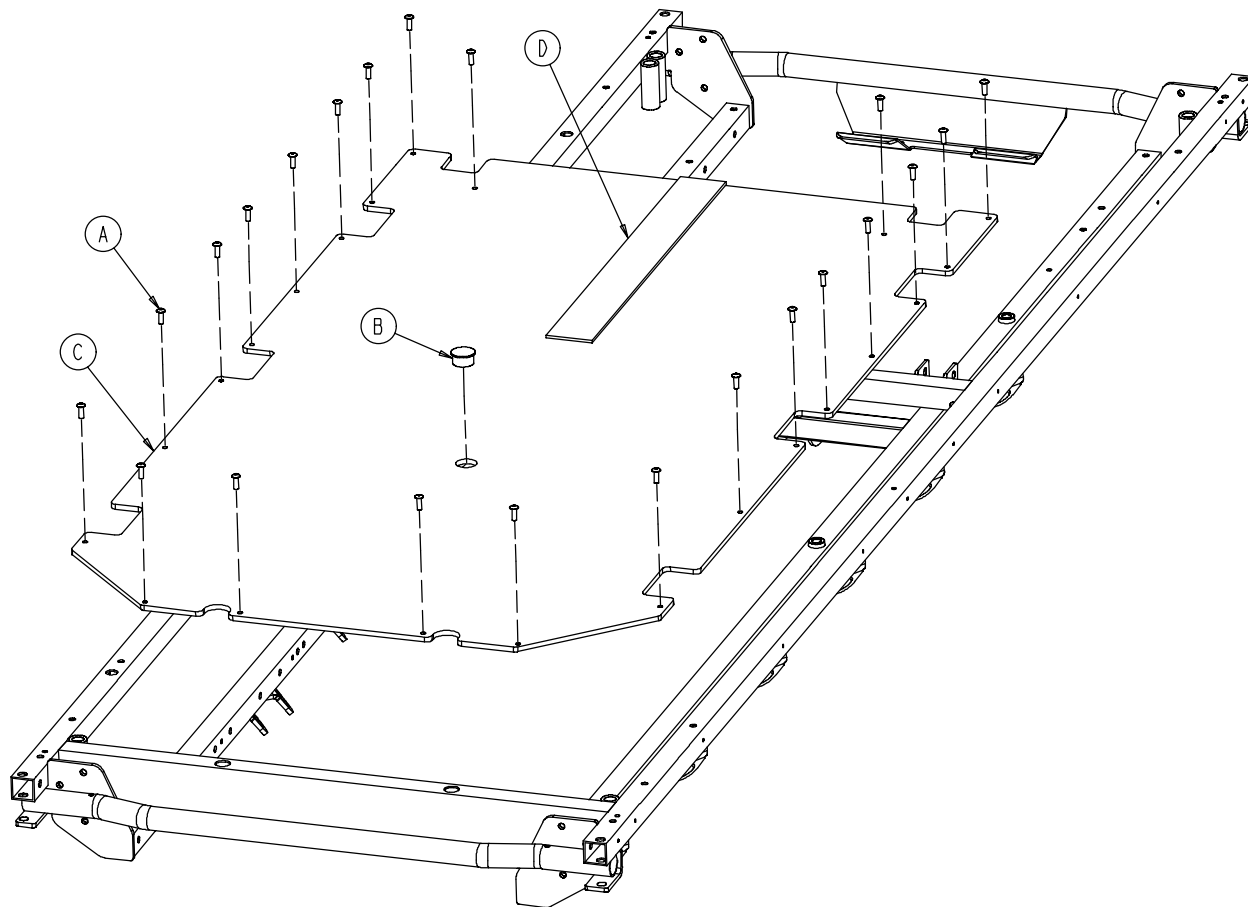
Assembly part numbers (reference only):
 1010-432-020 - 26" Wide
 1510-432-020 - 29" Wide



Item	Part No.	Part Name	Qty.
A	1010-432-021	26" Steel Foot Section Skin	1
	1510-432-021	29" Steel Foot Section Skin	1
B	7900-001-102	Velcro Pile	24 1/2"
C	0025-171-000	Rivet	24
D	0037-208-000	Hole Plug	1

Fiberresin Stationary Foot Section Assembly

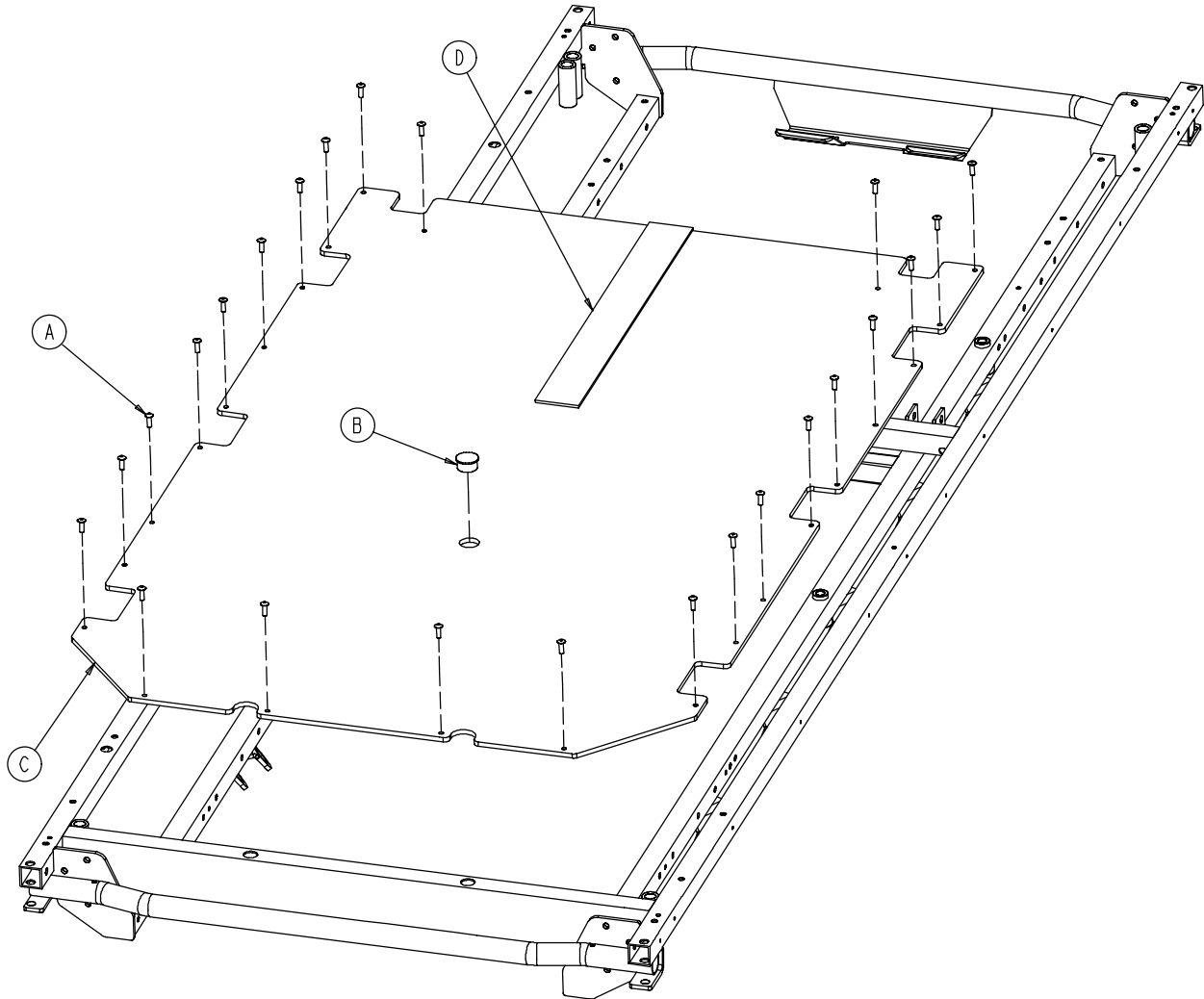
Assembly part number (reference only):
1231-019-001 - 26" Wide



Item	Part No.	Part Name	Qty.
A	0025-171-000	Rivet	22
B	0037-208-000	Hole Plug	1
C	0753-010-031	26" Fiberresin Foot Section Skin	1
D	7900-001-102	Velcro Pile	24 1/2"

Fiberresin Stationary Foot Section Assembly

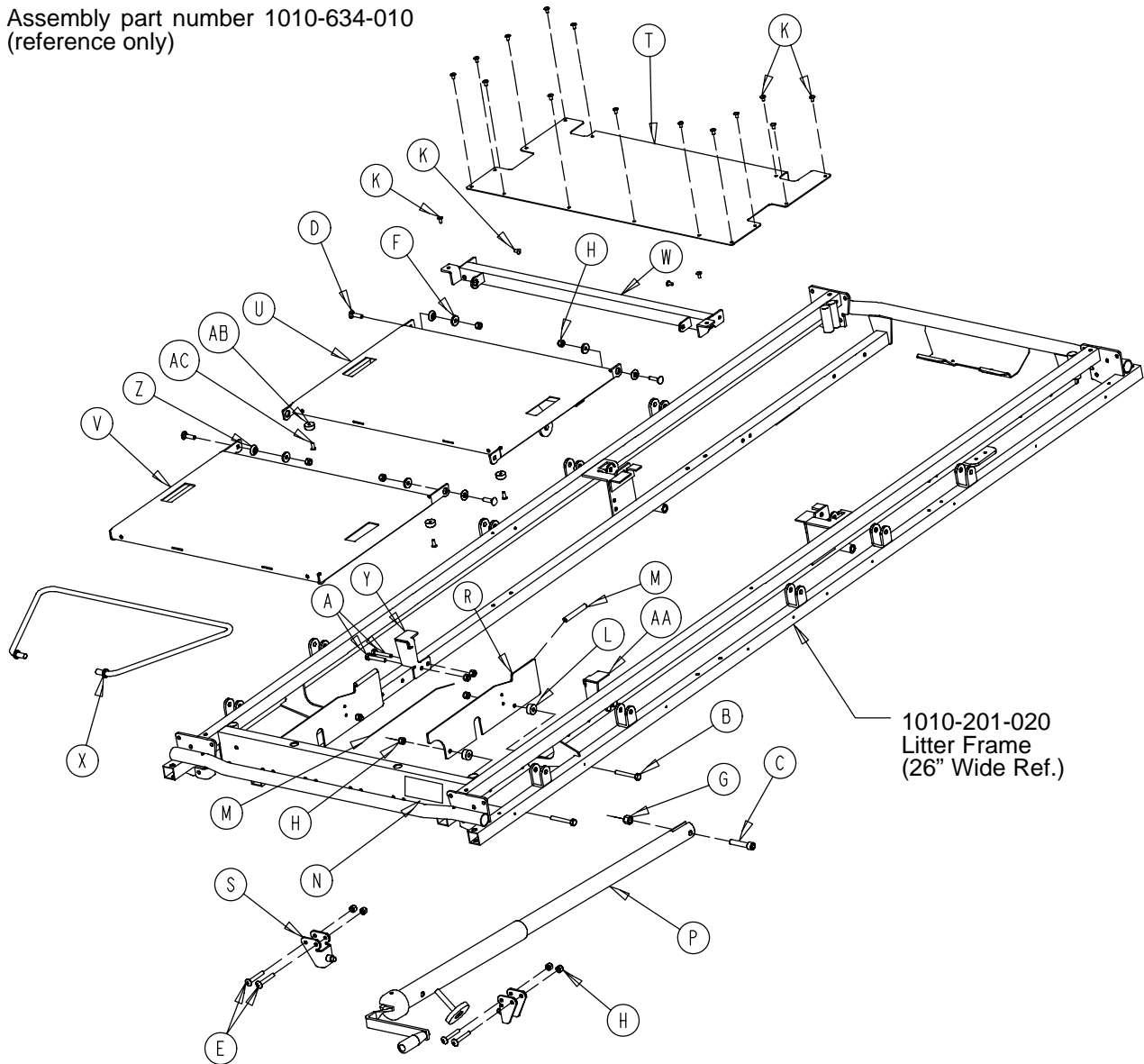
Assembly part number (reference only):
1731-019-001 - 29" Wide



Item	Part No.	Part Name	Qty.
A	0025-171-000	Rivet	24
B	0037-208-000	Hole Plug	1
C	0753-010-032	29" Fiberresin Foot Section Skin	1
D	7900-001-102	Velcro Pile	24 1/2"

Knee Gatch Assembly

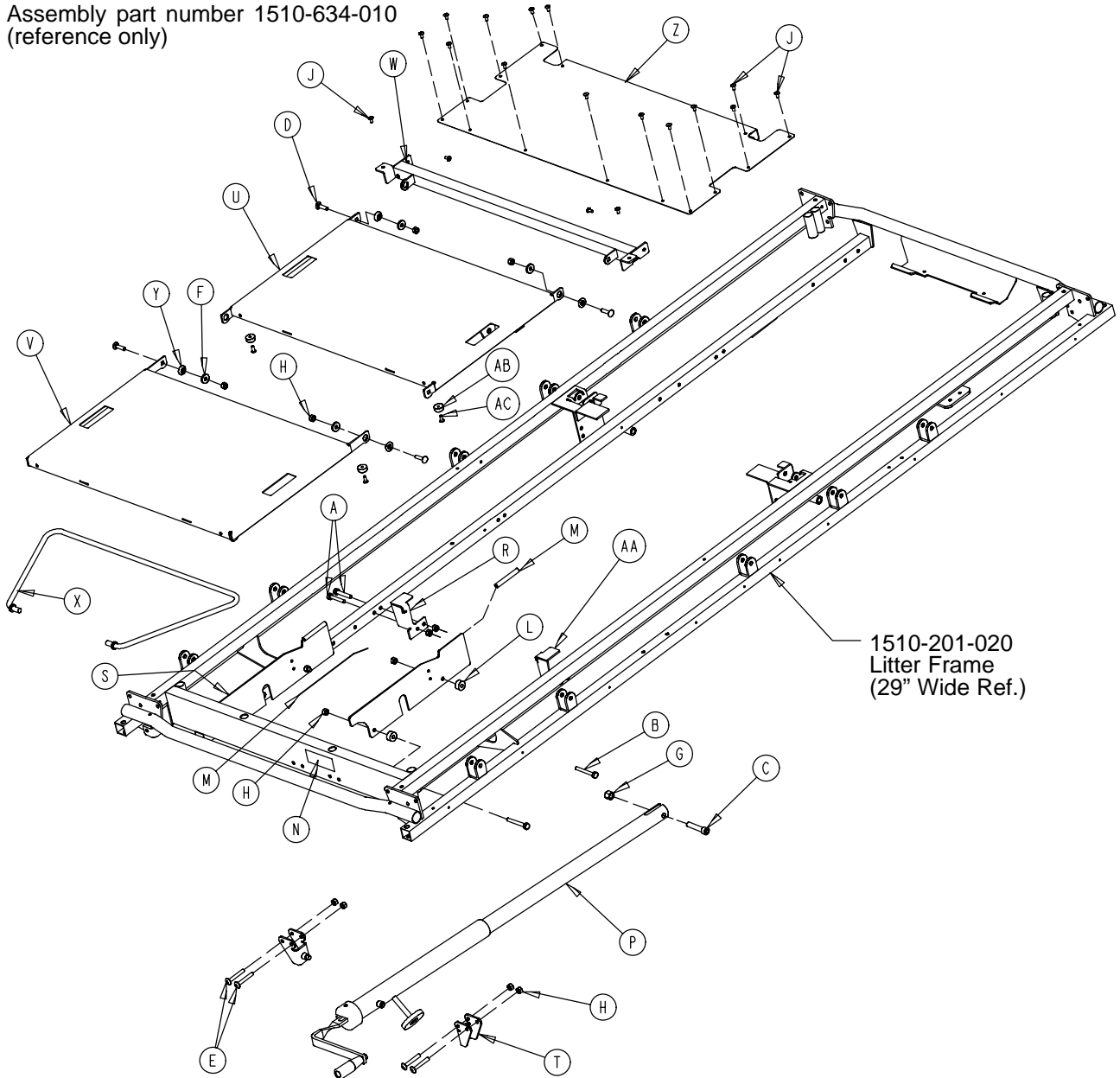
Assembly part number 1010-634-010
(reference only)



Item	Part No.	Part Name	Qty.	Item	Part No.	Part Name	Qty.
A	0003-355-000	Hex Hd. Cap Screw	4	R	1001-034-131	Slider Support	2
B	0003-358-000	Hex Hd. Cap Screw	4	S	1010-234-015	Mounting Bracket	2
C	0004-327-000	Soc. Hd. Cap Screw	1	T	1010-234-027	Midsection Skin	1
D	0005-034-000	Rd. Hd. Sq. Neck Bolt	4	U	1210-034-01 1	Thigh Section Weldment	1
E	0007-070-000	Truss Hd. Mach. Screw	4	V	1210-034-012	Calf Section Weldment	1
F	0011-159-000	Washer	4	W	1210-034-023	Midsection Supt. Widmt.	1
G	0016-1 17-000	Flexlock Nut	1	X	1210-034-027	Calf Stand Bar	1
H	0016-1 18-000	Nylock Nut	16	Y	1211-234-024	Thigh Support, Left	1
K	0025-079-000	Blind Rivet	18	Z	3001-300-099	Modified Fowler Bushing	4
L	0052-291-000	Nylon Spacer	4	AA	1211-234-025	Thigh Support, Right	1
M	0058-056-000	Edge Cover	4	AB	0056-019-000	Bumper	4
N	0946-001-065	Knee Gatch Label	1	AC	0025-179-000	Blind Rivet	4
P	(page 92)	Gatch Crankscrew Ass'y	1				

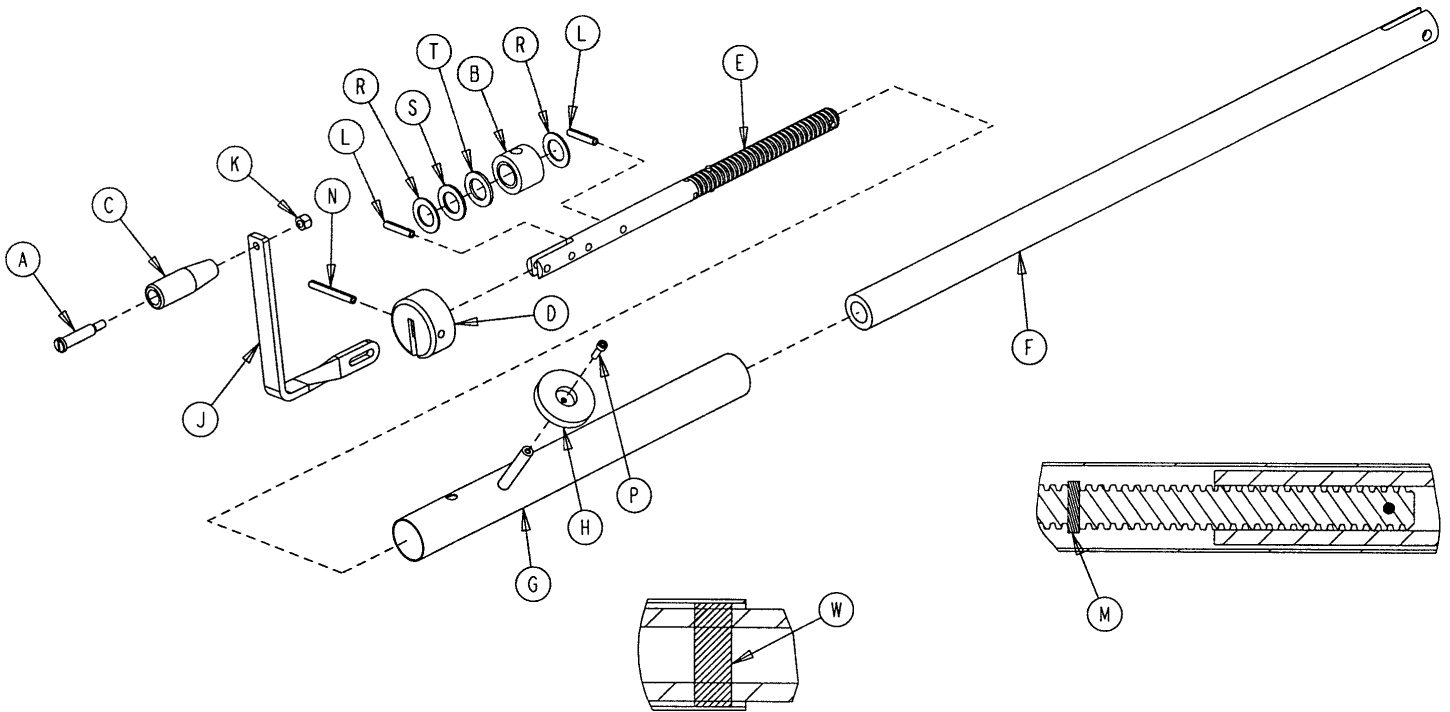
Knee Gatch Assembly

Assembly part number 1510-634-010
(reference only)



Item	Part No.	Part Name	Qty.	Item	Part No.	Part Name	Qty.
A	0003-047-000	Hex Hd. Cap Screw	4	P	(page 92)	Gatch Crankscrew Ass'y	1
B	0003-076-000	Hex Hd. Cap Screw	4	R	1211-234-024	Thigh Support, Left	1
C	0004-105-000	Soc. Hd. Cap Screw	1	S	1001-034-131	Slider Support	2
D	0005-019-000	Rd. Hd. Sq. Neck Bolt	4	T	1010-234-015	Mounting Bracket	2
E	0007-020-000	Truss Hd. Mach. Screw	4	U	1710-034-011	Thigh Section Weldmt	1
F	0011-158-000	Washer	4	V	1710-034-012	Calf Section Weldment	1
G	0016-012-000	Flexlock Nut	1	W	1710-034-023	Midsection Supt. Wldmt.	1
H	0016-028-000	Nylock Nut	16	X	1710-034-027	Calf Stand Bar	1
J	0025-079-000	Blind Rivet	4	Y	3001-300-099	Modified Fowler Bushing	4
K	0025-122-000	Blind Rivet	14	Z	1510-234-027	Midsection Skin	1
L	0052-291-000	Nylon Spacer	4	AA	1211-234-025	Thigh Support, Right	1
M	0058-056-000	Edge Cover	2'	AB	0056-019-000	Bumper	4
N	0946-001-065	Knee Gatch Label	1	AC	0025-179-000	Blind Rivet	4

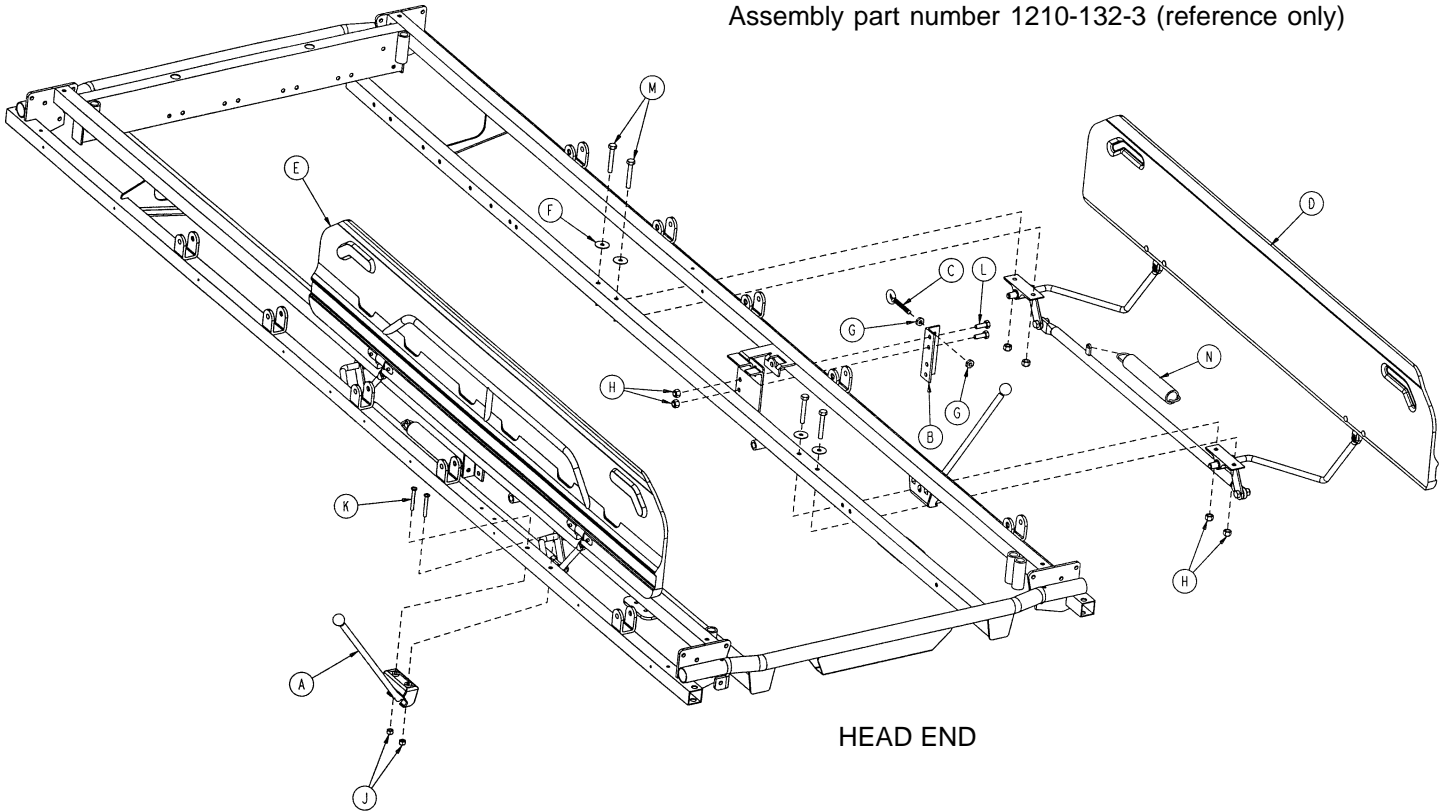
1001-134-019 Knee Gatch Crankscrew Assembly



Item	Part No.	Part Name	Qty.
A	0378-124-029	Shoulder Bolt	1
B	0938-001-175	Bearing Assembly	1
C	0938-001-177	Knob	1
D	0946-033-018	Crank Disk	1
E	1001-134-047	Knee Gatch Screw	1
F	1510-034-055	Gatch Drive Tube Assembly	1
G	1510-034-084	Screw Cover Assembly	1
H	1550-001-014	Magnet	1
J	1550-001-016	Crank Assembly	1
K	0016-118-000	Nylock Nut	1
L	0026-014-000	Spring Pin	2
M	0026-043-000	Spring Pin	2
N	0026-145-000	Spring Pin	1
P	0004-107-000	Soc. Head Cap Screw	1
R	0081-174-000	Thrust Washer	2
S	0081-175-000	Thrust Bearing	1
T	0081-176-000	Thrust Washer	1
W	7900-001-102	Velcro Pile Tape	2

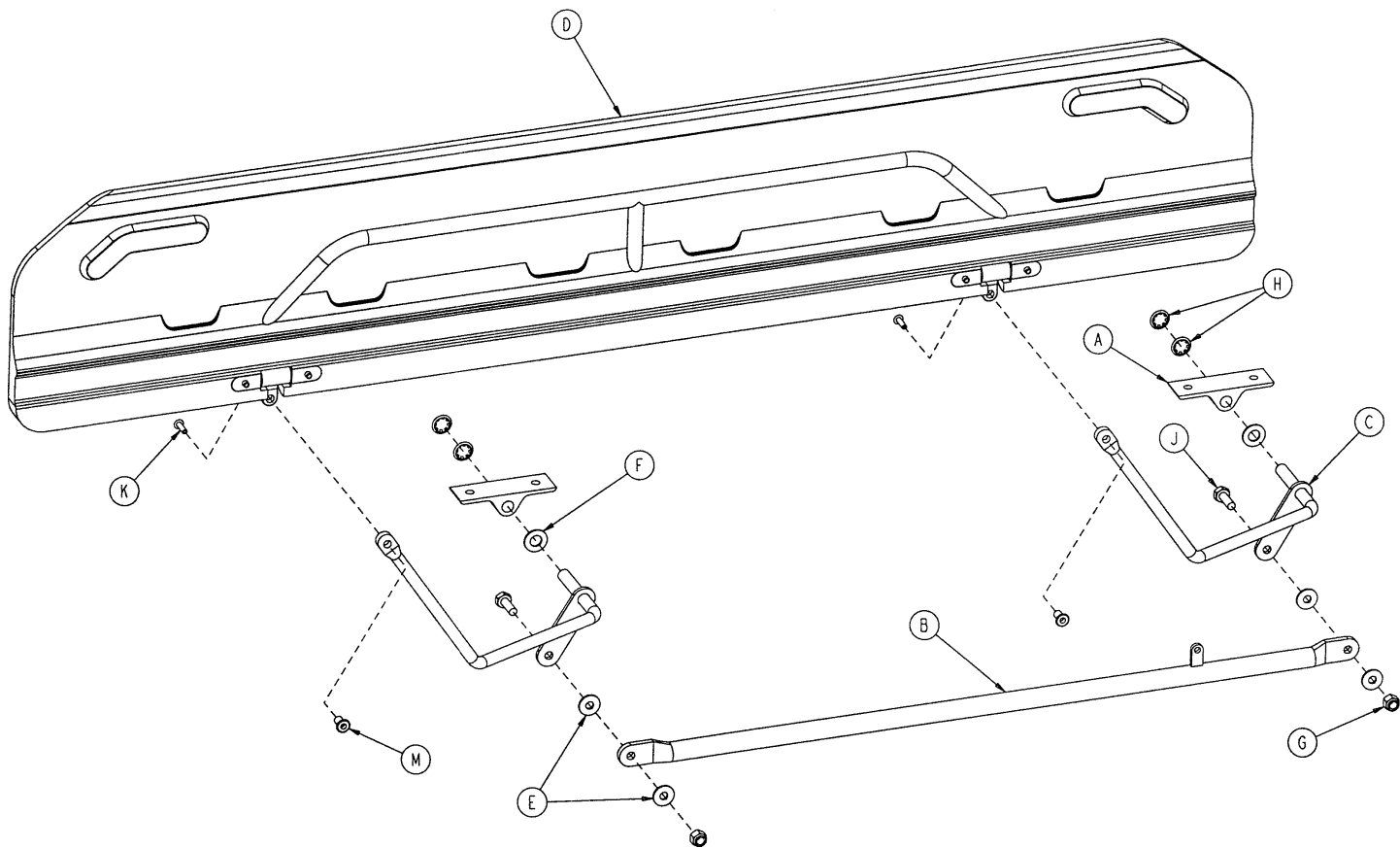
Transfer System Assembly

Assembly part number 1210-132-3 (reference only)



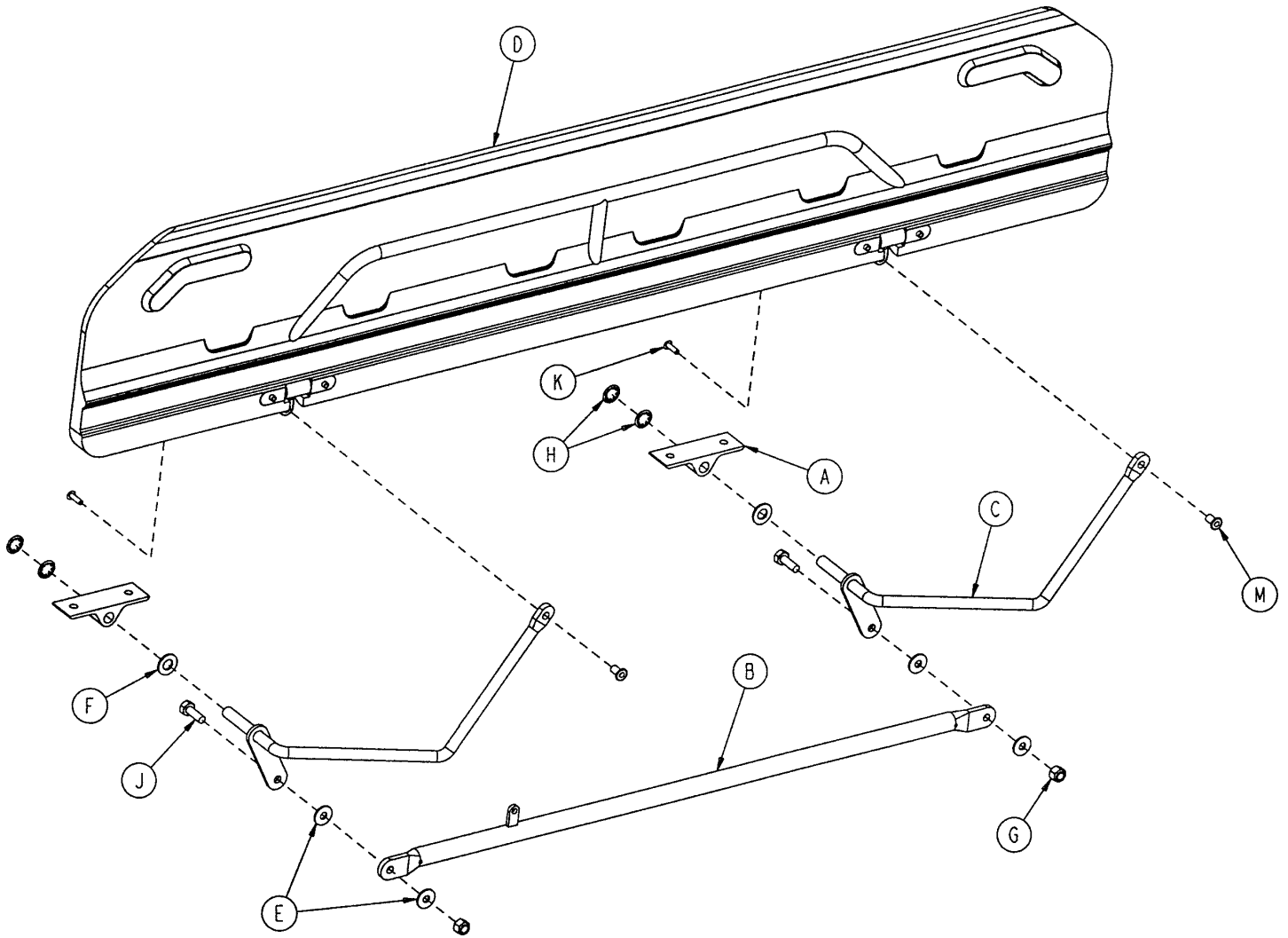
Item	Part No.	Part Name	Qty.
A	(page 96)	Board Support Assembly	2
B	1010-224-025	Spring Retainer	2
C	0010-011-000	Eye Bolt	2
D	(page 94)	Transfer System Ass'y, Rt.	1
E	(page 95)	Transfer System Ass'y, Lt.	1
F	0011-180-000	Washer	8
G	0015-021-000	Hex Jam Nut	4
H	0016-118-000	Fiberlock Nut	12
J	0016-121-000	Fiberlock Nut	4
K	0002-100-000	Pan Hd. Screw	4
L	0003-356-000	Hex Hd. Cap Screw	4
M	0003-359-000	Hex Hd. Cap Screw	8
N	0038-218-000	Extension Spring	2

1010-232-010 Short Transfer Board Assembly, Right



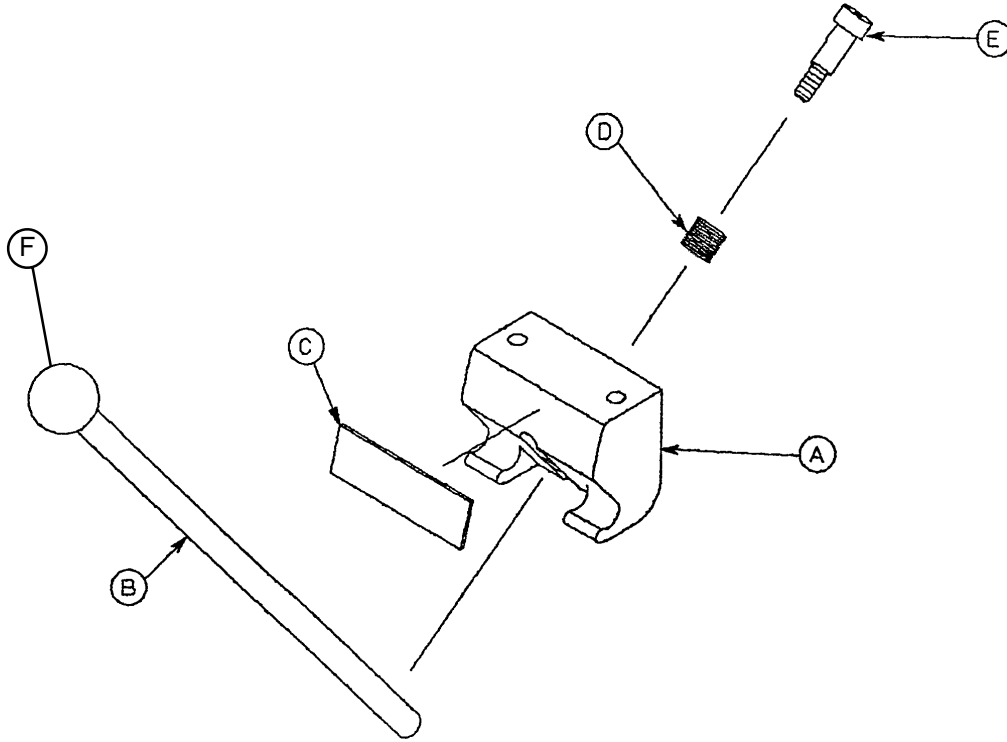
Item	Part No.	Part Name	Qty.
A	1010-032-098	Pivot	2
B	1010-224-033	Connecting Link Ass'y, Rt.	1
C	1010-232-016	Pivot Arm Ass'y, Right	2
D	1020-032-100	Transfer Board Ass'y	1
E	0011-224-000	Nylon Flat Washer	4
F	0014-021-000	Nylon Flat Washer	2
G	0016-1 18-000	Nylock Hex Nut	2
H	0028-093-000	Retaining Ring	4
J	0003-356-000	Hex Hd. Cap Screw	2
K	0025-157-000	Blind Rivet	2
L	0721-024-046	Label	1
M	1211-132-025	Pivot Sleeve	2

1010-232-01 1 Short Transfer Board Assembly, Left



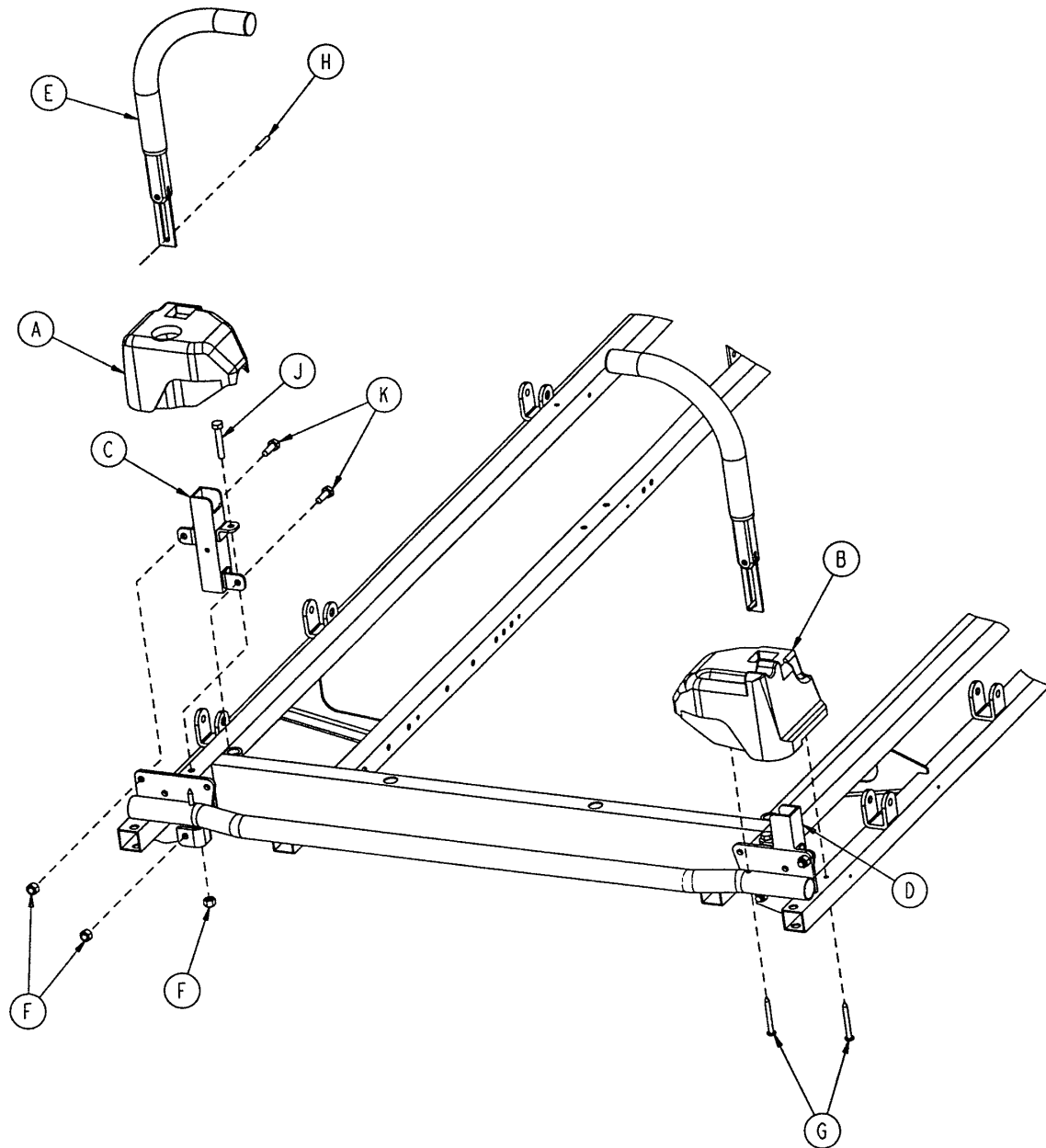
Item	Part No.	Part Name	Qty.
A	1010-032-098	Pivot	2
B	1010-224-033	Connecting Link Ass'y	1
C	1010-232-017	Pivot Arm Ass'y, Lt.	2
D	1020-032-100	Transfer Board Ass'y	1
E	0011-224-000	Nylon Flat Washer	4
F	0014-021-000	Nylon Flat Washer	2
G	0016-118-000	Nylock Hex Nut	2
H	0028-093-000	Retaining Ring	4
J	0003-356-000	Hex Hd. Cap Screw	2
K	0025-157-000	Blind Rivet	2
L	0721-024-046	Label	1
M	1211-132-025	Pivot Sleeve	2

1010-024-030 Arm Board Support Assembly



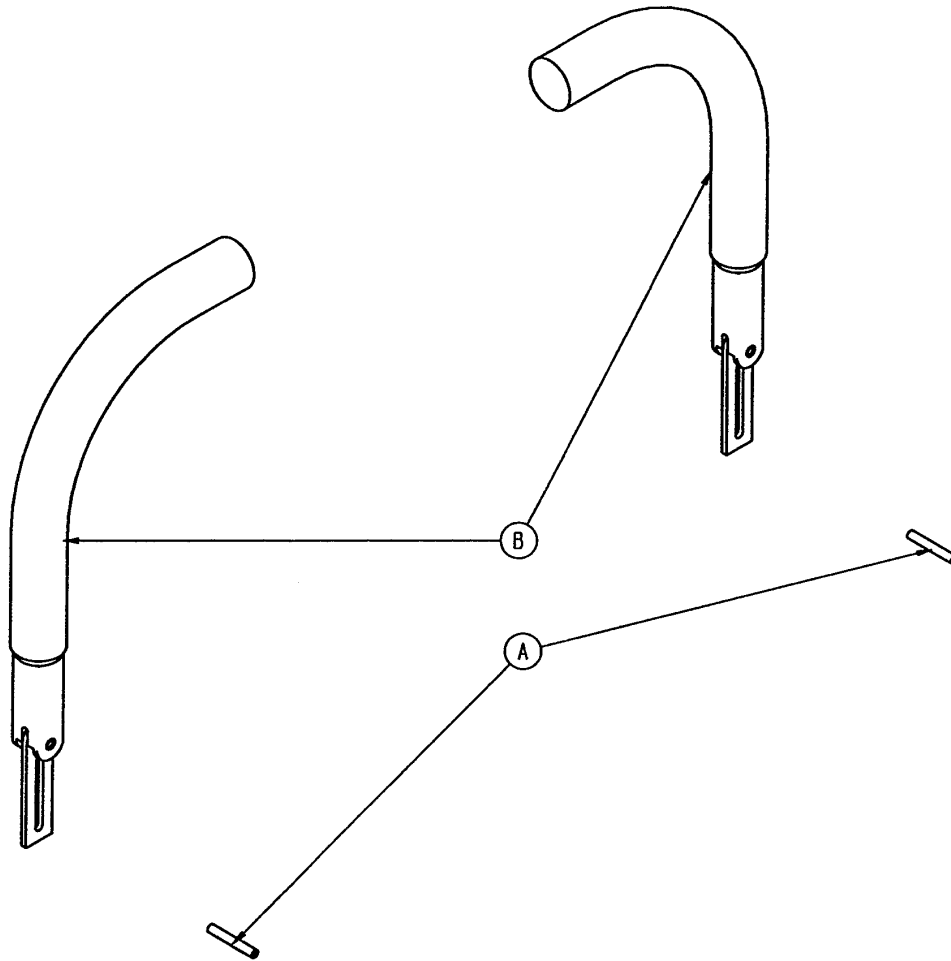
Item	Part No.	Part Name	Qty.
A	1010-024-015	Support Block	1
B	1010-024-016	Support Arm	1
C	1010-024-014	Warning Label	1
D	0038-263-000	Spring	1
E	0008-017-000	Shoulder Bolt	1
F	1010-026-046	Ball Knob	1

1210-151-000 Foot End Steering Handles Assembly



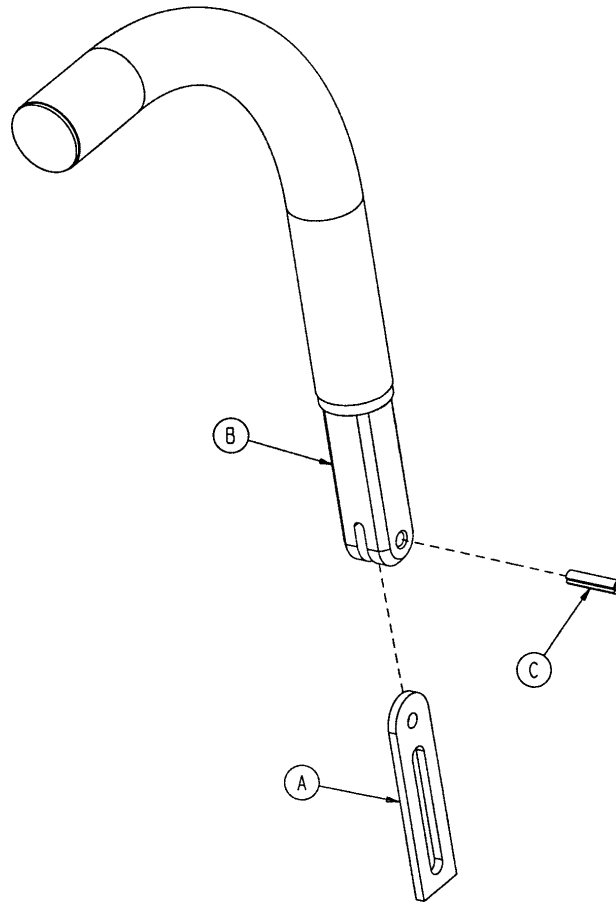
Item	Part No.	Part Name	Qty.
A	1010-201-236	Corner, Hole/Slot	1
B	1010-201-237	Corner, Hole/Hole	1
C	1010-254-004	P.U.P Receptacle Wldmt., Lt.	1
D	1010-254-006	P.U.P. Receptacle Wldmt., Rt.	1
E	(page 99)	Push Handle Assembly	2
F	0016-1 18-000	Nylock Nut	6
G	0023-283-000	Self-Tapping Screw	4
H	0026-1 14-000	Roll Pin	2
J	0003-355-000	Hex Hd. Cap Screw	2
K	0003-356-000	Hex Hd. Cap Screw	4

1711-151-000 Head End Steering Handles Assembly



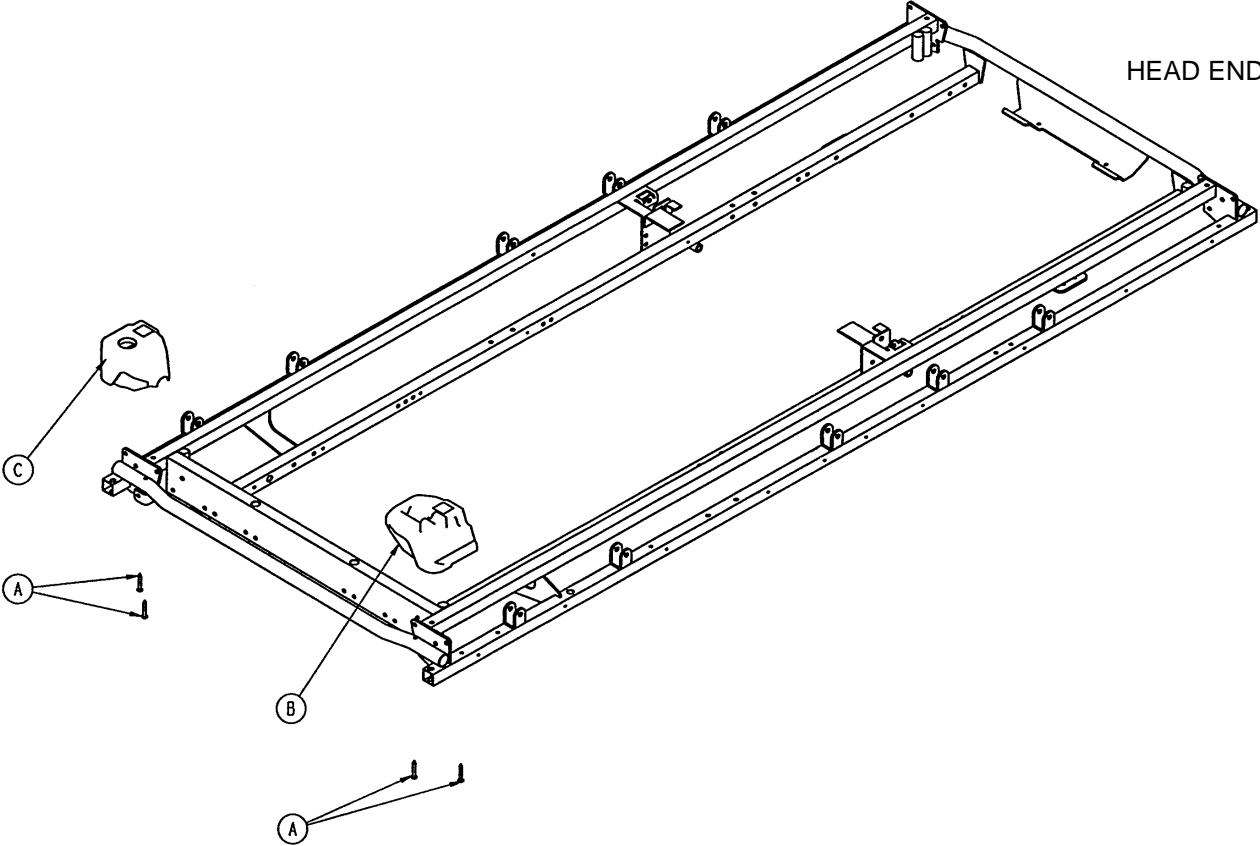
Item	Part No.	Part Name	Qty.
A	0026-1 14-000	Roll Pin	2
B	(page 99)	Push Handle Assembly	2

1211-351-010 Push Handle Assembly



Item	Part No.	Part Name	Qty.
A	1010-354-024	Stop Link	1
B	1211-151-018	Sleeve Assembly	1
C	0026-1 18-000	Roll Pin	1

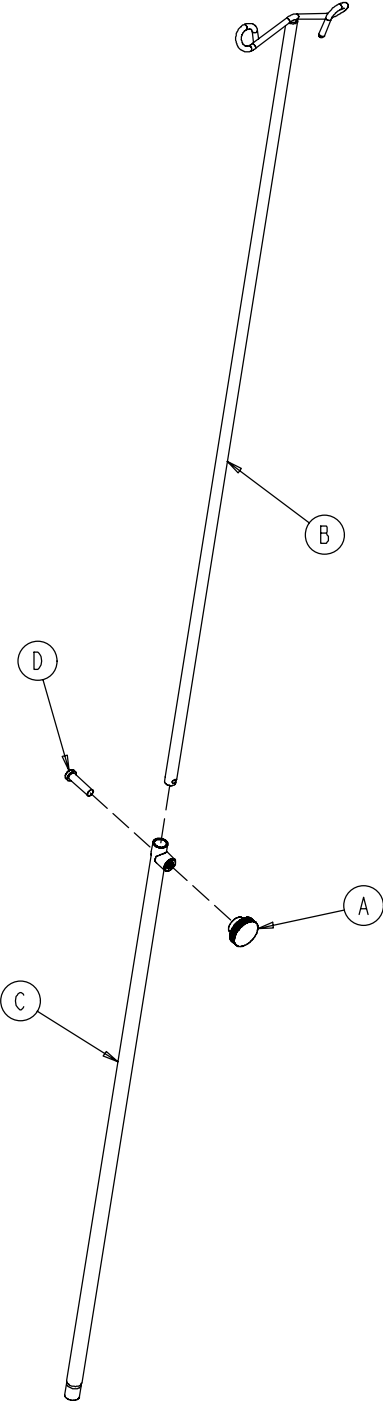
1210-153-000 Foot End Corners - No Steer Handles



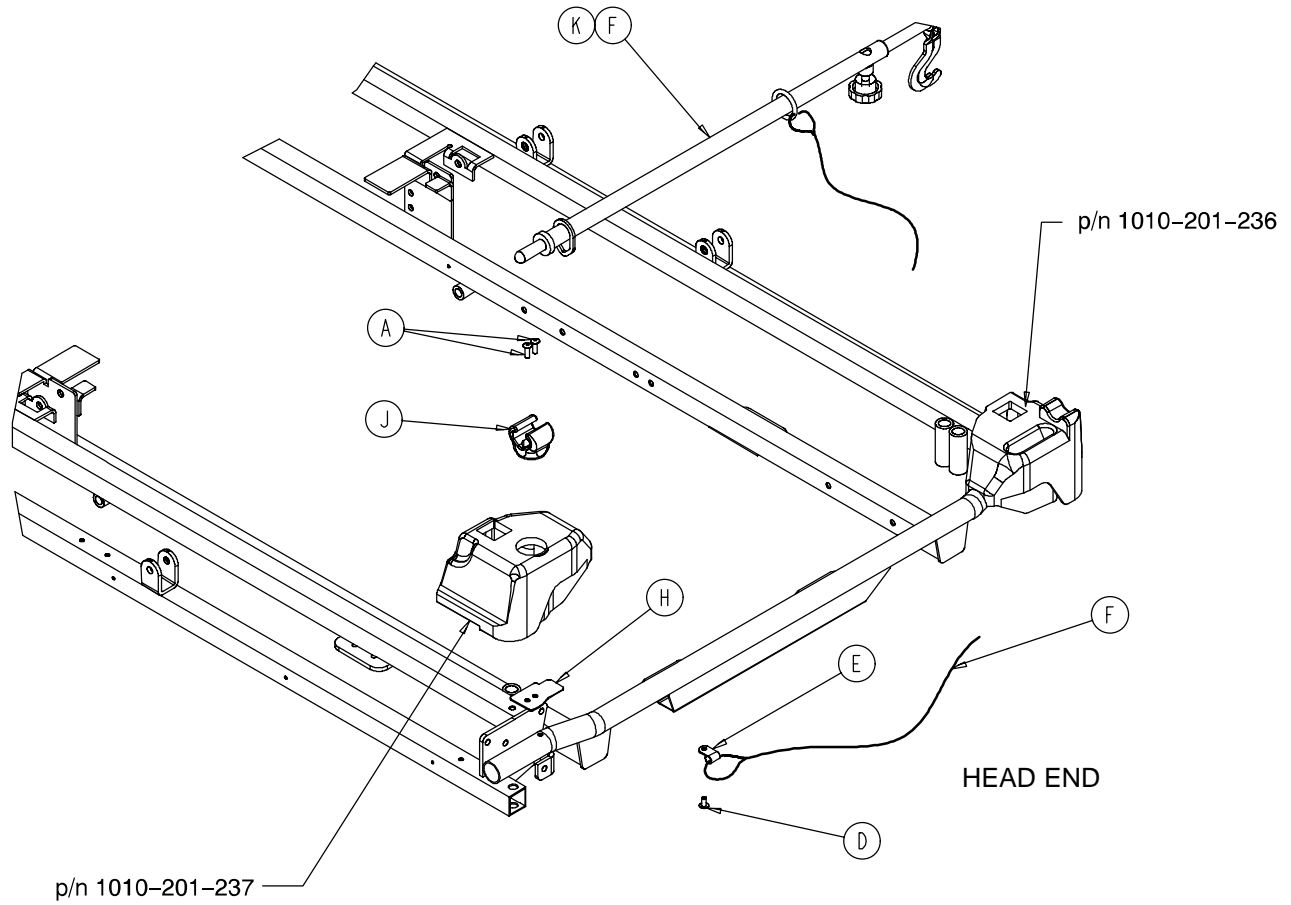
Item	Part No.	Part Name	Qty.
A	0023-104-000	Self-Tapping Screw	4
B	1010-201-238	Corner, Slot	1
C	1010-201-239	Corner, Hole	1

0390-025-000 Standard, Removable I.V. Pole Assembly

Item	Part No.	Part Name	Qty.
A	0024-023-000	Plastic Knob	1
B	0390-003-053	Double I.V. Ass'y	1
C	0393-003-043	Tube Assembly	1
D	0004-496-000	Soc. Hd. Cap Screw	1

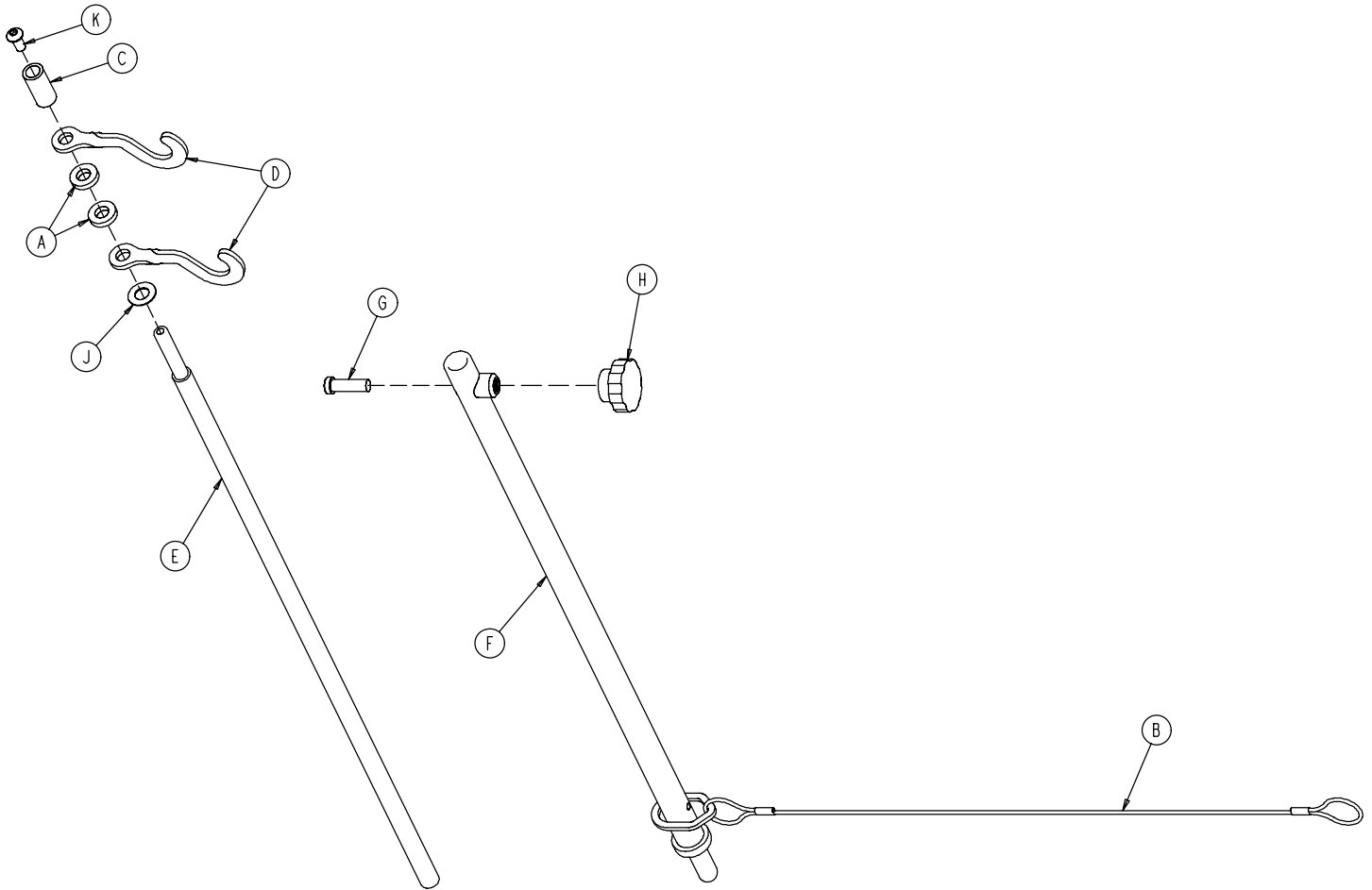


1210-117-000 & 1710-117-000 Tethered I.V. Assembly



Item	Part No.	Part Name	Qty.
A	0025-133-000	Pop Rivet	2
D	0025-179-000	Rivet	1
E	0034-022-000	Cable Clamp	1
F	1501-127-019	I.V. Plug	1
H	(page 103)	Tethered I.V. Pole Assembly	1
J	1211-1 17-021	Backing Plate	1
K	1211-1 17-022	I.V. Clip	1

1211-117-010 Tethered I.V. Pole Assembly

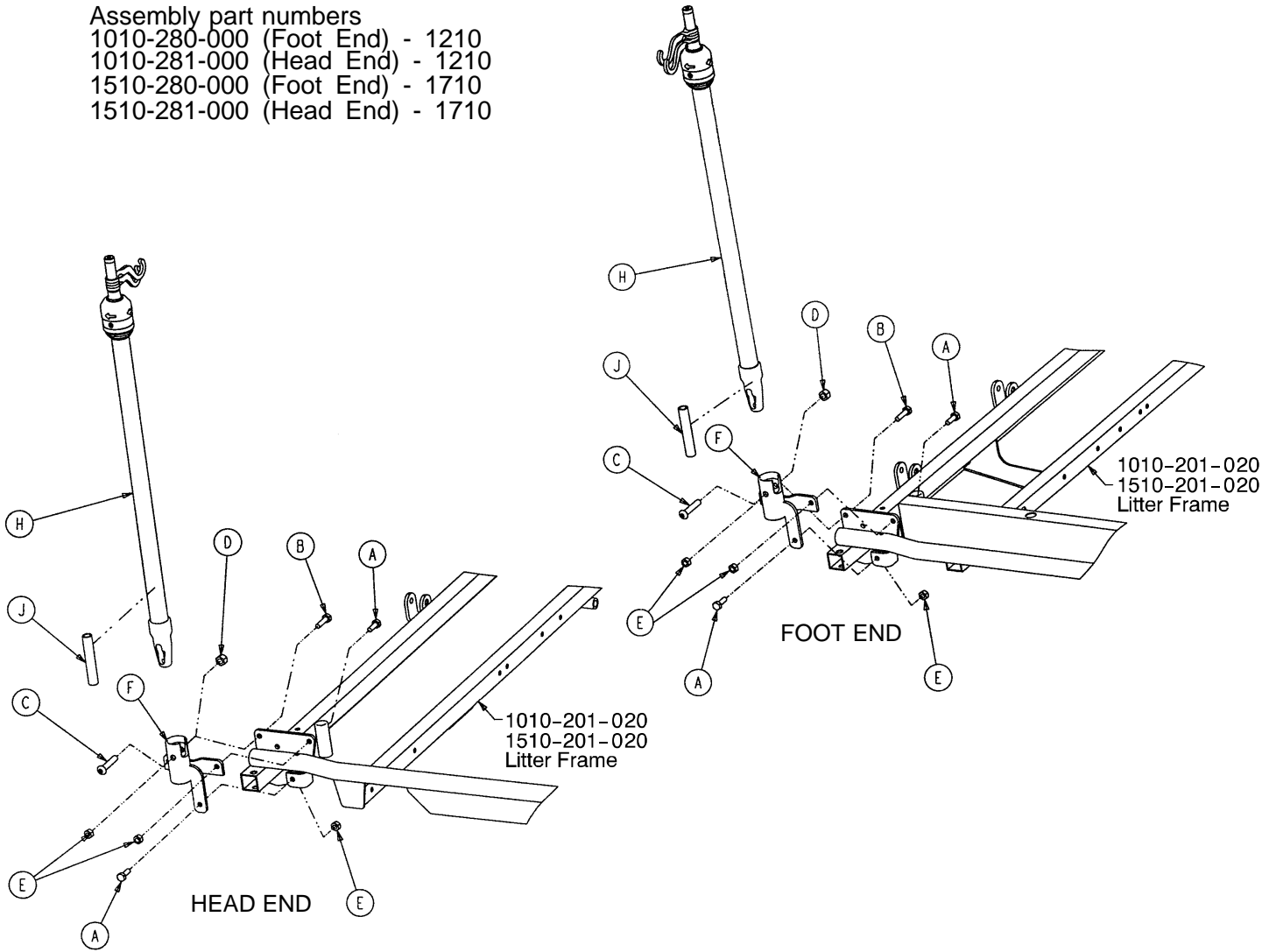


Item	Part No.	Part Name	Qty.
A	0052-017-000	Spacer	2
B	1211-1 17-020	Cable Assembly	1
C	0926-400-062	Stop Sleeve	1
D	1010-059-016	I.V. Hook	2
E	1211-1 17-011	Extension Rod	1
F	1211-1 17-012	Base Tube Weldment	1
G	0004-495-000	Low Hd. Soc. Hd. Cap Screw	1
H	1211-1 17-016	Knob	1
J	0014-020-000	Nylon Washer	1
K	0004-232-000	Button Hd. Cap Screw	1

Optional 2-Stage I.V. Pole Mounting Assembly

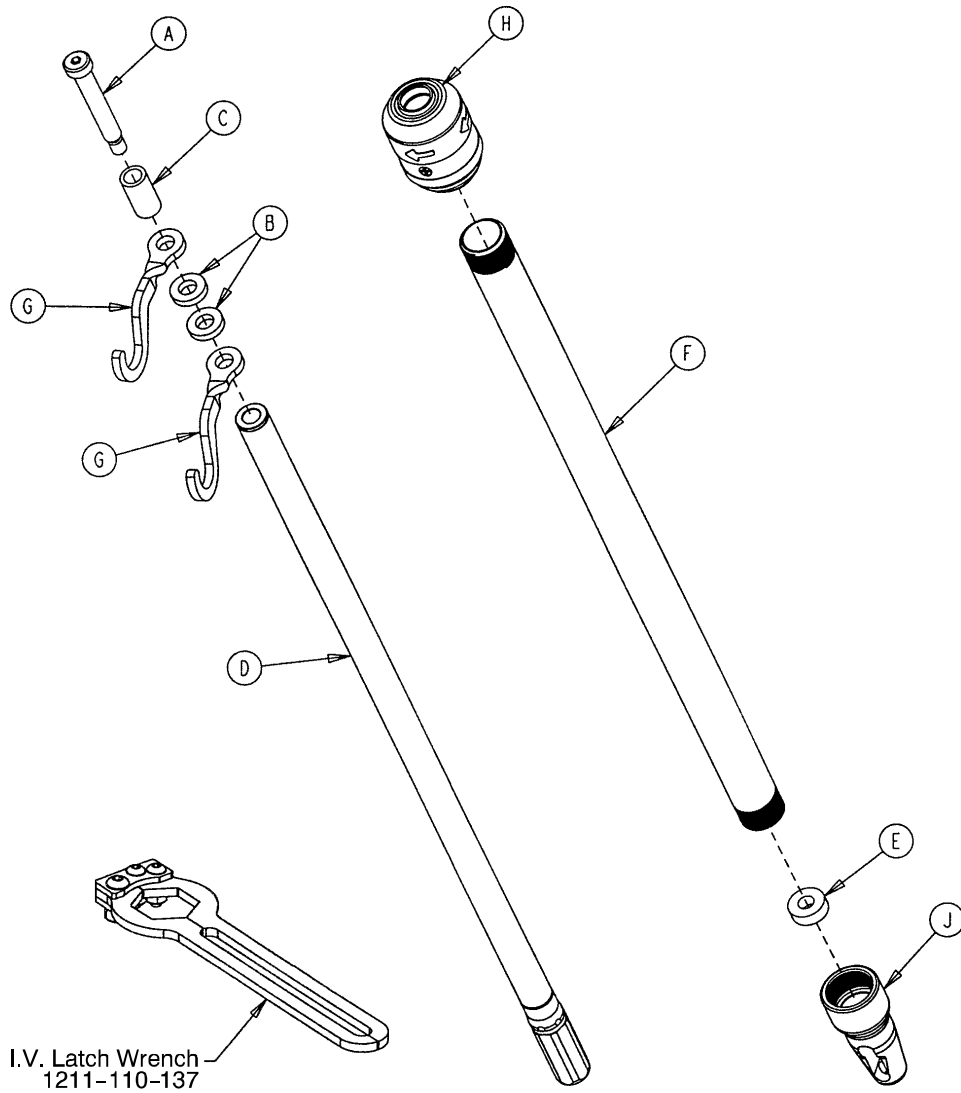
Assembly part numbers

1010-280-000 (Foot End) - 1210
 1010-281-000 (Head End) - 1210
 1510-280-000 (Foot End) - 1710
 1510-281-000 (Head End) - 1710



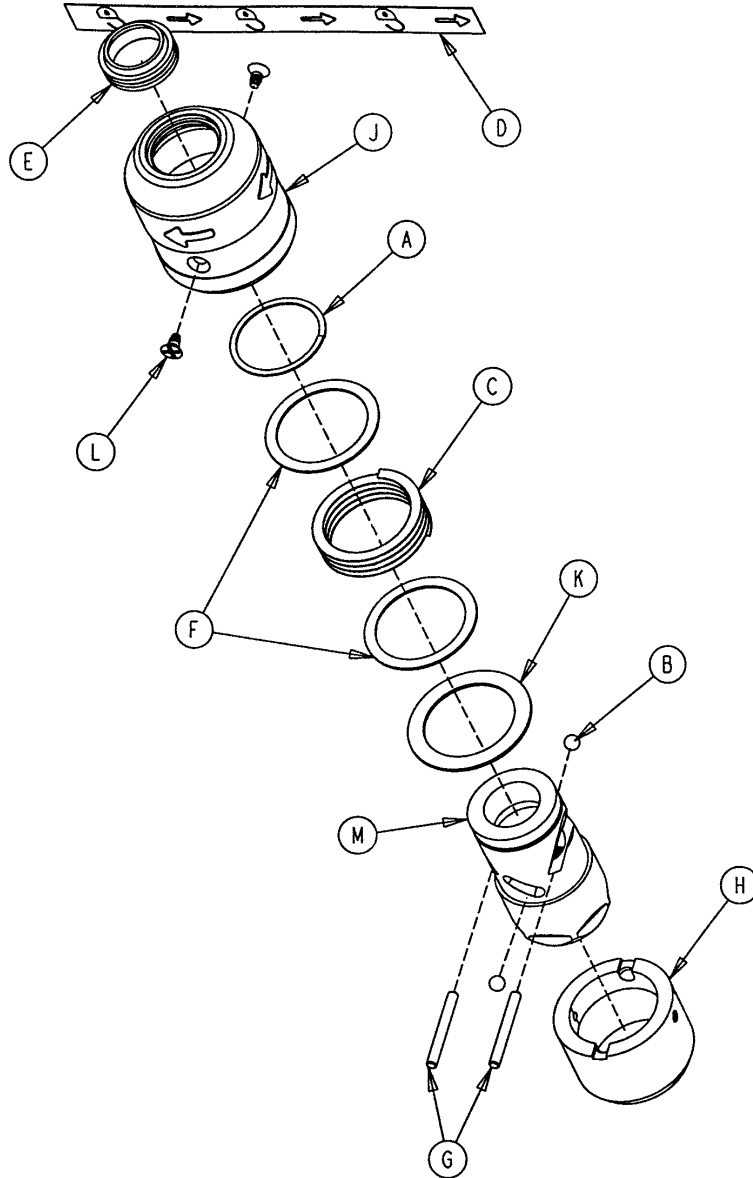
Item	Part No.	Part Name	Qty.
A	0003-356-000	Hex Hd. Cap Screw	2
B	0003-357-000	Hex Hd. Cap Screw	1
C	0004-452-000	But. Hd. Cap Screw	1
D	0016-116-000	Flexlock Nut	1
E	0016-118-000	Nyock Nut	3
F	1001-259-103	I.V. Pivot	1
H	(page 105)	I.V. Pole Assembly	1
J	1501-127-019	I.V. Plug	1

1211-210-010 Optional 2-Stage I.V. Pole Assembly



Item	Part No.	Part Name	Qty.
A	0008-031-000	Soc. Hd. Cap Screw	1
B	0052-017-000	Washer	2
C	0926-400-162	Spacer	1
D	1211-210-029	2nd Stage Assembly	1
E	1001-359-013	Dampener	1
F	1001-159-028	Base Tube	1
G	1010-259-016	I.V. Hook	2
H	(page 106)	I.V. Pole Latch	1
J	1001-359-112	Pivot	1

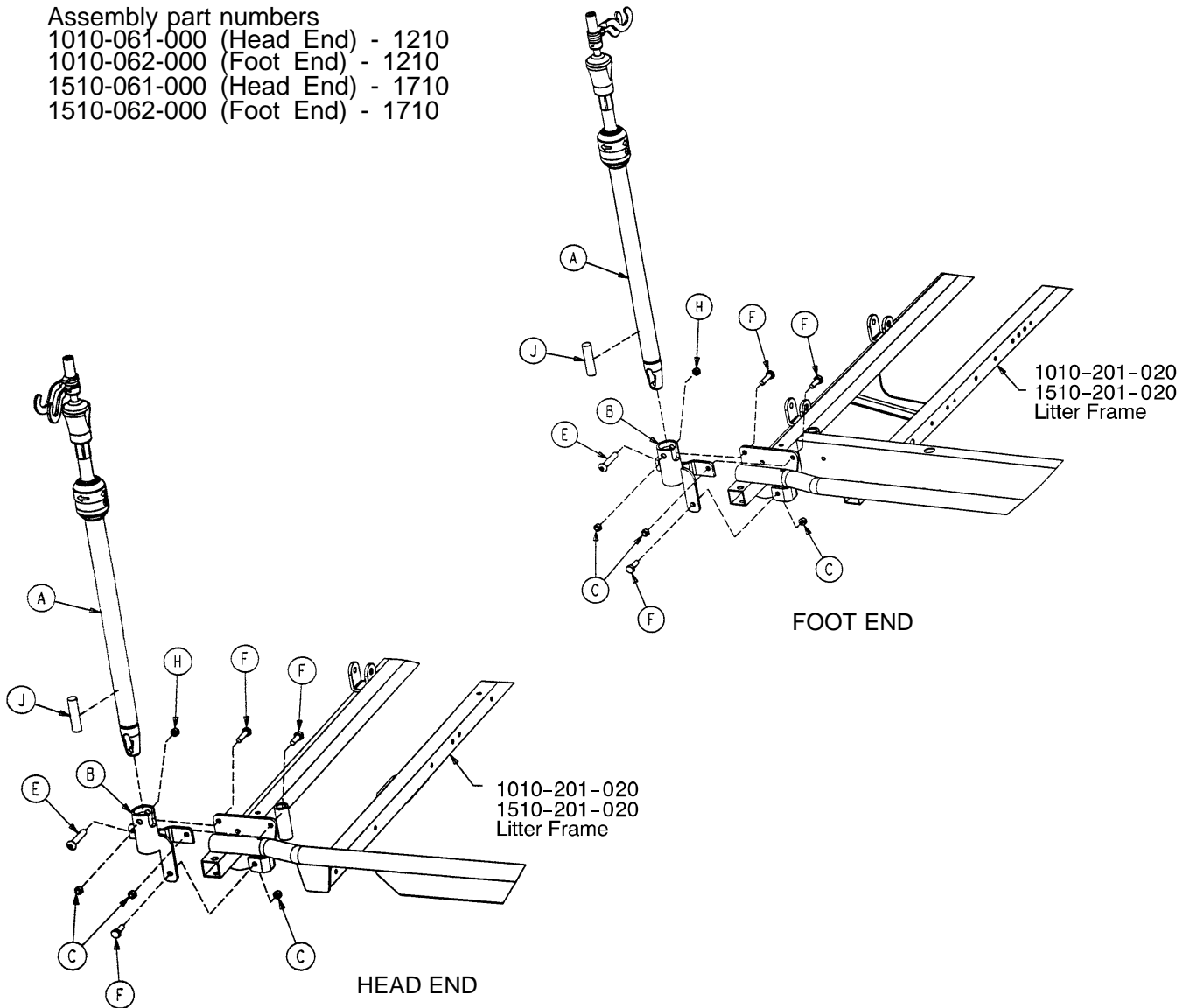
1211-210-026 I.V. Pole Latch Assembly



Item	Part No.	Part Name	Qty.
A	0028-167-000	Retaining Ring	1
B	0031-004-000	Steel Ball	2
C	0038-392-000	Crest-to-Crest Spring	1
D	1211-091-034	Release Label	1
E	1211-1 10-018	I.V. Latch Seal	1
F	1211-1 10-020	Washer	2
G	1211-1 10-021	I.V. Latch Locking Pin	2
H	1211-1 10-022	I.V. Latch Guide	1
J	1211-1 10-024	I.V. Latch O.D. Housing	1
K	1211-1 10-035	Washer	1
L	1211-1 10-036	Self-Tapping Screw	2
M	1211-210-023	I.V. Latch I.D. Housing	1

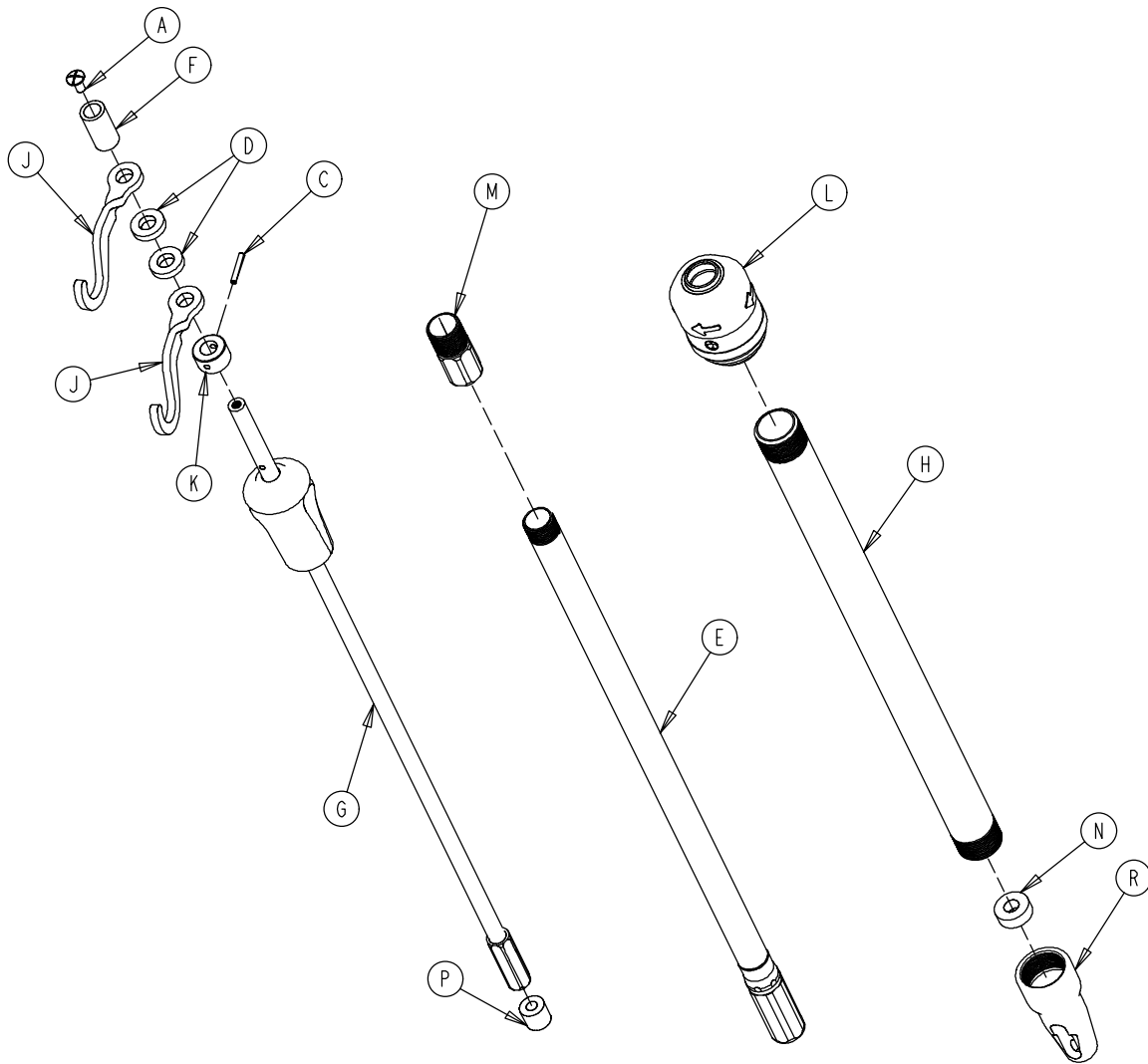
Optional 3-Stage I.V. Pole Mounting Assembly

Assembly part numbers
 1010-061-000 (Head End) - 1210
 1010-062-000 (Foot End) - 1210
 1510-061-000 (Head End) - 1710
 1510-062-000 (Foot End) - 1710



Item	Part No.	Part Name	Qty.
A	(page 108)	I.V. Pole Assembly	1
B	1001-259-103	I.V. Pivot	1
C	0016-118-000	Hex Nut	3
E	0004-452-000	But. Hd. Cap Screw	1
F	0003-356-000	Hex Hd. Cap Screw	3
H	0016-116-000	Flexlock Nut	1
J	1001-159-042	I.V. Plug	1

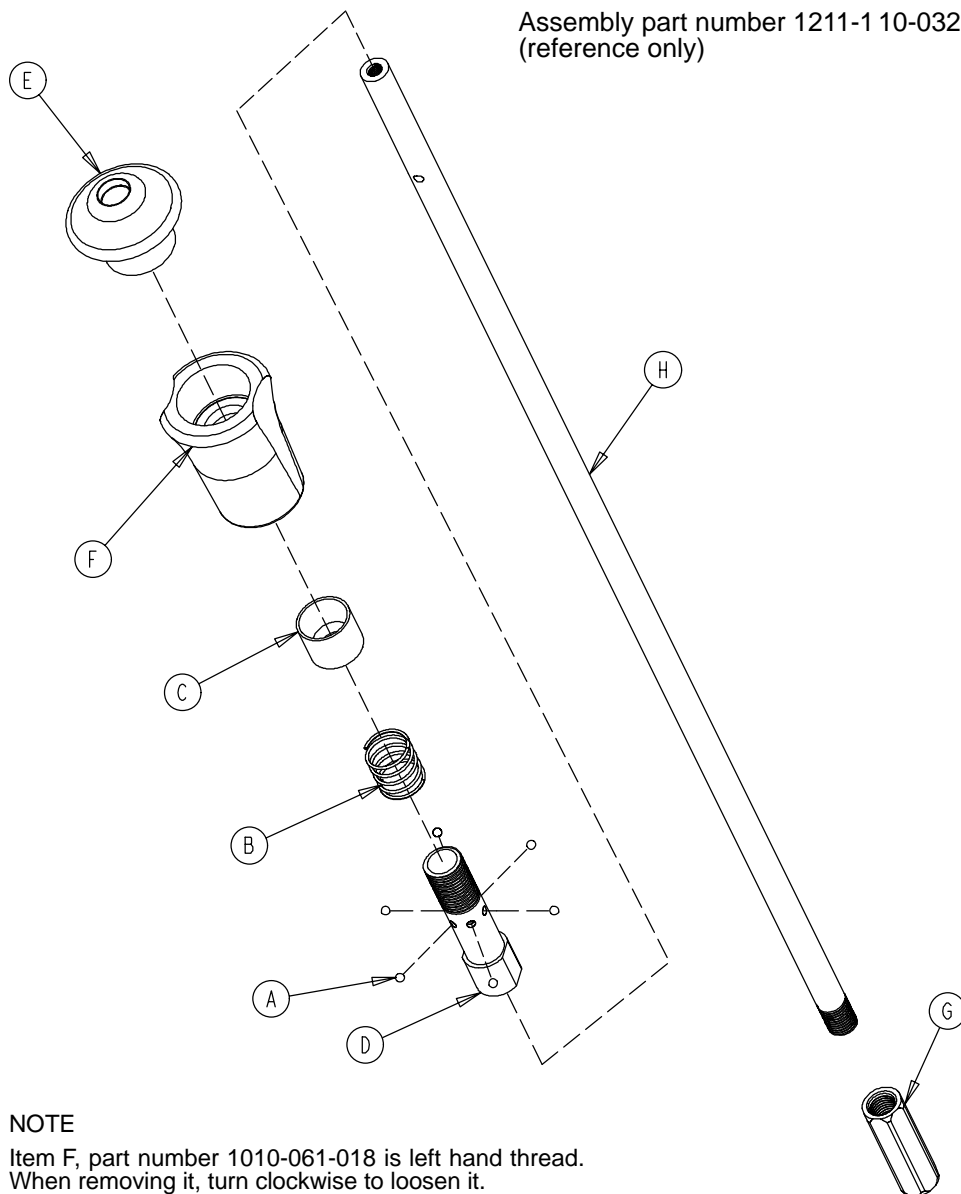
1211-211-010 Optional 3-Stage I.V. Pole Assembly



Item	Part No.	Part Name	Qty.
A	0007-004-000	Truss Hd. Machine Screw	1
C	0026-076-000	Roll Pin	1
D	0052-017-000	Spacer	2
E	1211-210-031	2nd Stage Assembly	1
F	0926-400-162	Spacer	1
G	(page 109)	3rd Stage Assembly	1
H	1001-161-023	Base Tube	1
J	1010-259-016	I.V. Hook	2
K	1010-061-014	Collar	1
L	(page 106)	I.V. Pole Latch	1
M	1211-110-016	Threaded Adaptor	1
N	1001-359-013	Dampener	1
P	1001-359-014	Dampener	1
R	1001-359-112	Pivot	1

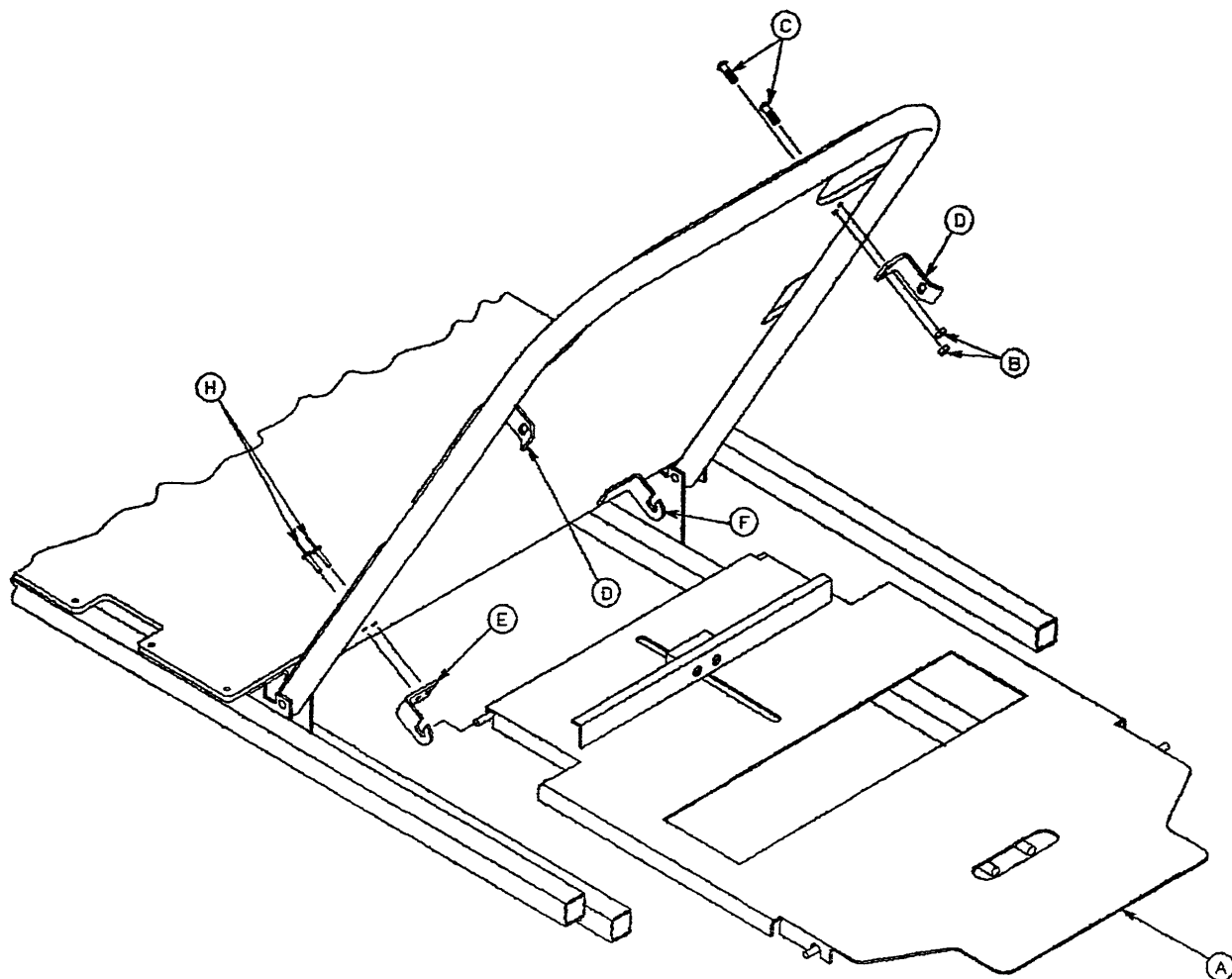
3-Stage I.V. Pole 3rd Stage Assembly

Assembly part number 1211-1 10-032
(reference only)



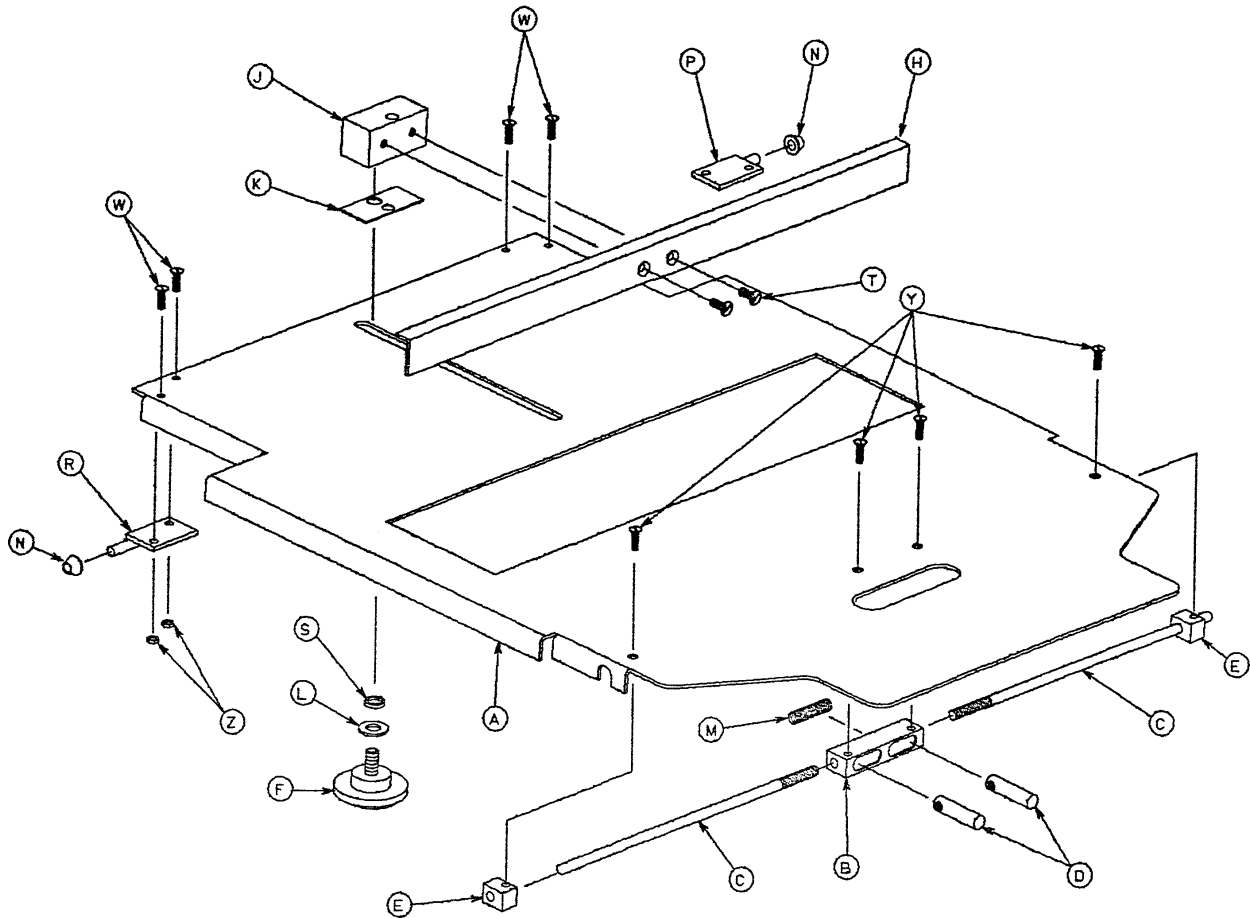
Item	Part No.	Part Name	Qty.
A	0031-021-000	Ball	6
B	0038-303-000	Compression Spring	1
C	1010-061-013	Ball Retainer	1
D	1010-061-016	Retaining Shaft	1
E	1010-061-017	Thumb Knob	1
F	1010-061-018	Hand Guard	1
G	1211-1 10-117	Nut	1
H	1211-1 10-033	3rd Extension Rod	1

1001-023-000 Optional X-Ray Cassette Mounting Ass'y



Item	Part No.	Part Name	Qty.
A	(page 111)	X-Ray Cassette Ass'y	1
B	0016-121-000	Self-Locking Nut	4
C	0004-456-000	Button Hd. Cap Screw	4
D	1001-023-013	Tray Latch	2
E	1020-023-013	Tray Hinge, Right	1
F	1020-023-012	Tray Hinge, Left	1
H	0025-086-000	Pop Rivet	4

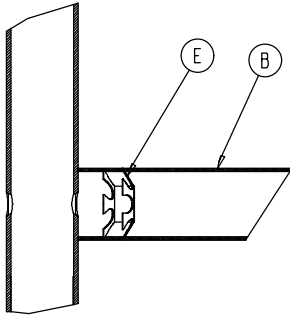
1001-023-010 Optional Fowler X-Ray Cassette Ass'y



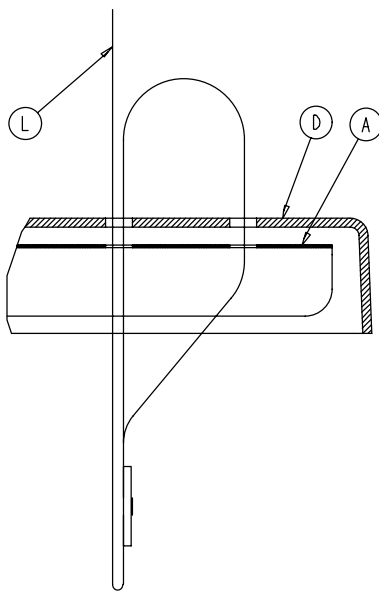
Item	Part No.	Part Name	Qty.
A	1001-023-012	Tray	1
B	1020-023-016	Post Housing	1
C	1001-023-014	Actuating Rod	2
D	0926-023-064	Post	2
E	1010-023-037	Rod Guide	2
F	1020-023-021	Knob	1
H	1010-023-028	Tray Angle	1
J	0926-023-070	Block Assembly	1
K	0926-023-069	Washer	1
L	0014-003-000	Washer	1
M	0038-122-000	Compression Spring	1
N	1020-023-026	Spacer	2
P	1020-023-019	Tray Hinge, Right	1
R	1020-023-020	Tray Hinge, Left	1
S	0926-023-071	Bushing	1
T	0001-020-000	Flat Hd. Mach. Screw	2
W	0004-149-000	Button Hd. Cap Screw	4
Y	0001-022-000	Flat Hd. Mach. Screw	4
Z	0016-003-000	Nylock Hex Nut	4
AA	1010-023-019	Instruction Label	1
AB	1001-023-025	Specification Label	1

0926-039-000 Optional Defibrillator Tray Assembly

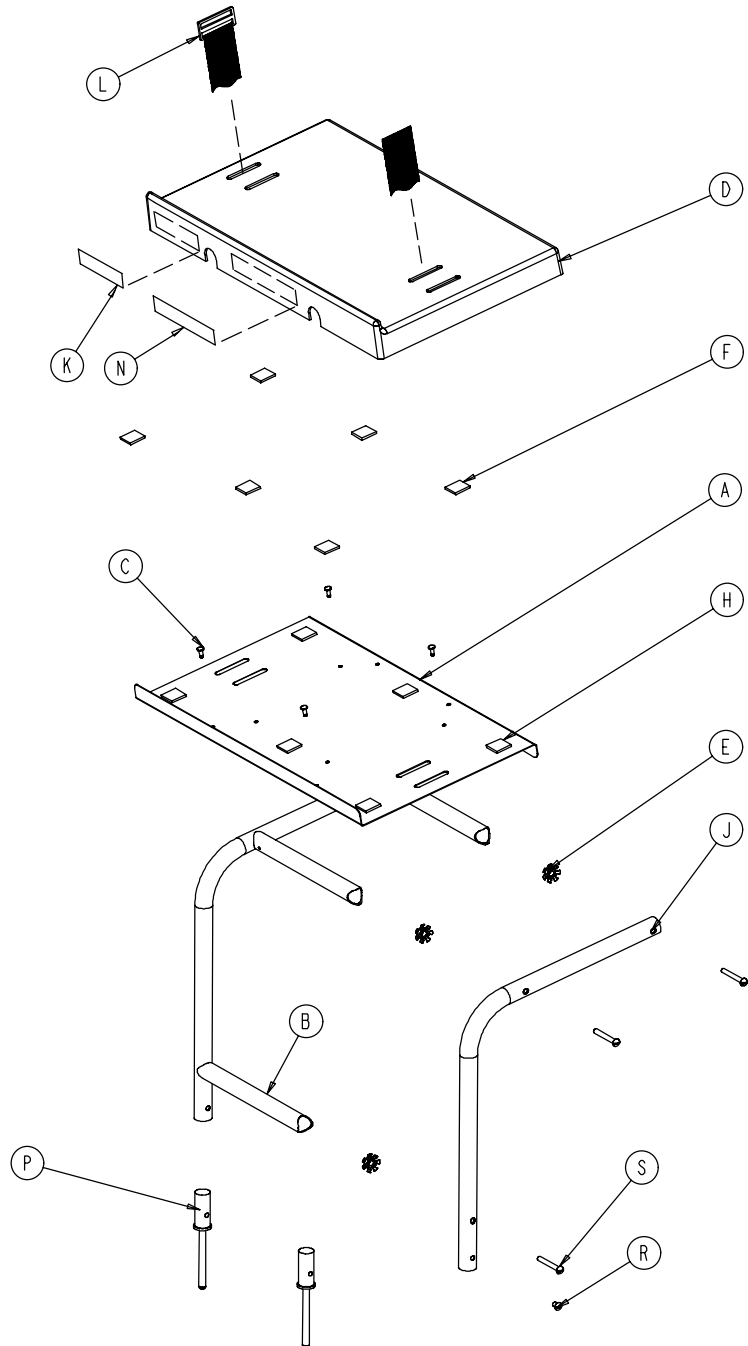
Assembly part number 0926-039-010
(reference only)



Umbrella Nut/Crosstube Detail



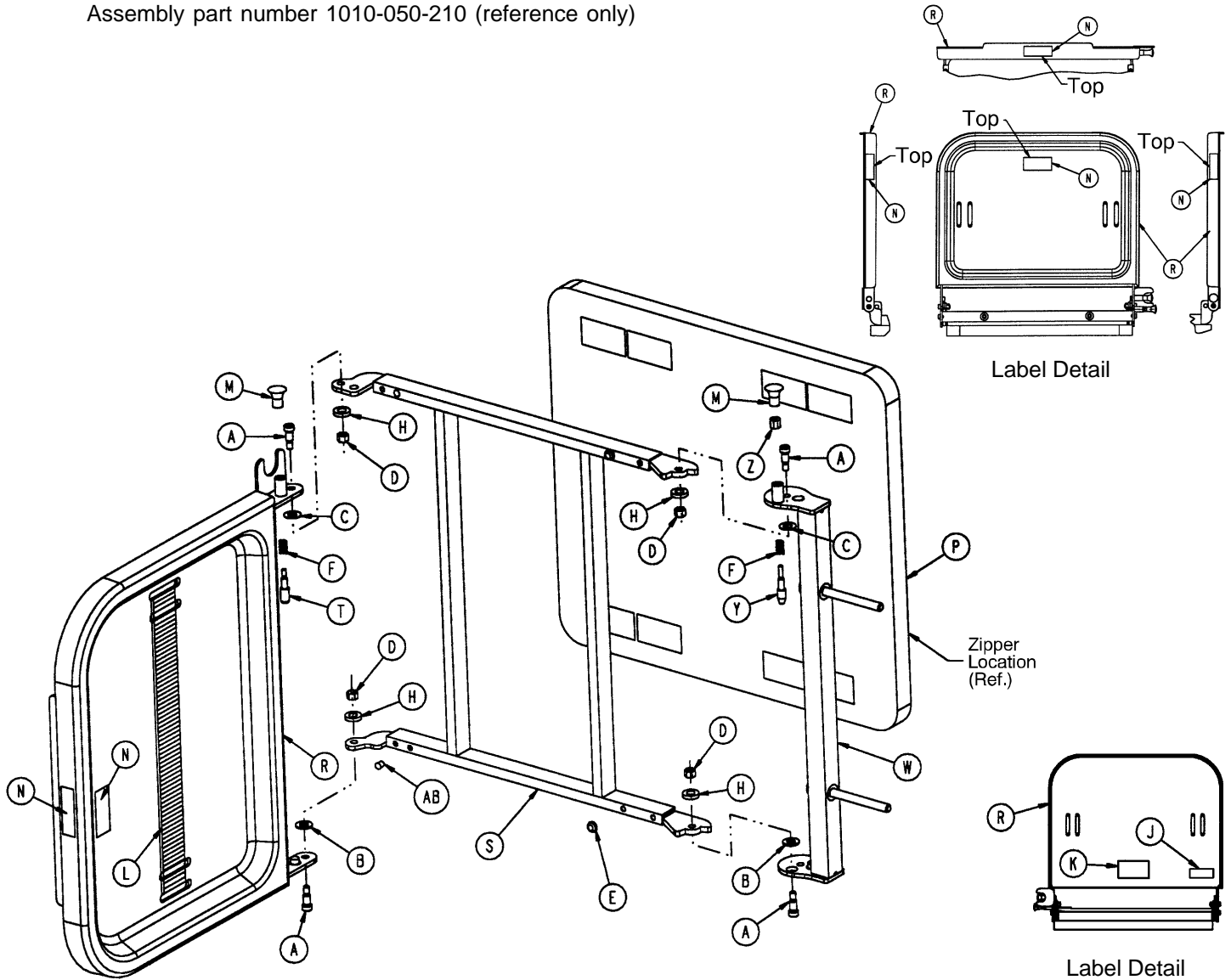
Strap Securing Detail



Item	Part No.	Part Name	Qty.	Item	Part No.	Part Name	Qty.
A	0946-039-004	Tray	1	J	0946-039-003	Support Tube	2
B	0926-039-016	Crosstube	3	K	0926-001-082	Label	1
C	0025-055-000	Rivet	4	L	1010-050-021	Long Strap	1
D	0926-039-009	Cover	1	N	0946-001-283	Label	1
E	0018-006-000	Umbrella Nut	6	P	0926-039-015	Holder	2
F	0029-008-000	Dual Lock	6	R	0002-044-000	Screw	2
H	0029-010-000	Dual Lock	6	S	0002-105-000	Rd. Hd. Mach. Screw	6

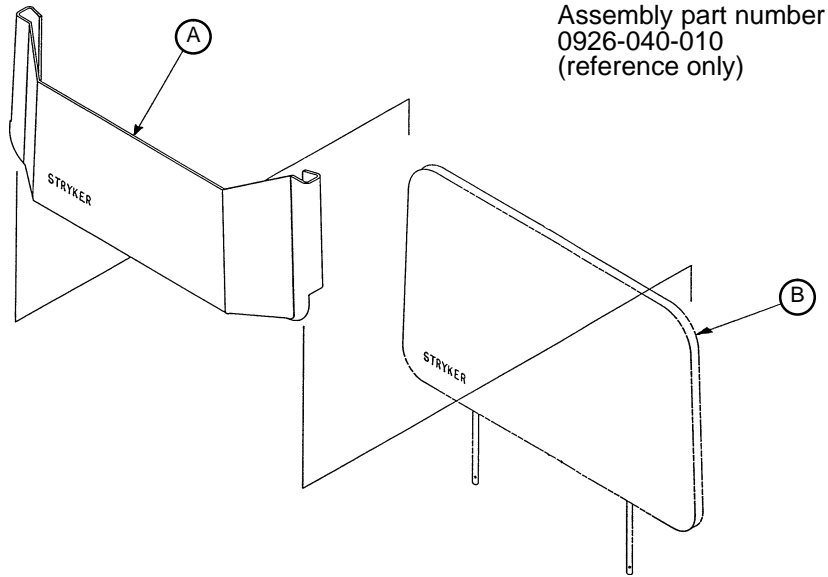
1010-050-100 Foot Extension/Defibrillator Tray Ass'y

Assembly part number 1010-050-210 (reference only)



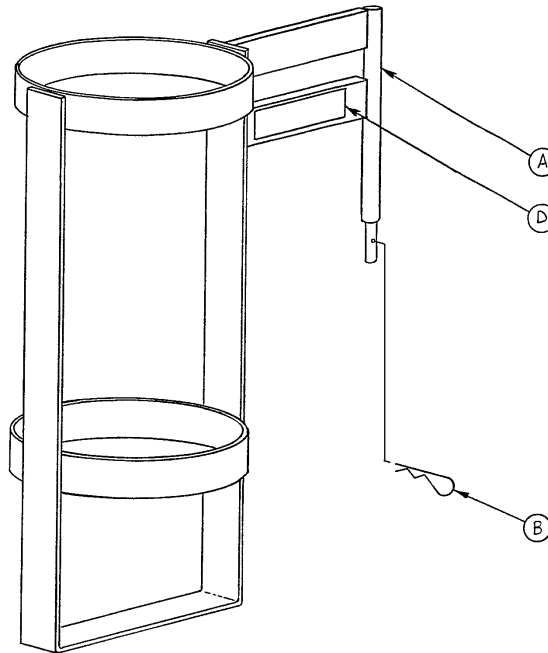
Item	Part No.	Part Name	Qty.	Item	Part No.	Part Name	Qty.
A	0008-049-000	Soc. Hd. Shoulder Bolt	4	M	1010-050-050	Knob	2
B	0014-020-000	Nylon Washer	2	N	1010-050-057	"Max. Weight" Label	4
C	0014-021-000	Nylon Washer	2	P	1010-050-205	Cushion Assembly	1
D	0016-028-000	Fiberlock Nut	4	R	1010-050-218	Foot & Tray Board	1
E	0037-052-000	Rubber Bumper	2	S	1010-050-225	Pivot Frame Weldment	1
F	0038-133-000	Spring	2	T	1010-050-242	Pin Lock	1
H	0052-017-000	Spacer	4	W	1010-050-246	Base Mounting Ass'y	1
J	1010-050-017	Specification Label	1	Y	1010-050-248	Lower Pin Lock	1
K	1010-050-019	"Push/Pull" Label	1	Z	1010-050-250	Pin Adjuster	1
L	1010-050-021	Long Strap	1	AB	0721-031-065	Hole Plug	2

0926-040-100 Foot Board/Chartholder Assembly



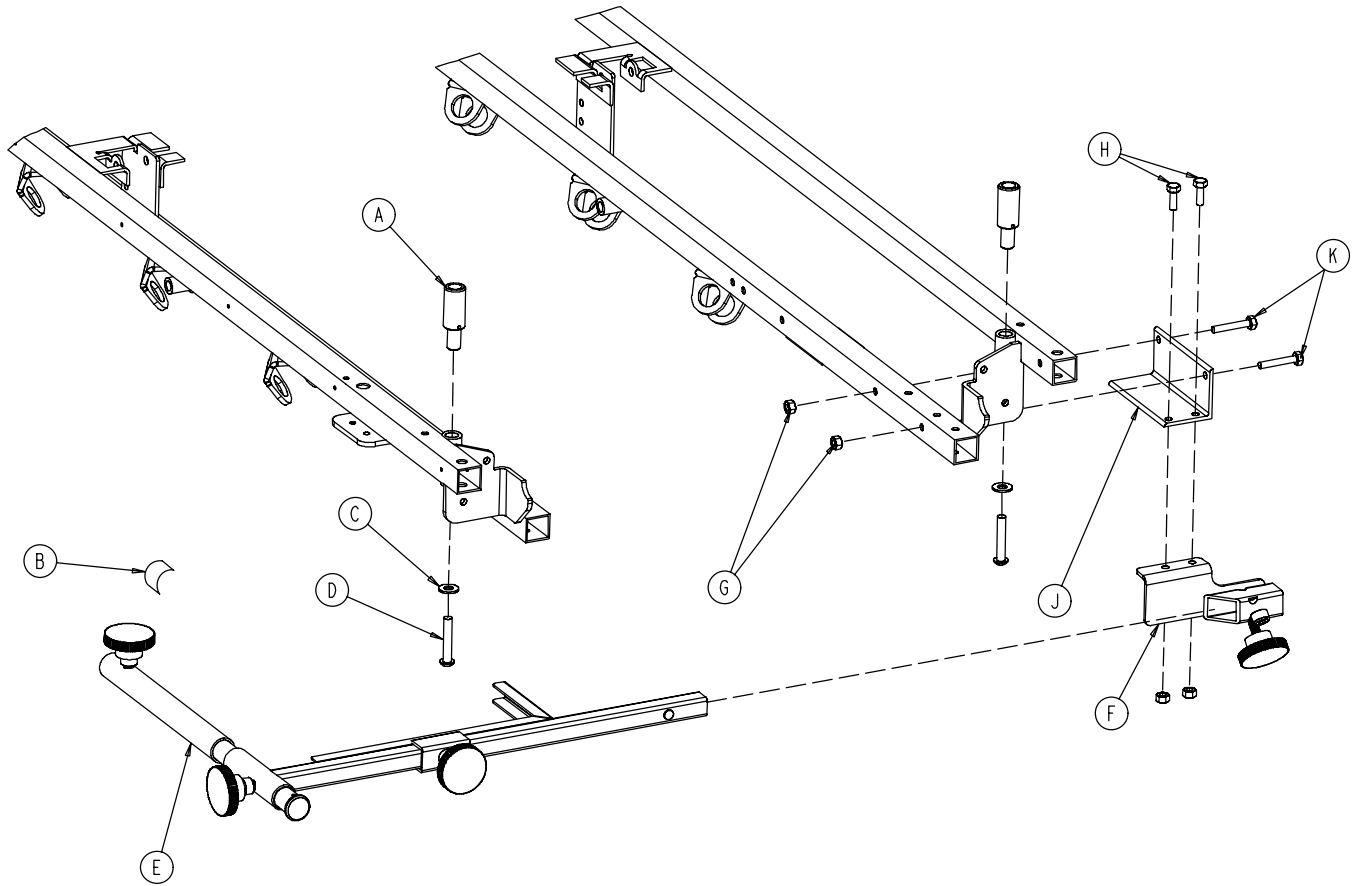
Item	Part No.	Part Name	Qty.
A	0946-028-011	Chart Holder	1
B	0946-029-006	Foot Board	1

1020-030-000 Upright Oxygen Bottle Holder Ass'y



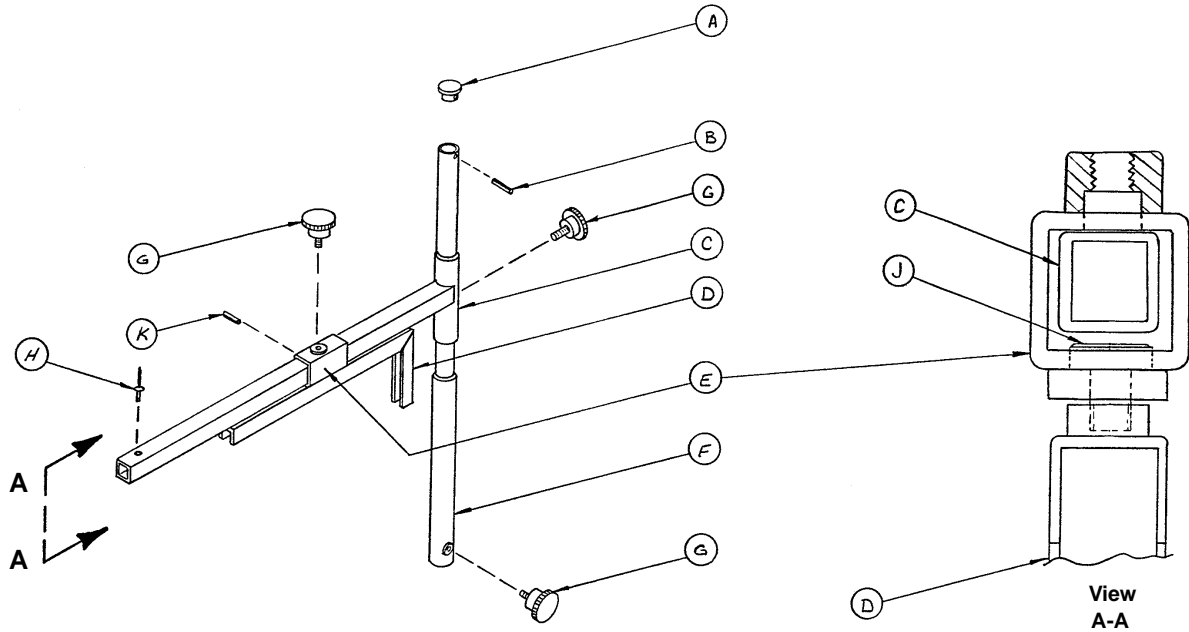
Item	Part No.	Part Name	Qty.
A	1020-030-011	Upright Bottle Holder	1
B	0027-012-000	Cotter Pin	1
D	1020-030-017	Specification Label	1

1001-070-000 C-Spine Cassette Holder Assembly



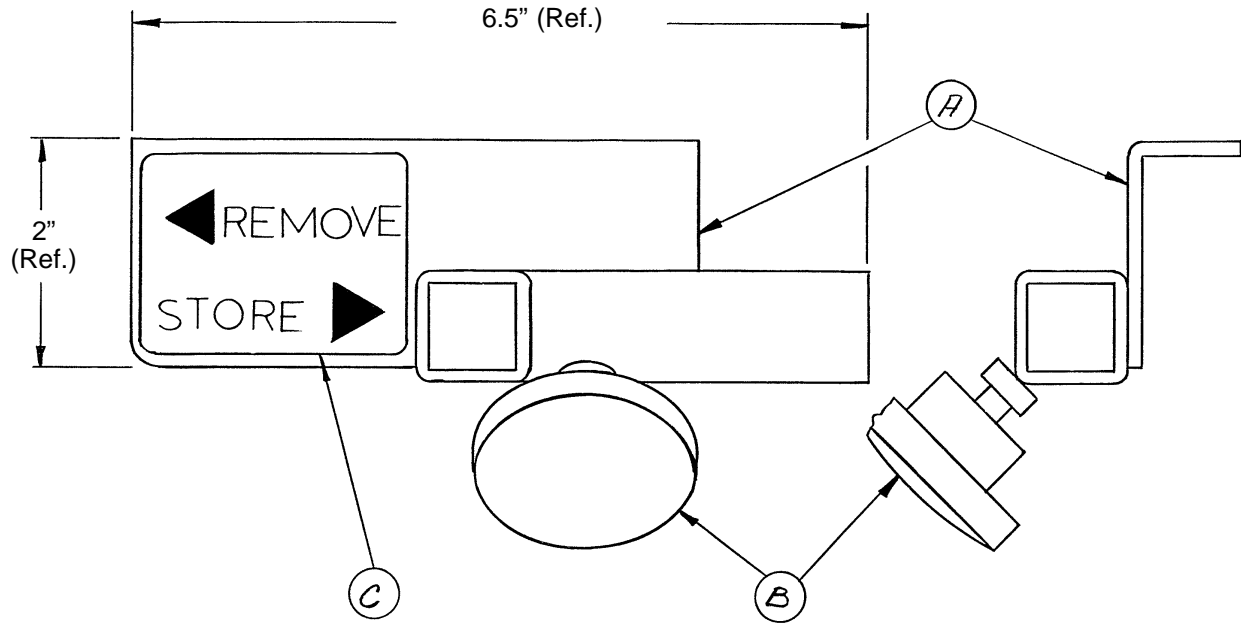
Item	Part No.	Part Name	Qty.
A	1010-070-025	I.V. Adaptor	2
B	1010-070-018	Specification Label	1
C	0011-447-000	Flat Washer	2
D	0004-054-000	But. Hd. Cap Screw	2
E	(page 116)	Support Pole Assembly	1
F	(page 117)	Storage Bracket Ass'y	1
G	0016-118-000	Nylock Nut	4
H	0003-356-000	Hex Hd. Cap Screw	2
J	1001-070-011	Attachment Bracket	1
K	0003-355-000	Hex Hd. Cap Screw	2

1010-070-010 C-Spine Support Pole Assembly



Item	Part No.	Part Name	Qty.
A	1010-070-033	Support Tube Cap	1
B	0026-006-000	Roll Pin	1
C	1010-070-034	Support Arm Weldment	1
D	1010-070-042	Cassette Holder Weldment	1
E	1010-070-050	Adjustment Tube Weldment	1
F	1010-070-030	Base Tube Weldment	1
G	1010-070-045	Knob	3
H	0025-055-000	Pop Rivet	1
J	1010-070-044	Pivot Pin	1
K	0026-005-000	Roll Pin	1

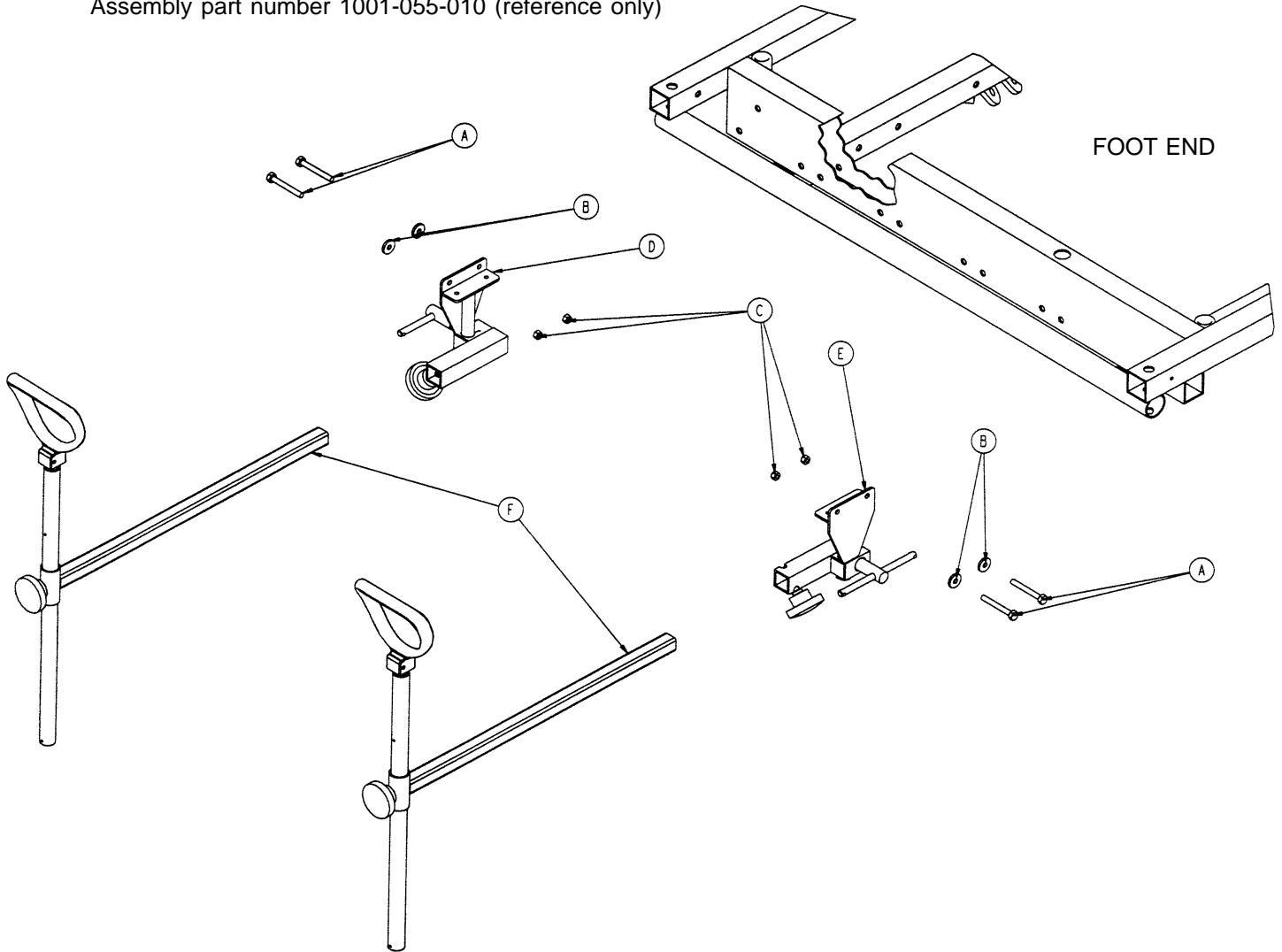
1010-070-019 C-Spine Storage Bracket Assembly



Item	Part No.	Part Name	Qty.
A	1010-070-020	Storage Bracket Weldment	1
B	1010-070-045	Knob	1
C	1010-070-023	Storage Label	1

1001-055-000 Heel Stirrup and Support Assembly

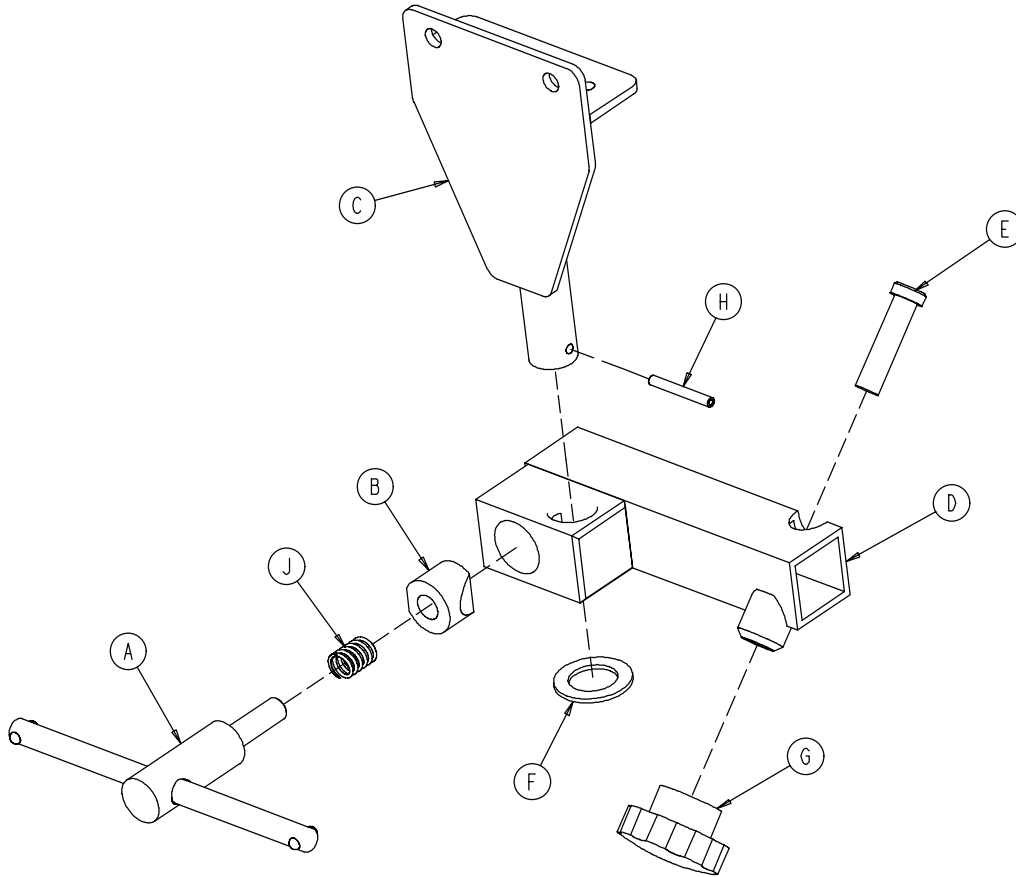
Assembly part number 1001-055-010 (reference only)



Item	Part No.	Part Name	Qty.
A	0003-359-000*	Hex Hd. Cap Screw	4
B	0011-159-000	Flat Washer	4
C	0016-1 18-000	Nylock Hex Nut	4
D	(page 119)	Stirrup Support Ass'y, Rt.	1
E	(page 120)	Stirrup Support Ass'y, Lt.	1
F	(page 121)	Stirrup Assembly	2

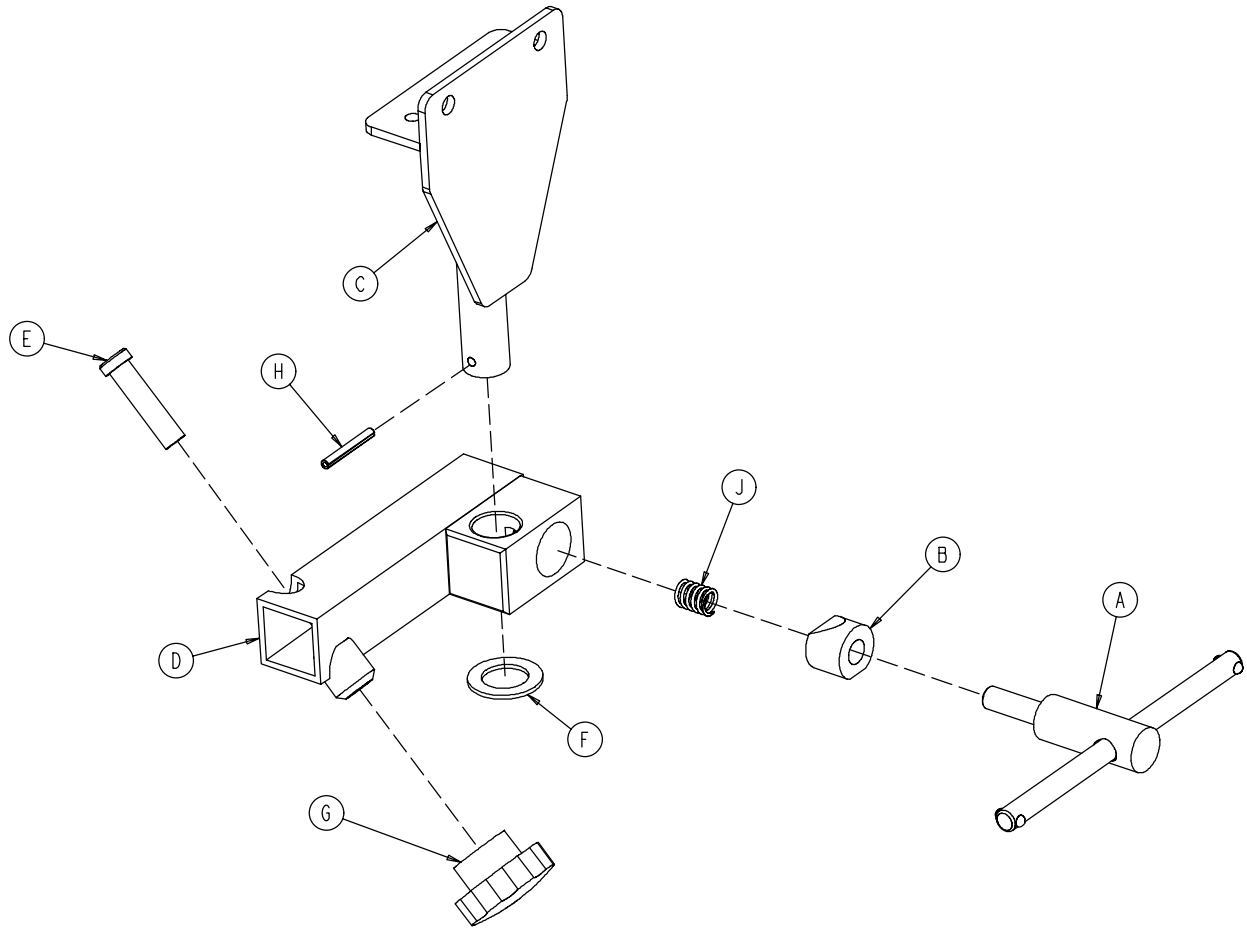
* If the stretcher has the crank Fowler and/or crank Knee Gatch option, (2) 0003-355-000 and (2) 0003-358-000 replace (4) 0003-359-000.

1001-055-015 Right Stirrup Support Assembly



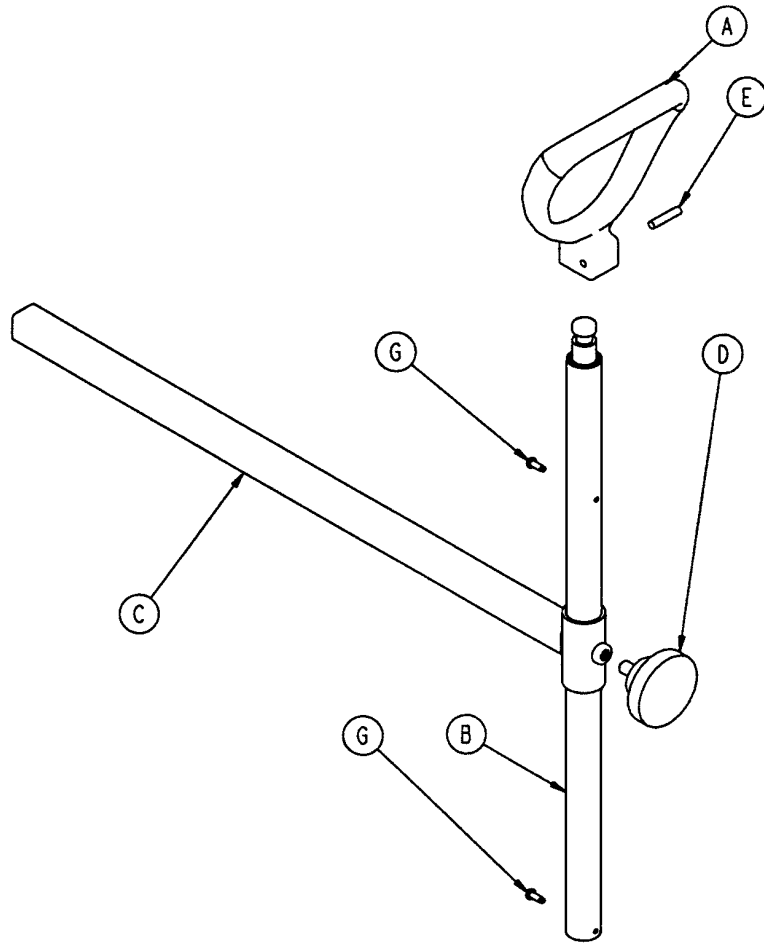
Item	Part No.	Part Name	Qty.
A	0650-002-032	Lock Screw Assembly	1
B	0966-051-019	Wedge Lock, Modified	1
C	1001-055-011	Mounting Bracket	1
D	1010-055-016	Right Support Tube Wldmt.	1
E	0004-494-000	Soc. Hd. Cap Screw	1
F	0011-410-000	Washer	1
G	1211-1 17-016	Knob	1
H	0026-007-000	Roll Pin	1
J	0038-171-000	Compression Spring	1

1001-055-016 Left Stirrup Support Assembly



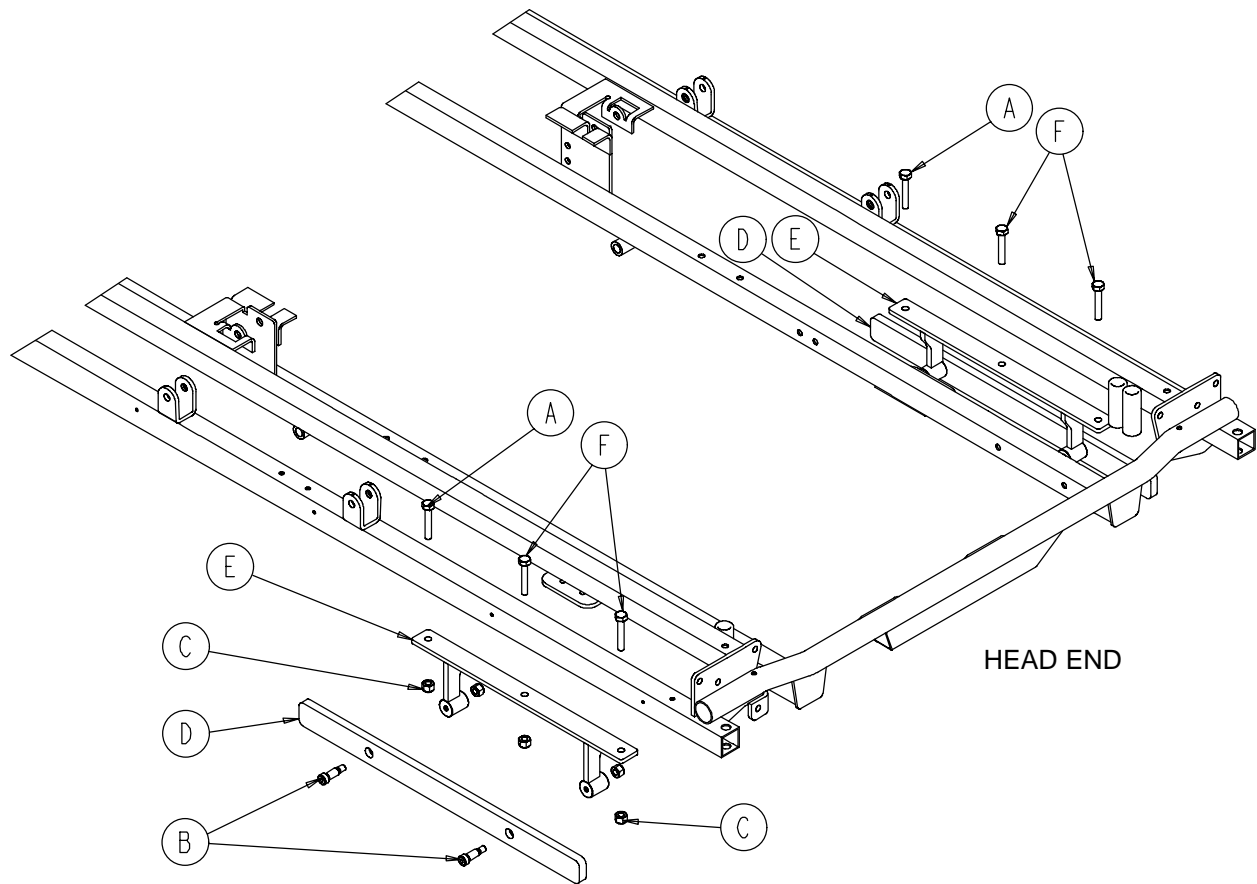
Item	Part No.	Part Name	Qty.
A	0650-002-032	Lock Screw Assembly	1
B	0966-051-019	Wedge Lock, Modified	1
C	1001-055-011	Mounting Bracket	1
D	1010-055-026	Left Support Tube Ass'y	1
E	0004-494-000	Soc. Hd. Cap Screw	1
F	0011-410-000	Washer	1
G	1211-1 17-016	Knob	1
H	0026-007-000	Roll Pin	1
J	0038-171-000	Compression Spring	1

1010-055-029 Heel Stirrup Assembly



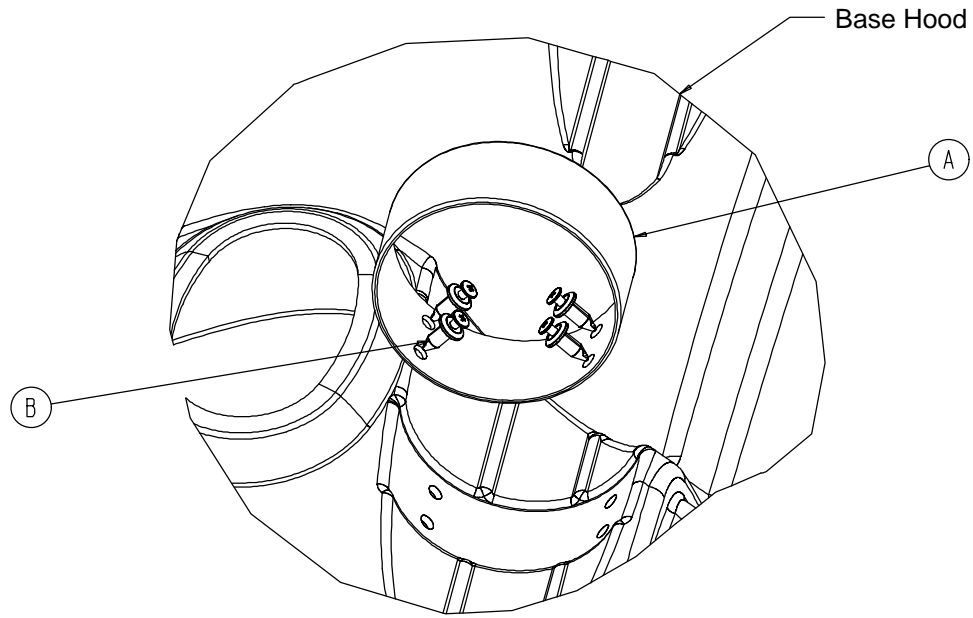
Item	Part No.	Part Name	Qty.
A	0390-020-013	Stirrup	1
B	0390-020-009	Stirrup Holder Assembly	1
C	1010-055-030	Extension Tube Assembly	1
D	0024-011-000	Knob	1
E	0026-043-000	Roll Pin	1
G	0022-008-000	Drive Screw	2

1210-136-000 Accessory Rail Assembly



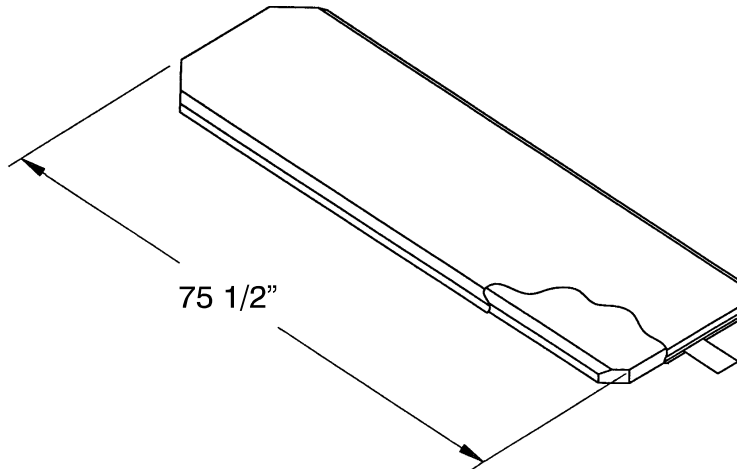
Item	Part No.	Part Name	Qty.
A	0004-097-000	Hex Soc. But. Hd. Cap Screw	2
B	0008-015-000	Shoulder Bolt	4
C	0016-028-000	Nylock Hex Nut	10
D	1068-066-042	Option Bar Rail	2
E	1068-266-050	Mounting Bracket Weldment	2
F	0004-135-000	Hex Soc. But. Hd. Cap Screw	4

1040-010-090 Optional O₂ Bottle Retainer Assembly

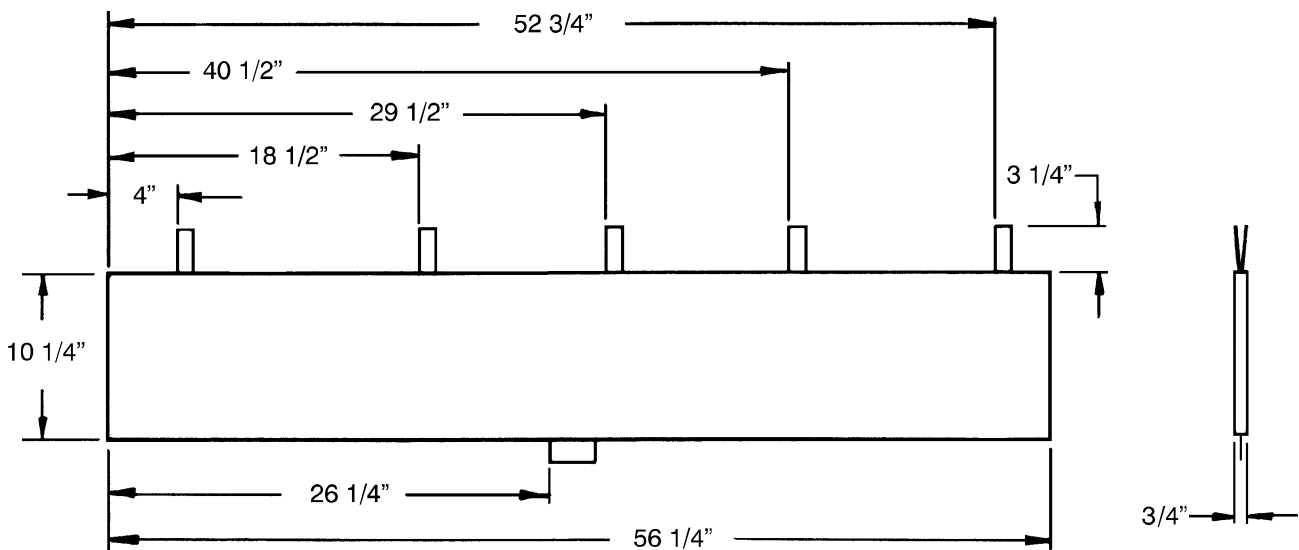


Item	Part No.	Part Name	Qty.
A	1040-010-091	Bottle Retainer	1
B	1040-010-092	Scrulok Fastener	4

Mattresses and Siderail Pads

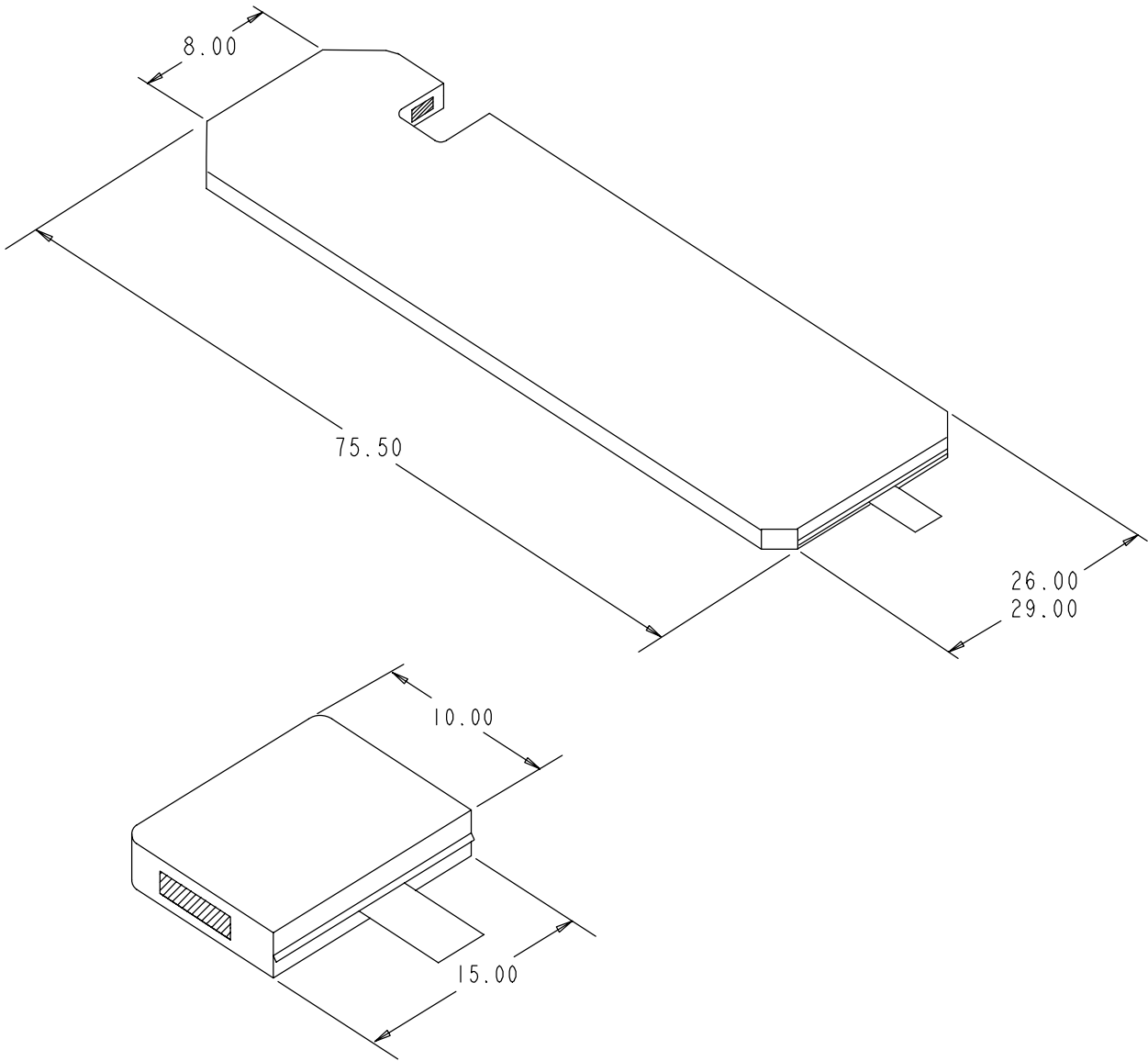


- Mattress, 3" Thick x 26" Wide with Enhanced Comfort Cover part # 1001-048-106
- Mattress, 4" Thick x 26" Wide with Enhanced Comfort Cover part # 1001-047-106
- Mattress, 3" Thick x 26" Wide with Enhanced Comfort Cover part # 1501-048-106
- Mattress, 4" Thick x 26" Wide with Enhanced Comfort Cover part # 1501-047-106
- Mattress, 3" Thick x 26" Wide with Low Friction Cover part # 1059-326-140
- Mattress, 4" Thick x 26" Wide with Low Friction Cover part # 1059-426-140
- Mattress, 3" Thick x 26" Wide with Low Friction Cover part # 1059-329-140
- Mattress, 4" Thick x 26" Wide with Low Friction Cover part # 1059-429-140
- Mattress, 4" Thick x 26" Wide with Enhanced Comfort Cover part # 1210-040-004
- Mattress, 5" Thick x 26" Wide with Enhanced Comfort Cover part # 1210-040-005
- Mattress, 4" Thick x 29" Wide with Enhanced Comfort Cover part # 1710-040-004
- Mattress, 5" Thick x 29" Wide with Enhanced Comfort Cover part # 1710-040-005



- Siderail Pad Set part # 1010-052-000

Siderail Pads



- Mattress, 26" Wide part # 1059-426-010
- Mattress, 29" Wide part # 1059-429-010

Warranty

Limited Warranty:

Stryker Medical Division, a division of Stryker Corporation, warrants to the original purchaser that its products should be free from defects in material and workmanship for a period of one (1) year after date of delivery. Stryker's obligation under this warranty is expressly limited to supplying replacement parts and labor for, or replacing, at its option, any product which is, in the sole discretion of Stryker, found to be defective. Stryker warrants to the original purchaser that the frame and welds on its beds will be free from structural defects for as long as the original purchaser owns the bed. If requested by Stryker, products or parts for which a warranty claim is made shall be returned prepaid to Stryker's factory. Any improper use or any alteration or repair by others in such manner as in Stryker's judgement affects the product materially and adversely shall void this warranty. Any repair of Stryker products using parts not provided or authorized by Stryker shall void this warranty. No employee or representative of Stryker is authorized to change this warranty in any way.

Stryker Medical stretchers are designed for a 10 year expected life under normal use conditions and appropriate periodic maintenance as described in the maintenance manual for each device.

This statement constitutes Stryker's entire warranty with respect to the aforesaid equipment. STRYKER MAKES NO OTHER WARRANTY OR REPRESENTATION, EITHER EXPRESSED OR IMPLIED, EXCEPT AS SET FORTH HEREIN. THERE IS NO WARRANTY OF MERCHANTABILITY AND THERE ARE NO WARRANTIES OF FITNESS FOR ANY PARTICULAR PURPOSE. IN NO EVENT SHALL STRYKER BE LIABLE HEREUNDER FOR INCIDENTAL OR CONSEQUENTIAL DAMAGES ARISING FROM OR IN ANY MANNER RELATED TO SALES OR USE OF ANY SUCH EQUIPMENT.

To Obtain Parts and Service:

Stryker products are supported by a nationwide network of dedicated Stryker Field Service Representatives. These representatives are factory trained, available locally, and carry a substantial spare parts inventory to minimize repair time. Simply call your local representative, or call Stryker Customer Service at (800) 327-0770.

Service Contract Coverage:

Stryker has developed a comprehensive program of service contract options designed to keep your equipment operating at peak performance at the same time it eliminates unexpected costs. We recommend that these programs be activated *before* the expiration of the new product warranty to eliminate the potential of additional equipment upgrade charges.

A SERVICE CONTRACT HELPS TO:

- Ensure equipment reliability
- Stabilize maintenance budgets
- Diminish downtime
- Establish documentation for JCAHO
- Increase product life
- Enhance trade-in value
- Address risk management and safety

Warranty

Stryker offers the following service contract programs:

SPECIFICATIONS	GOLD	SILVER	PM* ONLY
Annually scheduled preventative maintenance	X		X
All parts,** labor, and travel	X	X	
Unlimited emergency service calls	X	X	
Priority one contact; two hour phone response	X	X	X
Most repairs will be completed within 3 business days	X	X	
JCAHO documentation	X	X	X
On-site log book w/ preventative maintenance & emergency service records	X		
Factory-trained Stryker Service Technicians	X	X	X
Stryker authorized parts	X	X	X
End of year summary	X		
Stryker will perform all service during regular business hours (9-5)	X	X	X

* Replacement parts and labor for products under PM contract will be discounted.

** Does not include any disposable items, I.V. poles (except for Stryker HD permanent poles), mattresses, or damage resulting from abuse.

Stryker Medical also offers *personalized* service contracts.

Pricing is determined by age, location, model and condition of product.

For more information on our service contracts, please call your local representative or call (800) 327-0770 (option #2).

Return Authorization:

Merchandise cannot be returned without approval from the Stryker Customer Service Department. An authorization number will be provided which must be printed on the returned merchandise. Stryker reserves the right to charge shipping and restocking fees on returned items.

SPECIAL, MODIFIED, OR DISCONTINUED ITEMS NOT SUBJECT TO RETURN.

Damaged Merchandise:

ICC Regulations require that claims for damaged merchandise must be made with the carrier within fifteen (15) days of receipt of merchandise. **DO NOT ACCEPT DAMAGED SHIPMENTS UNLESS SUCH DAMAGE IS NOTED ON THE DELIVERY RECEIPT AT THE TIME OF RECEIPT.** Upon prompt notification, Stryker will file a freight claim with the appropriate carrier for damages incurred. Claim will be limited in amount to the actual replacement cost. In the event that this information is not received by Stryker within the fifteen (15) day period following the delivery of the merchandise, or the damage was not noted on the delivery receipt at the time of receipt, the customer will be responsible for payment of the original invoice in full.

Claims for any short shipment must be made within thirty (30) days of invoice.

International Warranty Clause:

This warranty reflects U.S. domestic policy. Warranty outside the U.S. may vary by country. Please contact your local Stryker Medical representative for additional information.



European Representative

Stryker EMEA RA/QA Director
Stryker France
ZAC Satolas Green Pusignan
Av. De Satolas Green
69881 MEYZIEU Cedex
France

stryker[®]
Medical

6300 S. Sprinkle Road, Kalamazoo, MI 49001-9799

(800) 327-0770
www.strykermedical.com



DH 8/03 1210-009-002 REV A