

stryker[®]
Medical

1210 Emergency Care Stretcher
1710 PACU Stretcher

Operations Manual

For Parts or Technical Assistance
800-327-0770

Table of Contents

| | |
|---|--------|
| Introduction | 2, 3 |
| Operating Base Controls | 4, 5 |
| Raising And Lowering Litter Height | 6 |
| Trendelenburg/Reverse Trendelenburg Positioning | 6 |
| Applying The Brake System | 7 |
| Operating the Fifth Wheel/Big Wheel Options | 8 |
| Using Push Handles | 9 |
| Using Folddown Siderails | 9 |
| Operating Fowler And Knee Gatch | 10 |
| Using The Patient Transfer Board/Arm Board | 11, 12 |
| Operating Optional 2-Stage Permanently Attached I.V. Pole | 13 |
| Operating Optional 3-Stage Permanently Attached I.V. Pole | 14 |
| Operating Optional Tethered I.V. Pole | 15 |
| Operating Optional Heel Stirrups | 16 |
| Operating Optional Foot Extension/Defibrillator Tray | 16 |
| Preventative Maintenance | |
| Checklist | 17 |
| Cleaning | 18 |
| Limited Warranty | |
| Obtaining Parts and Service | 19 |
| Supplemental Warranty Coverage | 19 |
| Return Authorization | 20 |
| Freight Damage Claims | 20 |

Introduction

INTRODUCTION

This manual is designed to assist you with the operation of the Model 1210 Emergency Care Stretcher, and the Model 1710 PACU Stretcher. Read it thoroughly before using the equipment or beginning any maintenance on it.

SPECIFICATIONS

| | 1210 | 1710 |
|---------------------------------------|--------------|-----------|
| Overall Bed Length \ Width | 84" / 31.5" | 84"/34.5" |
| Minimum \ Maximum Bed Height | 21.5" / 36" | |
| Maximum Weight Capacity | 500 pounds | |
| Fowler Angle | 0 to 90° | |
| Knee Gatch Angle | 0 to 30° | |
| Trendelenburg \ Reverse Trendelenburg | +18° to -18° | |

Stryker reserves the right to change specifications without notice.

WARNING / CAUTION / NOTE DEFINITION

The words WARNING, CAUTION and NOTE carry special meanings and should be carefully reviewed.

WARNING

The personal safety of the patient or user may be involved. Disregarding this information could result in injury to the patient or user.

CAUTION

These instructions point out special procedures or precautions that must be followed to avoid damaging the equipment.

NOTE

This provides special information to make maintenance easier or important instructions clearer.

Introduction

Before operating this stretcher, it is important to read and understand all information in this manual. Carefully read and strictly follow the warnings listed on this page.

WARNING

To avoid damage, remove any equipment that may be in the way before raising or lowering the litter height.

Always apply the caster brakes when a patient is getting on or off the stretcher. Push on the stretcher to ensure the brakes are securely locked. Always engage the brakes unless the stretcher is being moved. Injury could result if the stretcher moves while a patient is getting on or off the stretcher. If brakes do not hold properly, refer to your stretcher maintenance manual for a brake adjustment procedure.

Be sure the siderail latching mechanism is working properly at all times. If it is not, refer to your stretcher maintenance manual for "Siderail Latch Adjustment".

When lowering the siderail to the collapsed position, keep extremities of patients and staff away from the siderail spindles or injury could occur.

To avoid injury or damage to the equipment, do not allow the siderail to lower on its own.

The push handles were designed for use while transporting the stretcher. Avoid using other parts of the stretcher as push/pull devices because damage could occur.

When using the transfer board to transfer a patient, **always** lock the brakes on all stretchers, beds, etc. being used and **always** be certain the transfer board is placed securely on the surface of the mating stretcher or bed. The patient stretcher and the mating surface must be at the same height before the patient is transferred.

Keep fingers/hands clear of area around Fowler release handle and Fowler frame when lowering. Injury could result if care is not taken when lowering the Fowler.

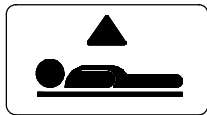
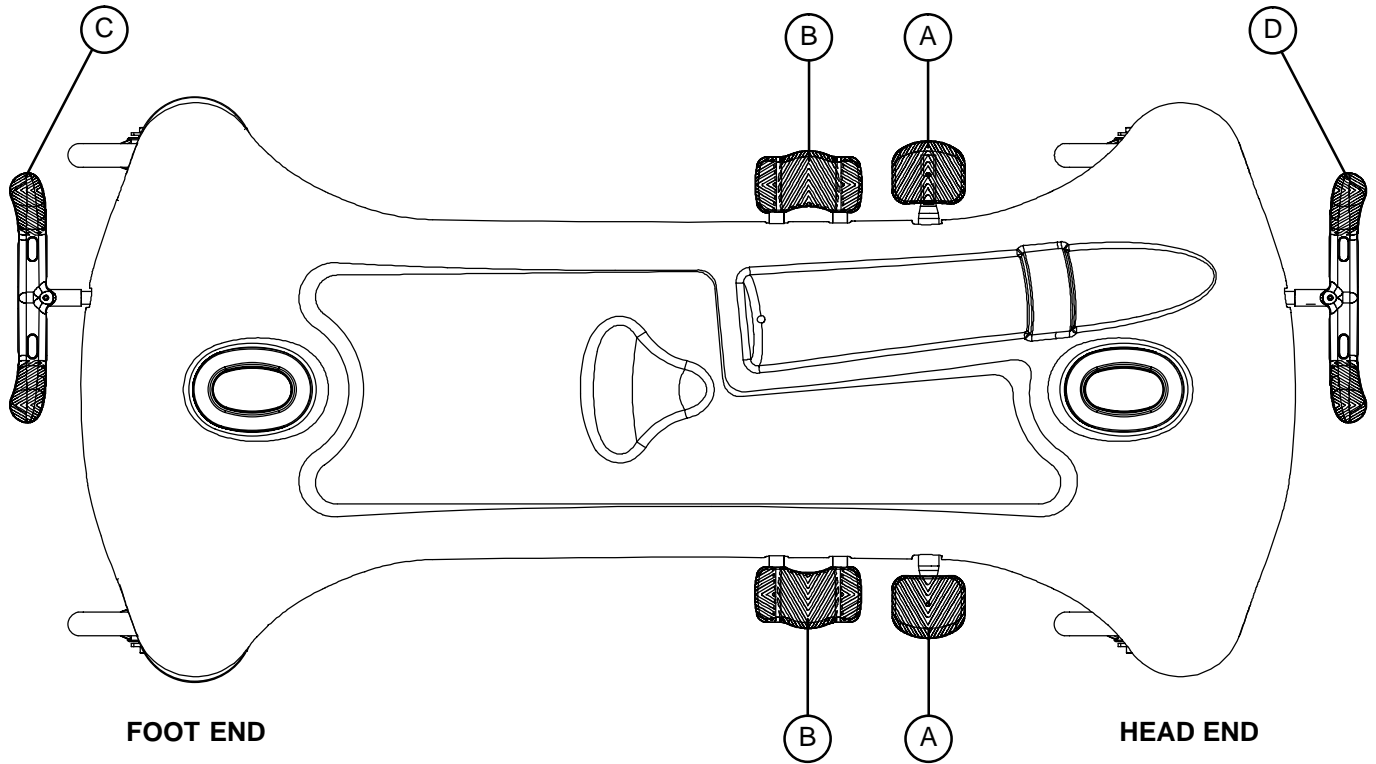
If pneumatic system appears to be difficult to operate, refer to the stretcher maintenance manual for "Pneumatic Fowler Adjustment"

To avoid damage, the weight of the I.V. bags should not exceed 40 pounds.

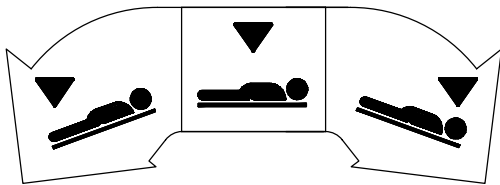
To avoid damage while transporting the bed, verify the I.V. pole is at a low enough height to allow it to safely pass through door openings and under light fixtures.

Stretcher Operation

OPERATING BASE CONTROLS - SIDE CONTROL



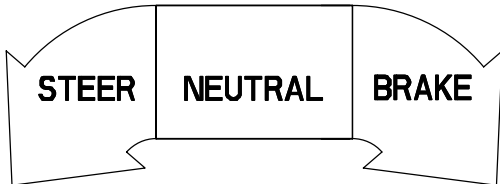
Pump pedal (A) to raise the litter.



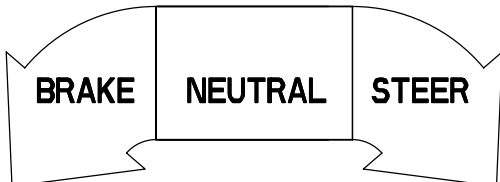
Depress in the center of pedal (B) to lower both ends of the stretcher together.

Depress the side of pedal (B) closest to the foot end of the stretcher to lower the foot end.

Depress the side of pedal (B) closest to the head end of the stretcher to lower the head end.



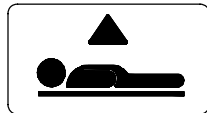
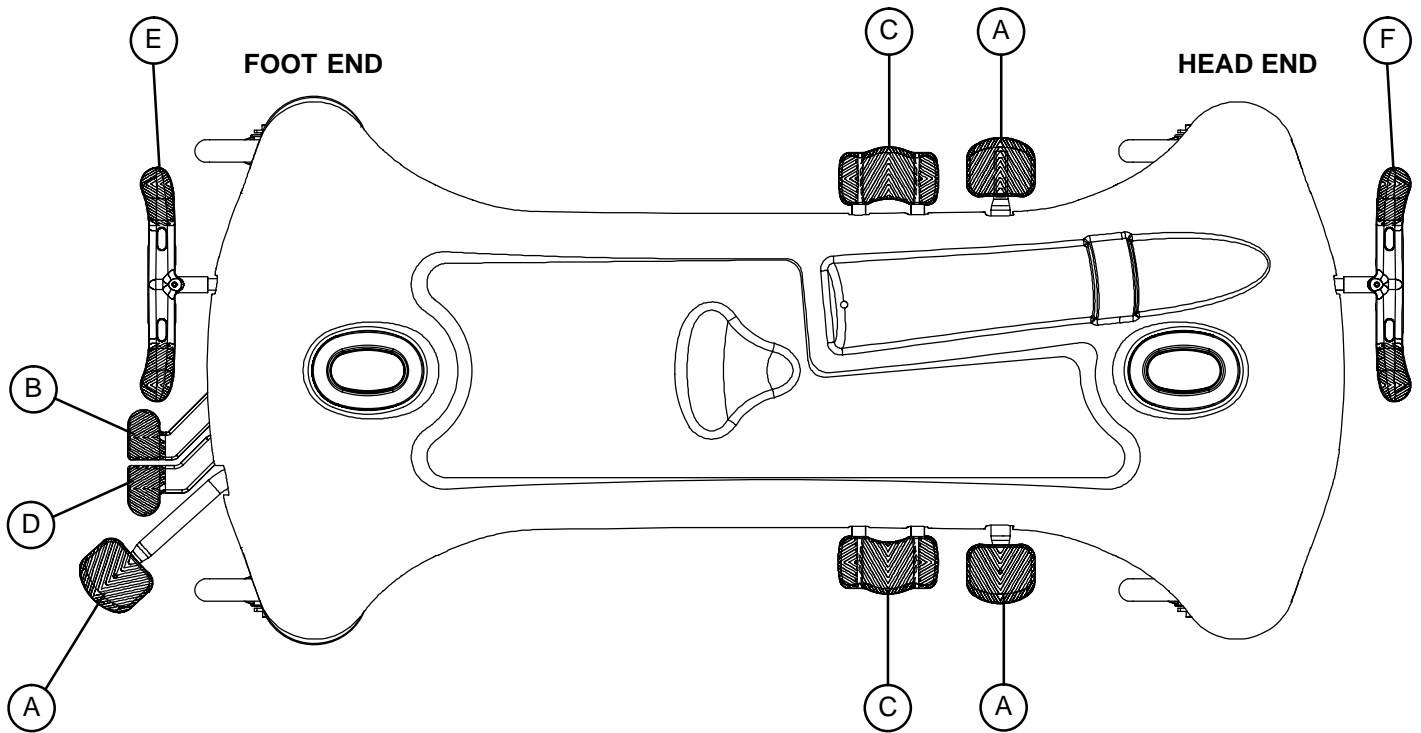
Pedal (C) - Brake and Steer functions (foot end)



Pedal (D) - Brake and Steer functions (head end)

Stretcher Operation

OPERATING BASE CONTROLS - 3-SIDED CONTROLS

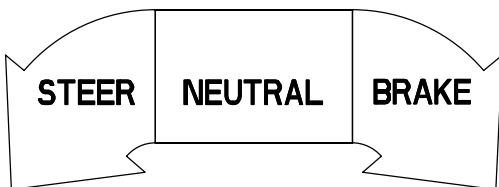
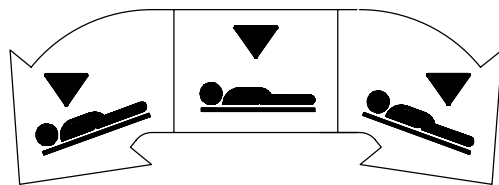


Pump pedal (A) at the foot end or sides of the stretcher to raise the litter

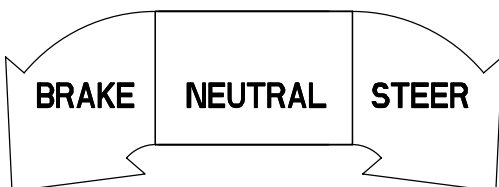
Depress pedal (B) or the side of pedal (C) closest to the head end of the stretcher to lower the head end of the stretcher.

Depress pedal (D) or the side of pedal (C) closest to the foot end of the stretcher to lower the foot end of the stretcher.

Depress in the center of pedal (C) or depress pedals (B) and (D) together to lower both ends of the stretcher together.



Pedal (E) - Brake and Steer functions (foot end).



Pedal (F) - Brake and Steer functions (head end)

Stretcher Operation

RAISING AND LOWERING LITTER HEIGHT - SIDE CONTROL

CAUTION

To avoid damage, remove any equipment that may be in the way before raising or lowering the litter height.

To **raise** the litter height, pump pedal (A) repeatedly until the desired height is achieved (see illustration on page 4).

To **lower** both ends of the litter together, depress the center of pedal (B). To lower only the head end of the litter, depress the side of pedal (B) closest to the head end. To lower only the foot end of the litter, depress the side of pedal (B) closest to the foot end (see illustration on page 4). The base may be equipped with optional variable descent controls. With variable descent controls, the farther you press down on the pedal, the faster the litter will lower.

RAISING AND LOWERING LITTER HEIGHT - 3-SIDED CONTROLS

To **raise** the litter height, pump pedal (A) repeatedly until the desired height is achieved (see illustration on page 5).

To **lower** both ends of the litter simultaneously, depress pedal (B) and (D) together using the same foot or depress in the center of pedal (C). To lower only the head end of the litter, depress pedal (B) or the side of pedal (C) closest to the head end of the stretcher. To lower only the foot end of the stretcher, depress pedal (D) or the side of pedal (C) closest to the foot end of the stretcher.

The base may be equipped with optional variable descent controls. With variable descent controls, the farther you press down on the pedal, the faster the litter will lower.

TRENDELENBURG/REVERSE TRENDELENBURG - SIDE CONTROL

NOTE

Litter height must be raised first in order to achieve a trend. or reverse trend. position.

CAUTION

To avoid damage, remove any equipment that may be in the way before lowering the stretcher.

For **Trendelenburg** positioning (head down), depress the side of pedal (B) closest to the head end of the stretcher (see illustration, page 4).

For **Reverse Trendelenburg** positioning (foot down), depress the side of pedal (B) closest to the foot end.

NOTE

The higher the litter is before pedal (B) is activated, the greater the trend. or reverse trend. angle will be. (Maximum trend. angle is +18°. Maximum reverse trend. angle is -18°).

TRENDELENBURG/REVERSE TRENDELENBURG - 3-SIDED CONTROLS

CAUTION

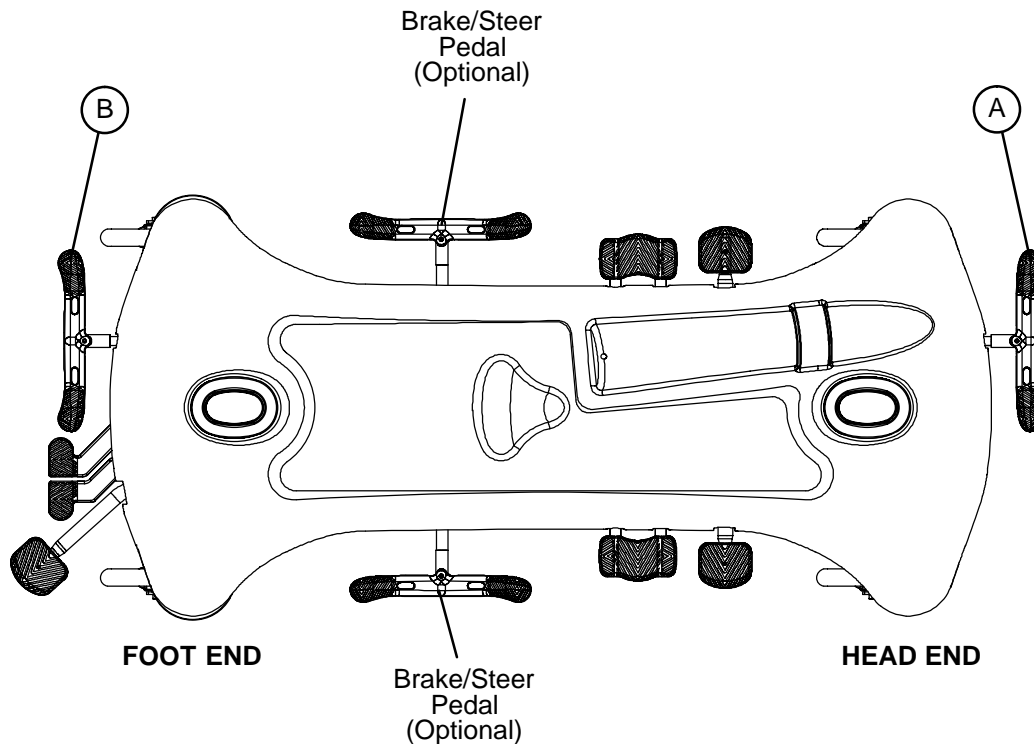
To avoid damage, remove any equipment that may be in the way before lowering the stretcher.

For **Trendelenburg** positioning (head down), depress pedal (B) or the side of pedal (C) closest to the head end of the stretcher (see illustration, page 5).

For **Reverse Trendelenburg** positioning (foot down), depress pedal (D) or the side of pedal (C) closest to the foot end of the stretcher.

Stretcher Operation

APPLYING THE BRAKE SYSTEM



NOTE

For user convenience, a brake/steer control pedal is located on both ends of the stretcher.

WARNING

Always apply the caster brakes when a patient is getting on or off the stretcher. Push on the stretcher to ensure the brakes are securely locked. Always engage the brakes unless the stretcher is being moved. Injury could result if the stretcher moves while a patient is getting on or off the stretcher. If brakes do not hold properly, refer to your stretcher maintenance manual for a brake adjustment procedure.

To engage the brakes on the head end, push fully down on the left side of pedal (A).

To engage the brakes on the foot end, push fully down on the right side of pedal (B).

NOTE

Your stretcher may be equipped with optional side control brake and steer functions in addition to the standard head and foot end controls. The side control brakes operate the same as the head and foot end versions.

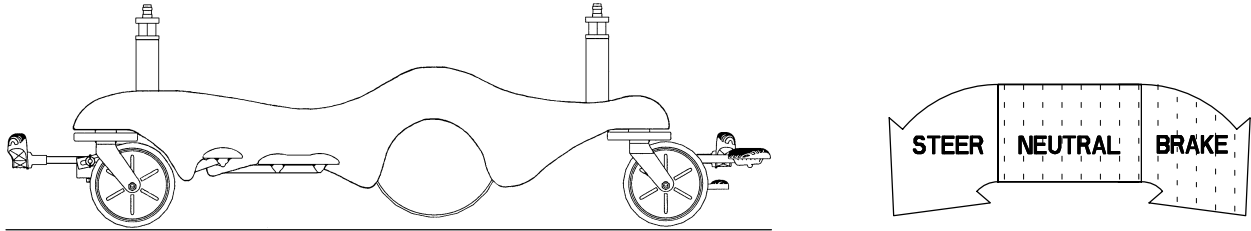
Stretcher Operation

OPERATING THE FIFTH WHEEL OPTION

The purpose of the fifth wheel option is to help guide the stretcher when transporting a patient along a straight line and also for pivoting at corners.

To engage the fifth wheel, push the proper side of the brake/steer pedal to the full down position.

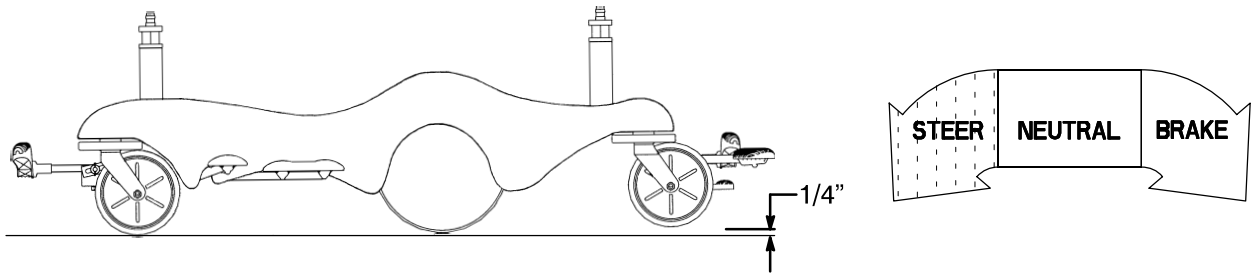
OPERATING THE BIG WHEEL OPTION



When the brake/steer pedal is in the **neutral or brake** position, the Big Wheel is elevated approximately 3/4" and the stretcher rests on the four casters.

NOTE

The two Big Wheels do not pivot. The stretcher cannot be moved directly sideways with the Big Wheel activated. With the pedal in the neutral position, the stretcher can be moved in any direction including sideways.



When the brake/steer pedal is in the **steer** position, the foot end casters are elevated approximately 1/4" and the stretcher rests on the two head end casters and the two Big Wheels. This provides increased mobility and ease of steering the stretcher.

Stretcher Operation

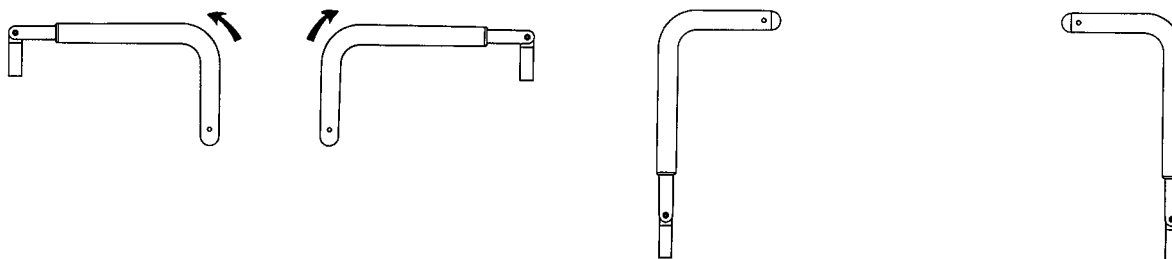
USING PUSH HANDLES

CAUTION

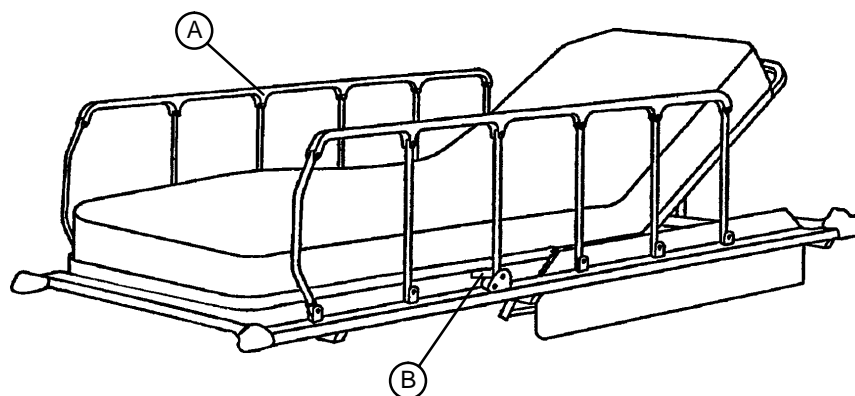
The push handles were designed for use while transporting the stretcher. Avoid using other parts of the stretcher as push/pull devices because damage could occur.

To use the push handles: Pivot the handles up and push down until they are locked into position.

To store the push handles: Lift the handles up and pivot them down to store in the handle rests.



USING FOLDDOWN SIDERAILS



NOTE

Fold-down siderails are available in both fold-to-head end and fold-to-foot end styles for the 1210 and 1710 stretchers.

CAUTION

Be sure the siderail latching mechanism (B) is working properly at all times. If it is not, refer to your stretcher maintenance manual for "Siderail Latch Adjustment".

To engage siderails: Pull up the siderail (A) and raise it to the full up position so that the latch (B) engages.

To disengage siderails: Pull up on the latch (B) and guide the siderail to the full down position.

WARNING

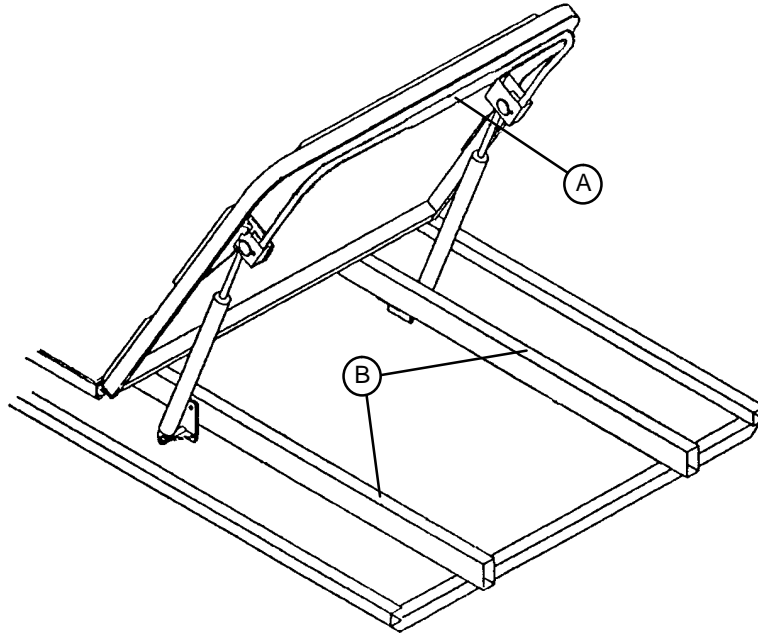
When lowering the siderail to the collapsed position, keep extremities of patients and staff away from the siderail spindles or injury could occur.

To avoid injury or damage to the equipment, do not allow the siderail to lower on its own.

Stretcher Operation

OPERATING THE FOWLER AND KNEE GATCH

Operating the Pneumatic Fowler



Squeeze handle (A) for pneumatic assist in lifting the Fowler to the desired height. Remove hand(s) from the handle when the desired height is achieved.

To lower, squeeze handle (A) and push down until the Fowler has reached the desired height. Remove hand(s) from the handle when the desired height is achieved.

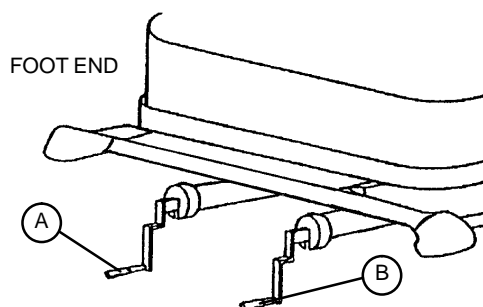
CAUTION

If the pneumatic system appears to be difficult to operate, refer to the Stretcher Maintenance Manual for "Pneumatic Fowler Adjustment".

WARNING

Keep hands/fingers clear of the area between the spine tubes (B) and the Fowler when lowering the Fowler. Injury could result.

Operating the Optional Crank Fowler / Crank Knee Gatch



Remove the crank handle (A) or (B) from its storage magnet under the litter, pivot it up and push in to engage it. Turn crank handle (A) clockwise to raise the Knee Gatch and counterclockwise to lower it. Turn crank handle (B) clockwise to raise the Fowler and counterclockwise to lower it.

Stretcher Operation

USING THE PATIENT TRANSFER BOARD/ARM BOARD

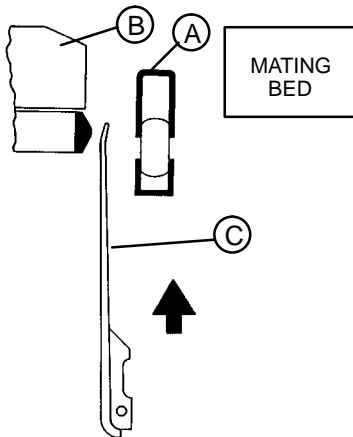
WARNING

When using the transfer board to transfer a patient, **always** lock the brakes on all stretchers, beds, etc. being used and **always** be certain the transfer board is placed securely on the surface of the mating stretcher or bed. The patient stretcher and the mating surface must be at the same height before the patient is transferred.

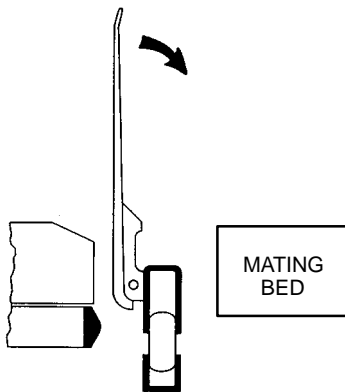
Transferring Patients:

Note

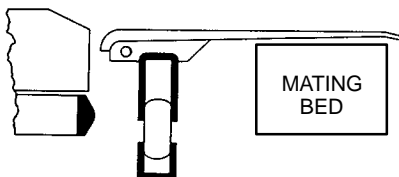
The transfer board (C) is located between the siderail (A) and the mattress (B) (see below).



1. Lower siderail (A) to full down position.
2. Raise the transfer board (C) from the bottom while lifting from the top.



3. When the transfer board is fully raised, it can be pivoted downward onto the surface of the mating bed or stretcher.

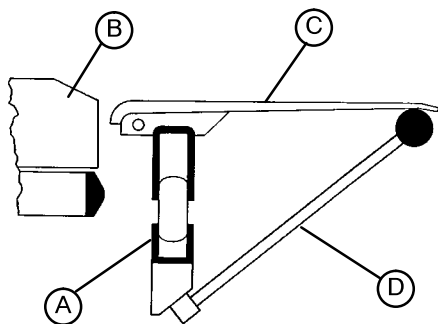


Important: Be sure the brakes have been applied on both the stretcher and the mating bed or stretcher before beginning step 4.

4. Using a sheet, draw the patient onto the mating bed or stretcher.

Stretcher Operation

Using the Transfer Board as an Arm Board



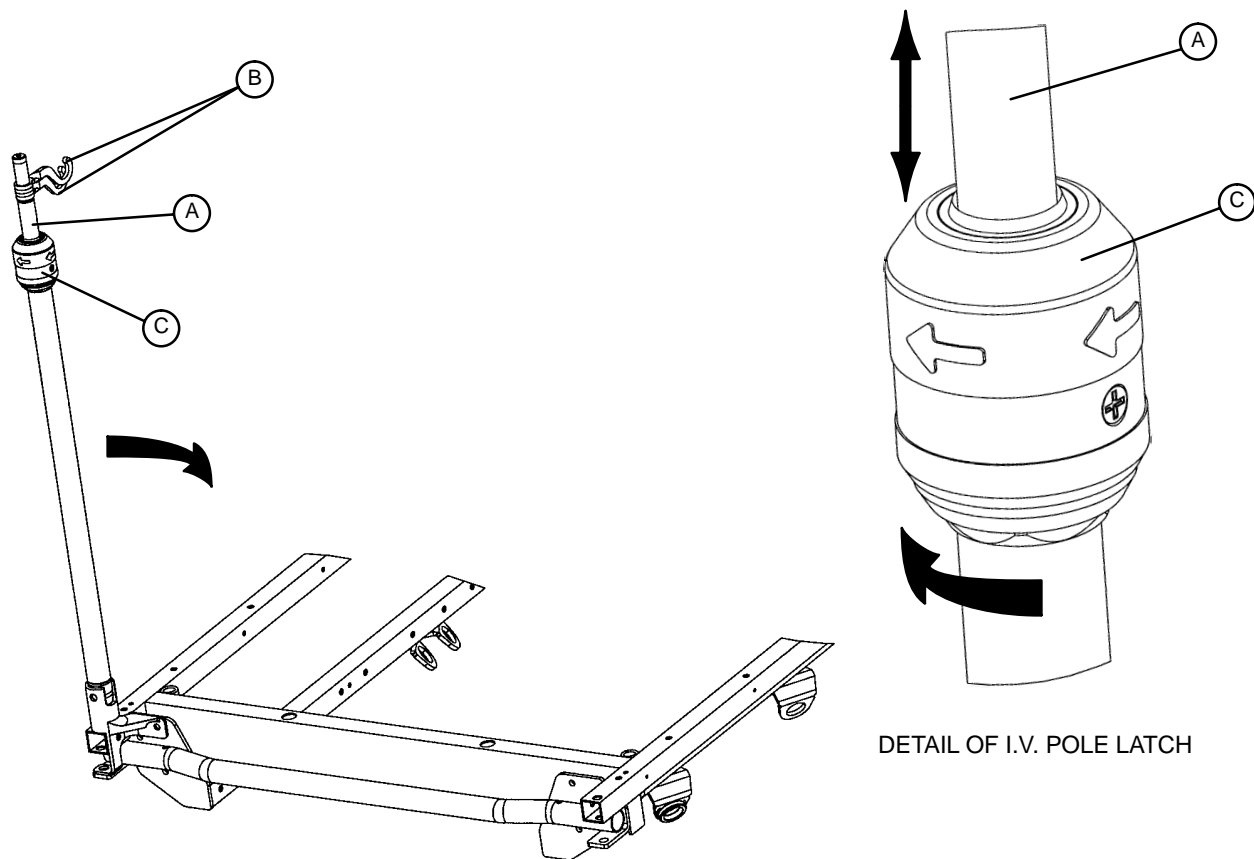
1. Lower siderail (A) to full down position.
2. Raise the support post (D) to the up position.
3. Raise the transfer board (C) from the bottom while lifting from the top.
4. When the transfer board is fully raised, it can be pivoted downward onto the support post (D).

CAUTION

When the transfer board is being used to transfer a patient, the support post (D) must be in the stored (down) position. Damage to the support post will occur if it is pushed up against a stretcher, table, etc.

Stretcher Operation

OPERATING OPTIONAL 2-STAGE PERMANENTLY ATTACHED I.V. POLE



NOTE

The 2-stage permanently attached I.V. pole is an option and may have been installed at either the head, foot or both ends of the stretcher. The choice was made at the time the stretcher was purchased.

To use the 2-stage permanently attached I.V. pole:

1. Lift and pivot the pole from the storage position and push down until it is locked into the receptacle.
2. To raise the height of the pole, pull up on the telescoping portion (A) until it locks into place at its fully raised position.
3. Rotate the I.V. hangers (B) to desired position and hang the I.V. bags.
4. To lower the I.V. pole, turn the latch (C) clockwise until section (A) lowers.

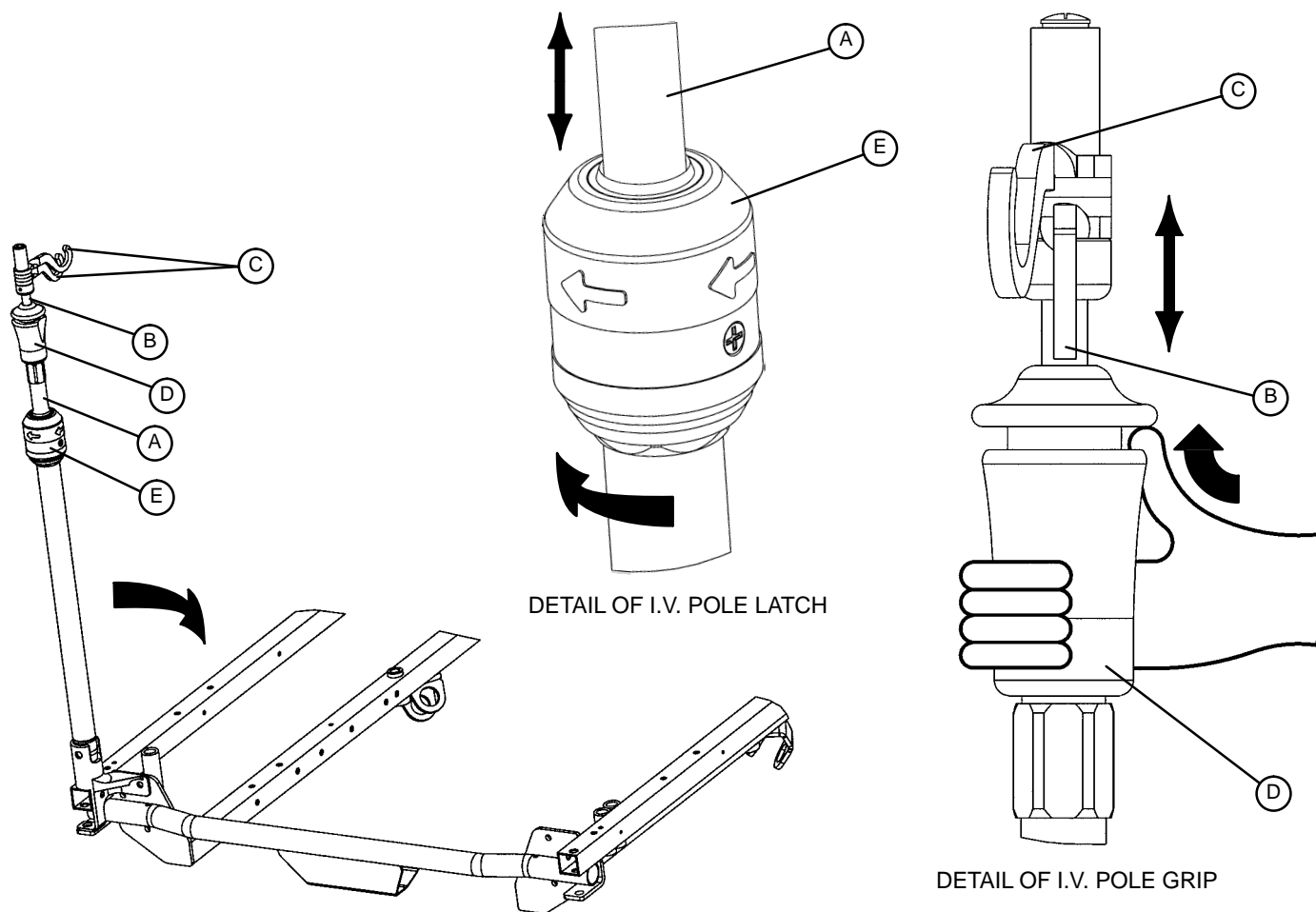
CAUTION

To avoid damage, the weight of the I.V. bags should not exceed 40 pounds.

To avoid damage while transporting the bed, verify the I.V. pole is at a low enough height to allow it to safely pass through door openings and under light fixtures.

Stretcher Operation

OPERATING OPTIONAL 3-STAGE PERMANENTLY ATTACHED I.V. POLE



NOTE

The 3-stage permanently attached I.V. pole is an option and may have been installed at either the head, foot or both ends of the stretcher. The choice was made at the time the stretcher was purchased.

To use the 3-stage permanently attached I.V. pole:

1. Lift and pivot the pole from the storage position and push down until it is locked into the receptacle.
2. To raise the height of the pole, pull up on the telescoping portion (A) until it locks into place at its fully raised position.
3. For a higher I.V. pole, pull up on section (B). Release section (B) at any desired height and it will lock into place.
4. Rotate the I.V. hangers (C) to the desired position and hang the I.V. bags.
5. To lower the I.V. pole, push up on the red portion of grip (D) while holding onto section (B) until it lowers. Turn latch (E) clockwise until section (A) lowers.

CAUTION

To avoid damage, the weight of the I.V. bags should not exceed 40 pounds.

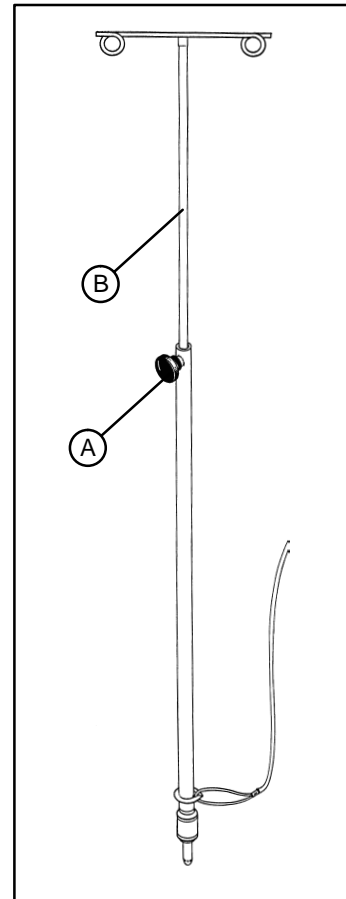
To avoid damage while transporting the bed, verify the I.V. pole is at a low enough height to allow it to safely pass through door openings and under light fixtures.

Stretcher Operation

OPERATING OPTIONAL TETHERED I.V. POLE

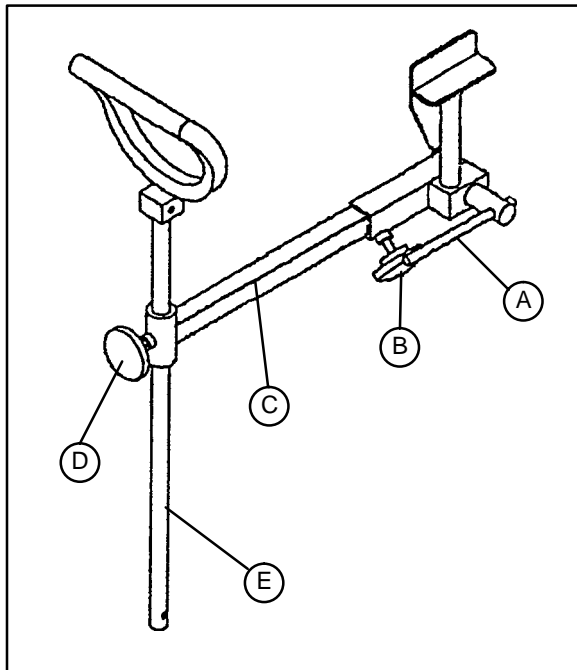
To use the tethered I.V. pole:

1. Remove the I.V. pole from the storage trough under the litter and insert into the receptacle on the corner of the litter frame.
2. To raise the height of the pole, turn knob (A) counter-clockwise and pull up on the telescoping portion (B) of the pole to raise it to the desired height.
3. Turn knob (A) clockwise to lock the telescoping portion in place.



Stretcher Operation

OPERATING OPTIONAL HEEL STIRRUPS

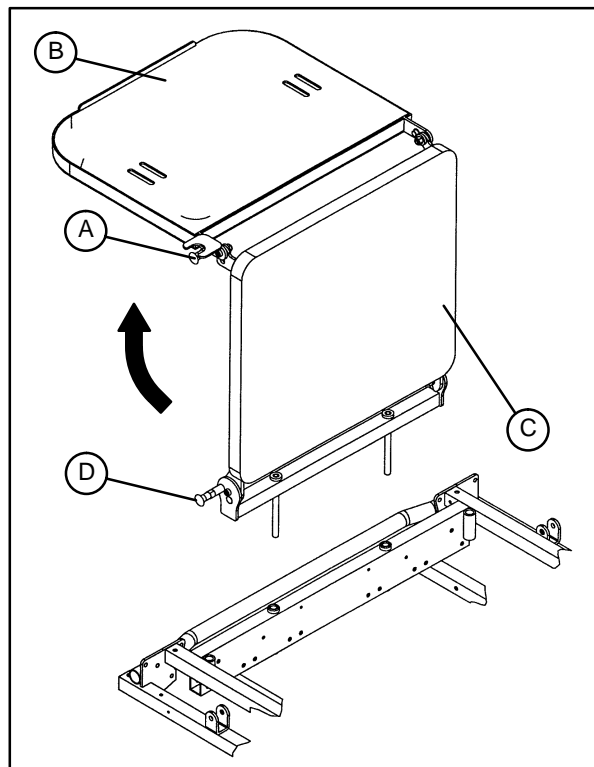


1. To use the optional heel stirrups, turn the handle (A) on the lock screw located under the litter frame and swing the stirrup assembly into position. Tighten the handle (A) to hold the assembly in place.
2. Loosen knob (B) and pull out the extension tube (C) to the desired length. Tighten knob (B).
3. Loosen knob (D) and raise or lower the stirrup (E) to the desired height. Tighten knob (D).

OPERATING OPTIONAL FOOT EXTENSION/DEFIBRILLATOR TRAY

To use as a defibrillator tray, pull out top knob (A) and pivot tray (B) over the foot extension until tray extends flat over foot end of stretcher.

To use as a foot extension, pull out knob (A) and pivot the defibrillator tray back until it locks against the foot extension (C). While holding onto the assembly, pull out bottom knob (D) and lower the foot extension down until it is flat.



Preventative Maintenance

CHECKLIST

- _____ All fasteners secure
- _____ Siderails move and latch properly
- _____ All casters lock with brake pedal engaged
- _____ Steer function working properly
- _____ All casters secure and swivel properly
- _____ Body restraints working properly
- _____ I.V. pole intact and operating properly
- _____ Oxygen bottle holder intact and operating properly
- _____ Fowler operates and latches properly
- _____ Knee Gatch operates properly
- _____ Trendelenburg/Reverse Trendelenburg operating properly
- _____ No rips or cracks in mattress cover
- _____ Transfer boards intact and operating properly
- _____ Arm board support levers intact and operating properly
- _____ Ground chain intact
- _____ No leaks at hydraulic connections
- _____ Hydraulic jacks holding properly
- _____ Hydraulic drop rate set properly
- _____ Hydraulic oil level sufficient
- _____ Lubricate where required, including the brake adjuster assembly and brake cam

Serial No. _____

Completed By: _____ Date: _____

NOTE

Preventative maintenance should be performed at a minimum of annually. A preventative maintenance program should be established for all Stryker Medical equipment. Preventative maintenance may need to be performed more frequently based on the usage level of the product.

Cleaning

Hand wash all surfaces of the stretcher with warm water and mild detergent. Dry thoroughly. **DO NOT STEAM CLEAN, PRESSURE WASH, HOSE OFF OR ULTRASONICALLY CLEAN.** Using these methods of cleaning is **not** recommended and may void this product's warranty.

Clean Velcro **AFTER EACH USE**. Saturate Velcro with disinfectant and allow disinfectant to evaporate. (Appropriate disinfectant for nylon Velcro should be determined by the hospital.)

In general, when used in those concentrations recommended by the manufacturer, either phenolic type or quaternary type disinfectants can be used. Iodophor type disinfectants are not recommended for use because staining may result. The following products have been tested and have been found not to have a harmful effect **WHEN USED IN ACCORDANCE WITH MANUFACTURERS RECOMMENDED DILUTION.***

| TRADE NAME | DISINFECTANT TYPE | MANUFACTURER | *MANUFACTURER'S RECOMMENDED DILUTION |
|---------------------------|-------------------|--|--------------------------------------|
| A33 | Quaternary | Airwick (Professional Products Division) | 2 ounces/gallon |
| A33 (dry) | Quaternary | Airwick (Professional Products Division) | 1/2 ounce/gallon |
| Beaucoup | Phenolic | Huntington Laboratories | 1 ounce/gallon |
| Blue Chip | Quaternary | S.C. Johnson | 2 ounces/gallon |
| Elimstaph | Quaternary | Walter G. Legge | 1 ounce/gallon |
| Franklin Phenomysan F2500 | Phenolic | Purex Corporation | 1 1/4 ounce/gallon |
| Franklin Sentinel | Quaternary | Purex Corporation | 2 ounces/gallon |
| Galahad | Phenolic | Puritan Churchill Chemical Company | 1 ounce/gallon |
| Hi-Tor | Quaternary | Huntington Laboratories | 1/2 ounce/gallon |
| LPH | Phenolic | Vestal Laboratories | 1/2 ounce/gallon |
| Matar | Phenolic | Huntington Laboratories | 1/2 ounce/gallon |
| Omega | Quaternary | Airwick (Professional Products Division) | 1/2 ounce/gallon |
| Quanto | Quaternary | Huntington Laboratories | 1 ounce/gallon |
| Sanikleen | Quaternary | West Chemical Products | 2 ounces/ gallon |
| Sanimaster II | Quaternary | Service Master | 1 ounce/gallon |
| Vesphene | Phenolic | Vestal Laboratories | 1 1/4 ounce/ gallon |

Quaternary Germicidal Disinfectants, used as directed, and/or Chlorine Bleach products, typically 5.25% Sodium Hypochlorite in **dilutions ranging between 1 part bleach to 100 parts water, and 2 parts bleach to 100 parts water are not considered mild detergents. These products are corrosive in nature and may cause damage to your stretcher if used improperly.** If these types of products are used to clean Stryker patient handling equipment, measures must be taken to insure the stretchers are rinsed with clean water and thoroughly dried following cleaning. Failure to properly rinse and dry the stretchers will leave a corrosive residue on the surface of the stretcher, possibly causing premature corrosion of critical components.

NOTE

Failure to follow the above directions when using these types of cleaners may void this product's warranty.

REMOVAL OF IODINE COMPOUNDS

This solution may be used to remove iodine stains from mattress cover surfaces.

1. Use a solution of 1-2 tablespoons Sodium Thiosulfate in a pint of warm water to clean the stained area. Clean as soon as possible after staining occurs. If stains are not immediately removed, allow solution to soak or stand on the surface.
2. Rinse surfaces which have been exposed to the solution in clear water before returning bed to service.

Warranty

Limited Warranty:

Stryker Medical Division, a division of Stryker Corporation, warrants to the original purchaser that its products should be free from defects in material and workmanship for a period of one (1) year after date of delivery. Stryker's obligation under this warranty is expressly limited to supplying replacement parts and labor for, or replacing, at its option, any product which is, in the sole discretion of Stryker, found to be defective. Stryker warrants to the original purchaser that the frame and welds on its beds will be free from structural defects for as long as the original purchaser owns the bed. If requested by Stryker, products or parts for which a warranty claim is made shall be returned prepaid to Stryker's factory. Any improper use or any alteration or repair by others in such manner as in Stryker's judgement affects the product materially and adversely shall void this warranty. Any repair of Stryker products using parts not provided or authorized by Stryker shall void this warranty. No employee or representative of Stryker is authorized to change this warranty in any way.

Stryker Medical stretchers are designed for a 10 year expected life under normal use conditions and appropriate periodic maintenance as described in the maintenance manual for each device.

This statement constitutes Stryker's entire warranty with respect to the aforesaid equipment. STRYKER MAKES NO OTHER WARRANTY OR REPRESENTATION, EITHER EXPRESSED OR IMPLIED, EXCEPT AS SET FORTH HEREIN. THERE IS NO WARRANTY OF MERCHANTABILITY AND THERE ARE NO WARRANTIES OF FITNESS FOR ANY PARTICULAR PURPOSE. IN NO EVENT SHALL STRYKER BE LIABLE HEREUNDER FOR INCIDENTAL OR CONSEQUENTIAL DAMAGES ARISING FROM OR IN ANY MANNER RELATED TO SALES OR USE OF ANY SUCH EQUIPMENT.

To Obtain Parts and Service:

Stryker products are supported by a nationwide network of dedicated Stryker Field Service Representatives. These representatives are factory trained, available locally, and carry a substantial spare parts inventory to minimize repair time. Simply call your local representative, or call Stryker Customer Service at (800) 327-0770.

Service Contract Coverage:

Stryker has developed a comprehensive program of service contract options designed to keep your equipment operating at peak performance at the same time it eliminates unexpected costs. We recommend that these programs be activated *before* the expiration of the new product warranty to eliminate the potential of additional equipment upgrade charges.

A SERVICE CONTRACT HELPS TO:

- Ensure equipment reliability
- Stabilize maintenance budgets
- Diminish downtime
- Establish documentation for JCAHO
- Increase product life
- Enhance trade-in value
- Address risk management and safety

Warranty

Stryker offers the following service contract programs:

| SPECIFICATIONS | GOLD | SILVER | PM* ONLY |
|--|-------------|---------------|-----------------|
| Annually scheduled preventative maintenance | X | | X |
| All parts,** labor, and travel | X | X | |
| Unlimited emergency service calls | X | X | |
| Priority one contact; two hour phone response | X | X | X |
| Most repairs will be completed within 3 business days | X | X | |
| JCAHO documentation | X | X | X |
| On-site log book w/ preventative maintenance & emergency service records | X | | |
| Factory-trained Stryker Service Technicians | X | X | X |
| Stryker authorized parts | X | X | X |
| End of year summary | X | | |
| Stryker will perform all service during regular business hours (9-5) | X | X | X |

* Replacement parts and labor for products under PM contract will be discounted.

** Does not include any disposable items, I.V. poles (except for Stryker HD permanent poles), mattresses, or damage resulting from abuse.

Stryker Medical also offers *personalized* service contracts.

Pricing is determined by age, location, model and condition of product.

For more information on our service contracts, please call your local representative or call (800) 327-0770 (option #2).

Return Authorization:

Merchandise cannot be returned without approval from the Stryker Customer Service Department. An authorization number will be provided which must be printed on the returned merchandise. Stryker reserves the right to charge shipping and restocking fees on returned items.

SPECIAL, MODIFIED, OR DISCONTINUED ITEMS NOT SUBJECT TO RETURN.

Damaged Merchandise:

ICC Regulations require that claims for damaged merchandise must be made with the carrier within fifteen (15) days of receipt of merchandise. **DO NOT ACCEPT DAMAGED SHIPMENTS UNLESS SUCH DAMAGE IS NOTED ON THE DELIVERY RECEIPT AT THE TIME OF RECEIPT.** Upon prompt notification, Stryker will file a freight claim with the appropriate carrier for damages incurred. Claim will be limited in amount to the actual replacement cost. In the event that this information is not received by Stryker within the fifteen (15) day period following the delivery of the merchandise, or the damage was not noted on the delivery receipt at the time of receipt, the customer will be responsible for payment of the original invoice in full.

Claims for any short shipment must be made within thirty (30) days of invoice.

International Warranty Clause:

This warranty reflects U.S. domestic policy. Warranty outside the U.S. may vary by country. Please contact your local Stryker Medical representative for additional information.



European Representative

Stryker France
BP 50040-95946 Roissy Ch. de Gaulle
Cedex-France

Phone: 33148632290
Fax: 33148632175

stryker[®]
Medical

6300 Sprinkle Road, Kalamazoo, MI 49001-9799

(800) 327-0770
www.strykermedical.com



DH 4/03 1210-009-001 REV A