



Renaissance Series

1210/1211 Emergency Care Stretcher

1710/1711 PACU Stretcher

Maintenance Manual

For stretchers with serial numbers of 9711030047 and above

For Parts or Technical Assistance
800-327-0770

Table of Contents

Introduction	
Specifications	4
Warning / Caution / Note Definition	4
Preventative Maintenance	
Cleaning	5
Biannual Checklist	5
Service Information	
Pneumatic Fowler Adjustment	6
Caster Assembly Replacement	7
Caster Cover Installation And Removal	8
Siderail Latch Adjustment	9
Brake Cam Replacement	9
Brake Ring Replacement	10
Base Side Control Pedal Linkage Adjustment	10
Jack Replacement	11
Hydraulic System Troubleshooting	12
Checking Hydraulic Fluid Level	13
Jack Descent Rate Adjustment	13
Hydraulic Check Valve Replacement	
Replacement Of Valve #1	14
Replacement Of Valve (Poppet) #2	15
Removal Of Excess Air (Vacuum) From The Hydraulic System	15
Brake Adjustment	15
Base Lubrication Points	16
Assembly Drawings and Parts Lists	
3-Sided Control Base Assembly, Both Sides and Head End	17–19
3-Sided Control Base Assembly, Both Sides and Foot End	20–22
4-Sided Control Base Assembly	23–25
Jack Assembly	26, 27.1
Jack Base Assembly	27, 27.2
Brake Adjuster Assembly	28
Brake Cam Assembly	29
End Pump Pedal Assembly, Head	30
End Pump Pedal Assembly, Foot	30
Side Release Pedal Assembly, Right	31
Side Release Pedal Assembly, Left	31
Side Pump Pedal Assembly	32
Base Assembly with Steerlock Caster Option	32
Caster Assembly with Steerlock	33
Caster and Caster Cover Replacement Kits	34
Fifth Wheel Assembly	35
3-Sided Base Graphics, Foot End Control	36
3-Sided Base Graphics, Head End Control	37
4-Sided Base Graphics	38
Litter Assembly	39, 40
Three Position Siderail to Litter Assembly, Fold to Foot	41
Three Position Siderail Assembly, Fold to Foot	42

Table of Contents

Assembly Drawings and Parts Lists (Continued)

Three Position Siderail to Litter Assembly, Fold to Head	43
Three Position Siderail Assembly, Fold to Head	44
Two Position Siderail to Litter Assembly, Fold to Foot	45
Two Position Siderail Assembly, Fold to Foot	46
Two Position Siderail to Litter Assembly, Fold to Head	47
Two Position Siderail Assembly, Fold to Head	48
Litter Assembly	49, 50
Siderail to Litter Assembly, Fold to Head	51
Siderail to Litter Assembly, Fold to Foot	52
Glideaway™ Siderail Ass'y, Right	53
Glideaway™ Siderail Ass'y, Left	54
Pneumatic Fowler Assembly	55–62
Crank Fowler Assembly	63, 64
Fowler Crankscrew Assembly	65
Stationary Foot Section Assembly	66–66.4
Knee Gatch Assembly	67–74
Knee Gatch Crankscrew Assembly	75
Transfer System to Litter Assembly	76
Short Transfer System Assembly, Right	77
Short Transfer System Assembly, Left	78
Transfer System to Litter Assembly	79
Transfer System Assembly, Left	80
Transfer System Assembly, Right	81
Transfer Board Assembly	82
Board Support Assembly	83
Foot End Steering Handles Assembly	84, 85
Push Handle Assembly	86
Head End Steering Handles Assembly	87
Foot End Corner Assembly w/o Steering Handles	88, 89
2– Stage I.V. Mounting Assembly (1210 & 1710)	90
2– Stage I.V. Mounting Assembly (1211 & 1711)	93
2–Stage I.V. Pole Assembly	94
3–Stage I.V. Mounting Assembly (1210 & 1710)	95
3–Stage I.V. Pole Assembly	97, 98
2nd Stage Assembly	99
3rd Stage Assembly	100
3–Stage I.V. Mounting Assembly (1211 & 1711)	101
3–Stage I.V. Pole Assembly	102, 103
2nd Stage Assembly	104
3rd Stage Assembly	105
Tethered I.V. Pole Mounting Assembly	106
Tethered I.V. Pole Assembly	107
Tethered I.V. Pole Trough Assembly	108

Table of Contents

Assembly Drawings and Parts Lists (Continued)

I.V. Holder Assembly	109
Defibrillator Tray Assembly	110
Foot Board/Chartholder Assembly	111
Upright Oxygen Bottle Holder Assembly	111
C–Spine Cassette Holder Assembly	112
C–Spine Support Pole Assembly	113
C–Spine Storage Bracket Assembly	114
Heel Stirrup and Support Assembly	115
Right Stirrup Support Assembly	116
Left Stirrup Support Assembly	117
Heel Stirrup Assembly	118
Foot Extension/ Defibrillator Tray Assembly	119
Fowler X–Ray Cassette Assembly (1210 & 1710)	120
X–Ray Cassette Mounting Assembly	121
Fowler X–Ray Cassette Assembly (1211 & 1711)	122
X–Ray Cassette Mounting Assembly	123
Accessory Rail Assembly	124
Replacement Parts	125–128
Limited Warranty	
Obtaining Parts and Service	129
Supplemental Warranty Coverage	129
Return Authorization	130
Freight Damage Claims	130

Introduction

INTRODUCTION

This manual is designed to assist you with the maintenance of the 1210/1211 Emergency Care Stretchers and the 1710/1711 PACU Beds. Read it thoroughly before using the equipment or beginning any maintenance on it.

SPECIFICATIONS

	1210/1211	1710/1711
Maximum Weight Capacity	500 pounds	500 pounds
Overall Bed Length \ Width	83" / 31.5", 83" / 30"	83" / 34.5", 83" / 30.5"
Minimum \ Maximum Bed Height	22" / 35.5", 22" / 35.5"	22" / 35.5", 22" / 35.5"
Fowler Angle	0 to 90°	0 to 90°
Knee Gatch Angle	0 to 35°	0 to 35°
Trendelenburg \ Reverse Trendelenburg	+18° to -18°	+18° to -18°

WARNING / CAUTION / NOTE DEFINITION

The words WARNING, CAUTION and NOTE carry special meanings and should be carefully reviewed.

WARNING

The personal safety of the patient or user may be involved. Disregarding this information could result in injury to the patient or user.

CAUTION

These instructions point out special procedures or precautions that must be followed to avoid damaging the equipment.

NOTE

This provides special information to make maintenance easier or important instructions clearer.

WARNING

Patients should be discouraged from sitting directly on the ends of the stretcher. Excessive weight will cause the litter surface to tip up, possibly causing patient injury.

Always apply the caster brakes when a patient is getting on or off the stretcher. Push on the stretcher to ensure the brakes are securely locked. Always engage the brakes unless the stretcher is being moved. Injury could result if the stretcher moves while a patient is getting on or off the stretcher.

Preventive Maintenance

CLEANING

1. Hand wash all surfaces of the stretcher with warm water and mild detergent. Dry thoroughly.
2. Clean Velcro **AFTER EACH USE**. Saturate Velcro with disinfectant and allow disinfectant to evaporate. (Appropriate disinfectant for nylon Velcro should be determined by the hospital.)

NOTE

Quaternary Germicidal Disinfectants, used as directed, and/or Chlorine Bleach products, typically 5.25% Sodium Hypochlorite in dilutions ranging between 1 part bleach to 100 parts water, and 2 parts bleach to 100 parts water are not considered mild detergents. These products are corrosive in nature and may cause damage to your stretcher if used improperly. If these types of products are used to clean Stryker patient handling equipment, measures must be taken to insure the stretchers are rinsed with clean water and thoroughly dried following cleaning. Failure to properly rinse and dry the stretchers will leave a corrosive residue on the surface of the stretcher, possibly causing premature corrosion of critical components. Failure to follow the above directions when using these types of cleaners may void this product's warranty.

BIANNUAL CHECKLIST

- _____ All fasteners secure
- _____ Siderails move and latch properly
- _____ Engage brake pedal and push on the stretcher to ensure all casters lock securely (page 15)
- _____ Steer function working properly
- _____ All casters secure and swivel properly
- _____ Body restraints working properly
- _____ I.V. pole intact and operating properly
- _____ Oxygen bottle holder intact and operating properly
- _____ Fowler operates and latches properly
- _____ Knee Gatch operates properly
- _____ Trendelenburg/Reverse Trendelenburg operating properly
- _____ No rips or cracks in mattress cover
- _____ Transfer boards intact and operating properly
- _____ Arm board support levers intact and operating properly
- _____ Ground chain intact
- _____ No leaks at hydraulic connections
- _____ Hydraulic jacks holding properly
- _____ Hydraulic drop rate set properly
- _____ Hydraulic oil level sufficient
- _____ Lubricate where required, including the brake adjuster assembly and brake cam

Serial No. _____

Completed By: _____ Date: _____

Service Information

PNEUMATIC FOWLER ADJUSTMENT (OUTSIDE MOUNTED CYLINDERS)

Required Tools:

5/32" Hex Allen Wrench 1/2" Open End Wrench

Adjustment Procedure:

1. Refer to drawings 1210–31–120 or 1710–31–120 (Pneumatic Fowler Assembly, page 56 or page 58) for parts reference.
2. For easier access, move Fowler to 75 degrees or higher.
3. Using a 1/2" open end wrench, loosen the nuts (item K) in the actuator arms on the end of the trip bar (F).
4. To adjust the Fowler, use a 5/32" hex Allen wrench to turn the Allen screws (item N) 1 to 2 turns counter-clockwise if the Fowler will not move or 1 to 2 turns clockwise if the Fowler will not hold its position.
5. Retighten the nuts. Be sure the Fowler will travel from flat to 90° and down again and will hold its position when weight is applied before returning the stretcher to service.

PNEUMATIC FOWLER ADJUSTMENT (CENTER MOUNTED CYLINDERS)

Required Tools:

3/32 Hex Allen Wrench 1/2 Socket w/Ratchet 1/8 Hex Allen Wrench
Channel Lock Pliers 5/32 Hex Allen Wrench Towel or Cloth
7/16 Open End Wrench Thread "Loctite"

Adjustment Procedure:

1. Refer to drawings 1211–31–10 & 1211–31–20 (page 59 & 60) for parts reference.
2. For easier access, move Fowler to 75° or higher.
3. Using a 3/32" hex Allen wrench, remove set screws (item K on page 60), located in center of yokes (item Y on p. 60).
4. Using a 9/16" box end wrench and 5/16" hex Allen wrench, remove the cap screws (item A on page 59), flat washers (item C) and hex nuts (item D) holding the gas cylinders (item K) to the litter frame.
5. To adjust the Fowler, turn the gas cylinder 1 to 2 turns counterclockwise if the Fowler will not move and 1 to 2 turns clockwise if the Fowler will not hold its position.
6. Replace the cap screws. Lower the Fowler approximately 10 to 20° Release the Fowler handle and apply weight to the Fowler to ensure it will hold its position. If the Fowler will not lower or does not hold its position, repeat step 5.
7. When the Fowler is properly adjusted, replace the washers (item C on page 59) and hex nuts (item D) to secure the pivot bolts.
8. Using thread locktite, reinstall set screws (item K on page 60).

Service Information

CASTER ASSEMBLY REPLACEMENT*

Required Tools:

1/8 Roll Pin Punch

Flat Punch (any size larger than 1/8)

Needle Nose Pliers

3/4 Inch Wrench

1 Inch Wrench

Drill with 1/8 inch Drill Bit

Hammer

Floor Jack

(2) Wooden Blocks (10 – 12 inches in length)

Torque Wrench (w/ Ft. Lbs. Adjust.)

Replacement Procedure:

1. Pump the litter up to full height.
2. Lift the base hood, separating the hood from the base frame. Using wooden blocks, support the base hood.
3. Using a 1/8 roll pin punch and hammer, remove roll pin located in center of lug nut holding wheel assembly to base frame.
4. Carefully remove plastic wheel covers.
5. Using a floor jack, lift base frame approximately 4 inches off the ground.
6. While holding cap screw with a 3/4 inch wrench, turn lug nut with a 1 inch wrench to loosen wheel assembly from base frame. Remove wheel.
7. Install the new wheel assembly with new lug nut and tighten down to 60 – 65 foot-pounds torque.

WARNING

Never reuse the old lug nut, cap screw or roll pin once removed from base frame.

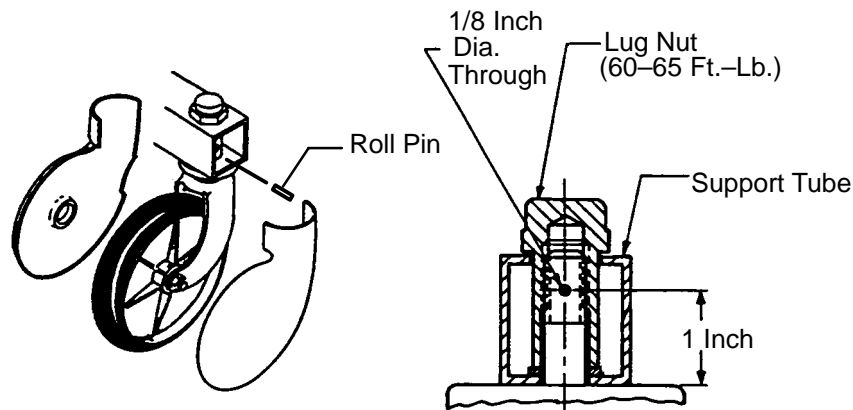
8. Lower the floor jack and set aside to be used, if needed, with another wheel.
9. Drill a 1/8 hole in center of lug nut, going completely through the lug nut.

CAUTION

Be careful not to "oblong" the hole in the lug nut when drilling.

10. Using needle nose pliers, hold on to roll pin and tap into place. Finish driving roll pin with a flat head punch and a hammer until flush with the lug nut.
11. Install plastic wheel covers onto wheel.
12. Remove the wooden blocks supporting the base hood and secure the hood to the base frame.

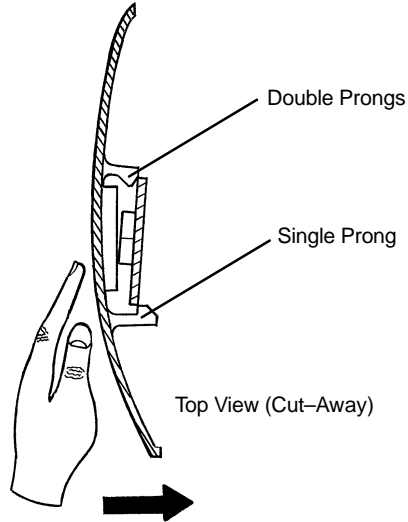
***See page 34 for Replacement Part Numbers (Caster and Caster Cover Assemblies).**



Service Information

CASTER COVER INSTALLATION AND REMOVAL

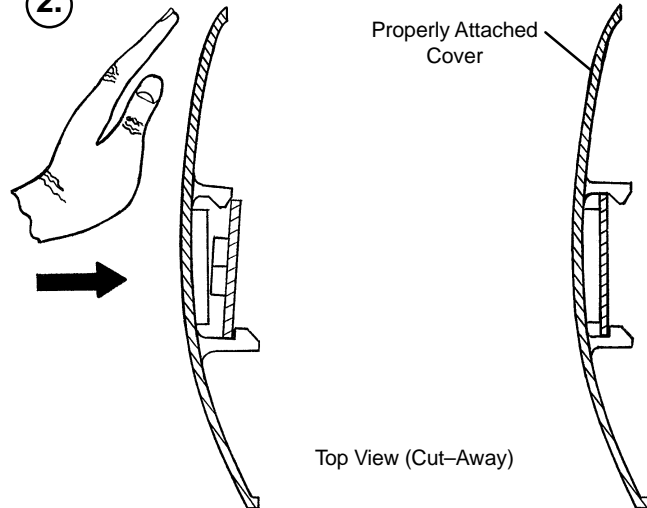
1.



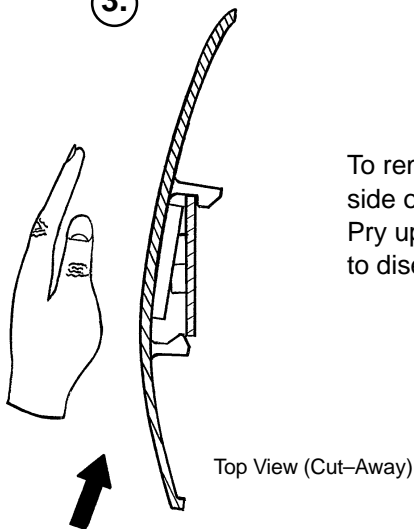
Looking through the larger of the two side cut-outs, align cover with axle nut or bolt head, as shown. Push down on the opposite side of the cover until single prong engages with caster horn.

Push with palm on cover until double prongs engage.

2.



3.



To remove wheel cover, insert large screwdriver into cut-out in side of wheel cover and into the space between the double prongs. Pry up cover to disengage double prongs and push sharply upward to disengage single prong.

Service Information

FOLDDOWN SIDERAIL LATCH ADJUSTMENT (1210 or 1710)

Required Tools:

1/8 Hex Allen Wrench

WARNING

The siderail latch adjustment is pre-set at the factory, and there should not normally be a need for readjustment. If adjustment must be done it is important to follow the procedure below. If it is not done properly, injury to the patient or user could occur.

Adjustment Procedure:

1. Using a 1/8 hex Allen wrench, adjust the hex Allen screw located on the latch assembly opposite the latch. Turning the Allen screw clockwise will **DECREASE** the amount of "play" in the latching mechanism. Turning counterclockwise will **INCREASE** the amount.

NOTE

The amount of "play" in the siderail, when in full up engaged position, should be approximately 1/8 to 3/16 inches.

CAUTION

Too much "play" when the siderail is in the full up engaged position will give the siderail the appearance of being unstable and could also cause premature wearing of the latch system. Too little "play" will obstruct the latch and keep it from engaging completely in the full up position, which may cause damage to the latch and/or injury to the patient or user.

BRAKE CAM REPLACEMENT

Brake Cam Part Number 715-1-213

Required Tools:

Phillips Screwdriver

String or Bungee Cord

3/32" Allen Wrench

1/8" Allen Wrench

Procedure:

1. Remove the four Phillips screws holding the base hood to the frame. Lift and support the base hood using string or bungee cord.
2. Using a 3/32" Allen wrench, loosen the set screw holding the brake adjuster to the brake ring and turn the adjuster clockwise to remove it.
3. Using a 1/8" Allen wrench, remove the shoulder bolt and nut holding the brake link on the cam and remove the cam.
4. Reverse steps 3 and 4 to install the new cam. Apply and release the brakes to ensure they operate properly. If adjustment is required, see page 15. Reinstall the base hood.

Service Information

BRAKE RING REPLACEMENT

Brake Ring Part Number 715-1-61

Required Tools:

Phillips Screwdriver	String or Bungee Cord	Floor Jack, Small Crate (or equiv.)
Large Standard Screwdriver	3/32" Allen Wrench	11/16" Socket & Ratchet
5/8" Wrench	Needle-Nose Pliers	(2) 7/16" Wrenches

Procedure:

1. Remove the four Phillips screws holding the base hood to the frame. Lift and support the base hood using string or bungee cord. Put the brake/steer pedal in the neutral position. Lift the end of the base needing service until the casters are approximately 12" off the floor and support it with a jack or the equivalent.
2. Using a 3/32" Allen wrench, loosen the set screw holding the brake adjuster to the brake ring and turn the adjuster clockwise to remove it.
3. Remove the wheel covers on both casters (see page 9).
4. Remove one of the caster assemblies (see page 8). On the other caster, use an 11/16" socket and ratchet and a 5/8" wrench to remove the nut and bolt holding the wheel on the caster horn and remove only the wheel.
5. Using needle-nose pliers, carefully squeeze and remove the spring between the brake cam and the brake ring.

WARNING

The spring is tightly compressed. Use caution when removing it or personal injury could result.

6. If you are working on an end control base, remove the spring from the pump pedal.
7. Lower the brake ring and remove it from the base. Remove the brake pads and bushings and install them on the new brake ring.
8. Reverse the above steps to install the new brake ring and reinstall the caster and wheel. Apply and release the brakes to ensure they operate properly. If adjustment is required, see page 15. Reinstall the base hood.

BASE SIDE CONTROL PEDAL LINKAGE ADJUSTMENT

Required Tools:

3/8" Wrench	5/32" Hex Allen Wrench	7/16" Wrench
Bungee Cords		

Adjustment Procedure:

1. Place 150-200 pounds on the litter and pump the litter up to full height.
2. Lift the base hood, separating the hood from the base frame. Using bungee cords, support the base hood.
3. Using a 3/8" wrench and a 5/32" hex Allen wrench, loosen the appropriate pedal linkage adjustment nut until the jack stops "drifting". Raise the litter to full up.
4. Tighten the pedal linkage adjustment nut until the jack begins to slowly descend.
5. Using a 7/16" wrench, back the pedal linkage adjustment nut out four full turns. Raise the litter to full up.
6. Loosen the pedal linkage adjustment nut and ensure no drift occurs. If the jack drifts, repeat procedure.

Service Information

JACK REPLACEMENT (WITHOUT COMPRESSION SPRING)

Required Tools:

3/8" Wrench

1/2" Socket

1/2" Wrench

Needle-Nosed Pliers

Replacement Procedure:

1. Apply stretcher brakes. Raise litter to full up. Raise Fowler to full up and raise siderails.
2. Use a 3/8" wrench to remove the bolt in the litter support tube above black bellows on both ends.
3. With the assistance of another person, lift off the stretcher litter and set it aside, taking care not to damage the siderails, etc.
4. Push down on the jack actuator to put the jack in the full down position.
5. Lift off the plastic base hood, separating the Velcro holding it to the base frame.
6. Using a 1/2" socket and 1/2" wrench, remove the four bolts, washers and nuts holding the jack support straps to the base frame.
7. Using needle-nosed pliers, remove the two cotter keys on the pump link and remove the pump link.
8. Using a 1/2" socket and a 1/2" wrench, remove the four bolts holding the jack base to the base frame (using a 3" extension may be required). Remove the jack from the base frame.
9. Reverse steps 6–8 to install the replacement jack. Reinstall the base hood and the litter.

JACK REPLACEMENT (WITH COMPRESSION SPRING)

Required Tools:

3/8" Wrench

Needle-Nosed Pliers

Straight Screwdriver

Spring Compression Tool

Replacement Procedure:

1. Apply stretcher brakes. Raise litter to full up. Raise Fowler to full up and raise siderails.
2. Use a 3/8" wrench to remove the bolt in the litter support tube above black bellows on both ends.
3. With the assistance of another person, lift off the stretcher litter and set it aside, taking care not to damage the siderails, etc.
4. Push down on the jack actuator to put the jack in the full down position.
5. Lift off the plastic base hood, separating the Velcro holding it to the base frame.
6. Using needle-nosed pliers, pull cotter pin from pump cylinder.
7. Using a straight screwdriver and pump spring compression tool (available upon request), compress the pump spring and pry the pump link out of the pump cylinder.

CAUTION

Be sure not to let the pump piston come out of the jack or damage may occur.

8. Remove and replace jack as described in the procedure above.
9. Replace pump spring and pump link using the straight screwdriver and the pump compression tool.
10. Reinstall the base hood and the stretcher litter.

Service Information

HYDRAULIC SYSTEM TROUBLESHOOTING

NOTE

Be sure the pedal linkage has been adjusted properly before beginning service on the jacks (see page 10).

PROBLEM/SYMPTOM	SOLUTION
Jack will not raise to full height.	Add hydraulic fluid (see p.13). Check for leaks.
Jack will not hold in raised position.	Close the needle valve completely. If the jack holds, replace valve #1 (see p. 14). If the jack does not hold, replace valve #2 (see p. 15).
Jack will not pump up and the jack actuator rod does not move.	Close the needle valve. If the jack will now pump up, replace valve #1. If the jack still will not pump up after closing the needle valve, replace valve #3 (see p. 15).
Jack will not pump up but the jack actuator rod does move when the pump pedal is activated.	Replace valve #2 (see p. 15).
Jack will not pump up and the jack actuator rod may or may not move.	Remove excess air (vacuum) in system (see p. 13).

Contact Stryker technical service at 1-800-327-0770 for further assistance.

Service Information

CHECKING HYDRAULIC FLUID LEVEL

Required Tools:

3/8 Open End Wrench 3/4 Open End Wrench

Procedure:

WARNING

To avoid personal injury or damage to the stretcher, remove the litter and the base hood before beginning service on the jacks.

1. Using a 3/8 open end wrench, remove square head set screws from both head and foot end jack support tubes. Remove litter top and set aside.
 2. Lift base hood off base frame and set aside.
 3. Be sure there are no hydraulic leaks. If there are, jack replacement will be necessary.
 4. Lower the jack to the full down position.
 5. Using a 3/4 open end wrench, slowly turn the fill plug located on the side of the reservoir counterclockwise to allow excess system pressure to vent. Remove the fill plug.
 6. The hydraulic fluid should be visible at the bottom of the fill hole. If it is not, add Mobil Aero HFA hydraulic fluid (Stryker part number 2020-70-475) until the fluid is visible at the bottom of the fill hole. Replace the fill plug.
-

CAUTION

Use of other types of oil may damage hydraulic units.

7. Replace the hood and the litter.

JACK DESCENT RATE ADJUSTMENT

Required Tools:

Screwdriver Bungee Cords (or equivalent)

Adjustment Procedure:

1. Pump the litter up to full height.
2. Lift the base hood, separating the hood from the base frame. Using the wooden blocks, support the base hood.
3. The descent rate needle valve is located on the base of the jack. Turn the needle valve clockwise with a screwdriver to decrease the rate of descent. Turn it counterclockwise to increase the rate of descent.
4. Adjust the needle valve so that the foot end of the stretcher descends slightly faster than the head end.

NOTE

The larger percentage of a patient's weight is located in the torso area. Adjust descent rate accordingly.

5. Remove the wooden blocks supporting the base hood and secure the hood to the base frame.

NOTE

The jack descent rate was preset at the factory to drop the foot end faster than the head. It is recommended that the foot drop faster to avoid patient disorientation.

Service Information

HYDRAULIC CHECK VALVE REPLACEMENT

Required Tools:

3/8 Open End Wrench
3/4 Open End Wrench
7/32 Hex Allen Wrench

Stiff Wire (with bent, pointed end)
Torque Wrench (with Ft. Lbs. adjust.)
1/2 Inch Diameter Rod

Small Needle Nose Pliers

Replacement of Valve #1

WARNING

To avoid personal injury or damage to the stretcher, remove the litter and the base hood before beginning service on the jacks. Lower the jack rod completely to relieve the pressure on the pump piston side of the jack. This will prevent large hydraulic fluid loss and possible damage when the base plugs are removed.

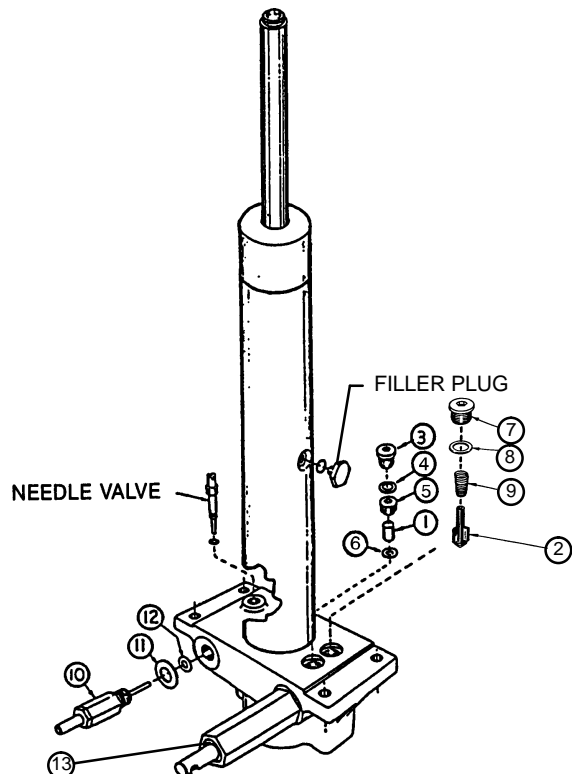
1. Remove the base plug (3) and discard the seal (4).
2. Remove the valve plug (5).
3. Using a stiff wire with a bent, pointed end, remove the valve (1) and the seal (6) and discard the seal.
4. Install the new seal (6) flat to the bottom of its hole with a 1/2" diameter rod.
5. Install the new valve (1) with the beveled end out (as shown in the illustration).
6. Install the valve plug (5) and tighten to 10 foot-pounds torque.
7. Install the new seal (4) with the base plug (3) and tighten to 10 foot-pounds torque.
8. Pump up the jack to the maximum height.
9. Be sure there are no hydraulic leaks before replacing the base hood and the litter.

ITEM	PART NO.	PART NAME
1	926-20-153	Check Valve
2	715-1-341	Poppet
3	715-1-101	Base Plug
4	926-20-156	Seal
5	715-1-309	Valve Plug
6	926-20-154	Seal
7	715-1-301	Base Plug
8	926-20-156	Seal
9	390-2-134	Conical Comp. Spring
10	1210-70-9	Valve Assembly*
10	715-270-100	Valve Assembly**
11	45-966	O-Ring
12	45-967	O-Ring
13	715-100-325	Pump Piston

* Used on jack part number 1210-70-10.

** Used on jack part number 715-270-10.

(see label on side of jack reservoir for jack part number)



Service Information

HYDRAULIC CHECK VALVE REPLACEMENT (CONT'D)

Replacement of Valve (Poppet) #2

WARNING

To avoid personal injury or damage to the stretcher, remove the litter and the base hood before beginning service on the jacks. Lower the jack rod completely to relieve the pressure on the pump piston side of the jack. This will prevent large hydraulic fluid loss and possible damage when the base plugs are removed.

1. Remove the base plug (7) and discard the seal (8).
2. Remove the compression spring (9).
3. Using a small needle nose pliers, remove the poppet (2).
4. Install the new poppet (2).
5. Install the compression spring (9).
6. Install the new seal (8) and the base plug (7) and tighten to 10 foot-pounds torque.
7. Pump up the jack to the maximum height to check its operation.
8. Check for hydraulic leaks before replacing the base hood and the litter.

REMOVAL OF EXCESS AIR (VACUUM) FROM THE HYDRAULIC SYSTEM

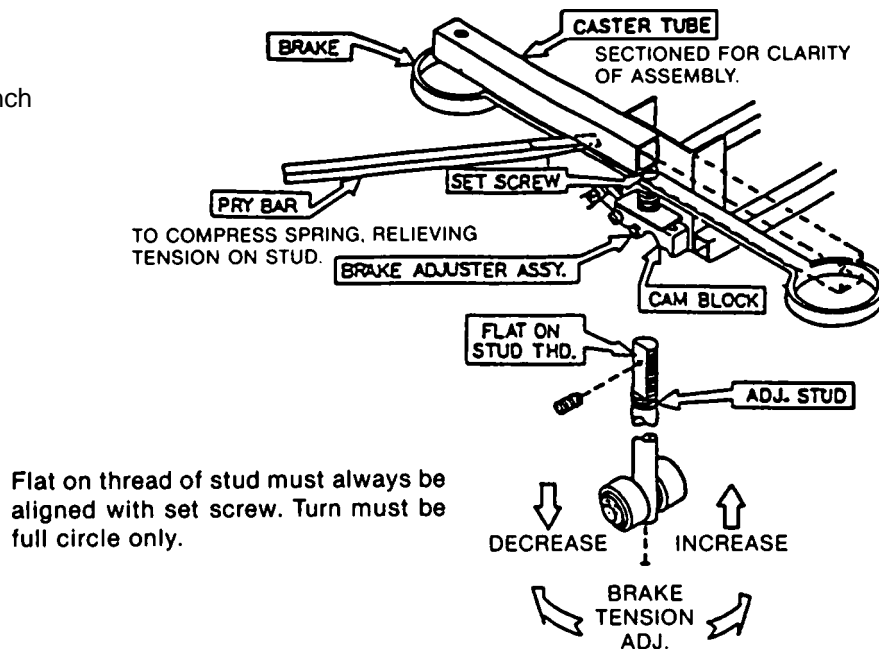
Procedure:

1. Verify all hydraulic linkages are secure and operating properly (see pedal linkage adjustment procedure page 10).
2. Using pump pedal, actuate system several times. This will force the air through the system and the jack should now pump up.

BRAKE ADJUSTMENT

Required Tools:

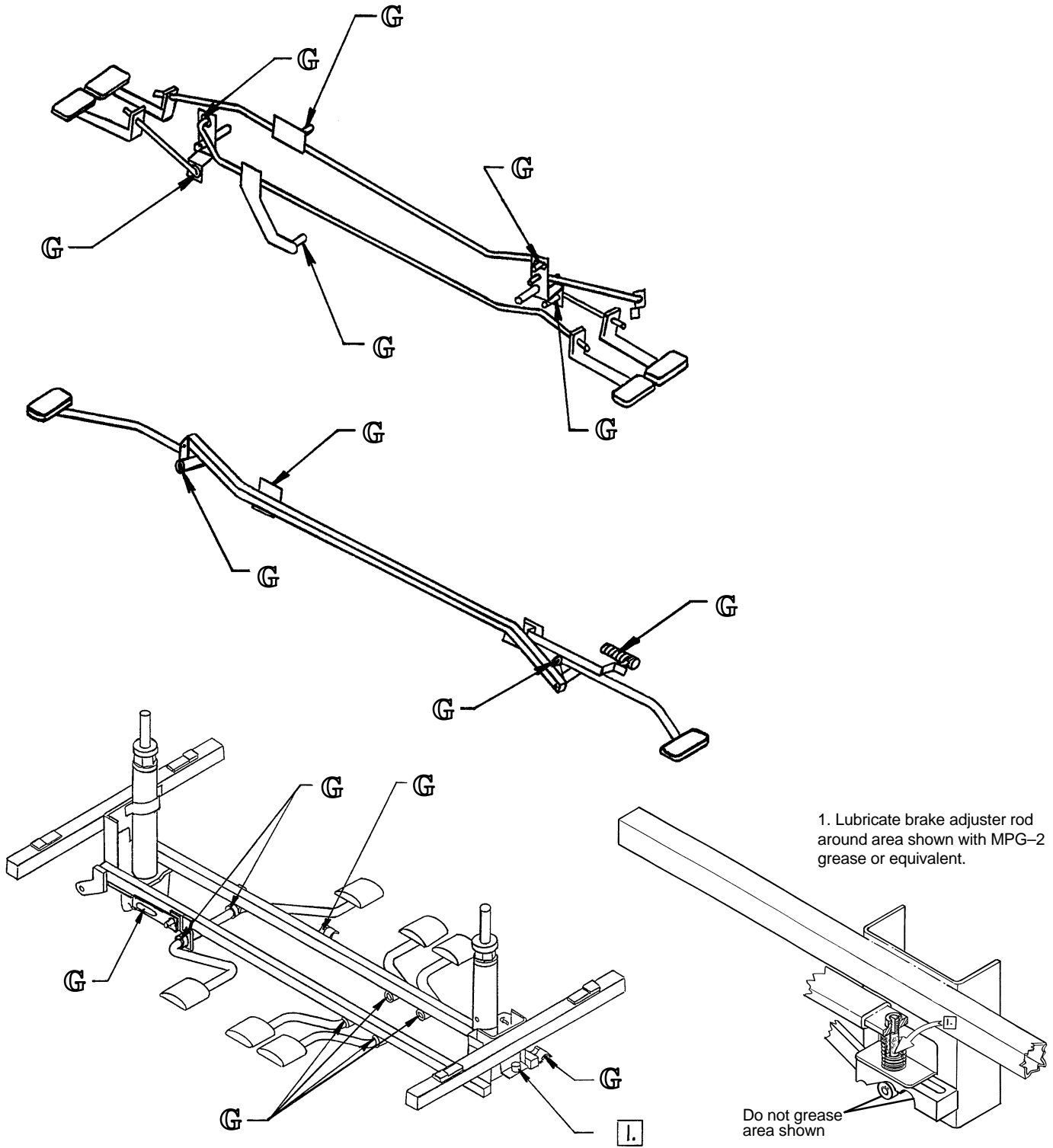
3/32" Hex Allen Wrench
Pry Bar
Thread "Loctite"



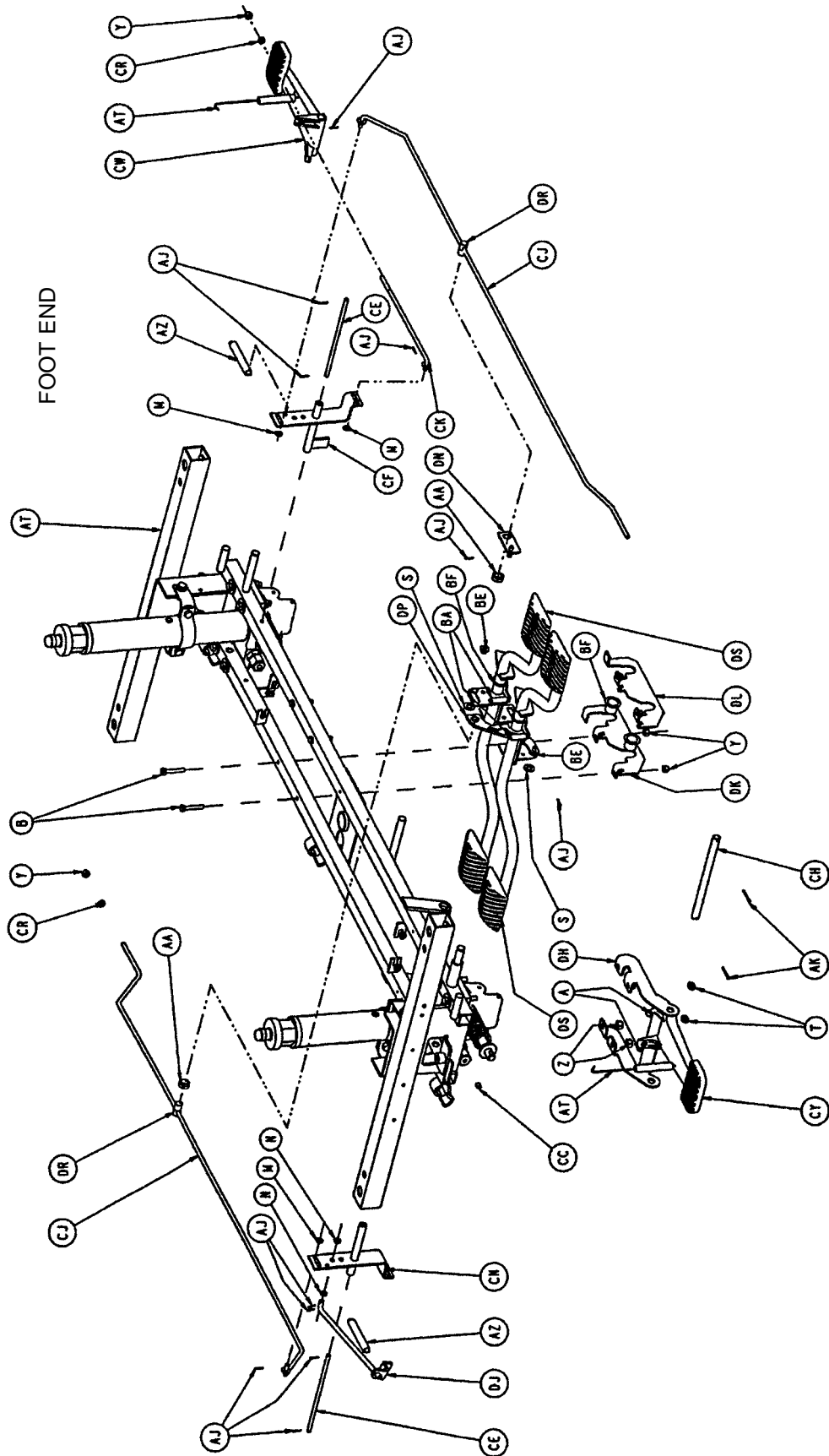
Flat on thread of stud must always be aligned with set screw. Turn must be full circle only.

Service Information

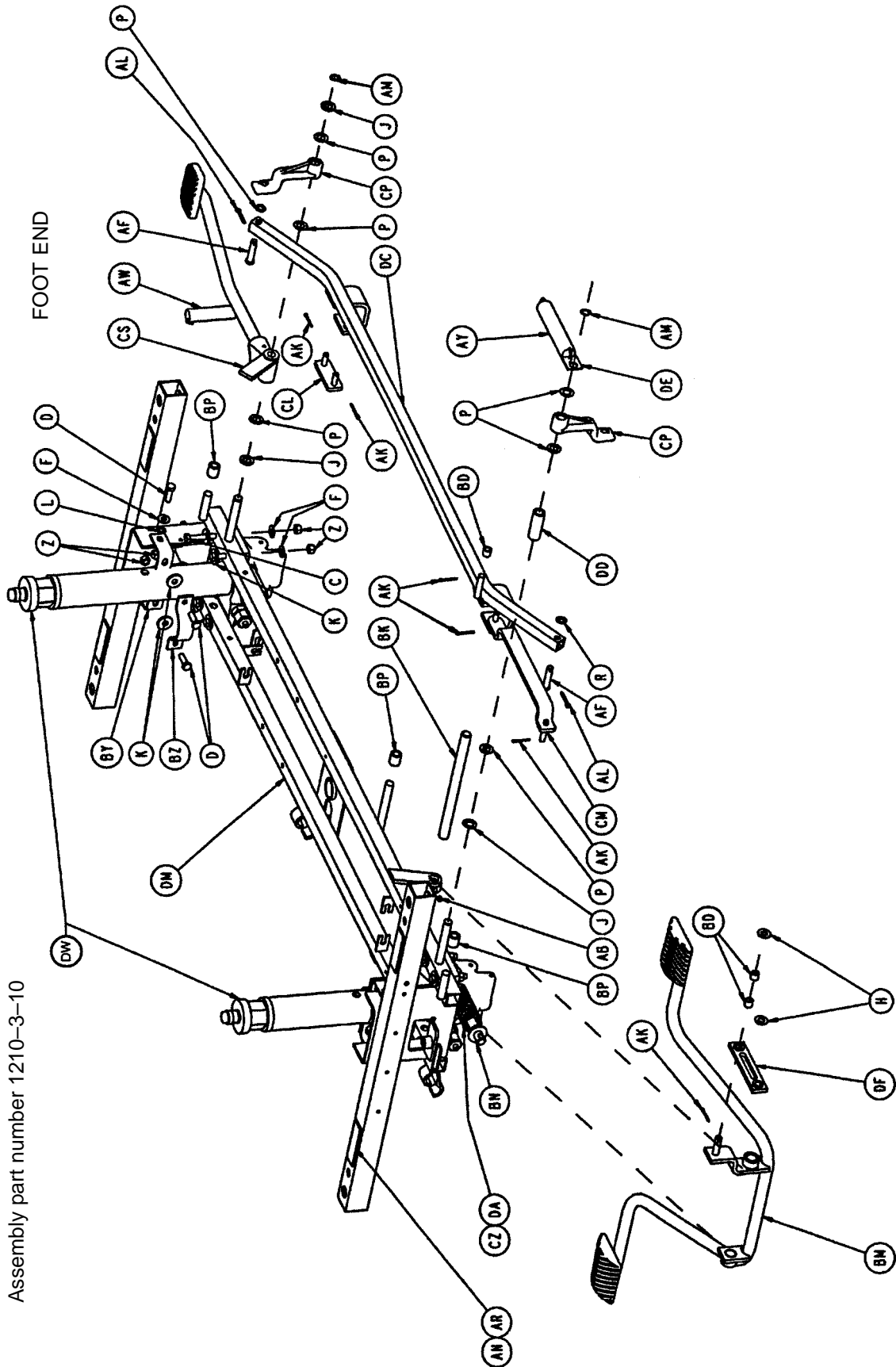
BASE LUBRICATION POINTS



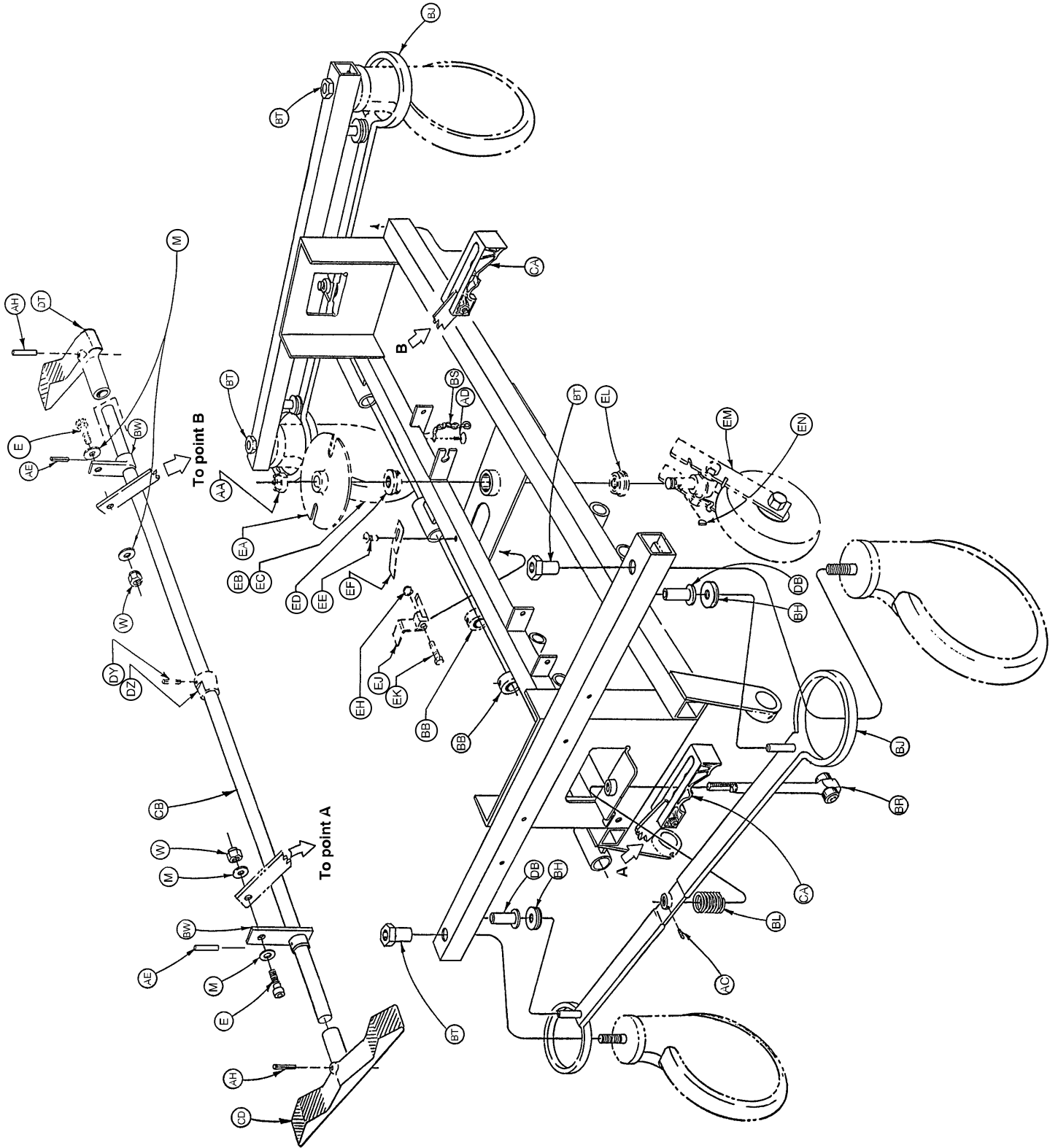
3-Sided Control Base Ass'y, Both Sides & Foot End



3-Sided Control Base Ass'y, Both Sides & Foot End



3-Sided Control Base Ass'y, Both Sides & Foot End



3-Sided Control Base Ass'y, Both Sides & Foot End

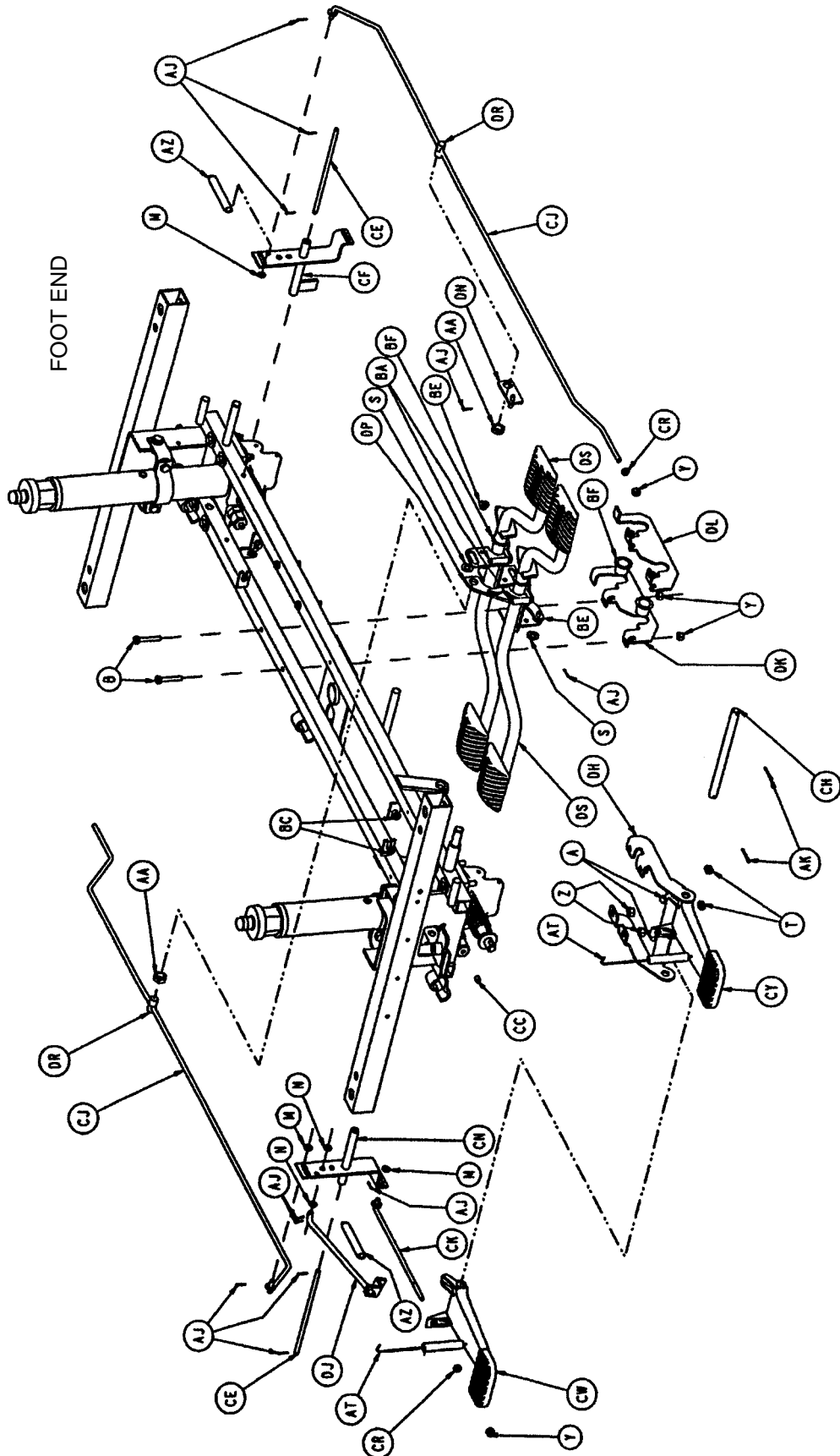
Item	Part No.	Part Name	Qty.	Item	Part No.	Part Name	Qty.
A	3-4	Hex Hd. Cap Screw	2	BW	715-1-165	Actuator Plate Ass'y	2
B	3-47	Hex Hd. Cap Screw	4	BY	715-1-192	Jack Support	2
C	3-62	Hex Hd. Cap Screw	8	BZ	715-1-193	Jack Support Clamp	2
D	3-85	Hex Hd. Cap Screw	8	CA	(page 29)	Brake Cam Ass'y	2
E	8-17	Soc. Hd. Shoulder Bolt	1	CB	715-1-230	Brake/Steer Rod	1
F	11-3	Washer	8	CC	715-1-333	Release Valve Stop Sleeve	2
H	11-4	Washer	2	CD	715-201-201	Brake/Steer Pedal	1
J	11-13	Washer	3	CE	716-1-15	Release Pivot Bar	2
K	11-262	Washer	12	CF	716-1-52	Pivot Ass'y, Foot	1
L	13-38	Lock Washer	4	CH	716-1-61	Pedal Shaft	1
M	14-2	Nylon Washer	6	CJ	716-1-71	Rel. Rod, Hd., Rt., Long	2
N	14-3	Thrust Washer	2	CK	716-1-75	Rel. Ped., Ft., Rt., Btm.	1
P	14-7	Nylon Washer	6	CL	716-1-102	Pump Link Ass'y, Foot	1
R	14-9	Spring Washer	2	CM	716-1-109	Pump Link Ass'y, Hd.	1
S	14-21	Nylon Washer	2	CN	716-1-119	Pivot Ass'y, Head	1
T	15-11	Hex Jam Nut	2	CP	716-1-281	Pump Idler Link	2
W	16-2	Fiberlock Nut	2	CR	716-1-286	Release Pedal Cam	2
Y	16-28	Fiberlock Nut	6	CS	(page 30)	Pump Pedal Ass'y, Foot	1
Z	16-36	Nylock Nut	16	CW	716-1-293	Release Pedal, Left	1
AA	16-49	Nylock Nut	3	CY	716-1-294	Release Pedal, Right	1
AB	21-22	Set Screw	2	CZ	763-1-15	Jack Spring	1
AC	21-50	Set Screw	2	DA	763-1-16	Spring Holder	1
AD	23-25	Hex Wash. Hd. Tap. Screw	1	DB	946-1-116	Brake Bar Bushing	4
AE	26-13	Roll Pin	2	DC	1210-1-27	Pump Connect. Rod Ass'y	1
AF	26-195	Clevis Pin	2	DD	1210-1-44	Pump Pedal Spacer	1
AH	26-261	Groove Pin	2	DE	1210-1-47	Spring Retainer	1
AJ	27-4	Cotter Pin	11	DF	1210-1-104	Pump Pedal Link Ass'y	1
AK	27-7	Cotter Pin	8	DH	1210-1-111	End Release Pedal Brkt.	1
AL	27-16	Cotter Pin	2	DJ	1210-1-112	Hd./Lt. Rel. Rod Wldmt.	1
AM	28-97	Retaining Ring	2	DK	1210-1-114	Pedal Pivot, Right	1
AN	29-7	Dual Lock	4	DL	1210-1-115	Pedal Pivot, Left	1
AR	29-9	Dual Lock	4	DM	1210-1-120	Base Frame Weldment	1
AT	38-235	Pump Return Spring	2	DN	1210-1-123	Rel. Pedal Trans Wldmt.	1
AW	38-251	Spring	1	DP	1210-1-134	Rel. Pedal Linkage Wldmt.	1
AY	38-312	Extension Spring	1	DR	1210-1-138	Release Rod Clamp	2
AZ	38-326	Extension Spring	2	DS	(page 31)	Side Release Pedal	2
BA	38-355	Steerlock Extension Spring	2	DT	1210-1-345	Brake/Steer Pedal, Ft.	1
BB	42-20	Collar	2	DW	(page 26 or 27.1)	Jack Assembly	2
BC	52-245	Nyliner Bearing	4	DY	26-8	Roll Pin	1*
BD	52-284	Nylon Spacer	3	DZ	715-1-161	Fifth Wheel Cam	1*
BE	52-302	Shoulder Washer	2	EA	715-1-337	Fifth Wheel Plate	1*
BF	52-747	Flanged Bearing	4	EB	(page 34)	Caster Wheel Ass'y	4**
BH	715-1-11	Brake Cushion	4	EC	(page 33)	Steerlock Caster	1***
BJ	715-1-61	Caster Brake Ass'y	2	ED	715-1-157	Fifth Wheel Bearing	1*
BK	715-1-92	Pump Pedal Shaft	1	EE	7-4	Truss Hd. Mach. Screw	1
BL	715-1-94	Compression Spring	2	EF	715-1-136	Fifth Wheel Spring	1*
BM	(page 32)	Side Pump Pedal Ass'y	1	EH	16-16	Nylock Nut	1*
BN	715-1-133	Collar	1	EJ	715-1-217	Fifth Wheel Latch	1*
BP	715-1-140	Vinyl Tube	2	EK	3-20	Hex Hd. Cap Screw	1*
BR	(page 28)	Brake Adjuster Ass'y	2	EL	81-219	Fifth Wheel Bearing	1*
BS	715-1-156	Ground Chain	1	EM	(page 35)	Fifth Wheel Assembly	1*
BT	715-1-158	Caster Nut	4	EN	715-1-149	Woodruff Key	1*

* These parts are used with the optional Fifth Wheel Assembly

** Quantity 3 when Fifth Wheel is not present.

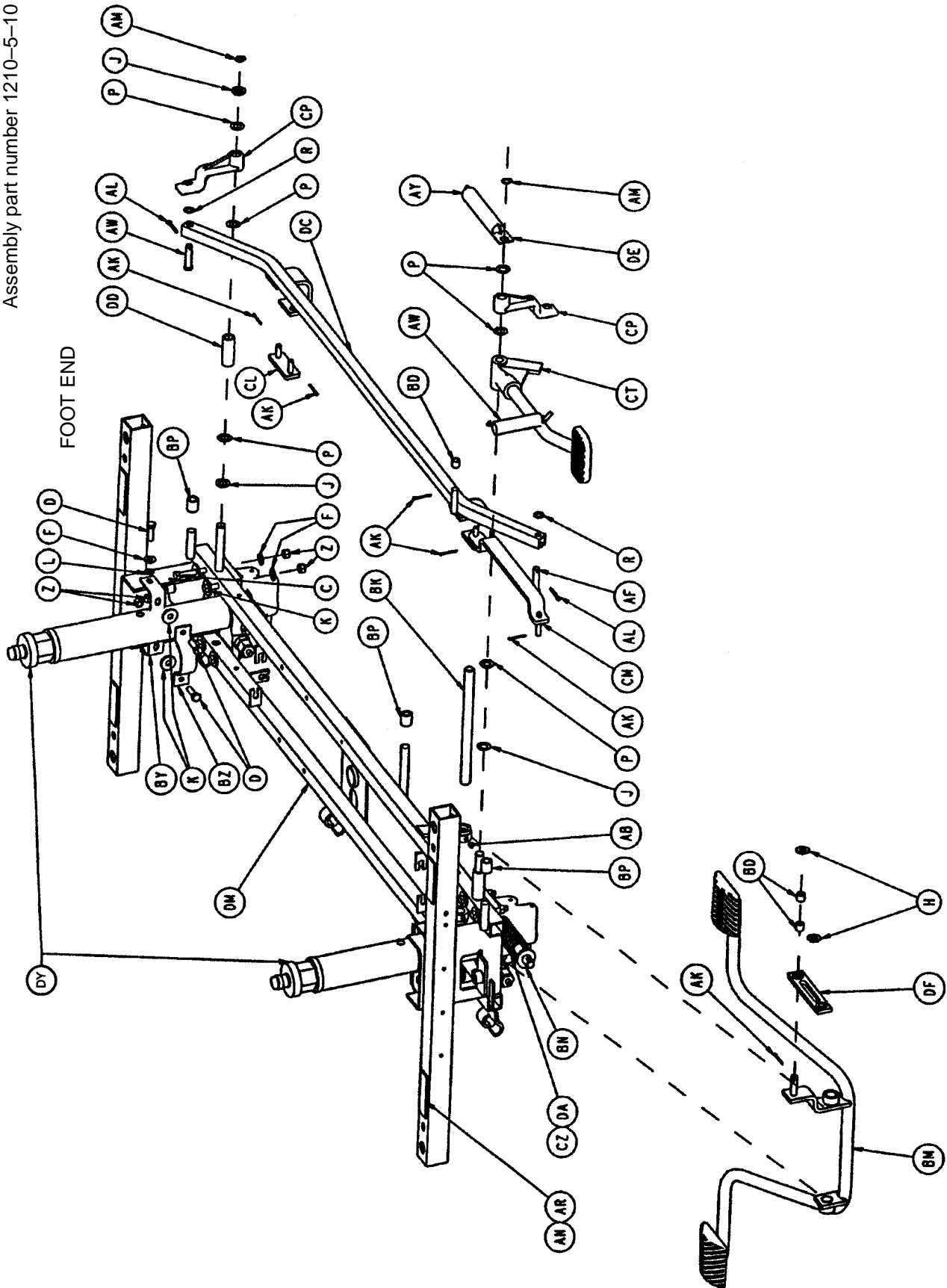
*** Used only when Fifth Wheel is not present.

3-Sided Control Base Ass'y, Both Sides & Head End

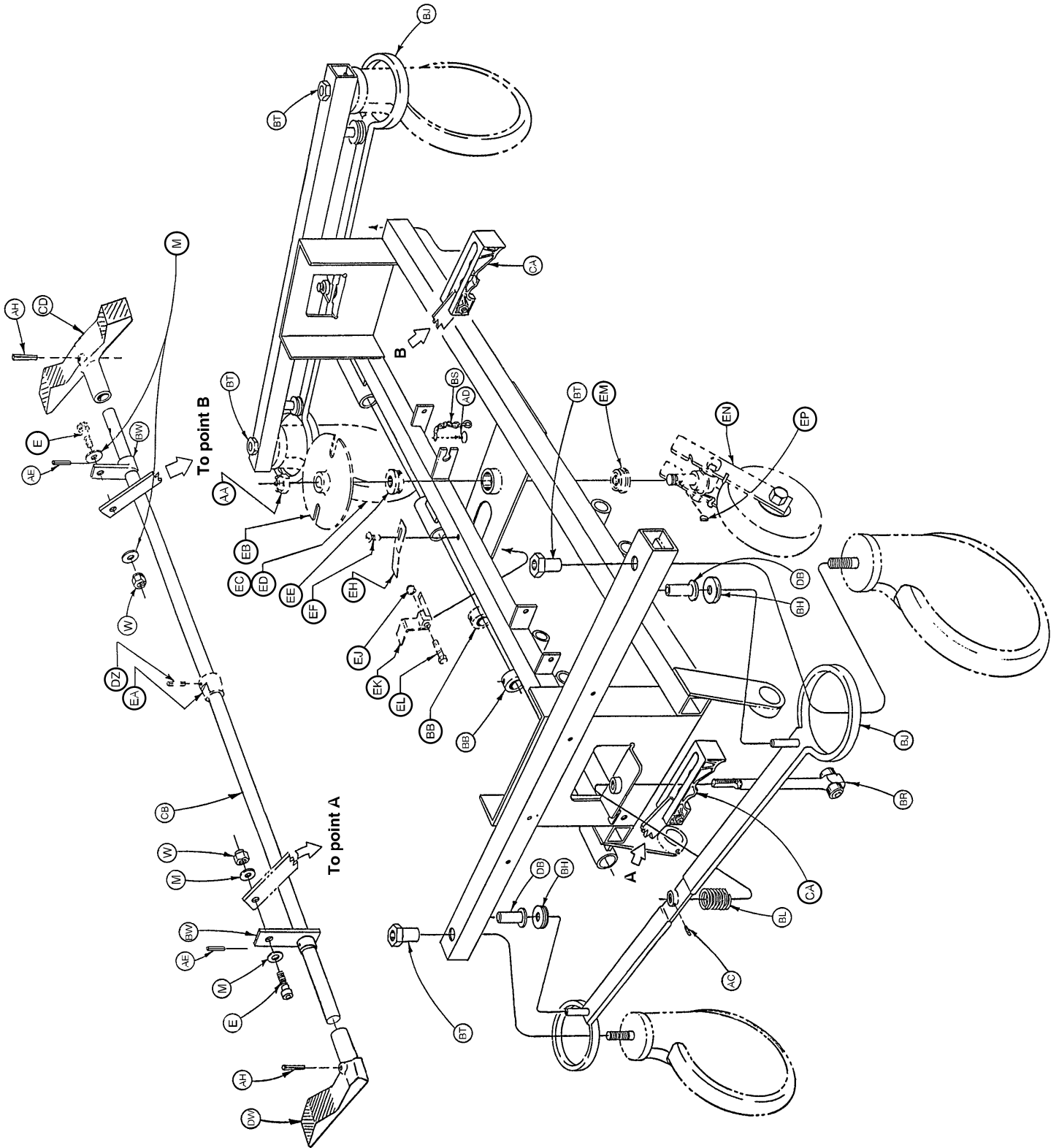


3-Sided Control Base Ass'y, Both Sides and Head End

Assembly part number 1210-5-10



3-Sided Control Base Ass'y, Both Sides and Head End



3-Sided Control Base Ass'y, Both Sides and Head End

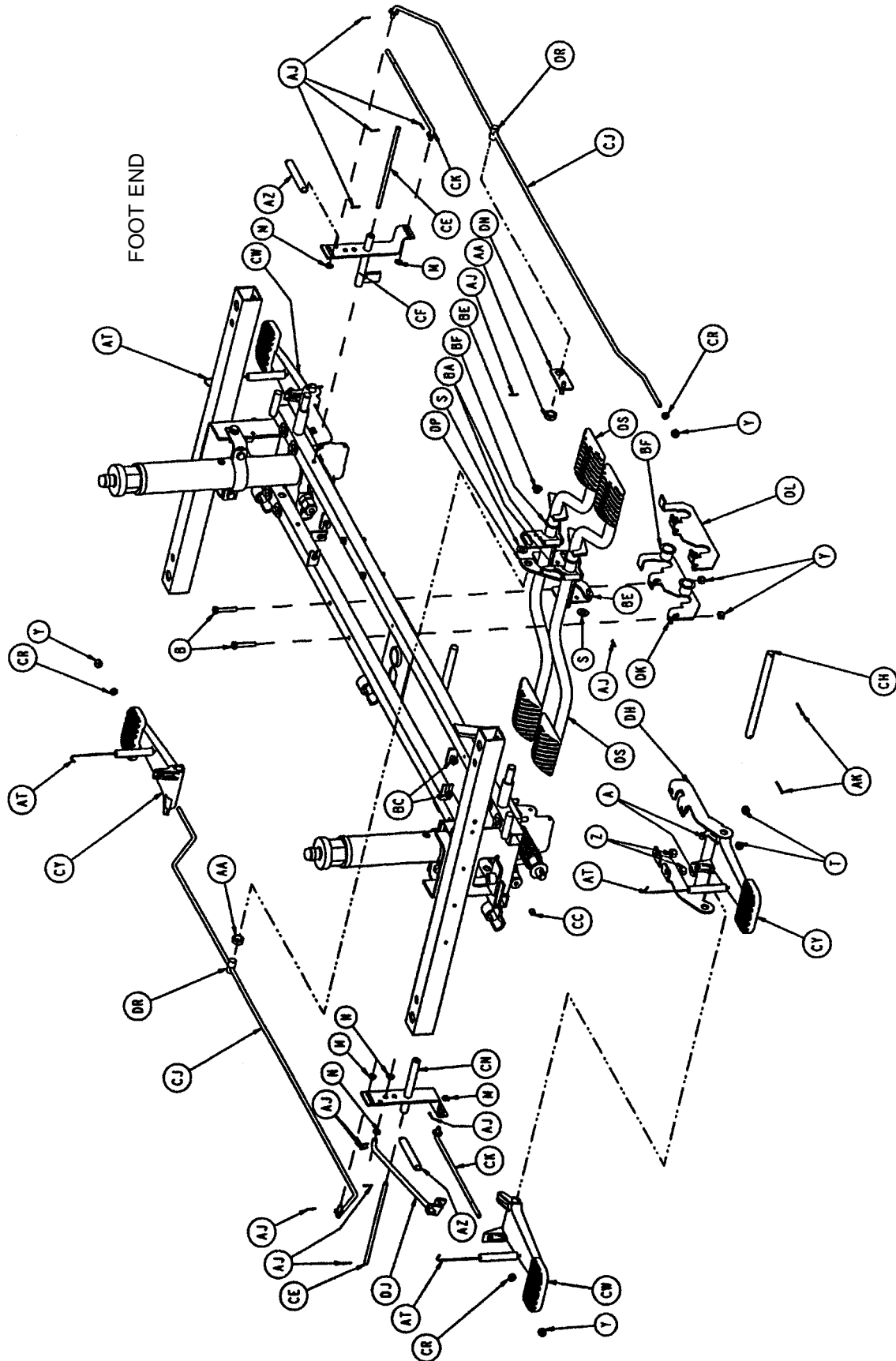
Item	Part No.	Part Name	Qty.	Item	Part No.	Part Name	Qty.
A	3-4	Hex Hd. Cap Screw	2	BW	715-1-165	Actuator Plate Ass'y	2
B	3-47	Hex Hd. Cap Screw	4	BY	715-1-192	Jack Support	2
C	3-62	Hex Hd. Cap Screw	8	BZ	715-1-193	Jack Support Clamp	2
D	3-85	Hex Hd. Cap Screw	8	CA	(page 29)	Brake Cam Ass'y	2
E	8-17	Soc. Hd. Shoulder Bolt	2	CB	715-1-230	Brake/Steer Rod	1
F	11-3	Washer	8	CC	715-1-333	Release Valve Stop Sleeve	2
H	11-4	Washer	2	CD	715-201-201	Brake/Steer Pedal	1
J	11-13	Washer	3	CE	716-1-15	Release Pivot Bar	2
K	11-262	Washer	12	CF	716-1-52	Pivot Ass'y, Foot	1
L	13-38	Lock Washer	4	CH	716-1-61	Pedal Shaft	1
M	14-2	Nylon Washer	4	CJ	716-1-71	Rel. Rod, Hd., Rt., Long	2
N	14-3	Thrust Washer	2	CK	716-1-75	Rel. Ped., Ft., Rt., Btm.	1
P	14-7	Nylon Washer	6	CL	716-1-102	Pump Link Ass'y, Foot	1
R	14-9	Spring Washer	2	CM	716-1-109	Pump Link Ass'y, Hd.	1
S	14-21	Nylon Washer	2	CN	716-1-119	Pivot Ass'y, Head	1
T	15-11	Hex Jam Nut	2	CP	716-1-281	Pump Idler Link	2
W	16-2	Fiberlock Nut	2	CR	716-1-286	Release Pedal Cam	2
Y	16-28	Fiberlock Nut	6	CS	(page 30)	Pump Pedal Ass'y, Foot	1
Z	16-36	Nylock Nut	16	CW	716-1-293	Release Pedal, Left	1
AA	16-49	Nylock Nut	3	CY	716-1-294	Release Pedal, Right	1
AB	21-22	Set Screw	2	CZ	763-1-15	Jack Spring	1
AC	21-50	Set Screw	2	DA	763-1-16	Spring Holder	1
AD	23-25	Hex Wash. Hd. Tap. Screw	1	DB	946-1-116	Brake Bar Bushing	4
AE	26-13	Roll Pin	2	DC	1210-1-27	Pump Connect. Rod Ass'y	1
AF	26-195	Clevis Pin	2	DD	1210-1-44	Pump Pedal Spacer	1
AH	26-261	Groove Pin	2	DE	1210-1-47	Spring Retainer	1
AJ	27-4	Cotter Pin	11	DF	1210-1-104	Pump Pedal Link Ass'y	1
AK	27-7	Cotter Pin	8	DH	1210-1-111	End Release Pedal Brkt.	1
AL	27-16	Cotter Pin	2	DJ	1210-1-112	Hd./Lt. Rel. Rod Wldmt.	1
AM	28-97	Retaining Ring	2	DK	1210-1-114	Pedal Pivot, Right	1
AN	29-7	Dual Lock	4	DL	1210-1-115	Pedal Pivot, Left	1
AR	29-9	Dual Lock	4	DM	1210-1-120	Base Frame Weldment	1
AT	38-235	Pump Return Spring	2	DN	1210-1-123	Rel. Pedal Trans Wldmt.	1
AW	38-251	Spring	1	DP	1210-1-134	Rel. Pedal Linkage Wldmt.	1
AY	38-312	Extension Spring	1	DR	1210-1-138	Release Rod Clamp	2
AZ	38-326	Extension Spring	2	DS	(page 31)	Side Release Pedal	2
BA	38-355	Steerlock Extension Spring	2	DT	1210-1-346	Brake/Steer Pedal, Hd.	1
BB	42-20	Collar	1	DW	(page 26 or 27.1)	Jack Assembly	2
BC	52-245	Nyliner Bearing	4	DY	26-8	Roll Pin	1*
BD	52-284	Nylon Spacer	3	DZ	715-1-161	Fifth Wheel Cam	1*
BE	52-302	Shoulder Washer	2	EA	715-1-337	Fifth Wheel Plate	1*
BF	52-747	Flanged Bearing	4	EB	(page 34)	Caster Wheel Ass'y	1**
BH	715-1-11	Brake Cushion	4	EC	(page 33)	Steerlock Caster	1**
BJ	715-1-61	Caster Brake Ass'y	2	ED	715-1-157	Fifth Wheel Bearing	1*
BK	715-1-92	Pump Pedal Shaft	1	EE	7-4	Truss Hd. Mach. Screw	1
BL	715-1-94	Compression Spring	2	EF	715-1-136	Fifth Wheel Spring	1*
BM	(page 32)	Side Pump Pedal Ass'y	1	EH	16-16	Nylock Nut	1*
BN	715-1-133	Collar	1	EJ	715-1-217	Fifth Wheel Latch	1*
BP	715-1-140	Vinyl Tube	2	EK	3-20	Hex Hd. Cap Screw	1*
BR	(page 28)	Brake Adjuster Ass'y	2	EL	81-219	Fifth Wheel Bearing	1*
BS	715-1-156	Ground Chain	1	EM	(page 35)	Fifth Wheel Assembly	1*
BT	715-1-158	Caster Nut	4	EN	715-1-149	Woodruff Key	1*

* These parts are used with the optional Fifth Wheel Assembly

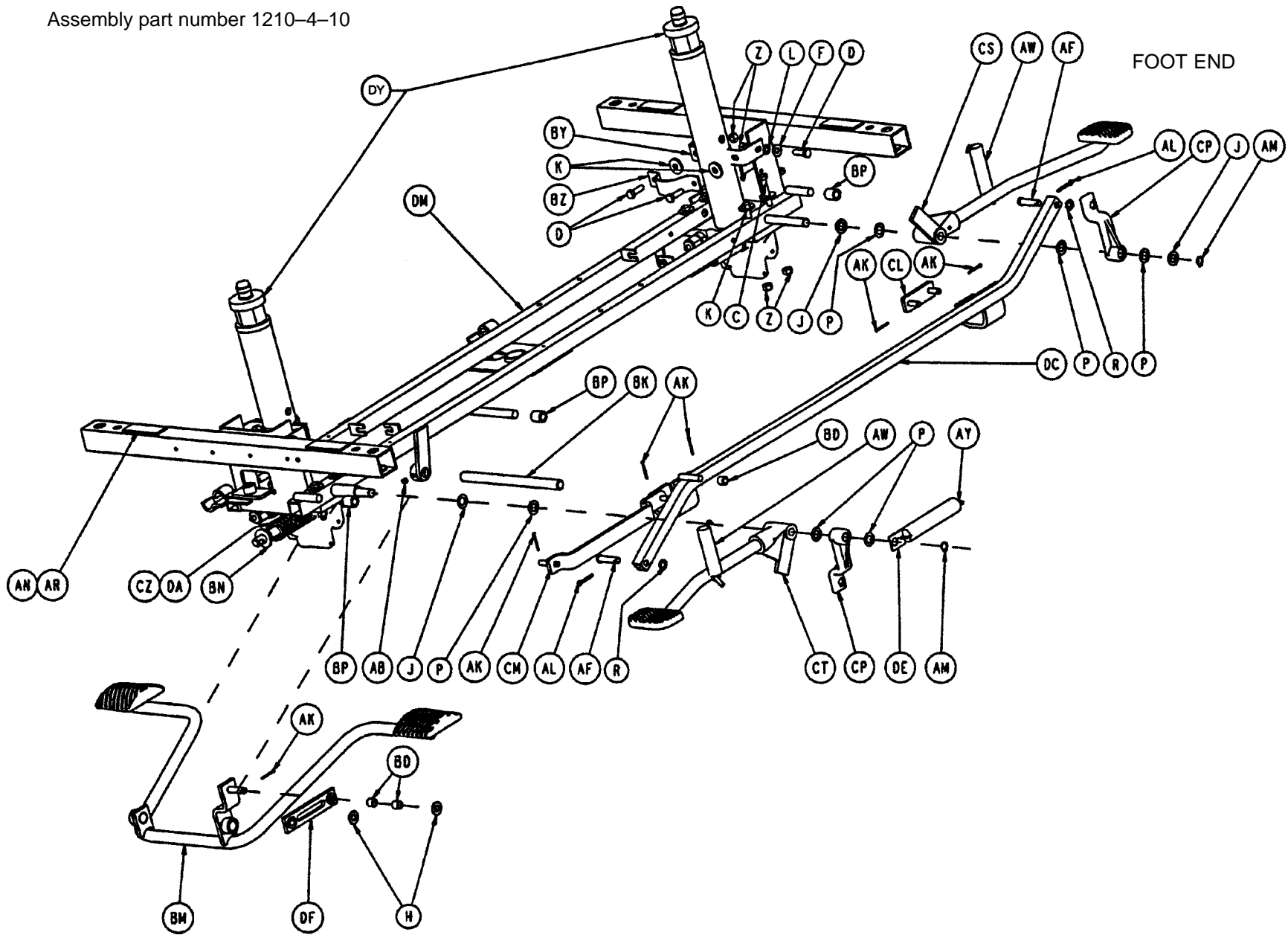
** Used only when Fifth Wheel is not present.

Notes

4-Sided Control Base Assembly

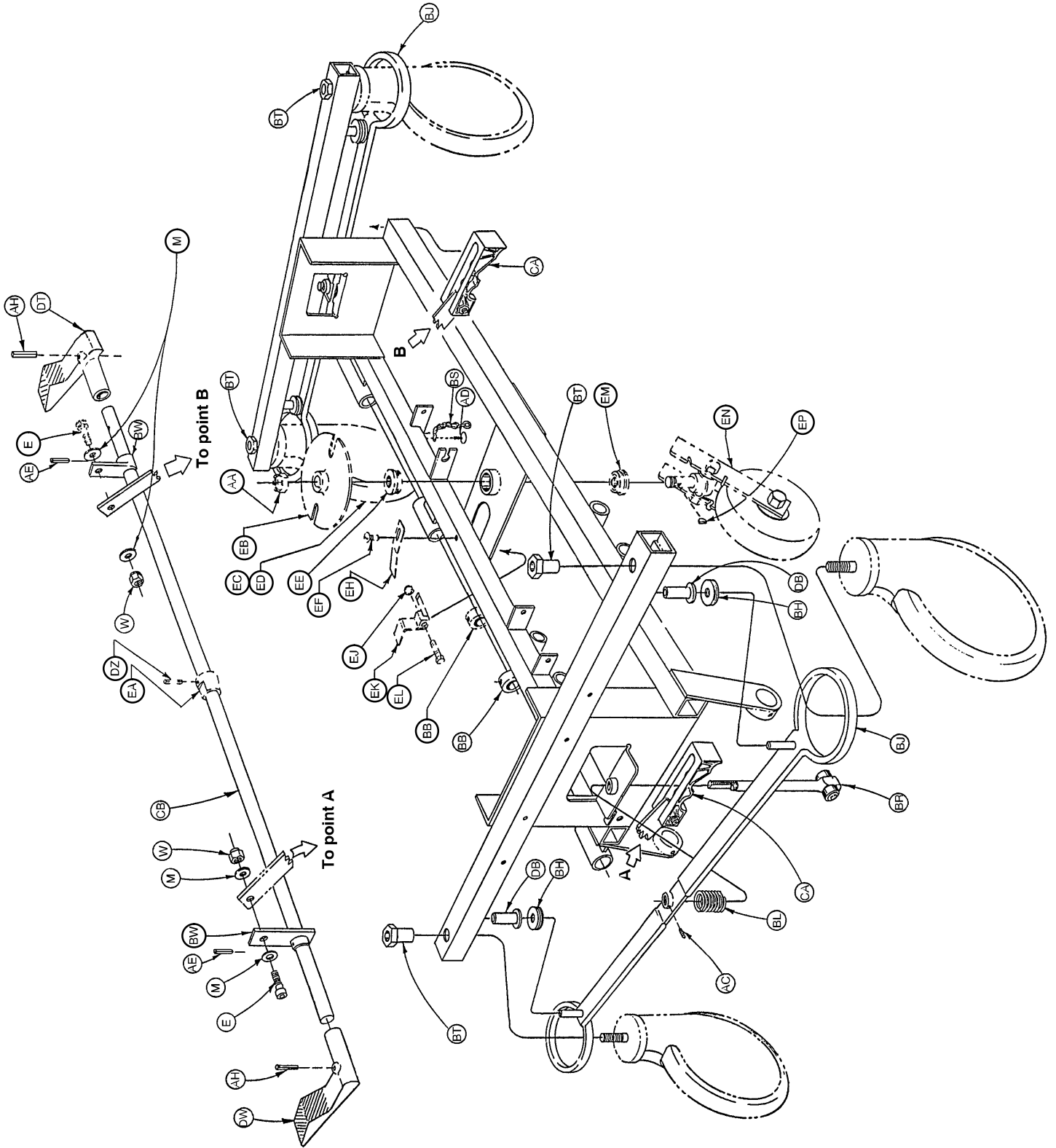


Assembly part number 1210-4-10



4-Sided Control Base Assembly

4-Sided Control Base Assembly



4-Sided Control Base Assembly

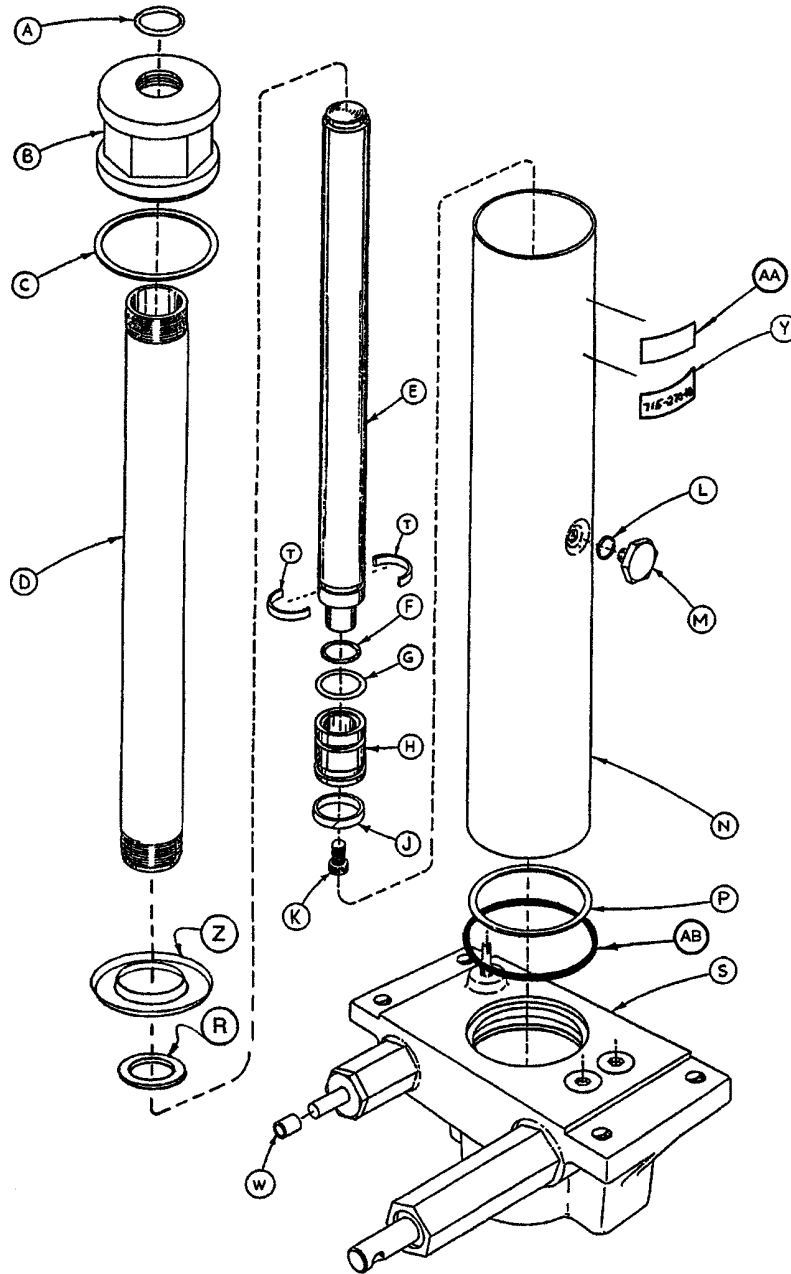
Item	Part No.	Part Name	Qty.	Item	Part No.	Part Name	Qty.
A	3-4	Hex Hd. Cap Screw	2	BW	715-1-165	Actuator Plate Ass'y	2
B	3-47	Hex Hd. Cap Screw	4	BY	715-1-192	Jack Support	2
C	3-62	Hex Hd. Cap Screw	8	BZ	715-1-193	Jack Support Clamp	2
D	3-85	Hex Hd. Cap Screw	8	CA	(page 29)	Brake Cam Ass'y	2
E	8-17	Soc. Hd. Shoulder Bolt	2	CB	715-1-230	Brake/Steer Rod	1
F	11-3	Washer	4	CC	715-1-333	Release Valve Stop Sleeve	2
H	11-4	Washer	2	CE	716-1-15	Release Pivot Bar	2
J	11-13	Washer	3	CF	716-1-52	Pivot Ass'y, Foot	1
K	11-262	Washer	12	CH	716-1-61	Pedal Shaft	2
L	13-38	Lock Washer	4	CJ	716-1-71	Rel. Rod, Hd., Rt., Long	2
M	14-2	Nylon Washer	4	CK	716-1-75	Rel. Ped., Ft., Rt., Btm.	2
N	14-3	Thrust Washer	4	CL	716-1-102	Pump Link Ass'y, Foot	1
P	14-7	Nylon Washer	6	CM	716-1-109	Pump Link Ass'y, Hd.	1
R	14-9	Spring Washer	2	CN	716-1-119	Pivot Ass'y, Head	1
S	14-21	Nylon Washer	2	CP	716-1-281	Pump Idler Link	2
T	15-11	Hex Jam Nut	4	CR	716-1-286	Release Pedal Cam	4
W	16-2	Fiberlock Nut	2	CS	(page 30)	Pump Pedal Ass'y, Foot	1
Y	16-28	Fiberlock Nut	8	CT	(page 30)	Pump Pedal Ass'y, Head	1
Z	16-36	Nylock Nut	16	CW	716-1-293	Release Pedal, Left	2
AA	16-49	Nylock Nut	3	CY	716-1-294	Release Pedal, Right	2
AB	21-22	Set Screw	2	CZ	763-1-15	Jack Spring	1
AC	21-50	Set Screw	2	DA	763-1-16	Spring Holder	1
AD	23-25	Hex Wash. Hd. Tap. Screw	1	DB	946-1-116	Brake Bar Bushing	4
AE	26-13	Roll Pin	2	DC	1210-1-27	Pump Connect. Rod Ass'y	1
AF	26-195	Clevis Pin	2	DE	1210-1-47	Spring Retainer	1
AH	26-261	Groove Pin	2	DF	1210-1-104	Pump Pedal Link Ass'y	1
AJ	27-4	Cotter Pin	12	DH	1210-1-111	End Release Pedal Brkt.	2
AK	27-7	Cotter Pin	8	DJ	1210-1-112	Hd./Lt. Rel. Rod Wldmt.	1
AL	27-16	Cotter Pin	2	DK	1210-1-114	Pedal Pivot, Right	1
AM	28-97	Retaining Ring	2	DL	1210-1-115	Pedal Pivot, Left	1
AN	29-7	Dual Lock	4	DM	1210-1-120	Base Frame Weldment	1
AR	29-9	Dual Lock	4	DN	1210-1-123	Rel. Pedal Trans Wldmt.	1
AT	38-235	Pump Return Spring	4	DP	1210-1-134	Rel. Pedal Linkage Wldmt.	1
AW	38-251	Spring	2	DR	1210-1-138	Release Rod Clamp	2
AY	38-312	Extension Spring	1	DS	(page 31)	Side Release Pedal	2
AZ	38-326	Extension Spring	2	DT	1210-1-345	Brake/Steer Pedal, Foot	1
BA	38-355	Steerlock Extension Spring	2	DW	1210-1-346	Brake/Steer Pedal, Head	1
BB	42-20	Collar	2	DY	(page 26 or 27.1)	Jack Assembly	2
BC	52-245	Nyliner Bearing	4	DZ	26-8	Roll Pin	1*
BD	52-284	Nylon Spacer	3	EA	715-1-161	Fifth Wheel Cam	1*
BE	52-302	Shoulder Washer	2	EB	715-1-337	Fifth Wheel Plate	1*
BF	52-747	Flanged Bearing	4	EC	(page 34)	Caster Wheel Ass'y	4**
BH	715-1-11	Brake Cushion	4	ED	(page 33)	Steerlock Caster	1***
BJ	715-1-61	Caster Brake Ass'y	2	EE	715-1-157	Fifth Wheel Bearing	1*
BK	715-1-92	Pump Pedal Shaft	1	EF	7-4	Truss Hd. Mach. Screw	1
BL	715-1-94	Compression Spring	2	EH	715-1-136	Fifth Wheel Spring	1*
BM	(page 32)	Side Pump Pedal Ass'y	1	EJ	16-16	Nylock Nut	1*
BN	715-1-133	Collar	1	EK	715-1-217	Fifth Wheel Latch	1*
BP	715-1-140	Vinyl Tube	3	EL	3-20	Hex Hd. Cap Screw	1*
BR	(page 28)	Brake Adjuster Ass'y	2	EM	81-219	Fifth Wheel Bearing	1*
BS	715-1-156	Ground Chain	1	EN	(page 35)	Fifth Wheel Assembly	1*
BT	715-1-158	Caster Nut	4	EP	715-1-149	Woodruff Key	1*

* These parts are used with the optional Fifth Wheel Assembly

** Quantity 3 when Fifth Wheel is not present.

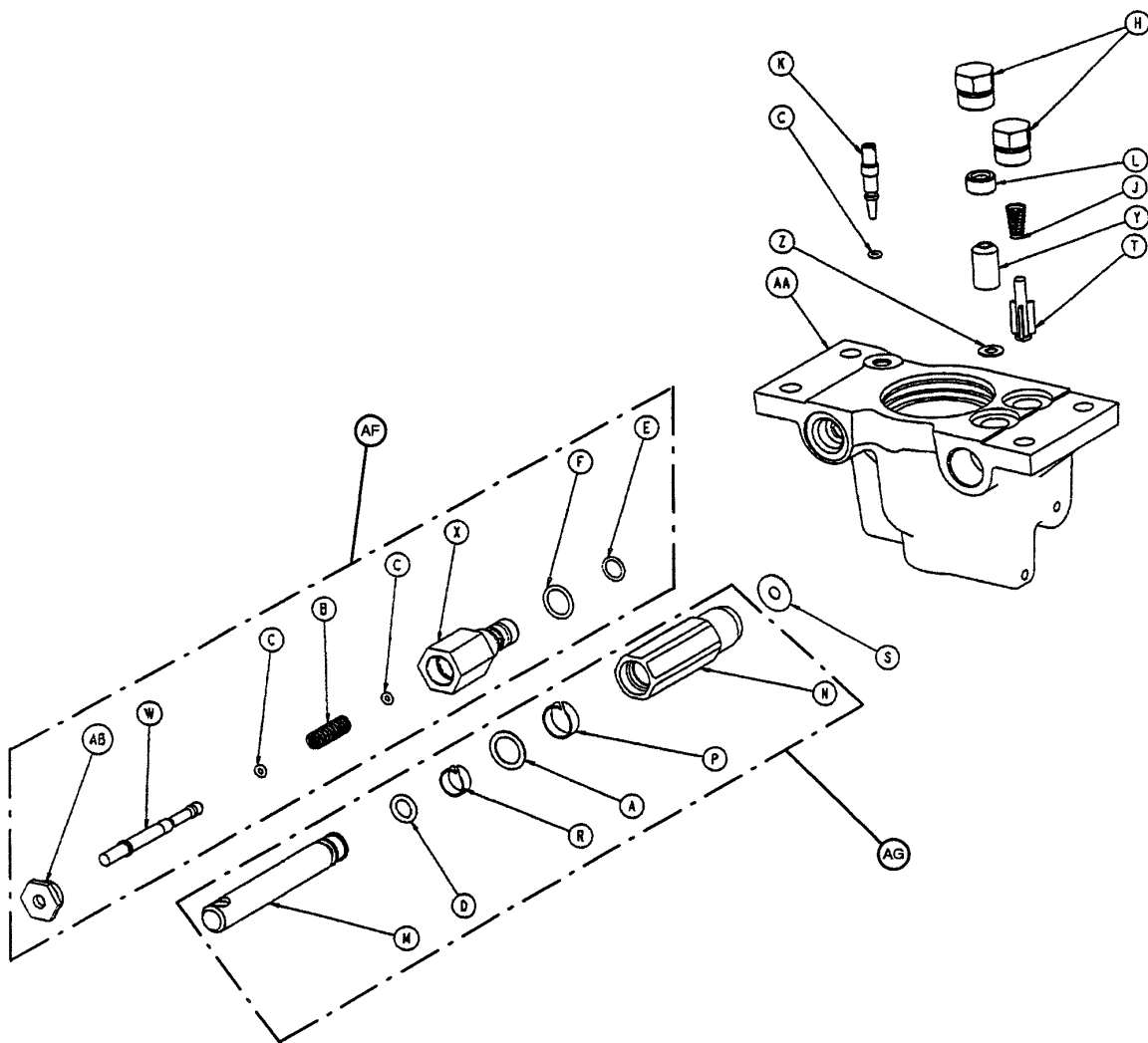
*** Used only when Fifth Wheel is not present.

715-270-400 Jack Assembly



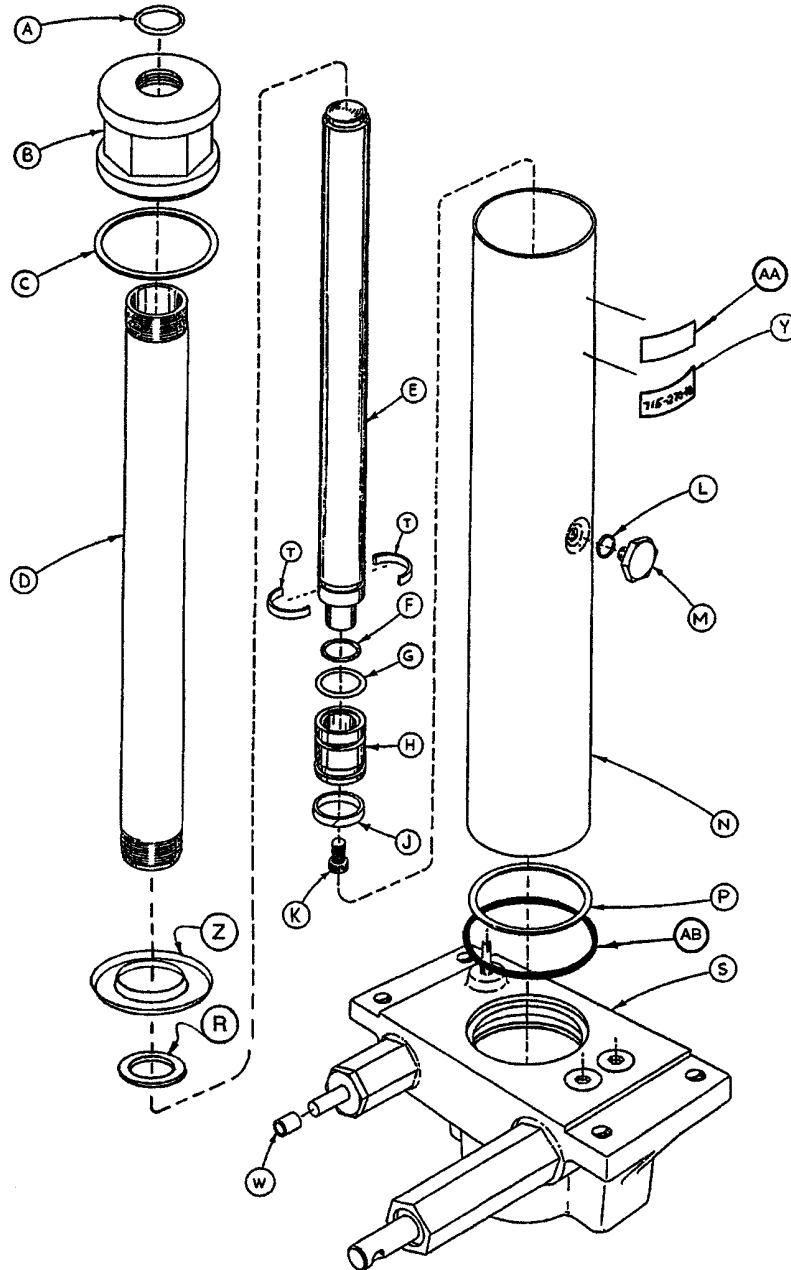
Item	Part No.	Part Name	Qty.	Item	Part No.	Part Name	Qty.
A	45-904	O-Ring	1	M	388-1-38	Plug	1
B	715-1-340	Cap Assembly	1	N	715-1-322	Reservoir	1
C	390-1-243	Gasket	1	P	390-1-244	Gasket	1
D	715-1-323	Actuator Cylinder	1	R	390-1-238	Gasket, Actuator	1
E	715-1-325	Actuator	1	S	(Page 27)	Jack Base Assembly	1
F	45-14	O-Ring	1	T	390-2-139	Retaining Collar	2
G	926-20-161	Parker Packing	1	W	715-1-333	Rel. Valve Stop Sleeve	1
H	715-1-331	Piston End	1	Y	715-270-11	Label	1
J	926-20-162	Wear Ring	1	Z	715-1-320	Jack Screen	1
K	4-14	Soc. Hd. Cap Screw	1	AA	921-1-252	Serial No. Label	1
L	45-110	O-Ring	1	AB	45-978	O-Ring	1

715-1-300 Jack Base Assembly



Item	Part No.	Part Name	Qty.	Item	Part No.	Part Name	Qty.
A	14-50	Bearing Retainer	1	P	715-1-327	Cylinder Wear Ring	1
B	38-311	Compression Spring	1	R	715-1-328	Piston Wear Ring	1
C	45-6	O-Ring	3	S	715-1-329	Pump Seal	1
D	45-110	O-Ring	1	T	715-1-341	Poppet	1
E	45-966	O-Ring	1	W	715-270-1	Pin	1
F	45-967	O-Ring	1	X	715-270-2	Pin Housing	1
H	48-147	Base Plug	2	Y	926-20-153	Check Valve	1
J	390-2-134	Conical Comp. Spring	1	Z	926-20-154	Seal	1
K	715-1-307	Needle Valve	1	AA	1210-70-12	Jack Base	1
L	715-1-309	Valve Plug	1	AB	1210-70-13	Base Plug	1
M	715-1-318	Pump Piston	1	AF	715-270-100	Valve Assembly	1
N	715-1-316	Pump Cylinder	1	AF	715-100-325	Pump Piston Ass'y	1

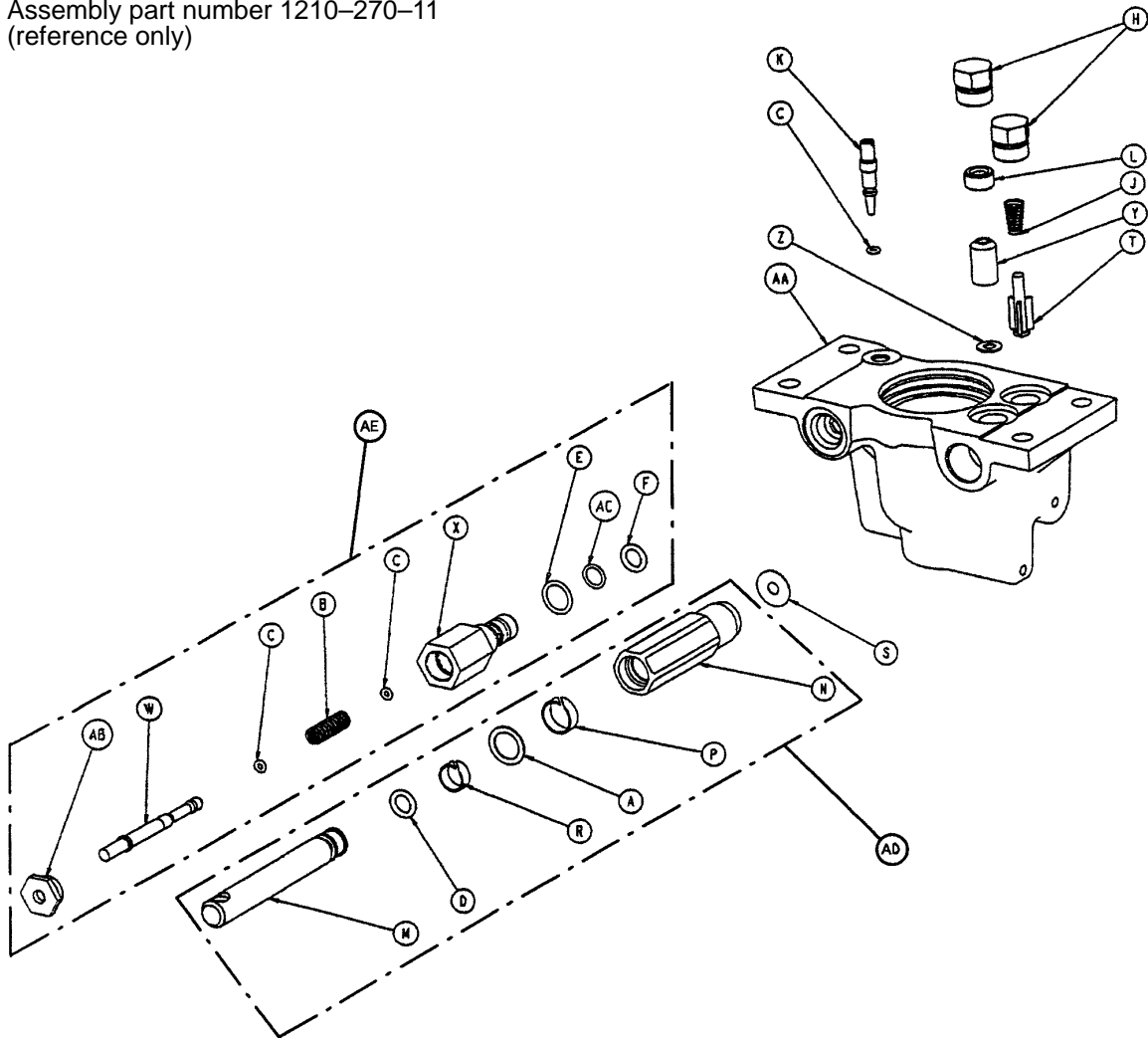
1210-70-10 Variable Descent Jack Assembly



Item	Part No.	Part Name	Qty.	Item	Part No.	Part Name	Qty.
A	45-904	O-Ring	1	N	715-1-422	Reservoir	1
B	715-1-340	Cap Assembly	1	P	390-1-244	Gasket	1
C	390-1-243	Gasket	1	R	390-1-238	Gasket, Actuator	1
D	1210-70-15	Actuator Cylinder	1	S	(Page 27.2)	Jack Base Assembly	1
E	715-1-325	Actuator	1	T	390-2-139	Retaining Collar	2
F	45-14	O-Ring	1	W	715-1-333	Rel. Valve Stop Sleeve	1
G	926-20-161	Parker Packing	1	Y	1210-70-7	Label	1
H	715-1-331	Piston End	1	Z	715-1-320	Jack Screen	1
J	926-20-162	Wear Ring	1	AA	921-1-252	Serial No. Label	1
K	4-14	Soc. Hd. Cap Screw	1	AB	45-978	O-Ring	1
L	45-110	O-Ring	1	AC	715-100-325	Repl. Pump Piston	1
M	388-1-38	Plug	1				

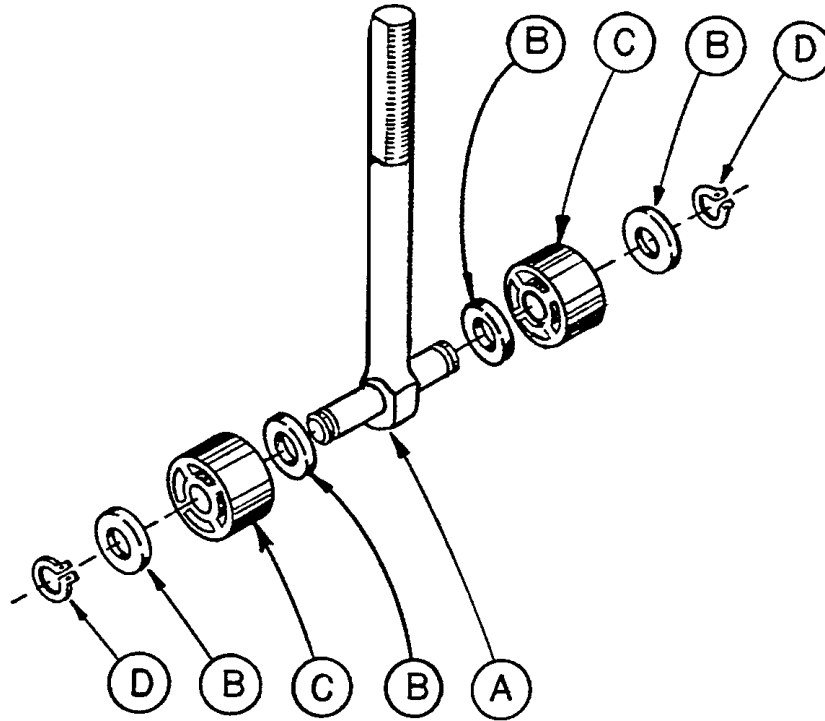
Variable Descent Jack Base Assembly

Assembly part number 1210-270-11
(reference only)



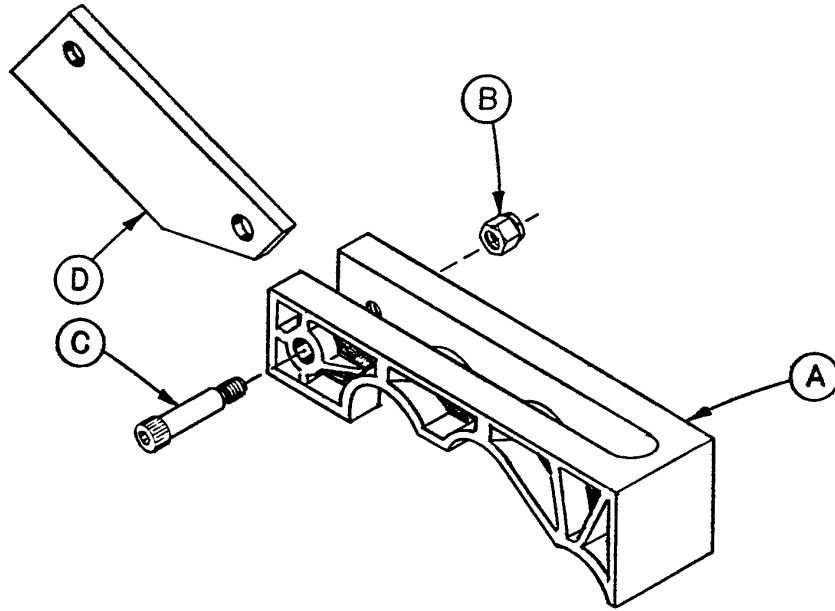
Item	Part No.	Part Name	Qty.	Item	Part No.	Part Name	Qty.
A	14-50	Bearing Retainer	1	R	715-1-328	Piston Wear Ring	1
B	38-311	Compression Spring	1	S	715-1-329	Pump Seal	1
C	45-6	O-Ring	3	T	715-1-341	Poppet	1
D	45-110	O-Ring	1	W	1210-70-14	Pin	1
E	45-966	O-Ring	1	X	1210-70-16	Pin Housing	1
F	45-967	O-Ring	1	Y	926-20-153	Check Valve	1
H	48-147	Base Plug	2	Z	926-20-154	Seal	1
J	390-2-134	Conical Comp. Spring	1	AA	1210-270-12	Jack Base, Machined	1
K	715-1-307	Needle Valve	1	AB	1210-70-13	Base Plug	1
L	715-1-309	Valve Plug	1	AC	45-969	O-Ring	1
M	715-1-318	Pump Piston	1	AD	715-100-325	Repl. Pump Piston	1
N	715-1-316	Pump Cylinder	1	AE	1210-70-9	Valve Assembly	1
P	715-1-327	Cylinder Wear Ring	1				

715-1-150 Brake Adjuster Assembly



Item	Part No.	Part Name	Qty.
A	715-1-62	Threaded Stud Assembly	1
B	14-4	Nylon Washer	4
C	715-1-180	Bearing	2
D	28-8	Retaining Ring	2

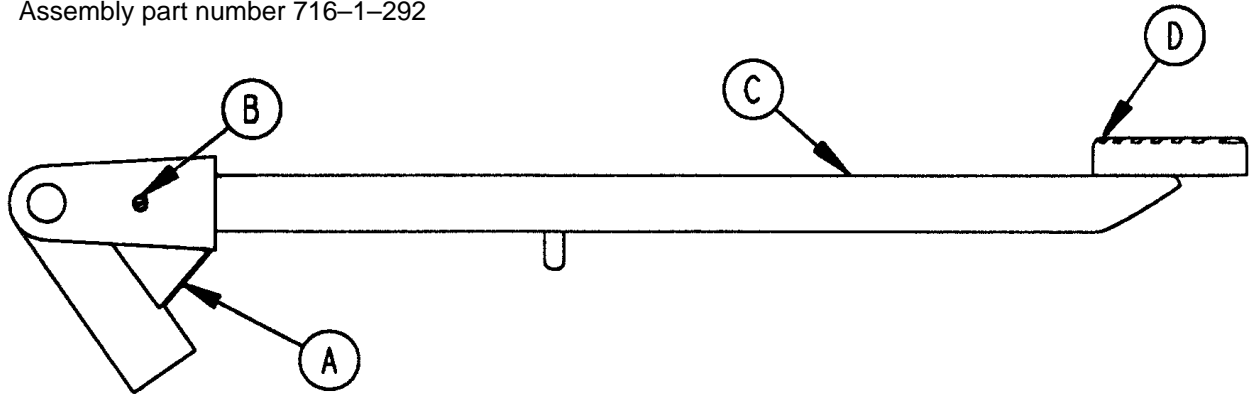
715-1-213 Brake Cam Assembly



Item	Part No.	Part Name	Qty.
A	715-1-221	Brake Cam	1
B	16-59	Fiberlock Nut	1
C	8-21	Soc. Hd. Cap Screw	1
D	715-1-173	Brake Connecting Link	1

End Control Pump Pedal Assembly, Head

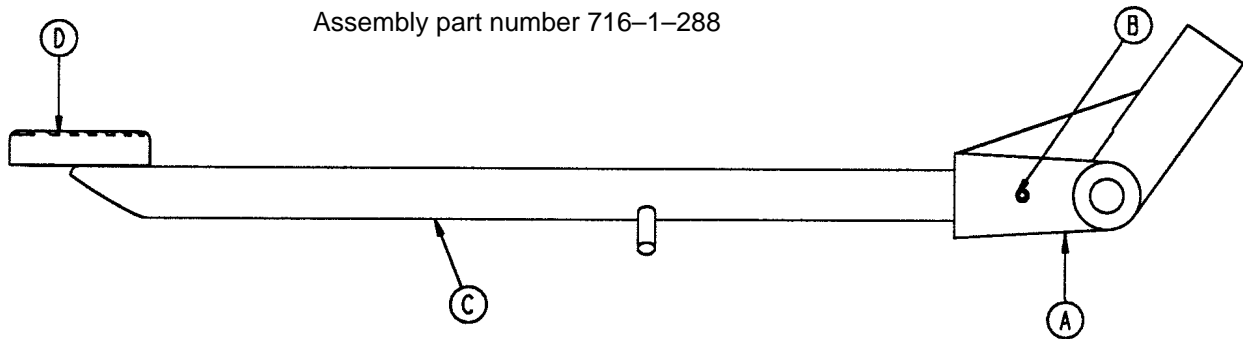
Assembly part number 716-1-292



Item	Part No.	Part Name	Qty.
A	716-1-285	Pump Pivot, Head End	1
B	26-12	Roll Pin	1
C	716-1-290	Pump Ped. Wldmt., Head	1
D	721-40-25	Pedal	1

End Control Pump Pedal Assembly, Foot

Assembly part number 716-1-288



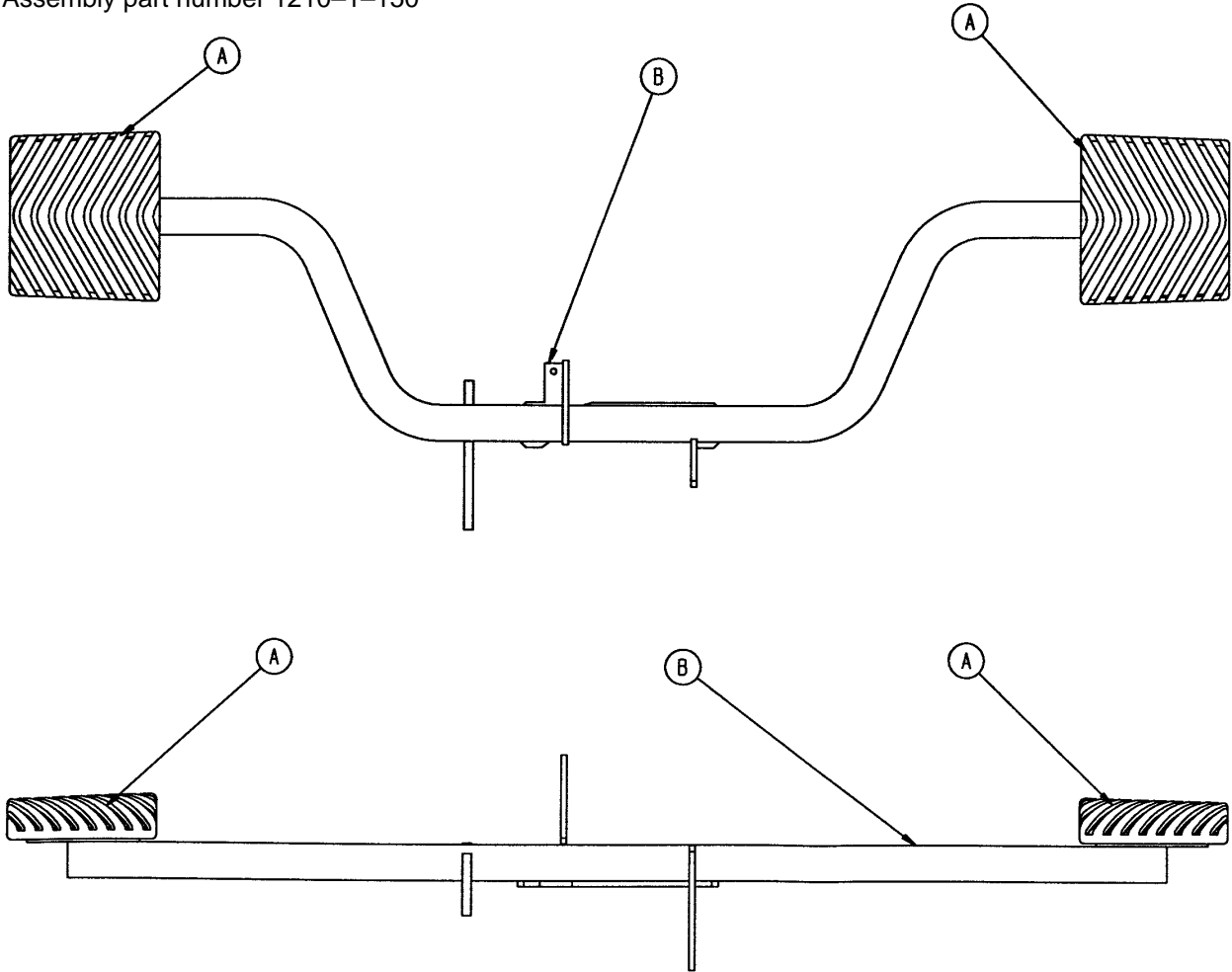
Item	Part No.	Part Name	Qty.
A	716-1-283	Pump Pivot, Foot End	1
B	26-12	Roll Pin	1
C	716-1-289	Pump Ped. Wldmt., Foot	1
D	721-40-25	Pedal	1

NOTE

Apply plastic adhesive to the mating surfaces of item D prior to assembly.

Side Release Pedal Assembly

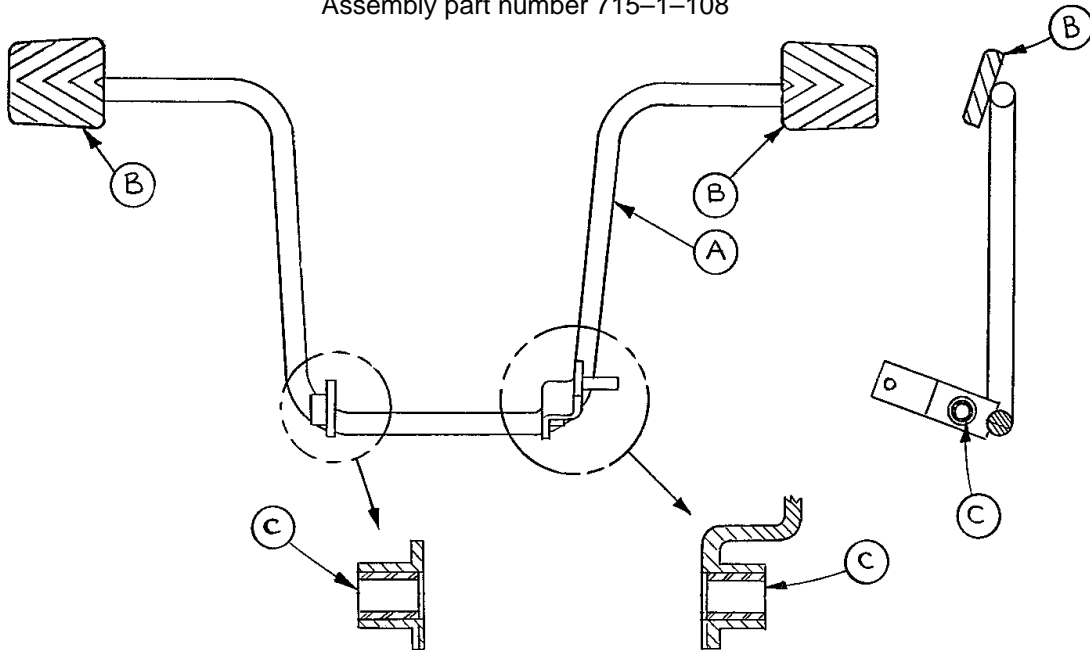
Assembly part number 1210-1-150



Item	Part No.	Part Name	Qty.
A	715-1-126	Side Control Pedal Pad	2
B	1210-1-152	Side Release Pedal Weldment	1

Pedal Base Assembly, Pump

Assembly part number 715-1-108

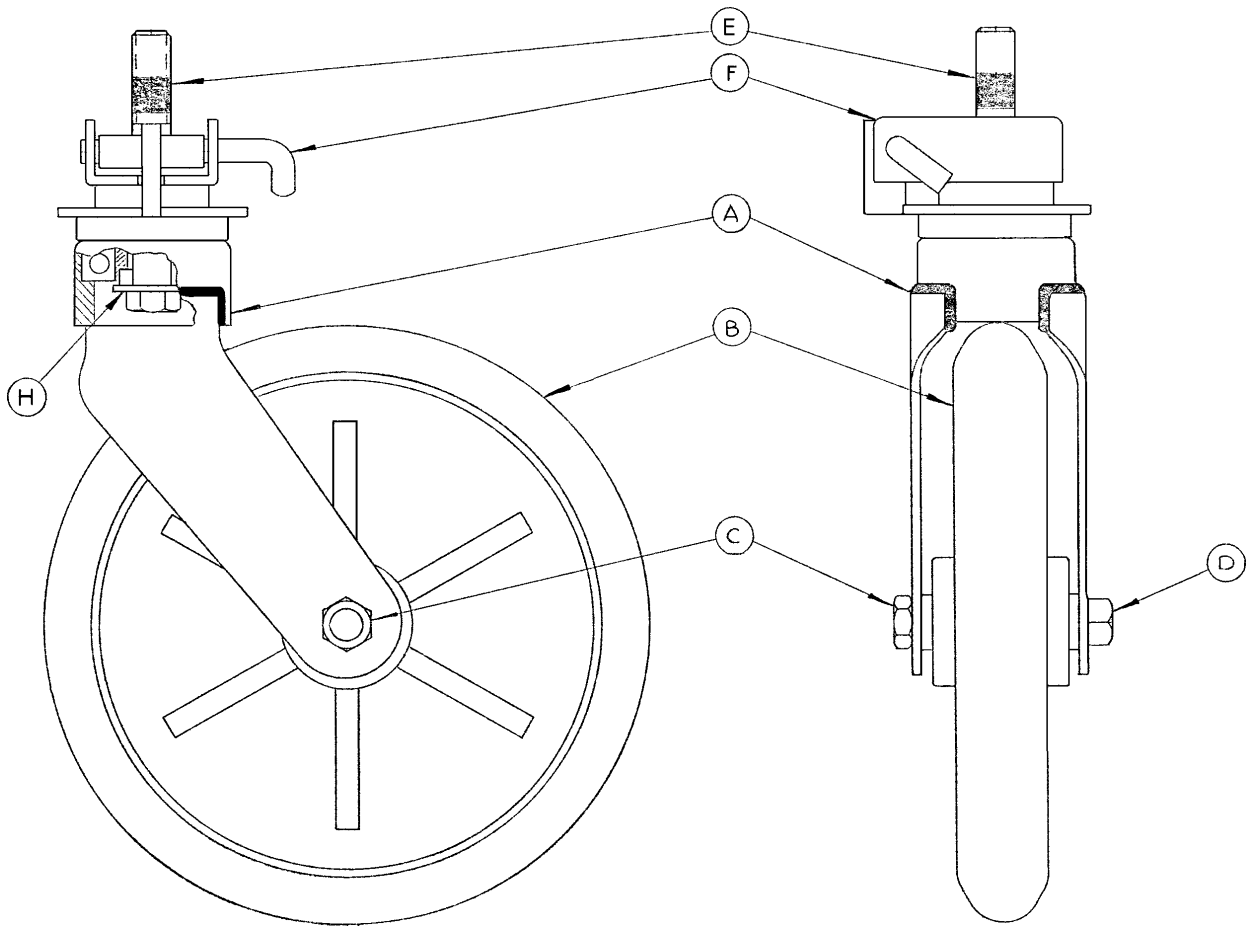


Item	Part No.	Part Name	Qty.
A	715-1-83	Pedal Ass'y Weldm't, Pump	1
B	715-1-126	Side Control Pedal Pad	2
C	81-44	Bearing, Bronze	2

NOTE

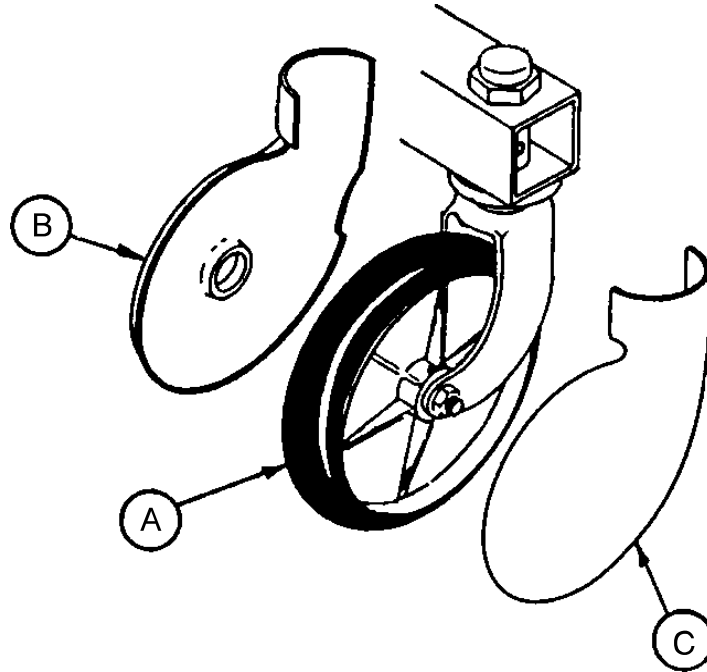
Apply plastic adhesive to the mating surfaces of item B prior to assembly.

715-2-21 Caster Assembly with Steerlock



Item	Part No.	Part Name	Qty.
A	700-10-50	Steer Lock Caster Weldment	1
B	715-2-25	Caster Wheel	1
C	16-60	Hex Nut	1
D	3-99	Hex Bolt	1
E	715-3-96	Hex Bolt	1
F	1000-59-10	Latch Assembly	1
H	11-310	Flat Washer	1

Caster and Caster Cover Replacement Kits



Item	Part No.	Part Name	Qty.
A	715-2-20	Caster Assembly	1
B	715-1-266	Caster Cover, Left	1
C	715-1-265	Caster Cover, Right	1

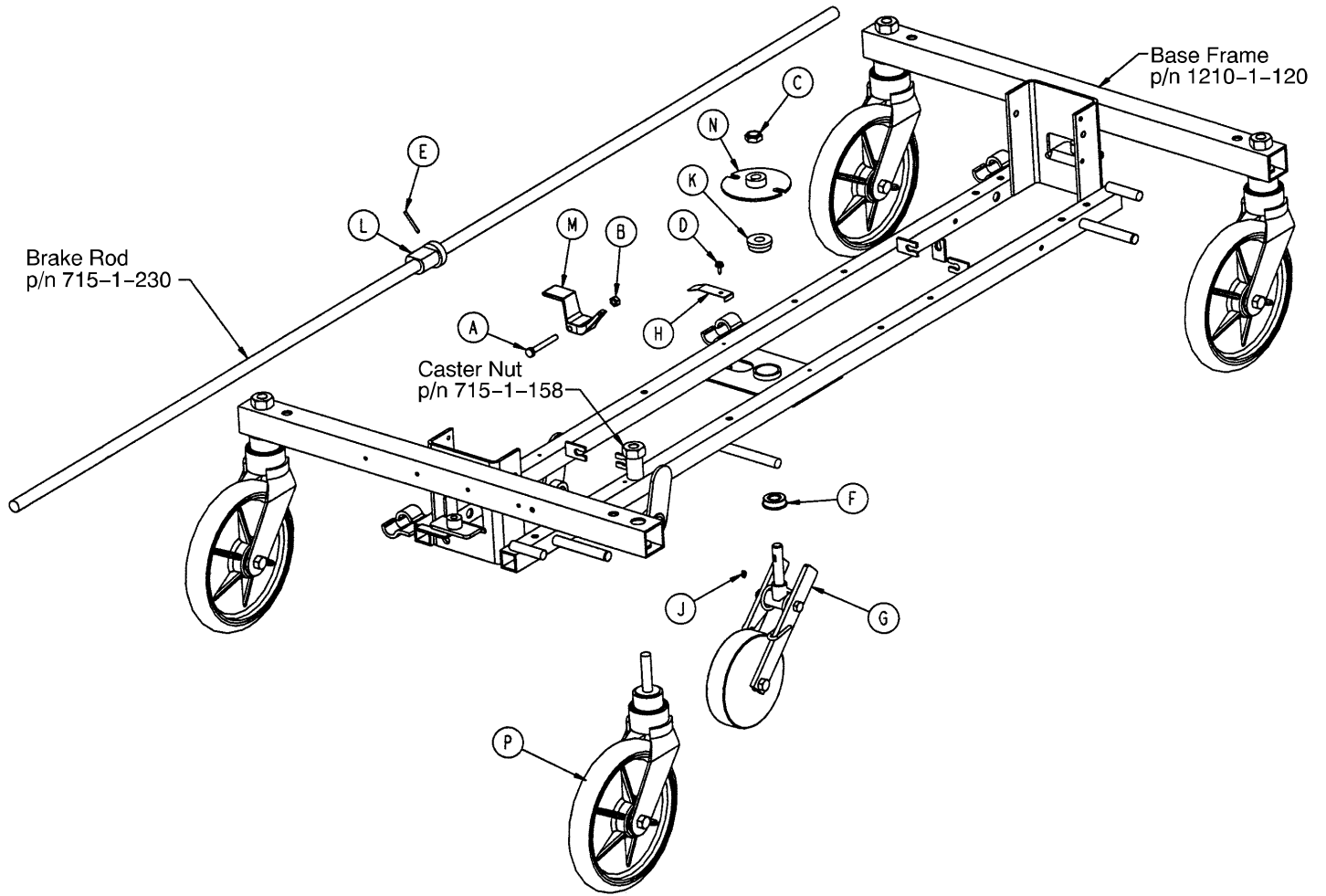
P/N 715-259-400 – Kit to replace 4 standard caster assemblies with necessary hardware – no caster covers.

P/N 715-269-400 – Kit to replace 3 standard caster assemblies and 1 steerlock caster with necessary hardware – no caster covers.

P/N 715-259-100 – Kit to replace 1 standard caster assembly with necessary hardware – no caster covers.

P/N 1010-56-200 – Kit to replace both caster covers on all four wheels.

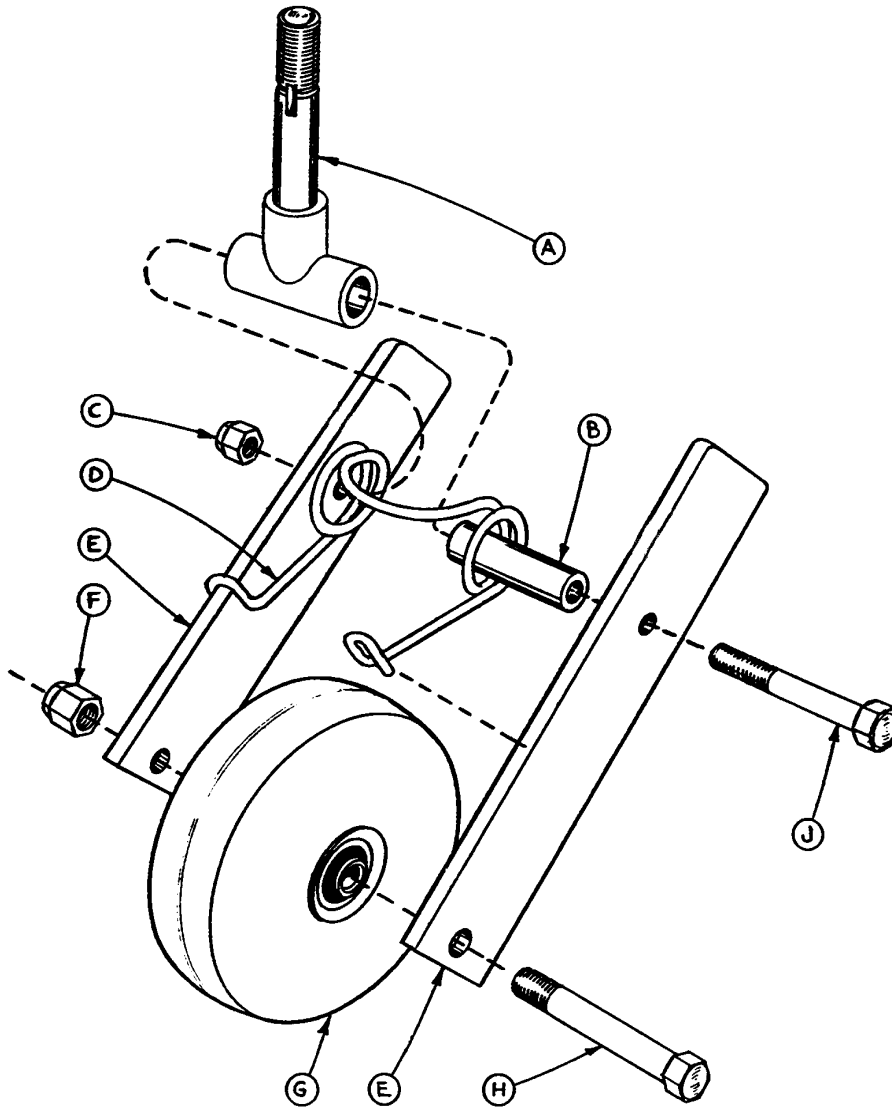
Optional Fifth Wheel Base Assembly



Item	Part No.	Part Name	Qty.
A	3-20	Hex Hd. Cap Screw	1
B	16-16	Fiberlock Nut	1
C	16-49	Nylock Hex Nut	1
D	23-25	Hex Washer Hd. Screw	1
E	26-8	Roll Pin	1
F	81-219	Bearing	1
G	(page 35)	Fifth Wheel Assembly	1
H	715-1-136	Fifth Wheel Spring	1
J	715-1-149	Key	1
K	715-1-157	Fifth Wheel Bearing	1
L	715-1-161	Fifth Wheel Cam	1
M	715-1-217	Fifth Wheel Latch	1
N	715-1-337	Fifth Wheel Plate	1
P	(page 34)	Caster Assembly	4

Notes

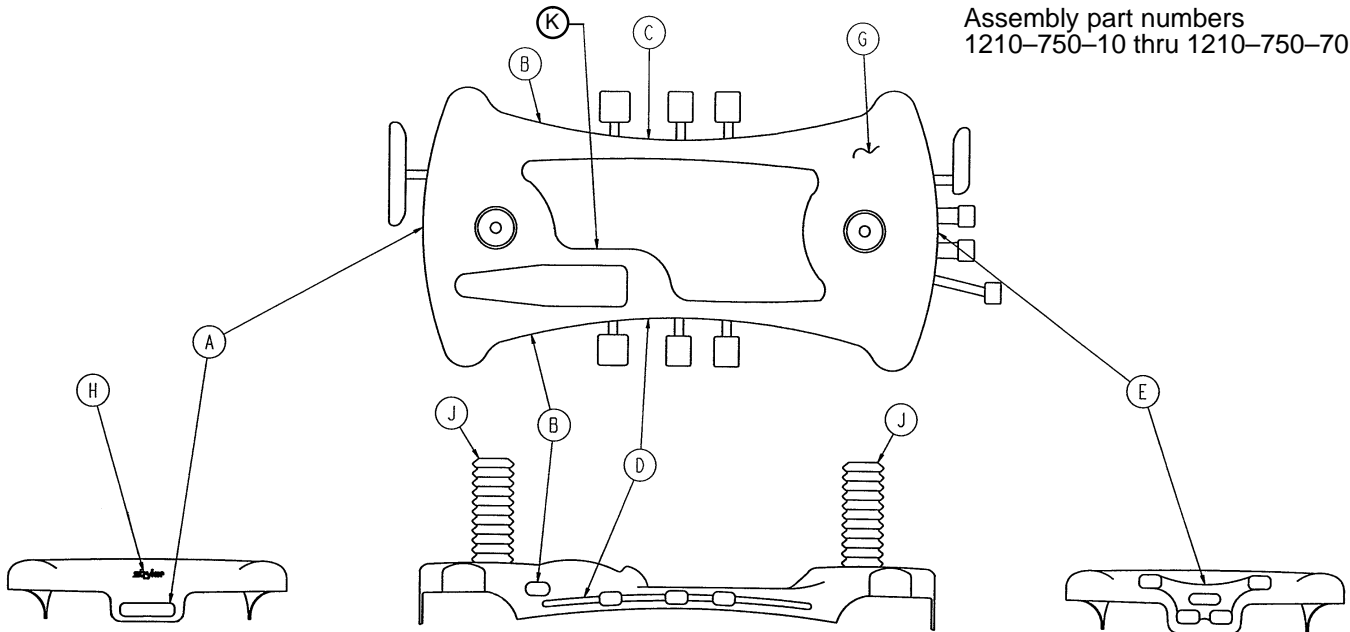
715-1-25 Fifth Wheel Assembly



Item	Part No.	Part Name	Qty.
A	715-1-339	Fifth Wheel Pivot Assembly	1
B	715-1-17	Fifth Wheel Bushing	1
C	16-11	Flexlock Nut	1
D	715-1-15	Spring	1
E	715-1-13	Fifth Wheel Bracket	2
F	16-12	Flexlock Nut	1
G	390-1-54	Wheel	1
H	3-31	Hex Head Cap Screw	1
J	3-82	Hex Head Cap Screw	1

3-Sided Base Graphics, Foot End Control

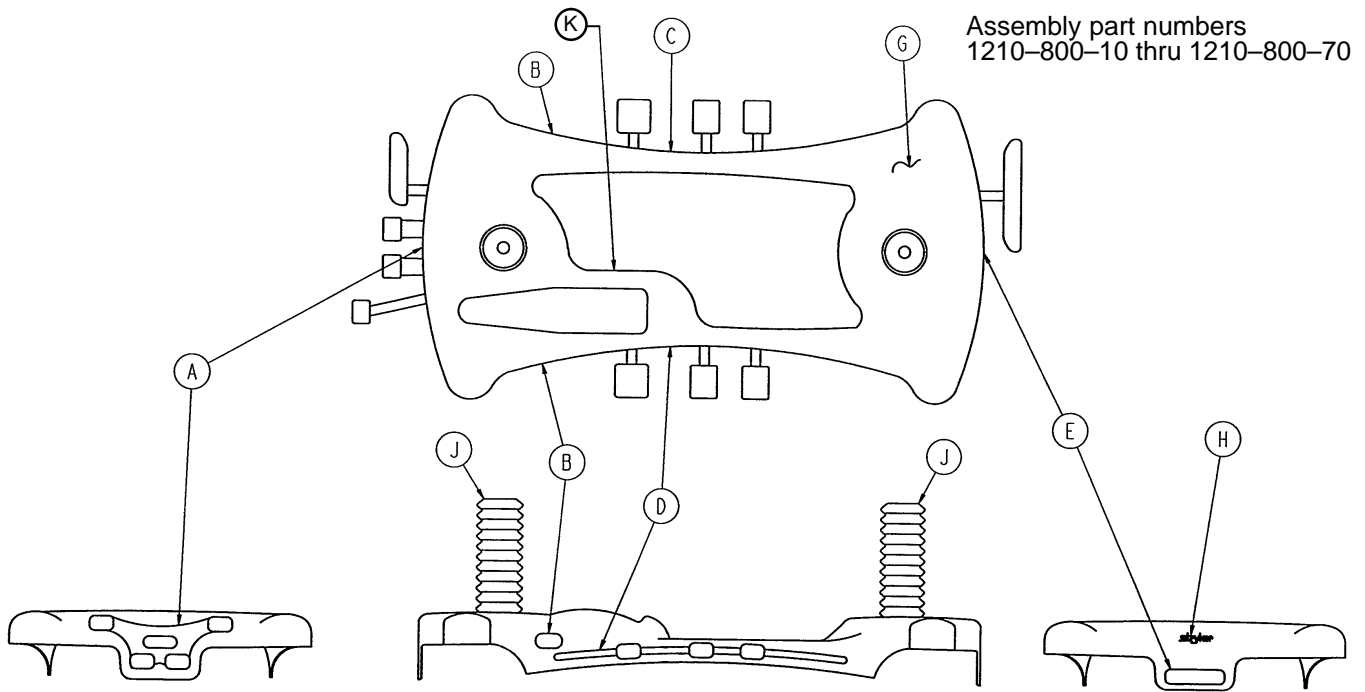
Assembly part numbers
1210-750-10 thru 1210-750-70



Item	Part No.	Part Name	Qty.
A	1210-750-9	Head End Brake/Steer Label	1
B	1210-800-9	Renaissance Series Label	2
G	1210-45-25	Base Hood	1
H	946-1-60	Stryker Logo Label	1
J	715-1-134	Bellows	2
K	1210-1-17	Specification Label	1
	1211-1-17	Specification Label	1
	1710-1-17	Specification Label	1
	1711-1-17	Specification Label	1

Color	Item C Control Label, Left	Item D Control Label, Right	Item E Control Label, Foot	Litter Bumper Strip
RED	1210-800-11	1210-800-12	1210-850-15	1010-700-15
PURPLE	1210-800-21	1210-800-22	1210-850-25	1010-700-25
GREEN	1210-800-31	1210-800-32	1210-850-35	1010-700-35
GRAY	1210-800-41	1210-800-42	1210-850-45	1010-700-45
TEAL	1210-800-51	1210-800-52	1210-850-55	1010-700-55
PINK	1210-800-61	1210-800-62	1210-850-65	1010-700-65
BLUE	1210-800-71	1210-800-72	1210-850-75	1010-700-75

3-Sided Base Graphics, Head End Control

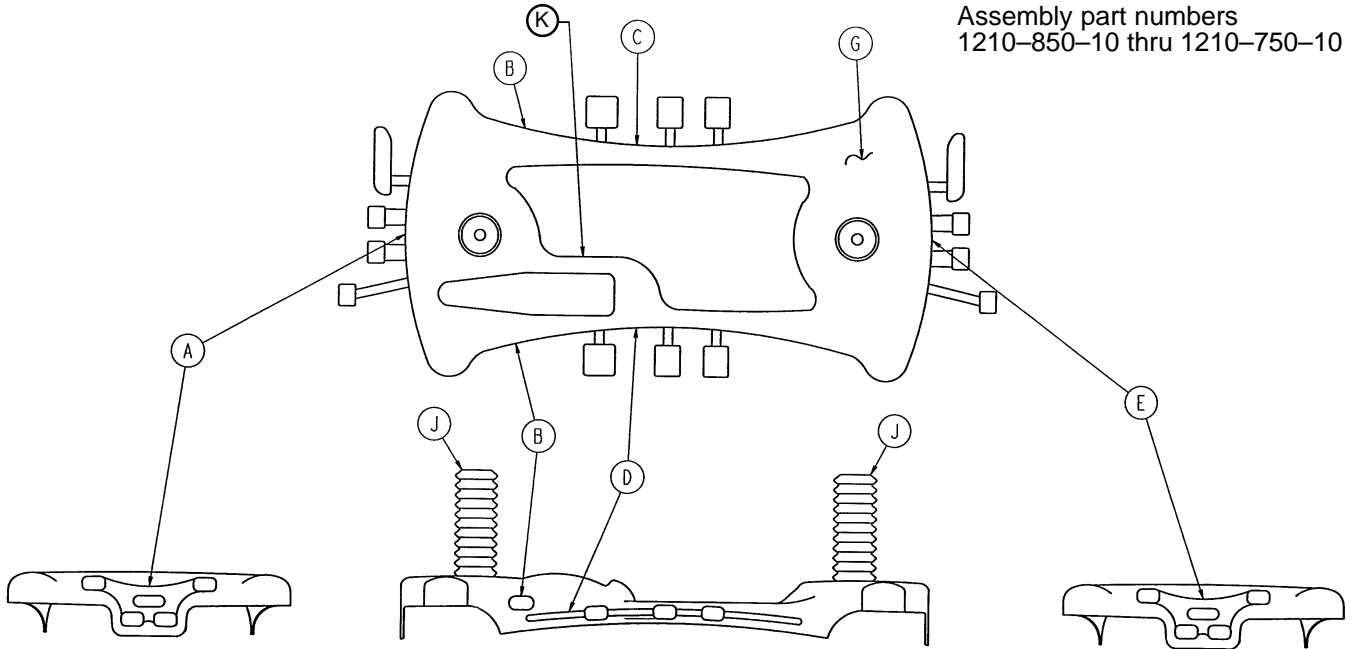


Item	Part No.	Part Name	Qty.
A	1210-750-9	Head End Brake/Steer Label	1
B	1210-800-9	Renaissance Series Label	2
E	1210-750-8	Foot End Brake/Steer Label	1
G	1210-45-25	Base Hood	1
H	946-1-60	Stryker Logo Label	1
J	715-1-134	Bellows	2
K	1210-1-17	Specification Label	1
	1211-1-17	Specification Label	1
	1710-1-17	Specification Label	1
	1711-1-17	Specification Label	1

Color	Item A Control Label, Head	Item C Control Label, Left	Item D Control Label, Right	Litter Bumper Strip
RED	1210-800-13	1210-800-11	1210-800-12	1010-700-15
PURPLE	1210-800-23	1210-800-21	1210-800-22	1010-700-25
GREEN	1210-800-33	1210-800-31	1210-800-32	1010-700-35
GRAY	1210-800-43	1210-800-41	1210-800-42	1010-700-45
TEAL	1210-800-53	1210-800-51	1210-800-52	1010-700-55
PINK	1210-800-63	1210-800-61	1210-800-62	1010-700-65
BLUE	1210-800-73	1210-800-71	1210-800-72	1010-700-75

4-Sided Base Graphics

Assembly part numbers
1210-850-10 thru 1210-750-10

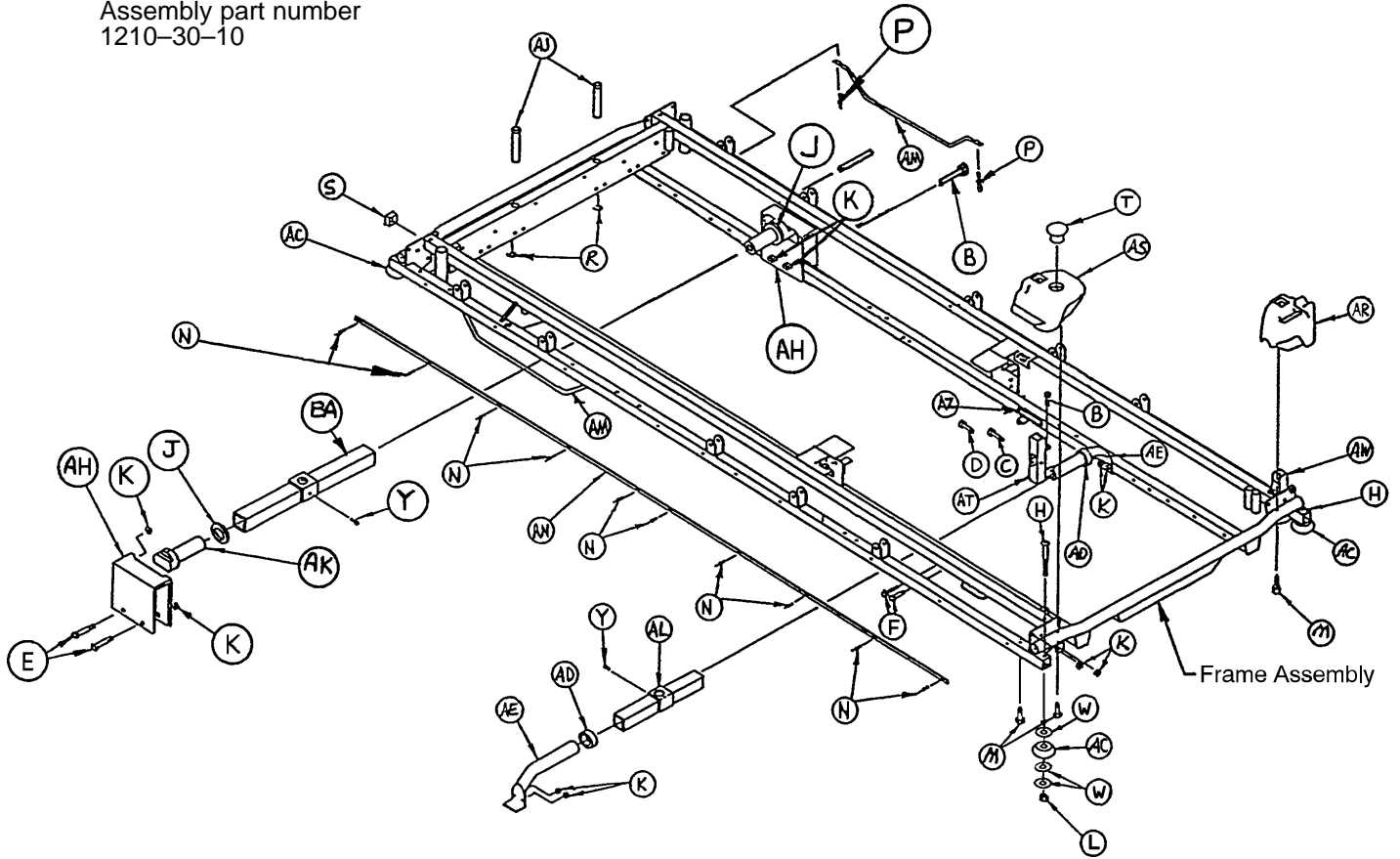


Item	Part No.	Part Name	Qty.
B	1210-800-9	Renaissance Series Label	2
G	1210-45-25	Base Hood	1
J	715-1-134	Bellows	2
K	1210-1-17	Specification Label	1
	1211-1-17	Specification Label	1
	1710-1-17	Specification Label	1
	1711-1-17	Specification Label	1

Color	Item A Control Label, Head	Item C Control Label, Left	Item D Control Label, Right	Item E Control Label, Foot	Litter Bumper Strip
RED	1210-800-13	1210-800-11	1210-800-12	1210-850-15	1010-700-15
PURPLE	1210-800-23	1210-800-21	1210-800-22	1210-850-25	1010-700-25
GREEN	1210-800-33	1210-800-31	1210-800-32	1210-850-35	1010-700-35
GRAY	1210-800-43	1210-800-41	1210-800-42	1210-850-45	1010-700-45
TEAL	1210-800-53	1210-800-51	1210-800-52	1210-850-55	1010-700-55
PINK	1210-800-63	1210-800-61	1210-800-62	1210-850-65	1010-700-65
BLUE	1210-800-73	1210-800-71	1210-800-72	1210-850-75	1010-700-75

Litter Assembly

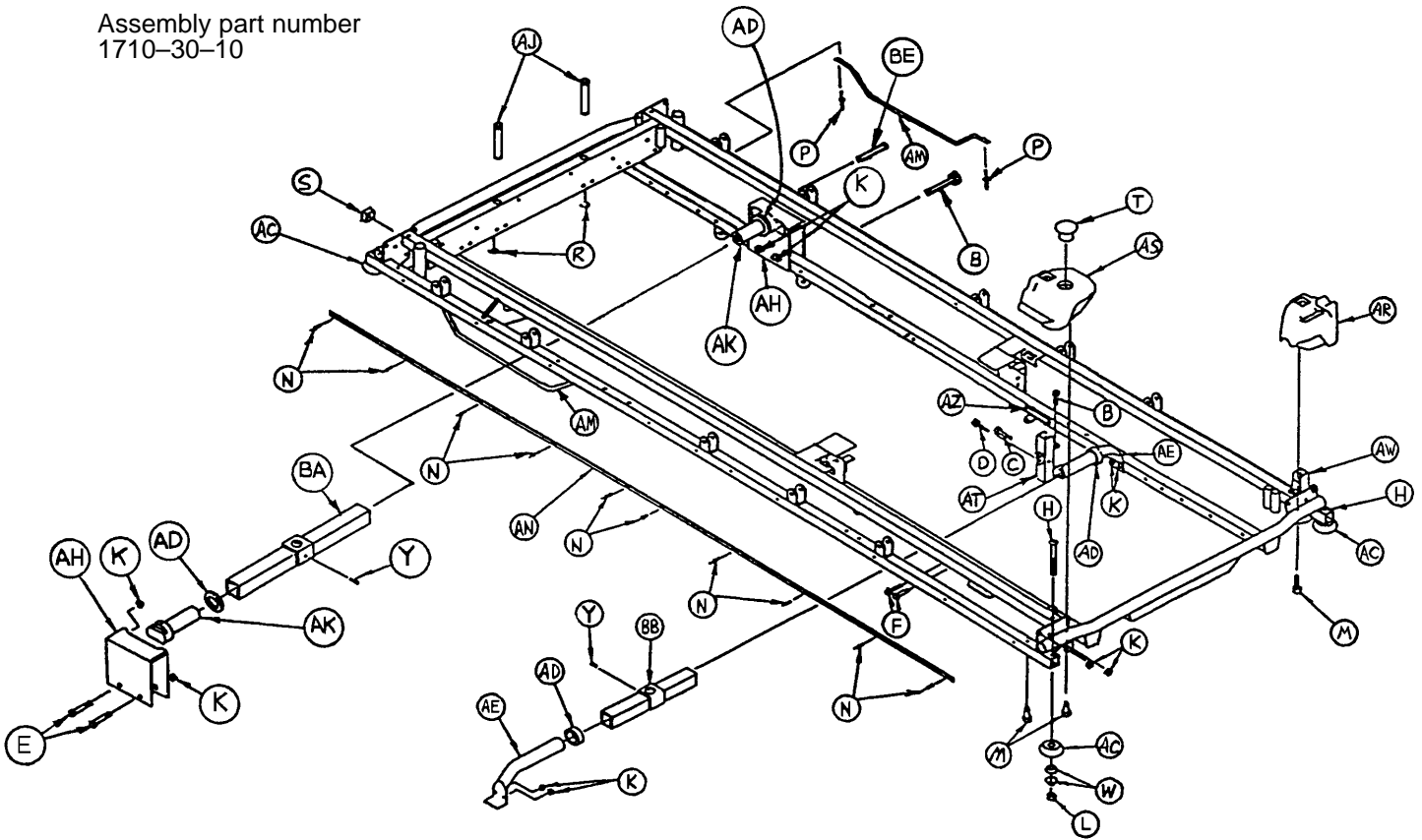
Assembly part number
1210-30-10



Item	Part No.	Part Name	Qty.	Item	Part No.	Part Name	Qty.
B	3-47	Hex Hd. Cap Screw	2	AC	926-400-142	Bumper Wheel	4
C	3-50	Hex Hd. Cap Screw	2	AD	938-1-401	Collar	2
D	3-54	Hex Hd. Cap Screw	2	AE	1001-1-37	Jack Supt. Tube, Head	2
E	3-76	Hex Hd. Cap Screw	4	AF	1001-1-41	Hole Plug	2
F	3-78	Hex Hd. Cap Screw	4	AH	1001-201-30	Trend. Support	2
H	4-201	Soc. Hd. Cap Screw	4	AJ	1001-40-12	Foot Board Receptacle*	2
J	11-360	Plastic Spacer	2	AK	1001-201-29	Insert	2
K	16-28	Fiberlock Nut	14	AL	1010-32-85	Support Tube Ass'y	1
L	16-35	Nylock Nut	4	AM	1010-32-92	Foley Bag Rack	2
M	23-104	Self-Tapping Screw	4	AN	1010-201-27	Bumper Channel	2
N	25-38	Pop Rivet	20	AR	1010-201-236	Corner, Hole/Slot	1
P	25-79	Pop Rivet	4	AS	1010-201-237	Corner, Hole/Hole	1
R	28-23	Retaining Ring	2	AT	1010-254-4	P.U.P. Soc. Wldmt., Lt.	1
S	37-10	Hole Plug	2	AW	1010-254-6	P.U.P. Soc. Wldmt., Rt.	1
T	37-59	Hole Plug	1	AZ	1210-800-8	Patent Label	1
W	14-21	Nylon Flat Washer	8	BA	1001-201-31	Support Tube Ass'y	1
Y	46-1	Square Hd. Screw	2	BC	37-74	Hole Plug	8
Z	721-31-65	Hole Plug	58	BD	59-100	Hole Plug	4

Litter Assembly

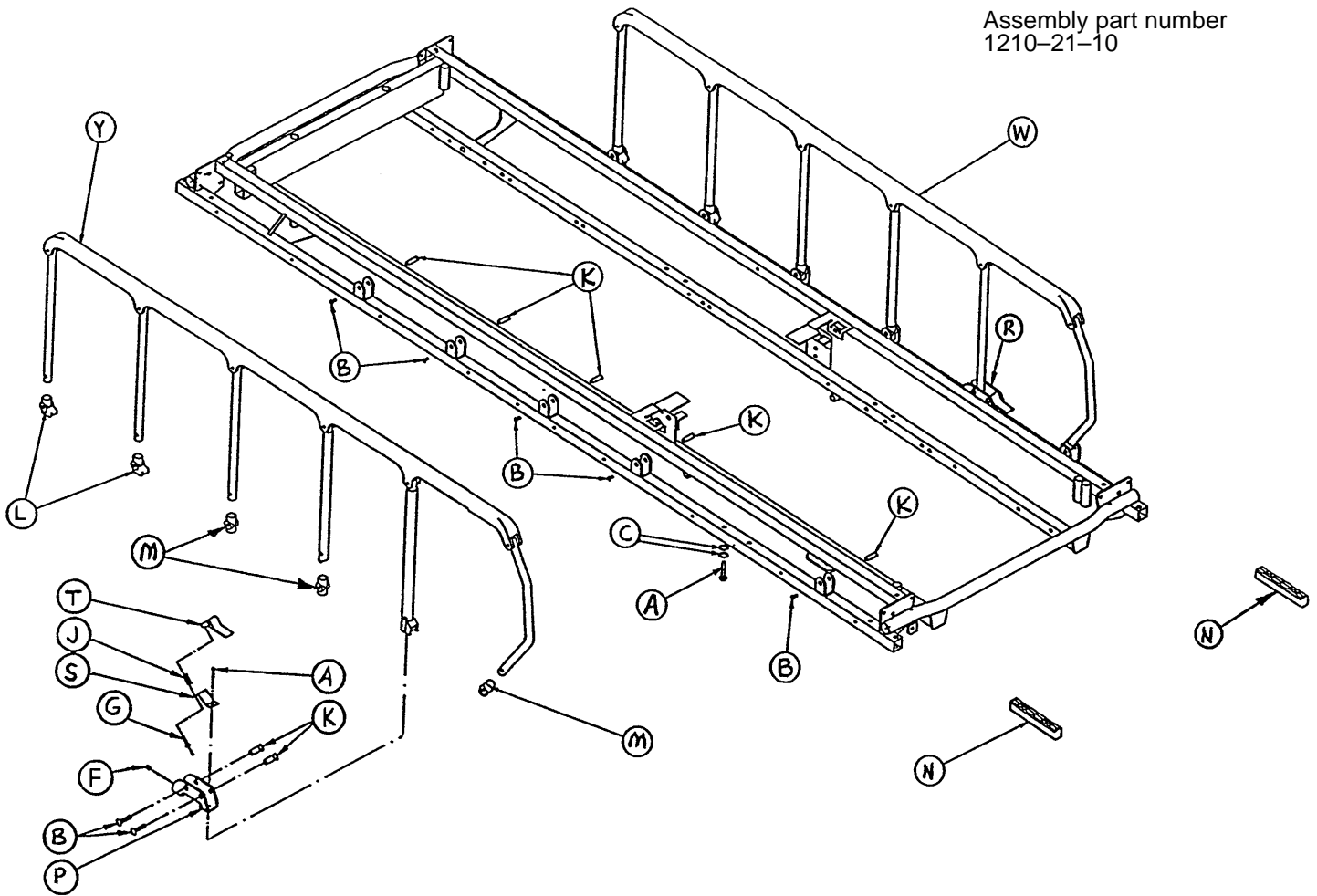
Assembly part number
1710-30-10



Item	Part No.	Part Name	Qty.	Item	Part No.	Part Name	Qty.
B	3-47	Hex Hd. Cap Screw	2	AC	926-400-142	Bumper Wheel	4
C	3-50	Hex Hd. Cap Screw	2	AD	938-1-401	Collar	2
D	3-54	Hex Hd. Cap Screw	2	AE	1001-1-37	Jack Supt. Tube, Hd.	2
E	3-76	Hex Hd. Cap Screw	4	AF	1001-1-41	Hole Plug	2
F	3-78	Hex Hd. Cap Screw	4	AH	1001-201-30	Trend. Support	2
H	4-201	Soc. Hd. Cap Screw	4	AJ	1001-40-12	Foot Board Receptacle*	2
J	11-360	Plastic Spacer	2	AK	1001-201-29	Insert	2
K	16-28	Fiberlock Nut	14	AM	1010-32-92	Foley Bag Rack	2
L	16-35	Nylock Nut	4	AN	1010-201-27	Bumper Channel	2
M	23-104	Self-Tapping Screw	4	AR	1010-201-236	Corner, Hole/Slot	1
N	25-38	Pop Rivet	20	AS	1010-201-237	Corner, Hole/Hole	1
P	25-79	Pop Rivet	4	AT	1010-254-4	P.U.P. Soc. Wldmt., Lt.	1
R	28-23	Retaining Ring	2	AW	1010-254-6	P.U.P. Soc. Wldmt., Rt.	1
S	37-10	Hole Plug	2	AZ	1210-800-8	Patent Label	1
T	37-59	Hole Plug	1	BA	1501-201-31	Support Tube Ass'y	1
W	14-21	Nylon Flat Washer	8	BB	1510-32-20	Support Tube Ass'y	1
Y	46-1	Square Hd. Screw	2	BC	37-74	Hole Plug	8
Z	721-31-65	Hole Plug	58	BD	59-100	Hole Plug	4

Three Position Siderail to Litter Assembly, Fold to Foot

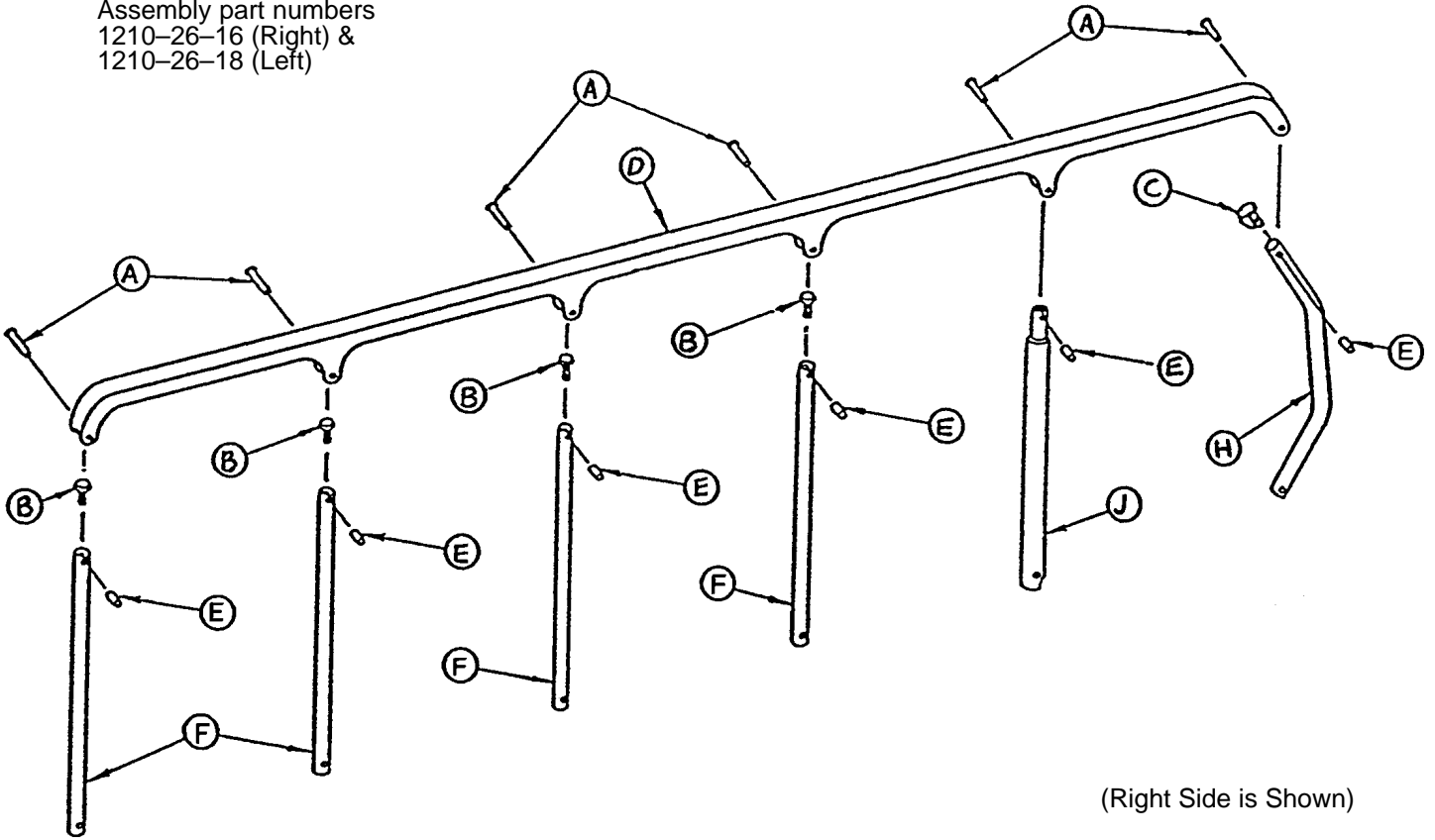
Assembly part number
1210-21-10



Item	Part No.	Part Name	Qty.
A	4-135	But. Hd, Cap Screw	4
B	4-136	But. Hd. Cap Screw	14
C	11-2	Flat Washer	4
E	16-28	Nylock Nut	2
F	21-104	Set Screw	2
G	25-38	Pop Rivet	2
H	37-74	Hole Plug	2
J	38-220	Compression Spring	2
K	721-26-66	Pivot Screw	14
L	721-26-68	Upright Cradle	4
M	721-26-69	Upright Sleeve	6
N	1010-26-69	Lock Support	2
P	1066-26-16	Lock Housing Ass'y, Left	1
R	1066-26-18	Lock Housing Ass'y, Right	1
S	1066-26-19	Spring Plate	2
T	1066-26-22	Lock Handle	2
W	(page 42)	Siderail Assembly, Right	1
Y	(page 42)	Siderail Assembly, Left	1

Three Position Siderail Ass'y, Rt. & Lt., Fold to Foot

Assembly part numbers
 1210-26-16 (Right) &
 1210-26-18 (Left)

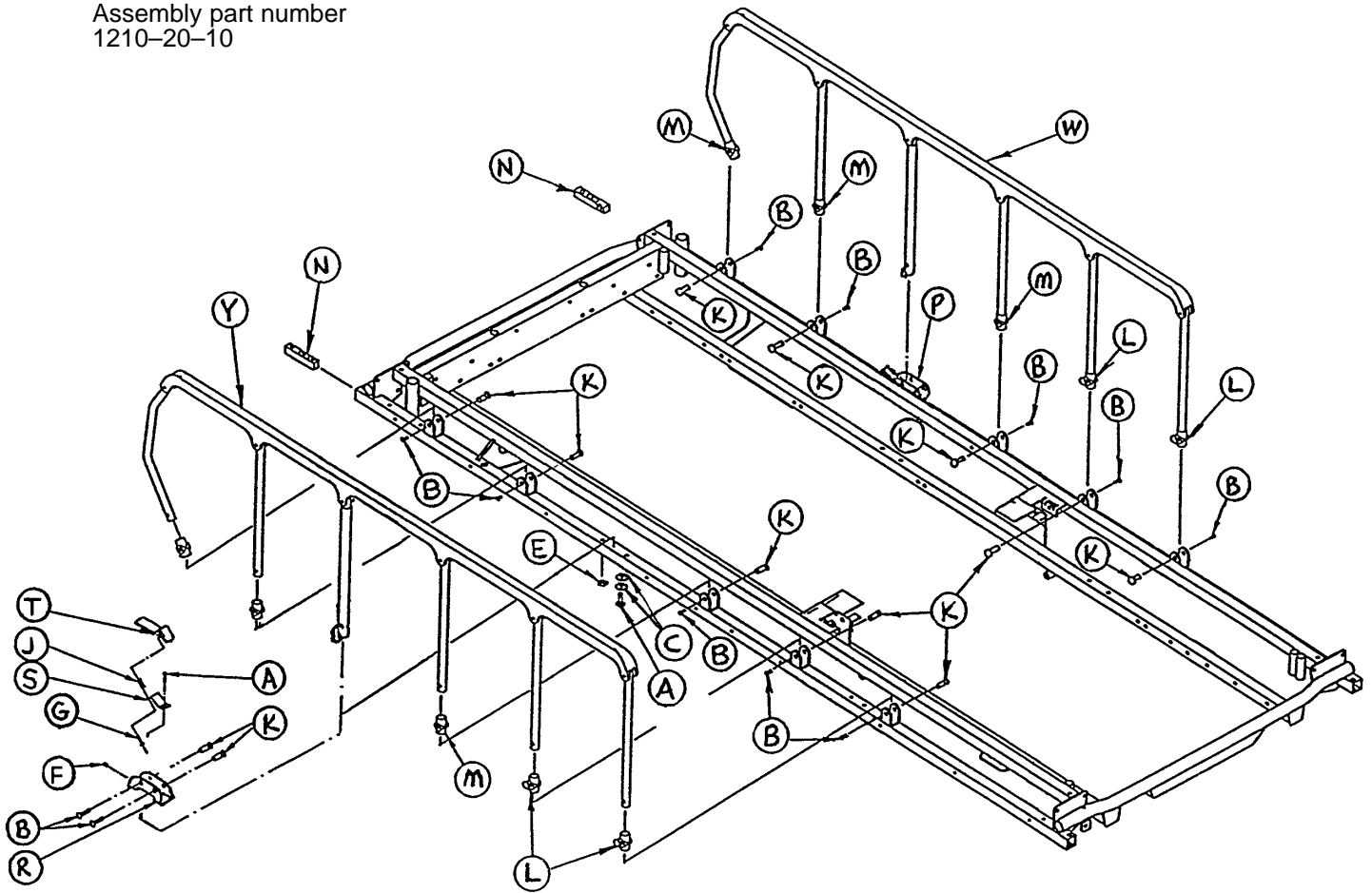


(Right Side is Shown)

Item	Part No.	Part Name	Qty.
A	25-106	Semi-Tubular Rivet	6
B	1010-26-10	Round Hole Plug	4
C	1010-26-12	Bent Spindle Rest	1
D	1010-26-15	Top Rail	1
E	1010-26-82	Sleeve Bearing	6
F	1010-26-83	Upright	4
H	1010-26-84	Upright, Bent	1
J	1066-26-27	Upright, Latch	1

Three Position Siderail to Litter Assembly, Fold to Head

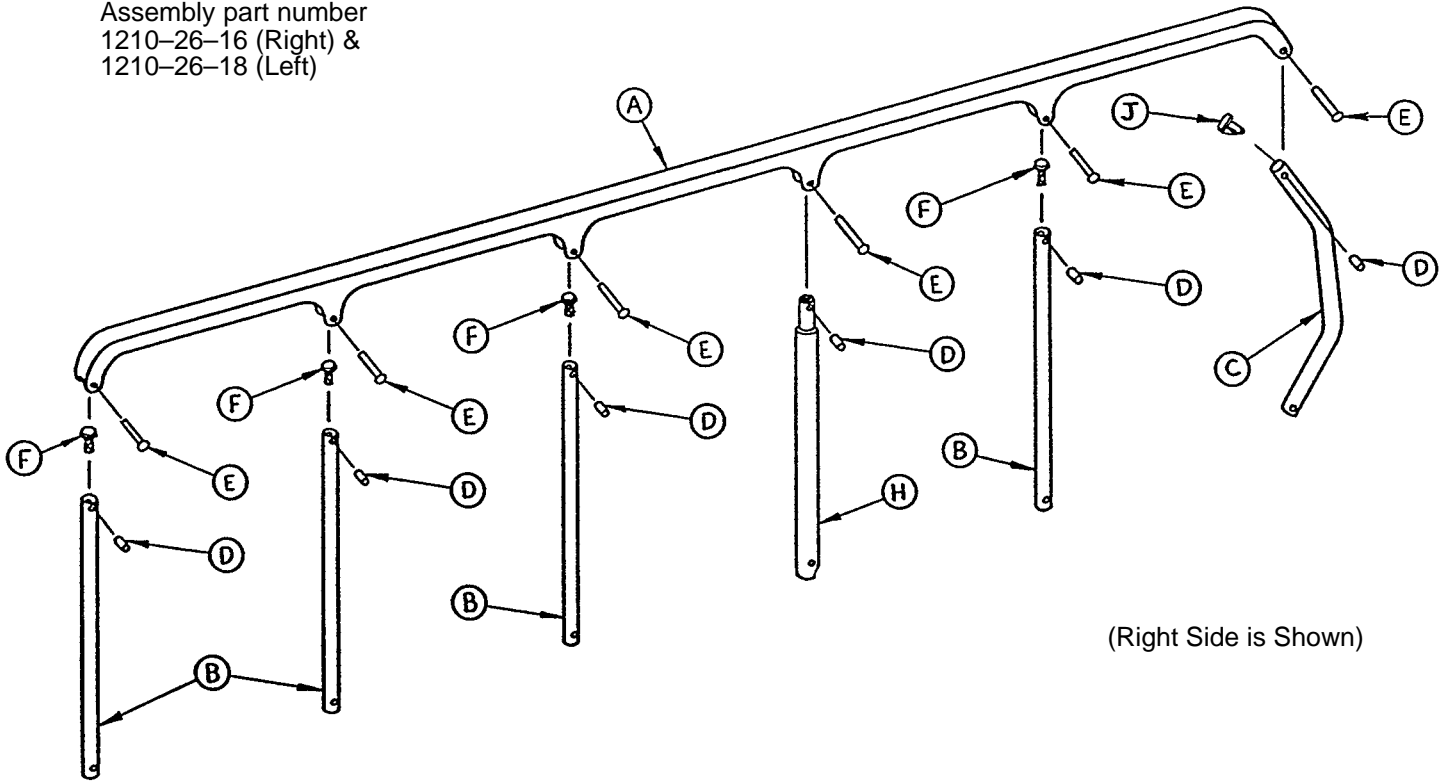
Assembly part number
1210-20-10



Item	Part No.	Part Name	Qty.
A	4-135	But. Hd, Cap Screw	4
B	4-136	But. Hd. Cap Screw	14
C	11-2	Flat Washer	4
E	16-28	Nylock Nut	2
F	21-104	Set Screw	2
G	25-38	Pop Rivet	2
H	37-74	Hole Plug	2
J	38-220	Compression Spring	2
K	721-26-66	Pivot Screw	14
L	721-26-68	Upright Cradle	4
M	721-26-69	Upright Sleeve	6
N	1010-26-69	Lock Support	2
P	1066-26-16	Lock Housing Ass'y, Left	1
R	1066-26-18	Lock Housing Ass'y, Right	1
S	1066-26-19	Spring Plate	2
T	1066-26-22	Lock Handle	2
W	(page 44)	Siderail Assembly, Right	1
Y	(page 44)	Siderail Assembly, Left	1

Three Position Siderail Ass'y, Rt. & Lt., Fold to Head

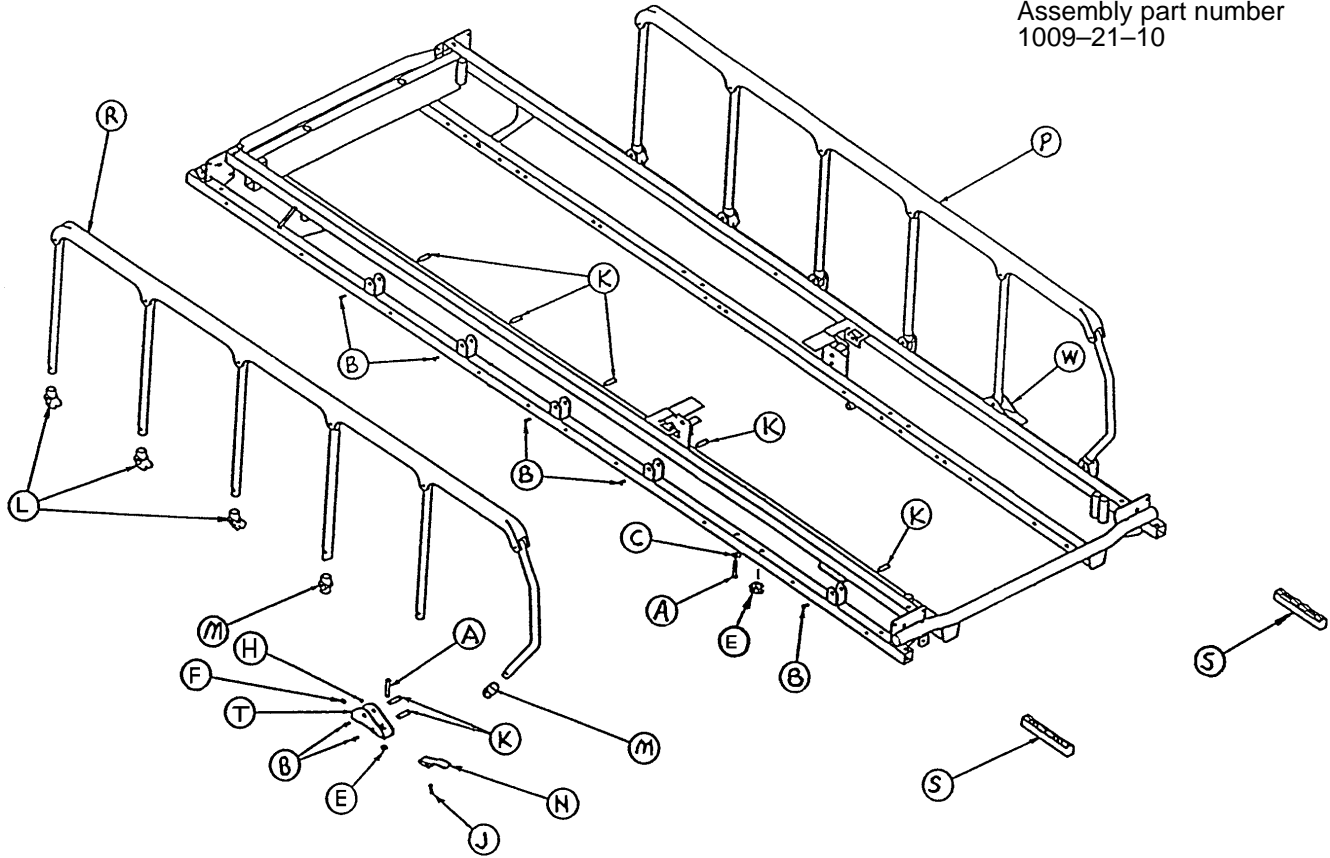
Assembly part number
1210-26-16 (Right) &
1210-26-18 (Left)



Item	Part No.	Part Name	Qty.
A	1010-26-15	Top Rail	1
B	1010-26-83	Upright	4
C	1010-26-84	Upright, Bent	1
D	1010-26-82	Sleeve Bearing	6
E	25-106	Semi-Tubular Rivet	6
F	1010-26-10	Round Hole Plug	4
H	1066-26-27	Upright, Latch	1
J	1010-26-12	Bent Spindle Rest	1

Two-Position Siderail to Litter Assembly, Fold to Foot

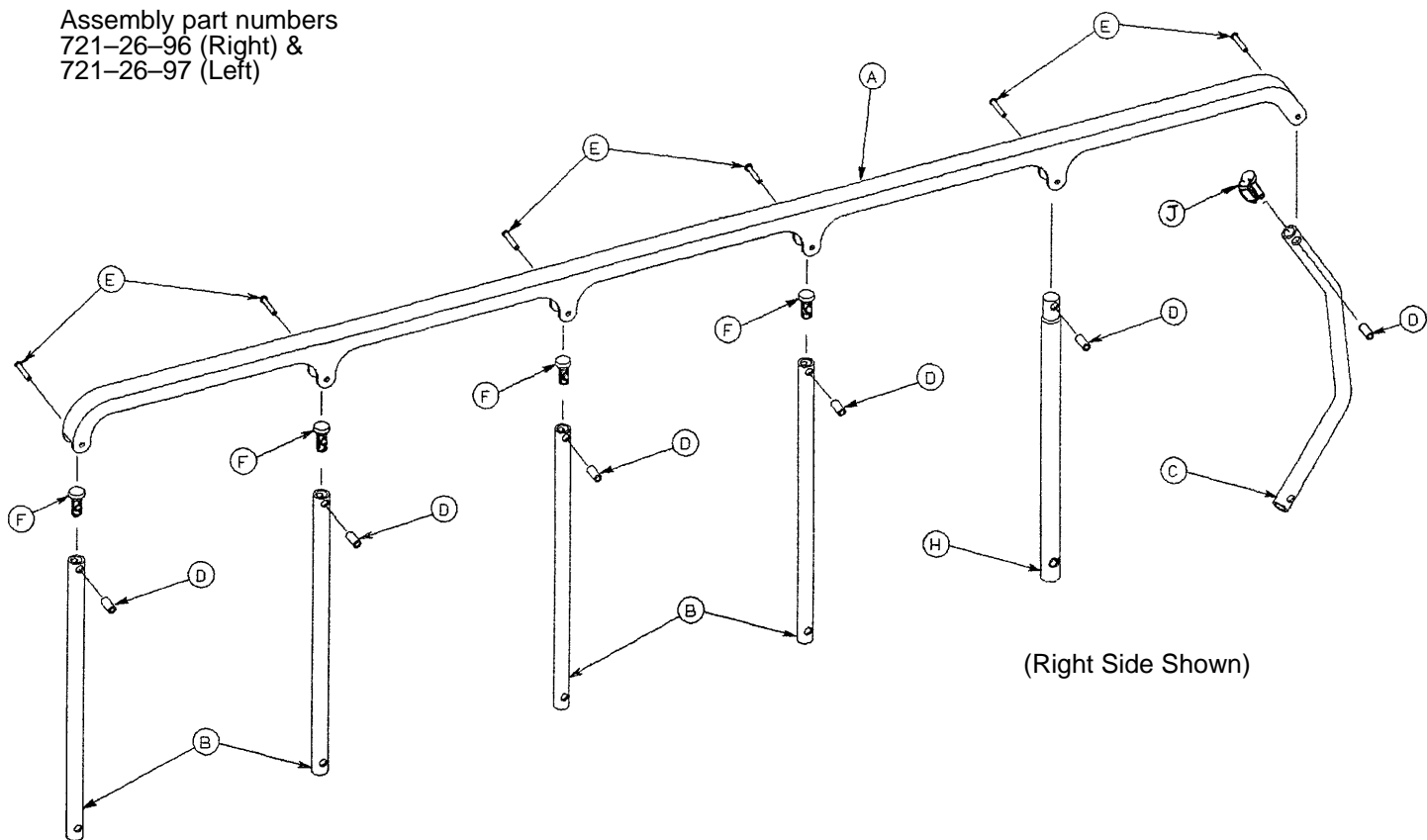
Assembly part number
1009-21-10



Item	Part No.	Part Name	Qty.
A	4-135	But. Hd. Cap Screw	4
B	4-136	But. Hd. Cap Screw	14
C	11-2	Flat Washer	2
E	16-28	Nylock Nut	2
F	21-104	Set Screw	2
H	37-74	Hole Plug	2
J	38-220	Compression Spring	2
K	721-26-66	Pivot Screw	14
L	721-26-68	Upright Cradle	6
M	721-26-69	Upright Sleeve	4
N	721-26-74	Lock Handle, Machined	2
P	(page 46)	Siderail Assembly, Right	1
R	(page 46)	Siderail Assembly, Left	1
S	1010-26-69	Lock Support	2
T	1010-26-80	Lock Housing Ass'y, Right	1
W	1010-26-81	Lock Housing Ass'y, Left	1

Two Position Siderail Ass'y, Right & Left, Fold to Foot

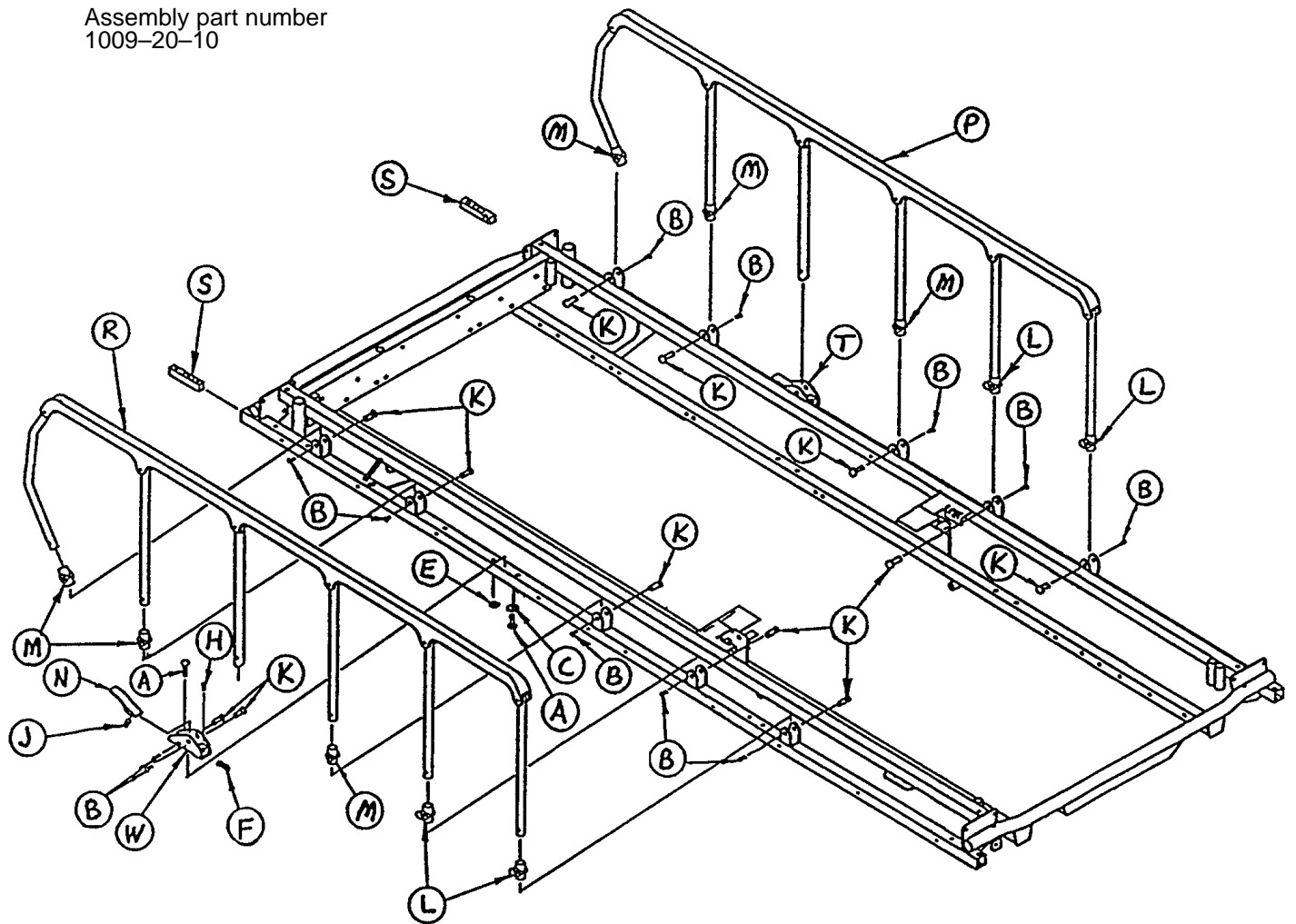
Assembly part numbers
 721-26-96 (Right) &
 721-26-97 (Left)



Item	Part No.	Part Name	Qty.
A	1010-26-15	Top Rail	1
B	1010-26-83	Upright	4
C	1010-26-84	Upright, Bent	1
D	1010-26-82	Spacer	6
E	25-106	Semi-Tubular Rivet	6
F	1010-26-10	Round Hole Plug	4
H	1010-26-85	Upright, Latch	1
J	1010-26-12	Bent Spindle Stop	1

Two Position Siderail to Litter Assembly, Fold to Head

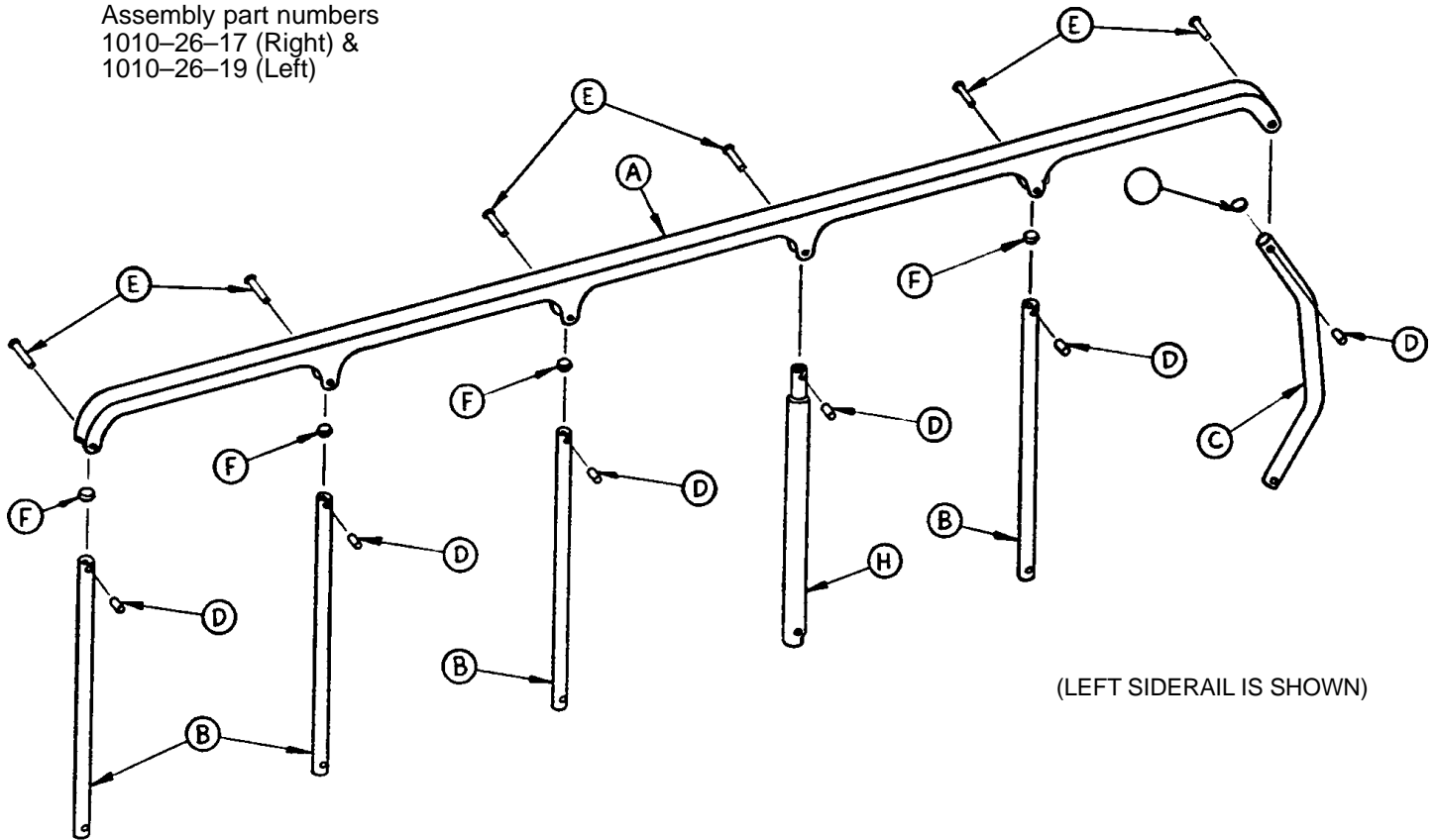
Assembly part number
1009-20-10



Item	Part No.	Part Name	Qty.
A	4-135	But. Hd, Cap Screw	4
B	4-136	But. Hd. Cap Screw	14
C	11-2	Flat Washer	2
E	16-28	Nylock Nut	2
F	21-104	Set Screw	2
H	37-74	Hole Plug	2
J	38-220	Compression Spring	2
K	721-26-66	Pivot Screw	14
L	721-26-68	Upright Cradle	4
M	721-26-69	Upright Sleeve	6
N	721-26-74	Lock Handle, Machined	2
P	(page 48)	Siderail Assembly, Right	1
R	(page 48)	Siderail Assembly, Left	1
S	1010-26-69	Lock Support	2
T	1010-26-80	Lock Housing Ass'y, Right	1
W	1010-26-81	Lock Housing Ass'y, Left	1

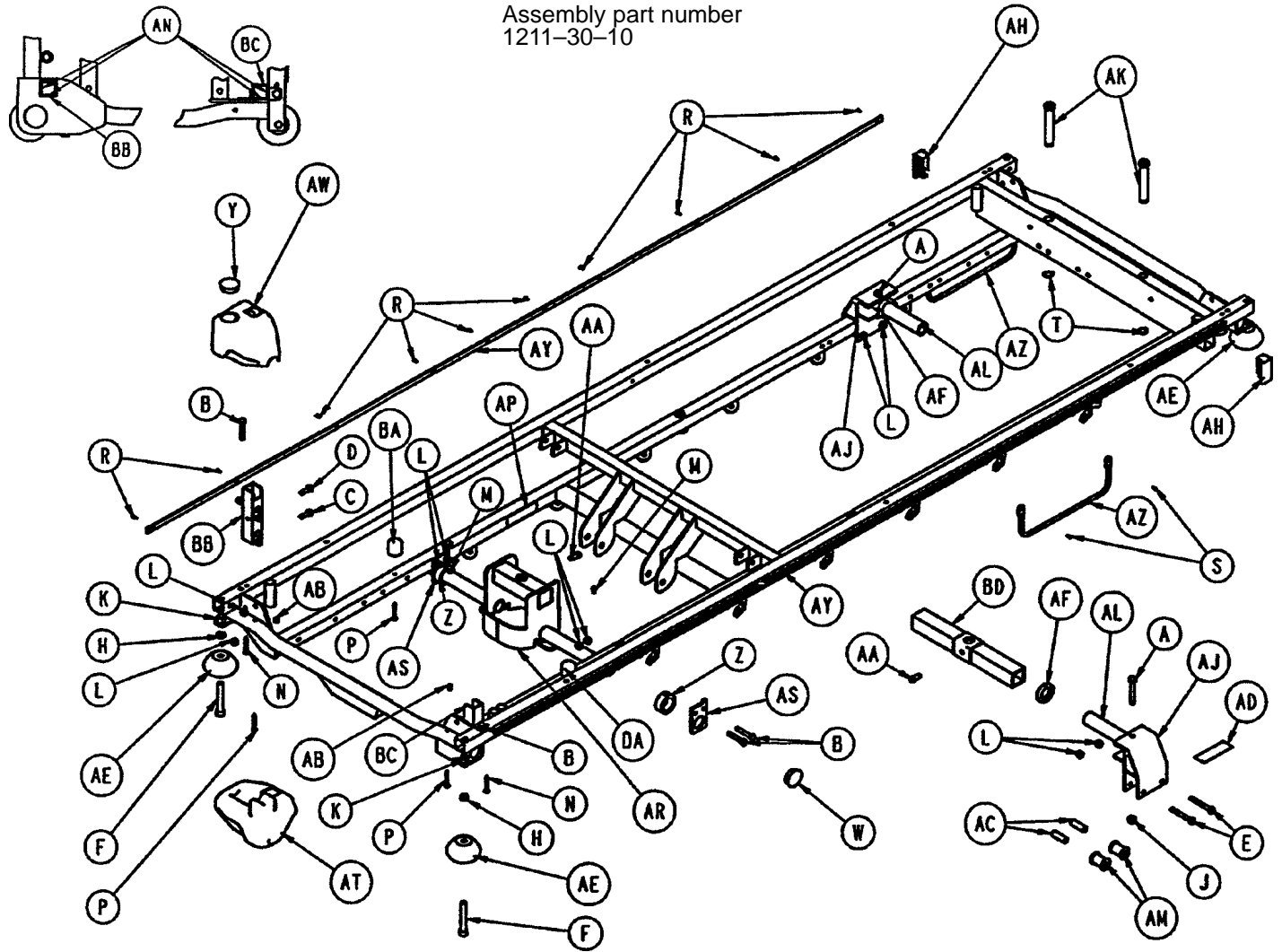
Two Position Siderail Ass'y, Right & Left, Fold to Head

Assembly part numbers
 1010-26-17 (Right) &
 1010-26-19 (Left)



Item	Part No.	Part Name	Qty.
A	1010-26-15	Top Rail	1
B	1010-26-83	Upright	4
C	1010-26-84	Upright, Bent	1
D	1010-26-82	Sleeve Bearing	6
E	25-106	Semi-Tubular Rivet	6
F	1010-26-10	Round Hole Plug	4
H	1010-26-85	Upright, Latch	1
J	1010-26-12	Bent Spindle Rest	1

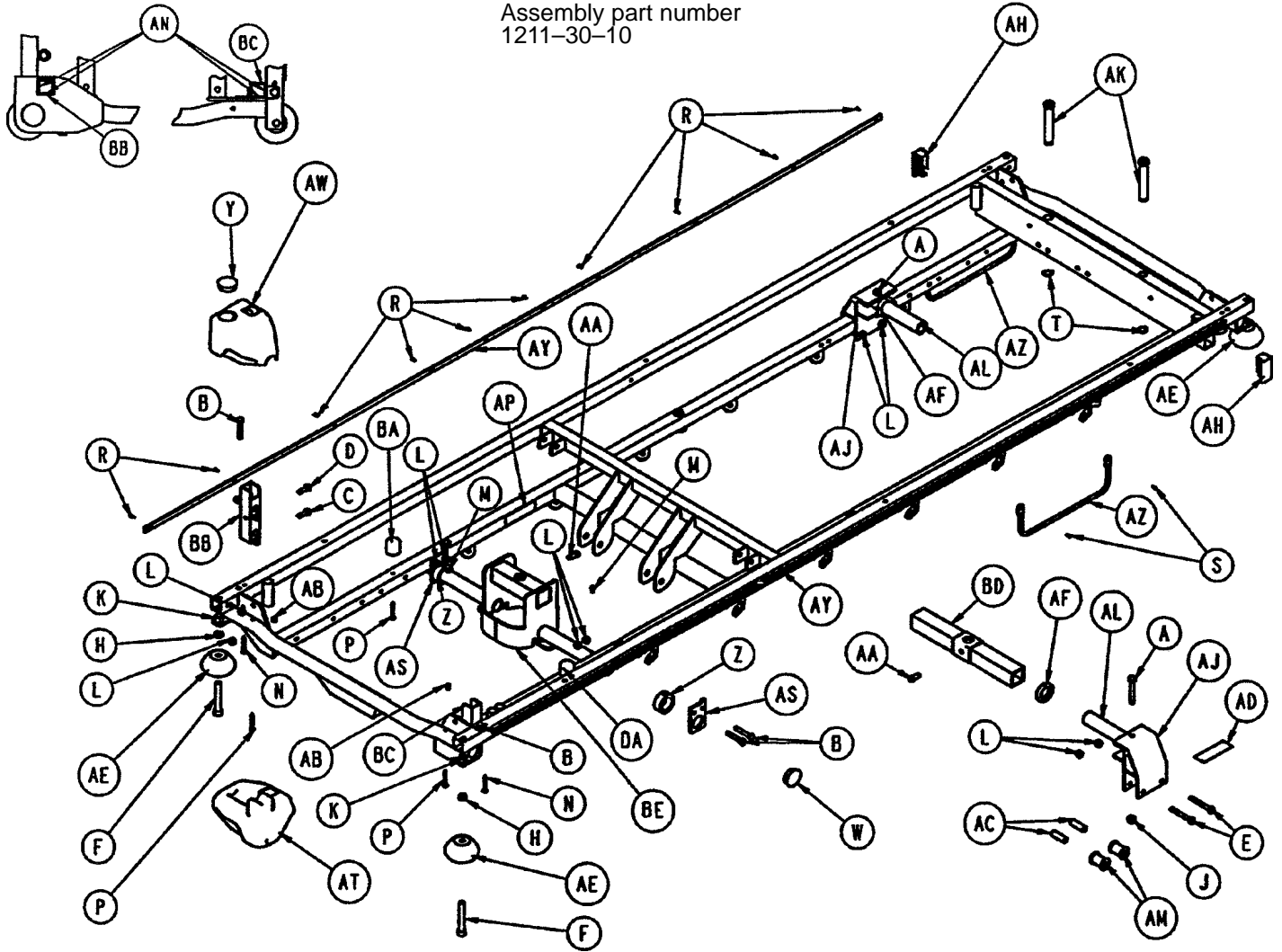
Litter Assembly



Item	Part No.	Part Name	Qty.	Item	Part No.	Part Name	Qty.
A	3-40	Hex Hd. Cap Screw	2	AC	721-32-107	Roller Sleeve	4
B	3-47	Hex Hd. Cap Screw	6	AD	919-30-28	Rack Guide	2
C	3-50	Hex Hd. Cap Screw	2	AE	926-400-142	Bumper Wheel	4
D	3-54	Hex Hd. Cap Screw	2	AF	938-1-401	Collar	2
E	3-76	Hex Hd. Cap Screw	4	AH	1001-1-41	Tube Plug	2
F	4-201	Soc. Hd. Cap Screw	4	AJ	1001-32-29	Carrier Tube Extrusion	2
H	15-27	Jam Nut	4	AK	1001-40-12	Foot Board Receptacle	2
J	16-11	Nylock Nut	2	AL	1010-32-64	Carrier Tube	2
K	16-12	Nylock Nut	4	AM	1010-201-50	Support Roller	4
L	16-28	Nylock Nut	14	AN	1010-254-16	P.U.P. Liner	4
M	22-10	Drive Screw	2	AP	1210-800-8	Patent Label	1
N	23-69	Self-Tapping Screw	2	AR	1211-30-7	Jack Support Wldmt.	1
P	23-104	Self-Tapping Screw	4	AS	1211-30-18	Jack Support Bracket	2
R	25-38	Pop Rivet	20	AT	1211-30-34	Corner, Hole/Slot	1
S	25-79	Pop Rivet	4	AW	1211-30-37	Corner, Hole/Hole	1
T	28-23	Retaining Ring	2	AY	1211-30-44	Bumper Channel	2
W	37-30	Hole Plug	2	AZ	1211-30-46	Foley Bag Rack	2
Y	37-59	Hole Plug	1	BA	1211-31-31	Pneumatic Fowler Rest	2
Z	42-7	Collar	2	BB	1211-151-4	P.U.P. Recept. Wldmt., Lt.	1
AA	46-1	Square Hd. Screw	2	BC	1211-151-6	P.U.P. Recept. Wldmt., Rt.	1
AB	721-31-65	Hole Plug	20	BD	1510-32-20	Support Tube Ass'y	1

Litter Assembly

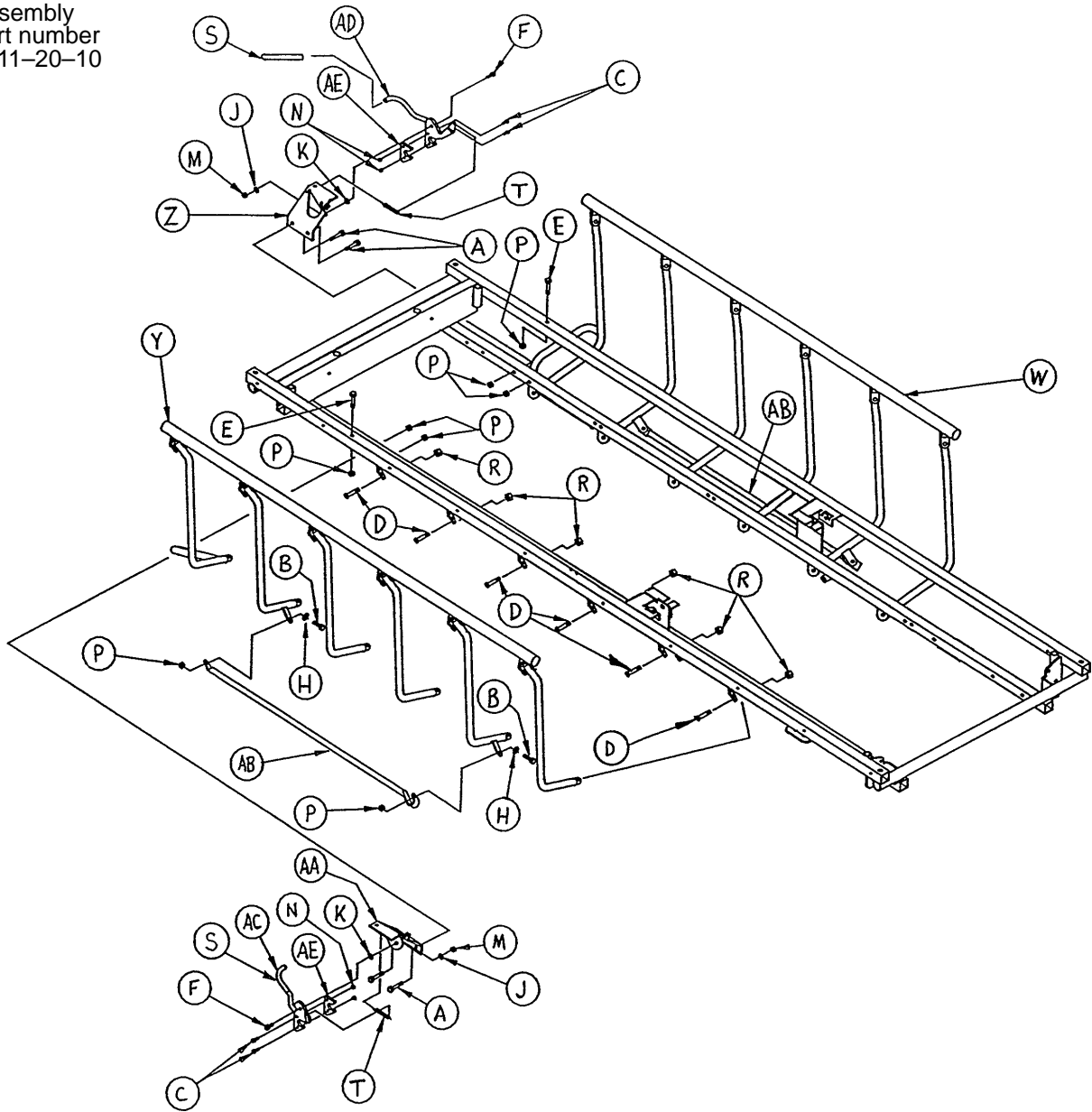
Assembly part number
1211-30-10



Item	Part No.	Part Name	Qty.	Item	Part No.	Part Name	Qty.
A	3-40	Hex Hd. Cap Screw	2	AC	721-32-107	Roller Sleeve	4
B	3-47	Hex Hd. Cap Screw	6	AD	919-30-28	Rack Guide	2
C	3-50	Hex Hd. Cap Screw	2	AE	926-400-142	Bumper Wheel	4
D	3-54	Hex Hd. Cap Screw	2	AF	938-1-401	Collar	2
E	3-76	Hex Hd. Cap Screw	4	AH	1001-1-41	Tube Plug	2
F	4-201	Soc. Hd. Cap Screw	4	AJ	1001-32-29	Carrier Tube Extrusion	2
H	15-27	Jam Nut	4	AK	1001-40-12	Foot Board Receptacle	2
J	16-11	Nylock Nut	2	AL	1010-32-64	Carrier Tube	2
K	16-12	Nylock Nut	4	AM	1010-201-50	Support Roller	4
L	16-28	Nylock Nut	14	AN	1010-254-16	P.U.P. Liner	4
M	22-10	Drive Screw	2	AP	1210-800-8	Patent Label	1
N	23-69	Self-Tapping Screw	2	AS	1211-30-18	Jack Support Bracket	2
P	23-104	Self-Tapping Screw	4	AT	1211-30-34	Corner, Hole/Slot	1
R	25-38	Pop Rivet	20	AW	1211-30-37	Corner, Hole/Hole	1
S	25-79	Pop Rivet	4	AY	1211-30-44	Bumper Channel	2
T	28-23	Retaining Ring	2	AZ	1211-30-46	Foley Bag Rack	2
W	37-30	Hole Plug	2	BA	1211-31-31	Pneumatic Fowler Rest	2
Y	37-59	Hole Plug	1	BB	1211-151-4	P.U.P. Recept. Wldmt., Lt.	1
Z	42-7	Collar	2	BC	1211-151-6	P.U.P. Recept. Wldmt., Rt.	1
AA	46-1	Square Hd. Screw	2	BD	1501-27-23	Support Tube Ass'y	1
AB	721-31-65	Hole Plug	20	BE	1711-30-7	Jack Support Wldmt.	1

Siderail to Litter Assembly, Fold to Head

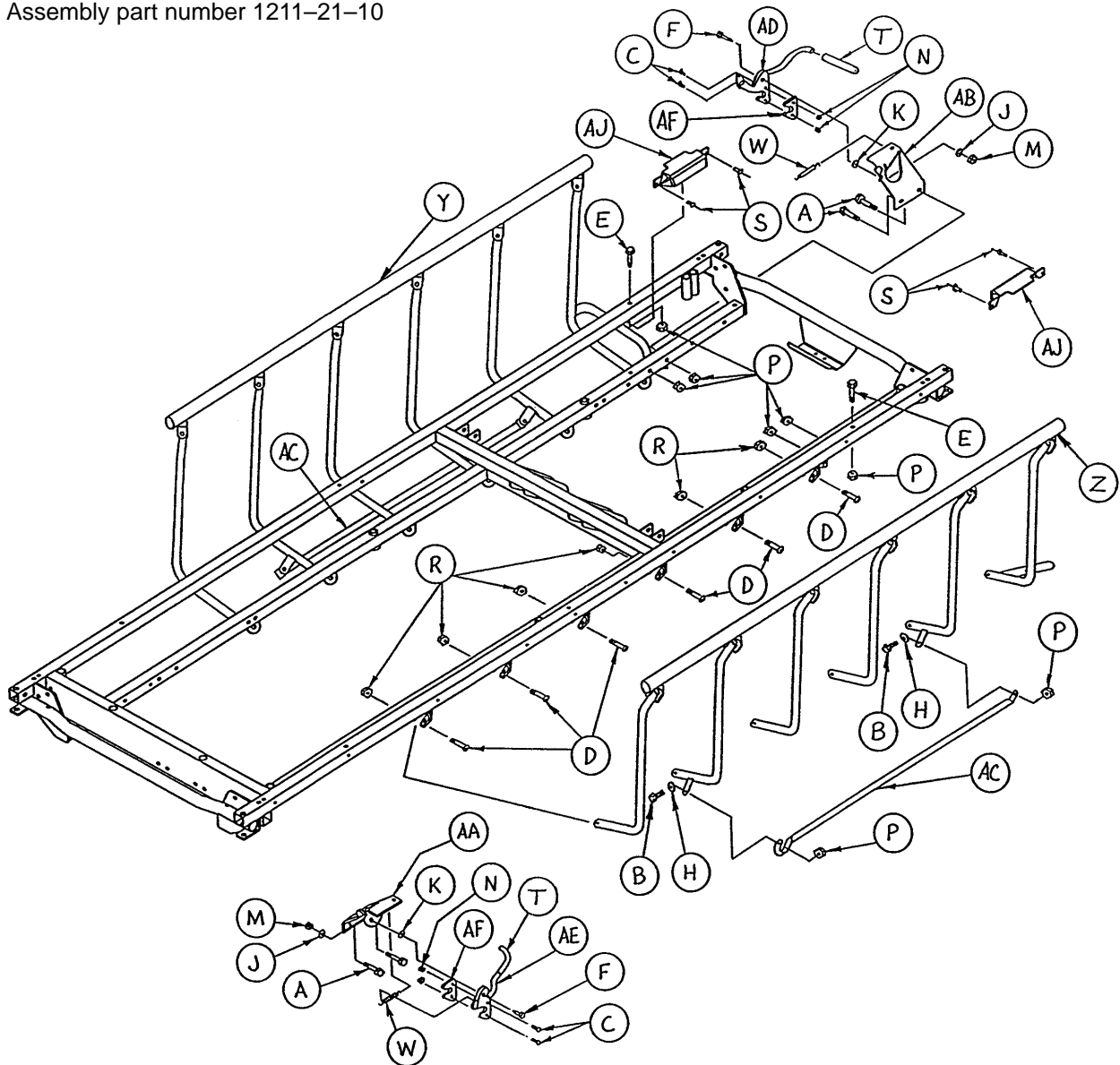
Assembly
part number
1211-20-10



Item	Part No.	Part Name	Qty.	Item	Part No.	Part Name	Qty.
A	3-78	Hex Hd. Cap Screw	4	R	16-36	Nylock Nut	12
B	4-161	But. Hd. Cap Screw	4	S	37-200	Vinyl Sleeve	2
C	4-169	But. Hd. Cap Screw	4	T	38-271	Extension Spring	2
D	4-199	But. Hd. Cap Screw	12	W	(page 53)	Siderail Ass'y, Right	1
E	7-20	Truss Hd. Mach. Screw	2	Y	(page 54)	Siderail Ass'y, Left	1
F	8-7	Shoulder Bolt	2	Z	1001-26-46	Lock Mtg. Plate, Rt.	1
H	11-179	Nylon Washer	4	AA	1001-26-47	Lock Mtg. Plate, Lt.	1
J	14-2	Nylon Washer	2	AB	1001-26-51	Timing Link	2
K	14-19	Nylon Washer	2	AC	1001-26-53	Latch Hook Ass'y, Lt.	1
M	16-2	Fiberlock Nut	2	AD	1001-26-54	Latch Hook Ass'y, Rt.	1
N	16-3	Fiberlock Nut	4	AE	1001-26-55	Latch Guard	2
P	16-28	Fiberlock Nut	10				

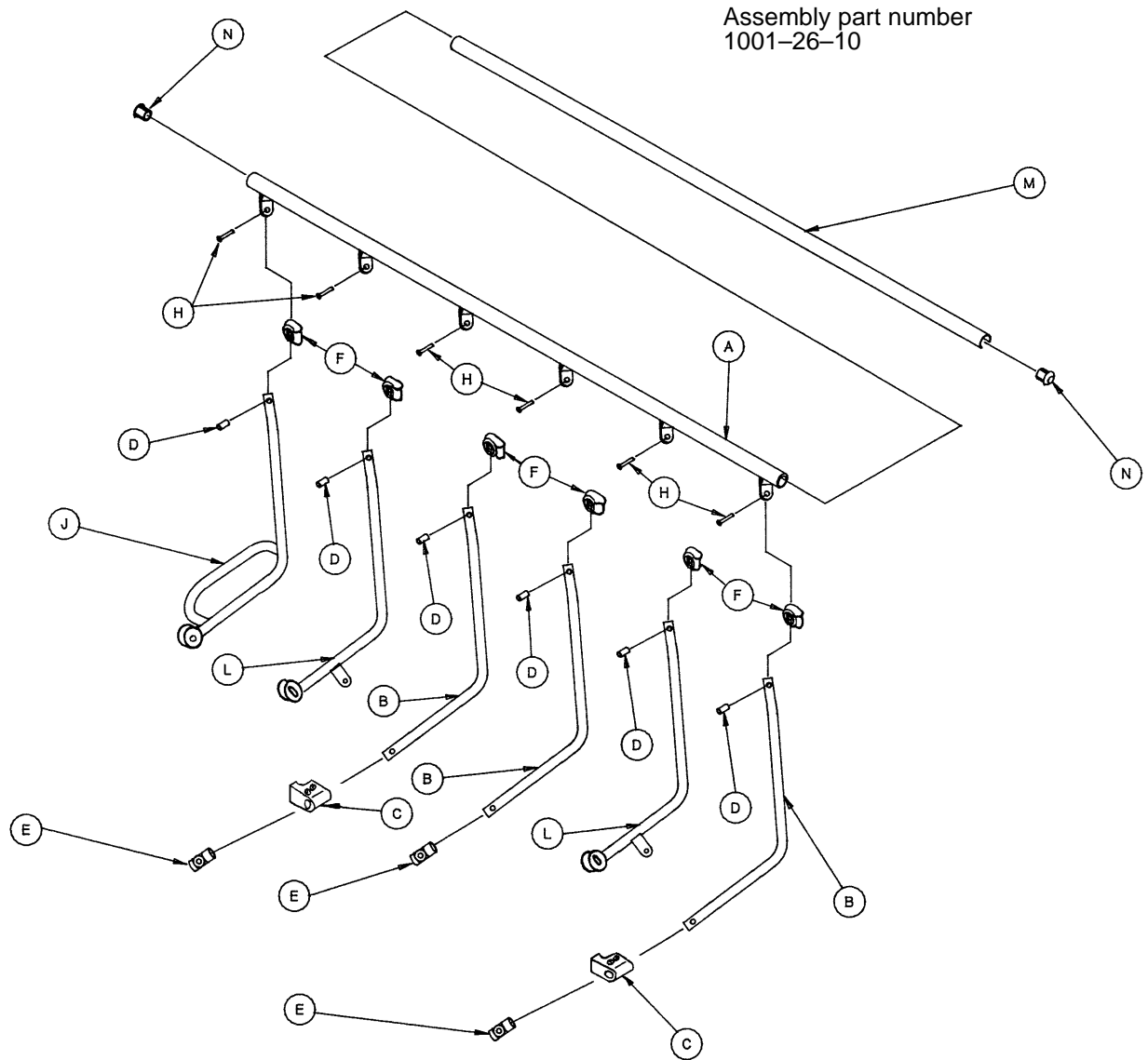
Siderail to Litter Assembly, Fold to Foot

Assembly part number 1211-21-10



Item	Part No.	Part Name	Qty.	Item	Part No.	Part Name	Qty.
A	3-78	Hex Hd. Cap Screw	4	S	25-79	Pop Rivet	4
B	4-161	But. Hd. Cap Screw	4	T	37-200	Vinyl Sleeve	2
C	4-169	But. Hd. Cap Screw	4	W	38-271	Extension Spring	2
D	4-199	But. Hd. Cap Screw	12	Y	(page 53)	Siderail Ass'y, Right	1
E	7-20	Truss Hd. Mach. Screw	2	Z	(page 54)	Siderail Ass'y, Left	1
F	8-7	Shoulder Bolt	2	AA	1001-26-46	Lock Mtg. Plate, Rt.	1
H	11-179	Nylon Washer	8	AB	1001-26-47	Lock Mtg. Plate, Lt.	1
J	14-2	Nylon Washer	2	AC	1001-26-51	Timing Link	2
K	14-19	Nylon Washer	2	AD	1001-26-53	Latch Hook Ass'y, Lt.	1
M	16-2	Fiberlock Nut	2	AE	1001-26-54	Latch Hook Ass'y, Rt.	1
N	16-3	Fiberlock Nut	4	AF	1001-26-55	Latch Guard	2
P	16-28	Fiberlock Nut	10	AJ	1001-34-48	Latch Cover	2
R	16-36	Nylock Nut	12				

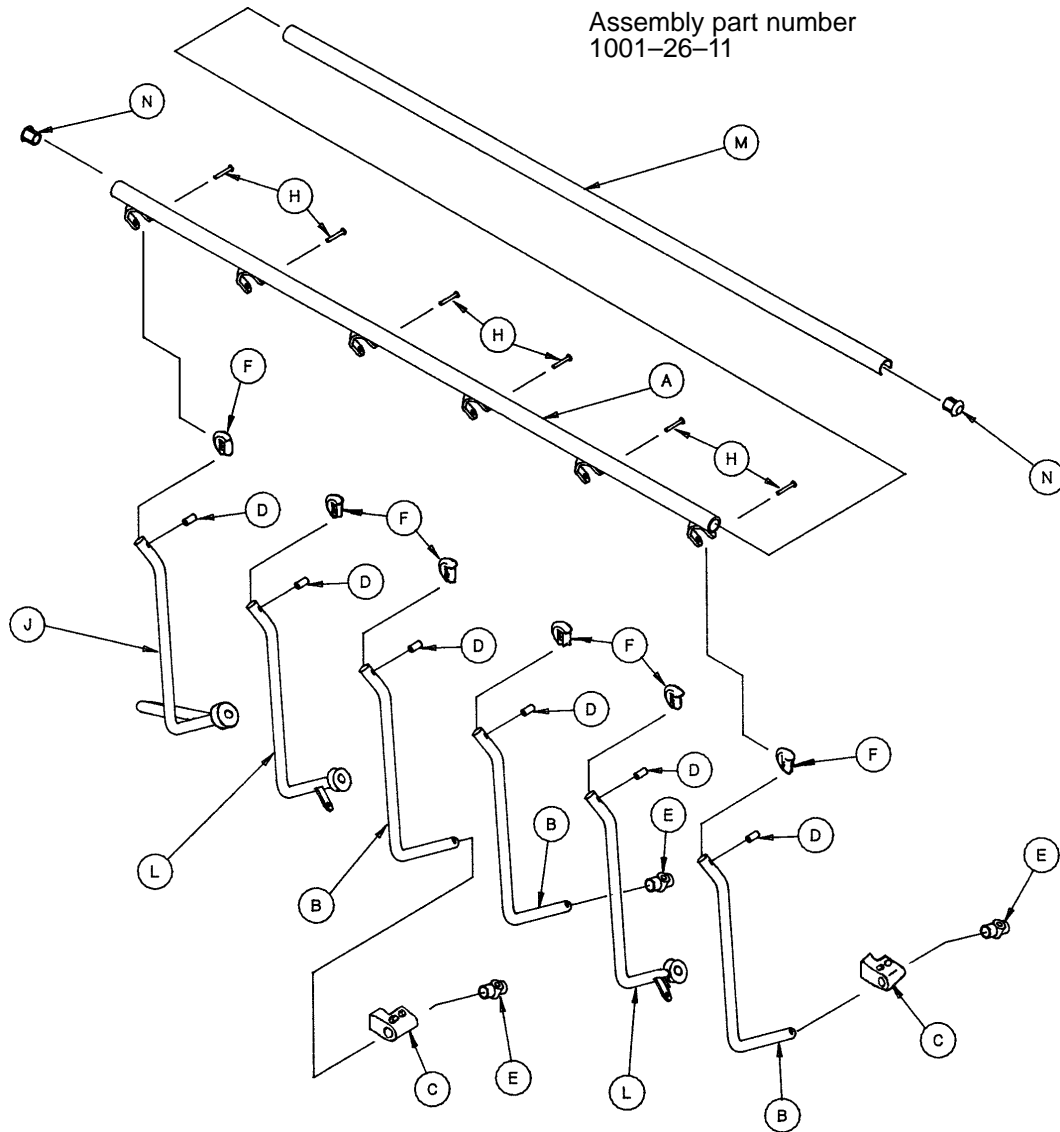
Glideaway Siderail Assembly, Right



Assembly part number
1001-26-10

Item	Part No.	Part Name	Qty.
A	1001-26-40	Top Rail, Right	1
B	1001-226-41	Upright, Plated, Right	3
C	(page 54.1)	Ring Spacer Assembly	2
D	1010-26-82	Sleeve Bearing	6
E	721-26-69	Upright Sleeve	3
F	123-20-52	Spindle Plug	6
H	25-114	Semi-Tubular Rivet	6
J	1001-226-31	Lock Upright Ass'y, Rt.	1
L	1001-226-37	Upright Assembly, Rt.	2
M	1001-26-63	Top Rail Cap	1
N	1001-26-66	End Plug	2

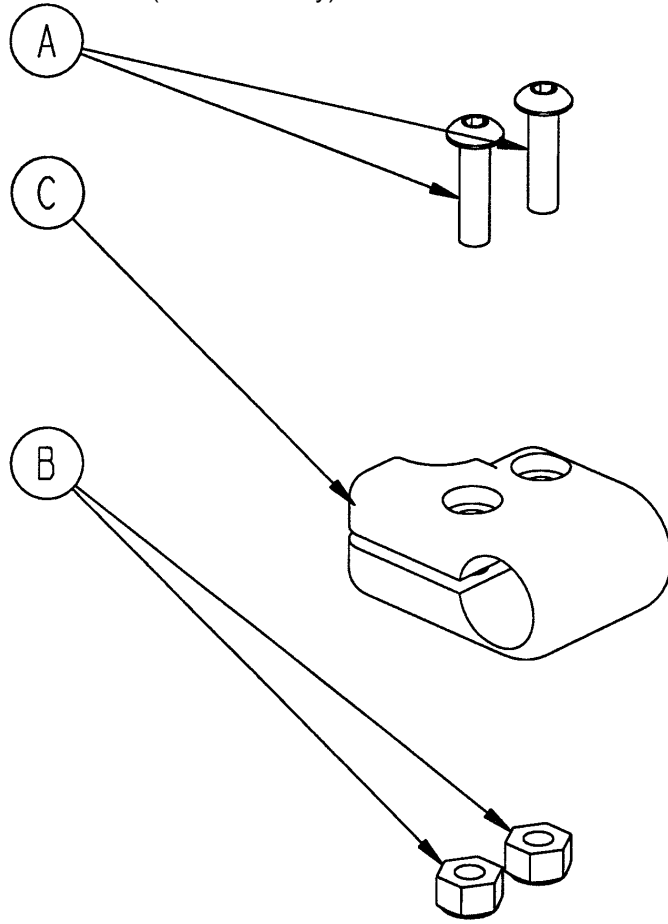
Glideaway Siderail Assembly, Left



Item	Part No.	Part Name	Qty.
A	1001-26-30	Top Rail, Left	1
B	1001-226-42	Upright, Plated, Left	3
C	(page 54.1)	Ring Spacer Assembly	2
D	1010-26-82	Sleeve Bearing	6
E	721-26-69	Upright Sleeve	3
F	123-20-52	Spindle Plug	6
H	25-114	Semi-Tubular Rivet	6
J	1001-226-33	Lock Upright Ass'y, Left	1
L	1001-226-38	Upright Assembly, Left	2
M	1001-26-63	Top Rail Cap	1
N	1001-26-66	End Cap	2

Siderail Ring Spacer Assembly

Assembly part number 1001-26-39
(reference only)

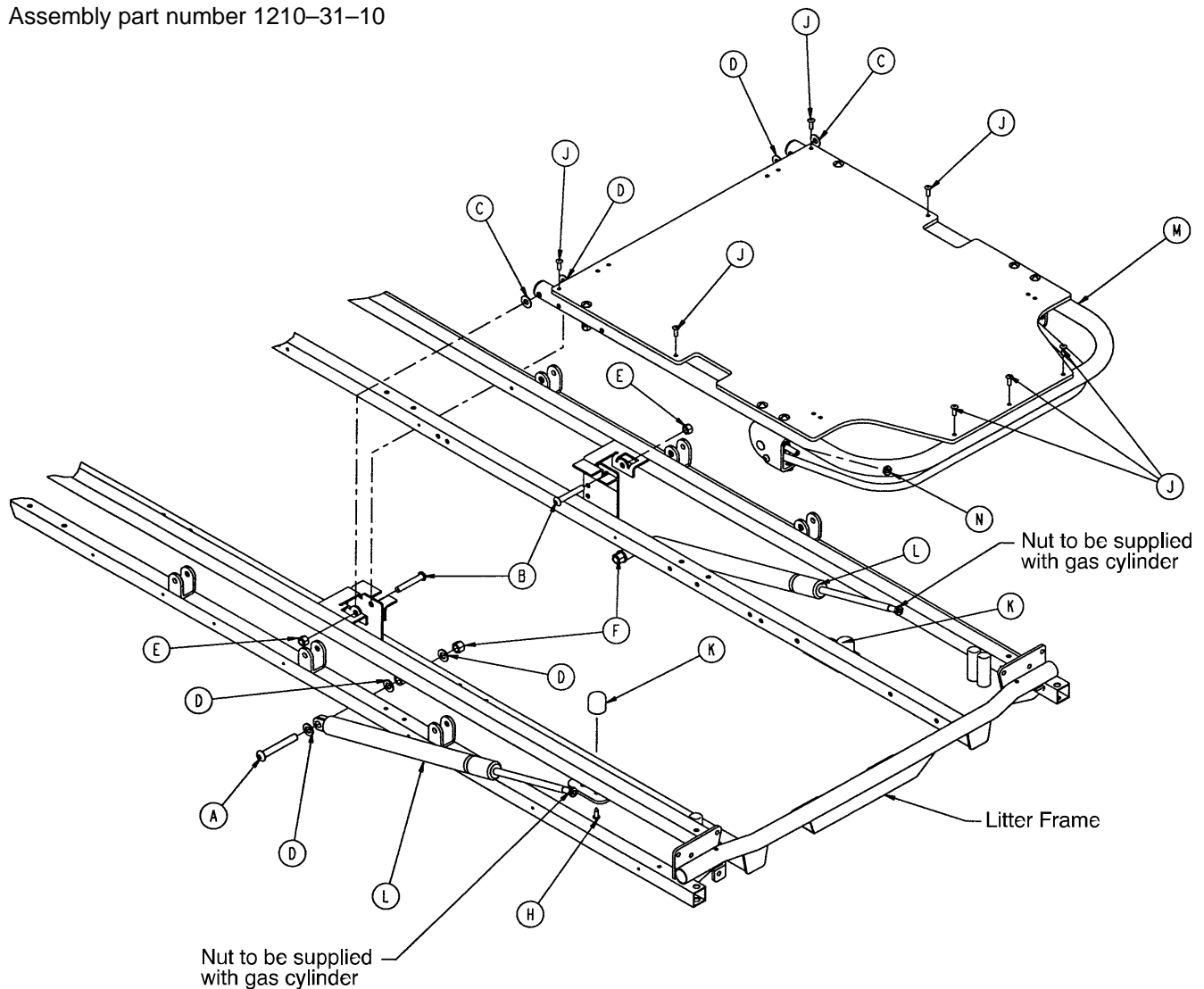


Item	Part No.	Part Name	Qty.
A	4-169	Socket Button Hd. Cap Screw	2
B	16-3	Hex Nut	2
C	1001-26-32	Ring Spacer	1

Notes

Pneumatic Fowler to Frame Assembly

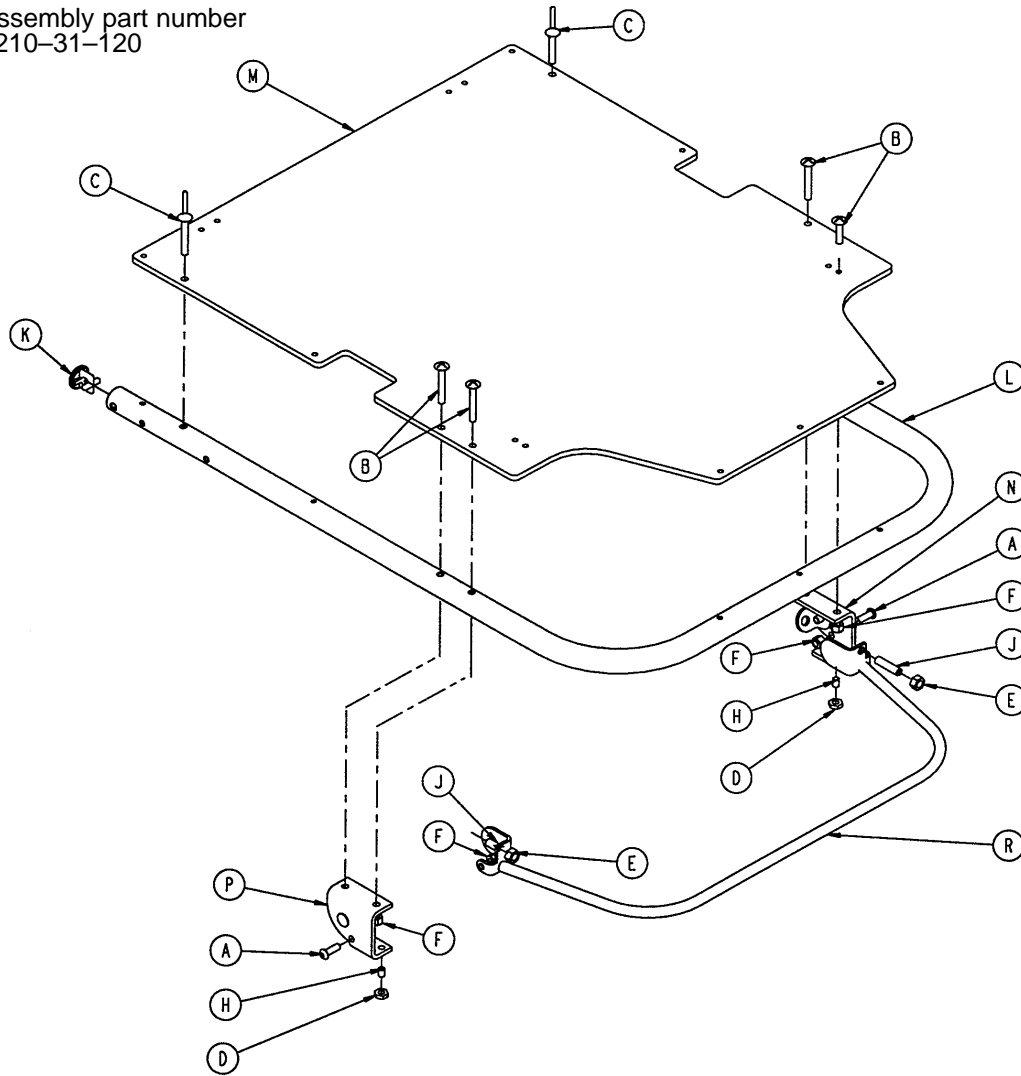
Assembly part number 1210-31-10



Item	Part No.	Part Name	Qty.
A	4-182	But. Hd. Cap Screw	2
B	4-183	But. Hd. Cap Screw	2
C	11-179	Nylon Washer	2
D	14-21	Nylon Washer	8
E	16-11	Nylock Hex Nut	2
F	16-35	Nylock Hex Nut	2
H	23-100	Self-Tapping Screw	2
J	25-50	Pop Rivet	7
K	1211-31-31	Pneumatic Fowler Rest	2
L	1010-31-78	Gas Cylinder	2
M	(page 56)	Pneumatic Fowler Ass'y	1
N	15-59	Hex Jam Nut	2

Pneumatic Fowler Assembly (Fiberresin)

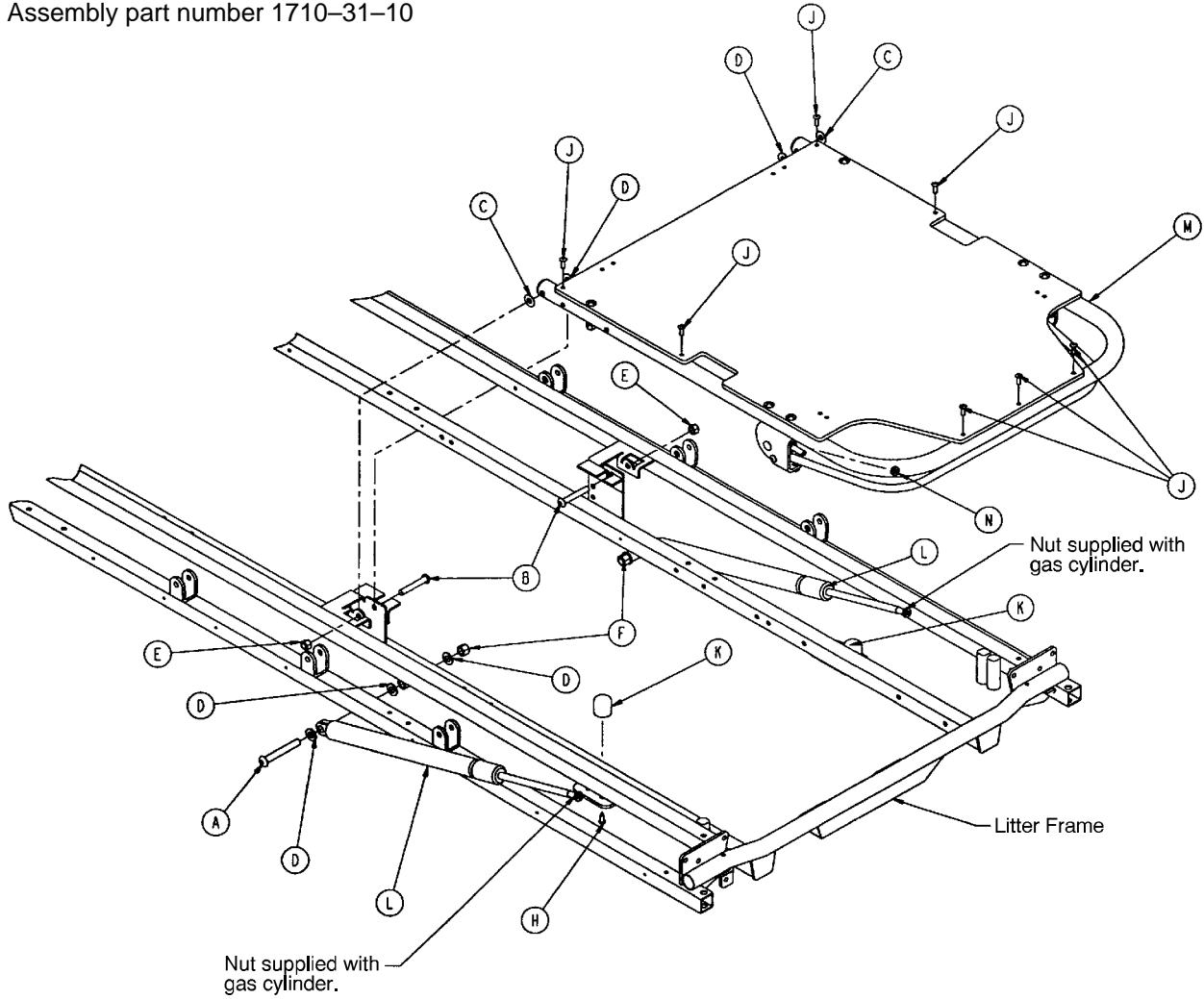
Assembly part number
1210-31-120



Item	Part No.	Part Name	Qty.
A	4-161	Hex Soc. But. Hd. Cap Screw	2
B	7-20	Truss Hd. Mach. Screw	4
C	25-124	Pop Rivet	2
D	15-37	Jam Nut	2
E	15-50	Hex Nut	2
F	16-28	Nylock Nut	6
H	21-125	Set Screw	2
J	21-126	Set Screw	2
K	1001-1-36	Hole Plug	2
L	1001-31-13	Fowler Tube	1
M	1010-231-12	Fowler Skin (Fiberresin)	1
N	(page 58.1)	Outer Housing Ass'y, Right	1
P	(page 58.1)	Outer Housing Ass'y, Left	1
R	1210-31-118	Trip Bar Assembly	1

Pneumatic Fowler to Frame Assembly

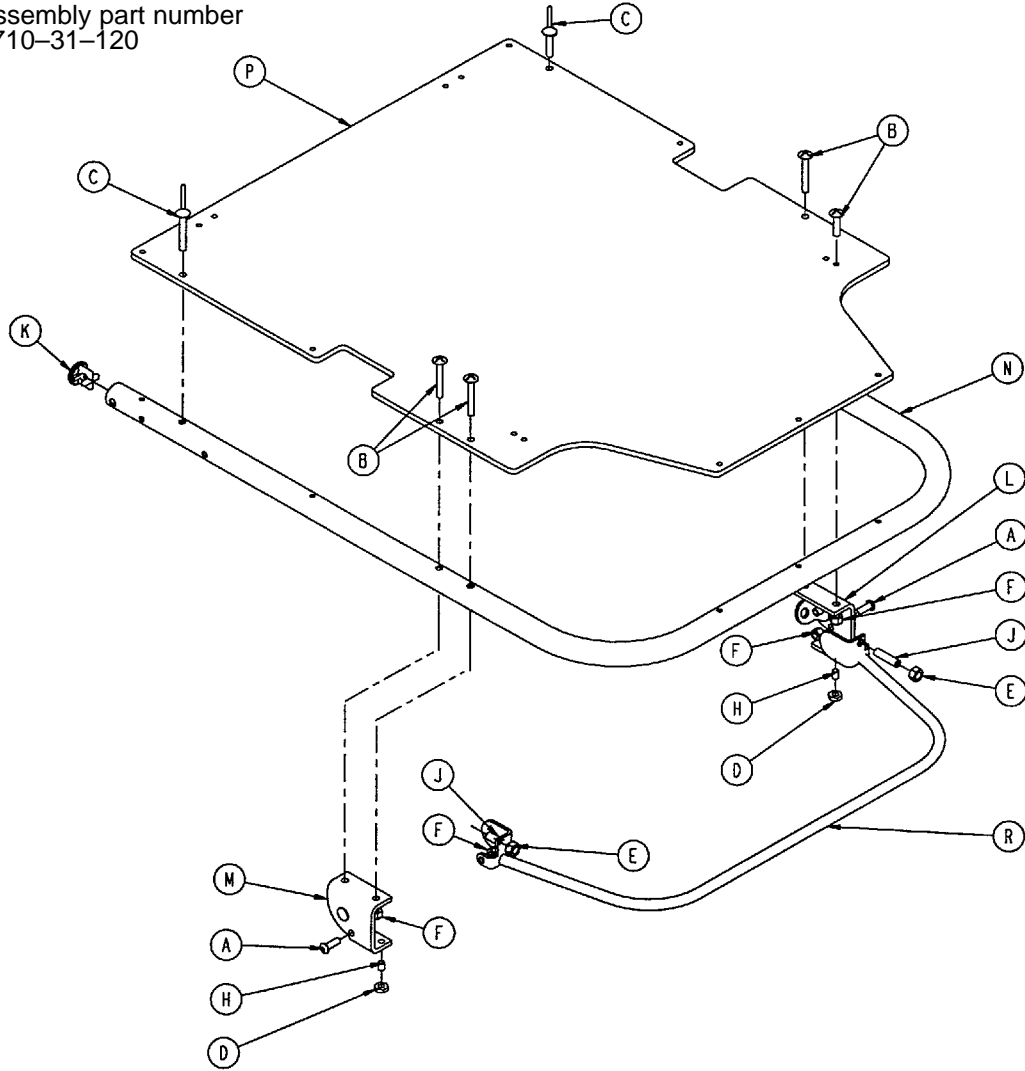
Assembly part number 1710-31-10



Item	Part No.	Part Name	Qty.
A	4-182	But. Hd. Cap Screw	2
B	4-183	But. Hd. Cap Screw	2
C	11-179	Nylon Washer	2
D	14-21	Nylon Washer	8
E	16-11	Nylock Hex Nut	2
F	16-35	Nylock Hex Nut	2
H	23-100	Self-Tapping Screw	2
J	25-50	Pop Rivet	7
K	1211-31-31	Pneumatic Fowler Rest	2
L	1010-31-78	Gas Cylinder	2
M	(page 58)	Pneumatic Fowler Ass'y	1
N	15-59	Hex Jam Nut	2

Pneumatic Fowler Assembly (Fiberresin)

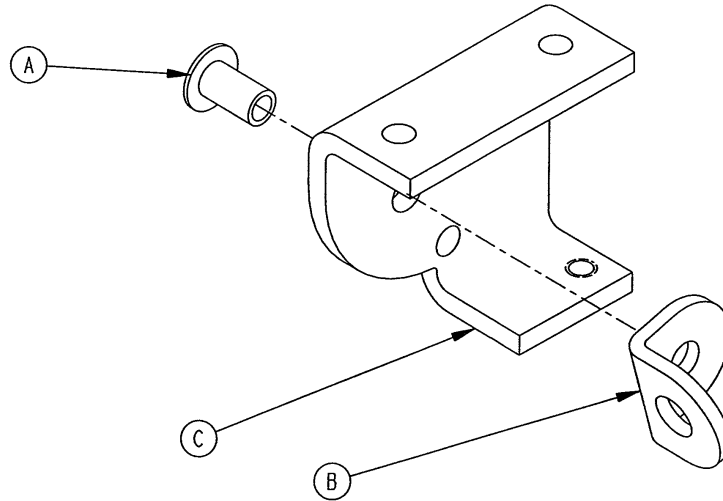
Assembly part number
1710-31-120



Item	Part No.	Part Name	Qty.
A	4-161	Hex Soc. But. Hd. Cap Screw	2
B	7-20	Truss Hd. Mach. Screw	4
C	25-124	Pop Rivet	2
D	15-37	Jam Nut	2
E	15-50	Hex Nut	2
F	16-28	Nylock Nut	6
H	21-125	Set Screw	2
J	21-126	Set Screw	2
K	1001-1-36	Hole Plug	2
L	(page 58.1)	Outer Housing Ass'y, Right	1
M	(page 58.1)	Outer Housing Ass'y, Left	1
N	1501-31-13	Fowler Tube	1
P	1510-231-12	Fowler Skin (Fiberresin)	1
R	1710-31-118	Trip Bar Assembly	1

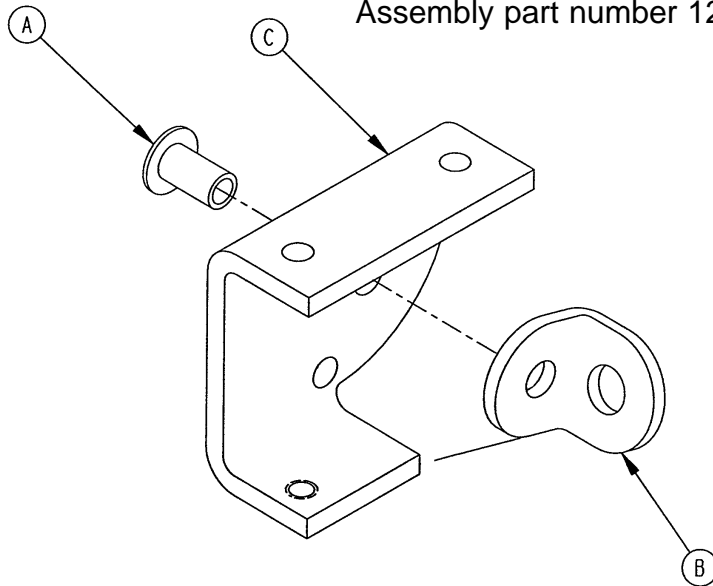
Outer Housing Assembly, Right and Left

Assembly part number 1210-31-106 (Right)



Item	Part No.	Part Name	Qty.
A	25-144	Semi-Tubular Rivet	1
B	1210-31-103	Pivot Tab	1
C	1210-31-104	Outer Housing, Right	1

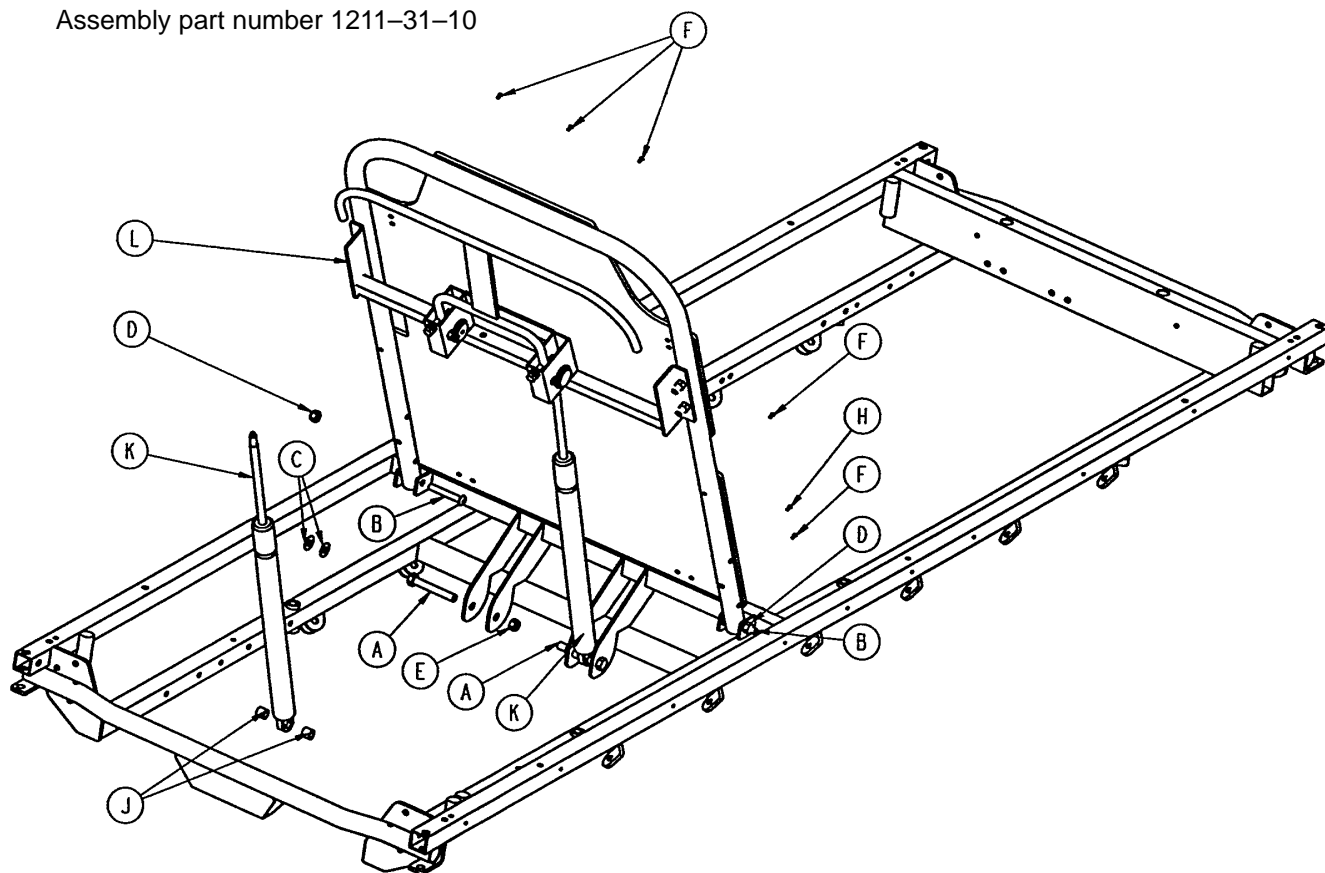
Assembly part number 1210-31-107 (Left)



Item	Part No.	Part Name	Qty.
A	25-144	Semi-Tubular Rivet	1
B	1210-31-103	Pivot Tab	1
C	1210-31-105	Outer Housing, Left	1

Pneumatic Fowler to Frame Assembly

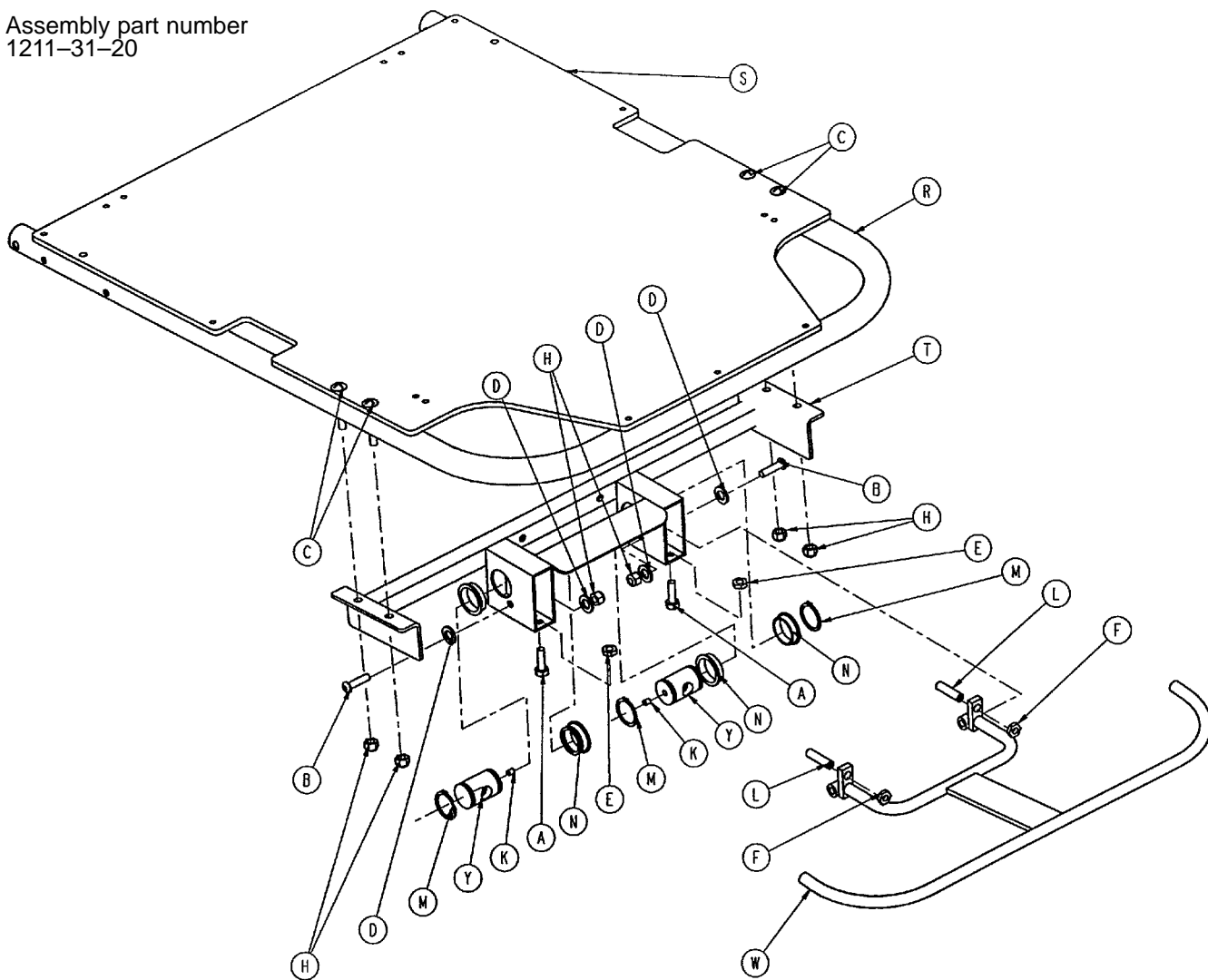
Assembly part number 1211-31-10



Item	Part No.	Part Name	Qty.
A	3-199	Hex Hd. Cap Screw	2
B	4-183	But. Hd. Cap Screw	2
C	11-179	Washer	4
D	16-11	Nylock Hex Nut	2
E	16-86	Nylock Hex Nut	2
F	25-50	Pop Rivet	7
H	25-124	Pop Rivet	2
J	52-284	Nylon Spacer	4
K	1010-31-78	Gas Cylinder	2
L	(page 60)	Pneumatic Fowler Ass'y	1

Pneumatic Fowler Assembly (Fiberresin)

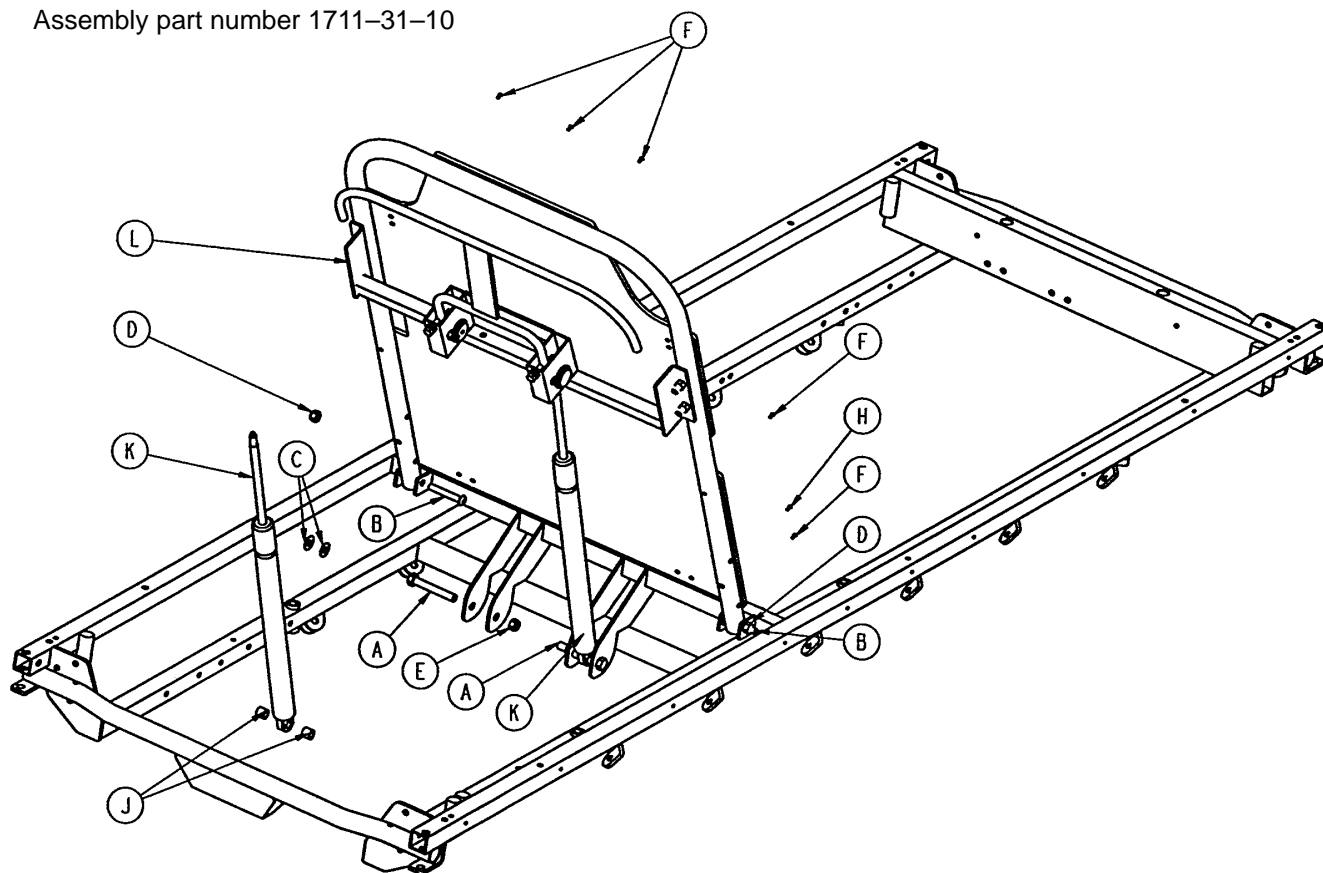
Assembly part number
1211-31-20



Item	Part No.	Part Name	Qty.
A	3-200	Hex Hd. Cap Screw	2
B	4-135	But. Hd. Cap Screw	2
C	7-20	Truss Hd. Mach. Screw	4
D	11-132	Nylon Washer	4
E	15-37	Jam Nut	2
F	15-50	Hex Nut	2
H	16-28	Nylock Nut	6
K	21-119	Set Screw	2
L	21-126	Set Screw	2
M	28-76	Retaining Ring	4
N	946-35-25	Liner	4
P	1001-1-36	Hole Plug	2
R	1001-31-13	Fowler Tube	1
S	1010-231-12	Fowler Skin (Fiberresin)	1
T	1211-31-14	Pneu. Pivot Bar Weldment	1
W	1211-31-18	Trip Bar Weldment	1
Y	1510-31-28	Yoke	2

Pneumatic Fowler to Frame Assembly

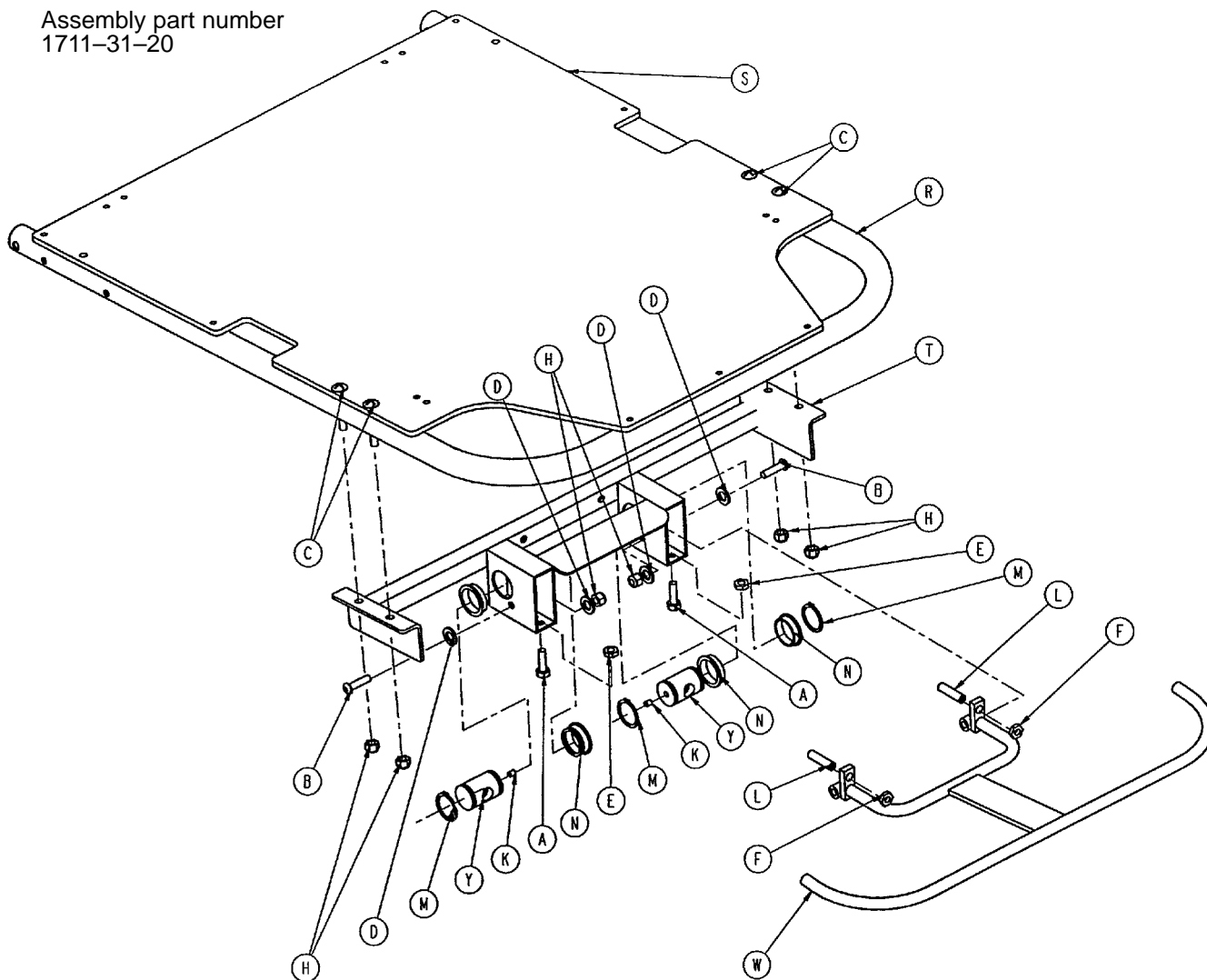
Assembly part number 1711-31-10



Item	Part No.	Part Name	Qty.
A	3-199	Hex Hd. Cap Screw	2
B	4-183	But. Hd. Cap Screw	2
C	11-179	Washer	4
D	16-11	Nylock Hex Nut	2
E	16-86	Nylock Hex Nut	2
F	25-50	Pop Rivet	7
H	25-124	Pop Rivet	2
J	52-284	Nylon Spacer	4
K	1010-31-78	Gas Cylinder	2
L	(page 62)	Pneumatic Fowler Ass'y	1

Pneumatic Fowler Assembly (Fiberresin)

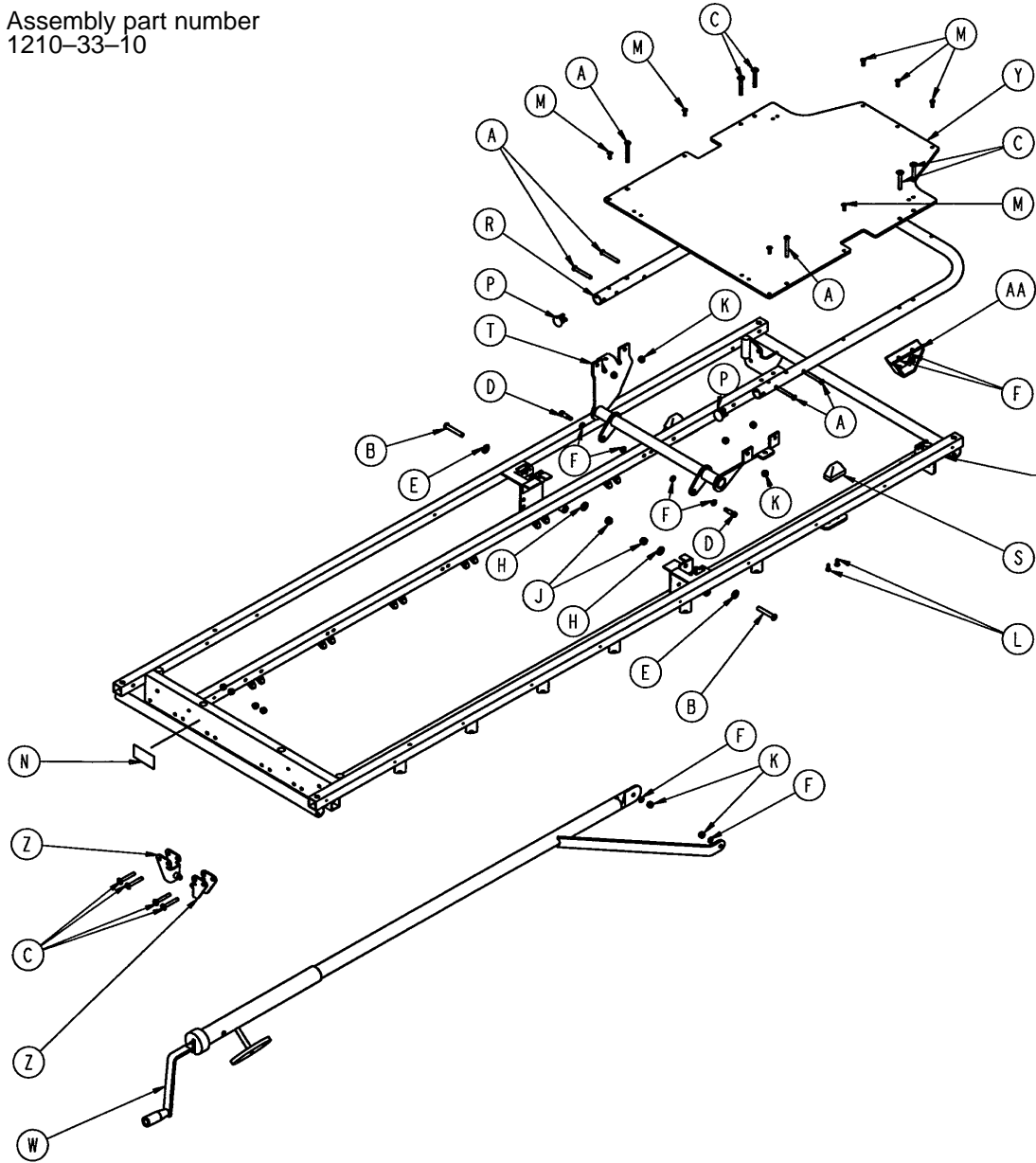
Assembly part number
1711-31-20



Item	Part No.	Part Name	Qty.
A	3-200	Hex Hd. Cap Screw	2
B	4-135	But. Hd. Cap Screw	2
C	7-20	Truss Hd. Mach. Screw	4
D	11-132	Nylon Washer	4
E	15-37	Jam Nut	2
F	15-50	Hex Nut	2
H	16-28	Nylock Nut	6
K	21-119	Set Screw	2
L	21-126	Set Screw	2
M	28-76	Retaining Ring	4
N	946-35-25	Liner	4
P	1001-1-36	Hole Plug	2
R	1501-31-13	Fowler Tube	1
S	1510-231-12	Fowler Skin (Fiberresin)	1
T	1711-31-14	Pneu. Pivot Bar Wldmt.	1
W	1711-31-18	Trip Bar Weldment	1
Y	1510-31-28	Yoke	2

Crank Fowler Assembly (Fiberresin)

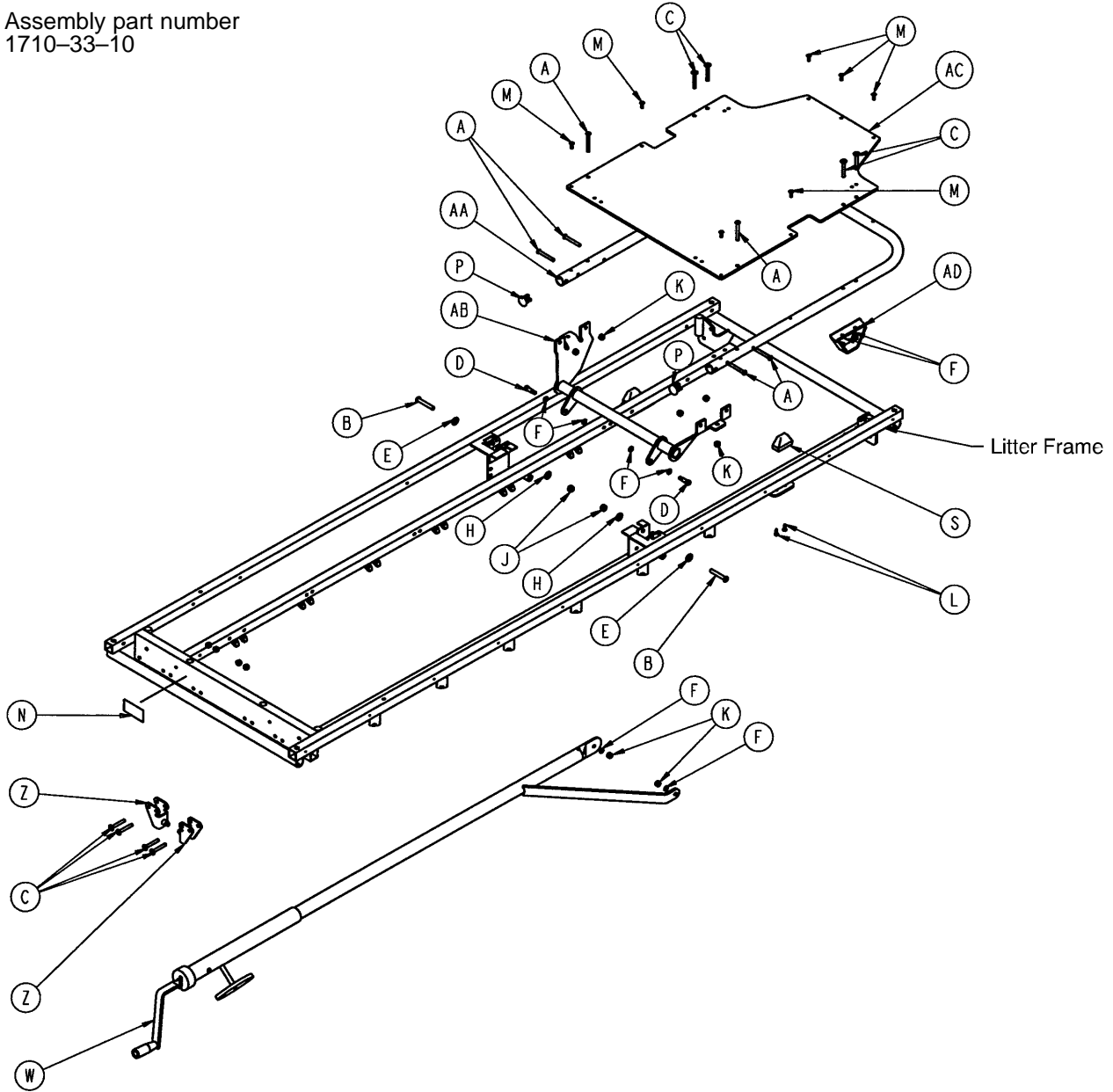
Assembly part number
1210-33-10



Item	Part No.	Part Name	Qty.	Item	Part No.	Part Name	Qty.
A	4-97	Hex But. Hd. Cap Screw	6	M	25-50	Pop Rivet	7
B	4-183	But. Hd. Cap Screw	2	N	946-1-64	Fowler Operation Label	1
C	7-20	Truss Hd. Mach. Screw	8	P	1001-1-36	Hole Plug	2
D	8-15	Shoulder Bolt	2	R	1001-31-13	Fowler Tube	1
E	11-179	Washer	2	S	1001-31-31	Pneumatic Fowler Rest	2
F	14-3	Thrust Washer	8	T	1001-33-24	Fowler Lever Assembly	1
H	14-21	Washer	2	W	(page 65)	Crankscrew Assembly	1
J	16-11	Nylock Hex Nut	2	Y	1010-231-12	Fowler Skin (Fiberresin)	1
K	16-28	Fiberlock Hex Nut	16	Z	1010-234-15	Mounting Bracket Ass'y	2
L	23-100	Ph. Hd. Self-Tap. Screw	4	AA	1550-33-31	Fowler Support Ass'y	2

Crank Fowler Assembly (Fiberresin)

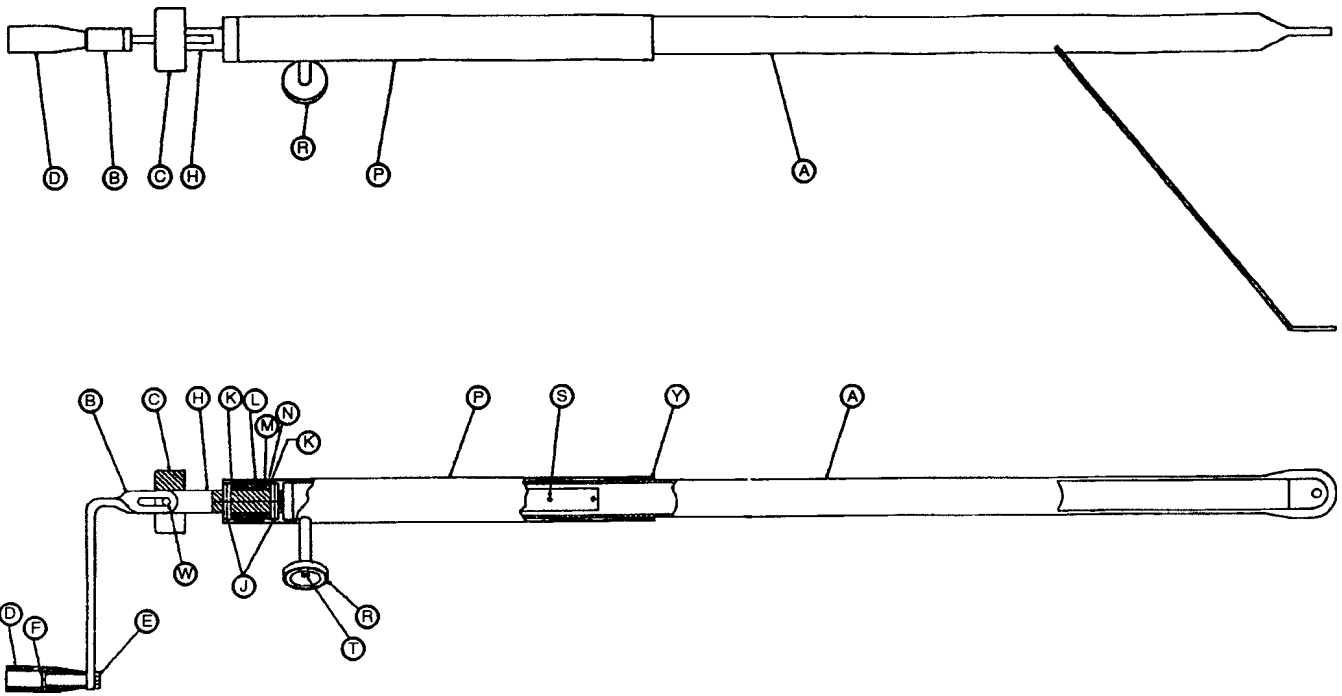
Assembly part number
1710-33-10



Item	Part No.	Part Name	Qty.	Item	Part No.	Part Name	Qty.
A	4-97	Hex But. Hd. Cap Screw	6	M	25-50	Pop Rivet	7
B	4-183	But. Hd. Cap Screw	2	N	946-1-64	Fowler Operation Label	1
C	7-20	Truss Hd. Mach. Screw	8	P	1001-1-36	Hole Plug	2
D	8-15	Shoulder Bolt	2	S	1001-31-31	Pneumatic Fowler Rest	2
E	11-179	Washer	2	W	(page 65)	Crankscrew Assembly	1
F	14-3	Thrust Washer	8	Z	1010-234-15	Mounting Bracket Ass'y	2
H	14-21	Washer	2	AA	1501-31-13	Fowler Tube	1
J	16-11	Nylock Hex Nut	2	AB	1501-33-24	Fowler Lever Ass'y	1
K	16-28	Fiberlock Hex Nut	16	AC	1510-231-12	Fowler Skin (Fiberresin)	1
L	23-100	Ph. Hd. Self-Tap. Screw	4	AD	1550-33-31	Fowler Support Ass'y	2

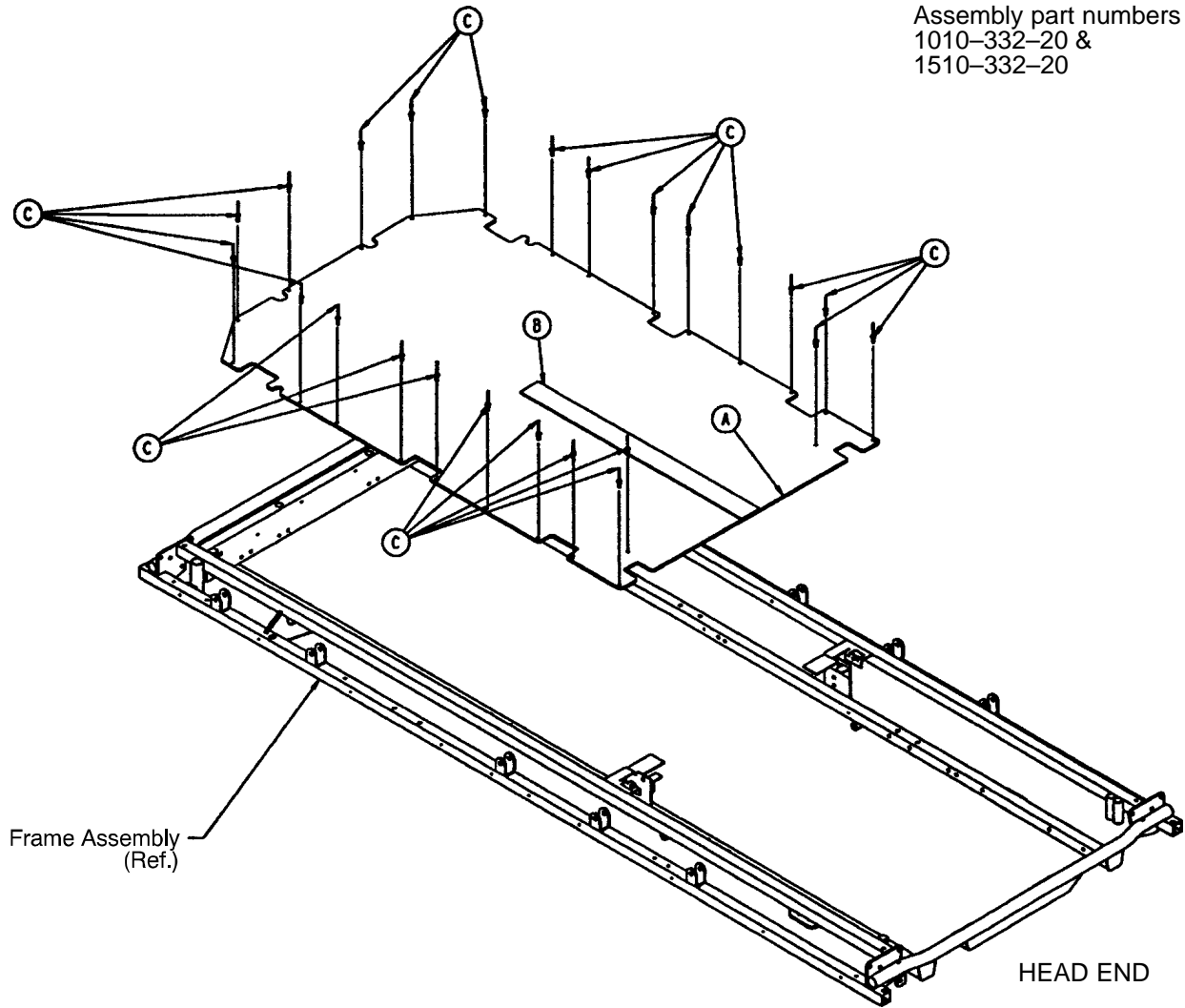
Fowler Crankscrew Assembly

Assembly part numbers 1001-33-25 & 1501-33-25



Item	Part No.	Part Name	Qty.
A	1001-33-26	Drive Bar Assembly	1
	1501-33-26	Drive Bar Assembly	1
B	1550-1-16	Crank Assembly	1
C	946-33-18	Crank Disc	1
D	938-1-177	Knob	1
E	16-5	Kep Nut	1
F	378-24-29	Shoulder Bolt	1
H	946-33-35	Fowler Screw	1
J	26-14	Roll Pin	2
K	81-174	Thrust Washer	2
L	938-1-175	Bearing Assembly	1
M	81-176	Thrust Washer	1
N	81-175	Thrust Bearing	1
P	1510-34-84	Screw Cover Assembly	1
R	1550-1-14	Magnet	1
S	26-10	Roll Pin	1
T	4-7	Soc. Hd. Cap Screw	1
W	26-45	Roll Pin	1
Y	7900-1-102	Velcro Pile	1

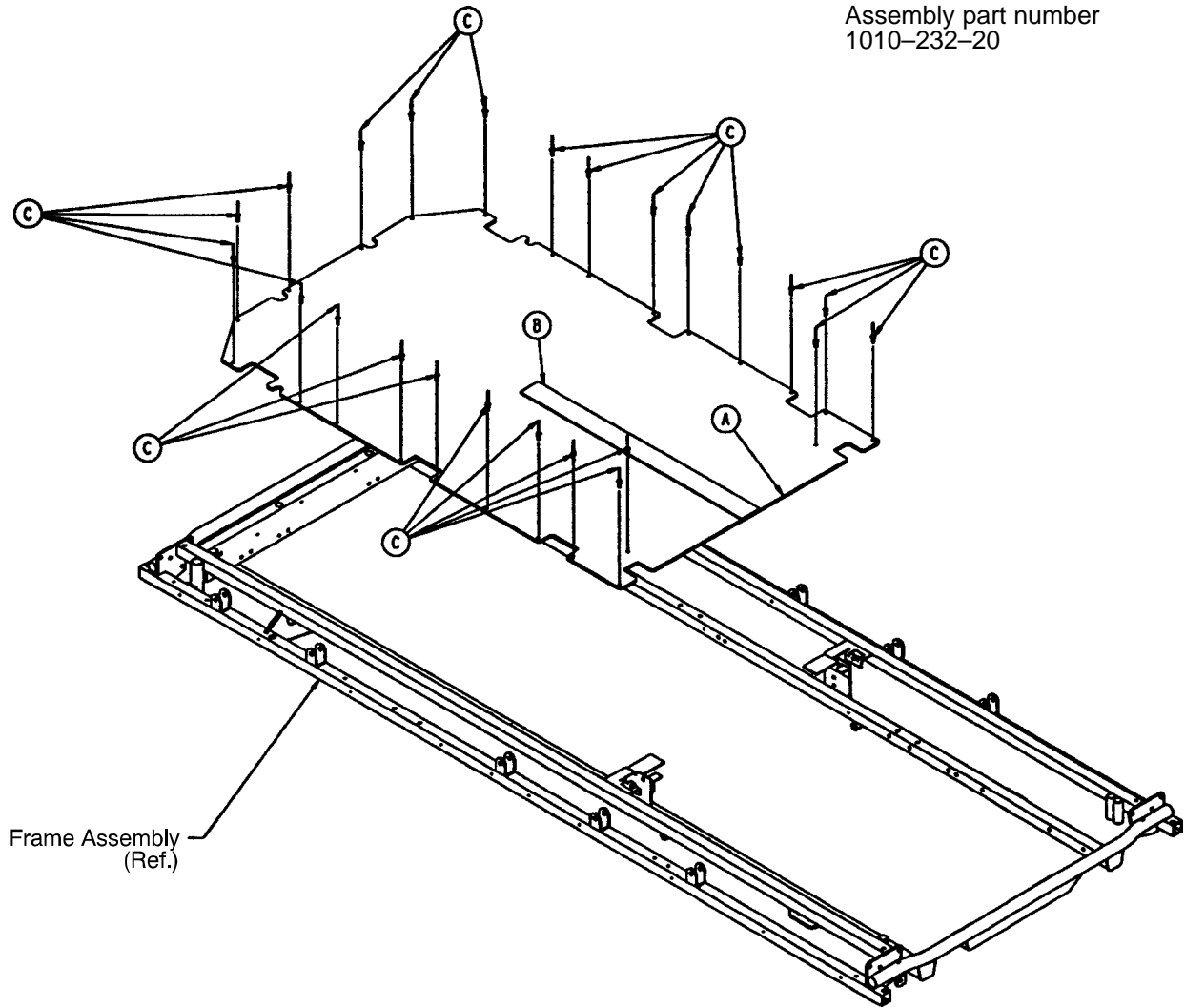
Stationary Foot Section Assembly (Fiberresin)



Item	Part No.	Part Name	Qty.
A	1010-332-21	Footsection Skin, Fiberresin (24")	1
	1510-332-21	Footsection Skin, Fiberresin (29")	1
B	7900-1-102	Velcro Pile	24 1/2"
C	25-50	Pop Rivet	24

Stationary Foot End Assembly (Steel)

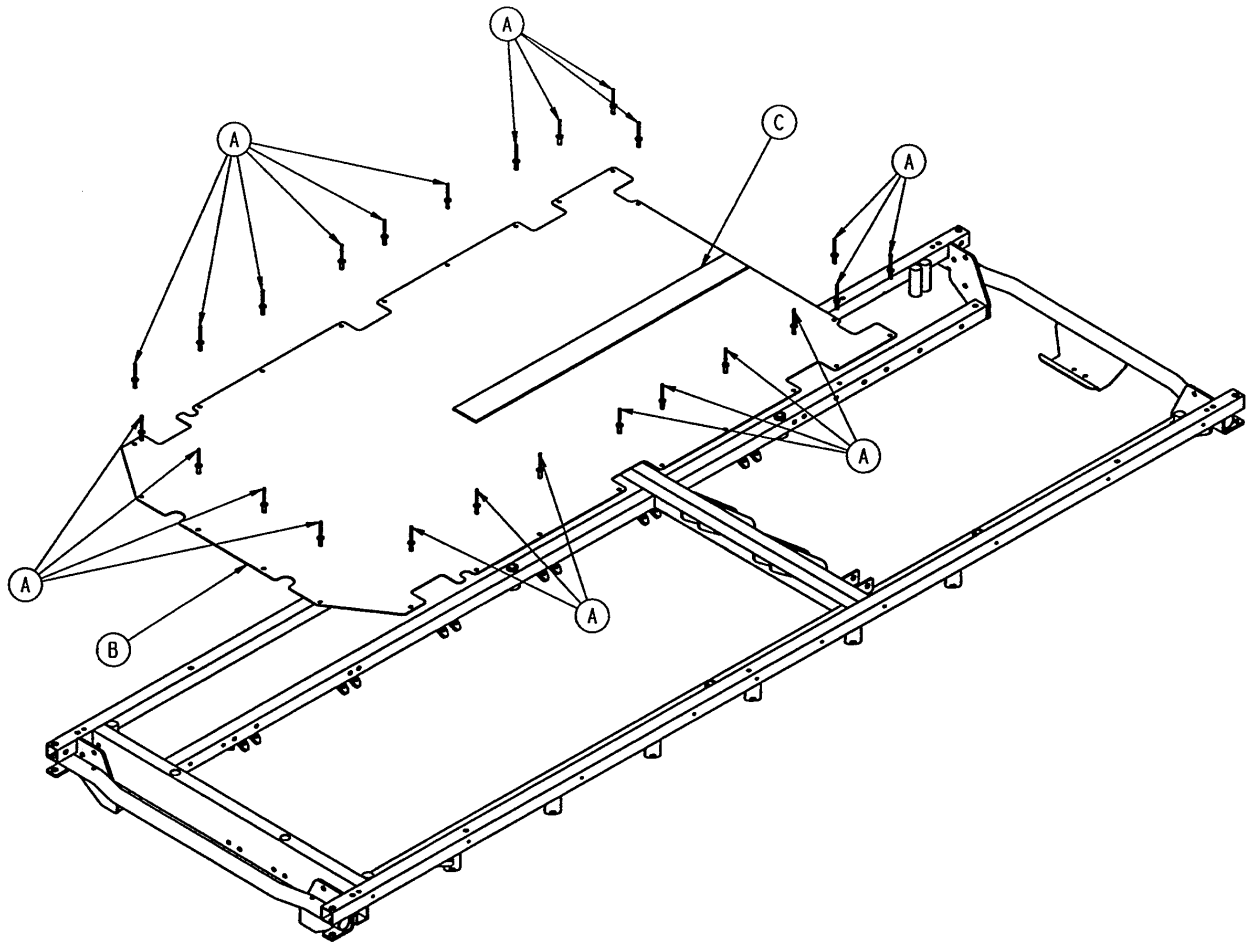
Assembly part number
1010-232-20



Item	Part No.	Part Name	Qty.
A	1010-232-21	Ftsec. Skin, Fiberresin	1
B	7900-1-102	Velcro Pile	24 1/2"
C	25-122	Pop Rivet	24

Stationary Foot End Assembly (Steel)

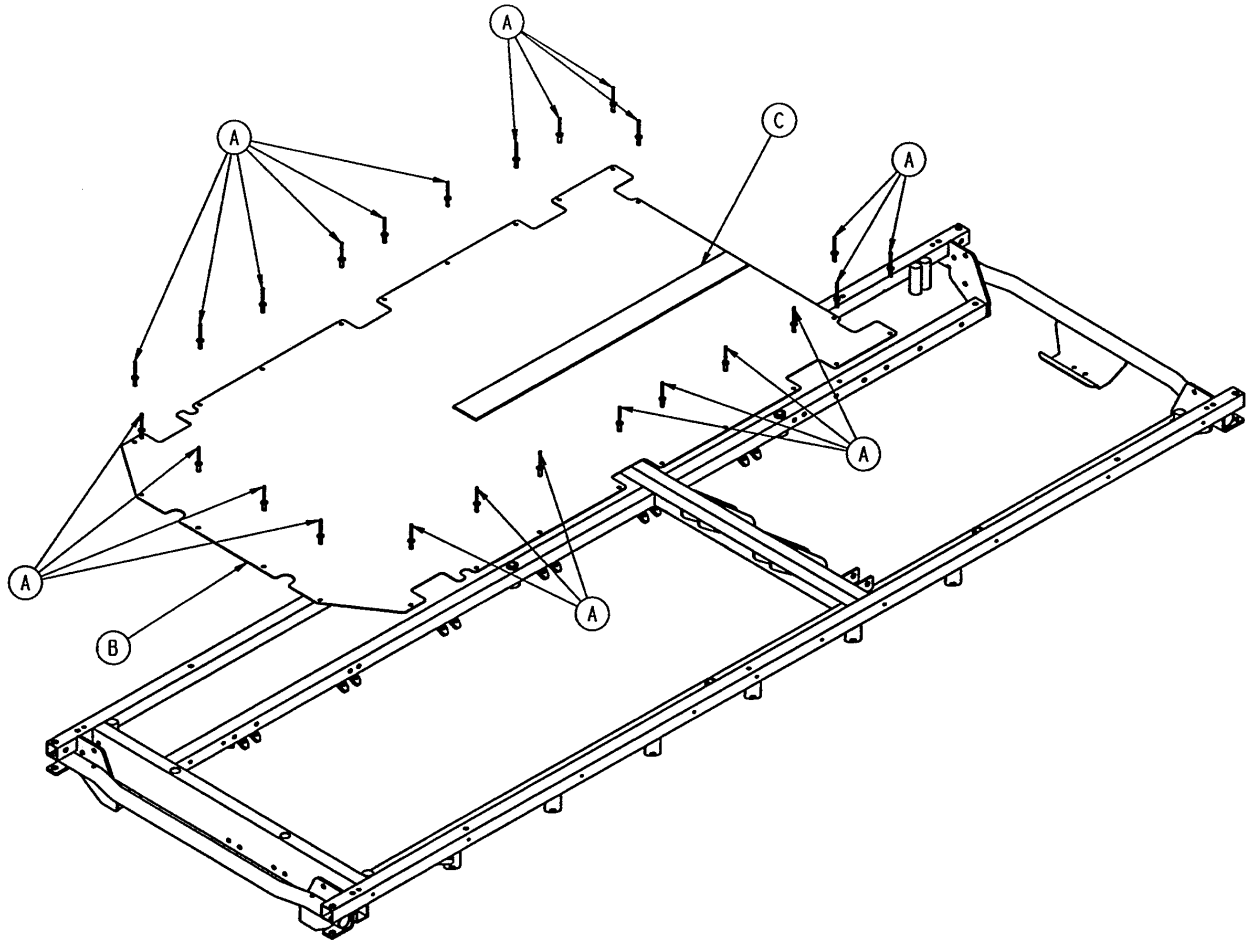
Assembly part number
1001-132-20



Item	Part No.	Part Name	Qty.
A	25-122	Pop Rivet	22
B	1001-132-21	Footsection Skin (Steel)	1
C	7900-1-102	Velcro Pile	24 1/2"

Stationary Foot End Assembly (Steel)

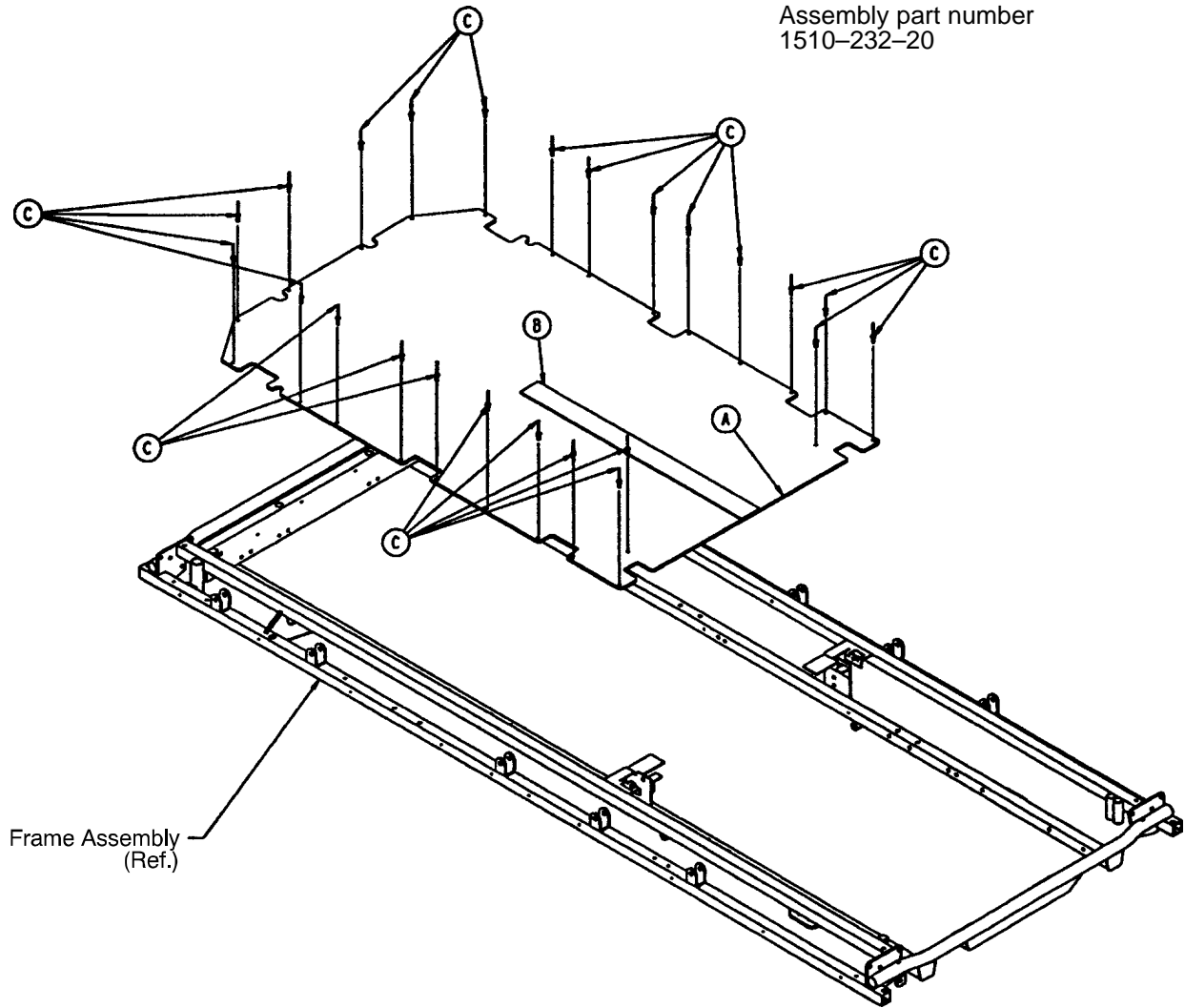
Assembly part number
1501-132-20



Item	Part No.	Part Name	Qty.
A	25-122	Pop Rivet	22
B	1501-132-21	Footsection Skin (Steel)	1
C	7900-1-102	Velcro Pile	24 1/2"

Stationary Foot End Assembly (Steel)

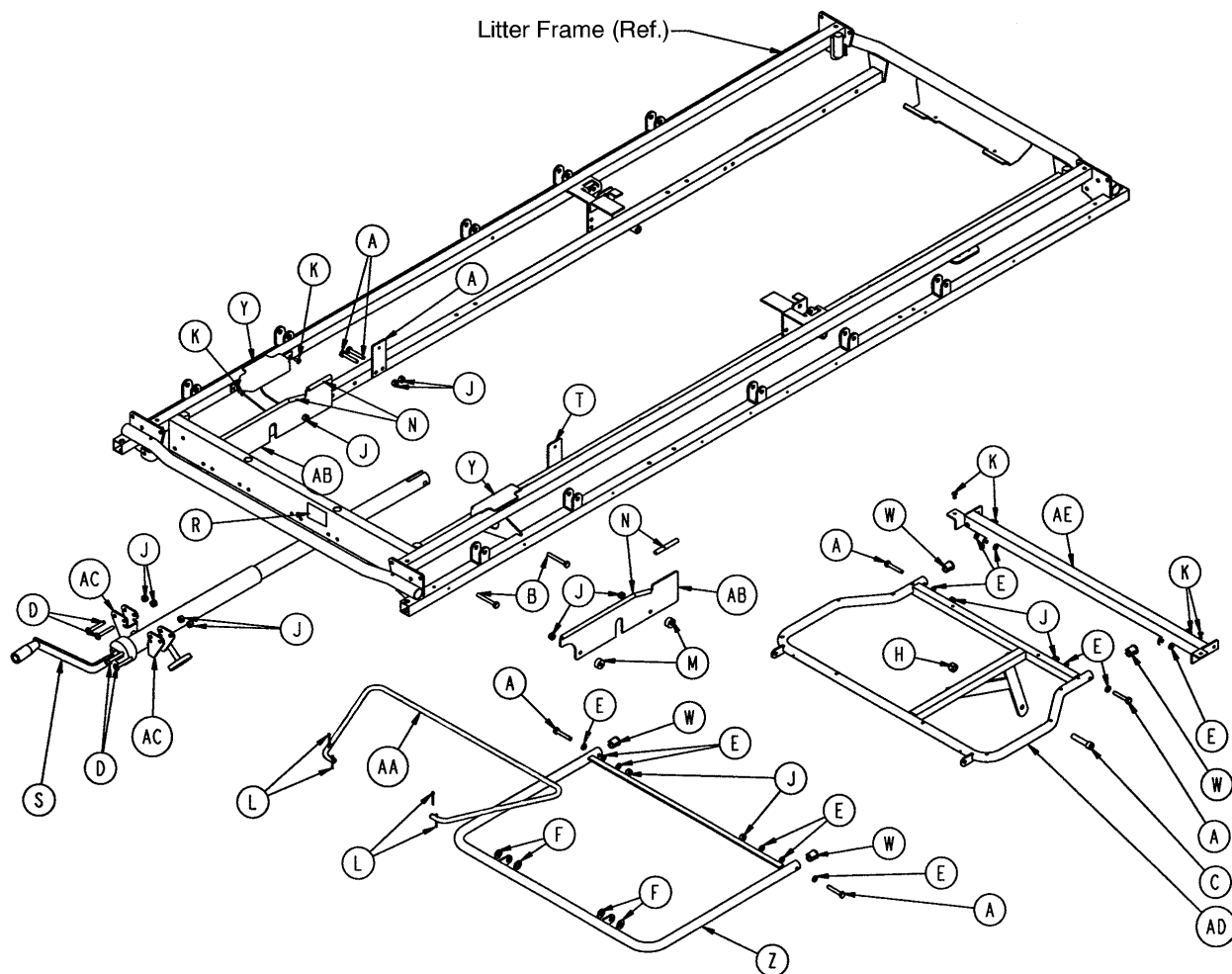
Assembly part number
1510-232-20



Item	Part No.	Part Name	Qty.
A	1510-232-21	Ftsec. Skin, Fiberresin	1
B	7900-1-102	Velcro Pile	24 1/2"
C	25-122	Pop Rivet	24

Knee Gatch Assembly

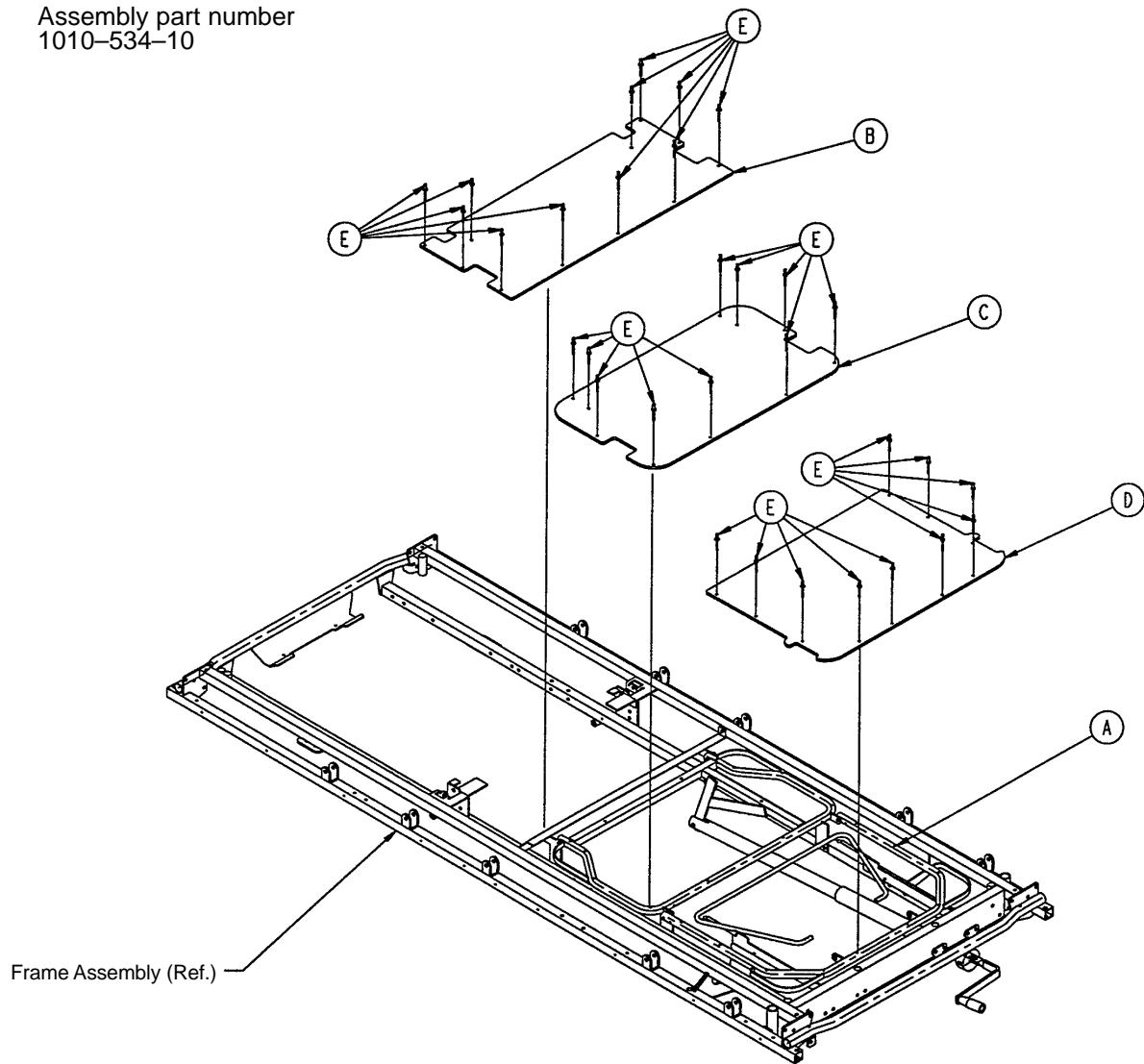
Assembly part number
1010-434-20



Item	Part No.	Part Name	Qty.	Item	Part No.	Part Name	Qty.
A	3-47	Hex Hd. Cap Screw	8	P	721-31-65	Litter Hole Plug (not shown)	2
B	3-76	Hex Hd. Cap Screw	4	R	946-1-65	Label, Gatch Symbol	1
C	4-105	Soc. Hd. Cap Screw	1	S	(page 75)	Gatch Crankscrew Ass'y	1
D	7-20	Truss Hd. Cap Screw	4	T	1001-34-24	Thigh Support	2
E	14-2	Flat Washer	12	W	1001-34-25	End Plug	4
F	14-21	Nylon Washer	4	Y	1001-34-48	Latch Cover	2
H	16-12	Flexlock Nut	1	Z	1001-34-112	Calf Frame	1
J	16-28	Nylock Hex Nut	16	AA	1001-34-120	Gatch Riser	1
K	25-79	Pop Rivet	8	AB	1001-34-131	Slider Support	2
L	27-4	Cotter Pin	4	AC	1010-234-15	Mounting Bracket	2
M	52-291	Round Spacer	4	AD	1211-34-11	Thigh Frame	1
N	58-56	Edge Cover	1.3'	AE	1211-34-23	Midsection Supt.	1

Knee Gatch Assembly (Fiberresin)

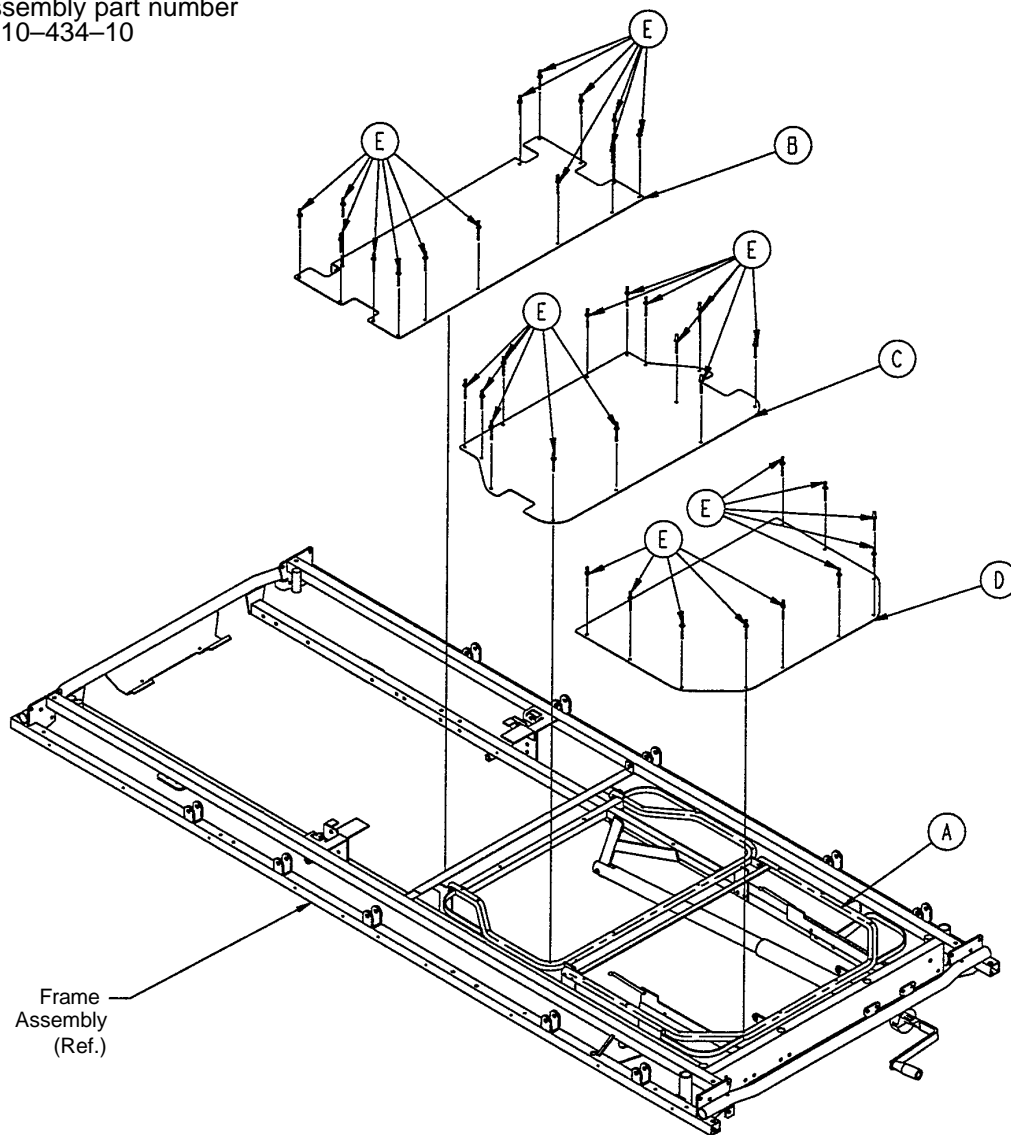
Assembly part number
1010-534-10



Item	Part No.	Part Name	Qty.
A	(page 67)	Knee Gatch Assembly	1
B	1010-334-27	Midsection Skin (Fiberresin)	1
C	1010-334-28	Thigh Skin (Fiberresin)	1
D	1010-334-126	Calf Skin (Fiberresin)	1
E	25-50	Pop Rivet	31

Crank Knee Gatch Assembly (Steel)

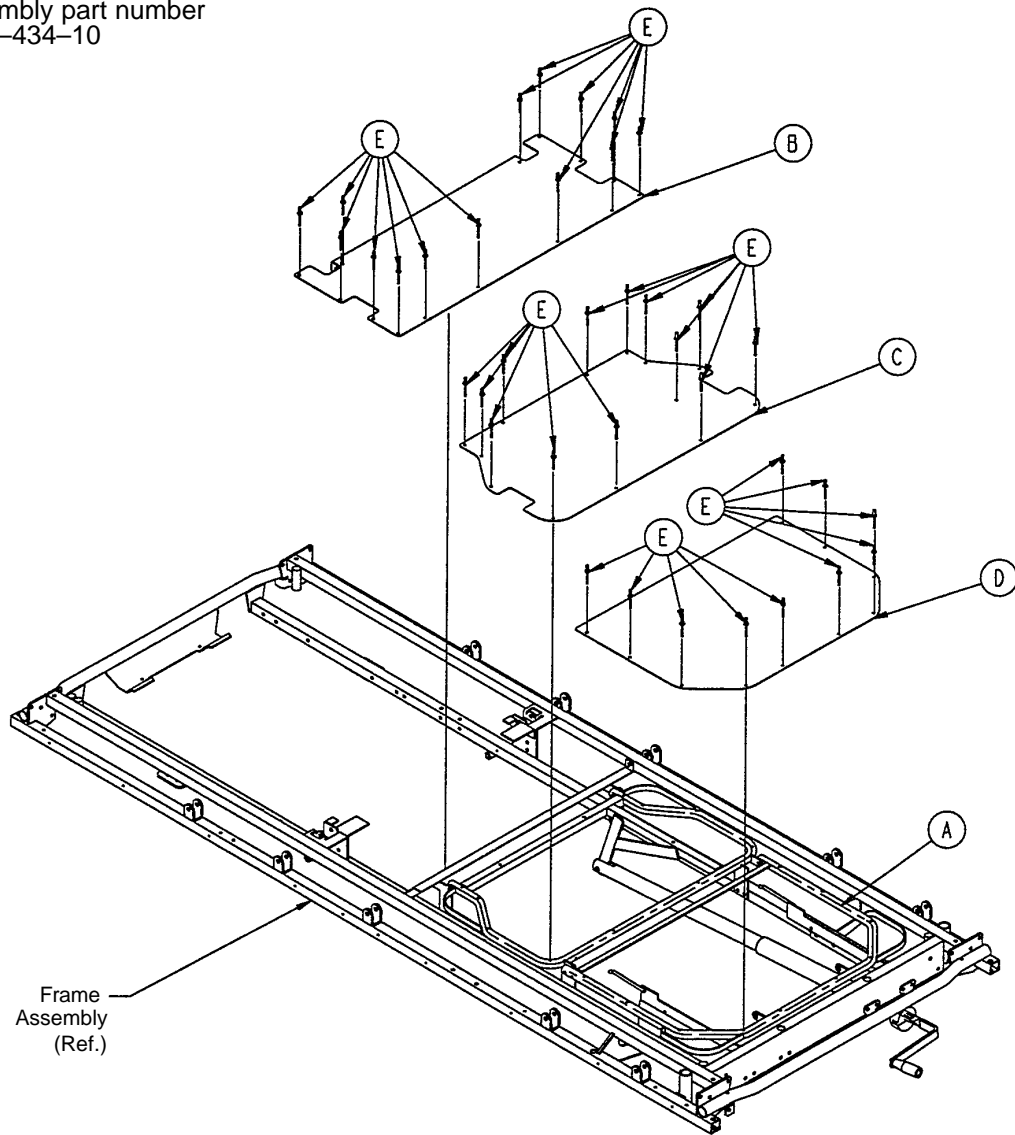
Assembly part number
1010-434-10



Item	Part No.	Part Name	Qty.
A	(page 67)	Knee Gatch Assembly	1
B	1010-234-27	Midsection Skin	1
C	1010-234-28	Thigh Skin	1
D	1010-234-126	Calf Skin	1
E	25-122	Pop Rivet	37

Crank Knee Gatch Assembly (Steel)

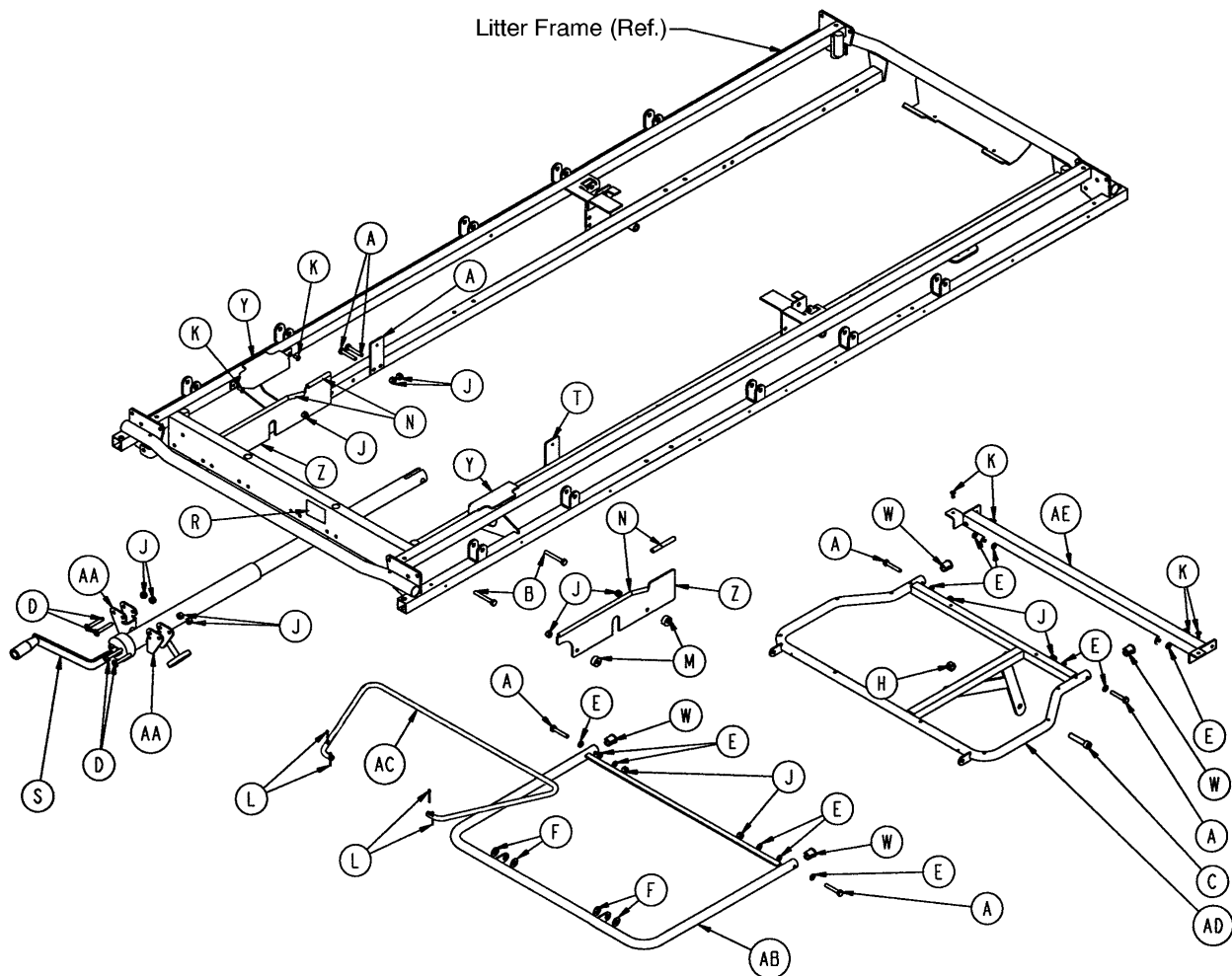
Assembly part number
1510-434-10



Item	Part No.	Part Name	Qty.
A	(page 69)	Knee Gatch Assembly	1
B	1510-234-27	Midsection Skin	1
C	1510-234-28	Thigh Skin	1
D	1510-234-126	Calf Skin	1
E	25-122	Pop Rivet	37

Knee Gatch Assembly

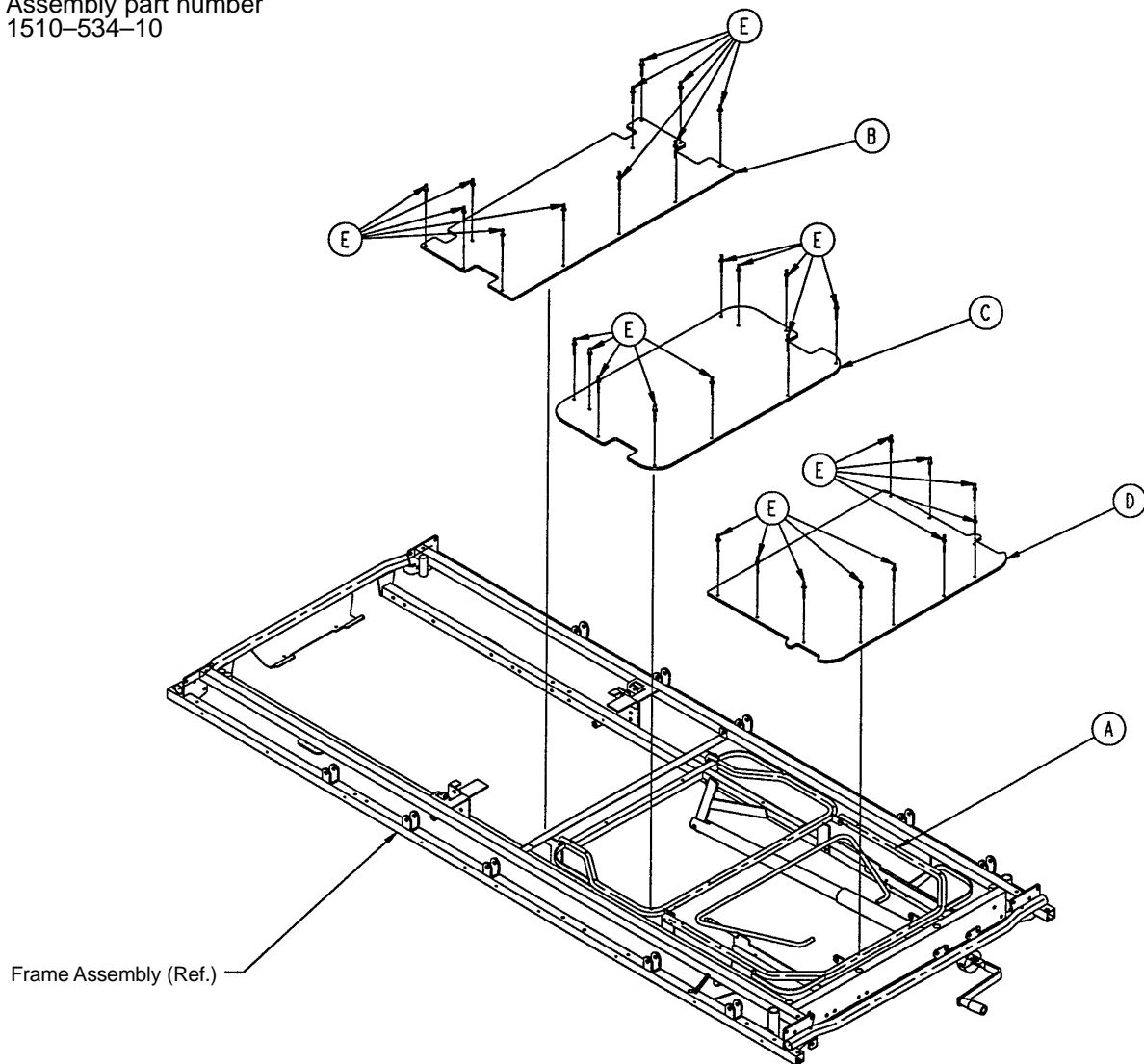
Assembly part number
1510-434-20



Item	Part No.	Part Name	Qty.	Item	Part No.	Part Name	Qty.
A	3-47	Hex Hd. Cap Screw	8	P	721-31-65	Litter Hole Plug (not shown)	2
B	3-76	Hex Hd. Cap Screw	4	R	946-1-65	Label, Gatch Symbol	1
C	4-105	Soc. Hd. Cap Screw	1	S	(page 75)	Gatch Crankscrew Ass'y	1
D	7-20	Truss Hd. Cap Screw	4	T	1001-34-24	Thigh Support	2
E	14-2	Flat Washer	12	W	1001-34-25	End Plug	4
F	14-21	Nylon Washer	4	Y	1001-34-48	Latch Cover	2
H	16-12	Flexlock Nut	1	Z	1001-34-131	Slider Support	2
J	16-28	Nylock Hex Nut	16	AA	1010-234-15	Mounting Bracket Ass'y	2
K	25-79	Pop Rivet	8	AB	1501-34-112	Calf Frame	1
L	27-4	Cotter Pin	4	AC	1501-34-120	Gatch Riser	1
M	52-291	Round Spacer	4	AD	1711-34-11	Thigh Frame	1
N	58-56	Edge Cover	1.3'	AE	1711-34-23	Midsection Support	1

Knee Gatch Assembly (Fiberresin)

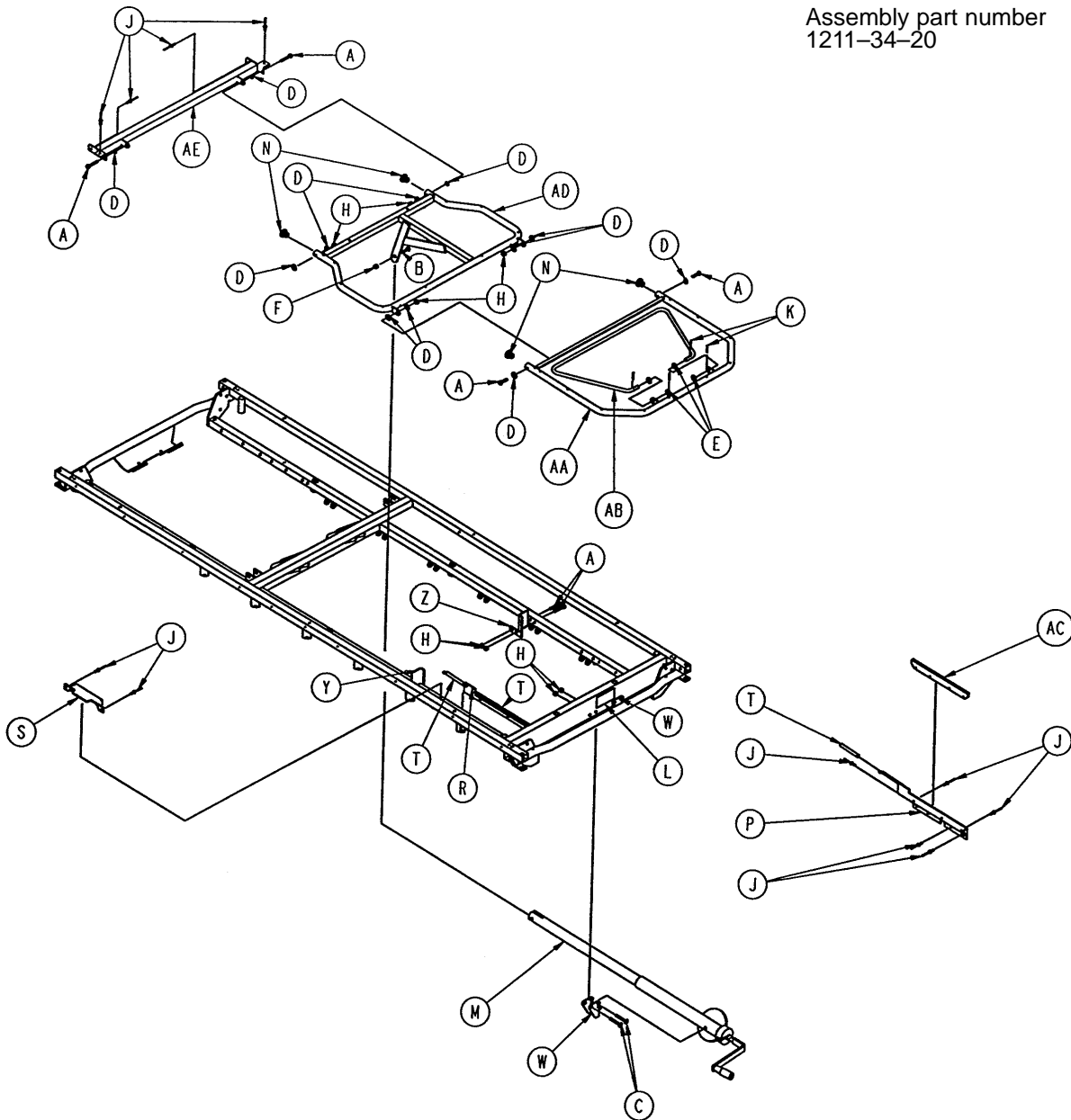
Assembly part number
1510-534-10



Item	Part No.	Part Name	Qty.
A	(page 69)	Knee Gatch Assembly	1
B	1510-334-27	Midsection Skin (Fiberresin)	1
C	1510-334-28	Thigh Skin (Fiberresin)	1
D	1510-334-126	Calf Skin (Fiberresin)	1
E	25-50	Pop Rivet	31

Knee Gatch Assembly

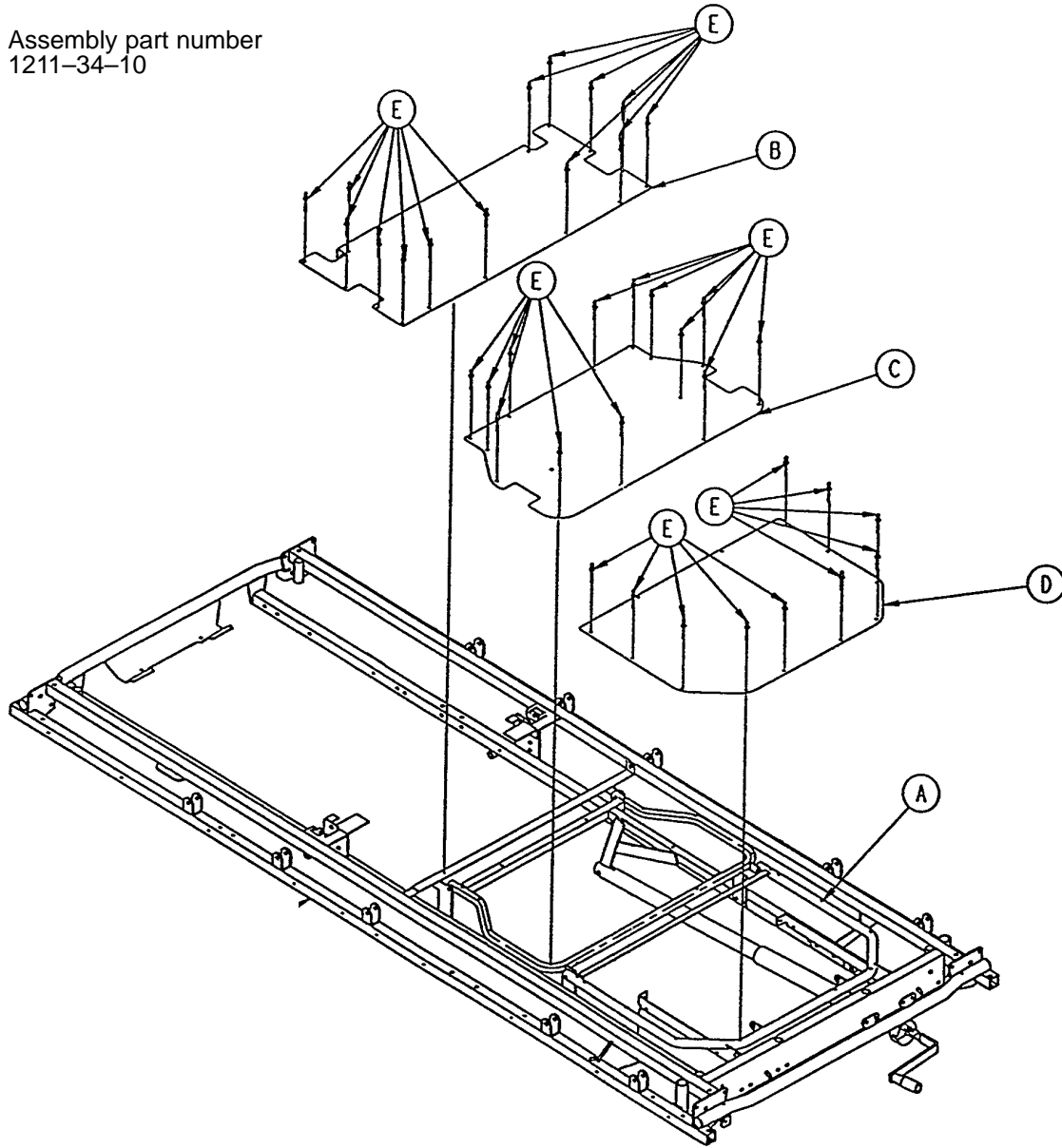
Assembly part number
1211-34-20



Item	Part No.	Part Name	Qty.	Item	Part No.	Part Name	Qty.
A	3-47	Hex Hd. Cap Screw	8	P	1001-34-29	Slider Supt. Wldmt., Lt.	1
B	4-105	Soc. Hd. Cap Screw	1	R	1001-34-30	Slider Supt. Wldmt., Rt.	1
C	7-20	Truss Hd. Cap Screw	4	S	1001-34-48	Latch Cover	2
D	14-2	Flat Washer	12	T	1001-34-49	Slider Support Sleeve	2
E	14-21	Nylon Washer	4	W	1010-234-15	Mtg. Bracket Wldmt.	2
F	16-12	Flexlock Nut	1	Y	1211-34-24	Thigh Support, Left	1
H	16-28	Fiberlock Nut	12	Z	1211-34-25	Thigh Support, Right	1
J	25-79	Pop Rivet	18	AA	1501-34-12	Calf Frame Weldment	1
K	27-7	Cotter Pin	4	AB	1501-34-20	Gatch Riser	1
L	946-1-65	Label	1	AC	1510-34-90	Slider Pad	2
M	(page 75)	Crankscrew Assembly	1	AD	1211-34-11	Thigh Frame Wldmt.	1
N	1001-34-25	End Plug	4	AE	1211-34-23	Midsection Supt. Wldmt.	1

Knee Gatch Assembly (Fiberresin)

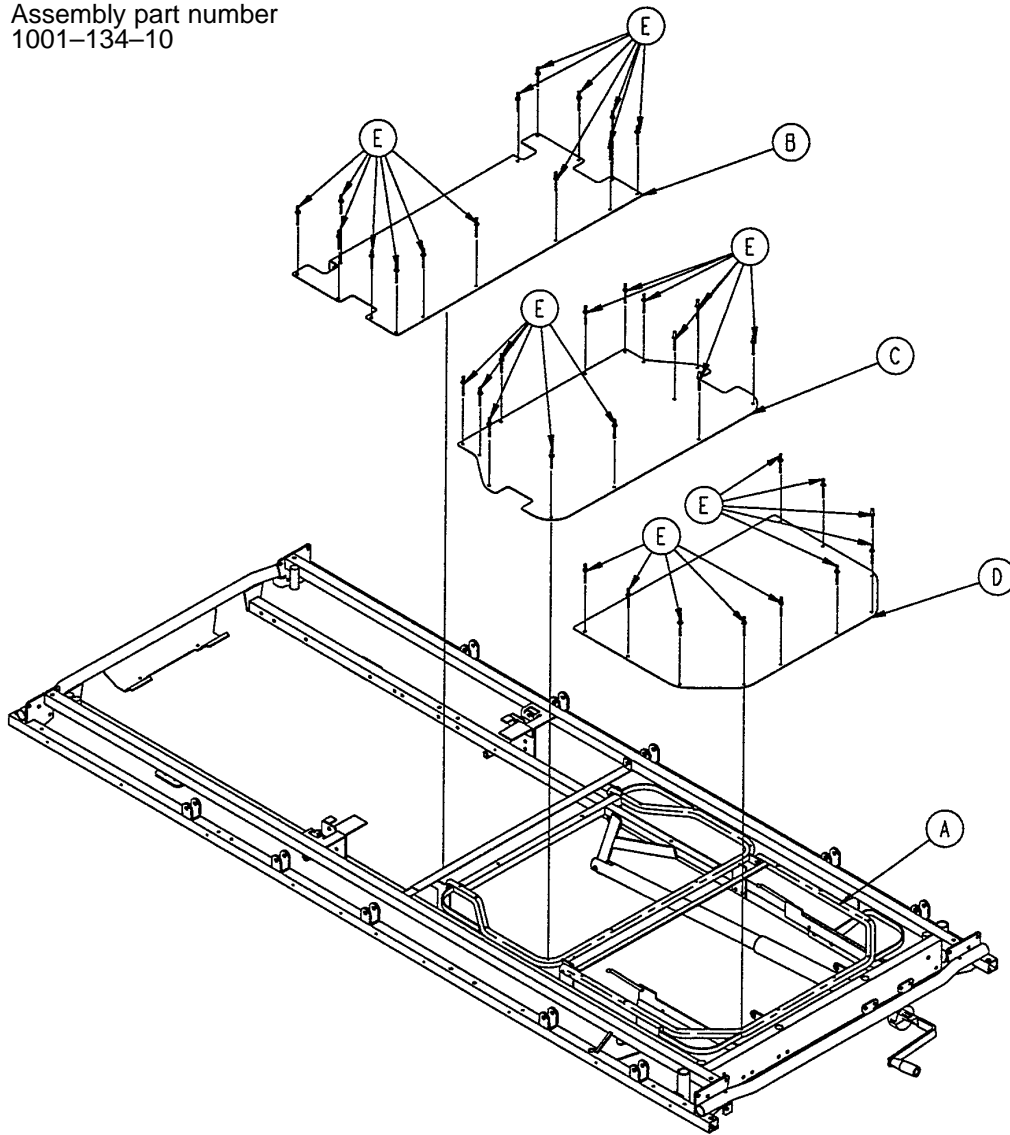
Assembly part number
1211-34-10



Item	Part No.	Part Name	Qty.
A	(page 71)	Knee Gatch Assembly	1
B	1010-334-27	Midsection Skin (Fiberresin)	1
C	1010-334-28	Thigh Skin (Fiberresin)	1
D	1010-334-126	Calf Skin (Fiberresin)	1
E	25-50	Pop Rivet	31

Crank Knee Gatch Assembly (Steel)

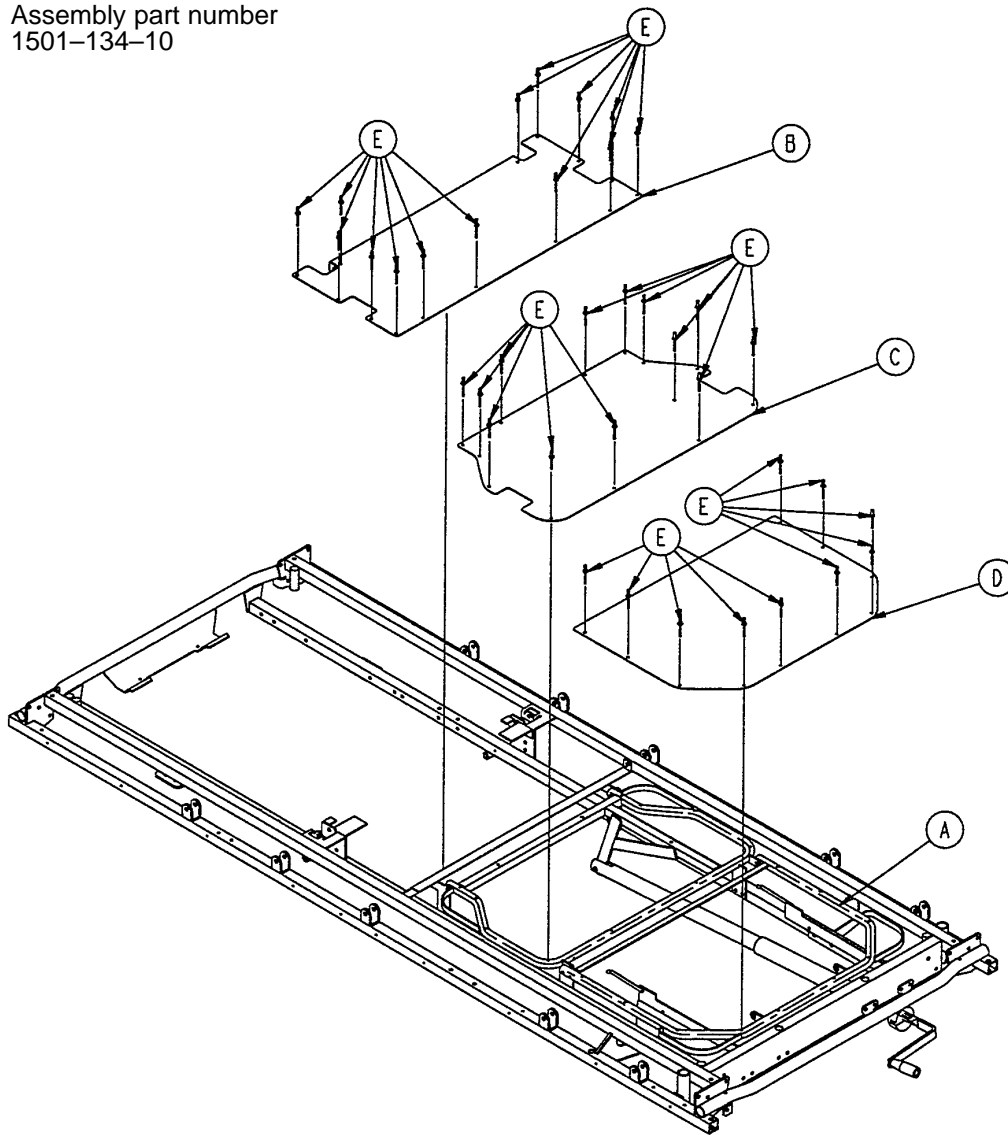
Assembly part number
1001-134-10



Item	Part No.	Part Name	Qty.
A	(page 71)	Knee Gatch Assembly	1
B	1001-134-27	Midsection Skin	1
C	1010-234-28	Thigh Skin	1
D	1010-234-126	Calf Skin	1
E	25-122	Pop Rivet	31

Crank Knee Gatch Assembly (Steel)

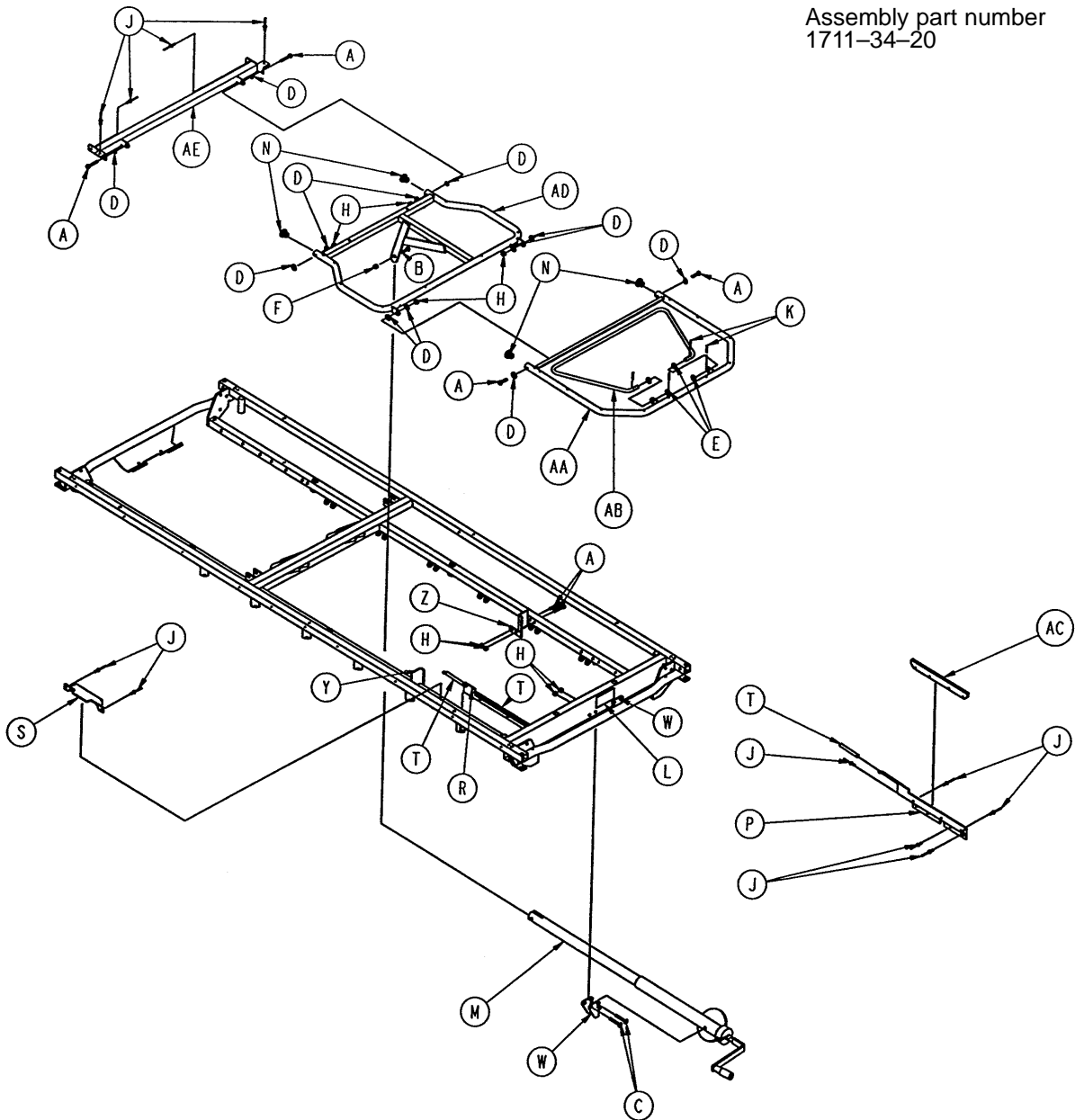
Assembly part number
1501-134-10



Item	Part No.	Part Name	Qty.
A	(page 73)	Knee Gatch Assembly	1
B	1501-134-27	Midsection Skin	1
C	1510-234-28	Thigh Skin	1
D	1510-234-126	Calf Skin	1
E	25-122	Pop Rivet	31

Knee Gatch Assembly

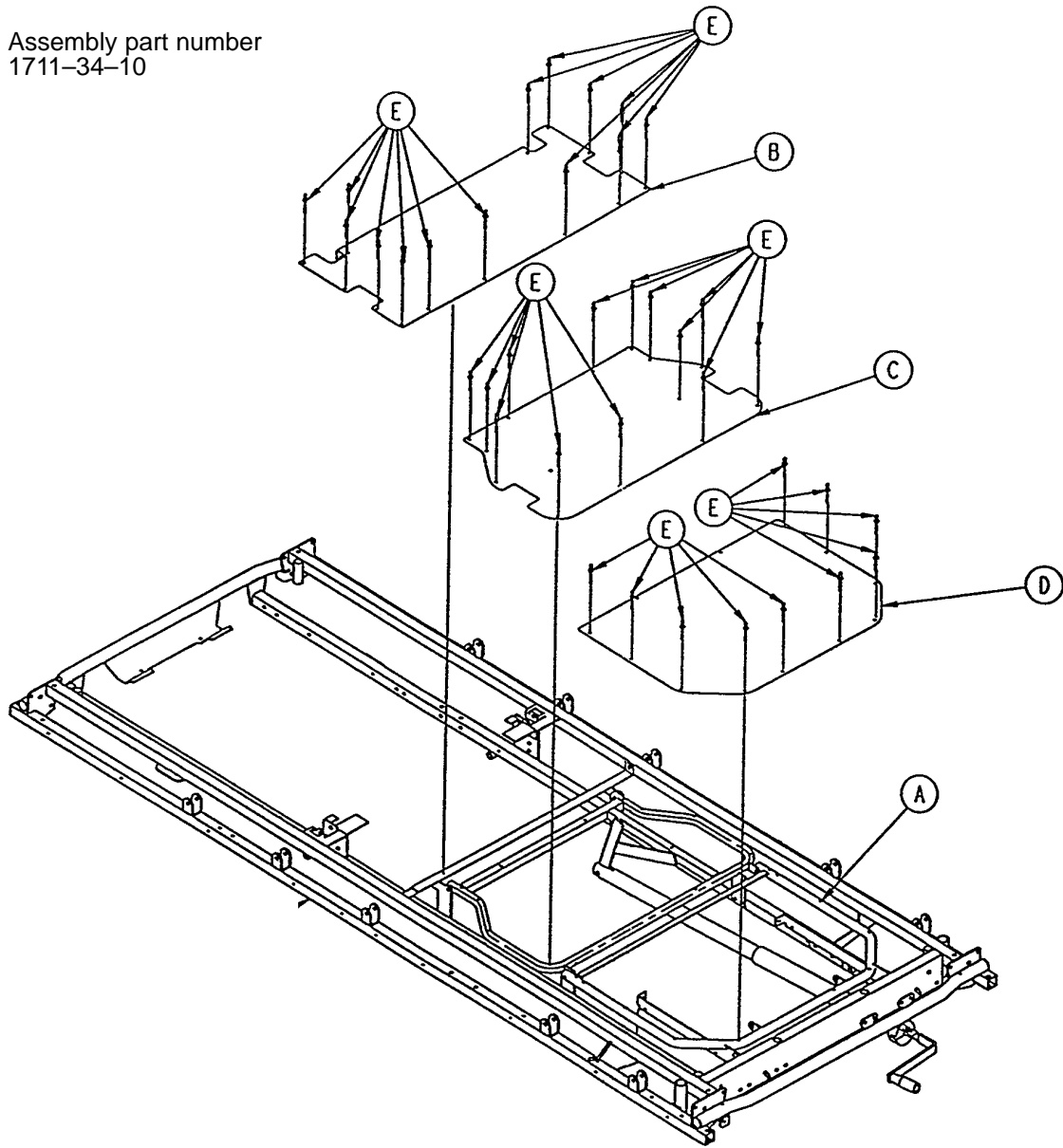
Assembly part number
1711-34-20



Item	Part No.	Part Name	Qty.	Item	Part No.	Part Name	Qty.
A	3-47	Hex Hd. Cap Screw	8	P	1001-34-29	Slider Supt. Wldmt., Lt.	1
B	4-105	Soc. Hd. Cap Screw	1	R	1001-34-30	Slider Supt. Wldmt., Rt.	1
C	7-20	Truss Hd. Cap Screw	4	S	1001-34-48	Latch Cover	2
D	14-2	Flat Washer	12	T	1001-34-49	Slider Support Sleeve	2
E	14-21	Nylon Washer	4	W	1010-234-15	Mtg. Bracket Wldmt.	2
F	16-12	Flexlock Nut	1	Y	1211-34-24	Thigh Support, Left	1
H	16-28	Fiberlock Nut	12	Z	1211-34-25	Thigh Support, Right	1
J	25-79	Pop Rivet	18	AA	1501-34-12	Calf Frame Weldment	1
K	27-7	Cotter Pin	4	AB	1501-34-20	Gatch Riser	1
L	946-1-65	Label	1	AC	1510-34-90	Slider Pad	2
M	(page 75)	Crankscrew Assembly	1	AD	1711-34-11	Thigh Frame Wldmt.	1
N	1001-34-25	End Plug	4	AE	1711-34-23	Midsection Supt. Wldmt.	1

Knee Gatch Assembly, Fiberresin

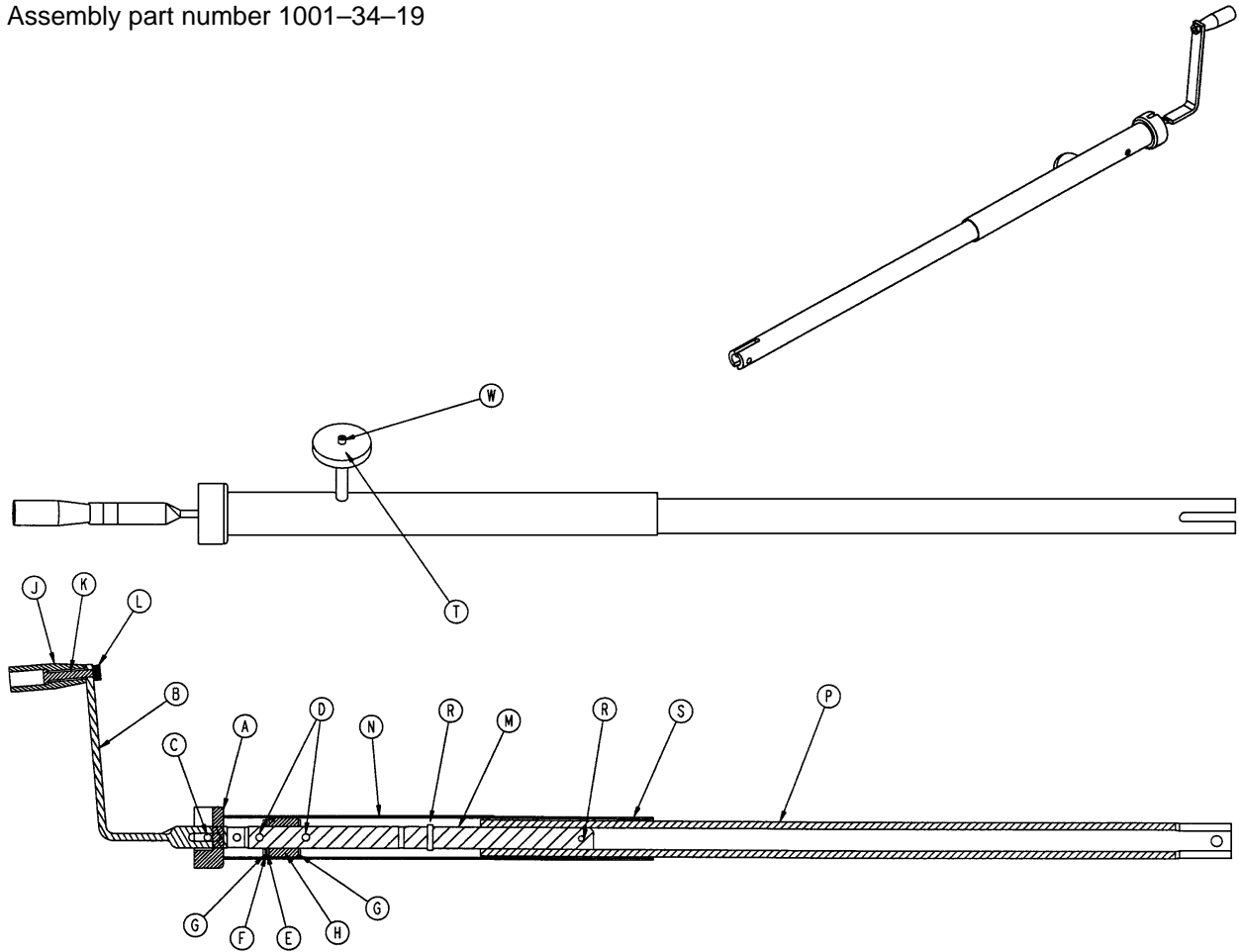
Assembly part number
1711-34-10



Item	Part No.	Part Name	Qty.
A	(page 73)	Knee Gatch Assembly	1
B	1510-334-27	Midsection Skin (Fiberresin)	1
C	1510-334-28	Thigh Skin (Fiberresin)	1
D	1510-334-126	Calf Skin (Fiberresin)	1
E	25-50	Pop Rivet	31

Knee Gatch Crankscrew Assembly

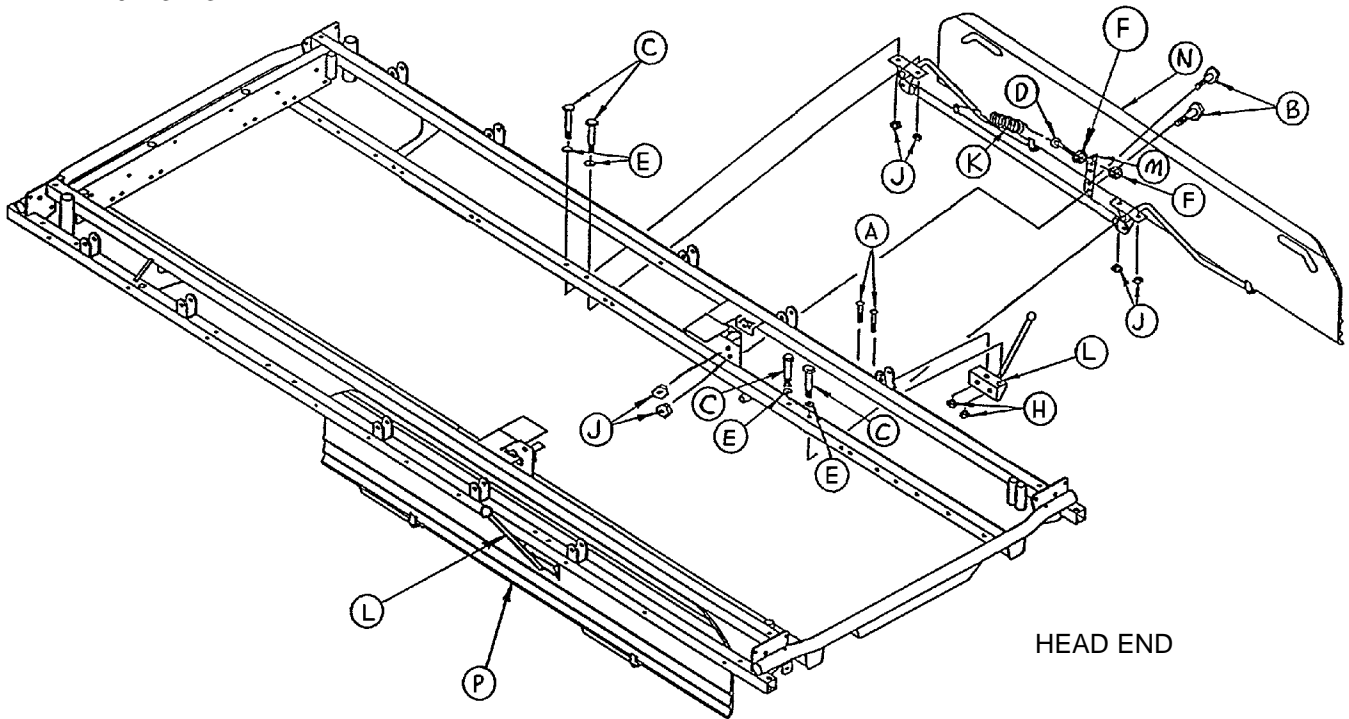
Assembly part number 1001-34-19



Item	Part No.	Part Name	Qty.
A	946-33-18	Crank Disk	1
B	1550-1-16	Crank Assembly	1
C	26-45	Roll Pin	1
D	26-14	Roll Pin	2
E	81-176	Thrust Washer	1
F	81-175	Thrust Bearing	1
G	81-174	Thrust Washer	2
H	938-1-175	Bearing Assembly	1
J	938-1-177	Knob	1
K	378-24-29	Shoulder Bolt	1
L	16-5	Conelock Nut	1
M	1001-34-47	Knee Gatch Screw	1
N	1510-34-84	Screw Cover Assembly	1
P	1510-34-55	Gatch Drive Tube Assembly	1
R	26-10	Roll Pin	2
S	7900-1-102	Velcro Pile Tape	1
T	1550-1-14	Magnet	1
W	4-7	Soc. Head Cap Screw	1

Transfer System to Litter Assembly

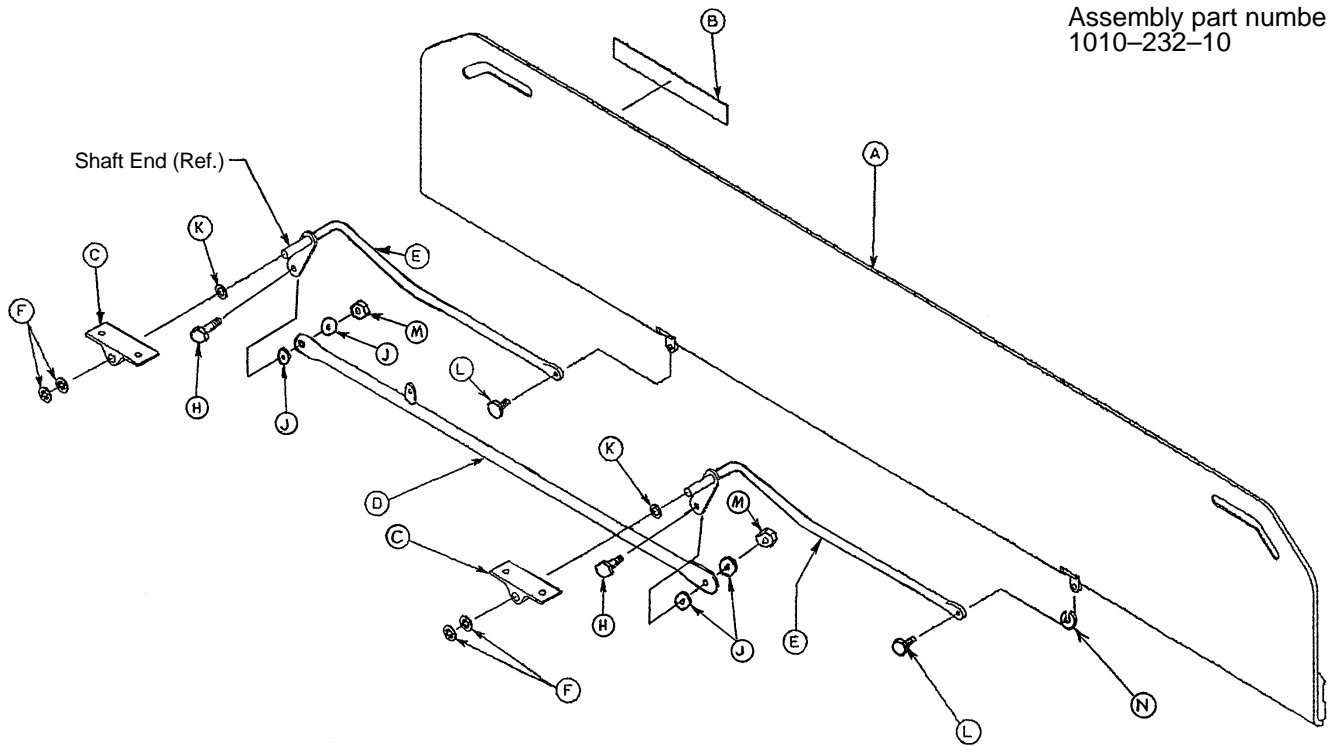
Assembly part number
1210-132-3



Item	Part No.	Part Name	Qty.
A	2-100	Pan Hd. Screw	4
B	3-50	Hex Hd. Cap Screw	4
C	3-78	Hex Hd. Cap Screw	8
D	10-11	Eye Bolt	2
E	11-180	Washer	8
F	15-28	Jam Nut	4
H	16-3	Fiberlock Nut	4
J	16-28	Fiberlock Nut	12
K	38-218	Extension Spring	2
L	(page 83)	Board Support Assembly	2
M	1010-224-25	Spring Retainer	2
N	(page 77)	Transfer System Ass'y, Rt.	1
P	(page 78)	Transfer System Ass'y, Lt.	1

Short Transfer System Assembly, Right

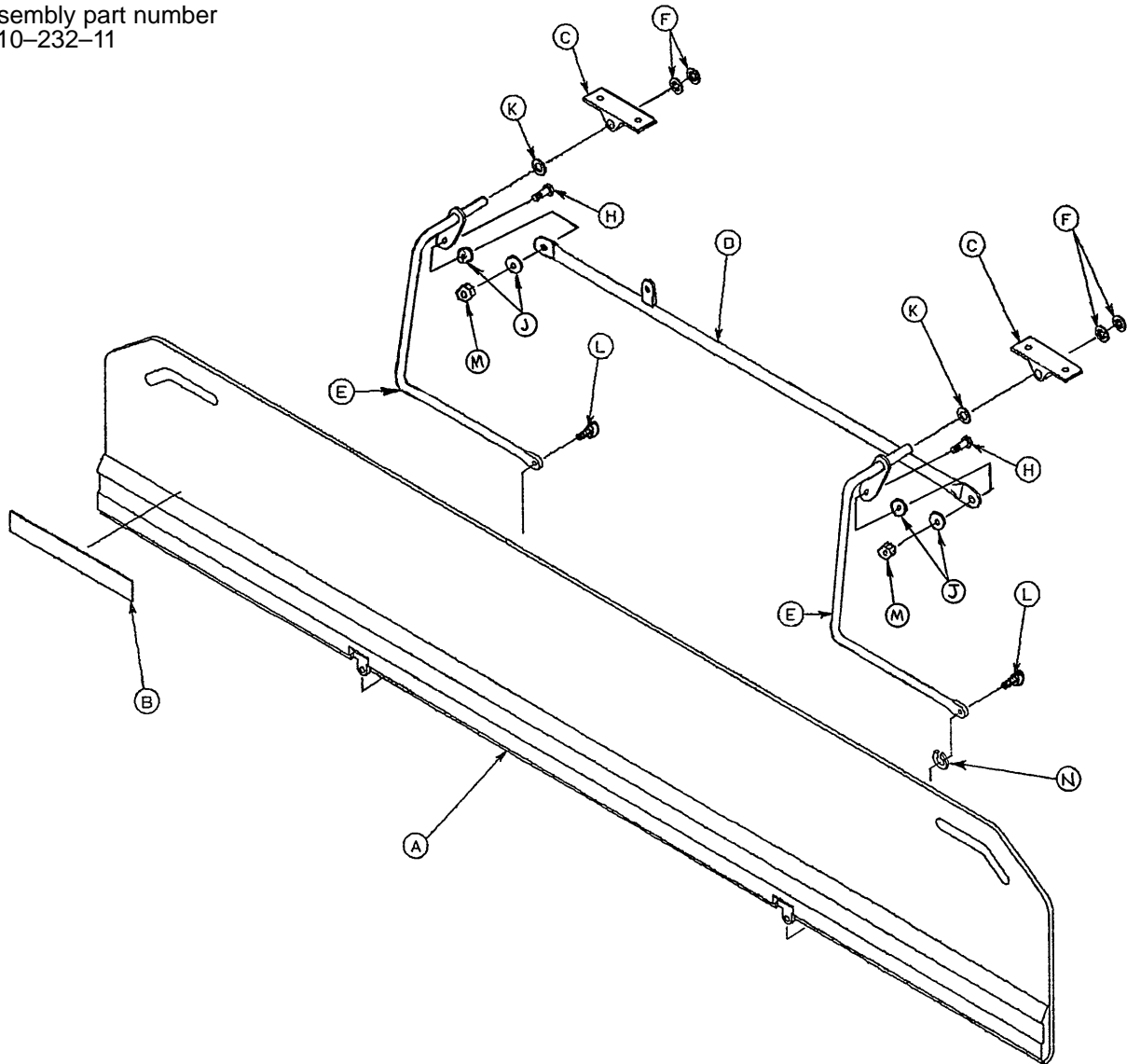
Assembly part number
1010-232-10



Item	Part No.	Part Name	Qty.
A	1020-32-100	Transfer Board Ass'y	1
B	721-24-46	Label	1
C	1010-32-98	Pivot	2
D	1010-224-33	Connecting Link Ass'y, Rt.	1
E	1010-232-16	Pivot Arm Ass'y, Right	2
F	28-93	Retaining Ring	4
H	3-50	Hex Hd. Cap Screw	2
J	11-224	Nylon Flat Washer	4
K	14-21	Nylon Flat Washer	2
L	4-156	Soc. Hd. Cap Screw	2
M	16-28	Nylock Hex Nut	2
N	14-2	Washer	1

Short Transfer System Assembly, Left

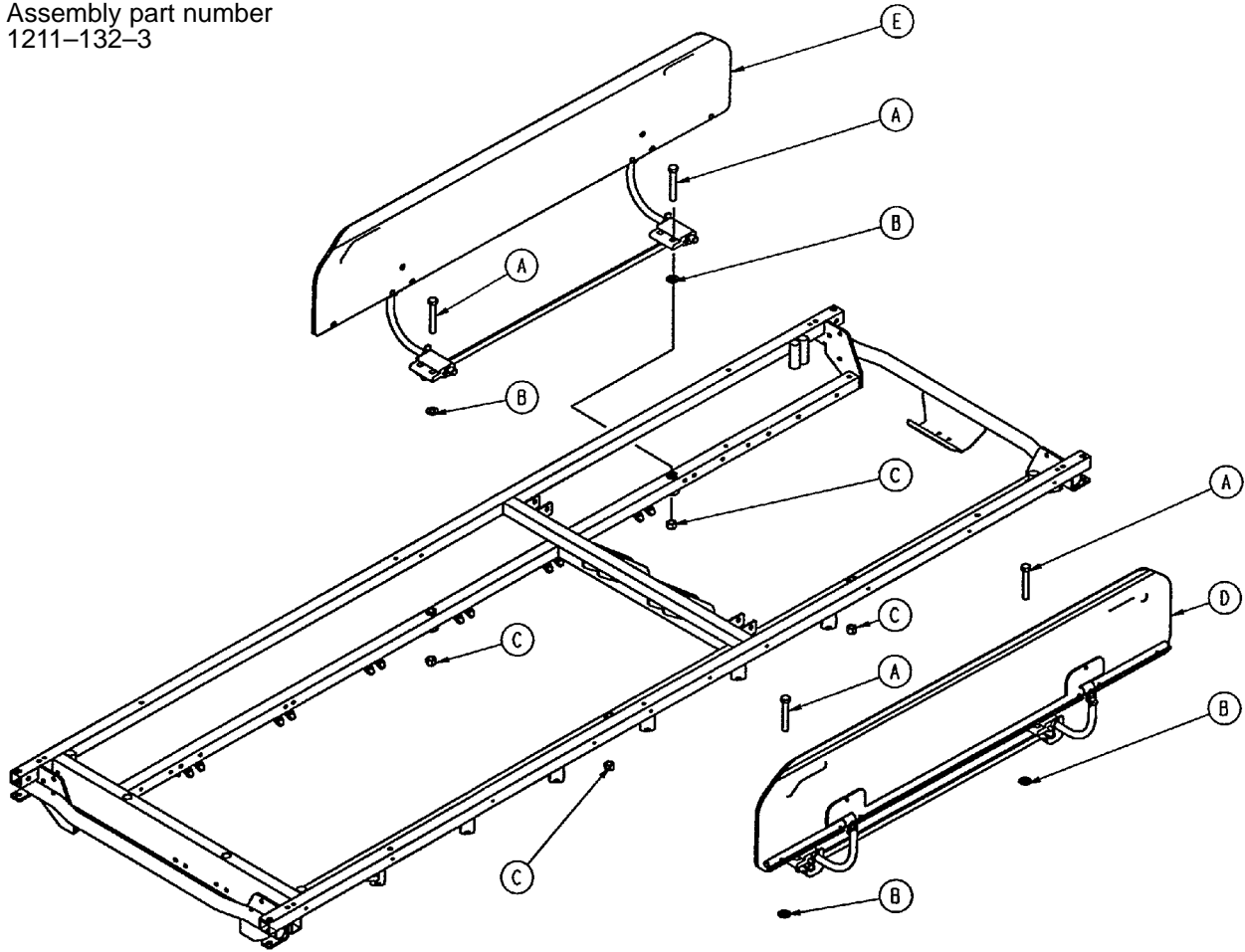
Assembly part number
1010-232-11



Item	Part No.	Part Name	Qty.
A	1020-32-100	Transfer Board Ass'y	1
B	721-24-46	Label	1
C	1010-32-98	Pivot	2
D	1010-224-33	Connecting Link Ass'y	1
E	1010-232-17	Pivot Arm Ass'y, Lt.	2
F	28-93	Retaining Ring	4
H	3-50	Hex Hd. Cap Screw	2
J	11-224	Nylon Flat Washer	4
K	14-21	Nylon Flat Washer	2
L	4-156	Soc. Hd. Cap Screw	2
M	16-28	Nylock Hex Nut	2
N	14-2	Washer	1

Transfer System to Litter Assembly

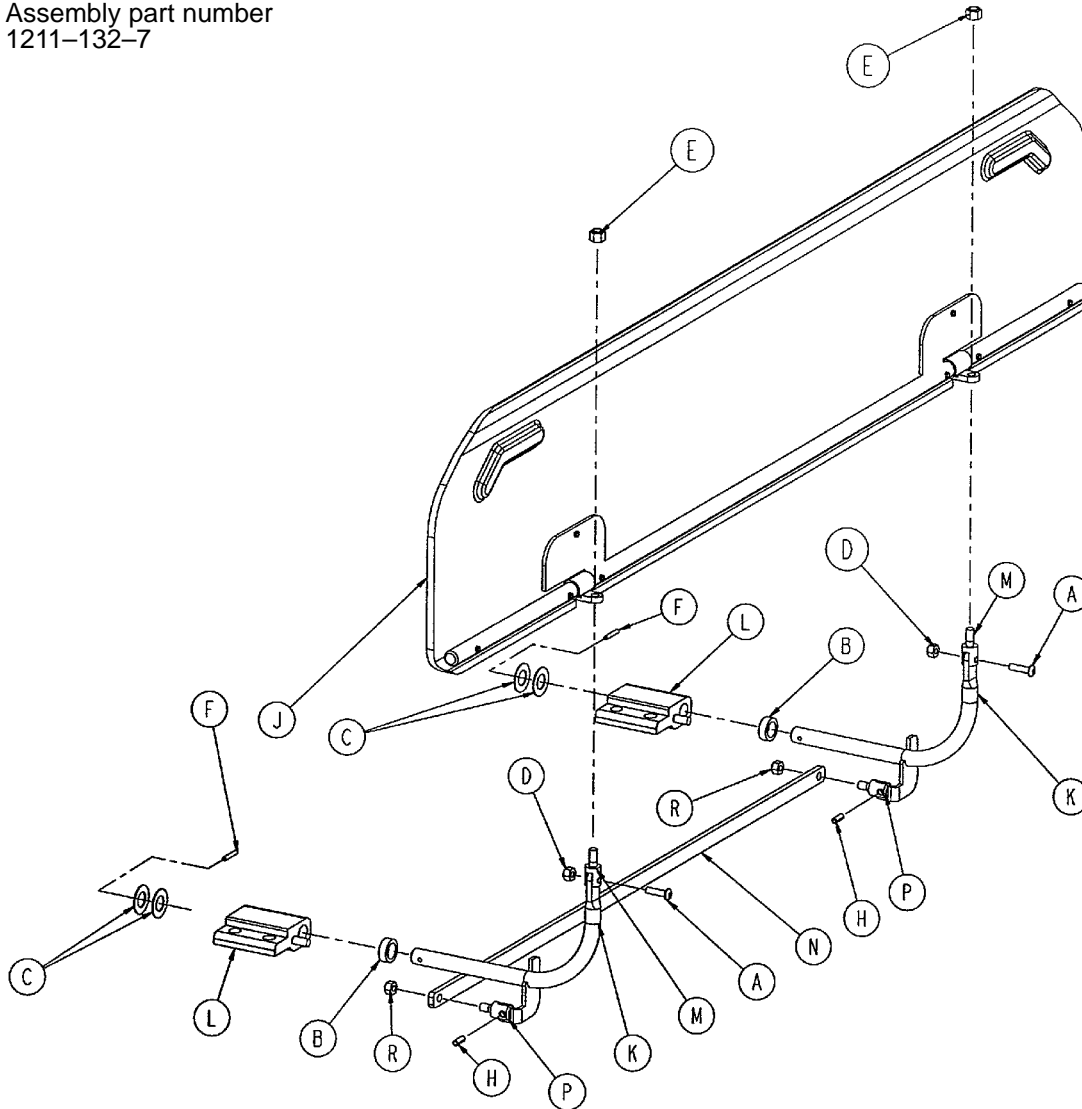
Assembly part number
1211-132-3



Item	Part No.	Part Name	Qty.
A	3-199	Hex Hd. Cap Screw	4
B	11-4	Washer	4
C	16-86	Nylock Nut	4
D	(page 80)	Transfer System Ass'y, Lt.	1
E	(page 81)	Transfer System Ass'y, Rt.	1

Transfer System Assembly, Left

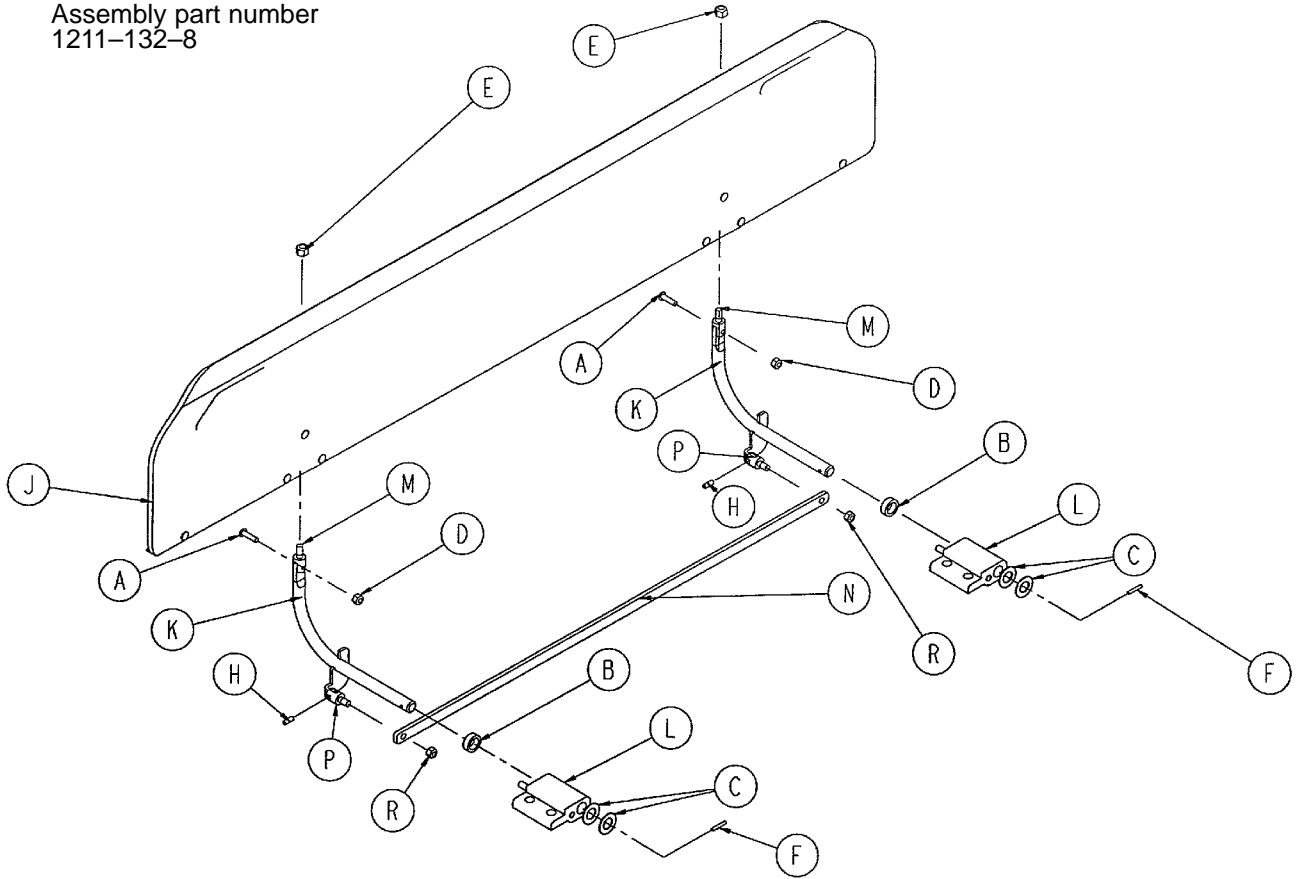
Assembly part number
1211-132-7



Item	Part No.	Part Name	Qty.
A	4-169	But. Hd. Cap Screw	2
B	11-350	Washer	2
C	14-7	Washer	4
D	16-3	Fiberlock Nut	2
E	16-28	Fiberlock Nut	2
F	26-6	Roll Pin	2
H	26-233	Roll Pin	2
J	(page 82)	Transfer Board Assembly	1
K	1211-132-11	Transfer Bd. Arm Wldmt.	2
L	1211-132-31	Transfer Bd. Pivot Ass'y, Lt.	2
M	1211-132-16	Transfer Bd. Swivel	2
N	1211-132-20	Transfer Bd. Link	1
P	1211-132-29	Link Swivel	2
R	16-102	Fiberlock Nut	2

Transfer System Assembly, Right

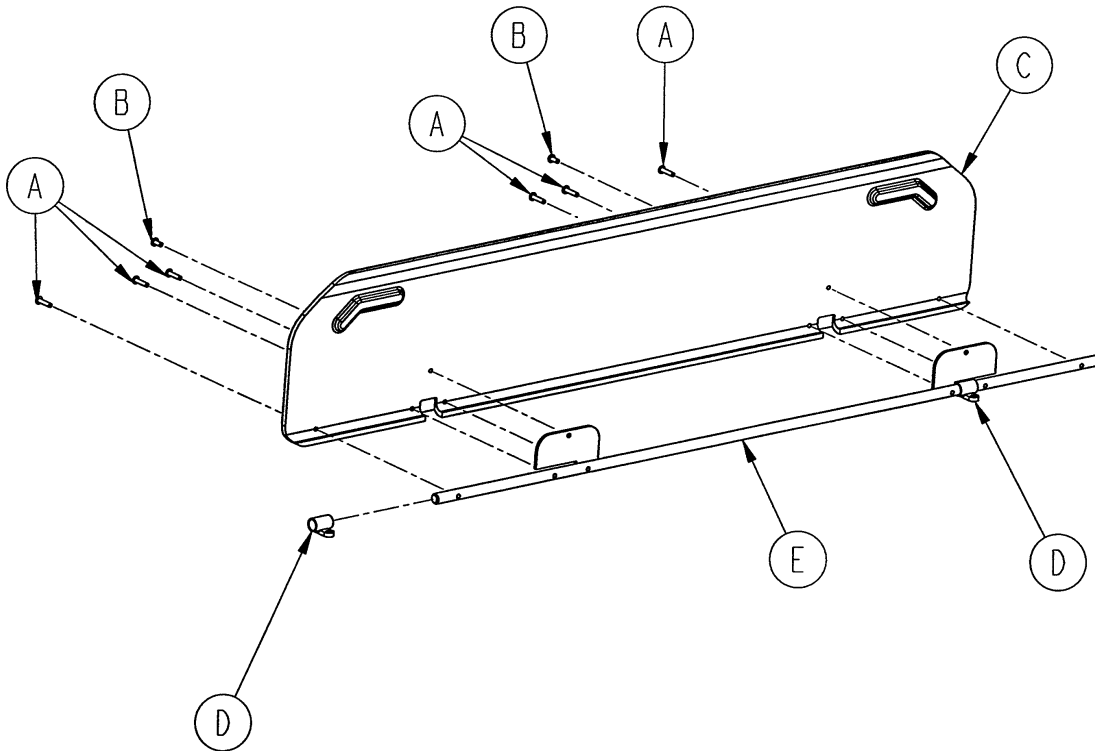
Assembly part number
1211-132-8



Item	Part No.	Part Name	Qty.
A	4-169	But. Hd. Cap Screw	2
B	11-350	Washer	2
C	14-7	Washer	4
D	16-3	Fiberlock Nut	2
E	16-28	Fiberlock Nut	2
F	26-6	Roll Pin	2
H	26-233	Roll Pin	2
J	(page 82)	Transfer Board Assembly	1
K	1211-132-12	Transfer Bd. Arm Wldmt.	2
L	1211-132-30	Transfer Bd. Pivot Ass'y, Rt.	2
M	1211-132-16	Transfer Bd. Swivel	2
N	1211-132-20	Transfer Bd. Link	1
P	1211-132-29	Link Swivel	2
R	16-102	Fiberlock Nut	2

Transfer Board Assembly

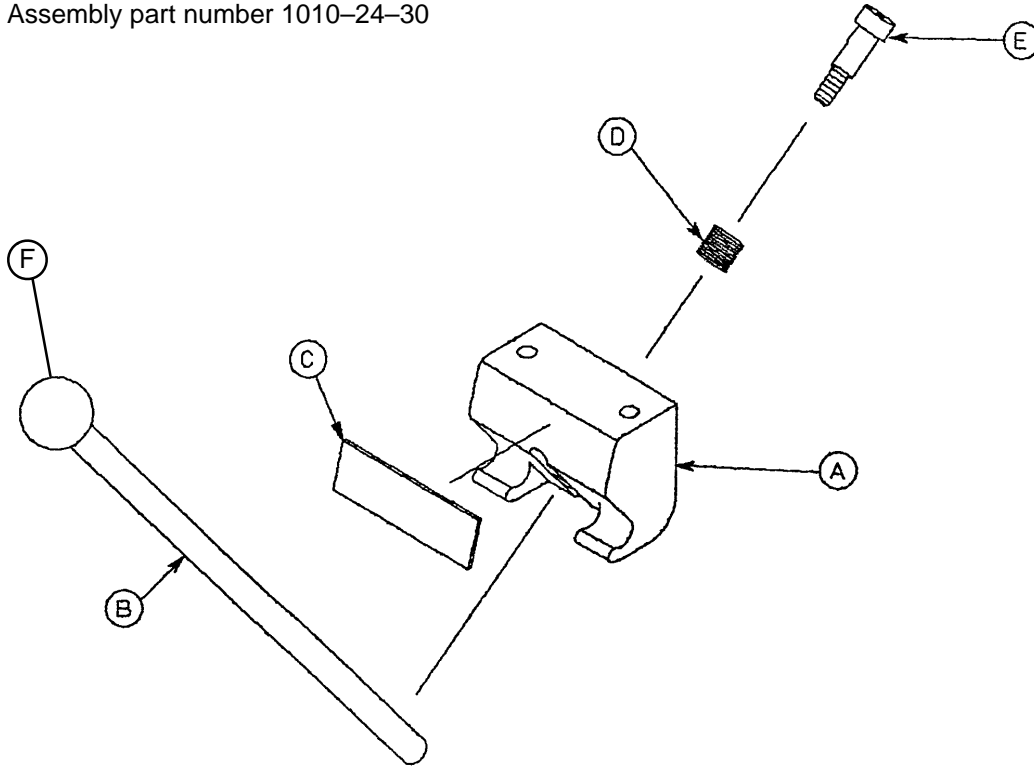
Assembly part number 1211-132-9



Item	Part No.	Part Name	Qty.
A	25-125	Pop Rivet	6
B	25-126	Pop Rivet	2
C	1211-132-4	Transfer Board	1
D	1211-132-17	Transfer Bd. Sleeve Wldmt.	2
E	1211-132-19	Stiffener Weldment	1

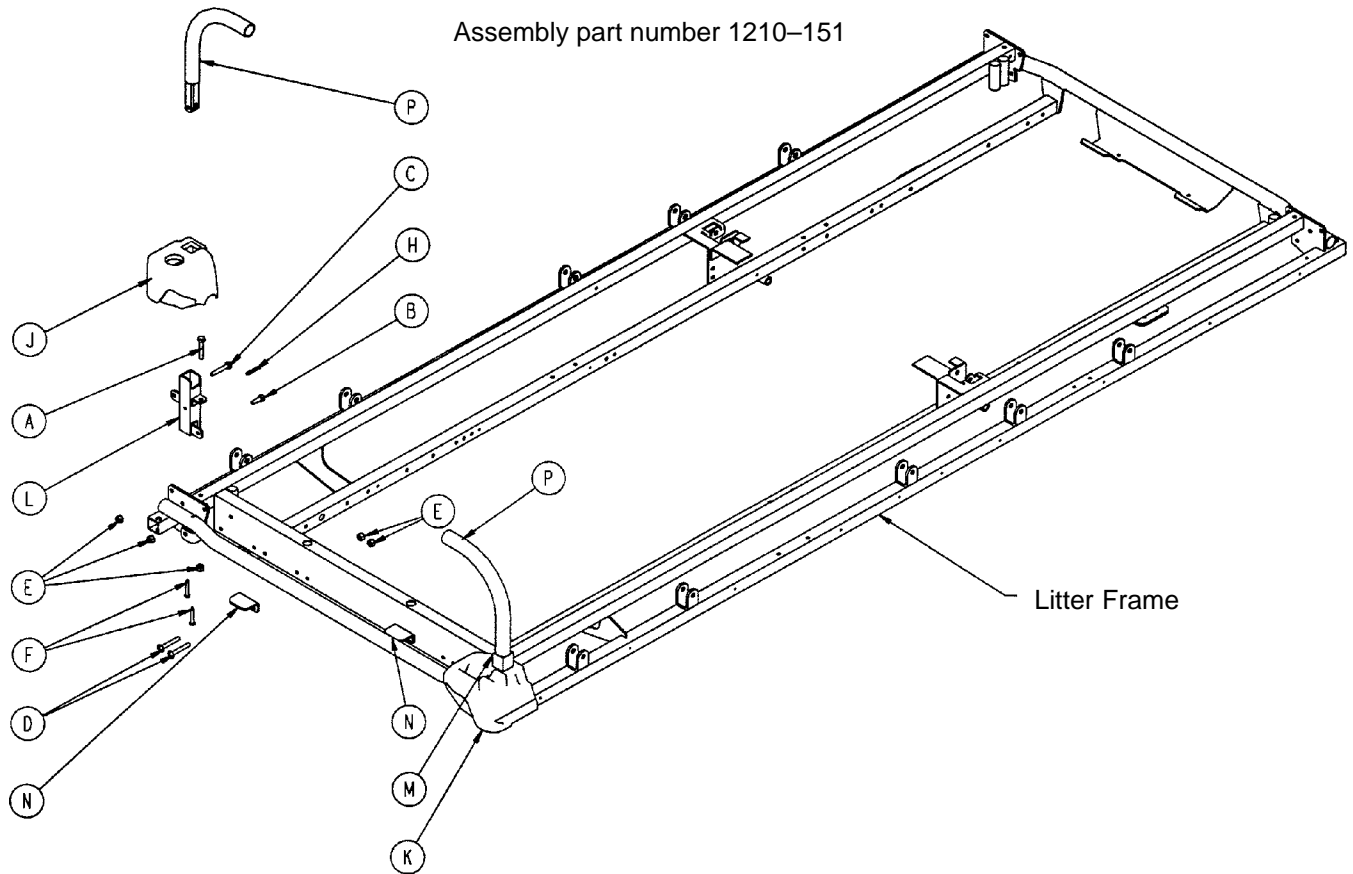
Board Support Assembly

Assembly part number 1010-24-30



Item	Part No.	Part Name	Qty.
A	1010-24-15	Support Block	1
B	1010-24-16	Support Arm	1
C	1010-24-14	Warning Label	1
D	38-263	Spring	1
E	8-17	Shoulder Bolt	1
F	1010-26-46	Ball Knob	1

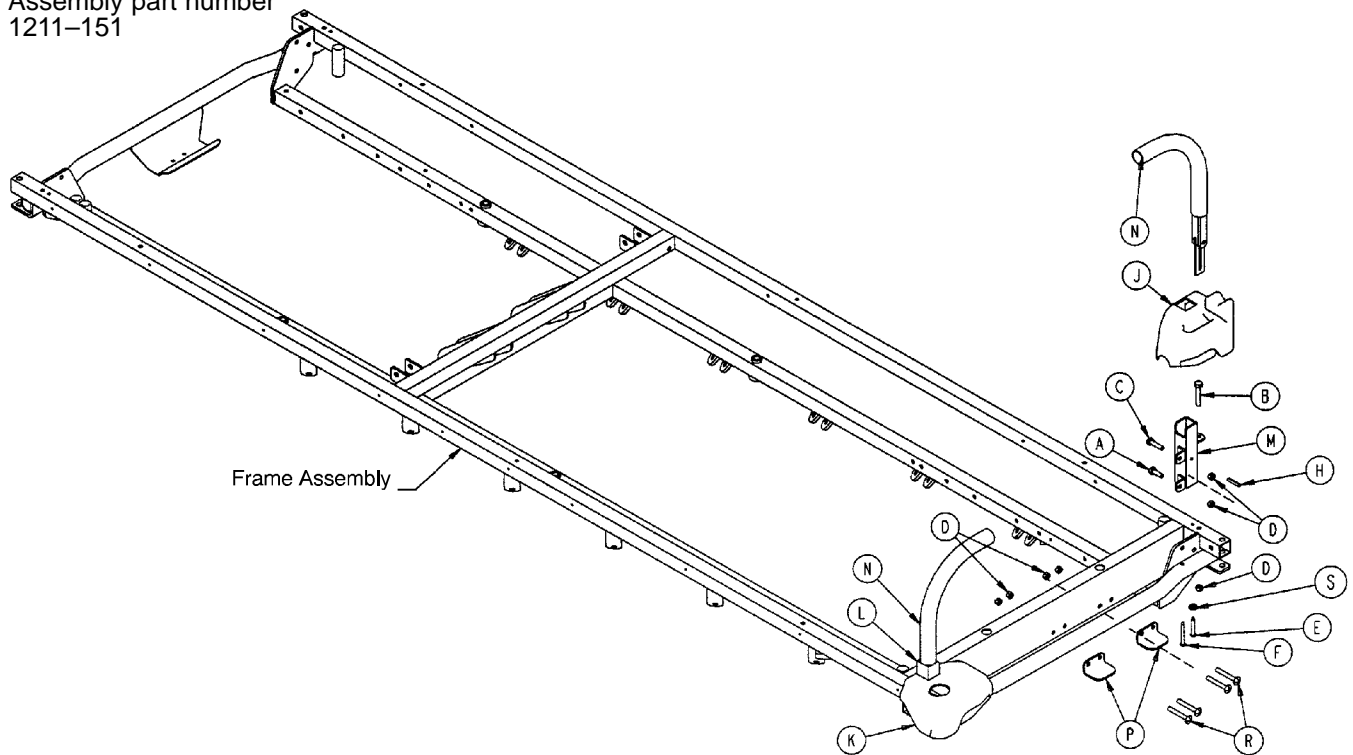
Foot End Steering Handles Assembly



Item	Part No.	Part Name	Qty.
A	3-47	Hex Hd. Cap Screw	2
B	3-50	Hex Hd. Cap Screw	2
C	3-54	Hex Hd. Cap Screw	2
D	7-20	Truss Hd. Mach. Screw	4
E	16-28	Nylock Nut	10
F	23-104	Self-Tapping Screw	4
H	26-11	Roll Pin	2
J	1010-201-236	Corner, Hole/Slot	1
K	1010-201-237	Corner, Hole/Hole	1
L	1010-254-4	P.U.P. Receptacle Wldmt., Lt.	1
M	1010-254-6	P.U.P. Receptacle Wldmt., Rt.	1
N	1010-281-11	Handle Rest	2
P	(page 86)	Push Handle Assembly	2

Foot End Steering Handles Assembly

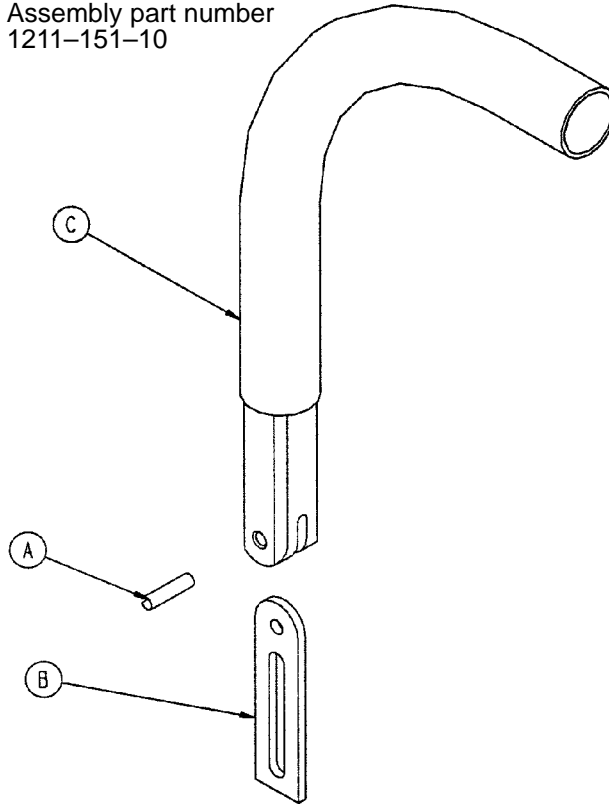
Assembly part number
1211-151



Item	Part No.	Part Name	Qty.
A	3-50	Hex Hd. Cap Screw	2
B	3-47	Hex Hd. Cap Screw	2
C	3-54	Hex Hd. Cap Screw	2
D	16-28	Nylock Nut	10
E	23-69	Self-Tapping Screw	2
F	23-104	Self-Tapping Screw	2
H	26-11	Roll Pin	2
J	1211-30-34	Cover, Hole/Slot	1
K	1211-30-37	Cover, Hole/Hole	1
L	1211-151-4	P.U.P. Receptacle Wldmt., Lt.	1
M	1211-151-6	P.U.P. Receptacle Wldmt., Rt.	1
N	(page 86)	Push Handle Assembly	2
P	1010-281-11	Handle Rest	2
R	7-20	Truss Hd. Mach. Screw	4

Push Handle Assembly

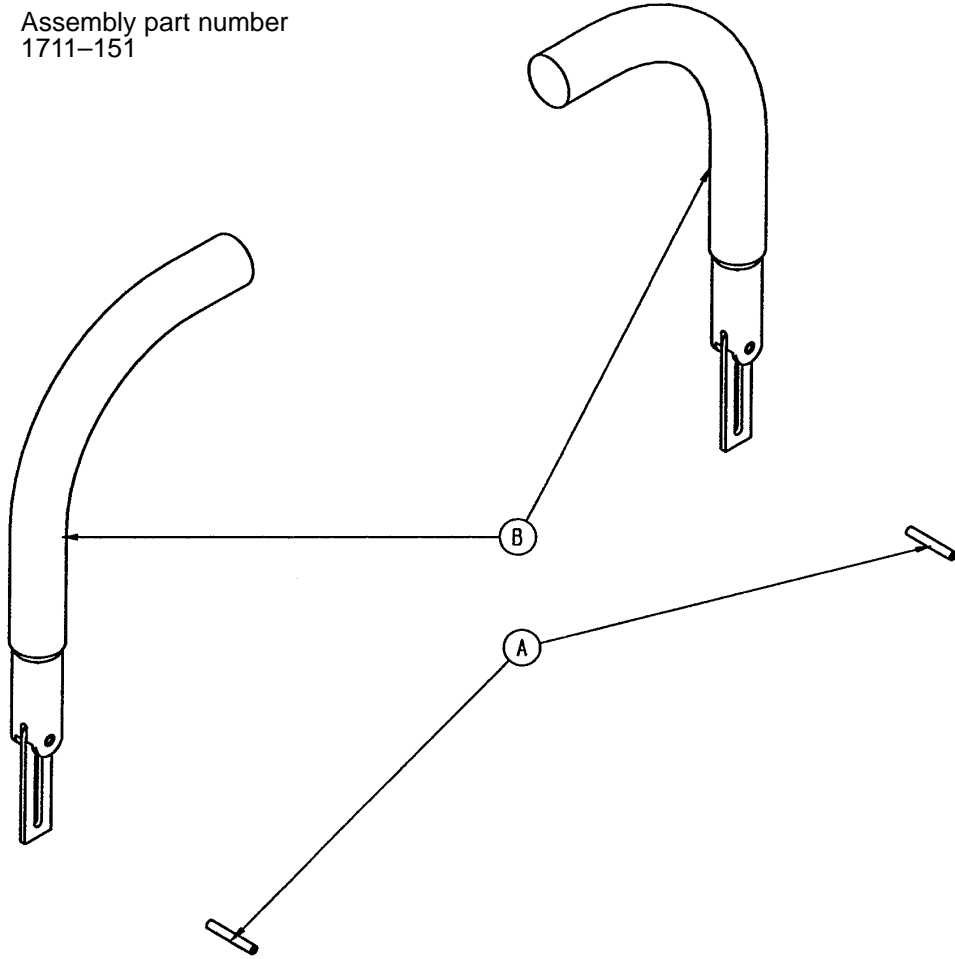
Assembly part number
1211-151-10



Item	Part No.	Part Name	Qty.
A	26-10	Roll Pin	1
B	1010-254-24	Stop Link	1
C	1211-151-18	Sleeve Assembly	1

Head End Steering Handles Assembly

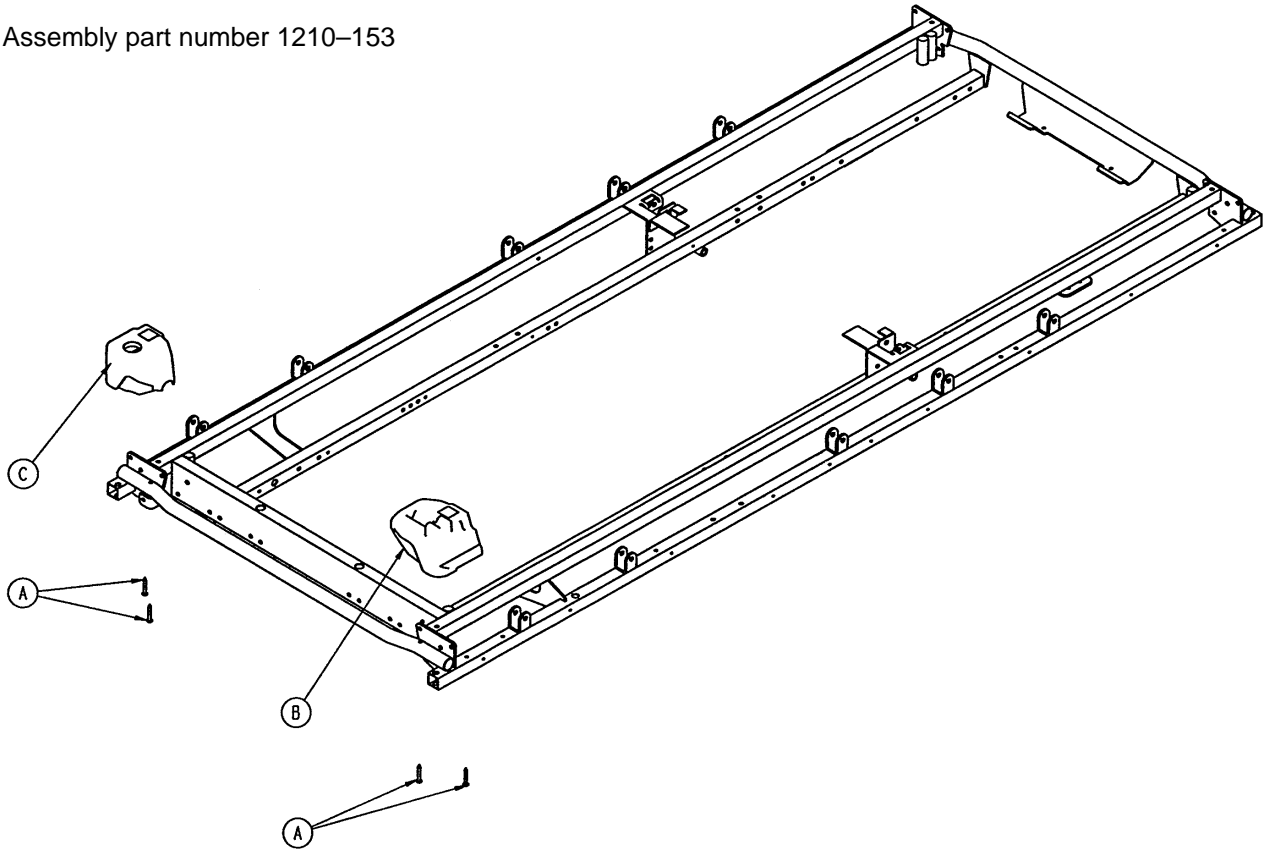
Assembly part number
1711-151



Item	Part No.	Part Name	Qty.
A	26-11	Roll Pin	2
B	(page 86)	Push Handle Assembly	2

Foot End Corner Assembly w/o Steering Handles

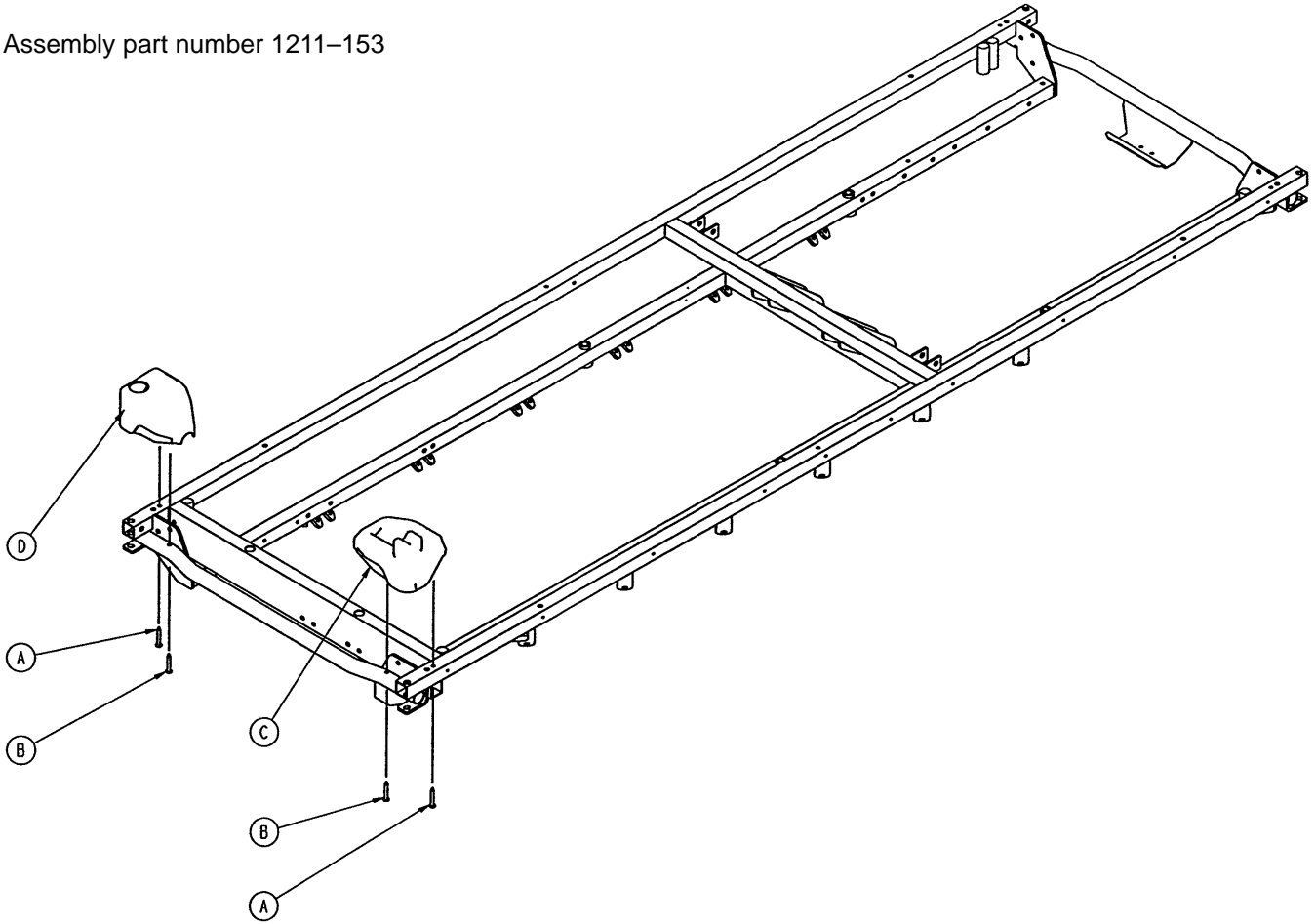
Assembly part number 1210-153



Item	Part No.	Part Name	Qty.
A	23-104	Self-Tapping Screw	4
B	1010-201-238	Corner, Slot	1
C	1010-201-239	Corner, Hole	1

Foot End Corner Assembly, w/o Steering Handles

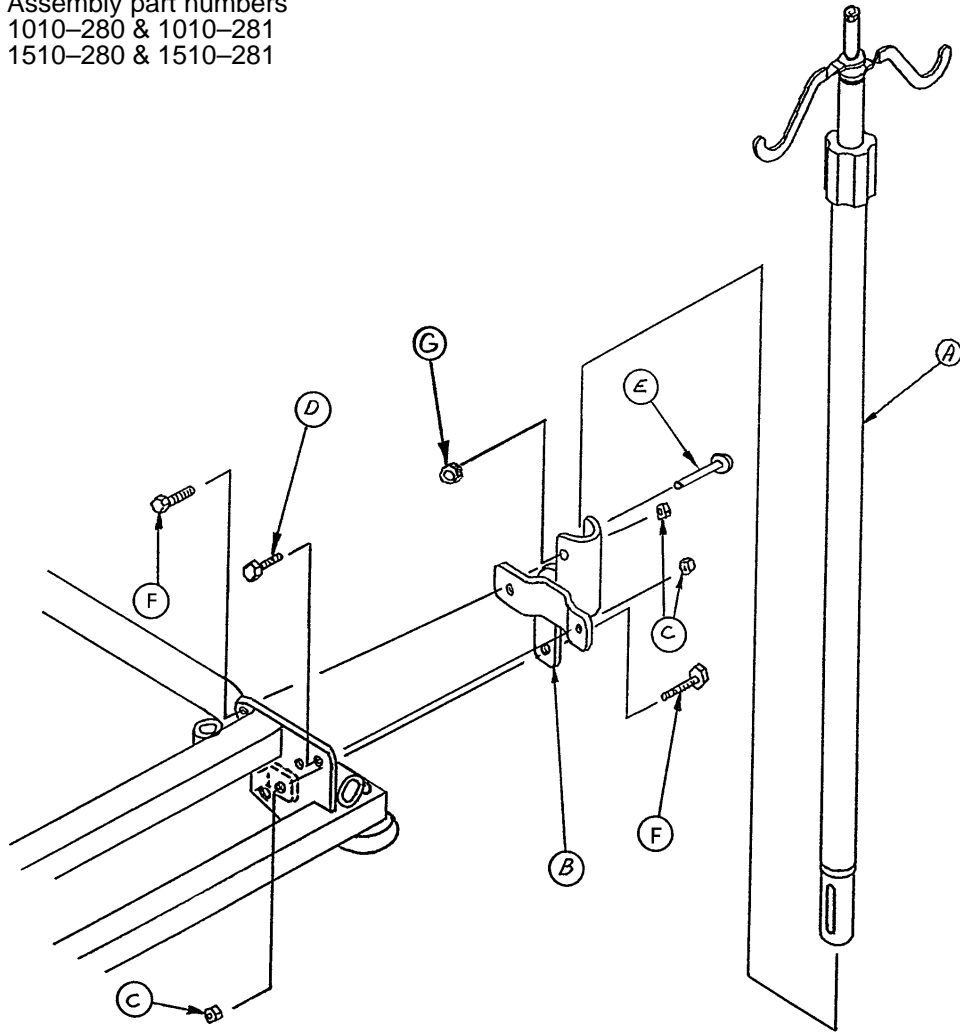
Assembly part number 1211-153



Item	Part No.	Part Name	Qty.
A	23-69	Self-Tapping Screw	2
B	23-104	Self-Tapping Screw	2
C	1211-30-38	Corner, Slot	1
D	1211-30-39	Corner, Hole	1

2- Stage I.V. Mounting Assembly

Assembly part numbers
 1010-280 & 1010-281
 1510-280 & 1510-281



Item	1010 P/N	Part Name	Qty.
A	(page 94)	I.V. Pole Assembly	1
B	1001-259-5	I.V. Receptacle Ass'y	1
C	16-28	Lock Nut	3
D	3-54	Hex Hd. Cap Screw	1
E	4-91	But. Hd. Cap Screw	1
F	3-50	Hex Hd. Cap Screw	2
H	16-20	Self-Locking Nut	1
J	1001-59-41	I.V. Plug (not shown)	1
K	1501-27-19	I.V. Plug (for 1510 only)	1

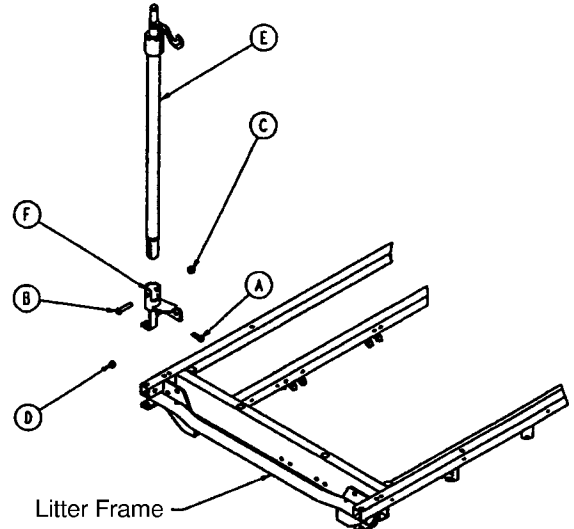
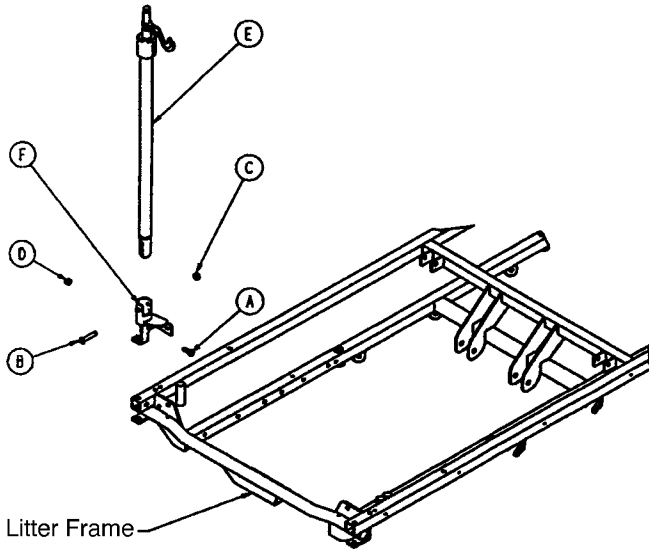
Notes

Notes

2-Stage I.V. Mounting Assembly

Assembly part numbers

1211-110 (Head End) – 1211
 1211-112 (Foot End) – 1211
 1711-110 (Head End) – 1711
 1711-112 (Foot End) – 1711

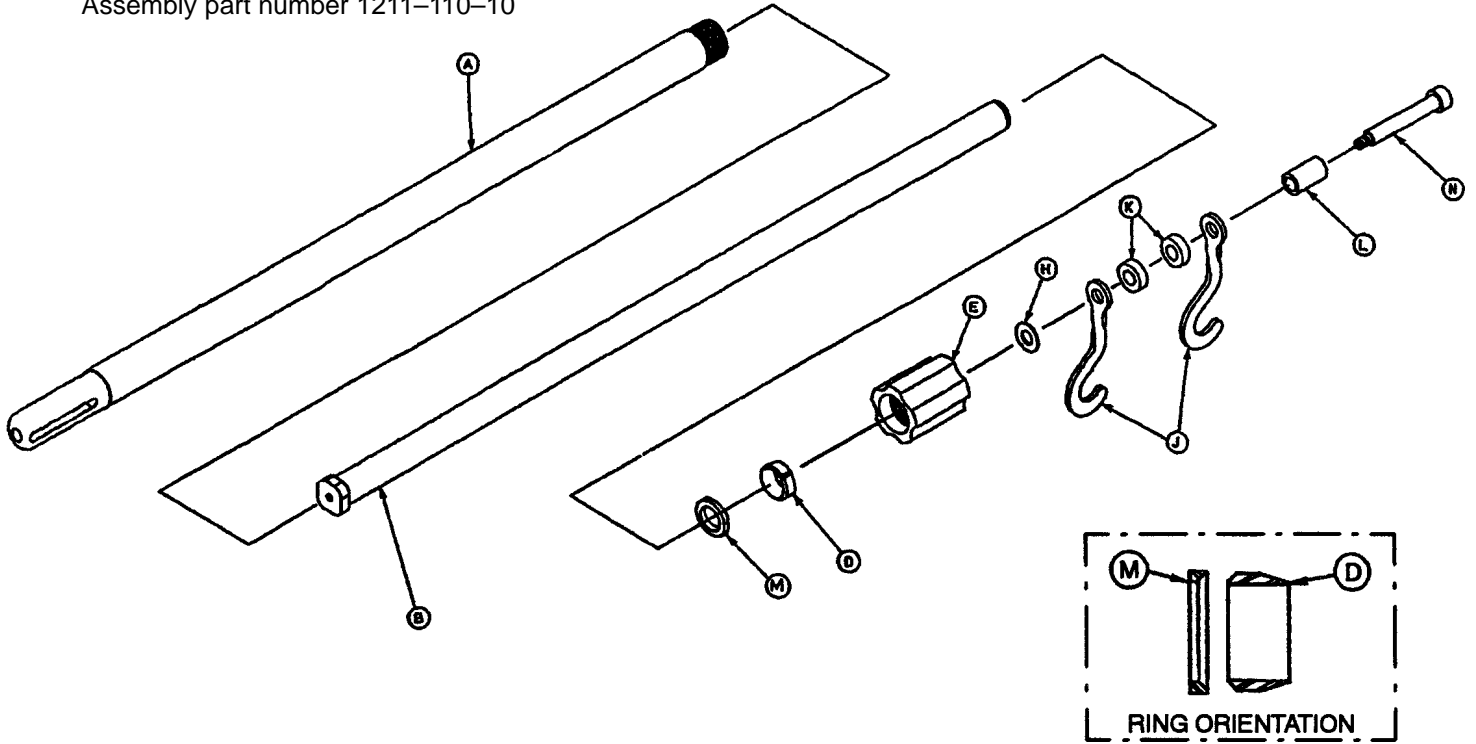


Item	Part No.	Part Name	Qty.
A	3-50	Hex Hd. Cap Screw	1
B	4-91	But. Hd. Cap Screw	1
C	16-20	Flexlock Nut	1
D	16-28	Fiberlock Nut	1
E	(page 94)	I.V. Pole Assembly	1
F	1211-110-15	I.V. Receptacle Weldment	1
H	1501-27-19	I.V. Plug	1*

*Used with 1711-110 and 1711-112 only.

2-Stage I.V. Pole Assembly

Assembly part number 1211-110-10

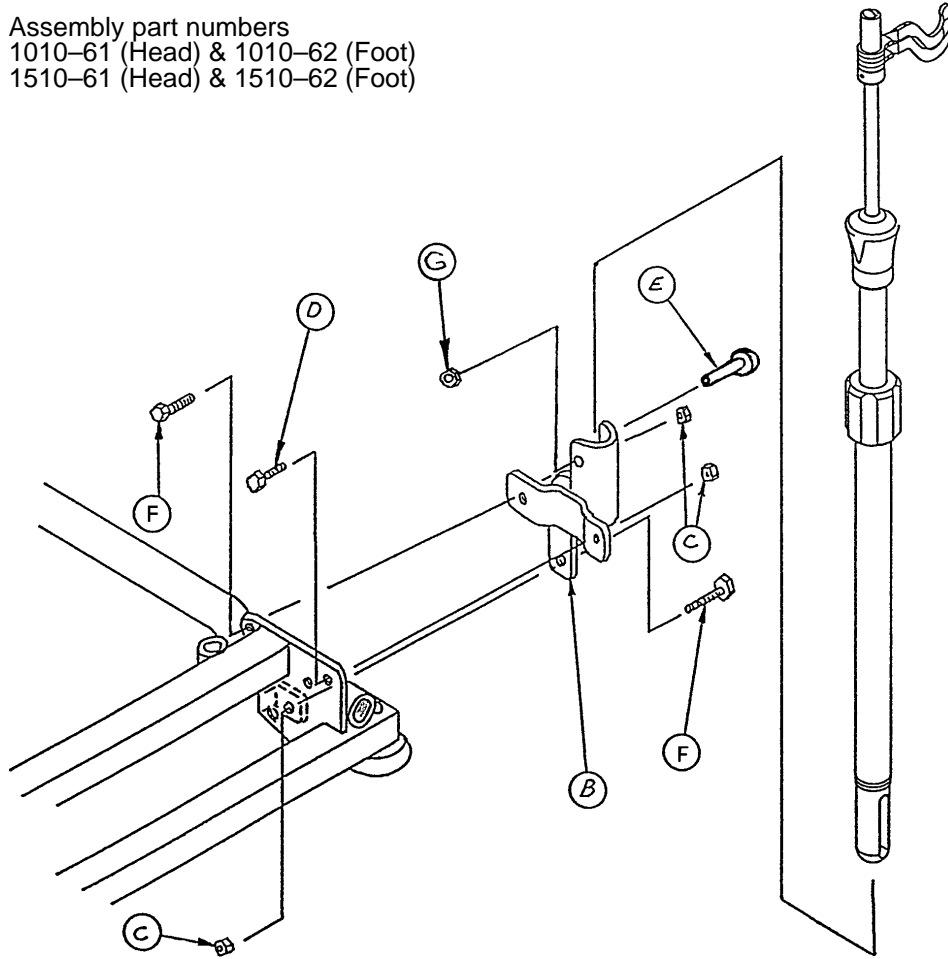


Item	Part No.	Part Name	Qty.
A	1001-59-32	Base Tube Assembly	1
B	1001-59-31	Extension Tube Assembly	1
D	1210-110-47	Lock Ring	1
E	1210-110-49	Lock Actuator	1
H	14-20	Nylon Flat Washer	As Req'd
J	1010-59-16	I.V. Hook	2
K	52-17	Nylon Spacer	2
L	926-400-62	Stop Sleeve	1
M	1211-110-46	Back-Up Ring	1
N	8-31	Shoulder Bolt	1

Notes

3-Stage I.V. Mounting Assembly

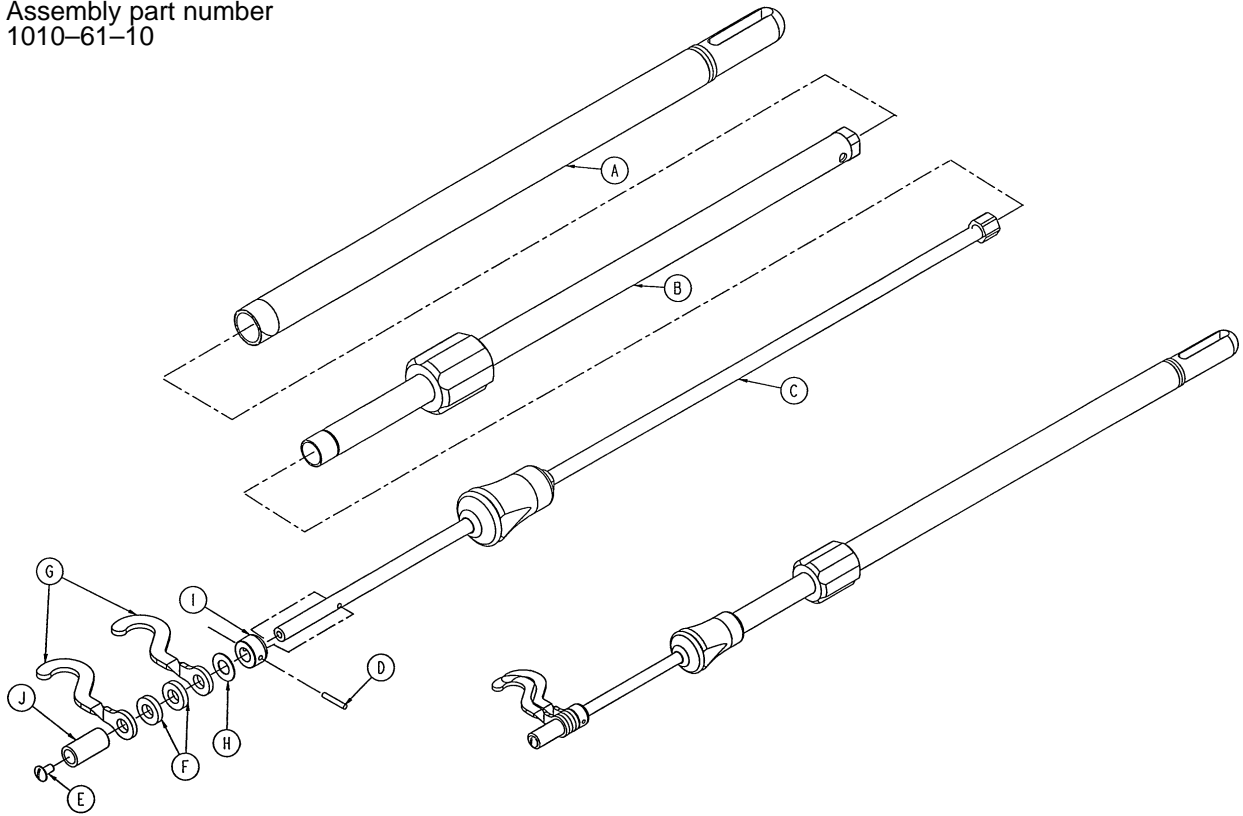
Assembly part numbers
 1010-61 (Head) & 1010-62 (Foot)
 1510-61 (Head) & 1510-62 (Foot)



Item	Part No.	Part Name	Qty.
A	(page 97 , 98)	I.V. Pole Assembly	1
B	1001-259-5	I.V. Receptacle Assembly	1
C	16-28	Lock Nut	3
D	3-54	Hex Hd. Cap Screw	1
E	4-91	But. Hd. Cap Screw	1
F	3-50	Hex Hd. Cap Screw	2
G	16-20	Nylock Nut	1

3-Stage I.V. Pole Assembly

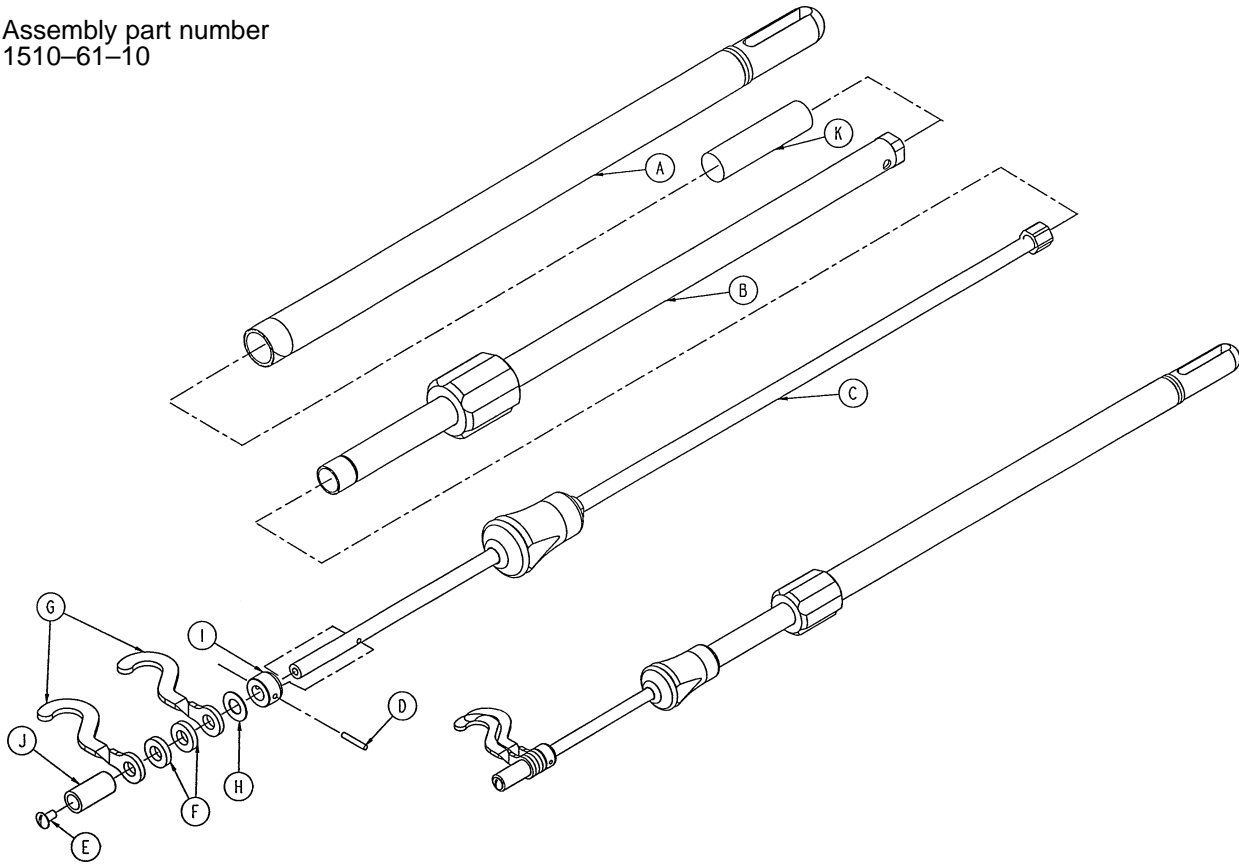
Assembly part number
1010-61-10



Item	Part No.	Part Name	Qty.
A	1010-61-24	Base Tube Assembly	1
B	(page 99)	2nd Stage Assembly	1
C	(page 100)	3rd Stage Assembly	1
D	26-6	Roll Pin	1
E	7-4	Truss Hd. Mach. Screw	1
F	52-17	Nylon Spacer	2
G	1010-59-16	I.V. Hook	2
H	14-20	Nylon Flat Washer	1
I	1010-61-14	Collar	1
J	926-400-62	Stop Sleeve	1

3-Stage I.V. Pole Assembly

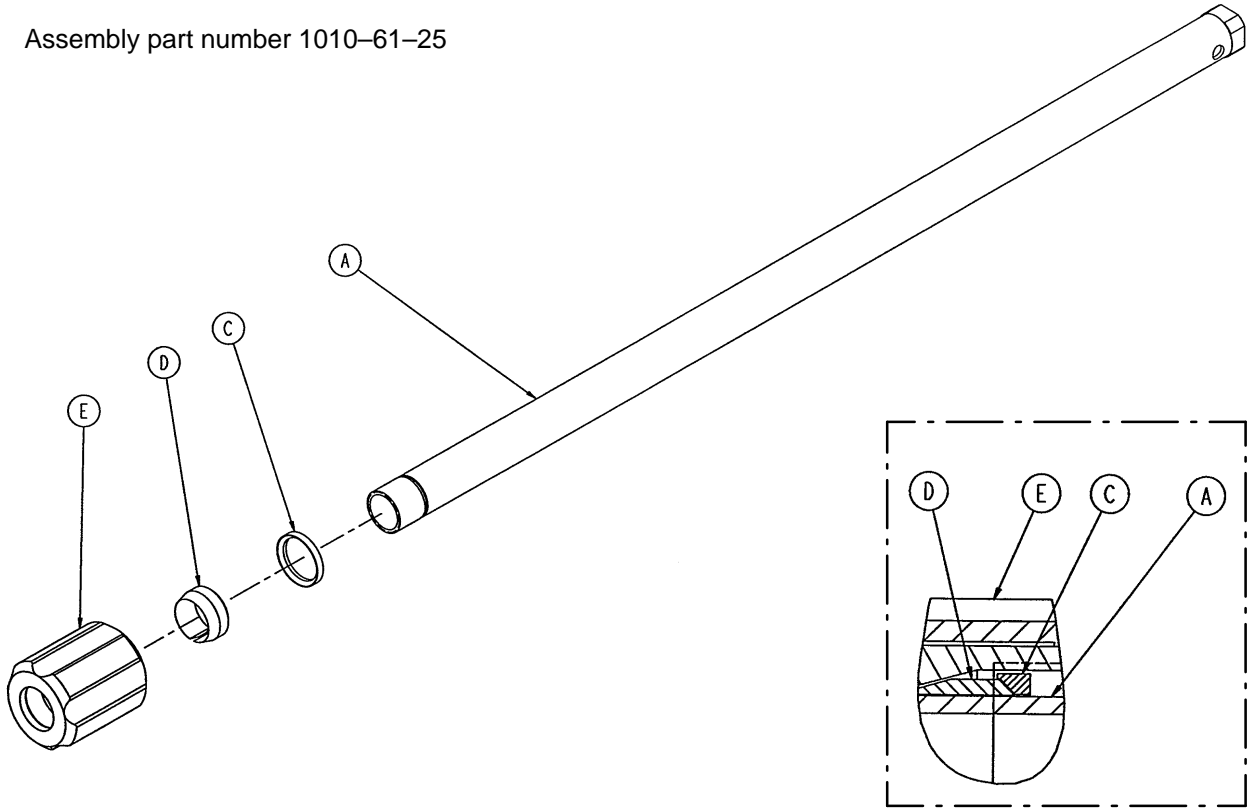
Assembly part number
1510-61-10



Item	Part No.	Part Name	Qty.
A	1010-61-24	Base Tube Assembly	1
B	(page 99)	2nd Stage Assembly	1
C	(page 100)	3rd Stage Assembly	1
D	26-6	Roll Pin	1
E	7-4	Truss Hd. Mach. Screw	1
F	52-17	Nylon Spacer	2
G	1010-59-16	I.V. Hook	2
H	14-20	Nylon Flat Washer	1
I	1010-61-14	Collar	1
J	926-400-62	Stop Sleeve	1
K	1501-27-19	Plug	1

2nd Stage Assembly

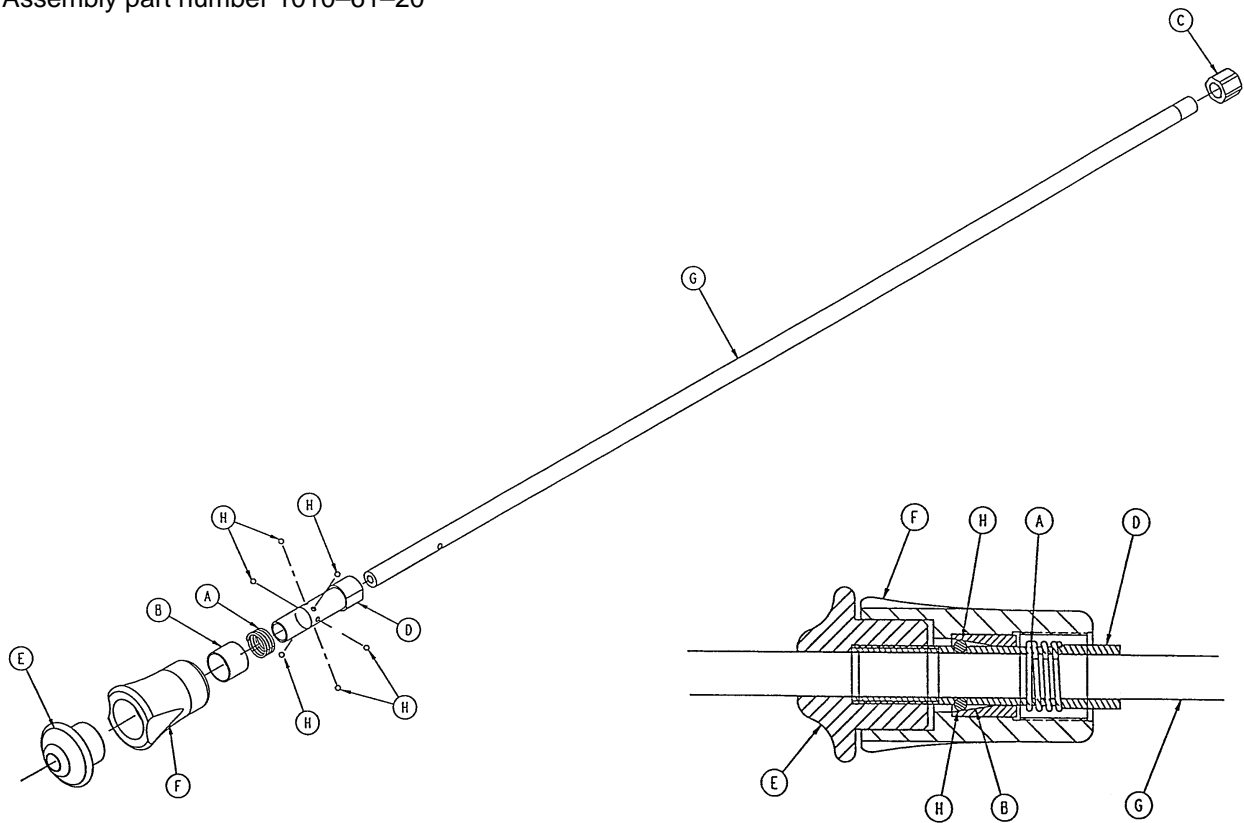
Assembly part number 1010-61-25



Item	Part No.	Part Name	Qty.
A	1010-61-30	2nd Tube Assembly	1
C	1210-110-46	Back-Up Ring	1
D	1210-110-47	Lock Ring	1
E	1210-110-49	Lock Actuator	1

3rd Stage Assembly

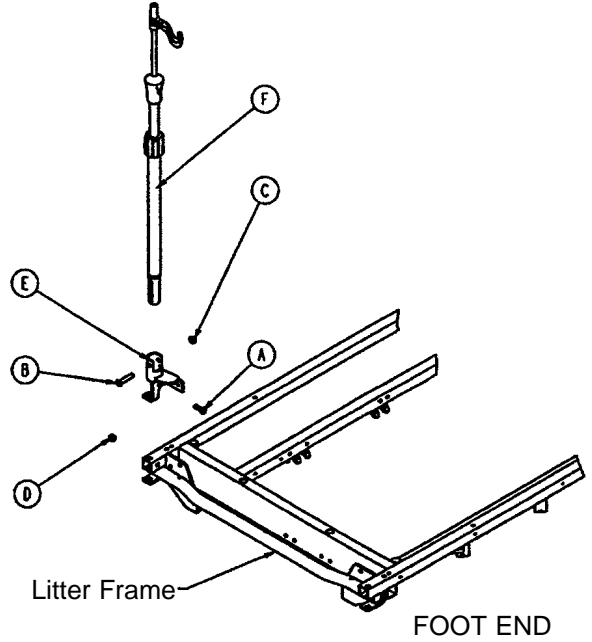
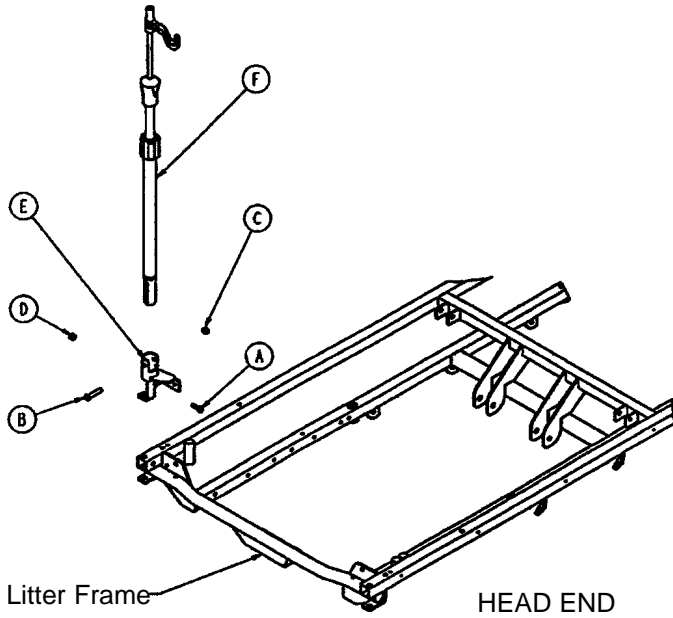
Assembly part number 1010-61-20



Item	Part No.	Part Name	Qty.
A	38-303	Spring	1
B	1010-61-13	Ball Retainer	1
C	1010-61-15	Stop Nut	1
D	1010-61-16	Retaining Shaft	1
E	1010-61-17	Thumb Knob	1
F	1010-61-18	Hand Guard	1
G	1010-61-19	3rd Extension Rod	1
H	31-21	Ball	6

3-Stage I.V. Mounting Assembly

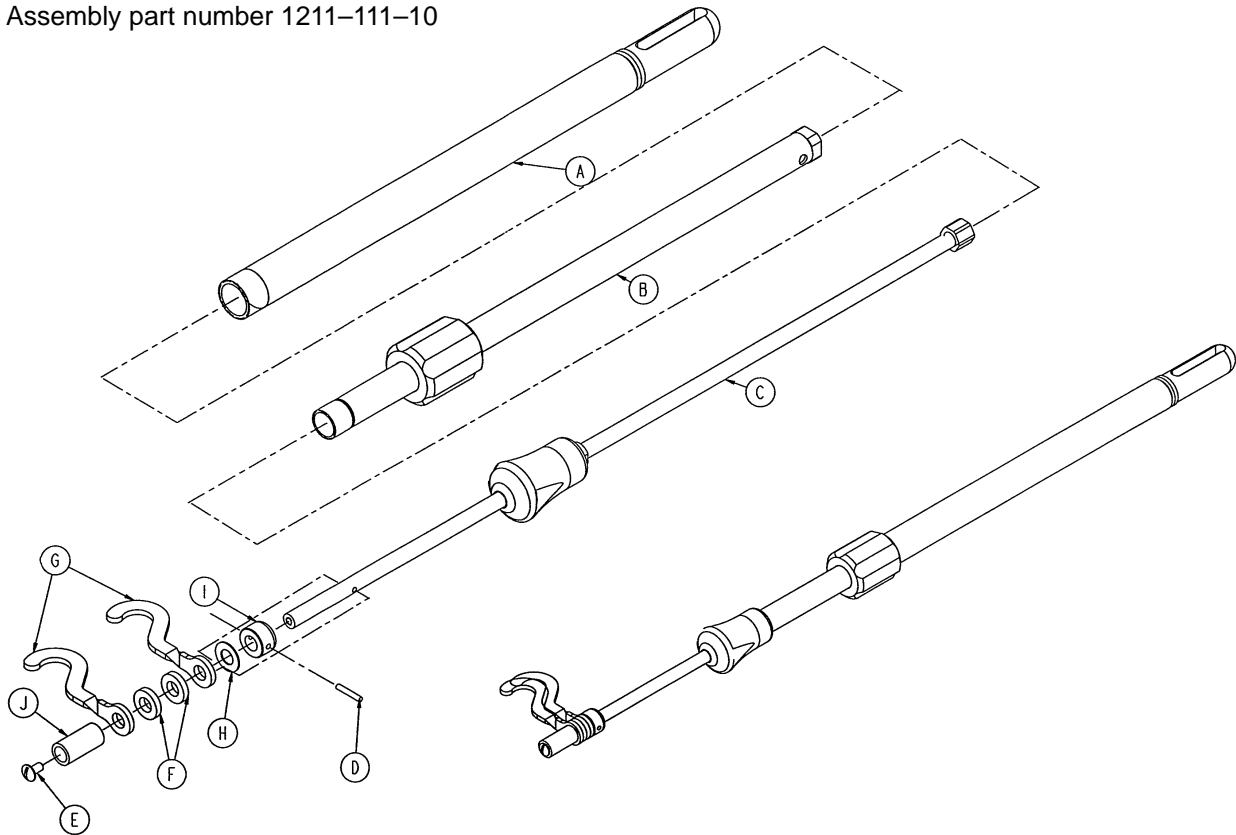
Assembly part numbers
 1211-111 (Head End)
 1211-113 (Foot End)
 1711-111 (Head End)
 1711-113 (Foot End)



Item	Part No.	Part Name	Qty.
A	3-50	Hex Hd. Cap Screw	1
B	4-91	But. Hd. Cap Screw	1
C	16-20	Flexlock Nut	1
D	16-28	Fiberlock Nut	1
E	1211-110-15	I.V. Receptacle Weldment	1
F	(page 102 & 103)	I.V. Pole Assembly	1

3-Stage I.V. Pole Assembly

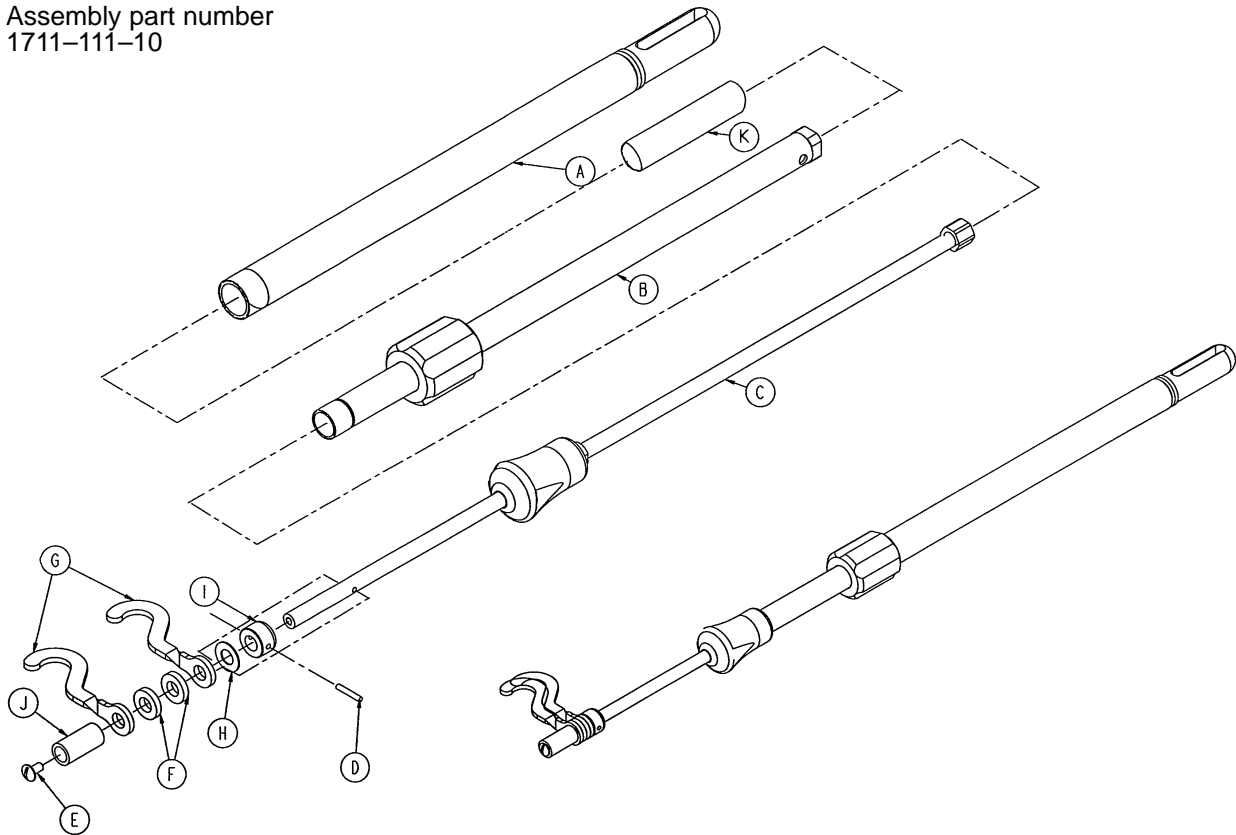
Assembly part number 1211-111-10



Item	Part No.	Part Name	Qty.
A	1001-61-34	Base Tube Assembly	1
B	(page 104)	2nd Stage Assembly	1
C	(page 105)	3rd Stage Assembly	1
D	26-6	Roll Pin	1
E	7-4	Truss Hd. Mach. Screw	1
F	52-17	Nylon Spacer	2
G	1010-59-16	I.V. Hook	2
H	14-20	Nylon Flat Washer	1
I	1010-61-14	Collar	1
J	926-400-62	Stop Sleeve	1

3-Stage I.V. Pole Assembly

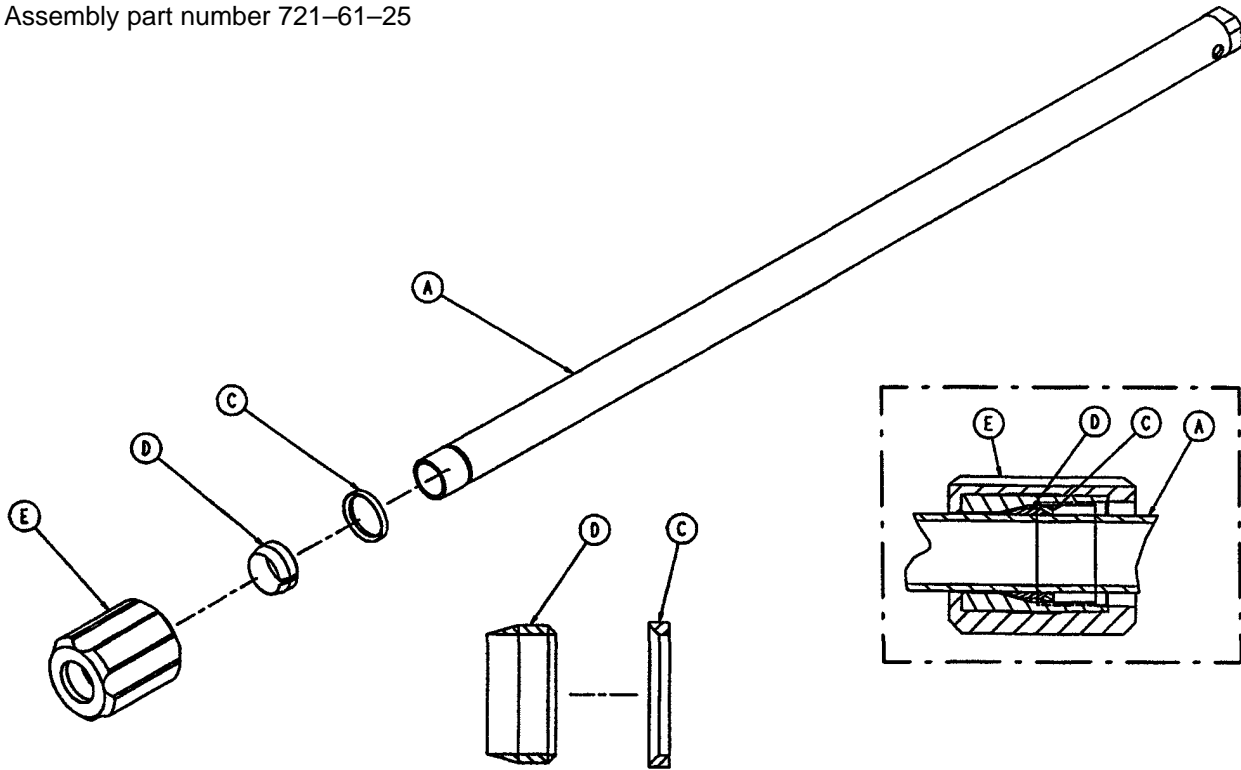
Assembly part number
1711-111-10



Item	Part No.	Part Name	Qty.
A	1010-61-34	Base Tube Assembly	1
B	(page 104)	2nd Stage Assembly	1
C	(page 105)	3rd Stage Assembly	1
D	26-6	Roll Pin	1
E	7-4	Truss Hd. Mach. Screw	1
F	52-17	Nylon Spacer	2
G	1010-59-16	I.V. Hook	2
H	14-20	Nylon Flat Washer	1
I	1010-61-14	Collar	1
J	926-400-62	Stop Sleeve	1
K	1501-27-19	Plug	1

2nd Stage Assembly

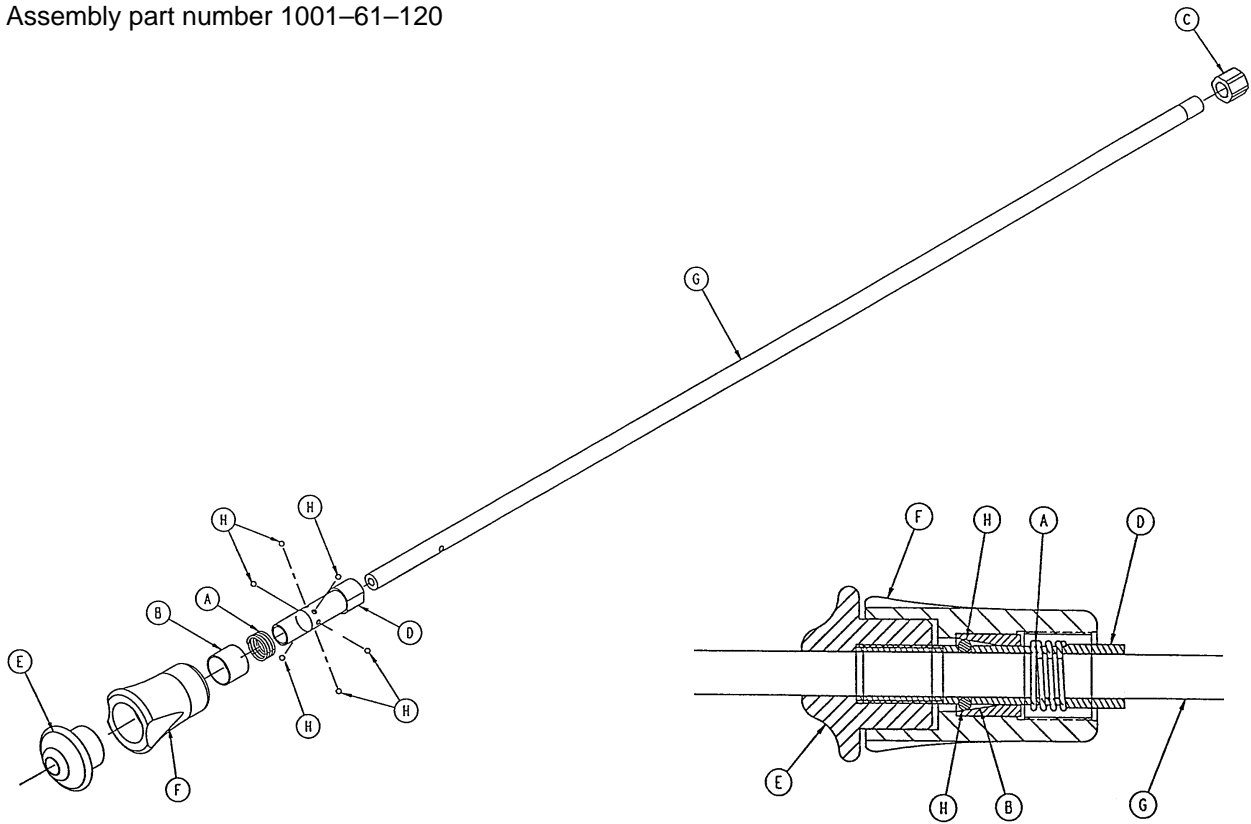
Assembly part number 721-61-25



Item	Part No.	Part Name	Qty.
A	721-61-30	2nd Tube Assembly	1
C	1210-110-46	Back-Up Ring	1
D	1210-110-47	Lock Ring	1
E	1210-110-49	Lock Actuator	1

3rd Stage Assembly

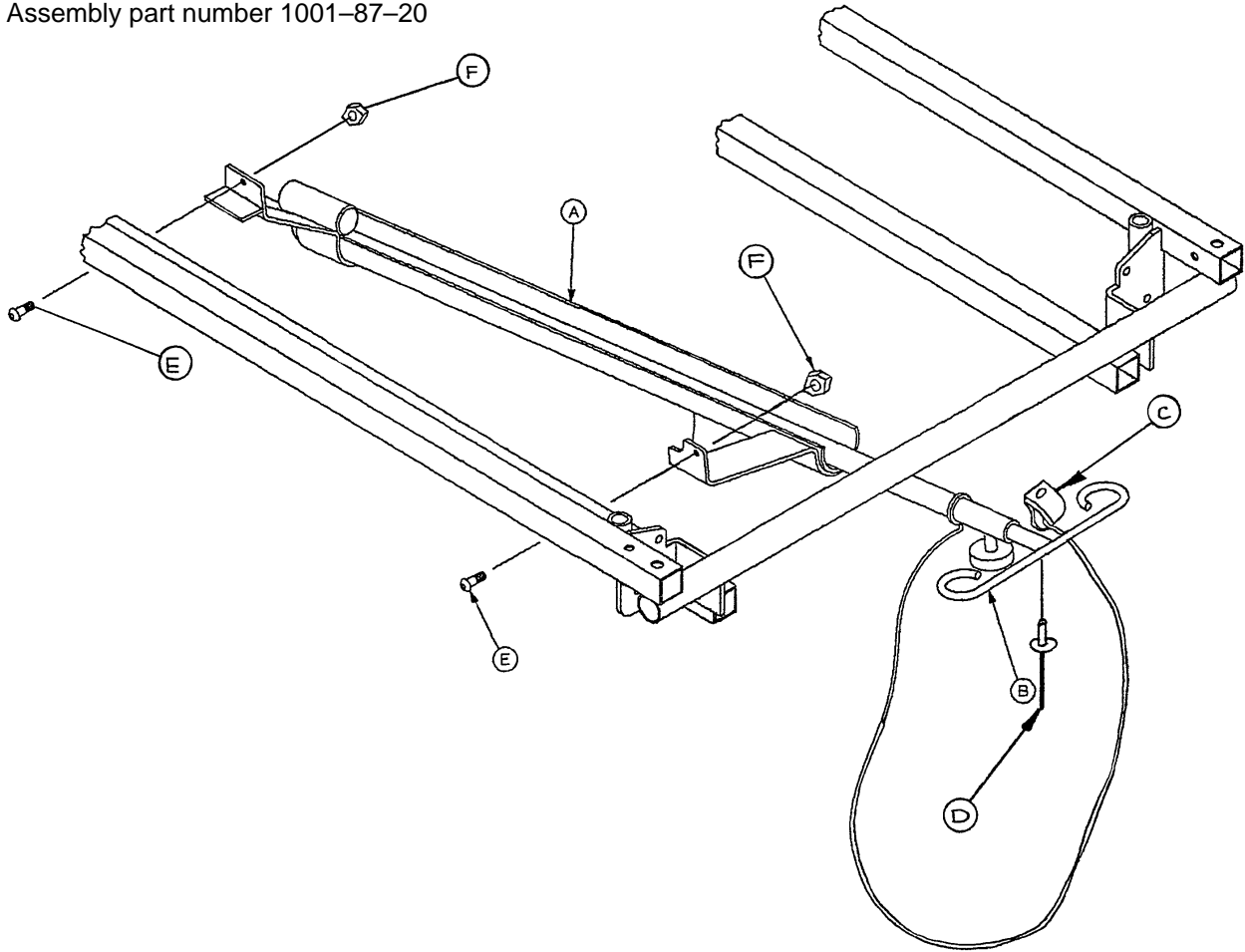
Assembly part number 1001-61-120



Item	Part No.	Part Name	Qty.
A	38-303	Spring	1
B	1010-61-23	Ball Retainer	1
C	1010-61-15	Stop Nut	1
D	1010-61-16	Retaining Shaft	1
E	1010-61-17	Thumb Knob	1
F	1010-61-18	Hand Guard	1
G	1001-61-119	3rd Extension Rod	1
H	31-21	Ball	6

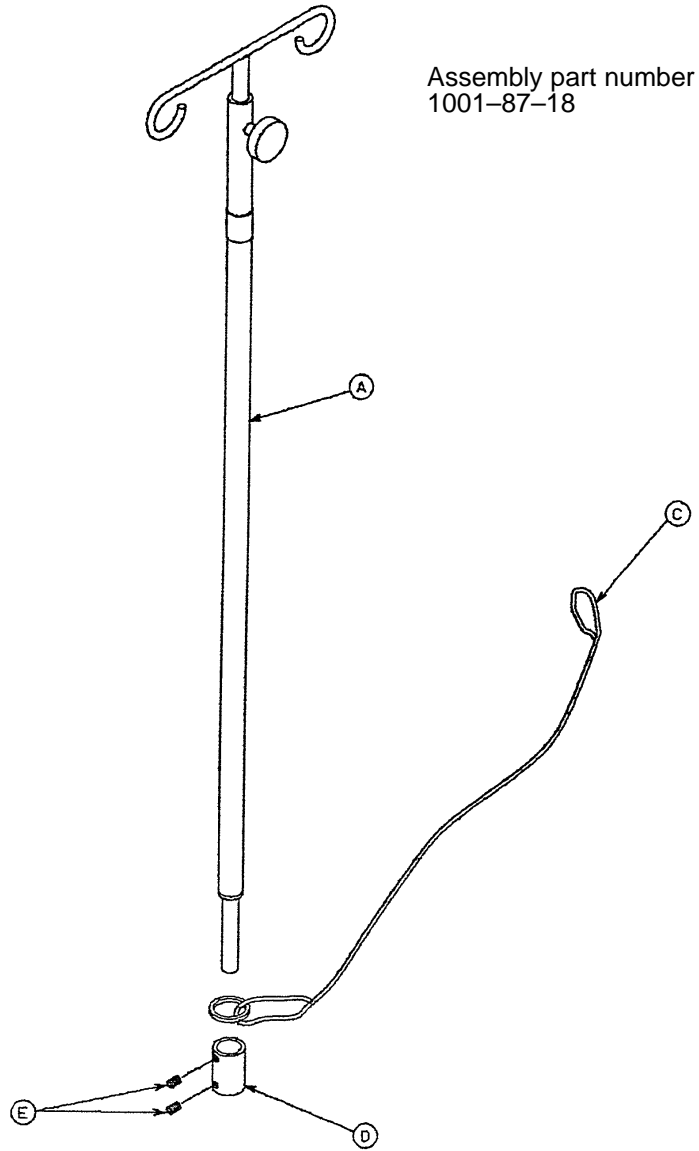
Tethered I.V. Pole Mounting Assembly

Assembly part number 1001-87-20



Item	Part No.	Part Name	Qty.
A	(page 108)	Trough Assembly	1
B	(page 107)	I.V. Pole Assembly	1
C	34-22	Cord Clamp	1
D	25-79	Pop Rivet	1
E	4-85	Soc. Hd. Cap Screw	2
F	16-3	Nylock Nut	2

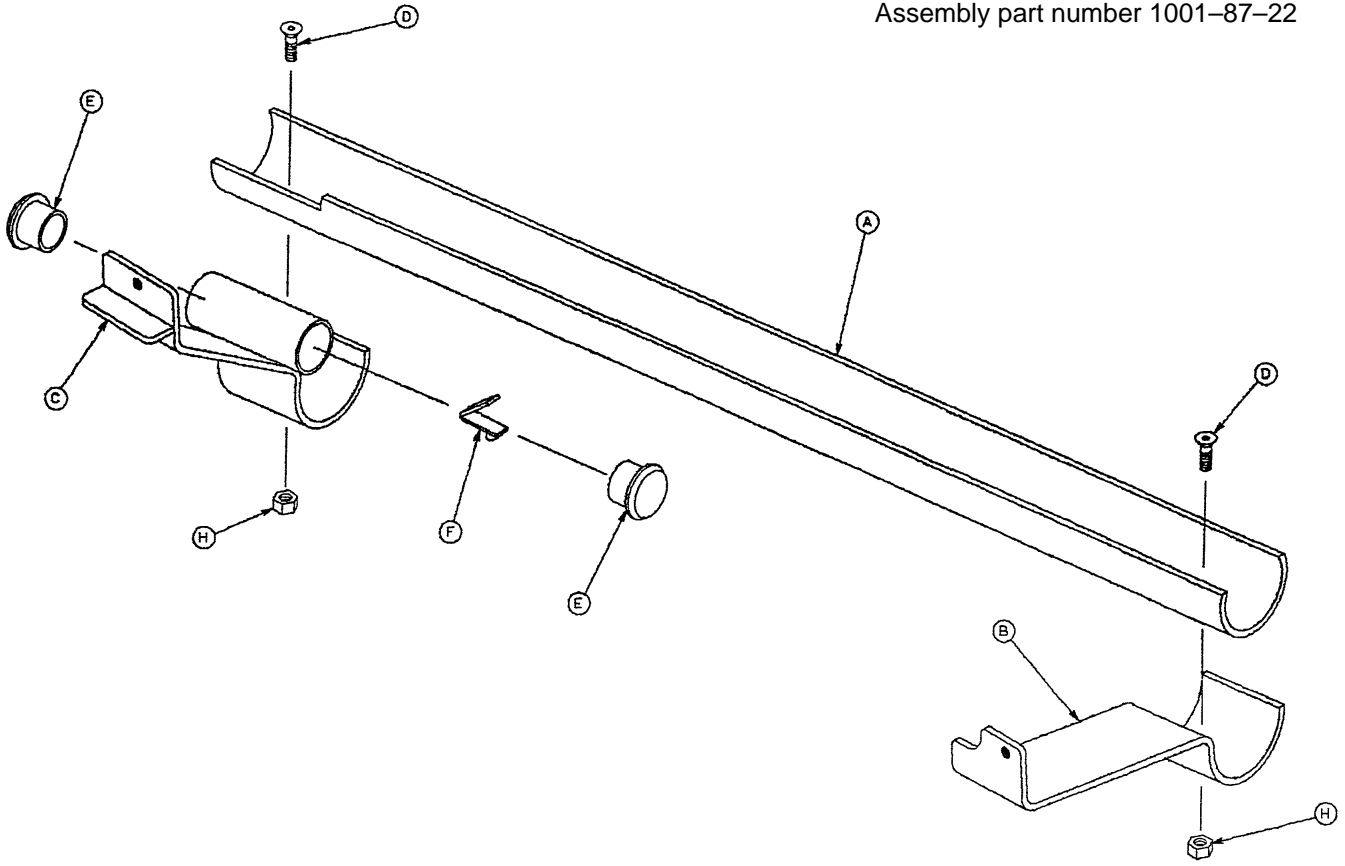
Tethered I.V. Pole Assembly



Item	Part No.	Part Name	Qty.
A	(page 109)	I.V. Holder	1
C	1010-22-27	Cable Assembly	1
D	741-47-14	Retainer	1
E	21-16	Set Screw	2

Tethered I.V. Pole Trough Assembly

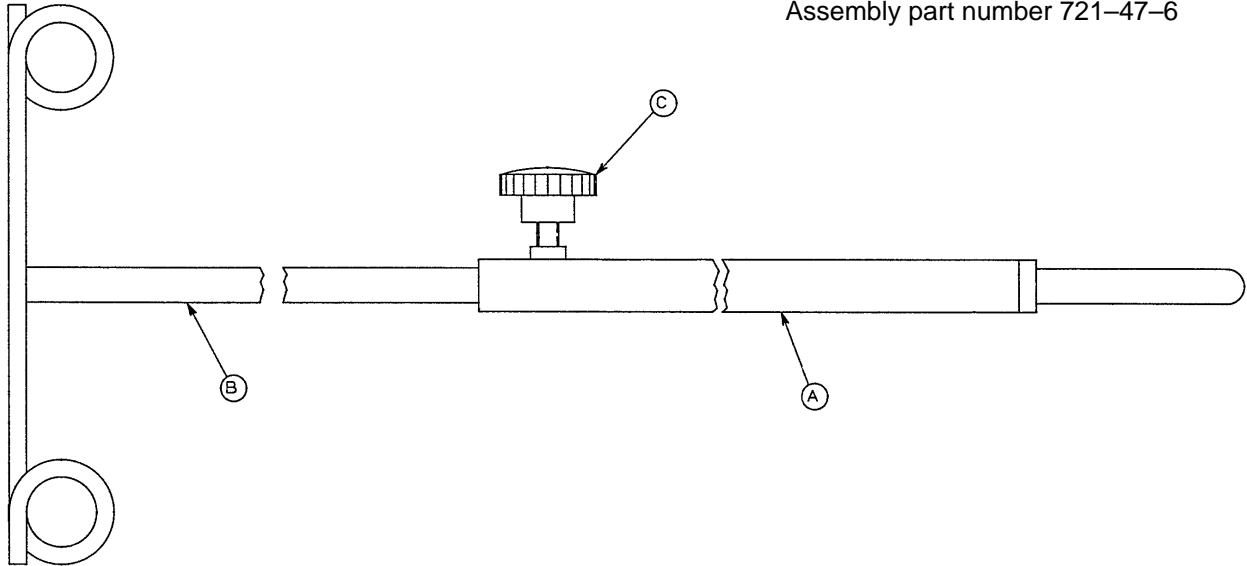
Assembly part number 1001-87-22



Item	Part No.	Part Name	Qty.
A	1001-87-23	Machined Sleeve	1
B	1001-87-16	Front Mounting Bracket	1
C	1001-87-15	Mounting Bracket Ass'y	1
D	1-22	Flat Hd. Mach Screw	2
E	37-2	Tube Plug	2
F	946-40-110	Lock Clip	1
H	16-14	Dynalock Hex Nut	2

I.V. Holder Assembly

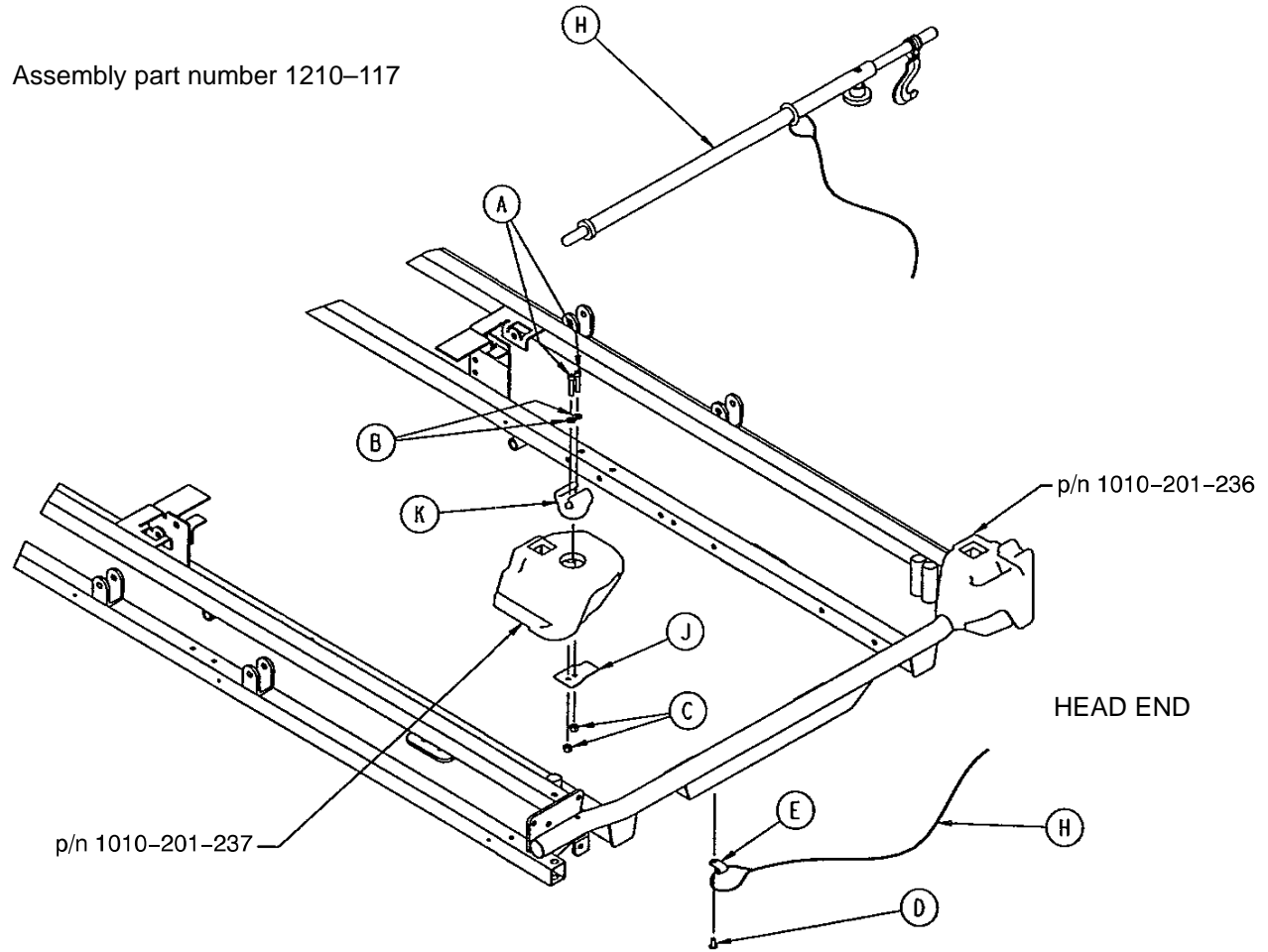
Assembly part number 721-47-6



Item	Part No.	Part Name	Qty.
A	938-1-305	Pole Socket Assembly	1
B	938-1-308	Pole Assembly	1
C	24-53	Knob	1

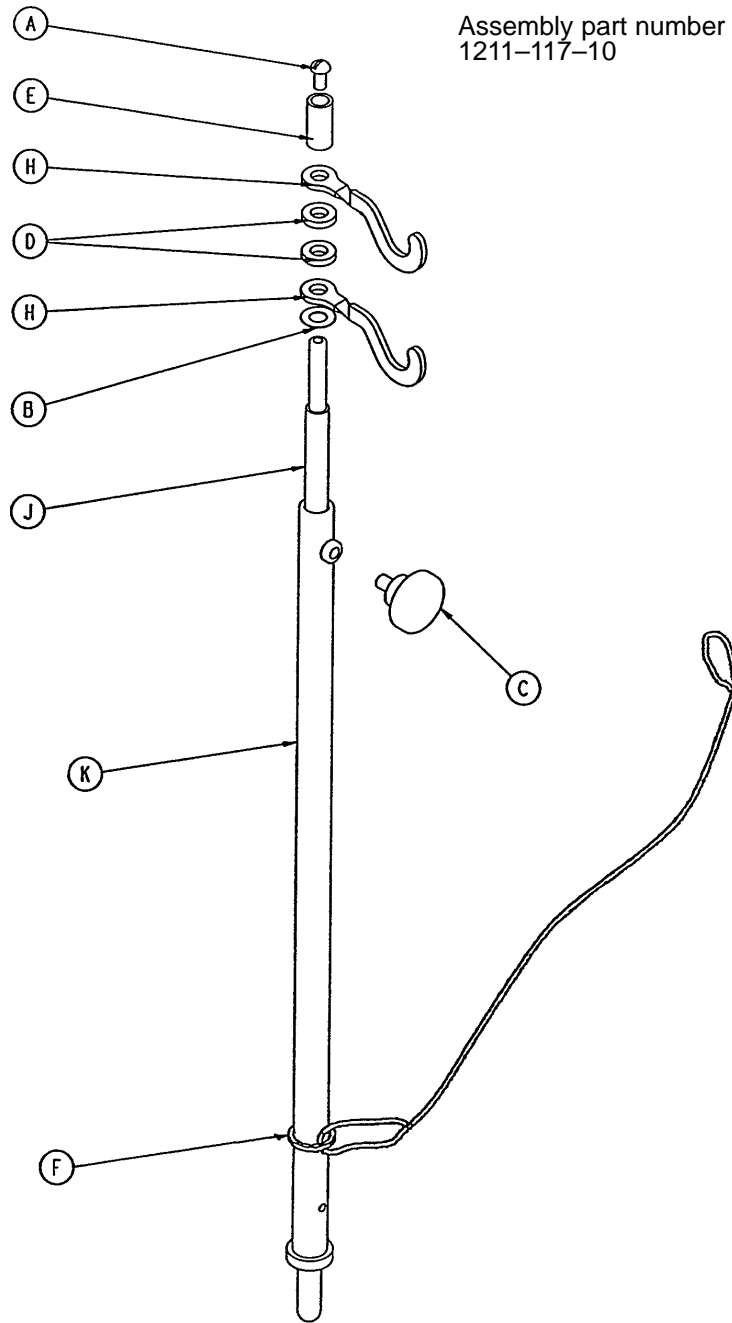
Tethered I.V. Pole Mounting Assembly

Assembly part number 1210-117



Item	Part No.	Part Name	Qty.
A	4-66	Soc. Hd. Cap Screw	2
B	11-16	Washer	2
C	16-3	Fiberlock Nut	2
D	25-79	Rivet	1
E	34-22	Cable Clamp	1
F	1001-59-41	I.V. Plug	1
H	(page 109.2)	Tethered I.V. Pole Assembly	1
J	1211-117-21	Backing Plate	1
K	1211-117-22	I.V. Clip	1

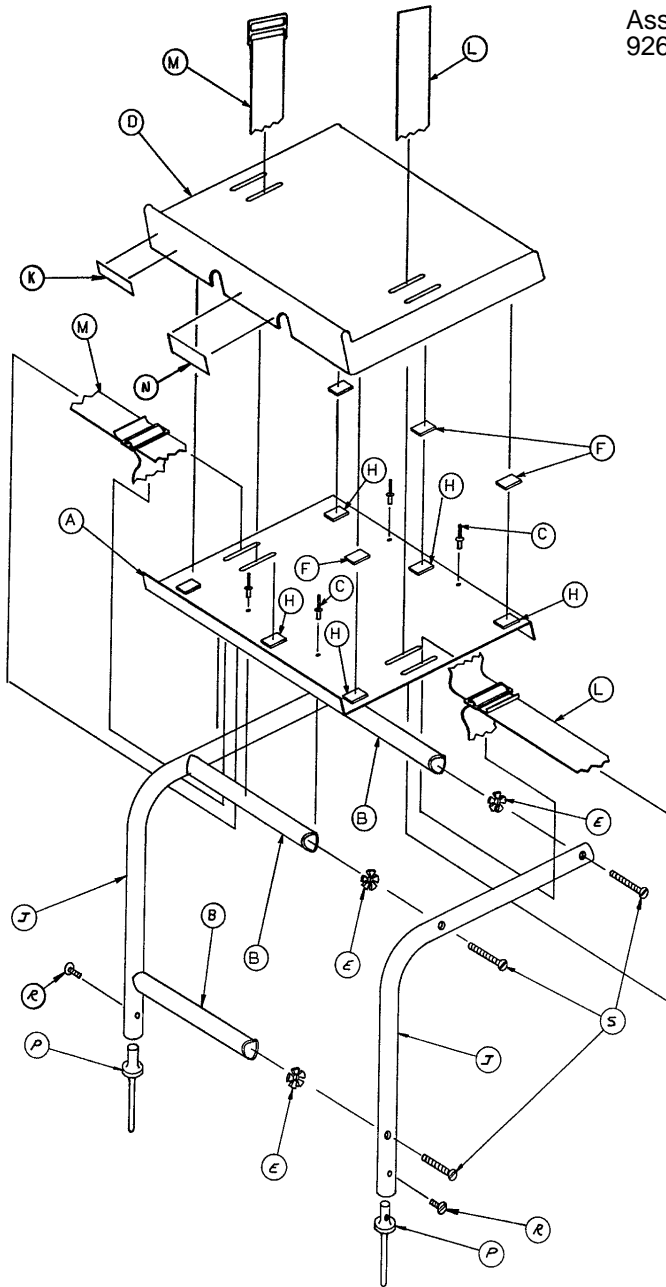
Tethered I.V. Pole Assembly



Item	Part No.	Part Name	Qty.
A	4-232	Button Hd. Cap Screw	1
B	14-20	Nylon Washer	1
C	24-53	Knob	1
D	52-17	Spacer	2
E	926-400-62	Stop Sleeve	1
F	1010-22-27	Cable Assembly	1
H	1010-59-16	I.V. Hook	2
J	1211-117-11	Extension Rod	1

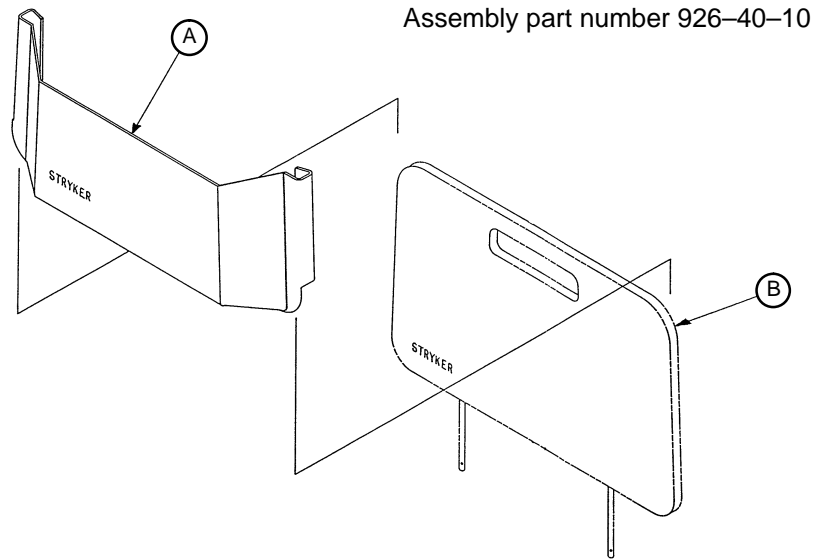
Defibrillator Tray Assembly

Assembly part number
926-39-10



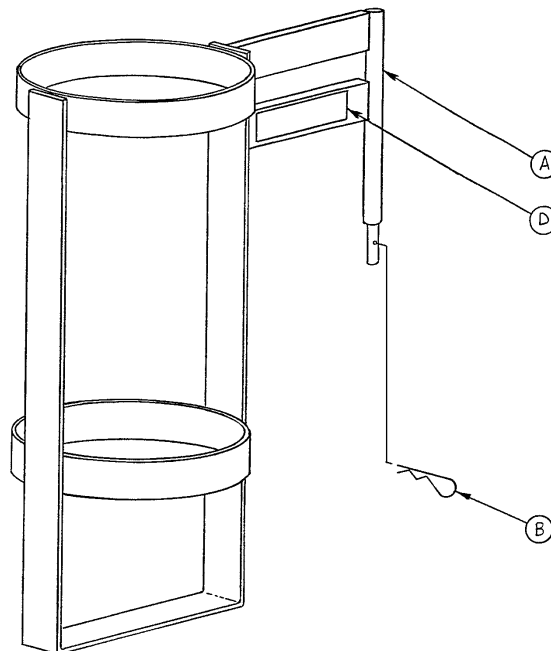
Item	Part No.	Part Name	Qty.	Item	Part No.	Part Name	Qty.
A	946-39-4	Tray	1	K	926-1-82	Label	1
B	926-39-16	Crosstube	3	L	390-57-12	Long Strap	1
C	25-55	Rivet	4	M	390-57-13	Short Strap	1
D	926-39-9	Cover	1	N	946-1-283	Label	1
E	18-6	Umbrella Nut	6	P	926-39-15	Holder	2
F	29-8	Dual Lock	6	R	2-44	Screw	2
H	29-10	Dual Lock	6	S	2-25	Rd. Hd. Mach. Screw	6
J	946-39-3	Support Tube	2				

Foot Board/Chartholder Assembly



Item	Part No.	Part Name	Qty.
A	946-28-11	Chart Holder	1
B	946-29-6	Foot Board	1

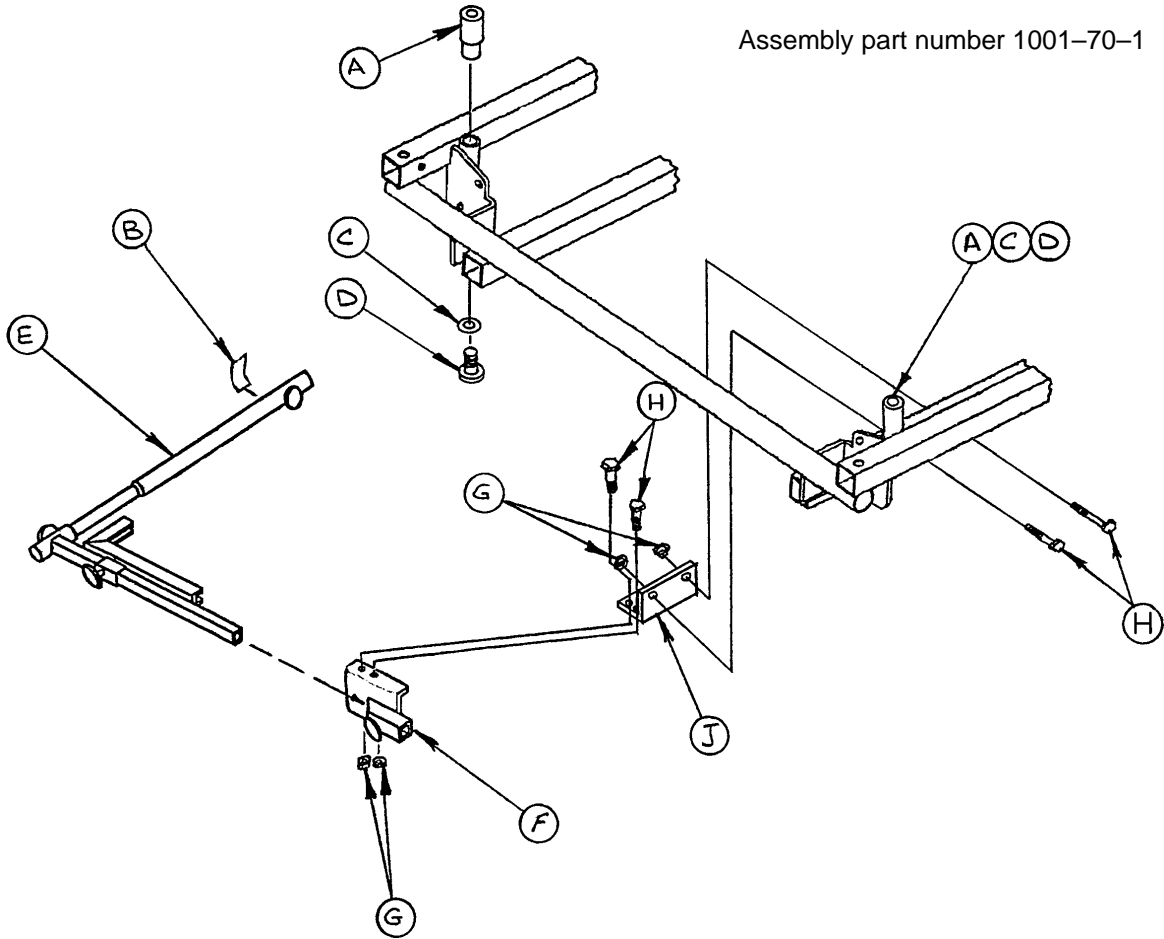
Upright Oxygen Bottle Holder Assembly



Item	Part No.	Part Name	Qty.
A	1020-30-11	Upright Bottle Holder	1
B	27-12	Cotter Pin	1
D	1020-30-17	Specification Label	1

C-Spine Cassette Holder Assembly

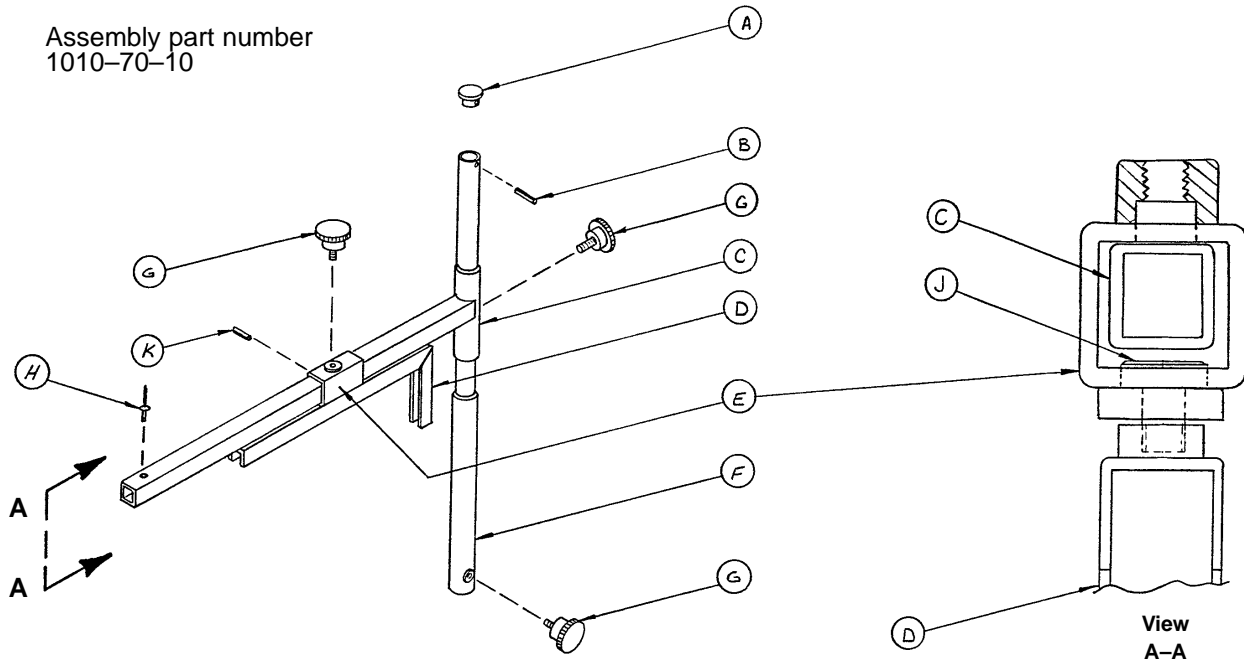
Assembly part number 1001-70-1



Item	Part No.	Part Name	Qty.
A	1010-70-25	I.V. Adaptor	2
B	1010-70-18	Specification Label	1
C	11-3	Flat Washer	2
D	4-91	Soc. Hd. Cap Screw	2
E	(page 113)	Support Pole Assembly	1
F	(page 114)	Storage Bracket Ass'y	1
G	16-5	Conelock Nut	4
H	3-50	Hex Hd. Cap Screw	4
J	1001-70-11	Attachment Bracket	1

C-Spine Support Pole Assembly

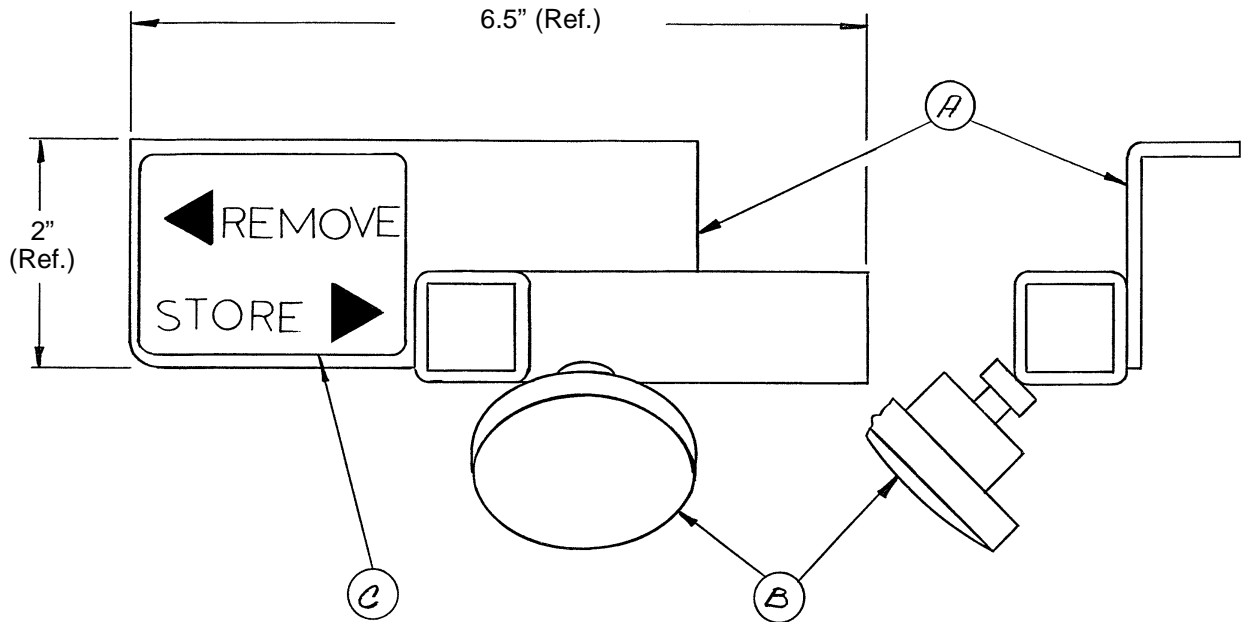
Assembly part number
1010-70-10



Item	Part No.	Part Name	Qty.
A	1010-70-33	Support Tube Cap	1
B	26-6	Roll Pin	1
C	1010-70-34	Support Arm Weldment	1
D	1010-70-42	Cassette Holder Weldment	1
E	1010-70-50	Adjustment Tube Weldment	1
F	1010-70-30	Base Tube Weldment	1
G	1010-70-45	Knob	3
H	25-55	Pop Rivet	1
J	1010-70-44	Pivot Pin	1
K	26-5	Roll Pin	1

C-Spine Storage Bracket Assembly

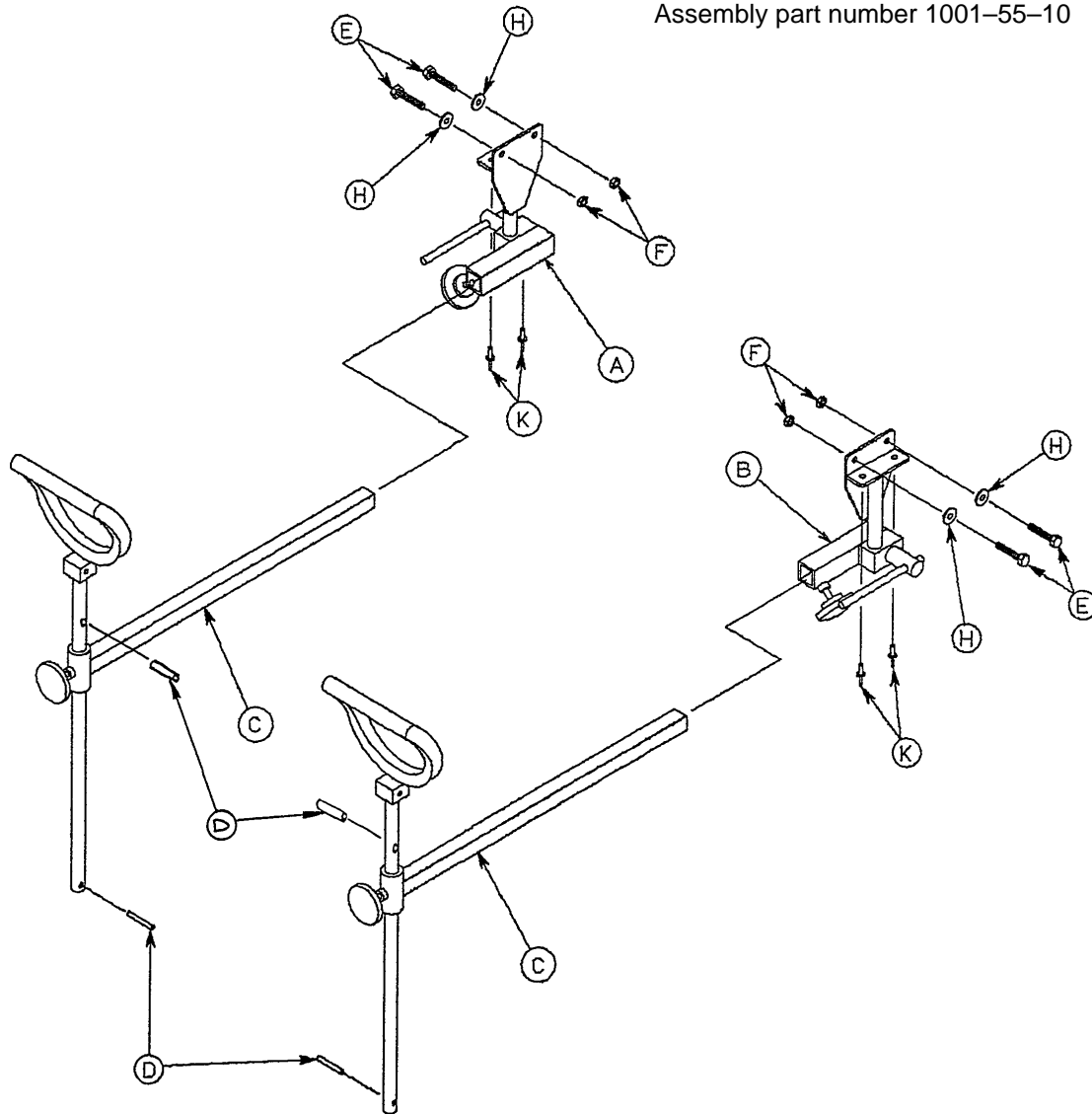
Assembly part number
1010-70-19



Item	Part No.	Part Name	Qty.
A	1010-70-20	Storage Bracket Weldment	1
B	1010-70-45	Knob	1
C	1010-70-23	Storage Label	1

Heel Stirrup and Support Assembly

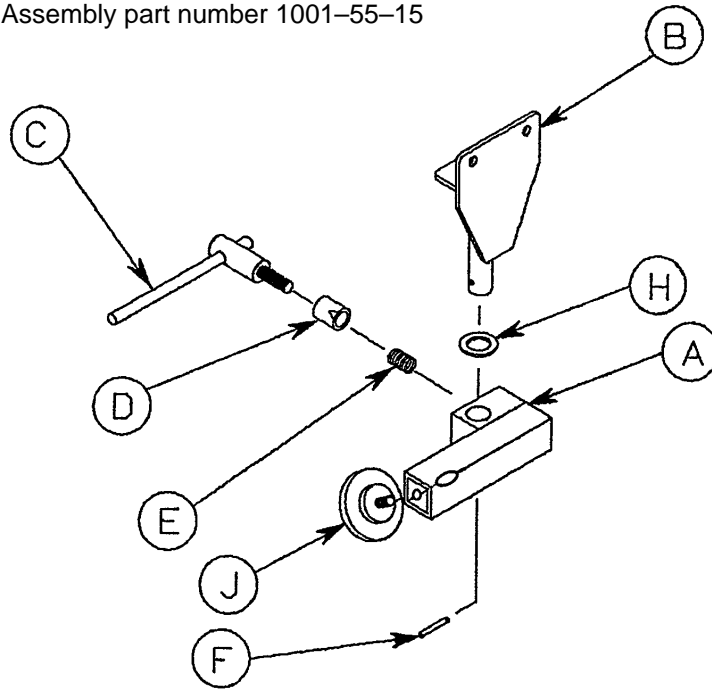
Assembly part number 1001-55-10



Item	Part No.	Part Name	Qty.
A	(Page 116)	Rt. Stirrup Support Ass'y	1
B	(Page 117)	Lt. Stirrup Support Ass'y	1
C	(Page 118)	Stirrup Assembly	2
D	22-8	Drive Screw	4
E	3-78	Hex Head Cap Screw	4
F	16-28	Nylock Hex Nut	4
H	11-158	Flat Washer	4
K	25-79	Pop Rivet	4

Right Stirrup Support Assembly

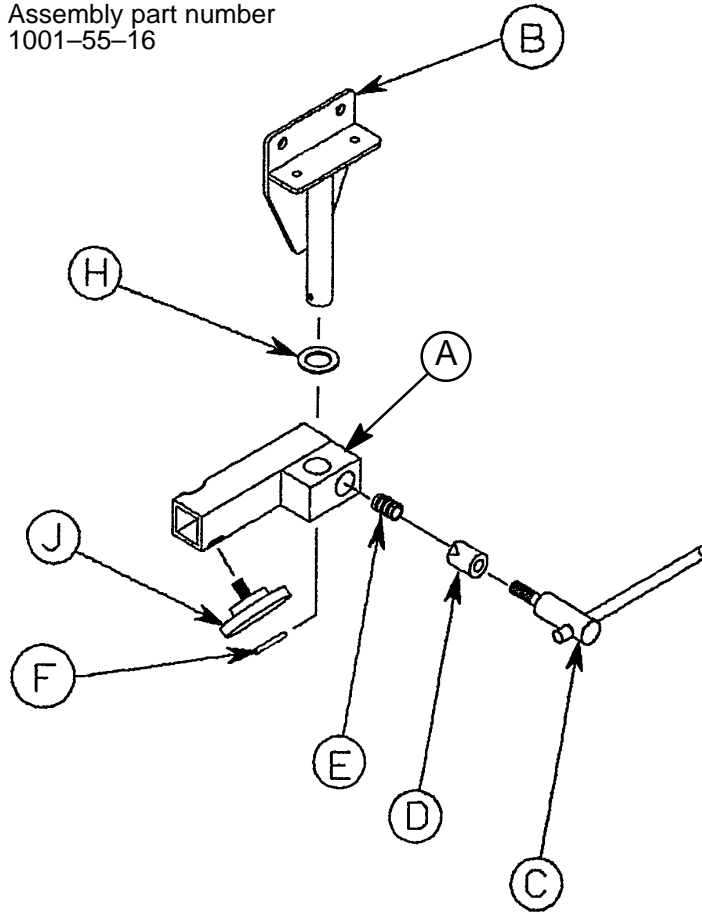
Assembly part number 1001-55-15



Item	Part No.	Part Name	Qty.
A	1010-55-16	Right Support Tube Ass'y	1
B	1001-55-11	Mounting Bracket	1
C	650-2-32	Lock Screw Assembly	1
D	966-51-19	Wedge Lock, Modified	1
E	38-171	Compression Spring	1
F	26-7	Roll Pin	1
H	14-40	Nylon Flat Washer	1
J	24-11	Knob	1

Left Stirrup Support Assembly

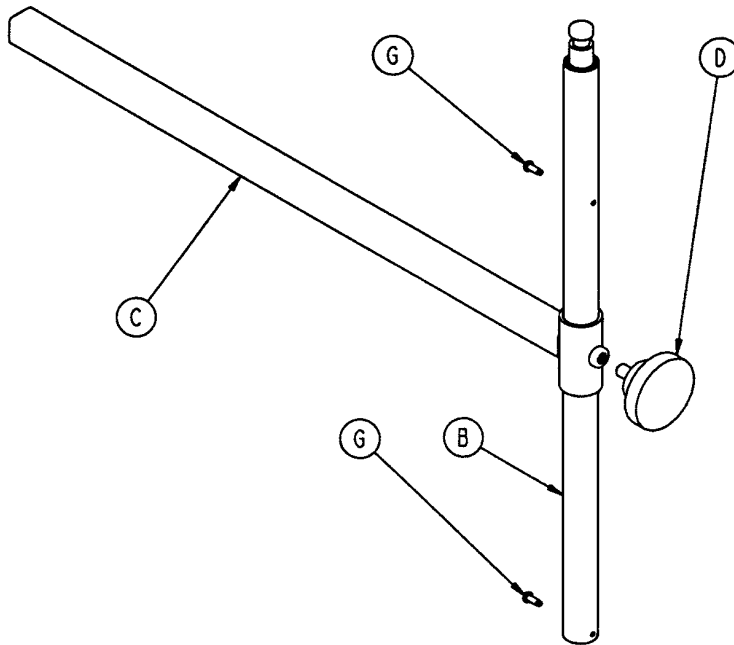
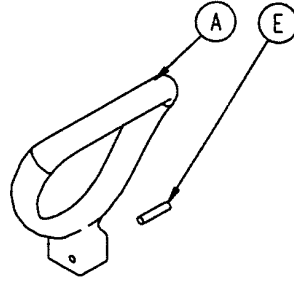
Assembly part number
1001-55-16



Item	Part No.	Part Name	Qty.
A	1010-55-26	Left Support Tube Ass'y	1
B	1001-55-11	Mounting Bracket	1
C	650-2-32	Lock Screw Assembly	1
D	966-51-19	Wedge Lock, Modified	1
E	38-171	Compression Spring	1
F	26-7	Roll Pin	1
H	14-40	Nylon Flat Washer	1
J	24-11	Knob	1

Heel Stirrup Assembly

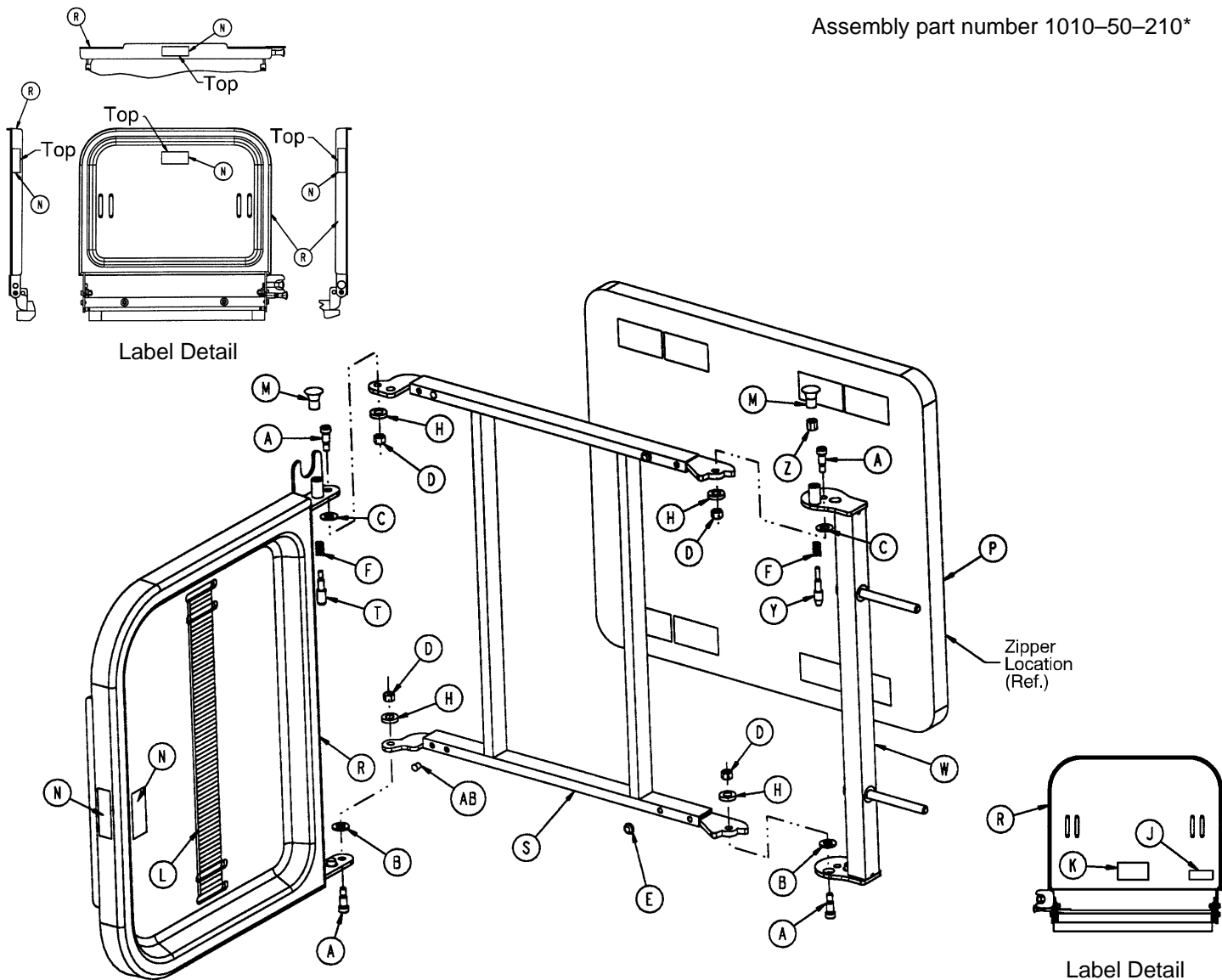
Assembly part number 1001-55-29



Item	Part No.	Part Name	Qty.
A	390-20-13	Stirrup	1
B	390-20-9	Stirrup Holder Assembly	1
C	1010-55-30	Extension Tube Assembly	1
D	24-11	Knob	1
E	26-43	Roll Pin	1
G	22-8	Drive Screw	2

Foot Extension/Defibrillator Tray Ass'y

Assembly part number 1010-50-210*

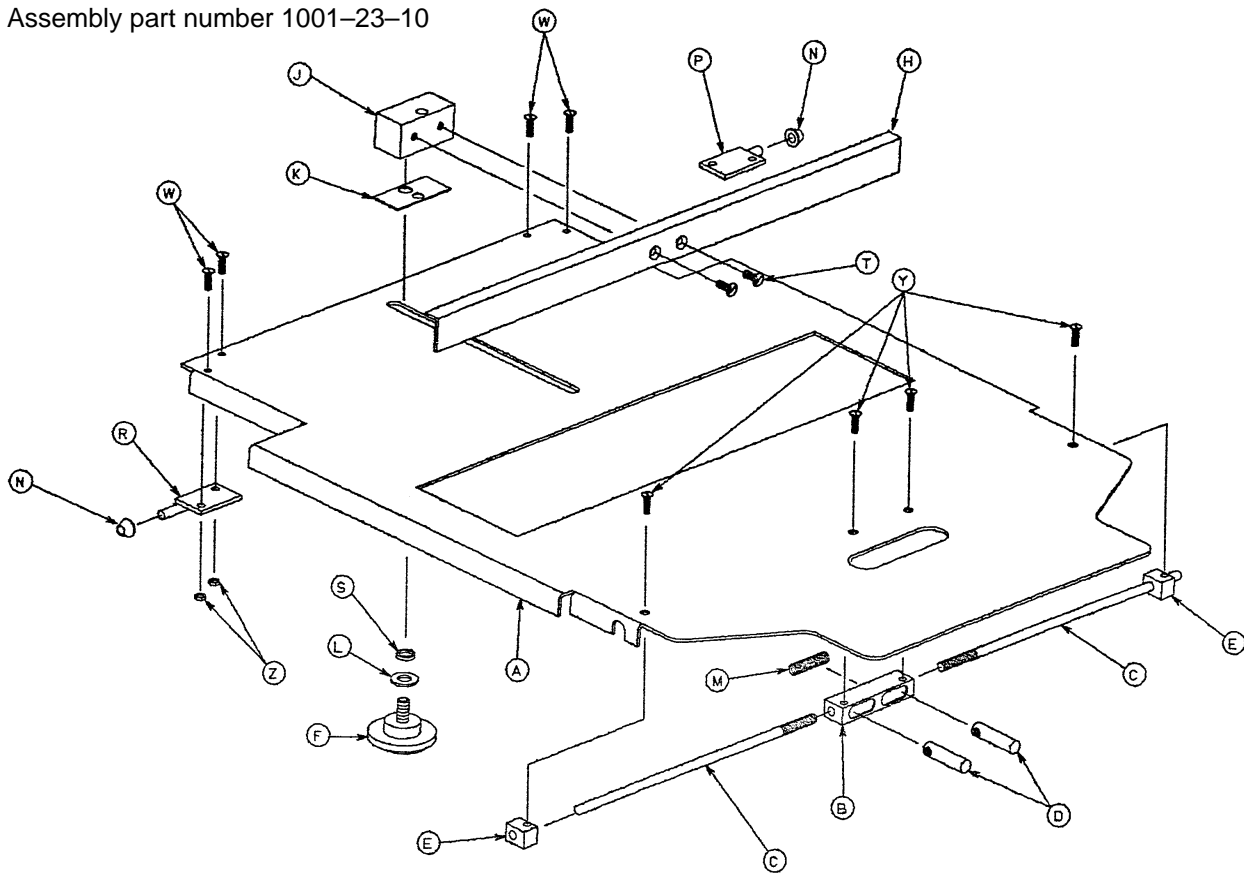


Item	Part No.	Part Name	Qty.	Item	Part No.	Part Name	Qty.
A	8-49	Socket Hd. Shoulder Bolt	4	M	1010-50-50	Knob	2
B	14-20	Nylon Washer	2	N	1010-50-57	"Max. Weight" Label	4
C	14-21	Nylon Washer	2	P	1010-50-205	Cushion Assembly	1
D	16-28	Fiberlock Nut	4	R	1010-50-218	Foot & Tray Board	1
E	37-52	Rubber Bumper	2	S	1010-50-225	Pivot Frame Weldment	1
F	38-133	Spring	2	T	1010-50-242	Pin Lock	1
H	52-17	Spacer	4	W	1010-50-246	Base Mounting Ass'y	1
J	1010-50-17	Specification Label	1	Y	1010-50-248	Lower Pin Lock	1
K	1010-50-19	"Push/Pull" Label	1	Z	1010-50-250	Pin Adjuster	1
L	1010-50-21	Long Strap	1	AB	721-31-65	Hole Plug	2

*Replacement part number 1010-50-100

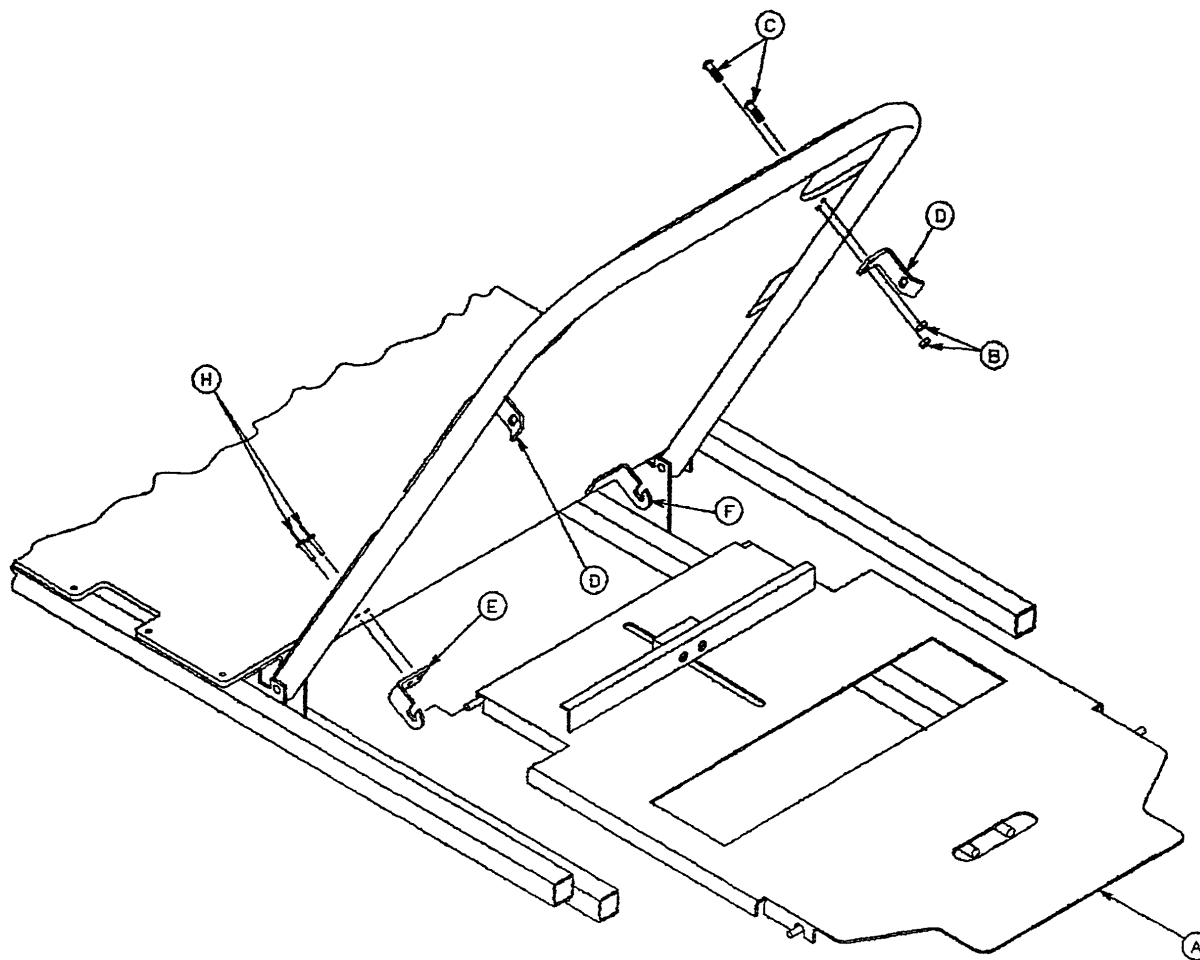
Fowler X-Ray Cassette Assembly (1210 & 1710)

Assembly part number 1001-23-10



Item	Part No.	Part Name	Qty.
A	1001-23-12	Tray	1
B	1020-23-16	Post Housing	1
C	1001-23-14	Actuating Rod	2
D	926-23-64	Post	2
E	1010-23-37	Rod Guide	2
F	1020-23-21	Knob	1
H	1010-23-28	Tray Angle	1
J	926-23-70	Block Assembly	1
K	926-23-69	Washer	1
L	14-3	Washer	1
M	38-122	Compression Spring	1
N	1020-23-26	Spacer	2
P	1020-23-19	Tray Hinge, Right	1
R	1020-23-20	Tray Hinge, Left	1
S	926-23-71	Bushing	1
T	1-20	Flat Hd. Mach. Screw	2
W	4-149	Button Hd. Cap Screw	4
Y	1-22	Flat Hd. Mach. Screw	4
Z	16-3	Nylock Hex Nut	4
AA	1010-23-19	Instruction Label	1
AB	1001-23-25	Specification Label	1

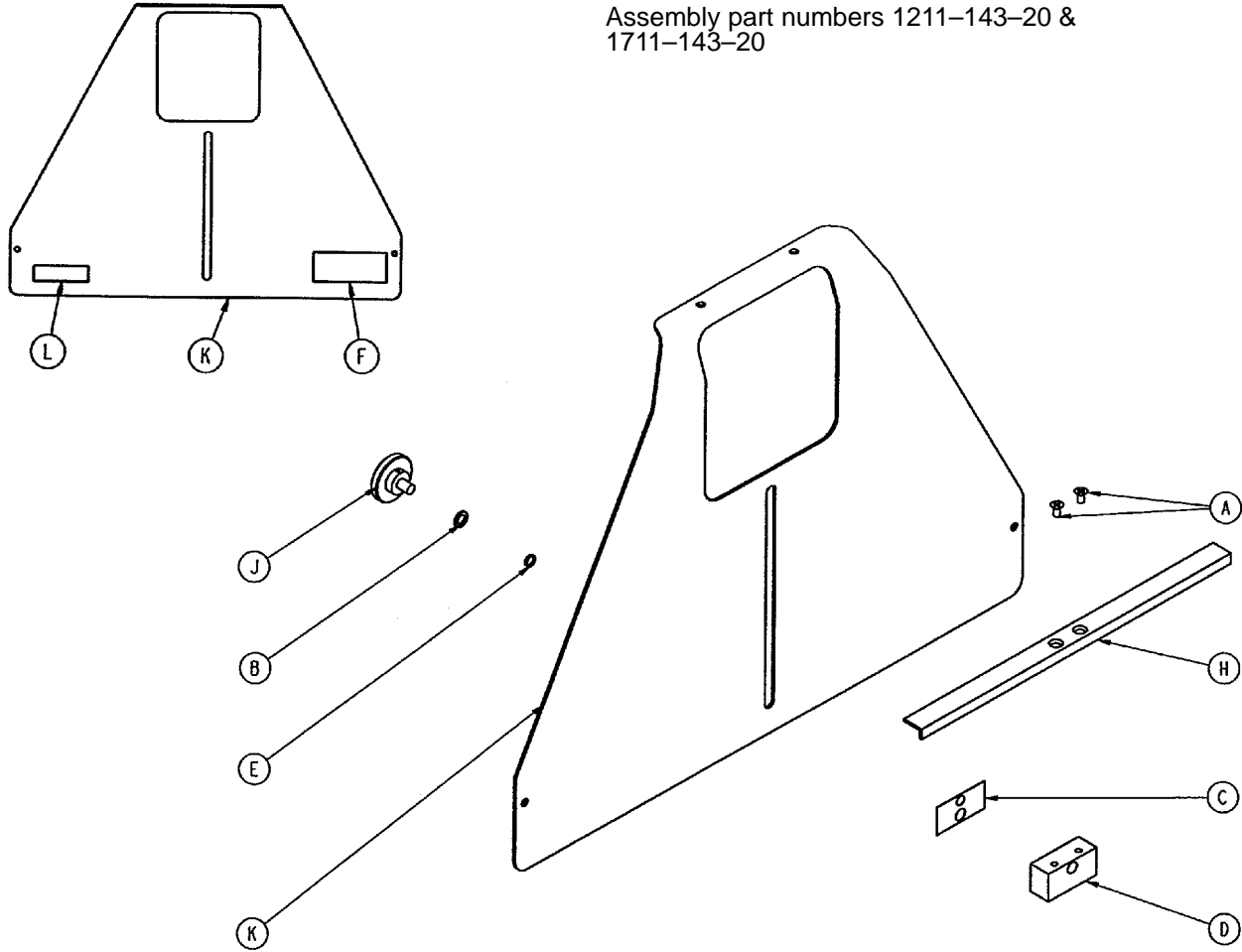
X-Ray Cassette Mounting Assembly



Item	Part No.	Part Name	Qty.
A	(page 120)	X-Ray Cassette Ass'y	1
B	16-3	Self-Locking Nut	4
C	4-149	Button Hd. Cap Screw	4
D	1001-23-13	Tray Latch	2
E	1020-23-13	Tray Hinge, Right	1
F	1020-23-12	Tray Hinge, Left	1
H	25-69	Pop Rivet	4

X-Ray Cassette Assembly

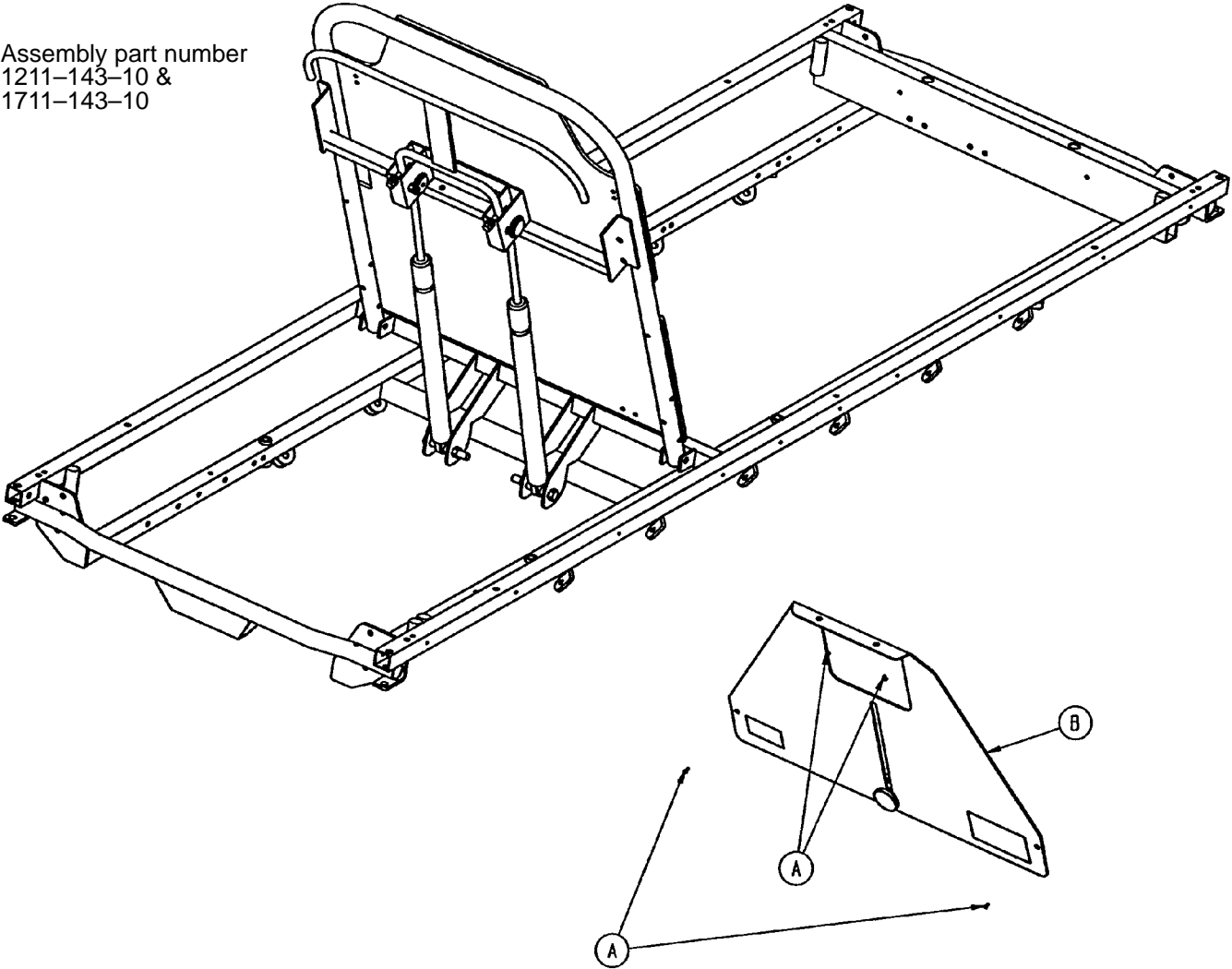
Assembly part numbers 1211-143-20 &
1711-143-20



Item	Part No.	Part Name	Qty.
A	1-20	Flat Hd. Mach. Screw	2
B	14-3	Thrust Washer	1
C	926-23-69	Washer	1
D	926-23-70	Block Assembly	1
E	926-23-71	Bushing	1
F	1010-23-18	Warning Label	1
H	1010-23-28	Tray Angle	1
J	1020-23-21	Knob Assembly	1
K	1211-143-12	X-Ray Cassette Tray	1
	1711-143-12	X-Ray Cassette Tray	1
L	1211-143-25	Specification Label	1
	1711-143-25	Specification Label	1

X-Ray Cassette to Fowler Assembly

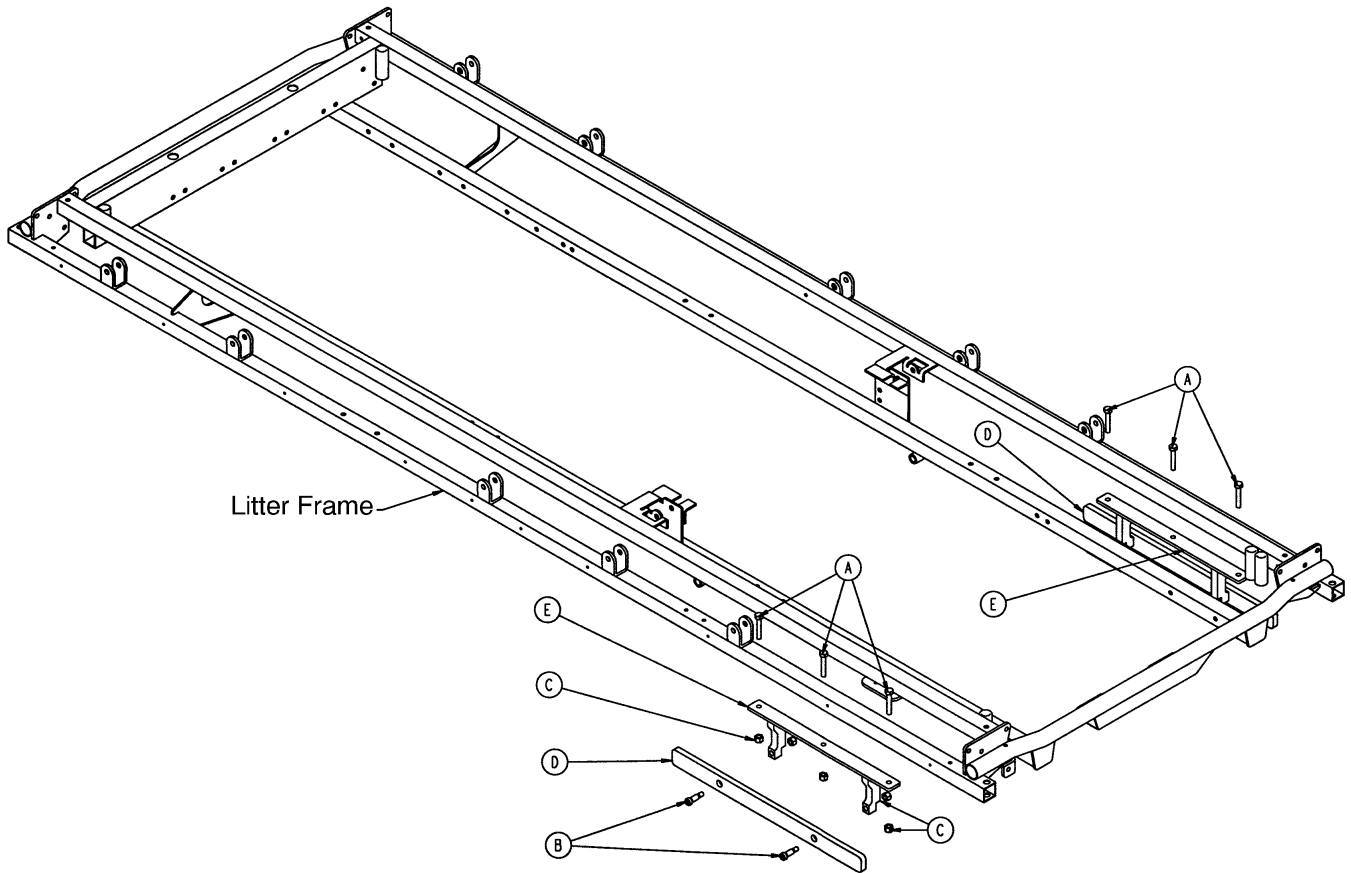
Assembly part number
1211-143-10 &
1711-143-10



Item	Part No.	Part Name	Qty.
A	25-124	Pop Rivet	4
B	(page 122)	X-Ray Cassette Assembly	1

Accessory Rail Assembly

Assembly part number 1210-136



Item	Part No.	Part Name	Qty.
A	3-47	Hex Hd. Cap Screw	6
B	8-15	Shoulder Bolt	4
C	16-28	Nylock Hex Nut	10
D	1068-66-42	Option Bar Rail	2
E	1068-266-50	Mounting Bracket Weldment	2

Replacement Parts

1210 Parts

<u>PART NAME</u>	<u>PART NUMBER</u>
3" Low Friction Mattress	1059-326-140
4" Low Friction Mattress	1059-426-140
3" Enhanced Comfort Mattress	1001-48-6
4" Enhanced Comfort Mattress	1001-47-6
Folddown Siderail Pads	1010-52
Hydraulic Jack	1210-70-10
Standard Removable I.V. Pole	390-25
Tethered I.V. Pole	1001-87-20
2-Stage Permanently Attached I.V. Pole, Head End	1010-280
2-Stage Permanently Attached I.V. Pole, Foot End	1010-281
3-Stage Permanently Attached I.V. Pole, Head End	1010-61
3-Stage Permanently Attached I.V. Pole, Foot End	1010-62
2 Piece Restraint Strap	390-19
Ankle Restraint Strap	946-43-100
Chest Restraint Strap	1010-58
Wrist Restraint Strap	946-44-100
Defibrillator/Equipment Tray	926-39
Foot Board/Chartholder	926-40
Head/Foot Board Assembly (2)	946-29-100
Head Board/Push Bar Assembly	1010-289-10
Heel Stirrups	1001-55
C-Spine Cassette Holder	1001-70
Foot Extension/Defibrillator Tray Assembly	1010-50-100
I.V. Caddy	1050-1-100
Upright Oxygen Bottle Holder Assembly	1020-30
Instrument/Serving Tray	1052-26
Wheel Cover Replacement Kit	1010-56-200
Fowler X-Ray Cassette Tray	1001-23-10
Foot End Steer Handles	1211-151
Head End Steer Handles	1711-151
Paint, Touch-Up, Gloss Black, Bottle w/Brush	7000-1-322
Paint, Touch-Up, Gloss Black, Spray Can	7000-1-319
Paint, Touch-Up, Gray, Bottle w/Brush	7000-1-320
Paint, Touch-Up, Gray, Spray Can	7000-1-317

Replacement Parts

1211 Parts

<u>PART NAME</u>	<u>PART NUMBER</u>
3" Low Friction Mattress	1059-326-140
4" Low Friction Mattress	1059-426-140
3" Enhanced Comfort Mattress	1001-48-6
4" Enhanced Comfort Mattress	1001-47-6
Glideaway™ Siderail Pads	1001-52
Hydraulic Jack	1210-70-10
Standard Removable I.V. Pole	390-25
Tethered I.V. Pole	1001-87-20
2-Stage Permanently Attached I.V. Pole, Head End	1211-110
2-Stage Permanently Attached I.V. Pole, Foot End	1211-112
3-Stage Permanently Attached I.V. Pole, Head End	1211-111
3-Stage Permanently Attached I.V. Pole, Foot End	1211-113
2 Piece Restraint Strap	390-19
Ankle Restraint Strap	946-43-100
Chest Restraint Strap	1010-58
Wrist Restraint Strap	946-44-100
Defibrillator/Equipment Tray	926-39
Foot Board/Chartholder	926-40
Head/Foot Board Assembly (2)	946-29-100
Head Board/Push Bar	1211-139-10
Heel Stirrups	1001-55
C-Spine Cassette Holder	1001-70
Foot Extension/Defibrillator Tray Assembly	1010-50-100
I.V. Caddy	1050-1-100
Upright Oxygen Bottle Holder Assembly	1020-30
Instrument/Serving Tray	1052-26
Wheel Cover Replacement Kit	1010-56-200
Fowler X-Ray Cassette Tray	1211-143-12
Foot End Steer Handles	1211-151
Head End Steer Handles	1711-151
Paint, Touch-Up, Gloss Black, Bottle w/Brush	7000-1-322
Paint, Touch-Up, Gloss Black, Spray Can	7000-1-319
Paint, Touch-Up, Gray, Bottle w/Brush	7000-1-320
Paint, Touch-Up, Gray, Spray Can	7000-1-317

Replacement Parts

1710 Parts

<u>PART NAME</u>	<u>PART NUMBER</u>
3" Low Friction Mattress	1059-329-140
4" Low Friction Mattress	1059-429-140
3" Enhanced Comfort Mattress	1501-48-6
4" Enhanced Comfort Mattress	1501-47-6
Folddown Siderail Pads	1010-52
Hydraulic Jack	1210-70-10
Standard Removable I.V. Pole	390-25
Tethered I.V. Pole	1001-87-20
2-Stage Permanently Attached I.V. Pole, Head End	1510-280
2-Stage Permanently Attached I.V. Pole, Foot End	1510-281
3-Stage Permanently Attached I.V. Pole, Head End	1510-61
3-Stage Permanently Attached I.V. Pole, Foot End	1510-62
2 Piece Restraint Strap	390-19
Ankle Restraint Strap	946-43-100
Chest Restraint Strap	1010-58
Wrist Restraint Strap	946-44-100
Defibrillator/Equipment Tray	926-39
Foot Board/Chartholder	926-40
Head/Foot Board Assembly (2)	946-29-100
Head Board/Push Bar Assembly	1510-289-10
Heel Stirrups	1001-55
C-Spine Cassette Holder	1001-70
Foot Extension/Defibrillator Tray Assembly	1010-50-100
I.V. Caddy	1050-1-100
Upright Oxygen Bottle Holder Assembly	1020-30
Instrument/Serving Tray	1052-29
Wheel Cover Replacement Kit	1010-56-200
Fowler X-Ray Cassette Tray	1001-23-10
Foot End Steer Handles	1211-151
Head End Steer Handles	1711-151
Paint, Touch-Up, Gloss Black, Bottle w/Brush	7000-1-322
Paint, Touch-Up, Gloss Black, Spray Can	7000-1-319
Paint, Touch-Up, Gray, Bottle w/Brush	7000-1-320
Paint, Touch-Up, Gray, Spray Can	7000-1-317

Replacement Parts

1711 Parts

<u>PART NAME</u>	<u>PART NUMBER</u>
3" Low Friction Mattress	1059-329-140
4" Low Friction Mattress	1059-429-140
3" Enhanced Comfort Mattress	1501-48-6
4" Enhanced Comfort Mattress	1501-47-6
Glideaway™ Siderail Pads	1001-52
Hydraulic Jack	1210-70-10
Standard Removable I.V. Pole	390-25
Tethered I.V. Pole	1001-87-20
2-Stage Permanently Attached I.V. Pole, Head End	1711-110
2-Stage Permanently Attached I.V. Pole, Foot End	1711-112
3-Stage Permanently Attached I.V. Pole, Head End	1711-111
3-Stage Permanently Attached I.V. Pole, Foot End	1711-113
2 Piece Restraint Strap	390-19
Ankle Restraint Strap	946-43-100
Chest Restraint Strap	1010-58
Wrist Restraint Strap	946-44-100
Defibrillator/Equipment Tray	926-39
Foot Board/Chartholder	926-40
Head/Foot Board Assembly (2)	946-29-100
Head Board/Push Bar	1711-139-10
Heel Stirrups	1001-55
C-Spine Cassette Holder	1001-70
Foot Extension/Defibrillator Tray Assembly	1010-50-100
I.V. Caddy	1050-1-100
Upright Oxygen Bottle Holder Assembly	1020-30
Instrument/Serving Tray	1052-29
Wheel Cover Replacement Kit	1010-56-200
Fowler X-Ray Cassette Tray	1711-143
Foot End Steer Handles	1211-151
Head End Steer Handles	1711-151
Paint, Touch-Up, Gloss Black, Bottle w/Brush	7000-1-322
Paint, Touch-Up, Gloss Black, Spray Can	7000-1-319
Paint, Touch-Up, Gray, Bottle w/Brush	7000-1-320
Paint, Touch-Up, Gray, Spray Can	7000-1-317

Warranty

Limited Warranty:

Stryker Medical Division, a division of Stryker Corporation, warrants to the original purchaser that its products should be free from defects in material and workmanship for a period of one (1) year after date of delivery. Stryker's obligation under this warranty is expressly limited to supplying replacement parts and labor for, or replacing, at its option, any product which is, in the sole discretion of Stryker, found to be defective. Stryker warrants to the original purchaser that the frame and welds on its beds will be free from structural defects for as long as the original purchaser owns the bed. If requested by Stryker, products or parts for which a warranty claim is made shall be returned prepaid to Stryker's factory. Any improper use or any alteration or repair by others in such manner as in Stryker's judgement affects the product materially and adversely shall void this warranty. No employee or representative of Stryker is authorized to change this warranty in any way.

This statement constitutes Stryker's entire warranty with respect to the aforesaid equipment. STRYKER MAKES NO OTHER WARRANTY OR REPRESENTATION, EITHER EXPRESSED OR IMPLIED, EXCEPT AS SET FORTH HEREIN. THERE IS NO WARRANTY OF MERCHANTABILITY AND THERE ARE NO WARRANTIES OF FITNESS FOR ANY PARTICULAR PURPOSE. IN NO EVENT SHALL STRYKER BE LIABLE HEREUNDER FOR INCIDENTAL OR CONSEQUENTIAL DAMAGES ARISING FROM OR IN ANY MANNER RELATED TO SALES OR USE OF ANY SUCH EQUIPMENT.

To Obtain Parts and Service:

Stryker products are supported by a nationwide network of dedicated Stryker Field Service Representatives. These representatives are factory trained, available locally, and carry a substantial spare parts inventory to minimize repair time. Simply call your local representative, or call Stryker Customer Service at (800) 327-0770.

Supplemental Warranty Coverage:

Stryker has developed a comprehensive program of extended warranty options designed to keep your equipment operating at peak performance at the same time it eliminates unexpected costs. We recommend that these programs be activated *before* the expiration of the new product warranty to eliminate the potential of additional equipment upgrade charges. Stryker offers the following Supplemental Warranties:

Extended (Parts and Labor)

- All replacement parts (excluding mattresses and consumable items)
- Labor and travel for *all* scheduled and unscheduled calls
- Annual Preventive Maintenance Inspections and repairs
- JCAHO paperwork for preventive maintenance
- Priority Emergency Service

Standard (Labor Only):

- Labor and travel for *all* scheduled and unscheduled calls
- Biannual Preventive Maintenance Inspections and repairs
- JCAHO paperwork for preventive maintenance
- Priority Emergency Service

Basic (Parts Only):

- All replacement parts (excluding mattresses and consumable items)
- Priority Emergency Service

Please call your local representative, or call (800) 327-0770 for further information

Warranty

Return Authorization:

Merchandise cannot be returned without approval from the Stryker Customer Service Department. An authorization number will be provided which must be printed on the returned merchandise. Stryker reserves the right to charge shipping and restocking fees on returned items.

SPECIAL, MODIFIED, OR DISCONTINUED ITEMS NOT SUBJECT TO RETURN.

Damaged Merchandise:

ICC Regulations require that claims for damaged merchandise must be made with the carrier within fifteen (15) days of receipt of merchandise. **DO NOT ACCEPT DAMAGED SHIPMENTS UNLESS SUCH DAMAGE IS NOTED ON THE DELIVERY RECEIPT AT THE TIME OF RECEIPT.** Upon prompt notification, Stryker will file a freight claim with the appropriate carrier for damages incurred. Claim will be limited in amount to the actual replacement cost. In the event that this information is not received by Stryker within the fifteen (15) day period following the delivery of the merchandise, or the damage was not noted on the delivery receipt at the time of receipt, the customer will be responsible for payment of the original invoice in full.

Claims for any short shipment must be made within thirty (30) days of invoice.



6300 Sprinkle Road, Kalamazoo, MI 49001-9799

(800) 327-0770

DH 10/97 1210-90-3 REV Q