

**stryker<sup>®</sup>**  
**Medical**

---

---

*Renaissance Series*

---

*1210 Emergency Care Stretcher*  
*1710 PACU Stretcher*

*Maintenance Manual*

*For Parts or Technical Assistance*  
*800-327-0770*

# Table of Contents

---

Introduction	
Specifications .....	4
Warning / Caution / Note Definition .....	4
Preventative Maintenance	
Cleaning .....	5
Checklist .....	6
Service Information	
Caster Assembly Replacement .....	7
Caster Cover Installation And Removal .....	8
Brake Cam Replacement .....	9
Brake Ring Replacement .....	9
Fifth Wheel Replacement .....	10
Base Side Control Pedal Linkage Adjustment .....	10
Base Side Control Brake/Steer Gear Replacement .....	11
Uni-Pedal Replacement .....	11
Jack Replacement .....	12
Jack Assembly Torque Specification .....	13
Hydraulic System Troubleshooting .....	13
Checking Hydraulic Fluid Level .....	14
Jack Descent Rate Adjustment .....	14
Constant Flow Jack Descent Rate Adjustment .....	15
P.C. Valve Replacement .....	15, 16
Hydraulic Check Valve Replacement .....	17, 18
Removal Of Excess Air (Vacuum) From The Hydraulic System .....	18
Brake Adjustment .....	18
Base Lubrication Points .....	19
Big Wheel/Bearing Replacement .....	20
Big Wheel Adjustment .....	20
Big Wheel Return Spring Adjustment .....	21
Pneumatic Fowler Adjustment .....	22
Folddown Siderail Latch Adjustment .....	22
Replacement Parts .....	23
Assembly Drawings and Parts Lists	
3-Sided Control Base Assembly .....	24-27
Brake Adjuster Assembly .....	28
Brake Cam Assembly .....	29
Side Pump Pedal Assembly .....	30
Foot End Pump Pedal Assembly .....	31
Base Assembly with Steerlock Caster Option .....	32
Steerlock Caster Assembly .....	33
Standard Caster Assembly .....	34
Base Assembly with Fifth Wheel Option .....	35
Pivot Rod Assembly .....	36
Wheel Arm Assembly .....	37
Big Wheel Base Assembly .....	38-42

# Table of Contents

---

## Assembly Drawings and Parts Lists (Continued)

Big Wheel Interface Assembly .....	43
Big Wheel Roller Assembly .....	44
Big Wheel Assembly .....	45
Big Wheel Cam Assembly .....	46
Jack Assembly .....	47
Jack Base Assembly .....	48
Constant Flow Jack Assembly .....	49
Constant Flow Jack Base Assembly .....	50
Jack Pump Piston Assembly .....	51
Optional Side Control Brake Assembly .....	52, 53
Optional Uni-Lower Pedal Assembly .....	54
Optional Dual Lowering Pedal Assembly .....	55
Base Labeling Assembly .....	56–58
Litter Assembly .....	59, 60
Two Position Siderail to Litter Assembly, Fold to Foot .....	61
Two Position Siderail Assembly, Fold to Foot .....	62
Two Position Siderail to Litter Assembly, Fold to Head .....	63
Two Position Siderail Assembly, Fold to Head .....	64
Three Position Siderail to Litter Assembly, Fold to Foot .....	65
Three Position Siderail Assembly, Fold to Foot .....	66
Three Position Siderail to Litter Assembly, Fold to Head .....	67
Three Position Siderail Assembly, Fold to Head .....	68
Pneumatic Fowler Assembly .....	69–73
Crank Fowler Assembly .....	74, 75
Fowler Crankscrew Assembly .....	76
Stationary Foot Section Assembly .....	77–79
Knee Gatch Assembly .....	80, 81
Knee Gatch Crankscrew Assembly .....	82
Short Transfer System to Litter Assembly .....	83
Short Transfer System Assembly, Right .....	84
Short Transfer System Assembly, Left .....	85
Arm Board Support Assembly .....	86
Foot End Steering Handles Assembly .....	87
Head End Steering Handles Assembly .....	88
Push Handle Assembly .....	89
Foot End Corner Assembly w/o Steering Handles .....	90
Removable I.V. Pole Assembly .....	91
Tethered I.V. Pole Mounting Assembly .....	92
Tethered I.V. Pole Assembly .....	93
2- Stage I.V. Mounting Assembly .....	94
2-Stage I.V. Pole Assembly .....	95
I.V. Pole Latch Assembly .....	96
3-Stage I.V. Mounting Assembly .....	97
3-Stage I.V. Pole Assembly .....	98

# Table of Contents

---

## Assembly Drawings and Parts Lists (Continued)

3rd Stage Assembly .....	99
X-Ray Cassette Mounting Assembly .....	100
Fowler X-Ray Cassette Assembly .....	101
Defibrillator Tray Assembly .....	102
Foot Extension/ Defibrillator Tray Assembly .....	103
Foot Board/Chartholder Assembly .....	104
Upright Oxygen Bottle Holder Assembly .....	104
C-Spine Cassette Holder Assembly .....	105
C-Spine Support Pole Assembly .....	106
C-Spine Storage Bracket Assembly .....	107
Heel Stirrup and Support Assembly .....	108
Right Stirrup Support Assembly .....	109
Left Stirrup Support Assembly .....	110
Heel Stirrup Assembly .....	111
Accessory Rail Assembly .....	112
F-Size O2 Bottle Retainer Assembly .....	113
Mattresses & Siderail Pads .....	114, 115
Limited Warranty	
Obtaining Parts and Service .....	116
Supplemental Warranty Coverage .....	116
Return Authorization .....	117
Freight Damage Claims .....	117

# Introduction

---

## INTRODUCTION

This manual is designed to assist you with the operation of the 1210 Emergency Care Stretcher, and the 1710 PACU Bed. Read it thoroughly before using the equipment or beginning any maintenance on it.

## SPECIFICATIONS

	1210	1710
Overall Bed Length \ Width	83"/31.5"	83"/34.5"
Maximum Weight Capacity	500 pounds	
Minimum \ Maximum Bed Height	22"/35.5"	
Fowler Angle	0 to 90°	
Knee Gatch Angle	0 to 30°	
Trendelenburg \ Reverse Trendelenburg	+18° to -18°	

Stryker reserves the right to change specifications without notice.

## WARNING / CAUTION / NOTE DEFINITION

The words WARNING, CAUTION and NOTE carry special meanings and should be carefully reviewed.

---

### WARNING

The personal safety of the patient or user may be involved. Disregarding this information could result in injury to the patient or user.

---

### CAUTION

These instructions point out special procedures or precautions that must be followed to avoid damaging the equipment.

---

### NOTE

This provides special information to make maintenance easier or important instructions clearer.

---

### WARNING

Patients should be discouraged from sitting directly on the ends of the stretcher. Excessive weight will cause the litter surface to tip up, possibly causing patient injury.

Always apply the caster brakes when a patient is getting on or off the stretcher. Push on the stretcher to ensure the brakes are securely locked. Always engage the brakes unless the stretcher is being moved. Injury could result if the stretcher moves while a patient is getting on or off the stretcher.

# Preventative Maintenance

---

## CHECKLIST

- \_\_\_\_\_ All fasteners secure
- \_\_\_\_\_ Siderails move and latch properly
- \_\_\_\_\_ Engage brake pedal and push on the stretcher to ensure all casters lock securely (page 18)
- \_\_\_\_\_ Steer function working properly
- \_\_\_\_\_ All casters secure and swivel properly
- \_\_\_\_\_ Body restraints working properly
- \_\_\_\_\_ I.V. pole intact and operating properly
- \_\_\_\_\_ Oxygen bottle holder intact and operating properly
- \_\_\_\_\_ Fowler operates and latches properly
- \_\_\_\_\_ Knee Gatch operates properly
- \_\_\_\_\_ Trendelenburg/Reverse Trendelenburg operating properly
- \_\_\_\_\_ No rips or cracks in mattress cover
- \_\_\_\_\_ Transfer boards intact and operating properly
- \_\_\_\_\_ Arm board support levers intact and operating properly
- \_\_\_\_\_ Ground chain intact
- \_\_\_\_\_ No leaks at hydraulic connections
- \_\_\_\_\_ Hydraulic jacks holding properly (page 13)
- \_\_\_\_\_ Hydraulic drop rate set properly (page 14)
- \_\_\_\_\_ Hydraulic oil level sufficient (page 14)
- \_\_\_\_\_ Lubricate where required, including the brake adjuster assembly and brake cam (page 19)
- \_\_\_\_\_ Optional Big Wheel adjusted properly (page 20)
- \_\_\_\_\_ Lubricate Big Wheel roller and linkage

Serial No. \_\_\_\_\_  
\_\_\_\_\_

_____	_____	_____
_____	_____	_____
_____	_____	_____

Completed By: \_\_\_\_\_ Date: \_\_\_\_\_

## NOTE

Preventative maintenance should be performed at a minimum of annually. A preventative maintenance program should be established for all Stryker Medical equipment. Preventative maintenance may need to be performed more frequently based on the usage level of the product.

## NOTE

References to the right or left side of the stretcher refer to the right and left sides of a patient lying face up on the stretcher.

# Cleaning

Hand wash all surfaces of the stretcher with warm water and mild detergent. Dry thoroughly. **DO NOT STEAM CLEAN, PRESSURE WASH, HOSE OFF OR ULTRASONICALLY CLEAN.** Using these methods of cleaning is **not** recommended and may void this product's warranty.

Clean Velcro **AFTER EACH USE**. Saturate Velcro with disinfectant and allow disinfectant to evaporate. (Appropriate disinfectant for nylon Velcro should be determined by the hospital.)

In general, when used in those concentrations recommended by the manufacturer, either phenolic type or quaternary type disinfectants can be used. Iodophor type disinfectants are not recommended for use because staining may result. The following products have been tested and have been found not to have a harmful effect **WHEN USED IN ACCORDANCE WITH MANUFACTURERS RECOMMENDED DILUTION.\***

TRADE NAME	DISINFECTANT TYPE	MANUFACTURER	*MANUFACTURER'S RECOMMENDED DILUTION
A33	Quaternary	Airwick (Professional Products Division)	2 ounces/gallon
A33 (dry)	Quaternary	Airwick (Professional Products Division)	1/2 ounce/gallon
Beaucoup	Phenolic	Huntington Laboratories	1 ounce/gallon
Blue Chip	Quaternary	S.C. Johnson	2 ounces/gallon
Elimstaph	Quaternary	Walter G. Legge	1 ounce/gallon
Franklin Phenomysan F2500	Phenolic	Purex Corporation	1 1/4 ounce/gallon
Franklin Sentinel	Quaternary	Purex Corporation	2 ounces/gallon
Galahad	Phenolic	Puritan Churchill Chemical Company	1 ounce/gallon
Hi-Tor	Quaternary	Huntington Laboratories	1/2 ounce/gallon
LPH	Phenolic	Vestal Laboratories	1/2 ounce/gallon
Matar	Phenolic	Huntington Laboratories	1/2 ounce/gallon
Omega	Quaternary	Airwick (Professional Products Division)	1/2 ounce/gallon
Quanto	Quaternary	Huntington Laboratories	1 ounce/gallon
Sanikleen	Quaternary	West Chemical Products	2 ounces/ gallon
Sanimaster II	Quaternary	Service Master	1 ounce/gallon
Vesphene	Phenolic	Vestal Laboratories	1 1/4 ounce/ gallon

Quaternary Germicidal Disinfectants, used as directed, and/or Chlorine Bleach products, typically 5.25% Sodium Hypochlorite in **dilutions ranging between 1 part bleach to 100 parts water, and 2 parts bleach to 100 parts water are not considered mild detergents. These products are corrosive in nature and may cause damage to your stretcher if used improperly.** If these types of products are used to clean Stryker patient handling equipment, measures must be taken to insure the stretchers are rinsed with clean water and thoroughly dried following cleaning. Failure to properly rinse and dry the stretchers will leave a corrosive residue on the surface of the stretcher, possibly causing premature corrosion of critical components.

## NOTE

Failure to follow the above directions when using these types of cleaners may void this product's warranty.

## REMOVAL OF IODINE COMPOUNDS

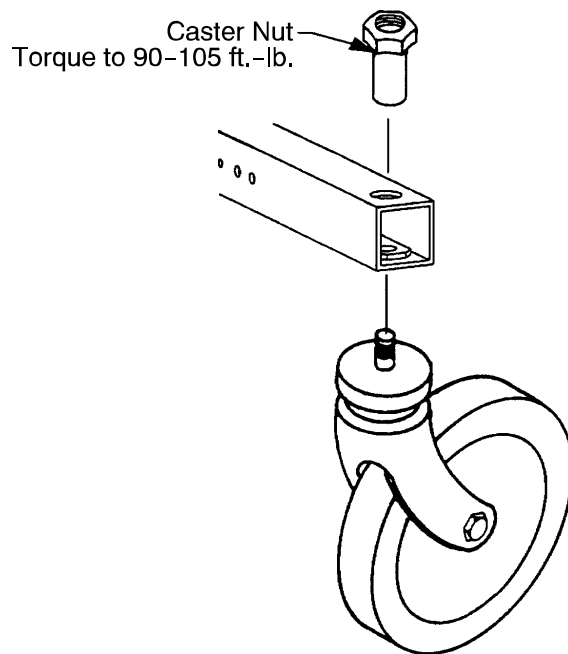
This solution may be used to remove iodine stains from mattress cover and foam footrest pad surfaces.

1. Use a solution of 1–2 tablespoons Sodium Thiosulfate in a pint of warm water to clean the stained area. Clean as soon as possible after staining occurs. If stains are not immediately removed, allow solution to soak or stand on the surface.
2. Rinse surfaces which have been exposed to the solution in clear water before returning bed to service.

# Service Information

---

## CASTER ASSEMBLY REPLACEMENT



1. Remove the old caster assembly.
2. Install the replacement caster and caster nut. Tighten the caster nut to 90–105 ft.-lb. with a torque wrench.

### NOTE

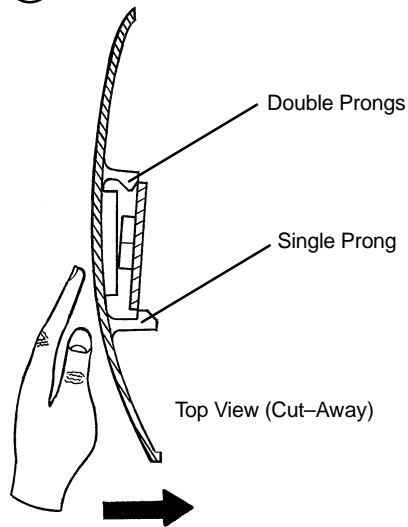
A new caster assembly with a 3M patch does not require the application of Loctite at assembly. However, the patch is appropriate for only one installation. If the caster is removed and reassembled for any reason, apply Loctite 242 to two or three threads of both the bolt and caster nut and tighten to 90–105 ft.-lb. with a torque wrench.



# Service Information

## CASTER COVER INSTALLATION AND REMOVAL

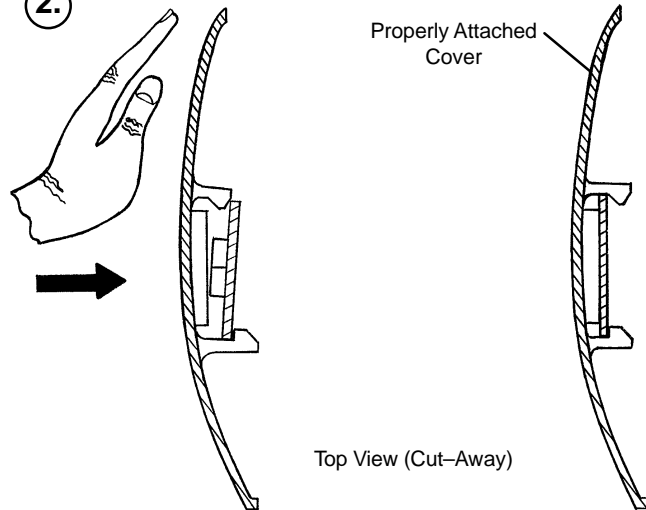
1.



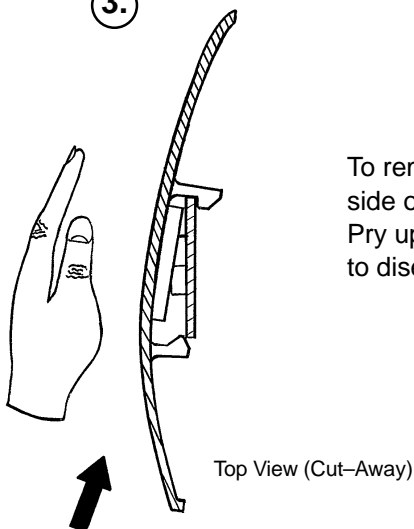
Looking through the larger of the two side cut-outs, align cover with axle nut or bolt head, as shown. Push down on the opposite side of the cover until single prong engages with caster horn.

Push with palm on cover until double prongs engage.

2.



3.



To remove wheel cover, insert large screwdriver into cut-out in side of wheel cover and into the space between the double prongs. Pry up cover to disengage double prongs and push sharply upward to disengage single prong.

# Service Information

---

## **BRAKE CAM REPLACEMENT**

Brake Cam Part Number 715–201–213

### **Required Tools:**

1/8" Allen Wrench                                  String or Bungee Cord                                  3/32" Allen Wrench

### **Procedure:**

1. Lift and support the base hood using string or bungee cord.
2. Using a 3/32" Allen wrench, loosen the set screw holding the brake adjuster to the brake ring and turn the adjuster clockwise to remove it.
3. Using a 1/8" Allen wrench, remove the shoulder bolt and nut holding the brake link on the cam and remove the cam.
4. Reverse the above steps to install the new cam. Apply and release the brakes several times to verify they operate properly. If adjustment is required, see page 18.

## **BRAKE RING REPLACEMENT**

Brake Ring Part Number 715–1–61

### **Required Tools:**

String or Bungee Cord                                  (2) 7/16" Wrenches                                  Floor Jack, Small Crate (or equiv.)  
Large Standard Screwdriver                                  3/32" Allen Wrench                                  11/16" Socket & Ratchet  
5/8" Wrench                                  Needle–Nose Pliers

### **Procedure:**

1. Lift and support the base hood using string or bungee cord.
2. Put the brake/steer pedal in the neutral position. Lift the end of the base needing service until the casters are approximately 12" off the floor and support it with a jack or the equivalent.
3. Using a 3/32" Allen wrench, loosen the set screw holding the brake adjuster to the brake ring and turn the adjuster clockwise to remove it.
4. Remove the wheel covers on both casters (see page 8).
5. Remove one of the complete caster assemblies (see page 7). On the other caster, use an 11/16" socket and ratchet and a 5/8" wrench to remove the nut and bolt holding the wheel on the caster horn and remove only the wheel.
6. Using needle–nose pliers, carefully remove the spring between the brake cam and the brake ring.

---

### **WARNING**

The spring is tightly compressed. Use caution when removing it or personal injury could result.

---

7. If you are working on an end control base, remove the spring from the pump pedal.
8. Lower the brake ring and remove it from the base. Remove the brake pads and bushings and install them on the new brake ring.
9. Reverse the above steps to install the new brake ring and reinstall the caster and wheel. Apply and release the brakes to assure they operate properly. If adjustment is required, see page 18. Reinstall the base hood.

# Service Information

---

## FIFTH WHEEL REPLACEMENT

### Required Tools:

Pliers  
(2) 9/16" Box End Wrenches

String or Bungee Cord

3/16" Allen Wrench

### Procedure:

1. Apply the stretcher brakes.
2. Pump the litter up to full height.
3. Lift and support the base hood using string or bungee cord.
4. Using pliers, remove the cotter pin from the end of the fifth wheel pivot rod and remove the two washers.
5. Pull up on the fifth wheel arm and pull down on the tension spring to release the pressure on the arm.
6. Using a 3/16" Allen wrench, remove the hex Allen bolt from the center of the pivot rod and pull the pivot rod out of the wheel arm.
7. Reverse the above steps to install a new fifth wheel assembly.

### NOTE

To replace the wheel only, use two 9/16" box end wrenches to remove the bolt and nut holding it to the wheel arm.

## BASE SIDE CONTROL PEDAL LINKAGE ADJUSTMENT

### Required Tools:

3/8" Wrench  
Bungee Cords

5/32" Hex Allen Wrench

7/16" Wrench

### Adjustment Procedure:

1. Place 150–200 pounds on the litter and pump the litter up to full height.
2. Lift the base hood, separating the hood from the base frame. Using the bungee cords, support the base hood.
3. Using a 3/8" wrench and a 5/32" hex Allen wrench, loosen the appropriate pedal linkage adjustment nut until the jack stops "drifting". Raise the litter to full up.
4. Tighten the pedal linkage adjustment nut until the jack begins to slowly descend.
5. Using a 7/16" wrench, back the pedal linkage adjustment nut out four full turns. Raise the litter to full up.
6. Loosen the pedal linkage adjustment nut and ensure no drift occurs. If the jack drifts, repeat procedure.

# Service Information

---

## BASE SIDE CONTROL BRAKE/STEER GEAR REPLACEMENT

### Required Tools:

Pliers	String or Bungee Cord	Floor Jack or Equivalent
1/8" Allen Wrench	5/32" Allen Wrench	3/8" Box End Wrench
(2) 9/16" Box End Wrenches	3/16" Punch	1/4" Punch
Hammer		

### Procedure:

1. Apply the stretcher brakes.
2. Pump the litter up to full height.
3. Lift and support the base hood using string or bungee cord.
4. Using pliers, remove the cotter pins from both jack pump pistons and the pump linkage.
5. Using the 9/16" box end wrenches, remove the two bearing plate bolts.
6. Remove the cotter pin on the side brake bar.
7. Remove the bearing plate and pull out the idler gear rod while holding onto the gear. Lift the gear out.
8. Slide the miter gear away from the rod spacer and remove the dowel pin.
9. Using the floor jack, raise the side of the base you are working on approximately four inches.
10. Rotate the brake bar so the pedals are upside down.
11. Using a 1/4" punch and a hammer, remove the groove pin from the side brake rod.
12. Using a 3/16" punch and hammer, remove the 3/16" groove pin from the pedal.
13. Using a 5/32" Allen wrench, remove the set screw from the collar inside the gear box.
14. Remove the brake rod while holding the gear on the rod.
15. Using a 1/8" Allen wrench and a 3/8" box end wrench, remove the nuts and bolts holding the brake link to the rod.
16. Using a 5/32" Allen wrench, remove the set screw from the collar outside of the gear box.
17. Using a 1/4" punch, remove the roll pin from the cam and brake link collar.
18. Reverse the above steps to install the replacement gear.
19. Inspect each gear for wear. Lube with MPG-2 grease or the equivalent if necessary.

## UNI-PEDAL REPLACEMENT

### Required Tools:

Drill w/3/16" Drill Bit	Floor Jack	Pop Rivet Tool
-------------------------	------------	----------------

### Replacement Procedure:

1. Set the stretcher brake and pump the litter up fully.
2. Use the floor jack to raise the side of the base frame off the floor approximately four inches.
3. Using a drill with a 3/16" drill bit, drill out the rivets on the bottom of the pedal to be replaced.
4. Using a pop rivet tool and rivets, install the replacement pedal.
5. Lower the stretcher to the floor. Test the operation of the pedal before returning the stretcher to service.

# Service Information

---

## JACK REPLACEMENT (WITHOUT COMPRESSION SPRING)

### Required Tools:

3/8" Wrench

1/2" Socket

1/2" Wrench

Needle-Nosed Pliers

### Replacement Procedure:

1. Apply stretcher brakes. Raise litter to full up. Raise Fowler to full up and raise siderails.
2. Use a 3/8" wrench to remove the bolt in the litter support tube above black bellows on both ends.
3. With the assistance of another person, lift off the stretcher litter and set it aside, taking care not to damage the siderails, etc.
4. Push down on the jack actuator to put the jack in the full down position.
5. Lift off the plastic base hood, separating the Velcro holding it to the base frame.
6. Using a 1/2" socket and 1/2" wrench, remove the four bolts, washers and nuts holding the jack support straps to the base frame.
7. Using needle-nosed pliers, remove the two cotter keys on the pump link and remove the pump link.
8. Using a 1/2" socket and a 1/2" wrench, remove the four bolts holding the jack base to the base frame (using a 3" extension may be required). Remove the jack from the base frame.
9. Reverse steps 6–8 to install the replacement jack. Reinstall the base hood and the litter.

## JACK REPLACEMENT (WITH COMPRESSION SPRING)

### Required Tools:

3/8" Wrench

Needle-Nosed Pliers

Straight Screwdriver

Spring Compression Tool

### Replacement Procedure:

1. Apply stretcher brakes. Raise litter to full up. Raise Fowler to full up and raise siderails.
2. Use a 3/8" wrench to remove the bolt in the litter support tube above black bellows on both ends.
3. With the assistance of another person, lift off the stretcher litter and set it aside, taking care not to damage the siderails, etc.
4. Push down on the jack actuator to put the jack in the full down position.
5. Lift off the plastic base hood, separating the Velcro holding it to the base frame.
6. Using needle-nosed pliers, pull cotter pin from pump cylinder.
7. Using a straight screwdriver and pump spring compression tool (available upon request), compress the pump spring and pry the pump link out of the pump cylinder.

---

### CAUTION

Be sure not to let the pump piston come out of the jack or damage may occur.

8. Remove and replace jack as described in the procedure above.
9. Replace pump spring and pump link using the straight screwdriver and the pump compression tool.
10. Reinstall the base hood and the stretcher litter.

# Service Information

---

## JACK ASSEMBLY TORQUE SPECIFICATION

### Jack Assembly with Threads Oiled

- |   |                      |
|---|----------------------|
| 1. Jack Cap Assembly to Jack Actuator Cylinder  | 75 to 85 Foot Pounds |
| 2. Jack Actuator Cylinder to Jack Base Assembly | 55 to 65 Foot Pounds |

### Jack Base Assembly with Threads Oiled

- |   |                      |
|---|----------------------|
| 1. Jack Pump Cylinder to Jack Base Machined | 45 to 55 Foot Pounds |
| 2. Jack Pin Housing to Jack Base Machined   | 35 to 45 Foot Pounds |
| 3. Jack Base Plugs to Jack Base Machined    | 8 to 12 Foot Pounds  |
| 4. Jack Valve Plug to Jack Base Machined    | 8 to 12 Foot Pounds  |
| 5. Flow Control Valve to Jack Base Machined | 16 to 20 Foot Pounds |

## HYDRAULIC SYSTEM TROUBLESHOOTING

PROBLEM/SYMPTOM	SOLUTION
Jack will not raise to full height.	Add hydraulic fluid (page 14). Check for leaks.
Jack will not hold in raised position.	Close the needle valve completely. If the jack holds, replace the release valve (page 17).
Jack will not pump up and the jack actuator rod <b>does not</b> move.	Close the needle valve. If the jack will now pump up, replace the release valve (page 17). If the jack still will not pump up after closing the needle valve, replace the poppet valve (page 18).
Jack will not pump up but the jack actuator rod <b>does</b> move when the pump pedal is activated.	Replace the check valve (page 17).
Jack will not pump up and the jack actuator rod may or may not move.	Remove the excess air (vacuum) in the hydraulic system (page 18).

### NOTE

Be sure the pedal linkage has been adjusted properly before beginning service on the jacks (see page 10).

Contact Stryker technical service at 1-800-327-0770 for further assistance.

# Service Information

---

## CHECKING HYDRAULIC FLUID LEVEL

### Required Tools:

3/8 Open End Wrench

3/4 Open End Wrench

### Procedure:

---

#### WARNING

To avoid personal injury or damage to the stretcher, remove the litter and the base hood before beginning service on the jacks.

---

1. Using a 3/8 open end wrench, remove square head set screws from both head and foot end jack support tubes. Remove litter top and set aside.
  2. Lift base hood off base frame and set aside.
  3. Be sure there are no hydraulic leaks. If there are, jack replacement will be necessary.
  4. Lower the jack to the full down position.
  5. Using a 3/4 open end wrench, slowly turn the fill plug located on the side of the reservoir counterclockwise to allow excess system pressure to vent. Remove the fill plug.
  6. The hydraulic fluid should be visible at the bottom of the fill hole. If it is not, add Mobil Aero HFA hydraulic fluid (Stryker part number 2020-70-475) until the fluid is visible at the bottom of the fill hole. Replace the fill plug.
- 

#### CAUTION

Use of other types of oil may damage hydraulic units.

7. Replace the hood and the litter.

## JACK DESCENT RATE ADJUSTMENT

### Required Tools:

Screwdriver

Bungee Cords

### Adjustment Procedure:

1. Pump the litter up to full height.
2. Lift the base hood, separating the hood from the base frame. Using the bungee cords, support the base hood.
3. The descent rate needle valve is located on the base of the jack. Turn the needle valve clockwise, with a screwdriver, to decrease the rate of descent. Turn it counterclockwise to increase the rate of descent.
4. Adjust the needle valve so that the foot end of the stretcher descends slightly faster than the head end. (The factory settings are 3/4 turn from closed for the head end and 1 1/2 turn from closed for the foot end.)

#### NOTE

The larger percentage of a patient's weight is located in the torso area. Adjust descent rate accordingly.

5. Remove the bungee cords supporting the base hood and secure the hood to the base frame.

#### NOTE

The jack descent rate was preset at the factory to drop the foot end faster than the head. It is recommended that the foot drop faster to avoid patient disorientation.

# Service Information

---

## CONSTANT FLOW JACK DESCENT RATE ADJUSTMENT

### Required Tools:

Bungee Cords

### Adjustment Procedure:

1. Pump the litter up to full height
2. Lift the base hood, separating the Velcro holding it to the base frame.
3. The adjustable descent valve is located on the base of the jack and has a blue knob on the end. To adjust, loosen the silver locking ring by turning it counterclockwise. Turning the blue knob clockwise will increase the rate of litter descent. Turning it counterclockwise will decrease the rate of descent.
4. Adjust the valve so that the jack at the foot end of the stretcher will descend slightly faster than the jack at the head end.
5. Remove the bungee cords supporting the base hood and secure the hood to the base frame.

### NOTE

The jack descent rate was preset at the factory to lower the foot end 3–7 seconds faster than the head. It is recommended to have the foot end lower faster to avoid patient disorientation.

## ADJUSTABLE PRESSURE COMPENSATED (P.C.) VALVE REPLACEMENT

P.C. Valve Part Number 5050–70–50

---

### WARNING

To avoid personal injury or damage to the stretcher, always remove the litter and the base hood before beginning service on the jacks. Lower the jack rod completely to relieve the pressure on the pump piston side of the jack.

---

### Required Tools:

3/8" Wrench

13/16" Wrench

### Replacement Procedure:

### NOTE

It requires two people to safely perform this procedure.

1. Apply the stretcher brakes. Raise the litter to full up. Raise the Fowler and the siderails.
2. Using a 3/8" wrench, remove the bolts in the litter support tubes above the black bellows on both ends of the litter.
3. With the assistance of another person, lift the litter off the base and set it aside, taking care not to damage the leg section linkages and other litter components.
4. Push down on the jack actuator to put the jack in the full down position.
5. Lift off the plastic base hood, separating the Velcro holding it to the base frame.



# Service Information

---

## ADJUSTABLE PRESSURE COMPENSATED (P.C.) VALVE REPLACEMENT (CONTINUED)

6. Using a 13/16" wrench, remove the adjustable P.C. valve (see page 50 for part reference).
7. Check for any contaminants in the valve as well as in the jack base.
8. Install the replacement P.C. valve. Moisten the O-ring seal with hydraulic fluid to ensure a tight seal.
9. Tighten the valve manually and then an additional 1/8–1/4 turn with a 13/16" wrench. **Do not over-tighten** or damage may occur to the O-ring seal.
10. Pump up the jack to the maximum height and press the release pedal to lower it to check the jack's operation.
11. Check for any hydraulic fluid leaks before replacing the base hood and litter.

# Service Information

## HYDRAULIC CHECK VALVE REPLACEMENT

### Required Tools:

3/8 Open End Wrench  
3/4 Open End Wrench

Stiff Wire (with bent, pointed end)  
Torque Wrench (with Ft. Lbs. adjust.)

Small Needle Nose Pliers  
7/32 Hex Allen Wrench

### Replacement of Check Valve

#### WARNING

To avoid personal injury or damage to the stretcher, remove the litter and the base hood before beginning service on the jacks. Lower the jack rod completely to relieve the pressure on the pump piston side of the jack. This will prevent large hydraulic fluid loss and possible damage when the base plugs are removed.

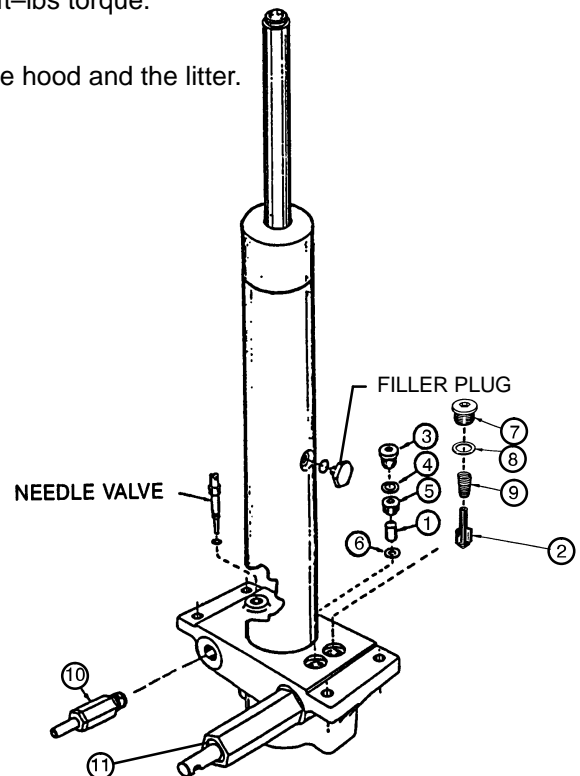
1. Remove the base plug (3) and the seal (4).
2. Remove the valve plug (5).
3. Using a stiff wire with a bent, pointed end, remove the valve (1).
4. Install the new valve (1) with the beveled end up (as shown in the illustration).
5. Reinstall the valve plug (5) with the beveled end down toward valve (1) and tighten to 10 ft–lbs torque.
6. Reinstall the seal (4) and the base plug (3) and tighten to 10 ft–lbs torque.
7. Pump up the jack to the maximum height.
8. Be sure there are no hydraulic leaks before replacing the base hood and the litter.

ITEM	PART NO.	PART NAME
1	926-20-153	Check Valve
2	715-1-341	Poppet
3	715-1-301	Base Plug
4	926-20-156	Seal
5	715-1-309	Valve Plug
6	926-20-154	Seal
7	715-1-301	Base Plug
8	926-20-156	Seal
9	390-2-134	Compression Spring
10	715-270-100	Valve Assembly*
10	2025-700-26	Valve Assembly**
11	715-100-325	Pump Piston

\* Used on jack part number 1231-70-10.

\*\* Used on jack part number 1231-70-210.

(See label on side of jack reservoir for jack part number).



### Replacement of Release Valve

#### WARNING

To avoid personal injury or damage to the stretcher, remove the litter and the base hood before beginning service on the jacks. Lower the jack rod completely to relieve the pressure on the pump piston side of the jack. This will prevent large hydraulic fluid loss and possible damage when the base plugs are removed.

1. Remove the release valve (10).
2. Install the new release valve (10).
3. Pump up the jack to the maximum height.
4. Be sure there are no hydraulic leaks before replacing the base hood and the litter.

# Service Information

## HYDRAULIC CHECK VALVE REPLACEMENT (CONTINUED)

### Replacement of Poppet Valve

#### WARNING

To avoid personal injury or damage to the stretcher, remove the litter and the base hood before beginning service on the jacks. Lower the jack rod completely to relieve the pressure on the pump piston side of the jack. This will prevent large hydraulic fluid loss and possible damage when the base plugs are removed.

1. Remove the base plug (7) and the seal (8).
2. Remove the compression spring (9).
3. Using small needle nose pliers, remove the poppet valve (2).
4. Install the new poppet valve (2).
5. Reinstall the compression spring (9).
6. Reinstall the seal (8) and the base plug (7) and tighten to 10 foot-pounds torque.
7. Pump up the jack to the maximum height to check its operation.
8. Check for hydraulic leaks before replacing the base hood and the litter.

## REMOVAL OF EXCESS AIR (VACUUM) FROM THE HYDRAULIC SYSTEM

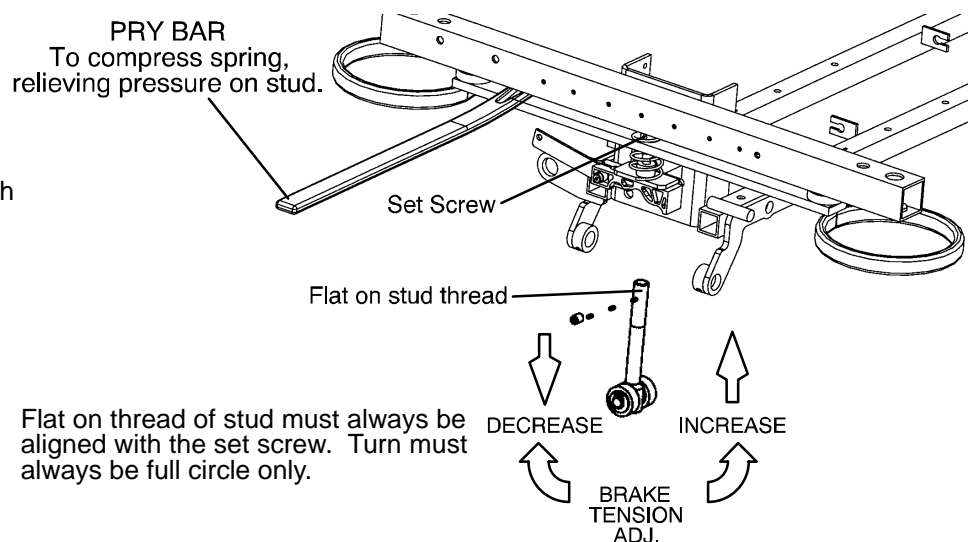
#### Procedure:

1. Verify all hydraulic linkages are secure and operating properly (see pedal linkage adjustment procedure page 10).
2. Using pump pedal, actuate system several times. This will force the air through the system and the jack should now pump up.

## BRAKE ADJUSTMENT

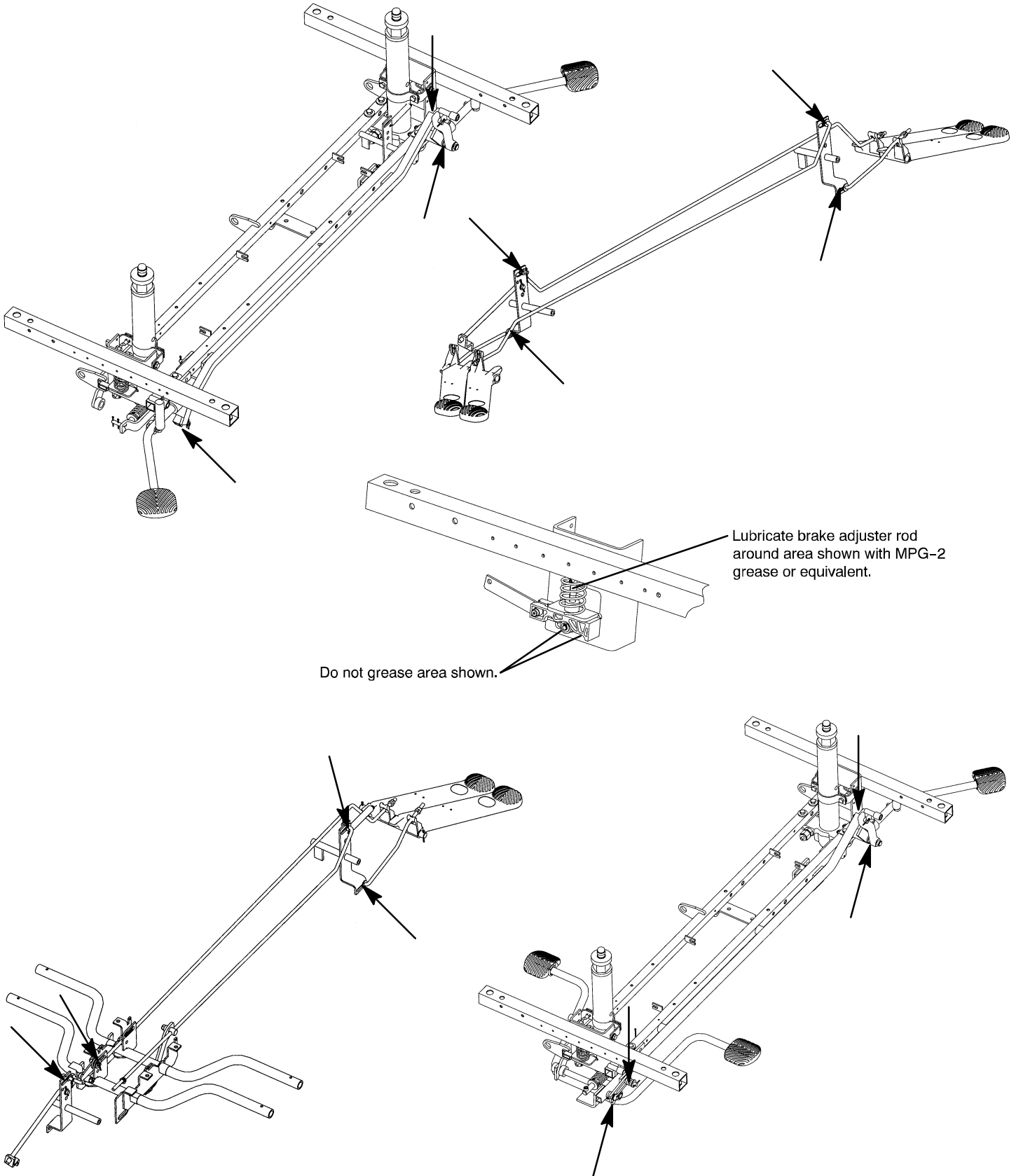
#### Required Tools:

3/32" Hex Allen Wrench  
Pry Bar  
Thread "Locktite"



# Service Information

## BASE LUBRICATION POINTS



# Service Information

---

## **BIG WHEEL/BEARING REPLACEMENT**

### **Required Tools:**

15/16" Wrench or Socket & Ratchet                      (2) Bungee Cords                      Torque Wrench  
Small Standard Screwdriver

### **Procedure:**

1. Apply the stretcher brakes.
2. Pump the litter up to full height.
3. Lift the base hood and support it from the litter frame using bungee cords.
4. Using a small standard screwdriver, remove the big wheel hub cap, being careful not to damage the outer surface of the hub cap (see page 41 for part reference).
5. Using a 15/16" wrench or socket and ratchet, remove the nut holding the big wheel to the frame. Remove the bearing and sleeve (see page 45 for part reference).
6. Install the replacement bearing and the sleeve onto the wheel bolt. Install the big wheel and outer bearing.
7. Install the nut and tighten it to 30 foot-pounds using a torque wrench.
8. Remove the bungee cords and reinstall the base hood.
9. Verify the brake and steer functions are working properly before returning the bed to service.

## **BIG WHEEL ADJUSTMENT**

### **Required Tools:**

9/16" Wrench                      (2) Bungee Cords                      Small Ruler or Tape Measure

### **Procedure:**

1. Apply the stretcher brakes.
2. Pump the litter up to full height.
3. Lift the base hood and support it from the litter frame using bungee cords.
4. Using a 9/16" wrench, remove the two side bolts on the cam adjuster block (see page 41 for part reference).
5. Release the brakes and engage the big wheel.
6. Adjust the two top bolts on the adjuster block equal amounts so the foot end casters are raised off the floor 1/4". Reinstall the two side bolts on the cam adjuster block after applying Loctite to both bolts.
7. Apply the stretcher brakes.
8. Remove the bungee cords and reinstall the base hood.
9. Verify the brake and steer functions are working properly before returning the bed to service.

# Service Information

---

## BIG WHEEL RETURN SPRING ADJUSTMENT

### Required Tools:

1/2" Deep Well Socket & Ratchet      (2) Bungee Cords

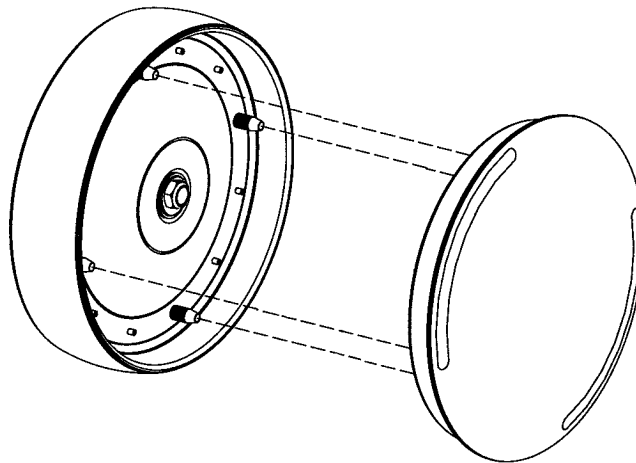
### Procedure:

1. Apply the stretcher brakes.
2. Pump the litter up to full height.
3. Lift the base hood and support it from the litter frame using bungee cords.
4. Using a 1/2" deep well socket and ratchet, loosen the nut on the eyebolt to the end of the threads. Remove the spring from the frame and eyebolt (see page 41 for part reference).
5. Install the new spring and tighten the nut on the eyebolt.
6. Check for proper operation.
7. Apply the stretcher brakes.
8. Remove the bungee cords and reinstall the base hood.
9. Verify the brake and steer functions are working properly before returning the bed to service.

## BIG WHEEL HUBCAP REMOVAL

### Required Tools:

Large Standard Screwdriver



### Removal Procedure:

1. Using a large standard screwdriver, pry evenly around the entire edge of the Big Wheel hubcap until it pops off the mounting studs on the wheel.

---

### CAUTION

Do not attempt to pull off the hubcap after prying up only one side. Damage to the slots on the hubcap or the mounting studs on the wheel could result.

2. To reinstall the hubcap, place it on the wheel, aligning the slots in the hubcap with the mounting studs on the wheel. Press down evenly on the edges of the hubcap until it snaps into place.

# Service Information

---

## PNEUMATIC FOWLER ADJUSTMENT (OUTSIDE MOUNTED CYLINDERS)

### Required Tools:

5/32" Hex Allen Wrench            1/2" Open End Wrench

### Adjustment Procedure:

1. Refer to drawings 1210–31–120 or 1710–31–120 (Pneumatic Fowler Assembly, page 70 or page 72) for parts reference.
2. For easier access, move Fowler to 75 degrees or higher.
3. Using a 1/2" open end wrench, loosen the nuts (item K) in the actuator arms on the end of the trip bar (F).
4. To adjust the Fowler, use a 5/32" hex Allen wrench to turn the Allen screws (item N) 1 to 2 turns counter-clockwise if the Fowler will not move or 1 to 2 turns clockwise if the Fowler will not hold its position.
5. Retighten the nuts. Verify the Fowler will travel from flat to 90° and down again and will hold its position when weight is applied before returning the stretcher to service.

## FOLDDOWN SIDERAIL LATCH ADJUSTMENT (1210 or 1710)

### Required Tools:

1/8 Hex Allen Wrench

---

### WARNING

The siderail latch adjustment is pre-set at the factory, and it should not be necessary to adjust it again. If adjustment becomes necessary, it is important to follow the procedure below. If it is not done properly, injury to the patient or user could occur.

---

### Adjustment Procedure:

1. Using a 1/8 hex Allen wrench, adjust the hex Allen screw located on the latch assembly opposite the latch. Turning the Allen screw clockwise will **decrease** the amount of "play" in the latching mechanism. Turning counterclockwise will **increase** the amount. The amount of "play" in the siderail, when in full up engaged position, should be approximately 1/8 to 3/16 inches.

---

### CAUTION

Too much "play" when the siderail is in the full up engaged position will give the siderail the appearance of being unstable and could also cause premature wearing of the latch system. Too little "play" will obstruct the latch and keep it from engaging completely in the full up position, which may cause damage to the latch and/or injury to the patient or user.

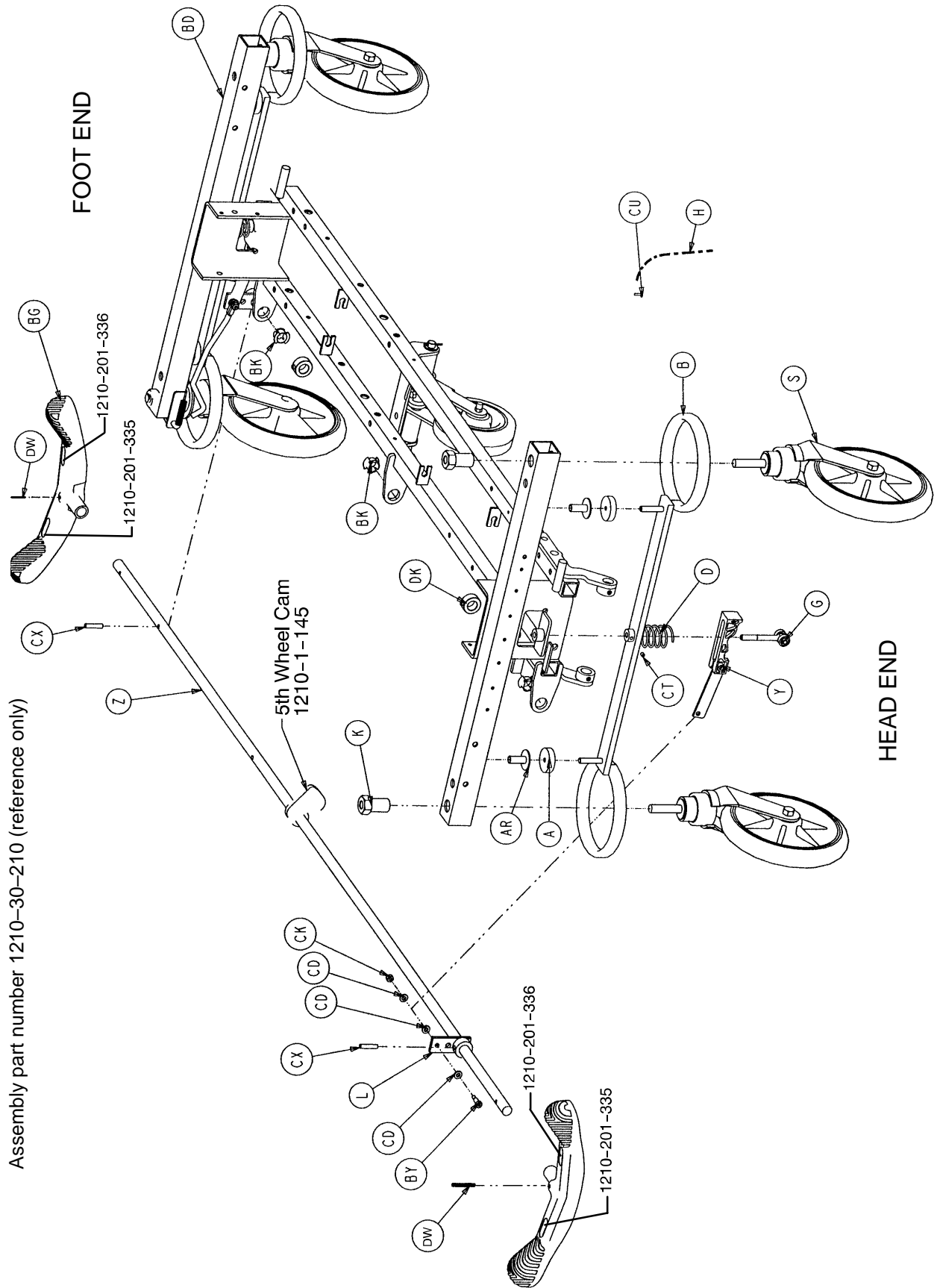
# Replacement Parts

---

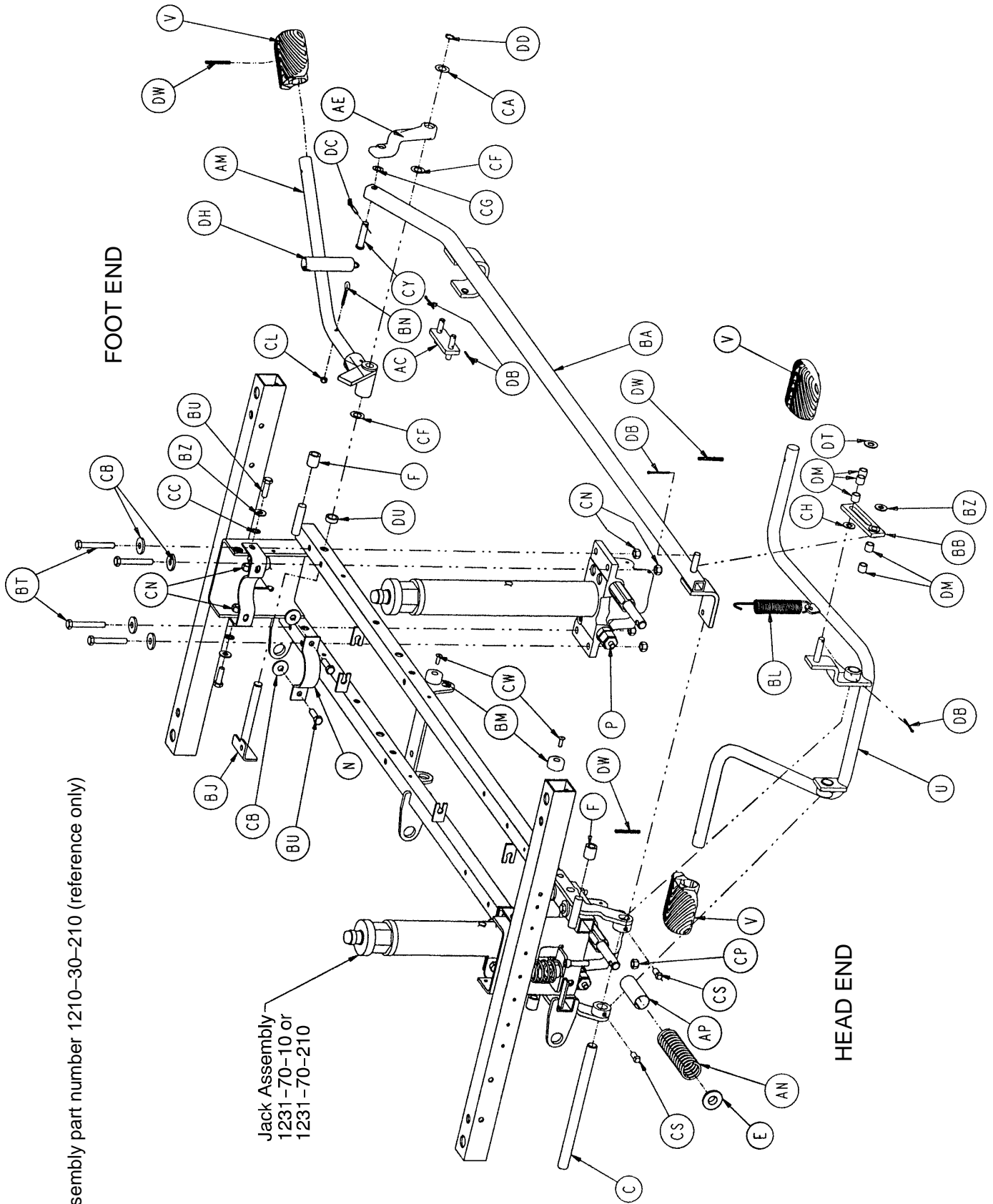
<b><u>PART NAME</u></b>	<b><u>PART NUMBER</u></b>
Brake Adjuster Service Tool .....	715-700-150
C-Spine Cassette Holder .....	1001-70
Defibrillator/Equipment Tray .....	926-39
Foot Board/Chartholder .....	926-40
Fowler X-Ray Cassette Tray .....	1001-23-10
Foot Extension/Defibrillator Tray Assembly .....	1010-50-100
Head/Foot Board Assembly (2) .....	946-29-100
Heel Stirrups .....	1001-55
Hydraulic Jack, Constant Descent .....	1231-70-210
Hydraulic Jack, Variable Descent .....	1231-70-10
Hydraulic Oil, Mobil Aero HFA – 1 Quart .....	2020-70-475
Instrument/Serving Tray .....	1052-129
I.V. Caddy .....	1050-1-100
I.V. Pole, 2-Stage Permanently Attached, Head End 1210/1710 .....	1010-280/1510-280
I.V. Pole, 2-Stage Permanently Attached, Foot End 1210/1710 .....	1010-281/1510-281
I.V. Pole, 3-Stage Permanently Attached, Head End 1210/1710 .....	1010-61/1510-61
I.V. Pole, 3-Stage Permanently Attached, Foot End 1210/1710 .....	1010-62/1510-62
I.V. Pole, Standard Removable .....	390-25
I.V. Pole, Tethered .....	1001-87-20
Mattress, 3" Black Staph Chek® (1710) .....	1501-48-106
Mattress, 4" Black Staph Chek®(1710) .....	1501-47-106
Mattress, 3" Enhanced Comfort (1210) .....	1001-48-106
Mattress, 4" Enhanced Comfort (1210) .....	1001-47-106
Mattress, 3" Low Friction (1210) .....	1059-326-140
Mattress, 3" Low Friction (1710) .....	1059-329-140
Mattress, 4" Low Friction (1210) .....	1059-426-140
Mattress, 4" Low Friction (1710) .....	1059-429-140
Oxygen Bottle Holder Assembly, Upright .....	1020-30
Paint, Touch-Up, Gloss Black, Bottle w/Brush .....	7000-1-322
Paint, Touch-Up, Gloss Black, Spray Can .....	7000-1-319
Paint, Touch-Up, Gray, Bottle w/Brush .....	7000-1-320
Paint, Touch-Up, Gray, Spray Can .....	7000-1-317
Restraint Strap, 2 Piece .....	390-19
Restraint Strap, Ankle .....	946-43-100
Restraint Strap, Chest .....	1010-58
Restraint Strap, Wrist .....	946-44-100
Siderail Kit, 3-Position .....	1068-700-1
Siderail Pads, Folddown .....	1010-52
Steer Handles, Foot End/Head End .....	1211-151/1711-151
Wheel Cover Replacement Kit .....	1010-56-200



# 3-Sided Control Base Assembly



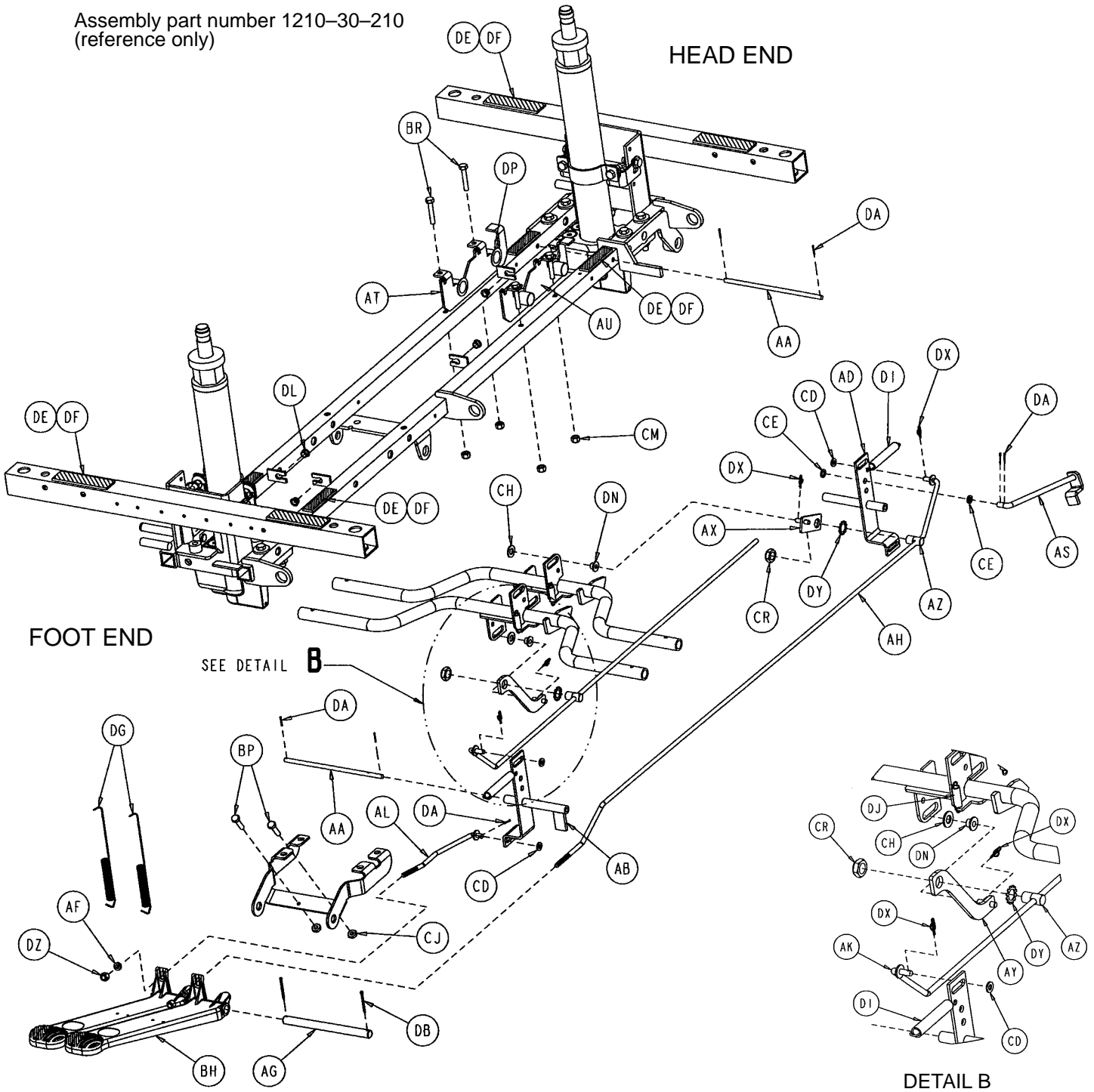
# 3-Sided Control Base Assembly



Assembly part number 1210-30-210 (reference only)

# 3-Sided Control Base Assembly

Assembly part number 1210-30-210  
(reference only)

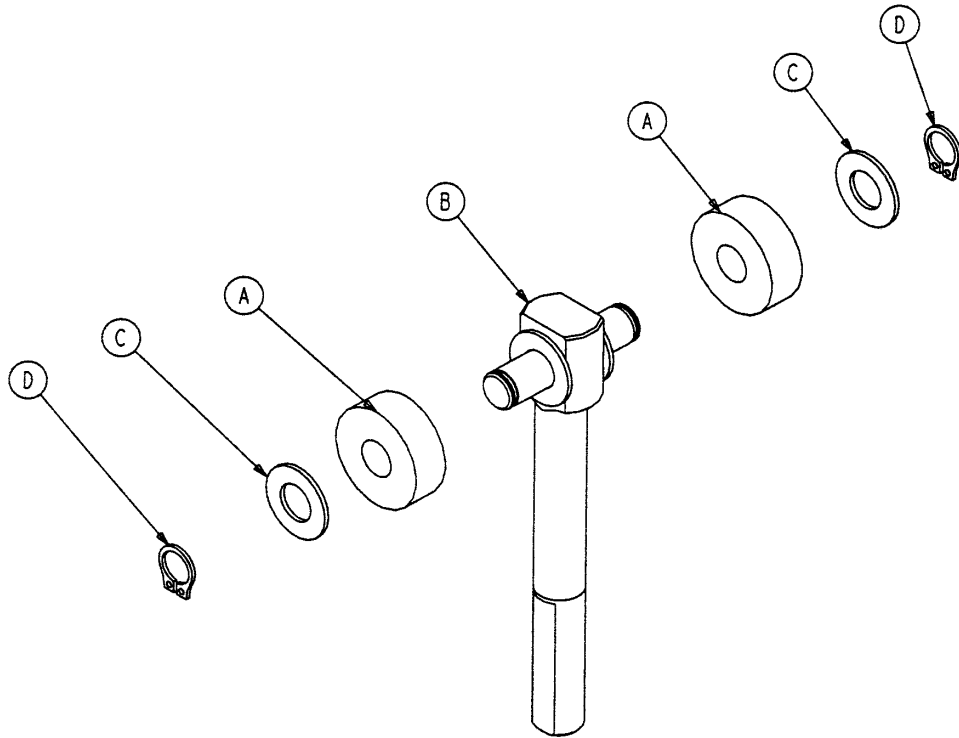


# 3-Sided Control Base Assembly

Item	Part No.	Part Name	Qty.	Item	Part No.	Part Name	Qty.
A	715-1-11	Brake Cushion	4	BP	3-3	Hex Hd. Cap Screw	4
B	715-1-61	Caster Brake Weldment	2	BR	3-47	Hex Hd. Cap Screw	4
C	715-1-92	Pump Pedal Shaft	1	BT	3-62	Hex Hd. Cap Screw	8
D	715-201-94	Compression Spring	2	BU	3-85	Hex Hd. Cap Screw	8
E	715-1-133	Collar	1	BX	4-146	Soc. Hd. Cap Screw	2
F	715-1-140	Vinyl Tube	2	BY	8-17	Shoulder Bolt	2
G	(page 28)	Brake Adjuster Assembly	2	BZ	11-3	Washer	9
H	715-1-156	Ground Chain	1	CA	11-13	Washer	1
K	715-1-158	Caster Nut	4	CB	11-262	Washer	11
L	715-1-165	Actuator Plate Wldmt.	2	CC	13-38	Ext. Tooth Lock Washer	4
M	715-1-192	Jack Support	2	CD	14-2	Washer	11
N	715-1-193	Jack Support Clamp	2	CE	14-3	Washer	2
S	(page 34)	Caster Assembly	4	CF	14-7	Washer	7
U	715-201-108	Pump Pedal Assembly	1	CG	14-9	Washer	2
V	715-201-126	Slip On Pump Pedal	3	CH	14-21	Washer	3
Y	(page 29)	Brake Cam Assembly	2	CJ	15-11	Hex Nut	4
Z	715-201-230	Brake Bar	1	CK	16-2	Hex Nut	2
AA	716-1-15	Release Pivot Bar	2	CL	16-14	Nylock Nut	1
AB	716-1-52	Pivot Assembly, Foot End	1	CM	16-28	Hex Nut	4
AC	716-1-102	Pump Link Wldmt., Ft. End	1	CN	16-36	Hex Nut	16
AD	716-1-119	Pivot Assembly, Hd. End	1	CP	16-48	Hex Nut	1
AE	716-201-281	Pump Idler Link	1	CR	16-49	Hex Nut	2
AF	716-1-286	Release Ball Spacer	2	CS	46-2	Sq. Hd. Set Screw	2
AG	716-201-61	Release Pedal Pivot Rod	1	CT	21-151	Set Screw	2
AH	716-301-70	Long Release Rod	1	CU	23-25	Self Tapping Screw	1
AK	716-301-72	Medium Release Rod	1	CW	25-50	Rivet	2
AL	716-301-74	Release Rod	1	CX	26-13	Spring Pin	2
AM	(page 31)	Pump Pedal Ass'y, Ft. End	1	CY	26-195	Clevis Pin	2
AN	763-1-15	Jack Spring	1	DA	27-4	Cotter Pin	7
AP	763-1-16	Spring Holder	1	DB	27-3	Cotter Pin	7
AR	946-1-116	Brake Bar Bushing	4	DC	27-16	Cotter Pin	7
AS	1210-101-112	Rel. Rod, Head End, Lt.	1	DD	28-97	Ext. Retaining Ring	1
AT	1210-1-115	Pedal Pivot, Lt.	1	DE	29-7	Dual Lock	7
AU	1210-1-114	Pedal Pivot, Rt.	1	DF	29-9	Dual Lock	7
AX	1210-1-123	Rel. Pedal Trans. Wldmt.	1	DG	38-335	Desc. Pedal Return Spring	2
AY	1210-1-134	Rel. Pedal Linkage	1	DH	38-451	Pump Return Spring	1
AZ	1210-1-138	Release Rod Clamp	2	DI	38-326	Extension Spring	2
BA	1210-201-28	Pump Rod Ass'y Angle	1	DJ	38-355	Extension Spring	2
BB	1210-301-104	Slip Link Assembly	1	DK	42-20	Collar	2
BC	1210-201-111	End Rel. Pedal Bracket	1	DL	52-245	Nyliner	4
BD	1210-201-120	Base Frame Weldment	1	DM	52-284	Spacer	5
BF	1210-201-152	Side Rel. Pedal Wldmt.	2	DN	52-302	Flange Bearing	2
BG	1210-201-153	Butterfly "V" Pedal	2	DP	52-747	Flange Bearing	4
BH	1210-201-155	Foot Rel. Pedal, Offset, Lt	2	DT	11-4	Washer	1
BJ	1210-201-201	Pivot Pin Bracket, Foot End	1	DU	11-350	Washer	1
BK	1210-201-251	Insert	3	DW	26-143	Groove Pin	5
BL	1210-301-252	Spring	1	DX	27-20	Rue Cotter Pin	4
BM	1210-201-550	Wear Plate	2	DY	8815-005-800	Ext. Tooth Lock Washer	2
BN	1210-201-551	Eyebolt	1	DZ	16-102	Fiberlock Nut	2

# 715-201-150 Brake Adjuster Assembly

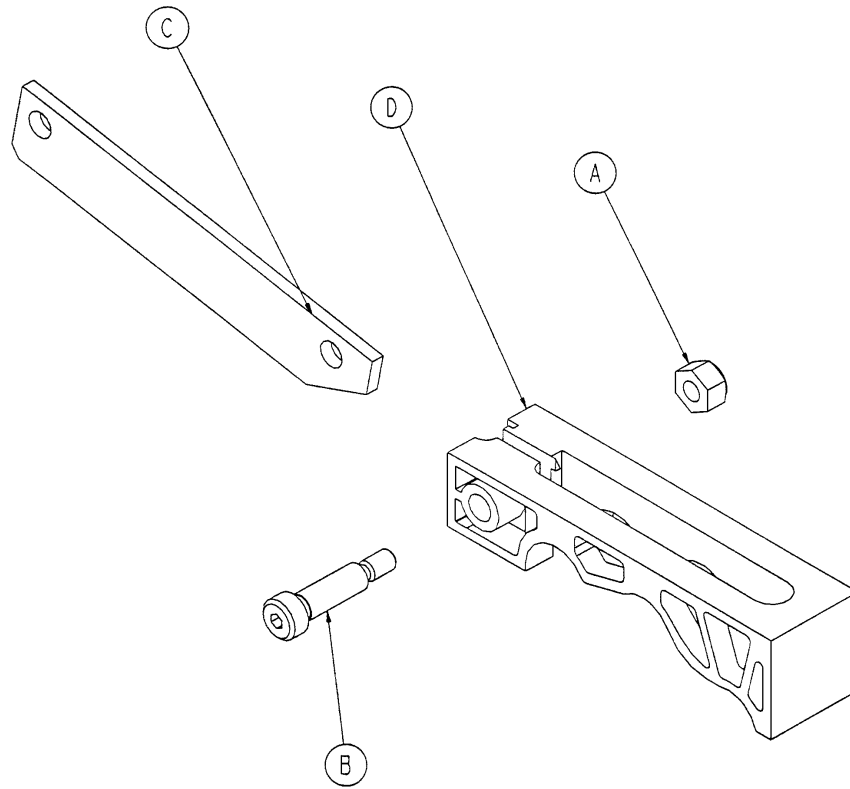
---



Item	Part No.	Part Name	Qty.
A	715-1-180	Cam Bearing	2
B	715-201-62	Threaded Stud Assembly	1
C	14-4	Nylon Washer	4
D	28-8	External Retaining Ring	2

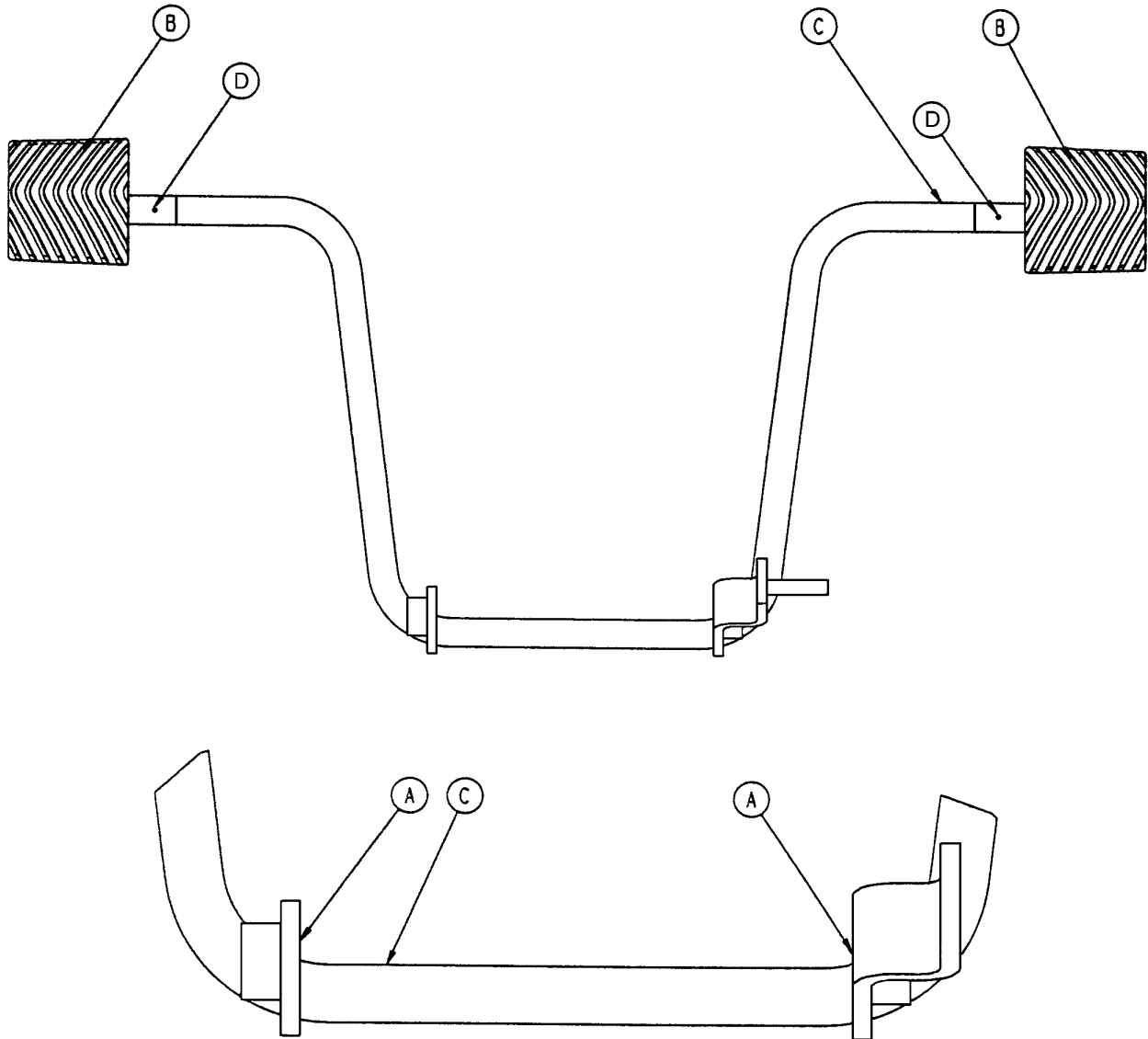
# 715-201-213 Brake Cam Assembly

---



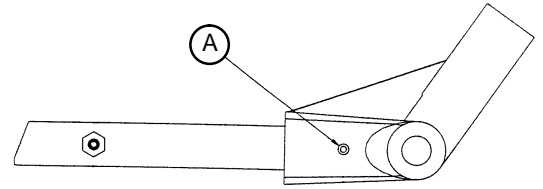
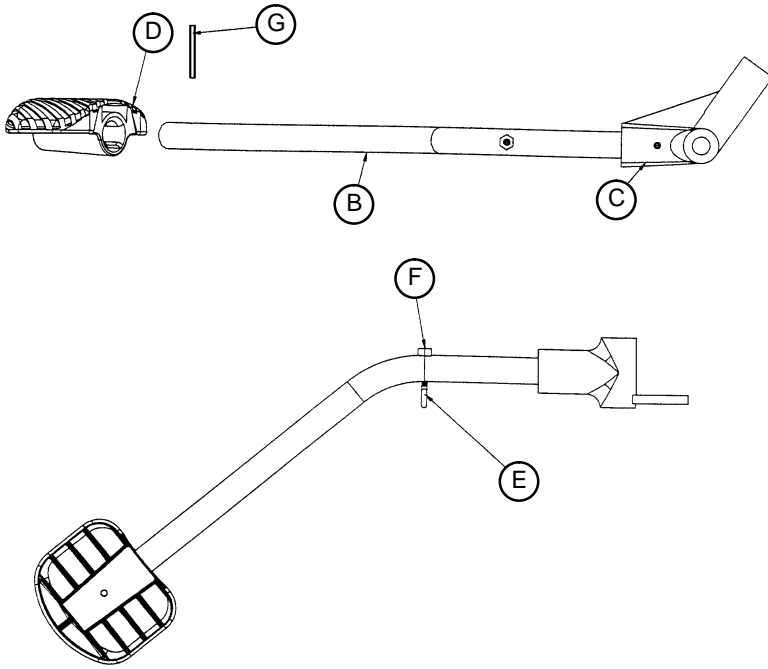
Item	Part No.	Part Name	Qty.
A	8-21	Hex Nut	1
B	16-59	Soc. Hd. Shoulder Screw	1
C	715-201-173	Brake Connecting Link	1
D	715-301-221	Brake Cam	1

# Side Control Pump Pedal Assembly



Item	Part No.	Part Name	Qty.
A	81-44	Bronze Bearing	2
B	715-201-126	Slip-On Pedal Pad	2
C	715-201-83	Pump Pedal Weldment	1
D	26-143	Groove Pin	2

# 716-201-288 Foot End Pump Pedal Assembly

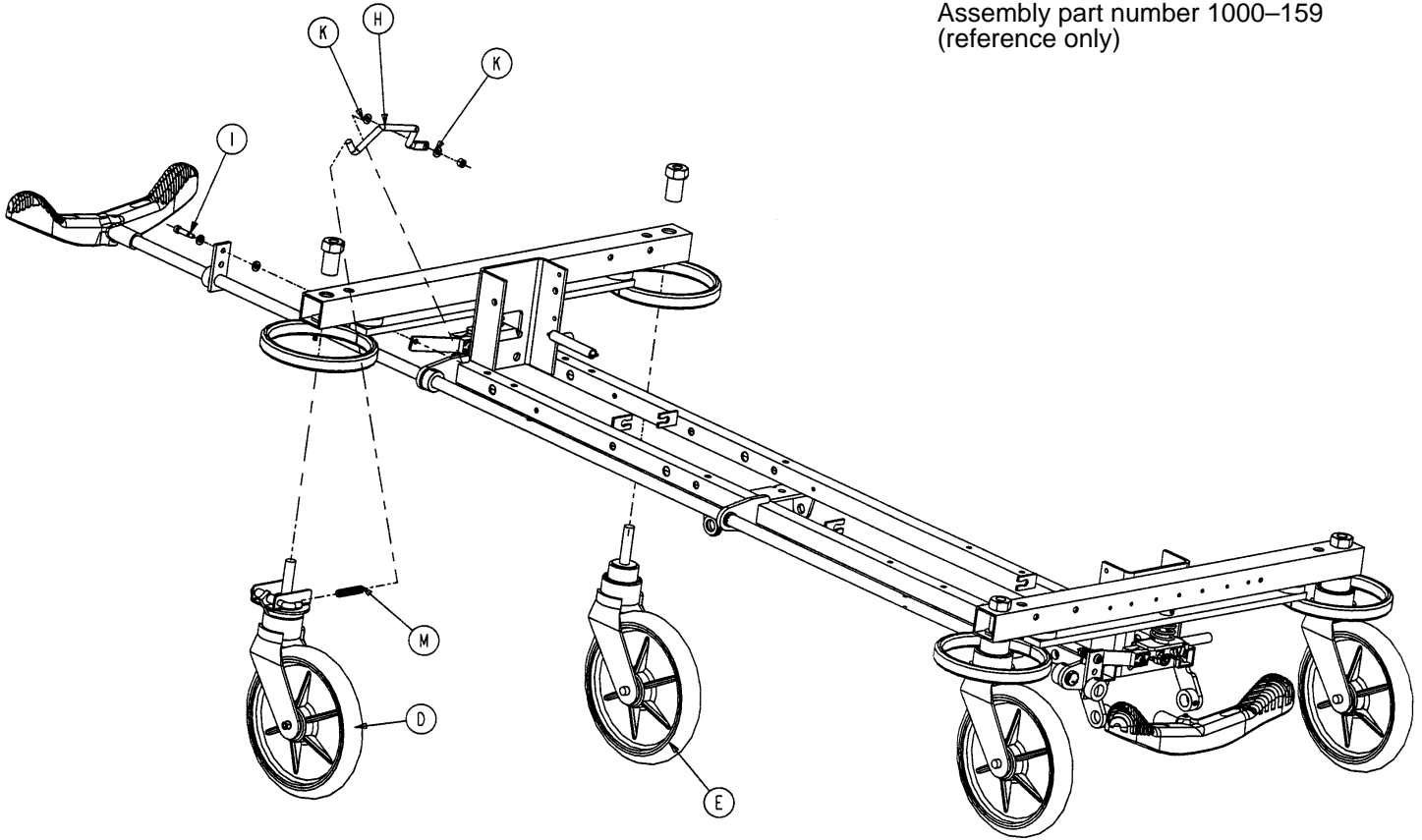


Item	Part No.	Part Name	Qty.
A	26-145	Spring Pin	1
B	716-201-14	Foot End Pump Rod	1
C	716-1-283	Pump Pivot Housing	1
D	715-201-126	Pedal	1
E	1210-201-551	Eye Bolt	1
F	16-14	Nylock Nut	1
G	26-261	Groove Pin	1



# Base Assembly w/Steerlock Caster Option

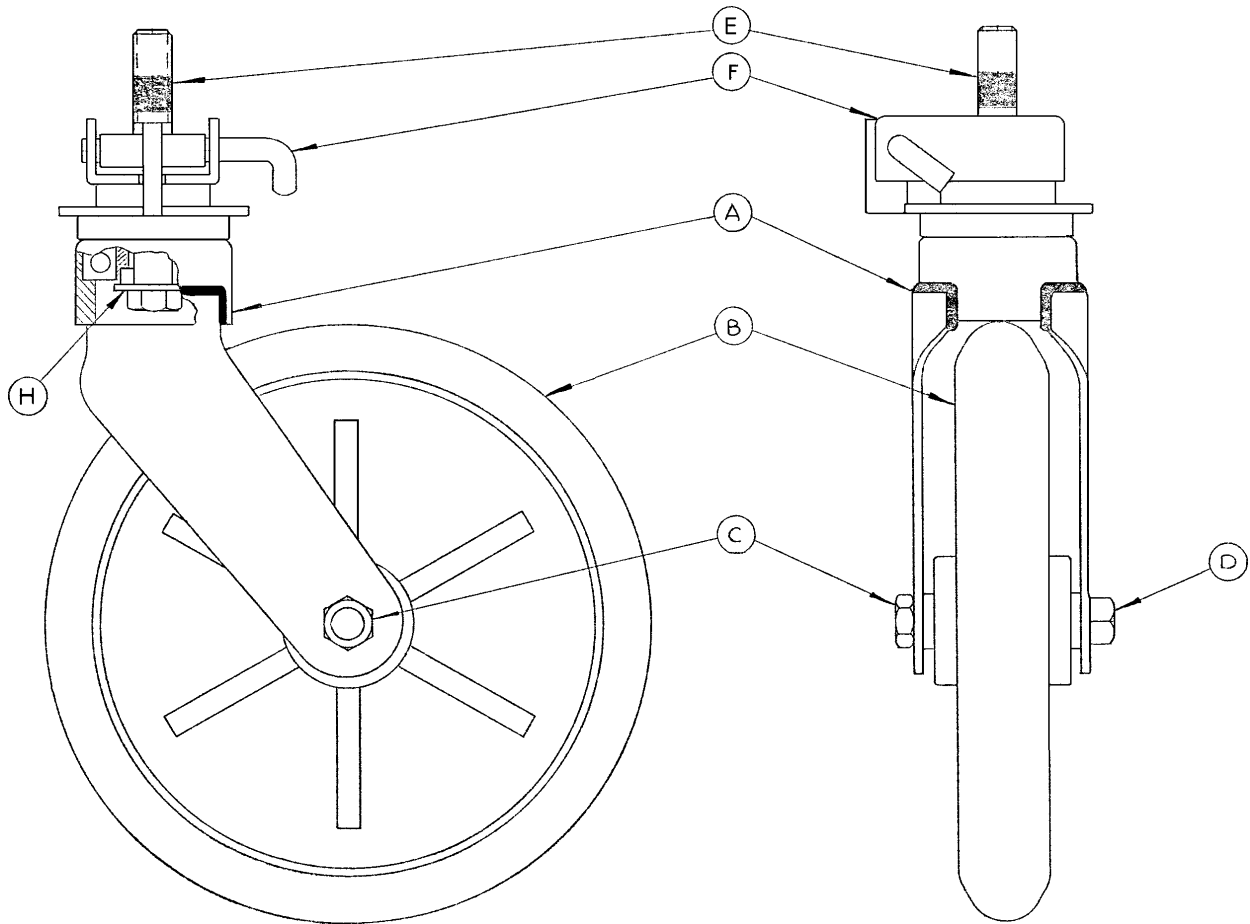
Assembly part number 1000-159  
(reference only)



Item	Part No.	Part Name	Qty.
D	(page 33)	Steer Caster Assembly	1
E	(page 34)	Caster Assembly	3
H	1000-210-62	Steer Lock Linkage Bar	1
I	8-21	Shoulder Bolt	1
K	14-2	Washer	2
M	38-211	Spring	1

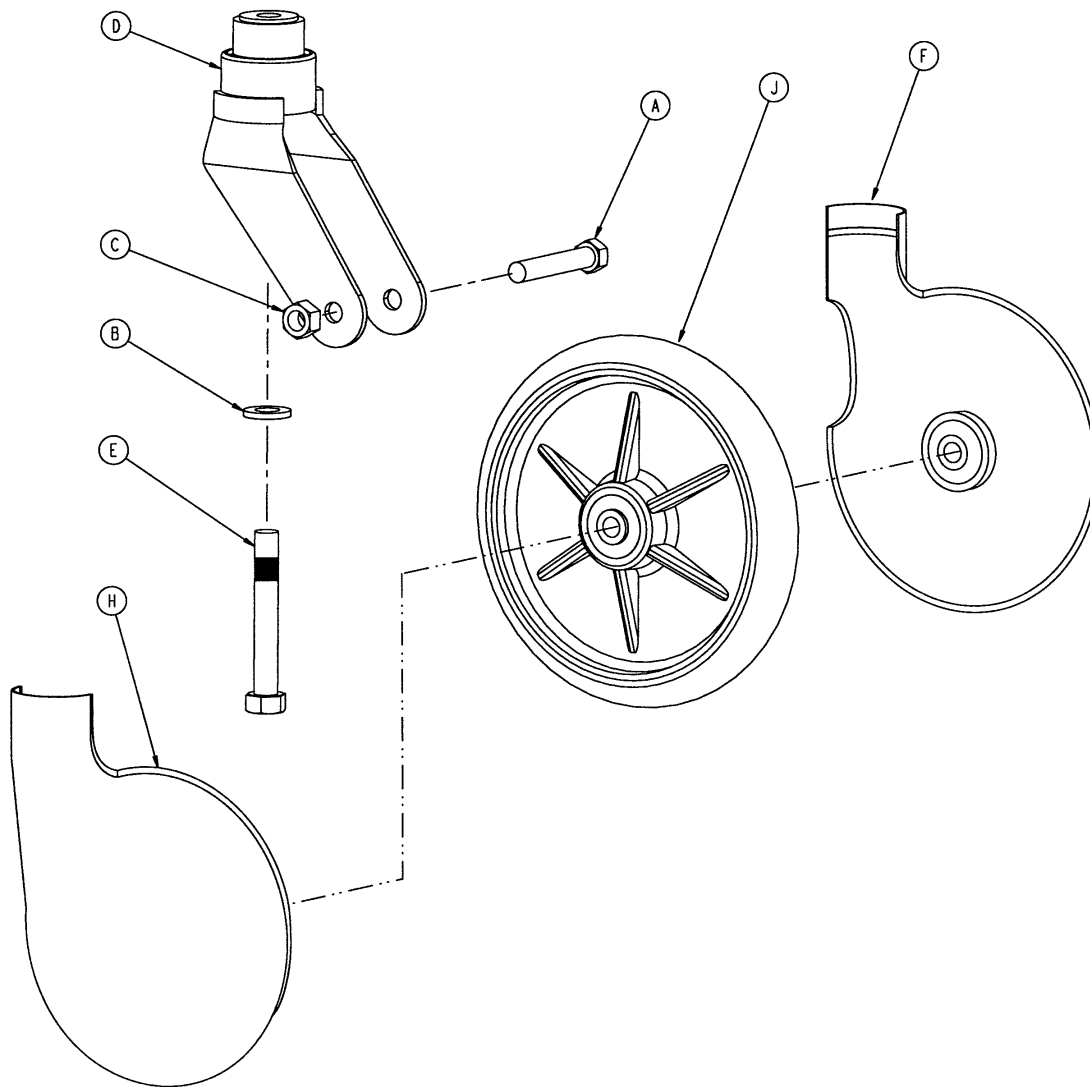
# 715-269-100 Caster Assembly w/Steerlock

Assembly part number 715-2-21 (reference only)



Item	Part No.	Part Name	Qty.
A	700-10-50	Steer Lock Caster Weldment	1
B	715-2-25	Caster Wheel	1
C	16-60	Hex Nut	1
D	3-99	Hex Bolt	1
E	715-3-96	Hex Bolt	1
F	1000-59-10	Latch Assembly	1
H	11-310	Flat Washer	1

# Standard Caster Assembly



Item	Part No.	Part Name	Qty.
A	3-99	Hex Hd. Cap Screw	1
B	11-310	Washer	1
C	16-60	Hex Nut	1
D	715-2-16	Horn Assembly	1
E	715-3-96	Hex Hd. Cap Screw	1
F	715-1-265	Wheel Cover, Right	1
H	715-1-266	Wheel Cover, Left	1
J	715-2-25	Wheel	1
	715-1-158	Caster Nut (not shown)	1

p/n 715-259-400 – Kit to replace 4 standard caster assemblies with hardware – no caster covers.

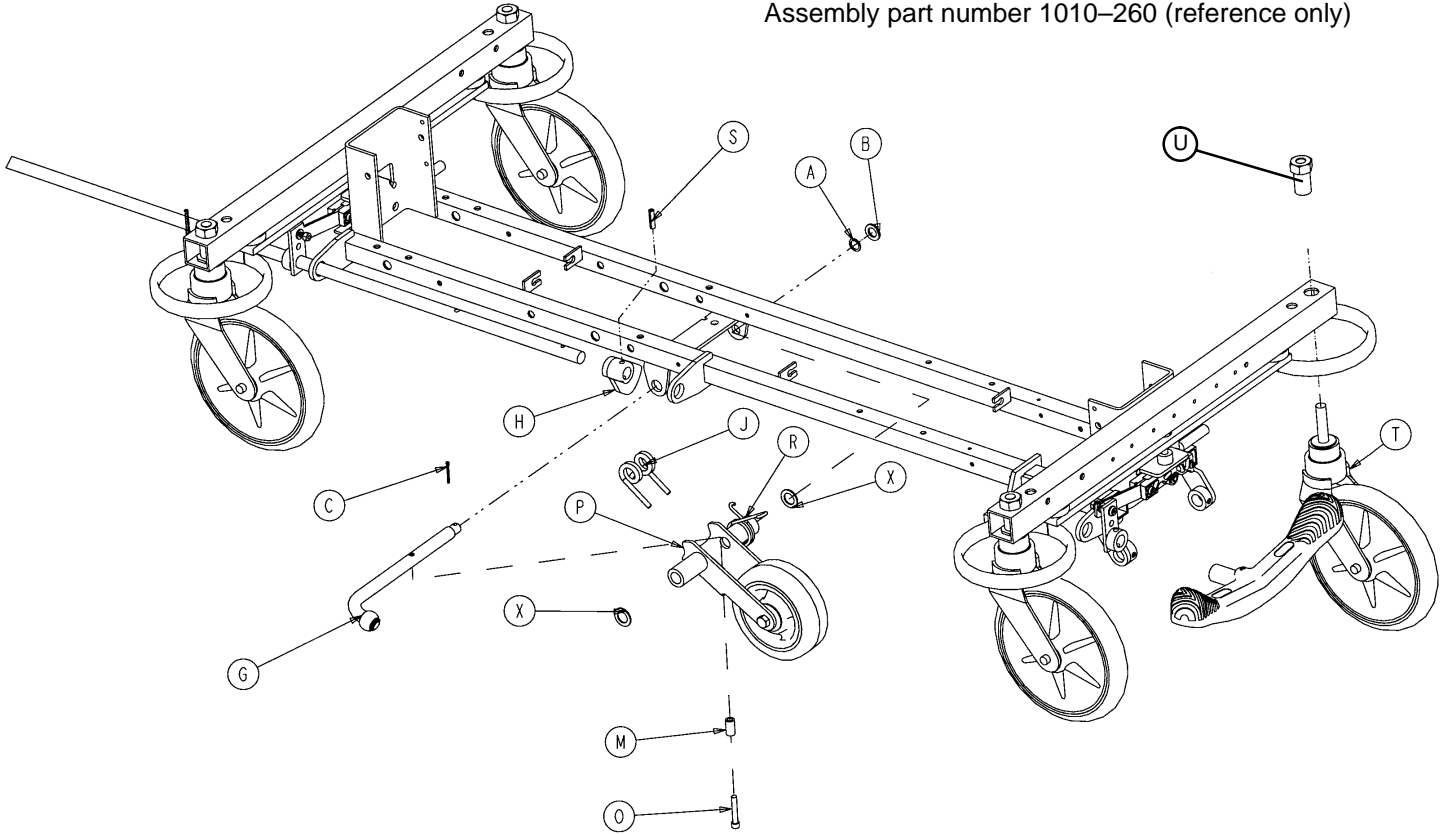
p/n 715-269-400 – Kit to replace 3 standard caster assemblies and 1 steerlock caster with hardware – no caster covers.

p/n 715-259-100 – Kit to replace 1 standard caster assembly with hardware – no caster covers.

p/n 1010-56-200 – Kit to replace both caster covers on all four wheels.

# Base Assembly w/Fifth Wheel Option

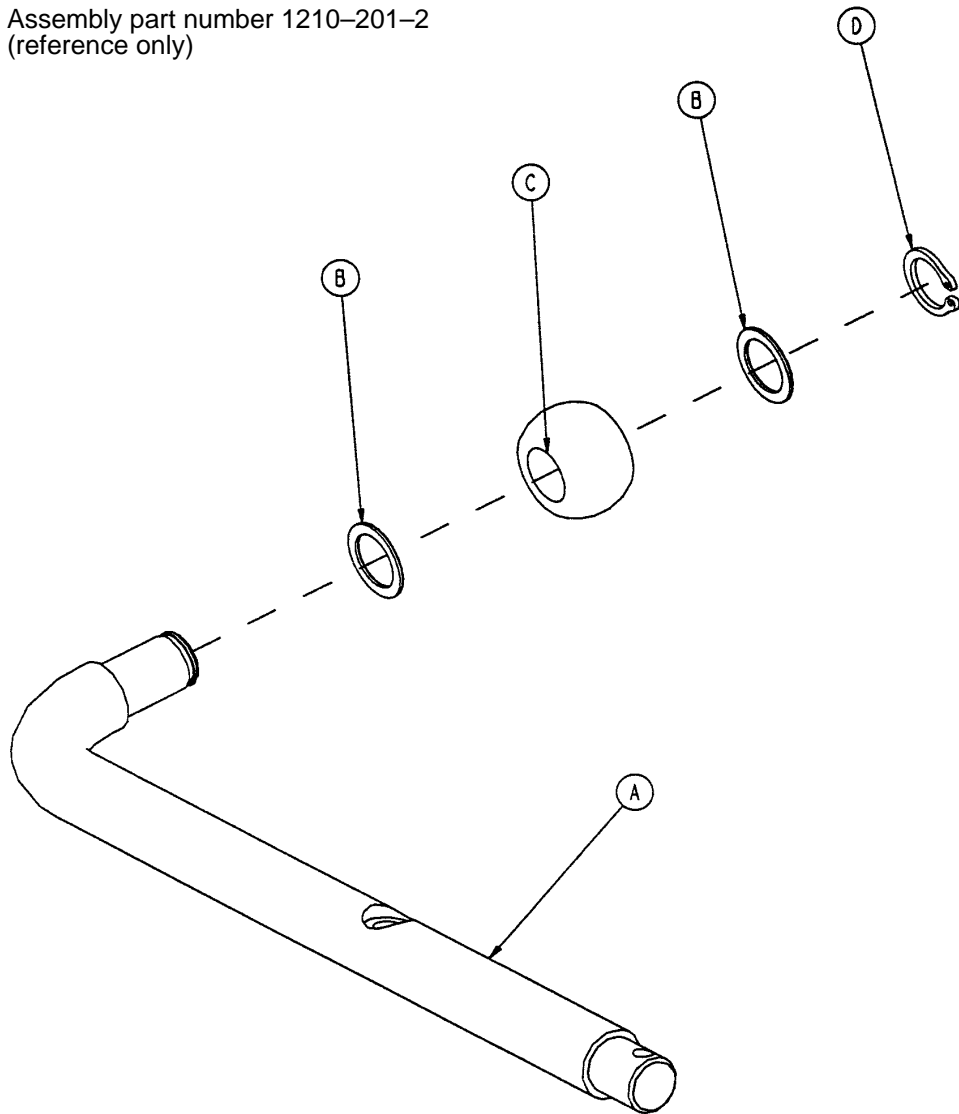
Assembly part number 1010-260 (reference only)



Item	Part No.	Part Name	Qty.
A	14-79	Nylon Washer	1
B	11-13	Washer	1
C	27-16	Cotter Pin	1
G	(page 36)	Pivot Rod Assembly	1
H	1210-1-145	Cam	1
J	1210-1-148	Torsion Spring	1
M	1210-201-149	Spring Spacer	1
O	4-10	Bolt	1
P	(page 37)	Wheel Arm Assembly	1
R	1210-1-146	Torsion Spring	1
S	26-35	Roll Pin	1
T	(page 34)	Caster Assembly	4
U	715-1-158	Caster Nut	4
X	14-80	Nylon Washer	2

# Pivot Rod Assembly

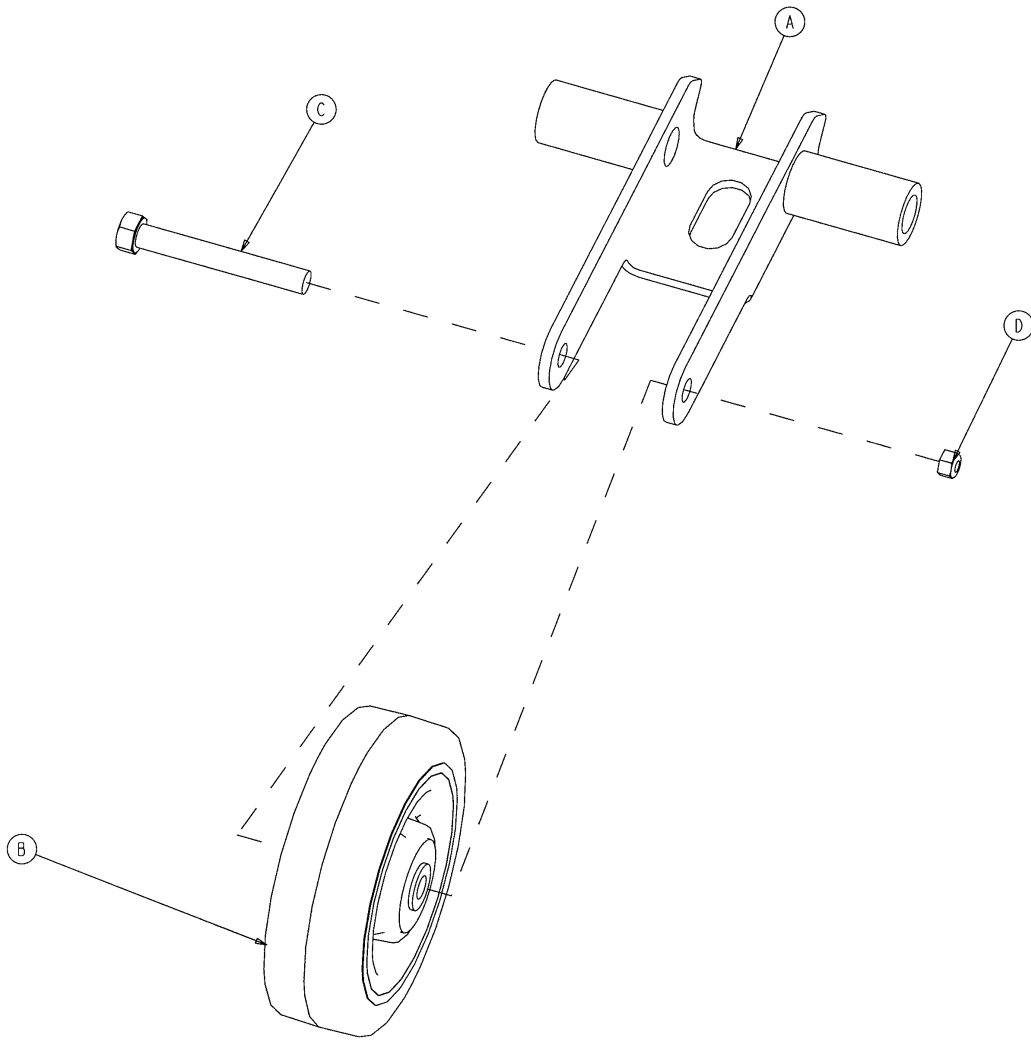
Assembly part number 1210-201-2  
(reference only)



Item	Part No.	Part Name	Qty.
A	1210-1-143	Pivot Rod	1
B	14-79	Nylon Washer	2
C	1210-1-144	Roller	1
D	28-131	Snap Ring	1
E	27-16	Cotter Pin	1

# 715-201-125 Wheel Arm Assembly

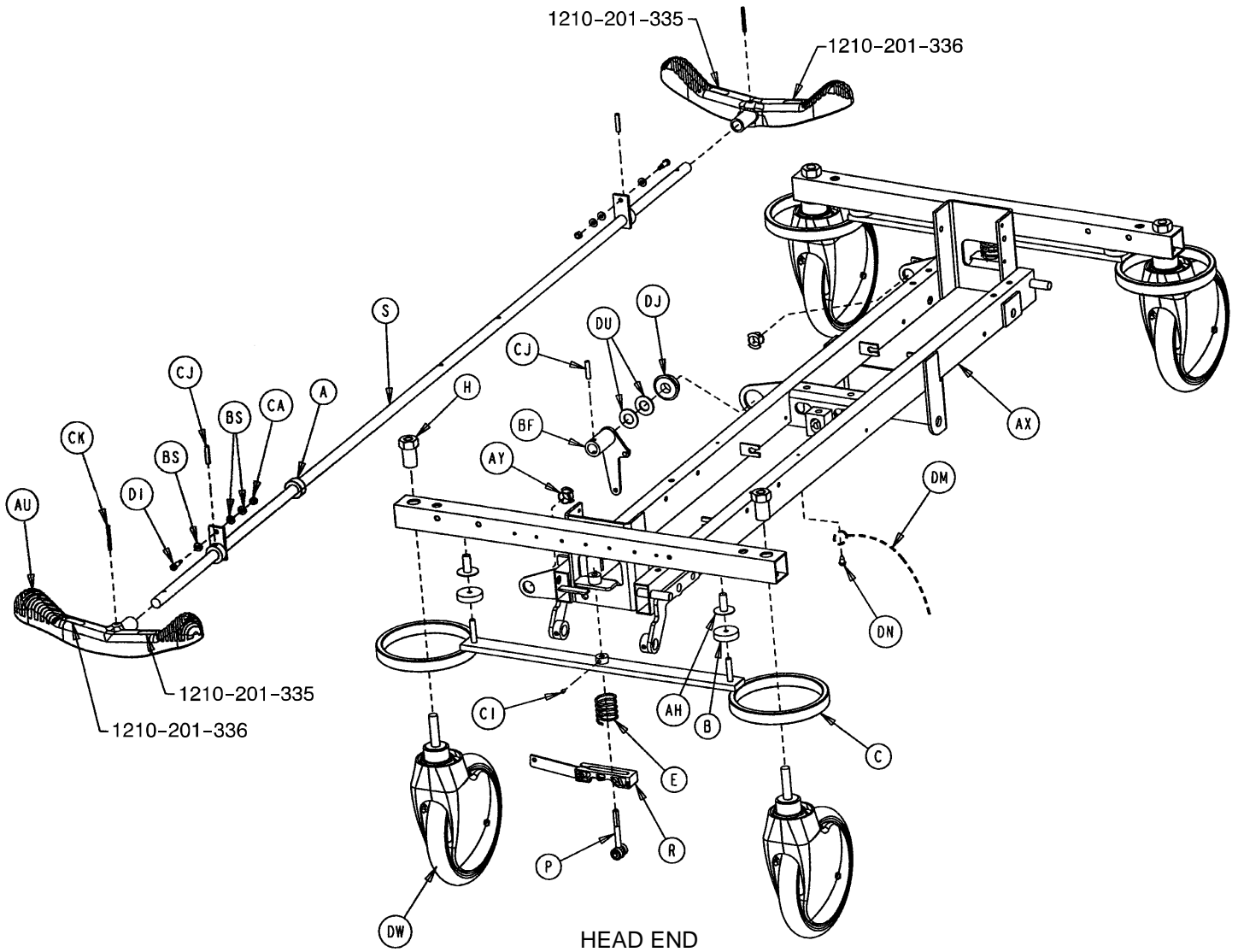
---



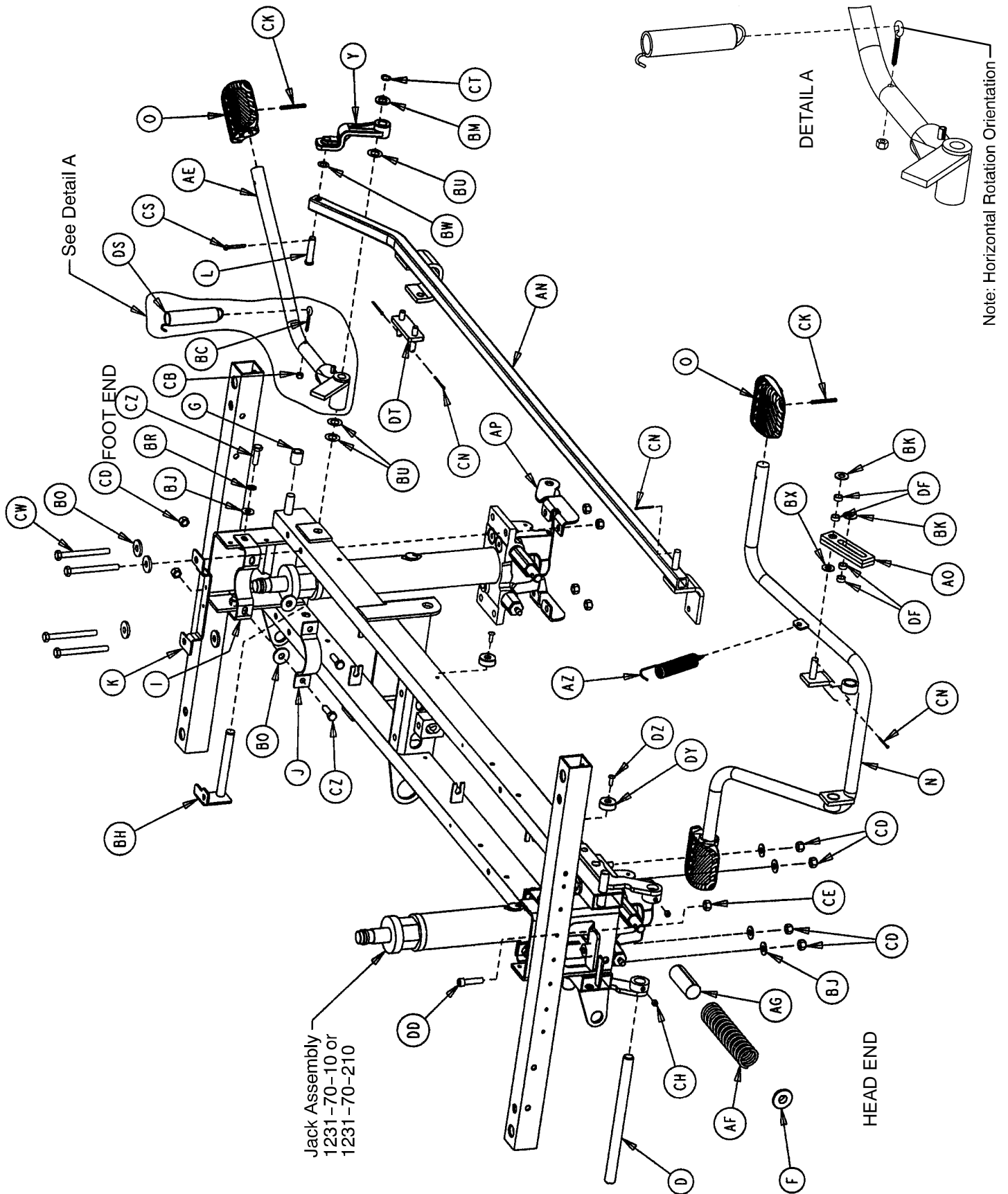
Item	Part No.	Part Name	Qty.
A	1210-201-553	Wheel Arm	1
B	1210-1-147	Fifth Wheel	1
C	3-31	Hex Hd. Cap Screw	1
D	16-12	Nylock Nut	1

# Optional Big Wheel 3-Sided Control Base Assembly

Assembly part number 1210-103-210 (reference only)



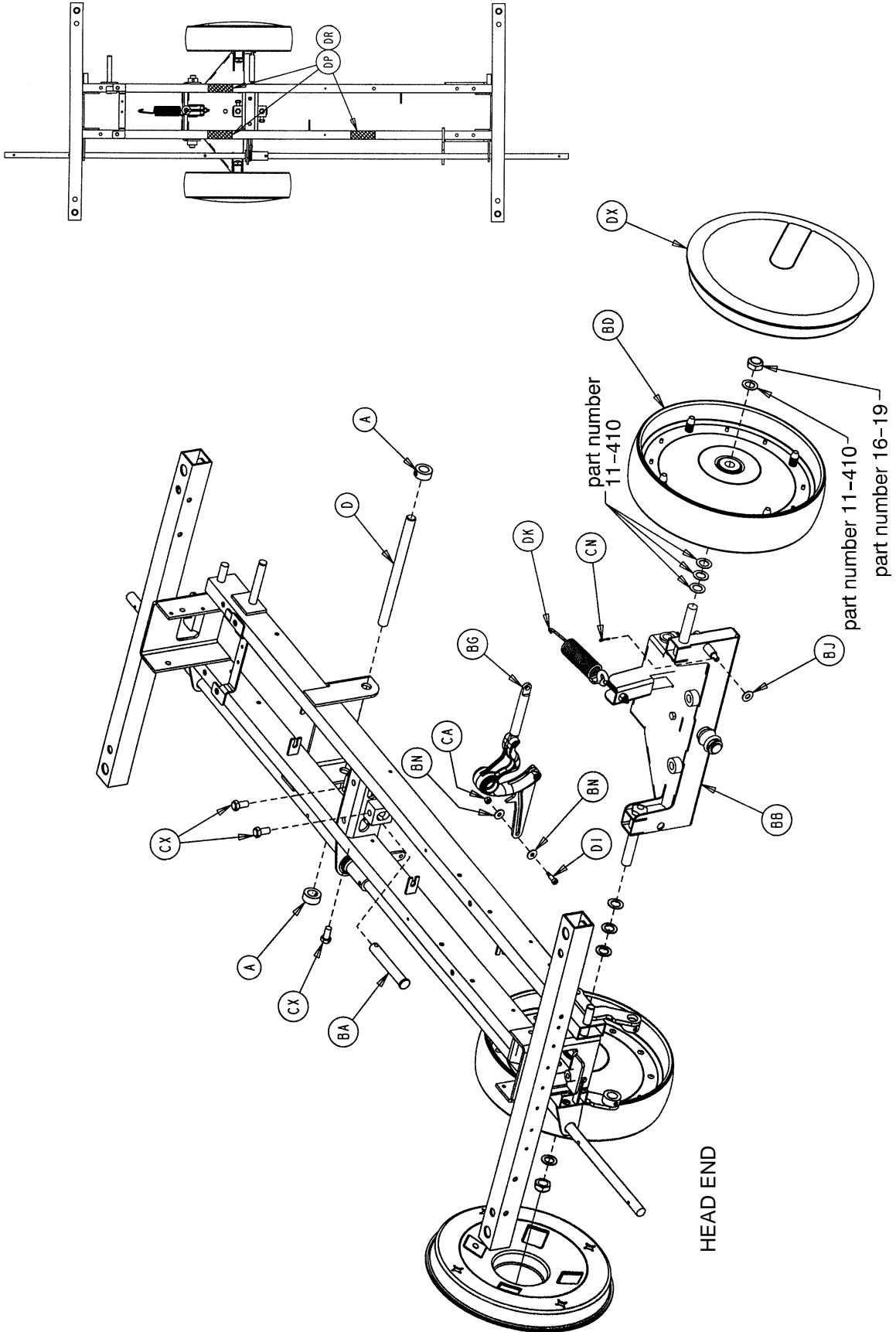
# Optional Big Wheel 3-Sided Control Base Assembly







# Optional Big Wheel 3-Sided Control Base Assembly

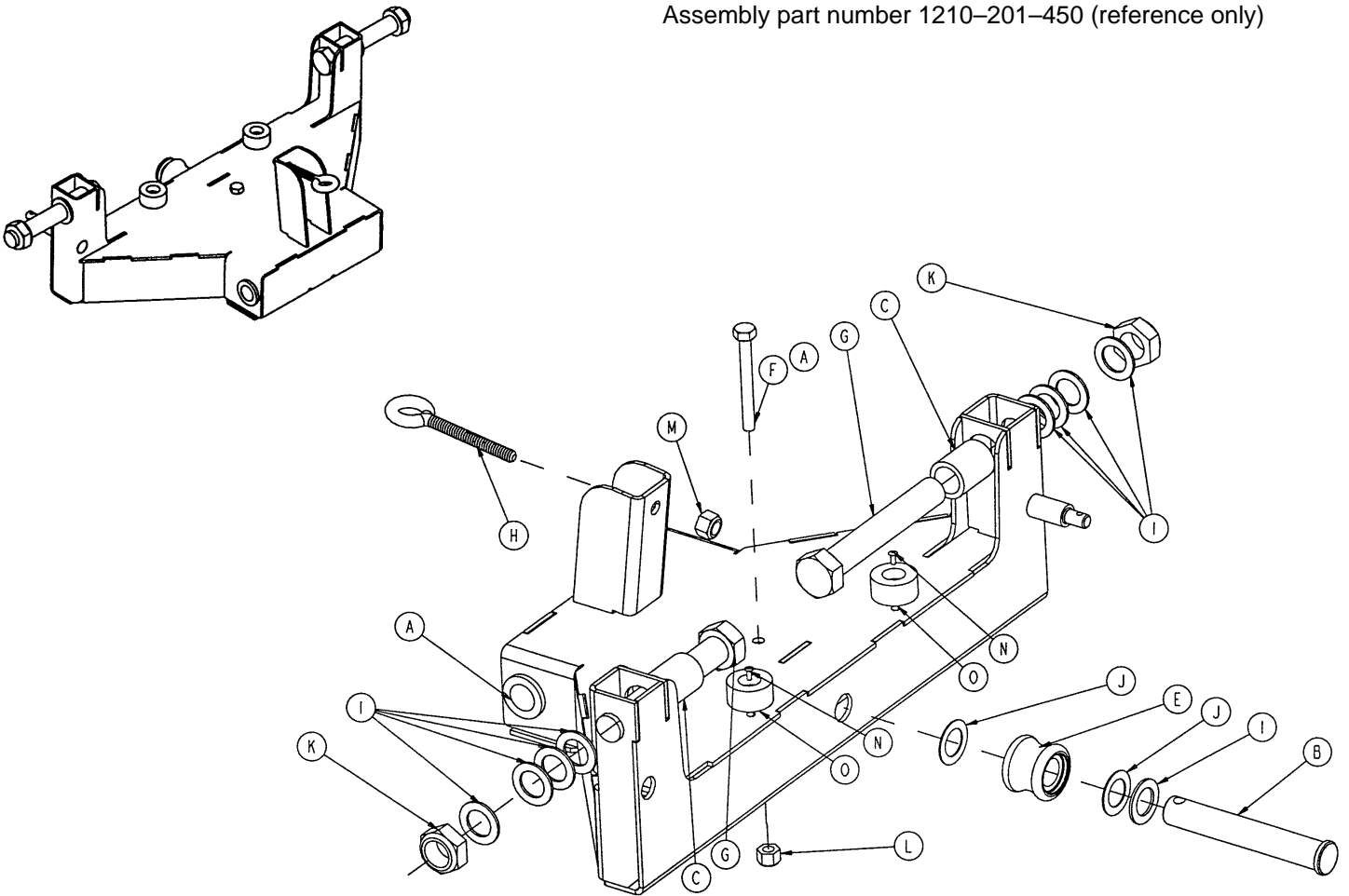


# Optional Big Wheel 3-Sided Control Base Assembly

Item	Part No.	Part Name	Qty.	Item	Part No.	Part Name	Qty.
A	42-20	Collar	4	BK	11-4	Washer	2
B	715-1-11	Brake Cushion	4	BM	11-13	Washer	1
C	715-1-61	Caster Brake Weldment	2	BN	11-224	Washer	2
D	715-1-92	Pump Pedal Shaft	2	BO	11-262	Washer	11
E	715-1-94	Compression Spring	2	BR	13-38	Lock Washer	4
F	715-1-133	Jack Spring Collar	1	BS	14-2	Washer	9
G	715-1-140	Vinyl Tube	2	BT	14-3	Washer	2
H	715-1-158	Caster Nut	4	BU	14-7	Washer	3
I	715-1-192	Jack Support	2	BW	14-9	Washer	1
J	715-1-193	Jack Support Clamp	2	BX	14-21	Washer	3
K	1210-201-330	Spring Support	1	BZ	15-11	Hex Nut	2
L	26-195	Clevis Pin	1	CA	16-2	Hex Nut	3
N	715-201-108	Pump Pedal	1	CB	16-14	Hex Nut	1
O	715-201-126	Slip-On Pump Pedal	3	CC	16-28	Hex Nut	6
P	(page 28)	Brake Adjuster Assembly	2	CD	16-36	Hex Nut	12
R	(page 29)	Brake Cam Assembly	2	CE	16-48	Hex Nut	1
S	715-201-230	Brake Rod	1	CF	16-49	Hex Nut	2
T	716-1-15	Release Pivot Bar	2	CH	21-22	Set Screw	2
U	716-1-52	Pivot Assembly, Foot End	1	CI	21-50	Set Screw	2
X	716-1-119	Pivot Assembly, Head End	1	CJ	26-13	Spring Pin	3
Y	716-201-281	Pump Idler Link	1	CK	26-143	Groove Pin	5
Z	716-1-286	Ball Release Spacer	2	CN	27-3	Cotter Pin	7
AA	716-201-61	Release Pedal Pivot Rod	1	CO	27-4	Cotter Pin	10
AB	716-301-70	Long Release Rod	1	CS	27-16	Cotter Pin	1
AC	716-301-72	Medium Release Rod	1	CT	28-97	External Retaining Ring	1
AD	716-301-74	Release Rod	1	CU	3-3	Hex Cap Screw	2
AE	(page 31)	Pump Pedal Ass'y, Foot End	1	CW	3-11	Hex Cap Screw	8
AF	38-246	Spring	1	CX	3-21	Hex Cap Screw	4
AG	763-1-16	Spring Guide	1	CY	3-47	Hex Cap Screw	4
AH	946-1-116	Brake Bar Bushing	4	CZ	3-85	Hex Cap Screw	8
AI	1210-1-112	Release Rod, Head, Left	1	DA	38-335	Descent Pedal Ret. Spring	2
AJ	1210-1-123	Rel. Pedal Transition Wldmt.	1	DB	38-326	Extension Spring	2
AK	1210-1-134	Rel. Pedal Linkage Wldmt.	1	DC	38-355	Extension Spring	2
AM	1210-1-138	Release Rod Clamp	2	DD	4-146	Soc. Hd. Cap Screw	1
AN	1210-201-28	Pump Conn. Rod Ass'y	1	DE	52-245	Nyliner	4
AO	1210-301-104	Slip Link Assembly	1	DF	52-284	Washer	4
AP	1210-201-111	End Release Pedal Bracket	1	DG	52-302	Flange Bearing	2
AR	1210-201-114	Pedal Pivot, Left	1	DH	52-747	Flange Bearing	4
AS	1210-201-115	Pedal Pivot, Right	1	DI	8-10	Shoulder Bolt	3
AT	1210-201-152	Side Release Pedal Wldmt.	2	DJ	81-301	Bearing	1
AU	1210-201-153	Butterfly "V" Pedal	2	DK	1210-1-151	Interface Spring	1
AW	1210-201-155	Rel. Pedal, Offset, Ft., Lt.	2	DM	715-1-156	Ground Chain	1
AX	1210-201-220	Base Frame Weldment	1	DN	23-25	Self Tapping Screw	1
AY	1210-201-251	Insert	2	DP	29-7	Dual Lock	3
AZ	1210-301-252	Pump Return Spring	1	DR	29-9	Dual Lock	3
BA	1210-201-412	Roller Pin	1	DS	38-451	Spring	1
BB	(page 43)	Interface Assembly	1	DT	716-1-102	Pump Link Wldmt., Foot	1
BC	1210-201-551	Eye Bolt	1	DU	14-71	Washer	2
BD	(page 45)	Big Wheel Assembly	2	DW	(page 34)	Caster Assembly	4
BE	1210-201-620	Actuator Weldment	2	DX	1210-301-653	Wheel Cover	2
BF	1210-201-630	Horn Weldment	1	DY	1210-201-550	Bearing Pad	2
BG	(page 46)	Cam Assembly	1	DZ	25-50	Rivet	2
BH	1210-301-201	Pin Brkt. Wldmt., Foot End	1	EA	8815-005-800	Ext. Tooth Lock Washer	2
BJ	11-3	Washer	7				

# Optional Big Wheel Interface Assembly

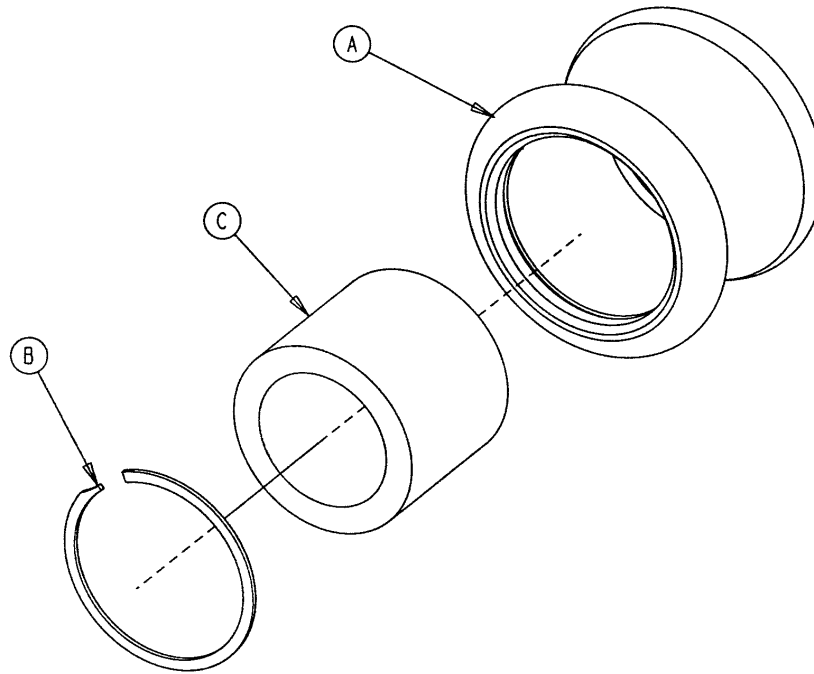
Assembly part number 1210-201-450 (reference only)



Item	Part No.	Part Name	Qty.
A	81-303	Flange Bushing	2
B	1210-201-412	Roller Pin	1
C	1210-201-625	Interface Sleeve	2
D	1210-201-445	Interface Weldment	1
E	(page 44)	Roller Assembly	1
F	3-32	Hex Hd. Cap Screw	1
G	3-345	Hex Hd. Cap Screw	2
H	10-4	Eye Bolt	1
I	11-410	Washer	9
J	14-80	Washer	2
K	16-19	Hex Nut	2
L	16-28	Hex Nut	1
M	16-36	Hex Nut	1
N	25-133	Rivet	2
O	56-16	Bumper Pad	2

# 1210-301-641 Optional Big Wheel Roller Assembly

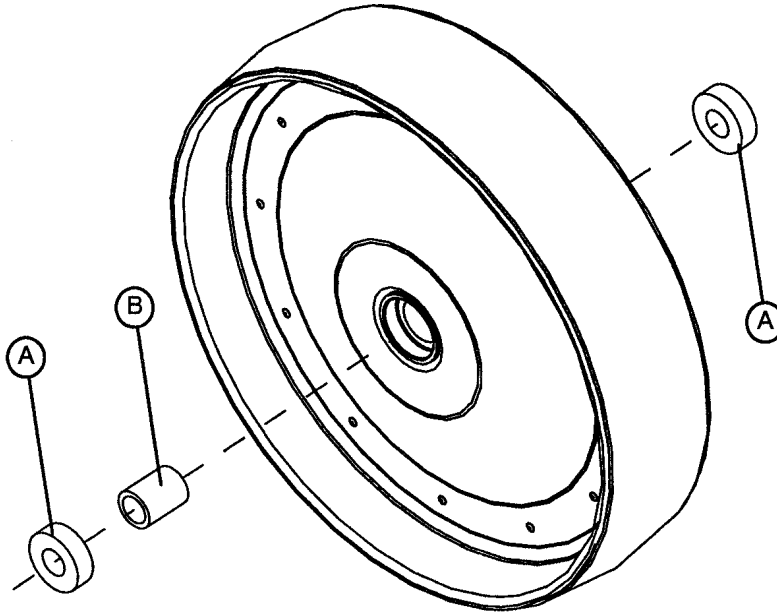
---



Item	Part No.	Part Name	Qty.
A	1210-301-640	Roller	1
B	28-184	Snap Ring	1
C	81-299	Bearing	1

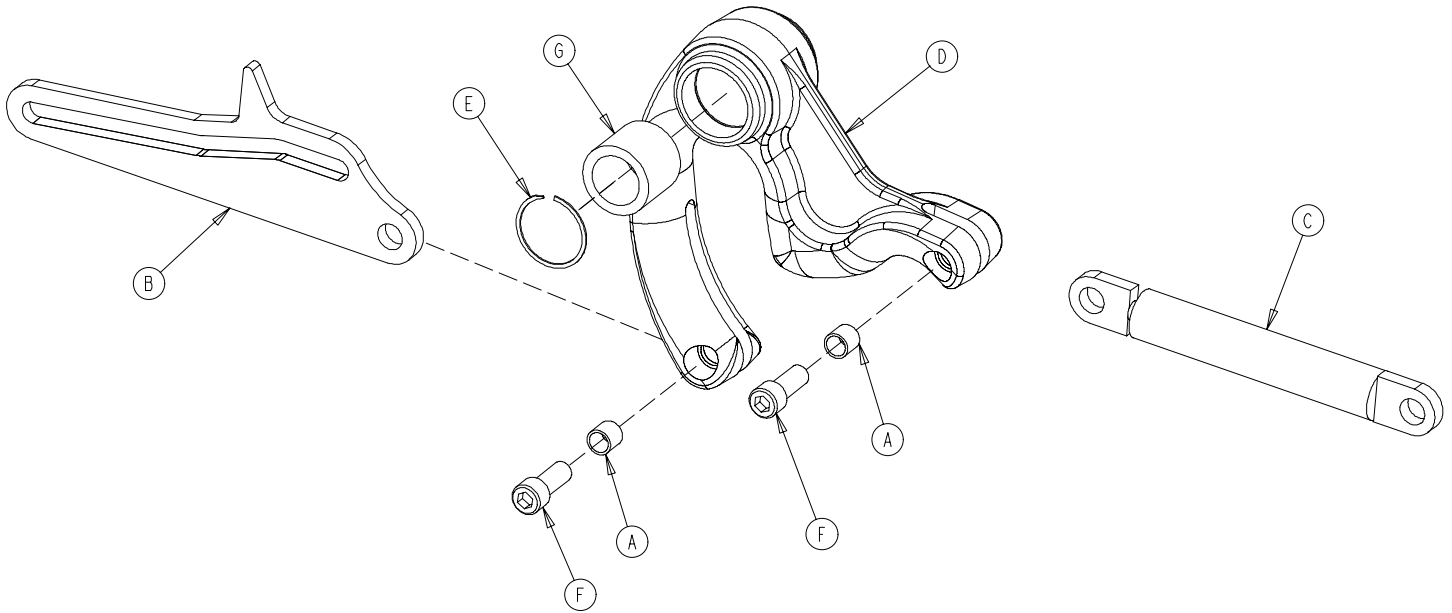
# 1210-301-619 Optional Big Wheel Assembly

---



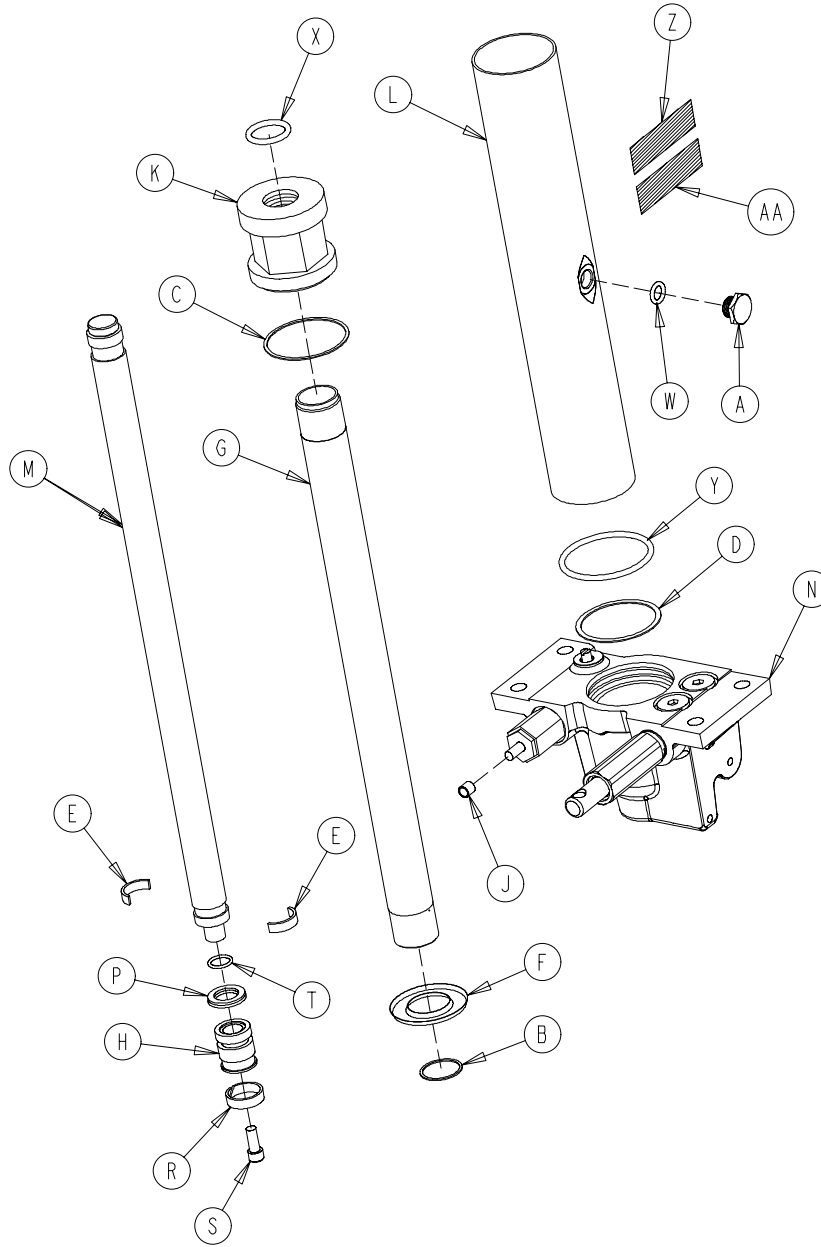
Item	Part No.	Part Name	Qty.
A	81-226	Bearing	2
B	1210-201-625	Wheel Inner Sleeve	1

# 1210-301-900 Optional Big Wheel Cam Assembly



Item	Part No.	Part Name	Qty.
A	715-1-333	Release Valve Stop Sleeve	2
B	1210-201-610	Connecting Link	1
C	1210-201-671	Dampener	1
D	1210-301-901	Cam	1
E	28-184	Snap Ring	1
F	4-328	Soc. Hd. Cap Screw	2
G	81-299	Needle Bearing	1

# 1231-70-10 Variable Descent Jack Assembly

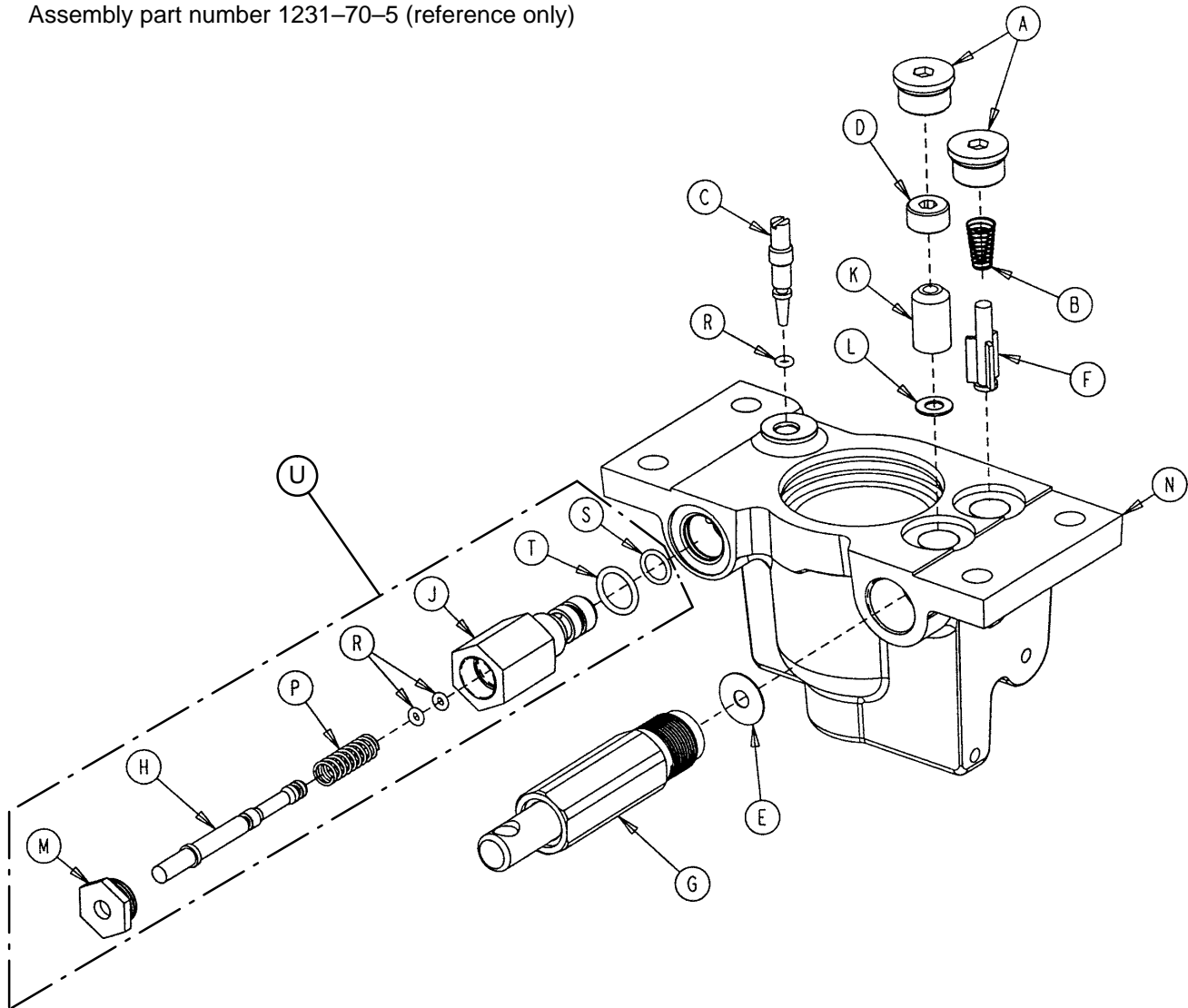


Item	Part No.	Part Name	Qty.	Item	Part No.	Part Name	Qty.
A	388-100-38	Plug	1	M	715-1-325	Actuator Rod	1
B	390-1-238	Actuator Gasket	1	N	(page 48)	Jack Base Ass'y	1
C	390-1-243	Gasket	1	P	926-20-161	Parker Packing	1
D	390-1-244	Base Gasket	1	R	926-20-162	Wear Ring	1
E	390-2-139	Retaining Ring	2	S	4-14	Soc. Hd. Cap Screw	1
F	715-1-320	Jack Screen	1	T	45-14	O-Ring	1
G	715-1-323	Actuator Cylinder	1	W	45-110	O-Ring	1
H	715-1-331	Piston End	1	X	45-904	O-Ring	1
J	715-1-333	Rel. Rod Stop Sleeve	1	Y	45-978	O-Ring	1
K	715-1-340	Jack Cap Assembly	1	Z	1231-70-110	Label	1
L	715-1-422	Reservoir	1	AA	921-1-252	Serial Number Label	1



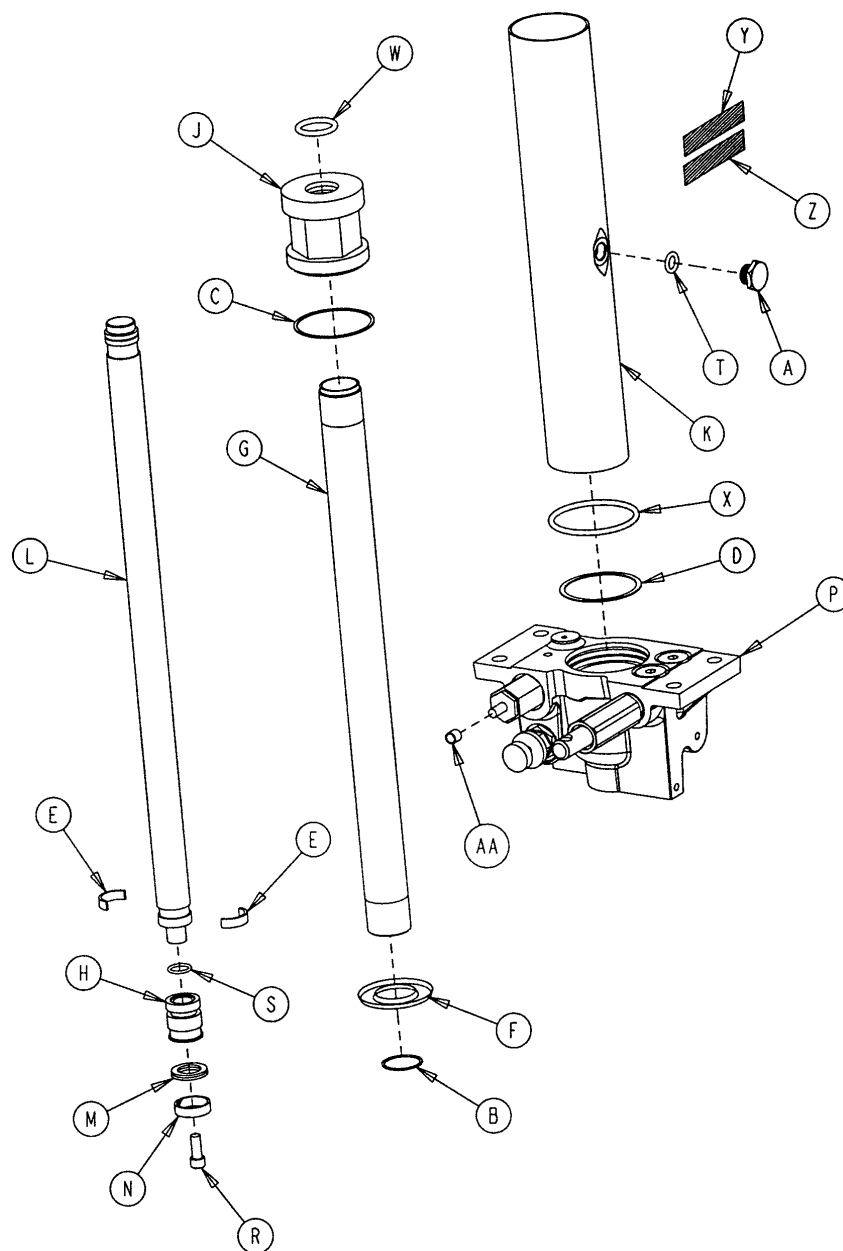
# Jack Base Assembly

Assembly part number 1231-70-5 (reference only)



Item	Part No.	Part Name	Qty.	Item	Part No.	Part Name	Qty.
A	48-147	Base Plug	2	K	926-20-153	Check Valve	1
B	390-2-134	Conical Comp. Spring	1	L	926-20-154	Seal	1
C	715-1-307	Needle Valve	1	M	1210-170-13	Base Plug	1
D	715-1-309	Valve Plug	1	N	1210-270-12	Jack Base	1
E	715-1-329	Pump Seal	1	P	38-311	Compression Spring	1
F	715-1-341	Poppet	1	R	45-6	O-Ring	3
G	(page 51)	Pump Piston Assembly	1	S	45-966	O-Ring	1
H	715-270-1	Pin	1	T	45-967	O-Ring	1
J	715-270-2	Pin Housing	1	U	715-270-100	Relief Valve Assembly	1

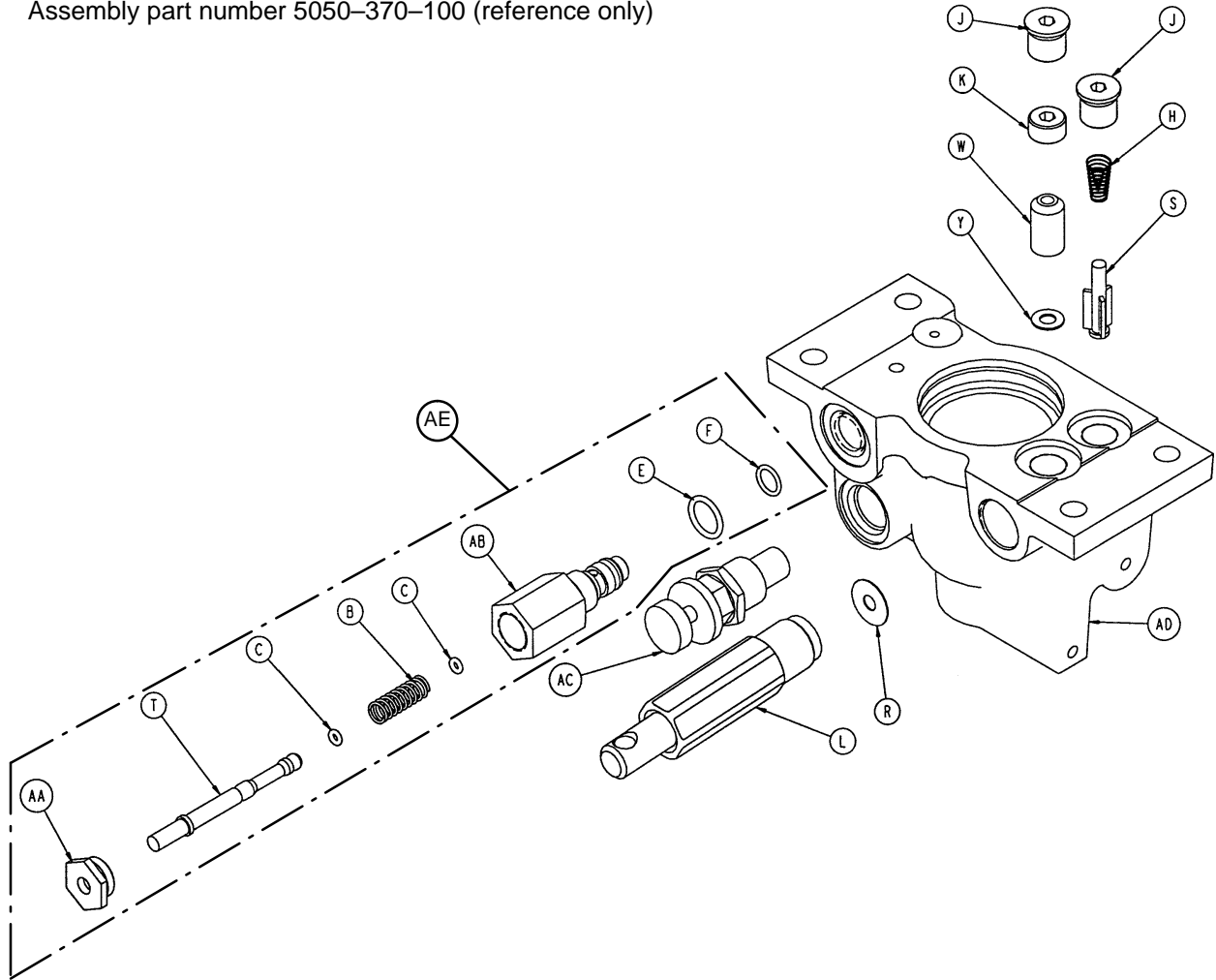
# 1231-70-210 Constant Flow Jack Assembly



Item	Part No.	Part Name	Qty.	Item	Part No.	Part Name	Qty.
A	388-100-38	Plug	1	M	926-20-161	Parker Packing	1
B	390-1-238	Actuator Gasket	1	N	926-20-162	Wear Ring	1
C	390-1-243	Gasket	1	P	(page 50)	Jack Base Ass'y	1
D	390-1-244	Base Gasket	1	R	4-14	Soc. Hd. Cap Screw	1
E	390-2-139	Retaining Ring	2	S	45-14	O-Ring	1
F	715-1-320	Jack Screen	1	T	45-110	O-Ring	1
G	715-1-323	Actuator Cylinder	1	W	45-904	O-Ring	1
H	715-1-331	Piston End	1	X	45-978	O-Ring	1
J	715-1-340	Jack Cap Assembly	1	Y	1231-70-211	Label	1
K	715-1-422	Reservoir	1	Z	921-1-252	Serial Number Label	1
L	715-1-325	Actuator Rod	1	AA	715-1-333	Rel. Rod Stop Sleeve	1

# Constant Flow Jack Base Assembly

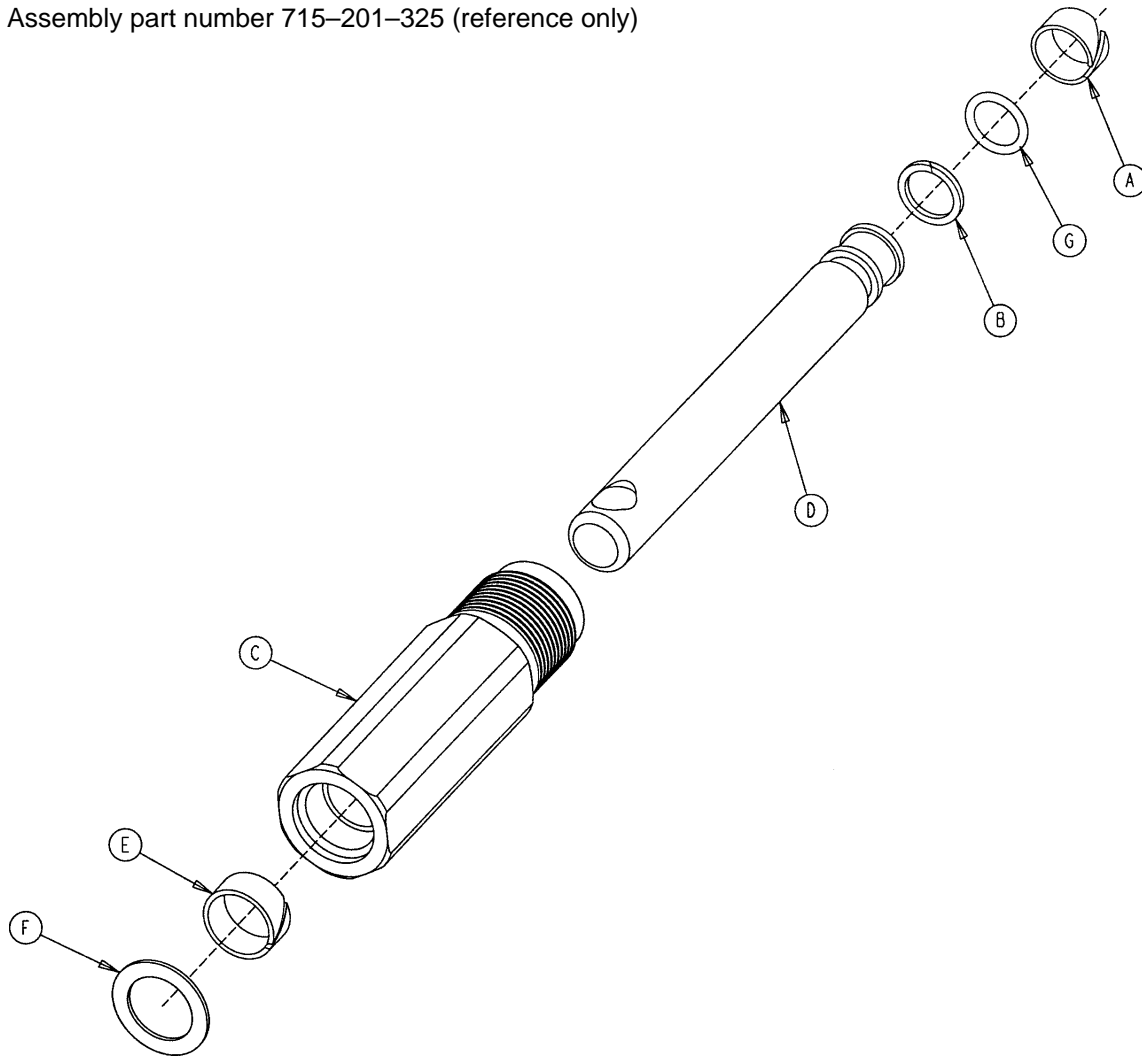
Assembly part number 5050-370-100 (reference only)



Item	Part No.	Part Name	Qty.	Item	Part No.	Part Name	Qty.
B	38-311	Compression Spring	1	S	715-1-341	Poppet	1
C	45-6	O-Ring	2	T	715-270-1	Pin	1
E	45-966	O-Ring	1	W	926-20-153	Check Valve	1
F	45-967	O-Ring	1	Y	926-20-154	Seal	1
H	390-2-134	Conical Comp. Spring	1	AA	1210-170-13	Base Plug	1
J	48-147	Base Plug	2	AB	2025-75-87	Pin Housing	1
K	715-1-309	Valve Plug	1	AC	5050-70-50	Adj. P.C. Valve Cartridge	1
L	(page 51)	Pump Piston Assembly	1	AD	5050-370-110	Jack Base	1
R	715-1-329	Pump Seal	1	AE	2025-700-26	Relief Valve Assembly	1

# 715-100-425 Jack Pump Piston Assembly

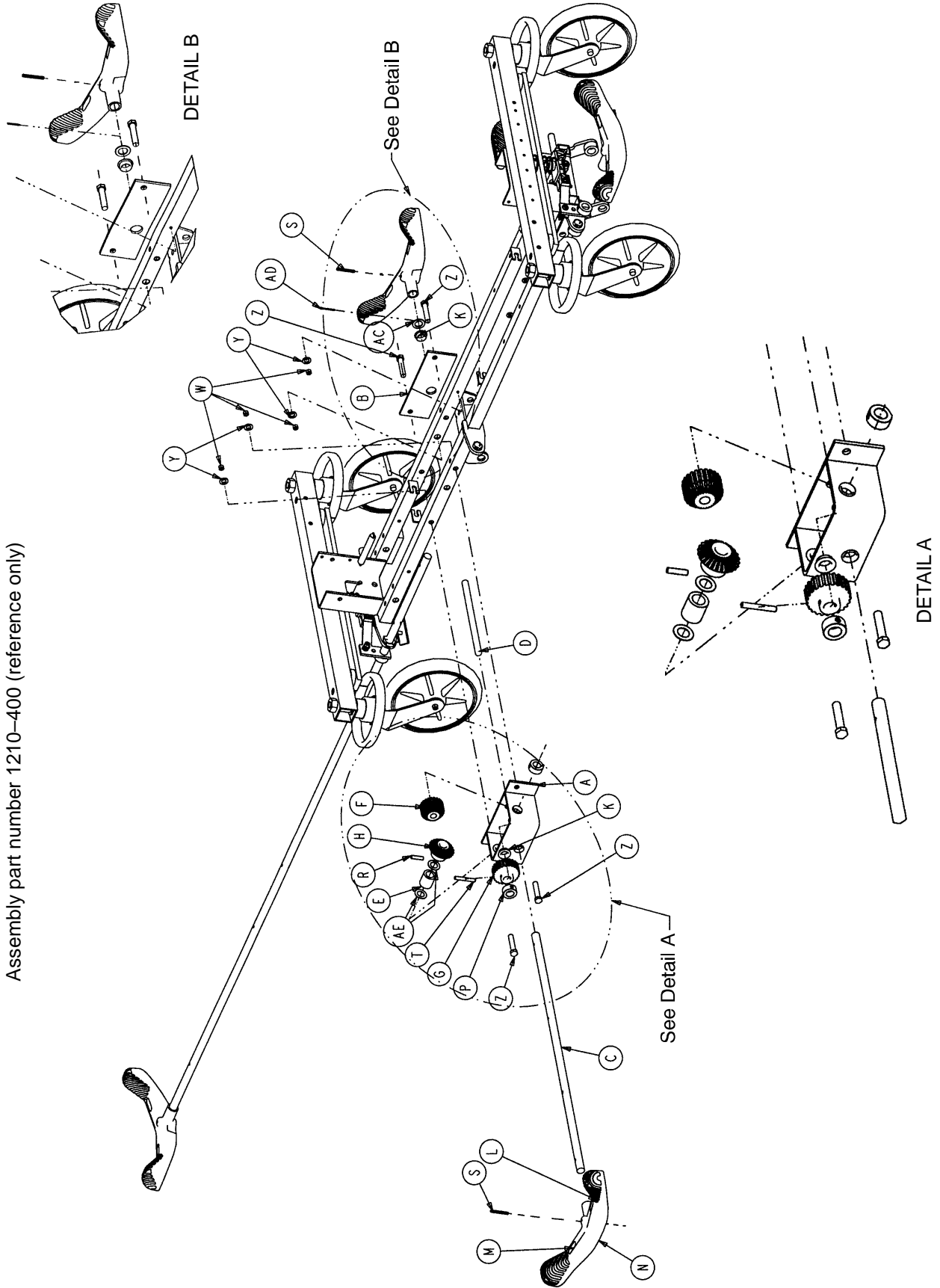
Assembly part number 715-201-325 (reference only)



Item	Part No.	Part Name	Qty.
A	715-1-328	Piston Wear Ring	1
B	715-1-400	O-Ring Back Up	1
C	715-200-316	Pump Cylinder	1
D	715-201-318	Pump Piston	1
E	715-201-327	Cylinder Wear Ring	1
F	14-50	Bearing Retainer	1
G	45-110	O-Ring	1
	715-1-329	Pump Seal (not shown)	1

# Optional Side Control Brake Assembly

Assembly part number 1210-400 (reference only)



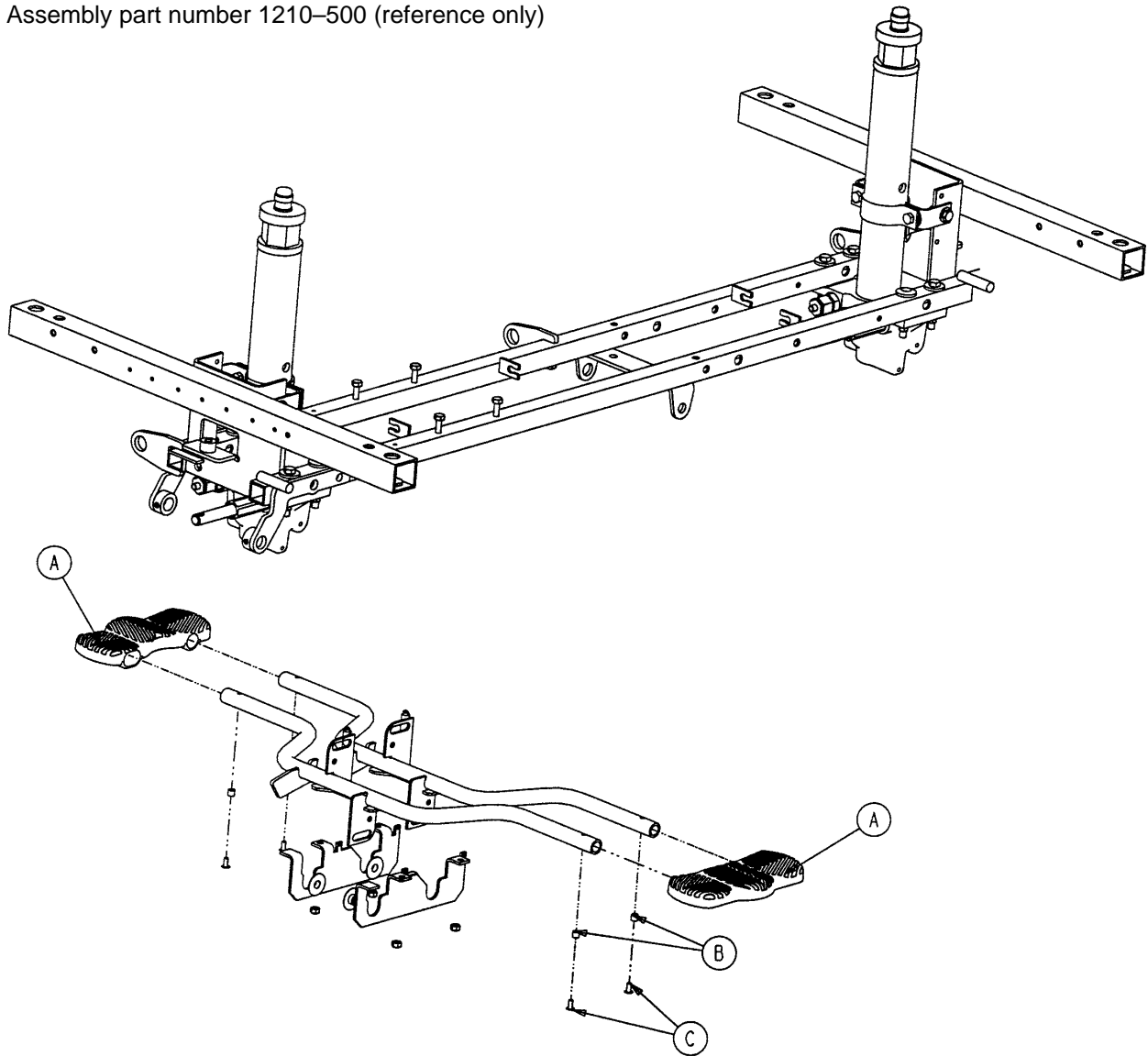
# Optional Side Control Brake Assembly

---

Item	Part No.	Part Name	Qty.
A	1210-301-400	Gear Box Weldment	1
B	1210-301-412	Support	1
C	1210-201-409	Side Control Brake/Steer Rod	1
D	1210-201-407	Pin	1
E	1210-301-406	Spacer	1
F	1210-301-405	Miter/Spur Gear	1
G	1210-301-404	Spur Gear	1
H	1210-301-403	Miter Gear	1
K	1210-201-401	Flange Bearing	5
L	1210-201-336	Steer Label	2
M	1210-201-335	Brake Label	2
N	1210-201-153	Butterfly "V" Pedal	2
P	42-20	Collar	1
R	26-265	Gear Dowel Pin	1
S	26-143	Pedal Dowel Pin	2
T	26-166	Groove Pin	1
W	16-35	Lock Nut	4
Y	11-4	Flat Washer	4
Z	3-45	Hex Hd. Cap Screw	4
AA	1210-201-339	Brake/Steer Label, Right	1
AB	1210-201-340	Brake/Steer Label, Left	1
AC	11-410	Washer	1
AD	27-16	Cotter Pin	1
AE	14-80	Washer	2

# Optional Uni-Lower Pedal Assembly

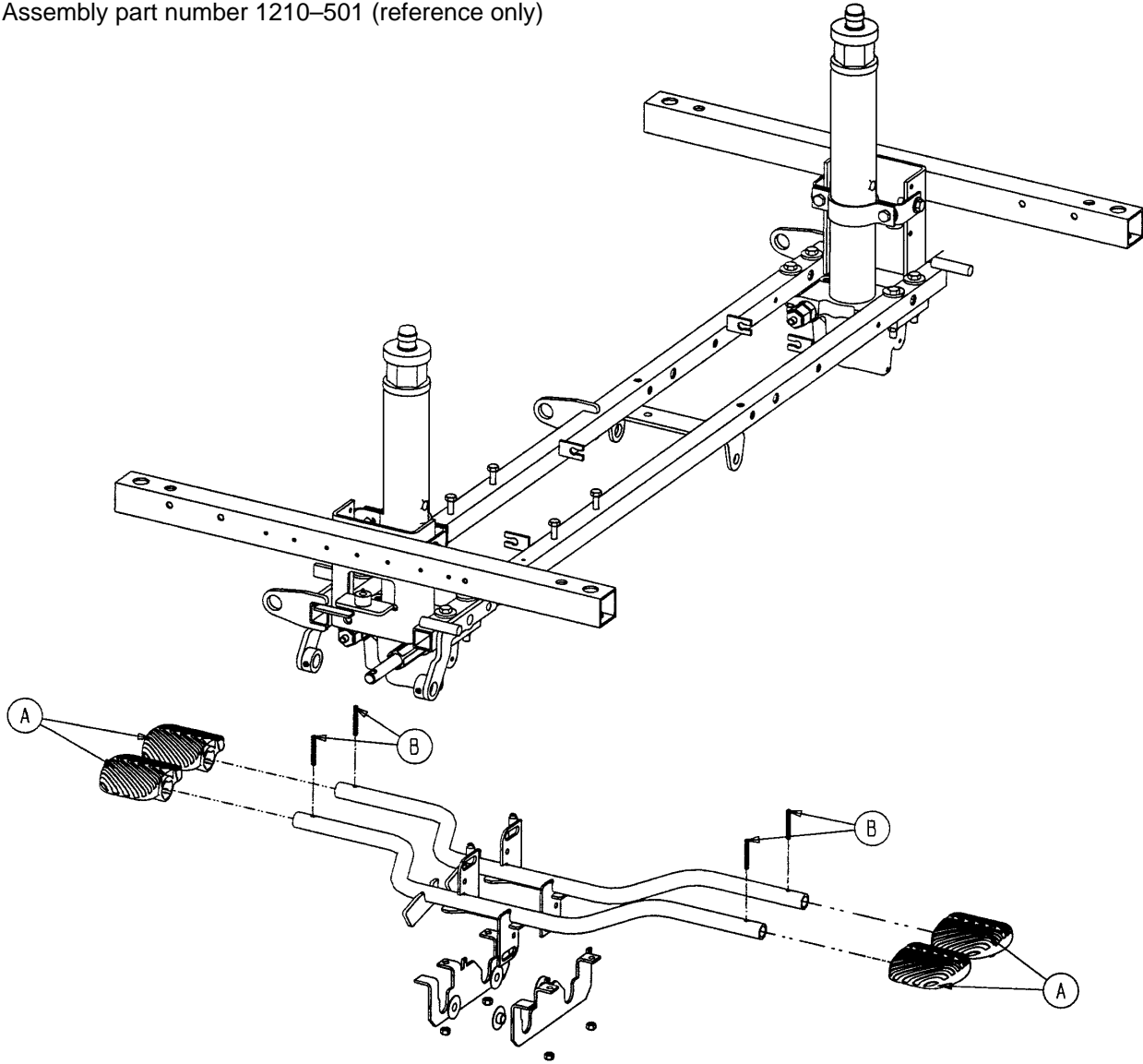
Assembly part number 1210-500 (reference only)



Item	Part No.	Part Name	Qty.
A	715-201-127	Uni-Lowering Pedal	2
B	715-1-333	Release Rod Stop Sleeve	4
C	25-50	Pop Rivet	4

# Optional Dual Lowering Pedal Assembly

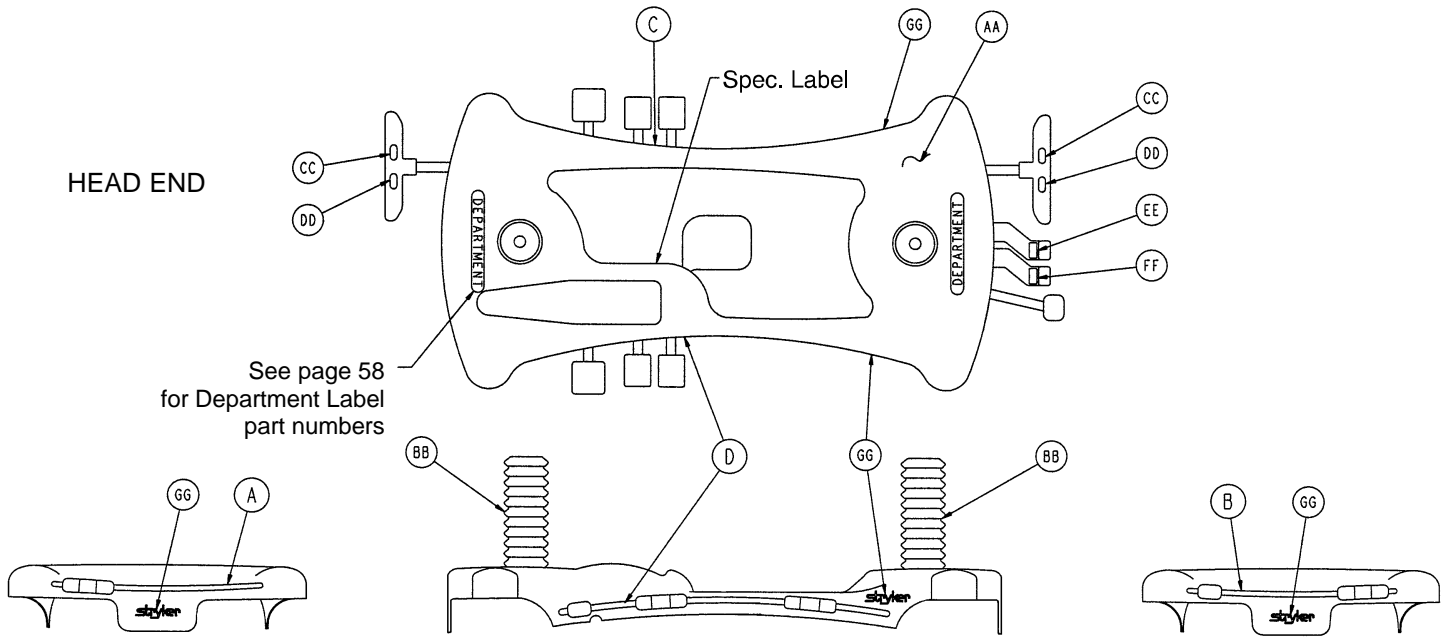
Assembly part number 1210-501 (reference only)



Item	Part No.	Part Name	Qty.
A	715-201-126	Pump Pedal	4
B	26-143	Groove Pin	4



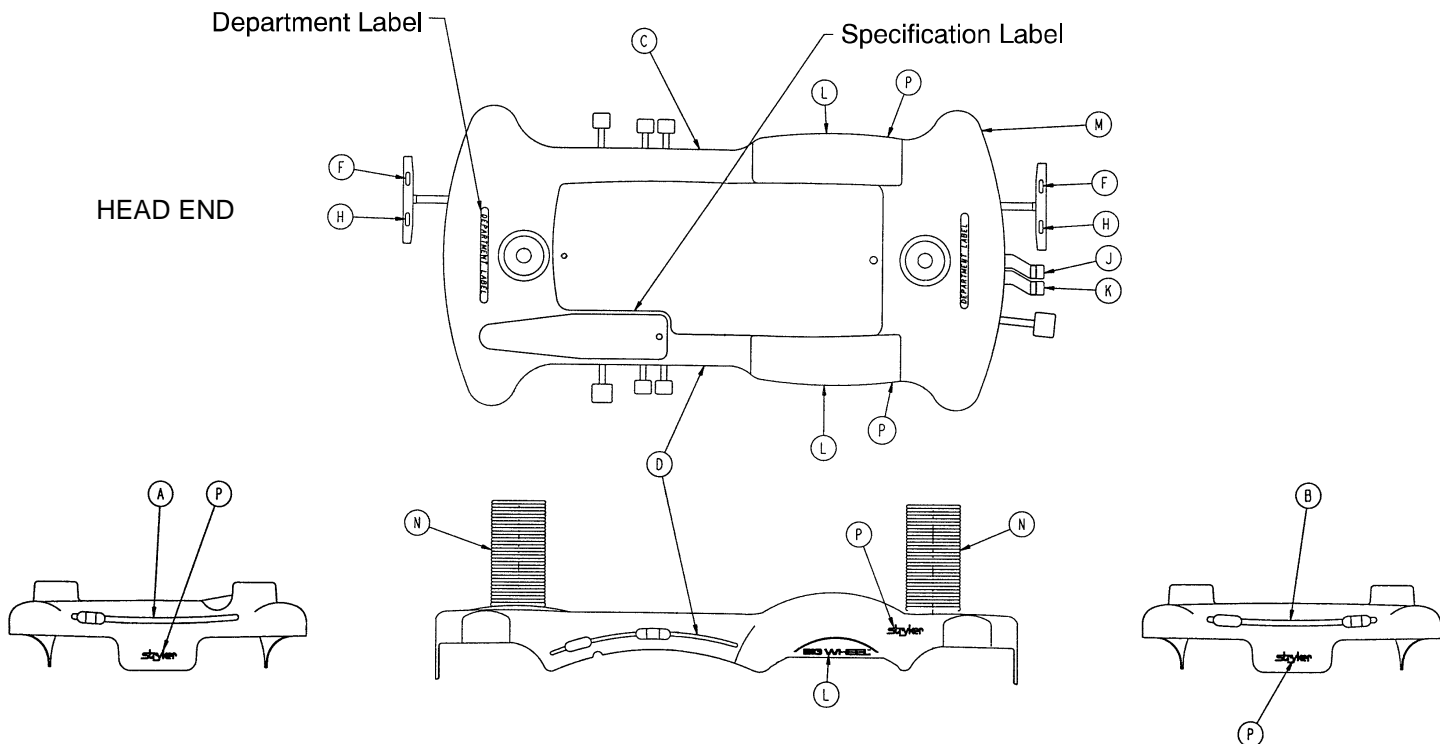
# Base Hood Labeling Assembly



Item	Part No.	Part Name	Qty.
AA	1210-145-25	Base Hood	1
BB	715-1-134	Bellows	2
CC	1210-201-335	Red Brake Label	2
DD	1210-201-336	Green Steer Label	2
EE	1210-201-337	Head Down Label, Foot End	1
FF	1210-201-338	Foot Down Label, Foot End	1
GG	946-201-60	Stryker Logo Label	4

Color Set P/N	Item A Control Label, Head End	Item B Control Label, Foot End	Item C Control Label, Left	Item D Control Label, Right	Litter Bumper Strip
RED 1210-750-110	1210-800-113	1210-850-115	1210-800-111	1210-800-112	1010-700-15
PURPLE 1210-750-120	1210-800-123	1210-850-125	1210-800-121	1210-800-122	1010-700-25
GREEN 1210-750-130	1210-800-133	1210-850-135	1210-800-131	1210-800-132	1010-700-35
GRAY 1210-750-140	1210-800-143	1210-850-145	1210-800-141	1210-800-142	1010-700-45
TEAL 1210-750-150	1210-800-153	1210-850-155	1210-800-151	1210-800-152	1010-700-55
PINK 1210-750-160	1210-800-163	1210-850-165	1210-800-161	1210-800-162	1010-700-65
BLUE 1210-750-170	1210-800-173	1210-850-175	1210-800-171	1210-800-172	1010-700-75

# Optional Big Wheel 3-Sided Control Base Labeling Ass'y



Color Set P/N	Item A Control Label, Head End	Item B Control Label, Foot End	Item C Control Label, Left	Item D Control Label, Right	Litter Bumper Strip
RED 1210-750-315	1210-800-113	1210-850-115	1210-800-115	1210-800-114	1010-700-15
PURPLE 1210-750-325	1210-800-123	1210-850-125	1210-800-125	1210-800-124	1010-700-25
GREEN 1210-750-335	1210-800-133	1210-850-135	1210-800-135	1210-800-134	1010-700-35
GRAY 1210-750-345	1210-800-143	1210-850-145	1210-800-145	1210-800-144	1010-700-45
TEAL 1210-750-355	1210-800-153	1210-850-155	1210-800-155	1210-800-154	1010-700-55
PINK 1210-750-365	1210-800-163	1210-850-165	1210-800-165	1210-800-164	1010-700-65
BLUE 1210-750-375	1210-800-173	1210-850-175	1210-800-175	1210-800-174	1010-700-75

Item	Part No.	Part Name	Qty.
F	1210-201-335	Red Brake Label	2
H	1210-201-336	Green Steer Label	2
J	1210-201-337	Head Down Label, Foot End	1
K	1210-201-338	Foot Down Label, Foot End	1
L	1210-201-651	Big Wheel Label	2
M	1210-245-25	Base Hood	1
N	715-1-134	Bellows	2
P	946-201-60	Stryker Logo Label	4

# Base Hood Labeling Assembly – Department Labels

---

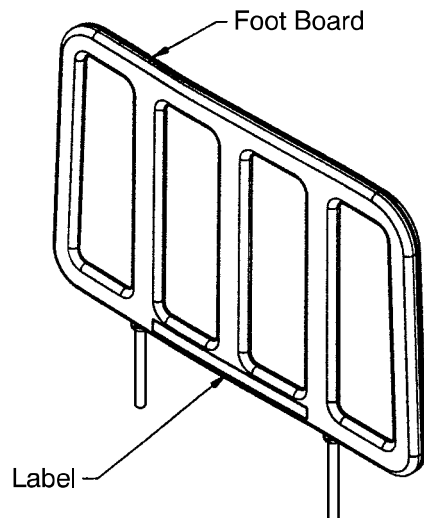
## BASE HOOD DEPARTMENT LABELS

Department	Label Part Number
Emergency	1010-900-215
PACU	1010-900-220
Transport	1010-900-225
Surgery	1010-900-230
Extended Stay	1010-900-235
Maternity	1010-900-240
Endoscopy	1010-900-245
Radiology	1010-900-250
Nuclear Medicine	1010-900-255
Ambulatory Surgery	1010-900-260
G.I. Lab	1010-900-265
Cath. Lab	1010-900-270
Same Day Surgery	1010-900-275
Cardio.	1010-900-280
Ultrasound	1010-900-285

### NOTE

All base hood department labels are quantity of two.

## FOOT BOARD DEPARTMENT LABELS

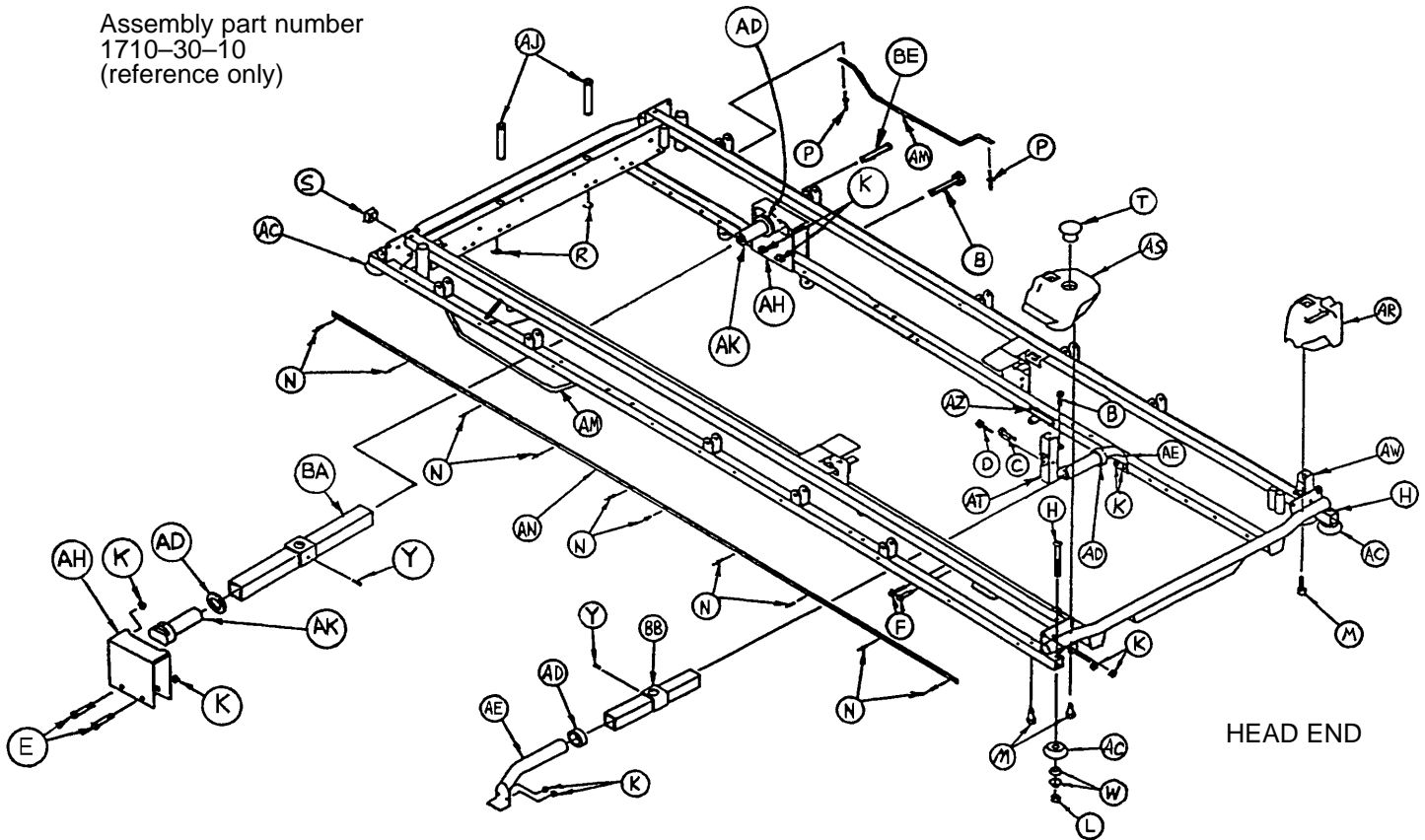


Department	Label Part No.
Demo Stryker	1010-900-186
Ophthalmology	1010-900-187
Outpatient Surgery	1010-900-188
Recovery	1010-900-189
Trauma	1010-900-190
Urgence	1010-900-191
Special (Blank)	1010-900-192



# 1710 Litter Assembly

Assembly part number  
1710-30-10  
(reference only)

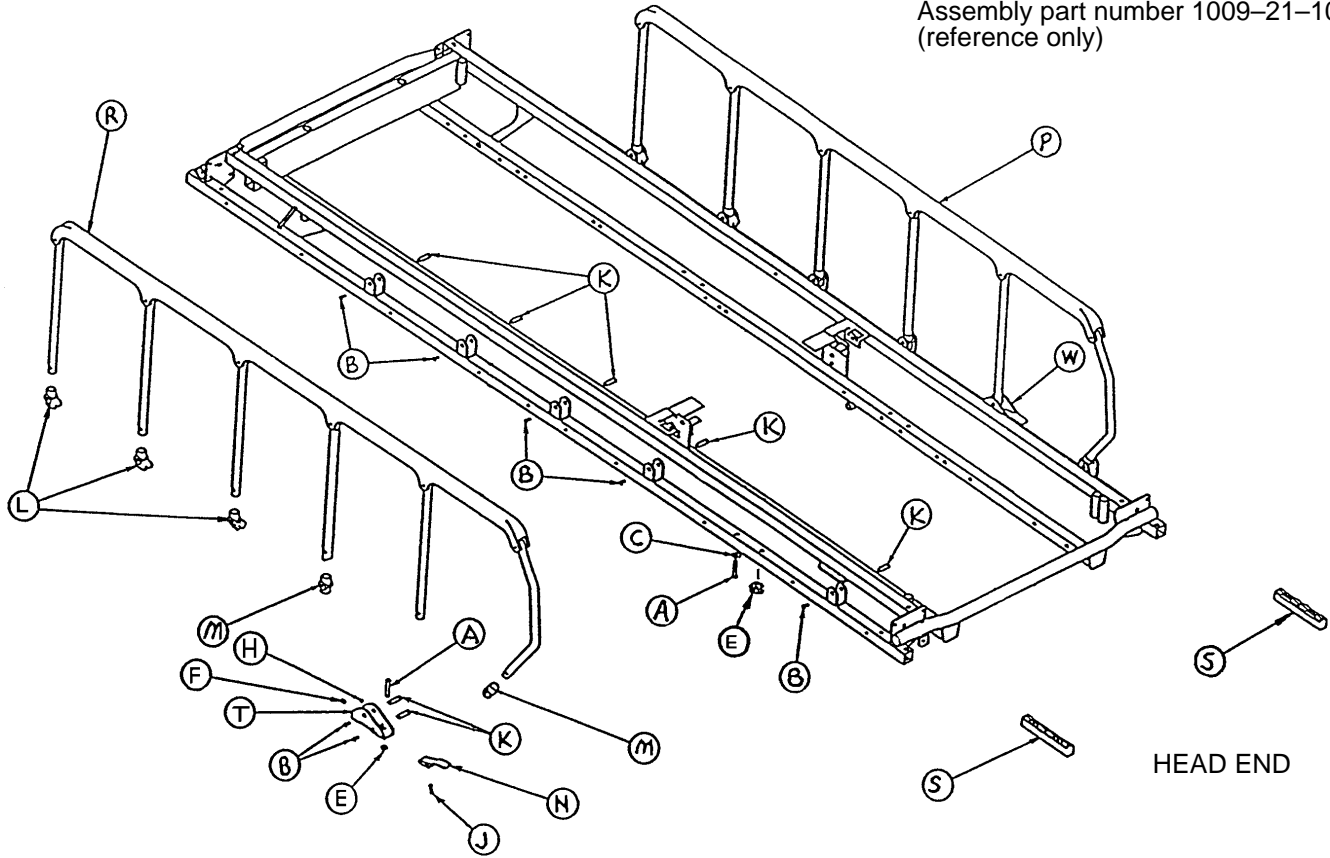


Item	Part No.	Part Name	Qty.	Item	Part No.	Part Name	Qty.
B	3-355	Hex Hd. Cap Screw	2	AC	926-400-142	Bumper Wheel	4
C	3-356	Hex Hd. Cap Screw	2	AD	938-1-401	Collar	2
D	3-357	Hex Hd. Cap Screw	2	AE	1001-1-37	Jack Supt. Tube, Hd.	2
E	3-358	Hex Hd. Cap Screw	4	AH	1001-201-30	Trend. Support	2
F	3-359	Hex Hd. Cap Screw	4	AJ	1001-40-12	Foot Board Receptacle*	2
H	4-330	Soc. Hd. Cap Screw	4	AK	1001-201-29	Insert	2
J	11-360	Plastic Spacer	2	AM	1010-32-92	Foley Bag Rack	2
K	16-118	Fiberlock Nut	14	AN	1010-201-27	Bumper Channel	2
L	16-117	Nylock Nut	4	AR	1010-201-236	Corner, Hole/Slot	1
M	23-283	Self-Tapping Screw	4	AS	1010-201-237	Corner, Hole/Hole	1
N	25-40	Pop Rivet	20	AT	1010-254-4	P.U.P. Soc. Wldmt., Lt.	1
P	25-79	Pop Rivet	4	AW	1010-254-6	P.U.P. Soc. Wldmt., Rt.	1
R	28-72	Retaining Ring	2	AZ	1210-800-8	Patent Label	1
S	37-10	Hole Plug	2	BA	1501-201-31	Support Tube Ass'y	1
T	37-59	Hole Plug	1	BB	1510-32-20	Support Tube Ass'y	1
W	14-21	Nylon Flat Washer	8	BC	37-74	Hole Plug	8
Y	46-3	Square Hd. Screw	2	BD	59-100	Hole Plug	4
Z	721-31-65	Hole Plug	58				

\* Item AJ, Foot Board Receptacle Length 3 1/2".

# Two-Position Siderail to Litter Assembly, Fold to Foot

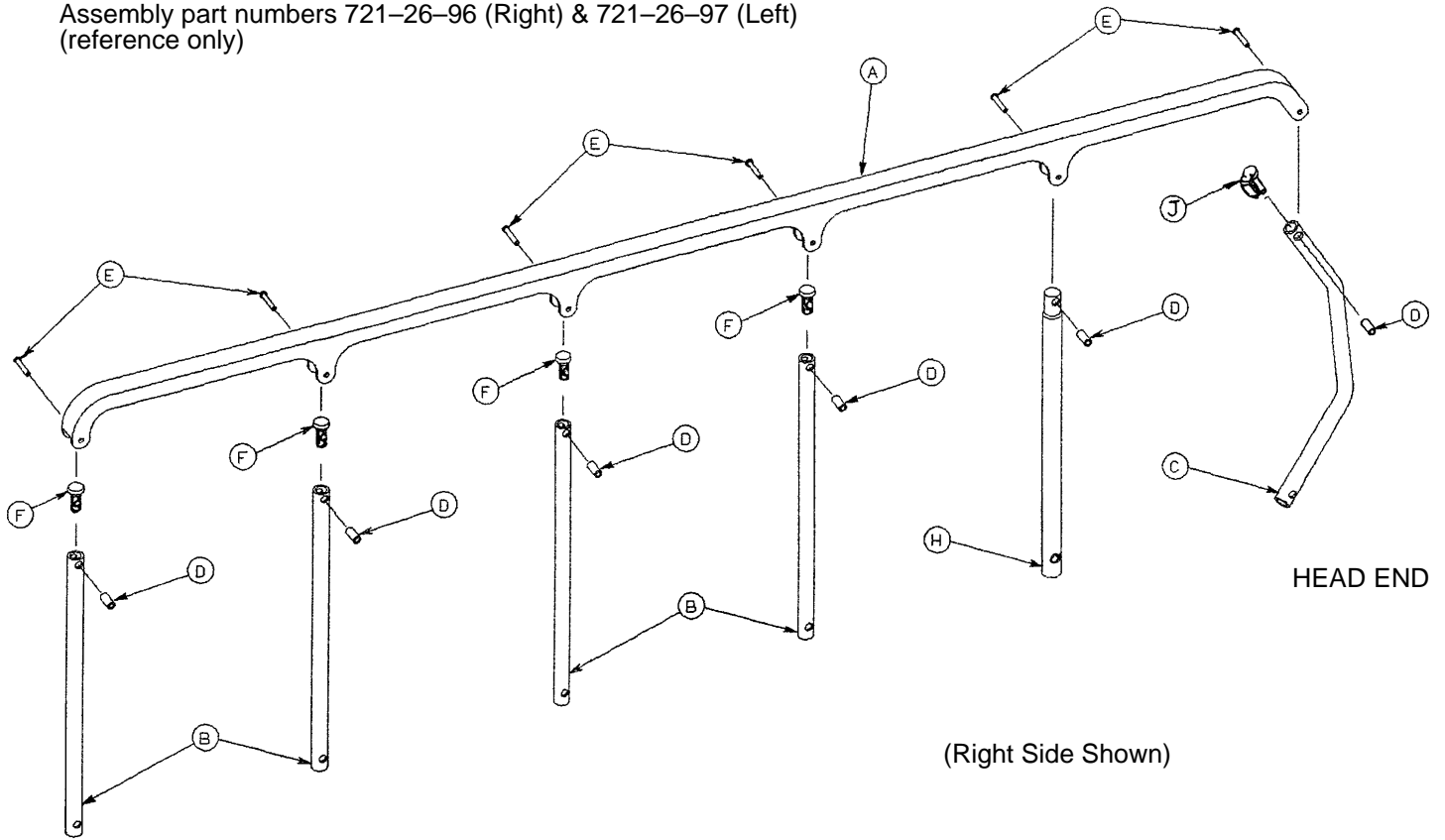
Assembly part number 1009-21-10  
(reference only)



Item	Part No.	Part Name	Qty.
A	4-135	But. Hd, Cap Screw	4
B	4-136	But. Hd. Cap Screw	14
C	11-77	Flat Washer	2
D	11-179	Nylon Flat Washer	4
E	16-118	Nylock Nut	2
F	21-105	Set Screw	2
H	37-74	Hole Plug	2
J	38-220	Compression Spring	2
K	721-26-66	Pivot Screw	14
L	721-26-68	Upright Cradle	6
M	721-26-69	Upright Sleeve	4
N	721-26-74	Lock Handle, Machined	2
P	(page 62)	Siderail Assembly, Right	1
R	(page 62)	Siderail Assembly, Left	1
S	1010-26-69	Lock Support	2
T	1010-26-80	Lock Housing Ass'y, Right	1
W	1010-26-81	Lock Housing Ass'y, Left	1

# Two Position Siderail Ass'y, Right & Left, Fold to Foot

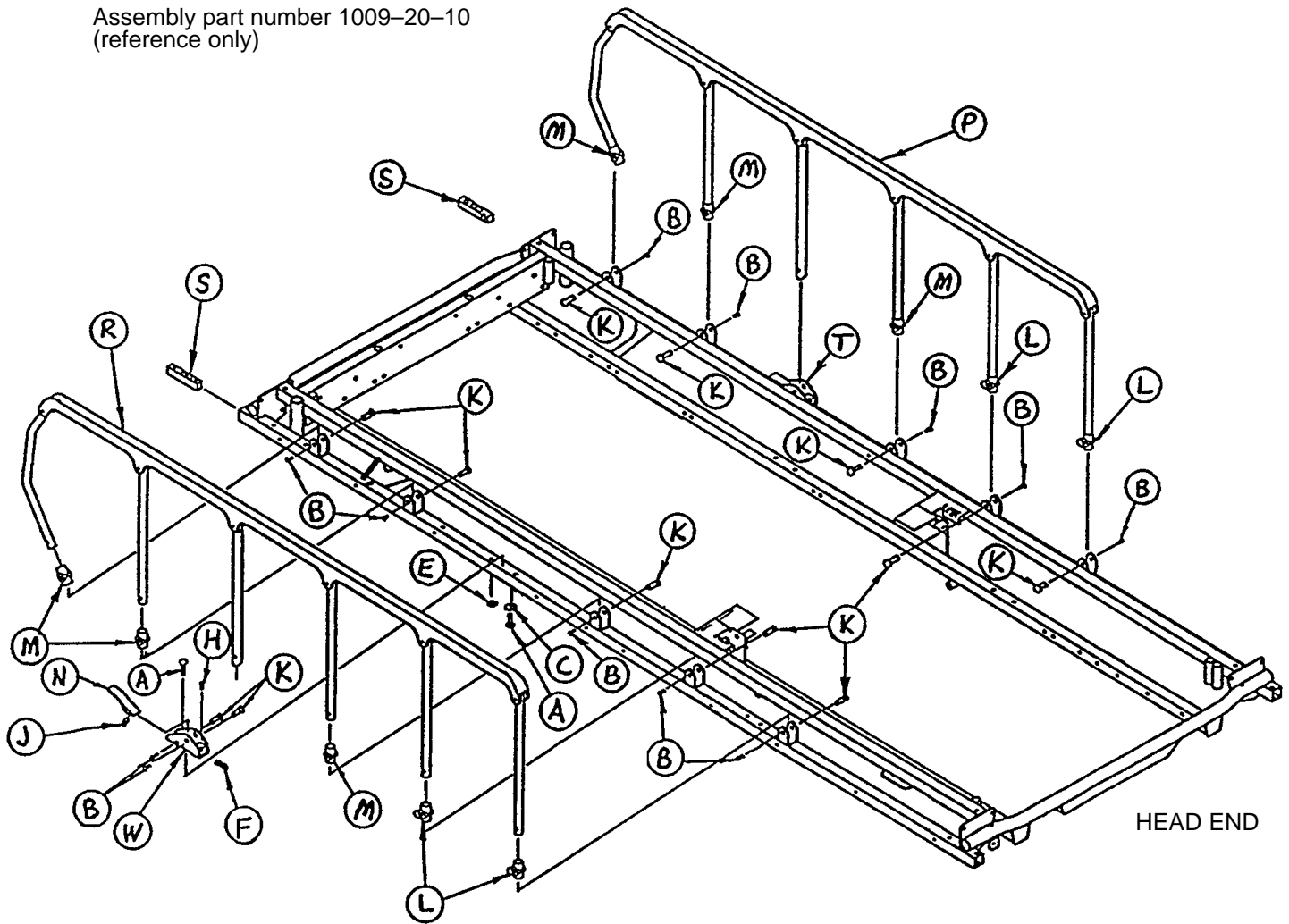
Assembly part numbers 721-26-96 (Right) & 721-26-97 (Left)  
(reference only)



Item	Part No.	Part Name	Qty.
A	1010-26-15	Top Rail	1
B	1010-26-83	Upright	4
C	1010-26-84	Upright, Bent	1
D	1010-26-82	Spacer	6
E	25-106	Semi-Tubular Rivet	6
F	1010-26-10	Round Hole Plug	4
H	1010-26-85	Upright, Latch	1
J	1010-26-12	Bent Spindle Stop	1

# Two Position Siderail to Litter Assembly, Fold to Head

Assembly part number 1009-20-10  
(reference only)

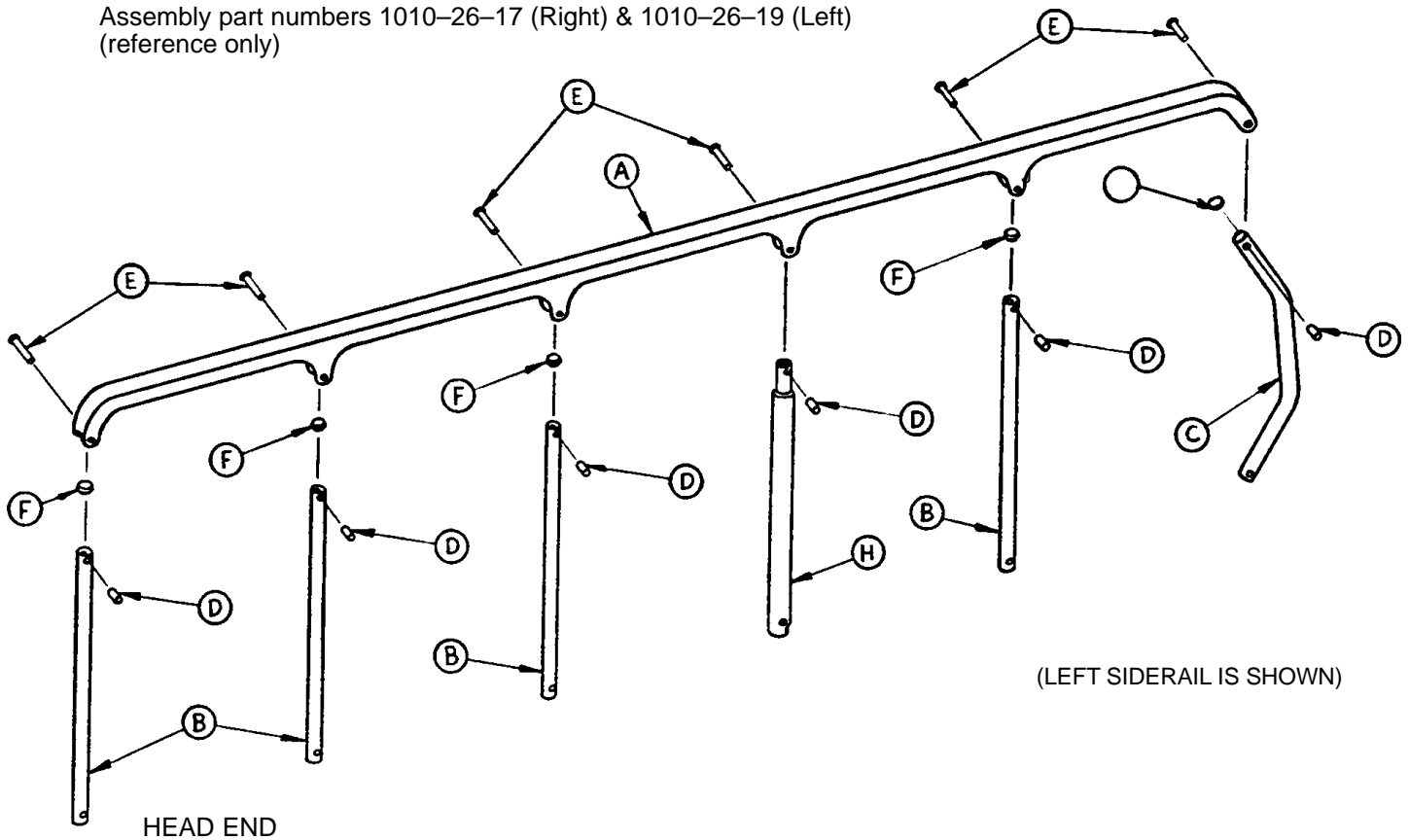


Item	Part No.	Part Name	Qty.
A	4-135	But. Hd, Cap Screw	4
B	4-136	But. Hd. Cap Screw	14
C	11-77	Flat Washer	2
E	16-118	Nylock Nut	2
F	21-105	Set Screw	2
H	37-74	Hole Plug	2
J	38-220	Compression Spring	2
K	721-26-66	Pivot Screw	14
L	721-26-68	Upright Cradle	4
M	721-26-69	Upright Sleeve	6
N	721-26-74	Lock Handle, Machined	2
P	(page 64)	Siderail Assembly, Right	1
R	(page 64)	Siderail Assembly, Left	1
S	1010-26-69	Lock Support	2
T	1010-26-80	Lock Housing Ass'y, Right	1
W	1010-26-81	Lock Housing Ass'y, Left	1



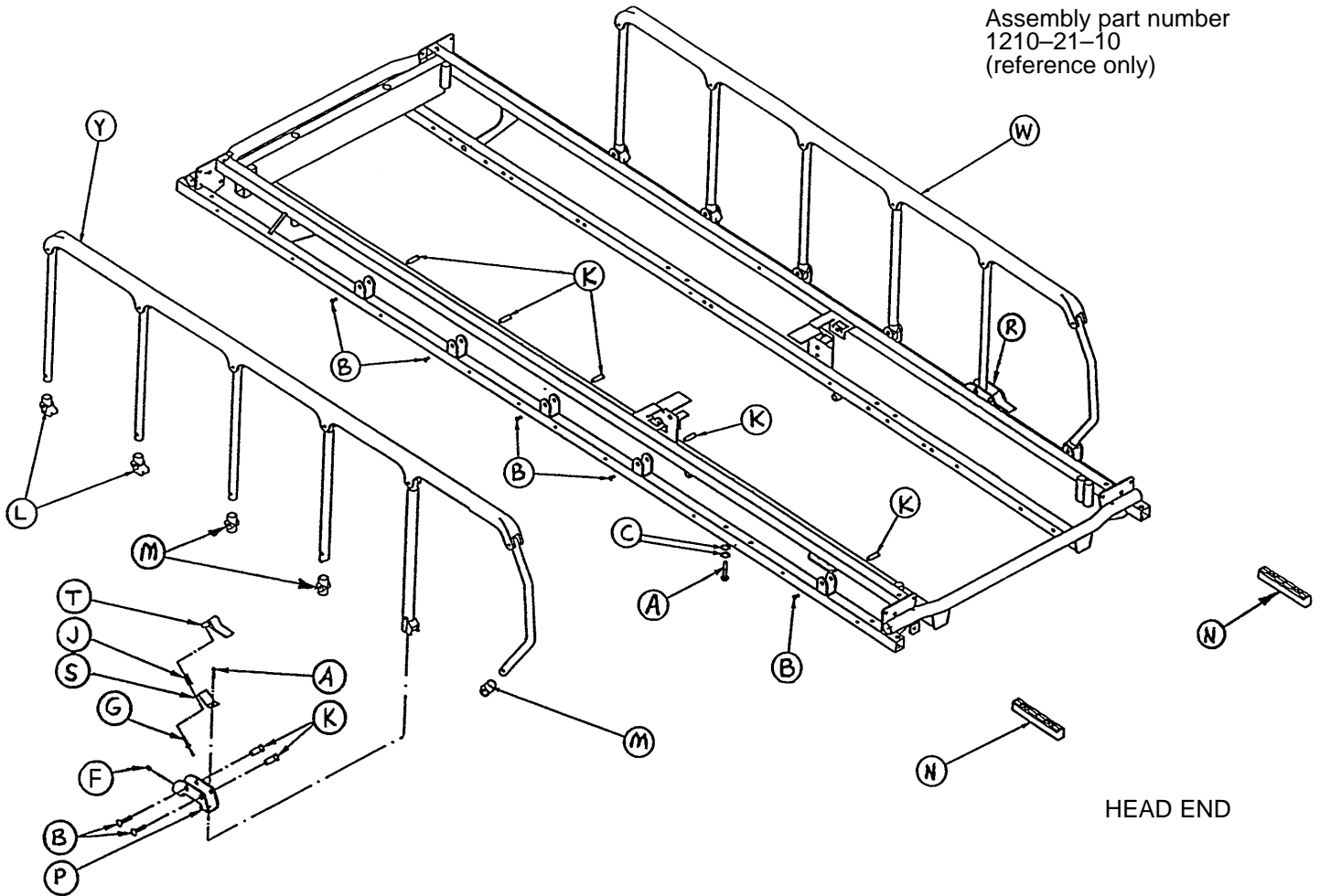
# Two Position Siderail Ass'y, Right & Left, Fold to Head

Assembly part numbers 1010-26-17 (Right) & 1010-26-19 (Left)  
(reference only)



Item	Part No.	Part Name	Qty.
A	1010-26-15	Top Rail	1
B	1010-26-83	Upright	4
C	1010-26-84	Upright, Bent	1
D	1010-26-82	Sleeve Bearing	6
E	25-106	Semi-Tubular Rivet	6
F	1010-26-10	Round Hole Plug	4
H	1010-26-85	Upright, Latch	1
J	1010-26-12	Bent Spindle Rest	1

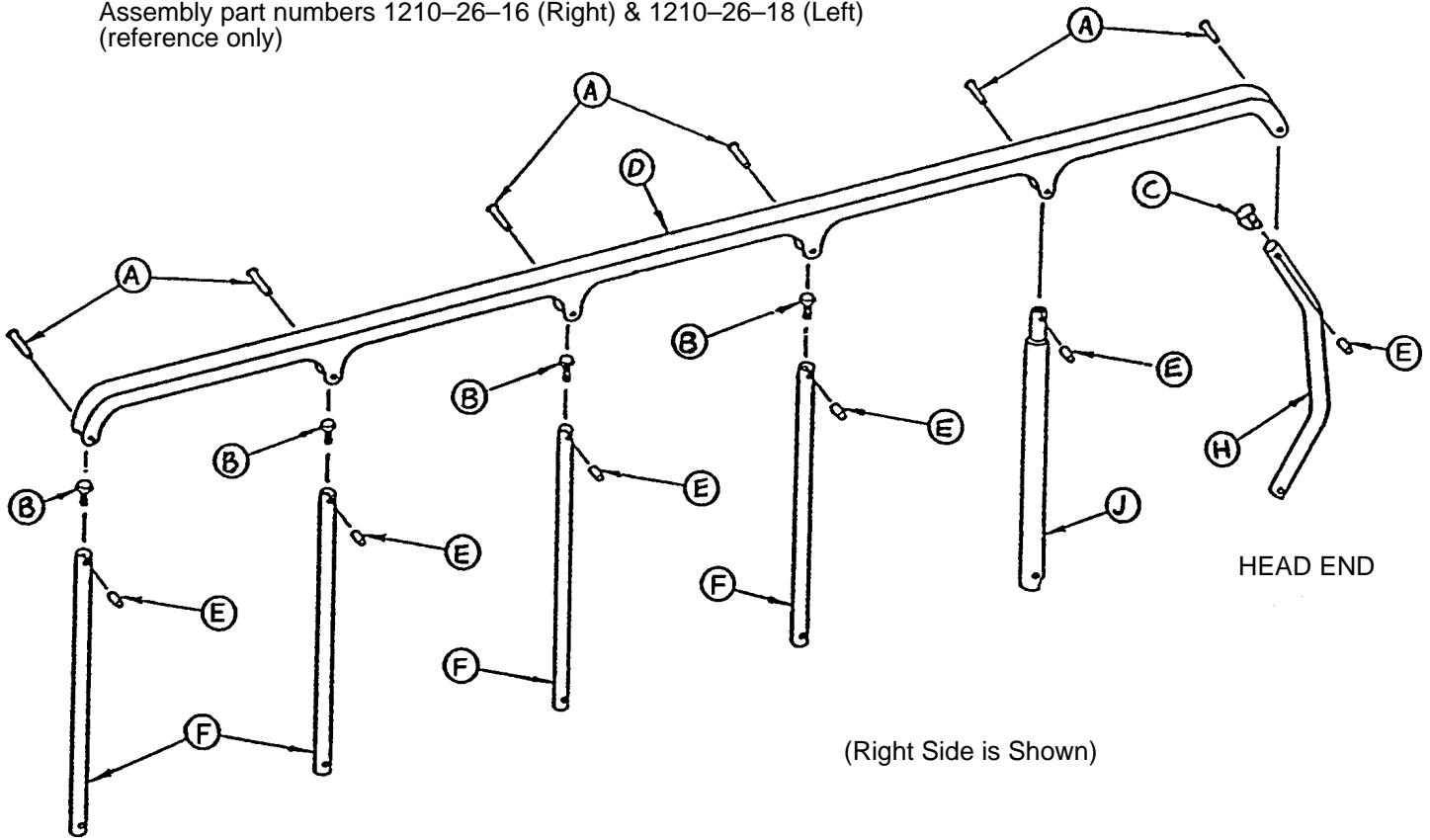
# Three Position Siderail to Litter Ass'y, Fold to Foot



Item	Part No.	Part Name	Qty.
A	4-135	But. Hd, Cap Screw	4
B	4-136	But. Hd. Cap Screw	14
C	11-2	Flat Washer	4
E	16-28	Nylock Nut	2
F	21-104	Set Screw	2
G	25-38	Pop Rivet	2
H	37-74	Hole Plug	2
J	38-220	Compression Spring	2
K	721-26-66	Pivot Screw	14
L	721-26-68	Upright Cradle	4
M	721-26-69	Upright Sleeve	6
N	1010-26-69	Lock Support	2
P	1066-26-16	Lock Housing Ass'y, Left	1
R	1066-26-18	Lock Housing Ass'y, Right	1
S	1066-26-19	Spring Plate	2
T	1066-26-22	Lock Handle	2
W	(page 66)	Siderail Assembly, Right	1
Y	(page 66)	Siderail Assembly, Left	1

# Three Position Siderail Ass'y, Rt. & Lt., Fold to Foot

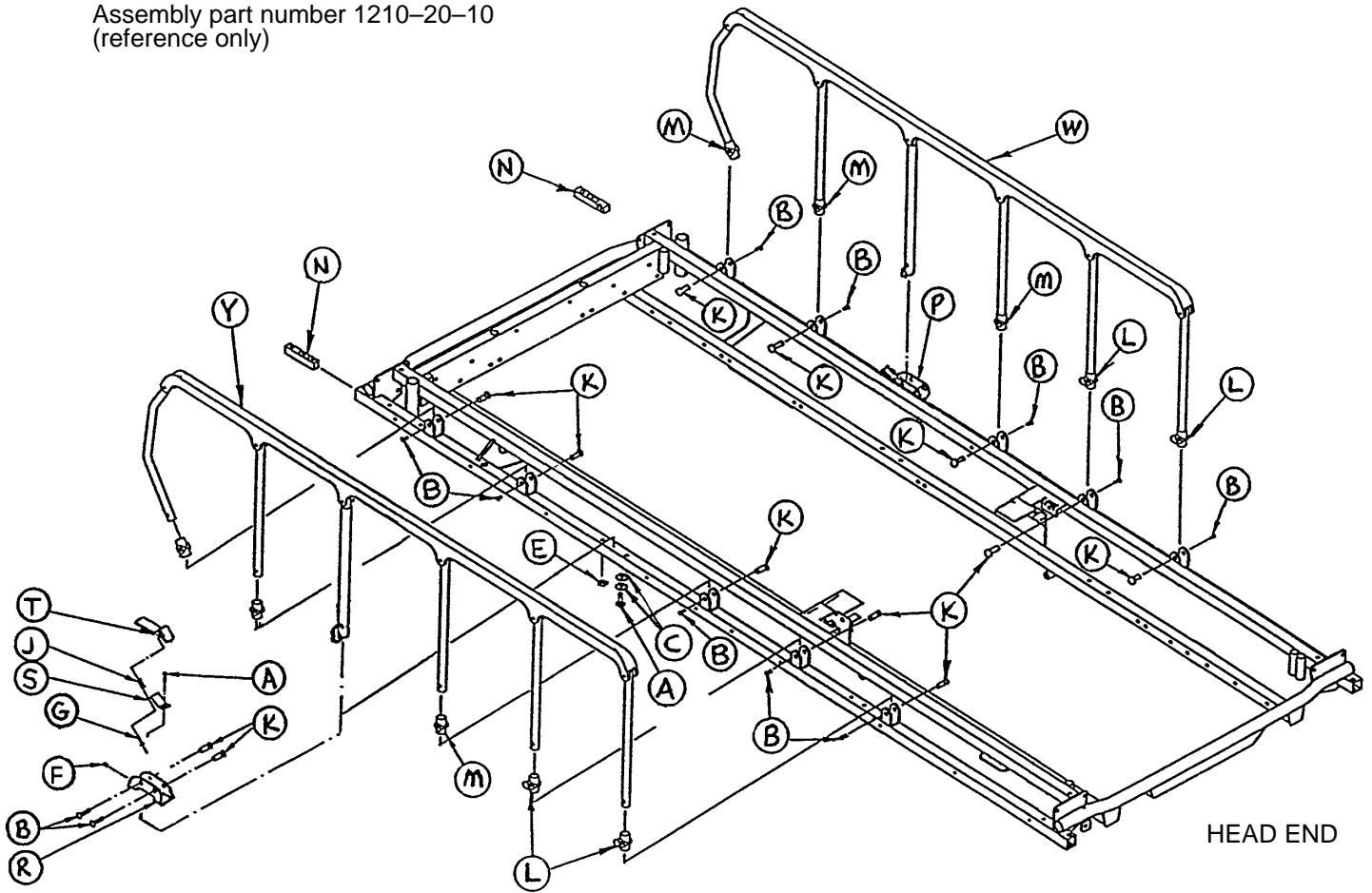
Assembly part numbers 1210-26-16 (Right) & 1210-26-18 (Left)  
(reference only)



Item	Part No.	Part Name	Qty.
A	25-106	Semi-Tubular Rivet	6
B	1010-26-10	Round Hole Plug	4
C	1010-26-12	Bent Spindle Rest	1
D	1010-26-15	Top Rail	1
E	1010-26-82	Sleeve Bearing	6
F	1010-26-83	Upright	4
H	1010-26-84	Upright, Bent	1
J	1066-26-27	Upright, Latch	1

# Three Position Siderail to Litter Ass'y, Fold to Head

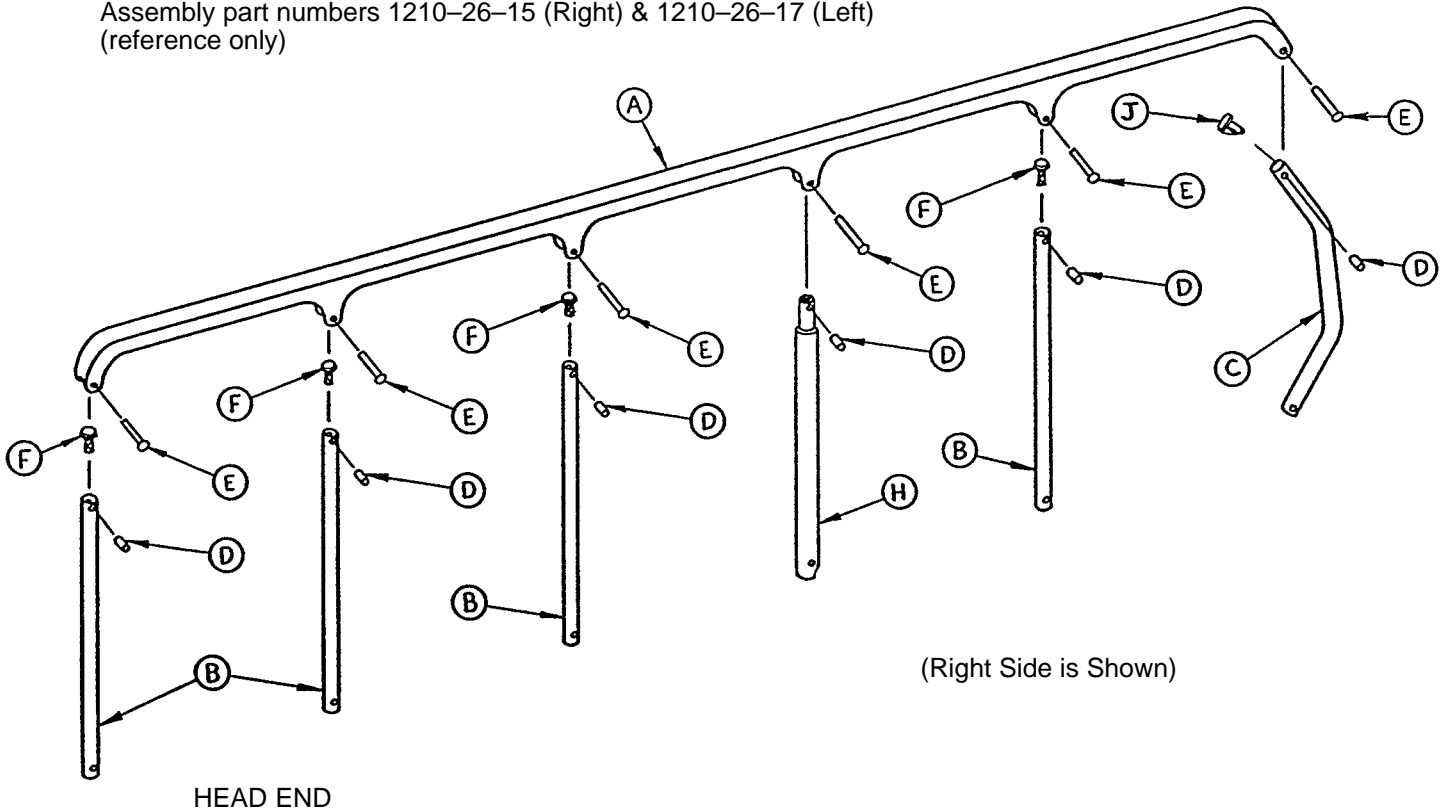
Assembly part number 1210-20-10  
(reference only)



Item	Part No.	Part Name	Qty.
A	4-135	But. Hd, Cap Screw	4
B	4-136	But. Hd. Cap Screw	14
C	11-2	Flat Washer	4
E	16-28	Nylock Nut	2
F	21-104	Set Screw	2
G	25-38	Pop Rivet	2
H	37-74	Hole Plug	2
J	38-220	Compression Spring	2
K	721-26-66	Pivot Screw	14
L	721-26-68	Upright Cradle	4
M	721-26-69	Upright Sleeve	6
N	1010-26-69	Lock Support	2
P	1066-26-16	Lock Housing Ass'y, Left	1
R	1066-26-18	Lock Housing Ass'y, Right	1
S	1066-26-19	Spring Plate	2
T	1066-26-22	Lock Handle	2
W	(page 68)	Siderail Assembly, Right	1
Y	(page 68)	Siderail Assembly, Left	1

# Three Position Siderail Ass'y, Rt. & Lt., Fold to Head

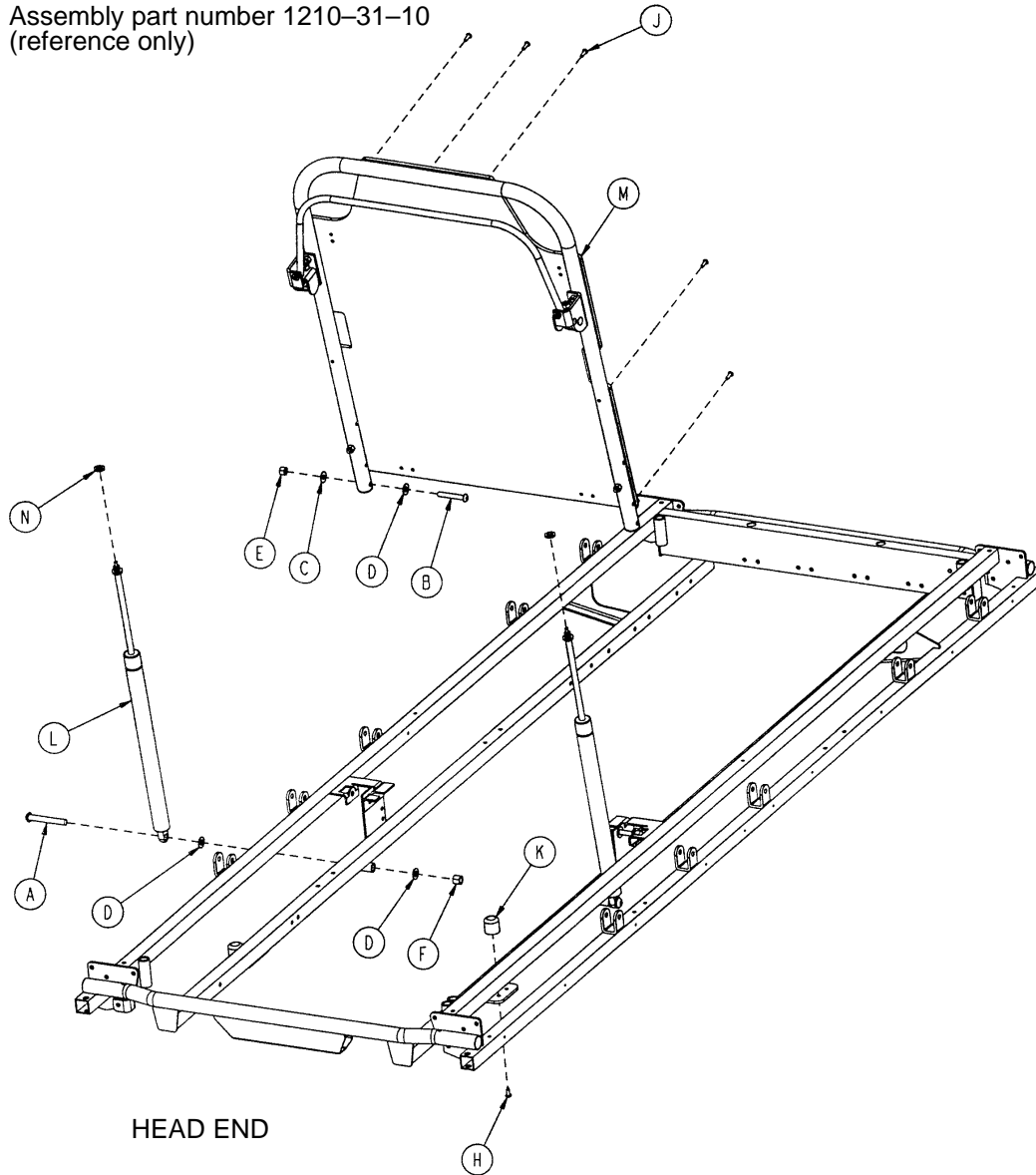
Assembly part numbers 1210-26-15 (Right) & 1210-26-17 (Left)  
(reference only)



Item	Part No.	Part Name	Qty.
A	1010-26-15	Top Rail	1
B	1010-26-83	Upright	4
C	1010-26-84	Upright, Bent	1
D	1010-26-82	Sleeve Bearing	6
E	25-106	Semi-Tubular Rivet	6
F	1010-26-10	Round Hole Plug	4
H	1066-26-27	Upright, Latch	1
J	1010-26-12	Bent Spindle Rest	1

# 1210 Pneumatic Fowler to Frame Assembly

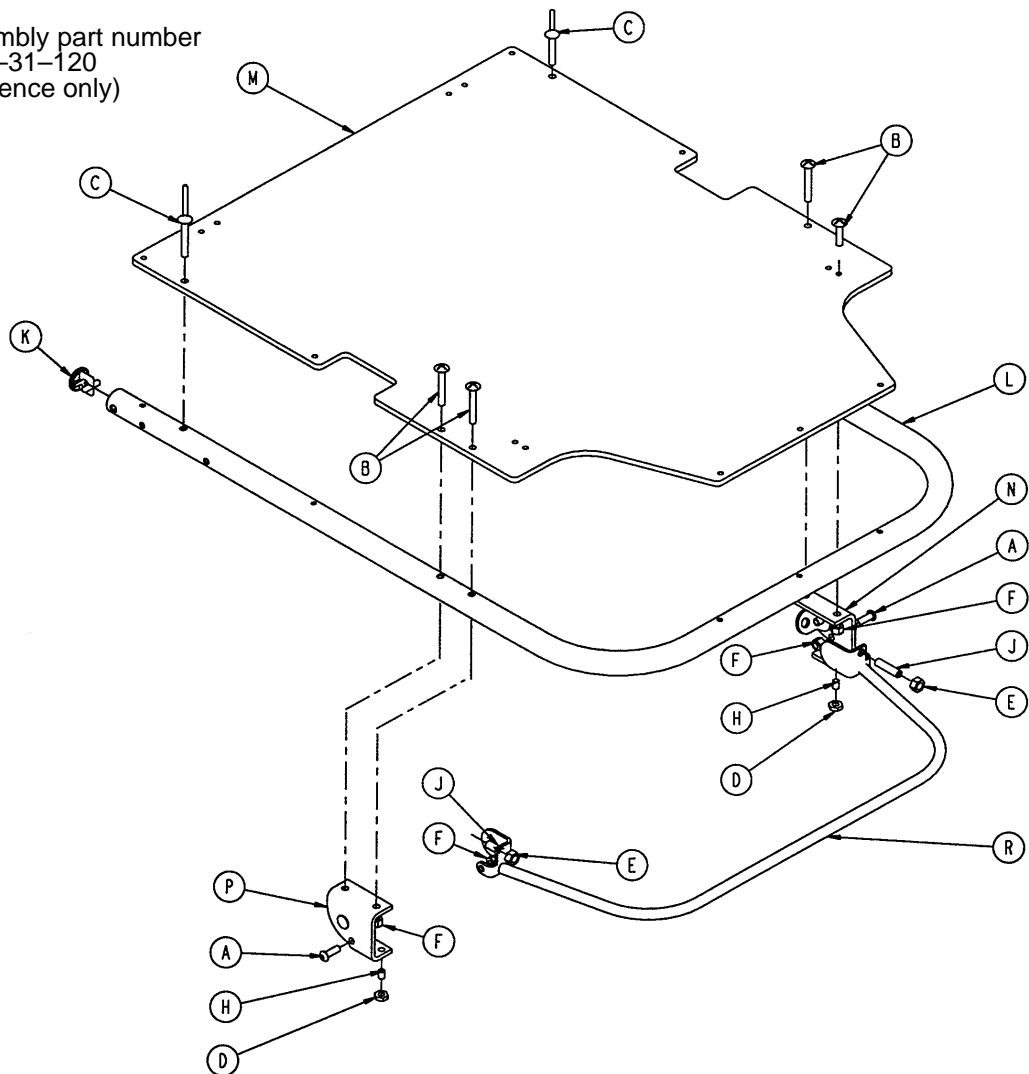
Assembly part number 1210-31-10  
(reference only)



Item	Part No.	Part Name	Qty.
A	4-182	But. Hd. Cap Screw	2
B	4-104	But. Hd. Cap Screw	2
C	11-179	Nylon Washer	2
D	14-21	Nylon Washer	6
E	16-116	Nylock Hex Nut	2
F	16-117	Nylock Hex Nut	2
H	23-256	Self-Tapping Screw	2
J	25-133	Pop Rivet	7
K	1211-31-31	Pneumatic Fowler Rest	2
L	1010-31-78	Gas Cylinder	2
M	(page 70)	Pneumatic Fowler Ass'y	1
N	15-60	Hex Jam Nut	2

# 1210 Pneumatic Fowler Assembly (Fiberresin)

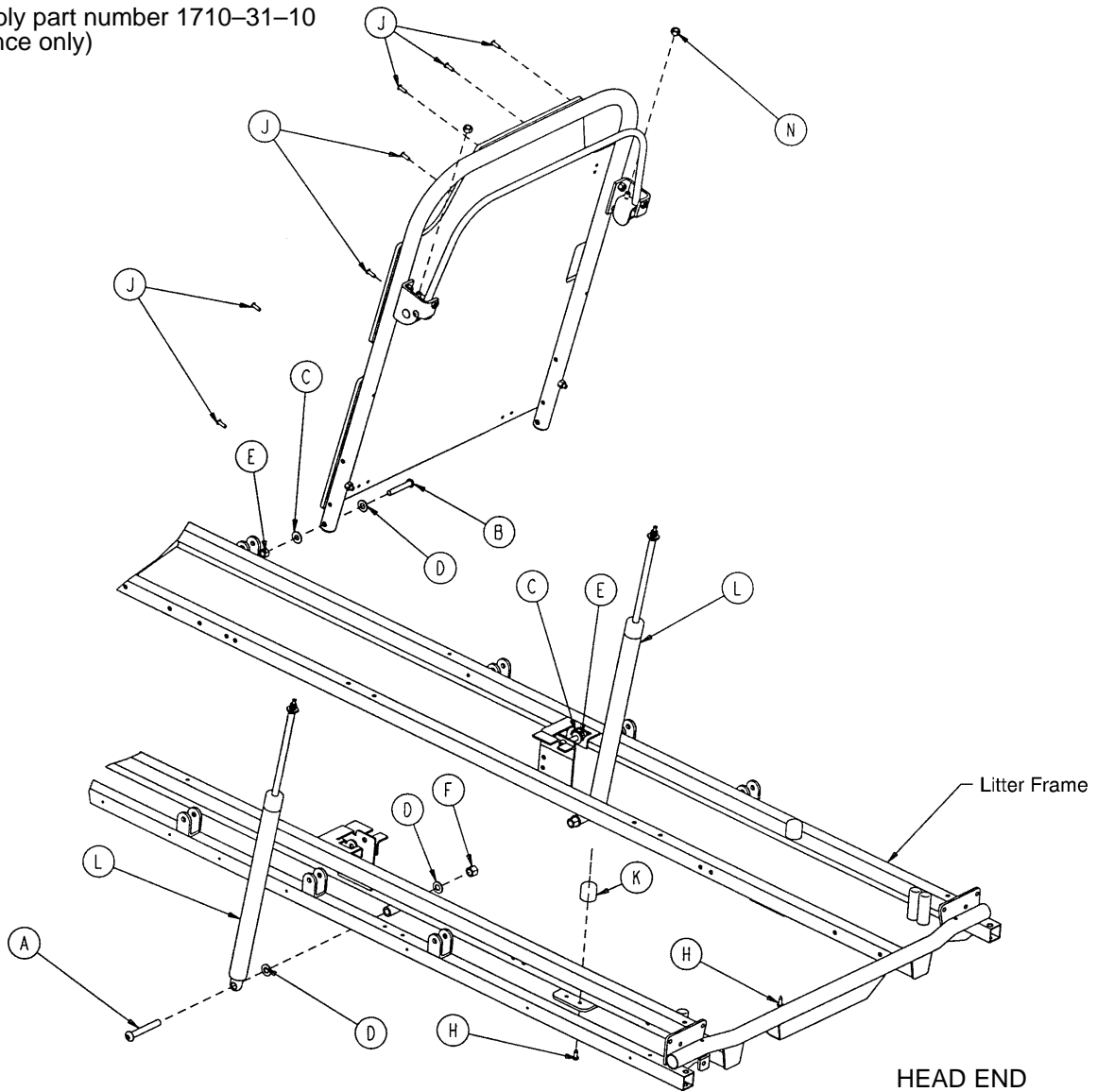
Assembly part number  
1210-31-120  
(reference only)



Item	Part No.	Part Name	Qty.
A	4-161	Hex Soc. But. Hd. Cap Screw	2
B	7-20	Truss Hd. Mach. Screw	4
C	25-124	Pop Rivet	2
D	15-37	Jam Nut	2
E	15-50	Hex Nut	2
F	16-28	Nylock Nut	6
H	21-125	Set Screw	2
J	21-126	Set Screw	2
K	1001-1-36	Hole Plug	2
L	1001-31-13	Fowler Tube	1
M	1010-231-12	Fowler Skin (Fiberresin)	1
N	(page 73)	Outer Housing Ass'y, Right	1
P	(page 73)	Outer Housing Ass'y, Left	1
R	1210-31-118	Trip Bar Assembly	1

# 1710 Pneumatic Fowler to Frame Assembly

Assembly part number 1710-31-10  
(reference only)

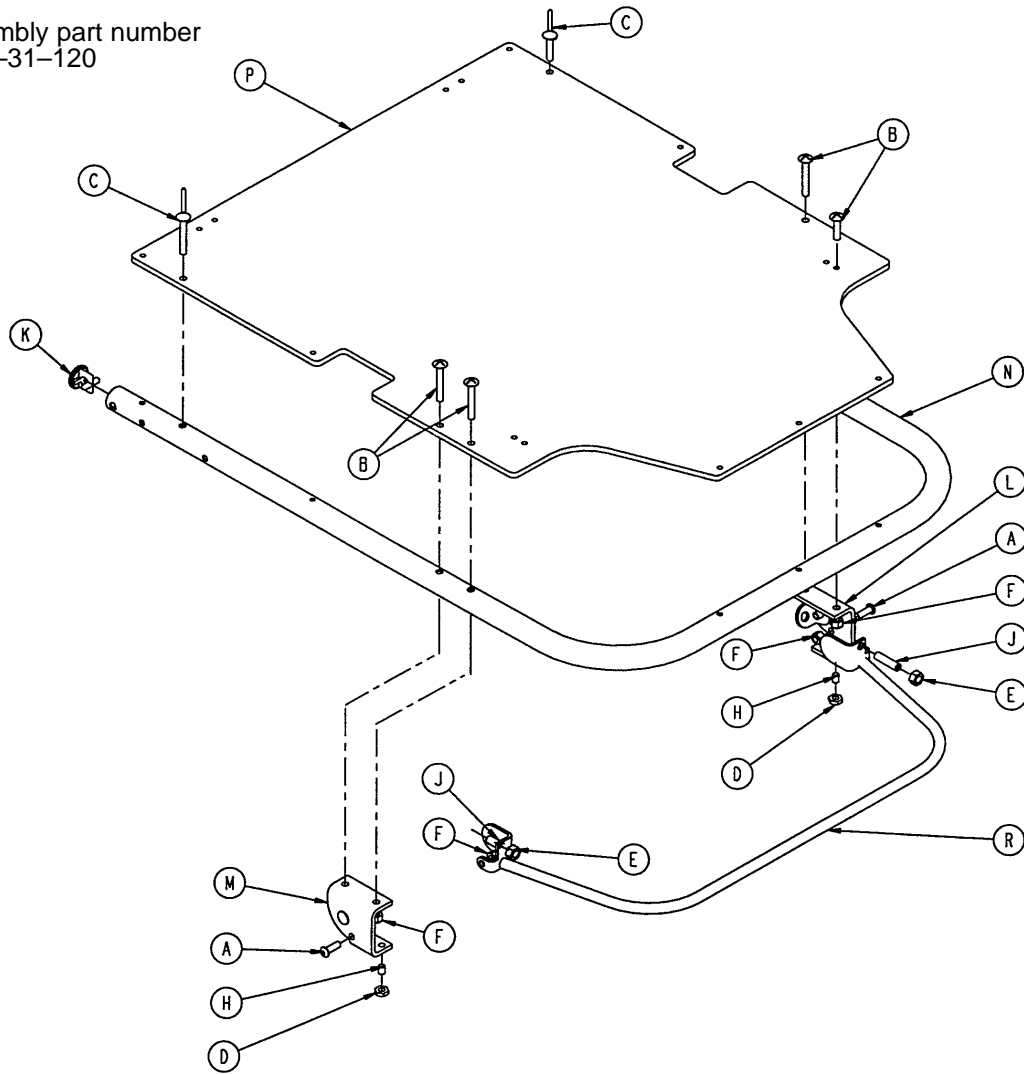


Item	Part No.	Part Name	Qty.
A	4-182	But. Hd. Cap Screw	2
B	4-104	But. Hd. Cap Screw	2
C	11-179	Nylon Washer	4
D	14-21	Nylon Washer	6
E	16-116	Nylock Hex Nut	2
F	16-117	Nylock Hex Nut	2
H	23-256	Self-Tapping Screw	2
J	25-133	Pop Rivet	7
K	1211-31-31	Pneumatic Fowler Rest	2
L	1010-31-78	Gas Cylinder	2
M	(page 72)	Pneumatic Fowler Ass'y	1
N	15-60	Hex Nut	2



# 1710 Pneumatic Fowler Assembly (Fiberresin)

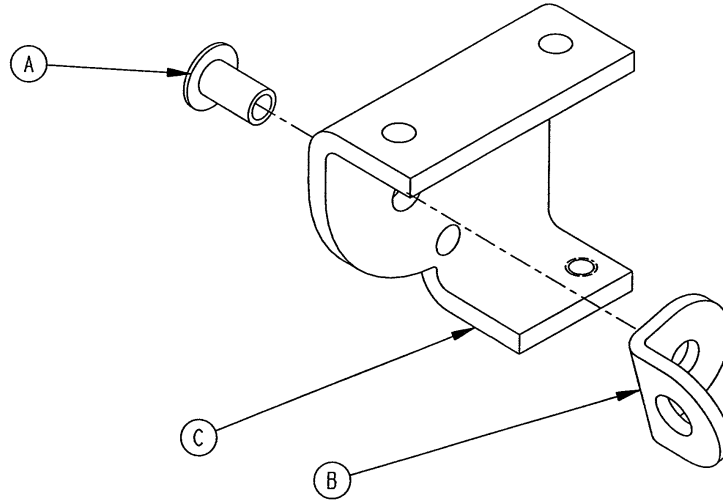
Assembly part number  
1710-31-120



Item	Part No.	Part Name	Qty.
A	4-161	But. Hd. Cap Screw	2
B	7-20	Truss Hd. Mach. Screw	4
C	25-124	Pop Rivet	2
D	15-37	Jam Nut	2
E	15-50	Hex Nut	2
F	16-28	Fiberlock Nut	6
H	21-125	Set Screw	2
J	21-126	Set Screw	2
K	1001-1-36	Hole Plug	2
L	(page 73)	Outer Housing Ass'y, Rt.	1
M	(page 73)	Outer Housing Ass'y, Lt.	1
N	1501-31-13	Fowler Tube	1
P	1510-231-12	Fowler Skin (Fiberresin)	1
R	1710-31-118	Trip Bar Assembly	1

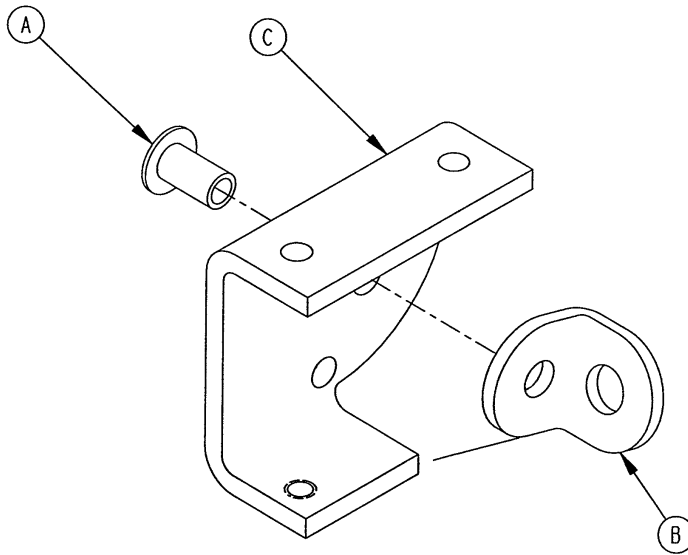
# Outer Housing Assembly, Right and Left

Assembly part number 1210-31-106 (Right)



Item	Part No.	Part Name	Qty.
A	25-144	Semi-Tubular Rivet	1
B	1210-31-103	Pivot Tab	1
C	1210-31-104	Outer Housing, Right	1

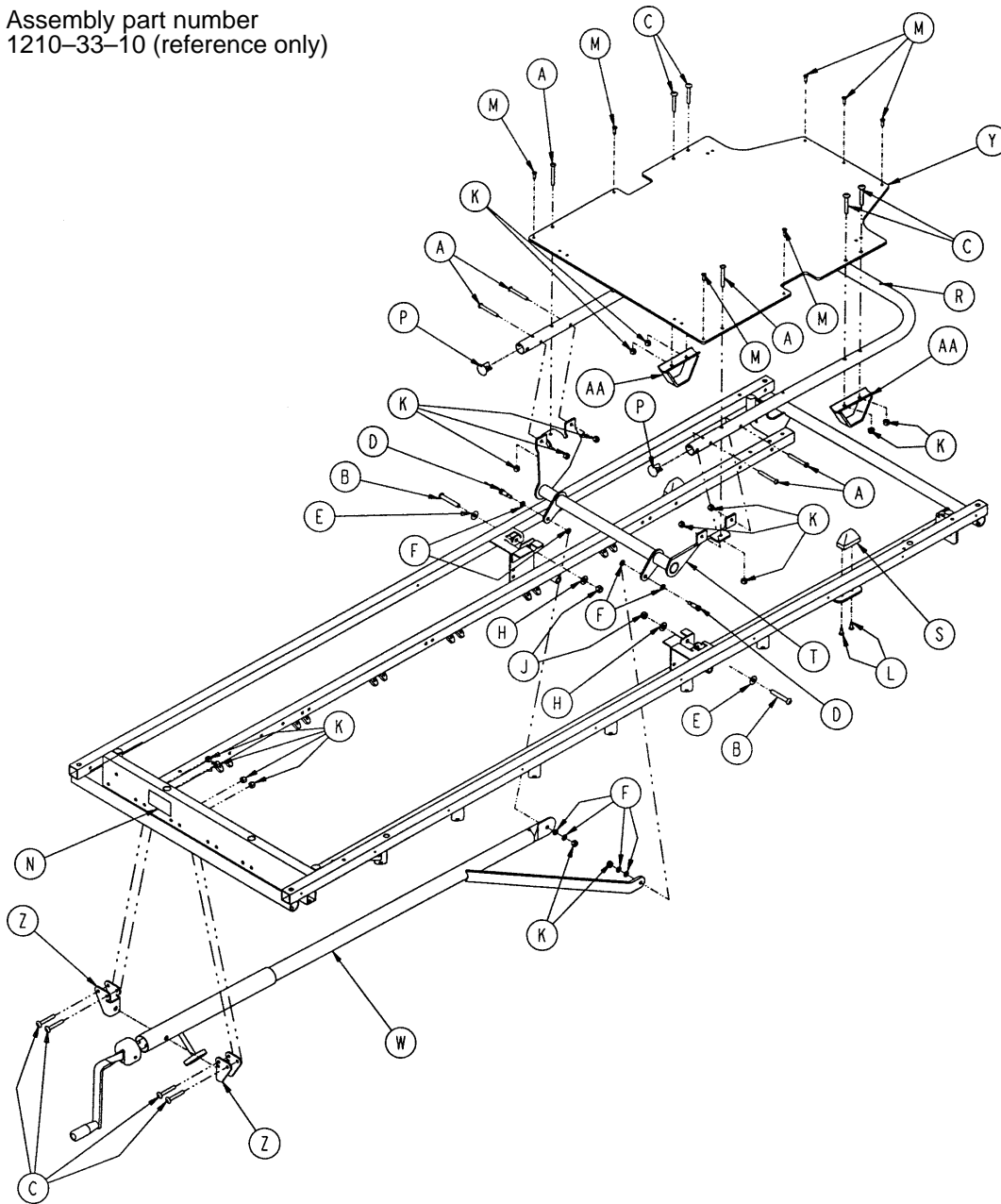
Assembly part number 1210-31-107 (Left)



Item	Part No.	Part Name	Qty.
A	25-144	Semi-Tubular Rivet	1
B	1210-31-103	Pivot Tab	1
C	1210-31-105	Outer Housing, Left	1

# 1210 Crank Fowler Assembly (Fiberresin)

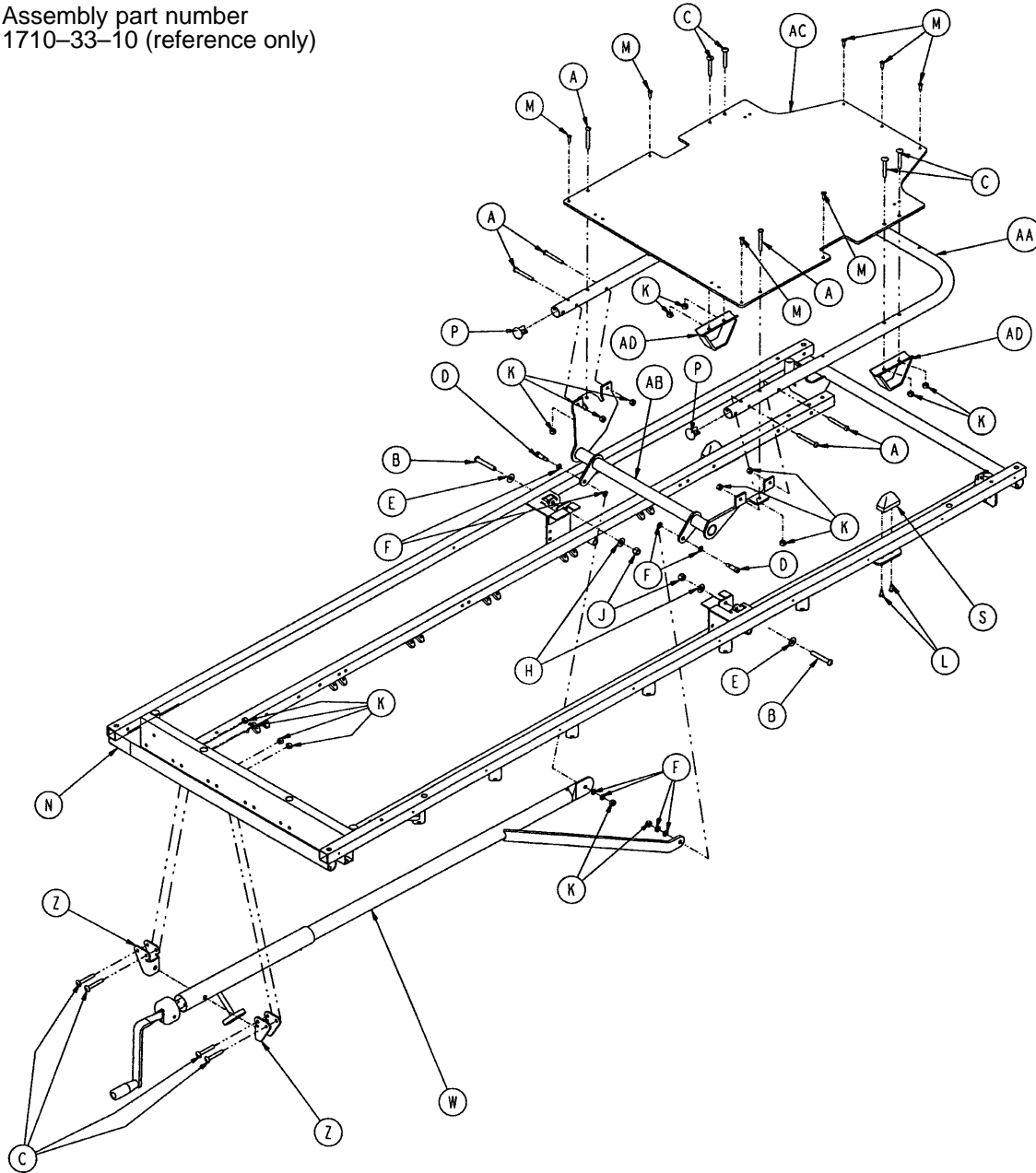
Assembly part number  
1210-33-10 (reference only)



Item	Part No.	Part Name	Qty.	Item	Part No.	Part Name	Qty.
A	4-97	Hex But. Hd. Cap Screw	6	M	25-133	Pop Rivet	7
B	4-104	But. Hd. Cap Screw	2	N	946-1-64	Fowler Operation Label	1
C	7-70	Truss Hd. Mach. Screw	8	P	1001-1-36	Hole Plug	2
D	8-15	Shoulder Bolt	2	R	1001-31-13	Fowler Tube	1
E	11-179	Washer	4	S	1001-31-31	Pneumatic Fowler Rest	2
F	14-3	Thrust Washer	8	T	1001-33-24	Fowler Lever Assembly	1
H	14-21	Washer	2	W	(page 76)	Crankscrew Assembly	1
J	16-36	Hex Nut	2	Y	1010-231-12	Fowler Skin (Fiberresin)	1
K	16-118	Fiberlock Hex Nut	16	Z	1010-234-15	Mounting Bracket Ass'y	2
L	23-256	Ph. Hd. Self-Tap. Screw	4	AA	1550-33-31	Fowler Support Ass'y	2

# 1710 Crank Fowler Assembly (Fiberresin)

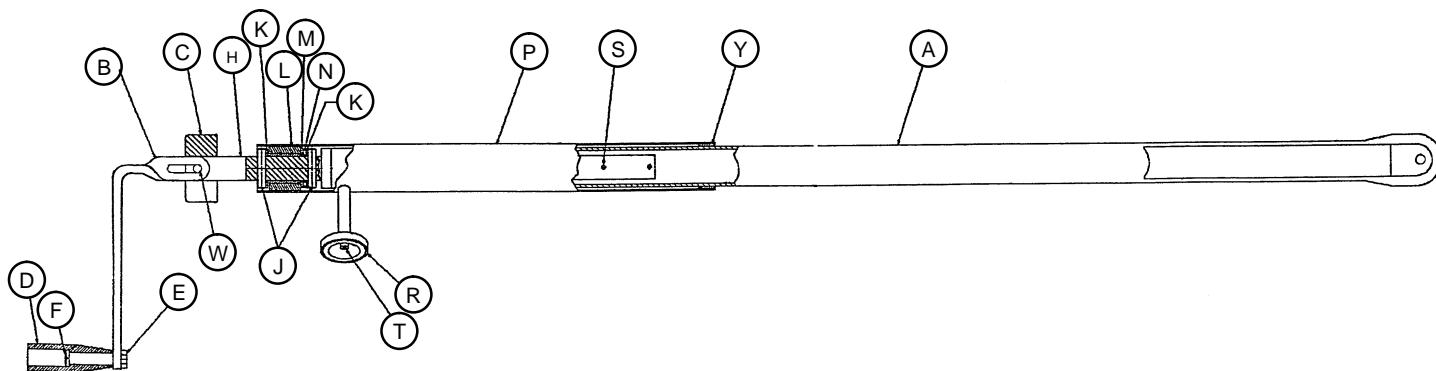
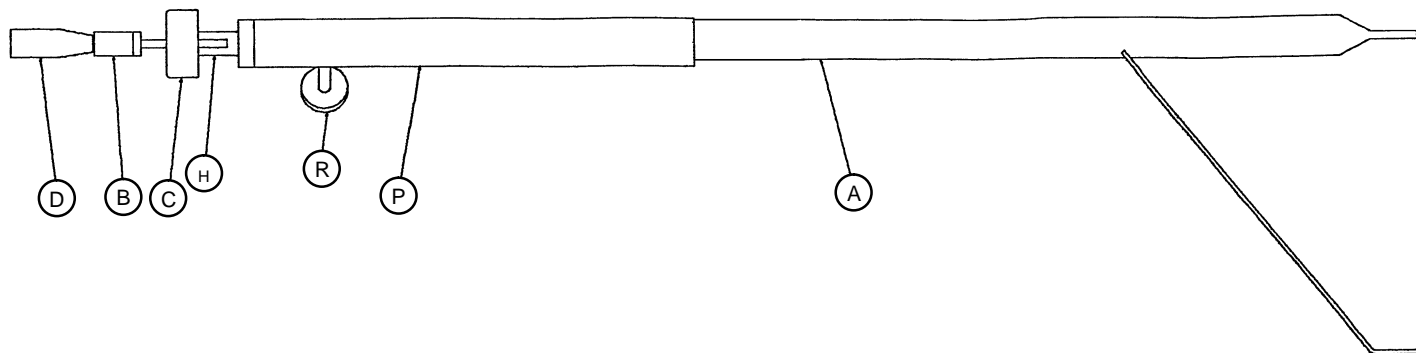
Assembly part number  
1710-33-10 (reference only)



Item	Part No.	Part Name	Qty.	Item	Part No.	Part Name	Qty.
A	4-97	Hex But. Hd. Cap Screw	6	M	25-133	Pop Rivet	7
B	4-104	But. Hd. Cap Screw	2	N	946-1-64	Fowler Operation Label	1
C	7-70	Truss Hd. Mach. Screw	8	P	1001-1-36	Hole Plug	2
D	8-15	Shoulder Bolt	2	S	1001-31-31	Pneumatic Fowler Rest	2
E	11-179	Washer	2	W	(page 76)	Crankscrew Assembly	1
F	14-3	Thrust Washer	8	Z	1010-234-15	Mounting Bracket Ass'y	2
H	14-21	Washer	2	AA	1501-31-13	Fowler Tube	1
J	16-116	Nylock Hex Nut	2	AB	1501-33-24	Fowler Lever Ass'y	1
K	16-118	Fiberlock Nut	16	AC	1510-231-12	Fowler Skin (Fiberresin)	1
L	23-256	Ph. Hd. Self-Tap. Screw	4	AD	1550-33-31	Fowler Support Ass'y	2

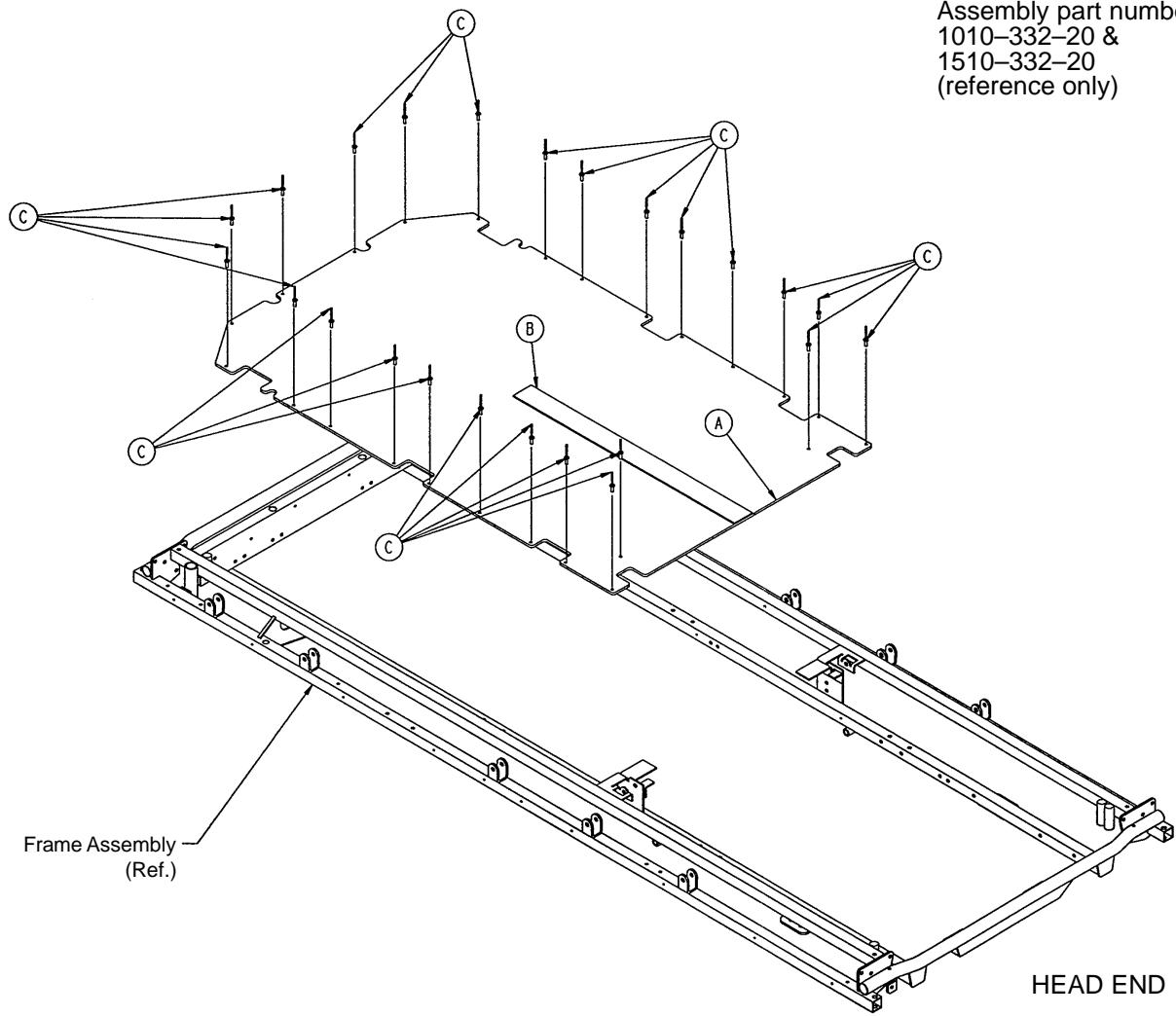
# 1001-33-25 1210/1211 Fowler Crankscrew Assembly

# 1501-33-25 1710/1711 Fowler Crankscrew Assembly



Item	Part No.	Part Name	Qty.
A	1001-33-26	Drive Bar Assembly	1
	1501-33-26	Drive Bar Assembly	1
B	1550-1-16	Crank Assembly	1
C	946-33-18	Crank Disc	1
D	938-1-177	Knob	1
E	16-102	Kep Nut	1
F	378-124-29	Shoulder Bolt	1
H	946-33-35	Fowler Screw	1
J	26-14	Roll Pin	2
K	81-174	Thrust Washer	2
L	938-1-175	Bearing Assembly	1
M	81-176	Thrust Washer	1
N	81-175	Thrust Bearing	1
P	1510-34-84	Screw Cover Assembly	1
R	1550-1-14	Magnet	1
S	26-118	Roll Pin	1
T	4-107	Soc. Hd. Cap Screw	1
W	26-145	Roll Pin	1
Y	7900-1-102	Velcro Pile	1

# Stationary Foot Section Ass'y (Fiberresin)

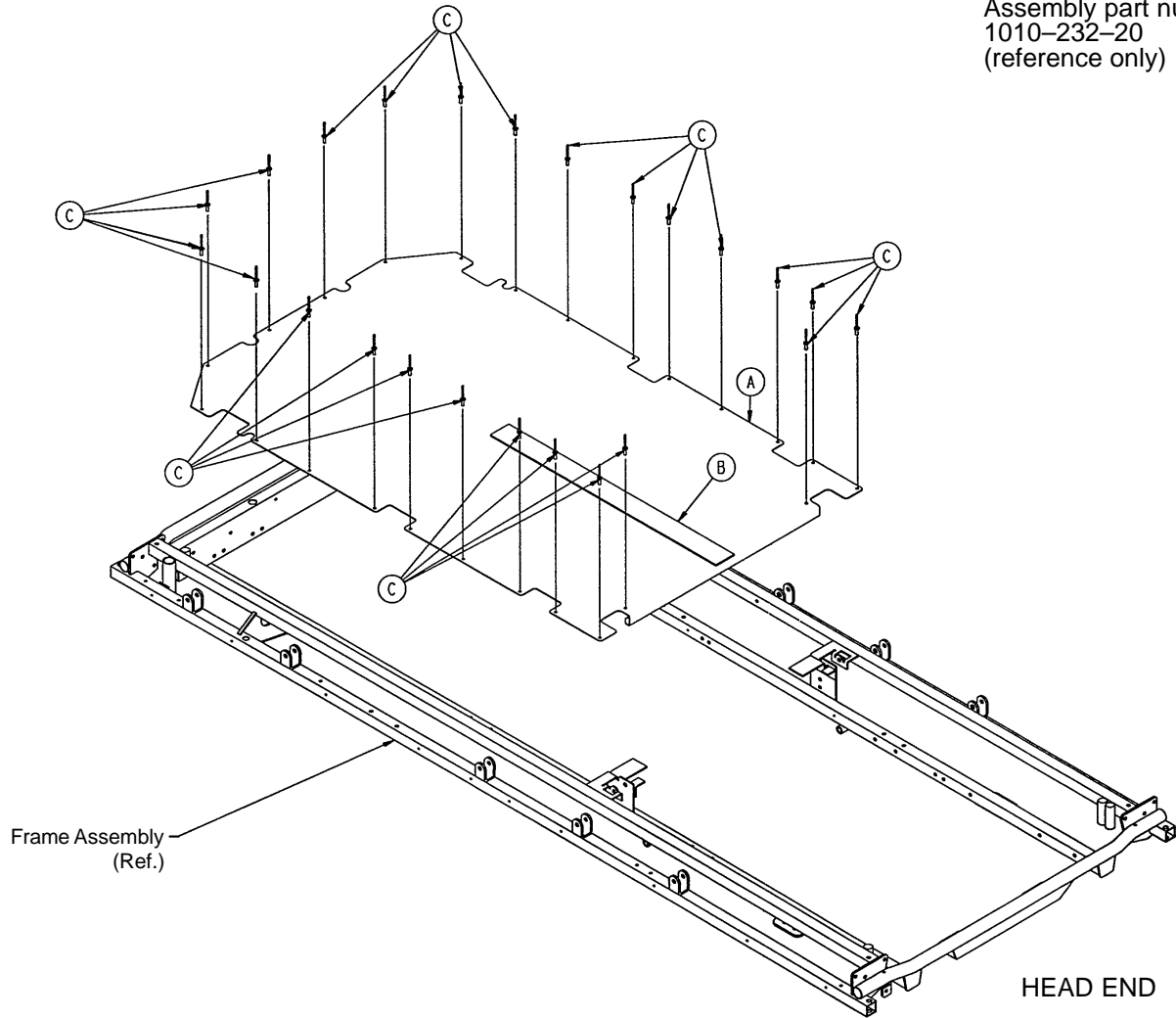


Assembly part numbers  
1010-332-20 &  
1510-332-20  
(reference only)

Item	Part No.	Part Name	Qty.
A	1010-332-21	Footsection Skin, Fiberresin (24")	1
	1510-332-21	Footsection Skin, Fiberresin (29")	1
B	381-24-7	Velcro Pile	24 1/2"
C	25-133	Pop Rivet	24

# 1210 Stationary Foot End Assembly (Steel)

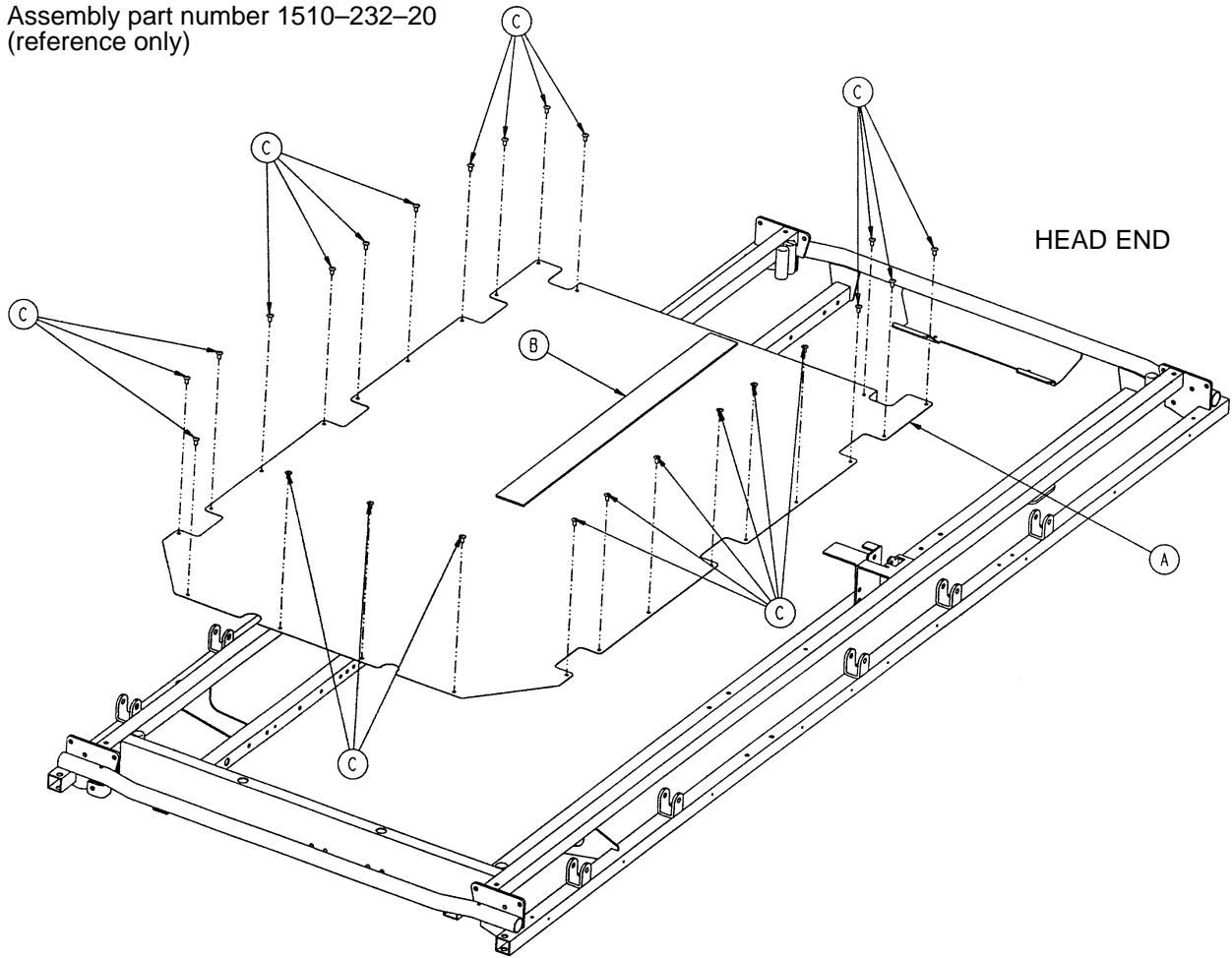
Assembly part number  
1010-232-20  
(reference only)



Item	Part No.	Part Name	Qty.
A	1010-232-21	Footsection Skin	1
B	381-24-7	Velcro Pile	24 1/2"
C	25-79	Pop Rivet	24

# 1710 Stationary Foot End Assembly (Steel)

Assembly part number 1510-232-20  
(reference only)

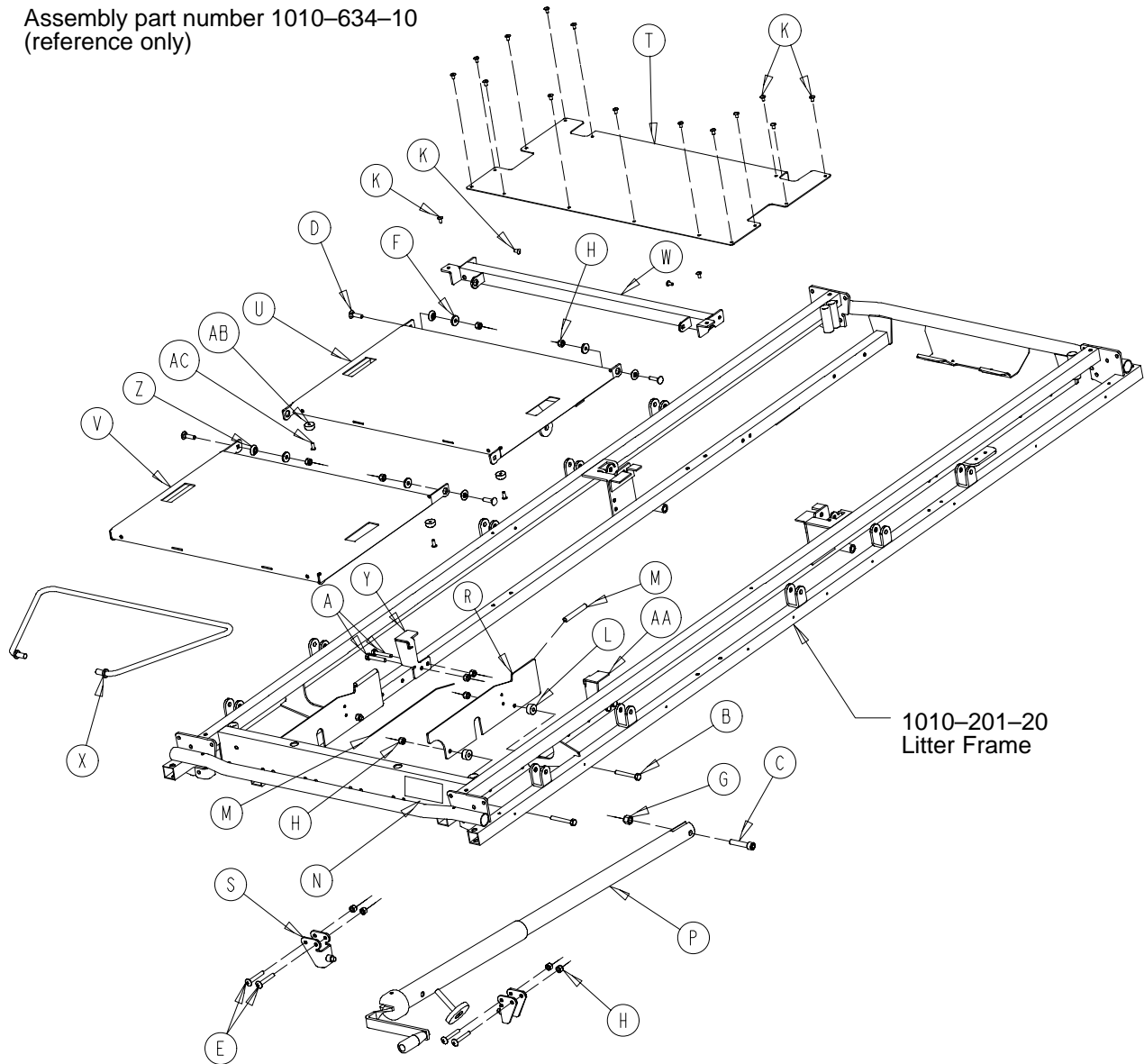


Item	Part No.	Part Name	Qty.
A	1510-232-21	Footsection Skin	1
B	381-24-7	Velcro Pile	24 1/2"
C	25-79	Pop Rivet	24



# 1210 Knee Gatch Assembly (Steel)

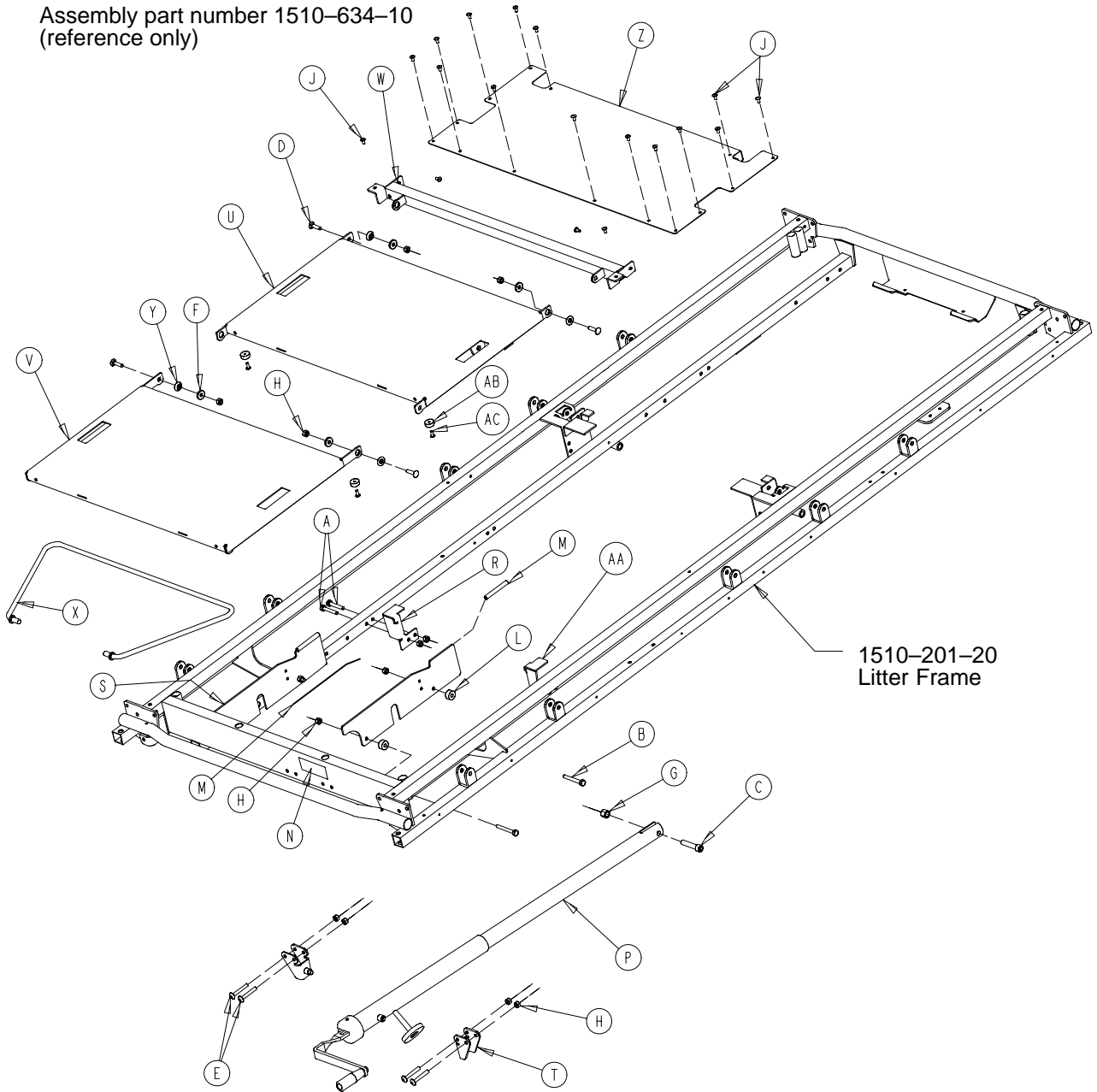
Assembly part number 1010-634-10  
(reference only)



Item	Part No.	Part Name	Qty.	Item	Part No.	Part Name	Qty.
A	3-355	Hex Hd. Cap Screw	4	R	1001-34-131	Slider Support	2
B	3-358	Hex Hd. Cap Screw	4	S	1010-234-15	Mounting Bracket	2
C	4-327	Soc. Hd. Cap Screw	1	T	1010-234-27	Midsection Skin	1
D	5-34	Rd. Hd. Sq. Neck Bolt	4	U	1210-34-11	Thigh Section Weldment	1
E	7-70	Truss Hd. Mach. Screw	4	V	1210-34-12	Calf Section Weldment	1
F	11-159	Washer	4	W	1210-34-23	Midsection Supt. Wldmt.	1
G	16-117	Flexlock Nut	1	X	1210-34-27	Calf Stand Bar	1
H	16-118	Nylock Nut	16	Y	1211-234-24	Thigh Support, Left	1
K	25-79	Blind Rivet	18	Z	3001-300-99	Modified Fowler Bushing	4
L	52-291	Nylon Spacer	4	AA	1211-234-25	Thigh Support, Right	1
M	58-56	Edge Cover	4	AB	56-19	Bumper	4
N	946-1-65	Knee Gatch Label	1	AC	25-179	Blind Rivet	4
P	(page 82)	Gatch Crankscrew Ass'y	1				

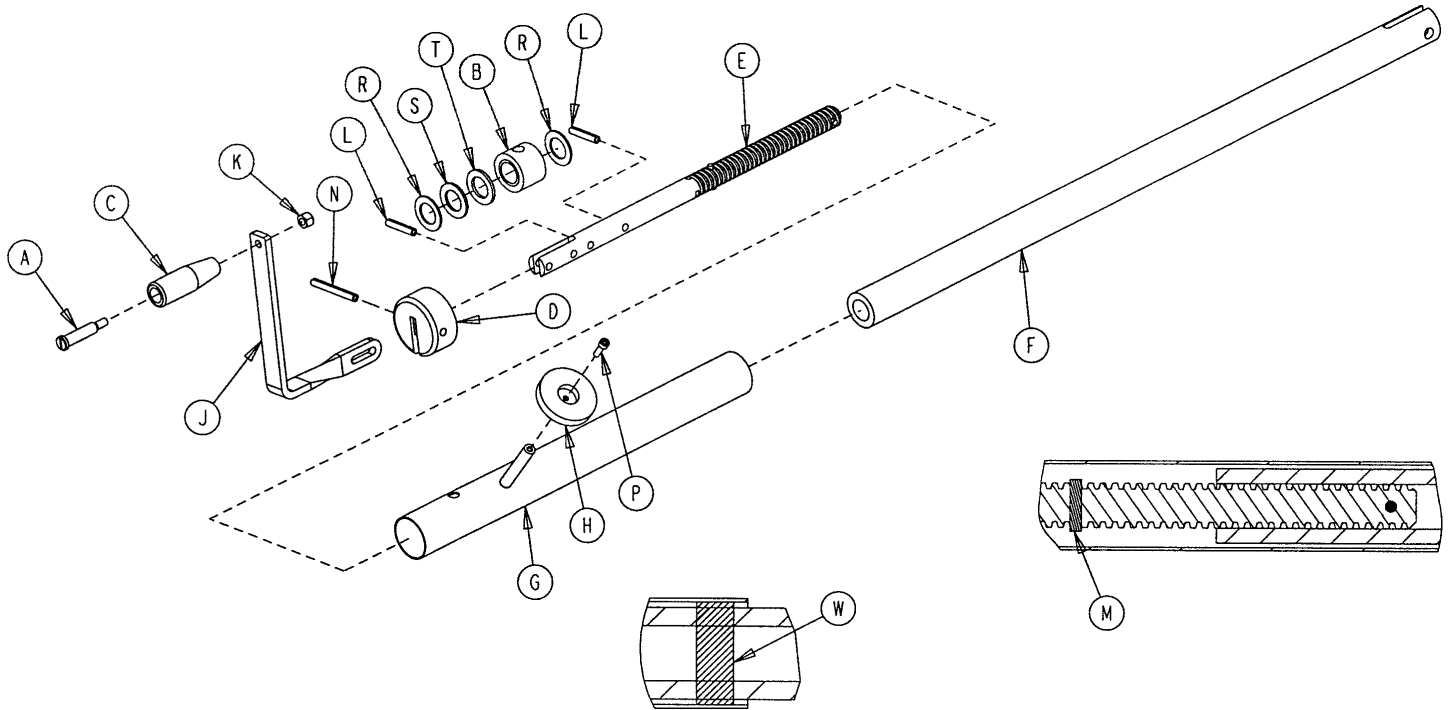
# 1710 Knee Gatch Assembly (Steel)

Assembly part number 1510-634-10  
(reference only)



Item	Part No.	Part Name	Qty.	Item	Part No.	Part Name	Qty.
A	3-47	Hex Hd. Cap Screw	4	P	(page 82)	Gatch Crankscrew Ass'y	1
B	3-76	Hex Hd. Cap Screw	4	R	1211-234-24	Thigh Support, Left	1
C	4-105	Soc. Hd. Cap Screw	1	S	1001-34-131	Slider Support	2
D	5-19	Rd. Hd. Sq. Neck Bolt	4	T	1010-234-15	Mounting Bracket	2
E	7-20	Truss Hd. Mach. Screw	4	U	1710-34-11	Thigh Section Weldment	1
F	11-158	Washer	4	V	1710-34-12	Calf Section Weldment	1
G	16-12	Flexlock Nut	1	W	1710-34-23	Midsection Supt. Wldmt.	1
H	16-28	Nylock Nut	16	X	1710-34-27	Calf Stand Bar	1
J	25-79	Blind Rivet	4	Y	3001-300-99	Modified Fowler Bushing	4
K	25-122	Blind Rivet	14	Z	1510-234-27	Midsection Skin	1
L	52-291	Nylon Spacer	4	AA	1211-234-25	Thigh Support, Right	1
M	58-56	Edge Cover	2'	AB	56-19	Bumper	4
N	946-1-65	Knee Gatch Label	1	AC	25-179	Blind Rivet	4

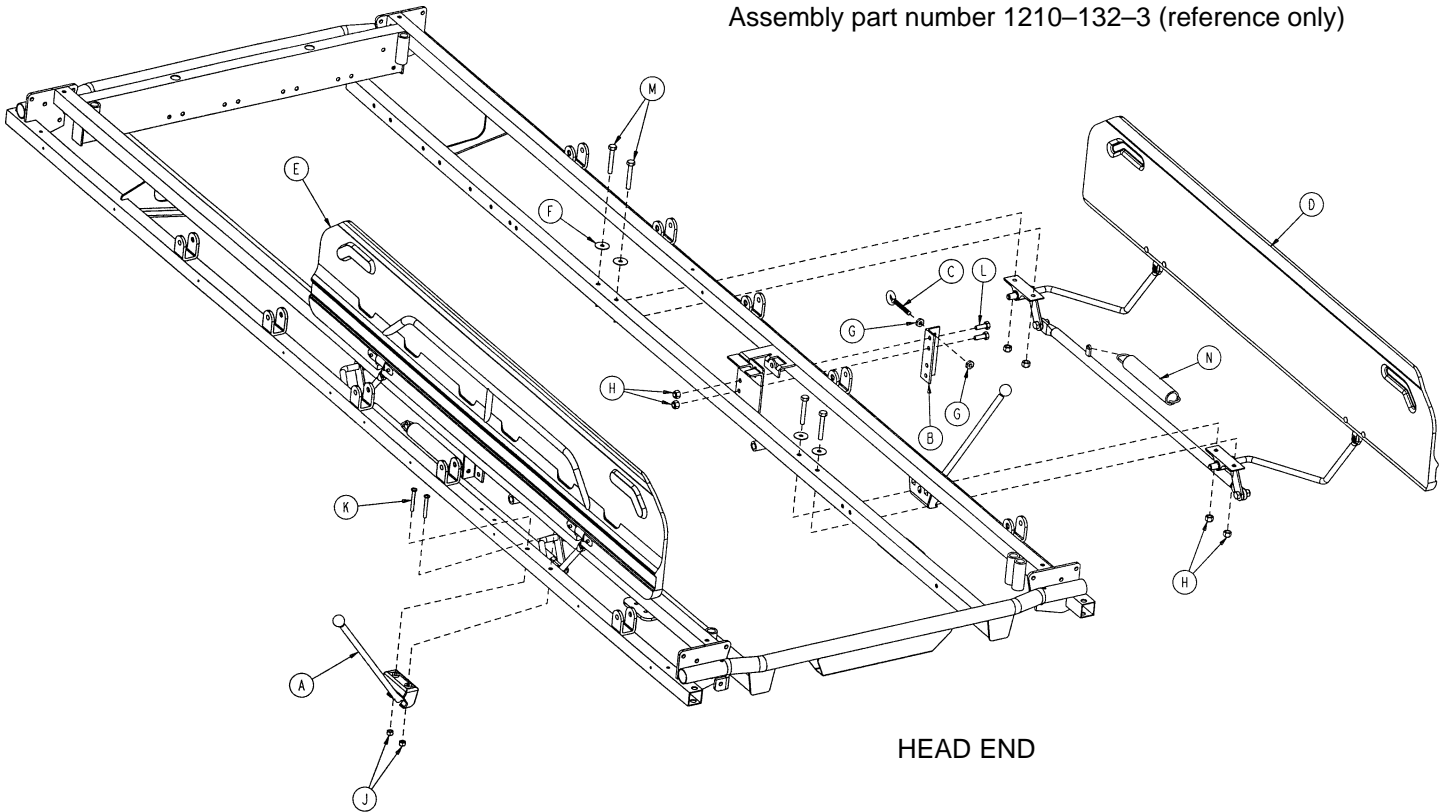
# 1001-134-19 Knee Gatch Crankscrew Assembly



Item	Part No.	Part Name	Qty.
A	378-124-29	Shoulder Bolt	1
B	938-1-175	Bearing Assembly	1
C	938-1-177	Knob	1
D	946-33-18	Crank Disk	1
E	1001-134-47	Knee Gatch Screw	1
F	1510-34-55	Gatch Drive Tube Assembly	1
G	1510-34-84	Screw Cover Assembly	1
H	1550-1-14	Magnet	1
J	1550-1-16	Crank Assembly	1
K	16-118	Nylock Nut	1
L	26-14	Spring Pin	2
M	26-43	Spring Pin	2
N	26-145	Spring Pin	1
P	4-107	Soc. Head Cap Screw	1
R	81-174	Thrust Washer	2
S	81-175	Thrust Bearing	1
T	81-176	Thrust Washer	1
W	7900-1-102	Velcro Pile Tape	2

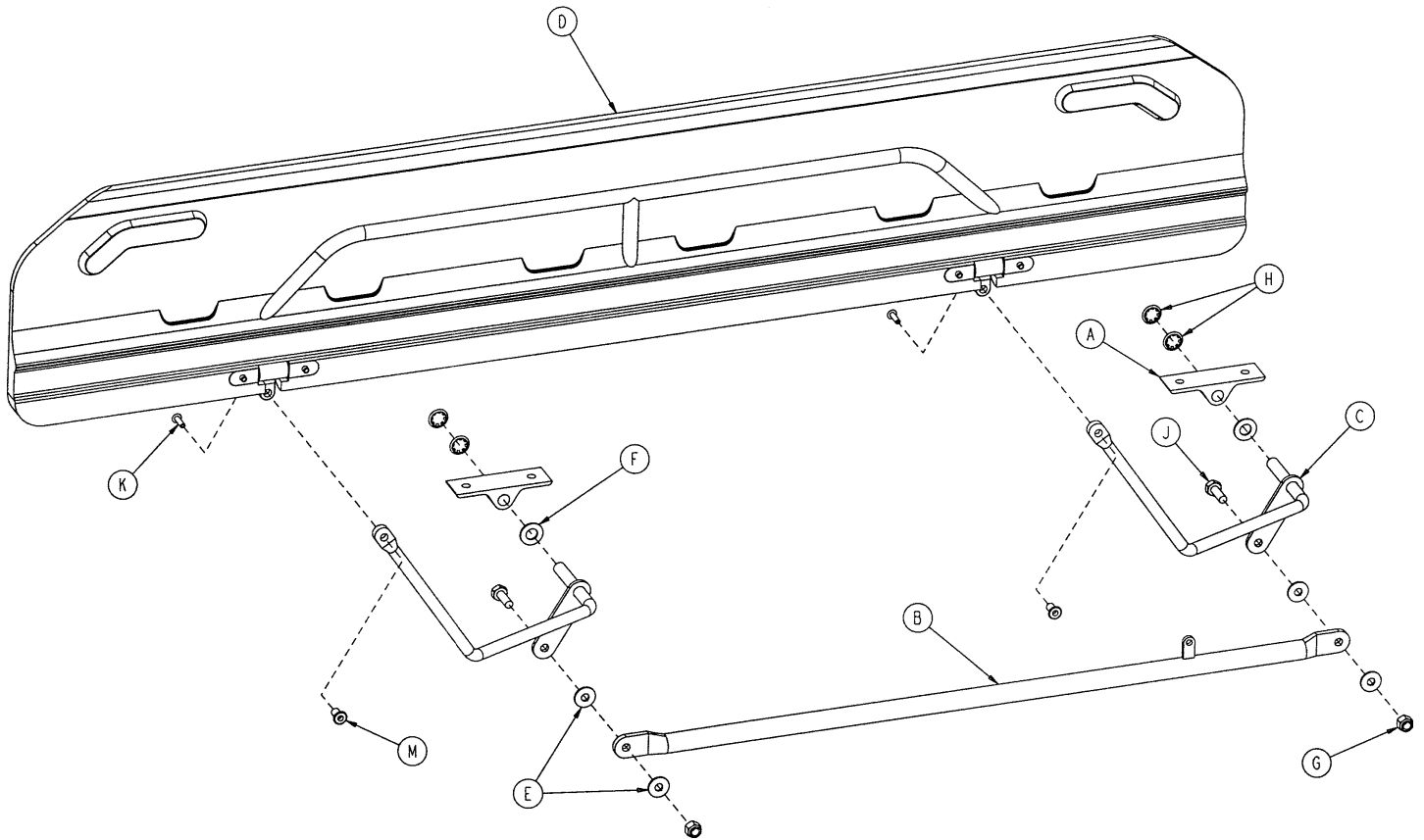
# Short Transfer System to Litter Assembly

Assembly part number 1210-132-3 (reference only)



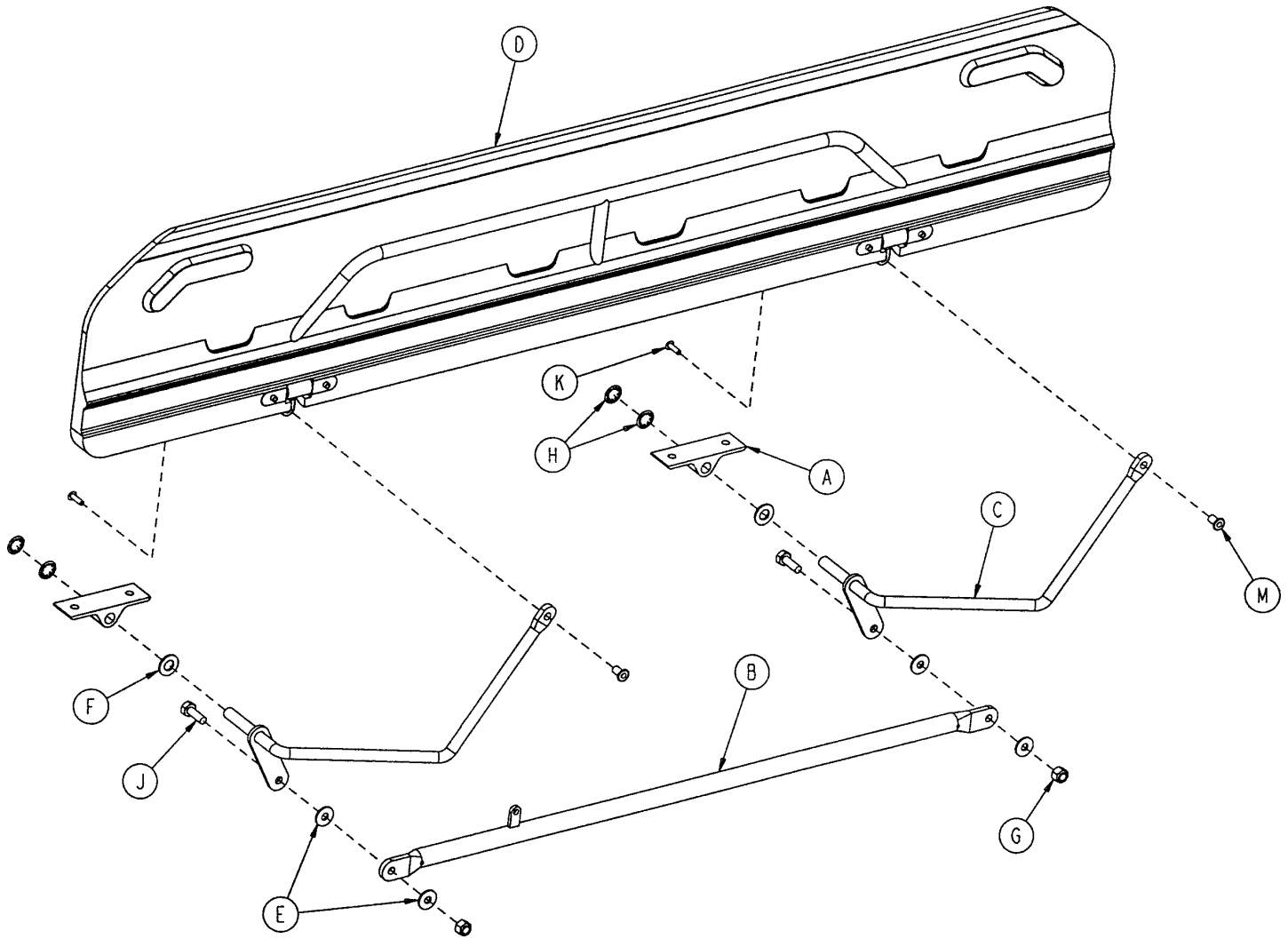
Item	Part No.	Part Name	Qty.
A	(page 86)	Board Support Assembly	2
B	1010-224-25	Spring Retainer	2
C	10-11	Eye Bolt	2
D	(page 84)	Transfer System Ass'y, Rt.	1
E	(page 85)	Transfer System Ass'y, Lt.	1
F	11-180	Washer	8
G	15-21	Hex Jam Nut	4
H	16-118	Fiberlock Nut	12
J	16-121	Fiberlock Nut	4
K	2-100	Pan Hd. Screw	4
L	3-356	Hex Hd. Cap Screw	4
M	3-359	Hex Hd. Cap Screw	8
N	38-218	Extension Spring	2

# 1010-232-10 Optional Short Transfer System Ass'y, Rt.



Item	Part No.	Part Name	Qty.
A	1010-32-98	Pivot	2
B	1010-224-33	Connecting Link Ass'y, Rt.	1
C	1010-232-16	Pivot Arm Ass'y, Right	2
D	1020-32-100	Transfer Board Ass'y	1
E	11-224	Nylon Flat Washer	4
F	14-21	Nylon Flat Washer	2
G	16-118	Nylock Hex Nut	2
H	28-93	Retaining Ring	4
J	3-356	Hex Hd. Cap Screw	2
K	25-157	Blind Rivet	2
L	721-24-46	Label	1
M	1211-132-25	Pivot Sleeve	2

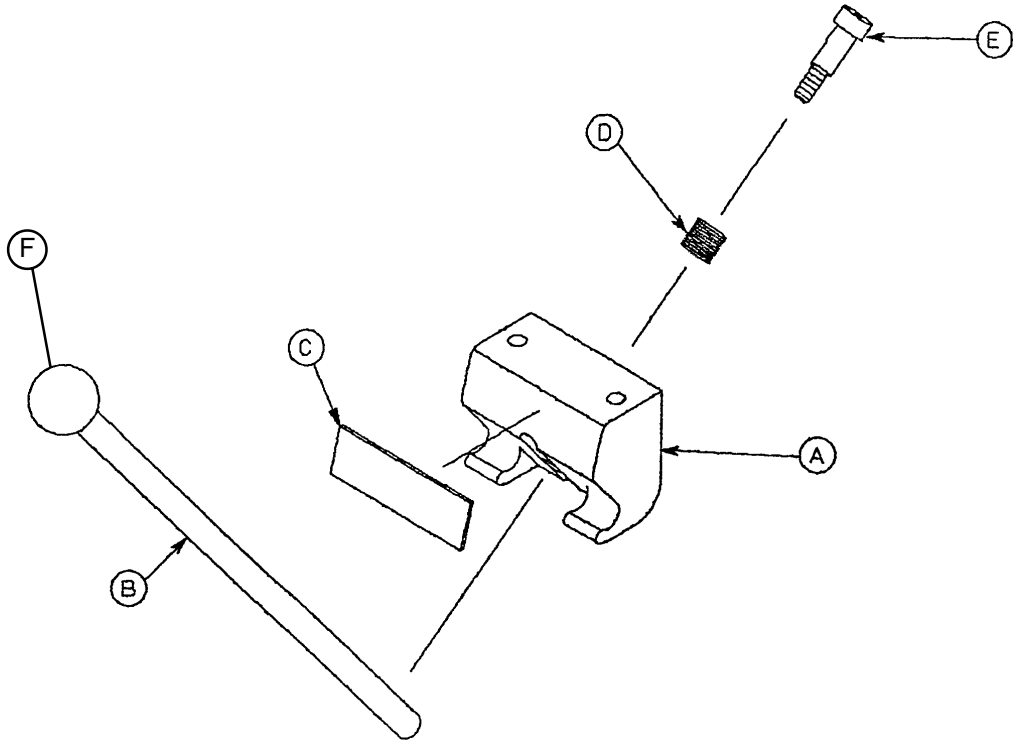
# 1010-232-11 Optional Short Transfer System Ass'y, Lt.



Item	Part No.	Part Name	Qty.
A	1010-32-98	Pivot	2
B	1010-224-33	Connecting Link Ass'y	1
C	1010-232-17	Pivot Arm Ass'y, Lt.	2
D	1020-32-100	Transfer Board Ass'y	1
E	11-224	Nylon Flat Washer	4
F	14-21	Nylon Flat Washer	2
G	16-118	Nylock Hex Nut	2
H	28-93	Retaining Ring	4
J	3-356	Hex Hd. Cap Screw	2
K	25-157	Blind Rivet	2
L	721-24-46	Label	1
M	1211-132-25	Pivot Sleeve	2

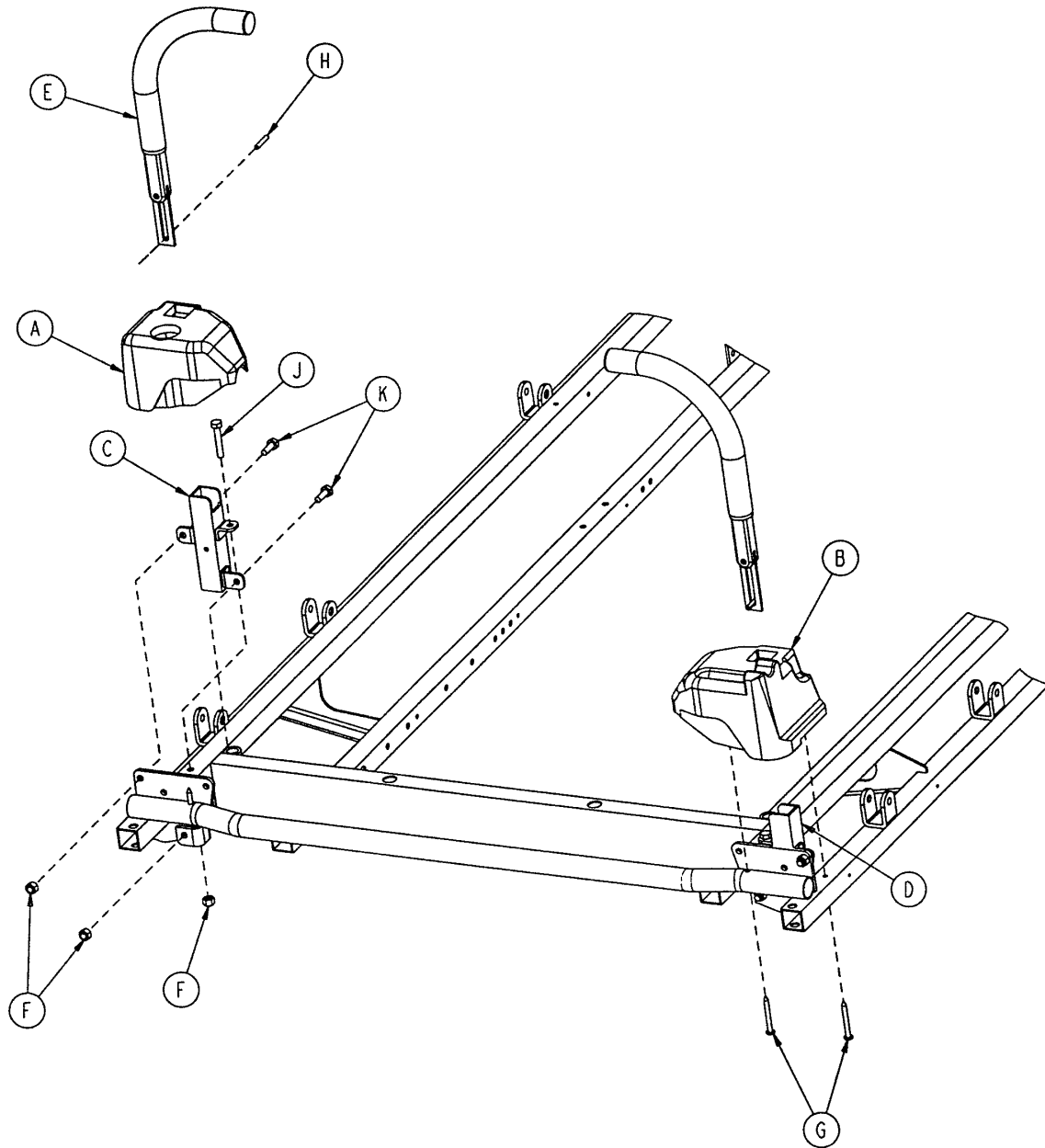
# 1010-24-30 Arm Board Support Assembly

---



Item	Part No.	Part Name	Qty.
A	1010-24-15	Support Block	1
B	1010-24-16	Support Arm	1
C	1010-24-14	Warning Label	1
D	38-263	Spring	1
E	8-17	Shoulder Bolt	1
F	1010-26-46	Ball Knob	1

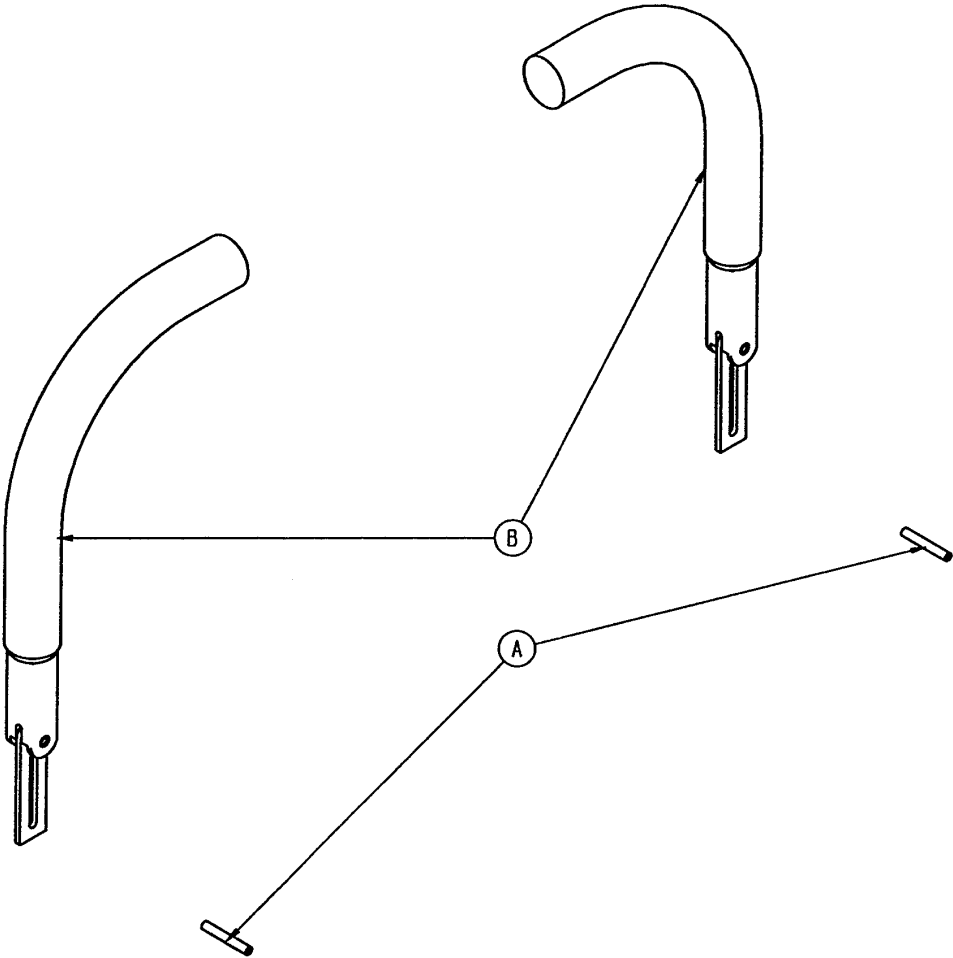
# 1210-151 Foot End Steering Handles Assembly



Item	Part No.	Part Name	Qty.
A	1010-201-236	Corner, Hole/Slot	1
B	1010-201-237	Corner, Hole/Hole	1
C	1010-254-4	P.U.P Receptacle Wldmt., Lt.	1
D	1010-254-6	P.U.P. Receptacle Wldmt., Rt.	1
E	(page 89)	Push Handle Assembly	2
F	16-118	Nylock Nut	6
G	23-283	Self-Tapping Screw	4
H	26-114	Roll Pin	2
J	3-355	Hex Hd. Cap Screw	2
K	3-356	Hex Hd. Cap Screw	4



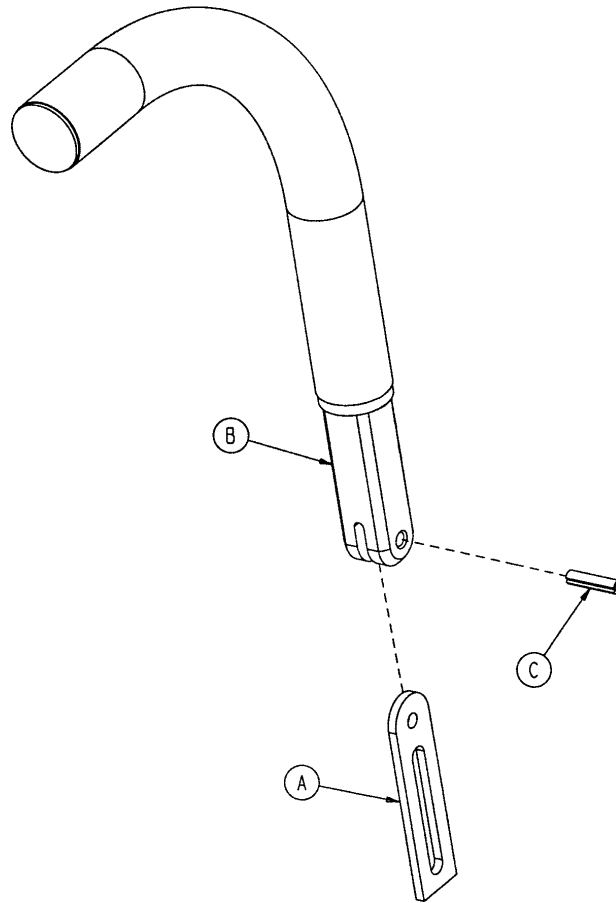
# 1711-151 Head End Steering Handles Assembly



Item	Part No.	Part Name	Qty.
A	26-114	Roll Pin	2
B	(page 89)	Push Handle Assembly	2

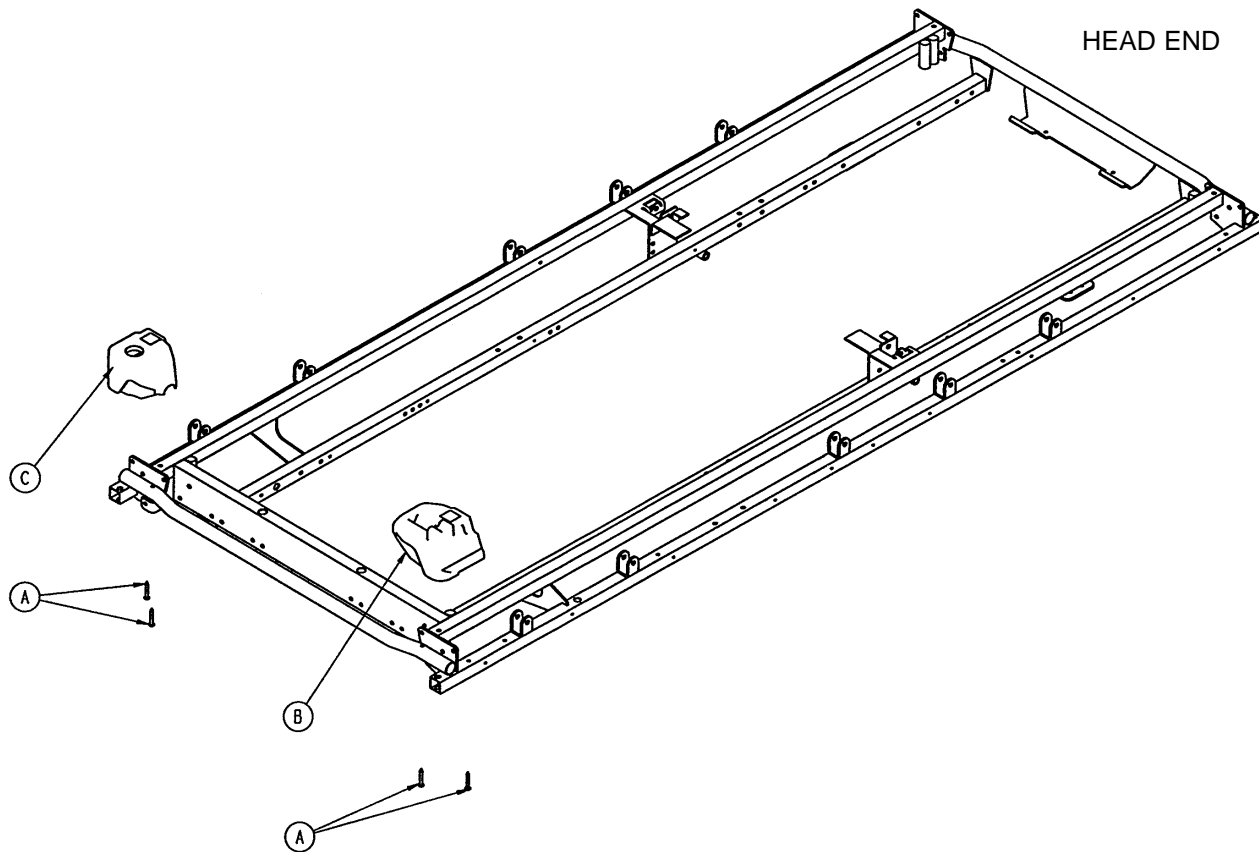
# 1211-351-10 Push Handle Assembly

---



Item	Part No.	Part Name	Qty.
A	1010-354-24	Stop Link	1
B	1211-151-18	Sleeve Assembly	1
C	26-118	Roll Pin	1

# 1210–153 Ft. End Corner Ass’y w/o Steering Handles

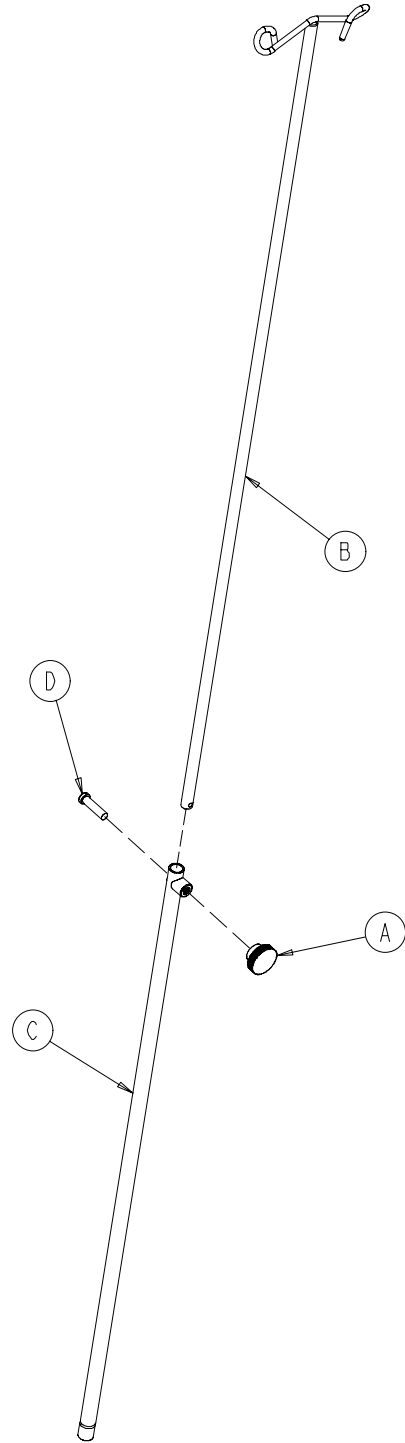


Item	Part No.	Part Name	Qty.
A	23-104	Self-Tapping Screw	4
B	1010-201-238	Corner, Slot	1
C	1010-201-239	Corner, Hole	1

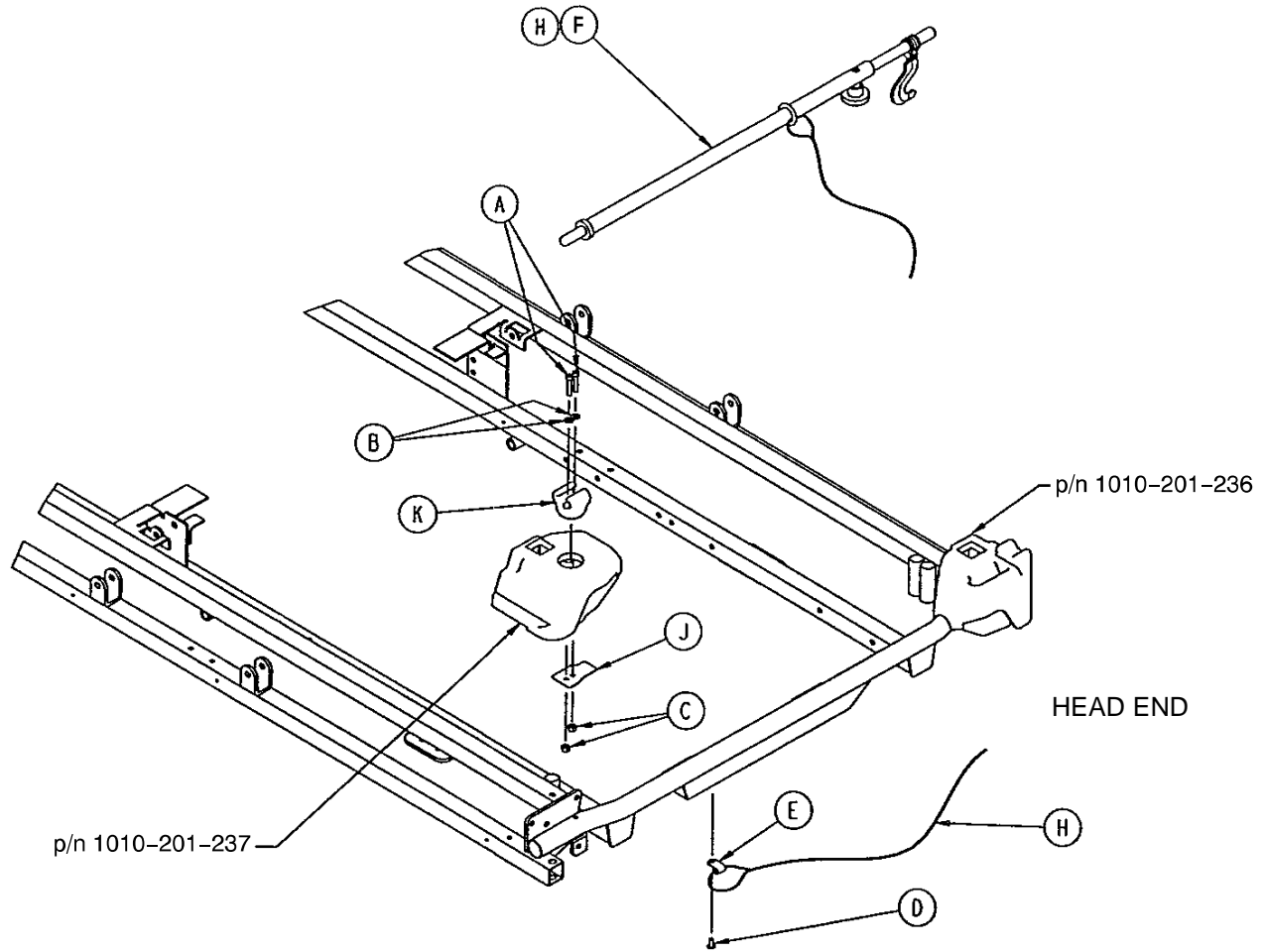
# 390-25 Standard, Removable I.V. Pole Assembly

---

Item	Part No.	Part Name	Qty.
A	24-23	Plastic Knob	1
B	390-3-53	Double I.V. Ass'y	1
C	393-3-43	Tube Assembly	1
D	4-496	Soc. Hd. Cap Screw	1

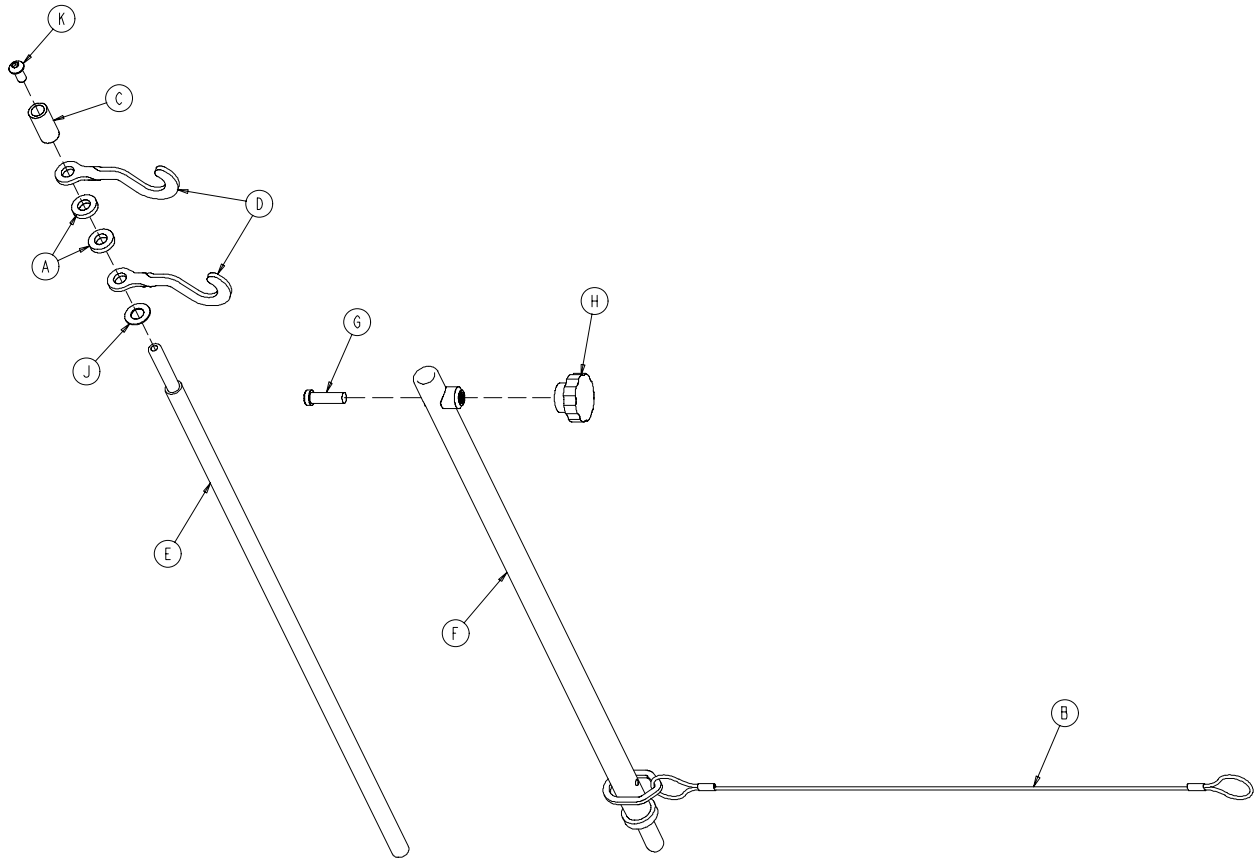


# 1210-117 & 1710-117 Tethered I.V. Pole Assembly



Item	Part No.	Part Name	Qty.
A	4-107	Soc. Hd. Cap Screw	2
B	11-62	Washer	2
C	16-3	Fiberlock Nut	2
D	25-179	Rivet	1
E	34-22	Cable Clamp	1
F	1501-127-19	I.V. Plug	1
H	(page 93)	Tethered I.V. Pole Assembly	1
J	1211-117-21	Backing Plate	1
K	1211-117-22	I.V. Clip	1

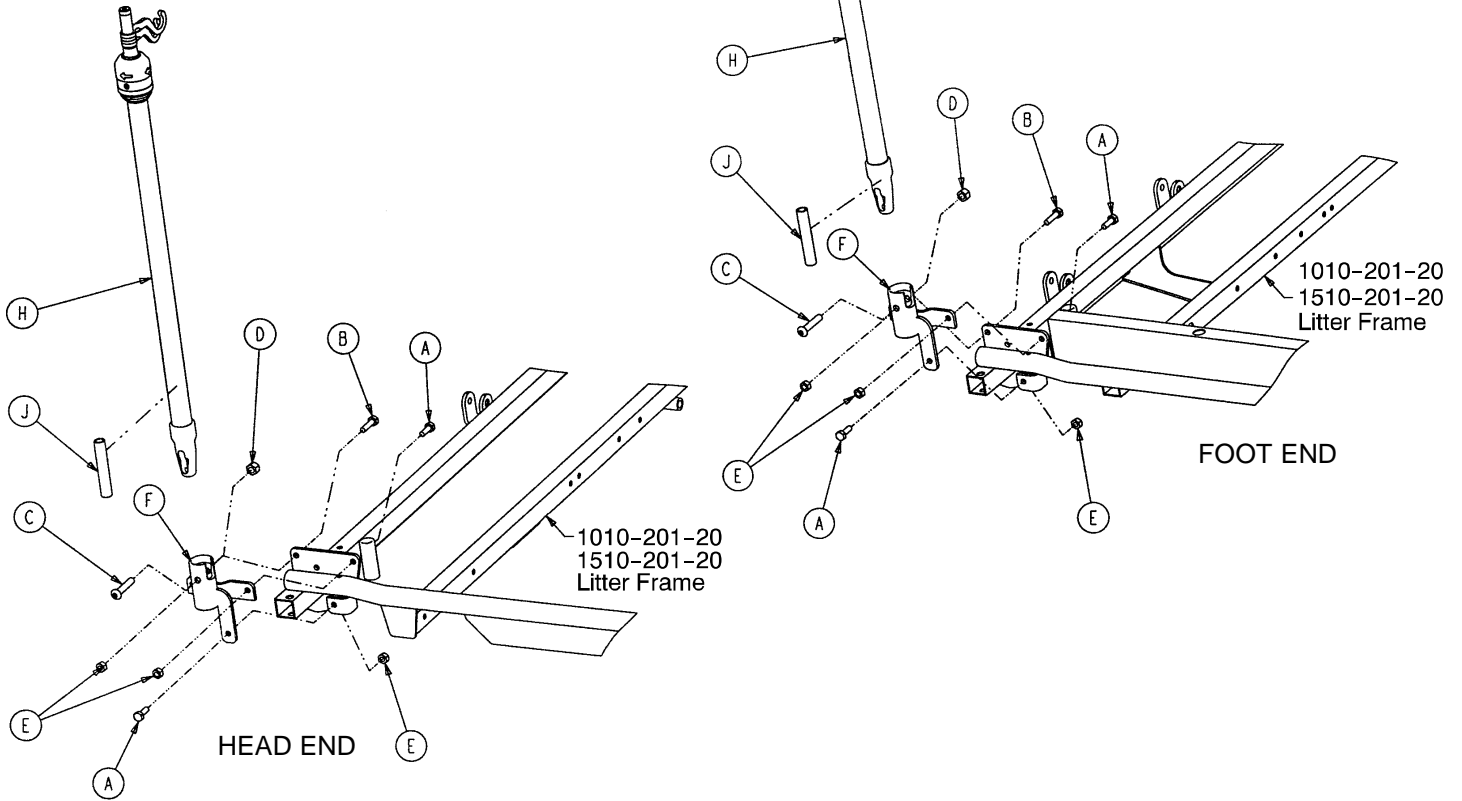
# 1211-117-10 Tethered I.V. Pole Assembly



Item	Part No.	Part Name	Qty.
A	52-17	Spacer	2
B	1211-117-20	Cable Assembly	1
C	926-400-62	Stop Sleeve	1
D	1010-59-16	I.V. Hook	2
E	1211-117-11	Extension Rod	1
F	1211-117-12	Base Tube Weldment	1
G	4-495	Low Hd. Soc. Hd. Cap Screw	1
H	1211-117-16	Knob	1
J	14-20	Nylon Washer	1
K	4-232	Button Hd. Cap Screw	1

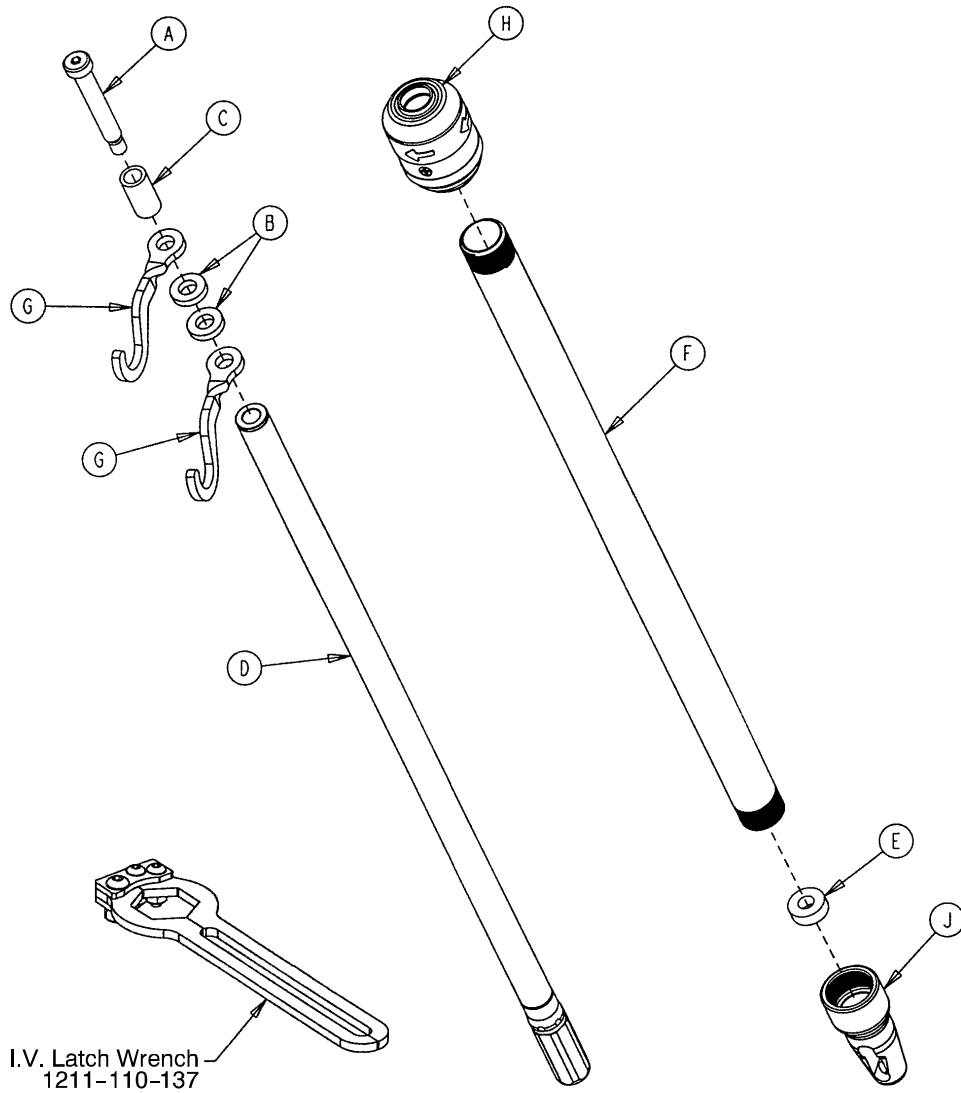
# Optional 2-Stage I.V. Pole Mounting Assembly

Assembly part numbers  
 1010-280 (Foot End) – 1210  
 1010-281 (Head End) – 1210  
 1510-280 (Foot End) – 1710  
 1510-281 (Head End) – 1710



Item	Part No.	Part Name	Qty.
A	3-356	Hex Hd. Cap Screw	2
B	3-357	Hex Hd. Cap Screw	1
C	4-452	But. Hd. Cap Screw	1
D	16-116	Flexlock Nut	1
E	16-118	Nyock Nut	3
F	1001-259-103	I.V. Pivot	1
H	(page 95)	I.V. Pole Assembly	1
J	1501-127-19	I.V. Plug	1

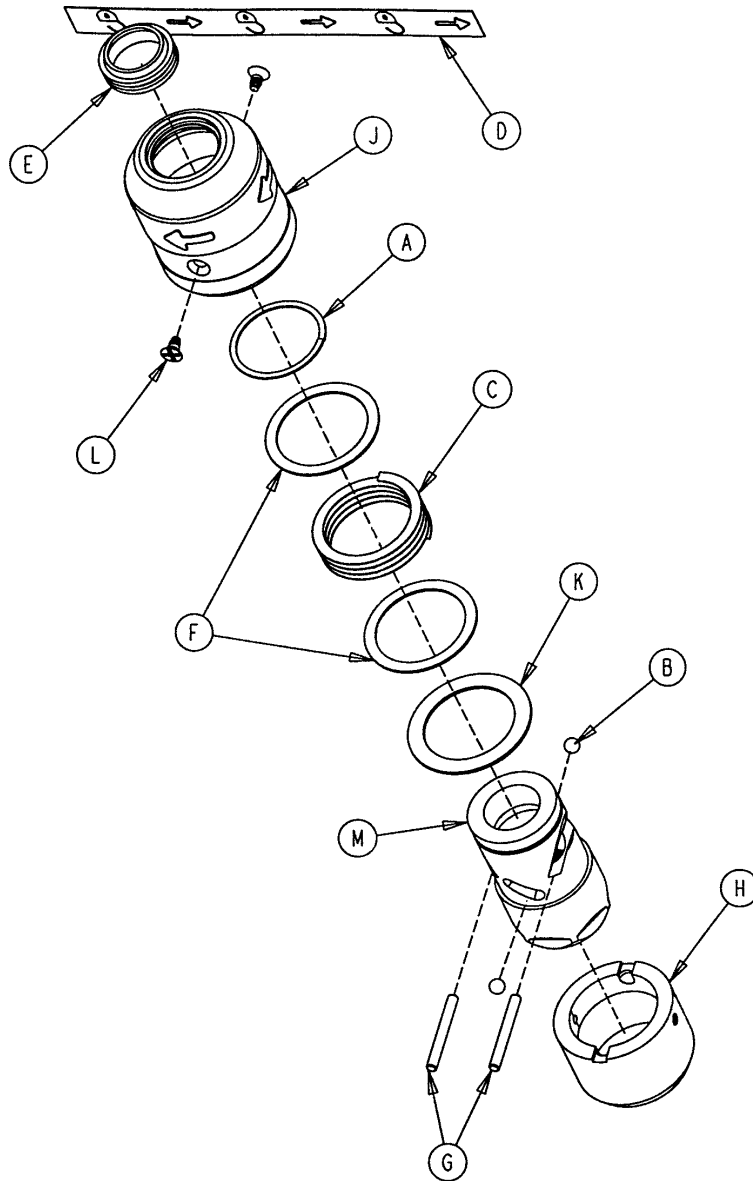
# 1211-210-10 Optional 2-Stage I.V. Pole Assembly



Item	Part No.	Part Name	Qty.
A	8-31	Soc. Hd. Cap Screw	1
B	52-17	Washer	2
C	926-400-162	Spacer	1
D	1211-210-29	2nd Stage Assembly	1
E	1001-359-13	Dampener	1
F	1001-159-28	Base Tube	1
G	1010-259-16	I.V. Hook	2
H	(page 96)	I.V. Pole Latch	1
J	1001-359-112	Pivot	1



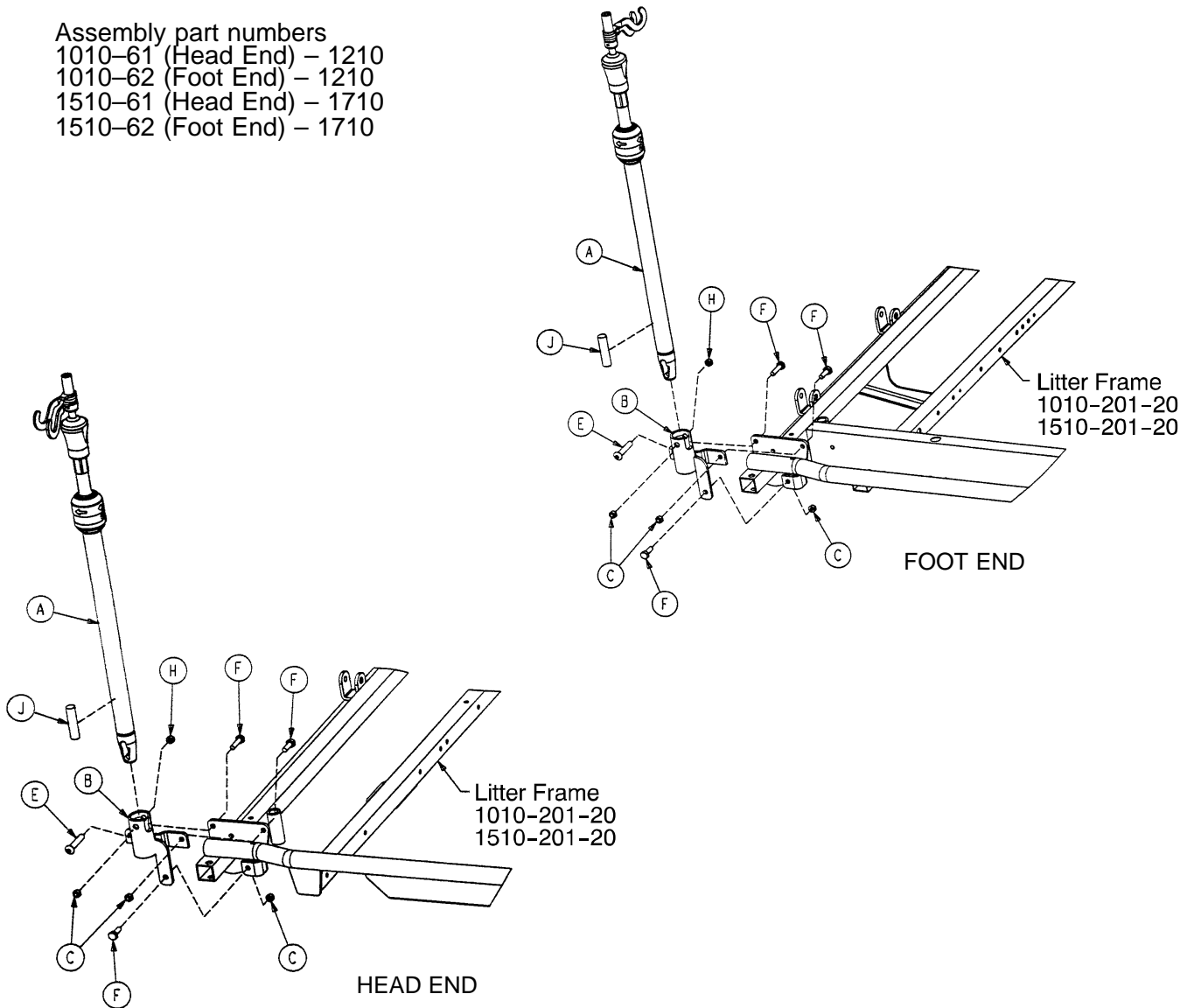
# 1211-210-26 Optional I.V. Pole Latch Assembly



Item	Part No.	Part Name	Qty.
A	28-167	Retaining Ring	1
B	31-4	Steel Ball	2
C	38-392	Crest-to-Crest Spring	1
D	1211-91-34	Release Label	1
E	1211-110-18	I.V. Latch Seal	1
F	1211-110-20	Washer	2
G	1211-110-21	I.V. Latch Locking Pin	2
H	1211-110-22	I.V. Latch Guide	1
J	1211-110-24	I.V. Latch O.D. Housing	1
K	1211-110-35	Washer	1
L	1211-110-36	Self-Tapping Screw	2
M	1211-210-23	I.V. Latch I.D. Housing	1

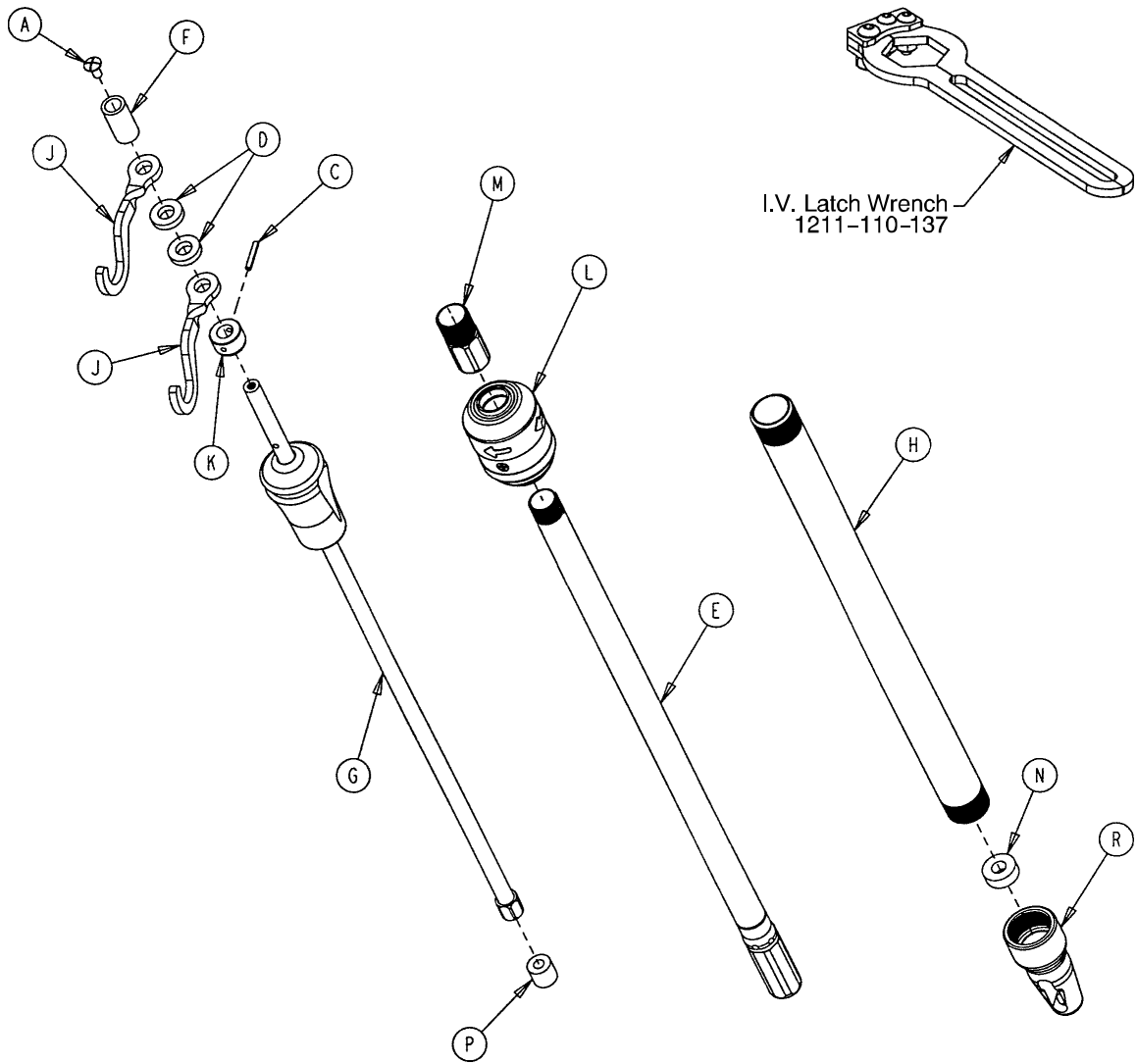
# Optional 3-Stage I.V. Pole Mounting Assembly

Assembly part numbers  
 1010-61 (Head End) – 1210  
 1010-62 (Foot End) – 1210  
 1510-61 (Head End) – 1710  
 1510-62 (Foot End) – 1710



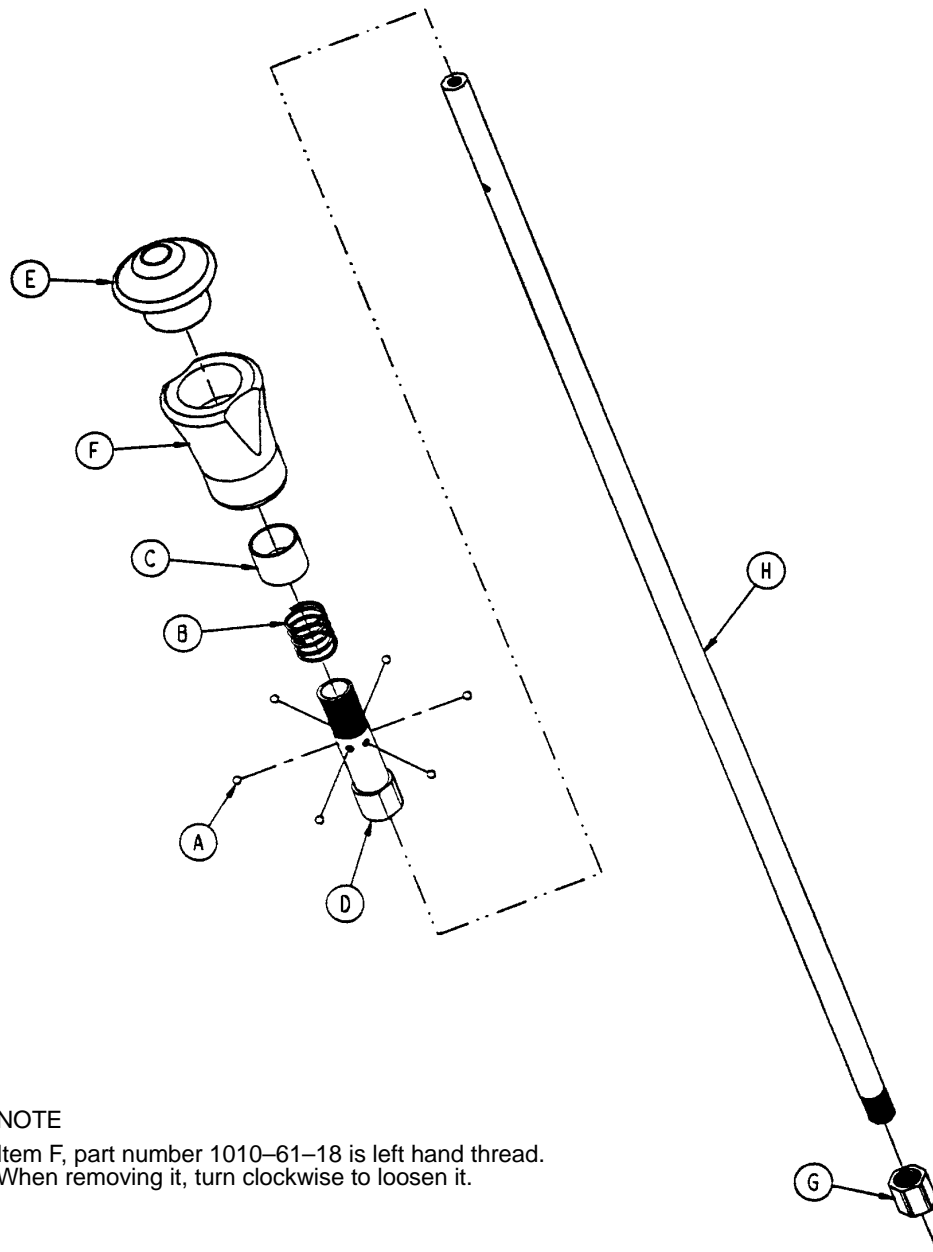
Item	Part No.	Part Name	Qty.
A	(page 98)	I.V. Pole Assembly	1
B	1001-259-103	I.V. Pivot	1
C	16-118	Hex Nut	3
E	4-452	But. Hd. Cap Screw	1
F	3-356	Hex Hd. Cap Screw	3
H	16-116	Flexlock Nut	1
J	1001-159-42	I.V. Plug	1

# 1211-211-10 Optional 3-Stage I.V. Pole Assembly



Item	Part No.	Part Name	Qty.
A	7-4	Truss Hd. Machine Screw	1
C	26-76	Roll Pin	1
D	52-17	Spacer	2
E	1211-210-31	2nd Stage Assembly	1
F	926-400-162	Spacer	1
G	(page 99)	3rd Stage Assembly	1
H	1001-161-23	Base Tube	1
J	1010-259-16	I.V. Hook	2
K	1010-61-14	Collar	1
L	(page 96)	I.V. Pole Latch	1
M	1211-110-16	Threaded Adaptor	1
N	1001-359-13	Dampener	1
P	1001-359-14	Dampener	1
R	1001-359-112	Pivot	1

# 1211-110-32 Optional 3rd Stage Assembly

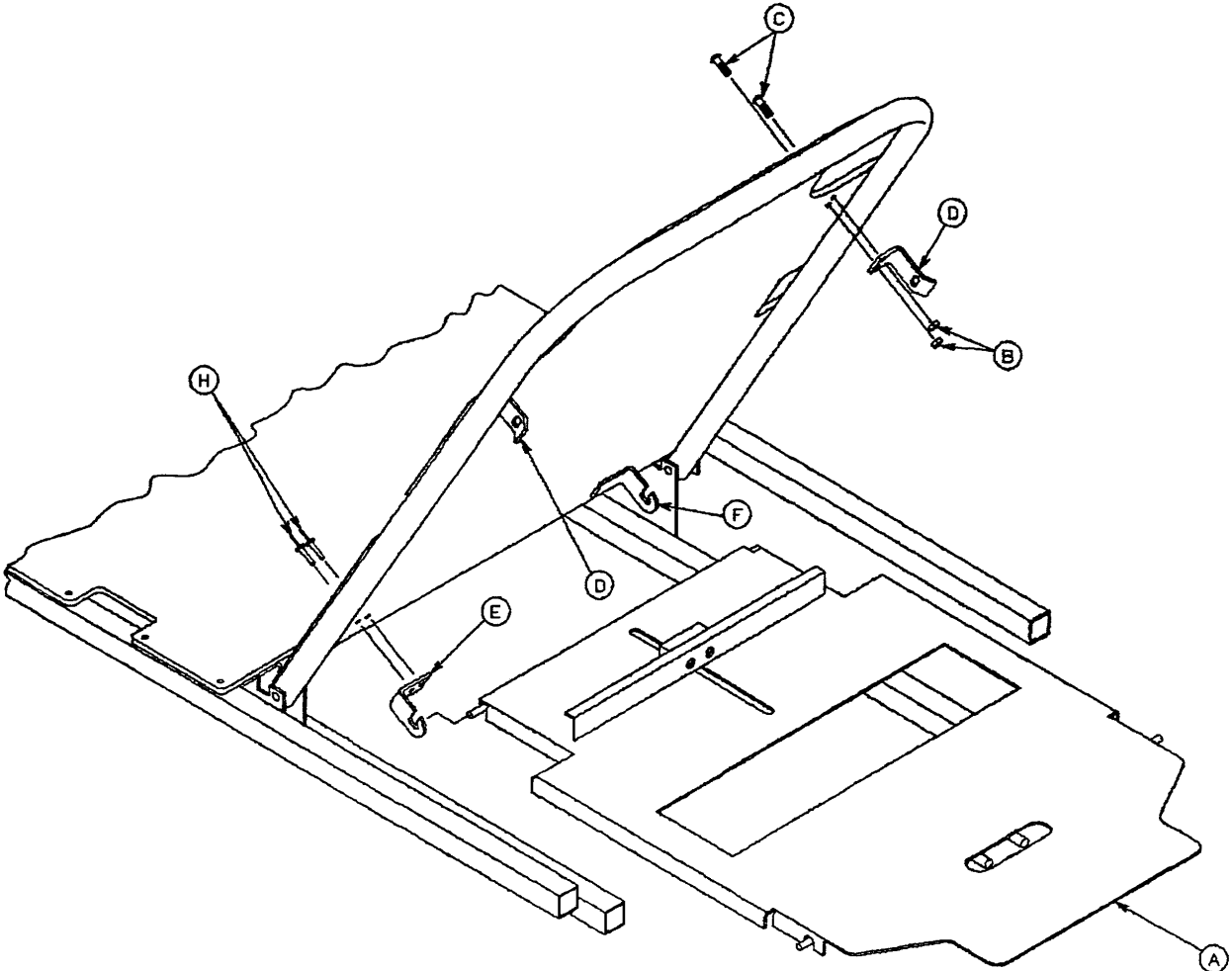


**NOTE**

Item F, part number 1010-61-18 is left hand thread.  
When removing it, turn clockwise to loosen it.

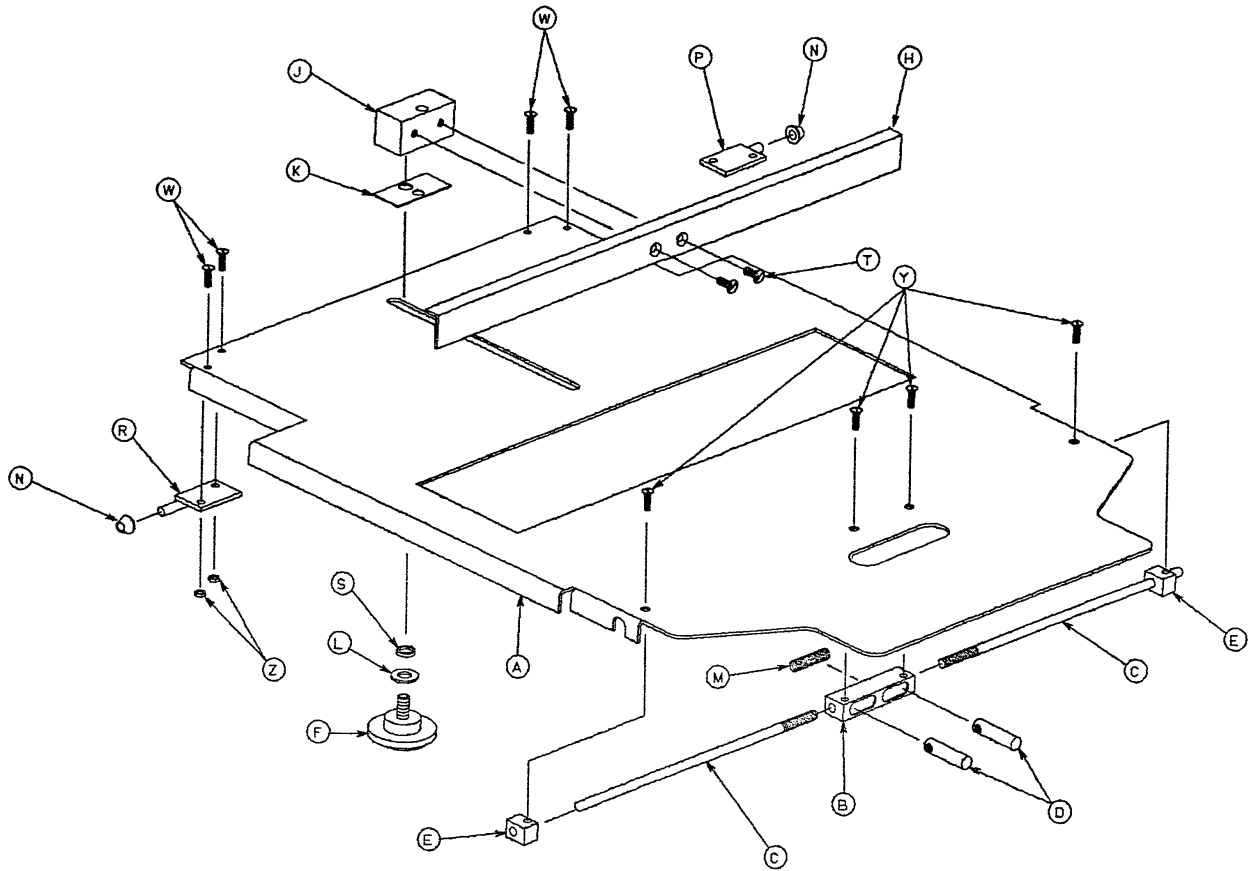
Item	Part No.	Part Name	Qty.
A	31-21	Ball	6
B	38-303	Compression Spring	1
C	1010-61-13	Ball Retainer	1
D	1010-61-16	Retaining Shaft	1
E	1010-61-17	Thumb Knob	1
F	1010-61-18	Hand Guard	1
G	1211-110-17	Nut	1
H	1211-110-33	3rd Extension Rod	1

# 1001-23 X-Ray Cassette Mounting Assembly



Item	Part No.	Part Name	Qty.
A	(page 101)	X-Ray Cassette Ass'y	1
B	16-121	Self-Locking Nut	4
C	4-456	Button Hd. Cap Screw	4
D	1001-23-13	Tray Latch	2
E	1020-23-13	Tray Hinge, Right	1
F	1020-23-12	Tray Hinge, Left	1
H	25-86	Pop Rivet	4

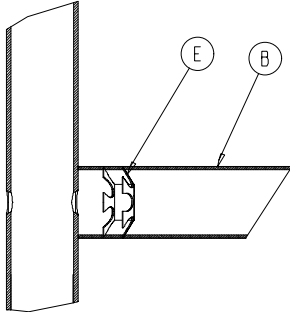
# 1001-23-10 Fowler X-Ray Cassette Assembly



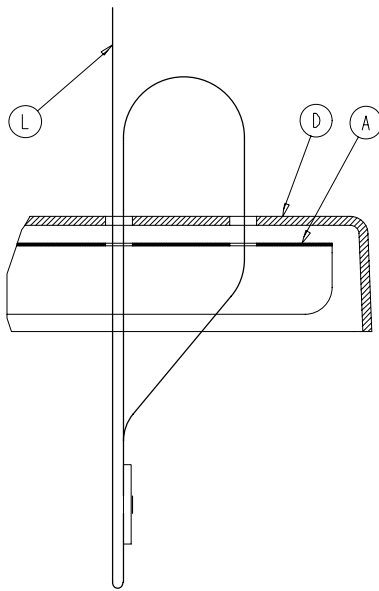
Item	Part No.	Part Name	Qty.
A	1001-23-12	Tray	1
B	1020-23-16	Post Housing	1
C	1001-23-14	Actuating Rod	2
D	926-23-64	Post	2
E	1010-23-37	Rod Guide	2
F	1020-23-21	Knob	1
H	1010-23-28	Tray Angle	1
J	926-23-70	Block Assembly	1
K	926-23-69	Washer	1
L	14-3	Washer	1
M	38-122	Compression Spring	1
N	1020-23-26	Spacer	2
P	1020-23-19	Tray Hinge, Right	1
R	1020-23-20	Tray Hinge, Left	1
S	926-23-71	Bushing	1
T	1-20	Flat Hd. Mach. Screw	2
W	4-149	Button Hd. Cap Screw	4
Y	1-22	Flat Hd. Mach. Screw	4
Z	16-3	Nylock Hex Nut	4
AA	1010-23-19	Instruction Label	1
AB	1001-23-25	Specification Label	1

# 926-39 Optional Defibrillator Tray Assembly

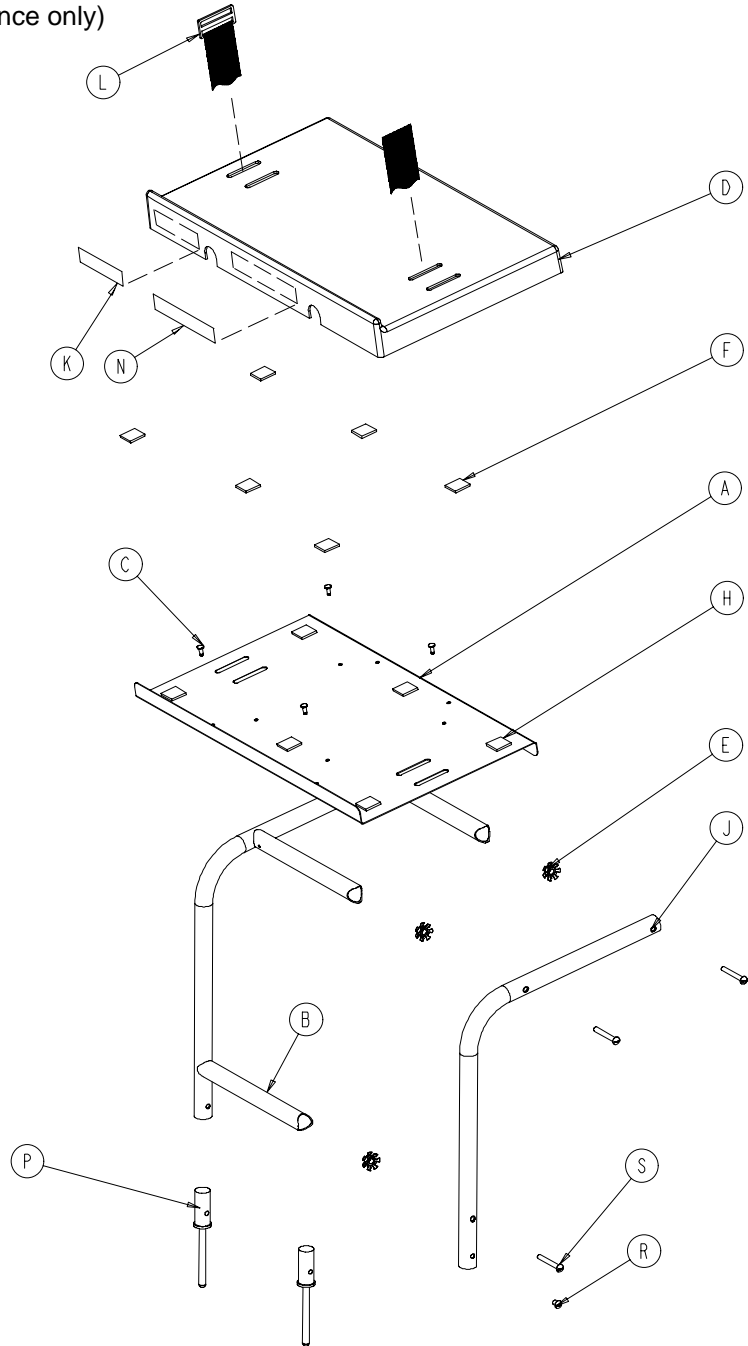
Assembly part number 926-39-10 (reference only)



Umbrella Nut/Crosstube Detail



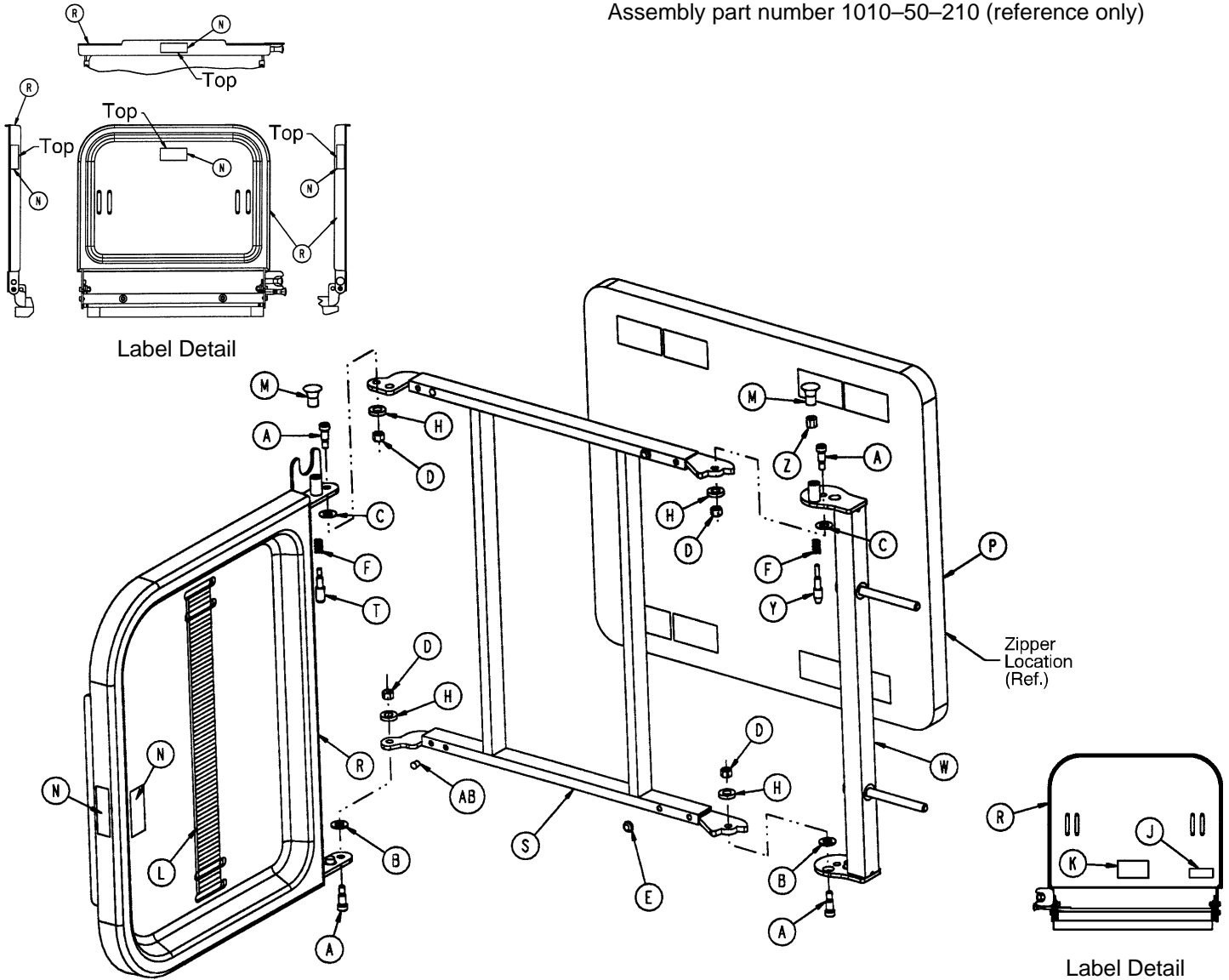
Strap Securing Detail



Item	Part No.	Part Name	Qty.	Item	Part No.	Part Name	Qty.
A	946-39-4	Tray	1	J	946-39-3	Support Tube	2
B	926-39-16	Crosstube	3	K	926-1-82	Label	1
C	25-55	Rivet	4	L	1010-50-21	Long Strap	1
D	926-39-9	Cover	1	N	946-1-283	Label	1
E	18-6	Umbrella Nut	6	P	926-39-15	Holder	2
F	29-8	Dual Lock	6	R	2-44	Screw	2
H	29-10	Dual Lock	6	S	2-105	Rd. Hd. Mach. Screw	6

# 1010-50-100 Foot Extension/Defibrillator Tray Ass'y

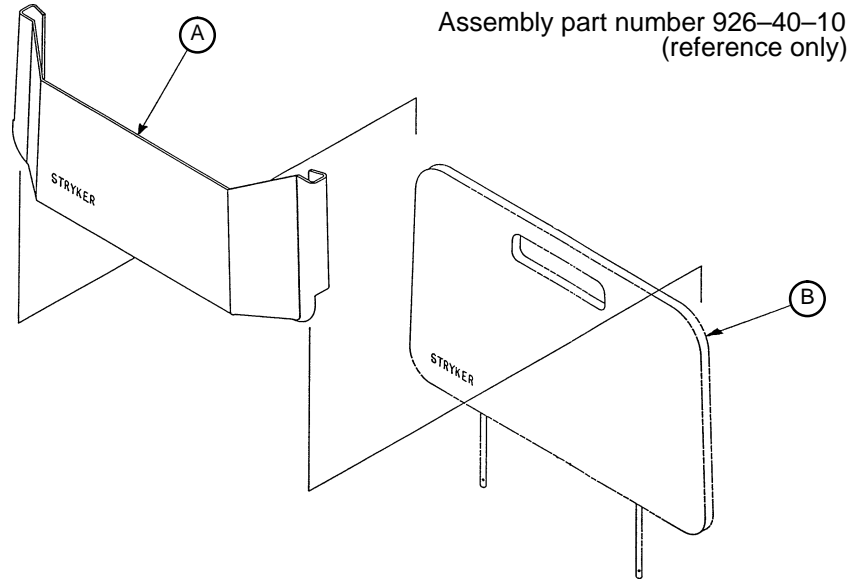
Assembly part number 1010-50-210 (reference only)



Item	Part No.	Part Name	Qty.	Item	Part No.	Part Name	Qty.
A	8-49	Socket Hd. Shoulder Bolt	4	M	1010-50-50	Knob	2
B	14-20	Nylon Washer	2	N	1010-50-57	"Max. Weight" Label	4
C	14-21	Nylon Washer	2	P	1010-50-205	Cushion Assembly	1
D	16-28	Fiberlock Nut	4	R	1010-50-218	Foot & Tray Board	1
E	37-52	Rubber Bumper	2	S	1010-50-225	Pivot Frame Weldment	1
F	38-133	Spring	2	T	1010-50-242	Pin Lock	1
H	52-17	Spacer	4	W	1010-50-246	Base Mounting Ass'y	1
J	1010-50-17	Specification Label	1	Y	1010-50-248	Lower Pin Lock	1
K	1010-50-19	"Push/Pull" Label	1	Z	1010-50-250	Pin Adjuster	1
L	1010-50-21	Long Strap	1	AB	721-31-65	Hole Plug	2

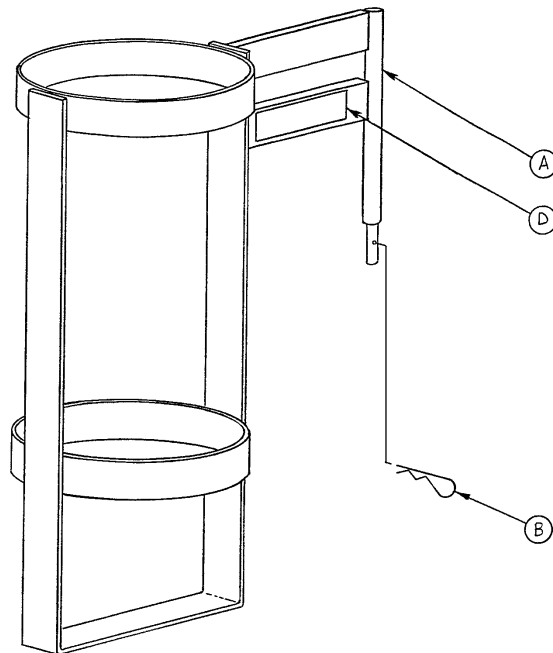


# 926-40-100 Foot Board/Chartholder Assembly



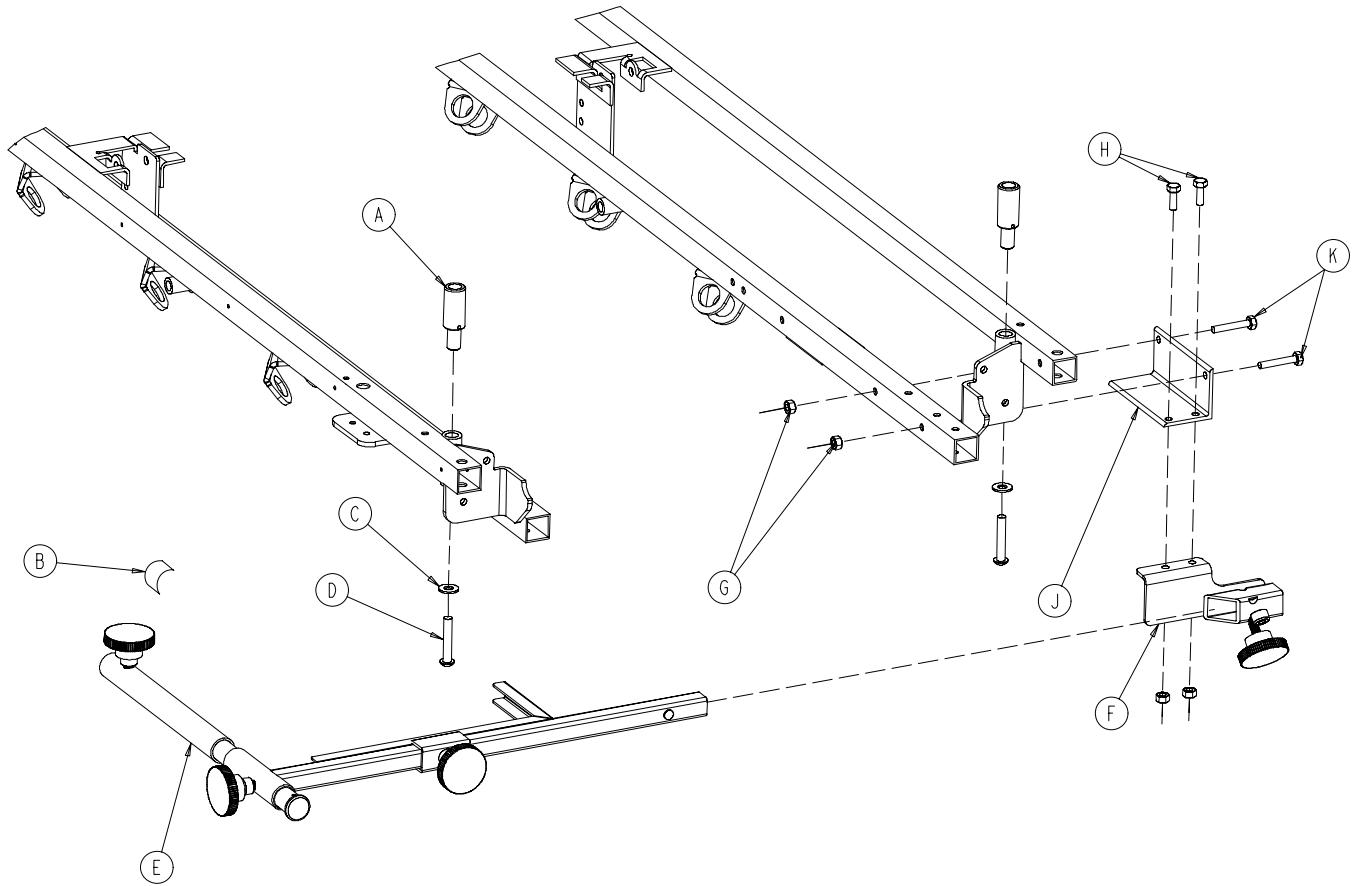
Item	Part No.	Part Name	Qty.
A	946-28-11	Chart Holder	1
B	946-29-6	Foot Board	1

# 1020-30 Upright Oxygen Bottle Holder Assembly



Item	Part No.	Part Name	Qty.
A	1020-30-11	Upright Bottle Holder	1
B	27-12	Cotter Pin	1
D	1020-30-17	Specification Label	1

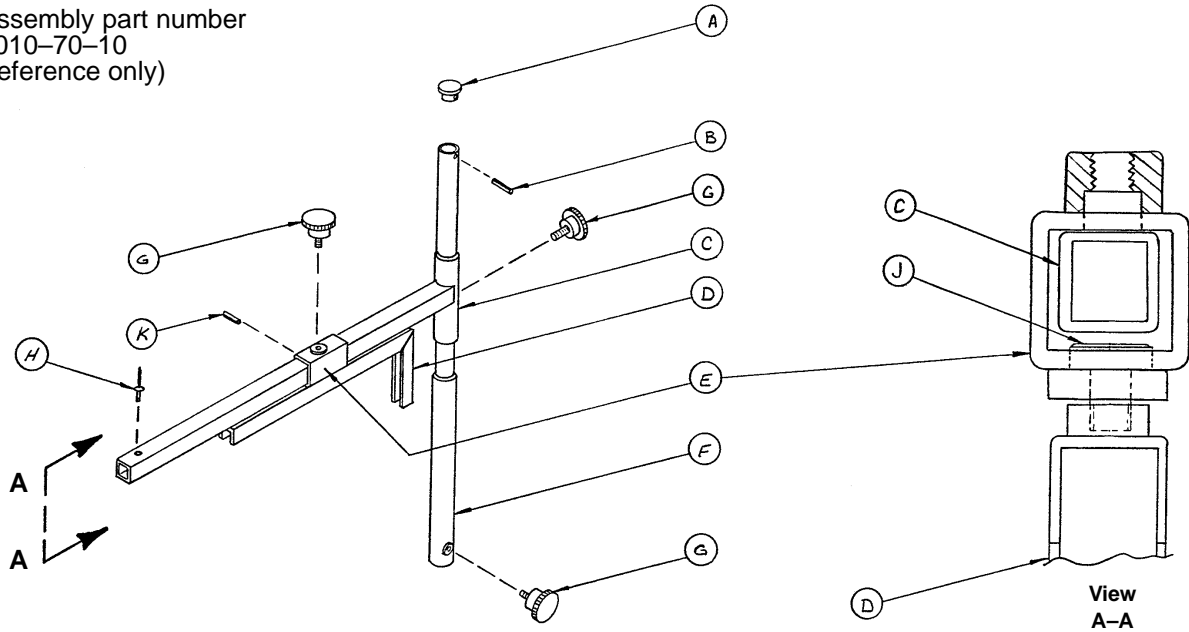
# 1001-70 C-Spine Cassette Holder Assembly



Item	Part No.	Part Name	Qty.
A	1010-70-25	I.V. Adaptor	2
B	1010-70-18	Specification Label	1
C	11-447	Flat Washer	2
D	4-54	But. Hd. Cap Screw	2
E	(page 106)	Support Pole Assembly	1
F	(page 107)	Storage Bracket Ass'y	1
G	16-118	Nylock Nut	4
H	3-356	Hex Hd. Cap Screw	2
J	1001-70-11	Attachment Bracket	1
K	3-355	Hex Hd. Cap Screw	2

# C-Spine Support Pole Assembly

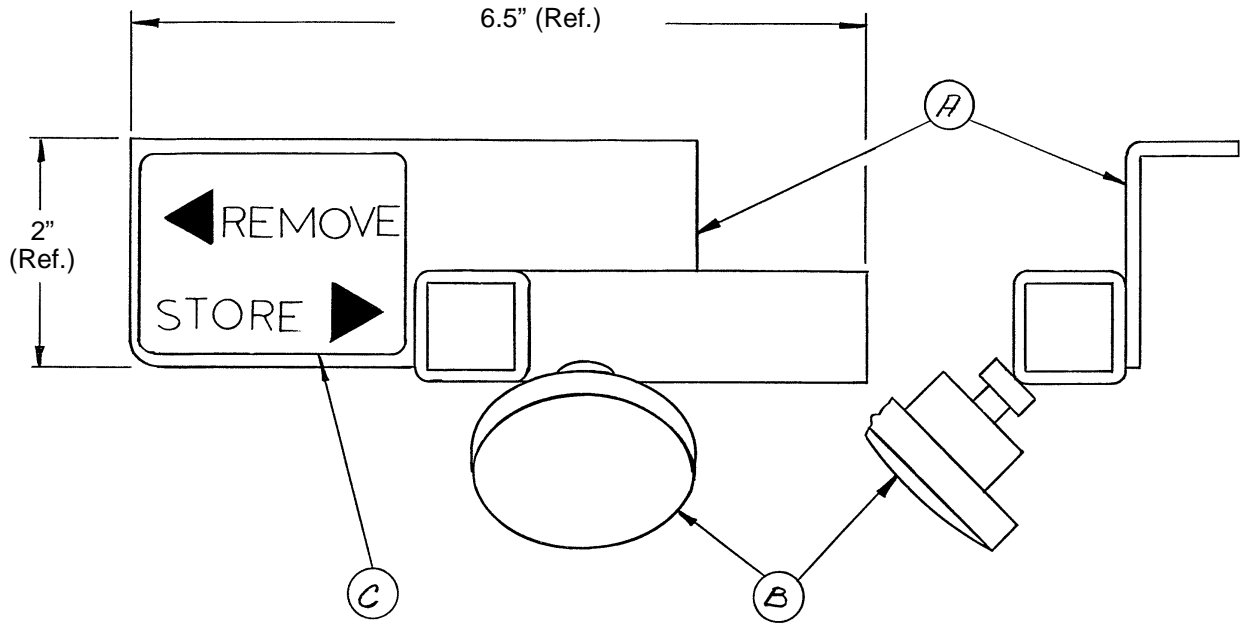
Assembly part number  
1010-70-10  
(reference only)



Item	Part No.	Part Name	Qty.
A	1010-70-33	Support Tube Cap	1
B	26-6	Roll Pin	1
C	1010-70-34	Support Arm Weldment	1
D	1010-70-42	Cassette Holder Weldment	1
E	1010-70-50	Adjustment Tube Weldment	1
F	1010-70-30	Base Tube Weldment	1
G	1010-70-45	Knob	3
H	25-55	Pop Rivet	1
J	1010-70-44	Pivot Pin	1
K	26-5	Roll Pin	1

# C-Spine Storage Bracket Assembly

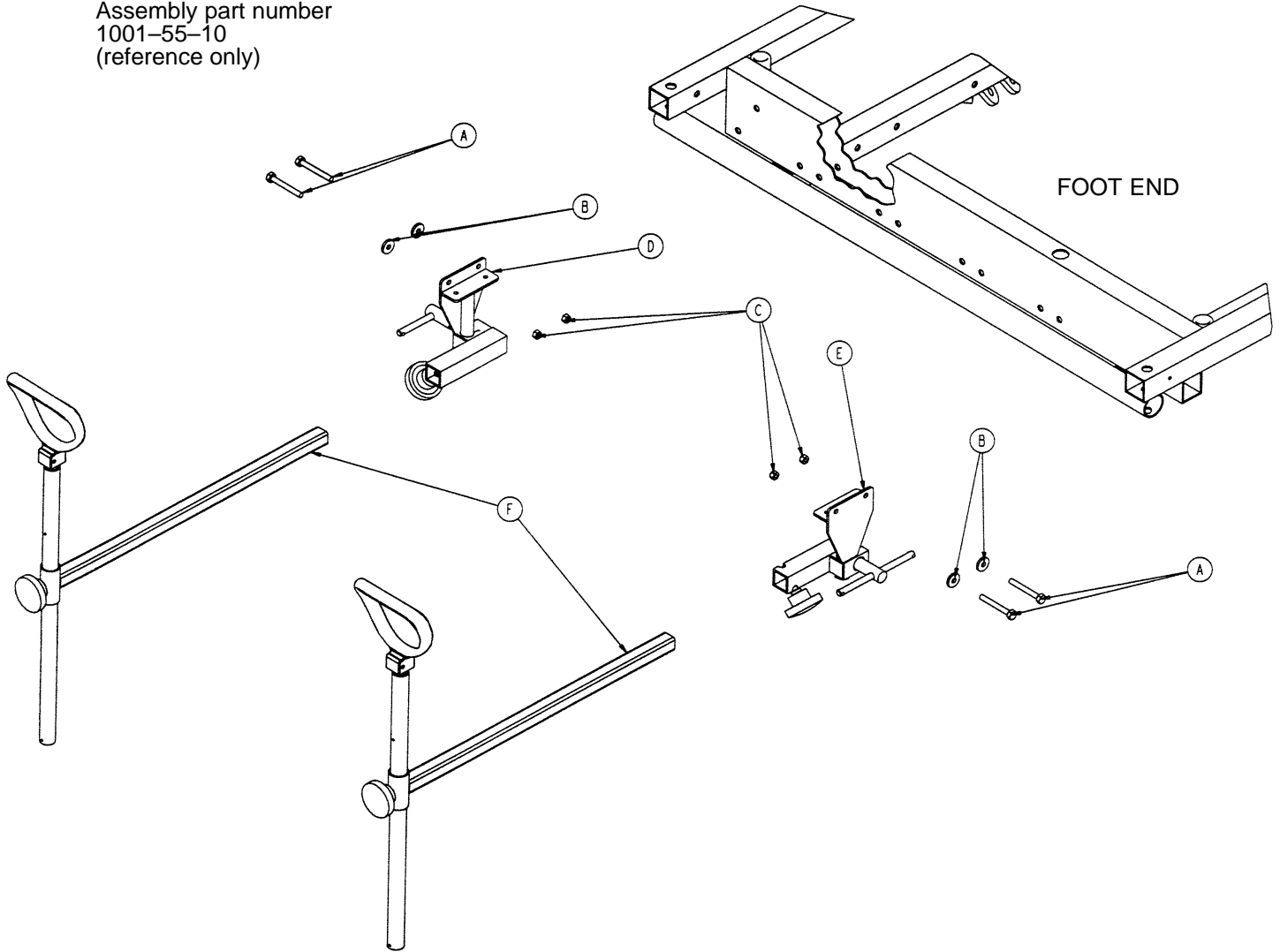
Assembly part number 1010-70-19 (reference only)



Item	Part No.	Part Name	Qty.
A	1010-70-20	Storage Bracket Weldment	1
B	1010-70-45	Knob	1
C	1010-70-23	Storage Label	1

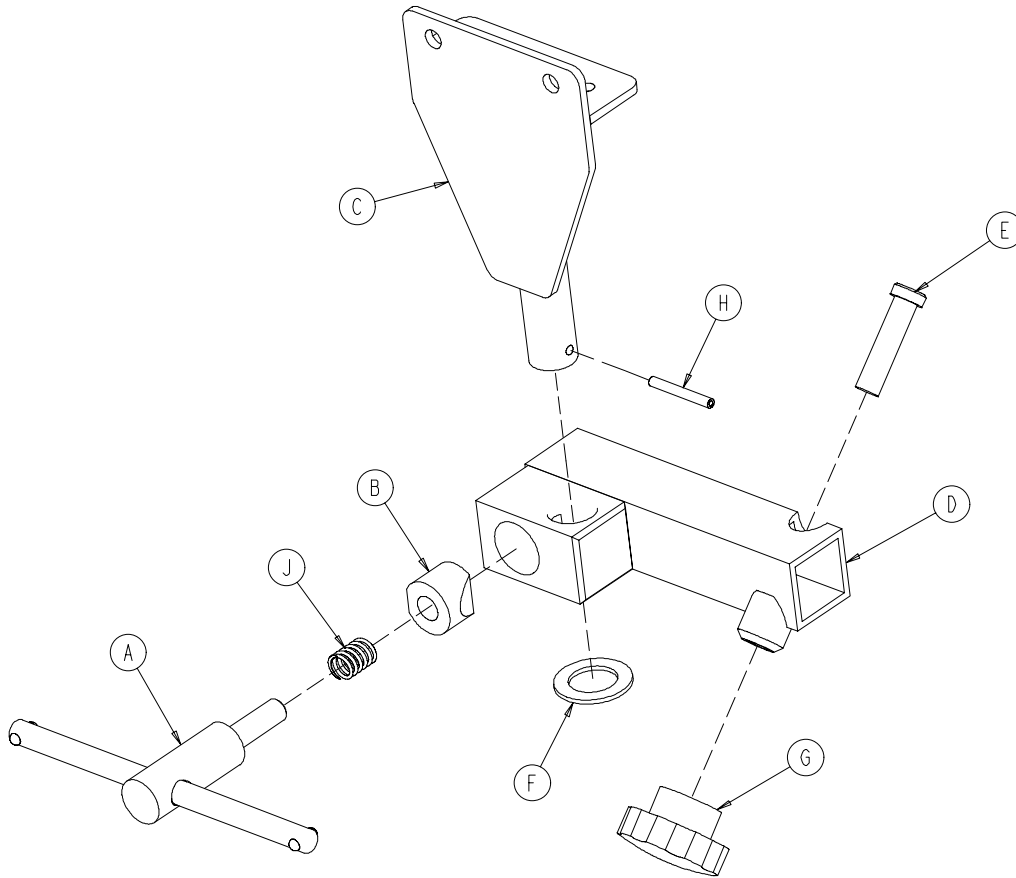
# 1001-55 Heel Stirrup and Support Assembly

Assembly part number  
1001-55-10  
(reference only)



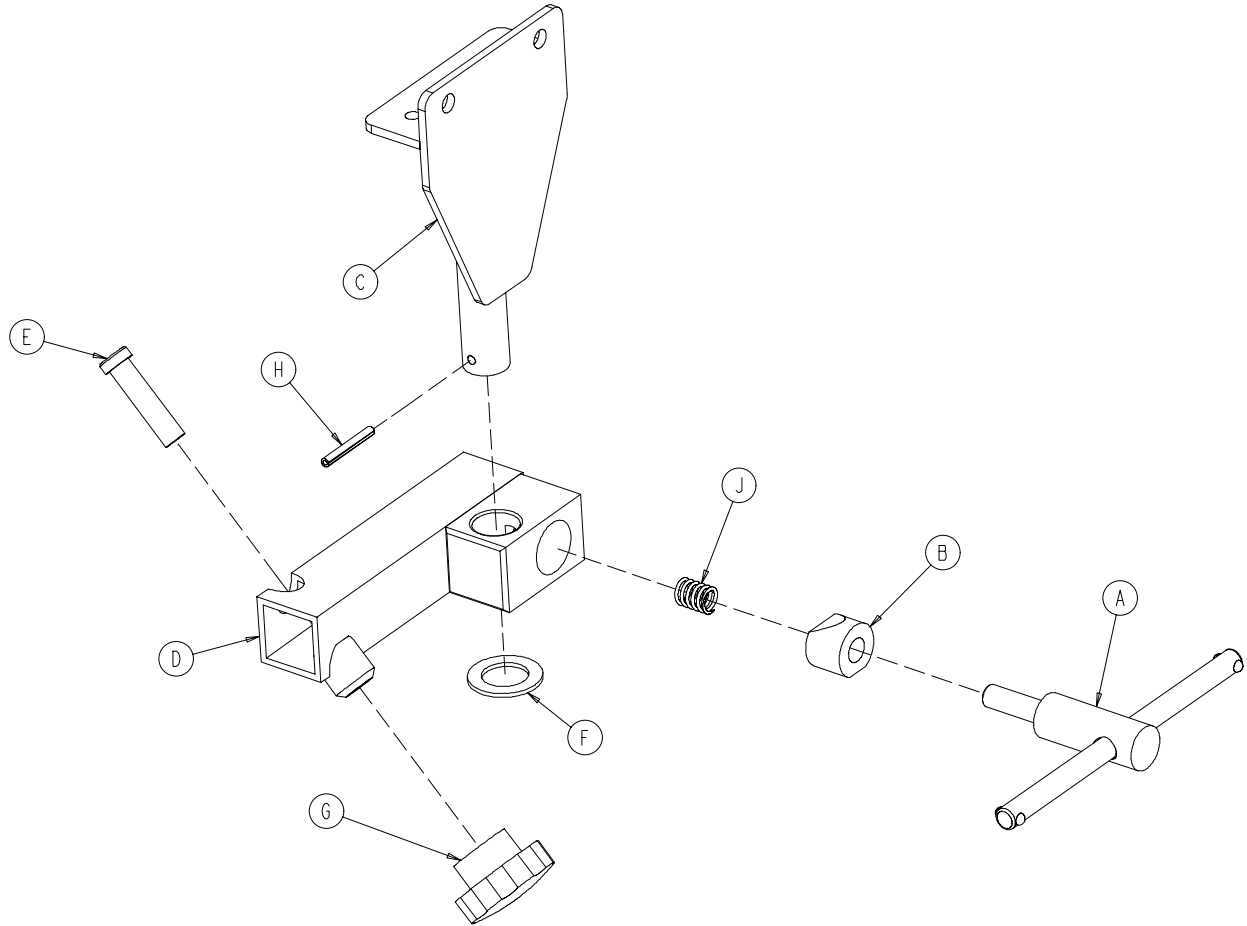
Item	Part No.	Part Name	Qty.
A	3-358	Hex Hd. Cap Screw	4
B	11-159	Flat Washer	4
C	16-118	Nylock Hex Nut	4
D	(page 109)	Stirrup Support Ass'y, Rt.	1
E	(page 110)	Stirrup Support Ass'y, Lt.	1
F	(page 111)	Stirrup Assembly	2

# 1001-55-15 Right Stirrup Support Assembly



Item	Part No.	Part Name	Qty.
A	650-2-32	Lock Screw Assembly	1
B	966-51-19	Wedge Lock, Modified	1
C	1001-55-11	Mounting Bracket	1
D	1010-55-16	Right Support Tube Wldmt.	1
E	4-494	Soc. Hd. Cap Screw	1
F	11-410	Washer	1
G	1211-117-16	Knob	1
H	26-7	Roll Pin	1
J	38-171	Compression Spring	1

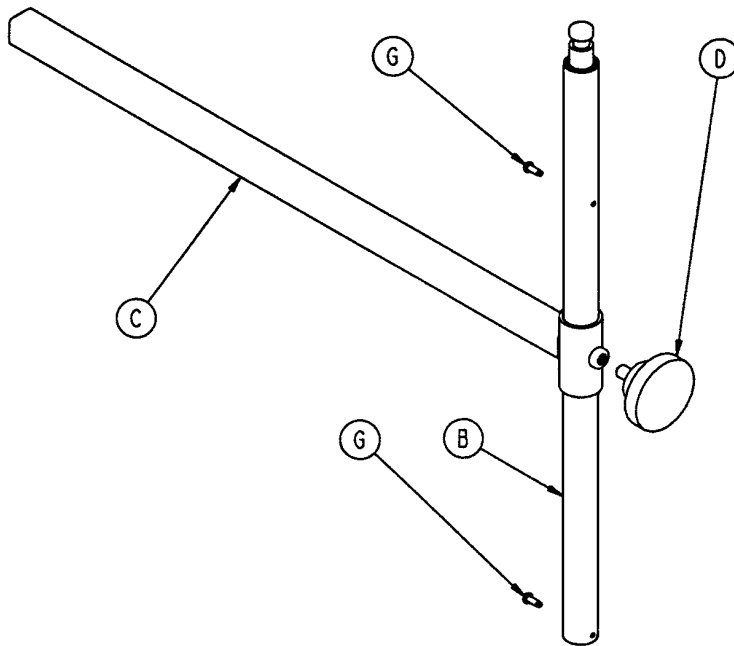
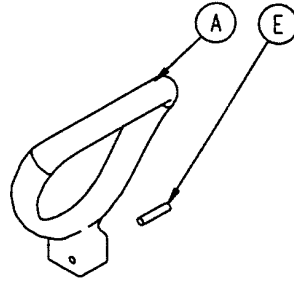
# 1001-55-16 Left Stirrup Support Assembly



Item	Part No.	Part Name	Qty.
A	650-2-32	Lock Screw Assembly	1
B	966-51-19	Wedge Lock, Modified	1
C	1001-55-11	Mounting Bracket	1
D	1010-55-26	Left Support Tube Ass'y	1
E	4-494	Soc. Hd. Cap Screw	1
F	11-410	Washer	1
G	1211-117-16	Knob	1
H	26-7	Roll Pin	1
J	38-171	Compression Spring	1

# Heel Stirrup Assembly

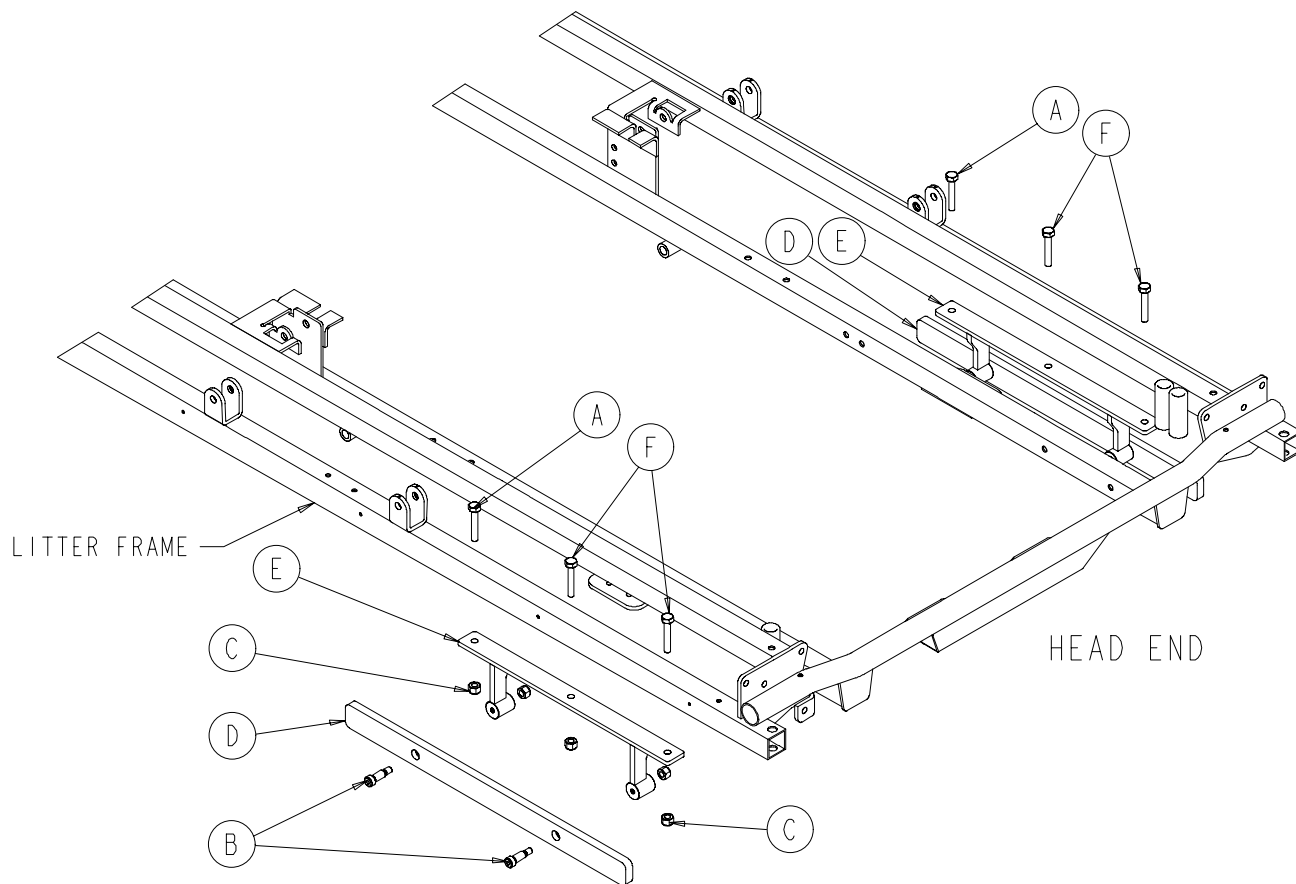
Assembly part number  
1010-55-29 (reference only)



Item	Part No.	Part Name	Qty.
A	390-20-13	Stirrup	1
B	390-20-9	Stirrup Holder Assembly	1
C	1010-55-30	Extension Tube Assembly	1
D	24-11	Knob	1
E	26-43	Roll Pin	1
G	22-8	Drive Screw	2



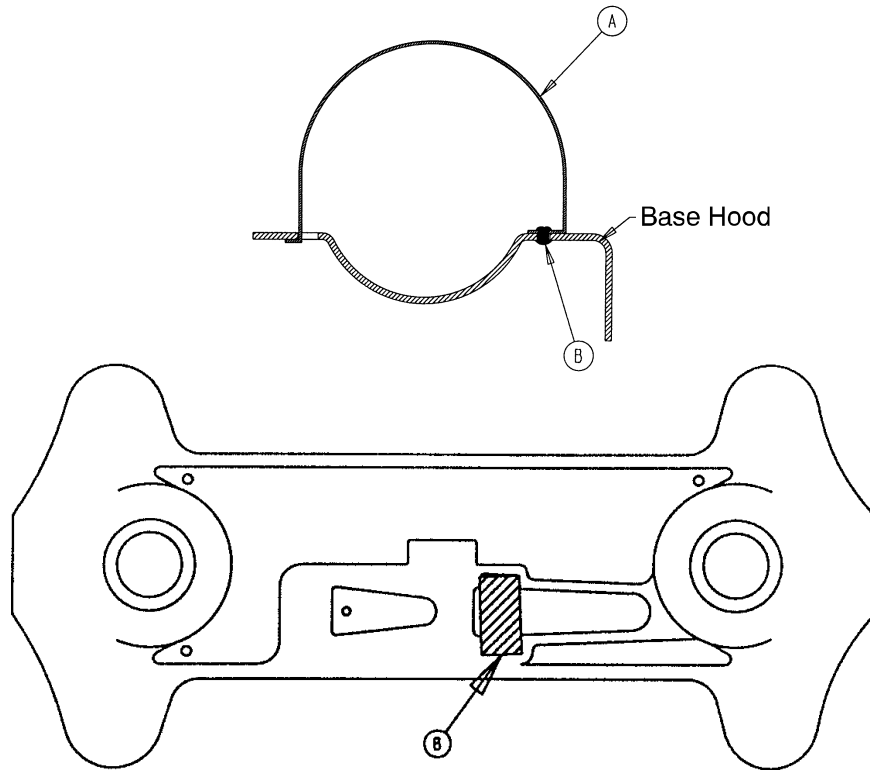
# 1210-136 Accessory Rail Assembly



Item	Part No.	Part Name	Qty.
A	4-97	Hex Soc. But. Hd. Cap Screw	4
B	8-15	Shoulder Bolt	4
C	16-28	Nylock Hex Nut	10
D	1068-66-42	Option Bar Rail	2
E	1068-266-50	Mounting Bracket Weldment	2
F	4-135	Hex Soc. But. Hd. Cap Screw	2

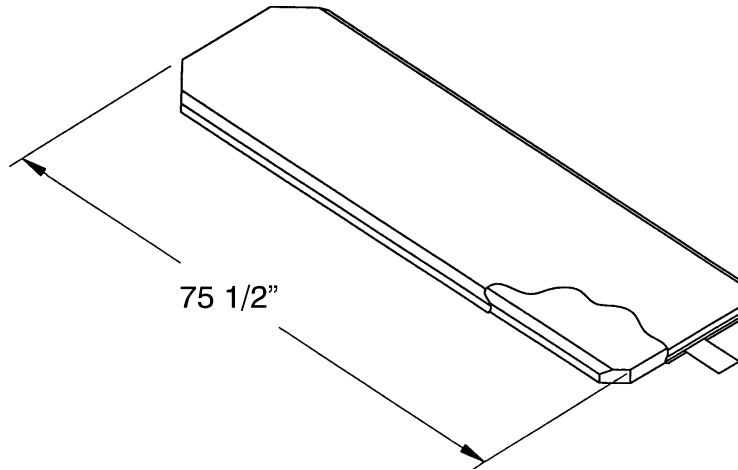
# 1001-600-80 F-Size O2 Bottle Retainer Assembly

---

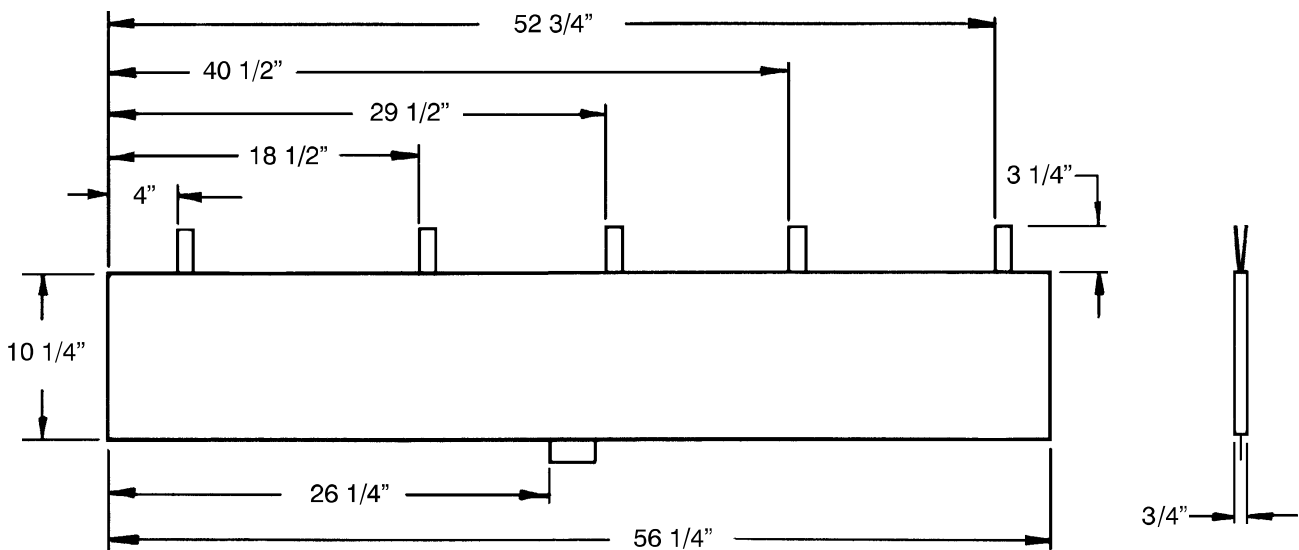


Item	Part No.	Part Name	Qty.
A	1001-600-81	O <sub>2</sub> Retainer	1
B	25-50	Pop Rivet	2

# Mattress Assemblies



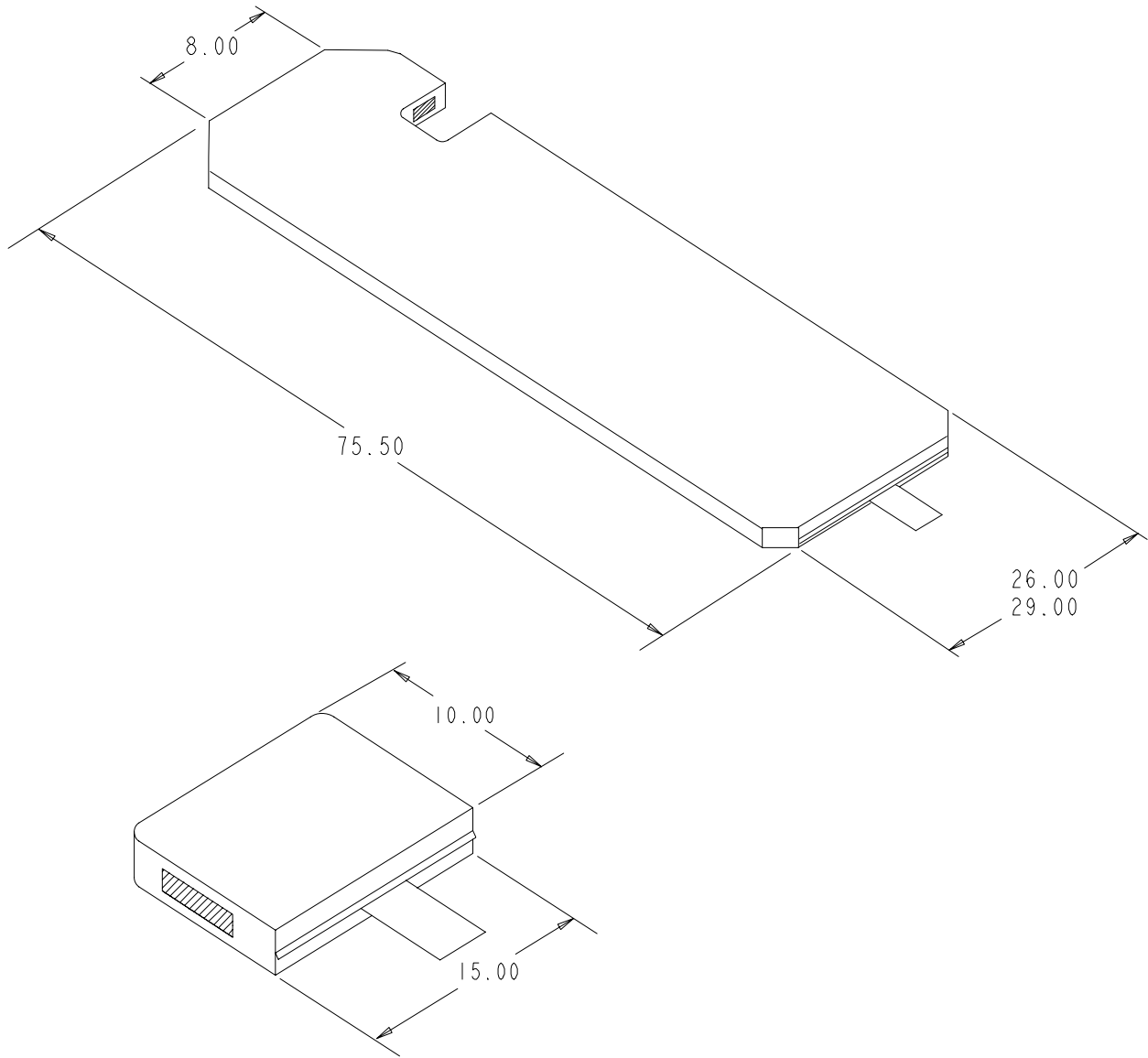
- Mattress, 3" Thick x 26" Wide with Enhanced Comfort Cover ..... part # 1001-48-106
- Mattress, 4" Thick x 26" Wide with Enhanced Comfort Cover ..... part # 1001-47-106
- Mattress, 3" Thick x 26" Wide with Enhanced Comfort Cover ..... part # 1501-48-106
- Mattress, 4" Thick x 26" Wide with Enhanced Comfort Cover ..... part # 1501-47-106
- Mattress, 3" Thick x 26" Wide with Low Friction Cover ..... part # 1059-326-140
- Mattress, 4" Thick x 26" Wide with Low Friction Cover ..... part # 1059-426-140
- Mattress, 3" Thick x 26" Wide with Low Friction Cover ..... part # 1059-329-140
- Mattress, 4" Thick x 26" Wide with Low Friction Cover ..... part # 1059-429-140
- Mattress, 4" Thick x 26" Wide with Enhanced Comfort Cover ..... part # 1210-40-4
- Mattress, 5" Thick x 26" Wide with Enhanced Comfort Cover ..... part # 1210-40-5
- Mattress, 4" Thick x 29" Wide with Enhanced Comfort Cover ..... part # 1710-40-4
- Mattress, 5" Thick x 29" Wide with Enhanced Comfort Cover ..... part # 1710-40-5



- Siderail Pad Set ..... part # 1010-52

# Echo Mattresses

---



Mattress, 26" Wide .....	part # 1059-459-10
Mattress, 29" Wide .....	part # 1059-429-10
Cut-Out Mattress .....	part # 1059-426-28

# Warranty

---

## Limited Warranty:

Stryker Medical Division, a division of Stryker Corporation, warrants to the original purchaser that its products should be free from defects in material and workmanship for a period of one (1) year after date of delivery. Stryker's obligation under this warranty is expressly limited to supplying replacement parts and labor for, or replacing, at its option, any product which is, in the sole discretion of Stryker, found to be defective. Stryker warrants to the original purchaser that the frame and welds on its beds will be free from structural defects for as long as the original purchaser owns the bed. If requested by Stryker, products or parts for which a warranty claim is made shall be returned prepaid to Stryker's factory. Any improper use or any alteration or repair by others in such manner as in Stryker's judgement affects the product materially and adversely shall void this warranty. Any repair of Stryker products using parts not provided or authorized by Stryker shall void this warranty. No employee or representative of Stryker is authorized to change this warranty in any way.

Stryker Medical stretchers are designed for a 10 year expected life under normal use conditions and appropriate periodic maintenance as described in the maintenance manual for each device.

This statement constitutes Stryker's entire warranty with respect to the aforesaid equipment. STRYKER MAKES NO OTHER WARRANTY OR REPRESENTATION, EITHER EXPRESSED OR IMPLIED, EXCEPT AS SET FORTH HEREIN. THERE IS NO WARRANTY OF MERCHANTABILITY AND THERE ARE NO WARRANTIES OF FITNESS FOR ANY PARTICULAR PURPOSE. IN NO EVENT SHALL STRYKER BE LIABLE HEREUNDER FOR INCIDENTAL OR CONSEQUENTIAL DAMAGES ARISING FROM OR IN ANY MANNER RELATED TO SALES OR USE OF ANY SUCH EQUIPMENT.

## To Obtain Parts and Service:

Stryker products are supported by a nationwide network of dedicated Stryker Field Service Representatives. These representatives are factory trained, available locally, and carry a substantial spare parts inventory to minimize repair time. Simply call your local representative, or call Stryker Customer Service at (800) 327-0770.

## Service Contract Coverage:

Stryker has developed a comprehensive program of service contract options designed to keep your equipment operating at peak performance at the same time it eliminates unexpected costs. We recommend that these programs be activated *before* the expiration of the new product warranty to eliminate the potential of additional equipment upgrade charges.

## **A SERVICE CONTRACT HELPS TO:**

- Ensure equipment reliability
- Stabilize maintenance budgets
- Diminish downtime
- Establish documentation for JCAHO
- Increase product life
- Enhance trade-in value
- Address risk management and safety

# Warranty

**Stryker offers the following service contract programs:**

<b>SPECIFICATIONS</b>	<b>GOLD</b>	<b>SILVER</b>	<b>PM* ONLY</b>
Annually scheduled preventative maintenance	X		X
All parts,** labor, and travel	X	X	
Unlimited emergency service calls	X	X	
Priority one contact; two hour phone response	X	X	X
Most repairs will be completed within 3 business days	X	X	
JCAHO documentation	X	X	X
On-site log book w/ preventative maintenance & emergency service records	X		
Factory-trained Stryker Service Technicians	X	X	X
Stryker authorized parts	X	X	X
End of year summary	X		
Stryker will perform all service during regular business hours (9-5)	X	X	X

\* Replacement parts and labor for products under PM contract will be discounted.

\*\* Does not include any disposable items, I.V. poles (except for Stryker HD permanent poles), mattresses, or damage resulting from abuse.

**Stryker Medical also offers *personalized* service contracts.**

**Pricing is determined by age, location, model and condition of product.**

***For more information on our service contracts, please call your local representative or call (800) 327-0770 (option #2).***

## **Return Authorization:**

Merchandise cannot be returned without approval from the Stryker Customer Service Department. An authorization number will be provided which must be printed on the returned merchandise. Stryker reserves the right to charge shipping and restocking fees on returned items.

**SPECIAL, MODIFIED, OR DISCONTINUED ITEMS NOT SUBJECT TO RETURN.**

## **Damaged Merchandise:**

ICC Regulations require that claims for damaged merchandise must be made with the carrier within fifteen (15) days of receipt of merchandise. **DO NOT ACCEPT DAMAGED SHIPMENTS UNLESS SUCH DAMAGE IS NOTED ON THE DELIVERY RECEIPT AT THE TIME OF RECEIPT.** Upon prompt notification, Stryker will file a freight claim with the appropriate carrier for damages incurred. Claim will be limited in amount to the actual replacement cost. In the event that this information is not received by Stryker within the fifteen (15) day period following the delivery of the merchandise, or the damage was not noted on the delivery receipt at the time of receipt, the customer will be responsible for payment of the original invoice in full.

Claims for any short shipment must be made within thirty (30) days of invoice.

## **International Warranty Clause:**

This warranty reflects U.S. domestic policy. Warranty outside the U.S. may vary by country. Please contact your local Stryker Medical representative for additional information.



## European Representative

Stryker France  
BP 50040-95946 Roissy Ch. de Gaulle  
Cedex-France

Phone: 33148632290  
Fax: 33148632175

**stryker**<sup>®</sup>  
**Medical**

6300 Sprinkle Road, Kalamazoo, MI 49001-9799

(800) 327-0770  
[www.strykermedical.com](http://www.strykermedical.com)