



Renaissance Series

1212 Emergency Care Stretcher

Maintenance Manual

For Parts or Technical Assistance
800-327-0770

Table of Contents

Introduction	
Specifications	3
Warning / Caution / Note Definition	3
Preventative Maintenance	
Cleaning	4
Biannual Checklist	4
Service Information	
Caster Assembly Replacement	5
Caster Cover Installation And Removal	6
Pneumatic Fowler Adjustment	7
Brake Cam Replacement	7
Brake Ring Replacement	8
Base Side Control Pedal Linkage Adjustment	8
Jack Replacement	9
Hydraulic System Troubleshooting	10
Checking Hydraulic Fluid Level	11
Jack Descent Rate Adjustment	11
Hydraulic Check Valve Replacement	
Replacement Of Valve #1	12
Replacement Of Valve (Poppet) #2	13
Removal Of Excess Air (Vacuum) From The Hydraulic System	13
Brake Adjustment	13
Base Lubrication Points	14
Assembly Drawings and Parts Lists	
3-Sided Control Base Assembly, Both Sides & Foot End	15-17
3-Sided Control Base Assembly, Both Sides & Head End	18-20
4-Sided Control Base Assembly	21-23
Jack Assembly	24, 25.1
Jack Base Assembly	25, 25.2
Brake Adjuster Assembly	26
Brake Cam Assembly	27
End Pump Pedal Assembly, Head	28
End Pump Pedal Assembly, Foot	28
Side Release Pedal Assembly, Right	29
Side Release Pedal Assembly, Left	29
Side Pump Pedal Assembly	30
Caster Assembly with Steerlock	31
Caster and Caster Cover Replacement Kits	32
Fifth Wheel Assembly	33
3-Sided Base Graphics, Foot End Control	34
3-Sided Base Graphics, Head End Control	35
4-Sided Base Graphics	36
Litter Assembly, Fold to Head Siderails	37
Siderail to Litter Assembly, Fold to Head	38
Glideaway™ Siderail Assembly, Right	39
Glideaway™ Siderail Assembly, Left	40
Head End Siderail Latch Option Assembly	41
Push Handle Option Assembly	42
Push Handle Assembly	43
Stationary Foot End Assembly	44

Table of Contents

Assembly Drawings and Parts Lists (Continued)

Knee Gatch Frame Assembly	45
Crank Knee Gatch Assembly	46
Knee Gatch Crankscrew Assembly	47
Pneumatic Fowler to Frame Assembly	48
Pneumatic Fowler Assembly	49
Crank Fowler Assembly	50
Fowler Crankscrew Assembly	51
Head End Push Bar Assembly	52
2-Stage I.V. Mounting Assembly	53
2-Stage I.V. Pole Assembly	54
3-Stage I.V. Mounting Assembly	55
3-Stage I.V. Pole Assembly	56
2nd Stage Assembly	57
3rd Stage Assembly	58
Tethered I.V. Pole Mounting Assembly	59
Tethered I.V. Pole Trough Assembly	60
Tethered I.V. Pole Assembly	61
I.V. Holder Assembly	62
Fowler X-Ray Cassette Assembly	63
X-Ray Cassette Mounting Assembly	64
Foot Board/Chartholder Assembly	65
Upright Oxygen Bottle Holder Assembly	65
Foot Extension/ Defibrillator Tray Assembly	66
Defibrillator Tray Assembly	67
Heel Stirrup and Support Assembly	68
Right Stirrup Support Assembly	69
Left Stirrup Support Assembly	70
Heel Stirrup Assembly	71
C-Spine Cassette Holder Assembly	72
C-Spine Support Pole Assembly	73
C-Spine Storage Bracket Assembly	74
Replacement Parts	75
Limited Warranty	
Obtaining Parts and Service	76
Supplemental Warranty Coverage	76
Return Authorization	77
Freight Damage Claims	77

Introduction

INTRODUCTION

This manual is designed to assist you with the maintenance of the 1212 Emergency Care Stretcher. Read it thoroughly before using the equipment or beginning any maintenance on it.

SPECIFICATIONS

Maximum Weight Capacity	500 pounds
Overall Bed Length \ Width	83 1/2" \ 31 1/2"
Minimum \ Maximum Bed Height	22"/35.5"
Fowler Angle	0 to 90°
Knee Gatch Angle	0 to 30°
Trendelenberg \ Reverse Trendelenberg	+18° to -18°

WARNING / CAUTION / NOTE DEFINITION

The words WARNING, CAUTION and NOTE carry special meanings and should be carefully reviewed.

WARNING

The personal safety of the patient or user may be involved. Disregarding this information could result in injury to the patient or user.

CAUTION

These instructions point out special procedures or precautions that must be followed to avoid damaging the equipment.

NOTE

This provides special information to make maintenance easier or important instructions clearer.

WARNING

Patients should be discouraged from sitting directly on the ends of the stretcher. Excessive weight will cause the litter surface to tip up, possibly causing patient injury.

Preventative Maintenance

CLEANING

1. Hand wash all surfaces of the bed with warm water and mild detergent. Dry thoroughly.
2. Clean Velcro **AFTER EACH USE**. Saturate Velcro with disinfectant and allow disinfectant to evaporate. (Appropriate disinfectant for nylon Velcro should be determined by the hospital.)

NOTE

Quaternary Germicidal Disinfectants, used as directed, and/or Chlorine Bleach products, typically 5.25% Sodium Hypochlorite in dilutions ranging between 1 part bleach to 100 parts water, and 2 parts bleach to 100 parts water are not considered mild detergents. These products are corrosive in nature and may cause damage to your stretcher if used improperly. If these types of products are used to clean Stryker patient handling equipment, measures must be taken to insure the stretchers are rinsed with clean water and thoroughly dried following cleaning. Failure to properly rinse and dry the stretchers will leave a corrosive residue on the surface of the stretcher, possibly causing premature corrosion of critical components. Failure to follow the above directions when using these types of cleaners may void this product's warranty.

BIANNUAL CHECKLIST

- _____ All fasteners secure
- _____ Siderails move and latch properly
- _____ All casters lock with brake pedal engaged
- _____ Steer function working properly
- _____ All casters secure and swivel properly
- _____ Body restraints working properly
- _____ I.V. pole intact and operating properly
- _____ Oxygen bottle holder intact and operating properly
- _____ Fowler operates and latches properly
- _____ Knee Gatch operates properly
- _____ Trendelenberg/Reverse Trendelenberg operating properly
- _____ No rips or cracks in mattress cover
- _____ Transfer boards intact and operating properly
- _____ Arm board support levers intact and operating properly
- _____ Ground chain intact
- _____ No leaks at hydraulic connections
- _____ Hydraulic jacks holding properly
- _____ Hydraulic drop rate set properly
- _____ Hydraulic oil level sufficient
- _____ Lubricate where required, including the brake adjuster assembly and brake cam

Serial No. _____

Completed By: _____

Date: _____

Service Information

CASTER ASSEMBLY REPLACEMENT*

Required Tools:

1/8 Roll Pin Punch	Drill with 1/8 inch Drill Bit
Flat Punch (any size larger than 1/8)	Hammer
Needle Nose Pliers	Floor Jack
3/4 Inch Wrench	Bungee Cords
1 Inch Wrench	Torque Wrench (w/ Ft. Lbs. Adjust.)

Replacement Procedure:

1. Pump the litter up to full height.
2. Lift the base hood, separating the hood from the base frame. Using the bungee cords, support the base hood.
3. Using a 1/8 roll pin punch and hammer, remove roll pin located in center of lug nut holding wheel assembly to base frame.
4. Carefully remove plastic wheel covers.
5. Using a floor jack, lift base frame approximately 4 inches off the ground.
6. While holding cap screw with a 3/4 inch wrench, turn lug nut with a 1 inch wrench to loosen wheel assembly from base frame. Remove wheel.
7. Install the new wheel assembly with new lug nut and tighten down to 60 – 65 foot–pounds torque.

WARNING

Never reuse the old lug nut, cap screw or roll pin once removed from base frame.

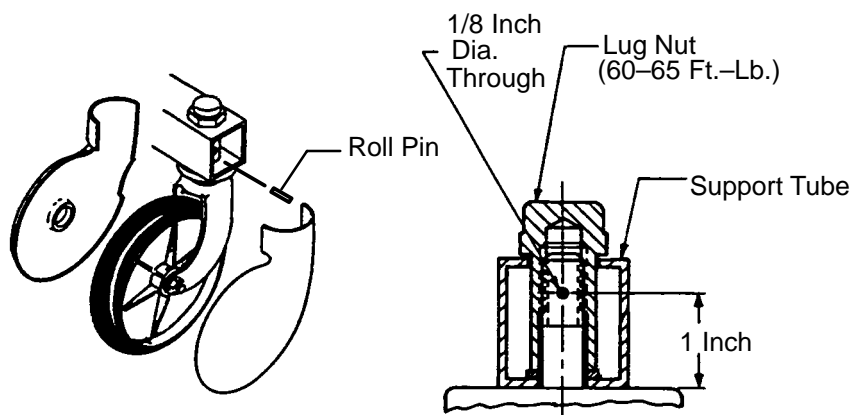
8. Lower the floor jack and set aside to be used, if needed, with another wheel.
9. Drill a 1/8 hole in center of lug nut, going completely through the lug nut.

CAUTION

Be careful not to "oblong" the hole in the lug nut when drilling.

10. Using needle nose pliers, hold on to roll pin and tap into place. Finish driving roll pin with a flat head punch and a hammer until flush with the lug nut.
11. Install plastic wheel covers onto wheel.
12. Remove the bungee cords supporting the base hood and secure the hood to the base frame.

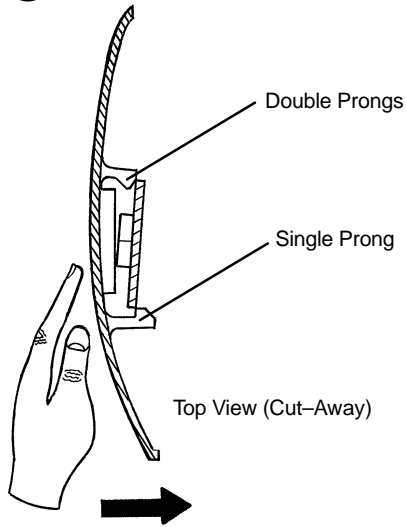
***See page 32 for caster and cover replacement part numbers.**



Service Information

CASTER COVER INSTALLATION AND REMOVAL

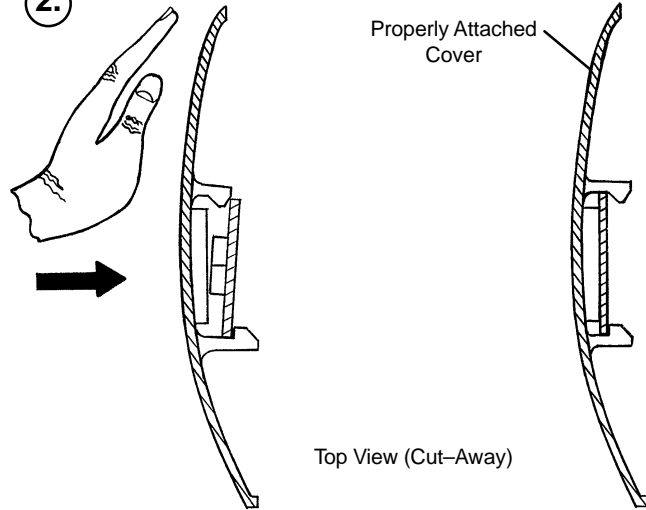
1.



Looking through the larger of the two side cut-outs, align cover with axle nut or bolt head, as shown. Push down on the opposite side of the cover until single prong engages with caster horn.

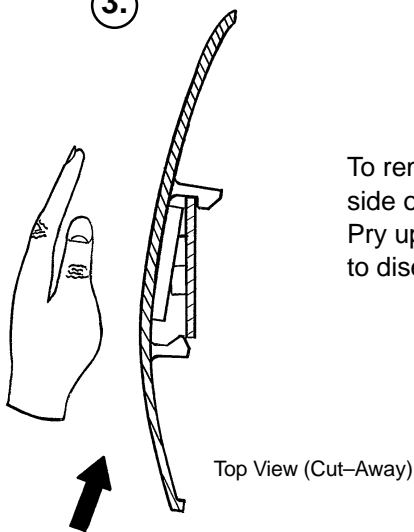
Push with palm on cover until double prongs engage.

2.



Top View (Cut-Away)

3.



To remove wheel cover, insert large screwdriver into cut-out in side of wheel cover and into the space between the double prongs. Pry up cover to disengage double prongs and push sharply upward to disengage single prong.

Service Information

PNEUMATIC FOWLER ADJUSTMENT

Required Tools:

5/32" Hex Allen Wrench 1/2" Open End Wrench

Adjustment Procedure:

1. Refer to drawing 1210–31–120 (Pneumatic Fowler Assembly, page 49) for parts reference.
2. For easier access, move Fowler to 75 degrees or higher.
3. Using a 1/2" open end wrench, loosen the nuts (item K) in the actuator arms on the end of the trip bar (F).
4. To adjust the Fowler, use a 5/32" hex Allen wrench to turn the Allen screws (item N) 1 to 2 turns counter-clockwise if the Fowler will not move or 1 to 2 turns clockwise if the Fowler will not hold its position.
5. Retighten the nuts. Be sure the Fowler will travel from flat to 90° and down again and will hold its position when weight is applied before returning the stretcher to service.

BRAKE CAM REPLACEMENT

Brake Cam Part Number 715–1–213

Required Tools:

Phillips Screwdriver String or Bungee Cord 3/32" Allen Wrench
1/8" Allen Wrench

Procedure:

1. Remove the four Phillips screws holding the base hood to the frame. Lift and support the base hood using string or bungee cord.
2. Using a 3/32" Allen wrench, loosen the set screw holding the brake adjuster to the brake ring and turn the adjuster clockwise to remove it.
3. Using a 1/8" Allen wrench, remove the shoulder bolt and nut holding the brake link on the cam and remove the cam.
4. Reverse steps 3 and 4 to install the new cam. Apply and release the brakes to assure they operate properly. If adjustment is required, see page 13. Reinstall the base hood.

Service Information

BRAKE RING REPLACEMENT

Brake Ring Part Number 715–1–61

Required Tools:

Phillips Screwdriver	String or Bungee Cord	Floor Jack, Small Crate (or equiv.)
Large Standard Screwdriver	3/32" Allen Wrench	11/16" Socket & Ratchet
5/8" Wrench	Needle–Nose Pliers	(2) 7/16" Wrenches

Procedure:

1. Remove the four Phillips screws holding the base hood to the frame. Lift and support the base hood using string or bungee cord. Put the brake/steer pedal in the neutral position. Lift the end of the base needing service until the casters are approximately 12" off the floor and support it with a jack or the equivalent.
2. Using a 3/32" Allen wrench, loosen the set screw holding the brake adjuster to the brake ring and turn the adjuster clockwise to remove it.
3. Remove the wheel covers on both casters (see page 6).
4. Remove one of the caster assemblies (see page 5). On the other caster, use an 11/16" socket and ratchet and a 5/8" wrench to remove the nut and bolt holding the wheel on the caster horn and remove only the wheel.
5. Using needle–nose pliers, carefully squeeze and remove the spring between the brake cam and the brake ring.

WARNING

The spring is tightly compressed. Use caution when removing it or personal injury could result.

6. If you are working on an end control base, remove the spring from the pump pedal.
7. Lower the brake ring and remove it from the base. Remove the brake pads and bushings and install them on the new brake ring.
8. Reverse the above steps to install the new brake ring and reinstall the caster and wheel. Apply and release the brakes to assure they operate properly. If adjustment is required, see page 13. Reinstall the base hood.

BASE SIDE CONTROL PEDAL LINKAGE ADJUSTMENT

Required Tools:

3/8" Wrench	5/32" Hex Allen Wrench	7/16" Wrench
Bungee Cords		

Adjustment Procedure:

1. Place 150–200 pounds on the litter and pump the litter up to full height.
2. Lift the base hood, separating the hood from the base frame. Using the bungee cords, support the base hood.
3. Using a 3/8" wrench and a 5/32" hex Allen wrench, loosen the appropriate pedal linkage adjustment nut until the jack stops "drifting". Raise the litter to full up.
4. Tighten the pedal linkage adjustment nut until the jack begins to slowly descend.
5. Using a 7/16" wrench, back the pedal linkage adjustment nut out four full turns. Raise the litter to full up.
6. Loosen the pedal linkage adjustment nut and ensure no drift occurs. If the jack drifts, repeat procedure.

Service Information

JACK REPLACEMENT (WITHOUT COMPRESSION SPRING)

Required Tools:

3/8" Wrench

1/2" Socket

1/2" Wrench

Needle-Nosed Pliers

Replacement Procedure:

1. Apply stretcher brakes. Raise litter to full up. Raise Fowler to full up and raise siderails.
2. Use a 3/8" wrench to remove the bolt in the litter support tube above black bellows on both ends.
3. With the assistance of another person, lift off the stretcher litter and set it aside, taking care not to damage the siderails, etc.
4. Push down on the jack actuator to put the jack in the full down position.
5. Lift off the plastic base hood, separating the Velcro holding it to the base frame.
6. Using a 1/2" socket and 1/2" wrench, remove the four bolts, washers and nuts holding the jack support straps to the base frame.
7. Using needle-nosed pliers, remove the two cotter keys on the pump link and remove the pump link.
8. Using a 1/2" socket and a 1/2" wrench, remove the four bolts holding the jack base to the base frame (using a 3" extension may be required). Remove the jack from the base frame.
9. Reverse steps 6–8 to install the replacement jack. Reinstall the base hood and the stretcher litter.

JACK REPLACEMENT (WITH COMPRESSION SPRING)

Required Tools:

3/8" Wrench

Needle-Nosed Pliers

Straight Screwdriver

Spring Compression Tool

Replacement Procedure:

1. Apply stretcher brakes. Raise litter to full up. Raise Fowler to full up and raise siderails.
2. Use a 3/8" wrench to remove the bolt in the litter support tube above black bellows on both ends.
3. With the assistance of another person, lift off the stretcher litter and set it aside, taking care not to damage the siderails, etc.
4. Push down on the jack actuator to put the jack in the full down position.
5. Lift off the plastic base hood, separating the Velcro holding it to the base frame.
6. Using needle-nosed pliers, pull cotter pin from pump cylinder.
7. Using a straight screwdriver and pump spring compression tool (available upon request), compress the pump spring and pry the pump link out of the pump cylinder.

CAUTION

Be sure not to let the pump piston come out of the jack or damage may occur.

8. Remove and replace jack as described in the procedure above.
 9. Replace pump spring and pump link using the straight screwdriver and the pump compression tool.
 10. Reinstall the base hood and the stretcher litter.
-

Service Information

HYDRAULIC SYSTEM TROUBLESHOOTING

NOTE

Be sure the pedal linkage has been adjusted properly before beginning service on the jacks (see page 8).

PROBLEM/SYMPTOM	SOLUTION
Jack will not raise to full height.	Check for leaks. Add hydraulic fluid (see p. 11).
Jack will not hold in raised position.	Check linkage to ensure it is not engaged. If linkage is engaged, use a 7/16" socket or wrench to back off the nut until the jack drift stops. If the jack still does not hold, replace valve #1 (see p. 12).
Jack will not pump up and the jack actuator rod does not move.	Close the needle valve. If the jack still will not pump up after closing the needle valve, replace valve #2 (see p. 13).
Jack will not pump up but the jack actuator rod does move when the pump pedal is activated.	Replace valve #2 (see p. 13).
Jack will not pump up and the jack actuator rod may or may not move.	Remove excess air (vacuum) in system (see p. 13).

Contact Stryker technical service at 1-800-327-0770 for further assistance.

Service Information

CHECKING HYDRAULIC FLUID LEVEL

Required Tools:

3/8 Open End Wrench

3/4 Open End Wrench

Procedure:

WARNING

To avoid personal injury or damage to the stretcher, remove the litter and the base hood before beginning service on the jacks.

1. Using a 3/8 open end wrench, remove square head set screws from both head and foot end jack support tubes. Remove litter top and set aside.
 2. Lift base hood off base frame and set aside.
 3. Be sure there are no hydraulic leaks. If there are, jack replacement will be necessary.
 4. Lower the jack to the full down position.
 5. Using a 3/4 open end wrench, slowly turn the fill plug located on the side of the reservoir counterclockwise to allow excess system pressure to vent. Remove the fill plug.
 6. The hydraulic fluid should be visible at the bottom of the fill hole. If it is not, add Mobil Aero HFA hydraulic fluid (Stryker part number 2020-70-475) until the fluid is visible at the bottom of the fill hole. Replace the fill plug.
-

CAUTION

Use of other types of oil may damage hydraulic units.

7. Replace the hood and the litter.

JACK DESCENT RATE ADJUSTMENT

Required Tools:

Screwdriver

Bungee Cords

Adjustment Procedure:

1. Pump the litter up to full height.
2. Lift the base hood, separating the hood from the base frame. Using the bungee cords, support the base hood.
3. The descent rate needle valve is located on the base of the jack. Turning the needle valve clockwise, with a screwdriver, will decrease the rate of descent. Turning it counterclockwise will increase the rate of descent.
4. Adjust the needle valve so that the foot end of the stretcher descends slightly faster than the head end. (The factory settings are 3/4 turn from closed for the head end and 1 1/2 turn from closed for the foot end.)

NOTE

The larger percentage of a patient's weight is located in the torso area. Adjust descent rate accordingly.

5. Remove the bungee cords supporting the base hood and secure the hood to the base frame.

NOTE

The jack descent rate was preset at the factory to drop the foot end faster than the head. It is recommended that the foot drop faster to avoid patient disorientation.

Service Information

HYDRAULIC CHECK VALVE REPLACEMENT

Required Tools:

3/8 Open End Wrench
3/4 Open End Wrench
1/2 Inch Diameter Rod

Stiff Wire (with bent, pointed end)
Torque Wrench (with Ft. Lbs. adjust.)

Small Needle Nose Pliers
7/32 Hex Allen Wrench

Replacement of Valve #1

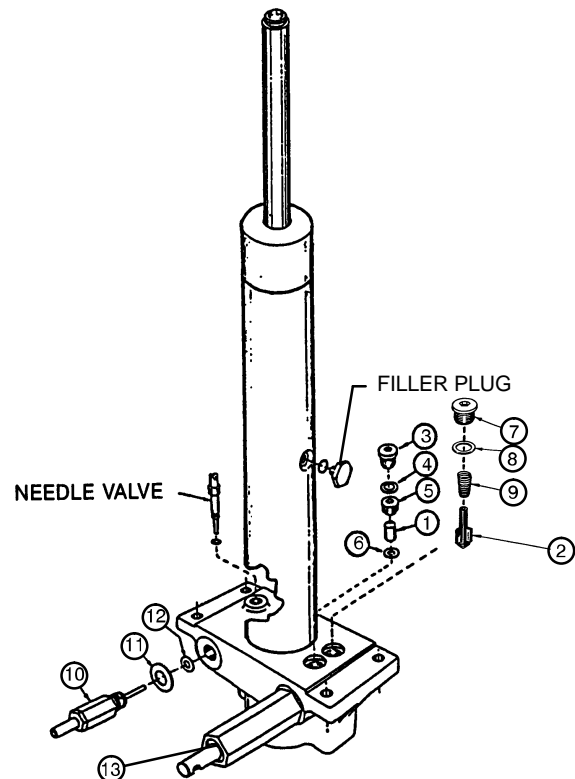
WARNING

To avoid personal injury or damage to the stretcher, remove the litter and the base hood before beginning service on the jacks. Lower the jack rod completely to relieve the pressure on the pump piston side of the jack. This will prevent large hydraulic fluid loss and possible damage when the base plugs are removed.

1. Remove the base plug (3) and discard the seal (4).
2. Remove the valve plug (5).
3. Using a stiff wire with a bent, pointed end, remove the valve (1) and the seal (6) and discard the seal.
4. Install the new seal (6) flat to the bottom of its hole with a 1/2" diameter rod.
5. Install the new valve (1) with the beveled end out (as shown in the illustration).
6. Install the valve plug (5) and tighten to 10 foot-pounds torque.
7. Install the new seal (4) with the base plug (3) and tighten to 10 foot-pounds torque.
8. Pump up the jack to the maximum height.
9. Be sure there are no hydraulic leaks before replacing the base hood and the litter.

ITEM	PART NO.	PART NAME
1	926-20-153	Check Valve
2	715-1-341	Poppet
3	715-1-101	Base Plug
4	926-20-156	Seal
5	715-1-309	Valve Plug
6	926-20-154	Seal
7	715-1-301	Base Plug
8	926-20-156	Seal
9	390-2-134	Con. Comp. Spring
10	1210-70-9	Valve Assembly*
10	715-270-100	Valve Assembly**
11	45-966	O-Ring
12	45-967	O-Ring
13	715-100-325	Pump Piston

* Used on jack part number 1210-70-10.
** Used on jack part number 715-270-10.
(See label on side of jack reservoir for jack part number).



Service Information

HYDRAULIC CHECK VALVE REPLACEMENT (CONTINUED)

Replacement of Valve (Poppet) #2

WARNING

To avoid personal injury or damage to the stretcher, remove the litter and the base hood before beginning service on the jacks. Lower the jack rod completely to relieve the pressure on the pump piston side of the jack. This will prevent large hydraulic fluid loss and possible damage when the base plugs are removed.

1. Remove the base plug (7) and discard the seal (8).
2. Remove the compression spring (9).
3. Using a small needle nose pliers, remove the poppet (2).
4. Install the new poppet (2).
5. Install the compression spring (9).
6. Install the new seal (8) and the base plug (7) and tighten to 10 foot-pounds torque.
7. Pump up the jack to the maximum height to check its operation.
8. Check for hydraulic leaks before replacing the base hood and the litter.

REMOVAL OF EXCESS AIR (VACUUM) FROM THE HYDRAULIC SYSTEM

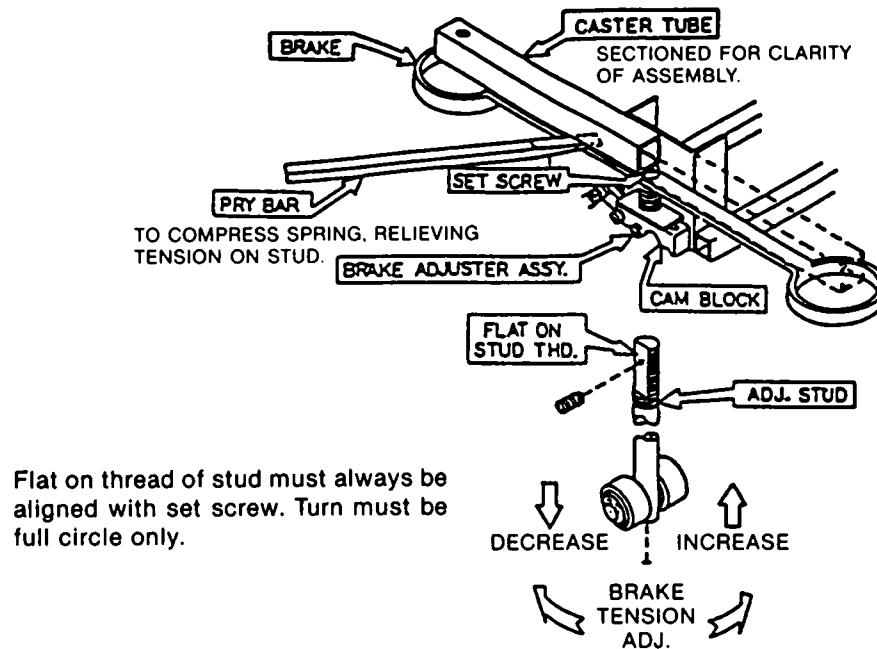
Procedure:

1. Verify all hydraulic linkages are secure and operating properly (see pedal linkage adjustment procedure page 8).
2. Using pump pedal, actuate system several times. This will force the air through the system and the jack should now pump up.

BRAKE ADJUSTMENT

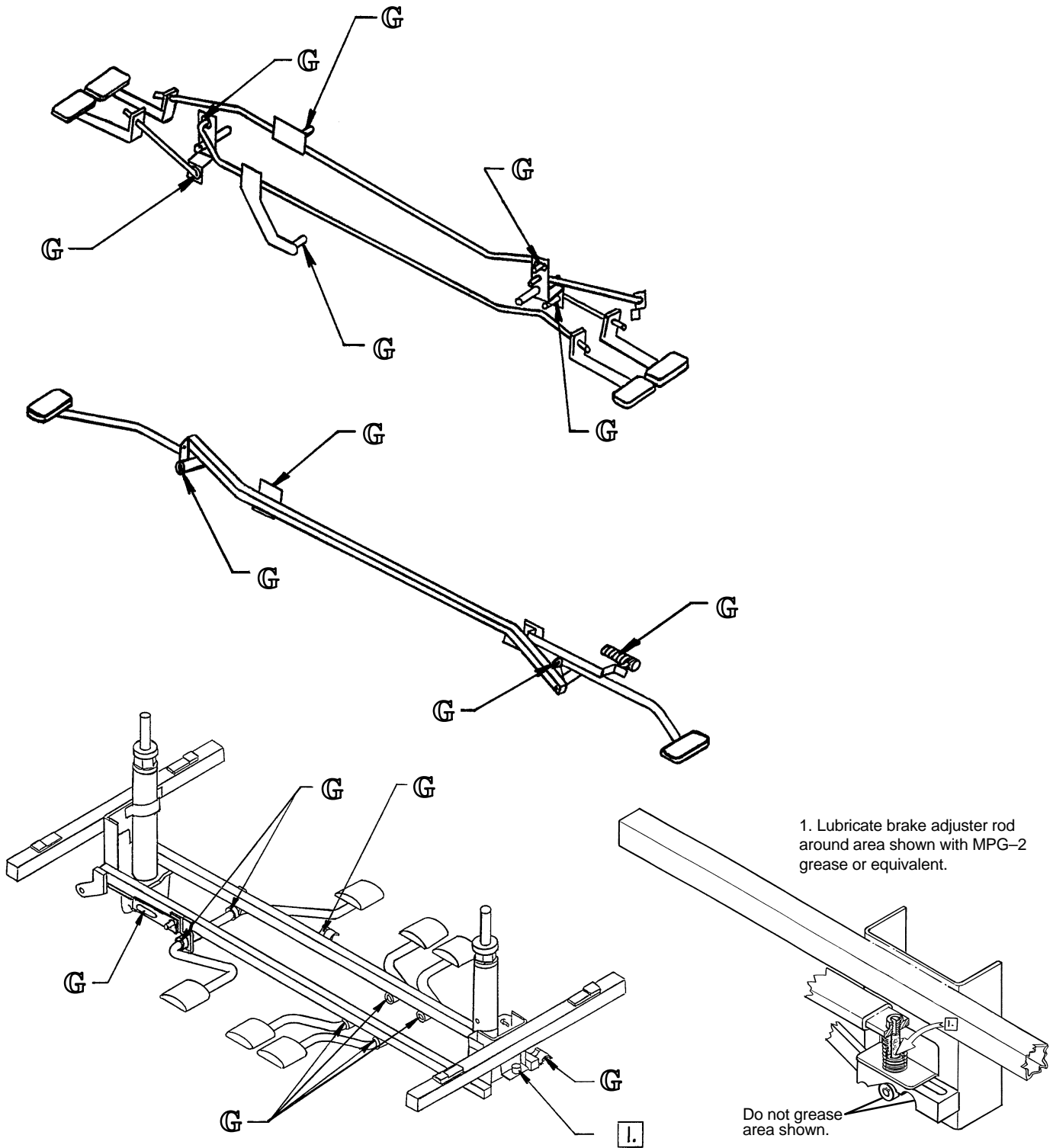
Required Tools:

3/32" Hex Allen Wrench
Pry Bar
Thread "Locktite"



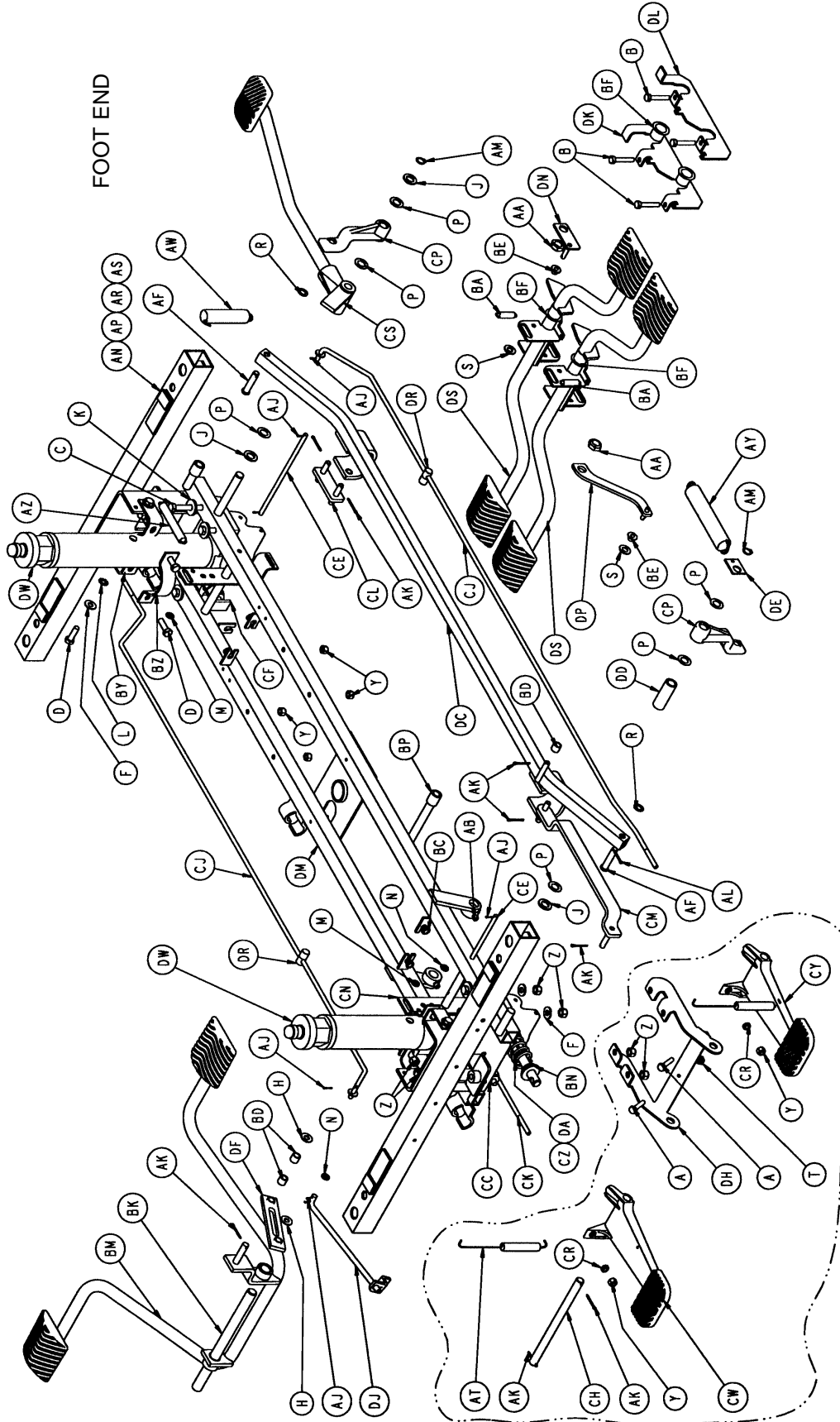
Service Information

BASE LUBRICATION POINTS



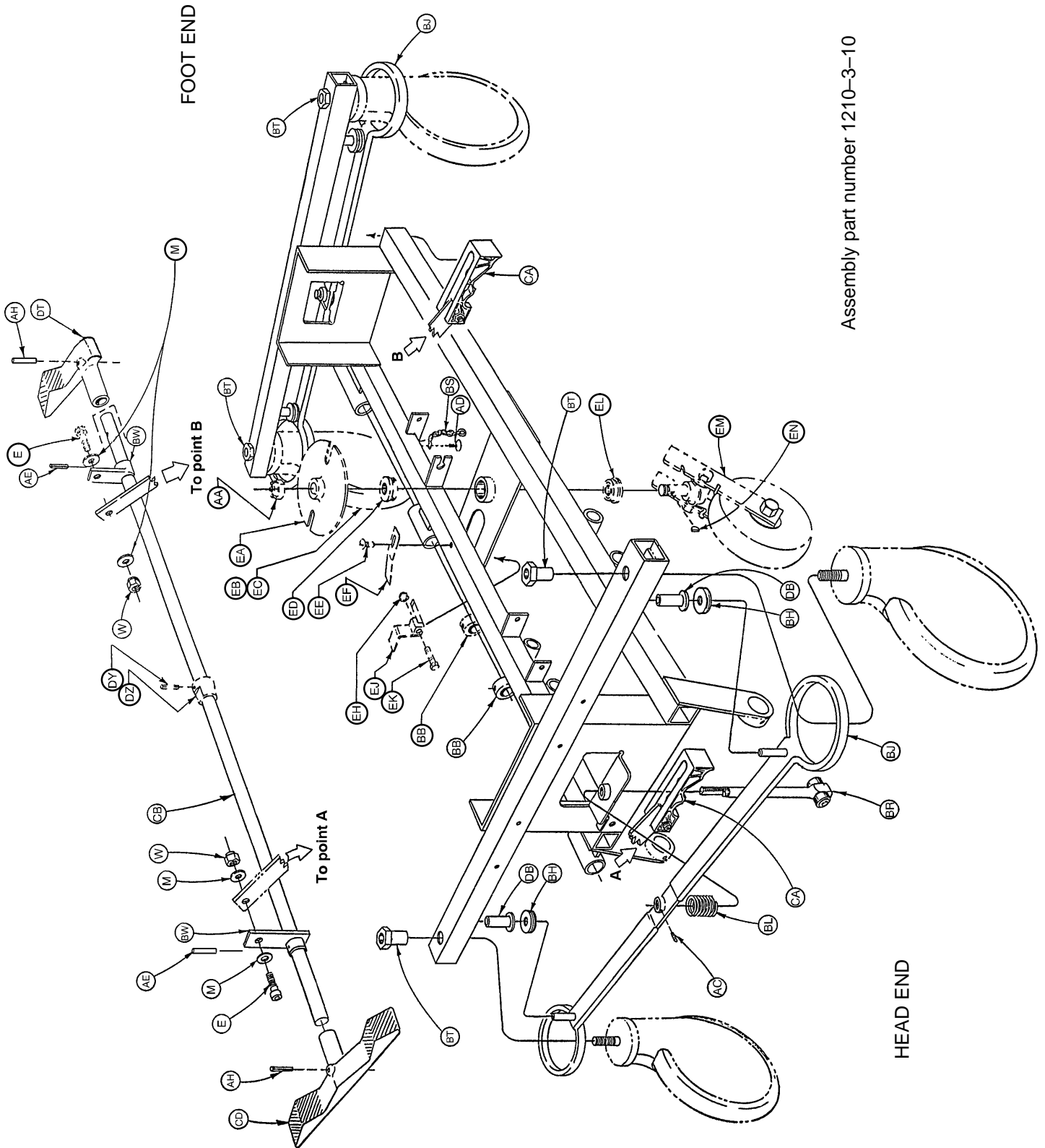
3-Sided Control Base Ass'y, Both Sides & Foot End

Assembly part number 1210-3-10



Assemble these parts at the foot end.
They are shown at this end for clarity.

3-Sided Control Base Ass'y, Both Sides & Foot End



Assembly part number 1210-3-10

3-Sided Control Base Ass'y, Both Sides & Foot End

Item	Part No.	Part Name	Qty.	Item	Part No.	Part Name	Qty.
A	3-4	Hex Hd. Cap Screw	2	BT	715-1-158	Caster Nut	4
B	3-47	Hex Hd. Cap Screw	4	BW	715-1-165	Actuator Plate Ass'y	2
C	3-62	Hex Hd. Cap Screw	8	BY	715-1-192	Jack Support	2
D	3-85	Hex Hd. Cap Screw	8	BZ	715-1-193	Jack Support Clamp	2
E	8-17	Soc. Hd. Cap Screw	1	CA	(page 27)	Brake Cam Ass'y	2
F	11-3	Washer	8	CB	715-1-230	Brake/Steer Rod	1
H	11-4	Washer	2	CC	715-1-333	Release Valve Stop Sleeve	2
J	11-13	Washer	3	CD	715-201-201	Brake/Steer Pedal	1
K	11-262	Washer	8	CE	716-1-15	Release Pivot Bar	2
L	13-38	Lock Washer	4	CF	716-1-52	Pivot Ass'y, Foot	1
M	14-2	Nylon Washer	6	CH	716-1-61	Pedal Shaft	1
N	14-3	Thrust Washer	2	CJ	716-1-71	Rel.Rod, Hd., Rt., Long	2
P	14-7	Nylon Washer	6	CK	716-1-75	Rel. Ped., Ft., Rt., Btm.	1
R	14-9	Spring Washer	2	CL	716-1-102	Pump Link Ass'y, Foot	1
S	14-21	Nylon Washer	2	CM	716-1-109	Pump Link Ass'y, Hd.	1
T	15-11	Hex Jam Nut	2	CN	716-1-119	Pivot Ass'y, Head	1
W	16-2	Fiberlock Nut	2	CP	716-1-281	Pump Idler Link	2
Y	16-28	Fiberlock Nut	6	CR	716-1-286	Release Pedal Cam	2
Z	16-36	Nylock Nut	16	CS	(page 28)	Pump Pedal Ass'y, Foot	1
AA	16-49	Nylock Nut	3	CW	716-1-293	Release Pedal, Left	1
AB	21-22	Set Screw	2	CY	716-1-294	Release Pedal, Right	1
AC	21-50	Set Screw	2	CZ	763-1-15	Jack Spring	1
AD	23-25	Hex Wash. Hd. Tap. Screw	1	DA	763-1-16	Spring Holder	1
AE	26-13	Roll Pin	2	DB	946-1-116	Brake Bar Bushing	4
AF	26-195	Clevis Pin	2	DC	1210-1-27	Pump Connect. Rod Ass'y	1
AH	26-261	Groove Pin	2	DD	1210-1-44	Pump Pedal Spacer	1
AJ	27-4	Cotter Pin	11	DE	1210-1-47	Spring Retainer	1
AK	27-7	Cotter Pin	8	DF	1210-1-104	Pump Pedal Link Ass'y	1
AL	27-16	Cotter Pin	2	DH	1210-1-111	End Release Pedal Brkt.	1
AM	28-97	Retaining Ring	2	DJ	1210-1-112	Hd./Lt. Rel. Rod Wldmt.	1
AN	29-7	Dual Lock	4	DK	1210-1-114	Pedal Pivot, Right	1
AP	29-8	Dual Lock	4	DL	1210-1-115	Pedal Pivot, Left	1
AR	29-9	Dual Lock	4	DM	1210-1-120	Base Frame Weldment	1
AS	29-10	Dual Lock	4	DN	1210-1-123	Rel. Pedal Trans Wldmt.	1
AT	38-235	Pump Return Spring	2	DP	1210-1-134	Rel. Pedal Linkage Wldmt.	1
AW	38-251	Spring	1	DR	1210-1-138	Release Rod Clamp	2
AY	38-312	Extension Spring	1	DS	(page 29)	Side Release Pedal	2
AZ	38-326	Extension Spring	2	DT	1210-1-345	Brake/Steer Pedal, Ft.	1
BA	38-355	Steerlock Extension Spring	2	DW	(page 24 or 25.1)	Jack Assembly	2
BB	42-20	Collar	2	DY	26-8	Roll Pin	1*
BC	52-245	Nyliner Bearing	4	DZ	715-1-161	Fifth Wheel Cam	1*
BD	52-284	Nylon Spacer	3	EA	715-1-337	Fifth Wheel Plate	1*
BE	52-302	Shoulder Washer	2	EB	(page 32)	Caster Wheel Ass'y	4**
BF	52-747	Flanged Bearing	4	EC	(page 31)	Steerlock Caster	1***
BH	715-1-11	Brake Cushion	4	ED	715-1-157	Fifth Wheel Bearing	1*
BJ	715-1-61	Caster Brake Ass'y	2	EE	7-4	Truss Hd. Mach. Screw	1
BK	715-1-92	Pump Pedal Shaft	1	EF	715-1-136	Fifth Wheel Spring	1*
BL	715-1-94	Compression Spring	2	EH	16-16	Nylock Nut	1*
BM	(page 30)	Side Pump Pedal Ass'y	1	EJ	715-1-217	Fifth Wheel Latch	1*
BN	715-1-133	Collar	1	EK	3-20	Hex Hd. Cap Screw	1*
BP	715-1-140	Vinyl Tube	2	EL	81-219	Fifth Wheel Bearing	1*
BR	(page 26)	Brake Adjuster Ass'y	2	EM	(page 33)	Fifth Wheel Assembly	1*
BS	715-1-156	Ground Chain	1	EN	715-1-149	Woodruff Key	1*

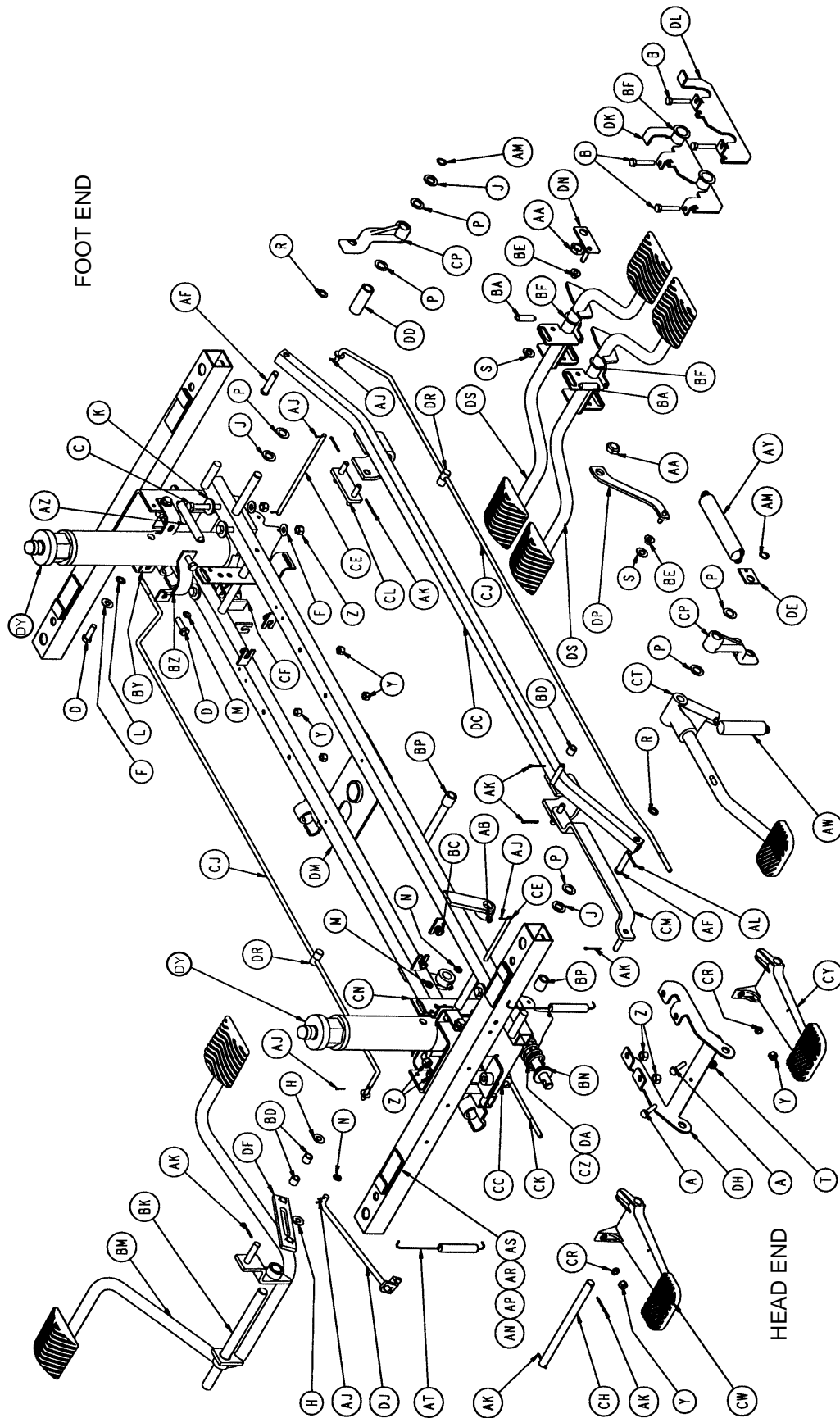
* These parts are used with the optional Fifth Wheel assembly.

** Quantity 3 when Fifth Wheel is not present.

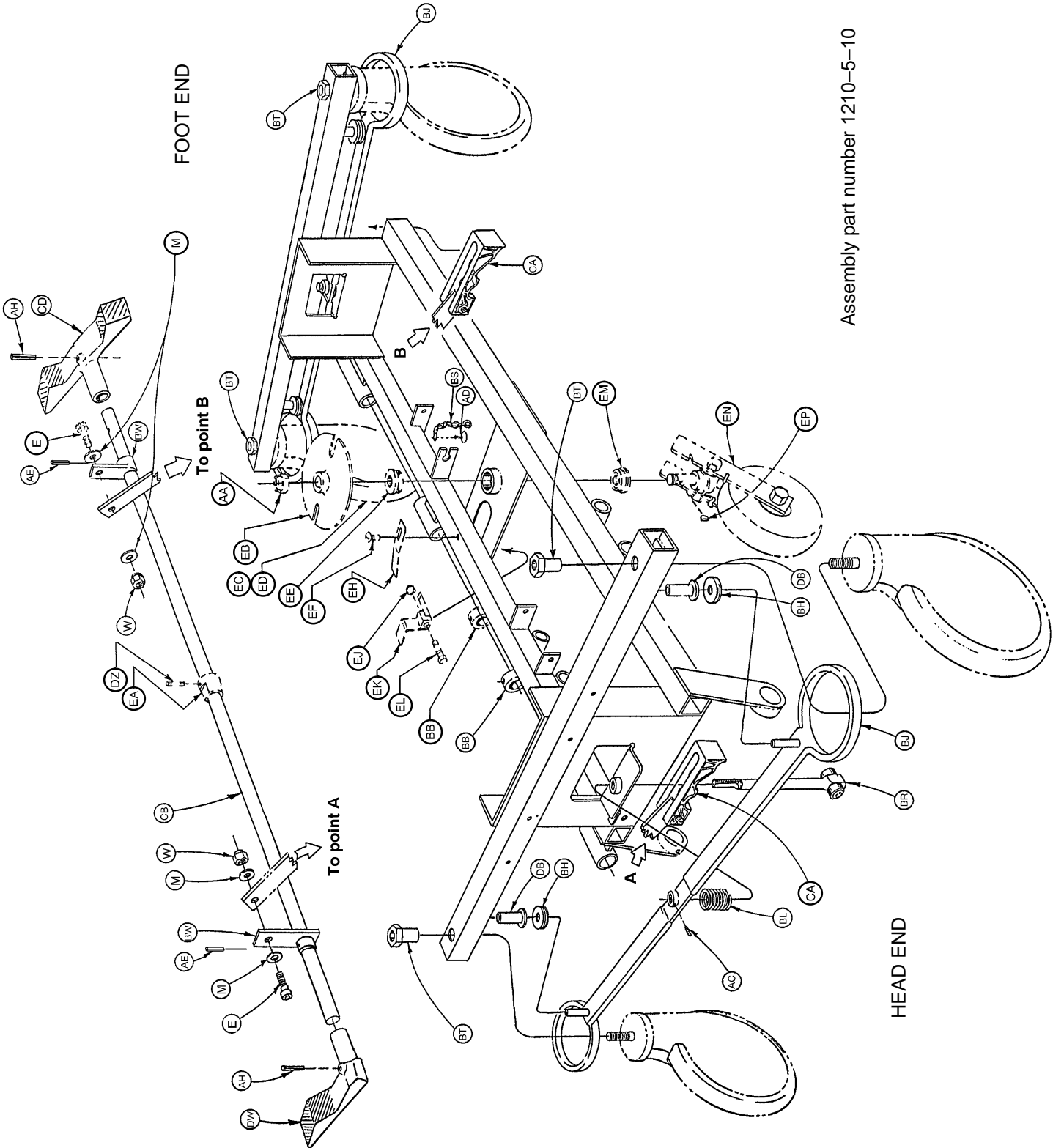
*** Used only when Fifth Wheel is not present.

3-Sided Control Base Ass'y, Both Sides & Head End

Assembly part number 1210-5-10



3-Sided Control Base Ass'y, Both Sides & Head End



Assembly part number 1210-5-10

3-Sided Control Base Ass'y, Both Sides & Head End

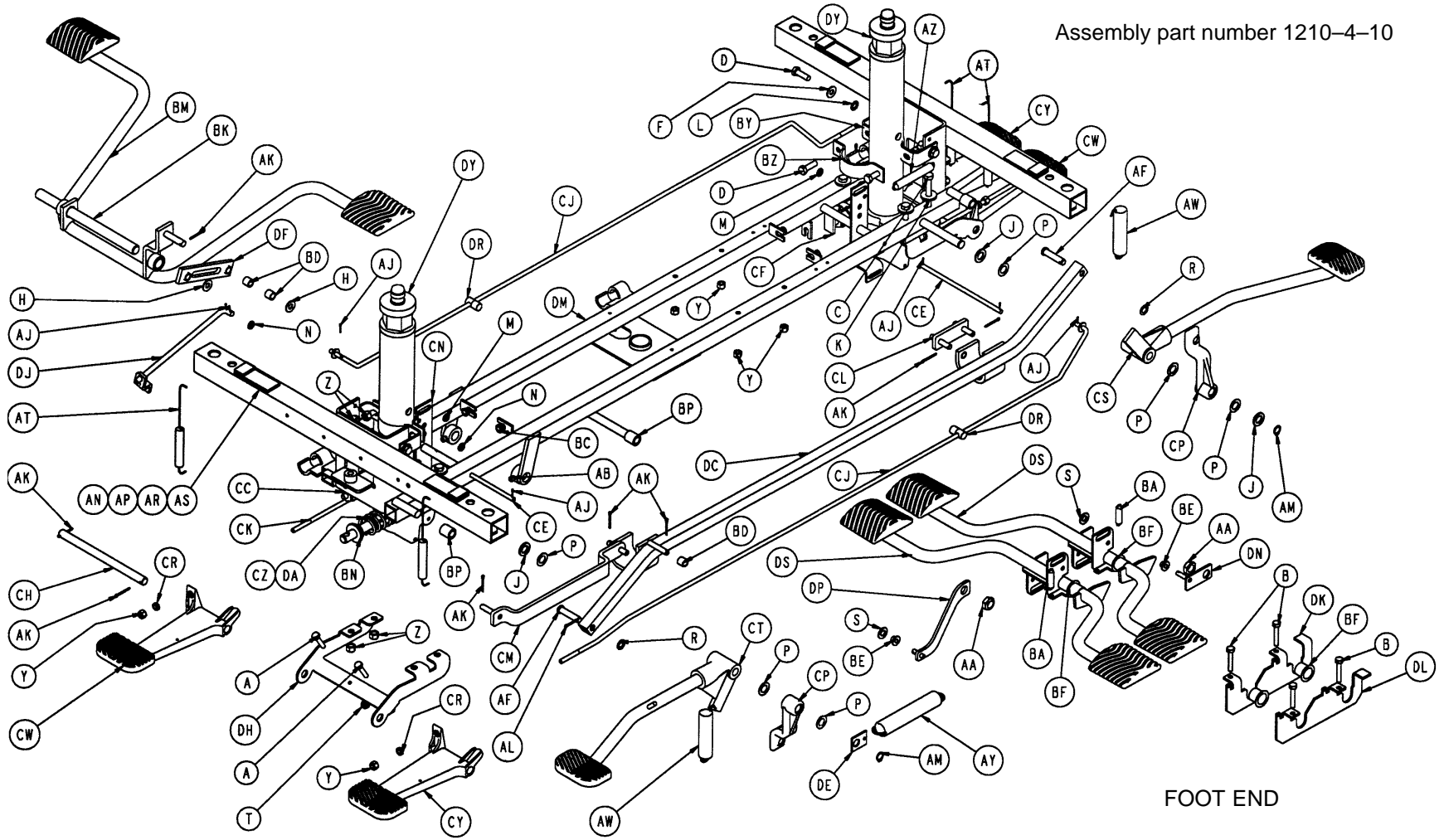
Item	Part No.	Part Name	Qty.	Item	Part No.	Part Name	Qty.
A	3-4	Hex Hd. Cap Screw	2	BT	715-1-158	Caster Nut	4
B	3-47	Hex Hd. Cap Screw	4	BW	715-1-165	Actuator Plate Ass'y	2
C	3-62	Hex Hd. Cap Screw	8	BY	715-1-192	Jack Support	2
D	3-85	Hex Hd. Cap Screw	8	BZ	715-1-193	Jack Support Clamp	2
E	8-17	Shoulder Bolt	2	CA	(page 27)	Brake Cam Ass'y	2
F	11-3	Washer	8	CB	715-1-230	Brake/Steer Rod	1
H	11-4	Washer	2	CC	715-1-333	Release Valve Stop Sleeve	2
J	11-13	Washer	3	CD	715-201-201	Brake/Steer Pedal	1
K	11-262	Washer	8	CE	716-1-15	Release Pivot Bar	2
L	13-38	Lock Washer	4	CF	716-1-52	Pivot Ass'y, Foot	1
M	14-2	Nylon Washer	4	CH	716-1-61	Pedal Shaft	1
N	14-3	Thrust Washer	2	CJ	716-1-71	Rel.Rod, Hd., Rt., Long	2
P	14-7	Nylon Washer	6	CK	716-1-75	Rel. Ped., Ft., Rt., Btm.	1
R	14-9	Spring Washer	2	CL	716-1-102	Pump Link Ass'y, Foot	1
S	14-21	Nylon Washer	2	CM	716-1-109	Pump Link Ass'y, Hd.	1
T	15-11	Hex Jam Nut	2	CN	716-1-119	Pivot Ass'y, Head	1
W	16-2	Fiberlock Nut	2	CP	716-1-281	Pump Idler Link	2
Y	16-28	Nylock Nut	6	CR	716-1-286	Release Pedal Cam	2
Z	16-36	Nylock Nut	16	CT	(page 28)	Pump Pedal Ass'y, Foot	1
AA	16-49	Flexlock Nut	3	CW	716-1-293	Release Pedal, Left	1
AB	21-22	Set Screw	2	CY	716-1-294	Release Pedal, Right	1
AC	21-50	Set Screw	2	CZ	763-1-15	Jack Spring	1
AD	23-25	Hex Wash. Hd. Tap. Screw	1	DA	763-1-16	Spring Holder	1
AE	26-13	Roll Pin	2	DB	946-1-116	Brake Bar Bushing	4
AF	26-195	Clevis Pin	2	DC	1210-1-27	Pump Connect. Rod Ass'y	1
AH	26-261	Groove Pin	2	DD	1210-1-44	Pump Pedal Spacer	1
AJ	27-4	Cotter Pin	11	DE	1210-1-47	Spring Retainer	1
AK	27-7	Cotter Pin	8	DF	1210-1-104	Pump Pedal Link Ass'y	1
AL	27-16	Cotter Pin	2	DH	1210-1-111	End Release Pedal Brkt.	1
AM	28-97	Retaining Ring	2	DJ	1210-1-112	Hd./Lt. Rel. Pedal Wldmt.	1
AN	29-7	Dual Lock	4	DK	1210-1-114	Pedal Pivot, Right	1
AP	29-8	Dual Lock	4	DL	1210-1-115	Pedal Pivot, Left	1
AR	29-9	Dual Lock	4	DM	1210-1-120	Base Frame Weldment	1
AS	29-10	Dual Lock	4	DN	1210-1-123	Rel. Pedal Trans Wldmt.	1
AT	38-235	Pump Return Spring	2	DP	1210-1-134	Rel. Pedal Linkage Wldmt.	1
AW	38-251	Spring	1	DR	1210-1-138	Release Rod Clamp	2
AY	38-312	Extension Spring	1	DS	(page 29)	Side Release Pedal Ass'y	2
AZ	38-326	Extension Spring	2	DW	1210-1-346	Brake/Steer Pedal, Hd.	1
BA	38-355	Steerlock Extension Spring	2	DY	(page 24 or 25.1)	Jack Assembly	2
BB	42-20	Collar	1	DZ	26-8	Roll Pin	1*
BC	52-245	Nyliner Bearing	4	EA	715-1-161	Fifth Wheel Cam	1*
BD	52-284	Nylon Spacer	3	EB	715-1-337	Fifth Wheel Plate	1*
BE	52-302	Shoulder Washer	2	EC	(page 32)	Caster Wheel Ass'y	1*
BF	52-747	Flanged Bearing	4	ED	(page 31)	Steerlock Caster	1**
BH	715-1-11	Brake Cushion	4	EE	715-1-157	Fifth Wheel Bearing	1*
BJ	715-1-61	Caster Brake Ass'y	2	EF	7-4	Truss Hd. Mach. Screw	1*
BK	715-1-92	Pump Pedal Shaft	1	EH	715-1-136	Fifth Wheel Spring	1*
BL	715-1-94	Compression Spring	2	EJ	16-16	Nylock Nut	1*
BM	(page 30)	Side Pump Pedal Ass'y	1	EK	715-1-217	Fifth Wheel Latch	1*
BN	715-1-133	Collar	1	EL	3-20	Hex Hd. Cap Screw	1*
BP	715-1-140	Vinyl Tube	2	EM	81-219	Fifth Wheel Bearing	1*
BR	(page 26)	Brake Adjuster Ass'y	2	EN	(page 33)	Fifth Wheel Assembly	1*
BS	715-1-156	Ground Chain	1	EP	715-1-149	Woodruff Key	1*

* These parts are used with the optional Fifth Wheel assembly.

** Used only when Fifth Wheel is not present.

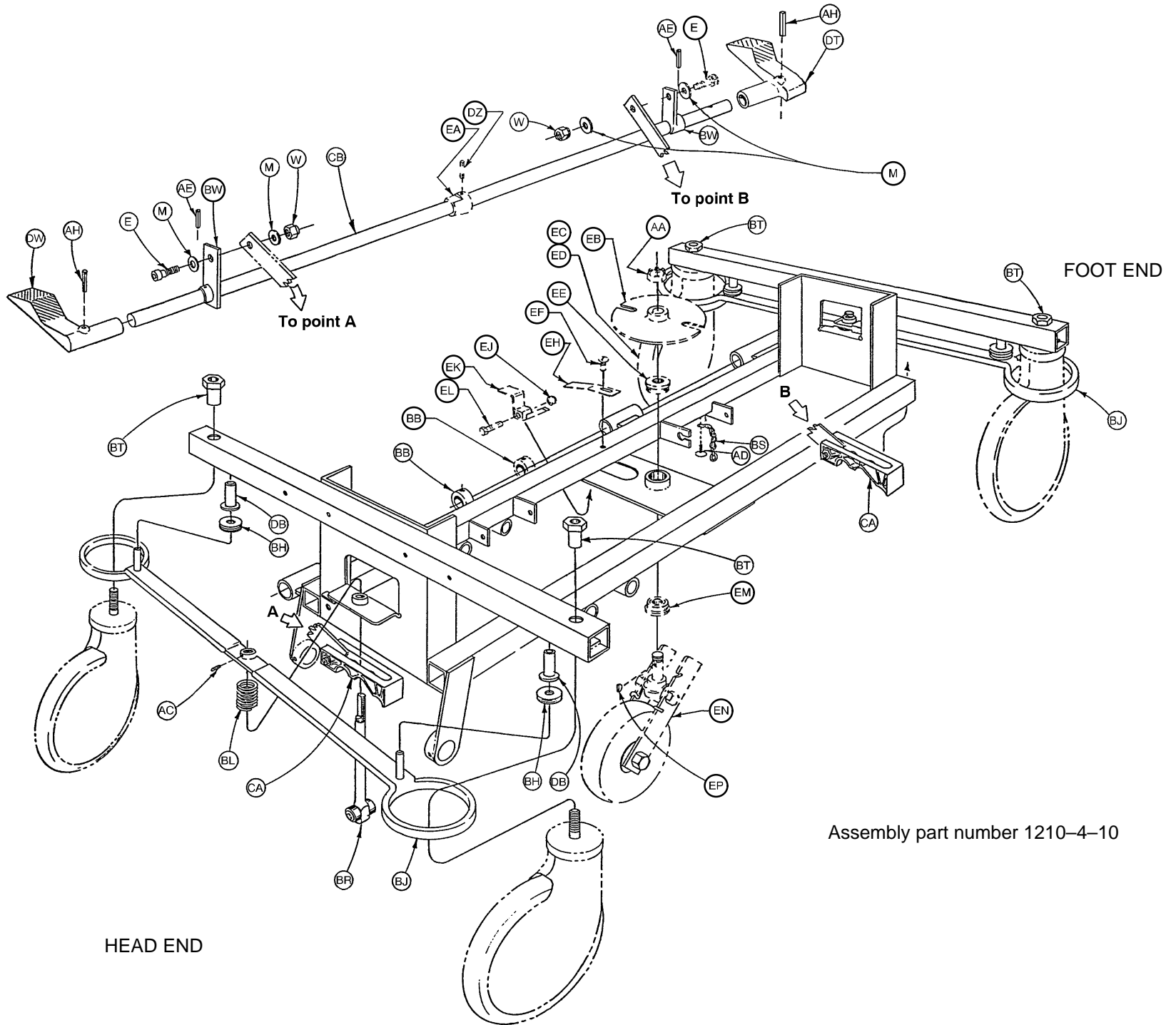
4-Sided Control Base Assembly

Assembly part number 1210-4-10



FOOT END

4-Sided Control Base Assembly



Assembly part number 1210-4-10

4-Sided Control Base Assembly

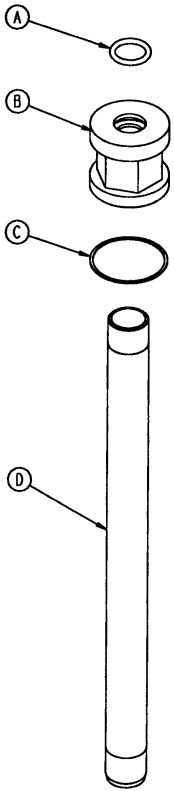
Item	Part No.	Part Name	Qty.	Item	Part No.	Part Name	Qty.
A	3-4	Hex Hd. Cap Screw	4	BT	715-1-158	Caster Nut	4
B	3-47	Hex Hd. Cap Screw	4	BW	715-1-165	Actuator Plate Ass'y	2
C	3-62	Hex Hd. Cap Screw	8	BY	715-1-192	Jack Support	2
D	3-85	Hex Hd. Cap Screw	8	BZ	715-1-193	Jack Support Clamp	2
E	8-17	Shoulder Bolt	2	CA	(page 27)	Brake Cam Ass'y	2
F	11-3	Washer	4	CB	715-1-230	Brake/Steer Rod	1
H	11-4	Washer	2	CC	715-1-333	Release Valve Stop Sleeve	2
J	11-13	Washer	3	CE	716-1-15	Release Pivot Bar	2
K	11-262	Washer	8	CF	716-1-52	Pivot Ass'y, Foot	1
L	13-38	Lock Washer	4	CH	716-1-61	Pedal Shaft	2
M	14-2	Nylon Washer	4	CJ	716-1-71	Rel.Rod, Hd., Rt., Long	2
N	14-3	Thrust Washer	4	CK	716-1-75	Rel. Ped., Ft., Rt., Btm.	2
P	14-7	Nylon Washer	6	CL	716-1-102	Pump Link Ass'y, Foot	1
R	14-9	Spring Washer	2	CM	716-1-109	Pump Link Ass'y, Hd.	1
S	14-21	Nylon Washer	2	CN	716-1-119	Pivot Ass'y, Head	1
T	15-11	Hex Jam Nut	4	CP	716-1-281	Pump Idler Link	2
W	16-2	Fiberlock Nut	2	CR	716-1-286	Release Pedal Cam	4
Y	16-28	Fiberlock Nut	8	CS	(page 28)	Pump Pedal Ass'y, Foot	1
Z	16-36	Nylock Nut	16	CT	(page 28)	Pump Pedal Ass'y, Head	1
AA	16-49	Flexlock Nut	3	CW	716-1-293	Release Pedal, Left	2
AB	21-22	Set Screw	2	CY	716-1-294	Release Pedal, Right	2
AC	21-50	Set Screw	2	CZ	763-1-15	Jack Spring	1
AD	23-25	Hex Wash. Hd. Tap. Screw	1	DA	763-1-16	Spring Holder	1
AE	26-13	Roll Pin	2	DB	946-1-116	Brake Bar Bushing	4
AF	26-195	Clevis Pin	2	DC	1210-1-27	Pump Connect. Rod Ass'y	1
AH	26-261	Groove Pin	2	DE	1210-1-47	Spring Retainer	1
AJ	27-4	Cotter Pin	12	DF	1210-1-104	Pump Pedal Link Ass'y	1
AK	27-7	Cotter Pin	8	DH	1210-1-111	End Release Pedal Brkt.	2
AL	27-16	Cotter Pin	2	DJ	1210-1-112	Hd./Lt. Rel. Rod Wldmt.	1
AM	28-97	Retaining Ring	2	DK	1210-1-114	Pedal Pivot, Right	1
AN	29-7	Dual Lock	4	DL	1210-1-115	Pedal Pivot, Left	1
AP	29-8	Dual Lock	4	DM	1210-1-120	Base Weldment	1
AR	29-9	Dual Lock	4	DN	1210-1-123	Rel. Pedal Trans. Wldmt.	1
AS	29-10	Dual Lock	4	DP	1210-1-134	Rel. Pedal Linkage Wldmt.	1
AT	38-235	Pump Return Spring	4	DR	1210-1-138	Release Rod Clamp	2
AW	38-251	Spring	2	DS	(page 29)	Side Release Pedal Ass'y	2
AY	38-312	Extension Spring	1	DT	1210-1-345	Brake/Steer Pedal, Foot	1
AZ	38-326	Extension Spring	2	DW	1210-1-346	Brake/Steer Pedal, Head	1
BA	38-355	Steerlock Extension Spring	2	DY	(page 24 or 25.1)	Jack Assembly	2
BB	42-20	Collar	2	DZ	26-8	Roll Pin	1*
BC	52-245	Nyliner Bearing	4	EA	715-1-161	Fifth Wheel Cam	1*
BD	52-284	Nylon Spacer	3	EB	715-1-337	Fifth Wheel Plate	1*
BE	52-302	Shoulder Washer	2	EC	(page 32)	Caster Wheel Ass'y	1*
BF	52-747	Flanged Bearing	4	ED	(page 31)	Steerlock Caster	1***
BH	715-1-11	Brake Cushion	4	EE	715-1-157	Fifth Wheel Bearing	1*
BJ	715-1-61	Caster Brake Ass'y	2	EF	7-4	Truss Hd. Mach. Screw	1
BK	715-1-92	Pump Pedal Shaft	1	EH	715-1-136	Fifth Wheel Spring	1*
BL	715-1-94	Compression Spring	2	EJ	16-16	Nylock Nut	1*
BM	(page 30)	Side Pump Pedal Ass'y	1	EK	715-1-217	Fifth Wheel Latch	1*
BN	715-1-133	Collar	1	EL	3-20	Hex Hd. Cap Screw	1*
BP	715-1-140	Vinyl Tube	3	EM	81-219	Fifth Wheel Bearing	1*
BR	(page 26)	Brake Adjuster Ass'y	2	EN	(page 33)	Fifth Wheel Assembly	1*
BS	715-1-156	Ground Chain	1	EP	715-1-149	Woodruff Key	1*

* These parts are used with the optional Fifth Wheel assembly.

** Quantity 3 when Fifth Wheel is not present.

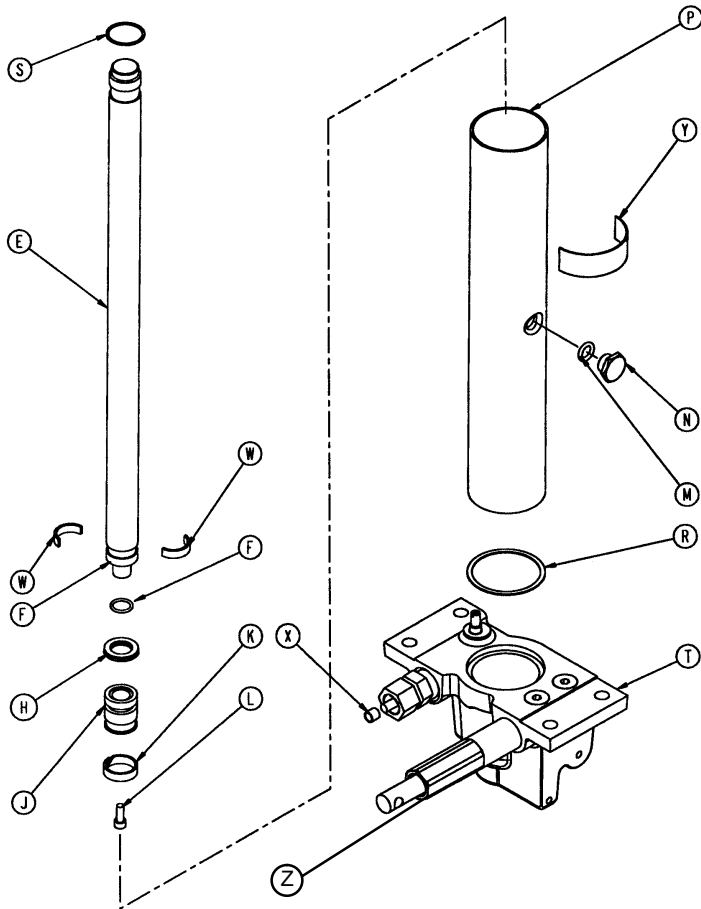
*** Used only when Fifth Wheel is not present.

Variable Descent Jack Assembly



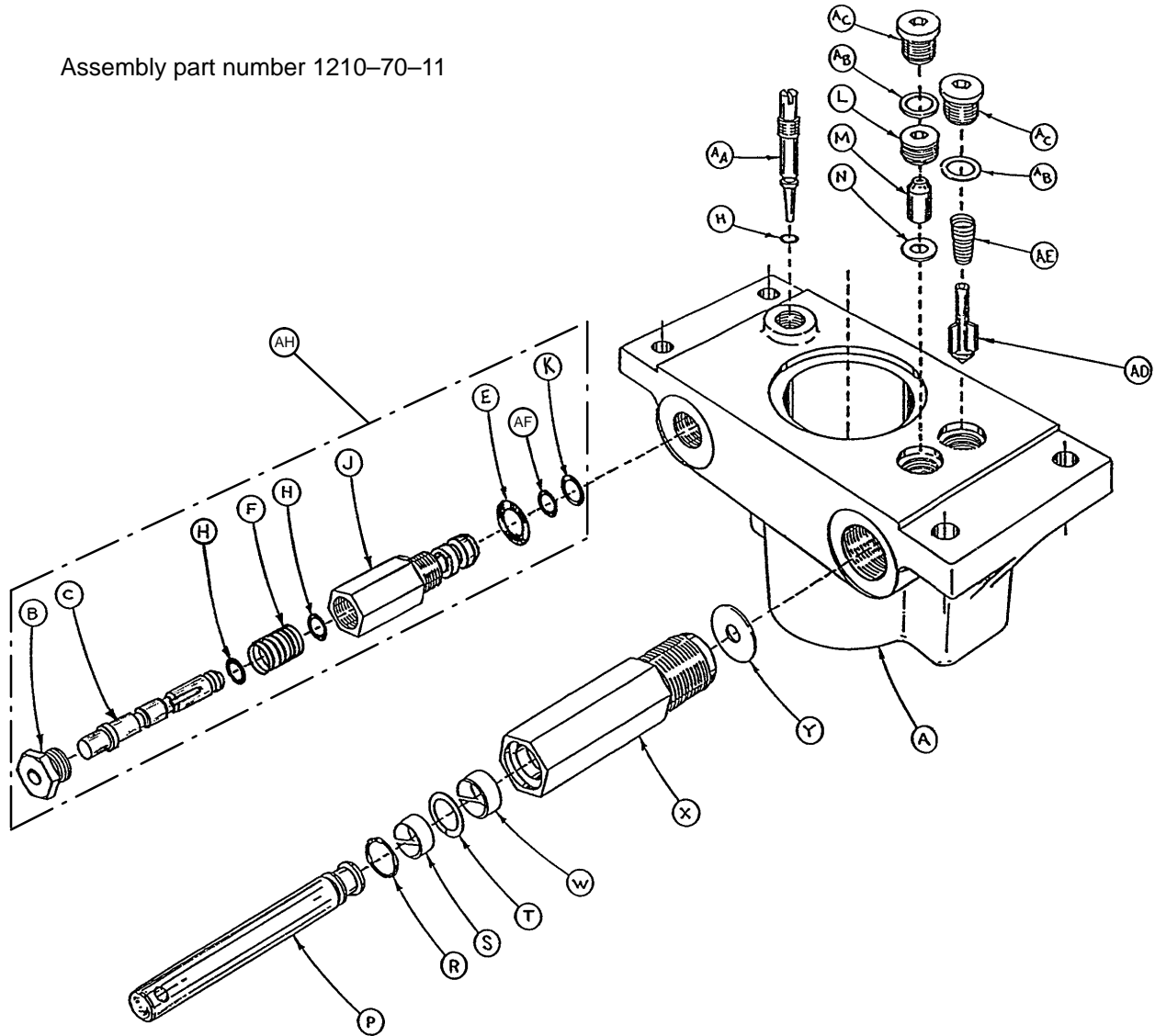
Assembly part number
1210-70-10

Item	Part No.	Part Name	Qty.
A	45-904	O-Ring	1
B	715-1-340	Cap Assembly	1
C	390-1-243	Gasket	1
D	715-1-323	Actuator Cylinder	1
E	715-1-325	Actuator	1
F	45-14	O-Ring	1
G	926-20-161	Parker Packing	1
H	715-1-331	Piston End	1
J	926-20-162	Wear Ring	1
K	4-14	Soc. Hd. Cap Screw	1
L	45-110	O-Ring	1
M	388-1-38	Plug	1
N	715-1-322	Reservoir	1
P	390-1-244	Gasket	1
R	390-1-238	Actuator Gasket	1
S	(page 25)	Jack Base Assembly	1
T	390-2-139	Retaining Collar	2
W	715-1-333	Rel. Valve Stop Sleeve	1
Y	1210-70-7	Label	1
Z	715-100-325	Repl. Pump Piston	1



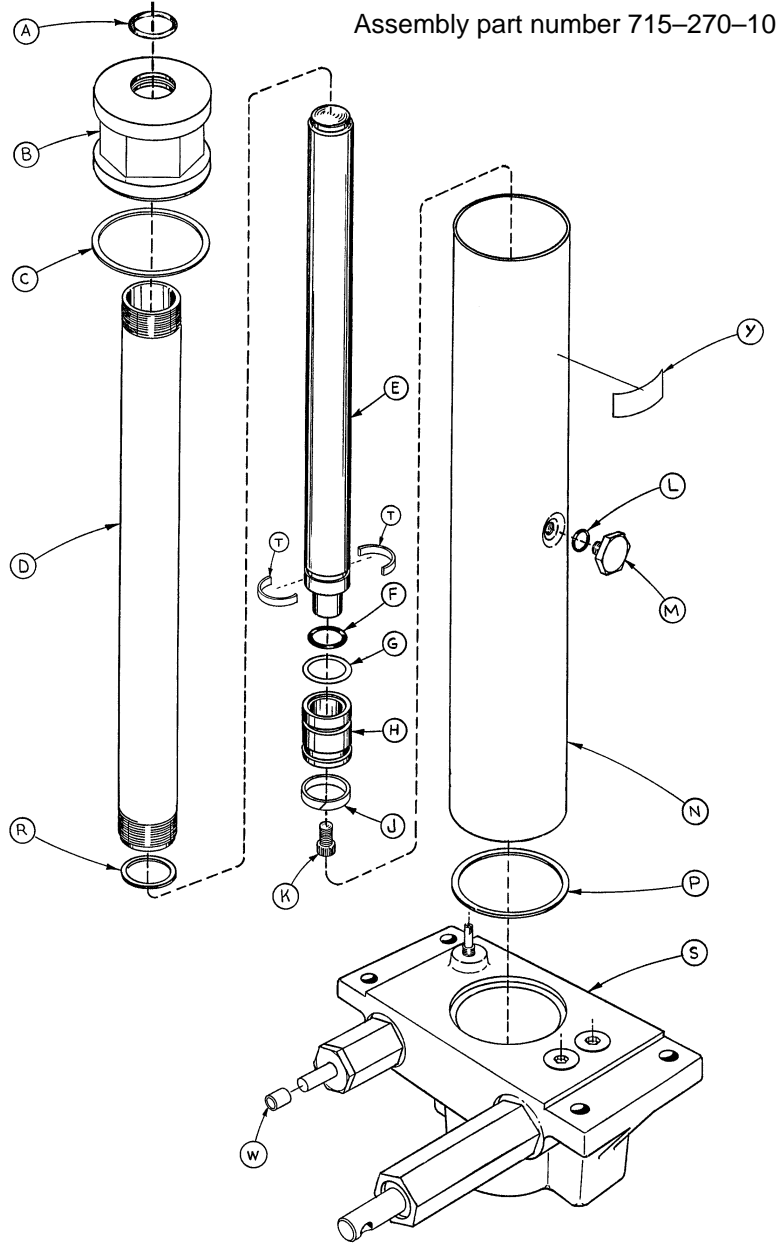
Variable Descent Jack Base Assembly

Assembly part number 1210-70-11



Item	Part No.	Part Name	Qty.	Item	Part No.	Part Name	Qty.
A	1210-70-12	Jack Base, Machined	1	S	715-1-328	Piston Wear Ring	1
B	1210-70-13	Base Plug	1	T	14-50	Bearing Retainer	1
C	1210-70-14	Pin	1	W	715-1-327	Cylinder Wear Ring	1
E	45-966	O-Ring	1	X	715-1-316	Pump Cylinder	1
F	38-311	Compression Spring	1	Y	715-1-329	Pump Seal	1
H	45-6	O-Ring	3	AA	715-1-307	Needle Valve	1
J	1210-70-16	Pin Housing	1	AB	926-20-156	Seal	2
K	45-967	O-Ring	1	AC	715-1-301	Base Plug	2
L	715-1-309	Valve Plug	1	AD	715-1-341	Poppet	1
M	926-20-153	Check Valve	1	AE	390-2-134	Conical Comp. Spring	1
N	926-20-154	Seal	1	AF	45-969	O-Ring	1
P	715-1-318	Pump Piston	1	AH	1210-70-9	Valve Assembly	1
R	45-110	O-Ring	1	AJ	715-100-325	Repl. Pump Piston	N/A

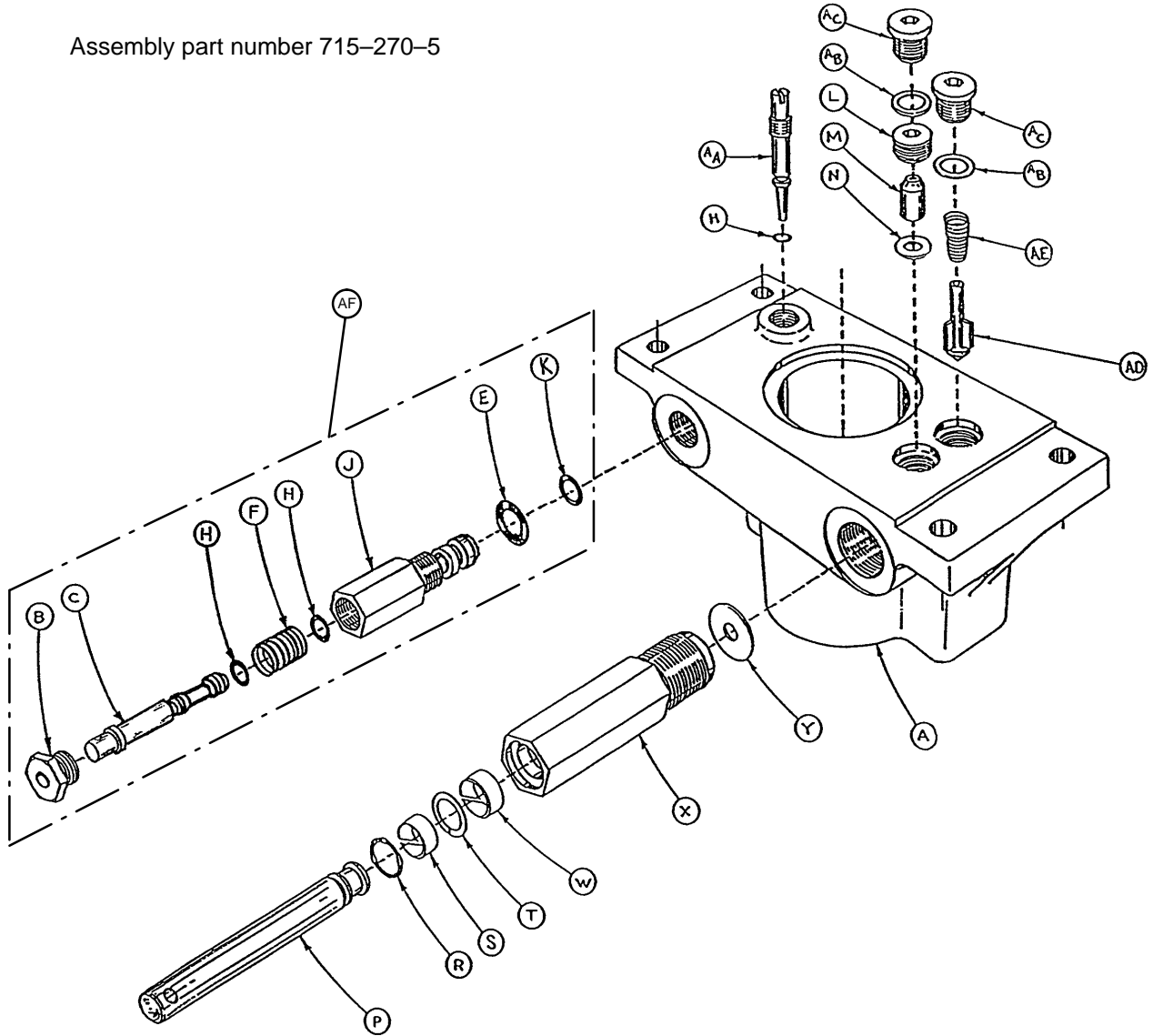
Standard Jack Assembly



Item	Part No.	Part Name	Qty.	Item	Part No.	Part Name	Qty.
A	45-904	O-Ring	1	L	45-110	O-Ring	1
B	715-1-340	Cap Assembly	1	M	388-1-38	Plug	1
C	390-1-243	Gasket	1	N	715-1-322	Reservoir	1
D	715-1-323	Actuator Cylinder	1	P	390-1-244	Gasket	1
E	715-1-325	Actuator	1	R	390-1-238	Gasket, Actuator	1
F	45-14	O-Ring	1	S	(page 25.2)	Jack Base Assembly	1
G	926-20-161	Parker Packing	1	T	390-2-139	Retaining Collar	2
H	715-1-331	Piston End	1	W	715-1-333	Rel. Valve Stop Sleeve	1
J	926-20-162	Wear Ring	1	Y	715-270-11	Label	1
K	4-14	Soc. Hd. Cap Screw	1				

Standard Jack Base Assembly

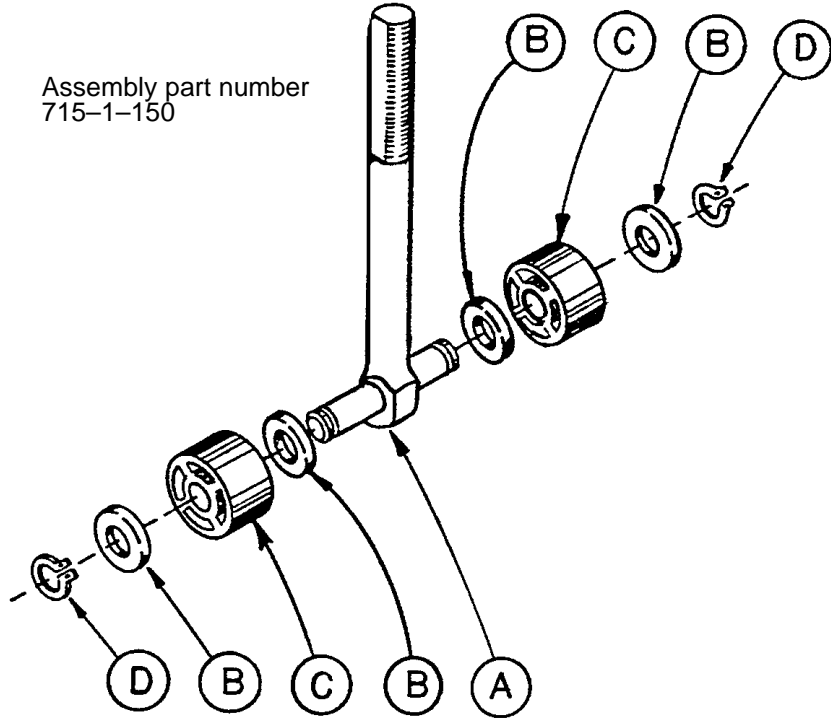
Assembly part number 715-270-5



Item	Part No.	Part Name	Qty.	Item	Part No.	Part Name	Qty.
A	1210-70-12	Jack Base	1	R	45-110	O-Ring	1
B	1210-70-13	Base Plug	1	S	715-1-328	Piston Wear Ring	1
C	715-270-1	Pin	1	T	14-50	Bearing Retainer	1
E	45-966	O-Ring	1	W	715-1-327	Cylinder Wear Ring	1
F	38-311	Compression Spring	1	X	715-1-316	Pump Cylinder	1
H	45-006	O-Ring	3	Y	715-1-329	Pump Seal	1
J	715-270-2	Pin Housing	1	AA	715-1-307	Needle Valve	1
K	43-967	O-Ring	1	AB	926-20-156	Seal	2
L	715-1-309	Valve Plug	1	AC	715-1-301	Base Plug	2
M	926-20-153	Check Valve	1	AD	715-1-341	Poppet	1
N	926-20-154	Seal	1	AE	390-2-134	Conical Comp. Spring	1
P	715-1-310	Pump Piston	1	AF	715-270-100	Valve Assembly	1

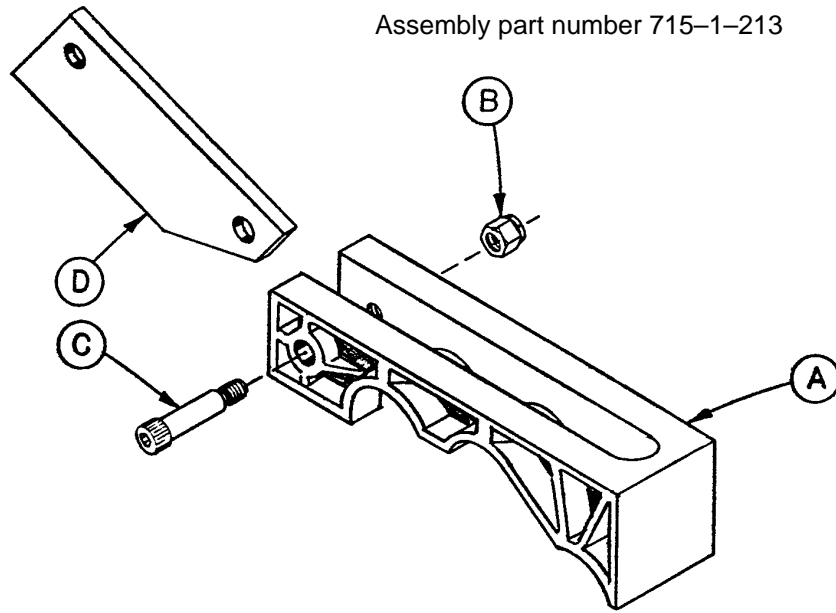
Brake Adjuster Assembly

Assembly part number
715-1-150



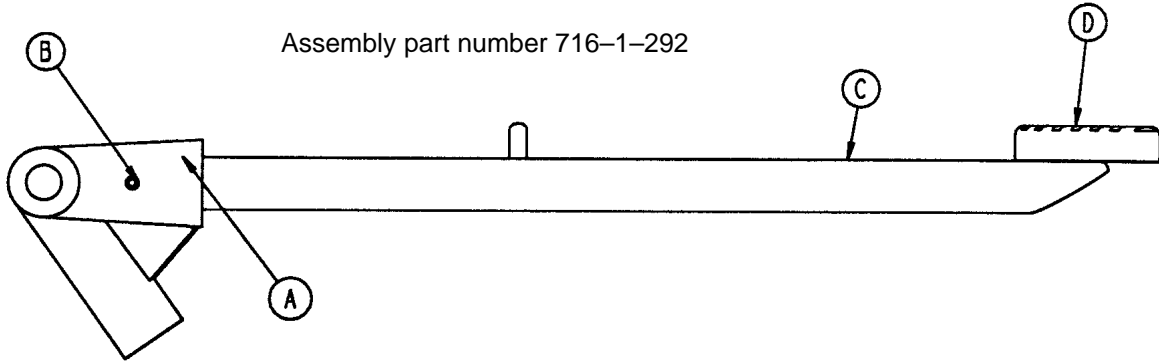
Item	Part No.	Part Name	Qty.
A	715-1-62	Threaded Stud Assembly	1
B	14-4	Nylon Washer	4
C	715-1-180	Bearing	2
D	28-8	Retaining Ring	2

Brake Cam Assembly



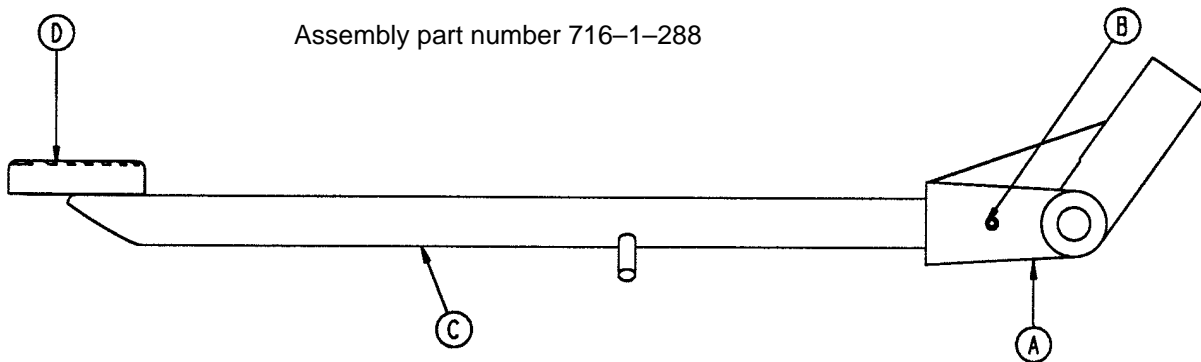
Item	Part No.	Part Name	Qty.
A	715-1-221	Brake Cam	1
B	16-59	Fiberlock Nut	1
C	8-21	Soc. Hd. Cap Screw	1
D	715-1-173	Brake Connecting Link	1

End Control Pump Pedal Assembly, Head



Item	Part No.	Part Name	Qty.
A	716-1-285	Pump Pivot, Head End	1
B	26-12	Roll Pin	1
C	716-1-290	Pump Ped. Wldmt., Head	1
D	721-40-25	Pedal	1

End Control Pump Pedal Assembly, Foot

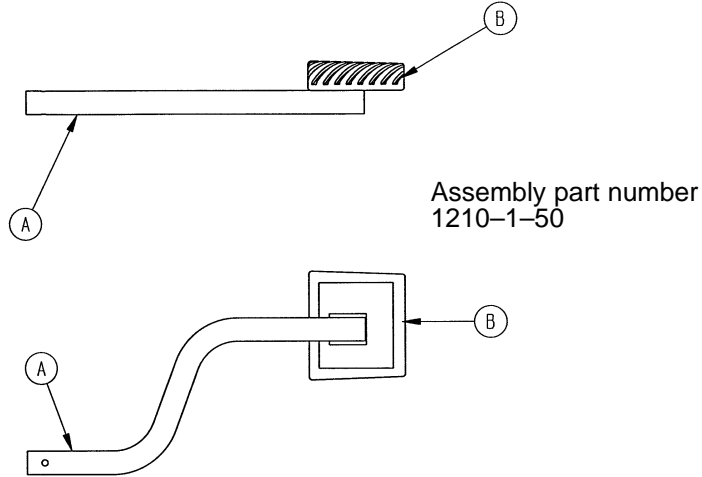


Item	Part.No.	Part Name	Qty.
A	716-1-283	Pump Pivot, Foot End	1
B	26-12	Roll Pin	1
C	716-1-289	Pump Ped. Wldmt., Foot	1
D	721-40-25	Pedal	1

NOTE

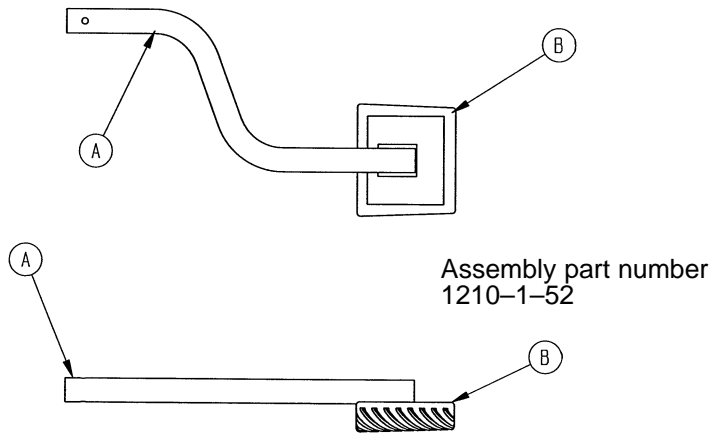
Apply plastic adhesive to the mating surfaces of item D prior to assembly.

Side Release Pedal Assembly, Right



Item	Part No.	Part Name	Qty.
A	1210-1-51	Side Release Weldment, Rt.	1
B	715-1-126	Side Control Pedal Pad	1

Side Release Pedal Assembly, Left

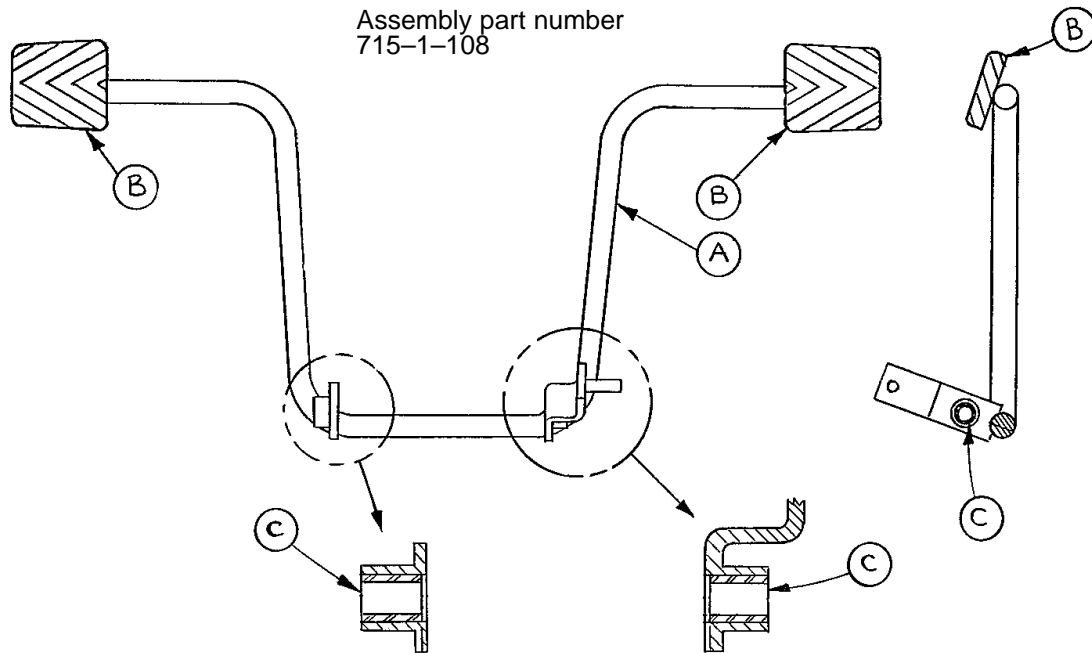


Item	Part No.	Part Name	Qty.
A	1210-1-53	Side Release Weldment, Lt.	1
B	715-1-126	Side Control Pedal Pad	1

NOTE

Apply plastic adhesive to the mating surfaces of item B prior to assembly.

Side Pump Pedal Assembly



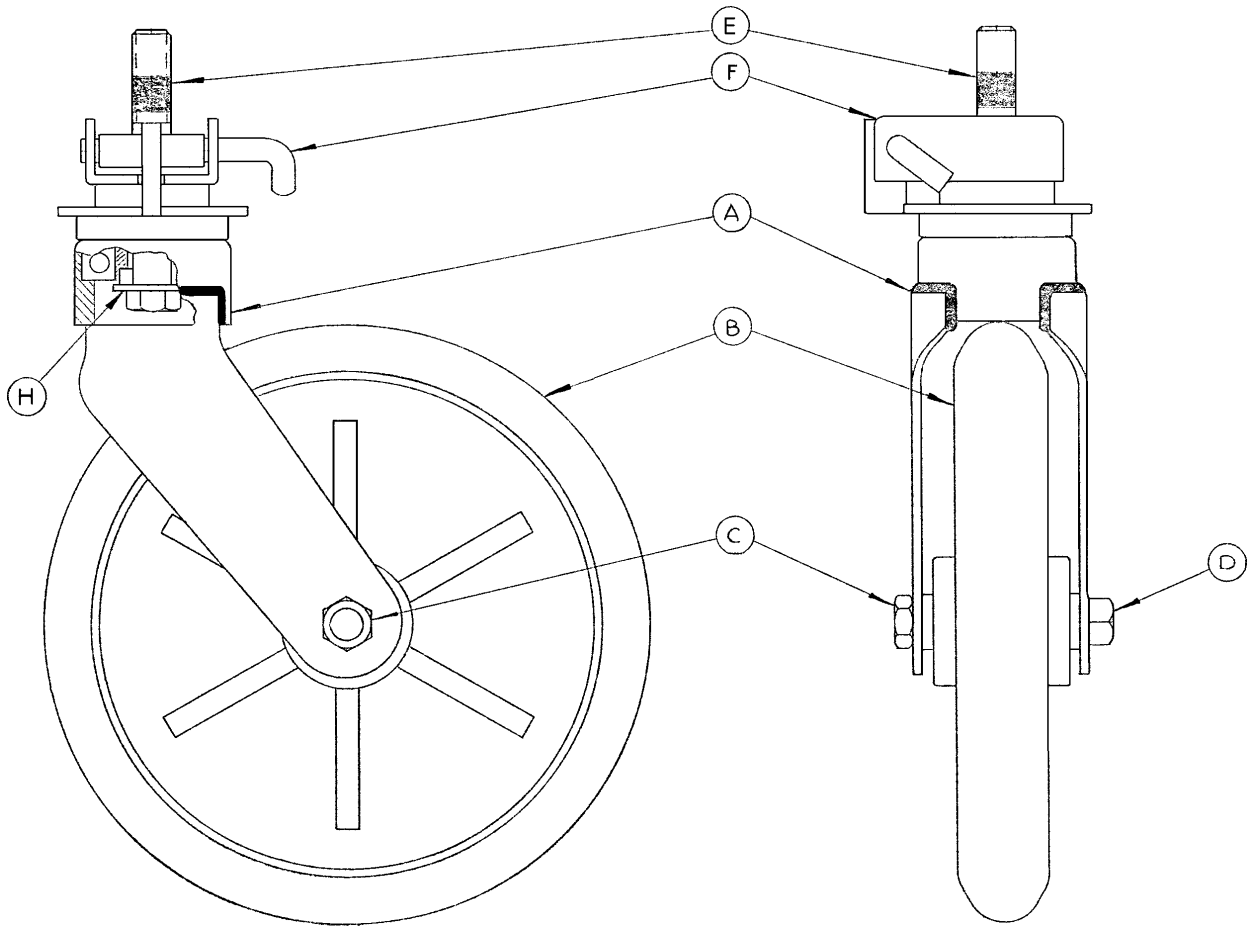
Item	Part No.	Part Name	Qty.
A	715-1-83	Pedal Ass'y Weldm't, Pump	1
B	715-1-126	Side Control Pedal Pad	2
C	81-44	Bearing, Bronze	2

NOTE

Apply plastic adhesive to the mating surfaces of item B prior to assembly.

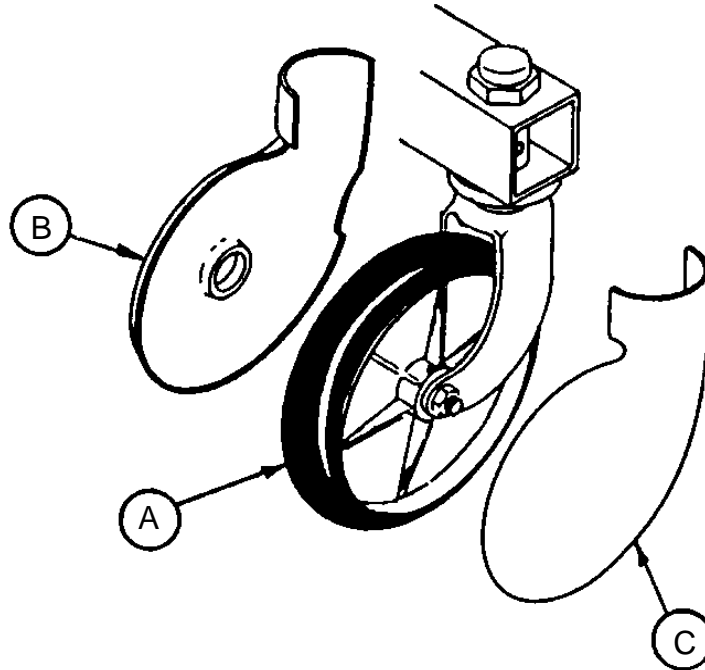
Caster Assembly with Steerlock

Assembly part number 715-2-21



Item	Part No.	Part Name	Qty.
A	700-10-50	Steer Lock Caster Weldment	1
B	715-2-25	Caster Wheel	1
C	16-60	Hex Nut	1
D	3-99	Hex Bolt	1
E	715-3-96	Hex Bolt	1
F	1000-59-10	Latch Assembly	1
H	11-310	Flat Washer	1

Caster and Caster Cover Replacement Kits



Item	Part No.	Part Name	Qty.
A	715-2-20	Caster Assembly	1
B	715-1-266	Caster Cover, Left	1
C	715-1-265	Caster Cover, Right	1

P/N 715-259-400 – Kit to replace 4 standard caster assemblies with necessary hardware – no caster covers.

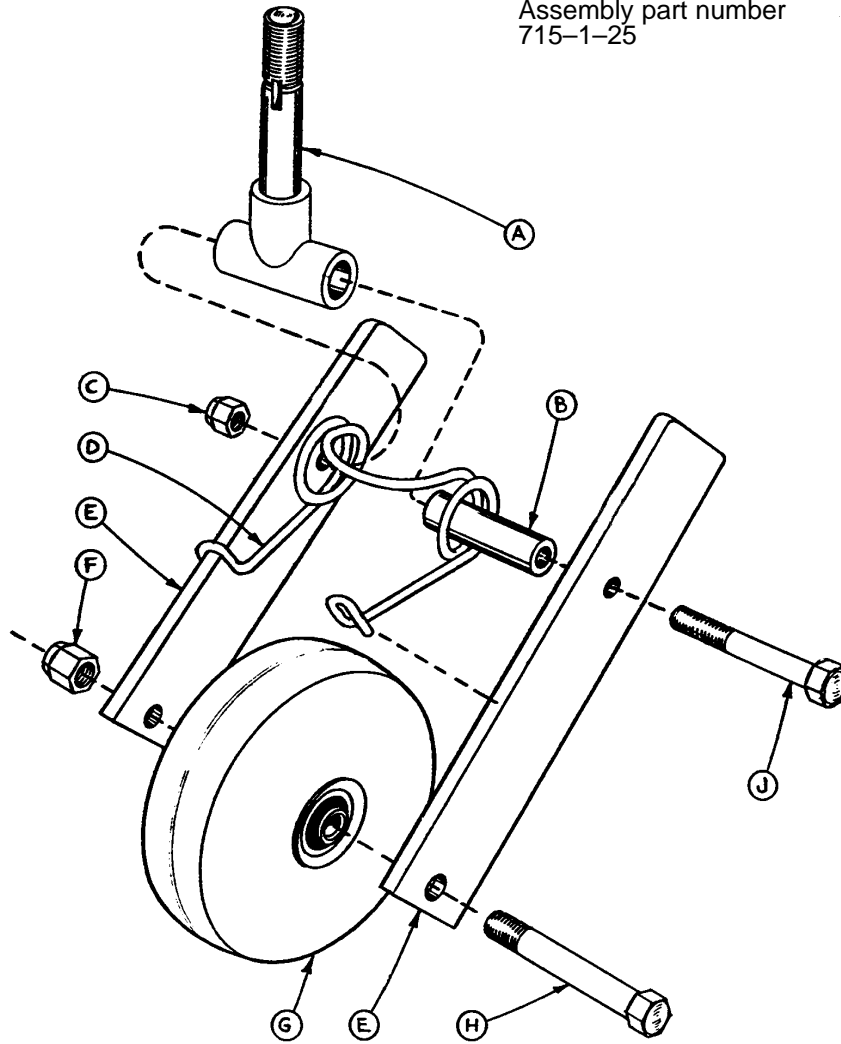
P/N 715-269-400 – Kit to replace 3 standard caster assemblies and 1 steerlock caster with necessary hardware – no caster covers.

P/N 715-259-100 – Kit to replace 1 standard caster assembly with necessary hardware – no caster covers.

P/N 1010-56-200 – Kit to replace both caster covers on all four wheels.

Fifth Wheel Assembly

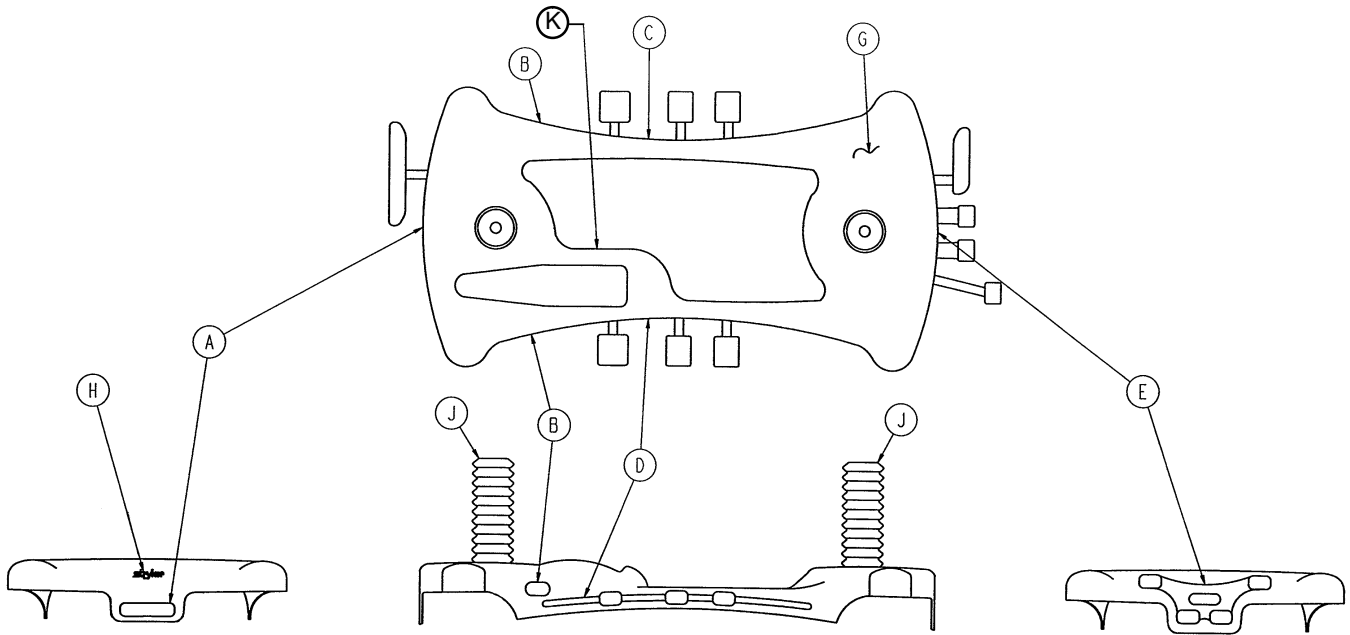
Assembly part number
715-1-25



Item	Part No.	Part Name	Qty.
A	715-1-339	Fifth Wheel Pivot Assembly	1
B	715-1-17	Fifth Wheel Bushing	1
C	16-11	Flexlock Nut	1
D	715-1-15	Spring	1
E	715-1-13	Fifth Wheel Bracket	2
F	16-12	Flexlock Nut	1
G	390-1-54	Wheel	1
H	3-31	Hex Head Cap Screw	1
J	3-82	Hex Head Cap Screw	1

3-Sided Base Graphics, Foot End Control

Assembly part numbers
1210-750-10 thru 1210-750-70

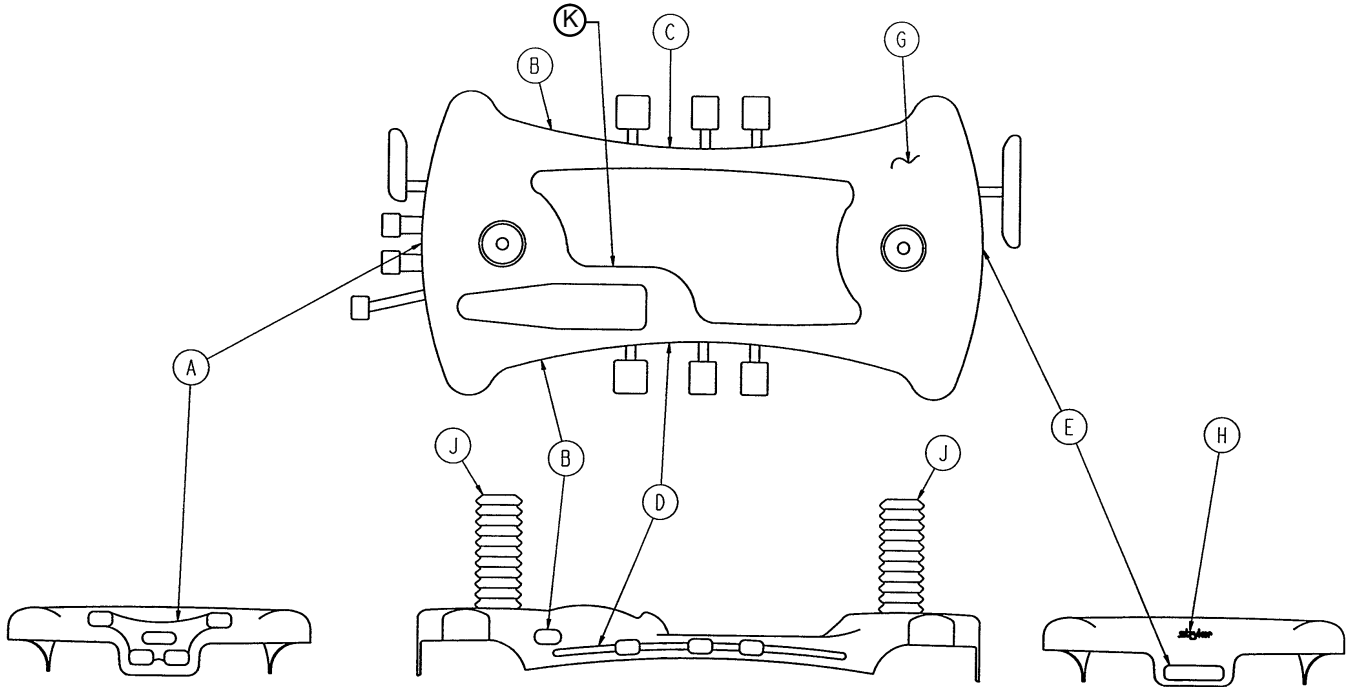


Item	Part No.	Part Name	Qty.
A	1210-750-9	Head End Brake/Steer Label	1
B	1210-800-9	Renaissance Series Label	2
G	1210-45-25	Base Hood	1
H	946-1-60	Stryker Logo Label	1
J	715-1-134	Bellows	2
K	1212-1-17	Specification Label	1

Color	Item C Control Label, Left	Item D Control Label, Right	Item E Control Label, Foot	Litter Bumper Strip
RED	1210-800-11	1210-800-12	1210-850-15	1010-700-15
PURPLE	1210-800-21	1210-800-22	1210-850-25	1010-700-25
GREEN	1210-800-31	1210-800-32	1210-850-35	1010-700-35
GRAY	1210-800-41	1210-800-42	1210-850-45	1010-700-45
TEAL	1210-800-51	1210-800-52	1210-850-55	1010-700-55
PINK	1210-800-61	1210-800-62	1210-850-65	1010-700-65
BLUE	1210-800-71	1210-800-72	1210-850-75	1010-700-75

3-Sided Base Graphics, Head End Control

Assembly part numbers
1210-800-10 thru 1210-800-70

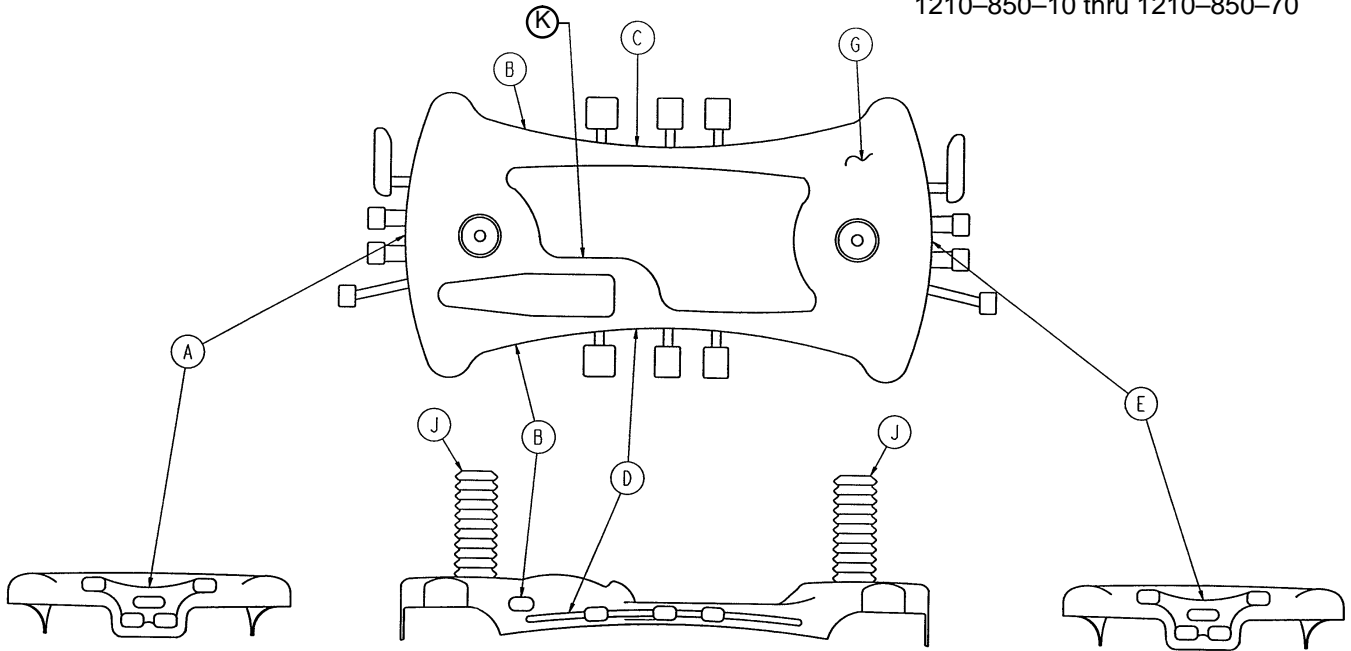


Item	Part No.	Part Name	Qty.
B	1210-800-9	Renaissance Series Label	2
E	1210-750-8	Foot End Brake/Steer Label	1
G	1210-45-25	Base Hood	1
H	946-1-60	Stryker Logo Label	1
J	715-1-134	Bellows	2
K	1212-1-17	Specification Label	1

Color	Item A Control Label, Head	Item C Control Label, Left	Item D Control Label, Right	Litter Bumper Strip
RED	1210-800-13	1210-800-11	1210-800-12	1010-700-15
PURPLE	1210-800-23	1210-800-21	1210-800-22	1010-700-25
GREEN	1210-800-33	1210-800-31	1210-800-32	1010-700-35
GRAY	1210-800-43	1210-800-41	1210-800-42	1010-700-45
TEAL	1210-800-53	1210-800-521	1210-800-52	1010-700-55
PINK	1210-800-63	1210-800-61	1210-800-62	1010-700-65
BLUE	1210-800-73	1210-800-71	1210-800-72	1010-700-75

4-Sided Base Graphics

Assembly part numbers
1210-850-10 thru 1210-850-70

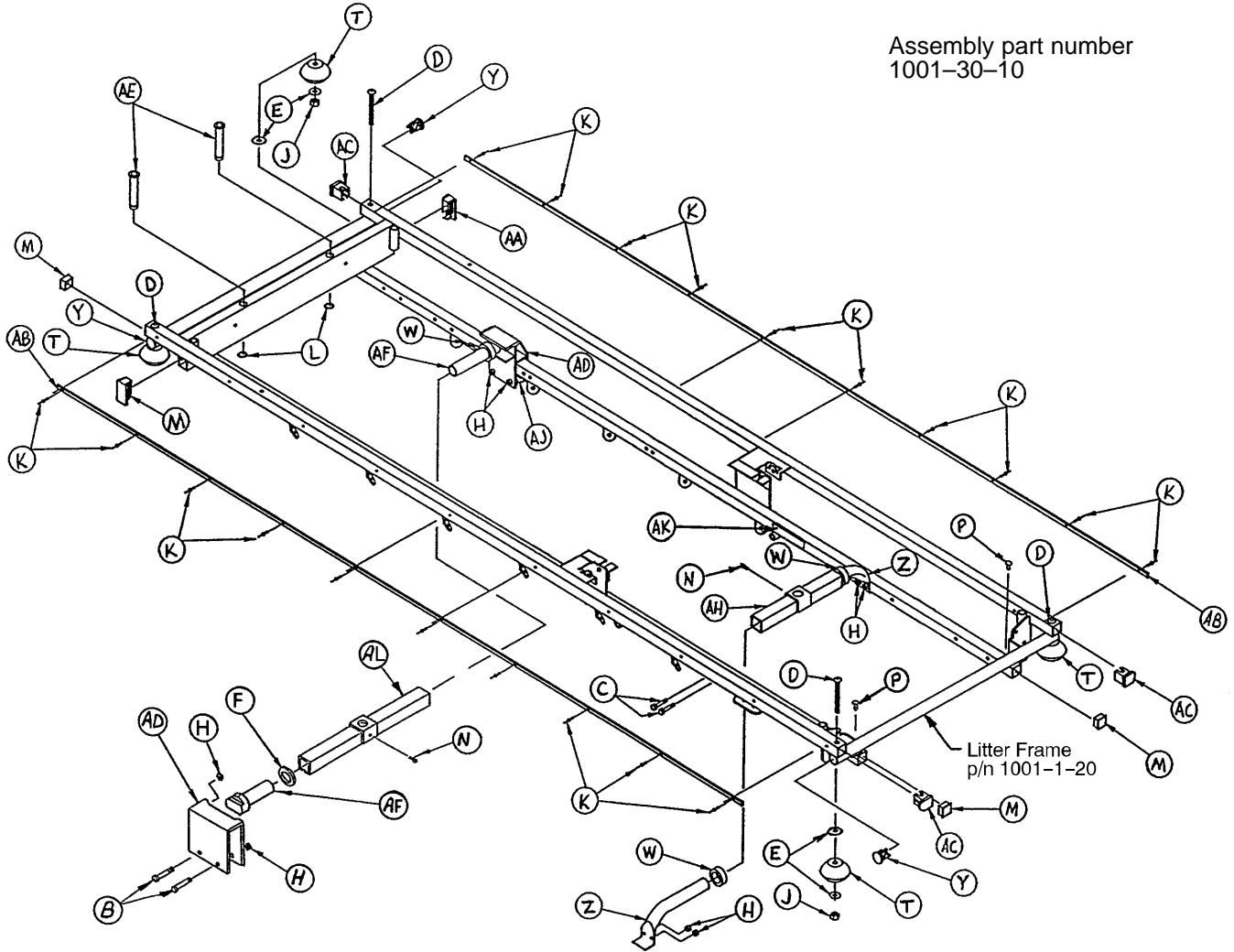


Item	Part No.	Part Name	Qty.
B	1210-800-9	Renaissance Series Label	2
G	1210-45-25	Base Hood	1
J	715-1-134	Bellows	2
K	1212-1-17	Specification Label	1

Color	Item A Control Label, Head	Item C Control Label, Left	Item D Control Label, Right	Item E Control Label, Foot	Litter Bumper Strip
RED	1210-800-13	1210-800-11	1210-800-12	1210-850-15	1010-700-15
PURPLE	1210-800-23	1210-800-21	1210-800-22	1210-850-25	1010-700-25
GREEN	1210-800-33	1210-800-31	1210-800-32	1210-850-35	1010-700-35
GRAY	1210-800-43	1210-800-41	1210-800-42	1210-850-45	1010-700-45
TEAL	1210-800-53	1210-800-51	1210-800-52	1210-850-55	1010-700-55
PINK	1210-800-63	1210-800-61	1210-800-62	1210-850-65	1010-700-65
BLUE	1210-800-73	1210-800-71	1210-800-72	1210-850-75	1010-700-75

Litter Assembly, Fold to Head Siderails

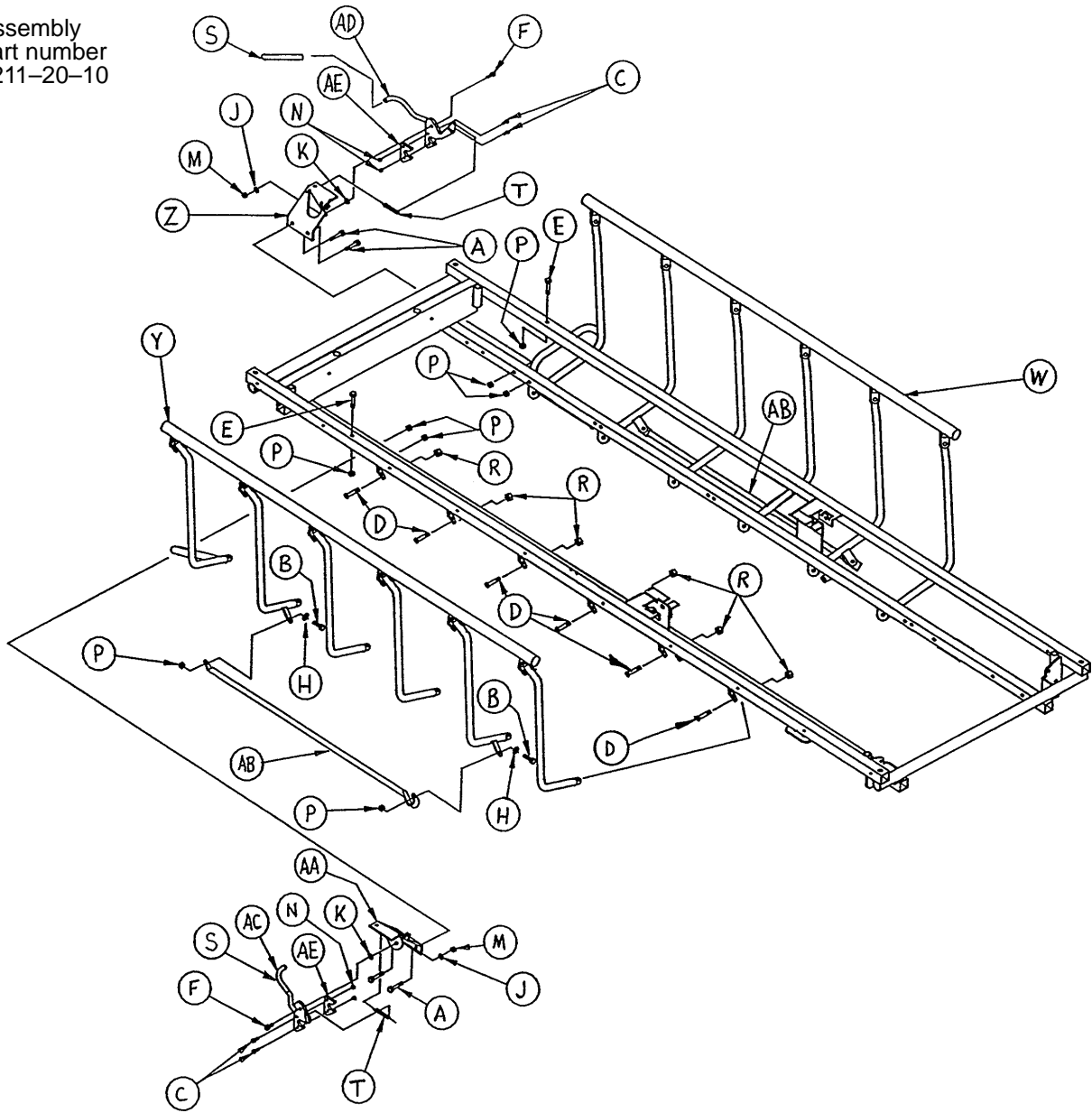
Assembly part number
1001-30-10



Item	Part No.	Part Name	Qty.	Item	Part No.	Part Name	Qty.
B	3-76	Hex Hd. Cap Screw	4	W	938-1-401	Collar	2
C	3-78	Hex Hd. Cap Screw	4	Y	1001-1-36	Hole Plug	4
D	4-181	But. Hd. Cap Screw	4	Z	1001-1-37	Jack Supt. Tube, Hd.	2
E	14-21	Washer	8	AA	1001-1-41	Hole Plug	2
F	11-360	Plastic Spacer	2	AB	1001-26-34	Bumper Channel	2
H	16-28	Fiberlock Nut	8	AC	1001-30-29	End Plug	4
J	16-35	Nylock Nut	4	AD	1001-201-30	Support Stamping	2
K	25-38	Pop Rivet	2	AE	1001-40-12	Foot Board Receptacle	20
L	28-23	Retaining Ring	2	AF	1010-201-29	Plastic Insert	2
M	37-10	Hole Plug	4	AH	1010-32-85	Support Tube Ass'y	1
N	46-1	Set Screw	2	AK	1210-800-8	Patent Label	1
P	721-31-65	Hole Plug	2	AL	1001-201-31	Support Tube Ass'y	1
T	926-400-142	Bumper Wheel	4				

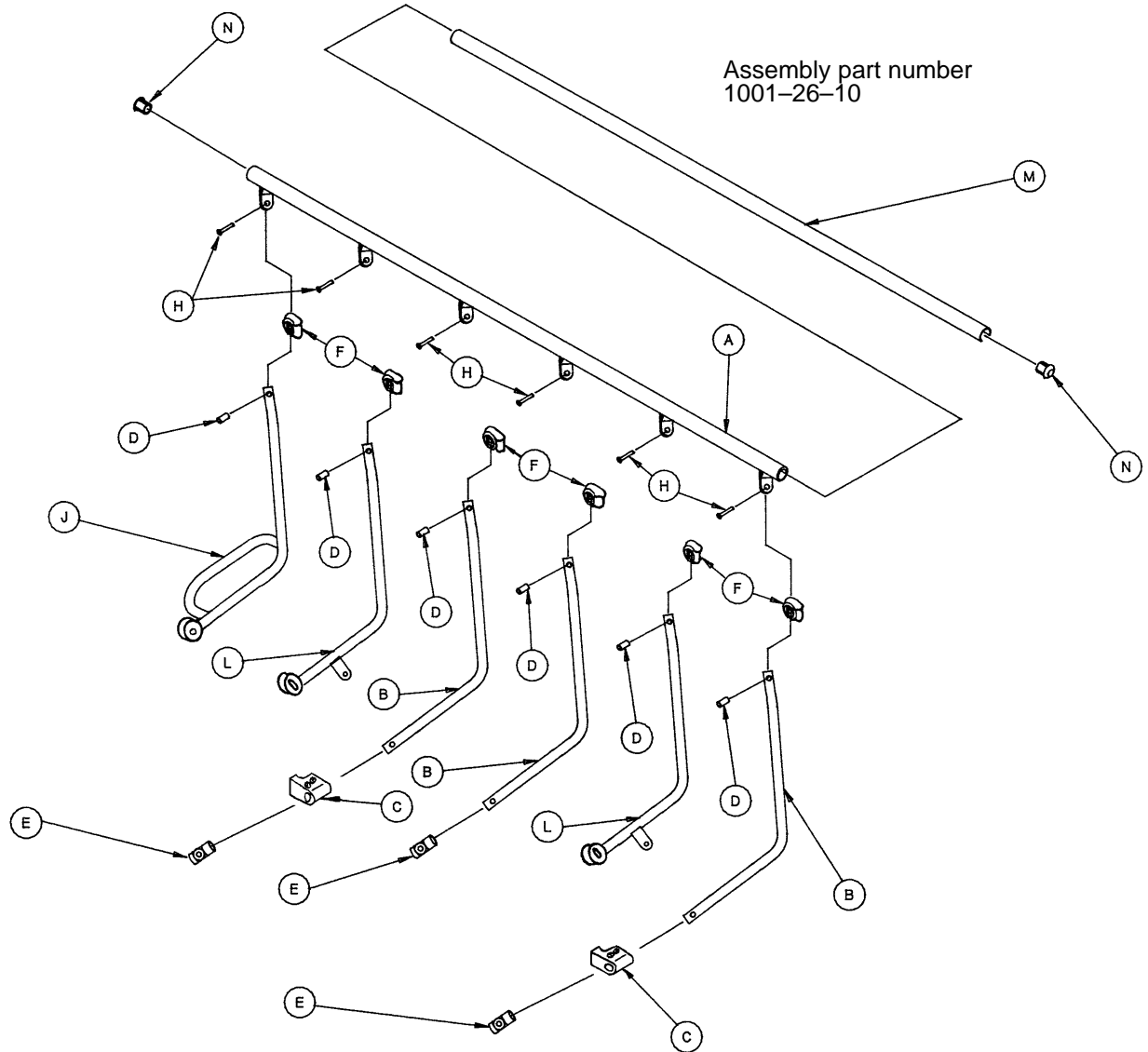
Siderail to Litter Assembly, Fold to Head

Assembly
part number
1211-20-10



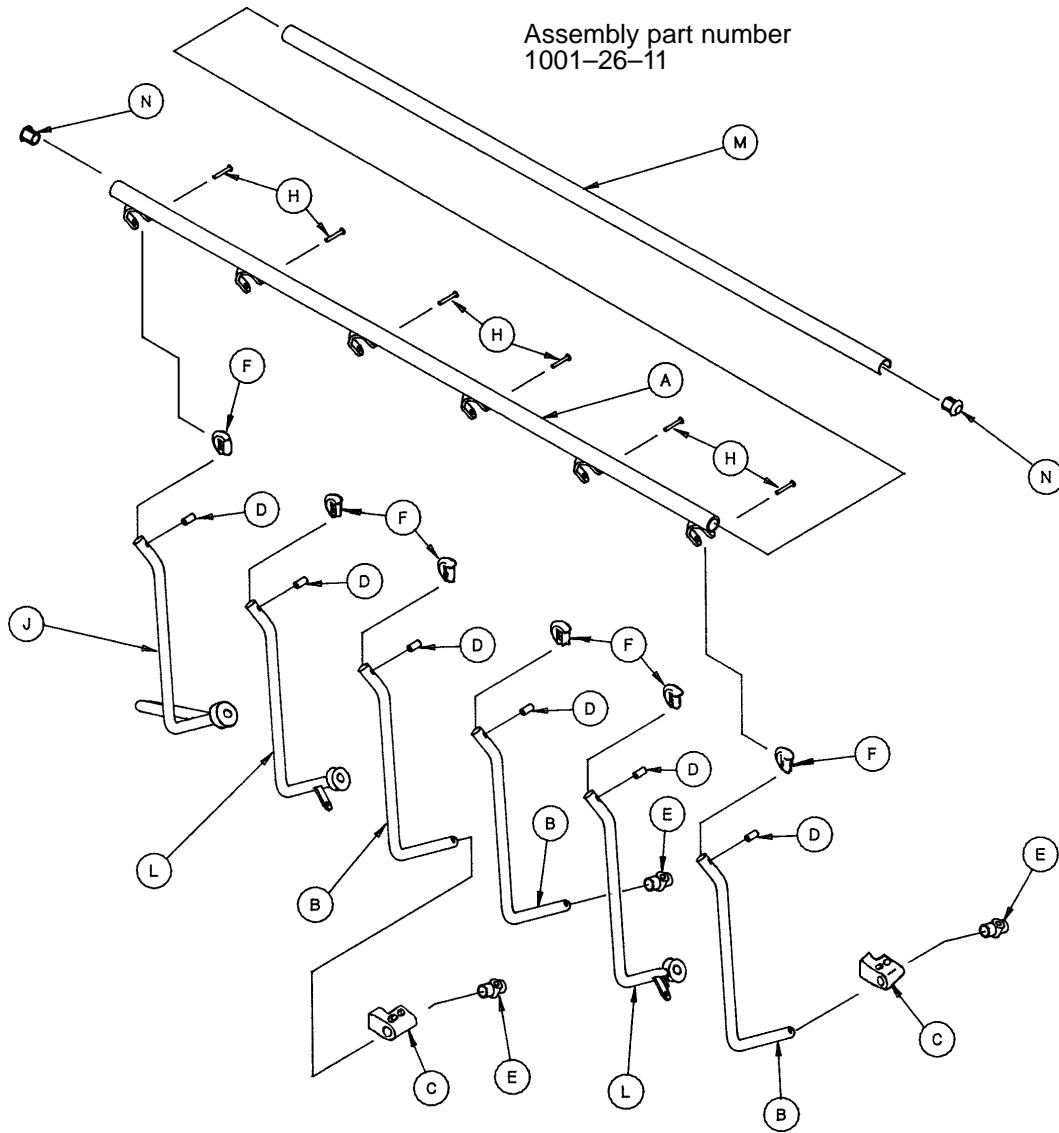
Item	Part No.	Part Name	Qty.	Item	Part No.	Part Name	Qty.
A	3-78	Hex Hd. Cap Screw	4	R	16-36	Nylock Nut	12
B	4-161	But. Hd. Cap Screw	4	S	37-200	Vinyl Sleeve	2
C	4-169	But. Hd. Cap Screw	4	T	38-271	Extension Spring	2
D	4-199	But. Hd. Cap Screw	12	W	(page 39)	Siderail Ass'y, Right	1
E	7-20	Truss Hd. Mach. Screw	2	Y	(page 40)	Siderail Ass'y, Left	1
F	8-7	Shoulder Bolt	2	Z	1001-26-46	Lock Mtg. Plate, Rt.	1
H	11-179	Nylon Washer	4	AA	1001-26-47	Lock Mtg. Plate, Lt.	1
J	14-2	Nylon Washer	2	AB	1001-26-51	Timing Link	2
K	14-19	Nylon Washer	2	AC	1001-26-53	Latch Hook Ass'y, Lt.	1
M	16-2	Fiberlock Nut	2	AD	1001-26-54	Latch Hook Ass'y, Rt.	1
N	16-3	Fiberlock Nut	4	AE	1001-26-55	Latch Guard	2
P	16-28	Fiberlock Nut	10				

Glideaway Siderail Assembly, Right



Item	Part No.	Part Name	Qty.
A	1001-26-40	Top Rail, Right	1
B	1001-226-41	Upright, Plated, Right	3
C	(page 40.1)	Ring Spacer Assembly	2
D	1010-26-82	Sleeve Bearing	6
E	721-26-69	Upright Sleeve	3
F	123-20-52	Spindle Plug	6
H	25-114	Semi-Tubular Rivet	6
J	1001-226-31	Lock Upright Ass'y, Rt.	1
L	1001-226-37	Upright Assembly, Rt.	2
M	1001-26-63	Top Rail Cap	1
N	1001-26-66	End Plug	2

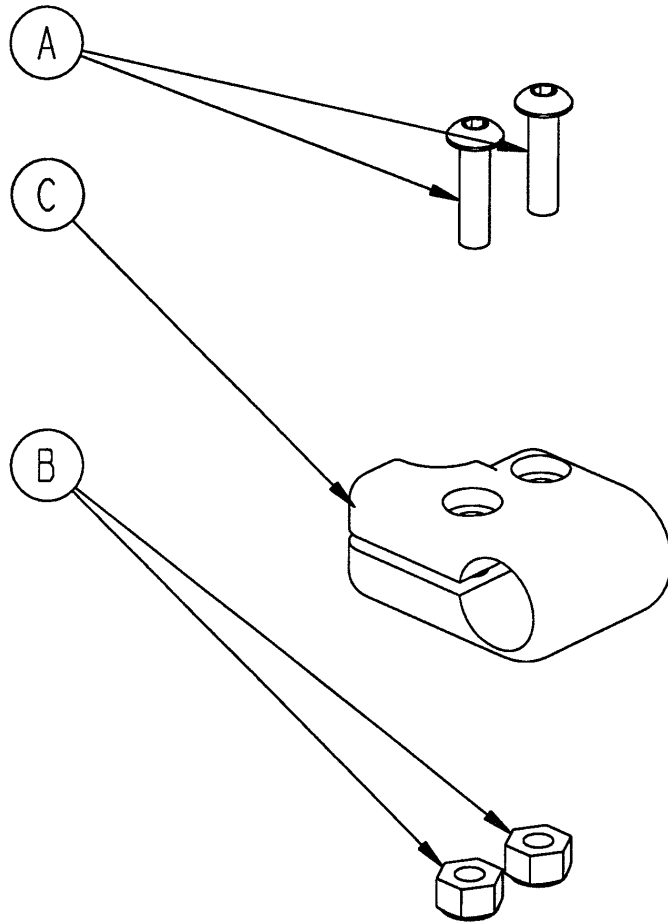
Glideaway Siderail Assembly, Left



Item	Part No.	Part Name	Qty.
A	1001-26-30	Top Rail, Left	1
B	1001-226-42	Upright, Plated, Left	3
C	(page 40.1)	Ring Spacer Assembly	2
D	1010-26-82	Sleeve Bearing	6
E	721-26-69	Upright Sleeve	3
F	123-20-52	Spindle Plug	6
H	25-114	Semi-Tubular Rivet	6
J	1001-226-33	Lock Upright Ass'y, Left	1
L	1001-226-38	Upright Assembly, Left	2
M	1001-26-63	Top Rail Cap	1
N	1001-26-66	End Cap	2

Siderail Ring Spacer Assembly

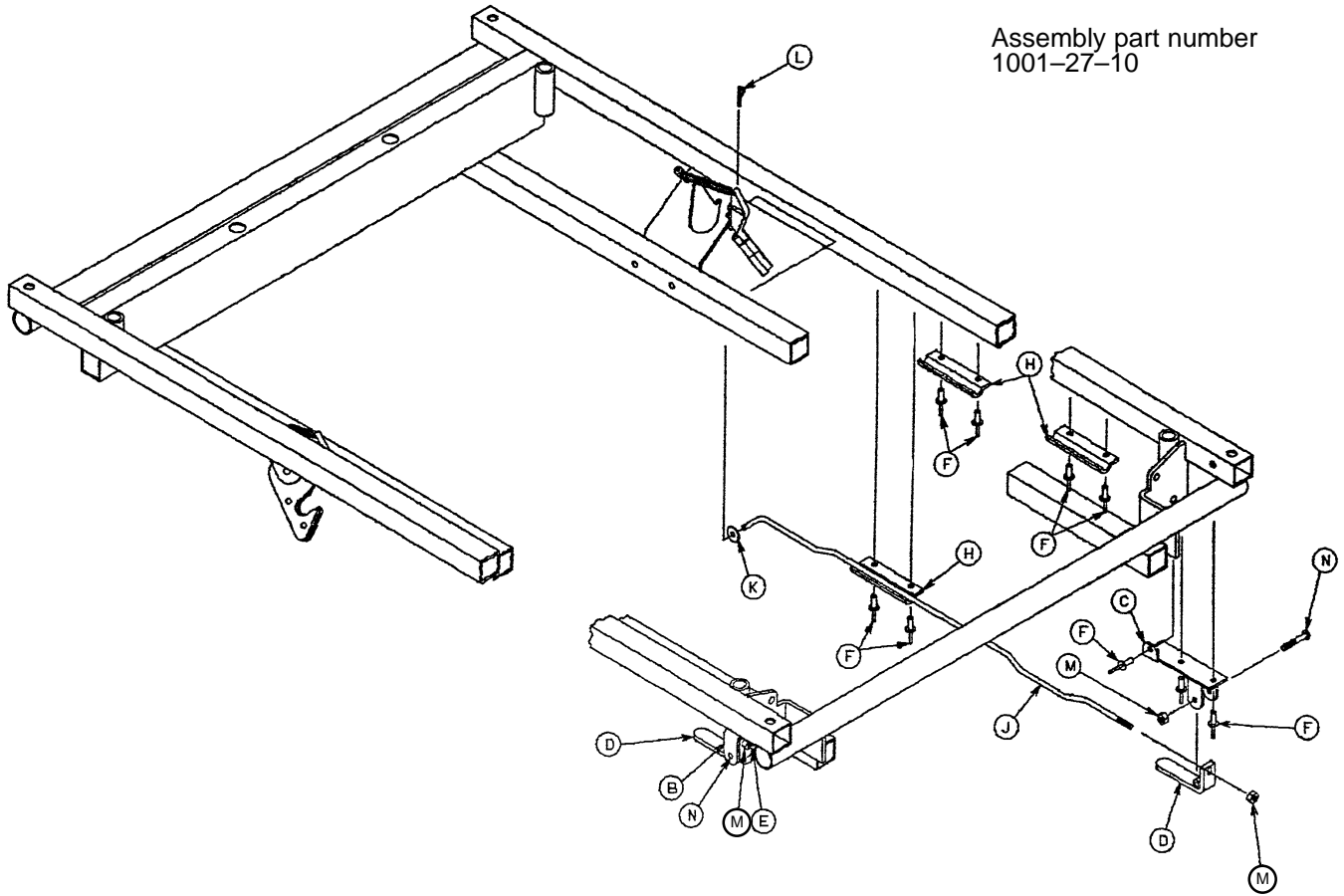
Assembly part number 1001-26-39



Item	Part No.	Part Name	Qty.
A	4-169	Socket Button Hd. Cap Screw	2
B	16-3	Hex Nut	2
C	1001-26-32	Ring Spacer	1

Notes

Head End Siderail Latch Option Assembly

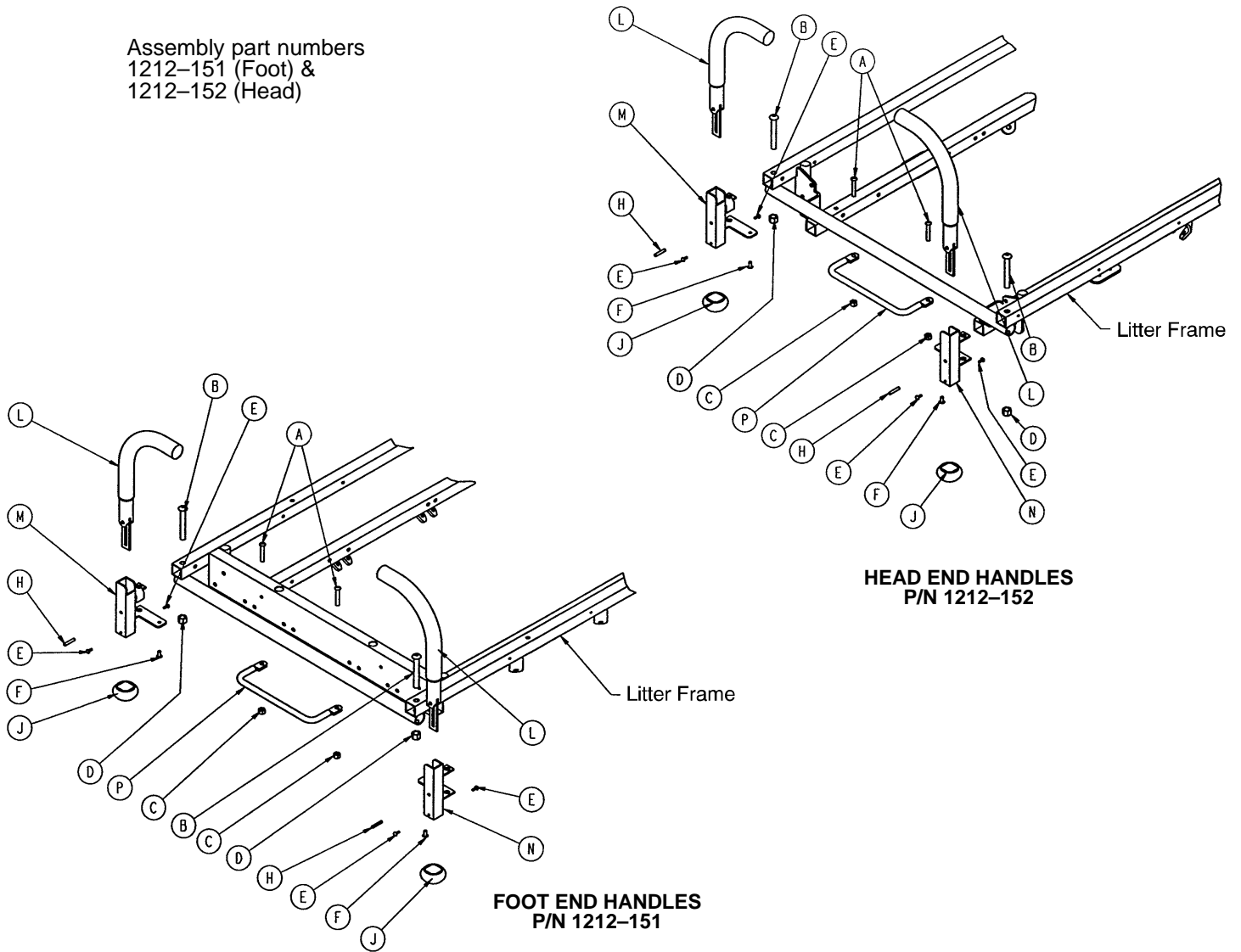


Assembly part number
1001-27-10

Item	Part No.	Part Name	Qty.
B	1001-27-17	Handle Bracket, Left	1
C	1001-27-18	Handle Bracket, Right	1
D	1001-27-15	Handle Weldment	2
E	1001-27-24	Link, Left	1
F	25-79	Pop Rivet	18
H	1001-27-19	Link Channel	6
J	1001-27-23	Link, Right	1
K	11-16	Flat Washer	2
L	27-8	Cotter Pin	2
M	16-3	Nylock Nut	4
N	2-89	Rd. Hd. Machine Screw	2

Push Handle Option Assembly

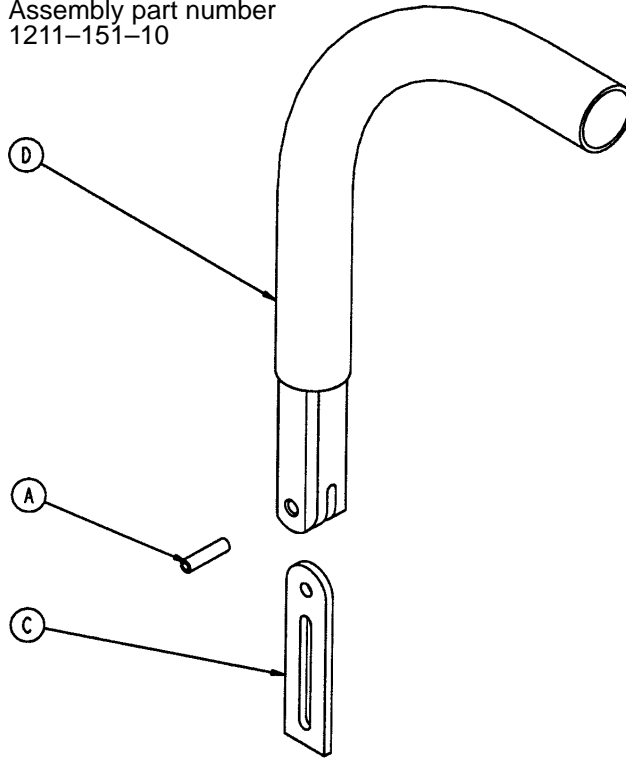
Assembly part numbers
1212-151 (Foot) &
1212-152 (Head)



Item	Part No.	Part Name	Qty.
A	4-135	But. Hd. Cap Screw	2
B	4-182	But. Hd. Cap Screw	2
C	16-28	Fiberlock Nut	2
D	16-35	Nylock Hex Nut	2
E	22-10	Drive Screw	4
F	25-79	Pop Rivet	2
H	26-11	Roll Pin	2
J	1010-51-18	Bumper	2
L	(page 43)	Push Handle Assembly	2
M	1212-151-4	P.U.P. Receptacle Wldmt., Lt.	1
N	1212-151-6	P.U.P. Receptacle Wldmt., Rt.	1
P	1212-151-15	P.U.P. Handle Rest	1

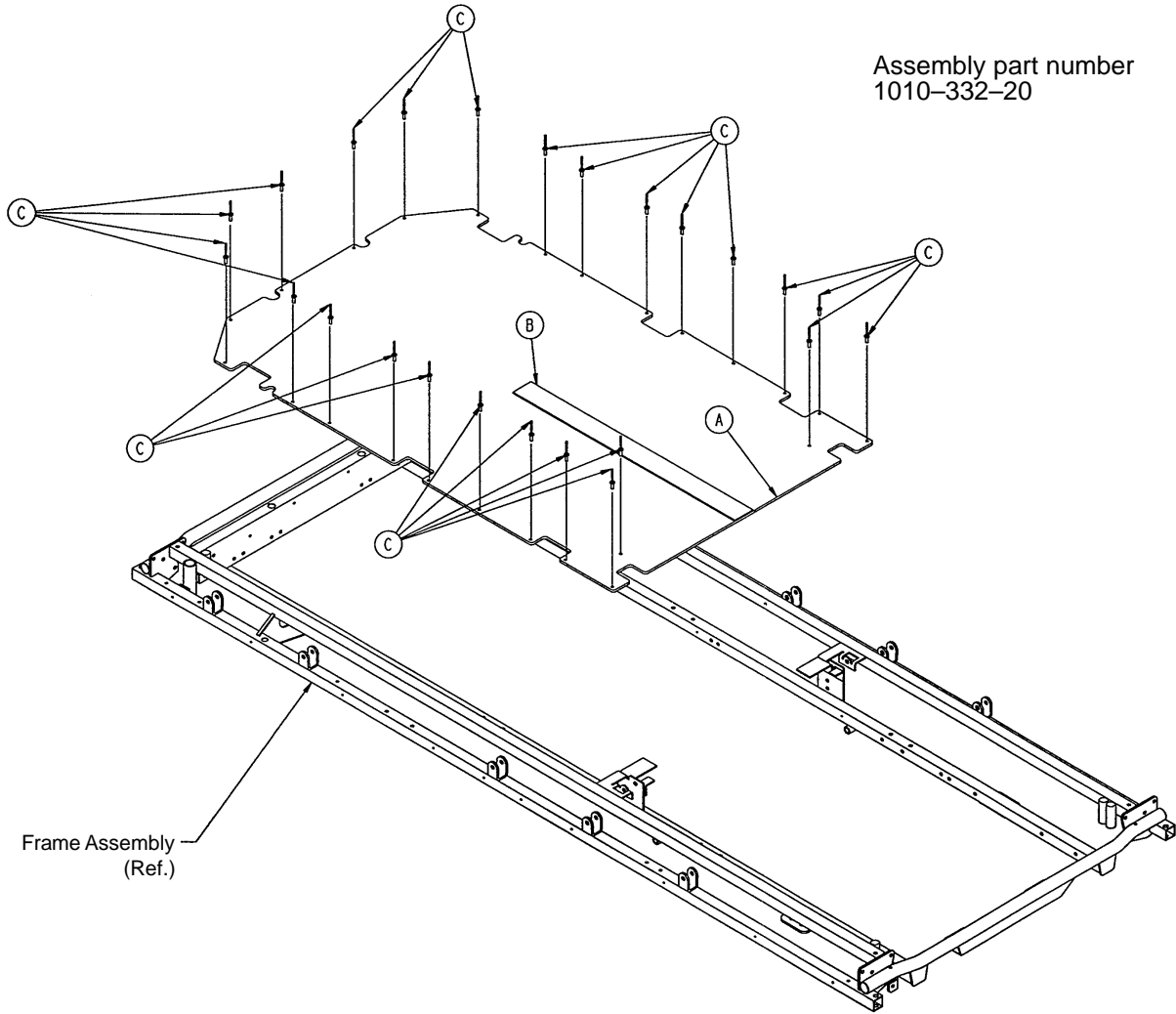
Push Handle Assembly

Assembly part number
1211-151-10



Item	Part Name	Part No.	Qty.
A	26-10	Roll Pin	1
B	1010-254-24	Stop Link	1
C	1211-151-18	Sleeve Assembly	1

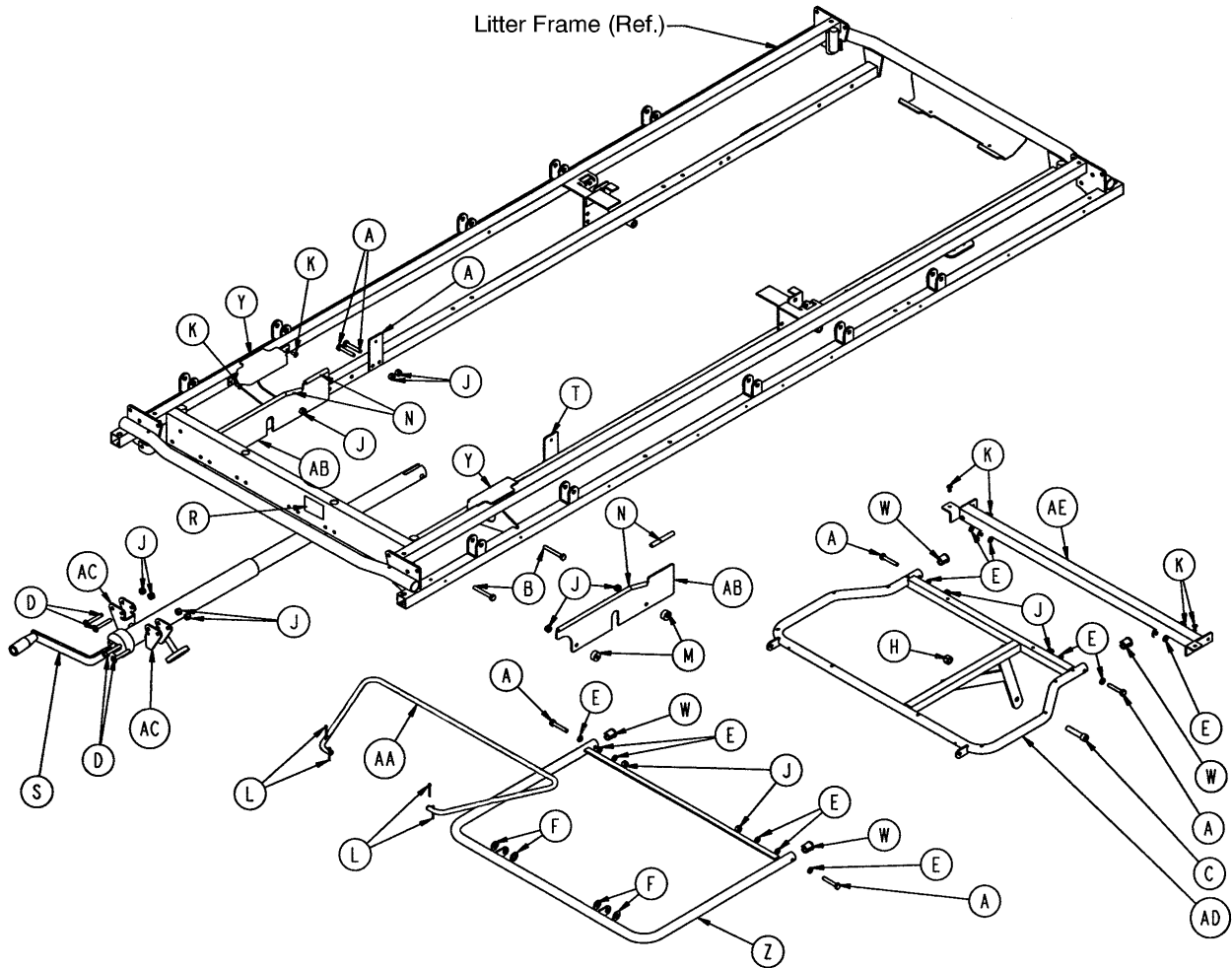
Stationary Foot End Assembly (Fiberresin)



Item	Part No.	Part Name	Qty.
A	1010-332-21	Footsection Skin, Fiberresin	1
B	7900-1-102	Velcro Pile	24 1/2"
C	25-50	Pop Rivet	24

Knee Gatch Frame Assembly

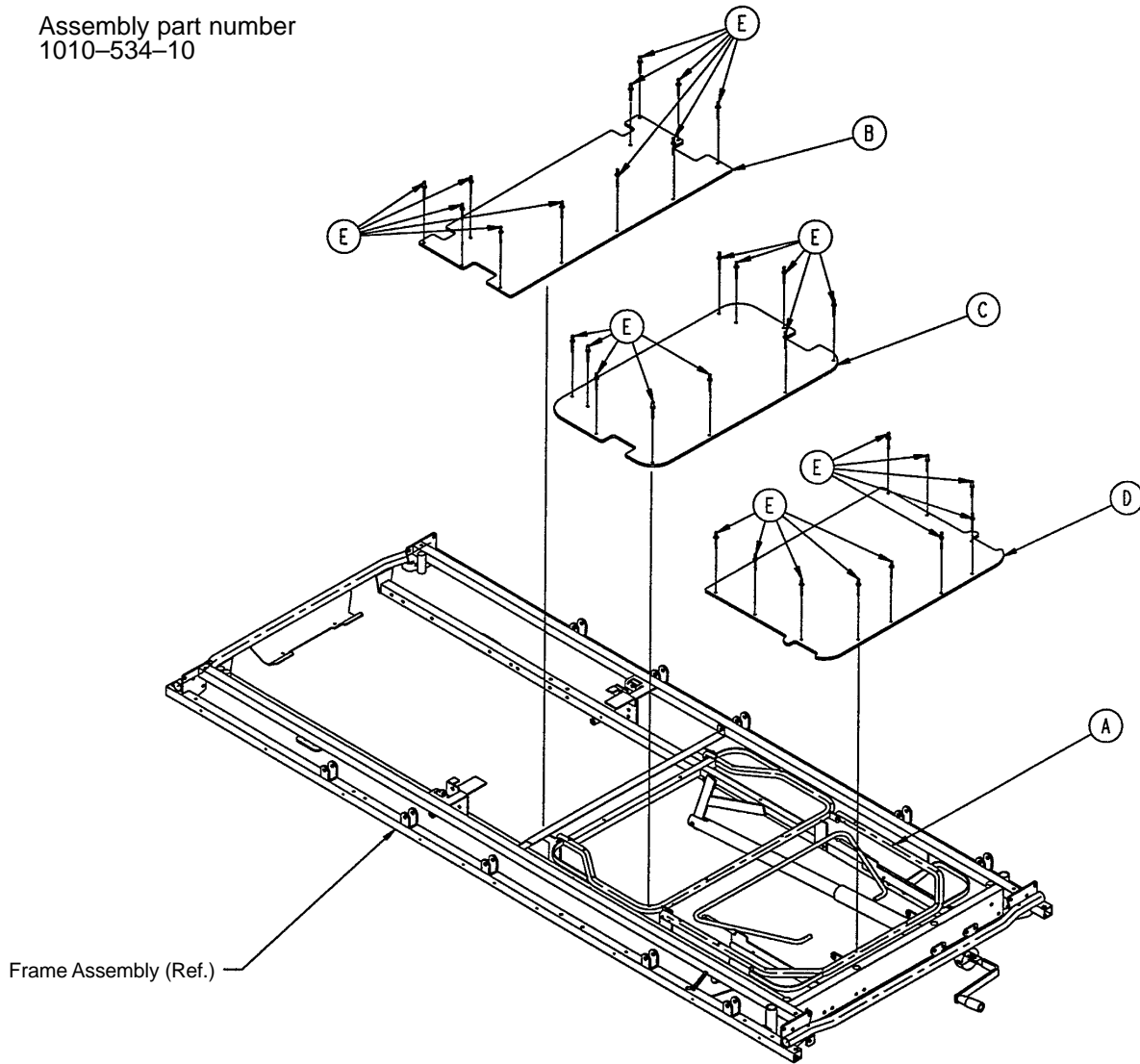
Assembly part number
1010-434-20



Item	Part No.	Part Name	Qty.	Item	Part No.	Part Name	Qty.
A	3-47	Hex Hd. Cap Screw	8	P	721-31-65	Litter Hole Plug (not shown)	2
B	3-76	Hex Hd. Cap Screw	4	R	946-1-65	Label, Gatch Symbol	1
C	4-105	Soc. Hd. Cap Screw	1	S	(page 47)	Gatch Crankscrew Ass'y	1
D	7-20	Truss Hd. Cap Screw	4	T	1001-34-24	Thigh Support	2
E	14-2	Flat Washer	12	W	1001-34-25	End Plug	4
F	14-21	Nylon Washer	4	Y	1001-34-48	Latch Cover	2
H	16-12	Flexlock Nut	1	Z	1001-34-112	Calf Frame	1
J	16-28	Nylock Hex Nut	16	AA	1001-34-120	Gatch Riser	1
K	25-79	Pop Rivet	8	AB	1001-34-131	Slider Support	2
L	27-7	Cotter Pin	4	AC	1010-234-15	Mounting Bracket	2
M	52-291	Round Spacer	4	AD	1211-34-11	Thigh Frame	1
N	58-56	Edge Cover	1.3'	AE	1211-34-23	Midsection Supt.	1

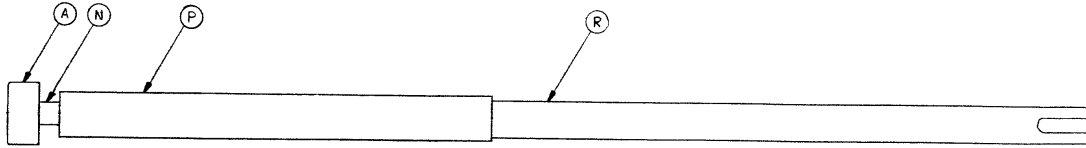
Crank Knee Gatch Assembly (Fiberresin)

Assembly part number
1010-534-10

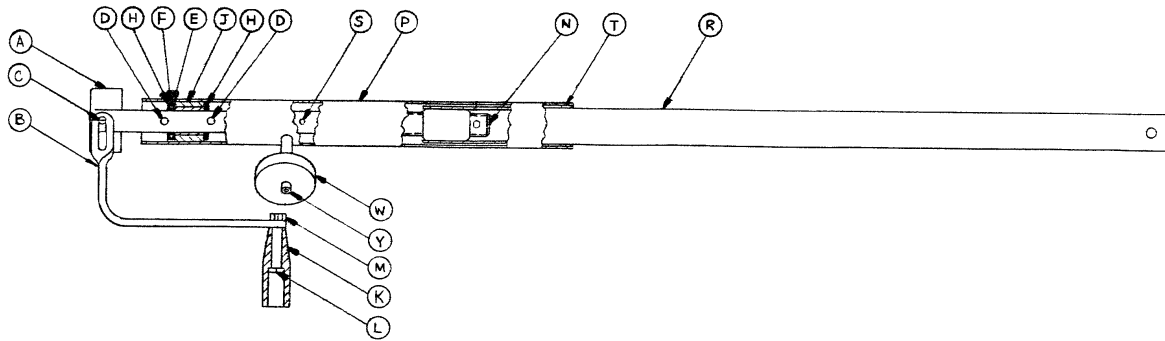


Item	Part No.	Part Name	Qty.
A	(page 45)	Knee Gatch Assembly	1
B	1010-334-27	Midsection Skin	1
C	1010-334-28	Thigh Skin	1
D	1010-334-126	Calf Skin	1
E	25-50	Pop Rivet	31

Knee Gatch Crankscrew Assembly



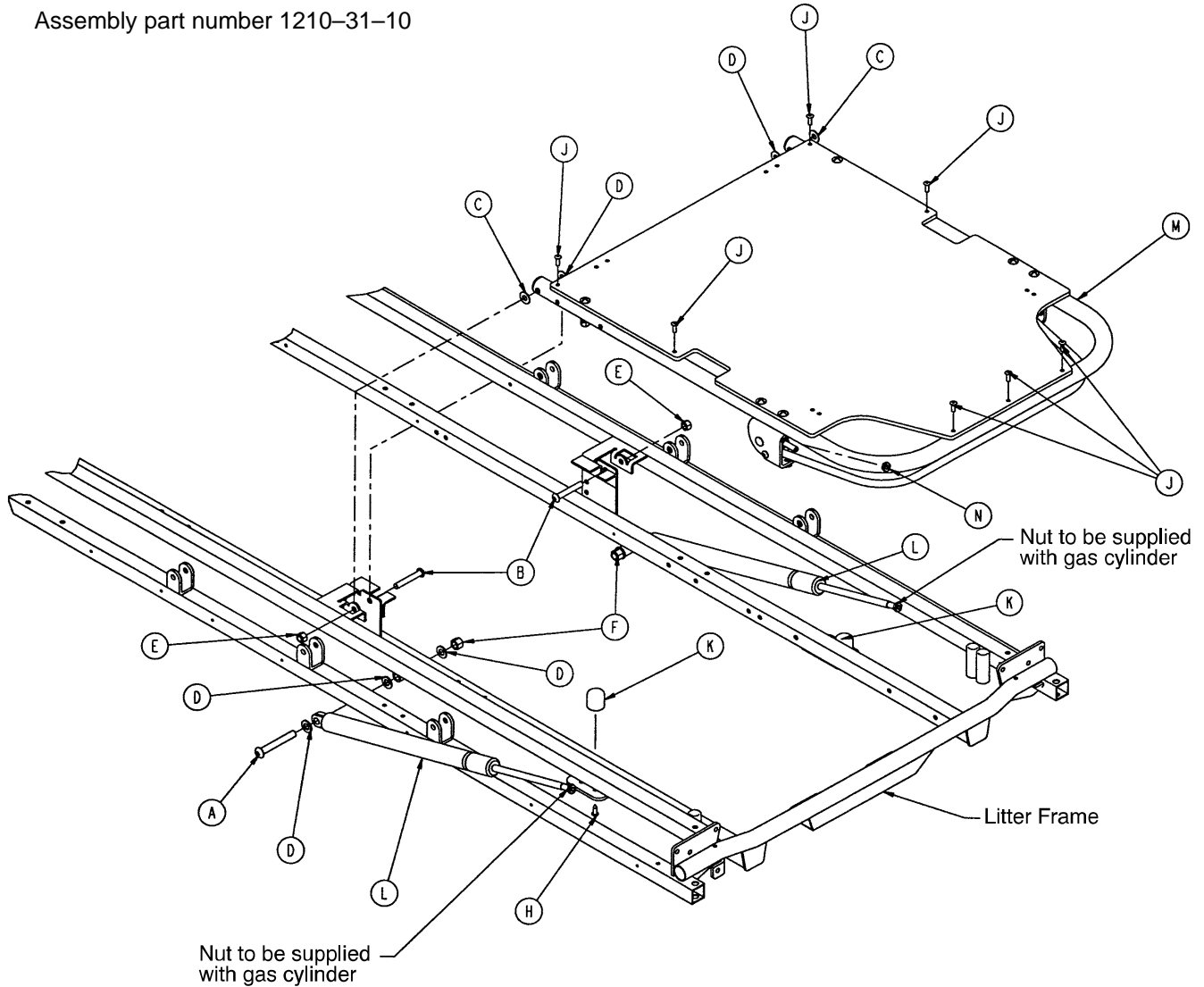
Assembly part number 1001-34-19



Item	Part No.	Part Name	Qty.
A	946-33-18	Crank Disk	1
B	1550-1-16	Crank Assembly	1
C	26-45	Roll Pin	1
D	26-14	Roll Pin	2
E	81-176	Thrust Washer	1
F	81-175	Thrust Bearing	1
H	81-174	Thrust Washer	2
J	938-1-175	Bearing Assembly	1
K	938-1-177	Knob	1
L	378-24-29	Shoulder Bolt	1
M	16-5	Conelock Nut	1
N	1001-34-47	Knee Gatch Screw	1
P	1510-34-84	Screw Cover Assembly	1
R	1510-34-55	Gatch Drive Tube Assembly	1
S	26-10	Roll Pin	2
T	7900-1-102	Velcro Pile Tape	1
W	1550-1-14	Magnet	1
Y	4-7	Soc. Head Cap Screw	1

Pneumatic Fowler to Frame Assembly

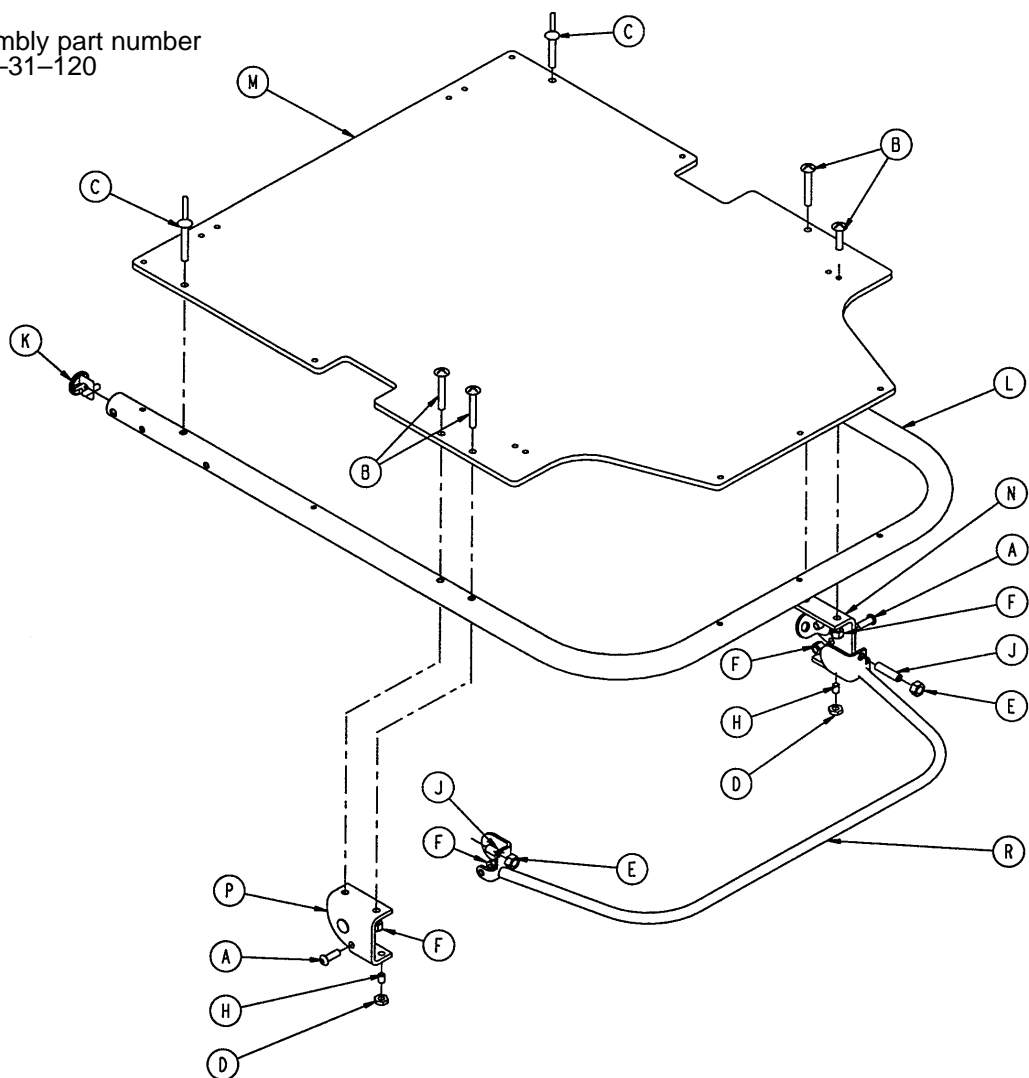
Assembly part number 1210-31-10



Item	Part No.	Part Name	Qty.
A	4-182	But. Hd. Cap Screw	2
B	4-183	But. Hd. Cap Screw	2
C	11-179	Nylon Washer	2
D	14-21	Nylon Washer	8
E	16-11	Nylock Hex Nut	2
F	16-35	Nylock Hex Nut	2
H	23-100	Self-Tapping Screw	2
J	25-50	Pop Rivet	7
K	1211-31-31	Pneumatic Fowler Rest	2
L	1010-31-78	Gas Cylinder	2
M	(page 49)	Pneumatic Fowler Ass'y	1
N	15-59	Hex Jam Nut	2

Pneumatic Fowler Assembly (Fiberresin)

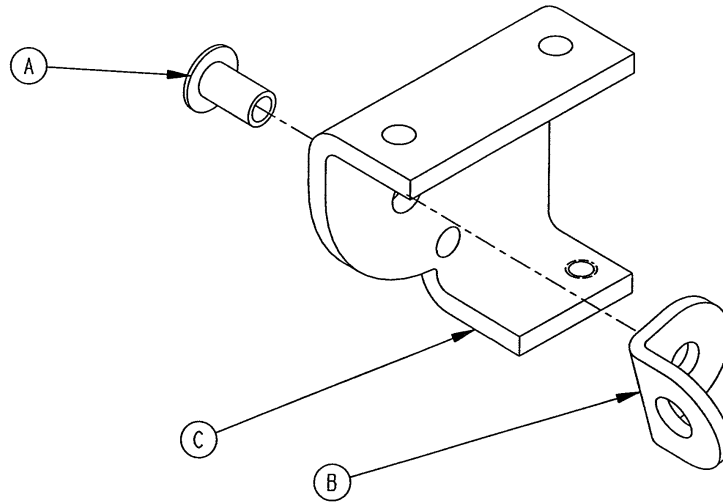
Assembly part number
1210-31-120



Item	Part No.	Part Name	Qty.
A	4-161	Hex Soc. But. Hd. Cap Screw	2
B	7-20	Truss Hd. Mach. Screw	4
C	25-124	Pop Rivet	2
D	15-37	Jam Nut	2
E	15-50	Hex Nut	2
F	16-28	Nylock Nut	6
H	21-125	Set Screw	2
J	21-126	Set Screw	2
K	1001-1-36	Hole Plug	2
L	1001-31-13	Fowler Tube	1
M	1010-231-12	Fowler Skin (Fiberresin)	1
N	(page 49.1)	Outer Housing Ass'y, Right	1
P	(page 49.1)	Outer Housing Ass'y, Left	1
R	1210-31-118	Trip Bar Assembly	1

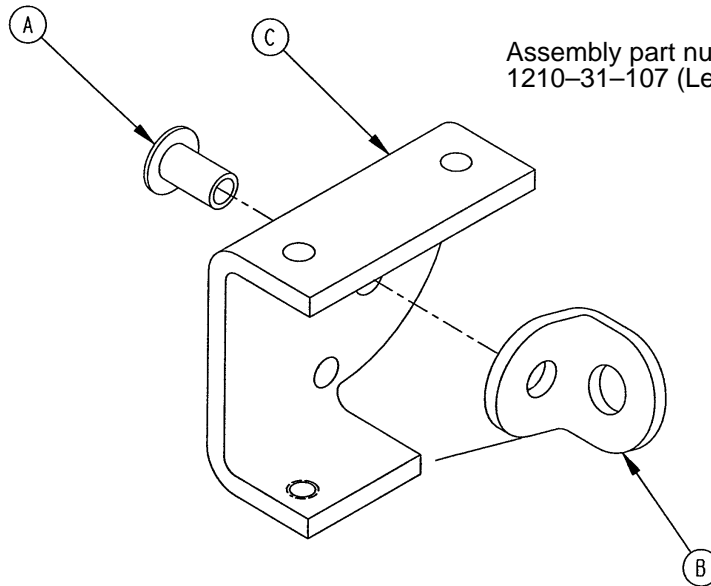
Outer Housing Assembly, Right and Left

Assembly part number 1210-31-106 (Right)



Item	Part No.	Part Name	Qty.
A	25-144	Semi-Tubular Rivet	1
B	1210-31-103	Pivot Tab	1
C	1210-31-104	Outer Housing, Right	1

Assembly part number 1210-31-107 (Left)

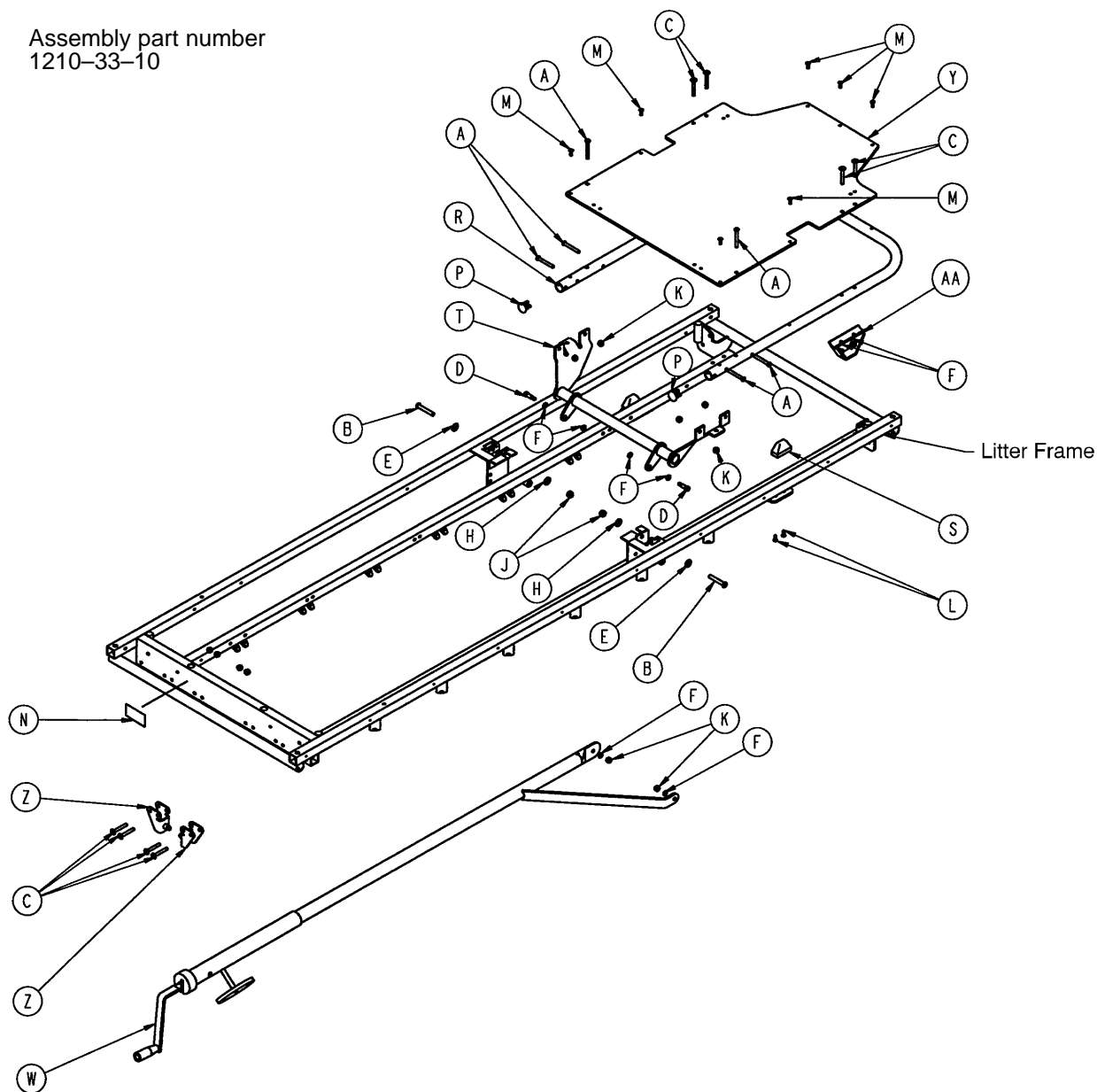


Item	Part No.	Part Name	Qty.
A	25-144	Semi-Tubular Rivet	1
B	1210-31-103	Pivot Tab	1
C	1210-31-105	Outer Housing, Left	1

Notes

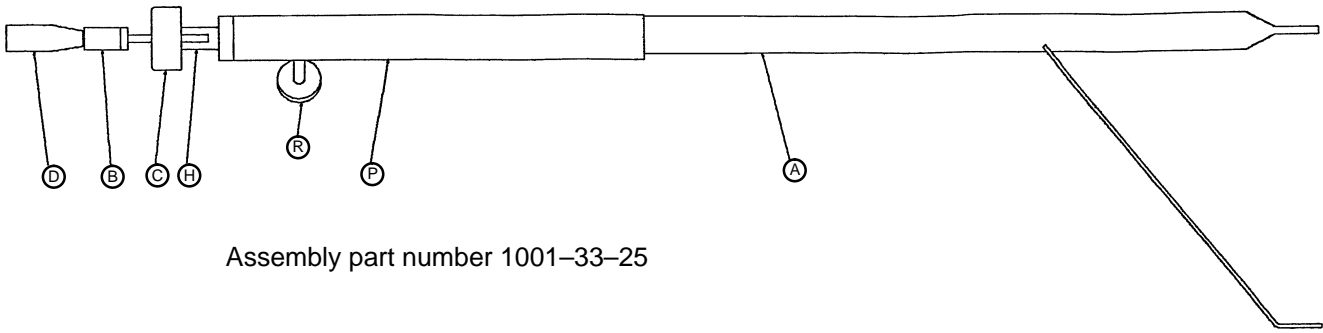
Crank Fowler Assembly (Fiberresin)

Assembly part number
1210-33-10

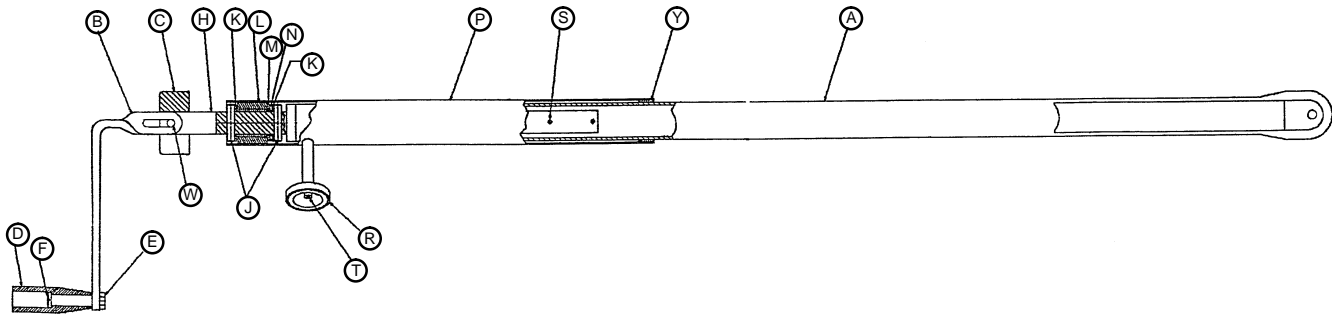


Item	Part No.	Part Name	Qty.	Item	Part No.	Part Name	Qty.
A	4-97	Hex But. Hd. Cap Screw	6	M	25-50	Pop Rivet	7
B	4-183	But. Hd. Cap Screw	2	N	946-1-64	Fowler Operation Label	1
C	7-20	Truss Hd. Mach. Screw	8	P	1001-1-36	Hole Plug	2
D	8-15	Shoulder Bolt	2	R	1001-31-13	Fowler Tube	1
E	11-179	Washer	2	S	1001-31-31	Pneumatic Fowler Rest	2
F	14-3	Thrust Washer	8	T	1001-33-24	Fowler Lever Assembly	1
H	14-21	Washer	2	W	(page 51)	Crankscrew Assembly	1
J	16-11	Nylock Hex Nut	2	Y	1010-231-12	Fowler Skin (Fiberresin)	1
K	16-28	Fiberlock Hex Nut	16	Z	1010-234-15	Mounting Bracket Ass'y	2
L	23-100	Ph. Hd. Self-Tap. Screw	4	AA	1550-33-31	Fowler Support Ass'y	2

Fowler Crankscrew Assembly



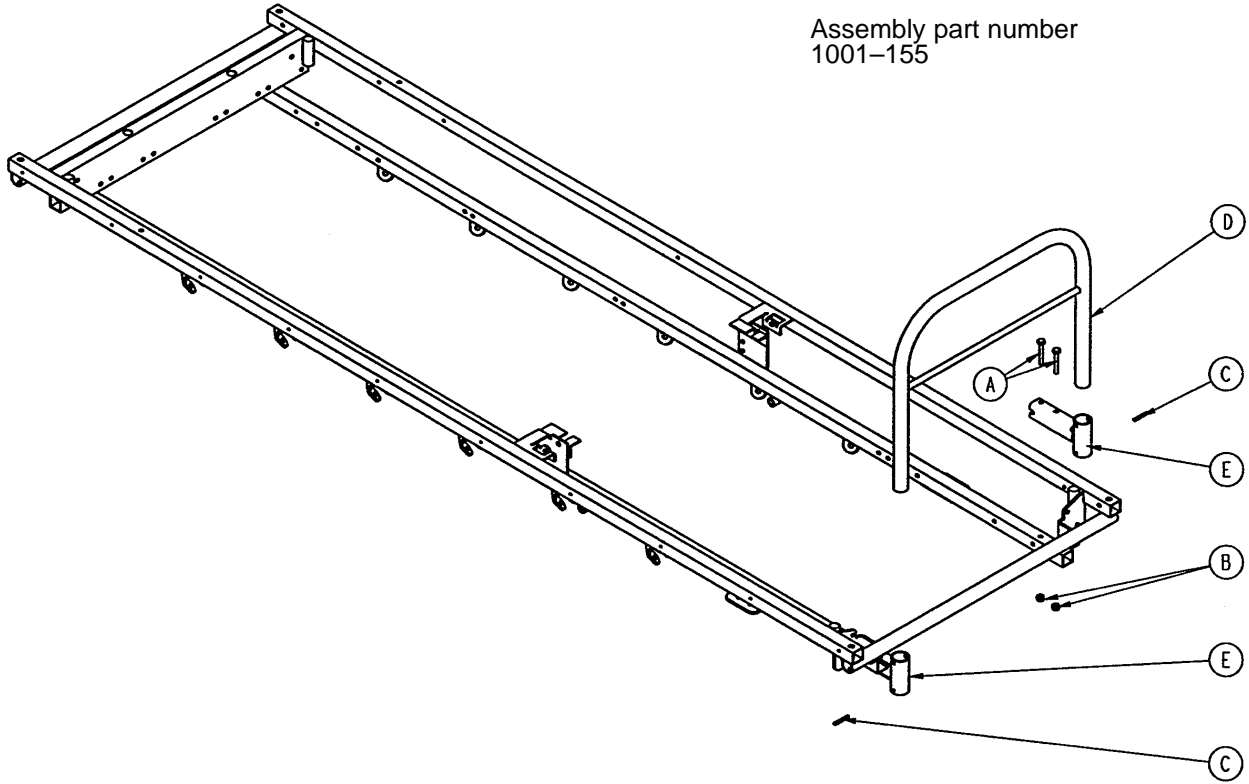
Assembly part number 1001-33-25



Item	Part No.	Part Name	Qty.
A	1001-33-26	Drive Bar Assembly	1
B	1550-1-16	Crank Assembly	1
C	946-33-18	Crank Disc	1
D	938-1-177	Knob	1
E	16-5	Kep Nut	1
F	378-24-29	Shoulder Bolt	1
H	946-33-35	Fowler Screw	1
J	26-14	Roll Pin	2
K	81-174	Thrust Washer	2
L	938-1-175	Bearing Assembly	1
M	81-176	Thrust Washer	1
N	81-175	Thrust Bearing	1
P	1510-34-84	Screw Cover Assembly	1
R	1550-1-14	Magnet	1
S	26-10	Roll Pin	1
T	4-7	Soc. Hd. Cap Screw	1
W	26-45	Roll Pin	1
Y	7900-1-102	Velcro Pile	1

Head End Push Bar Assembly

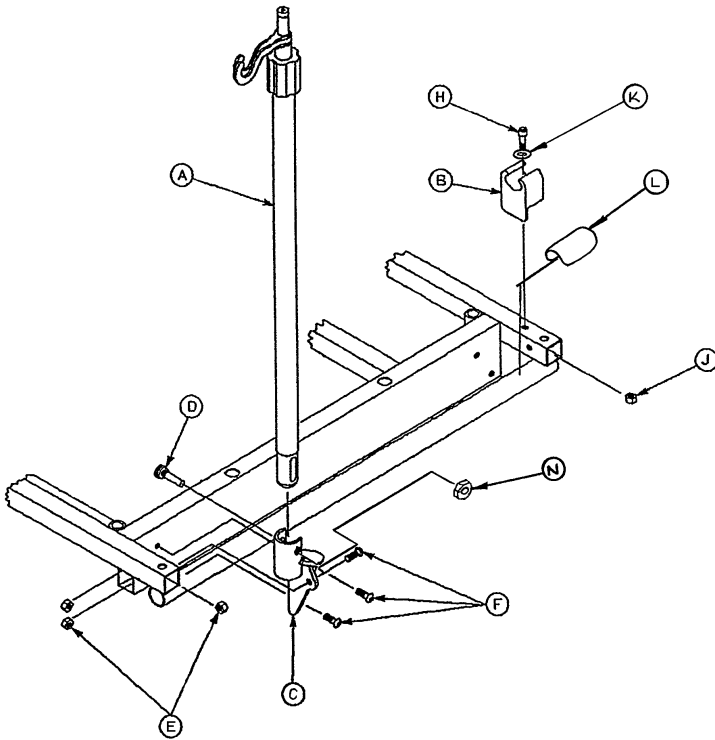
Assembly part number
1001-155



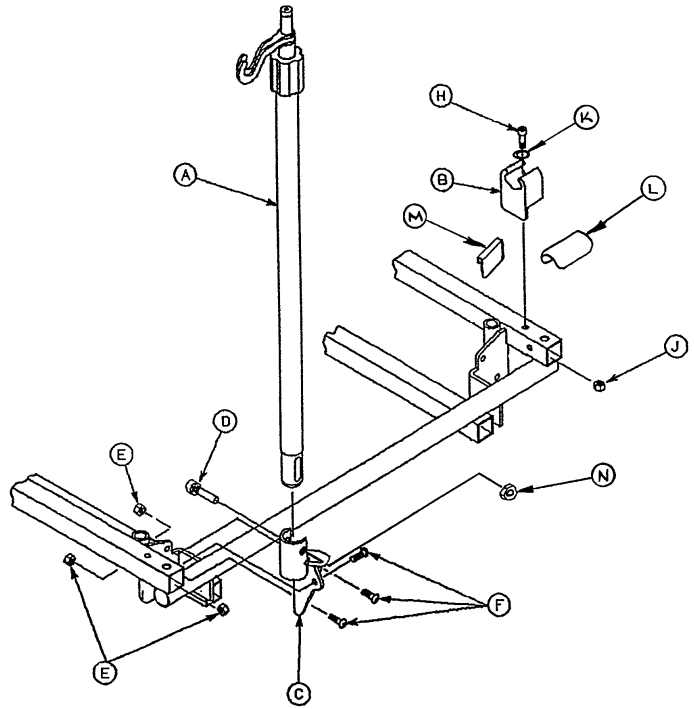
Item	Part No.	Part Name	Qty.
A	3-78	Hex Hd. Cap Screw	4
B	16-28	Fiberlock Nut	4
C	26-12	Roll Pin	2
D	1001-155-10	Push Bar Weldment	1
E	1001-155-14	Push Bar Socket Weldment	2

2-Stage I.V. Mounting Assembly

Assembly part number 1001-81 & 1001-82



FOOT END, RIGHT



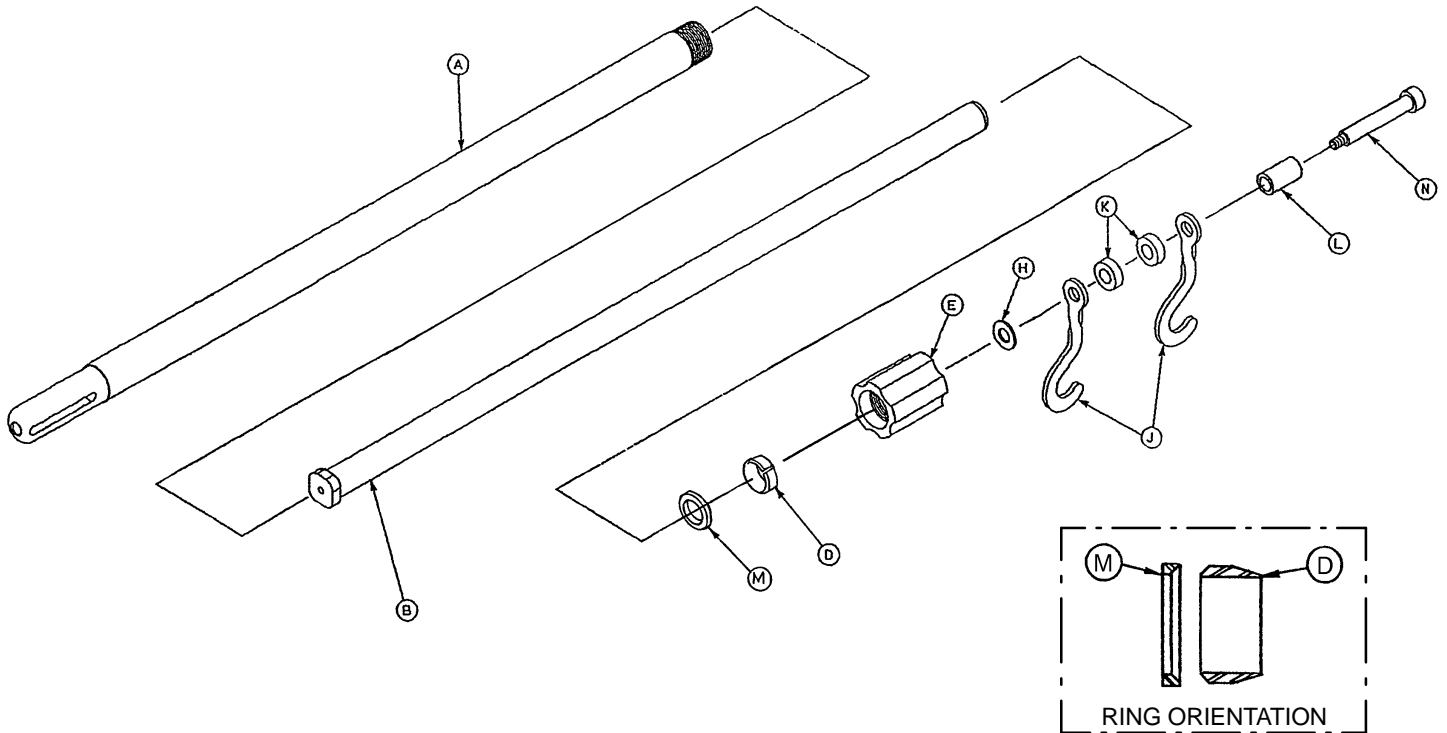
HEAD END, LEFT

Item	Part No.	Part Name	Qty.
A	(page 54)	I.V. Pole Assembly	1
B	1001-59-12	I.V. Clip	1
C	1001-259-17	Socket Ass'y, Left	1
D	4-91	But. Hd. Cap Screw	1
E	16-28	Nylock Hex Nut	3
F	4-161	Button Hd. Cap Screw	3
H	4-169	Soc. Hd. Cap Screw	1
J	16-3	Fiberlock Hex Nut	1
K	11-16	Washer	1
L	1001-1-56	Round Hook Protector	1
M	1001-1-58	Hook Protector, Rt.	1*
N	16-20	Self-Locking Nut	1
P	52-291	Spacer (not shown)	1

* Used only on 1001-81.

2-Stage I.V. Pole Assembly

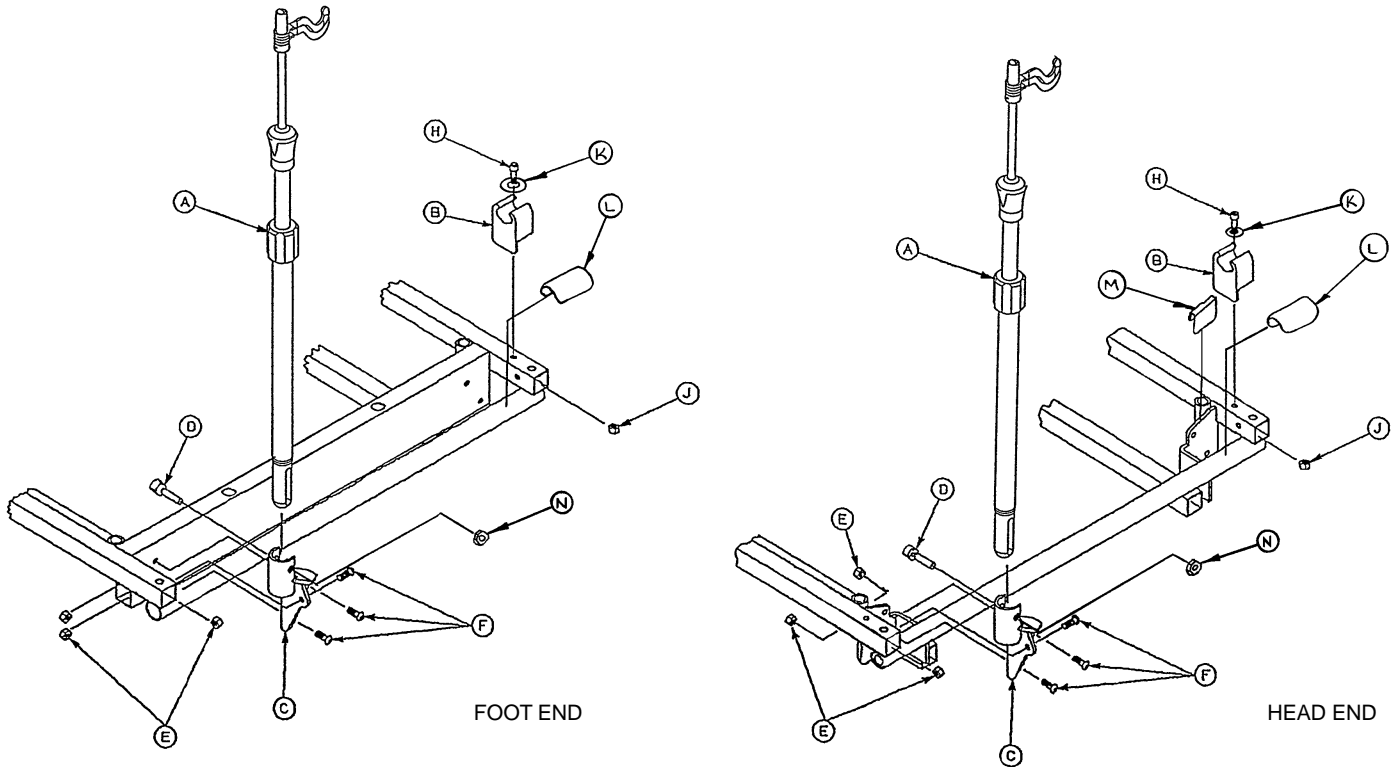
Assembly part number 1211-110-10



Item	Part No.	Part Name	Qty.
A	1001-59-32	Base Tube Assembly	1
B	1001-59-31	Extension Tube Assembly	1
D	1210-110-47	Lock Ring	1
E	1210-110-49	Lock Actuator	1
H	14-20	Nylon Flat Washer	As Req'd
J	1010-59-16	I.V. Hook	2
K	52-17	Nylon Spacer	2
L	926-400-62	Stop Sleeve	1
M	1210-110-46	Back-Up Ring	1
N	8-31	Shoulder Bolt	1

3-Stage I.V. Mounting Assembly

Assembly part numbers 1001-61 & 1001-62

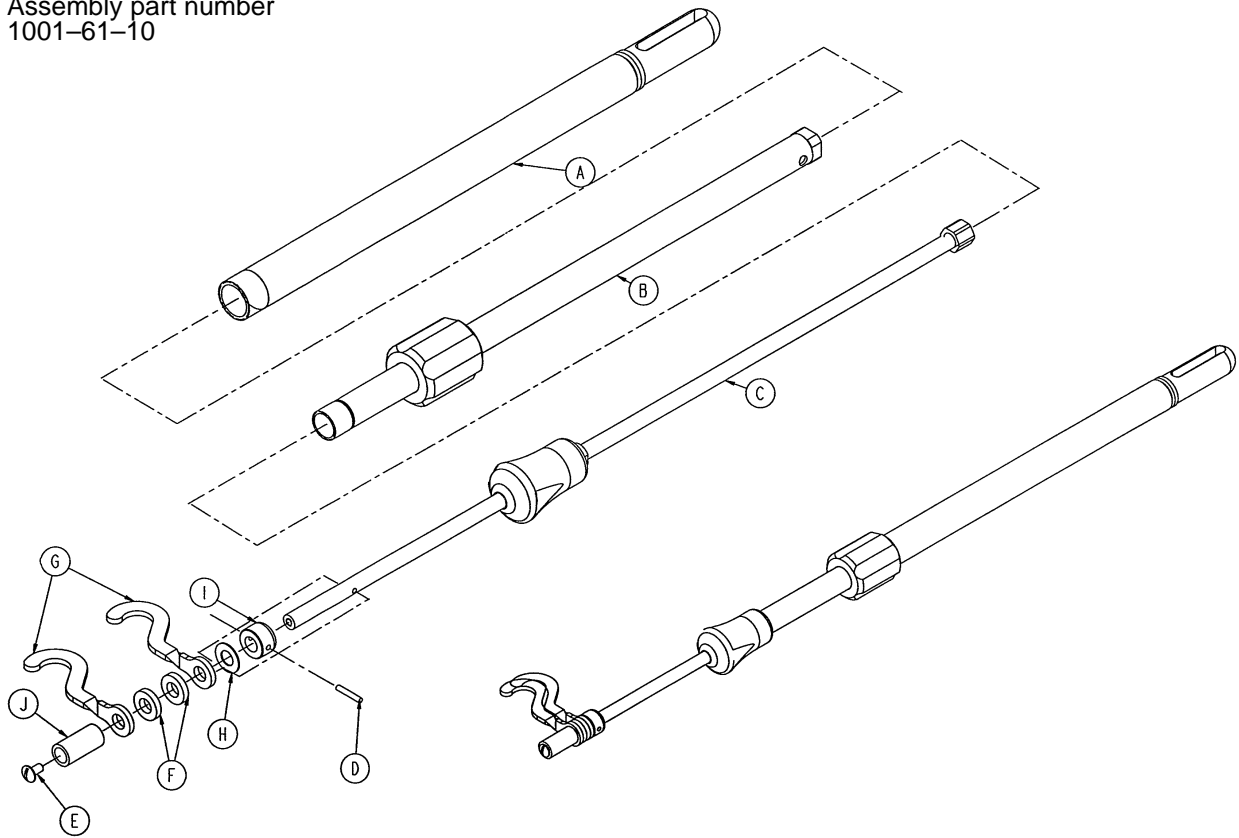


Item	Part No.	Part Name	Qty.
A	(page 56)	I.V. Pole Assembly	1
B	1001-59-12	I.V. Clip	1
C	1001-259-17	Socket Assembly	1
D	4-91	But. Hd. Cap Screw	1
E	16-28	Nylock Hex Nut	3
F	4-161	Button Hd. Cap Screw	3
H	4-26	Soc. Hd. Cap Screw	1
J	16-3	Fiberlock Hex Nut	1
K	11-16	Washer	1
L	1001-1-56	Round Hook Protector	1
M	1001-1-58	Hook Protector	1*
N	16-20	Self-Locking Nut	1

* Used only on 1001-61 and 1501-61.

3-Stage I.V. Pole Assembly

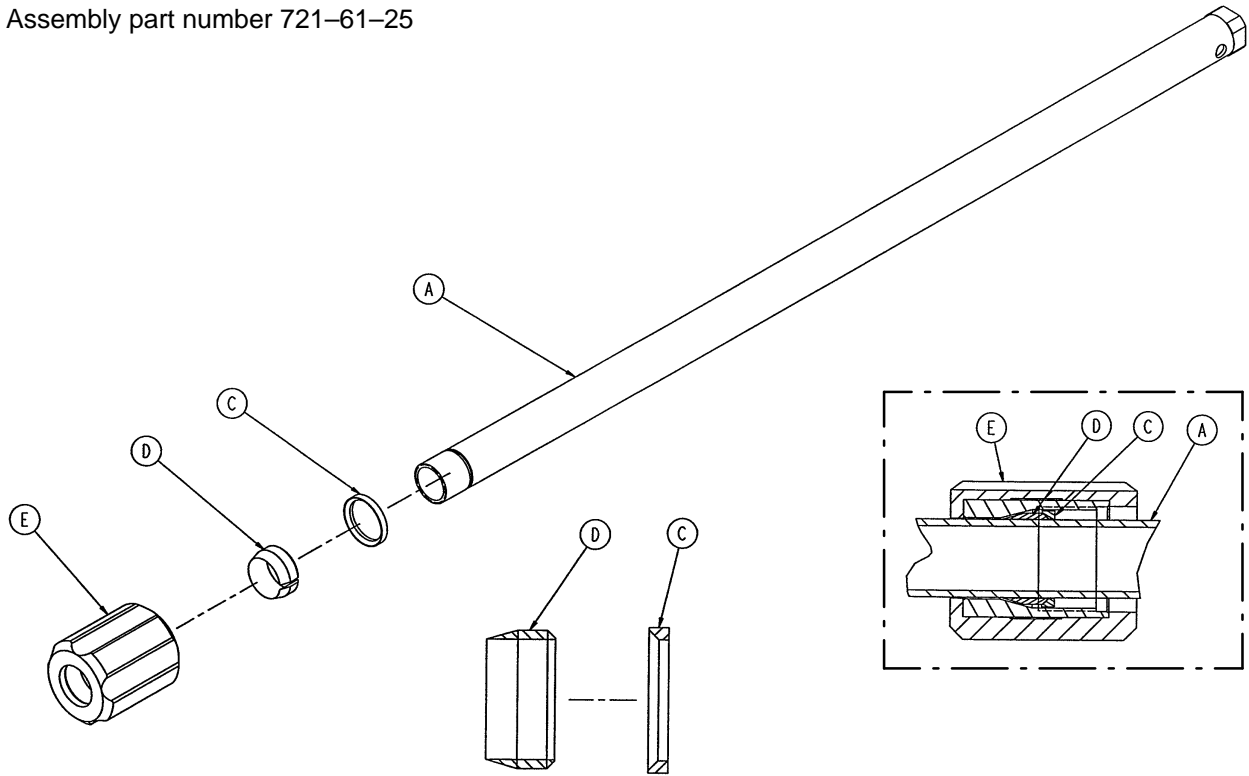
Assembly part number
1001-61-10



Item	Part No.	Part Name	Qty.
A	1001-61-34	Base Tube Assembly	1
B	(page 57)	2nd Stage Assembly	1
C	(page 58)	3rd Stage Assembly	1
D	26-6	Roll Pin	1
E	7-4	Truss Hd. Mach. Screw	1
F	52-17	Nylon Spacer	2
G	1010-59-16	I.V. Hook	2
H	14-20	Nylon Flat Washer	1
I	1010-61-14	Collar	1
J	926-400-62	Stop Sleeve	1

2nd Stage Assembly

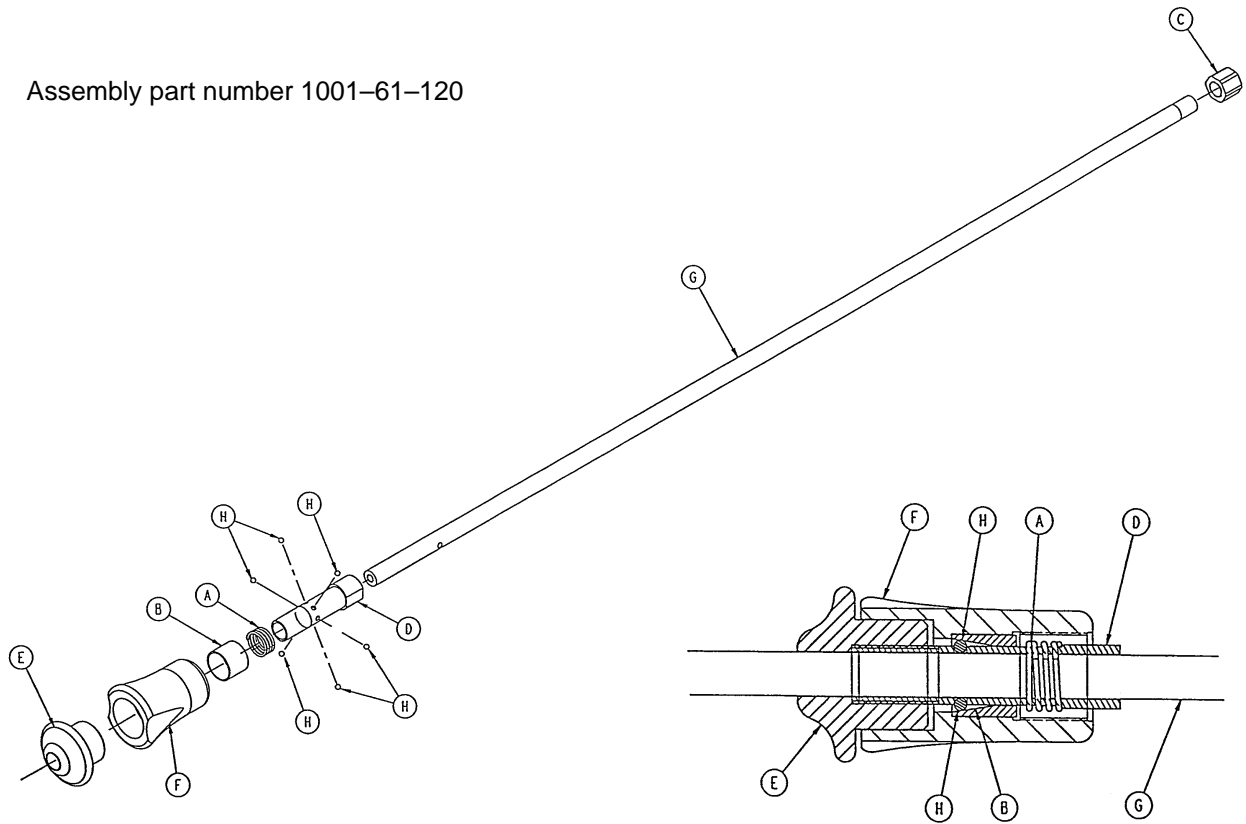
Assembly part number 721-61-25



Item	Part No.	Part Name	Qty.
A	721-61-30	2nd Tube Assembly	1
C	1210-110-46	Back-Up Ring	1
D	1210-110-47	Lock Ring	1
E	1210-110-49	Lock Actuator	1

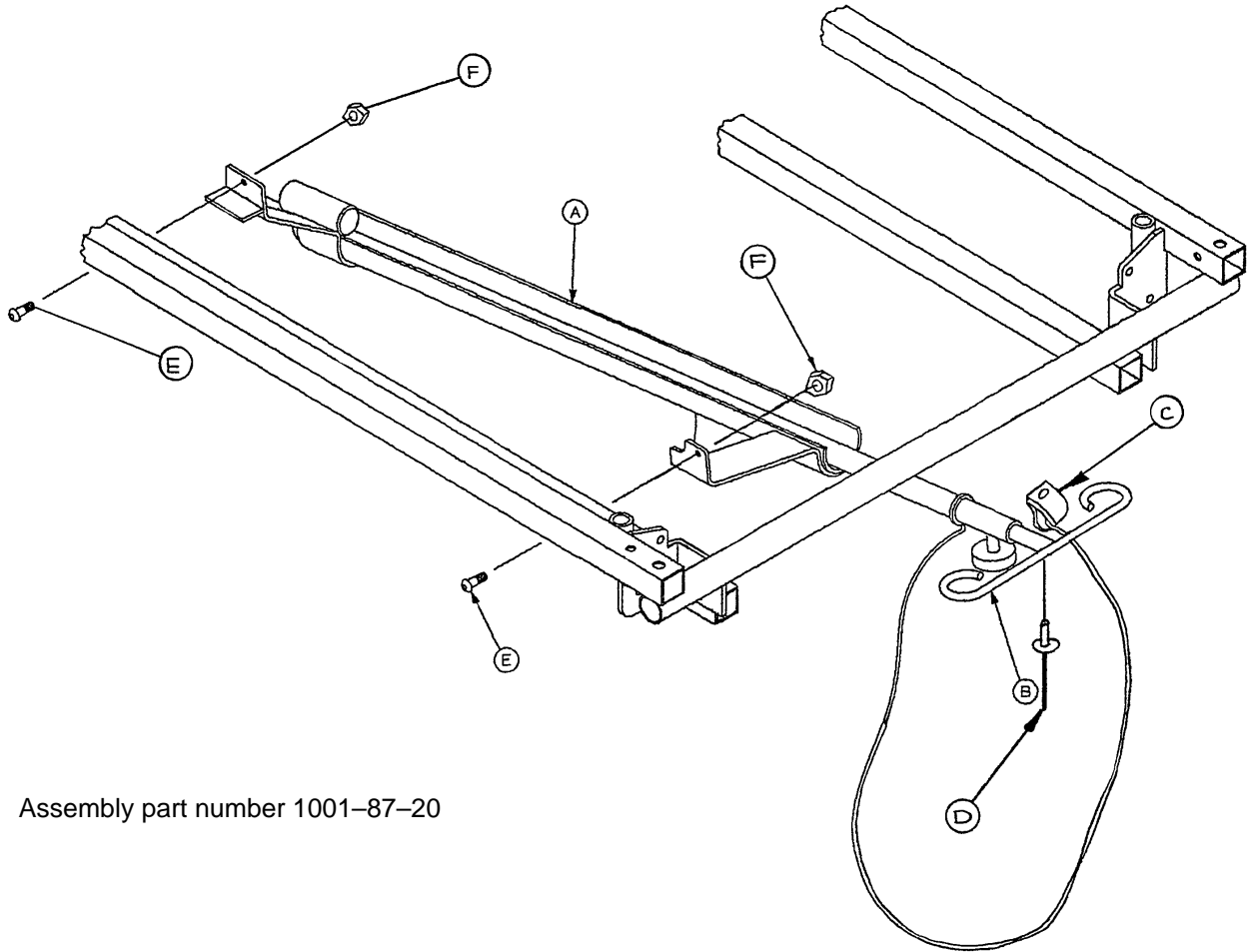
3rd Stage Assembly

Assembly part number 1001-61-120



Item	Part No.	Part Name	Qty.
A	38-303	Spring	1
B	1010-61-13	Ball Retainer	1
C	1010-61-15	Stop Nut	1
D	1010-61-16	Retaining Shaft	1
E	1010-61-17	Thumb Knob	1
F	1010-61-18	Hand Guard	1
G	1001-61-119	3rd Extension Rod	1
H	31-21	Ball	6

Tethered I.V. Pole Mounting Assembly

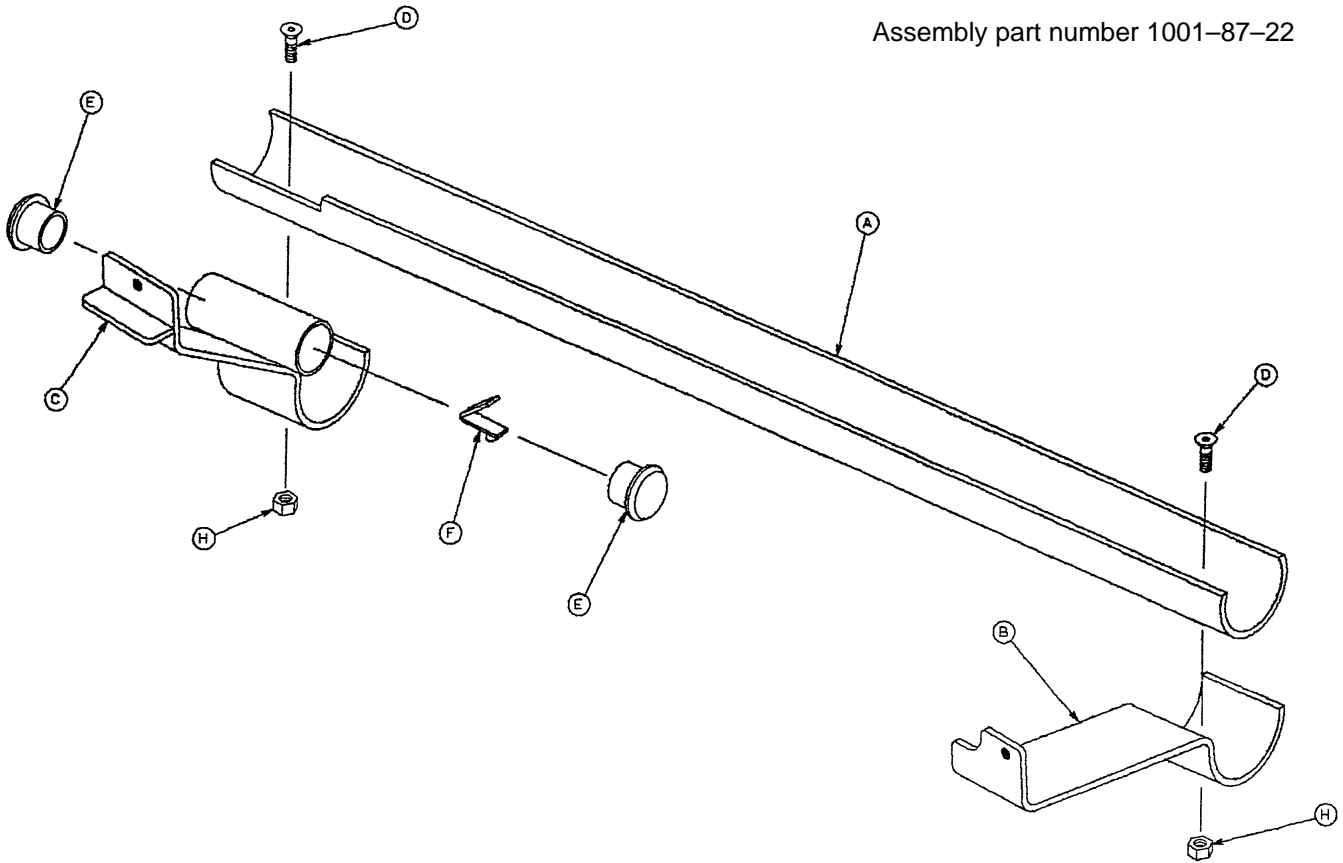


Assembly part number 1001-87-20

Item	Part No.	Part Name	Qty.
A	(page 60)	Trough Assembly	1
B	(page 61)	I.V. Pole Assembly	1
C	34-22	Cord Clamp	1
D	25-79	Pop Rivet	1
E	4-85	Soc. Hd. Cap Screw	2
F	16-3	Nylock Nut	2

Tethered I.V. Pole Trough Assembly

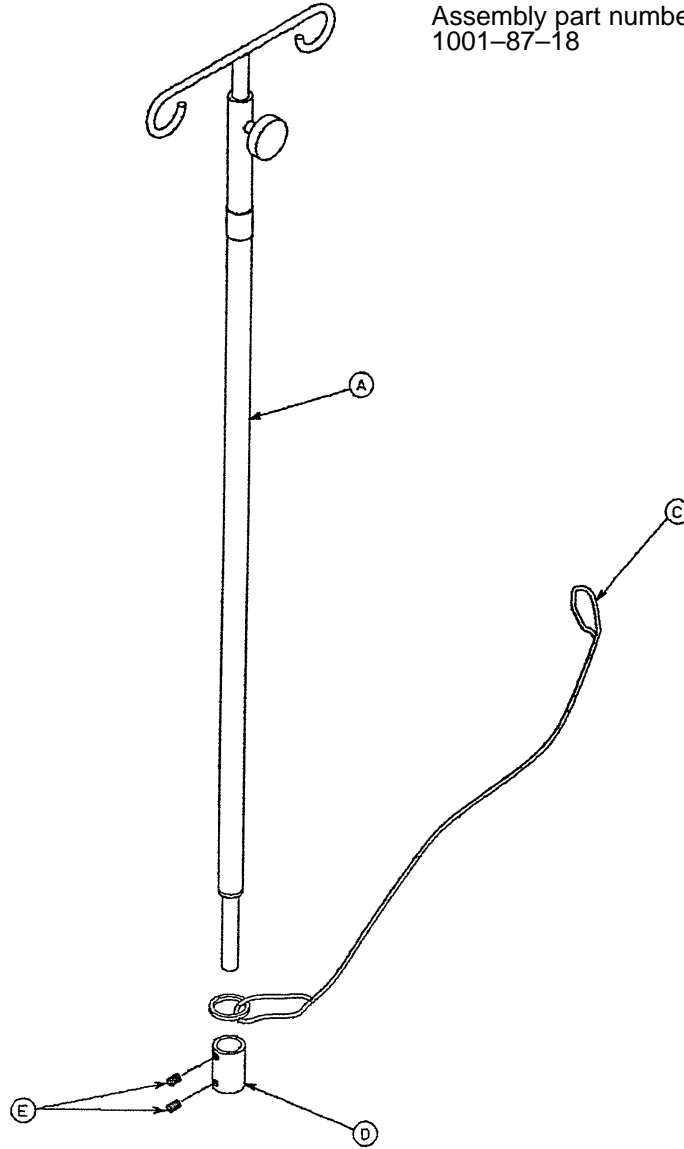
Assembly part number 1001-87-22



Item	Part No.	Part Name	Qty.
A	1001-87-23	Machined Sleeve	1
B	1001-87-16	Front Mounting Bracket	1
C	1001-87-15	Mounting Bracket Ass'y	1
D	1-22	Flat Hd. Mach. Screw	2
E	37-2	Tube Plug	2
F	946-40-110	Lock Clip	1
H	16-14	Dynalock Hex Nut	2

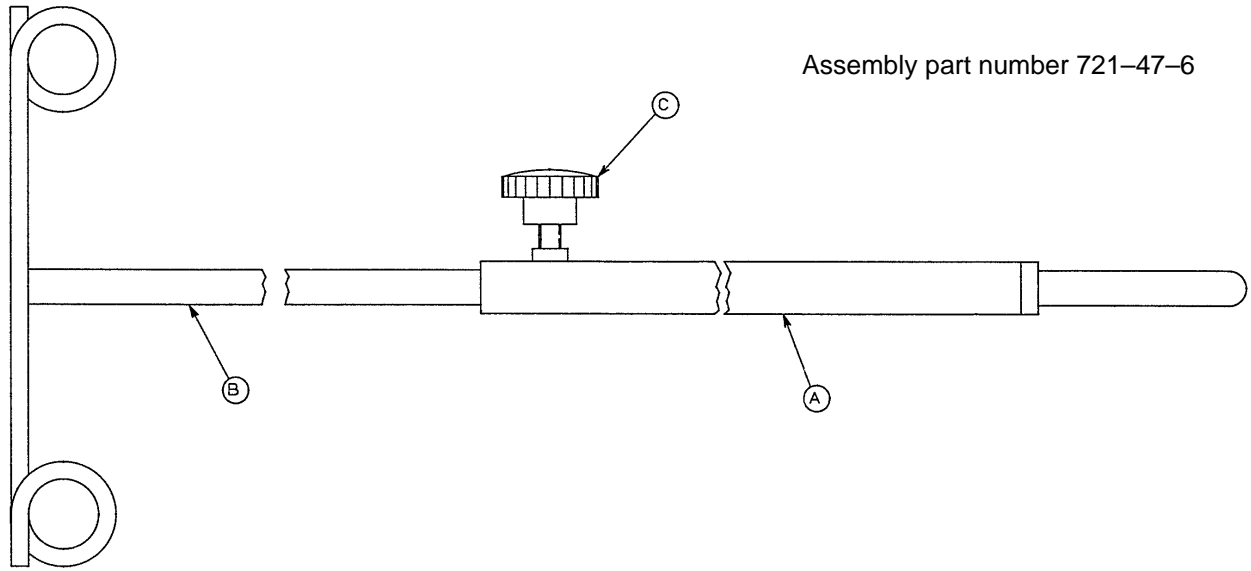
Tethered I.V. Pole Assembly

Assembly part number
1001-87-18



Item	Part No.	Part Name	Qty.
A	(page 62)	I.V. Holder	1
C	1010-22-27	Cable Assembly	1
D	741-47-14	Retainer	1
E	21-16	Set Screw	2

I.V. Holder Assembly

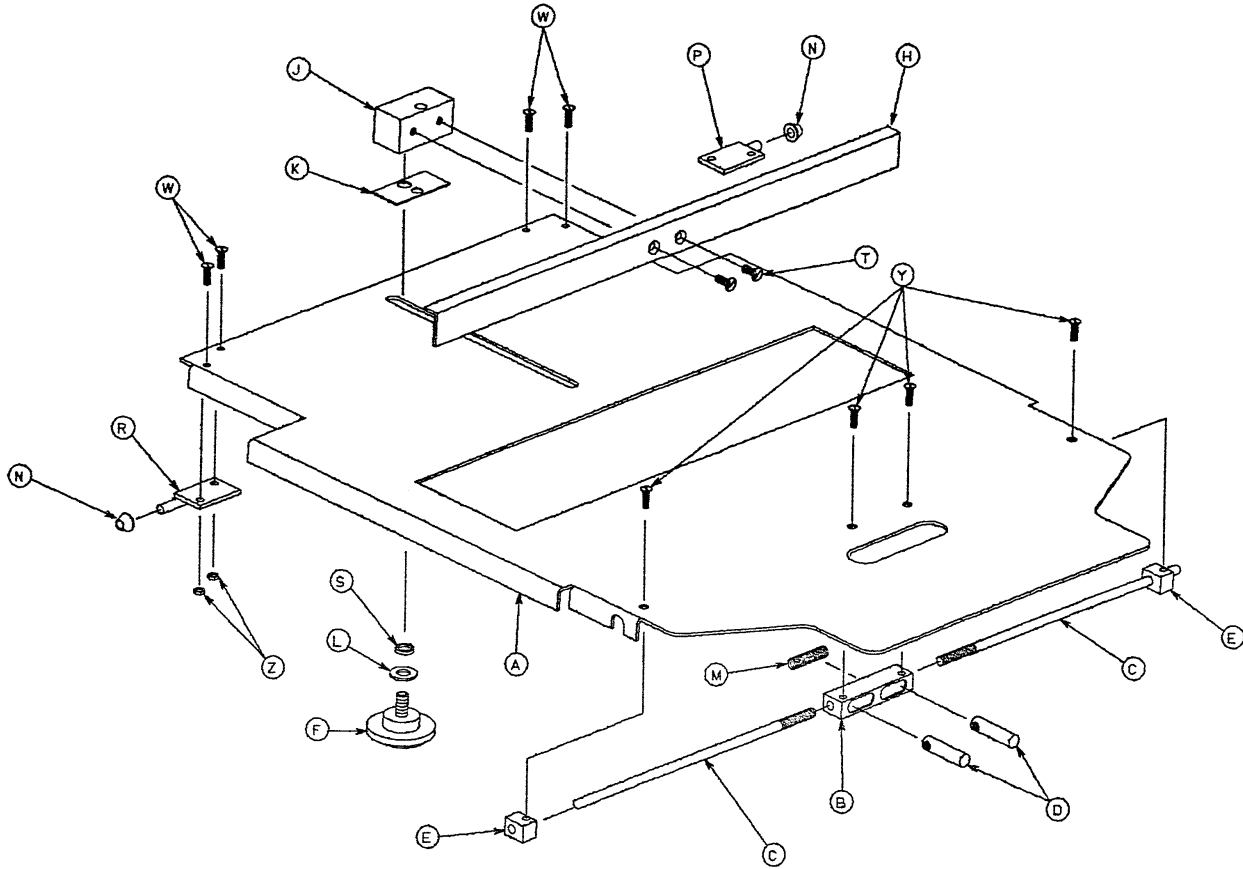


Assembly part number 721-47-6

Item	Part No.	Part Name	Qty.
A	1010-22-44	Pole Socket Assembly	1
B	1010-22-42	Pole Assembly	1
C	24-53	Knob	1

Fowler X-Ray Cassette Assembly

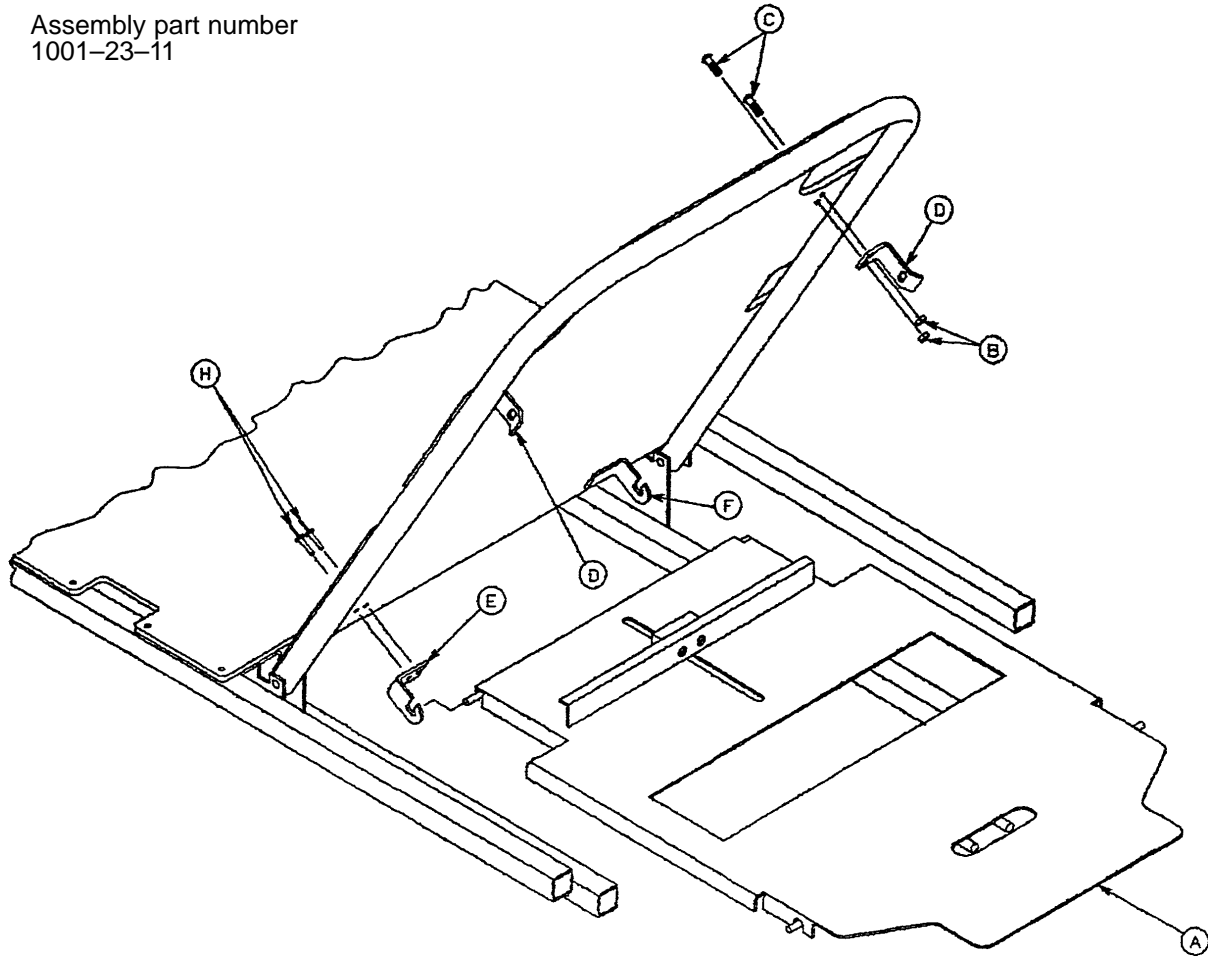
Assembly part number 1001-23-10



Item	Part No.	Part Name	Qty.
A	1001-23-12	Tray	1
B	1020-23-16	Post Housing	1
C	1001-23-14	Actuating Rod	2
D	926-23-64	Post	2
E	1010-23-37	Rod Guide	2
F	1020-23-21	Knob	1
H	1010-23-28	Tray Angle	1
J	926-23-70	Block Assembly	1
K	926-23-69	Washer	1
L	14-3	Washer	1
M	38-122	Compression Spring	1
N	1020-23-26	Spacer	2
P	1020-23-19	Tray Hinge, Right	1
R	1020-23-20	Tray Hinge, Left	1
S	926-23-71	Bushing	1
T	1-20	Flat Hd. Mach. Screw	2
W	4-149	Button Hd. Cap Screw	4
Y	1-22	Flat Hd. Mach. Screw	4
Z	16-3	Nylock Hex Nut	4
AA	1010-23-19	Instruction Label	1
AB	1001-23-25	Specification Label	1

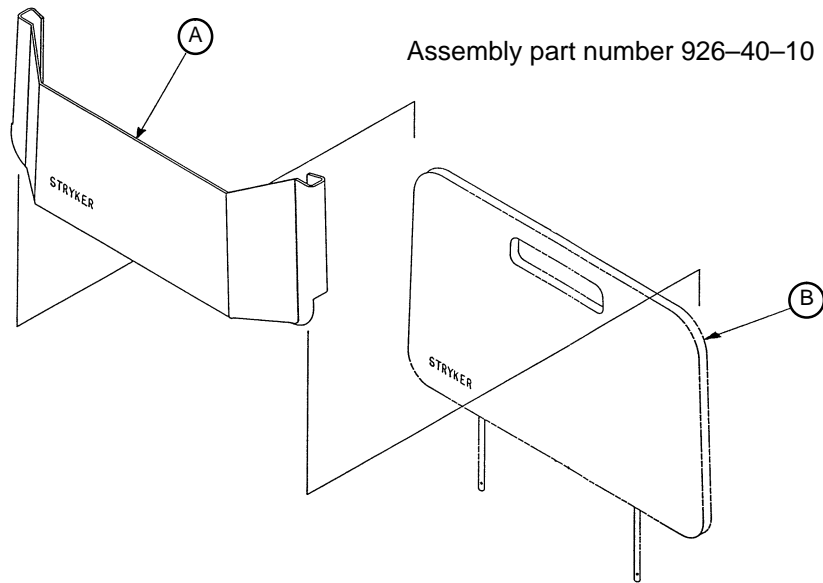
X-Ray Cassette Mounting Assembly

Assembly part number
1001-23-11



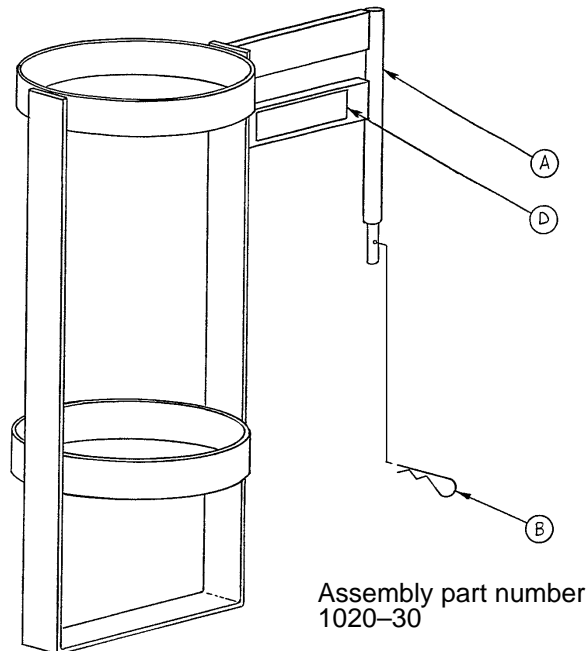
Item	Part No.	Part Name	Qty.
A	(page 63)	X-Ray Cassette Ass'y	1
B	16-3	Self-Locking Nut	4
C	4-149	Button Hd. Cap Screw	4
D	1001-23-13	Tray Latch	2
E	1020-23-13	Tray Hinge, Right	1
F	1020-23-12	Tray Hinge, Left	1
H	25-69	Pop Rivet	4

Foot Board/Chartholder Assembly



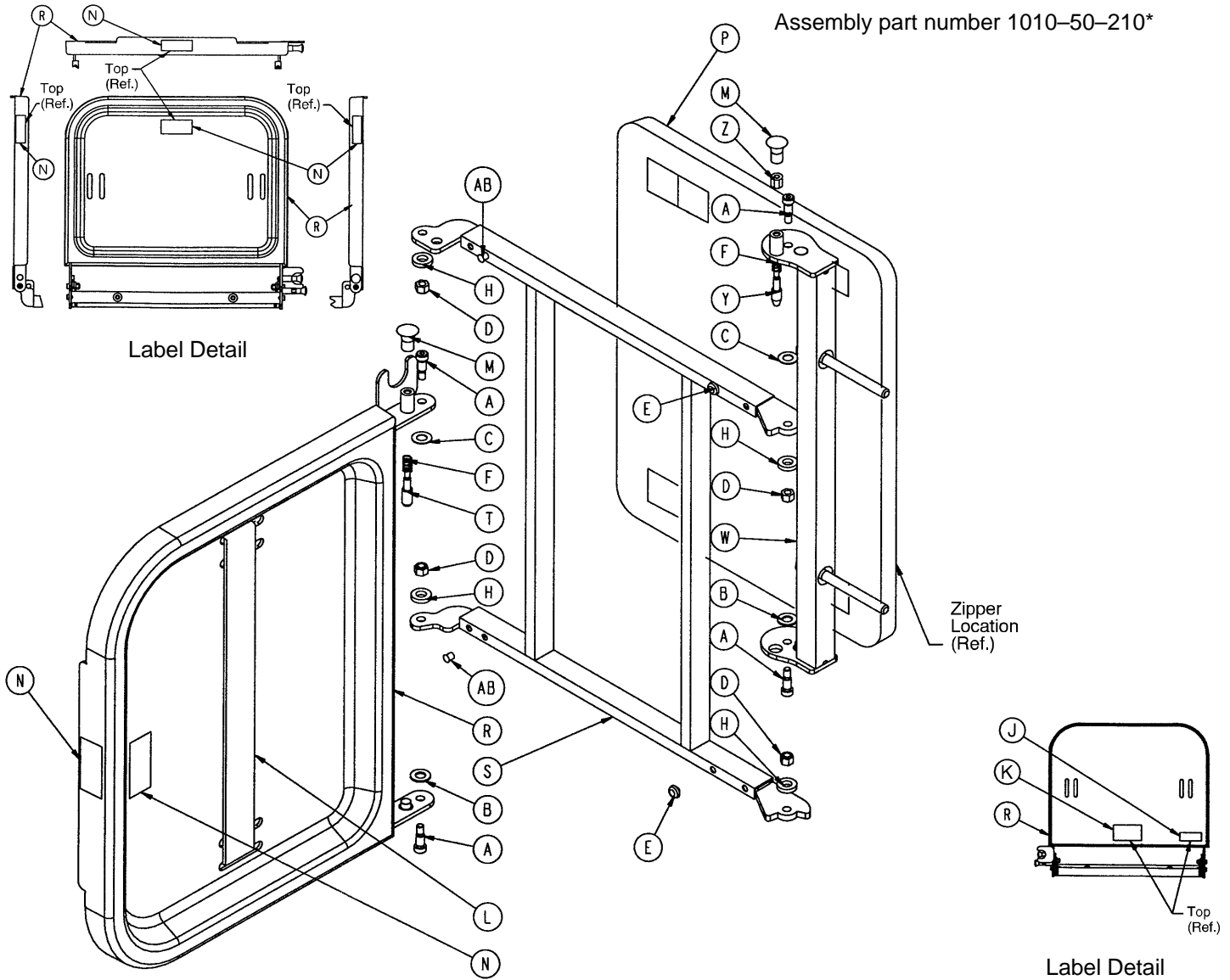
Item	Part No.	Part Name	Qty.
A	946-28-11	Chart Holder	1
B	946-29-6	Foot Board	1

Upright Oxygen Bottle Holder Assembly



Item	Part No.	Part Name	Qty.
A	1020-30-11	Upright Bottle Holder	1
B	27-12	Cotter Pin	1
D	1020-30-17	Specification Label	1

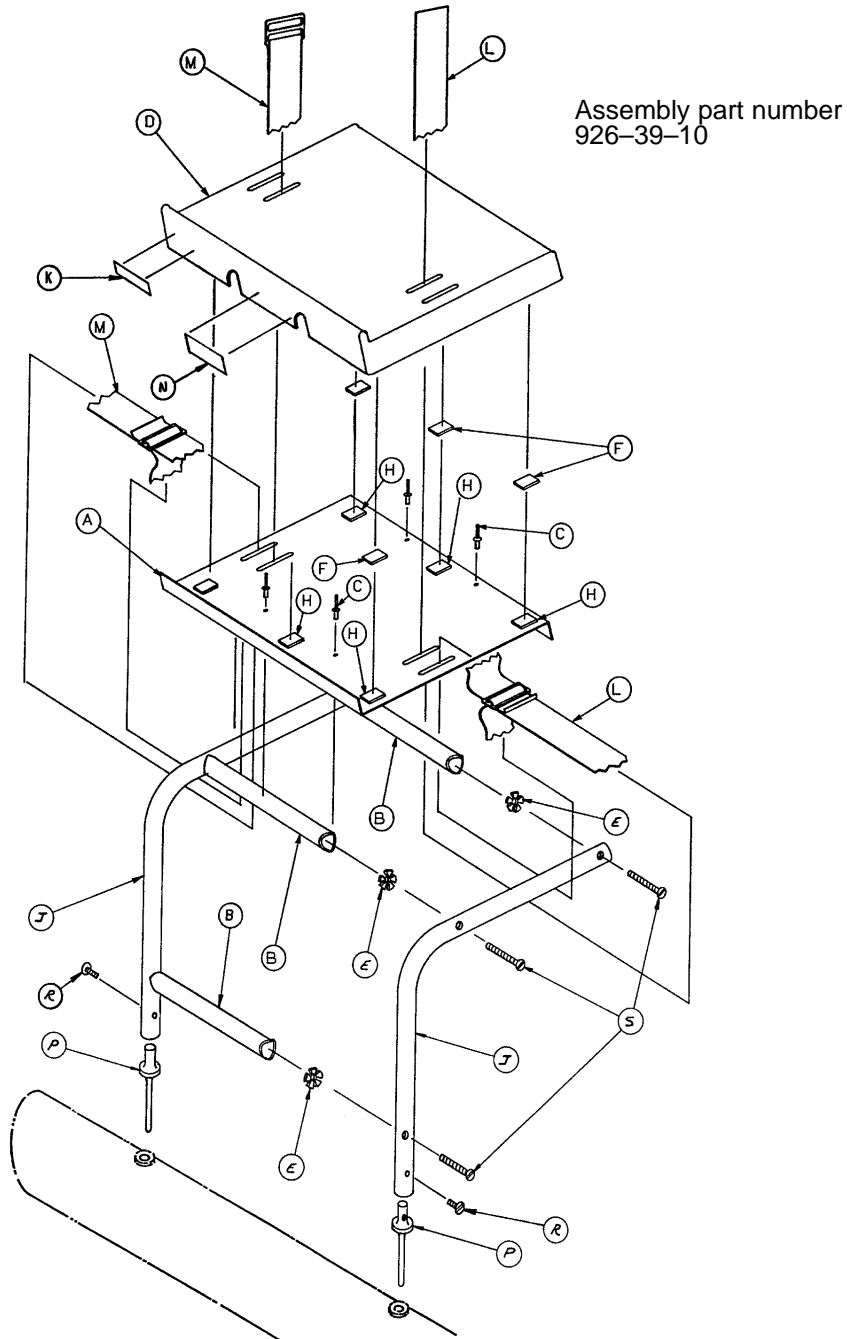
Foot Extension/Defibrillator Tray Assembly



Item	Part No.	Part Name	Qty.	Item	Part No.	Part Name	Qty.
A	8-49	Socket Hd. Shoulder Bolt	4	M	1010-50-50	Knob	2
B	14-20	Nylon Washer	2	N	1010-50-57	"Max. Weight" Label	4
C	14-21	Nylon Washer	2	P	1010-50-205	Cushion Assembly	1
D	16-28	Fiberlock Nut	4	R	1010-50-218	Foot & Tray Board	1
E	37-52	Rubber Bumper	22	S	1010-50-225	Pivot Frame Weldment	1
F	38-133	Spring	2	T	1010-50-242	Pin Lock	1
H	52-17	Spacer	4	W	1010-50-246	Base Mounting Ass'y	1
J	1010-50-17	Specification Label	1	Y	1010-50-248	Lower Pin Lock	1
K	1010-50-19	"Push/Pull" Label	1	Z	1010-50-250	Pin Adjuster	1
L	1010-50-21	Long Strap	1	AA	42-6	Collar	2
				AB	721-31-65	Hole Plug	2

* Replacement part number 1010-50-100.

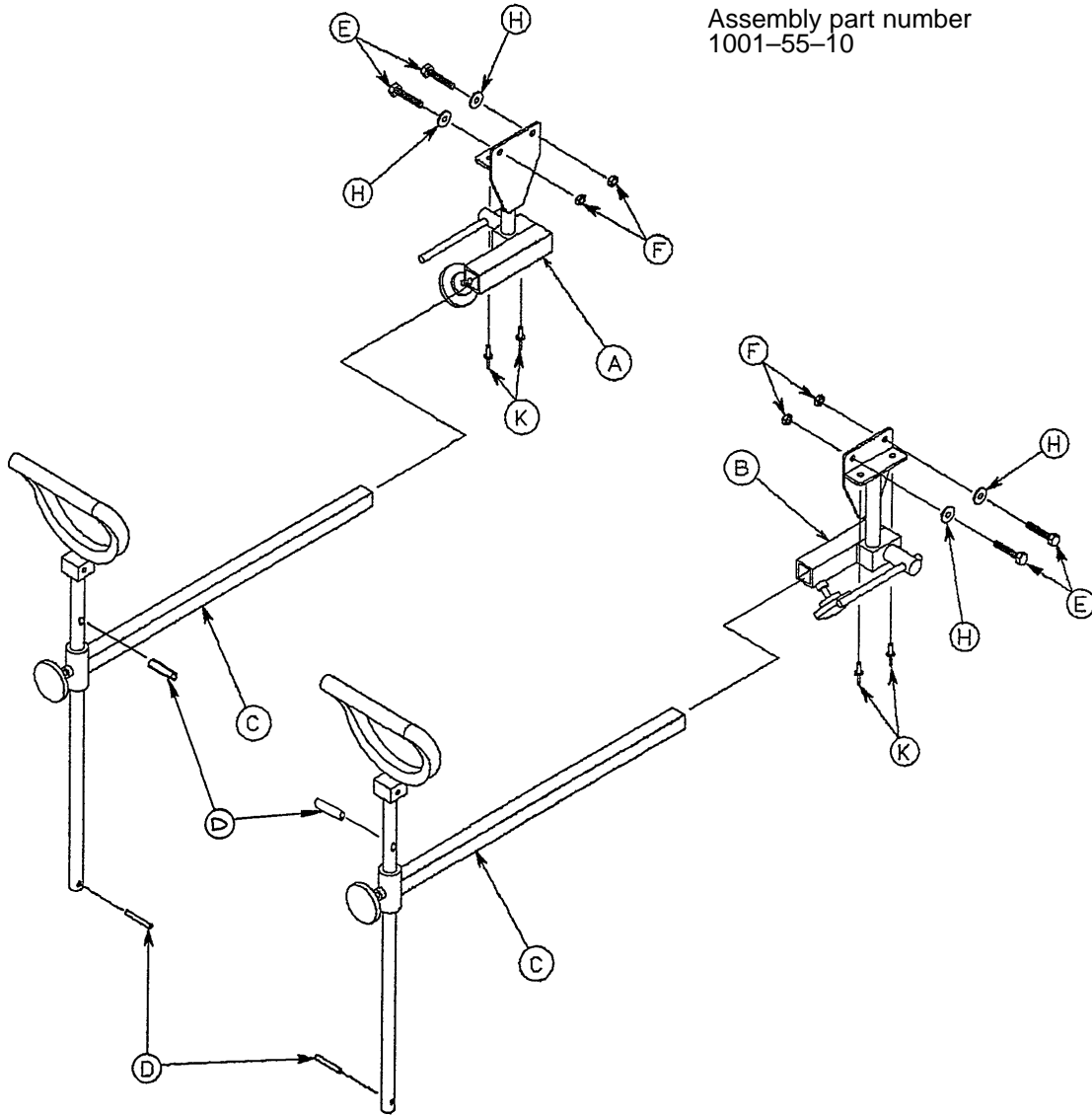
Defibrillator Tray Assembly



Item	Part No.	Part Name	Qty.	Item	Part No.	Part Name	Qty.
A	946-39-4	Tray	1	K	926-1-82	Label	1
B	926-39-16	Crosstube	3	L	390-57-12	Long Strap	1
C	25-55	Rivet	4	M	390-57-13	Short Strap	1
D	926-39-9	Cover	1	N	946-1-283	Label	1
E	18-6	Umbrella Nut	6	P	926-39-15	Holder	2
F	7900-1-143	Dual Lock	6	R	2-44	Screw	2
H	7900-1-145	Dual Lock	6	S	2-25	Screw	6
J	946-39-3	Support Tube	2				

Heel Stirrup and Support Assembly

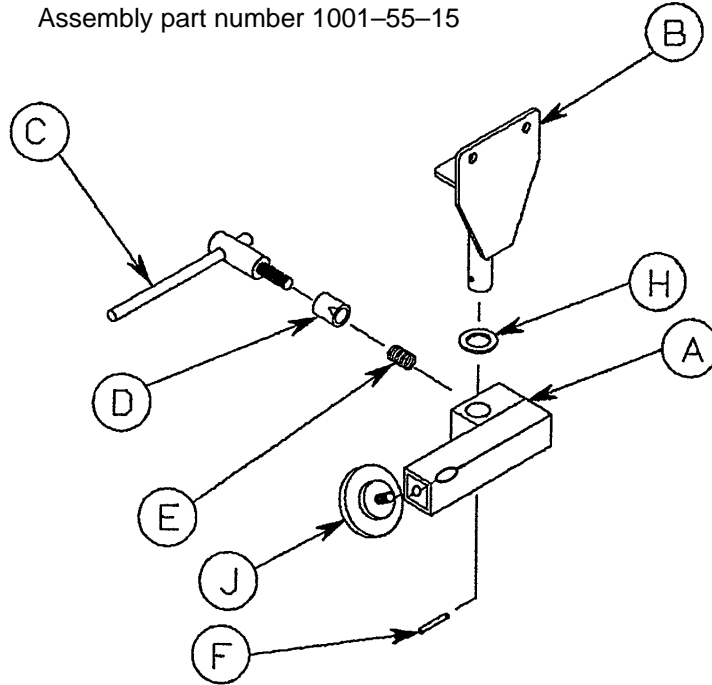
Assembly part number
1001-55-10



Item	Part No.	Part Name	Qty.
A	(page 69)	Stirrup Support Ass'y, Rt.	1
B	(page 70)	Stirrup Support Ass'y, Lt.	1
C	(page 71)	Stirrup Assembly	2
D	22-8	Drive Screw	4
E	3-78	Hex Hd. Cap Screw	4
F	16-28	Nylock Hex Nut	4
H	11-158	Flat Washer	4
K	25-79	Pop Rivet	4

Right Stirrup Support Assembly

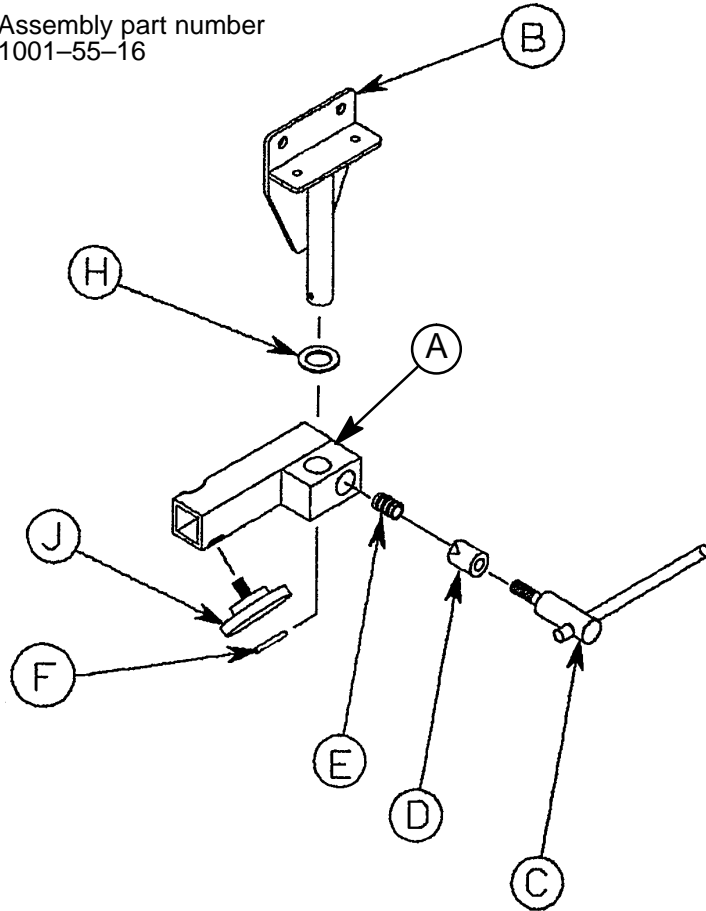
Assembly part number 1001-55-15



Item	Part No.	Part Name	Qty.
A	1010-55-16	Right Support Tube Ass'y	1
B	1001-55-11	Mounting Bracket	1
C	650-2-32	Lock Screw Assembly	1
D	966-51-19	Wedge Lock, Modified	1
E	38-171	Compression Spring	1
F	26-7	Roll Pin	1
H	14-40	Nylon Flat Washer	1
J	24-11	Knob	1

Left Stirrup Support Assembly

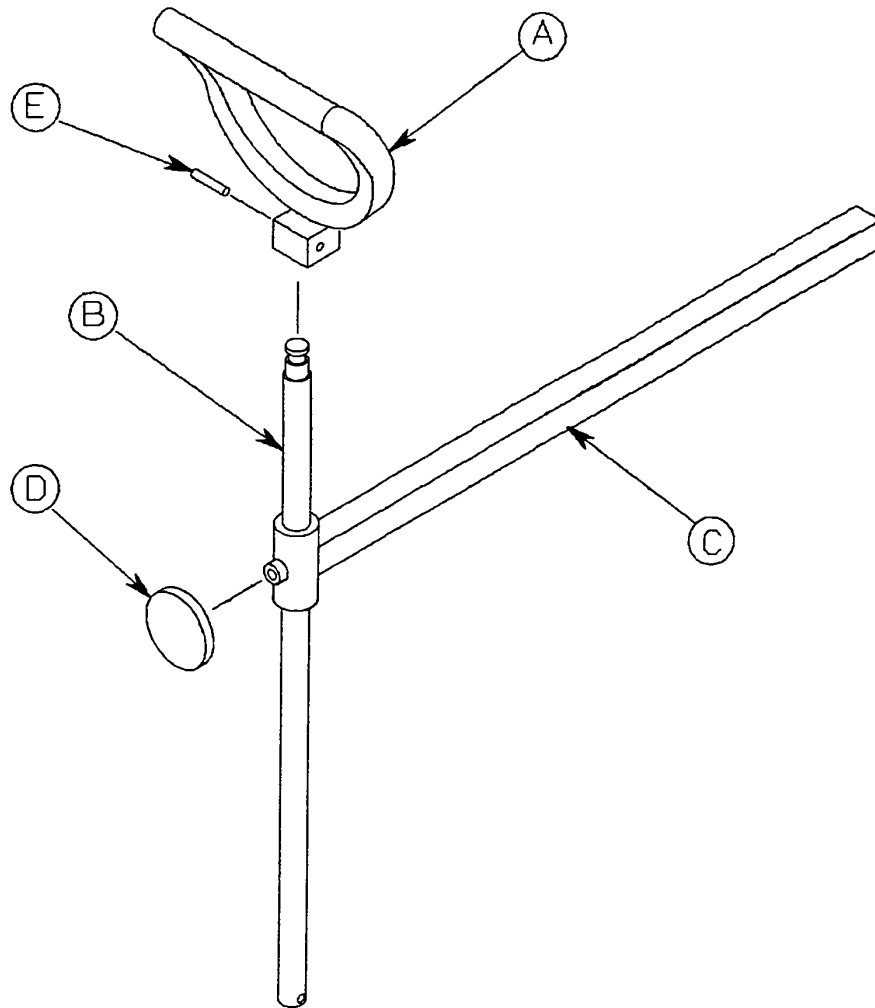
Assembly part number
1001-55-16



Item	Part No.	Part Name	Qty.
A	1010-55-26	Left Support Tube Ass'y	1
B	1001-55-11	Mounting Bracket	1
C	650-2-32	Lock Screw Assembly	1
D	966-51-19	Wedge Lock, Modified	1
E	38-171	Compression Spring	1
F	26-7	Roll Pin	1
H	14-40	Nylon Flat Washer	1
J	24-11	Knob	1

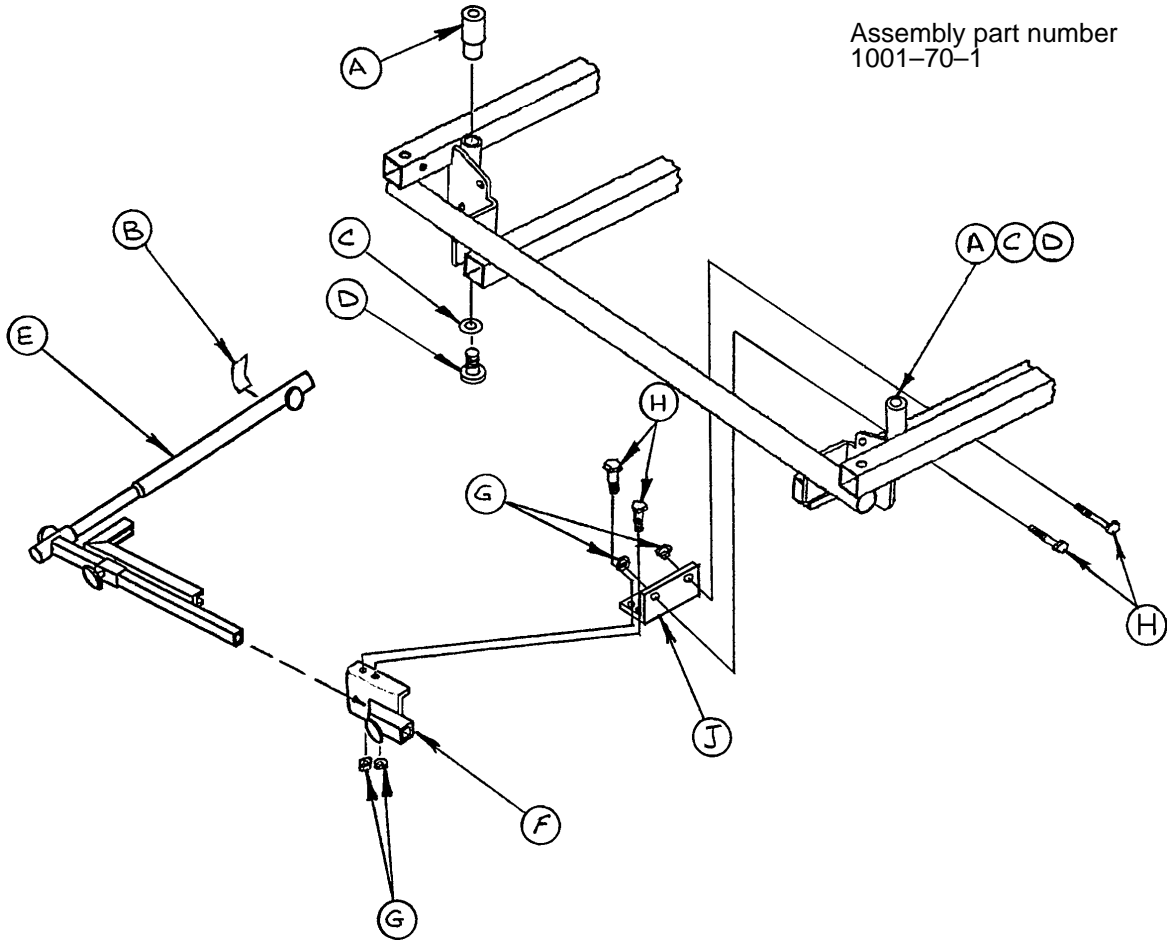
Heel Stirrup Assembly

Assembly part number 1001-55-29



Item	Part No.	Part Name	Qty.
A	390-20-13	Stirrup	1
B	390-20-9	Stirrup Holder Assembly	1
C	1010-55-30	Extension Tube Assembly	1
D	24-11	Knob	1
E	26-43	Roll Pin	1

C-Spine Cassette Holder Assembly

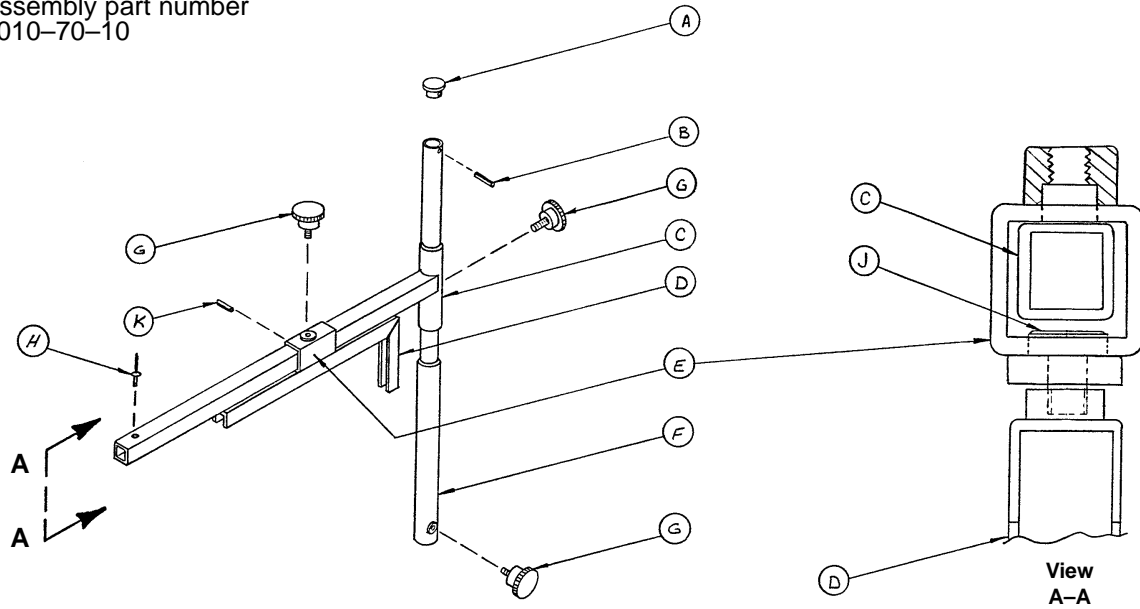


Assembly part number
1001-70-1

Item	Part No.	Part Name	Qty.
A	1010-70-25	I.V. Adaptor	2
B	1010-70-18	Specification Label	1
C	11-3	Flat Washer	2
D	4-91	Soc. Hd. Cap Screw	2
E	(page 73)	Support Pole Assembly	1
F	(page 74)	Storage Bracket Ass'y	1
G	16-5	Conelock Nut	4
H	3-50	Hex Hd. Cap Screw	4
J	1001-70-11	Attachment Bracket	1

C-Spine Support Pole Assembly

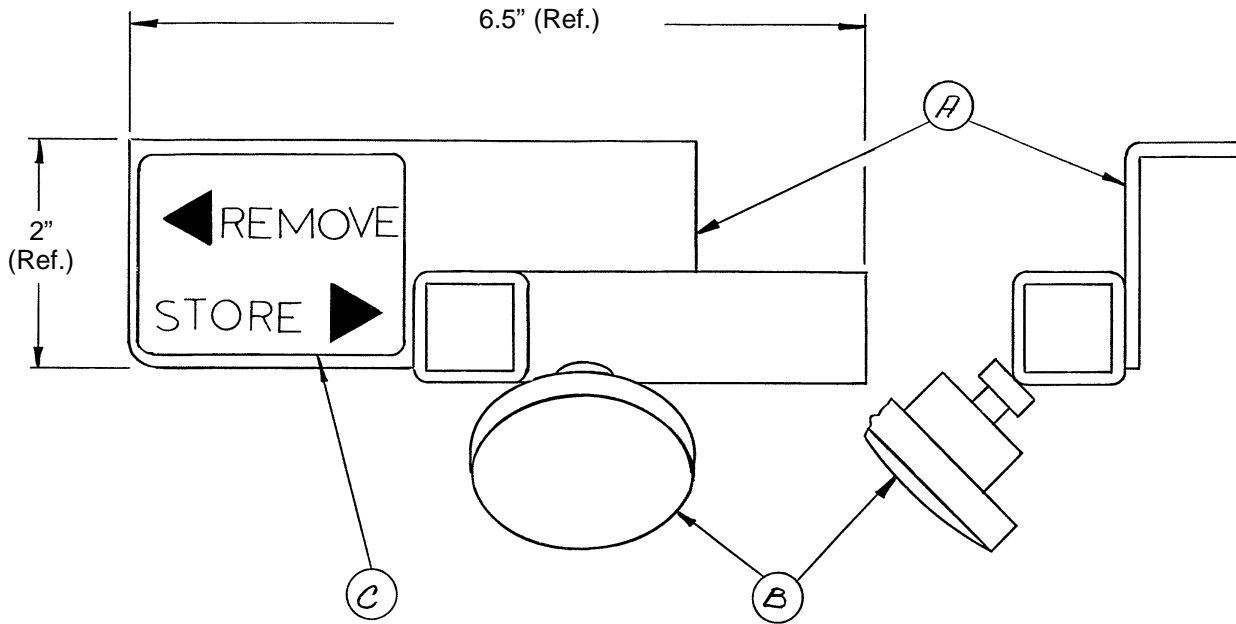
Assembly part number
1010-70-10



Item	Part No.	Part Name	Qty.
A	1010-70-33	Support Tube Cap	1
B	26-6	Roll Pin	1
C	1010-70-34	Support Arm Weldment	1
D	1010-70-42	Cassette Holder Weldment	1
E	1010-70-50	Adjustment Tube Weldment	1
F	1010-70-30	Base Tube Weldment	1
G	1010-70-45	Knob	3
H	25-55	Pop Rivet	1
J	1010-70-44	Pivot Pin	1
K	26-5	Roll Pin	1

C-Spine Storage Bracket Assembly

Assembly part number
1010-70-19



Item	Part No.	Part Name	Qty.
A	1010-70-20	Storage Bracket Weldment	1
B	1010-70-45	Knob	1
C	1010-70-23	Storage Label	1

Replacement Parts

<u>PART NAME</u>	<u>PART NUMBER</u>
3" Low Friction Mattress	1059-326-40
4" Low Friction Mattress	1059-426-40
3" Enhanced Comfort Mattress	1001-48-6
4" Enhanced Comfort Mattress	1001-47-6
Folddown Siderail Pads	1010-52
Hydraulic Jack	1210-70-10
Standard Removable I.V. Pole	390-25
Tethered I.V. Pole	1001-87-20
2-Stage Permanently Attached I.V. Pole, Head End	1001-81
2-Stage Permanently Attached I.V. Pole, Foot End	1001-82
3-Stage Permanently Attached I.V. Pole, Head End	1001-61
3-Stage Permanently Attached I.V. Pole, Foot End	1001-62
2 Piece Restraint Strap	390-19
Ankle Restraint Strap	946-43-100
Chest Restraint Strap	1010-58
Wrist Restraint Strap	946-44-100
Defibrillator/Equipment Tray	926-39
Foot Board/Chartholder	926-40
Head/Foot Board Assembly (2)	946-29-100
Head Board/Push Bar Assembly	1001-155
Heel Stirrups	1001-55
C-Spine Cassette Holder	1001-70
Foot Extension/Defibrillator Tray Assembly	1010-50-100
I.V. Caddy	1050-1-100
Upright Oxygen Bottle Holder Assembly	1020-30
Instrument/Serving Tray	1052-26
Wheel Cover Replacement Kit	1010-56-200
Fowler X-Ray Cassette Tray	1001-23-10
Foot End Steer Handles	1212-151
Head End Steer Handles	1212-152

Warranty

Limited Warranty:

Stryker Patient Care Division, a division of Stryker Corporation, warrants to the original purchaser that the 1210, 1211, 1212, 1710 and 1711 stretchers should be free from defects in material and workmanship for a period of three (3) years after date of delivery. Stryker's obligation under this warranty is expressly limited to supplying replacement parts for three years and labor for one year, or replacing, at its option, any product which is, in the sole discretion of Stryker, found to be defective. Stryker warrants to the original purchaser that the frame and welds on its beds will be free from structural defects for as long as the original purchaser owns the bed. If requested by Stryker, products or parts for which a warranty claim is made shall be returned prepaid to Stryker's factory. Any improper use or any alteration or repair by others in such manner as in Stryker's judgement affects the product materially and adversely shall void this warranty. No employee or representative of Stryker is authorized to change this warranty in any way.

Stryker Medical stretchers are designed for a 10 year expected life under normal use conditions and appropriate periodic maintenance as described in the maintenance manual for each device.

This statement constitutes Stryker's entire warranty with respect to the aforesaid equipment. STRYKER MAKES NO OTHER WARRANTY OR REPRESENTATION, EITHER EXPRESSED OR IMPLIED, EXCEPT AS SET FORTH HEREIN. THERE IS NO WARRANTY OF MERCHANTABILITY AND THERE ARE NO WARRANTIES OF FITNESS FOR ANY PARTICULAR PURPOSE. IN NO EVENT SHALL STRYKER BE LIABLE HEREUNDER FOR INCIDENTAL OR CONSEQUENTIAL DAMAGES ARISING FROM OR IN ANY MANNER RELATED TO SALES OR USE OF ANY SUCH EQUIPMENT.

To Obtain Parts and Service:

Stryker products are supported by a nationwide network of dedicated Stryker Field Service Representatives. These representatives are factory trained, available locally, and carry a substantial spare parts inventory to minimize repair time. Simply call your local representative, or call Stryker Customer Service at (800) 327-0770.

Supplemental Warranty Coverage:

Stryker has developed a comprehensive program of extended warranty options designed to keep your equipment operating at peak performance at the same time it eliminates unexpected costs. We recommend that these programs be activated *before* the expiration of the new product warranty to eliminate the potential of additional equipment upgrade charges. Stryker offers the following Supplemental Warranties:

Extended (Parts and Labor)

- All replacement parts (excluding mattresses and consumable items)
- Labor and travel for *all* scheduled and unscheduled calls
- Biannual Preventative Maintenance Inspections and repairs
- JCAHO paperwork for preventative maintenance
- Priority Emergency Service

Standard (Labor Only):

- Labor and travel for *all* scheduled and unscheduled calls
- Biannual Preventative Maintenance Inspections and repairs
- JCAHO paperwork for preventative maintenance
- Priority Emergency Service

Basic (Parts Only):

- All replacement parts (excluding mattresses and consumable items)
- Priority Emergency Service

Warranty

Return Authorization:

Merchandise cannot be returned without approval from the Stryker Customer Service Department. An authorization number will be provided which must be printed on the returned merchandise. Stryker reserves the right to charge shipping and restocking fees on returned items.

SPECIAL, MODIFIED, OR DISCONTINUED ITEMS NOT SUBJECT TO RETURN.

Damaged Merchandise:

ICC Regulations require that claims for damaged merchandise must be made with the carrier within fifteen (15) days of receipt of merchandise. **DO NOT ACCEPT DAMAGED SHIPMENTS UNLESS SUCH DAMAGE IS NOTED ON THE DELIVERY RECEIPT AT THE TIME OF RECEIPT.** Stryker Customer Service must be notified immediately. Stryker will aid the customer in filing a freight claim with the appropriate carrier for damages incurred. Claim will be limited in amount to the actual replacement cost. In the event that this information is not received by Stryker within the fifteen (15) day period following the delivery of the merchandise, or the damage was not noted on the delivery receipt at the time of receipt, the customer will be responsible for payment of the original invoice in full.

Claims for any short shipment must be made within thirty (30) days of invoice.

Please call your local representative, or call (800) 327-0770 for further information



6300 Sprinkle Road, Kalamazoo, MI 49001-9799

(800) 327-0770

DH 11/94 1212-90-3 REV__