



Renaissance Series

1212 Emergency Care Stretcher

Operations Manual

For Parts or Technical Assistance
800-327-0770

Table of Contents

Introduction	2
Specifications	2
Warning / Caution / Note Definition	2
Operating Three–Sided Controls Base	3
Operating Four–Sided Controls Base	4
Raising And Lowering Litter Height	5
Trendelenberg/Reverse Trendelenberg Positioning	5
Operating Directional Steering Caster/5Th Wheel Options	5
Applying The Brake System	6
Using Push Handles	6
Operating Fowler And Knee Gatch	7
Using Siderails	8
Operating Optional 2–Stage Permanently Attached I.V. Pole	9
Operating Optional Tethered I.V. Pole	9
Operating Optional 3–Stage Permanently Attached I.V. Pole	10
Operating Optional Foot Extension/Defibrillator Tray	10
Operating Optional X–Ray Cassette Holder	11
Operating Optional Heel Stirrups	12
Using Optional Head Board/Push Bar	12
Preventative Maintenance	
Cleaning	13
Biannual Checklist	13
Limited Warranty	
Obtaining Parts and Service	14
Supplemental Warranty Coverage	14
Return Authorization	15
Freight Damage Claims	15

Introduction

INTRODUCTION

This manual is designed to assist you with the operation of the 1212 Emergency Care Stretcher. Read it thoroughly before using the equipment or beginning any maintenance on it.

SPECIFICATIONS

Maximum Weight Capacity	500 pounds
Overall Bed Length \ Width	83 1/2" \ 31 1/2"
Minimum \ Maximum Bed Height	22"/35.5"
Fowler Angle	0 to 90°
Knee Gatch Angle	0 to 30°
Trendelenberg \ Reverse Trendelenberg	+18° to -18°

WARNING / CAUTION / NOTE DEFINITION

The words WARNING, CAUTION and NOTE carry special meanings and should be carefully reviewed.

WARNING

The personal safety of the patient or user may be involved. Disregarding this information could result in injury to the patient or user.

CAUTION

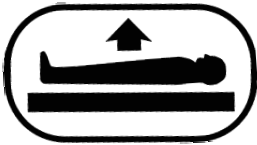
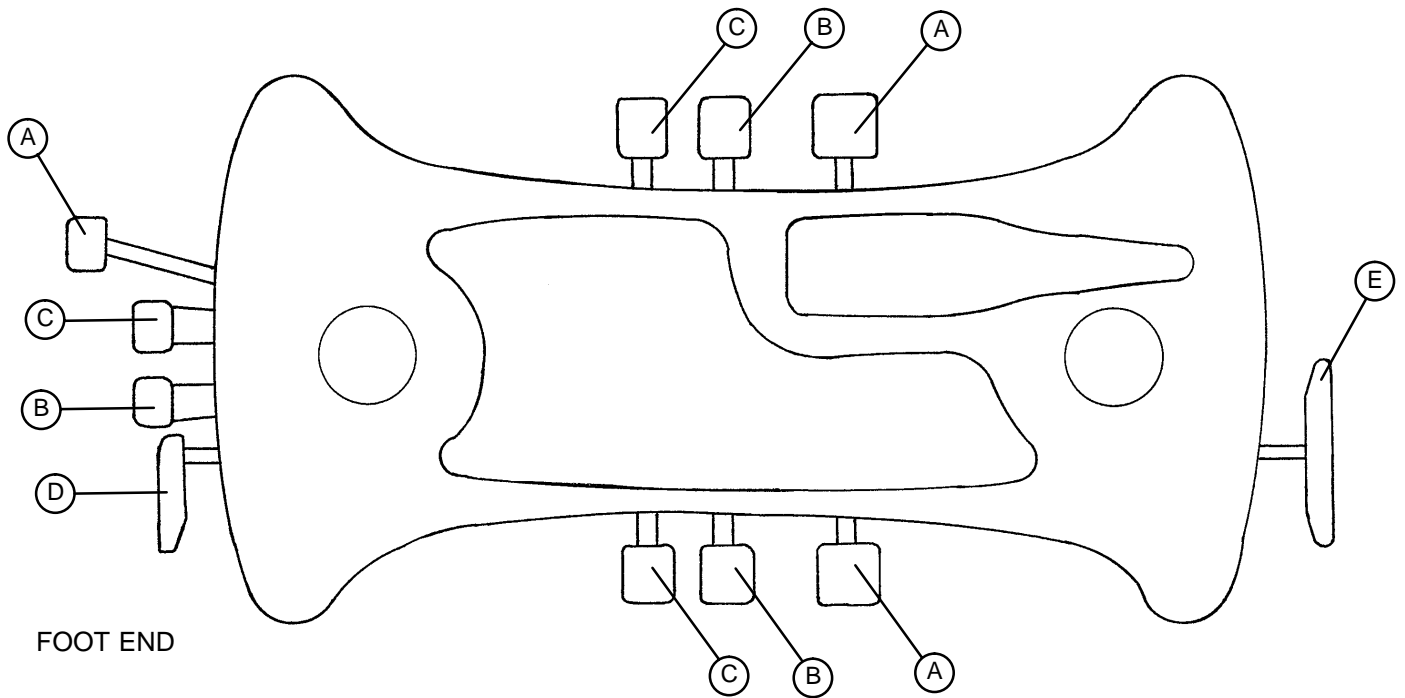
These instructions point out special procedures or precautions that must be followed to avoid damaging the equipment.

NOTE

This provides special information to make maintenance easier or important instructions clearer.

Stretcher Operation

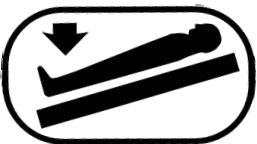
OPERATING THREE-SIDED CONTROLS BASE



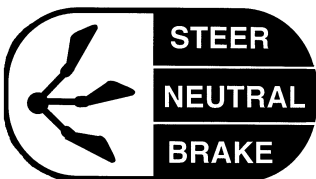
(A) Pump to raise litter.



(B) Depress to lower head end.



(C) Depress to lower foot end.



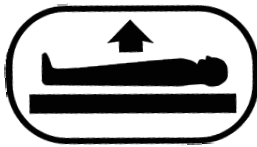
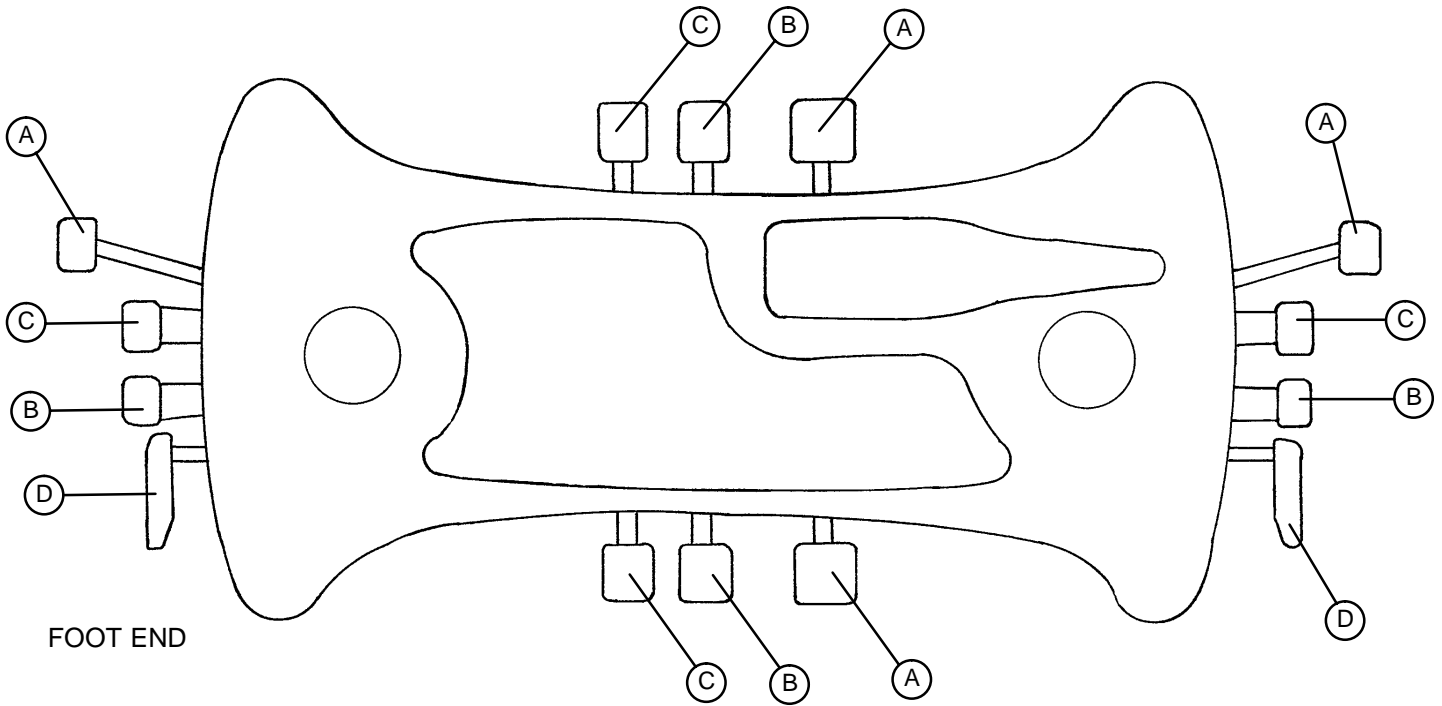
(D) Brake and Steer functions (control end).



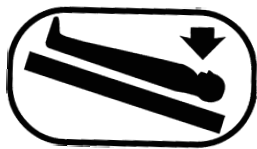
(E) Brake and Steer functions (non-control end).

Stretcher Operation

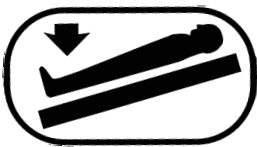
OPERATING FOUR-SIDED CONTROLS BASE



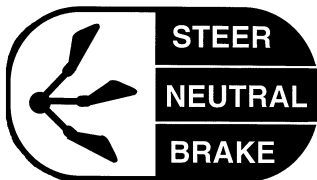
(A) Pump to raise litter.



(B) Depress to lower head end.



(C) Depress to lower foot end.



(D) Brake and Steer functions.

Stretcher Operation

RAISING AND LOWERING LITTER HEIGHT

NOTE

For user convenience, there are two stretcher bases available: a "three-sided" base with pump pedals and control pedals on both sides of the stretcher and on the foot or head end and a "four-sided" base with pump pedals and control pedals on both sides and on both ends.

CAUTION

Be sure to move any equipment that may be in the way before raising or lowering stretcher height.

To **raise** the litter height, pump the foot pump pedal (A) repeatedly until desired height is achieved. (See illustration, page 3 for "three-sided" bases or page 4 for "four-sided" bases).

To **lower** the litter height, depress pedal (B) to lower the head end and depress pedal (C) to lower the foot end of the stretcher. (See illustration, page 3 or page 4). The base may be equipped with optional variable descent controls. With variable descent controls, the farther you press down on the pedal, the faster the litter will lower.

NOTE

When lowering both ends of the stretcher simultaneously, activate both pedals (B) and (C) using the same foot.

TRENDELENBERG/REVERSE TRENDELENBERG POSITIONING

NOTE

Litter height must be raised first in order to achieve a trend. or reverse trend. position.

CAUTION

Be sure to remove any equipment that may be in the way before lowering stretcher.

For **Trendelenberg** positioning (head down), depress pedal (B). (See illustration, page 3 or page 4).

For **Reverse Trendelenberg** positioning (foot down), depress pedal (C). (See illustration, page 3 or page 4).

NOTE

The higher the litter is before pedals (B) or (C) are activated, the greater the trend. or reverse trend. angle will be. (Maximum trend. angle is +18°. Maximum reverse trend. angle is -18°).

OPERATING DIRECTIONAL STEERING CASTER/5TH WHEEL OPTIONS

The purpose of the steer wheel and 5th wheel options are to help guide the stretcher when transporting a patient along a straight line and also for pivoting at corners.

NOTE

Stretchers cannot be equipped with both steering caster and fifth wheel options. The choice was made at the time the stretcher was purchased.

Important: For proper "tracking" of the steer caster or fifth wheel options, push the stretcher approximately 10 feet to allow the wheels to face the direction of travel before engaging the steer pedal. If this procedure is not followed, proper "tracking" will not occur, causing difficulty with steering the stretcher.

The steer wheel is located at the foot end of the stretcher on the patient's left. The 5th wheel is located underneath the center of the base assembly.

To engage the steer wheel/5th wheel on a "Dual Side Control" stretcher, push the right side of pedal (D) to the full down position. (See illustration page 3).

To engage the steer wheel/5th wheel on a "Dual End Control" stretcher, pull pedal (D) to the full up position. (See illustration page 4).

Stretcher Operation

APPLYING THE BRAKE SYSTEM

NOTE

For user convenience, the Brake/Steer pedal is located on both ends of the stretcher on both "three-sided" and "four-sided" control stretchers.

CAUTION

If brakes do not hold properly, refer to your stretcher maintenance manual for "Brake Adjustment"

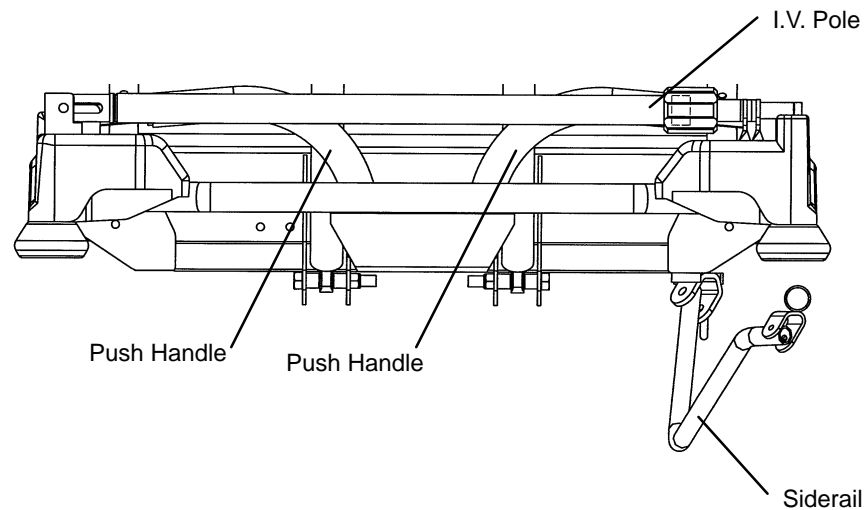
To engage the brakes on the non-control end of a "three-sided" base stretcher, push fully down on the left side of pedal (E). (See illustration page 3).

To engage the brakes on the control end of a "three-sided" base stretcher and on both ends of a "four-sided" base stretcher, push fully down on pedal (D). (See illustrations page 3 and 4).

USING PUSH HANDLES

CAUTION

The push handles should always be used when transporting patients. Avoid using other parts of the stretcher as pushing devices or damage may occur.



Head end push handles in the stored position.

To use the push handles:

Pivot the handles up and push down until they are locked into position.

To store the push handles:

Lift the handles up and pivot them down to store in the handle rests.

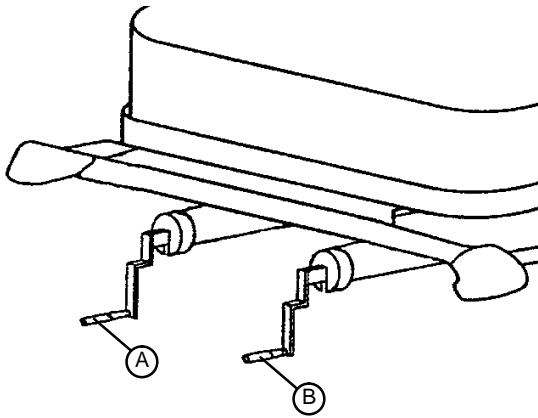
Stretcher Operation

OPERATING THE FOWLER/KNEE GATCH

NOTE

There are two types of Fowler options: 1) crank operated, 2) pneumatic operated. The choice was made at the time the stretcher was purchased. A crank Knee Gatch is also optional.

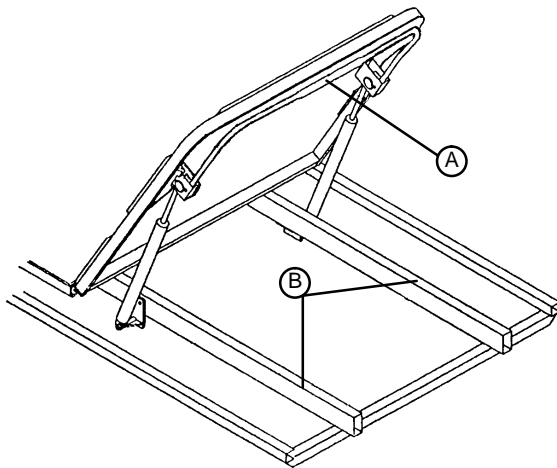
Crank Fowler/Crank Knee Gatch:



Turn crank handle (A) clockwise to raise Fowler, counterclockwise to lower.

Turn crank handle (B) clockwise to raise Knee Gatch, counterclockwise to lower.

Pneumatic Fowler:



Squeeze handle (A) for pneumatic assist in lifting the Fowler to the desired height. Remove hand(s) from handle when desired height is achieved.

To lower, squeeze handle (A) and push down until Fowler has reached desired height. Remove hand(s) from handle when desired height is achieved.

CAUTION

If pneumatic system appears to be difficult to operate, refer to the Stretcher Maintenance Manual for "Pneumatic Fowler Adjustment".

WARNING

Keep hands/fingers clear of area around Fowler release handle and Fowler frame when lowering. Injury could result if care is not taken when lowering the Fowler.

Stretcher Operation

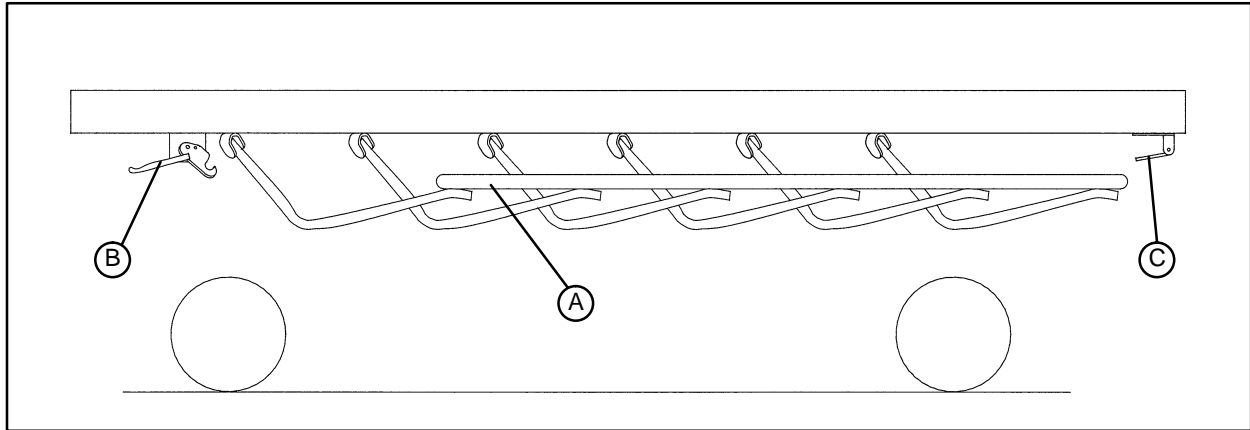
USING SIDERAILS

NOTE

Raising and lowering siderails is a two-handed operation. Use one hand to hold and position the siderail and the other hand to operate the siderail latch.

WARNING

When lowering the siderail to the collapsed position, keep extremities of patients and staff away from the siderail spindles.



To engage siderails: Pull up siderail (A) and raise to full up position so that latch (B) engages. (See illustration).

To disengage siderails: Pull up on latch (B) and guide siderail to the full down position.

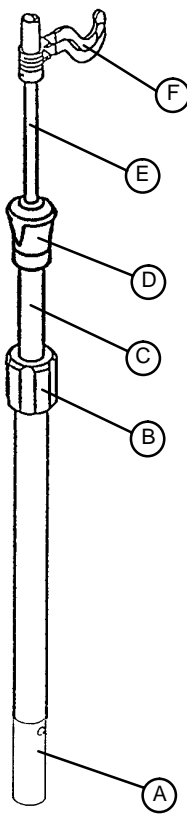
There is an optional siderail release latch (C) at the head end of the stretcher. Pull up on the latch and guide the siderail down.

CAUTION

Do not allow siderail to lower on its own.

Stretcher Operation

OPERATING OPTIONAL 3-STAGE PERMANENTLY ATTACHED I.V. POLE



NOTE

An optional 3-stage permanently attached I.V. Pole may have been installed at either the head, foot or both ends of the stretcher. The choice was made at the time the stretcher was purchased.

To use the 3-stage permanently attached I.V. pole:

1. Lift and pivot the pole from the storage position and push down until it is locked into receptacle (A).
2. To raise the height of the pole, turn the lock actuator (B) counter-clockwise and pull up on the bottom telescoping portion (C) of the pole to raise it to the desired height.
3. Turn the lock actuator (B) clockwise to lock the bottom telescoping portion in place.
4. For a higher I.V. pole, push up on the top section of grip (D) and pull up on section (E). Release the top section of grip (D) when the desired height is achieved.
5. Rotate the I.V. hangers (F) to desired position and hang I.V. bags.

CAUTION

The weight of the I.V. bags should not exceed 40 pounds.

OPERATING OPTIONAL 2-STAGE PERMANENTLY ATTACHED I.V. POLE

NOTE

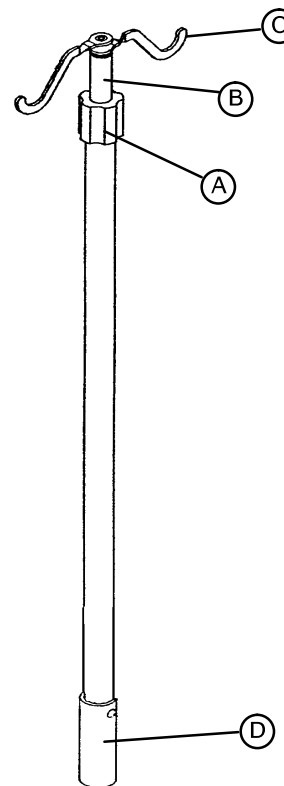
An optional 2-stage permanently attached I.V. Pole may have been installed at either the head, foot or both ends of the stretcher. The choice was made at the time the stretcher was purchased.

To use the 2-stage permanently attached I.V. pole:

1. Lift and pivot the pole from the storage position and push down until it is locked into receptacle (D).
2. To raise the height of the pole, turn the lock actuator (A) counter-clockwise and pull up on the telescoping portion (B) of the pole to raise it to the desired height.
3. Turn the lock actuator (A) clockwise to lock the telescoping portion in place.
4. Rotate the I.V. hangers (C) to desired position and hang I.V. bags.

CAUTION

The weight of the I.V. bags should not exceed 40 pounds.

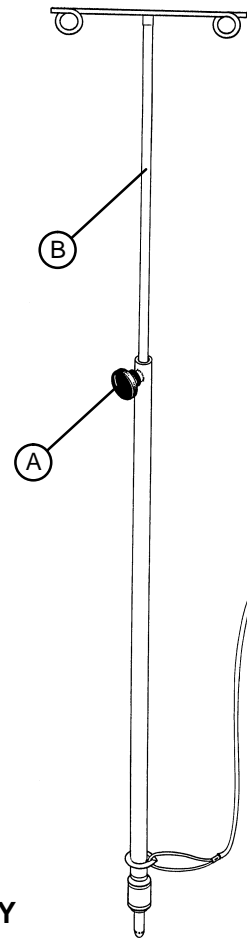


Stretcher Operation

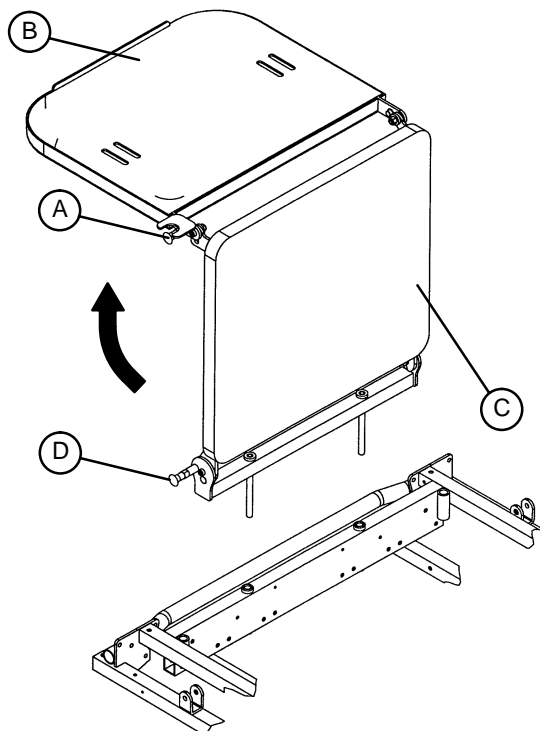
OPERATING OPTIONAL TETHERED I.V. POLE

To use the tethered I.V. pole:

1. Remove the I.V. pole from the storage trough under the litter and insert into the receptacle on the corner of the litter frame.
2. To raise the height of the pole, turn knob (A) counterclockwise and pull up on the telescoping portion (B) of the pole to raise it to the desired height.
3. Turn knob (A) clockwise to lock the telescoping portion in place.



OPERATING OPTIONAL FOOT EXTENSION/DEFIBRILLATOR TRAY

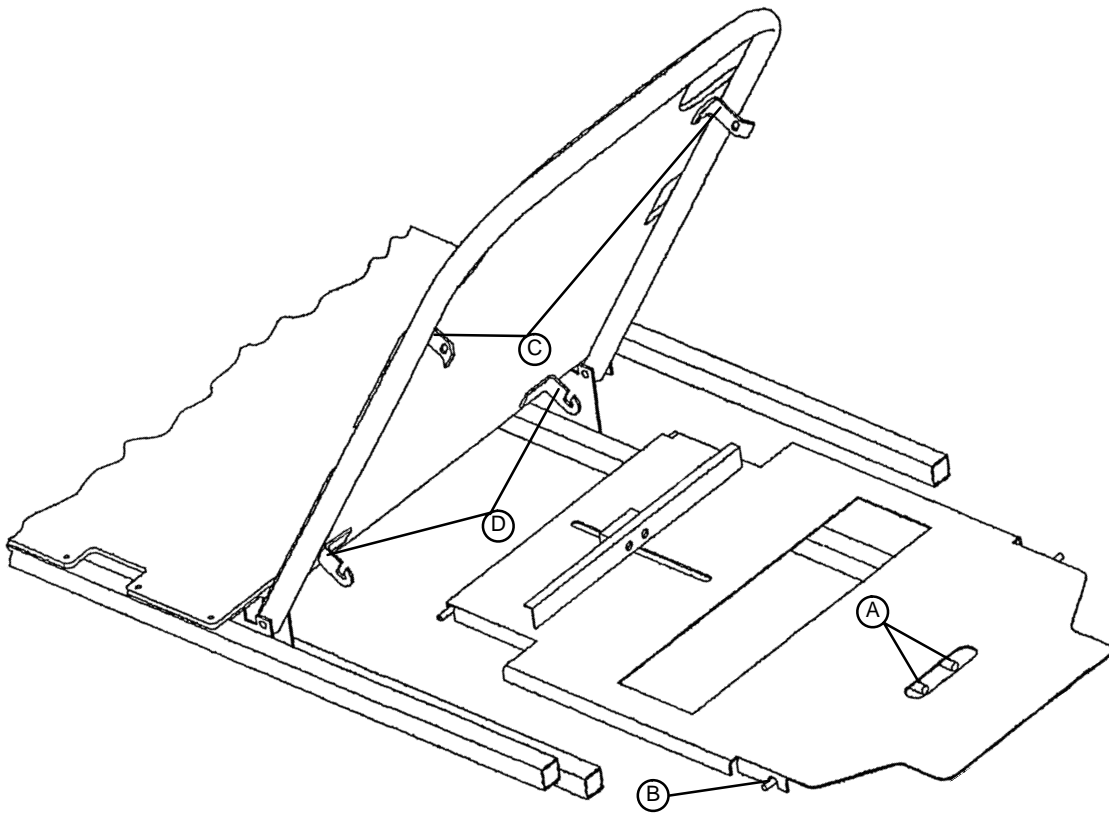


To use as a defibrillator tray, pull out top knob (A) and pivot tray (B) over the foot extension until tray extends flat over foot end of stretcher.

To use as a foot extension, pull out knob (A) and pivot the defibrillator tray back until it locks against the foot extension (C). While holding onto the assembly, pull out bottom knob (D) and lower the foot extension down until it is flat.

Stretcher Operation

USING OPTIONAL X-RAY CASSETTE HOLDER



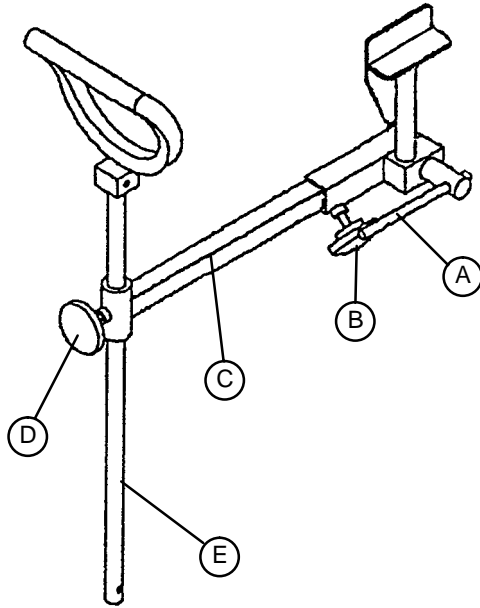
1. To access the Fowler x-ray cassette holder, raise the Fowler section.
2. Grasp handles (A) and squeeze, allowing locating pins (B) to disengage from mounting brackets (C).
3. Lower tray and install x-ray cassette.
4. Reverse steps 1 & 2 to engage loaded tray to Fowler mounting brackets (C).
5. To completely remove tray from Fowler, remove bottom of tray from mounting brackets (D).

NOTE

The tray position can be adjusted, from the patient's head to the buttocks area, by loosening the knob on the front of the tray, sliding the tray to the desired position, and re-tightening the knob to hold the position.

Stretcher Operation

OPERATING OPTIONAL HEEL STIRRUPS



1. To use the optional heel stirrups, turn the handle (A) on the lock screw located under the litter frame and swing the stirrup assembly into position. Tighten the handle (A) to hold the assembly in place.

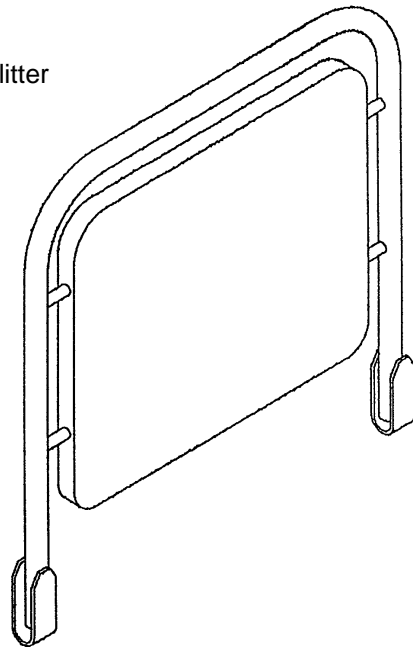
2. Loosen knob (B) and pull out the extension tube (C) to the desired length. Tighten knob (B).

3. Loosen knob (D) and raise or lower the stirrup (E) to the desired height. Tighten knob (D).

USING THE OPTIONAL HEADBOARD/PUSHBAR

1. Pull the headboard/pushbar out of its storage position under the litter frame and insert it into the receptacles.

2. To store, remove the headboard/pushbar from the receptacles and slide it into the storage brackets until it latches.



Preventative Maintenance

CLEANING

1. Hand wash all surfaces of the bed with warm water and mild detergent. Dry thoroughly.
2. Clean Velcro **AFTER EACH USE**. Saturate Velcro with disinfectant and allow disinfectant to evaporate. (Appropriate disinfectant for nylon Velcro should be determined by the hospital.)

NOTE

Quaternary Germicidal Disinfectants, used as directed, and/or Chlorine Bleach products, typically 5.25% Sodium Hypochlorite in dilutions ranging between 1 part bleach to 100 parts water, and 2 parts bleach to 100 parts water are not considered mild detergents. These products are corrosive in nature and may cause damage to your stretcher if used improperly. If these types of products are used to clean Stryker patient handling equipment, measures must be taken to insure the stretchers are rinsed with clean water and thoroughly dried following cleaning. Failure to properly rinse and dry the stretchers will leave a corrosive residue on the surface of the stretcher, possibly causing premature corrosion of critical components. Failure to follow the above directions when using these types of cleaners may void this product's warranty.

BIANNUAL CHECKLIST

- _____ All fasteners secure
- _____ Siderails move and latch properly
- _____ All casters lock with brake pedal engaged
- _____ Steer function working properly
- _____ All casters secure and swivel properly
- _____ Body restraints working properly
- _____ I.V. pole intact and operating properly
- _____ Oxygen bottle holder intact and operating properly
- _____ Fowler operates and latches properly
- _____ Knee Gatch operates properly
- _____ Trendelenberg/Reverse Trendelenberg operating properly
- _____ No rips or cracks in mattress cover
- _____ Ground chain intact
- _____ No leaks at hydraulic connections
- _____ Hydraulic jacks holding properly
- _____ Hydraulic drop rate set properly
- _____ Hydraulic oil level sufficient
- _____ Lubricate where required, including the brake adjuster assembly and brake cam

Serial No. _____

Completed By: _____

Date: _____

Warranty

Limited Warranty:

Stryker Patient Care Division, a division of Stryker Corporation, warrants to the original purchaser that the 1210, 1211, 1212, 1710 and 1711 stretchers should be free from defects in material and workmanship for a period of three (3) years after date of delivery. Stryker's obligation under this warranty is expressly limited to supplying replacement parts for three years and labor for one year, or replacing, at its option, any product which is, in the sole discretion of Stryker, found to be defective. Stryker warrants to the original purchaser that the frame and welds on its beds will be free from structural defects for as long as the original purchaser owns the bed. If requested by Stryker, products or parts for which a warranty claim is made shall be returned prepaid to Stryker's factory. Any improper use or any alteration or repair by others in such manner as in Stryker's judgement affects the product materially and adversely shall void this warranty. No employee or representative of Stryker is authorized to change this warranty in any way.

This statement constitutes Stryker's entire warranty with respect to the aforesaid equipment. STRYKER MAKES NO OTHER WARRANTY OR REPRESENTATION, EITHER EXPRESSED OR IMPLIED, EXCEPT AS SET FORTH HEREIN. THERE IS NO WARRANTY OF MERCHANTABILITY AND THERE ARE NO WARRANTIES OF FITNESS FOR ANY PARTICULAR PURPOSE. IN NO EVENT SHALL STRYKER BE LIABLE HEREUNDER FOR INCIDENTAL OR CONSEQUENTIAL DAMAGES ARISING FROM OR IN ANY MANNER RELATED TO SALES OR USE OF ANY SUCH EQUIPMENT.

To Obtain Parts and Service:

Stryker products are supported by a nationwide network of dedicated Stryker Field Service Representatives. These representatives are factory trained, available locally, and carry a substantial spare parts inventory to minimize repair time. Simply call your local representative, or call Stryker Customer Service at (800) 327-0770.

Supplemental Warranty Coverage:

Stryker has developed a comprehensive program of extended warranty options designed to keep your equipment operating at peak performance at the same time it eliminates unexpected costs. We recommend that these programs be activated *before* the expiration of the new product warranty to eliminate the potential of additional equipment upgrade charges. Stryker offers the following Supplemental Warranties:

Extended (Parts and Labor)

- All replacement parts (excluding mattresses and consumable items)
- Labor and travel for *all* scheduled and unscheduled calls
- Biannual Preventative Maintenance Inspections and repairs
- JCAHO paperwork for preventative maintenance
- Priority Emergency Service

Standard (Labor Only):

- Labor and travel for *all* scheduled and unscheduled calls
- Biannual Preventative Maintenance Inspections and repairs
- JCAHO paperwork for preventative maintenance
- Priority Emergency Service

Basic (Parts Only):

- All replacement parts (excluding mattresses and consumable items)
- Priority Emergency Service

Please call your local representative, or call (800) 327-0770 for further information

Warranty

Return Authorization:

Merchandise cannot be returned without approval from the Stryker Customer Service Department. An authorization number will be provided which must be printed on the returned merchandise. Stryker reserves the right to charge shipping and restocking fees on returned items.

SPECIAL, MODIFIED, OR DISCONTINUED ITEMS NOT SUBJECT TO RETURN.

Damaged Merchandise:

ICC Regulations require that claims for damaged merchandise must be made with the carrier within fifteen (15) days of receipt of merchandise. **DO NOT ACCEPT DAMAGED SHIPMENTS UNLESS SUCH DAMAGE IS NOTED ON THE DELIVERY RECEIPT AT THE TIME OF RECEIPT.** Stryker Customer Service must be notified immediately. Stryker will aid the customer in filing a freight claim with the appropriate carrier for damages incurred. Claim will be limited in amount to the actual replacement cost. In the event that this information is not received by Stryker within the fifteen (15) day period following the delivery of the merchandise, or the damage was not noted on the delivery receipt at the time of receipt, the customer will be responsible for payment of the original invoice in full.

Claims for any short shipment must be made within thirty (30) days of invoice.



6300 Sprinkle Road, Kalamazoo, MI 49001-9799

(800) 327-0770

DH 7/94 1212-90-1 REV __