



SECHRIST INDUSTRIES, INC.

**Service Manual
Hydraulic & Standard Gurneys & Stretchers**

Hydraulic Models:

P/N 21465

P/N 21266

Standard Models:

P/N 21502

P/N 21464

Standard Model without Siderails:

P/N 21487

4225 E. La Palma Avenue
Anaheim, California 92807 USA
Phone: 714-579-8400 Fax: 714-579-0814
USA & Canada 800-SECHRIST (732-4747)
Website: www.sechristusa.com
E-mail: info@sechristusa.com

Table of Contents

Preventative Maintenance Checklist	3
Cleaning	4
Service Information	
Caster Cover Installation and Removal	5
Caster Assembly Replacement	5
Brake Rod Removal	6
Brake Ring Removal	7
Fifth Wheel Removal	7
Siderail Latch Adjustment	8
Assembly Drawings and Parts Lists	
Base Assembly with Fifth Wheel and Standard Brakes	9–11
Fifth Wheel Assembly	12, 13
Brake Rod Assembly	14
Drive Link Assembly	15
Caster Assembly	16
Push Bar Gurney Assembly	17
Fixed Height Base Labeling Assembly	18
Fixed Height Base Labeling Assembly – Pushbar Gurney	19
Base Assembly with Standard Brakes	20, 21
Hydraulic Base Assembly	22–25
Release Pedal Assembly	26
Pump Pedal Assembly	27
Jack Base Assembly	28
End Control Base Labeling Assembly	29
Litter Assembly – Fixed Height Base	30–32
Litter Assembly – Hydraulic Base	33–36
Folddown Siderail Assembly	37
Litter Release Rod Assembly	38
Push Handle Assembly	39
Transfer Dolly Assembly	40
I.V. Pole Assembly	41
Warranty	42

Notes

Preventative Maintenance

CHECKLIST

ALL GURNEYS:

- _____ All fasteners secure
- _____ Siderails move and latch properly (Gurneys 21502, 21464, 21465, 21266)
- _____ All casters lock with brake pedal engaged
- _____ Steer function working properly
- _____ All casters secure and swiveling properly
- _____ Ground chain intact
- _____ I.V. pole intact and operating properly (Gurneys 21502, 21464, 21465, 21266)
- _____ Oxygen bottle holder intact and operating properly (Gurneys 21502, 21464, 21465, 21266)
- _____ Head rest operates and latches properly (Gurneys 21464, 21465)
- _____ No rips or cracks in mattress cover
- _____ Lubricate where required, including the brake adjuster assembly and brake cam
- _____ Accessories and mounting hardware in good condition and working properly

HYDRAULIC GURNEYS (P/N'S 21465, 21266):

- _____ No leaks at hydraulic connections
- _____ Hydraulic jacks holding properly
- _____ Hydraulic drop rate set properly
- _____ Hydraulic oil level sufficient

Serial No. _____

Completed By: _____ Date: _____

NOTE

References to the right or left side of the stretcher refer to the right and left sides of a patient lying face up on the stretcher.

Cleaning

Hand wash all surfaces of the stretcher with warm water and mild detergent. Dry thoroughly. **DO NOT STEAM CLEAN, PRESSURE WASH, HOSE OFF OR ULTRASONICALLY CLEAN.** Using these methods of cleaning is **not** recommended and may void this product's warranty.

In general, when used in those concentrations recommended by the manufacturer, either phenolic type or quaternary type disinfectants can be used. Iodophor type disinfectants are not recommended for use because staining may result. The following products have been tested by the Herculite Laboratory and have been found not to have a harmful effect **WHEN USED IN ACCORDANCE WITH MANUFACTURERS RECOMMENDED DILUTION.***

TRADE NAME	DISINFECTANT TYPE	MANUFACTURER	*MANUFACTURER'S RECOMMENDED DILUTION
A33	Quaternary	Airwick (Professional Products Division)	2 ounces/gallon
A33 (dry)	Quaternary	Airwick (Professional Products Division)	1/2 ounce/gallon
Beaucoup	Phenolic	Huntington Laboratories	1 ounce/gallon
Blue Chip	Quaternary	S.C. Johnson	2 ounces/gallon
Elimstaph	Quaternary	Walter G. Legge	1 ounce/gallon
Franklin Phenomysan F2500	Phenolic	Purex Corporation	1 1/4 ounce/gallon
Franklin Sentinel	Quaternary	Purex Corporation	2 ounces/gallon
Galahad	Phenolic	Puritan Churchill Chemical Company	1 ounce/gallon
Hi-Tor	Quaternary	Huntington Laboratories	1/2 ounce/gallon
LPH	Phenolic	Vestal Laboratories	1/2 ounce/gallon
Matar	Phenolic	Huntington Laboratories	1/2 ounce/gallon
Omega	Quaternary	Airwick (Professional Products Division)	1/2 ounce/gallon
Quanto	Quaternary	Huntington Laboratories	1 ounce/gallon
Sanikleen	Quaternary	West Chemical Products	2 ounces/ gallon
Sanimaster II	Quaternary	Service Master	1 ounce/gallon
Vesphene	Phenolic	Vestal Laboratories	1 1/4 ounce/ gallon

Quaternary Germicidal Disinfectants, used as directed, and/or Chlorine Bleach products, typically 5.25% Sodium Hypochlorite in dilutions ranging between 1 part bleach to 100 parts water, and 2 parts bleach to 100 parts water are not considered mild detergents. These products are corrosive in nature and may cause damage to your gurney if used improperly. If these types of products are used to clean patient handling equipment, measures must be taken to insure the stretchers are rinsed with clean water and thoroughly dried following cleaning. Failure to properly rinse and dry the gurneys will leave a corrosive residue on the surface of the stretcher, possibly causing premature corrosion of critical components. Failure to follow the above directions when using these types of cleaners may void this product's warranty.

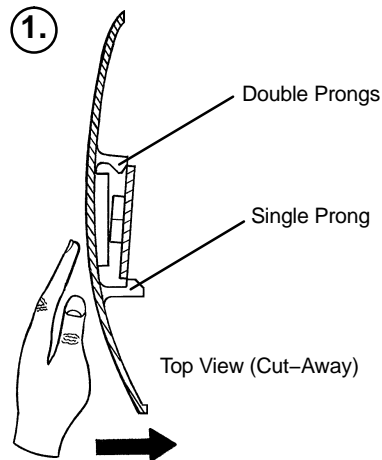
REMOVAL OF IODINE COMPOUNDS

This solution may be used to remove iodine stains from mattress cover surfaces.

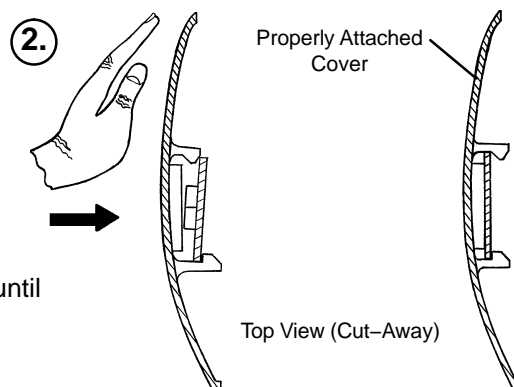
1. Use a solution of 1–2 tablespoons Sodium Thiosulfate in a pint of warm water to clean the stained area. Clean as soon as possible after staining occurs. If stains are not immediately removed, allow solution to soak or stand on the surface.
2. Rinse surfaces which have been exposed to the solution in clear water before returning bed to service.

Service Information

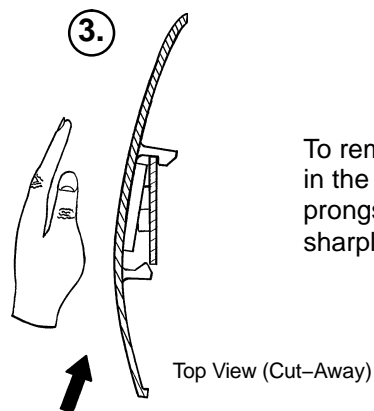
CASTER COVER INSTALLATION AND REMOVAL



Looking through the larger of the two side cut-outs, align the cover with the axle nut or bolt head, as shown. Push down on the opposite side of the cover until the single prong engages the caster horn.



Push on the cover with your palm until the double prongs engage.



To remove the wheel cover, insert a large screwdriver into the cut-out in the side of the wheel cover and into the space between the double prongs. Pry up the cover to disengage the double prongs and push sharply upward to disengage the single prong.

CASTER REMOVAL

Required Tools:

9/16" Open End Wrench

1. Remove the caster cover.
2. While keeping pressure on the caster bolt with your index finger, use a 9/16" open end wrench to remove the nylock hex nut on top of the caster assembly.
3. Using the brake ring, lift up on the base assembly and pull the caster assembly down to remove it.
4. Reverse steps 1-3 to install the new caster.

Service Information

BRAKE ROD REMOVAL

Required Tools:

Hammer

7/32" Punch

String or Bungee Cords

1. Pump the litter up to full height.
2. Lift the base hood and support it from the litter using string or bungee cords.
3. Remove the hex head cap screws connecting the brake rod supports to the base frame.
4. Remove the bolt connecting the drive link assembly to the fifth wheel cam.
5. Remove the rue ring cotter and clevis pin connecting the rod end link to the side control link.
6. Remove the rue ring cotter connecting the drive link assembly to the bearing pivot support on the base frame (under the brake ring weldment).
7. Remove the three hex washer head screws holding the brake rod assembly to the base frame.
8. Remove the slotted spring pins connecting the butterfly "V" pedals, drive link assemblies and side control link to the brake rod.
9. Reverse steps 1–8 to reinstall the brake rod. When reinstalling the brake rod supports, torque the hex head cap screws to 12–15 ft.–lbs.

CAUTION

When reattaching the brake rod assembly to the base frame, set the torque specs **no higher** than 15 ft.–lbs. or damage could occur to the bolts.

SIDE CONTROL BRAKE ROD REMOVAL

Required Tools:

Hammer

7/32" Punch

Needle Nose Pliers

String or Bungee Cords

1. Pump the litter up to full height.
2. Lift the base hood and support it from the litter using string or bungee cords.
3. Remove the rue ring cotter and clevis pin connecting the rod end link to the side control link.
4. Remove the four bolts holding the brake rod assembly to the base frame and remove the entire assembly.
5. Using a hammer and 7/32" punch, drive the slotted spring pin out of the butterfly "V" pedal on the patient's left side and remove the pedal,
6. Using a hammer and 7/32" punch, drive the slotted spring pin out of the hard stop in the center of the support weldment.
7. Using a hammer and 7/32" punch, drive out the slotted spring pin connecting the side control link to the side control brake rod on the patient's right side.
8. Pull on the butterfly "V" pedal on the patient's right side to remove the side control brake rod from the base.
9. Reverse steps 1–8 to reinstall the brake rod. When reinstalling the assembly, torque the hex head cap screws to 12–15 ft.–lbs.

CAUTION

When reattaching the brake rod assembly to the base frame, set the torque specs **no higher** than 15 ft.–lbs. or damage could occur to the bolts.

Service Information

BRAKE RING REMOVAL

Required Tools:

9/16" Socket w/Extension 3/8" Drive Ratchet Needle–Nose Pliers String or Bungee Cord

1. Pump the litter up to full height.
2. Lift the base hood and support it from the litter using string or bungee cords.
3. Using needle–nose pliers, unhook the extension springs from the top of the base caster tubes.
4. Remove the plastic caster covers.
5. While putting pressure on the caster carriage bolt, use a 9/16" socket and a 3/8" drive ratchet to remove the caster nut on both sides of the stretcher.
6. Remove the casters.
7. Remove the brake rod (see procedure).
8. Remove the cotter pin from the clevis pin in the center of the brake ring weldment.
9. Remove the cotter pin from the bearing pivot support.
10. Remove the 3/4" nylock hex nut from the bearing pivot support.
11. Remove the drive link assembly.
12. Pull the brake ring down and out away from the stretcher base frame.
13. Reverse steps 1–12 to reinstall the brake ring.

FIFTH WHEEL ASSEMBLY REMOVAL

Required Tools:

1/2" Socket 3/8" Drive Ratchet

1. Using a 1/2" socket and 3/8" drive ratchet, remove the 1/2" bolt holding the fifth wheel cam drive link and fifth wheel drive link to the fifth wheel cam.
2. Remove the two 1/2" bolts holding the fifth wheel mounting bracket to the base frame weldment.
3. Remove the fifth wheel assembly.
4. Reverse steps 1 and 2 to reinstall the fifth wheel. When reinstalling the assembly, torque the hex head cap screws to 12–15 ft.–lbs.

CAUTION

When reattaching the fifth wheel assembly to the base frame, set the torque specs **no higher** than 15 ft.–lbs. or damage could occur to the bolts.

Service Information

SIDERAIL LATCH ADJUSTMENT

Required Tools:

1/8" Hex Allen Wrench

WARNING

The siderail latches are preset at the factory, and do not normally need adjustment. If adjustment must be done, it is important to follow the procedure below. If adjustment is not done properly, injury to the patient or user could occur.

Adjustment Procedure:

1. Using a 1/8" hex Allen wrench, adjust the Allen screw located on the latch assembly opposite the latch. Turning the screw clockwise will **DECREASE** the amount of "play" in the latch. Turning counterclockwise will **INCREASE** the amount. The amount of "play" in the siderail, when in full up engaged position, should be approximately 1/8 to 3/16 inches.
-

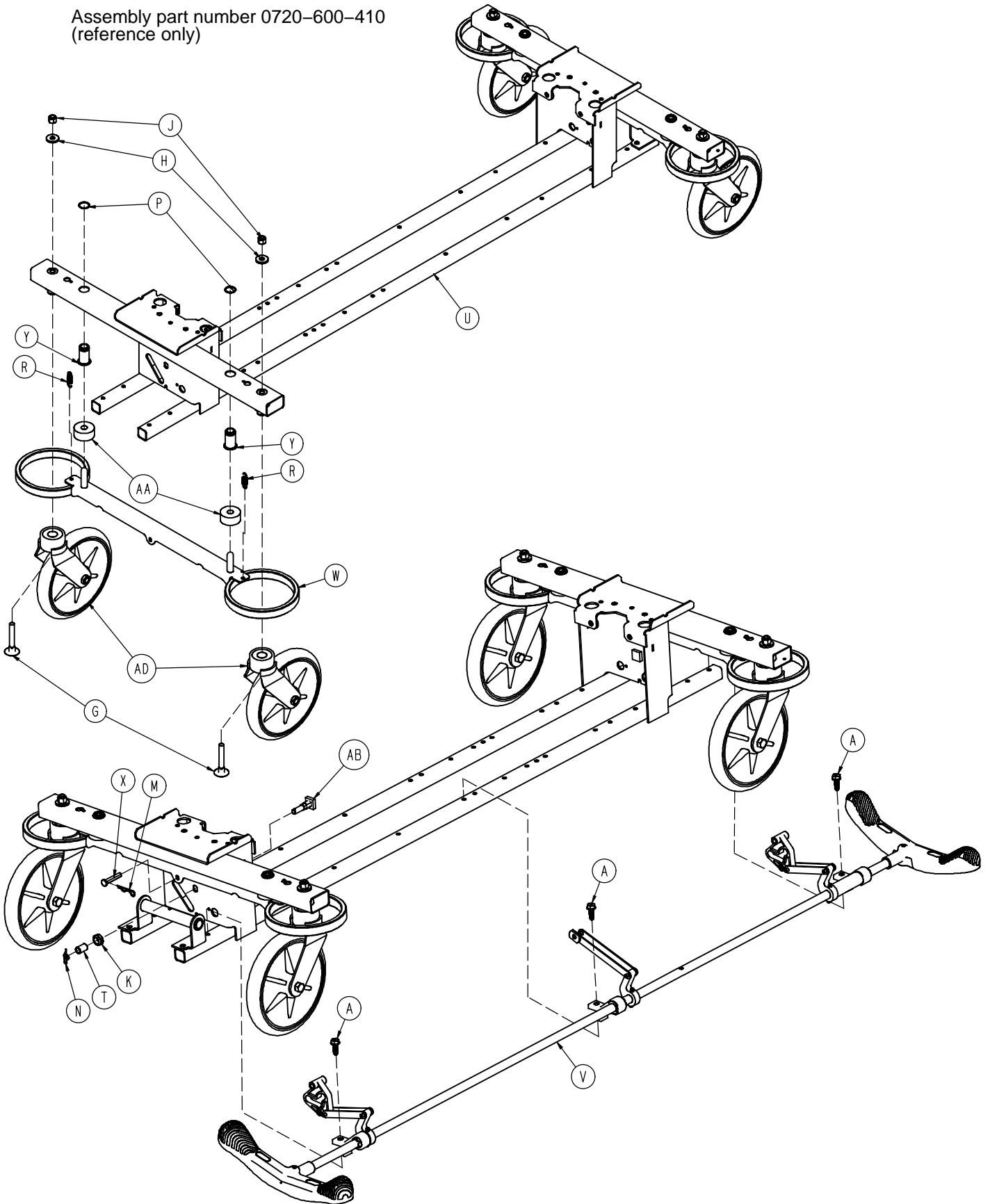
CAUTION

Too much "play" when the siderail is in the full up engaged position will give the siderail the appearance of being unstable and could also cause premature wearing of the latch system.

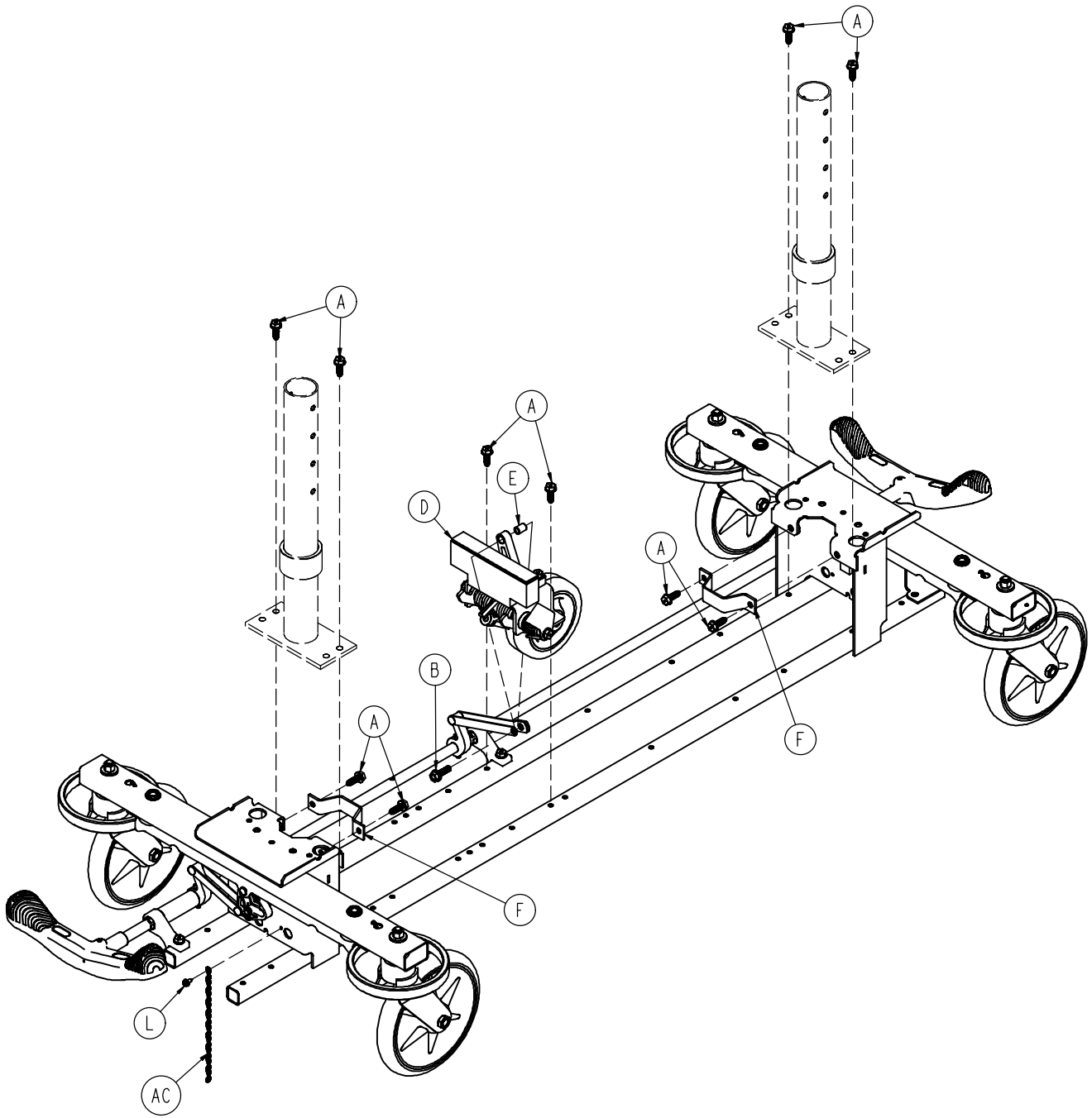
Too little "play" will obstruct the latch and keep it from engaging completely in the full up position, which may cause damage to the latch and/or injury to the patient or user.

Base Assembly with Fifth Wheel & Standard Brakes

Assembly part number 0720-600-410
(reference only)



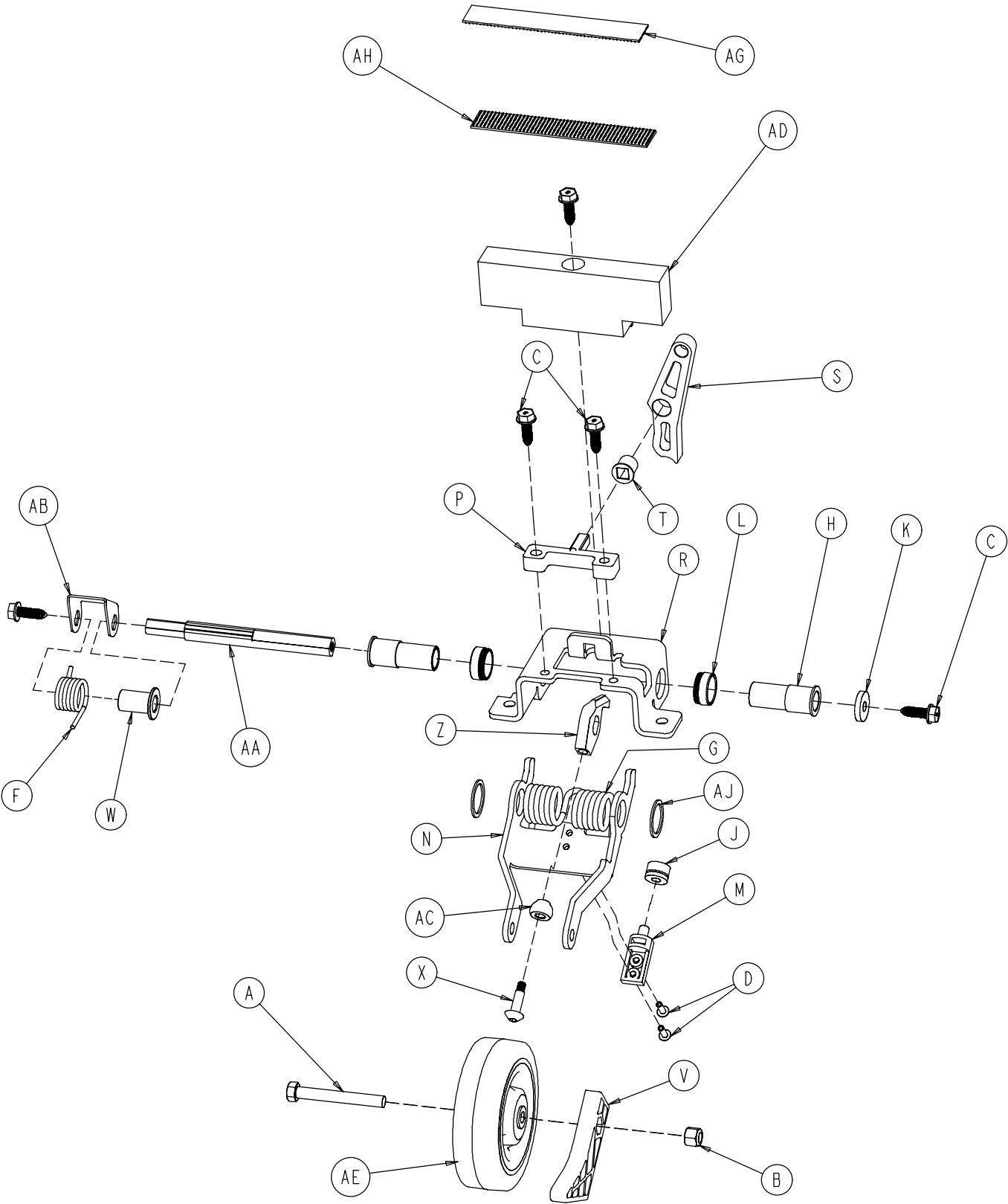
Base Assembly with Fifth Wheel & Standard Brakes



Base Assembly with Fifth Wheel & Standard Brakes

Item	Part No.	Part Name	Qty.
A	0023-288-000	Hex Washer Hd. Screw	13
B	0023-305-000	Hex Washer Hd. Screw	1
D	(page 12)	Fifth Wheel Assembly	1
E	0753-006-148	Cam Bearing	1
F	0753-010-007	Reservoir Clamp	2
G	0005-044-000	Step Bolt	4
H	0011-262-000	Washer	4
J	0016-035-000	Nylock Hex Nut	4
K	0016-049-000	Nylock Hex Nut	2
L	0023-025-000	Hex Wash. Hd. Tapping Screw	1
M	0027-012-000	Hitch Pin	2
N	0027-022-000	Rue Ring Cotter	2
P	0028-037-000	External Retaining Ring	4
R	0038-439-000	Extension Spring	4
T	0081-037-000	Plane Bearing	2
U	0753-001-001	Base Weldment	1
V	(page 14)	Brake Rod Assembly	1
W	0753-003-006	Brake Ring Weldment	2
X	0753-003-066	Clevis Pin	2
Y	0753-003-079	Brake Pin Guide	4
AA	0753-003-121	Brake Cushion	4
AB	0753-003-230	Bearing Pivot Support	2
AC	0753-010-012	Ground Chain	1
AD	(page 16)	Caster Assembly	4

0753-006-130 Fifth Wheel Assembly

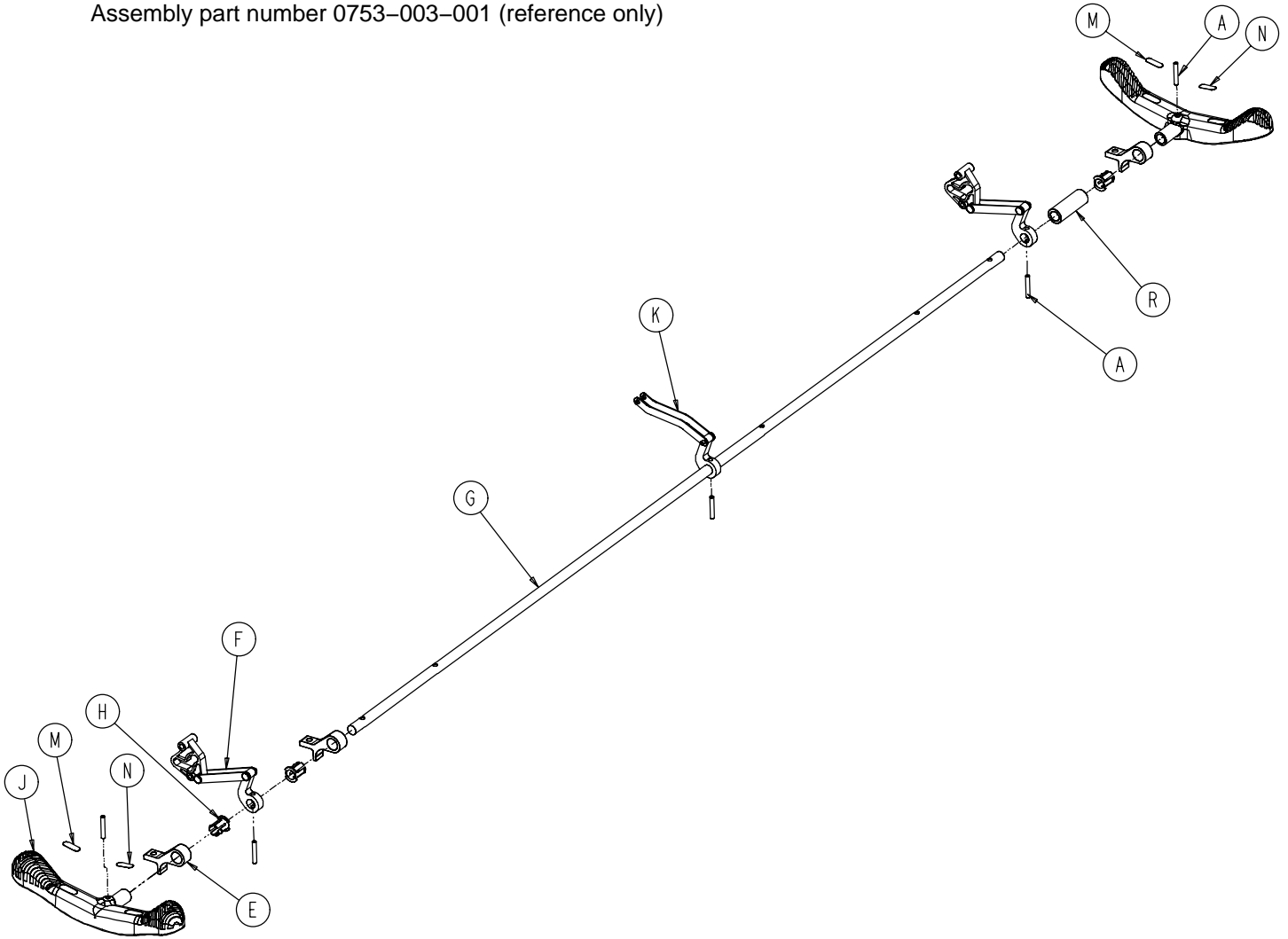


0753-006-130 Fifth Wheel Assembly

Item	Part No.	Part Name	Qty.
A	0003-083-000	Hex Hd. Cap Screw	1
B	0016-035-000	Nylock Hex Nut	1
C	0023-288-000	Hex Washer Hd. Screw	5
D	0025-050-000	Rivet	2
F	0753-006-074	Torsion Spring	1
G	0753-006-075	Torsion Spring	1
H	0753-006-097	Drive Shaft Bearing	2
J	0753-006-106	Dampener	1
K	0753-006-108	Thrust Washer	1
L	0753-006-115	Bearing	2
M	0753-006-120	Bumper Mounting Pin	1
N	0753-006-126	Wheel Bracket	1
P	0753-006-133	Cam Pivot Block	1
R	0753-006-134	Fifth Wheel Mounting Bracket	1
S	0753-006-142	Fifth Wheel Cam	1
T	0753-006-143	Cam Bearing	1
V	0753-006-149	5th Wheel Ramp	1
W	0753-006-152	Spring Spacer	1
X	0753-006-153	Roller Stem	1
Z	0753-006-198	Drive Pin	1
AA	0753-006-223	Drive Shaft	1
AB	0753-006-227	Return Spring Hook	1
AC	0753-006-277	Roller	1
AD	0753-010-045	Hood Standoff	1
AE	1210-001-147	Wheel	1
AG	0753-006-280	Dual Lock	1
AH	0753-006-281	Dual Lock	1
AJ	0011-360-000	Washer	2

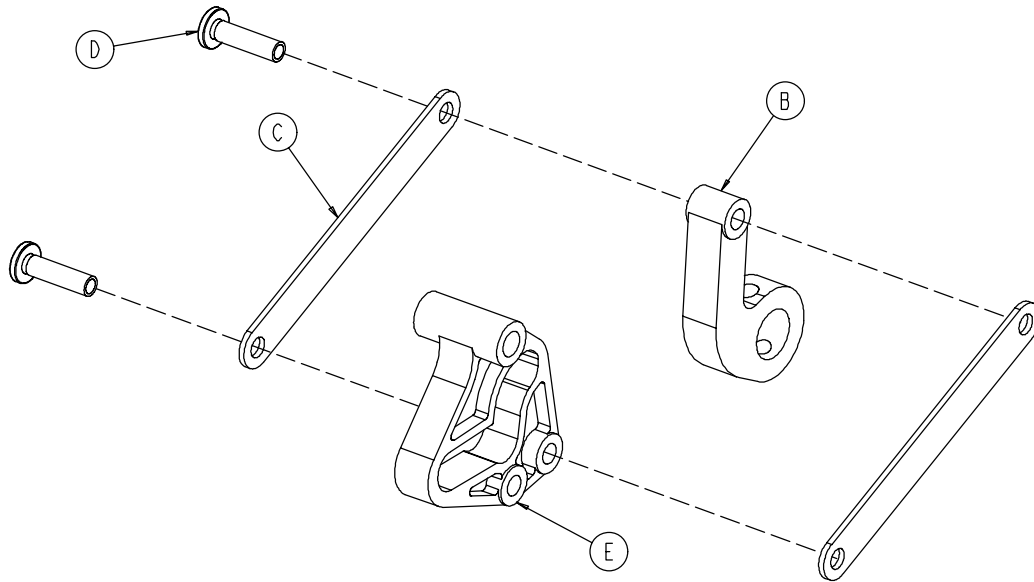
Brake Rod Assembly

Assembly part number 0753-003-001 (reference only)



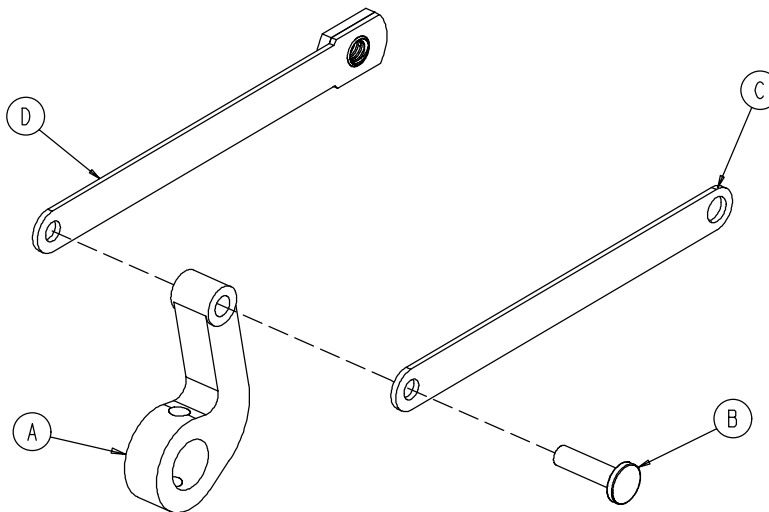
Item	Part No.	Part Name	Qty.
A	0026-067-000	Slotted Spring Pin	2
E	0753-003-004	Brake Rod Support	3
F	(page 15)	Drive Link Assembly	2
G	0753-003-014	Brake Rod	1
H	0753-003-015	Nyliner	3
J	0753-003-099	Butterfly "V" Pedal	2
K	(page 15)	Drive Link Assembly	1
M	1210-201-335	Red Brake Label	2
N	1210-201-336	Green Steer Label	2
R	0753-003-133	Retainment Spacer	1

0753-003-010 Drive Link Assembly



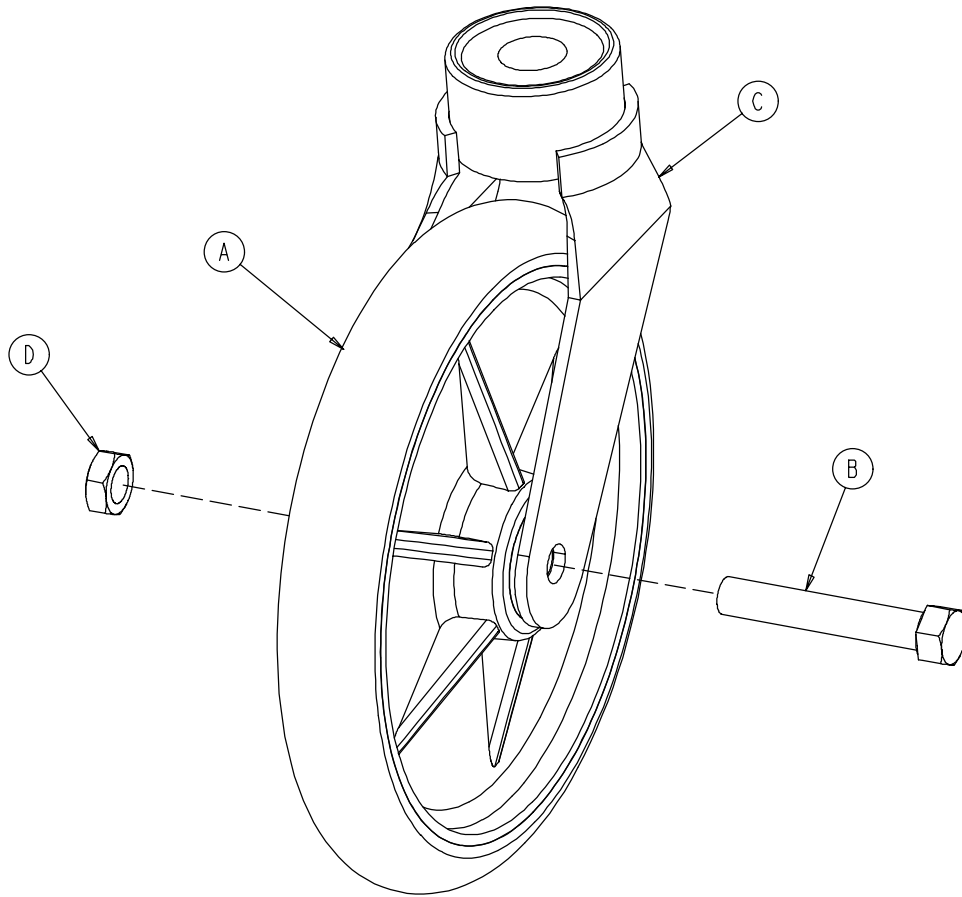
Item	Part No.	Part Name	Qty.
B	0753-003-011	Brake Rod Drive Link	1
C	0753-003-061	Brake Cam Drive Link	2
D	0753-003-098	Flat Hd. Semi-Tubular Rivet	2
E	0753-003-102	Brake Cam	1

0753-006-135 Drive Link Assembly



Item	Part No.	Part Name	Qty.
A	0753-003-011	Brake Rod Drive Link	1
B	0753-003-098	Semi-Tubular Rivet	1
C	0753-006-122	5th Wheel Cam Drive Link	1
D	0753-006-147	Fifth Wheel Drive Link	1

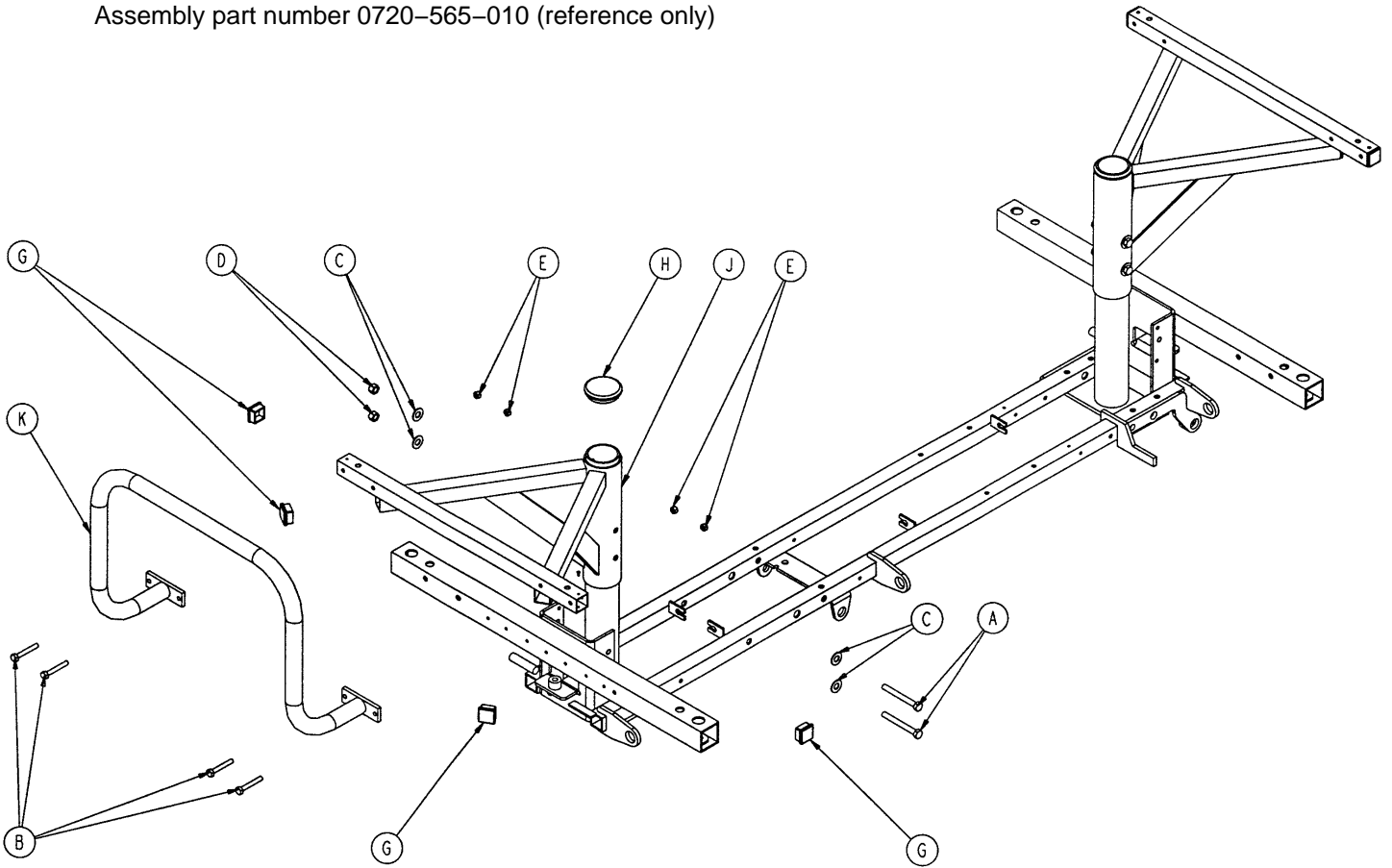
0753-010-020 8" Caster Assembly



Item	Part No.	Part Name	Qty.
A	0715-002-025	Wheel	1
B	0003-099-000	Hex Hd. Cap Screw	1
C	0753-010-021	Caster Horn w/Bearing	1
D	0016-060-000	Centerlock Nut	1

Push Bar Gurney Assembly

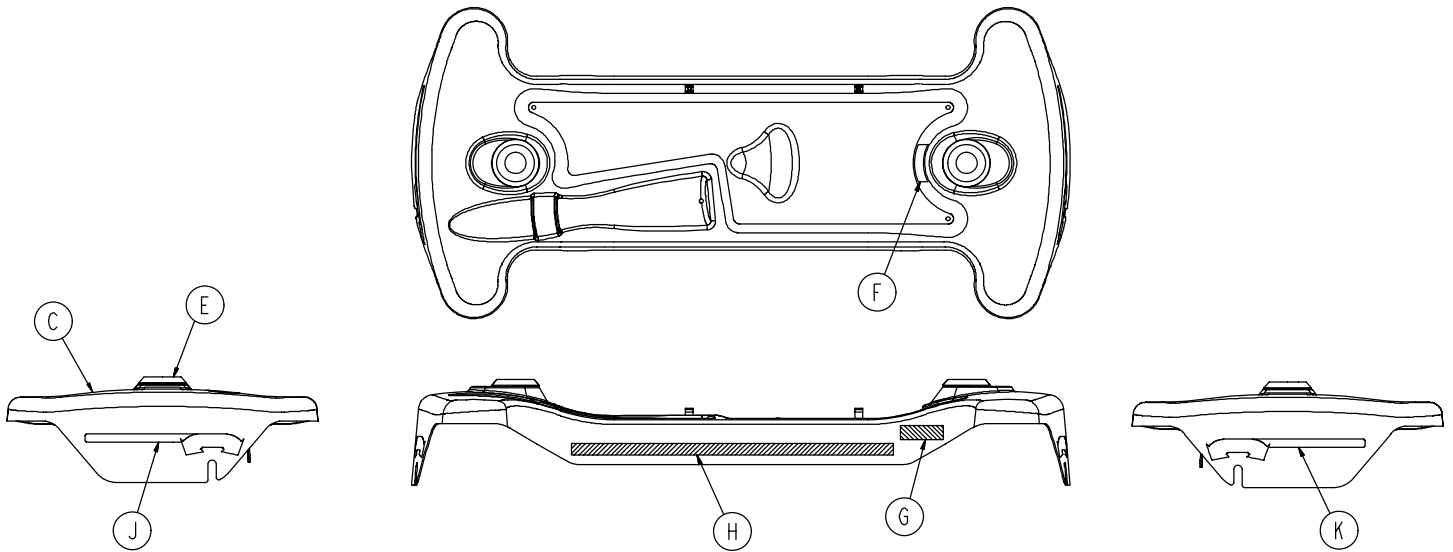
Assembly part number 0720-565-010 (reference only)



Item	Part No.	Part Name	Qty.
A	0003-093-000	Hex Hd. Cap Screw	4
B	0003-017-000	Hex Hd. Cap Screw	8
C	0011-004-000	Washer	8
D	0016-011-000	Flexlock Nut	4
E	0016-028-000	Fiberlock Nut	8
G	0037-010-000	Square Hole Plug	8
H	0720-500-017	Cap	2
J	0720-565-034	Upper Tower Assembly	2
K	0720-565-040	Push Arm Weldment	2

Base Labeling Assembly – Fixed Height Stretcher

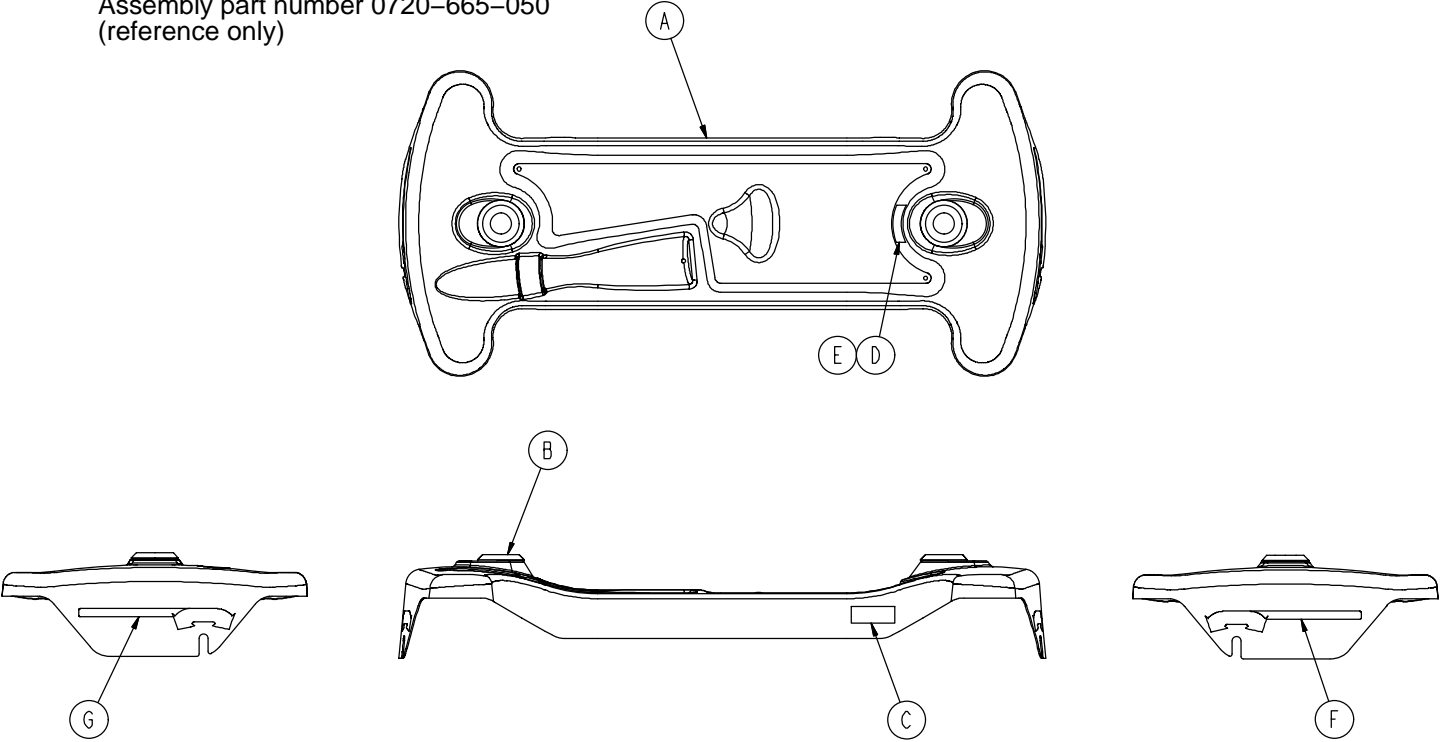
Assembly part number 0720-660-050
(reference only)



Item	Part No.	Part Name	Qty.
C	0753-010-048	Hood	1
E	0721-660-035	Bellows	2
F	0720-560-051	Sechrist Serial No. Label	1
G	0720-560-052	Sechrist Spec. Label	2
H	0720-560-054	Gray Stripe Label	2
J	0753-010-410	Gray Brake/Steer Label, Head	1
K	0753-010-391	Gray Brake/Steer Label, Foot	1

Base Labeling Assembly – Pushbar Gurney

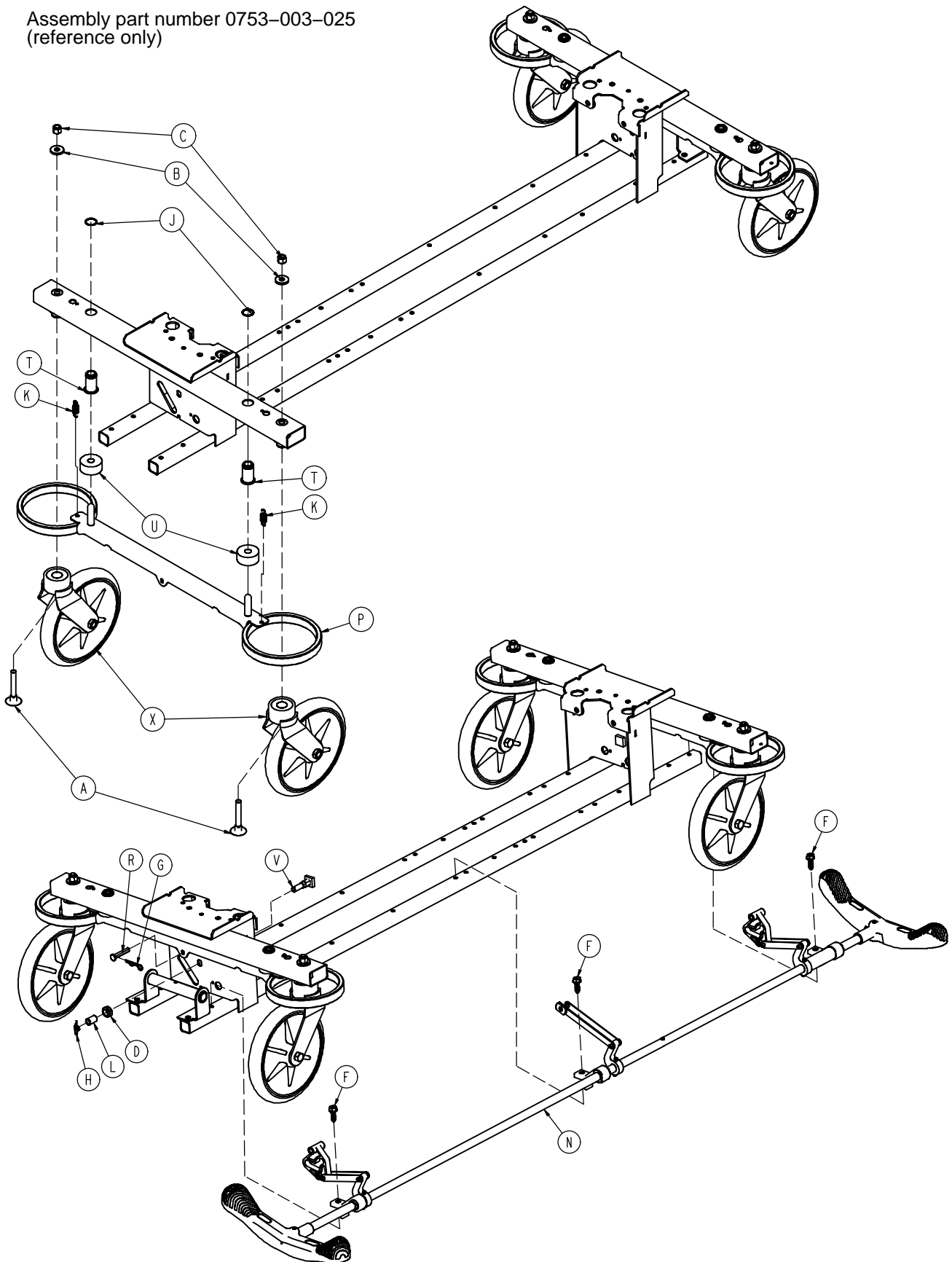
Assembly part number 0720-665-050
(reference only)



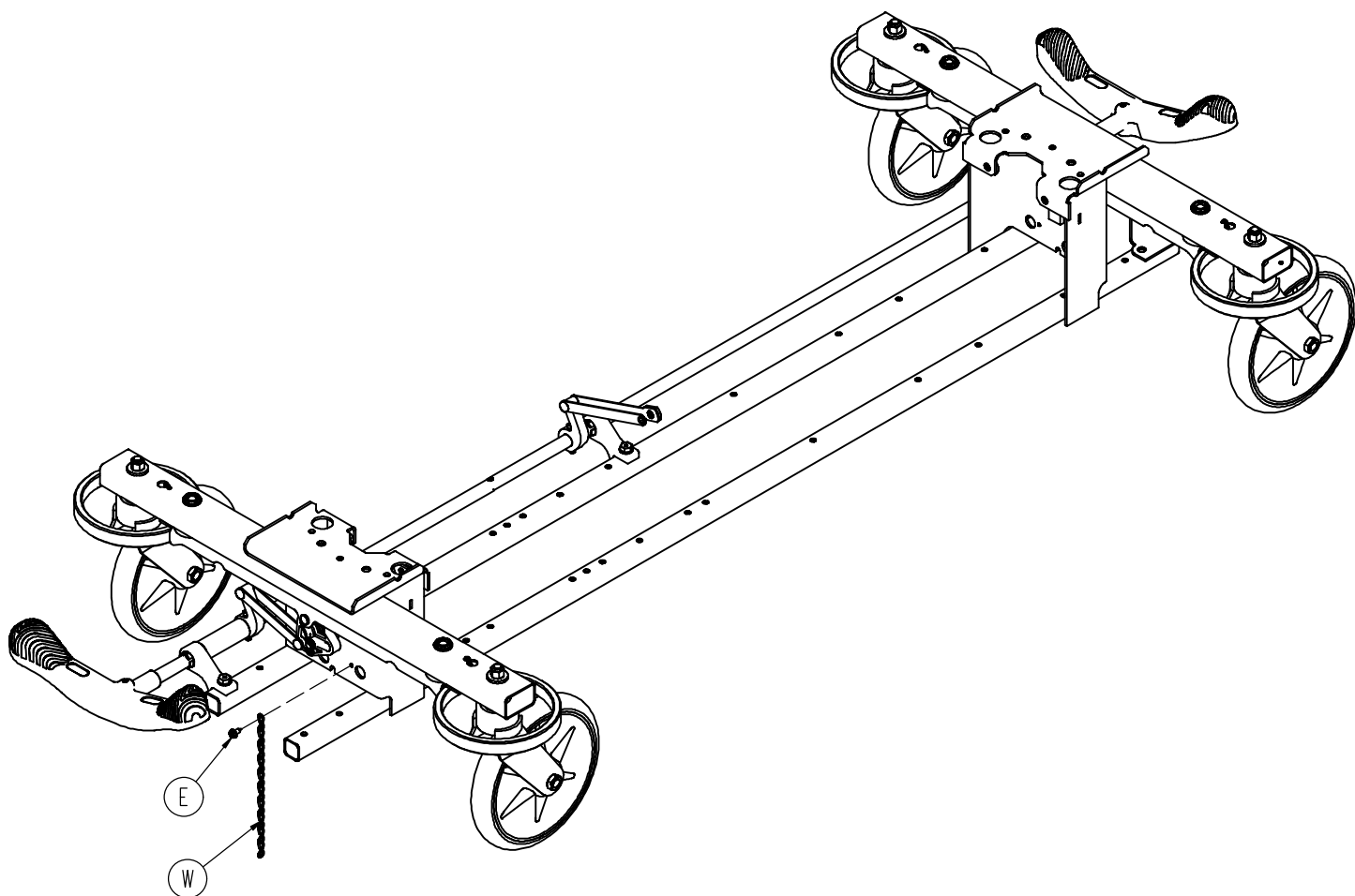
Item	Part No.	Part Name	Qty.
A	0753-010-046	Hood	1
B	0946-421-005	Grommet	2
C	0720-560-052	Sechrist Logo Label	2
D	0720-560-051	Sechrist Spec. Label	1
E	0921-001-252	Serial No. Label	1
F	0753-010-400	Gray Brake/Steer Label, Foot	1
G	0753-010-410	Gray Brake/Steer Label, Head	1

Base Assembly with Standard Brakes

Assembly part number 0753-003-025
(reference only)



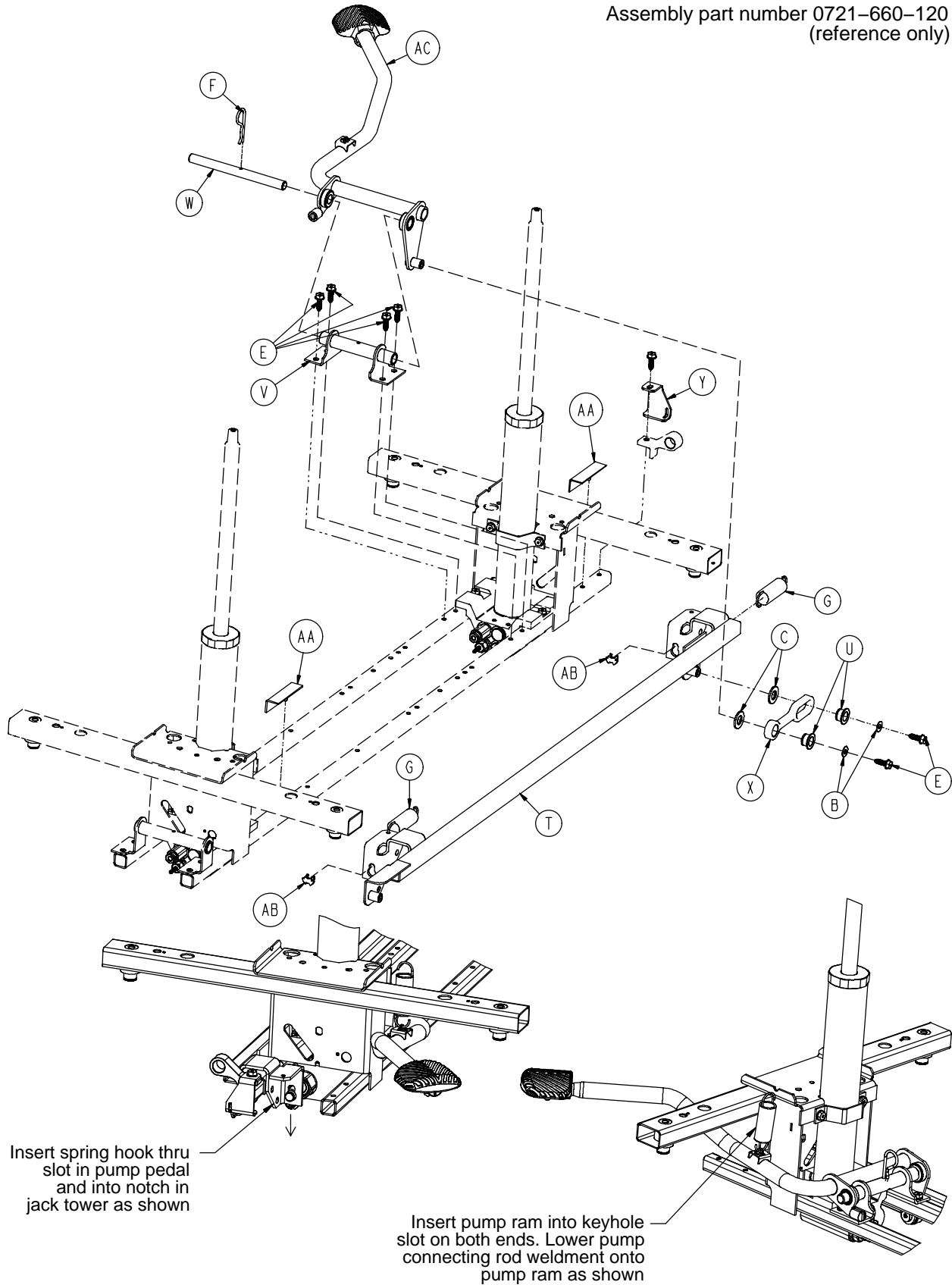
Base Assembly with Standard Brakes



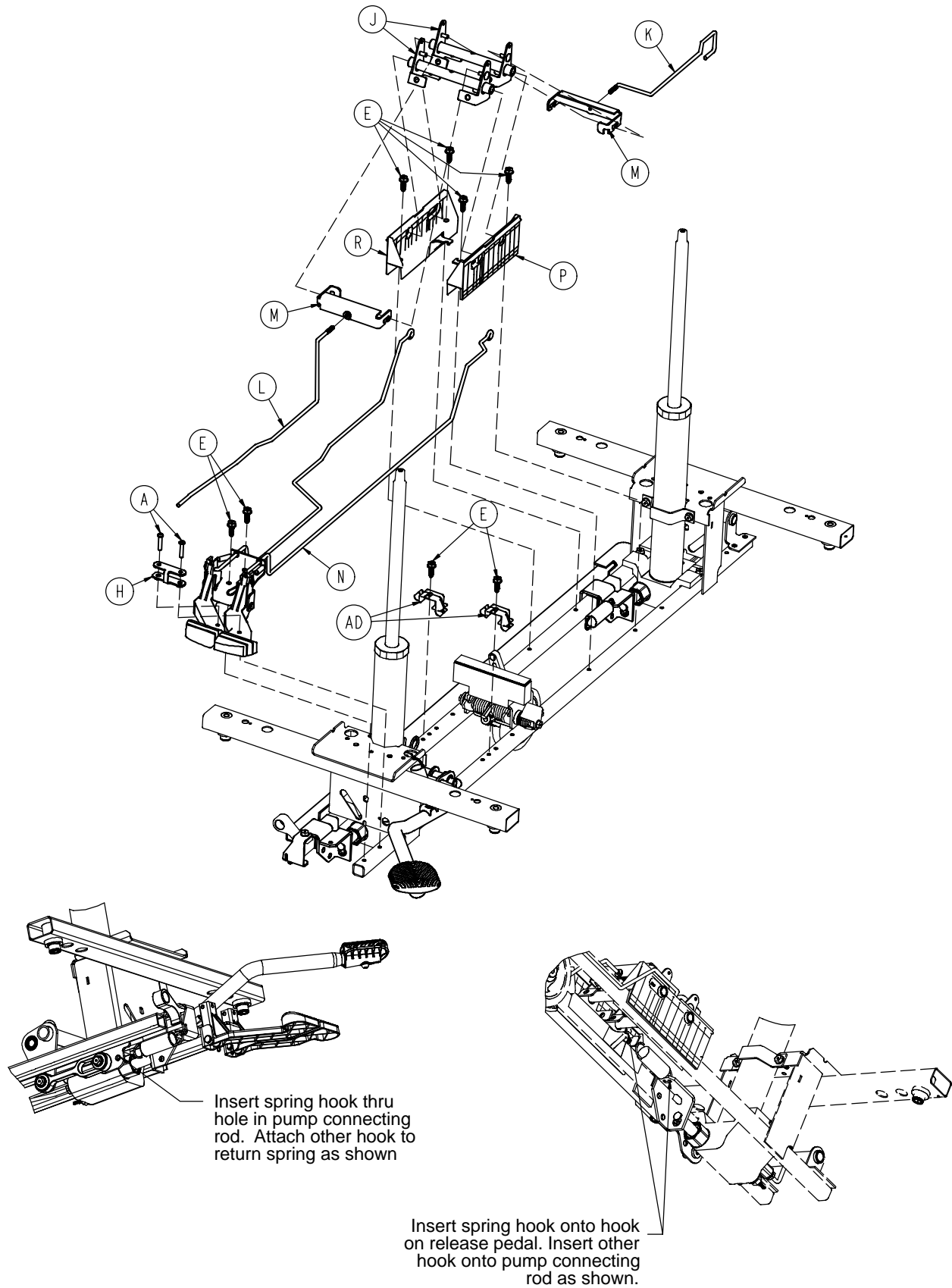
Item	Part No.	Part Name	Qty.
A	0005-044-000	Step Bolt	4
B	0011-262-000	Washer	4
C	0016-035-000	Nylock Hex Nut	4
D	0016-049-000	Nylock Hex Nut	2
E	0023-025-000	Hex Washer Hd. Screw	1
F	0023-288-000	Hex Washer Hd. Screw	3
G	0027-012-000	Hitch Pin	2
H	0027-022-000	Rue Ring Cotter	2
J	0028-037-000	External Retaining Ring	4
K	0038-439-000	Extension Spring	4
L	0081-037-000	Plane Bearing	2
M	0753-001-001	Base Frame	1
N	(page 14)	Brake Rod Assembly	1
P	0753-003-006	Brake Ring	2
R	0753-003-066	Clevis Pin	2
T	0753-003-079	Caster Tube Brake Pin Guide	4
U	0753-003-121	Brake Cushion	4
V	0753-003-230	Bearing Pivot Support	2
W	0753-010-012	Ground Chain	1
X	(page 16)	Caster Assembly	4

Hydraulic Base Assembly

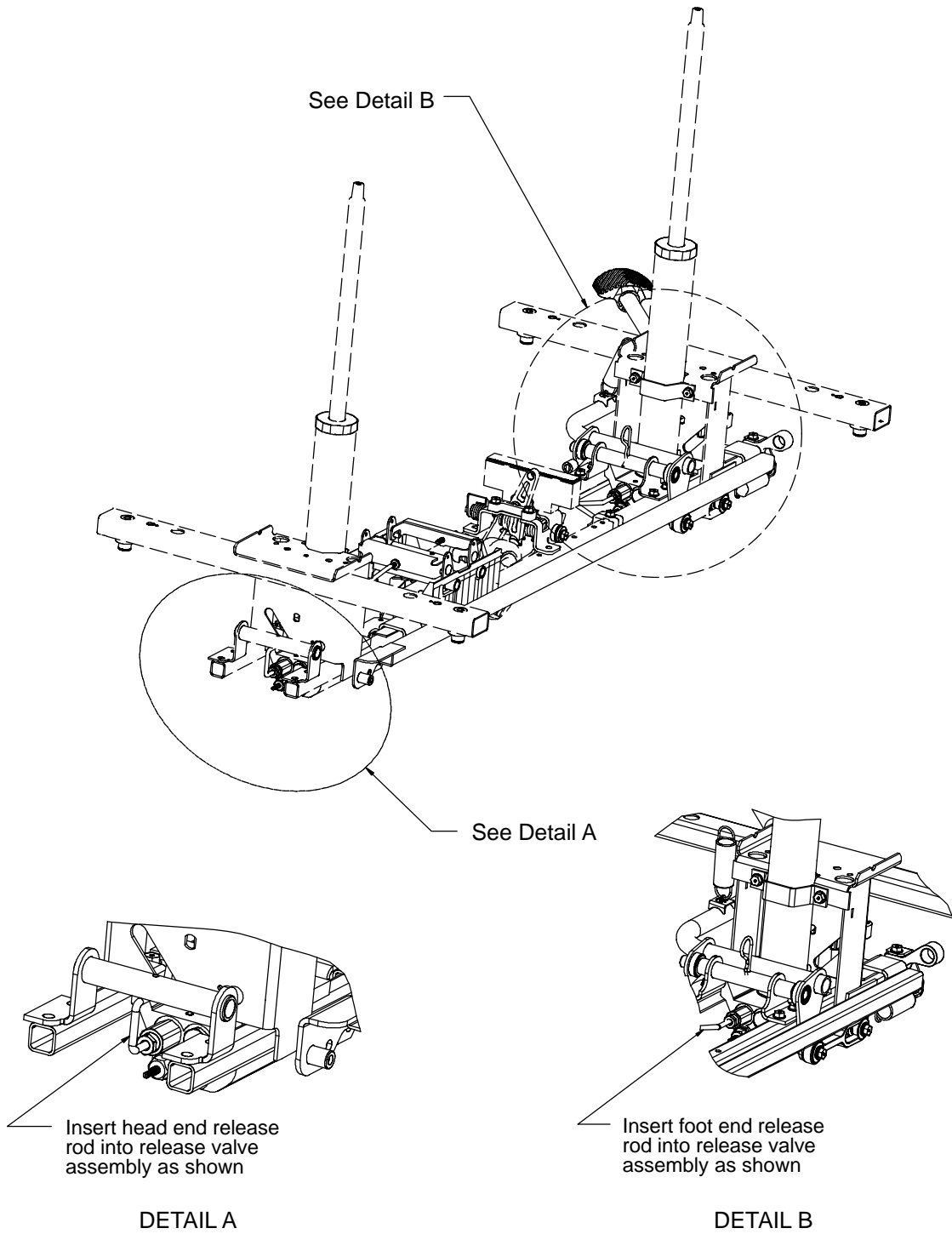
Assembly part number 0721-660-120
(reference only)



Hydraulic Base Assembly



Hydraulic Base Assembly

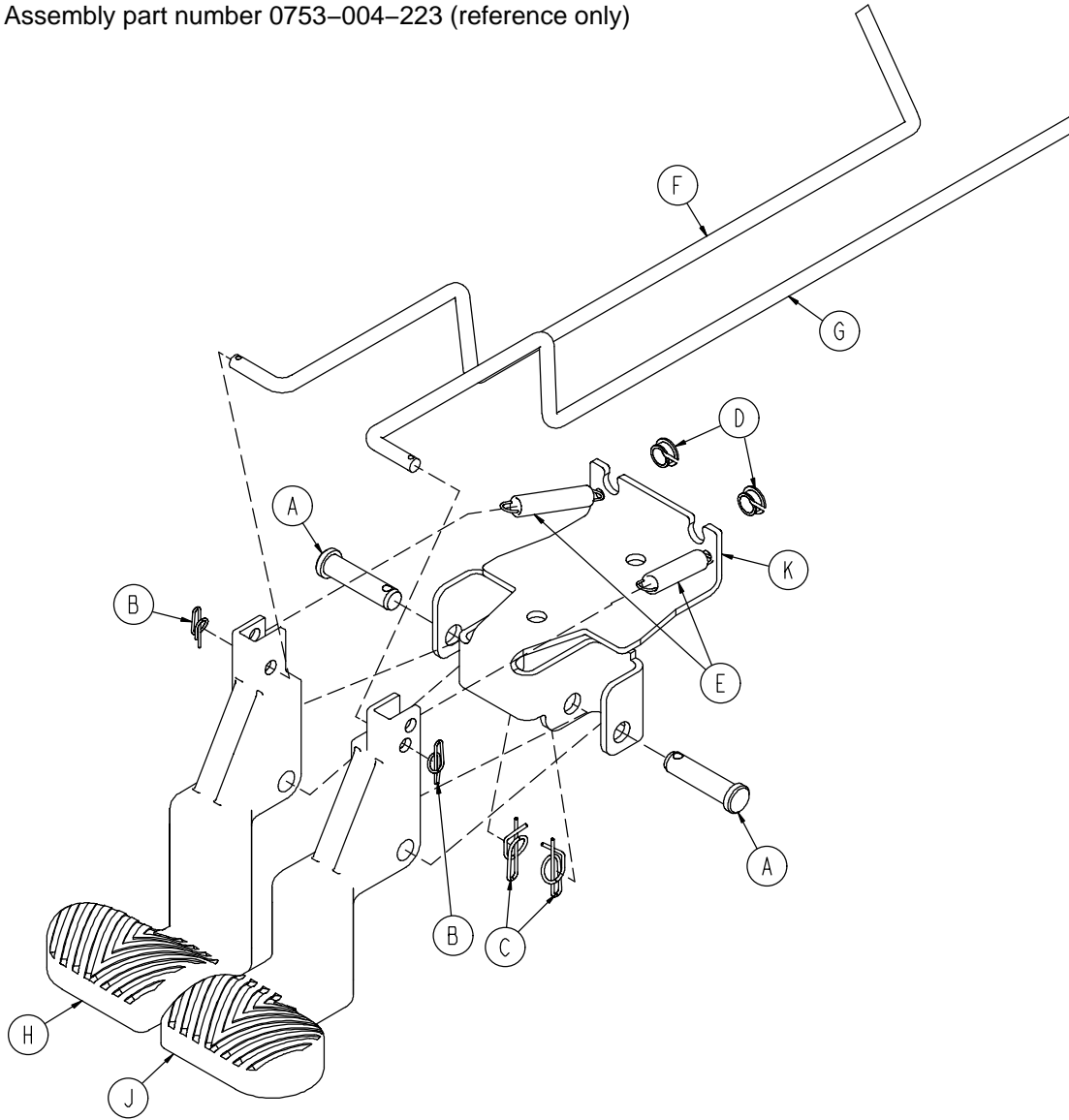


Hydraulic Base Assembly

Item	Part No.	Part Name	Qty.
A	0004-198-000	Button Hd. Cap Screw	2
B	0011-023-000	Washer	2
C	0014-071-000	Washer	2
E	0023-288-000	Hex Washer Hd. Screw	14
F	0027-031-000	Hair Pin Cotter	1
G	0038-497-000	Extension Spring	3
H	0753-004-186	Pedal Link	1
J	0721-660-023	Release Pedal Weldment	2
K	0753-004-014	Head End Release Rod	1
L	0753-004-015	Foot End Release Rod	1
M	0753-004-132	Release Pedal Swivel	2
N	(page 26)	Ft. End Release Pedal Assembly	1
P	0753-004-320	Release Pedal Support	1
R	0753-004-321	Release Pedal Support	1
T	0753-005-037	Pump Connecting Rod	1
U	0753-005-044	Pump Pedal Bushing	2
V	0753-005-063	Foot End Mounting Bracket	1
W	0753-005-074	Pivot Pin	1
X	0753-005-075	Pump Pedal Link	1
Y	0753-005-087	Return Spring Hook	1
AA	0753-005-088	Wear Strip	2
AB	0753-005-089	Pump Ram Plug	2
AC	(page 27)	Ft. End Pump Pedal Assembly	1
AD	0753-010-215	Release Rod Bracket	2

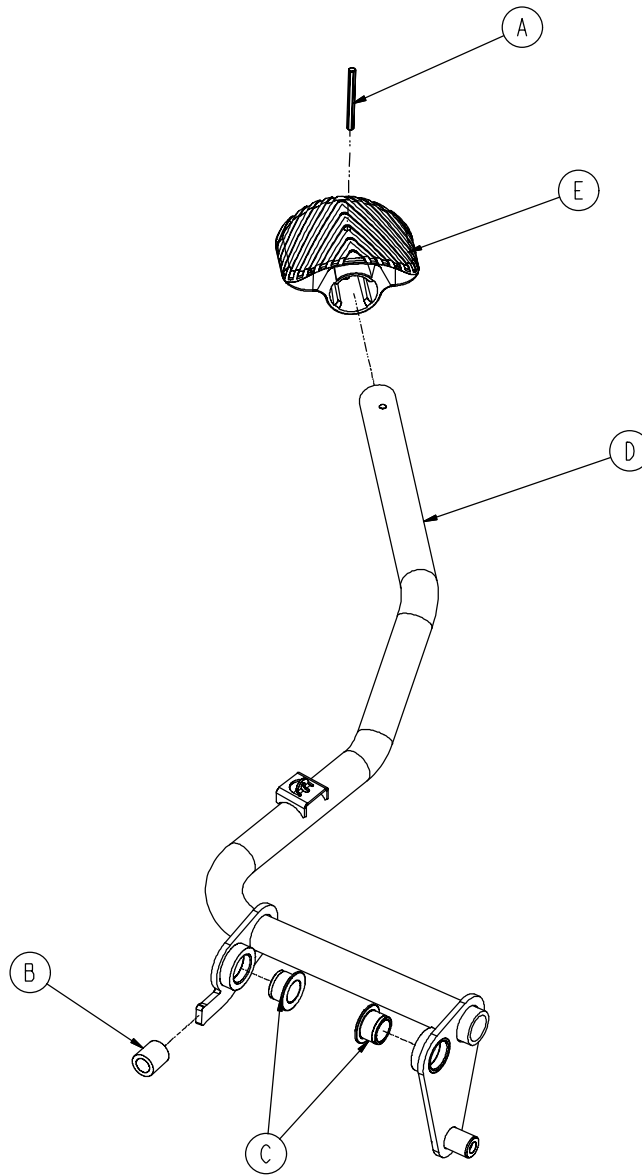
Foot End Release Pedal Assembly

Assembly part number 0753-004-223 (reference only)



Item	Part No.	Part Name	Qty.
A	0026-132-000	Clevis Pin	2
B	0027-020-000	Rue Ring Cotter	2
C	0027-022-000	Rue Ring Cotter	2
D	0052-822-000	Snap-In Nyliner	2
E	0753-004-028	Release Pedal Return Spring	2
F	0753-004-038	Foot Release Rod	1
G	0753-004-039	Head Release Rod	1
H	0753-004-124	Foot End Release Pedal, Left	1
J	0753-004-125	Foot End Release Pedal, Right	1
K	0753-004-422	Release Pedal Mtg. Bracket	1

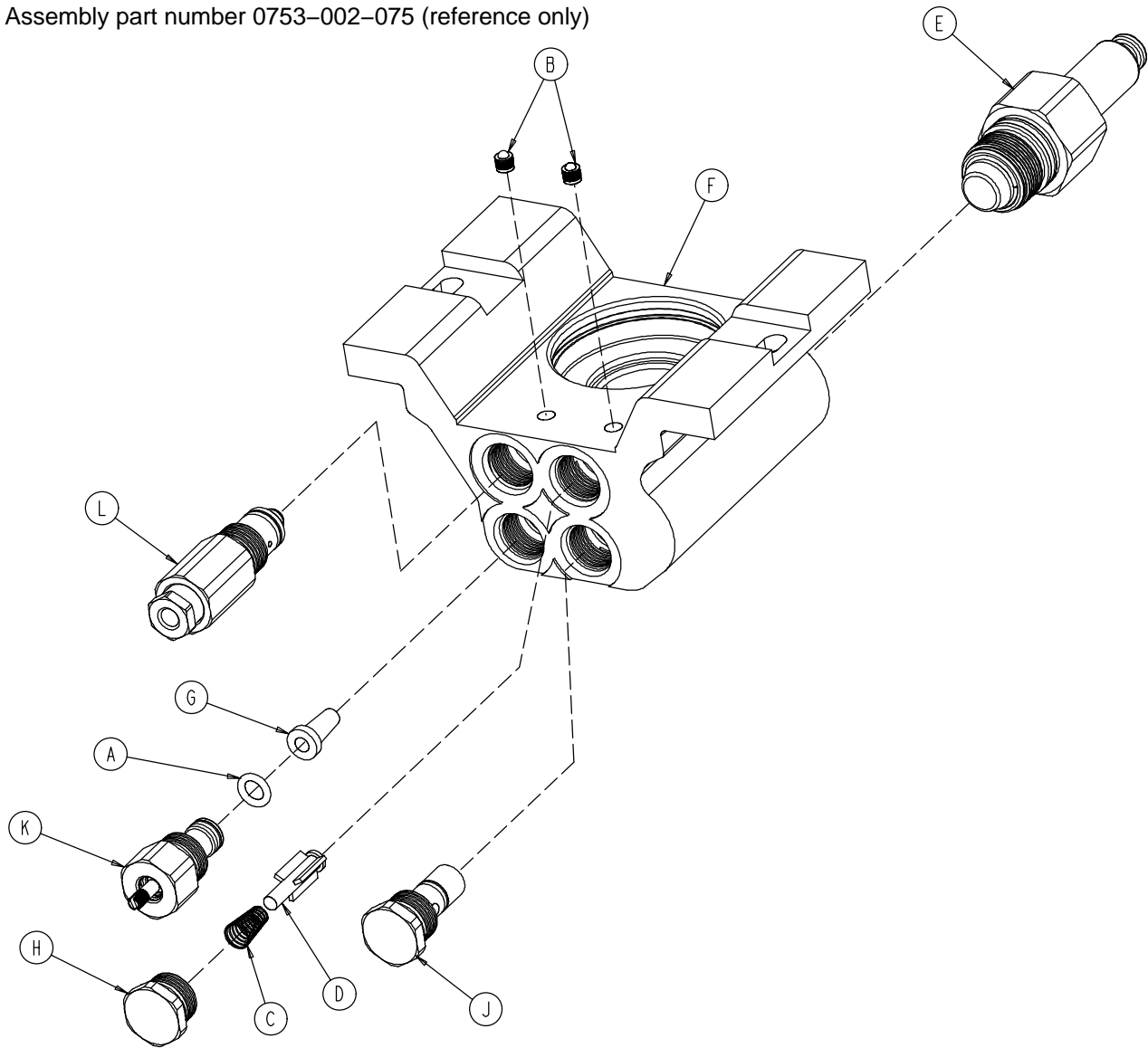
0753-005-173 Foot End Pump Pedal Assembly



Item	Part No.	Part Name	Qty.
A	0026-343-000	Groove Pin	1
B	0715-001-140	Clear Vinyl Tubing	1
C	0753-005-044	Pump Pedal Bushing	2
D	0753-005-171	Foot End Pedal Weldment	1
E	0715-201-126	Plastic Pump Pedal	1

Jack Base Assembly, Variable Descent Jack

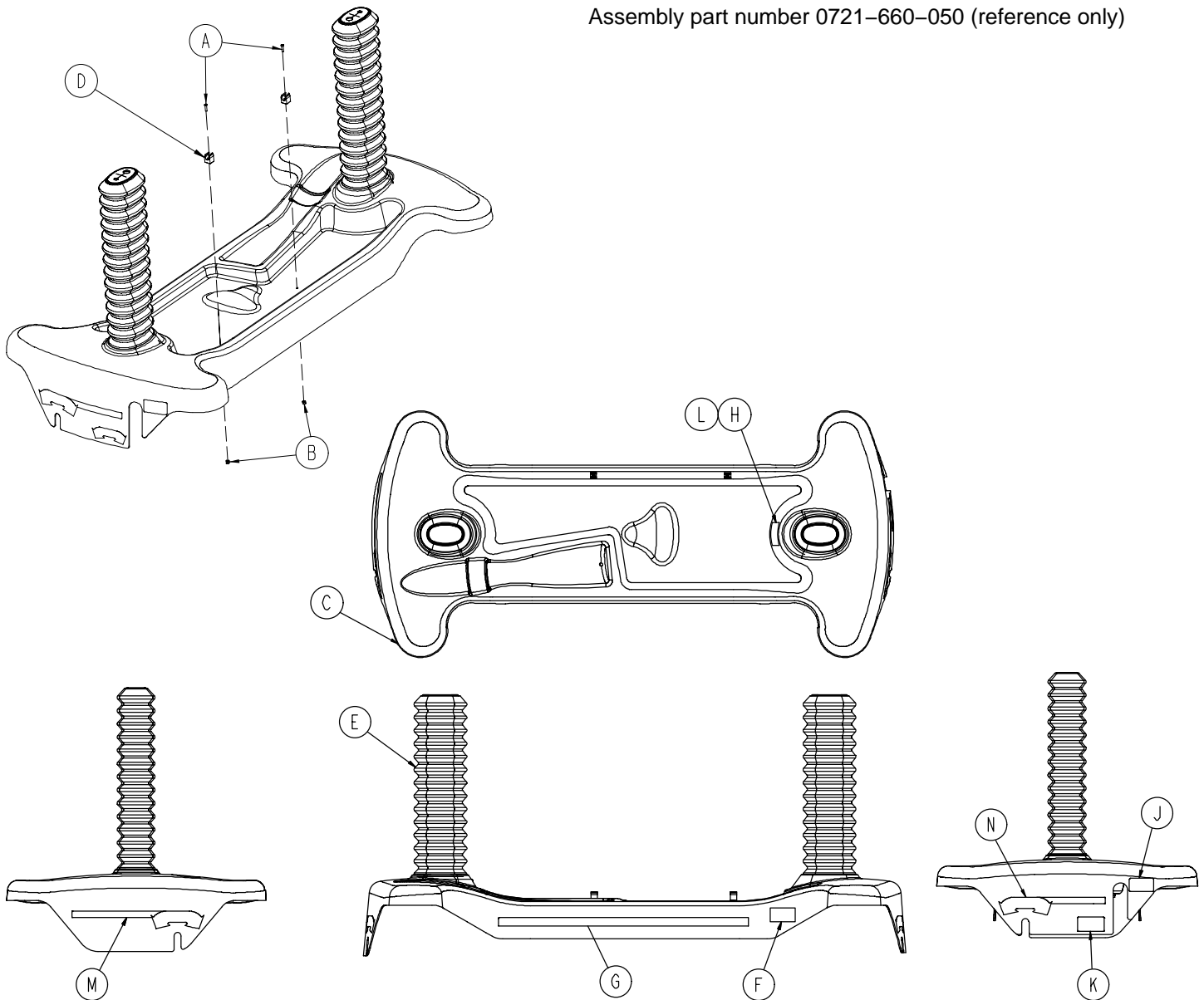
Assembly part number 0753-002-075 (reference only)



Item	Part No.	Part Name	Qty.
A	0046-004-000	O-Ring	1
B	0048-021-000	CV Plug	2
C	0390-002-134	Conical Compression Spring	1
D	0715-001-341	Poppet	1
E	0753-002-003	Pump Ram Assembly	1
F	0753-002-010	Jack Base	1
G	0753-002-019	Valve Filter	1
H	0753-002-051	Plug Assembly	1
J	0753-002-052	Check Valve Assembly	1
K	0753-002-063	Standard Descent Valve Assembly	1
L	0753-002-065	Release Valve Assembly	1

Base Labeling Assembly – End Control Base

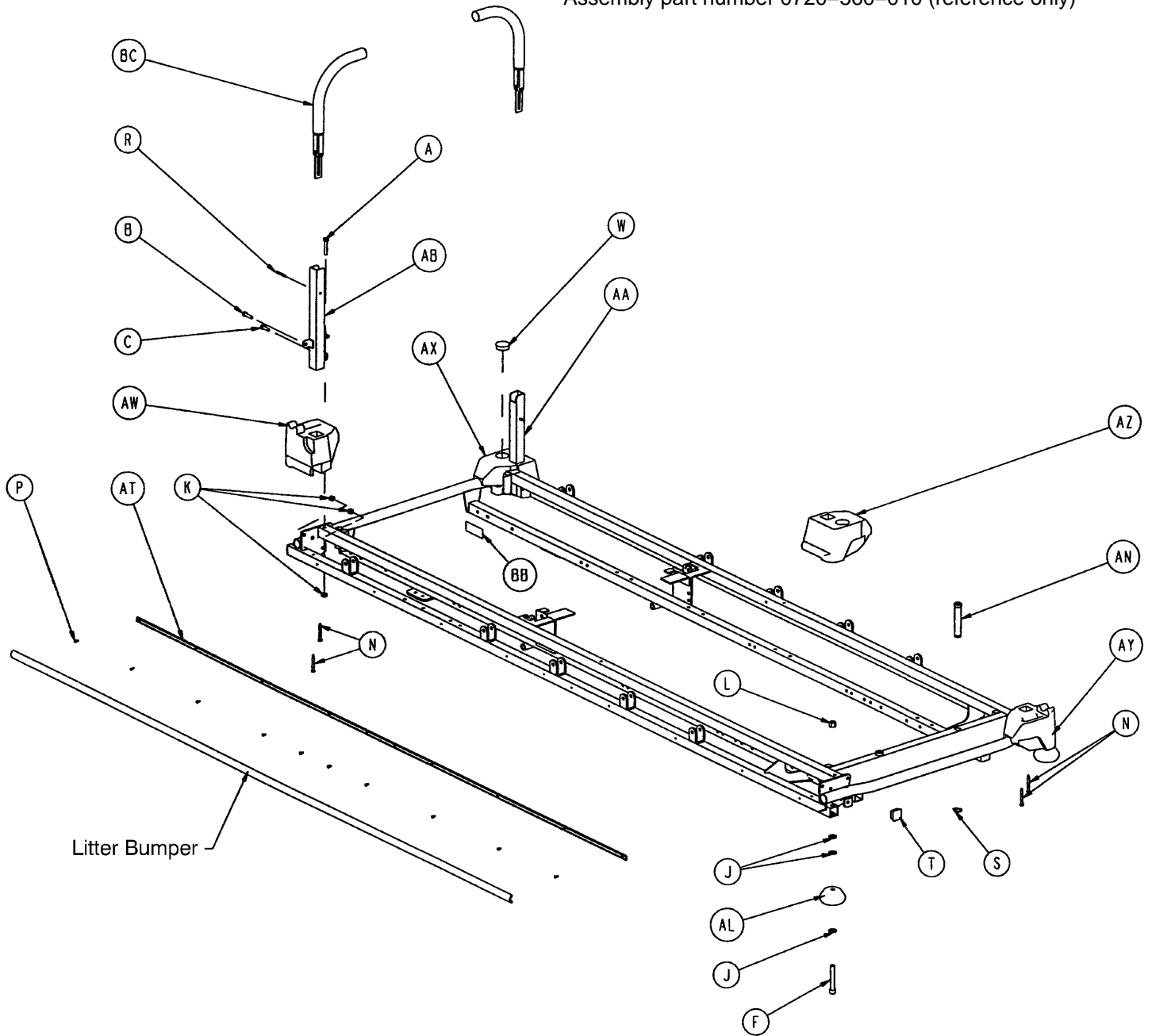
Assembly part number 0721-660-050 (reference only)



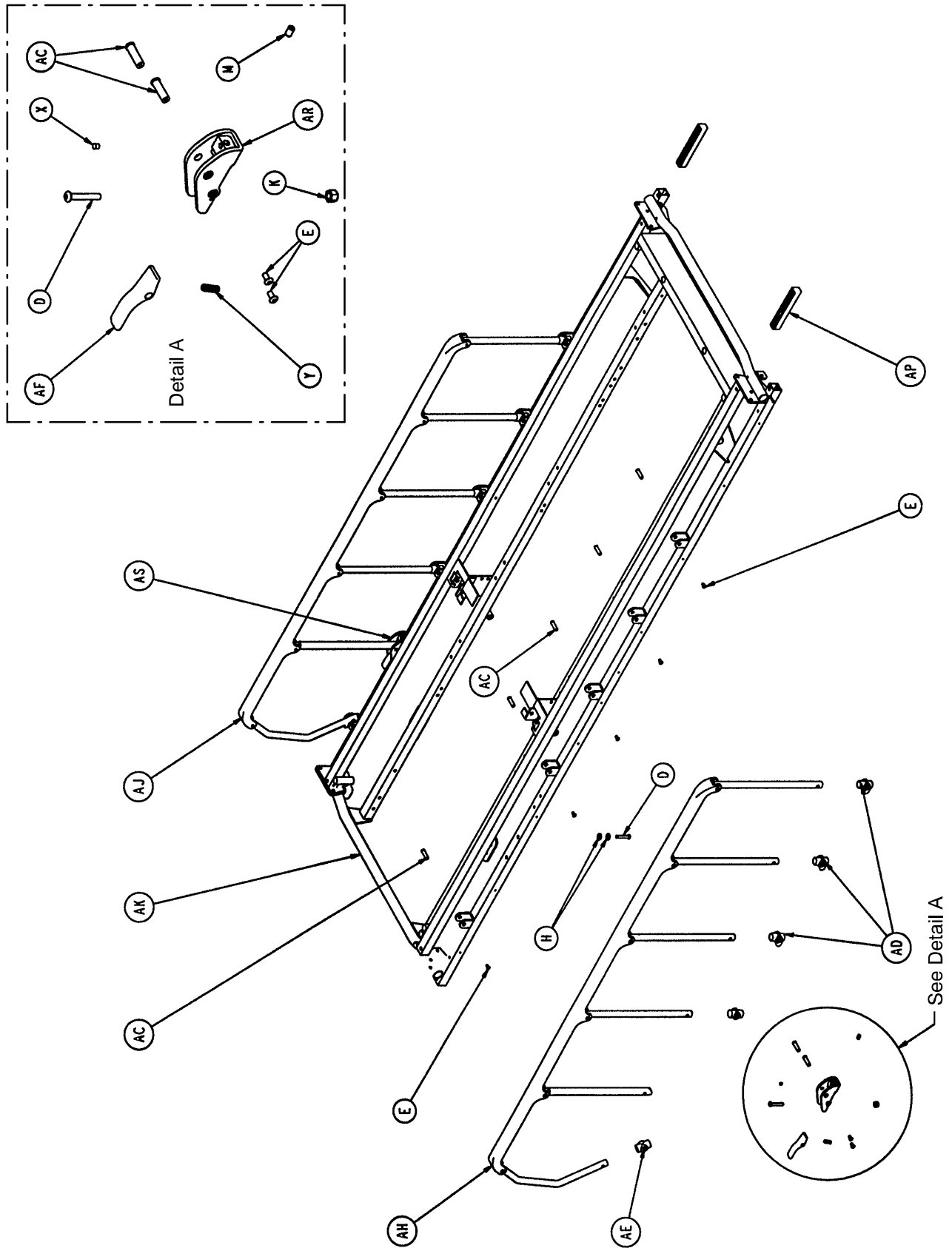
Item	Part No.	Part Name	Qty.
A	0004-057-000	Button Hd. Cap Screw	2
B	0016-027-000	Kep Nut	2
C	0753-010-048	Base Hood	1
D	0946-001-108	IV Clip	2
E	0721-660-035	Sechrist Bellows Assembly	2
F	0720-560-052	Sechrist Logo Label	2
G	0720-560-054	Gray Stripe Label	2
H	0721-560-051	Sechrist Serial No. Label	1
J	0753-010-052	Foot End Pump Pedal Label	1
K	0720-550-048	Foot End Release Pedal Label	1
L	0921-001-252	Bar Code Label	1
M	0753-010-410	Head End Brake/Steer Label	1
N	0753-010-400	Foot End Brake/Steer Label	1

Litter Assembly – Fixed Height Stretcher

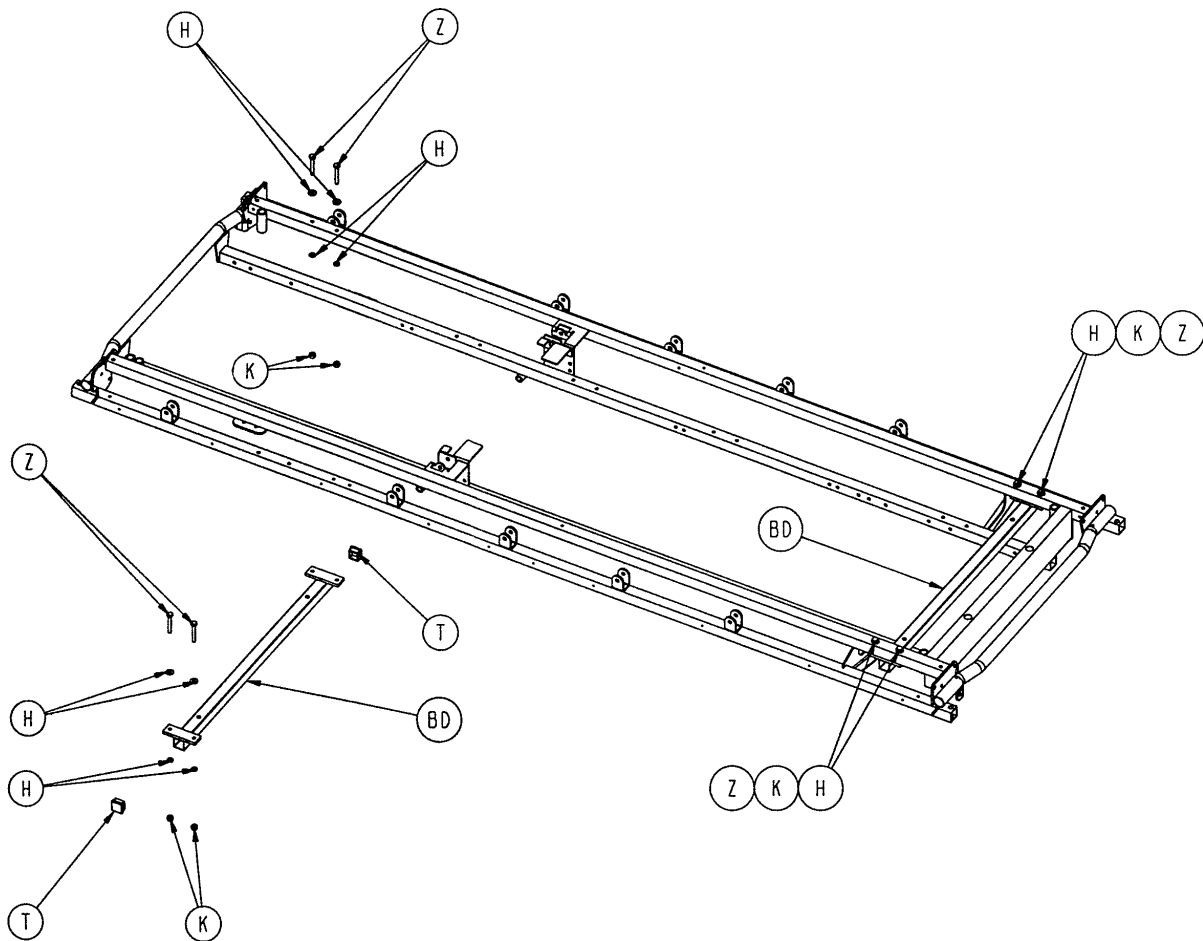
Assembly part number 0720-560-010 (reference only)



Litter Assembly – Fixed Height Stretcher



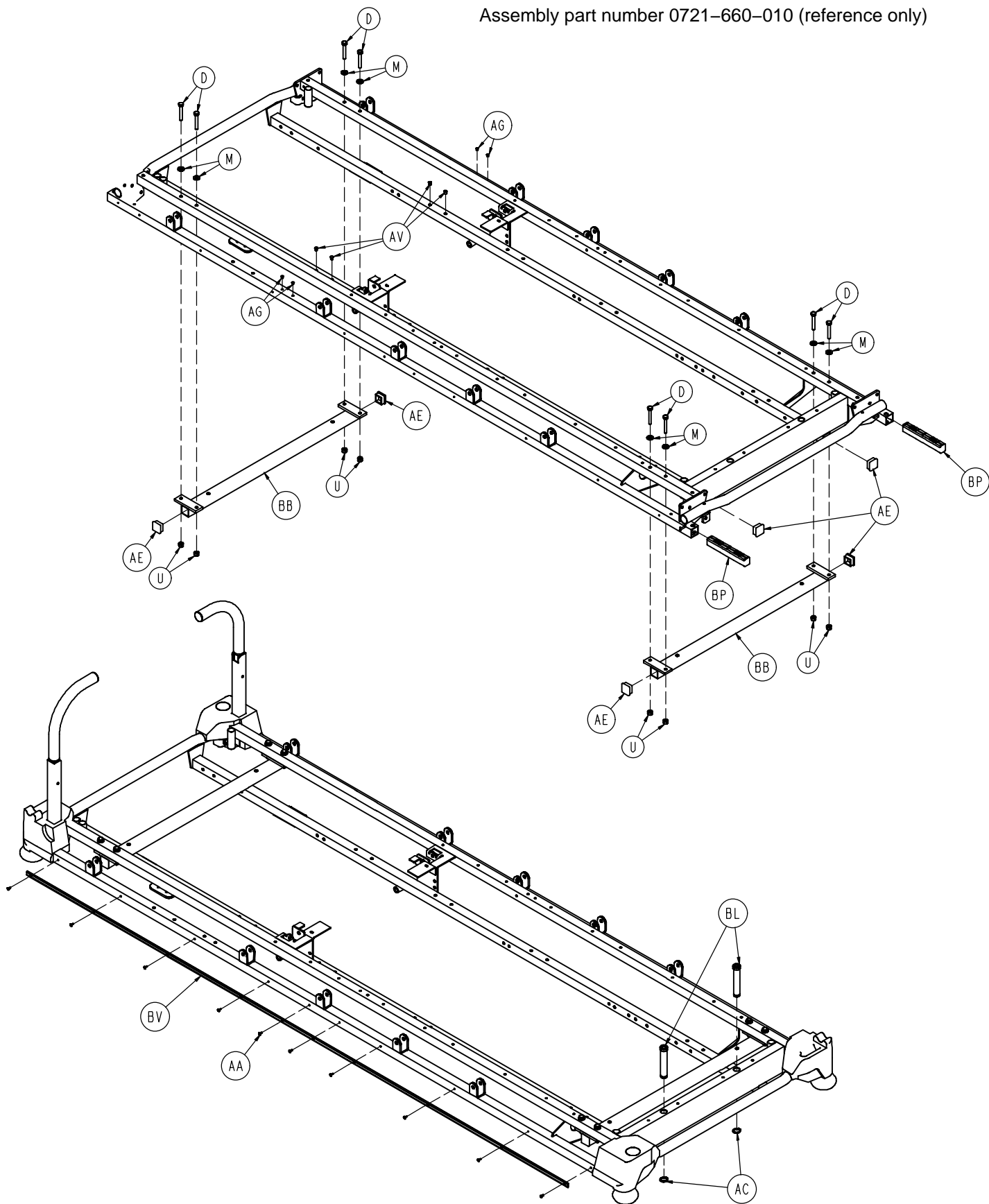
Litter Assembly – Fixed Height Stretcher



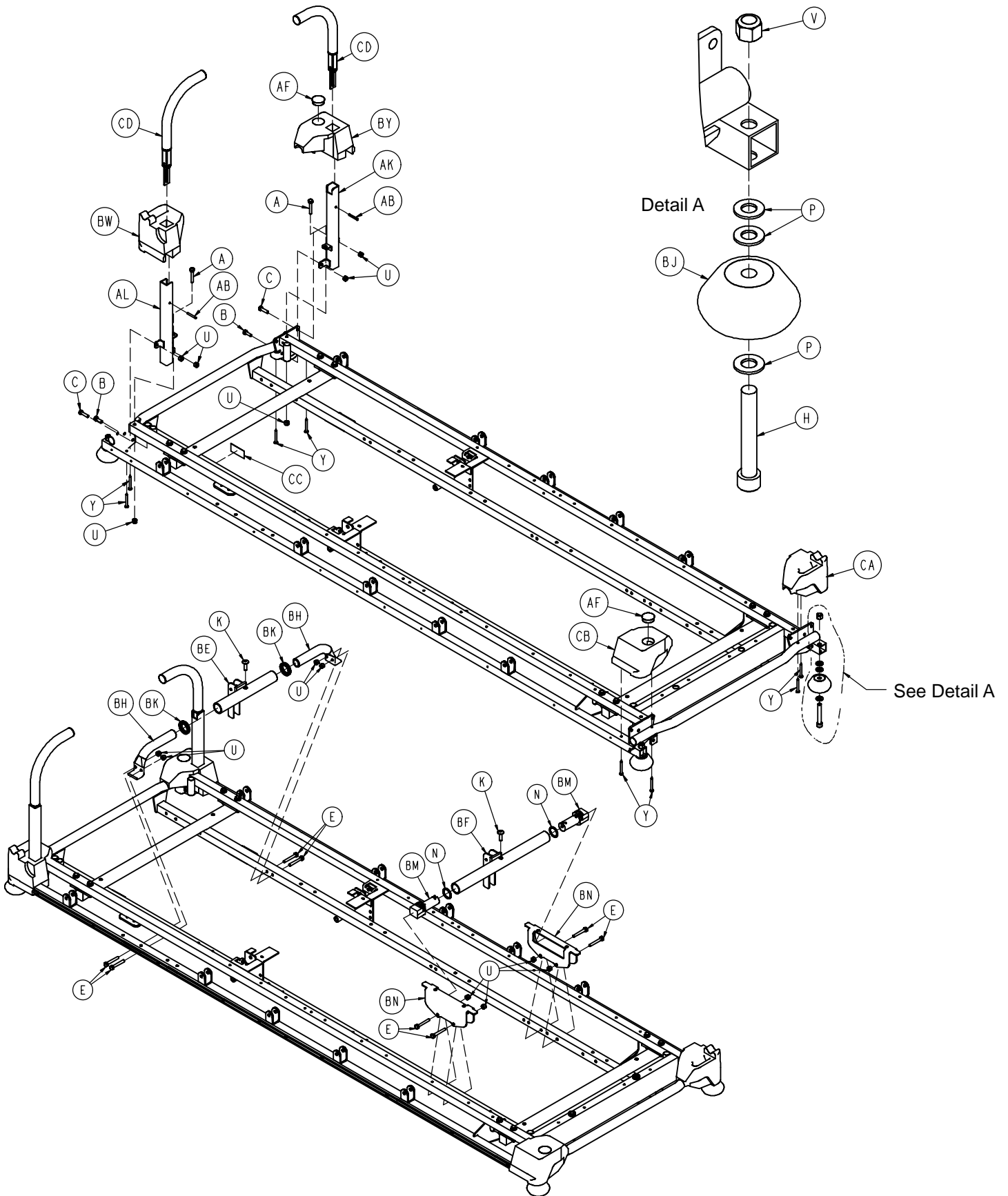
Item	Part No.	Part Name	Qty.	Item	Part No.	Part Name	Qty.
A	0003-047-000	Hex Hd. Cap Screw	6	AC	0721-026-066	Pivot Screw	14
B	0003-050-000	Hex Hd. Cap Screw	2	AD	0721-026-068	Upright Cradle	6
C	0003-054-000	Hex Hd. Cap Screw	2	AE	0721-026-069	Upright Sleeve	4
D	0004-135-000	Soc. Hd. Cap Screw	4	AF	0721-026-074	Lock Handle	2
E	0004-136-000	Soc. Hd. Cap Screw	14	AH	(page 37)	Siderail Ass'y, Rt.	1
F	0004-201-000	Soc. Hd. Cap Screw	4	AJ	(page 37)	Siderail Ass'y, Lt.	1
H	0011-002-000	Washer	16	AK	0721-201-020	Frame Assembly	1
J	0014-021-000	Washer	12	AL	0926-400-142	Corner Wheel	4
K	0016-028-000	Hex Nut	16	AN	1001-040-012	Foot Board Receptacle	2
L	0016-035-000	Hex Nut	4	AP	1010-026-069	Lock Support	2
M	0021-104-000	Set Screw	2	AR	1010-026-080	Lock Housing Ass'y, Rt.	1
N	0023-104-000	Pan Hd. Self-Tap. Screw	8	AS	1010-026-081	Lock Housing Ass'y, Lt.	1
P	0025-038-000	Blind Rivet	20	AT	1010-201-027	Bumper Channel	2
R	0026-012-000	Spring Pin	2	AW	1010-201-236	Corner Cover, Hole/Hole	1
S	0028-072-000	Ext. Tooth Retaining Ring	2	AX	1010-201-237	Corner Cover, Hole/Slot	1
T	0037-010-000	Hole Plug	6	AY	1010-201-238	Corner Cover, Slot Only	1
W	0037-059-000	Hole Plug	2	AZ	1010-201-239	Corner Cover, Hole Only	1
X	0037-074-000	Hole Plug	6	BA	1010-700-045	Siderail Bumper	2
Y	0038-220-000	Compression Spring	2	BB	1210-800-008	Patent Label	1
Z	0003-078-000	Hex Hd. Cap Screw	8	BC	(page 39)	Push Handle Assembly	2
AA	0720-560-013	Handle Soc. Wldmt., Lt.	1	BD	0721-560-019	Sechrist Support Wldmt.	2
AB	0720-560-014	Handle Soc. Wldmt., Rt.	1				

Litter Assembly – Hydraulic Stretcher

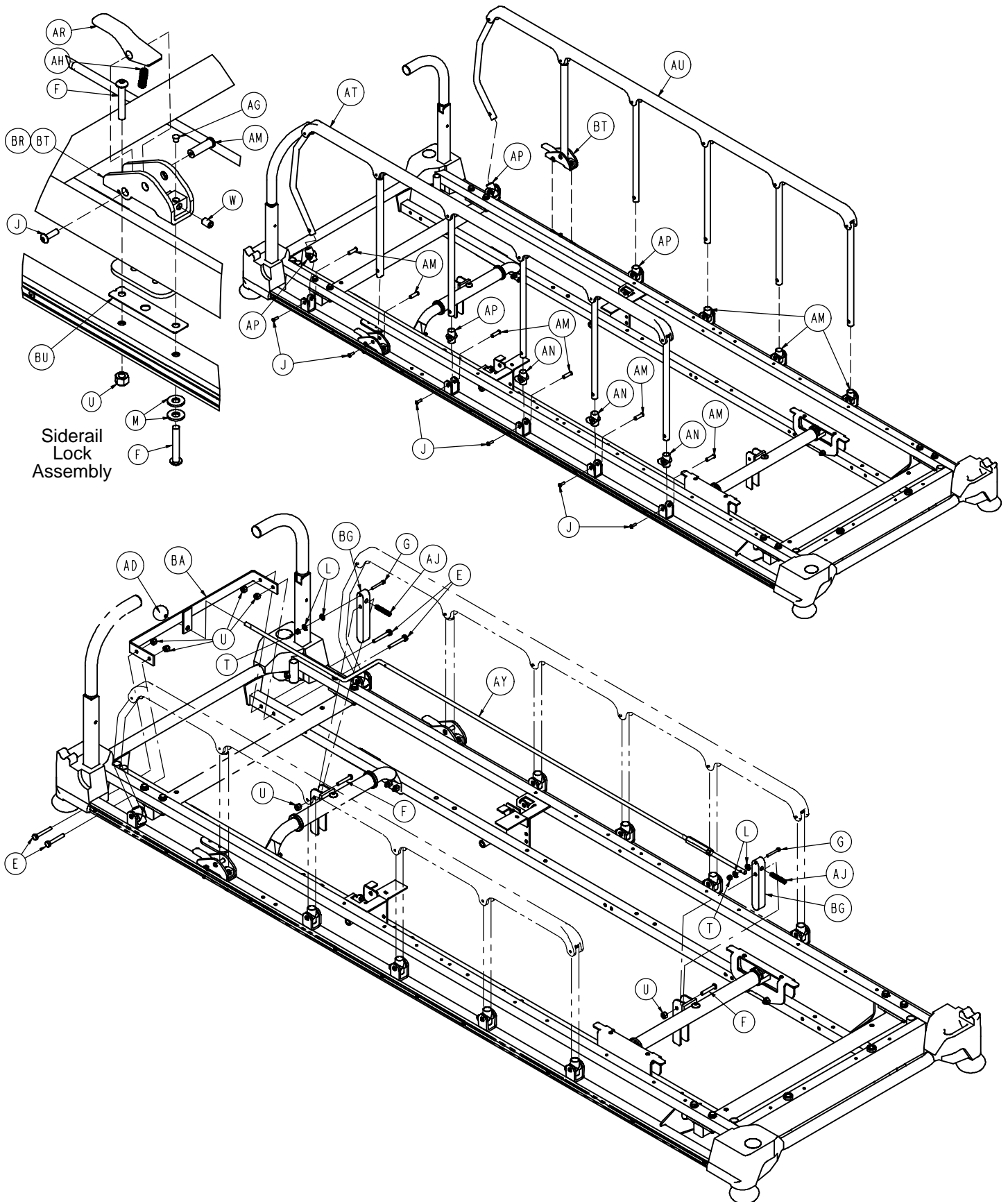
Assembly part number 0721-660-010 (reference only)



Litter Assembly – Hydraulic Stretcher



Litter Assembly – Hydraulic Stretcher

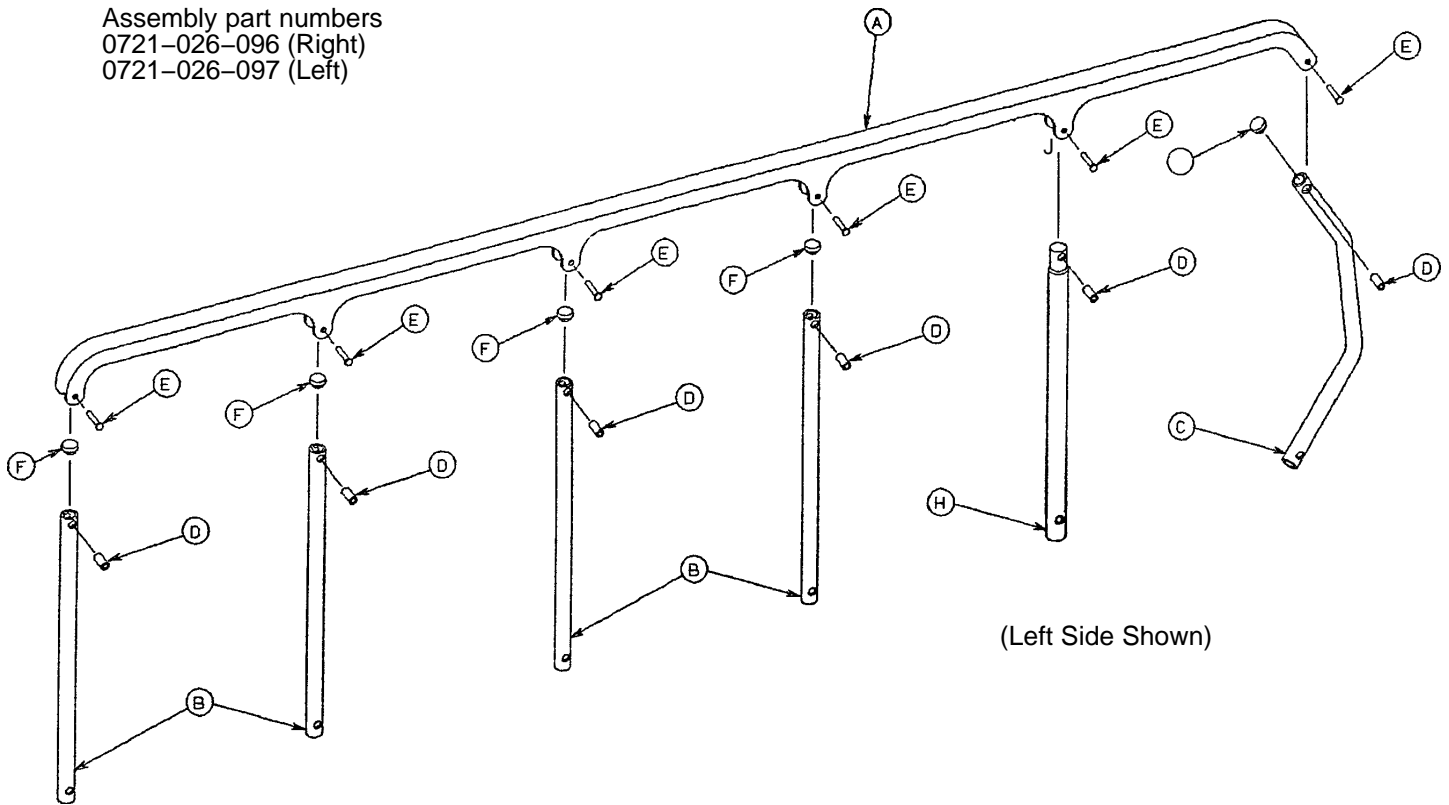


Litter Assembly – Hydraulic Stretcher

Item	Part No.	Part Name	Qty.	Item	Part No.	Part Name	Qty.
A	0003-047-000	Hex Hd. Cap Screw	2	AN	0721-026-068	Upright Cradle	6
B	0003-050-000	Hex Hd. Cap Screw	2	AP	0721-026-069	Upright Sleeve	4
C	0003-054-000	Hex Hd. Cap Screw	2	AR	0721-026-074	Lock Handle	2
D	0003-078-000	Hex Hd. Cap Screw	8	AT	(page 37)	Siderail Assembly, Right	1
E	0003-359-000	Hex Hd. Cap Screw	12	AU	(page 37)	Siderail Assembly, Left	1
F	0004-135-000	Soc. Hd. Cap Screw	6	AV	0721-031-065	Hole Plug	4
G	0004-196-000	Soc. Hd. Cap Screw	2	AW	0721-201-020	Litter Frame	1
H	0004-201-000	Soc. Hd. Cap Screw	4	AY	(page 38)	Litter Release Rod	1
J	0004-515-000	But. Hd. Cap Screw	14	BA	0721-560-017	Rod Guide Weldment	1
K	0007-074-000	Truss Hd. Mach. Screw	2	BB	0721-560-019	Support Weldment	2
L	0011-001-000	Washer	4	BE	0721-660-011	Head End Support Tube	1
M	0011-002-000	Washer	12	BF	0721-660-012	Foot End Support Tube	1
N	0011-360-000	Washer	2	BG	0721-660-030	Litter Stop	2
P	0014-021-000	Washer	12	BH	0753-010-043	Hd. End Jack Sup. Tube	2
T	0016-014-000	Fiberlock Hex Nut	2	BJ	0926-400-142	Bumper	4
U	0016-028-000	Hex Nut	30	BK	0938-001-401	Collar	2
V	0016-035-000	Nylock Hex Nut	4	BL	1001-040-012	Foot Board Receptacle	2
W	0021-104-000	Set Screw	2	BM	1001-201-029	Nylon Insert	2
Y	0023-104-000	Pan Hd. Tapping Screw	8	BN	1001-401-030	Trend Support	2
AA	0025-038-000	Rivet	20	BP	1010-026-069	Lock Support	2
AB	0026-012-000	Slotted Spring Pin	2	BR	1010-026-080	Lock Housing Ass'y, Lt.	1
AC	0028-072-000	External Retaining Ring	2	BT	1010-026-081	Lock Housing Ass'y, Rt.	1
AD	0033-002-000	Knob	1	BU	1010-026-103	Spring Retainer	2
AE	0037-010-000	Hole Plug	6	BV	1010-201-027	Bumper Channel	2
AF	0037-059-000	Hole Plug	2	BW	1010-201-236	Corner Cover, Hole/Slot	1
AG	0037-074-000	Hole Plug	6	BY	1010-201-237	Corner Cover, Hole/Hole	1
AH	0038-220-000	Compression Spring	2	CA	1010-201-238	Corner Cover, Slot	1
AJ	0124-001-082	Compression Spring	2	CB	1010-201-239	Corner Cover, Hole	1
AK	0720-560-013	Handle Socket, Left	1	CC	1210-800-008	Patent Label	1
AL	0720-560-014	Handle Socket, Right	1	CD	(page 39)	Push Handle Assembly	2
AM	0721-026-066	Pivot Screw	14				

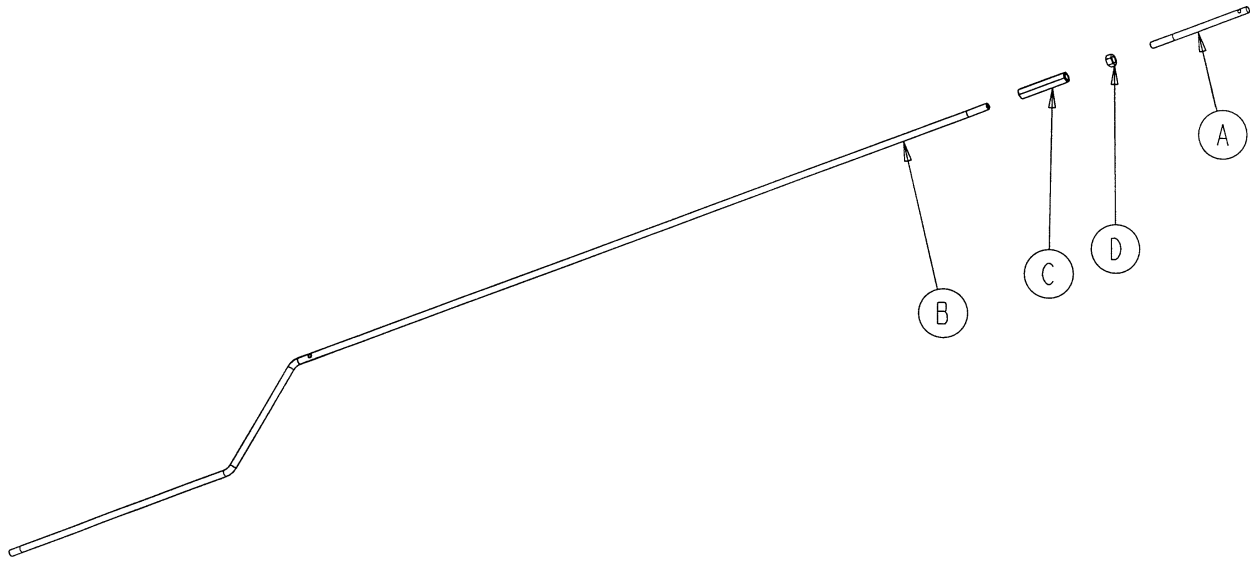
Siderail Assembly, Right & Left

Assembly part numbers
 0721-026-096 (Right)
 0721-026-097 (Left)



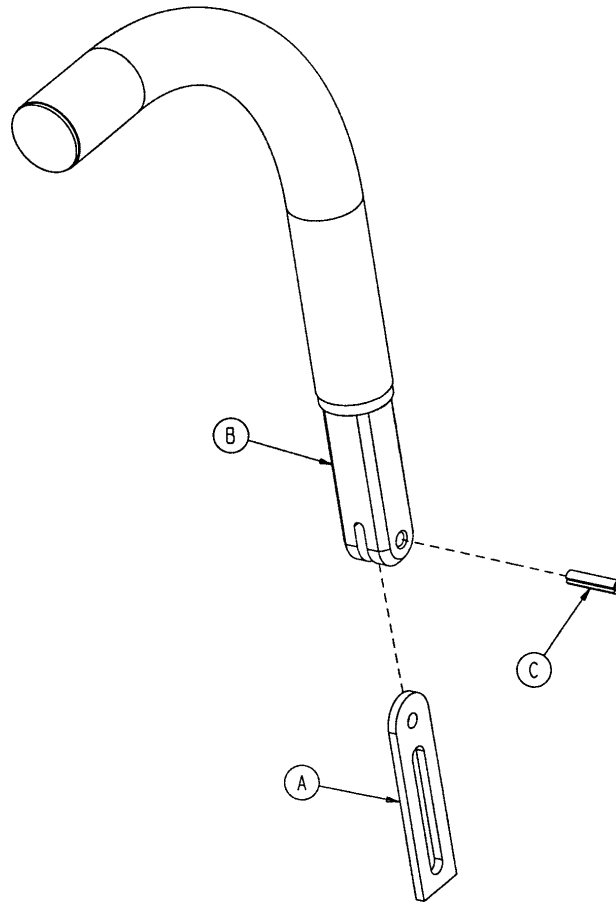
Item	Part No.	Part Name	Qty.
A	1010-026-015	Top Rail	1
B	1010-026-083	Upright	4
C	1010-026-084	Upright, Bent	1
D	1010-026-082	Spacer	6
E	0025-106-000	Semi-Tubular Rivet	6
F	1010-026-010	Round Hole Plug	4
H	1010-026-085	Upright, Latch	1
J	1010-026-012	Bent Spindle Stop	1

0721-560-015 Litter Release Rod Assembly



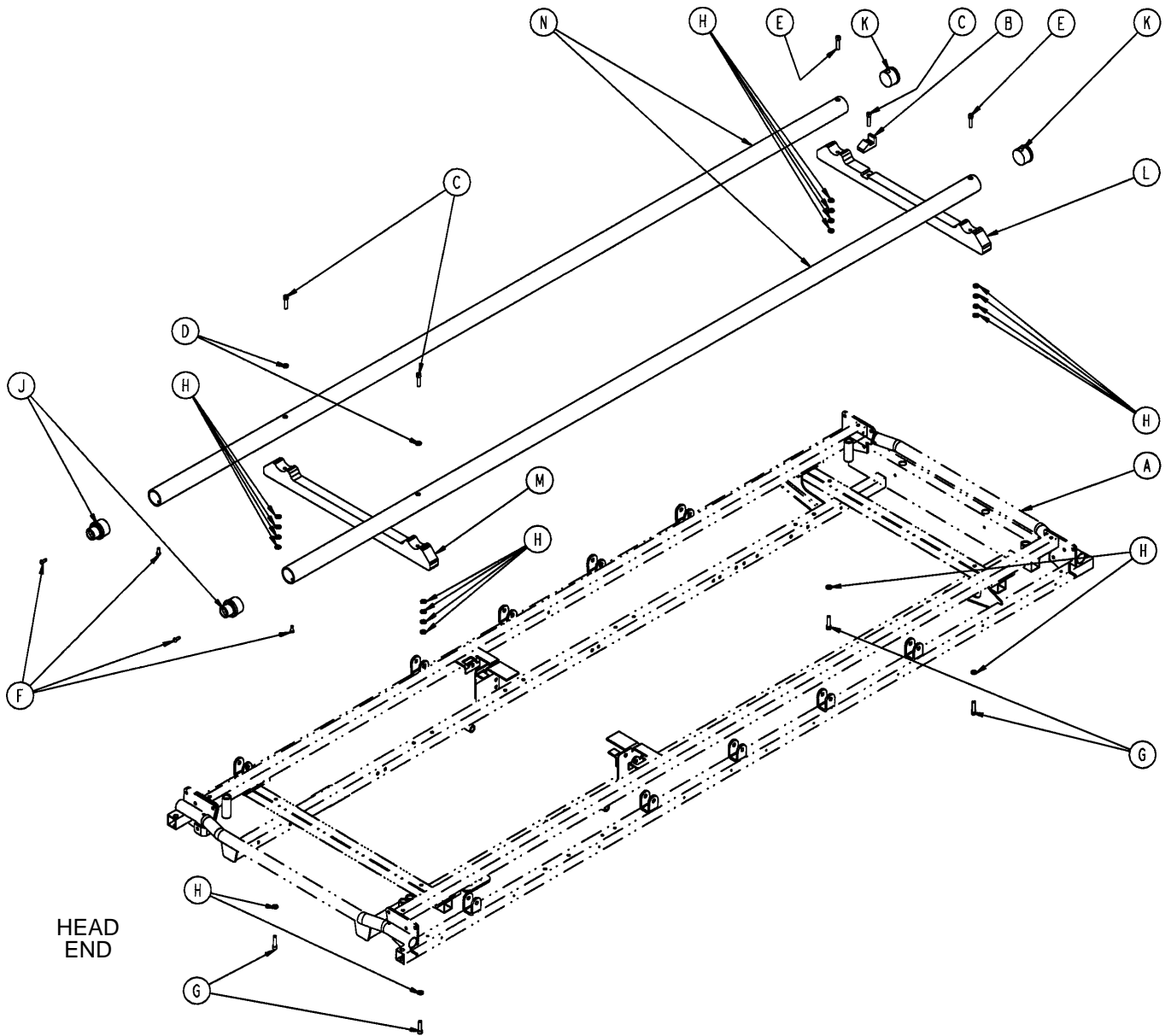
Item	Part No.	Part Name	Qty.
A	0721-560-021	Short Link	1
B	0721-560-022	Litter Release Rod	1
C	0721-560-023	Turn Buckle	1
D	0015-012-000	Jam Nut	1

1211-351-010 Push Handle Assembly



Item	Part No.	Part Name	Qty.
A	1010-354-024	Stop Link	1
B	1211-151-018	Sleeve Assembly	1
C	0026-118-000	Roll Pin	1

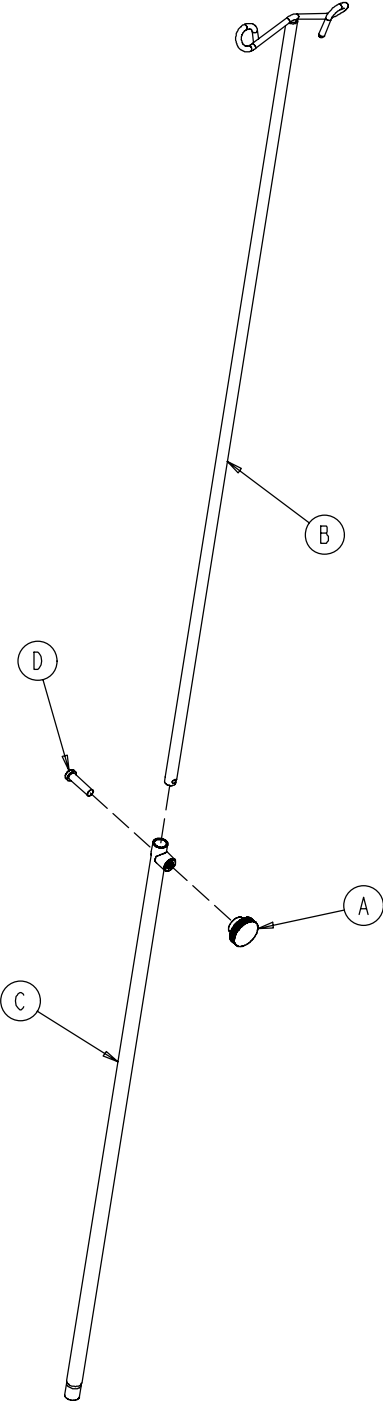
Transfer Dolly Assembly



Item	Part No.	Part Name	Qty.
A	N/A	Litter Assembly	1
B	HB-233	Latch	1
C	HB-274	Machine Screw	3
D	HB-275	Washer	2
E	HB-276	Machine Screw	2
F	HB-279	Machine Screw	4
G	HB-284	Machine Screw	4
H	HB-305-16	Washer	20
J	HB-601-05	Track Guide	2
K	HB-601-07	Track Cap	2
L	HB-801-02	Rear Crossbrace	1
M	HB-801-03	Front Crossbrace	1
N	HB-801-04	Dolly Track	2

0390-025-000 Standard, Removable I.V. Pole Assembly

Item	Part No.	Part Name	Qty.
A	0024-023-000	Plastic Knob	1
B	0390-003-053	Double I.V. Ass'y	1
C	0393-003-043	Tube Assembly	1
D	0004-496-000	Soc. Hd. Cap Screw	1



Warranty

SECHRIST INDUSTRIES, INC. warrants this product to meet the published specifications and to be free from defects in material and workmanship under normal use for a period of one (1) year from the date of purchase. THE FOREGOING IS IN LIEU OF ANY OTHER WARRANTY, EXPRESS, IMPLIED OR STATUTORY, INCLUDING WITHOUT LIMITATION ANY WARRANTY OF MERCHANTABILITY. The sole liability of SECHRIST under this warranty is limited to replacing, repairing, or issuing credit at the discretion of SECHRIST for the products, equipment or parts which fail to meet the published specifications or which become defective during the warranty period and which are upon examination by SECHRIST found not to meet the published specifications or to be defective in material or workmanship. SECHRIST will not be liable under this warranty unless the following provisions are strictly complied with: (a) SECHRIST is promptly notified, in writing, upon discovery of the failure of said product or equipment to meet the published specifications or of defects in material or workmanship, (b) the defective product, equipment or part thereof is returned to SECHRIST, transportation charges prepaid by the buyer, (c) the defective part is received by SECHRIST for examination no later than one (1) month following the expiration of the warranty period and provided (d) that examination by SECHRIST of said product, equipment or part shall disclose to SECHRIST'S satisfaction that such defect has not been caused by improper usage, accident, neglect, alteration, abuse, improper installation or unauthorized repair. Products, equipment or parts replaced under this warranty are warranted only through the terms of the original warranty. SECHRIST neither assumes nor authorizes any other person or entity to assume for it any other warranty, obligation or liability in connection with its products or equipment whatsoever, and this warranty can only be changed in writing by a duly authorized representative of SECHRIST. SECHRIST makes no representations or warranties whatsoever as to fitness or usefulness of the products or equipment manufactured by it for any medical treatment, physical condition or other purpose whatsoever. In so event shall SECHRIST be liable for personal injury, property damage or any special or consequential damage to any buyer, user or any other person whomsoever, including, but not limited to, loss of profits, loss of use of the product or equipment, or for damages of any other kind whatsoever based on a claim for breach of warranty other than a refund of the purchase price of any defective product or equipment. Any authorization for repair or alteration by buyer must be in writing from SECHRIST to prevent the voiding of this warranty. In the event SECHRIST or its representatives render any technical advice or service of any kind to buyer or anyone else in connection with the equipment or products covered by this warranty, the buyer hereby releases SECHRIST from all liability of any kind whatsoever as a result thereof; and the warranty as hereinbefore set forth shall not be enlarged or affected by said action by SECHRIST.



Sechrist Industries Inc.
4225 E. La Palma Avenue
Anaheim, CA 92807
(714) 579-8400